

PREVOST

**WARRANTY
BULLETIN**

WB14-47B

DATE :	OCTOBER 2014	SECTION :	04 - Exhaust
EXPIRATION:	OCTOBER 2016		
SUBJECT :	UREA DOSING SYSTEM UPDATE - X AND H SERIES		

REVISION B: THIS WARRANTY BULLETIN SUPERSEDES PREVIOUS VERSION.
Jan 9, 2015 : Added codes clearing in PTT & "hard reboot" of ECU's.

APPLICATION

NOTICE TO SERVICE CENTERS	
<i>Verify vehicle eligibility by checking warranty bulletin status with SAP or via ONLINE WARRANTY SYSTEM available on Service / Warranty tab of Prevost website.</i>	
Model	VIN
X3-45 coaches Model Year : 2010 - 2015	<p>Single vehicles: 2PCG33498AC729907, 2PCG33491AC729926, 2PCG33499BC729965, 2PCG33491BC729992. And from 2PCG33491BC735002 up to 2PCG33491FC735765 incl.</p>
H3-41, H3-45 coaches Model Year : 2010 - 2015	<p>Single vehicles: 2PCH33498AC711573, 2PCH33496AC711605, 2PCH33495AC711627, 2PCH33496AC711636 2PCH33499BC711695. From 2PCH33496BC711721 up to 2PCH33498FC712729 incl.</p>
XLII-45 Entertainer Model Year : 2011 - 2013	<p>Single vehicle: 2PCYS3495BC729971. And from 2PCY33498BC735003 up to 2PCYS3498DC735489, incl.</p>
X3-45 VIP commercial use Model Year : 2014, 2015	<p>From 2PCCS3497EC735494 up to 2PCC33492FC735773, incl.</p>
<p>This bulletin does not necessarily apply to all the above-mentioned vehicles, some vehicles may have been modified before delivery. The owners of the vehicles affected by this bulletin will be advised by a letter indicating the Vehicle Identification Number (VIN) of each vehicle concerned.</p>	

DESCRIPTION

On the vehicles affected by this bulletin, perform a software update of ECM (Engine Control Module) and ACM (Aftertreatment Control Module) to provide improved temperature-related behaviour. The software will also change urea dosing valve behavior at shutdown and key-on.

As an additional improvement, replace the urea dosing valve by an improved design.

These hardware and software improvements aim to reduce the occurrence of clogging and shorting of the Urea Dosing Valve.

Programming must be performed by a Premium Tech Tool trained technician.

MATERIAL

Order the following parts:

Part No.	Description	Qty
22391563	Urea dosing valve	1

Other parts that may be required

Part No.	Description	Qty
502622	Hex Cap Screw M6-1.0x20 SS / Xylan Black	3

NOTE

Material can be obtained through regular channels.

PROCEDURE



DANGER

Park vehicle safely, apply parking brake, stop engine and set battery master switch(es) to the OFF position prior to working on the vehicle.

SOFTWARE UPDATE

Identify engine variant with valve cover (Fig. 1 & 2)

Software updates should be performed by technicians trained in PTT.

US10 and OBD13 Vehicles

Update according to steps **A** and **B** below.

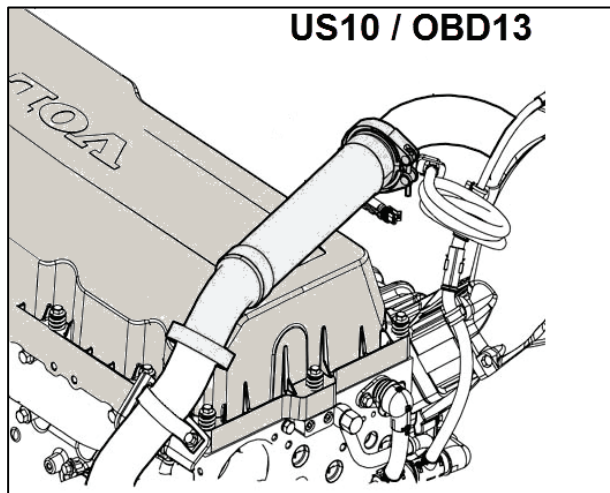


Figure 1 US10 / OBD13 Valve cover

GHG14 Vehicles

(From E-2602 & E-5625)

Update according to steps **A** et **B** below. And add a VECU update

GHG14 engines have a "split" cover (Fig 2).

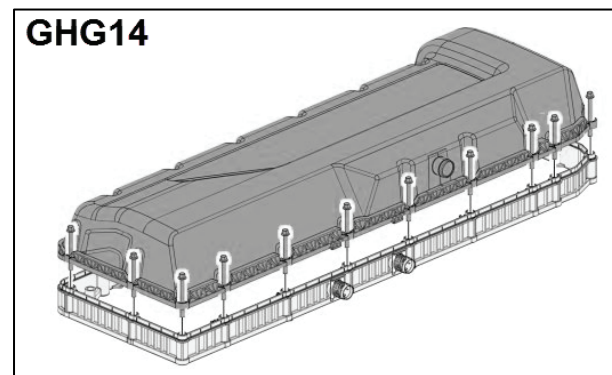


Figure 2 GHG14 valve cover

- A. Connect PTT to the vehicles diagnostic receptacle (DDR or OBD)
- B. Update in the following order: ECM, ACM and VECU (VECU update is required only for GHG14 vehicles)

HARDWARE UPDATE

The procedure will guide you through the replacement of the *urea dosing valve*.

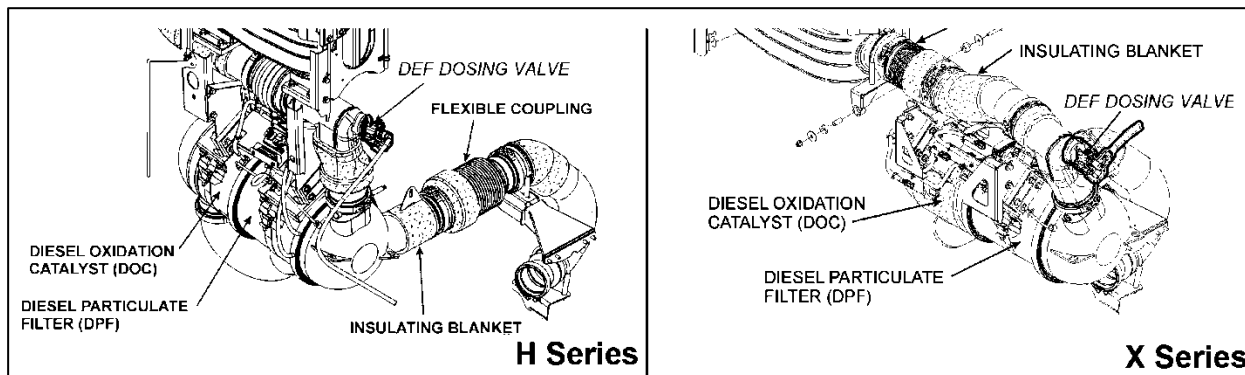



Figure 3: Exhaust System Components Overview

	WARNING
<p>Diesel Exhaust Fluid (DEF) is an eye and skin irritant and may migrate and cause corrosion in electrical components.</p> <p>Refer to the various recommendations regarding DEF in Section 04 of maintenance manual.</p>	

Make sure Vehicle has cooled down before performing any work. Exhaust components remain hot.

1. Open the engine compartment doors.
2. Open the Exhaust aftertreatment access door

3. Relieve coolant system pressure.
4. Prepare a suitable container to catch any coolant dripping
5. Depress yellow buttons to release quick coupling. (Fig. 5)
6. Mark hose connections to ensure proper reconnection.



Figure 4

7. Remove electrical connector.
8. *Protect from DEF contamination by taping a plastic bag over the connector.*
9. Disconnect DEF line. (Fig. 6)

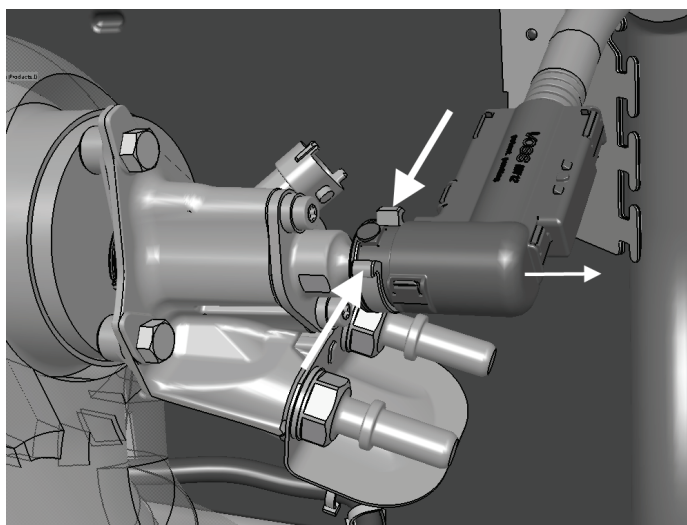


Figure 5

- Remove the three cap screws on the urea dosing valve. (Fig 7)

Use **M10** socket

Re-use hardware.

If hardware is lost or damaged, replace with **502622**.

Reserve valve for warranty parts return process.

- Install new Urea Dosing valve **22391563**.

- Tighten bolts to 7.5 lbf-ft

- Reconnect cooling hose

- Ensure proper operation.

- Before putting vehicle back into service, clear all codes in PTT.

- Turn ignition key to "OFF" and trip breaker CB6 fifteen seconds (15 s) to perform a "hard reboot" of the different ECU's programmed previously.

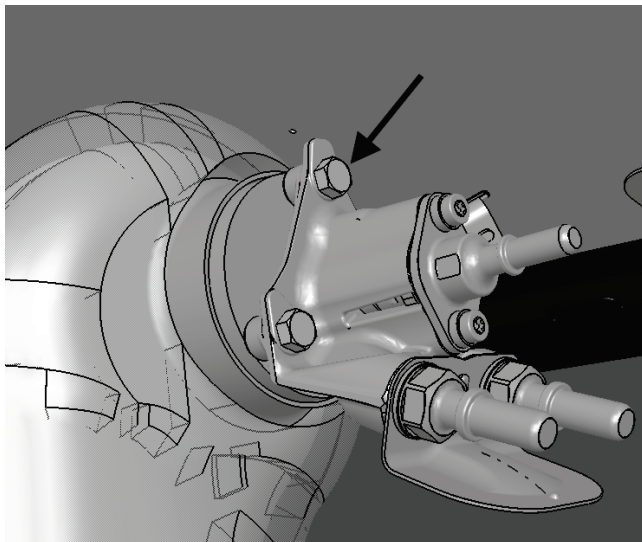


Figure 6



PARTS / WASTE DISPOSAL

All replaced parts must be returned to Prevost according to the Return Shipping Instructions available on <https://www.prevostcar.com/content/warranty-documents> for full reimbursement. A copy of the warranty claim form must be enclosed with the shipment.

Discard waste according to applicable environmental regulations (Municipal/State[Prov.]/ Federal)

WARRANTY

This modification is covered by Prevost's normal warranty. We will reimburse you the parts and one hour(s) (1.0h) of labor upon receipt of a warranty claim. Please submit claim via our Online Warranty System, available at www.prevostcar.com (under Service \ Warranty section). Use Claim Type: "Bulletin/Recall" and select "Warranty Bulletin WB14-47".

OTHER

VBC Bulletin	TBC
Fail Code	04.04-1
Defect Code	09
System Condition	B
Causal Part	21575532

Access all our Service Bulletins on
<https://secureus5.volvo.com/technicalpublications/en/pub.asp>
Or scan the QR-Code with your smart phone.

E-mail us at technicalpublications_prev@volvo.com and type "ADD" in the subject to receive our warranty bulletins by e-mail.

