

FRONT AXLE SWAY BAR CLAMPS BECOMING LOOSE VOLVO 9700 (B13R)

MODEL YEAR(S) AND VEHICLE SERIAL NUMBERS (VIN) INVOLVED

NOTICE TO SERVICE CENTERS <i>Verify vehicle eligibility by checking warranty bulletin status with SAP or via ONLINE WARRANTY SYSTEM available on Service / Warranty tab of Prevest website.</i>			
Model	VIN		
Volvo 9700 us/can Model Year : 2011 - 2013	3CET2S228B5146461	3CET2S22XB5148857	3CET2S229D5155494
	3CET2S22XB5146462	3CET2S225C5152266	3CET2S220D5155495
	3CET2S223B5146464	3CET2S22XC5152652	3CET2S226D5156182
	3CET2S227B5146466	3CET2S222C5154492	3CET2S228D5156183
	3CET2S225B5147664	3CET2S224C5154493	3CET2S22XD5156184
	3CET2S223B5148246	3CET2S226C5154494	3CET2S221D5156185
	3CET2S225B5148247	3CET2S229C5154649	3CET2S223D5156186
	3CET2S227B5148248	3CET2S225C5154650	3CET2S225D5156187
	3CET2S229B5148249	3CET2S227C5154651	3CET2S227D5156188
	3CET2S225B5148250	3CET2S226C5154821	3CET2S229D5156189
	3CET2S227B5148251	3CET2S228C5154822	3CET2S225D5156190
	3CET2S229B5148252	3CET2S228D5154823	3CET2S227D5156191
	3CET2S220B5148253	3CET2S227D5155218	3CET2S224D5157461
	3CET2S224B5148434	3CET2S229D5155219	3CET2S226D5157462
	3CET2S226B5148435	3CET2S225D5155220	3CET2S228D5157463
	3CET2S220B5148656	3CET2S221D5155361	3CET2S22XD5157464
	3CET2S222B5148657	3CET2S223D5155362	3CET2S221D5157465
	3CET2S224B5148658	3CET2S225D5155363	3CET2S223D5157466
	3CET2S226B5148659	3CET2S228D5155373	3CET2S225D5157467
	3CET2S222B5148660	3CET2S22XD5155374	3CET2S227D5157468
	3CET2S222B5148853	3CET2S221D5155375	3CET2S223D5157595
	3CET2S224B5148854	3CET2S223D5155376	3CET2S225D5157596
	3CET2S226B5148855	3CET2S227D5155493	3CET2S227D5157597
	3CET2S228B5148856		

This bulletin does not necessarily apply to all the above-mentioned vehicles, some vehicles may have been modified before delivery. The owners of the vehicles affected by this bulletin will be advised by a letter indicating the Vehicle Identification Number (VIN) of each vehicle concerned.

DESCRIPTION

On the vehicles affected by this bulletin, it is necessary to verify if the front axle sway bar might have become loose.

It is important that a check of the clamping of the sway bar be performed according to following instruction. The clamps must be firmly attached. Gap between the clamp halves is not allowed when the bolts are tightened to correct torque.

The required parts depend on the damages found on the sway bar. Perform an inspection and if damaged components are found, replace them.

MATERIAL

Parts that may be required:

Part No.	Description	Qty
984826	SCREW, FLANGE M12 x 160mm, 10.9 class	8 max
990952	NUT, FLANGE LOCK M12	8 max

NOTE

Material can be obtained through regular channels.

PROCEDURE



DANGER

Park vehicle safely, apply parking brake, stop engine. In the battery box, set the battery cut-off switch to the OFF position prior to working on the vehicle.

- 1) Lift the vehicle using mobile column wheel lifts so that the suspension is at the normal ride height.
- 2) Make sure that sway bar clamps are tight. There must be no gap between the lower and upper clamp halves when the bolts are tightened to proper torque.
- 3) Check that clamp bolts (4 bolts each side) are tightened to prescribed torque. If fasteners have become loose, new fasteners should be used.

For proper torque value, clean the bolt head to identify which bolt class is present on the vehicle.

- **8.8 class bolts** = 63 ± 11 lbf-ft (85 ± 15 Nm)
- **10.9 class bolts** = 77 ± 15 lbf-ft (105 ± 20 Nm)

Never use oil, Vaseline or similar product. Make sure that the clamp and the rubber bushing are properly aligned and then tighten bolts to the proper torque if applicable. The clamps must not be pressed on using a jack or similar equipment.

- 4) If gaps are detected after the correct torque is applied on vehicles with 8.8 class bolts, the bolts must be replaced with 10.9 class bolts and tightened to the higher torque level. In some cases,

Date	Expiration	Group	No.	Page
11.2014	11.2015	762		3(4)

depending on the installation, the old bolts must be cut and the new ones installed in reverse position. There is no need to replace the clamps or the rubber bushing.

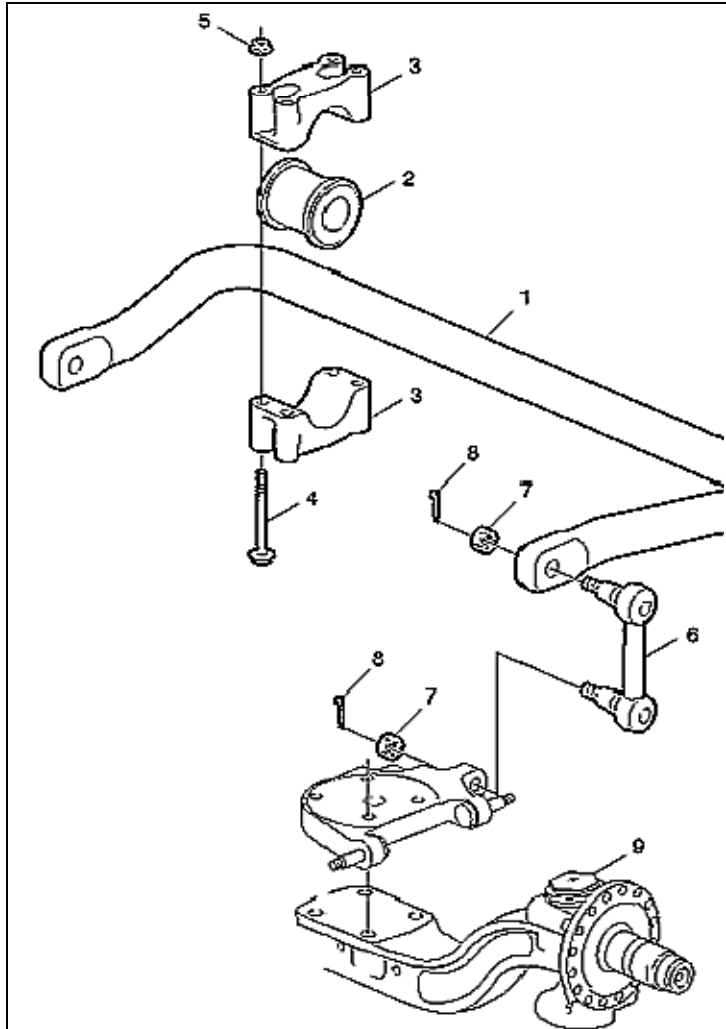


FIGURE 1: FRONT AXLE SWAY BAR ARRANGEMENT

#3: CLAMPS

#4: FLANGE SCREW 984826

#5: NUT 990952

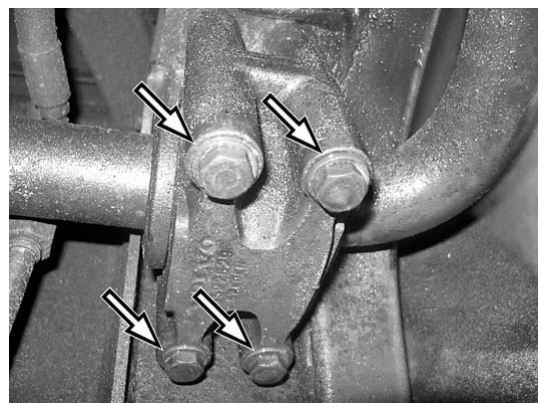


FIGURE 2: FRONT SWAY BAR CLAMP BOLTS

Date	Expiration	Group	No.	Page
11.2014	11.2015	762		4(4)

PARTS / WASTE DISPOSAL

DO NOT RETURN THE REPLACED PARTS. Discard waste according to applicable environmental regulations (Municipal/State[Prov.]/ Federal)

WARRANTY

This inspection is covered by Prevost's normal warranty. We will reimburse you the parts and labor upon receipt of a warranty claim. Please submit claim via our Online Warranty System, available at www.prevostcar.com (under Service \ Warranty section). Use Claim Type: "Bulletin/Recall" and select "WB14-85".

LABOUR

- ½ hour (0.5) for the inspection and part change.

OTHER

VBC Bulletin	S-6985
Fail Code	16.06
Defect Code	09
Syst.Cond.	B
Causal Part	984826

Access all our Service Bulletins on <https://secureus5.volvo.com/technicalpublications/en/pub.asp> or scan the QR-Code with your smart phone.

E-mail us at technicalpublications_prev@volvo.com and type "ADD" in the subject to receive our warranty bulletins by e-mail.



Prevost engages in a continuous program of testing and evaluating to provide the best possible product. Volvo Bus, however, is not committed to, or liable for updating existing products.