

PREVOST

Instruction Sheet

IS-04084A

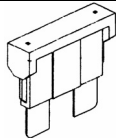





INSTALLATION OF TIRE MONITORING SYSTEM (TMS)

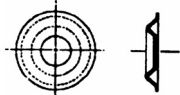
REVISION : A

TEXT MODIFIED DUE TO A MISTAKE WITH THE JUNCTION CABLE

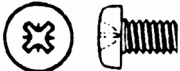





MATERIAL: ORDER KIT #060906 OR #060910 DEPENDING ON TYPE OF VEHICLE

Kit #060906 for H3 MULTIPLEX vehicles, X3-45 Coaches or XLII MTH MULTIPLEX includes the following parts:

Part No.	Description	Identification	Qty
066583	Cable, Junction		1
563279	Fuse, ATO 3A		1
382331	Antenna		1
382334	Receiver		1
382335	Antenna		1
500623	Screw, TC Pan head Philips 10-24 X 3/4		6
500470	Washer, Split-Lock ZP .193 X .334 X .047		6
382333	Sensor, Pressure/Temperature		9
507643	Strap		9
066445	Decal, English		9
066446	Decal, Bilingual		9
382332	Display, Full Function		1
382340	Bracket, Display		1
5001454	Screw, Machine Binding head Philips SS 4-40 X 1/2		2
500425	Nut, Hexagonal Lock Nylon Insert SS 4-40		2
500353	Screw, Tapping Flat head Philips Black #8 X 3/4		2

500345	Washer, Finishing CTSK Flange Black .187 X .500 X .090		2
IS-04084	Instruction Sheet		1
FI-04084	Feuille d'instructions		1

Kit #060910 for H3 STANDARD vehicles (Not multiplex), XLII Coaches or XLII MTH (Not multiplex) includes the following parts:

Part No.	Description	Identification	Qty
382331	Antenna		1
382335	Antenna		1
382355	Receiver		1
500623	Screw, TC Pan head Philips 10-24 X 3/4		6
500470	Washer, Split-Lock ZP .193 X .334 X .047		6
382333	Sensor, Pressure/Temperature		9
507643	Strap		9
066445	Decal, English		9
066446	Decal, Bilingual		9
382332	Display, Full Function		1
382340	Bracket, Display		1
5001454	Screw, Machine Binding head Philips SS 4-40 X 1/2		2
500425	Nut, Hexagonal Lock Nylon Insert SS 4-40		2
500353	Screw, Tapping Flat head Philips Black #8 X 3/4		2
500345	Washer, Finishing CTSK Flange Black .187 X .500 X .090		2
IS-04084	Instruction Sheet		1
FI-04084	Feuille d'instructions		1

PART A: INSTALLATION OF MECHANICAL PARTS

PROCEDURE



DANGER

Park vehicle safely, apply parking brake, stop engine and set battery master switch(es) to the OFF position prior to working on the vehicle.

1. Raise the vehicle by its jacking points.
2. Remove the wheels where the pressure/temperature sensors (382333) will be mounted.

NOTE

Mark the location of each balance weight to reinstall in same position. Also make sure the tire is reinstalled in the same position with reference to the rim.

3. Install some type of cushioning pad on the floor then place the tire valve down.
4. Release the pressure then push the tire bead in to be able to access inside the tire.
5. Position the strap-mounted sensor in center of the rim in the lowest point of the drop center well at ± 2 -inch (50 mm) of the valve. Position the strap (507643) worm-gear 6-inch (150 mm) away from the sensor (Refer to figure 1).
6. Torque worm-gear to 35 in-lbs



CAUTION

Do not over tighten.

NOTE

Make sure the strap is in the center all around the rim and that the sensor is secure.

7. Cut the excess of the strap 1-inch (25 mm) from the worm-gear (Refer to figure 1).
8. Using alcohol, clean and dry the location on the outside of the rim flange where the decal will be installed. Apply the supplied decal (066445 or 066446) as per figure 1.
9. Grease the tire bead, install the tire and pressurize.



CAUTION

Make sure not to hit the sensor with the tire bead or putting grease on the sensor when remounting the tire.

10. Perform the previous procedure for each wheel.
11. Fix the display (382332) onto its bracket (382340) using two machine screws (5001454) and nuts (500425).
12. Drill the hole for the cable as per figure 2. Fix the display c/w its bracket onto the lateral control panel using screws (500353) and finishing washers (500345).

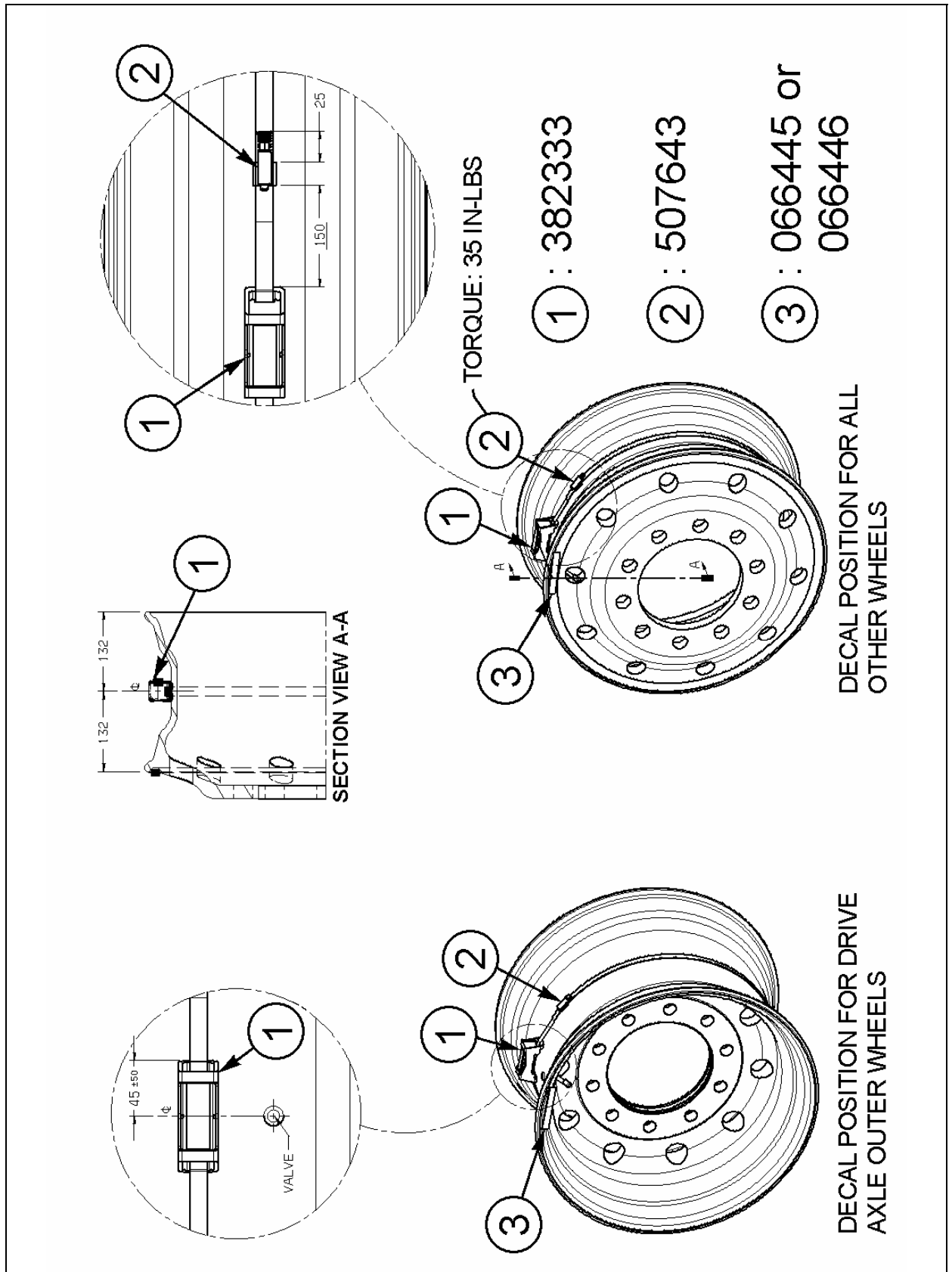


FIGURE 1

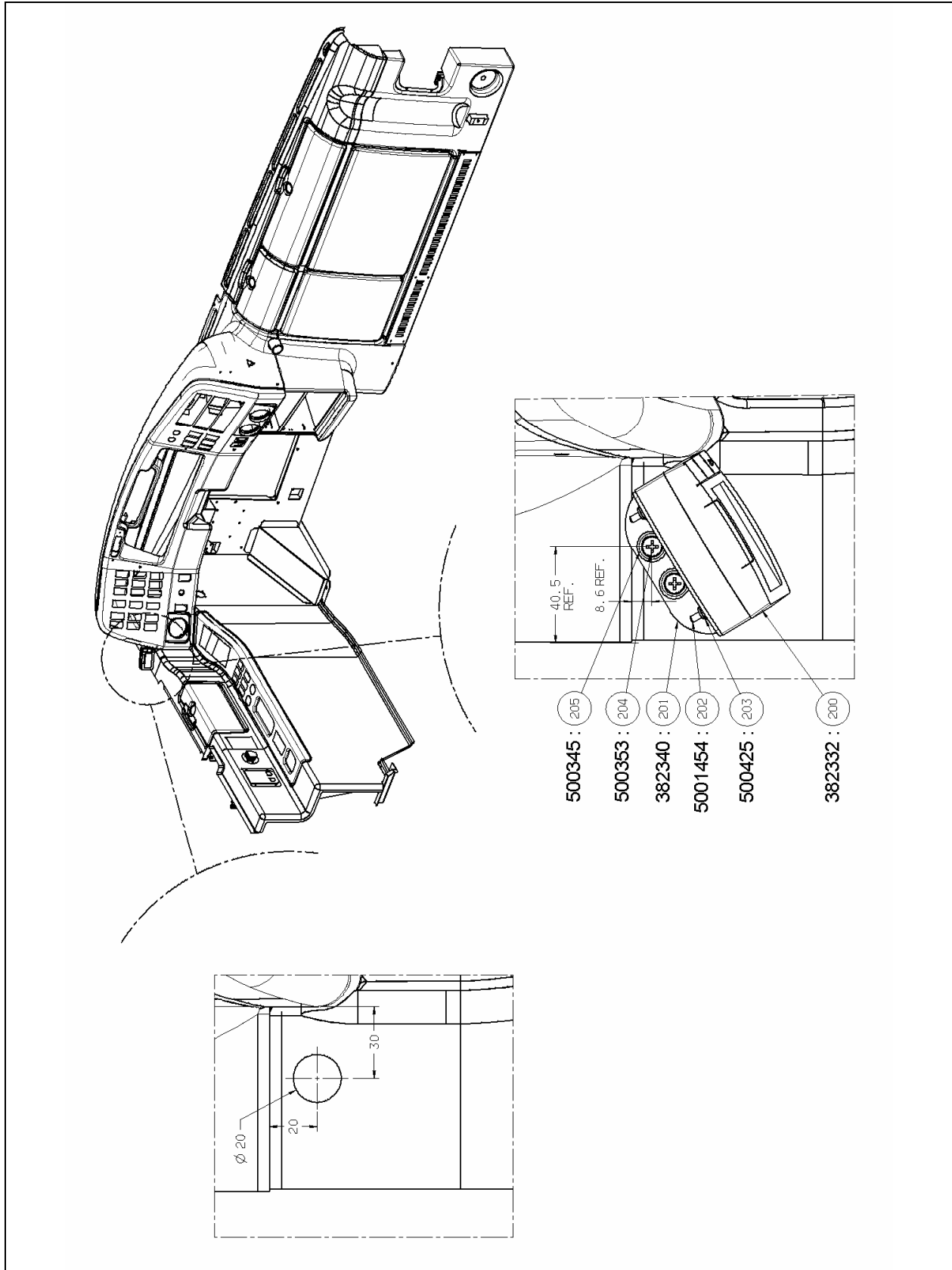


FIGURE 2

PART B: ELECTRICAL INSTALLATION FOR H3 MULTIPLEX VEHICLES, X3-45 COACHES OR XLII MTH MULTIPLEX

PROCEDURE

1. Raise the vehicle.
2. Install and fix the rear antenna (382331) onto the diagonal brace located at the center of the vehicle using tapping screws (500623) and washers (500470).
3. Make sure that the antenna points downwards then route cable between the antenna and the front junction box as per figure 3.
4. Install and fix the front antenna (382335) at the center of the vehicle, onto the front partition wall of the front underframe using tapping screws (500623) and washers (500470).
5. Make sure that the antenna points rearwards then route cable between the antenna and the front junction box as per figure 3.
6. Position then fix receiver (382334) inside the front service compartment using Velcro or double-face self adhesive tape as indicated in figure 4.
7. Label each antenna wire "Front" and "Rear" and connect to receiver.
8. Route power cable between the receiver and VECF connector A32 as indicated in figure 4.
9. Install ATO 3A fuse (563279) into position F26 of VECF.

<i>NOTE</i>

<i>X3-45 Coaches, XLII MULTIPLEX MTH and H3 MULTIPLEX vehicles up to 5-0229 must use junction cable (066583) to connect receiver to VECF. Connect wire 12VI9 into connector 12, pin housing B of VECF. Connect ground wire 0FB3 to one of the front ground studs. Refer to figure 5.</i>
--

10. Route signal cable between receiver and display and connect.
11. Secure cables using nylon cable ties.
12. Waken each of the sensors using the remote actuator (563611).
13. Refer to Department of Transport (DOT) certification plate for recommended tire inflation pressure at maximum cold load.

Pressure Deviation Alert: ±15 PSI

Low Pressure Warning: 70 PSI

High Temperature Alert: 175°F

14. Program the system using full function display, refer to User's Manual.

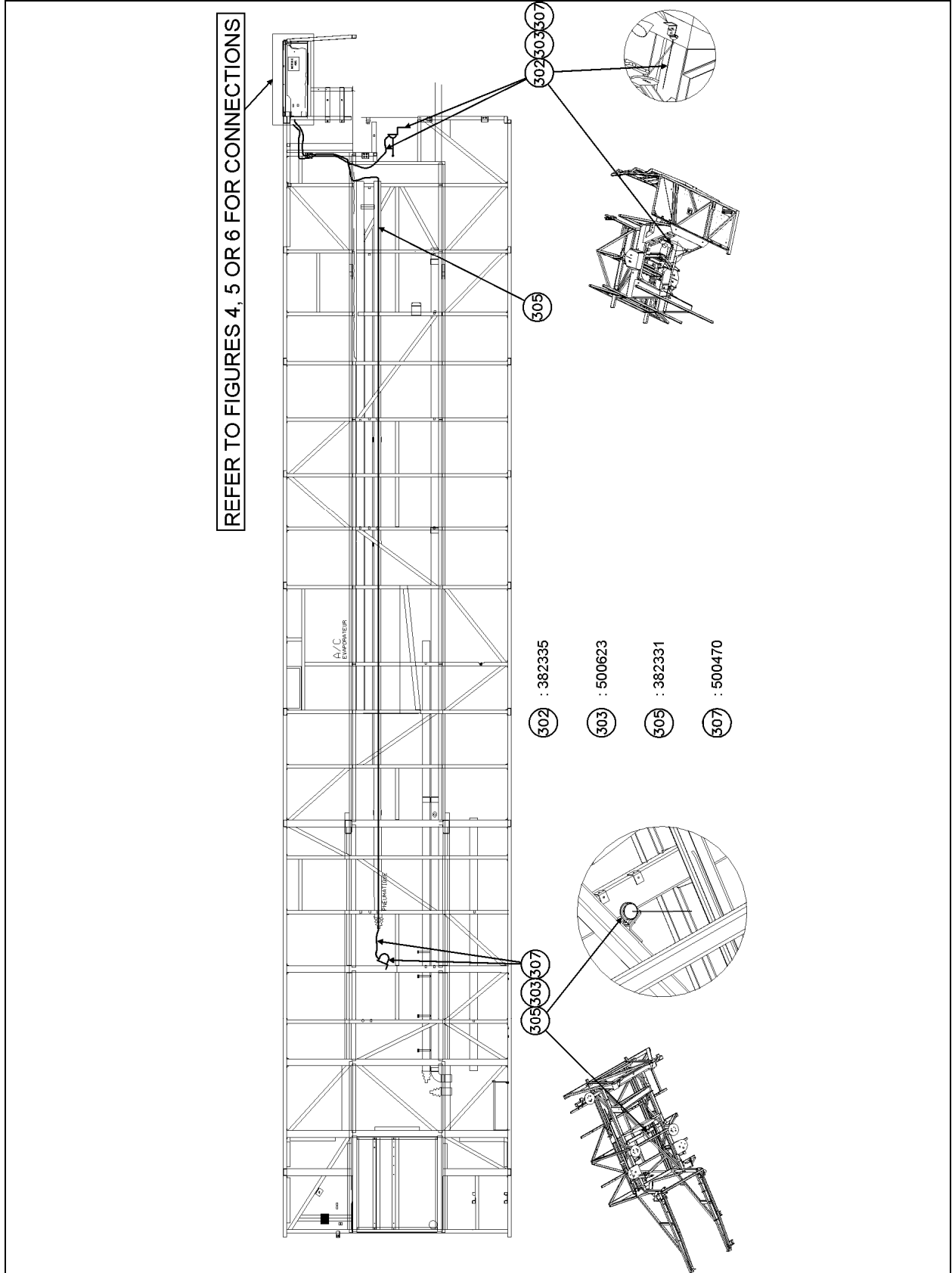


FIGURE 3

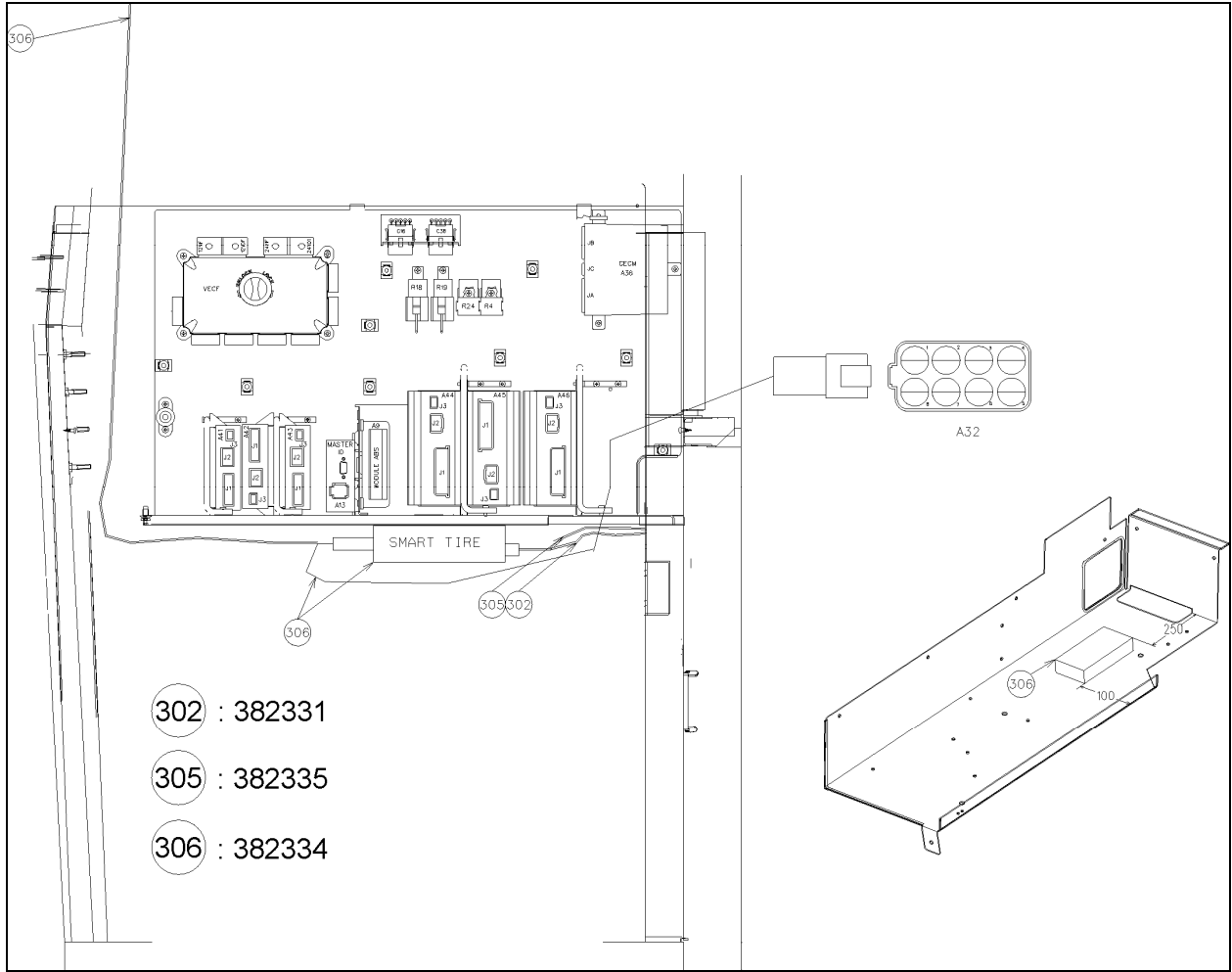


FIGURE 4

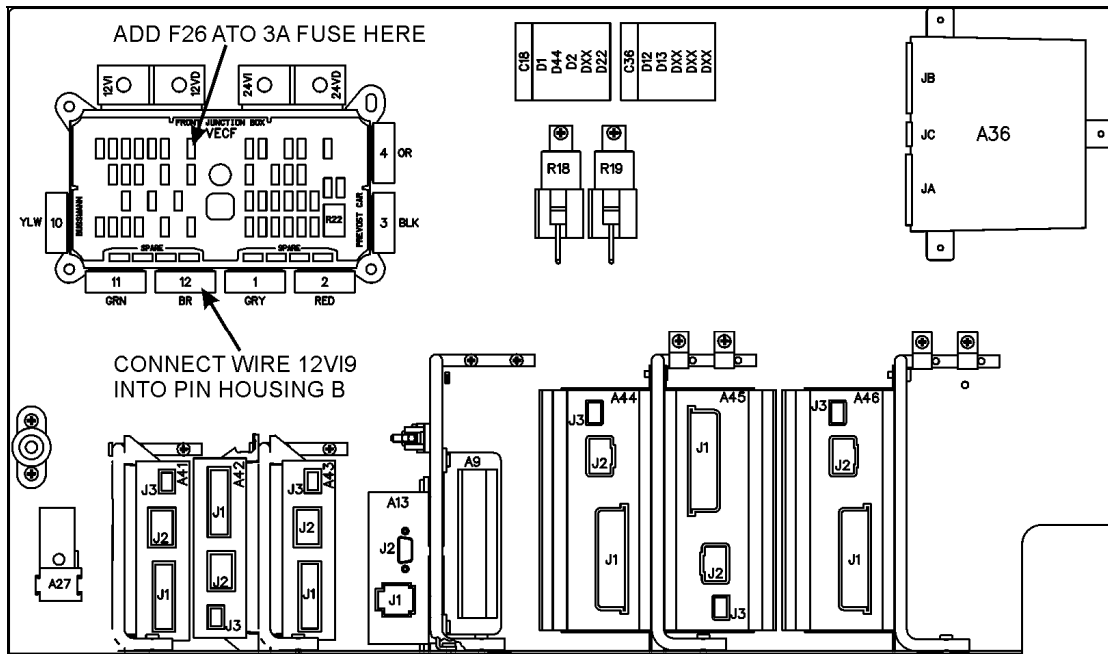


FIGURE 5

PART C: ELECTRICAL INSTALLATION FOR H3 STANDARD VEHICLES (NOT MULTIPLEX), XLII COACHES OR XLII MTH (NOT MULTIPLEX)

PROCEDURE

1. Raise the vehicle.
2. Install and fix the rear antenna (382335) onto the diagonal brace located at the center of the vehicle using tapping screws (500623) and washers (500470).
3. Make sure that the antenna points downwards then route cable between the antenna and the front junction box as per figure 3.
4. Install and fix the front antenna (382331) at the center of the vehicle, onto the front partition wall of the front underframe using tapping screws (500623) and washers (500470).
5. Make sure that the antenna points rearwards then route cable between the antenna and the front junction box as per figure 3.
6. Fix receiver (382355) inside the front service compartment using Velcro or double-face self adhesive tape as per figure 6.
7. Label each antenna wire "Front" and "Rear" and connect to receiver.
8. Route red and white power cable between the receiver and terminals as indicated in figure 6.
9. Route signal cable between receiver and display and connect.
10. Secure cables using nylon cable ties.
11. Waken each of the sensors using the remote actuator (563611).
12. Refer to Department of Transport (DOT) certification plate for recommended tire inflation pressure at maximum cold load.

Pressure Deviation Alert: ±15 PSI

Low Pressure Warning: 70 PSI

High Temperature Alert: 175°F

13. Refer to User's Manual to operate the full function display.

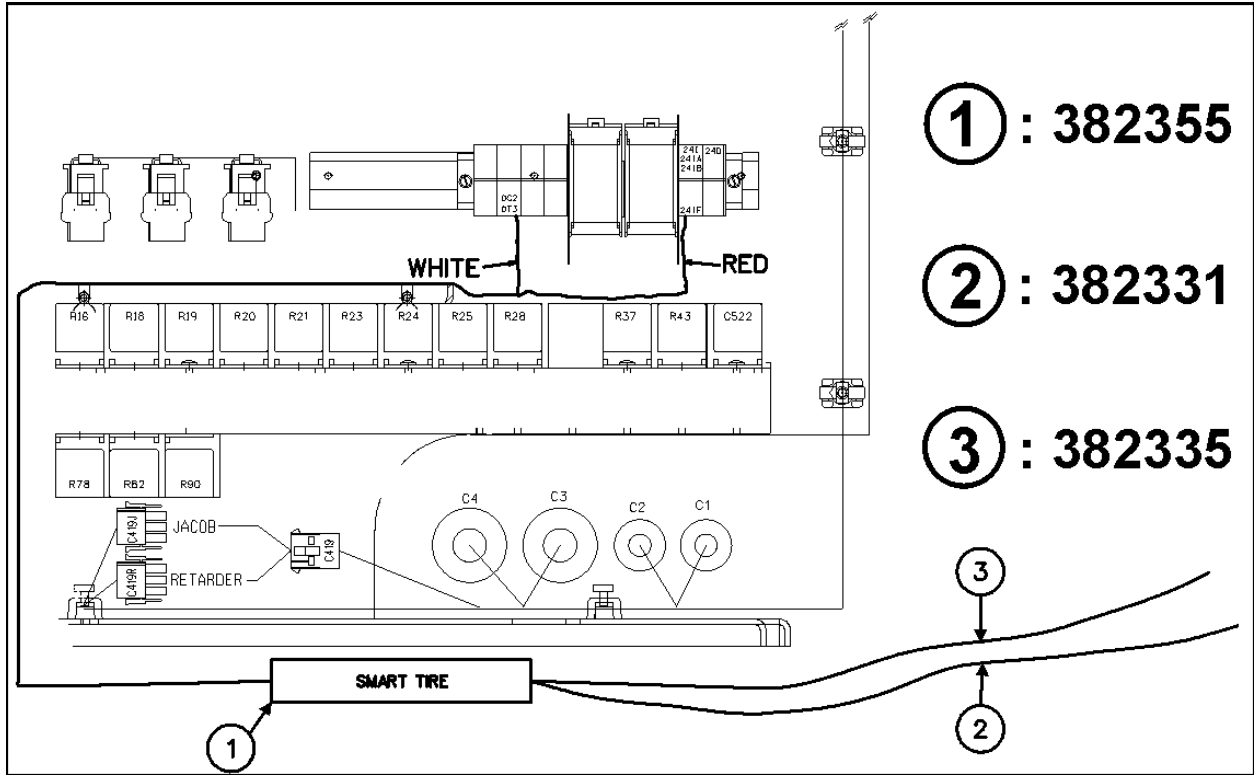


FIGURE 6