

# PREVOST

## Warranty Bulletin

96-25A

Date: **November 1997**  
 Section: **22**  
 Subject: **RE-ENFORCEMENT OF A/C RECEIVER TANK SUPPORT BRACKET**  
 Revision A:

Addition of figures 3, 4 and 5 and steps 4 to 9 (10) in procedure.

Application:

Model	VIN
H3-41, H3-45 and VIP45 Vehicles Model Year: 1994 - 1997	2P9H33495R1001012, 2P9H33404R1001020, and from 2P9H33492R1001047 up to 2PCV3349XV1011721 incl.

### DESCRIPTION

On the above-mentioned vehicles, the brackets supporting the A/C receiver tank could damage the metal sheet wall inside the A/C compartment. Vibrations in this area combined with the mass of the tank may eventually tear the wall and/or cause the brackets to detach.

### MATERIAL

Part No.	Description	Qty
213418	Re-enforcement assembly for vehicles 2P9H33495R1001012, 2P9H33404R1001020, and 2P9H33492R1001047 to 2PCH33414T1011607 incl.	1
213421	Re-enforcement assembly for vehicles 2PCH334019T1011608 to 2PCV3349XV1011721 incl.	1

**Note:** Material can be obtained through regular channels.

### PROCEDURE

**Warning:** Park vehicle safely, apply parking brake, stop engine and set battery master switch(es) to the OFF position prior to working on the vehicle.

1. Remove the bolts, washers and nuts holding the receiver tank to its support brackets in the A/C compartment (Figures 1 and 2).

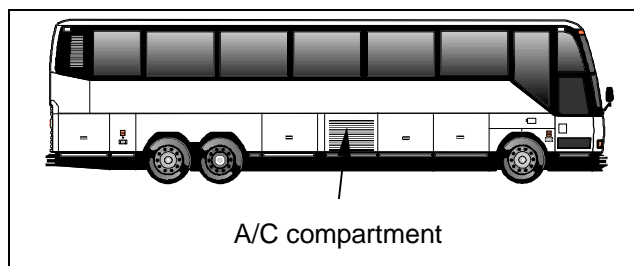


FIGURE 1: A/C COMPARTMENT

18083

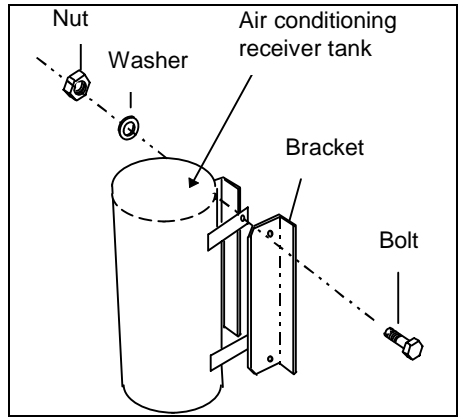
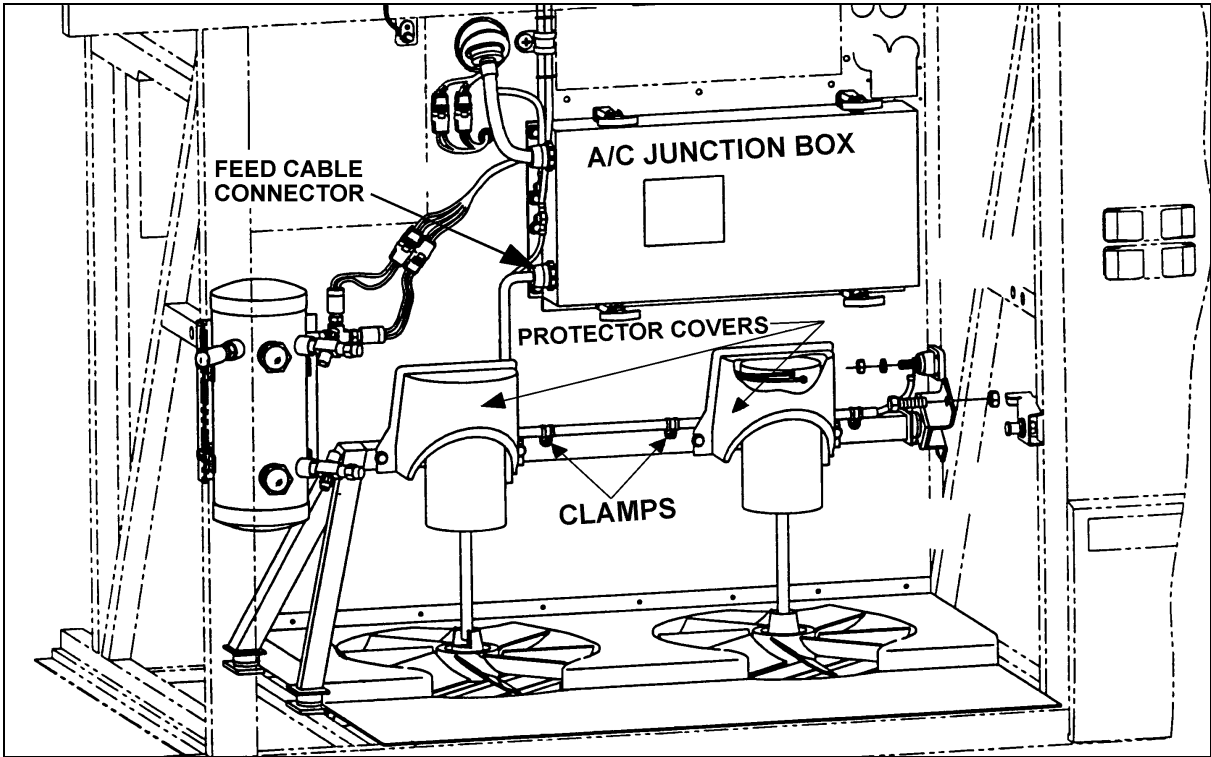


FIGURE 2: RECEIVER TANK WB96-025

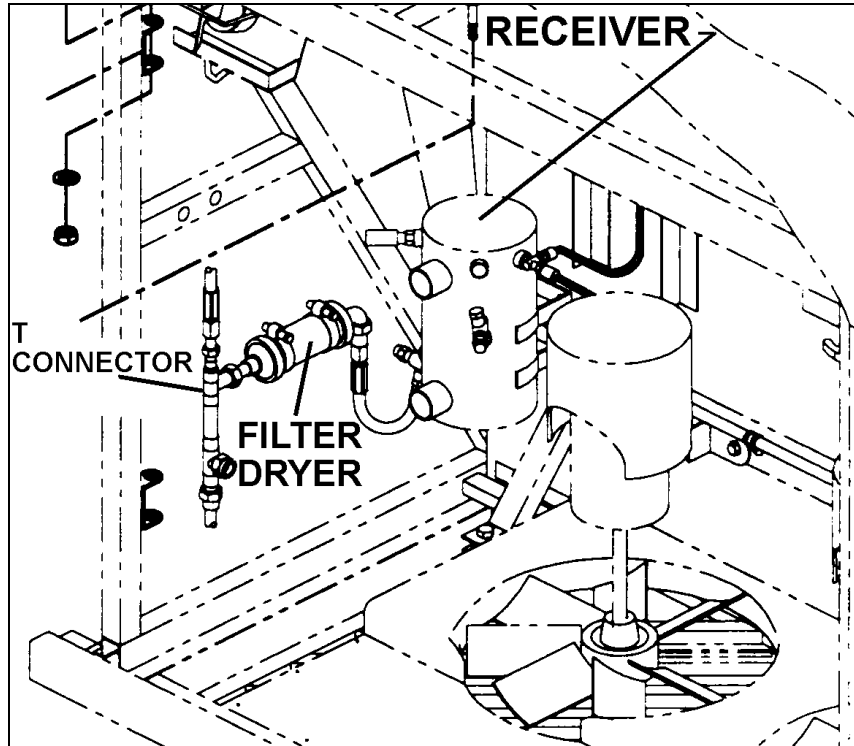
2. Move receiver tank away from work area.
3. To protect the electronic control components (while soldering) you must take the following precautions:
  - Cut off battery power (battery master switch) from battery compartment.
  - Disconnect wiring harness connectors (3) from ECM (Electronic Control Module). The ECM is mounted on the starter side of the engine.
  - For vehicles equipped with an automatic transmission, disconnect wiring harness connectors (2) from the ECU (Electronic Control Unit). The ECU is located in rear electrical compartment.
  - For vehicles equipped with ABS (Antilock Braking System), disconnect the wiring harness connector from the ABS Electronic Control Unit. The ABS Electronic Control Unit is located in the front service compartment.
  - Do not connect welding cables to electronic control components.
4. Remove A/C junction box cover (figure 3).



---

**FIGURE 3: CONDENSER COMPARTMENT**

5. Remove both motors protector covers.
6. Remove clamp screws from feed cable.
7. Unscrew feed cable connector.
8. Separate right hand motor from support bracket.
9. Remove filter dryer from wall and remove T connector clamp (figure 4).



**FIGURE 4: CONDENSER COMPARTMENT RECEIVER**

10. For VIP's, remove insulating material from wall where re-enforcement assembly will be welded (figure 5).



FIGURE 5: RE-ENFORCEMENT ASSEMBLY

**FOR VEHICLES 2PCH334019T1011608 TO 2PCV3349XV1011721 INCLUSIVE.**

1. Cut the support brackets as shown in Figure 6.

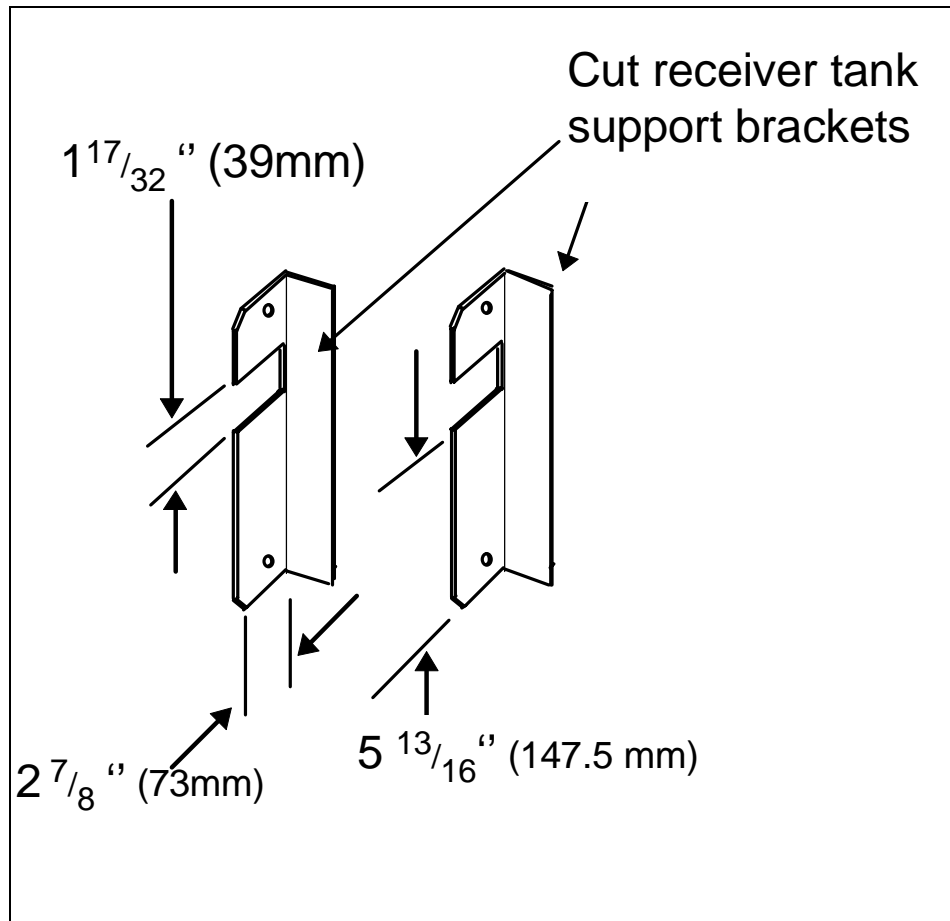


FIGURE 6: SUPPORT BRACKETS

WB96-025

2. Position and weld the re-enforcement assembly as shown in Figure 5 and 7.

**Note:** Insert left corner of re-enforcement assembly underneath T connector, insert right corner inside compartment then flip over in position.

**Warning:** Always wear the appropriate safety equipment during welding. Weld in a clean and well-ventilated area and always have an appropriate fire extinguisher within your reach.

3. Remove excess flux with a scaling hammer.
4. Glue insulating material in place (VIP).
5. Secure filter dryer using clamps.
6. Re-install receiver tank on its support bracket and reconnect receiver tank cable.
7. Secure right hand motor to its support and tighten feed cable connector. Seal ground wire terminal and fix cable using clamps.
8. Secure T connector using clamp.
9. Re-install motor protector covers and close A/C junction box cover.

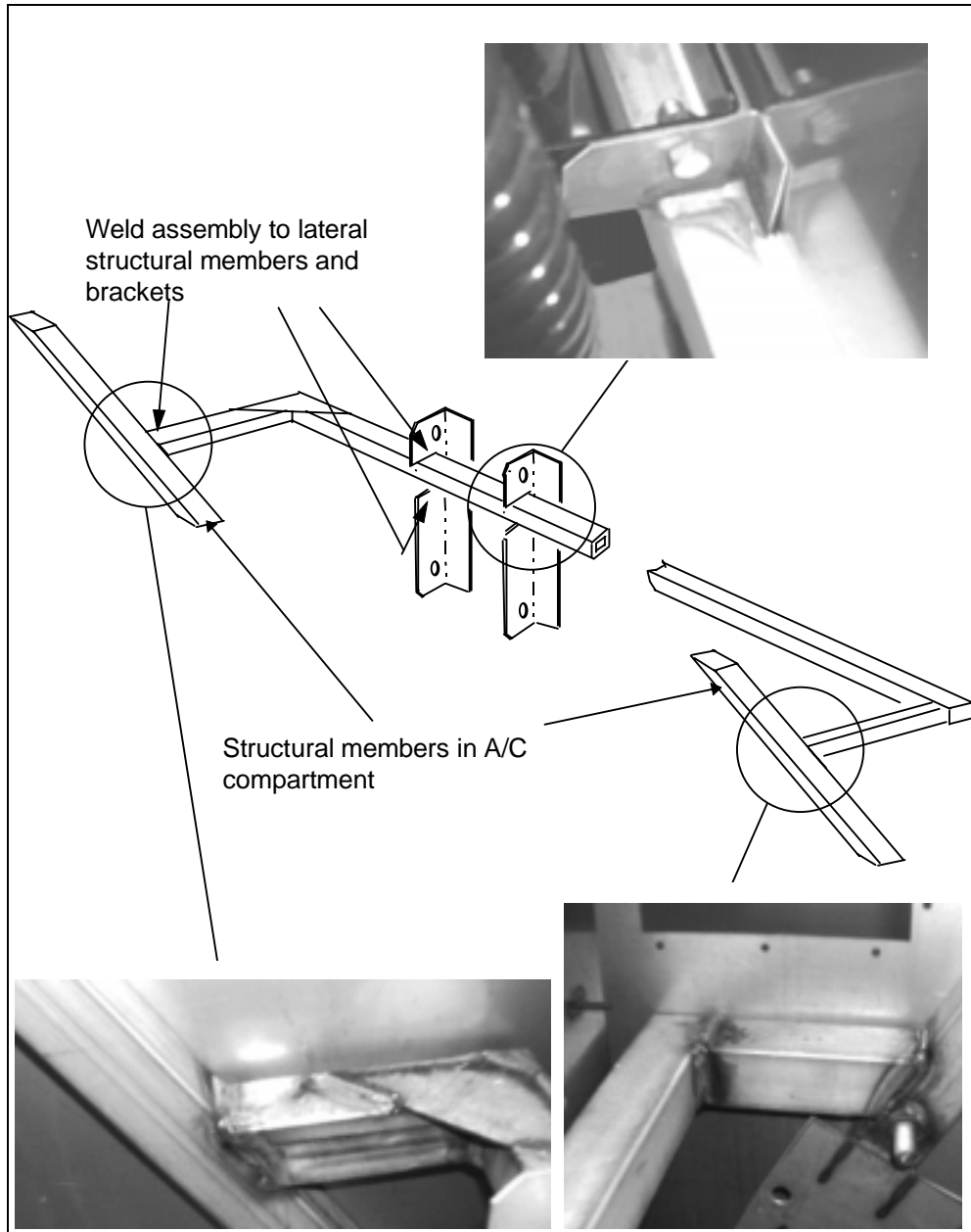


FIGURE 7: A/C COMPARTMENT RE-ENFORCEMENT ASSEMBLY

WB96-025

**FOR VEHICLES 2P9H33495R1001012, 2P9H33404R1001020, AND 2P9H33492R1001047 TO 2PCH33414T1011607 INCLUSIVE.**

1. Cut brackets where shown in Figure 8. This is required to permit installation of new re-enforcement assembly. To prevent damages to the wall it is recommended to leave the welded halves on the wall.

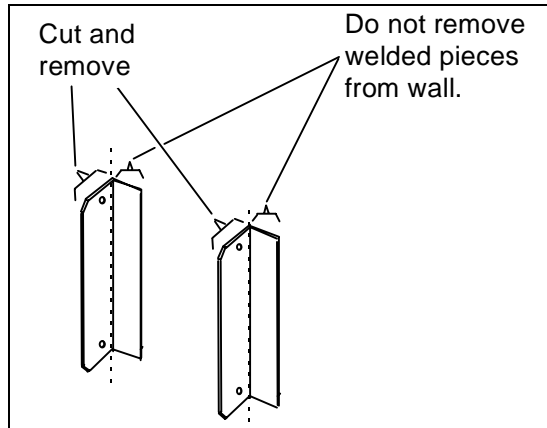


FIGURE 8: SUPPORT BRACKETS

WB96-025

2. Position and weld new support assembly as shown in Figure 9.

**Note:** Insert re-enforcement assembly left corner underneath T connector, insert right corner inside compartment then flip over in position.

**Warning:** Always wear the appropriate safety equipment during welding. Weld in a clean and well-ventilated area and always have an appropriate fire extinguisher within your reach.

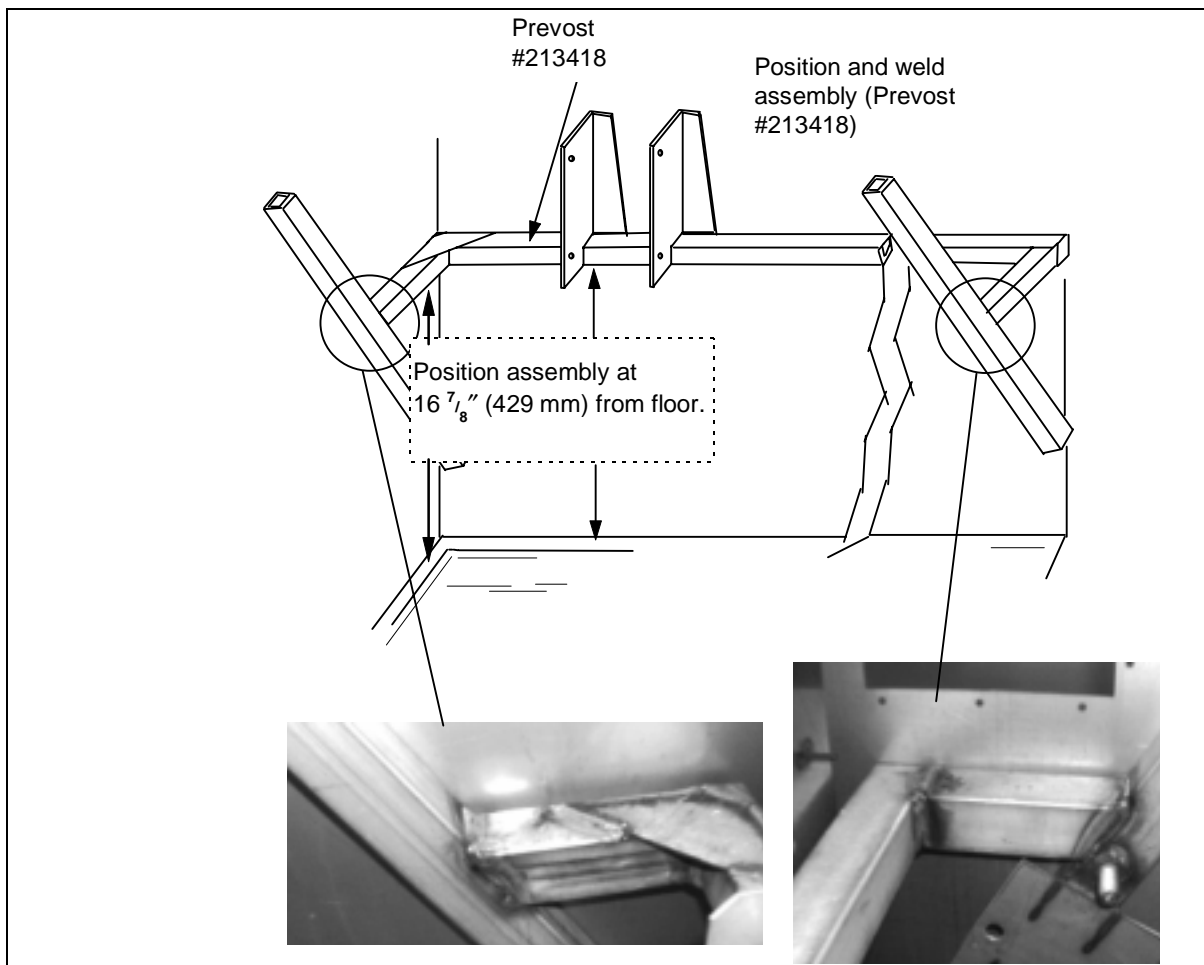


FIGURE 9: A/C COMPARTMENT RE-ENFORCEMENT ASSEMBLY

WB96-025

- 
3. Remove excess flux with a scaling hammer.
  4. Glue insulating material in place (VIP).
  5. Secure filter dryer using clamps.
  6. Re-install receiver tank on its support bracket and reconnect receiver tank cable.
  7. Secure right hand motor to its support and tighten feed cable connector. Seal ground wire terminal and fix cable using clamps.
  8. Secure T connector using clamp.
  9. Re-install motor protector covers and close A/C junction box cover.

## **WARRANTY**

This modification is covered by the manufacturer's normal warranty. We will reimburse you the parts and two hour (2.0) of labor upon receipt of a completed A.F.A. form on which you must specify as per "Warranty Bulletin 96-25A".

**Expiration date: November 1998**