

# PREVOST

## Instruction Sheet

## IS-04099

### REPLACEMENT OF KEEPERS ON THE ELECTRICAL AWNING WINDOW

#### APPLICATION

Model	VIN	
VIP Motorhome Model Year : 2004 - 2005	From 2PCV334914101 <u>4846</u> up to 2PCV334925101 <u>0161</u> incl.	
XL2 Motorhome & Entertainer Model Year : 2004 - 2005	From 2PCW3349X5102 <u>8296</u> up to 2PCW334985102 <u>8622</u> incl.	

#### MATERIAL

Kit #293862 includes the following parts:

Part No.	Description	Qty
790609	Keeper	2
IS-04099	Instruction Sheet	1
FI-04099	Feuille d'instructions	1

## PROCEDURE

### ⚠ WARNING ⚠

Park vehicle safely, apply parking brake, stop engine and set battery master switch(es) to the OFF position prior to working on the vehicle.

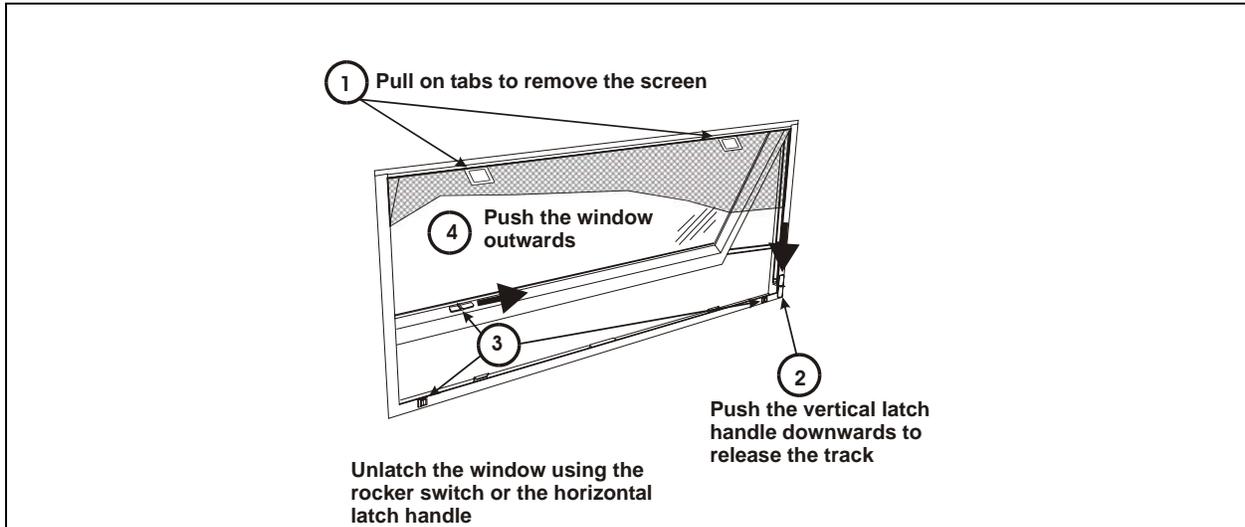


FIGURE 1

1. Remove the fly screen (step 1, figure 1).
2. Release the track using the vertical latch handle (step 2, figure 1).
3. Unlatch and open the window using the horizontal latch handle (step 3 & 4, figure 1).
4. Remove the 2 existing keepers (figure 2).

### NOTE

*The keeper mounting slots are filled with sealant which will have to be removed.*

5. Install the new keepers. Do not fully tighten the keeper fasteners at this moment (figure 2).
6. Using moderate force, slide the window sash all the way to the left to take up any end play in the hinge. This step is very important to properly adjust the keepers.
7. Set the clearance between the releasing bar roller and the keeper. It should not be less than 1/16" (1.6 mm) and no more than 1/8" (3.1 mm). The horizontal latch handle must be positioned all the way to the right when setting the clearance (figure 3). Adjust both keepers.
8. Tighten the keeper fasteners to a torque of 20-25 lbf-in. If no torque wrench is available, tighten screws with a manual screwdriver.
9. From inside the vehicle, with the window sash open, slide the horizontal latch handle all the way to the left and check how much engagement of the releasing bar roller is possible (figure 4). The center line of the releasing bar roller should be beyond the detent of the keeper. Check both keepers. If the position of the keeper does not respect this parameter, decrease the clearance at step 7 and then check once again as per step 9.

**⚠ CAUTION ⚠**

If the releasing bar roller does not engage sufficiently, the window could unlatch while the vehicle is moving due to the vibrations.

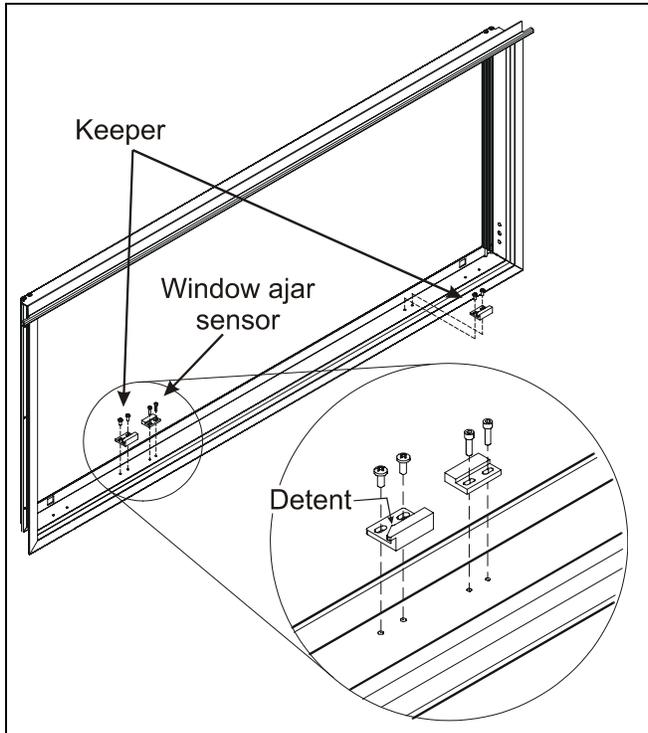


FIGURE 2

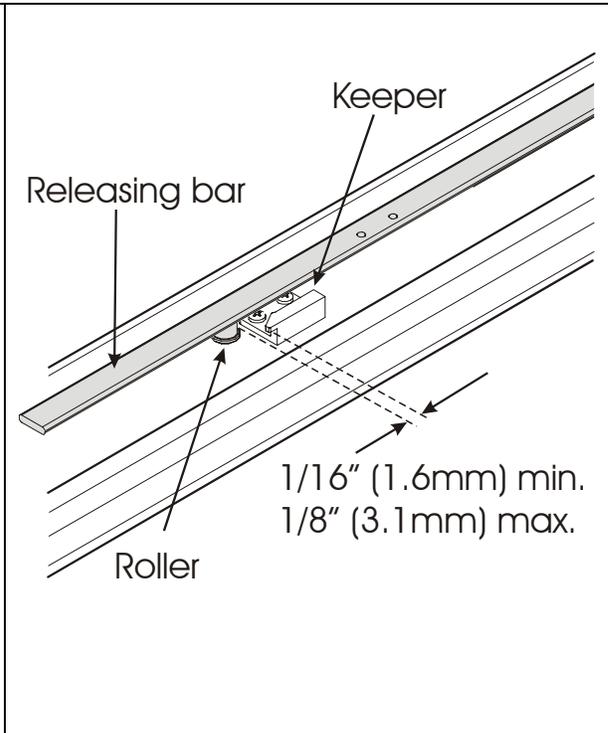


FIGURE 3: PLAY ADJUSTMENT (ref. step 7)

10. After adjusting the keepers, check the operation of the window a couple of times to make sure that the adjustment of the keepers is correct.
11. An additional check must be made to verify the keeper adjustment. Slide the horizontal latch back and forth while the window is closed to see how much room there is between the roller and the detent on the keeper. If the roller is tight against the detent, readjust the keeper, there should be movement between the roller and the detent.
12. Slide the window sash all the way to the right to take up any end play in the hinge, check adjustment once again as per steps 11 & 12.
13. Seal the keeper fasteners.

**NOTE**

*Step 14 is only applicable for window with ajar sensor installed on the releasing bar.*

14. If necessary, adjust the window ajar sensor so that the signal is given just as the roller passes the detent of the keeper when unlatching (figure 5). Loosen the sensor fasteners and slide the sensor as required. Retighten fasteners.

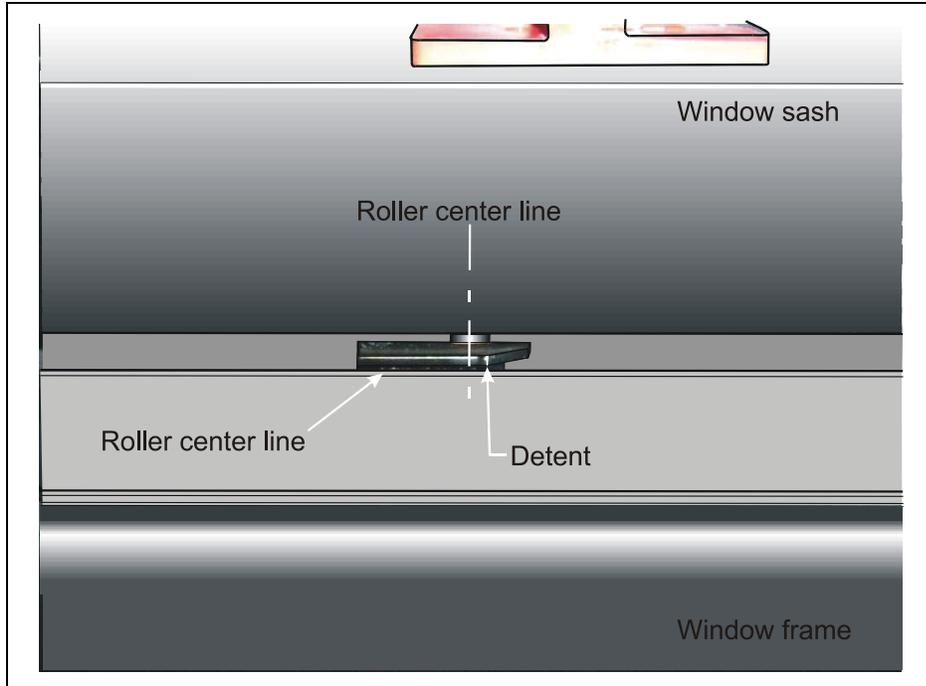


FIGURE 4

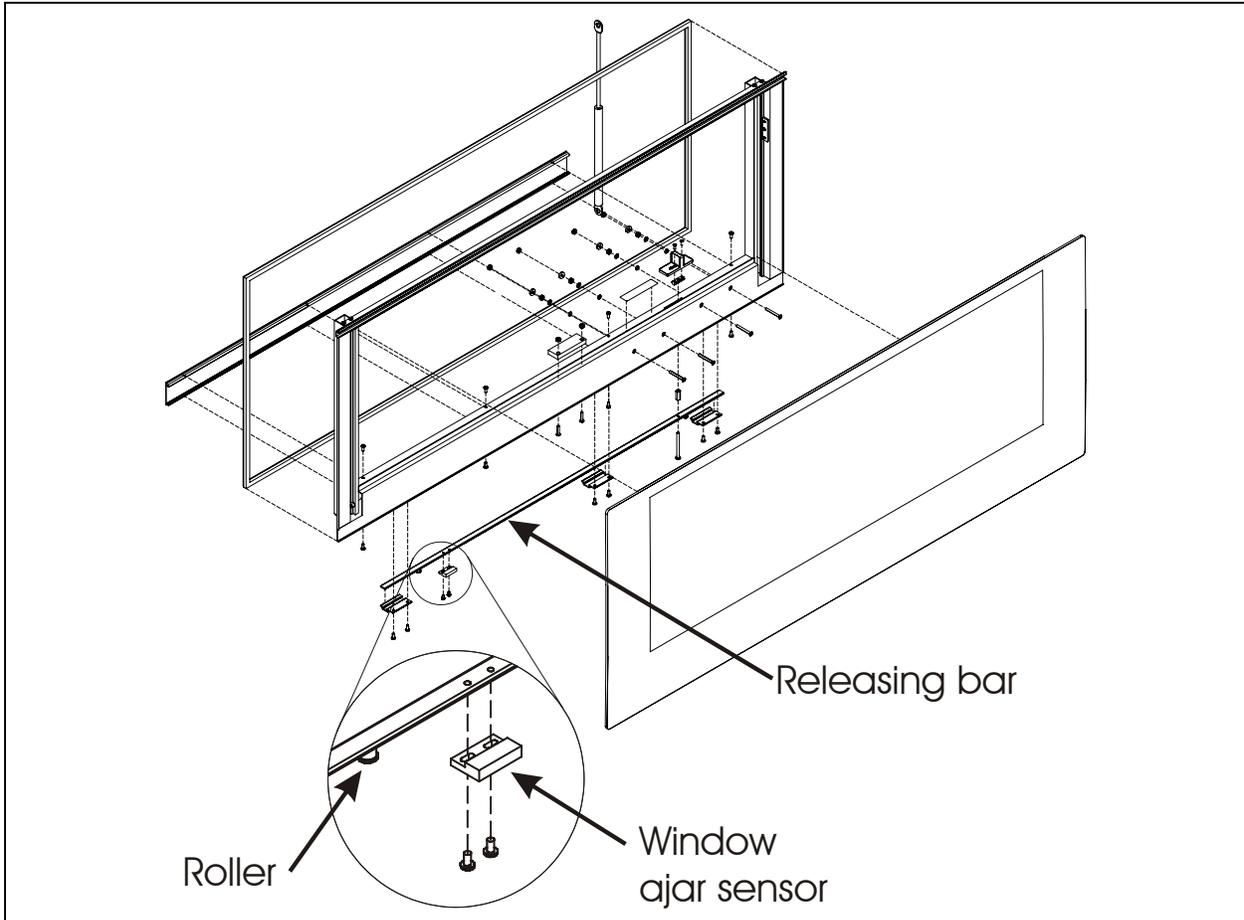


FIGURE 5: WINDOW AJAR SENSOR ADJUSTMENT (ref. step 14)