

PREVOST

**WARRANTY
BULLETIN**

Wb98-03



DATE: March 1998

SECTION: 22

**SUBJECT: RELOCATION OF DRIVER'S AREA
THERMOSTAT MODULE**

APPLICATION:

Model	VIN
H3 Series Coaches Model Year: 1997 - 1998	<p>2PCH33410V1011718 and from 2PCH3349XV1011779 up to 2PCH33496W1012283 incl. except 2PCH33494W1012234</p>
VIP Motorhomes Model Year: 1997 - 1998	From 2PCV33494V1011795 up to 2PCV33497W1012389 incl.

DESCRIPTION

On the above-mentioned vehicles, the thermostat module is relocated in order to get a better temperature reading so as to improve driver's comfort.

MATERIAL

Part No.	Description	Qty
064723	Bracket	1
504356	Grommet	1
500638	Screw, TP Bdg PH ZP #8 x 1/2	6

Note: Material can be obtained through regular channels.

PROCEDURE

Warning: Park vehicle safely, apply parking brake, stop engine and set battery master switch(es) to the OFF position prior to working on the vehicle.

1. From inside vehicle, remove finishing panel located in front of driver's area defroster unit. Set aside finishing panel and attaching parts (refer to fig. 1).

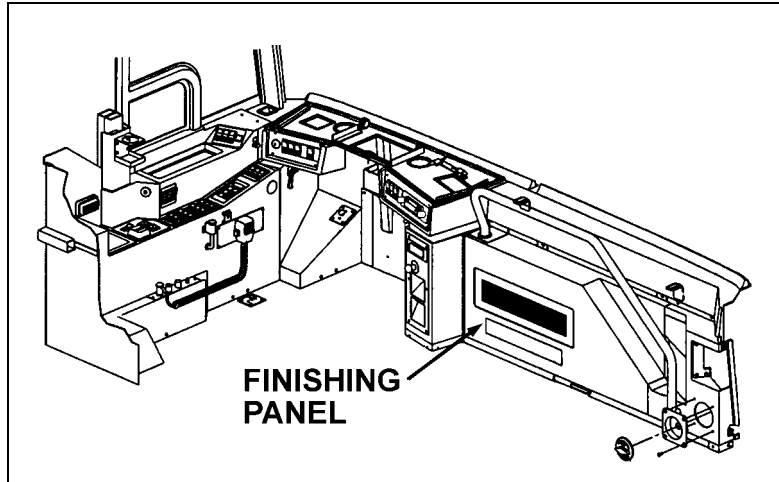


FIGURE 1: FINISHING PANEL

2. Disconnect thermostat module wiring harness (refer to fig. 2).

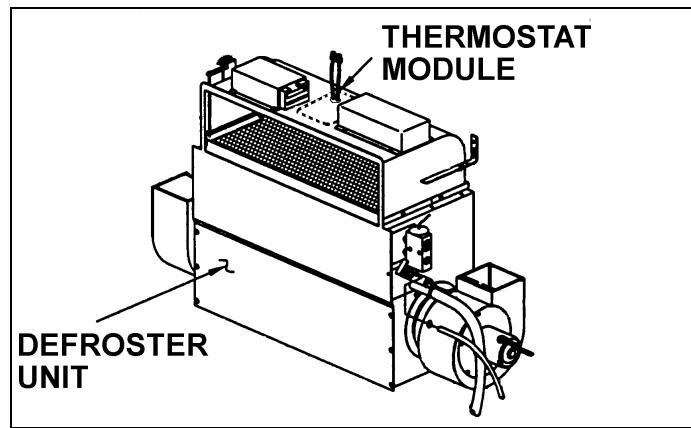


FIGURE 2: THERMOSTAT MODULE

3. Remove and discard four screws securing thermostat module to defroster unit (refer to fig. 3).

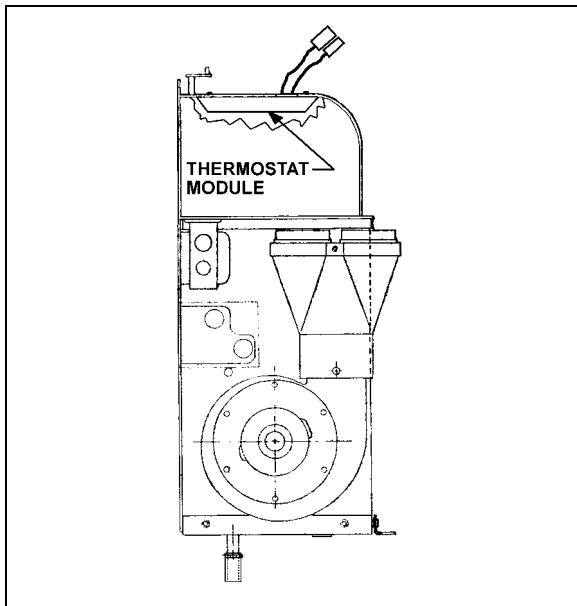


FIGURE 3: THERMOSTAT PREVIOUS LOCATION

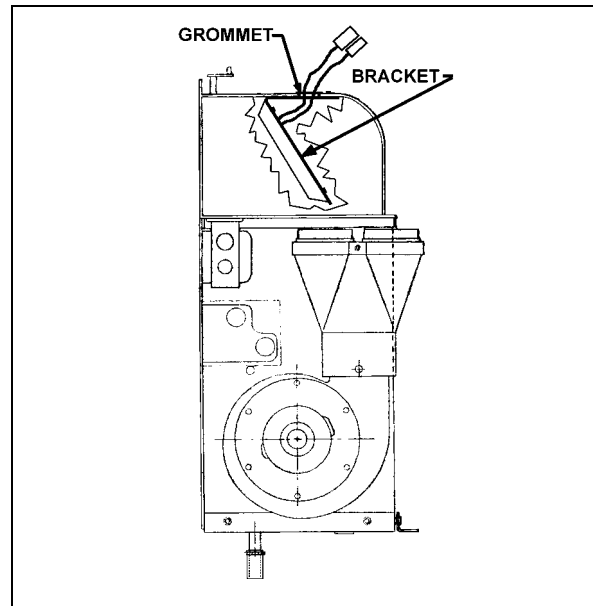


FIGURE 4: THERMOSTAT NEW LOCATION

4. Using four screws (Prévost #500638) fix thermostat module onto bracket (Prévost #064723).
5. Cut grommet (Prévost #504356) and insert into bracket hole, channel thermostat module wiring harness through grommet then through defroster unit existing hole. Reconnect thermostat module wiring harness.
6. Secure bracket and module assembly using two screws (Prévost #500638) and existing holes farthest from the edge previously used to fasten thermostat module. Thermostat module must face rear of vehicle (refer to fig. 4).
7. Replace finishing panel using attaching parts.

WARRANTY

This modification is covered by the manufacturer's normal warranty. We will reimburse you the parts and one hour (1.0) of labor upon receipt of a completed A.F.A. form on which you must specify as per "Warranty Bulletin 98-03".

Parts disposition:

- Discard according to applicable environmental regulations (Municipal/State[Prov.]/ Federal)

Expiration date: March 1999