

PREVOST

ENREGISTRÉ - REGISTERED
ISO 9001 & ISO 14001

**WARRANTY
BULLETIN**

Wb99-02



DATE : February 1999	SECTION : 22 - HVAC
EXPIRATION: February 2000	
SUBJECT : REMOVAL OF THE AUXILIARY A/C SYSTEM'S TEMPERATURE CONTROL MODULE	

APPLICATION

Model	VIN
XL-40 and XL-45 Coaches with auxiliary A/C system Model Year: 1995 - 1999	From 2P9L33490S1001628 up to 2PCL33401X1026721 incl.

DESCRIPTION

In order to ensure the proper working order of the auxiliary A/C system, it is necessary to remove the temperature control module of the above-mentioned vehicles. From now on, the A/C unit will be controlled only from the control switch located in the dashboard.

MATERIAL

Part No.	Description	Qty
064954	Jumper	1

Note: Material can be obtained through regular channels.

PROCEDURE

Warning : Park vehicle safely, apply parking brake, stop engine and set battery master switch(es) to the OFF position prior to working on the vehicle.

1. Locate behind the last pair of seats, the auxiliary A/C panel. Remove this panel.
2. Locate the temperature control module (#871074). Remove its cap (figure 1, item 1), and remove the module (figure 1, item 2) by disconnecting its connector.

Note: Keep the temperature control module. It may be eventually used as a replacement part in the central A/C system.

3. Connect the #064954 jumper on the module's former connector.
4. Replace the auxiliary A/C panel.

Note: Wiring diagrams on pages 3 and 4 present the auxiliary A/C system before and after the modifications.

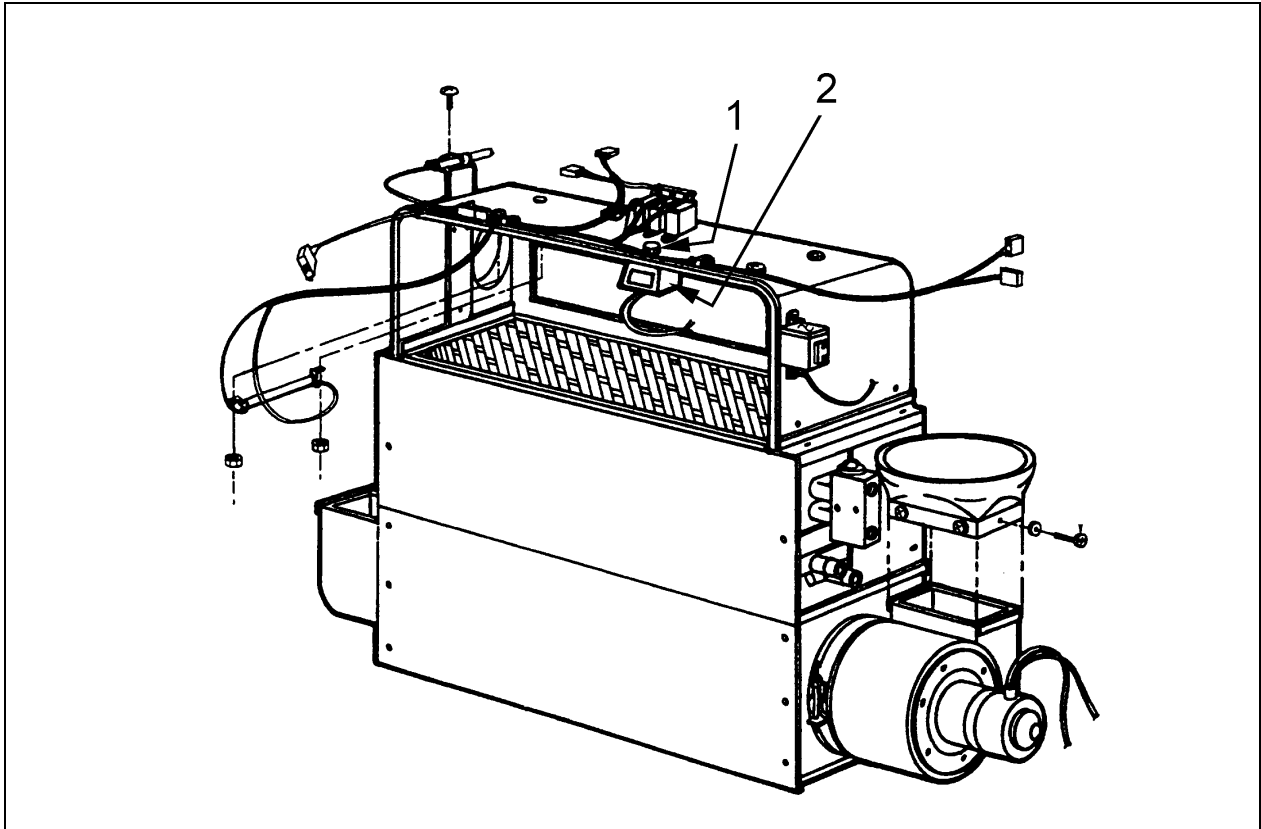
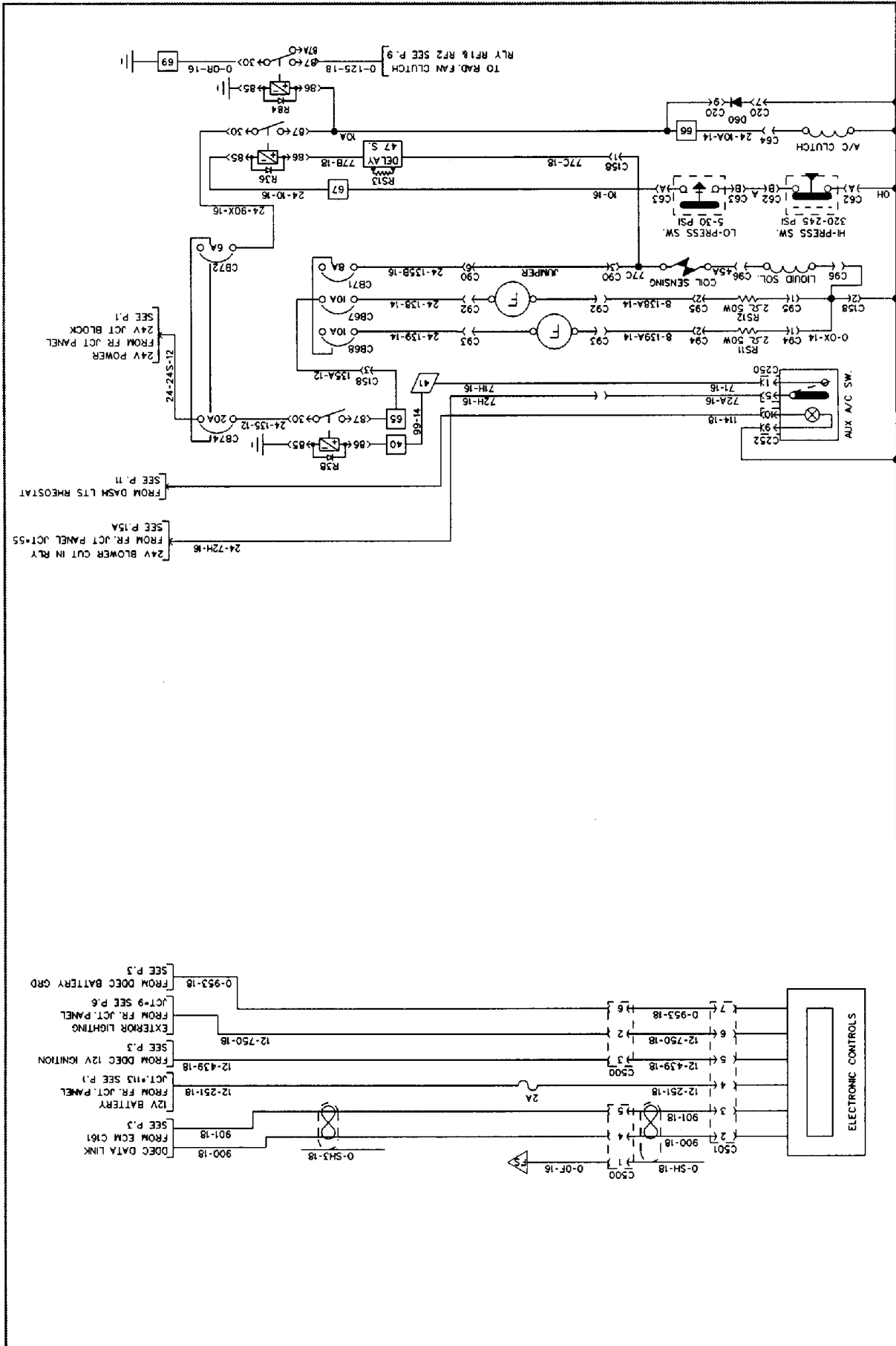


Figure 1: Auxiliary A/C unit. (1) Cap of the temperature control module; (2) Temperature control module.

WARRANTY

This modification is covered by Prévost Car's normal warranty. We will reimburse you the parts and 15 minutes of labor upon receipt of a completed A.F.A. form on which you must specify as per "Warranty Bulletin 99-02".



AUXILIARY A/C SYSTEM

PRODRIVER

CHASSIS GROUND

PREVOST CAR inc. WIRING DIAGRAM NO: D060871 P. 16

REVISION 025