

# PREVOST

## Instruction Sheet

## IS-05900C

**REPLACEMENT OF THE HUMPHREY SOLENOID VALVE (#641217, #641393 or #641394)  
BY THE NORGREN SOLENOID VALVE**


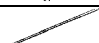



**APPLICATION:**       - ENTRANCE DOOR LOCK CYLINDER CONTROL  
                          - A/C FRESH AIR INLET DAMPER CONTROL

**REVISION :**    **C**

Instruction sheet IS-96024 is canceled and merged into IS-05900. Kit #288503 is replaced by kit # 289649 to suit the regrouping.

### MATERIAL

Kit #289649 includes the following parts:

Part No.	Description	Qty
501072	Plug 1/8 	1
504637	Nylon cable tie 	1
562353	Diode silicon 1A 	1
641385	Connector 	1
641943	Exhaust fitting 1/8 	2
642023	Norgren V60 valve, solenoid, 5-way, 2-position, 24 VDC	1
IS-05900	Instruction Sheet	1
FI-05900	Feuille d'instructions	1

### PROCEDURE

**⚠ WARNING ⚠**

**Park vehicle safely, apply parking brake, stop engine and set battery master switch(es) to the OFF position prior to working on the vehicle.**

The solenoid valve #642023 is used in the sedan type entrance door control system. It can be used as a replacement part in the A/C fresh air inlet damper control system. Perform the procedure corresponding to the defective valve.

## ENTRANCE DOOR LOCK CYLINDER CONTROL

1. Unlock the entrance door.

**Note:** In the front service compartment, turn the emergency door opening valve clockwise to unlatch the door open. Unlatching the door permits to depressurize the solenoid valve.

2. Remove the panel to gain access to the Humphrey solenoid valve (figure 2) found on the entrance door control module.
3. To interrupt electric current flow to the valve, unplug connector C276.
4. Cut wire 12W and 0L close to the solenoid valve connector. Keep the bolts and the electrical harness for the new solenoid valve installation,.

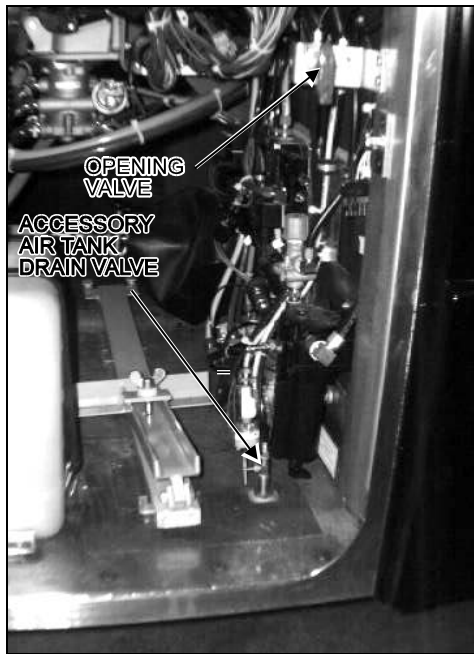


FIGURE 1: FRONT SERVICE COMPARTMENT

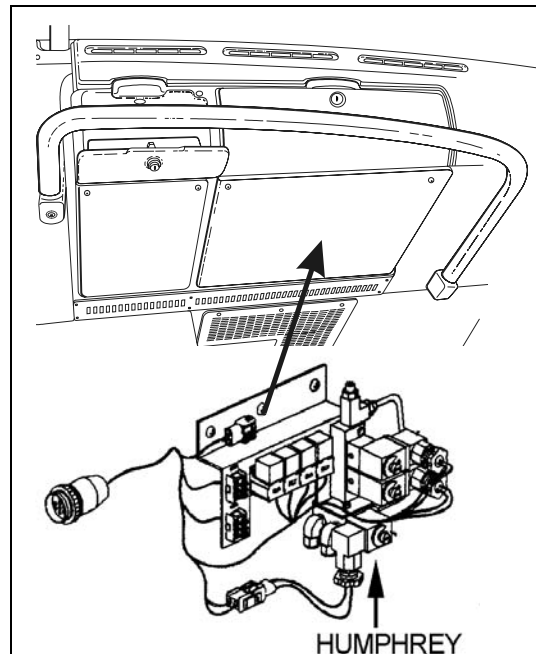


FIGURE2: SOLENOID VALVE LOCATION

5. Remove the existing valve as described on figure 3 (double action upper door lock cylinder) or figure 4 (single action upper door lock cylinder).
6. Install the Norgren solenoid valve as described on figure 5 (double action upper door lock cylinder) or 6 (single action upper door lock cylinder). See figure 7 for connector installation.

### ⚠ CAUTION ⚠

Do not leave a valve port unprotected as dirt may enter the valve. Use a plug or an exhaust fitting as required.

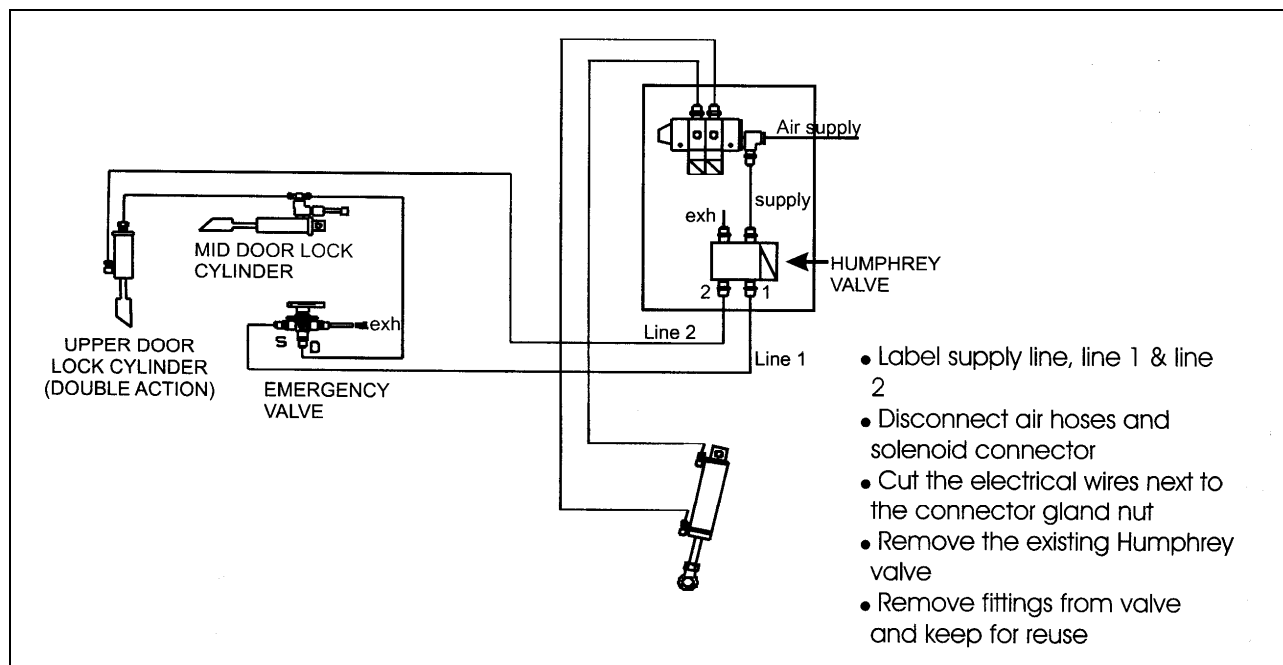
### *Connector installation*

- a) Strip the wires.
- b) Remove screw G from connector. Using a screwdriver, lever up terminal block at point B (figure 7).
- c) Feed wires through gland nut, washer, packing and connector housing. Connect wires to terminal block as follows :
  - Wire 0L (black) on terminal 1
  - Wire 12W (red) on terminal 2
- d) Install the diode on the connector #641385. For diode bending, refer to figure 7. The wire located on the grey coded side of the diode must be connected to terminal # 2. The wire located on the black coded side of the diode must be connected to terminal # 1.
- e) Insert terminal block into housing and tighten gland nut.
- f) Install the seal between the valve and the connector. Plug the connector to solenoid valve and tighten the connector screw G. To inhibit water damage (corrosion), install the connector housing so that the wire exits downwards.

7. Connect the air lines.
8. Plug the connector C276
9. Reset the emergency door opening valve located in the front service compartment to its initial position before closing the door.
10. Test the installation by activating the door opening/closing buttons.

### *NOTE*

*For vehicles equipped with single action upper door lock cylinder, a double action cylinder is available for improved upper door unlocking.*



**FIGURE 3: WITH DOUBLE ACTION UPPER DOOR LOCK CYLINDER**

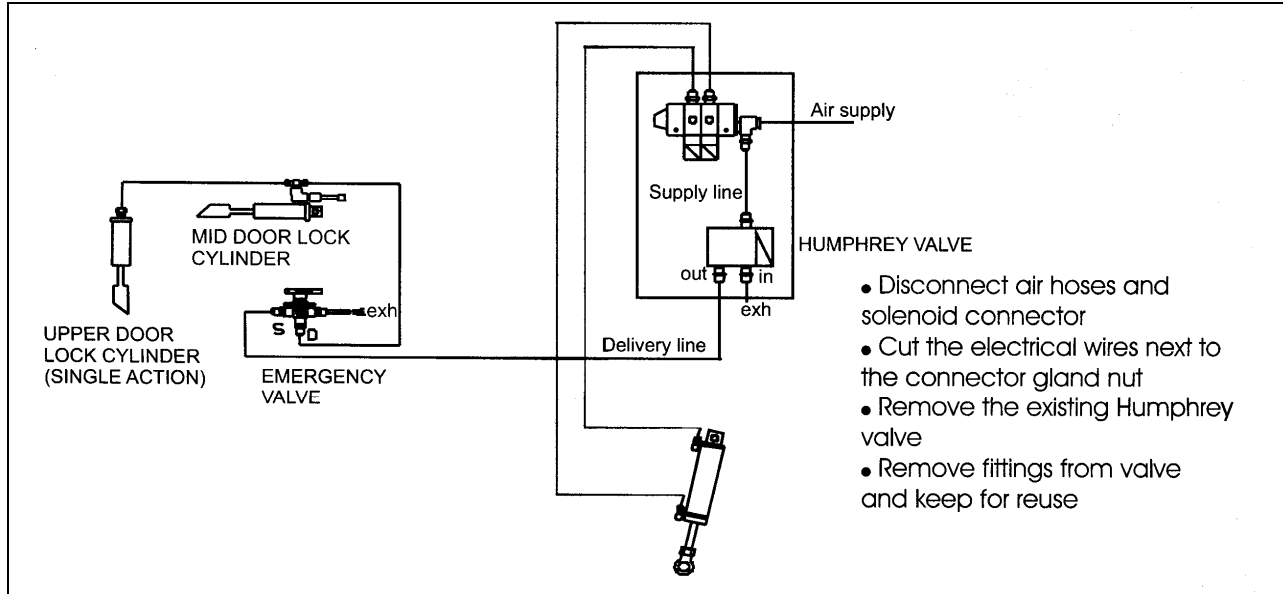


FIGURE 4: WITH SINGLE ACTION UPPER DOOR LOCK CYLINDER

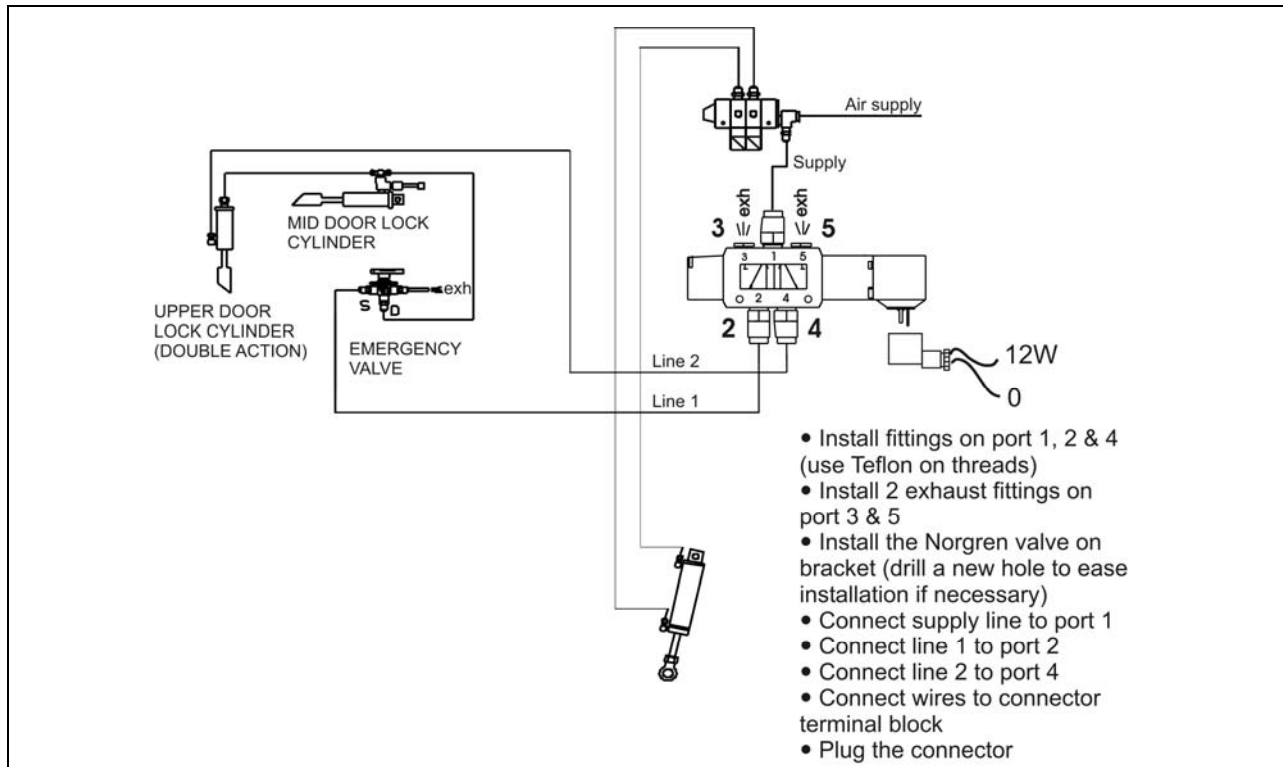


FIGURE 5: NEW INSTALLATION WITH DOUBLE ACTION UPPER DOOR LOCK CYLINDER

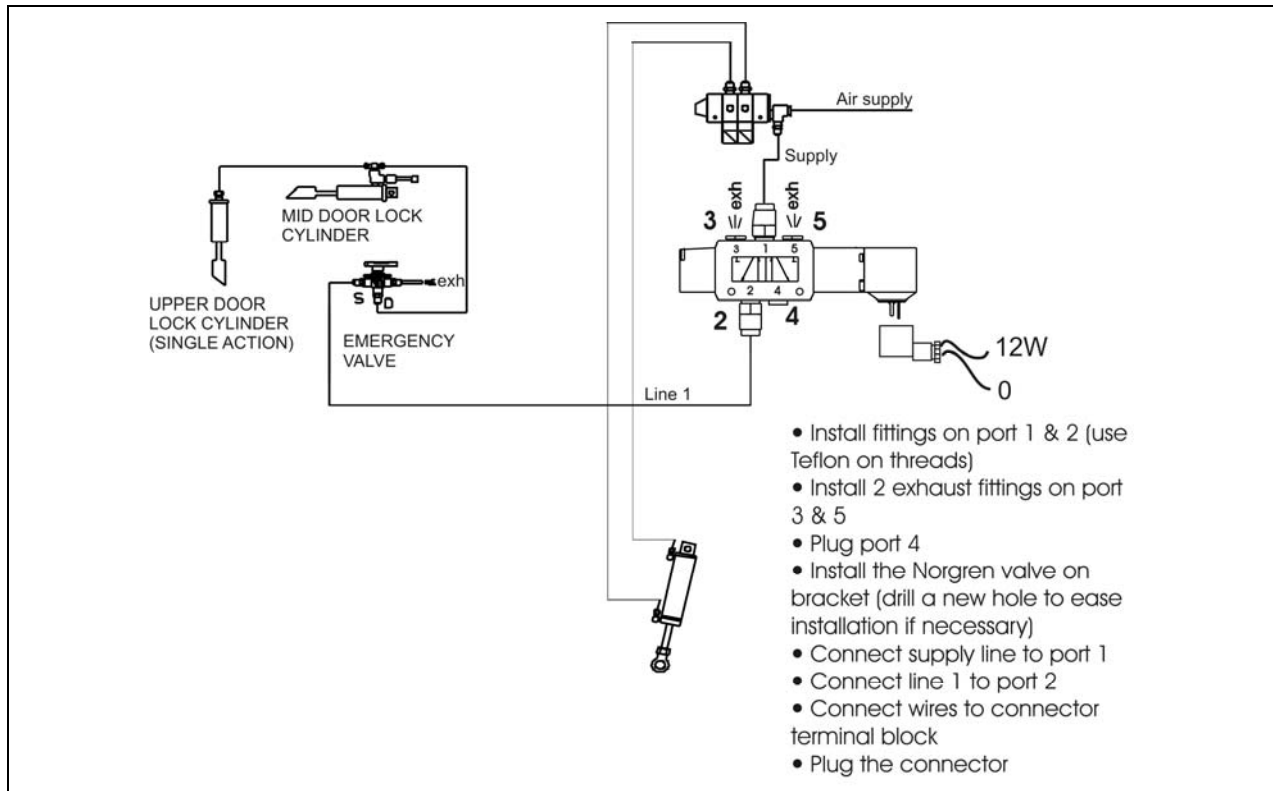


FIGURE 6: NEW INSTALLATION WITH SINGLE ACTION UPPER DOOR LOCK CYLINDER

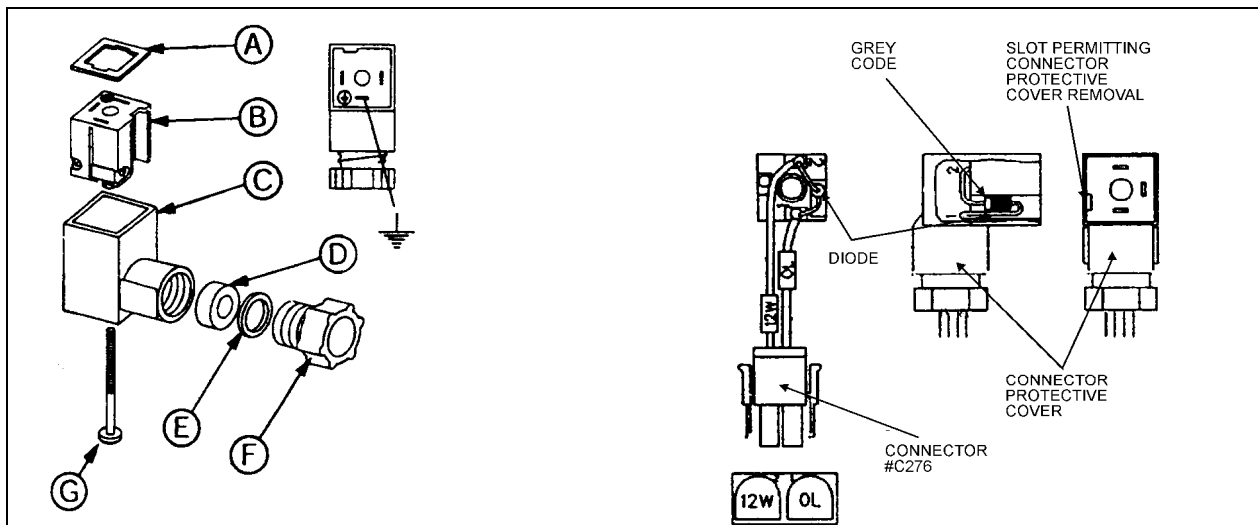


FIGURE 7: CONNECTOR PLUG ASSEMBLY

A:	Gasket	E:	Washer
B:	Terminal block (lever up here)	F:	Gland nut
C:	Housing/Protective cover	G:	Connector screw
D:	Packing		

---

## A/C FRESH AIR INLET DAMPER CONTROL

1. Drain accessory air tank with the drain valve (this supplies the solenoid valve to be replaced). This valve is located in the front service compartment (figure 1). Close the valve. The reservoir will fill up automatically with engine running.
2. Locate the solenoid valve inside the evaporator compartment (figure 8).



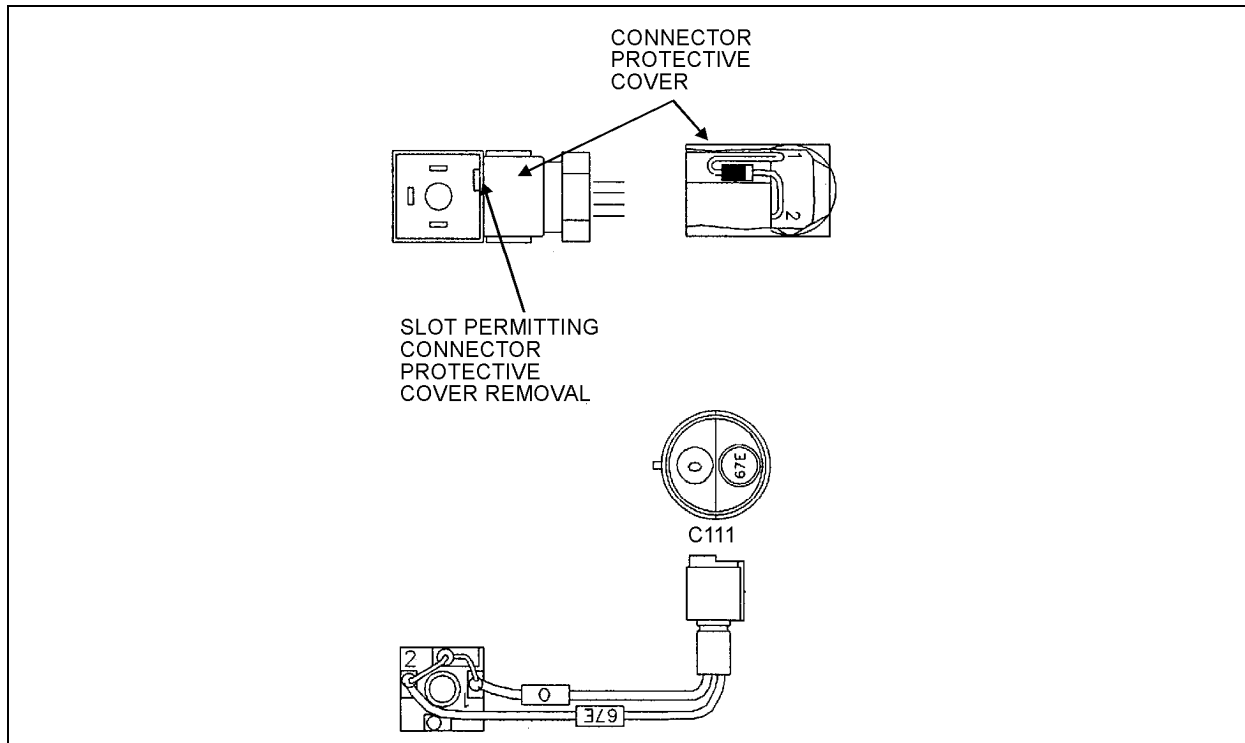
FIGURE 8: EVAPORATOR COMPARTMENT

22102

3. Label "IN" and "OUT" the air lines connected to the IN and OUT ports of the existing solenoid valve.
4. To interrupt electric current flow to the valve, disconnect connector C111.
5. Cut wires 67E and 0 close to the solenoid valve connector.
6. Remove the two solenoid valve mounting screws.

**Note:** Keep the screws and the wiring harness for the new solenoid valve installation.

7. Insert a small flat blade screwdriver inside the connector slot. Use the screwdriver as a lever to extract the terminal block from the connector housing (figure 7 & 9).
8. Install the diode on the terminal block. For diode bending, refer to figure 9. The diode end located on the grey coded side must be connected on connector to terminal # 2 while the black coded side of the diode must be connected to terminal # 1 of the terminal block.



**FIGURE 5: SOLENOID VALVE CONNECTOR AND HARNESS**

9. Run wires 67E and 0 through connector housing.
10. Connect wire 67E to terminal # 2. Connect wire 0 to terminal # 1.
11. Install the seal between the valve and the connector. Plug the connector on the valve. To inhibit water damage (corrosion) to connector, install protective cover so that the wires exit downwards. Secure the connector on the valve using the provided screw.
12. Install the solenoid valve.
13. Connect the air line labeled "IN" to port # 1 and the air line labeled "OUT" to port # 2. Place the exhaust fittings to port # 3 and # 5. Place the plug #501072 to port # 4.
14. Plug connector C111 and attach it with the cable tie to the solenoid valve.