

PREVOST

Instruction Sheet

IS-13169A

PREVOST AWARE ADAPTIVE CRUISE BRAKING (ACB) FLR20 RADAR SENSOR REPLACEMENT KIT

REVISION A : THIS INSTRUCTION SHEET SUPERSEDES PREVIOUS VERSION.

KIT IS13169-1 & IS13169-2 CANCELED, USE 145373 & 145372

MATERIAL

H3 SERIES – Kit # **145373** includes the following parts:

Part No.	Description	Qty
145225	SUPPORT	1
564256	FLR20 ACB RADAR SENSOR	1
564257	STAND-OFF ADJUSTERS (kit of 3)	1
IS-13169	Instruction Sheet	1
FI-13169	Feuille d'instructions	1

X3 SERIES – Kit # **145372** includes the following parts:

Part No.	Description	Qty
145207	SUPPORT	1
564256	FLR20 ACB RADAR SENSOR	1
564257	STAND-OFF ADJUSTERS (kit of 3)	1
IS-13169	Instruction Sheet	1
FI-13169	Feuille d'instructions	1

NOTE

Material can be obtained through regular channels.

- 1) SUPPORT
- 2) STAND-OFF ADJUSTERS
- 3) FLR20 ACB RADAR SENSOR

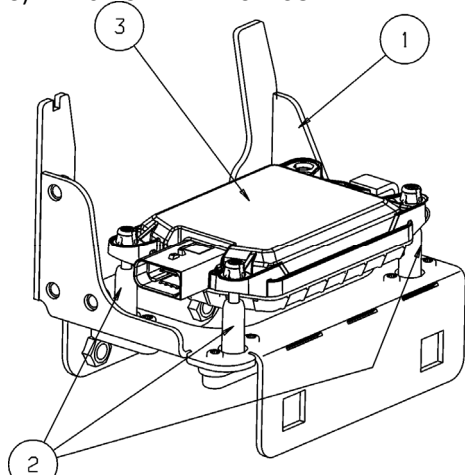


FIG.1 : H3 SERIES - KIT # 145373

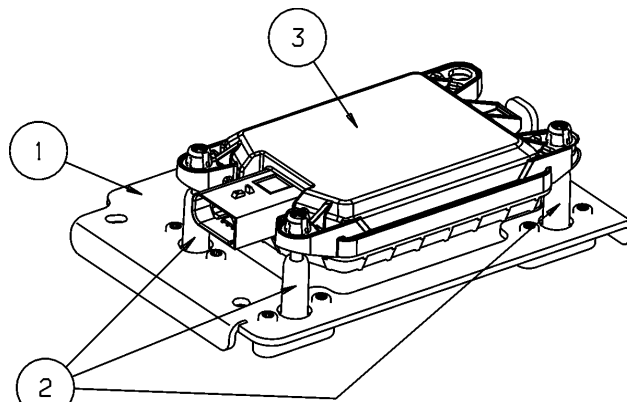


FIG.2 : X3 SERIES - KIT # 145372

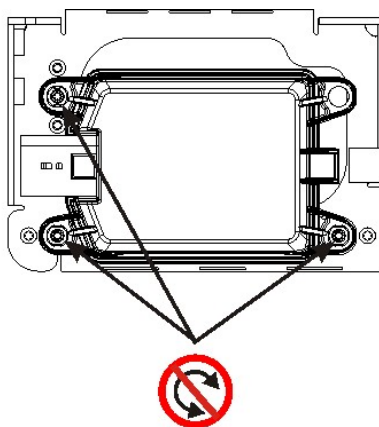


CAUTION

STAND-OFF ADJUSTERS ARE NOT REUSABLE. DO NOT SEPARATE THE RADAR SENSOR FROM THE STAND-OFF ADJUSTERS IN ORDER TO REPLACE A DEFECTIVE RADAR SENSOR. INSTALL THE INCLUDED ASSEMBLY AS A COMPLETE UNIT.

STAND-OFF ADJUSTOR ASSEMBLIES ARE PRE-ADJUSTED BEFORE DELIVERY IN ORDER TO RESPECT A PRECISE MEASUREMENT BETWEEN THE RADAR SENSOR AND THE SUPPORT, **DO NOT SCREW, UNSCREW OR ALTER THE INITIAL POSITION OF THE STAND-OFFS ADJUSTMENT SCREW.**

DO NOT SEPARATE THE STAND-OFF CLIP FROM THE RADAR SENSOR RECEPTACLE. DOING SO WILL DAMAGE THE STAND-OFF CLIP.



PRE-ADJUSTED STAND-OFF SCREWS
DO NOT SCREW, UNSCREW OR ALTER THE
INITIAL POSITION OF THE STAND-OFFS
ADJUSTMENT SCREW

FIG.3

PROCEDURE



DANGER

Park vehicle safely, apply parking brake, stop engine and set battery master switch(es) to the OFF position prior to working on the vehicle.

IMPORTANT NOTES

BEFORE PROCEEDING TO THE REPLACEMENT, MAKE SURE THAT THE BUMPER IS PROPERLY POSITIONED, IF NOT THE RADAR SENSOR AND ACB SYSTEM MAY OPERATE IMPROPERLY.

IF THE BUMPER SUFFERS DAMAGES AFTER A CHOCK AND IS IMPROPERLY POSITIONED, A REPOSITIONING OR ADJUSTMENT OF THE BUMPER WILL BE NECESSARY PRIOR PROCEEDING TO THE ALIGNMENT OF THE RADAR SENSOR. RADAR SENSOR ALIGNMENT IS DONE IN RELATION TO THE BUMPER, IF THE BUMPER POSITION IS NOT ADEQUATE, THE RADAR AND ACB SYSTEM MAY OPERATE IMPROPERLY.

IF THE BUMPER POSITION ADJUSTMENT IS DONE, THEN THE RADAR SENSOR ALIGNMENT PROCEDURE MUST BE DONE.

X3 SERIES - RADAR SENSOR REPLACEMENT

1. Lower the reclining bumper.
2. Remove the radar sensor access panel (fig.4).

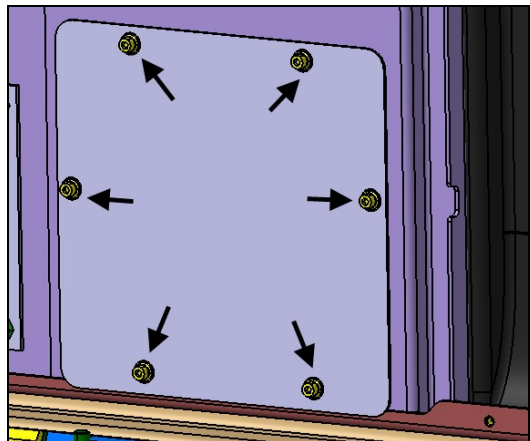


FIG.4: X3 SERIES – RADAR SENSOR ACCESS PANEL

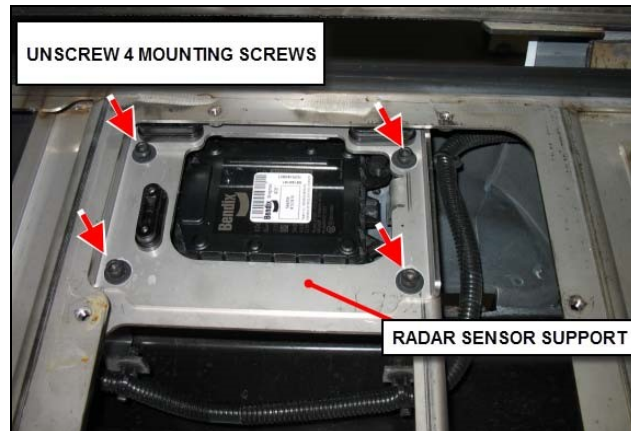


FIG.5: X3 SERIES

3. Unscrew 4 mounting screws, remove the radar sensor support and disconnect the radar sensor harness (fig.5). Keep existing hardware for reuse. If needed, cut one or two nylon ties securing the harness to ease removal.
4. Plug radar sensor harness and install the new radar sensor and support assembly similarly as the previous installation.
5. Fix harness using nylon ties and existing tie mounts if applicable.
6. Radar sensor realignment might be necessary after installation. Refer to **Maintenance Information MI14-34** for the complete procedure. This document is available on PrevoSt Web site under Technical Publications.

H3 SERIES - RADAR SENSOR REPLACEMENT

1. Lower the reclining bumper.
2. Unscrew 4 mounting screws, remove the radar sensor support and disconnect the radar sensor harness (fig.5). Keep existing hardware for reuse. If needed, cut one or two nylon ties securing the harness to ease removal.

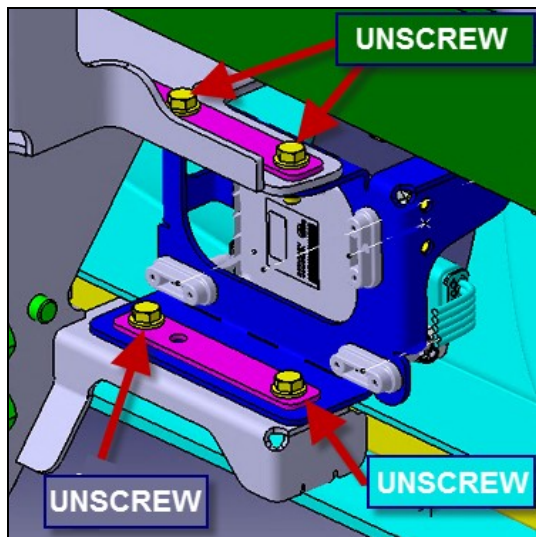


FIG.6: H3 SERIES

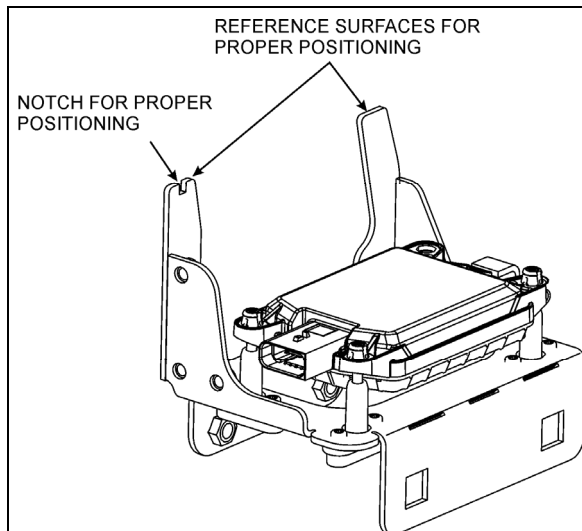


FIG.7: H3 SERIES

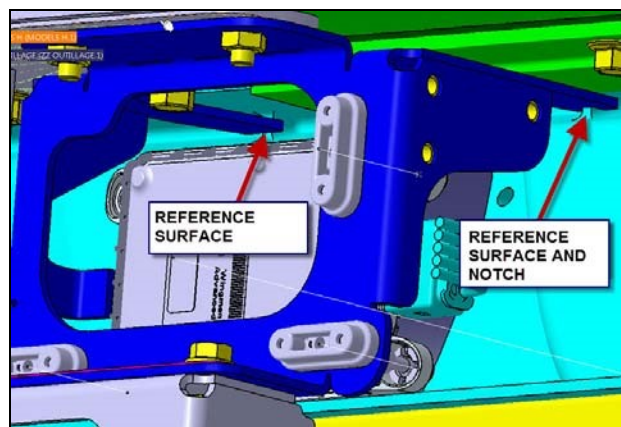


FIG.8: H3 SERIES

3. Plug radar sensor harness, install the new radar sensor, and support assembly similarly as the previous installation. Make sure that the reference surfaces lean against the bumper structure and the notch in the radar support is at proper position (fig.7 & fig.8).
4. Fix harness using nylon ties and existing tie mounts if applicable.
5. Radar sensor realignment might be necessary after installation. Refer to **Maintenance Information MI14-34** for the complete procedure. This document is available on Prevest Web site under Technical Publications.

PARTS / WASTE DISPOSAL

Discard waste according to applicable environmental regulations (Municipal/State[Prov.]/ Federal)