

PREVOST

ENREGISTRÉ - REGISTERED
ISO 9001 & ISO 14001





**WARRANTY
BULLETIN**

Wb00-09

DATE : APRIL 2000	SECTION : 16 - Suspension
EXPIRATION: APRIL 2001	
SUBJECT : ADJUSTING THE DRIVE AXLE FRAME	

APPLICATION

Model	VIN		
H3-41 & H3-45 Coaches Model Year : 1999 - 2000	2PCH33497X1013248	2PCH33493Y1013314	2PCH33495Y1013363
	2PCH33499X1013249	2PCH33495Y1013315	2PCH33497Y1013364
	2PCH33497X1013251	2PCH33499Y1013317	2PCH33494Y1013368
	2PCH33499X1013252	2PCH33490Y1013318	2PCH33494Y1013371
	2PCH33492X1013254	2PCH33499Y1013320	2PCH33496Y1013372
	2PCH33494X1013255	2PCH33418Y1013321	2PCH33417Y1013374
	2PCH33496X1013256	2PCH33492Y1013322	2PCH33497Y1013378
	2PCH3349XX1013258	2PCH33496Y1013324	2PCH33499Y1013379
	2PCH33491X1013259	2PCH33415Y1013325	2PCH33495Y1013380
	2PCH3349XX1013261	2PCH3349XY1013326	2PCH33499Y1013382
	2PCH33493X1013263	2PCH33419Y1013327	2PCH33492Y1013384
	2PCH33499X1013266	2PCH33493Y1013328	2PCH33496Y1013386
	2PCH33490X1013267	2PCH33495Y1013329	2PCH33491Y1013392
	2PCH33494X1013269	2PCH33412Y1013332	2PCH33497Y1013395
	2PCH33494X1013272	2PCH33412Y1013332	2PCH33416Y1013396
	2PCH33496X1013273	2PCH33412Y1013332	2PCH33492Y1013398
	2PCH3349XX1013275	2PCH33490Y1013335	2PCH33497Y1013400
	2PCH33495X1013278	2PCH3341XY1013336	2PCH33496Y1013405
	2PCH33493X1013280	2PCH33494Y1013337	2PCH33498Y1013406
	2PCH33497X1013282	2PCH33498Y1013339	2PCH33491Y1013408
	2PCH33499X1013283	2PCH33411Y1013340	2PCH3349XY1013410
	2PCH33490X1013284	2PCH33498Y1013342	2PCH33493Y1013412
	2PCH33496X1013287	2PCH33419Y1013344	2PCH33495Y1013413
	2PCH33496X1013290	2PCH33495Y1013346	2PCH33497Y1013414
	2PCH33498X1013291	2PCH33497Y1013347	2PCH33496Y1013419
	2PCH33495X1013295	2PCH33416Y1013348	2PCH33496Y1013422
	2PCH33490X1013298	2PCH33490Y1013349	2PCH33498Y1013423
	2PCH33495X1013300	2PCH33499Y1013351	2PCH33497Y1013428
	2PCH33499X1013302	2PCH33418Y1013352	2PCH3349XY1013438
	2PCH33490X1013303	2PCH33492Y1013353	2PCH33497Y1013445
	2PCH33494X1013305	2PCH33496Y1013355	2PCH33499Y1013446
	2PCH33494Y1013306	2PCH33415Y1013356	2PCH33490Y1013450
	2PCH33498Y1013308	2PCH33493Y1013359	2PCH33496Y1013453
	2PCH3349XY1013309	2PCH33417Y1013360	2PCH33491Y1013487
	2PCH33498Y1013311	2PCH33491Y1013361	2PCH33495Y1013489
	2PCH3349XY1013312	2PCH33493Y1013362	2PCH33491Y1013490

<p>H3-45 VIP Bus Shells</p> <p>Model Year : 1999-2000</p>	2PCV33491X1013250	2PCV33495X1013297	2PCV33492X1013354
	2PCV33497X1013253	2PCV33493X1013301	2PCV3349XX1013358
	2PCV33494X1013260	2PCV33499X1013304	2PCV33491X1013376
	2PCV33498X1013262	2PCV33494X1013307	2PCV33499X1013383
	2PCV33493X1013265	2PCV33494X1013310	2PCV33496X1013390
	2PCV33499X1013268	2PCV3349XX1013313	2PCV33497X1013401
	2PCV33499X1013271	2PCV33495X1013316	2PCV33498X1013407
	2PCV33494X1013274	2PCV33490X1013319	2PCV3349XX1013411
	2PCV3349XX1013277	2PCV33492X1013323	2PCV33490X1013417
	2PCV33491X1013281	2PCV3349XX1013330	2PCV33492X1013421
	2PCV33499X1013285	2PCV33497X1013334	2PCV3349XX1013425
	2PCV33496X1013289	2PCV33494X1013338	2PCV33497X1013432
	2PCV33498X1013293	2PCV33495X1013350	2PCV3349XY1013488

DESCRIPTION

On the above mentioned vehicles, it is necessary to check the clearance of the air springs on the drive axle suspension (Part A) and if required, to position the drive axle frame (Part B, C or D).

PARTIE A : AIR SPRING CLEARANCE

PROCEDURE

Warning : Park vehicle safely, apply parking brake, stop engine and set battery master switch(es) to the OFF position prior to working on the vehicle.

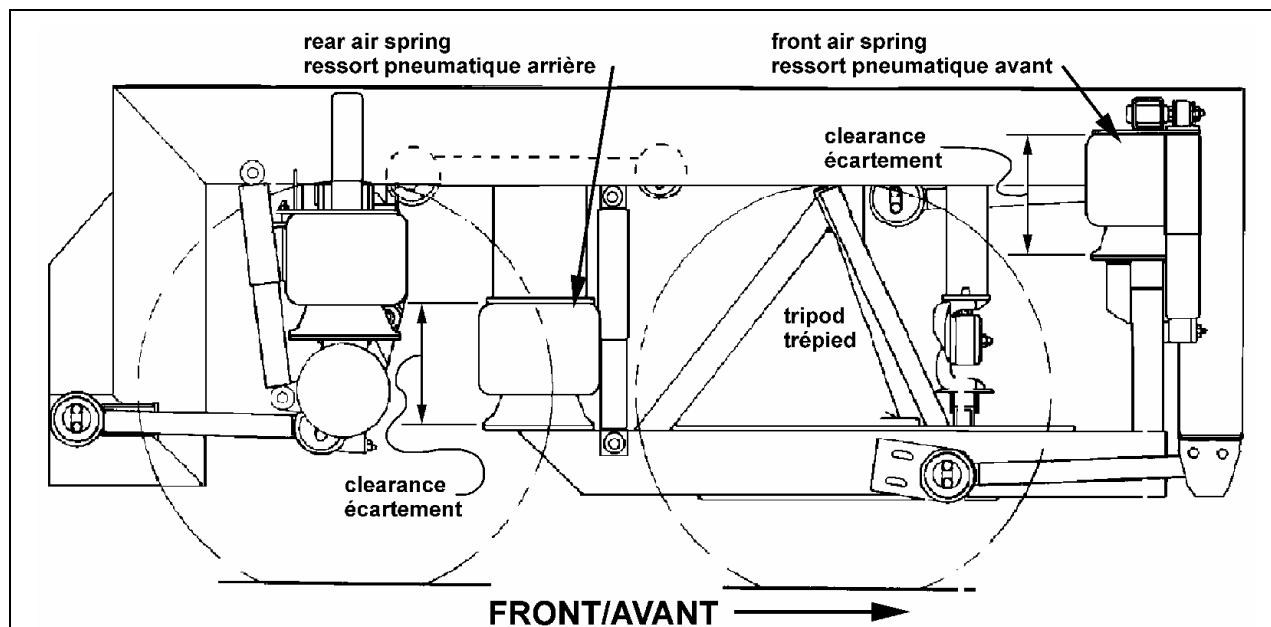


FIGURE 1 : VIEW OF THE COMPONENTS

Note : The vehicle must be on a plane surface.

1. Make sure that the Hi-Buoy/Low-Buoy System is in the normal position.
2. Remove the vehicle's rear fenders.
3. Measure the clearance of the 4 air springs of the drive axle (figure 1). Write down the measurements in table 1, boxes , , & .
4. For each side, calculate the difference of clearance, box — box and box — box . Write down the results in table 1, boxes and , respectively.

TABLE 1		
MEASUREMENT	CLEARANCE (inch or mm)	DIFFERENCE OF CLEARANCE (rear air spring)-(front air spring) (inch or mm)
Rear R.H. side air spring clearance		
Front R.H. side air spring clearance		
Rear L.H. side air spring clearance		
Front L.H. side air spring clearance		

Important note : The difference of clearance (boxes &) must be between 0 and 1/4". If that's the case, no adjustment is necessary. However , it is possible that the difference of clearance be acceptable on one side (between 0 and 1/4") and may not be acceptable (more than 1/4") on the other side of the vehicle. In that case, an adjustment will be necessary, so that both measures be between 0 and 1/4".

Important note : Before you conclude that an adjustment is necessary, it is important to drive the vehicle for a little while and then to check once again the clearance of the air springs.

DIFFERENCE OF CLEARANCE boxes &	CORRECTIVE ACTION	PROCEDURE
Between 0 and 1/4".	No corrective action necessary.	-
Rear air springs clearance greater than front air springs clearance. Difference of clearance between 1/4" and 1/2".	Add shims (Prévost #121419) to each lower radius rod support.	Part B
Rear air springs clearance greater than front air springs clearance. Difference of clearance greater than 1/2".	Replace the higher radius rod by a short one (Prévost #121101) and add shims (Prévost #121419) to higher radius rod support.	Part C
Rear air springs clearance <u>less</u> than front air springs clearance.	Add shims (Prévost #121419) to higher radius rod support.	Part D

WARRANTY

This verification is covered by Prévost Car's normal warranty. We will reimburse you 1/4 hour (0.25) of labor upon receipt of a completed A.F.A. form on which you must specify as per "Warranty Bulletin 00-09 Part A".

PART B : ADDING OF SHIMS TO EACH LOWER RADIUS ROD SUPPORTS

MATERIAL

Order the following parts :

Part No.	Description	Qty
121419	Shim, 14 gauge.	6

Note : Material can be obtained through regular channels.

PROCEDURE

Warning : Park vehicle safely, apply parking brake, stop engine and set battery master switch(es) to the OFF position prior to working on the vehicle.

1. Make sure that the Hi-Buoy/Low-Buoy System is in the normal position.
2. Remove the vehicle's rear fenders.
3. Locate the lower radius rods (item figure 2). There is one on each side of the vehicle.
4. On each side, partially unscrew the bolts of the lower radius rod supports (item figure 2).
5. Pry the supports and insert one or two shims (item figure 2)(Prévost #121419) as required for the adjustment.

Important note : In order to preserve the correct wheel alignment, it is of the upper most importance to put the same quantity of shims on both side of the vehicle.

6. Coat the surface of contact of the head and the bolt threads with grease, and torque bolts to 160-170 lbf•ft lubricated (216-230 N•m lubricated).
7. The difference of clearance must not be greater than ¼". Drive the vehicle for a little while and check the clearance of the air springs on a plane surface once again. Adjust if needed.

WARRANTY

This verification is covered by Prévost Car's normal warranty. We will reimburse you the parts and 3/4 hour (0.75) of labor upon receipt of a completed A.F.A. form on which you must specify as per "Warranty Bulletin 00-09 Part B".

PART C : REPLACEMENT OF HIGHER RADIUS ROD AND ADDING OF SHIMS TO RADIUS ROD SUPPORT

MATERIAL

Order the following parts :

Part No.	Description	Qty
121419	Shim, 14 gauge.	6
121101	Short radius rod	1
110340	Tab washer	2

Note : Material can be obtained through regular channels.

PROCEDURE

Warning : Park vehicle safely, apply parking brake, stop engine and set battery master switch(es) to the OFF position prior to working on the vehicle.

1. Make sure that the Hi-Buoy/Low-Buoy System is in the normal position.
2. Remove the vehicle's rear fenders.
3. Locate the higher radius rod (item figure 2) and the tripod head (item figure 2).

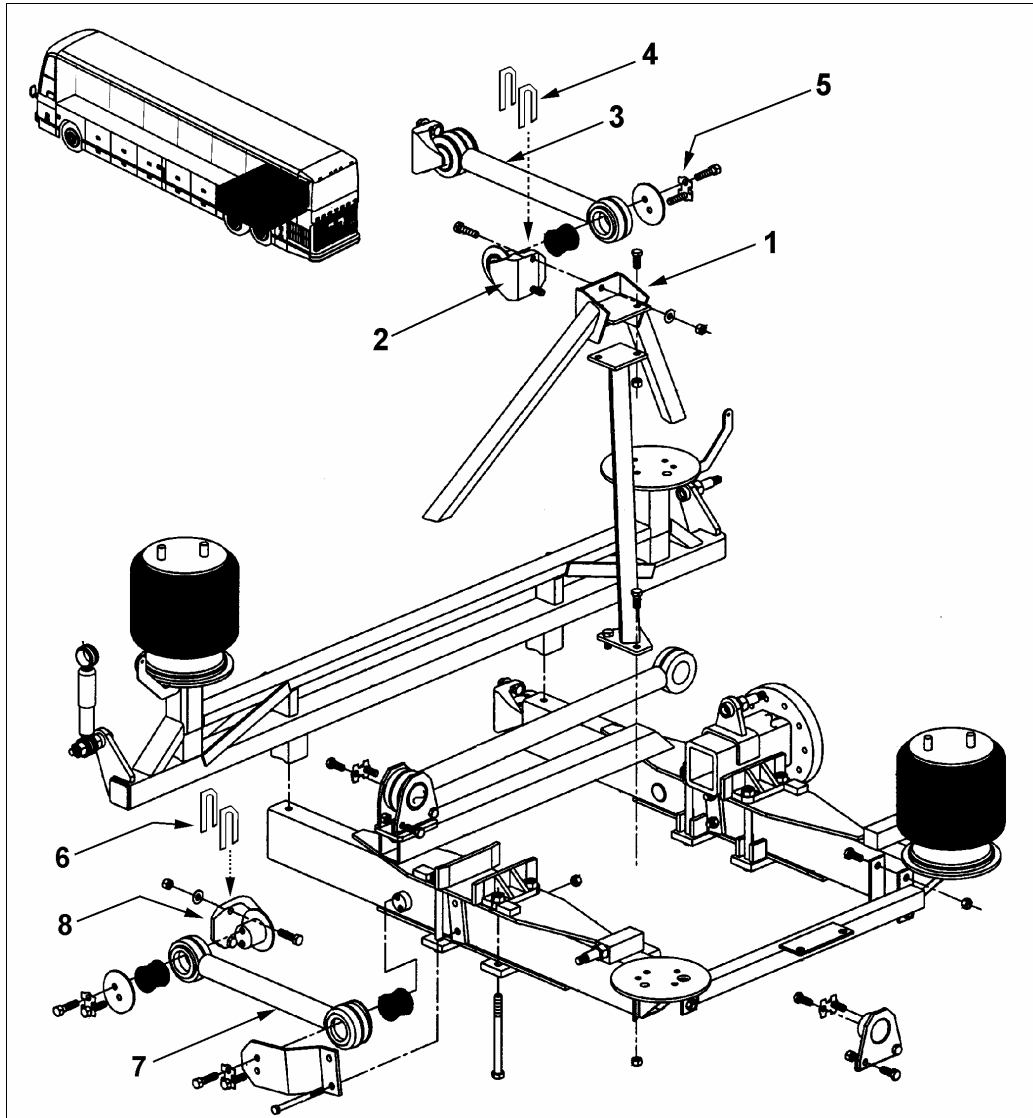


FIGURE 2: TRIPOD HEAD; HIGHER RADIUS ROD SUPPORT; HIGHER RADIUS ROD; SHIM; TAB WASHER; SHIM; LOWER RADIUS ROD; LOWER RADIUS ROD SUPPORT

4. Dismount the actual radius rod by flattening the tabs of locking plates and by unscrewing the two bolts directly fastened into radius rod pivot (if needed, refer to chapter 16 of the maintenance manual under "RADIUS ROD").
5. Transfer the radius rod rubber bushings to the new radius rod (Prévost #121101) as per maintenance manual, chapter 16.
6. Coat the surface of contact of the head and the bolt threads with grease and position the radius rod. Use the new tab washers (item figure 2)(Prévost #110340) then tighten bolts by hand.

Caution : Do not put lubricant on the rubber bushings.

7. Alternately torque bolts to 100-110 lbf•ft lubricated (135-149 N•m lubricated). Fold back the tab washers on the bolts head.
8. Partially unscrew the bolts of the higher radius rod support (item) at the head of the tripod (item).
9. Pry the support and insert, as required, one or more shims (item figure 2) (Prévost #121419) between the radius rod support and the tripod head .

10. Torque the support bolts to 160-170 lbf•ft lubricated (216-230 N•m lubricated).
11. Following the steps 3 and 4 of part A of this bulletin, check the clearance of the air springs.
12. The difference of clearance must not be greater than ¼". Drive the vehicle for a little while and check the clearance of the air springs on a plane surface once again. Adjust if needed.

WARRANTY

This modification is covered by Prévost Car's normal warranty. We will reimburse you the parts and 1 1/4 hours (1.25) of labor upon receipt of the replaced parts and a completed A.F.A. form on which you must specify as per "Warranty Bulletin 00-09 Part C".

Parts / Waste disposal:

Return replaced parts to Prévost Car with A.F.A. for full reimbursement.

PART D : ADDING OF SHIMS TO HIGHER RADIUS SUPPORT

MATERIAL

Order the following parts :

Part No.	Description	Qty
121419	Shim, 14 gauge	6

Note : Material can be obtained through regular channels.

PROCEDURE

Warning : Park vehicle safely, apply parking brake, stop engine and set battery master switch(es) to the OFF position prior to working on the vehicle.

1. Make sure that the Hi-Buoy/Low-Buoy System is in the normal position.
2. Remove the vehicle's rear fenders.
3. Locate the higher radius rod (item figure 2) and the tripod head (item figure 2).
4. Partially unscrew the bolts of the higher radius rod support (item) at the head of the tripod (item).
5. Pry the support and insert, as required, one or more shims (item figure 2) (Prévost #121419) between the radius rod support and the tripod head .
6. Torque the support bolts to 160-170 lbf•ft lubricated (216-230 N•m lubricated).
7. Following the steps 3 and 4 of part A of this bulletin, check the clearance of the air springs.
8. The difference of clearance must not be greater than ¼". Drive the vehicle for a little while and check the clearance of the air springs on a plane surface once again. Adjust if needed.

WARRANTY

This modification is covered by Prévost Car's normal warranty. We will reimburse you 1/2 hour (0.5) of labor upon receipt of a completed A.F.A. form on which you must specify as per "Warranty Bulletin 00-09 Part D".