

SAFETY RECALL

SR15-85

Date	Expiration	Group	No.	Page
10.2015	NA			1(3)

IMPORTANT: THIS SAFETY RECALL SUPERSEDES WARRANTY BULLETIN WB15-80
(Vehicles already corrected under bulletin WB15-80 do not need to be repaired again)

EXHAUST CLAMP REPLACEMENT AT TURBOCHARGER DIFFUSER PIPE 9700 (B13R)

MODEL YEAR(S) AND VEHICLE SERIAL NUMBERS (VIN) INVOLVED

NOTICE TO SERVICE CENTERS	
<i>Verify vehicle eligibility by checking recall status with SAP or via ONLINE WARRANTY SYSTEM available on Service / Warranty tab of Prevest website.</i>	
Model	VIN
Volvo 9700 us/can Model Year : 2009 - 2013	From 3CET2M62795 <u>127142</u> up to 3CET2S22XD5 <u>160297</u> incl.
<small>This recall does not necessarily apply to all the above-mentioned vehicles, some vehicles may have been modified before delivery. The owners of the vehicles affected by this recall will be advised by a letter indicating the Vehicle Identification Number (VIN) of each vehicle concerned.</small>	

DESCRIPTION

On the vehicles affected by this bulletin, the exhaust clamp that connects the turbocharger to the diffuser pipe may prematurely fail.

If this occurs, hot exhaust gases can leak and potentially ignite materials inside the engine compartment, which will increase the risk of an engine compartment fire.

Consequently, it is necessary to remove this clamp and replace it with a new reinforced clamp as soon as possible.

MATERIAL

Order the following parts:

Part No.	Description	Qty
21545619	CLAMP, V-BAND	1
21007187	GASKET, DIFFUSER PIPE	1

NOTE
<i>Material can be obtained through regular channels.</i>

PROCEDURE



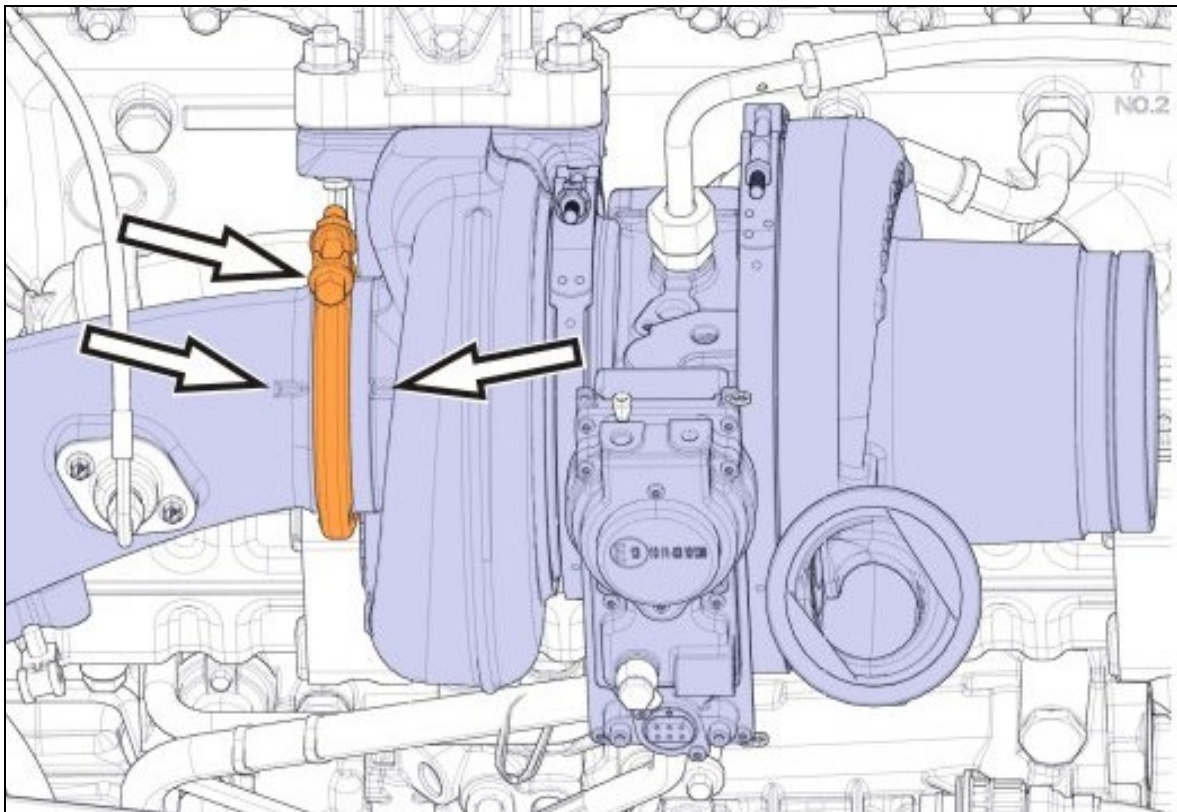
DANGER

Park vehicle safely, apply parking brake, stop engine. In the battery box, set the battery cut-off switch to the OFF position prior to working on the vehicle.

Refer to the following Volvo service instructions found on Impact and other Function Group 255 & 261 service instructions as required.

- Identity: 131589750 Engine Turbocharger, Replacement
 - Identity: 121793153 Radiator, Removal
 - Identity: 121786092 Radiator, Installation
- 1) Remove the radiator (refer to: Function group 26).
 - 2) Replace the turbocharger outlet pipe V-band clamp. Use a new gasket between the diffuser and turbocharger. Turn the diffuser pipe to the correct position (see figure below). Tighten the clamp to the proper specification. **V-band clamps..... 12 ± 2 Nm (106 ± 17 in-lbf).**

Refer to Function Group 20 Specifications for other torque specifications if needed.



NOTE: WHEN POSITIONING THE DIFFUSER PIPE, ALIGN THE MATCH MARKS ON THE DIFFUSER AND ENGINE TURBOCHARGER, IF EQUIPPED.

Date	Expiration	Group	No.	Page
10.2015	NA			3(3)

PARTS / WASTE DISPOSAL

DO NOT RETURN THE REPLACED PARTS. Discard waste according to applicable environmental regulations (Municipal/State[Prov.]/ Federal)

WARRANTY

This modification is covered by Prevost's normal warranty. We will reimburse you the parts and 4 hours (4.0) of labor upon receipt of a completed A.F.A. Please submit claim via our Online Warranty System, available at www.prevostcar.com (under service \ warranty section). Use Claim Type: "Bulletin/Recall" and select "Safety Recall SR15-85".

Should you only wish to close the safety recall (without reimbursement), fill-in the "Safety Recall Certification Sheet" provided with this bulletin and return it to our warranty department by Email at prevost.onlinewarranty@volvo.com or by fax at 418-831-9301.

OTHER

VBC Bulletin	C-6867
Fail Code	04.02
Defect Code	09
Syst.Cond.	R
Causal Part	20955220

Access all our Service Bulletins on <http://prevostparts.volvo.com/technicalpublications/en/pub.asp> or scan the QR-Code with your smart phone.

E-mail us at technicalpublications_prev@volvo.com and type "ADD" in the subject to receive our warranty bulletins by e-mail.



Prevost engages in a continuous program of testing and evaluating to provide the best possible product. Volvo Bus, however, is not committed to, or liable for updating existing products.