

PREVOST

Instruction Sheet

IS-16901A

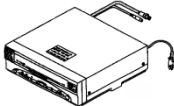



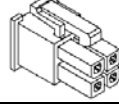
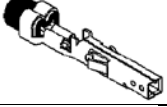


VHS to DVD conversion kit

To replace factory-installed Video Cassette Players
H3-45, H3-41 & XLII coaches, model year 2000-2005

Rev A This document replaces any previous version
May 16, 2016 Applies to factory-installed VCP's in general in the MY range

MATERIAL

Kit #7770197 includes the following parts:

Part No.		Description	Qty
901339		DVD PLAYER "REI" Includes: -External Infrared (IR) sensor extension -Remote Control -Rear stud and nut	1
407639		DVD Support	1
901347		BNC Cable	1
901564		Adapter BNC female to RCA male	1
563071		Connector Mini FIT/ MOLEX Socket housing, 4 cavity.	1
562593		Wire Yellow #18	1ft
562587		Wire Black #18	1ft
562463		Term. Molex	2
563622		Butt Splice	2
5001017		Thread Cutting Screw, HEX HD #10-24x1/2"	4
502853		Lock washer 6.1x11.8x1.6	4
IS-16901		Instruction Sheet	1
FI-16901		Feuille d'instructions	1

NOTE

Material can be obtained through regular channels.

PROCEDURE



DANGER

Park vehicle safely, apply parking brake, stop engine. Prior to working on the vehicle, set the ignition switch to the OFF position and trip the main circuit breakers equipped with a trip button. On Commuter type vehicles, set the battery master switch (master cut-out) to the OFF position.

1. Locate the Audio/Video equipment in the upper left parcel rack compartment .
2. Remove the VHS player from the compartment and discard according to local environmental rules and regulations.
3. Seal the now unused “control head” connector C562 with vinyl tape.
4. Keep the 12V power cables for future use.
5. Insert the DVD in bracket **407639** and secure with the provided nut. (fig. 1)
6. *Bracket installation in parcel rack.*

Locate bracket and mark mounting hole locations. Drill holes with **#19 (0.166”)** size drill.

Install with:

5001017 (4X) thread cutting screw.

502853 (4X) Lock washers

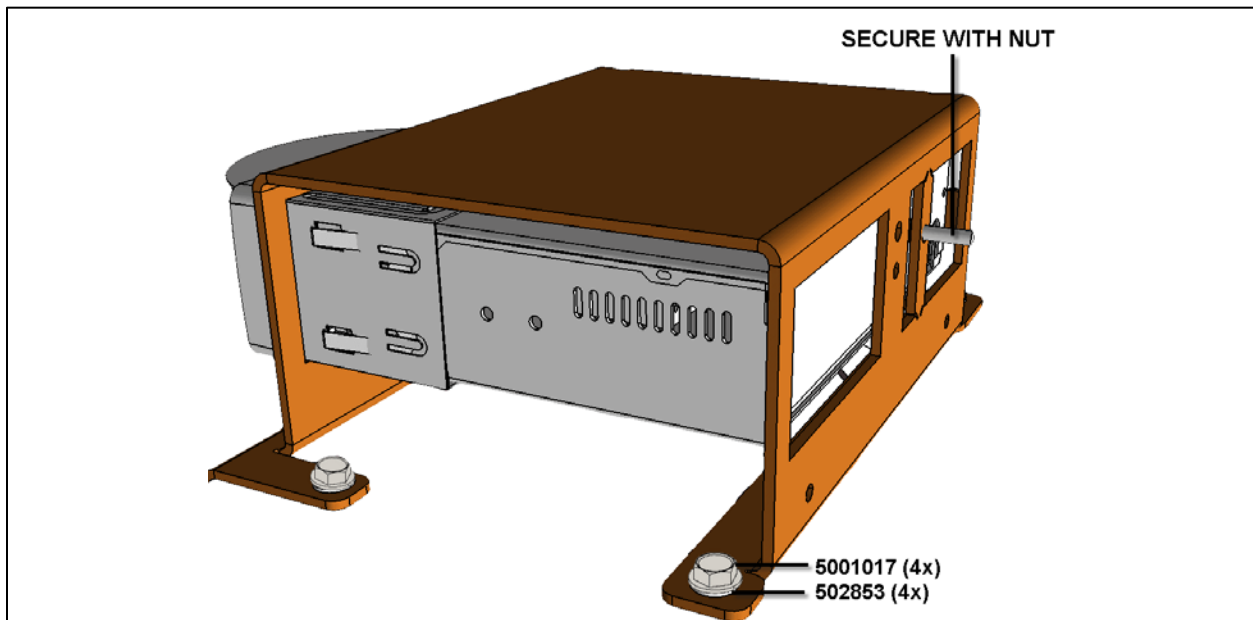


FIGURE 1 407639 BRACKET INSTALLATION

7. *Video connection:*

- If vehicle wiring has RCA cables for video:

Use the BNC to RCA converter #901564 to have a compatible link and connect cable #901347.

• **If the vehicle has BNC connectors:**

Simply connect BNC cable #901347 to the existing connection

8. Connect the *audio* RCA cables to the vehicle's existing audio connection.
9. *12V power connection to the DVD player:*

Construct a patch harness according to instructions in Fig. 2

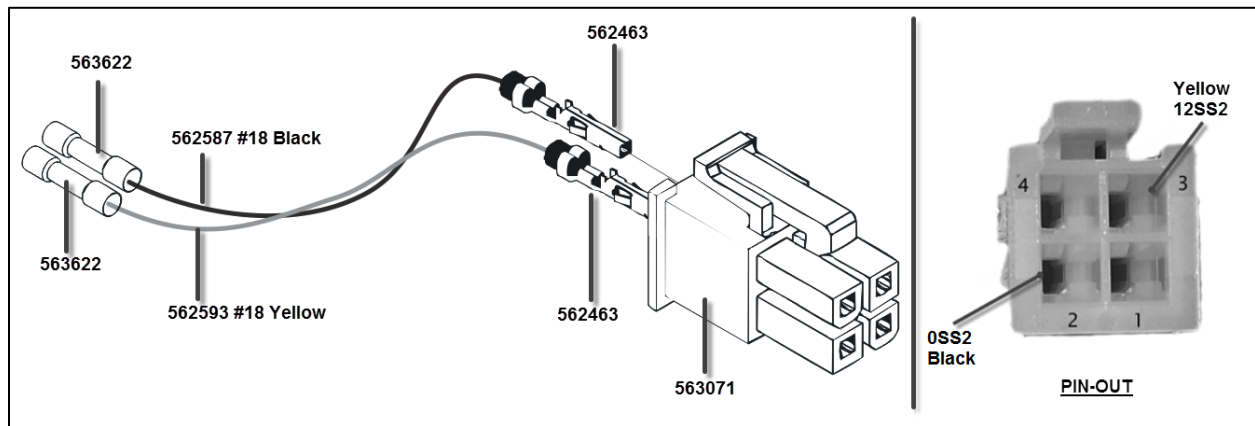


FIGURE 2 : 12V DVD POWER CABLE

TABLE 1 : 12 V DVD POWER PIN-OUT

563071 cavity number	Wire No (gage)	Color	Terminal	Label
1	-	-	-	-
2	562587 (#18)	Black	562463	0SS2
3	562593 (#18)	Yellow	562463	12SS2
4	-	-	-	-

10. Crimp the butt connectors of the power cable to the 12V power cables in the compartment.
11. Next, position the external Infrared (IR) sensor on the central windshield post.
12. Make sure the sensor window faces the passenger area.
13. Connect the extension to the "external remote" port behind the DVD.
14. Confirm proper fit and operation of your installation before finalizing.
15. When ready to install, clean the post cover with alcohol to have a good clean gluing surface.
16. Then, remove the adhesive tape backing on the sensor and install it on the post
17. Secure the extension with cable ties along its path.

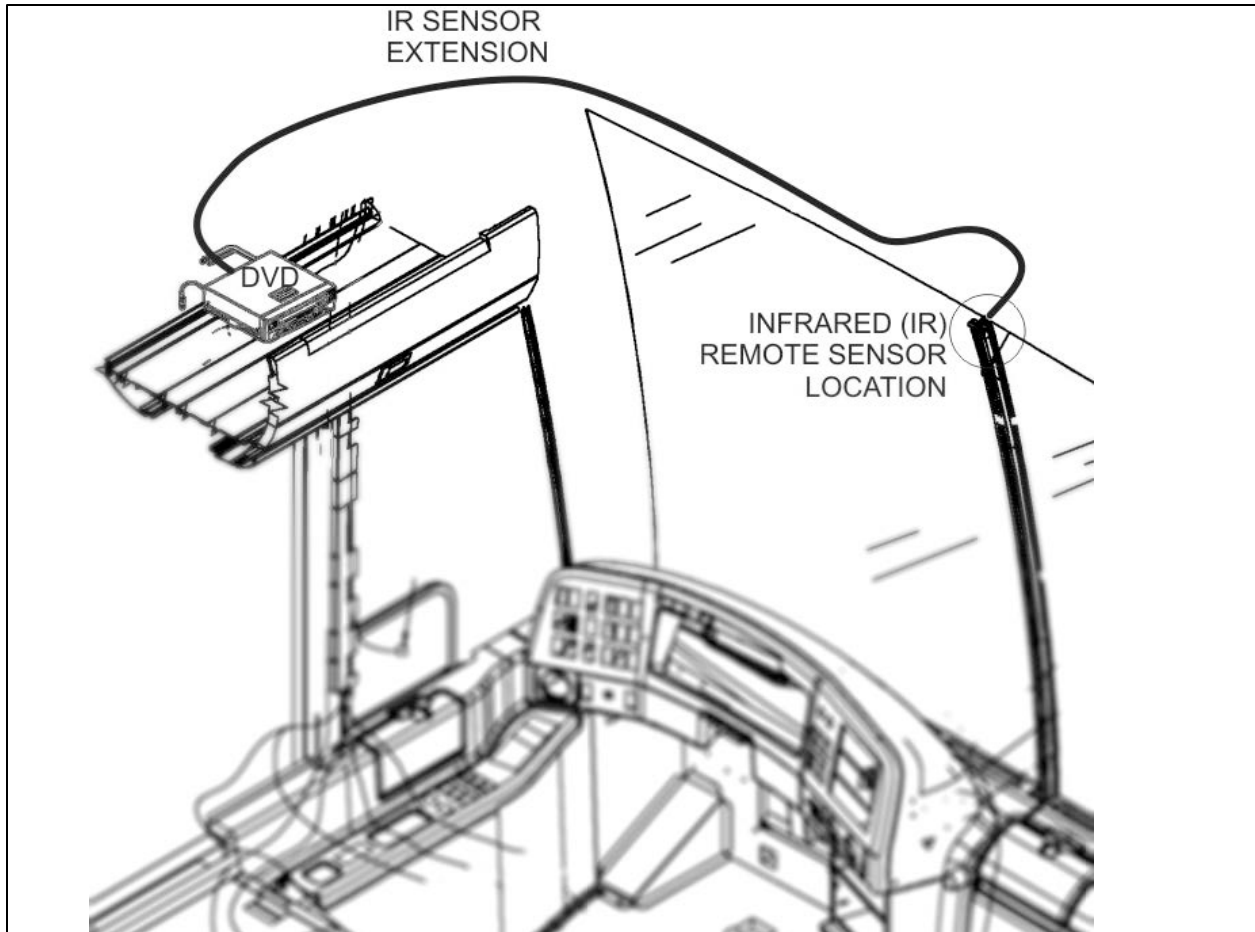


FIGURE 3

18. Test sound *and* image to confirm the DVD displays the content properly.

PARTS / WASTE DISPOSAL

Discard waste according to applicable environmental regulations (Municipal/State[Prov.]/ Federal)