

PREVOST

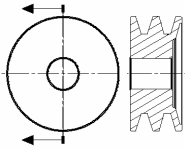
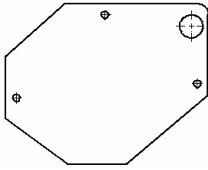

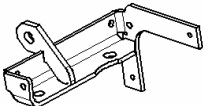
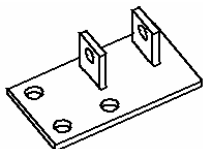
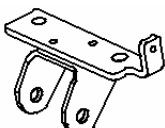

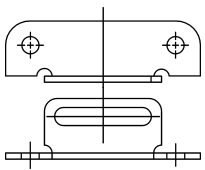
Instruction Sheet

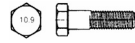
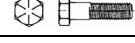


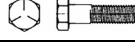








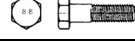
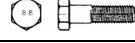


IS-07038

REPLACING LEECE-NEVILLE ALTERNATOR WITH BOSCH 12V-200A ALTERNATOR ON VIP, WE AND W5 VEHICLES EQUIPPED WITH A CENTRAL AIR CONDITIONING SYSTEM

MATERIAL

Kit #067513 includes the following parts:

Part No.	Description	Identification	Qty
067065	Pulley, Bosch Alternator		1
067208	Panel, Protective		1
067523	Plate, Belt Tensioner		1
067524	Support Assembly		1
067526	Support, Pivot		1
067529	Pivot Assembly		1
3852496	Washer, Split-Lock 10.2 x 18.1 x 2.2		5
452443	Support, Belt Tensioner		1

500065	Bolt, Hex. Head DP M10 x 30 G10.9		3
5001181	Bolt, Hex. Head SS M6 x 12		3
5001182	Nut, Hexagonal Nylon Insert, SS M6 - 1		3
5001688	Bolt, Hex. Head M12 – 1.75 x 100 G10.9		2
500171	Bolt, Hex. Head ¼-20 x 1 G5		2
500211	Washer, Flat .531 x 1.25 x 125		2
500214	Bolt, Hex. Head ZP ½-13 x 1.25 G5		2
500446	Washer, Flat ZP .531 x 1.25 x 125		2
500811	Nut, Hexagonal Stover ZM M12-1.75		4
500832	Washer, Flat .406 x .812 x .065		3
500944	Washer, Split-Lock .506 x .873 x .125		2
502573	Washer, Flat SS 6.4 x 12.5 x 1.6		3
5060100	Belt, "V" AX32		2
550293	Key, ¼ x ¼ x 1 13/16 long		1
563734	Alternator, Bosch 12 V – 200 A		1
950389	Sleeve, Coupling		1
950392	Pulley, Double 7¼ inch		1
955920	Washer, Split-Lock .262 x .489 x .062		2
965190	Bolt, Hex. Head M10 – 1.5 x 100 G8.8		2
970970	Bolt, Hex. Head M12 X 30 G8.8		4
971083	Nut, Hexagonal Stover M10 – 1.5		2
971084	Nut, Hexagonal Stover M12 – 1.75		2
IS-07038	Instruction Sheet		1
FI-07038	Feuille d'instructions		1

PROCEDURE



DANGER

Park vehicle safely, apply parking brake, stop engine and set battery master switch(es) to the OFF position prior to working on the vehicle.

1. Remove former alternator driving belt.

-
2. Remove former alternator (Leece-Neville) and all mounting parts such as pivot assembly and belt tensioner.
 3. Carefully put aside and secure ground and positive cables.
 4. Remove alternator drive pulley installed on gearbox.

<i>NOTE</i>

<i>If necessary, clean the area where the Bosch alternator will be installed.</i>

5. Fix pivot assembly (067529) onto its support (067526). Use 2 bolts (970970), 2 flat washers (500446) and 2 Stover nuts (500811).

<i>NOTE</i>

<i>Do not overtighten bolts to allow pivot to move.</i>

6. Install pivot assembly with its support onto the radiator fan transfer mechanism mounting base and secure using 3 bolts (500065) and 3 flat washers (500832).
7. Fix belt tensioner support (452443) onto the gearbox using 2 bolts (500214) and 2 split-lock washers (500944).
8. Fix pulley (067065) onto Bosch alternator (563734) using supplied nut.
9. Install support assembly (067524) onto Bosch alternator and secure it using a bolt (5001688) and nut (500811) on pulley's opposite side, a bolt (965190), a split-lock washer (3852496) and a Stover nut (971083) on pulley's side.
10. Install pivot assembly complete with alternator onto radiator fan transfer mechanism mounting base. Fix the assembly to the pivot using a bolt (5001688) and nut (500811) on pulley's opposite side, a bolt (965190), a split-lock washer (3852496) and a Stover nut (971083) on pulley's side.
11. Install belt tensioner plate (067523) onto belt tensioner support (452443) and secure it using 2 bolts (970970), 2 flat washers (500211) and 2 Stover nuts (971084).

<i>NOTE</i>

<i>Do not overtighten bolts to allow belt tension adjustment.</i>

12. Install double pulley (950392) on its driving shaft and fix it using coupling sleeve (950389) and key (550293). Use if necessary 2 bolts (500171) and 2 split-lock washers (955920) to position pulley.
13. Line up double pulley (950392) with Bosch alternator pulley (067065).
14. Secure ground and positive cables to Bosch alternator.
15. Fix protective panel (067208) using 3 bolts (5001181), flat washers (502573) and nuts (5001182).
16. Install "V" belts onto pulleys and adjust tension.
17. Reset battery master switch(es) to the ON position then check operation of alternator.

<i>NOTE</i>

<i>You might have to add washers between air bellows attachment bracket and gearbox to move attachment bracket away to increase play around double pulley.</i>
--

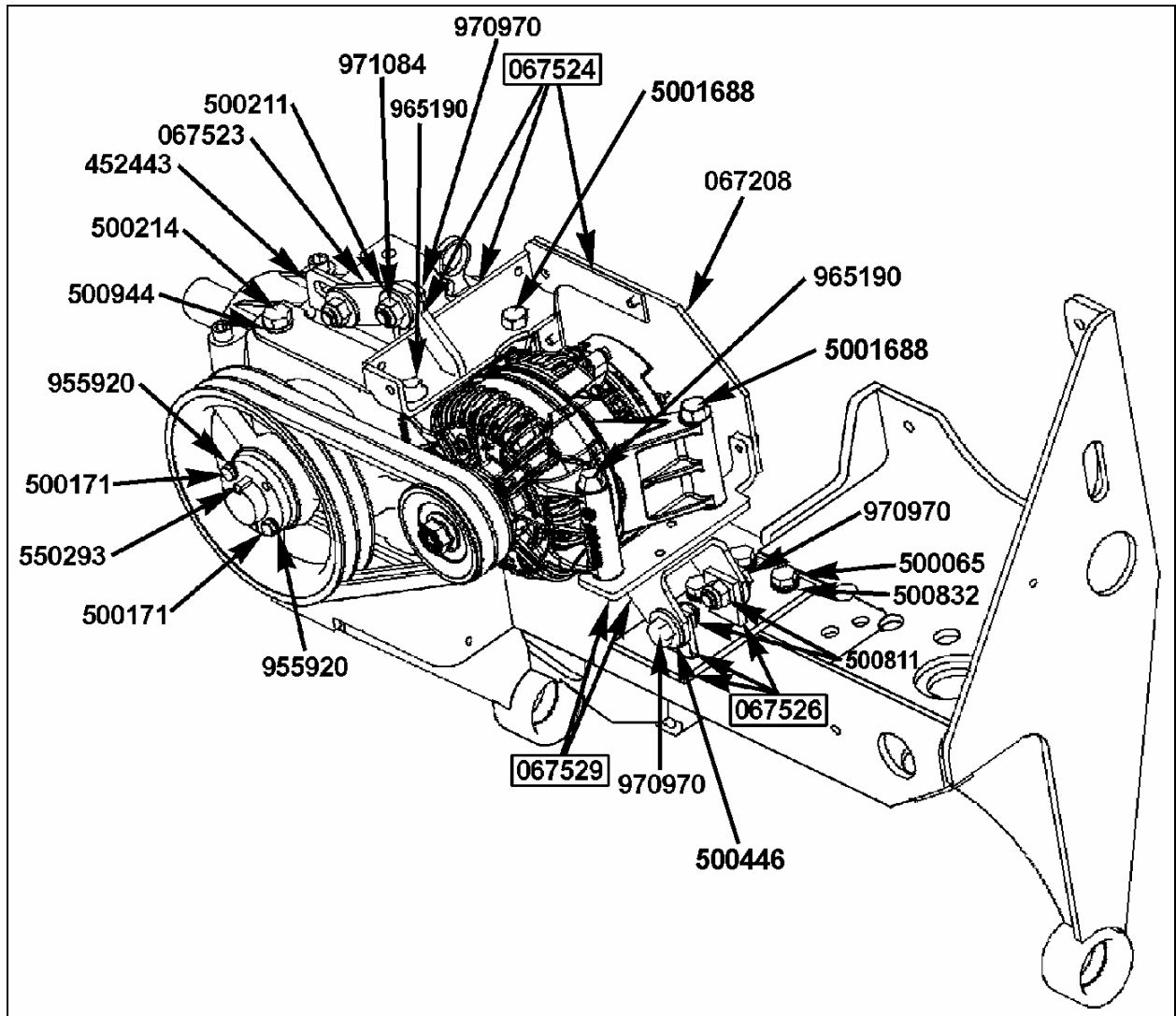


FIGURE 1

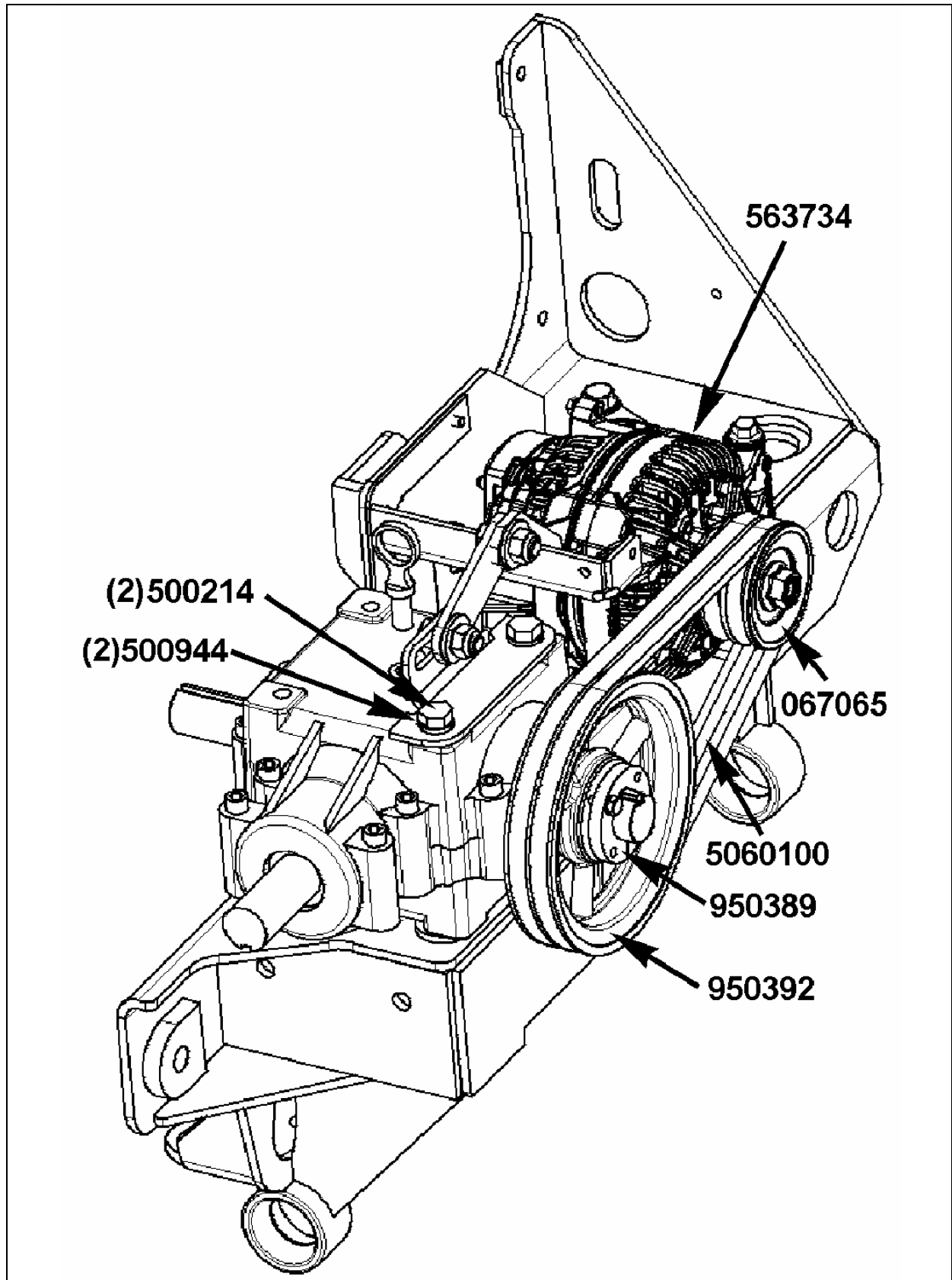


FIGURE 2

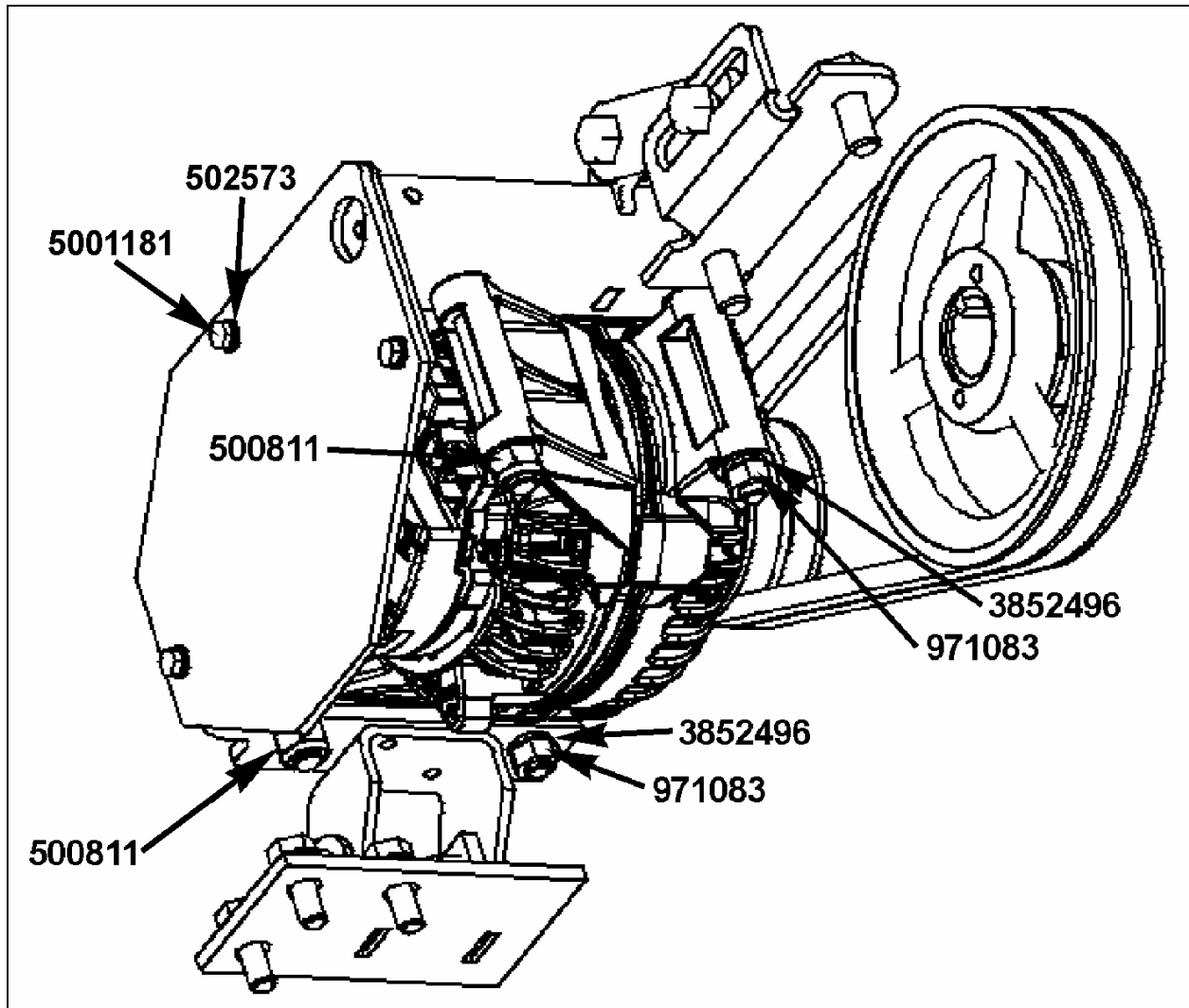


FIGURE 3