



**MAINTENANCE
INFORMATION**

MI16-28A

DATE : NOVEMBER 2016 SECTION : 23 - Accessories
SUBJECT DRIP EDGE ADDITION ON REAR-VIEW MIRRORS :

REVISION A: THIS MAINTENANCE INFORMATION SUPERSEDES PREVIOUS VERSION.
December 07, 2016: Added note on required temperature to perform the procedure.

<i>IMPORTANT NOTICE</i>
<i>This modification is recommended by PrevoSt to increase your vehicle's performance. Note that no reimbursement will be awarded for carrying out this modification.</i>

APPLICATION

Model
X3-45 coaches Model Year : 1994 - Current
H3-41, H3-45 coaches Model Year : 1994 - Current

DESCRIPTION

On vehicles equipped with Ramco rear-view mirrors in winter conditions, ice may accumulate in the gap between the glass bottom edge and shell. The ice may impede mirror adjustment. Installing a drip edge will prevent ice accumulation permanently by diverting water outwards. The proposed drip edge may only be installed on mirrors having a flat glass in the lower section of the mirror.

MATERIAL

Order kit MI16-28 which includes the following parts:

Part No	Description	Qty
491507	DRIP EDGE, REAR-VIEW MIRRORS	2

Other parts that may be required:

Part No.	Description	Qty
684685	Simson ISR 70-03, 310ml Cartridge	2 ml
-	Window Cleaner or Alcohol	

NOTE
<i>Material can be obtained through regular channels.</i>

PROCEDURE



DANGER

Park vehicle safely, apply parking brake, stop engine. Prior to working on the vehicle, set the ignition switch to the OFF position and trip the main circuit breakers equipped with a trip button. On Commuter type vehicles, set the battery master switch (master cut-out) to the OFF position.

Overview of installation

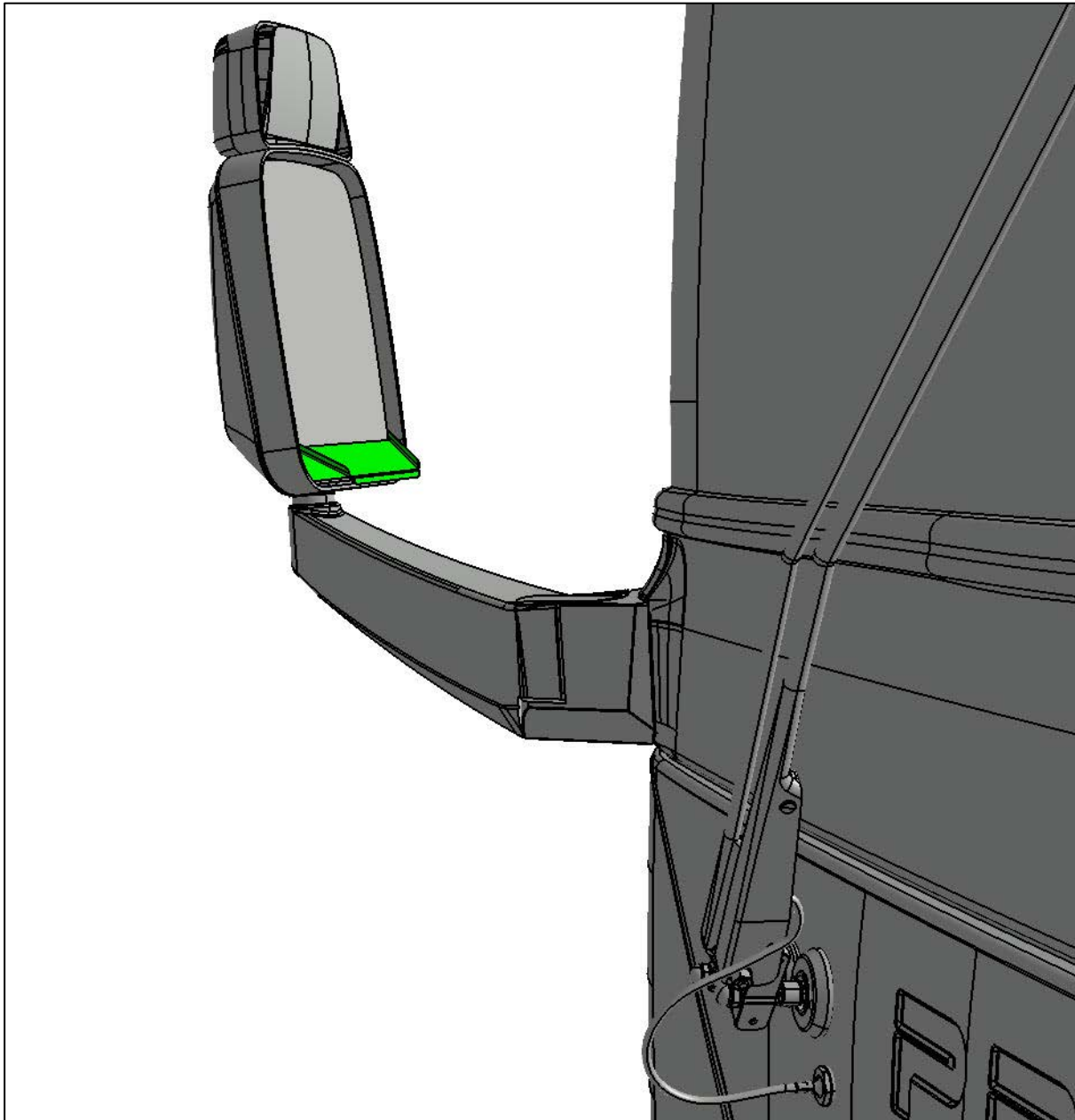


Figure 1: Drip edge installed, curb side shown.

Procedure should be done with mirror surface and #491507 drip edge at room temperature, around 20°C (68°F). Temperature should be above 10°C (50°F).

Surface preparation

Test fit the drip edge on the mirror before fixing.

Center on the glass and leave a 3mm (1/8") gap between the glass and drip edge.

Clean the lower part of the mirror glass with window cleaner or alcohol. Let dry 5 minutes.

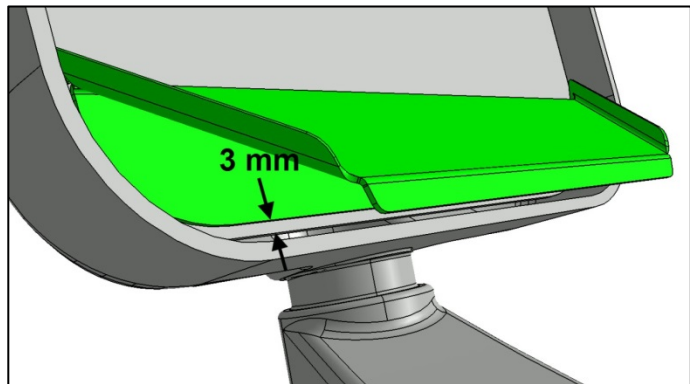


Figure 2

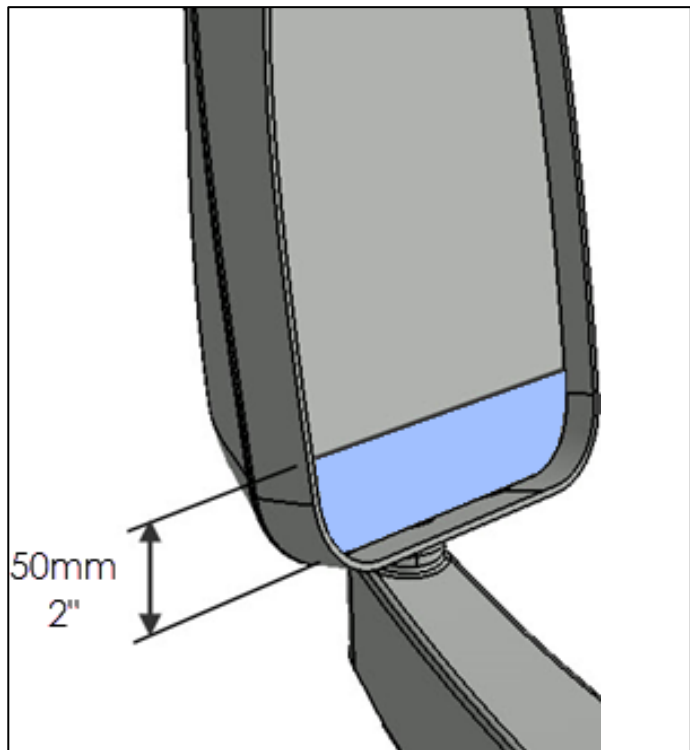


Figure 3

When ready, remove the backing film off the adhesive tape.

Install drip edge centered, leaving a 3mm gap between the glass and drip edge.

Apply pressure on the adhesive backed lip during a few seconds.

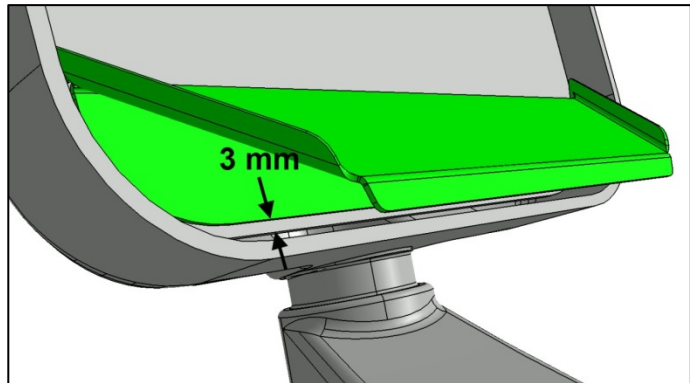


Figure 4

Apply a thin bead of sealant in the corners. Keep it clean and nice.

This is required to fill the relief cuts in the sheet metal bend *and* fill the small gap between flat mirror glass and drip edge lip.

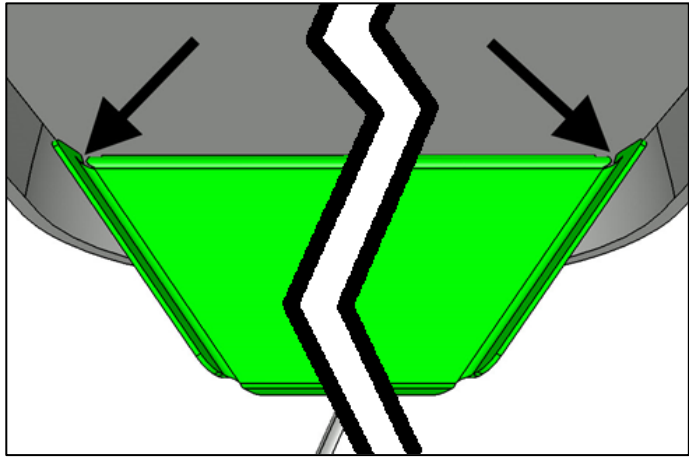


Figure 5: Top view

Repeat the same process on the opposite side.

Once sealant bead is dry, **soak the mirror glass** to confirm no water accumulates inside the lower part of the mirror shell.

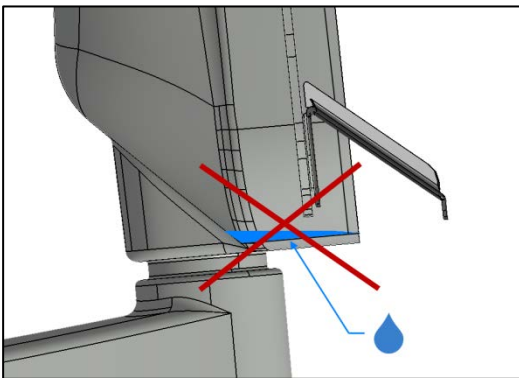


Figure 6

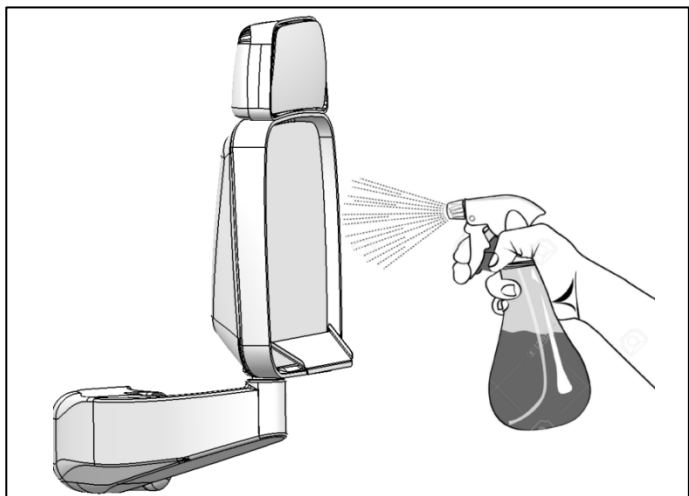


Figure 7

PARTS / WASTE DISPOSAL

Discard according to applicable environmental regulations (Municipal/State[Prov.]/ Federal)



Access all our Service Bulletins on <http://techpub.prevostcar.com/en/>
Or scan the QR-Code with your smart phone.

E-mail us at technicalpublications_prev@volvo.com and type "ADD" in the subject to receive our warranty bulletins
by e-mail.