

PREVOST

Instruction Sheet

IS-16902

Brake Pedal Installation & Adjustment

MATERIAL

Kit # IS16902 includes the following parts:

Part No.	Description	Qty
145262	Brake Pedal Assembly	1
IS-16902	Instruction Sheet (EN)	1
FI-16902	Instruction Sheet (FR)	1

Other parts that may be required:

Part No.	Description	Qty
G34835	Brake Pedal Angle Adjustment Tool	1

NOTE

Material can be obtained through regular channels.

PROCEDURE

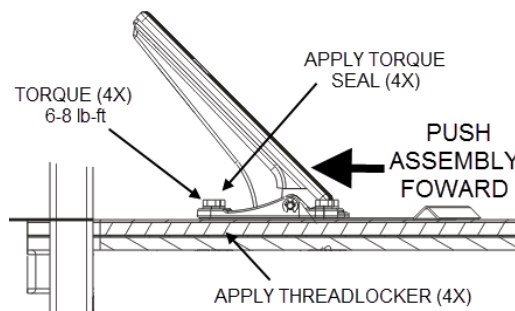


DANGER

Park vehicle safely, apply parking brake, stop engine. Prior to working on the vehicle, set the ignition switch to the OFF position and trip the main circuit breakers equipped with a trip button. *On Commuter type vehicles, set the battery master switch (master cut-out) to the OFF position.*

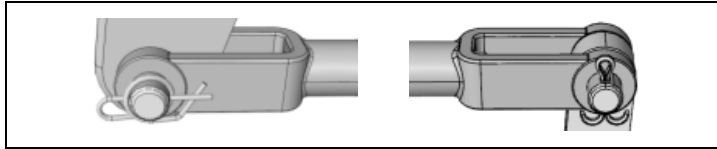
BRAKE PEDAL INSTALLATION

1. Push the brake pedal assembly all the way toward the front of the vehicle.
2. Apply blue Loctite (242 or similar medium strength threadlocker) to the four pedal retaining bolts.
3. Torque each of the four retaining bolts to 6-8 lb-ft (8-11 Nm).
4. Apply torque seal lacquer to the bolts after final torque.



BRAKE PEDAL ADJUSTMENT

1. Connect the linkage yokes and install cotter pin and ring cotter.

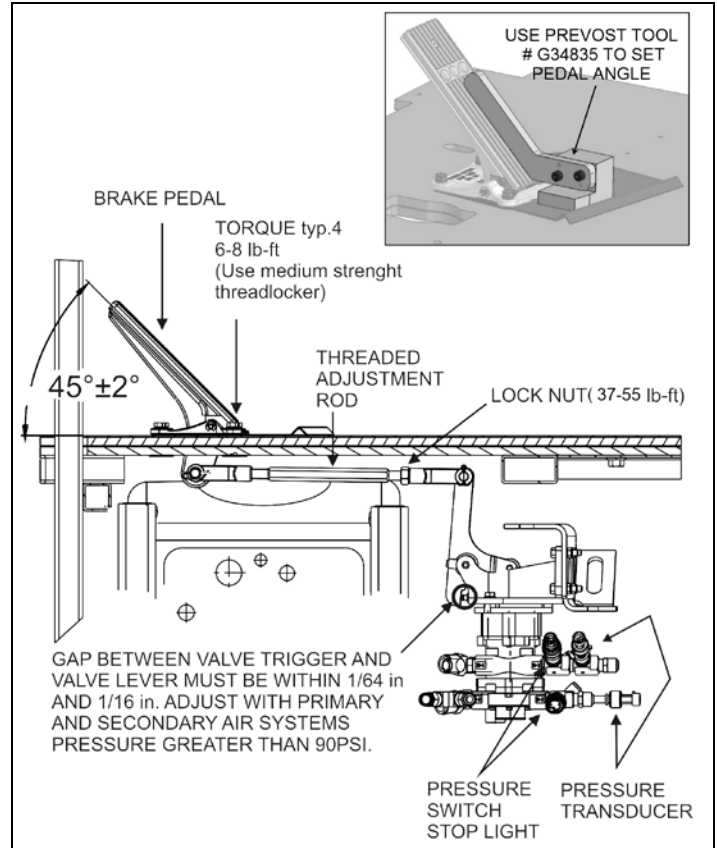


2. Loosen threaded rod lock nut and turn the threaded rod CW or CCW in order to obtain a 45° brake pedal inclination. Use Prevost Tool # G34835 to ensure proper pedal angle.



Prevost Tool # G34835

3. Tighten threaded rod lock nuts to **37-55 lb-ft (50-68 Nm)**.



PARTS / WASTE DISPOSAL

Discard waste according to applicable environmental regulations (Municipal/State[Prov.]/ Federal)