

# PREVOST

## Instruction Sheet

## IS-09085A

### INSTALLATION OF SPLINED BRAKE DISC ON DRIVE AXLE

**REVISION : A THIS INSTRUCTION SHEET SUPERSEDES PREVIOUS VERSION.**

Step 10, addition of missing dimension: 1/8 inch

### MATERIAL

Kit #144982 includes the following parts:

Part No.	Description	Qty
124921	TOOTHED WHEEL	1
144983	ADAPTOR, DISC	1
144984	DISC, BRAKE	1
144985	SPRING ELEMENT	10
144986	INTERMEDIATE PIECE	20
IS-09085	Instruction Sheet	1
FI-09085	Feuille d'instructions	1

#### *NOTE*

*Material can be obtained through regular channels.*

### PROCEDURE



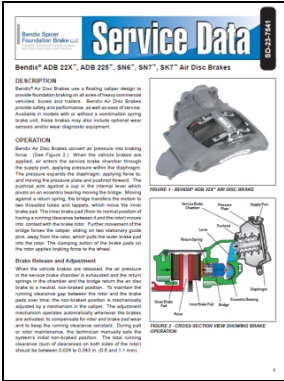
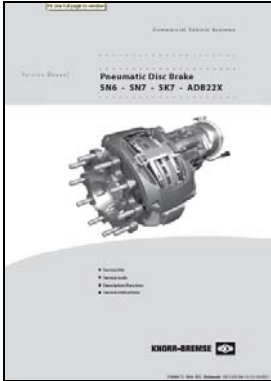
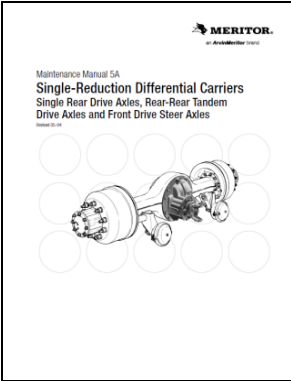
#### **DANGER**

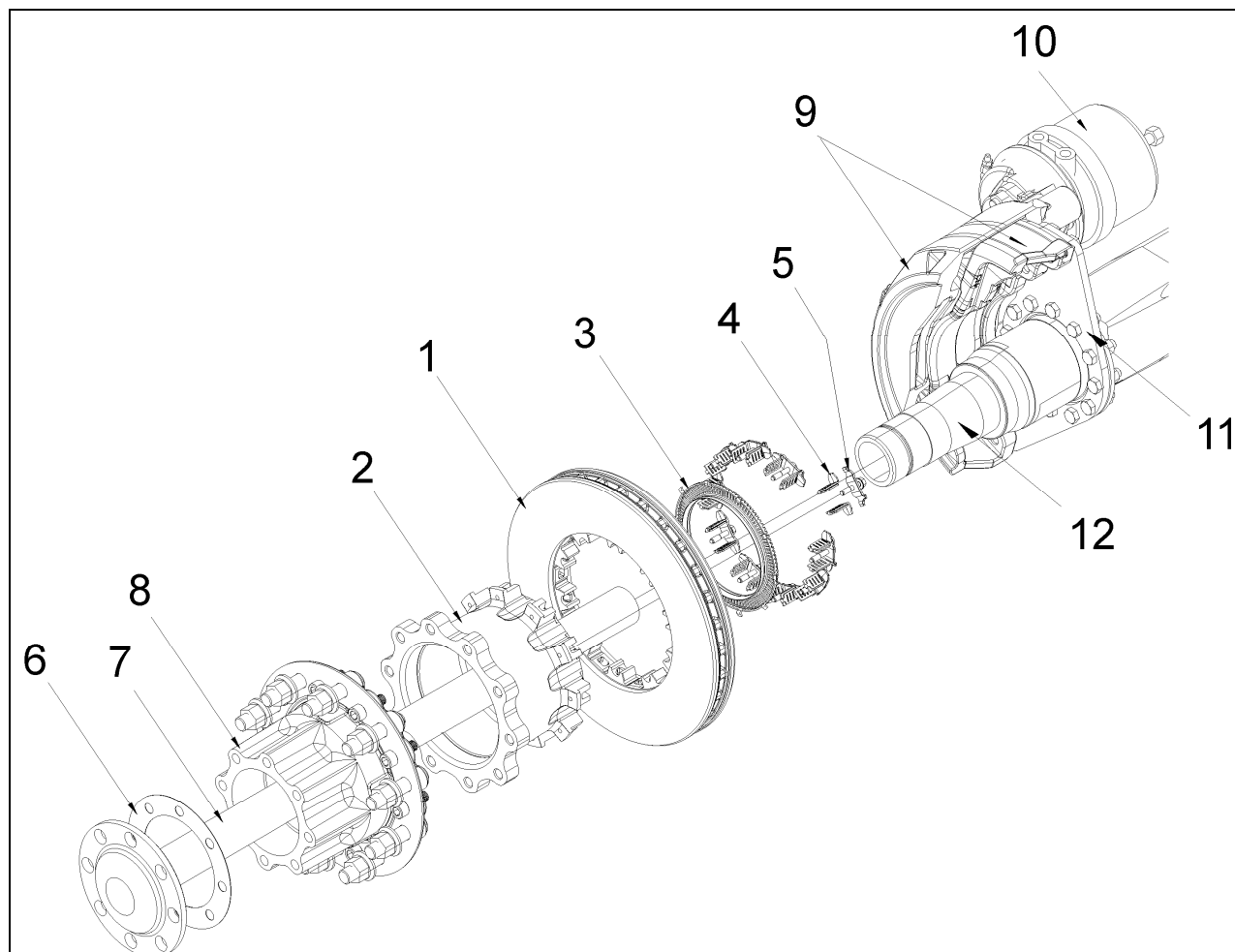
Park vehicle safely, apply parking brake, stop engine and set battery master switch(es) to the OFF position prior to working on the vehicle.

You will find further information in your vehicle maintenance manual and in the following manuals. These manuals are included with your maintenance manual (hard copy or CD version). In addition, these manuals can be downloaded from Prevost Technical Publications site at this address:

<http://prevostparts.volvo.com/technicalpublications/en/manuel.asp>

Select the **manufacturer name** in the appropriate field.

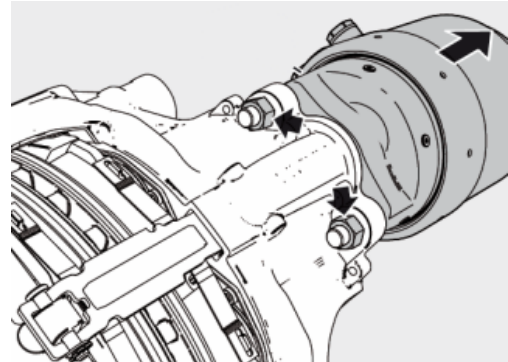
 <p><b>Manufacturer : Bendix</b>  <b>Bendix SN7 Air Disc Brakes</b>  <b>SD-23-7541</b></p>	 <p><b>Manufacturer : Knorr-Bremse</b>  <b>Knorr-Bremse Service Manual</b>  <b>Pneumatic Disc Brake SN7</b></p>	 <p><b>Manufacturer : Arvin Meritor</b>  <b>Meritor Maintenance Manual 5A</b>  <b>Single-Reduction Differential</b>  <b>Carriers</b></p>
---	--	---



1- Splined brake disc	7- Axle shaft
2- Adaptor	8- Hub
3- Toothed wheel	9- Caliper and carrier assembly
4- Intermediate element	10- Brake chamber
5- Spring element	11- Torque plate
6- Gasket (p/n 620351)	12- Spindle

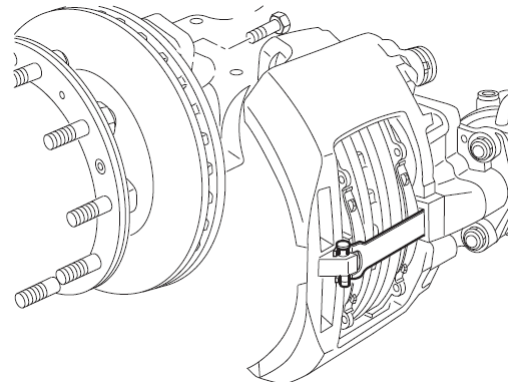
1. Lift the vehicle and support the drive axle using jack stands. Parking brake must not be applied.
2. Remove the drive axle wheel.
3. Remove the brake chamber (2 stover nut). Refer to service bulletin **Bendix Spicer Foundation Brake SERVICE DATA SD-23-7541 Bendix SN7 Air Disc Brakes** or **Knorr-Bremse Service Manual Pneumatic Disc Brake SN7** and Section 12: Brake and Air System of your vehicle maintenance manual.

**Note: Use new stover nuts.**

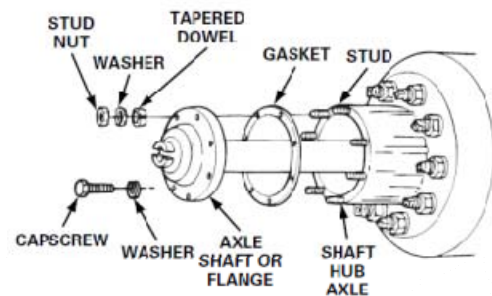


4. With the caliper/carrier assembly securely supported, remove the 6 bolts attaching the carrier to the torque plate.
5. Clean the torque plate and carrier contact area.

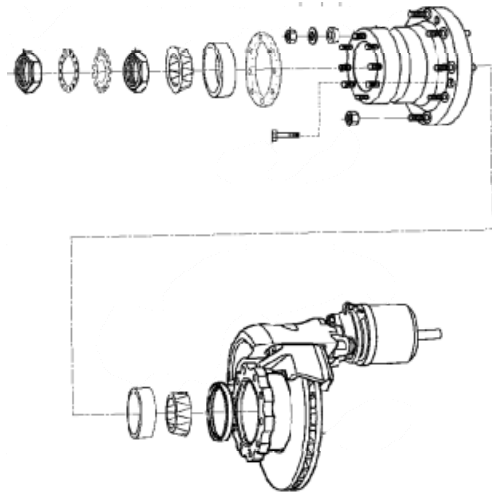
**Note : Use a new set of brake pads with new splined disc**



6. Disconnect the axle shaft (8 nuts). Refer to **Meritor Maintenance Manual 5A Single Reduction Differential Carriers** or **section 13: Wheels, Hubs & Tires** of your maintenance manual.
7. Place a clean pan under the axle to recover hub lubricating oil. This oil will be reused.



- 
8. Dismount hub. Unscrew hub nuts and remove washer. Refer to **Section 13: Wheels, Hubs & Tires** of your maintenance manual.



9. Remove ABS speed sensor and spring clip.
10. Due to dimensional interference, it is necessary to shorten the ABS sensor sleeve. Remove 1/8 inch at the sleeve end.



11. Remove the round metal sheet protecting the sensor and toothed wheel (identified with arrow). This part won't fit with the use of splined disc.

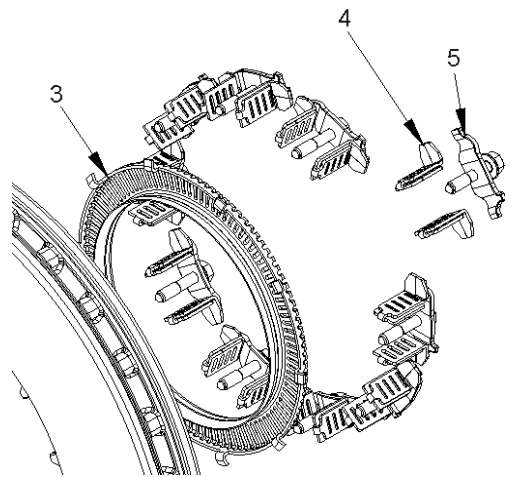


12. Dismount existing disc from the hub.

13. Place the splined brake disc (item 1) carefully on to wheel hub adaptor (item 2).



14. Apply anti-seize compound (**Permatex Copper Anti-Seize Lubricant**) on both sides of intermediate elements (item 4).



15. The intermediate elements are pushed from inside of the brake disc between the castellated disc and the castellated adaptor as shown.



16. Insert all of the spring elements with their screws and tighten by hand. Fit each spring elements with its tang pointing to the friction ring (see arrow).

**Apply anti-seize compound (Permatex Copper Anti-Seize Lubricant) on the screws**

17. Tighten the screws to a torque of **16 lbf-ft** (22 lbf-ft if no anti-seize compound is used).



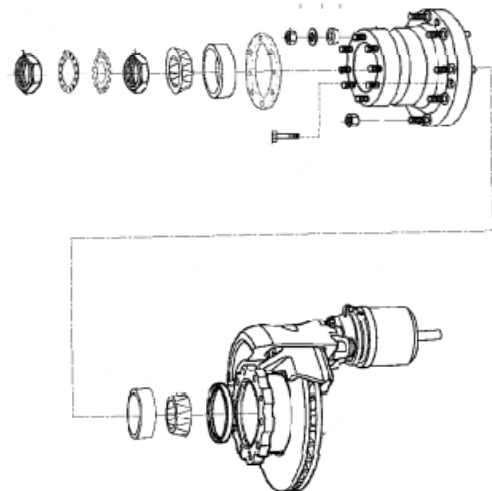
- 
18. Clean the hub and inspect for damage. Sand the hub and adaptor contact area if required.
  19. Fix adaptor onto hub

**10 x bolts #621628, torque 220 lbf-ft dry**



20. Reinstall the hub. Refer to **section 13 : Wheels, Hubs & Tires** of your maintenance manual.

- a) Clean spindle.
- b) Lubricate the wheel bearings with clean axle lubricant of the same type used in the hub assembly (recovered oil).
- c) Torque the adjusting nut (inner) to 200 lbf-ft while rotating the wheel. Back off the adjusting nut (inner) one full turn. Torque the adjusting nut (inner) to 50lb-ft while rotating the wheel and then back off ¼ turn.
- d) Torque the jam nut (outer nut) to 300-400 lbf-ft.



**Acceptable end play: 0.001"-0.005"**

21. Connect the axle shaft. Use a new gasket (p/n 620351). Refer to **Meritor Maintenance Manual 5A Single Reduction Differential Carriers**.
22. Pour the recovered oil into the hub or add ½ quart of fresh lubricant of the same type used in differential

---

carrier. Torque hub plug to 12-16 lbf-ft.

23. Reinstall the caliper/carrier assembly. Apply Loctite 243 on threads and torque 6 bolts to 465 lbf-ft.

**Note : Use a new set of brake pads with new splined disc**

24. Reinstall the ABS speed sensor. Push the sensor completely inside the spring clip until it is in contact with the toothed wheel. Proper gap will be achieved as the wheel turns. Refer to **section 12 : Brake and Air System** of your maintenance manual.

25. Reinstall brake chamber as per **Bendix Spicer Foundation Brake SERVICE DATA SD-23-7541 Bendix SN7 Air Disc Brakes** or **Knorr-Bremse Service Manual Pneumatic Disc Brake SN7**. Use new stover nuts (2 nuts p/n 5001253, torque: 145 lbf-ft).

26. Reinstall the wheel onto the hub. Tighten wheel nuts to a torque of 450-500 lbf-ft according to pattern shown.

