

PREVOST

Instruction Sheet

IS-00063

REPLACEMENT GUIDE OF #870964 AURORA HOT WATER VALVE BY HONEYWELL VALVE

MATERIAL

Kit #373849 includes the following parts :

Part No.	Description	Qty
373729	Honeywell hot water valve	1
373229	Copper pipe	1
561707	24 volts relay	1
561108	Tab receptacle terminal	2
561445	Tab terminal	1
062490	Heat shrinking sleeve 6" long	2
065552	Valve harness	1
065553	A/C junction box harness	1
500948	Screw, self-tapping ¼-20 x 1	2
IS-00063	Instruction Sheet	1
FI-00063	Feuille d'instructions	1

PROCEDURE

Warning : Park vehicle safely, apply parking brake, stop engine and set battery master switch(es) to the OFF position prior to working on the vehicle.

1. Partially drain the heating system. Close both heater line shutoff valves. In evaporator compartment, open drain cock in bottom of heater core, then open manual vent located on top of heater core. Refer to section 22 of Maintenance Manual under "Draining Heating System".
2. In evaporator compartment, remove Aurora valve (Prévost part #870964) (see figure 1). Remove the air lines supplying the Aurora valve.
3. Using copper pipe #373229 and the flexible hoses, find the perfect positioning for the Honeywell valve. Loosen the U-bolt nuts in order to permit a slight tilting of to valve to ease installation. Mark on the positioning of the drillings.
4. Drill two 7/32" diameter holes and fix the valve, using #500948 screws.

Note : you might have to move some existing harnesses to install the valve at the right positioning.

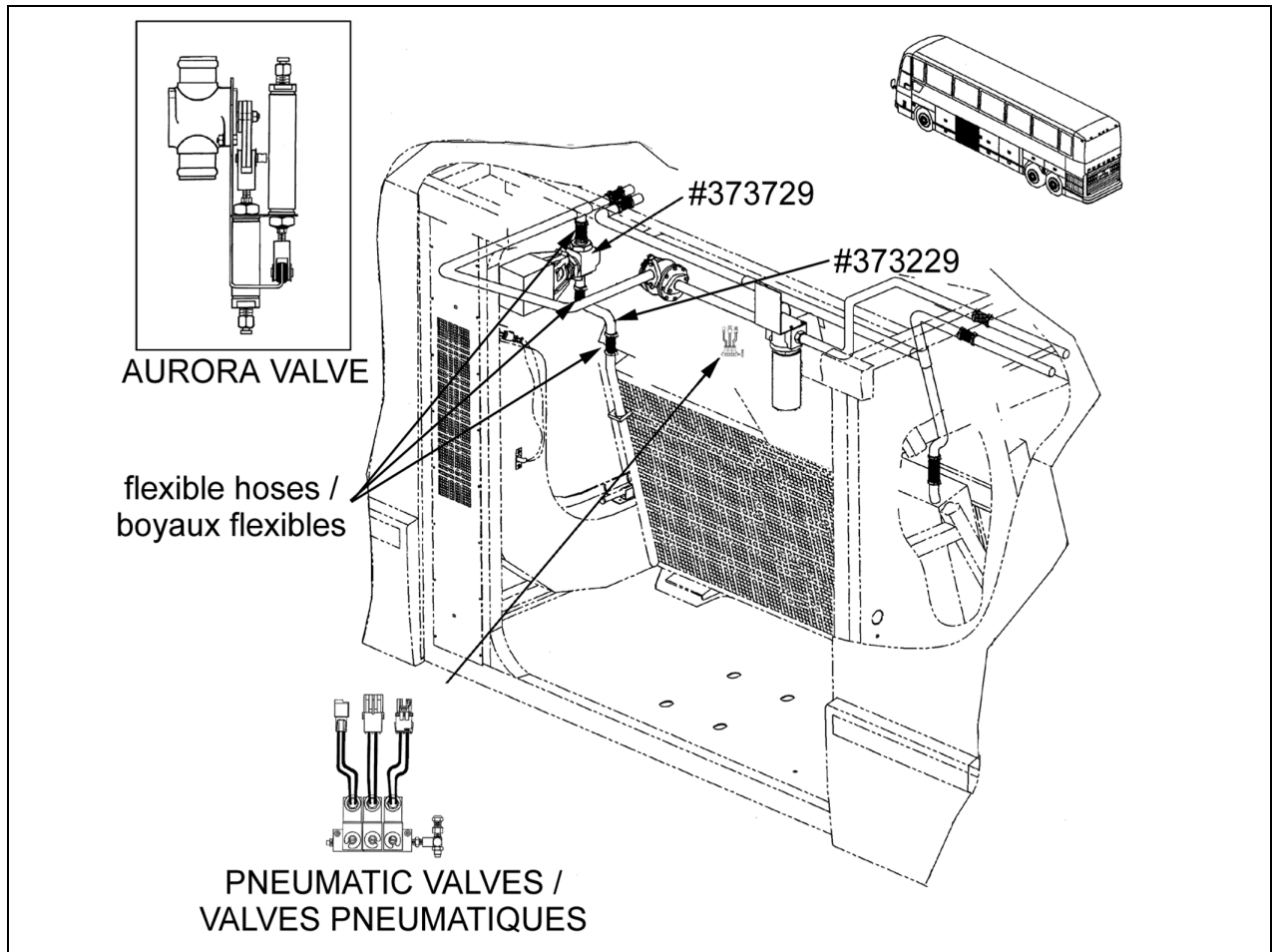


FIGURE 1 : EVAPORATOR COMPARTMENT

5. Connect the valve to the heater line using existing flexible hoses and hose clamps.
6. Unplug connectors C155 & C156 from pneumatic valves (figure 1) and connect to C155 & C156 of valve harness #065552. Using air lines retaining clips, route harness #065552 up to Honeywell valve and plug connector CV to valve. Fix harness with nylon ties.
7. In condenser compartment, remove the A/C junction box front panel.
8. Locate wire 45D, cut at 10" from connector C136 and crimp tab receptacle terminal #561108. Insert into port 30 of relay base from harness #065553.
9. Plug relay #561707 into relay base and fix inside the A/C junction box. See figure 2 for location.
10. Locate wire 45C, cut at 10" from connector C136. Place a 2" long sleeve of shrinking tube and crimp wire 45C to butt splice at diodes joint. Heat the shrinking tube. Insulated the other extremity of 45C with heat shrinking tube.
11. Disconnect wire 67A from R34 relay base. Place a 2" long sleeve of shrinking tube on 67A. Connect 67A to 45Y. Connect the other branch of 45Y into R34 relay base, at the same port where 67A was connected. Heat the shrinking tube.
12. Connect wire 00 of harness #065553 to ground terminal of relay R39.
13. Remove the existing D10 diode block and replace with diode block of harness #065553.

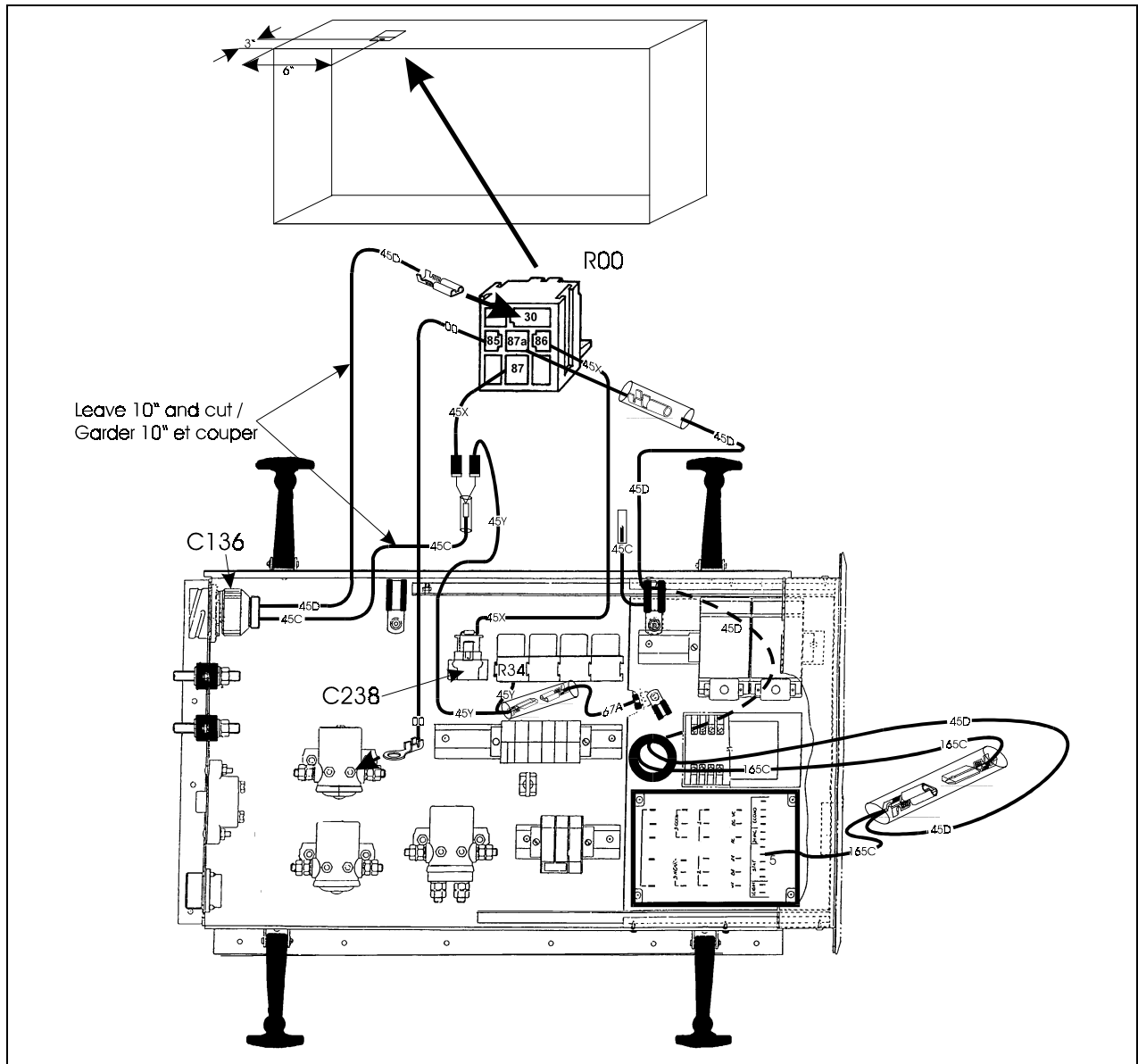


FIGURE 2 : A/C JUNCTION BOX

14. Place a 2" long sleeve of shrinking tube and crimp the remaining extremity of 45D into butt splice of wire 45D among harness #065553. Heat the shrinking tube.
15. Disconnect the extremity of 45D connected to *A/C Logic Panel* on HEAT 1 and cut the tab receptacle terminal. Locate wire 165C connected to *A/C Logic Panel* on STAT 5 and cut at 6" approximately. Join 45D and 165C and crimp tab receptacle #561108.
16. Place a 2" long sleeve of shrinking tube on the other extremity of 165C, crimp tab terminal #561445 and connect to 165C+45D joint. Heat the shrinking tube.
17. Fix all wires with nylon ties. Reinstall the A/C junction box front panel.
18. Open both heater line shutoff valves. In evaporator compartment, close drain cock in bottom of heater core and close manual vent located on top of heater core. Refill the heating system. Refer to section 22 of Maintenance Manual under "Filling Heating System".

Warning : Check if there is a IN5404 type diode (Prévost part #560931) connected in series on wire 45BB or 45B connected to normally open contact HEAT 3 on the A/C Logic Panel. If not, it is necessary to install one.

Warning : Replace your D060688 P.14C wiring diagram by the version included in this instruction sheet.

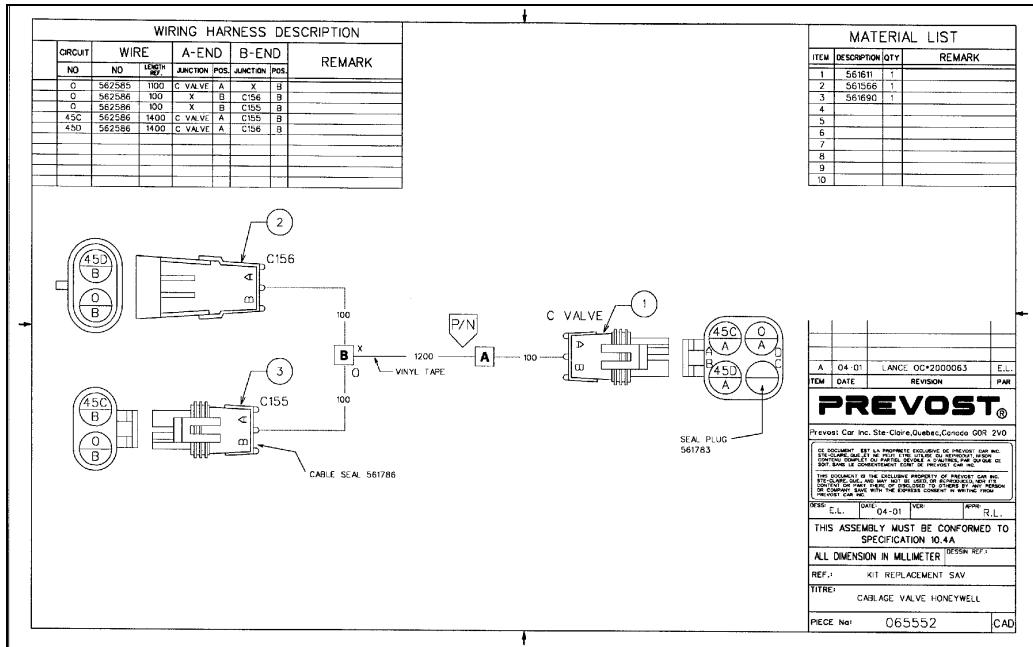


FIGURE 3 : HARNESS #065552

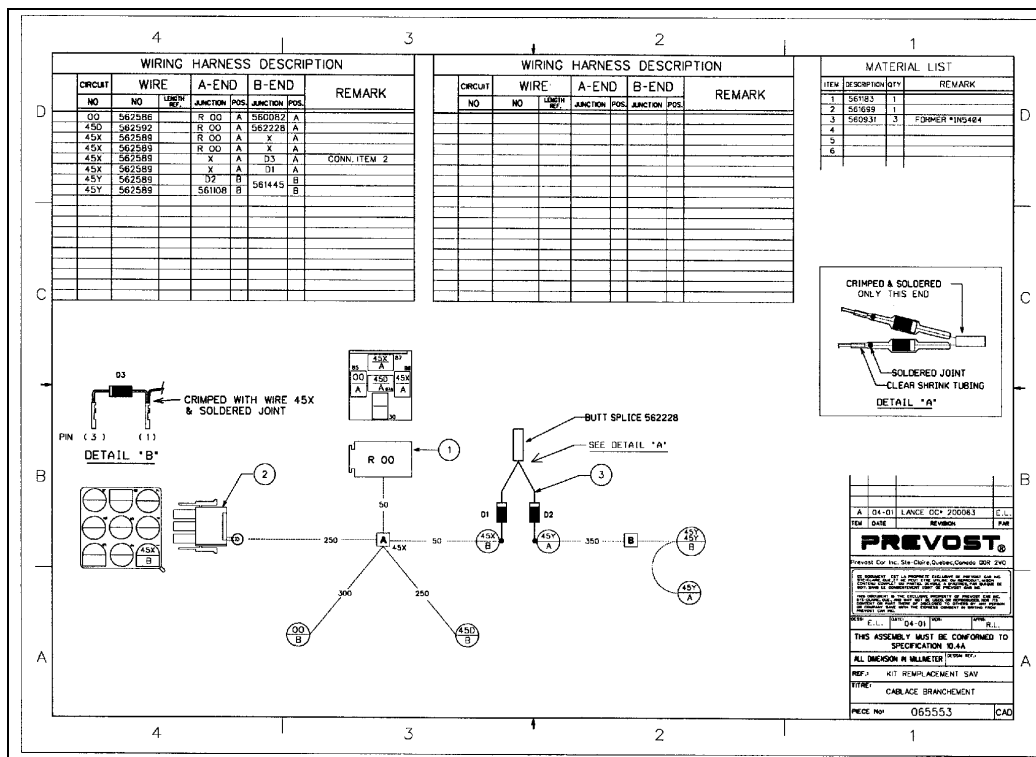
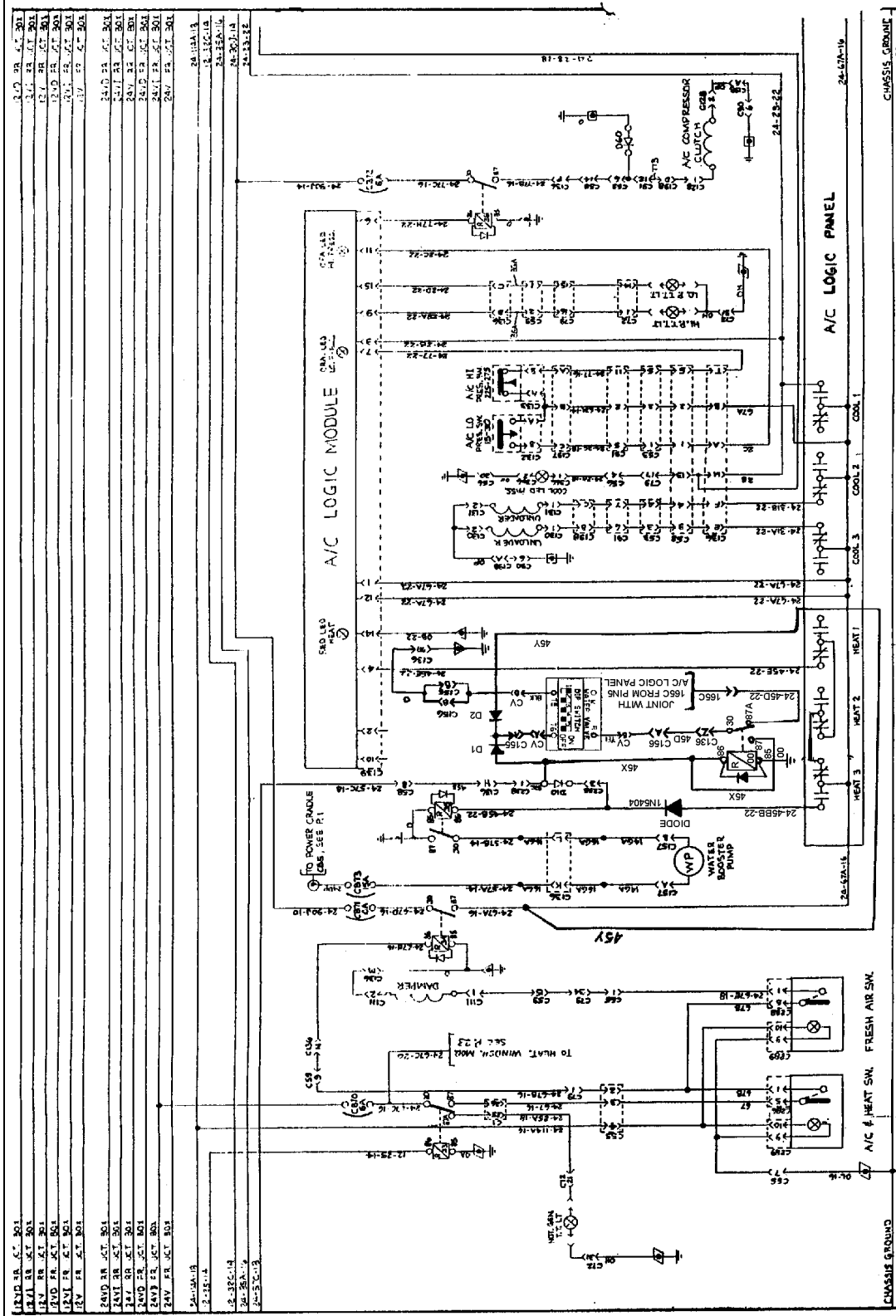


FIGURE 4 : HARNESS #065553



WIRING DIAGRAM D060688 P14C

DESCRIPTION		DR. S.G.	DATE 9-4-04
A/C AND HEAT SYSTEM		CR. C	APPR. C
WIRING DIAGRAM			
APPL: EFF. W/L-031 PRIOR TO 06-2003		REF: H3-40 BUS NO: D-060688 P14C C	
ITEM	DATE	REVISION	BY
1	01/05	ISSUED FOR MANUFACTURE	C/C
2	01/05	ISSUED FOR MANUFACTURE	C/C
3	01/05	ISSUED FOR MANUFACTURE	C/C
4	01/05	ISSUED FOR MANUFACTURE	C/C
5	01/05	ISSUED FOR MANUFACTURE	C/C
6	01/05	ISSUED FOR MANUFACTURE	C/C
7	01/05	ISSUED FOR MANUFACTURE	C/C
8	01/05	ISSUED FOR MANUFACTURE	C/C
9	01/05	ISSUED FOR MANUFACTURE	C/C
10	01/05	ISSUED FOR MANUFACTURE	C/C
11	01/05	ISSUED FOR MANUFACTURE	C/C
12	01/05	ISSUED FOR MANUFACTURE	C/C
13	01/05	ISSUED FOR MANUFACTURE	C/C
14	01/05	ISSUED FOR MANUFACTURE	C/C
15	01/05	ISSUED FOR MANUFACTURE	C/C
16	01/05	ISSUED FOR MANUFACTURE	C/C
17	01/05	ISSUED FOR MANUFACTURE	C/C
18	01/05	ISSUED FOR MANUFACTURE	C/C
19	01/05	ISSUED FOR MANUFACTURE	C/C
20	01/05	ISSUED FOR MANUFACTURE	C/C
21	01/05	ISSUED FOR MANUFACTURE	C/C
22	01/05	ISSUED FOR MANUFACTURE	C/C
23	01/05	ISSUED FOR MANUFACTURE	C/C
24	01/05	ISSUED FOR MANUFACTURE	C/C
25	01/05	ISSUED FOR MANUFACTURE	C/C
26	01/05	ISSUED FOR MANUFACTURE	C/C
27	01/05	ISSUED FOR MANUFACTURE	C/C
28	01/05	ISSUED FOR MANUFACTURE	C/C
29	01/05	ISSUED FOR MANUFACTURE	C/C
30	01/05	ISSUED FOR MANUFACTURE	C/C
31	01/05	ISSUED FOR MANUFACTURE	C/C
32	01/05	ISSUED FOR MANUFACTURE	C/C
33	01/05	ISSUED FOR MANUFACTURE	C/C
34	01/05	ISSUED FOR MANUFACTURE	C/C
35	01/05	ISSUED FOR MANUFACTURE	C/C
36	01/05	ISSUED FOR MANUFACTURE	C/C
37	01/05	ISSUED FOR MANUFACTURE	C/C
38	01/05	ISSUED FOR MANUFACTURE	C/C
39	01/05	ISSUED FOR MANUFACTURE	C/C
40	01/05	ISSUED FOR MANUFACTURE	C/C
41	01/05	ISSUED FOR MANUFACTURE	C/C
42	01/05	ISSUED FOR MANUFACTURE	C/C
43	01/05	ISSUED FOR MANUFACTURE	C/C
44	01/05	ISSUED FOR MANUFACTURE	C/C
45	01/05	ISSUED FOR MANUFACTURE	C/C
46	01/05	ISSUED FOR MANUFACTURE	C/C
47	01/05	ISSUED FOR MANUFACTURE	C/C
48	01/05	ISSUED FOR MANUFACTURE	C/C
49	01/05	ISSUED FOR MANUFACTURE	C/C
50	01/05	ISSUED FOR MANUFACTURE	C/C
51	01/05	ISSUED FOR MANUFACTURE	C/C
52	01/05	ISSUED FOR MANUFACTURE	C/C
53	01/05	ISSUED FOR MANUFACTURE	C/C
54	01/05	ISSUED FOR MANUFACTURE	C/C
55	01/05	ISSUED FOR MANUFACTURE	C/C
56	01/05	ISSUED FOR MANUFACTURE	C/C
57	01/05	ISSUED FOR MANUFACTURE	C/C
58	01/05	ISSUED FOR MANUFACTURE	C/C
59	01/05	ISSUED FOR MANUFACTURE	C/C
60	01/05	ISSUED FOR MANUFACTURE	C/C
61	01/05	ISSUED FOR MANUFACTURE	C/C
62	01/05	ISSUED FOR MANUFACTURE	C/C
63	01/05	ISSUED FOR MANUFACTURE	C/C
64	01/05	ISSUED FOR MANUFACTURE	C/C
65	01/05	ISSUED FOR MANUFACTURE	C/C
66	01/05	ISSUED FOR MANUFACTURE	C/C
67	01/05	ISSUED FOR MANUFACTURE	C/C
68	01/05	ISSUED FOR MANUFACTURE	C/C
69	01/05	ISSUED FOR MANUFACTURE	C/C
70	01/05	ISSUED FOR MANUFACTURE	C/C
71	01/05	ISSUED FOR MANUFACTURE	C/C
72	01/05	ISSUED FOR MANUFACTURE	C/C
73	01/05	ISSUED FOR MANUFACTURE	C/C
74	01/05	ISSUED FOR MANUFACTURE	C/C
75	01/05	ISSUED FOR MANUFACTURE	C/C
76	01/05	ISSUED FOR MANUFACTURE	C/C
77	01/05	ISSUED FOR MANUFACTURE	C/C
78	01/05	ISSUED FOR MANUFACTURE	C/C
79	01/05	ISSUED FOR MANUFACTURE	C/C
80	01/05	ISSUED FOR MANUFACTURE	C/C
81	01/05	ISSUED FOR MANUFACTURE	C/C
82	01/05	ISSUED FOR MANUFACTURE	C/C
83	01/05	ISSUED FOR MANUFACTURE	C/C
84	01/05	ISSUED FOR MANUFACTURE	C/C
85	01/05	ISSUED FOR MANUFACTURE	C/C
86	01/05	ISSUED FOR MANUFACTURE	C/C
87	01/05	ISSUED FOR MANUFACTURE	C/C
88	01/05	ISSUED FOR MANUFACTURE	C/C
89	01/05	ISSUED FOR MANUFACTURE	C/C
90	01/05	ISSUED FOR MANUFACTURE	C/C
91	01/05	ISSUED FOR MANUFACTURE	C/C
92	01/05	ISSUED FOR MANUFACTURE	C/C
93	01/05	ISSUED FOR MANUFACTURE	C/C
94	01/05	ISSUED FOR MANUFACTURE	C/C
95	01/05	ISSUED FOR MANUFACTURE	C/C
96	01/05	ISSUED FOR MANUFACTURE	C/C
97	01/05	ISSUED FOR MANUFACTURE	C/C
98	01/05	ISSUED FOR MANUFACTURE	C/C
99	01/05	ISSUED FOR MANUFACTURE	C/C
100	01/05	ISSUED FOR MANUFACTURE	C/C