

FUSEBOX DECAL REPLACEMENT 9700 (B13R)

MODEL YEAR(S) AND VEHICLE SERIAL NUMBERS (VIN) INVOLVED

NOTICE TO SERVICE CENTERS	
Verify vehicle eligibility by checking warranty bulletin status with SAP or via ONLINE WARRANTY SYSTEM available on Service / Warranty tab of PrevoSt website.	
Model	VIN
Volvo 9700 us/can Model Year : 2014 - 2016	From 3CET2V22X <u>E5164935</u> up to 3CET2V42X <u>G5176275</u> incl.
This bulletin does not necessarily apply to all the above-mentioned vehicles, some vehicles may have been modified before delivery. The owners of the vehicles affected by this bulletin will be advised by a letter indicating the Vehicle Identification Number (VIN) of each vehicle concerned.	

NOTE

Look for the fuse box located inside the front electrical compartment on the driver's side. Only specific fuse boxes are required to have this corrective measure done. Concerned fuse boxes have **PN 22186411** indicated on the cover, as shown on the image below:



FIG. 1 LOCATING FUSE BOX PART NUMBER

DESCRIPTION

On vehicles affected by this bulletin, the fuse decal at position "F103", inside the front fuse box, indicates incorrect information. **80A** should be read instead of the actual value of 150A.



FIG. 2 POSITION OF "F103" FUSE

CORRECTIVE MEASURE

A specific decal must be placed in order to indicate the correct ampere information at position "F103".

MATERIAL

Order KIT WB16-81, which contains the following parts:

Part No.	Description	Qty
22840618	80A decal	1

PROCEDURE



DANGER

Park vehicle safely, apply parking brake, stop engine. In the battery box, set the battery cut-off switch to the OFF position prior to working on the vehicle.

- 1) Validate that the VIN matches the models involved (see 1st page of document).
- 2) Locate the concerned fuse box and make sure its PN corresponds to the faulty model. (PN 22186411)
- 3) Open the fuse box compartment and install the decal as shown on the image, making sure that the decal location is neat and free of dust or residues (clean adequately if required):

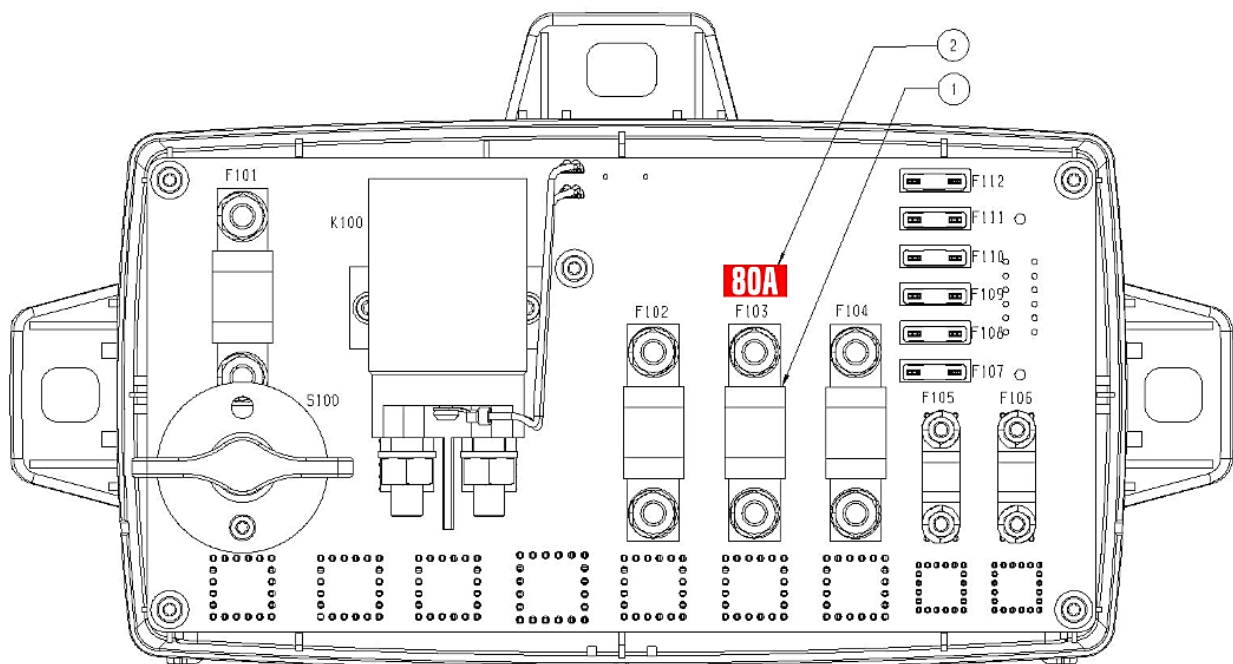


FIG. 3 FUSE BOX FIGURE

PARTS / WASTE DISPOSAL

Discard waste according to applicable environmental regulations (Municipal/State[Prov.]/ Federal)

WARRANTY

Date	Expiration	Group	No.	Page
08.2016	08.2017			4(4)

This modification is covered by Prevest's normal warranty. We will reimburse you the parts and 0.2 hour of labor upon receipt of a warranty claim. Please submit claim via our Online Warranty System, available at www.prevestcar.com (under Service \ Warranty section). Use Claim Type: "Bulletin/Recall" and select "Warranty Bulletin WB16-81".

OTHER

VBC Bulletin	S0365
Fail Code	06.16
Defect Code	09
Syst.Cond.	B
Causal Part	22840618

Access all our Service Bulletins on
<http://techpub.prevestcar.com/en/bulletins>
Or scan the QR-Code with your smart phone.

E-mail us at technicalpublications_prev@volvo.com
and type "ADD" in the subject to receive our warranty
bulletins by e-mail.



Prevest engages in a continuous program of testing and evaluating to provide the best possible product. Volvo Bus, however, is not committed to, or liable for updating existing products.