

**WARRANTY
BULLETIN**

WB18-25

DATE:	July 2018	SECTION :	23 ACCESSORIES
EXPIRATION:	July 2020		
SUBJECT :	MONITOR PUSH BUTTON GUARD INSTALLATION		

First Release

2018-07-18

DESCRIPTION

This bulletin describes how to install a guard over the back-up camera monitor control buttons (option A). For some vehicles (option B), it also describes how to replace the back-up camera monitor and how to install a guard over the back-up camera monitor control buttons.

REFER TO OPTION A OR OPTION B ACCORDING TO THE VEHICLE VIN		
OPTIONS	VEHICLE VIN LIST	PAGE
<p>OPTION A GUARD INSTALLATION ONLY</p> <p>H3 COACHES MODEL YEARS: 2009 TO 2019</p> <p>X3-45 COACH MODEL YEARS: 2015 TO 2017</p>	<p>2PCH33492EC712613, 2PCH33496EC712615, 2PCH33498EC712616 2PCH3349XEC712617, 2PCH33493EC712619, 2PCH3349XEC712620 2PCH33491EC712621, 2PCH33492FC712824, 2PCH33494FC712825 2PCH33496FC712826, 2PCH33498FC712827, 2PCH33491FC712829 2PCH33498FC712830, 2PCH3349XFC712831, 2PCH33499FC712884 2PCH33498GC713073, 2PCH3349XGC713074, 2PCH33496GC713184 2PCH33493GC713188, 2PCH33497GC713193, 2PCH33492GC713196 2PCH33490GC713200, 2PCH33491GC713299, 2PCH33494GC713300 2PCG33492GC736005, 2PCG33490GC736049, 2PCG33494GC736054 2PCH33492HC713457, 2PCH33494HC713458, 2PCH33495HC713632 2PCH33499HC713634, 2PCH33492HC713636, 2PCH33494HC713637 2PCH33496HC713638, 2PCH33490HC713733, 2PCH33492HC713734 2PCG33494HC736105, 2PCG33498HC736110, 4RKG33495H9737355 4RKG33490H9737358, 2PCH33490JC710093, 2PCH33492JC710094 2PCH33496JC710096, 2PCH33498JC710097, 2PCH3349XJC710098 2PCH33492JC713979, 2PCH33499JC713980, 2PCH33492JC713982 2PCH3349XJC713986, 2PCG33493JC736215, 2PCH33497KC710187 2PCH33499KC710188</p>	<p>2</p>
<p>OPTION B MONITOR REPLACEMENT AND GUARD INSTALLATION</p> <p>H3-45 COACHES MODEL YEARS: 2009 TO 2012</p> <p>X3-45 COACH MODEL YEAR: 2010</p>	<p>2PCH334909C711353, 2PCH33490AC711616, 2PCH33493AC711660 2PCG33498AC729907, 2PCH33497CC711874, 2PCH33490CC711876 2PCH33492CC711877, 2PCH33492CC712060, 2PCH3349XCC712064</p>	<p>3</p>

OPTION A

MATERIAL

Order kit #WB18-25 which contains the following parts:

Part No.	Description	Qty
880009	MONITOR BUTTON GUARD	1

NOTE

Material can be obtained through regular channels.

PROCEDURE



DANGER

Park vehicle safely, apply parking brake, stop the engine and set batteries master switch to the OFF position prior to working on the vehicle.

1. Install the guard and the screw on the monitor (Figure 1).

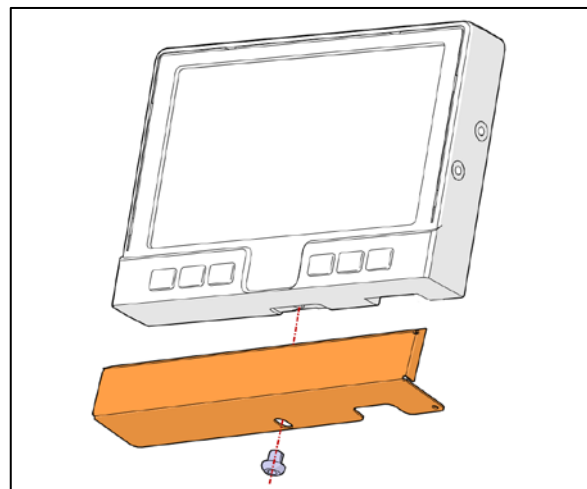


Figure 1

2. Tighten the screw (Figure 2).
3. Bulletin is complete for this option.

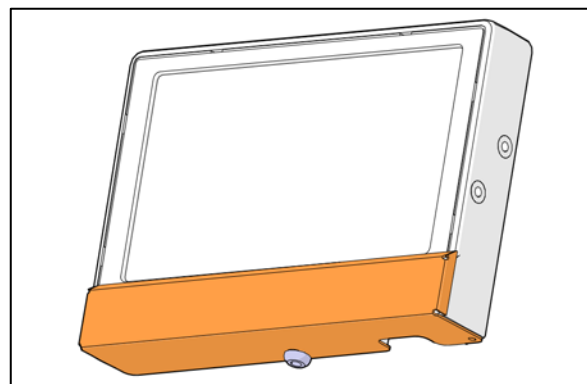


Figure 2

OPTION B

MATERIAL

Order kit #WB18-25_2, which contains the following parts:

Part No.	Description	Qty
880009	MONITOR BUTTON GUARD	1
901428	MONITOR REPLACEMENT KIT	1

NOTE

Material can be obtained through regular channels.

PROCEDURE



DANGER

Park vehicle safely, apply parking brake, stop the engine and set batteries master switch to the OFF position prior to working on the vehicle.

4. New Monitor is installed in the same location using the same mounting hardware (Figure 3). A new harness is connected to the monitor.



Figure 3

5. Remove cable cover on L.H. windshield post (Figure 4).

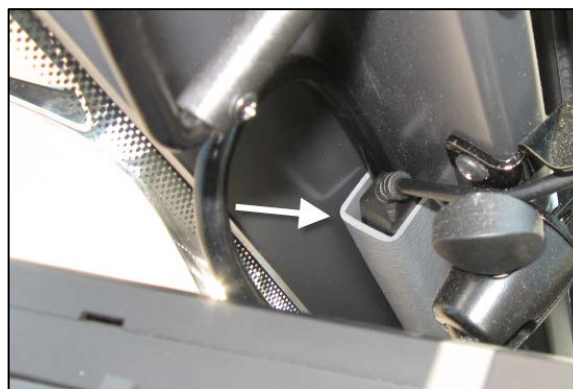


Figure 4

6. Remove dashboard domed cover (Figure 5).



Figure 5

7. Remove old monitor. Keep hardware.
8. Remove cable connected to monitor.
9. Identify mating connectors in the dashboard to locate them easily.
10. Connect new harness 409327 to the connectors in dash.
11. Route harness up to the monitor.
12. Install and connect new monitor reusing reserved hardware.
13. Test monitor operation.
14. Reinstall cable cover.



Figure 6

15. Install the guard and the screw on the monitor (Figure 7).

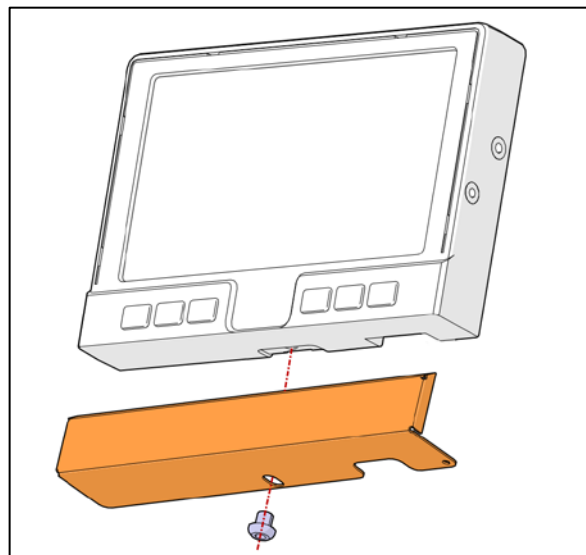


Figure 7

- 16. Tighten the screw (Figure 8).
- 17. Bulletin is complete for this option.

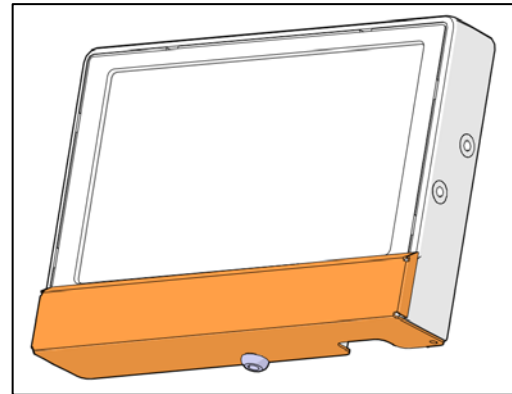


Figure 8

PARTS / WASTE DISPOSAL

DO NOT RETURN THE REPLACED PARTS. Discard waste according to applicable environmental regulations (Municipal/State[Prov.]/ Federal)

WARRANTY

This modification is covered by Prevost's normal warranty. We will reimburse you the parts and time of labor upon receipt of a warranty claim (5 minutes for option A and 15 minutes for option B). Please submit claim via our Online Warranty System, available at www.prevostcar.com (under Service \ Warranty section). Use Claim Type: "Bulletin/Recall" and select "Warranty Bulletin. WB18-25".

OTHER

VBC Bulletin	N/A
Fail Code	23.11
Defect Code	09
Syst. Cond	B
Causal Part	901424

Access all our Service Bulletins on
<http://techpub.prevostcar.com/en/>
or scan the QR-Code with your smart phone.



Are you a Vehicle owner? E-mail us at
technicalpublications_prev@volvo.com and type "ADD" in the
subject to receive warranty bulletins applicable to your vehicle(s)
by e-mail.