

PREVOST

Instruction Sheet

IS-19062

EMERGENCY AWNING WINDOW LATCH HANDLE REPLACEMENT

For the replacement of latch handle #293526 or #790471

APPLICATION: 2000-2008 X Series motorhomes & Entertainers from Y-7046 up to 8-9339

First Release

07-14-2020

MATERIAL

Kit #290545 includes the following parts:

Part No.	Description	Qty
293526	RED HANDLE, EMERGENCY AWNING WINDOW	1
401435	HANDLE EXTENSION	1
504106	RIVET, POP DOME AL OE 1/8	1
IS-19062	INSTRUCTION SHEET	1

NOTE

Material can be obtained through regular channels.

PROCEDURE



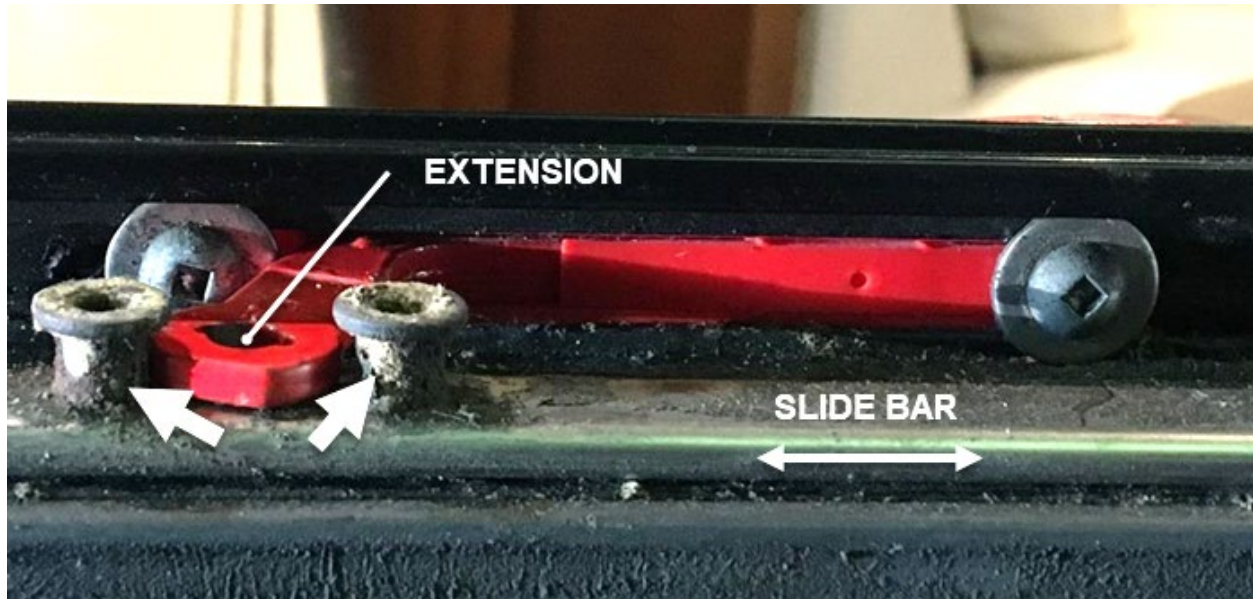
DANGER

Park vehicle safely, apply parking brake, stop the engine. Prior to working on the vehicle, set the ignition switch to the OFF position and trip the main circuit breakers equipped with a trip button. On Commuter type vehicles, set the battery master switch (master cut-out) to the OFF position.

Lock out & Tag out (LOTO) must be performed during set-up, maintenance or repair activities. Refer to your local procedure for detailed information regarding the control of hazardous energy.

PREVOST

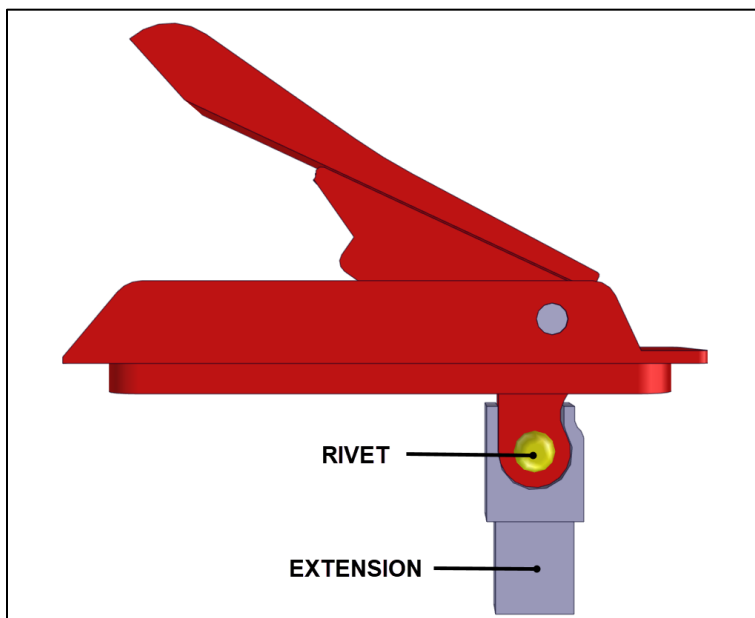
1. On the existing handle, take note of how the handle extension connects with the slide bar (see picture below).



2. Remove the two (2) screws and remove the existing handle (see picture below).



3. Install the extension #401435 using rivet #504106 9 (see image below).



4. Reinstall the handle. Make sure the extension connects correctly with the slide bar (see step 1).
5. Test the new installation. Make sure the new installation latches and unlatches the emergency awning window correctly.

PARTS / WASTE DISPOSAL

Discard waste according to applicable environmental regulations (Municipal/State[Prov.]/ Federal)