

Warranty Bulletin

WB22-11A

Date	Expiration	Group	No.	Page
08.2022	08.2023	372	2437	1(6)

Revision: A

Proper battery box identified

10-24-2022

F76 & F77 – INCORRECT FUSES INSTALLATION 9700 (B13R)

MODEL YEAR(S) AND VEHICLE SERIAL NUMBERS (VIN) INVOLVED

NOTICE TO SERVICE CENTERS	
Verify vehicle eligibility by checking warranty bulletin status with SAP or via ONLINE WARRANTY SYSTEM available on Service / Warranty tab of PrevoSt website.	
Model	VIN
Volvo 9700 US/CAN Model Year: 2018 - 2022	From 3CET2V925J519 <u>0066</u> up to 3CET2W425N520 <u>7581</u> incl.
This bulletin does not necessarily apply to all the above-mentioned vehicles, some vehicles may have been modified before delivery. The owners of the vehicles affected by this bulletin will be advised by a letter indicating the Vehicle Identification Number (VIN) of each vehicle concerned.	

DESCRIPTION

On the vehicles affected by this bulletin, inspect **fuses F76 & F77** in the battery box which **may have been inverted**.

Check on the vehicle **if** the protecting capacity fuses identified as: F76 & F77 respective circuit folios are installed properly.

In case of finding a different fuse capacity values, remove them and change these for a corresponding protecting fuse capacity specified at wiring chassis diagram.

- 80 A, PROTECTING FUSE FOR FUSE IDENTIFIED AS F76 CIRCUIT FOLIO.
- 40 A, PROTECTING FUSE FOR FUSE IDENTIFIED AS F77 CIRCUIT FOLIO.

MATERIAL

The following kit **might** be required depending on the inspection

Kit **WB22-11** includes the following parts:

Part No.	Description	Qty
992454	80 A PROTECTION FUSE	1
982317	40 A PROTECTION FUSE	1

PROCEDURE

DANGER

Park vehicle safely, apply parking brake, stop the engine. In the battery box, set the battery cut-off switch to the OFF position prior to working on the vehicle.

Lockout & Tag out (LOTO) must be performed during set-up, maintenance or repair activities. Refer to your local procedure for detailed information regarding the control of hazardous energy.

- 1) On K918/ FH1 fuses, not found supply of 12 V. At Equalizer I-Start component, found 24 V of supply. With this diagnostic, are found that F76 & F77 fuses are inverted installed. Therefore, F76 (12 V Fuse) should be an 80 Amp and F77 (24 V Fuse) should be a 40 Amp.
- 2) Turn OFF the vehicle.
 - Remove the ignition key.
 - Turn OFF the main switch.
 - Wait at least 30 seconds.
 - Turn OFF the batteries switch.

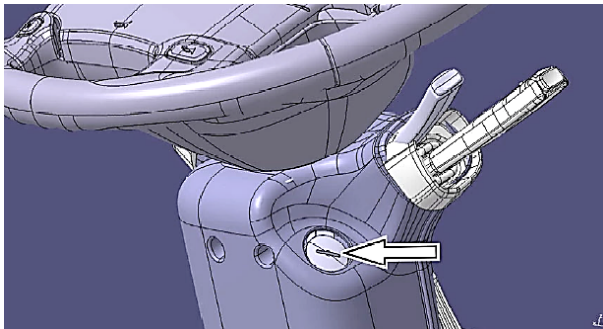


Figure 1

- 3) Open the starter batteries box compartment.

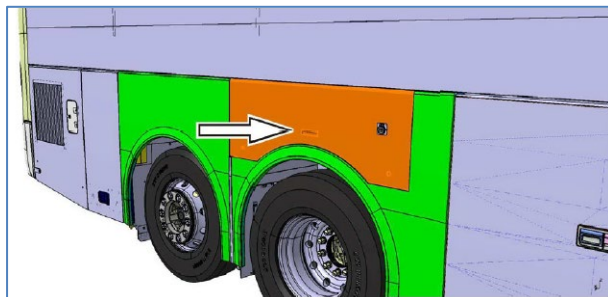


Figure 2

Date	Expiration	Group	No.	Page
08.2022	08.2023	372	2437	3(6)

- 4) Remove the fuse cap from the fuse identified as F76 circuit.

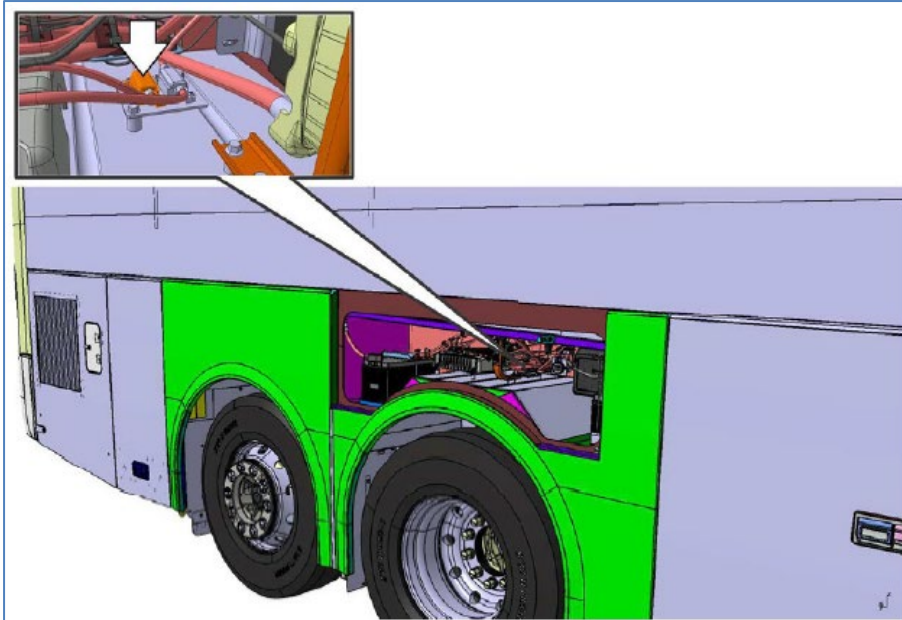


Figure 3

- 5) Check the F76 fuse capacity, that should be of **80 A**. In case of finding a different fuse value, remove it and change it for an 80 A fuse (p/n 992454).

For fuse install, apply thread locking fluid on the threads corresponding to fuse nut fittings.
SPECIFICATION: Tighten the fuse fixing nuts, applying the following torque: 15 +/- 3 N·m (11 +/- 2 lbf ft).

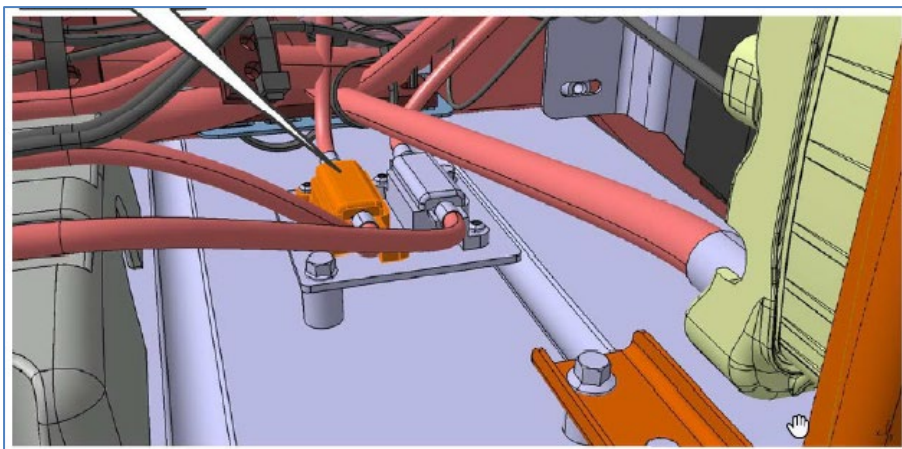


Figure 4

- 6) Reinstall the F76 fuse cap.

Date	Expiration	Group	No.	Page
08.2022	08.2023	372	2437	4(6)

- 7) Remove the fuse cap from the fuse identified as F77 circuit folio.

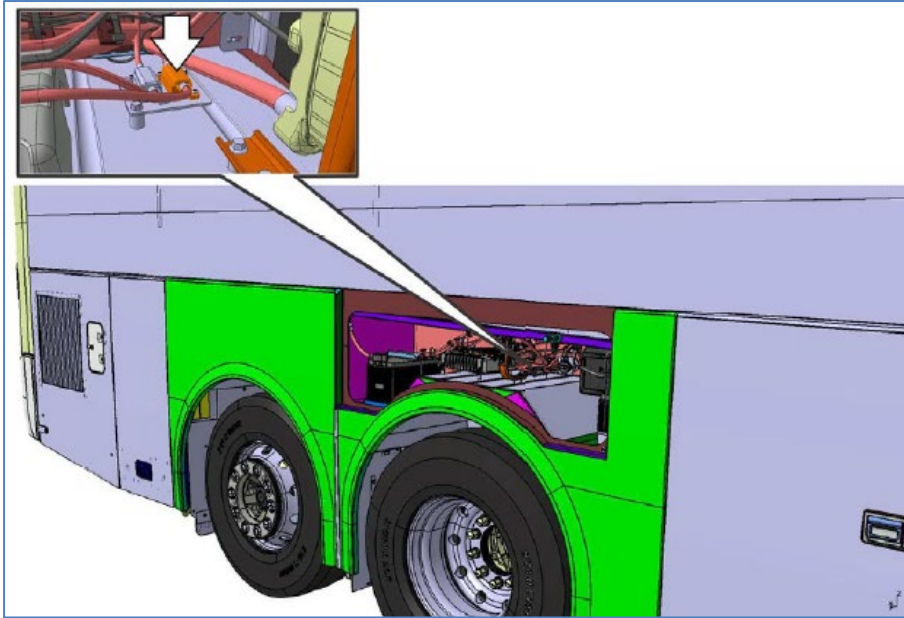


Figure 5

- 8) Check the F77 fuse capacity, that should be of 40 A. In case of finding a different fuse value, remove it and change it for a 40 A fuse (p/n 982317).

For fuse install, apply thread locking fluid on the threads corresponding to fuse nut fittings.
SPECIFICATION: Tighten the fuse fixing nuts, applying the following torque: 15 +/- 3 N·m (11 +/- 2 lbf ft).

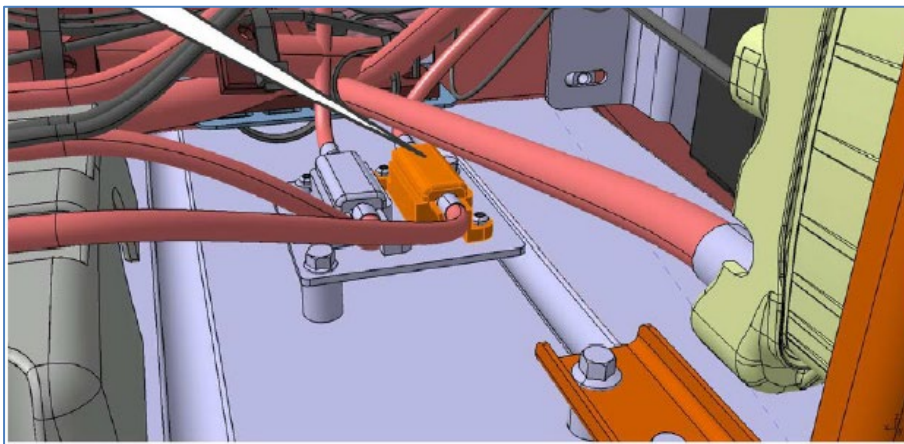


Figure 6

- 9) Reinstall the F77 fuse cap.
- 10) Check the proper electrical system function. To perform the electrical system function check, do the following:

Date	Expiration	Group	No.	Page
08.2022	08.2023	372	2437	5(6)

- Turn ON the batteries switch.
- Turn ON the main switch.
- Wait at least 30 seconds.
- Insert the ignition key.

Check the proper electrical system function. Note: After to perform the check activity, turn OFF the vehicle again

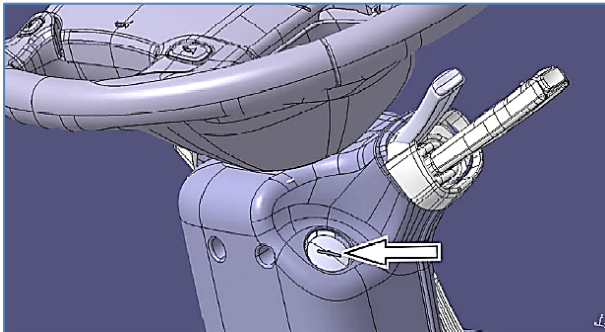


Figure 7

- 11) Close the consumer batteries box compartment.

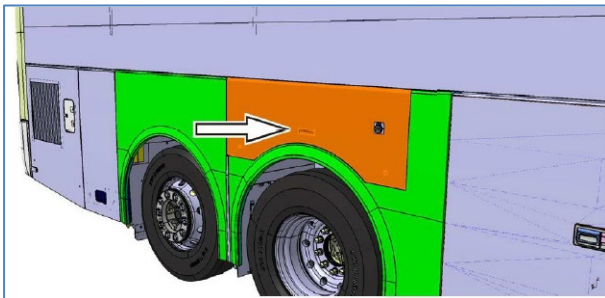


Figure 8

Warranty Bulletin

WB22-11A

Date	Expiration	Group	No.	Page
08.2022	08.2023	372	2437	6(6)

PARTS / WASTE DISPOSAL

DO NOT RETURN THE REPLACED PARTS. Discard waste according to applicable environmental regulations (Municipal/State [Prov.]/ Federal)

WARRANTY

This modification is covered by Prevost's normal warranty.

We will reimburse you the parts and **24 minutes (0.4 hr)** of labor upon receipt of a warranty claim.

Please submit claim via our Online Warranty System, available at www.prevostcar.com (under Service \ Warranty section). Use Claim Type: "Bulletin/Recall" and select "Warranty Bulletin WB22-11".

OTHER

VBC Bulletin	S2437
Fail Code	6.00
Defect Code	09
Syst. Cond	B
Causal Part	992454

Access all our Service Bulletins on
<http://techpub.prevostcar.com/en/>

or scan the QR-Code with your smart phone.

E-mail us at technicalpublications_prev@volvo.com and type "ADD"
in the subject to receive our warranty bulletins by e-mail.



Prevost/Volvo Bus engages in a continuous program of testing and evaluating to provide the best possible product. Prevost/Volvo Bus, however, is not committed to, or liable for updating existing products.