

# SECTION 01: ENGINE

## CONTENTS

<b>1. VOLVO D13 ENGINE</b> .....	<b>3</b>
1.1 SYSTEM OVERVIEW.....	3
1.2 ENGINE OVERVIEW .....	7
1.3 ENGINE OIL .....	8
1.3.1 <i>General</i> .....	8
1.3.2 <i>Oil Quality</i> .....	8
1.3.3 <i>Oil Change Intervals</i> .....	9
1.3.4 <i>Oil Filters</i> .....	9
1.3.5 <i>Synthetic Lubrication</i> .....	9
1.3.6 <i>Oil Viscosity</i> .....	10
1.3.7 <i>Oil Additives</i> .....	10
1.3.8 <i>Oil Consumption</i> .....	10
1.3.9 <i>Oil Change</i> .....	10
1.3.10 <i>Oil Filters Change</i> .....	11
1.3.11 <i>Checking the Oil Level</i> .....	12
1.4 POWER PLANT ASSEMBLY REMOVAL.....	12
1.5 POWER PLANT ASSY. INSTALLATION .....	15
1.6 ENGINE MOUNTS .....	16
<b>2. DDC SERIES 60 ENGINE</b> .....	<b>17</b>
2.1 DDEC VI SYSTEM.....	17
2.2 HARNESSES.....	18
2.3 ENGINE OVERVIEW .....	19
2.4 DDEC VI SENSORS.....	20
2.5 OTHER SENSORS .....	21
2.6 MOTOR CONTROL MODULE (MCM).....	21
2.7 COMMON POWERTRAIN CONTROLLER (CPC).....	21
2.8 DDEC VI DIAGNOSTICS.....	21
2.8.1 <i>Diagnostic system</i> .....	21
2.8.2 <i>Check Engine Telltale Light (AWL)</i> .....	22
2.8.3 <i>Stop Engine Warning Light (RSL)</i> .....	22
2.8.4 <i>Stop Engine Override Switch (SEO)</i> .....	22
2.8.5 <i>Diagnostic Data Link (DDL) Connectors</i> .....	22
2.9 READING DIAGNOSTIC CODES – FLASHING LIGHT METHOD: .....	22
2.10 DDEC VI CPC DIAGNOSTIC CODES LIST .....	23
2.11 DDEC VI MCM DIAGNOSTIC CODES LIST.....	30
2.12 ENGINE OIL LEVEL .....	42
2.13 ENGINE OIL AND FILTER CHANGE .....	42
2.14 RECOMMENDED ENGINE OIL TYPE.....	44
2.15 POWER PLANT ASSEMBLY REMOVAL.....	44
2.16 POWER PLANT ASSY. INSTALLATION .....	47
2.17 VALVE COVER REMOVAL .....	47
2.18 JAKE BRAKE .....	47
2.19 ENGINE MOUNTS .....	47
<b>3. ELECTRONIC FOOT PEDAL ASSEMBLY (EFPA) &amp; THROTTLE POSITION SENSOR</b> .....	<b>49</b>
<b>4. ENGINE TROUBLESHOOTING GUIDE</b> .....	<b>50</b>
<b>5. SPECIFICATIONS</b> .....	<b>51</b>

**ILLUSTRATIONS**

FIGURE 1: ENGINE SENSORS LOCATION ..... 6

FIGURE 2: D13F ENGINE, TURBO SIDE (TYPICAL) ..... 7

FIGURE 3: D13F ENGINE, ALTERNATOR SIDE (TYPICAL) ..... 8

FIGURE 4: D13F OIL FILTERS ..... 9

FIGURE 5: OIL FILTER WRENCH ..... 11

FIGURE 6: OIL FITER REPLACEMENT ..... 11

FIGURE 7: ENGINE OIL FILLING TUBE ..... 12

FIGURE 8: ENGINE OIL LEVEL DIPSTICK ..... 12

FIGURE 9: COOLER POSITION DURING ENGINE CRADLE INSERTION OR REMOVAL ..... 13

FIGURE 10: BELT TENSIONER VALVE ..... 13

FIGURE 11: ENGINE COMPARTMENT X3 COACHES (TYPICAL) ..... 15

FIGURE 12: NORMAL OIL COOLER POSITION ..... 15

FIGURE 13: VOLVO ENGINE POWER PLANT CRADLE INSTALLATION ..... 16

FIGURE 14: VEHICLE INTERFACE HARNESS (GENERAL APPLICATION SHOWN) ..... 18

FIGURE 15: DETROIT DIESEL 2007 SERIES 60 ENGINE (TYPICAL) ..... 20

FIGURE 16: MOTOR CONTROL MODULE (MCM) ..... 21

FIGURE 17: CPC ..... 21

FIGURE 18: THE CPC COMMUNICATES OVER THE J1587 AND J1939 DATA LINKS TO THE VEHICLE ..... 21

FIGURE 19: FLASHING FAULTS CODES ..... 23

FIGURE 20: ENGINE OIL LEVEL DIPSTICK ..... 42

FIGURE 21: OIL RESERVE TANK ..... 42

FIGURE 22: ENGINE DRAIN PLUG AND OIL FILTERS ..... 43

FIGURE 23: BELT TENSIONER VALVE ..... 44

FIGURE 24: ENGINE COMPARTMENT X3 COACHES (TYPICAL) ..... 46

FIGURE 25: DDC SERIES 60 POWER PLANT CRADLE INSTALLATION ..... 48

FIGURE 26: ELECTRONIC FOOT PEDAL ASSEMBLY ..... 49

## 1. VOLVO D13 ENGINE

### 1.1 SYSTEM OVERVIEW

#### **NOTE**

*The "Premium Tech Tool" (PTT) is the preferred tool for performing diagnostic work. Contact your local dealer for more information.*

The Engine Management System (EMS) controls many engine functions such as: fuel timing and delivery, engine protection functions, engine brake operation, EGR valve function and the turbocharger nozzle function. The Engine Electronic Control Unit (EECU) along with other supporting control units and sensors are responsible for monitoring and controlling these functions. These control units communicate through the J1939 high speed serial data line to share data.

In addition to their control functions, the modules have on-board diagnostic capabilities. The on-board diagnostics are designed to detect faults or abnormal conditions that are not within their operating parameters. When the system detects a fault or abnormal condition, the fault will be logged in one or both of the modules' memory. The vehicle operator will be advised that a fault has occurred by the illumination of a malfunction indicator lamp and a message in the driver information display, if equipped. The module may initiate the engine shutdown procedure if the system determines that the abnormal condition could damage the engine. In some situations, the system will enter the "limp home" mode. Limp home mode allows continued vehicle operation but, the system may substitute a sensor or signal value that may result in reduced engine performance.

Fault codes logged in the system memory, can later be read to aid in diagnosing the fault. These faults can be read via a diagnostic computer or through the instrument cluster display, if equipped. The "Premium Tech Tool" (PTT) is the preferred tool for performing diagnostic work. Using a diagnostic computer (or PTT) connected to the Serial Communication Port, expands the technicians diagnostic capabilities with additional data and tests.

For diagnostic software, contact your local dealer.

The following is a list of engine sensors that provide input to the EMS:

- Ambient Air Temperature Sensor
- Ambient Pressure sensor
- Boost Air Pressure (BAP) Sensor
- Camshaft Position (Engine Position) Sensor
- Crankshaft Position (Engine Speed) Sensor
- Differential Pressure DPF Sensor
- EGR Differential Pressure Sensor
- EGR Temperature Sensor
- Engine Coolant Level (ECL) Sensor
- Engine Coolant Temperature (ECT) Sensor
- Engine Oil Pressure (EOP) Sensor
- Engine Oil Level (EOL) Sensor
- Engine Oil Temperature (EOT) Sensor
- Exhaust Temperature Sensor (DPF Sensors)
- Fuel Pressure Sensor
- Intake Air Temperature And Humidity (IATH) Sensor
- Intake Manifold (Boost) Temperature Sensor
- Throttle Position (TP) Sensor
- Turbo Speed Sensor
- Variable Geometry Turbocharger (VGT) Position Sensor

#### **Sensors**

##### **Ambient Air Temperature Sensor**

The Ambient Air Temperature Sensor is used to detect the outside air temperature. The sensor modifies a voltage signal from the ECM. The modified signal returns to the ECM as the ambient air temperature. The sensor uses a thermistor that is sensitive to the change in temperature. The electrical resistance of the thermistor decreases as temperature increases.

The Ambient Air Temperature Sensor is located in the front of the vehicle.

##### **Ambient (Atmospheric) Pressure Sensor**

The Ambient (Atmospheric) Pressure Sensor contains a pressure sensitive diaphragm and an electrical amplifier. Mechanical pressure applied to the diaphragm causes the diaphragm to deflect and the amplifier to produce an electrical signal proportional to the deflection.

## Section 01: ENGINE

---

The Ambient (Atmospheric) Pressure Sensor is built into the Engine Management System (EMS) Module.

### **Camshaft Position Sensor**

The Camshaft Position (Engine Position) Sensor is located in the rear face of the timing gear cover at the rear of the engine, near the bottom of the valve cover. It uses magnetic induction to generate a pulsed electrical signal. It senses the passage of seven (7) timing bumps on the edge of the camshaft dampener. Six of the holes correspond to the phasing of the electronic unit injectors, while the seventh hole indicates the top dead center position.

### **Crankshaft Position (Engine Speed) Sensor**

The Crankshaft Position (Engine Speed) Sensor uses magnetic induction to generate a pulsed electrical signal. Notches are machined into the edge of the flywheel. When one of the notches passes close to the sensor, electric pulses result.

The Crankshaft Position (Engine Speed) Sensor also indicates when the crankshaft is at the top dead center position.

### **Differential Pressure DP Sensor**

The differential pressure sensor is used for flow measurement of the Diesel Particulate Filter (DPF). This sensor has two pressure ports and senses the difference in pressure between the two ports. Measurement of the pressure before and after the DPF is used to calculate diesel filter regeneration.

The Differential Pressure DPF Sensor is located on the side of the Diesel Particulate Filter (DPF).

### **EGR Differential Pressure Sensor**

The EGR differential pressure sensor is used for flow measurement of the Exhaust Gas Recirculation (EGR) valve. This sensor has two pressure ports and senses the difference in pressure between the two ports. Measurement of the pressure before and after the EGR valve is used to calculate EGR flow.

The EGR Differential Pressure Sensor is located on the left or right side of the engine.

### **EGR Temperature Sensor**

The EGR temperature sensor detects exhaust gas temperature for EGR system. The sensor modifies a voltage signal from the control unit. The modified signal returns to the control unit as

the exhaust temperature of the EGR system to confirm EGR operation. The sensor uses a thermistor that is sensitive to the change in temperature.

The EGR Temperature Sensor is located near the EGR valve.

### **Engine Coolant Level (ECL) Sensor**

The Engine Coolant Level (ECL) Sensor is a switch. If engine coolant level falls below a calibrated point the contacts open and the driver will be notified of the low coolant level.

The Engine Coolant Level (ECL) Sensor is located in the cooling system reservoir tank.

### **Engine Coolant Temperature (ECT) Sensor**

The Engine Coolant Temperature Sensor is located at the front of the engine. The sensor will indicate a high coolant temperature caused by problems like radiator blockage, thermostat failure, heavy load, or high ambient temperatures. This sensor is also used for cold start enhancement and for fan clutch engagement.

### **Engine Oil Pressure (EOP) Sensor**

The Engine Oil Pressure Sensor contains a pressure sensitive diaphragm and a electrical amplifier. Mechanical pressure applied to the diaphragm causes the diaphragm to deflect and the amplifier to produce an electrical signal proportional to the deflection.

The Engine Oil Pressure Sensor is located on the oil filter assembly. The sensor monitors engine oil pressure to warn of lubrication system failure.

### **Engine Oil Level (EOL) Sensor**

The Engine Oil Level Sensor is located in the oil pan.

### **Engine Oil Temperature (EOT) Sensor**

The Engine Oil Temperature Sensor is a thermistor whose resistance varies inversely to temperature. The sensor has a negative temperature coefficient, which means the sensor resistance will decrease as the engine oil temperature increases.

The Engine Oil Temperature Sensor is located in the oil pan.

**Exhaust Temperature Sensor (DPF Sensors)**

The exhaust gas temperature sensor detects exhaust gas temperature for DPF protection as well as DPF regeneration control. The sensor modifies a voltage signal from the control unit. The modified signal returns to the control unit as the exhaust temperature at that specific location of the exhaust. The sensor uses a thermistor that is sensitive to the change in temperature.

The Exhaust Temperature Sensors are located in the DPF assembly.

**Fuel Pressure Sensor**

The fuel pressure sensor contains a diaphragm that senses fuel pressure. A pressure change causes the diaphragm to flex, inducing a stress or strain in the diaphragm. The resistor values in the sensor change in proportion to the stress applied to the diaphragm and produces an electrical output.

The Fuel Pressure Sensor is located on top of the fuel filter housing.

**Intake Air Temperature and Humidity (IATH) Sensor**

The Intake Air Temperature and Humidity (IATH) Sensor contains a thermistor and a capacitive sensor. The resistance of the thermistor varies inversely to temperature. The output of the capacitive sensor increases as the humidity of the surrounding air increases. By monitoring the signals from both portions of the sensor, the Engine Management System (EMS) Module calculates the temperature and humidity of the air passing through the air filter housing.

The Intake Air Temperature and Humidity (IATH) Sensor is located in the air intake tube just downstream from the air filter canister.

**Intake Manifold (Boost) Temperature Sensor**

The Intake Manifold (Boost) Temperature Sensor is a thermistor whose resistance varies inversely to temperature. The sensor has a negative temperature coefficient, which means the sensor resistance will decrease as the inlet air temperature increases.

The Intake Manifold (Boost) Temperature Sensor is located in the intake manifold.

**Intake Manifold Pressure Sensor**

The Intake Manifold Pressure Sensor contains a pressure sensitive diaphragm and an electrical amplifier. Mechanical pressure applied to the diaphragm causes the diaphragm to deflect and the amplifier to produce an electrical signal proportional to the deflection.

The Intake Manifold Pressure Sensor is located on the air inlet pipe before the intake manifold.

**Throttle Position (TP) Sensor**

The Throttle Position Sensor is a potentiometer that is mechanically linked to the accelerator pedal. A potentiometer is a variable resistor whose resistance will change as the pedal is pressed. As the resistance changes, the signal voltage of the sensor changes indicating the accelerator pedal position.

The Throttle Position Sensor is located above the accelerator pedal. The sensor is designed to improve the driver's control by reducing sensitivity to chassis motion. This sensor provides the driver's fuel request input to the VECU.

**Turbo Speed Sensor**

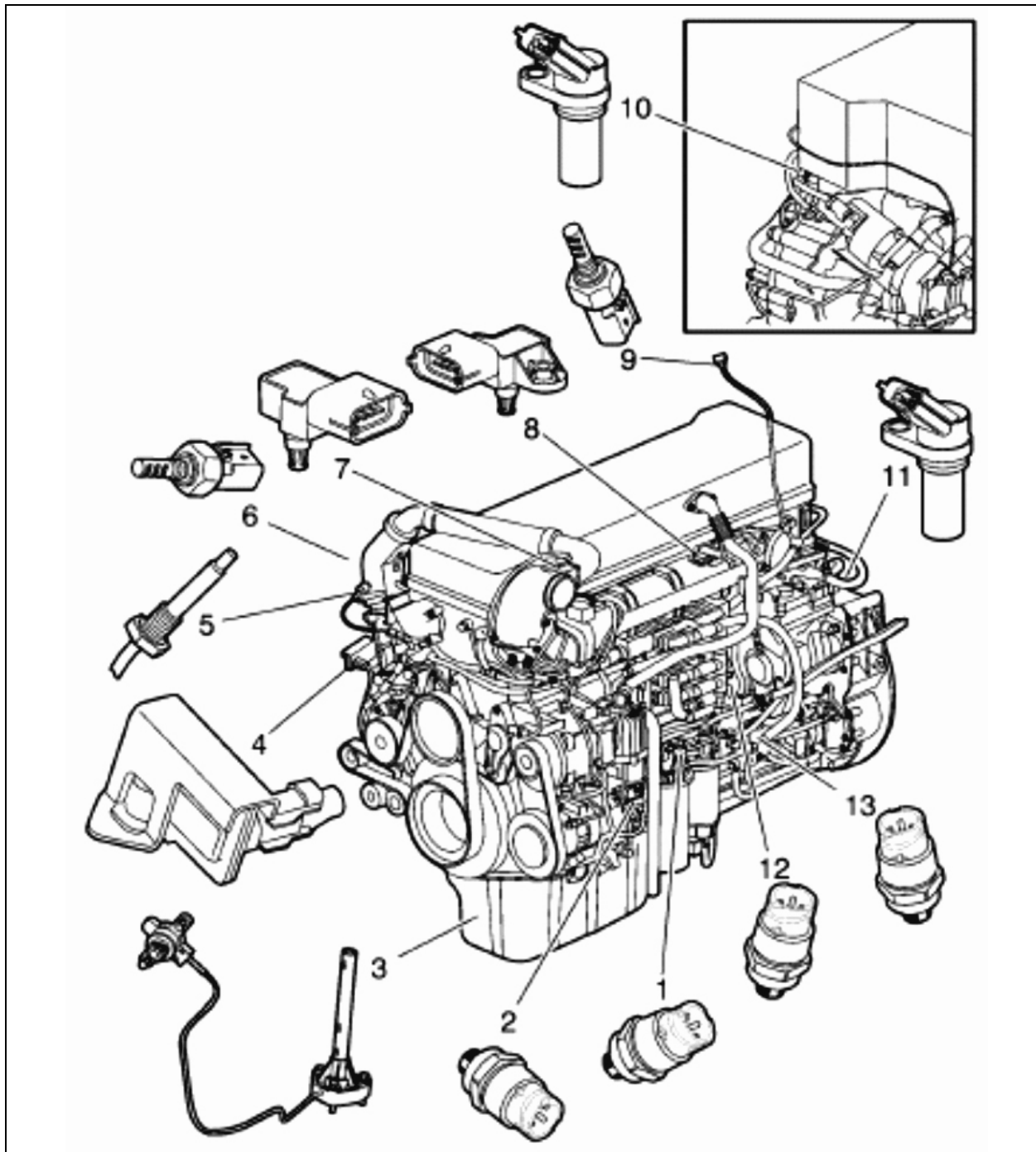
The Turbo Speed Sensor informs the EMS of the turbo shaft speed. The sensor does not read from the vanes, but reads from the shaft. The Engine Management System (EMS) Module uses this signal in conjunction with the VGT position sensor signal to control the speed of the turbocharger and therefore optimize the intake manifold pressure.

The Turbo Speed Sensor is mounted in the center of the turbocharger.

**Variable Geometry Turbocharger Smart Remote Actuator (VGT SRA)**

The Variable Geometry Turbocharger Smart Remote Actuator (VGT SRA) takes the position commands from the EMS, moves the nozzle of the turbocharger to the desired position, and performs all of the diagnostics and self checks on the actuator.

**Section 01: ENGINE**



**FIGURE 1: ENGINE SENSORS LOCATION**

1	Fuel Pressure	8	Air Temperature
2	Crankcase Pressure	9	Humidity/Ambient Air Temperature
3	Oil Level/Temperature	10	Camshaft Speed
4	EGR Differential Pressure	11	Crankshaft Speed
5	EGR Temperature	12	Oil Pressure
6	Coolant Temperature	13	AFI Fuel Pressure
7	Boost Pressure		

## 1.2 ENGINE OVERVIEW

**NOTE**

For maintenance on or repair of engine components or engine-related components, please refer to Volvo Trucks Canada or Volvo Trucks North America Web Site under: Parts & Service, purchase engine literature, D13F engine.

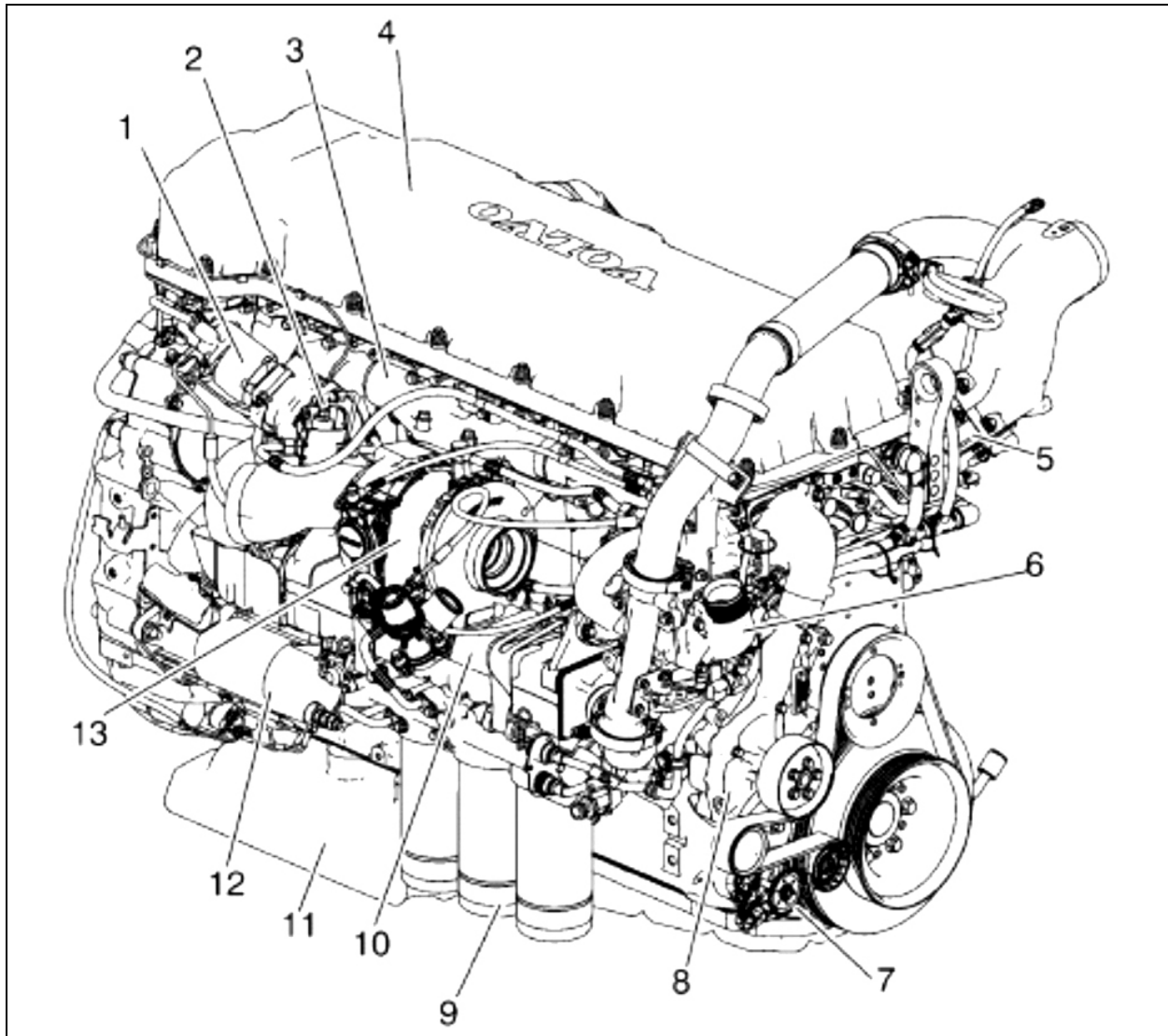


FIGURE 2: D13F ENGINE, TURBO SIDE (TYPICAL)

1. EGR Valve	8. Coolant Pump
2. Aftertreatment Fuel Injector	9. Oil Filters
3. Exhaust Manifold	10. EGR Cooler
4. Valve Cover	11. Oil Pan
5. Engine Preheater Element	12. Starter Motor
6. Thermostat Cover	13. Turbocharger
7. Belt Tensioner	

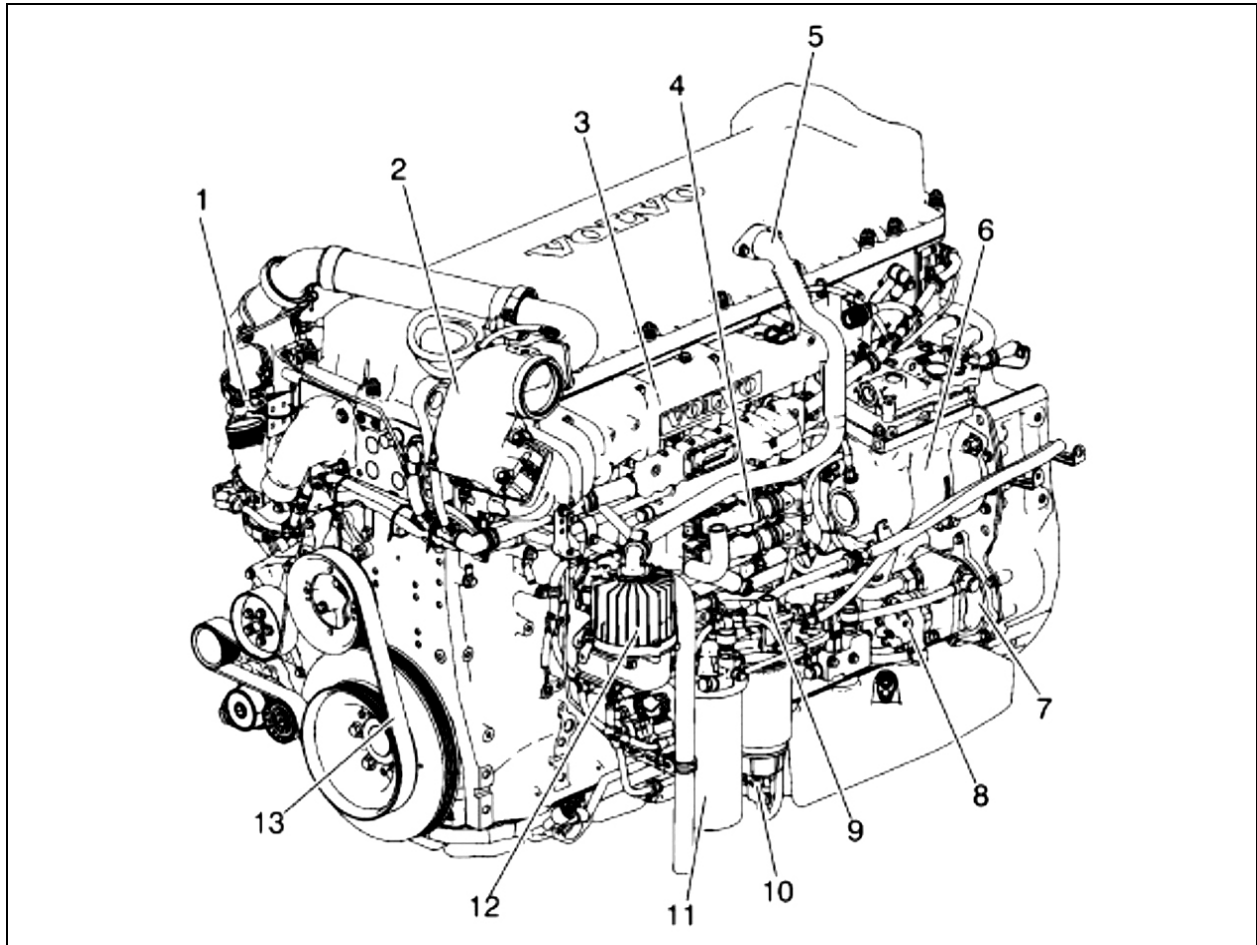


FIGURE 3: D13F ENGINE, ALTERNATOR SIDE (TYPICAL)

1. Venturi Pipe	8. Fuel Pump
2. EGR Mixing Chamber	9. Hand Primer
3. Intake Manifold	10. Fuel/Water Separator
4. Engine Electronic Control Unit (EECU)	11. Fuel Filter
5. Breather Tube	12. Crankcase Ventilator
6. Air Compressor	13. Fan/Coolant Pump Belt
7. Power Steering Pump	

### 1.3 ENGINE OIL

#### 1.3.1 General


Keep the engine oil at the proper level and change it at the recommended intervals. Always replace the oil filters at the same time as when the oil is changed.

#### 1.3.2 Oil Quality

Volvo North America recognizes engine oils that meet or exceed the standards given by American Petroleum Institute (API) for the oil classifications listed in this manual. Only oils licensed to carry the API symbol should be used. Lubricants meeting API standards have provided maximum engine life when used together with the recommended oil and oil filter change intervals.



EO-O Premium Plus (or VDS-4) diesel engine oil is mandatory for use in all 2007 emission compliant Volvo engines. Chassis equipped with a 2007 emission compliant engine, which can be identified by the presence of a Diesel Particulate Filter (DPF), also require the use of Ultra Low Sulfur Diesel (ULSD) fuel. EO-O Premium Plus oils exceed the new API service category CJ-4.

	<p><b>CAUTION</b></p>
<p>DO NOT add extra oil additives. Additives such as break-in oils, top oils, graphitizers, and friction-reducing liquids are not necessary and can harm the engine.</p>	

**1.3.3 Oil Change Intervals**

The length of time an engine can operate before an oil change depends on the quality oil used, the type of fuel used, fuel consumption, engine oil consumption, vehicle application, level of dust in the air, and fuel consumption. The change intervals given in this manual are maximum intervals. If the vehicle is operating in heavy-duty operation, dusty or off-road conditions, etc., reduce the intervals for more frequent oil changes.

<p><i><b>NOTE</b></i></p>
<p><i>Use the information in the table below to determine the operating condition and usage applicable to your vehicle.</i></p>


Engine Operating Condition	Medium	Heavy	Severe
Total Fuel Consumption (mpg)	More than 6	More than 4.7	More than 3.7
Total Fuel Consumption (L/100 KM)	Less than 39	Less than 50	Less than 64
Engine Oil and Filter Change Interval, miles (km) – 41 U.S. quarts (39L) Oil capacity	35,000 (55 000)	25,000 (40 000)	15,000 (24 000)

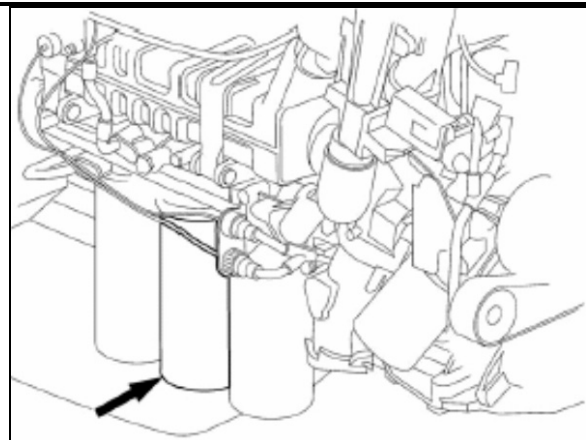
**NOTE:** If idle time is greater than 25%, use the next lower drain interval.

<p><i><b>NOTE</b></i></p>
<p><i>Oil filters should always be changed when changing the oil.</i></p>

**1.3.4 Oil Filters**

There are three filters on the engine, one of which is a bypass filter. This should be changed at the same time as the full-flow filter(s).

	<p><b>CAUTION</b></p>
<p>Volvo branded oil filters are designed to provide the proper level of filtration and protection for Volvo engines. Filters that do not meet the same stringent requirements may void engine warranty.</p>	



**FIGURE 4: D13F OIL FILTERS**

**1.3.5 Synthetic Lubrication**

Synthetic oils are offered by some oil suppliers as an alternative to the traditional, petroleum based oils for engines. These oils may be used in Volvo engines, provided they meet the quality

## Section 01: ENGINE

levels specified on the previous pages, that is: both VDS-4 and EO-O Premium Plus.

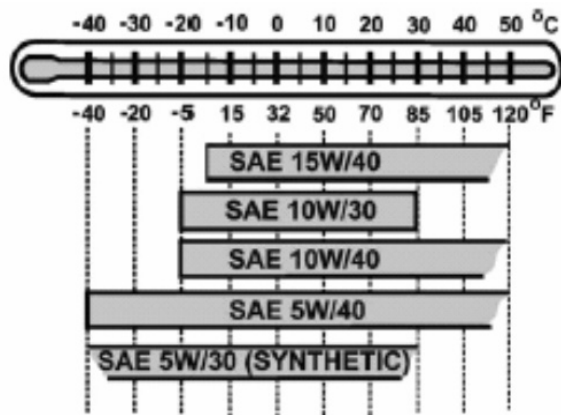
**The use of synthetic oils does not permit the extension of the recommended oil change intervals.**

### 1.3.6 Oil Viscosity

The viscosity grade defines the thickness of the oil. The oil must be thin enough at low temperatures for easy cold starts and thick enough to protect at high temperatures. An oil is not fully defined until both the API quality classification and the viscosity grade are specified.

Choose the viscosity grade for the typical ambient temperature for the application. Multigrade oils have a broad range that suit operation in changing temperature.

Volvo North America recommends the viscosities shown in the viscosity/temperature table for Volvo engines.



### 1.3.7 Oil Additives



#### CAUTION

Extra oil additives must never be added to any engine oil used. Additives such as break-in oils, top oils, graphitizers, and friction reducing liquids are not necessary and may even harm the engine.

Using oils to the quality standards recommended in this manual makes the use of extra oil additives unnecessary, as these oils already contain a balanced treatment of additives.

### 1.3.8 Oil Consumption

Once the engine is stopped, check the oil level daily. If the engine has just been stopped and it is warm, wait approximately five minutes to allow the oil to drain back to the oil pan before checking. Add oil as necessary.



#### CAUTION

DO NOT overfill engine with oil.

All diesel engines are designed to consume some oil, so it is normal to add oil periodically. An engine used in heavy-duty operation will consume more oil than one in normal operation.

### 1.3.9 Oil Change



#### WARNING

A hot engine or engine oil can be dangerous. Serious burns can result from contact with a hot engine or oil. Take precautions when draining the oil. Wear gloves or let the engine cool down before draining.



#### WARNING

When draining the oil, use the proper tools and keep away as far as possible. Raise the elbow so the forearm is parallel to the ground to prevent oil running down the arm, causing burns.



#### CAUTION

Always dispose of all lubricants (motor oil, coolant, gear box oils, etc) and filters according to Federal or local regulations. Used oil disposed of in nature or waterways contaminates our drinking water and kills wildlife.



#### WARNING

Prolonged contact with used engine oil may be harmful. Use rubber gloves when handling used oil. Wash skin thoroughly if it comes in contact with used oil.

It is important to drain as much oil as possible. Try to change oil immediately after driving, when the oil is warm. Always replace the oil filters when changing the oil.

Component	Capacity (L)
Oil pan	24 (min) – 32 (max)
Engine block	4.5
Filters (3)	6
Total oil fill (empty)	42.5

**NOTE**

Since about 4.5 liters of oil remains in the engine after draining, approximately 38 liters will be needed for a complete oil change.

1.3.10 Oil Filters Change



**WARNING**

Hot oil can cause severe burns. DO NOT allow hot oil to contact the skin. When changing oil, wear protective gloves.



**CAUTION**

Volvo-branded oil filters are designed to provide the proper level of filtration and protection for Volvo engines. Filters that do not meet the same stringent requirements may cause unsatisfactory results.

- Clean around the oil filter housing and remove the filters using the oil filter wrench or the oil filter socket.

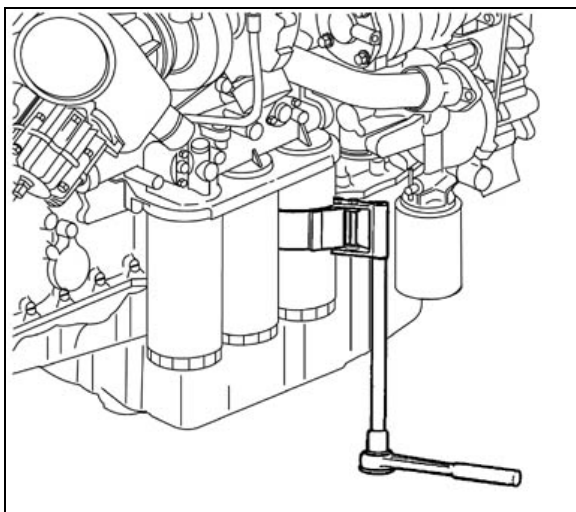


FIGURE 5: OIL FILTER WRENCH

- Prefill the new oil filters with approved engine oil. Also, lubricate the filter gaskets with engine oil (1). Hand tighten the oil filters until they contact the sealing surface of the oil filter housing (2). Manually tighten the oil filters an additional ¾ to 1 full turn (3).

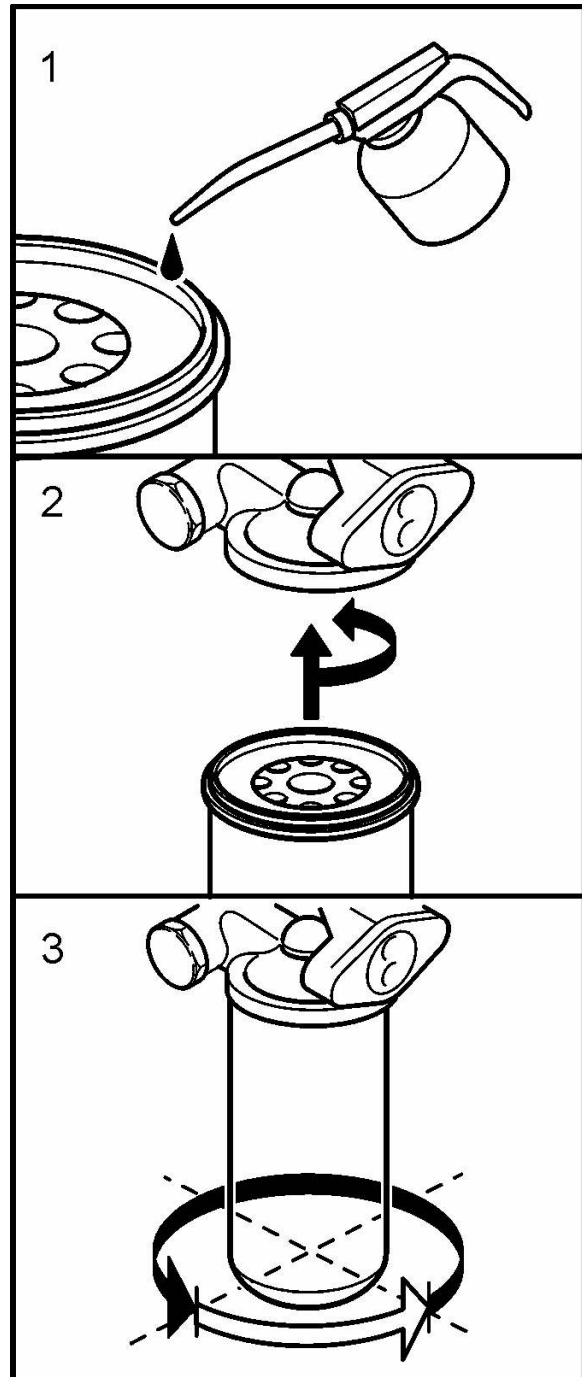


FIGURE 6: OIL FILTER REPLACEMENT

- Start the engine and check for leaks around the oil filter housing and filters.

## Section 01: ENGINE

- Check the oil level. Add approved engine oil to the recommended level, if necessary. Do not overfill.

### 1.3.11 Checking the Oil Level

Ensure that the vehicle is parked on level ground before checking the oil level. Wait five minutes after shutting off the engine and then proceed with checking the oil.



### CAUTION

**DO NOT** let the oil level fall below the marking on the dipstick. **DO NOT** overfill so the level is above the upper marking on the dipstick. This could lead to excessive oil temperature and/or poor crankcase breather performance. Add oil through the oil filler pipe as required in order to maintain level within the safe range.

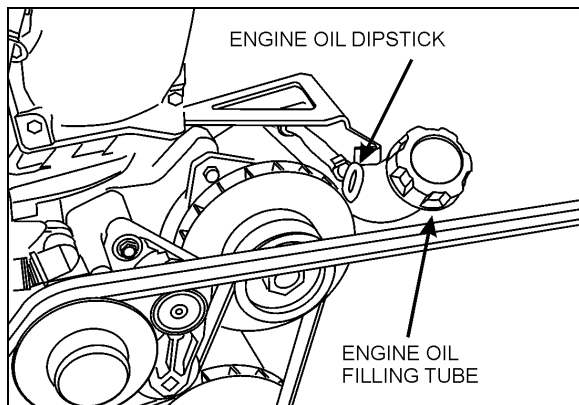


FIGURE 7: ENGINE OIL FILLING TUBE

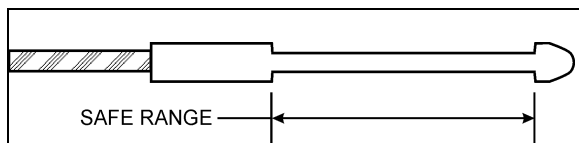


FIGURE 8: ENGINE OIL LEVEL DIPSTICK

## 1.4 POWER PLANT ASSEMBLY REMOVAL

To access the engine or engine-related components, the vehicle power plant assembly must be removed as a whole unit by means of a slide-out cradle. The power plant assembly includes the engine, transmission (including retarder if so equipped), air compressor, alternator and transmission oil cooler.

Remove the power plant assembly as follows:



### CAUTION

Tag hoses and cables for identification before disconnecting in order to facilitate reinstallation. Plug all openings to prevent dirt from entering the system.

### NOTE

*No parts within the EECU are serviceable. If found defective, replace the EECU as a unit.*

#### • First

1. Shut off the heater line shut-off valves.
2. Disconnect the battery or batteries from the starting system by removing one or both of the battery cables from each battery system. With the electrical circuit disrupted, accidental contact with the starter button will not produce an engine start.



### WARNING

Due to the heavy load of the rear bumper assembly, it must be adequately supported before attempting to remove it.

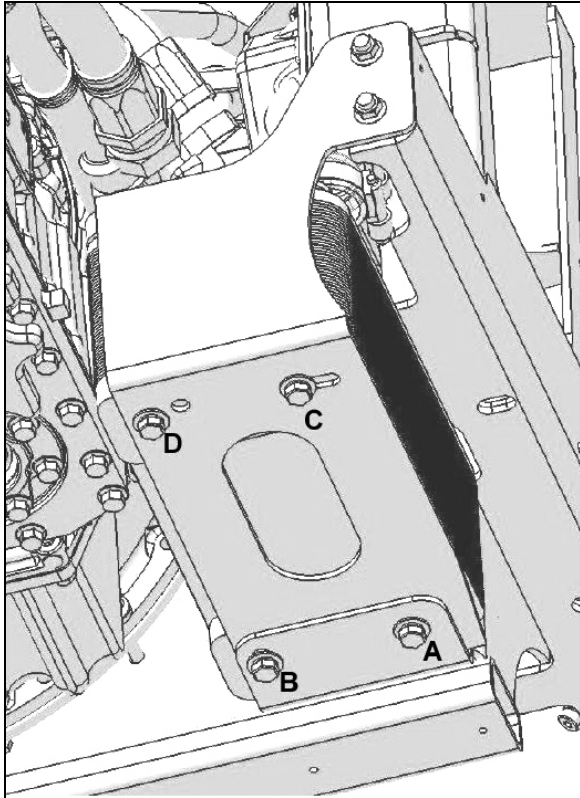
3. Remove the rear bumper assembly complete with hitch if applicable from the vehicle. Refer to Section 18, BODY, under "REAR BUMPER REMOVAL".
4. Using the quick-connect drain hose, drain the engine cooling system. Refer to Section 05, COOLING under "DRAINING COOLING SYSTEM".
5. If applicable, disconnect the block heater connector located near the EGR mixing chamber.

#### • With Vehicle Raised

1. Using a vehicle lift or jack, raise vehicle to access transmission fasteners and wire harness.
2. Disconnect propeller shaft.
3. Partially remove L.H. side transmission protective panel to access connectors.
4. On vehicles equipped with an automatic transmission provided with a hydraulic output retarder, disconnect steel-braided airline from pressure regulator output. The

pressure regulator is mounted in the upper section of engine compartment backwall and is accessible through the engine compartment R.H. side door.

5. Untighten bolts A and C. Remove bolts B and D and pivot oil cooler towards transmission. Reinstall bolts B and D.



**FIGURE 9: COOLER POSITION DURING ENGINE CRADLE INSERTION OR REMOVAL**

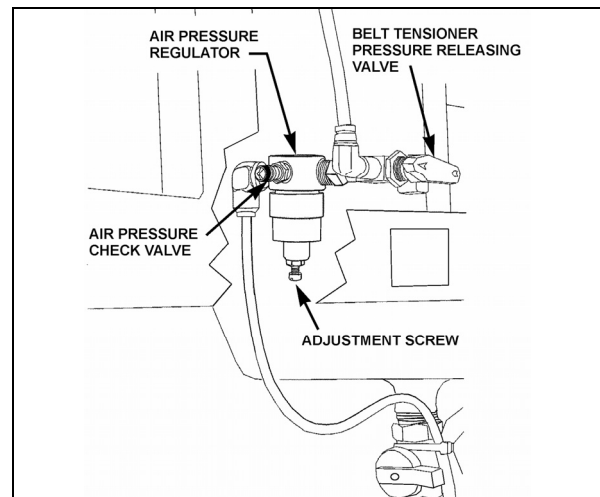
6. From underneath, unfasten the bolts fixing the engine cradle.
7. Disconnect the engine coolant hose near the starter.
8. Disconnect air compressor suction and discharge hoses.

• **With Vehicle Lowered**

Lower the vehicle enough to access all components.

- Engine Compartment R.H. side
  - If applicable, remove auxiliary sump tank to ease access.
  - Disconnect cables from two chassis grounds located on diagonal member.

- Inside engine compartment, disconnect starter, alternators and heater cables. Also disconnect AFSS cable if applicable.
- Disconnect from engine, connector C398 and vehicle interface harness connector located above EECU connectors. Also disconnect DPF cable.
- Disconnect power steering pump hoses.
- Shut off fuel line shut-off valve.
- Close engine fuel supply shut-off valve on primary fuel filter or Fuel Pro. Disconnect the fuel line located above fuel filters and connected to inlet port. On vehicles equipped with the optional water-separator-fuel-filter, disconnect the connector and remove cable ties from cradle.
- Disconnect fuel return line located above fuel filters.
- Disconnect alternators cooling duct and put aside.



**FIGURE 10: BELT TENSIONER VALVE**

12200

- Locate the A/C compressor belt tensioner pressure releasing valve (Fig. 10). Turn pressure releasing valve handle counterclockwise in order to release pressure in belt-tensioner air bellows and loosen belts. Remove the belts.
- Disconnect and remove the engine-air intake duct mounted between air cleaner housing and turbocharger inlet.



**CAUTION**

To avoid damage to turbocharger, cover the turbocharger inlet opening to prevent foreign material from entering.

- Disconnect and remove the exhaust pipe mounted between the flexible coupling and the pipe going to the Aftertreatment Device (ATD). If necessary, refer to Section EXHAUST SYSTEM under "EXHAUST AND AFTERTREATMENT SYSTEM OVERVIEW".
- Disconnect and remove the air intake duct mounted between the charge air cooler outlet and the engine intake.

➤ Engine Compartment L.H. side

- Disconnect fan driving shaft from radiator fan drive mechanism support.



**CAUTION**

To avoid damage to cooling fan right angle gearbox, make sure the power plant cradle clears the gearbox when pulling the engine out.

- Disconnect and remove section of coolant pipe assembly mounted between the radiator outlet and the water pump inlet.
- Disconnect and remove a section of coolant pipe assembly mounted between the thermostat housing and the radiator inlet.
- Disconnect the electric fan-clutch connector located near the cooling fan right angle gearbox.

- Disconnect and remove the air intake duct mounted between the turbocharger outlet and the air cooler inlet.
- Disconnect and remove surge tank hose connected to pump inlet pipe and hose connected to engine.
- Unfasten and put aside engine compartment lighting fixture and turbocharger fire suppression nozzle if applicable.
- Disconnect Aftertreatment Device (ATD) control cable.

• **Last**

1. Inspect the power plant assembly to ensure that nothing will interfere when sliding out the cradle. Check for connections or hoses not mentioned in this list as some vehicles are equipped with special or aftermarket components.
2. Make sure the ten retaining bolts, washers and nuts securing the power plant cradle to the vehicle rear subframe are removed (Fig. 13).

**NOTE**

*Check if any spacer(s) have been installed between power plant cradle and vehicle rear subframe, and if so, note position of each washer for reinstallation purposes.*

3. Using a suitable equipment with a minimum capacity of 4,000 lbs (1 800 kg), slightly raise the power plant cradle.
4. Pull engine out slowly from the engine compartment. Make sure all lines, wiring and accessories are disconnected and are not tangled.

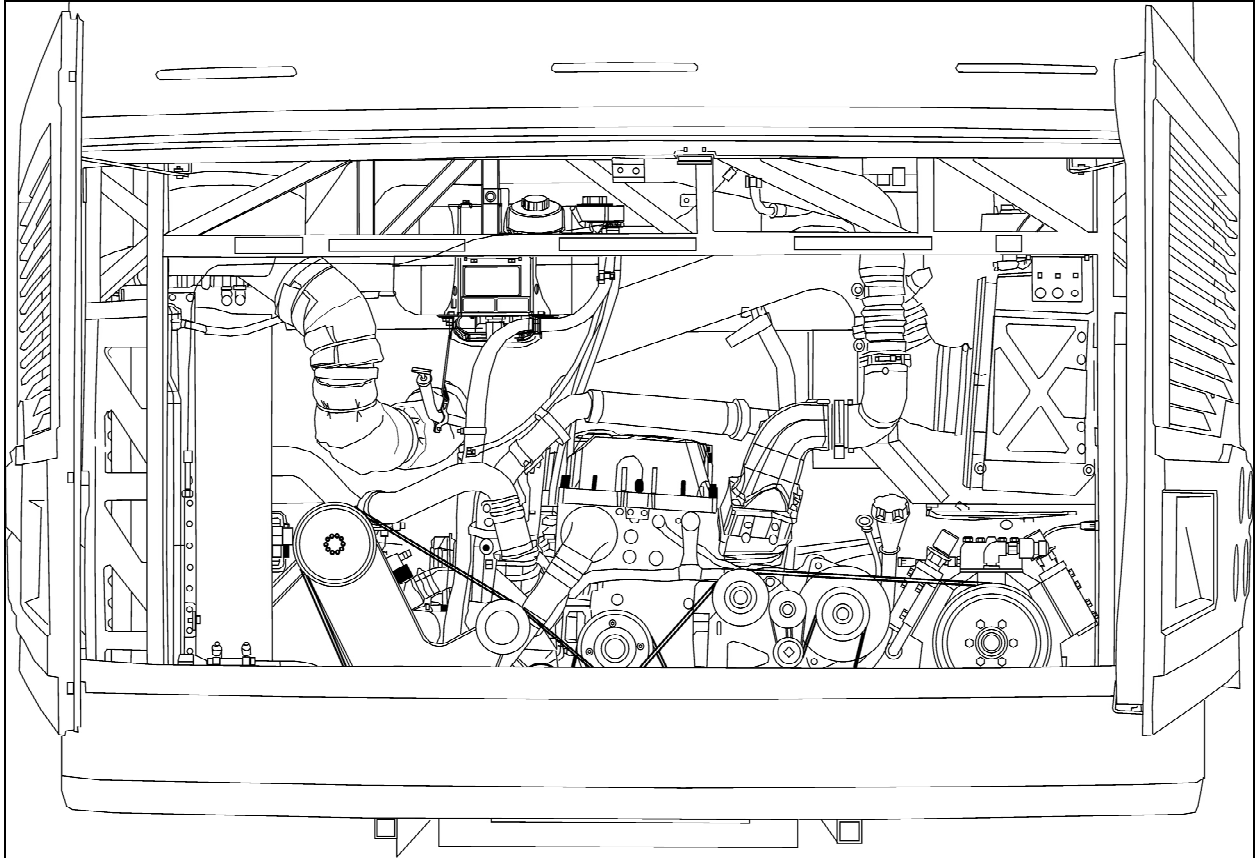


FIGURE 11: ENGINE COMPARTMENT X3 COACHES (TYPICAL)

01184\_A

### 1.5 POWER PLANT ASSY. INSTALLATION

To install a power plant assembly, follow the same procedure as in "Power Plant Assembly Removal" except in reverse order, then proceed with the following:

1. Torque the power plant cradle mounting bolts to 190 lbf-ft (258 Nm).
2. Remove bolts B and D. Untighten bolts A and C then pivot oil cooler as per figure 12. Install bolts B and D and tighten all bolts.
3. Refill cooling system with saved fluid (refer to Section 05, COOLANT SYSTEM).
4. Once engine fuel system has been drained, it will aid restarting if fuel filters are filled with fuel oil (refer to Section 03, FUEL SYSTEM).
5. Start engine for a visual check. Check fuel, oil, cooling, pneumatic and hydraulic system connections for leakage. Test operation of engine controls and accessories.

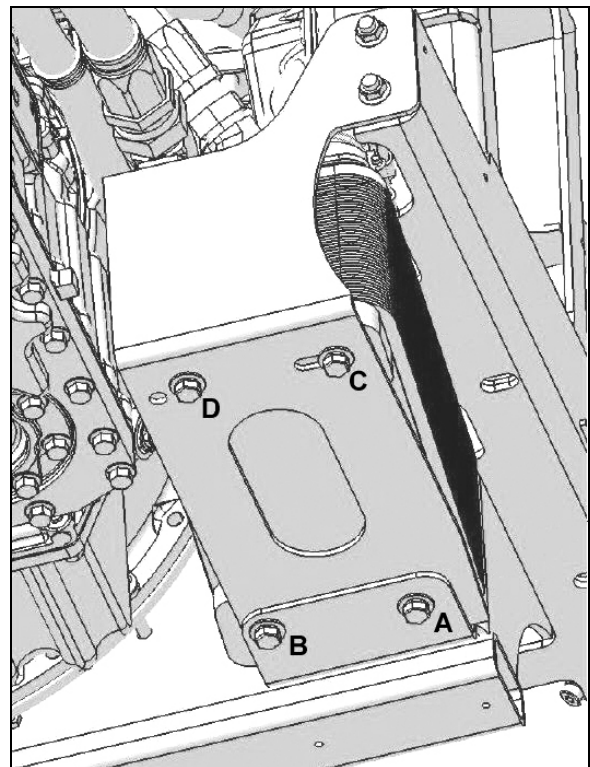


FIGURE 12: NORMAL OIL COOLER POSITION

## Section 01: ENGINE

### 1.6 ENGINE MOUNTS

The power plant assembly is mounted to the cradle by means of rubber mounts and supports.

Two engine support brackets are used at the front of the engine while two rubber mounts are mounted underneath the engine & radiator fan drive mechanism support and the engine & alternator support (Fig. 13).

It is recommended that new rubber mounts be installed at each major overhaul.

**NOTE**

Refer to the table on the following page for engine cradle tightening torques.

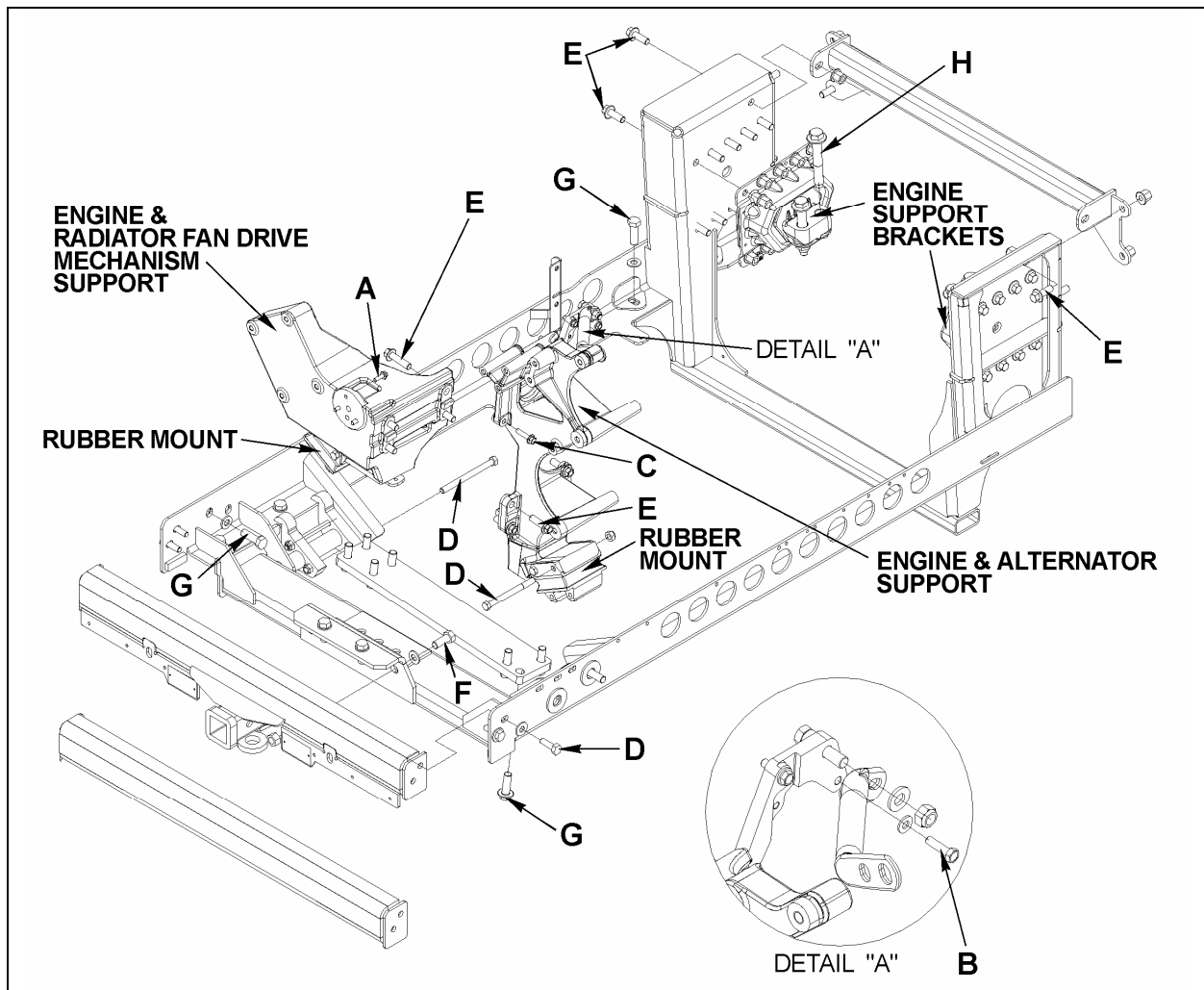


FIGURE 13: VOLVO ENGINE POWER PLANT CRADLE INSTALLATION



DRY TORQUES			
REFERENCE	DESCRIPTION	Lbf-Ft	Nm
A	SCREW, CAP HEXAGONAL HEAD M8 – 1.25 G8.8	16	22
B	SCREW, CAP HEXAGONAL HEAD M8 – 1.25 G10.9	22	30
C	SCREW, CAP HEXAGONAL HEAD M10 – 1.5 G10.9	43	58
D	SCREW, CAP HEXAGONAL HEAD M12 – 1.75 G8.8	60	81
E	SCREW, CAP HEXAGONAL HEAD M14 – 2.0 G8.8	90	122
F	SCREW, CAP HEXAGONAL HEAD M16 – 2.0 G8.8	140	190
G	SCREW, CAP HEXAGONAL HEAD M16 – 2.0 G10.9	190	258
H	SCREW, CAP HEXAGONAL HEAD M20 – 2.5 G10.9	450	610

## 2. DDC SERIES 60 ENGINE

Detroit Diesel series 60 engine is a 6-cylinder, four-cycle engine, equipped with an electronic control system (DDEC VI).

One engine displacement is used in the X3 Coaches Series 60 engines: 14.0 liters. Summary information on the Electronic Control System is given in this section.

Complete maintenance and repair information on the engine will be found in the current DETROIT DIESEL SERIES 60 2007 ON-HIGHWAY SERVICE MANUAL 6SE2007. This essential manual contains complete instructions on operation, adjustment (tune-up), preventive maintenance and lubrication, parts verification, repair or replacement. This manual's sections cover complete systems such as:

- Engine main assembly;
- Fuel system;
- Lubrication system;
- Cooling system;
- Fuel, lubricating oil and coolant;
- Air intake system;
- Exhaust system;
- Exhaust gas recirculation components;
- Electrical equipment;
- Operation and verification;
- Engine tune-up;
- Preventive maintenance;
- Storage;

Refer to Series 60 DDEC VI Troubleshooting Guide published by Detroit Diesel for more complete information on diagnosis of components and system problems.

Procedures for engine removal and installation are given at the end of this section. The DDEC system is self-diagnostic. It can identify faulty components and other engine-related problems by providing the technician with diagnostic codes.

### 2.1 DDEC VI SYSTEM

DDEC VI (**D**etroit **D**iesel **E**lectronic **C**ontrol) is a system that monitors and determines all values required for the operation of the engine. A diagnostic interface is provided to connect to an external diagnosis tester. Besides the engine related sensors and the engine-resident control unit, the Motor Control Module (MCM), this system has a chassis-mounted control unit for vehicle engine management, the Common Powertrain Controller (CPC). The connection to the vehicle is made via a CAN interface which digitally transmits the nominal values (e.g. torque, engine speed specification, etc.) and the actual values (e.g. engine speed, oil pressure, etc.).

DDEC VI controls the timing and amount of fuel injected by the electronic unit injectors (EUI). The system also monitors several engine functions using electrical sensors, which send electrical signals to the Motor Control Module (MCM). The MCM computes the electrical signals and determines the correct fuel output and timing for optimum power, fuel economy and emissions. The MCM also has the ability to display warnings or shut down the engine

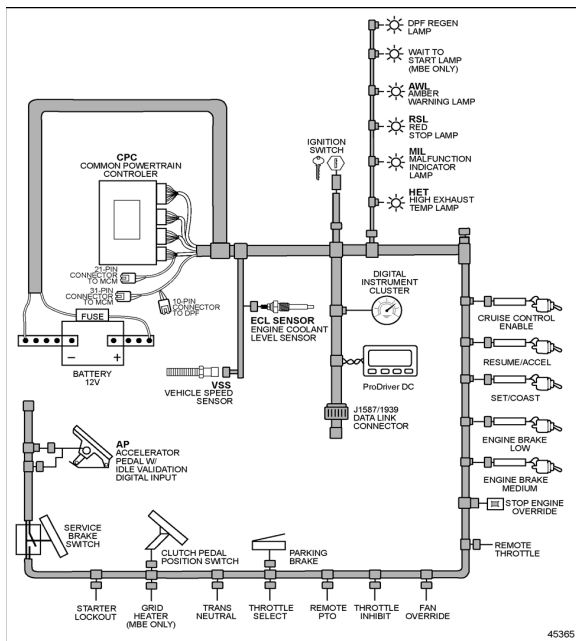
## Section 01: ENGINE

completely (depending on option selection) in the event of damaging engine conditions, such as low oil pressure or high engine temperature.

### 2.2 HARNESSES

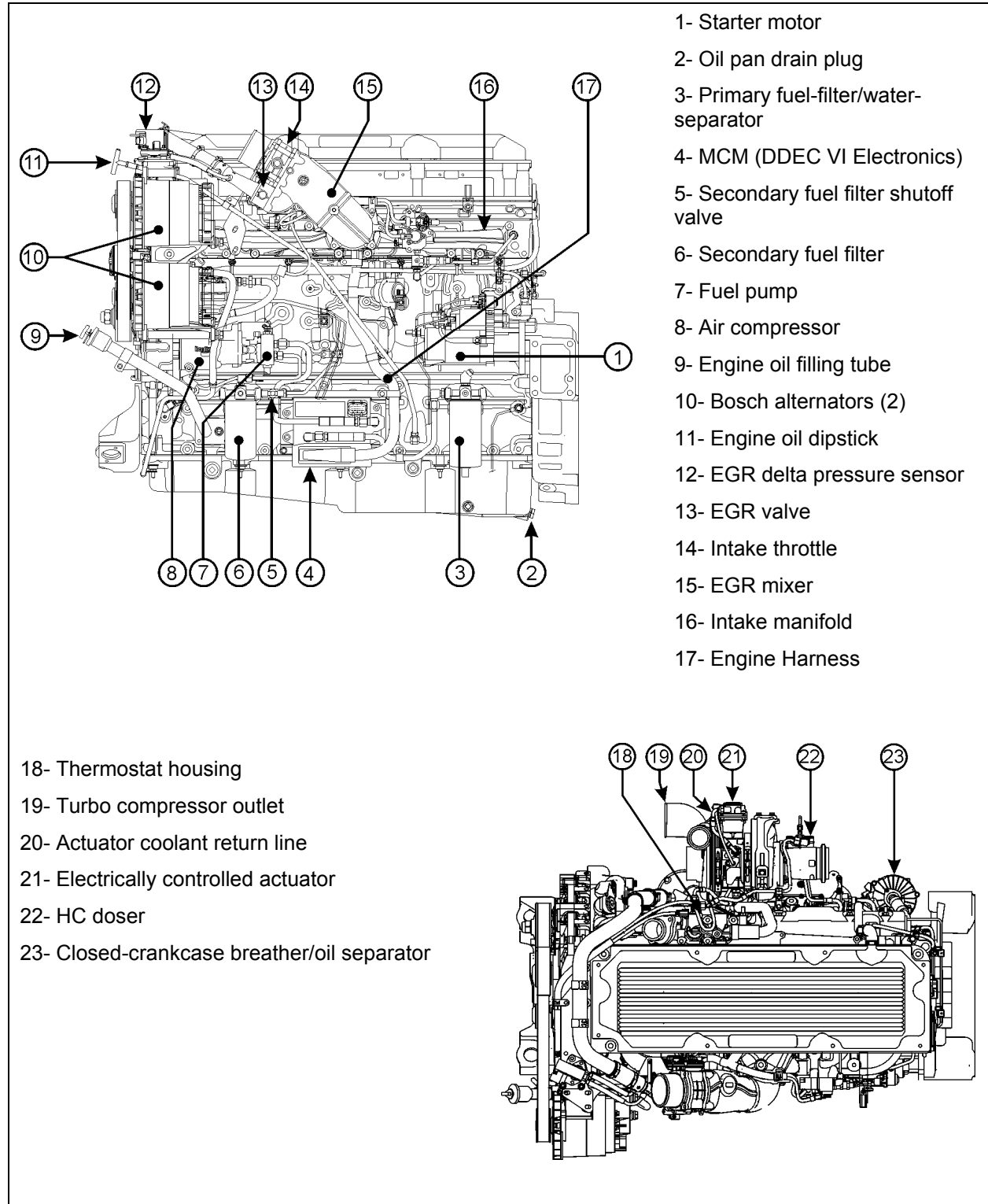
There are two major harnesses: the Engine Harness (EH) and the Vehicle Interface Harness (VIH). The Engine Harness is installed at the Detroit Diesel factory and is delivered connected to all engine sensors, the fuel injection system, and the MCM.

The OEM supplied Vehicle Interface Harness connects the CPC to other vehicle systems.



**FIGURE 14: VEHICLE INTERFACE HARNESS (GENERAL APPLICATION SHOWN)**

2.3 ENGINE OVERVIEW



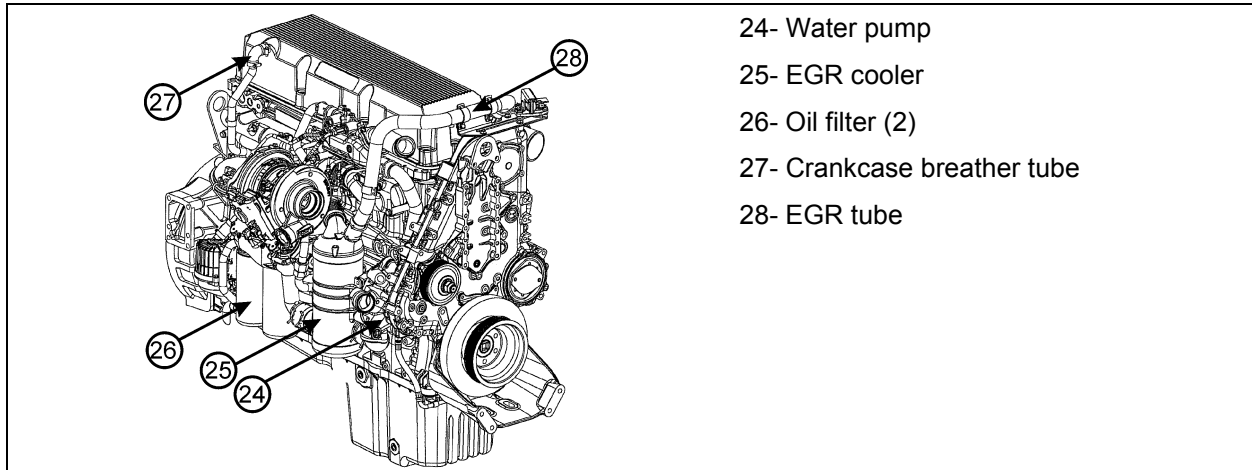


FIGURE 15: DETROIT DIESEL 2007 SERIES 60 ENGINE (TYPICAL)

01150

## 2.4 DDEC VI SENSORS

- **Camshaft Position Sensor (CMP Sensor):** Indicates a specific cylinder in the firing order.
- **Crankshaft Position Sensor (CKP Sensor):** Senses crankshaft position and engine speed for functions such as fuel control strategy.
- **DPF Inlet Pressure Sensor** Measures pressure between the Diesel Oxidation Catalyst (DOC) and the Diesel Particulate Filter (DPF) in the aftertreatment assembly.
- **DPF Outlet Pressure Sensor:** Measures pressure on the outlet of the aftertreatment device in the exhaust system of the vehicle.
- **DPF Outlet Temperature Sensor:** Temperature measured at the outlet of the after-treatment system that is installed within the exhaust system of the vehicle.
- **DOC Inlet Temperature Sensor:** Temperature measured at the outlet of the after-treatment.
- **DOC Outlet Temperature Sensor:** Temperature measured between the DOC and the DPF in the aftertreatment assembly.
- **EGR Delta Pressure Sensor:** Senses EGR pressure for EGR control.
- **EGR Temperature Sensor:** Senses EGR exhaust temperature after EGR cooler. Used for EGR system diagnosis.
- **Engine Coolant Temperature Sensor (ECT Sensor):** Senses coolant temperature for functions such as engine protection, fan control and engine fueling.
- **Engine Oil Pressure Sensor (EOP Sensor):** Senses gallery oil pressure for functions such as engine protection.
- **Engine Oil Temperature Sensor (EOT Sensor):** Senses oil temperature for functions such as reducing variation in fuel injection and fan control.
- **Fuel Line Pressure Sensor:** Senses fuel line pressure.
- **Fuel Compensation Pressure Sensor:** Compensates fuel line pressure.
- **Intake Manifold Pressure Sensor (IMP Sensor):** Senses turbo boost for functions such as smoke control and engine protection.
- **Intake Manifold Air Temperature Sensor (IMT Sensor):** Senses pressure. The MCM uses this information to compute the amount of air entering the engine.
- **Supply Fuel Temperature Sensor (SFT Sensor):** Senses fuel temperature for functions such as engine fueling.
- **Turbo Compressor Temperature Out Sensor:** Senses turbo out air temperature.
- **Turbo Speed Sensor (TSS):** Monitors turbo speed for overspeed conditions.
- **VGT Position Sensor/EGR Valve Position Sensor.**
- **Intake Air Throttle Valve Sensor.**
- **Exhaust Valve Recirculation Valve (EGR) Sensor.**

2.5 OTHER SENSORS

- **Engine Coolant Level Sensor (ECL Sensor):** Senses coolant level for engine protection (mounted on coolant surge tank).
- **Turbo Compressor In Temperature Sensor:** Senses the air temperature at the turbo compressor inlet.

2.6 MOTOR CONTROL MODULE (MCM)

The Motor Control Module is mounted, on the starter side of the engine (Fig. 15). Considered the "Brain" of the DDEC VI system, it provides overall monitoring and control of the engine. It does so by comparing input data from the various sensors to a set of calibration data stored in the EEPROM (Electrically Erasable, Programmable, Read-Only Memory) within the Motor Control Module. After comparing the input data with the calibration data, the MCM sends high-current command pulses to the Electronic Unit Injectors (EUI) to initiate fuel injection. The MCM also receives feedback regarding the start and end of injection for a given cylinder. The EEPROM within the Motor Control Module is factory programmed by Detroit Diesel. Reprogramming must be done at a Detroit Diesel authorized service center. However, some changes may be performed to the cruise control and road speed limiter using a diagnostic data reader (see paragraph "DDEC VI Diagnostic Codes" in this section).

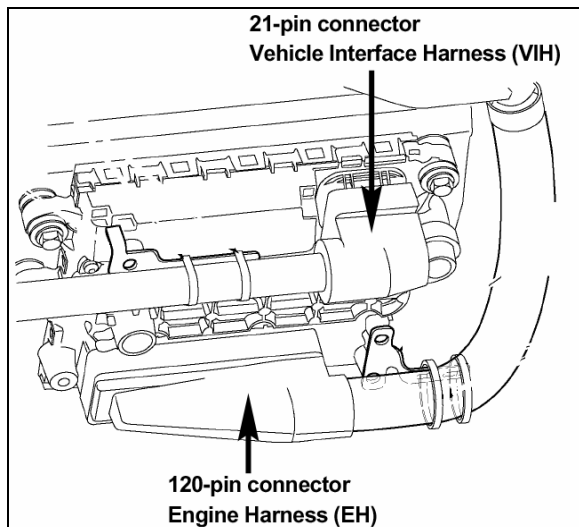


FIGURE 16: MOTOR CONTROL MODULE (MCM) 01145

2.7 COMMON POWERTRAIN CONTROLLER (CPC)

The CPC is the interface between the MCM and the vehicle/equipment for engine control and manages other vehicle/equipment functions.

Within the CPC, sets of data for specific applications are stored. These include idle speed, maximum running speed, and speed limitation. Customer programmable parameters are also stored here. The CPC receives data from the operator (accelerator pedal position, switches and various sensors) and other electronic control units. From this data, instructions are computed for controlling the engine and transmitted to the MCM via the proprietary data link.

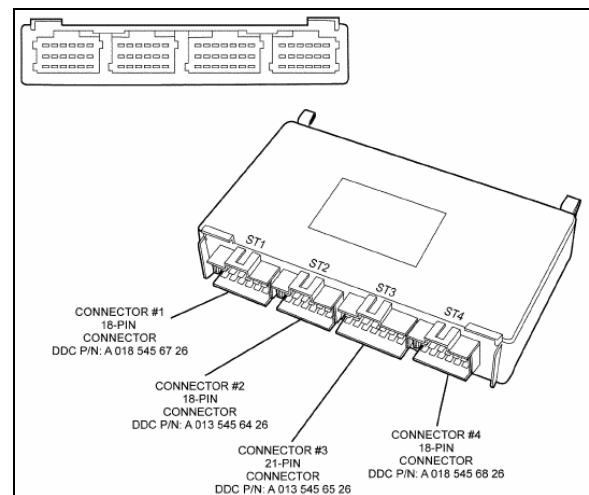


FIGURE 17: CPC

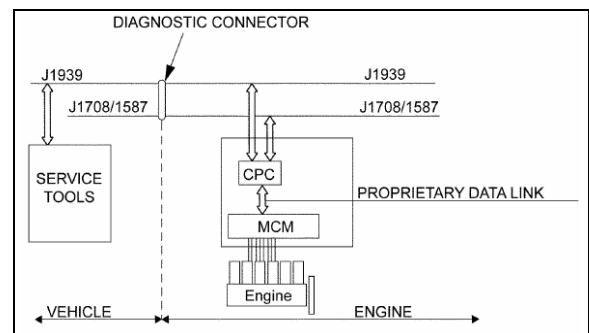


FIGURE 18: THE CPC COMMUNICATES OVER THE J1587 AND J1939 DATA LINKS TO THE VEHICLE

2.8 DDEC VI DIAGNOSTICS

2.8.1 Diagnostic system

Diagnostics is a standard feature of DDEC VI. The purpose of this feature is to provide information for problem identification and

## Section 01: ENGINE

---

problem solving in the form of a code. The MCM and CPC continuously perform self diagnostic checks and monitor the other system components. Information for problem identification and problem solving is enhanced by the detection of faults, retention of fault codes and separation of active from inactive codes.

The engine-mounted MCM includes control logic to provide overall engine management. System diagnostic checks are made at ignition on and continue throughout all engine operating modes. Sensors provide information to the MCM and CPC regarding various engine and vehicle performance characteristics. The information is used to regulate engine and vehicle performance, provide diagnostic information, and activate the engine protection system.

The DDEC VI on-board diagnostic system accessories include the following:

- Check Engine telltale light (AWL);
- Stop Engine telltale light (RSL);
- Stop Engine Override switch (SEO);
- Diagnostic Data Link (DDL) connectors.

The AWL is illuminated and a code is stored if an electronic system fault occurs. This indicates the problem should be diagnosed as soon as possible. The CPC illuminates the AWL and RSL and stores a malfunction code if a potentially engine damaging fault is detected. These codes can be accessed in one of four ways:

- Commercially available J1587/J1939 diagnostic tools.
- Detroit Diesel Diagnostic Link® (DDDL 7.0).
- Flashing the AWL and RSL with the SEO/Diagnostic Request Switch.
- Dashboard's Message Center Display (MCD).

### 2.8.2 Check Engine Telltale Light (AWL)

The CPC illuminates the Check Engine telltale, mounted on the telltale light panel to indicate that a problem has been detected and that a code has been stored in the MCM memory. This light also has a 5-second bulb check when the ignition is first turned on.

### 2.8.3 Stop Engine Warning Light (RSL)

This light, also mounted on the telltale light panel, illuminates to indicate that a major engine problem is occurring (with the exception of a 5-second bulb check when the ignition is first turned on).

### 2.8.4 Stop Engine Override Switch (SEO)

This switch, mounted on the dashboard, may be used to extend the 30-second delay period before engine shutdown when the Stop engine telltale light is illuminated. This switch can be repeatedly depressed in order to move the vehicle out of traffic.

#### **NOTE**

*The stop engine override switch will be operative only if it has been depressed before the end of the 30 second delay period.*



#### **CAUTION**

The OVERRIDE switch must be used only in emergency cases, such as to move the vehicle out of traffic. Excessive use of this switch can cause serious damage to the engine.

This switch is also used for DDEC diagnostic code requests. Press this switch with the engine at idle or off but with the ignition in the "ON" position and active codes will be flashed on the CHECK ENGINE and STOP ENGINE telltale lights alternately.

### 2.8.5 Diagnostic Data Link (DDL) Connectors

A connector is mounted on the L.H. footwell wall. Another connector is located in the rear electric compartment. They allow the connection of the Diagnostic Data Reader (DDR) to read the codes or to access pertinent data on the condition of the engine. This enables a more complete analysis of any defect found in the DDEC system operation. For more information, see Detroit Diesel Troubleshooting Guide #6SE492.

## 2.9 READING DIAGNOSTIC CODES – FLASHING LIGHT METHOD:

DDEC VI makes use of two types of codes: Active and inactive. The difference between the two types of codes is as follows:

**Active Codes:** Codes that are currently keeping the Check Engine or Stop Engine telltale light illuminated. Active codes are flashed via the Stop Engine Light when checked with the stop-engine-override switch.

**Inactive Codes:** These are all the codes logged in the CPC, which have previously occurred, (whether or not they are currently turning on the Stop or Check Engine Light). Inactive codes are flashed via the Check Engine telltale light when checked with the stop-engine-override switch.

In most instances, only the DDR can provide the information necessary for a quick diagnosis of the problem. If you just need to read out codes, however, and do not have a DDR available, the following procedure will let you read out codes. Make sure the rear-starting switch (located in the engine compartment) is in the normal position. With the ignition ON, the engine idling or engine shut-off, momentarily depress the Stop Engine Override (SEO) switch. Active codes will be flashed on the stop engine telltale, followed by the inactive codes being flashed on the check-engine telltale panel. The cycle repeats itself until the operator depresses the stop engine override switch again.

Flashing codes provide a four digit number. Each fault code is flashed twice in order to help with counting the flashes. If there are no active faults or if there are no inactive faults the number “3” is flashed once followed by an ~3s delay.

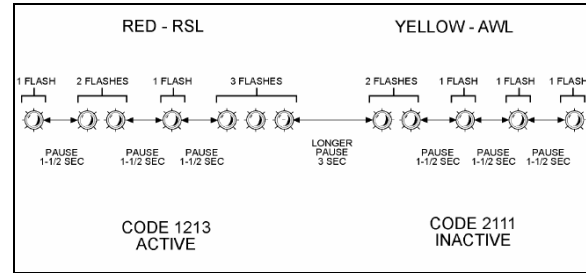


FIGURE 19: FLASHING FAULTS CODES

Refer to DDEC Troubleshooting Manual 6SE567 for more information and SAE codes.

**NOTE**

Active codes are flashed in ascending numerical flash code order. Inactive codes are flashed in most recent to least recent order.

**NOTE**

Fault codes can only be cleared using the DDR.

**NOTE**

The listed codes may not be used in all applications. A default value in the normal operating range is used by the MCM to provide for engine operation if a sensor failure is present.

2.10 DDEC VI CPC DIAGNOSTIC CODES LIST

SPN	FMI	PID/SID	PID/SID ID	FLASH CODES	FAULT DESCRIPTION
70	2	PID	70	2111	Park Brake Status Not Plausible (Vehicle Moving)
70	19	SID	234	2112	J1939 Park Brake Switch Signal from Source #1 is erratic
70	13	SID	234	2112	J1939 Park Brake Switch Signal from Source #1 is missing
70	19	SID	234	2112	J1939 Park Brake Switch Signal from Source #2 is erratic
70	13	SID	234	2112	J1939 Park Brake Switch Signal from Source #2 is missing
70	19	SID	234	2112	J1939 Park Brake Switch Signal from Source #3 is erratic
70	13	SID	234	2112	J1939 Park Brake Switch Signal from Source #3 is missing

**Section 01: ENGINE**

SPN	FMI	PID/SID	PID/SID ID	FLASH CODES	FAULT DESCRIPTION
84	21	PID	84	2113	Vehicle Speed Failure
84	3	PID	84	2113	Vehicle Speed Sensor Circuit Failed High
84	4	PID	84	2113	Vehicle Speed Sensor Circuit Failed Low
84	2	PID	84	2113	VSS Anti Tamper Detection via Virtual Gear Ratio
84	8	PID	84	2113	VSS Anti Tamper Detection via Fixed Frequency Device
84	6	PID	84	2113	VSS Anti-Tamper Detection via ABS Vehicle Speed Comparison
84	19	PID	84	2113	J1939 Wheel-Based Vehicle Speed Signal from Source#1 is erratic
84	13	PID	84	2113	J1939 Wheel-Based Vehicle Speed Signal from Source#1 is missing
84	19	SID	84	2113	J1939 Wheel-Based Vehicle Speed Signal from Source#2 is erratic
84	13	PID	84	2113	J1939 Wheel-Based Vehicle Speed Signal from Source#2 is missing
84	19	PID	84	2113	J1939 Wheel-Based Vehicle Speed Signal from Source#3 is erratic
84	13	PID	84	2113	J1939 Wheel-Based Vehicle Speed Signal from Source#3 is missing
84	20	PID	84	2113	Vehicle Speed Sensor Drifted High Error (VSS signal not plausible)
91	13	PID	91	2114	Accelerator Pedal Learn Error
91	3	PID	91	2114	Accelerator Pedal Circuit Failed High
91	4	PID	91	2114	Accelerator Pedal Circuit Failed Low
91	8	PID	91	2114	Pwm Accelerator Pedal Signal 1 Frequency Out Of Range
91	14	PID	91	2114	Pwm Accelerator Pedal Not Learned
91	7	PID	91	2114	Pwm Accelerator Pedal Idle Not Recognized
91	31	PID	91	2114	Pwm Accelerator Pedal Learned Range to Large
91	3	PID	91	2114	Accelerator Pedal Signal Circuit Failed High
91	9	SID	231	2615	J1939 EEC2 Message is missing
98	0	PID	98	2115	Oil Level High
98	18	PID	98	2115	Oil Level Low
98	1	PID	98	2115	Oil Level Very Low
100	18	PID	100	2121	Oil Pressure Low
100	1	PID	100	2121	Oil Pressure Very Low
107	0	PID	107	2122	Air Filter Restriction High



**SECTION 01: ENGINE**

SPN	FMI	PID/SID	PID/SID ID	FLASH CODES	FAULT DESCRIPTION
107	4	PID	107	2122	Air Filter Signal Circuit Failed Low
107	3	PID	107	2122	Air Filter Signal Circuit Failed High
110	16	PID	110	2123	Coolant Temperature High
110	0	PID	110	2123	Coolant Temperature Very High
111	18	PID	111	2124	Coolant Level Low
111	3	PID	111	2124	Coolant Level Circuit Failed High
111	4	PID	111	2124	Coolant Level Circuit Failed Low
111	1	PID	111	2124	Coolant Level Very Low
168	0	PID	168	2125	Battery Voltage Very Low
168	0	PID	168	2125	Battery Voltage High
168	18	PID	168	2125	Battery Voltage Low
168	14	PID	168	2125	Opt Idle Detected Charging System or Battery Failure
168	14	PID	168	2125	ECU powerdown not completed (Main Battery Terminal Possibly Floating)
171	2	PID	171	2131	Ambient Temperature Sensor Data Erratic
171	14	PID	171	2131	J1587 Ambient Air Temp Sensor Data Not Received This Ign Cycle
171	9	PID	171	2131	J1587 Ambient Air Temp Sensor Data Message Stopped Arriving
191	9	SID	231	2615	J1939 ETC1 Message is missing
191	19	SID	231	2132	J1939 Transmission Output Shaft Speed Signal is erratic
191	13	SID	231	2132	J1939 Transmission Output Shaft Speed Signal is missing
247	9	PID	247	2615	MCM Engine Hours Data not received or stopped arriving
247	10	PID	247	2615	MCM Engine Hours Data increasing at an implausible rate
247	0	PID	247	2615	MCM Engine Hours Data higher than expected
247	1	PID	247	2615	MCM Engine Hours Data lower than expected
523	19	PID	163	2133	J1939 Transmission Current Gear Signal is erratic
523	13	PID	163	2133	J1939 Transmission Current Gear Signal is missing
524	9	SID	231	2615	J1939 ETC2 Message is missing
527	9	SID	231	2615	J1939 CCVS Message from Source #1 is missing
527	9	SID	231	2615	J1939 CCVS Message from Source #2 is missing
527	9	SID	231	2615	J1939 CCVS Message from Source #3 is missing
558	2	SID	230	2134	Idle Validation Switch Inputs Reversed
558	5	SID	230	2134	Idle Validation Switch 2 Circuit Failed Low

**Section 01: ENGINE**

SPN	FMI	PID/SID	PID/SID ID	FLASH CODES	FAULT DESCRIPTION
558	6	SID	230	2134	Idle Validation Switch 2 Circuit Failed High
558	4	SID	230	2134	Idle Validation Switch 1 Circuit Failed Low
558	3	SID	230	2134	Idle Validation Switch 1 Circuit Failed High
596	19	SID	244	2135	J1939 Cruise Control Enable Switch Signal from Source #1 is erratic
596	13	SID	244	2135	J1939 Cruise Control Enable Switch Signal from Source #1 is missing
596	19	SID	244	2135	J1939 Cruise Control Enable Switch Signal from Source #2 is erratic
596	13	SID	244	2135	J1939 Cruise Control Enable Switch Signal from Source #2 is missing
596	19	SID	244	2135	J1939 Cruise Control Enable Switch Signal from Source #3 is erratic
596	13	SID	244	2135	J1939 Cruise Control Enable Switch Signal from Source #3 is missing
597	2	SID	246	2141	Service Brake Status Not Plausible
597	19	SID	246	2141	J1939 Service Brake Switch Signal from Source #1 is erratic
597	13	SID	246	2141	J1939 Service Brake Switch Signal from Source #1 is missing
597	19	SID	246	2141	J1939 Service Brake Switch Signal from Source #2 is erratic
597	13	SID	246	2141	J1939 Service Brake Switch Signal from Source #2 is missing
597	19	SID	246	2141	J1939 Service Brake Switch Signal from Source #3 is erratic
597	13	SID	246	2141	J1939 Service Brake Switch Signal from Source #3 is missing
599	4	SID	243	2142	Cruise Control SET and RESUME Circuits Failed Low
600	19	SID	243	2143	J1939 Cruise Control Coast Switch Signal from Source #1 is erratic
600	13	SID	243	2143	J1939 Cruise Control Coast Switch Signal from Source #1 is missing
600	19	SID	243	2143	J1939 Cruise Control Coast Switch Signal from Source #2 is erratic
600	13	SID	243	2143	J1939 Cruise Control Coast Switch Signal from Source #2 is missing
600	19	SID	243	2143	J1939 Cruise Control Coast Switch Signal from Source #3 is erratic
600	13	SID	243	2143	J1939 Cruise Control Coast Switch Signal from Source #3 is missing
602	19	SID	242	2144	J1939 Cruise Control Accelerate Switch Signal from Source #1 is erratic
602	13	SID	242	2144	J1939 Cruise Control Accelerate Switch Signal from Source #1 is missing

**SECTION 01: ENGINE**

SPN	FMI	PID/SID	PID/SID ID	FLASH CODES	FAULT DESCRIPTION
602	19	SID	242	2144	J1939 Cruise Control Accelerate Switch Signal from Source #2 is erratic
602	13	SID	242	2144	J1939 Cruise Control Accelerate Switch Signal from Source #2 is missing
602	19	SID	242	2144	J1939 Cruise Control Accelerate Switch Signal from Source #3 is erratic
602	13	SID	242	2144	J1939 Cruise Control Accelerate Switch Signal from Source #3 is missing
608	14	SID	250	2145	J1708 Data Link Failure
609	12	SID	233	2145	CPC2 Hardware Failure
615	9	SID	231	2615	J1939 DM1 Message from Transmission is missing
625	13	SID	248	2151	ECAN ID_1629 Diagnostic Message Not Received This Ignition Cycle
625	9	SID	248	2151	ECAN ID_1629 Diagnostic Message No Longer Being Received
625	10	SID	248	2151	ECAN ID_1629 Reporting Inconsistent Number of Frames
625	2	SID	248	2151	ECAN ID_1629 Diagnostic Message Reporting Data Not Available
625	14	SID	248	2151	ECAN ID_1629 Diagnostic Message Reporting an Unknown MUID
625	9	SID	248	2151	Incorrect MCM System ID Received
625	9	SID	248	2151	MCM System ID Not Received or Stopped Arriving
625	4	SID	248	2151	ECAN Link Circuit Failure
628	14	SID	254	2151	XFLASH Static Fault Code Memory Page Read Write Failure
628	13	SID	155	2615	20ms ECU OS Task Locked in an Endless Loop
628	13	SID	155	2615	20ms ECU OS Task Timed out Prior to Completion
628	13	SID	155	2615	1000ms ECU OS Task Locked in an Endless Loop
628	13	SID	155	2615	1000ms ECU OS Task Timed out Prior to Completion
629	2	SID	254	2151	CPC Hardware/Software Mismatch
629	12	SID	254	2151	DDEC Data Xflash Write Error. Replace CPC2.
630	2	SID	253	2152	EEPROM Checksum Failure
630	2	SID	253	2152	EEPROM Checksum Failure for the SCR Block
630	13	SID	253	2152	SCR Number Out of Range
630	14	SID	155	2615	MCM Fault Codes Unavailable via J1939 and J1587

**Section 01: ENGINE**

SPN	FMI	PID/SID	PID/SID ID	FLASH CODES	FAULT DESCRIPTION
630	14	SID	155	2615	MCM Fault Code Table Inconsistent - Upgrade MCM Software
630	14	SID	155	2615	Insufficient Static Fault Code Storage Memory - Upgrade CPC Software
630	14	SID	155	2615	MCM Fault Code Table Inconsistent - Upgrade MCM Software
639	14	SID	231	2153	J1939 Data Link Failure
701	3	SID	26	2211	Digital Output 4 09 Circuit Failed High
701	4	SID	26	2211	Digital Output 4 09 Circuit Failed Low
702	3	SID	40	2212	Digital Output 3 17 Circuit Failed High
702	4	SID	40	2212	Digital Output 3 17 Circuit Failed Low
703	3	SID	51	2213	Digital Output 3 09 Circuit Failed High
703	4	SID	51	2213	Digital Output 3 09 Circuit Failed Low
704	3	SID	52	2214	Digital Output 4 07 Circuit Failed High
704	4	SID	52	2214	Digital Output 4 07 Circuit Failed Low
705	3	SID	53	2215	Digital Output 1 13 Circuit Failed High
705	4	SID	53	2215	Digital Output 1 13 Circuit Failed Low
706	3	SID	54	2221	Digital Output 3 10 Circuit Failed High
706	4	SID	54	2221	Digital Output 3 10 Circuit Failed Low
707	3	SID	55	2222	Digital Output 2 10 Circuit Failed High (CEL / AWL Lamp)
707	4	SID	55	2222	Digital Output 2 10 Circuit Failed Low (CEL / AWL Lamp)
708	3	SID	56	2223	Digital Output 3 12 Circuit Failed High
708	4	SID	56	2223	Digital Output 3 12 Circuit Failed Low
709	3	SID	257	2224	Digital Output 3 16 Circuit Failed High
709	4	SID	257	2224	Digital Output 3 16 Circuit Failed Low
710	3	SID	258	2225	Digital Output 4 06 Circuit Failed High
710	4	SID	258	2225	Digital Output 4 06 Circuit Failed Low
711	3	SID	259	2231	Digital Output 1 05 Circuit Failed High
711	4	SID	259	2231	Digital Output 1 05 Circuit Failed Low
712	3	SID	260	2232	Digital Output 1 04 Circuit Failed High
712	4	SID	260	2232	Digital Output 1 04 Circuit Failed Low
713	3	SID	261	2234	Digital Output 3 07 Circuit Failed High
713	4	SID	261	2234	Digital Output 3 07 Circuit Failed Low
713	5	SID	261	2234	Digital Output 3 07 Open Circuit
713	7	SID	261	2234	TOP2 Shift Failure
714	3	SID	262	2235	Digital Output 3 08 Circuit Failed High
714	4	SID	262	2235	Digital Output 3 08 Circuit Failed Low
714	5	SID	262	2235	Digital Output 3 08 Open Circuit
715	3	SID	263	2241	Digital Output 4 10 Circuit Failed High
904	9	SID	231	2615	J1939 EBC2 Message from ABS is missing
904	19	SID	231	2242	J1939 Front Axle Speed Signal is erratic
904	13	SID	231	2242	J1939 Front Axle Speed Signal is missing

**SECTION 01: ENGINE**

SPN	FMI	PID/SID	PID/SID ID	FLASH CODES	FAULT DESCRIPTION
972	2	SID	203	2243	Throttle inhibit switch signal not plausible due to excess vehicle speed
973	9	SID	231	2615	J1939 EBC1 Message is missing
973	13	SID	231	2244	J1939 Engine Retarder Selection Signal Missing
973	19	SID	231	2244	J1939 Engine Retarder Selection Signal Erratic
974	2	PID	372	2245	Remote Accelerator Pedal Supply Voltage Out of Range
974	3	PID	372	2245	Remote Accelerator Pedal Circuit Failed High
974	4	PID	372	2245	Remote Accelerator Pedal Circuit Failed Low
981	0	SID	155	2311	PTO CC+ and CC- Switches Pressed Simultaneously
986	9	SID	231	2615	J1939 CM1 Message is missing
1267	4	SID	123	2312	Digital Output 4 10 Circuit Failed Low
1267	3	SID	123	2312	Digital Output 4 10 Circuit Failed Open
1321	4	SID	128	2314	Starter Lockout Output Shorted to Ground
1321	3	SID	128	2314	Starter Lockout Output Open Circuit
1590	19	SID	155	2615	Adaptive Cruise Control Message Not Received
1590	9	SID	231	2615	Adaptive Cruise Control Device Reporting Error
1624	9	SID	231	2615	J1939 TCO1 Message is missing
1624	19	SID	231	2315	J1939 Tachograph Vehicle Speed Signal is erratic
1624	13	SID	231	2315	J1939 Tachograph Vehicle Speed Signal is missing
1663	7	SID	123	2321	Optimized Idle Safety Loop Faulted
1716	9	SID	231	2615	J1939 ERC1 Message is missing
1845	9	SID	231	2615	J1939 TCFG2 Message is missing
2623	14	PID	91	2322	Pwm Accelerator Pedal GAS1 and GAS2 Signal Missing
2623	8	PID	91	2322	Pwm Accelerator Pedal Signal 2 Frequency Out Of Range
2900	9	SID	231	2615	J1939 ETC7 Message is missing
3510	3	SID	211	2333	Accelerator Pedal Supply Voltage Circuit Failed High
3510	4	SID	211	2333	Accelerator Pedal Supply Voltage Circuit Failed Low
3510	4	SID	211	2333	Pwm Accelerator Pedal Supply Voltage Missing
3510	3	SID	211	2333	Accelerator Pedal Supply Voltage Circuit Failed High
3606	9	SID	231	2615	J1939 ESS Message is missing
3695	2	SID	155	2334	Manual DPF Regen and DPF Inhibit Switch Rationality Fault

## Section 01: ENGINE

SPN	FMI	PID/SID	PID/SID ID	FLASH CODES	FAULT DESCRIPTION
3695	19	SID	155	2334	DPF Regen Inhibit MUX Switch Message Contains Data Error Indicator
3695	13	SID	155	2334	DPF Regen Inhibit MUX Switch Message Contains SNV Indicator
3695	9	SID	155	2334	DPF Regen Inhibit MUX Switch Message Stopped Arriving
3695	14	SID	155	2334	DPF Regen Inhibit MUX Switch Message Not Received this Ign Cycle
3696	19	SID	155	2335	DPF Regen Force MUX Switch Message Contains Data Error Indicator
3696	13	SID	155	2335	DPF Regen Force MUX Switch Message Contains SNV Indicator
3696	9	SID	155	2335	DPF Regen Force MUX Switch Message Stopped Arriving
3696	14	SID	155	2335	DPF Regen Force MUX Switch Message Not Received this Ign Cycle

### 2.11 DDEC VI MCM DIAGNOSTIC CODES LIST

SPN	FMI	PID/SID	PID/SID ID	FLASH CODE	FAULT DESCRIPTION
27	4	PID	27	1111	EGR Valve Position Circuit Failed Low
27	3	PID	27	1111	EGR Valve Position Circuit Failed High
27	2	PID	27	1111	EGR Valve Position Feedback Failed
27	0	PID	27	1111	EGR Valve Position Feedback Failed (High Box)
27	1	PID	27	1111	EGR Valve Position Feedback Failed (Low Box)
27	14	PID	27	1111	EGR Valve Position Positive Torque Error
27	7	PID	27	1111	EGR Valve Stuck Open
27	19	PID	27	1521	Smart Actuator Indicates EGR Position Error
51	4	SID	51	1112	Intake Air Throttle Circuit Failed Low
51	3	SID	51	1112	Intake Air Throttle Circuit Failed High
51	2	PID	51	1112	Intake Throttle Position Deviation Error
51	0	PID	51	1112	Intake Air Throttle Position High
51	1	PID	51	1112	Intake Air Throttle Position Low
51	7	PID	51	1112	Intake Throttle Auto Calibration Error
94	4	PID	94	1112	Fuel Compensation Pressure Sensor Circuit Failed Low
94	3	PID	94	1112	Fuel Compensation Pressure Sensor Circuit Failed High
94	1	PID	94	1112	Fuel Pressure Too High/Too Low
97	4	PID	97	1615	Water in Fuel Circuit Failed Low
97	3	PID	97	1615	Water in Fuel Circuit Failed High
98	1	PID	98	1114	Oil Level Circuit Failed Low
98	0	PID	98	1114	Oil Level Circuit Failed High
98	13	PID	98	1634	Oil Level Measurement, Configuration Error
98	14	PID	98	1634	Oil Level Measurement, Oil Level Too Low or Too High
100	4	PID	100	1114	Engine Oil Pressure Circuit Failed Low
100	3	PID	100	1114	Engine Oil Pressure Circuit Failed High
100	1	PID	100	1114	Engine Oil Pressure Low
100	2	PID	100	1114	Oil Pressure Plausibility - Engine Running
100	2	PID	100	1114	Oil Pressure Plausibility - Stop
103	2	PID	103	1115	Turbocharger Speed Not Plausible
103	1	PID	103	1115	Turbo Charger Speed Below Threshold (High Box)

**SECTION 01: ENGINE**

SPN	FMI	PID/SID	PID/SID ID	FLASH CODE	FAULT DESCRIPTION
103	0	PID	103	1115	Turbo Charger Speed Above Threshold (Low Box)
103	4	PID	103	1115	Turbo Charger Speed Sensor Circuit Failed Low
103	3	PID	103	1115	Turbo Charger Speed Sensor Circuit Failed High
108	4	PID	108	1211	Barometric Pressure Circuit Failed Low
108	3	PID	108	1211	Barometric Pressure Circuit Failed High
108	2	PID	108	1211	Ambient Pressure Plausibility Fault (Low Box)
108	20	PID	108	1211	Ambient Pressure Plausibility Fault (High Box)
110	4	PID	110	1212	Engine Coolant Outlet Temperature Circuit Failed Low
110	3	PID	110	1212	Engine Coolant Outlet Temperature Circuit Failed High
110	0	PID	110	1212	Coolant Temperature High
110	14	PID	110	1212	Coolant Temperature / Engine Oil Temperature Plausibility Fault
110	2	PID	110	1212	Engine Coolant Sensor (OUT), General Temp. Plausibility Error
132	7	PID	132	1213	Intake Air Throttle Valve Closure Detection- Positive Torque
132	14	PID	132	1213	Intake Air Throttle Valve Closure Detection -Braking Condition
132	14	PID	322	1635	HC-Doser Fuel Pressure Not Plausible
132	1	PID	322	1213	Air Mass Flow Too Low
132	13	PID	132	1213	Air Mass Auto Calibration Failed
158	2	PID	43	1214	Ignition Switch Not Plausible
164	4	PID	164	1215	Rail Pressure Governor Sensor Circuit Failed Low
164	3	PID	164	1215	Rail Pressure Governor Sensor Circuit Failed High
164	0	PID	164	1215	Rail Pressure Governor (High Side) Error
164	0	PID	164	1215	Rail Pressure Governor (Low Side) Error
168	1	PID	168	1221	Battery Voltage Low
168	0	PID	168	1221	Battery Voltage High
171	4	PID	171	1222	Ambient Temperature Circuit Failed Low
171	3	PID	171	1222	Ambient Temperature Circuit Failed High
174	4	PID	174	1223	Fuel Temperature Circuit Failed Low
174	3	PID	174	1223	Fuel Temperature Circuit Failed High
174	2	PID	174	1223	Fuel Temperature Sensor, General Temp. Plausibility
174	0	PID	174	1223	Fuel Temperature Too High
175	4	PID	175	1224	Engine Oil Temperature Circuit Failed Low
175	3	PID	175	1224	Engine Oil Temperature Circuit Failed High
175	14	PID	175	1224	Engine Oil Temperature Sensor Plausibility Fault
175	2	PID	175	1224	Engine Oil Temperature Sensor, General Temp. Plausibility
190	2	PID	190	1225	Engine Speed High
354	4	PID	354	1231	Relative Humidity Circuit Failed Low
354	3	PID	354	1231	Relative Humidity Circuit Failed High
411	4	PID	411	1232	EGR Delta Pressure Sensor Circuit Low
411	3	PID	411	1232	EGR Delta Pressure Sensor Circuit High
411	0	PID	411	1232	EGR Differential Pressure Failed (High Box)
411	1	PID	411	1232	EGR Differential Pressure Failed (Low Box)
411	5	PID	411	1232	EGR Sampling Range Failed
411	13	PID	411	1232	EGR Delta Pressure Sensor Out Of Calibration
411	13	PID	411	1232	EGR Delta Pressure Sensor Out Of Calibration
412	3	PID	412	1233	EGR Temperature Sensor Circuit Failed High
412	4	PID	412	1233	EGR Temperature Sensor Circuit Failed Low
412	20	PID	412	1233	EGR Temperature Drift (High Box)
412	21	PID	412	1233	EGR Temperature Drift (Low Box)
412	2	PID	412	1233	EGR Temperature Sensor, General Temp. Plausibility Error
412	0	PID	412	1512	EGR Temperature Very High
412	16	PID	412	1233	EGR Temperature Sensor / Temperature Too High

## Section 01: ENGINE

SPN	FMI	PID/SID	PID/SID ID	FLASH CODE	FAULT DESCRIPTION
615	4	SID	155	1615	Reserved Monitoring Unit For Temperature Diagnostics, Circuit Failed Low MU_ISP_T_TBD4_SRL
615	3	SID	155	1615	Reserved Monitoring Unit For Temperature Diagnostics, Circuit Failed High MU_ISP_T_TBD4_SRH
615	4	SID	155	1615	Reserved Monitoring Unit For Temperature Diagnostics, Circuit Failed Low MU_ISP_T_TBD1_SRL
615	3	SID	155	1615	Reserved Monitoring Unit For Temperature Diagnostics, Circuit Failed High MU_ISP_T_TBD1_SRH
615	4	SID	155	1615	Reserved Monitoring Unit For Temperature Diagnostics, Circuit Failed Low MU_ISP_T_TBD2_SRL
615	3	SID	155	1615	Reserved Monitoring Unit For Temperature Diagnostics, Circuit Failed High MU_ISP_T_TBD2_SRH
615	4	SID	155	1615	Reserved Monitoring Unit For Temperature Diagnostics, Circuit Failed Low MU_ISP_T_TBD3_SRL
615	3	SID	155	1615	Reserved Monitoring Unit For Temperature Diagnostics, Circuit Failed High MU_ISP_T_TBD3_SRH
615	4	SID	155	1615	Catalyst Temperature Sensor Circuit High Input (Bank 1 Sensor 1)
615	3	SID	155	1615	Catalyst Temperature Sensor Circuit Low Input (Bank 1 Sensor 1)
615	4	SID	155	1615	Catalyst Temperature Sensor Circuit High (Bank 1 Sensor 2)
615	3	SID	155	1615	Catalyst Temperature Sensor Circuit Low (Bank 1 Sensor 2)
615	4	SID	51	1322	Water Pump 1 Circuit Failed Low
615	3	SID	51	1322	Water Pump 1 Circuit Failed High
615	5	SID	51	1322	Water Pump 1 Circuit Failed Open
615	4	SID	55	1331	Turbo Compound Valve Circuit Failed Low
615	3	SID	55	1331	Turbo Compound Valve Circuit Failed High
615	5	SID	55	1331	Turbo Compound Valve Circuit Failed Open
615	4	SID	259	1335	Turbo Brake Sleeve Circuit Failed Low
615	3	SID	259	1335	Turbo Brake Sleeve Circuit Failed High
615	5	SID	259	1335	Turbo Brake Sleeve Circuit Failed Open
615	4	SID	261	1355	Function 20 Circuit Failed Low
615	3	SID	261	1355	Function 20 Circuit Failed High
615	5	SID	261	1355	Function 20 Circuit Failed Open
615	3	SID	155	1451	Service Push Button Circuit Failed High
615	14	SID	155	1615	Turbocharger/Supercharger Boost System Performance
615	14	SID	155	1615	Starter Electronic Fault / ECU internal (Res)
615	14	SID	155	1615	Starter Jammed (Tooth to Tooth Jam)
615	14	SID	155	1615	Rail Pressure Governor, Valve Stays Open
615	14	SID	155	1615	MU_RPG_INT_MON_SRH, I Term Value Too High
615	14	SID	155	1615	Rail Pressure Governor, Leakage in High Pressure Too High
615	14	SID	155	1615	Rail Pressure Governor Sensor, Signal Drift
615	14	SID	155	1615	Rail Pressure Governor Sensor, Sensor Supply Line Broken
615	4	SID	155	1615	Compressor Differential Pressure Outlet Failed Low
615	3	SID	155	1615	Compressor Differential Pressure Outlet Failed High
615	14	SID	155	1615	Doser Metering and Safety Unit Valve Seals Check
615	14	SID	155	1615	High Pressure Pump, Leakage or TDC Position Wrong
615	4	SID	155	1615	Flap In Front of EGR Cooler Circuit Failed Low
615	3	SID	155	1615	Flap In Front of EGR Cooler Circuit Failed High
615	5	SID	155	1615	Flap In Front of EGR Cooler Circuit Failed Open
615	4	SID	155	1615	Water Pump 2 Circuit Failed Low
615	3	SID	155	1615	Water Pump 2 Circuit Failed High
615	5	SID	156	1615	Water Pump 2 Circuit Failed Open



**SECTION 01: ENGINE**

SPN	FMI	PID/SID	PID/SID ID	FLASH CODE	FAULT DESCRIPTION
615	4	SID	157	1615	RCP Test Function 1 Circuit Failed Low
615	3	SID	158	1615	RCP Test Function 1 Circuit Failed High
615	5	SID	159	1615	RCP Test Function 1 Circuit Failed Open
615	4	SID	160	1615	RCP Test Function 2 Circuit Failed Low
615	3	SID	161	1615	RCP Test Function 2 Circuit Failed High
615	5	SID	162	1615	RCP Test Function 2 Circuit Failed Open
615	4	SID	163	1615	Volute Control Valve, Shorted to Ground
615	3	SID	164	1615	Volute Control Valve, Shorted to Battery
615	5	SID	165	1615	Volute Control Valve, Open Load
615	4	SID	166	1615	Volute Shut Off Valve, Shorted to Ground
615	3	SID	167	1615	Volute Shut Off Valve, Shorted to Battery
615	5	SID	168	1615	Volute Shut Off Valve, Open Load
615	4	SID	169	1615	Function 30 Circuit Failed Low
615	3	SID	170	1615	Function 30 Circuit Failed High
615	5	SID	171	1615	Function 30 Circuit Failed Open
615	4	SID	172	1615	Function 31 Circuit Failed Low
615	3	SID	173	1615	Function 31 Circuit Failed High
615	5	SID	174	1615	Function 31 Circuit Failed Open
615	14	SID	155	1453	Smart Remote Actuator 2, No Failsafe Mode, Motor Off
615	9	SID	155	1453	Smart Remote Actuator 2, Failsafe Mode, Motor Off
615	16	SID	155	1453	Smart Remote Actuator 2, Temperature Fault
615	7	SID	155	1453	Smart Remote Actuator 2, Failsafe Mode, Motor On
615	11	SID	155	1453	Smart Remote Actuator 2, Restricted Operability
615	15	SID	155	1453	Smart Remote Actuator 2, Temperature Warning
615	8	SID	155	1453	Smart Remote Actuator 2, Internal Test Running
615	31	SID	155	1453	Smart Remote Actuator 2, Unknown Error Code
615	13	SID	155	1454	Turbocharger Compressor Outlet Differential Pressure Sensor Out Of Calibration
615	13	SID	155	1454	Turbocharger Compressor Outlet Differential Pressure Sensor Out Of Calibration
615	19	SID	155	1637	Smart Actuator Indicates Actuator Position Error
625	2	SID	248	1234	Invalid Data on Engine CAN Link
625	9	SID	248	1234	No Data Received from Engine CAN Link
625	9	SID	248	1234	Engine CAN Low Wire Defect - (wire 1)
625	9	SID	248	1234	Engine CAN High Wire Defect - (wire 2)
630	12	SID	253	1452	EEPROM Read / Write Operation Failed
630	13	SID	253	1455	Calibration Data Not Plausible
630	13	SID	253	1455	Calibration Data Not Plausible (CPLD)
634	4	SID	40	1321	Constant Throttle Valve Circuit Failed Low
634	3	SID	40	1321	Constant Throttle Valve Circuit Failed High
634	5	SID	40	1321	Constant Throttle Valve Circuit Failed Open
636	1	SID	21	1235	Crankshaft Position Sensor Signal Voltage Too Low
636	3	SID	21	1235	Crankshaft Position Sensor Open Circuit
636	4	SID	21	1235	Crankshaft Position Sensor Short to Ground
636	8	SID	21	1235	Crankshaft Position Sensor Time Out
636	14	SID	21	1235	Crankshaft Position Sensor Pins Swapped
636	2	SID	21	1235	No Match of Camshaft and Crankshaft Signals
641	4	SID	27	1542	Turbo Control Circuit Failed Low

## Section 01: ENGINE

SPN	FMI	PID/SID	PID/SID ID	FLASH CODE	FAULT DESCRIPTION
641	3	SID	27	1542	Turbo Control Circuit Failed High
641	5	SID	27	1542	Turbo Control Circuit Open
641	14	SID	147	1241	Smart Remote Actuator 5 (VGT), No Failsafe Mode, Motor Off
641	9	SID	147	1241	Smart Remote Actuator 5 (VGT), Failsafe Mode, Motor Off
641	7	SID	147	1241	Smart Remote Actuator 5 (VGT), Failsafe Mode, Motor On
641	11	SID	147	1241	Smart Remote Actuator 5 (VGT), Restricted Operability
641	8	SID	147	1241	Smart Remote Actuator 5 (VGT), Internal Test Running
641	31	SID	147	1241	Smart Remote Actuator 5 (VGT), Unknown Error Code
647	4	SID	33	1334	Fan Stage 1 Circuit Failed Low
647	3	SID	33	1334	Fan Stage 1 Circuit Failed High
647	5	SID	33	1334	Fan Stage 1 Circuit Failed Open
651	14	SID	1	1242	Injector Cylinder #1 Needle Control Valve Abnormal Operation
651	10	SID	1	1242	Injector Cylinder #1 Needle Control Valve Abnormal Rate of Change
651	5	SID	1	1242	Injector Cylinder 1, Nozzle Control Valve or Spill Control Valve, Jammed Closed
651	7	SID	1	1242	Injector Cylinder 1, Nozzle Control Valve or Spill Control Valve, Jammed Open or Leakage
651	6	SID	1	1242	Injector Cylinder #1 Needle Control Valve, Valve Shorted Circuit
651	31	SID	1	1242	Engine Smoothness Control / Cylinder #1 Value Out of Range
652	14	SID	2	1243	Injector Cylinder #2 Needle Control Valve Abnormal Operation
652	10	SID	2	1243	Injector Cylinder #2 Needle Control Valve Abnormal Rate of Change
652	5	SID	2	1243	Injector Cylinder 2, Nozzle Control Valve or Spill Control Valve, Jammed Closed
652	7	SID	2	1243	Injector Cylinder 2, Nozzle Control Valve or Spill Control Valve, Jammed Open or Leakage
652	6	SID	2	1243	Injector Cylinder #2 Needle Control Valve, Valve Shorted Circuit
652	31	SID	2	1243	Engine Smoothness Control / Cylinder #2 Value Out of Range
653	14	SID	3	1244	Injector Cylinder #3 Needle Control Valve Abnormal Operation
653	10	SID	3	1244	Injector Cylinder #3 Needle Control Valve Abnormal Rate of Change
653	5	SID	3	1244	Injector Cylinder 3, Nozzle Control Valve or Spill Control Valve, Jammed Closed
653	7	SID	3	1244	Injector Cylinder 3, Nozzle Control Valve or Spill Control Valve, Jammed Open or Leakage
653	6	SID	3	1244	Injector Cylinder #3 Needle Control Valve, Valve Shorted Circuit
653	31	SID	3	1244	Engine Smoothness Control / Cylinder #3 Value Out of Range
654	14	SID	4	1245	Injector Cylinder #4 Needle Control Valve Abnormal Operation
654	10	SID	4	1245	Injector Cylinder #4 Needle Control Valve Abnormal Rate of Change
654	5	SID	4	1245	Injector Cylinder 4, Nozzle Control Valve or Spill Control Valve, Jammed Closed
654	7	SID	4	1245	Injector Cylinder 4, Nozzle Control Valve or Spill Control Valve, Jammed Open or Leakage
654	6	SID	4	1245	Injector Cylinder #4 Needle Control Valve, Valve Shorted Circuit
654	31	SID	4	1245	Engine Smoothness Control / Cylinder #4 Value Out of Range
655	14	SID	5	1251	Injector Cylinder #5 Needle Control Valve Abnormal Operation
655	10	SID	5	1251	Injector Cylinder #5 Needle Control Valve Abnormal Rate of Change
655	5	SID	5	1251	Injector Cylinder 5, Nozzle Control Valve or Spill Control Valve, Jammed Closed
655	7	SID	5	1251	Injector Cylinder 5, Nozzle Control Valve or Spill Control Valve, Jammed Open or Leakage

**SECTION 01: ENGINE**

SPN	FMI	PID/SID	PID/SID ID	FLASH CODE	FAULT DESCRIPTION
655	6	SID	5	1251	Injector Cylinder #5 Needle Control Valve, Valve Shorted Circuit
655	31	SID	5	1251	Engine Smoothness Control / Cylinder #5 Value Out of Range
656	14	SID	6	1252	Injector Cylinder #6 Needle Control Valve Abnormal Operation
656	10	SID	6	1252	Injector Cylinder #6 Needle Control Valve Abnormal Rate of Change
656	5	SID	6	1252	Injector Cylinder 6, Nozzle Control Valve or Spill Control Valve, Jammed Closed
656	7	SID	6	1252	Injector Cylinder 6, Nozzle Control Valve or Spill Control Valve, Jammed Open or Leakage
656	6	SID	6	1252	Injector Cylinder #6 Needle Control Valve, Valve Shorted Circuit
656	31	SID	6	1252	Engine Smoothness Control / Cylinder #6 Value Out of Range
657	14	SID	7	1253	Injector Cylinder #7 Needle Control Valve Abnormal Operation
657	10	SID	7	1253	Injector Cylinder #7 Needle Control Valve Abnormal Rate of Change
657	6	SID	7	1253	Injector Cylinder #7 Needle Control Valve, Valve Shorted Circuit
657	31	SID	7	1253	Engine Smoothness Control / Cylinder #7 Value Out of Range
658	14	SID	8	1254	Injector Cylinder #8 Needle Control Valve Abnormal Operation
658	10	SID	8	1254	Injector Cylinder #8 Needle Control Valve Abnormal Rate of Change
658	6	SID	8	1254	Injector Cylinder #8 Needle Control Valve, Valve Shorted Circuit
658	31	SID	8	1254	Engine Smoothness Control / Cylinder #8 Value Out of Range
677	2	SID	39	1255	Starter Switch Inconsistent
677	5	SID	39	1255	Engine Starter Relay Circuit Failed Low
677	4	SID	39	1255	Engine Starter Relay Open Circuit
677	14	SID	39	1255	Starter Electronic Fault / ECU internal (Main)
677	7	SID	39	1255	Engine Starter Relay - Starter Does Not Engage
677	3	SID	39	1255	Engine Starter Relay Shorted to High Source
677	7	SID	39	1255	Engine Starter Relay Jammed
698	4	SID	58	1312	Gridheater Circuit Failed Low
698	3	SID	58	1312	Gridheater Circuit Failed High
698	5	SID	58	1312	Gridheater Circuit Failed Open
715	4	SID	263	1412	High Side Digital Output # 1 Circuit Failed Low
715	3	SID	263	1412	High Side Digital Output # 1 Circuit Failed High
715	5	SID	263	1412	High Side Digital Output # 2 Circuit Failed Open
716	4	SID	264	1413	High Side Digital Output # 2 Circuit Failed Low
723	1	SID	64	1415	Camshaft Position Sensor Signal Voltage Too Low
723	3	SID	64	1415	Camshaft Position Sensor Open Circuit
723	4	SID	64	1415	Camshaft Position Sensor Short to Ground
723	8	SID	64	1415	Camshaft Position Sensor Time Out
723	14	SID	64	1415	Camshaft Position Sensor Pins Swapped
729	4	PID	45	1421	Grid Heater Circuit Failed Low
729	14	PID	45	1421	Grid Heater Special Instructions
729	3	PID	45	1421	Grid Heater Circuit Failed High
729	7	PID	45	1421	Grid Heater Defect
729	0	PID	45	1421	Grid Heater Permanently On
1071	4	SID	60	1314	Fan Stage 2 Circuit Failed Low
1071	3	SID	60	1314	Fan Stage 2 Circuit Failed High
1071	5	SID	60	1314	Fan Stage 2 Circuit Failed Open
1072	4	SID	79	1422	Jake Brake Stage 1 Circuit Failed Low
1072	3	SID	79	1422	Jake Brake Stage 1 Circuit Failed High
1072	5	SID	79	1422	Jake Brake Stage 1 Circuit Failed Open
1073	4	SID	80	1315	Jake Brake Stage 2 Circuit Failed Low
1073	3	SID	80	1315	Jake Brake Stage 2 Circuit Failed High

## Section 01: ENGINE

SPN	FMI	PID/SID	PID/SID ID	FLASH CODE	FAULT DESCRIPTION
1073	5	SID	80	1315	Jake Brake Stage 2 Circuit Failed Open
1074	4	SID	81	1345	Exhaust Brake Circuit Failed Low
1074	3	SID	81	1345	Exhaust Brake Circuit Failed High
1074	5	SID	81	1345	Exhaust Brake Circuit Failed Open
1077	14	PID	164	1241	Rail Pressure Governor Error, Open Loop Error
1077	5	PID	164	1423	Rail Pressure Governor Error, Current Governor, Current Too Low
1077	7	PID	164	1423	Rail Pressure Governor Error, Pressure Governor, Pressure Not Plausible
1077	6	SID	155	1423	Rail Pressure Governor Error, Current Too High
1127	4	SID	273	1424	Turbocharger Compressor Outlet Pressure Circuit Failed Low
1127	3	SID	273	1424	Turbocharger Compressor Outlet Pressure Circuit Failed High
1172	4	PID	351	1425	Turbocharger Compressor Inlet Temperature Circuit Failed Low
1172	3	PID	351	1425	Turbocharger Compressor Inlet Temperature Circuit Failed High
1172	2	PID	351	1425	Coolant Temp/Compressor Inlet Temp Plausibility Error
1172	2	PID	351	1425	Turbocharger Compressor Inlet Temp. Sensor, General Temp. Plausibility Error
1176	4	SID	314	1431	Turbocharger Compressor Inlet Pressure Circuit Failed Low
1176	3	SID	314	1431	Turbocharger Compressor Inlet Pressure Circuit Failed High
1176	2	PID	314	1431	Compressor Pressure Plausibility Fault (High Box)
1176	5	PID	314	1431	Compressor Inlet Pressure Plausibility Fault (Delta)
1176	20	SID	314	1431	Compressor Inlet Pressure Plausibility Error, Pressure Too High (High Box)
1188	4	SID	32	1325	Waste Gate Circuit Failed Low
1188	3	SID	32	1325	Waste Gate Circuit Failed High
1188	5	SID	32	1325	Waste Gate Circuit Failed Open
1188	14	SID	32	1432	Smart Remote Actuator 1 (Wastegate), No Failsafe Mode, Motor Off
1188	9	SID	32	1432	Smart Remote Actuator 1 (Wastegate), Failsafe Mode, Motor Off
1188	16	SID	32	1432	Smart Remote Actuator 1 (Wastegate), Temperature Fault
1188	7	SID	32	1432	Smart Remote Actuator 1 (Wastegate), Failsafe Mode, Motor On
1188	11	SID	32	1432	Smart Remote Actuator 1 (Wastegate), Restricted Operability
1188	15	SID	32	1432	Smart Remote Actuator 1 (Wastegate), Temperature Warning
1188	8	SID	32	1432	Smart Remote Actuator 1 (Wastegate), Internal Test Running
1188	31	SID	32	1432	Smart Remote Actuator 1 (Wastegate), Unknown Error Code
1188	19	SID	32	1432	Smart Actuator Indicates Turbocharger Wastegate Position Error
1213	4	SID	257	1333	MIL Lamp Circuit Failed Low
1213	3	SID	257	1333	MIL Lamp Circuit Failed High
1213	5	SID	257	1333	MIL Lamp Circuit Failed Open
1323	31	SID	155	1433	Cylinder 1 Misfire detected
1323	14	SID	156	1434	Misfire Detected
1324	31	SID	155	1435	Cylinder 2 Misfire detected
1325	31	SID	155	1441	Cylinder 3 Misfire detected
1326	31	SID	155	1442	Cylinder 4 Misfire detected
1327	31	SID	155	1443	Cylinder 5 Misfire detected
1328	31	SID	155	1444	Cylinder 6 Misfire Detected
1329	31	SID	155	1445	Cylinder 7 Misfire Detected
1330	31	SID	155	1446	Cylinder 8 Misfire Detected
1351	4	SID	155	1615	Switchable Air Compressor Circuit Failed Low
1351	3	SID	155	1615	Switchable Air Compressor Circuit Failed High
1351	5	SID	155	1615	Switchable Air Compressor Circuit Failed Open
1636	4	PID	105	1511	Intake Manifold Temperature Circuit Failed Low

**SECTION 01: ENGINE**

SPN	FMI	PID/SID	PID/SID ID	FLASH CODE	FAULT DESCRIPTION
1636	3	PID	105	1511	Intake Manifold Temperature Circuit Failed High
1636	2	PID	105	1511	Intake Manifold Temperature Plausibility Error
1636	21	PID	105	1511	Difference Intake Manifold Temperature and EGR Temp. Less Than Threshold (Low Box)
1636	2	PID	105	1511	Difference Intake Manifold and I Cooler Temperature Out Less Than Threshold (Low Box)
1636	2	PID	105	1511	Difference Intake Manifold and I Cooler Temperature Out Less Than Threshold (High Box)
1636	20	PID	105	1511	Intake Manifold Temperature Drift (Low Box)
1636	21	PID	105	1511	Intake Manifold Temperature Drift (High Box)
2629	4	PID	404	1513	Turbocharger Compressor Outlet Temperature Circuit Failed Low
2629	3	PID	404	1513	Turbocharger Compressor Outlet Temperature Circuit Failed High
2629	20	PID	404	1513	Turbocharger Out Temperature, Temperature Too High (Low Box)
2629	21	PID	404	1513	Turbocharger Out Temperature, Temperature Too Low (High Box)
2629	2	PID	404	1513	Turbocharger Compressor Outlet Temp. Sensor, General Temp. Plausibility Error
2630	4	SID	272	1514	Charge Air Cooler Outlet Temperature Circuit Failed Low
2630	3	SID	272	1514	Charge Air Cooler Outlet Temperature Circuit Failed High
2630	2	SID	272	1514	Charge Air Cooler Outlet Temperature Sensor Plausibility Error
2630	20	SID	272	1514	Charge Air Outlet Temperature Drift (Low box)
2630	21	SID	272	1514	Charge Air Outlet Temperature Drift (High box)
2631	4	SID	273	1515	Charge Air Cooler Outlet Pressure Circuit Failed Low
2631	3	SID	273	1515	Charge Air Cooler Outlet Pressure Circuit Failed High
2659	1	SID	277	1515	EGR Flow Target Error Diagnostic - Low Flow
2659	0	SID	277	1515	EGR Flow Target Error Diagnostic - High Flow
2791	4	PID	146	1521	EGR Valve Circuit Failed Low
2791	3	PID	146	1521	EGR Valve Circuit Failed High
2791	5	PID	146	1521	EGR Valve Circuit Failed Open
2791	7	SID	146	1521	EGR Valve Position Incorrect
2791	14	SID	146	1521	Smart Remote Actuator 3 (EGR), No Failsafe Mode, Motor Off
2791	9	SID	146	1521	Smart Remote Actuator 3 (EGR), Failsafe Mode, Motor Off
2791	16	SID	146	1521	Smart Remote Actuator 3 (EGR), Temperature Fault
2791	7	SID	146	1521	Smart Remote Actuator 3 (EGR), Failsafe Mode, Motor On
2791	11	SID	146	1521	Smart Remote Actuator 3 (EGR), Restricted Operability
2791	15	SID	146	1521	Smart Remote Actuator 3 (EGR), Temperature Warning
2791	8	SID	146	1521	Smart Remote Actuator 3 (EGR), Internal Test Running
2791	31	SID	146	1521	Smart Remote Actuator 3 (EGR), Unknown Error Code
2795	9	SID	269	1241	CAN3 Communication Error
2795	4	SID	269	1522	Position Waste Gate (VNT) Failed Low
2795	3	SID	269	1522	Position Waste Gate (VNT) Failed High
2795	2	SID	269	1522	VNT Valve Position Feedback Failed
2795	0	SID	269	1522	VNT Valve Position Feedback, Position Too Low (High Box)
2795	1	SID	269	1522	VNT Valve Position Feedback, Position Too High (Low Box)
2795	19	SID	147	1522	Smart Actuator Indicates Turbocharger Vane Position Error
2797	4	SID	317	1523	Injector Needle Control Valve Cylinder 1, 2, 3 Shorted to Ground
2797	4	SID	317	1524	Injector Needle Control Valve Cylinder 4, 5, 6 Shorted to Ground
2797	4	SID	317	1615	Injector Needle Control Valve Bank 3, Shorted to Ground
2797	3	SID	317	1523	Injector Needle Control Valve Cylinder 1,2,3 Shorted to Battery

## Section 01: ENGINE

SPN	FMI	PID/SID	PID/SID ID	FLASH CODE	FAULT DESCRIPTION
2797	3	SID	317	1524	Injector Needle Control Valve Cylinder 4,5,6, Shorted to Battery
2797	3	SID	317	1615	Injector Needle Control Valve Bank 3, Shorted to Battery
2798	4	SID	317	1615	Injector Spill Control Valve Cylinder 1, 2, 3 Shorted to Ground
2798	4	SID	317	1615	Injector Spill Control Valve Cylinder 4, 5, 6 Shorted to Ground
2798	4	SID	317	1615	Injector Spill Control Valve ("Amplifier") Bank 6, Shorted to Ground
2798	3	SID	317	1615	Injector Spill Control Valve Cylinder 1,2,3, Shorted to Battery
2798	3	SID	317	1615	Injector Spill Control Valve Cylinder 4,5,6, Shorted to Battery
2798	3	SID	317	1615	Injector Spill Control Valve ("Amplifier") Bank 6, Shorted to Battery
2988	4	SID	262	1411	EGR Water Cooling Regulator Circuit Failed Low
988	3	SID	262	1411	EGR Water Cooling Regulator Circuit Failed High
2988	5	SID	262	1411	EGR Water Cooling Regulator Circuit Failed Open
3050	0	SID	155	1525	Engine Air Flow Out of Range Low
3050	1	SID	324	1525	Active Regen Temp Out of Range Low
3058	13	PID	146	1615	EGR System Parametrization Failure
3064	13	SID	155	1615	DPF System Parametrization Failure
3242	4	PID	318	1531	DOC Inlet Temperature Circuit Failed Low
3242	3	PID	318	1531	DOC Inlet Temperature Circuit Failed High
3242	10	SID	318	1531	DOC Inlet Temperature Sensor Stuck
3242	2	SID	318	1531	DOC Inlet Temperature Sensor - Plausibility Error
3246	4	SID	320	1532	DPF Outlet Temperature Circuit Failed Low
3246	3	SID	320	1532	DPF Outlet Temperature Circuit Failed High
3246	14	SID	320	1532	Abnormal DPF Temperature Rise b)
3246	0	SID	320	1532	DPF Outlet Temperature High
3246	10	SID	320	1532	DPF Outlet Temperature Sensor Stuck
3246	2	SID	320	1532	DPF Outlet Sensor, General Temp. Plausibility
3246	31	SID	323	1532	Abnormal DPF Temperature Rise
3250	4	PID	322	1533	DOC Outlet Temperature Circuit Failed Low
3250	3	PID	322	1533	DOC Outlet Temperature Circuit Failed High
3250	14	PID	322	1533	Abnormal DOC Temperature Rise
3250	10	SID	322	1533	DOC Outlet Temperature Sensor Stuck
3250	2	SID	322	1533	DOC Outlet Temperature Sensor - Plausibility Error
3250	31	PID	322	1533	Abnormal DOC Temperature Rise
3250	0	PID	322	1533	DOC Outlet Temperature High
3251	0	SID	324	1534	DPF Pressure - Out of Range Very High
3251	1	SID	324	1534	DPF Pressure - Out of Range Low
3251	9	SID	324	1534	Abnormal Soot Rate
3251	16	SID	324	1534	DPF Pressure - Out of Range High
3358	4	SID	155	1535	EGR Pressure Failed Low
3358	3	SID	155	1535	EGR Pressure Failed High
3464	4	SID	59	1313	Intake Throttle Valve Circuit Failed Low
3464	3	SID	59	1313	Intake Throttle Valve Circuit Failed High
3464	5	SID	59	1313	Intake Throttle Valve Circuit Failed Open
3464	14	SID	59	1615	Intake Air Throttle Control Electrical Fault
3464	2	PID	51	1541	Intake Throttle Valve, Spring Response Time Not Plausible
3464	7	PID	51	1541	Intake Throttle Valve, Stuck
3464	14	PID	51	1541	Intake Throttle Valve, Integrated Absolute Error Plausibility
3464	8	PID	51	1541	Intake Throttle Valve, Current Deviation Too High
3470	4	SID	57	1311	Actuator Turbo Compound Bypass Circuit Failed Low

**SECTION 01: ENGINE**

SPN	FMI	PID/SID	PID/SID ID	FLASH CODE	FAULT DESCRIPTION
3470	3	SID	57	1311	Actuator Turbo Compound Bypass Circuit Failed High
3470	5	SID	57	1311	Actuator Turbo Compound Bypass Circuit Failed Open
3471	4	SID	334	1323	HC Doser Circuit Failed Low
3471	3	SID	334	1323	HC Doser Circuit Failed High
3471	5	SID	334	1323	HC Doser Circuit Failed Open
3471	1	SID	155	1542	EDV Failed Self Test
3480	2	SID	332	1543	Doser Fuel Line Pressure Abnormal
3480	1	SID	332	1543	Doser Fuel Supply Pressure Abnormal
3480	14	SID	332	1543	Doser FLP Sensors Failed Self Test
3482	4	SID	56	1332	Fuel Cut Off Valve Circuit Failed Low
3482	3	SID	56	1332	Fuel Cut Off Valve Circuit Failed High
3482	5	SID	56	1332	Fuel Cut Off Valve Circuit Failed Open
3482	7	SID	155	1544	FCV Failed Self Test
3509	3	SID	212	1631	Multiplexer 1 Channel 1, Shorted High
3509	3	SID	212	1631	Multiplexer 1 Channel 2, Shorted High
3510	3	SID	211	1632	Multiplexer 2 Channel 1, Shorted High
3510	3	SID	211	1632	Multiplexer 2 Channel 2, Shorted High
3511	3	SID	211	1633	Multiplexer 3 Channel 1, Shorted High
3511	3	SID	211	1633	Multiplexer 3 Channel 2, Shorted High
3556	1	SID	155	1545	Regen Temperature - Out of Range Low
3556	0	SID	155	1551	Regen Temperature - Out of Range High
3563	4	PID	106	1551	Intake Manifold Pressure Circuit Failed Low
3563	3	PID	106	1551	Intake Manifold Pressure Circuit Failed High
3563	20	PID	106	1551	Ambient and Inlet Manifold Pressure Difference (Low Box)
3563	21	PID	106	1551	Ambient and Inlet Manifold Pressure Difference (High Box)
3563	1	PID	106	1551	Inlet Manifold Pressure Failed Low
3563	0	PID	106	1551	Inlet Manifold Pressure Failed High
3563	3	PID	106	1551	Inlet Manifold Pressure Sampling Range Failed
3563	20	PID	106	1551	Intake Manifold Pressure Plausibility (Low Box)
3563	21	PID	106	1551	Intake Manifold Pressure Plausibility Error, Pressure Too Low (High Box)
3588	4	SID	156	1552	Ether Start, Shorted to Ground
3588	3	SID	157	1552	Ether Start, Shorted to Battery
3588	5	SID	158	1552	Ether Start, Open Load
3597	3	SID	155	1553	Proportional Valve Bank 1 Circuit Failed Low
3597	3	SID	155	1615	Proportional Valve Bank 1 Circuit Failed High
3597	6	SID	155	1325	Current Flow on HS1 IM1 Too High
3598	4	SID	155	1615	Proportional Valve Bank 2 Circuit Failed Low
3598	3	SID	155	1615	Proportional Valve Bank 2 Circuit Failed High
3599	4	SID	317	1615	Switching Power Supply Voltage Failed Low
3599	3	SID	317	1615	Switching Power Supply Voltage Failed High
3609	4	PID	370	1554	DPF Inlet Pressure Circuit Failed Low
3609	3	PID	370	1554	DPF Inlet Pressure Circuit Failed High
3609	10	SID	370	1554	DPF Inlet Pressure Sensor Stuck
3609	20	SID	370	1554	DPF Inlet Pressure Sensor Drifted High In Range Fault (Low Box)
3609	2	SID	370	1554	DPF Inlet Pressure Sensor Drifted High In Range Fault (High Box)
3609	21	SID	370	1554	DPF Inlet Pressure Sensor Drifted Low In Range Fault (Low Box)
3609	21	SID	370	1554	DPF Inlet Pressure Sensor Drifted Low In Range Fault (High Box)
3610	3	SID	371	1555	DPF Outlet Pressure Circuit Failed High
3610	4	SID	371	1555	DPF Outlet Pressure Circuit Failed Low
3610	0	SID	371	1334	DPF System Back Pressure Too High
3610	10	SID	371	1555	DPF Outlet Pressure Sensor Stuck

## Section 01: ENGINE

SPN	FMI	PID/SID	PID/SID ID	FLASH CODE	FAULT DESCRIPTION
3610	2	SID	371	1555	DPF Pressure Sensors - Plausibility Error
3610	20	SID	371	1555	DPF Outlet Pressure Sensor Drifted High In Range Fault (Low Box)
3610	14	SID	371	1555	DPF Outlet Pressure Sensor Drifted High In Range Fault (High Box)
3610	21	SID	371	1555	DPF Outlet Pressure Sensor Drifted Low In Range Fault (Low Box)
3610	31	SID	371	1555	DPF Outlet Pressure Sensor Drifted Low In Range Fault (High Box)
3659	14	SID	362	1611	Injector Cylinder #1 Spill Control Valve Abnormal Operation
3659	10	SID	362	1611	Injector Cylinder #1 Spill Control Valve ("Amplifier") Abnormal Rate of Change
3659	6	SID	362	1611	Injector Cylinder #1 Spill Control Valve ("Amplifier"), Valve Shorted Circuit
3660	14	SID	363	1612	Injector Cylinder #2 Spill Control Valve Abnormal Operation
3660	10	SID	363	1612	Injector Cylinder #2 Spill Control Valve ("Amplifier") Abnormal Rate of Change
3660	6	SID	363	1612	Injector Cylinder #2 Spill Control Valve ("Amplifier"), Valve Shorted Circuit
3661	14	SID	364	1613	Injector Cylinder #3 Spill Control Valve Abnormal Operation
3661	10	SID	364	1613	Injector Cylinder #3 Spill Control Valve ("Amplifier") Abnormal Rate of Change
3661	6	SID	364	1613	Injector Cylinder #3 Spill Control Valve ("Amplifier"), Valve Shorted Circuit
3662	14	SID	365	1614	Injector Cylinder #4 Spill Control Valve Abnormal Operation
3662	10	SID	365	1614	Injector Cylinder #4 Spill Control Valve ("Amplifier") Abnormal Rate of Change
3662	6	SID	365	1614	Injector Cylinder #4 Spill Control Valve ("Amplifier"), Valve Shorted Circuit
3663	14	SID	366	1615	Injector Cylinder #5 Spill Control Valve Abnormal Operation
3663	10	SID	366	1615	Injector Cylinder #5 Spill Control Valve ("Amplifier") Abnormal Rate of Change
3663	6	SID	366	1615	Injector Cylinder #5 Spill Control Valve ("Amplifier"), Valve Shorted Circuit
3664	14	SID	367	1621	Injector Cylinder #6 Spill Control Valve Abnormal Operation
3664	10	SID	367	1621	Injector Cylinder #6 Spill Control Valve ("Amplifier") Abnormal Rate of Change
3664	6	SID	367	1621	Injector Cylinder #6 Spill Control Valve ("Amplifier"), Valve Shorted Circuit
3665	14	SID	368	1622	Injector Cylinder #7 Spill Control Valve Abnormal Operation
3665	10	SID	368	1622	Injector Cylinder #7 Spill Control Valve ("Amplifier") Abnormal Rate of Change
3665	6	SID	368	1622	Injector Cylinder #7 Spill Control Valve ("Amplifier"), Valve Shorted Circuit
3666	14	SID	369	1623	Injector Cylinder #8 Spill Control Valve Abnormal Operation
3666	10	SID	369	1623	Injector Cylinder #8 Spill Control Valve ("Amplifier") Abnormal Rate of Change
3666	6	SID	369	1623	Injector Cylinder #8 Spill Control Valve ("Amplifier"), Valve Shorted Circuit
3719	16	SID	155	1624	Soot Level High
3719	0	SID	155	1624	Soot Level Very High
3719	31	SID	155	1635	DPF Zone 2 Condition
3719	15	SID	155	1636	DPF Zone 3 Condition
3720	15	SID	155	1625	DPF Ash Clean Request
3720	16	SID	155	1625	DPF Ash Clean Request - Derate
4076	4	PID	110	1212	Engine Coolant Inlet Temperature Circuit Failed Low
4076	3	PID	110	1212	Engine Coolant Inlet Temperature Circuit Failed High




**SECTION 01: ENGINE**


SPN	FMI	PID/SID	PID/SID ID	FLASH CODE	FAULT DESCRIPTION
4076	2	SID	155	1615	Engine Coolant Sensor (IN), General Temp. Plausibility Error
4077	4	SID	332	1543	Doser Fuel Line Pressure Sensor Circuit Failed Low
4077	3	SID	332	1543	Doser Fuel Line Pressure Sensor Circuit Failed High
4077	14	SID	332	1543	Doser Fuel Line Pressure Failed Self Test
4226	4	SID	155	1615	Compressor Differential Pressure Inlet Failed Low
4226	3	SID	155	1615	Compressor Differential Pressure Inlet Failed High
4226	0	SID	155	1615	Turbocharger Compressor Inlet Differential Pressure Too High (Low Box)
4226	1	SID	155	1615	Turbocharger Compressor Inlet Differential Pressure Too Low (High Box)
4226	5	SID	155	1615	Turbocharger Compressor Inlet Differential Pressure Sampling Range Failure
4226	13	SID	155	1454	Turbocharger Compressor Inlet Differential Pressure Sensor Out Of Calibration
4226	13	SID	155	1454	Turbocharger Compressor Inlet Differential Pressure Sensor Out Of Calibration
4227	4	SID	53	1324	Electrostatic Oil Separator Circuit Failed Low
4227	3	SID	53	1324	Electrostatic Oil Separator Circuit Failed High
4227	5	SID	53	1324	Electrostatic Oil Separator Circuit Failed Open
4227	4	SID	155	1615	Oil Separator Circuit Failed Low
4227	3	SID	155	1615	Oil Separator Circuit Failed High
4227	7	SID	155	1615	Oil Separator, Max. Duration Time Reached
4228	16	SID	147	1241	Smart Remote Actuator 5 (VGT), Temperature Fault
4228	15	SID	147	1241	Smart Remote Actuator 5 (VGT), Temperature Warning

## Section 01: ENGINE


### 2.12 ENGINE OIL LEVEL

 **MAINTENANCE**


Check the oil level daily with the engine stopped. If the engine has just been stopped and is warm, wait at least 10 minutes to allow the oil to drain back to the oil pan before checking. Wipe the dipstick clean then check oil level. The level should always be within the safe range on the dipstick (Fig. 20). Add the proper grade of oil to maintain the correct level on the dipstick. All diesel engines are designed to consume some oil, so a periodic addition of oil is normal.

 **WARNING**

Touching a hot engine can cause serious burns.

 **CAUTION**

Do not overfill. Oil may be blown out through the crankcase breather if the crankcase is overfilled.

 **CAUTION**

Clean end of tube before removing the dipstick to prevent oil contamination.

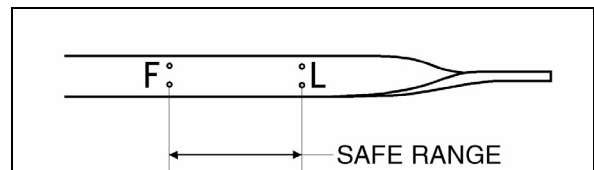



FIGURE 20: ENGINE OIL LEVEL DIPSTICK 01027

 **CAUTION**

If the oil level is constantly above normal and excess lube oil has not been added to the crankcase, consult with an authorized Detroit Diesel service outlet for the cause. Fuel or coolant dilution of lube oil can result in serious engine damage.

The vehicle may be provided with an oil reserve tank in the engine compartment. To adjust oil level, open the oil reserve tank drain valve and allow oil to discharge into the engine until the "Full" mark on the dipstick is reached then close the valve. Check oil reserve tank level and pour oil in the reserve tank if necessary (Fig. 21).

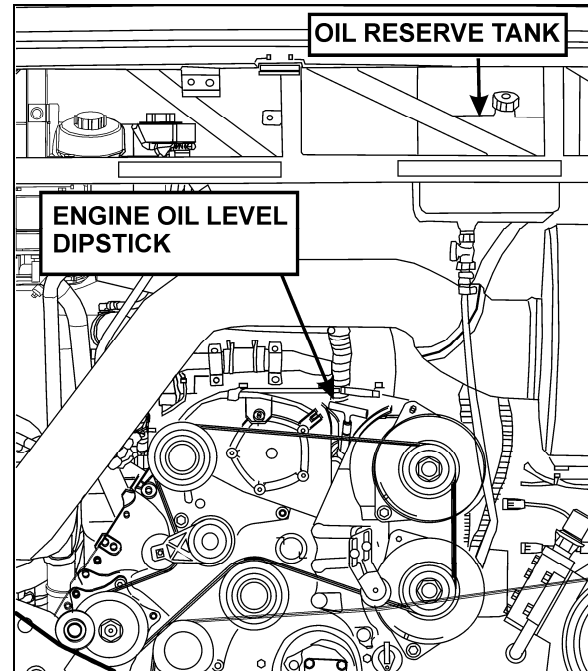



FIGURE 21: OIL RESERVE TANK 01187

### 2.13 ENGINE OIL AND FILTER CHANGE

 **MAINTENANCE**

Both the engine oil and filter should be changed according to the following maximum interval (based on an oil analysis program).

**Short Haul:** 15,000 miles (24,000km) or once a year, whichever comes first.

**Long Haul:** 30,000 miles (48,000km) or once a year, whichever comes first.

Oil analysis program may be used to determine whether this interval should be shorter, but should not be used to lengthen the interval.

Short haul: 6,000 miles (10,000km) to 60,000 miles (100,000 km) annual.

Long haul: over 60,000 miles (100,000 km) annual.

However, changes that are more frequent may be required when the engine is subject to high levels of contamination and/or overheating. Change intervals may be decreased or gradually increased with experience on specific lubricants until the most practical service condition has been established. Always refer to the lubricant manufacturer's recommendations (analysis of drained oil can be helpful).

**CAUTION**

Do not use solvents to dilute the engine oil when draining. Dilution of fresh oil can occur which may be detrimental to the engine.

Change engine oil with the vehicle on a flat and level surface and with the parking brake applied. It is best to drain the oil when the engine is still warm.

1. From under the vehicle, remove the engine drain plug on the oil pan. Allow oil to drain (Fig. 22).

**WARNING**

Hot engine oil can cause serious burns. Wear coveralls with sleeves pulled down and gloves to protect hands.

2. Reinstall the drain plug.
3. Remove the spin-on filter cartridge using a 1/2" drive socket wrench and extension.
4. Dispose of the used oil and filter in an environmentally responsible manner in accordance with state and/or federal (EPA) recommendations.

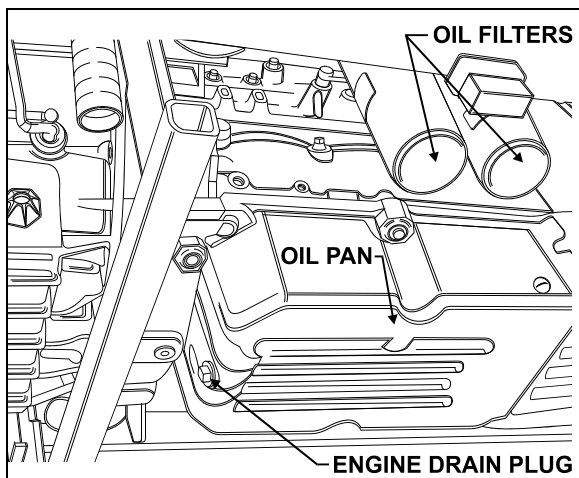


FIGURE 22: ENGINE DRAIN PLUG AND OIL FILTERS  
01029

5. Clean the filter adapter with a clean rag.
6. Lightly coat the filter gasket (seal) with clean engine oil.
7. Install the new filter on the adapter and tighten manually until the gasket touches the mounting adapter head. Tighten full-flow filters an additional two-thirds of a turn manually. Then, manually tighten bypass filter one full turn.

**CAUTION**

Overtightening may distort or crack the filter adapter.

8. Remove the engine-oil filler cap and pour oil in the engine until it reaches the "FULL" mark on the dipstick (Fig. 20).
9. Start and run the engine for a short period and check for leaks. After any leaks have been corrected, stop the engine long enough for oil from various parts of the engine to drain back to the crankcase (approximately 20 minutes).
10. Add oil as required to bring the level within the safe range on the dipstick (Fig. 20).

**MAINTENANCE**

Engine oil temperature should be checked every 25,000 miles (40 000 km) to determine oil cooler efficiency. This check should be made by inserting a steel jacketed thermometer in the dipstick opening, immediately after stopping a hot, loaded engine. If the oil temperature exceeds the coolant temperature by more than 60 °F (33 °C), the oil cooler may be clogged.

For detailed oil specifications, refer to DETROIT DIESEL SERIES 60 2007 ON-HIGHWAY SERVICE MANUAL 6SE2007 under heading «Lubricating Oil for Detroit Diesel Engines».

## Section 01: ENGINE

### 2.14 RECOMMENDED ENGINE OIL TYPE

To provide maximum engine life, lubricants shall meet the following specifications: SAE Viscosity Grade: 15W-40 API Classification: CJ-4.



#### CAUTION

Low ash oil formulation designated API CJ-4 is required in EPA-07 engines.

CJ-4 contains less than 1% ash which is the key to achieving maximum diesel particulate filter cleaning intervals. Use of high ash engine oils will reduce the cleaning interval on the Diesel Particulate Filter (DPF). DPF regenerates the combustible soot, but the ash (a product of the oil lubricant package) slowly accumulates in the channels of the DPF.

#### NOTE

*Monograde oils should not be used in these engines regardless of API Service Classification.*

#### NOTE

*The use of supplemental oil additives is discouraged from use in Detroit Diesel Engines.*

**Synthetic oils:** Synthetic oils may be used in Detroit Diesel engines provided they are API-licensed and meet the performance and chemical requirements of non-synthetic oils outlined previously. Synthetic oils do not permit extension of recommended oil drain intervals.

### 2.15 POWER PLANT ASSEMBLY REMOVAL

To access the engine or engine-related components, the vehicle power plant assembly must be removed as a whole unit by means of a slide-out cradle. The power plant assembly includes the engine, transmission (including retarder if so equipped), air compressor, alternator and transmission oil cooler.

Remove the power plant assembly as follows:



#### CAUTION

Tag hoses and cables for identification before disconnecting in order to facilitate reinstallation. Plug all openings to prevent dirt from entering the system.

#### NOTE

*No parts within the MCM are serviceable. If found defective, replace the MCM as a unit.*

1. Disconnect the battery or batteries from the starting system by removing one or both of the battery cables from each battery system. With the electrical circuit disrupted, accidental contact with the starter button will not produce an engine start. In addition, the Electronic Unit Injectors (EUI) will be disabled, preventing any fuel delivery to the injector tips.



#### WARNING

Due to the heavy load of the rear bumper assembly, it must be adequately supported before attempting to remove it.

2. Remove the rear bumper assembly from the vehicle. Refer to Section 18, BODY, under "REAR BUMPER REMOVAL".
3. Drain the engine cooling system. Refer to Section 05, COOLING under "DRAINING COOLING SYSTEM".

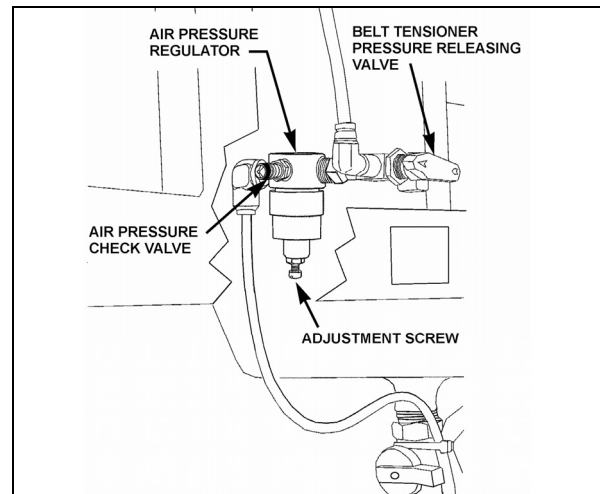



FIGURE 23: BELT TENSIONER VALVE


12200

4. Locate the A/C compressor belt tensioner pressure releasing valve (Fig. 23). Turn pressure releasing valve handle counterclockwise in order to release pressure in belt-tensioner air bellows and loosen belts. Remove the belts.
5. To release all pressure from the air system. Refer to Section 12, BRAKES & AIR SYSTEM for instructions.

6. Disconnect and remove the engine-air intake duct mounted between air cleaner housing and turbocharger inlet.

 <b>CAUTION</b>
<p>To avoid damage to turbocharger, cover the turbocharger inlet opening to prevent foreign material from entering.</p>

7. Disconnect and remove the air intake duct mounted between the air cooler outlet and the engine intake.
8. Disconnect and remove section of coolant pipe assembly mounted between the radiator outlet and the water pump inlet.
9. Disconnect the coolant delivery hose located close to the water pump.
10. Disconnect the electric fan-clutch connector located near the cooling fan right angle gearbox.
11. Disconnect the cooling fan drive shaft.
12. Disconnect and remove the air intake duct mounted between the turbocharger outlet and the air cooler inlet.
13. Disconnect two vent hoses from the thermostat housing and from the coolant pipe assembly.
14. Disconnect and remove a section of coolant pipe assembly mounted between the thermostat housings and the radiator inlet.
15. Disconnect and remove the small hose connected to the heater line valve and to the water pump.
16. Disconnect the small heater hose located on the cylinder head at the back of the engine.
17. Disconnect and remove the exhaust pipe mounted between the turbocharger outlet and the flexible coupling. If necessary, refer to Section EXHAUST SYSTEM under "EXHAUST AND AFTERTREATMENT SYSTEM OVERVIEW".

 <b>CAUTION</b>
<p>To avoid damage to turbocharger, cover the turbocharger outlet opening to prevent foreign material from entering.</p>

18. Disconnect the steel-braided airline from the A/C compressor air bellows.
19. Remove the power steering pump, leaving the supply and discharge hoses connected to it.
20. Disconnect the oil delivery hose from the valve located at the reserve tank drain .
21. Disconnect the block heater connector located near the power steering pump if applicable.
22. Close engine fuel supply shutoff valve on primary fuel filter. Disconnect the fuel line connected to inlet port. On vehicles equipped with the optional water-separator-fuel-filter, disconnect the connector and remove cable ties from cradle.
23. Disconnect the air compressor discharge, governor steel-braided airlines and manual filling airlines from compressor. Remove retaining clips.
24. Disconnect the hose connecting the compressor head to the sump tank.
25. Disconnect ground cables from rear subframe ground-stud located close to the starter motor.
26. Disconnect positive cable (red terminal) from starting motor solenoid.
27. Disconnect VIH (vehicle interface harness) connector from MCM.
28. On vehicles equipped with an automatic transmission provided with a hydraulic output retarder, disconnect steel-braided airline from pressure regulator output. The pressure regulator is mounted in the upper section of engine compartment backwall and is accessible through the engine compartment R.H. side door.
29. Disconnect fuel return line from bulkhead fixed on engine cylinder head end.
30. On vehicles equipped with an electrically operated cold-starting aid, disconnect the delivery hose from the starting-aid cylinder solenoid valve. Remove cable ties securing hoses.
31. Disconnect turbo boost pressure gauge airline from engine air intake.
32. Disconnect connectors from transmission. On the left side: four on rear side with one

## Section 01: ENGINE

close to yoke. On right side: close to the solenoid valve of the output retarder.

33. From under the vehicle, disconnect the propeller shaft as detailed in Section 09, under heading "Propeller Shaft Removal".
34. Inspect the power plant assembly to ensure that nothing will interfere when sliding out the cradle. Check for connections or hoses not mentioned in this list as some vehicles are equipped with special or aftermarket components.
35. Remove the six retaining bolts, washers and nuts securing the power plant cradle to the vehicle rear subframe (Fig. 25).

### NOTE

*Check if any spacer(s) have been installed between power plant cradle and vehicle rear subframe, and if so, note position of each washer for reinstallation purposes.*

36. Using a suitable equipment, with a minimum capacity of 4,000 lbs (1 800 kg), slightly raise the power plant cradle.
37. Pull engine out slowly from the engine compartment. Make sure all lines, wiring and accessories are disconnected and are not tangled.



### CAUTION

Due to the minimum clearance between the power plant equipment and the top of the engine compartment, extreme care should be used to raise the power plant cradle, just enough to free the cradle. Clearance between power plant cradle and mounting rail should range between ¼" and ½" (6-12 mm).

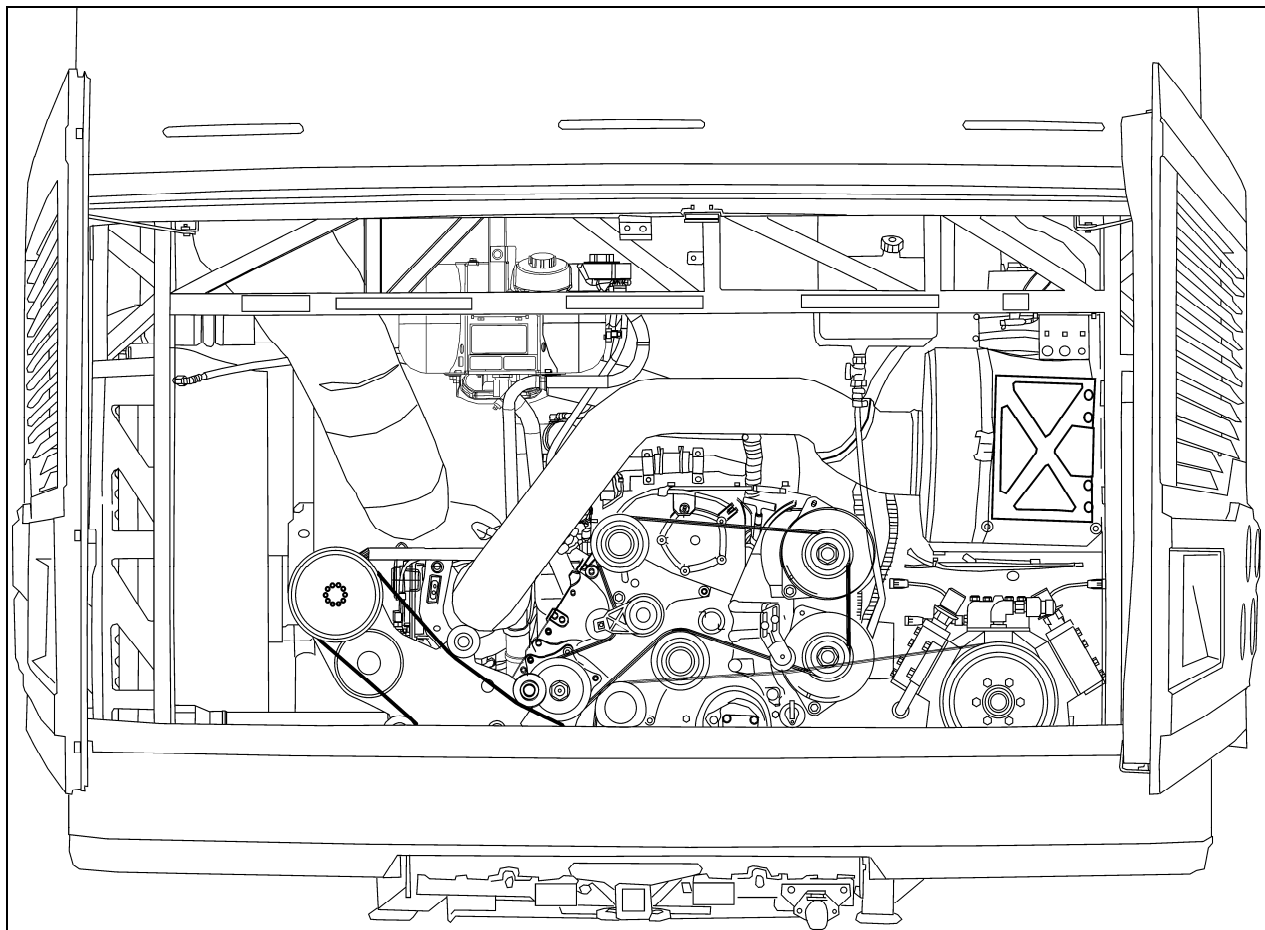


FIGURE 24: ENGINE COMPARTMENT X3 COACHES (TYPICAL)

01184\_A

## 2.16 POWER PLANT ASSY. INSTALLATION

To install a power plant assembly, follow the same procedure as in "Power Plant Assembly Removal" except in reverse order, then proceed with the following:

1. Torque the power plant cradle mounting bolts to 190 lbf-ft (255 Nm).
2. If fan drive has been removed, reinstall and align as per Section 05, COOLING SYSTEM, under "FAN DRIVE ALIGNMENT".
3. Refill cooling system with saved fluid (refer to Section 05, COOLANT SYSTEM).
4. Once engine fuel system has been drained, it will aid restarting if fuel filters are filled with fuel oil (refer to Section 03, FUEL SYSTEM).
5. Start engine for a visual check. Check fuel, oil, cooling, pneumatic and hydraulic system connections for leakage. Test operation of engine controls and accessories.

## 2.17 VALVE COVER REMOVAL

Refer to the series 60 Detroit diesel service manual for injectors and valves adjustment.

Wait until engine is cold prior to working on vehicle.

1. Remove air intake pipe.
2. Remove the after CAC (Charger-Air-Cooler) air pipe.
3. Disconnect ventilation pipe from valve cover.
4. Remove last seat to access trap door located in the middle rear end of vehicle.

5. Remove engine cover.
6. Adjust Jake brakes (if applicable), injectors and valves using Detroit Diesel service manual for series 60 engines.
7. Verify engine cover gasket and replace if necessary.

**NOTE**

*New gasket must be ordered directly from Detroit Diesel.*

8. Reinstall engine cover with a tightening torque of 18-22 Lbf-ft (25-30 Nm).
9. Connect ventilation pipe to engine cover.
10. Reinstall air intake and after CAC air pipes.
11. Reinstall trap door.

## 2.18 JAKE BRAKE

Refer to both "The Jake Brake Troubleshooting and Maintenance Manual" and "Installation Manual for Model 790 Engine Brakes" for troubleshooting and installation procedures. They are annexed at the end of this section.

## 2.19 ENGINE MOUNTS

The power plant assembly is mounted to the cradle by means of rubber mounts.

Two rubber mounts are used at the front of the engine while two others are mounted on each side of the flywheel housing (Fig. 25).

It is recommended that new rubber mounts be installed at each major overhaul.

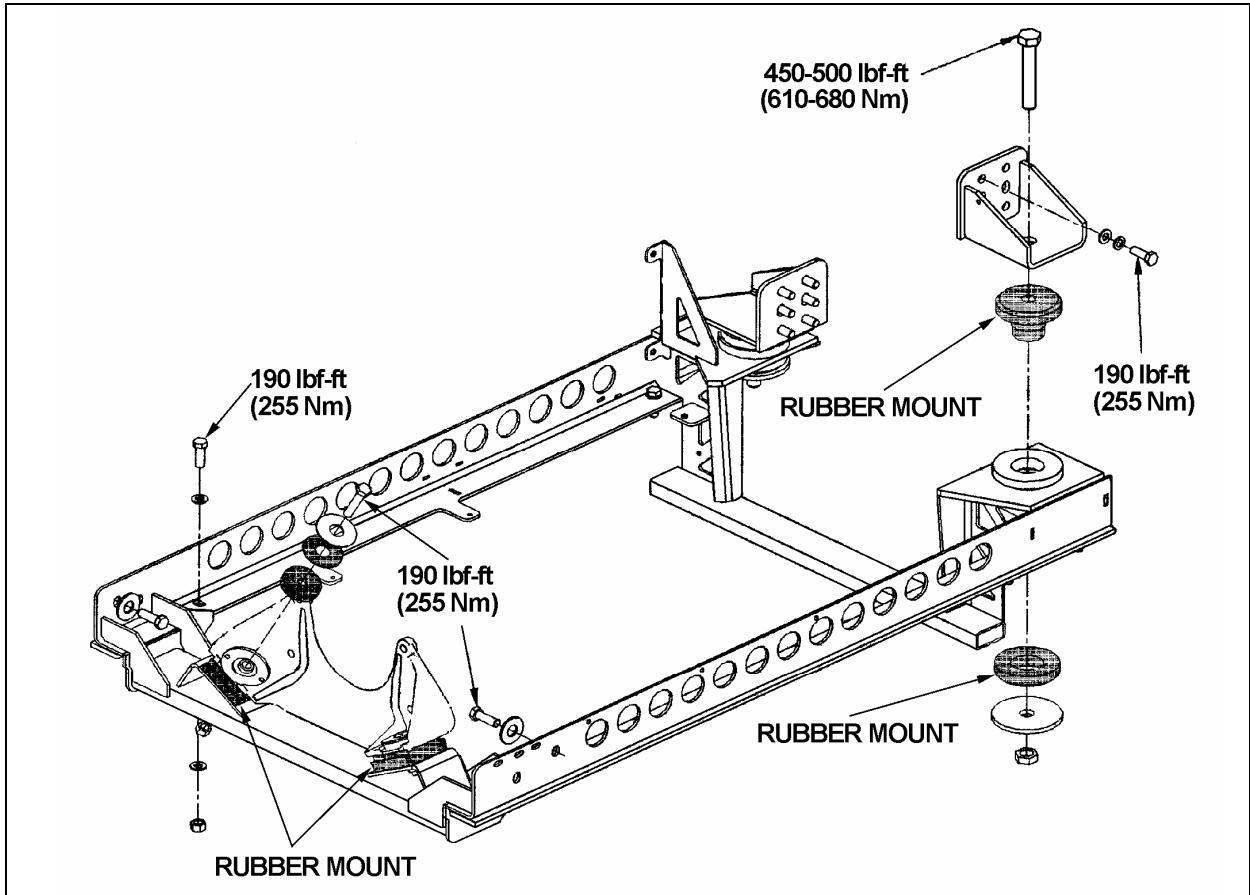


FIGURE 25: DDC SERIES 60 POWER PLANT CRADLE INSTALLATION

01140



### 3. ELECTRONIC FOOT PEDAL ASSEMBLY (EFPA) & THROTTLE POSITION SENSOR

The Electronic Foot Pedal Assembly (EFPA) connects the accelerator pedal to a Throttle Position Sensor (TPS). The (TPS) is a device, which sends an electrical signal to the Motor Control Module (MCM). The TPS varies in voltage depending on how far the pedal is depressed. The system is installed in the space normally occupied by a mechanical foot pedal. The (EFPA) has maximum and minimum stops that are built into the unit during manufacturing (Fig. 26). The (TPS) converts the operator's foot pedal input into a signal for the MCM.

When installed by the equipment manufacturer, the TPS should not require adjustment. If the TPS is suspected of being misadjusted, confirm that the sensor is installed in accordance with the manufacturer's specifications. It is recommended that the idle count be at 50 or higher with a full throttle count of up to 200.

The TPS is self-calibrating and therefore has no optimum closed throttle or wide open throttle count value. If the counts are within the 50 to 200 range, the sensor is properly set.

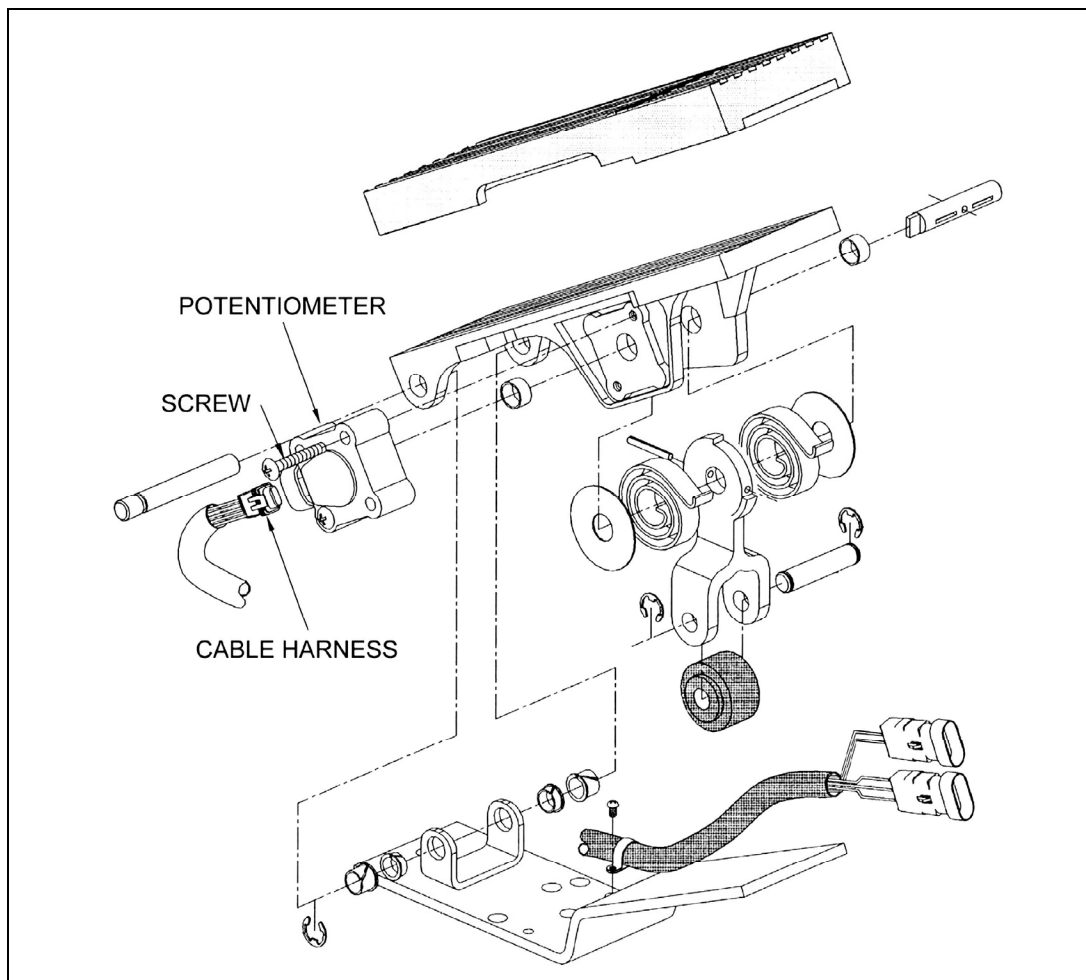
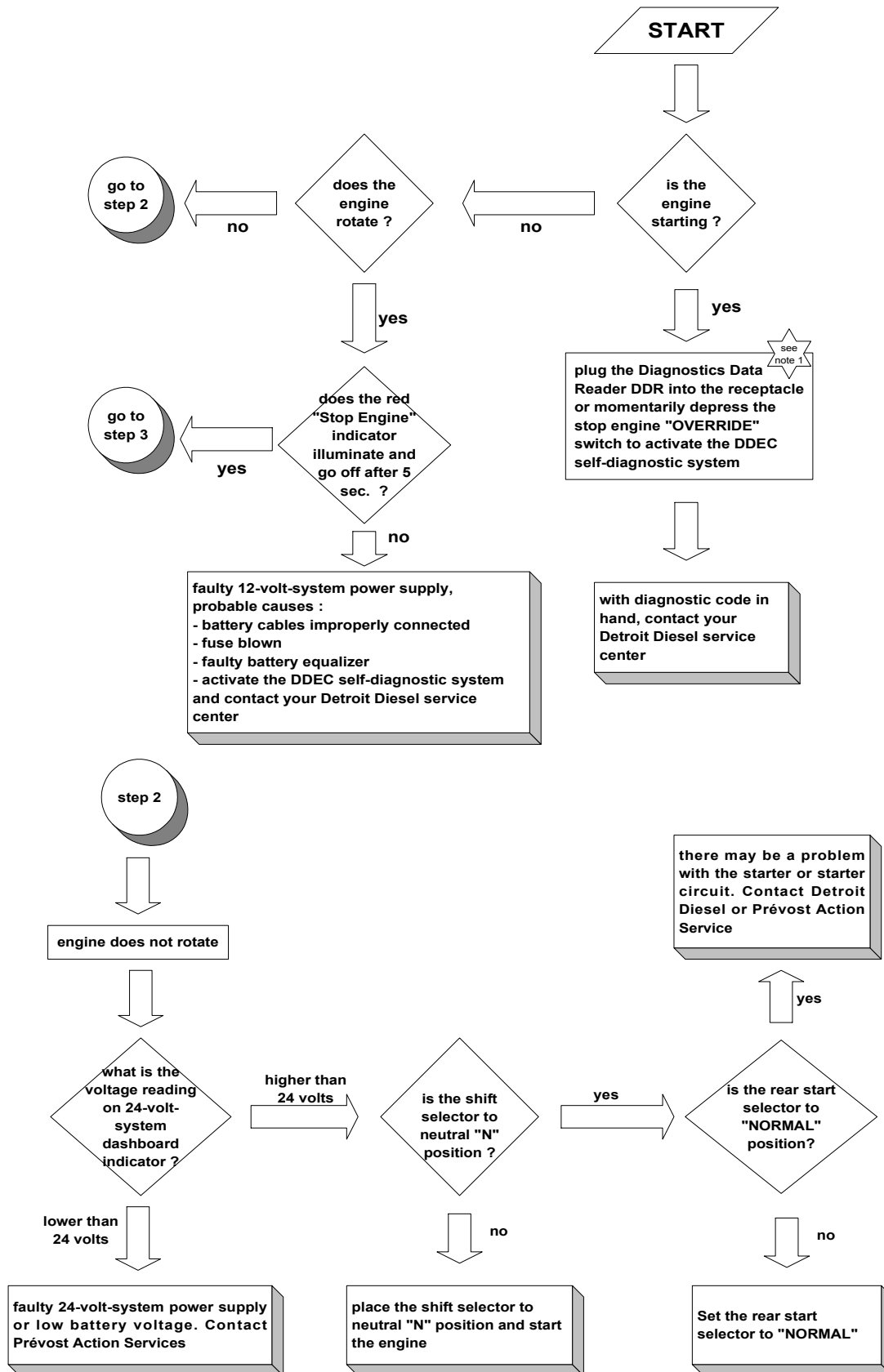
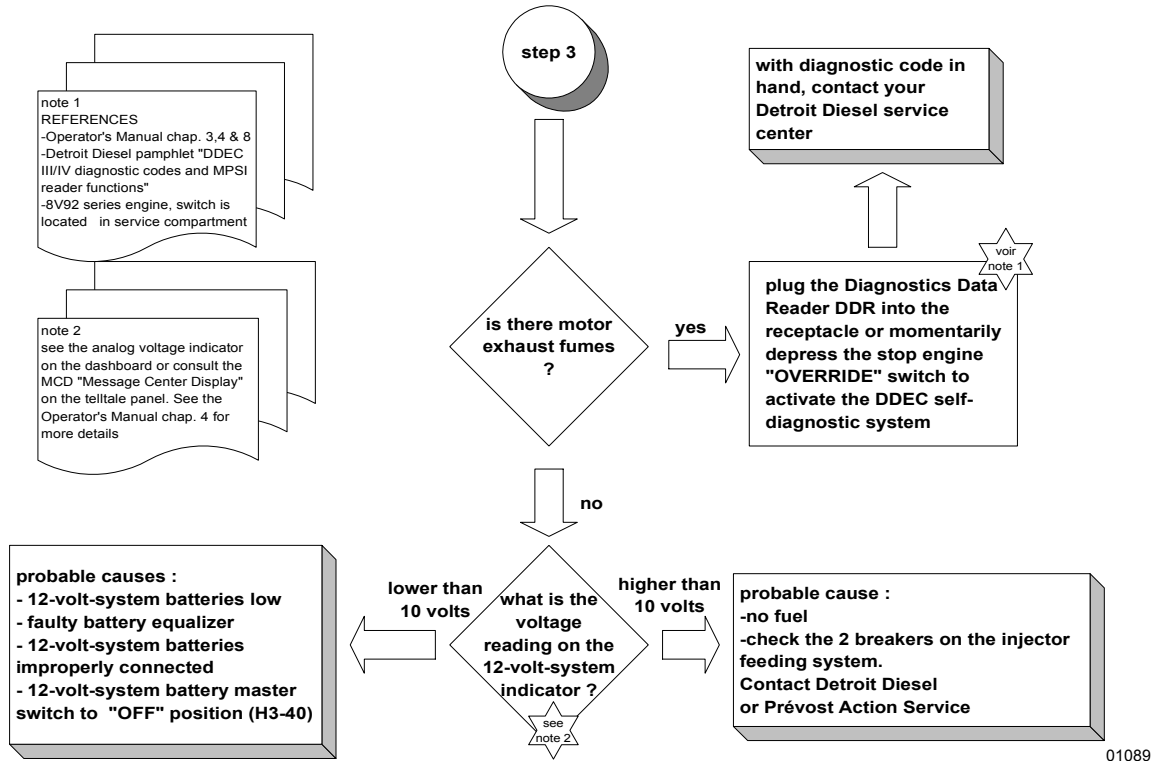


FIGURE 26: ELECTRONIC FOOT PEDAL ASSEMBLY 03035

Monitor the (TPS) at the controls as you move it through its full stroke. Be sure there is no misalignment or obstruction preventing the smooth movement of the TPS through the full stroke. Using a diagnostic data reader, check that the idle and full throttle position counts do not fall within the error zones. The error zones occur when the idle position is less than 14 counts, or when the full throttle position is more than 233 counts. Should these conditions occur, the CPC will signal diagnostic codes of 21-12 for idle error and 21-23 for wide-open throttle error.

4. ENGINE TROUBLESHOOTING GUIDE





**5. SPECIFICATIONS**

**Volvo D13 Engine**

Make ..... Volvo

Type ..... Diesel four cycle/in-line direct injection engine

Description ..... Turbo/Air to air charge cooled

No. of cylinders ..... 6

Operating range ..... 1400-1800 RPM

Peak Power Rating ..... 435 HP (324 kW)

Peak Torque Rating ..... 1650 Ft-lb (2237 Nm)

Low Idle ..... 600 rpm

Fast Idle ..... 2150 rpm

Maximum full load revolutions ..... 1900 rpm

**Engine oil level quantity**

Oil Pan Capacity, Low Limit ..... 25 quarts/24 liters

Oil Pan Capacity, High Limit ..... 34 quarts/32 liters

Total Engine Oil Capacity with Filters ..... 41 quarts/39 liters

**Lubricating oil filter elements**

Type ..... By-pass

**Section 01: ENGINE**

---

Prévost number ..... 510938  
Type ..... Full Flow  
Prévost number ..... 488736

**Torque specification**

Engine oil filter ..... Tighten ¾ of a turn to 1 full turn after gasket contact

**Filters**

**Engine Air Cleaner Filter**

Make ..... Nelson # 70337-N  
Prévost number ..... 530197

**Engine Coolant Filter/Conditioner**

Make ..... Nalco Chemical Company # DDF3000  
Prévost number ..... 20458771

**Detroit Diesel Series 60 Engine**

Make ..... Detroit Diesel  
Type ..... Diesel four cycle/in-line engine  
Description ..... Turbo/Air to air charge cooled  
No. of cylinders ..... 6  
Operating range ..... 1200-2100 RPM  
Maximum RPM ..... 2100

<b>MTH Engine (14.0L)</b>
MTH 45E: 455 HP @1800 rpm; 1550 lb-ft @1200 rpm
MTH 45: 515 HP @1800 rpm; 1650 lb-ft @1200 rpm

**Capacity**

Oil reserve tank ..... 8.4 US qts (8.0 L)

**Engine oil level quantity**

Oil Pan Capacity, Low Limit ..... 26 quarts/25 liters  
Oil Pan Capacity, High Limit ..... 32 quarts/30 liters  
Total Engine Oil Capacity with Filters ..... 38 quarts/36 liters

**Lubricating oil filter elements**

Make ..... AC Rochester Div. GMC # 25014505  
Make ..... A/C Filter # PF-2100  
Type ..... Full Flow  
Prévost number ..... 510458

**Torque specification**

Engine oil filter..... Tighten 2/3 of a turn after gasket contact

**Filters**

Engine Air Cleaner Filter

Make ..... Nelson # 70337-N

Prévost number ..... 530197

Engine Coolant Filter/Conditioner

Make ..... Nalco Chemical Company # DDF3000

Make ..... Detroit Diesel # 23507545

Prévost number ..... 550630

<b><i>NOTE</i></b>
<i>For primary and secondary fuel filters, refer to Specifications in section 03</i>