

PREVOST

COACH MANUFACTURER

PARTS MANUAL



PA-1575

10-2022

PARTS MANUAL



General information

A. Vehicle Identification Number (V.I.N.)

Each time spare parts have to be ordered, you must refer to your vehicle identification number serial number. In order to understand the meaning of this number, please refer to the following:

2 P C Y S 3 4 9 3 B C 7 3 5011

Y = VEHICLE MODEL 2PCYS3493BC735011

S = WITH PREVOST SLIDE-OUT

9 = VEHICLE LENGTH

8 = MODEL YEAR

9279 = SEQUENCE NUMBER

Vehicle Model

This manual covers vehicle model XL-II and X3-45 VIP bus shells.

| | |
|----------|---------------------------|
| B | X3-VIP bus shell |
| Y | MTH bus shell Entertainer |

Vehicle Length

| | |
|----------|---------|
| 9 | 45 feet |
|----------|---------|

Model Year

| YEAR | CODE | YEAR | CODE |
|------|------|------|------|
| 2011 | B | 2014 | E |
| 2012 | C | | |
| 2013 | D | | |

Sequence Number

This number represents the sequence the vehicle has followed on the assembly line.

B. Effectivity

This manual covers information for vehicles from the **B-5001 to D-5489**.

The heading of each page in this manual refers to an effectivity serial number and in the parts description, you may find additional information on the effectivity of a specific part to a serial number (refer to FROM:).

In the description, you may also remark the expression UP TO which means that a component is effective to the vehicles manufactured up to the specified serial number (refer to UP TO:).

C. Illustrations

An exploded view is conveniently located at the beginning of each section and is meant to assist the user in identifying parts and components.

The illustrations show the typical construction of the different assemblies and, in all cases, may not reproduced the full detail or exact shape of parts shown, however, they represent parts which have same or similar function.

PARTS MANUAL

C. Illustrations

An exploded view is conveniently located at the beginning of each section and is meant to assist the user in identifying parts and components.

The illustrations show the typical construction of the different assemblies and , in all cases, may not reproduced the full detail or exact shape of parts shown, however, they represent parts which have same or similar function.

D. General

The information, illustrations and components/system descriptions contained in this manual are correct at time of publication. Prévost Car Inc., however, maintains a policy of continuous improvement of its product without imposing upon itself any obligation to install them on products previously manufactured.

Prévost Car Inc., reserves the right at any time to discontinue or change specifications, designs, features, models or equipment without incurring obligation.

PARTS MANUAL

E. Parts and Service Center

CANADA

| | | | |
|---|---|---|---|
| Canadian Parts Customer Service 2955-A Watt Street Québec, Québec Canada, G1X 3W1 | Toll free phone: 1 (800) 463-8876 Tel.: (418) 654-0174 Fax: (800) 939-0133 Fax: (418) 658-1723 | Service Center British Columbia 11911 No. 5 Road Richmond, British Columbia Canada, V7A 4E9 | Tel.: (604) 940-3306 Fax: (604) 940-3384 |
| Service Center 850 Chemin Olivier Saint-Nicolas, Quebec Canada G7A 2N1 | Toll free phone: 1 866 870-2046 Tel.: (418) 831-2046 Fax: (418) 831-7432 | Service Ontario 8301-A Keele Street Vaughan, Ontario Canada, L4K 1Z6 | Tel.: (905) 738-0881 Fax: (905) 738-0891 |
| Service Center Alberta 292 MacDonald Crescent Fort McMurray, Alberta Canada T9H 4B6 | Tel.: (780) 792-9526 Fax: (780) 743-0983 | | |

UNITED STATES

| | | | |
|--|--|--|--|
| US Parts Customer Service 2250 Point Blvd., Suite 410 Elgin, IL USA, 60123 | Toll free phone 1 800 799-9938 Main office (847) 844-7680 Parts 1 800 621-5519 | Prevost Parts & Service Center 800 South Cartwright Street Goodlettsville, TN USA, 37072 | Toll free phone 1 877 299-8881 Main office (615) 299-8881 Fax: (615) 299-8816 After-Hours (615) 519-1372 Parts Emergency |
| Prevost Parts & Service Center 3384 De Forest Circle Mira Loma, CA USA, 91752 | Toll free phone 1 800 421-9958 Main office (951) 360-2550 Fax: (951) 360-2560 After-Hours (951) 314-0226 Parts Emergency | Prevost Parts & Service Center 201 South Avenue South Plainfield, NJ USA, 07080 | Toll free phone 1 800 223-0830 Main office (908) 222-7211 Fax: (908) 222-7304 Fax parts (908) 222-7305 After-Hours (201) 315-4064 Parts Emergency |
| Prevost Parts & Service Center 6821 Central Avenue, Newark, CA USA, 94560 | Main office (310) 283-1852 After-Hours: (951) 314-0226 Parts Emergency | Prevost Parts & Service Center 15200 Frye Road Fort Worth, TX USA, 76155-2702 | Service/Parts 1 866 773-8678 Main office (817) 685-0250 Fax : (817) 685-0460 After-Hours (817) 271-8653 Parts Emergency |
| Prevost Parts & Service Center 6931 Business Park Blvd North Jacksonville, FL USA, 32256 | Toll free phone 1 800 874-7740 Main office (904) 886-4555 Fax: (904) 886-0092 After-Hours (904) 412-8023 Parts Emergency | Prevost Parts & Service Center 11851 Cutten Road Houston, TX USA, 77066 | Service/Parts 1 877 602-0273 Main office (713) 849-8562 Fax: (281) 315-1571 After-Hours (346) 333-5520 Parts Emergency |
| Prevost Parts & Service Center 1300 Green Forest Court Winter Garden, FL USA, 34787 | Toll free phone 1 866 726-6235 Main office (407) 554-0196 After-Hours: (407) 259-5720 Parts Emergency | Prevost Parts & Service Center 3715 N. Carnation St. Franklin Park, IL USA, 60131 | Main office (847) 778-7475 Fax: (847) 737-2242 After-Hours 1 800 463-7738 Parts Emergency |

PARTS MANUAL

KEY & ABBREVIATIONS

| | | | |
|------------------------|--|------------------------|---|
| (XXXX-XX) | SEE PAGE | N/A | NOT AVAILABLE |
| <> | BETWEEN | NEG. | NEGATIVE |
| ° | DEGREE | N.O. | NORMALLY OPEN |
| # | NUMBER | N.C. | NORMALLY CLOSE |
| ?? | INFORMATION NOT AVAILABLE AT TIME OF PUBLICATION | N.P.N. | NO PARTS NUMBER |
| ABS | ANTILOCK BRAKING SYSTEM | NPT | NATIONAL PIPE THREAD |
| AR | AS REQUIRED | NS | NOT SHOWN |
| ASSY | ASSEMBLY | N.S.P. | NOT SOLD AT PREVOST (SEE MANUFACTURING PART NUMBER AT THE END OF DESCRIPTION LINE) |
| CCW | COUNTERCLOCKWISE | N.S.S. | NOT SOLD SEPARATELY |
| C.E. | COMMUTATOR END | O.D. | OUTSIDE DIAMETER |
| CHR | CHROME | OPT. | OPTION |
| CW | CLOCKWISE | O.S. | OVERSIZE |
| CYL. | CYLINDER | PH | PHILLIPS |
| C/C | CENTER/CENTER | POS. | POSITIVE |
| D.E. | DRIVE END | RR | REAR |
| DIA. | DIAMETER | S.C.C. | SPECIFY COLOR CODE |
| DIFF. | DIFFERENTIAL | SCT | SECTION |
| D.P.D.T. | DOUBLE POLE DOUBLE THROW | S.D. | SPECIFY DIMENSION |
| ECU | ELECTRONIC CONTROL UNIT | S.L. | SPECIFY LENGHT |
| EDU | ELECTRONIC DISTRIBUTOR UNIT | SM | SMALL |
| EFF | EFFECTIVE | S.P.S.T. | SINGLE POLE SINGLE THROW |
| ENG. | ENGINE | S.P.D.T. | SINGLE POLE DOUBLE THROW |
| EXT | EXTERNAL | S.Q. | SPECIFY QUANTITY |
| FR | FRONT | SS | STAINLESS STEEL |
| GND | GROUND | STD | STANDARD |
| HD | HEAD | STO | STOVER |
| HEX | HEXAGONAL | SW | SWIVEL |
| H.P. | HIGH PRESSURE | SWL FITT. | SWIVEL FITTING |
| HVAC | HEATING, VENTILATION & AIR CONDITIONING | TPG | TAPING |
| HYD | HYDRAULIC | TH | THICKNESS |
| I.D. | INSIDE DIAMETER | TRANS. | TRANSMISSION |
| INT | INTERNAL | TXV | THERMAL EXPANSION VALVE |
| JCT | JUNCTION | U.S. | UNDERSIZE |
| LED | LIGHT-EMITTING DIODE | W | WITH |
| L.P. | LOW PRESSURE | W/O | WITHOUT |
| LUGG. | LUGGAGE | WIND. | WINDOW |
| M & F | MALE & FEMALE | ZP | ZINC PLATED |

PARTS MANUAL

MEASUREMENT EQUIVALENTS

Fraction - Inches (dec.) - Millimeter

25.4mm = 1 inch

1mm = .03937 inch

| fraction | decimal | mm | fraction | decimal | mm |
|-----------------|----------------|-----------|-----------------|----------------|-----------|
| 1/64 | 0.0156 | 0.397 | 33/64 | 0.5156 | 13.097 |
| 1/32 | 0.0313 | 0.794 | 17/32 | 0.5313 | 13.494 |
| - | 0.0394 | 1 | 35/64 | 0.5469 | 13.891 |
| 3/64 | 0.0469 | 1.191 | - | 0.5512 | 14 |
| 1/16 | 0.0625 | 1.588 | 9/16 | 0.5625 | 14.288 |
| 5/64 | 0.0781 | 1.984 | 37/64 | 0.5781 | 14.684 |
| - | 0.0787 | 2 | - | 0.5906 | 15 |
| 3/32 | 0.0938 | 2.381 | 19/32 | 0.5938 | 15.081 |
| 7/64 | 0.1093 | 2.778 | 39/64 | 0.6094 | 15.478 |
| - | 0.1181 | 3 | 5/8 | 0.6250 | 15.875 |
| 1/8 | 0.1250 | 3.175 | - | 0.6299 | 16 |
| 9/64 | 0.1406 | 3.572 | 41/64 | 0.6406 | 16.272 |
| 5/32 | 0.1563 | 3.969 | 21/32 | 0.6563 | 16.669 |
| - | 0.1575 | 4 | - | 0.6693 | 17 |
| 11/64 | 0.1719 | 4.366 | 43/64 | 0.6719 | 17.066 |
| 3/16 | 0.1875 | 4.762 | 11/16 | 0.6875 | 17.462 |
| - | 0.1969 | 5 | 45/64 | 0.7031 | 17.859 |
| 13/64 | 0.2031 | 5.159 | - | 0.7087 | 18 |
| 7/32 | 0.2188 | 5.556 | 23/32 | 0.7188 | 18.256 |
| 15/64 | 0.2344 | 5.953 | 47/64 | 0.7344 | 18.653 |
| - | 0.2362 | 6 | - | 0.7480 | 19 |
| 1/4 | 0.2500 | 6.350 | 3/4 | 0.7500 | 19.050 |
| 17/64 | 0.2656 | 6.747 | 49/64 | 0.7656 | 19.447 |
| - | 0.2756 | 7 | 25/32 | 0.7813 | 19.844 |
| 9/32 | 0.2813 | 7.144 | - | 0.7874 | 20 |
| 19/64 | 0.2969 | 7.541 | 51/64 | 0.7969 | 20.241 |
| 5/16 | 0.3125 | 7.938 | 13/16 | 0.8125 | 20.638 |
| - | 0.3150 | 8 | - | 0.8268 | 21 |
| 21/64 | 0.3281 | 8.334 | 53/64 | 0.8281 | 21.034 |
| 11/32 | 0.3438 | 8.731 | 27/32 | 0.8438 | 21.431 |
| - | 0.3543 | 9 | 55/64 | 0.8594 | 21.828 |
| 23/64 | 0.3594 | 9.128 | - | 0.8661 | 22 |
| 3/8 | 0.3750 | 9.525 | 7/8 | 0.8750 | 22.225 |
| 25/64 | 0.3906 | 9.922 | 57/64 | 0.8096 | 22.622 |
| - | 0.3937 | 10 | - | 0.9055 | 23 |
| 13/32 | 0.4063 | 10.319 | 29/32 | 0.9063 | 23.019 |
| 27/64 | 0.4219 | 10.716 | 59/64 | 0.9219 | 23.416 |
| - | 0.4331 | 11 | 15/16 | 0.9375 | 23.812 |
| 7/16 | 0.4375 | 11.112 | - | 0.9449 | 24 |
| 29/64 | 0.4531 | 11.509 | 61/64 | 0.9531 | 24.209 |
| 15/32 | 0.4688 | 11.906 | 31/32 | 0.9688 | 24.606 |
| - | 0.4724 | 12 | - | 0.9843 | 25 |
| 31/64 | 0.4844 | 12.303 | 63/64 | 0.9844 | 25.003 |
| 12 | 0.5000 | 12.700 | 1/1 | 1 | 25.400 |
| - | 0.5118 | 13 | - | - | - |

PARTS MANUAL

TABLE OF CONTENTS

| | |
|----------------------------|----|
| GENERAL | 00 |
| ENGINE | 01 |
| CLUTCH | 02 |
| FUEL | 03 |
| EXHAUST | 04 |
| COOLING | 05 |
| ELECTRICAL | 06 |
| TRANSMISSION | 07 |
| PROPELLER SHAFT | 09 |
| FRONT AXLE | 10 |
| REAR AXLE | 11 |
| BRAKE | 12 |
| WHEEL, HUBS & TIRES | 13 |
| STEERING | 14 |
| SUSPENSION | 16 |
| BODY | 18 |
| HEATING & AIR CONDITIONING | 22 |
| ACCESSORIES | 23 |
| WHEEL CHAIR LIFT | 25 |

PARTS MANUAL

To have more information about fast moving parts, place an order for the book PA-1105 to your nearest parts order desk.

Thank you!

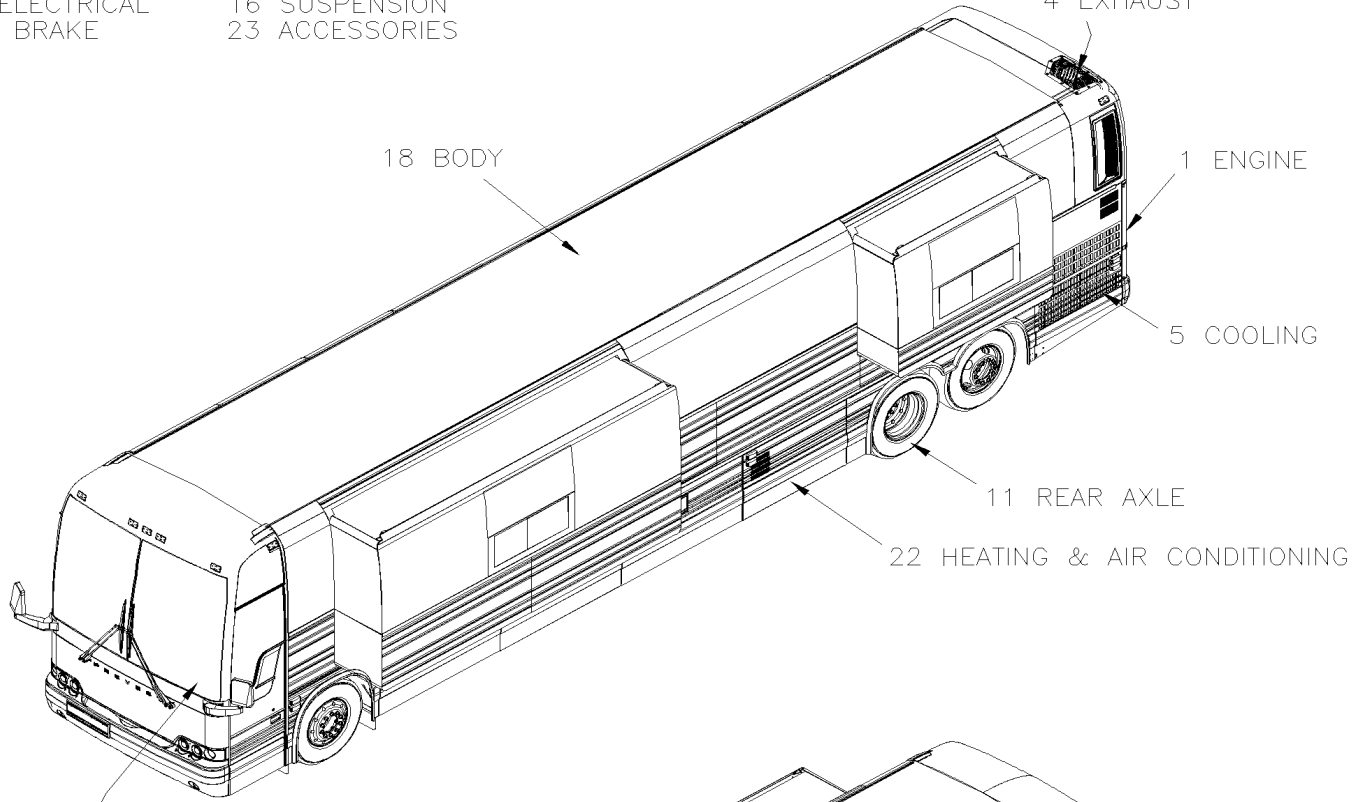


| | | |
|--|--------------|---------------------|
| | Date:10/2022 | PAGE: X / VIP & ENT |
| X3-45 VIP & XL-II ENTERTAINER / 2011 TO 2013 / VIN FROM B-5003 TO D-5489 | | |

6 ELECTRICAL
12 BRAKE

16 SUSPENSION
23 ACCESSORIES

4 EXHAUST



1 ENGINE

5 COOLING

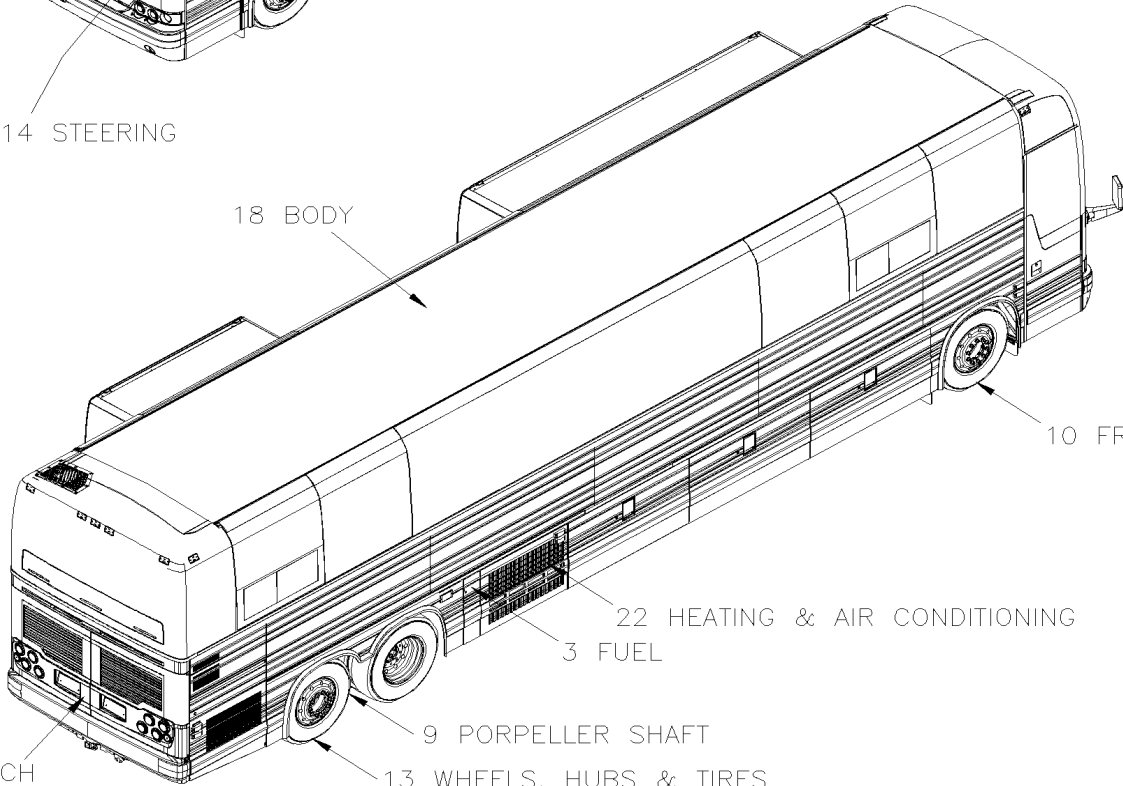
11 REAR AXLE

22 HEATING & AIR CONDITIONING

18 BODY

14 STEERING

18 BODY



10 FRONT AXLE

22 HEATING & AIR CONDITIONING

3 FUEL

9 PROPPELLER SHAFT

13 WHEELS, HUBS & TIRES

2 CLUTCH
7 TRANSMISSION

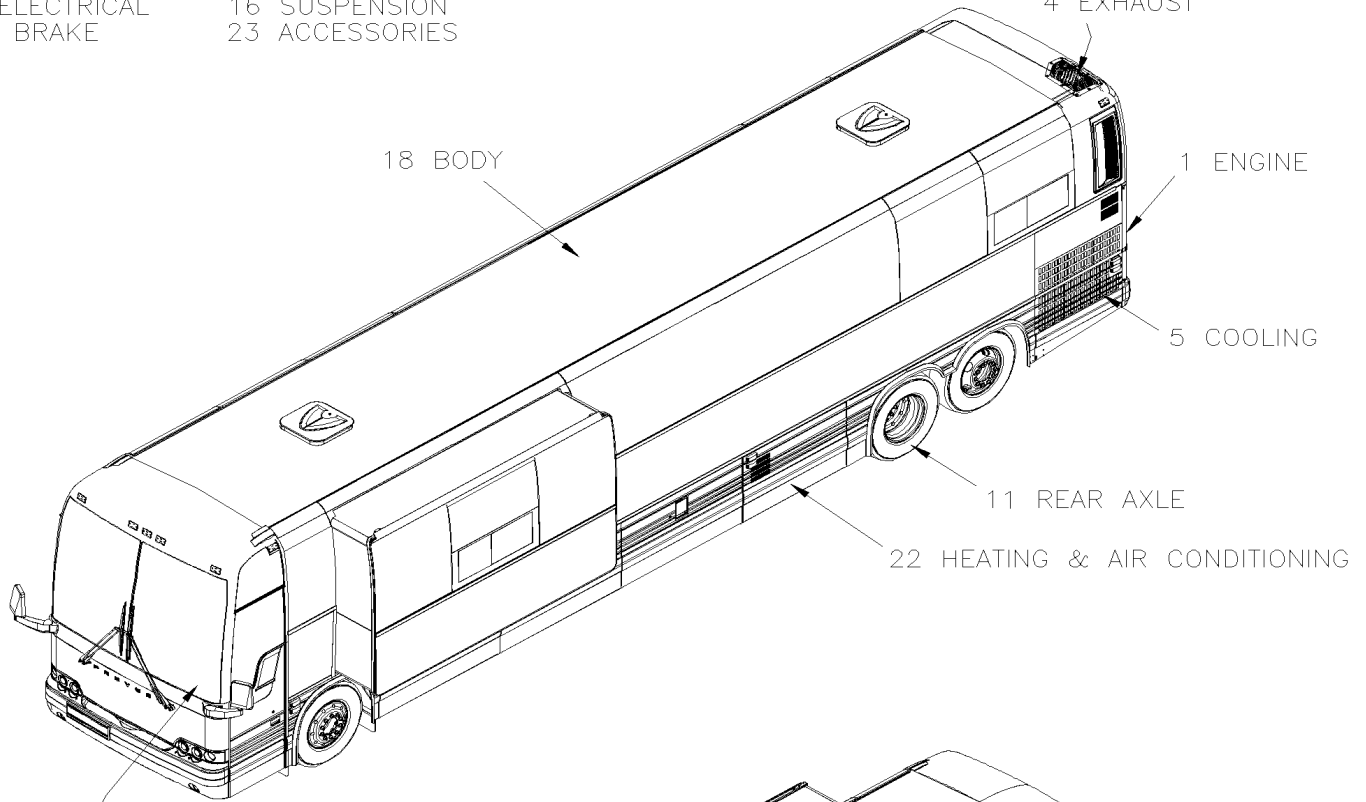


| | | |
|--|--------------|---------------------|
| | Date:10/2022 | PAGE: X / VIP & ENT |
| X3-45 VIP & XL-II ENTERTAINER / 2011 TO 2013 / VIN FROM B-5003 TO D-5489 | | |

6 ELECTRICAL
12 BRAKE

16 SUSPENSION
23 ACCESSORIES

4 EXHAUST



18 BODY

1 ENGINE

5 COOLING

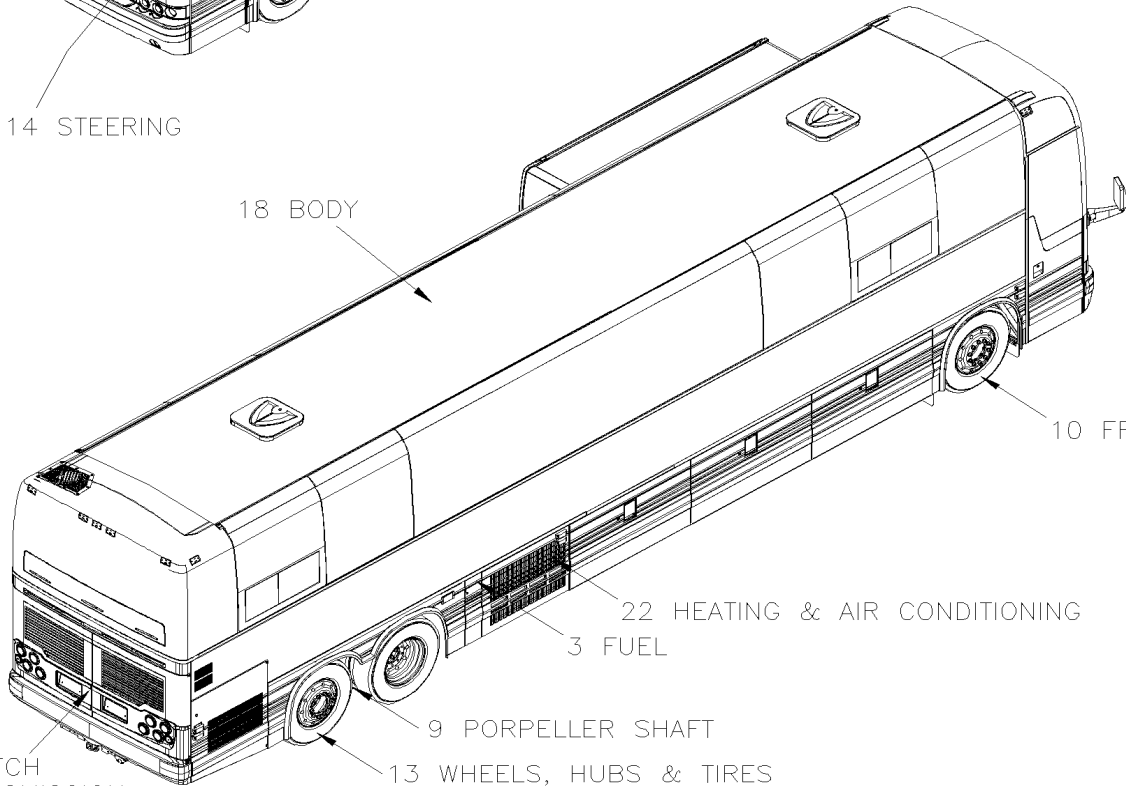
11 REAR AXLE

22 HEATING & AIR CONDITIONING

14 STEERING

18 BODY

10 FRONT AXLE



22 HEATING & AIR CONDITIONING

3 FUEL

9 PORPELLER SHAFT

13 WHEELS, HUBS & TIRES

2 CLUTCH
7 TRANSMISSION

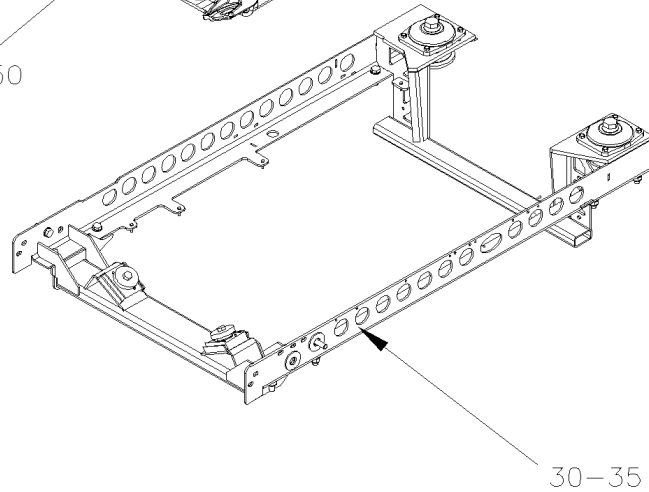
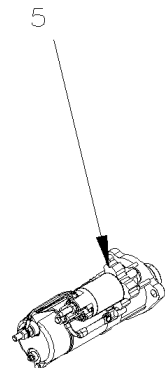
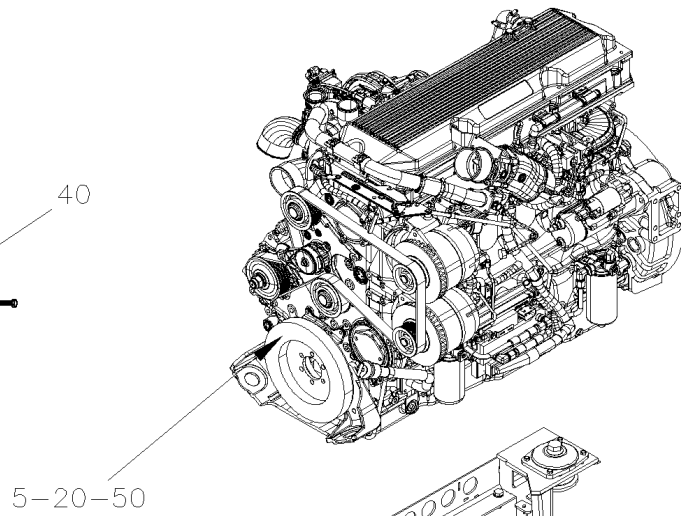
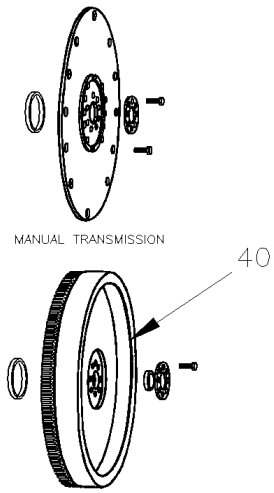
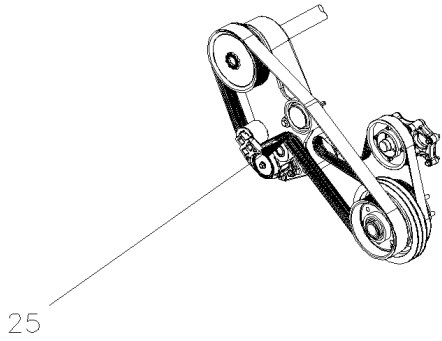


| | | |
|---|--------------|--------------------------------|
| | Date:10/2022 | PAGE: <u> X </u> / VIP & ENT |
| X3-45 VIP & XL-II ENTERTAINER / 2011 TO 2013 / VIN FROM B-5003 TO D-5489 | | |

| Item# | Part | Description | X 3 V I P | X L I I E N T 4 5 | N O T E S |
|-------|--------------|----------------------------|-----------------------|---|-----------------------|
| 1 | XV-01 | ENGINE | | | |
| 2 | XV-02 | CLUTCH | | | |
| 3 | XV-03 | FUEL | | | |
| 4 | XV-04 | EXHAUST | | | |
| 5 | XV-05 | COOLING | | | |
| 6 | XV-06 | ELECTRICAL | | | |
| 7 | XV-07 | TRANSMISSION | | | |
| 9 | XV-09 | PROPELLER SHAFT | | | |
| 10 | XV-10 | FRONT AXLE | | | |
| 11 | XV-11 | REAR AXLE | | | |
| 12 | XV-12 | BRAKE | | | |
| 13 | XV-13 | WHEELS, HUBS & TIRES | | | |
| 14 | XV-14 | STEERING | | | |
| 16 | XV-16 | SUSPENSION | | | |
| 18 | XV-18 | BODY | | | |
| 22 | XV-22 | HEATING & AIR CONDITIONING | | | |
| 23 | XV-23 | ACCESSORIES | | | |
| | | | | | |
| 40 | XV-DRIVER-00 | DRIVER'S SEAT | | | |
| | | | | | |
| | | | | | |
| | | | | | |



| | | |
|--------|--------------|-------|
| | Date:10/2022 | XV-01 |
| ENGINE | | |





| | | Date:10/2022 | XV-01 | | |
|--------|----------------|--|-----------------------|---|-----------------------|
| ENGINE | | | | | |
| Item# | Part | Description | X 3 V I P | X L I I E N T 4 5 | N O T E S |
| 5 | XV-0100-05 | VOLVO ENGINE CONTROL SYSTEM From B-5003 To D-5489 | | | |
| 5 | XV-0100-06 | ENGINE WIRING HARNESS - INSTALLATION WITH "VOLVO" ENGINE D-061103 From B-5003 To D-5489 | | | |
| 5 | XV-0100-10 | STARTER - INSTALLATION From B-5003 To D-5489 | | | |
| 20 | XV-0105-05 | ENGINE OIL FILLER CAP & DIPSTICK WITH VOLVO D13 From B-5003 To D-5489 | | | |
| 25 | XV-0120-00 | DRIVE PULLEY, BELTS & TENSIONER WITH VOLVO D13 & 2x120Amps EPA2010 From B-5003 To D-5458 | | | |
| 25 | XV-0120-01 | DRIVE PULLEY, BELTS & TENSIONER WITH VOLVO D13 & 2x120Amps From D-5459 To D-5489 | | | |
| 30 | XV-0150-00 | ENGINE CRADLE - WITH VOLVO D13 From B-5003 To D-5489 | | | |
| 35 | XV-0155-10 | ENGINE TRANSMISSION GUARD & AIR SHIELD From B-5003 To D-5489 | | | |
| 40 | Refer To Volvo | SEE IMPACT OR CALL ORDER DESK From B-5003 To D-5489 | | | V |
| 50 | XV-0170-00 | ENGINE "VOLVO" D-13 - SPECIFIC PARTS FOR PREVOST From B-5003 To D-5489 | | | |
| | | | | | |
| | | | | | |
| | | | | | |
| | | | | | |
| | | V) SEE IMPACT OR CALL ORDER DESK | | | |

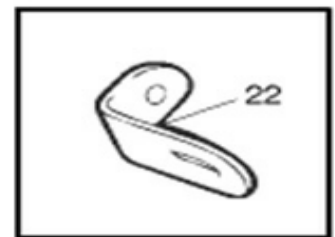
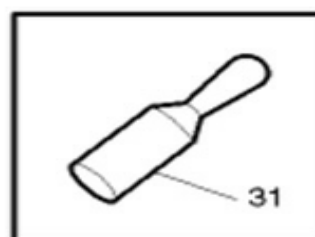
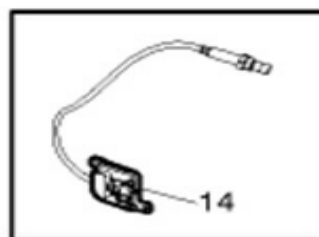
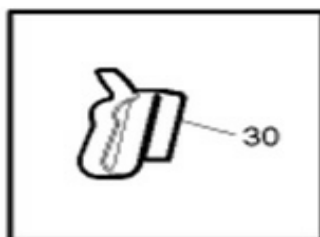
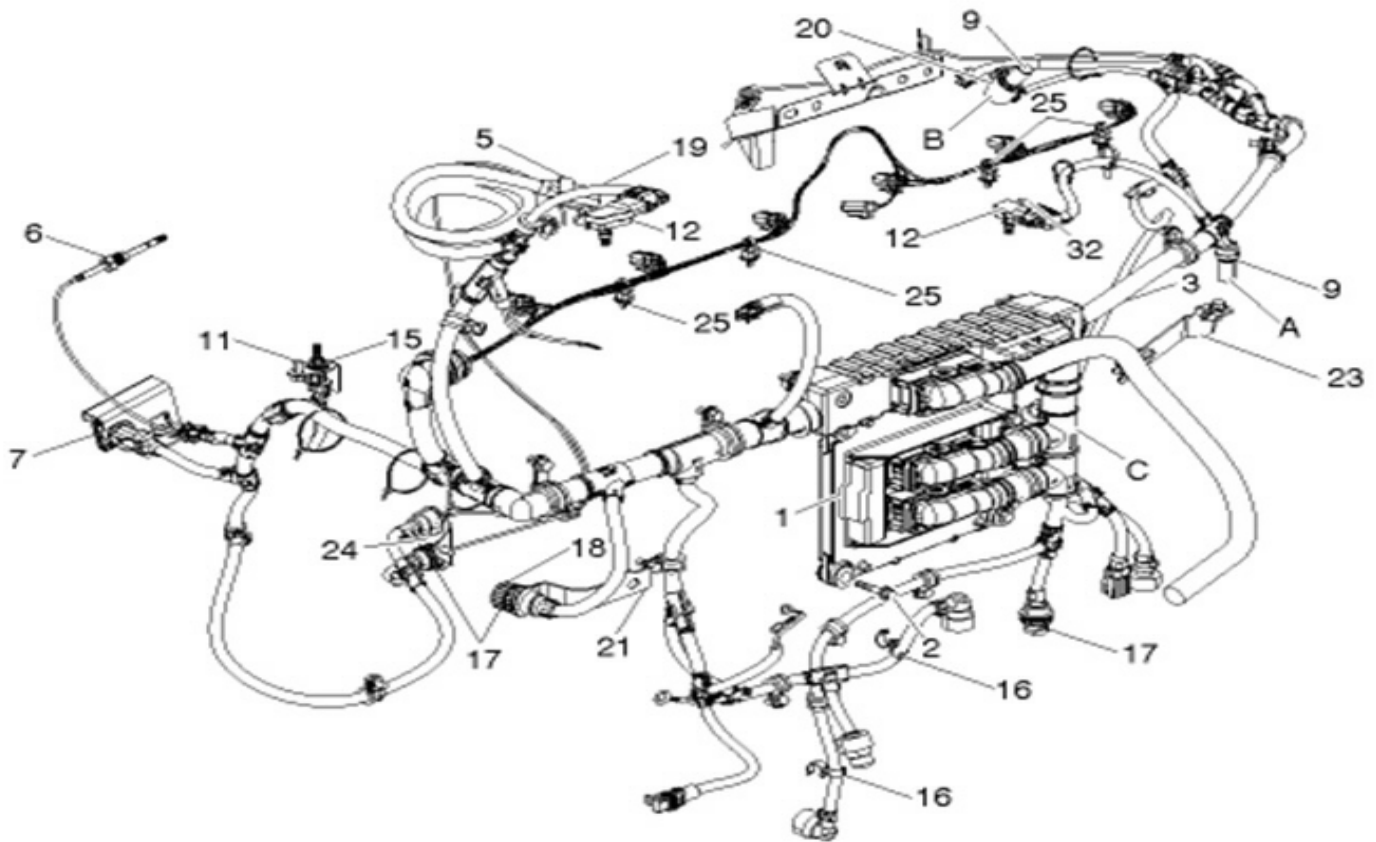
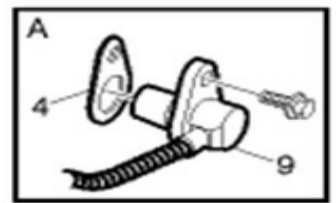
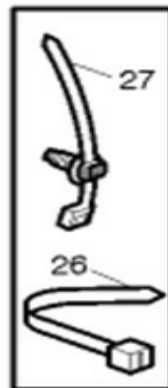
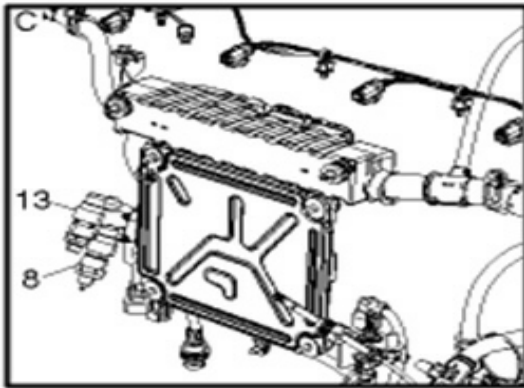


From B-5003 To D-5489

Date:10/2022

PAGE:XV-0100-05

VOLVO ENGINE CONTROL SYSTEM



R1036551



| | | |
|------------------------------------|--------------|-----------------|
| From B-5003 To D-5489 | Date:10/2022 | PAGE:XV-0100-05 |
| VOLVO ENGINE CONTROL SYSTEM | | |

| Item# | Part | Description | X 3 V I P | X L I I E N T 4 5 | N O T E S |
|-------|-----------------|---|-----------------------|---|-----------------------|
| 1 | 21107008 | CONTROL UNIT 1 / 6 | 1 | 1 | |
| 1 | 21300060 | CONTROL UNIT 8 + | 1 | 1 | |
| NS | 20946783 | SHIELD CONTROL UNIT INSTAL | 1 | 1 | |
| 2 | 947760 | SCREW CAP HEXF M8-1.25x40 G8.8 ZP | 4 | 4 | |
| 3 | 21033597 | CABLE HARNESS ASSY 1 / 3 | 1 | 1 | |
| 3 | 21271767 | CABLE HARNESS ASSY RXX 4 / 6 | 1 | 1 | |
| 3 | 21400265 | CABLE HARNESS ASSY RXX 8 + | 1 | 1 | |
| 3 | 21159796 | CABLE HARNESS ASSY PH/PX 4 / 6 | 1 | 1 | |
| 3 | 21400113 | CABLE HARNESS ASSY PH/PX 8 + | 1 | 1 | |
| 4 | 20556179 | SHIM | 1 | 1 | |
| 5 | 20738963 | HUMIDITY SENSOR 1 | 1 | 1 | |
| 5 | 21046544 | HUMIDITY SENSOR 3 + | 1 | 1 | |
| 6 | 21010707 | TEMPERATURE SENSOR DP MIX CHAMBER TEMP | 1 | 1 | |
| 7 | 20930137 | PRESSURE SENSOR EGR DIFF PRESSURE 1 / 4 | 1 | 1 | |
| NS | 21364040 | O-RING SENSOR INSTAL 1 / 4 | 2 | 2 | |
| 7 | 21304786 | PRESSURE SENSOR EGR DIFF PRESSURE 5 + | 1 | 1 | |
| 8 | 20796744 | PRESSURE SENSOR,CRANKCASE TB-130329258-1 | 1 | 1 | |
| 9 | 20513343 | SENSOR,ENGINE SPEED TB-128951072-1 | 2 | 2 | |
| 10 | 20556179 | SHIM | AR | AR | |
| 11 | 20513340 | SENSOR COOLANT TEMPERATURE | 1 | 1 | |
| 12 | 20524936 | PRESSURE SENSOR BOOST PRESSURE/TEMP | 2 | 2 | |
| 13 | 20886108 | PRESSURE SENSOR OIL PRESSURE | 1 | 1 | |
| 14 | 20789066 | SENSOR NOX ASSY W/CABLE 1 | 1 | 1 | |
| 14 | 21069361 | SENSOR NOX ASSY W/CABLE 3 / 8 | 1 | 1 | |
| 14 | 21479637 | SENSOR "NOX" / SCR FILTER From A-9983 To B-5002 | 1 | 1 | |
| 14 | 21567763 | SENSOR "NOX" / SCR FILTER From B-5003 To D-5376 | 1 | 1 | |
| 14 | 21636088 | SENSOR "NOX" / SCR FILTER From D-5377 To D-5459 | 1 | 1 | |
| 14 | 22014032 | SENSOR "NOX" / SCR FILTER From D-5460 | 1 | 1 | |
| 15 | 20771140 | HEAT SHIELD 1 / 3 | 1 | 1 | |
| 15 | 20857215 | HEAT SHIELD 4 + | 1 | 1 | |
| 16 | 21018335 | CAP | 3 | 3 | |
| 17 | 3963413 | RING LOCK / AMP 964610-1 | 4 | 4 | |
| 18 | 20374157 | CAP | 2 | 2 | |
| 19 | 20448962 | HOUSING | 1 | 1 | |
| 20 | 20749801 | HEAT SHIELD | 1 | 1 | |
| 21 | 20577191 | BRACKET | 1 | 1 | |
| 22 | 965576 | BRACKET | 1 | 1 | |
| 23 | 20590744 | BRACKET | 1 | 1 | |
| 24 | 3832422 | BRACKET | 1 | 1 | |
| 25 | 8131393 | RETAINER | 4 | 4 | |
| 26 | 20885496 | RETAINER | AR | AR | |
| NS | 948210 | CABLE TIE 190MM | 2 | 2 | |



| | | |
|------------------------------------|--------------|-----------------|
| From B-5003 To D-5489 | Date:10/2022 | PAGE:XV-0100-05 |
| VOLVO ENGINE CONTROL SYSTEM | | |

| Item# | Part | Description | X 3 V I P | X L I I E N T 4 5 | N O T E S |
|-------|----------|--|-----------------------|---|-----------------------|
| 26 | 948211 | CABLE TIE 275MM | AR | AR | |
| 26 | 983472 | CABLE TIE HIGHT TEMP | AR | AR | |
| 27 | 980881 | CABLE TIE 200MM W/PUSH-IN RETAINER | AR | AR | |
| 28 | 945081 | CLAMP / 7/8" I.D. | 1 | 1 | |
| 28 | 946834 | CLAMP 11.1MM | 1 | 1 | |
| 28 | 949746 | CLAMP 12.7MM | AR | AR | |
| 28 | 949747 | CLAMP / 5/8" I.D. | AR | AR | |
| 28 | 949786 | CLAMP 20.0MM | AR | AR | |
| 28 | 949997 | CLAMP 31.8MM | AR | AR | |
| 28 | 977743 | CLAMP 15.9MM | 1 | 1 | |
| 28 | 981664 | CLAMP 15.9MM | 1 | 1 | |
| 29 | 944926 | SCREW CAP HEXF M8-1.25x14 | 1 | 1 | |
| 29 | 946173 | SCREW CAP HEXF M8-1.25x20 | 2 | 2 | |
| 29 | 946440 | SCREW CAP HEXF M12-1.75x140 G8.8 MAGNI 565 | 18 | 18 | |
| 29 | 5001742 | SCREW CAP HEXF M8-1.25x30 G8.8 N500 | AR | AR | |
| 29 | 946934 | SCREW CAP HEXF M6-1.0x20 | 1 | 1 | |
| 30 | 20786586 | WIRES JUMPER @ERG VALVE | 1 | 1 | |
| 31 | 3988328 | BRACKET PH/PX | 1 | 1 | |
| 32 | 984936 | RETAINER 7th INJECTOR HARNESS | 4 | 4 | |
| 33 | 3545508 | RETAINER | 3 | 3 | |
| 34 | 21029459 | BRACKET | 1 | 1 | |
| 35 | 961613 | NUT WD SQ M6-1.0 | AR | AR | |
| 37 | 504637 | CABLE TIE / 3/16" x 13" | 1 | 1 | |
| | | | | | |
| | | | | | |
| | | | | | |

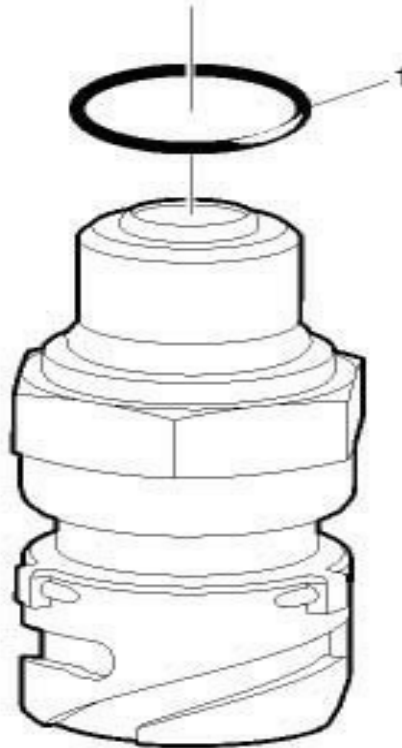
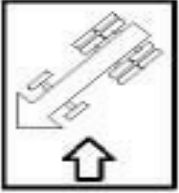


From B-5003 To D-5489

Date:10/2022

PAGE:20796744

PRESSURE SENSOR,CRANKCASE TB-130329258-1



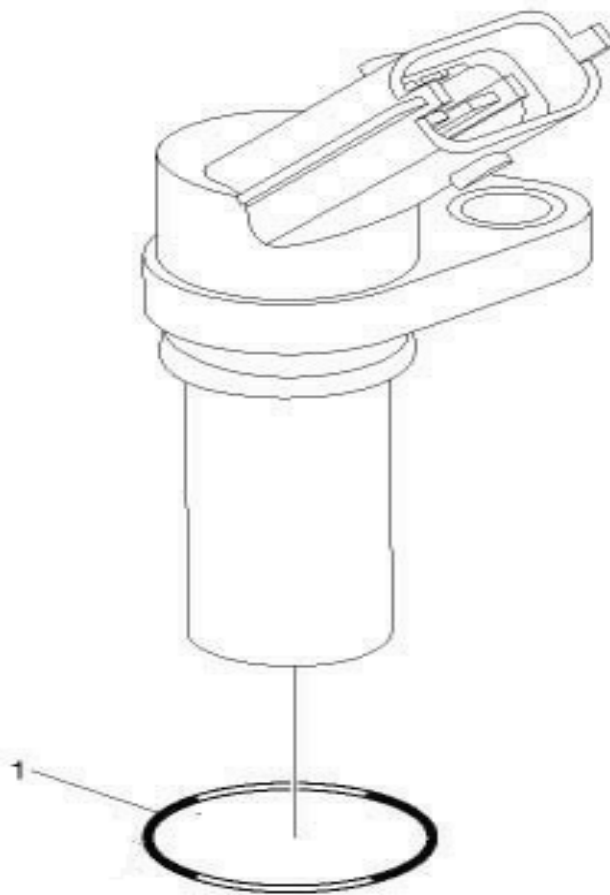


| | | |
|---|--------------|---------------|
| From B-5003 To D-5489 | Date:10/2022 | PAGE:20796744 |
| PRESSURE SENSOR,CRANKCASE TB-130329258-1 | | |

| Item# | Part | Description | X 3 V I P | X L I I E N T 4 5 | N O T E S |
|-------|--------|--------------------------|-----------------------|---|-----------------------|
| 1 | 968559 | O-RING (PRESSURE SENSOR) | 1 | 1 | |
| | | | | | |
| | | | | | |
| | | | | | |



| | | | |
|------------------------------------|--|--------------|---------------|
| From B-5003 To D-5489 | | Date:10/2022 | PAGE:20513343 |
| SENSOR,ENGINE SPEED TB-128951072-1 | | | |





| | | |
|------------------------------------|--------------|---------------|
| From B-5003 To D-5489 | Date:10/2022 | PAGE:20513343 |
| SENSOR,ENGINE SPEED TB-128951072-1 | | |

| Item# | Part | Description | X 3 V I P | X L I I E N T 4 5 | N O T E S |
|-------|----------|-------------|-----------------------|---|-----------------------|
| 1 | 20966752 | O-RING | 1 | 1 | |
| | | | | | |
| | | | | | |
| | | | | | |

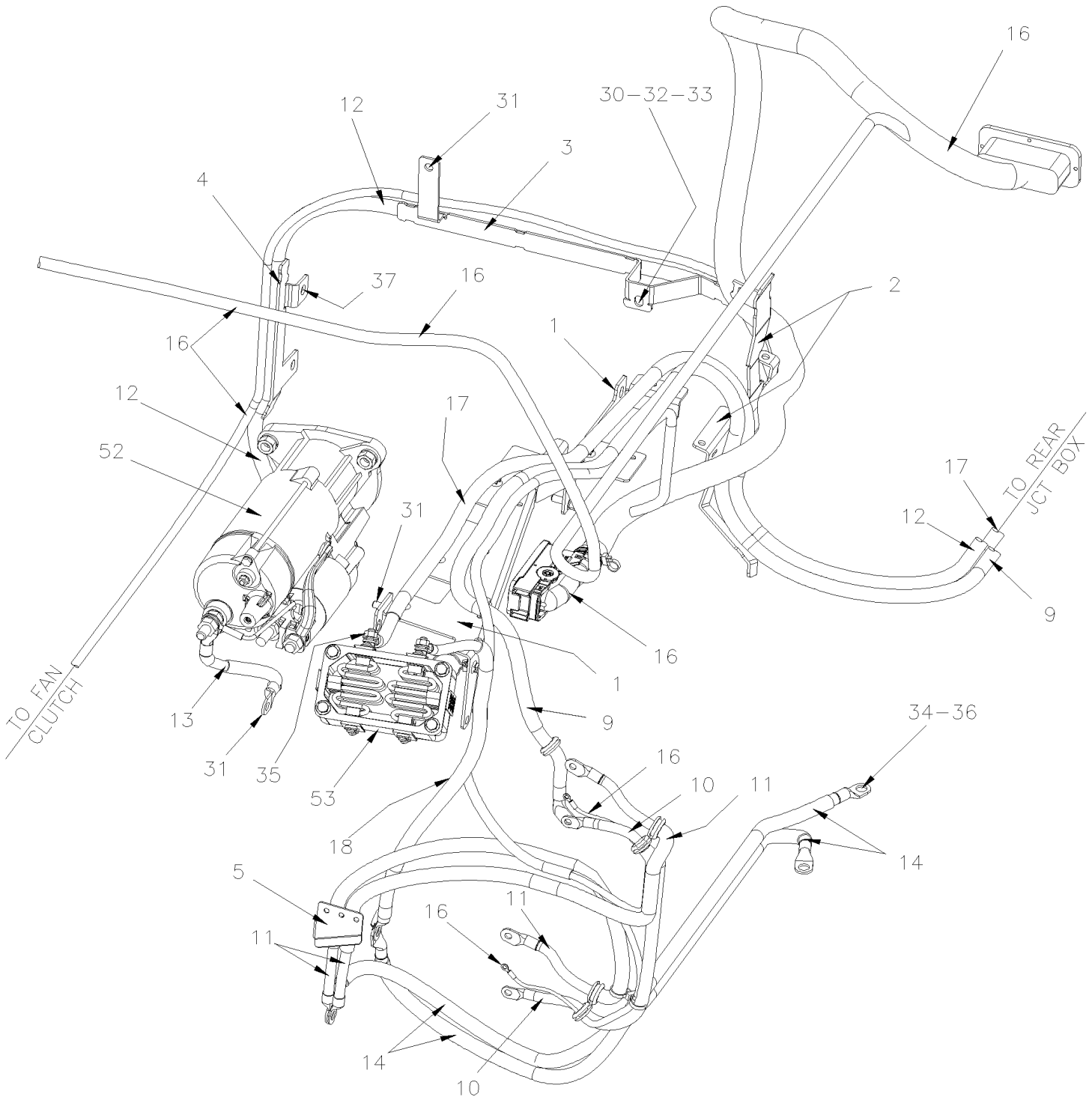


From B-5003 To D-5489

Date:10/2022

PAGE:XV-0100-06

ENGINE WIRING HARNESS - INSTALLATION WITH "VOLVO" ENGINE D-061103



WITH 2 ALTERNATOR 240-140AMP
AND EPA 2007

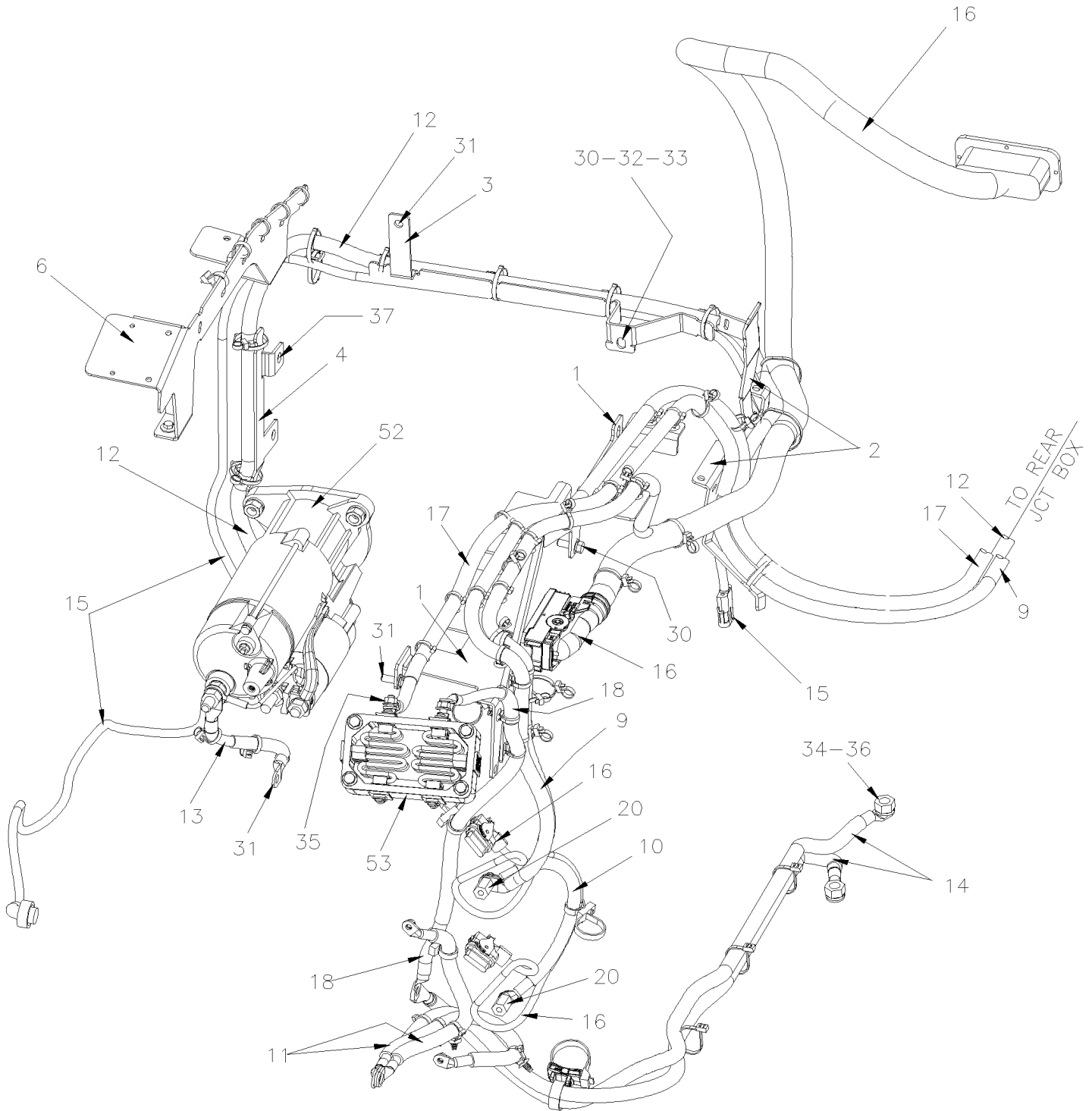


From B-5003 To D-5489

Date:10/2022

PAGE:XV-0100-06

ENGINE WIRING HARNESS - INSTALLATION WITH "VOLVO" ENGINE D-061103



WITH 2 ALTERNATOR 24V-120AMP
EPA 2010

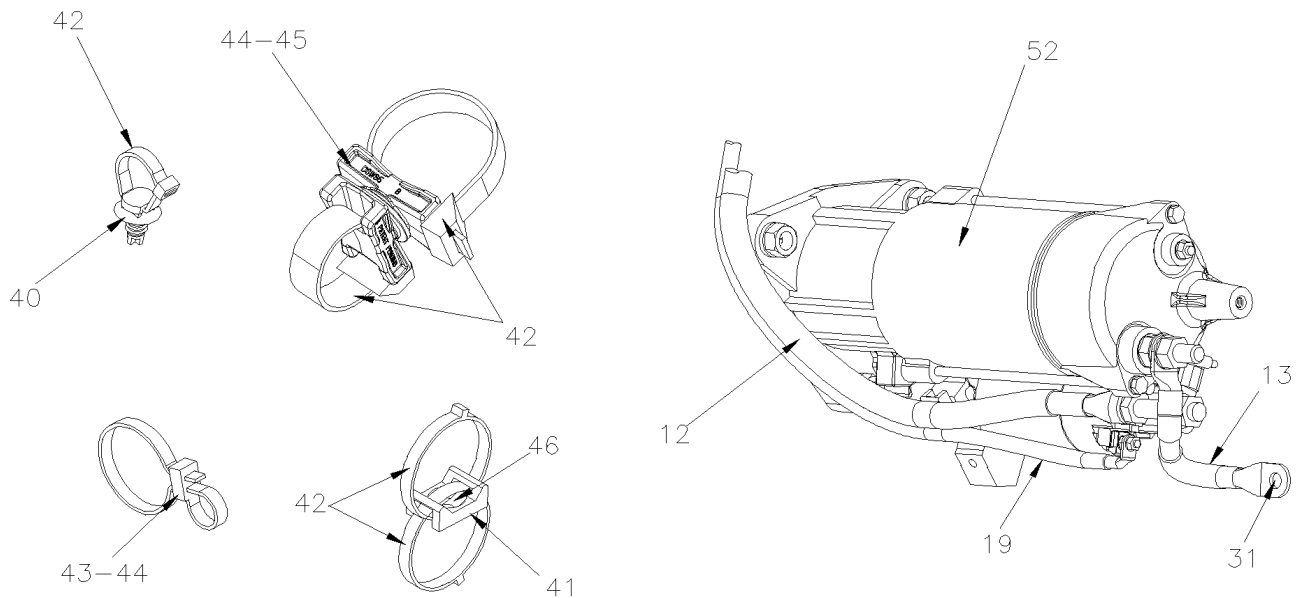
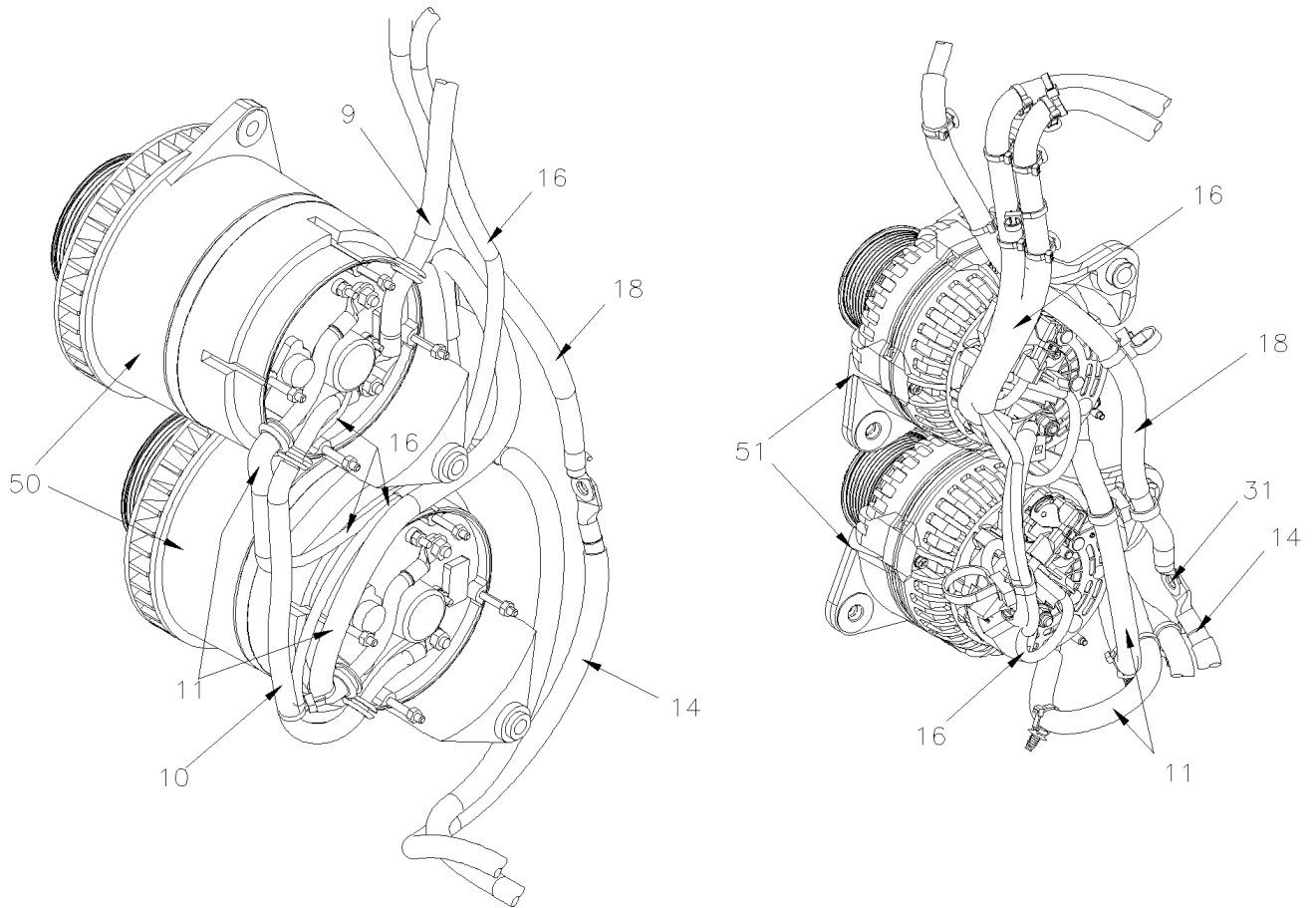


From B-5003 To D-5489

Date:10/2022

PAGE:XV-0100-06

ENGINE WIRING HARNESS - INSTALLATION WITH "VOLVO" ENGINE D-061103





| | | |
|--|--------------|-----------------|
| From B-5003 To D-5489 | Date:10/2022 | PAGE:XV-0100-06 |
| ENGINE WIRING HARNESS - INSTALLATION WITH "VOLVO" ENGINE D-061103 | | |

| Item# | Part | Description | X 3 V I P | X L I I E N T 4 5 | N O T E S |
|-------|---------|---|-----------------------|---|-----------------------|
| 1 | 012691 | SUPPORT CABLE To D-5458 | 1 | 1 | |
| 1 | 012798 | SUPPORT CABLE From D-5459 | 1 | 1 | |
| 2 | 012682 | SUPPORT CABLE COMPRESSOR | 1 | 1 | |
| 3 | 012689 | SUPPORT CABLE REAR ENGINE | 1 | 1 | |
| 4 | 012690 | SUPPORT CABLE STARTOR MOTOR | 1 | 1 | |
| 5 | 067206 | SUPPORT CABLE GROUND ALTERNATOR To D-5458 | 1 | 1 | |
| 5 | 068541 | SUPPORT CABLE GROUND ALTERNATOR From D-5459 | 1 | 1 | |
| 6 | 068102 | SUPPORT CABLE & FIRE HARNESS To D-5299 | 1 | 1 | A |
| 6 | 068552 | SUPPORT CABLE & FIRE HARNESS From D-5300 | 1 | 1 | A |
| 7 | 012523 | SUPPORT CABLE / NEAR LOWER ENGINE OIL FILTER ANGLE SS W/5 HOLES | 1 | 1 | |
| 9 | 068122 | CABLE ASSY W/ALTERNATOR # 102-2/0 | 1 | 1 | |
| 10 | 067835 | CABLE ALT POWER HARNESS W/VOLVO | 1 | 1 | |
| 11 | 067796 | CABLE ALTERNATOR GROUND BODY | 1 | 1 | |
| 12 | 067887 | CABLE ASSY SW24V TO STARTER | 1 | 1 | |
| 13 | 067086 | CABLE ASSY # 0C | 1 | 1 | |
| NS | 684013 | RUBBER PROTECTOR / COLOR GUARD 14.5oz | AR | AR | |
| 14 | 067203 | CABLE GROUND MOTOR TO BODY | 2 | 2 | |
| 15 | 067413 | CABLE ASSY / 110V BLOCK HEATER ENGINE SECTION To D-5380 | 1 | 1 | |
| NS | 068723 | CABLE ASSY / 110V BLOCK HEATER From D-5381 | 1 | 1 | |
| 16 | 067691 | CABLE ASSY / RR JCT & ENGINE To B-5088 | 1 | 1 | |
| 16 | 068407 | CABLE ASSY / RR JCT & ENGINE From B-5089 To C-5274 | 1 | 1 | |
| 16 | 068337 | CABLE ASSY / RR JCT & ENGINE From C-5275 To D-5458 | 1 | 1 | |
| 16 | 068700 | CABLE ASSY / RR JCT & ENGINE From D-5459 | 1 | 1 | |
| 16 | 067850 | CABLE ASSY / ECU & REAR JCT BOX / W/"VOLVO" | 1 | 1 | |
| NS | 067904 | CABLE ASSY / ALTERNATOR & CABLE To D-5458 | 1 | 1 | |
| . NS | 564469 | . CONNECTOR / MKR-PLUS / SH 5C / G&H 18241 000 000 To D-5458 | 1 | 1 | |
| . NS | 562479 | . CONNECTOR / DT SERIES / PH 4C / GRAY / DEUTSCH DT04-4P-C015 To D-5458 | 1 | 1 | |
| 16 | 068567 | CABLE ASSY / ALTERNATOR & CABLE From D-5459 | 1 | 1 | |
| NS | 067932 | CABLE ASSY / GROUND To D-5458 | 1 | 1 | |
| . NS | 562477 | . CONNECTOR / DT SERIES / SH 4C / GRAY / DEUTSCH DT06-4S To D-5458 | 1 | 1 | |
| . NS | 560083 | . RING TERMINAL .375 / 16-14 / INSULATED / AMP 160467-2 To D-5458 | 1 | 1 | |
| 16 | 068570 | CABLE ASSY / GROUND From D-5459 | 1 | 1 | |
| 16 | 068515 | EXTENSION / ALTERNATOR & COMPRESSOR From C-5275 To D-5458 | 1 | 1 | |
| 16 | 068568 | EXTENSION / ALTERNATOR & COMPRESSOR From D-5459 | 1 | 1 | |
| 17 | 067889 | CABLE HEATER ELEMENT RELAY | 1 | 1 | |
| 18 | 067102 | CABLE NEG HEATER ELEMENT | 1 | 1 | |
| 19 | 067328 | CABLE ASSY / STARTOR "MELCO" X3 W/D13 | 1 | 1 | |
| 20 | 564159 | ADAPTOR STUD M8 Male x M8 Female M8-1.25 x 18MM SS From A-9975 | 2 | 2 | |
| 30 | 507637 | SCREW CAP HEXF M8-1.25x20 G10.9 PHC | 8 | 8 | |
| 31 | 5001780 | SCREW CAP HEXF M8-1.25x16 G8.8 N500 | 4 | 4 | |
| 32 | 5001751 | WASHER FL 10.5x26.0x2.0 N500 | 4 | 4 | |



| | | |
|--|--------------|-----------------|
| From B-5003 To D-5489 | Date:10/2022 | PAGE:XV-0100-06 |
| ENGINE WIRING HARNESS - INSTALLATION WITH "VOLVO" ENGINE D-061103 | | |

| Item# | Part | Description | X 3 V I P | X L I I E N T 4 5 | N O T E S |
|-------|-------------------|--|-----------------------|---|-----------------------|
| 33 | 5001737 | WASHER LO SPT 10.2x18.1x2.2 N500 | 4 | 4 | |
| 34 | 502595 | NUT HEX NYRT 1/2-13 Z050 | 2 | 2 | |
| 35 | 500615 | NUT HEX M8-1.25 BR | 2 | 2 | |
| 35 | 5001736 | WASHER FL 8.4x18.0x2.0 N500 | 2 | 2 | |
| 36 | 500958 | WASHER FL .531x1.062x.095 SS | 2 | 2 | |
| 37 | 5001755 | SCREW CAP HEX M12-1.75x30 G8.8 N500 | 2 | 2 | |
| 38 | 5001786 | SCREW CAP HEXF M12-1.75x30 G8.8 N500 | 2 | 2 | |
| 40 | 509815 | TIE MOUNT / ATTACHMENT W/TREE MOUNT | AR | AR | |
| 41 | 504013 | TIE MOUNT / 1/4" X 1/4" I.D. | AR | AR | |
| 42 | 504637 | CABLE TIE / 3/16" x 13" | AR | AR | |
| 42 | 504016 | CABLE TIE / 5/16" X 14"1/2 | AR | AR | |
| 42 | 509491 | CABLE TIE / 13MM x 383MM | AR | AR | |
| 43 | 507664 | CABLE TIE / 3/16" 11" / DOUBLE LOOP HEAD | AR | AR | |
| 44 | 507665 | CABLE TIE / 1/2" X 20" / TRIPPLE LOOP HEAD | AR | AR | |
| 45 | 504752 | ROTATIF SPACER DOUBLE / LARGE | AR | AR | |
| 46 | 502817 | SCREW MA PAN PH M6-1.0x16 N500 | 1 | 1 | |
| 50 | XV-0605-00 | ALTERNATOR 24V/120 AMPS / "BOSCH" | | | |
| 52 | XV-0100-10 | STARTER - INSTALLATION | | | |
| 53 | Refer To Volvo | AIR INTAKE PRE HEATER ASSY | 1 | 1 | V |
| | | | | | |
| | | | | | |
| | | | | | |
| | | | | | |
| | | A) AS SHOWN | | | |
| | | V) SEE IMPACT OR CALL ORDER DESK | | | |

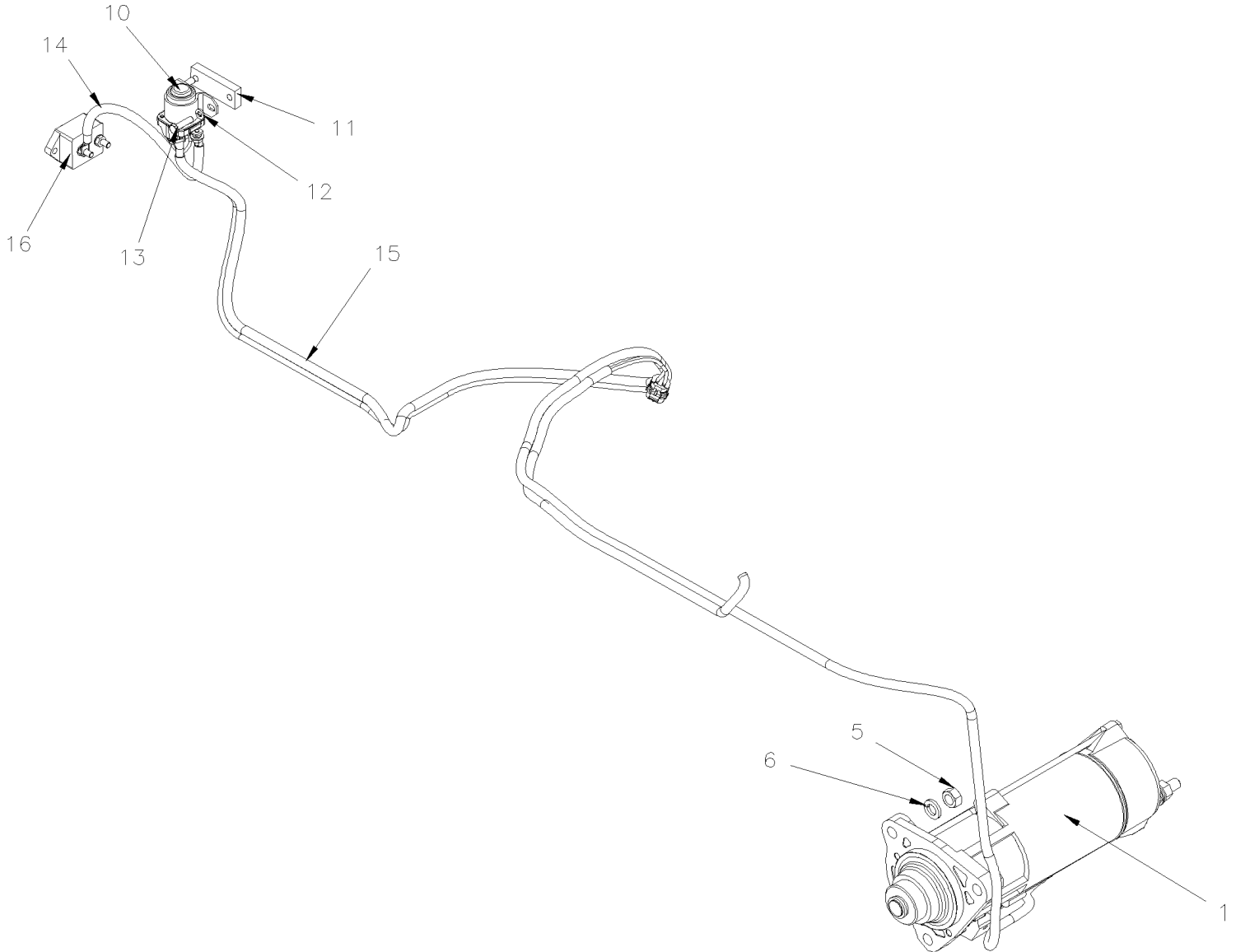


From B-5003 To D-5489

Date:10/2022

PAGE:XV-0100-10

STARTER - INSTALLATION





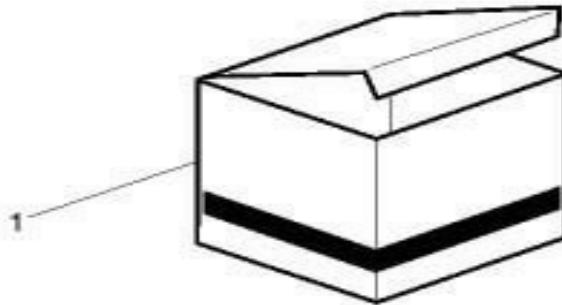
| | | |
|-----------------------|--------------|-----------------|
| From B-5003 To D-5489 | Date:10/2022 | PAGE:XV-0100-10 |
|-----------------------|--------------|-----------------|

STARTER - INSTALLATION

| Item# | Part | Description | X 3 V I P | X L I I E N T 4 5 | N O T E S |
|-------|----------|---|-----------------------|---|-----------------------|
| 1 | 21212425 | VOLVO STARTER 24V, MELCO WITHOUT RELAY TB-129577391-1 | 1 | 1 | D13 |
| 5 | 971072 | NUT HEX M12-1.75 ZG603 | 3 | 3 | D13 |
| 6 | 500482 | WASHER LO SPT .506x.873x.125 Z050 | 3 | 3 | D13 |
| 10 | 564095 | SMALL STARTOR RELAY | 1 | 1 | |
| 11 | 067335 | SPACER / PLASTIC / RELAY / STARTOR MELCO | 1 | 1 | |
| 12 | 502570 | WASHER LO SPT 6.1x11.8x1.6 SS | 1 | 1 | |
| 12 | 5001182 | NUT HEX NYRT M6-1.0 SS | 1 | 1 | |
| 13 | 502568 | SCREW MA PAN PH M6-1.0x20 EMN | 1 | 1 | |
| 14 | 067390 | CABLE ASSY / RELAY & BREAKER | 1 | 1 | |
| 15 | 067885 | CABLE EXTENTION ASSY / STARTER W/D13 | 1 | 1 | D13 |
| 15 | 502817 | SCREW MA PAN PH M6-1.0x16 N500 | 1 | 1 | |
| 15 | 504013 | TIE MOUNT / 1/4" X 1/4" I.D. | 1 | 1 | |
| 15 | 504637 | CABLE TIE / 3/16" x 13" | 1 | 1 | |
| 16 | 562683 | BREAKER 90AMPS / 24V / | 1 | 1 | |
| 16 | 565137 | BREAKER 90AMPS / 24V / W/O HARDWARE | 1 | 1 | |
| 16 | 5001924 | NUT HEX NYRT THN 1/4-28 SS | 2 | 2 | |
| 16 | 502573 | WASHER FL 6.4x12.5x1.6 SS | 2 | 2 | |
| | | | | | |
| | | | | | |
| | | | | | |
| | | D13) WITH VOLVO ENGINE D13 | | | |



| | | | |
|---|--|--------------|---------------|
| From B-5003 To D-5489 | | Date:10/2022 | PAGE:21212425 |
| VOLVO STARTER 24V, MELCO WITHOUT RELAY TB-129577391-1 | | | |





| | | |
|--|--------------|---------------|
| From B-5003 To D-5489 | Date:10/2022 | PAGE:21212425 |
| VOLVO STARTER 24V, MELCO WITHOUT RELAY TB-129577391-1 | | |

| Item# | Part | Description | X 3 V I P | X L I E N T 4 5 | N O T E S |
|-------|----------|-------------|-----------------------|--------------------------------------|-----------------------|
| 1 | 85125992 | KIT | 1 | 1 | |
| | | | | | |
| | | | | | |
| | | | | | |

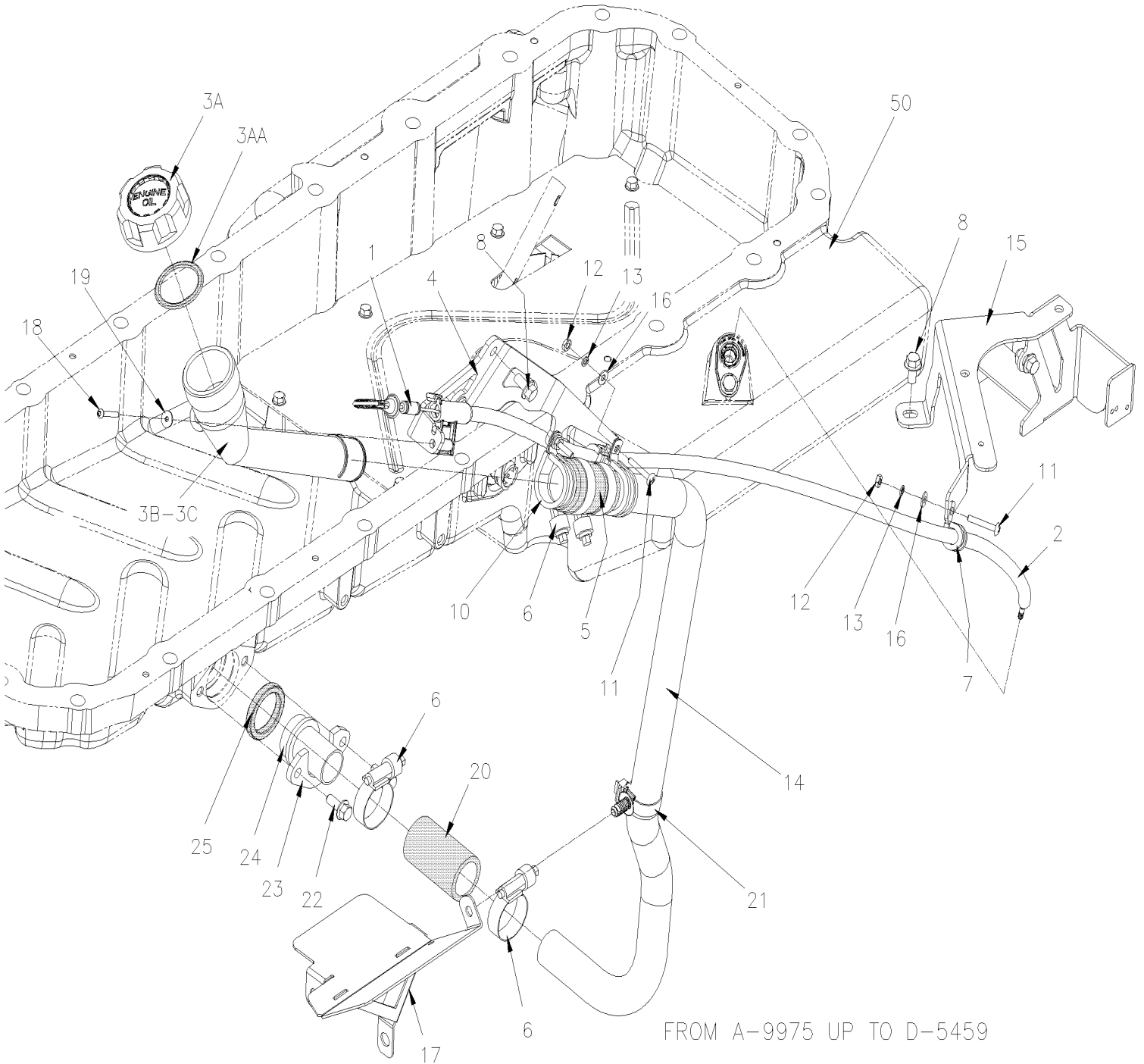


From B-5003 To D-5489

Date:10/2022

PAGE:XV-0105-05

ENGINE OIL FILLER CAP & DIPSTICK WITH VOLVO D13



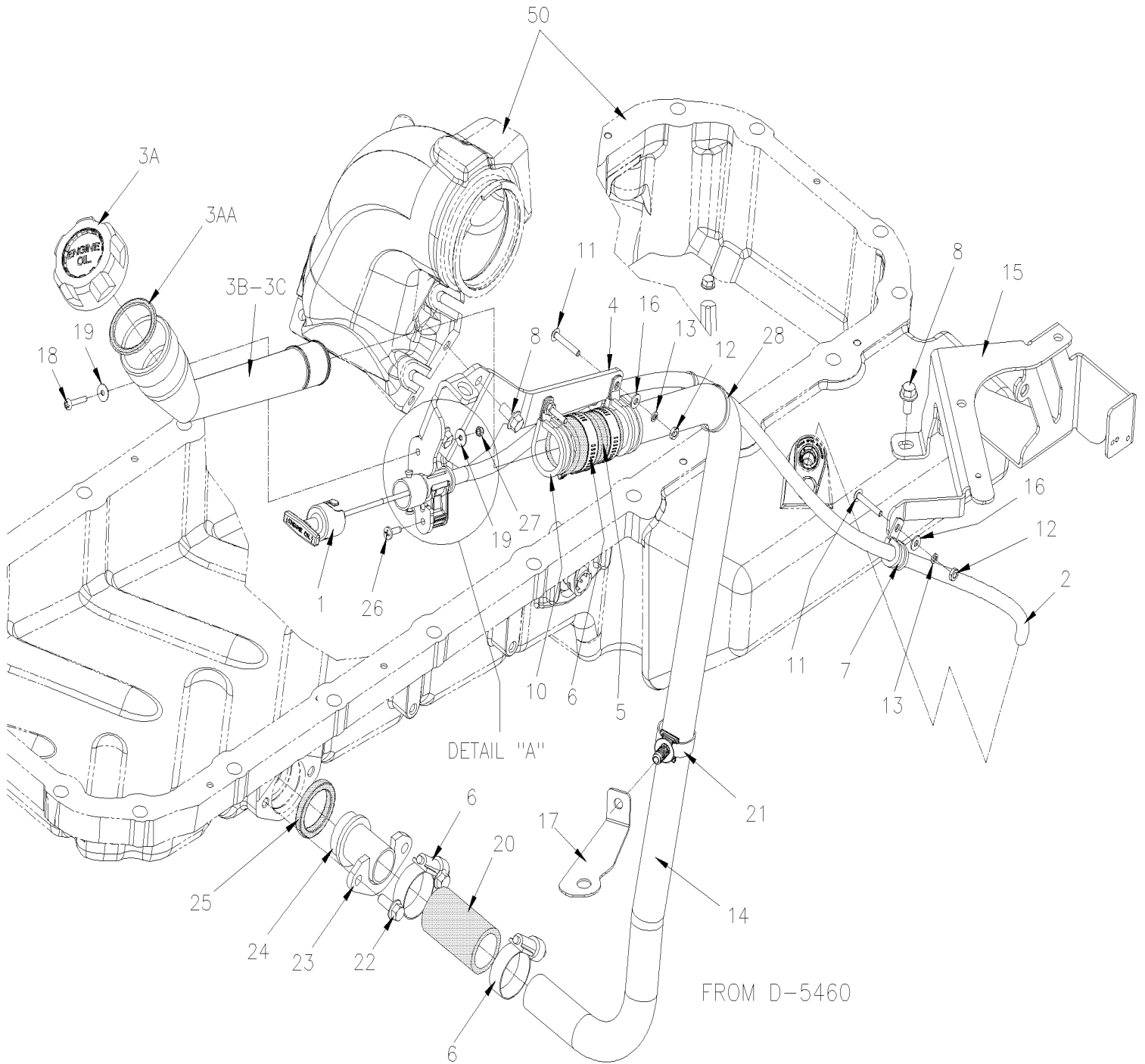


From B-5003 To D-5489

Date:10/2022

PAGE:XV-0105-05

ENGINE OIL FILLER CAP & DIPSTICK WITH VOLVO D13





From B-5003 To D-5489 Date:10/2022 PAGE:XV-0105-05

ENGINE OIL FILLER CAP & DIPSTICK WITH VOLVO D13

| Item# | Part | Description | X 3 V I P | X L I I E N T 4 5 | N O T E S |
|-------|-----------------|---|-----------------------|---|-----------------------|
| 1 | 012565 | DIPSTICK ASSY / ENGINE OIL / W/D13 1360MM To C-5132 | 1 | 1 | B |
| 1 | 012714 | DIPSTICK ASSY / ENGINE OIL / W/D13 1350MM From C-5133 To D-5404 | 1 | 1 | |
| 1 | 012801 | DIPSTICK ASSY / TUBE AND DIPSTICK From D-5405 To D-5459 | 1 | 1 | |
| 1 | 012800 | . DIPSTICK ASSY / ENGINE OIL / W/D13 1374MM From D-5405 To D-5459 | 1 | 1 | |
| 1 | 015998 | DIPSTICK & TUBE ASSY From D-5460 | 1 | 1 | |
| 1 | 015997 | . DIPSTICK ASSY / ENGINE OIL / W/D13 1362MM From D-5460 | 1 | 1 | |
| 1 | 012801 | DIPSTICK ASSY / TUBE AND DIPSTICK To D-5404 | 1 | 1 | S |
| 1 | 012800 | . DIPSTICK ASSY / ENGINE OIL / W/D13 1374MM To D-5404 | 1 | 1 | S |
| 2 | 012542 | TUBE OIL DIPSTICK W/D13 1270MM To D-5404 | 1 | 1 | B |
| 2 | 012799 | . TUBE OIL DIPSTICK W/D13 1290MM From D-5405 To D-5459 | 1 | 1 | |
| 2 | 015996 | . TUBE OIL DIPSTICK W/D13 1276MM From D-5460 | 1 | 1 | |
| 2 | 012799 | . TUBE OIL DIPSTICK W/D13 1290MM To D-5404 | 1 | 1 | S |
| 2 | 5001750 | WASHER FL 4.3x14.0x1.0 N500 To D-5404 | 1 | 1 | S |
| 2 | 5001793 | SCREW TP M4.2 x 30 N500 To D-5404 | 1 | 1 | S |
| 3 | 20808092 | OIL FILLER NECK | 1 | 1 | |
| . A | 20807510 | . OIL CAP / WITH GASKET | 1 | 1 | |
| . . A | 20365079 | . . GASKET OIL CAP | 1 | 1 | |
| . B | 8149891 | . OIL NECK / PIPE FILLER | 1 | 1 | |
| . C | 943361 | . SPACER WASHER 6.5 X 12 X 4 | 1 | 1 | |
| 3 | 22281824 | OIL FILLER NECK TB-133887958-1 | 1 | 1 | |
| . A | 20807510 | . OIL CAP / WITH GASKET | 1 | 1 | |
| . . A | 20365079 | . . GASKET OIL CAP | 1 | 1 | |
| . B | 22281825 | . OIL NECK / PIPE FILLER | 1 | 1 | |
| . C | 943361 | . SPACER WASHER 6.5 X 12 X 4 | 1 | 1 | |
| . NS | 8149895 | . SUPPORT RING | 1 | 1 | |
| 4 | 012634 | SUPPORT DIPSTICK & FILLER NECK | 1 | 1 | |
| 5 | 3034195 | RACCORD COUPLING | 1 | 1 | |
| 6 | 504657 | HOSE CLAMP / 1"1/16-2" C.T. 9424 To D-5404 | 3 | 3 | |
| 6 | 504783 | HOSE CLAMP / 1"1/16-2" SS / C.T. W.S. From D-5405 | 3 | 3 | |
| 7 | 952627 | CLAMP / 1/2" I.D. | 2 | 2 | |
| 8 | 5001780 | SCREW CAP HEXF M8-1.25x16 G8.8 N500 | 2 | 2 | |
| 8 | 680038 | THREAD LOCKER LOCTITE #243 / BLUE / 50ml | AR | AR | |
| 10 | 952639 | CLAMP / 1"1/4 I.D. | 4 | 4 | |
| 11 | 500574 | SCREW MA TR PH #10-24x1 1/4 SS | 5 | 5 | |
| 12 | 502882 | NUT HEX #10-24 N500 | 5 | 5 | |
| 13 | 500914 | WASHER LO SPT .193x.334x.047 N500 | 5 | 5 | |
| 14 | 012126 | OIL FILLER TUBE To D-5459 | 1 | 1 | |
| 14 | 015991 | OIL FILLER TUBE From D-5460 | 1 | 1 | |
| 14 | 010068 | OIL FILLER TUBE STAINLESS STEEL From D-5460 | 1 | 1 | |
| 15 | 032911 | SUPPORT FUEL LINE To B-5074 | 1 | 1 | |
| 15 | 033185 | SUPPORT FUEL LINE From B-5075 | 1 | 1 | |
| 16 | 500804 | WASHER FL .203x.500x.047 N500 | 4 | 4 | |



| | | |
|--|---------------------|------------------------|
| From B-5003 To D-5489 | Date:10/2022 | PAGE:XV-0105-05 |
| ENGINE OIL FILLER CAP & DIPSTICK WITH VOLVO D13 | | |

| Item# | Part | Description | X 3 V I P | X L I E N T 4 5 | N O T E S |
|-------|----------------|--|-----------------------|--------------------------------------|-----------------------|
| 17 | 067854 | PROTECTION PLATE ASSY W/"VOLVO" ENGINE To D-5459 | 1 | 1 | |
| 17 | 015993 | SUPPORT DIPSTICK From D-5460 | 1 | 1 | |
| 18 | 5001793 | SCREW TP M4.2 x 30 N500 To D-5459 | 1 | 1 | |
| 18 | 502677 | SCREW MA RND PH M4-0.7x25 SS From D-5460 | 1 | 1 | |
| 19 | 5001750 | WASHER FL 4.3x14.0x1.0 N500 To D-5459 | 1 | 1 | |
| 19 | 5001750 | WASHER FL 4.3x14.0x1.0 N500 From D-5460 | 2 | 2 | |
| 20 | 1136335 | HOSE 31.75MM I.D. x 70MM | 1 | 1 | |
| 21 | 980132 | HOSE CLAMP | 1 | 1 | |
| 22 | 946173 | SCREW CAP HEXF M8-1.25x20 | 2 | 2 | |
| 23 | 469950 | FLANGE | 1 | 1 | |
| 24 | 70329332 | INLET PIPE | 1 | 1 | |
| 25 | 20555696 | SEALING RING | 1 | 1 | |
| 26 | 500414 | SCREW TP BDG PH #10x3/4 SS From D-5460 | 1 | 1 | |
| 27 | 500539 | NUT HEX NYRT M4-0.7 N500 From D-5460 | 1 | 1 | |
| 28 | 507664 | CABLE TIE / 3/16" 11" / DOUBLE LOOP HEAD From D-5460 | 1 | 1 | |
| | | NEXT 5 ITEMS TO FIX OIL CAP | | | |
| NS | 510973 | CABLE SS 3/64" DIA. ASSY W/LOOP 8" LG x W/1" LOOP | 1 | 1 | |
| NS | 502861 | SCREW SHR HEXS 5/16x3/8 {1/4-20 N500 | 1 | 1 | |
| NS | 502638 | WASHER FL .312x.734x.065 N500 | 1 | 1 | |
| NS | 5001352 | NUT HEX NYRT 1/4-20 SS | 1 | 1 | |
| NS | 5001008 | WASHER FL .218x.437x.062 RUB BK | 1 | 1 | |
| 50 | Refer To Volvo | SEE IMPACT OR CALL ORDER DESK | | | V |
| | | B) WHEN YOU REPLACE THE DIPSTICK USE #012801 | | | |
| | | S) USE ONLY WITH EPA 2010 | | | |
| | | V) SEE IMPACT OR CALL ORDER DESK | | | |

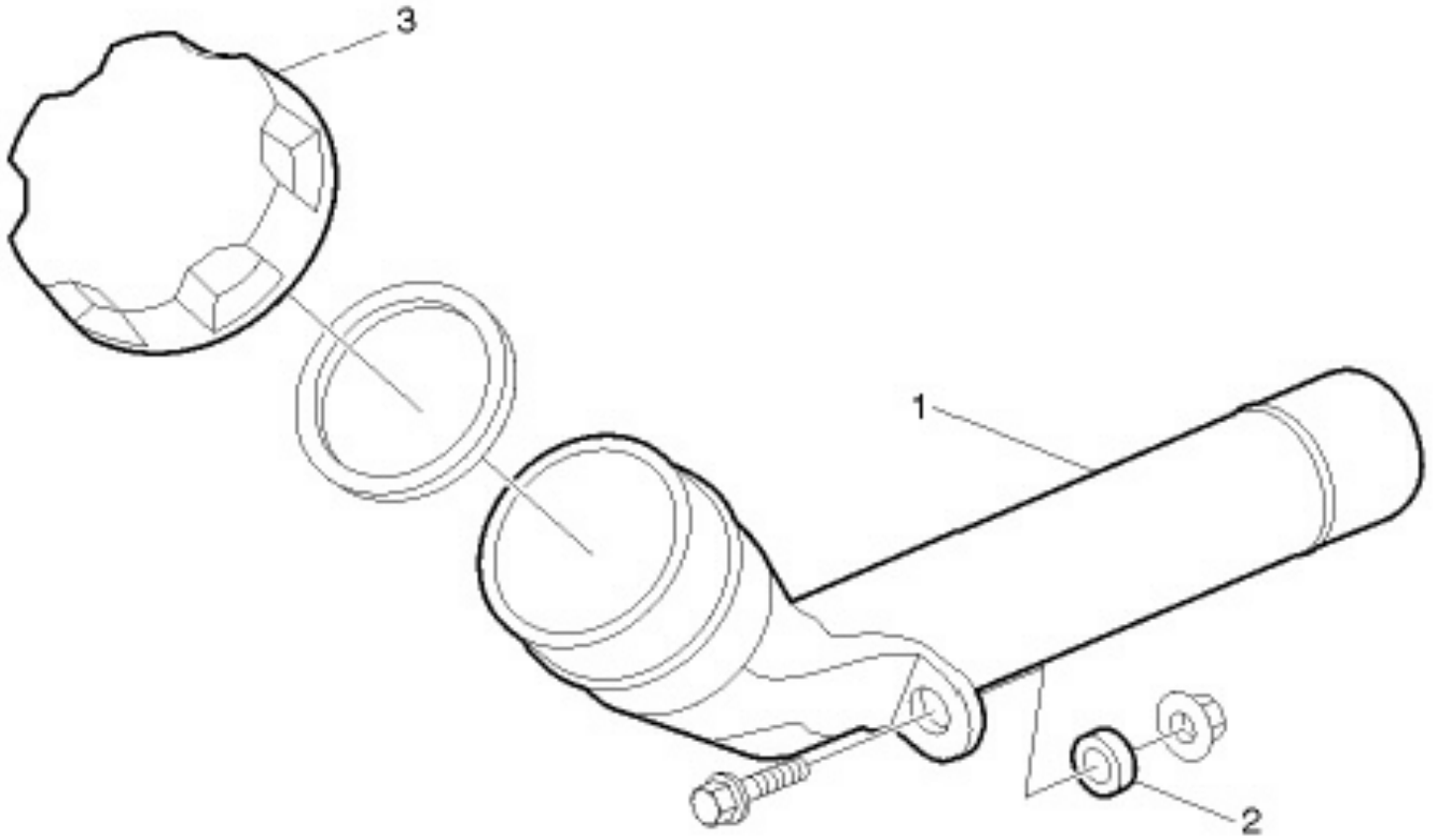


From B-5003 To D-5489

Date:10/2022

PAGE:22281824

OIL FILLER NECK TB-133887958-1





| | | |
|---------------------------------------|--------------|---------------|
| From B-5003 To D-5489 | Date:10/2022 | PAGE:22281824 |
| OIL FILLER NECK TB-133887958-1 | | |

| Item# | Part | Description | X 3 V I P | X L I I E N T 4 5 | N O T E S |
|-------|-----------------|------------------------------|-----------------------|---|-----------------------|
| 1 | 22281825 | OIL NECK / PIPE FILLER | 1 | 1 | |
| 2 | 60112502 | SPACER WASHER | 1 | 1 | |
| 3 | 20807510 | OIL CAP / WITH GASKET | 1 | 1 | |
| .A | 20365079 | . GASKET OIL CAP | 1 | 1 | |
| | | | | | |
| | | | | | |
| | | | | | |

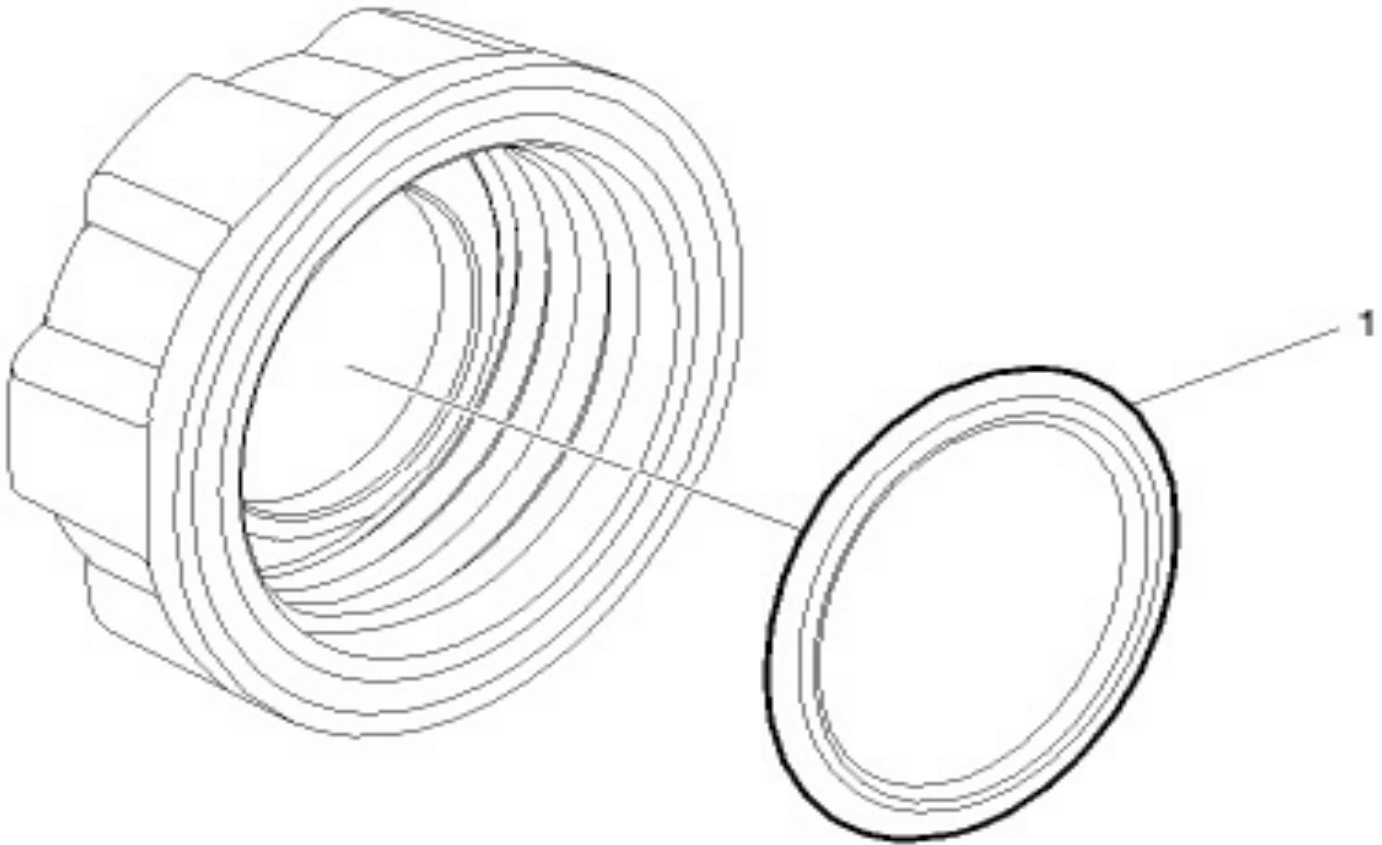


From B-5003 To D-5489

Date:10/2022

PAGE:20807510

OIL CAP / WITH GASKET





| | | |
|-----------------------|--------------|---------------|
| From B-5003 To D-5489 | Date:10/2022 | PAGE:20807510 |
|-----------------------|--------------|---------------|

OIL CAP / WITH GASKET

| Item# | Part | Description | X 3 V I P | X L I I E N T 4 5 | N O T E S |
|-------|----------|----------------|-----------------------|---|-----------------------|
| 1 | 20365079 | GASKET OIL CAP | 1 | 1 | |
| | | | | | |
| | | | | | |
| | | | | | |

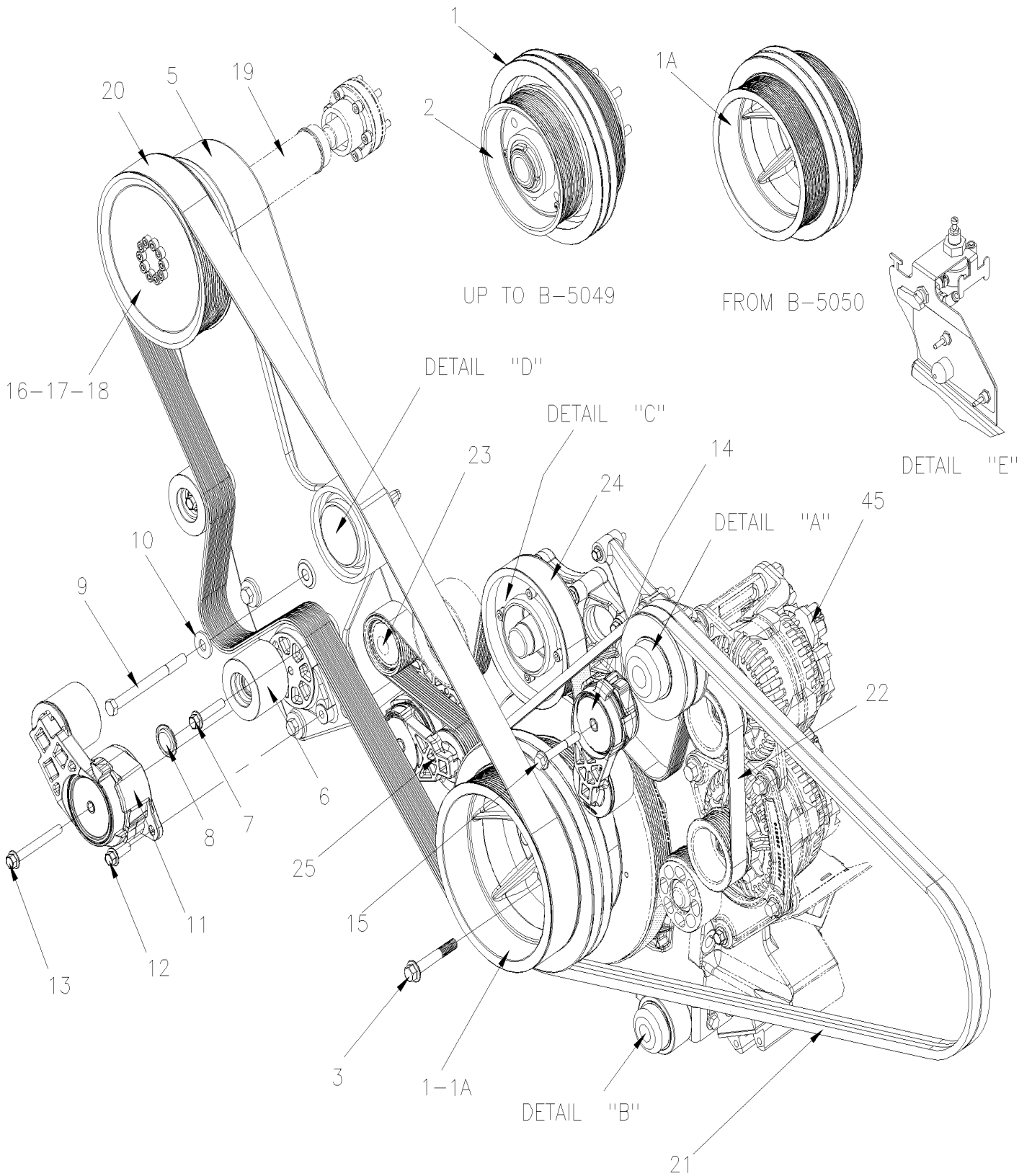


From B-5003 To D-5458

Date:10/2022

PAGE:XV-0120-00

DRIVE PULLEY, BELTS & TENSIONER WITH VOLVO D13 & 2x120Amps EPA2010



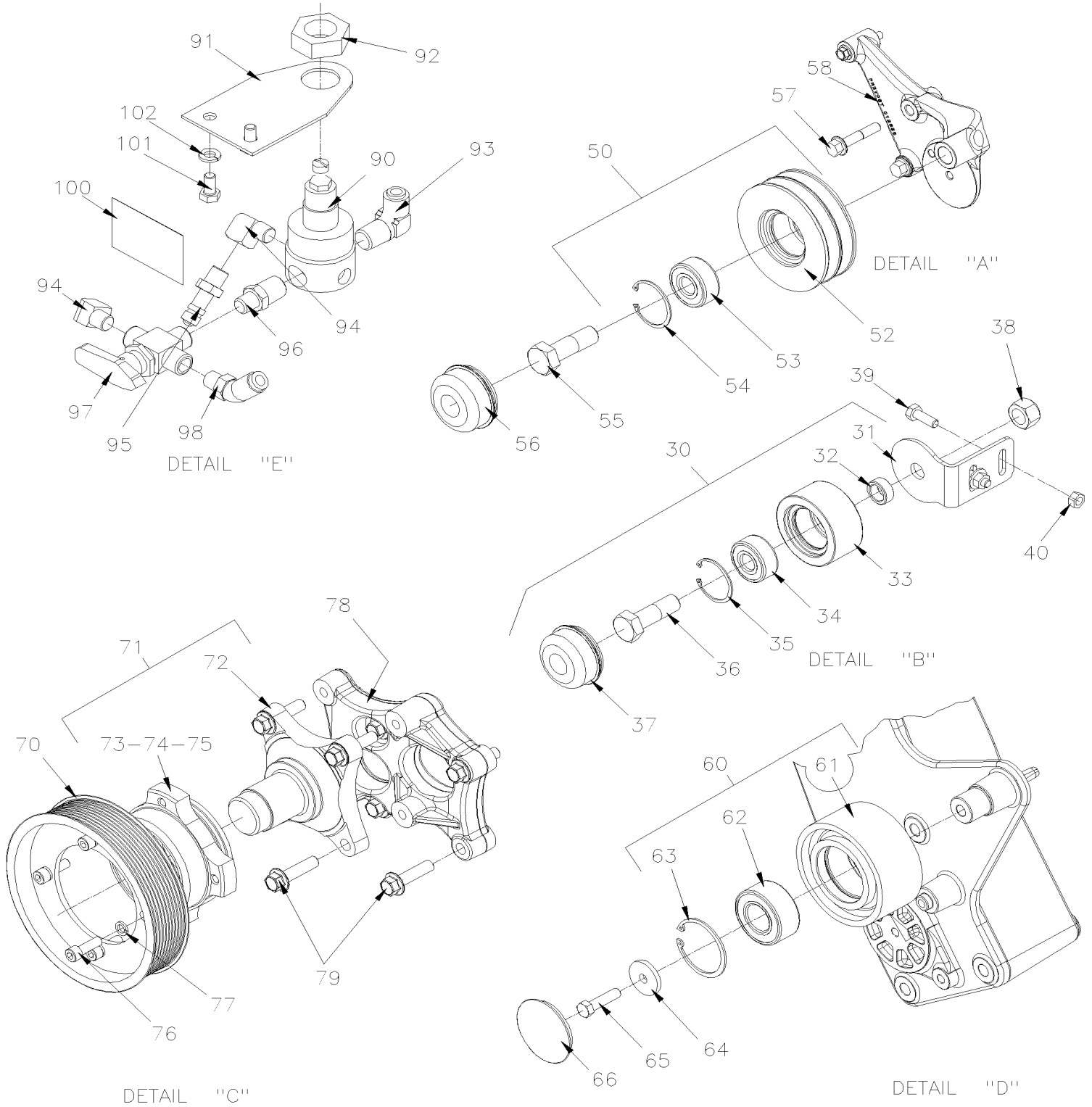


From B-5003 To D-5458

Date:10/2022

PAGE:XV-0120-00

DRIVE PULLEY, BELTS & TENSIONER WITH VOLVO D13 & 2x120Amps EPA2010





| | | |
|---|--------------|-----------------|
| From B-5003 To D-5458 | Date:10/2022 | PAGE:XV-0120-00 |
| DRIVE PULLEY, BELTS & TENSIONER WITH VOLVO D13 & 2x120Amps EPA2010 | | |

| Item# | Part | Description | X 3 V I P | X L I E N T 4 5 | N O T E S |
|--------|-------------------|--|-----------------------|--------------------------------------|-----------------------|
| 1 | 21264333 | PULLEY DRIVE 279MM x 2V & 219MM x 10RIB To B-5049 | 1 | 1 | |
| NS | 5001673 | SCREW CAP HEXF M12-1.75x50 G8.8 MAGNI 565 | 6 | 6 | |
| 1A | 21655859 | PULLEY DRIVE 279MM x 2V & 219MM x 10RIB & 14 RIB From B-5050 | 1 | 1 | |
| 2 | 550963 | PULLEY DAMPER 201MM O.D. / W/14 RIB To B-5049 | 1 | 1 | |
| . NS | 550951 | . KIT, DAMPER BUSHING To B-5049 | 1 | 1 | |
| . . NS | N.S.S. | . . RUBBER DAMPER BUSHING To B-5049 | 6 | 6 | 1 |
| . . NS | N.S.S. | . . SCREW CAP HEXS To B-5049 | 6 | 6 | 1 |
| . . NS | N.S.S. | . . SCREW CAP BUT TORX To B-5049 | 3 | 3 | 1 |
| 2 | 550982 | PULLEY 201MM O.D. / W/14 RIB ALTERNATIVE PART To B-5049 | 1 | 1 | |
| 3 | 5001661 | SCREW CAP HEXS M8-1.25x35 G10.9 AD MAGNI 565 To B-5049 | 6 | 6 | |
| 3 | 5001296 | SCREW CAP HEXF M12-1.75x80 G10.9 N500 From B-5050 | 6 | 6 | |
| NS | 680038 | THREAD LOCKER LOCTITE #243 / BLUE / 50ml | AR | AR | |
| 5 | 20966630 | LONG FAN ARM SUPPORT | 1 | 1 | |
| 6 | 550922 | PULLEY ASSY W/BEARING 74MM O.D. x 57MM To D-5435 | 2 | 2 | |
| 6 | 550985 | PULLEY ASSY W/BEARING 74MM O.D. x 57MM CROWNED/DOME From D-5436 | 2 | 2 | |
| 6 | 053022 | GUIDE, BUSHING From D-5436 | 2 | 2 | |
| 7 | 5001843 | SCREW CAP HEXF AD M10-1.5x50 G10.9 N500 | 3 | 3 | |
| 8 | 550924 | PROTECTOR CAP / STEEL 40.7MM O.D. x 5MM To D-5435 | 1 | 1 | |
| 8 | 557056 | PROTECTOR CAP / STEEL 40.7MM O.D. x 11MM From D-5436 | 1 | 1 | |
| 9 | 973967 | SCREW CAP HEX M12-1.75x140 G8.8 MAGNI 565 | 4 | 4 | |
| 10 | 500211 | WASHER FL .531x1.250x.125 N500 | 4 | 4 | |
| 11 | 550925 | AUTOMATIC TENSIONER ASSY | 1 | 1 | |
| . NS | 010032 | . TOOL KEY 1 1/2" / TENSIONER RELEASE | 1 | 1 | |
| 12 | 5001644 | SCREW CAP HEXF M10-1.5x30 G8.8 G500 | 1 | 1 | |
| 13 | 965189 | SCREW CAP HEXF M10-1.5x90 G8.8 ZG603 | 1 | 1 | |
| 14 | 510991 | AUTOMATIC TENSIONER ASSY | 1 | 1 | |
| 15 | 5001802 | SCREW CAP HEXF M10-1.5x80 G10.9 N500 To B-5035 | 1 | 1 | |
| 15 | 5001799 | SCREW CAP HEXF M10-1.5x70 G10.9 N500 From B-5036 | 1 | 1 | |
| 16 | 550961 | PULLEY ASSY / FAN DRIVE 212MM O.D. W/14 RIB | 1 | 1 | |
| . NS | 550983 | . BEARING | 1 | 1 | |
| . NS | 551021 | . SCREW CAP HEXS M8-1.25 x 30 | 10 | 10 | |
| 16 | 550981 | PULLEY ASSY / FAN DRIVE 212MM O.D. W/14 RIB ALTERNATIVE PART | 1 | 1 | |
| . NS | 551020 | . BEARING | 1 | 1 | |
| . NS | 551021 | . SCREW CAP HEXS M8-1.25 x 30 | 10 | 10 | |
| . NS | 551022 | . RETAINING RING | 1 | 1 | |
| 17 | 5001738 | SCREW CAP HEX M8-1.25x30 G8.8 N500 | 6 | 6 | |
| 18 | 5001161 | WASHER LO SPT 8.1x14.8x2.0 SS-304 | 6 | 6 | |
| 19 | XV-0520-00 | FAN DRIVE - INSTALLATION To B-5049 | | | |
| 19 | XV-0520-01 | FAN DRIVE - INSTALLATION From B-5050 | | | |
| 20 | 5060108 | MULTI V-BELT / 14 RIB 99.44" (2526) 14PK2526 QT (21-2111) To B-5049 | 1 | 1 | |
| 20 | 5060105 | MULTI V-BELT / 14 RIB 99.44" (2526) 14PK2526 QT + SD (21-2117) To B-5049 | 1 | 1 | H |
| 20 | 5061284 | MULTI V-BELT / 14 RIB 100.98" (2565MM) 14PK2565 QT From B-5050 | 1 | 1 | |



| | | |
|---|--------------|-----------------|
| From B-5003 To D-5458 | Date:10/2022 | PAGE:XV-0120-00 |
| DRIVE PULLEY, BELTS & TENSIONER WITH VOLVO D13 & 2x120Amps EPA2010 | | |

| Item# | Part | Description | X 3 V I P | X L I I E N T 4 5 | N O T E S |
|-------|-------------------|---|-----------------------|---|-----------------------|
| 20 | 5060119 | MULTI V-BELT / 14 RIB 100.98" (2565MM) 14PK2565 QT + SD From B-5050 | 1 | 1 | |
| 21 | 5060086 | V-BELT / BX-96 / SET OF 2 9013-2096 / A/C COMPR | 1 | 1 | |
| 21 | 5060121 | SUPER V-BELT / 2B-96 | 1 | 1 | |
| 22 | 5061278 | MULTI V-BELT / 8 RIB 63" (1600) 8PK1600 | 1 | 1 | |
| 22 | 506188 | MULTI V-BELT / 8 RIB 63" (1600) 8PK1600 QT + ARAMIDE | 1 | 1 | |
| 22 | 5061279 | MULTI V-BELT / 8 RIB 60" (1524) 5080600 | 1 | 1 | |
| 22 | 5060113 | MULTI V-BELT / 8 RIB 60" (1524) 8PK1524 QT (21-2116) | 1 | 1 | C |
| 22 | 506114 | MULTI V-BELT / 8 RIB 60" (1524) 8PK1524 QT +ARAMIDE | 1 | 1 | C |
| 23 | Refer To Volvo | PULLEY IDLER | 1 | 1 | V |
| 24 | 20712534 | MULTI V-BELT / 10 RIB 59.5" (1512MM) 10PK1512 | 1 | 1 | |
| 24 | 5060110 | MULTI V-BELT / 10 RIB 59.5" (1512MM) 10PK1512 QT (21-2112) | 1 | 1 | |
| 24 | 5060104 | MULTI V-BELT / 10 RIB 59.5" (1512MM) 10PK1512 QT + SD (21-2112) | 1 | 1 | H |
| 25 | 510991 | AUTOMATIC TENSIONER ASSY | 1 | 1 | |
| NS | 012695 | SUPPORT ADAPTOR AUTOMTIC TENSIONER ASSY W/DOWEL / WATER PUMP | 1 | 1 | |
| . NS | 502941 | . DOWEL PIN | 2 | 2 | |
| NS | 5001620 | SCREW CAP HEXS M10-1.5X35 G10.9 G500 | 1 | 1 | |
| NS | 5001799 | SCREW CAP HEXF M10-1.5x70 G10.9 N500 | 1 | 1 | |
| 30 | 457506 | PULLEY, LOOSE ASM To D-5297 | 1 | 1 | |
| 30 | 457510 | PULLEY, LOOSE ASM From D-5298 | 1 | 1 | |
| 31 | 457507 | . SUPPORT, LOOSE PULLEY To D-5297 | 1 | 1 | |
| 31 | 457511 | . SUPPORT, LOOSE PULLEY From D-5298 | 1 | 1 | |
| 32 | 052205 | . SPACER 20MM I.D. X 12.5MM TH | 1 | 1 | |
| 33 | 453834 | . PULLEY / 45MM x 90MM O.D. | 1 | 1 | |
| 34 | 507340 | . BALL BEARING 20 ID x 52 OD x 22.2 W | 1 | 1 | E |
| 34 | 507014 | . BALL BEARING 20 ID x 52 OD x 22.2 W | 1 | 1 | |
| 35 | 504095 | . RING RETAINER / INT 2.00 x 2.12 x .062 | 1 | 1 | |
| 36 | 453835 | . SCREW CAP HEX M20-2.5x65 | 1 | 1 | |
| 37 | 453076 | . CAP, DUST | 1 | 1 | |
| 38 | 5001252 | . NUT HEX STO M20-2.5 DP | 1 | 1 | |
| 39 | 5001741 | SCREW CAP HEXF M10-1.5x30 G8.8 N500 | 2 | 2 | |
| 40 | 5001727 | NUT HEXF NYRT M10-1.5 N500 | 2 | 2 | |
| 45 | XV-0605-00 | ALTERNATOR 24V/120 AMPS / "BOSCH" | | | |
| 45 | XV-0610-00 | ALTERNATOR MOUNTING / "BOSCH" 2X120AMPS VOLVO D13 | | | |
| 50 | 454500 | PULLEY ASSY W/BEARING | 1 | 1 | |
| 52 | 454182 | . PULLEY / 5" O.D. X 2V | 1 | 1 | |
| 53 | 507340 | . BALL BEARING 20 ID x 52 OD x 22.2 W | 1 | 1 | E |
| 53 | 507014 | . BALL BEARING 20 ID x 52 OD x 22.2 W | 1 | 1 | |
| 54 | 504095 | . RING RETAINER / INT 2.00 x 2.12 x .062 | 1 | 1 | |
| 55 | 453835 | SCREW CAP HEX M20-2.5x65 | 1 | 1 | |
| 56 | 453076 | CAP, DUST | 1 | 1 | |



| | | |
|---|--------------|-----------------|
| From B-5003 To D-5458 | Date:10/2022 | PAGE:XV-0120-00 |
| DRIVE PULLEY, BELTS & TENSIONER WITH VOLVO D13 & 2x120Amps EPA2010 | | |

| Item# | Part | Description | X 3 V I P | X L I I E N T 4 5 | N O T E S |
|-------|----------|---|-----------------------|---|-----------------------|
| 57 | 5001801 | SCREW CAP HEXF M10-1.5x55 G10.9 N500 | 2 | 2 | |
| 57 | 500796 | SCREW CAP HEXF M8-1.25x50 G10.9 N500 | 1 | 1 | |
| 58 | 012656 | SUPPORT PULLEY ALT & A/C | 1 | 1 | |
| 60 | 052896 | PULLEY ASSY W/BEARING / 54MM x 117MM O.D. | 1 | 1 | |
| 61 | 052625 | . PULLEY / 54MM x 117MM O.D. | 1 | 1 | |
| 62 | 510618 | . BALL BEARING DBL ROW / 30MM x 62MM x 27 W | 1 | 1 | |
| 63 | 504040 | . RING RETAINER / INT 2.440 x 1.860 x 0.078 STL BLK | 1 | 1 | |
| 64 | 012062 | WASHER FL 10.2 x38.1x5 ST | 1 | 1 | |
| 65 | 500829 | SCREW CAP HEX M10-1.5x40 G8.8 | 1 | 1 | |
| 66 | 510798 | PROTECTOR CAP / "PREVOST" | 1 | 1 | |
| 70 | 8149875 | PULLEY 171 MM O.D. W/10RIB | 1 | 1 | |
| 71 | 21146745 | HUB ASSY | 1 | 1 | |
| 72 | 20459796 | . SHAFT MOUNTING | 1 | 1 | |
| 73 | N.S.S. | . BEARING HOUSING | 1 | 1 | 1 |
| 74 | 21146660 | . BALL BEARING | 1 | 1 | |
| 75 | 1675790 | . NUT M40 x 9MM | 1 | 1 | |
| 76 | 984065 | SCREW CAP HEXS M8-1.25x25 G8.8 DP | 4 | 4 | |
| 77 | 502889 | WASHER LO SPT 8.1x12.7x2.0 N500 | 4 | 4 | |
| 78 | 012497 | SUPPORT PILLEY TENSIONER WATER PUMP | 1 | 1 | |
| 78 | 21270170 | SUPPORT PULLEY TENSIONER WATER PUMP | 1 | 1 | |
| 79 | 5001308 | SCREW CAP HEXF M10-1.5x40 G10.9 N500 | 8 | 8 | |
| 90 | 641472 | AIR PRESSURE REGULATOR 1/4" NPT / COPPER | 1 | 1 | |
| 91 | 032892 | SUPPORT FILTER AIR | 1 | 1 | |
| 92 | 500734 | NUT HEX JAM 3/4-16 Z050 | 1 | 1 | |
| 93 | 641371 | MALE ELBOW 90° NON-SWIVEL / PUSH-IN FITTING / #4x1/4NPT-M BR | 1 | 1 | |
| 94 | 501331 | STREET ELBOW 90° / PIPE FITTING / 1/8NPT-Mx1/8NPT-F BR | 2 | 2 | |
| 95 | 640488 | VALVE, AIR FILL 1/8" NPT | 1 | 1 | |
| . NS | 650164 | . CAP VALVE / CHROME | 1 | 1 | |
| 96 | 501650 | NIPPLE REDUCER HEX / PIPE FITTING / 1/4NPT-Mx1/8NPT-Mx1 3/16 BR | 1 | 1 | |
| 97 | 641417 | VALVE, 3 WAYS 1/8NPT-Fx1/8NPT-Fx1/8NPT-F BR To C-5134 | 1 | 1 | |
| . NS | 642014 | . HANDLE / RED To C-5134 | 1 | 1 | |
| 97 | 642161 | VALVE, 3 WAYS 1/8NPT-Fx1/8NPT-Fx1/8NPT-F BR From C-5133 | 1 | 1 | |
| . NS | 642014 | . HANDLE / RED From C-5133 | 1 | 1 | |
| 98 | 641365 | MALE ELBOW 45° NON-SWIVEL / PUSH-IN FITTING / #4x1/8NPT-M BR | 1 | 1 | |
| NS | 142807 | HOSE ASSY TEFLON #4 1620MM | 1 | 1 | |
| 100 | 012123 | DECAL "BELT TENSIONER" 35 PSI | 1 | 1 | |
| 101 | 5001181 | SCREW CAP HEX M6-1.0x12 SS | 2 | 2 | |
| 102 | 502570 | WASHER LO SPT 6.1x11.8x1.6 SS | 2 | 2 | |
| 103 | 685290 | TOOL PULLEY RETAINER / FOR TORQ # 550912 | 1 | 1 | |



| | | |
|-----------------------|--------------|-----------------|
| From B-5003 To D-5458 | Date:10/2022 | PAGE:XV-0120-00 |
|-----------------------|--------------|-----------------|

DRIVE PULLEY, BELTS & TENSIONER WITH VOLVO D13 & 2x120Amps EPA2010

| Item# | Part | Description | X 3 V I P | X L I I E N T 4 5 | N O T E S |
|-------|------|---|-----------------------|---|-----------------------|
| | | | | | |
| | | | | | |
| | | | | | |
| | | C) EMERGENCY USE ONLY WITH ONE ALTERNATOR | | | |
| | | E) REPLACE BY # 507014 | | | |
| | | H) HEAVY DUTY | | | |
| | | 1) NOT SOLD SEPARATELY | | | |
| | | V) SEE IMPACT OR CALL ORDER DESK | | | |

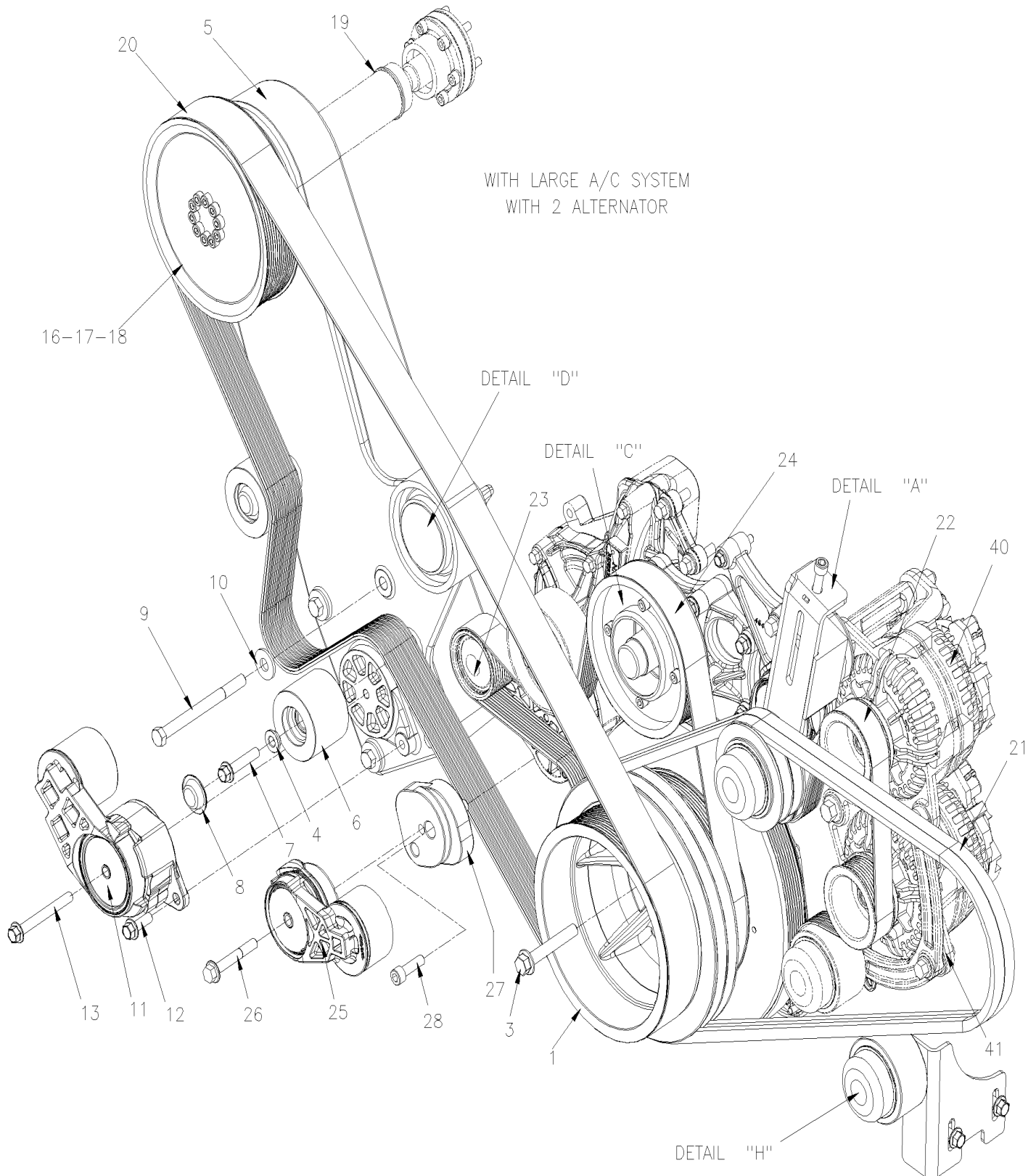


From D-5459 To D-5489

Date:10/2022

PAGE:XV-0120-01

DRIVE PULLEY, BELTS & TENSIONER WITH VOLVO D13 & 2x120Amps



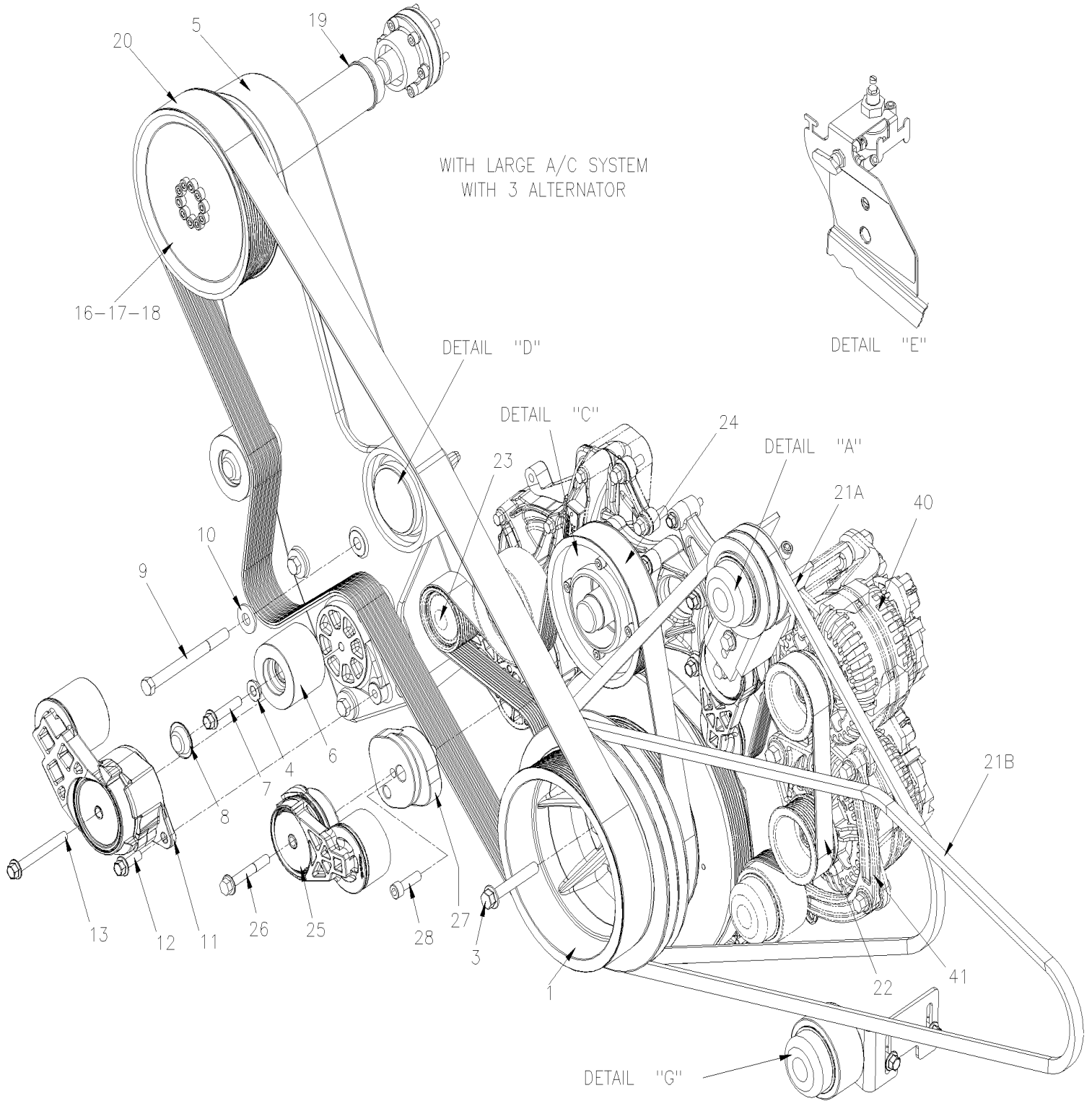


From D-5459 To D-5489

Date:10/2022

PAGE:XV-0120-01

DRIVE PULLEY, BELTS & TENSIONER WITH VOLVO D13 & 2x120Amps



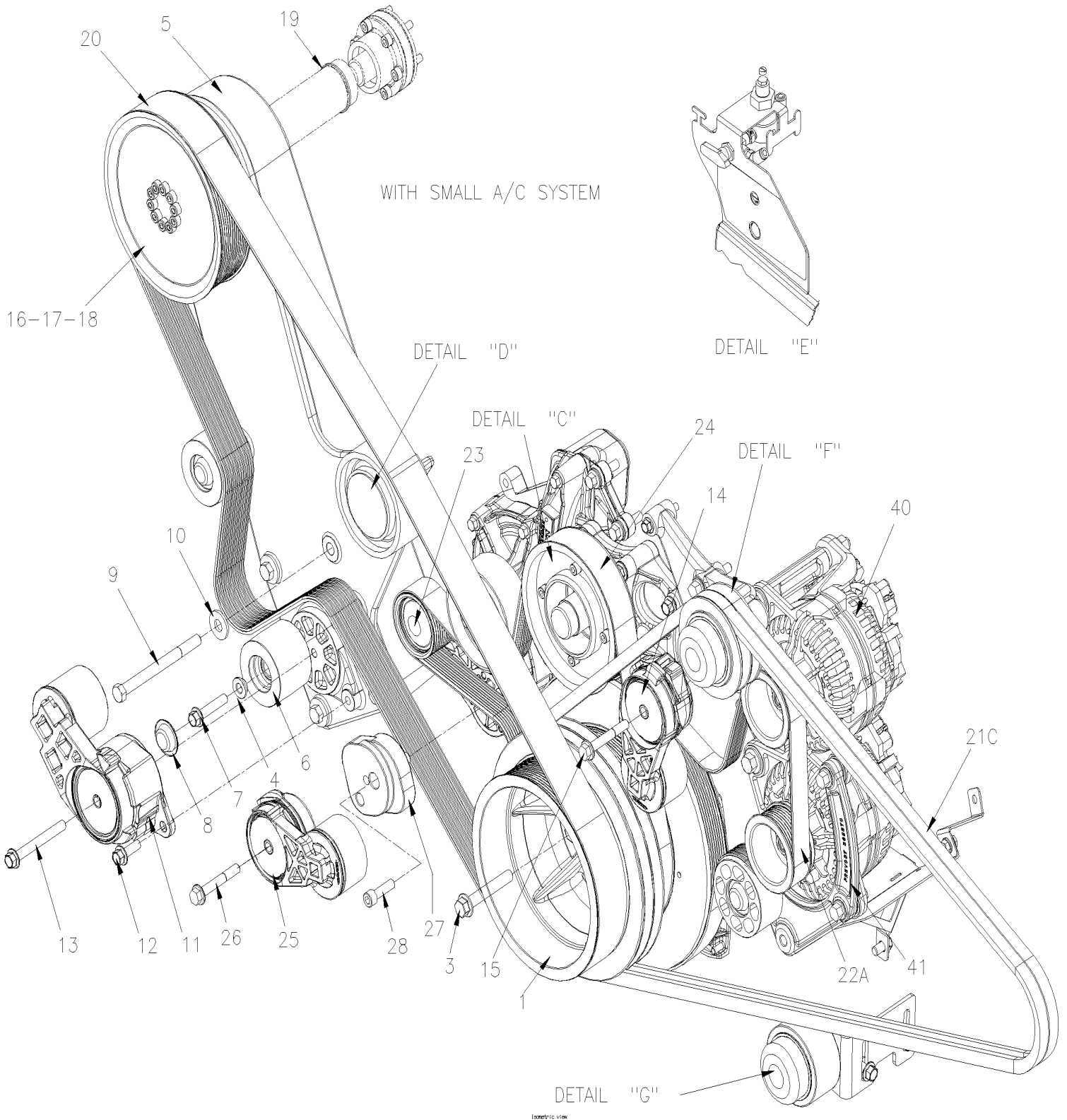


From D-5459 To D-5489

Date:10/2022

PAGE:XV-0120-01

DRIVE PULLEY, BELTS & TENSIONER WITH VOLVO D13 & 2x120Amps



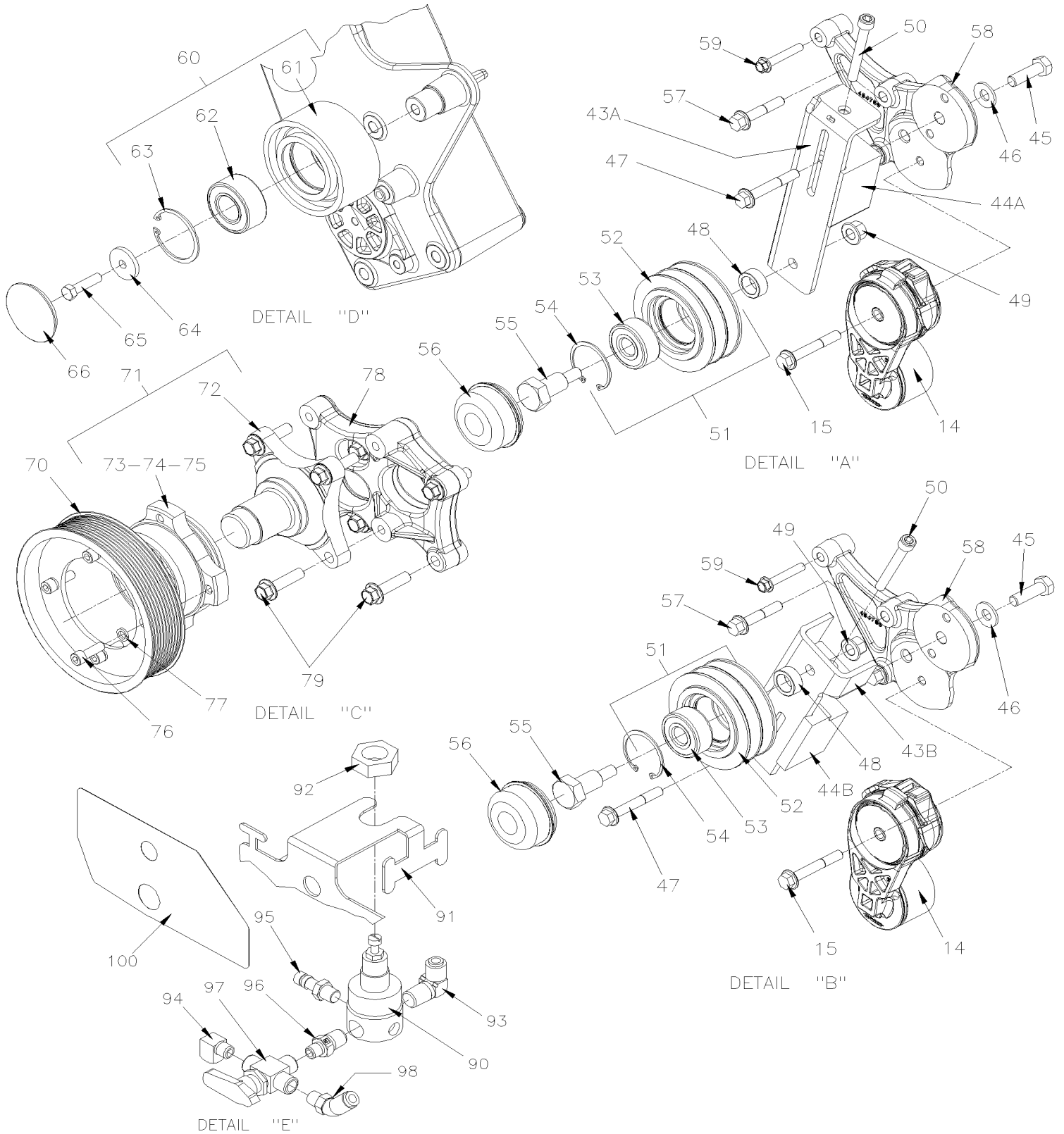


From D-5459 To D-5489

Date:10/2022

PAGE:XV-0120-01

DRIVE PULLEY, BELTS & TENSIONER WITH VOLVO D13 & 2x120Amps



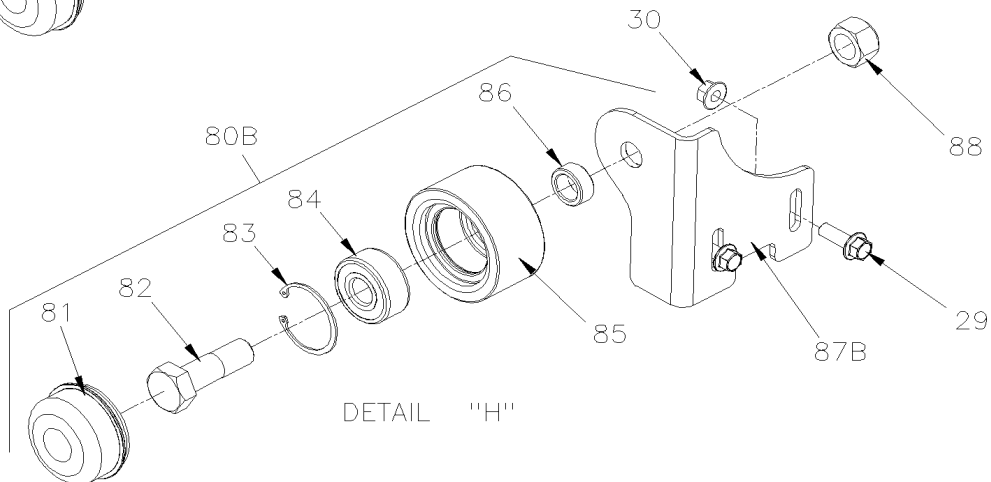
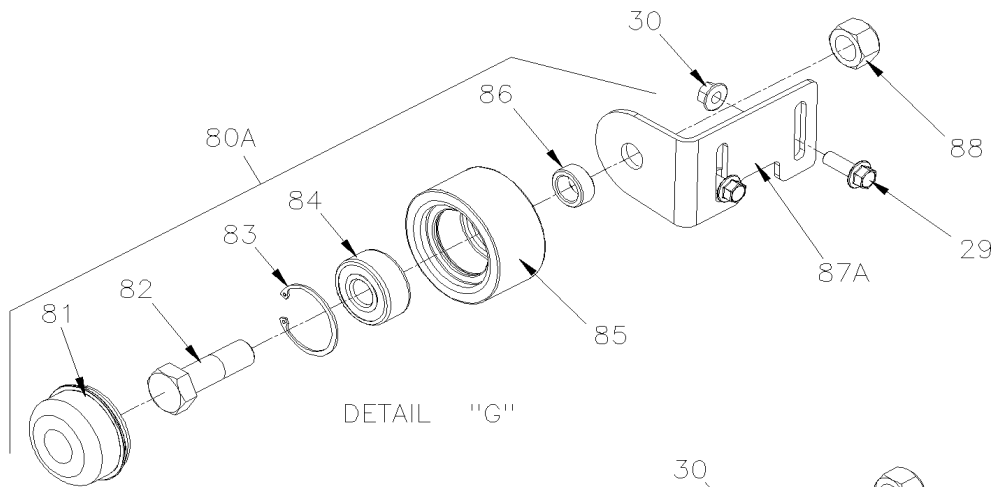
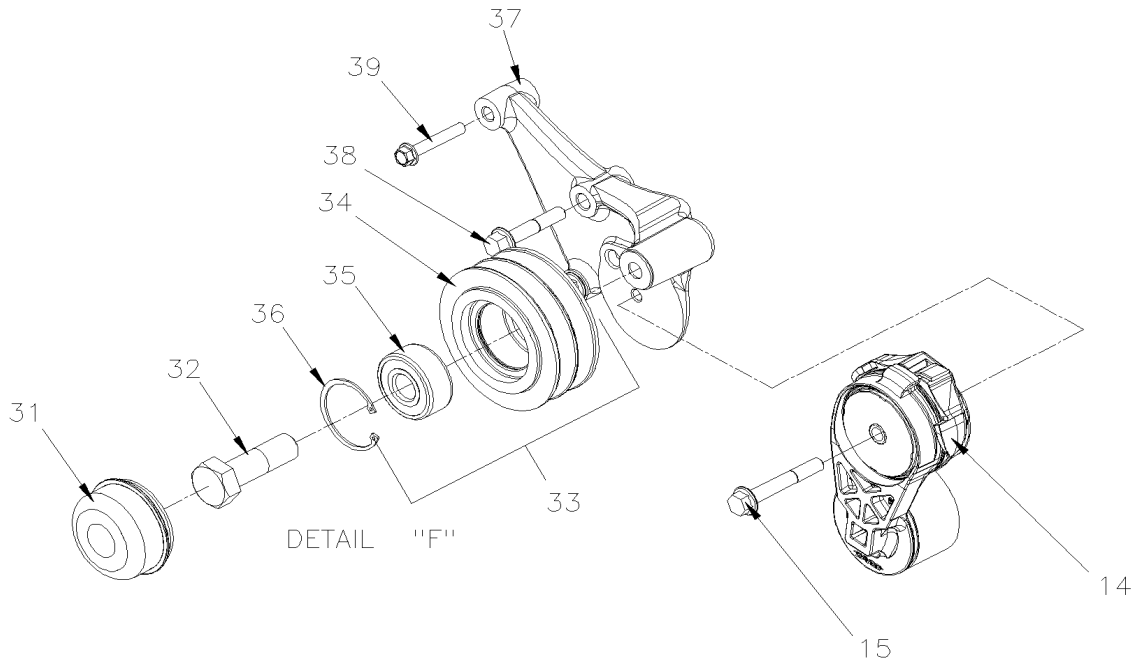


From D-5459 To D-5489

Date:10/2022

PAGE:XV-0120-01

DRIVE PULLEY, BELTS & TENSIONER WITH VOLVO D13 & 2x120Amps





| | | |
|-----------------------|--------------|-----------------|
| From D-5459 To D-5489 | Date:10/2022 | PAGE:XV-0120-01 |
|-----------------------|--------------|-----------------|

DRIVE PULLEY, BELTS & TENSIONER WITH VOLVO D13 & 2x120Amps

| Item# | Part | Description | X 3 V I P | X L I E N T 4 5 | N O T E S |
|-------|-------------------|---|-----------------------|--------------------------------------|-----------------------|
| 1 | 012802 | PULLEY DRIVE 277MM x 2V & 220MM x 10RIB & 223MM x 14 RIB | 1 | 1 | |
| 3 | 5001296 | SCREW CAP HEXF M12-1.75x80 G10.9 N500 | 6 | 6 | |
| NS | 680038 | THREAD LOCKER LOCTITE #243 / BLUE / 50ml | AR | AR | |
| 4 | 053022 | GUIDE, BUSHING | 2 | 2 | |
| 5 | 20966630 | LONG FAN ARM SUPPORT | 1 | 1 | |
| 6 | 550985 | PULLEY ASSY W/BEARING 74MM O.D. x 57MM CROWNED/DOME | 2 | 2 | |
| 7 | 5001843 | SCREW CAP HEXF AD M10-1.5x50 G10.9 N500 | 2 | 2 | |
| 8 | 557056 | PROTECTOR CAP / STEEL 40.7MM O.D. x 11MM | 2 | 2 | |
| 9 | 5001776 | SCREW CAP HEX M12-1.75x140 G8.8 G500 | 4 | 4 | |
| 10 | 500211 | WASHER FL .531x1.250x.125 N500 | 4 | 4 | |
| 11 | 550925 | AUTOMATIC TENSIONER ASSY | 1 | 1 | |
| . NS | 010032 | . TOOL KEY 1 1/2" / TENSIONER RELEASE | 1 | 1 | |
| 12 | 5001644 | SCREW CAP HEXF M10-1.5x30 G8.8 G500 | 1 | 1 | |
| 13 | 5001784 | SCREW CAP HEXF M10-1.5x90 G8.8 AD N500 | 1 | 1 | |
| 14 | 510991 | AUTOMATIC TENSIONER ASSY | 1 | 1 | |
| 15 | 5001799 | SCREW CAP HEXF M10-1.5x70 G10.9 N500 | 1 | 1 | |
| 16 | 550961 | PULLEY ASSY / FAN DRIVE 212MM O.D. W/14 RIB | 1 | 1 | |
| . NS | 550983 | . BEARING | 1 | 1 | |
| . NS | 551021 | . SCREW CAP HEXS M8-1.25 x 30 | 10 | 10 | |
| 16 | 550981 | PULLEY ASSY / FAN DRIVE 212MM O.D. W/14 RIB ALTERNATIVE PART | 1 | 1 | |
| . NS | 551020 | . BEARING | 1 | 1 | |
| . NS | 551021 | . SCREW CAP HEXS M8-1.25 x 30 | 10 | 10 | |
| . NS | 551022 | . RETAINING RING | 1 | 1 | |
| 17 | 5001738 | SCREW CAP HEX M8-1.25x30 G8.8 N500 | 6 | 6 | |
| 18 | 5001161 | WASHER LO SPT 8.1x14.8x2.0 SS-304 | 6 | 6 | |
| 19 | XV-0520-01 | FAN DRIVE - INSTALLATION | | | |
| 20 | 5061284 | MULTI V-BELT / 14 RIB 100.98" (2565MM) 14PK2565 QT | 1 | 1 | |
| 20 | 5060119 | MULTI V-BELT / 14 RIB 100.98" (2565MM) 14PK2565 QT + SD | 1 | 1 | |
| 21 | 5060134 | V-BELT / BX-71 / SET OF 2 | 1 | 1 | B |
| 21A | 5060127 | SUPER V-BELT / 5VX810 | 1 | 1 | D |
| 21B | 5060125 | SUPER V-BELT / 5VX918 | 1 | 1 | D |
| 21C | 5060126 | SUPER V-BELT / 5VX950 / SET OF 2 | 1 | 1 | A |
| 22 | XV-0610-00 | ALTERNATOR MOUNTING / "BOSCH" 2X120AMPS VOLVO D13 | 1 | 1 | |
| 23 | Refer To Volvo | PULLEY IDLER | 1 | 1 | V |
| 24 | 5060110 | MULTI V-BELT / 10 RIB 59.5" (1512MM) 10PK1512 QT (21-2112) | 1 | 1 | |
| 24 | 5060104 | MULTI V-BELT / 10 RIB 59.5" (1512MM) 10PK1512 QT + SD (21-2112) | 1 | 1 | H |
| 25 | 510991 | AUTOMATIC TENSIONER ASSY | 1 | 1 | |
| 26 | 5001799 | SCREW CAP HEXF M10-1.5x70 G10.9 N500 | 1 | 1 | |
| 27 | 012695 | SUPPORT ADAPTOR AUTOMTIC TENSIONER ASSY W/DOWEL / WATER PUMP | 1 | 1 | |
| . NS | 502941 | . DOWEL PIN | 2 | 2 | |
| 28 | 5001620 | SCREW CAP HEXS M10-1.5X35 G10.9 G500 | 1 | 1 | |
| 29 | 5001741 | SCREW CAP HEXF M10-1.5x30 G8.8 N500 | 2 | 2 | |



From D-5459 To D-5489 Date:10/2022 PAGE:XV-0120-01

DRIVE PULLEY, BELTS & TENSIONER WITH VOLVO D13 & 2x120Amps

| Item# | Part | Description | X 3 V I P | X L I I E N T 4 5 | N O T E S |
|-------|-------------------|--|-----------------------|---|-----------------------|
| 30 | 5001727 | NUT HEXF NYRT M10-1.5 N500 | 2 | 2 | |
| 31 | 453076 | CAP, DUST | 1 | 1 | |
| 32 | 453835 | SCREW CAP HEX M20-2.5x65 | 1 | 1 | |
| 33 | 457505 | PULLEY ASSY W/BEARING | 1 | 1 | |
| 34 | 457504 | . PULLEY / 112MM O.D. X 2V | 1 | 1 | |
| 35 | 507340 | . BALL BEARING 20 ID x 52 OD x 22.2 W | 1 | 1 | E |
| 35 | 507014 | . BALL BEARING 20 ID x 52 OD x 22.2 W | 1 | 1 | |
| 36 | 504095 | . RING RETAINER / INT 2.00 x 2.12 x .062 | 1 | 1 | |
| 37 | 012656 | SUPPORT PULLEY ALT & A/C | 1 | 1 | |
| 38 | 500180 | SCREW CAP HEX 5/16-18x1 G8 BR | 2 | 2 | |
| 39 | 500796 | SCREW CAP HEXF M8-1.25x50 G10.9 N500 | 1 | 1 | |
| 40 | XV-0605-00 | ALTERNATOR 24V/120 AMPS / "BOSCH" | | | |
| 41 | XV-0610-00 | ALTERNATOR MOUNTING / "BOSCH" 2X120AMPS VOLVO D13 | | | |
| 42 | XV-2245-01 | A/C COMPRESSOR "BITZER" - INSTALLATION | | | |
| 42 | XV-2245-50 | A/C SMALL COMPRESSOR - INSTALLATION | | | |
| 43A | 457542 | TENSIONER | 1 | 1 | B |
| 43B | 457540 | TENSIONER | 1 | 1 | D |
| 44A | 457543 | SUPPORT, TENSIONNER | 1 | 1 | B |
| 44B | 457541 | SUPPORT, TENSIONNER | 1 | 1 | D |
| 45 | 5001885 | SCREW CAP HEX M12-1.75X40 G10.9 N500 | 1 | 1 | |
| 46 | 500967 | WASHER BEL SPR .512x1.142x.098 N500 | 1 | 1 | |
| 47 | 5001799 | SCREW CAP HEXF M10-1.5x70 G10.9 N500 | 1 | 1 | |
| 48 | 457501 | BUSHING 30MM O.D. x 20MM I.D. x 12MM | 1 | 1 | |
| 49 | 5001728 | NUT HEXF STO M12-1.75 N500 G10 | 1 | 1 | |
| 50 | 5001914 | SCREW CAP HEX M10-1.5x100 FT SS | 1 | 1 | |
| 51 | 457505 | PULLEY ASSY W/BEARING | 1 | 1 | |
| 52 | 457504 | . PULLEY / 112MM O.D. X 2V | 1 | 1 | |
| 53 | 507340 | . BALL BEARING 20 ID x 52 OD x 22.2 W | 1 | 1 | E |
| 53 | 507014 | . BALL BEARING 20 ID x 52 OD x 22.2 W | 1 | 1 | |
| 54 | 504095 | . RING RETAINER / INT 2.00 x 2.12 x .062 | 1 | 1 | |
| 55 | 457500 | ROD, IDLER A/C M12-1.75 x 59 | 1 | 1 | |
| 56 | 453076 | CAP, DUST | 1 | 1 | |
| 57 | 5001801 | SCREW CAP HEXF M10-1.5x55 G10.9 N500 | 2 | 2 | |
| 58 | 454779 | SUPPORT PULLEY ALT & A/C WELDED PROTO | 1 | 1 | |
| 59 | 500796 | SCREW CAP HEXF M8-1.25x50 G10.9 N500 | 1 | 1 | |
| 60 | 052896 | PULLEY ASSY W/BEARING / 54MM x 117MM O.D. | 1 | 1 | |
| 61 | 052625 | . PULLEY / 54MM x 117MM O.D. | 1 | 1 | |
| 62 | 510618 | . BALL BEARING DBL ROW / 30MM x 62MM x 27 W | 1 | 1 | |
| 63 | 504040 | . RING RETAINER / INT 2.440 x 1.860 x 0.078 STL BLK | 1 | 1 | |
| 64 | 012062 | WASHER FL 10.2 x38.1x5 ST | 1 | 1 | |
| 65 | 500829 | SCREW CAP HEX M10-1.5x40 G8.8 | 1 | 1 | |



From D-5459 To D-5489 Date:10/2022 PAGE:XV-0120-01

DRIVE PULLEY, BELTS & TENSIONER WITH VOLVO D13 & 2x120Amps

| Item# | Part | Description | X 3 V I P | X L I I E N T 4 5 | N O T E S |
|-------|----------|---|-----------------------|---|-----------------------|
| 66 | 510798 | PROTECTOR CAP / "PREVOST" | 1 | 1 | |
| 70 | 8149875 | PULLEY 171 MM O.D. W/10RIB | 1 | 1 | |
| 71 | 21146745 | HUB ASSY | 1 | 1 | |
| 72 | 20459796 | . SHAFT MOUNTING | 1 | 1 | |
| 73 | N.S.S. | . BEARING HOUSING | 1 | 1 | 1 |
| 74 | 21146660 | . BALL BEARING | 1 | 1 | |
| 75 | 1675790 | . NUT M40 x 9MM | 1 | 1 | |
| 76 | 5001775 | SCREW CAP HEXS M8-1.25x25 G8.8 G500 | 4 | 4 | |
| 77 | 500942 | WASHER LO SPT 8.1x14.8x2.0 N500 | 4 | 4 | |
| 78 | 21270170 | SUPPORT PULLEY TENSIONER WATER PUMP | 1 | 1 | |
| 79 | 5001308 | SCREW CAP HEXF M10-1.5x40 G10.9 N500 | 8 | 8 | |
| 80A | 457510 | PULLEY, LOOSE ASM | 1 | 1 | |
| 80B | 457545 | PULLEY, LOOSE ASM | 1 | 1 | |
| 81 | 453076 | . CAP, DUST | 1 | 1 | |
| 82 | 453835 | . SCREW CAP HEX M20-2.5x65 | 1 | 1 | |
| 83 | 504095 | . RING RETAINER / INT 2.00 x 2.12 x .062 | 1 | 1 | |
| 84 | 507340 | . BALL BEARING 20 ID x 52 OD x 22.2 W | 1 | 1 | E |
| 84 | 507014 | . BALL BEARING 20 ID x 52 OD x 22.2 W | 1 | 1 | |
| 85 | 453834 | . PULLEY / 45MM x 90MM O.D. | 1 | 1 | |
| 86 | 052205 | . SPACER 20MM I.D. X 12.5MM TH | 1 | 1 | |
| 87A | 457511 | . SUPPORT, LOOSE PULLEY | 1 | 1 | |
| 87B | 457546 | . SUPPORT, LOOSE PULLEY | 1 | 1 | |
| 88 | 5001252 | . NUT HEX STO M20-2.5 DP | 1 | 1 | |
| 90 | 641472 | AIR PRESSURE REGULATOR 1/4" NPT / COPPER | 1 | 1 | AD |
| 91 | 032892 | SUPPORT FILTER AIR | 1 | 1 | AD |
| 92 | 500734 | NUT HEX JAM 3/4-16 Z050 | 1 | 1 | AD |
| 93 | 641371 | MALE ELBOW 90° NON-SWIVEL / PUSH-IN FITTING / #4x1/4NPT-M BR | 1 | 1 | AD |
| 94 | 501331 | STREET ELBOW 90° / PIPE FITTING / 1/8NPT-Mx1/8NPT-F BR | 1 | 1 | AD |
| 95 | 640488 | VALVE, AIR FILL 1/8" NPT | 1 | 1 | AD |
| . NS | 650164 | . CAP VALVE / CHROME | 1 | 1 | AD |
| 96 | 501650 | NIPPLE REDUCER HEX / PIPE FITTING / 1/4NPT-Mx1/8NPT-Mx1 3/16 BR | 1 | 1 | AD |
| 97 | 642161 | VALVE, 3 WAYS 1/8NPT-Fx1/8NPT-Fx1/8NPT-F BR | 1 | 1 | AD |
| . NS | 642014 | . HANDLE / RED | 1 | 1 | AD |
| 98 | 641365 | MALE ELBOW 45° NON-SWIVEL / PUSH-IN FITTING / #4x1/8NPT-M BR | 1 | 1 | AD |
| 100 | 068307 | DECAL REAR ENGINE START.... | 1 | 1 | AD |
| NS | 685290 | TOOL PULLEY RETAINER / FOR TORQ # 550912 | 1 | 1 | |
| | | | | | |
| | | | | | |
| | | | | | |
| | | A) WITH SMALL A/C | | | |
| | | B) WITH LARGE A/C WITH 2 ALTERNATORS | | | |
| | | D) WITH LARGE A/C WITH 3 ALTERNATORS | | | |



| | | |
|-----------------------|--------------|-----------------|
| From D-5459 To D-5489 | Date:10/2022 | PAGE:XV-0120-01 |
|-----------------------|--------------|-----------------|

DRIVE PULLEY, BELTS & TENSIONER WITH VOLVO D13 & 2x120Amps

| Item# | Part | Description | X 3 V I P | X L I I E N T 4 5 | N O T E S |
|-------|------|----------------------------------|-----------------------|---|-----------------------|
| | | E) REPLACE BY # 507014 | | | |
| | | H) HEAVY DUTY | | | |
| | | 1) NOT SOLD SEPARATELY | | | |
| | | V) SEE IMPACT OR CALL ORDER DESK | | | |

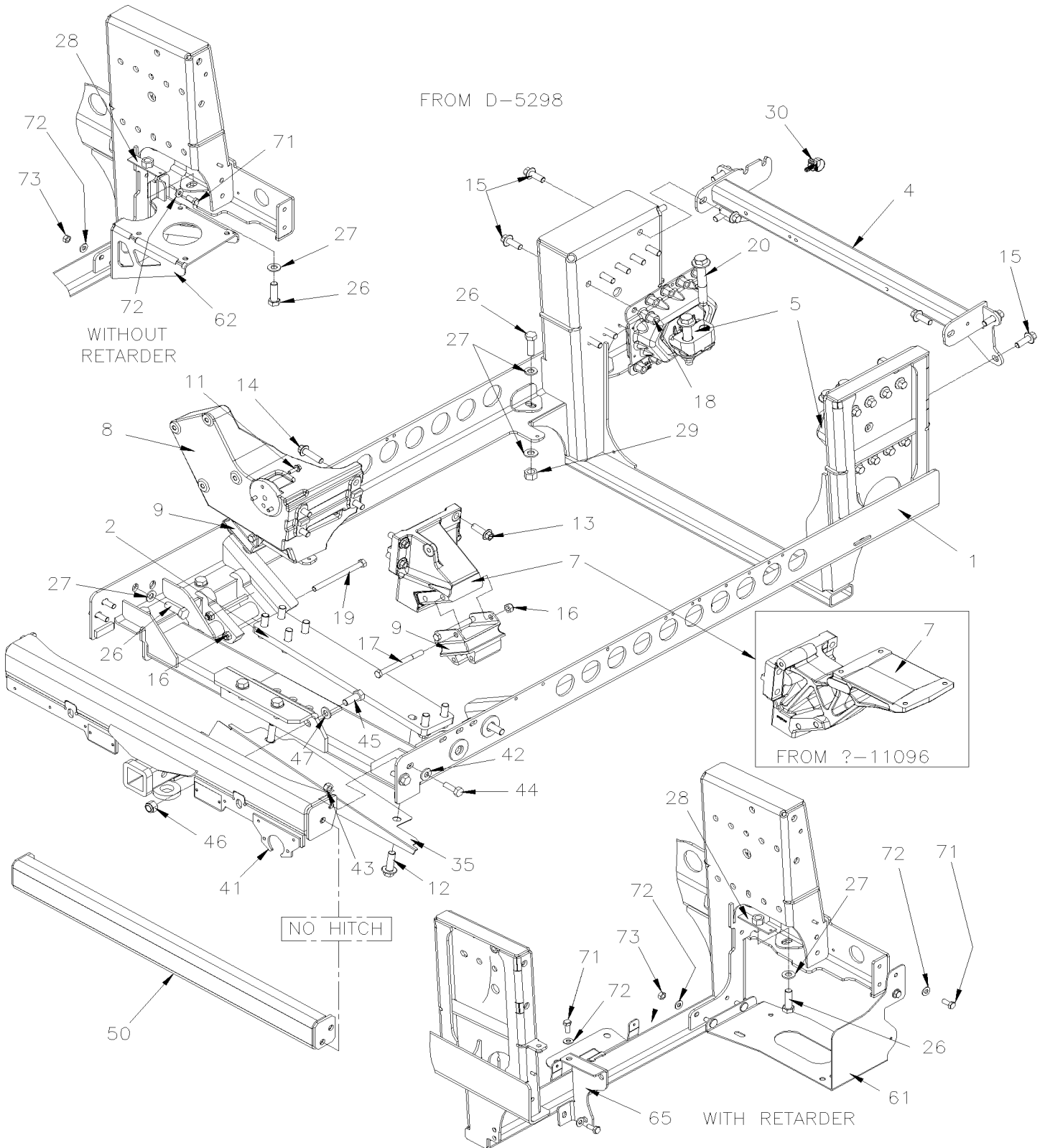


From B-5003 To D-5489

Date:10/2022

PAGE:XV-0150-00

ENGINE CRADLE - WITH VOLVO D13





| | | |
|------------------------------|---------------------|------------------------|
| From B-5003 To D-5489 | Date:10/2022 | PAGE:XV-0150-00 |
|------------------------------|---------------------|------------------------|

ENGINE CRADLE - WITH VOLVO D13

| Item# | Part | Description | X 3 V I P | X L I E N T 4 5 | N O T E S |
|-------|----------|---|-----------------------|--------------------------------------|-----------------------|
| 1 | 012874 | ENGINE CRADLE / WWORLD, W/D13 EPA 2010 WITH TRAILER HITCH & RETARDER To D-5297 | 1 | 1 | |
| 1 | 012875 | ENGINE CRADLE / WWORLD, W/D13 EPA 2010 WITH TRAILER HITCH & W/O RET. To D-5297 | 1 | 1 | |
| 1 | 012876 | ENGINE CRADLE / WWORLD, W/D13 EPA 2010 W/O TRAILER HITCH & W/RET. To D-5297 | 1 | 1 | |
| 1 | 012877 | ENGINE CRADLE / WWORLD, W/D13 EPA 2010 W/O TRAILER HITCH & W/O RET. To D-5297 | 1 | 1 | |
| 1 | 012775 | ENGINE CRADLE / W/D13 WITH TRAILER HITCH From D-5298 | 1 | 1 | |
| 1 | 012774 | ENGINE CRADLE / W/D13 WITHOUT TRAILER HITCH From D-5298 | 1 | 1 | |
| 2 | 012419 | BAR PROTECTOR & REINFORCMENT W/D13 | 1 | 1 | |
| 4 | 012669 | REINFORCEMENT ASSY W/D13 To D-5297 | 1 | 1 | |
| 4 | 012785 | REINFORCEMENT ASSY W/D13 From D-5298 | 1 | 1 | |
| 5 | 20499474 | ENGINE MOUNT FRONT W/D13 | 2 | 2 | |
| 7 | 012645 | ENGINE MOUNT CURBSIDE W/D13 From B-5002 To D-5458 | 1 | 1 | |
| 7 | 012727 | ENGINE MOUNT CURBSIDE WITH "BITZER" COMPRESSOR BITZER W/D13 From D-5459 To E-5600 | 1 | 1 | C |
| 7 | 012832 | ENGINE MOUNT CURBSIDE WITH "BITZER" COMPRESSOR BITZER W/D13 From E-5601 To E-5675 | 1 | 1 | C |
| 7 | 012839 | ENGINE MOUNT CURBSIDE WITH "BITZER" W/D13 From E-5676 | 1 | 1 | C |
| 7 | 012645 | ENGINE MOUNT CURBSIDE W/D13 From D-5459 | 1 | 1 | D |
| 8 | 20966683 | ENGINE MOUNT STREET SIDE W/D13 | 1 | 1 | |
| 9 | 3037072 | INSULATOR, RUBBER MOUNT W/D13 | 2 | 2 | |
| 11 | 5001643 | SCREW CAP HEXF M8-1.25x25 G8.8 G500 | 3 | 3 | |
| 12 | 5001656 | SCREW CAP HEXF M16-2.0x50 G10.9 G500 | 7 | 7 | |
| 13 | 5001671 | SCREW CAP HEXF M14-2.0x45 G8.8 G500 | 8 | 8 | |
| 14 | 5001672 | SCREW CAP HEXF M14-2.0x55 G8.8 G500 | 4 | 4 | |
| 15 | 5001788 | SCREW CAP HEXF M14-2.0x40 G8.8 N500 | 26 | 26 | |
| 16 | 5001761 | NUT HEXF NYRT M12-1.75 G8 N500 | 8 | 8 | |
| 17 | 973967 | SCREW CAP HEX M12-1.75x140 G8.8 MAGNI 565 | 4 | 4 | |
| 18 | 979231 | NUT HEXF M14-XXX MAGGI 565 | 26 | 26 | |
| 19 | 979935 | SCREW CAP HEXF M12-1.75x160 G8.8 ZG603 | 4 | 4 | |
| 20 | 991198 | SCREW CAP HEXF DOG POINT M20-2.5x120 G10.9 | 4 | 4 | |
| 26 | 5001372 | SCREW CAP HEX M16-2.0x50 G10.9 N500 | AR | AR | |
| 27 | 5001150 | WASHER FL 17.0x30.0x3.0 N500 | AR | AR | |
| 28 | 012546 | NUT STO SPECIAL / WELDED ON PLATE M16-2.0 DP | AR | AR | |
| 29 | 5001662 | NUT HEX NYRT M16-2.0 G10 Z050 | AR | AR | |
| 30 | 504750 | CABLE TIE / 1/2" x 15" / CHRISTMAS TREE | 1 | 1 | |
| NS | 504449 | HOLE PLUG BUTTON / .500 O.D. BLACK | 2 | 2 | |
| NS | 680042 | GLUE LOCTITE 430 BOTTLE 1OZ | AR | AR | |
| 35 | 015995 | PROTECTOR / BELT From D-5436 | 1 | 1 | |
| | | | | | |
| 41 | 411094 | PROTECTOR ASSY / W/TRAILER HITCH To D-5297 | 1 | 1 | |
| 41 | 411279 | PROTECTOR ASSY / W/TRAILER HITCH From D-5298 | 1 | 1 | |
| 42 | 500446 | WASHER FL .531x1.250x.125 Z050 | 4 | 4 | |
| 43 | 500811 | NUT HEX STO M12-1.75 G500 | 4 | 4 | |
| 44 | 502731 | SCREW CAP HEX M12-1.75x40 G8.8 Z050 | 4 | 4 | |
| 45 | 502544 | SCREW CAP HEX M16-2.0x40 G8.8 Z050 | 4 | 4 | |



| | | |
|---------------------------------------|--------------|-----------------|
| From B-5003 To D-5489 | Date:10/2022 | PAGE:XV-0150-00 |
| ENGINE CRADLE - WITH VOLVO D13 | | |

| Item# | Part | Description | X 3 V I P | X L I I E N T 4 5 | N O T E S |
|-------|---------|--|-----------------------|---|-----------------------|
| 46 | 500781 | NUT HEX STO M16-2.0 DP | 4 | 4 | |
| 47 | 5001150 | WASHER FL 17.0x30.0x3.0 N500 | 4 | 4 | |
| 50 | 411372 | PULLEY GUARD From B-5003 | 1 | 1 | |
| 61 | 071428 | SUPPORT OIL COOLER W/RETARDER To D-5297 | 1 | 1 | A |
| 61 | 071673 | SUPPORT OIL COOLER W/RETARDER From D-5298 | 1 | 1 | A |
| 62 | 071418 | SUPPORT LOWER To D-5297 | 1 | 1 | B |
| 62 | 071674 | SUPPORT OIL COOLER W/O RETARDER From D-5298 | 1 | 1 | B |
| 65 | 071565 | SUPPORT ACCUMULATOR To D-5297 | 1 | 1 | A |
| 65 | 071672 | SUPPORT ACCUMULATOR From D-5298 | 1 | 1 | A |
| 71 | 502804 | SCREW CAP HEX M10-1.5x25 G8.8 N500 From D-5298 | 4 | 4 | |
| 72 | 5001834 | WASHER BEL SPR 10.5X23X2.5 N500 From D-5298 | 4 | 4 | |
| 73 | 500847 | NUT HEX M10-1.5 N500 From D-5298 | 2 | 2 | |
| | | | | | |
| | | | | | |
| | | | | | |
| | | A) WITH RETARDER | | | |
| | | B) WITHOUT RETARDER | | | |
| | | C) WITH LARGE A/C SYSTEM | | | |
| | | D) WITH SMALL A/C SYSTEM | | | |

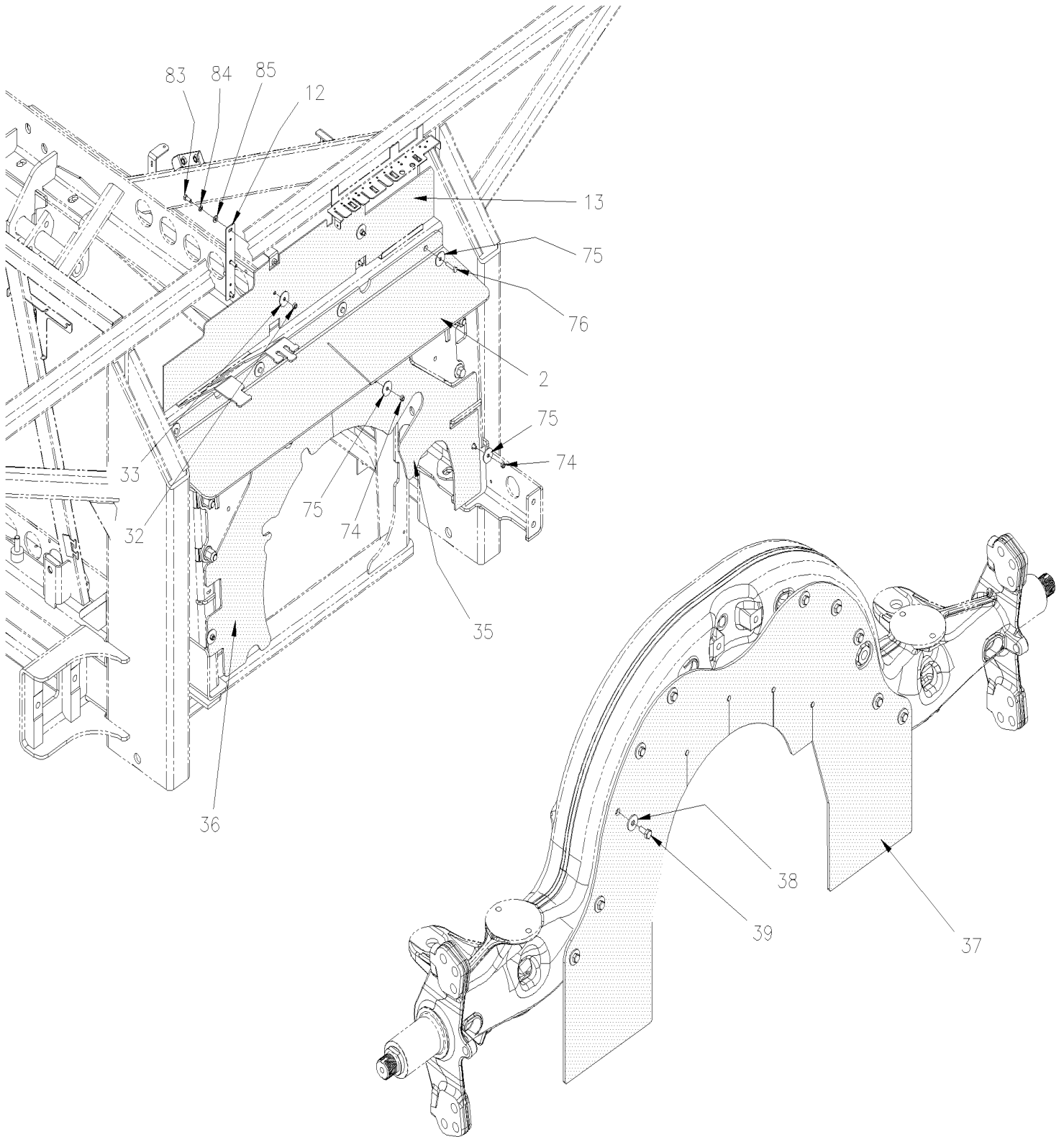


From B-5003 To D-5489

Date:10/2022

PAGE:XV-0155-10

ENGINE TRANSMISSION GUARD & AIR SHIELD



EPA 2010



| | | |
|---|--------------|-----------------|
| From B-5003 To D-5489 | Date:10/2022 | PAGE:XV-0155-10 |
| ENGINE TRANSMISSION GUARD & AIR SHIELD | | |

| Item# | Part | Description | X 3 V I P | X L I I E N T 4 5 | N O T E S |
|-------|---------|---|-----------------------|---|-----------------------|
| 2 | 012476 | GUARD CENTRAL PART UPPER 227MM x 1000MM To C-5132 | 1 | 1 | |
| 2 | 012712 | GUARD CENTRAL PART UPPER 189MM x 1000MM From C-5133 | 1 | 1 | |
| 12 | 012575 | SUPPORT / GUARD UPPER | 2 | 2 | |
| 13 | 012693 | GUARD CENTRAL PART UPPER W/OUT WATER HEATER | 1 | 1 | |
| 20 | 012578P | GUARD ASSY UPPER W/"WEBASTO" | 1 | 1 | |
| 32 | 502860 | NUT HEX STO M6-1.0 N500 | 2 | 2 | |
| 33 | 500913 | WASHER FL .281x1.250x.065 N500 | 2 | 2 | |
| 34 | 012476 | GUARD CENTRAL PART UPPER 227MM x 1000MM | 1 | 1 | |
| 35 | 012661 | GUARD UPPER L.H. | 1 | 1 | |
| 36 | 012662 | GUARD UPPER R.H. W/ "WORLD" TRANS | 1 | 1 | |
| 37 | 071592 | PROTECTOR PANEL W/ "WORLD" TRANS | 1 | 1 | |
| 38 | 502804 | SCREW CAP HEX M10-1.5x25 G8.8 N500 | 10 | 10 | |
| 39 | 5001417 | WASHER FL 11.0x34.0x3.0 SS | 10 | 10 | |
| 74 | 502621 | NUT HEX STO M6-1.0 Z050 | 6 | 6 | |
| 75 | 500468 | WASHER FL .281x1.250x.065 Z050 | 9 | 9 | |
| 76 | 502533 | SCREW CAP HEX M6-1.0x30 G8.8 Z050 | 5 | 5 | |
| 83 | 955271 | SCREW CAP HEX M6-1.0x16 G8.8 ZG603 | 4 | 4 | |
| 84 | 502853 | WASHER LO SPT 6.1x11.8x1.6 N500 | 4 | 4 | |
| 85 | 500877 | WASHER FL .250x.562x.065 N500 | 4 | 4 | |
| | | | | | |
| | | | | | |
| | | | | | |
| | | | | | |

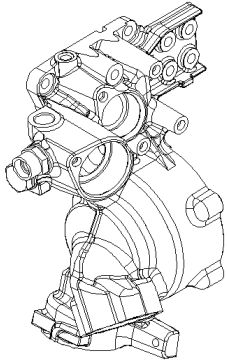


From B-5003 To D-5489

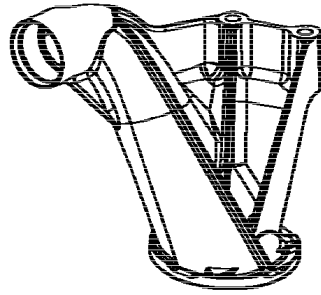
Date:10/2022

PAGE:XV-0170-00

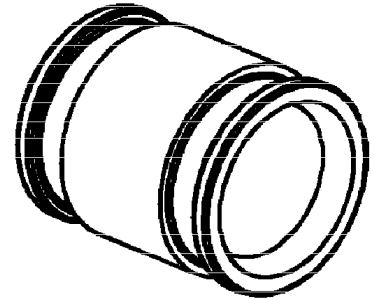
ENGINE "VOLVO" D-13 - SPECIFIC PARTS FOR PREVOST



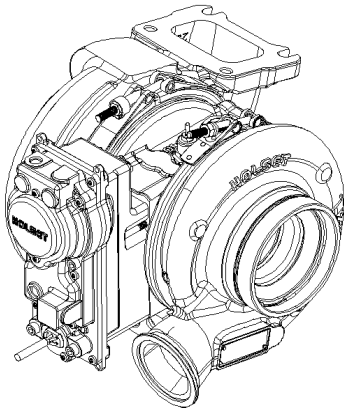
THERMOSTAT HOUSING
1



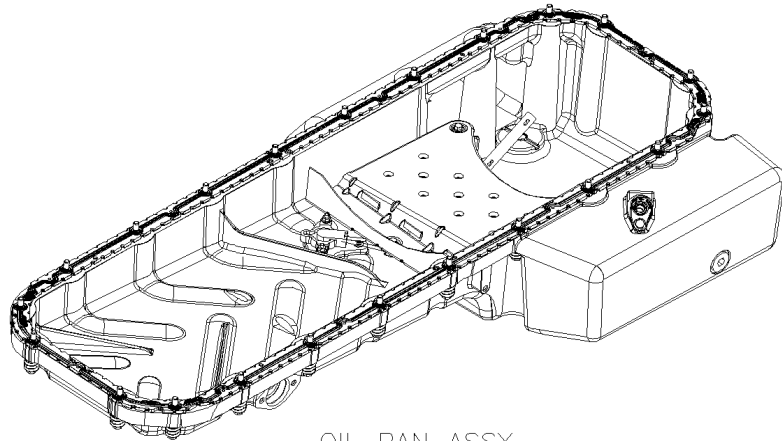
OIL STRAINER ASSY
2



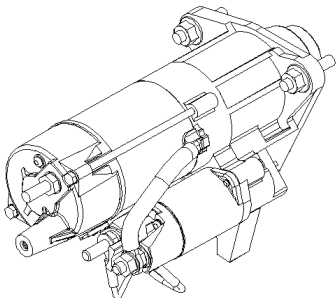
CONNECTION PIPE OIL
OIL STRAINER
3



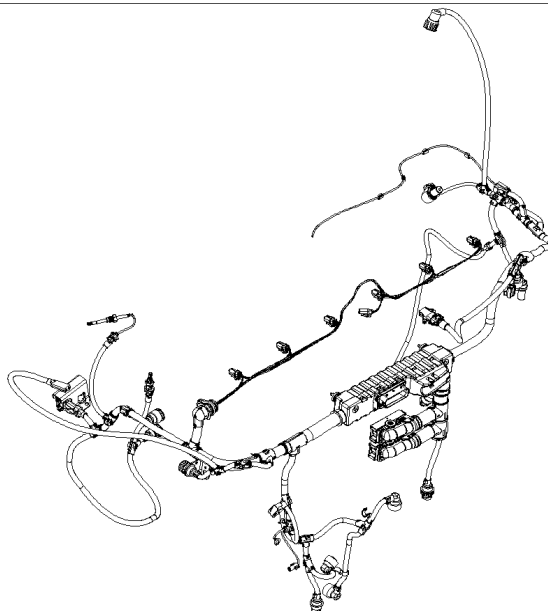
TURBOCHARGER HE431
4



OIL PAN ASSY
5



STARTER MOTOR MELCO
26



WIRING HARNESS
7

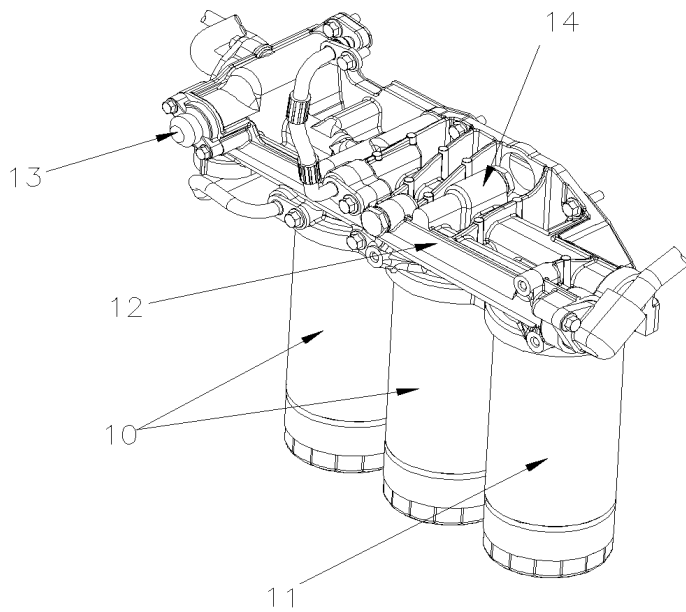
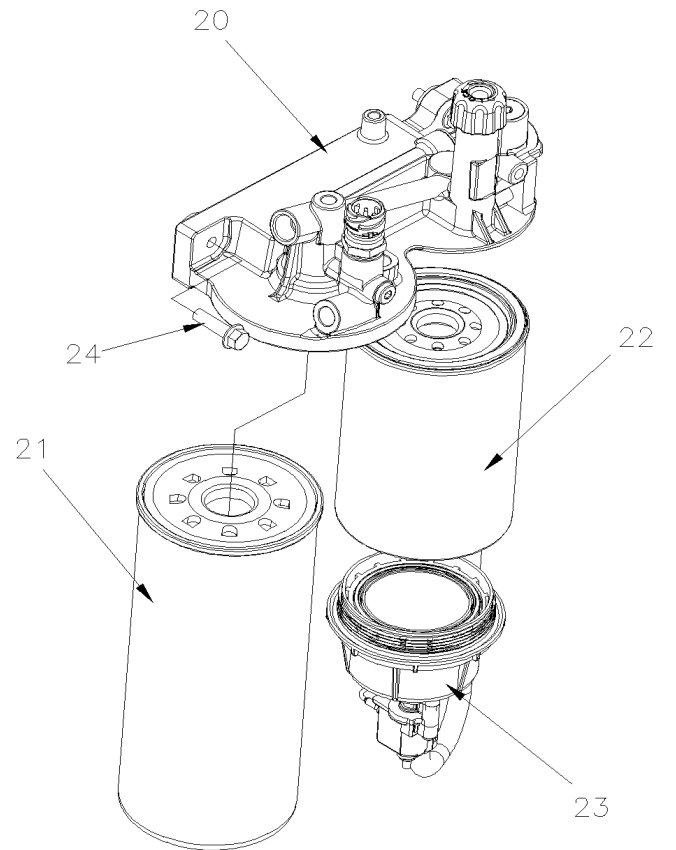
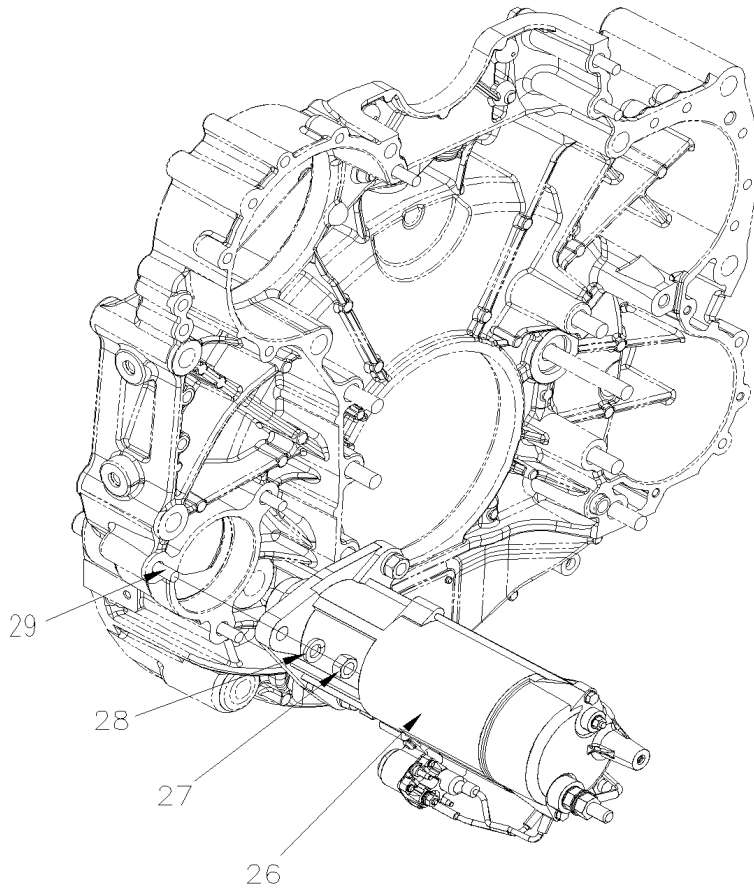


From B-5003 To D-5489

Date:10/2022

PAGE:XV-0170-00

ENGINE "VOLVO" D-13 - SPECIFIC PARTS FOR PREVOST





From B-5003 To D-5489 Date:10/2022 PAGE:XV-0170-00

ENGINE "VOLVO" D-13 - SPECIFIC PARTS FOR PREVOST

| Item# | Part | Description | X 3 V I P | X L I E N T 4 5 | N O T E S |
|-------|----------|---|-----------------------|--------------------------------------|-----------------------|
| 1 | 20936109 | THERMOSTAT HOUSING / W/D13 ENGINE / "PRÉVOST" | 1 | 1 | |
| . NS | 20936107 | . THERMOSTAT HOUSING | 1 | 1 | |
| . NS | 192639 | . NIPPLE 15xM18 | 1 | 1 | |
| . NS | 960632 | . PLUG HEX M18-1.5x12 | 1 | 1 | |
| . NS | 977935 | . GASKET M18x18 | 2 | 2 | |
| 2 | 20954445 | OIL STRAINER ASSY | 1 | 1 | |
| 3 | 21008852 | CONNECTION ENGINE OIL STRAINER / W/D13 ENGINE | 1 | 1 | |
| 4 | 21023367 | TURBOCHARGER HE431 | 1 | 1 | |
| 5 | 20945172 | ENGINE OIL PAN ASSY / W/D13 ENGINE / "PRÉVOST" | 1 | 1 | |
| . NS | 20934820 | . OIL PAN / "PRÉVOST" | 1 | 1 | |
| . NS | 20571854 | . PLUG MAGNETIC & GASKET | 1 | 1 | |
| . NS | 24424110 | . OIL LEVER SENSOR | 1 | 1 | |
| . NS | 953035 | . STUD M6x35x22 | 2 | 2 | |
| . NS | 945407 | . FLANGE NUT M6x6 | 2 | 2 | |
| . NS | 20724256 | . PIPE | 1 | 1 | |
| . NS | 946173 | . SCREW CAP HEXF M8-1.25x20 | 1 | 1 | |
| . NS | 20960713 | . PLATE BAFFLE | 1 | 1 | |
| . NS | 965175 | . SCREW FLANGE M6x12 | 5 | 5 | |
| . NS | 968612 | . PLUG | 1 | 1 | |
| . NS | 968209 | . O-RING 23.7x2.8 | 1 | 1 | |
| . NS | 20700754 | . CLIP | 3 | 3 | |
| 7 | 20980492 | ENGINE WIRING HARNESS ASSY W/D13 ENGINE / "PRÉVOST" | 1 | 1 | |
| 10 | 478736 | OIL FILTER (LONG LIFE) | 2 | 2 | |
| 11 | V477556 | OIL FILTER / W/BY-PASS SEE PREV # 510938 | 1 | 1 | |
| 11 | 510938 | OIL FILTER / W/BY-PASS | 1 | 1 | |
| 12 | 21061917 | HOUSING OIL FILTER ASSY | 1 | 1 | |
| 13 | 20903074 | . THERMOSTAT OIL FILTER FIXED TO FILTER HOUSING | 1 | 1 | |
| NS | 949659 | . O-RING | 1 | 1 | |
| NS | 947542 | . FLANGE SCREW | 1 | 1 | |
| 14 | V471085 | . VALVE BY-PASS | 1 | 1 | |
| NS | 466653 | . SPRING BY-PASS | 1 | 1 | |
| NS | 947627 | . GASKET BY-PASS | 1 | 1 | |
| NS | 471598 | . PLUG BY-PASS | 1 | 1 | |



From B-5003 To D-5489 Date:10/2022 PAGE:XV-0170-00

ENGINE "VOLVO" D-13 - SPECIFIC PARTS FOR PREVOST

| Item# | Part | Description | X 3 V I P | X L I I E N T 4 5 | N O T E S |
|--------|----------|---|-----------------------|---|-----------------------|
| 20 | 21023285 | HOUSING FUEL FILTER ASSY W/PRIMER PUMP TB-111262697-1 | 1 | 1 | |
| NS | 20898038 | . PRESSURE SENSOR | 1 | 1 | |
| NS | 968559 | . O-RING (PRESSURE SENSOR) | 1 | 1 | |
| 21 | 20405160 | FUEL FILTER (LONG) | 1 | 1 | |
| 21 | 20972293 | FUEL FILTER (LONG) MAIN / PRINCIPAL | 1 | 1 | |
| 22 | 20879806 | FUEL FILTER WATER SEPARATOR | 1 | 1 | |
| 23 | 20771580 | BOWL / W/WATER DETECTOR IN FUEL UAUXFUEL | 1 | 1 | |
| 23 | 20875050 | BOWL / W/WATER DETECTOR & HEATER ELEMENT | 1 | 1 | |
| NS | 20869389 | BOWL AF-E | 1 | 1 | |
| 24 | 5001742 | SCREW CAP HEXF M8-1.25x30 G8.8 N500 | 3 | 3 | |
| 26 | 20982072 | STARTER MOTOR / "MELCO" / "MITSUBISHI" 105PT | 1 | 1 | |
| . NS | 510888 | . SOLENOID KIT | 1 | 1 | |
| . . NS | IS752SOL | . . INSTRUCTION SHEET / SOLENOID REPLACEMENT | 1 | 1 | |
| . NS | 510889 | . SMALL STARTOR RELAY KIT / WITH CABLES | 1 | 1 | |
| . . NS | 564095 | . . SMALL STARTOR RELAY | 1 | 1 | |
| . . NS | IS752MAG | . . INSTRUCTION SHEET / MAGNETIC SWITCH REPLACEMENT | 1 | 1 | |
| 26 | 510928 | STARTER MOTOR, W/O RELAY 24V / W/"DETROIT" ENG | 1 | 1 | |
| . NS | 510888 | . SOLENOID KIT | 1 | 1 | |
| . . NS | IS752SOL | . . INSTRUCTION SHEET / SOLENOID REPLACEMENT | 1 | 1 | |
| . NS | 564095 | . SMALL STARTOR RELAY | 1 | 1 | |
| 27 | 971072 | NUT HEX M12-1.75 ZG603 | 3 | 3 | |
| 28 | 500482 | WASHER LO SPT .506x.873x.125 Z050 | 3 | 3 | |
| 29 | V953098 | STUD M12x55x33 | 3 | 3 | |
| | | | | | |
| | | | | | |
| | | | | | |
| | | | | | |

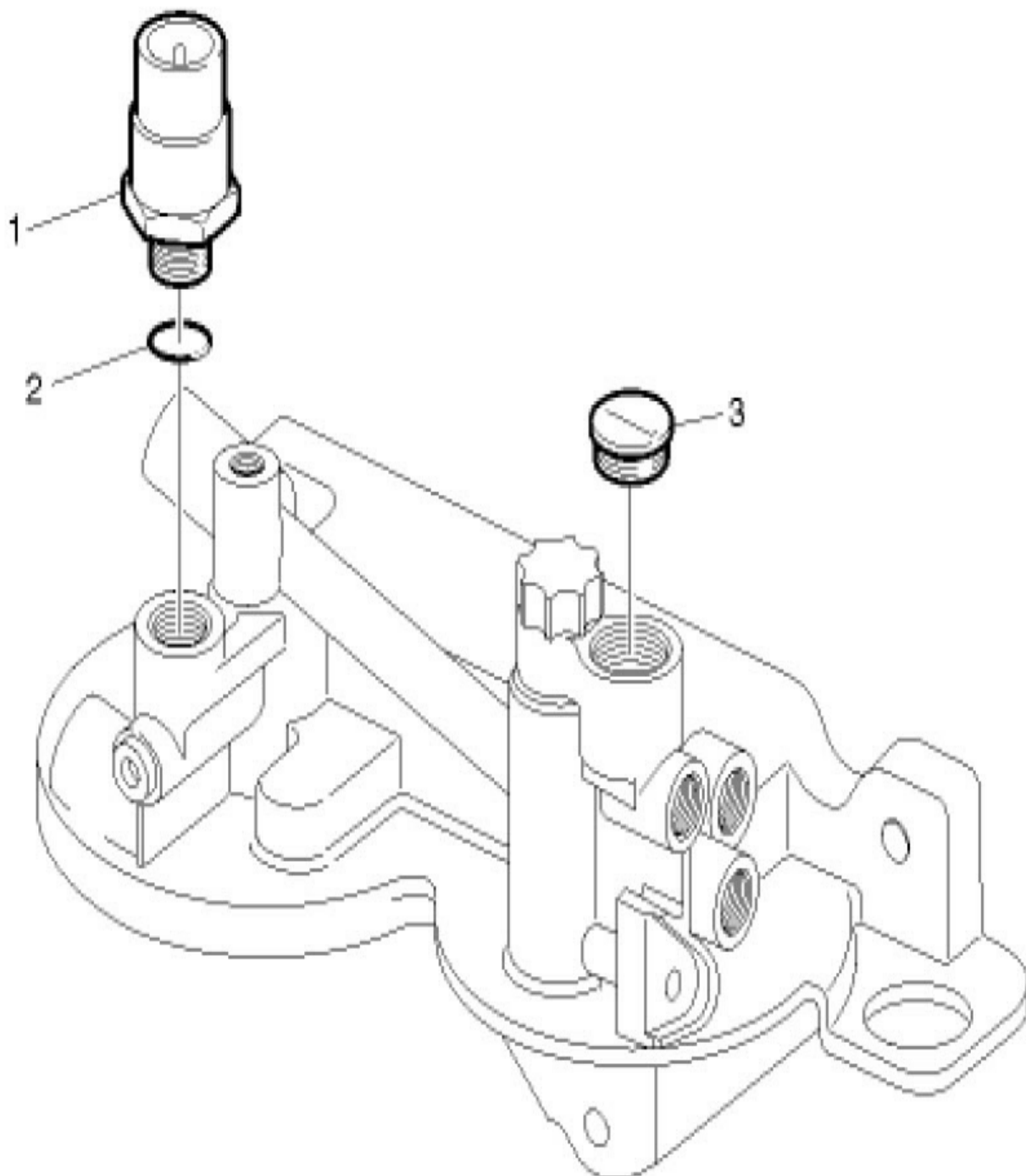


From B-5003 To D-5489

Date:10/2022

PAGE:21023285

HOUSING FUEL FILTER ASSY W/PRIMER PUMP TB-111262697-1



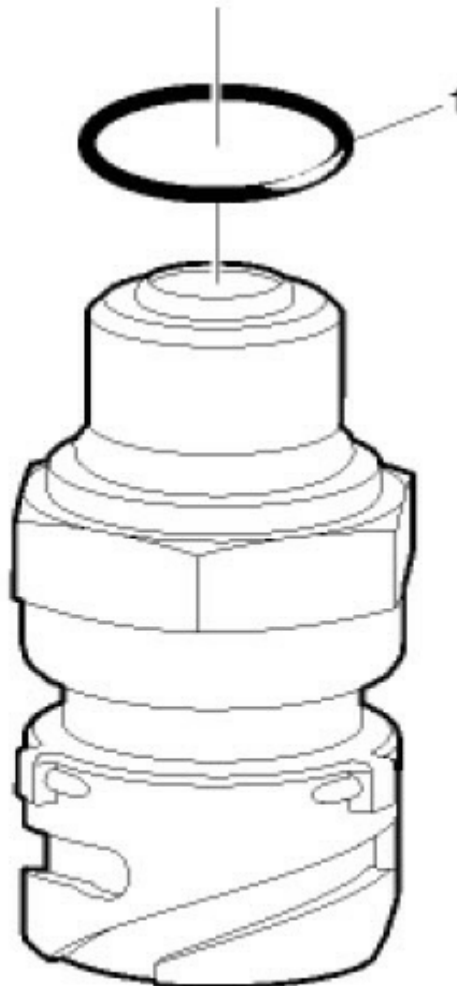
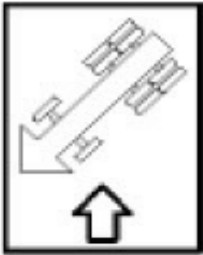


| | | |
|--|--------------|---------------|
| From B-5003 To D-5489 | Date:10/2022 | PAGE:21023285 |
| HOUSING FUEL FILTER ASSY W/PRIMER PUMP TB-111262697-1 | | |

| Item# | Part | Description | X 3 V I P | X L I I E N T 4 5 | N O T E S |
|-------|----------|---|-----------------------|---|-----------------------|
| 1 | 21302639 | PRESSURE SENSOR,FUEL/OIL TB-130959470-1 | 1 | 1 | |
| 2 | 968559 | O-RING (PRESSURE SENSOR) | 1 | 1 | |
| 3 | 20744692 | CAP | 1 | 1 | |
| | | | | | |
| | | | | | |
| | | | | | |



| | | |
|---|--------------|---------------|
| From B-5003 To D-5489 | Date:10/2022 | PAGE:21302639 |
| PRESSURE SENSOR,FUEL/OIL TB-130959470-1 | | |





| | | |
|---|--------------|---------------|
| From B-5003 To D-5489 | Date:10/2022 | PAGE:21302639 |
| PRESSURE SENSOR,FUEL/OIL TB-130959470-1 | | |

| Item# | Part | Description | X 3 V I P | X L I I E N T 4 5 | N O T E S |
|-------|--------|--------------------------|-----------------------|---|-----------------------|
| 1 | 968559 | O-RING (PRESSURE SENSOR) | 1 | 1 | |
| | | | | | |
| | | | | | |
| | | | | | |

PREVOST.



**PARTS
MANUAL**

| | | | |
|--------|--|--------------|-------|
| | | Date:10/2022 | XV-02 |
| CLUTCH | | | |

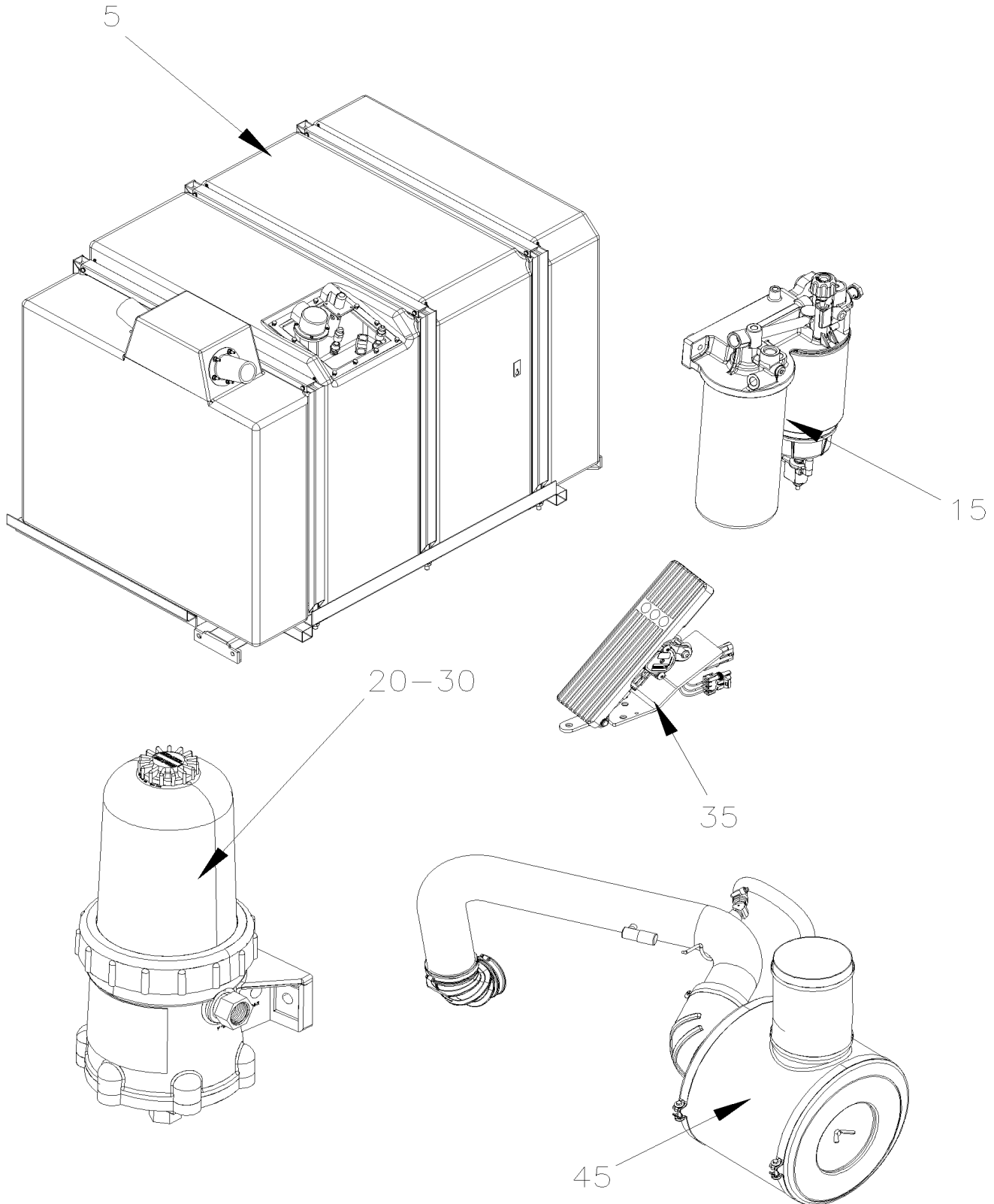




| | | Date:10/2022 | XV-02 | | |
|--------|------|--------------|-----------------------|---|-----------------------|
| CLUTCH | | | | | |
| Item# | Part | Description | X 3 V I P | X L I I E N T 4 5 | N O T E S |
| | | | | | |



| | | |
|------|--------------|-------|
| | Date:10/2022 | XV-03 |
| FUEL | | |





| | | |
|-------------|--------------|-------|
| | Date:10/2022 | XV-03 |
| FUEL | | |

| Item# | Part | Description | X 3 V I P | X L I E N T 4 5 | N O T E S |
|-------|------------|--|-----------------------|--------------------------------------|-----------------------|
| 5 | XV-0305-00 | FUEL TANK PLASTIC 208 GALLONS From B-5003 To C-5096 | | | |
| 5 | XV-0305-01 | FUEL TANK PLASTIC 208 GALLONS From C-5097 To D-5489 | | | |
| 15 | XV-0311-00 | FUEL FILTER - PRIMARY & SECONDARY WITH VOLVO D13 From B-5003 To D-5489 | | | |
| 20 | XV-0311-15 | FUEL FILTER / "PRO 382" From B-5003 To D-5489 | | | |
| 30 | XV-0312-10 | FUEL PRO - INSTALLATION WITH VOLVO D13 From B-5003 To D-5489 | | | |
| 35 | XV-0315-10 | ACCELERATOR PEDAL - ELECTRONIC From B-5003 To D-5489 | | | |
| 45 | XV-0330-00 | AIR FILTER & INTAKE - INSTALLATION WITH VOLVO D13 - EPA 2010 From B-5003 To D-5489 | | | |

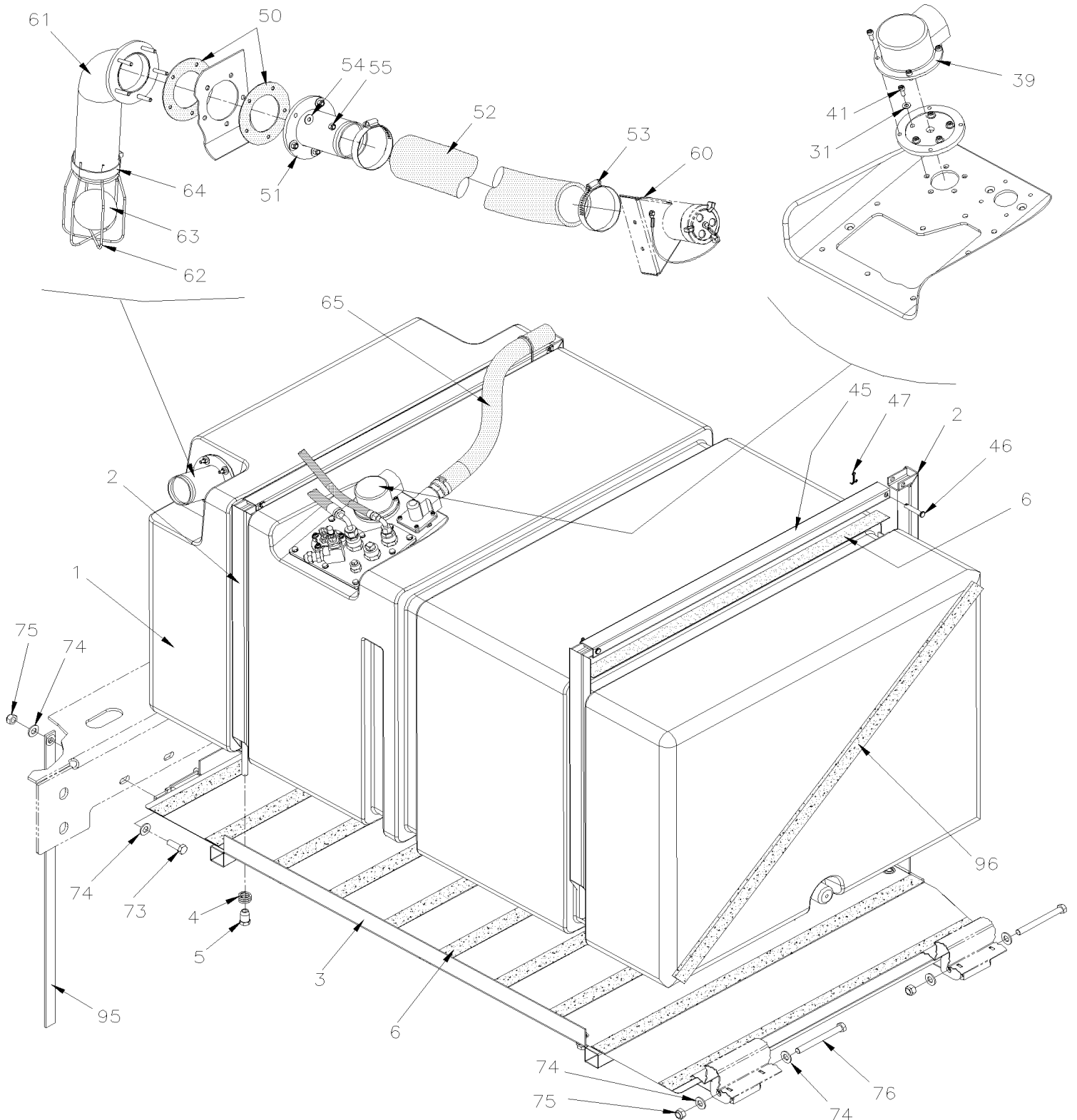


From B-5003 To C-5096

Date:10/2022

PAGE:XV-0305-00

FUEL TANK PLASTIC 208 GALLONS



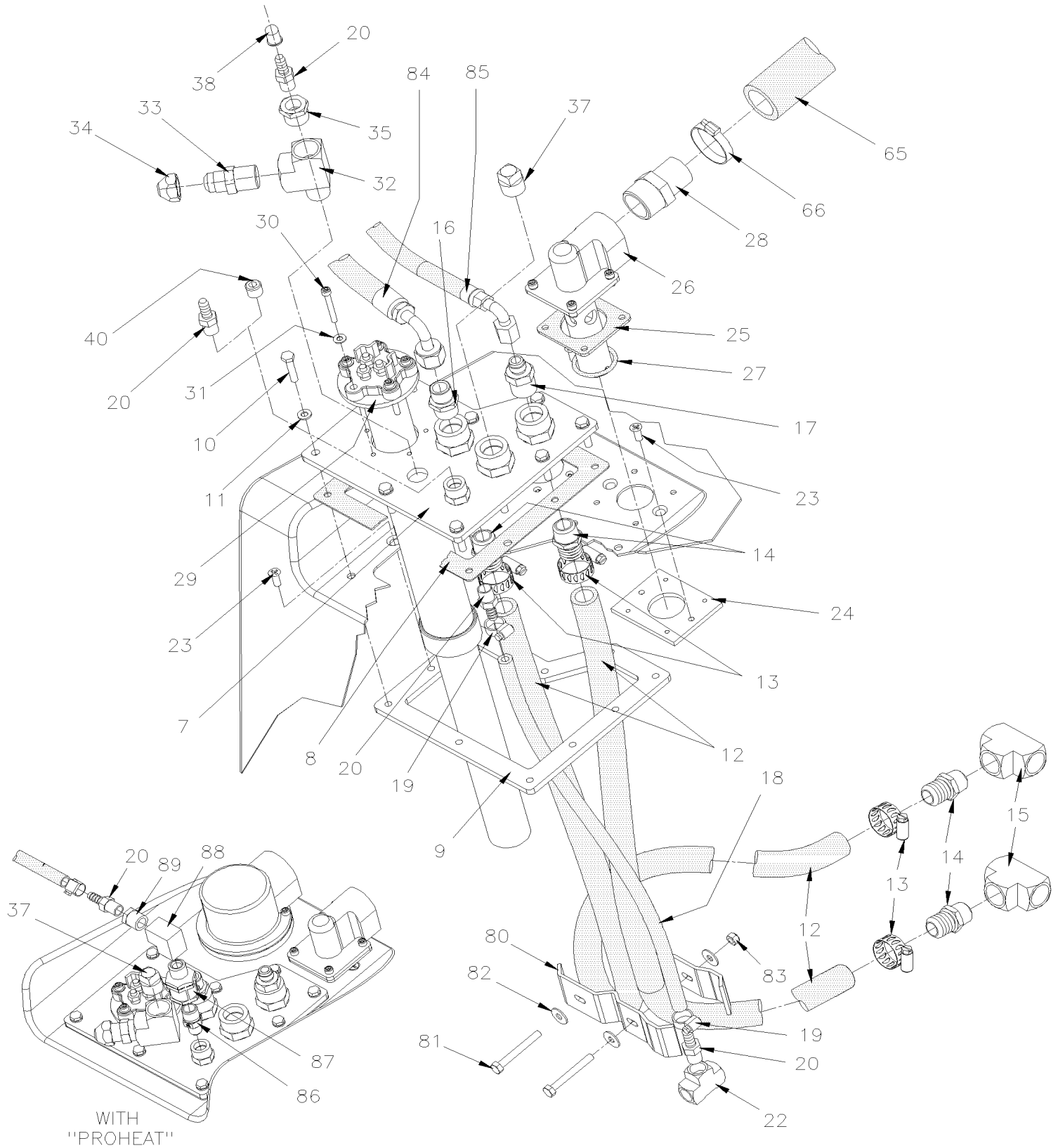


From B-5003 To C-5096

Date:10/2022

PAGE:XV-0305-00

FUEL TANK PLASTIC 208 GALLONS





| | | |
|--------------------------------------|--------------|-----------------|
| From B-5003 To C-5096 | Date:10/2022 | PAGE:XV-0305-00 |
| FUEL TANK PLASTIC 208 GALLONS | | |

| Item# | Part | Description | X 3 V I P | X L I I E N T 4 5 | N O T E S |
|-------|-----------------|---|-----------------------|---|-----------------------|
| | Call order desk | FUEL TANK ASSY | 1 | 1 | P |
| | Call order desk | FUEL TANK ASSY | 1 | 1 | P |
| 1 | 032778 | . FUEL TANK / 208 GALLONS US / W/ONE INLET HOLE To B-5086 | 1 | 1 | |
| 1 | 030399 | . FUEL TANK / 208 GALLONS US / W/ONE INLET HOLE From C-5087 | 1 | 1 | |
| 2 | 032463 | . ATTACHMENT POST ASSY / 689MM | 4 | 4 | |
| 3 | 032904 | . REMOVABLE FLOOR ASSY | 1 | 1 | |
| 4 | 502932 | . SPRING COMPRESSION / SS .975 O.D. x 1.250 x .125 | AR | AR | |
| 5 | 032607 | . NUT HEX SPECIAL M12-1.75 SS | 4 | 4 | |
| NS | 680038 | . THREAD LOCKER LOCTITE #243 / BLUE / 50ml | AR | AR | |
| 6 | 506758 | . TAPE RUB ADH1 NEO 1/16"X 1 1/2"X50' | AR | AR | |
| NS | 506007 | . TAPE RUB ADH1 CC NEO 3/4" x 1" x 10' / BLACK 1220 | AR | AR | |
| 7 | 032775 | . MAIN PLATE / "L" SHAPE | 1 | 1 | E |
| 8 | 032777 | . GASKET / "L" SHAPE | 1 | 1 | E |
| 9 | 032776 | . INTERIOR FRAME ASSY / "L" SHAPE | 1 | 1 | E |
| 10 | 502686 | . SCREW CAP HEX M6-1.0x30 SS BK | 8 | 8 | |
| 11 | 5001392 | . WASHER FL 6.0x12.0x1.5 COP | 8 | 8 | |
| 12 | 531417 | . HOSE / 2556 / #10 X 48" | 2 | 2 | |
| 13 | 504019 | . HOSE CLAMP / 9/16"-1"1/16 SS / HS-10 | 4 | 4 | |
| 14 | 501942 | . MALE CONNECTOR / PUSH-LOK FITTING / 1/2NPT-Mx#10 BR | 2 | 2 | |
| 15 | 501472 | . FEMALE UNION TEE / PIPE FITTING / 1/2NPT-Fx1/2NPT-Fx1/2NPT-F BR | 2 | 2 | |
| 16 | 501739 | . MALE CONNECTOR / JIC 37° FITTING / #8JIC-Mx1/2NPT-M STL | 1 | 1 | |
| 17 | 501054 | . CAP NUT / SAE 45° FITTING / #10FL-F BR | 1 | 1 | |
| 17 | 501930 | . MALE CONNECTOR / JIC 37° FITTING / #6JIC-Mx1/2NPT-M STL | 1 | 1 | |
| 18 | 531444 | . HOSE / 2556 / #4 X 18 1/2" | 1 | 1 | |
| 19 | 504014 | . HOSE CLAMP / 1/4"-5/8" SS / HM-4 | 2 | 2 | |
| 20 | 507602 | . MALE CONNECTOR / PUSH-LOK FITTING / 1/4NPT-Mx#4 BR | 4 | 4 | |
| 22 | 501337 | . FEMALE UNION TEE / PIPE FITTING / 1/4NPT-Fx1/4NPT-Fx1/4NPT-F BR | 1 | 1 | |
| 23 | 5001198 | . SCREW MA FL PH M6-1.0x16 Z050 | 8 | 8 | |
| 24 | 031899 | . INTERIOR FRAME | 1 | 1 | |
| 25 | 531443 | . GASKET / VALVE CONTROL LEVEL | 1 | 1 | |
| 26 | 504701 | . VALVE, FUEL TANK LEVEL CONTROL | 1 | 1 | |
| NS | 531459 | . VALVE, FUEL TANK LEVEL CONTROL EMCO | 1 | 1 | B |
| . NS | 530212 | . GASKET / VALVE CONTROL LEVEL | 1 | 1 | B |
| NS | 531410 | . WHISTLE | 1 | 1 | B |
| 27 | 507356 | . O-RING | 1 | 1 | |
| 28 | 501205 | . ADAPTER / COPPER @ PIPE / 1Mx1NPT-M | 1 | 1 | |
| 29 | 531387 | . SENSOR, FUEL LEVEL / 24" | 1 | 1 | |
| 30 | 5011135 | . SCREW CAP HEXS #10-24x1 1/2 N500 | 10 | 10 | |
| 31 | 500593 | . WASHER FL .200x.437x.036 BR | 10 | 10 | |
| 32 | 501473 | . MALE RUN TEE / PIPE FITTING / 1/2NPT-Mx1/2NPT-Fx1/2NPT-F BR | 1 | 1 | |
| 33 | 501616 | . MALE CONNECTOR / SAE 45° FITTING / #8FL-Mx1/2NPT-M BR | 1 | 1 | |
| 34 | 501053 | . CAP NUT / SAE 45° FITTING / #8FL-F BR | 1 | 1 | |



| | | |
|--------------------------------------|--------------|-----------------|
| From B-5003 To C-5096 | Date:10/2022 | PAGE:XV-0305-00 |
| FUEL TANK PLASTIC 208 GALLONS | | |

| Item# | Part | Description | X 3 V I P | X L I I E N T 4 5 | N O T E S |
|-------|---------|--|-----------------------|---|-----------------------|
| 35 | 501316 | . BUSHING REDUCER / PIPE FITTING / 1/2NPT-Mx1/4NPT-F BR | 1 | 1 | |
| 37 | 501966 | . PLUG HEXS / PIPE FITTING / 1/2NPT-M STL | 1 | 1 | |
| 38 | 680733 | . CAP PROTECTOR (NO-THREADED) | 1 | 1 | |
| 39 | 530156 | . VALVE PRESSURE | 1 | 1 | |
| . NS | 531427 | . . GASKET / (SMALL) | 1 | 1 | |
| . NS | 531428 | . . GASKET / (LARGE) | 1 | 1 | |
| 39 | 531414 | . VALVE PRESSURE | 1 | 1 | B |
| 40 | 501800 | . PLUG HEXS / PIPE FITTING / 1/4NPT-M STL | 1 | 1 | |
| 41 | 500143 | . SCREW CAP HEXS #10-24x1/2 N500 | 5 | 5 | |
| 45 | 032443 | . TRANSVERSAL CROSS BAR / 833.5 MM | 2 | 2 | |
| 46 | 502121 | . PIN, CLEVIS 3/8 x 1.625 BZC | 4 | 4 | |
| 47 | 502102 | . PIN, COTTER 1/8 x 1 | 4 | 4 | |
| 50 | 031804 | . GASKET To C-5271 | 2 | 2 | |
| 50 | 032938 | . GASKET From C-5272 | 1 | 1 | |
| 51 | 031896 | . FILLING HOSE ADAPTOR ASSY / L.H. | 1 | 1 | E |
| 51 | 032664 | . FILLING HOSE ADAPTOR ASSY W/GRILL / R.H. / "GREYHOUND" | 1 | 1 | |
| 54 | 502511 | . NUT HEX NYRT M6-1.0 Z050 | 10 | 10 | |
| 55 | 500411 | . WASHER FL .260x.697x.050 SS | 10 | 10 | |
| 61 | 032437 | . TUBE BALL RETAINER To C-5271 | 1 | 1 | |
| 61 | 032914 | . TUBE BALL RETAINER From C-5272 | 1 | 1 | |
| 62 | 032438 | . BASKET | 1 | 1 | |
| 63 | 032657 | . BALL 70MM O.D. To B-5030 | 1 | 1 | |
| 63 | 032871 | . BALL 77MM O.D. From B-5031 | 1 | 1 | |
| 64 | 504293 | . HOSE CLAMP / 2"5/16-3"1/4 SS / E.T. 44 | 1 | 1 | |
| 65 | 032415 | . HOSE #16 X 28" LG | 1 | 1 | |
| . NS | 503579 | . . HOSE 1" I.D. X 50' / "GREEN STRIPE" | AR | AR | |
| NS | 504637 | . CABLE TIE / 3/16" x 13" | 1 | 1 | |
| 66 | 504021 | . HOSE CLAMP / 11/16"-1"1/2 SS / HS-16 | 1 | 1 | |
| 73 | 500806 | SCREW CAP HEX M12-1.75X35 G10.9 G500 | 4 | 4 | |
| 73 | SR17-28 | SAFETY RECALL "FUEL TANK HARDWARE" To C-5096 | 1 | 1 | |
| 74 | 500958 | WASHER FL .531x1.062x.095 SS | 12 | 12 | |
| 75 | 500811 | NUT HEX STO M12-1.75 G500 | 6 | 6 | |
| 76 | 5001941 | SCREW CAP HEX M12-1.75x120 G10.9 N500 | 2 | 2 | |
| 76 | SR17-28 | SAFETY RECALL "FUEL TANK HARDWARE" To C-5096 | 1 | 1 | |
| 76 | 030082 | SPACER "U" 3.175MM | 4 | 4 | |
| 76 | 030083 | SPACER "U" 0.953MM | 4 | 4 | |
| 80 | 032779 | HOLDING PLATE / TO HOLD TUBE | 2 | 2 | |
| 81 | 502656 | SCREW CAP HEX M6-1.0x50 SS | 2 | 2 | |
| 82 | 500411 | WASHER FL .260x.697x.050 SS | 4 | 4 | |
| 83 | 502511 | NUT HEX NYRT M6-1.0 Z050 | 4 | 4 | |
| 84 | 032901 | HOSE ASSY / #8 4542MM | 1 | 1 | |
| 85 | 032900 | HOSE ASSY / #6 4617MM | 1 | 1 | |



| | | |
|--------------------------------------|--------------|-----------------|
| From B-5003 To C-5096 | Date:10/2022 | PAGE:XV-0305-00 |
| FUEL TANK PLASTIC 208 GALLONS | | |

| Item# | Part | Description | X 3 V I P | X L I I E N T 4 5 | N O T E S |
|-------|-------------------|--|-----------------------|---|-----------------------|
| 86 | 501749 | NIPPLE REDUCER HEX / PIPE FITTING / 3/8NPT-Mx1/4NPT-Mx1 13/32 BR | 1 | 1 | |
| 87 | 530042 | CHECK VALVE 3/8 NPT | 4 | 4 | |
| 88 | 509863 | FEMALE ELBOW 90° / PIPE FITTING / 3/8NPT-Fx3/8NPT-F BR | 1 | 1 | |
| 89 | 501314 | BUSHING REDUCER / PIPE FITTING / 3/8NTP-Mx1/4NPT-F BR | 1 | 1 | |
| 90 | XV-1875-00 | . FUEL TANK & UREA FILLING DOOR | | | |
| NS | 032824 | DECAL / ULTRA LOW SULFURE DIESEL / ENGLISH | 1 | 1 | |
| NS | 032823 | DECAL / ULTRA LOW SULFURE DIESEL (ULSD) / ENGLISH & SPANISH | 1 | 1 | |
| NS | 21298228 | DECAL / ULTRA LOW SULFURE DIESEL (ULSD) / ENGLISH & SPANISH | 1 | 1 | |
| NS | 032822 | DECAL / ULTRA LOW SULFURE DIESEL / ENGLISH & FRANCAIS | 1 | 1 | |
| NS | 21298562 | DECAL / ULTRA LOW SULFURE DIESEL / ENGLISH & FRANCAIS | 1 | 1 | |
| NS | 031164 | DECAL / CERTIFICATION | 1 | 1 | |
| NS | 400137 | DECAL / DIESEL FUEL BLACK | 1 | 1 | |
| NS | 403747 | DECAL / INSTRUCTION FOR FILLING TANK /208 GAL BLACK | 1 | 1 | |
| 92 | 032902 | FILLING HOSE / #40 815MM | 1 | 1 | |
| 93 | 504381 | HOSE CLAMP / 2"3/4-3"5/8 SS / HT-350 | 2 | 2 | |
| 95 | 505056 | ANTISTATIC STRAP / UNDER STRUCTURE | 1 | 1 | |
| 96 | 506035 | TAPE RUB ADH1 NEO 1/2" x 1" x 15' / BLACK 1220X | AR | AR | |
| | | | | | |
| | | | | | |
| | | B) WITH "EMCO WHEATON" | | | |
| | | E) AS SHOWNE | | | |
| | | P) CALL ORDER DESK FOR SPECIFIC APPLICATION (V.I.N.) | | | |

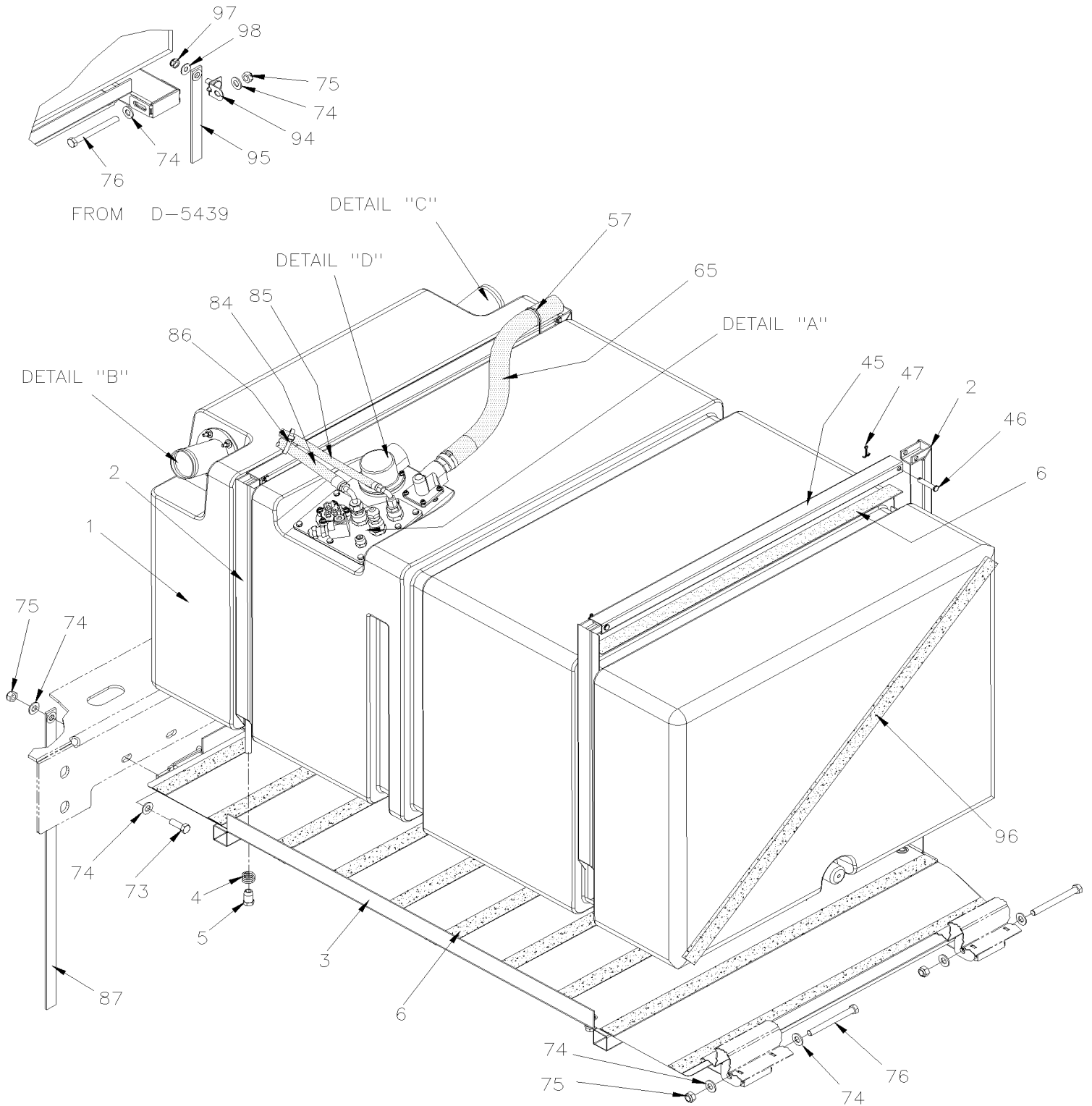


From C-5097 To D-5489

Date:10/2022

PAGE:XV-0305-01

FUEL TANK PLASTIC 208 GALLONS



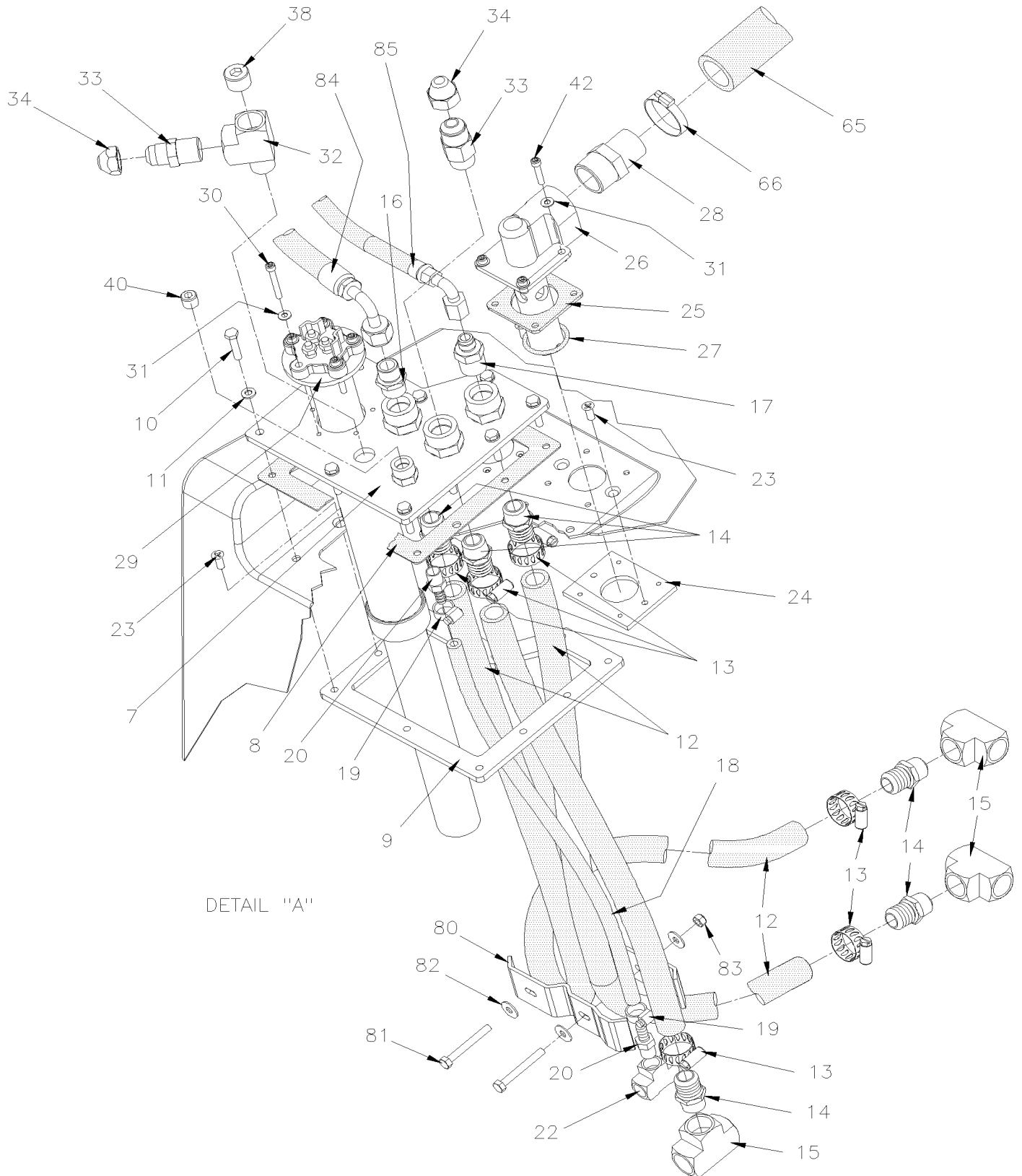


From C-5097 To D-5489

Date:10/2022

PAGE:XV-0305-01

FUEL TANK PLASTIC 208 GALLONS



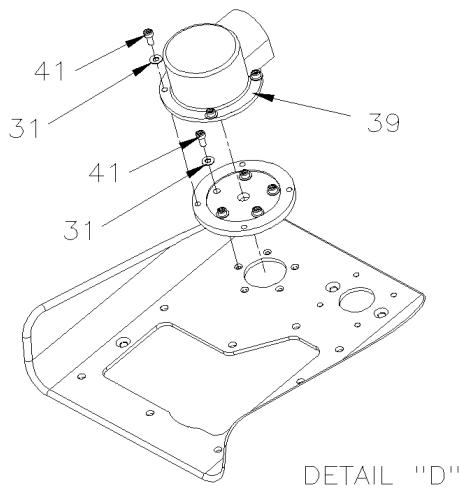
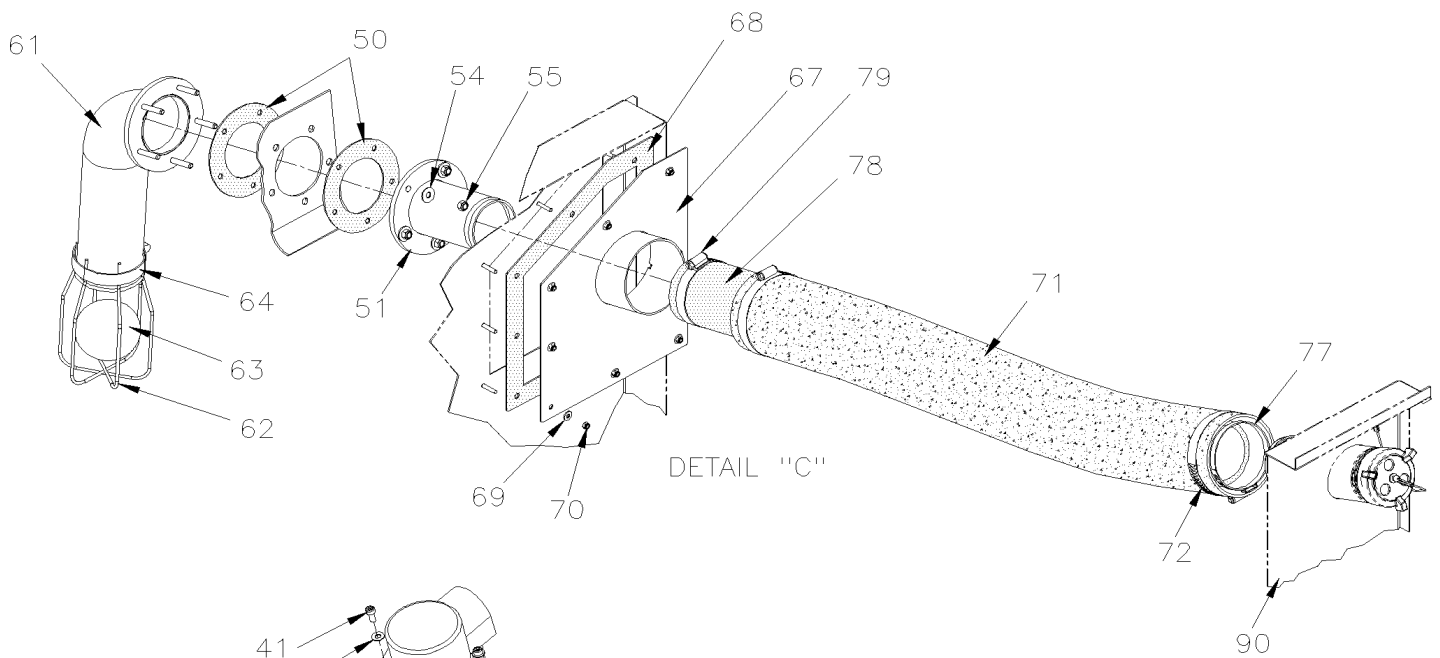
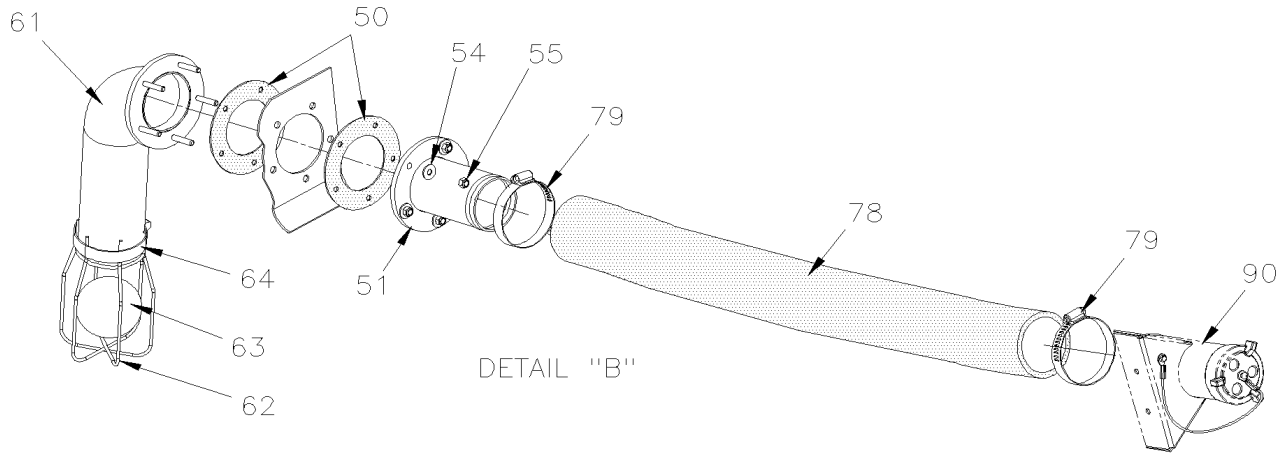


From C-5097 To D-5489

Date:10/2022

PAGE:XV-0305-01

FUEL TANK PLASTIC 208 GALLONS





From C-5097 To D-5489 Date:10/2022 PAGE:XV-0305-01

FUEL TANK PLASTIC 208 GALLONS

| Item# | Part | Description | X 3 V I P | X L I I E N T 4 5 | N O T E S |
|-------|-----------------|---|-----------------------|---|-----------------------|
| | Call order desk | FUEL TANK ASSY | 1 | 1 | P |
| | Call order desk | FUEL TANK ASSY | 1 | 1 | P |
| 1 | 030404 | . FUEL TANK / 208 GALLONS US / W/TWO INLET HOLES From C-5087 | 1 | 1 | |
| 2 | 032463 | . ATTACHMENT POST ASSY / 689MM | 4 | 4 | |
| 3 | 032904 | . REMOVABLE FLOOR ASSY | 1 | 1 | |
| 4 | 502932 | . SPRING COMPRESSION / SS .975 O.D. x 1.250 x .125 | 4 | 4 | |
| 5 | 032607 | . NUT HEX SPECIAL M12-1.75 SS | 4 | 4 | |
| NS | 680038 | . THREAD LOCKER LOCTITE #243 / BLUE / 50ml | AR | AR | |
| 6 | 506758 | . TAPE RUB ADH1 NEO 1/16"X 1 1/2"X50' | AR | AR | |
| NS | 506007 | . TAPE RUB ADH1 CC NEO 3/4" x 1" x 10' / BLACK 1220 | AR | AR | |
| 7 | 032775 | . MAIN PLATE / "L" SHAPE | 1 | 1 | E |
| 8 | 032777 | . GASKET / "L" SHAPE | 1 | 1 | E |
| 9 | 032776 | . INTERIOR FRAME ASSY / "L" SHAPE | 1 | 1 | E |
| 10 | 502686 | . SCREW CAP HEX M6-1.0x30 SS BK | 8 | 8 | |
| 11 | 5001392 | . WASHER FL 6.0x12.0x1.5 COP | 8 | 8 | |
| 12 | 531417 | . HOSE / 2556 / #10 X 48" | 2 | 2 | |
| 13 | 504019 | . HOSE CLAMP / 9/16"-1"1/16 SS / HS-10 | 6 | 6 | |
| 14 | 501942 | . MALE CONNECTOR / PUSH-LOK FITTING / 1/2NPT-Mx#10 BR | 6 | 6 | |
| 15 | 501472 | . FEMALE UNION TEE / PIPE FITTING / 1/2NPT-Fx1/2NPT-Fx1/2NPT-F BR | 3 | 3 | |
| 16 | 501739 | . MALE CONNECTOR / JIC 37° FITTING / #8JIC-Mx1/2NPT-M STL | 1 | 1 | |
| 17 | 501054 | . CAP NUT / SAE 45° FITTING / #10FL-F BR | 1 | 1 | |
| 17 | 501930 | . MALE CONNECTOR / JIC 37° FITTING / #6JIC-Mx1/2NPT-M STL | 1 | 1 | |
| 18 | 531444 | . HOSE / 2556 / #4 X 18 1/2" | 1 | 1 | |
| 19 | 504014 | . HOSE CLAMP / 1/4"-5/8" SS / HM-4 | 2 | 2 | |
| 20 | 507602 | . MALE CONNECTOR / PUSH-LOK FITTING / 1/4NPT-Mx#4 BR | 2 | 2 | |
| 22 | 501337 | . FEMALE UNION TEE / PIPE FITTING / 1/4NPT-Fx1/4NPT-Fx1/4NPT-F BR | 1 | 1 | |
| 23 | 5001198 | . SCREW MA FL PH M6-1.0x16 Z050 | 8 | 8 | |
| 24 | 031899 | . INTERIOR FRAME | 1 | 1 | |
| 25 | 531443 | . GASKET / VALVE CONTROL LEVEL | 1 | 1 | |
| 26 | 504701 | . VALVE, FUEL TANK LEVEL CONTROL | 1 | 1 | |
| 26 | 531459 | . VALVE, FUEL TANK LEVEL CONTROL EMCO | 1 | 1 | |
| . NS | 530212 | . GASKET / VALVE CONTROL LEVEL | 1 | 1 | |
| 27 | 507356 | . O-RING | 1 | 1 | |
| 28 | 501205 | . ADAPTER / COPPER @ PIPE / 1Mx1NPT-M | 1 | 1 | |
| 29 | 531387 | . SENSOR, FUEL LEVEL / 24" | 1 | 1 | |
| 30 | 5011135 | . SCREW CAP HEXS #10-24x1 1/2 N500 To E-5535 | 5 | 5 | |
| 30 | 5001925 | . SCREW CAP HEXS #10-24x1 1/4 N500 From E-5536 | 5 | 5 | |
| 31 | 500593 | . WASHER FL .200x.437x.036 BR | 18 | 18 | |
| 32 | 501473 | . MALE RUN TEE / PIPE FITTING / 1/2NPT-Mx1/2NPT-Fx1/2NPT-F BR | 1 | 1 | |
| 33 | 501616 | . MALE CONNECTOR / SAE 45° FITTING / #8FL-Mx1/2NPT-M BR | 1 | 1 | |
| 34 | 501053 | . CAP NUT / SAE 45° FITTING / #8FL-F BR | 1 | 1 | |
| 38 | 501966 | PLUG HEXS / PIPE FITTING / 1/2NPT-M STL | 1 | 1 | |



| | | |
|--------------------------------------|--------------|-----------------|
| From C-5097 To D-5489 | Date:10/2022 | PAGE:XV-0305-01 |
| FUEL TANK PLASTIC 208 GALLONS | | |

| Item# | Part | Description | X 3 V I P | X L I I E N T 4 5 | N O T E S |
|-------|---------|--|-----------------------|---|-----------------------|
| 39 | 530156 | . VALVE PRESSURE | 1 | 1 | |
| . NS | 531427 | . . GASKET / (SMALL) | 1 | 1 | |
| . NS | 531428 | . . GASKET / (LARGE) | 1 | 1 | |
| 40 | 501800 | . PLUG HEXS / PIPE FITTING / 1/4NPT-M STL | 1 | 1 | |
| 41 | 500143 | . SCREW CAP HEXS #10-24x1/2 N500 | 9 | 9 | |
| 42 | 5011135 | . SCREW CAP HEXS #10-24x1 1/2 N500 To E-5535 | 4 | 4 | |
| 42 | 5001925 | . SCREW CAP HEXS #10-24x1 1/4 N500 From E-5536 | 4 | 4 | |
| 45 | 032443 | . TRANSVERSAL CROSS BAR / 833.5 MM | 2 | 2 | |
| 46 | 502121 | . PIN, CLEVIS 3/8 x 1.625 BZC | 4 | 4 | |
| 47 | 502102 | . PIN, COTTER 1/8 x 1 | 4 | 4 | |
| 50 | 031804 | . GASKET To C-5271 | 4 | 4 | |
| 50 | 032938 | . GASKET From C-5272 | 2 | 2 | |
| 51 | 031896 | . FILLING HOSE ADAPTOR ASSY / L.H. | 2 | 2 | E |
| 51 | 032664 | . FILLING HOSE ADAPTOR ASSY W/GRILL / R.H. / "GREYHOUND" | 2 | 2 | |
| 54 | 502511 | . NUT HEX NYRT M6-1.0 Z050 | 10 | 10 | |
| 55 | 500411 | . WASHER FL .260x.697x.050 SS | 10 | 10 | |
| 57 | 504637 | . CABLE TIE / 3/16" x 13" | 2 | 2 | |
| 61 | 032437 | . TUBE BALL RETAINER To C-5271 | 2 | 2 | |
| 61 | 032914 | . TUBE BALL RETAINER From C-5272 | 2 | 2 | |
| 62 | 032438 | . BASKET | 2 | 2 | |
| 63 | 032871 | . BALL 77MM O.D. | 2 | 2 | |
| 64 | 504293 | . HOSE CLAMP / 2"5/16-3"1/4 SS / E.T. 44 | 2 | 2 | |
| 65 | 032415 | . HOSE #16 X 28" LG | 1 | 1 | |
| . NS | 503579 | . . HOSE 1" I.D. X 50' / "GREEN STRIPE" | AR | AR | |
| 66 | 504021 | . HOSE CLAMP / 11/16"-1"1/2 SS / HS-16 | 1 | 1 | |
| 67 | 032927 | CLOSING PLATE / FUEL TANK FILLER HOSE | 1 | 1 | |
| 68 | 032931 | GASKET / CLOSING PLATE | 1 | 1 | |
| 69 | 504357 | WASHER FL .187x.437x.050 SS | 8 | 8 | |
| 70 | 500539 | NUT HEX NYRT M4-0.7 N500 | 8 | 8 | |
| 71 | 503746 | HOSE FLEXIBLE / AIR DUCT 3 1/2" I.D. X 12' / PLASTIC | AR | AR | |
| 72 | 504235 | HOSE CLAMP / 3"9/16"-4"1/2 SS / HS-64 | 2 | 2 | |
| 73 | 500806 | SCREW CAP HEX M12-1.75X35 G10.9 G500 | 4 | 4 | |
| 73 | SR17-28 | SAFETY RECALL "FUEL TANK HARDWARE" To D-5489 | 1 | 1 | |
| 74 | 500958 | WASHER FL .531x1.062x.095 SS | 12 | 12 | |
| 75 | 500811 | NUT HEX STO M12-1.75 G500 | 6 | 6 | |
| 76 | 5001941 | SCREW CAP HEX M12-1.75x120 G10.9 N500 | 2 | 2 | |
| 76 | SR17-28 | SAFETY RECALL "FUEL TANK HARDWARE" To D-5489 | 1 | 1 | |
| 76 | 030082 | SPACER "U" 3.175MM | 4 | 4 | |
| 76 | 030083 | SPACER "U" 0.953MM | 4 | 4 | |
| 77 | 504696 | HOSE CLAMP EAR / 2.968"-3.090" | 1 | 1 | |
| 78 | 032902 | FILLING HOSE / #40 815MM | 1 | 1 | |
| 79 | 504381 | HOSE CLAMP / 2"3/4-3"5/8 SS / HT-350 | 2 | 2 | |



| | | |
|--------------------------------------|--------------|-----------------|
| From C-5097 To D-5489 | Date:10/2022 | PAGE:XV-0305-01 |
| FUEL TANK PLASTIC 208 GALLONS | | |

| Item# | Part | Description | X 3 V I P | X L I I E N T 4 5 | N O T E S |
|-------|-------------------|---|-----------------------|---|-----------------------|
| 80 | 032779 | HOLDING PLATE / TO HOLD TUBE | 2 | 2 | |
| 81 | 502656 | SCREW CAP HEX M6-1.0x50 SS | 2 | 2 | |
| 82 | 500411 | WASHER FL .260x.697x.050 SS | 4 | 4 | |
| 83 | 502511 | NUT HEX NYRT M6-1.0 Z050 | 4 | 4 | |
| 84 | 032901 | HOSE ASSY / #8 4542MM | 1 | 1 | |
| 85 | 032900 | HOSE ASSY / #6 4617MM | 1 | 1 | |
| NS | 504768 | CABLE TIE / 3/16" 14.7" / DOUBLE LOOP HEAD | 1 | 1 | |
| 86 | 504768 | CABLE TIE / 3/16" 14.7" / DOUBLE LOOP HEAD | 1 | 1 | |
| 87 | 505056 | ANTISTATIC STRAP / UNDER STRUCTURE To D-5348 | 1 | 1 | |
| 90 | XV-1875-00 | . FUEL TANK & UREA FILLING DOOR | | | |
| NS | 032824 | DECAL / ULTRA LOW SULFURE DIESEL / ENGLISH | 1 | 1 | |
| NS | 032823 | DECAL / ULTRA LOW SULFURE DIESEL (ULSD) / ENGLISH & SPANISH | 1 | 1 | |
| NS | 21298228 | DECAL / ULTRA LOW SULFURE DIESEL (ULSD) / ENGLISH & SPANISH | 1 | 1 | |
| NS | 032822 | DECAL / ULTRA LOW SULFURE DIESEL / ENGLISH & FRANCAIS | 1 | 1 | |
| NS | 21298562 | DECAL / ULTRA LOW SULFURE DIESEL / ENGLISH & FRANCAIS | 1 | 1 | |
| NS | 031164 | DECAL / CERTIFICATION | 1 | 1 | |
| NS | 400137 | DECAL / DIESEL FUEL BLACK | 1 | 1 | |
| NS | 403747 | DECAL / INSTRUCTION FOR FILLING TANK /208 GAL BLACK | 1 | 1 | |
| 94 | 382509 | SUPPORT / ANTISTATIC STRAP From D-5349 | 2 | 2 | |
| 95 | 505056 | ANTISTATIC STRAP / UNDER STRUCTURE From D-5349 | 2 | 2 | |
| 96 | 506035 | TAPE RUB ADH1 NEO 1/2" x 1" x 15' / BLACK 1220X | AR | AR | |
| 97 | 502859 | NUT HEX NYRT M10-1.5 N500 From D-5349 | 2 | 2 | |
| 98 | 500270 | WASHER FL .406x1.000x.063 SS From D-5349 | 2 | 2 | |
| | | E) AS SHOWNE | | | |
| | | P) CALL ORDER DESK FOR SPECIFIC APPLICATION (V.I.N.) | | | |

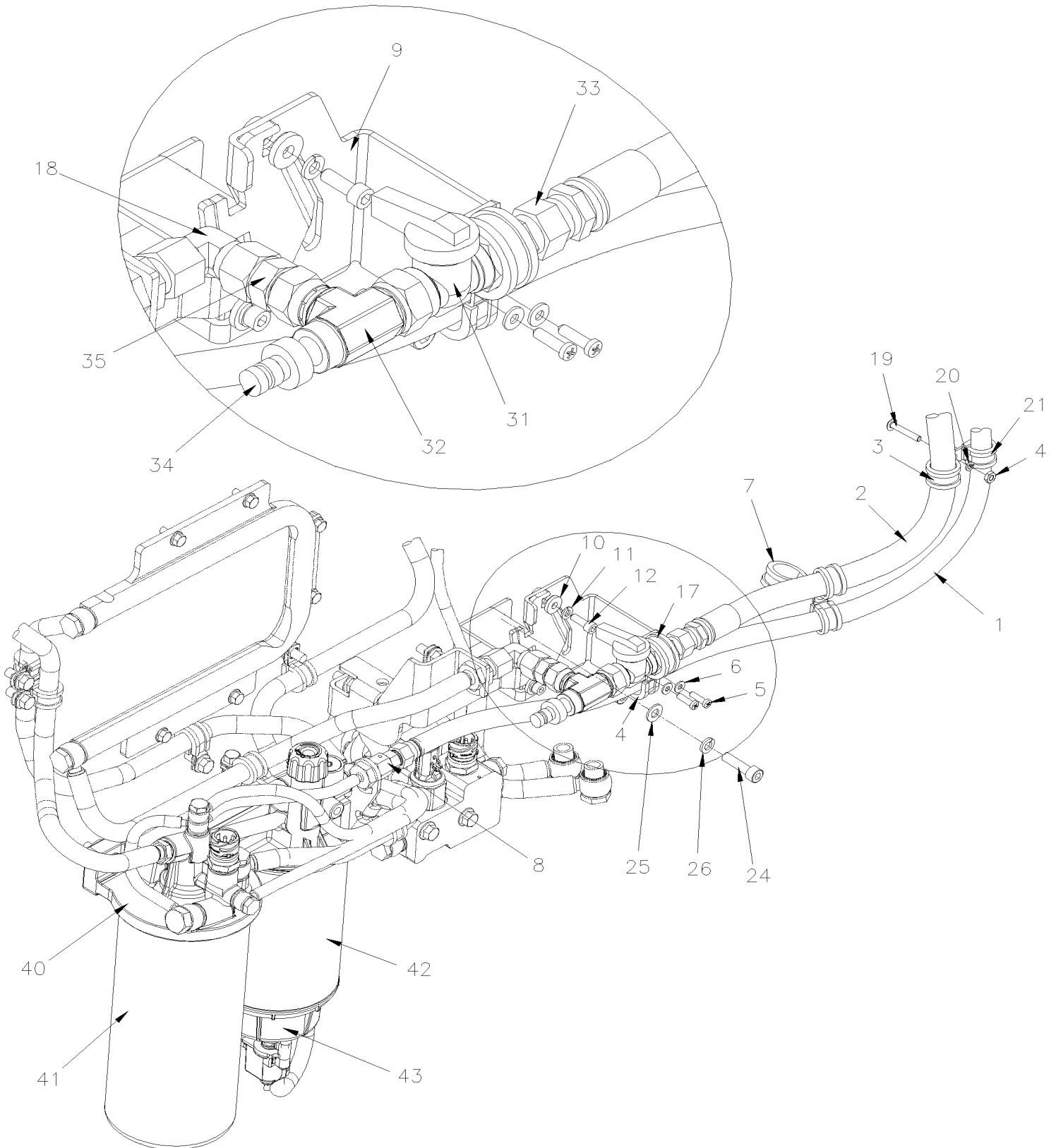


From B-5003 To D-5489

Date:10/2022

PAGE:XV-0311-00

FUEL FILTER - PRIMARY & SECONDARY WITH VOLVO D13





| From B-5003 To D-5489 | | Date:10/2022 | PAGE:XV-0311-00 | | |
|--|----------------|--|-----------------------|---|-----------------------|
| FUEL FILTER - PRIMARY & SECONDARY WITH VOLVO D13 | | | | | |
| Item# | Part | Description | X 3 V I P | X L I I E N T 4 5 | N O T E S |
| 1 | 032900 | HOSE ASSY / #6 4617MM | 1 | 1 | |
| 2 | 032901 | HOSE ASSY / #8 4542MM | 1 | 1 | |
| 3 | 952631 | CLAMP / 3/4" I.D. | 2 | 2 | |
| 4 | 952629 | CLAMP / 5/8" I.D. | 3 | 3 | |
| 5 | 500623 | SCREW TC PAN PH #10-24x3/4 N500 | 2 | 2 | |
| 6 | 500855 | WASHER FL .188x.438x.049 N500 | 1 | 1 | |
| 7 | 952635 | CLAMP / 1" I.D. | 1 | 1 | |
| 8 | 507662 | MALE CONNECTOR SWIVEL / JIC 37° @ METRIC24° / #6JIC-Mxm16-1.5 W/24° O-RING-F | 1 | 1 | |
| 9 | 032911 | SUPPORT FUEL LINE To B-5088 | 1 | 1 | |
| 9 | 033185 | SUPPORT FUEL LINE From B-5089 | 1 | 1 | |
| 10 | 5001654 | WASHER FL 6.4x17.0x3.0 SS | 2 | 2 | |
| 11 | 502570 | WASHER LO SPT 6.1x11.8x1.6 SS | 2 | 2 | |
| 12 | 5001648 | SCREW CAP HEXS M6-1.0x18 SS BK | 2 | 2 | |
| 17 | 952637 | CLAMP / 1"1/16 I.D. | 1 | 1 | |
| 18 | 964016 | ELBOW | 1 | 1 | |
| 19 | 500574 | SCREW MA TR PH #10-24x1 1/4 SS | 2 | 2 | |
| 20 | 500914 | WASHER LO SPT .193x.334x.047 N500 | 2 | 2 | |
| 21 | 502882 | NUT HEX #10-24 N500 | 2 | 2 | |
| 24 | 5001598 | SCREW CAP HEXS M8-1.25x30 SS | 1 | 1 | |
| 25 | 5001341 | WASHER FL 8.4x17.0x1.6 SS | 1 | 1 | |
| 26 | 5001161 | WASHER LO SPT 8.1x14.8x2.0 SS-304 | 1 | 1 | |
| 31 | 530096 | BALL VALVE 1/2" NPT 1/2 NPT F x 1/2 NPT F | 1 | 1 | |
| 32 | 5001677 | SWIVEL NUT ADAPTER TEE / JIC 37° FITTING / #8JIC-Fx1/2NPT-Mx1/4NTP-F STL | 1 | 1 | |
| 33 | 501616 | MALE CONNECTOR / SAE 45° FITTING / #8FL-Mx1/2NPT-M BR | 1 | 1 | |
| 34 | 504706 | NIPPLE / QUICK DISCONNECT "SAE J1502" / #4x1/4NPT-M STL W/DUST CAP | 1 | 1 | |
| . NS | 195533 | . DUST CAP / QUICK DISCONNECT "SAE J1502" / #4 | 1 | 1 | |
| 35 | 507659 | MALE CONNECTOR SWIVEL / JIC 37° @ METRIC24° / #8JIC-Mxm18-1.5 W/24° O-RING-F | 1 | 1 | |
| 40 | Refer To Volvo | HOUSING FUEL FILTER ASSY W/PRIMER PUMP TB-111262697-1 | 1 | 1 | V |
| 41 | 20405160 | FUEL FILTER (LONG) | 1 | 1 | |
| 41 | 20972293 | FUEL FILTER (LONG) MAIN / PRINCIPAL | 1 | 1 | |
| 42 | 20879806 | FUEL FILTER WATER SEPARATOR | 1 | 1 | |
| 43 | 20771580 | BOWL / W/WATER DETECTOR IN FUEL UAUxFUEL | 1 | 1 | |
| 43 | 20875050 | BOWL / W/WATER DETECTOR & HEATER ELEMENT | 1 | 1 | |
| 43 | Refer To Volvo | BOWL AF-E | 1 | 1 | V |
| | | | | | |
| | | | | | |
| | | | | | |
| | | | | | |
| | | | | | |
| | | V) SEE IMPACT OR CALL ORDER DESK | | | |

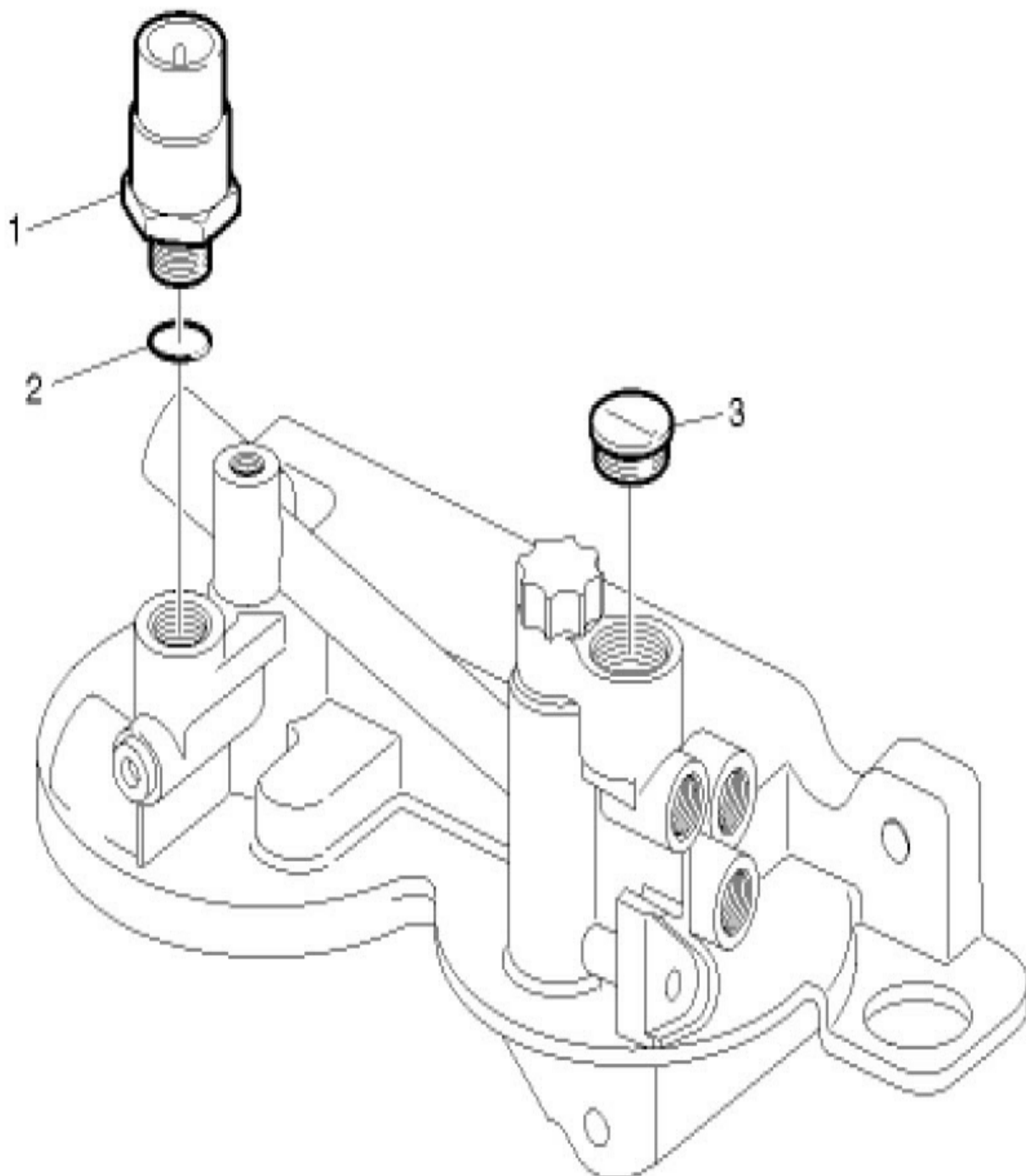


From B-5003 To D-5489

Date:10/2022

PAGE:21023285

HOUSING FUEL FILTER ASSY W/PRIMER PUMP TB-111262697-1



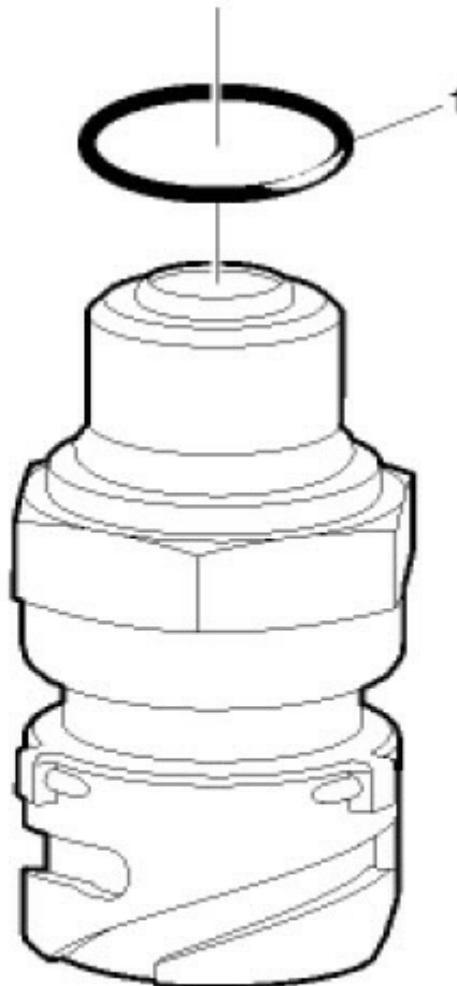
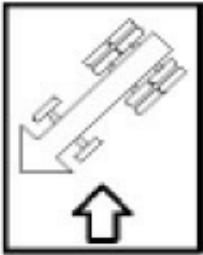


| | | |
|--|--------------|---------------|
| From B-5003 To D-5489 | Date:10/2022 | PAGE:21023285 |
| HOUSING FUEL FILTER ASSY W/PRIMER PUMP TB-111262697-1 | | |

| Item# | Part | Description | X 3 V I P | X L I I E N T 4 5 | N O T E S |
|-------|----------|---|-----------------------|---|-----------------------|
| 1 | 21302639 | PRESSURE SENSOR,FUEL/OIL TB-130959470-1 | 1 | 1 | |
| 2 | 968559 | O-RING (PRESSURE SENSOR) | 1 | 1 | |
| 3 | 20744692 | CAP | 1 | 1 | |
| | | | | | |
| | | | | | |
| | | | | | |



| | | |
|---|--------------|---------------|
| From B-5003 To D-5489 | Date:10/2022 | PAGE:21302639 |
| PRESSURE SENSOR,FUEL/OIL TB-130959470-1 | | |





| | | |
|-----------------------|--------------|---------------|
| From B-5003 To D-5489 | Date:10/2022 | PAGE:21302639 |
|-----------------------|--------------|---------------|

PRESSURE SENSOR,FUEL/OIL TB-130959470-1

| Item# | Part | Description | X 3 V I P | X L I I E N T 4 5 | N O T E S |
|-------|--------|--------------------------|-----------------------|---|-----------------------|
| 1 | 968559 | O-RING (PRESSURE SENSOR) | 1 | 1 | |
| | | | | | |
| | | | | | |
| | | | | | |

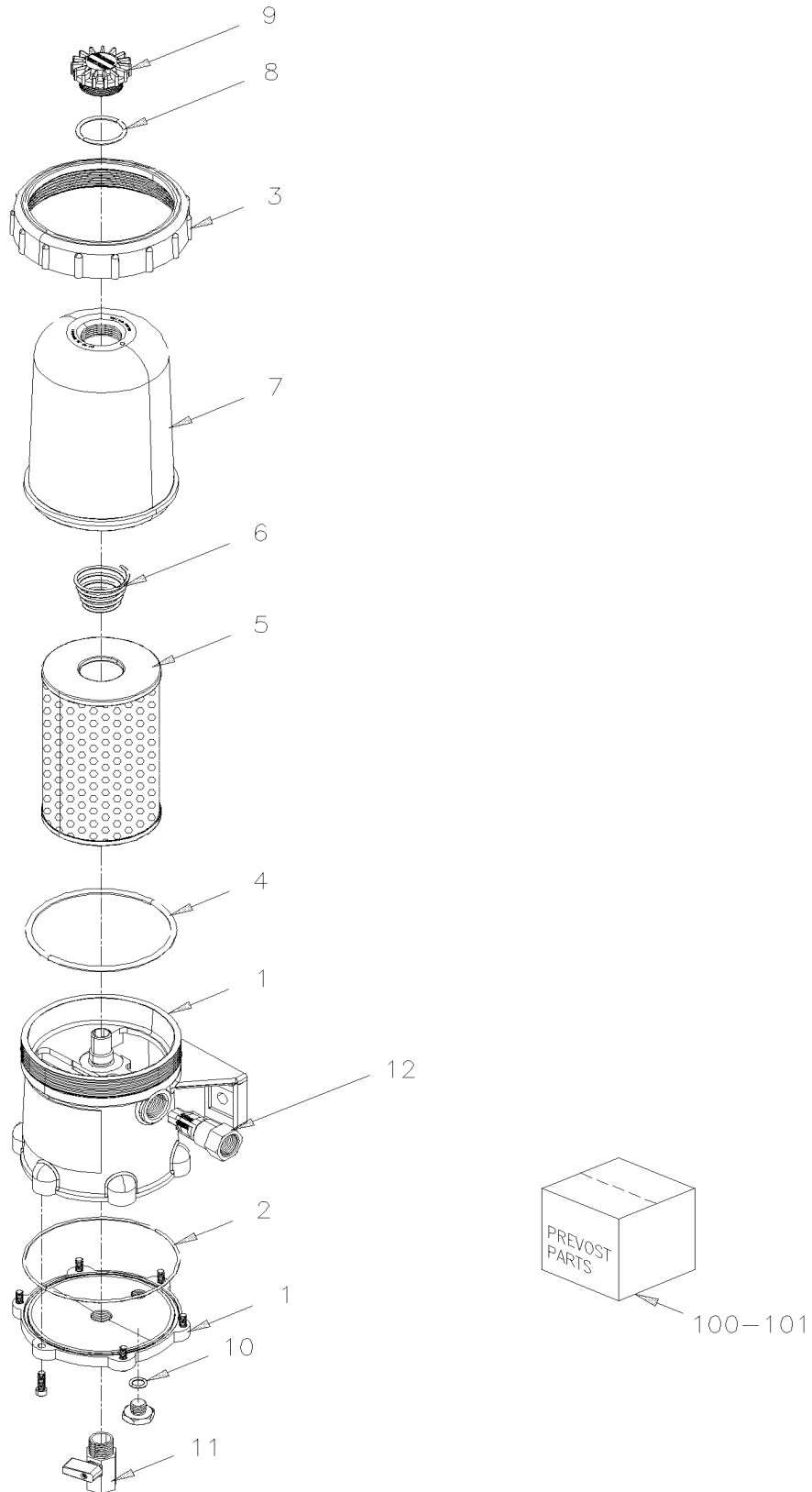


From B-5003 To D-5489

Date:10/2022

PAGE:XV-0311-15

FUEL FILTER / "PRO 382"





| | | |
|--------------------------------|--------------|-----------------|
| From B-5003 To D-5489 | Date:10/2022 | PAGE:XV-0311-15 |
| FUEL FILTER / "PRO 382" | | |

| Item# | Part | Description | X 3 V I P | X L I I E N T 4 5 | N O T E S |
|-------|----------|---|-----------------------|---|-----------------------|
| | 21248323 | FILTER ASSY "FUEL PRO 382" / WITHOUT HEATER ELEMENT | 1 | 1 | |
| 1 | N.S.S. | . BODY CASTING | 1 | 1 | 1 |
| 2 | 85103295 | . SEAL BOTTOM COVER | 1 | 1 | |
| 3 | 3948920 | . COLLAR, COVER | 1 | 1 | |
| 4 | N.S.S. | . O-RING | 2 | 2 | 1 |
| 5 | 85120233 | . FILTER FUEL, ELEMENT / W/"PRO FILTER" | 1 | 1 | |
| 6 | 3099140 | . SPRING | 1 | 1 | |
| 7 | 85116443 | . COVER, FILTER ELEMENT | 1 | 1 | |
| 8 | N.S.S. | . SEAL CAP VENT | 1 | 1 | 1 |
| 9 | 3948921 | . CAP VENT | 1 | 1 | |
| 10 | | . SEAL O-RING | 1 | 1 | |
| 11 | 3099141 | . DRAIN VALVE | 1 | 1 | |
| 12 | N.S.P. | . CHECK VALVE / (23518325) | 2 | 2 | 2 |
| 12 | 3947686 | . CHECK VALVE BODY ONLY | 1 | 1 | |
| 100 | 3946029 | O-RING SET | 1 | 1 | A |
| . A | N.S.S. | . ANTI TAMPER SEAL | 1 | 1 | 1 A |
| . B | N.S.S. | . O-RING | 1 | 1 | 1 A |
| 101 | N.S.P. | CHECK VALVE REPAIR KIT / (23518326) | 1 | 1 | 2 |
| 101 | 1117798 | CHECK VALVE REPAIR KIT / | 1 | 1 | |
| NS | 3093385 | COLLAR VENT CAP WRENCH METAL | 1 | 1 | |
| | | | | | |
| | | | | | |
| | | A) OPTION SPECIAL | | | |
| | | 1) NOT SOLD SEPARATELY | | | |
| | | 2) NOT SOLD BY PREVOST (SEE MANUFACTURING PART NUMBER AT END OF DESCRIPTION LINE) | | | |
| | | 1) NOT SOLD SEPARATELY | | | |

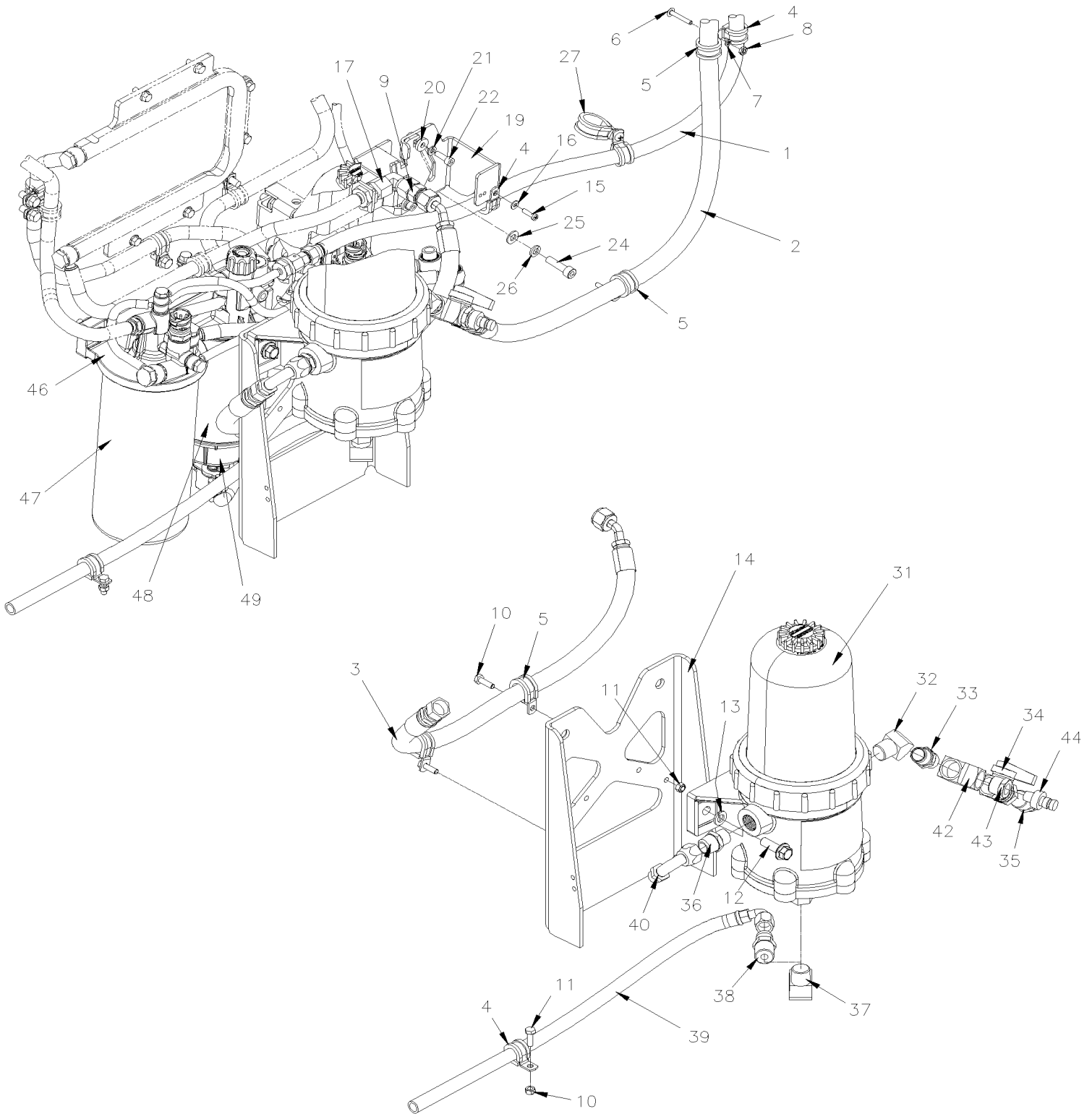


From B-5003 To D-5489

Date:10/2022

PAGE:XV-0312-10

FUEL PRO - INSTALLATION WITH VOLVO D13





| | | |
|---|--------------|-----------------|
| From B-5003 To D-5489 | Date:10/2022 | PAGE:XV-0312-10 |
| FUEL PRO - INSTALLATION WITH VOLVO D13 | | |

| Item# | Part | Description | X 3 V I P | X L I E N T 4 5 | N O T E S |
|-------|-----------------------|--|-----------------------|--------------------------------------|-----------------------|
| 1 | 032900 | HOSE ASSY / #6 4617MM | 1 | 1 | |
| 2 | 032901 | HOSE ASSY / #8 4542MM | 1 | 1 | |
| 3 | 032741 | HOSE ASSY / #8 700MM | 1 | 1 | |
| 4 | 952629 | CLAMP / 5/8" I.D. | 3 | 3 | |
| 5 | 952631 | CLAMP / 3/4" I.D. | 4 | 4 | |
| 6 | 500574 | SCREW MA TR PH #10-24x1 1/4 SS | 3 | 3 | |
| 7 | 500914 | WASHER LO SPT .193x.334x.047 N500 | 3 | 3 | |
| 8 | 502882 | NUT HEX #10-24 N500 | 3 | 3 | |
| 9 | 507659 | MALE CONNECTOR SWIVEL / JIC 37° @ METRIC24° / #8JIC-Mxm18-1.5 W/24° O-RING-F | 1 | 1 | |
| 10 | 502830 | SCREW CAP HEX M6-1.0x20 G8.8 N500 | 3 | 3 | |
| 11 | 502681 | NUT HEX NYRT M6-1.0 N500 G8 | 3 | 3 | |
| 12 | 946472 | SCREW CAP HEXF M10-1.5x30 G8.8 ZG603 | 2 | 2 | |
| 13 | 3852496 | WASHER LO SPT 10.2x18.1x2.2 ZG603 | 2 | 2 | |
| 14 | 032679 | SUPPORT "FUEL PRO" (WELDED AT STRUCTURE) | 1 | 1 | |
| 15 | 500623 | SCREW TC PAN PH #10-24x3/4 N500 | 1 | 1 | |
| 16 | 500855 | WASHER FL .188x.438x.049 N500 | 1 | 1 | |
| 17 | 964016 | ELBOW | 1 | 1 | |
| 18 | 507662 | MALE CONNECTOR SWIVEL / JIC 37° @ METRIC24° / #6JIC-Mxm16-1.5 W/24° O-RING-F | 1 | 1 | |
| 19 | 032911 | SUPPORT FUEL LINE To B-5088 | 1 | 1 | |
| 19 | 033185 | SUPPORT FUEL LINE From B-5089 | 1 | 1 | |
| 20 | 5001654 | WASHER FL 6.4x17.0x3.0 SS | 2 | 2 | |
| 21 | 502570 | WASHER LO SPT 6.1x11.8x1.6 SS | 2 | 2 | |
| 22 | 5001648 | SCREW CAP HEXS M6-1.0x18 SS BK | 2 | 2 | |
| 24 | 5001598 | SCREW CAP HEXS M8-1.25x30 SS | 1 | 1 | |
| 25 | 5001341 | WASHER FL 8.4x17.0x1.6 SS | 1 | 1 | |
| 26 | 5001161 | WASHER LO SPT 8.1x14.8x2.0 SS-304 | 1 | 1 | |
| 27 | 952635 | CLAMP / 1" I.D. | 1 | 1 | |
| 31 | XV-0311-15 | FUEL FILTER / "PRO 382" | | | |
| 32 | 501528 | STREET ELBOW 45° / PIPE FITTING / 1/2NPT-Mx1/2NPT-F BR | 1 | 1 | |
| 33 | 5011067 | NIPPLE HEX / PIPE FITTING / 1/2NPT-Mx1/2NPT-Mx1 13/16 BR | 1 | 1 | |
| 34 | 530096 | BALL VALVE 1/2" NPT 1/2 NPT F x 1/2 NPT F | 1 | 1 | |
| 35 | 501616 | MALE CONNECTOR / SAE 45° FITTING / #8FL-Mx1/2NPT-M BR | 1 | 1 | |
| 36 | 501739 | MALE CONNECTOR / JIC 37° FITTING / #8JIC-Mx1/2NPT-M STL | 1 | 1 | |
| 37 | 507557 | STREET ELBOW 90° / PIPE FITTING / 1/2NPT-Mx1/2NPT-F BR | 1 | 1 | |
| 38 | 501618 | MALE CONNECTOR / SAE 45° FITTING / #6FL-Mx1/2NPT-M BR | 1 | 1 | |
| 39 | 032614 | HOSE ASSY / #8 420MM | 1 | 1 | |
| 40 | 501845 | SWIVEL NUT ELBOW 90° LONG / JIC 37° FITTING / #8JIC-Fx#8JIC-Mx1.86 STL | 1 | 1 | |
| 42 | 501473 | MALE RUN TEE / PIPE FITTING / 1/2NPT-Mx1/2NPT-Fx1/2NPT-F BR | 1 | 1 | |
| 43 | 501316 | BUSHING REDUCER / PIPE FITTING / 1/2NPT-Mx1/4NPT-F BR | 1 | 1 | |
| 44 | 504706 | NIPPLE / QUICK DISCONNECT "SAE J1502" / #4x1/4NPT-M STL W/DUST CAP | 1 | 1 | |
| . NS | 195533 | . DUST CAP / QUICK DISCONNECT "SAE J1502" / #4 | 1 | 1 | |
| 46 | Refer To Volvo | HOUSING FUEL FILTER ASSY W/PRIMER PUMP TB-111262697-1 | 1 | 1 | V |



| | | |
|---|--------------|-----------------|
| From B-5003 To D-5489 | Date:10/2022 | PAGE:XV-0312-10 |
| FUEL PRO - INSTALLATION WITH VOLVO D13 | | |

| Item# | Part | Description | X 3 V I P | X L I I E N T 4 5 | N O T E S |
|-------|----------------|--|-----------------------|---|-----------------------|
| 47 | 20405160 | FUEL FILTER (LONG) | 1 | 1 | |
| 47 | 20972293 | FUEL FILTER (LONG) MAIN / PRINCIPAL | 1 | 1 | |
| 48 | 20879806 | FUEL FILTER WATER SEPARATOR | 1 | 1 | |
| 49 | 20771580 | BOWL / W/WATER DETECTOR IN FUEL UAUXFUEL | 1 | 1 | |
| 49 | Refer To Volvo | BOWL AF-E | 1 | 1 | V |
| | | | | | |
| | | | | | |
| | | | | | |
| | | | | | |
| | | V) SEE IMPACT OR CALL ORDER DESK | | | |

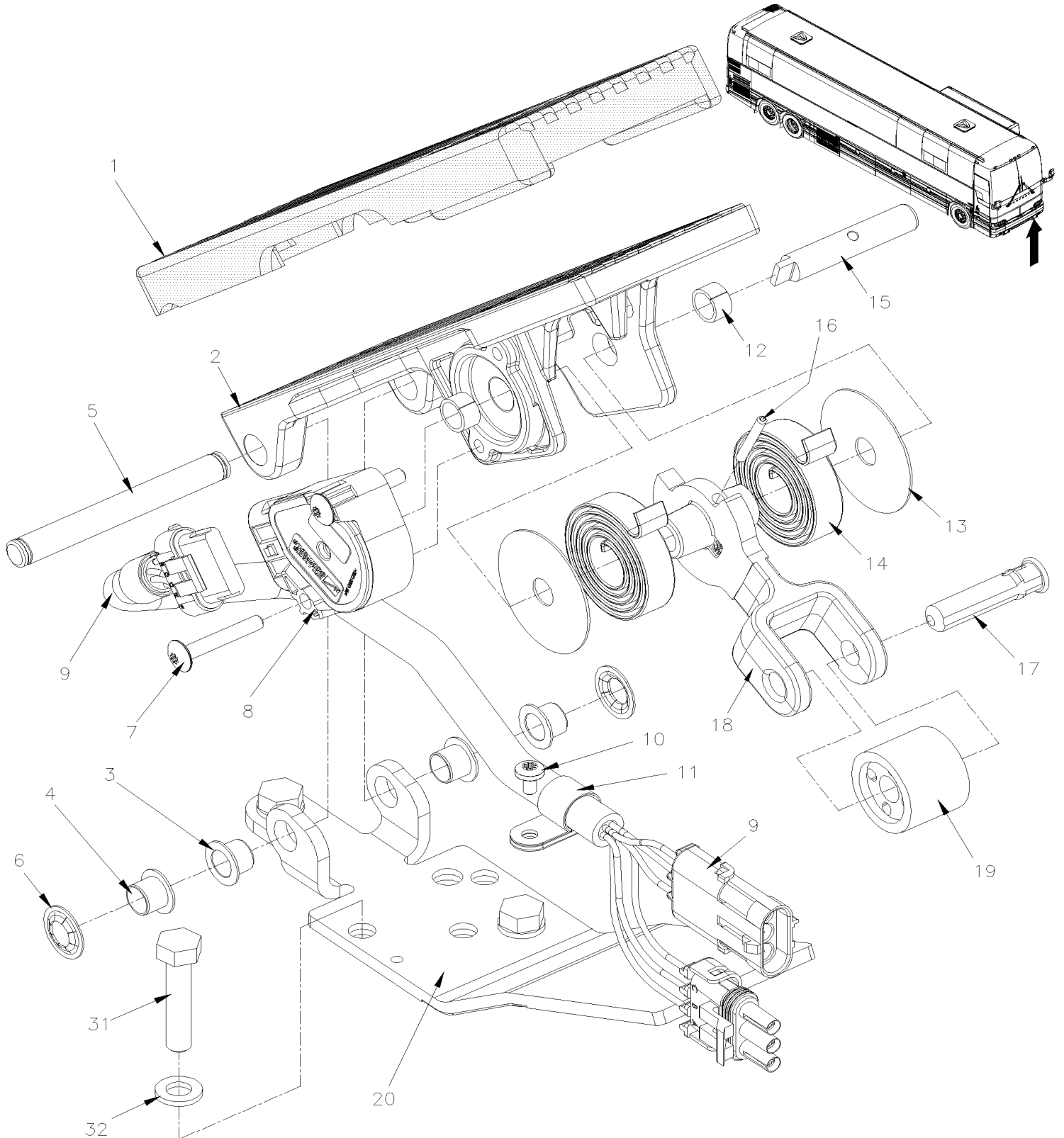


From B-5003 To D-5489

Date:10/2022

PAGE:XV-0315-10

ACCELERATOR PEDAL - ELECTRONIC





| | | |
|------------------------------|---------------------|------------------------|
| From B-5003 To D-5489 | Date:10/2022 | PAGE:XV-0315-10 |
|------------------------------|---------------------|------------------------|

ACCELERATOR PEDAL - ELECTRONIC

| Item# | Part | Description | X 3 V I P | X L I I E N T 4 5 | N O T E S |
|-------|----------|--|-----------------------|---|-----------------------|
| | 531487 | ACCELERATOR PEDAL ASSY / W0-32V SENSOR "VOLVO" "VOLVO" | 1 | 1 | |
| 1 | 531401 | . THREADLE COVER | 1 | 1 | |
| 2 | N.S.S. | . THREADLE | 1 | 1 | 1 |
| 3 | N.S.S. | . BUSHING, INNER | 2 | 2 | 1 |
| 4 | 507260 | . BUSHING NYLINER W/SHOULDER .375x.437x.375x.594 | 2 | 2 | |
| 5 | N.S.S. | . PIN, THREADLE | 1 | 1 | 1 |
| 6 | N.S.S. | . RING, SNAP 5/16" I.D. | 3 | 3 | 1 |
| 7 | 500427 | . SCREW MA RND PH #10-32x1 1/4 ZP | 2 | 2 | |
| 8 | 568084 | . POTENTIOMETER PEDAL SENSOR 0-32V | 1 | 1 | |
| 9 | N8887087 | . WIRE HARNESS | 1 | 1 | |
| 10 | 500883 | . . SCREW TC PAN PH #8-32x3/8 Z050 | 2 | 2 | |
| 11 | N.S.S. | . . CLIP | 2 | 2 | 1 |
| 12 | N.S.S. | . BUSHING, GARLOCK | 2 | 2 | 1 |
| 13 | N.S.S. | . THRUST, WASHER-OUTER | 2 | 2 | 1 |
| 13 | N.S.S. | . THRUST, WASHER-INNER | 2 | 2 | 1 |
| 14 | N.S.S. | . SPRING | 2 | 2 | 1 |
| 15 | N.S.S. | . SHAFT SENSOR DRIVE | 1 | 1 | 1 |
| 16 | 505208 | . SPRING, PIN 1/8 X 7/8 | 1 | 1 | |
| 17 | N.S.S. | . ROLLER, PIN | 1 | 1 | 1 |
| 18 | N.S.S. | . LEVER, THREADLE | 1 | 1 | 1 |
| 19 | N.S.S. | . ROLLER | 1 | 1 | 1 |
| 20 | 531462 | . BASE PLATE / (includes item #5) | 1 | 1 | |
| NS | 531393 | KIT REPAIR / LOWER THREADLE PIN | 1 | 1 | A |
| NS | 531394 | KIT REPAIR / ROLLER | 1 | 1 | B |
| 31 | 5001814 | SCREW CAP HEX 5/16-18X1 1/2 G5 N500 | 3 | 3 | |
| 32 | 500942 | WASHER LO SPT 8.1x14.8x2.0 N500 | 3 | 3 | |
| NS | 680067 | SEALANT TAPE BUTYL / BLACK / 1/8"x3/4"x25' / 75211E760 | AR | AR | |
| | | A) INCLUDES ITEMS #3-4-5-6 | | | |
| | | B) INCLUDES ITEMS 6, 18, 19 | | | |
| | | 1) NOT SOLD SEPARATELY | | | |

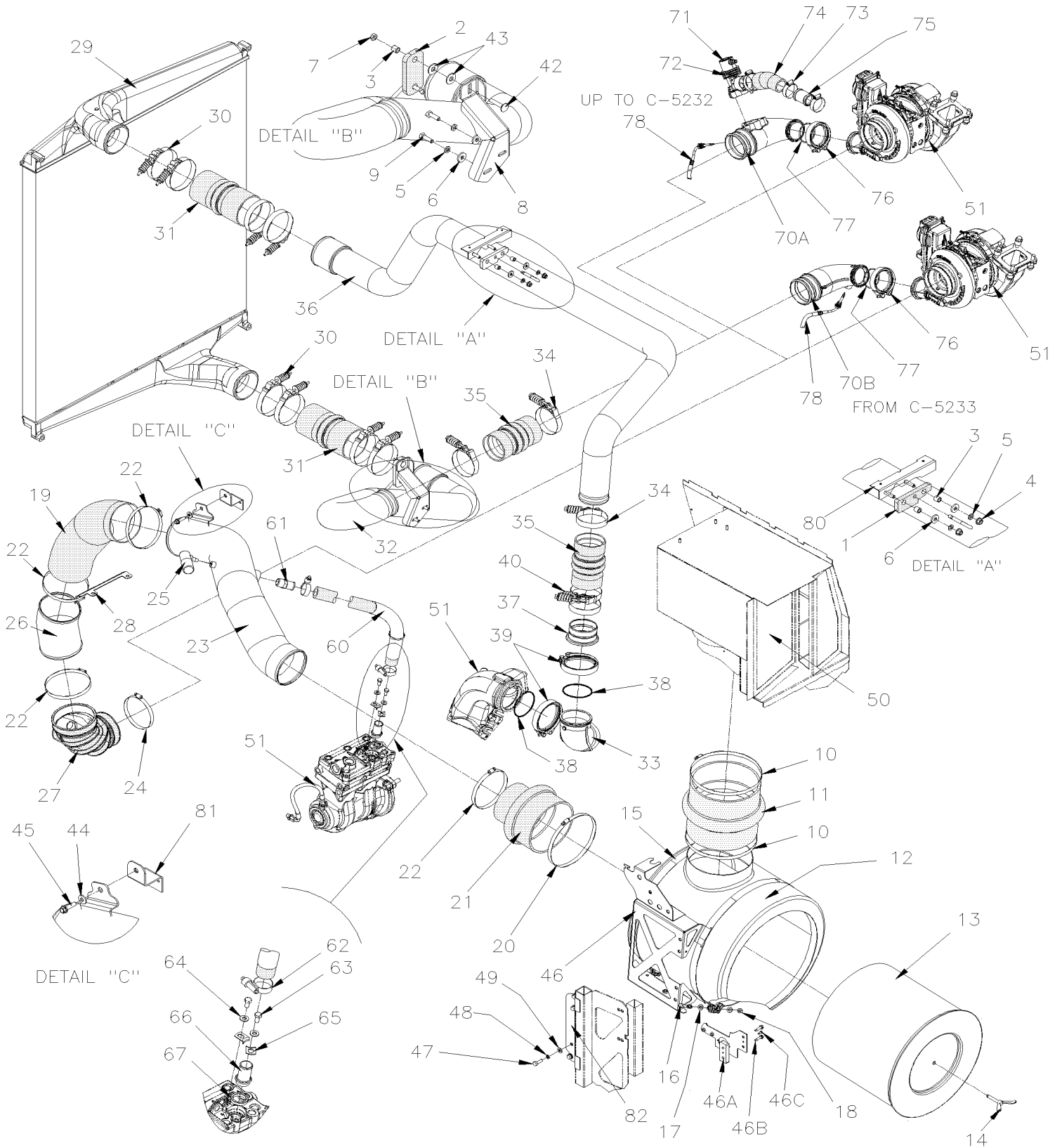


From B-5003 To D-5489

Date:10/2022

PAGE:XV-0330-00

AIR FILTER & INTAKE - INSTALLATION WITH VOLVO D13 - EPA 2010





| | | |
|-----------------------|--------------|-----------------|
| From B-5003 To D-5489 | Date:10/2022 | PAGE:XV-0330-00 |
|-----------------------|--------------|-----------------|

AIR FILTER & INTAKE - INSTALLATION WITH VOLVO D13 - EPA 2010

| Item# | Part | Description | X 3 V I P | X L I I E N T 4 5 | N O T E S |
|-------|----------|--|-----------------------|---|-----------------------|
| 1 | 052987 | RUBBER SUPPORT 37MM X 100MM X 7/16" To D-5443 | 1 | 1 | |
| 1 | 053034 | RUBBER SUPPORT 37.2MM X 110MM X 11.1MM From D-5444 | 1 | 1 | |
| 2 | 032541 | RUBBER SUPPORT 106.5 x 48 / 2 Holes 72MM C/C | 1 | 1 | |
| 3 | 032540 | SPACER 1/2" O.D.X 12MM SS | 3 | 3 | |
| 4 | 502837 | NUT HEXF STO M8-1.25 N500 | 2 | 2 | |
| 5 | 500942 | WASHER LO SPT 8.1x14.8x2.0 N500 | 5 | 5 | |
| 6 | 500401 | WASHER FL .343x.875x.125 N500 | 5 | 5 | |
| 7 | 502851 | NUT HEX M8-1.25 N500 | 1 | 1 | |
| 8 | 053500 | SUPPORT PIPE AIR COOLER & TURBO | 1 | 1 | |
| 9 | 5001745 | SCREW CAP HEX M8-1.25x25 G8.8 N500 | 2 | 2 | |
| 10 | 504415 | HOSE CLAMP / 7"1/4-9"1/4 SS / HS-152 | 2 | 2 | |
| 11 | 503743 | HOSE FLEXIBLE / AIR DUCT 8" I.D. X 25' THERMOPLASTIC To C-5276 | AR | AR | |
| 11 | 531488 | HUMP HOSE, ENGINE AIR FILTER 8" I.D. X 8" EPDM From C-5277 | 1 | 1 | |
| 12 | 531478 | FILTER AIR 18" | 1 | 1 | |
| 13 | 530197 | . ELEMENT AIR FILTER 18" | 1 | 1 | |
| 14 | 531420 | . NUT WING 1/2-13 NY | 1 | 1 | |
| 15 | 031465 | STRAP MOUNTING / W/18" AIR FILTER | 2 | 2 | |
| 16 | 502927 | SCREW CAP HEX M8-1.25x50 G8.8 N500 | 2 | 2 | |
| 17 | 5001736 | WASHER FL 8.4x18.0x2.0 N500 | 4 | 4 | |
| 18 | 5001740 | NUT HEX STO M8-1.25 N500 | 2 | 2 | |
| 19 | 032881 | HOSE FLEXIBLE / 5" I.D. x 430MM To D-5439 | 1 | 1 | |
| 19 | 503522 | . HOSE FLEXIBLE / AIR DUCT 5" I.D. X 12' / LINEN RUBBER To D-5439 | 1 | 1 | |
| 19 | 033195 | HOSE FLEXIBLE / 5" I.D. x 470MM From D-5440 | 1 | 1 | |
| 20 | 504229 | HOSE CLAMP / 6"1/2-8"1/2 SS / HS-100 | 1 | 1 | |
| 21 | 531486 | REDUCER 7" X 5" | 1 | 1 | |
| 22 | 504324 | HOSE CLAMP / 4"1/2-6"1/2 SS / HS-96 | 3 | 3 | |
| 23 | 032879 | PIPE 5" O.D. / AIR FILTER & TURBO | 1 | 1 | |
| 24 | 504257 | HOSE CLAMP / 4"1/16-5" SS / HS-72 | 1 | 1 | |
| 25 | 530161 | GAUGE AIR RESTRICTION 20" H2O 1/8" NPT | 1 | 1 | |
| 26 | 032880 | PIPE 5" O.D. / AIR FILTER & TURBO | 1 | 1 | |
| 27 | 21228220 | ELBOW INLET, RUBBER To C-5232 | 1 | 1 | |
| 27 | 21659720 | ELBOW INLET, RUBBER From C-5233 | 1 | 1 | |
| 28 | 032882 | ATTACHMENT AIR INTAKE | 1 | 1 | |
| 29 | 550970 | AIR COOLER ASSY TitanX SERVICE | 1 | 1 | |
| 29 | 550967 | AIR COOLER ASSY Dura-Lite SERVICE | 1 | 1 | |
| 30 | 21185959 | HOSE CLAMP SPRING LOAD / MODIFIED "PREVOST" / 4"1/8-4"7/16 To B-5072 | 8 | 8 | |
| . NS | 531386 | . HOSE CLAMP SPRING LOAD / HEAVY DUTY 4"1/8-4"7/16 To B-5072 | 1 | 1 | |
| . NS | 502930 | . SPRING COMPRESSION / .975 O.D. x 1.5 x .225 To B-5072 | 1 | 1 | |
| . NS | 500401 | . WASHER FL .343x.875x.125 N500 To B-5072 | 1 | 1 | |
| . NS | 500897 | . WASHER FL .437x1.000x.083 N500 To B-5072 | 2 | 2 | |
| 30 | 21490616 | HOSE CLAMP SPRING LOAD / HEAVY DUTY 4"1/8-4"7/16 From B-5073 | 8 | 8 | |
| 31 | 70396486 | HOSE / W/2 RING / 4" I.D. 8" / 500°F | 2 | 2 | |



From B-5003 To D-5489 Date:10/2022 PAGE:XV-0330-00

AIR FILTER & INTAKE - INSTALLATION WITH VOLVO D13 - EPA 2010

| Item# | Part | Description | X 3 V I P | X L I I E N T 4 5 | N O T E S |
|-------|----------------|--|-----------------------|---|-----------------------|
| 32 | 052953 | PIPE 4" O.D. / AIR COOLER & TURBO | 1 | 1 | |
| 33 | 052885 | ELBOW AIR INTAKE/ MODIFIED | 1 | 1 | |
| 34 | 21185962 | HOSE CLAMP SPRING LOAD / MODIFIED "PREVOST" / 3"5/8-3"15/16 To B-5072 | 4 | 4 | |
| . NS | 531480 | . HOSE CLAMP SPRING LOAD / HEAVY DUTY 3"5/8-3"15/16 To B-5072 | 1 | 1 | |
| . NS | 502930 | . SPRING COMPRESSION / .975 O.D. x 1.5 x .225 To B-5072 | 1 | 1 | |
| . NS | 500401 | . WASHER FL .343x.875x.125 N500 To B-5072 | 1 | 1 | |
| . NS | 500897 | . WASHER FL .437x1.000x.083 N500 To B-5072 | 2 | 2 | |
| 34 | 21490630 | HOSE CLAMP SPRING LOAD / HEAVY DUTY 3"5/8-3"15/16 From B-5073 | 3 | 3 | |
| 35 | 20550690 | HOSE 86MM I.D. X 162.5MM | 2 | 2 | |
| 36 | 052952 | PIPE 4" O.D. / AIR COOLER & MANIFOLD | 1 | 1 | |
| 37 | 1675067 | HOSE CONNECTOR | 1 | 1 | |
| 38 | 1675066 | GASKET 107.7MM I.D. V-CLAMP | 2 | 2 | |
| 39 | 20592783 | V-CLAMP / (USE W GASKET) 107.7MM I.D. | 2 | 2 | |
| 40 | 032868 | HOSE CLAMP SPRING LOAD / MODIFIED "PREVOST" / 3"9/16-3"7/8 To B-5072 | 1 | 1 | |
| . NS | 531485 | . HOSE CLAMP SPRING LOAD / HEAVY DUTY 3"9/16-3"7/8 To B-5072 | 1 | 1 | |
| . NS | 502930 | . SPRING COMPRESSION / .975 O.D. x 1.5 x .225 To B-5072 | 1 | 1 | |
| . NS | 500401 | . WASHER FL .343x.875x.125 N500 To B-5072 | 1 | 1 | |
| . NS | 500897 | . WASHER FL .437x1.000x.083 N500 To B-5072 | 2 | 2 | |
| 40 | 21490632 | HOSE CLAMP SPRING LOAD / HEAVY DUTY 3"9/16-3"7/8 From B-5073 To C-5131 | 1 | 1 | |
| 40 | 21490632 | HOSE CLAMP SPRING LOAD / HEAVY DUTY 3"9/16-3"7/8 From C-5132 | 2 | 2 | |
| 42 | 502891 | SCREW CRG M8-1.25x40 G8.8 Z050 | 1 | 1 | |
| 43 | 5001751 | WASHER FL 10.5x26.0x2.0 N500 | 2 | 2 | |
| 44 | 500321 | WASHER BEL SPR .331x.827x.098 N500 | 1 | 1 | |
| 45 | 5001742 | SCREW CAP HEXF M8-1.25x30 G8.8 N500 | 1 | 1 | |
| 46 | 032892 | SUPPORT FILTER AIR | 1 | 1 | |
| NS | 140381 | DECAL / "AIR BRAKE SYSTEM FILL" // ENGLISH & FRANCAIS | 1 | 1 | |
| NS | 142369 | DECAL / "AIR BRAKE SYSTEM FILL" // ENGLISH & SPANISH | 1 | 1 | |
| 46A | 032951 | SPACER, SUPPORT AIR FILTER From C-5277 | 1 | 1 | |
| 46B | 500266 | SCREW TC CAP HEX 1/4-20x1 N500 From C-5277 | 2 | 2 | |
| 46C | 502868 | SCREW TC TR PH #10-16x1/2 N500 From C-5277 | 1 | 1 | |
| 47 | 5001745 | SCREW CAP HEX M8-1.25x25 G8.8 N500 | 4 | 4 | |
| 48 | 502889 | WASHER LO SPT 8.1x12.7x2.0 N500 | 4 | 4 | |
| 49 | 5001736 | WASHER FL 8.4x18.0x2.0 N500 | 4 | 4 | |
| 51 | Refer To Volvo | SEE IMPACT OR CALL ORDER DESK | 1 | 1 | V |
| 60 | 503739 | HOSE (SUCTION) / 1" I.D. X 250' / C.T.L. | AR | AR | |
| NS | 505182 | COIL PROTECTOR / PLASTIC / #16 | AR | AR | |
| NS | 504637 | CABLE TIE / 3/16" x 13" | 1 | 1 | |
| 61 | 5011240 | MALE CONNECTOR / BEADED HOSE BARB / #16x3/4NPT-M BR | 1 | 1 | |
| 62 | 504291 | HOSE CLAMP / 1"1/8-1"3/4 SS / E.T. 20 | 2 | 2 | |
| 63 | 500820 | SCREW CAP HEX M8-1.25x16 G10.9 N500 | 2 | 2 | |
| 64 | 5001736 | WASHER FL 8.4x18.0x2.0 N500 | 2 | 2 | |

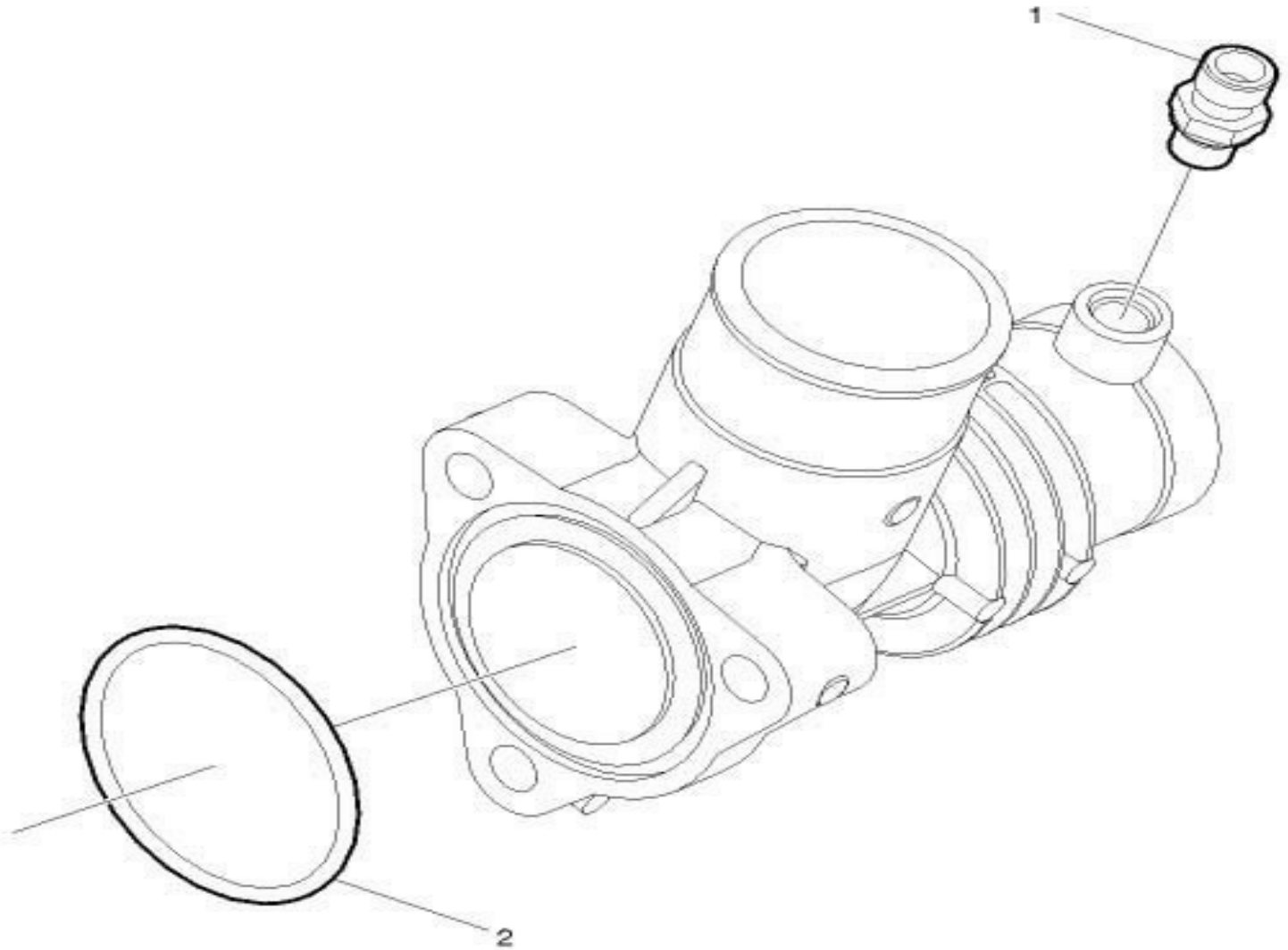


| | | |
|---|--------------|-----------------|
| From B-5003 To D-5489 | Date:10/2022 | PAGE:XV-0330-00 |
| AIR FILTER & INTAKE - INSTALLATION WITH VOLVO D13 - EPA 2010 | | |

| Item# | Part | Description | X 3 V I P | X L I I E N T 4 5 | N O T E S |
|-------|-----------------|---|-----------------------|---|-----------------------|
| 65 | 1546531 | ANGLE RETAINER 13MM I.D. | 2 | 2 | |
| 66 | 032763 | PIPE AIR INLET COMPRESSOR 25.5 O.D. x 52MM / W/FLANGE 28MM O.D. | 1 | 1 | |
| 67 | 504738 | RUBBER JOINT | 1 | 1 | |
| 70A | 21419491 | ELBOW TURBO DRV To C-5232 | 1 | 1 | |
| 70B | 21673474 | ELBOW TURBO From C-5233 | 1 | 1 | |
| 71 | 20940438 | DRV VALVE (HEAT MODE VALVE) TB-113379305-1 To C-5232 | 1 | 1 | |
| 72 | 5001742 | SCREW CAP HEXF M8-1.25x30 G8.8 N500 To C-5232 | 3 | 3 | |
| 73 | 504292 | HOSE CLAMP / 1"5/16-2"1/4 SS / E.T. 28 To C-5232 | 3 | 3 | |
| 74 | 052848 | HOSE DRV VALVE To C-5232 | 1 | 1 | |
| 75 | 20905754 | BUSHING DRV VALVE To C-5232 | 1 | 1 | |
| 76 | 20592787 | V-CLAMP / 81.7MM I.D. | 1 | 1 | |
| 77 | 8167682 | GASKET 60MM I.D. To D-5461 | 1 | 1 | |
| 77 | 21096684 | GASKET 60MM I.D. From D-5462 | 1 | 1 | |
| 78 | 21164792 | SENSOR TEMPEARATURE | 1 | 1 | |
| 80 | 218242 | ATTACHMENT / PIPE AIR COOLER & MANIFOLD | 1 | 1 | |
| 81 | 218496 | ATTACHMENT / PIPE AIR FILTER & TURBO | 1 | 1 | |
| 82 | 218497 | ATTACHMENT / SUPPORT AIR FILTER | 1 | 1 | |
| NS | 8081420 | DECAL ETHER / ENGLISH & FRANCAIS | 1 | 1 | |
| NS | 8081419 | DECAL ETHER / ENGLISH & SPANISH | 1 | 1 | |
| | | | | | |
| | | | | | |
| | | | | | |
| | | | | | |
| | | V) SEE IMPACT OR CALL ORDER DESK | | | |



| | | |
|--|--------------|---------------|
| To C-5232 | Date:10/2022 | PAGE:20940438 |
| DRV VALVE (HEAT MODE VALVE) TB-113379305-1 | | |





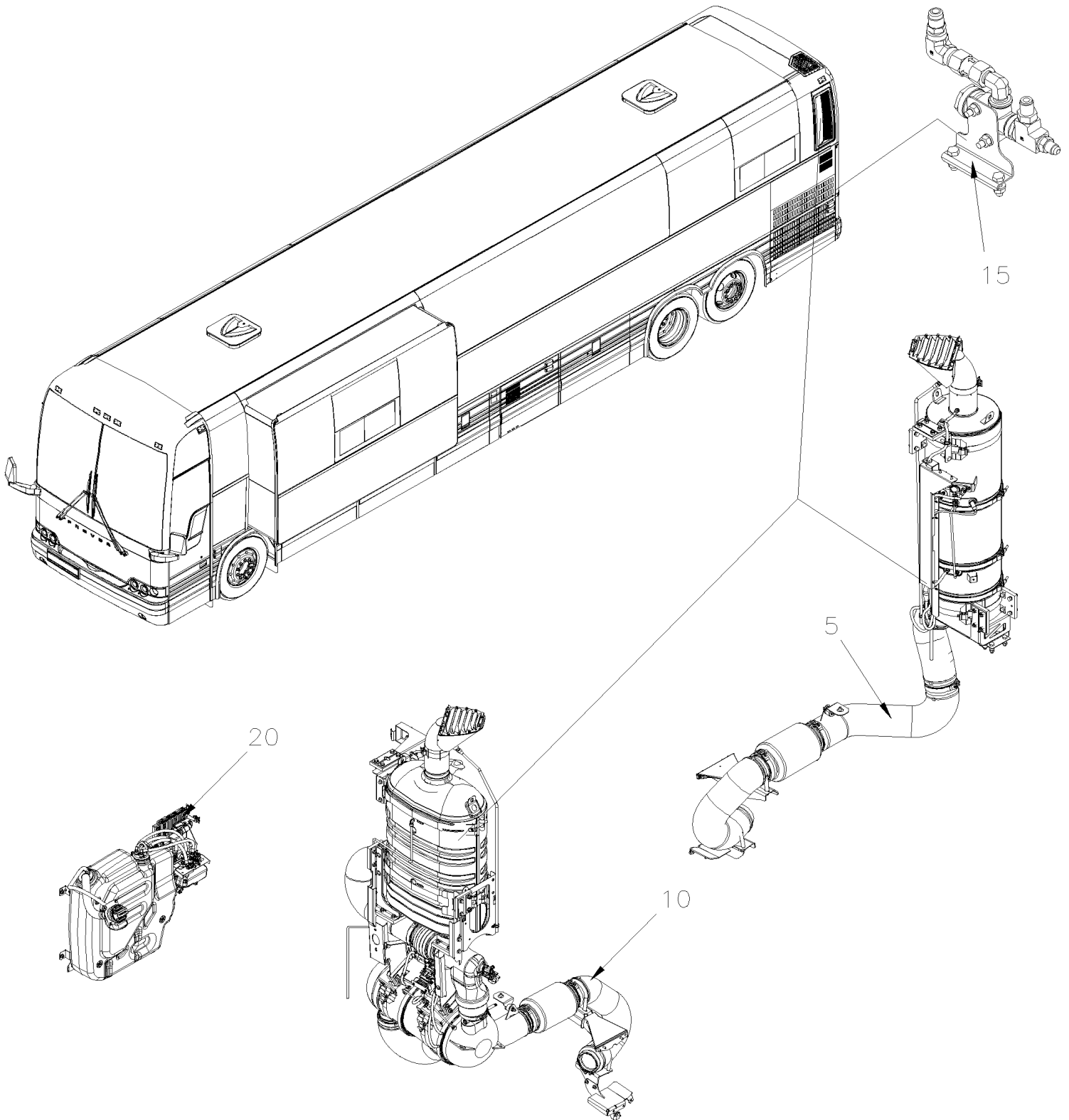
| | | |
|-----------|--------------|---------------|
| To C-5232 | Date:10/2022 | PAGE:20940438 |
|-----------|--------------|---------------|

DRV VALVE (HEAT MODE VALVE) TB-113379305-1

| Item# | Part | Description | X 3 V I P | X L I I E N T 4 5 | N O T E S |
|-------|----------|-------------------------------|-----------------------|---|-----------------------|
| 1 | 21018786 | NIPPLE HEAT MODE VALVE | 1 | 1 | |
| 2 | 20974821 | O-RING DISCHARGE RECIR. VALVE | 1 | 1 | |
| | | | | | |
| | | | | | |
| | | | | | |



| | | |
|---------|--------------|-------|
| | Date:10/2022 | XV-04 |
| EXHAUST | | |





| | | Date:10/2022 | XV-04 | | |
|---------|------------|--|-----------------------|---|-----------------------|
| EXHAUST | | | | | |
| Item# | Part | Description | X 3 V I P | X L I I E N T 4 5 | N O T E S |
| 10 | XV-0405-00 | MUFFLER - INSTALLATION WITH DPF & SCR WITH VOLVO D13 WITH "EPA 2010" From B-5003 To D-5489 | | | |
| 15 | XV-0405-10 | 7TH INJECTOR / EXHAUST VOLVO D13 From B-5003 To B-5088 | | | |
| 16 | XV-0405-11 | 7TH INJECTOR / "AHI" / EXHAUST VOLVO D13 From B-5089 To D-5489 | | | |
| 20 | XV-0410-00 | UREA RESERVOIR ASSY From B-5003 To D-5489 | | | |

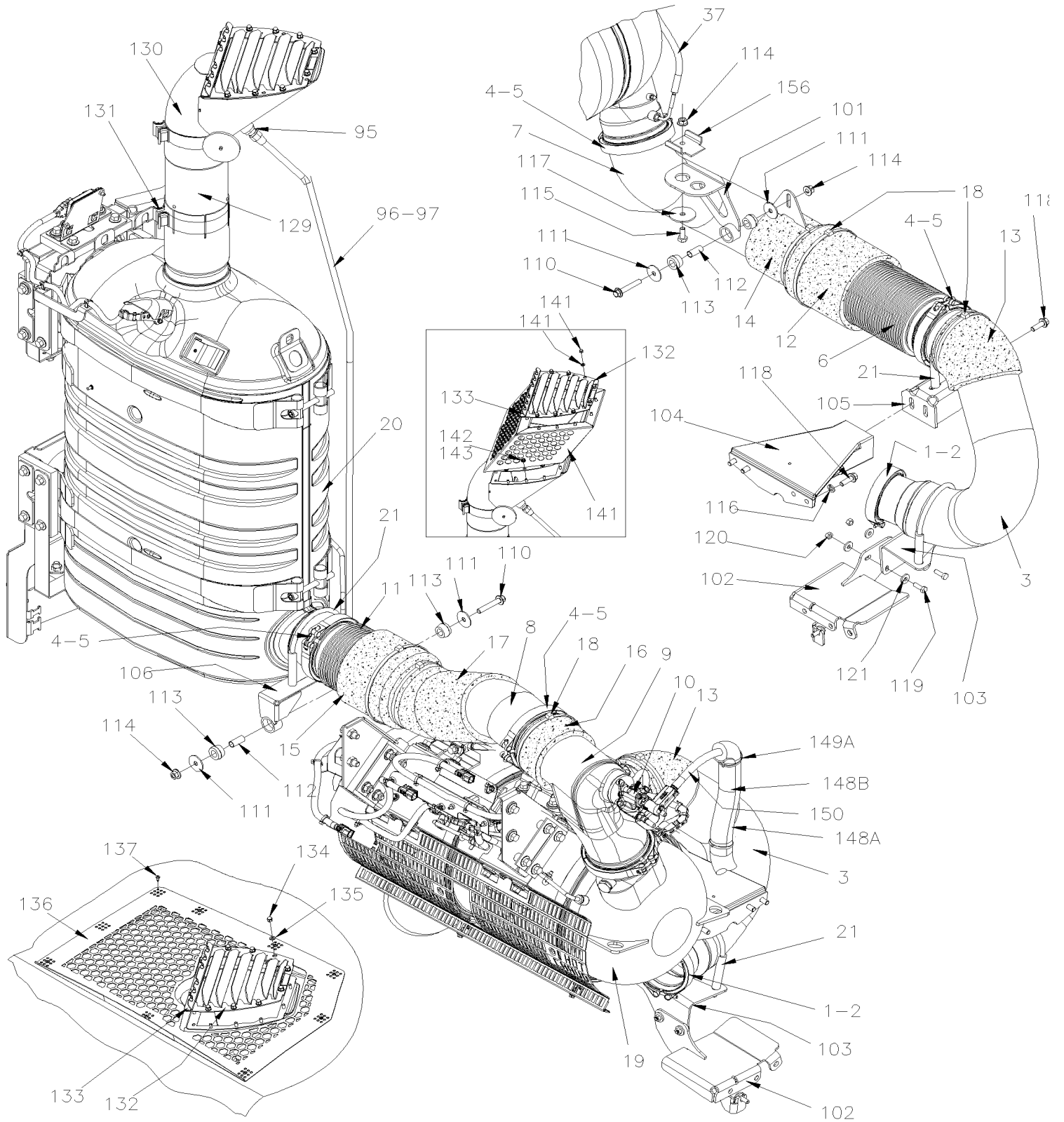


From B-5003 To D-5489

Date:10/2022

PAGE:XV-0405-00

MUFFLER - INSTALLATION WITH DPF & SCR WITH VOLVO D13 WITH "EPA 2010"



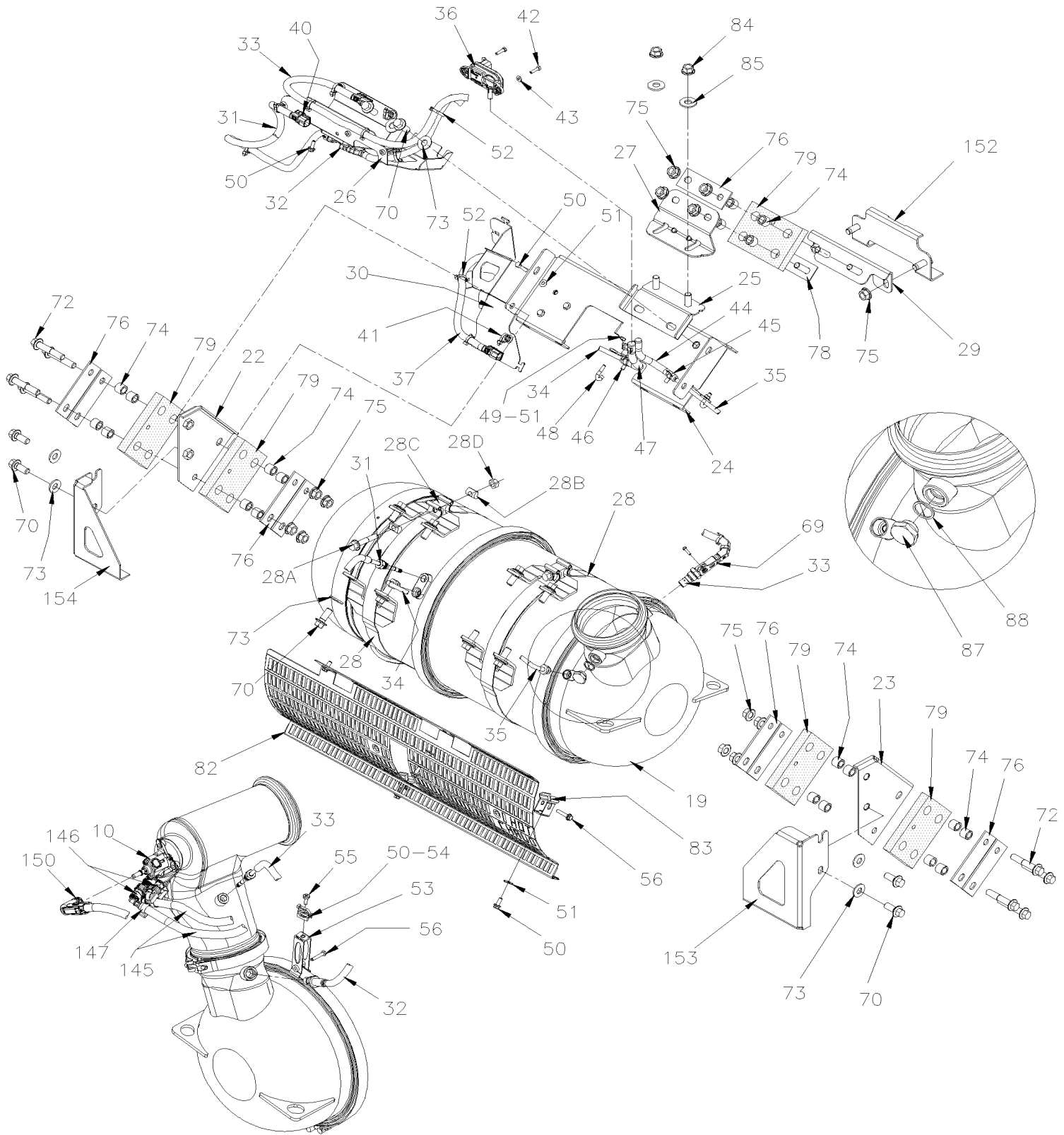


From B-5003 To D-5489

Date:10/2022

PAGE:XV-0405-00

MUFFLER - INSTALLATION WITH DPF & SCR WITH VOLVO D13 WITH "EPA 2010"



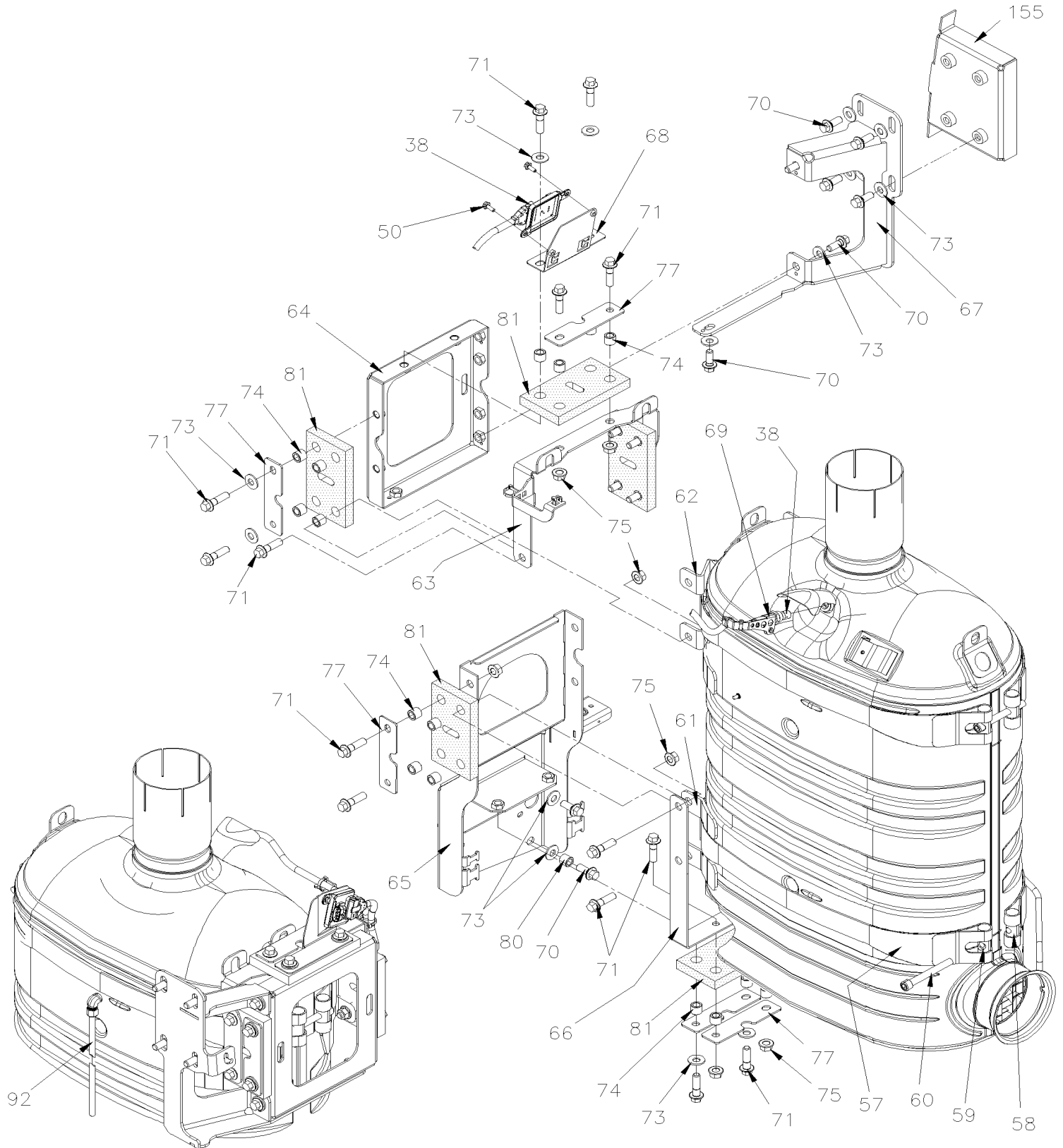


From B-5003 To D-5489

Date:10/2022

PAGE:XV-0405-00

MUFFLER - INSTALLATION WITH DPF & SCR WITH VOLVO D13 WITH "EPA 2010"





| | | |
|---|--------------|-----------------|
| From B-5003 To D-5489 | Date:10/2022 | PAGE:XV-0405-00 |
| MUFFLER - INSTALLATION WITH DPF & SCR WITH VOLVO D13 WITH "EPA 2010" | | |

| Item# | Part | Description | X 3 V I P | X L I E N T 4 5 | N O T E S |
|-------|-----------------|--|-----------------------|--------------------------------------|-----------------------|
| 1 | 21060426 | V-CLAMP / (USE W GASKET) 4.81" I.D. | 1 | 1 | |
| 2 | 21095721 | GASKET | 1 | 1 | |
| 3 | 040651 | PIPE, EXHAUST "U" | 1 | 1 | |
| 4 | 21021850 | V-CLAMP / (USE W GASKET) 5.91" I.D. | 7 | 7 | |
| 5 | 21095726 | GASKET | 7 | 7 | |
| 6 | 540071 | BELLOWS - EXHAUST 5" I.D. x 14.49" | 1 | 1 | |
| 7 | 040822 | PIPE EXHAUST / INLET | 1 | 1 | |
| 8 | 040823 | PIPE EXHAUST / OUTLET | 1 | 1 | |
| 9 | 21403611 | SWIRL PIPE | 1 | 1 | |
| 10 | 21575532 | NOZZLE UREA TB-129663536-1 | 1 | 1 | |
| NS | 502622 | SCREW CAP HEX M6-1.0x20 SS BK | 3 | 3 | |
| 11 | 540072 | BELLOWS - EXHAUST | 1 | 1 | |
| 12 | 040961 | INSULATED BLANKET / BELLOW | 1 | 1 | |
| 13 | 040654 | INSULATED BLANKET / PIPE TURBO | 1 | 1 | |
| 14 | 040877 | INSULATED BLANKET / PIPE DPF INLET | 1 | 1 | |
| 15 | 040960 | INSULATED BLANKET / BELLOW | 1 | 1 | |
| 16 | 21512961 | INSULATED BLANKET / PIPE SWIRL | 1 | 1 | |
| 17 | 040876 | INSULATED BLANKET / PIPE EXHAUST | 1 | 1 | |
| 18 | 504737 | CABLE TIE / .300" X 30"1/2 | 9 | 9 | |
| 19 | Refer To Volvo | MUFFLER DPF EXHAUST FILTER | 1 | 1 | V |
| 19 | 067656 | HARNESS DPF "VOLVO" To C-5274 | 1 | 1 | |
| 19 | 068335 | HARNESS DPF "VOLVO" From C-5275 To D-5375 | 1 | 1 | |
| 19 | 067825 | HARNESS DPF "VOLVO" From D-5376 To D-5459 | 1 | 1 | |
| 19 | 068649 | HARNESS DPF "VOLVO" From D-5460 | 1 | 1 | |
| 20 | 21437514 | MUFFLER SCR EXHAUST FILTER | 1 | 1 | |
| . NS | Refer To Volvo | . FOR SERVICE PARTS SEE IMPACT | 1 | 1 | V |
| . NS | Refer To Volvo | . OR CALL ORDER DESK | 1 | 1 | V |
| 21 | 540018 | U-CLAMP / (GUILLOTINE TYPE) / 5" I.D. | 3 | 3 | |
| 22 | 040761 | ATTACHMENT DPF VOLVO | 1 | 1 | |
| 23 | 040868 | ATTACHMENT DPF VOLVO | 1 | 1 | |
| 24 | 040837 | SUPPORT DPF VOLVO | 1 | 1 | |
| 25 | 040764 | ATTACHMENT SUPPORT DPF VOLVO | 1 | 1 | |
| 26 | 040950 | SUPPORT CABLE DPF To D-5459 | 1 | 1 | |
| 26 | 040975 | SUPPORT CABLE DPF From D-5460 | 1 | 1 | |
| 27 | 040762 | ATTACHMENT DPF VOLVO UPPER MIDDLE | 1 | 1 | |
| 28 | 21462547 | CLAMP SUPPORT ASSY To D-5394 | 2 | 2 | |
| . A | 5001801 | . SCREW CAP HEXF M10-1.5x55 G10.9 N500 To D-5394 | 1 | 1 | |
| . B | 540085 | . SPACER / HALF MOON SHAPE To D-5394 | 2 | 2 | |
| . C | 540086 | . SPACER / ANVIL SHAPE To D-5394 | 1 | 1 | |
| . D | 5001758 | . NUT HEX STO M10-1.5 N500 To D-5394 | 1 | 1 | |
| 28 | 040986 | CLAMP SUPPORT ASSY From D-5395 | 2 | 2 | |
| 28A | 5001801 | SCREW CAP HEXF M10-1.5x55 G10.9 N500 From D-5395 | AR | AR | |



| | | |
|---|--------------|-----------------|
| From B-5003 To D-5489 | Date:10/2022 | PAGE:XV-0405-00 |
| MUFFLER - INSTALLATION WITH DPF & SCR WITH VOLVO D13 WITH "EPA 2010" | | |

| Item# | Part | Description | X 3 V I P | X L I I E N T 4 5 | N O T E S |
|-------|---------------|---|-----------------------|---|-----------------------|
| 28B | 540085 | SPACER / HALF MOON SHAPE From D-5395 | AR | AR | |
| 28C | 540086 | SPACER / ANVIL SHAPE From D-5395 | AR | AR | |
| 28D | 5001758 | NUT HEX STO M10-1.5 N500 From D-5395 | AR | AR | |
| 29 | 040763 | ATTACHMENT DPF VOLVO UPPER MIDDLE | 1 | 1 | |
| 30 | 040910 | SUPPORT CABLE DPF | 1 | 1 | |
| 31 | 21164414 | SENSOR TEMPEARATURE "T2" | 1 | 1 | |
| 32 | 21346959 | SENSOR "NOX" / DPF FILTER To B-5002 | 1 | 1 | |
| 32 | 21479638 | SENSOR "NOX" / DPF FILTER From B-5003 To B-5049 | 1 | 1 | |
| 32 | 21567764 | SENSOR "NOX" / DPF FILTER From B-5050 To D-5376 | 1 | 1 | |
| 32 | 21636091 | SENSOR "NOX" / DPF FILTER From D-5377 | 1 | 1 | |
| 33 | 21126692 | SENSOR TEMPEARATURE "T3" | 1 | 1 | |
| 34 | 040911 | PIPE, DP HIGH PRESSURE | 1 | 1 | |
| 35 | 040912 | PIPE, DP LOW PRESSURE | 1 | 1 | |
| 36 | 20451992 | SENSOR DIFFERENTIAL PRESSURE To D-5459 | 1 | 1 | |
| 36 | 21403962 | SENSOR PRESSURE "DELTA" From D-5460 | 1 | 1 | |
| 36 | 040096 | KIT SENSOR PRESSURE DPF From D-5460 | 1 | 1 | |
| 37 | 21225020 | SENSOR TEMPEARATURE "T1" | 1 | 1 | |
| 38 | 21346963 | SENSOR "NOX" / SCR FILTER To B-5002 | 1 | 1 | |
| 38 | 21479637 | SENSOR "NOX" / SCR FILTER From B-5003 To B-5049 | 1 | 1 | |
| 38 | 21567763 | SENSOR "NOX" / SCR FILTER From B-5050 To D-5376 | 1 | 1 | |
| 38 | 21636088 | SENSOR "NOX" / SCR FILTER From D-5377 To D-5459 | 1 | 1 | |
| 38 | 22014032 | SENSOR "NOX" / SCR FILTER From D-5460 | 1 | 1 | |
| 40 | 564108 | SELF MOUNTING STUD // DEUTSCH 1011-310-0205 | 3 | 3 | |
| 41 | 8631155 | CABLE TIE / 4.6MM x 200 / CHRISTMAS TREE | 5 | 5 | |
| 42 | 5001146 | SCREW CAP HEX M5-0.8x20 SS BK To D-5459 | 2 | 2 | |
| 42 | 5001730 | SCREW CAP HEXF M6-1.0x16 G10.9 N500 From D-5460 | 1 | 1 | |
| 43 | 500804 | WASHER FL .203x.500x.047 N500 To D-5459 | 2 | 2 | |
| 44 | 040917 | HOSE 1/4" To D-5459 | 1 | 1 | |
| 44 | 040977 | HOSE 1/4" From D-5460 | 1 | 1 | |
| 44 | 503776 | HOSE SILICONE 1/4" I.D. x 10' / S.L. | AR | AR | |
| 45 | 21283793 | SPRING HOSE CLAMP 5/16" | 2 | 2 | |
| 46 | 040915 | HOSE 5/16" To D-5459 | 1 | 1 | |
| 46 | 040976 | HOSE 5/16" From D-5460 | 1 | 1 | |
| 46 | 503775 | HOSE SILICONE 5/16" I.D. x 10' / S.L. | AR | AR | |
| 47 | 21283796 | SPRING HOSE CLAMP 1/4" | 2 | 2 | |
| 48 | 040916 | J-HOOK / M6-1.0 x 33 SS | 2 | 2 | |
| 49 | 502854 | NUT HEX M6-1.0 N500 | 2 | 2 | |
| 50 | 5001730 | SCREW CAP HEXF M6-1.0x16 G10.9 N500 | 11 | 11 | |
| 51 | 5001833 | WASHER BEL SPR 6.1x18x1.27 SS | 9 | 9 | |
| 52 | 504637 | CABLE TIE / 3/16" x 13" | 7 | 7 | |
| 53 | 21468325 | CABLE SUPPORT | 1 | 1 | |
| 54 | 504013 | TIE MOUNT / 1/4" X 1/4" I.D. | 3 | 3 | |



| | | |
|---|--------------|-----------------|
| From B-5003 To D-5489 | Date:10/2022 | PAGE:XV-0405-00 |
| MUFFLER - INSTALLATION WITH DPF & SCR WITH VOLVO D13 WITH "EPA 2010" | | |

| Item# | Part | Description | X 3 V I P | X L I I E N T 4 5 | N O T E S |
|-------|----------|--|-----------------------|---|-----------------------|
| 55 | 502817 | SCREW MA PAN PH M6-1.0x16 N500 | 1 | 1 | |
| 56 | 5001815 | SCREW CAP HEXF M6-1.0x30 G 8.8 N500 | 3 | 3 | |
| 57 | 21282895 | STRAP SCR | 4 | 4 | |
| 58 | 21321221 | BAR THREAD SCR | 4 | 4 | |
| 59 | 20974254 | BAR ROUND SCR | 4 | 4 | |
| 60 | 509892 | SCREW CAP HEXS M12-1.75x100 G8.8 N500 | 4 | 4 | |
| 61 | 040786 | ATTACHMENT, LOWER, SCR VOLVO | 2 | 2 | |
| 62 | 040855 | ATTACHMENT, UPPER, SCR VOLVO | 1 | 1 | |
| 63 | 040782 | BRACKET "U" SHAPE, UPPER, SCR VOLVO | 1 | 1 | |
| 64 | 040818 | SUPPORT ASSY, UPPER, SCR VOLVO | 1 | 1 | |
| 65 | 040854 | SUPPORT ASSY, LOWER, SCR VOLVO | 1 | 1 | |
| 66 | 040817 | BRACKET "U" SHAPE, LOWER, SCR VOLVO | 1 | 1 | |
| 67 | 040816 | SUPPORT "C" SHAPE ASSY, UPPER, SCR VOLVO | 1 | 1 | |
| 68 | 040883 | SUPPORT, SENSOR, SCR VOLVO | 1 | 1 | |
| 69 | 040959 | GUIDE, WIRING | 2 | 2 | |
| NS | 502799 | SCREW CAP HEX M4-0.7X16 G8.8 N500 | 2 | 2 | |
| NS | 502556 | WASHER FL 4.3x9.0x0.8 SS | 2 | 2 | |
| NS | 504637 | CABLE TIE / 3/16" x 13" | 4 | 4 | |
| 70 | 5001726 | SCREW CAP HEXF M12-1.75x30 G10.9 N500 To C-5133 | 27 | 27 | |
| 70 | 5001866 | SCREW CAP HEX M12-1.75x30 G10.9 N500 From C-5134 | 27 | 27 | |
| 71 | 5001338 | SCREW CAP HEX M12-1.75x45 G10.9 N500 | 24 | 24 | |
| 72 | 5001861 | SCREW CAP HEX M12-1.75x60 G10.9 N500 | 8 | 8 | |
| 73 | 500967 | WASHER BEL SPR .512x1.142x.098 N500 | 35 | 35 | |
| 74 | 040680 | SPACER 3/4" O.D. X 16MM SS To B-9973 | 46 | 46 | |
| 74 | 040937 | SPACER 3/4" O.D. X 16MM ST From B-9974 | 46 | 46 | |
| 75 | 5001774 | NUT HEXF STO M12-1.75 MAGNI G500 | 30 | 30 | |
| 76 | 21138255 | PLATE ATTACHMENT 120MM X 40MM | 9 | 9 | |
| 77 | 040783 | PLATE ATTACHMENT 120MM X 40MM | 7 | 7 | |
| 78 | 040844 | PLATE ATTACHMENT 120MM X 34MM / W/2 M12-1.75x40 | 1 | 1 | |
| 79 | 21120785 | MUFFLER CONNECTION RUBBER 135MM x 93MM | 5 | 5 | |
| 80 | 040936 | SPACER 4MM O.D. X 12MM ST | 2 | 2 | |
| 81 | 040787 | MUFFLER CONNECTION RUBBER 170MM x 93MM | 6 | 6 | |
| 82 | 040953 | GRILLE PROTECTOR OVER DFP | 1 | 1 | |
| 83 | 040861 | CABLE SUPPORT | 2 | 2 | |
| 84 | 5001774 | NUT HEXF STO M12-1.75 MAGNI G500 | 2 | 2 | |
| 85 | 500211 | WASHER FL .531x1.250x.125 N500 | 2 | 2 | |
| 87 | 20565546 | PLUG / DPF | 1 | 1 | |
| 88 | 947625 | SEAL COPPER / DPF | 1 | 1 | |
| 92 | 040965 | HOSE DRAIN SCR | 1 | 1 | |
| 95 | 640873 | MALE CONNECTOR / AB FITTING / #8x1/2NPT-M BR | 1 | 1 | |
| 96 | 040863 | PIPE DRAIN | 1 | 1 | |
| 97 | 504230 | HOSE CLAMP / 3/8"-7/8" SS / HS-6 | 2 | 2 | |



| | | |
|---|--------------|-----------------|
| From B-5003 To D-5489 | Date:10/2022 | PAGE:XV-0405-00 |
| MUFFLER - INSTALLATION WITH DPF & SCR WITH VOLVO D13 WITH "EPA 2010" | | |

| Item# | Part | Description | X 3 V I P | X L I I E N T 4 5 | N O T E S |
|-------|---------------|---|-----------------------|---|-----------------------|
| 101 | 040856 | ANGLE PIPE SUPPORT | 1 | 1 | |
| 102 | 21589669 | SUPPORT EXHAUST PIPE | 1 | 1 | |
| 103 | 040952 | SUPPORT PIPE | 1 | 1 | |
| 104 | 040664 | SUPPORT PRIMARY / EXHAUST PIPE | 1 | 1 | |
| 105 | 040659 | SUPPORT SECONDARY / EXHAUST PIPE To B-5049 | 1 | 1 | |
| 105 | 040969 | SUPPORT SECONDARY / EXHAUST PIPE From B-5050 | 1 | 1 | |
| 106 | 040815 | SUPPORT EXHAUST PIPE | 1 | 1 | |
| 110 | 5001595 | SCREW CAP HEXF M10-1.5x60 G8.8 G500 | 2 | 2 | |
| 111 | 500261 | WASHER FL .390x1.500x.083 N500 | 4 | 4 | |
| 112 | 505217 | SPACER 7/16" X 1 1/4" | 2 | 2 | |
| 113 | 661074 | BUSHING / RUBBER 3/4" x 5/8" I.D. | 4 | 4 | |
| 114 | 5001727 | NUT HEXF NYRT M10-1.5 N500 | 3 | 3 | |
| 115 | 502804 | SCREW CAP HEX M10-1.5x25 G8.8 N500 | 1 | 1 | |
| 116 | 5001834 | WASHER BEL SPR 10.5X23X2.5 N500 | 4 | 4 | |
| 117 | 040627 | WASHER FL 10.5x54x11GA SS | 1 | 1 | |
| 118 | 5001644 | SCREW CAP HEXF M10-1.5x30 G8.8 G500 | 6 | 6 | |
| 119 | 5001745 | SCREW CAP HEX M8-1.25x25 G8.8 N500 | 3 | 3 | |
| 120 | 5001740 | NUT HEX STO M8-1.25 N500 | 2 | 2 | |
| 121 | 500401 | WASHER FL .343x.875x.125 N500 | 6 | 6 | |
| 129 | 040821 | PIPE 5" O.D. X 304MM | 1 | 1 | |
| 130 | 21603076 | DIFFUSOR ASSY | 1 | 1 | |
| NS | 041139 | KIT, REPLACEMENT SHUTTER OF DIFFUSOR | 1 | 1 | |
| 131 | 540067 | CLAMP BAND SEAL / LAP JOINT / 5" I.D.x1.25" | 2 | 2 | |
| 132 | 21139384 | GRILL DIFFUSOR | 1 | 1 | |
| 133 | 21139388 | PLATE "WARNING" THIS DIFFUSOR MUST BE FLUSH.. | 1 | 1 | |
| 134 | 5001684 | NUT HEX CAP M6-1.0 SS | 10 | 10 | |
| 135 | 502573 | WASHER FL 6.4x12.5x1.6 SS | 10 | 10 | |
| 136 | 479306 | GRILL ROOF | 1 | 1 | |
| 137 | 500952 | SCREW TP BDG PH #8x1/2 SS | 10 | 10 | |
| 140 | 040821 | PIPE 5" O.D. X 304MM | 1 | 1 | |
| 141 | 040706 | KIT EXTENSION DIFFUSOR / 9" | 1 | 1 | |
| . NS | 040648 | . EXTENTION DIFFUSOR / 9" | 1 | 1 | |
| . NS | 040671 | . PROTECTOR GRILL EXTENTION / 9" | 1 | 1 | |
| . NS | 5001684 | . NUT HEX CAP M6-1.0 SS | 10 | 10 | |
| . NS | 502573 | . WASHER FL 6.4x12.5x1.6 SS | 10 | 10 | |
| 141 | 040707 | KIT EXTENSION DIFFUSOR / 6 5/8" | 1 | 1 | |
| . NS | 040677 | . EXTENTION DIFFUSOR / 6 5/8" | 1 | 1 | |
| . NS | 040679 | . PROTECTOR GRILL EXTENTION / 6 5/8" | 1 | 1 | |
| . NS | 5001684 | . NUT HEX CAP M6-1.0 SS | 10 | 10 | |
| . NS | 502573 | . WASHER FL 6.4x12.5x1.6 SS | 10 | 10 | |
| 142 | 502854 | NUT HEX M6-1.0 N500 | 10 | 10 | |
| 143 | 500877 | WASHER FL .250x.562x.065 N500 | 10 | 10 | |



| | | |
|---|--------------|-----------------|
| From B-5003 To D-5489 | Date:10/2022 | PAGE:XV-0405-00 |
| MUFFLER - INSTALLATION WITH DPF & SCR WITH VOLVO D13 WITH "EPA 2010" | | |

| Item# | Part | Description | X 3 V I P | X L I E N T 4 5 | N O T E S |
|--------|-------------------|--|-----------------------|--------------------------------------|-----------------------|
| 145 | 503702 | HOSE / (SAFETY STRIPE) / 3/8" I.D. 50' / S.L. | AR | AR | |
| NS | 053008 | RESTRICTION / ALU. TUBE 20MM X 9.05MM O.D. W/3.05MM HOLE | 1 | 1 | |
| 146 | 20805110 | QUICK CONNECTOR 90° 10MM | 2 | 2 | |
| 147 | 992081 | HOSE CLAMP / 12MM/22MM | 2 | 2 | |
| 148A | 506205 | PIPE INSULATING / 5/8" I.D. X 1/2" TH. X 72 / SPLIT ADHESIVE | AR | AR | |
| 148B | 957022 | TAPE ELASTOMERIC 1/8" X 2" X 30" | AR | AR | |
| 149A | 504637 | CABLE TIE / 3/16" x 13" | AR | AR | |
| 150 | 040909 | HOSE HEATED ASSY 9300MM To B-5049 | 1 | 1 | |
| . NS | N8902118 | . CONNECTOR CLIP - 5/16" To B-5049 | 2 | 2 | |
| 150 | 040949 | HOSE HEATER ASSY 5775MM From B-5050 | 1 | 1 | |
| . NS | N8902118 | . CONNECTOR CLIP - 5/16" From B-5050 | 2 | 2 | |
| 150 | IS14152 | UREA HOSE REPLACEMENT 6MM TO 4MM FIRST REPLACMENT | 1 | 1 | |
| . NS | 041123 | . HOSE HEATER ASSY 6200MM | 1 | 1 | |
| . . NS | N8902118 | . . CONNECTOR CLIP - 5/16" | 2 | 2 | |
| . NS | 502638 | . WASHER FL .312x.734x.065 N500 | 5 | 5 | |
| . NS | 504534 | . GROMMET / .875x1.250x.187x.562x1.625 | 2 | 2 | |
| . NS | 504610 | . RIVET MGLP PRDG 1/4x5/8 SS | 5 | 5 | |
| . NS | 504637 | . CABLE TIE / 3/16" x 13" | 10 | 10 | |
| . NS | 506205 | . PIPE INSULATING / 5/8" I.D. X 1/2" TH. X 72 / SPLIT ADHESIVE | 2 | 2 | |
| . NS | 507383 | . TIE MOUNT HOLE 3/8" | 5 | 5 | |
| . NS | 507664 | . CABLE TIE / 3/16" 11" / DOUBLE LOOP HEAD | 10 | 10 | |
| . NS | 5001113 | . NUT HEX JAM NYRT 5/16-18 | 5 | 5 | |
| . NS | N32553 | . SCREW CAP HEX 5/16-18x3/4 FT SS | 5 | 5 | |
| . NS | IS-14152 | . SEE INSTRUCTION SHEET | 1 | 1 | |
| 150 | XV-0410-00 | UREA RESERVOIR ASSY | | | |
| 152 | 218498 | ATTACHMENT, MIDDLE, DPF VOLVO | 1 | 1 | |
| 153 | 216753 | ATTACHMENT, DPF VOLVO / CURBSIDE | 1 | 1 | |
| 154 | 216752 | ATTACHMENT, DPF VOLVO / STREET SIDE | 1 | 1 | |
| 155 | | POST ATTACHMENT, UPPER, SCR VOLVO | 1 | 1 | |
| 155 | Call order desk | POST ATTACHMENT, UPPER, SCR VOLVO To D-5299 | 1 | 1 | P |
| 155 | Call order desk | POST ATTACHMENT, UPPER, SCR VOLVO From D-5300 | 1 | 1 | P |
| 156 | 218503 | ATTACHMENT, SUPPORT EXHAUST PIPE | 1 | 1 | |
| | | | | | |
| | | | | | |
| | | | | | |
| | | | | | |
| | | P) CALL ORDER DESK FOR SPECIFIC APPLICATION (V.I.N.) | | | |
| | | V) SEE IMPACT OR CALL ORDER DESK | | | |
| | | V) SEE IMPACT OR CALL ORDER DESK | | | |

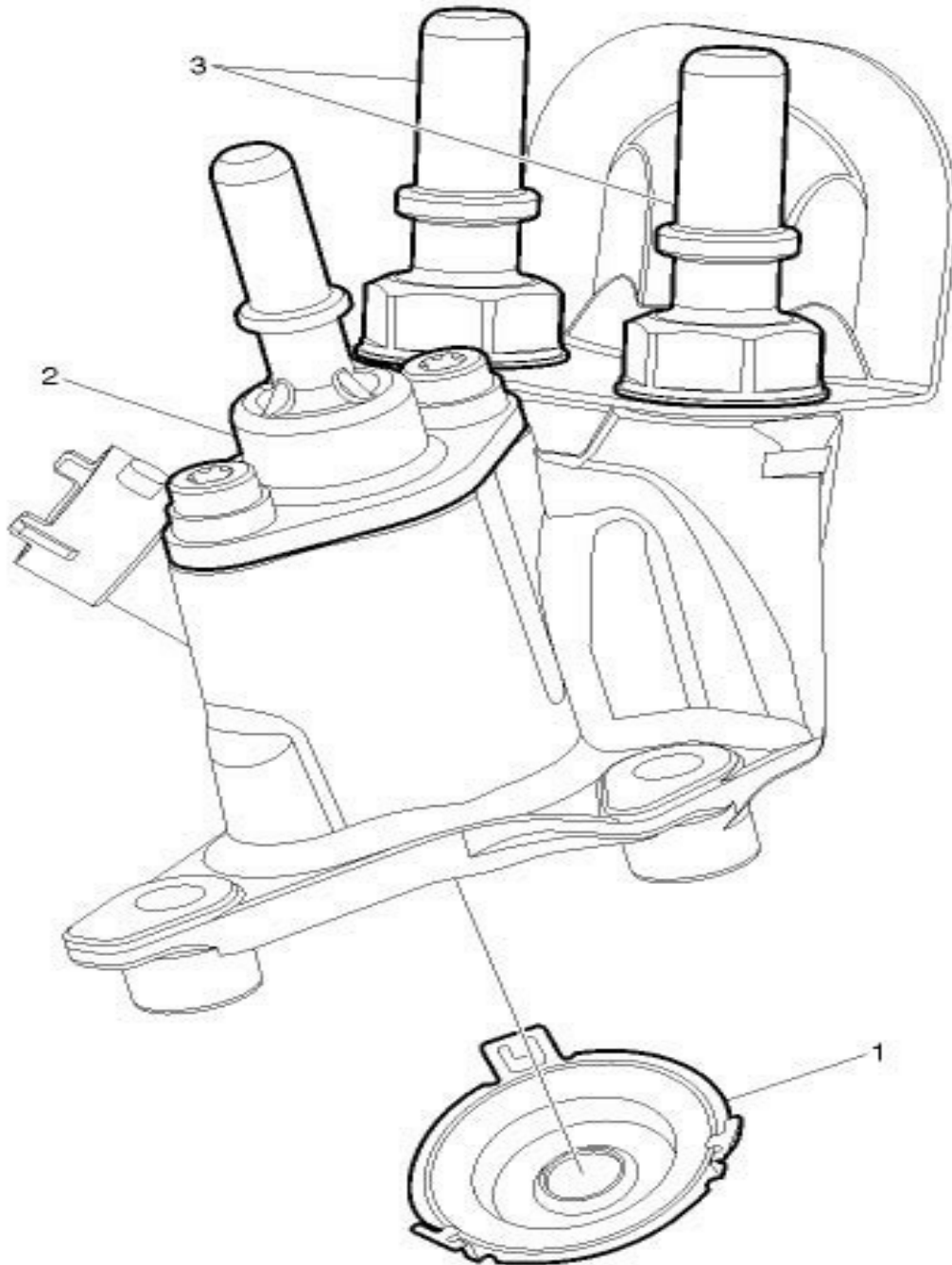


From B-5003 To D-5489

Date:10/2022

PAGE:21575532

NOZZLE UREA TB-129663536-1



R1045156



| | | |
|-----------------------------------|--------------|---------------|
| From B-5003 To D-5489 | Date:10/2022 | PAGE:21575532 |
| NOZZLE UREA TB-129663536-1 | | |

| Item# | Part | Description | X 3 V I P | X L I I E N T 4 5 | N O T E S |
|-------|-----------------|--------------------------------------|-----------------------|---|-----------------------|
| 1 | 21376801 | SEALING PLATE | 1 | 1 | |
| 2 | 21377177 | CONNECTOR UREA TB-128633728-1 | 1 | 1 | |
| 3 | 21376813 | CONNECTOR COOLING | 1 | 1 | |
| | | | | | |
| | | | | | |
| | | | | | |

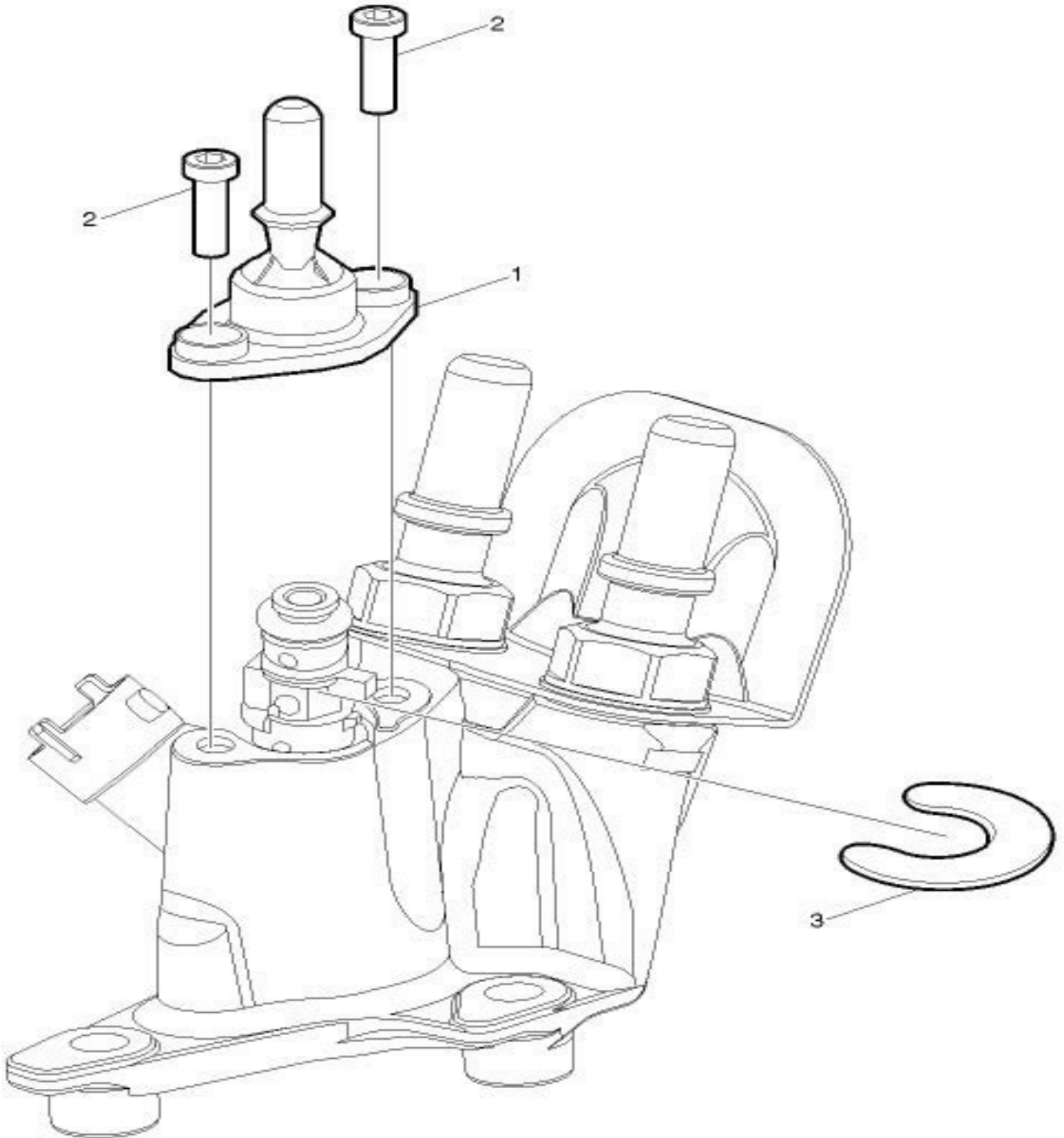


From B-5003 To D-5489

Date:10/2022

PAGE:21377177

CONNECTOR UREA TB-128633728-1



R1045189



| | | |
|--------------------------------------|--------------|---------------|
| From B-5003 To D-5489 | Date:10/2022 | PAGE:21377177 |
| CONNECTOR UREA TB-128633728-1 | | |

| Item# | Part | Description | X 3 V I P | X L I I E N T 4 5 | N O T E S |
|-------|--------|------------------------|-----------------------|---|-----------------------|
| 1 | N.S.S. | VALVE HOLDER | | | 1 |
| 2 | N.S.S. | SCREW SOCKET | | | 1 |
| 3 | N.S.S. | HOLDING PLATE | | | 1 |
| | | | | | |
| | | | | | |
| | | | | | |
| | | 1) NOT SOLD SEPARATELY | | | |

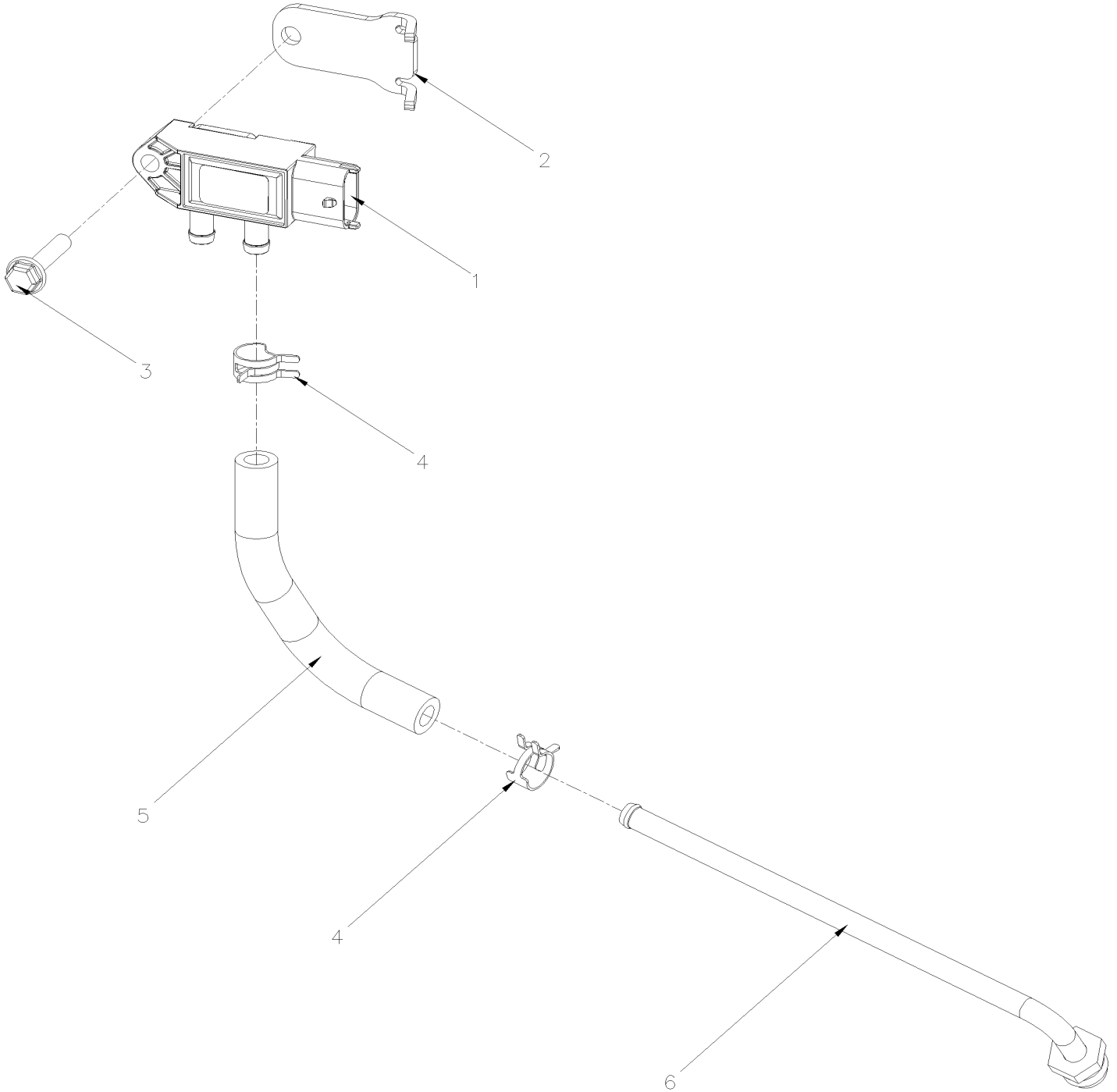


From D-5460

Date:10/2022

PAGE:040096

KIT SENSOR PRESSURE DPF





| | | |
|--------------------------------|--------------|-------------|
| From D-5460 | Date:10/2022 | PAGE:040096 |
| KIT SENSOR PRESSURE DPF | | |

| Item# | Part | Description | X 3 V I P | X L I I E N T 4 5 | N O T E S |
|-------|----------|-------------------------------------|-----------------------|---|-----------------------|
| 1 | 23488881 | SENSOR PRESSURE "DELTA" | 1 | 1 | |
| 2 | 040097 | SPACER, FOR SENSOR OF PRESSURE | 1 | 1 | |
| 3 | 5001815 | SCREW CAP HEXF M6-1.0x30 G 8.8 N500 | 1 | 1 | |
| 4 | 21283793 | SPRING HOSE CLAMP 5/16" | 2 | 2 | |
| 5 | 040914 | HOSE | 1 | 1 | |
| 6 | 040093 | PIPE, DP LOW PRESSURE | 1 | 1 | |
| | | | | | |
| | | | | | |
| | | | | | |

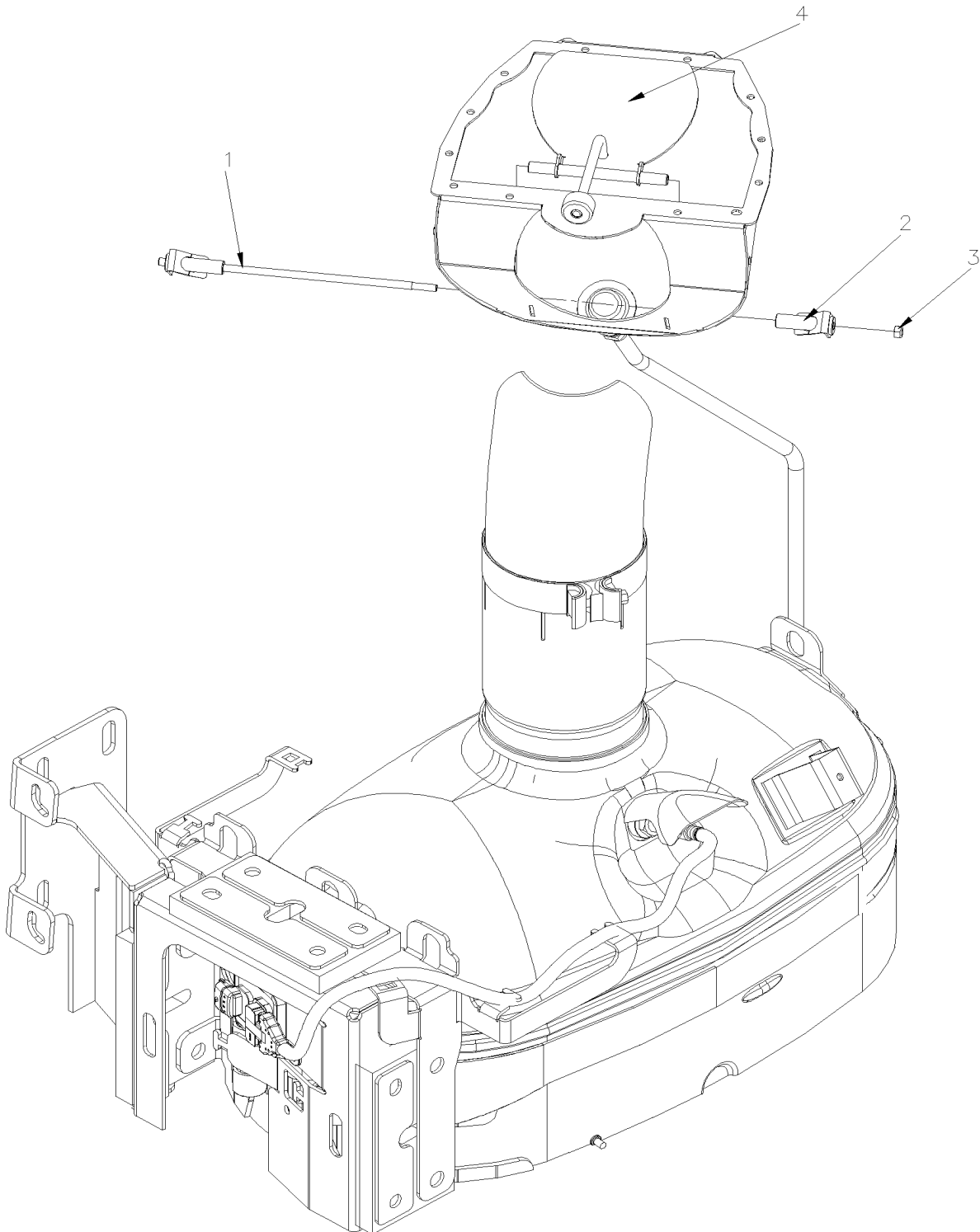


From B-5003 To D-5489

Date:10/2022

PAGE:041139

KIT, REPLACEMENT SHUTTER OF DIFFUSOR





| | | |
|---|--------------|-------------|
| From B-5003 To D-5489 | Date:10/2022 | PAGE:041139 |
| KIT, REPLACEMENT SHUTTER OF DIFFUSOR | | |

| Item# | Part | Description | X 3 V I P | X L I I E N T 4 5 | N O T E S |
|-------|--------|-------------------------|-----------------------|---|-----------------------|
| 1 | 041137 | PIVOT, LATERAL, ASSY | 1 | 1 | |
| 2 | 041134 | PIVOT, LATERAL, ASSY | 1 | 1 | |
| 3 | 502860 | NUT HEX STO M6-1.0 N500 | 1 | 1 | |
| 4 | 041130 | SHUTTER ASSY | 1 | 1 | |
| | | | | | |
| | | | | | |
| | | | | | |

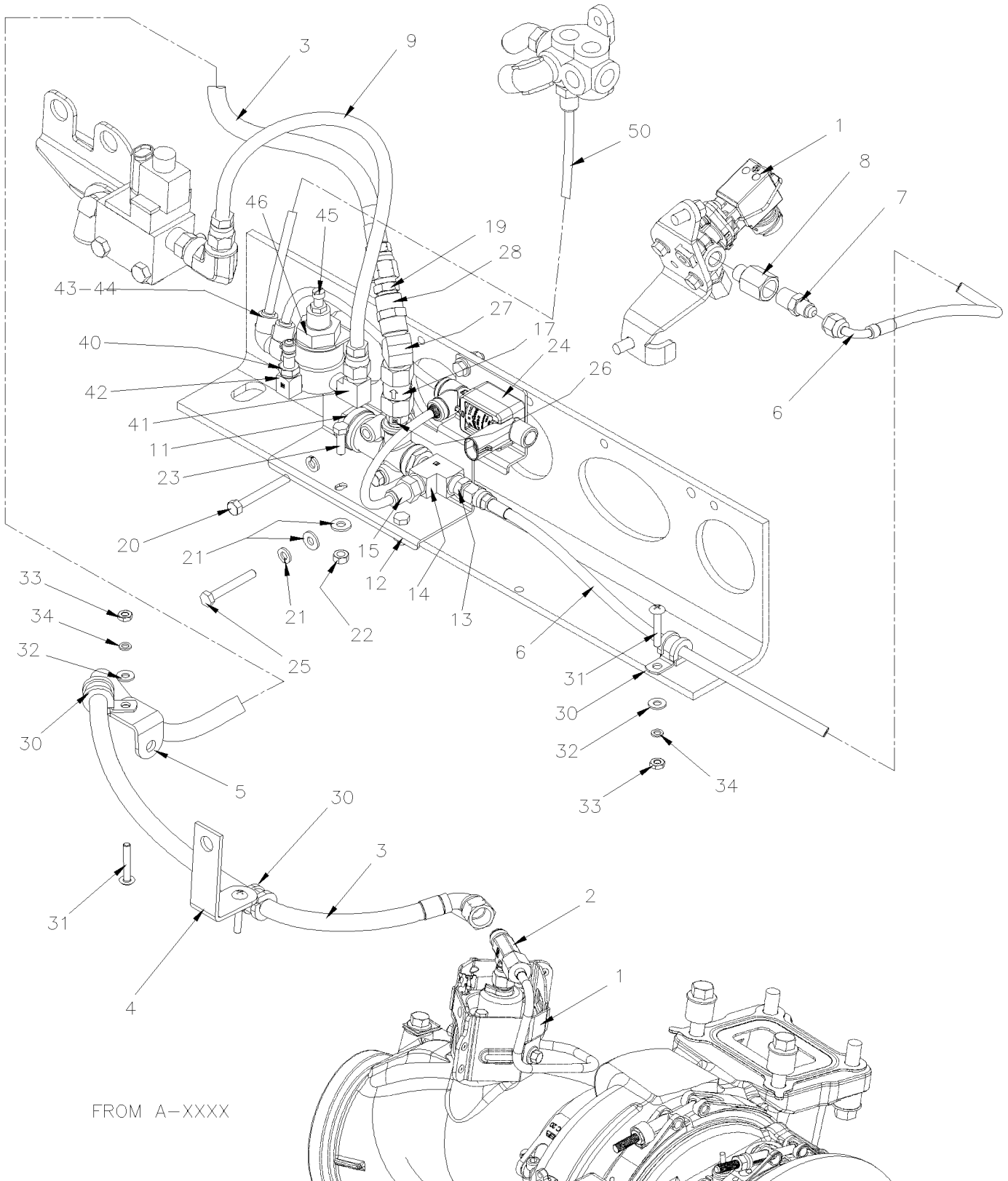


From B-5003 To B-5088

Date:10/2022

PAGE:XV-0405-10

7TH INJECTOR / EXHAUST VOLVO D13



FROM A-XXXX



From B-5003 To B-5088 Date:10/2022 PAGE:XV-0405-10

7TH INJECTOR / EXHAUST VOLVO D13

| Item# | Part | Description | X 3 V I P | X L I E N T 4 5 | N O T E S |
|-------|-----------------|---|-----------------------|--------------------------------------|-----------------------|
| 1 | Refer To Volvo | SEE IMPACT OR CALL ORDER DESK | 1 | 1 | V |
| 2 | 21226456 | CHECK VALVE | 1 | 1 | |
| 3 | 143025 | HOSE ASSY TEFLON #6 1524MM | 1 | 1 | |
| 4 | 143024 | ANGLE SUPPORT 75x50 | 1 | 1 | |
| NS | 946173 | SCREW CAP HEXF M8-1.25x20 | 1 | 1 | |
| NS | 507637 | SCREW CAP HEXF M8-1.25x20 G10.9 PHC | 1 | 1 | |
| 5 | 142893 | ANGLE SUPPORT 34x32 | 1 | 1 | |
| 6 | 143023 | HOSE ASSY TEFLON #4 820MM | 1 | 1 | WB |
| 6 | 142806 | HOSE ASSY TEFLON #4 1500MM | 1 | 1 | |
| NS | 501332 | STREET ELBOW 90° / PIPE FITTING / 1/4NPT-Mx1/4NPT-F BR | 1 | 1 | |
| 7 | 501027 | MALE CONNECTOR / SAE 45° FITTING / #4FL-Mx1/4NPT-M BR | 1 | 1 | |
| 8 | 5011304 | FEMALE CONNECTOR / PIPE @ ORB / 1/4NPT-Fxm12-1.5 ORB-M | 1 | 1 | |
| 9 | 071089 | HOSE ASSY TEFLON #6 355MM | | | |
| 10 | Call order desk | VALVE ASSY RV-3 W/SUPPORT | 1 | 1 | P |
| 10 | Call order desk | VALVE ASSY RV-3 W/SUPPORT | 1 | 1 | P |
| 11 | 21243502 | VALVE PRESSURE REDUCER RV-3 / K028993 | 1 | 1 | |
| 12 | 143123 | SUPPORT VALVE | 1 | 1 | |
| 13 | 501027 | MALE CONNECTOR / SAE 45° FITTING / #4FL-Mx1/4NPT-M BR | 1 | 1 | |
| 14 | 501338 | MALE RUN TEE / PIPE FITTING / 1/4NPT-Mx1/4NPT-Fx1/4NPT-F BR | 1 | 1 | |
| 15 | 641332 | MALE CONNECTOR / PUSH-IN FITTING / #4x1/4NPT-M BR | 1 | 1 | |
| 17 | 640135 | VALVE, CHECK 1/4 NPT | 1 | 1 | |
| 19 | 501029 | MALE CONNECTOR / SAE 45° FITTING / #6FL-Mx1/4NPT-M BR | 1 | 1 | |
| 20 | 502656 | SCREW CAP HEX M6-1.0x50 SS | 2 | 2 | |
| 21 | 502573 | WASHER FL 6.4x12.5x1.6 SS | 4 | 4 | |
| 21 | 500877 | WASHER FL .250x.562x.065 N500 | 4 | 4 | |
| 21 | 502853 | WASHER LO SPT 6.1x11.8x1.6 N500 | 1 | 1 | |
| 22 | 502860 | NUT HEX STO M6-1.0 N500 | 2 | 2 | |
| 23 | 502830 | SCREW CAP HEX M6-1.0x20 G8.8 N500 | 3 | 3 | |
| 24 | 20807261 | VALVE SOLONID 3 WAY | 1 | 1 | |
| 25 | 502843 | SCREW CAP HEX M6-1.0x45 G8.8 N500 | 2 | 2 | |
| 26 | 501321 | NIPPLE HEX / PIPE FITTING / 1/4NPT-Mx1/4NPT-Mx1 3/8 BR | 1 | 1 | |
| 27 | 501329 | STREET ELBOW 45° / PIPE FITTING / 1/4NPT-Mx1/4NPT-F BR | 1 | 1 | |
| 28 | 501318 | COUPLING / PIPE FITTING / 1/4NPT-Fx1/4NPT-F BR | 1 | 1 | |
| NS | 952627 | CLAMP / 1/2" I.D. | 3 | 3 | |
| 30 | 952625 | CLAMP / 3/8" I.D. | 3 | 3 | |
| 31 | 500574 | SCREW MA TR PH #10-24x1 1/4 SS | AR | AR | |
| 32 | 500964 | WASHER FL .203x.500x.047 Z050 | AR | AR | |
| 33 | 502570 | WASHER LO SPT 6.1x11.8x1.6 SS | AR | AR | |
| 33 | 500470 | WASHER LO SPT .193x.334x.047 Z050 | AR | AR | |
| 34 | 500787 | NUT HEX #10-24 SS | AR | AR | |
| 34 | 500786 | NUT HEX #10-24 Z050 | AR | AR | |



| | | |
|---|--------------|-----------------|
| From B-5003 To B-5088 | Date:10/2022 | PAGE:XV-0405-10 |
| 7TH INJECTOR / EXHAUST VOLVO D13 | | |

| Item# | Part | Description | X 3 V I P | X L I I E N T 4 5 | N O T E S |
|-------|---------|---|-----------------------|---|-----------------------|
| 35 | 5001241 | SCREW MA TR PH #10-24x1/2 SS | AR | AR | |
| | | NEXT ITEMS ARE RELATED WITH | | | |
| | | TRANSMISSION WITH RETARDER | | | |
| 40 | 640488 | VALVE, AIR FILL 1/8" NPT | 1 | 1 | W |
| . NS | 650164 | . CAP VALVE / CHROME | 1 | 1 | W |
| 41 | 641371 | MALE ELBOW 90° NON-SWIVEL / PUSH-IN FITTING / #4x1/4NPT-M BR | 1 | 1 | W |
| 42 | 501331 | STREET ELBOW 90° / PIPE FITTING / 1/8NPT-Mx1/8NPT-F BR | 1 | 1 | W |
| 43 | 501312 | BUSHING REDUCER / PIPE FITTING / 1/4NTP-Mx1/8NPT-F BR | 1 | 1 | W |
| 44 | 642127 | MALE ELBOW 90° SWIVEL DUAL PORT / PUSH-IN / #4x#4x1/8NPT-M BR | 1 | 1 | W |
| 45 | 641472 | AIR PRESSURE REGULATOR 1/4" NPT / COPPER | 1 | 1 | W |
| 46 | 500734 | NUT HEX JAM 3/4-16 Z050 | 1 | 1 | W |
| 50 | 503402 | TUBE, NYLON 1/4 O.D. / BLACK S.L. | AR | AR | |
| | | W) WITH TRANSMISSION "WORLD" | | | |
| | | WB) SEE WARRANTY BULLETIN # WB-10-26 AND SCI 10-25 SERVICE CENTER INFORMATION | | | |
| | | P) CALL ORDER DESK FOR SPECIFIC APPLICATION (V.I.N.) | | | |
| | | V) SEE IMPACT OR CALL ORDER DESK | | | |

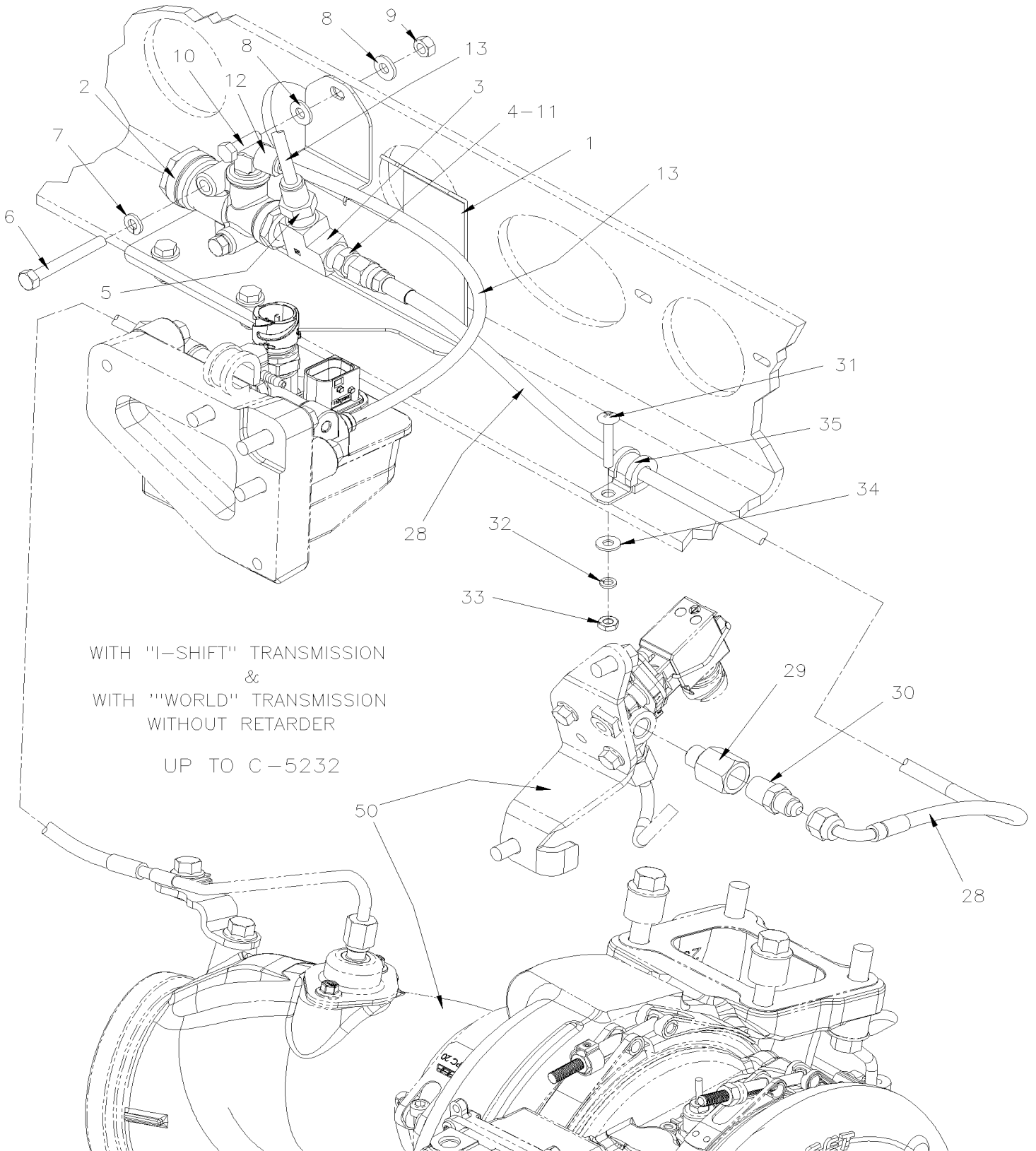


From B-5089 To D-5489

Date:10/2022

PAGE:XV-0405-11

7TH INJECTOR / "AHI" / EXHAUST VOLVO D13



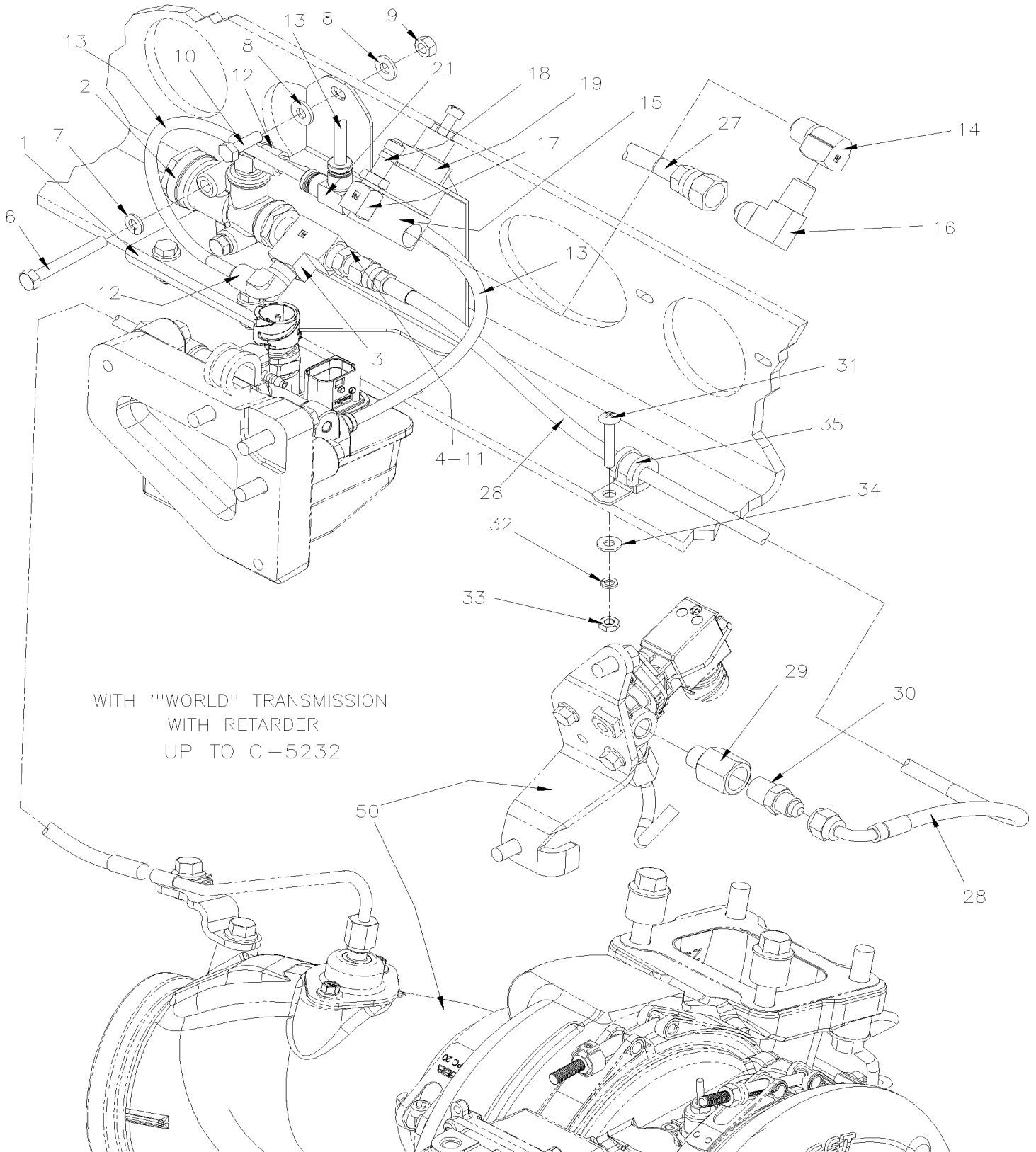


From B-5089 To D-5489

Date:10/2022

PAGE:XV-0405-11

7TH INJECTOR / "AHI" / EXHAUST VOLVO D13



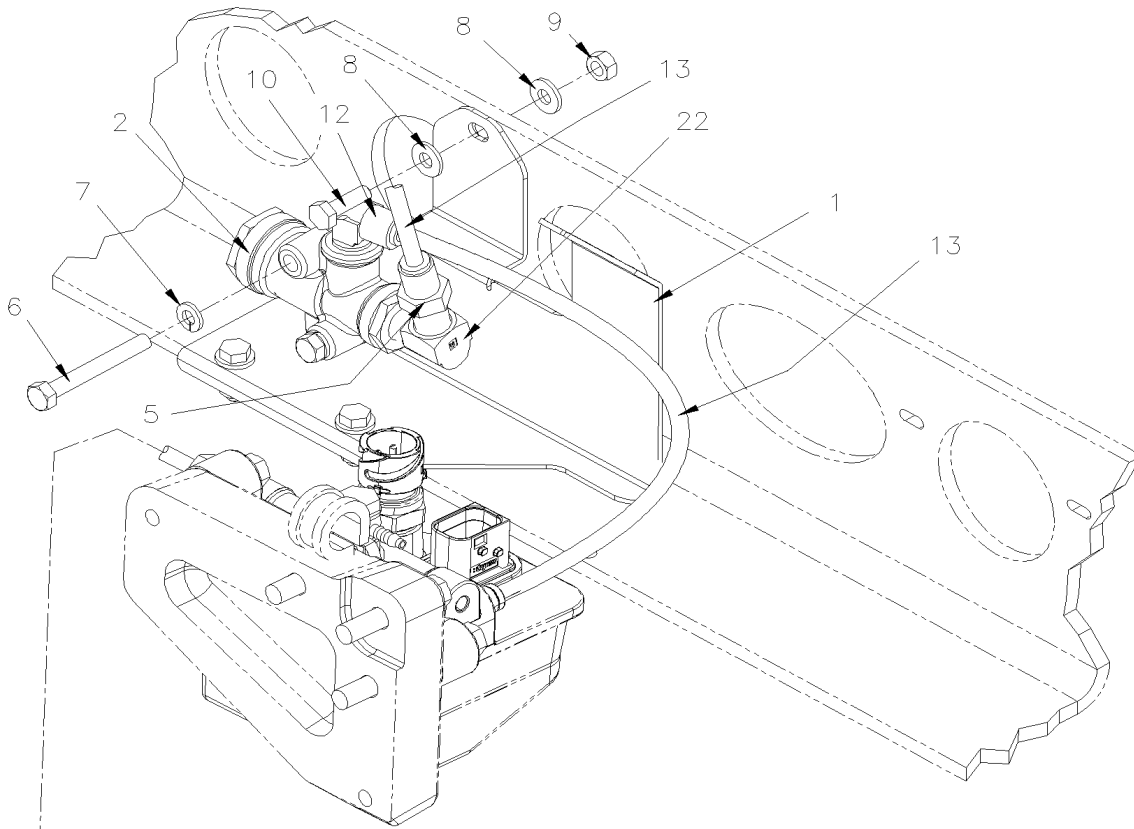


From B-5089 To D-5489

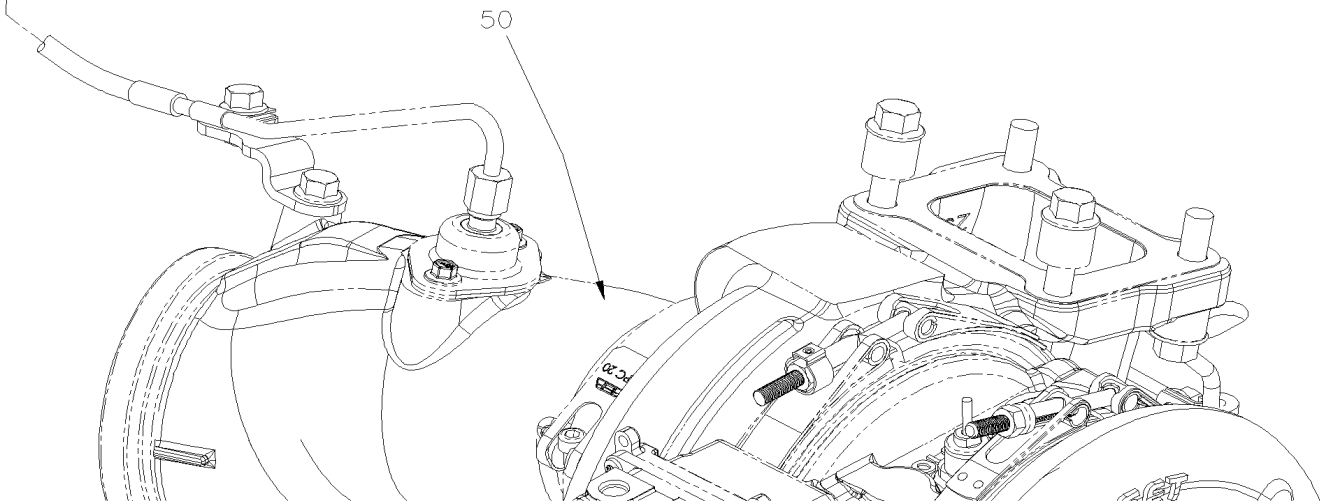
Date:10/2022

PAGE:XV-0405-11

7TH INJECTOR / "AHI" / EXHAUST VOLVO D13



WITH "I-SHIFT" TRANSMISSION
&
WITH "WORLD" TRANSMISSION
WITHOUT RETARDER
FROM C-5233



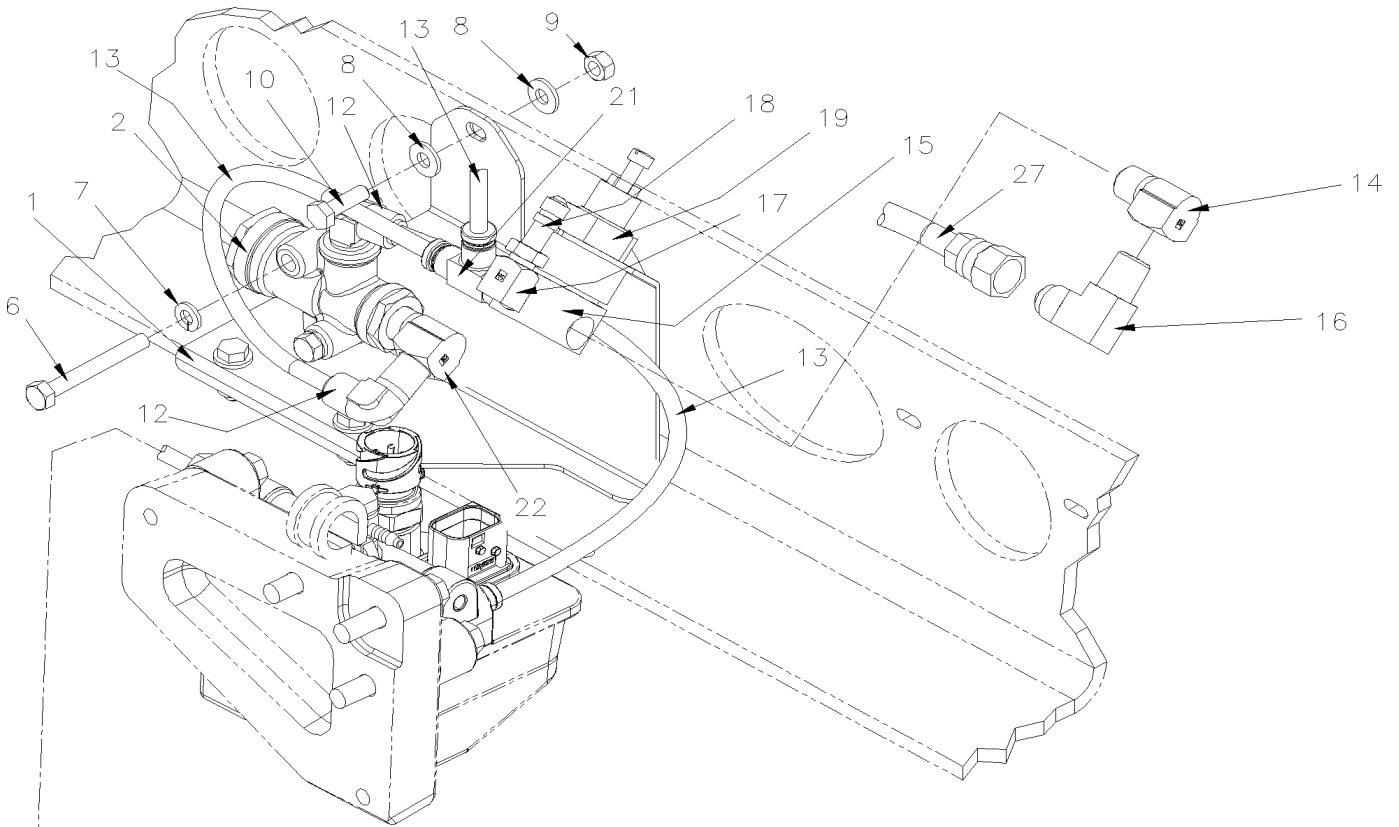


From B-5089 To D-5489

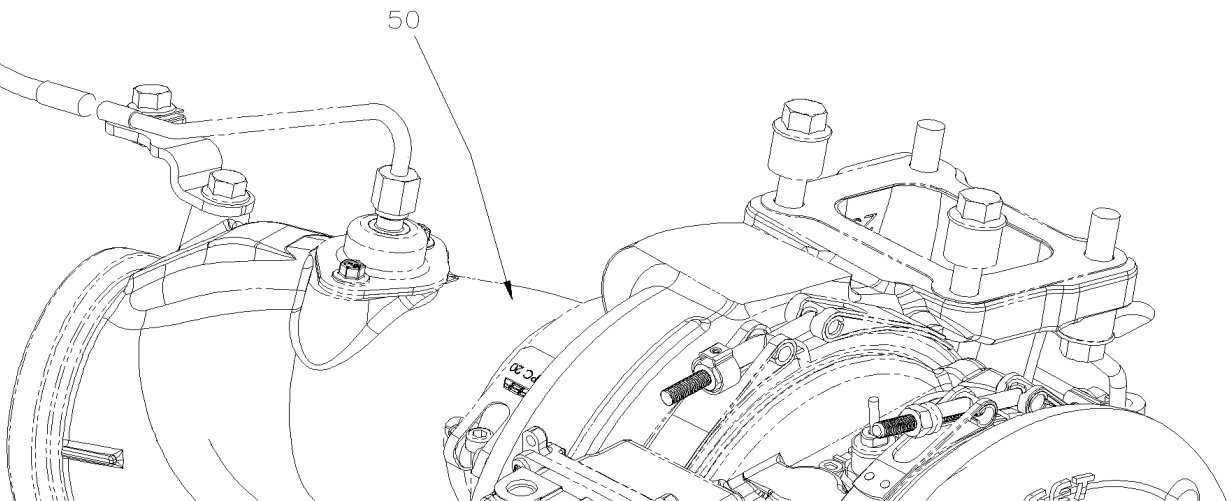
Date:10/2022

PAGE:XV-0405-11

7TH INJECTOR / "AHI" / EXHAUST VOLVO D13



WITH "WORLD" TRANSMISSION
WITH RETARDER
FROM C-5233





| | | |
|---|---------------------|------------------------|
| From B-5089 To D-5489 | Date:10/2022 | PAGE:XV-0405-11 |
| 7TH INJECTOR / "AHI" / EXHAUST VOLVO D13 | | |

| Item# | Part | Description | X 3 V I P | X L I I E N T 4 5 | N O T E S |
|-------|------------------------|---|-----------------------|---|-----------------------|
| | Call order desk | VALVE ASSY RV-3 W/SUPPORT To C-5232 | 1 | 1 | PI |
| | Call order desk | VALVE ASSY RV-3 W/SUPPORT From C-5233 | 1 | 1 | PI |
| | Call order desk | VALVE ASSY RV-3 W/SUPPORT To C-5232 | 1 | 1 | PR |
| | Call order desk | VALVE ASSY RV-3 W/SUPPORT From C-5233 | 1 | 1 | PR |
| 1 | 143243 | SUPPORT VALVE | 1 | 1 | |
| 2 | 21243502 | VALVE PRESSURE REDUCER RV-3 / K028993 | 1 | 1 | |
| 3 | 501338 | MALE RUN TEE / PIPE FITTING / 1/4NPT-Mx1/4NPT-Fx1/4NPT-F BR To C-5232 | 1 | 1 | |
| 4 | 501027 | MALE CONNECTOR / SAE 45° FITTING / #4FL-Mx1/4NPT-M BR | 1 | 1 | |
| 5 | 641956 | MALE RUN TEE SWIVEL / PUSH-IN FITTING / #4x#4x1/4NPT-M BR | 1 | 1 | I |
| 6 | 502656 | SCREW CAP HEX M6-1.0x50 SS | 2 | 2 | |
| 7 | 502853 | WASHER LO SPT 6.1x11.8x1.6 N500 | 2 | 2 | |
| 8 | 500877 | WASHER FL .250x.562x.065 N500 | 6 | 6 | |
| 9 | 502860 | NUT HEX STO M6-1.0 N500 | 3 | 3 | |
| 10 | 502830 | SCREW CAP HEX M6-1.0x20 G8.8 N500 | 3 | 3 | |
| 11 | 680098 | THREAD SEALANT LOCTITE #567 / WHITE / 250ml | AR | AR | |
| 12 | 641371 | MALE ELBOW 90° NON-SWIVEL / PUSH-IN FITTING / #4x1/4NPT-M BR | 1 | 1 | |
| 13 | 503402 | TUBE, NYLON 1/4 O.D. / BLACK S.L. | AR | AR | |
| 14 | 501332 | STREET ELBOW 90° / PIPE FITTING / 1/4NPT-Mx1/4NPT-F BR | 1 | 1 | R |
| 15 | 641472 | AIR PRESSURE REGULATOR 1/4" NPT / COPPER | 1 | 1 | R |
| 16 | 501695 | MALE ELBOW 90° / JIC 37° FITTING / #6JIC-Mx1/4NPT-M STL | 1 | 1 | R |
| 17 | 501331 | STREET ELBOW 90° / PIPE FITTING / 1/8NPT-Mx1/8NPT-F BR | 1 | 1 | R |
| 18 | 640488 | VALVE, AIR FILL 1/8" NPT | 1 | 1 | R |
| . NS | 650164 | . CAP VALVE / CHROME | 1 | 1 | R |
| 19 | 500734 | NUT HEX JAM 3/4-16 Z050 | 1 | 1 | R |
| 21 | 641956 | MALE RUN TEE SWIVEL / PUSH-IN FITTING / #4x#4x1/4NPT-M BR | 1 | 1 | R |
| 22 | 501332 | STREET ELBOW 90° / PIPE FITTING / 1/4NPT-Mx1/4NPT-F BR From C-5233 | 1 | 1 | |
| 27 | 071658P | HOSE ASSY TEFLON #6 270MM | 1 | 1 | |
| . NS | 5011194 | . FEMALE CONNECTOR SWIVEL / JIC 37° FITTING / TEFLON / #6JIC-Fx#6 STL | 2 | 2 | |
| . NS | 503065 | . HOSE TEFLON #6 / S.L. | AR | AR | |
| 28 | 143023 | HOSE ASSY TEFLON #4 820MM | 1 | 1 | |
| 29 | 5011304 | FEMALE CONNECTOR / PIPE @ ORB / 1/4NPT-Fxm12-1.5 ORB-M | 1 | 1 | |
| 30 | 501027 | MALE CONNECTOR / SAE 45° FITTING / #4FL-Mx1/4NPT-M BR | 1 | 1 | |
| 31 | 500574 | SCREW MA TR PH #10-24x1 1/4 SS | 3 | 3 | |
| 32 | 500470 | WASHER LO SPT .193x.334x.047 Z050 | 3 | 3 | |
| 33 | 500786 | NUT HEX #10-24 Z050 | 3 | 3 | |
| 34 | 500964 | WASHER FL .203x.500x.047 Z050 | 3 | 3 | |
| 35 | 952625 | CLAMP / 3/8" I.D. | 1 | 1 | |
| NS | Call order desk | KIT RELOCATED VALVE RV-3 | 1 | 1 | P |
| 50 | Refer To Volvo | SEE IMPACT OR CALL ORDER DESK | | | V |
| | | | | | |
| | | | | | |
| | | | | | |



| | | |
|-----------------------|--------------|-----------------|
| From B-5089 To D-5489 | Date:10/2022 | PAGE:XV-0405-11 |
|-----------------------|--------------|-----------------|

7TH INJECTOR / "AHI" / EXHAUST VOLVO D13

| Item# | Part | Description | X 3 V I P | X L I I E N T 4 5 | N O T E S |
|-------|------|---|-----------------------|---|-----------------------|
| | | I) TRANSMISSION WITHOUT RETARDER & TRANSMISSION "I-SHIFT" | | | |
| | | R) TRANSMISSION WITH RETARDER | | | |
| | | P) CALL ORDER DESK FOR SPECIFIC APPLICATION (V.I.N.) | | | |
| | | V) SEE IMPACT OR CALL ORDER DESK | | | |

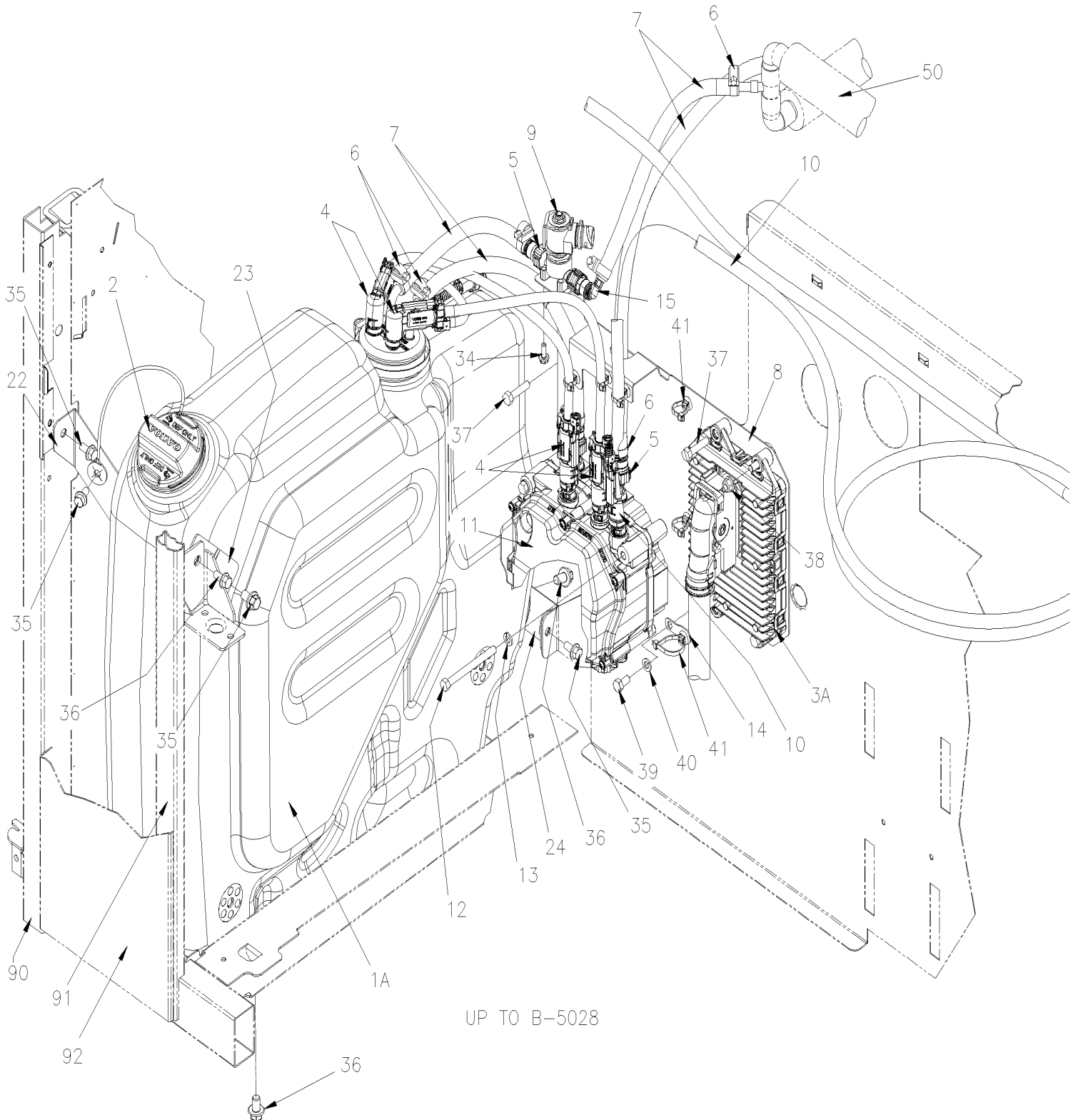


From B-5003 To D-5489

Date:10/2022

PAGE:XV-0410-00

UREA RESERVOIR ASSY



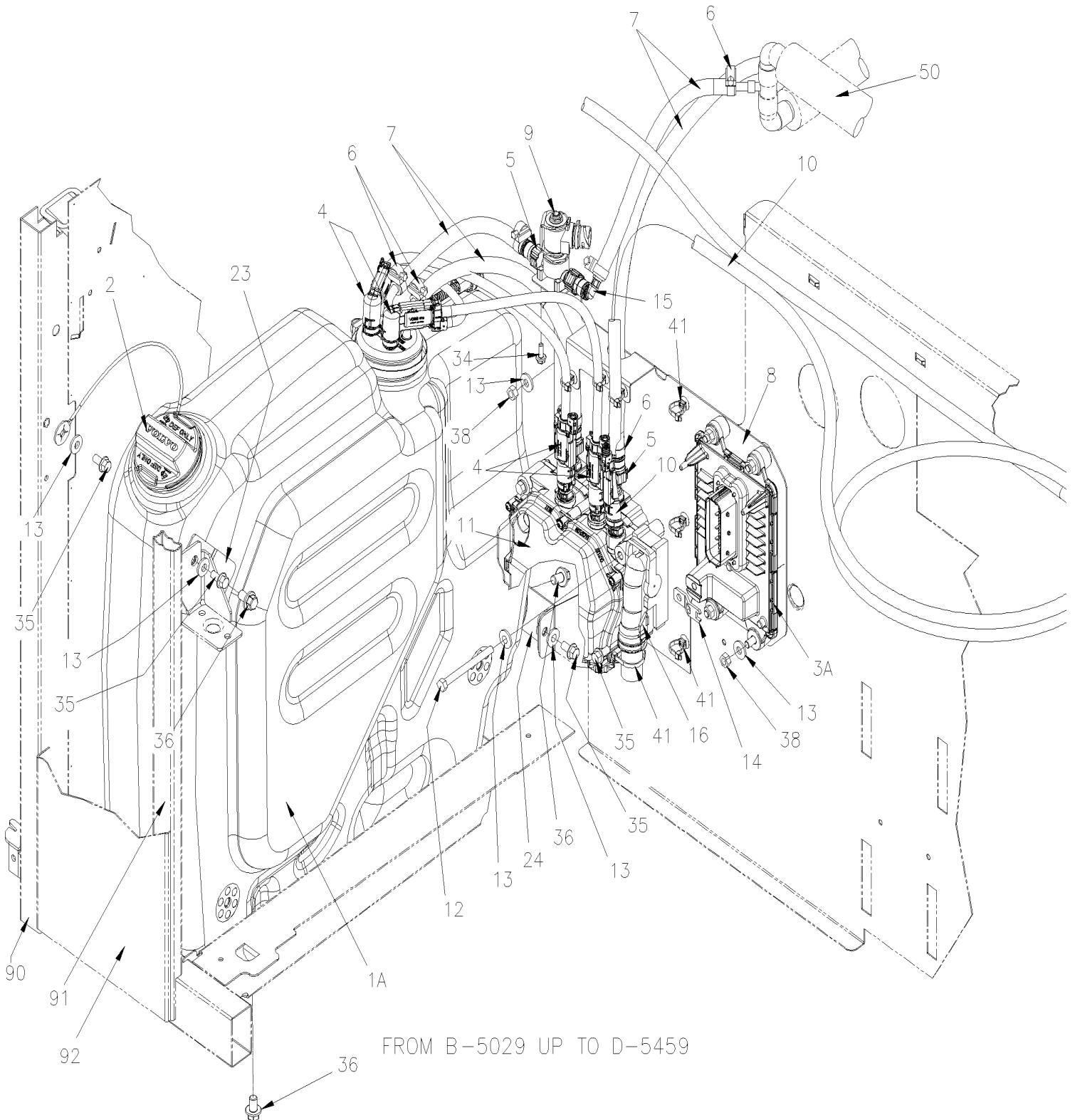


From B-5003 To D-5489

Date:10/2022

PAGE:XV-0410-00

UREA RESERVOIR ASSY



FROM B-5029 UP TO D-5459

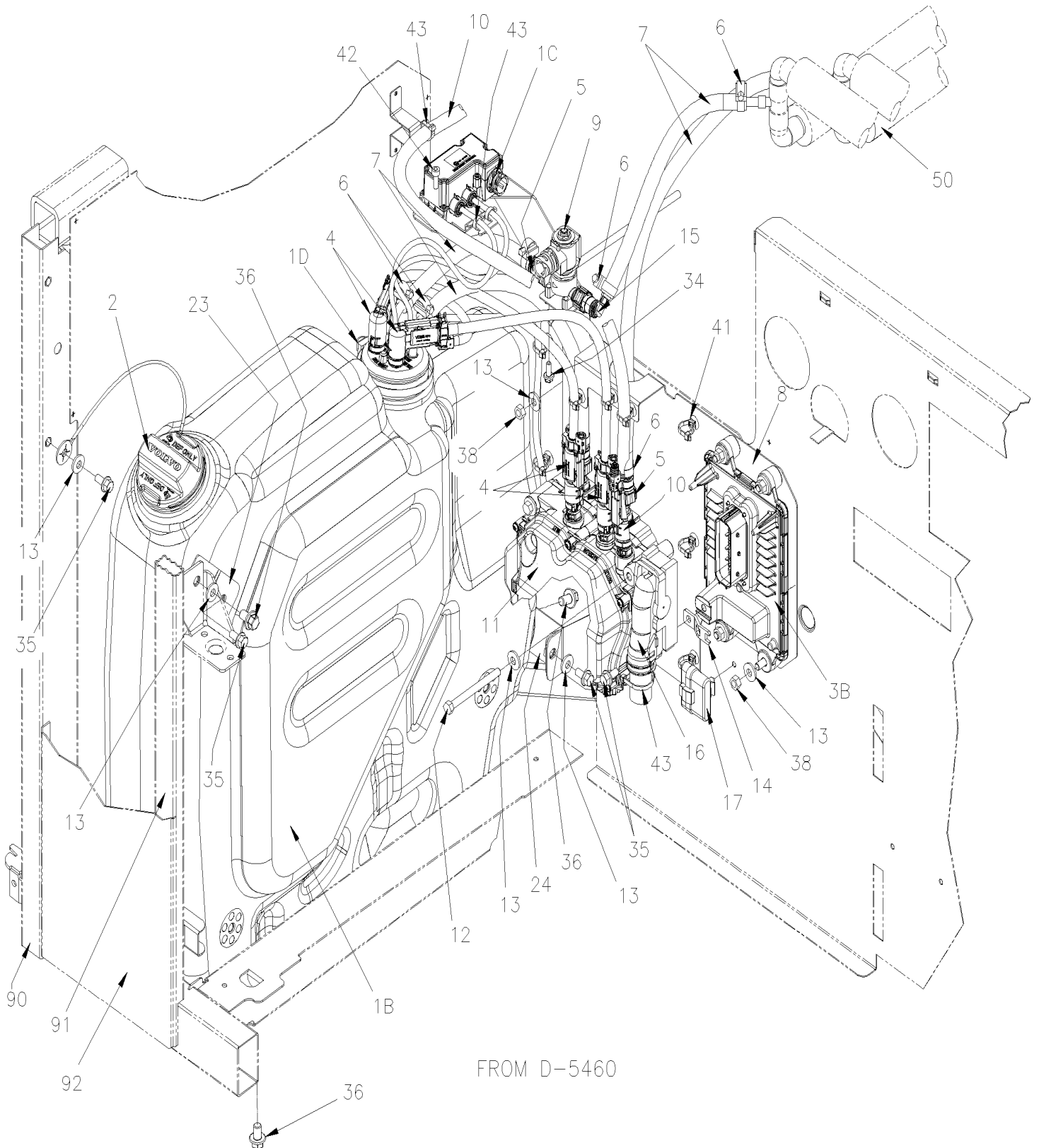


From B-5003 To D-5489

Date:10/2022

PAGE:XV-0410-00

UREA RESERVOIR ASSY



FROM D-5460



| | | |
|------------------------------|---------------------|------------------------|
| From B-5003 To D-5489 | Date:10/2022 | PAGE:XV-0410-00 |
|------------------------------|---------------------|------------------------|

UREA RESERVOIR ASSY

| Item# | Part | Description | X 3 V I P | X L I E N T 4 5 | N O T E S |
|--------|----------|---|-----------------------|--------------------------------------|-----------------------|
| 1A | 21134658 | RESERVOIR UREA 60Liters To C-5287 | 1 | 1 | |
| 1A | 21728142 | RESERVOIR UREA 60Liters From C-5288 To D-5459 | 1 | 1 | |
| 1B | 21967924 | RESERVOIR UREA 60Liters From D-5460 | 1 | 1 | |
| 1C | 22073036 | HEATER AND SENSOR From D-5460 | 1 | 1 | |
| 1D | 992091 | HOSE CLAMP / 80MM/100MM From D-5460 | 1 | 1 | |
| NS | 685328 | UREA 2 GALLONS US | AR | AR | |
| NS | 685329 | UREA 55 GALLONS US | AR | AR | |
| NS | 680753 | UREA 1250 LITER SQ | AR | AR | |
| 2 | 21148722 | CAP FILLER UREA | 1 | 1 | |
| 2 | 21148725 | CAP FILLER UREA / WITH LOCK | 1 | 1 | |
| 3A | 21063597 | UNIT CONTROL "ACM" To D-5459 | 1 | 1 | |
| 3B | 21870087 | UNIT CONTROL "ACM" From D-5460 | 1 | 1 | |
| 4 | 040901 | HOSE HEATER ASSY "H" STYLE | 1 | 1 | |
| . NS | 540089 | . CONNECTOR CLIP - 3/8" | 3 | 3 | |
| . NS | N8902118 | . CONNECTOR CLIP - 5/16" | 1 | 1 | |
| 4 | 504751 | ROTATIF SPACER DOUBLE / SMALL From D-5460 | 1 | 1 | |
| 4 | 504637 | CABLE TIE / 3/16" x 13" From D-5460 | 2 | 2 | |
| 4 | 504768 | CABLE TIE / 3/16" 14.7" / DOUBLE LOOP HEAD From D-5460 | 1 | 1 | |
| 5 | 20805109 | QUICK CONECTOR 10MM | 3 | 3 | |
| 6 | 992081 | HOSE CLAMP / 12MM/22MM | 8 | 8 | |
| 7 | 503779 | HOSE SILICONE 1PLY 3/8" I.D. x 100' To D-5381 | AR | AR | |
| 7 | 503806 | HOSE SILICONE 1 PLY / NOMEX-ARAMID 3/8" I.D. x 100' From D-5382 | AR | AR | |
| 8 | 040942 | SUPPORT PUMP & UNIT CONTROL To D-5459 | 1 | 1 | |
| 8 | 040987 | SUPPORT PUMP & UNIT CONTROL From D-5460 | 1 | 1 | |
| 9 | 21314741 | SOLENOID VALVE | 1 | 1 | |
| 10 | 040909 | HOSE HEATED ASSY 9300MM To B-5049 | 1 | 1 | |
| . NS | N8902118 | . CONNECTOR CLIP - 5/16" To B-5049 | 2 | 2 | |
| NS | 040949 | HOSE HEATER ASSY 5775MM From B-5050 | 1 | 1 | |
| . NS | N8902118 | . CONNECTOR CLIP - 5/16" From B-5050 | 2 | 2 | |
| 10 | IS14152 | UREA HOSE REPLACEMENT 6MM TO 4MM FIRST REPLACEMENT | 1 | 1 | |
| . NS | 041123 | . HOSE HEATER ASSY 6200MM | 1 | 1 | |
| . . NS | N8902118 | . . CONNECTOR CLIP - 5/16" | 2 | 2 | |
| . NS | 502638 | . WASHER FL .312x.734x.065 N500 | 5 | 5 | |
| . NS | 504534 | . GROMMET / .875x1.250x.187x.562x1.625 | 2 | 2 | |
| . NS | 504610 | . RIVET MGLP PRDG 1/4x5/8 SS | 5 | 5 | |
| . NS | 504637 | . CABLE TIE / 3/16" x 13" | 10 | 10 | |
| . NS | 506205 | . PIPE INSULATING / 5/8" I.D. X 1/2" TH. X 72 / SPLIT ADHESIVE | 2 | 2 | |
| . NS | 507383 | . TIE MOUNT HOLE 3/8" | 5 | 5 | |
| . NS | 507664 | . CABLE TIE / 3/16" 11" / DOUBLE LOOP HEAD | 10 | 10 | |
| . NS | 5001113 | . NUT HEX JAM NYRT 5/16-18 | 5 | 5 | |
| . NS | N32553 | . SCREW CAP HEX 5/16-18x3/4 FT SS | 5 | 5 | |
| . NS | IS-14152 | . SEE INSTRUCTION SHEET | 1 | 1 | |



From B-5003 To D-5489 Date:10/2022 PAGE:XV-0410-00

UREA RESERVOIR ASSY

| Item# | Part | Description | X 3 V I P | X L I I E N T 4 5 | N O T E S |
|--------|-------------------|--|-----------------------|---|-----------------------|
| NS | 506205 | PIPE INSULATING / 5/8" I.D. X 1/2" TH. X 72 / SPLIT ADHESIVE | AR | AR | |
| NS | 957022 | TAPE ELASTOMERIC 1/8" X 2" X 30" | AR | AR | |
| NS | 504637 | CABLE TIE / 3/16" x 13" | AR | AR | |
| NS | 509815 | TIE MOUNT / ATTACHMENT W/TREE MOUNT | AR | AR | |
| 11 | 21576178 | PUMP ASSY UREA TB-129684310-1 From B-5002 | 1 | 1 | |
| 12 | 5001186 | SCREW CAP HEX M8-1.25x90 SS BK PROTO | 3 | 3 | |
| 13 | 500321 | WASHER BEL SPR .331x.827x.098 N500 | 11 | 11 | |
| 14 | 040943 | PLATE / ATTACHMENT CABLE To D-5459 | 1 | 1 | |
| 14 | 040974 | PLATE / ATTACHMENT CABLE From D-5460 | 1 | 1 | |
| 15 | 20805110 | QUICK CONNECTOR 90° 10MM | 2 | 2 | |
| 16 | 067603 | WIRING HARNESS / UREA SYSTEM To C-5274 | 1 | 1 | |
| 16 | 068332 | WIRING HARNESS / UREA SYSTEM From C-5275 To D-5459 | 1 | 1 | |
| 17 | 564542 | TREE MOUNT CLIP FOR PED CONNECTOR | 1 | 1 | |
| 22 | 040932 | SUPPORT RESERVOIR UREA / "Z" SHAPE To B-5028 | 1 | 1 | |
| 23 | 040934 | SUPPORT RESERVOIR UREA / OFFSET | 1 | 1 | |
| 24 | 040933 | SUPPORT RESERVOIR UREA | 1 | 1 | |
| 34 | 5001730 | SCREW CAP HEXF M6-1.0x16 G10.9 N500 | 2 | 2 | |
| 35 | 5001780 | SCREW CAP HEXF M8-1.25x16 G8.8 N500 | 4 | 4 | |
| 36 | 5001729 | SCREW CAP HEXF M10-1.5x16 G8.8 N500 | 7 | 7 | |
| 37 | 502836 | SCREW CAP HEX M8-1.25x35 G8.8 N500 To B-5028 | 3 | 3 | |
| 38 | 502837 | NUT HEXF STO M8-1.25 N500 To B-5028 | 2 | 2 | |
| 38 | 502851 | NUT HEX M8-1.25 N500 From B-5029 | 5 | 5 | |
| 39 | 5001527 | SCREW CAP HEX M8-1.25x16 SS BK To B-5028 | 1 | 1 | |
| 40 | 5001161 | WASHER LO SPT 8.1x14.8x2.0 SS-304 To B-5028 | 1 | 1 | |
| 41 | 8631155 | CABLE TIE / 4.6MM x 200 / CHRISTMAS TREE | AR | AR | |
| 42 | 5001648 | SCREW CAP HEXS M6-1.0x18 SS BK | 4 | 4 | |
| 43 | 504637 | CABLE TIE / 3/16" x 13" | AR | AR | |
| 50 | XV-2210-11 | WATER PUMP - INSTALLATION | | | |
| 90 | 223967 | POST ASSY FORWARD FENDER / CURBSIDE To £-11055 | 1 | 1 | |
| . NS | 223968 | . TUBE ASSY W/NUT INS FL HEX To £-11055 | 1 | 1 | |
| . . NS | 5001344 | . . NUT INS FL HEX M6-1.0 0.5-3.0 SS To £-11055 | 2 | 2 | |
| . . NS | 5001692 | . . NUT INS FL HEX M8-1.25 0.5-3.0 SS To £-11055 | 1 | 1 | |
| . NS | 213939 | . CATCH FENDER LOWER To £-11055 | 1 | 1 | |
| . NS | 213938 | . SHAFT To £-11055 | 1 | 1 | |
| 90 | 221802 | POST ASSY FORWARD FENDER From D-5460 | 1 | 1 | |
| . NS | 217130 | . CATCH FENDER LOWER From D-5460 | 1 | 1 | |
| . NS | 213938 | . SHAFT From D-5460 | 1 | 1 | |
| . NS | 5001692 | . NUT INS FL HEX M8-1.25 0.5-3.0 SS From D-5460 | 1 | 1 | |
| . NS | 5001344 | . NUT INS FL HEX M6-1.0 0.5-3.0 SS From D-5460 | 2 | 2 | |
| 91 | 223954 | POST ASSY FORWARD FUEL DOOR ASSY W/REINFORCMENT PANEL | 1 | 1 | |
| . NS | 216798 | . PANEL REINFORCMENT LOWER FUEL DOOR 249MM x 600MM | 1 | 1 | |
| . NS | 223940 | . POST ASSY FORWARD FUEL DOOR ASSY | 1 | 1 | |



| | | |
|-----------------------|--------------|-----------------|
| From B-5003 To D-5489 | Date:10/2022 | PAGE:XV-0410-00 |
|-----------------------|--------------|-----------------|

UREA RESERVOIR ASSY

| Item# | Part | Description | X 3 V I P | X L I I E N T 4 5 | N O T E S |
|-------|--------|--|-----------------------|---|-----------------------|
| .. NS | 216797 | .. STOPPER CONDENSOR DOOR | 2 | 2 | |
| .. NS | 223937 | .. BRACKET LATCH COND DOOR | 1 | 1 | |
| .. NS | 477296 | .. ATTACHMENT SPRING DOOR | 1 | 1 | |
| .. NS | 502659 | .. NUT WD RND M6-1.0 SS | 2 | 2 | |
| 92 | 216798 | . PANEL REINFORCMENT LOWER FUEL DOOR 249MM x 600MM | 1 | 1 | |
| | | | | | |
| | | | | | |
| | | | | | |
| | | A) AVIALABLE END OF DECEMBER 2010 | | | |

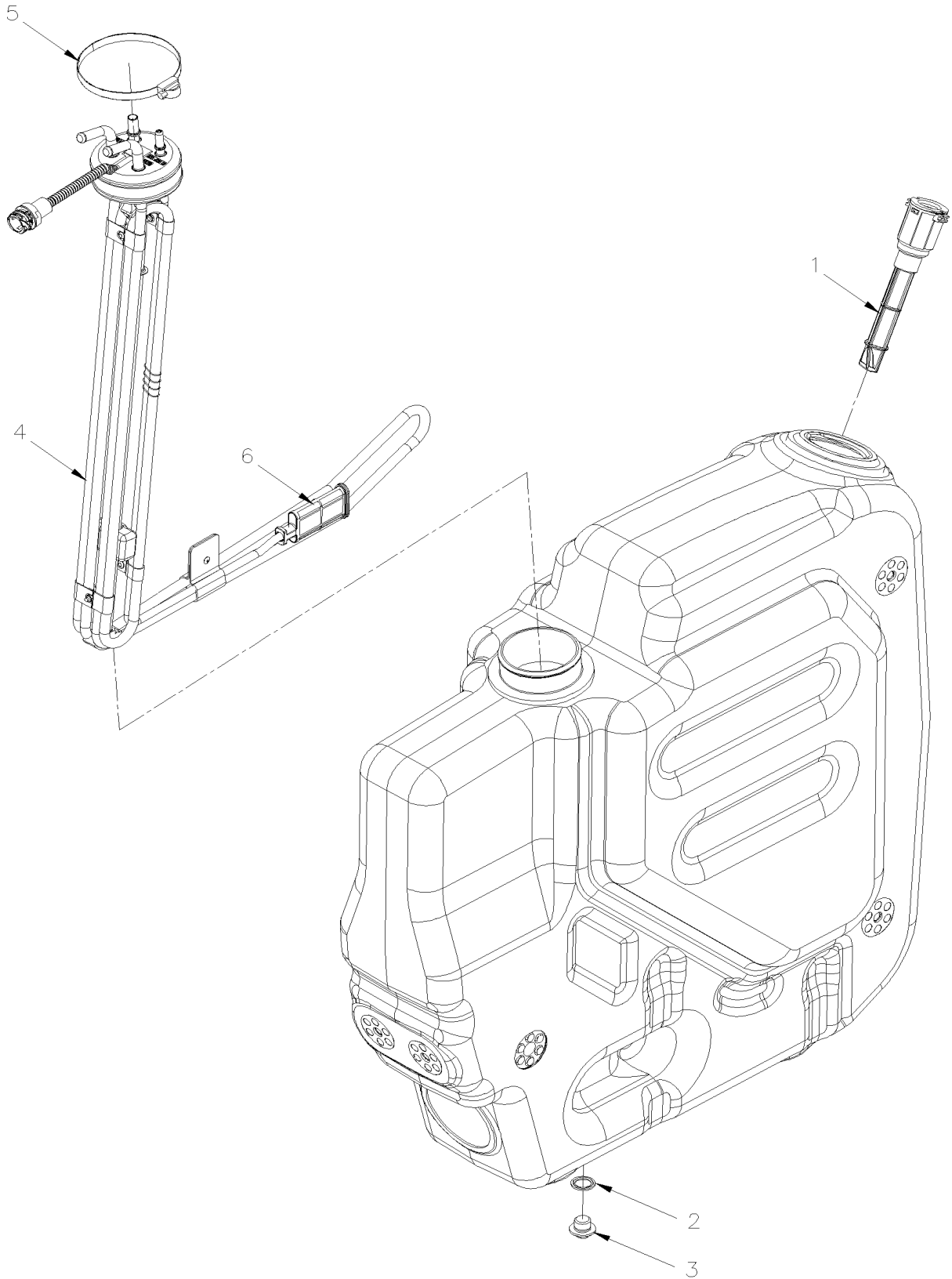


To C-5287

Date:10/2022

PAGE:21134658

RESERVOIR UREA 60Liters





| | | |
|--------------------------------|--------------|---------------|
| To C-5287 | Date:10/2022 | PAGE:21134658 |
| RESERVOIR UREA 60Liters | | |

| Item# | Part | Description | X 3 V I P | X L I I E N T 4 5 | N O T E S |
|-------|----------|---------------------------|-----------------------|---|-----------------------|
| | | RESERVOIR UREA | 1 | 1 | |
| 1 | 20742759 | . INSERT, FILLER NECK | 1 | 1 | |
| 2 | 982724 | . GASKET M16x6 | 1 | 1 | |
| 3 | 20562668 | . DRAIN PLUG | 1 | 1 | |
| 4 | 21073825 | . HEATER | 1 | 1 | |
| 5 | 980137 | . HOSE CLAMP / 70MM/100MM | 1 | 1 | |
| 6 | 21228120 | . FILTER | 1 | 1 | |
| | | | | | |
| | | | | | |
| | | | | | |

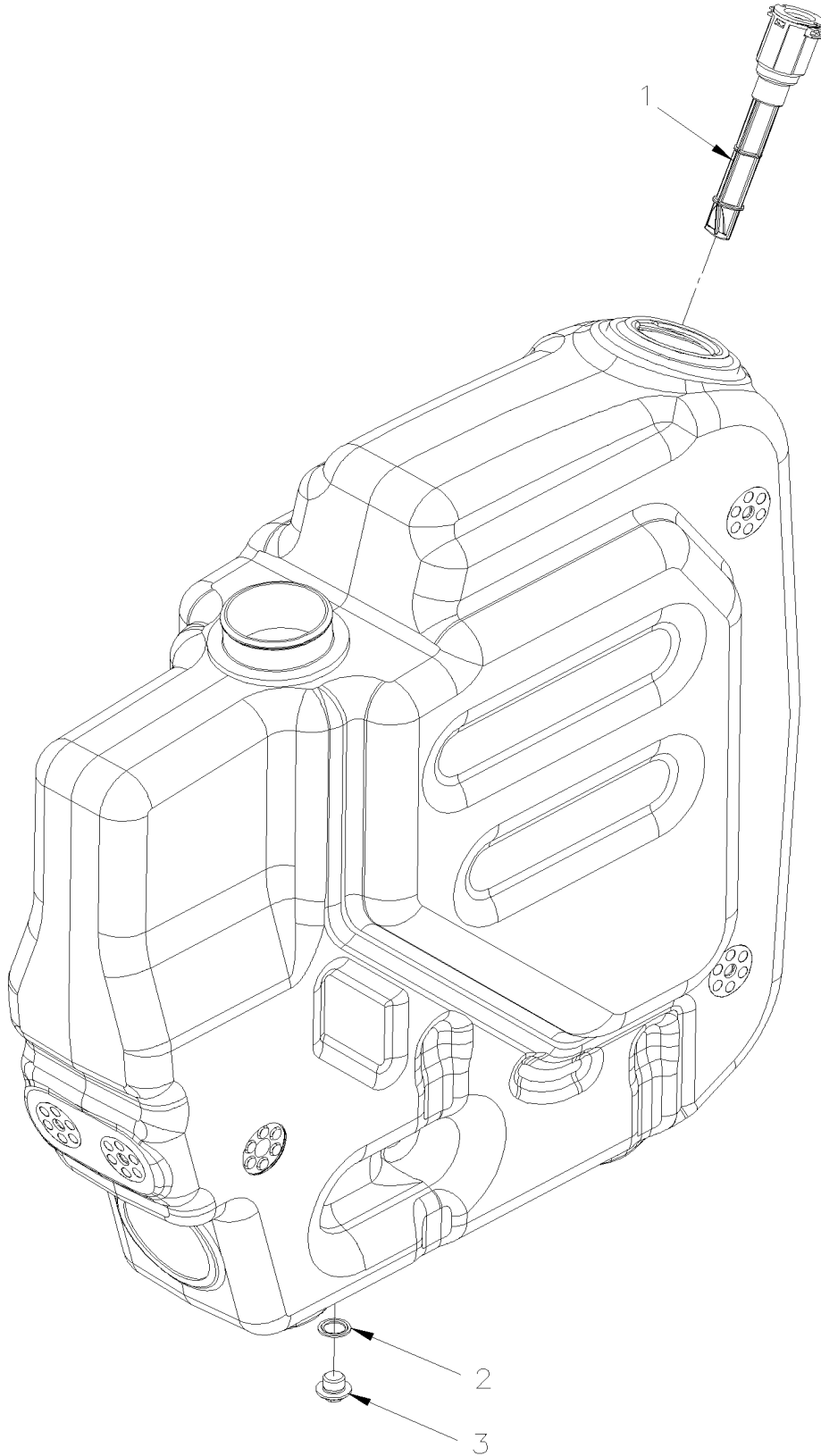


From D-5460

Date:10/2022

PAGE:21967924

RESERVOIR UREA 60Liters





| | | |
|--------------------------------|--------------|---------------|
| From D-5460 | Date:10/2022 | PAGE:21967924 |
| RESERVOIR UREA 60Liters | | |

| Item# | Part | Description | X 3 V I P | X L I I E N T 4 5 | N O T E S |
|-------|----------|----------------|-----------------------|---|-----------------------|
| | | RESERVOIR UREA | 1 | 1 | |
| 1 | 82269261 | . FILTER | 1 | 1 | |
| 2 | 982724 | . GASKET M16x6 | 1 | 1 | |
| 3 | 20562668 | . DRAIN PLUG | 1 | 1 | |
| | | | | | |
| | | | | | |
| | | | | | |

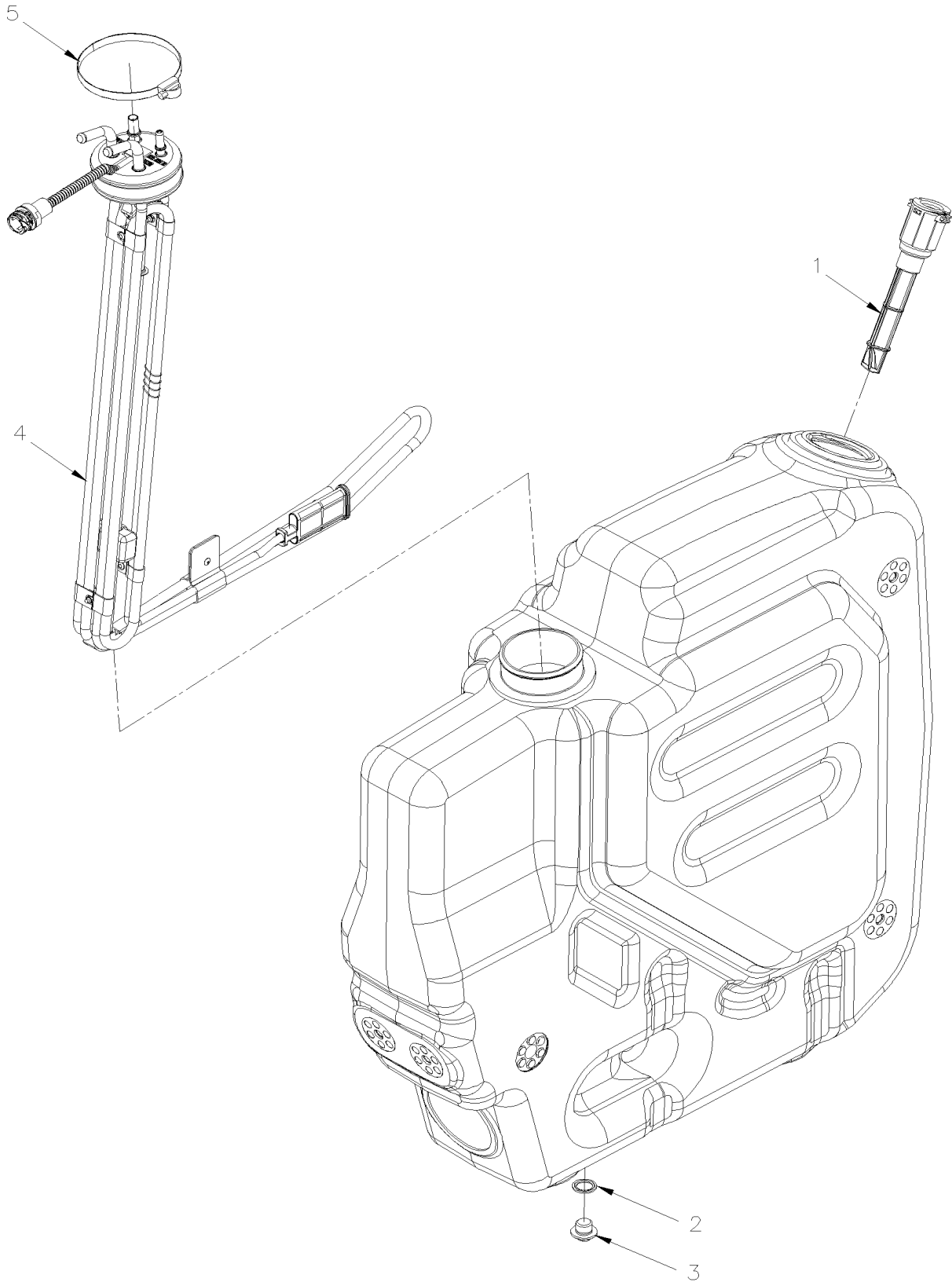


From C-5288 To D-5459

Date:10/2022

PAGE:21728142

RESERVOIR UREA 60Liters





| | | |
|--------------------------------|--------------|---------------|
| From C-5288 To D-5459 | Date:10/2022 | PAGE:21728142 |
| RESERVOIR UREA 60Liters | | |

| Item# | Part | Description | X 3 V I P | X L I I E N T 4 5 | N O T E S |
|-------|----------|---------------------------|-----------------------|---|-----------------------|
| | | RESERVOIR UREA | 1 | 1 | |
| 1 | 82269261 | . FILTER | 1 | 1 | |
| 2 | 982724 | . GASKET M16x6 | 1 | 1 | |
| 3 | 20562668 | . DRAIN PLUG | 1 | 1 | |
| 4 | 21715211 | . HEATER | 1 | 1 | |
| 5 | 992091 | . HOSE CLAMP / 80MM/100MM | 1 | 1 | |
| | | | | | |
| | | | | | |
| | | | | | |

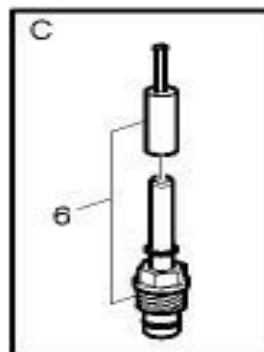
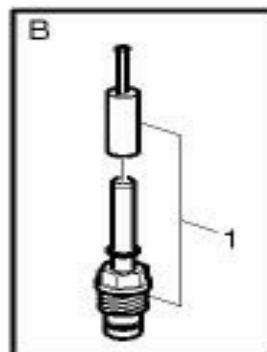
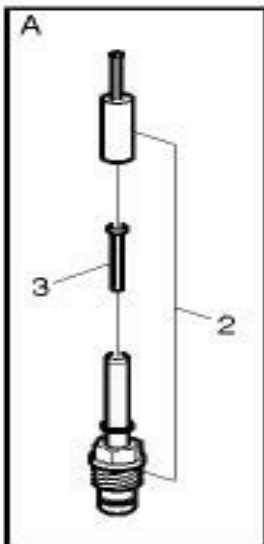
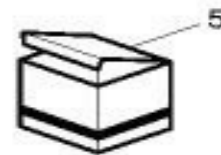
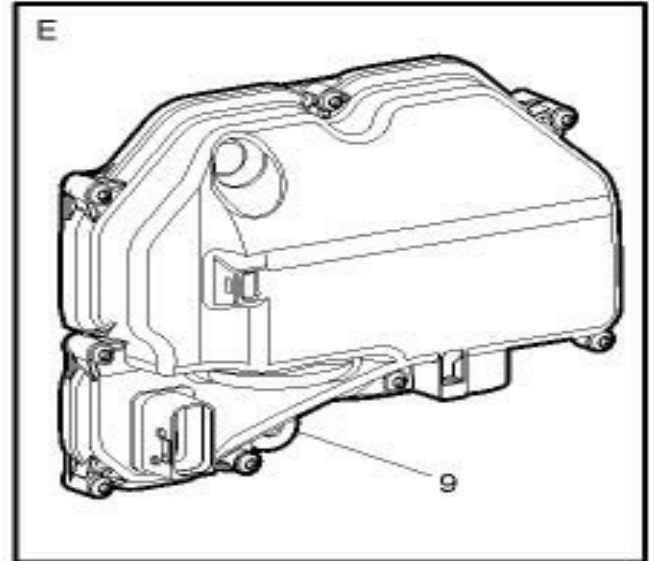
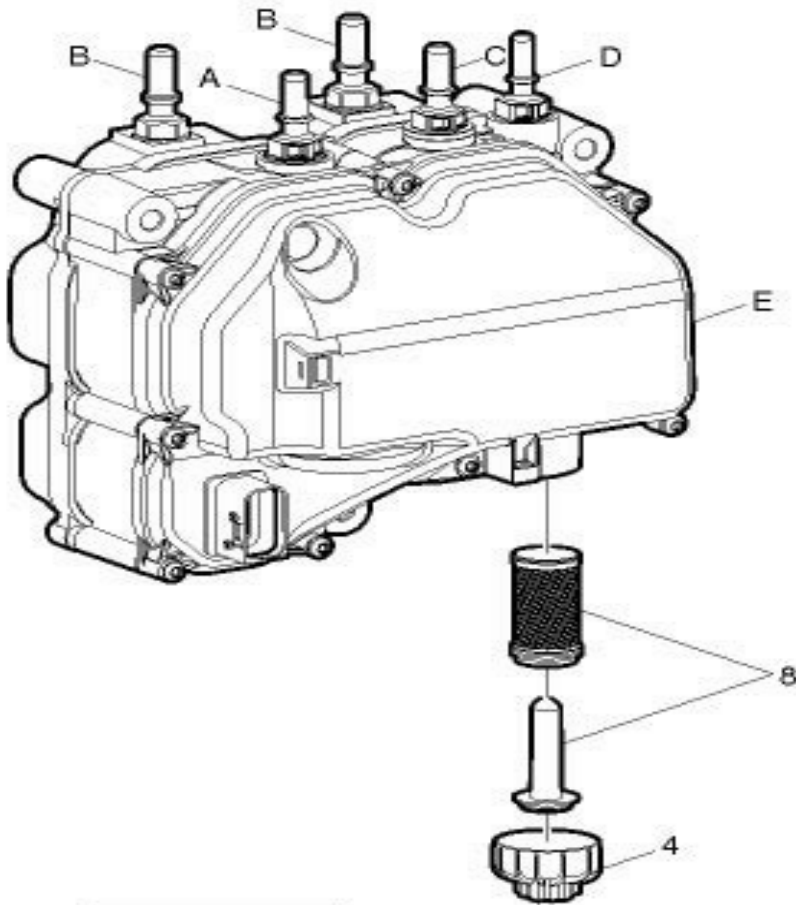


From B-5002

Date:10/2022

PAGE:21576178

PUMP ASSY UREA TB-129684310-1





| | | |
|-------------------------------|--------------|---------------|
| From B-5002 | Date:10/2022 | PAGE:21576178 |
| PUMP ASSY UREA TB-129684310-1 | | |

| Item# | Part | Description | X 3 V I P | X L I I E N T 4 5 | N O T E S |
|-------|-----------------|-----------------------|-----------------------|---|-----------------------|
| 1 | 21376749 | CONNECTOR / HEATER | 2 | 2 | |
| 2 | 21376721 | CONNECTOR / INLET | 1 | 1 | |
| 3 | 21954674 | . STRAINER | 1 | 1 | |
| 4 | 21376707 | FILTER CAP | 1 | 1 | |
| 5 | 21376772 | CAP PLUG | 1 | 1 | |
| 6 | 21376746 | CONNECTEUR / BACKFLOW | 1 | 1 | |
| 7 | 21376731 | CONNECTEUR / OUTLET | 1 | 1 | |
| 8 | 21516229 | FILTER | 1 | 1 | |
| 9 | 21378032 | COVER | 1 | 1 | |
| | | | | | |
| | | | | | |
| | | | | | |

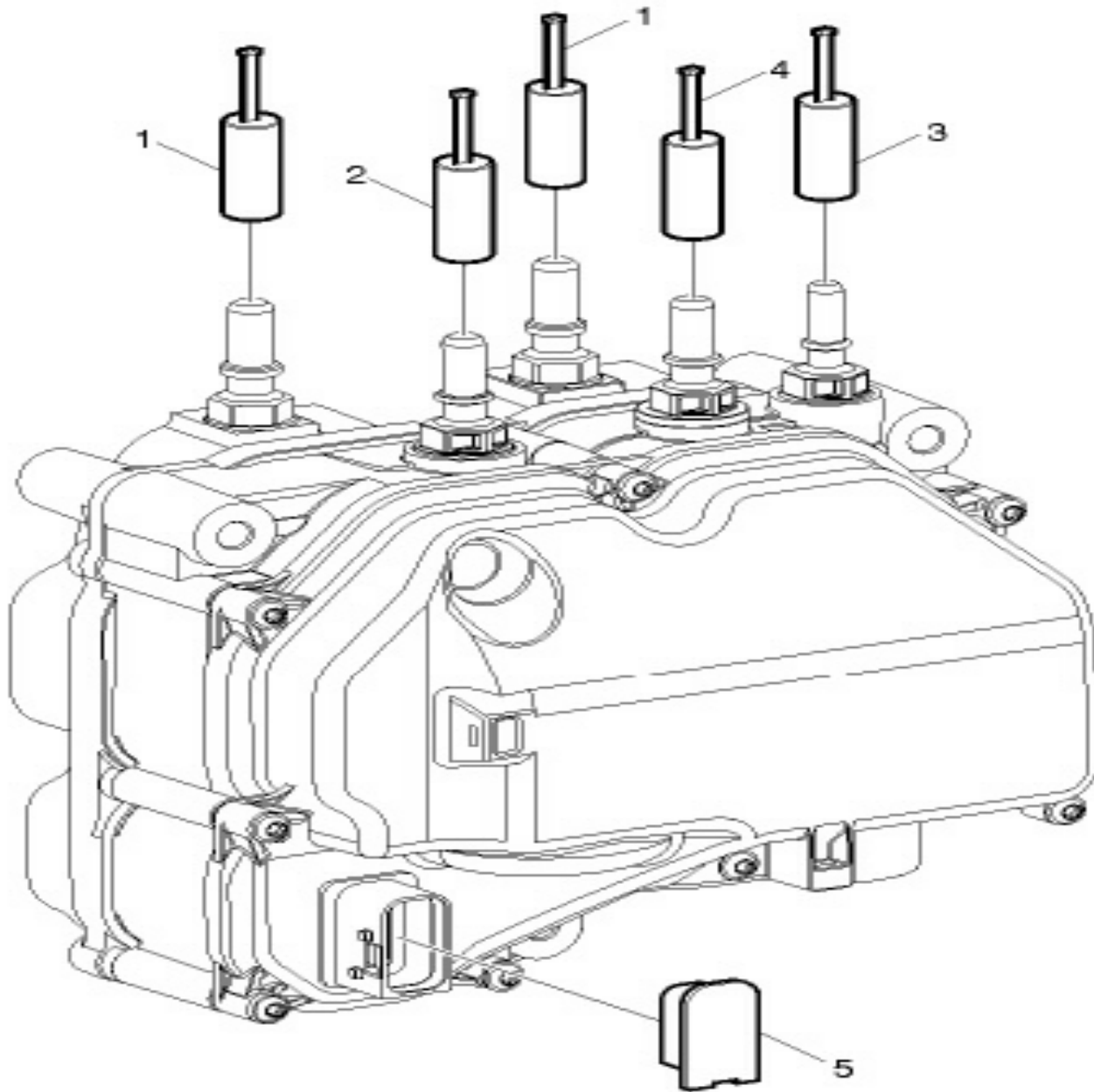


From B-5002

Date:10/2022

PAGE:21376772

CAP PLUG



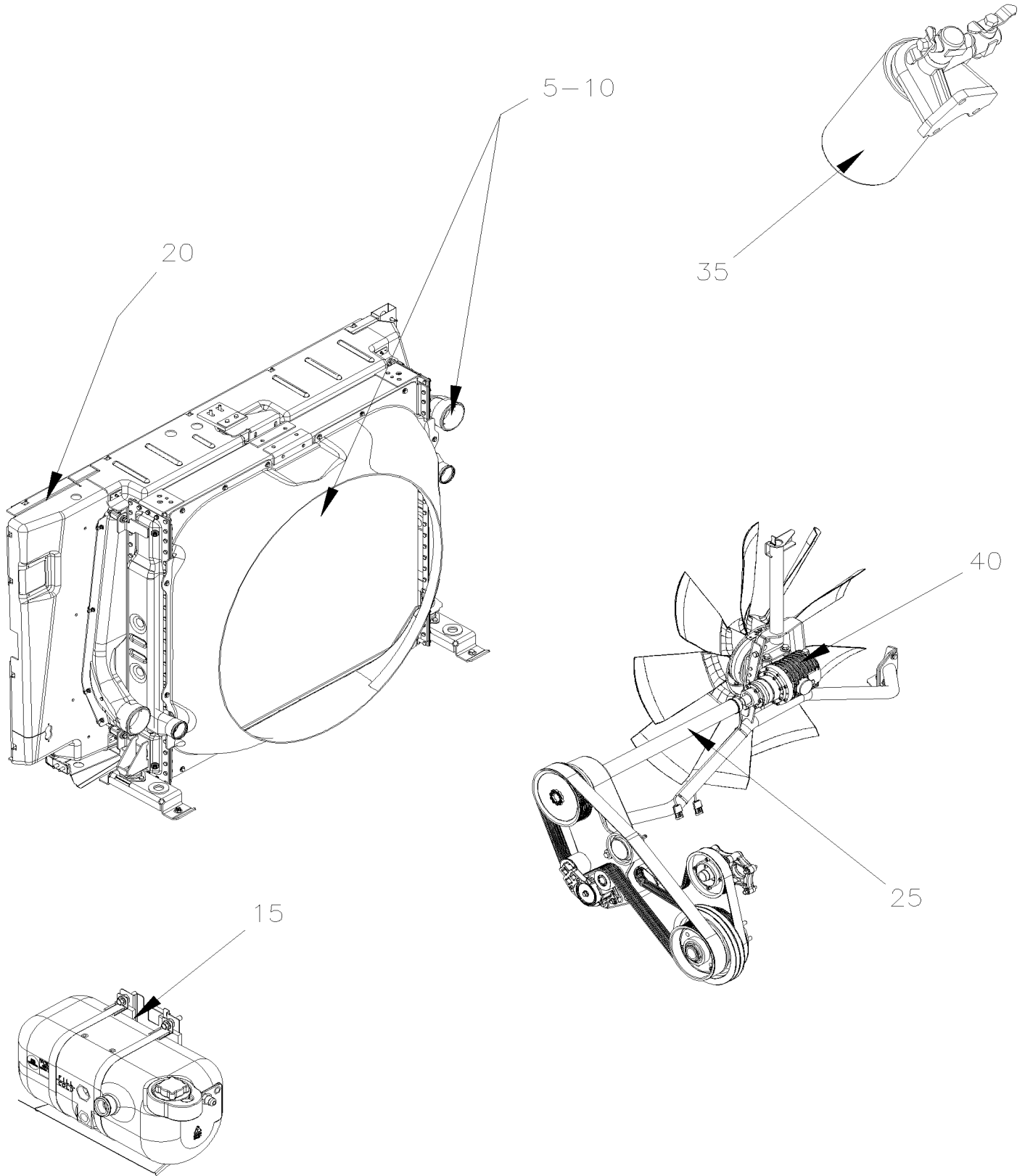


| | | |
|-----------------|--------------|---------------|
| From B-5002 | Date:10/2022 | PAGE:21376772 |
| CAP PLUG | | |

| Item# | Part | Description | X 3 V I P | X L I I E N T 4 5 | N O T E S |
|-------|--------|------------------------|-----------------------|---|-----------------------|
| 1 | N.S.S. | COOLANT | 1 | 1 | 1 |
| 2 | N.S.S. | INLET | 1 | 1 | 1 |
| 3 | N.S.S. | BACKFLOW | 1 | 1 | 1 |
| 4 | N.S.S. | OUTLET | 1 | 1 | 1 |
| 5 | N.S.S. | ELECTRICAL | 1 | 1 | 1 |
| | | | | | |
| | | | | | |
| | | | | | |
| | | 1) NOT SOLD SEPARATELY | | | |



| | | |
|---------|--------------|-------|
| | Date:10/2022 | XV-05 |
| COOLING | | |





| | | Date:10/2022 | XV-05 | | |
|---------|------------|--|-----------------------|---|-----------------------|
| COOLING | | | | | |
| Item# | Part | Description | X 3 V I P | X L I I E N T 4 5 | N O T E S |
| 5 | XV-0500-00 | COOLANT PIPING WITH VOLVO D13 From B-5003 To D-5489 | | | |
| 10 | XV-0505-50 | RADIATOR ASSY From B-5003 To D-5489 | | | |
| 15 | XV-0510-00 | SURGE TANK From B-5003 To D-5489 | | | |
| 20 | XV-0518-60 | RADIATOR SEALING FRAME From B-5003 To D-5489 | | | |
| 25 | XV-0520-00 | FAN DRIVE - INSTALLATION From B-5003 To B-5049 | | | |
| 25 | XV-0520-01 | FAN DRIVE - INSTALLATION From B-5050 To D-5489 | | | |
| 35 | XV-0530-00 | COOLANT FILTER - INSTALLATION WITH VOLVO D13 From B-5003 To D-5489 | | | |
| 40 | XV-0540-00 | FAN CLUTCH & ANGLE DRIVE ASSY C.C.W. From B-5003 To B-5049 | | | |
| 40 | XV-0540-01 | FAN CLUTCH & ANGLE DRIVE ASSY C.W. From B-5050 To D-5489 | | | |

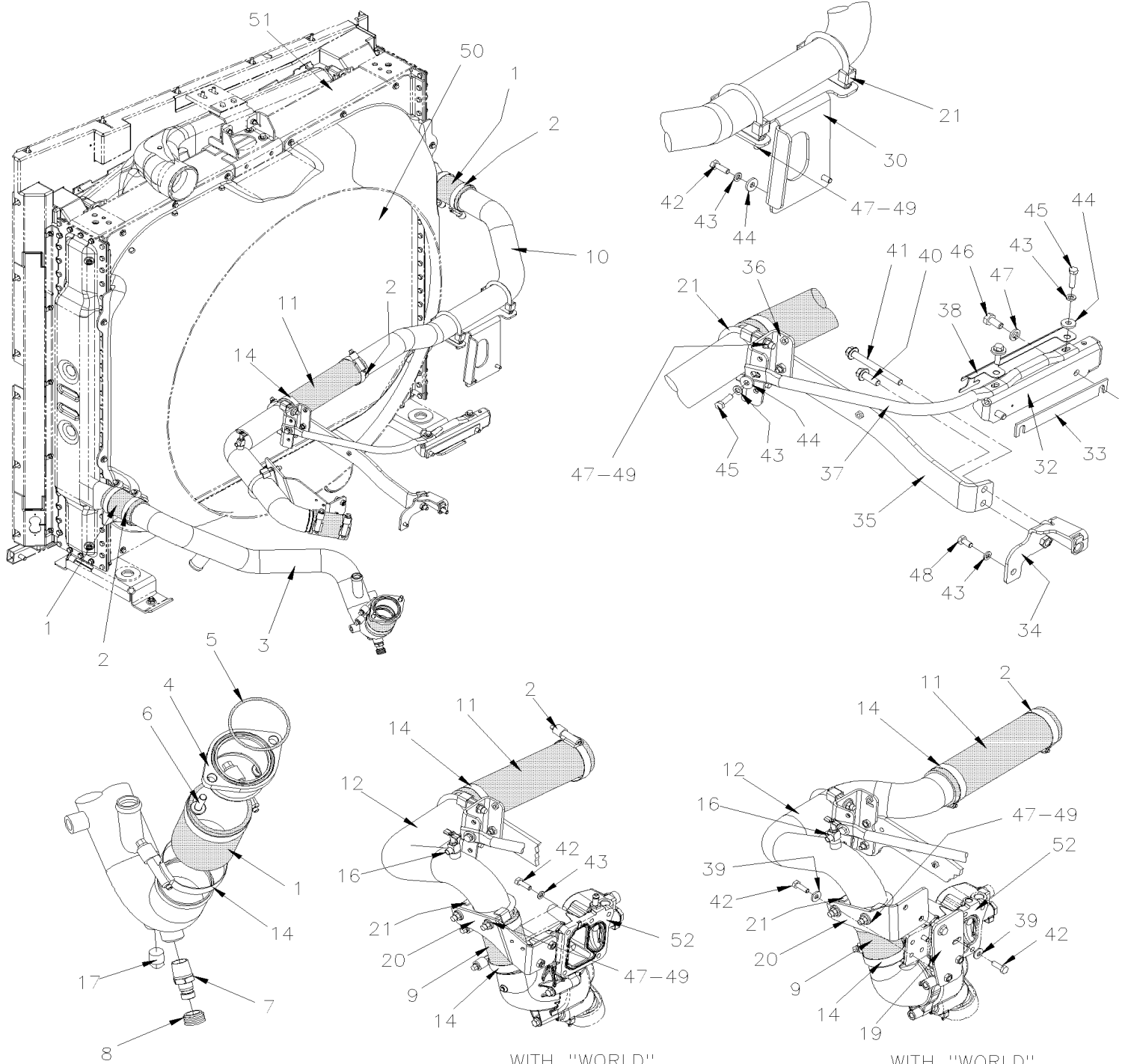


From B-5003 To D-5489

Date:10/2022

PAGE:XV-0500-00

COOLANT PIPING WITH VOLVO D13



WITH "WORLD"
TRANSMISSION
UP TO B-5049

WITH "WORLD"
TRANSMISSION
FROM B-5050



| | | |
|------------------------------|---------------------|------------------------|
| From B-5003 To D-5489 | Date:10/2022 | PAGE:XV-0500-00 |
|------------------------------|---------------------|------------------------|

COOLANT PIPING WITH VOLVO D13

| Item# | Part | Description | X 3 V I P | X L I E N T 4 5 | N O T E S |
|-------|----------|---|-----------------------|--------------------------------------|-----------------------|
| 1 | 70396483 | HOSE 2 1/2" I.D. 105MM To D-5381 | 3 | 3 | |
| 1 | 503722 | . HOSE SILICONE 4PLY 2 1/2" I.D. x 4' To D-5381 | AR | AR | |
| 1 | 053617 | HOSE SILICONE / NOMEX 2 1/2" I.D. 105MM From D-5382 | 3 | 3 | |
| . NS | 503786 | . HOSE SILICONE 4 PLY / NOMEX-ARAMID 2 1/2" I.D. x 6' From D-5382 | 1 | 1 | |
| 1 | 503786 | . HOSE SILICONE 4 PLY / NOMEX-ARAMID 2 1/2" I.D. x 6' From D-5382 | AR | AR | |
| 2 | 504561 | HOSE CLAMP / 2"1/4-3"1/8 / C.T. 300 | 5 | 5 | |
| 3 | 053560 | PIPE / RADIATOR & ENGINE WATER PUMP | 1 | 1 | |
| 4 | 21264361 | PIPE ADAPTOR ENGINE WATER PUMP | 1 | 1 | |
| 5 | 975675 | O-RING 64.5 MM X 3MM | 1 | 1 | |
| 6 | 5001742 | SCREW CAP HEXF M8-1.25x30 G8.8 N500 | 2 | 2 | |
| 7 | 1675641 | NIPPLE / QUICK DISCONNECT "VOLVO" / 1/2NPT-M | 1 | 1 | |
| . NS | V476279 | . DUST CAP / QUICK DISCONNECT "VOLVO" / | 1 | 1 | |
| . NS | 507666 | . DUST CAP / QUICK DISCONNECT "VOLVO" / | 1 | 1 | |
| NS | 85112740 | COOLANT EXTRACTOR | 1 | 1 | |
| . NS | 9996049 | . Quick coupling adaptor for Volvo # 1675641 | 1 | 1 | |
| 8 | 507666 | DUST CAP / QUICK DISCONNECT "VOLVO" / | 1 | 1 | |
| 9 | 053466 | HOSE 2 3/8" I.D. 105MM | 1 | 1 | |
| 9 | 503758 | . HOSE SILICONE 4PLY 2 3/8" I.D. x 4' To D-5381 | AR | AR | |
| 9 | 503785 | . HOSE SILICONE 4PLY / NOMEX-ARAMID 2 3/8" I.D. x 6' From D-5382 | AR | AR | |
| 10 | 053472 | PIPE / ELBOW 90° To B-5049 | 1 | 1 | |
| 10 | 059061 | PIPE / ELBOW 90° PRELIMINAIRE 9614 / 9992 From B-5050 | 1 | 1 | |
| 11 | 052889 | HOSE SILICONE 2 1/2" I.D. 280MM | 1 | 1 | |
| 12 | 053465 | PIPE / ELBOW 90° TO THERMOSTAT HOUSING To B-5049 | 1 | 1 | |
| 12 | 053613 | PIPE / ELBOW 90° TO THERMOSTAT HOUSING PRELIMINAIRE 9614 / 9992 From B-5050 | 1 | 1 | |
| 14 | 504561 | HOSE CLAMP / 2"1/4-3"1/8 / C.T. 300 | 5 | 5 | |
| 16 | 501025 | DRAIN VALVE 1/4NPTM 3/8TUBE | 1 | 1 | |
| 17 | 501449 | PLUG HEXS / PIPE FITTING / 3/8NPT-M STL To D-5371 | 1 | 1 | |
| 17 | 501305 | PLUG SQUARE HEAD / PIPE FITTING / 3/8NPT-M BR From D-5372 | 1 | 1 | |
| 19 | 053608 | PIPE SUPPORT From B-5050 | 1 | 1 | |
| 20 | 053470 | PIPE SUPPORT / "WORLD TRANSMISSION To B-5049 | 1 | 1 | |
| 20 | 053609 | PIPE SUPPORT / "WORLD TRANSMISSION From B-5050 | 1 | 1 | |
| 21 | 505535 | U BOLT 2 1/2" I.D. SS | 4 | 4 | |
| 30 | 173489 | SUPPORT PIPE / ELBOW 90° | 1 | 1 | |
| 31 | 052921 | P-CLAMP PIPE / 2 1/2" I.D. / M8-1.25 | 2 | 2 | |
| 32 | 053491 | ATTACHMENT ENGINE BLOCK | 1 | 1 | |
| 33 | 053501 | SPACER | 1 | 1 | |
| 34 | 053485 | ATTACHMENT ENGINE BLOCK | 1 | 1 | |
| 35 | 053490 | BRACE PIPE SUPPORT To B-5049 | 1 | 1 | |
| 35 | 053607 | BRACE PIPE SUPPORT From B-5050 | 1 | 1 | |
| 36 | 053486 | PIPE SUPPORT To B-5049 | 1 | 1 | |
| 36 | 053606 | PIPE SUPPORT From B-5050 | 1 | 1 | |
| 37 | 053489 | BRACE PIPE SUPPORT | 1 | 1 | |



| | | |
|-----------------------|--------------|-----------------|
| From B-5003 To D-5489 | Date:10/2022 | PAGE:XV-0500-00 |
|-----------------------|--------------|-----------------|

COOLANT PIPING WITH VOLVO D13

| Item# | Part | Description | X 3 V I P | X L I I E N T 4 5 | N O T E S |
|-------|-------------------|---|-----------------------|---|-----------------------|
| 38 | 032882 | ATTACHMENT AIR INTAKE From B-5002 | 1 | 1 | |
| 39 | 500321 | WASHER BEL SPR .331x.827x.098 N500 | 8 | 8 | |
| 40 | 5001644 | SCREW CAP HEXF M10-1.5x30 G8.8 G500 | 1 | 1 | |
| 41 | 5001785 | SCREW CAP HEXF M10-1.5x100 G10.9 N500 | 1 | 1 | |
| 42 | 5001745 | SCREW CAP HEX M8-1.25x25 G8.8 N500 | 8 | 8 | |
| 43 | 500942 | WASHER LO SPT 8.1x14.8x2.0 N500 | 11 | 11 | |
| 44 | 500401 | WASHER FL .343x.875x.125 N500 | 8 | 8 | |
| 45 | 5001738 | SCREW CAP HEX M8-1.25x30 G8.8 N500 | 4 | 4 | |
| 46 | 500359 | SCREW CAP HEX M10-1.5x22 G8.8 N500 | 2 | 2 | |
| 47 | 500487 | WASHER LO SPT .443x.779x.109 N500 | 6 | 6 | |
| 48 | 500820 | SCREW CAP HEX M8-1.25x16 G10.9 N500 | 1 | 1 | |
| 49 | 5001751 | WASHER FL 10.5x26.0x2.0 N500 | 6 | 6 | |
| 50 | XV-0505-50 | RADIATOR ASSY | | | |
| 51 | XV-0330-00 | AIR FILTER & INTAKE - INSTALLATION WITH VOLVO D13 - EPA 2010 | | | |
| 52 | Refer To Volvo | SEE IMPACT OR CALL ORDER DESK | | | V |
| | | | | | |
| | | | | | |
| | | | | | |
| | | V) SEE IMPACT OR CALL ORDER DESK | | | |

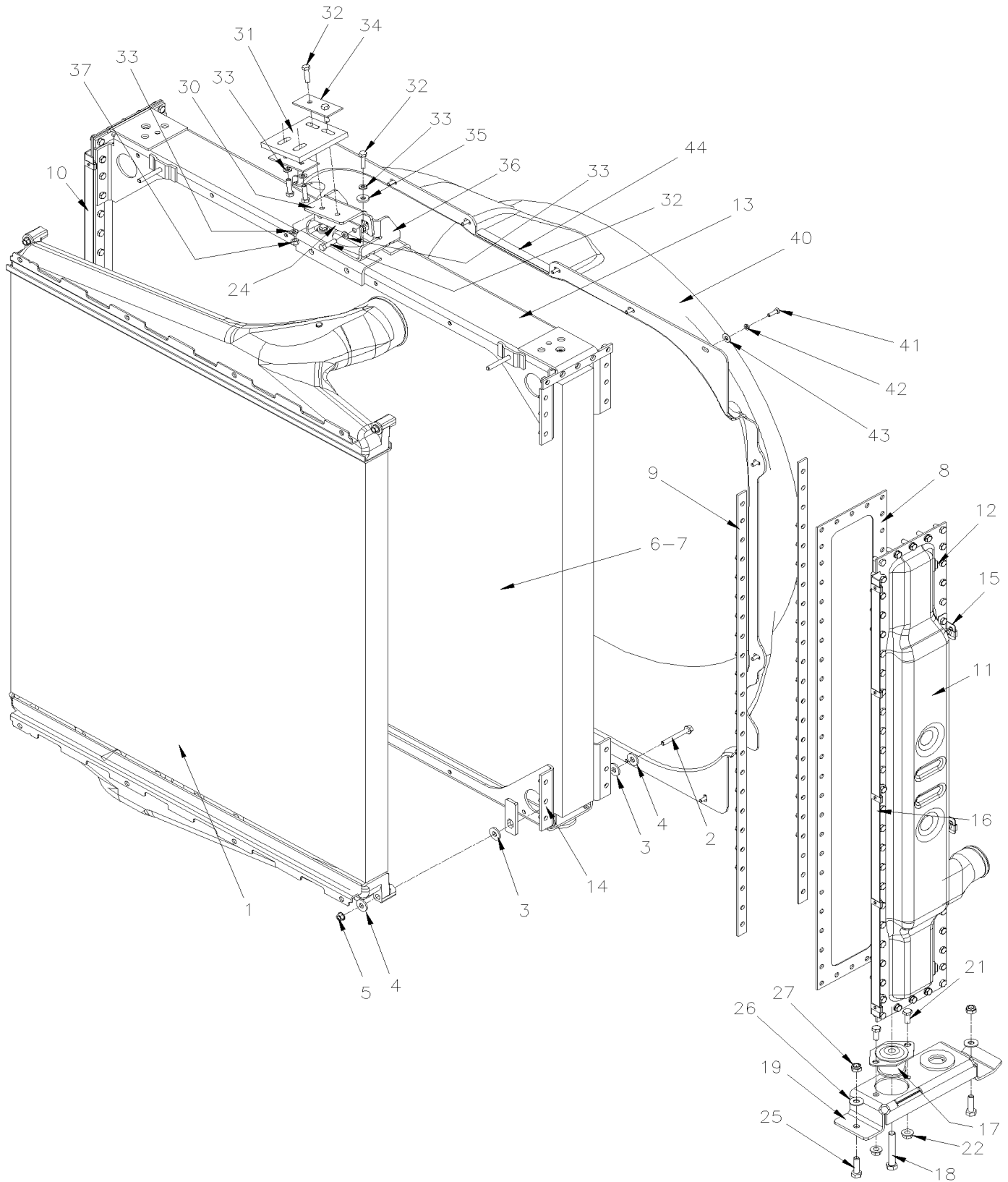


From B-5003 To D-5489

Date:10/2022

PAGE:XV-0505-50

RADIATOR ASSY





| | | |
|-----------------------|--------------|-----------------|
| From B-5003 To D-5489 | Date:10/2022 | PAGE:XV-0505-50 |
|-----------------------|--------------|-----------------|

RADIATOR ASSY

| Item# | Part | Description | X 3 V I P | X L I E N T 4 5 | N O T E S |
|-------|----------------|---|-----------------------|--------------------------------------|-----------------------|
| | N.S.A. | RADIATOR & AIR COOLER ASSY | 1 | 1 | 3 |
| 1 | 550970 | . AIR COOLER ASSY TitanX SERVICE | 1 | 1 | |
| 1 | 550297 | . BOLT KIT / TO FIX AIR COOLER | 1 | 1 | |
| 2 | N20874 | . SCREW CAP HEX M8-1.25x70 G8.8 YP | 2 | 2 | |
| 3 | 502220 | . WASHER FL .375x1.000x.125 RUB | 4 | 4 | |
| 4 | 500270 | . WASHER FL .406x1.000x.063 SS | 6 | 6 | |
| 5 | 5001082 | . NUT HEXF M8-1.25 G500 | 4 | 4 | |
| 6 | 550915 | . RADIATOR ASSY | 1 | 1 | |
| 6 | 7770005 | . RADIATOR ASSY SERVICE | 1 | 1 | |
| 6 | 550296 | . . GASKET / COVER / BOLT KIT | 1 | 1 | |
| 7 | 550931 | . . CORE ASSY | 1 | 1 | |
| 8 | 550937 | . . GASKET | 2 | 2 | |
| 9 | 550940 | . . REINFORCMENT BAR | 4 | 4 | |
| 10 | 550933 | . . TANK ASSY / FORWARD | 1 | 1 | |
| 11 | 550934 | . . TANK ASSY / BACKWARD | 1 | 1 | |
| 12 | 501800 | . . PLUG HEXS / PIPE FITTING / 1/4NPT-M STL | 2 | 2 | |
| 13 | 550935 | . . SUPPORT ASSY TOP | 1 | 1 | |
| 14 | 550936 | . . SUPPORT ASSY BOTTOM | 1 | 1 | |
| 15 | 550938 | . . ANGLE BRACKET 16 GA SS | 4 | 4 | |
| 16 | 550939 | . . ANGLE BAR 14 GA SS | 2 | 2 | |
| 17 | 550904 | . BUSHING RUBBER | 2 | 2 | |
| NS | 550905 | . WASHER FL 16x52x3 ZP | 2 | 2 | |
| 18 | N21798 | . SCREW CAP HEX M12-1.75x75 G8.8 YP | 2 | 2 | |
| 19 | 550932 | . BRACKET ASSY / RUBBER MOUNTING SUPPORT | 2 | 2 | |
| 21 | 500190 | . SCREW CAP HEX 3/8-16x3/4 G5 Z050 | 4 | 4 | |
| 22 | 500301 | . NUT HEXF STO 3/8-16 Z050 | 4 | 4 | |
| 24 | 052795 | PLATE / UPPER RADIATOR 30MM X 120MM | 1 | 1 | |
| 25 | 970949 | SCREW CAP HEX M10-1.5x35 G8.8 ZG603 | 4 | 4 | |
| 26 | 960143 | WASHER FL 10.5x26.0x2.0 ZP | 4 | 4 | |
| 27 | 502859 | NUT HEX NYRT M10-1.5 N500 | 4 | 4 | |
| 30 | 052671 | ANGLE ATTACHMENT / TO STRUCTURE | 1 | 1 | |
| 31 | 21185073 | RUBBER PAD 100MM X 123MM | 1 | 1 | |
| 32 | 940142 | SCREW CAP HEX M8-1.25x30 G8.8 ZG603 | 8 | 8 | |
| 33 | 500942 | WASHER LO SPT 8.1x14.8x2.0 N500 | 8 | 8 | |
| 34 | 052473 | PLATE / UPPER RADIATOR 40MM X 90MM | 2 | 2 | |
| 35 | 500401 | WASHER FL .343x.875x.125 N500 | 4 | 4 | |
| 36 | 052669 | ATTACHMENT UPPER RADIATOR | 1 | 1 | |
| 37 | 502851 | NUT HEX M8-1.25 N500 To C-5124 | 2 | 2 | |
| 37 | 502837 | NUT HEXF STO M8-1.25 N500 From C-5125 | 2 | 2 | |
| 40 | 21120999 | SHROUD W/38" FAN BLADE | 1 | 1 | |
| 41 | 502830 | SCREW CAP HEX M6-1.0x20 G8.8 N500 | AR | AR | |
| 42 | 502853 | WASHER LO SPT 6.1x11.8x1.6 N500 | AR | AR | |



| | | |
|-----------------------|--------------|-----------------|
| From B-5003 To D-5489 | Date:10/2022 | PAGE:XV-0505-50 |
|-----------------------|--------------|-----------------|

RADIATOR ASSY

| Item# | Part | Description | X 3 V I P | X L I E N T 4 5 | N O T E S |
|-------|--------|---|-----------------------|--------------------------------------|-----------------------|
| 43 | 502638 | WASHER FL .312x.734x.065 N500 | AR | AR | |
| 44 | 506277 | TAPE RUB ADH1 CC POL 1/2" x 3/4" x 15' / GREY 2520X | AR | AR | |
| | | | | | |
| | | | | | |
| | | | | | |
| | | | | | |
| | | 3) NOT SOLD ASSEMBLY | | | |

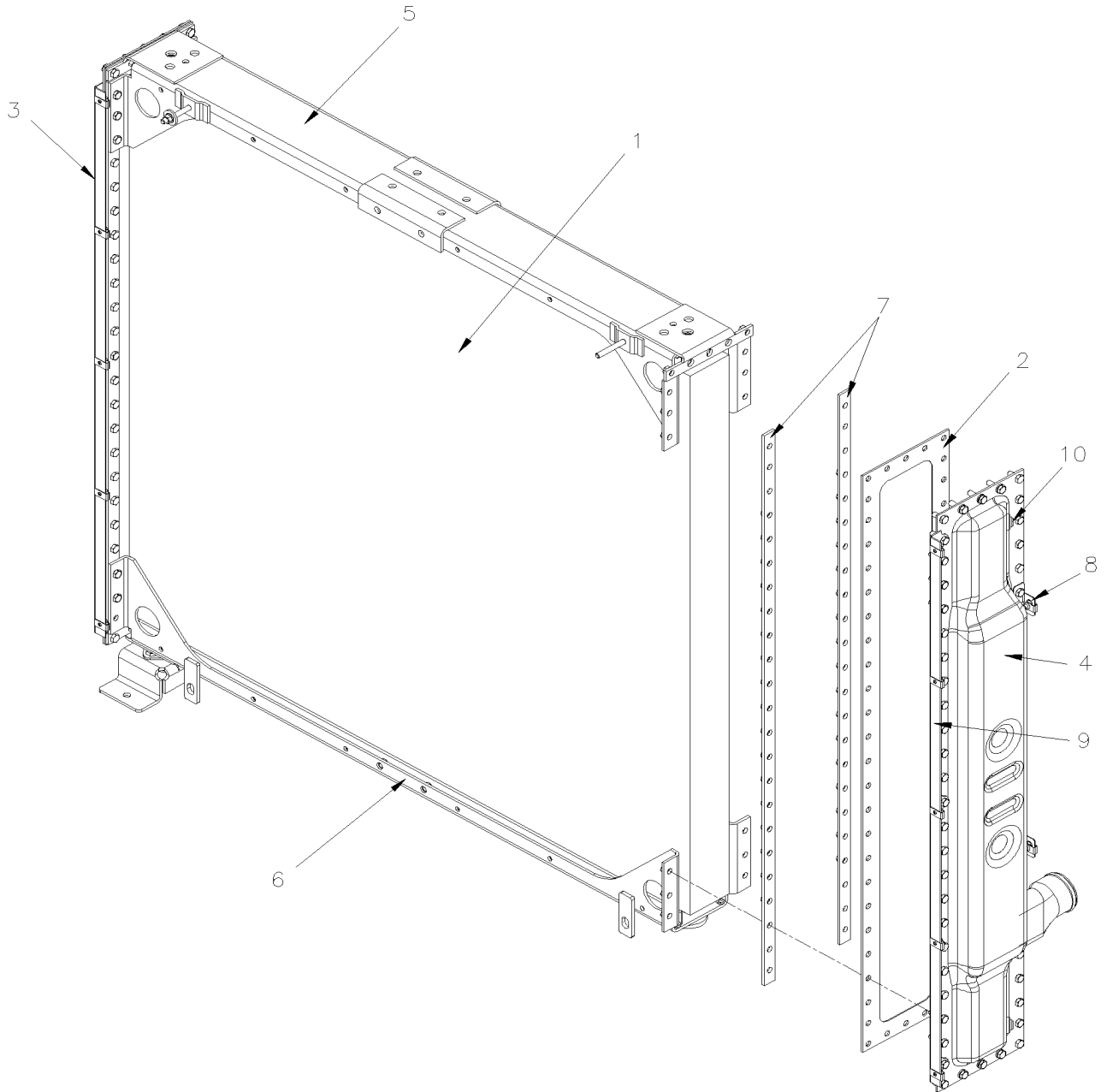


From B-5003 To D-5489

Date:10/2022

PAGE:7770005

RADIATOR ASSY SERVICE





| | | | |
|-----------------------|--|--------------|--------------|
| From B-5003 To D-5489 | | Date:10/2022 | PAGE:7770005 |
|-----------------------|--|--------------|--------------|

RADIATOR ASSY SERVICE

| Item# | Part | Description | X 3 V I P | X L I I E N T 4 5 | N O T E S |
|-------|---------|---|-----------------------|---|-----------------------|
| 1 | 7770990 | CORE ASSY | 1 | 1 | |
| 2 | 7770989 | GASKET | 1 | 1 | |
| 3 | 7770951 | TANK, LEFT | 1 | 1 | |
| 4 | 7770952 | TANK, RIGHT | 1 | 1 | |
| 5 | 7770953 | BRACKET UPPER | 1 | 1 | |
| 6 | 7770954 | BRACKET LOWER | 1 | 1 | |
| 7 | 7770955 | CLAMP STRIP | 4 | 4 | |
| 8 | 7775151 | ANGULAR SS 3" | 4 | 4 | |
| 9 | 7770956 | ANGULAR SS 41" | 2 | 2 | |
| 10 | 501304 | PLUG SQUARE HEAD / PIPE FITTING / 1/4NPT-M BR | 2 | 2 | |
| | | | | | |
| | | | | | |
| | | | | | |

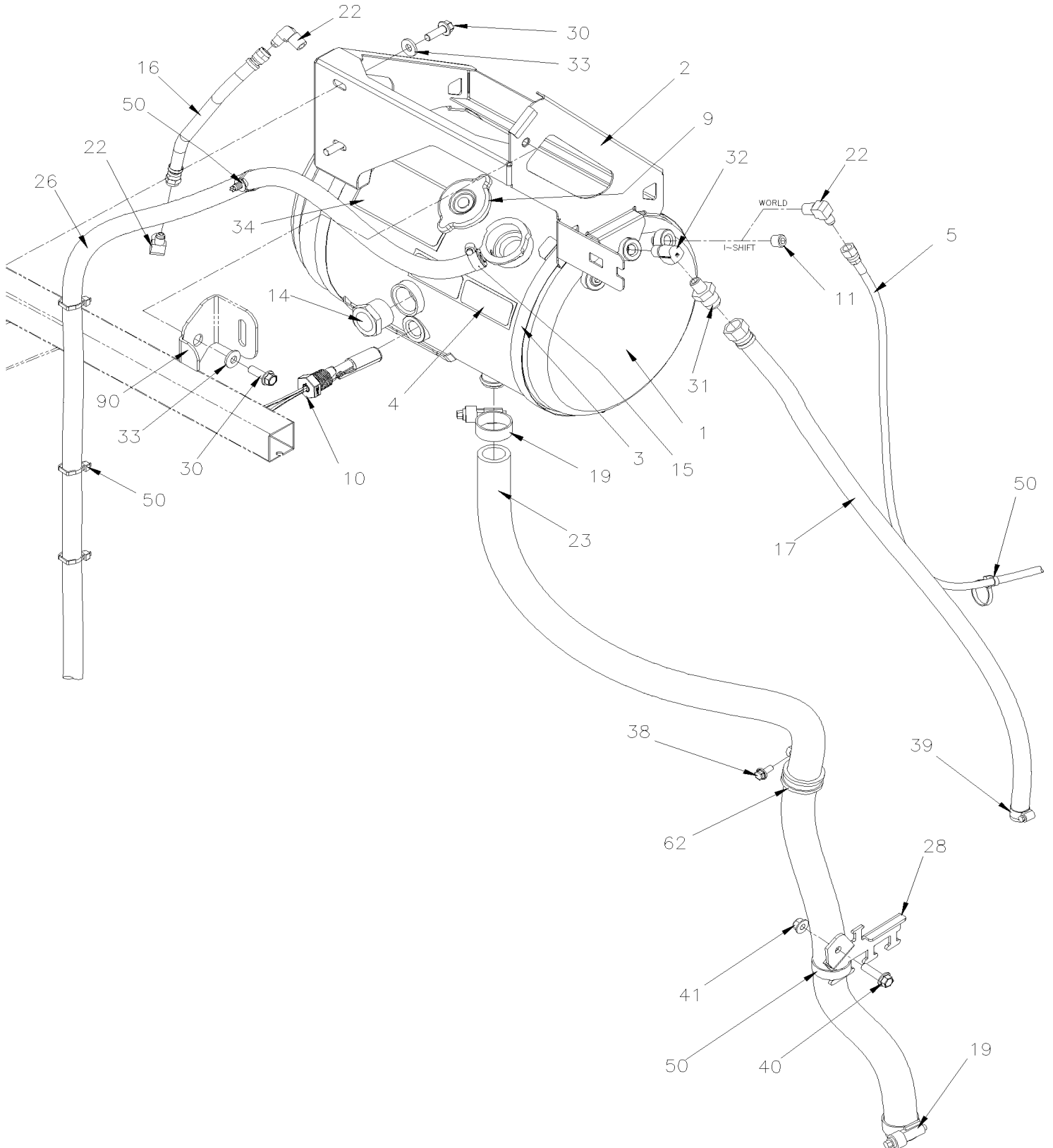


From B-5003 To D-5489

Date:10/2022

PAGE:XV-0510-00

SURGE TANK





| | | |
|------------------------------|---------------------|------------------------|
| From B-5003 To D-5489 | Date:10/2022 | PAGE:XV-0510-00 |
| SURGE TANK | | |

| Item# | Part | Description | X 3 V I P | X L I I E N T 4 5 | N O T E S |
|-------|----------|--|-----------------------|---|-----------------------|
| 1 | 053602 | SURGE TANK SS To D-5299 | 1 | 1 | |
| 1 | 053641 | SURGE TANK ALUMINUM From D-5300 | 1 | 1 | |
| 2 | 053576 | SUPPORT ASSY / SURGE TANK / W/ROUND S-T | 1 | 1 | |
| 3 | 504775 | T-BOLT BAND CLAMP/ 9.69" ID | 2 | 2 | |
| 4 | 053597 | DECAL SPEC / ANTIFREEZE / W/ "VOLVO" ENGINE FRANCAIS / ENGLISH / SPANISH | 1 | 1 | |
| 5 | 053585P | HOSE ASSY TEFLON #4 1850MM | 1 | 1 | S |
| . NS | 503064 | . HOSE TEFLON #4 / S.L. | AR | AR | S |
| . NS | 5011182 | . FEMALE CONNECTOR SWIVEL / SAE 45° FITTING / #4FL-Fx#4 STL | 2 | 2 | S |
| . NS | 5011183 | . SLEEVE / #4 STL | 2 | 2 | S |
| 9 | 053601 | FILLER NECK ASSY WITH PRESSURE CAP To D-5299 | 1 | 1 | |
| 9 | 21528785 | . CAP PRESSURE / OVER 13 LBS To D-5299 | 1 | 1 | |
| 9 | 21528785 | CAP PRESSURE / OVER 13 LBS From D-5300 | 1 | 1 | |
| 10 | 067304 | SENSOR PROBE "LOW LEVEL COOLANT" ASSY / 1/2" NPT | 1 | 1 | |
| . NS | 564465 | . SENSOR PROBE "LOW LEVEL COOLANT" / 1/2" NPT | 1 | 1 | |
| . NS | 21242838 | . SENSOR PROBE "LOW LEVEL COOLANT" / 1/2" NPT | 1 | 1 | |
| . NS | 563764 | . CONNECTOR / CPC SERIES 3 / PH 3C / PED 15300002 | 1 | 1 | |
| . NS | 563765 | . PIN TERMINAL / 18-16 / PED 12048159 | 2 | 2 | |
| . NS | 563369 | . CABLE SEAL / GRAY / PED 12010293 | 2 | 2 | |
| . NS | 562387 | . CONVOLUTED TUBING / SLIT / BLACK / .250" | AR | AR | |
| . NS | 562388 | . SECONDARY LOCK / METRI-PACK 280 / 2C / BLUE / PED 15300014 | 1 | 1 | |
| NS | 680098 | THREAD SEALANT LOCTITE #567 / WHITE / 250ml | AR | AR | |
| NS | 688914 | PRIMER LOCTITE #7649 1.75 oz | AR | AR | |
| 11 | 501800 | PLUG HEXS / PIPE FITTING / 1/4NPT-M STL | 1 | 1 | I |
| 13 | 21247975 | MALE CONNECTOR / BEADED HOSE BARB / #16x#16ORB-M STL | 1 | 1 | |
| 14 | 21331481 | SIGHT GLASS 1" NPT | 1 | 1 | |
| 15 | 504018 | HOSE CLAMP / 7/16"-1" SS / HS-8 | 1 | 1 | |
| 16 | N.S.A. | HOSE / #6 700MM | 1 | 1 | 3 |
| . NS | 503821 | . HOSE SILICONE 4 PLY / NOMEX-ARAMID 3/8" x 144" | AR | AR | |
| 17 | N.S.A. | HOSE ASSY / #6 1750MM | 1 | 1 | 3 |
| . NS | 503702 | . HOSE / (SAFETY STRIPE) / 3/8" I.D. 50' / S.L. | AR | AR | |
| 18 | 501308 | ADAPTER / PIPE FITTING / 1/4NPT-Fx1/4NPT-M BR | 2 | 2 | |
| 19 | 504658 | HOSE CLAMP / 13/16"-1"3/4 / C.T. 9420 To D-5404 | 2 | 2 | |
| 19 | 504782 | HOSE CLAMP / 1 3/16-1 13/16 SS / C.T. W.S. From D-5405 | 2 | 2 | |
| 22 | 501037 | MALE ELBOW 90° / SAE 45° FITTING / #4FL-Mx1/4NPT-M BR | 3 | 3 | |
| 23 | N.S.A. | HOSE RADIATOR / 1" I.D. x 1204MM | 1 | 1 | 3 |
| . NS | 503579 | . HOSE 1" I.D. X 50' / "GREEN STRIPE" | AR | AR | |
| 26 | N.S.A. | HOSE #12 1204MM | 1 | 1 | 3 |
| . NS | 503579 | . HOSE 1" I.D. X 50' / "GREEN STRIPE" | AR | AR | |
| 27 | 504019 | HOSE CLAMP / 9/16"-1"1/16 SS / HS-10 PROTO | 1 | 1 | |
| 28 | 053006 | SUPPORT HOSE | 1 | 1 | |
| 29 | 5001800 | SCREW CAP HEXF M10-1.5x45 G10.9 N500 | 2 | 2 | |



| | | |
|------------------------------|---------------------|------------------------|
| From B-5003 To D-5489 | Date:10/2022 | PAGE:XV-0510-00 |
| SURGE TANK | | |

| Item# | Part | Description | X 3 V I P | X L I E N T 4 5 | N O T E S |
|-------|-------------------|---|-----------------------|--------------------------------------|-----------------------|
| 30 | 5001643 | SCREW CAP HEXF M8-1.25x25 G8.8 G500 | 3 | 3 | |
| 31 | 501033 | MALE CONNECTOR / SAE 45° FITTING / #8FL-Mx1/4NPT-M BR | 1 | 1 | |
| 32 | 501332 | STREET ELBOW 90° / PIPE FITTING / 1/4NPT-Mx1/4NPT-F BR | 1 | 1 | |
| 33 | 500321 | WASHER BEL SPR .331x.827x.098 N500 | 3 | 3 | |
| 34 | 012702 | DECAL "OIL SPEC" 10W/40 / ENGLISH & FRANCAIS / SPANISH | 1 | 1 | |
| 35 | 502848 | SCREW TC CAP HEXF 1/4-20x3/4 N500 | 6 | 6 | |
| 36 | 502666 | SCREW MA FL PH #6-32x3/4 SS BK | 1 | 1 | |
| 38 | 5001730 | SCREW CAP HEXF M6-1.0x16 G10.9 N500 | 1 | 1 | |
| 39 | 504020 | HOSE CLAMP / 9/16"-1"1/4 SS / HS-12 | 1 | 1 | |
| 40 | 5001742 | SCREW CAP HEXF M8-1.25x30 G8.8 N500 | 1 | 1 | |
| 41 | 502837 | NUT HEXF STO M8-1.25 N500 | 1 | 1 | |
| 50 | FM-00CW-01 | CLAMPS - WIRE & TUBE | | | |
| 62 | 952641 | CLAMP / 1 5/16" I.D. | 1 | 1 | |
| 62 | 952629 | CLAMP / 5/8" I.D. | 1 | 1 | |
| 62 | 952633 | CLAMP / 7/8" I.D. | 1 | 1 | |
| 90 | 040820 | SUPPORT TANK | 1 | 1 | |
| NS | 685241 | . . COOLANT PRESTONE / 208 LITERS 50%/50% PRE-MIXED W/"VOLVO" | AR | AR | |
| 100 | 685127 | . . . COOLANT PRESTONE / 4 LITERS 50%/50% PRE-MIXED W/"VOLVO" | AR | AR | |
| | | | | | |
| | | | | | |
| | | | | | |
| | | | | | |
| | | I) WITH "I-SHIFT" TRANS | | | |
| | | S) WORLD TRANSMISSION WITHOUT RETARDER | | | |
| | | 3) NOT SOLD ASSEMBLY | | | |

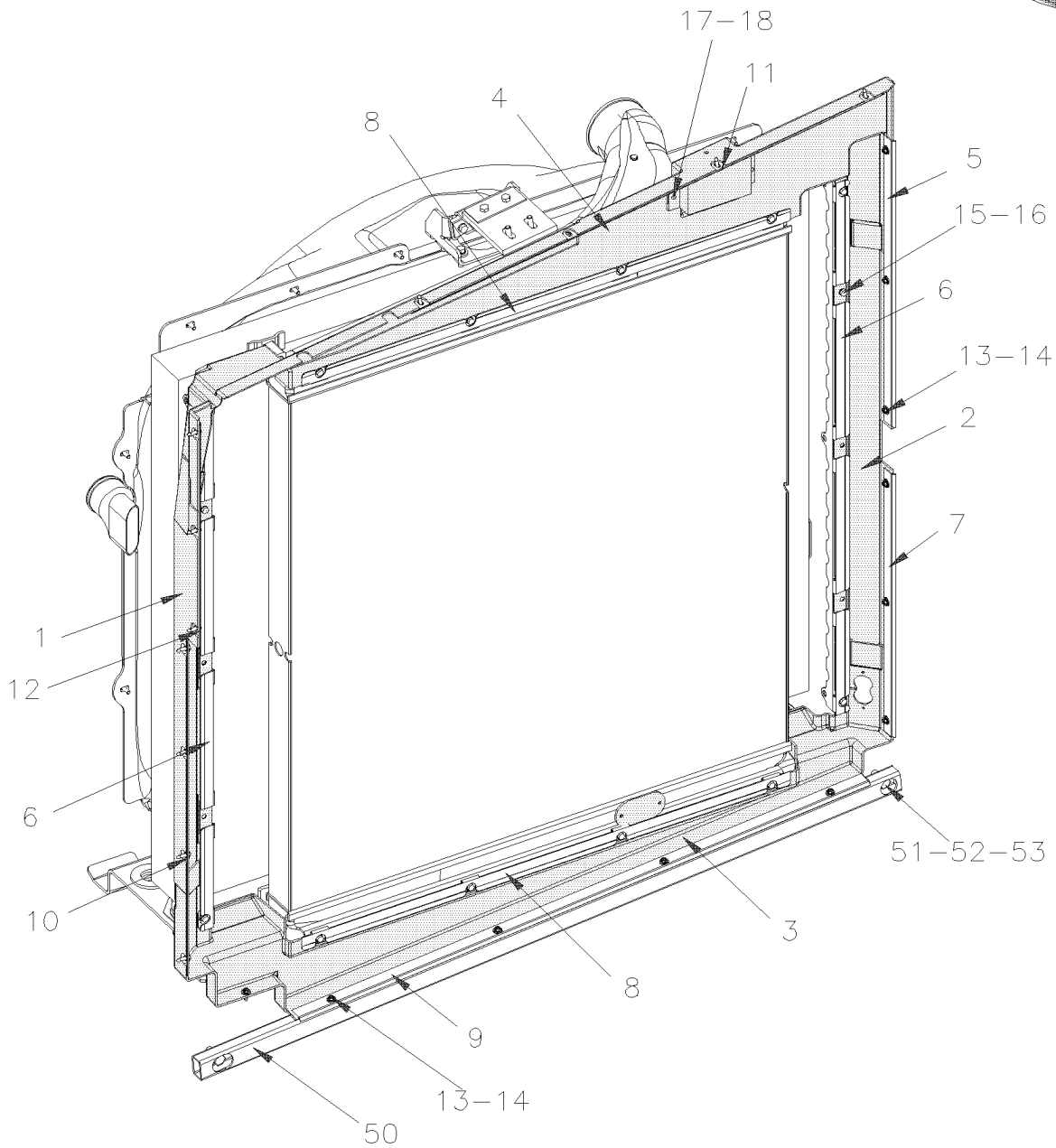
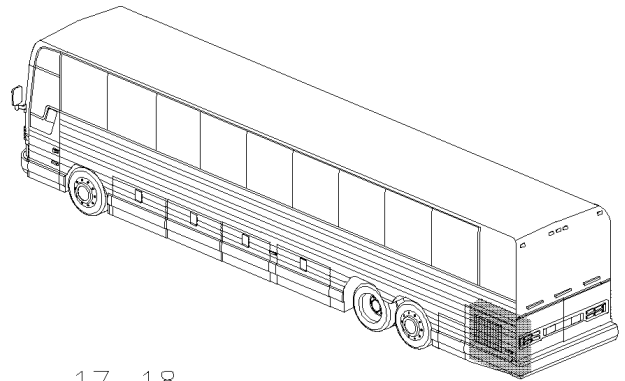


From B-5003 To D-5489

Date:10/2022

PAGE:XV-0518-60

RADIATOR SEALING FRAME



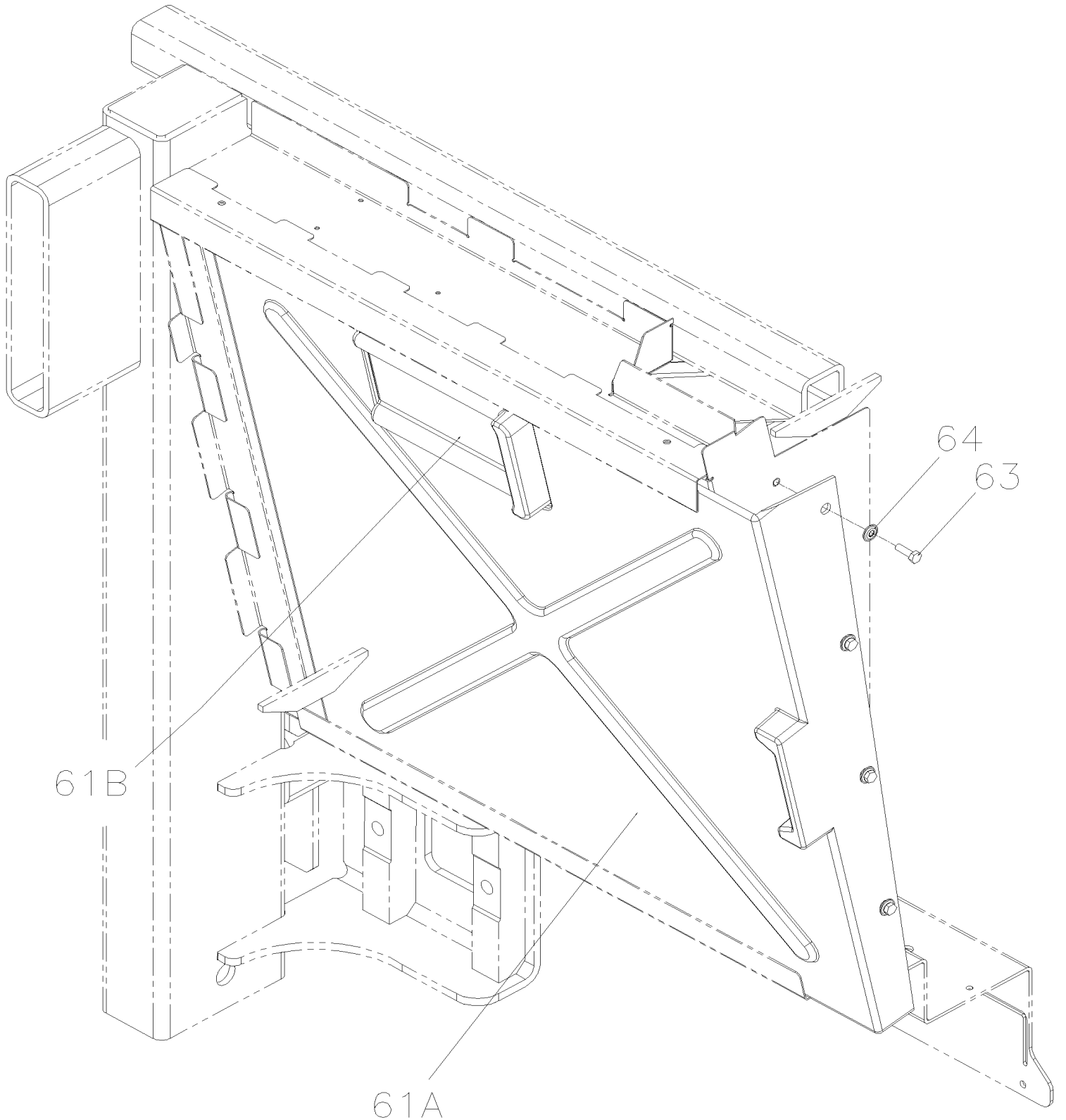


From B-5003 To D-5489

Date:10/2022

PAGE:XV-0518-60

RADIATOR SEALING FRAME





From B-5003 To D-5489 Date:10/2022 PAGE:XV-0518-60

RADIATOR SEALING FRAME

| Item# | Part | Description | X 3 V I P | X L I I E N T 4 5 | N O T E S |
|-------|---------|--------------------------------------|-----------------------|---|-----------------------|
| 1 | 052774 | FRAME, SEALING / FORWARD | 1 | 1 | |
| 2 | 052779 | FRAME, SEALING / BACKWARD | 1 | 1 | |
| 3 | 052780 | FRAME, SEALING / LOWER | 1 | 1 | |
| 4 | 052781 | FRAME, SEALING / UPPER | 1 | 1 | |
| 5 | 052804 | ANGLE REINFORCEMENT 662MM | 1 | 1 | |
| 6 | 052814 | REINFORCMENT "U" 1043MM | 2 | 2 | |
| 7 | 052778 | ANGLE REINFORCEMENT 515MM | 1 | 1 | |
| 8 | 052815 | REINFORCMENT "U" 893MM | 2 | 2 | |
| 9 | 052817 | ANGLE REINFORCEMENT 1045MM | 1 | 1 | |
| 10 | 052793 | ANGLE REINFORCEMENT 658MM | AR | AR | |
| 11 | 052805 | ANGLE REINFORCEMENT 871MM | AR | AR | |
| 12 | 052816 | ANGLE REINFORCEMENT 435MM | AR | AR | |
| 13 | 500526 | SCREW TP CAP HEXW #12x3/4 N500 | AR | AR | |
| 14 | 500877 | WASHER FL .250x.562x.065 N500 | AR | AR | |
| 15 | 502853 | WASHER LO SPT 6.1x11.8x1.6 N500 | AR | AR | |
| 16 | 502830 | SCREW CAP HEX M6-1.0x20 G8.8 N500 | AR | AR | |
| 16 | 5001965 | NUT SPR U M6-1.0 0.6-4.0 N500 | AR | AR | |
| 17 | 5001067 | WASHER FL .128x.312x.032 SS | 2 | 2 | |
| 18 | 504339 | RIVET POP DOME OE 1/8x3/8 SS | 2 | 2 | |
| 50 | 289399 | TUBE PROTECTOR LOWER RADIATOR 1211MM | 1 | 1 | |
| 51 | 502705 | SCREW CAP HEX M12-1.75X25 G8.8 N500 | 2 | 2 | |
| 52 | 500958 | WASHER FL .531x1.062x.095 SS | 2 | 2 | |
| 53 | 500747 | WASHER LO SPT 12.2x21.1x2.5 N500 | 2 | 2 | |
| 61 | 053455 | FENDER ACCESS PANEL ASSY PLASTIC | 1 | 1 | |
| . A | 053453 | . FENDER ACCESS PANEL LARGE PLASTIC | 1 | 1 | |
| . B | 053454 | . FENDER ACCESS PANEL SMALL PLASTIC | 1 | 1 | |
| 63 | 502830 | SCREW CAP HEX M6-1.0x20 G8.8 N500 | 4 | 4 | |
| 64 | 500356 | WASHER LO SERR 6.1x16.0x0.9 N500 | 4 | 4 | |
| | | | | | |
| | | | | | |
| | | | | | |

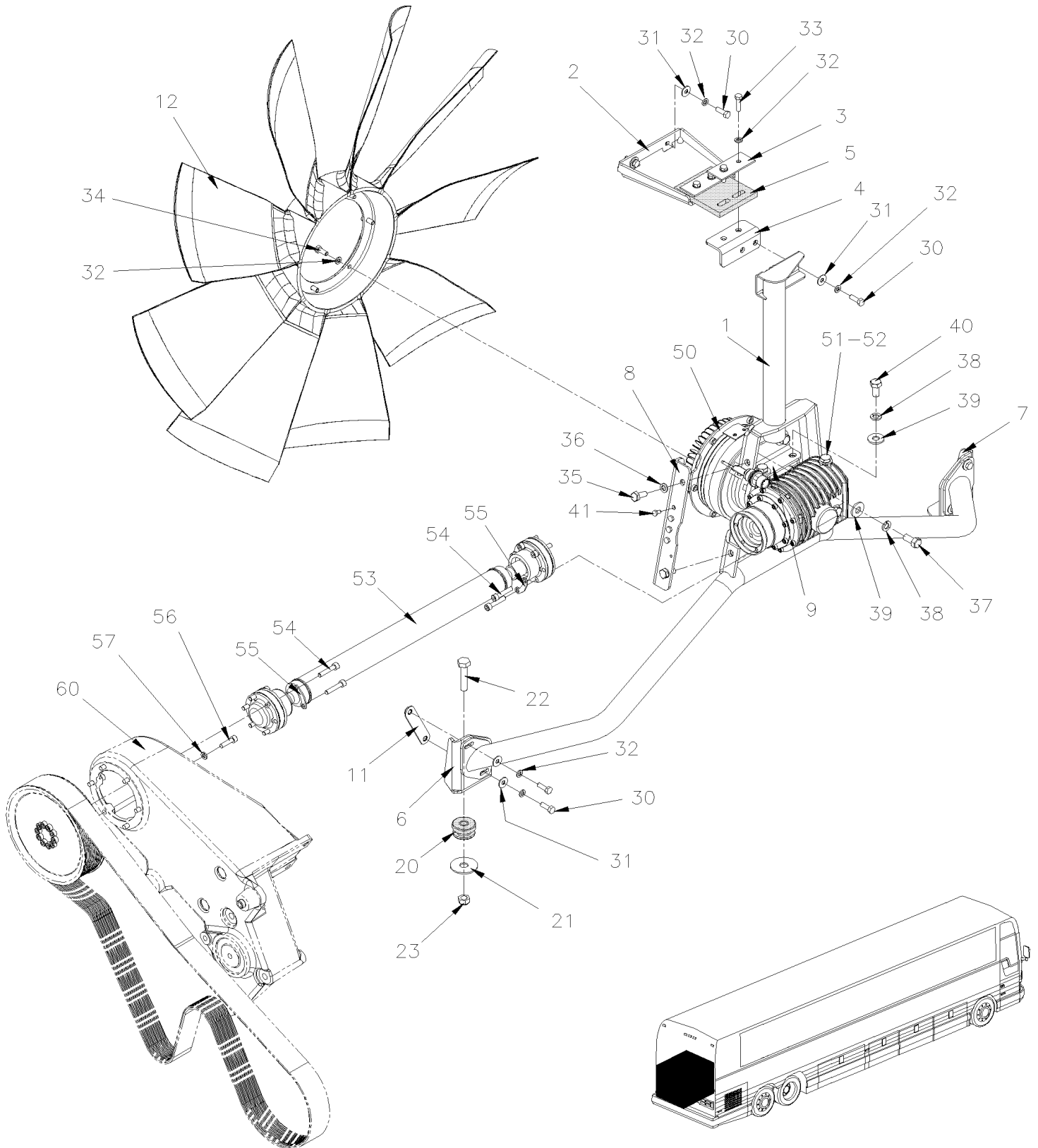


From B-5003 To B-5049

Date:10/2022

PAGE:XV-0520-00

FAN DRIVE - INSTALLATION



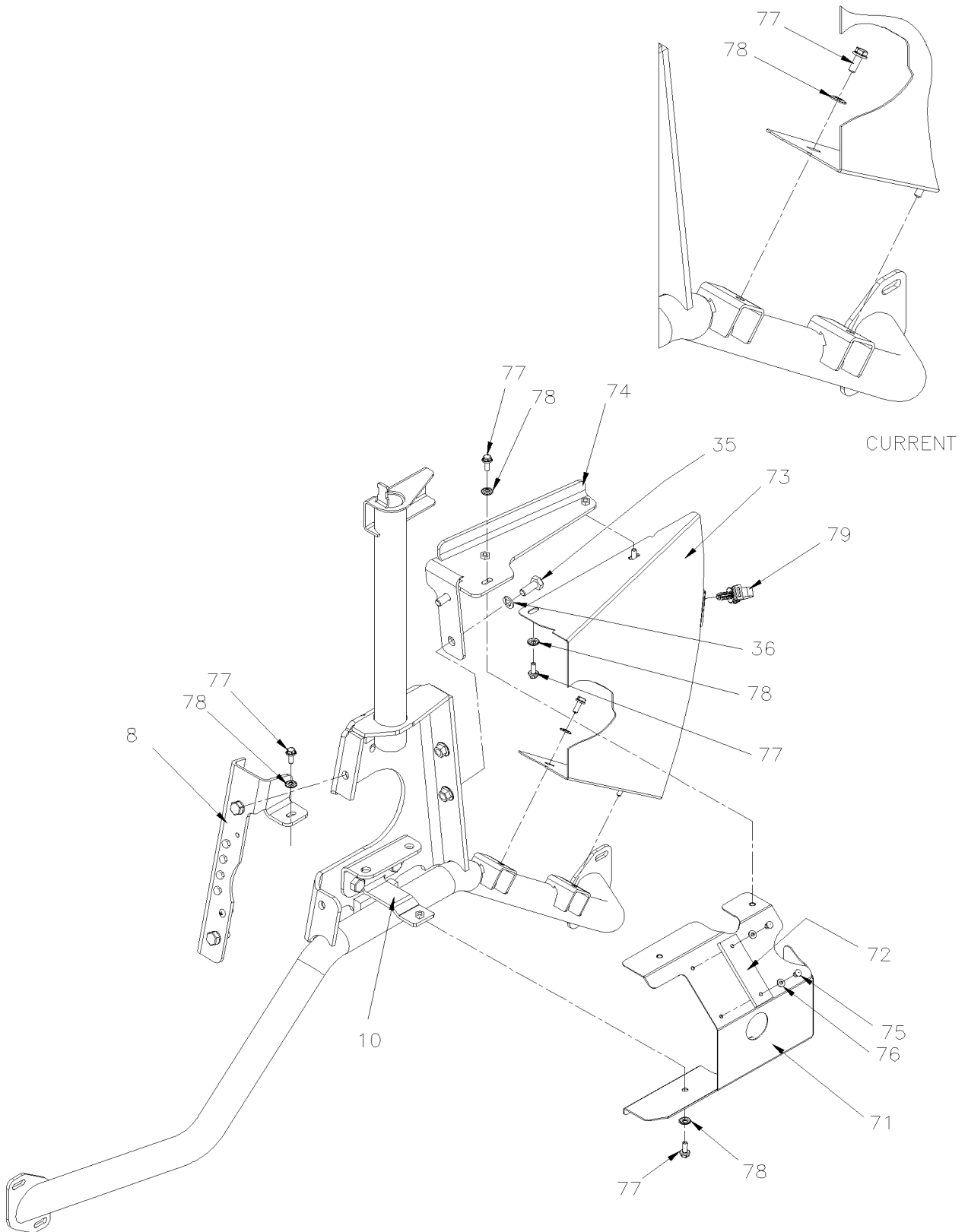


From B-5003 To B-5049

Date:10/2022

PAGE:XV-0520-00

FAN DRIVE - INSTALLATION





From B-5003 To B-5049 Date:10/2022 PAGE:XV-0520-00

FAN DRIVE - INSTALLATION

| Item# | Part | Description | X 3 V I P | X L I I E N T 4 5 | N O T E S |
|-------|-------------------|---|-----------------------|---|-----------------------|
| 1 | 052939 | TRIPOD SUPPORT SHORT | 1 | 1 | |
| 2 | 052728 | SUPPORT UPPER TRIPOD | 1 | 1 | |
| 2 | 502851 | NUT HEX M8-1.25 N500 | 2 | 2 | A |
| 3 | 052473 | PLATE / UPPER RADIATOR 40MM X 90MM | 2 | 2 | |
| 4 | 052903 | ANGLE OFFSET RETAINER / UPPER RADIATOR | 1 | 1 | |
| 4 | 502851 | NUT HEX M8-1.25 N500 | 2 | 2 | A |
| 5 | 21185073 | RUBBER PAD 100MM X 123MM | 1 | 1 | |
| 6 | 052901 | SUPPORT LOWER TRIPOD / BACKWARD | 1 | 1 | |
| 7 | 052905 | SUPPORT LOWER TRIPOD / FORWARD | 1 | 1 | |
| 8 | 052979 | ANGLE CLOSING BACKWARD SUPPORT TRIPOD | 1 | 1 | |
| 9 | 052884 | ANGLE RETAINER UP & LOWER 90° GEARBOX | 1 | 1 | |
| 10 | 052998 | ANGLE RETAINER LOWER 90° GEARBOX | 1 | 1 | |
| 11 | 052840 | PLATE ATTACHMENT W/2 NUTS M8-1.25 | 2 | 2 | |
| 12 | 550908 | FAN ASSY / CCW 38" / 9 BLADES PLASTIC | 1 | 1 | |
| 20 | 21183424 | RUBBER BUSHING | 2 | 2 | |
| 21 | 052765 | WASHER FL 12.5MMx52MMx3MM | 2 | 2 | |
| 22 | 5001861 | SCREW CAP HEX M12-1.75x60 G10.9 N500 | 2 | 2 | |
| 23 | 971084 | NUT HEX STO M12-1.75 ZG603 | 2 | 2 | |
| 30 | 955297 | SCREW CAP HEX M8-1.25x25 G8.8 ZG603 | 8 | 8 | |
| 31 | 500332 | WASHER FL .328x.875x.062 N500 | 12 | 12 | |
| 32 | 500942 | WASHER LO SPT 8.1x14.8x2.0 N500 | 18 | 18 | |
| 33 | 940142 | SCREW CAP HEX M8-1.25x30 G8.8 ZG603 | 4 | 4 | |
| 34 | 502862 | SCREW CAP HEX M8-1.25x20 G8.8 N500 | 6 | 6 | |
| 35 | 502804 | SCREW CAP HEX M10-1.5x25 G8.8 N500 | 2 | 2 | |
| 36 | 502616 | WASHER LO SPT 10.2x18.1x2.2 SS | 2 | 2 | |
| 37 | 502705 | SCREW CAP HEX M12-1.75x25 G8.8 N500 | 4 | 4 | |
| 38 | 500747 | WASHER LO SPT 12.2x21.1x2.5 N500 | 8 | 8 | |
| 39 | 500211 | WASHER FL .531x1.250x.125 N500 | 8 | 8 | |
| 40 | 5001645 | SCREW CAP HEX M12-1.5x25 G8.8 N500 | 4 | 4 | |
| 41 | 5001181 | SCREW CAP HEX M6-1.0x12 SS | 4 | 4 | |
| 41 | 680038 | THREAD LOCKER LOCTITE #243 / BLUE / 50ml | AR | AR | |
| 50 | XV-0540-00 | FAN CLUTCH & ANGLE DRIVE ASSY C.C.W. | | | |
| 51 | 550946 | CHECK VALVE | 1 | 1 | |
| 52 | 550947 | GASKET CHECK VALVE | 1 | 1 | |
| 53 | 557059 | DRIVE SHAFT 463MM | 1 | 1 | |
| . NS | 550930 | . PLATE REINFORCMENT HALF CIRCLE | 6 | 6 | |
| . NS | 502743 | . SCREW CAP HEXS M8-1.25x40 G8.8 | 12 | 12 | |
| 53 | 557071 | DRIVE SHAFT 463MM SERVICE ONLY | 1 | 1 | |
| . NS | 550930 | . PLATE REINFORCMENT HALF CIRCLE | 6 | 6 | |
| . NS | 502743 | . SCREW CAP HEXS M8-1.25x40 G8.8 | 12 | 12 | |
| 54 | 502743 | SCREW CAP HEXS M8-1.25x40 G8.8 | 12 | 12 | B |
| 55 | 550930 | PLATE REINFORCMENT HALF CIRCLE | 6 | 6 | B |



| | | |
|---------------------------------|--------------|-----------------|
| From B-5003 To B-5049 | Date:10/2022 | PAGE:XV-0520-00 |
| FAN DRIVE - INSTALLATION | | |

| Item# | Part | Description | X 3 V I P | X L I I E N T 4 5 | N O T E S |
|-------|-------------------|---|-----------------------|---|-----------------------|
| 56 | 940142 | SCREW CAP HEX M8-1.25x30 G8.8 ZG603 | 6 | 6 | |
| 57 | 5001161 | WASHER LO SPT 8.1x14.8x2.0 SS-304 | 6 | 6 | |
| 60 | XV-0120-00 | DRIVE PULLEY, BELTS & TENSIONER WITH VOLVO D13 & 2x120Amps EPA2010 | | | |
| 71 | 052992 | . AIR DEFLECTOR BACKWARD | 1 | 1 | |
| 72 | 053005 | . SPACER 100x30x6.4 RUB | 1 | 1 | |
| 73 | 052993 | . AIR DEFLECTOR FORWARD | 1 | 1 | |
| 74 | 052994 | . RETAINER UPPER SUPPORT AIR DEFLECTOR | 1 | 1 | |
| 75 | 504379 | . RIVET POP DOME OE 3/16x1/4 SS | 2 | 2 | |
| 76 | 504357 | . WASHER FL .187x.437x.050 SS | 2 | 2 | |
| 77 | 5001730 | . SCREW CAP HEXF M6-1.0x16 G10.9 N500 | 7 | 7 | |
| 78 | 500356 | . WASHER LO SERR 6.1x16.0x0.9 N500 | 7 | 7 | |
| 79 | 504750 | . CABLE TIE / 1/2" x 15" / CHRISTMAS TREE | 1 | 1 | |
| | | | | | |
| | | | | | |
| | | | | | |
| | | | | | |
| | | A) FOR PRODUCT IMPROVMENT ADD 2 X 502851 | | | |
| | | B) ONLY USE WITH THE OEM PART | | | |

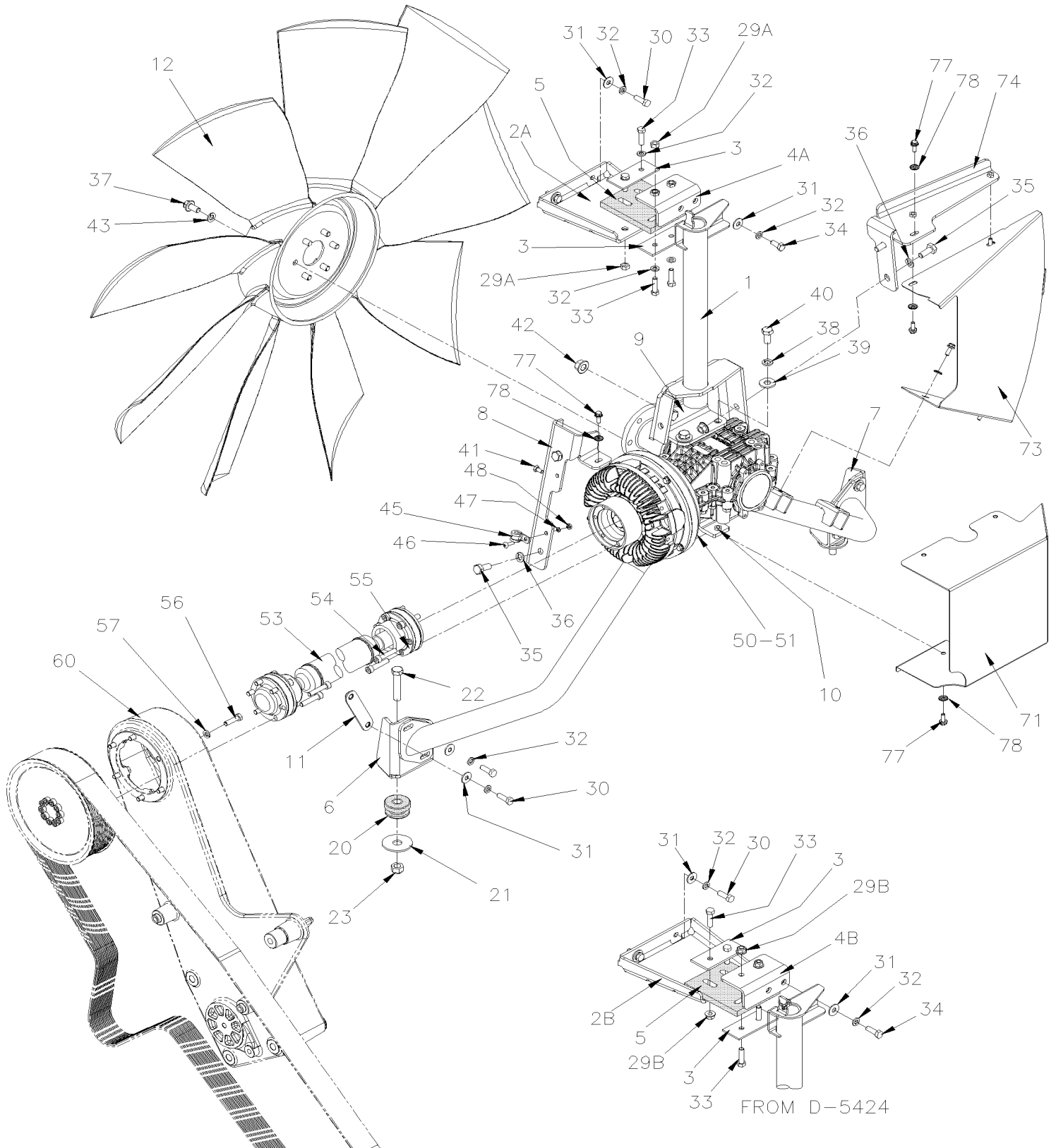


From B-5050 To D-5489

Date:10/2022

PAGE:XV-0520-01

FAN DRIVE - INSTALLATION





| | | |
|------------------------------|---------------------|------------------------|
| From B-5050 To D-5489 | Date:10/2022 | PAGE:XV-0520-01 |
|------------------------------|---------------------|------------------------|

FAN DRIVE - INSTALLATION

| Item# | Part | Description | X 3 V I P | X L I I E N T 4 5 | N O T E S |
|-------|----------|---|-----------------------|---|-----------------------|
| 1 | 052939 | TRIPOD SUPPORT SHORT | 1 | 1 | |
| 2A | 052728 | SUPPORT UPPER TRIPOD To D-5423 | 1 | 1 | |
| 2B | 053024 | SUPPORT UPPER TRIPOD From D-5424 | 1 | 1 | |
| 3 | 052473 | PLATE / UPPER RADIATOR 40MM X 90MM | 2 | 2 | |
| 4A | 052903 | ANGLE OFFSET RETAINER / UPPER RADIATOR To D-5423 | 1 | 1 | |
| 4B | 053025 | SUPPORT UPPER TRIPOD From D-5424 | 1 | 1 | |
| 5 | 21185073 | RUBBER PAD 100MM X 123MM | 1 | 1 | |
| 6 | 052901 | SUPPORT LOWER TRIPOD / BACKWARD | 1 | 1 | |
| 7 | 052905 | SUPPORT LOWER TRIPOD / FORWARD | 1 | 1 | |
| 8 | 052754 | ANGLE CLOSING BACKWARD SUPPORT TRIPOD To D-5297 | 1 | 1 | |
| 8 | 053637 | ANGLE CLOSING BACKWARD SUPPORT TRIPOD From D-5298 | 1 | 1 | |
| 9 | 052306 | ANGLE RETAINER UP 90° GEARBOX To D-5297 | 1 | 1 | |
| 9 | 053639 | ANGLE RETAINER UP 90° GEARBOX From D-5298 | 1 | 1 | |
| 10 | 050902 | ANGLE RETAINER LOWER 90° GEARBOX To D-5297 | 1 | 1 | |
| 10 | 053640 | ANGLE RETAINER LOWER 90° GEARBOX From D-5298 | 1 | 1 | |
| 11 | 052840 | PLATE ATTACHMENT W/2 NUTS M8-1.25 | 2 | 2 | |
| 12 | 557064 | FAN ASSY / CW 38" / 9 BLADES PLASTIC | 1 | 1 | |
| 20 | 21183424 | RUBBER BUSHING | 2 | 2 | |
| 21 | 052765 | WASHER FL 12.5MMx52MMx3MM | 2 | 2 | |
| 22 | 5001861 | SCREW CAP HEX M12-1.75x60 G10.9 N500 | 2 | 2 | |
| 23 | 5001759 | NUT HEX STO M12-1.75 N500 | 2 | 2 | |
| 29A | 502851 | NUT HEX M8-1.25 N500 To D-5423 | 4 | 4 | |
| 29B | 502837 | NUT HEXF STO M8-1.25 N500 From D-5424 | 4 | 4 | |
| 30 | 5001745 | SCREW CAP HEX M8-1.25x25 G8.8 N500 | 6 | 6 | |
| 31 | 500332 | WASHER FL .328x.875x.062 N500 | 8 | 8 | |
| 32 | 500942 | WASHER LO SPT 8.1x14.8x2.0 N500 To D-5423 | 12 | 12 | |
| 32 | 500942 | WASHER LO SPT 8.1x14.8x2.0 N500 From D-5424 | 8 | 8 | |
| 33 | 5001738 | SCREW CAP HEX M8-1.25x30 G8.8 N500 | 4 | 4 | |
| 34 | 502862 | SCREW CAP HEX M8-1.25x20 G8.8 N500 | 6 | 6 | |
| 35 | 502804 | SCREW CAP HEX M10-1.5x25 G8.8 N500 | 4 | 4 | |
| 36 | 502616 | WASHER LO SPT 10.2x18.1x2.2 SS | 2 | 2 | |
| 37 | 5001307 | SCREW CAP HEXF M10-1.5x20 8.8 N500 | 4 | 4 | |
| 38 | 500747 | WASHER LO SPT 12.2x21.1x2.5 N500 | 8 | 8 | |
| 39 | 500211 | WASHER FL .531x1.250x.125 N500 | 8 | 8 | |
| 40 | 5001222 | SCREW CAP HEX M12-1.5x30 G10.9 N500 | 4 | 4 | |
| 41 | 5001181 | SCREW CAP HEX M6-1.0x12 SS | 4 | 4 | |
| 41 | 680038 | THREAD LOCKER LOCTITE #243 / BLUE / 50ml | AR | AR | |
| 42 | 5001774 | NUT HEXF STO M12-1.75 MAGNI G500 | 4 | 4 | |
| 43 | 5001834 | WASHER BEL SPR 10.5X23X2.5 N500 | 6 | 6 | |
| 45 | 952624 | CLAMP / 1/4" I.D. | 1 | 1 | |
| 46 | 500606 | SCREW MA TR PH #10-24x3/4 SS | 1 | 1 | |
| 47 | 500914 | WASHER LO SPT .193x.334x.047 N500 | 1 | 1 | |



| | | |
|---------------------------------|---------------------|------------------------|
| From B-5050 To D-5489 | Date:10/2022 | PAGE:XV-0520-01 |
| FAN DRIVE - INSTALLATION | | |

| Item# | Part | Description | X 3 V I P | X L I E N T 4 5 | N O T E S |
|-------|-------------------|---|-----------------------|--------------------------------------|-----------------------|
| 48 | 502882 | NUT HEX #10-24 N500 | 1 | 1 | |
| 50 | XV-0540-01 | FAN CLUTCH & ANGLE DRIVE ASSY C.W. | | | |
| 50 | 068185 | CABLE ADAPTOR FAN CLUTCH / WITH 4 CONTACTS | 1 | 1 | |
| 51 | 550813 | CHECK VALVE | 1 | 1 | |
| 53 | 557060 | DRIVE SHAFT 335MM | 1 | 1 | |
| . NS | 550930 | . PLATE REINFORCMENT HALF CIRCLE | 6 | 6 | |
| . NS | 502743 | . SCREW CAP HEXS M8-1.25x40 G8.8 | 12 | 12 | |
| 53 | 557072 | DRIVE SHAFT 335MM | 1 | 1 | |
| . NS | 550930 | . PLATE REINFORCMENT HALF CIRCLE | 6 | 6 | |
| . NS | 5000356 | . SCREW CAP HEXS LOW HEAD M8-1.25x40 G8.8 YZP | 12 | 12 | |
| 53 | 550990 | DRIVE SHAFT 335MM ALTERNATIVE PART | 1 | 1 | |
| . NS | 5000356 | . SCREW CAP HEXS LOW HEAD M8-1.25x40 G8.8 YZP | 12 | 12 | |
| 54 | 502743 | SCREW CAP HEXS M8-1.25x40 G8.8 | 12 | 12 | B |
| 55 | 550930 | PLATE REINFORCMENT HALF CIRCLE | 6 | 6 | B |
| 56 | 5001738 | SCREW CAP HEX M8-1.25x30 G8.8 N500 | 6 | 6 | |
| 57 | 5001161 | WASHER LO SPT 8.1x14.8x2.0 SS-304 | 6 | 6 | |
| 60 | XV-0120-00 | DRIVE PULLEY, BELTS & TENSIONER WITH VOLVO D13 & 2x120Amps EPA2010 | | | |
| 71 | 052659 | AIR DEFLECTOR BACKWARD To D-5297 | 1 | 1 | |
| 71 | 053638 | AIR DEFLECTOR BACKWARD From D-5298 | 1 | 1 | |
| 73 | 052630 | AIR DEFLECTOR FORWARD | 1 | 1 | |
| 74 | 052994 | RETAINER UPPER SUPPORT AIR DEFLECTOR | 1 | 1 | |
| 77 | 5001730 | SCREW CAP HEXF M6-1.0x16 G10.9 N500 | 7 | 7 | |
| 78 | 500356 | WASHER LO SERR 6.1x16.0x0.9 N500 | 7 | 7 | |
| | | | | | |
| | | | | | |
| | | B) ONLY USE WITH THE OEM PART | | | |

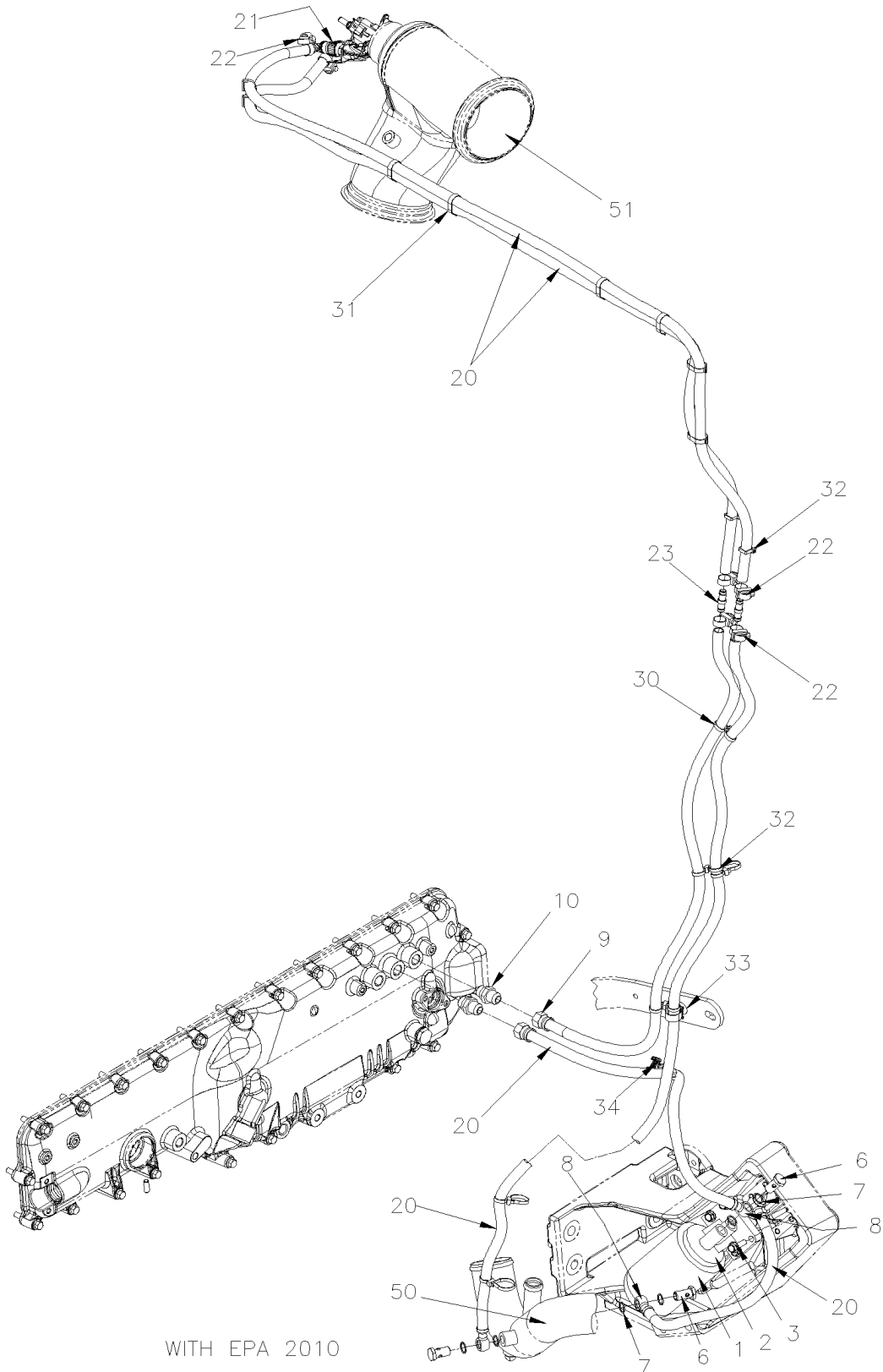


From B-5003 To D-5489

Date:10/2022

PAGE:XV-0530-00

COOLANT FILTER - INSTALLATION WITH VOLVO D13





| | | |
|------------------------------|---------------------|------------------------|
| From B-5003 To D-5489 | Date:10/2022 | PAGE:XV-0530-00 |
|------------------------------|---------------------|------------------------|

COOLANT FILTER - INSTALLATION WITH VOLVO D13

| Item# | Part | Description | X 3 V I P | X L I E N T 4 5 | N O T E S |
|-------|-------------------|--|-----------------------|--------------------------------------|-----------------------|
| 1 | 21388479 | CARTRIGE "MAINTENANCE" COOLANT LONG LIFE "WITH D13 ENGINE" From B-5002 To D-5404 | 1 | 1 | |
| 1 | 21937327 | CARTRIGE "MAINTENANCE" COOLANT LONG LIFE "WITH D13 ENGINE" From D-5405 | 1 | 1 | |
| 2 | 3979836 | ADAPTOR HEAD, COOLANT FILTER | 1 | 1 | |
| 3 | 5001742 | SCREW CAP HEXF M8-1.25x30 G8.8 N500 | 4 | 4 | |
| 4 | 503702 | . HOSE / (SAFETY STRIPE) / 3/8" I.D. 50' / S.L. | AR | AR | |
| 4 | 503790 | HOSE SILICONE 1 PLY / NOMEX-ARAMID 3/8" X 25' To D-5381 | AR | AR | GR |
| 4 | 503806 | HOSE SILICONE 1 PLY / NOMEX-ARAMID 3/8" I.D. x 100' From D-5382 | AR | AR | GR |
| 5 | 503702 | . HOSE / (SAFETY STRIPE) / 3/8" I.D. 50' / S.L. | AR | AR | |
| 5 | 503790 | HOSE SILICONE 1 PLY / NOMEX-ARAMID 3/8" X 25' To D-5381 | AR | AR | GR |
| 5 | 503806 | HOSE SILICONE 1 PLY / NOMEX-ARAMID 3/8" I.D. x 100' From D-5382 | AR | AR | GR |
| 6 | 507655 | BANJO BOLT / M14-1.5 | 3 | 3 | |
| 7 | 507657 | BANJO WASHER / M14 | 6 | 6 | |
| 8 | 507653 | BANJO UNION / 14MMx#6HOSE | 3 | 3 | |
| 9 | 5011260 | FEMALE CONNECTOR SWIVEL / PUSH-LOK FITTING / #8FL-Fx#6 BR | 1 | 1 | |
| 10 | 5011192 | MALE CONNECTOR / JIC 37° FITTING / #8JIC-MxM18-1.5-M STL | 1 | 1 | |
| . NS | N.P.N. | . O-RING | 1 | 1 | 4 |
| . NS | N.P.N. | . WASHER RET | 1 | 1 | 4 |
| 20 | 503702 | HOSE / (SAFETY STRIPE) / 3/8" I.D. 50' / S.L. | AR | AR | |
| 20 | 503790 | HOSE SILICONE 1 PLY / NOMEX-ARAMID 3/8" X 25' GREYHOUND From B-5050 To D-5381 | AR | AR | GR |
| 20 | 503806 | HOSE SILICONE 1 PLY / NOMEX-ARAMID 3/8" I.D. x 100' From D-5382 | AR | AR | GR |
| NS | 053008 | RESTRICTION / ALU. TUBE 20MM X 9.05MM O.D. W/3.05MM HOLE From B-5002 | 1 | 1 | |
| 21 | 20805110 | QUICK CONNECTOR 90° 10MM | 2 | 2 | |
| 22 | 992081 | HOSE CLAMP / 12MM/22MM | 6 | 6 | |
| 23 | 5011340 | UNION / MINI BARB FITTING / #8x#8 BR | 2 | 2 | |
| 30 | 507664 | CABLE TIE / 3/16" 11" / DOUBLE LOOP HEAD | AR | AR | |
| 31 | 504016 | CABLE TIE / 5/16" X 14"1/2 | AR | AR | |
| 32 | 504637 | CABLE TIE / 3/16" x 13" | AR | AR | |
| 33 | 504750 | CABLE TIE / 1/2" x 15" / CHRISTMAS TREE | AR | AR | |
| 34 | 504751 | ROTATIF SPACER DOUBLE / SMALL | AR | AR | |
| 50 | XV-0500-00 | COOLANT PIPING WITH VOLVO D13 | | | |
| 51 | XV-0405-00 | MUFFLER - INSTALLATION WITH DPF & SCR WITH VOLVO D13 WITH "EPA 2010" | | | |
| | | | | | |
| | | | | | |
| | | GR) GREYOUND OPTION | | | |
| | | 4) NO PARTS NUMBER | | | |

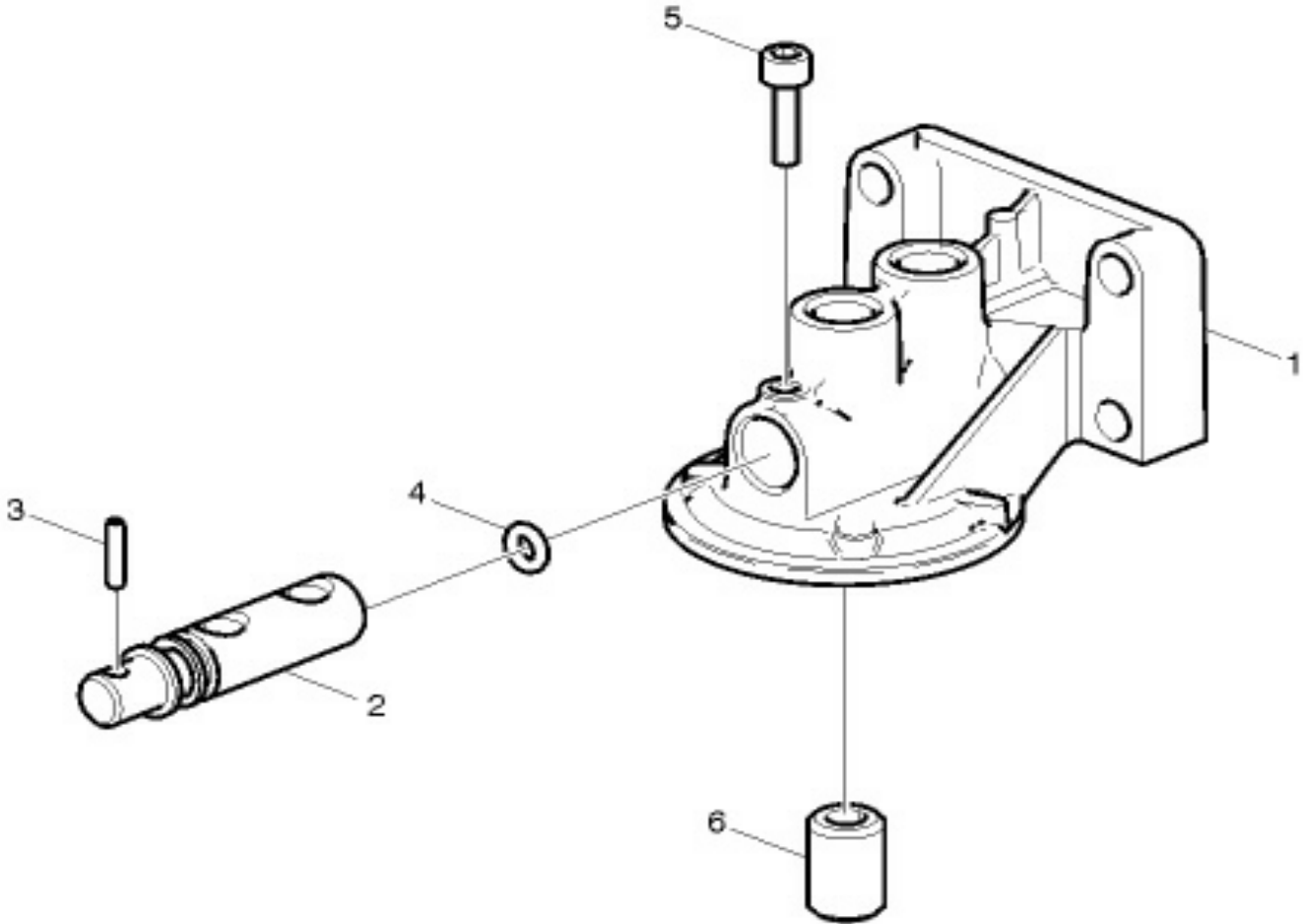


From B-5003 To D-5489

Date:10/2022

PAGE:3979836

ADAPTOR HEAD, COOLANT FILTER





| | | |
|-----------------------|--------------|--------------|
| From B-5003 To D-5489 | Date:10/2022 | PAGE:3979836 |
|-----------------------|--------------|--------------|

ADAPTOR HEAD, COOLANT FILTER

| Item# | Part | Description | X 3 V I P | X L I I E N T 4 5 | N O T E S |
|-------|---------|-----------------------|-----------------------|---|-----------------------|
| 1 | 1661683 | HOUSING | 1 | 1 | |
| 2 | 1661686 | SPINDLE | 1 | 1 | |
| 3 | 951972 | SPRING PIN | 1 | 1 | |
| 4 | 968725 | O-RING 11.3X2.4 | 1 | 1 | |
| 5 | 963692 | HEX. SOCKET SCREW | 1 | 1 | |
| 6 | 1676554 | NIPPLE COOLANT FILTER | 1 | 1 | |
| | | | | | |
| | | | | | |
| | | | | | |

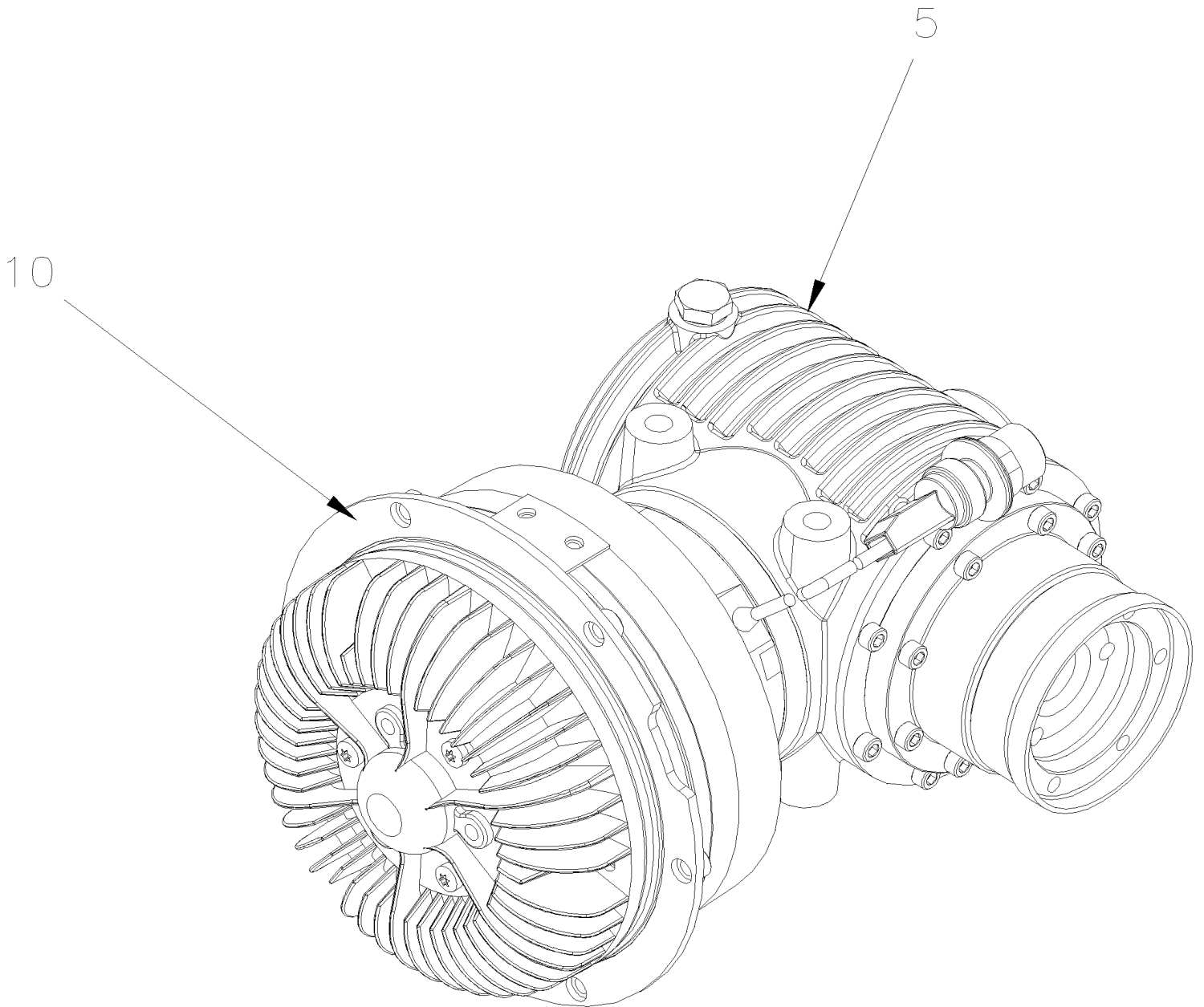


From B-5003 To B-5049

Date:10/2022

PAGE:XV-0540-00

FAN CLUTCH & ANGLE DRIVE ASSY C.C.W.





| | | |
|---|--------------|-----------------|
| From B-5003 To B-5049 | Date:10/2022 | PAGE:XV-0540-00 |
| FAN CLUTCH & ANGLE DRIVE ASSY C.C.W. | | |

| Item# | Part | Description | X 3 V I P | X L I I E N T 4 5 | N O T E S |
|-------|---------------|---|-----------------------|---|-----------------------|
| | 550962 | GEARBOX ASSY WITH FAN CLUTCH | 1 | 1 | |
| . NS | MI10-24 | . SEE MAINTENANCE INFORMATION | 1 | 1 | |
| | 550974 | GEARBOX ASSY WITH FAN CLUTCH ALTERNATIVE PART | 1 | 1 | A |
| . NS | 551003 | . BREATHER W/ OIL DIPSTICK | 1 | 1 | A |
| . NS | 551004 | . WASHER, DRAIN PLUG | 1 | 1 | A |
| . NS | 551005 | . PLUG, DRAIN | 1 | 1 | A |
| . NS | 550062 | . LOCKING TABS | 1 | 1 | A |
| | 069718 | HARNESS JUMPER FAN CLUTCH | 1 | 1 | A |
| NS | 680719 | . OIL SYNTHETIC GEAR BOX TITAN SAE 75W90 W/O-RING WASHER | 1 | 1 | |
| | 068063 | CABLE ADAPTOR FORMER TO CURRENT FAN CLUTCH / WITH 3 CONTACTS | 1 | 1 | |
| 5 | N.P.N. | . GEARBOX | 1 | 1 | 4 |
| 10 | N.P.N. | . FAN CLUTCH | 1 | 1 | 4 |
| | | | | | |
| | | | | | |
| | | A) USE 069718 WHEN YOU CHANGE THE FAN CLUTCH 550962 FOR A FAN CLUTCH 550974 | | | |
| | | 4) NO PARTS NUMBER | | | |



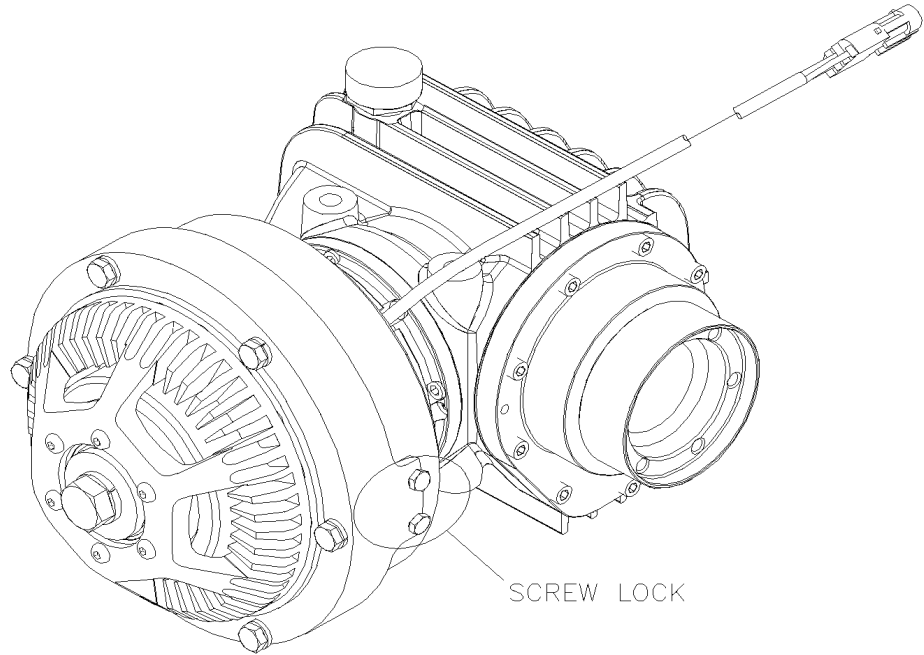
From B-5003 To B-5049

Date:10/2022

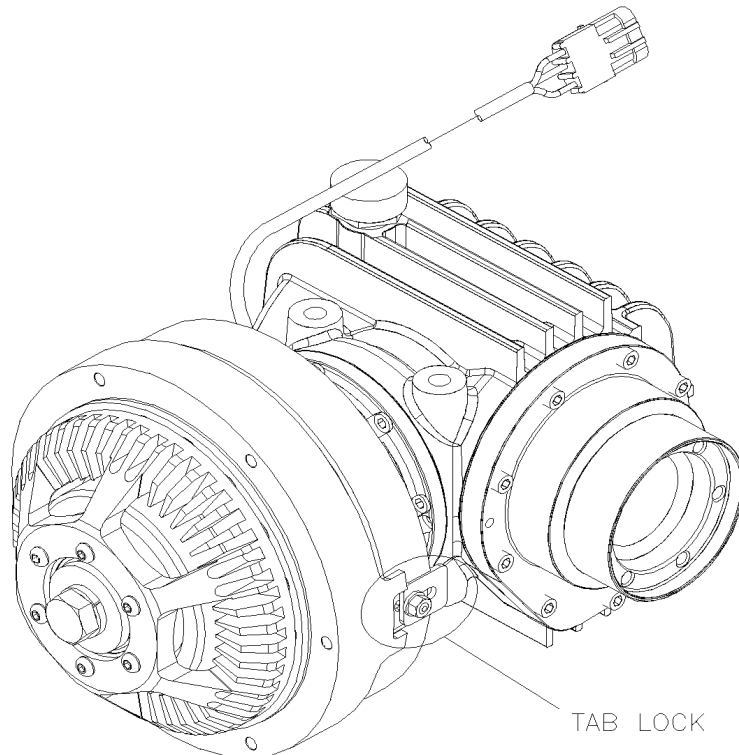
PAGE:550974

GEARBOX ASSY WITH FAN CLUTCH ALTERNATIVE PART

FORMER



CURRENT





| | | |
|-----------------------|--------------|-------------|
| From B-5003 To B-5049 | Date:10/2022 | PAGE:550974 |
|-----------------------|--------------|-------------|

GEARBOX ASSY WITH FAN CLUTCH ALTERNATIVE PART

| Item# | Part | Description | X 3 V I P | X L I I E N T 4 5 | N O T E S |
|-------|------|------------------------|-----------------------|---|-----------------------|
| 1 | | FORMER WITH SCREW LOCK | 1 | 1 | |
| 2 | | CURRENT WITH TAB LOCK | 1 | 1 | |
| | | | | | |
| | | | | | |
| | | | | | |

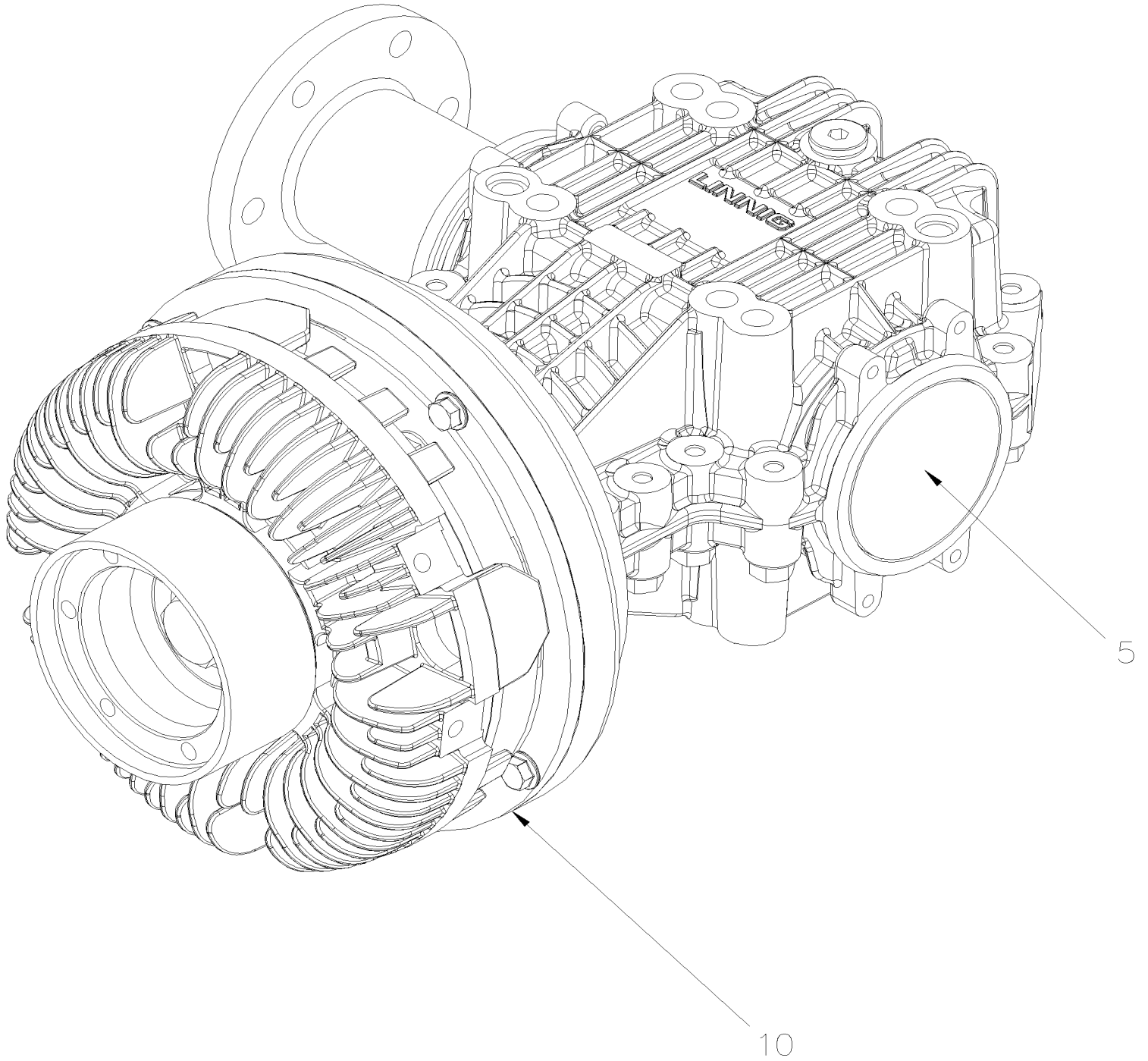


From B-5050 To D-5489

Date:10/2022

PAGE:XV-0540-01

FAN CLUTCH & ANGLE DRIVE ASSY C.W.





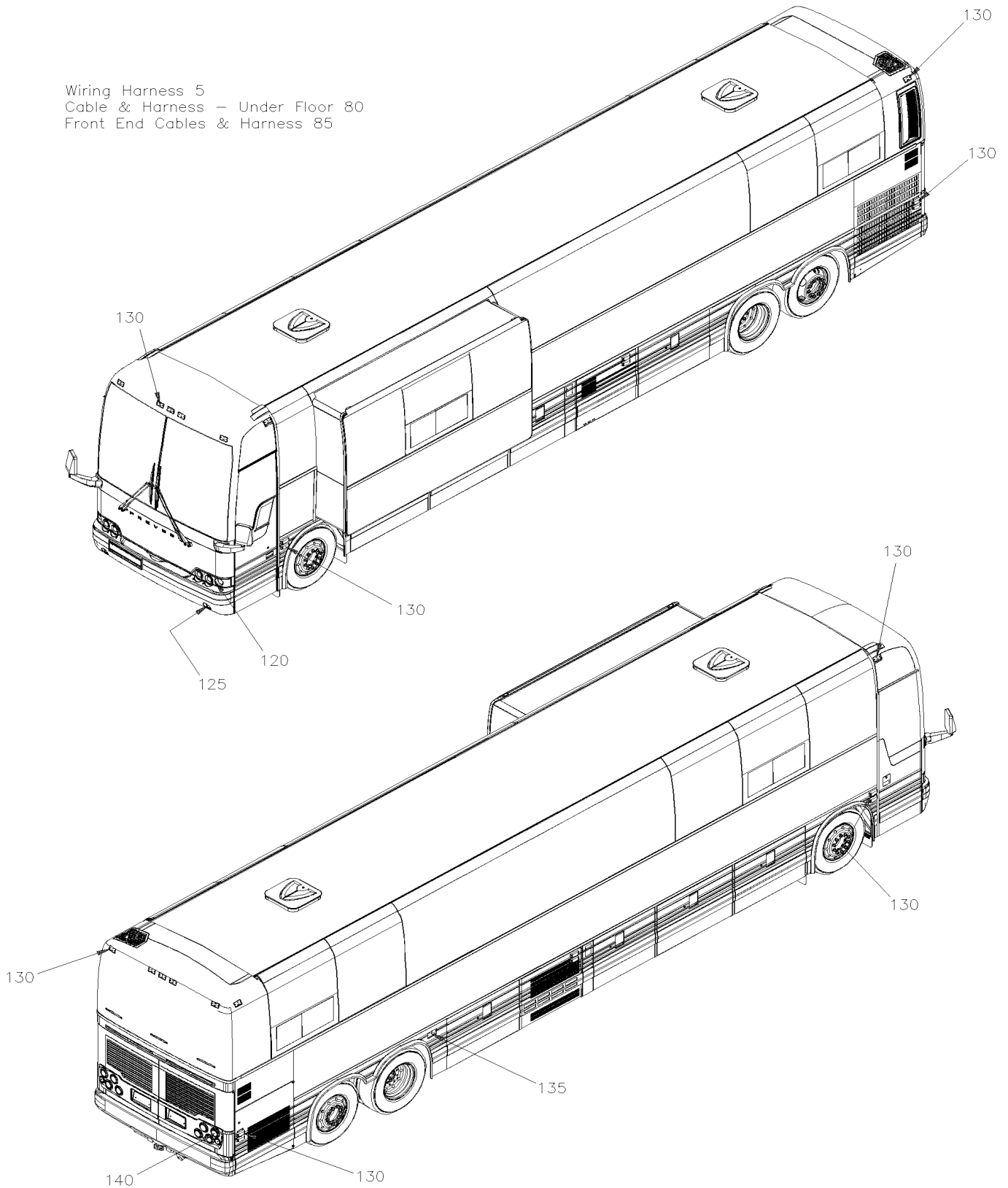
| | | |
|---|--------------|-----------------|
| From B-5050 To D-5489 | Date:10/2022 | PAGE:XV-0540-01 |
| FAN CLUTCH & ANGLE DRIVE ASSY C.W. | | |

| Item# | Part | Description | X 3 V I P | X L I I E N T 4 5 | N O T E S |
|-------|---------------|--|-----------------------|---|-----------------------|
| | 557065 | GEARBOX ASSY WITH FAN CLUTCH To D-5467 | 1 | 1 | |
| . NS | 550294 | . DRAIN PLUG WITH MAGNET To D-5467 | 1 | 1 | |
| . NS | 550295 | . DRAIN PLUG To D-5467 | 1 | 1 | |
| . NS | 5002257 | . SEALING CRUSH WASHER 14.0x20.0x1.5 COP To D-5467 | 1 | 1 | |
| | 550987 | GEARBOX ASSY WITH FAN CLUTCH From D-5468 | 1 | 1 | |
| . NS | 550294 | . DRAIN PLUG WITH MAGNET From D-5468 | 1 | 1 | |
| . NS | 550295 | . DRAIN PLUG From D-5468 | 1 | 1 | |
| . NS | 551001 | . MAGNET From D-5468 | 1 | 1 | |
| . NS | 5002257 | . SEALING CRUSH WASHER 14.0x20.0x1.5 COP From D-5468 | 1 | 1 | |
| | 680719 | . OIL SYNTHETIC GEAR BOX TITAN SAE 75W90 W/O-RING WASHER | 1 | 1 | |
| 5 | N.P.N. | . GEARBOX | 1 | 1 | 4 |
| 10 | N.P.N. | . FAN CLUTCH | 1 | 1 | 4 |
| NS | 551017 | REPAIR KIT CLUTCH | 1 | 1 | |
| NS | 551016 | REPAIR KIT RADIAL SHAFT SEAL | 1 | 1 | |
| NS | 551015 | TOOL KIT FOR GEARBOX WITH FAN CLUTCH | 1 | 1 | |
| | | | | | |
| | | | | | |
| | | | | | |
| | | 4) NO PARTS NUMBER | | | |



| | | |
|------------|--------------|-------|
| | Date:10/2022 | XV-06 |
| ELECTRICAL | | |

Wiring Harness 5
Cable & Harness – Under Floor 80
Front End Cables & Harness 85





| | | |
|------------|--------------|-------|
| | Date:10/2022 | XV-06 |
| ELECTRICAL | | |

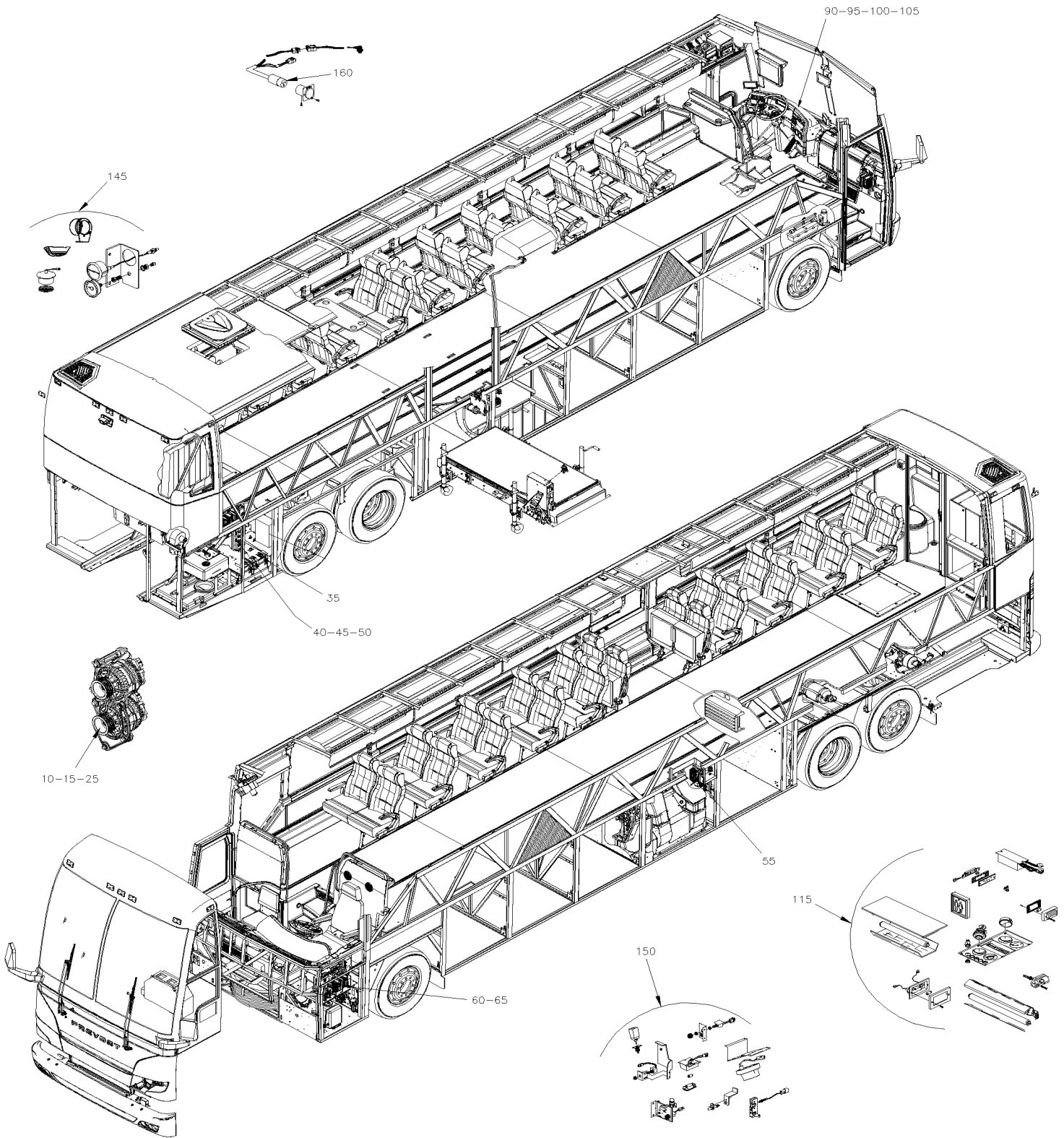


ILLUSTRATION REFERENCE ONLY



| | | Date:10/2022 | XV-06 | | |
|------------|------------|---|-----------------------|---|-----------------------|
| ELECTRICAL | | | | | |
| Item# | Part | Description | X 3 V I P | X L I I E N T 4 5 | N O T E S |
| 10 | XV-0605-00 | ALTERNATOR 24V/120 AMPS / "BOSCH" From B-5003 To D-5489 | | | |
| 15 | XV-0610-00 | ALTERNATOR MOUNTING / "BOSCH" 2X120AMPS VOLVO D13 From B-5003 To D-5489 | | | |
| 25 | XV-0610-60 | ALTERNATOR MOUNTING From B-5003 To D-5459 | | | |
| 25 | XV-0610-61 | ALTERNATOR MOUNTING / WITH SMALL A/C SYSTEM From D-5460 To D-5489 | | | |
| 25 | XV-0610-65 | ALTERNATOR MOUNTING / WITH LARGE A/C SYSTEM From D-5460 To D-5489 | | | |
| 35 | XV-0615-50 | BATTERIES INSTALLATION WITH "EPA 2010" From B-5003 To D-5459 | | | |
| 35 | XV-0615-51 | BATTERIES INSTALLATION From D-5460 To D-5489 | | | |
| 40 | XV-0616-00 | JUNCTION BOX COMPONENTS / MUX From B-5003 To D-5489 | | | |
| 40 | XV-0616-50 | BREAKERS PANEL From B-5003 To D-5489 | | | |
| 45 | XV-0620-05 | REAR JUNCTION BOX FAN - INSTALLATION From B-5003 To D-5489 | | | |
| 50 | XV-0620-50 | REAR JUNCTION BOX ASSY WITH "EPA 2010" From B-5003 To D-5458 | | | |
| 50 | XV-0620-51 | REAR JUNCTION BOX ASSY From D-5459 To D-5489 | | | |
| 55 | XV-0621-50 | A/C ELECTRICAL PANEL ASSY / EVAPORATOR DOOR From B-5003 To D-5458 | | | |
| 55 | XV-0621-51 | A/C ELECTRICAL PANEL ASSY / EVAPORATOR DOOR From D-5459 To D-5489 | | | |
| 60 | XV-0625-00 | FRONT JUNCTION PANEL From B-5003 To D-5489 | | | |
| 65 | XV-0625-10 | FRONT JUNCTION BOX - INSTALLATION From B-5003 To D-5489 | | | |
| 85 | XV-0640-50 | CABLE & HARNESS - FRONT END INSTALLATION From B-5003 To D-5489 | | | |
| 90 | XV-0645-05 | SWITCHES L.H. CONSOLE - MTH From B-5003 To D-5489 | | | |
| 95 | XV-0645-10 | L.H. DASHBOARD PANEL From B-5003 To D-5489 | | | |
| 100 | XV-0645-21 | CENTER DASHBOARD PANEL WITH "EPA 2010" From B-5003 To D-5489 | | | |
| 105 | XV-0645-30 | R.H. DASHBOARD PANEL From B-5003 To D-5489 | | | |
| 115 | XV-0655-00 | INTERIOR LIGHTING From B-5003 To D-5489 | | | |
| 120 | XV-0660-00 | HEADLAMP & FRONT DIRECTIONAL LAMPS ROUND "HALOGENE" & "XENON" From B-5003 To D-5489 | | | |
| 125 | XV-0661-00 | FOG LAMP From B-5003 To D-5489 | | | |
| 130 | XV-0662-00 | CLEARANCE & MARKER LIGHT From B-5003 To D-5489 | | | |
| 135 | XV-0663-00 | DOCK & CORNERING LIGHT From B-5003 To D-5489 | | | |
| 140 | XV-0664-00 | REAR EXTERIOR LIGHTS & PLATE HOLDER From B-5003 To D-5489 | | | |
| 145 | XV-0665-00 | ENGINE COMPARTMENT - ELECTRIC COMPONENTS From B-5003 To D-5489 | | | |
| 150 | XV-0665-10 | SWITCHES, LIGHTS, AJAR - UNDER FLOOR From B-5003 To D-5489 | | | |
| 160 | XV-0666-00 | BLOCK HEATER RECEPTACLE From B-5003 To D-5489 | | | |
| 165 | XV-0675-05 | SYSTEM - ADAPTIVE CRUISE CONTROL ACB - "BENDIX" From B-5024 To D-5489 | | | |



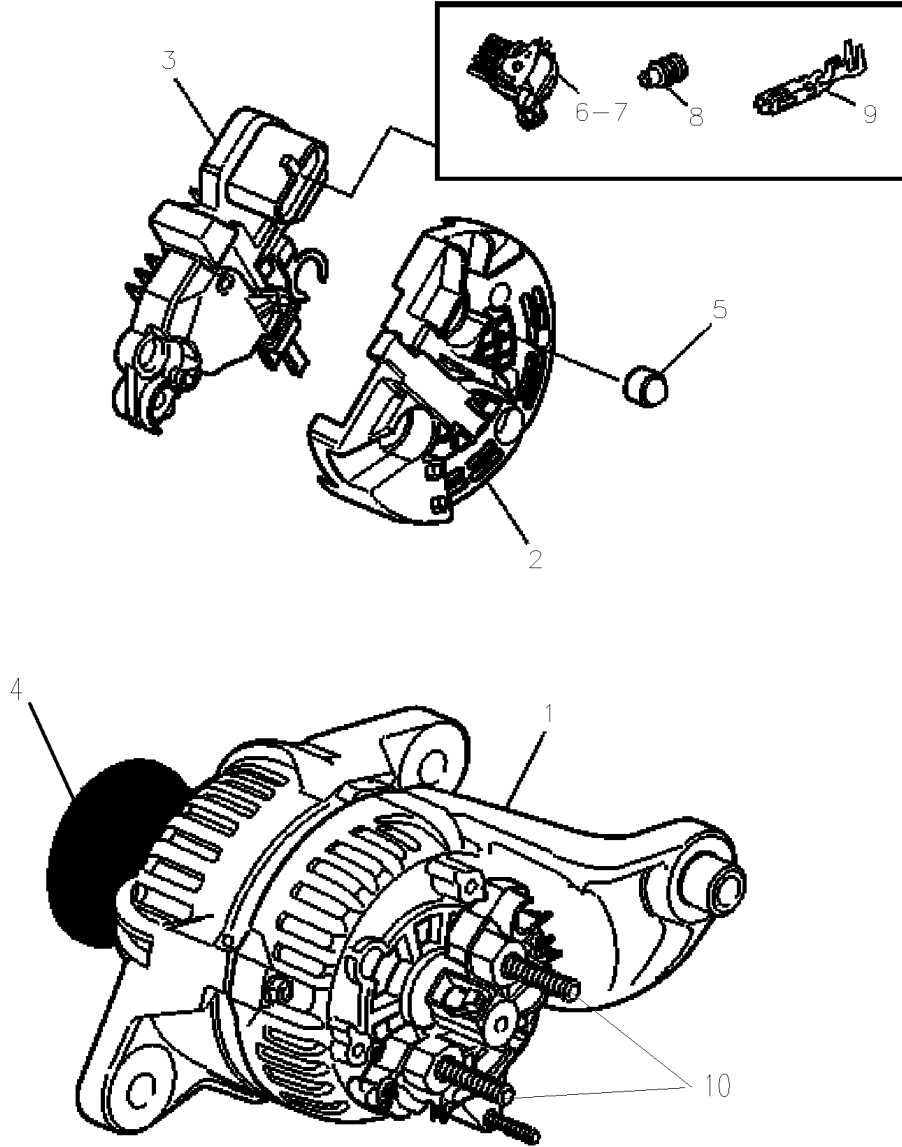
From B-5003 To D-5489

Date:10/2022

PAGE:XV-0605-00

ALTERNATOR 24V/120 AMPS / "BOSCH"

HARNESS INSTALLATION 50





| | | |
|--|---------------------|------------------------|
| From B-5003 To D-5489 | Date:10/2022 | PAGE:XV-0605-00 |
| ALTERNATOR 24V/120 AMPS / "BOSCH" | | |

| Item# | Part | Description | X 3 V I P | X L I I E N T 4 5 | N O T E S |
|-------|-------------------|--|-----------------------|---|-----------------------|
| 1 | 564119 | ALTERNATOR ASSY 24V/120 AMPS / W/OUT PULLEY | 1 | 1 | |
| . NS | 564469 | . CONNECTOR / MKR-PLUS / SH 5C / G&H 18241 000 000 | 1 | 1 | |
| 1 | 21429787 | ALTERNATOR ASSY 24V/120 AMPS ASSY / | 1 | 1 | |
| 2 | 20523388 | . COVER | 1 | 1 | |
| 3 | 20523391 | . BRUSH ASSY W/CHARGE REGULATOR / 24VOLT | 1 | 1 | |
| 4 | 565869 | PULLEY ALTERNATOR / "BOSCH" / 83MM DOB x 8 RIB | 1 | 1 | |
| NS | 21034254 | FLANGE NUT | 1 | 1 | |
| 5 | 20576874 | NUT, CAP PROTECTOR | 1 | 1 | |
| 6 | 564469 | CONNECTOR / MKR-PLUS / SH 5C / G&H 18241 000 000 | 1 | 1 | |
| 6 | 20429872 | CONNECTOR / MKR-PLUS / SH 5C | 1 | 1 | |
| 7 | 564470 | COVER / MKR-PLUS | 1 | 1 | |
| 7 | 20429873 | COVER / MKR-PLUS | 1 | 1 | |
| 8 | 564473 | CABLE SEAL / BLUE // G&H 16695 627 642 | 1 | 1 | |
| 8 | 3944654 | CABLE SEAL / BLUE / | 1 | 1 | |
| 8 | 564474 | CABLE SEAL / RED // G&H 16694 627 626 | 1 | 1 | |
| 9 | 564471 | SOCKET TERMINAL / 18-16 / G&H 26780 | 1 | 1 | |
| 10 | 564159 | ADAPTOR STUD M8 Male x M8 Female M8-1.25 x 18MM SS | 2 | 2 | |
| NS | 068013 | PROTECTION PLATE ASSY W/"VOLVO" ENGINE | 1 | 1 | |
| 50 | XV-0100-06 | ENGINE WIRING HARNESS - INSTALLATION WITH "VOLVO" ENGINE D-061103 | | | |
| | | | | | |
| | | | | | |
| | | | | | |

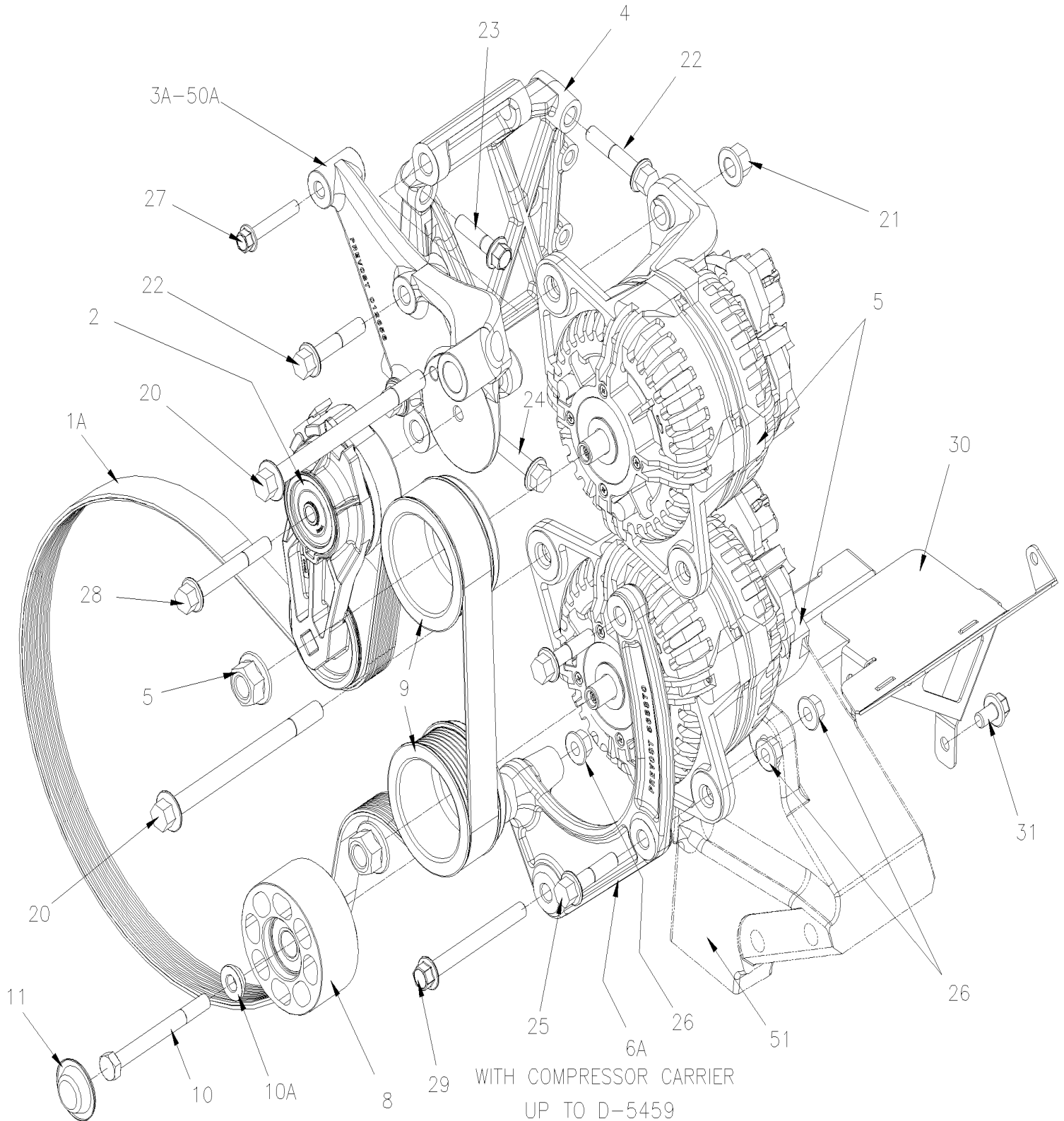


From B-5003 To D-5489

Date:10/2022

PAGE:XV-0610-00

ALTERNATOR MOUNTING / "BOSCH" 2X120AMPS VOLVO D13



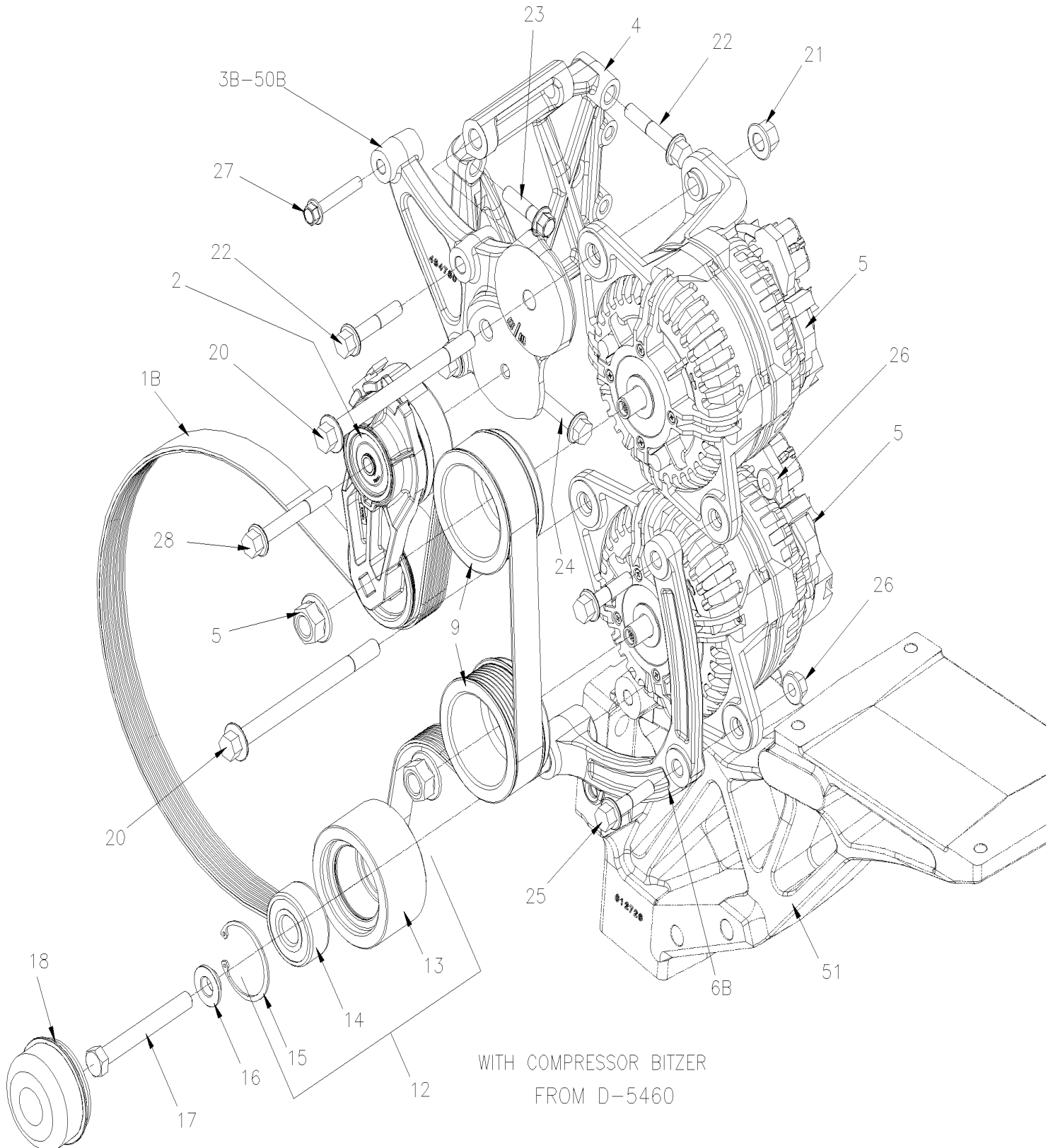


From B-5003 To D-5489

Date:10/2022

PAGE:XV-0610-00

ALTERNATOR MOUNTING / "BOSCH" 2X120AMPS VOLVO D13





From B-5003 To D-5489 Date:10/2022 PAGE:XV-0610-00

ALTERNATOR MOUNTING / "BOSCH" 2X120AMPS VOLVO D13

| Item# | Part | Description | X 3 V I P | X L I I E N T 4 5 | N O T E S |
|-------|-------------------|---|-----------------------|---|-----------------------|
| 1A | 505608 | MULTI V-BELT / 8 RIB 62.5" (1587.5) 8PK1587 STANDARD DUTY To D-5458 | 1 | 1 | |
| 1A | 5060114 | MULTI V-BELT / 8 RIB 62.5" (1587.5) 8PK1587.5 QT + SD (21-2121) To D-5458 | 1 | 1 | H |
| 1A | 5060113 | MULTI V-BELT / 8 RIB 60" (1524) 8PK1524 QT (21-2116) To D-5458 | 1 | 1 | E |
| 1B | 5060129 | MULTI V-BELT / 8 RIB 62" (1575MM) 8PK1575 QT From D-5459 | 1 | 1 | |
| 1B | 5060130 | MULTI V-BELT / 8 RIB 62" (1575MM) 8PK1575 SEVERE DUTY From D-5459 | 1 | 1 | H |
| 1B | 5060131 | MULTI V-BELT / 8 RIB 59.5" (1512MM) 8PK1512 QT From D-5459 | 1 | 1 | E |
| 2 | 510991 | AUTOMATIC TENSIONER ASSY | 1 | 1 | |
| 3A | 012656 | SUPPORT PULLEY ALT & A/C To D-5458 | 1 | 1 | |
| 3B | 454779 | SUPPORT PULLEY ALT & A/C WELDED From D-5459 | 1 | 1 | |
| 4 | 20995657 | ALTERNATOR MOUNT UPPER | 1 | 1 | |
| 5 | XV-0605-00 | ALTERNATOR 24V/120 AMPS / "BOSCH" | | | |
| 6A | 565870 | SUPPORT ASSY IDLER PULLEY & ALTERNATOR To D-5458 | 1 | 1 | |
| 6B | 21134692 | SUPPORT ASSY IDLER PULLEY & ALTERNATOR From D-5459 | 1 | 1 | |
| 7 | 012670 | ENGINE MOUNT CURBSIDE W/D13 PROTO | 1 | 1 | U |
| NS | 565874 | SPACER MOUNTING W/D13 PROTO | 1 | 1 | U |
| 8 | 510970 | PULLEY ASSY To D-5458 | 1 | 1 | C |
| . NS | 560974 | . BALL BEARING To D-5458 | 2 | 2 | C |
| 9 | 565869 | PULLEY ALTERNATOR / "BOSCH" / 83MM DOB x 8 RIB | 2 | 2 | |
| NS | 068346 | SHIM 20GA | AR | AR | |
| NS | 068347 | SHIM 26GA | AR | AR | |
| 10 | 5001785 | SCREW CAP HEXF M10-1.5x100 G10.9 N500 To D-5458 | 1 | 1 | |
| 10 | 5001901 | SCREW CAP HEX M10-1.5x100 G10.9 N500 From D-5393 | 1 | 1 | |
| 10A | 053022 | GUIDE, BUSHING From D-5393 | 1 | 1 | |
| 11 | 557056 | PROTECTOR CAP / STEEL 40.7MM O.D. x 11MM To D-5458 | 1 | 1 | |
| 12 | 457503 | PULLEY ASSY W/BEARING / 46MM x 86.5MM O.D. From D-5459 | 1 | 1 | |
| 13 | 457502 | . PULLEY / 46MM x 86.5MM O.D. From D-5459 | 1 | 1 | |
| 14 | 507340 | . BALL BEARING 20 ID x 52 OD x 22.2 W From D-5459 | 1 | 1 | D |
| 14 | 507014 | . BALL BEARING 20 ID x 52 OD x 22.2 W From D-5459 | 1 | 1 | |
| 15 | 504095 | . RING RETAINER / INT 2.00 x 2.12 x .062 From D-5459 | 1 | 1 | |
| 16 | 053033 | GUIDE, BUSHING From D-5459 To E-5649 | 1 | 1 | |
| 16 | 053690 | GUIDE, BUSHING From E-5650 | 1 | 1 | |
| 17 | 5001688 | SCREW CAP HEX M12-1.75x100 G10.9 G500 From D-5459 | 1 | 1 | |
| 18 | 453076 | CAP, DUST From D-5459 | 1 | 1 | |
| 20 | 5001853 | SCREW SHR CAP HEXF 13x130 (M12x1.75 G10.9 N500 | 2 | 2 | |
| 21 | 5001728 | NUT HEXF STO M12-1.75 N500 G10 | 2 | 2 | |
| 22 | 5001801 | SCREW CAP HEXF M10-1.5x55 G10.9 N500 | 4 | 4 | |
| 23 | 5001308 | SCREW CAP HEXF M10-1.5x40 G10.9 N500 | 1 | 1 | |
| 24 | 5001799 | SCREW CAP HEXF M10-1.5x70 G10.9 N500 | 1 | 1 | |
| 25 | 5001800 | SCREW CAP HEXF M10-1.5x45 G10.9 N500 | 2 | 2 | |
| 26 | 5001727 | NUT HEXF NYRT M10-1.5 N500 | 2 | 2 | |
| 27 | 500796 | SCREW CAP HEXF M8-1.25x50 G10.9 N500 | 1 | 1 | |



| | | |
|-----------------------|--------------|-----------------|
| From B-5003 To D-5489 | Date:10/2022 | PAGE:XV-0610-00 |
|-----------------------|--------------|-----------------|

ALTERNATOR MOUNTING / "BOSCH" 2X120AMPS VOLVO D13

| Item# | Part | Description | X 3 V I P | X L I I E N T 4 5 | N O T E S |
|-------|------------|---|-----------------------|---|-----------------------|
| 28 | 5001802 | SCREW CAP HEXF M10-1.5x80 G10.9 N500 To B-5035 | 1 | 1 | |
| 28 | 5001799 | SCREW CAP HEXF M10-1.5x70 G10.9 N500 From B-5036 To D-5459 | 1 | 1 | |
| 29 | 5001785 | SCREW CAP HEXF M10-1.5x100 G10.9 N500 | 2 | 2 | |
| 30 | 067854 | PROTECTION PLATE ASSY W/"VOLVO" ENGINE To D-5459 | 1 | 1 | |
| 31 | 5001729 | SCREW CAP HEXF M10-1.5x16 G8.8 N500 To D-5459 | 1 | 1 | |
| 50A | XV-0120-00 | DRIVE PULLEY, BELTS & TENSIONER WITH VOLVO D13 & 2x120Amps EPA2010 COMPRESSOR CARRIER | | | |
| 50B | XV-0120-01 | DRIVE PULLEY, BELTS & TENSIONER WITH VOLVO D13 & 2x120Amps COMPRESSOR BITZER | | | |
| 51 | XV-0150-00 | ENGINE CRADLE - WITH VOLVO D13 | | | |
| | | | | | |
| | | C) FOR PRODUCT IMPROVEMENT ASK FOR 1 X 053022 & 1 X 5001901 | | | |
| | | D) REPLACE BY # 507014 | | | |
| | | E) USE ON EMERGENCY WITH ONE ALTERNATOR | | | |
| | | H) SEVERE DUTY | | | |

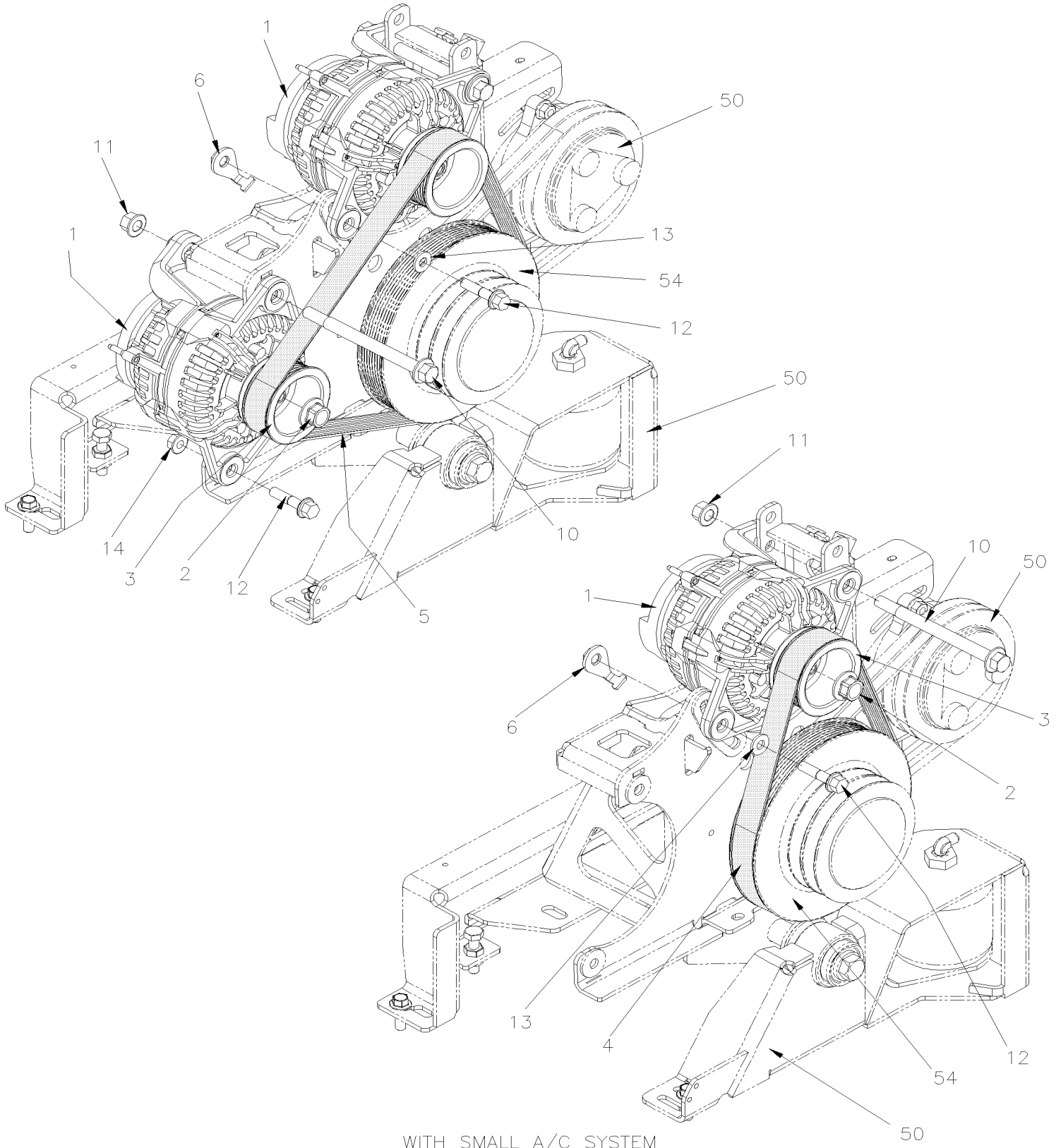


From B-5003 To D-5459

Date:10/2022

PAGE:XV-0610-60

ALTERNATOR MOUNTING



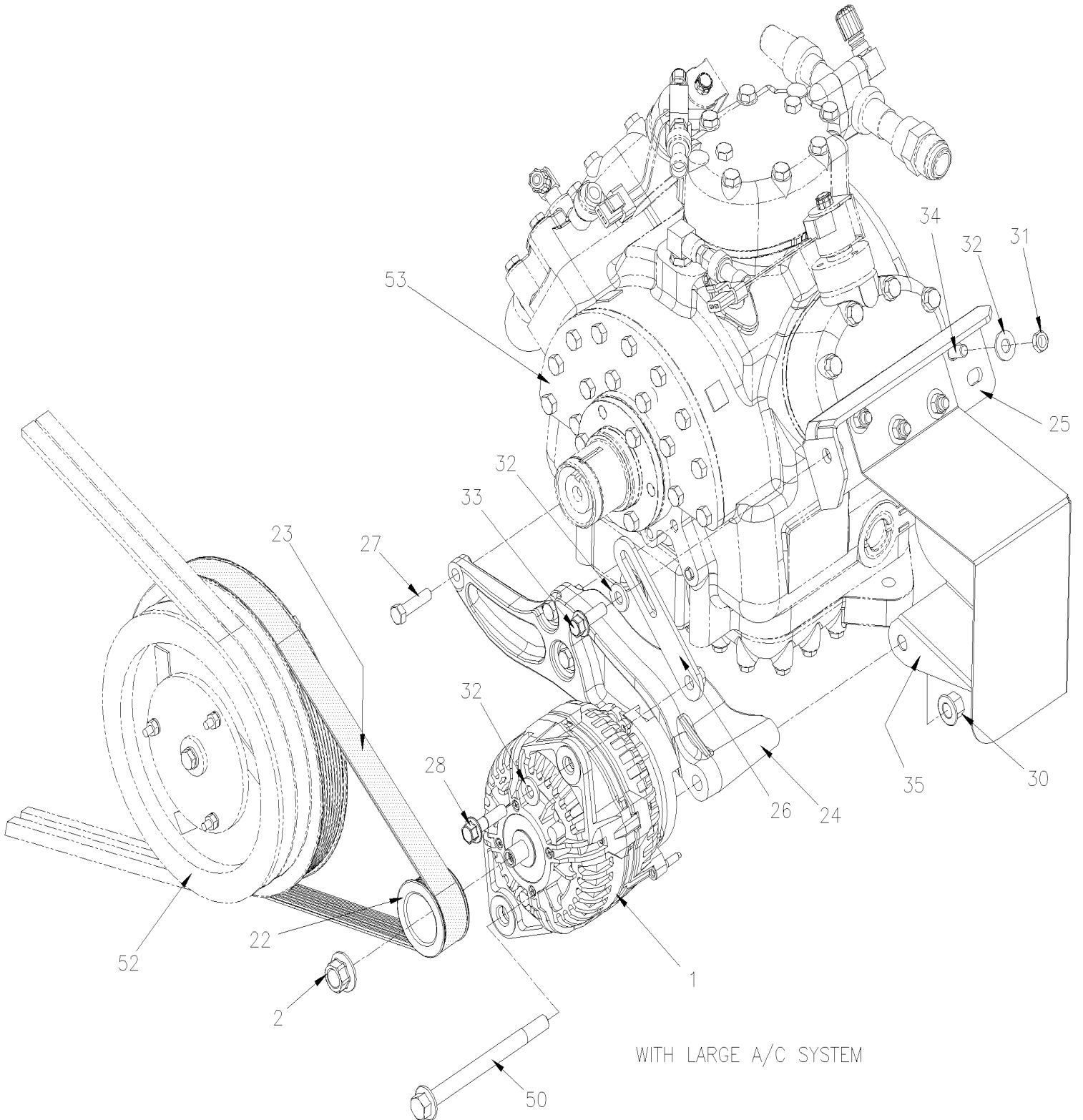


From B-5003 To D-5459

Date:10/2022

PAGE:XV-0610-60

ALTERNATOR MOUNTING





From B-5003 To D-5459 Date:10/2022 PAGE:XV-0610-60

ALTERNATOR MOUNTING

| Item# | Part | Description | X 3 V I P | X L I I E N T 4 5 | N O T E S |
|-------|-------------------|---|-----------------------|---|-----------------------|
| 1 | 564119 | ALTERNATOR ASSY 24V/120 AMPS / W/OUT PULLEY | AR | AR | |
| . NS | 564469 | . CONNECTOR / MKR-PLUS / SH 5C / G&H 18241 000 000 | 1 | 1 | |
| 1 | 564492 | ALTERNATOR ASSY 12V/200 AMPS / W/OUT PULLEY | AR | AR | |
| 1 | 067836 | CABLE ALTERNATOR MOUNT ON 1 SMALL COMPRESSOR | 1 | 1 | A |
| 2 | 21034254 | . FLANGE NUT | 1 | 1 | |
| 3 | 565869 | PULLEY ALTERNATOR / "BOSCH" / 83MM DOB x 8 RIB | AR | AR | 24V |
| 3 | 564511 | PULLEY ALTERNATOR / "BOSCH" / 83MM O.D. x 8 RIB | 1 | 1 | 12V |
| 4 | 978218 | MULTI V-BELT / 8 RIB 33.66" (855) 8PK855 | 1 | 1 | |
| 4 | 5060117 | MULTI V-BELT / 8 RIB 33.66" (855) 8PK855 QT (21-2186) | 1 | 1 | |
| 5 | 5061281 | MULTI V-BELT / 8 RIB 42.52" (1080) 8PK1080 | 1 | 1 | |
| 5 | 5060116 | MULTI V-BELT / 8 RIB 42.52" (1080) 8PK1080 QT (21-2115) | 1 | 1 | |
| 6 | 457491 | ATTACHMENT ALTERNATOR | 1 | 1 | |
| 10 | 5001853 | SCREW SHR CAP HEXF 13x130 {M12x1.75 G10.9 N500 | 2 | 2 | |
| 11 | 5001728 | NUT HEXF STO M12-1.75 N500 G10 | 2 | 2 | |
| 12 | 5001800 | SCREW CAP HEXF M10-1.5x45 G10.9 N500 | 2 | 2 | |
| 13 | 5001834 | WASHER BEL SPR 10.5X23X2.5 N500 | 1 | 1 | |
| 14 | 5001727 | NUT HEXF NYRT M10-1.5 N500 | 1 | 1 | |
| 22 | 564493 | PULLEY ALTERNATOR / "BOSCH" / 59MM O.D. x 8 RIB | 1 | 1 | 24V |
| 22 | 564510 | PULLEY ALTERNATOR / "BOSCH" / 59MM O.D. x 8 RIB | 1 | 1 | 12V |
| 23 | 5060116 | MULTI V-BELT / 8 RIB 42.52" (1080) 8PK1080 QT (21-2115) | 1 | 1 | |
| 24 | 068284 | SUPPORT ALTERNATOR LOWER | 1 | 1 | |
| 25 | 068015 | SUPPORT UPPER TENSIONER / M10.5 | 1 | 1 | |
| 26 | 068016 | TENSIONER 144.5MM / M10-1.5 | 1 | 1 | |
| 27 | 500193 | SCREW CAP HEX 3/8-16x1 1/2 G5 Z050 | 3 | 3 | |
| 28 | 5001308 | SCREW CAP HEXF M10-1.5x40 G10.9 N500 | 1 | 1 | |
| 29 | 5001853 | SCREW SHR CAP HEXF 13x130 {M12x1.75 G10.9 N500 | 1 | 1 | |
| 30 | 5001728 | NUT HEXF STO M12-1.75 N500 G10 | 1 | 1 | |
| 31 | 500208 | NUT HEX STO 3/8-16 N500 To C-5255 | 4 | 4 | |
| 31 | 500102 | NUT HEX 3/8-16 SS From C-5255 | 4 | 4 | |
| 32 | 5001834 | WASHER BEL SPR 10.5X23X2.5 N500 | 10 | 10 | |
| 33 | 5001741 | SCREW CAP HEXF M10-1.5x30 G8.8 N500 | 1 | 1 | |
| 34 | G5009572 | STUD | 4 | 4 | |
| 35 | 068457 | MUD GARD FOR ALTERNATOR From C-5255 | 1 | 1 | |
| 50 | XV-2245-50 | A/C SMALL COMPRESSOR - INSTALLATION | | | |
| 51 | XV-2250-00 | A/C COMPRESSOR ASSY 05G - TWIN PORT | | | |
| 52 | XV-2246-01 | A/C CLUTCH - WITH "BITZER" COMPRESSOR | | | |
| 53 | XV-2245-00 | A/C COMPRESSOR 05G - INSTALLATION | | | |
| 54 | XV-0120-00 | DRIVE PULLEY, BELTS & TENSIONER WITH VOLVO D13 & 2x120Amps EPA2010 | | | |



| | | |
|-----------------------|--------------|-----------------|
| From B-5003 To D-5459 | Date:10/2022 | PAGE:XV-0610-60 |
|-----------------------|--------------|-----------------|

ALTERNATOR MOUNTING

| Item# | Part | Description | X 3 V I P | X L I I E N T 4 5 | N O T E S |
|-------|------|---|-----------------------|---|-----------------------|
| | | | | | |
| | | 12V) USE WITH 12VOLTS ALTERNATOR | | | |
| | | 24V) USE WITH 24VOLTS ALTERNATOR | | | |
| | | A) WITH 1 ALT MOUNT ON SMALL A/C COMPRESSOR | | | |

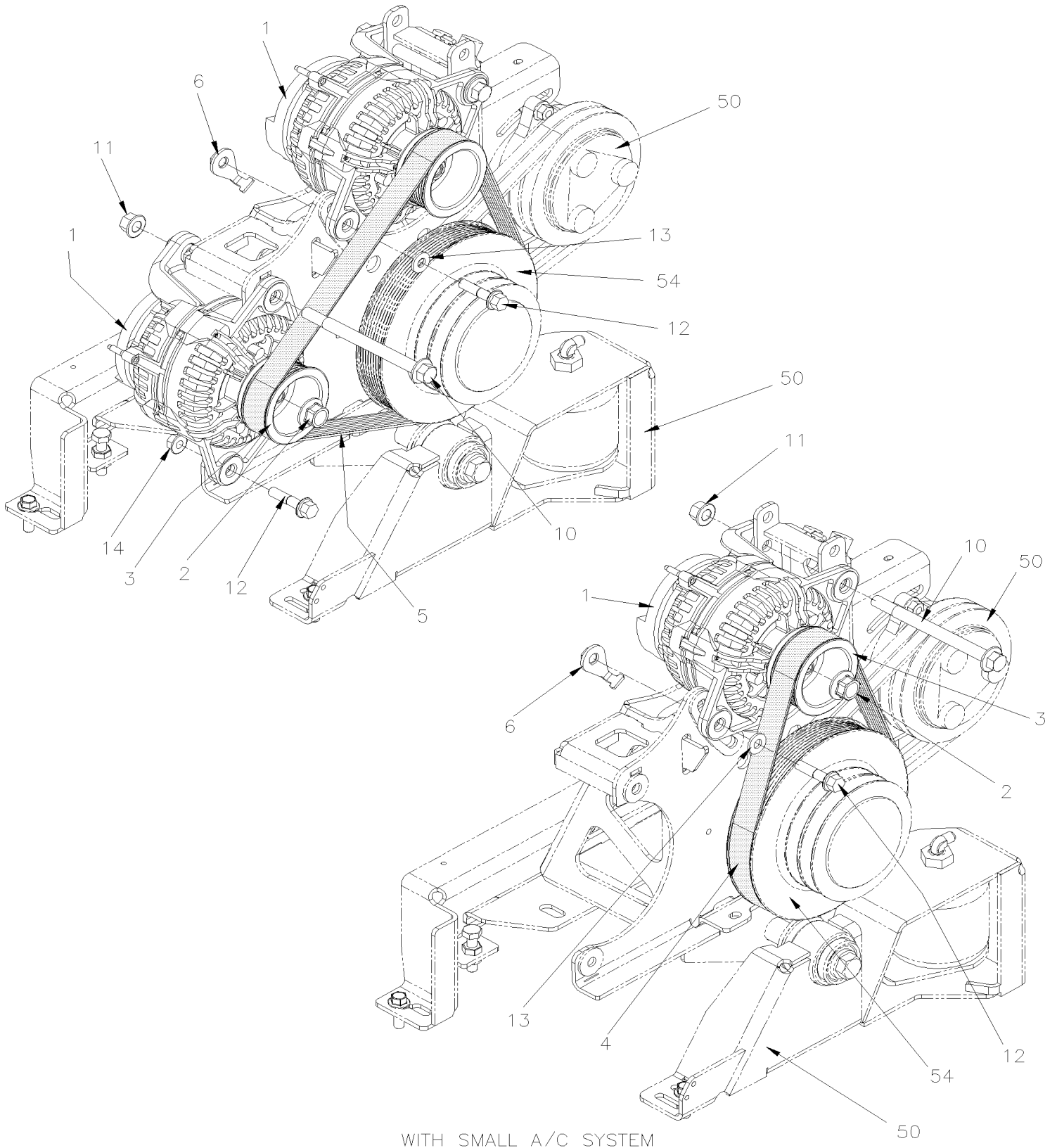


From D-5460 To D-5489

Date:10/2022

PAGE:XV-0610-61

ALTERNATOR MOUNTING / WITH SMALL A/C SYSTEM





From D-5460 To D-5489 Date:10/2022 PAGE:XV-0610-61

ALTERNATOR MOUNTING / WITH SMALL A/C SYSTEM

| Item# | Part | Description | X 3 V I P | X L I I E N T 4 5 | N O T E S |
|-------|-------------------|---|-----------------------|---|-----------------------|
| 1 | 564119 | ALTERNATOR ASSY 24V/120 AMPS / W/OUT PULLEY | AR | AR | |
| NS | 564469 | . CONNECTOR / MKR-PLUS / SH 5C / G&H 18241 000 000 | 1 | 1 | |
| 1 | 564492 | ALTERNATOR ASSY 12V/200 AMPS / W/OUT PULLEY | AR | AR | |
| 1 | 067836 | CABLE ALTERNATOR MOUNT ON 1 SMALL COMPRESSOR | 1 | 1 | A |
| 2 | 21034254 | . FLANGE NUT | 1 | 1 | |
| 3 | 565869 | PULLEY ALTERNATOR / "BOSCH" / 83MM DOB x 8 RIB | AR | AR | 24V |
| 3 | 564511 | PULLEY ALTERNATOR / "BOSCH" / 83MM O.D. x 8 RIB | AR | AR | 12V |
| 4 | 978218 | MULTI V-BELT / 8 RIB 33.66" (855) 8PK855 | 1 | 1 | |
| 4 | 5060117 | MULTI V-BELT / 8 RIB 33.66" (855) 8PK855 QT (21-2186) | 1 | 1 | |
| 5 | 5061281 | MULTI V-BELT / 8 RIB 42.52" (1080) 8PK1080 | 1 | 1 | |
| 5 | 5060116 | MULTI V-BELT / 8 RIB 42.52" (1080) 8PK1080 QT (21-2115) | 1 | 1 | |
| 6 | 457491 | ATTACHMENT ALTERNATOR | 1 | 1 | |
| 10 | 5001853 | SCREW SHR CAP HEXF 13x130 (M12x1.75 G10.9 N500 | 2 | 2 | |
| 11 | 5001728 | NUT HEXF STO M12-1.75 N500 G10 | 2 | 2 | |
| 12 | 5001308 | SCREW CAP HEXF M10-1.5x40 G10.9 N500 | 2 | 2 | |
| 13 | 5001834 | WASHER BEL SPR 10.5X23X2.5 N500 | 1 | 1 | |
| 14 | 5001727 | NUT HEXF NYRT M10-1.5 N500 | 1 | 1 | |
| NS | 680038 | THREAD LOCKER LOCTITE #243 / BLUE / 50ml | | | |
| 50 | XV-2245-50 | A/C SMALL COMPRESSOR - INSTALLATION | | | |
| 54 | XV-2245-50 | A/C SMALL COMPRESSOR - INSTALLATION | | | |
| | | | | | |
| | | | | | |
| | | 12V) USE WITH 12VOLTS ALTERNATOR | | | |
| | | 24V) USE WITH 24VOLTS ALTERNATOR | | | |
| | | A) WITH 1 ALT MOUNT ON SMALL A/C COMPRESSOR | | | |

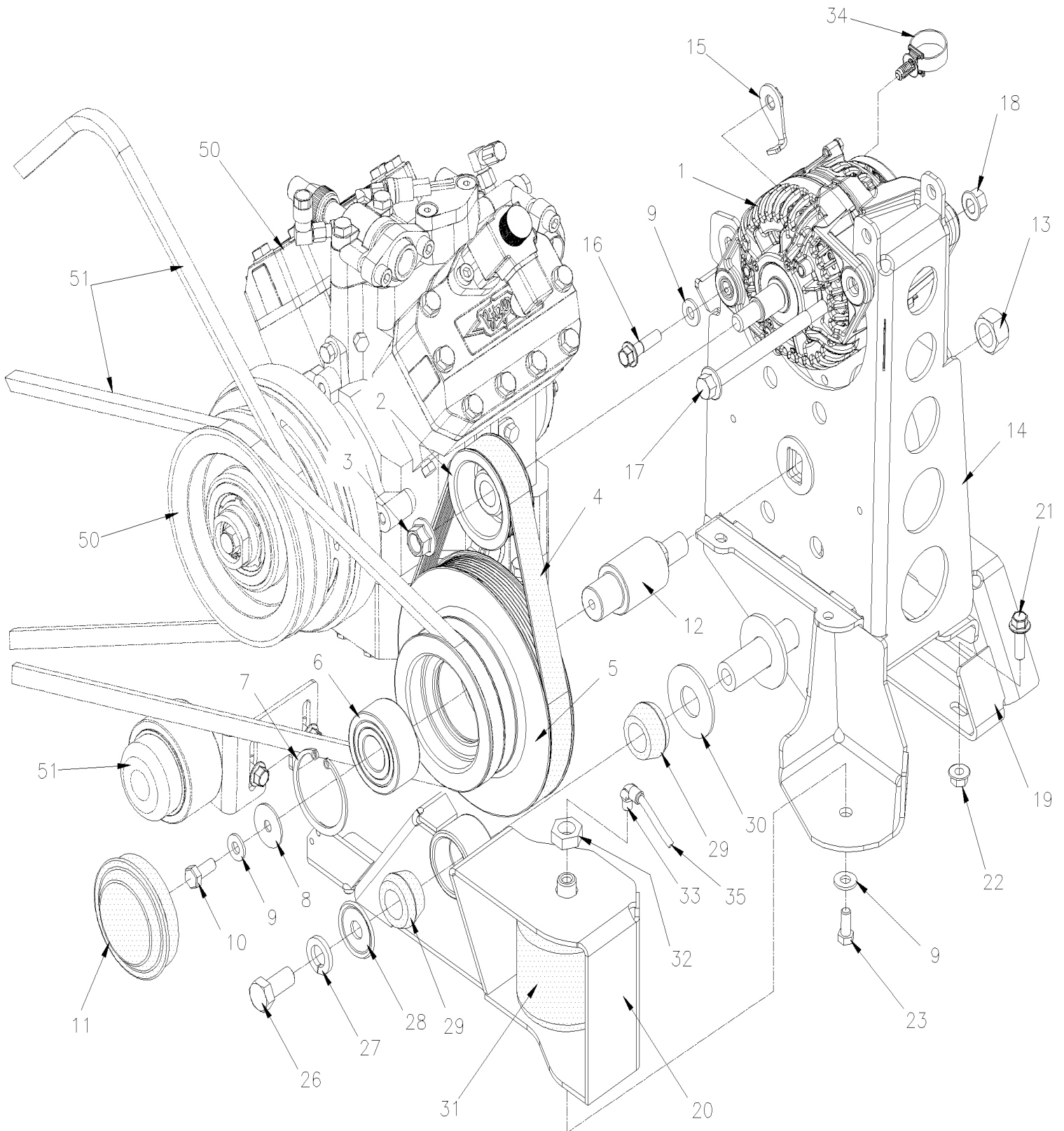


From D-5460 To D-5489

Date:10/2022

PAGE:XV-0610-65

ALTERNATOR MOUNTING / WITH LARGE A/C SYSTEM





From D-5460 To D-5489 Date:10/2022 PAGE:XV-0610-65

ALTERNATOR MOUNTING / WITH LARGE A/C SYSTEM

| Item# | Part | Description | X 3 V I P | X L I I E N T 4 5 | N O T E S |
|-------|-------------------|---|-----------------------|---|-----------------------|
| 1 | 564119 | ALTERNATOR ASSY 24V/120 AMPS / W/OUT PULLEY | 1 | 1 | |
| NS | 564469 | . CONNECTOR / MKR-PLUS / SH 5C / G&H 18241 000 000 | 1 | 1 | |
| 1 | 564492 | ALTERNATOR ASSY 12V/200 AMPS / W/OUT PULLEY | 1 | 1 | |
| 2 | 565869 | PULLEY ALTERNATOR / "BOSCH" / 83MM DOB x 8 RIB | 1 | 1 | 24V |
| 2 | 564511 | PULLEY ALTERNATOR / "BOSCH" / 83MM O.D. x 8 RIB | 1 | 1 | 12V |
| 3 | 21034254 | FLANGE NUT | 1 | 1 | |
| 4 | 5060117 | MULTI V-BELT / 8 RIB 33.66" (855) 8PK855 QT (21-2186) | 1 | 1 | |
| 5 | 457530 | PULLEY / W/4 GROOVE & 8 RIB 2/B + 8 RIB + 2/A | 1 | 1 | |
| 6 | 507675 | BALL BEARING | 1 | 1 | |
| 7 | 504736 | RING RETAINER / INT 72 x 75 x 2.5MM | 1 | 1 | |
| 8 | 500261 | WASHER FL .390x1.500x.083 N500 | 1 | 1 | |
| 9 | 5001834 | WASHER BEL SPR 10.5X23X2.5 N500 | 3 | 3 | |
| 10 | 502804 | SCREW CAP HEX M10-1.5x25 G8.8 N500 | 1 | 1 | |
| 11 | 950471 | CAP, DUST | 1 | 1 | |
| 12 | 457474 | SHAFT PULLEY | 1 | 1 | |
| 13 | 5001252 | NUT HEX STO M20-2.5 DP | 1 | 1 | |
| 14 | 068612 | SUPPORT ASSY / ALTERNATOR | 1 | 1 | |
| 15 | 457491 | ATTACHMENT ALTERNATOR | 1 | 1 | |
| 16 | 5001308 | SCREW CAP HEXF M10-1.5x40 G10.9 N500 | 1 | 1 | |
| 17 | 5001853 | SCREW SHR CAP HEXF 13x130 (M12x1.75 G10.9 N500 | 1 | 1 | |
| 18 | 5001728 | NUT HEXF STO M12-1.75 N500 G10 | 1 | 1 | |
| 19 | 457528 | SUPPORT OPPOSITE PULLEY SIDE | 1 | 1 | |
| 20 | 457529 | SUPPORT ASSY | 1 | 1 | |
| 21 | 5001741 | SCREW CAP HEXF M10-1.5x30 G8.8 N500 | 4 | 4 | |
| 22 | 5001727 | NUT HEXF NYRT M10-1.5 N500 | 4 | 4 | |
| 23 | 502926 | SCREW CAP HEX 3/8-16x7/8 G5 N500 | 1 | 1 | |
| 26 | 500813 | SCREW CAP HEX M16-2.0x35 G8.8 ZP | 2 | 2 | |
| 27 | 502884 | WASHER LO SPT 16.2x27.4x3.5 N500 | 2 | 2 | |
| 28 | 5001151 | WASHER CON 16.5x50.0x4.5 ZP | 2 | 2 | |
| 29 | 630002 | BUSHING / RUBBER / (TWO PIECES) 1" x 1.005" I.D. | 4 | 4 | |
| 30 | 500997 | WASHER FL 1.062x2.500x.125 SS | 2 | 2 | |
| 31 | 550840 | BELLOW ASSY / BELT TENSIONER / 4" O.D. | 1 | 1 | |
| 32 | 502917 | NUT HEX JAM 3/4-16 G2 N500 | 1 | 1 | |
| NS | 680038 | THREAD LOCKER LOCTITE #243 / BLUE / 50ml | AR | AR | |
| 33 | 641369 | MALE ELBOW 90° NON-SWIVEL / PUSH-IN FITTING / #4x1/8NPT-M BR | 1 | 1 | |
| NS | 680098 | THREAD SEALANT LOCTITE #567 / WHITE / 250ml | AR | AR | |
| 34 | 504750 | CABLE TIE / 1/2" x 15" / CHRISTMAS TREE | 1 | 1 | |
| 35 | 503402 | TUBE, NYLON 1/4 O.D. / BLACK S.L. | AR | AR | |
| 50 | XV-2245-01 | A/C COMPRESSOR "BITZER" - INSTALLATION | | | |
| 51 | XV-0120-01 | DRIVE PULLEY, BELTS & TENSIONER WITH VOLVO D13 & 2x120Amps | | | |
| | | | | | |
| | | | | | |



| | | |
|-----------------------|--------------|-----------------|
| From D-5460 To D-5489 | Date:10/2022 | PAGE:XV-0610-65 |
|-----------------------|--------------|-----------------|

ALTERNATOR MOUNTING / WITH LARGE A/C SYSTEM

| Item# | Part | Description | X 3 V I P | X L I I E N T 4 5 | N O T E S |
|-------|------|----------------------------------|-----------------------|---|-----------------------|
| | | | | | |
| | | 12V) USE WITH 12VOLTS ALTERNATOR | | | |
| | | 24V) USE WITH 24VOLTS ALTERNATOR | | | |

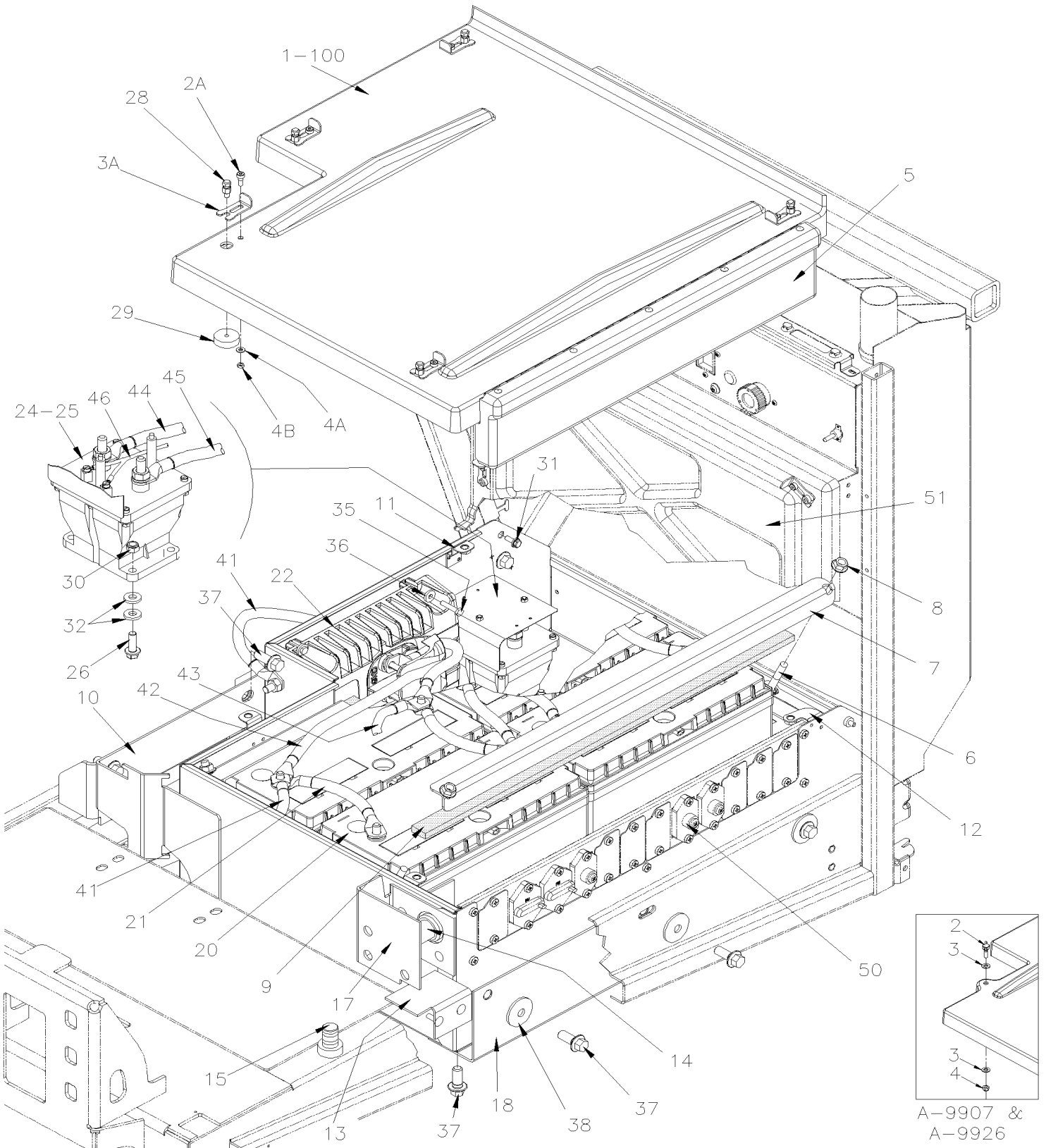


From B-5003 To D-5459

Date:10/2022

PAGE:XV-0615-50

BATTERIES INSTALLATION WITH "EPA 2010"





| | | |
|------------------------------|---------------------|------------------------|
| From B-5003 To D-5459 | Date:10/2022 | PAGE:XV-0615-50 |
|------------------------------|---------------------|------------------------|

BATTERIES INSTALLATION WITH "EPA 2010"

| Item# | Part | Description | X 3 V I P | X L I I E N T 4 5 | N O T E S |
|-------|-----------------|---|-----------------------|---|-----------------------|
| | Call order desk | COVER ASSY W/SIDE BREAKER COVER PROTECTOR From B-5002 | 1 | 1 | P |
| 1 | 068231 | . COVER From B-5002 | 1 | 1 | |
| NS | 5060103 | . RUBBER SEAL 6.56FT LONG | AR | AR | |
| 2A | 5001606 | . SCREW SHR HEXS 1/4x3/16 #10-24 SS From B-5002 | 5 | 5 | |
| 3A | 068235 | . LATCH ANGLE SLOTTED SS From B-5002 | 5 | 5 | |
| 4A | 5001137 | . WASHER FL .203x.438x.050 SS From B-5002 | 5 | 5 | |
| 4B | 5001180 | . NUT HEX NYRT #10-24 SS From B-5002 | 5 | 5 | |
| 5 | 067757 | . COVER SIDE BREAKERS | 1 | 1 | |
| NS | 506302 | . RUBBER EXTRUSION TRIM SEAL / GRIP .024 / 7/16" HOLLOW BULB C.T.L. | AR | AR | |
| NS | 067756 | . HINGE 622MM | 1 | 1 | |
| NS | 504379 | . RIVET POP DOME OE 3/16x1/4 SS | 10 | 10 | |
| NS | 068121 | DECAL "REAR JCT BREAKER'S PANEL | 1 | 1 | |
| 6 | 067753 | J-HOOK / 270.8MM / 3/8-16 SS | 4 | 4 | |
| 7 | 067754 | ANGLE BAR / BATTERIES RETAINER 700MM | 1 | 1 | |
| 8 | 500960 | NUT HEXF 3/8-16 ZP | 2 | 2 | |
| 9 | 5060102 | TAPE RUB ADH1 URE 3/8" x 1" x 30' / GREY 1820 | AR | AR | |
| 10 | 068239 | BOX ASSY / BATERIES COMPARTMENT | 1 | 1 | |
| 11 | 068238 | COVER BRACKET ANGLE | 4 | 4 | |
| 12 | 068240 | COVER BRACKET "J" FORM | 1 | 1 | |
| 13 | 067785 | GUARD BOX | 1 | 1 | |
| 14 | 561856 | BOOSTER BLOCK, REMOTE / RED | 1 | 1 | |
| 15 | 382101 | STUD, GROUND (WELDED TO STRUCTURE) | 1 | 1 | |
| NS | 564178 | GROUND CABLE BRAID 2/0 | 1 | 1 | |
| 17 | 067759 | GUARD BOX | 1 | 1 | |
| NS | 500515 | SCREW MA BDG SLT 1/4-20x1 NYL | 3 | 3 | |
| 17 | 5001348 | NUT WING 1/4-20 NYL | 3 | 3 | |
| 18 | 067755 | SUPPORT BOX ASSY / BATERIES COMPARTMENT To D-5295 | 1 | 1 | |
| 18 | 068209 | SUPPORT BOX ASSY / BATERIES COMPARTMENT From D-5296 | 1 | 1 | |
| 20 | 563030 | BATTERY 12V/930 CCA / GR31 | 4 | 4 | |
| 21 | 062371 | CABLE ASSY / B + TO B + | 5 | 5 | |
| 22 | 563634 | EQUALIZER "VANNER" 100AMPS | 1 | 1 | |
| NS | 5060074 | TAPE RUB ADH1 URE 3/8" X 2" X 30' / GREY 1820 | AR | AR | |
| 24 | 562364 | RELAY 24V S.P.S.T. / 300 AMPS N.O. // BATTERY DISCONNECT | 1 | 1 | |
| 25 | 064792 | DIODE ASSY | 1 | 1 | |
| . NS | 561740 | . DIODE / 3AMPS | 1 | 1 | |
| . NS | 560082 | . RING TERMINAL #10 / 16-14 / INSULATED / AMP 626033-2 | 1 | 1 | |
| . NS | 560815 | . RING TERMINAL #10 / 22-18 / INSULATED / AMP 42037-2 | 1 | 1 | |
| . NS | 562499 | . SHRINK TUBING / .250" - .125" / CLEAR / ALPHA FIT 221-1/4 | AR | AR | |
| 26 | 5001687 | SCREW CAP HEX M8-1.25x30 G10.9 MAGNI 565 | 3 | 3 | |
| 27 | 067888 | CABLE ASSY / BATTERIES GND TO BODY | 2 | 2 | |
| 28 | 068345 | SCREW SPECIAL 1/4-20x25MM SS | 1 | 1 | |
| 29 | 473378 | SEAL WASHER / RUB RAIL & PANEL From B-5002 | 5 | 5 | |



| | | |
|---|--------------|-----------------|
| From B-5003 To D-5459 | Date:10/2022 | PAGE:XV-0615-50 |
| BATTERIES INSTALLATION WITH "EPA 2010" | | |

| Item# | Part | Description | X 3 V I P | X L I I E N T 4 5 | N O T E S |
|-------|-------------------|--|-----------------------|---|-----------------------|
| 30 | 502847 | NUT HEX NYRT M8-1.25 N500 | 3 | 3 | |
| 31 | 5001730 | SCREW CAP HEXF M6-1.0x16 G10.9 N500 | 1 | 1 | |
| 32 | 5001869 | WASHER FL .343x.750x.12 SS | 6 | 6 | |
| 35 | 502686 | SCREW CAP HEX M6-1.0x30 SS BK | 2 | 2 | |
| 36 | 5001654 | WASHER FL 6.4x17.0x3.0 SS | 2 | 2 | |
| 37 | 5001726 | SCREW CAP HEXF M12-1.75x30 G10.9 N500 To C-5133 | 4 | 4 | |
| 37 | 5001866 | SCREW CAP HEX M12-1.75x30 G10.9 N500 From C-5134 | 4 | 4 | |
| 38 | 500494 | WASHER BEL SPR .470x1.680x.125 N500 | 3 | 3 | |
| 41 | 067888 | CABLE ASSY / BATTERIES GND TO BODY | 2 | 2 | |
| 42 | 067655 | CABLE EQUALIZER | 1 | 1 | |
| 43 | 066296 | CABLE ASSY / B + TO B - | 1 | 1 | |
| 44 | 068163 | CABLE | 1 | 1 | |
| 45 | 068208 | CABLE | 1 | 1 | |
| 46 | 068134 | DIODE ASSY | 1 | 1 | |
| NS | 5001522 | NUT HEXF LO 3/8-16 SS | AR | AR | |
| 50 | XV-0616-50 | BREAKERS PANEL | | | |
| 51 | XV-0620-50 | REAR JUNCTION BOX ASSY WITH "EPA 2010" | | | |
| 52 | 068210 | DECAL / "BATTERIES CONNECTION WIRING" DIAGRAMG | 1 | 1 | |
| 53 | 066155 | DECAL PIN OUT / JCT BOX W/MUX | 1 | 1 | |
| 100 | 068875 | BATTERY PACK COVER SERVICE KIT | 1 | 1 | |
| NS | 068881 | DRILLING TEMPLATE | AR | AR | S |
| | | | | | |
| | | | | | |
| | | S) SERVICE | | | |
| | | P) CALL ORDER DESK FOR SPECIFIC APPLICATION (V.I.N.) | | | |

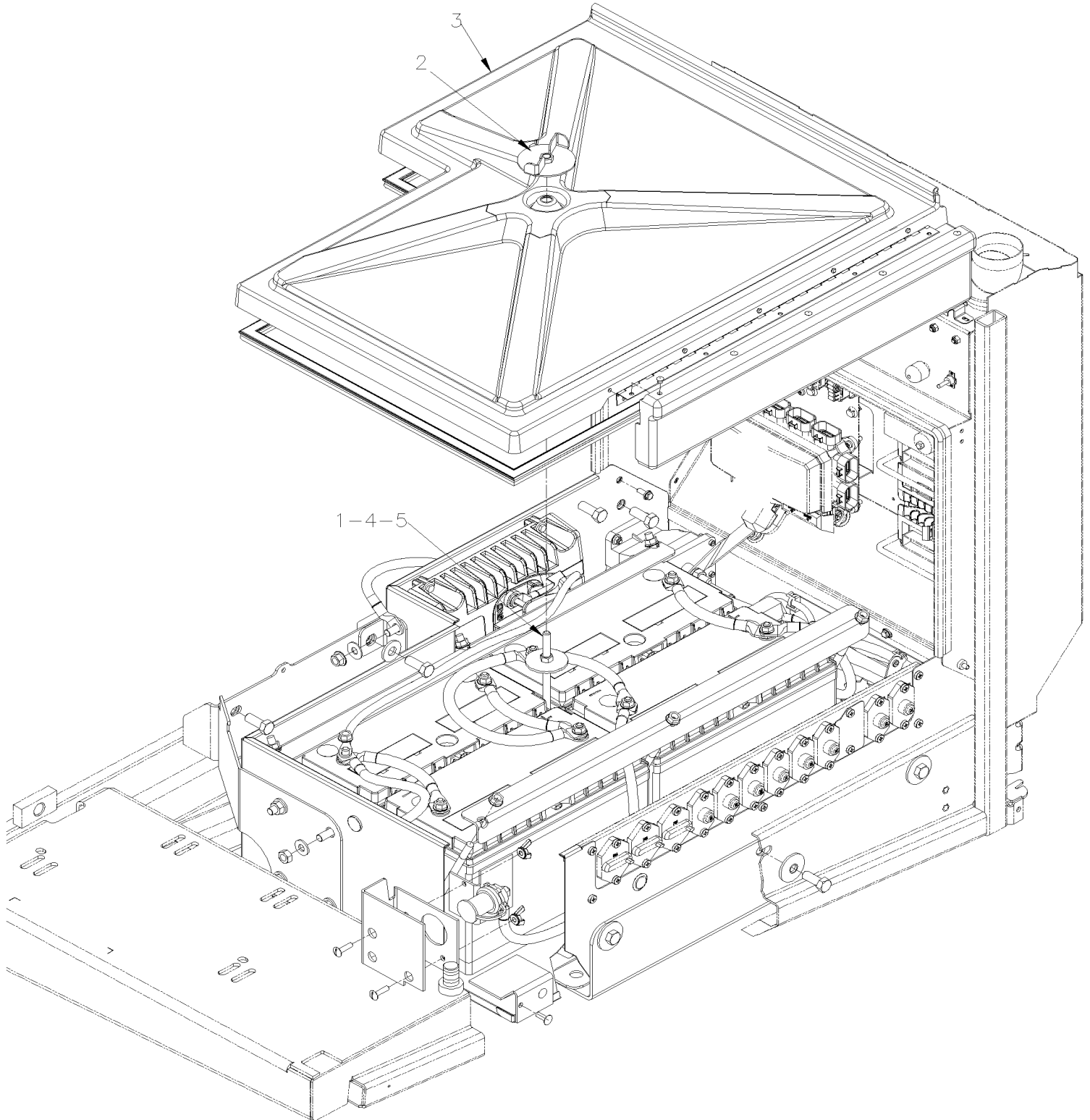


From B-5003 To D-5459

Date:10/2022

PAGE:068875

BATTERY PACK COVER SERVICE KIT





| | | |
|-----------------------|--------------|-------------|
| From B-5003 To D-5459 | Date:10/2022 | PAGE:068875 |
|-----------------------|--------------|-------------|

BATTERY PACK COVER SERVICE KIT

| Item# | Part | Description | X 3 V I P | X L I I E N T 4 5 | N O T E S |
|-------|--------|----------------------------------|-----------------------|---|-----------------------|
| 1 | 068704 | PLATE, ROD FOR COVER BATTERY BOX | 1 | 1 | |
| 2 | 068765 | NUT WING 3/8-16 | 1 | 1 | |
| 3 | 068858 | BATTERY BOX COVER ASSY | 1 | 1 | |
| 4 | 068867 | ROD, BATTERY BOX COVER (WELDED) | 1 | 1 | |
| 5 | 500702 | NUT HEX NYRT 3/8-16 SS | 1 | 1 | |
| | | | | | |
| | | | | | |
| | | | | | |

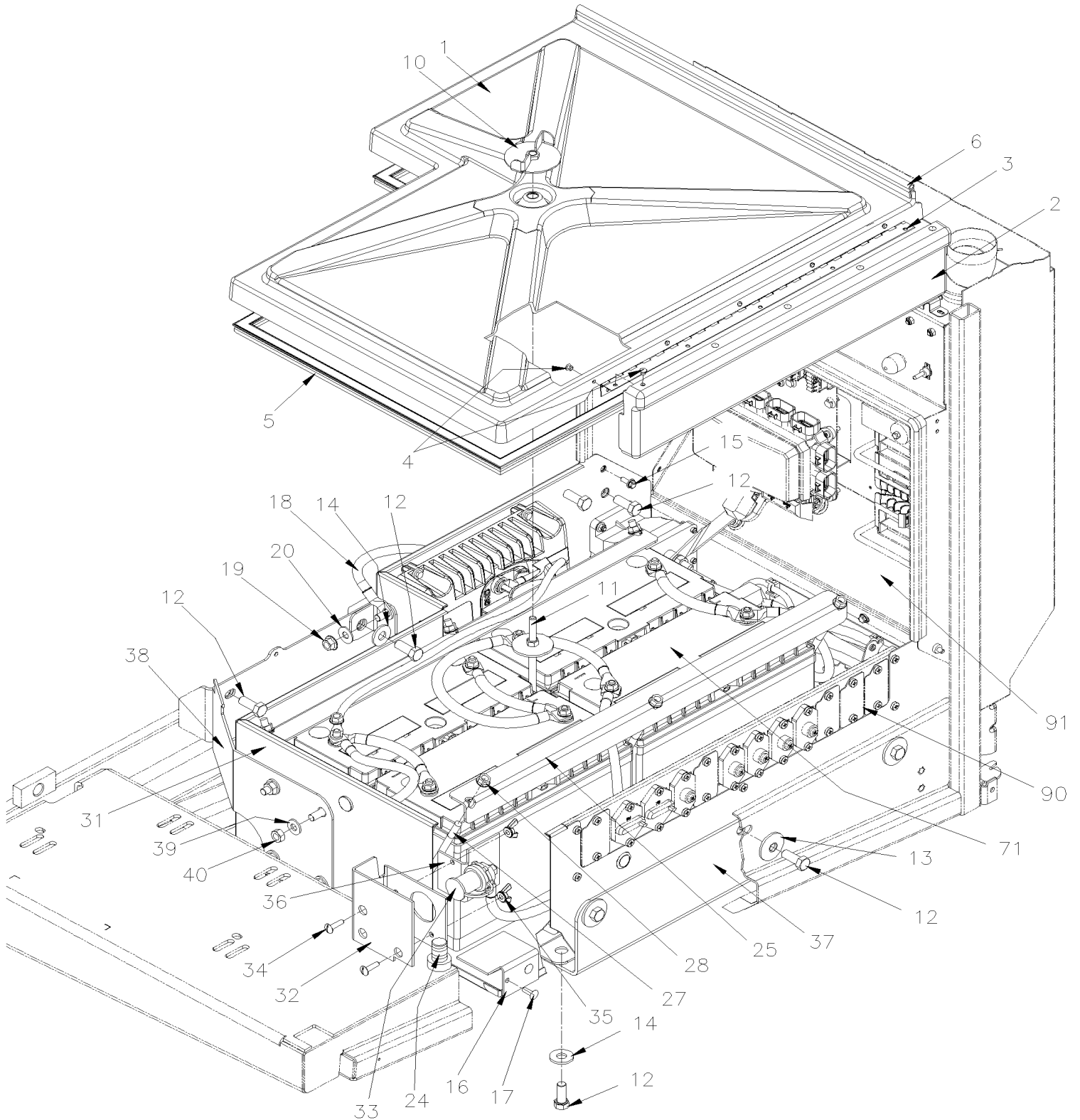


From D-5460 To D-5489

Date:10/2022

PAGE:XV-0615-51

BATTERIES INSTALLATION



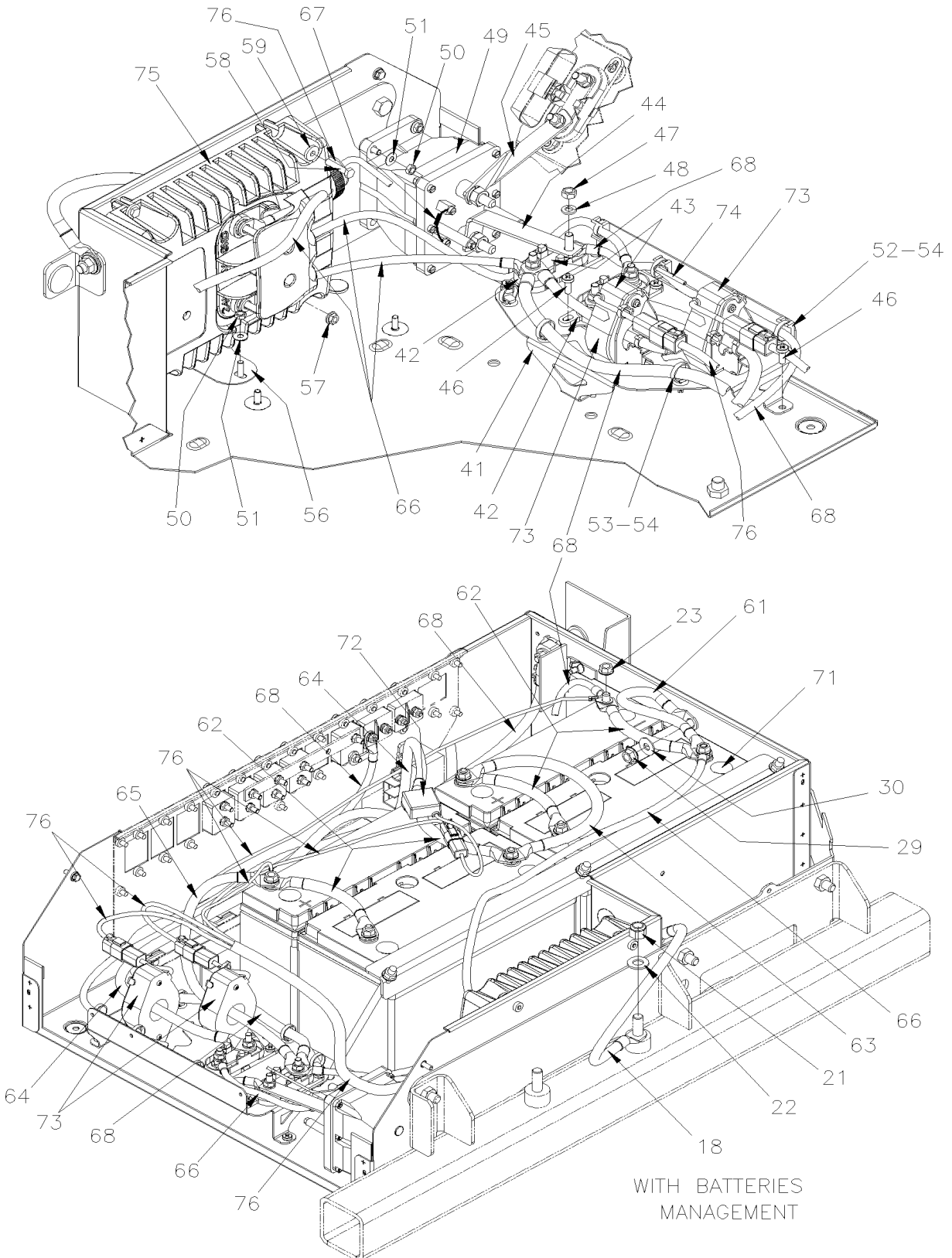


From D-5460 To D-5489

Date:10/2022

PAGE:XV-0615-51

BATTERIES INSTALLATION





From D-5460 To D-5489 Date:10/2022 PAGE:XV-0615-51

BATTERIES INSTALLATION

| Item# | Part | Description | X 3 V I P | X L I I E N T 4 5 | N O T E S |
|-------|---------|---|-----------------------|---|-----------------------|
| | 068701P | COVER ASSY W/SIDE BREAKER COVER PROTECTOR | 1 | 1 | |
| 1 | 068575 | . COVER | 1 | 1 | |
| 2 | 067757 | . COVER SIDE BREAKERS | 1 | 1 | |
| 3 | 067756 | . HINGE 622MM | 1 | 1 | |
| 4 | 504379 | . RIVET POP DOME OE 3/16x1/4 SS | 10 | 10 | |
| 5 | 5060103 | . RUBBER SEAL 6.56FT LONG | AR | AR | |
| 6 | 506302 | . RUBBER EXTRUSION TRIM SEAL / GRIP .024 / 7/16" HOLLOW BULB C.T.L. | AR | AR | |
| 10 | 068765 | NUT WING 3/8-16 | 1 | 1 | |
| 11 | 068902 | ROD, COVER BATTERY BOX | 1 | 1 | |
| 12 | 5001866 | SCREW CAP HEX M12-1.75x30 G10.9 N500 | 9 | 9 | |
| 13 | 500494 | WASHER BEL SPR .470x1.680x.125 N500 | 3 | 3 | |
| 14 | 500211 | WASHER FL .531x1.250x.125 N500 | 4 | 4 | |
| 15 | 5001730 | SCREW CAP HEXF M6-1.0x16 G10.9 N500 | 3 | 3 | |
| 16 | 067785 | GUARD BOX | 1 | 1 | |
| 17 | 5001438 | RIVET DRV TR 1/4x3/4 NYL | 2 | 2 | |
| 18 | 067888 | CABLE ASSY / BATTERIES GND TO BODY | 1 | 1 | |
| 19 | 502216 | NUT HEXF M10-1.5 SS | 1 | 1 | |
| 20 | 500270 | WASHER FL .406x1.000x.063 SS | 1 | 1 | |
| 21 | 502595 | NUT HEX NYRT 1/2-13 Z050 | 1 | 1 | |
| 22 | 500958 | WASHER FL .531x1.062x.095 SS | 1 | 1 | |
| 23 | 5001522 | NUT HEXF LO 3/8-16 SS | 8 | 8 | |
| 24 | 382101 | STUD, GROUND (WELDED TO STRUCTURE) | 1 | 1 | |
| 25 | 068580 | ANGLE BAR / BATTERIES RETAINER 710MM | 2 | 2 | |
| 27 | 067753 | J-HOOK / 270.8MM / 3/8-16 SS | 6 | 6 | |
| 28 | 5001522 | NUT HEXF LO 3/8-16 SS | 6 | 6 | |
| 29 | 502216 | NUT HEXF M10-1.5 SS | 1 | 1 | |
| 30 | 500270 | WASHER FL .406x1.000x.063 SS | 1 | 1 | |
| 31 | 068573 | BOX ASSY / BATERIES COMPARTMENT | 1 | 1 | |
| 31 | 506338 | RUBBER CHANNEL / 1/16" x 1/4" INT "U" SHAPE / ROUND C.T.L. | AR | AR | |
| 31 | 680066 | ADHESIVE / ADBOND #5014 / 23.6ML BOTTLE | AR | AR | |
| 32 | 067759 | GUARD BOX | 1 | 1 | |
| 32 | 067313 | DECAL / "BOOSTER BLOCK" + 24 / ENGLISH & FRANCAIS To D-5459 | 1 | 1 | |
| 32 | 067968 | DECAL / "BOOSTER BLOCK" + 24 PICTOGRAM From D-5460 | 1 | 1 | |
| 33 | 561856 | BOOSTER BLOCK, REMOTE / RED | 1 | 1 | |
| 34 | 500515 | SCREW MA BDG SLT 1/4-20x1 NYL | 3 | 3 | |
| 35 | 5001348 | NUT WING 1/4-20 NYL | 3 | 3 | |
| 36 | 067785 | GUARD BOX | 1 | 1 | |
| 37 | 068209 | SUPPORT BOX ASSY / BATERIES COMPARTMENT | 1 | 1 | |
| 38 | 068574 | SUPPORT, BOX BATTERY | 1 | 1 | |
| 39 | 5001834 | WASHER BEL SPR 10.5X23X2.5 N500 | 5 | 5 | |
| 40 | 500847 | NUT HEX M10-1.5 N500 | 5 | 5 | |
| 41 | 068599 | SUPPORT, ELECTRIC SENSOR | 1 | 1 | |



From D-5460 To D-5489 Date:10/2022 PAGE:XV-0615-51

BATTERIES INSTALLATION

| Item# | Part | Description | X 3 V I P | X L I E N T 4 5 | N O T E S |
|-------|-------------------|--|-----------------------|--------------------------------------|-----------------------|
| 42 | 563750 | FUSEHOLDER W/RED COVER / MEGA FUSE / | 2 | 2 | |
| 43 | 068169 | BUS BAR / W/2 HOLES | 2 | 2 | |
| 43 | 561756 | SHRINK TUBING / 1.000" - .500" / RED / ALPHA FIT-221-1 | AR | AR | |
| 44 | 068705 | BUS BAR / W/2 HOLES | 1 | 1 | |
| 45 | 068706 | BUS BAR / W/2 HOLES | 1 | 1 | |
| 46 | 502817 | SCREW MA PAN PH M6-1.0x16 N500 | 7 | 7 | |
| 47 | 500615 | NUT HEX M8-1.25 BR | 4 | 4 | |
| 48 | 500035 | WASHER LO SPT .317x.586x.078 SS | 4 | 4 | |
| 49 | 562364 | RELAY 24V S.P.S.T. / 300 AMPS N.O. // BATTERY DISCONNECT | 1 | 1 | |
| 50 | 502854 | NUT HEX M6-1.0 N500 | 4 | 4 | |
| 51 | 5001608 | WASHER BEL SPR 6.2x15.0x0.7 G500 | 4 | 4 | |
| 52 | 504013 | TIE MOUNT / 1/4" X 1/4" I.D. | 4 | 4 | |
| 52 | 504379 | RIVET POP DOME OE 3/16x1/4 SS | 4 | 4 | |
| 53 | 509815 | TIE MOUNT / ATTACHMENT W/TREE MOUNT | 4 | 4 | |
| 54 | 504637 | CABLE TIE / 3/16" x 13" | AR | AR | |
| 56 | 068578 | SUPPORT INTERMEDIARY, EQUALIZER | 1 | 1 | |
| 57 | 5001857 | NUT HEXF M6-1.0 N500 | 2 | 2 | |
| 58 | 502686 | SCREW CAP HEX M6-1.0x30 SS BK | 2 | 2 | |
| 59 | 5001654 | WASHER FL 6.4x17.0x3.0 SS | 2 | 2 | |
| 61 | 067888 | CABLE ASSY / BATTERIES GND TO BODY | 1 | 1 | |
| 62 | 062371 | CABLE ASSY / B + TO B + | 4 | 4 | |
| 63 | 066296 | CABLE ASSY / B + TO B - | 1 | 1 | |
| 64 | 067974 | CABLE 12VD | 1 | 1 | |
| 65 | 067972 | CABLE 24VD | 1 | 1 | |
| 66 | 067970 | CABLE EQUALIZER | 1 | 1 | |
| 67 | 068134 | DIODE ASSY | 1 | 1 | |
| 68 | 068165 | CABLE ASSY REAR JCT BREAKER ASSY | 1 | 1 | |
| | | NEXT FOLLOWING ITEM ARE USE ONLY WITH | | | |
| | | BATTERIES MANAGEMENT | | | |
| 71 | 21258363 | BATTERY AGM - 12V GR31 800 CCA | 4 | 4 | |
| 71 | 068735 | DECAL BATTERIES MANAGEMENT | 1 | 1 | |
| 72 | 067952 | SENSOR VOLT AND TEMP - VANNER | 1 | 1 | |
| 73 | 067954 | SENSOR 80/600AMP - VANNER | 2 | 2 | |
| 74 | 5001694 | SCREW MA PAN PH M4-0.7x40 SS BK | 4 | 4 | |
| 75 | 067951 | EQUALIZER "VANNER" 100AMPS | 1 | 1 | A |
| 75 | 560705 | EQUALIZER "VANNER" 100AMPS | 1 | 1 | |
| 76 | 067965 | HARNESS EQUALIZER CONTROL | 1 | 1 | |
| 90 | XV-0616-50 | BREAKERS PANEL | | | |
| 91 | XV-0620-51 | REAR JUNCTION BOX ASSY | 1 | 1 | |



| From D-5460 To D-5489 | | | Date:10/2022 | PAGE:XV-0615-51 | | |
|-------------------------------|------|---|-----------------------|---|-----------------------|--|
| BATTERIES INSTALLATION | | | | | | |
| Item# | Part | Description | X 3 V I P | X L I I E N T 4 5 | N O T E S | |
| | | | | | | |
| | | | | | | |
| | | A) FOR PRODUCT IMPROVMENT ASK FOR #560705 | | | | |

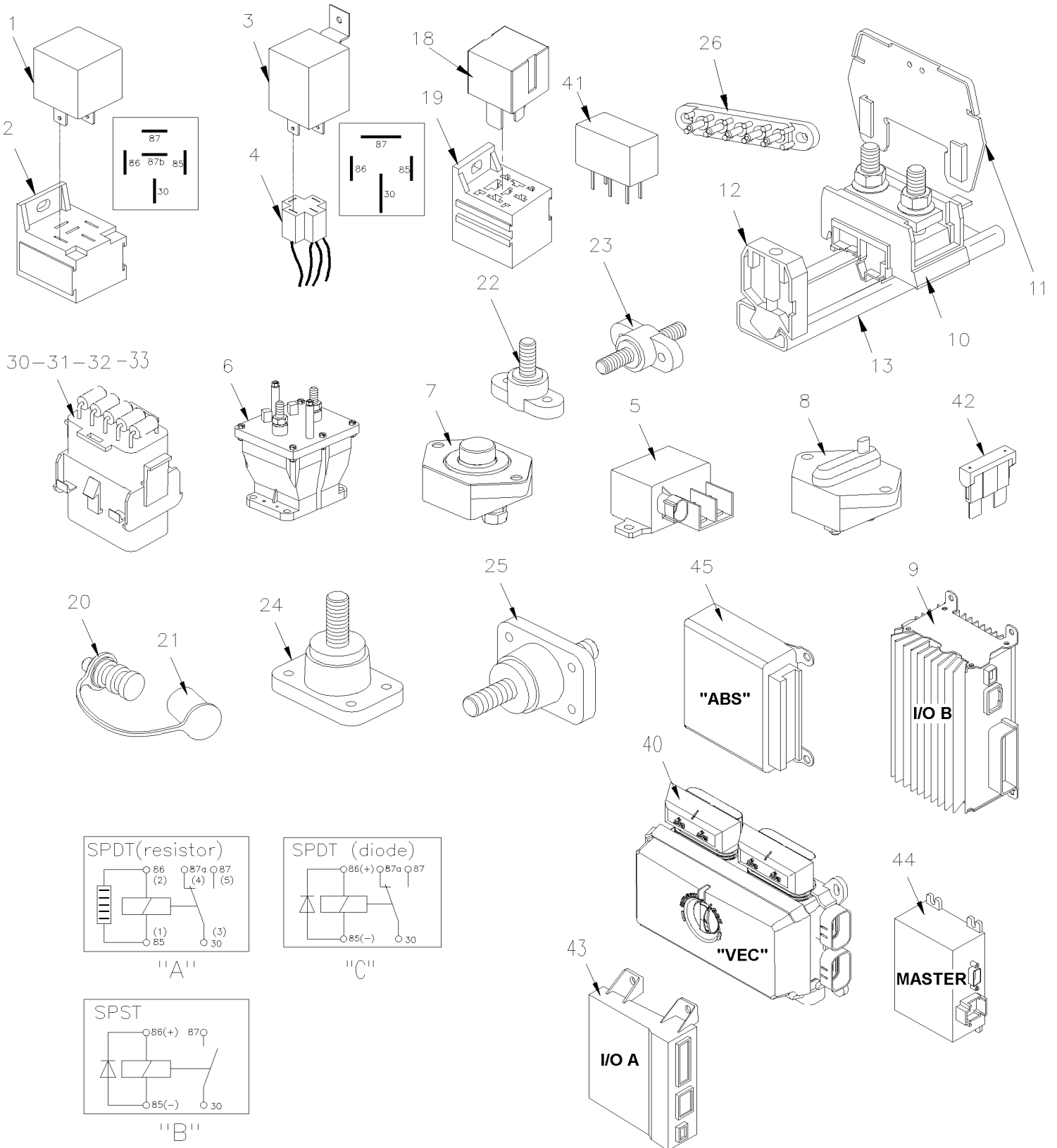


From B-5003 To D-5489

Date:10/2022

PAGE:XV-0616-00

JUNCTION BOX COMPONENTS / MUX





From B-5003 To D-5489 Date:10/2022 PAGE:XV-0616-00

JUNCTION BOX COMPONENTS / MUX

| Item# | Part | Description | X 3 V I P | X L I I E N T 4 5 | N O T E S |
|-------|---------|---|-----------------------|---|-----------------------|
| 1 | 563332 | RELAY 24V S.P.D.T. W/RESISTOR / "VOLVO" (20374662) | AR | AR | A |
| 1 | 561707 | RELAY 24V S.P.D.T. W/RESISTOR / | 1 | 1 | C |
| 1 | 563337 | RELAY 12V S.P.D.T. W/RESISTOR / | AR | AR | A |
| 2 | 561183 | RELAY BASE / TAB TERMINAL / BOSCH 3334485008 | AR | AR | |
| 3 | 561991 | RELAY 24V S.P.S.T. / 70 AMPS N.O. To C-5133 | AR | AR | B |
| 4 | 562367 | CONNECTOR / TAB HOUSING 4C / POTTER BRUMFIELD VCF7-1000 To C-5133 | AR | AR | |
| 5 | 563348 | RELAY POWER 24V 200 AMPS / S.P.S.T. N.O. | AR | AR | |
| . NS | 5001182 | . NUT HEX NYRT M6-1.0 SS | 1 | 1 | |
| . NS | 502573 | . WASHER FL 6.4x12.5x1.6 SS | 1 | 1 | |
| . NS | 563409 | . CONNECTOR / SUPERSEAL 1.5 SERIES / SH 2C / AMP 282080-1 | 1 | 1 | |
| . NS | 562607 | . SOCKET TERMINAL / 20-16 / AMP 183025-1 | 1 | 1 | |
| 6 | 562364 | RELAY 24V S.P.S.T. / 300 AMPS N.O. // BATTERY DISCONNECT | 1 | 1 | |
| NS | 064792 | DIODE ASSY | 1 | 1 | |
| . NS | 561740 | . DIODE / 3AMPS | 1 | 1 | |
| . NS | 560082 | . RING TERMINAL #10 / 16-14 / INSULATED / AMP 626033-2 | 1 | 1 | |
| . NS | 560815 | . RING TERMINAL #10 / 22-18 / INSULATED / AMP 42037-2 | 1 | 1 | |
| . NS | 562499 | . SHRINK TUBING / .250" - .125" / CLEAR / ALPHA FIT 221-1/4 | AR | AR | |
| 7 | 563594 | BREAKER 35AMPS / 24V / To E-5525 | AR | AR | |
| 7 | 565133 | BREAKER 35AMPS / 24V / W/O HARDWARE From E-5526 | AR | AR | |
| 7 | 562686 | BREAKER 40AMPS / 24V / To E-5525 | AR | AR | |
| 7 | 565134 | BREAKER 40AMPS / 24V / W/O HARDWARE From E-5526 | AR | AR | |
| 7 | 563355 | BREAKER 50AMPS / 24V / To E-5525 | AR | AR | |
| 7 | 565135 | BREAKER 50AMPS / 24V / W/O HARDWARE From E-5526 | AR | AR | |
| 7 | 562687 | BREAKER 70AMPS / 24V / To E-5525 | AR | AR | |
| 7 | 565136 | BREAKER 70AMPS / 24V / W/O HARDWARE From E-5526 | AR | AR | |
| 7 | 562683 | BREAKER 90AMPS / 24V / To E-5525 | AR | AR | |
| 7 | 565137 | BREAKER 90AMPS / 24V / W/O HARDWARE From E-5526 | AR | AR | |
| 7 | 562685 | BREAKER 105AMPS / 24V / To E-5525 | AR | AR | |
| 7 | 565138 | BREAKER 105AMPS / 24V / W/O HARDWARE From E-5526 | AR | AR | |
| 7 | 562688 | BREAKER 120AMPS / 24V / To E-5525 | AR | AR | |
| 7 | 565139 | BREAKER 120AMPS / 24V / W/O HARDWARE From E-5526 | AR | AR | |
| 7 | 562684 | BREAKER 150AMPS / 24V / To E-5525 | AR | AR | |
| 7 | 565140 | BREAKER 150AMPS / 24V / W/O HARDWARE From E-5526 | AR | AR | |
| NS | 5001924 | NUT HEX NYRT THN 1/4-28 SS From E-5526 | AR | AR | |
| NS | 502573 | WASHER FL 6.4x12.5x1.6 SS From E-5526 | AR | AR | |
| 8 | 563418 | BREAKER 30AMPS / 24V / To E-5525 | AR | AR | |
| 8 | 565141 | BREAKER 30AMPS / 24V / W/O HARDWARE From E-5526 | AR | AR | |
| 8 | 563420 | BREAKER 40AMPS / 24V / To E-5525 | AR | AR | |
| 8 | 565143 | BREAKER 40AMPS / 24V / W/O HARDWARE From E-5526 | AR | AR | |
| 8 | 563553 | BREAKER 50AMPS / 24V / To E-5525 | AR | AR | |
| 8 | 563424 | BREAKER 70AMPS / 24V / To E-5525 | AR | AR | |
| 8 | 565146 | BREAKER 70AMPS / 24V / W/O HARDWARE From E-5526 | AR | AR | |



From B-5003 To D-5489 Date:10/2022 PAGE:XV-0616-00

JUNCTION BOX COMPONENTS / MUX

| Item# | Part | Description | X 3 V I P | X L I I E N T 4 5 | N O T E S |
|-------|---------|--|-----------------------|---|-----------------------|
| 8 | 563425 | BREAKER 90AMPS / 24V / To E-5525 | AR | AR | |
| 8 | 565147 | BREAKER 90AMPS / 24V / W/O HARDWARE From E-5526 | AR | AR | |
| 8 | 563419 | BREAKER 100AMPS / 24V / To E-5525 | AR | AR | |
| 8 | 565142 | BREAKER 100AMPS / 24V / W/O HARDWARE | AR | AR | |
| 8 | 563421 | BREAKER 120AMPS / 24V / To E-5525 | AR | AR | |
| 8 | 565144 | BREAKER 120AMPS / 24V / W/O HARDWARE From E-5526 | AR | AR | |
| 8 | 563422 | BREAKER 150AMPS / 24V / To E-5525 | AR | AR | |
| 8 | 565145 | BREAKER 150AMPS / 24V / W/O HARDWARE From E-5526 | AR | AR | |
| NS | 5001924 | NUT HEX NYRT THN 1/4-28 SS From E-5526 | AR | AR | |
| NS | 502573 | WASHER FL 6.4x12.5x1.6 SS From E-5526 | AR | AR | |
| 9 | 564075 | I/O B-MODULE VOLVO MULTIPLEX / ALUMINUM To B-5029 | AR | AR | |
| . NS | 563132 | . CONNECTOR / SH 2C / YAZAKI 7283-6458-40 To B-5029 | 1 | 1 | |
| . NS | 563133 | . CONNECTOR / JUNIOR POWER TIMER / SH 29C / AMP 1-963449-2 To B-5029 | 1 | 1 | |
| . NS | 562957 | . CONNECTOR / SH 5C / GREEN / JAE IL-AG5-5S-S3C1 To B-5029 | 1 | 1 | |
| 9 | 564193 | I/O B-MODULE VOLVO MULTIPLEX / ALUMINUM From B-5030 | AR | AR | |
| . NS | 563132 | . CONNECTOR / SH 2C / YAZAKI 7283-6458-40 From B-5030 | 1 | 1 | |
| . NS | 563133 | . CONNECTOR / JUNIOR POWER TIMER / SH 29C / AMP 1-963449-2 From B-5030 | 1 | 1 | |
| . NS | 562957 | . CONNECTOR / SH 5C / GREEN / JAE IL-AG5-5S-S3C1 From B-5030 | 1 | 1 | |
| 10 | 561727 | SCREW MA PAN PH | AR | AR | |
| 11 | 561731 | COVER SUPPORT | AR | AR | |
| NS | 562024 | COVER / PROTECTOR / 3 BLOCKS | 1 | 1 | |
| 12 | 562645 | STOPPER "U" RAIL | AR | AR | |
| 13 | 382184 | RAIL SUPPORT "U" SHAPE 112MM | AR | AR | |
| 13 | 382187 | RAIL SUPPORT "U" SHAPE 400MM | AR | AR | |
| 18 | 564218 | RELAY 24V S.P.S.T. / 40 AMPS N.O. From C-5134 | AR | AR | |
| 19 | 564210 | RELAY BASE / TAB TERMINAL / COLE HERSEE 99025 From C-5134 | AR | AR | |
| 20 | 561856 | BOOSTER BLOCK, REMOTE / RED | AR | AR | |
| 20 | 561857 | BOOSTER BLOCK, REMOTE / BLACK | AR | AR | |
| 21 | 562691 | . PROTECTOR CAP / RED | 1 | 1 | |
| 21 | 562692 | . PROTECTOR CAP / BLACK | 1 | 1 | |
| 22 | 560422 | BLOCK, TERMINAL / 1 STUD 3/8-16 / BLACK | AR | AR | |
| 23 | 561102 | BLOCK, JUNCTION / 2 STUD 3/8-16 / BLACK | AR | AR | |
| 24 | 560177 | BLOCK, TERMINAL / 1 STUD 1/2-13 / BLACK | AR | AR | |
| NS | 562024 | COVER / PROTECTOR / 3 BLOCKS | AR | AR | |
| 25 | 560176 | BLOCK, JUNCTION / 2 STUD 1/2-13 / RED | AR | AR | |
| 26 | 563218 | JUNCTION BLOCK W/5 STUDS | AR | AR | |
| NS | 500765 | NUT HEX #10-32 BR | AR | AR | |
| 30 | 381145 | DIODE ASSY / W/5 3AMPS | AR | AR | |
| 31 | 382421 | DIODE ASSY / W/3 3AMPS | AR | AR | |
| 32 | 382175 | DIODE ASSY / W/3 3AMPS & 2 RESISTORS 100 OHMS | AR | AR | |
| 33 | 382244 | RESISTANCE ASSY / W/5 RESISTORS 1.2k OHMS From B-5002 | AR | AR | |
| 40 | 563698 | VEC DISTRIBUTION MODULE / REAR JCT BOX To B-5001 | 1 | 1 | |



From B-5003 To D-5489 Date:10/2022 PAGE:XV-0616-00

JUNCTION BOX COMPONENTS / MUX

| Item# | Part | Description | X 3 V I P | X L I I E N T 4 5 | N O T E S |
|-------|----------|---|-----------------------|---|-----------------------|
| . NS | 564104 | . COVER / VEC BOX To B-5001 | 1 | 1 | |
| . NS | 563269 | . RELAY 24V S.P.D.T. W/RESISTOR / To B-5001 | 3 | 3 | |
| . NS | 563004 | . FUSE / ATM 2 AMPS GREY To B-5001 | 1 | 1 | |
| . NS | 563279 | . FUSE / ATM 3 AMPS VIOLET To B-5001 | 1 | 1 | |
| . NS | 563005 | . FUSE / ATM 7.5 AMPS BROWN To B-5001 | 1 | 1 | |
| . NS | 563283 | . FUSE / ATM 10 AMPS RED To B-5001 | 12 | 12 | |
| . NS | 563284 | . FUSE / ATM 15 AMPS BLUE To B-5001 | 11 | 11 | |
| . NS | 563282 | . FUSE / ATM 20 AMPS YELLOW To B-5001 | 9 | 9 | |
| . NS | 563153 | . FUSE / ATM 25 AMPS NATURAL To B-5001 | 6 | 6 | |
| . NS | 563165 | . FUSE / ATM 30 AMPS GREEN To B-5001 | 1 | 1 | |
| . NS | 564464 | . MINI BREAKER / 20 AMPS / SERIES 223 To B-5001 | 1 | 1 | |
| . NS | 563181 | . CONNECTOR / SH 8C / YELLOW / BUSSMANN 32006-E21 To B-5001 | 1 | 1 | |
| . NS | 563182 | . CONNECTOR / SH 8C / ORANGE / BUSSMANN 32006-G21 To B-5001 | 1 | 1 | |
| . NS | 563183 | . CONNECTOR / SH 8C / RED / BUSSMANN 32006-F21 To B-5001 | 1 | 1 | |
| . NS | 563184 | . CONNECTOR / SH 8C / GREEN / BUSSMANN 32006-C21 To B-5001 | 1 | 1 | |
| . NS | 563185 | . CONNECTOR / SH 8C / BLACK / BUSSMANN 32006-A21 To B-5001 | 1 | 1 | |
| . NS | 563186 | . CONNECTOR / SH 8C / GREY / BUSSMANN 32006-B21 To B-5001 | 1 | 1 | |
| . NS | 563187 | . CONNECTOR / SH 8C / BROWN / BUSSMANN 32006-H21 To B-5001 | 1 | 1 | |
| . NS | 563448 | . CONNECTOR / SH 8C / BLUE / BUSSMANN 32006-D21 To B-5001 | 1 | 1 | |
| . NS | 19518268 | . COVER RUBBER RED To B-5001 | 2 | 2 | |
| 40 | 563635 | VEC DISTRIBUTION MODULE / REAR JCT BOX From B-5002 To C-5274 | 1 | 1 | |
| . NS | 564104 | . COVER / VEC BOX From B-5002 To C-5274 | 1 | 1 | |
| . NS | 563269 | . RELAY 24V S.P.D.T. W/RESISTOR / From B-5002 To C-5274 | 4 | 4 | |
| . NS | 563004 | . FUSE / ATM 2 AMPS GREY From B-5002 To C-5274 | 2 | 2 | |
| . NS | 563279 | . FUSE / ATM 3 AMPS VIOLET From B-5002 To C-5274 | 3 | 3 | |
| . NS | 563005 | . FUSE / ATM 7.5 AMPS BROWN From B-5002 To C-5274 | 2 | 2 | |
| . NS | 563283 | . FUSE / ATM 10 AMPS RED From B-5002 To C-5274 | 13 | 13 | |
| . NS | 563284 | . FUSE / ATM 15 AMPS BLUE From B-5002 To C-5274 | 9 | 9 | |
| . NS | 563282 | . FUSE / ATM 20 AMPS YELLOW From B-5002 To C-5274 | 12 | 12 | |
| . NS | 563153 | . FUSE / ATM 25 AMPS NATURAL From B-5002 To C-5274 | 6 | 6 | |
| . NS | 563165 | . FUSE / ATM 30 AMPS GREEN From B-5002 To C-5274 | 3 | 3 | |
| . NS | 563181 | . CONNECTOR / SH 8C / YELLOW / BUSSMANN 32006-E21 From B-5002 To C-5274 | 1 | 1 | |
| . NS | 563182 | . CONNECTOR / SH 8C / ORANGE / BUSSMANN 32006-G21 From B-5002 To C-5274 | 1 | 1 | |
| . NS | 563183 | . CONNECTOR / SH 8C / RED / BUSSMANN 32006-F21 From B-5002 To C-5274 | 1 | 1 | |
| . NS | 563184 | . CONNECTOR / SH 8C / GREEN / BUSSMANN 32006-C21 From B-5002 To C-5274 | 1 | 1 | |
| . NS | 563185 | . CONNECTOR / SH 8C / BLACK / BUSSMANN 32006-A21 From B-5002 To C-5274 | 1 | 1 | |
| . NS | 563186 | . CONNECTOR / SH 8C / GREY / BUSSMANN 32006-B21 From B-5002 To C-5274 | 1 | 1 | |
| . NS | 563187 | . CONNECTOR / SH 8C / BROWN / BUSSMANN 32006-H21 From B-5002 To C-5274 | 1 | 1 | |
| . NS | 563448 | . CONNECTOR / SH 8C / BLUE / BUSSMANN 32006-D21 From B-5002 To C-5274 | 1 | 1 | |
| . NS | 19518268 | . COVER RUBBER RED From B-5002 To C-5274 | 2 | 2 | |
| 40 | 563239 | VEC DISTRIBUTION MODULE / REAR JCT BOX From C-5275 | 1 | 1 | |
| . NS | 564104 | . COVER / VEC BOX From C-5275 | 1 | 1 | |



From B-5003 To D-5489 Date:10/2022 PAGE:XV-0616-00

JUNCTION BOX COMPONENTS / MUX

| Item# | Part | Description | X 3 V I P | X L I I E N T 4 5 | N O T E S |
|-------|----------|---|-----------------------|---|-----------------------|
| . NS | 563269 | . RELAY 24V S.P.D.T. W/RESISTOR / From C-5275 | 4 | 4 | |
| . NS | 563004 | . FUSE / ATM 2 AMPS GREY From C-5275 | 2 | 2 | |
| . NS | 563279 | . FUSE / ATM 3 AMPS VIOLET From C-5275 | 3 | 3 | |
| . NS | 563005 | . FUSE / ATM 7.5 AMPS BROWN From C-5275 | 2 | 2 | |
| . NS | 563283 | . FUSE / ATM 10 AMPS RED From C-5275 | 13 | 13 | |
| . NS | 563284 | . FUSE / ATM 15 AMPS BLUE From C-5275 | 9 | 9 | |
| . NS | 563282 | . FUSE / ATM 20 AMPS YELLOW From C-5275 | 12 | 12 | |
| . NS | 563153 | . FUSE / ATM 25 AMPS NATURAL From C-5275 | 6 | 6 | |
| . NS | 563165 | . FUSE / ATM 30 AMPS GREEN From C-5275 | 3 | 3 | |
| . NS | 563181 | . CONNECTOR / SH 8C / YELLOW / BUSSMANN 32006-E21 From C-5275 | 1 | 1 | |
| . NS | 563182 | . CONNECTOR / SH 8C / ORANGE / BUSSMANN 32006-G21 From C-5275 | 1 | 1 | |
| . NS | 563183 | . CONNECTOR / SH 8C / RED / BUSSMANN 32006-F21 From C-5275 | 1 | 1 | |
| . NS | 563184 | . CONNECTOR / SH 8C / GREEN / BUSSMANN 32006-C21 From C-5275 | 1 | 1 | |
| . NS | 563185 | . CONNECTOR / SH 8C / BLACK / BUSSMANN 32006-A21 From C-5275 | 1 | 1 | |
| . NS | 563186 | . CONNECTOR / SH 8C / GREY / BUSSMANN 32006-B21 From C-5275 | 1 | 1 | |
| . NS | 563187 | . CONNECTOR / SH 8C / BROWN / BUSSMANN 32006-H21 From C-5275 | 1 | 1 | |
| . NS | 563448 | . CONNECTOR / SH 8C / BLUE / BUSSMANN 32006-D21 From C-5275 | 1 | 1 | |
| . NS | 19518268 | . COVER RUBBER RED From C-5275 | 2 | 2 | |
| 40 | 564145 | VEC DISTRIBUTION MODULE / FRONT JCT BOX From B-5002 | 1 | 1 | |
| . NS | 564104 | . COVER / VEC BOX From B-5002 | 1 | 1 | |
| . NS | 563269 | . RELAY 24V S.P.D.T. W/RESISTOR / From B-5002 | 1 | 1 | |
| . NS | 563004 | . FUSE / ATM 2 AMPS GREY From B-5002 | 1 | 1 | |
| . NS | 563279 | . FUSE / ATM 3 AMPS VIOLET From B-5002 | 12 | 12 | |
| . NS | 563280 | . FUSE / ATM 5 AMPS AMBER From B-5002 | 4 | 4 | |
| . NS | 563005 | . FUSE / ATM 7.5 AMPS BROWN From B-5002 | 3 | 3 | |
| . NS | 563283 | . FUSE / ATM 10 AMPS RED From B-5002 | 7 | 7 | |
| . NS | 563284 | . FUSE / ATM 15 AMPS BLUE From B-5002 | 8 | 8 | |
| . NS | 563282 | . FUSE / ATM 20 AMPS YELLOW From B-5002 | 7 | 7 | |
| . NS | 563153 | . FUSE / ATM 25 AMPS NATURAL From B-5002 | 1 | 1 | |
| . NS | 563165 | . FUSE / ATM 30 AMPS GREEN From B-5002 | 1 | 1 | |
| . NS | 564464 | . MINI BREAKER / 20 AMPS / SERIES 223 From B-5002 | 1 | 1 | |
| . NS | 563181 | . CONNECTOR / SH 8C / YELLOW / BUSSMANN 32006-E21 From B-5002 | 1 | 1 | |
| . NS | 563182 | . CONNECTOR / SH 8C / ORANGE / BUSSMANN 32006-G21 From B-5002 | 1 | 1 | |
| . NS | 563183 | . CONNECTOR / SH 8C / RED / BUSSMANN 32006-F21 From B-5002 | 1 | 1 | |
| . NS | 563184 | . CONNECTOR / SH 8C / GREEN / BUSSMANN 32006-C21 From B-5002 | 1 | 1 | |
| . NS | 563185 | . CONNECTOR / SH 8C / BLACK / BUSSMANN 32006-A21 From B-5002 | 1 | 1 | |
| . NS | 563186 | . CONNECTOR / SH 8C / GREY / BUSSMANN 32006-B21 From B-5002 | 1 | 1 | |
| . NS | 563187 | . CONNECTOR / SH 8C / BROWN / BUSSMANN 32006-H21 From B-5002 | 1 | 1 | |
| . NS | 563448 | . CONNECTOR / SH 8C / BLUE / BUSSMANN 32006-D21 From B-5002 | 1 | 1 | |
| . NS | 564132 | . LOCK CONNECTOR POSITION ASSURANCE / BUSSMANN 32004-CP From B-5002 | AR | AR | |
| . NS | 19518268 | . COVER RUBBER RED From B-5002 | 2 | 2 | |
| 40 | 563699 | . MINI BREAKER / 20 AMPS / SERIES 212 | 2 | 2 | V |



From B-5003 To D-5489 Date:10/2022 PAGE:XV-0616-00

JUNCTION BOX COMPONENTS / MUX

| Item# | Part | Description | X 3 V I P | X L I I E N T 4 5 | N O T E S |
|-------|----------|---|-----------------------|---|-----------------------|
| 41 | 563269 | . RELAY 24V S.P.D.T. W/RESISTOR / | AR | AR | AV |
| 42 | 563004 | . FUSE / ATM 2 AMPS GREY | AR | AR | V |
| 42 | 563279 | . FUSE / ATM 3 AMPS VIOLET | AR | AR | V |
| 42 | 563280 | . FUSE / ATM 5 AMPS AMBER | AR | AR | V |
| 42 | 563005 | . FUSE / ATM 7.5 AMPS BROWN | AR | AR | V |
| 42 | 563283 | . FUSE / ATM 10 AMPS RED | AR | AR | V |
| 42 | 563284 | . FUSE / ATM 15 AMPS BLUE | AR | AR | V |
| 42 | 563282 | . FUSE / ATM 20 AMPS YELLOW | AR | AR | V |
| 42 | 563153 | . FUSE / ATM 25 AMPS NATURAL | AR | AR | V |
| 42 | 563165 | . FUSE / ATM 30 AMPS GREEN | AR | AR | V |
| 43 | 564101 | I/O A-MODULE VOLVO MULTIPLEX / BLACK To B-5029 | AR | AR | |
| . NS | 562767 | . CONNECTOR / SH 30C / GREEN / JAE IL-AG5-30S-D3C1 To B-5029 | 1 | 1 | |
| . NS | 562957 | . CONNECTOR / SH 5C / GREEN / JAE IL-AG5-5S-S3C1 To B-5029 | 1 | 1 | |
| . NS | 563132 | . CONNECTOR / SH 2C / YAZAKI 7283-6458-40 To B-5029 | 1 | 1 | |
| 43 | 564194 | I/O A-MODULE VOLVO MULTIPLEX / BLACK From B-5030 | AR | AR | |
| . NS | 562767 | . CONNECTOR / SH 30C / GREEN / JAE IL-AG5-30S-D3C1 From B-5030 | 1 | 1 | |
| . NS | 562957 | . CONNECTOR / SH 5C / GREEN / JAE IL-AG5-5S-S3C1 From B-5030 | 1 | 1 | |
| . NS | 563132 | . CONNECTOR / SH 2C / YAZAKI 7283-6458-40 From B-5030 | 1 | 1 | |
| 44 | 563295 | MASTER ID-MODULE VOLVO MULTIPLEX To C-5159 | 1 | 1 | |
| . NS | 562794 | . CONNECTOR / JUNIOR POWER TIMER / SH 9C / AMP 964561-4 To C-5159 | 1 | 1 | |
| 44 | 069538 | "MASTER ID" REPLACEMENT WITH "MCM" MODULE To C-5159 | 1 | 1 | |
| . NS | 069420 | . HARNESS MCM To C-5159 | 1 | 1 | |
| . NS | IS-11003 | . SEE INSTRUCTION SHEET To C-5159 | 1 | 1 | |
| 45 | 7770363 | CONTROL UNIT 12V / ABS 4 CH / UNPROGRAMMED | 1 | 1 | |
| 45 | 641948P | CONTROL UNIT 12V / ABS 4 CH / PROGRAMMED | 1 | 1 | |
| 50 | 068380 | SERVICE KIT TO REPLACE 70 AMP RELAY | AR | AR | |
| . NS | 564210 | . RELAY BASE / TAB TERMINAL / COLE HERSEE 99025 | 1 | 1 | |
| . NS | 564218 | . RELAY 24V S.P.S.T. / 40 AMPS N.O. | 1 | 1 | |
| . NS | FI11015 | . SEE INSTRUCTION SHEET ENS. REMPLACEMENT RELAIS 70A | 1 | 1 | |
| . NS | IS11015 | . SEE INSTRUCTION SHEET | 1 | 1 | |
| | | | | | |
| | | | | | |
| | | A) SEE CONTACT CONFIGURATION "A" | | | |
| | | B) SEE CONTACT CONFIGURATION "B" | | | |
| | | C) SEE CONTACT CONFIGURATION "C" | | | |
| | | V) INSIDE OF "VEC" | | | |

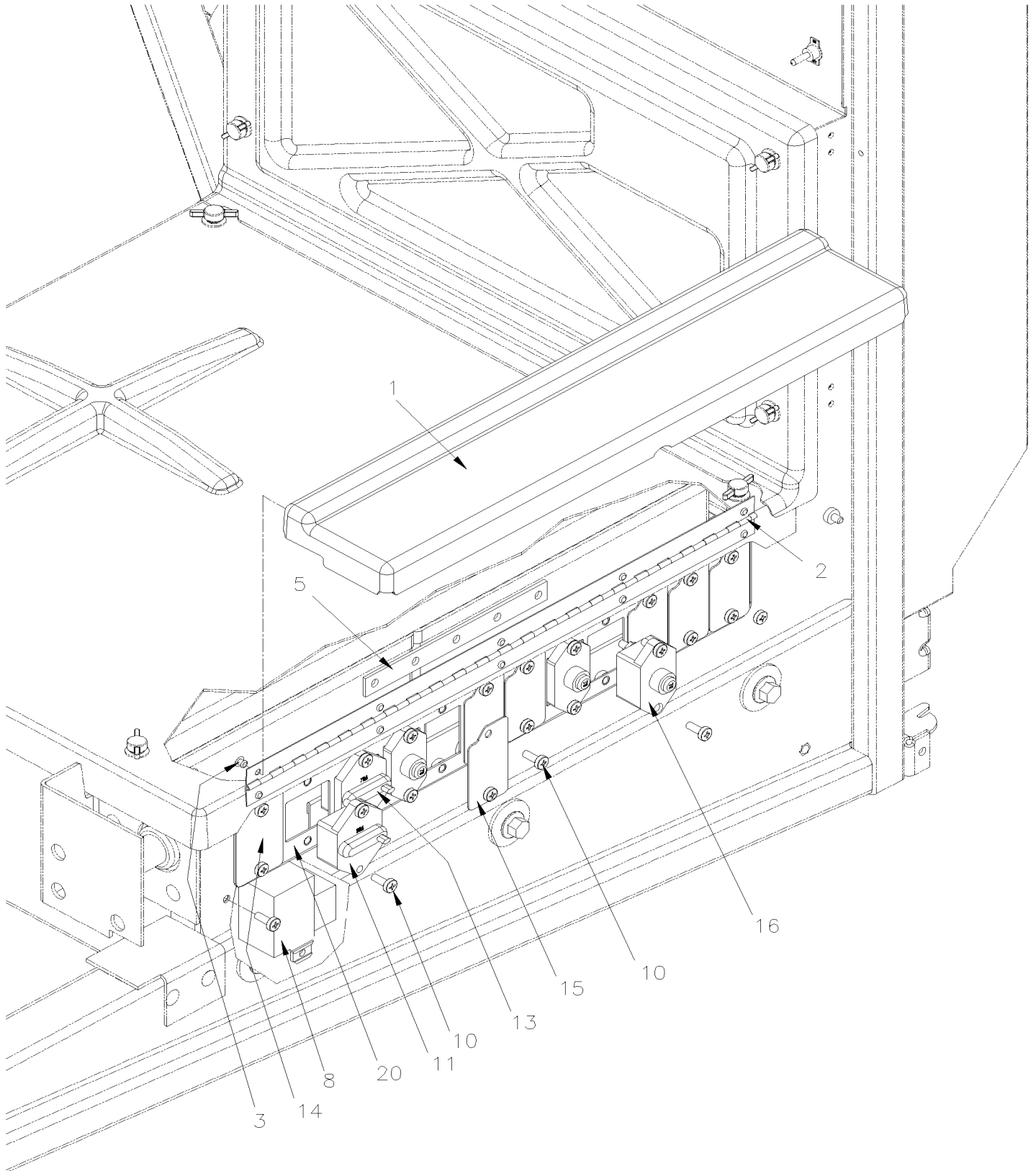


From B-5003 To D-5489

Date:10/2022

PAGE:XV-0616-50

BREAKERS PANEL





| | | |
|-----------------------|--------------|-----------------|
| From B-5003 To D-5489 | Date:10/2022 | PAGE:XV-0616-50 |
|-----------------------|--------------|-----------------|

BREAKERS PANEL

| Item# | Part | Description | X 3 V I P | X L I E N T 4 5 | N O T E S |
|-------|-----------------|---|-----------------------|--------------------------------------|-----------------------|
| | Call order desk | SUPPORT BREAKERS ASSY W/CABLE | 1 | 1 | P |
| 1 | 067757 | COVER SIDE BREAKERS | 1 | 1 | |
| 2 | 067756 | HINGE 622MM | 1 | 1 | |
| 3 | 504379 | RIVET POP DOME OE 3/16x1/4 SS | 10 | 10 | |
| 5 | 068059 | BUS BAR / W/5 HOLES / 45.5MM C/C | 1 | 1 | |
| 8 | 563348 | RELAY POWER 24V 200 AMPS / S.P.S.T. N.O. | 1 | 1 | |
| . NS | 5001182 | . NUT HEX NYRT M6-1.0 SS | 1 | 1 | |
| . NS | 502573 | . WASHER FL 6.4x12.5x1.6 SS | 1 | 1 | |
| . NS | 563409 | . CONNECTOR / SUPERSEAL 1.5 SERIES / SH 2C / AMP 282080-1 | 1 | 1 | |
| . NS | 562607 | . SOCKET TERMINAL / 20-16 / AMP 183025-1 | 1 | 1 | |
| NS | 5001182 | NUT HEX NYRT M6-1.0 SS | 1 | 1 | |
| 10 | 502817 | SCREW MA PAN PH M6-1.0x16 N500 | 24 | 24 | |
| 11 | 563425 | BREAKER 90AMPS / 24V / To E-5525 | 1 | 1 | |
| 11 | 565147 | BREAKER 90AMPS / 24V / W/O HARDWARE From E-5526 | 1 | 1 | S |
| 13 | 563424 | BREAKER 70AMPS / 24V / To E-5525 | 1 | 1 | |
| 13 | 565146 | BREAKER 70AMPS / 24V / W/O HARDWARE From E-5526 | 1 | 1 | S |
| NS | 5001924 | NUT HEX NYRT THN 1/4-28 SS From E-5526 | AR | AR | S |
| NS | 502573 | WASHER FL 6.4x12.5x1.6 SS From E-5526 | AR | AR | S |
| 14 | 382116 | CLOSING PLATE BREAKER HOLE To D-5459 | 1 | 1 | |
| 14 | 382450 | CLOSING PLATE BREAKER HOLE From D-5460 | 1 | 1 | |
| 15 | 382450 | CLOSING PLATE BREAKER HOLE | 6 | 6 | |
| 16 | 562687 | BREAKER 70AMPS / 24V / To E-5525 | 3 | 3 | |
| 16 | 565136 | BREAKER 70AMPS / 24V / W/O HARDWARE From E-5526 | 1 | 1 | |
| 20 | 068124 | SUPPORT BREAKER | 1 | 1 | |
| | | | | | |
| | | | | | |
| | | S) SERVICE ONLY | | | |
| | | P) CALL ORDER DESK FOR SPECIFIC APPLICATION (V.I.N.) | | | |

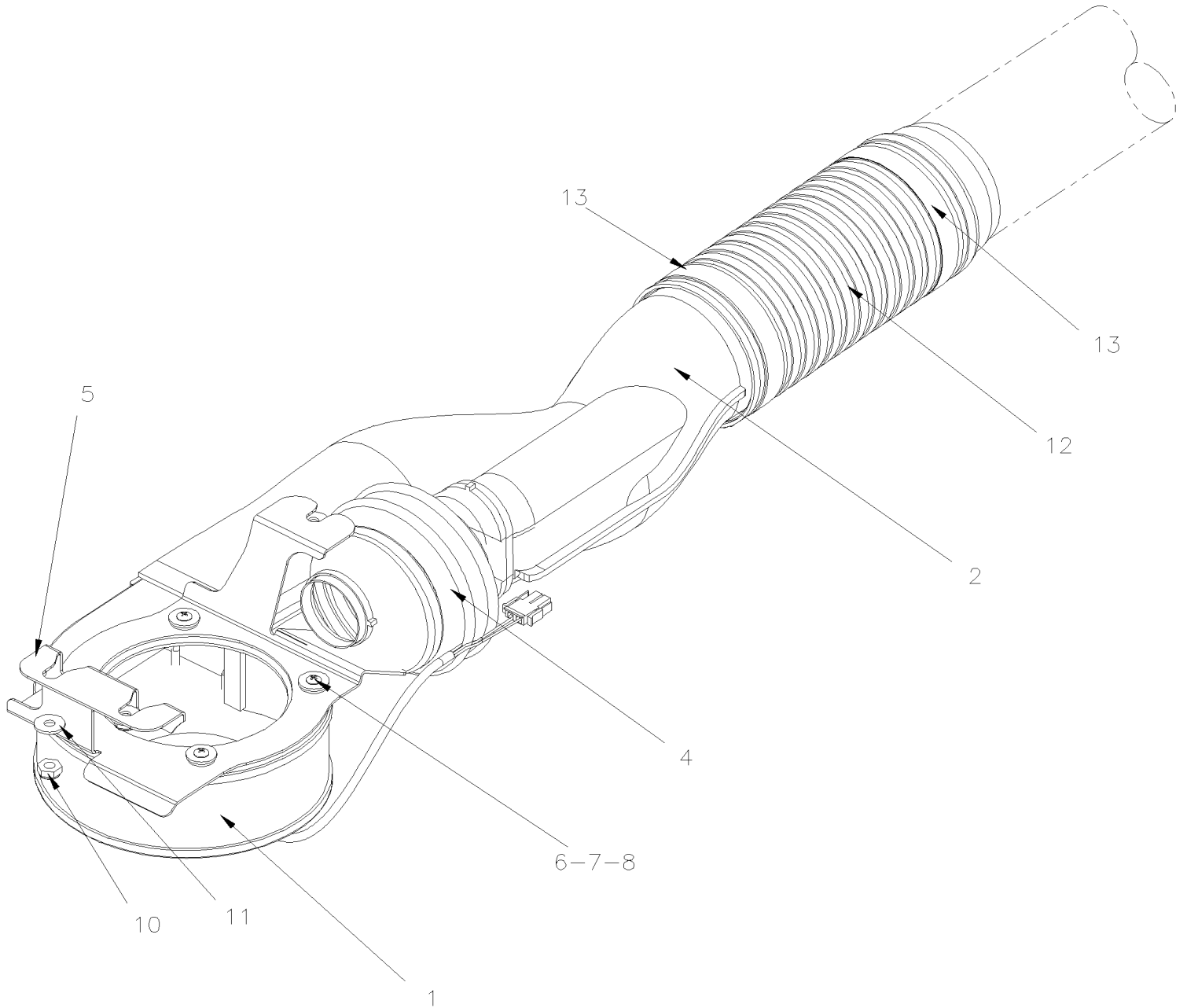


From B-5003 To D-5489

Date:10/2022

PAGE:XV-0620-05

REAR JUNCTION BOX FAN - INSTALLATION





| | | |
|------------------------------|---------------------|------------------------|
| From B-5003 To D-5489 | Date:10/2022 | PAGE:XV-0620-05 |
|------------------------------|---------------------|------------------------|

REAR JUNCTION BOX FAN - INSTALLATION

| Item# | Part | Description | X 3 V I P | X L I E N T 4 5 | N O T E S |
|-------|-----------------|---|-----------------------|--------------------------------------|-----------------------|
| | Call order desk | FAN ASSY / REAR JUNCTION BOX, W/MUX | 1 | 1 | P |
| | Call order desk | FAN ASSY / REAR JUNCTION BOX, W/MUX | 1 | 1 | P |
| 1 | 454539 | . FAN ASSY 24V W/CONNECTOR | 1 | 1 | |
| 1 | 950439 | . FAN ASSY 24V | 1 | 1 | |
| 1 | 561247 | . CONNECTOR / UNIVERSAL MATE-N-LOK / SH 2C / AMP 1-480698-0 | 1 | 1 | |
| NS | 562131 | . SOCKET TERMINAL / 20-14 / AMP 350550-1 | 2 | 2 | |
| 1 | 563158 | . SHRINK TUBING / .300" - .060" / BLACK / 3M EPS-400.300 | AR | AR | |
| 2 | 950438 | . ADAPTOR "Y" FAN & CABLE TUBE | 1 | 1 | |
| 3 | 504024 | . HOSE CLAMP / 1"13/16"-2"3/4 SS / HS-36 | 1 | 1 | |
| 4 | 504499 | . CUFF END BELLOW / 2 7/8" I.D. x 3 5/8" x 4 7/16 | 1 | 1 | |
| 5 | 457475 | . SUPPORT | 1 | 1 | |
| 6 | 500642 | . SCREW TP PAN PH #10x3/4 Z050 | 8 | 8 | |
| 7 | 5001462 | . WASHER FL 6.4x18.0x1.6 Z050 | 4 | 4 | |
| 8 | 500950 | . WASHER FL .187x.625x.094 RUB | 8 | 8 | |
| 10 | 502716 | NUT HEX NYRT 1/4-20 | 4 | 4 | |
| 11 | 5001462 | WASHER FL 6.4x18.0x1.6 Z050 | 4 | 4 | |
| 12 | 454522 | HOSE FLEXIBLE 3 1/2 I.D X 200MM | 1 | 1 | |
| 12 | 457482 | HOSE FLEXIBLE 3 1/2 I.D X 342MM | 1 | 1 | |
| NS | 503746 | . HOSE FLEXIBLE / AIR DUCT 3 1/2" I.D. X 12' / PLASTIC | AR | AR | |
| 13 | 504026 | HOSE CLAMP / 2"13/16-3"3/4 SS / HS-52 | 2 | 2 | |
| | | | | | |
| | | | | | |
| | | | | | |
| | | P) CALL ORDER DESK FOR SPECIFIC APPLICATION (V.I.N.) | | | |

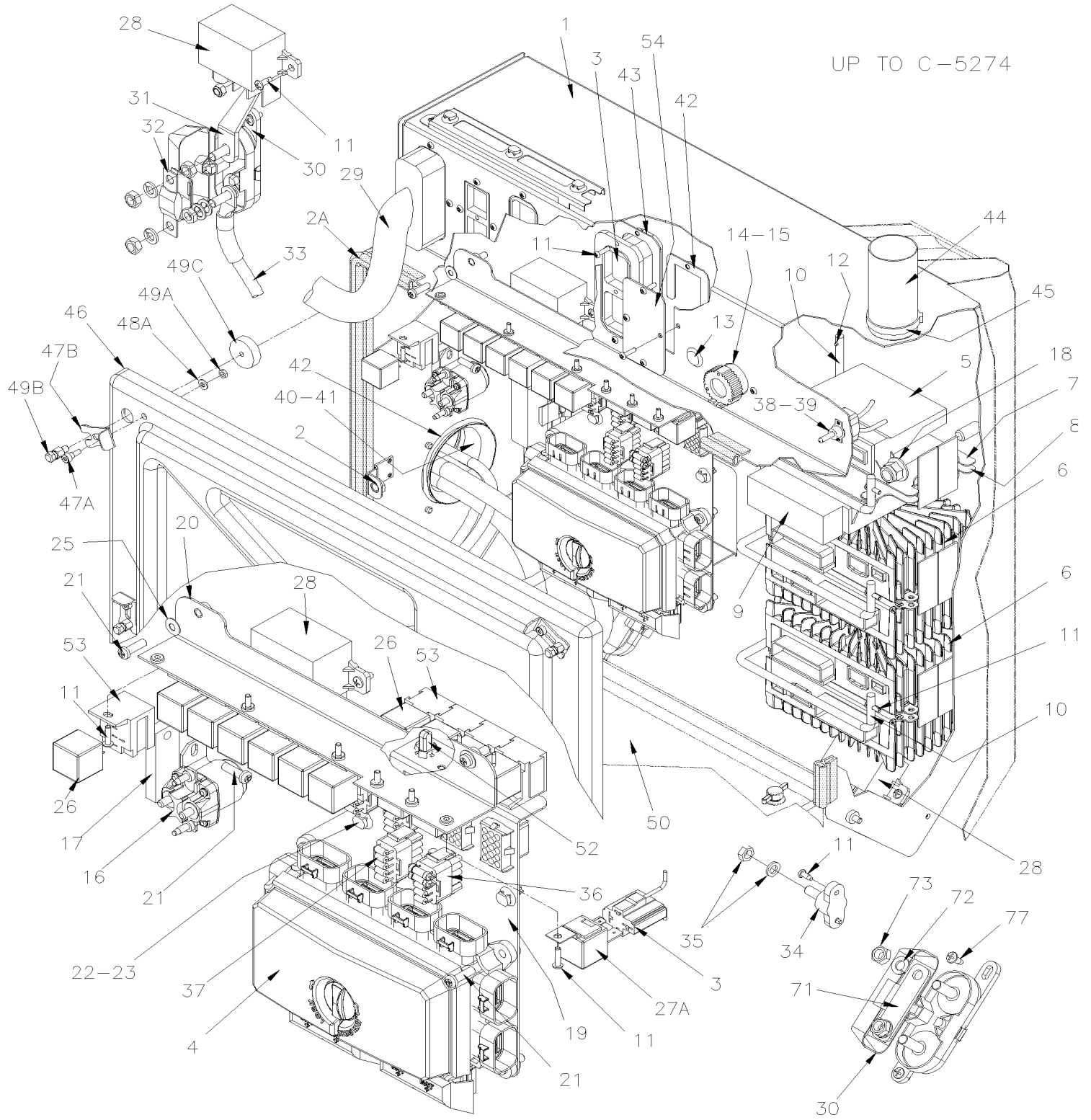


From B-5003 To D-5458

Date:10/2022

PAGE:XV-0620-50

REAR JUNCTION BOX ASSY WITH "EPA 2010"





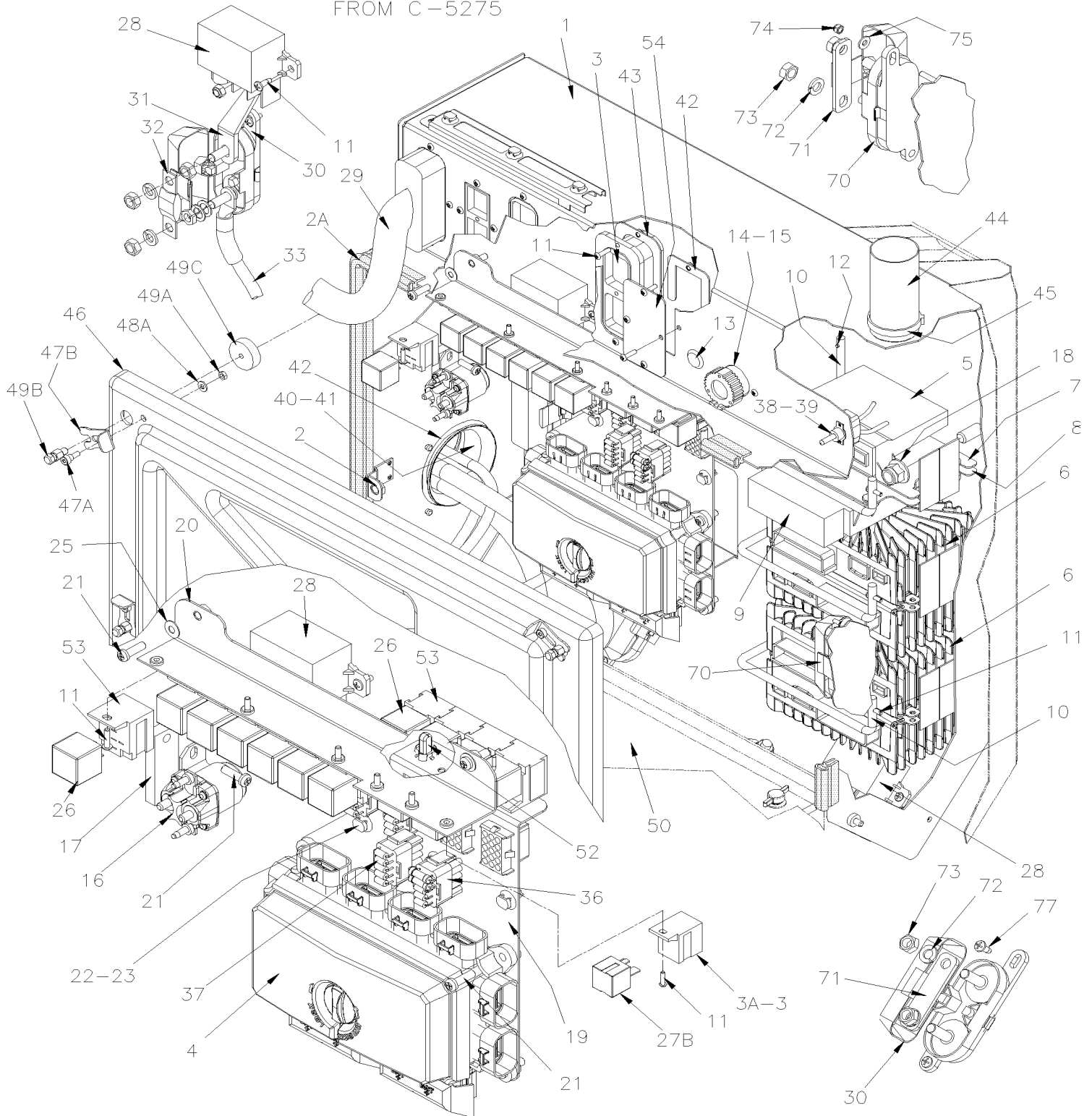
From B-5003 To D-5458

Date:10/2022

PAGE:XV-0620-50

REAR JUNCTION BOX ASSY WITH "EPA 2010"

FROM C-5275





From B-5003 To D-5458 Date:10/2022 PAGE:XV-0620-50

REAR JUNCTION BOX ASSY WITH "EPA 2010"

| Item# | Part | Description | X 3 V I P | X L I I E N T 4 5 | N O T E S |
|-------|-----------------|---|-----------------------|---|-----------------------|
| | Call order desk | REAR JCT BOX ASSY D380252 | 1 | 1 | P |
| | Call order desk | REAR JCT BOX ASSY | 1 | 1 | P |
| 1 | 068237 | PANEL BOX SUPPORT ASSY REAR From B-5002 To C-5274 | 1 | 1 | |
| 1 | 0677702 | PANEL BOX SUPPORT ASSY REAR From C-5275 | 1 | 1 | |
| 2 | 067771 | . COVER BRACKET ANGLE | 4 | 4 | |
| 2A | 506302 | RUBBER EXTRUSION TRIM SEAL / GRIP .024 / 7/16" HOLLOW BULB C.T.L. From B-5002 | AR | AR | |
| 3 | 068110 | CABLE HARNESS / REAR JUNCTION BOX From B-5002 To B-5039 | 1 | 1 | |
| 3 | 067693 | CABLE HARNESS / REAR JUNCTION BOX From B-5040 To C-5133 | 1 | 1 | |
| 3 | 068395 | CABLE HARNESS / REAR JUNCTION BOX From C-5134 To C-5274 | 1 | 1 | |
| 3 | 068329 | CABLE HARNESS / REAR JUNCTION BOX From C-5275 | 1 | 1 | |
| 3A | 564210 | RELAY BASE / TAB TERMINAL / COLE HERSEE 99025 From C-5134 | 1 | 1 | |
| 4 | 563635 | VEC DISTRIBUTION MODULE / REAR JCT BOX To C-5274 | 1 | 1 | |
| . NS | 564104 | . COVER / VEC BOX To C-5274 | 1 | 1 | |
| . NS | 563269 | . RELAY 24V S.P.D.T. W/RESISTOR / To C-5274 | 4 | 4 | |
| . NS | 563004 | . FUSE / ATM 2 AMPS GREY To C-5274 | 2 | 2 | |
| . NS | 563279 | . FUSE / ATM 3 AMPS VIOLET To C-5274 | 3 | 3 | |
| . NS | 563005 | . FUSE / ATM 7.5 AMPS BROWN To C-5274 | 2 | 2 | |
| . NS | 563283 | . FUSE / ATM 10 AMPS RED To C-5274 | 13 | 13 | |
| . NS | 563284 | . FUSE / ATM 15 AMPS BLUE To C-5274 | 9 | 9 | |
| . NS | 563282 | . FUSE / ATM 20 AMPS YELLOW To C-5274 | 12 | 12 | |
| . NS | 563153 | . FUSE / ATM 25 AMPS NATURAL To C-5274 | 6 | 6 | |
| . NS | 563165 | . FUSE / ATM 30 AMPS GREEN To C-5274 | 3 | 3 | |
| . NS | 563181 | . CONNECTOR / SH 8C / YELLOW / BUSSMANN 32006-E21 To C-5274 | 1 | 1 | |
| . NS | 563182 | . CONNECTOR / SH 8C / ORANGE / BUSSMANN 32006-G21 To C-5274 | 1 | 1 | |
| . NS | 563183 | . CONNECTOR / SH 8C / RED / BUSSMANN 32006-F21 To C-5274 | 1 | 1 | |
| . NS | 563184 | . CONNECTOR / SH 8C / GREEN / BUSSMANN 32006-C21 To C-5274 | 1 | 1 | |
| . NS | 563185 | . CONNECTOR / SH 8C / BLACK / BUSSMANN 32006-A21 To C-5274 | 1 | 1 | |
| . NS | 563186 | . CONNECTOR / SH 8C / GREY / BUSSMANN 32006-B21 To C-5274 | 1 | 1 | |
| . NS | 563187 | . CONNECTOR / SH 8C / BROWN / BUSSMANN 32006-H21 To C-5274 | 1 | 1 | |
| . NS | 563448 | . CONNECTOR / SH 8C / BLUE / BUSSMANN 32006-D21 To C-5274 | 1 | 1 | |
| . NS | 19518268 | . COVER RUBBER RED To C-5274 | 2 | 2 | |
| 4 | 563239 | VEC DISTRIBUTION MODULE / REAR JCT BOX From C-5275 | 1 | 1 | |
| . NS | 564104 | . COVER / VEC BOX From C-5275 | 1 | 1 | |
| . NS | 563269 | . RELAY 24V S.P.D.T. W/RESISTOR / From C-5275 | 4 | 4 | |
| . NS | 563004 | . FUSE / ATM 2 AMPS GREY From C-5275 | 2 | 2 | |
| . NS | 563279 | . FUSE / ATM 3 AMPS VIOLET From C-5275 | 3 | 3 | |
| . NS | 563005 | . FUSE / ATM 7.5 AMPS BROWN From C-5275 | 2 | 2 | |
| . NS | 563283 | . FUSE / ATM 10 AMPS RED From C-5275 | 13 | 13 | |
| . NS | 563284 | . FUSE / ATM 15 AMPS BLUE From C-5275 | 9 | 9 | |
| . NS | 563282 | . FUSE / ATM 20 AMPS YELLOW From C-5275 | 12 | 12 | |
| . NS | 563153 | . FUSE / ATM 25 AMPS NATURAL From C-5275 | 6 | 6 | |
| . NS | 563165 | . FUSE / ATM 30 AMPS GREEN From C-5275 | 3 | 3 | |



| | | |
|------------------------------|---------------------|------------------------|
| From B-5003 To D-5458 | Date:10/2022 | PAGE:XV-0620-50 |
|------------------------------|---------------------|------------------------|

REAR JUNCTION BOX ASSY WITH "EPA 2010"

| Item# | Part | Description | X 3 V I P | X L I E N T 4 5 | N O T E S |
|-------|----------|--|-----------------------|--------------------------------------|-----------------------|
| . NS | 563181 | . CONNECTOR / SH 8C / YELLOW / BUSSMANN 32006-E21 From C-5275 | 1 | 1 | |
| . NS | 563182 | . CONNECTOR / SH 8C / ORANGE / BUSSMANN 32006-G21 From C-5275 | 1 | 1 | |
| . NS | 563183 | . CONNECTOR / SH 8C / RED / BUSSMANN 32006-F21 From C-5275 | 1 | 1 | |
| . NS | 563184 | . CONNECTOR / SH 8C / GREEN / BUSSMANN 32006-C21 From C-5275 | 1 | 1 | |
| . NS | 563185 | . CONNECTOR / SH 8C / BLACK / BUSSMANN 32006-A21 From C-5275 | 1 | 1 | |
| . NS | 563186 | . CONNECTOR / SH 8C / GREY / BUSSMANN 32006-B21 From C-5275 | 1 | 1 | |
| . NS | 563187 | . CONNECTOR / SH 8C / BROWN / BUSSMANN 32006-H21 From C-5275 | 1 | 1 | |
| . NS | 563448 | . CONNECTOR / SH 8C / BLUE / BUSSMANN 32006-D21 From C-5275 | 1 | 1 | |
| . NS | 19518268 | . COVER RUBBER RED From C-5275 | 2 | 2 | |
| 5 | 564101 | I/O A-MODULE VOLVO MULTIPLEX / BLACK To B-5029 | 1 | 1 | |
| . NS | 562767 | . CONNECTOR / SH 30C / GREEN / JAE IL-AG5-30S-D3C1 To B-5029 | 1 | 1 | |
| . NS | 562957 | . CONNECTOR / SH 5C / GREEN / JAE IL-AG5-5S-S3C1 To B-5029 | 1 | 1 | |
| . NS | 563132 | . CONNECTOR / SH 2C / YAZAKI 7283-6458-40 To B-5029 | 1 | 1 | |
| 5 | 564194 | I/O A-MODULE VOLVO MULTIPLEX / BLACK From B-5030 | 1 | 1 | |
| . NS | 562767 | . CONNECTOR / SH 30C / GREEN / JAE IL-AG5-30S-D3C1 From B-5030 | 1 | 1 | |
| . NS | 562957 | . CONNECTOR / SH 5C / GREEN / JAE IL-AG5-5S-S3C1 From B-5030 | 1 | 1 | |
| . NS | 563132 | . CONNECTOR / SH 2C / YAZAKI 7283-6458-40 From B-5030 | 1 | 1 | |
| 6 | 564075 | I/O B-MODULE VOLVO MULTIPLEX / ALUMINUM To B-5029 | 1 | 1 | |
| . NS | 563132 | . CONNECTOR / SH 2C / YAZAKI 7283-6458-40 To B-5029 | 1 | 1 | |
| . NS | 563133 | . CONNECTOR / JUNIOR POWER TIMER / SH 29C / AMP 1-963449-2 To B-5029 | 1 | 1 | |
| . NS | 562957 | . CONNECTOR / SH 5C / GREEN / JAE IL-AG5-5S-S3C1 To B-5029 | 1 | 1 | |
| 6 | 564193 | I/O B-MODULE VOLVO MULTIPLEX / ALUMINUM From B-5030 | 1 | 1 | |
| . NS | 563132 | . CONNECTOR / SH 2C / YAZAKI 7283-6458-40 From B-5030 | 1 | 1 | |
| . NS | 563133 | . CONNECTOR / JUNIOR POWER TIMER / SH 29C / AMP 1-963449-2 From B-5030 | 1 | 1 | |
| . NS | 562957 | . CONNECTOR / SH 5C / GREEN / JAE IL-AG5-5S-S3C1 From B-5030 | 1 | 1 | |
| 7 | 067773 | PLATE SUPPORT / I/O A-MODULE | 1 | 1 | |
| NS | 5001587 | NUT HEX NYRT M5-0.8 SS | 3 | 3 | |
| 8 | 067772 | PLATE SUPPORT TRANS ECU WORLD | 1 | 1 | |
| NS | 5001182 | NUT HEX NYRT M6-1.0 SS | 3 | 3 | |
| 9 | 572146 | INTERFACE TCM / B500 / GEN IV USE WITH 3.91 RATIO | 1 | 1 | W |
| 9 | 572152 | INTERFACE TCM / B500 / USE WITH 3.91/4.10 RATIO From B-5050 | 1 | 1 | W |
| 9 | 572127 | INTERFACE TCM / B500 / GEN IV USE WITH 3.42 RATIO | 1 | 1 | W |
| 9 | 572151 | INTERFACE TCM / B500 / GEN IV USE WITH 3.58 RATIO From B-5050 | 1 | 1 | W |
| 9 | 572145 | E.C.U. 4000MH | 1 | 1 | W |
| 10 | 382166 | ROD ATTACHMENT / I/O B MODULE | 3 | 3 | |
| 11 | 502698 | SCREW MA PAN PH M4-0.7x16 SS BK | AR | AR | |
| 12 | 505221 | SPRING, PIN 1/8 X 3/8 | 3 | 3 | |
| 13 | 561891 | CAP RUBBER | 1 | 1 | |
| NS | 5001719 | SNAP-IN PLUG / .6875 O.D | 1 | 1 | |
| NS | 562484 | SWITCH S.P.S.T. / N.C. | 1 | 1 | |
| NS | 065466 | DECAL / LAVATORY PUMP FLUSH / ENGLISH & FRANCAIS | 1 | 1 | |
| 14 | 562543 | PROTECTIVE CAP / HD10 SERIES / 9C / DEUTSCH HDC16-9 | 1 | 1 | |



| | | |
|------------------------------|---------------------|------------------------|
| From B-5003 To D-5458 | Date:10/2022 | PAGE:XV-0620-50 |
|------------------------------|---------------------|------------------------|

REAR JUNCTION BOX ASSY WITH "EPA 2010"

| Item# | Part | Description | X 3 V I P | X L I I E N T 4 5 | N O T E S |
|-------|---------|---|-----------------------|---|-----------------------|
| 15 | 067817 | PLATE REAIINER CABLE "U" FORM 60MM x40MM | 1 | 1 | |
| NS | 562492 | TYPE A COUPLING | 1 | 1 | |
| NS | 562493 | CHAIN / C.T.L. | 1 | 1 | |
| NS | 562494 | RING / ATTACHMENT END | 1 | 1 | |
| 16 | 564095 | SMALL STARTOR RELAY | 1 | 1 | |
| 17 | 067335 | SPACER / PLASTIC / RELAY / STARTOR MELCO | 1 | 1 | |
| 18 | 5001761 | NUT HEXF NYRT M12-1.75 G8 N500 | 2 | 2 | |
| | | | | | |
| 19 | 067807 | PLATE SUPPORT "VEC" | 1 | 1 | |
| 20 | 067805 | PLATE SUPPORT UPPER RELAY To C-5133 | 1 | 1 | |
| 20 | 068386 | PLATE SUPPORT UPPER RELAY From C-5134 | 1 | 1 | |
| 21 | 502626 | SCREW MA PAN PH M6-1.0x20 N500 | AR | AR | |
| 22 | 504637 | CABLE TIE / 3/16" x 13" | AR | AR | |
| 23 | 509815 | TIE MOUNT / ATTACHMENT W/TREE MOUNT | 3 | 3 | |
| 24 | 504340 | RIVET POP DOME OE 1/8x3/16 SS | 12 | 12 | |
| 25 | 5001608 | WASHER BEL SPR 6.2x15.0x0.7 G500 | 2 | 2 | |
| 26 | 563332 | RELAY 24V S.P.D.T. W/RESISTOR / "VOLVO" (20374662) | 7 | 7 | |
| 27A | 561991 | RELAY 24V S.P.S.T. / 70 AMPS N.O. To C-5133 | 3 | 3 | |
| 27B | 564218 | RELAY 24V S.P.S.T. / 40 AMPS N.O. From C-5134 | AR | AR | |
| 28 | 563348 | RELAY POWER 24V 200 AMPS / S.P.S.T. N.O. | 3 | 3 | |
| . NS | 5001182 | . NUT HEX NYRT M6-1.0 SS | 1 | 1 | |
| . NS | 502573 | . WASHER FL 6.4x12.5x1.6 SS | 1 | 1 | |
| . NS | 563409 | . CONNECTOR / SUPERSEAL 1.5 SERIES / SH 2C / AMP 282080-1 | 1 | 1 | |
| . NS | 562607 | . SOCKET TERMINAL / 20-16 / AMP 183025-1 | 1 | 1 | |
| 29 | 067691 | CABLE ASSY / RR JCT & ENGINE From B-5002 To B-5074 | 1 | 1 | |
| 29 | 068407 | CABLE ASSY / RR JCT & ENGINE From B-5075 To C-5274 | 1 | 1 | |
| 29 | 068337 | CABLE ASSY / RR JCT & ENGINE From C-5275 | 1 | 1 | |
| 30 | 563750 | FUSEHOLDER W/RED COVER / MEGA FUSE / | 1 | 1 | |
| 31 | 068072 | BUS BAR / W/2 HOLES / 96.4MM C/C 14MM / OFFSET | 1 | 1 | |
| 32 | 564174 | FUSE / MEGA FUSE / 150 AMPS / ORANGE | 1 | 1 | |
| 33 | 068134 | DIODE ASSY | 1 | 1 | |
| 34 | 560422 | BLOCK, TERMINAL / 1 STUD 3/8-16 / BLACK From C-5275 | 1 | 1 | |
| 35 | 500379 | NUT HEX 3/8-16 BR | 2 | 2 | |
| NS | 500478 | WASHER LO SPT .380x.683x.094 Z050 | 1 | 1 | |
| 36 | 381145 | DIODE ASSY / W/5 3AMPS | 3 | 3 | |
| 37 | 382175 | DIODE ASSY / W/3 3AMPS & 2 RESISTORS 100 OHMS | 1 | 1 | |
| 38 | 563609 | SWITCH / OFF-ON / S.P.S.T. / SEALED W/WIRES ASSY | 1 | 1 | |
| 39 | 562394 | PLATE, INDICATING (ON/OFF) | 1 | 1 | |
| | | | | | |
| 40 | 068050 | PANEL ASSY / PASS CABLE LOWER SIDE BOX | 1 | 1 | A |
| NS | 067818 | PANEL ASSY / PASS CABLE UPPER SIDE BOX | 1 | 1 | |
| NS | 504379 | RIVET POP DOME OE 3/16x1/4 SS | 4 | 4 | |



From B-5003 To D-5458 Date:10/2022 PAGE:XV-0620-50

REAR JUNCTION BOX ASSY WITH "EPA 2010"

| Item# | Part | Description | X 3 V I P | X L I I E N T 4 5 | N O T E S |
|-------|-------------------|--|-----------------------|---|-----------------------|
| 41 | 504499 | CUFF END BELLOW / 2 7/8" I.D. x 3 5/8" x 4 7/16 | 2 | 2 | |
| 41 | 5060103 | RUBBER SEAL 6.56FT LONG | AR | AR | |
| 42 | 067775 | PLATE RETAINER CONECTORS 40 PINS "J" FORM 55MMx99.7MM | 3 | 3 | |
| 43 | 067774 | PLATE RETAINER CONECTORS 70 PINS "J" FORM 60.6MM x 128.5MM | 3 | 3 | |
| 44 | 503021 | HOSE FLEXIBLE / AIR DUCT 1 3/4" I.D. X 25/LINEN RUBBER | AR | AR | |
| 45 | 504016 | CABLE TIE / 5/16" X 14"1/2 From B-5002 | AR | AR | |
| 46 | Call order desk | COVER ASSY REAR JCT BOX From B-5002 | 1 | 1 | P |
| 46 | 068232 | . COVER REAR JCT BOX From B-5002 | 1 | 1 | |
| 47A | 5001606 | . SCREW SHR HEXS 1/4x3/16 #10-24 SS From B-5002 | 4 | 4 | |
| 47B | 068235 | . LATCH ANGLE SLOTTED SS From B-5002 | 4 | 4 | |
| 48A | 5001137 | . WASHER FL .203x.438x.050 SS From B-5002 | 4 | 4 | |
| 49A | 5001180 | . NUT HEX NYRT #10-24 SS From B-5002 | 4 | 4 | |
| 49B | 068345 | SCREW SPECIAL 1/4-20x25MM SS From B-5002 | 4 | 4 | |
| 49C | 473378 | SEAL WASHER / RUB RAIL & PANEL From B-5002 | 4 | 4 | |
| 50 | XV-0615-50 | BATTERIES INSTALLATION WITH "EPA 2010" | | | |
| NS | 564178 | GROUND CABLE BRAID 2/0 | 1 | 1 | |
| 52 | 563335 | SENSOR THERMISTOR ASSY / OUTSIDE // PED 15416387 | 1 | 1 | |
| 53 | 561183 | RELAY BASE / TAB TERMINAL / BOSCH 3334485008 | 11 | 11 | |
| 54 | 068182 | PLATE CLOSING | 1 | 1 | |
| NS | 066155 | DECAL PIN OUT / JCT BOX W/MUX | 1 | 1 | |
| NS | 068176 | DECAL / REAR JCT BOX COMPONENTS CONN, | 1 | 1 | |
| NS | 068210 | DECAL / "BATTERIES CONNECTION WIRING" DIAGRAMG | 1 | 1 | |
| 60 | 068380 | SERVICE KIT TO REPLACE 70 AMP RELAY | AR | AR | |
| . NS | 564210 | . RELAY BASE / TAB TERMINAL / COLE HERSEE 99025 | 1 | 1 | |
| . NS | 564218 | . RELAY 24V S.P.S.T. / 40 AMPS N.O. | 1 | 1 | |
| . NS | FI11015 | . SEE INSTRUCTION SHEET ENS. REMPLACEMENT RELAIS 70A | 1 | 1 | |
| . NS | IS11015 | . SEE INSTRUCTION SHEET | 1 | 1 | |
| NS | 067671 | DECAL REAR JUNCTION BOX / COMPONENTS To C-5133 | 1 | 1 | |
| . NS | 060134 | . DECAL / "R34 24V 12VI ENGINE ECU" To C-5133 | 1 | 1 | |
| NS | 068403 | DECAL REAR JUNCTION BOX / COMPONENTS From C-5134 To C-5274 | 1 | 1 | |
| . NS | 060134 | . DECAL / "R34 24V 12VI ENGINE ECU" From C-5134 To C-5274 | 1 | 1 | |
| NS | 068501 | DECAL REAR JUNCTION BOX / COMPONENTS From C-5275 | 1 | 1 | |
| . NS | 060134 | . DECAL / "R34 24V 12VI ENGINE ECU" From C-5275 | 1 | 1 | |
| 70 | 563238 | FUSEHOLDER W/BLACK COVER / MEGA FUSE / From C-5275 | 1 | 1 | |
| 71 | 068169 | BUS BAR / W/2 HOLES | 2 | 2 | |
| 72 | 500035 | WASHER LO SPT .317x.586x.078 SS | 4 | 4 | |
| 73 | 500615 | NUT HEX M8-1.25 BR | 4 | 4 | |
| 74 | 500539 | NUT HEX NYRT M4-0.7 N500 From C-5275 | 2 | 2 | |
| 75 | 500855 | WASHER FL .188x.438x.049 N500 From C-5275 | 2 | 2 | |
| 77 | 502868 | SCREW TC TR PH #10-16x1/2 N500 | 2 | 2 | |



| | | |
|-----------------------|--------------|-----------------|
| From B-5003 To D-5458 | Date:10/2022 | PAGE:XV-0620-50 |
|-----------------------|--------------|-----------------|

REAR JUNCTION BOX ASSY WITH "EPA 2010"

| Item# | Part | Description | X 3 V I P | X L I I E N T 4 5 | N O T E S |
|-------|------|--|-----------------------|---|-----------------------|
| | | | | | |
| | | | | | |
| | | | | | |
| | | A) AS SHOWN | | | |
| | | W) WITH "WORLD TRANSMISSION | | | |
| | | P) CALL ORDER DESK FOR SPECIFIC APPLICATION (V.I.N.) | | | |

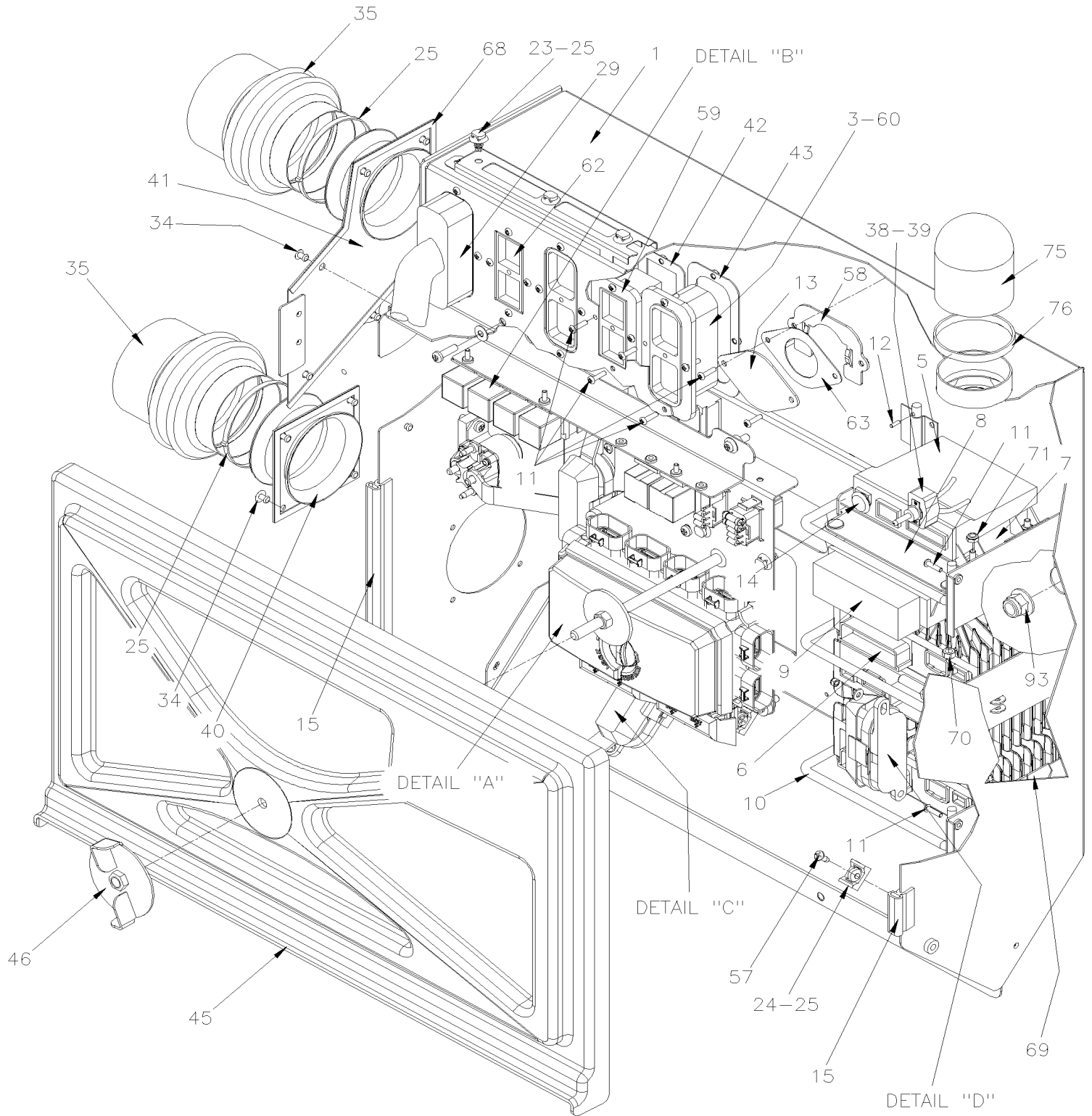


From D-5459 To D-5489

Date:10/2022

PAGE:XV-0620-51

REAR JUNCTION BOX ASSY



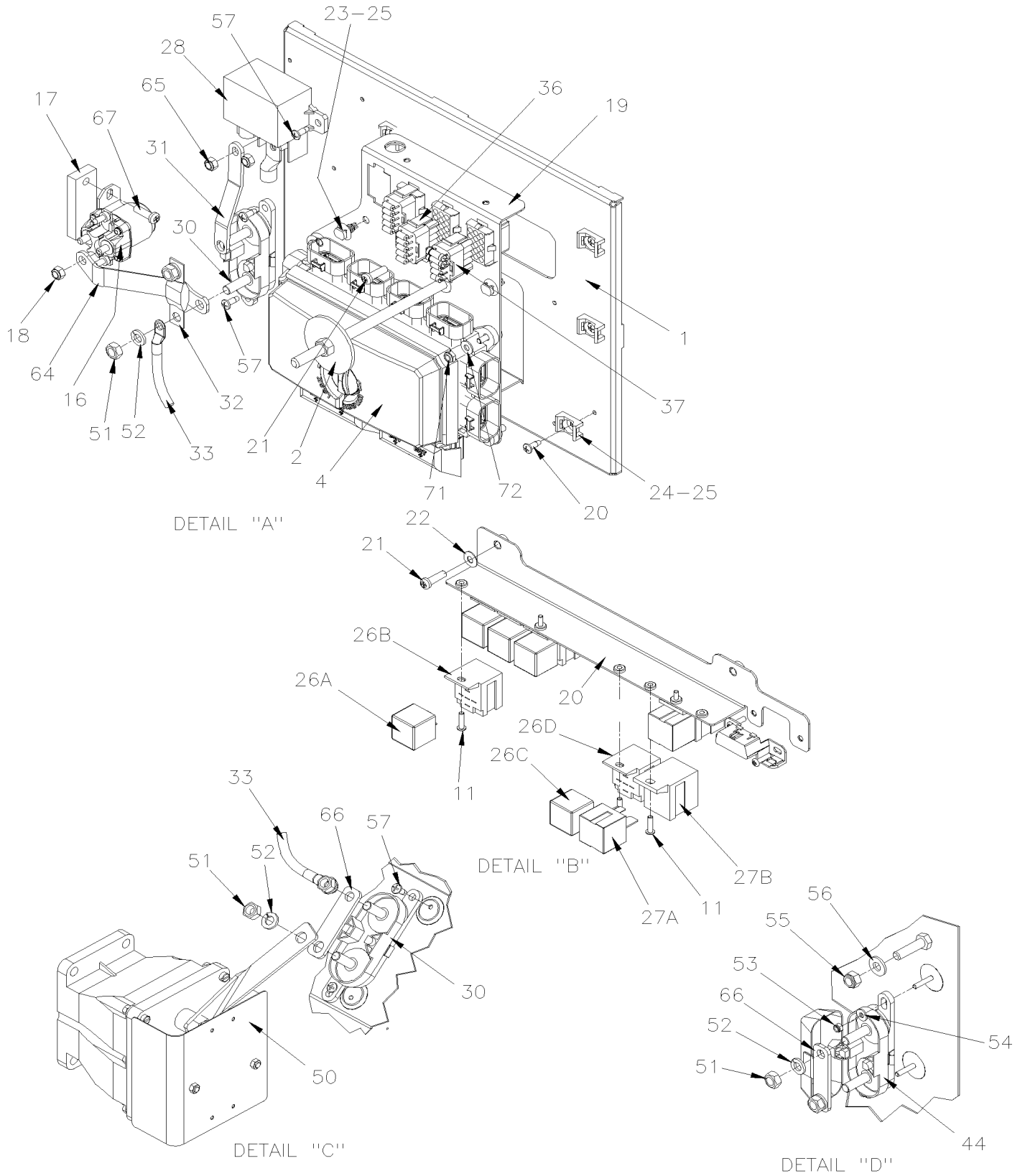


From D-5459 To D-5489

Date:10/2022

PAGE:XV-0620-51

REAR JUNCTION BOX ASSY





| | | |
|-----------------------|--------------|-----------------|
| From D-5459 To D-5489 | Date:10/2022 | PAGE:XV-0620-51 |
|-----------------------|--------------|-----------------|

REAR JUNCTION BOX ASSY

| Item# | Part | Description | X 3 V I P | X L I E N T 4 5 | N O T E S |
|-------|-----------------|--|-----------------------|--------------------------------------|-----------------------|
| | Call order desk | REAR JCT BOX ASSY | 1 | 1 | P |
| | Call order desk | REAR JCT BOX ASSY | 1 | 1 | P |
| 1 | 068814 | PANEL BOX SUPPORT ASSY REAR | 1 | 1 | |
| 1 | 680093 | SEALANT TAPE BUTYL / GREY / 1/16"x1 1/2"x50' /71079B11760 | AR | AR | |
| 2 | 068781 | ROD, COVER REAR JCT BOX | 1 | 1 | |
| 3 | 068507 | CABLE HARNESS / REAR JUNCTION BOX To D-5459 | 1 | 1 | |
| 3 | 068887 | CABLE HARNESS / REAR JUNCTION BOX From D-5460 | 1 | 1 | |
| 4 | 563239 | VEC DISTRIBUTION MODULE / REAR JCT BOX | 1 | 1 | |
| . NS | 564104 | . COVER / VEC BOX | 1 | 1 | |
| . NS | 563269 | . RELAY 24V S.P.D.T. W/RESISTOR / | 4 | 4 | |
| . NS | 563004 | . FUSE / ATM 2 AMPS GREY | 2 | 2 | |
| . NS | 563279 | . FUSE / ATM 3 AMPS VIOLET | 3 | 3 | |
| . NS | 563005 | . FUSE / ATM 7.5 AMPS BROWN | 2 | 2 | |
| . NS | 563283 | . FUSE / ATM 10 AMPS RED | 13 | 13 | |
| . NS | 563284 | . FUSE / ATM 15 AMPS BLUE | 9 | 9 | |
| . NS | 563282 | . FUSE / ATM 20 AMPS YELLOW | 12 | 12 | |
| . NS | 563153 | . FUSE / ATM 25 AMPS NATURAL | 6 | 6 | |
| . NS | 563165 | . FUSE / ATM 30 AMPS GREEN | 3 | 3 | |
| . NS | 563181 | . CONNECTOR / SH 8C / YELLOW / BUSSMANN 32006-E21 | 1 | 1 | |
| . NS | 563182 | . CONNECTOR / SH 8C / ORANGE / BUSSMANN 32006-G21 | 1 | 1 | |
| . NS | 563183 | . CONNECTOR / SH 8C / RED / BUSSMANN 32006-F21 | 1 | 1 | |
| . NS | 563184 | . CONNECTOR / SH 8C / GREEN / BUSSMANN 32006-C21 | 1 | 1 | |
| . NS | 563185 | . CONNECTOR / SH 8C / BLACK / BUSSMANN 32006-A21 | 1 | 1 | |
| . NS | 563186 | . CONNECTOR / SH 8C / GREY / BUSSMANN 32006-B21 | 1 | 1 | |
| . NS | 563187 | . CONNECTOR / SH 8C / BROWN / BUSSMANN 32006-H21 | 1 | 1 | |
| . NS | 563448 | . CONNECTOR / SH 8C / BLUE / BUSSMANN 32006-D21 | 1 | 1 | |
| . NS | 19518268 | . COVER RUBBER RED | 2 | 2 | |
| 5 | 564194 | I/O A-MODULE VOLVO MULTIPLEX / BLACK | 1 | 1 | |
| . NS | 562767 | . CONNECTOR / SH 30C / GREEN / JAE IL-AG5-30S-D3C1 | 1 | 1 | |
| . NS | 562957 | . CONNECTOR / SH 5C / GREEN / JAE IL-AG5-5S-S3C1 | 1 | 1 | |
| . NS | 563132 | . CONNECTOR / SH 2C / YAZAKI 7283-6458-40 | 1 | 1 | |
| 6 | 564193 | I/O B-MODULE VOLVO MULTIPLEX / ALUMINUM | 3 | 3 | |
| . NS | 563132 | . CONNECTOR / SH 2C / YAZAKI 7283-6458-40 | 1 | 1 | |
| . NS | 563133 | . CONNECTOR / JUNIOR POWER TIMER / SH 29C / AMP 1-963449-2 | 1 | 1 | |
| . NS | 562957 | . CONNECTOR / SH 5C / GREEN / JAE IL-AG5-5S-S3C1 | 1 | 1 | |
| 7 | 067773 | PLATE SUPPORT / I/O A-MODULE | 1 | 1 | |
| 8 | 067772 | PLATE SUPPORT TRANS ECU WORLD | 1 | 1 | |
| 9 | 572161 | INTERFACE TCM / 400MH / WITH 4.10 RATIO To E-5624 | 1 | 1 | W |
| 9 | 572165 | INTERFACE TCM / GEN V From E-5625 | 1 | 1 | W |
| 10 | 382166 | ROD ATTACHMENT / I/O B MODULE | 3 | 3 | |
| 11 | 502698 | SCREW MA PAN PH M4-0.7x16 SS BK | AR | AR | |
| 12 | 505221 | SPRING, PIN 1/8 X 3/8 | 3 | 3 | |



| | | |
|-----------------------|--------------|-----------------|
| From D-5459 To D-5489 | Date:10/2022 | PAGE:XV-0620-51 |
|-----------------------|--------------|-----------------|

REAR JUNCTION BOX ASSY

| Item# | Part | Description | X 3 V I P | X L I I E N T 4 5 | N O T E S |
|-------|---------|---|-----------------------|---|-----------------------|
| 13 | 068594 | CLOSING PLATE | 1 | 1 | |
| 14 | 5001719 | SNAP-IN PLUG / .6875 O.D | 1 | 1 | |
| 15 | 506303 | RUBBER SEAL EXTRUSION | AR | AR | |
| 16 | 564095 | SMALL STARTOR RELAY | 1 | 1 | |
| 17 | 067335 | SPACER / PLASTIC / RELAY / STARTOR MELCO | 1 | 1 | |
| 18 | 500539 | NUT HEX NYRT M4-0.7 N500 | 1 | 1 | |
| 19 | 068783 | PLATE SUPPORT "VEC" | 1 | 1 | |
| 20 | 068456 | PLATE SUPPORT UPPER RELAY | 1 | 1 | |
| 21 | 502626 | SCREW MA PAN PH M6-1.0x20 N500 | AR | AR | |
| 22 | 5001608 | WASHER BEL SPR 6.2x15.0x0.7 G500 | 2 | 2 | |
| 23 | 509815 | TIE MOUNT / ATTACHMENT W/TREE MOUNT | 10 | 10 | |
| 24 | 504013 | TIE MOUNT / 1/4" X 1/4" I.D. | 8 | 8 | |
| 25 | 504637 | CABLE TIE / 3/16" x 13" | AR | AR | |
| 25 | 504016 | CABLE TIE / 5/16" X 14"1/2 | AR | AR | |
| 26A | 563332 | RELAY 24V S.P.D.T. W/RESISTOR / "VOLVO" (20374662) | 4 | 4 | |
| 26B | 564496 | CONNECTOR / METRI-PACK 630 / SH 5C / PED 12033871 | 4 | 4 | |
| 26C | 563337 | RELAY 12V S.P.D.T. W/RESISTOR / | 1 | 1 | |
| 26D | 561183 | RELAY BASE / TAB TERMINAL / BOSCH 3334485008 | 1 | 1 | |
| 27A | 564218 | RELAY 24V S.P.S.T. / 40 AMPS N.O. | 2 | 2 | |
| 27B | 564210 | RELAY BASE / TAB TERMINAL / COLE HERSEE 99025 | 2 | 2 | |
| 28 | 563348 | RELAY POWER 24V 200 AMPS / S.P.S.T. N.O. | 1 | 1 | |
| . NS | 5001182 | . NUT HEX NYRT M6-1.0 SS | 1 | 1 | |
| . NS | 502573 | . WASHER FL 6.4x12.5x1.6 SS | 1 | 1 | |
| . NS | 563409 | . CONNECTOR / SUPERSEAL 1.5 SERIES / SH 2C / AMP 282080-1 | 1 | 1 | |
| . NS | 562607 | . SOCKET TERMINAL / 20-16 / AMP 183025-1 | 1 | 1 | |
| 29 | 068700 | CABLE ASSY / RR JCT & ENGINE | 1 | 1 | |
| 30 | 563750 | FUSEHOLDER W/RED COVER / MEGA FUSE / | 2 | 2 | |
| 31 | 068072 | BUS BAR / W/2 HOLES / 96.4MM C/C 14MM / OFFSET | 1 | 1 | |
| 31 | 561754 | SHRINK TUBING / .500" - .250" / RED / ALPHA FIT-221-1/2 | AR | AR | |
| 32 | 564174 | FUSE / MEGA FUSE / 150 AMPS / ORANGE | 1 | 1 | |
| 33 | 067669 | CABLE ASSY / BATTERIES & FUSE HOLDER | 1 | 1 | |
| 34 | 504379 | RIVET POP DOME OE 3/16x1/4 SS | AR | AR | |
| 35 | 504499 | CUFF END BELLOW / 2 7/8" I.D. x 3 5/8" x 4 7/16 | 2 | 2 | |
| 36 | 381145 | DIODE ASSY / W/5 3AMPS | 2 | 2 | |
| 37 | 382175 | DIODE ASSY / W/3 3AMPS & 2 RESISTORS 100 OHMS | 1 | 1 | |
| 38 | 562394 | PLATE, INDICATING (ON/OFF) | 1 | 1 | |
| 39 | 563609 | SWITCH / OFF-ON / S.P.S.T. / SEALED W/WIRES ASSY | 1 | 1 | |
| 39 | 562477 | CONNECTOR / DT SERIES / SH 4C / GRAY / DEUTSCH DT06-4S | 1 | 1 | |
| 39 | 562478 | SECONDARY LOCK / DT SERIES / SH 4C / DEUTSCH W4S | 1 | 1 | |
| 39 | 562482 | SOCKET TERMINAL / 16-14 / DEUTSCH 0462-209-16141 | 2 | 2 | |
| 40 | 068050 | PANEL ASSY / PASS CABLE LOWER SIDE BOX | 1 | 1 | |
| 41 | 067818 | PANEL ASSY / PASS CABLE UPPER SIDE BOX | 1 | 1 | |



| | | |
|-------------------------------|--------------|-----------------|
| From D-5459 To D-5489 | Date:10/2022 | PAGE:XV-0620-51 |
| REAR JUNCTION BOX ASSY | | |

| Item# | Part | Description | X 3 V I P | X L I E N T 4 5 | N O T E S |
|-------|-------------------|---|-----------------------|--------------------------------------|-----------------------|
| 42 | 067775 | PLATE RETAINER CONECTORS 40 PINS "J" FORM 55MMx99.7MM | 2 | 2 | |
| 43 | 067774 | PLATE RETAINER CONECTORS 70 PINS "J" FORM 60.6MM x 128.5MM | 3 | 3 | |
| 44 | 563238 | FUSEHOLDER W/BLACK COVER / MEGA FUSE / | 1 | 1 | |
| 45 | 068780 | COVER REAR JCT BOX | 1 | 1 | |
| 46 | 068765 | NUT WING 3/8-16 | 1 | 1 | |
| 50 | XV-0615-51 | BATTERIES INSTALLATION | | | |
| 51 | 500615 | NUT HEX M8-1.25 BR To E-5525 | 6 | 6 | |
| 51 | 966171 | NUT HEX NYRT M8x1.25 SS From E-5526 | 6 | 6 | |
| 52 | 500035 | WASHER LO SPT .317x.586x.078 SS To E-5525 | 6 | 6 | |
| 52 | 5001341 | WASHER FL 8.4x17.0x1.6 SS From E-5526 | 6 | 6 | |
| 53 | 500379 | NUT HEX 3/8-16 BR | 2 | 2 | |
| 54 | 500478 | WASHER LO SPT .380x.683x.094 Z050 | 2 | 2 | |
| 55 | 502847 | NUT HEX NYRT M8-1.25 N500 | 1 | 1 | |
| 56 | 5001341 | WASHER FL 8.4x17.0x1.6 SS | 1 | 1 | |
| 57 | 502868 | SCREW TC TR PH #10-16x1/2 N500 | AR | AR | |
| 58 | 382505 | PLATE, FIXATION | 1 | 1 | |
| 59 | 564197 | GASKET / DRC SERIES / 40C / DEUTSCH DRC40-GKT AD | 2 | 2 | |
| 60 | 564198 | GASKET / DRC SERIES / 70C, ADHESIVE BACK / DEUTSCH DRC70-GKT AD | 3 | 3 | |
| NS | 068639 | DECAL REAR JUNCTION BOX / COMPONENTS | 1 | 1 | |
| . NS | 060134 | . DECAL / "R34 24V 12VI ENGINE ECU" | 1 | 1 | |
| 62 | 068462 | CABLE / JUNCTION BOX TRANSMISSION | 1 | 1 | |
| 63 | 068713 | GASKET, CONNECTOR 16POS CPC | 1 | 1 | |
| 64 | 068727 | BUS BAR / W/2 HOLES | 1 | 1 | |
| 65 | 5001182 | NUT HEX NYRT M6-1.0 SS | 2 | 2 | |
| 66 | 068169 | BUS BAR / W/2 HOLES | 2 | 2 | |
| 67 | 502626 | SCREW MA PAN PH M6-1.0x20 N500 | 2 | 2 | |
| 68 | 506191 | TAPE RUB ADH1 CC POL 1/8" x 1/4" x 50' / GREY 2520X | AR | AR | |
| 68 | 684685 | ADHESIVE SIMSON #ISR 70-03 / 310ml CARTRIDGE | AR | AR | |
| 69 | 506339 | TAPE RUB ADH1 NIT 1/4" x 1" x 35' / BLACK 1220 | AR | AR | |
| 70 | 502681 | NUT HEX NYRT M6-1.0 N500 G8 | 3 | 3 | |
| 71 | 502841 | NUT HEX NYRT M5-0.8 N500 | 7 | 7 | |
| 72 | 500804 | WASHER FL .203x.500x.047 N500 | 4 | 4 | |
| NS | 561756 | SHRINK TUBING / 1.000" - .500" / RED / ALPHA FIT-221-1 | AR | AR | |
| 75 | 504071 | PROTECTOR CAP / SIICONE 1.750 I.D. x 2" O.D. x .062 TH | 1 | 1 | |
| 76 | 504016 | CABLE TIE / 5/16" X 14"1/2 | 1 | 1 | |
| 93 | 5001761 | NUT HEXF NYRT M12-1.75 G8 N500 | 4 | 4 | |
| | | W) WITH "WORLD TRANSMISSION | | | |
| | | P) CALL ORDER DESK FOR SPECIFIC APPLICATION (V.I.N.) | | | |

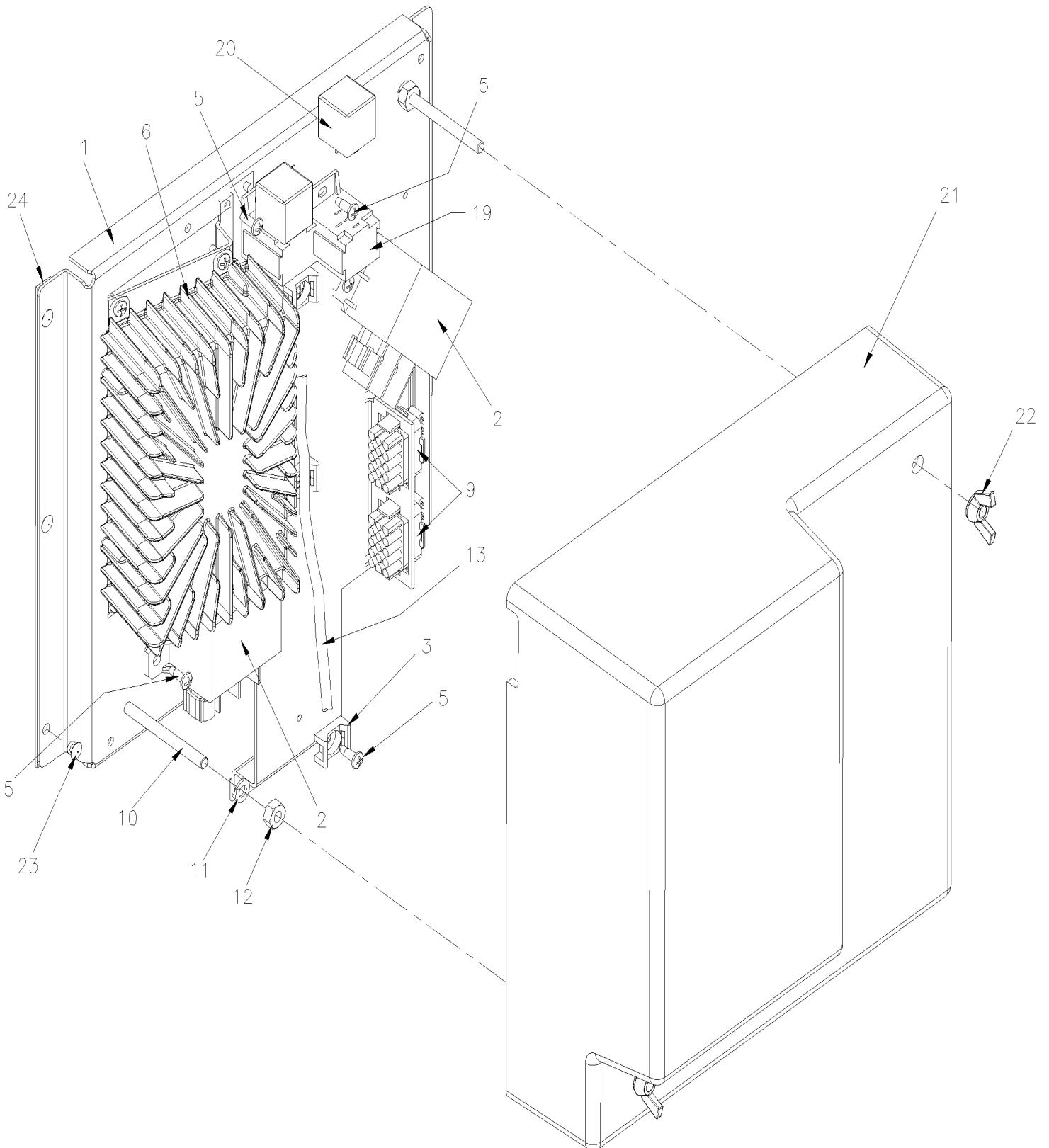


From B-5003 To D-5458

Date:10/2022

PAGE:XV-0621-50

A/C ELECTRICAL PANEL ASSY / EVAPORATOR DOOR





From B-5003 To D-5458 Date:10/2022 PAGE:XV-0621-50

A/C ELECTRICAL PANEL ASSY / EVAPORATOR DOOR

| Item# | Part | Description | X 3 V I P | X L I I E N T 4 5 | N O T E S |
|-------|---------|--|-----------------------|---|-----------------------|
| 1 | 382077 | PANEL MOUNTING REAR JCT BOX / MUX | 1 | 1 | |
| 2 | 563348 | RELAY POWER 24V 200 AMPS / S.P.S.T. N.O. | 1 | 1 | |
| . NS | 5001182 | . NUT HEX NYRT M6-1.0 SS | 1 | 1 | |
| . NS | 502573 | . WASHER FL 6.4x12.5x1.6 SS | 1 | 1 | |
| . NS | 563409 | . CONNECTOR / SUPERSEAL 1.5 SERIES / SH 2C / AMP 282080-1 | 1 | 1 | |
| . NS | 562607 | . SOCKET TERMINAL / 20-16 / AMP 183025-1 | 1 | 1 | |
| 3 | 504013 | TIE MOUNT / 1/4" X 1/4" I.D. | AR | AR | |
| NS | 504637 | CABLE TIE / 3/16" x 13" | AR | AR | |
| 5 | 502868 | SCREW TC TR PH #10-16x1/2 N500 | AR | AR | |
| 6 | 564075 | I/O B-MODULE VOLVO MULTIPLEX / ALUMINUM To B-5029 | 1 | 1 | |
| . NS | 563132 | . CONNECTOR / SH 2C / YAZAKI 7283-6458-40 To B-5029 | 1 | 1 | |
| . NS | 563133 | . CONNECTOR / JUNIOR POWER TIMER / SH 29C / AMP 1-963449-2 To B-5029 | 1 | 1 | |
| . NS | 562957 | . CONNECTOR / SH 5C / GREEN / JAE IL-AG5-5S-S3C1 To B-5029 | 1 | 1 | |
| 6 | 564193 | I/O B-MODULE VOLVO MULTIPLEX / ALUMINUM From B-5030 | 1 | 1 | |
| . NS | 563132 | . CONNECTOR / SH 2C / YAZAKI 7283-6458-40 From B-5030 | 1 | 1 | |
| . NS | 563133 | . CONNECTOR / JUNIOR POWER TIMER / SH 29C / AMP 1-963449-2 From B-5030 | 1 | 1 | |
| . NS | 562957 | . CONNECTOR / SH 5C / GREEN / JAE IL-AG5-5S-S3C1 From B-5030 | 1 | 1 | |
| 9 | 381145 | DIODE ASSY / W/5 3AMPS | 2 | 2 | |
| 10 | 5001593 | SCREW MA RND SLT 1/4-20x2 3/4 SS | 1 | 1 | |
| 11 | 500477 | WASHER LO SPT .262x.489x.062 SS | 1 | 1 | |
| 12 | 500771 | NUT HEX 1/4-20 SS | 1 | 1 | |
| 13 | 068382 | CABLE ASSY / EVAPORATOR | 1 | 1 | |
| 13 | 068383 | CABLE ASSY / HVAC CONTROL From C-5277 To D-5373 | 1 | 1 | |
| 13 | 068625 | CABLE ASSY / HVAC CONTROL From D-5374 | 1 | 1 | |
| 19 | 561183 | RELAY BASE / TAB TERMINAL / BOSCH 3334485008 | 1 | 1 | |
| 20 | 563332 | RELAY 24V S.P.D.T. W/RESISTOR / "VOLVO" (20374662) | 2 | 2 | |
| 21 | 382078 | COVER PROTECTOR | 1 | 1 | |
| 21 | 067573 | DECAL RELAY IDENTIFICATION EVAPORATOR CONTROL | 1 | 1 | |
| NS | 066155 | DECAL PIN OUT / JCT BOX W/MUX | 1 | 1 | |
| 22 | 5001348 | NUT WING 1/4-20 NYL | 1 | 1 | |
| 23 | 504379 | RIVET POP DOME OE 3/16x1/4 SS | 7 | 7 | |
| 24 | 506236 | TAPE RUB ADH1 CC POL 1/16" x 1/2" x 100' / GREY 2520 | AR | AR | |
| | | | | | |
| | | | | | |
| | | | | | |

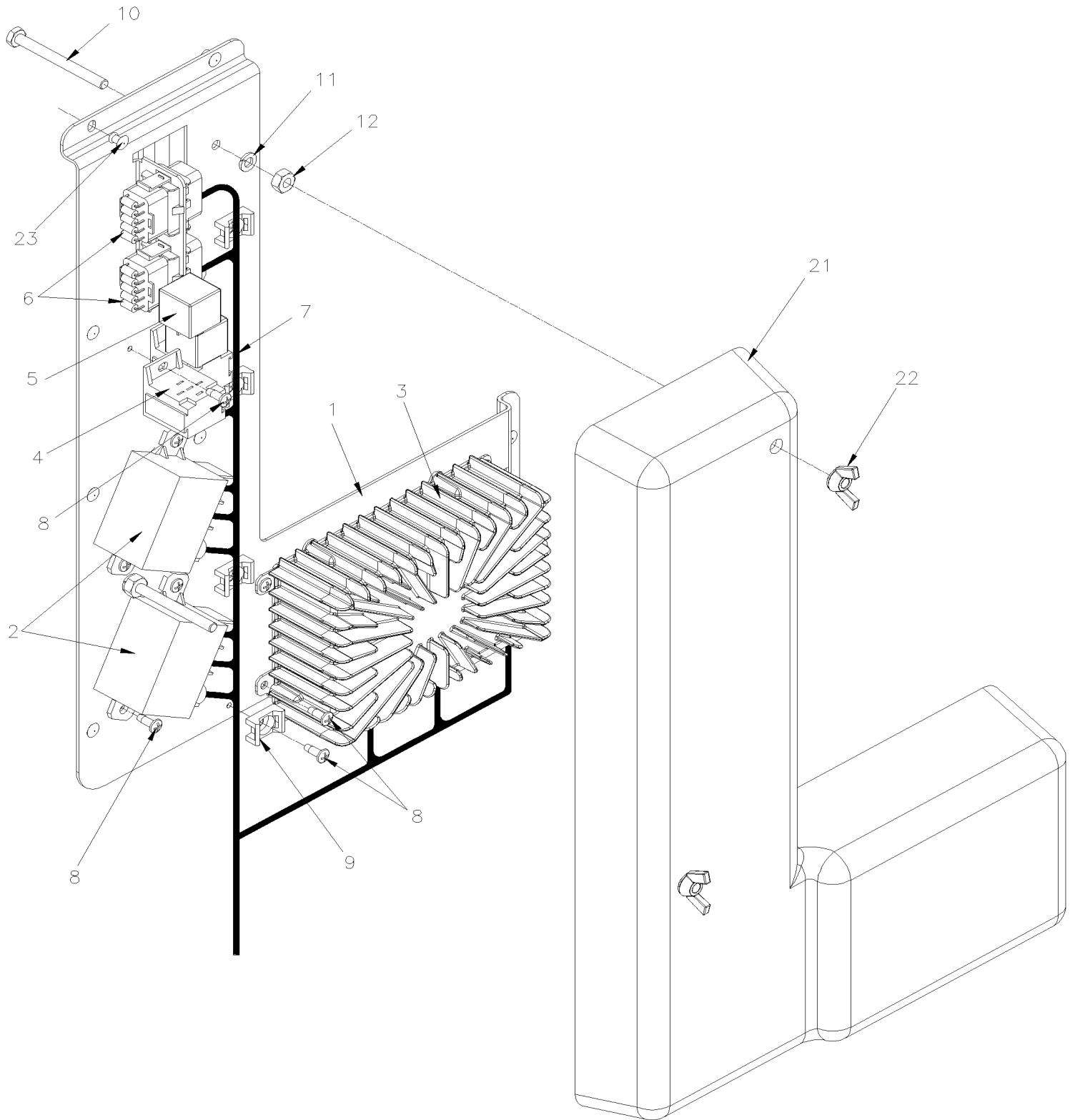


From D-5459 To D-5489

Date:10/2022

PAGE:XV-0621-51

A/C ELECTRICAL PANEL ASSY / EVAPORATOR DOOR





| | | |
|-----------------------|--------------|-----------------|
| From D-5459 To D-5489 | Date:10/2022 | PAGE:XV-0621-51 |
|-----------------------|--------------|-----------------|

A/C ELECTRICAL PANEL ASSY / EVAPORATOR DOOR

| Item# | Part | Description | X 3 V I P | X L I I E N T 4 5 | N O T E S |
|-------|---------|--|-----------------------|---|-----------------------|
| 1 | 382501 | PANEL MOUNTING EVAPORATOR DOOR | 1 | 1 | |
| NS | 506236 | TAPE RUB ADH1 CC POL 1/16" x 1/2" x 100' / GREY 2520 | AR | AR | |
| 2 | 563348 | RELAY POWER 24V 200 AMPS / S.P.S.T. N.O. | 2 | 2 | |
| . NS | 5001182 | . NUT HEX NYRT M6-1.0 SS | 1 | 1 | |
| . NS | 502573 | . WASHER FL 6.4x12.5x1.6 SS | 1 | 1 | |
| . NS | 563409 | . CONNECTOR / SUPERSEAL 1.5 SERIES / SH 2C / AMP 282080-1 | 1 | 1 | |
| . NS | 562607 | . SOCKET TERMINAL / 20-16 / AMP 183025-1 | 1 | 1 | |
| NS | 5001182 | NUT HEX NYRT M6-1.0 SS | 2 | 2 | |
| 3 | 564193 | I/O B-MODULE VOLVO MULTIPLEX / ALUMINUM | 1 | 1 | |
| . NS | 563132 | . CONNECTOR / SH 2C / YAZAKI 7283-6458-40 | 1 | 1 | |
| . NS | 563133 | . CONNECTOR / JUNIOR POWER TIMER / SH 29C / AMP 1-963449-2 | 1 | 1 | |
| . NS | 562957 | . CONNECTOR / SH 5C / GREEN / JAE IL-AG5-5S-S3C1 | 1 | 1 | |
| 4 | 564496 | CONNECTOR / METRI-PACK 630 / SH 5C / PED 12033871 | 2 | 2 | |
| 5 | 563332 | RELAY 24V S.P.D.T. W/RESISTOR / "VOLVO" (20374662) | 2 | 2 | |
| 6 | 381145 | DIODE ASSY / W/5 3AMPS | 2 | 2 | |
| 7 | 068616 | CABLE HARNESS / EVAPORATOR DOOR | 1 | 1 | |
| 8 | 502868 | SCREW TC TR PH #10-16x1/2 N500 | 14 | 14 | |
| 9 | 504013 | TIE MOUNT / 1/4" X 1/4" I.D. | 4 | 4 | |
| NS | 504637 | CABLE TIE / 3/16" x 13" | 4 | 4 | |
| 10 | 5001593 | SCREW MA RND SLT 1/4-20x2 3/4 SS | 2 | 2 | |
| 11 | 500477 | WASHER LO SPT .262x.489x.062 SS | 2 | 2 | |
| 12 | 500771 | NUT HEX 1/4-20 SS | 2 | 2 | |
| 21 | 382500 | COVER PROTECTOR | 1 | 1 | |
| 22 | 5001348 | NUT WING 1/4-20 NYL | 2 | 2 | |
| 23 | 504114 | RIVET POP DOME OE 3/16x1/4 AL | 10 | 10 | |
| NS | 068733 | DECAL EVAPORATOR PANEL | 1 | 1 | |
| | | | | | |
| | | | | | |
| | | | | | |

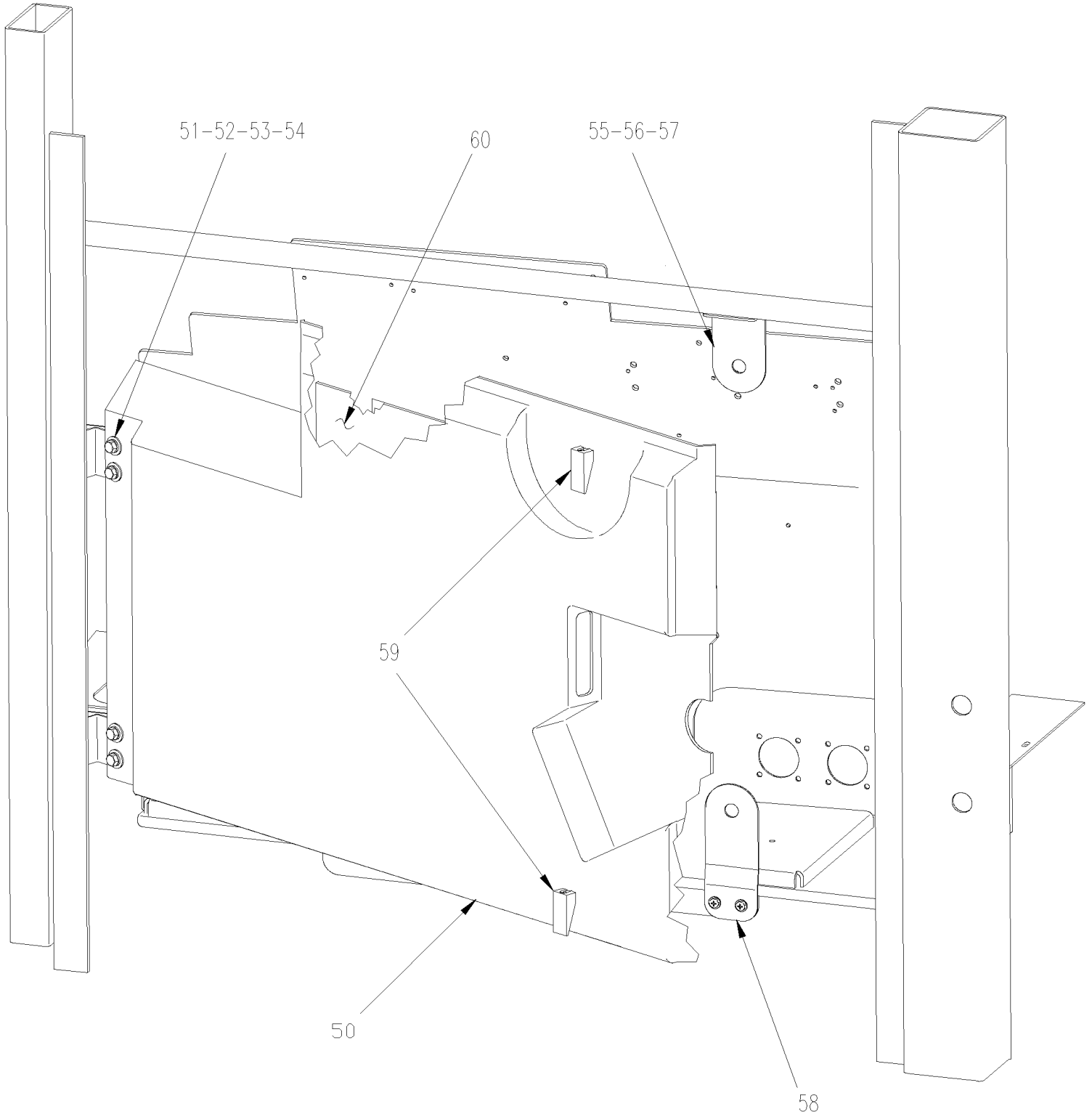


From B-5003 To D-5489

Date:10/2022

PAGE:XV-0625-00

FRONT JUNCTION PANEL



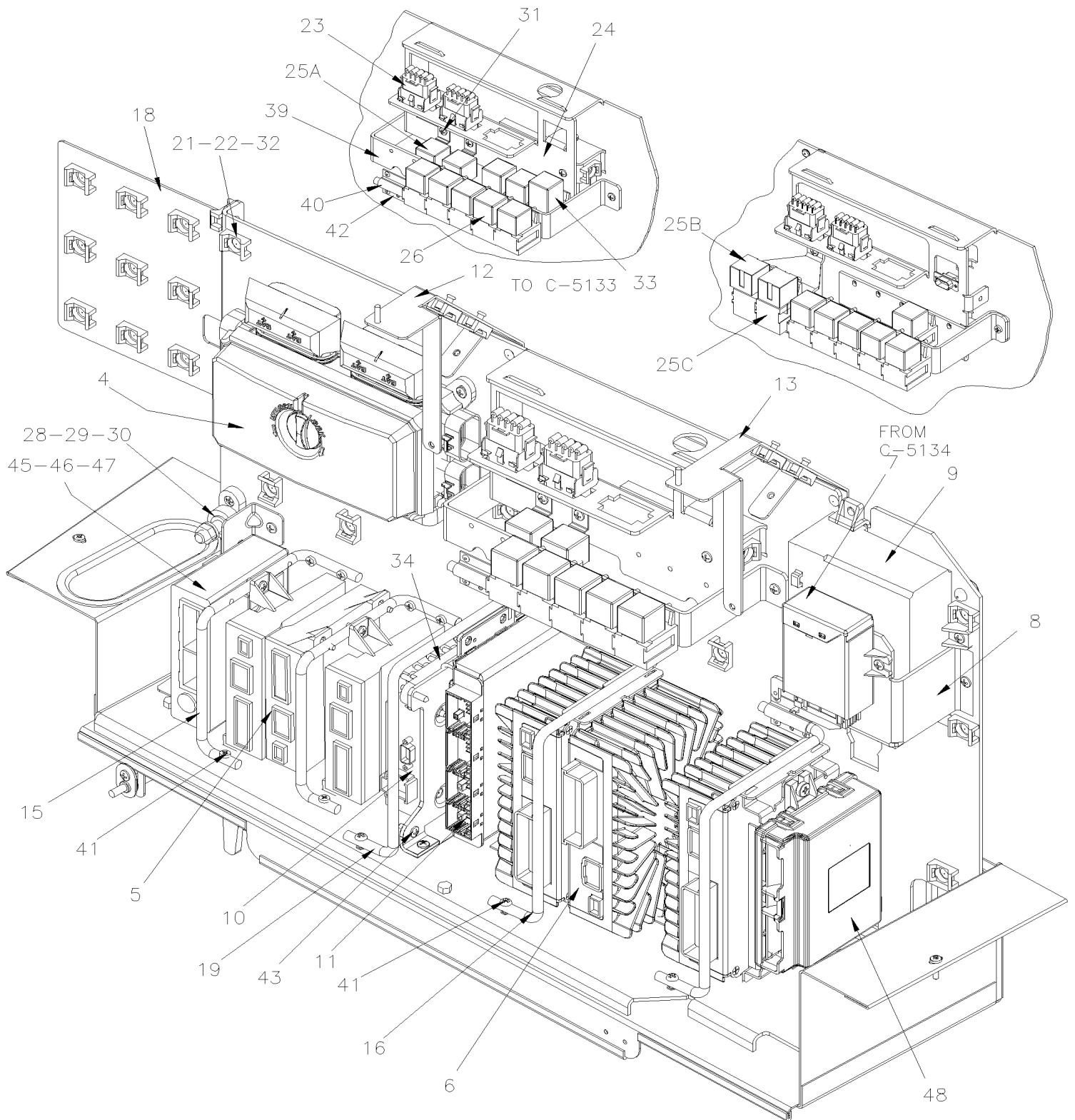


From B-5003 To D-5489

Date:10/2022

PAGE:XV-0625-00

FRONT JUNCTION PANEL





| | | |
|------------------------------|---------------------|------------------------|
| From B-5003 To D-5489 | Date:10/2022 | PAGE:XV-0625-00 |
|------------------------------|---------------------|------------------------|

FRONT JUNCTION PANEL

| Item# | Part | Description | X 3 V I P | X L I E N T 4 5 | N O T E S |
|-------|----------|---|-----------------------|--------------------------------------|-----------------------|
| 1 | 067684 | WIRING HARNESS FRONT JUNCTION BOX / W/MUX To B-5123 | 1 | 1 | |
| 1 | 068268 | WIRING HARNESS FRONT JUNCTION BOX / W/MUX From B-5124 To C-5092 | 1 | 1 | |
| 1 | 068368 | WIRING HARNESS FRONT JUNCTION BOX / W/MUX From C-5093 To C-5133 | 1 | 1 | |
| 1 | 068394 | WIRING HARNESS FRONT JUNCTION BOX / W/MUX From C-5134 To C-5276 | 1 | 1 | |
| 1 | 068314 | WIRING HARNESS FRONT JUNCTION BOX / W/MUX From C-5277 To D-5299 | 1 | 1 | |
| 1 | 068559 | WIRING HARNESS FRONT JUNCTION BOX / W/MUX From D-5300 To D-5459 | 1 | 1 | |
| 1 | 068505 | WIRING HARNESS FRONT JUNCTION BOX / W/MUX From D-5460 | 1 | 1 | |
| 2 | 068073 | UNIVERSAL CAN HARNESS / FRT JCT BOX | 1 | 1 | |
| 3 | 382416 | FRONT PANEL BOX To C-5263 | 1 | 1 | |
| 3 | 382463 | FRONT PANEL BOX From C-5264 To C-5276 | 1 | 1 | |
| 3 | 382471 | FRONT PANEL BOX From C-5277 To D-5369 | 1 | 1 | |
| 3 | 382502 | FRONT PANEL BOX From D-5370 | 1 | 1 | |
| . NS | 504784 | . NUT INS FL HEX M4-0.7 0.5-3.0 ZP From D-5370 | 3 | 3 | |
| 4 | 563674 | VEC DISTRIBUTION MODULE / FRONT JCT BOX | 1 | 1 | |
| . NS | 564104 | . COVER / VEC BOX | 1 | 1 | |
| . NS | 563004 | . FUSE / ATM 2 AMPS GREY | 1 | 1 | |
| . NS | 563279 | . FUSE / ATM 3 AMPS VIOLET | 14 | 14 | |
| . NS | 563280 | . FUSE / ATM 5 AMPS AMBER | 2 | 2 | |
| . NS | 563005 | . FUSE / ATM 7.5 AMPS BROWN | 3 | 3 | |
| . NS | 563283 | . FUSE / ATM 10 AMPS RED | 6 | 6 | |
| . NS | 563284 | . FUSE / ATM 15 AMPS BLUE | 9 | 9 | |
| . NS | 563282 | . FUSE / ATM 20 AMPS YELLOW | 6 | 6 | |
| . NS | 563153 | . FUSE / ATM 25 AMPS NATURAL | 1 | 1 | |
| . NS | 563165 | . FUSE / ATM 30 AMPS GREEN | 3 | 3 | |
| . NS | 564464 | . MINI BREAKER / 20 AMPS / SERIES 223 | 1 | 1 | |
| . NS | 563181 | . CONNECTOR / SH 8C / YELLOW / BUSSMANN 32006-E21 | 1 | 1 | |
| . NS | 563182 | . CONNECTOR / SH 8C / ORANGE / BUSSMANN 32006-G21 | 1 | 1 | |
| . NS | 563183 | . CONNECTOR / SH 8C / RED / BUSSMANN 32006-F21 | 1 | 1 | |
| . NS | 563184 | . CONNECTOR / SH 8C / GREEN / BUSSMANN 32006-C21 | 1 | 1 | |
| . NS | 563185 | . CONNECTOR / SH 8C / BLACK / BUSSMANN 32006-A21 | 1 | 1 | |
| . NS | 563186 | . CONNECTOR / SH 8C / GREY / BUSSMANN 32006-B21 | 1 | 1 | |
| . NS | 563187 | . CONNECTOR / SH 8C / BROWN / BUSSMANN 32006-H21 | 1 | 1 | |
| . NS | 563448 | . CONNECTOR / SH 8C / BLUE / BUSSMANN 32006-D21 | 1 | 1 | |
| . NS | 19518268 | . COVER RUBBER RED | 2 | 2 | |
| 5 | 564101 | I/O A-MODULE VOLVO MULTIPLEX / BLACK To B-5029 | 3 | 3 | |
| . NS | 562767 | . CONNECTOR / SH 30C / GREEN / JAE IL-AG5-30S-D3C1 To B-5029 | 1 | 1 | |
| . NS | 562957 | . CONNECTOR / SH 5C / GREEN / JAE IL-AG5-5S-S3C1 To B-5029 | 1 | 1 | |
| . NS | 563132 | . CONNECTOR / SH 2C / YAZAKI 7283-6458-40 To B-5029 | 1 | 1 | |
| 5 | 564194 | I/O A-MODULE VOLVO MULTIPLEX / BLACK From B-5030 | 1 | 1 | |
| . NS | 562767 | . CONNECTOR / SH 30C / GREEN / JAE IL-AG5-30S-D3C1 From B-5030 | 1 | 1 | |
| . NS | 562957 | . CONNECTOR / SH 5C / GREEN / JAE IL-AG5-5S-S3C1 From B-5030 | 1 | 1 | |
| . NS | 563132 | . CONNECTOR / SH 2C / YAZAKI 7283-6458-40 From B-5030 | 1 | 1 | |



| | | |
|------------------------------|---------------------|------------------------|
| From B-5003 To D-5489 | Date:10/2022 | PAGE:XV-0625-00 |
|------------------------------|---------------------|------------------------|

FRONT JUNCTION PANEL

| Item# | Part | Description | X 3 V I P | X L I E N T 4 5 | N O T E S |
|-------|----------|--|-----------------------|--------------------------------------|-----------------------|
| 6 | 564075 | I/O B-MODULE VOLVO MULTIPLEX / ALUMINUM To B-5029 | 3 | 3 | |
| . NS | 563132 | . CONNECTOR / SH 2C / YAZAKI 7283-6458-40 To B-5029 | 1 | 1 | |
| . NS | 563133 | . CONNECTOR / JUNIOR POWER TIMER / SH 29C / AMP 1-963449-2 To B-5029 | 1 | 1 | |
| . NS | 562957 | . CONNECTOR / SH 5C / GREEN / JAE IL-AG5-5S-S3C1 To B-5029 | 1 | 1 | |
| 6 | 564193 | I/O B-MODULE VOLVO MULTIPLEX / ALUMINUM From B-5030 | 1 | 1 | |
| . NS | 563132 | . CONNECTOR / SH 2C / YAZAKI 7283-6458-40 From B-5030 | 1 | 1 | |
| . NS | 563133 | . CONNECTOR / JUNIOR POWER TIMER / SH 29C / AMP 1-963449-2 From B-5030 | 1 | 1 | |
| . NS | 562957 | . CONNECTOR / SH 5C / GREEN / JAE IL-AG5-5S-S3C1 From B-5030 | 1 | 1 | |
| 7 | 564076 | ECU TIRE PRESSURE | 1 | 1 | |
| . NS | 564073 | . CONNECTOR TANDEM SPRING/ AMPMODU / SH 32C / AMP 1394010-1 | 1 | 1 | |
| 8 | 382406 | SUPPORT TIRE ECU PRESSURE | 1 | 1 | |
| 9 | 563274 | CECM VOLVO MULTIPLEX MODULE To C-5159 | 1 | 1 | |
| 9 | 563851 | MCM - VOLVO MULTIPLEX MODULE From C-5160 | 1 | 1 | B |
| 9 | 23317365 | MCM - VOLVO MULTIPLEX MODULE | 1 | 1 | B |
| 10 | 563295 | MASTER ID-MODULE VOLVO MULTIPLEX To C-5159 | 1 | 1 | |
| . NS | 562794 | . CONNECTOR / JUNIOR POWER TIMER / SH 9C / AMP 964561-4 To C-5159 | 1 | 1 | |
| 10 | 069538 | "MASTER ID" REPLACEMENT WITH "MCM" MODULE To C-5159 | 1 | 1 | |
| . NS | 069420 | . HARNESS MCM To C-5159 | 1 | 1 | |
| . NS | IS-11003 | . SEE INSTRUCTION SHEET To C-5159 | 1 | 1 | |
| 10 | 066009 | CABLE ADAPTOR / INTERFACE PC TO MASTER ID (3Meter) | 1 | 1 | |
| . NS | 562650 | . CONNECTOR / HDP-20 / SH 9C / AMP 205203-1 | 2 | 2 | |
| 11 | 642081 | ECU ABS / W/6 CHANNELS / STANDARD From B-5003 To D-5299 | 1 | 1 | |
| 11 | 642146 | ECU ABS / W/6 CHANNELS / ADVANCED ESP UNPROGRAMMED / NON-PROGRAMME | 1 | 1 | |
| 11 | 067934 | CABLE ASSY ESP FRT JC BOX To B-5086 | 1 | 1 | |
| 11 | 068260 | CABLE ASSY ESP FRT JC BOX From C-5087 To D-5299 | 1 | 1 | |
| 12 | 382126 | SUPPORT FRONT PANEL UPPER FORWARD To C-5276 | 1 | 1 | |
| 12 | 382465 | SUPPORT FRONT PANEL UPPER FORWARD From C-5277 | 1 | 1 | |
| 13 | 382129 | SUPPORT FRONT PANEL UPPER BACKWARD To C-5276 | 1 | 1 | |
| 13 | 382466 | SUPPORT FRONT PANEL UPPER BACKWARD From C-5277 | 1 | 1 | |
| 15 | 382179 | ROD ATTACHMENT / I/O A MODULE | 2 | 2 | |
| 16 | 382417 | ROD ATTACHMENT / I/O B MODULE | 2 | 2 | |
| 18 | 386652 | SUPPORT From C-5125 | 1 | 1 | |
| 19 | 382418 | ROD ATTACHMENT CABLE | 1 | 1 | |
| 21 | 504013 | TIE MOUNT / 1/4" X 1/4" I.D. | AR | AR | |
| 22 | 504347 | RIVET POP DOME OE 3/16x1/4 AL | AR | AR | |
| 23 | 381145 | DIODE ASSY / W/5 3AMPS | 2 | 2 | |
| 23 | 382244 | RESISTANCE ASSY / W/5 RESISTORS 1.2k OHMS | 1 | 1 | |
| 24 | 382387 | DIODE SUPPORT PLATE To C-5276 | 1 | 1 | D13 |
| 24 | 382470 | DIODE SUPPORT PLATE From C-5277 | 1 | 1 | D13 |
| 25A | 561991 | RELAY 24V S.P.S.T. / 70 AMPS N.O. To C-5133 | 2 | 2 | |
| 25B | 564218 | RELAY 24V S.P.S.T. / 40 AMPS N.O. From C-5134 | 2 | 2 | |
| 25C | 564210 | RELAY BASE / TAB TERMINAL / COLE HERSEE 99025 From C-5134 | 2 | 2 | |



| | | |
|------------------------------|---------------------|------------------------|
| From B-5003 To D-5489 | Date:10/2022 | PAGE:XV-0625-00 |
|------------------------------|---------------------|------------------------|

FRONT JUNCTION PANEL

| Item# | Part | Description | X 3 V I P | X L I I E N T 4 5 | N O T E S |
|-------|----------|---|-----------------------|---|-----------------------|
| 26 | 563332 | RELAY 24V S.P.D.T. W/RESISTOR / "VOLVO" (20374662) | AR | AR | |
| 27 | 952627 | CLAMP / 1/2" I.D. | 2 | 2 | |
| 28 | 560422 | BLOCK, TERMINAL / 1 STUD 3/8-16 / BLACK | 1 | 1 | |
| 29 | 500478 | WASHER LO SPT .380x.683x.094 Z050 | 1 | 1 | |
| 30 | 500379 | NUT HEX 3/8-16 BR | 1 | 1 | |
| 31 | 500623 | SCREW TC PAN PH #10-24x3/4 N500 | 1 | 1 | |
| 32 | 504637 | CABLE TIE / 3/16" x 13" | AR | AR | |
| 33 | 563033 | E.C.U. / W/STEERING ASSIST (STP 272 or 330) ((77//125)) | 1 | 1 | |
| 33 | 661170 | E.C.U. / W/STEERING ASSIST (STP 338) ((60//95)) | 1 | 1 | C |
| 34 | 563218 | JUNCTION BLOCK W/5 STUDS | 1 | 1 | |
| NS | 500765 | NUT HEX #10-32 BR | AR | AR | |
| 39 | 382407 | SUPPORT / RELAY To C-5276 | 1 | 1 | |
| 39 | 382472 | SUPPORT / RELAY From C-5277 To D-5457 | 1 | 1 | |
| 39 | 382557 | SUPPORT / RELAY From D-5458 | 1 | 1 | |
| 40 | 382169 | HINGE ROD ATTACHMENT | 5 | 5 | |
| 41 | 509827 | SCREW MA RND PH M4-0.7x20 SS | 9 | 9 | |
| 42 | 504340 | RIVET POP DOME OE 1/8x3/16 SS | 12 | 12 | |
| 43 | 502868 | SCREW TC TR PH #10-16x1/2 N500 | AR | AR | |
| 44 | 500965 | SCREW TC BDG PH #8-32x1/2 N500 | AR | AR | |
| 45 | 563541 | KEYLESS MODULE / 350' RANGE | 1 | 1 | |
| 46 | 382162 | SUPPORT UPPER KEYLESS MODULE | 1 | 1 | |
| 47 | 382163 | SUPPORT LOWER KEYLESS MODULE | 1 | 1 | |
| 48 | 21083383 | VECU MODULE / VOLVO To D-5297 | 1 | 1 | |
| 48 | 21720495 | VECU4 MODULE / VOLVO From D-5298 | 1 | 1 | |
| NS | 067625 | CABLE ASSY FRT JCT BOX WORLD TRANSMISSION To C-5276 | 1 | 1 | |
| NS | 068376 | CABLE ASSY FRT JCT BOX WORLD TRANSMISSION From C-5277 To D-5459 | 1 | 1 | |
| 48 | 068592 | CABLE ASSY FRT JCT BOX WORLD TRANSMISSION From D-5460 | 1 | 1 | |
| 50 | 287562 | PROTECTOR FRONT ELECTRIC COMPARTMENT | 1 | 1 | |
| 51 | 502531 | SCREW CAP HEX M6-1.0x16 G8.8 Z050 To C-5276 | 4 | 4 | |
| 51 | 5001744 | SCREW CAP HEX M6-1.0x16 G8.8 N500 From C-5277 | 4 | 4 | |
| 52 | 500411 | WASHER FL .260x.697x.050 SS To C-5276 | 10 | 10 | |
| 52 | 5001833 | WASHER BEL SPR 6.1x18x1.27 SS From C-5277 | 10 | 10 | |
| 53 | 502570 | WASHER LO SPT 6.1x11.8x1.6 SS To C-5276 | 6 | 6 | |
| 54 | 287210 | ATTACHMENT PLATE W/NUT | 2 | 2 | |
| 55 | 500641 | SCREW TP PAN PH #8x3/4 Z050 To C-5276 | 4 | 4 | |
| 55 | 502868 | SCREW TC TR PH #10-16x1/2 N500 From C-5277 | 4 | 4 | |
| 56 | 500438 | WASHER FL .187x.437x.050 Z050 To C-5276 | 4 | 4 | |
| 56 | 500855 | WASHER FL .188x.438x.049 N500 From C-5277 | 4 | 4 | |
| 57 | 384286 | RETAINER UPPER | 1 | 1 | |
| 58 | 382360 | RETAINER LOWER | 1 | 1 | |
| 59 | 901052 | LATCH RUBBER | 2 | 2 | |
| 60 | 068175 | DECAL "FRT JCT BOX" COMPONENTS To C-5092 | 1 | 1 | |



| | | |
|------------------------------|---------------------|------------------------|
| From B-5003 To D-5489 | Date:10/2022 | PAGE:XV-0625-00 |
|------------------------------|---------------------|------------------------|

FRONT JUNCTION PANEL

| Item# | Part | Description | X 3 V I P | X L I E N T 4 5 | N O T E S |
|-------|---------|--|-----------------------|--------------------------------------|-----------------------|
| 60 | 068364 | DECAL "FRT JCT BOX" COMPONENTS From C-5093 To C-5133 | 1 | 1 | |
| 60 | 068400 | DECAL "FRT JCT BOX" COMPONENTS From C-5134 To C-5159 | 1 | 1 | |
| 60 | 068424 | DECAL "FRT JCT BOX" COMPONENTS From C-5160 To D-5457 | 1 | 1 | |
| 60 | 068664 | DECAL "FRT JCT BOX" COMPONENTS From D-5458 | 1 | 1 | |
| 61 | 066155 | DECAL PIN OUT / JCT BOX W/MUX | 1 | 1 | |
| 70 | 068380 | SERVICE KIT TO REPLACE 70 AMP RELAY | AR | AR | |
| . NS | 564210 | . RELAY BASE / TAB TERMINAL / COLE HERSEE 99025 | 1 | 1 | |
| . NS | 564218 | . RELAY 24V S.P.S.T. / 40 AMPS N.O. | 1 | 1 | |
| . NS | FI11015 | . SEE INSTRUCTION SHEET ENS. REMPLACEMENT RELAIS 70A | 1 | 1 | |
| . NS | IS11015 | . SEE INSTRUCTION SHEET | 1 | 1 | |
| | | | | | |
| | | | | | |
| | | | | | |
| | | | | | |
| | | B) WHEN YOU MUST REPLACE 563851, YOU MUST ORDER 23317365, BUT YOU MUST GIVE THE SERIAL NUMBER OF YOUR VEHICLE FOR IT TO BE PROGRAM | | | |
| | | C) THIS E.C.U. GIVE LESS ASSISTANCE AT LOW SPEED | | | |
| | | D13) WITH "VOLVO" ENGINE | | | |

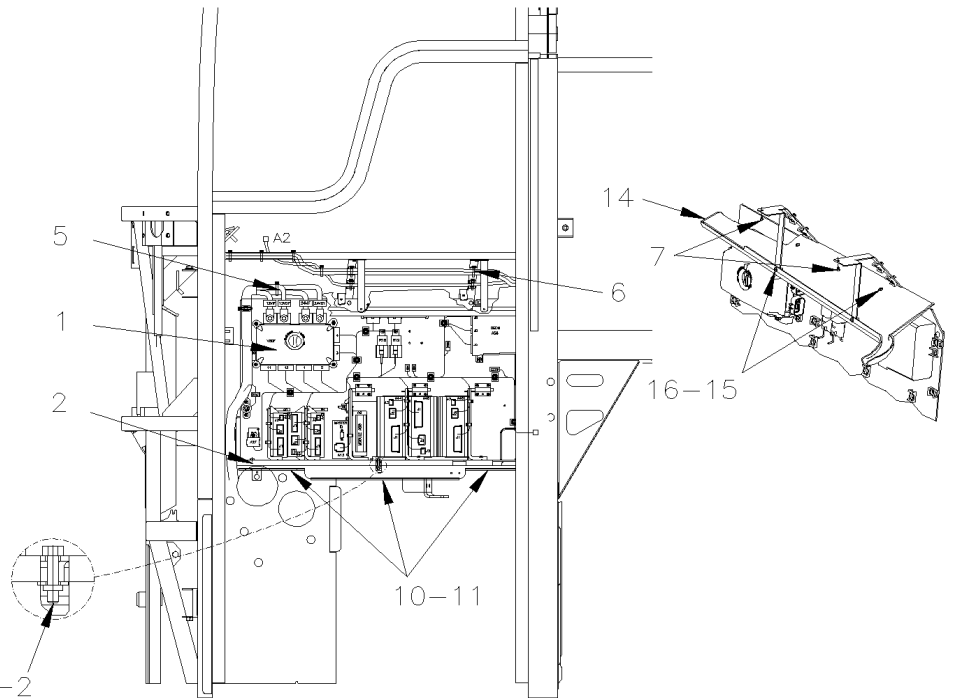
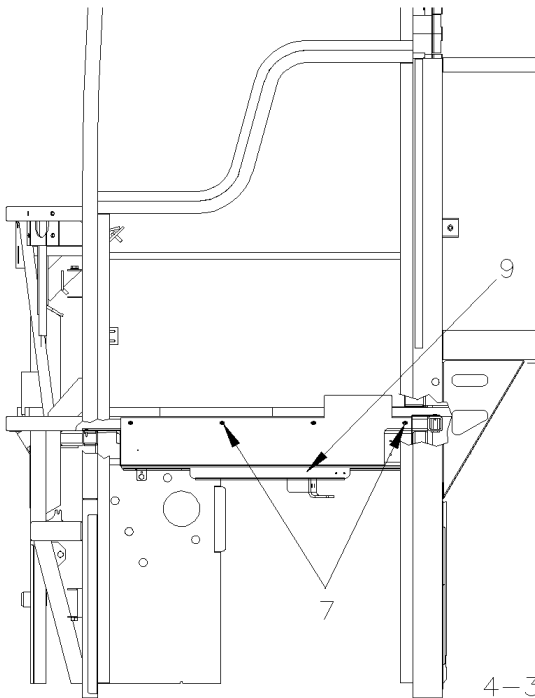
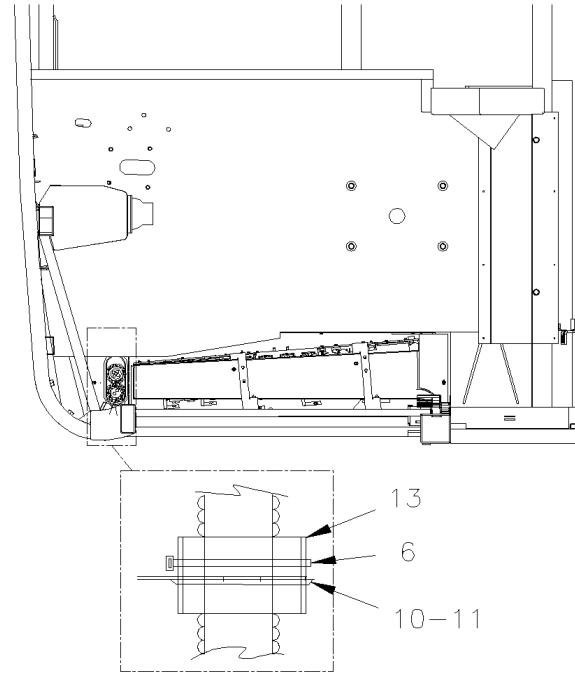
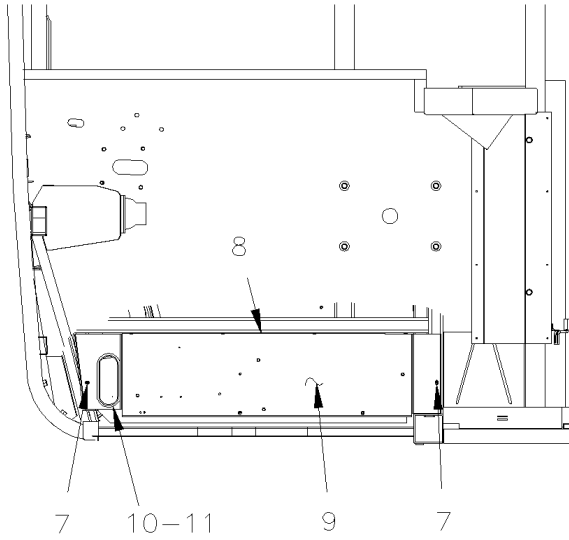


From B-5003 To D-5489

Date:10/2022

PAGE:XV-0625-10

FRONT JUNCTION BOX - INSTALLATION



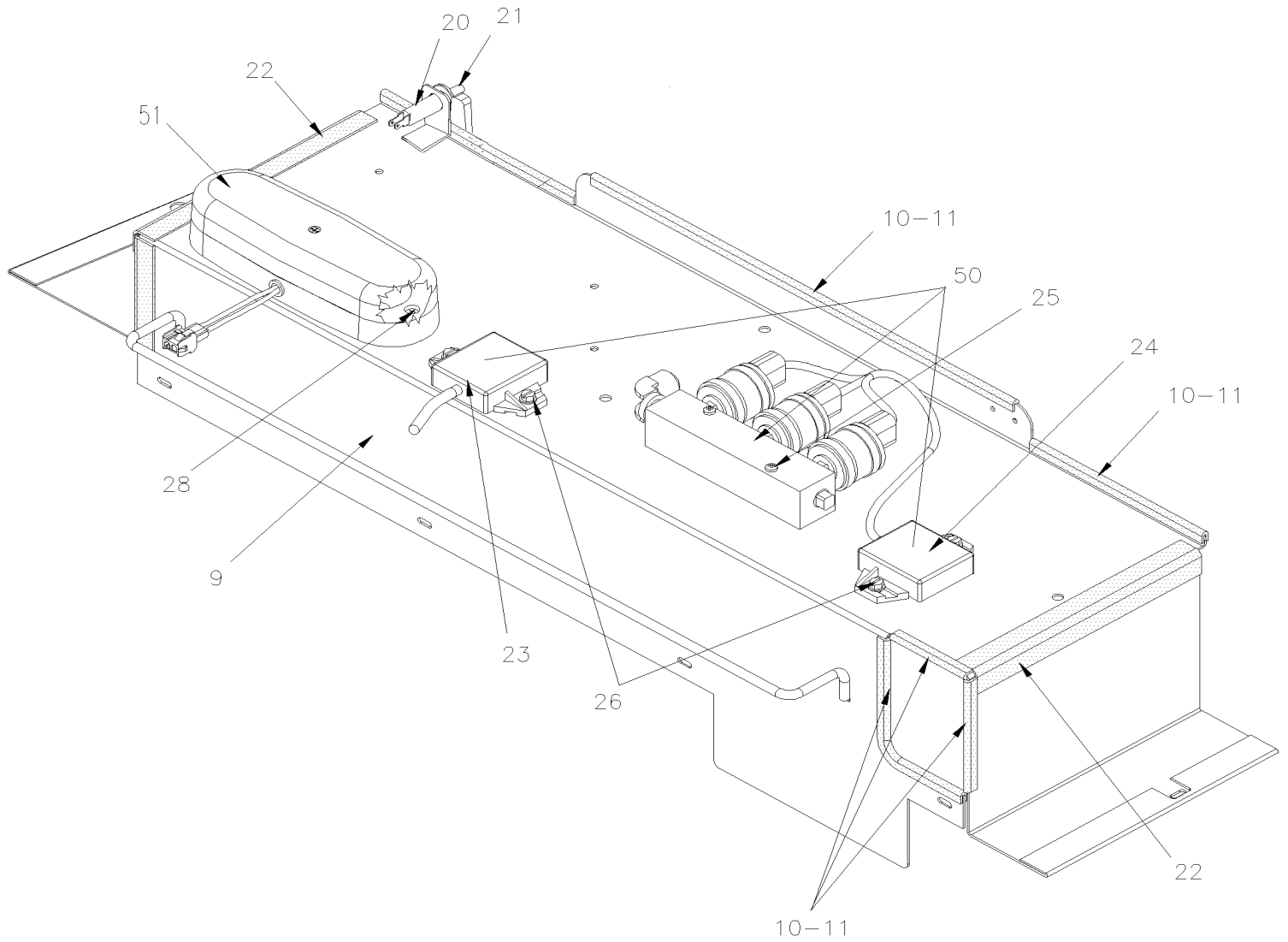


From B-5003 To D-5489

Date:10/2022

PAGE:XV-0625-10

FRONT JUNCTION BOX - INSTALLATION





From B-5003 To D-5489 Date:10/2022 PAGE:XV-0625-10

FRONT JUNCTION BOX - INSTALLATION

| Item# | Part | Description | X 3 V I P | X L I I E N T 4 5 | N O T E S |
|-------|-------------------|--|-----------------------|---|-----------------------|
| 1 | XV-0625-00 | FRONT JUNCTION PANEL | | | |
| 2 | 502565 | NUT HEX M6-1.0 SS | 4 | 4 | |
| 3 | 502564 | WASHER LO SPT 6.1x11.8x1.6 Z050 | 4 | 4 | |
| 4 | 502737 | SCREW CAP HEX M6-1.0x25 SS BK | 1 | 1 | |
| 5 | 504016 | CABLE TIE / 5/16" X 14"1/2 | AR | AR | |
| 6 | 504637 | CABLE TIE / 3/16" x 13" | AR | AR | |
| 7 | 500641 | SCREW TP PAN PH #8x3/4 Z050 | 6 | 6 | |
| 8 | 680532 | SEALANT SIKA #221 / GREY / 310ml CARTRIDGE | AR | AR | |
| 9 | 382452 | SUPPORT FRONT JCT BOX To C-5132 | 1 | 1 | |
| 9 | 382455 | SUPPORT FRONT JCT BOX From C-5133 | 1 | 1 | |
| NS | 564108 | SELF MOUNTING STUD // DEUTSCH 1011-310-0205 | 3 | 3 | |
| NS | 509815 | TIE MOUNT / ATTACHMENT W/TREE MOUNT | 1 | 1 | |
| NS | 504637 | CABLE TIE / 3/16" x 13" | 1 | 1 | |
| 10 | 506338 | RUBBER CHANNEL / 1/16" x 1/4" INT "U" SHAPE / ROUND C.T.L. | AR | AR | |
| 11 | 680066 | ADHESIVE / ADBOND #5014 / 23.6ML BOTTLE | AR | AR | |
| 12 | 500615 | NUT HEX M8-1.25 BR | 12 | 12 | |
| 13 | 371600 | INSULATING PAD 76.2MM x 374.7MM | 1 | 1 | |
| 14 | 382135 | DRIP PAN FRONT JCT BOX To C-5276 | 1 | 1 | |
| 14 | 382467 | DRIP PAN FRONT JCT BOX From C-5277 | 1 | 1 | |
| NS | 382464 | SUPPORT FRONT JCT BOX From C-5277 | 2 | 2 | |
| 15 | 502556 | WASHER FL 4.3x9.0x0.8 SS | 4 | 4 | |
| 16 | 502698 | SCREW MA PAN PH M4-0.7x16 SS BK | 4 | 4 | |
| NS | 5001182 | NUT HEX NYRT M6-1.0 SS | 1 | 1 | |
| NS | 500964 | WASHER FL .203x.500x.047 Z050 | 1 | 1 | |
| NS | 064993 | CABLE ASSY / 12Volt "CB" DELIVERY | 1 | 1 | |
| 20 | 066638 | SWITCH SUPPORT / FRONT SERVICE DOOR | 1 | 1 | |
| 21 | 563464 | SWITCH / S.P.S.T. / N.C. / W/RUBBER BOOT | 1 | 1 | |
| 22 | 382404 | RUBBER PROTECTOR, CORNER | 2 | 2 | |
| 23 | 562357 | RESISTANCE MODULE | 1 | 1 | |
| 24 | 562381 | RESISTANCE MODULE | 1 | 1 | |
| 25 | 500508 | SCREW TC PAN PH #10-32x1 1/2 Z050 | 2 | 2 | |
| 26 | 5001245 | SCREW TC CAP HEXW SLT #12-24x1/2 Z050 | AR | AR | |
| 27 | 500473 | WASHER LO SPT .262x.489x.062 Z050 | AR | AR | |
| 28 | 500430 | SCREW TC PAN PH #8-32x1 1/4 SS BK | 2 | 2 | |
| 50 | XV-0750-00 | AUTOMATIC TRANSMISSION - "WORLD" WITH VOLVO D13 | | | |
| 51 | XV-0665-10 | SWITCHES, LIGHTS, AJAR - UNDER FLOOR | | | |
| | | | | | |
| | | | | | |
| | | | | | |
| | | | | | |

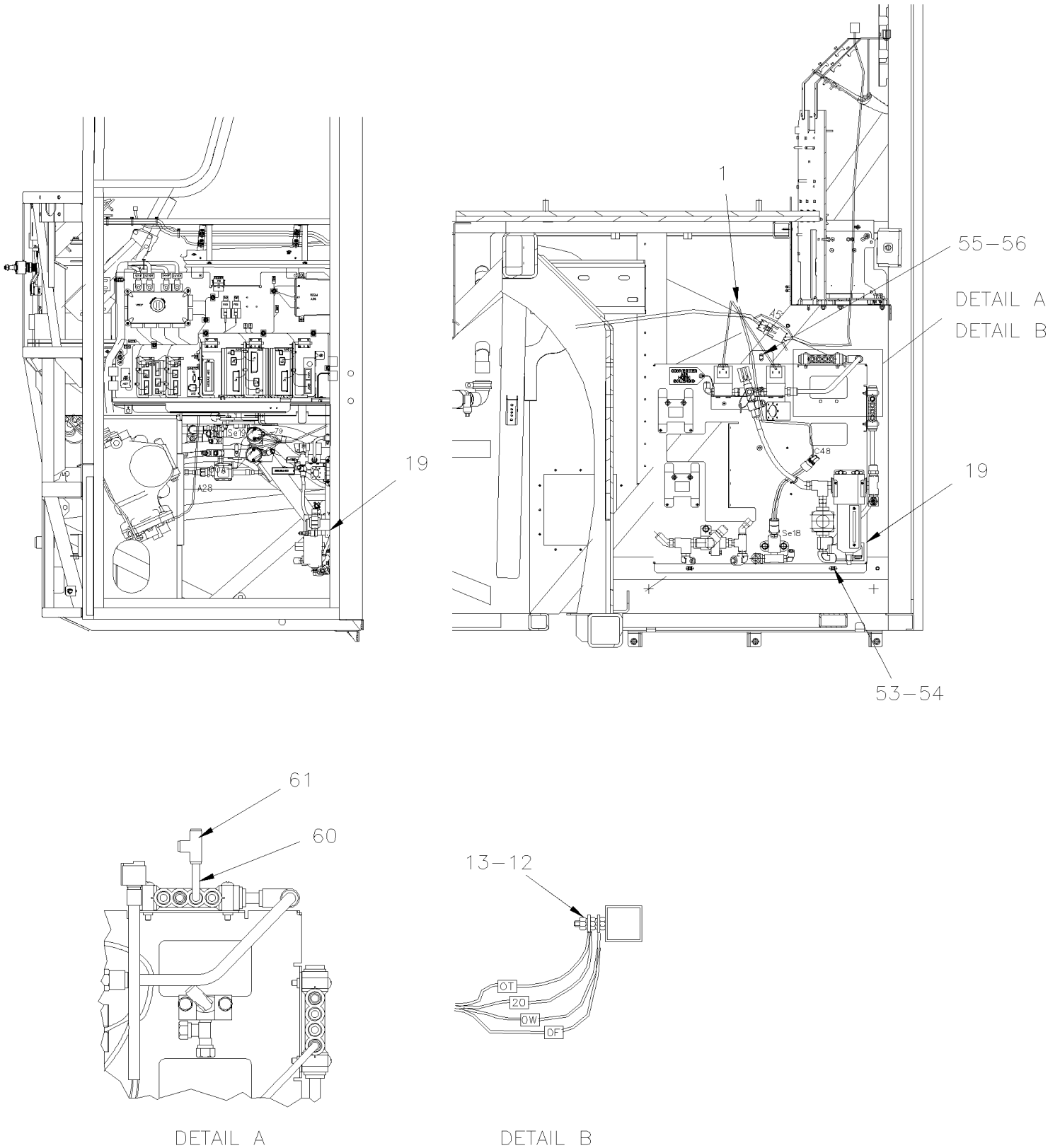


From B-5003 To D-5489

Date:10/2022

PAGE:XV-0640-50

CABLE & HARNESS - FRONT END INSTALLATION



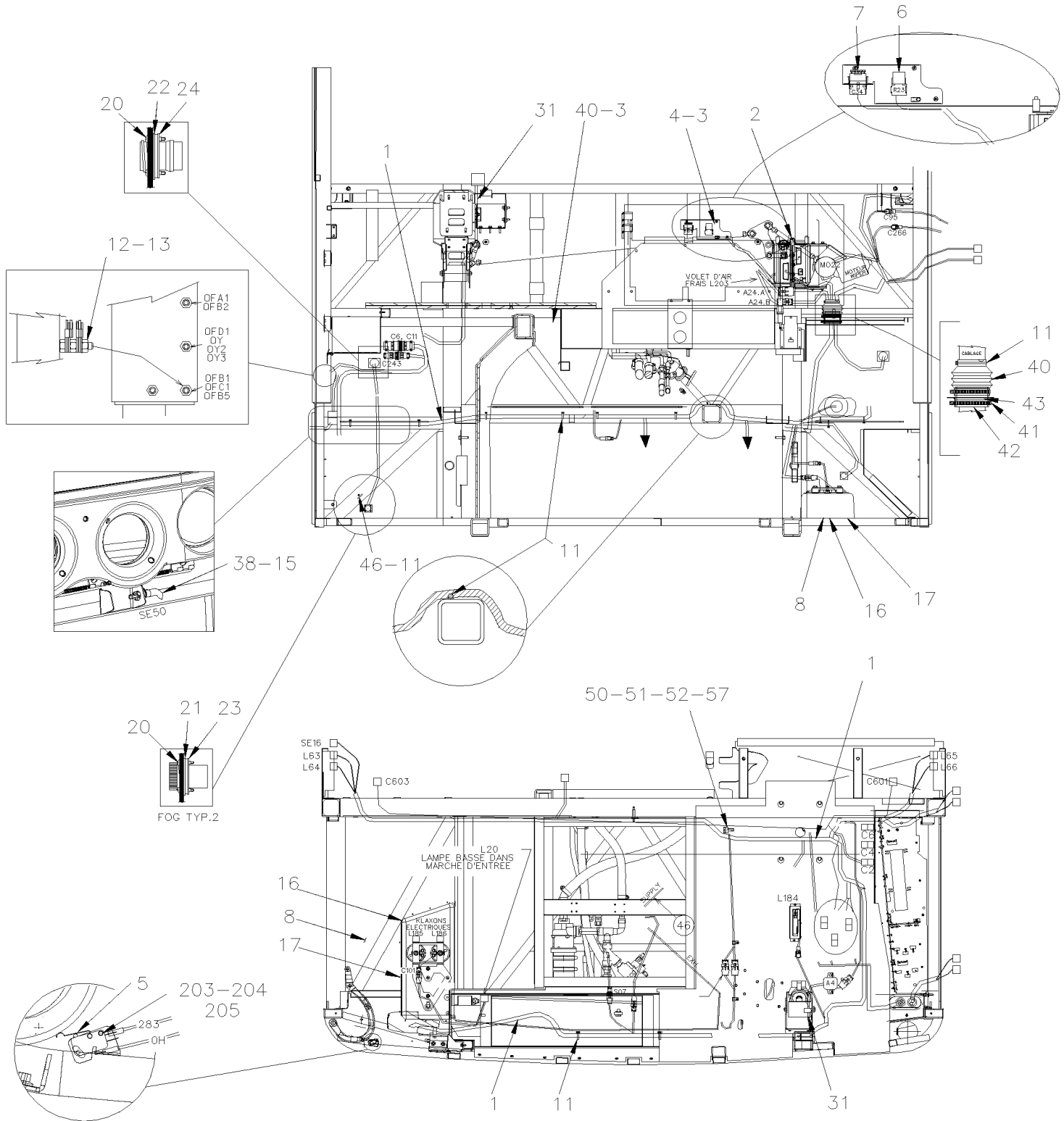


From B-5003 To D-5489

Date:10/2022

PAGE:XV-0640-50

CABLE & HARNESS - FRONT END INSTALLATION





| | | |
|-----------------------|--------------|-----------------|
| From B-5003 To D-5489 | Date:10/2022 | PAGE:XV-0640-50 |
|-----------------------|--------------|-----------------|

CABLE & HARNESS - FRONT END INSTALLATION

| Item# | Part | Description | X 3 V I P | X L I I E N T 4 5 | N O T E S |
|-------|-------------------|---|-----------------------|---|-----------------------|
| 1 | 067446 | CABLE ASSY / FRONT LOWER END To C-5276 | 1 | 1 | |
| 1 | 068490 | CABLE ASSY / FRONT LOWER END From C-5277 To D-5459 | 1 | 1 | |
| 1 | 068707 | CABLE ASSY / FRONT LOWER END From D-5460 | 1 | 1 | |
| 2 | Call order desk | I/O B-MODULE VOLVO MULTIPLEX ASSY | 1 | 1 | P |
| 2 | Call order desk | I/O B-MODULE VOLVO MULTIPLEX ASSY | 1 | 1 | P |
| 3 | 500638 | SCREW TP PAN PH #8x1/2 Z050 | 3 | 3 | |
| 4 | 289652 | SUPPORT & RELAY ASSY From A-9873 | 1 | 1 | |
| 5 | 562096 | MICRO SWITCH | 1 | 1 | |
| 6 | 563332 | RELAY 24V S.P.D.T. W/RESISTOR / "VOLVO" (20374662) | 1 | 1 | |
| 7 | 381145 | DIODE ASSY / W/5 3AMPS | 1 | 1 | |
| 8 | 5001407 | WASHER LO EXT 3.2x6.0x0.4 SS | 2 | 2 | |
| 11 | 504637 | CABLE TIE / 3/16" x 13" | AR | AR | |
| 12 | 502565 | NUT HEX M6-1.0 SS | 15 | 15 | |
| 13 | 502570 | WASHER LO SPT 6.1x11.8x1.6 SS | 8 | 8 | |
| 14 | 500167 | SCREW CAP HEX 1/4-20x1 1/4 G5 PT Z050 | 3 | 3 | |
| 15 | 502716 | NUT HEX NYRT 1/4-20 | 3 | 3 | |
| 16 | 562387 | CONVOLUTED TUBING / SLIT / BLACK / .250" | AR | AR | |
| 17 | XV-2310-00 | HORN - INSTALLATION | | | |
| 18 | 500658 | SCREW TC PAN PH #10-24x3/4 Z050 | 10 | 10 | |
| 19 | XV-1640-50 | LEVEL-LOW - CONTROL PANEL & VALVES | | | |
| 20 | 5001454 | SCREW MA BDG PH #4-40x1/2 SS | 16 | 16 | |
| 21 | 562945 | GASKET MOUNTING / HD10 SERIES / 3C / DEUTSCH HD10-3-GKT | 2 | 2 | |
| 22 | 563096 | GASKET MOUNTING / HD10 SERIES / 6C / DEUTSCH HD10-6-GKT | 2 | 2 | |
| 23 | 562381 | RESISTANCE MODULE | 1 | 1 | |
| 24 | 062268 | NUT, RING #11 / .940" I.D. W/4 4-40 | 2 | 2 | |
| 25 | 500642 | SCREW TP PAN PH #10x3/4 Z050 | 4 | 4 | |
| 26 | 561821 | NUT, RING #17 & 20 / 1.500" I.D W/4 4-40 | 2 | 2 | |
| 30 | 562357 | RESISTANCE MODULE | 1 | 1 | |
| 31 | 063782 | CABLE ASSY / RESISTANCE MODULE & SWITCH | 1 | 1 | |
| 34 | 500411 | WASHER FL .260x.697x.050 SS | 6 | 6 | |
| 38 | 563335 | SENSOR THERMISTOR ASSY / OUTSIDE // PED 15416387 | 1 | 1 | |
| 40 | 504499 | CUFF END BELLOW / 2 7/8" I.D. x 3 5/8" x 4 7/16 | 1 | 1 | |
| 41 | 504026 | HOSE CLAMP / 2"13/16-3"3/4 SS / HS-52 | 2 | 2 | |
| 42 | 065035 | TUBE PVC / 3" X 50MM | 1 | 1 | |
| 43 | 680067 | SEALANT TAPE BUTYL / BLACK / 1/8"x3/4"x25' / 75211E760 | 1 | 1 | |
| 46 | 562679 | 4 WAY ADH. BACKED MOUNTS 1.000 x 1.000 x .160 | 1 | 1 | |
| 50 | 500102 | NUT HEX 3/8-16 SS | 1 | 1 | |
| 51 | 502616 | WASHER LO SPT 10.2x18.1x2.2 SS | 1 | 1 | |
| 52 | 500641 | SCREW TP PAN PH #8x3/4 Z050 | 2 | 2 | |
| 53 | 502573 | WASHER FL 6.4x12.5x1.6 SS | 1 | 1 | |
| 54 | 502854 | NUT HEX M6-1.0 N500 | 2 | 2 | |
| 55 | 500942 | WASHER LO SPT 8.1x14.8x2.0 N500 | 1 | 1 | |



| | | |
|-----------------------|--------------|-----------------|
| From B-5003 To D-5489 | Date:10/2022 | PAGE:XV-0640-50 |
|-----------------------|--------------|-----------------|

CABLE & HARNESS - FRONT END INSTALLATION

| Item# | Part | Description | X 3 V I P | X L I I E N T 4 5 | N O T E S |
|-------|--------|--|-----------------------|---|-----------------------|
| 56 | 502862 | SCREW CAP HEX M8-1.25x20 G8.8 N500 | 1 | 1 | |
| 57 | 560422 | BLOCK, TERMINAL / 1 STUD 3/8-16 / BLACK | 1 | 1 | |
| 58 | 952624 | CLAMP / 1/4" I.D. | 1 | 1 | |
| 59 | 684685 | ADHESIVE SIMSON #ISR 70-03 / 310ml CARTRIDGE | AR | AR | |
| 60 | 503402 | TUBE, NYLON 1/4 O.D. / BLACK S.L. | AR | AR | |
| 61 | 641955 | UNION TEE / PUSH-IN FITTING / #4x#4x#4 BR | 1 | 1 | |
| 62 | 502526 | SCREW TC BDG PH #12-24x3/4 Z050 | 10 | 10 | |
| | | | | | |
| | | | | | |
| | | | | | |
| | | P) CALL ORDER DESK FOR SPECIFIC APPLICATION (V.I.N.) | | | |

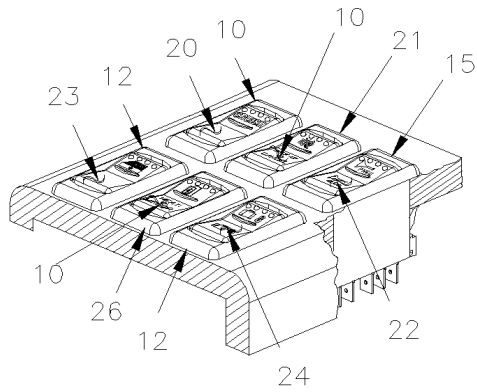


From B-5003 To D-5489

Date:10/2022

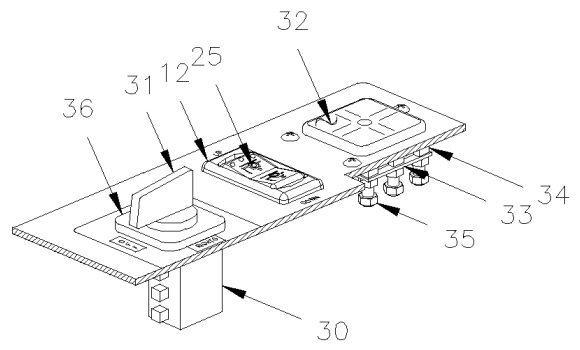
PAGE:XV-0645-05

SWITCHES L.H. CONSOLE - MTH

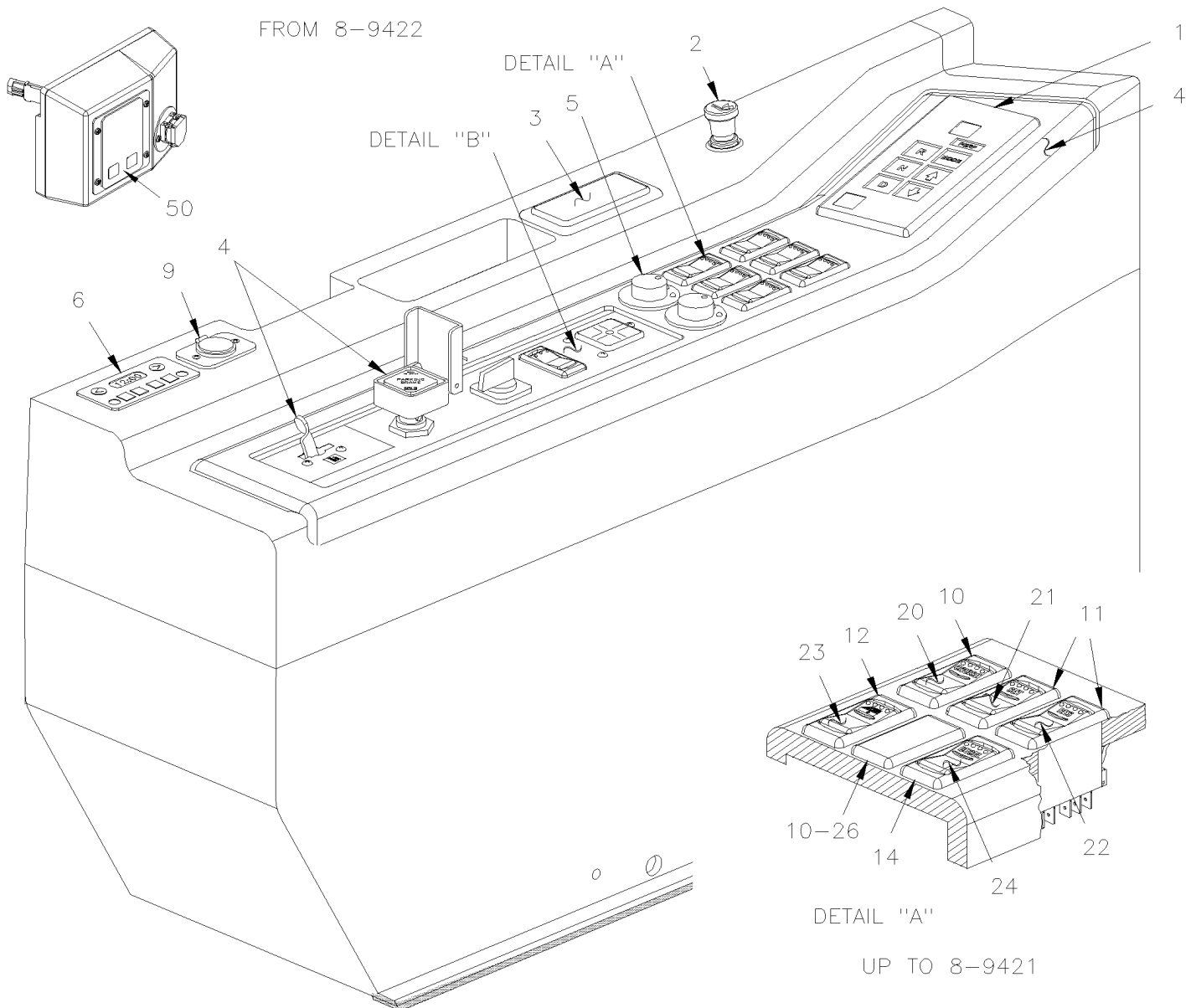


DETAIL "A"

FROM 8-9422



DETAIL "B"



DETAIL "A"

UP TO 8-9421



From B-5003 To D-5489 Date:10/2022 PAGE:XV-0645-05

SWITCHES L.H. CONSOLE - MTH

| Item# | Part | Description | X 3 V I P | X L I I E N T 4 5 | N O T E S |
|-------|-------------------|---|-----------------------|---|-----------------------|
| 1 | 572124 | SHIFTER, SELECTOR "WORLD" / GEN IV To E-5624 | 1 | 1 | |
| 1 | 572155 | SHIFTER, SELECTOR "WORLD" / GEN V From E-5625 | 1 | 1 | |
| 1 | 067278 | WIRING HARNESS DASHBOARD LEFT MODULE | 1 | 1 | |
| 2 | 561491 | LIGHTER ASSY / 12V | 1 | 1 | |
| 2 | 561492 | . POP OUT 12V | 1 | 1 | |
| 2 | 562944 | . BASE LIGHTER | 1 | 1 | |
| NS | 392043 | DUMMY PLUG LIGHTER | AR | AR | |
| 3 | 890006 | ASHTRAY | 1 | 1 | |
| 4 | XV-1806-50 | L.H. CONSOLE - MTH | | | |
| 5 | 562748 | SWITCH, MIRROR / ROUND | AR | AR | |
| 5 | | CLIP RETAINER / MIRROR SWITCH (R2000-1372P) | 2 | 2 | |
| NS | 562749 | CONNECTOR / SH 8C / EURAMTEC W-RT8-200 | 2 | 2 | |
| NS | 507295 | HOLE PLUG BUTTON / 1.375 O.D. BLACK | AR | AR | |
| NS | 562799 | DUMMY PLUG MIRROR | AR | AR | |
| 6 | 871250 | TIMER ASSY / W/"WEBASTO" PREHEATER | 1 | 1 | |
| NS | 066217 | WIRING HARNESS / W/ "WEBASTO" PREHEATER / W/MUX | 1 | 1 | |
| 9 | 562796 | 12 VOLTS POWER OUTLET | 1 | 1 | |
| 9 | 562773 | SWITCH / "DUMMY" / PLUG | AR | AR | |
| 10 | 562697 | SWITCH / ON-ON / D.P.D.T. / CH-OVER / W/RED & GREEN LED | AR | AR | |
| 11 | 562698 | SWITCH / OFF-M/ON / D.P.S.T. / W/GREEN LED | AR | AR | |
| 12 | 562699 | SWITCH / M/ON-OFF-M/ON / D.P.D.T. / W/GREEN LED | AR | AR | |
| 15 | 563012 | SWITCH / ON-ON / D.P.D.T. / CH-OVER / W/GREEN LED | 1 | 1 | |
| 20 | 562724 | CAP / CRUISE CONTROL | 1 | 1 | |
| 21 | 562731 | CAP / BACK-UP ALARM | 1 | 1 | |
| 22 | 564081 | CAP / HORN SELECTOR - ELEC / AIR | 1 | 1 | |
| 23 | 562740 | CAP / WINDOW DRIVER'S | 1 | 1 | |
| 24 | 562736 | CAP / LUGGAGE DOOR LOCK | 1 | 1 | |
| 25 | 562738 | CAP / UP-DOWN | 1 | 1 | |
| 26 | 562713 | CAP / MIRROR HEATER | 1 | 1 | |
| 30 | 563086 | SWITCH / 10 AMPS 4 POSITIONS 90° | 1 | 1 | |
| 31 | | . KNOB | 1 | 1 | |
| NS | 066510 | CABLE ASSY / W/"LEVEL LOW" / MUX | 1 | 1 | |
| 32 | 630075 | LEVEL 5 WAYS | 1 | 1 | |
| 33 | 391827 | BRACKET / TO FIX LEVEL | 1 | 1 | |
| 34 | 502162 | SPRING COMPRESSION / .240 O.D. x .312 x .026 | 3 | 3 | |
| 35 | 500670 | NUT HEX NYRT #8-32 Z050 | 3 | 3 | |
| 36 | 392317 | PLATE PLASTIC "LEVEL LOW" | 1 | 1 | |
| 50 | XV-2320-50 | FIRE PROTECTION SYSTEM To C-5266 | | | |
| 50 | XV-2320-51 | FIRE PROTECTION SYSTEM / HEATER & EVAPORATOR COMPARTMENT From C-5267 | | | |



| | | | |
|-----------------------|--|--------------|-----------------|
| From B-5003 To D-5489 | | Date:10/2022 | PAGE:XV-0645-05 |
|-----------------------|--|--------------|-----------------|

SWITCHES L.H. CONSOLE - MTH

| Item# | Part | Description | X 3 V I P | X L I I E N T 4 5 | N O T E S |
|-------|------|-------------|-----------------------|---|-----------------------|
| | | | | | |



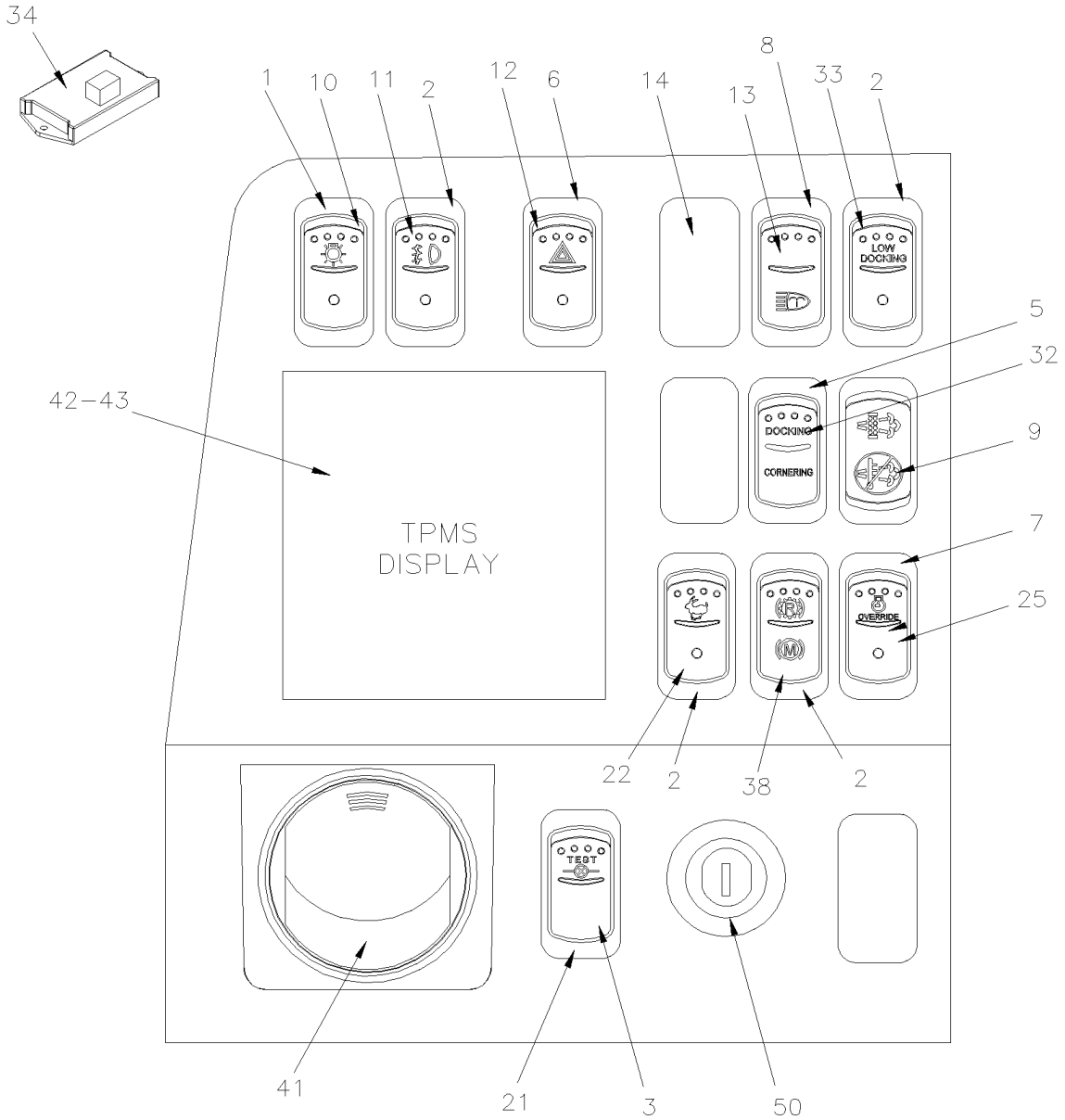
From B-5003 To D-5489

Date:10/2022

PAGE:XV-0645-10

L.H. DASHBOARD PANEL

MTH



FROM 8-9422



From B-5003 To D-5489 Date:10/2022 PAGE:XV-0645-10

L.H. DASHBOARD PANEL

| Item# | Part | Description | X 3 V I P | X L I I E N T 4 5 | N O T E S |
|-------|---------|---|-----------------------|---|-----------------------|
| 1 | 562696 | SWITCH / OFF-ON-ON SERIES S.P.D.T. / W/RED & GREEN LED | 4 | 4 | |
| 2 | 562697 | SWITCH / ON-ON / D.P.D.T. / CH-OVER / W/RED & GREEN LED | AR | AR | |
| 3 | 562698 | SWITCH / OFF-M/ON / D.P.S.T. / W/GREEN LED | 1 | 1 | |
| 4 | 562699 | SWITCH / M/ON-OFF-M/ON / D.P.D.T. / W/GREEN LED | 3 | 3 | |
| 5 | 562700 | SWITCH / ON-OFF-ON / D.P.D.T. / W/GREEN LED | 1 | 1 | |
| 6 | 562854 | SWITCH / ON-ON / D.P.D.T. / CH-OVER / W/RED LED | 1 | 1 | |
| 7 | 562855 | SWITCH / OFF-M/ON / D.P.S.T. / W/RED LED | 1 | 1 | |
| 8 | 564008 | SWITCH / OFF-M/ON / S.P.S.T. / W/GREEN LED | 1 | 1 | |
| 9 | 562763 | CONNECTOR RH 10C / SWITCH / NGR 28-5637-2 | AR | AR | |
| 9 | 562768 | SOCKET TERMINAL / 16-14 / PED 12015870 | AR | AR | |
| 10 | 562708 | CAP / HEADLIGHT | 1 | 1 | |
| 11 | 562709 | CAP / FOG | 1 | 1 | |
| 12 | 562710 | CAP / WARNING LIGHT HAZARD | 1 | 1 | |
| 13 | 564006 | CAP / HEADLAMP WASHER | 1 | 1 | |
| 14 | 562773 | SWITCH / "DUMMY" / PLUG | AR | AR | |
| 22 | 562723 | CAP / FAST IDLE | 1 | 1 | |
| 25 | 562727 | CAP / ENGINE OVERRIDE | 1 | 1 | |
| 32 | 562733 | CAP / DOCKING & CORNERING | 1 | 1 | |
| 33 | 562732 | CAP / LIGHT LOW DOCKING | 1 | 1 | |
| 34 | 382446 | GATEWAY LIN BUS INTERFACE To D-5459 | 1 | 1 | A |
| 34 | 382562 | GATEWAY LIN BUS INTERFACE From D-5460 | 1 | 1 | A |
| 38 | 564082 | CAP / "JACOB'S" & RETARDER" | 1 | 1 | |
| 41 | 871314 | LOUVER, ADJUSTABLE / ROUND 2 5/8" O.D. | 1 | 1 | |
| 42 | 564083 | SCREEN MONITOR TIRE To B-5023 | 1 | 1 | |
| 42 | 564094 | SCREEN MONITOR TIRE From B-5024 | 1 | 1 | |
| 43 | 564084 | PLATE TPMS / FIXED AT CENTRAL BOARD | 1 | 1 | |
| 43 | 564086 | PLATE REAR TPMS ON CENTRAL BOARD | 1 | 1 | |
| NS | 564085 | PLATE W/OUT TPMS ON CENTRAL BOARD | 1 | 1 | |
| NS | 5001690 | SCREW TC M5 | 5 | 5 | |
| 50 | 562147 | SWITCH, IGNITION / CODE 801 | 1 | 1 | |
| . NS | 780003 | . KEY, IGNITION SWITCH CODE 801 | 1 | 1 | |
| 50 | 562148 | SWITCH, IGNITION / CODE 802 | 1 | 1 | |
| . NS | 780004 | . KEY, IGNITION SWITCH CODE 802 | 1 | 1 | |
| 50 | 562151 | SWITCH, IGNITION / CODE 803 | 1 | 1 | |
| . NS | 780006 | . KEY, IGNITION SWITCH CODE 803 | 1 | 1 | |
| 50 | 562150 | SWITCH, IGNITION / CODE 804 | 1 | 1 | |
| . NS | 780007 | . KEY, IGNITION SWITCH CODE 804 | 1 | 1 | |
| 50 | 562152 | SWITCH, IGNITION / CODE 805 | 1 | 1 | |
| . NS | 780008 | . KEY, IGNITION SWITCH CODE 805 | 1 | 1 | |
| 50 | 562149 | SWITCH, IGNITION / CODE 806 | 1 | 1 | |
| . NS | 780009 | . KEY, IGNITION SWITCH CODE 806 | 1 | 1 | |
| 50 | 562146 | SWITCH, IGNITION / KEYLESS (ACC-OFF-IGN-START) | 1 | 1 | |



| | | |
|-----------------------|--------------|-----------------|
| From B-5003 To D-5489 | Date:10/2022 | PAGE:XV-0645-10 |
|-----------------------|--------------|-----------------|

L.H. DASHBOARD PANEL

| Item# | Part | Description | X 3 V I P | X L I E N T 4 5 | N O T E S |
|-------|--------|---|-----------------------|--------------------------------------|-----------------------|
| 50 | 562296 | KEY / IGNITION BLANCK UNCUT | AR | AR | |
| NS | 563542 | KEYLESS / TRANSMITTER KEY RING / W/PICTOGRA | 1 | 1 | |
| | | | | | |
| | | | | | |
| | | | | | |
| | | | | | |
| | | | | | |
| | | A) THIS INTERFACE IS LOCATED INSIDE OF DASH | | | |

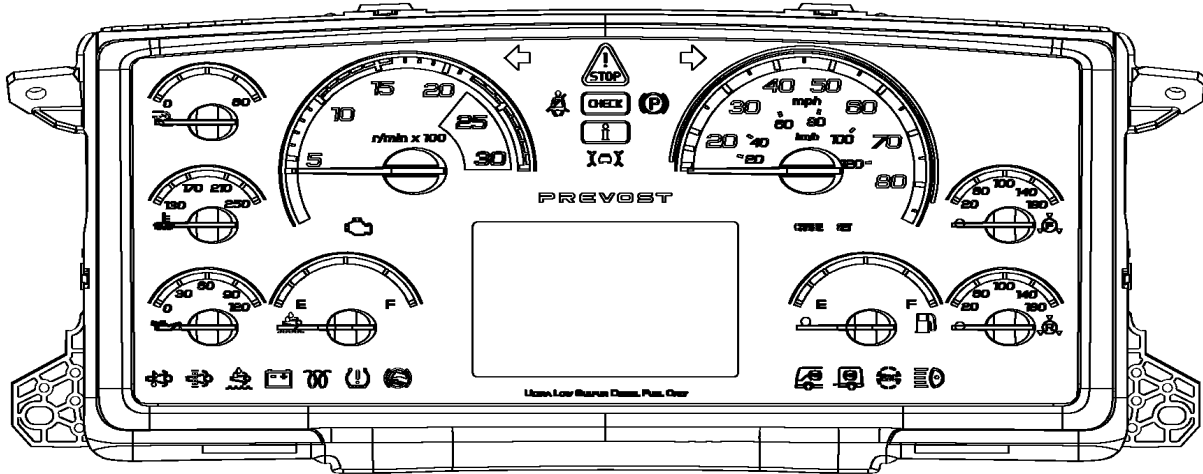


From B-5003 To D-5489

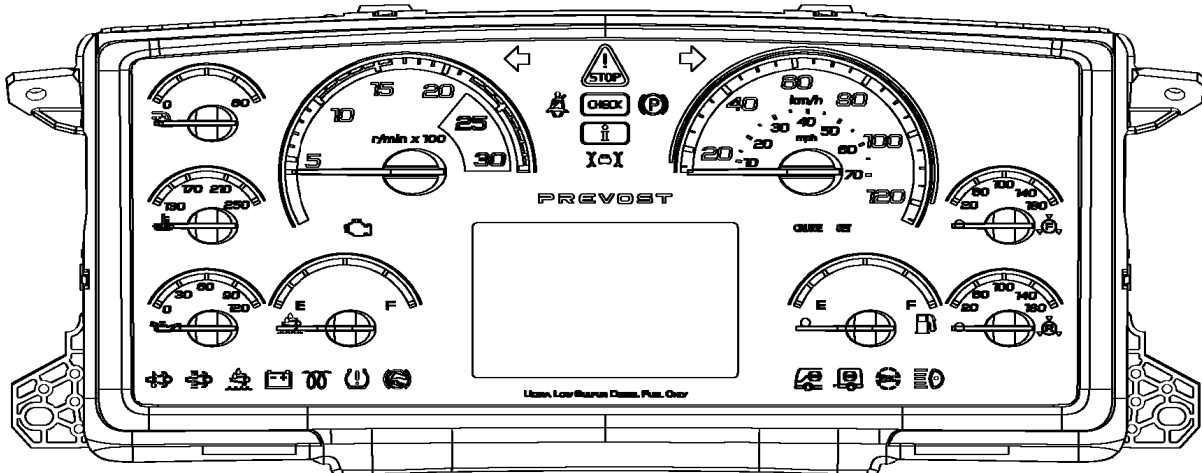
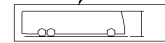
Date:10/2022

PAGE:XV-0645-21

CENTER DASHBOARD PANEL WITH "EPA 2010"



21





| | | |
|---|--------------|-----------------|
| From B-5003 To D-5489 | Date:10/2022 | PAGE:XV-0645-21 |
| CENTER DASHBOARD PANEL WITH "EPA 2010" | | |

| Item# | Part | Description | X 3 V I P | X L I I E N T 4 5 | N O T E S |
|-------|-------------------|---|-----------------------|---|-----------------------|
| 1 | 564111 | CLUSTER, MPH To C-5271 | 1 | 1 | |
| 1 | 21580323 | CLUSTER, MPH From C-5272 To D-5412 | 1 | 1 | |
| 1 | 21874708 | CLUSTER, MPH From D-5413 | 1 | 1 | |
| 1 | 564144 | CLUSTER, KPH To C-5271 | 1 | 1 | |
| 1 | 21580324 | CLUSTER, KPH From C-5272 To D-5412 | 1 | 1 | |
| 1 | 21874711 | CLUSTER, KPH From D-5413 | 1 | 1 | |
| 1 | N.P.N. | . . GAUGE WATER TEMPERATURE | 1 | 1 | 4 |
| 1 | N.P.N. | . . GAUGE OIL TEMPERATURE | 1 | 1 | 4 |
| 1 | N.P.N. | . . GAUGE OIL PRESSURE | 1 | 1 | 4 |
| 1 | N.P.N. | . . GAUGE VOLTAGE | 1 | 1 | 4 |
| 1 | N.P.N. | . . GAUGE FUEL LEVEL | 1 | 1 | 4 |
| 1 | N.P.N. | . . TACHOMETER | 1 | 1 | 4 |
| 1 | N.P.N. | . . SPEEDOMETER MILES | 1 | 1 | 4 |
| 1 | N.P.N. | . . SPEEDOMETER KM | 1 | 1 | 4 |
| 1 | N.P.N. | . . ODO LCD | 1 | 1 | 4 |
| 1 | N.P.N. | . GAUGE AIR APPLICATION | 1 | 1 | 4 |
| 1 | N.P.N. | . GAUGE AIR REAR | 1 | 1 | 4 |
| 1 | N.P.N. | . GAUGE AIR FRONT | 1 | 1 | 4 |
| NS | 20476992 | TRANSDUCER PRESSURE (0-12Bar / 0-174PSI) | 3 | 3 | B |
| 21 | 405108 | DECAL / VEHICLE HEIGHT 12' 2" / MTH 89" | 1 | 1 | |
| 21 | 408275 | DECAL / VEHICLE HEIGHT 13' 3" W/SATELITE R6DX | AR | AR | |
| 31 | XV-1806-00 | CENTRAL DASHBOARD PANEL | | | |
| | | | | | |
| | | | | | |
| | | | | | |
| | | B) THIS TRANDCUER USE ON ALLS AIR GAUGE APPLICATION | | | |
| | | 4) NO PARTS NUMBER | | | |

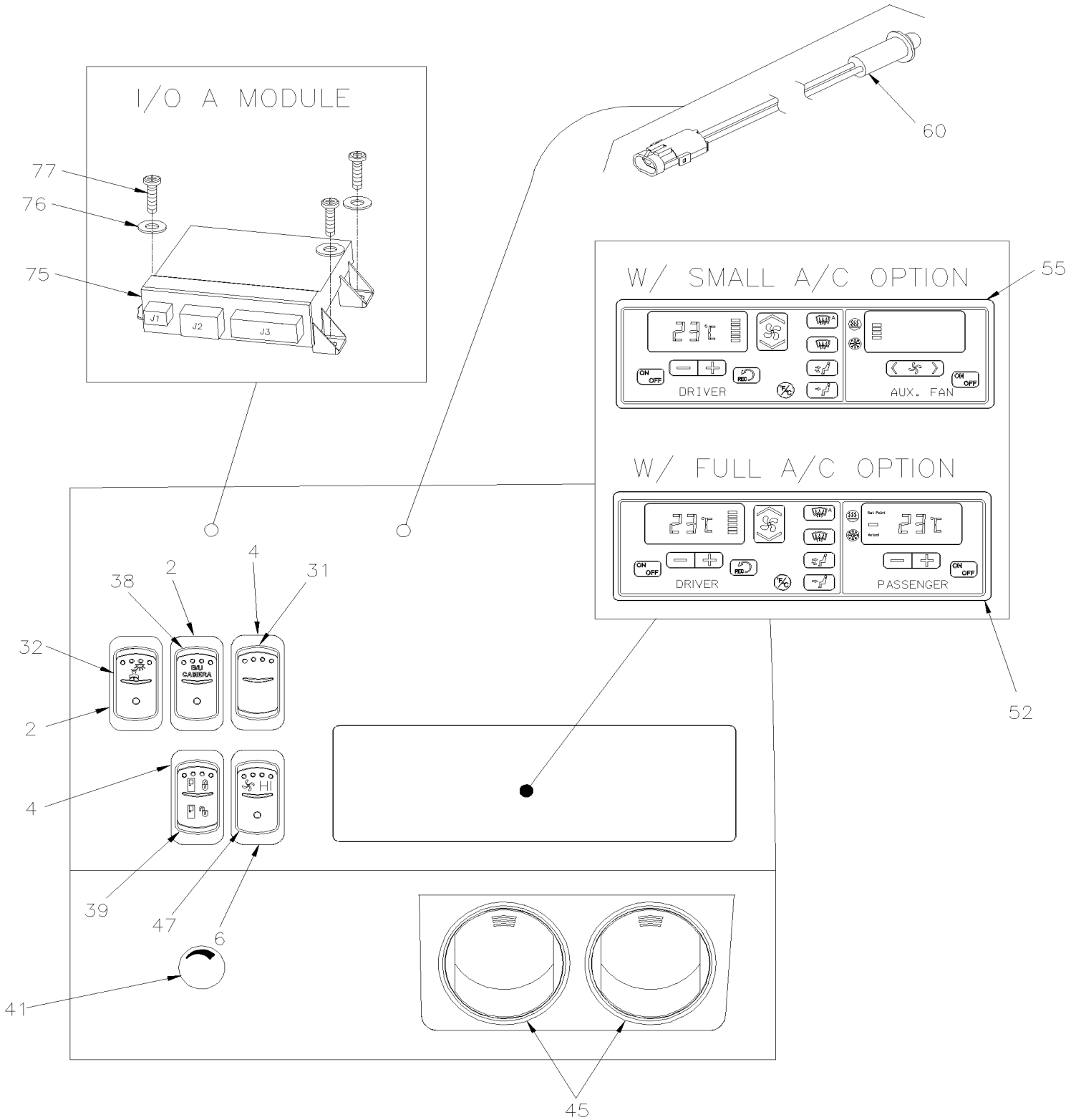


From B-5003 To D-5489

Date:10/2022

PAGE:XV-0645-30

R.H. DASHBOARD PANEL



M.T.H.



From B-5003 To D-5489 Date:10/2022 PAGE:XV-0645-30

R.H. DASHBOARD PANEL

| Item# | Part | Description | X 3 V I P | X L I I E N T 4 5 | N O T E S |
|-------|---------|--|-----------------------|---|-----------------------|
| 2 | 562697 | SWITCH / ON-ON / D.P.D.T. / CH-OVER / W/RED & GREEN LED | AR | AR | |
| 4 | 562699 | SWITCH / M/ON-OFF-M/ON / D.P.D.T. / W/GREEN LED | 1 | 1 | |
| NS | 562773 | SWITCH / "DUMMY" / PLUG | AR | AR | |
| NS | 562763 | CONNECTOR RH 10C / SWITCH / NGR 28-5637-2 | AR | AR | |
| NS | 562768 | SOCKET TERMINAL / 16-14 / PED 12015870 | AR | AR | |
| 6 | 562854 | SWITCH / ON-ON / D.P.D.T. / CH-OVER / W/RED LED | AR | AR | |
| 31 | 562740 | CAP / WINDOW DRIVER'S | 1 | 1 | |
| 32 | 562716 | CAP / DRIVER'S LAMP | 1 | 1 | |
| 39 | 562831 | CAP / DOOR LOCK | 1 | 1 | |
| 41 | 562846 | KNOB / DASH ILLUMINATION | 1 | 1 | |
| NS | 562845 | RHEOSTAT / DASH ILLUMINATION | 1 | 1 | |
| NS | 1212770 | . NUT RND SLT BK M8-.75 | 1 | 1 | |
| 45 | 871314 | LOUVER, ADJUSTABLE / ROUND 2 5/8" O.D. | 2 | 2 | |
| 47 | 563278 | CAP / HI SPEED MAIN VENTILATION | AR | AR | |
| 52 | 871350 | A/C CONTROL MODULE / W/MUX | 1 | 1 | |
| 55 | 871417 | A/C CONTROL MODULE / W/SMALL A/C SYSTEM | 1 | 1 | |
| NS | 563063 | SENSOR THERMISTOR ASSY / TEMPERATURE / ("DELPHI") | 2 | 2 | B |
| 60 | 330238P | TELLTALE ASSY / RED | 1 | 1 | |
| 75 | 565864 | I/O A-MODULE VOLVO MULTIPLEX / BLACK To 9-9493 | 1 | 1 | |
| . NS | 562767 | . CONNECTOR / SH 30C / GREEN / JAE IL-AG5-30S-D3C1 To 9-9493 | 1 | 1 | |
| . NS | 562957 | . CONNECTOR / SH 5C / GREEN / JAE IL-AG5-5S-S3C1 To 9-9493 | 1 | 1 | |
| . NS | 563132 | . CONNECTOR / SH 2C / YAZAKI 7283-6458-40 To 9-9493 | 1 | 1 | |
| 75 | 564101 | I/O A-MODULE VOLVO MULTIPLEX / BLACK To B-5029 | 1 | 1 | |
| . NS | 562767 | . CONNECTOR / SH 30C / GREEN / JAE IL-AG5-30S-D3C1 To B-5029 | 1 | 1 | |
| . NS | 562957 | . CONNECTOR / SH 5C / GREEN / JAE IL-AG5-5S-S3C1 To B-5029 | 1 | 1 | |
| . NS | 563132 | . CONNECTOR / SH 2C / YAZAKI 7283-6458-40 To B-5029 | 1 | 1 | |
| 75 | 564194 | I/O A-MODULE VOLVO MULTIPLEX / BLACK From B-5030 | 1 | 1 | |
| . NS | 562767 | . CONNECTOR / SH 30C / GREEN / JAE IL-AG5-30S-D3C1 From B-5030 | 1 | 1 | |
| . NS | 562957 | . CONNECTOR / SH 5C / GREEN / JAE IL-AG5-5S-S3C1 From B-5030 | 1 | 1 | |
| . NS | 563132 | . CONNECTOR / SH 2C / YAZAKI 7283-6458-40 From B-5030 | 1 | 1 | |
| 76 | 502690 | WASHER FL 4.3x9.0x0.8 Z050 | 3 | 3 | |
| 77 | 502698 | SCREW MA PAN PH M4-0.7x16 SS BK | 3 | 3 | |
| | | | | | |
| | | | | | |
| | | | | | |
| | | B) USE IN FLOOR RETURN AIR BOX & AT DRIVER'S KNEE | | | |

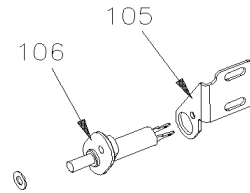
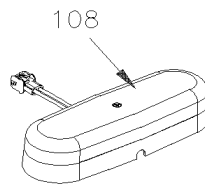
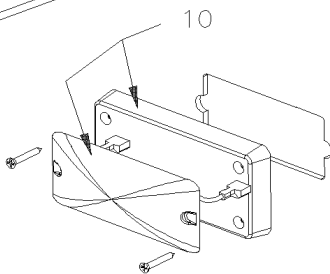
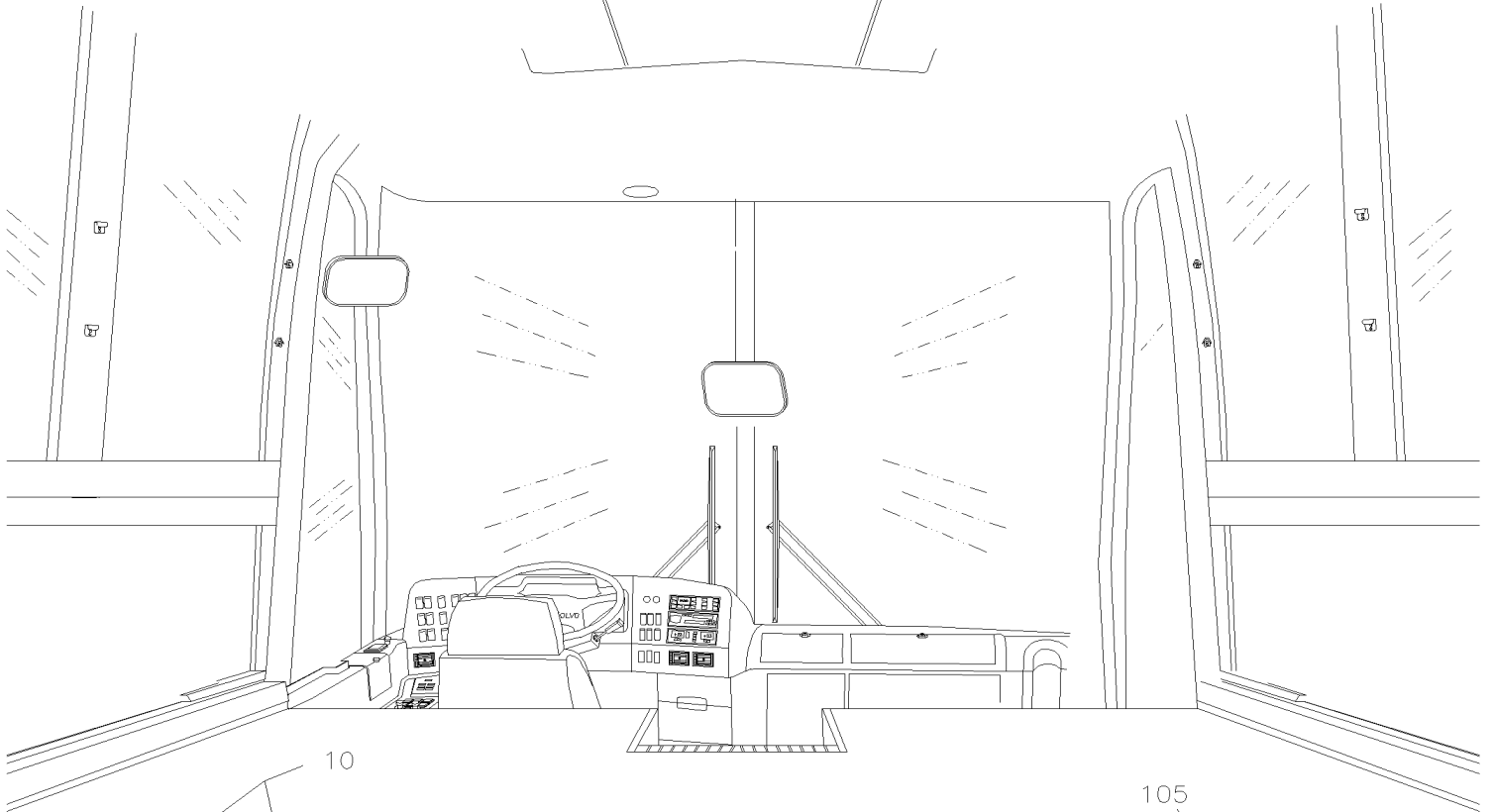
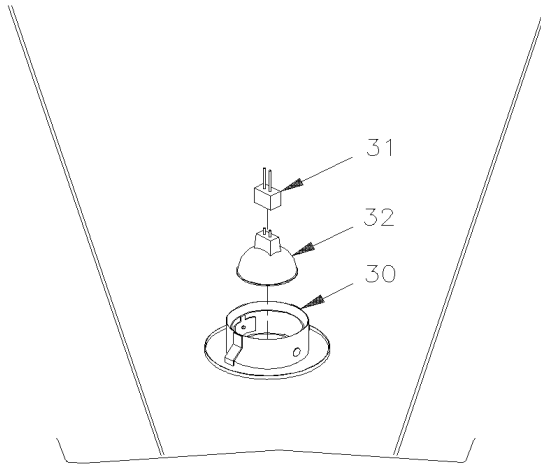


From B-5003 To D-5489

Date:10/2022

PAGE:XV-0655-00

INTERIOR LIGHTING





| | | |
|------------------------------|---------------------|------------------------|
| From B-5003 To D-5489 | Date:10/2022 | PAGE:XV-0655-00 |
|------------------------------|---------------------|------------------------|

INTERIOR LIGHTING

| Item# | Part | Description | X 3 V I P | X L I E N T 4 5 | N O T E S |
|-------|-----------------|--|-----------------------|--------------------------------------|-----------------------|
| | | STEPWELL LAMP | | | |
| 10 | 830197 | LAMP ASSY 24V LEDS | 1 | 1 | |
| NS | 500148 | SCREW MA RND PH #6-32x1/2 SS | AR | AR | |
| NS | 500422 | NUT SPR U #6-32 .110-.120 SS | AR | AR | |
| | | DRIVER'S LAMP | | | |
| 30 | 830179 | LAMP BASE | 2 | 2 | |
| 31 | 562803 | CONNECTOR / SOCKET HOUSING ASSY / LEECRAFT QBL-12 | 1 | 1 | |
| 32 | 830176 | BULB / 20 WATTS-12V/SAE#Q20MR16/FL40D | 1 | 1 | |
| | | BAGGAGE & SERVICE DOOR | | | |
| 105 | 064278 | CABLE ASSY / TO ADD MORE LAMP IN BAGGAGE COMPARTMENT | AR | AR | |
| 105 | Call order desk | SWITCH ASSY / BAGGAGE COMPARTMENT | 8 | 8 | P |
| 105 | 066614 | . SWITCH SUPPORT / W/BAGGAGE DOORS STD To D-5459 | 1 | 1 | |
| 105 | 068756 | . SWITCH SUPPORT / W/BAGGAGE DOORS From D-5460 | 1 | 1 | |
| 106 | 563464 | . SWITCH / S.P.S.T. / N.C. / W/RUBBER BOOT | 1 | 1 | |
| 107 | 500623 | SCREW TC PAN PH #10-24x3/4 N500 | 1 | 1 | |
| NS | 5001544 | WASHER LO EXT .195x.410x.025 SS | 1 | 1 | |
| 108 | 330224 | LAMP ASSY 24V / BAGGAGE COMPARTMENT LAMP W/2 BULBS G4-10W To C-5132 | AR | AR | |
| . NS | 330396 | . BULB / 10 WATTS -28VOLTS / SAE# G4-28 To C-5132 | 2 | 2 | |
| 108 | 330299 | LAMP ASSY 24V / BAGGAGE COMPARTMENT LAMP / LED From C-5133 | AR | AR | A |
| . NS | 561248 | . CONNECTOR / UNIVERSAL MATE-N-LOK / PH 2C / AMP 1-480699-0 From C-5133 | 1 | 1 | A |
| 108 | 830008 | LAMP ASSY 24V / LED | 1 | 1 | |
| . NS | 561248 | . CONNECTOR / UNIVERSAL MATE-N-LOK / PH 2C / AMP 1-480699-0 | 1 | 1 | |
| | | A) WHEN YOU REPLACE LAMP #330299 BY THE NEW LAMP #830008 YOU HAVE TO DRILL HOLE TO INSTALL IT WITH TWO SCREWS #500443 OR #500965 | | | |
| | | P) CALL ORDER DESK FOR SPECIFIC APPLICATION (V.I.N.) | | | |

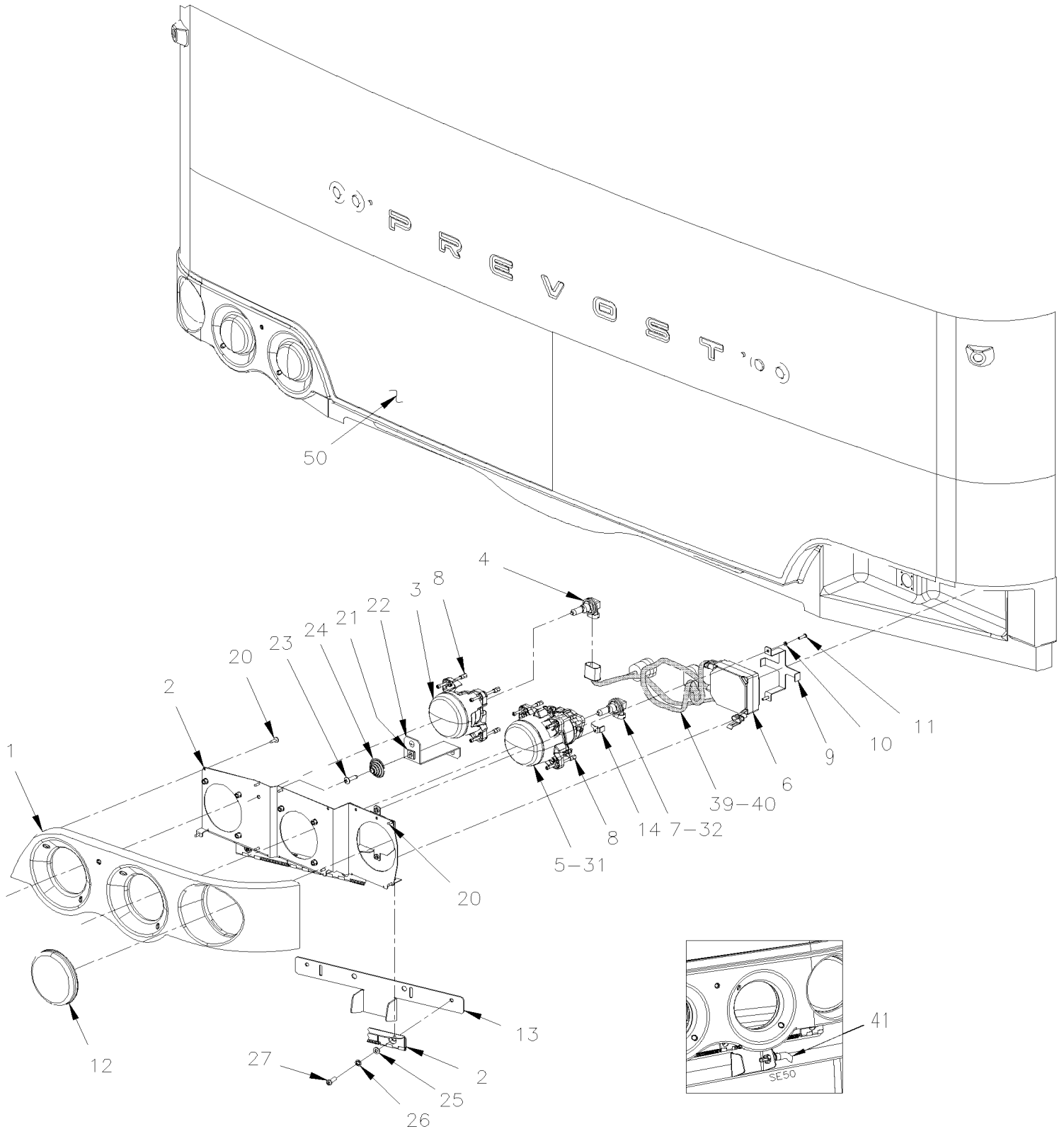


From B-5003 To D-5489

Date:10/2022

PAGE:XV-0660-00

HEADLAMP & FRONT DIRECTIONAL LAMPS ROUND "HALOGENE" & "XENON"





From B-5003 To D-5489 Date:10/2022 PAGE:XV-0660-00

HEADLAMP & FRONT DIRECTIONAL LAMPS ROUND "HALOGENE" & "XENON"

| Item# | Part | Description | X 3 V I P | X L I I E N T 4 5 | N O T E S |
|-------|-------------------|---|-----------------------|---|-----------------------|
| | 430615 | LAMP ASSY L.H. "XENON" W/BEZEL XL-II W/O CABLE ASSY | 1 | 1 | |
| | 430619 | LAMP ASSY L.H. "HALOGENE" W/BEZEL XL-II W/O CABLE ASSY | 1 | 1 | |
| | 430616 | LAMP ASSY R.H. "XENON" W/BEZEL XL-II W/O CABLE ASSY | 1 | 1 | |
| | 430620 | LAMP ASSY R.H. "HALOGENE" W/BEZEL XL-II W/O CABLE ASSY | 1 | 1 | |
| 1 | 476210 | . HEADLAMP BEZEL, R.H. / CURBE SIDE | 1 | 1 | |
| 1 | 476211 | . HEADLAMP BEZEL, L.H. / STREET SIDE | 1 | 1 | |
| 2 | 430575 | . SUPPORT R.H. | 1 | 1 | |
| 2 | 430587 | . SUPPORT L.H. | 1 | 1 | |
| 3 | 930359 | . LAMP ASSY / HIGH | 1 | 1 | |
| 4 | 563092 | . BULB / 65WATT-12VOLTS / SAE# H9 | 1 | 1 | |
| 5 | 930388 | . LAMP ASSY "XENON" / W/BALLAST | 1 | 1 | |
| 5 | 930389 | . LAMP ASSY "XENON" / W/OUT BALLAST & W/OUT BULB | 1 | 1 | |
| 6 | 930390 | . BALLAST "XENON" LOW BEAM 12Volt Power To C-5159 | 1 | 1 | B |
| 6 | 930390 | . BALLAST "XENON" LOW BEAM 12Volt Power From C-5160 | 1 | 1 | |
| 7 | 563365 | . BULB / 35WATT / SAE D2S / 85122 | 1 | 1 | |
| 8 | 930373 | . KIT, BOLTS ADJUSTMENT (3 BOLTS) | 1 | 1 | |
| 9 | 930434 | . SUPPORT "XENON" BALLAST BLACK | 1 | 1 | |
| 10 | 502698 | . SCREW MA PAN PH M4-0.7x16 SS BK | 4 | 4 | |
| 11 | 502834 | . WASHER LO SPT 4.1x7.6x0.9 N500 | 4 | 4 | |
| 12 | 930364 | . LED AMBER 4" / DIRECTIONAL / FRONT 12Volt / 60L (PREVOST) | 1 | 1 | |
| 13 | 430576 | . HOLDER LAMP | 1 | 1 | |
| 14 | 430604 | . BULB STOPPER / "SAFETY FAILURE STRESS" / SS | 2 | 2 | |
| 20 | 5001536 | . SCREW PTR BDG PH M4x12 SS | 8 | 8 | |
| 21 | 5001009 | . NUT AN 1/4 NYL | 1 | 1 | |
| 22 | 430572 | . SUPPORT CENTRAL | 1 | 1 | |
| 23 | 504249 | . RIVET CHY Q PRDG 3/16x3/8 SS | AR | AR | |
| 24 | 930369 | . SPRING CONICAL | 1 | 1 | |
| 25 | 502573 | . WASHER FL 6.4x12.5x1.6 SS | 4 | 4 | |
| 26 | 5001432 | . WASHER LO INT .256x.478x.028 SS 410 | 4 | 4 | |
| 27 | 5001507 | . SCREW MA PAN PH M6-1.0x20 SS | 4 | 4 | |
| 31 | 930360 | . LAMP ASSY / LOW | 1 | 1 | H A |
| 32 | 563092 | . BULB / 65WATT-12VOLTS / SAE# H9 | 1 | 1 | H |
| 39 | 066990 | CABLE ASSY / W/"HALOGENE" LAMPS / MUX | 1 | 1 | H |
| 40 | 066991 | CABLE ASSY / W/"XENON" LAMPS / MUX | 1 | 1 | |
| 41 | 563335 | SENSOR THERMISTOR ASSY / OUTSIDE // PED 15416387 | 1 | 1 | |
| 50 | XV-1851-00 | FRONT CAP - INSTALLATION | | | |
| NS | 430602 | KIT RETROFIT "XENON" FROM HALOGENE "XL-II" | 1 | 1 | |
| | | A) TO CONVERT HALOGENE TO XENON, ASK KIT #430603 | | | |



| | | |
|-----------------------|--------------|-----------------|
| From B-5003 To D-5489 | Date:10/2022 | PAGE:XV-0660-00 |
|-----------------------|--------------|-----------------|

HEADLAMP & FRONT DIRECTIONAL LAMPS ROUND "HALOGENE" & "XENON"

| Item# | Part | Description | X 3 V I P | X L I I E N T 4 5 | N O T E S |
|-------|------|--|-----------------------|---|-----------------------|
| | | B) FOR OPTIMAL OPERATION OF THIS BALLAST REPLACE MASTER ID/CECM WITH NEW MCM. PERFORM IS-11003E | | | |
| | | H) USE WITH HALOGENE ONLY | | | |

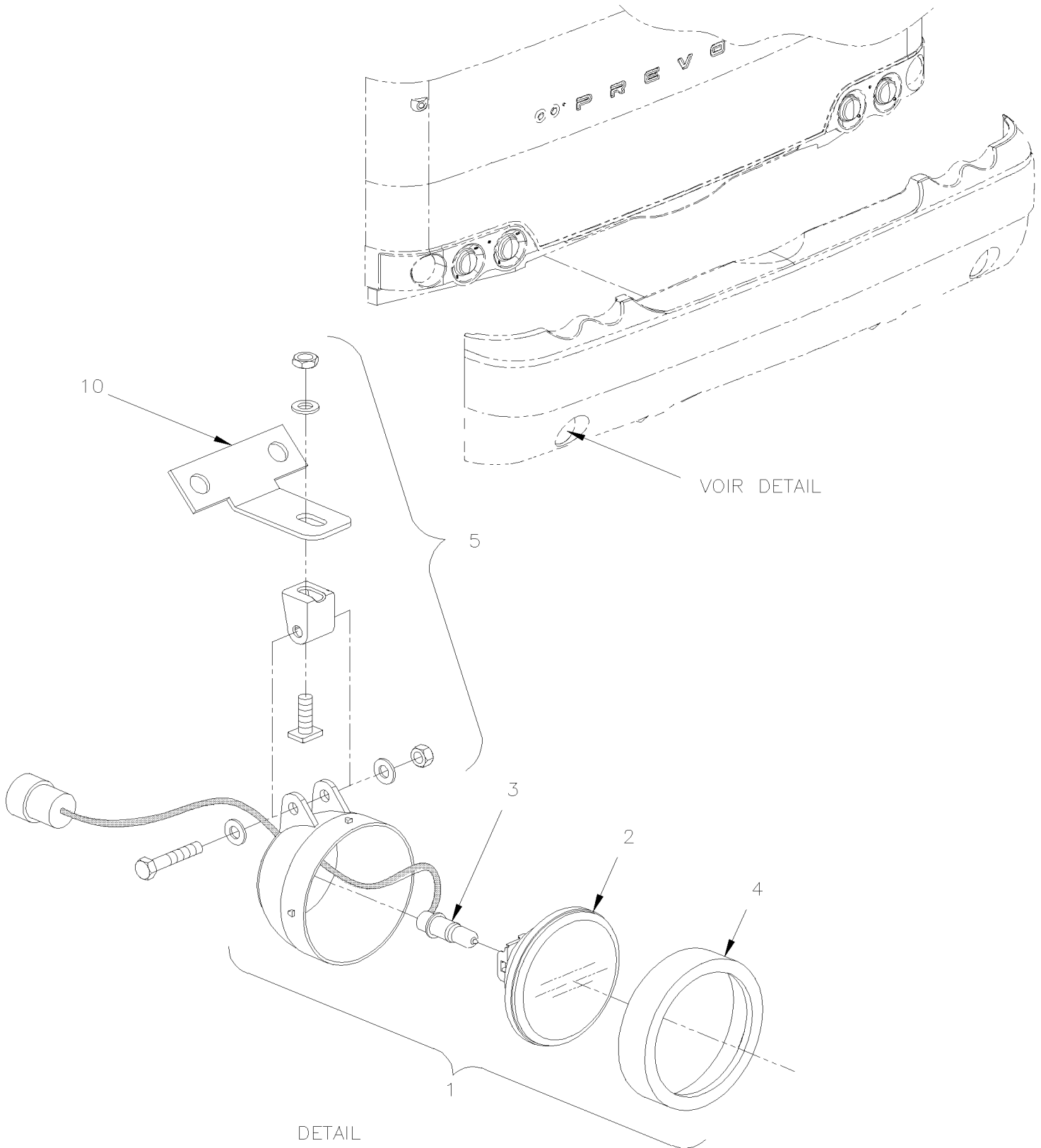


From B-5003 To D-5489

Date:10/2022

PAGE:XV-0661-00

FOG LAMP





| | | |
|-----------------------|--------------|-----------------|
| From B-5003 To D-5489 | Date:10/2022 | PAGE:XV-0661-00 |
|-----------------------|--------------|-----------------|

FOG LAMP

| Item# | Part | Description | X 3 V I P | X L I I E N T 4 5 | N O T E S |
|-------|-------------------|---|-----------------------|---|-----------------------|
| | 430553 | FOG LAMP 12 V / "BOSCH" COMPACT 100 / W/CONECTOR "DEUTSCH" | 2 | 2 | |
| 1 | 930361 | . FOG LAMP ASSY | 1 | 1 | |
| 2 | 930370 | . GLASS | 1 | 1 | |
| 3 | 561882 | . BULB / 55WATT-12VOLTS / SAE# H3 / 64151 | 1 | 1 | |
| 4 | 930371 | . HOLDER RING | 1 | 1 | |
| 5 | 930372 | . KIT HARDWARE | 1 | 1 | |
| 10 | XV-1850-00 | BUMPER FRONT | | | |
| NS | 430029 | FOG LAMP / REPLACEMENT KIT 2 LAMPS LED / "XL-II" & "X3-VIP" / ADVANCED KIT | 1 | 1 | A |
| 20 | 430220 | FOG LAMP / REPLACEMENT KIT 2 LAMPS / "XL-II" & "X3" & "H3" & "VIP" / BASIC KIT | 1 | 1 | B |
| | | | | | |
| | | | | | |
| | | A) ADVANCED KIT WITH ADJUSTMENT | | | |
| | | B) BASIC KIT WITHOUT ADJUSTMENT | | | |

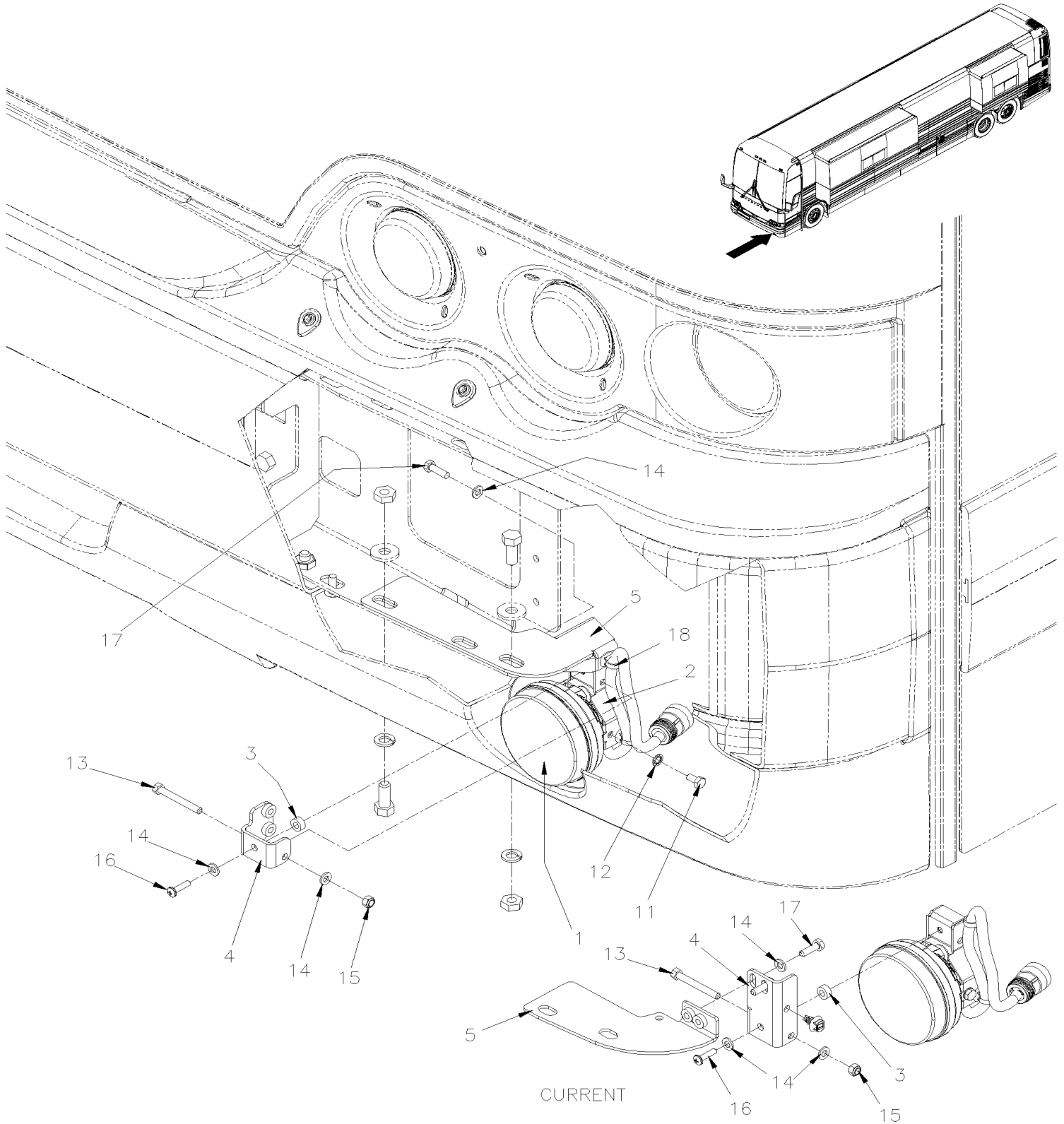


From B-5003 To D-5489

Date:10/2022

PAGE:430029

FOG LAMP / REPLACEMENT KIT 2 LAMPS LED / "XL-II" & "X3-VIP" / ADVANCED KIT





| | | |
|---|--------------|-------------|
| From B-5003 To D-5489 | Date:10/2022 | PAGE:430029 |
| FOG LAMP / REPLACEMENT KIT 2 LAMPS LED / "XL-II" & "X3-VIP" / ADVANCED KIT | | |

| Item# | Part | Description | X 3 V I P | X L I I E N T 4 5 | N O T E S |
|-------|---------|-------------------------------------|-----------------------|---|-----------------------|
| 1 | 560636 | FOG LAMP LED | | | |
| 2 | 430011 | SUPPORT, FOG LIGHT | | | |
| 3 | 430015 | SPACER | | | |
| 4 | 430023 | ATTACH, LH FOG LIGHT To FORMER | | | |
| 4 | 430106 | ATTACH, LH FOG LIGHT From CURRENT | | | |
| 4 | 430022 | ATTACH, RH FOG LIGHT To FORMER | | | |
| 4 | 430105 | ATTACH, RH FOG LIGHT From CURRENT | | | |
| 5 | 430021 | ATTACH, LH FOG LIGHT To FORMER | | | |
| 5 | 430110 | ATTACH, LH FOG LIGHT From CURRENT | | | |
| 5 | 430020 | ATTACH, RH FOG LIGHT To FORMER | | | |
| 5 | 430109 | ATTACH, RH FOG LIGHT From CURRENT | | | |
| 11 | 5001982 | SCREW CAP HEX M6-1.0x12 SS BK | | | |
| 12 | 5001432 | WASHER LO INT .256x.478x.028 SS 410 | | | |
| 13 | 5001636 | SCREW CAP HEX M6-1.0x50 SS BK | | | |
| 14 | 502573 | WASHER FL 6.4x12.5x1.6 SS | | | |
| 15 | 5001182 | NUT HEX NYRT M6-1.0 SS | | | |
| 16 | 502746 | SCREW MA PAN PH M5-0.8x20 SS BK | | | |
| 17 | 502622 | SCREW CAP HEX M6-1.0x20 SS BK | | | |
| 18 | 509815 | TIE MOUNT / ATTACHMENT W/TREE MOUNT | | | |
| 18 | 504637 | CABLE TIE / 3/16" x 13" | | | |
| | | | | | |
| | | | | | |
| | | | | | |

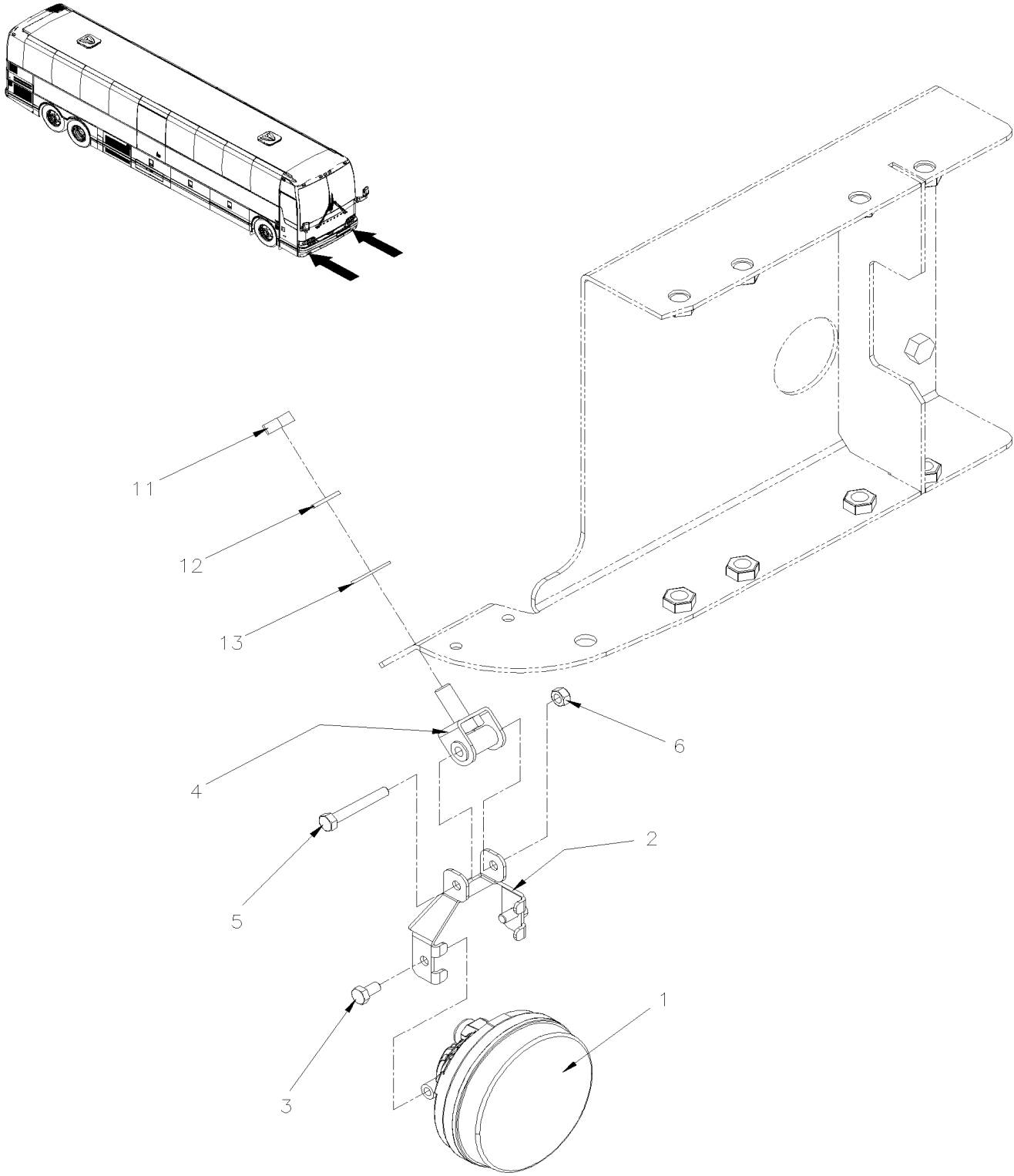


From B-5003 To D-5489

Date:10/2022

PAGE:430220

FOG LAMP / REPLACEMENT KIT 2 LAMPS / "XL-II" & "X3" & "H3" & "VIP" / BASIC KIT





| | | |
|---|--------------|-------------|
| From B-5003 To D-5489 | Date:10/2022 | PAGE:430220 |
| FOG LAMP / REPLACEMENT KIT 2 LAMPS / "XL-II" & "X3" & "H3" & "VIP" / BASIC KIT | | |

| Item# | Part | Description | X 3 V I P | X L I I E N T 4 5 | N O T E S |
|-------|----------|--------------------------------|-----------------------|---|-----------------------|
| 1 | 560636 | FOG LAMP LED | 2 | 2 | |
| 2 | 430200 | SUPPORT, FOG LIGHT | 2 | 2 | |
| 3 | 5001982 | SCREW CAP HEX M6-1.0x12 SS BK | 4 | 4 | |
| 4 | 430208 | SUPPORT, FOG LIGHT | 2 | 2 | |
| 5 | 5001923 | SCREW CAP HEX M6-1.0x45 SS BK | 2 | 2 | |
| 6 | 5001182 | NUT HEX NYRT M6-1.0 SS | 2 | 2 | |
| 11 | 502567 | NUT HEX M10-1.5 SS | 2 | 2 | |
| 12 | 502616 | WASHER LO SPT 10.2x18.1x2.2 SS | 2 | 2 | |
| 13 | 500270 | WASHER FL .406x1.000x.063 SS | 2 | 2 | |
| NS | IS-17151 | SEE INSTRUCTION SHEET | 1 | 1 | |
| NS | FI-17151 | VOIR FEUILLE D'INSTRUCTION | 1 | 1 | |
| | | | | | |
| | | | | | |
| | | | | | |

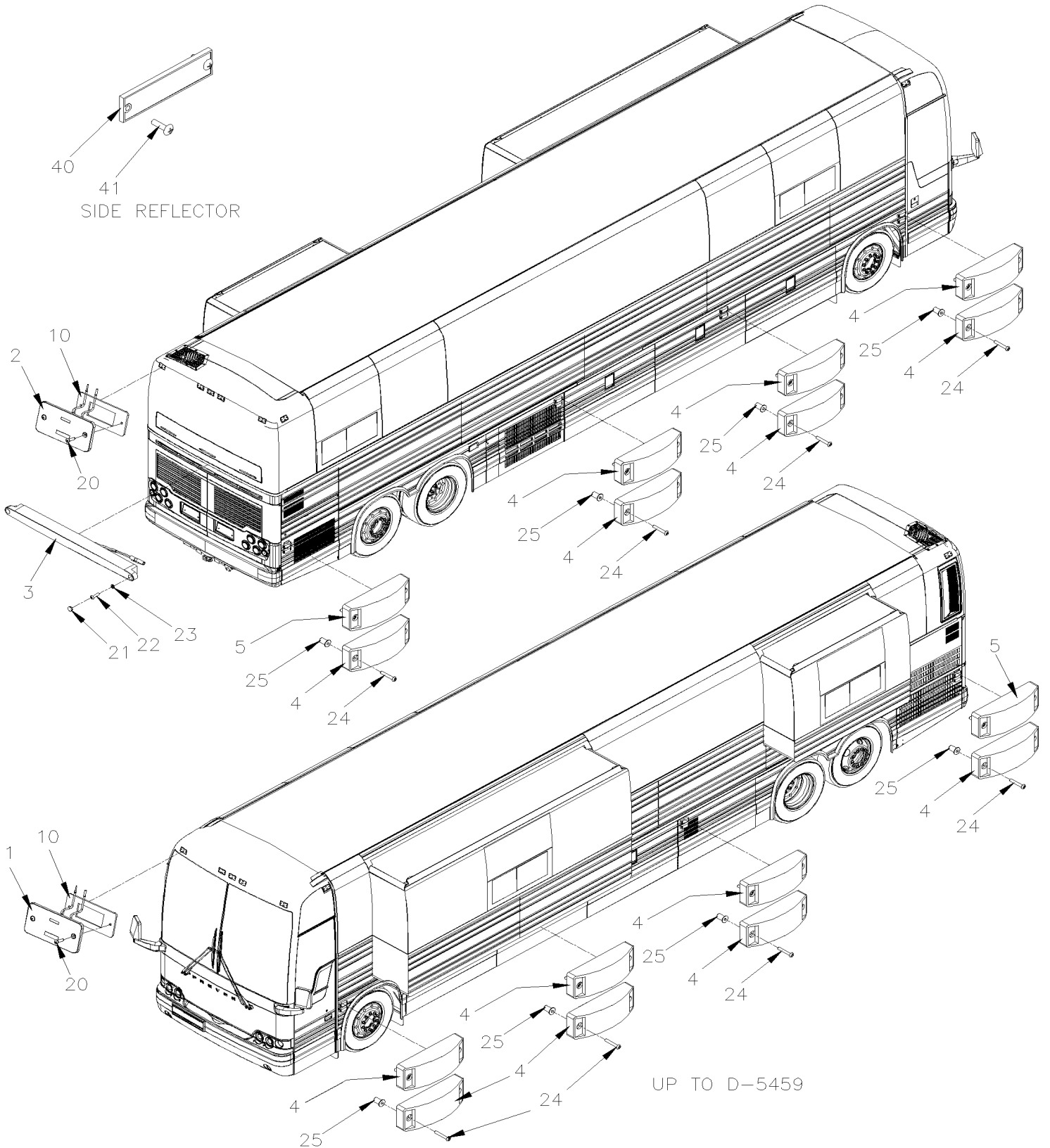


From B-5003 To D-5489

Date:10/2022

PAGE:XV-0662-00

CLEARANCE & MARKER LIGHT



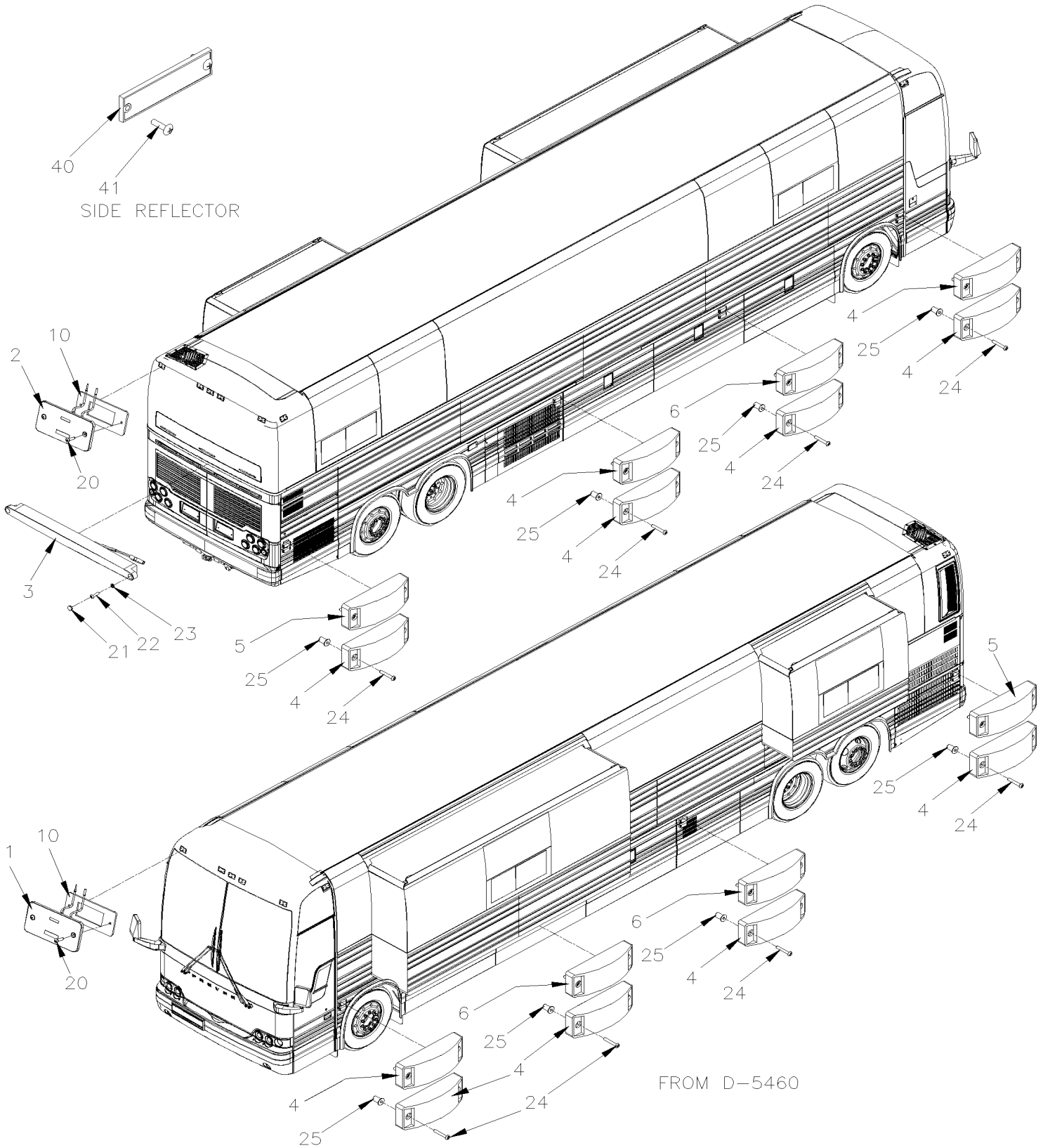


From B-5003 To D-5489

Date:10/2022

PAGE:XV-0662-00

CLEARANCE & MARKER LIGHT





| | | |
|-------------------------------------|---------------------|------------------------|
| From B-5003 To D-5489 | Date:10/2022 | PAGE:XV-0662-00 |
| CLEARANCE & MARKER LIGHT | | |

| Item# | Part | Description | X 3 V I P | X L I E N T 4 5 | N O T E S |
|-------|---------|--|-----------------------|--------------------------------------|-----------------------|
| 1 | 066123 | LAMP ID & CLEAR -6 LED AMBER / "JIFFI SPLICE" To C-5118 | 7 | 7 | |
| . NS | 930337 | . LAMP ID & CLEAR -LED AMBER / 6 LEDS To C-5118 | 1 | 1 | |
| . NS | 430630 | . SEAL LAMP BLACK 1/8" THICK To C-5118 | 1 | 1 | |
| . NS | 562286 | . PIN TERMINAL / 18-16 / DEUTSCH 0460-202-16141 To C-5118 | 1 | 1 | |
| . NS | 561608 | . SOCKET TERMINAL / 18-16 / DEUTSCH 0462-201-16141 To C-5118 | 1 | 1 | |
| 1 | 066527 | LAMP ID & CLEAR -3 LED AMBER / "JIFFI SPLICE" From C-5119 | 7 | 7 | |
| . NS | 930416 | . LAMP ID & CLEAR -LED AMBER / 3 LEDS From C-5119 | 1 | 1 | |
| . NS | 430630 | . SEAL LAMP BLACK 1/8" THICK From C-5119 | 1 | 1 | |
| . NS | 562286 | . PIN TERMINAL / 18-16 / DEUTSCH 0460-202-16141 From C-5119 | 1 | 1 | |
| . NS | 561608 | . SOCKET TERMINAL / 18-16 / DEUTSCH 0462-201-16141 From C-5119 | 1 | 1 | |
| NS | 563545 | SPLICE / JIFFI SPLICE / 16G / DEUTSCH JS16-00 | AR | AR | |
| 2 | 066122 | LAMP ID & CLEAR -6 LED RED / "JIFFI SPLICE" To C-5118 | 7 | 7 | |
| . NS | 930334 | . LAMP ID & CLEAR -LED RED / 6 LEDS To C-5118 | 1 | 1 | |
| . NS | 430630 | . SEAL LAMP BLACK 1/8" THICK To C-5118 | 1 | 1 | |
| . NS | 562286 | . PIN TERMINAL / 18-16 / DEUTSCH 0460-202-16141 To C-5118 | 1 | 1 | |
| . NS | 561608 | . SOCKET TERMINAL / 18-16 / DEUTSCH 0462-201-16141 To C-5118 | 1 | 1 | |
| 2 | 066526 | LAMP ID & CLEAR -3 LED RED / "JIFFI SPLICE" From C-5119 | 7 | 7 | |
| . NS | 930415 | . LAMP ID & CLEAR -LED RED / 3 LEDS From C-5119 | 1 | 1 | |
| . NS | 430630 | . SEAL LAMP BLACK 1/8" THICK From C-5119 | 1 | 1 | |
| . NS | 562286 | . PIN TERMINAL / 18-16 / DEUTSCH 0460-202-16141 From C-5119 | 1 | 1 | |
| . NS | 561608 | . SOCKET TERMINAL / 18-16 / DEUTSCH 0462-201-16141 From C-5119 | 1 | 1 | |
| NS | 563545 | SPLICE / JIFFI SPLICE / 16G / DEUTSCH JS16-00 | AR | AR | |
| 3 | 930330 | CYCLOP LAMP | 3 | 3 | |
| . NS | 930353 | . CAP PLUG SCREW | 2 | 2 | |
| NS | 506191 | TAPE RUB ADH1 CC POL 1/8" x 1/4" x 50' / GREY 2520X | AR | AR | |
| 4 | 930401 | SIDE MARKER ASSY / AMBER / W/6 LED W/REFLECTOR To D-5378 | 10 | 10 | |
| 4 | 930443 | SIDE MARKER ASSY / AMBER / W/2 LED W/REFLECTOR To D-5378 | 10 | 10 | S |
| 4 | 930441 | SIDE MARKER ASSY / AMBER / W/6 LED W/O REFLECTOR From D-5379 To D-5459 | 10 | 10 | |
| 4 | 930441 | SIDE MARKER ASSY / AMBER / W/6 LED W/O REFLECTOR From D-5460 | 10 | 10 | |
| NS | 478900 | GROMMET, MARKER LIGHT | 10 | 10 | |
| NS | 562155 | CONNECTOR ASSY SEALED 2C / GROTE 6618-G8 | 10 | 10 | |
| 5 | 930400 | SIDE MARKER ASSY / RED / W/6 LED W/REFLECTOR To D-5378 | 2 | 2 | |
| 5 | 930444 | SIDE MARKER ASSY / RED / W/2 LED W/REFLECTOR To D-5378 | 2 | 2 | S |
| 5 | 930440 | SIDE MARKER ASSY / RED / W/6 LED W/O REFLECTOR From D-5379 | 2 | 2 | |
| NS | 478900 | GROMMET, MARKER LIGHT | 2 | 2 | |
| NS | 562155 | CONNECTOR ASSY SEALED 2C / GROTE 6618-G8 | 2 | 2 | |
| 6 | 430695 | SIDE MARKER ASSY / RED / W/6 LED W/O REFLECTOR MODIFIED From D-5460 | 1 | 1 | |
| 10 | 430630 | SEAL LAMP BLACK 1/8" THICK | 14 | 14 | |
| 20 | 5001547 | SCREW PTR TR PH M4x20 G500 | 2 | 2 | |
| 21 | 930353 | CAP PLUG SCREW | 2 | 2 | |
| 22 | 502698 | SCREW MA PAN PH M4-0.7x16 SS BK | 2 | 2 | |
| 23 | 502834 | WASHER LO SPT 4.1x7.6x0.9 N500 | 2 | 2 | |



| | | |
|-------------------------------------|--------------|-----------------|
| From B-5003 To D-5489 | Date:10/2022 | PAGE:XV-0662-00 |
| CLEARANCE & MARKER LIGHT | | |

| Item# | Part | Description | X 3 V I P | X L I I E N T 4 5 | N O T E S |
|-------|---------|---|-----------------------|---|-----------------------|
| 24 | 5001042 | SCREW MA RND PH #10-32x1 1/4 SS | 2 | 2 | |
| 25 | 502774 | NUT WELL #10-32x.625 | 2 | 2 | |
| 30 | 066116 | CABLE HARNESS / FRONT ROOF | 1 | 1 | |
| 31 | 067666 | CABLE HARNESS / REAR ROOF / CURBSIDE To B-5039 | 1 | 1 | |
| 31 | 068322 | CABLE HARNESS / REAR ROOF / CURBSIDE From B-5040 | 1 | 1 | |
| 31 | 067667 | CABLE HARNESS / REAR ROOF / STREETSIDE | 1 | 1 | |
| 40 | 930212 | REFLECTOR AMBER 1 1/8" x 4 3/8" | 4 | 4 | A B |
| 40 | 930320 | REFLECTOR RED 1 3/16" x 4 7/16" | 2 | 2 | C |
| 41 | 500124 | SCREW TP TR PH #8x1/2 SS | AR | AR | A |
| 41 | 500124 | SCREW TP TR PH #8x1/2 SS To D-5459 | 2 | 2 | B |
| 41 | 5001305 | SCREW MA RND PH #8-32X3/4 SS From D-5460 | 2 | 2 | B |
| 41 | 500678 | NUT WELL #8-32x.450 From D-5460 | 2 | 2 | B |
| 41 | 500606 | SCREW MA TR PH #10-24x3/4 SS To D-5459 | 4 | 4 | C |
| 41 | 500914 | WASHER LO SPT .193x.334x.047 N500 To D-5459 | 4 | 4 | C |
| 41 | 500787 | NUT HEX #10-24 SS To D-5459 | 4 | 4 | C |
| 41 | 5001299 | SCREW MA PAN PH #10-32x3/4 SS From D-5460 | 4 | 4 | C |
| 41 | 500423 | NUT HEX NYRT #10-32 SS From D-5460 | 4 | 4 | C |
| | | | | | |
| | | | | | |
| | | | | | |
| | | A) USE WITH FRONT ENTRANCE DOOR / FRONT SERVICE DOOR / CONDENSOR DOOR | | | |
| | | B) USE WITH EVAPORATOR DOOR | | | |
| | | C) USE WITH RADIATOR DOOR / COMPRESSOR DOOR | | | |
| | | S) SERVICE | | | |

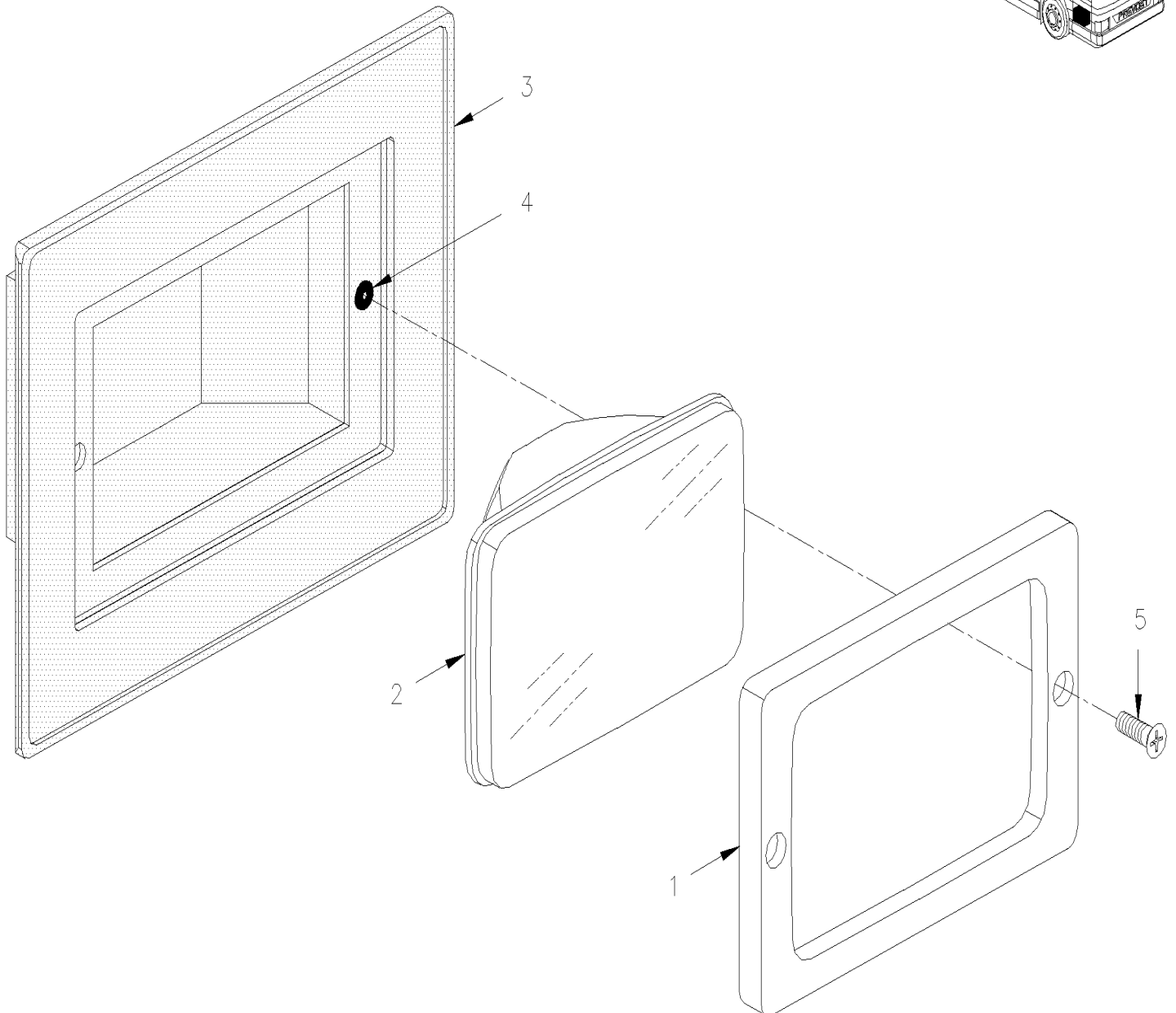
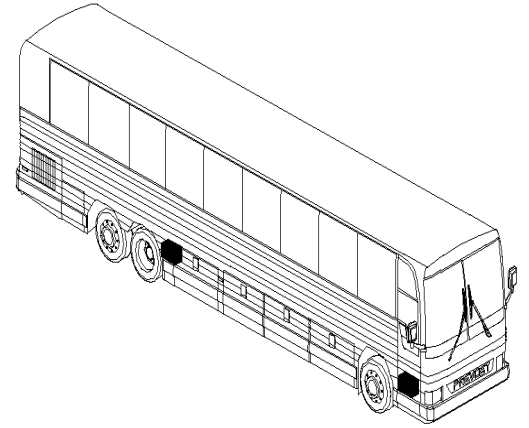


From B-5003 To D-5489

Date:10/2022

PAGE:XV-0663-00

DOCK & CORNERING LIGHT





| | | |
|-----------------------|--------------|-----------------|
| From B-5003 To D-5489 | Date:10/2022 | PAGE:XV-0663-00 |
|-----------------------|--------------|-----------------|

DOCK & CORNERING LIGHT

| Item# | Part | Description | X 3 V I P | X L I I E N T 4 5 | N O T E S |
|-------|---------|---------------------------------------|-----------------------|---|-----------------------|
| 1 | 286400 | BEZEL | 4 | 4 | |
| 2 | 930319 | SEAL BEAM / 37.5WATT-12V / SAE# H9415 | 4 | 4 | |
| 3 | 490879 | BOX / FIXED ON REAR FENDER | 1 | 1 | |
| 4 | 500589 | . NUT WELL M4-0.7x13.5 | 2 | 2 | |
| 4 | 5001055 | NUT WELL M4-0.7x14.5 | 1 | 1 | |
| 5 | 502530 | SCREW MA OV PH M4-0.7x40 SS | AR | AR | |
| | | | | | |
| | | | | | |
| | | | | | |

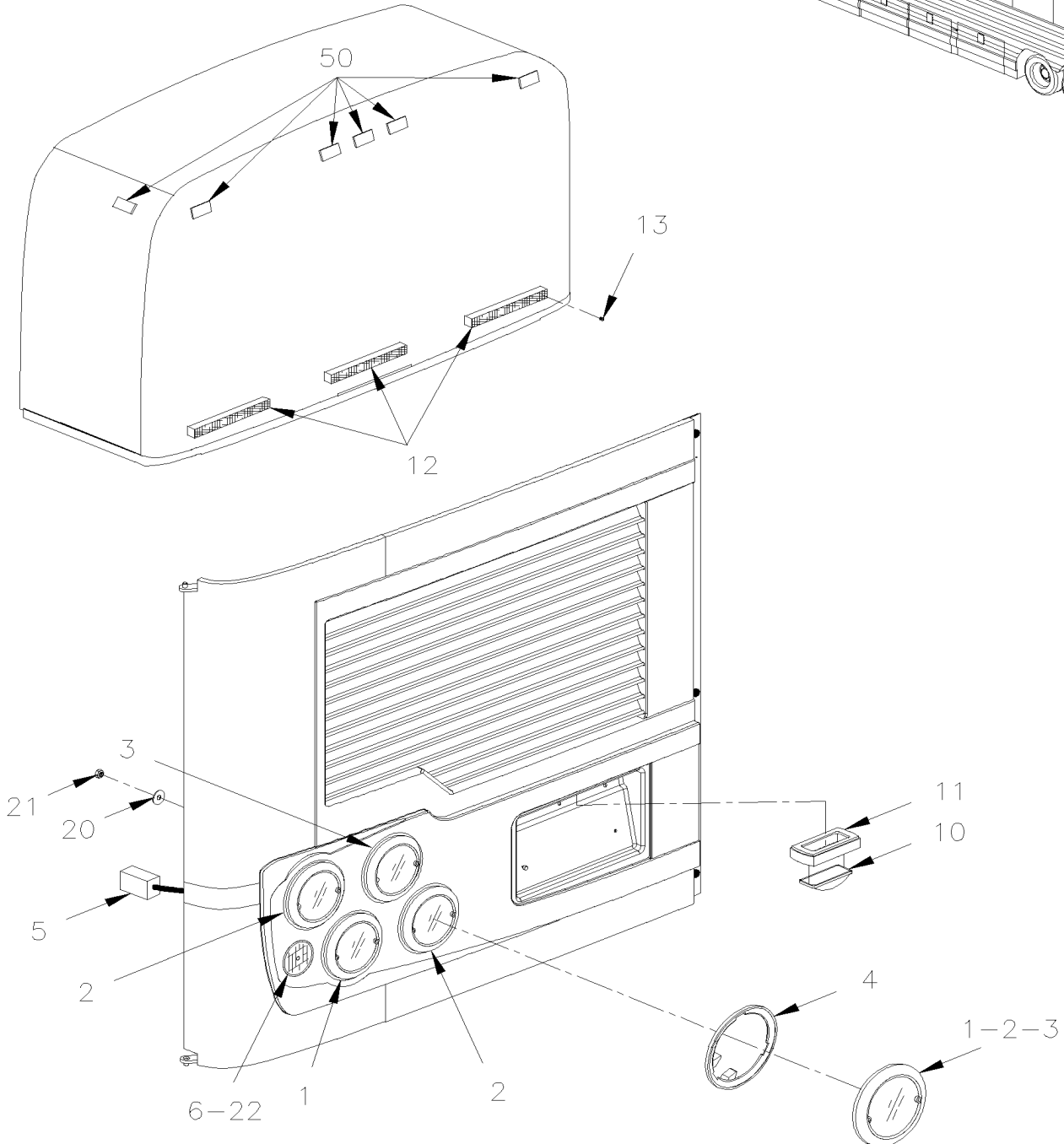
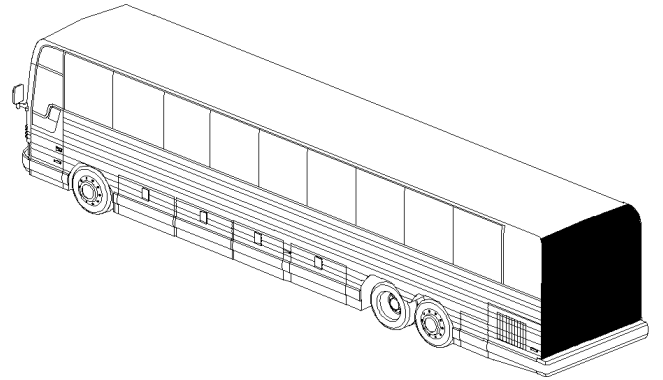


From B-5003 To D-5489

Date:10/2022

PAGE:XV-0664-00

REAR EXTERIOR LIGHTS & PLATE HOLDER





| | | |
|-----------------------|--------------|-----------------|
| From B-5003 To D-5489 | Date:10/2022 | PAGE:XV-0664-00 |
|-----------------------|--------------|-----------------|

REAR EXTERIOR LIGHTS & PLATE HOLDER

| Item# | Part | Description | X 3 V I P | X L I E N T 4 5 | N O T E S |
|-------|-------------------|--|-----------------------|--------------------------------------|-----------------------|
| 1 | 930365 | LED AMBER 4" / DIRECTIONAL / REAR 12Volt / 42L (PREVOST) | 1 | 1 | |
| 2 | 930366 | LED STOP & TAIL 4" 12Volt / 6L (PREVOST) | 2 | 2 | |
| 3 | 930367 | LAMP BACK-UP 4" 12Volt / Sealed | 1 | 1 | A |
| 4 | 430554 | SUPPORT LAMP | 4 | 4 | |
| 5 | 066491 | CABLE / ENGINE DOOR REAR LAMP W/LEDS | 1 | 1 | |
| 5 | 066003 | CABLE ADAPTOR / N.J. D.O.T / TAIL & STOP / SEPARATED TAIL & STOP | 2 | 2 | N |
| 6 | 930391 | REFLECTOR RED 3 3/16" O.D. / W/ADH | 1 | 1 | |
| 10 | 930368 | SEAL LEDS / W/CONNECTOR LEDS - 12VOLTS | 1 | 1 | |
| . NS | 12015378 | . CONNECTOR / WEATHER PACK / SH 2C / GRAY / PED 12015378 | 1 | 1 | |
| . NS | N.P.N. | . SEAL LEDS / W/CONNECTOR | | | 4 |
| . NS | 562348 | . CONNECTOR / WEATHER PACK / PH 2C / GRAY / PED 12034074 | 1 | 1 | |
| . NS | 561786 | . CABLE SEAL / GRAY / PED 15324980 | 2 | 2 | |
| . NS | 561568 | . PIN TERMINAL / 16-14 / PED 12089305 | 2 | 2 | |
| 11 | 930408 | GROMMET RUBBER RETAINER / LICENCE LAMP TL 150702 | 1 | 1 | |
| 12 | 930330 | CYCLOP LAMP | 3 | 3 | |
| . NS | 930353 | . CAP PLUG SCREW | 2 | 2 | |
| 13 | 502665 | SCREW TP OV PH #6x3/4 SS EMN | 6 | 6 | |
| 20 | 5001547 | SCREW PTR TR PH M4x20 G500 | 8 | 8 | |
| 21 | 504357 | WASHER FL .187x.437x.050 SS | 8 | 8 | |
| 22 | 192215 | LED BACK-UP 4" / W/CABLE ADAPTOR & GROMMET 12Volt / 27L | 1 | 1 | |
| . A | 194114 | . LED BACK-UP 4" 12Volt / 27L | 1 | 1 | |
| . B | G1076517 | . GROMMET 4" I.D, BLACK TL 40700 | 1 | 1 | |
| . C | N.P.N. | . LED BACK-UP 4" / W/CABLE ADAPTOR & GROMMET | 1 | 1 | 4 |
| 22 | G1093246 | ADAPTOR HARNESS ASSY / 2 WIRES / TRUCK-LITE 94789 | 1 | 1 | |
| . NS | 562601 | . CONNECTOR / SUPERSEAL 1.5 SERIES / SH 3C / AMP 282087-1 | 1 | 1 | |
| 50 | XV-0662-00 | CLEARANCE & MARKER LIGHT | | | |
| | | | | | |
| | | | | | |
| | | | | | |
| | | A) FOR REPLACE BULB LAMP TO "LEDS" ASK FOR 1 x 192215 + 1 x G1093246 | | | |
| | | N) USE WITH "NEW JERSEY" DOT REGULATION | | | |
| | | 4) NO PARTS NUMBER | | | |

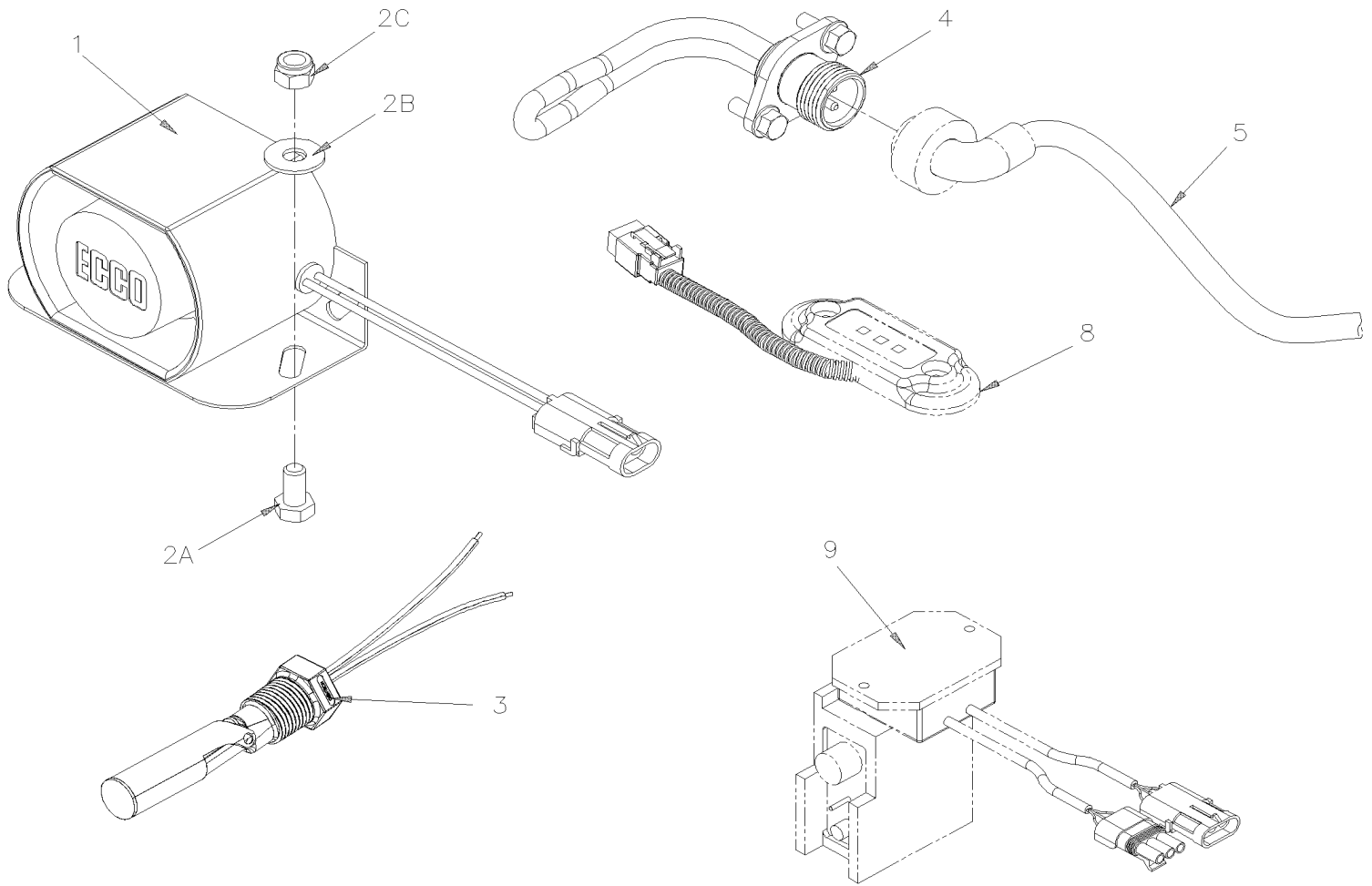


From B-5003 To D-5489

Date:10/2022

PAGE:XV-0665-00

ENGINE COMPARTMENT - ELECTRIC COMPONENTS





From B-5003 To D-5489 Date:10/2022 PAGE:XV-0665-00

ENGINE COMPARTMENT - ELECTRIC COMPONENTS

| Item# | Part | Description | X 3 V I P | X L I I E N T 4 5 | N O T E S |
|-------|-------------------|---|-----------------------|---|-----------------------|
| 1 | 563199 | BACK-UP ALARM "ECCO" / 12-36vdc / 107db | 1 | 1 | |
| 2A | 5001527 | SCREW CAP HEX M8-1.25x16 SS BK | 2 | 2 | |
| 2B | 5001448 | WASHER FL .343x.875x.062 SS18-8 | 2 | 2 | |
| 2C | 5001787 | NUT HEX NYRT M8-1.25 SS | 2 | 2 | |
| 3 | 067304 | SENSOR PROBE "LOW LEVEL COOLANT" ASSY / 1/2" NPT | 1 | 1 | D13 |
| . NS | 564465 | . SENSOR PROBE "LOW LEVEL COOLANT" / 1/2" NPT | 1 | 1 | D13 |
| . NS | 21242838 | . SENSOR PROBE "LOW LEVEL COOLANT" / 1/2" NPT | 1 | 1 | D13 |
| . NS | 563764 | . CONNECTOR / CPC SERIES 3 / PH 3C / PED 15300002 | 1 | 1 | D13 |
| . NS | 563765 | . PIN TERMINAL / 18-16 / PED 12048159 | 2 | 2 | D13 |
| . NS | 563369 | . CABLE SEAL / GRAY / PED 12010293 | 2 | 2 | D13 |
| . NS | 562387 | . CONVOLUTED TUBING / SLIT / BLACK / .250" | AR | AR | D13 |
| . NS | 562388 | . SECONDARY LOCK / METRI-PACK 280 / 2C / BLUE / PED 15300014 | 1 | 1 | D13 |
| 4 | Refer To Volvo | BLOCK HEATER | 1 | 1 | V D13 |
| 5 | XV-0666-00 | BLOCK HEATER RECEPTACLE | | | |
| 8 | XV-0665-10 | SWITCHES, LIGHTS, AJAR - UNDER FLOOR | | | |
| 9 | XV-2320-50 | FIRE PROTECTION SYSTEM To C-5266 | | | |
| 9 | XV-2320-51 | FIRE PROTECTION SYSTEM / HEATER & EVAPORATOR COMPARTMENT From C-5267 | | | |
| | | | | | |
| | | | | | |
| | | | | | |
| | | D13) WITH VOLVO ENGINE D-13 | | | |
| | | V) SEE IMPACT OR CALL ORDER DESK | | | |

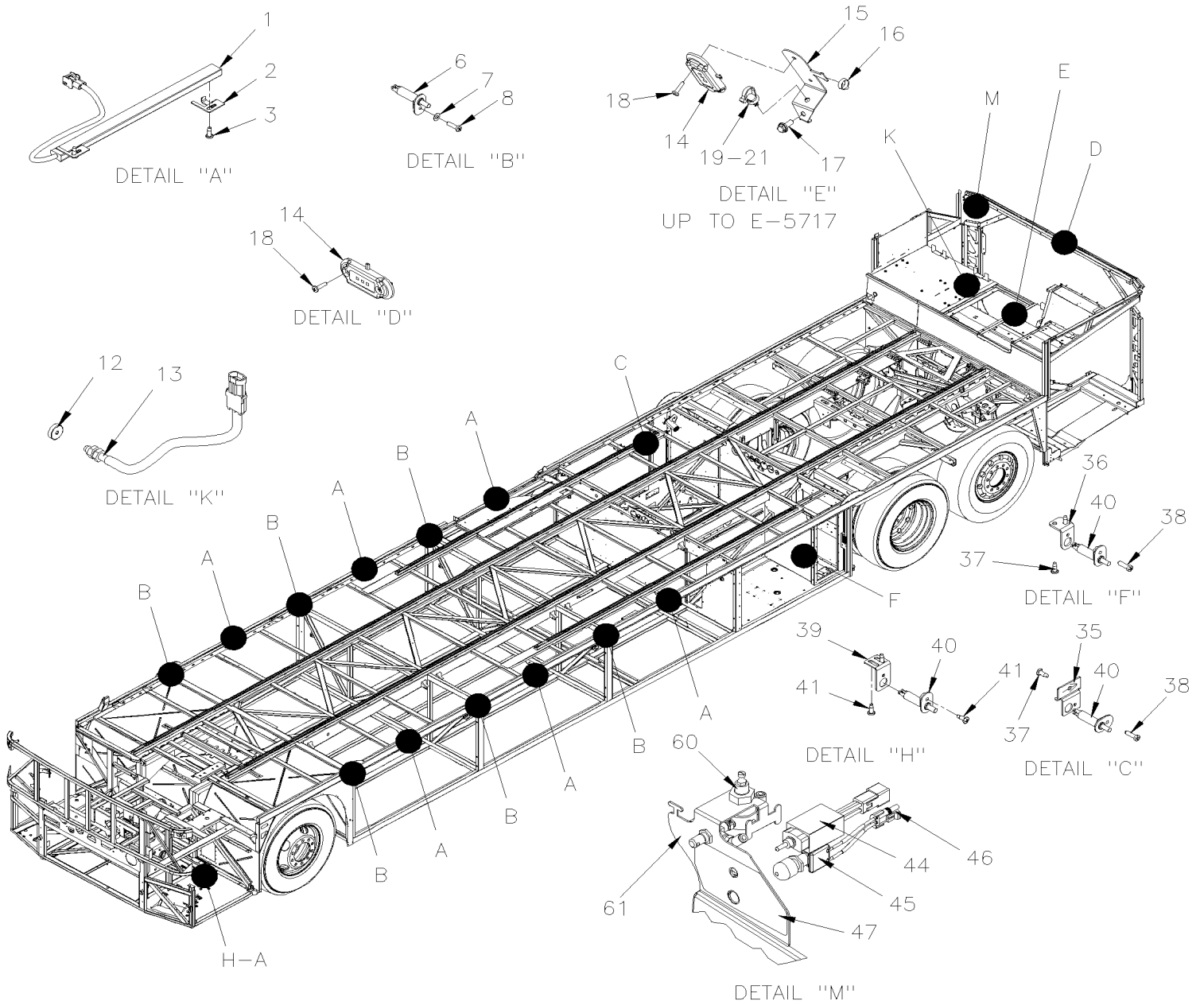


From B-5003 To D-5489

Date:10/2022

PAGE:XV-0665-10

SWITCHES, LIGHTS, AJAR - UNDER FLOOR





From B-5003 To D-5489 Date:10/2022 PAGE:XV-0665-10

SWITCHES, LIGHTS, AJAR - UNDER FLOOR

| Item# | Part | Description | X 3 V I P | X L I I E N T 4 5 | N O T E S |
|-------|----------|--|-----------------------|---|-----------------------|
| 1 | 330224 | LAMP ASSY 24V / BAGGAGE COMPARTMENT LAMP W/2 BULBS G4-10W To C-5132 | 6 | 6 | |
| . NS | 330396 | . BULB / 10 WATTS -28VOLTS / SAE# G4-28 To C-5132 | 2 | 2 | |
| 1 | 330299 | LAMP ASSY 24V / BAGGAGE COMPARTMENT LAMP / LED From C-5133 | 6 | 6 | |
| . NS | 561248 | . CONNECTOR / UNIVERSAL MATE-N-LOK / PH 2C / AMP 1-480699-0 From C-5133 | 1 | 1 | |
| 1 | 830008 | LAMP ASSY 24V / LED | 6 | 6 | |
| . NS | 561248 | . CONNECTOR / UNIVERSAL MATE-N-LOK / PH 2C / AMP 1-480699-0 | 1 | 1 | |
| 2 | 330411 | SUPPORT, LIGHT From C-5133 | 12 | 12 | |
| 3 | 502868 | SCREW TC TR PH #10-16x1/2 N500 | 12 | 12 | |
| 4 | 287150 | LOCKING GUIDE R.H. ASSY | 6 | 6 | |
| 5 | 288526 | LOCKING GUIDE L.H. ASSY | 6 | 6 | |
| 6 | 563464 | SWITCH / S.P.S.T. / N.C. / W/RUBBER BOOT | 6 | 6 | |
| 7 | 500840 | WASHER LO EXT .195x.410x.025 N500 | 5 | 5 | |
| 8 | 500623 | SCREW TC PAN PH #10-24x3/4 N500 | 5 | 5 | |
| 12 | 562949 | MAGNET ROUND .200x.700 DIA | 1 | 1 | |
| 13 | 068053 | SWITCH PROXIMITY WITH LED ASSY To D-5299 | 1 | 1 | |
| . NS | 564176 | . SWITCH PROXIMITY / S.P.D.T. / W/3 WIRES W/LED To D-5299 | 1 | 1 | |
| 13 | 068076 | SWITCH PROXIMITY WITH LED ASSY From D-5300 | 1 | 1 | |
| . NS | 564176 | . SWITCH PROXIMITY / S.P.D.T. / W/3 WIRES W/LED From D-5300 | 1 | 1 | |
| 13 | 068621 | KIT SERVICE / PROXIMITY SWITCH CONNECTOR To D-5299 | 1 | 1 | S |
| . NS | 564555 | . CONNECTOR / DT SERIES / SH 3C / BLACK / DEUTSCH DT06-3S-CE02 To D-5299 | 1 | 1 | S |
| . NS | 564556 | . BACKSHELL / DT SERIES / 3C / DEUTSCH 1011-259-0305 To D-5299 | 1 | 1 | S |
| . NS | IS-12059 | . SEE INSTRUCTION SHEET To D-5299 | 1 | 1 | S |
| 13 | 068622 | KIT SERVICE / PROXIMITY SWITCH To D-5299 | 1 | 1 | S |
| . NS | 068076 | . SWITCH PROXIMITY WITH LED ASSY To D-5299 | 1 | 1 | S |
| . NS | 564176 | . SWITCH PROXIMITY / S.P.D.T. / W/3 WIRES W/LED To D-5299 | 1 | 1 | S |
| . NS | IS-12059 | . SEE INSTRUCTION SHEET To D-5299 | 1 | 1 | S |
| 14 | 563845 | LAMP ASSY 24V / W/LEDS | 5 | 5 | |
| . NS | 563589 | . CONNECTOR / DTM SERIES / SH 2C / GRAY / DEUTSCH DTM06-2S-E007 | 1 | 1 | |
| 15 | 068170 | SUPPORT LAMP To E-5717 | 1 | 1 | |
| 16 | 504637 | CABLE TIE / 3/16" x 13" To E-5717 | 1 | 1 | |
| 17 | 5001730 | SCREW CAP HEXF M6-1.0x16 G10.9 N500 To E-5717 | 1 | 1 | |
| 18 | 500244 | SCREW TP BDG PH #8x3/4 N500 | AR | AR | |
| 19 | 509815 | TIE MOUNT / ATTACHMENT W/TREE MOUNT To E-5717 | AR | AR | |
| 21 | 504637 | CABLE TIE / 3/16" x 13" To E-5717 | AR | AR | |
| 35 | 068756 | SWITCH SUPPORT / W/BAGGAGE DOORS | 1 | 1 | A |
| 36 | 068668 | SWITCH SUPPORT / W/BAGGAGE DOORS | 1 | 1 | A |
| 37 | 502868 | SCREW TC TR PH #10-16x1/2 N500 | 2 | 2 | A |
| 38 | 500623 | SCREW TC PAN PH #10-24x3/4 N500 | 2 | 2 | A |
| 39 | 066638 | SWITCH SUPPORT / FRONT SERVICE DOOR | 1 | 1 | |
| 40 | 563464 | SWITCH / S.P.S.T. / N.C. / W/RUBBER BOOT | 1 | 1 | |
| 41 | 502868 | SCREW TC TR PH #10-16x1/2 N500 | 3 | 3 | |
| 44 | 064362 | SWITCH ASSY / WATERPROOF | 1 | 1 | |



| | | |
|---|--------------|-----------------|
| From B-5003 To D-5489 | Date:10/2022 | PAGE:XV-0665-10 |
| SWITCHES, LIGHTS, AJAR - UNDER FLOOR | | |

| Item# | Part | Description | X 3 V I P | X L I I E N T 4 5 | N O T E S |
|-------|------------|--|-----------------------|---|-----------------------|
| 45 | 562484 | SWITCH S.P.S.T. / N.C. | 1 | 1 | |
| 46 | 562471 | CONNECTOR / WEATHER PACK / SH 2C / BLACK / PED 12103784 | 1 | 1 | |
| 46 | 561578 | SOCKET TERMINAL / 16-14 / PED 12010182 | 2 | 2 | |
| 46 | 561786 | CABLE SEAL / GRAY / PED 15324980 | 2 | 2 | |
| 47 | 067876 | DECAL REAR ENGINE START.... To B-5024 | 1 | 1 | |
| 47 | 068307 | DECAL REAR ENGINE START.... From B-5025 To D-5459 | 1 | 1 | |
| 47 | 068808 | DECAL REAR ENGINE START NO TENSIONER... From D-5460 | 1 | 1 | |
| 47 | 068307 | DECAL REAR ENGINE START.... From D-5460 | 1 | 1 | A |
| 60 | XV-0120-00 | DRIVE PULLEY, BELTS & TENSIONER WITH VOLVO D13 & 2x120Amps EPA2010 | | | |
| 60 | XV-0120-01 | DRIVE PULLEY, BELTS & TENSIONER WITH VOLVO D13 & 2x120Amps | | | |
| 61 | XV-0330-00 | AIR FILTER & INTAKE - INSTALLATION WITH VOLVO D13 - EPA 2010 | | | |
| | | A) WITH SMALL A/C SYSTEM | | | |
| | | S) SERVICE | | | |

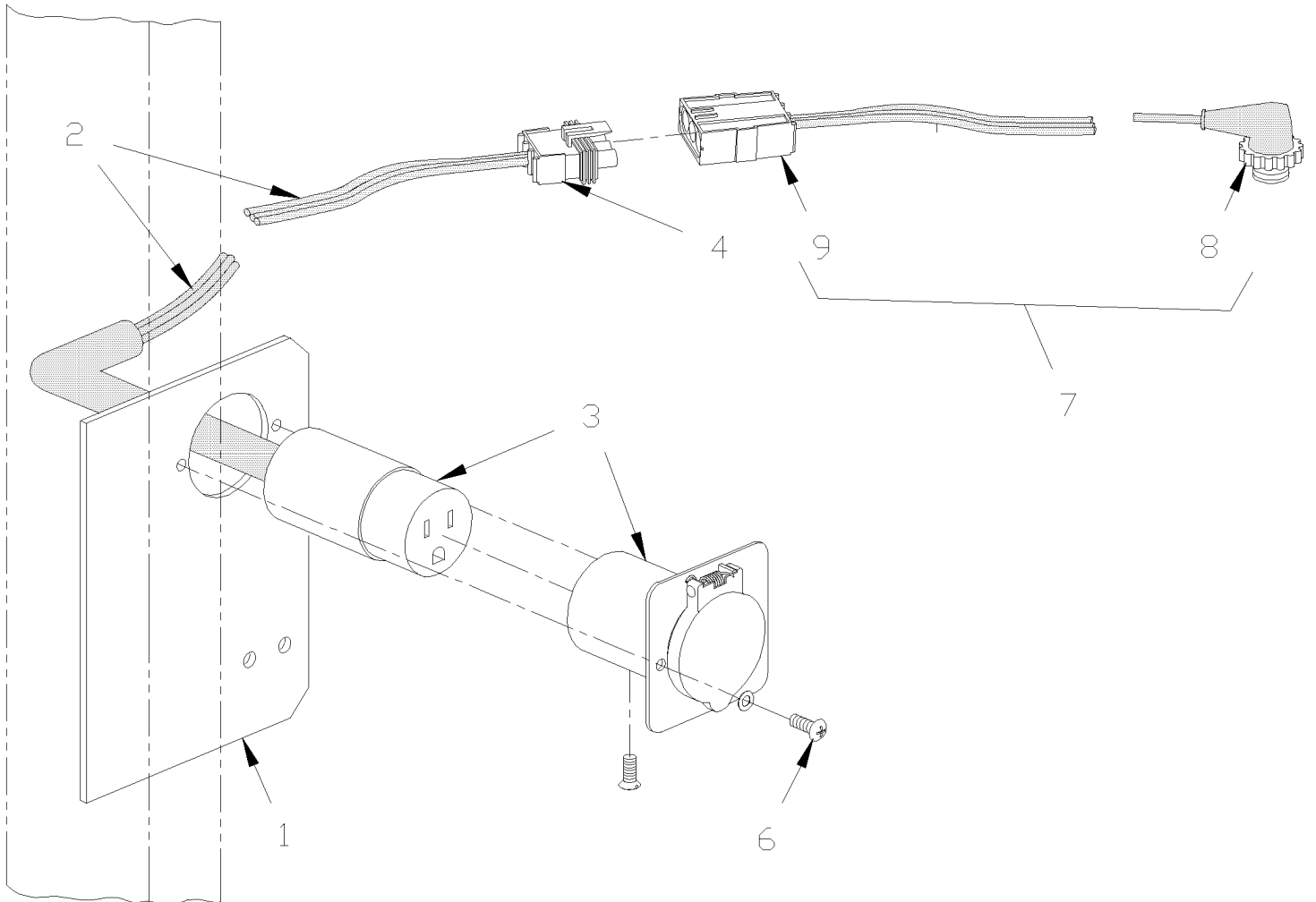
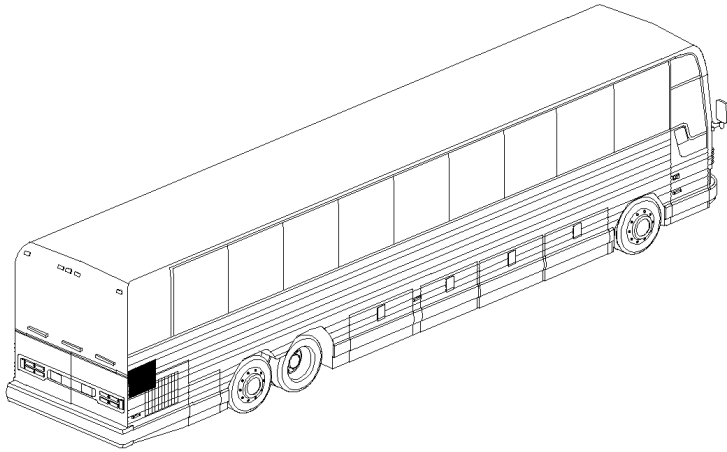


From B-5003 To D-5489

Date:10/2022

PAGE:XV-0666-00

BLOCK HEATER RECEPTACLE





| | | |
|--------------------------------|--------------|-----------------|
| From B-5003 To D-5489 | Date:10/2022 | PAGE:XV-0666-00 |
| BLOCK HEATER RECEPTACLE | | |

| Item# | Part | Description | X 3 V I P | X L I I E N T 4 5 | N O T E S |
|-------|----------------|---|-----------------------|---|-----------------------|
| 1 | 213957 | SUPPORT BACK-UP ALARM | 1 | 1 | |
| 2 | 067411 | CABLE ASSY / 110V BLOCK HEATER To D-5380 | 1 | 1 | |
| 2 | 068723 | CABLE ASSY / 110V BLOCK HEATER From D-5381 | 1 | 1 | |
| 2 | 019224 | DECAL / BLOCK HEATER To D-5380 | 1 | 1 | |
| 2 | 019224 | . DECAL / BLOCK HEATER From D-5381 | 1 | 1 | |
| 3 | 564103 | . RECEPTACLE ASSY W/CORD | 1 | 1 | |
| 4 | 561782 | . CONNECTOR / WEATHER PACK / SH 3C / BLACK / PED 12015793 To D-5380 | 1 | 1 | |
| NS | 561778 | . WIRE CABLE 12 / BLUE / TEW To D-5380 | 3 | 3 | |
| NS | 561786 | . CABLE SEAL / GRAY / PED 15324980 To D-5380 | 3 | 3 | |
| NS | 561681 | . CONVOLUTED TUBING / SLIT / BLACK & GRAY / .350" To D-5380 | AR | AR | |
| 6 | 500654 | SCREW TC BDG PH #8-32x1/2 Z050 | 2 | 2 | |
| 7 | 067413 | CABLE ASSY / 110V BLOCK HEATER ENGINE SECTION To D-5380 | 1 | 1 | |
| 8 | 564102 | . HEATER PLUG ASSY | 1 | 1 | |
| NS | 561681 | . CONVOLUTED TUBING / SLIT / BLACK & GRAY / .350" | AR | AR | |
| 9 | 561781 | . CONNECTOR / WEATHER PACK / PH 3C / BLACK / PED 12010717 To D-5380 | 1 | 1 | |
| NS | 561786 | . CABLE SEAL / GRAY / PED 15324980 To D-5380 | 3 | 3 | |
| NS | 561568 | . PIN TERMINAL / 16-14 / PED 12089305 To D-5380 | 3 | 3 | |
| 10 | Refer To Volvo | BLOCK HEATER | 1 | 1 | V |
| | | | | | |
| | | | | | |
| | | | | | |
| | | | | | |
| | | V) SEE IMPACT OR CALL ORDER DESK | | | |

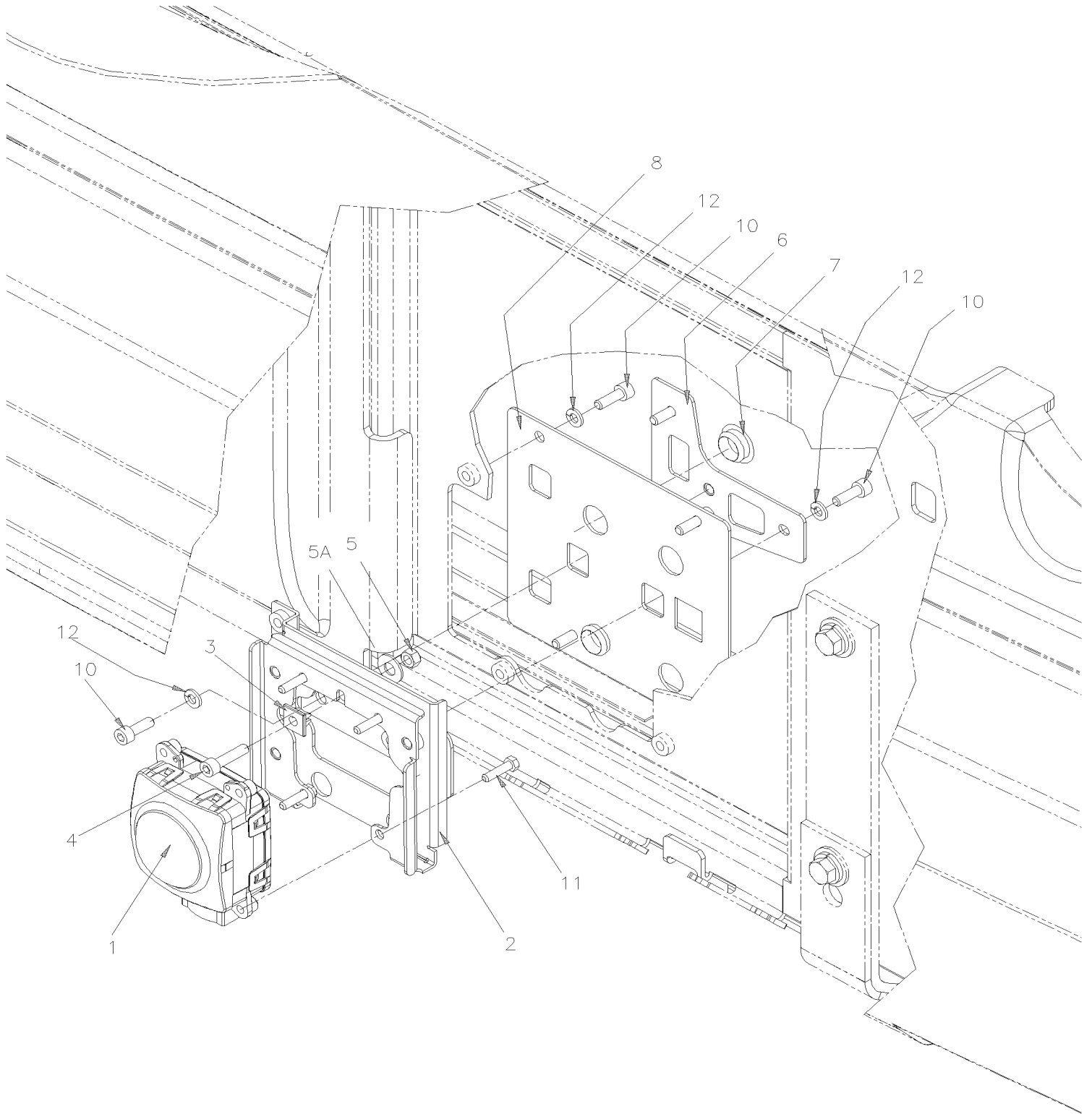


From B-5024 To D-5489

Date:10/2022

PAGE:XV-0675-05

SYSTEM - ADAPTIVE CRUISE CONTROL ACB - "BENDIX"



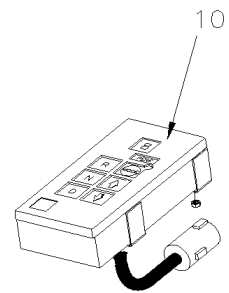
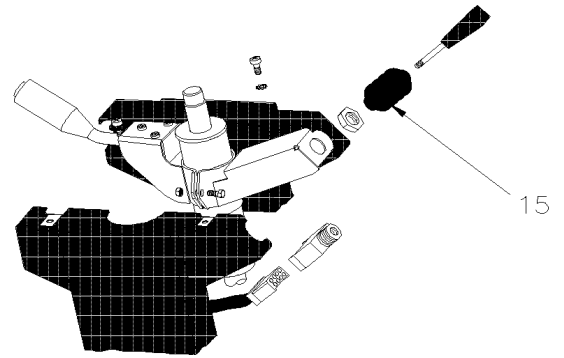
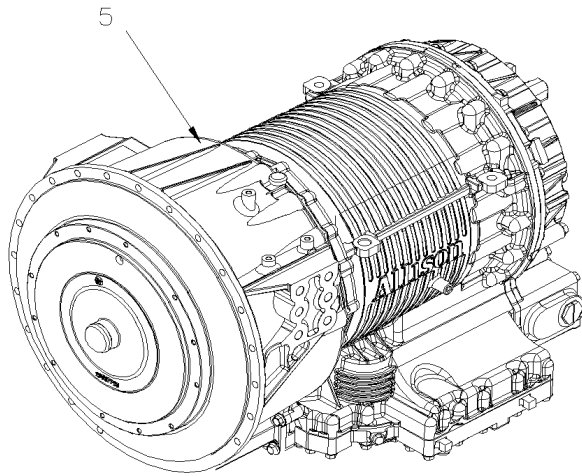


| | | |
|--|--------------|-----------------|
| From B-5024 To D-5489 | Date:10/2022 | PAGE:XV-0675-05 |
| SYSTEM - ADAPTIVE CRUISE CONTROL ACB - "BENDIX" | | |

| Item# | Part | Description | X 3 V I P | X L I I E N T 4 5 | N O T E S |
|-------|-----------------|---|-----------------------|---|-----------------------|
| 1 | 563636 | RADAR ACB "BENDIX" To C-5092 | 1 | 1 | |
| 1 | 564209 | RADAR ACB "BENDIX" From C-5093 | 1 | 1 | |
| 1 | 564561 | RADAR ACB "BENDIX" | 1 | 1 | S |
| 1 | 564594 | RADAR ACB "BENDIX" | 1 | 1 | S |
| NS | 068247 | CABLE ADAPTIVE CRUISE CONTROL 1500MM | 1 | 1 | |
| 2 | Call order desk | SUPPORT ASSY | 1 | 1 | P |
| 2 | Call order desk | SUPPORT ASSY | 1 | 1 | P |
| 2 | 143204 | . SUPPORT | 1 | 1 | |
| 3 | 502939 | . NUT AN 1/4 NYL | 2 | 2 | |
| 4 | 5001610 | . SCREW CAP HEXS M6-1.0x25 SS EMN | 2 | 2 | |
| 5 | 5001182 | . NUT HEX NYRT M6-1.0 SS | 2 | 2 | |
| 5A | 502573 | . WASHER FL 6.4x12.5x1.6 SS | 2 | 2 | |
| 6 | 143207 | ATTACHMENT | 1 | 1 | |
| 7 | 504690 | SNAP-IN PLUG / .750 O.D. | 1 | 1 | |
| 8 | 280251 | PLATE CLOSING W/"ACB" | 1 | 1 | |
| | | | | | |
| 10 | 5001648 | SCREW CAP HEXS M6-1.0x18 SS BK | 4 | 4 | |
| 11 | 500032 | SCREW CAP HEX M5-0.8x16 BK | 4 | 4 | |
| 12 | 502570 | WASHER LO SPT 6.1x11.8x1.6 SS | 4 | 4 | |
| 13 | IS19922 | PREVOST AWARE ADAPTIVE CRUISE BRAKING (ACB) – FLR10 TO FLR21 RADAR SENSOR UPGRADE | 1 | 1 | |
| . NS | 069043 | . CABLE ADAPTIVE CRUISE CONTROL | 1 | 1 | |
| . NS | 145206 | . MAIN SUPPORT, RADAR | 1 | 1 | |
| . NS | 145207 | . PLATE, RADAR MOUNTING | 1 | 1 | |
| . NS | 560468 | . FLR21 RADAR (NEW) | 1 | 1 | |
| . NS | 564257 | . FLR20 AJUSTER KIT SET OF 3 | 1 | 1 | |
| . NS | 504637 | . CABLE TIE / 3/16" x 13" | 6 | 6 | |
| . NS | 5001648 | . SCREW CAP HEXS M6-1.0x18 SS BK | 4 | 4 | |
| . NS | 5001833 | . WASHER BEL SPR 6.1x18x1.27 SS | 4 | 4 | |
| . NS | IS-19922 | . SEE INSTRUCTION SHEET | 1 | 1 | |
| . NS | FI-19922 | . VOIR FEUILLE D'INSTRUCTION | 1 | 1 | |
| | | | | | |
| | | | | | |
| | | | | | |
| | | | | | |
| | | S) SERVICE | | | |
| | | P) CALL ORDER DESK FOR SPECIFIC APPLICATION (V.I.N.) | | | |



| | | |
|--------------|--------------|-------|
| | Date:10/2022 | XV-07 |
| TRANSMISSION | | |





| | | Date:10/2022 | XV-07 | | |
|--------------|------------|---|-----------------------|---|-----------------------|
| TRANSMISSION | | | | | |
| Item# | Part | Description | X 3 V I P | X L I I E N T 4 5 | N O T E S |
| 5 | XV-0750-00 | AUTOMATIC TRANSMISSION - "WORLD" WITH VOLVO D13 From B-5003 To D-5489 | | | |
| 10 | XV-0755-15 | SHIFTER ELECTRONIC - "WORLD" TRANSMISSION From B-5003 To D-5489 | | | |
| 15 | XV-0760-00 | RETARDER SELECTOR SWITCH - "WORLD" From B-5003 To D-5489 | | | |

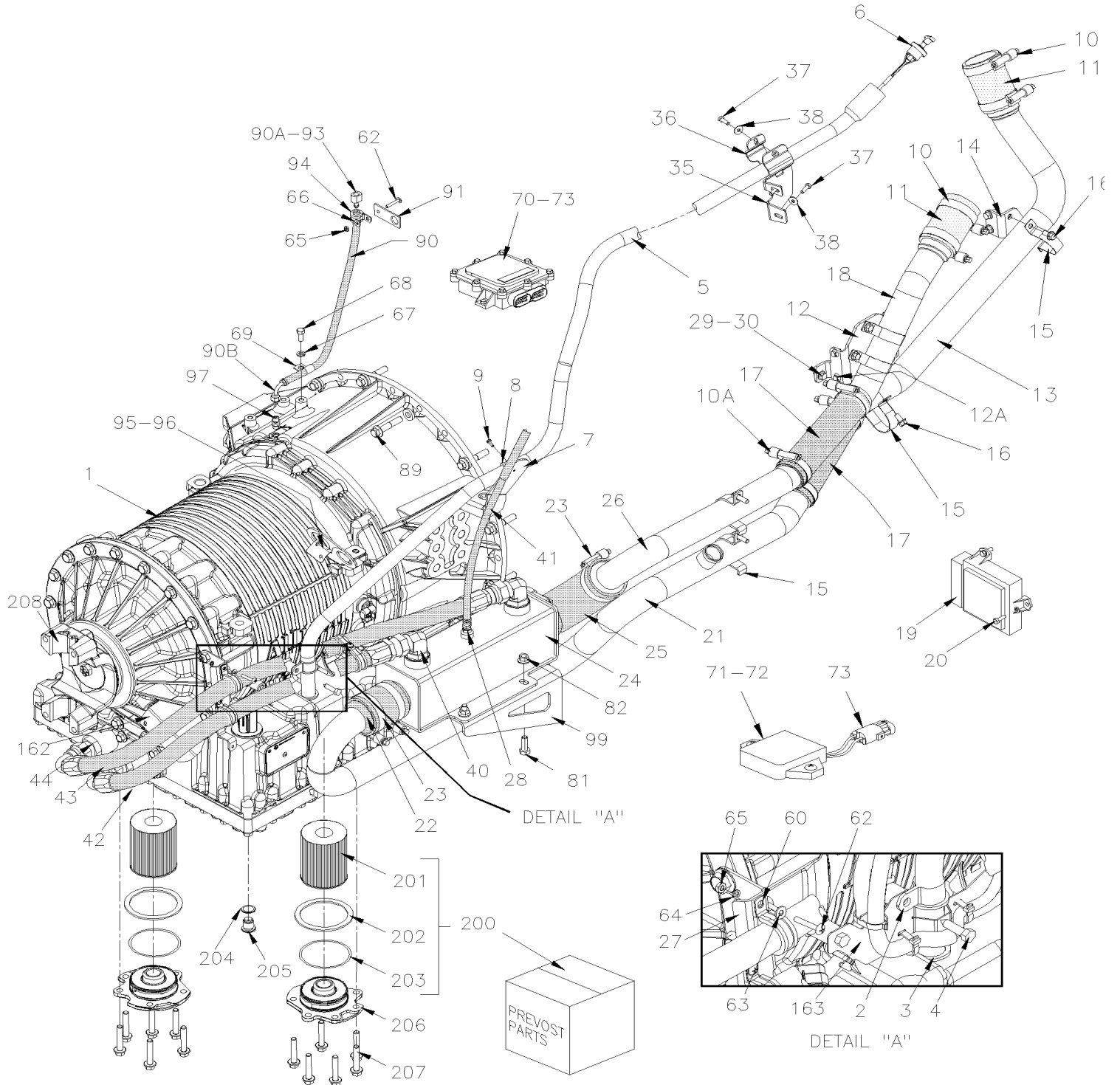


From B-5003 To D-5489

Date:10/2022

PAGE:XV-0750-00

AUTOMATIC TRANSMISSION - "WORLD" WITH VOLVO D13



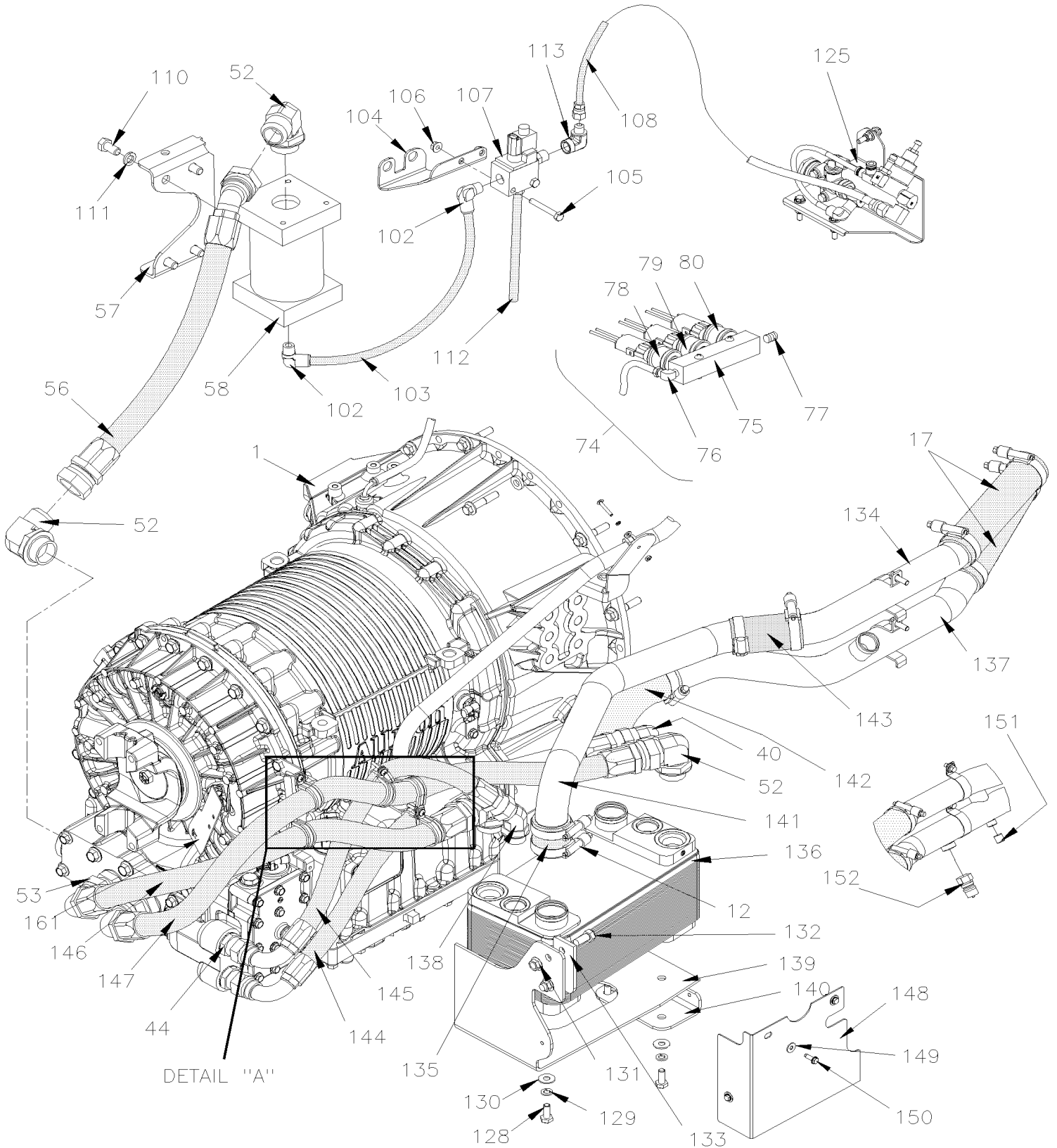


From B-5003 To D-5489

Date:10/2022

PAGE:XV-0750-00

AUTOMATIC TRANSMISSION - "WORLD" WITH VOLVO D13





From B-5003 To D-5489 Date:10/2022 PAGE:XV-0750-00

AUTOMATIC TRANSMISSION - "WORLD" WITH VOLVO D13

| Item# | Part | Description | X 3 V I P | X L I I E N T 4 5 | N O T E S |
|-------|----------|--|-----------------------|---|-----------------------|
| | | THE NEXT FOLLOWING TRANSMISSION W/O RETARDER | | | |
| | 572138 | TRANSMISSION ASSY B500 / GEN V | | 1 | |
| | 572136 | TRANSMISSION ASSY4000MH / GEN V | 1 | | |
| | | THE NEXT FOLLOWING TRANSMISSION W/RETARDER | | | |
| | 572139 | TRANSMISSION ASSY B500R / GEN V | | 1 | |
| | 572137 | TRANSMISSION ASSY4000MH R / GEN V | 1 | | |
| | | TRANSMISSION ASSY SEE ABOVE | | | |
| NS | 683276 | GREASE LOW TEMPERATURE 450GR | AR | AR | |
| NS | 20788933 | SPACER FLY WHEEL HOUSING 21MM | 1 | 1 | |
| NS | 684016 | OIL TRANSYND TRANSMISSION "WORLD" | AR | AR | |
| 2 | 504602 | CLAMP / 1" I.D. X .375 HOLE | 1 | 1 | |
| 3 | 571662 | GROMMET RUBBER / TUBE & TRANS | 1 | 1 | |
| 4 | 502513 | SCREW TP CAP HEX 5/16x1 Z050 | 1 | 1 | |
| 5 | 071636 | TUBE DIPSTICK ASSY To B-5053 | 1 | 1 | |
| 5 | 071656 | TUBE DIPSTICK ASSY From B-5054 | 1 | 1 | |
| 6 | 572147 | TRANS DIPSTICK 2385.7MM | 1 | 1 | |
| NS | 071249 | DECAL "TranSynd OIL ONLY" / ENGLISH & FRANCAIS | 1 | 1 | |
| NS | 071364 | DECAL "TranSynd OIL ONLY" / ENGLISH & SPANISH | 1 | 1 | |
| 7 | 071641 | SUPPORT / TUBE DIPSTICK | 1 | 1 | |
| 8 | 504602 | CLAMP / 1" I.D. X .375 HOLE | 1 | 1 | |
| 9 | 502830 | SCREW CAP HEX M6-1.0x20 G8.8 N500 | 1 | 1 | |
| 9 | 5001833 | WASHER BEL SPR 6.1x18x1.27 SS | 1 | 1 | |
| 10 | 504561 | HOSE CLAMP / 2"1/4-3"1/8 / C.T. 300 | 4 | 4 | |
| 10A | 504754 | HOSE CLAMP / 1"3/4-2"5/8 / C.T. 250 | 4 | 4 | |
| 11 | 984677 | HOSE 60 I.D. x 102MM / SILICONE To C-5130 | 2 | 2 | |
| 11 | 071660 | HOSE / SILICONE W/NOMEX 2 3/8" I.D. 98MM From C-5131 | 2 | 2 | |
| 12 | 012668 | SUPPORT OIL COOLER PIPE | 1 | 1 | |
| 12A | 509815 | TIE MOUNT / ATTACHMENT W/TREE MOUNT | 2 | 2 | |
| 12A | 504637 | CABLE TIE / 3/16" x 13" | 2 | 2 | |
| 13 | 019225 | PIPE / THERMOSTAT HOUSING & OIL COOLER | 1 | 1 | |
| 14 | 012358 | SUPPORT OIL COOLER PIPE | 1 | 1 | |
| 15 | 012551 | "U" CLAMP OFFSET 51MM I.D. | 3 | 3 | |
| 16 | 5001780 | SCREW CAP HEXF M8-1.25x16 G8.8 N500 | 3 | 3 | |
| 17 | 071429 | HOSE SILICONE 4PLY 2" I.D. x 254 MM | 2 | 2 | |
| 17 | 572049 | . HOSE SILICONE 4PLY 2" I.D. x 12' To D-5381 | AR | AR | |
| 17 | 503784 | . HOSE SILICONE 4 PLY / NOMEX-ARAMID 2" I.D. x 12' From D-5382 | AR | AR | |



From B-5003 To D-5489 Date:10/2022 PAGE:XV-0750-00

AUTOMATIC TRANSMISSION - "WORLD" WITH VOLVO D13

| Item# | Part | Description | X 3 V I P | X L I I E N T 4 5 | N O T E S |
|-------|---------|--|-----------------------|---|-----------------------|
| 18 | 019226 | PIPE / OIL COOLER TO HOSE REDUCER | 1 | 1 | |
| 19 | 572115 | INTERFACE TCM | 1 | 1 | |
| 20 | 502622 | SCREW CAP HEX M6-1.0x20 SS BK | 3 | 3 | |
| 20 | 502570 | WASHER LO SPT 6.1x11.8x1.6 SS | 3 | 3 | |
| 21 | 071517 | PIPE 2" O.D. INLET x 2 3/4" O.D. OUTLET | 1 | 1 | |
| 22 | 071268 | HOSE SILICONE 4 PLY 2 3/4" I.D X 84MM | 1 | 1 | |
| 22 | 503395 | . HOSE SILICONE 4PLY 2 3/4" I.D. x 3' To D-5381 | AR | AR | |
| 22 | 503787 | . HOSE SILICONE 4 PLY / NOMEX-ARAMID 2 3/4" I.D. x 6' From D-5382 | AR | AR | |
| 23 | 504562 | HOSE CLAMP / 2"3/4-3"5/8 / C.T. 350 | 4 | 4 | |
| 24 | 571769 | OIL COOLER "MODINE" / SINGLE | 1 | 1 | |
| 25 | 052898 | ELBOW 90° X 2 3/4" I.D. / 110MM x 110MM C/C / SILICONE | 1 | 1 | |
| 26 | 071516 | PIPE 2 3/4" I.D. INLET x 2" O.D. OUTLET | 1 | 1 | |
| 27 | 071407 | SUPPORT HOSE | 1 | 1 | |
| 29 | 5001745 | SCREW CAP HEX M8-1.25x25 G8.8 N500 | 3 | 3 | |
| 30 | 500321 | WASHER BEL SPR .331x.827x.098 N500 | 3 | 3 | |
| 35 | 071640 | SUPPORT / TUBE DIPSTICK | 1 | 1 | |
| 36 | 071487 | ATTACHMENT DIPSTICK TUBE W1 HOLE & HOCK | 1 | 1 | |
| 37 | 502830 | SCREW CAP HEX M6-1.0x20 G8.8 N500 | 3 | 3 | |
| 38 | 5001833 | WASHER BEL SPR 6.1x18x1.27 SS | 3 | 3 | |
| 39 | 502862 | SCREW CAP HEX M8-1.25x20 G8.8 N500 | 4 | 4 | |
| 40 | 501523 | MALE ELBOW 90° / JIC 37° FITTING / #16JIC-Mx#16ORB-M STL To D-5452 | 1 | 1 | |
| 40 | 5001917 | MALE ELBOW 90° / JIC 37° FITTING / #16JIC-Mx#16ORB-M STL VITON From D-5453 | 1 | 1 | |
| 41 | 052916 | HOSE ASSY TEFLON #4 2015MM | 1 | 1 | |
| 42 | 071566 | HOSE ASSY / #16 725MM | 1 | 1 | |
| 43 | 071567 | HOSE ASSY / #16 1045MM | 1 | 1 | |
| NS | 071511 | PROTECTOR RUBBER CABLE HARNESS & HOSES | 1 | 1 | |
| 44 | 501523 | MALE ELBOW 90° / JIC 37° FITTING / #16JIC-Mx#16ORB-M STL To C-5132 | 2 | 2 | |
| 44 | 501708 | MALE ELBOW 90° LONG / JIC 37° FITTING / #16JIC-Mx#16ORB-Mx3.72 STL From C-5133 To D-5452 | 2 | 2 | |
| 44 | 5001917 | MALE ELBOW 90° / JIC 37° FITTING / #16JIC-Mx#16ORB-M STL VITON From D-5453 | 2 | 2 | |
| 52 | 5011065 | MALE ELBOW 90° / JIC 37° FITTING / #20JIC-Mx#20ORB-M STL VITON | 4 | 4 | |
| 53 | 501575 | MALE CONNECTOR / JIC 37° FITTING / #20JIC-Mx#20ORB-M STL VITON To C-5132 | 2 | 2 | |
| 53 | 501709 | MALE ELBOW 90° LONG / JIC 37° FITTING / #20JIC-Mx#20ORB-Mx4.41 STL From C-5133 To D-5452 | 2 | 2 | |
| 53 | 5001918 | MALE ELBOW 90° LONG / JIC 37° FITTING / #20JIC-Mx#20ORB-Mx4.41 STL VIT From D-5453 | 2 | 2 | |
| 56 | 071595 | HOSE ASSY / #20 493MM | 1 | 1 | |
| 57 | 071432 | SUPPORT ACCUMULATOR | 1 | 1 | |
| 58 | 572030 | ACCUMULATOR & SOLENOID / GEN IV | 1 | 1 | |
| 60 | 952637 | CLAMP / 1"1/16 I.D. | AR | AR | |
| 60 | 952641 | CLAMP / 1 5/16" I.D. | AR | AR | |
| 62 | 500574 | SCREW MA TR PH #10-24x1 1/4 SS | AR | AR | |
| 63 | 500964 | WASHER FL .203x.500x.047 Z050 | AR | AR | |
| 64 | 500470 | WASHER LO SPT .193x.334x.047 Z050 | AR | AR | |
| 65 | 500786 | NUT HEX #10-24 Z050 | AR | AR | |



| | | |
|--|---------------------|------------------------|
| From B-5003 To D-5489 | Date:10/2022 | PAGE:XV-0750-00 |
| AUTOMATIC TRANSMISSION - "WORLD" WITH VOLVO D13 | | |

| Item# | Part | Description | X 3 V I P | X L I I E N T 4 5 | N O T E S |
|-------|-------------------|--|-----------------------|---|-----------------------|
| 66 | 500440 | WASHER FL .250x.562x.065 Z050 | 1 | 1 | |
| 67 | 504601 | CLAMP / 5/16" I.D. x .375 HOLE | 1 | 1 | |
| 68 | 502862 | SCREW CAP HEX M8-1.25x20 G8.8 N500 | 1 | 1 | |
| 69 | 500942 | WASHER LO SPT 8.1x14.8x2.0 N500 | 1 | 1 | |
| 70 | XV-0625-00 | FRONT JUNCTION PANEL To D-5297 | | | |
| 71 | 562357 | RESISTANCE MODULE | 1 | 1 | |
| 72 | 562381 | RESISTANCE MODULE | 1 | 1 | |
| 73 | 565867 | CPC MODULE DETROIT | 1 | 1 | |
| 74 | 070902 | PRESSURES SWITCH ASSY W/MANIFOLD | 1 | 1 | |
| 75 | 070903 | . MANIFOLD | 1 | 1 | |
| 76 | 640999 | . MALE ELBOW 90° / NTA FITTING / #6x1/4NPT-M BR | 1 | 1 | |
| 77 | 501800 | . PLUG HEXS / PIPE FITTING / 1/4NPT-M STL | 1 | 1 | |
| 78 | 562358 | . PRESSURE SWITCH N.O. 2PSI / 1/8NPT | 1 | 1 | |
| 79 | 562384 | . PRESSURE SWITCH N.O. 4PSI / 1/8NPT | 1 | 1 | |
| 80 | 562385 | . PRESSURE SWITCH N.O. 7PSI / 1/8NPT | 1 | 1 | |
| 81 | 946472 | SCREW CAP HEXF M10-1.5x30 G8.8 ZG603 | 4 | 4 | |
| 82 | 971098 | NUT HEXF STO M10-1.5 G8 ZP | 4 | 4 | |
| 89 | 20953751 | SCREW CAP HEXF 7/16-14x2 1/4 G8 MAGNI 565 | 12 | 12 | |
| NS | 8397499 | WASHER FL HARD .468x.937x.187 ZP | 12 | 12 | |
| 90 | 071500 | HOSE ASSY / #4 610MM | 1 | 1 | |
| . A | 071167 | . FEMALE CONNECTOR / HOSE BARB @ METRIC / #4x M10-1.5-F BR | 1 | 1 | |
| . B | 5011303 | . FEMALE ELBOW 90° SWIVEL / PUSH-LOK FITTING / #4FL-Fx#4 BR | 1 | 1 | |
| . C | 503706 | . HOSE FC-332-4 #4 | AR | AR | |
| 91 | 060840 | SUPPORT HARNESS | 1 | 1 | |
| 93 | 571763 | BREATHER | 1 | 1 | |
| 94 | 952627 | CLAMP / 1/2" I.D. | 1 | 1 | |
| 95 | 071403 | SUPPORT CABLE HARNESS / W/1 HOLE & 1 STUD / GEN IV | 1 | 1 | |
| 96 | 071035 | SUPPORT CABLE HARNESS / W/2 HOLES / WTEC III | 1 | 1 | |
| 97 | 071497 | MALE CONNECTOR / SAE 45° @ METRIC / #4FL-Mx M10-1.5 M BR | 1 | 1 | |
| 99 | Call order desk | SUPPORT OIL COOLER W/O RETARDER | 1 | 1 | P |
| 102 | 641376 | MALE ELBOW 90° NON-SWIVEL / PUSH-IN FITTING / #8x3/8NPT-M BR | 2 | 2 | |
| 103 | 503488 | TUBE, NYLON 1/2 O.D. / BLACK S.L./ | AR | AR | |
| 104 | 071484 | SUPPORT SOLENOID | 1 | 1 | |
| 105 | 5001178 | SCREW CAP HEX M8-1.25x60 SS BK | 2 | 2 | |
| 106 | 502837 | NUT HEXF STO M8-1.25 N500 | 2 | 2 | |
| 107 | 571708 | VALVE SOLENOID 12V | 1 | 1 | |
| 108 | 071089 | HOSE ASSY TEFLON #6 355MM | 1 | 1 | |
| 110 | 500213 | SCREW CAP HEX 1/2-13x1 G5 Z050 | 4 | 4 | |
| 111 | 500482 | WASHER LO SPT .506x.873x.125 Z050 | 4 | 4 | |
| 112 | 560384 | PLASTIC TUBING / 3/8" / CLEAR | AR | AR | |
| 113 | 5011112 | FEMALE ELBOW 90° / JIC 37° FITTING / #6JIC-Mx3/8NPT-F STL | 1 | 1 | |
| 125 | XV-0405-10 | 7TH INJECTOR / EXHAUST VOLVO D13 To B-5088 | | | |



| | | |
|-----------------------|--------------|-----------------|
| From B-5003 To D-5489 | Date:10/2022 | PAGE:XV-0750-00 |
|-----------------------|--------------|-----------------|

AUTOMATIC TRANSMISSION - "WORLD" WITH VOLVO D13

| Item# | Part | Description | X 3 V I P | X L I I E N T 4 5 | N O T E S |
|-------|------------|--|-----------------------|---|-----------------------|
| 125 | XV-0405-11 | 7TH INJECTOR / "AHI" / EXHAUST VOLVO D13 From B-5089 | | | |
| 128 | 502804 | SCREW CAP HEX M10-1.5x25 G8.8 N500 To D-5297 | 4 | 4 | |
| 128 | 5001741 | SCREW CAP HEXF M10-1.5x30 G8.8 N500 From D-5298 | 4 | 4 | |
| 129 | 502616 | WASHER LO SPT 10.2x18.1x2.2 SS To B-5001 | 4 | 4 | |
| 130 | 960143 | WASHER FL 10.5x26.0x2.0 ZP To B-5001 | 4 | 4 | |
| 130 | 5001834 | WASHER BEL SPR 10.5X23X2.5 N500 From B-5002 To D-5297 | 4 | 4 | |
| 131 | 5001456 | NUT HEXF M12-1.75 SS | 2 | 2 | |
| 132 | 502705 | SCREW CAP HEX M12-1.75X25 G8.8 N500 | 2 | 2 | |
| 133 | 012373 | PLATE 100MMx45MM W/2 HOLES | 1 | 1 | |
| 134 | 071532 | PIPE OIL COOLER 2" O.D. | 1 | 1 | |
| 135 | 071494 | HOSE SILICONE 4PLY 2" I.D. 60MM | 1 | 1 | |
| 135 | 572049 | HOSE SILICONE 4PLY 2" I.D. x 12' To D-5381 | AR | AR | |
| 135 | 503784 | HOSE SILICONE 4 PLY / NOMEX-ARAMID 2" I.D. x 12' From D-5382 | AR | AR | |
| 136 | 572043 | COOLER, OIL, DOUBLE CIRCUIT | 1 | 1 | |
| 137 | 071530 | PIPE OIL COOLER 2" O.D. | 1 | 1 | |
| NS | 501449 | PLUG HEXS / PIPE FITTING / 3/8NPT-M STL To D-5371 | 1 | 1 | |
| 137 | 501305 | PLUG SQUARE HEAD / PIPE FITTING / 3/8NPT-M BR From D-5372 | 1 | 1 | |
| 138 | 5011035 | MALE ELBOW 90° / JIC 37° FITTING / #16JIC-Mx#16ORB-M STL | 1 | 1 | |
| 139 | 071588 | SUPPORT OIL COOLER W/RETARDER To D-5297 | 1 | 1 | |
| 139 | 071673 | SUPPORT OIL COOLER W/RETARDER From D-5298 | 1 | 1 | |
| 140 | 071428 | SUPPORT OIL COOLER W/RETARDER To D-5297 | 1 | 1 | |
| 141 | 071591 | PIPE OIL COOLER 2" O.D. | 1 | 1 | |
| 142 | 071533 | ELBOW 90° X 2" I.D. / 114.3MM x 101.2MM C/C / SILICONE | 1 | 1 | |
| 143 | 071493 | HOSE SILICONE 4PLY 2" I.D. 110MM | 1 | 1 | |
| 143 | 572049 | HOSE SILICONE 4PLY 2" I.D. x 12' To D-5381 | AR | AR | |
| 143 | 503784 | HOSE SILICONE 4 PLY / NOMEX-ARAMID 2" I.D. x 12' From D-5382 | AR | AR | |
| 144 | 071601 | HOSE ASSY / #16 474.8MM To C-5132 | 1 | 1 | |
| 144 | 071649P | HOSE ASSY / #16 466MM From C-5133 | 1 | 1 | |
| 145 | 071600 | HOSE ASSY / #16 781.5MM To C-5132 | 1 | 1 | |
| 145 | 071648P | HOSE ASSY / #16 766MM From C-5133 | 1 | 1 | |
| 146 | 071598 | HOSE ASSY / #20 1102.1MM To C-5132 | 1 | 1 | |
| 146 | 071650P | HOSE ASSY / #20 1083MM From C-5133 | 1 | 1 | |
| 147 | 071599 | HOSE ASSY / #20 673MM To C-5132 | 1 | 1 | |
| 147 | 071651P | HOSE ASSY / #20 649MM From C-5133 | 1 | 1 | |
| NS | 071510 | PROTECTOR RUBBER CABLE HARNESS & HOSES | 1 | 1 | |
| 148 | 071589 | PROTECTOR OIL COOLER \ | 1 | 1 | |
| 149 | 502848 | SCREW TC CAP HEXF 1/4-20x3/4 N500 | 3 | 3 | |
| 150 | 500411 | WASHER FL .260x.697x.050 SS | 3 | 3 | |
| 151 | 501449 | PLUG HEXS / PIPE FITTING / 3/8NPT-M STL To D-5371 | 1 | 1 | |
| 151 | 501305 | PLUG SQUARE HEAD / PIPE FITTING / 3/8NPT-M BR From D-5372 | 1 | 1 | |
| 152 | 1675641 | NIPPLE / QUICK DISCONNECT "VOLVO" / 1/2NPT-M | 1 | 1 | |
| . NS | V476279 | . DUST CAP / QUICK DISCONNECT "VOLVO" / | 1 | 1 | |



| | | |
|--|--------------|-----------------|
| From B-5003 To D-5489 | Date:10/2022 | PAGE:XV-0750-00 |
| AUTOMATIC TRANSMISSION - "WORLD" WITH VOLVO D13 | | |

| Item# | Part | Description | X 3 V I P | X L I I E N T 4 5 | N O T E S |
|-------|--------|---|-----------------------|---|-----------------------|
| . NS | 507666 | . DUST CAP / QUICK DISCONNECT "VOLVO" / | 1 | 1 | |
| 161 | 071097 | PROTECTOR SUPPORT SS 102MM X 90MM | 1 | 1 | |
| 162 | 079022 | PROTECTOR SUPPORT SS "V" SHAPE 74MM HIGH | 1 | 1 | |
| 163 | 071581 | SUPPORT CABLE HARNESS | 1 | 1 | |
| 163 | 066209 | CABLE HARNESS / SENSOR WTEC W/OUT RETARDER / MUX | 1 | 1 | |
| 163 | 066797 | CABLE HARNESS / SENSOR WTEC W/RETARDER / MUX | 1 | 1 | |
| NS | 065398 | SUPPORT RETARDER TEMPERATURE SENSOR | 1 | 1 | |
| NS | 500344 | SCREW MA RND PH M4-0.7x12 Z050 | 1 | 1 | |
| NS | 502636 | WASHER LO SPT 4.1x7.6x0.9 Z050 | 1 | 1 | |
| NS | 502524 | NUT HEX M4-0.7 Z050 | 1 | 1 | |
| | | | | | |
| 200 | 572050 | TRANSMISSION FILTER / MAINTENANCE KIT | 1 | 1 | |
| . NS | 571692 | . O-RING / (LARGE SQUARE CUT) | 2 | 2 | |
| . NS | 571693 | . O-RING / (SMALL) | 2 | 2 | |
| . NS | 571694 | . O-RING / DRAIN PLUG | 2 | 2 | |
| . NS | 571695 | . DRAIN PLUG ASSY W/O-RING | 1 | 1 | |
| 201 | N.S.S. | . FILTER | 1 | 1 | 1 |
| 202 | 571692 | . O-RING / (LARGE SQUARE CUT) | 2 | 2 | |
| 203 | 571693 | . O-RING / (SMALL) | 2 | 2 | |
| 204 | 571694 | . O-RING / DRAIN PLUG | 2 | 2 | |
| 205 | 571695 | . DRAIN PLUG ASSY W/O-RING | 1 | 1 | |
| 205 | 684016 | OIL TRANSYND TRANSMISSION "WORLD" | AR | AR | |
| 206 | N.S.P. | COVER FILTER / (29507434) | 2 | 2 | 2 |
| 207 | N.S.P. | BOLT M10-1.5 x 55M / (2954186) | AR | AR | 2 |
| 208 | N.S.P. | YOKE (1810) HALF ROUND (29511516/6.5-4-4521-1) | 1 | 1 | 2 |
| 208 | N.S.P. | STRAP LOCK PLATE | 1 | 1 | 2 |
| 208 | N.S.P. | BOLT M10-1.5 X 30MM GR 10.9 | 2 | 2 | 2 |
| 208 | N.S.P. | SEAL OUTPUT / (29515621) | 1 | 1 | 2 |
| | | | | | |
| | | | | | |
| | | | | | |
| | | | | | |
| | | 1) NOT SOLD SEPARATELY | | | |
| | | 2) NOT SOLD BY PREVOST (SEE MANUFACTURING PART NUMBER AT END OF DESCRIPTION LINE) | | | |
| | | P) CALL ORDER DESK FOR SPECIFIC APPLICATION (V.I.N.) | | | |

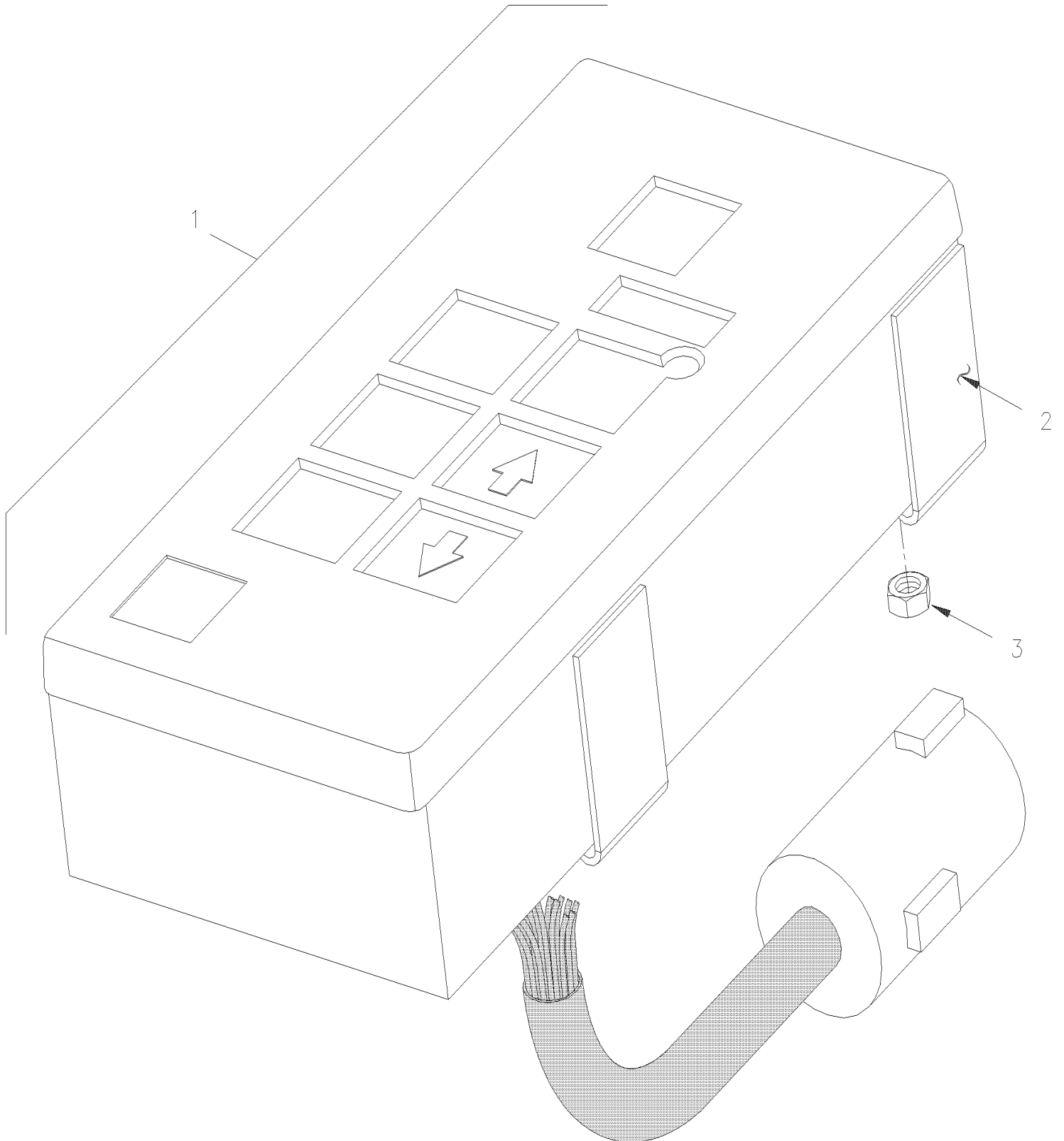


From B-5003 To D-5489

Date:10/2022

PAGE:XV-0755-15

SHIFTER ELECTRONIC - "WORLD" TRANSMISSION





| | | |
|-----------------------|--------------|-----------------|
| From B-5003 To D-5489 | Date:10/2022 | PAGE:XV-0755-15 |
|-----------------------|--------------|-----------------|

SHIFTER ELECTRONIC - "WORLD" TRANSMISSION

| Item# | Part | Description | X 3 V I P | X L I I E N T 4 5 | N O T E S |
|-------|--------|---|-----------------------|---|-----------------------|
| 1 | 572124 | SHIFTER, SELECTOR "WORLD" / GEN IV From 9-9590 To E-5624 | 1 | 1 | |
| 1 | 572155 | SHIFTER, SELECTOR "WORLD" / GEN V From E-5625 | 1 | 1 | |
| 2 | N.S.P. | . BRACKET | 2 | 2 | 2 |
| 3 | 500423 | . NUT HEX NYRT #10-32 SS | 4 | 4 | |
| | | | | | |
| | | | | | |
| | | | | | |
| | | 2) NOT SOLD BY PREVOST (SEE MANUFACTURING PART NUMBER AT END OF DESCRIPTION LINE) | | | |

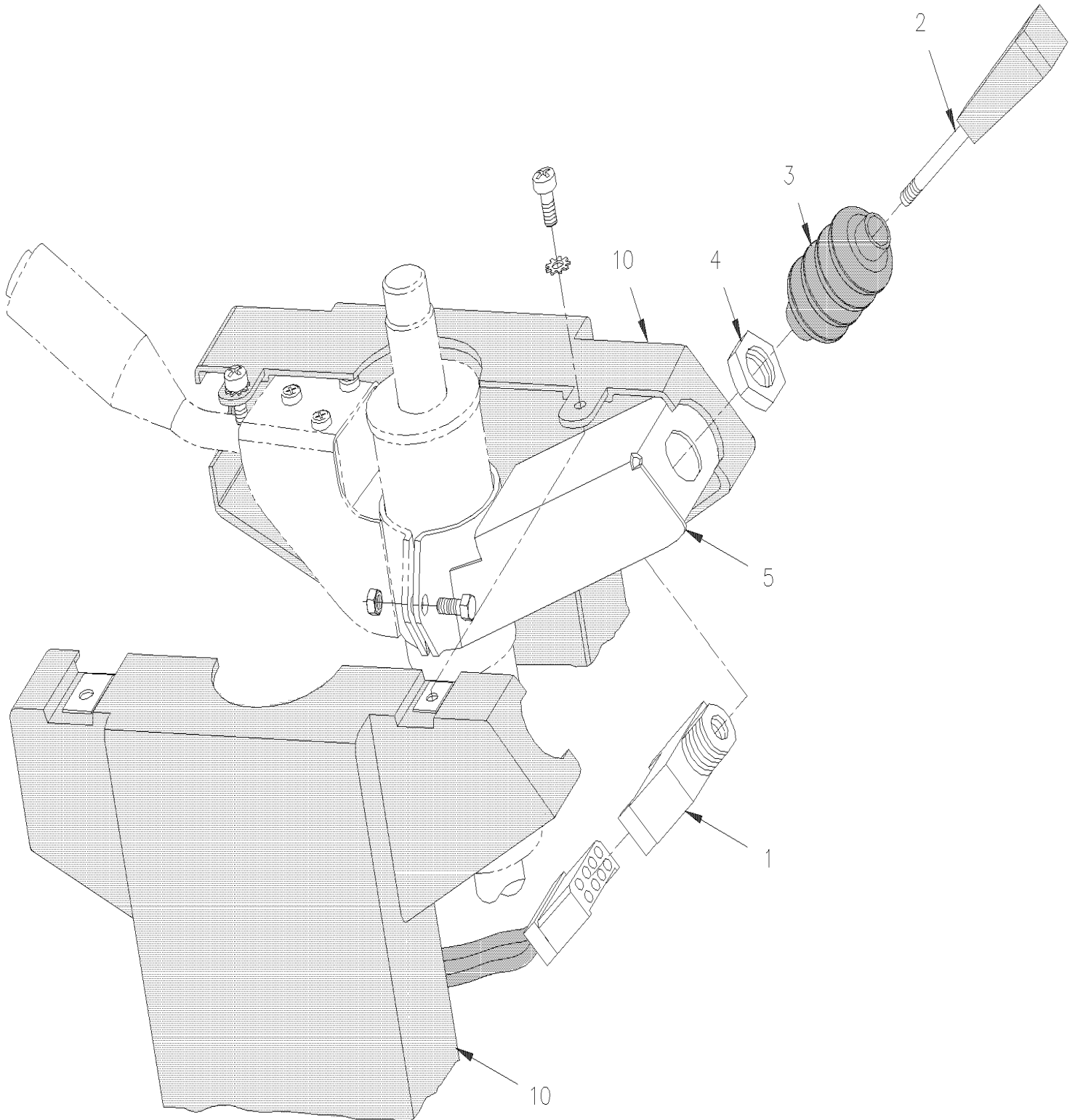


From B-5003 To D-5489

Date:10/2022

PAGE:XV-0760-00

RETARDER SELECTOR SWITCH - "WORLD"





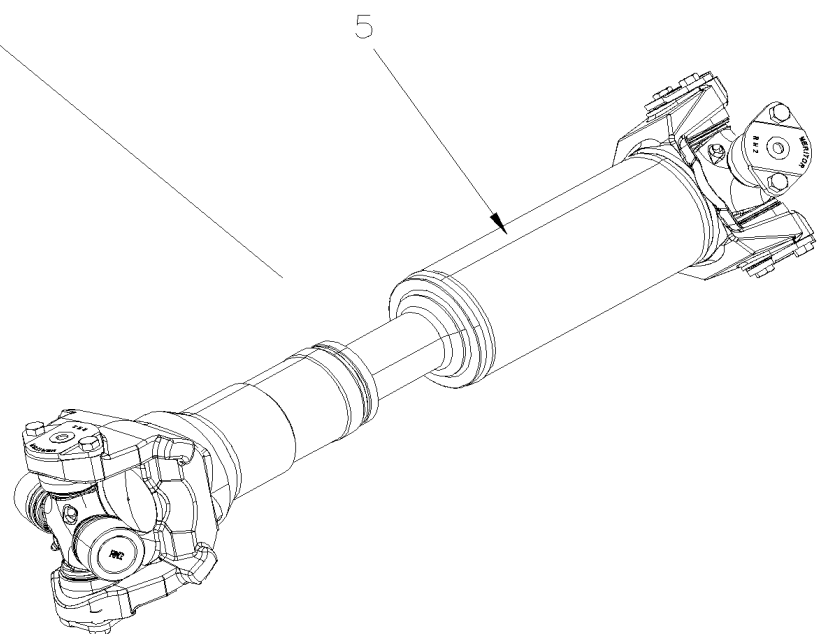
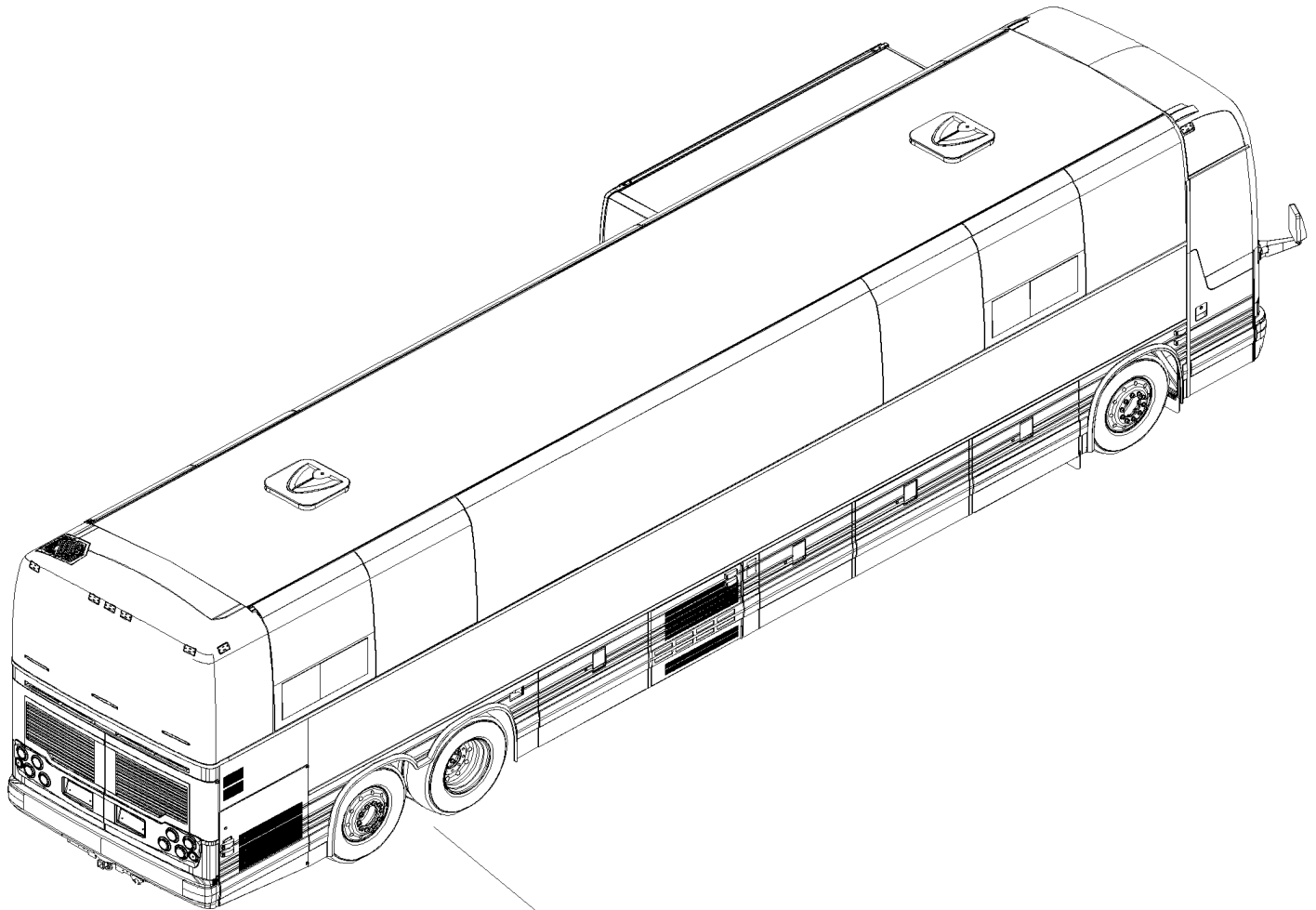
| | | |
|-----------------------|--------------|-----------------|
| From B-5003 To D-5489 | Date:10/2022 | PAGE:XV-0760-00 |
|-----------------------|--------------|-----------------|

RETARDER SELECTOR SWITCH - "WORLD"

| Item# | Part | Description | X 3 V I P | X L I I E N T 4 5 | N O T E S |
|-------|-------------------|---|-----------------------|---|-----------------------|
| 1 | 562356 | SWITCH ASSY / W/LEVER & BOOT / 6 POSITIONS | 1 | 1 | |
| 2 | N.S.S. | . LEVER | 1 | 1 | 1 |
| 3 | N.S.S. | . BOOT | 1 | 1 | 1 |
| 4 | N.S.S. | . NUT JAM | 1 | 1 | 1 |
| 5 | N.P.N. | SUPPORT CONTROL SWITCH | 1 | 1 | 4 |
| 10 | XV-1407-00 | STEERING COLUMN & COVER - INSTALLATION | | | |
| | | | | | |
| | | | | | |
| | | | | | |
| | | 1) NOT SOLD SEPARATELY | | | |
| | | 4) NO PARTS NUMBER | | | |



| | | |
|-----------------|--------------|-------|
| | Date:10/2022 | XV-09 |
| PROPELLER SHAFT | | |





| | | Date:10/2022 | XV-09 | | |
|-----------------|------------|---|-----------------------|---|-----------------------|
| PROPELLER SHAFT | | | | | |
| Item# | Part | Description | X 3 V I P | X L I I E N T 4 5 | N O T E S |
| 5 | XV-0905-00 | PROPELLER SHAFT WITH "EPA 2010" From B-5003 To D-5489 | | | |

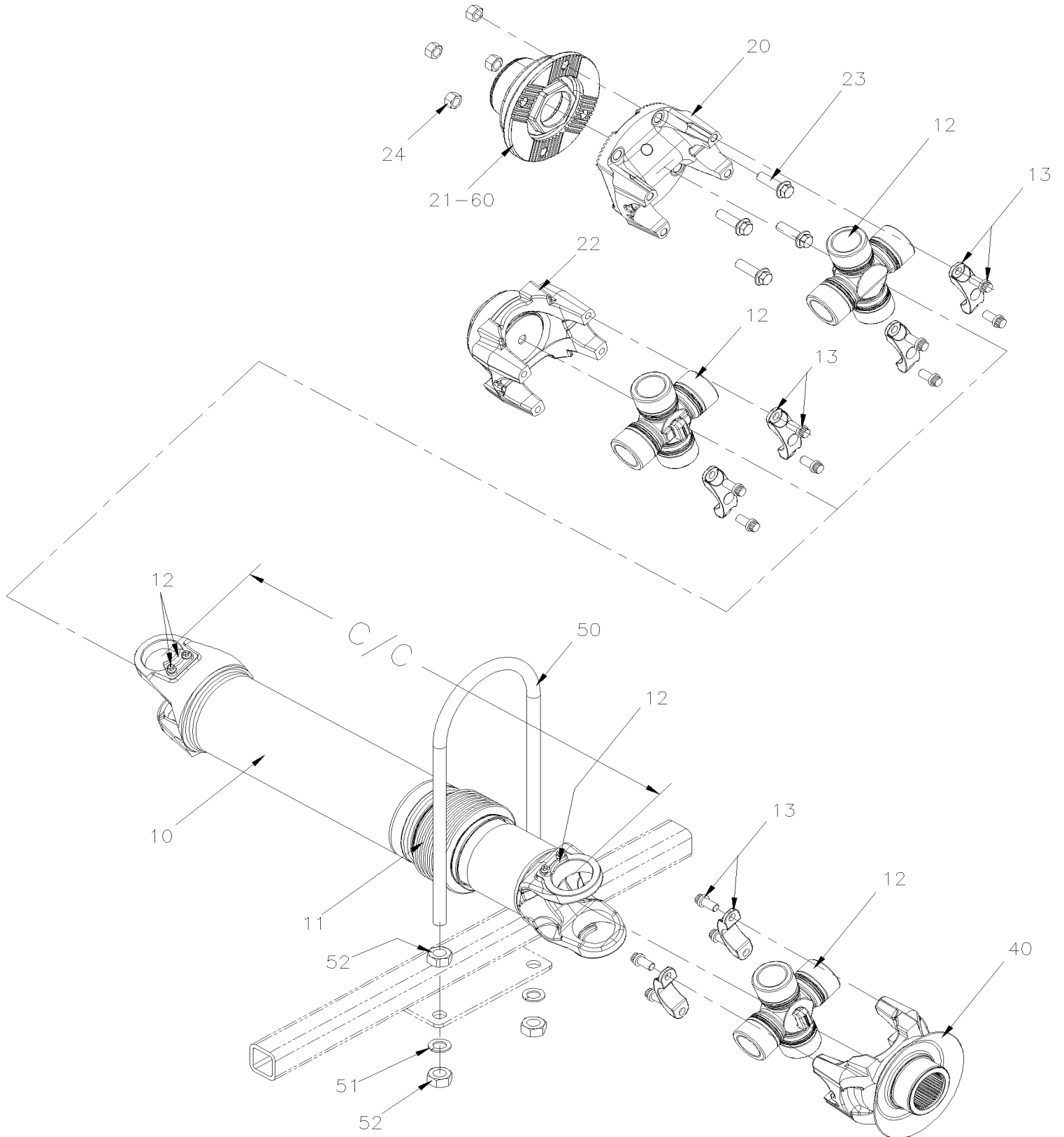


From B-5003 To D-5489

Date:10/2022

PAGE:XV-0905-00

PROPELLER SHAFT WITH "EPA 2010"



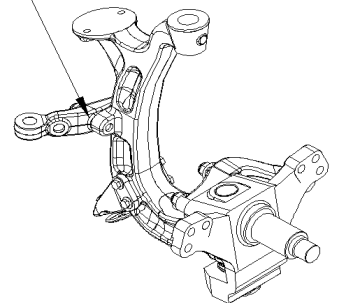
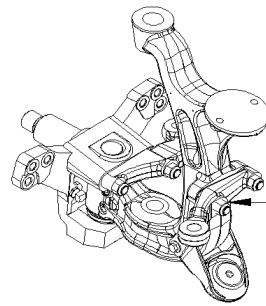
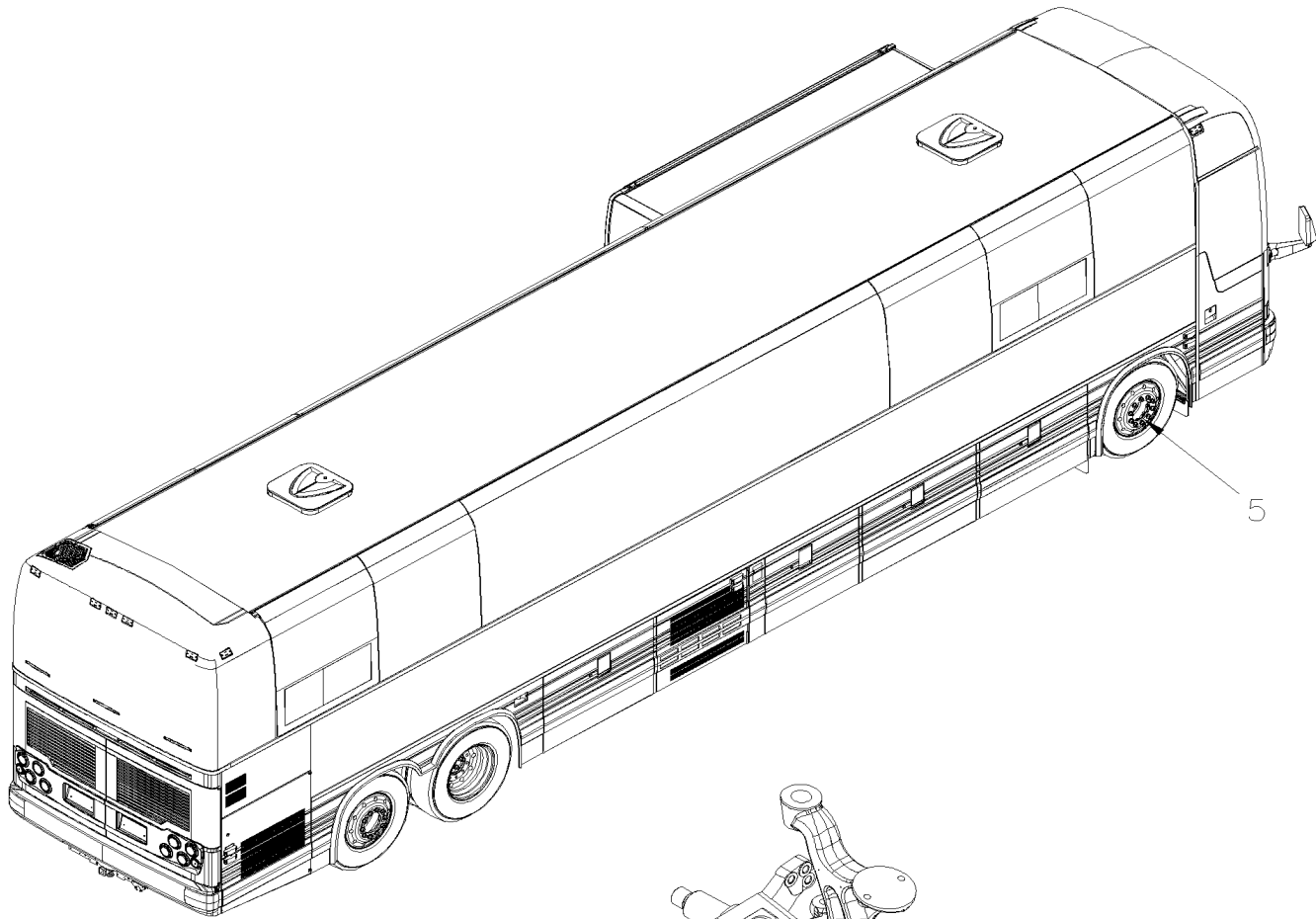


| | | |
|--|---------------------|------------------------|
| From B-5003 To D-5489 | Date:10/2022 | PAGE:XV-0905-00 |
| PROPELLER SHAFT WITH "EPA 2010" | | |

| Item# | Part | Description | X 3 V I P | X L I I E N T 4 5 | N O T E S |
|-------|------------|--|-----------------------|---|-----------------------|
| | | PROPELLER SHAFT SERIES SLP250 | | | |
| 10 | 580090 | DRIVE SHAFT ASSY 451MM C/C WORLD TRANS | 1 | 1 | |
| 11 | 3947801 | . KIT BOOT & CLIPS SPL250X | 1 | 1 | |
| 12 | 19511258 | . KIT, CROSS & BEARING SPL250-3X | 2 | 2 | |
| . NS | 3095735 | . . GREASE FITTING | 1 | 1 | |
| 13 | 3947800 | . KIT STRAP & BOLT SPL250-70-18X | 2 | 2 | |
| | | NEXT FOLLOWING YOKE ARE PART OF TRANSMISSION | | | |
| 20 | 580089 | FLANGE YOKE "I"-SHIFT SPL250 | 1 | 1 | |
| 20 | 20828302 | FLANGE YOKE "I"-SHIFT OR "ZF DRIVE AXLE" SPL250 | 1 | 1 | |
| 21 | 20773853 | COMPANION FLANGE "I" -SHIFT TRANS | 1 | 1 | |
| 22 | N.P.N. | YOKE SERIES 250 HALF ROUND / W/"WORLD" TRANS | 1 | 1 | 4 |
| 23 | 5001715 | SCREW CAP HEXF M14-2.0x47 G10.9 MAGNI 565 | 4 | 4 | |
| 24 | 5001716 | NUT HEX M14-2.0 MAG565 G10.9 | 4 | 4 | |
| | | NEXT FOLLOWING YOKE ARE PART OF DIFERENTIAL | | | |
| 40 | 621833 | YOKE SERIES 250 HALF ROUND | 1 | 1 | |
| . NS | 621501 | . DEFLECTOR, OIL | 1 | 1 | |
| . NS | 621492 | . SPEEDY SLEEVE 3.250" I.D. / TO REPAIR OIL LEAK ON YOKE | 1 | 1 | |
| 50 | 121909 | PROTECTOR GUARD PROPELLER SHAFT 433.5MM x 169MM | 1 | 1 | |
| 51 | 500488 | WASHER LO SPT .760x1.271x.188 Z050 | 2 | 2 | |
| 52 | 500733 | NUT HEX 3/4-16 Z050 | 4 | 4 | |
| 60 | SEE IMPACT | SEE IMPACT OR CALL ORDER DESK | | | |
| | | 4) NO PARTS NUMBER | | | |



| | | |
|------------|--------------|-------|
| | Date:10/2022 | XV-10 |
| FRONT AXLE | | |





| | | Date:10/2022 | XV-10 | | |
|------------|------------|--|-----------------------|---|-----------------------|
| FRONT AXLE | | | | | |
| Item# | Part | Description | X 3 V I P | X L I I E N T 4 5 | N O T E S |
| 5 | XV-1005-50 | FRONT AXLE - INDEPENDENT MODEL "NDIFS80P" / 18000LBS From B-5003 To D-5489 | | | |
| 5 | XV-1005-60 | FRONT AXLE - INDEPENDENT MODEL "NDIFS80P" / 18000LBS From B-5003 To C-5235 | | | |
| 5 | XV-1005-61 | FRONT AXLE - INDEPENDENT MODEL "NDIFS80P" / 19000LBS From C-5236 To D-5489 | | | |

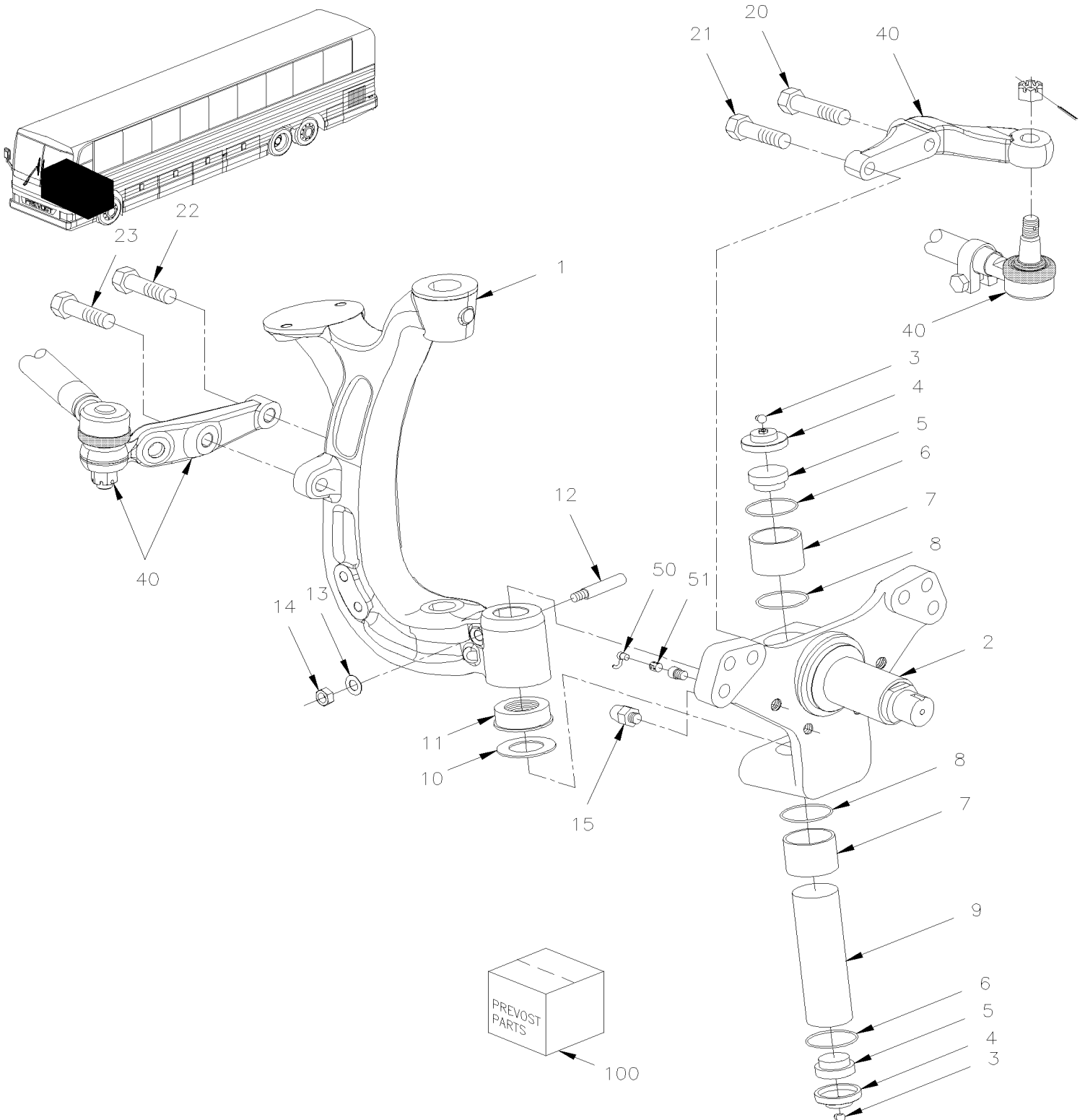


From B-5003 To D-5489

Date:10/2022

PAGE:XV-1005-50

FRONT AXLE - INDEPENDENT MODEL "NDIFS80P" / 18000LBS





| | | |
|-----------------------|--------------|-----------------|
| From B-5003 To D-5489 | Date:10/2022 | PAGE:XV-1005-50 |
|-----------------------|--------------|-----------------|

FRONT AXLE - INDEPENDENT MODEL "NDIFS80P" / 18000LBS

| Item# | Part | Description | X 3 V I P | X L I I E N T 4 5 | N O T E S |
|-------|-------------------|---|-----------------------|---|-----------------------|
| | 611352 | AXLE ASSY L.H. & R.H. / NDIFS80P / W/58 Deg | | 1 | |
| 1 | 612370 | . AXLE L.H. / W/DOUBLE LOCK ON KING PIN | | 1 | |
| 1 | 612369 | . AXLE R.H. / W/DOUBLE LOCK ON KING PIN | | 1 | |
| 2 | 611280 | . KNUCKLE L.H. & R.H. | | 2 | |
| 3 | 501490 | . GREASE FITTING / 1/8 NPT | | 2 | |
| 4 | 611283 | . CAP UPPER & LOWER | | 2 | |
| 5 | 611939 | . FOAM INSERT | | 2 | |
| 6 | 611284 | . SNAP RING, EXT 2400-55 | | 2 | |
| 7 | 611937 | . BUSHING (STD) | | 2 | |
| 8 | 611936 | . OIL SEAL | | 2 | |
| 13 | 500446 | . WASHER FL .531x1.250x.125 Z050 | | 1 | |
| 14 | 500716 | . NUT HEX 1/2-20 Z050 | | 1 | |
| 15 | 611287 | . LOCKSTOP SCREW FRONT | | 1 | |
| NS | 611288 | . LOCKSTOP SCREW BACK | | 1 | |
| 20 | 611308 | . SCREW CAP HEX M20-2.5x100 G12.9 | | 1 | |
| 21 | 611306 | . SCREW CAP HEX M20-2.5x65 G12.9 | | 1 | |
| 22 | 611305 | . SCREW CAP HEX M20-2.5x60 G12.9 | | 1 | |
| 23 | 611307 | . SCREW CAP HEX M20-2.5x80 G12.9 | | 1 | |
| 40 | XV-1410-50 | STEERING RODS - INSTALLATION W/INDEPENDENT "NDIFS80P" / 18000LBS | | | |
| 50 | 642085 | SENSOR ABS - OEM | | 2 | |
| 50 | 642184 | SENSOR ABS - AFTER MARKET | | 2 | |
| 51 | 641096 | CLIP, SPRING / TO FIX SENSOR | | 2 | |
| 100 | 611131 | KIT REPAIR / STEERING KNUCKLE BUSHING (UNDER SIZED) / (REQUIRE 2 KITS) | | 1 | T |
| . NS | SB07_03 | . NSDIFS80P - KINGPIN KITS | | 1 | T |
| 100 | 611132 | KIT REPAIR / STEERING KNUCKLE BUSHING (STD) / (REQUIRE 2 KITS) | | 1 | |
| . NS | SB07_03 | . NSDIFS80P - KINGPIN KITS | | 1 | |
| | | | | | |
| | | | | | |
| | | T) WITH THIS KITS YOU REQUIRE REAMER TOOL TO REPAIR | | | |

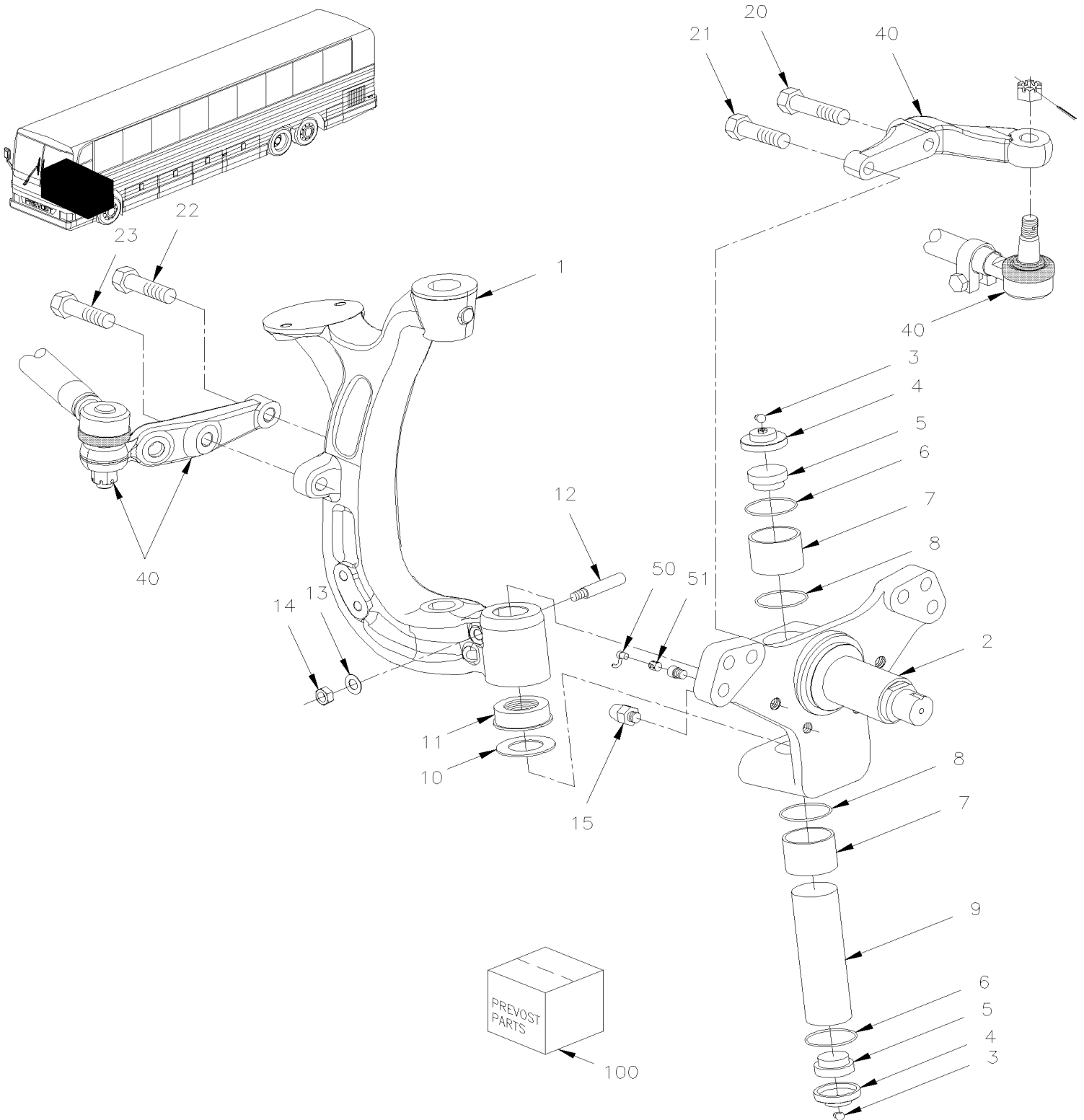


From B-5003 To C-5235

Date:10/2022

PAGE:XV-1005-60

FRONT AXLE - INDEPENDENT MODEL "NDIFS80P" / 18000LBS





From B-5003 To C-5235 Date:10/2022 PAGE:XV-1005-60

FRONT AXLE - INDEPENDENT MODEL "NDIFS80P" / 18000LBS

| Item# | Part | Description | X 3 V I P | X L I I E N T 4 5 | N O T E S |
|-------|-------------------|---|-----------------------|---|-----------------------|
| | 611352 | AXLE ASSY L.H. & R.H. / NDIFS80P / W/58 Deg | 1 | | |
| 1 | 612370 | . AXLE L.H. / W/DOUBLE LOCK ON KING PIN | 1 | | |
| 1 | 612369 | . AXLE R.H. / W/DOUBLE LOCK ON KING PIN | 1 | | |
| 2 | 611280 | . KNUCKLE L.H. & R.H. | 2 | | |
| 3 | 501490 | . GREASE FITTING / 1/8 NPT | 2 | | |
| 4 | 611283 | . CAP UPPER & LOWER | 2 | | |
| 5 | 611939 | . FOAM INSERT | 2 | | |
| 6 | 611284 | . SNAP RING, EXT 2400-55 | 2 | | |
| 7 | 611937 | . BUSHING (STD) | 2 | | |
| 8 | 611936 | . OIL SEAL | 2 | | |
| 13 | 500446 | . WASHER FL .531x1.250x.125 Z050 | 1 | | |
| 14 | 500716 | . NUT HEX 1/2-20 Z050 | 1 | | |
| 15 | 611287 | . LOCKSTOP SCREW FRONT | 1 | | |
| NS | 611288 | . LOCKSTOP SCREW BACK | 1 | | |
| 20 | 611308 | . SCREW CAP HEX M20-2.5x100 G12.9 | 1 | | |
| 21 | 611306 | . SCREW CAP HEX M20-2.5x65 G12.9 | 1 | | |
| 22 | 611305 | . SCREW CAP HEX M20-2.5x60 G12.9 | 1 | | |
| 23 | 611307 | . SCREW CAP HEX M20-2.5x80 G12.9 | 1 | | |
| 40 | XV-1410-50 | STEERING RODS - INSTALLATION W/INDEPENDENT "NDIFS80P" / 18000LBS | | | |
| 50 | 642085 | SENSOR ABS - OEM | 2 | | |
| 50 | 642184 | SENSOR ABS - AFTER MARKET | 2 | | |
| 51 | 641096 | CLIP, SPRING / TO FIX SENSOR | 2 | | |
| 100 | 611131 | KIT REPAIR / STEERING KNUCKLE BUSHING (UNDER SIZED) / (REQUIRE 2 KITS) | 1 | | T |
| . NS | SB07_03 | . NSDIFS80P - KINGPIN KITS | 1 | | T |
| 100 | 611132 | KIT REPAIR / STEERING KNUCKLE BUSHING (STD) / (REQUIRE 2 KITS) | 1 | | |
| . NS | SB07_03 | . NSDIFS80P - KINGPIN KITS | 1 | | |
| | | | | | |
| | | | | | |
| | | T) WITH THIS KITS YOU REQUIRE REAMER TOOL TO REPAIR | | | |

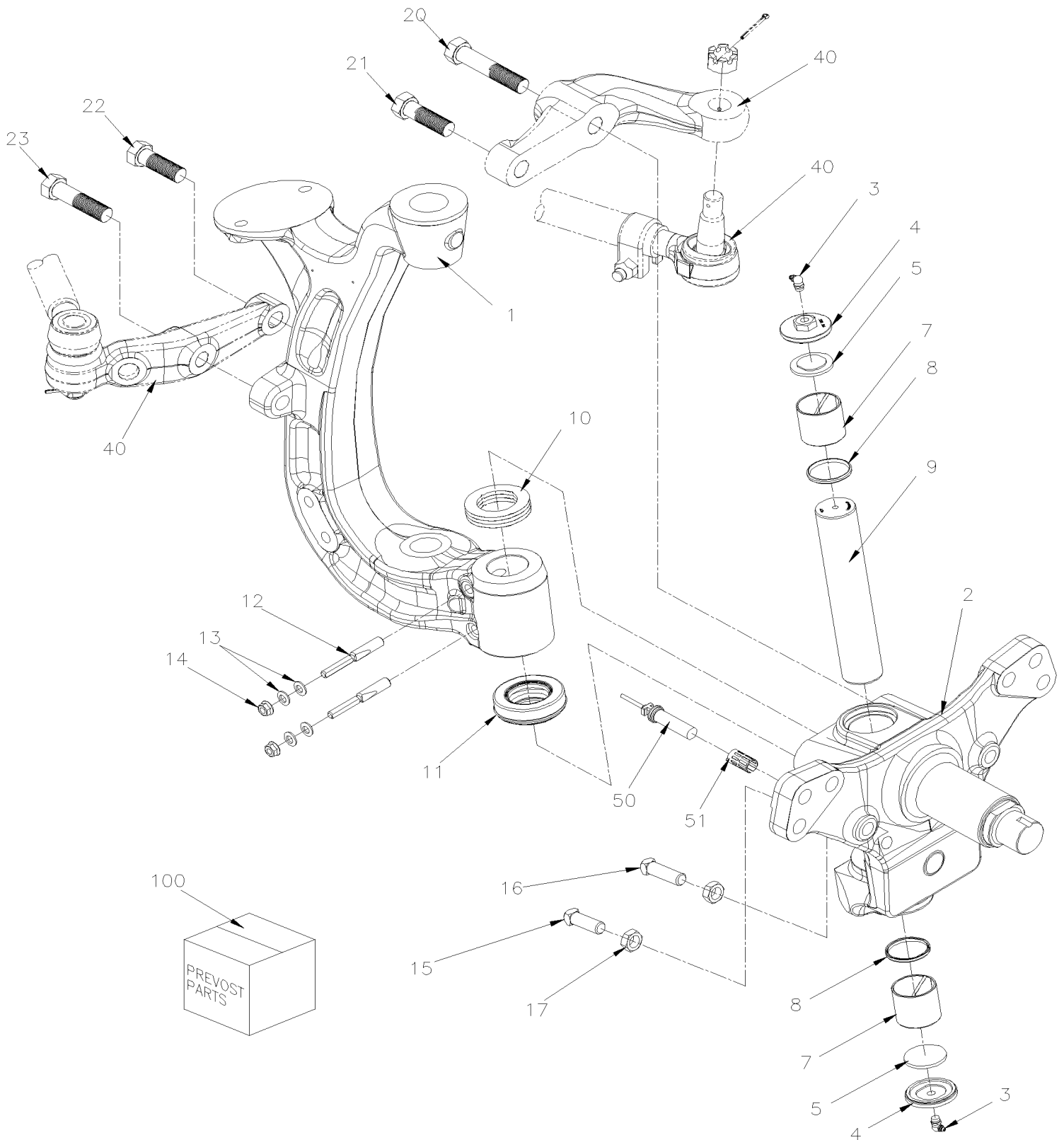


From C-5236 To D-5489

Date:10/2022

PAGE:XV-1005-61

FRONT AXLE - INDEPENDENT MODEL "NDIFS80P" / 19000LBS





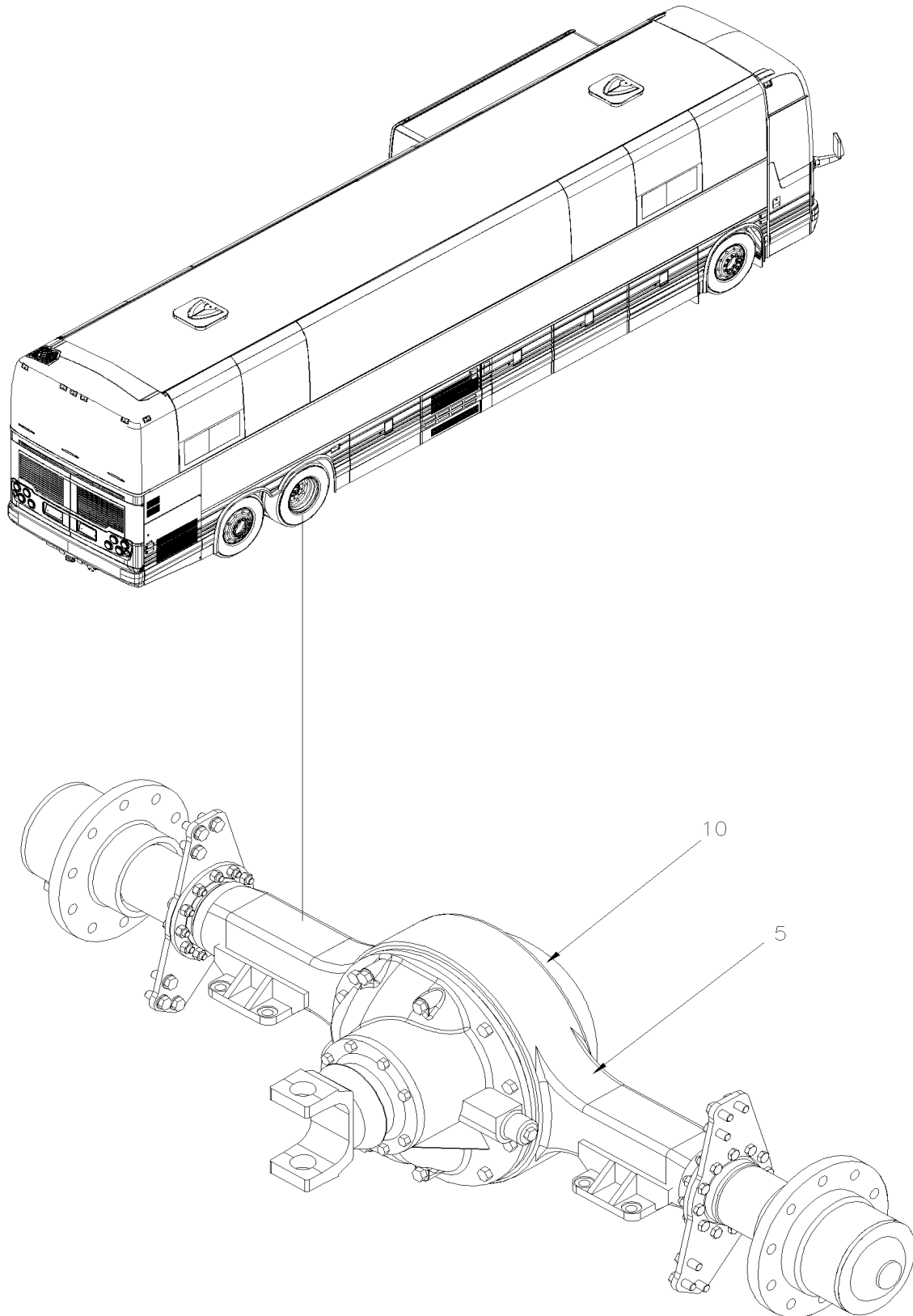
From C-5236 To D-5489 Date:10/2022 PAGE:XV-1005-61

FRONT AXLE - INDEPENDENT MODEL "NDIFS80P" / 19000LBS

| Item# | Part | Description | X 3 V I P | X L I I E N T 4 5 | N O T E S |
|-------|-------------------|---|-----------------------|---|-----------------------|
| | 612375 | AXLE ASSY L.H. & R.H. / NDIFS80P / 19K | 1 | | |
| 1 | 612377 | . AXLE L.H. / W/DOUBLE LOCK ON KING PIN / 19K | 1 | | |
| 1 | 612376 | . AXLE R.H. / W/DOUBLE LOCK ON KING PIN / 19K | 1 | | |
| 2 | 612361 | . KNUCKEL L.H. & R.H. | 2 | | |
| 3 | 501490 | . GREASE FITTING / 1/8 NPT | 2 | | |
| 4 | 611283 | . CAP UPPER & LOWER | 2 | | |
| 5 | 611939 | . FOAM INSERT | 2 | | |
| 7 | N.S.S. | . BUSHING (STD) | 2 | | 1 |
| 8 | 611936 | . OIL SEAL | 2 | | |
| 9 | N.S.S. | . KING PIN | 2 | | 1 |
| 10 | 611956 | . SHIM 0.013 | AR | | |
| 10 | 611957 | . SHIM 0.025 | AR | | |
| 11 | N.S.S. | . THRUST BEARING | 2 | | 1 |
| 12 | N.S.S. | . DRAW KEY | 4 | | 1 |
| 13 | N.S.S. | . WASHER - DRAW KEY | 8 | | 1 |
| 14 | N.S.S. | . NUT - DRAW KEY | 4 | | 1 |
| 15 | 611287 | . LOCKSTOP SCREW FRONT | 2 | | |
| 16 | 611288 | . LOCKSTOP SCREW BACK | 2 | | |
| 17 | N.S.S. | . NUT - LOCKSTOP | 4 | | 1 |
| 20 | 612359 | . SCREW CAP HEX M22-2.5x100 G12.9 | 1 | | |
| 21 | 612360 | . SCREW CAP HEX M22-2.5x65 G12.9 | 1 | | |
| 22 | 611305 | . SCREW CAP HEX M20-2.5x60 G12.9 | 1 | | |
| 23 | 611307 | . SCREW CAP HEX M20-2.5x80 G12.9 | 1 | | |
| 40 | XV-1410-51 | STEERING RODS - INSTALLATION W/INDEPENDENT "NDIFS80P" / 19000LBS | | | |
| 50 | 642085 | SENSOR ABS - OEM | 2 | | |
| 50 | 642184 | SENSOR ABS - AFTER MARKET | 2 | | |
| 51 | 641096 | CLIP, SPRING / TO FIX SENSOR | 2 | | |
| 100 | 611132 | KIT REPAIR / STEERING KNUCKLE BUSHING (STD) / (REQUIRE 2 KITS) | 1 | | A |
| . NS | SB07_03 | . NSDIFS80P - KINGPIN KITS | 1 | | A |
| | | | | | |
| | | | | | |
| | | A) THIS KIT INCLUDES ITEMS 3, 4, 5, 7, 8, 9, 10, 11, 12, 13, 14 | | | |
| | | 1) NOT SOLD SEPARATELY | | | |



| | | |
|-----------|--------------|-------|
| | Date:10/2022 | XV-11 |
| REAR AXLE | | |





| | | Date:10/2022 | XV-11 | | |
|-----------|------------|---|-----------------------|---|-----------------------|
| REAR AXLE | | | | | |
| Item# | Part | Description | X 3 V I P | X L I I E N T 4 5 | N O T E S |
| 5 | XV-1105-00 | REAR AXLE - MODEL "RC23165" From B-5003 To D-5489 | | | |
| 10 | XV-1110-00 | CARRIER ASSY From B-5003 To D-5489 | | | |

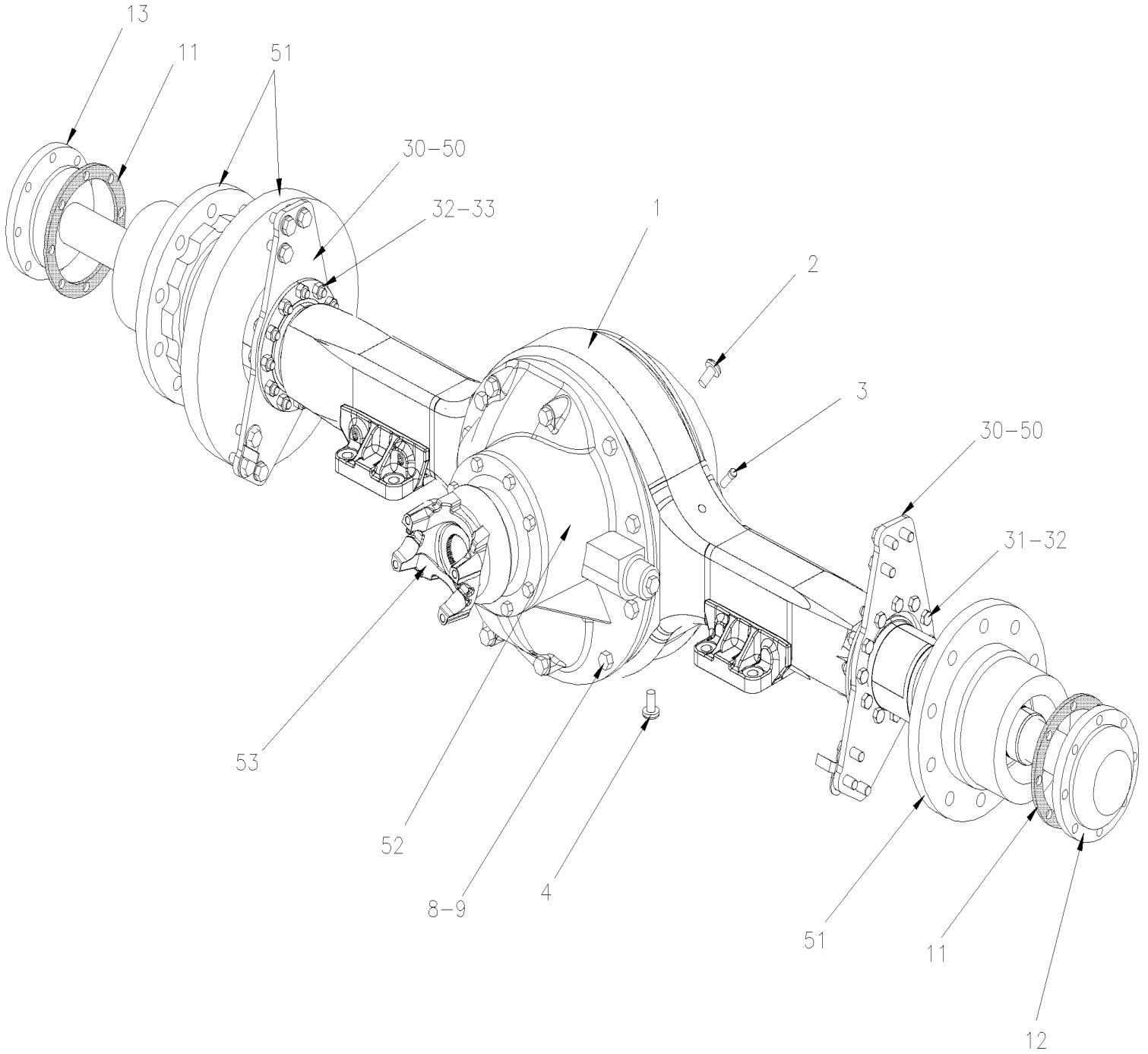


From B-5003 To D-5489

Date:10/2022

PAGE:XV-1105-00

REAR AXLE - MODEL "RC23165"





| | | |
|------------------------------------|--------------|-----------------|
| From B-5003 To D-5489 | Date:10/2022 | PAGE:XV-1105-00 |
| REAR AXLE - MODEL "RC23165" | | |

| Item# | Part | Description | X 3 V I P | X L I I E N T 4 5 | N O T E S |
|-------|-------------------|--|-----------------------|---|-----------------------|
| | | AXLE ASSY WITHOUT WHEELS STUD | | | |
| | | | | | |
| | | | | | |
| | 621820 | REAR AXLE ASSY / 3.91 RATIO To D-5459 | 1 | 1 | |
| | 621882 | REAR AXLE ASSY / 3.91 RATIO From D-5460 | 1 | 1 | |
| | 621824 | REAR AXLE ASSY / 3.91 RATIO / SUPER SINGLE To D-5459 | 1 | 1 | |
| | 621887 | REAR AXLE ASSY / 3.91 RATIO / SUPER SINGLE From D-5460 | 1 | 1 | |
| | 621818 | REAR AXLE ASSY / 4.10 RATIO To D-5459 | 1 | 1 | |
| | 621883 | REAR AXLE ASSY / 4.10 RATIO From D-5460 | 1 | 1 | |
| | 621822 | REAR AXLE ASSY / 4.10 RATIO / SUPER SINGLE To D-5459 | 1 | 1 | |
| | 621888 | REAR AXLE ASSY / 4.10 RATIO / SUPER SINGLE From D-5460 | 1 | 1 | |
| | | | | | |
| | | | | | |
| 1 | 620046 | HOUSING ASSY W/BRACKET WELDED To D-5459 | 1 | 1 | |
| 1 | 620047 | HOUSING ASSY W/BRACKET WELDED From D-5460 | 1 | 1 | |
| 1 | 621752 | HOUSING ASSY W/BRACKET WELDED / SUPER SINGLE | 1 | 1 | |
| NS | 680053 | . SILICONE TUBE RTV103 / BLACK / 3 oz | 2 | 2 | |
| 2 | 621142 | . PLUG FILLER | 1 | 1 | |
| 3 | 620442 | . BREATHER / (CURRENT 1 PIECE) | 2 | 2 | |
| 3 | 621871 | . BREATHER AND TUBE | 1 | 1 | S |
| 4 | 621615 | . PLUG MAGNETIC | 1 | 1 | |
| 6 | XV-1110-00 | . CARRIER ASSY | | | |
| 8 | 5001422 | . SCREW CAP HEX 5/8-11x2 1/2 G8 ZP | 12 | 12 | |
| 8 | 5001423 | . SCREW CAP HEX 5/8-11x4 G8 ZP | 4 | 4 | |
| 8 | 621221 | . SCREW CAP HEX 5/8-11x1 3/4 G8 ZP | AR | AR | |
| 9 | 620474 | . WASHER HARDENED / 5/8" I.D. | 18 | 18 | |
| 10 | 500742 | . NUT HEX STO 7/8-14 ZP | 18 | 18 | |
| 11 | 621640 | . GASKET / AXLE SHAFT W/8 STUDS | 2 | 2 | |
| 12 | 621626 | . SHAFT, AXLE / 42" (stp 1537) (INSTALL RH CURBSIDE) To D-5459 | 1 | 1 | E |
| 12 | 620022 | . SHAFT, AXLE / 41.41" (STP 2394) (INSTALL RH CURBSIDE) From D-5460 | 1 | 1 | E |
| 12 | 621755 | . SHAFT, AXLE / 46.30" (stp 1998) / SUPER SINGLE (INSTALL RH CURBSIDE) | 1 | 1 | F |
| 13 | 621625 | . SHAFT, AXLE / 40 1/8" (stp 1536) (INSTALL LH STREET SIDE) To D-5459 | 1 | 1 | E |
| 13 | 620020 | . SHAFT, AXLE / 39.41" (STP 2393) (INSTALL LH STREET SIDE) From D-5460 | 1 | 1 | E |
| 13 | 621756 | . SHAFT, AXLE / 44.37"(stp 1999) / SUPER SINGLE (INSTALL LH STREET SIDE) | 1 | 1 | F |
| NS | 689949 | OIL DIFERENTIAL S.A.E. 140 GL5 85-140W (VRAC) To D-5400 | AR | AR | |
| NS | 686082 | OIL DIFERENTIAL S.A.E. 140 GL5 85-140W (VRAC) From D-5401 | AR | AR | |
| | | NEXT FOLLOWING ITEMS ARE RELATED | | | |
| | | WITH "OPTION" DIFFERENTIAL LOCK | | | |



| | | |
|------------------------------------|---------------------|------------------------|
| From B-5003 To D-5489 | Date:10/2022 | PAGE:XV-1105-00 |
| REAR AXLE - MODEL "RC23165" | | |

| Item# | Part | Description | X 3 V I P | X L I I E N T 4 5 | N O T E S |
|-------|-------------------|---|-----------------------|---|-----------------------|
| NS | 624216 | DECAL "CAUTION" DIFFERENTIAL LOCK..." | 1 | 1 | |
| NS | 562697 | SWITCH / ON-ON / D.P.D.T. / CH-OVER / W/RED & GREEN LED | 1 | 1 | |
| NS | 564013 | CAP / DIFFERENTIAL LOCK | 1 | 1 | |
| NS | 142198 | HOSE ASSY / DIFF & STRUCTURE / #6 875MM | 1 | 1 | |
| NS | 172589 | SUPPORT HOSE / (WELDED TO STRUCTURE) | 1 | 1 | |
| NS | 641937 | VALVE, 3 WAYS, 2 POSITIONS N.C. / W/MAN OVERRIDE | 1 | 1 | |
| . NS | 641929 | . COIL 24V | 1 | 1 | |
| . NS | 641385 | . CONNECTOR / SOCKET HOUSING ASSY 3C / PNEUMAC 54934-01 | 1 | 1 | |
| NS | 641934 | SILENCER / MUFFLER / 3/8NPT-M | 1 | 1 | |
| NS | 260862 | PANEL TO FIX VALVE AT REAR COMPARTMENT | 1 | 1 | |
| 30 | 621868 | CALIPER MOUNTING BRACKET L.H. & R.H. W/OUT BUSHING | 2 | 2 | |
| 30 | 621869 | BUSHING - ABS SENSOR | 2 | 2 | |
| 31 | 621636 | SCREW CAP HEX / TO FIX BRACKET TO AXLE 9/16-18 X 2 GR 8 | 12 | 12 | |
| 32 | 621365 | WASHER (HARD) .59IDX.97ODX.09 | 24 | 24 | |
| 33 | 621638 | NUT HEX 9/16-18 GR8 | 12 | 12 | |
| 50 | XV-1235-00 | BRAKE PARTS - DRIVE AXLE "KNORR-BREMSE" SN7 SERIES To E-5527 | | | |
| 51 | XV-1305-00 | HUB & ROTOR - DRIVE AXLE | | | |
| 52 | XV-1110-00 | CARRIER ASSY | | | |
| 53 | XV-0905-00 | PROPELLER SHAFT WITH "EPA 2010" | | | |
| | | E) WITH DOUBLE WHEEL ONLY | | | |
| | | F) WITH SUPER SINGLE ONLY | | | |
| | | IS) WITH TRANS I-SHIFT | | | |
| | | S) PRODUCT IMPROVEMENT | | | |

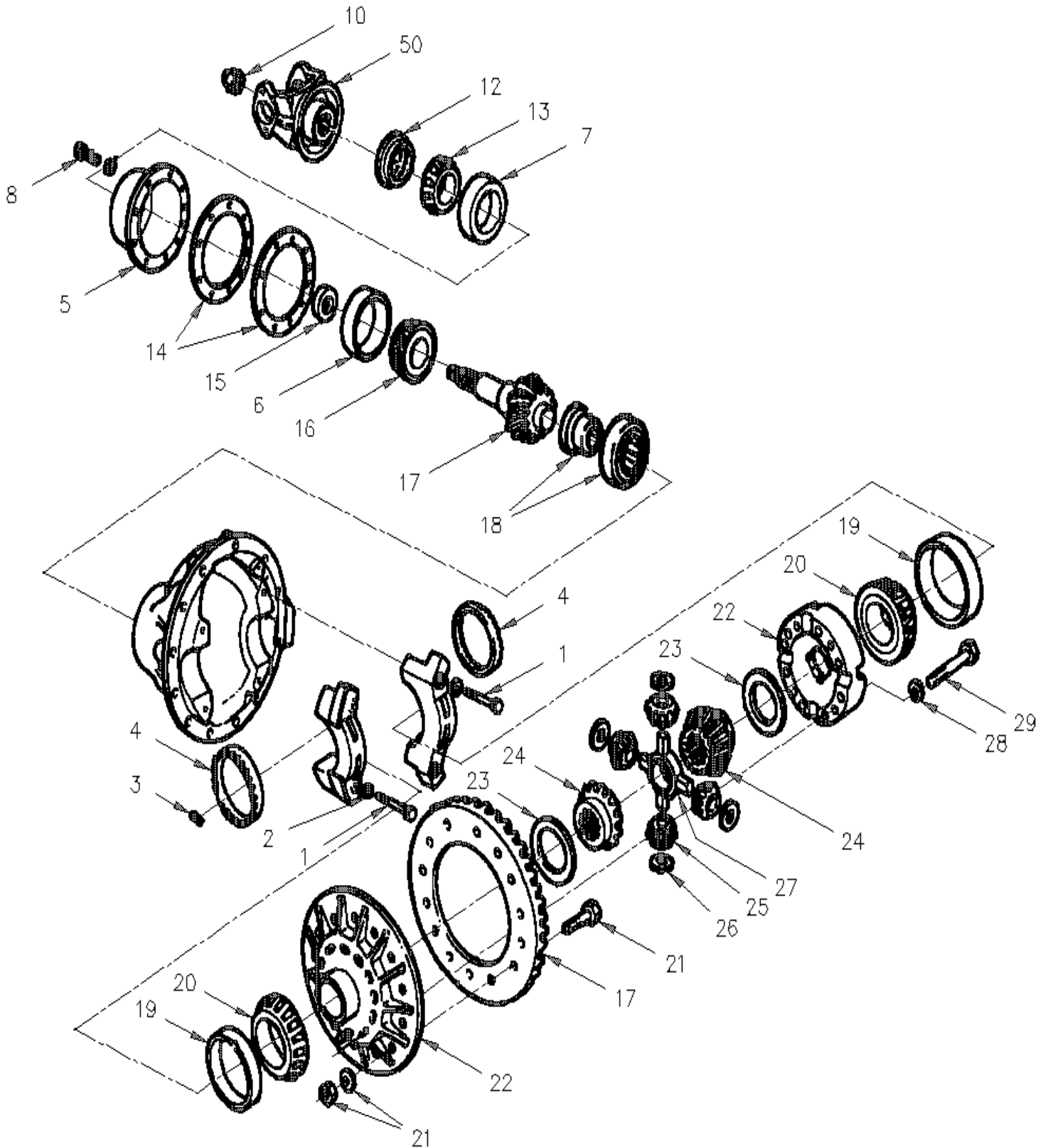


From B-5003 To D-5489

Date:10/2022

PAGE:XV-1110-00

CARRIER ASSY





| | | |
|-----------------------|--------------|-----------------|
| From B-5003 To D-5489 | Date:10/2022 | PAGE:XV-1110-00 |
| CARRIER ASSY | | |

| Item# | Part | Description | X 3 V I P | X L I I E N T 4 5 | N O T E S |
|-------|--------|---|-----------------------|---|-----------------------|
| | 621866 | CARRIER ASSY / 3.91 RATIO | 1 | 1 | |
| | 621249 | CARRIER ASSY / 4.10 RATIO | 1 | 1 | |
| | N.S.S. | . CASE CARRIER | 1 | 1 | 1 |
| 1 | 621418 | . . SCREW, CAP | 2 | 2 | |
| 2 | 621417 | . . WASHER | 4 | 4 | |
| 3 | 505128 | . SPRING, PIN 1/4 X 2 | 2 | 2 | |
| 4 | 621479 | . RING, ADJUSTING / W/MODEL 3200-P-1706 | 2 | 2 | |
| 5 | 621419 | . CASE & CUP ASSY / PINION BEARING | 1 | 1 | |
| 6 | 621420 | . . CUP BEARING / INNER BEARING | 1 | 1 | |
| 7 | 621421 | . . CUP BEARING / OUTER BEARING | 1 | 1 | |
| 8 | 621439 | . SCREW, CAP | 8 | 8 | |
| 10 | 621418 | . SCREW, CAP | 4 | 4 | |
| NS | 621445 | . NUT / DRIVE PINION | 1 | 1 | |
| 12 | 621424 | . SEAL, OIL | 1 | 1 | |
| NS | 195671 | SEAL INSTALLER TOOL / CARRIER DRIVE PINION (2731T1) | 1 | 1 | I |
| 13 | 621423 | . CONE BEARING / OUTER | 1 | 1 | |
| 14 | 621438 | . SHIM 0.020 | AR | AR | |
| 14 | 621437 | . SHIM 0.008 | AR | AR | |
| 14 | 621436 | . SHIM 0.005 | AR | AR | |
| 14 | 621435 | . SHIM 0.003 | AR | AR | |
| 15 | 621434 | . SPACER .263 | AR | AR | |
| 15 | 621433 | . SPACER .262 | AR | AR | |
| 15 | 621432 | . SPACER .261 | AR | AR | |
| 15 | 621431 | . SPACER .260 | AR | AR | |
| 15 | 621430 | . SPACER .256 | AR | AR | |
| 15 | 621429 | . SPACER .254 | AR | AR | |
| 15 | 621428 | . SPACER .253 | AR | AR | |
| 15 | 621427 | . SPACER .252 | AR | AR | |
| 15 | 621426 | . SPACER .251 | AR | AR | |
| 15 | 621425 | . SPACER .250 | AR | AR | |
| 16 | 621422 | . CONE BEARING / INNER | 1 | 1 | |
| 17 | 621716 | . SET, GEAR DRIVE & PINION / 4.56 RATIO | 1 | 1 | |
| 17 | 621719 | . SET, GEAR DRIVE & PINION / 4.89 RATIO | 1 | 1 | |
| 18 | 621481 | . BEARING SPIGOT / INNER & OUTER / W/3200-P-1706 | 1 | 1 | |
| NS | 621482 | . RING, SNAP / TO FIX SPIGOT BEARING | 1 | 1 | |
| 19 | 621210 | . CUP BEARING | 2 | 2 | A |
| 20 | 621209 | . CONE BEARING | 2 | 2 | A |
| 21 | 621444 | . BOLT, NUT & WASHER / (KIT OF 12) | 1 | 1 | |
| 22 | 621488 | . CASE ASSY / W/RATIO 3.91, 4.10, 4.30 & 4.56 | 1 | 1 | |
| 22 | 621539 | . CASE ASSY / W/RATIO 4.89 | 1 | 1 | |
| 23 | 621449 | . . WASHER, THRUST / SIDE GEAR | 2 | 2 | |
| 24 | 621450 | . . GEAR, SIDE | 2 | 2 | |

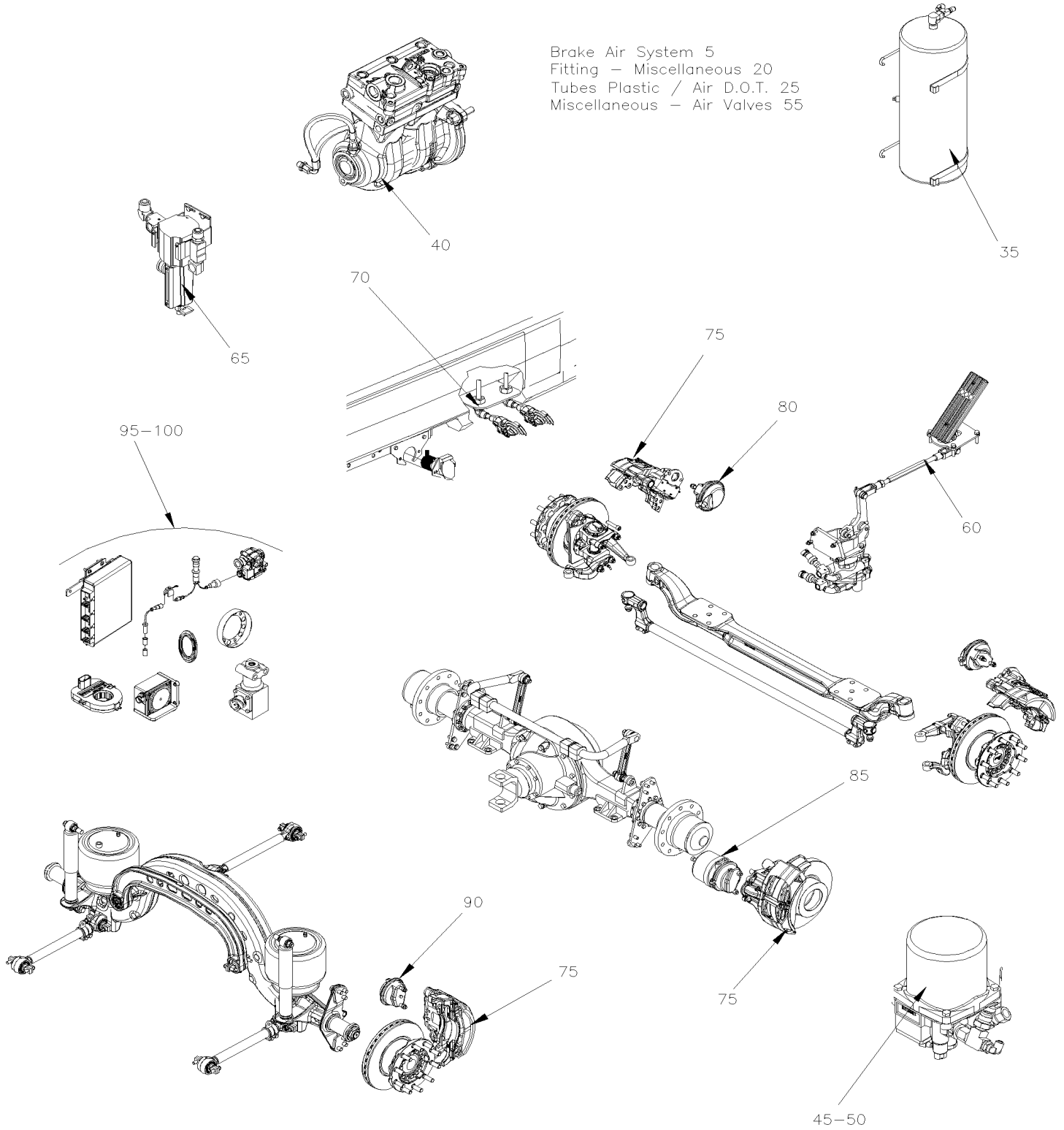


| | | |
|-----------------------|--------------|-----------------|
| From B-5003 To D-5489 | Date:10/2022 | PAGE:XV-1110-00 |
| CARRIER ASSY | | |

| Item# | Part | Description | X 3 V I P | X L I I E N T 4 5 | N O T E S |
|-------|--------|---|-----------------------|---|-----------------------|
| 25 | 621452 | . . GEAR, PINION | 4 | 4 | |
| 26 | 621453 | . . WASHER, GEAR PINION | 4 | 4 | |
| 27 | 621451 | . . SPIDER | 1 | 1 | |
| 28 | 621447 | . . WASHER | 12 | 12 | |
| 29 | 621448 | . . SCREW, CAP | 12 | 12 | |
| NS | 621653 | KIT, CUP & CONE | 1 | 1 | A |
| 50 | 621833 | YOKE SERIES 250 HALF ROUND | 1 | 1 | |
| . NS | 621501 | . DEFLECTOR, OIL | 1 | 1 | |
| . NS | 621492 | . SPEEDY SLEEVE 3.250" I.D. / TO REPAIR OIL LEAK ON YOKE | 1 | 1 | |
| | | | | | |
| | | | | | |
| | | A) ALSO SOLD IN KIT #621653 | | | |
| | | I) THIS TOOL INSTALLER ARE USE WITH NEW SEAL STAMPED A1205A2731 | | | |
| | | 1) NOT SOLD SEPARATELY | | | |



| | | |
|-------|--------------|-------|
| | Date:10/2022 | XV-12 |
| BRAKE | | |





| | | Date:10/2022 | XV-12 | | |
|-------|------------|---|-----------------------|---|-----------------------|
| BRAKE | | | | | |
| Item# | Part | Description | X 3 V I P | X L I I E N T 4 5 | N O T E S |
| 20 | XV-1201-00 | FITTING - MISCELLANEOUS From B-5003 To D-5489 | | | |
| 25 | XV-1202-00 | TUBES PLASTIC / AIR D.O.T. From B-5003 To D-5489 | | | |
| 35 | XV-1203-50 | AIR TANK - INSTALLATION From B-5003 To D-5489 | | | |
| 40 | XV-1205-10 | AIR COMPRESSOR - "WABCO" 636CC - WITH VOLVO D13 From B-5003 To D-5489 | | | |
| 45 | XV-1215-00 | AIR DRYER - "HALDEX" From B-5003 To D-5459 | | | |
| 45 | XV-1215-01 | AIR DRYER - "WABCO" From D-5460 To D-5489 | | | |
| 50 | XV-1215-10 | AIR DRYER - INSTALLATION From B-5003 To D-5489 | | | |
| 55 | XV-1220-00 | MISCELLANEOUS AIR VALVE From B-5003 To D-5489 | | | |
| 60 | XV-1220-10 | BRAKE PEDAL VALVE - "BENDIX" From B-5003 To D-5489 | | | |
| 65 | XV-1220-15 | AIR FILTER - ACCESSORIES From B-5003 To D-5489 | | | |
| 70 | XV-1220-50 | TRAILER VALVE INSTALLATION From B-5003 To D-5489 | | | |
| 75 | XV-1225-00 | BRAKE PARTS - FRONT & TAG AXLE "KNORR-BREMSE" SN7 SERIES W/NEW SLIDE PINS From B-5003 To D-5489 | | | |
| 80 | XV-1225-10 | BRAKE CHAMBER - FRONT AXLE From B-5003 To D-5489 | | | |
| 85 | XV-1235-00 | BRAKE PARTS - DRIVE AXLE "KNORR-BREMSE" SN7 SERIES From B-5003 To D-5489 | | | |
| 85 | XV-1235-10 | BRAKE CHAMBER - DRIVE AXLE From B-5003 To D-5489 | | | |
| 90 | XV-1245-10 | BRAKE CHAMBER - TAG AXLE From B-5003 To D-5489 | | | |
| 95 | XV-1250-00 | ABS & ESP CONTROL From B-5003 To D-5489 | | | |
| 100 | XV-1250-10 | ABS BRAKE VALVE - INSTALLATION From B-5003 To D-5459 | | | |
| 100 | XV-1250-11 | ABS/ESP BRAKE VALVE - INSTALLATION From D-5460 To D-5489 | | | |

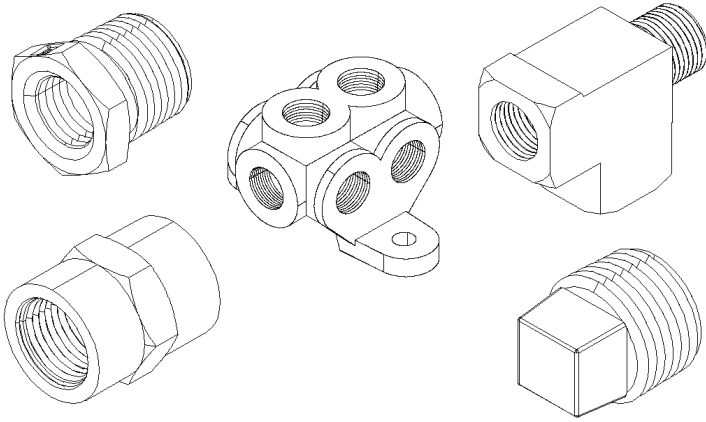


From B-5003 To D-5489

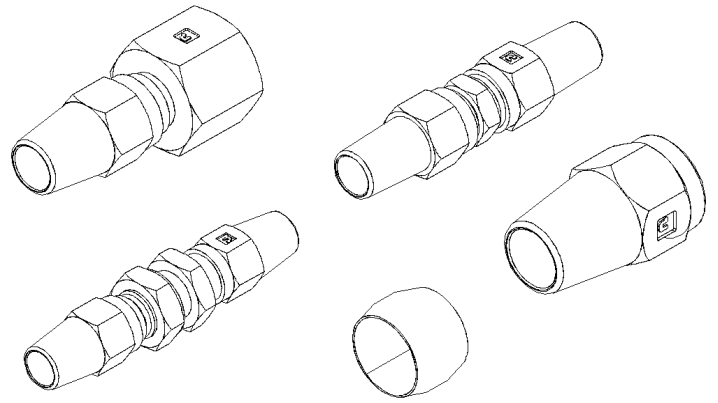
Date:10/2022

PAGE:XV-1201-00

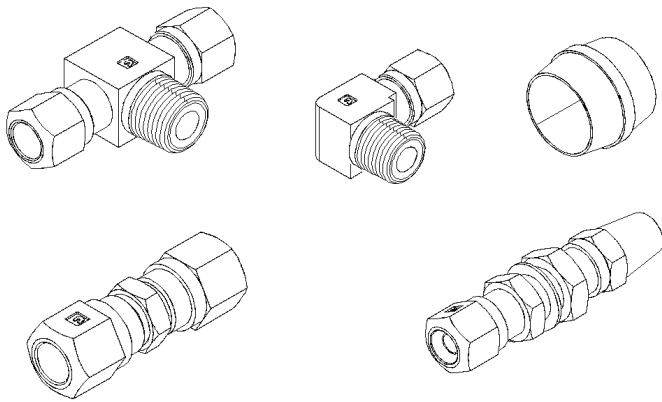
FITTING - MISCELLANEOUS



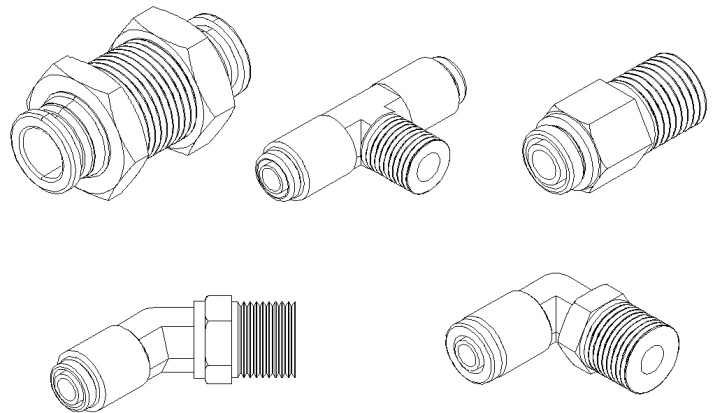
FITTING PIPE "NPT"
1



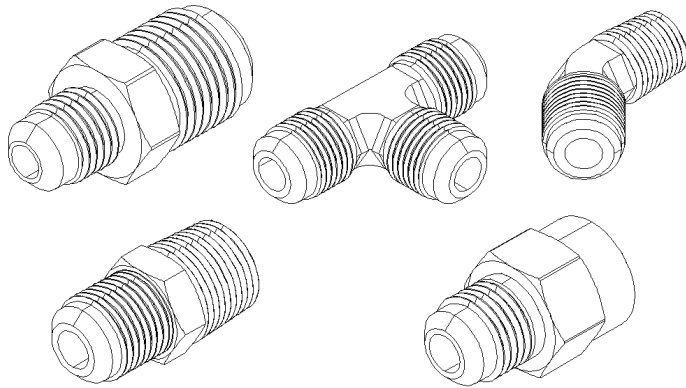
FITTING BRAKE "AB"
2



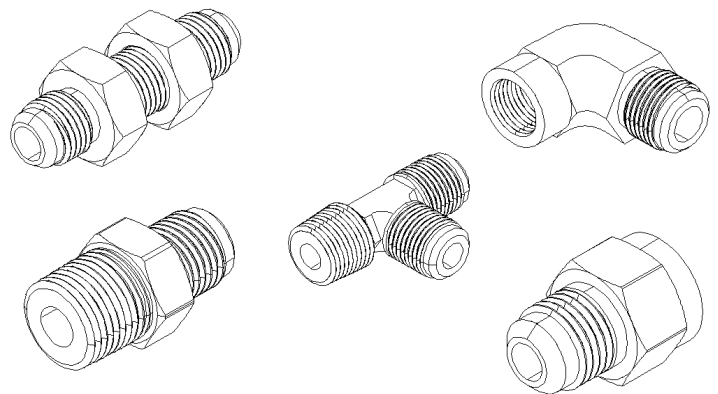
FITTING BRAKE "NTA"
3



FITTING BRAKE "PUSH-IN"
4



FITTING "SAE 45°"
5



FITTING "JIC 37°"
6

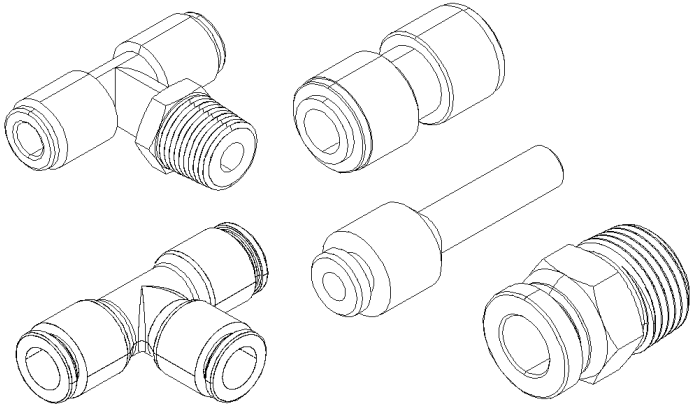


From B-5003 To D-5489

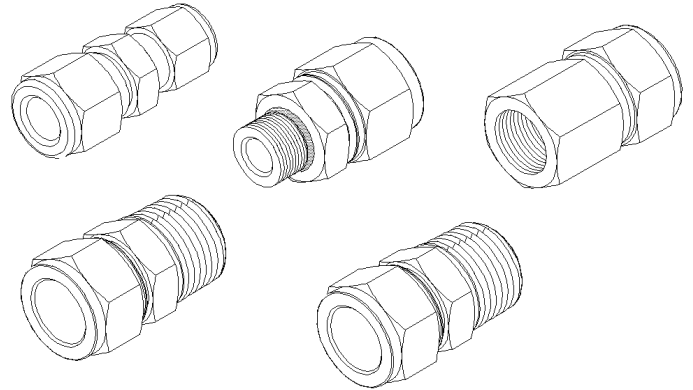
Date:10/2022

PAGE:XV-1201-00

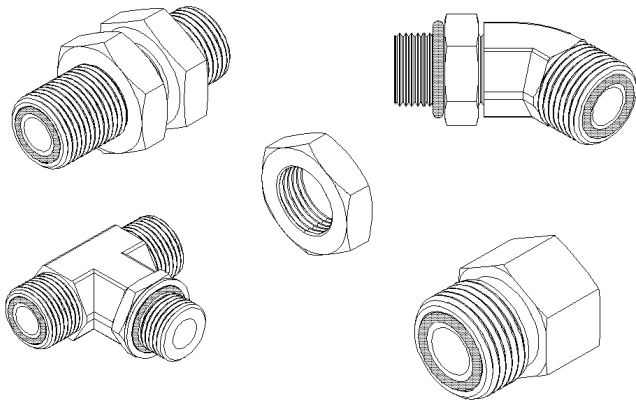
FITTING - MISCELLANEOUS



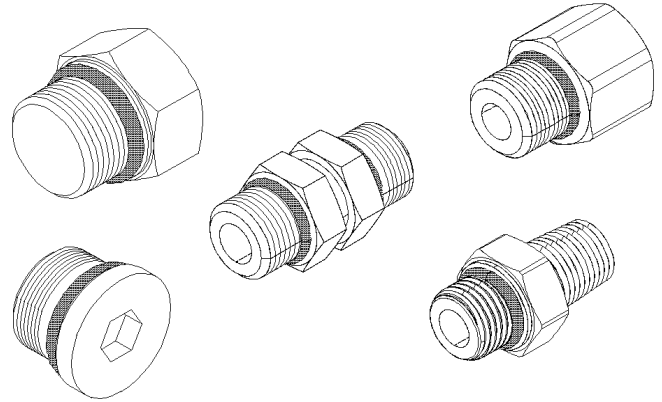
FITTING "PUSH-IN"
7



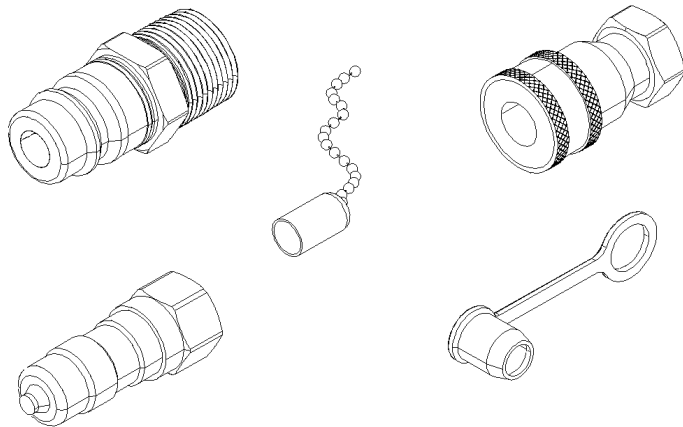
FITTING "A-LOK"
8



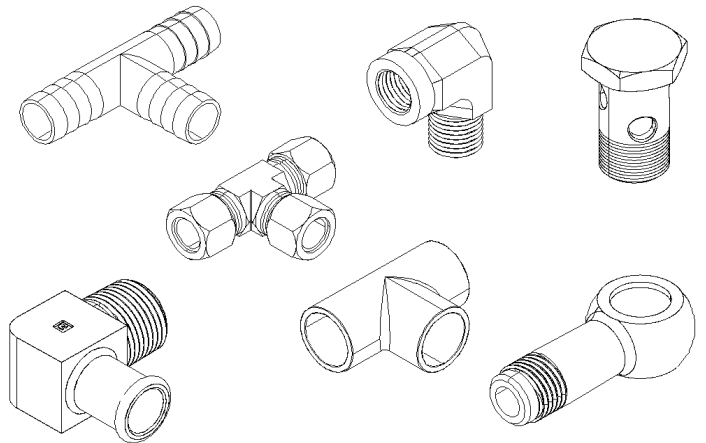
FITTING "ORS"
9



FITTING "ORB"
10



FITTING "QUICK DISCONNECT"
11



FITTING "MISCELANOUS"
12

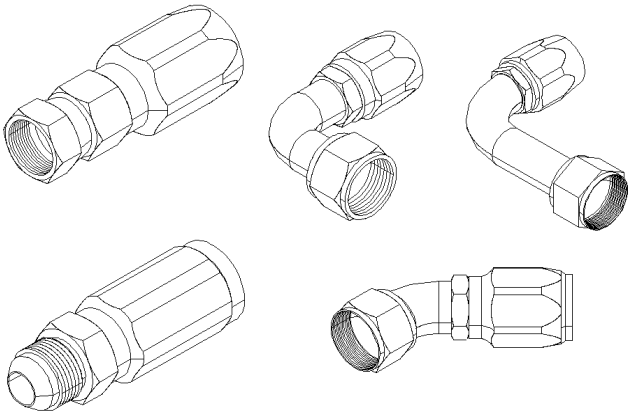


From B-5003 To D-5489

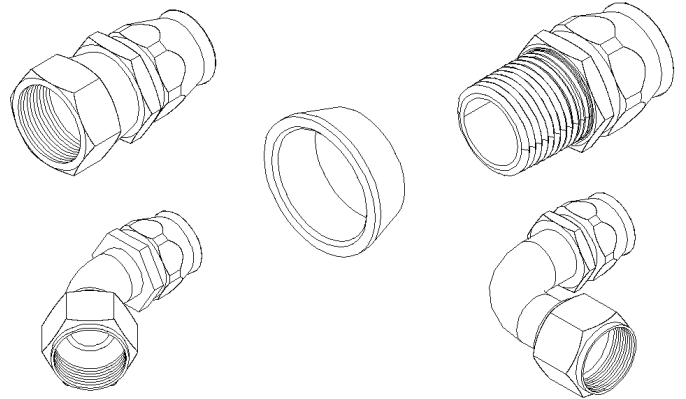
Date:10/2022

PAGE:XV-1201-00

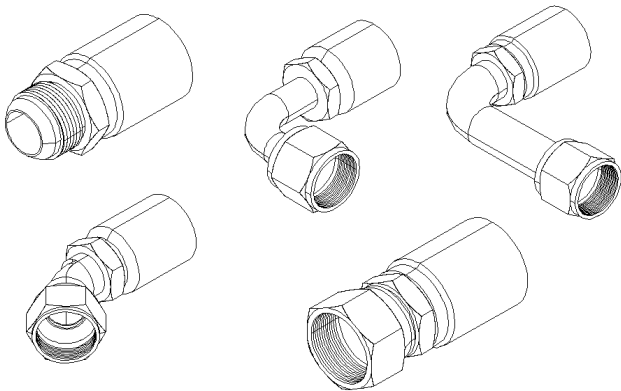
FITTING - MISCELLANEOUS



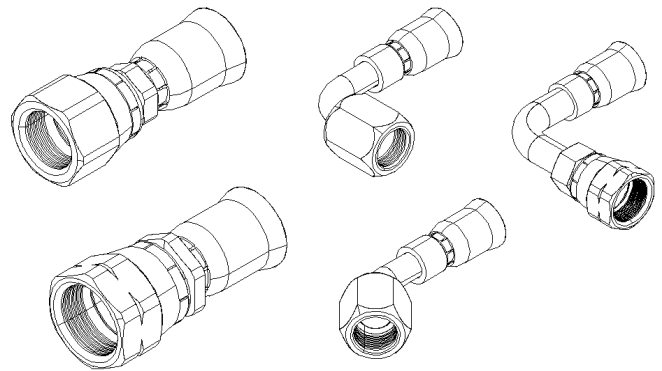
FITTING "HOSE END REUSABLE"
13



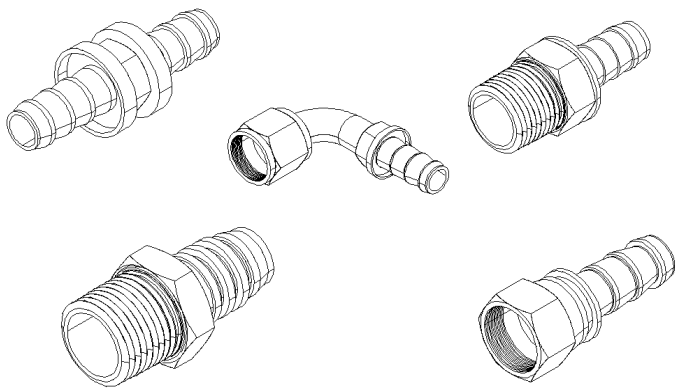
FITTING "HOSE END REUSABLE"
TEFLON
14



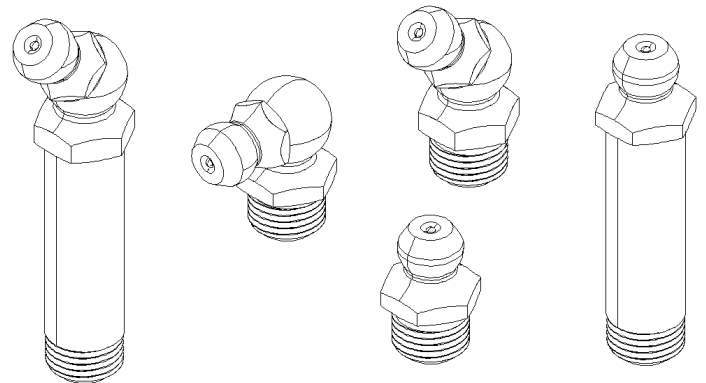
FITTING "HOSE END CRIMP"
15



FITTING "HOSE END CRIMP"
TEFLON
16



FITTING "HOSE END"
"PUSH-LOK & COLLAR"
17



FITTING "GREASE"
30



| | | |
|-----------------------|--------------|-----------------|
| From B-5003 To D-5489 | Date:10/2022 | PAGE:XV-1201-00 |
|-----------------------|--------------|-----------------|

FITTING - MISCELLANEOUS

| Item# | Part | Description | X 3 V I P | X L I E N T 4 5 | N O T E S |
|-------|------------|--|-----------------------|--------------------------------------|-----------------------|
| | | BRAKE | | | |
| 1 | FM-00FM-00 | FITTING NPT PIPE - MISCELANOUS | | | |
| 2 | FM-00FM-01 | FITTING BRAKE "AB" - MISCELANOUS (D.O.T.) | | | |
| 3 | FM-00FM-02 | FITTING BRAKE "NTA" - MISCELANOUS (D.O.T.) | | | |
| 4 | FM-00FM-03 | FITTING BRAKE "PUSH-IN" - MISCELANOUS (D.O.T.) | | | |
| | | SAE & JIC | | | |
| 5 | FM-00FM-04 | FITTING "SAE 45°" - MISCELANOUS | | | |
| 6 | FM-00FM-05 | FITTING "JIC 37°" - MISCELANOUS | | | |
| 7 | FM-00FM-06 | FITTING "PUSH-IN" - MISCELANOUS | | | |
| 8 | FM-00FM-07 | FITTING "A-LOK" - MISCELANOUS (SWAGLELOK) | | | |
| | | ORS & ORB | | | |
| 9 | FM-00FM-08 | FITTING "ORS" - MISCELANOUS | | | |
| 10 | FM-00FM-09 | FITTING "ORB" - MISCELANOUS | | | |
| | | QUICK DISCONNECT | | | |
| 11 | FM-00FM-10 | FITTING "QUICK DISCONNECT" - MISCELANOUS | | | |
| 12 | FM-00FM-11 | FITTING "MISCELANOUS" | | | |
| | | HOSE END FITTING | | | |
| 13 | FM-00FM-12 | FITTING "HOSE END REUSABLE" - MISCELANOUS | | | |
| 14 | FM-00FM-13 | FITTING "HOSE END REUSABLE TEFLON" - MISCELANOUS | | | |
| 15 | FM-00FM-14 | FITTING "HOSE END CRIMP" - MISCELANOUS | | | |
| 16 | FM-00FM-15 | FITTING "HOSE END CRIMP TEFLON" - MISCELANOUS | | | |
| 17 | FM-00FM-16 | FITTING "HOSE END" - "PUSH-LOK & COLLAR" | | | |
| 30 | FM-00GF-00 | GREASE FITTING | | | |



From B-5003 To D-5489

Date:10/2022

PAGE:XV-1202-00

TUBES PLASTIC / AIR D.O.T.

ILLUSTRATION NOT
AVAILABLE AT TIME OF
PRINTING



| | | |
|-----------------------------------|---------------------|------------------------|
| From B-5003 To D-5489 | Date:10/2022 | PAGE:XV-1202-00 |
| TUBES PLASTIC / AIR D.O.T. | | |

| Item# | Part | Description | X 3 V I P | X L I E N T 4 5 | N O T E S |
|-------|----------|--|-----------------------|--------------------------------------|-----------------------|
| | | ADAPTER, 90HT, MALE (PUSH IN TUBE FITTINGS) | | | |
| | 503747 | TUBE, NYLON 6MM O.D. / BLACK S.L. | | | |
| | 503529 | TUBE, NYLON 8MM O.D. / BLACK S.L. | | | |
| | 503563 | TUBE, NYLON 6MM O.D. / WHITE S.L. | | | |
| | 503566 | TUBE, NYLON 1/4 O.D. / BLUE S.L. | | | |
| | 503471 | TUBE, NYLON 3/8 O.D. / BLUE S.L. | | | |
| | 503517 | TUBE, NYLON 1/2 O.D. / BLUE S.L. | | | |
| | 503536 | TUBE, NYLON 1/8 O.D. / BLACK S.L. | | | |
| | 503402 | TUBE, NYLON 1/4 O.D. / BLACK S.L. | | | |
| | 503404 | TUBE, NYLON 3/8 O.D. / BLACK S.L. | | | |
| | 503488 | TUBE, NYLON 1/2 O.D. / BLACK S.L./ | | | |
| | 503540 | TUBE, NYLON 5/8 O.D. / BLACK S.L. | | | |
| | 503541 | TUBE, NYLON 3/4" O.D. / BLACK S.L | | | |
| | 503548 | TUBE, NYLON 1/4 O.D. / YELLOW S.L. | | | |
| | 503470 | TUBE, NYLON 3/8 O.D. / YELLOW S.L. | | | |
| | 503533 | TUBE, NYLON 1/2 O.D. / YELLOW S.L. | | | |
| NS | 19514092 | . TUBE, NYLON 1/2 O.D. / YELLOW / 100FT ROLL | | | |
| | 503466 | TUBE, NYLON 1/4 O.D. / RED S.L. | | | |
| | 503467 | TUBE, NYLON 3/8 O.D. / RED S.L. | | | |
| | 503468 | TUBE, NYLON 1/2 O.D. / RED S.L. | | | |
| | 503469 | TUBE, NYLON 5/8 O.D. / RED S.L. | | | |
| | 503464 | TUBE, NYLON 1/4 O.D. / GREEN S.L. | | | |
| | 503463 | TUBE, NYLON 3/8 O.D. / GREEN S.L. | | | |
| | 503406 | TUBE, NYLON 1/2 O.D. / GREEN S.L. | | | |
| | 503408 | TUBE, NYLON 5/8 O.D. / GREEN S.L. | | | |
| | 503465 | TUBE, NYLON 3/4 O.D. / GREEN S.L. | | | |
| | 503472 | TUBE, NYLON 3/8 O.D. / GREY S.L. | | | |
| | 503638 | TUBE, NYLON 1/2 O.D. / BROWN S.L. | | | |
| NS | 683355 | TOOL PLASTIC TUBE CUTTER / PLASTIC | 1 | 1 | |
| NS | 681625 | TOOL PLASTIC TUBE CUTTER / METAL | 1 | 1 | |



| | | | |
|-----------------------|--|--------------|-----------------|
| From B-5003 To D-5489 | | Date:10/2022 | PAGE:XV-1202-00 |
|-----------------------|--|--------------|-----------------|

TUBES PLASTIC / AIR D.O.T.

| Item# | Part | Description | X 3 V I P | X L I I E N T 4 5 | N O T E S |
|-------|------|-------------|-----------------------|---|-----------------------|
| | | | | | |

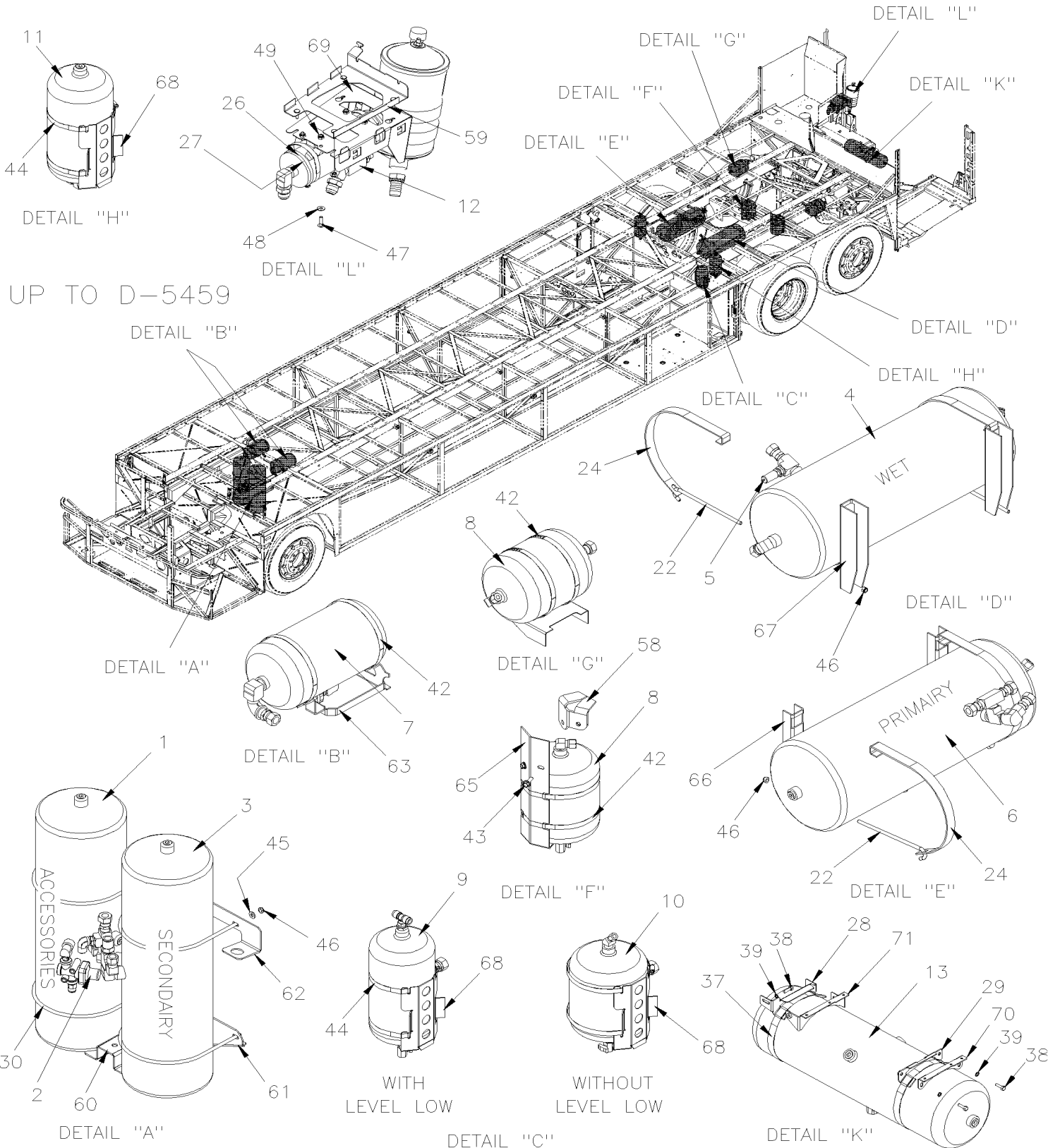


From B-5003 To D-5489

Date:10/2022

PAGE:XV-1203-50

AIR TANK - INSTALLATION



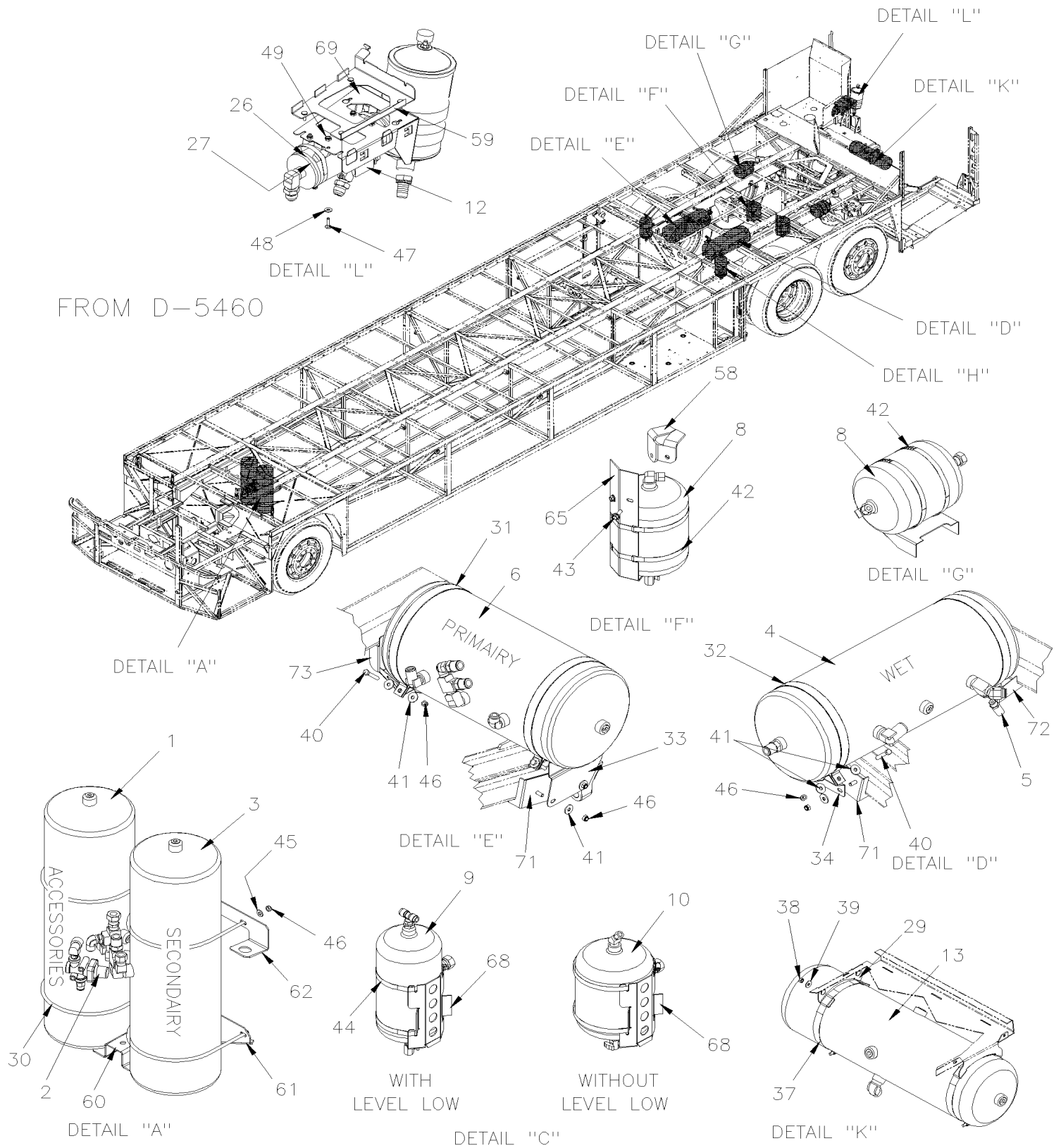


From B-5003 To D-5489

Date:10/2022

PAGE:XV-1203-50

AIR TANK - INSTALLATION





AIR TANK - INSTALLATION

| Item# | Part | Description | X 3 V I P | X L I E N T 4 5 | N O T E S |
|-------|--------|---|-----------------------|--------------------------------------|-----------------------|
| | | ACCESSORIES AIR TANK | | | |
| 1 | 141834 | AIR TANK / 1303 IN° / 8" O.D. X 27"1/2 | 1 | 1 | |
| 2 | 641137 | VALVE, PRESSURE PROTECTION TYPE PR-4 70PSI | 1 | 1 | |
| | | SECONDARY AIR TANK | | | |
| 3 | 141834 | AIR TANK / 1303 IN° / 8" O.D. X 27"1/2 | 1 | 1 | |
| | | WET AIR TANK | | | |
| 4 | 144848 | AIR TANK / 1791 IN° / 9 1/2" O.D. X 27" To D-5459 | 1 | 1 | |
| 4 | 642000 | AIR TANK / 1791 IN° / 9 1/2" O.D. X 27" From D-5460 | 1 | 1 | |
| 5 | 642022 | SAFETY VALVE 150 PSI X 3/8 NPT / ST-3 | 1 | 1 | |
| | | PRIMARY AIR TANK | | | |
| 6 | 140869 | AIR TANK / 1791 IN° / 9 1/2" O.D. X 27" To D-5459 | 1 | 1 | |
| 6 | 642026 | AIR TANK / 1954 IN° / 10 1/2" OD X24 1/2" From D-5460 | 1 | 1 | |
| | | AIR BELLOW EXPANSION TANK | | | |
| 7 | 131403 | AIR TANK / 434 IN° / 7" O.D. X 13 1/4" To C-5133 | 2 | 2 | |
| 7 | 131403 | AIR TANK / 434 IN° / 7" O.D. X 13 1/4" To C-5133 | 2 | 2 | |
| 8 | 641424 | AIR TANK / 288 IN° / 7" O.D. X 9 1/4" / W/(3) 1/2" NPT | 4 | 4 | |
| 9 | 642110 | AIR TANK / 290 IN° / 6" O.D. X 12" / W/(3) 1/2" NPT | 2 | 2 | L |
| 10 | 641424 | AIR TANK / 288 IN° / 7" O.D. X 9 1/4" / W/(3) 1/2" NPT | 2 | 2 | W |
| | | PURGE TANK To D-5459 | | | |
| 11 | 642110 | AIR TANK / 290 IN° / 6" O.D. X 12" / W/(3) 1/2" NPT To D-5459 | 1 | 1 | |
| | | PING AIR TANK | | | |
| 12 | 641982 | AIR TANK / 96 IN° / 3 1/2" O.D. X 10" | 1 | 1 | |
| | | PRIMARY AIR TANK | | | |
| 13 | 641456 | AIR TANK / 976 IN° / 7" O.D. X 25.5" | 1 | 1 | |
| 22 | 141409 | J-HOOK / 220 MM / M8-1.25 SS To D-5459 | 4 | 4 | |
| 24 | 141816 | STRAP / TO USE W/9"1/2 O.D. TANK / "J" SHAPE To D-5459 | 4 | 4 | |



| | | |
|------------------------------|---------------------|------------------------|
| From B-5003 To D-5489 | Date:10/2022 | PAGE:XV-1203-50 |
|------------------------------|---------------------|------------------------|

AIR TANK - INSTALLATION

| Item# | Part | Description | X 3 V I P | X L I E N T 4 5 | N O T E S |
|-------|-------------------|---|-----------------------|--------------------------------------|-----------------------|
| 25 | 141835 | ROD / TO USE W/8" O.D. TANK / "U" SHAPE | 4 | 4 | |
| 26 | 161337 | SUPPORT / PING AIR TANK | 2 | 2 | |
| 27 | 504235 | HOSE CLAMP / 3"9/16"-4"1/2 SS / HS-64 | 2 | 2 | |
| 28 | 143120 | SUPPORT AIR TANK To C-5132 | 1 | 1 | |
| 29 | 143121 | SUPPORT AIR TANK To C-5132 | 1 | 1 | |
| 29 | 144991 | SUPPORT AIR TANK From C-5133 | 1 | 1 | |
| 30 | 141835 | ROD / TO USE W/8" O.D. TANK / "U" SHAPE | 4 | 4 | |
| 31 | 145052 | BAND CLAMPS 270MM I.D. From D-5460 | 2 | 2 | |
| 32 | 145051 | BAND CLAMPS 245MM I.D. From D-5460 | 2 | 2 | |
| 33 | 145008 | SUPPORT / PRIMARY AIR TANK / FOWARD From D-5460 | 1 | 1 | |
| 34 | 145007 | SUPPORT / WET AIR TANK / FORWAD From D-5460 | 1 | 1 | |
| 37 | 504041 | T-BOLT BAND CLAMP/ 6.75" ID | 2 | 2 | |
| 38 | 502622 | SCREW CAP HEX M6-1.0x20 SS BK To C-5132 | 4 | 4 | |
| 38 | 5001851 | NUT HEX M6-1.0 SS BK From C-5133 | 2 | 2 | |
| 39 | 5001739 | WASHER LO EXT 6.4x11.0x0.7 N500 To C-5132 | 4 | 4 | |
| 39 | 5001833 | WASHER BEL SPR 6.1x18x1.27 SS From C-5133 | 2 | 2 | |
| 40 | 502927 | SCREW CAP HEX M8-1.25x50 G8.8 N500 From D-5460 | 4 | 4 | |
| 41 | 500381 | WASHER FL 8.4x25.0x2.0 N500 From D-5460 | AR | AR | |
| 42 | 504649 | HOSE CLAMP / 4"5/8-7"1/2 SS | AR | AR | |
| 43 | 5001643 | SCREW CAP HEXF M8-1.25x25 G8.8 G500 | 4 | 4 | |
| 44 | 504324 | HOSE CLAMP / 4"1/2-6"1/2 SS / HS-96 | 6 | 6 | |
| 45 | 5001736 | WASHER FL 8.4x18.0x2.0 N500 | 8 | 8 | |
| 46 | 502847 | NUT HEX NYRT M8-1.25 N500 | AR | AR | |
| 47 | 500558 | SCREW MA TR PH 1/4-20x1 SS | 4 | 4 | |
| 48 | 500411 | WASHER FL .260x.697x.050 SS | 4 | 4 | |
| 49 | 502874 | NUT HEX NYRT 1/4-20 N500 | 4 | 4 | |
| 55 | XV-1215-10 | AIR DRYER - INSTALLATION | | | |
| 58 | 175073 | SUPPORT / AIR TANK (WELDED AT STRUCTURE) | 2 | 2 | |
| 59 | 218493 | SUPPORT / AIR TANK & POWER STEERING RESERVOIR / (WELDED TO FRAME) | 1 | 1 | |
| 60 | 172705 | SUPPORT AIR TANK / LOWER | 1 | 1 | |
| 61 | 172704 | SUPPORT AIR TANK / LOWER | 1 | 1 | |
| 62 | 171815 | SUPPORT AIR TANK / UPPER To C-5132 | 1 | 1 | |
| 62 | 173724 | SUPPORT AIR TANK / UPPER From C-5133 | 1 | 1 | |
| 63 | 173028 | SUPPORT CURBSIDE To C-5132 | 1 | 1 | |
| 63 | 173029 | SUPPORT STREET SIDE To C-5132 | 1 | 1 | |
| 64 | 171974 | SUPPORT / (WELDED TO FRAME) | 2 | 2 | |
| 65 | 173481 | SUPPORT / AIR TANK | 1 | 1 | |
| 66 | 172147 | SUPPORT "U" / AIR TANK / 263MM To D-5459 | 2 | 2 | |
| 67 | 171600 | SUPPORT "U" / AIR TANK / 250MM To C-5124 | 1 | 1 | |
| 67 | 173744 | SUPPORT "U" / AIR TANK / 250MM From C-5125 To D-5459 | 1 | 1 | |
| 68 | 173506 | SUPPORT / AIR TANK W/6" TANK | 3 | 3 | |
| 69 | 161332 | SUPPORT / AIR TANK & POWER STEERING RESERVOIR | 1 | 1 | |



| | | |
|-----------------------|--------------|-----------------|
| From B-5003 To D-5489 | Date:10/2022 | PAGE:XV-1203-50 |
|-----------------------|--------------|-----------------|

AIR TANK - INSTALLATION

| Item# | Part | Description | X 3 V I P | X L I I E N T 4 5 | N O T E S |
|-------|--------|---|-----------------------|---|-----------------------|
| 70 | 213984 | SUPPORT AIR TANK (WELDED AT STRUCTURE) To C-5132 | 1 | 1 | |
| 70 | 217022 | SUPPORT AIR TANK (WELDED AT STRUCTURE) From C-5133 To D-5459 | 1 | 1 | |
| 71 | 213983 | SUPPORT AIR TANK (WELDED AT STRUCTURE) To C-5132 | 1 | 1 | |
| 71 | 217023 | SUPPORT AIR TANK (WELDED AT STRUCTURE) From C-5133 To D-5459 | 1 | 1 | |
| 72 | 175124 | SUPPORT / AIR TANK / BACKWARD / (WELDED TO FRAME) From D-5460 | 2 | 2 | |
| 73 | 175125 | SUPPORT / WET AIR TANK / FORWAD / (WELDED TO FRAME) From D-5460 | 1 | 1 | |
| 74 | 175126 | SUPPORT, AIR TANK From D-5460 | 1 | 1 | |
| | | | | | |
| | | | | | |
| | | L) WITH LEVEL LOW | | | |
| | | W) WITHOUT LEVEL LOW | | | |

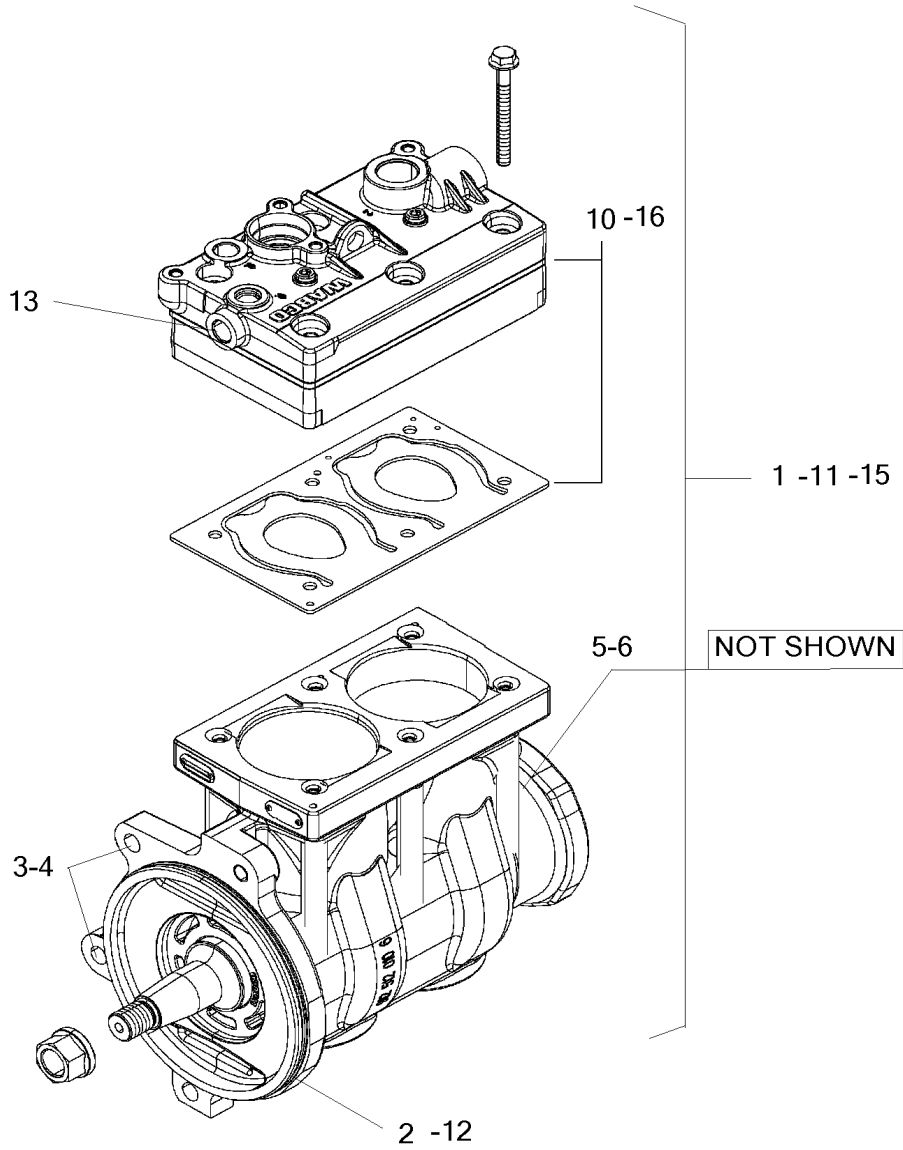


From B-5003 To D-5489

Date:10/2022

PAGE:XV-1205-10

AIR COMPRESSOR - "WABCO" 636CC - WITH VOLVO D13





| | | |
|--|--------------|-----------------|
| From B-5003 To D-5489 | Date:10/2022 | PAGE:XV-1205-10 |
| AIR COMPRESSOR - "WABCO" 636CC - WITH VOLVO D13 | | |

| Item# | Part | Description | X 3 V I P | X L I I E N T 4 5 | N O T E S |
|-------|----------------|--|-----------------------|---|-----------------------|
| 1 | Refer To Volvo | AIR COMPRESSOR 636CC ASSY | | 1 | V |
| 2 | Refer To Volvo | O-RING 164.3 | | 1 | V |
| 3 | Refer To Volvo | STUD TO FIX COMPRESSOR M12x65x43 | | 2 | V |
| 4 | Refer To Volvo | FLANGE NUT M12x19.8 | | 3 | V |
| 5 | Refer To Volvo | NIPPLE (OIL HOSE) | | 2 | V |
| 6 | Refer To Volvo | HOSE ASSEMBLY M12-1.5x340MM | | 1 | V |
| 10 | Refer To Volvo | KIT COMPRESSOR EXCHANGE WABCO | | 1 | V |
| 11 | Refer To Volvo | . AIR COMPRESSOR 636CC ASSY / EXCHANGE | | 1 | V |
| 12 | Refer To Volvo | . O-RING 164.3 | | 1 | V |
| 13 | Refer To Volvo | . O-RING | | 1 | V |
| NS | Refer To Volvo | . HOSE CLAMP | | 1 | V |
| 15 | Refer To Volvo | . COMPRESSOR WABCO | | 1 | V |
| 16 | Refer To Volvo | . KIT REPAIR WABCO | | 1 | V |
| | | . CHAR(255) | 1 | 1 | |
| | | | | | |
| | | | | | |
| | | | | | |
| | | V) SEE IMPACT OR CALL ORDER DESK | | | |

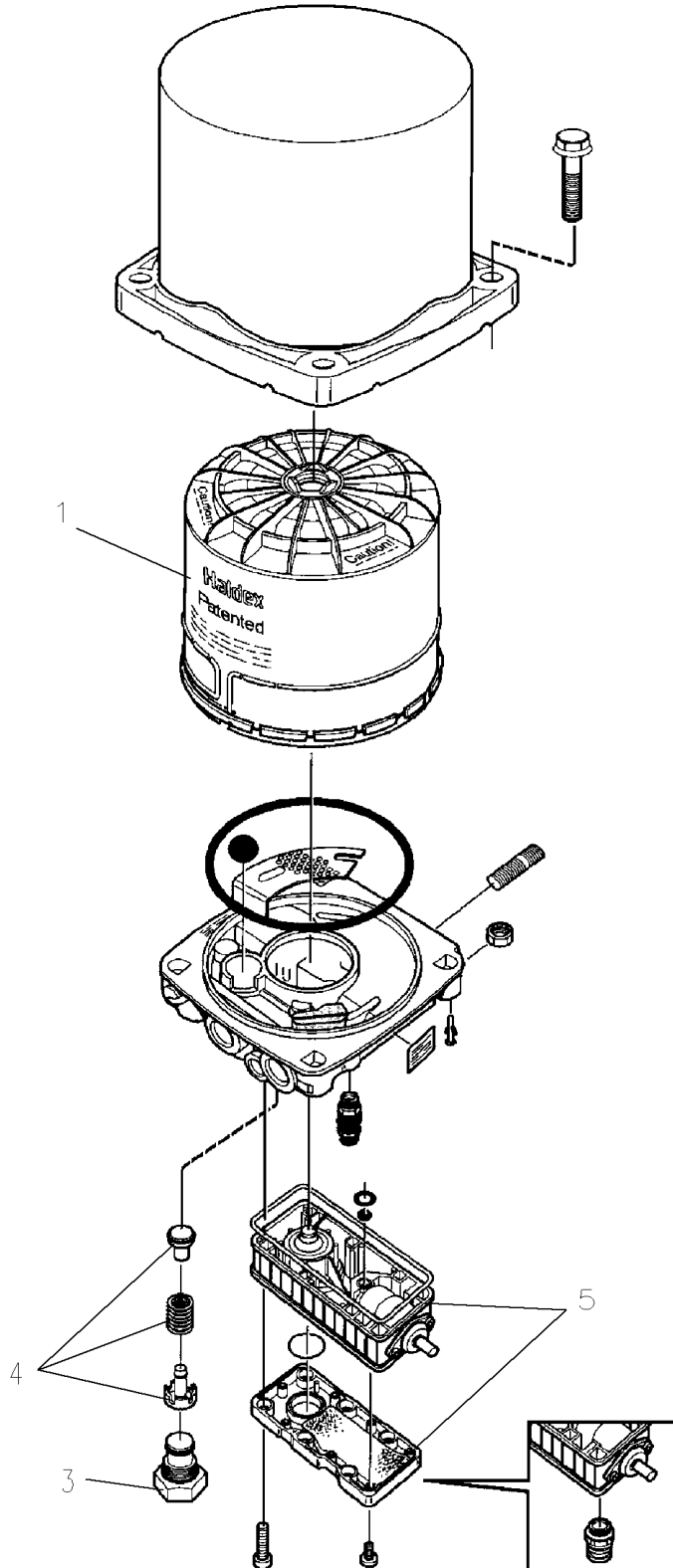


From B-5003 To D-5459

Date:10/2022

PAGE:XV-1215-00

AIR DRYER - "HALDEX"



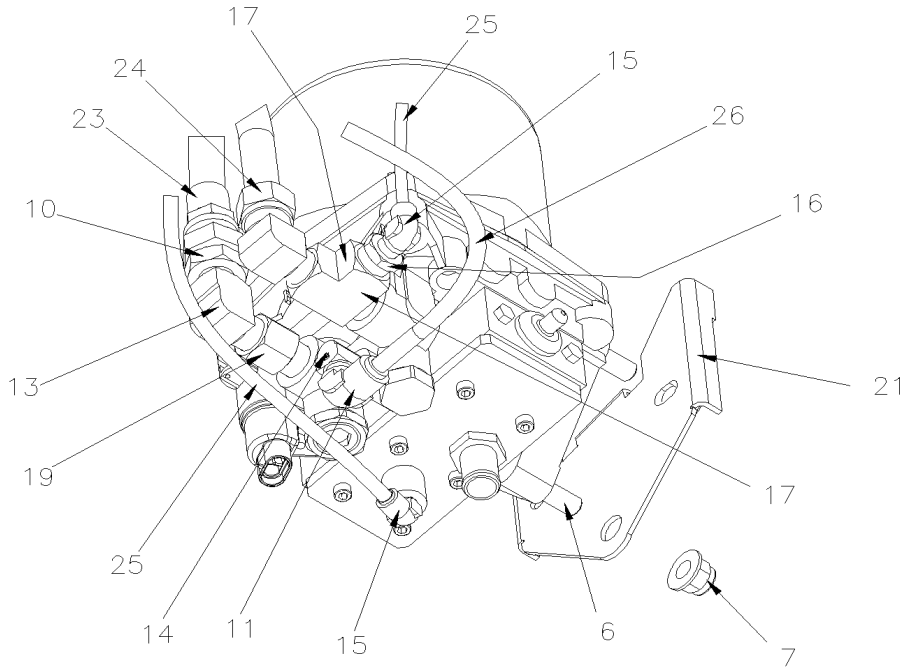


From B-5003 To D-5459

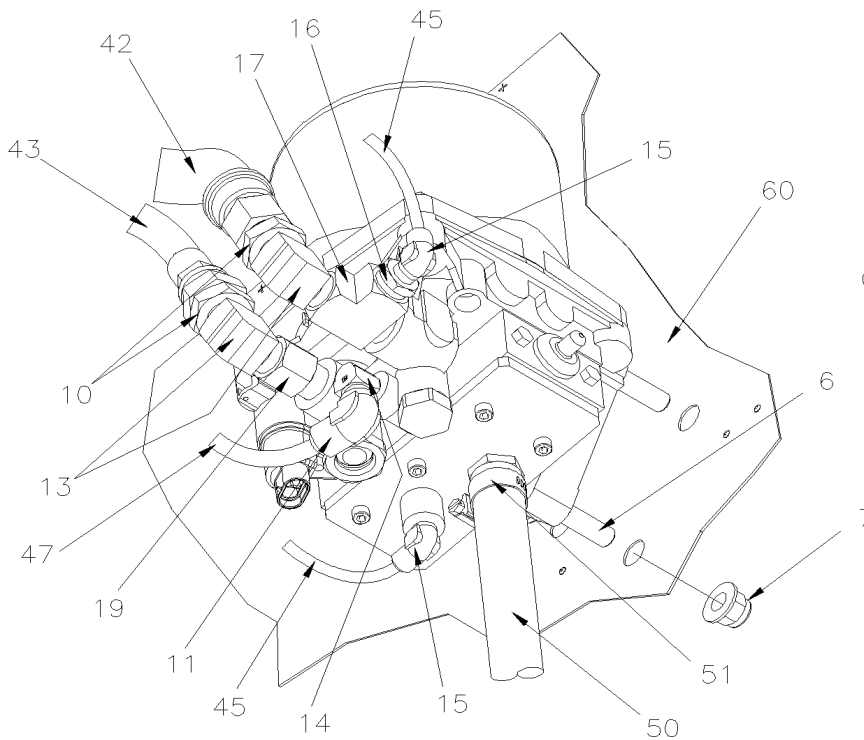
Date:10/2022

PAGE:XV-1215-00

AIR DRYER - "HALDEX"



FROM B-5002
REAR SUB-FRAME
INSTALLATION



FROM B-5002
WATER HEATER
COMPARTMENT INST.



| | | |
|------------------------------|---------------------|------------------------|
| From B-5003 To D-5459 | Date:10/2022 | PAGE:XV-1215-00 |
|------------------------------|---------------------|------------------------|

AIR DRYER - "HALDEX"

| Item# | Part | Description | X 3 V I P | X L I E N T 4 5 | N O T E S |
|-------|-----------------|--|-----------------------|--------------------------------------|-----------------------|
| | 642111 | AIR DRYER "HALDEX" / WITH GOVERNOR 9.0 Bar | 1 | 1 | D13 |
| NS | 067967 | CABLE AIR DRYER | 1 | 1 | |
| 1 | 3097369 | . DESICANT CARTRIDGE / "HALDEX" | 1 | 1 | |
| 2 | 641953 | SAFETY VALVE | 1 | 1 | |
| 3 | N8885277 | . REGENERATION VALVE BLACK PLASTIC M22-1.5 | 1 | 1 | |
| 4 | N8894693 | . . KIT CHECK VALVE | 1 | 1 | |
| 5 | 642017 | . VALVE PACK / W/INTEGRATED GOVERNOR 8.5BAR | 1 | 1 | |
| 5 | 642071 | . VALVE PACK / W/INTEGRATED GOVERNOR 9.0BAR | 1 | 1 | |
| 6 | 5001700 | STUD M12-1.75x50 From B-5002 | 3 | 3 | |
| 7 | 5001761 | NUT HEXF NYRT M12-1.75 G8 N500 From B-5002 | 3 | 3 | |
| 7 | 502705 | SCREW CAP HEX M12-1.75X25 G8.8 N500 | 1 | 1 | |
| 7 | 500944 | WASHER LO SPT .506x.873x.125 N500 | 1 | 1 | |
| 10 | 501600 | MALE CONNECTOR / JIC 37° FITTING / #12JIC-Mx1/2NPT-M STL | 1 | 1 | |
| 11 | 641372 | MALE ELBOW 90° NON-SWIVEL / PUSH-IN FITTING / #6x1/4NPT-M BR | 1 | 1 | |
| 12 | 500720 | PLUG HEXS / PIPE FITTING / 3/4NPT-M STL | 1 | 1 | |
| 13 | 507557 | STREET ELBOW 90° / PIPE FITTING / 1/2NPT-Mx1/2NPT-F BR | 1 | 1 | |
| 14 | 501332 | STREET ELBOW 90° / PIPE FITTING / 1/4NPT-Mx1/4NPT-F BR | 1 | 1 | |
| 15 | 641371 | MALE ELBOW 90° NON-SWIVEL / PUSH-IN FITTING / #4x1/4NPT-M BR | 1 | 1 | |
| 16 | 501316 | BUSHING REDUCER / PIPE FITTING / 1/2NPT-Mx1/4NPT-F BR | 1 | 1 | |
| 17 | 501473 | MALE RUN TEE / PIPE FITTING / 1/2NPT-Mx1/2NPT-Fx1/2NPT-F BR | 1 | 1 | |
| 18 | 641134 | MALE ELBOW 90° / NTA FITTING / #12x1/2NPT-M BR | 1 | 1 | |
| 19 | 5011119 | ADAPTER / PIPE FITTING / 1/2NPT-Fx1/2NPT-M BR | 1 | 1 | |
| | | | | | |
| | | | | | |
| 21 | Call order desk | SUPPORT, AIR DRYER From B-5002 | 1 | 1 | P |
| 22 | 5001647 | SCREW CAP FL HEXS M12-1.75x25 G10.9 | 3 | 3 | |
| 23 | 141943 | HOSE ASSY TEFLON /DRYER&COMPRESSOR / #12 3738MM From B-5002 | 1 | 1 | |
| 24 | 503465 | TUBE, NYLON 3/4 O.D. / GREEN S.L. | AR | AR | |
| 25 | 503464 | TUBE, NYLON 1/4 O.D. / GREEN S.L. From B-5002 | AR | AR | |
| 26 | 503472 | TUBE, NYLON 3/8 O.D. / GREY S.L. | AR | AR | |
| | | | | | |
| | | | | | |
| | | NEXT ITEMS ARE USED WITH | | | |
| | | AIR DRIER INSIDE OF BAGGAGE COMPARTMENT | | | |
| | | | | | |
| | | | | | |
| 39 | 504499 | CUFF END BELLOW / 2 7/8" I.D. x 3 5/8" x 4 7/16 | 1 | 1 | |
| NS | 504026 | HOSE CLAMP / 2"13/16-3"3/4 SS / HS-52 | 1 | 1 | |
| NS | 504637 | CABLE TIE / 3/16" x 13" | 1 | 1 | |
| NS | 371600 | INSULATING PAD 76.2MM x 374.7MM | 1 | 1 | |
| 42 | 143153P | HOSE ASSY / #12 1550MM | 1 | 1 | |
| 43 | 143151P | HOSE ASSY TEFLON #12 4860MM From B-5002 | 1 | 1 | |



| | | |
|-----------------------------|--------------|-----------------|
| From B-5003 To D-5459 | Date:10/2022 | PAGE:XV-1215-00 |
| AIR DRYER - "HALDEX" | | |

| Item# | Part | Description | X 3 V I P | X L I E N T 4 5 | N O T E S |
|-------|-----------------|--|-----------------------|--------------------------------------|-----------------------|
| 44 | 503465 | TUBE, NYLON 3/4 O.D. / GREEN S.L. | AR | AR | |
| 45 | 503464 | TUBE, NYLON 1/4 O.D. / GREEN S.L. From B-5002 | AR | AR | |
| 47 | Call order desk | TUBE, NYLON 1/2 O.D. / GREY S.L. #8 2195MM From B-5002 | 1 | 1 | P |
| 50 | 503523 | HOSE SILICONE 1PLY 3/4" I.D. x 100' / S.L. | AR | AR | |
| 51 | 504020 | HOSE CLAMP / 9/16"-1"1/4 SS / HS-12 | 2 | 2 | |
| NS | 067307 | CABLE ASSY / "AIR DRYER "WABCO" EXTENTION W/"OPTION" BAGGAGE | 1 | 1 | |
| 60 | 216437 | PANEL REAR STREET SIDE To B-5049 | 1 | 1 | |
| 60 | 216985 | PANEL REAR STREET SIDE From B-5050 | 1 | 1 | |
| 61 | 172326 | TUBE / FIXED TO REAR WALL / 89MM O.D. | 1 | 1 | |
| 62 | 142512 | TUBE 3/4" O.D. / FIXED TO REAR WALL | 1 | 1 | |
| | | | | | |
| | | | | | |
| | | | | | |
| | | | | | |
| | | D13) D13 WITH "VOLVO" ENGINE | | | |
| | | P) CALL ORDER DESK FOR SPECIFIC APPLICATION (V.I.N.) | | | |

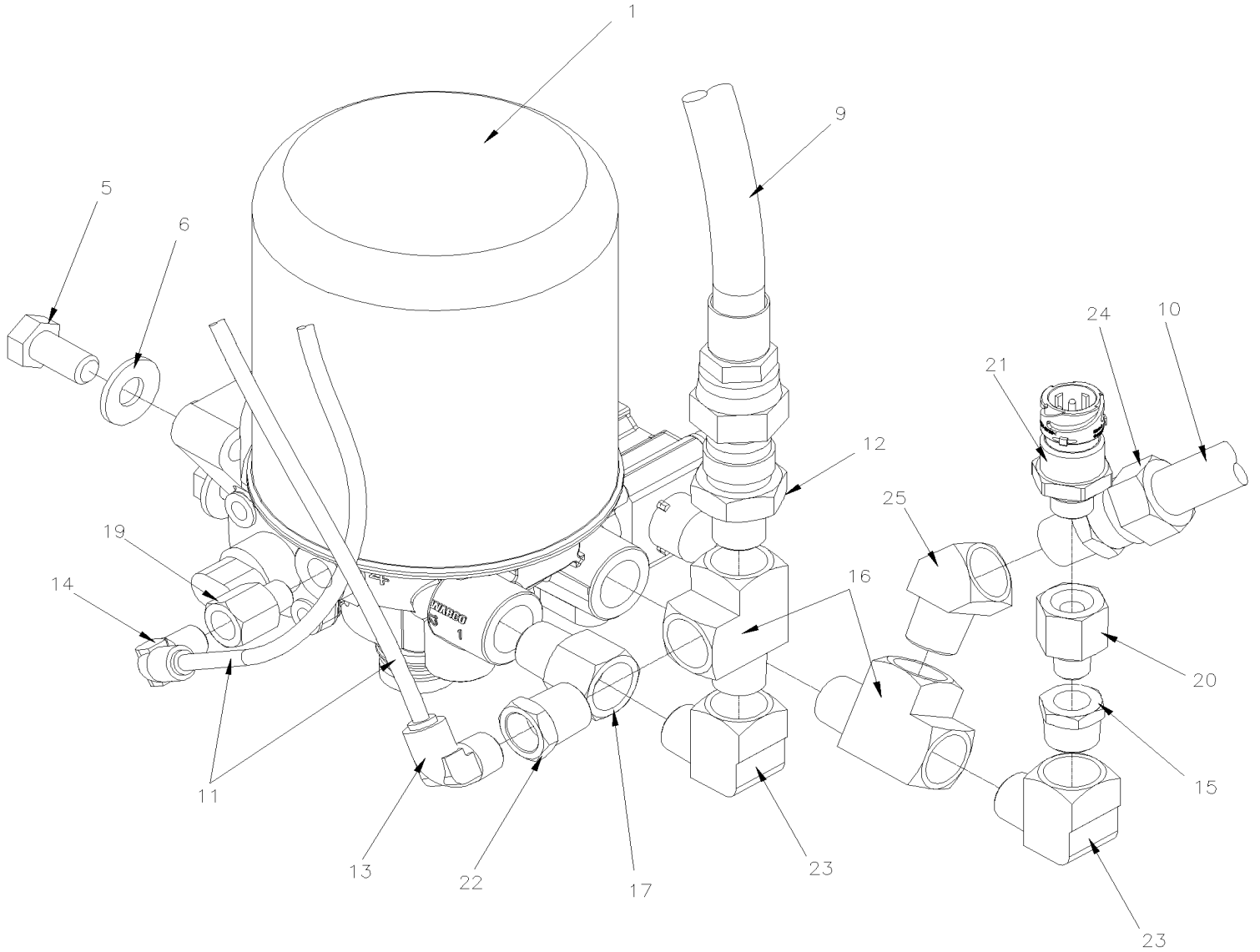


From D-5460 To D-5489

Date:10/2022

PAGE:XV-1215-01

AIR DRYER - "WABCO"





| | | |
|----------------------------|--------------|-----------------|
| From D-5460 To D-5489 | Date:10/2022 | PAGE:XV-1215-01 |
| AIR DRYER - "WABCO" | | |

| Item# | Part | Description | X 3 V I P | X L I I E N T 4 5 | N O T E S |
|-------|----------|--|-----------------------|---|-----------------------|
| 1 | 21440978 | AIR DRYER "WABCO" 12 VOLTS | 1 | 1 | |
| 1 | 067966 | HARNESS / AIR DRYER CONTROL | 1 | 1 | A |
| NS | 680098 | THREAD SEALANT LOCTITE #567 / WHITE / 250ml | AR | AR | |
| 5 | 5001565 | SCREW CAP HEX 1/2-13x1 G5 N500 | 3 | 3 | |
| 6 | 500967 | WASHER BEL SPR .512x1.142x.098 N500 | 3 | 3 | |
| 9 | 145061 | HOSE ASSY TEFLON / #12 3510MM | 1 | 1 | |
| 10 | 503465 | TUBE, NYLON 3/4 O.D. / GREEN S.L. | AR | AR | |
| 11 | 503464 | TUBE, NYLON 1/4 O.D. / GREEN S.L. | AR | AR | |
| 12 | 501600 | MALE CONNECTOR / JIC 37° FITTING / #12JIC-Mx1/2NPT-M STL | 1 | 1 | |
| 13 | 641374 | MALE ELBOW 90° NON-SWIVEL / PUSH-IN FITTING / #4x3/8NPT-M BR | 1 | 1 | |
| 14 | 641371 | MALE ELBOW 90° NON-SWIVEL / PUSH-IN FITTING / #4x1/4NPT-M BR | 1 | 1 | |
| 15 | 501316 | BUSHING REDUCER / PIPE FITTING / 1/2NPT-Mx1/4NPT-F BR | 1 | 1 | |
| 16 | 501473 | MALE RUN TEE / PIPE FITTING / 1/2NPT-Mx1/2NPT-Fx1/2NPT-F BR | 2 | 2 | |
| 17 | 5011119 | ADAPTER / PIPE FITTING / 1/2NPT-Fx1/2NPT-M BR | 1 | 1 | |
| 19 | 501308 | ADAPTER / PIPE FITTING / 1/4NPT-Fx1/4NPT-M BR | 1 | 1 | |
| 20 | 647893 | ADAPTER / PIPE FITTING / 1/4NPT-MxM16-F STL | 1 | 1 | |
| 21 | 20829689 | SENSOR PRESSURE / 0-15bar | 1 | 1 | |
| 22 | 501534 | BUSHING REDUCER / PIPE FITTING / 1/2NPT-Mx3/8NPT-F BR | 1 | 1 | |
| 23 | 507557 | STREET ELBOW 90° / PIPE FITTING / 1/2NPT-Mx1/2NPT-F BR | 2 | 2 | |
| 24 | 640995 | MALE CONNECTOR / NTA FITTING / #12x1/2NPT-M BR | 1 | 1 | |
| 25 | 501528 | STREET ELBOW 45° / PIPE FITTING / 1/2NPT-Mx1/2NPT-F BR | 1 | 1 | |
| | | | | | |
| | | | | | |
| | | | | | |
| | | A) WITH PRIME - "POWER RECOVERY BY INTELLIGENT MANAGEMENT OF ENERGY" | | | |

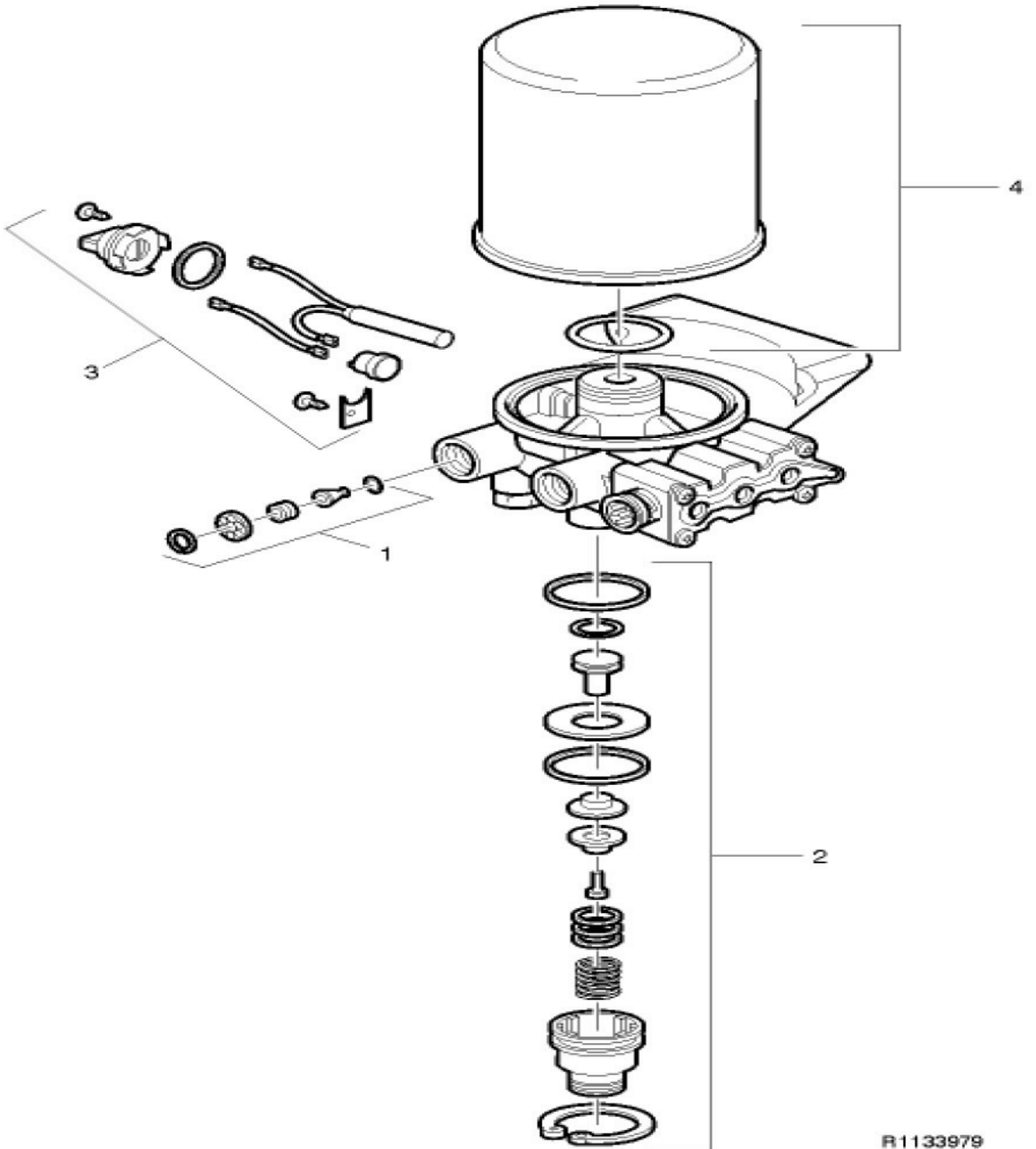


From D-5460 To D-5489

Date:10/2022

PAGE:21440978

AIR DRYER "WABCO" 12 VOLTS





| | | |
|-----------------------------------|--------------|---------------|
| From D-5460 To D-5489 | Date:10/2022 | PAGE:21440978 |
| AIR DRYER "WABCO" 12 VOLTS | | |

| Item# | Part | Description | X 3 V I P | X L I I E N T 4 5 | N O T E S |
|-------|---------|---|-----------------------|---|-----------------------|
| 1 | 641281 | OUTLET CHECK VALVE KIT | 1 | 1 | |
| 2 | 641283 | PURGE VALVE KIT | 1 | 1 | |
| 3 | 3918354 | HEATER ASSY KIT 12 VOLTS | 1 | 1 | |
| . NS | 562251 | . CONNECTOR / METRI-PACK 280 / SH 2C / PED 12020599 | 1 | 1 | |
| . NS | 562101 | . SOCKET TERMINAL / 14-12 / PED 12129493 | 2 | 2 | |
| 4 | 642123 | DESICANT CARTRIDGE / "WABCO" / SS-1200UP | 1 | 1 | |
| 4 | 640045 | DESICANT CARTRIDGE / "WABCO" | 1 | 1 | |
| | | | | | |
| | | | | | |
| | | | | | |



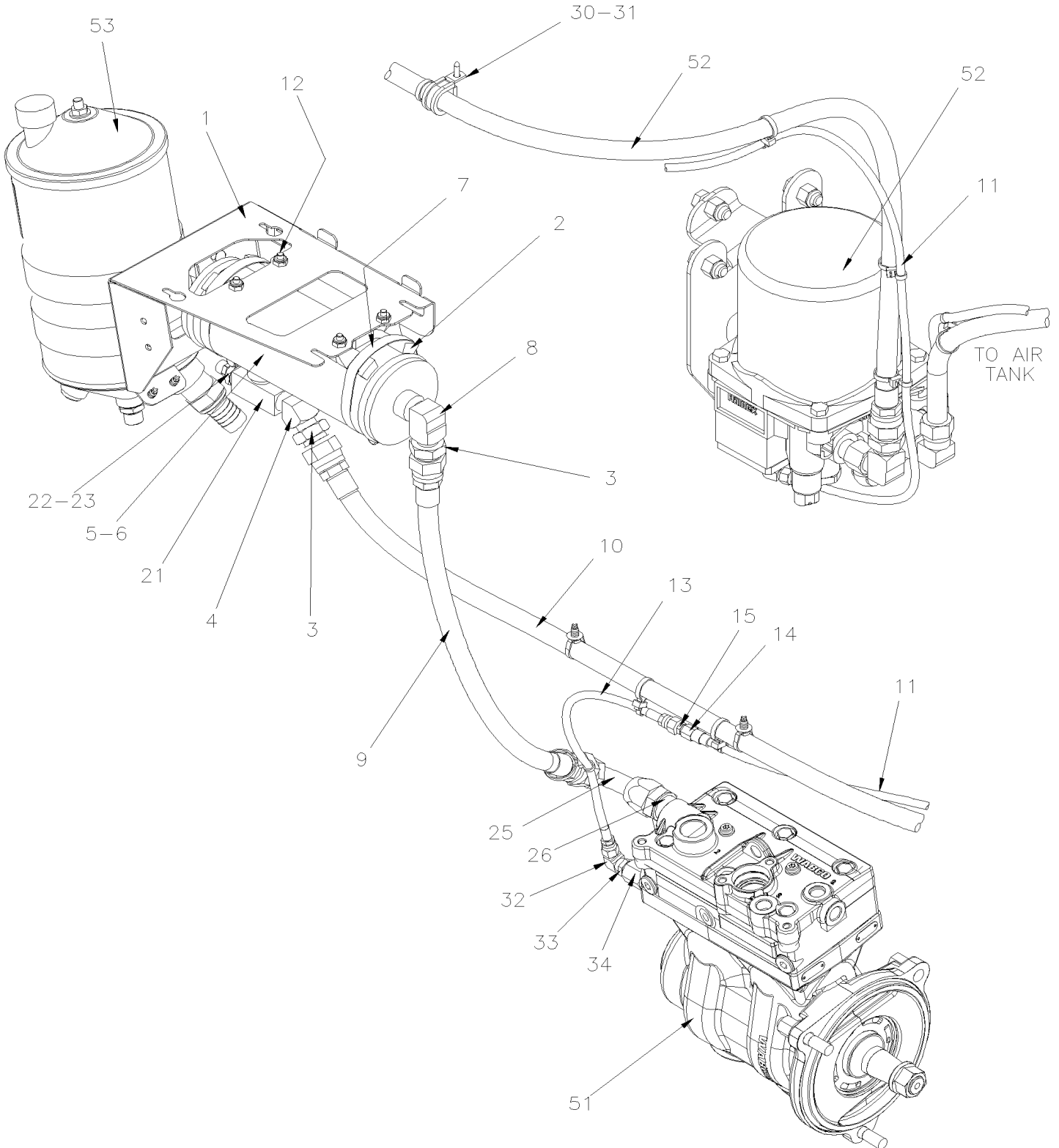
From B-5003 To D-5489

Date:10/2022

PAGE:XV-1215-10

AIR DRYER - INSTALLATION

WITH VOLVO D13 ENGINE EPA 2010





From B-5003 To D-5489 Date:10/2022 PAGE:XV-1215-10

AIR DRYER - INSTALLATION

| Item# | Part | Description | X 3 V I P | X L I E N T 4 5 | N O T E S |
|-------|-------------------|--|-----------------------|--------------------------------------|-----------------------|
| 1 | 161332 | SUPPORT / AIR TANK & POWER STEERING RESERVOIR | 1 | 1 | |
| 2 | 161337 | SUPPORT / PING AIR TANK | 1 | 1 | |
| 3 | 501600 | MALE CONNECTOR / JIC 37° FITTING / #12JIC-Mx1/2NPT-M STL | 2 | 2 | |
| 4 | 501528 | STREET ELBOW 45° / PIPE FITTING / 1/2NPT-Mx1/2NPT-F BR | 1 | 1 | |
| 5 | 501966 | PLUG HEXS / PIPE FITTING / 1/2NPT-M STL | 1 | 1 | |
| 6 | 641982 | AIR TANK / 96 IN° / 3 1/2" O.D. X 10" | 1 | 1 | |
| 7 | 504235 | HOSE CLAMP / 3"9/16"-4"1/2 SS / HS-64 | 2 | 2 | |
| 8 | 507557 | STREET ELBOW 90° / PIPE FITTING / 1/2NPT-Mx1/2NPT-F BR | 1 | 1 | |
| 9 | 143198 | HOSE ASSY TEFLON #12 410MM | 1 | 1 | |
| 11 | 503464 | TUBE, NYLON 1/4 O.D. / GREEN S.L. | AR | AR | |
| 12 | 500558 | SCREW MA TR PH 1/4-20x1 SS | 4 | 4 | |
| NS | 500411 | WASHER FL .260x.697x.050 SS | 4 | 4 | |
| NS | 502874 | NUT HEX NYRT 1/4-20 N500 | 4 | 4 | |
| 13 | 140657 | HOSE ASSY TEFLON #4 364MM | 1 | 1 | |
| 14 | 642080 | FEMALE CONNECTOR / PUSH-IN FITTING / #4x1/8NPT-F NP | 1 | 1 | |
| 15 | 501026 | MALE CONNECTOR / SAE 45° FITTING / #4FL-Mx1/8NPT-M BR | 1 | 1 | |
| 21 | 507556 | MALE BRANCHE TEE / PIPE FITTING / 1/2NPT-Fx1/2NPT-Fx1/2NPT-M BR | 1 | 1 | |
| 22 | 501316 | BUSHING REDUCER / PIPE FITTING / 1/2NPT-Mx1/4NPT-F BR | 1 | 1 | |
| 23 | 642109 | SAFETY VALVE 200 PSI x 1/4 NPT / ST-4 | 1 | 1 | |
| 25 | 507544 | SWIVEL NUT ELBOW 90° SHORT / JIC 37° FITTING/ #12JIC-Fx#12JIC-Mx1.82 STL | 1 | 1 | |
| 26 | 507647 | MALE CONNECTOR W/ED SEAL / JIC 37° FITTING / #12JIC-MxM26-1.5-M STL | 1 | 1 | |
| 30 | 952631 | CLAMP / 3/4" I.D. | AR | AR | |
| 30 | 952633 | CLAMP / 7/8" I.D. | AR | AR | |
| 31 | 500957 | SCREW TP BDG PH #10x3/4 N500 | AR | AR | |
| 32 | 501873 | MALE ELBOW 90° / JIC 37° FITTING / #4JIC-Mx1/4NPT-M STL | 1 | 1 | |
| 33 | 501314 | BUSHING REDUCER / PIPE FITTING / 3/8NTP-Mx1/4NPT-F BR | 1 | 1 | |
| 34 | 5011205 | FEMALE CONNECTOR / PIPE @ METRIC / 3/8NPT-FxM16-1.5-M ZP | 1 | 1 | |
| . NS | 641297 | . O-RING 13.1MM I.D. X 2.6 TH | 1 | 1 | |
| . NS | 641298 | . WASHER FL 17MM I.D x 22MM O.D. x 1.5MM | 1 | 1 | |
| 51 | XV-1205-10 | AIR COMPRESSOR - "WABCO" 636CC - WITH VOLVO D13 | | | |
| 52 | XV-1215-00 | AIR DRYER - "HALDEX" | | | |
| 53 | XV-1420-00 | POWER STEERING TANK - 4 QT U.S. | 1 | 1 | |
| | | | | | |
| | | | | | |
| | | | | | |

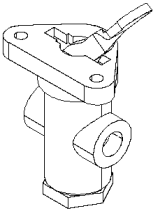
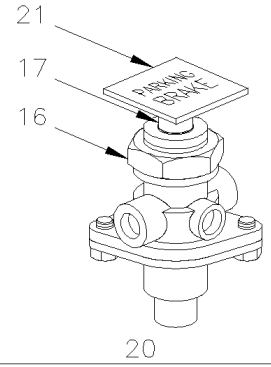


From B-5003 To D-5489

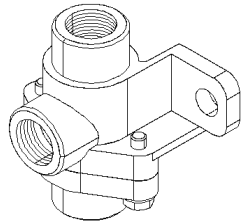
Date:10/2022

PAGE:XV-1220-00

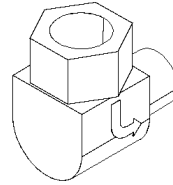
MISCELLANEOUS AIR VALVE



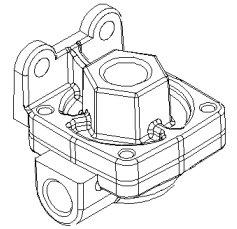
25



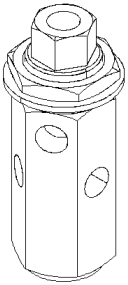
30



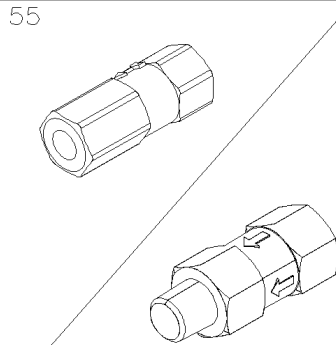
35



40

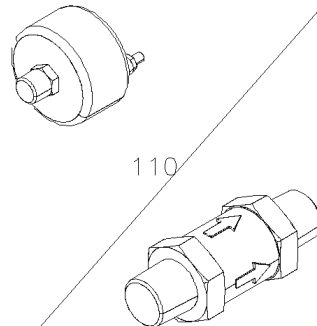


45



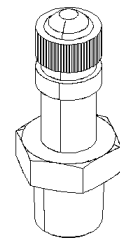
55

50

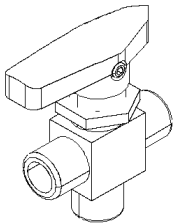


110

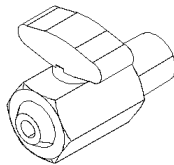
60



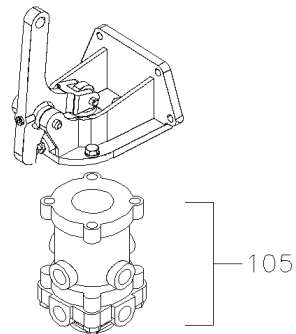
70



75

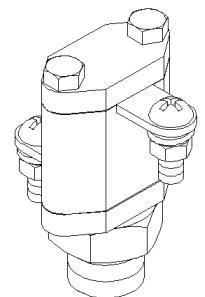


90



105

100



85

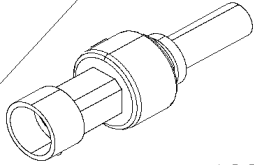


From B-5003 To D-5489

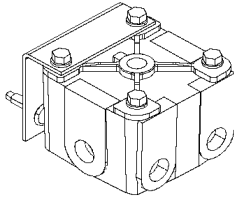
Date:10/2022

PAGE:XV-1220-00

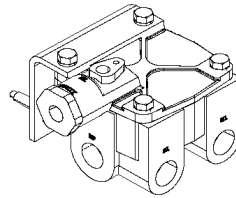
MISCELLANEOUS AIR VALVE



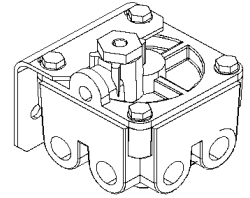
120



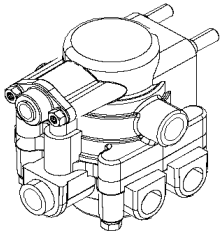
125



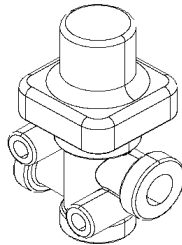
130



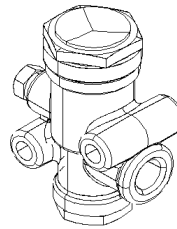
135



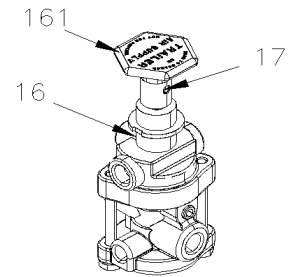
145



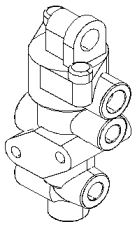
150



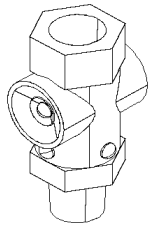
155



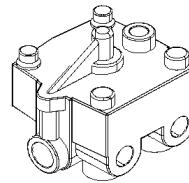
160



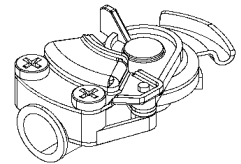
170



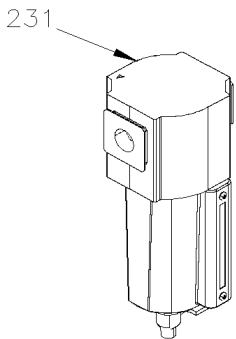
175



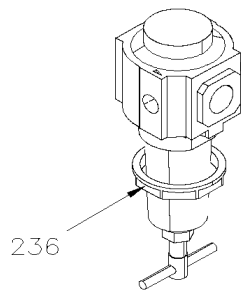
180



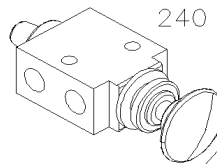
185



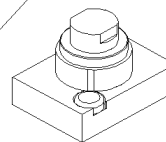
230



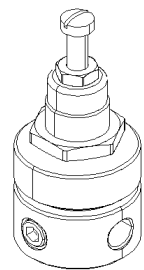
235



240



241



245

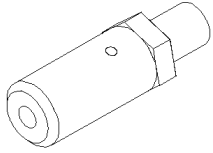


From B-5003 To D-5489

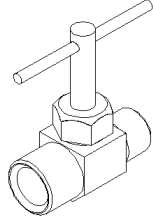
Date:10/2022

PAGE:XV-1220-00

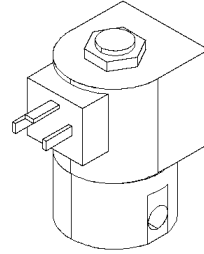
MISCELLANEOUS AIR VALVE



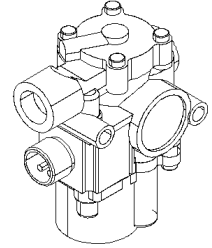
250



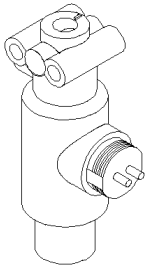
260



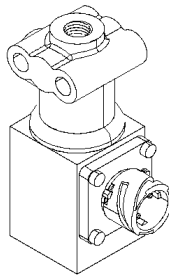
275



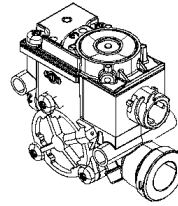
300



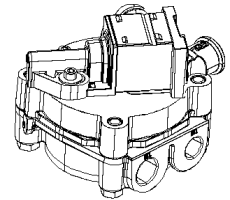
305



310



322



323

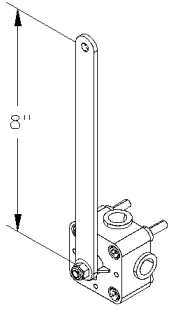


From B-5003 To D-5489

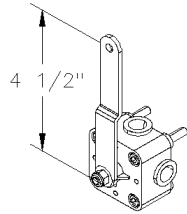
Date:10/2022

PAGE:XV-1220-00

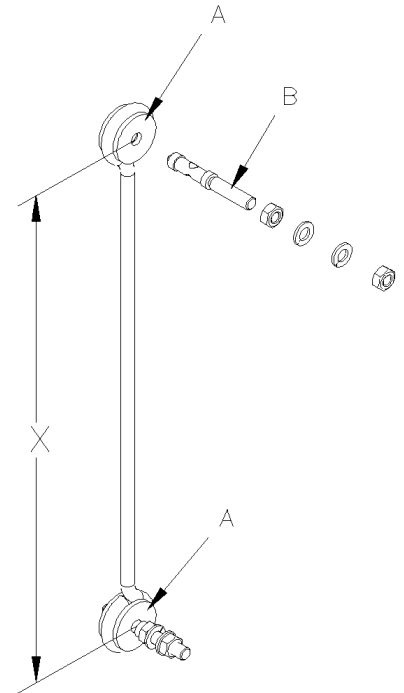
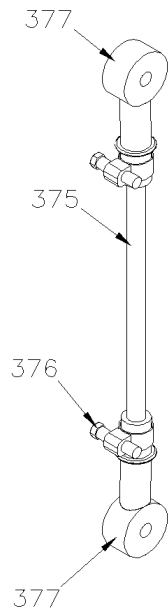
MISCELLANEOUS AIR VALVE



350



355



385

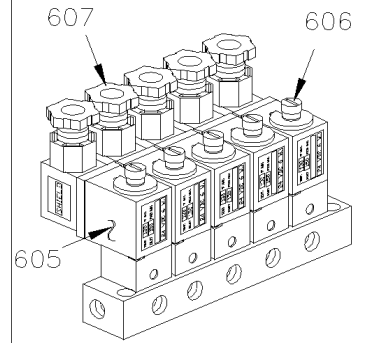


From B-5003 To D-5489

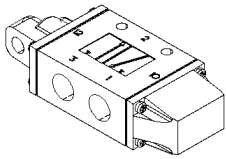
Date:10/2022

PAGE:XV-1220-00

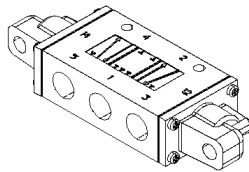
MISCELLANEOUS AIR VALVE



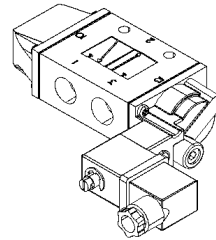
603



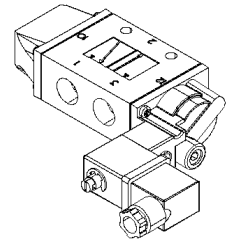
610



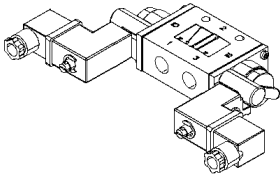
615



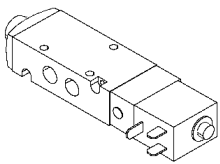
620



625



630



650



From B-5003 To D-5489 Date:10/2022 PAGE:XV-1220-00

MISCELLANEOUS AIR VALVE

| Item# | Part | Description | X 3 V I P | X L I I E N T 4 5 | N O T E S |
|-------|----------|---|-----------------------|---|-----------------------|
| 16 | 640297 | NUT | 1 | 1 | |
| 17 | 640286 | PIN ROLLER | 1 | 1 | |
| 18 | 641155 | BUTTON, OVERRULE ROUND BLACK | 1 | 1 | |
| NS | 640394 | BUTTON, PARKING BRAKE ROUND BLACK / 1" | 1 | 1 | |
| 20 | 641128 | VALVE, CONTROL VALVE PP-1 / 40PSI To D-5452 | 1 | 1 | |
| . NS | 641154 | . REPAIR KIT / PP-1 & RD-3 To D-5452 | 1 | 1 | |
| 20 | 642169 | VALVE, CONTROL VALVE PP-1 / 60PSI From D-5453 | 1 | 1 | |
| . NS | 641154 | . REPAIR KIT / PP-1 & RD-3 From D-5453 | 1 | 1 | |
| . NS | 641149 | . BUTTON, PARKING BRAKE DIAMOND YELLOW / 1" From D-5453 | 1 | 1 | |
| 21 | 641149 | BUTTON, PARKING BRAKE DIAMOND YELLOW / 1" | 1 | 1 | |
| 25 | 640136 | VALVE, CONTROL TW-1 | 1 | 1 | |
| . NS | 641156 | . REPAIR KIT / TW-1 | 1 | 1 | |
| 30 | 641564 | VALVE, DOUBLE CHECK DC-4 | 1 | 1 | |
| 35 | 641172 | VALVE, CHECK ELBOW 90° 1/2 NPT | 1 | 1 | |
| 40 | 641429 | VALVE, QUICK RELEASE QR-1 / 3/8NPTx3/8NPTx3/8NPT | 1 | 1 | |
| . NS | 640924 | . REPAIR KIT / QR-1 | 1 | 1 | |
| 45 | 640442 | VALVE, INVERSION TR-2 | 1 | 1 | |
| 50 | 640135 | VALVE, CHECK 1/4 NPT | 1 | 1 | |
| 55 | 640123 | VALVE, CHECK 1/2 NPT SC-1 | 1 | 1 | |
| . NS | 641401 | . VALVE, CHECK 1/2 NPT SC-1 | 1 | 1 | |
| 55 | 641401 | VALVE, CHECK 1/2 NPT SC-1 | 1 | 1 | |
| 60 | 530175 | VALVE, CHECK 1/8 NPT | 1 | 1 | |
| 70 | 640488 | VALVE, AIR FILL 1/8" NPT | 1 | 1 | |
| . NS | 650164 | . CAP VALVE / CHROME | 1 | 1 | |
| 75 | 641417 | VALVE, 3 WAYS 1/8NPT-Fx1/8NPT-Fx1/8NPT-F BR To C-5132 | 1 | 1 | |
| . NS | 642014 | . HANDLE / RED To C-5132 | 1 | 1 | |
| 75 | 642161 | VALVE, 3 WAYS 1/8NPT-Fx1/8NPT-Fx1/8NPT-F BR From C-5133 | 1 | 1 | |
| . NS | 642014 | . HANDLE / RED From C-5133 | 1 | 1 | |
| 85 | 640975 | PRESSURE SWITCH N.C. 66PSI / 1/4NPT LP-3 | 1 | 1 | |
| 85 | 641174 | PRESSURE SWITCH N.C. 30PSI / 1/4NPT LP-2 | 1 | 1 | |
| 90 | 641043 | DRAIN VALVE 1/4 NPT M | 1 | 1 | |
| 100 | 641856 | BRAKE VALVE ASSY W/BACKET / MODEL E-10P | 1 | 1 | |
| . NS | 19507993 | . BOOT PLUNGER | 1 | 1 | |
| . NS | 19510779 | . PLUNGER | 1 | 1 | |
| . NS | 2222120 | . MOUNTING BRACKET COUPLING D-1 | 1 | 1 | |
| 105 | 641925 | . VALVE SUB ASSY / MODEL E-10P | 1 | 1 | |
| 110 | 641462 | PRESSURE SWITCH N.O. 4PSI / 1/4NPT W/10-32 / SL-5 BRAKE | 1 | 1 | |
| 120 | 642075 | TRANSDUCER PRESSURE | 1 | 1 | |
| . NS | 563159 | . CONNECTOR / METRI-PACK 150 / SH 3C / PED 12065287 | 1 | 1 | |
| 125 | 641088 | VALVE, RELAY R-12 HORIZONTAL PORT | 1 | 1 | |
| 125 | 642068 | VALVE, RELAY R-12 HORIZONTAL PORT / W/OUT SUPPORT | 1 | 1 | |
| 130 | 641120 | VALVE, RELAY R-14 HORIZONTAL PORT 4psi Crack | 1 | 1 | |



| | | |
|-----------------------|--------------|-----------------|
| From B-5003 To D-5489 | Date:10/2022 | PAGE:XV-1220-00 |
|-----------------------|--------------|-----------------|

MISCELLANEOUS AIR VALVE

| Item# | Part | Description | X 3 V I P | X L I E N T 4 5 | N O T E S |
|-------|----------|---|-----------------------|--------------------------------------|-----------------------|
| . NS | 10508267 | . KIT, REPAIR | 1 | 1 | |
| 135 | 641991 | VALVE, RELAY R-14 "WABCO" | 1 | 1 | |
| 145 | 643384 | VALVE / SPRING BRAKE SR-7 | 1 | 1 | |
| . NS | 642119 | . VALVE / SPRING BRAKE SR-7 | 1 | 1 | |
| 150 | 641137 | VALVE, PRESSURE PROTECTION TYPE PR-4 70PSI | 1 | 1 | |
| 155 | 640471 | VALVE, INVERSION TR-3 25-40LBS | 1 | 1 | |
| 155 | 21243502 | VALVE PRESSURE REDUCER RV-3 / K028993 | 1 | 1 | |
| 160 | 641397 | TRAILER SUPPLY VALVE PP-7 | 1 | 1 | |
| 161 | 641935 | BUTTON RED / FOR TRAILER VALVE PP-7 | 1 | 1 | |
| 170 | 641495 | TRACTOR PROTECTION VALVE TP-3 DC | 1 | 1 | |
| 175 | 642088 | VALVE, QUICK RELEASE QR-L / IN LINE | 1 | 1 | |
| 180 | 641399 | VALVE, RELAY R-12 P SUPPERSEDED 642097 | 1 | 1 | |
| 185 | 641939 | GLANDHAND W/DUST COVER "BLUE" | 1 | 1 | |
| 185 | 641938 | GLANDHAND W/DUST COVER "RED" | 1 | 1 | |
| 230 | 641338 | AIR FILTER ASSY | 1 | 1 | |
| 231 | 641339 | SUPPORT / AIR FILTER | 1 | 1 | |
| 235 | 641352 | AIR PRESSURE REGULATOR 1/2" NPT | 1 | 1 | |
| 236 | 641506 | NUT RING / AIR REGULATOR RETAINING | 1 | 1 | |
| 240 | 641445 | VALVE, 3 WAYS, 2 POSITIONS MECHANICAL To D-5458 | 1 | 1 | |
| . NS | 641992 | . KNOB To D-5458 | 1 | 1 | |
| 241 | 642173 | VALVE, 3 WAYS, 2 POSITIONS MECHANICAL From D-5459 | 1 | 1 | |
| 245 | 641472 | AIR PRESSURE REGULATOR 1/4" NPT / COPPER | 1 | 1 | |
| 250 | 642022 | SAFETY VALVE 150 PSI X 3/8 NPT / ST-3 | 1 | 1 | |
| 260 | 501354 | NEEDLE VALVE 1/8 NPT M x 1/8 NPT F | 1 | 1 | |
| 275 | 562804 | VALVE, 2 WAYS N.C. | 1 | 1 | |
| . NS | 562848 | . CONNECTOR / SOCKET HOUSING ASSY 3C / PNEUMAC 54933-05 | 1 | 1 | |
| 300 | 641951 | VALVE, "ABS" 12VOLT | 1 | 1 | |
| 305 | 641460 | VALVE, "ATC" 24VOLT | 1 | 1 | |
| 305 | 641950 | VALVE, "ATC" 12VOLT | 1 | 1 | |
| 310 | 642079 | VALVE, "ATC" 12VOLT | 1 | 1 | |
| 322 | 642077 | VALVE, "ABS" 12VOLT / M-32QR | 1 | 1 | A |
| 322 | 640228 | VALVE, "ABS" 12VOLT / M-40QR | 1 | 1 | |
| 350 | 630156 | VALVE, HEIGHT CONTROL "BARKSDALE" 8" | 1 | 1 | |
| 355 | 630237 | VALVE, HEIGHT CONTROL "BARKSDALE" / FRONT 4½" | 1 | 1 | |
| 375 | 131351 | ROD LINK / 140MM | 1 | 1 | |
| 375 | 131308 | ROD LINK / 305MM x .250" | 1 | 1 | |
| 376 | 504014 | . HOSE CLAMP / 1/4"-5/8" SS / HM-4 | AR | AR | |
| 377 | 630133 | . ROD END / BLACK RUBBER 1/4" I.D. | | | |
| 385 | 630231 | LINK ASSY 185MM C/C 7 1/4" | 1 | 1 | |
| . A | N8889244 | . GROMMET / LINK | 2 | 2 | |
| . B | 630250 | . STUD RETAINER 1/4-20 X 1" | 2 | 2 | |
| . C | 500247 | . NUT HEX 1/4-20 N500 | 4 | 4 | |



| | | |
|--------------------------------|--------------|-----------------|
| From B-5003 To D-5489 | Date:10/2022 | PAGE:XV-1220-00 |
| MISCELLANEOUS AIR VALVE | | |

| Item# | Part | Description | X 3 V I P | X L I I E N T 4 5 | N O T E S |
|-------|----------|--|-----------------------|---|-----------------------|
| . D | 500473 | . WASHER LO SPT .262x.489x.062 Z050 | 4 | 4 | |
| 385 | 630263 | LINK ASSY 317MM C/C 11 1/2" | 1 | 1 | |
| . A | N8889244 | . GROMMET / LINK | 2 | 2 | |
| . B | 630250 | . STUD RETAINER 1/4-20 X 1" | 2 | 2 | |
| . NS | 500769 | . NUT HEX 1/4-20 Z050 | 4 | 4 | |
| . NS | 500473 | . WASHER LO SPT .262x.489x.062 Z050 | 4 | 4 | |
| 603 | 641205 | MANIFOLD VALVE / W/5 SOLENOID | 1 | 1 | |
| . NS | 641928 | . KIT, MANIFOLD REPAIR / N.C. | 5 | 5 | |
| . NS | 641107 | . COIL 24V | 5 | 5 | |
| 610 | 641274 | VALVE, 3 WAYS, 2 POSITIONS N.C. | 1 | 1 | |
| 615 | 641531 | VALVE, 5 WAYS, 3 POSITIONS | 1 | 1 | |
| . NS | 641186 | . SPOOL | 1 | 1 | |
| 620 | 641937 | VALVE, 3 WAYS, 2 POSITIONS N.C. / W/MAN OVERRIDE | 1 | 1 | |
| . NS | 641929 | . COIL 24V | 1 | 1 | |
| . NS | 641385 | . CONNECTOR / SOCKET HOUSING ASSY 3C / PNEUMAC 54934-01 | 1 | 1 | |
| 625 | 641528 | VALVE, 3 WAYS, 2 POSITIONS N.O. | 1 | 1 | |
| . NS | 641929 | . COIL 24V | 1 | 1 | |
| . NS | 641169 | . SPOOL | 1 | 1 | |
| . NS | 641385 | . CONNECTOR / SOCKET HOUSING ASSY 3C / PNEUMAC 54934-01 | 1 | 1 | |
| 630 | 641530 | VALVE, 3 WAYS, 2 POSITIONS / 2 SOLONIDS | 1 | 1 | |
| . NS | 641929 | . COIL 24V | 1 | 1 | |
| . NS | 641169 | . SPOOL | 1 | 1 | |
| . NS | 641385 | . CONNECTOR / SOCKET HOUSING ASSY 3C / PNEUMAC 54934-01 | 1 | 1 | |
| 650 | 642023 | VALVE, 5 WAYS, 2 POSITIONS 24V / MODEL V19 | 1 | 1 | |
| . NS | 641385 | . CONNECTOR / SOCKET HOUSING ASSY 3C / PNEUMAC 54934-01 | 1 | 1 | |
| | | | | | |
| | | | | | |
| | | | | | |
| | | A) WHEN YOU REPLACE THE VALVE #642077 BY THE VALVE #640228 YOU HAVE REPLACE BOTH SIDE LEFT AND RIGHT | | | |

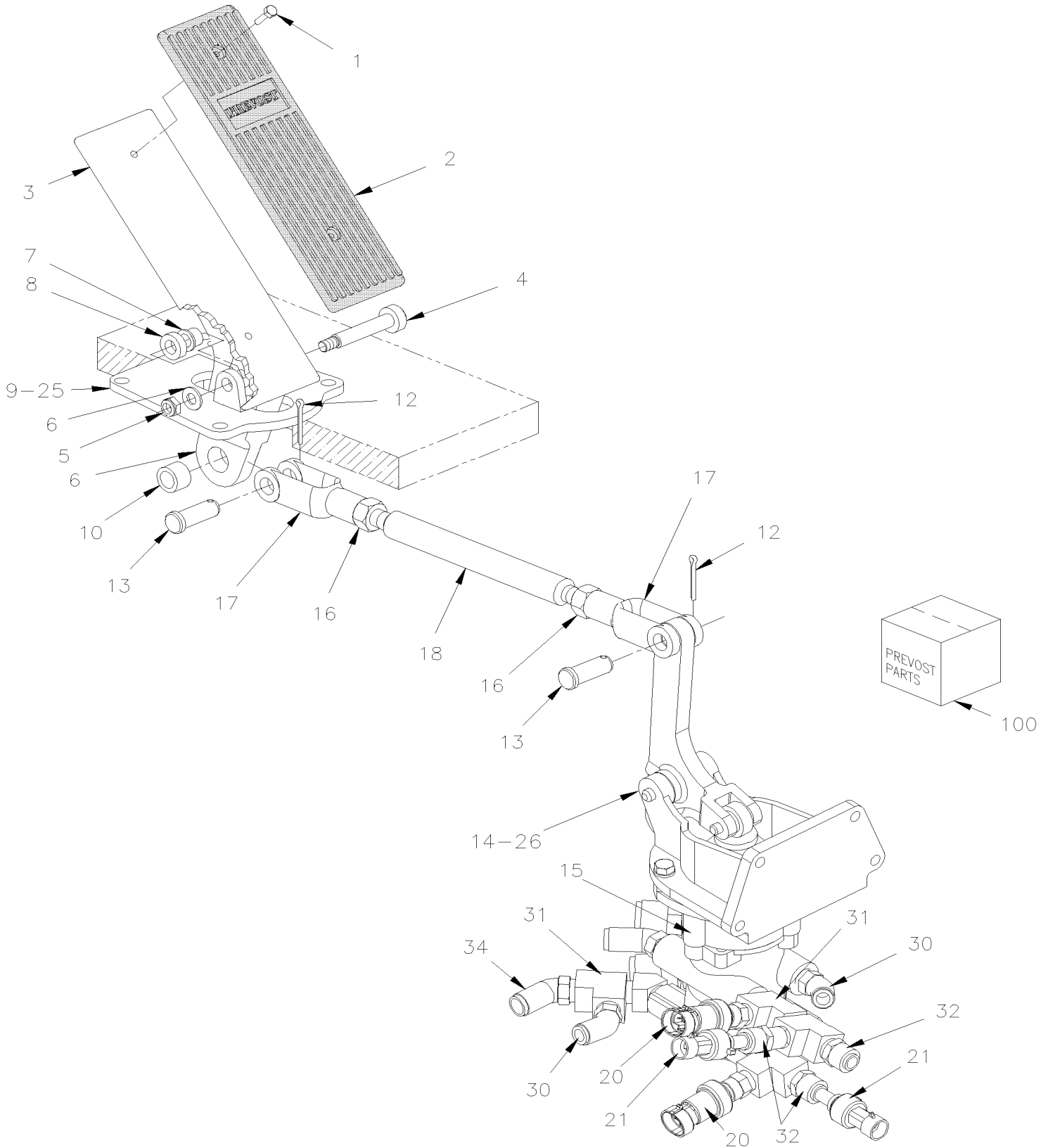


From B-5003 To D-5489

Date:10/2022

PAGE:XV-1220-10

BRAKE PEDAL VALVE - "BENDIX"





| | | |
|-------------------------------------|--------------|-----------------|
| From B-5003 To D-5489 | Date:10/2022 | PAGE:XV-1220-10 |
| BRAKE PEDAL VALVE - "BENDIX" | | |

| Item# | Part | Description | X 3 V I P | X L I I E N T 4 5 | N O T E S |
|-------|----------|--|-----------------------|---|-----------------------|
| | 141206 | PEDAL ASSY | 1 | 1 | |
| 1 | 500416 | . SCREW MA PAN PH #10-32x1/2 BK | 2 | 2 | |
| 2 | 142842 | . THREADLE COVER / W/STEEL BACKING | 1 | 1 | |
| 3 | 141207 | . PEDAL BRAKE | 1 | 1 | |
| 4 | 502575 | . SCREW SHR HEXS 10x50 (M8-1.25 | 1 | 1 | |
| 5 | 500868 | . NUT HEX NYRT M8-1.25 Z050 | 1 | 1 | |
| 6 | 500874 | . WASHER FL 8.4x17.0x1.6 Z050 | 1 | 1 | |
| 7 | 507297 | . FLANGE BUSHING | 2 | 2 | |
| 8 | 141211 | . SPACER | 1 | 1 | |
| 9 | 141996 | . SUPPORT ASSY / TO FIX BRAKE PEDAL | 1 | 1 | |
| 10 | 507307 | . BUSHING OIL 1/2 I.D. X 3/4 O.D. X 1/2 | 1 | 1 | |
| 12 | 502102 | PIN, COTTER 1/8 x 1 | 1 | 1 | |
| 13 | 502035 | PIN, CLEVIS 1/2 x 1 3/8 Z050 | 1 | 1 | |
| 14 | 641856 | BRAKE VALVE ASSY W/BACKET / MODEL E-10P | 1 | 1 | |
| . NS | 19507993 | . BOOT PLUNGER | 1 | 1 | |
| . NS | 19510779 | . PLUNGER | 1 | 1 | |
| . NS | 2222120 | . MOUNTING BRACKET COUPLING D-1 | 1 | 1 | |
| 15 | 641925 | . VALVE SUB ASSY / MODEL E-10P | 1 | 1 | |
| 16 | 500716 | NUT HEX 1/2-20 Z050 | 1 | 1 | |
| 17 | 142830 | YOKE 1/2-20x1 15/16 C/Lx9/16Wx1/2 | 1 | 1 | |
| 17 | 142831 | YOKE L.H. 1/2-20x1 15/16 C/Lx9/16Wx1/2 | 1 | 1 | |
| 18 | 142829 | SHAFT THREADED W/R.H. & L.H. THREAD 260MM To C-5235 | 1 | 1 | |
| 18 | 142849 | SHAFT THREADED W/R.H. & L.H. THREAD 275MM From C-5236 | 1 | 1 | |
| 20 | 642072 | PRESSURE SWITCH N.C. 2-6 PSI / 1/4" TUBE | 2 | 2 | |
| . NS | 563677 | . CONNECTOR / METRI-PACK 150 / SH 4C / PED 12065402 | 1 | 1 | |
| 21 | 642075 | TRANSDUCER PRESSURE | AR | AR | |
| . NS | 563159 | . CONNECTOR / METRI-PACK 150 / SH 3C / PED 12065287 | 1 | 1 | |
| 25 | 5001814 | SCREW CAP HEX 5/16-18X1 1/2 G5 N500 | 4 | 4 | |
| 25 | 500942 | WASHER LO SPT 8.1x14.8x2.0 N500 | 4 | 4 | |
| 26 | 5001738 | SCREW CAP HEX M8-1.25x30 G8.8 N500 | 4 | 4 | |
| 26 | 502692 | NUT HEXF STO M8-1.25 Z050 | 4 | 4 | |
| 30 | 641367 | MALE ELBOW 45° NON-SWIVEL / PUSH-IN FITTING / #6x3/8NPT-M BR | AR | AR | |
| 31 | 501699 | MALE RUN TEE / PIPE FITTING / 3/8NPT-Mx3/8NPT-Fx3/8NPT-F BR | AR | AR | |
| 32 | 641330 | MALE CONNECTOR / PUSH-IN FITTING / #6x3/8NPT-M BR | AR | AR | |
| 33 | 641375 | MALE ELBOW 90° NON-SWIVEL / PUSH-IN FITTING / #6x3/8NPT-M BR | AR | AR | |
| 34 | 641368 | MALE ELBOW 45° NON-SWIVEL / PUSH-IN FITTING / #8x3/8NPT-M BR | AR | AR | |
| 35 | 641602 | MALE CONNECTOR / PUSH-IN FITTING / #10x3/8NPT-M BR | AR | AR | |
| 36 | 501330 | STREET ELBOW 45° / PIPE FITTING / 3/8NPT-Mx3/8NPT-F BR | AR | AR | |
| 37 | 501449 | PLUG HEXS / PIPE FITTING / 3/8NPT-M STL | 1 | 1 | |
| 100 | 640949 | KIT, REPAIR / BRAKE VALVE E-10 | 1 | 1 | |
| | | | | | |
| | | | | | |



| | | | |
|-----------------------|--|--------------|-----------------|
| From B-5003 To D-5489 | | Date:10/2022 | PAGE:XV-1220-10 |
|-----------------------|--|--------------|-----------------|

BRAKE PEDAL VALVE - "BENDIX"

| Item# | Part | Description | X 3 V I P | X L I I E N T 4 5 | N O T E S |
|-------|------|-------------|-----------------------|---|-----------------------|
| | | | | | |

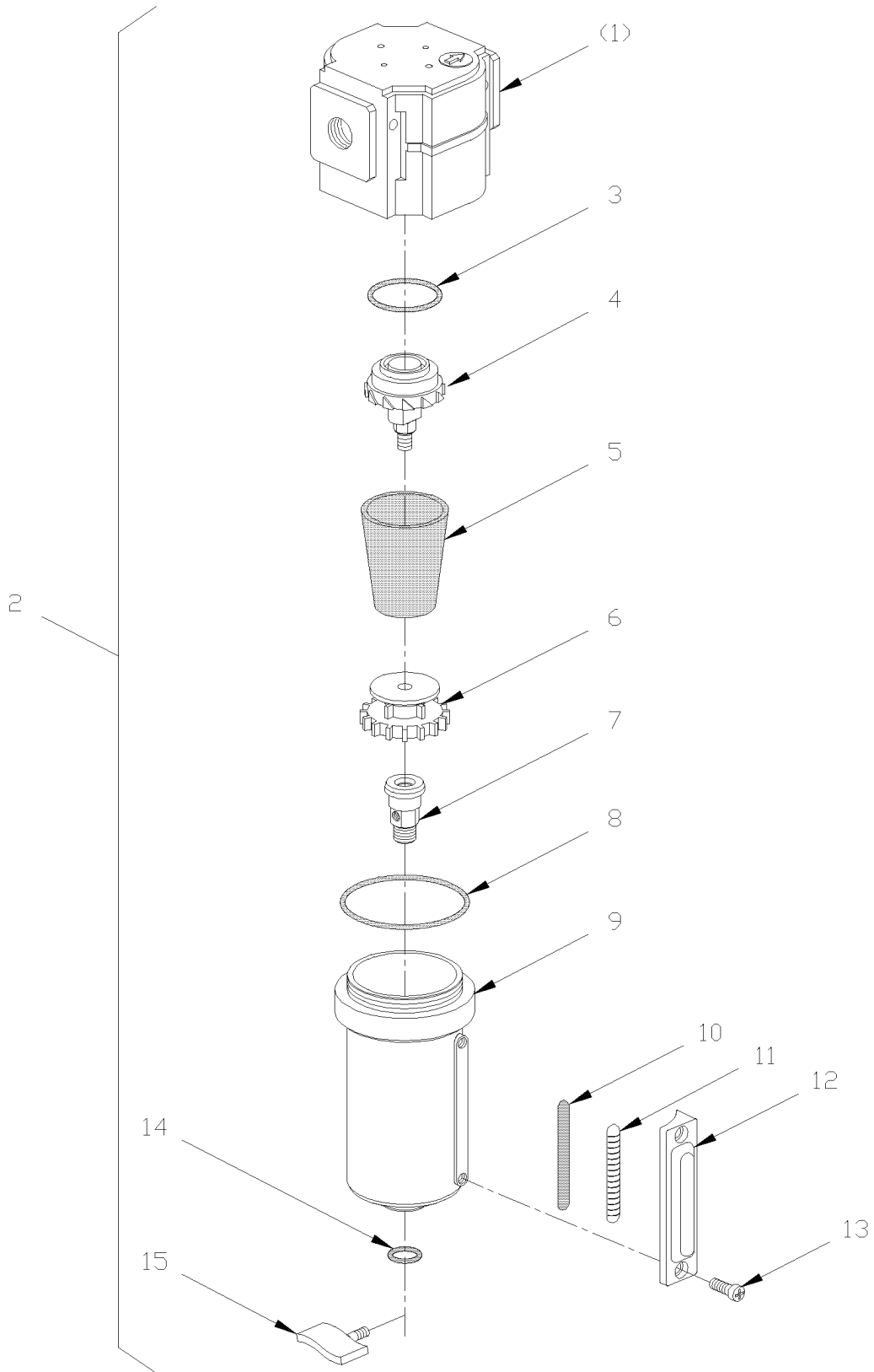


From B-5003 To D-5489

Date:10/2022

PAGE:XV-1220-15

AIR FILTER - ACCESSORIES





| | | |
|---------------------------------|--------------|-----------------|
| From B-5003 To D-5489 | Date:10/2022 | PAGE:XV-1220-15 |
| AIR FILTER - ACCESSORIES | | |

| Item# | Part | Description | X 3 V I P | X L I I E N T 4 5 | N O T E S |
|-------|---------|--------------------------------|-----------------------|---|-----------------------|
| 1 | 641339 | SUPPORT / AIR FILTER | 1 | 1 | |
| 2 | 641338 | AIR FILTER ASSY | 1 | 1 | |
| 3 | N.S.S. | . O-RING / UPPER CENTER POST | 1 | 1 | 1 |
| 4 | 641969 | . CENTER POST | 1 | 1 | |
| 5 | 641340 | . FILTER ELEMENT | 1 | 1 | |
| 6 | 641970 | . SCREW BAFFLE | 1 | 1 | |
| 7 | 641971 | . DRAIN VALVE BODY | 1 | 1 | |
| 8 | N.S.S. | . O-RING / UPPER BOWL | 1 | 1 | 1 |
| 9 | N.S.S. | . BOWL METAL | 1 | 1 | 1 |
| 10 | N.S.S. | . INDICATOR FILTER | 1 | 1 | 1 |
| 11 | N.S.S. | . GLASS / INDICATOR | 1 | 1 | 1 |
| 12 | N.S.S. | . RETAINER / GLASS | 1 | 1 | 1 |
| 13 | N.S.S. | . SCREW / TO FIX RETAINER | 2 | 2 | 1 |
| 14 | N.S.S. | . O-RING / LOWER BOWL | 1 | 1 | 1 |
| 15 | 641972 | . DRAIN VALVE | 1 | 1 | |
| 16 | N.S.S. | . NUT RETAINER / DRAIN VALVE | 1 | 1 | 1 |
| 17 | 641354 | KIT, O-RING | AR | AR | A |
| 17 | 641355 | KIT, LEVEL INDICATOR | AR | AR | B |
| 17 | 7770058 | KIT, DRAIN VALVE | AR | AR | C |
| | | | | | |
| | | | | | |
| | | | | | |
| | | A) INCLUDE ITEMS #3,8 & 14 | | | |
| | | B) INCLUDE ITEMS #8,10,11 & 13 | | | |
| | | C) INCLUDE ITEMS #7,14 & 15 | | | |
| | | 1) NOT SOLD SEPARATELY | | | |

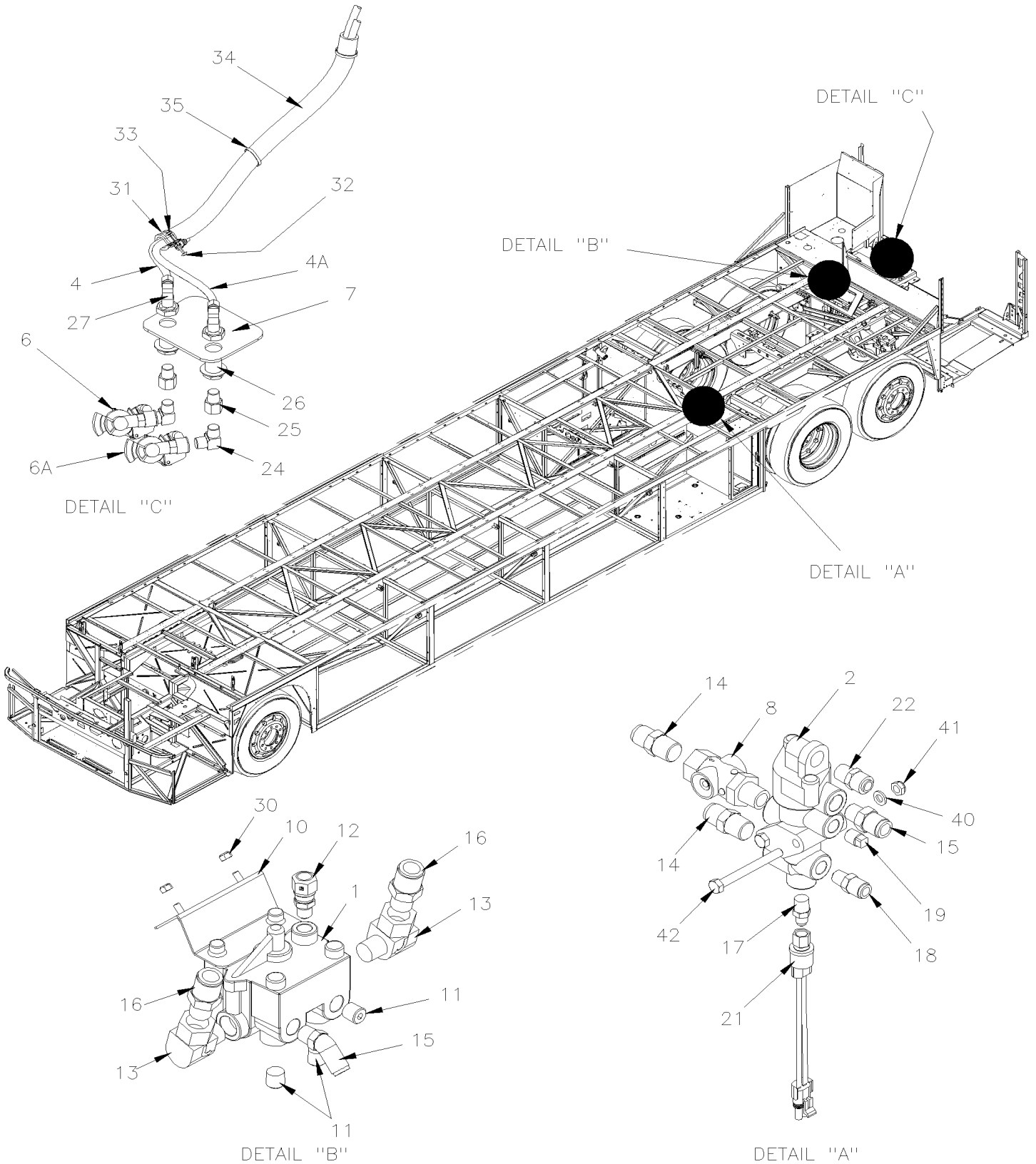


From B-5003 To D-5489

Date:10/2022

PAGE:XV-1220-50

TRAILER VALVE INSTALLATION



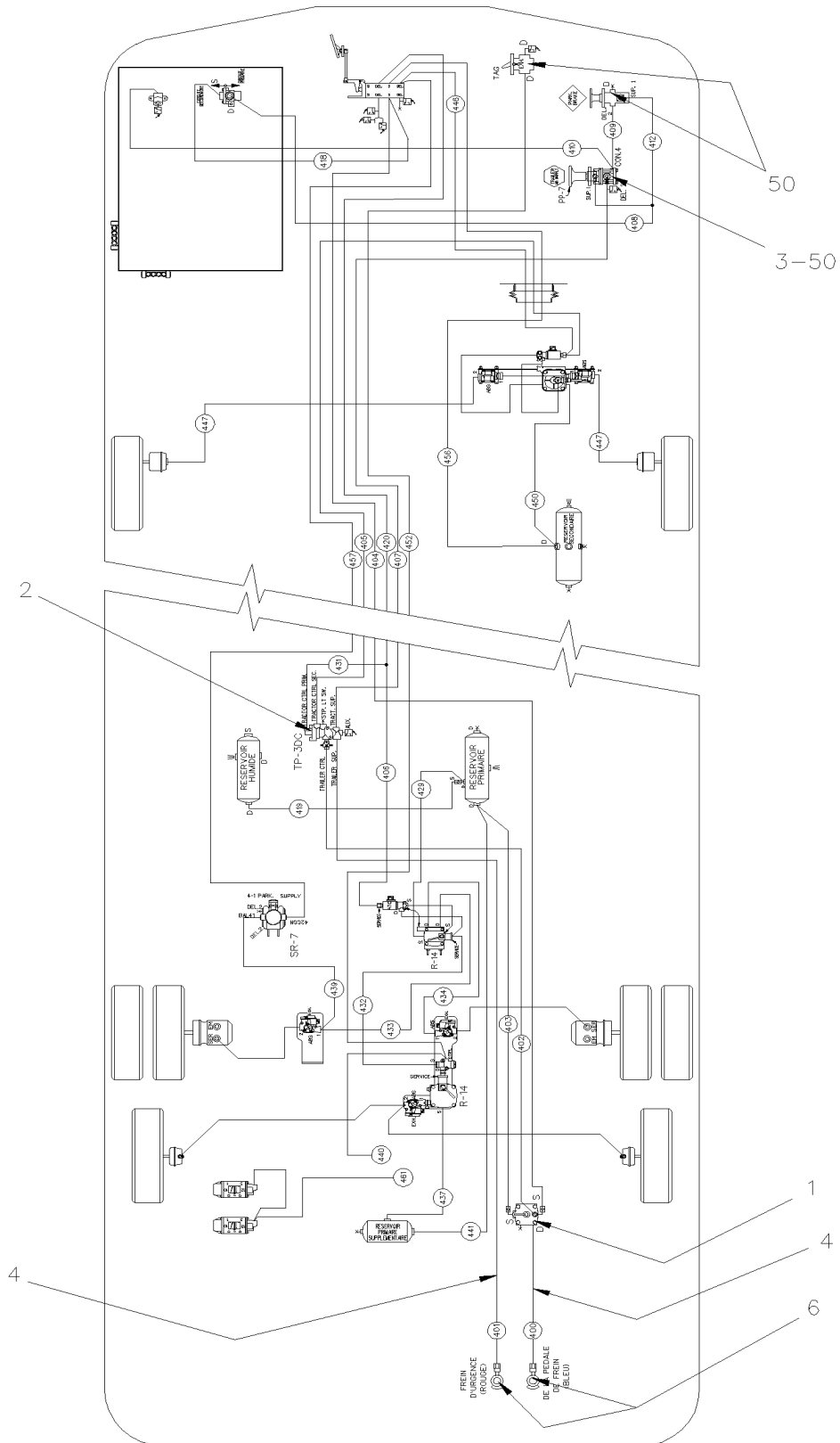


From B-5003 To D-5489

Date:10/2022

PAGE:XV-1220-50

TRAILER VALVE INSTALLATION





| | | |
|------------------------------|---------------------|------------------------|
| From B-5003 To D-5489 | Date:10/2022 | PAGE:XV-1220-50 |
|------------------------------|---------------------|------------------------|

TRAILER VALVE INSTALLATION

| Item# | Part | Description | X 3 V I P | X L I I E N T 4 5 | N O T E S |
|-------|-------------------|---|-----------------------|---|-----------------------|
| 1 | 641399 | VALVE, RELAY R-12 P SUPPERSEDED 642097 | 1 | 1 | |
| 2 | 641495 | TRACTOR PROTECTION VALVE TP-3 DC | 1 | 1 | |
| 3 | 641397 | TRAILER SUPPLY VALVE PP-7 | 1 | 1 | |
| 4 | 503638 | TUBE, NYLON 1/2 O.D. / BROWN S.L. | AR | AR | |
| 4A | 503406 | TUBE, NYLON 1/2 O.D. / GREEN S.L. | AR | AR | |
| 5 | 640992 | MALE CONNECTOR / NTA FITTING / #8x1/2NPT-M BR | AR | AR | |
| 6 | 641938 | GLANDHAND W/DUST COVER "RED" | 1 | 1 | |
| 6A | 641939 | GLANDHAND W/DUST COVER "BLUE" | 1 | 1 | |
| 7 | 410997 | SUPPORT QUICK CONNECT HOSE CONNECTOR | 1 | 1 | |
| 8 | 642088 | VALVE, QUICK RELEASE QR-L / IN LINE | 1 | 1 | |
| 9 | 643384 | VALVE / SPRING BRAKE SR-7 | 1 | 1 | |
| . NS | 642119 | . VALVE / SPRING BRAKE SR-7 | 1 | 1 | |
| 10 | 142697 | SUPPORT VALVE R-12P To D-5459 | 1 | 1 | |
| 10 | 142850 | SUPPORT VALVE R-12P From D-5460 | 1 | 1 | |
| 11 | 501449 | PLUG HEXS / PIPE FITTING / 3/8NPT-M STL | 3 | 3 | |
| 12 | 641173 | MALE CONNECTOR / NTA FITTING / #8x1/4NPT-M BR | 1 | 1 | |
| 13 | 641172 | VALVE, CHECK ELBOW 90° 1/2 NPT | 2 | 2 | |
| 14 | 641383 | MALE CONNECTOR / PUSH-IN FITTING / #8x1/2NPT-M BR | AR | AR | |
| 15 | 641381 | MALE CONNECTOR / PUSH-IN FITTING / #8x3/8NPT-M BR | AR | AR | |
| 16 | 641384 | MALE CONNECTOR / PUSH-IN FITTING / #10x1/2NPT-M BR | AR | AR | |
| 17 | 641027 | MALE ELBOW 45° / NTA FITTING / #10x1/2NPT-M BR | AR | AR | |
| 18 | 641331 | MALE CONNECTOR / PUSH-IN FITTING / #6x1/4NPT-M BR | AR | AR | |
| 19 | 501800 | PLUG HEXS / PIPE FITTING / 1/4NPT-M STL | AR | AR | |
| 21 | 950245 | PRESSURE SWITCH N.C. 20-30 LO-UNLOAD W/WIRE BLACK | 1 | 1 | |
| 22 | 641330 | MALE CONNECTOR / PUSH-IN FITTING / #6x3/8NPT-M BR | AR | AR | |
| 23 | 452043 | PRESSURE SWITCH N.O. 60-35 20SP001AA060E035E | 1 | 1 | |
| 24 | 501713 | MALE ELBOW 90° / PIPE FITTING / 1/2NPT-Mx1/2NPT-M BR | 2 | 2 | |
| 25 | 5011119 | ADAPTER / PIPE FITTING / 1/2NPT-Fx1/2NPT-M BR | 2 | 2 | |
| 26 | 501796 | BULKHEAD COUPLING / PIPE FITTING / 1/2NPT-Fx1/2NPT-Fx1 1/2 BR | 2 | 2 | |
| 27 | 641076 | MALE ELBOW 90° / NTA FITTING / #8x1/2NPT-M BR | 2 | 2 | |
| 30 | 502681 | NUT HEX NYRT M6-1.0 N500 G8 | 2 | 2 | |
| 31 | 562036 | CLAMP / 7/8" I.D. X 90° | 1 | 1 | |
| 32 | 500606 | SCREW MA TR PH #10-24x3/4 SS | 3 | 3 | |
| 33 | 500767 | NUT HEX #10-24 Z050 | 3 | 3 | |
| 34 | 562218 | CONVOLUTED TUBING / UNSLIT / BLACK & GRAY / 1.000" | AR | AR | |
| 35 | 504637 | CABLE TIE / 3/16" x 13" | AR | AR | |
| 40 | 502507 | WASHER LO SPT 8.1x14.8x2.0 Z050 | 2 | 2 | |
| 41 | 500868 | NUT HEX NYRT M8-1.25 Z050 | 2 | 2 | |
| 42 | 502650 | SCREW CAP HEX M8-1.25x80 G8.8 Z050 | 2 | 2 | |
| 50 | XV-1806-50 | L.H. CONSOLE - MTH | | | |
| 51 | XV-1220-10 | BRAKE PEDAL VALVE - "BENDIX" | | | |



| | | |
|-----------------------|--------------|-----------------|
| From B-5003 To D-5489 | Date:10/2022 | PAGE:XV-1220-50 |
|-----------------------|--------------|-----------------|

TRAILER VALVE INSTALLATION

| Item# | Part | Description | X 3 V I P | X L I I E N T 4 5 | N O T E S |
|-------|--------|-------------------------|-----------------------|---|-----------------------|
| NS | 143039 | DECAL / TRAILER FRENCH | 1 | 1 | |
| NS | 143040 | DECAL / TRAILER ENGLISH | 1 | 1 | |
| NS | 143065 | DECAL / TRAILER SPANISH | 1 | 1 | |
| | | | | | |
| | | | | | |
| | | | | | |

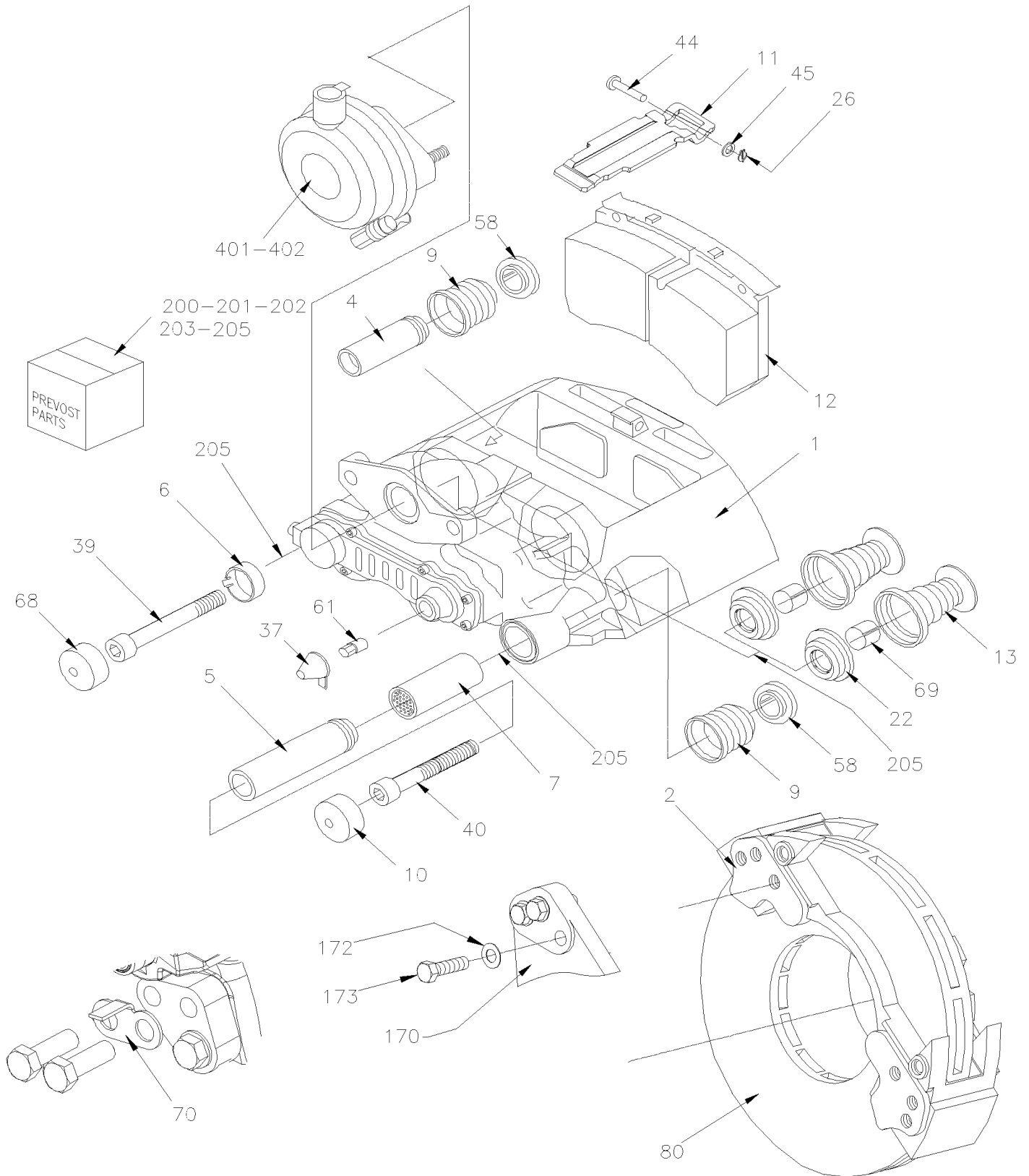


From B-5003 To D-5489

Date:10/2022

PAGE:XV-1225-00

BRAKE PARTS - FRONT & TAG AXLE "KNORR-BREMSE" SN7 SERIES W/NEW SLIDE PINS





From B-5003 To D-5489 Date:10/2022 PAGE:XV-1225-00

BRAKE PARTS - FRONT & TAG AXLE "KNORR-BREMSE" SN7 SERIES W/NEW SLIDE PINS

| Item# | Part | Description | X 3 V I P | X L I I E N T 4 5 | N O T E S |
|-------|-------------------|--|-----------------------|---|-----------------------|
| | 642134 | CALIPER ASSY R.H. FRONT & TAG OR L.H. DRIVE AXLE / W/O BOOSTER SN7 | 1 | 1 | |
| | 642139 | CALIPER ASSY L.H. FRONT & TAG OR R.H. DRIVE AXLE / W/O BOOSTER SN7 | 1 | 1 | |
| 1 | N.S.S. | . CALIPER HOUSING | 1 | 1 | 1 |
| 2 | 611960 | . BRAKE CARRIER / W/6 HOLES BOLT RETAINERS M20-1.5 | 1 | 1 | |
| 4 | N.S.S. | . . GUIDE BUSHING / SHORT | 1 | 1 | 1 |
| 5 | N.S.S. | . . GUIDE BUSHING / LONG | 1 | 1 | 1 |
| 6 | N.S.S. | . . GUIDE BUSHING / DU | 1 | 1 | 1 |
| 7 | | . . BUSHING / BRASS | 1 | 1 | |
| 8 | N.S.S. | . . BOOT RUBBER / WHITE | 2 | 2 | 1 |
| 9 | N.S.S. | . . BELLOW GUIDE BUSHING / RED | 2 | 2 | 1 |
| 10 | N.S.S. | . . STEEL CAP | 1 | 1 | 1 |
| 11 | N.S.S. | . . BRAKE PAD BRACKET | 1 | 1 | 1 |
| 12 | 611049 | . . LINING SET STD / | 1 | 1 | B |
| . 11 | N.S.S. | . . . BRAKE PAD BRACKET | 1 | 1 | 1B |
| . 26 | N.S.S. | . . . SPRING SPLIT PIN | 1 | 1 | 1B |
| . 37 | 641313 | . . . PLUG CAP / ADJUSTING DEVICE / PLASTIC INTERIOR GRIP | 1 | 1 | B |
| . 44 | N.S.S. | . . . CLEVIS PIN | 1 | 1 | 1B |
| . 45 | N.S.S. | . . . WASHER | 1 | 1 | 1B |
| . 61 | N.S.S. | . . . SHEAR ADAPTER | 1 | 1 | 1B |
| 13 | N.S.S. | . . TAPPET WITH BOOT ASSY | 2 | 2 | 1 |
| 22 | N.S.S. | . . BOOT | 2 | 2 | 1 |
| 26 | N.S.S. | . . SPRING SPLINT PIN | 1 | 1 | 1 |
| 37 | N.S.S. | . . PLUG CAP / ADJUSTING DEVICE | 1 | 1 | 1 |
| 39 | N.S.S. | . . SCREW CAP HEXS ZP M16-1.5 GR10.9 | 1 | 1 | 1 |
| 40 | N.S.S. | . . SCREW CAP HEXS ZP M16-1.5 GR10.9 | 1 | 1 | 1 |
| 44 | N.S.S. | . . CLEVIS PIN | 1 | 1 | 1 |
| 45 | N.S.S. | . . WASHER | 1 | 1 | 1 |
| 58 | N.S.S. | . . RING | 2 | 2 | 1 |
| 61 | N.S.S. | . . SHEAR ADAPTER | 1 | 1 | 1 |
| 68 | N.S.S. | . . CAP | 1 | 1 | 1 |
| 69 | N.S.S. | . RING RETAINING | 2 | 2 | 1 |
| 70 | 110786 | BRAKE WEAR INDICATOR MECHANICAL / 44MM From A-9953 | AR | AR | |
| 80 | XV-1300-00 | HUB & ROTOR - FRONT AXLE MODEL "NDIFS80P" | | | |
| 80 | XV-1310-00 | HUB & ROTOR - TAG AXLE TYPE TS8U | | | |
| 170 | XV-1005-50 | FRONT AXLE - INDEPENDENT MODEL "NDIFS80P" / 18000LBS | | | |
| 170 | XV-1615-00 | TAG AXLE - INSTALL SUSPENSION ONE PIECE | | | |
| 172 | 502558 | WASHER FL 21.0x37.0x3.0 G500 | 6 | 6 | |
| 173 | 5001529 | SCREW CAP HEX M20-1.5x60 G10.9 G500 | 6 | 6 | |
| 200 | 642032 | KIT, TAPPET W/BOOT | AR | AR | C |
| 201 | 642141 | KIT, GUIDANCE PINS & BELLOW / SN W/ GUIDE SLEEVE BUSHING END | AR | AR | E |
| 202 | 642034 | KIT, PLUG CAP W/AJUSTING DEVICE (PACK of 10x #37, #37a & 61) | AR | AR | S |
| 203 | 641402 | KIT, PAD HOLDER | AR | AR | H |



| | | |
|--|--------------|-----------------|
| From B-5003 To D-5489 | Date:10/2022 | PAGE:XV-1225-00 |
| BRAKE PARTS - FRONT & TAG AXLE "KNORR-BREMSE" SN7 SERIES W/NEW SLIDE PINS | | |

| Item# | Part | Description | X 3 V I P | X L I I E N T 4 5 | N O T E S |
|-------|-------------------|---|-----------------------|---|-----------------------|
| . 26 | N.S.S. | . SPRING SPLIT PIN | 1 | 1 | 1 H |
| . 44 | N.S.S. | . CLEVIS PIN | 1 | 1 | 1 H |
| . 45 | N.S.S. | . WASHER | 1 | 1 | 1 H |
| 205 | 683345 | GREASE WHITE / 5GR | AR | AR | K |
| 205 | 641930 | GREASE WHITE / 500GR | AR | AR | K |
| NS | 641321 | TOOL / THRUST MEMBER W/BELLOW | AR | AR | L |
| NS | 641322 | TOOL / CALIPER INNER BELLOW | AR | AR | M |
| NS | 19400416 | TOOL / PUSH-IN INNER BOOT (9) | AR | AR | M |
| NS | 642074 | TOOL / BUSHING INSTALLER / SERIES SN | AR | AR | N |
| NS | 641435 | TOOL / FORK (FOR BELLOW CAP) | AR | AR | L |
| 305 | N.P.N. | TOOL / PRESS IN COVER / K015825 | AR | AR | 4 X |
| 306 | N.P.N. | TOOL / BUSHING - INSTALLER & REMOVER KIT / K005986 | AR | AR | 4 Y |
| 307 | N.P.N. | TOOL / RUBBER BUSHING - INSTALLER / K016743 | AR | AR | 4 Z |
| NS | 642035 | KIT TOOL BOX "KNORR BREMSE" SERIE SN7 | AR | AR | |
| 401 | XV-1225-10 | BRAKE CHAMBER - FRONT AXLE | | | |
| 402 | XV-1245-10 | BRAKE CHAMBER - TAG AXLE | | | |
| 500 | Y006471_000_EN | MAINTENANCE MANUAL / ENGLISH KNORR-BREMSE | | | |
| NS | Y006471_000_FR | MANUEL D'ENTRETIEN / FRANÇAIS KNORR-BREMSE | | | |
| | | | | | |
| | | | | | |
| | | | | | |
| | | B) INCLUDES ITEMS #11, 26, 37, 44, 45 & 61 | | | |
| | | C) INCLUDES 2 OF ITEMS #13, 22 & 69 | | | |
| | | E) INCLUDES ITEMS #4, 5, 6, 7, 9, 10, 39, 40, 58 & 68 | | | |
| | | H) INCLUDES ITEMS #11,26,44 & 45 | | | |
| | | K) FOR ITEMS #5 & 7 | | | |
| | | L) TO USE W/ITEMS #13 | | | |
| | | M) TO USE W/ITEM #9 | | | |
| | | N) TO USE W/ITEM #7 | | | |
| | | S) INCLUDES 10 ITEMS #37 AND 61 | | | |
| | | X) TO USE WITH ITEM #10 | | | |
| | | Y) TO USE WITH ITEM 6 | | | |
| | | Z) TO USE WITH ITEM #68 | | | |
| | | 1) NOT SOLD SEPARATELY | | | |
| | | 4) NO PARTS NUMBER | | | |
| | | 1) NOT SOLD SEPARATELY | | | |

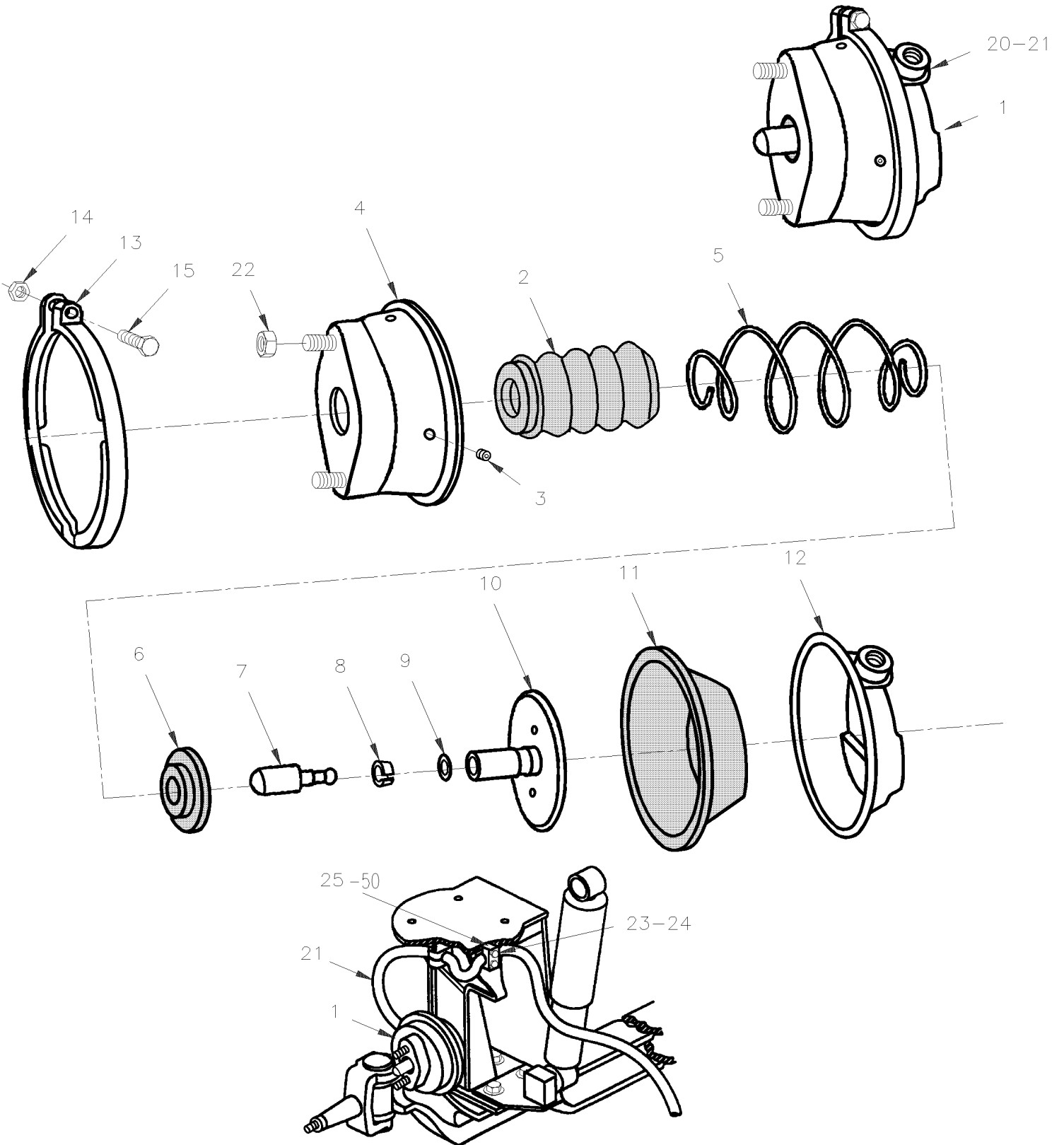


From B-5003 To D-5489

Date:10/2022

PAGE:XV-1225-10

BRAKE CHAMBER - FRONT AXLE





| | | |
|-----------------------|--------------|-----------------|
| From B-5003 To D-5489 | Date:10/2022 | PAGE:XV-1225-10 |
|-----------------------|--------------|-----------------|

BRAKE CHAMBER - FRONT AXLE

| Item# | Part | Description | X 3 V I P | X L I I E N T 4 5 | N O T E S |
|-------|-------------------|--|-----------------------|---|-----------------------|
| 1 | 611276 | BRAKE CHAMBER ASSY R.H. / TYPE 27 | 1 | 1 | |
| NS | 611277 | BRAKE CHAMBER ASSY L.H. / TYPE 27 | 1 | 1 | |
| 2 | N.S.S. | . BOOT | 1 | 1 | 1 |
| 3 | N.S.S. | . HOLE PLUG | 1 | 1 | 1 |
| 4 | N.S.S. | . CHAMBER , NO-PRESSURE | 1 | 1 | 1 |
| 5 | N.S.S. | . SPRING | 1 | 1 | 1 |
| 6 | N.S.S. | . SPRING SEAT | 1 | 1 | 1 |
| 7 | N.S.S. | . PUSH ROD END | 1 | 1 | 1 |
| 8 | N.S.S. | . RETAINER | 1 | 1 | 1 |
| 9 | N.S.S. | . RING | 1 | 1 | 1 |
| 10 | N.S.S. | . PUSH ROD | 1 | 1 | 1 |
| 11 | N.S.S. | . DIAPHRAMG / TYPE 27 | 1 | 1 | 1 |
| 12 | N.S.S. | . CHAMBER PRESSURE PLATE | 1 | 1 | 1 |
| 13 | N.S.S. | . CLAMP W/BOLT & NUT | 1 | 1 | 1 |
| 14 | 502543 | . NUT HEX M8-1.25 Z050 | 1 | 1 | |
| 15 | 5001021 | . SCREW CAP HEXS M8-1.25x60 G8.8 PT | 1 | 1 | |
| 20 | 660914 | MALE ELBOW 90° / JIC 37° FITTING / #8JIC-MxM16-1.5-M STL | AR | AR | |
| . NS | 641297 | . O-RING 13.1MM I.D. X 2.6 TH | 1 | 1 | |
| . NS | 641298 | . WASHER FL 17MM I.D x 22MM O.D. x 1.5MM | 1 | 1 | |
| 21 | 641903 | HOSE BRAKE #8 1090MM (43") | 2 | 2 | |
| 22 | 5001253 | NUT HEX STO M16-1.5 G500 | 1 | 1 | |
| 23 | 504612 | COLLAR 13/16" I.D. / TO FIX HOSE | 2 | 2 | |
| 24 | 504614 | PLATE RETAINING / COLLAR | 2 | 2 | |
| 25 | 142352 | HOSE SUPPORT R.H. | 1 | 1 | |
| 25 | 142353 | HOSE SUPPORT L.H. | 1 | 1 | |
| 50 | XV-1250-10 | ABS BRAKE VALVE - INSTALLATION | | | |
| 100 | 641422 | KIT REPAIR / TYPE 24 | 1 | 1 | |
| | | | | | |
| | | | | | |
| | | | | | |
| | | 1) NOT SOLD SEPARATELY | | | |

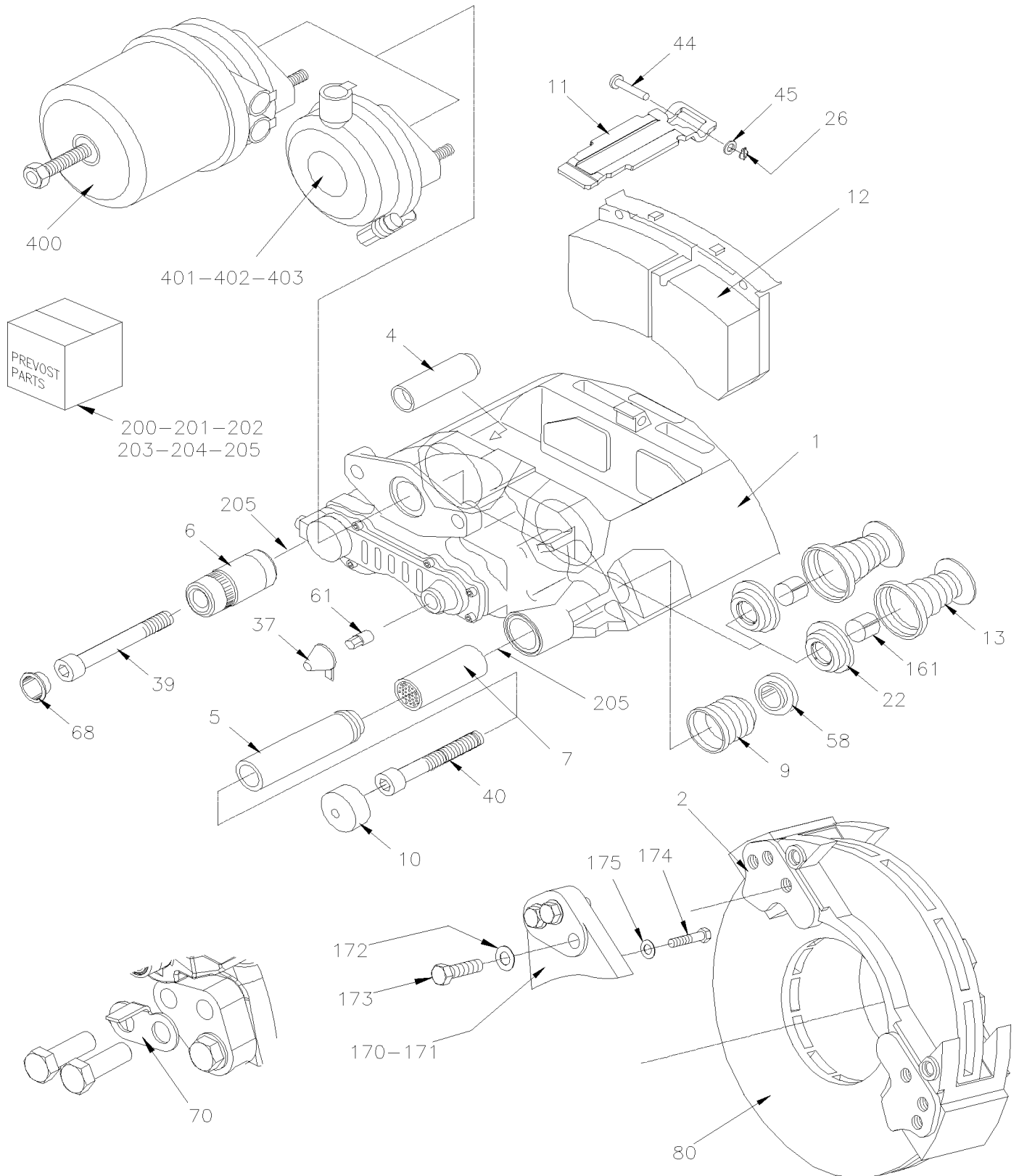


From B-5003 To D-5489

Date:10/2022

PAGE:XV-1235-00

BRAKE PARTS - DRIVE AXLE "KNORR-BREMSE" SN7 SERIES





From B-5003 To D-5489 Date:10/2022 PAGE:XV-1235-00

BRAKE PARTS - DRIVE AXLE "KNORR-BREMSE" SN7 SERIES

| Item# | Part | Description | X 3 V I P | X L I I E N T 4 5 | N O T E S |
|-------|-------------------|--|-----------------------|---|-----------------------|
| | 611341 | CALIPER ASSY R.H. / W/O BOOSTER / SN7 | 1 | 1 | A |
| | 611342 | CALIPER ASSY L.H. / W/O BOOSTER / SN7 | 1 | 1 | A |
| 1 | N.S.S. | . CALIPER HOUSING | 1 | 1 | 1 |
| 2 | 611960 | . BRAKE CARRIER / W/6 HOLES BOLT RETAINERS M20-1.5 | 1 | 1 | |
| 4 | N.S.S. | . . GUIDE BUSHING / SHORT | 1 | 1 | 1 |
| 5 | N.S.S. | . . GUIDE BUSHING / LONG | 1 | 1 | 1 |
| 6 | N.S.S. | . . GUIDE SLEEVE | 1 | 1 | 1 |
| 7 | 611107 | . . BUSHING / BRASS | 1 | 1 | |
| 8 | N.S.S. | . . BOOT RUBBER / WHITE | 2 | 2 | 1 |
| 9 | N.S.S. | . . BELLOW GUIDE BUSHING / RED | 1 | 1 | 1 |
| 10 | N.S.S. | . . STEEL CAP | 1 | 1 | 1 |
| 11 | N.S.S. | . . BRAKE PAD BRACKET | 1 | 1 | 1 |
| 12 | 611049 | . . LINING SET STD / | 1 | 1 | B |
| . 11 | N.S.S. | . . . BRAKE PAD BRACKET | 1 | 1 | 1 B |
| . 26 | N.S.S. | . . . SPRING SPLIT PIN | 1 | 1 | 1 B |
| . 37 | 641313 | . . . PLUG CAP / ADJUSTING DEVICE / PLASTIC INTERIOR GRIP | 1 | 1 | B |
| . 44 | N.S.S. | . . . CLEVIS PIN | 1 | 1 | 1 B |
| . 45 | N.S.S. | . . . WASHER | 1 | 1 | 1 B |
| . 61 | N.S.S. | . . . SHEAR ADAPTER | 1 | 1 | 1 B |
| 13 | N.S.S. | . . TAPPET WITH BOOT ASSY | 2 | 2 | 1 |
| 22 | N.S.S. | . . BOOT | 2 | 2 | 1 |
| 26 | N.S.S. | . . SPRING SPLINT PIN | 1 | 1 | 1 |
| 37 | N.S.S. | . . PLUG CAP / ADJUSTING DEVICE | 1 | 1 | 1 |
| 39 | N.S.S. | . . SCREW CAP HEXS ZP M16-1.5 GR10.9 | 1 | 1 | 1 |
| 40 | N.S.S. | . . SCREW CAP HEXS ZP M16-1.5 GR10.9 | 1 | 1 | 1 |
| 44 | N.S.S. | . . CLEVIS PIN | 1 | 1 | 1 |
| 45 | N.S.S. | . . WASHER | 1 | 1 | 1 |
| 58 | N.S.S. | . . RING | 1 | 1 | 1 |
| 61 | N.S.S. | . . SHEAR ADAPTER | 1 | 1 | 1 |
| 68 | N.S.S. | . . CAP | 1 | 1 | 1 |
| 70 | 110786 | BRAKE WEAR INDICATOR MECHANICAL / 44MM From A-9953 | 2 | 2 | |
| 80 | XV-1305-00 | HUB & ROTOR - DRIVE AXLE | | | |
| 161 | N.S.S. | . RING RETAINING | 2 | 2 | 1 |
| 170 | XV-1105-00 | REAR AXLE - MODEL "RC23165" | | | |
| 171 | 621868 | CALIPER MOUNTING BRACKET L.H. & R.H. W/OUT BUSHING | 1 | 1 | D |
| 172 | N8889049 | WASHER | 6 | 6 | |
| 173 | 5001529 | SCREW CAP HEX M20-1.5x60 G10.9 G500 | 6 | 6 | |
| 174 | 621636 | SCREW CAP HEX / TO FIX BRACKET TO AXLE 9/16-18 X 2 GR 8 | 24 | 24 | D |
| 175 | 621365 | WASHER (HARD) .59IDX.97ODX.09 | 24 | 24 | D |
| 200 | 642032 | KIT, TAPPET W/BOOT | AR | AR | C |
| 201 | 642031 | KIT, GUIDANCE PINS & BELLOW / SN W/39MM BUSHING END | AR | AR | E |
| 202 | 642034 | KIT, PLUG CAP W/AJUSTING DEVICE (PACK of 10x #37, #37a & 61) | AR | AR | S |



From B-5003 To D-5489 Date:10/2022 PAGE:XV-1235-00

BRAKE PARTS - DRIVE AXLE "KNORR-BREMSE" SN7 SERIES

| Item# | Part | Description | X 3 V I P | X L I I E N T 4 5 | N O T E S |
|-------|-------------------|---|-----------------------|---|-----------------------|
| 203 | 641402 | KIT, PAD HOLDER | AR | AR | H |
| .26 | N.S.S. | . SPRING SPLIT PIN | 1 | 1 | 1 H |
| .44 | N.S.S. | . CLEVIS PIN | 1 | 1 | 1 H |
| .45 | N.S.S. | . WASHER | 1 | 1 | 1 H |
| 205 | 683345 | GREASE WHITE / 5GR | AR | AR | K |
| 205 | 641930 | GREASE WHITE / 500GR | AR | AR | K |
| NS | 641321 | TOOL / THRUST MEMBER W/BELLOW | AR | AR | L |
| NS | 641322 | TOOL / CALIPER INNER BELLOW | AR | AR | M |
| NS | 642074 | TOOL / BUSHING INSTALLER / SERIES SN | AR | AR | N |
| NS | 641435 | TOOL / FORK (FOR BELLOW CAP) | AR | AR | L |
| NS | 641993 | TOOL / PRESS IN COVER | AR | AR | X |
| NS | 641994 | TOOL / BUSHING - INSTALLER | AR | AR | Y |
| NS | 641998 | TOOL / RUBBER BUSHING - INSTALLER | AR | AR | Z |
| NS | 642035 | KIT TOOL BOX "KNORR BREMSE" SERIE SN7 | AR | AR | |
| 400 | XV-1235-10 | BRAKE CHAMBER - DRIVE AXLE | | | |
| 401 | XV-1225-10 | BRAKE CHAMBER - FRONT AXLE | | | |
| 402 | XV-1245-10 | BRAKE CHAMBER - TAG AXLE | | | |
| 500 | Y006471_000_EN | MAINTENANCE MANUAL / ENGLISH KNORR-BREMSE | | | |
| NS | Y006471_000_FR | MANUEL D'ENTRETIEN / FRANÇAIS KNORR-BREMSE | | | |
| | | | | | |
| | | | | | |
| | | A) DO NOT INCLUDE ITEM #2 & #12 | | | |
| | | B) INCLUDES ITEMS #11, 26, 37, 44, 45 & 61 | | | |
| | | C) INCLUDES 2 OF ITEMS #13, 22 & 161 | | | |
| | | D) ON DRIVE AXLE ONLY | | | |
| | | E) INCLUDES ITEMS #4, 5, 6, 7, 9, 10, 39, 40, 58 & 68 | | | |
| | | H) INCLUDES ITEMS #11,26,44 & 45 | | | |
| | | K) FOR ITEMS #5 & 7 | | | |
| | | L) TO USE W/ITEMS #13 | | | |
| | | M) TO USE W/ITEM #9 | | | |
| | | N) TO USE W/ITEM #7 | | | |
| | | S) INCLUDES 10 ITEMS #37 AND 61 | | | |
| | | X) TO USE WITH ITEM #10 | | | |
| | | Y) TO USE WITH ITEM 6 | | | |
| | | Z) TO USE WITH ITEM #68 | | | |
| | | 1) NOT SOLD SEPARATELY | | | |
| | | 1) NOT SOLD SEPARATELY | | | |

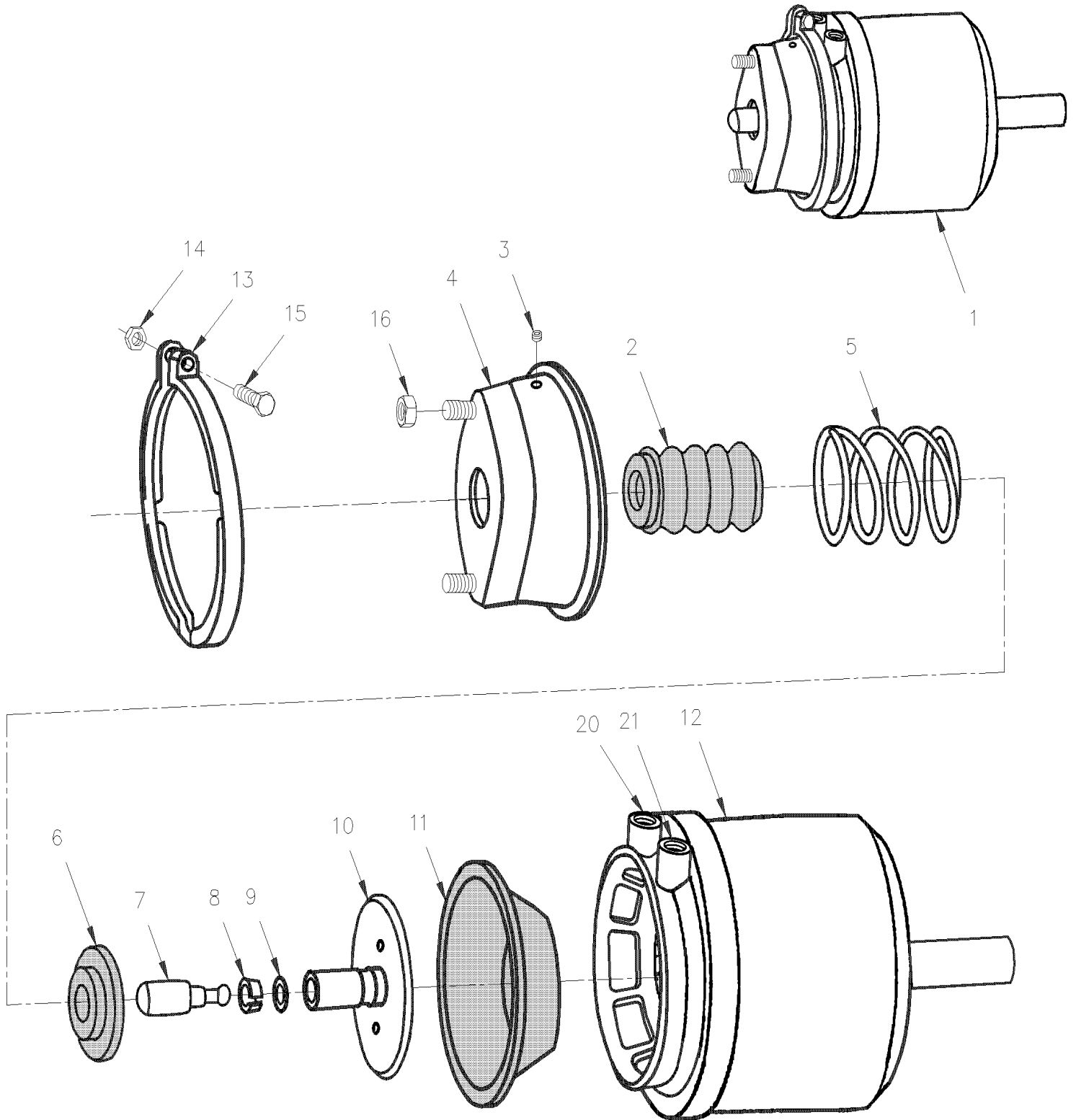


From B-5003 To D-5489

Date:10/2022

PAGE:XV-1235-10

BRAKE CHAMBER - DRIVE AXLE





| | | |
|-----------------------------------|--------------|-----------------|
| From B-5003 To D-5489 | Date:10/2022 | PAGE:XV-1235-10 |
| BRAKE CHAMBER - DRIVE AXLE | | |

| Item# | Part | Description | X 3 V I P | X L I I E N T 4 5 | N O T E S |
|-------|---------|--|-----------------------|---|-----------------------|
| 1 | 642057 | BRAKE CHAMBER ASSY L.H. / TYPE 24/24 (SEALED) | 1 | 1 | |
| 1 | 642058 | BRAKE CHAMBER ASSY R.H. / TYPE 24/24 (SEALED) | 1 | 1 | |
| 2 | N.S.S. | . BOOT | 1 | 1 | 1 |
| 3 | N.S.S. | . HOLE PLUG | 1 | 1 | 1 |
| 4 | N.S.S. | . CHAMBER , NO-PRESSURE | 1 | 1 | 1 |
| 5 | N.S.S. | . SPRING | 1 | 1 | 1 |
| 6 | N.S.S. | . SPRING SEAT | 1 | 1 | 1 |
| 7 | N.S.S. | . PUSH ROD END | 1 | 1 | 1 |
| 8 | N.S.S. | . RETAINER | 1 | 1 | 1 |
| 9 | N.S.S. | . RING | 1 | 1 | 1 |
| 10 | N.S.S. | . PUSH ROD | 1 | 1 | 1 |
| 16 | 5001253 | NUT HEX STO M16-1.5 G500 | 2 | 2 | |
| | | HOSE SERVICE BRAKE | | | |
| 20 | 641303 | HOSE BRAKE #8 914MM (36") | 2 | 2 | A |
| NS | 501842 | ADAPTER / AIR BRAKE HOSE FITTING / 3/4-20-Mx3/8NPT-M STL | 1 | 1 | |
| NS | 501330 | STREET ELBOW 45° / PIPE FITTING / 3/8NPT-Mx3/8NPT-F BR | 1 | 1 | |
| | | HOSE EMERGENCY BRAKE | | | |
| 21 | 503488 | TUBE, NYLON 1/2 O.D. / BLACK S.L./ | AR | AR | |
| NS | 641040 | MALE ELBOW 90° / NTA FITTING / #8x3/8NPT-M BR | 1 | 1 | |
| NS | 5011205 | FEMALE CONNECTOR / PIPE @ METRIC / 3/8NPT-FxM16-1.5-M ZP | 2 | 2 | |
| . NS | 641297 | . O-RING 13.1MM I.D. X 2.6 TH | 1 | 1 | |
| . NS | 641298 | . WASHER FL 17MM I.D x 22MM O.D. x 1.5MM | 1 | 1 | |
| NS | 641297 | O-RING 13.1MM I.D. X 2.6 TH | 2 | 2 | |
| NS | 641298 | WASHER FL 17MM I.D x 22MM O.D. x 1.5MM | 2 | 2 | |
| | | A) L.H. & R.H. | | | |
| | | 1) NOT SOLD SEPARATELY | | | |



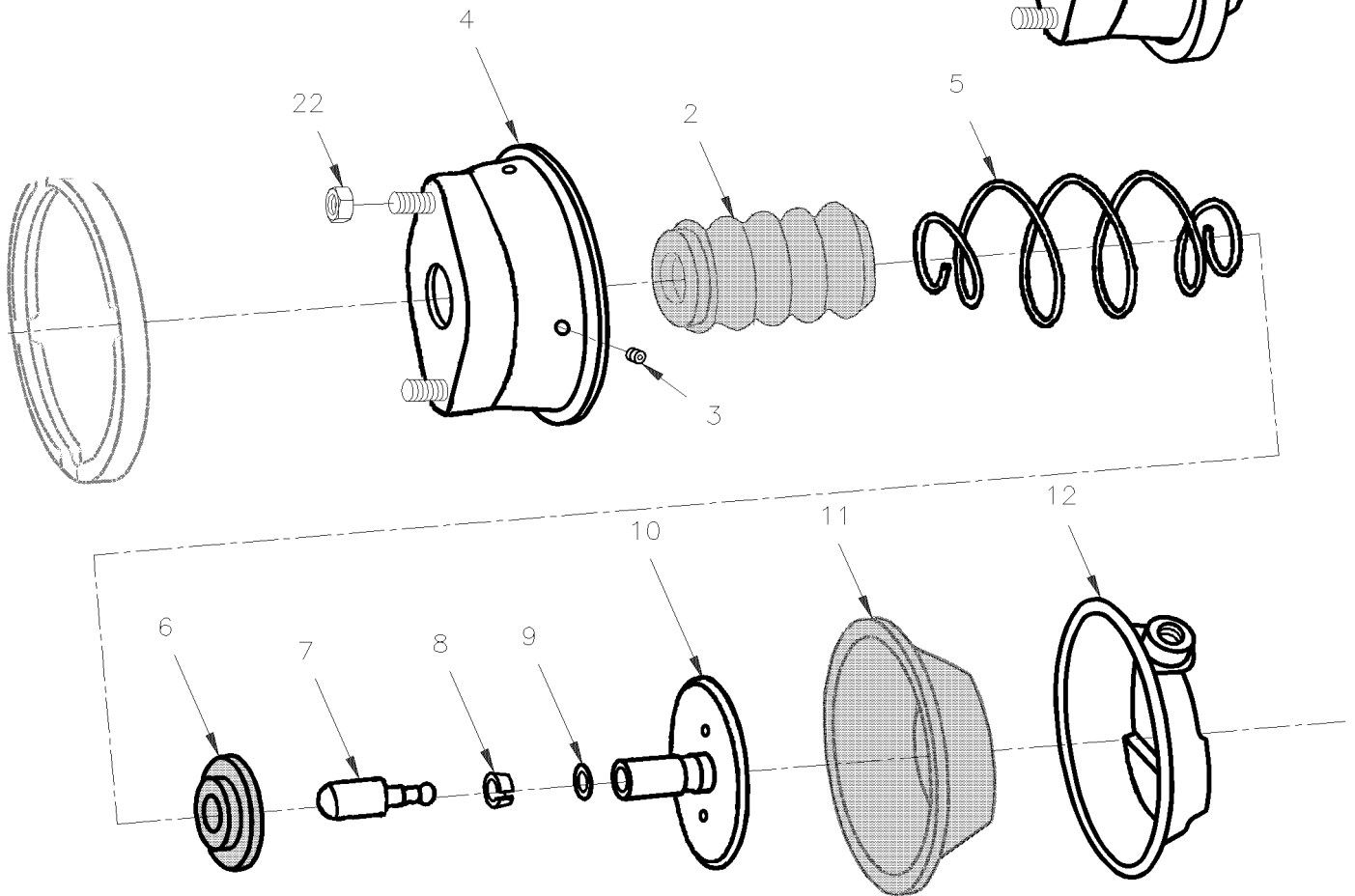
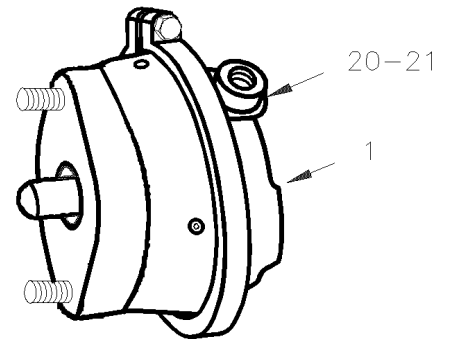
From B-5003 To D-5489

Date:10/2022

PAGE:XV-1245-10

BRAKE CHAMBER - TAG AXLE

SEALED TYPE NO SERVICING PARTS AVAILABLE





| | | |
|------------------------------|---------------------|------------------------|
| From B-5003 To D-5489 | Date:10/2022 | PAGE:XV-1245-10 |
|------------------------------|---------------------|------------------------|

BRAKE CHAMBER - TAG AXLE

| Item# | Part | Description | X 3 V I P | X L I I E N T 4 5 | N O T E S |
|-------|---------|--|-----------------------|---|-----------------------|
| 1 | 642087 | BRAKE CHAMBER ASSY / TYPE 14 / SEALED To D-5299 | 2 | 2 | ABS |
| 1 | 642086 | BRAKE CHAMBER ASSY / TYPE 16 / SEALED | 2 | 2 | ESP |
| 2 | N.S.S. | . BOOT | 1 | 1 | 1 |
| 3 | N.S.S. | . HOLE PLUG | 1 | 1 | 1 |
| 4 | N.S.S. | . CHAMBER , NO-PRESSURE | 1 | 1 | 1 |
| 5 | N.S.S. | . SPRING, COMP. | 1 | 1 | 1 |
| 6 | N.S.S. | . SPRING SEAT | 1 | 1 | 1 |
| 7 | N.S.S. | . PUSH ROD END | 1 | 1 | 1 |
| 8 | N.S.S. | . RETAINER | 1 | 1 | 1 |
| 9 | N.S.S. | . RING | 1 | 1 | 1 |
| 10 | N.S.S. | . PUSH ROD | 1 | 1 | 1 |
| 11 | N.S.S. | . DIAPHRAGM / TYPE 14 To D-5299 | 1 | 1 | 1 ABS |
| 11 | N.S.S. | . DIAPHRAGM / TYPE 16 | 1 | 1 | 1 ESP |
| 12 | N.S.S. | . CHAMBER PRESSURE PLATE | 1 | 1 | 1 |
| 13 | N.S.S. | . CLAMP W/BOLT & NUT | 1 | 1 | 1 |
| 20 | 660914 | MALE ELBOW 90° / JIC 37° FITTING / #8JIC-MxM16-1.5-M STL | 1 | 1 | |
| . NS | 641297 | . O-RING 13.1MM I.D. X 2.6 TH | 1 | 1 | |
| . NS | 641298 | . WASHER FL 17MM I.D x 22MM O.D. x 1.5MM | 1 | 1 | |
| 21 | 641903 | HOSE BRAKE #8 1090MM (43") To D-5299 | 2 | 2 | ABS |
| 21 | 641905 | HOSE BRAKE #8 952MM (37 1/2") | 2 | 2 | ESP |
| 22 | 5001253 | NUT HEX STO M16-1.5 G500 | 2 | 2 | |
| | | | | | |
| | | | | | |
| | | ABS) WITH "ABS" | | | |
| | | ESP) WITH "ESP" | | | |
| | | 1) NOT SOLD SEPARATELY | | | |

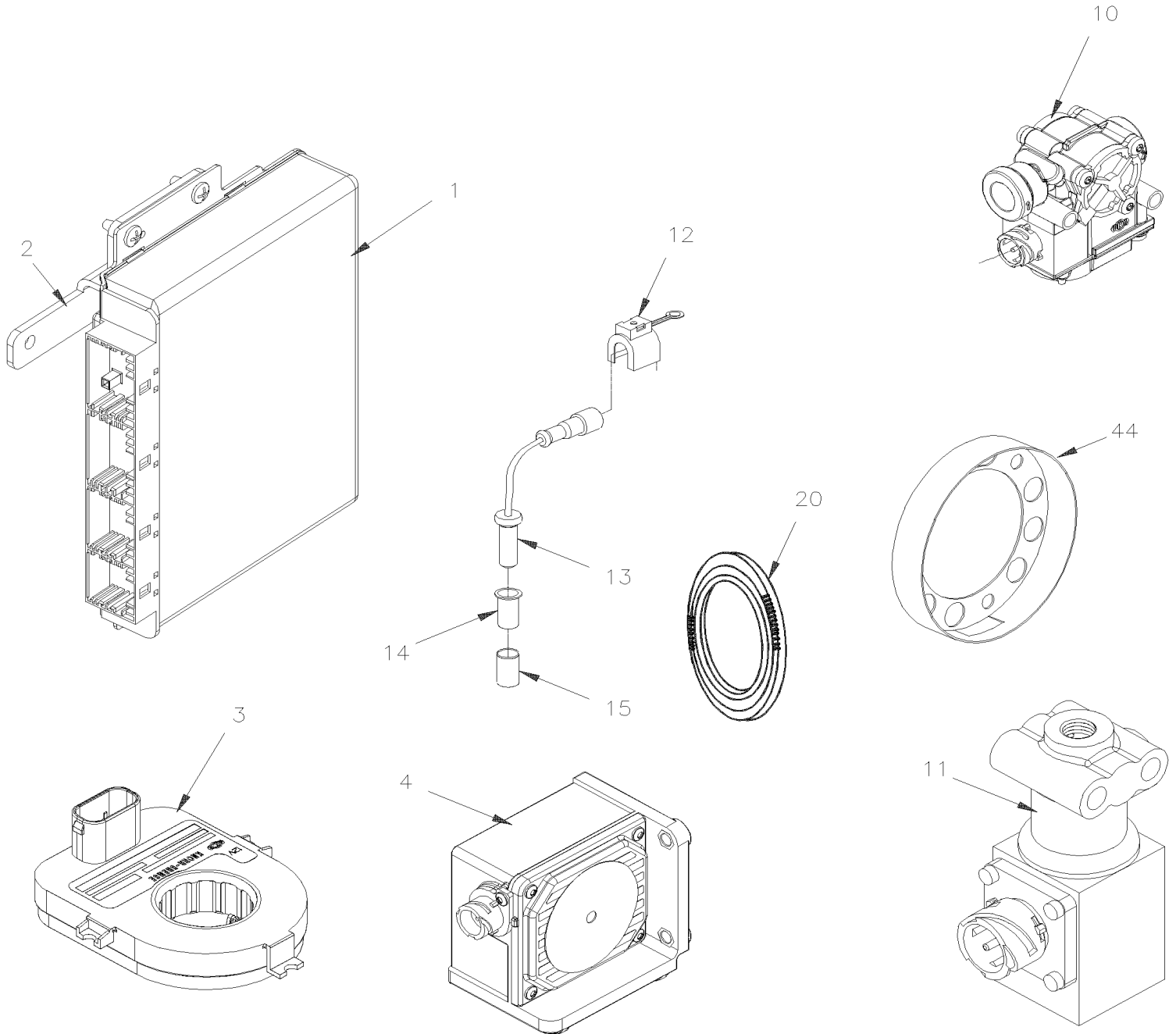


From B-5003 To D-5489

Date:10/2022

PAGE:XV-1250-00

ABS & ESP CONTROL





| | | |
|------------------------------|---------------------|------------------------|
| From B-5003 To D-5489 | Date:10/2022 | PAGE:XV-1250-00 |
| ABS & ESP CONTROL | | |

| Item# | Part | Description | X 3 V I P | X L I I E N T 4 5 | N O T E S |
|-------|--------|--|-----------------------|---|-----------------------|
| 1 | 642081 | ECU ABS / W/6 CHANNELS / STANDARD To D-5299 | 1 | 1 | |
| 1 | 642146 | ECU ABS / W/6 CHANNELS / ADVANCED ESP UNPROGRAMMED / NON-PROGRAMME | 1 | 1 | |
| 2 | 382375 | SUPPORT ECU To C-5276 | 1 | 1 | |
| 2 | 382468 | SUPPORT ECU From C-5277 | 1 | 1 | |
| 3 | 661120 | SENSOR ANGLE POSITION DETECTOR | 1 | 1 | |
| . NS | 564042 | . CONNECTOR / BOSCH 1 928 404 025 | 1 | 1 | |
| 3 | 661148 | SENSOR ANGLE POSITION DETECTOR | 1 | 1 | |
| . NS | 564042 | . CONNECTOR / BOSCH 1 928 404 025 | 1 | 1 | |
| 4 | 642076 | SENSOR "YAW" To B-5086 | 1 | 1 | |
| 4 | 642151 | SENSOR "YAW" From C-5087 | 1 | 1 | |
| 5 | 642075 | TRANSDUCER PRESSURE | 1 | 1 | |
| . NS | 563159 | . CONNECTOR / METRI-PACK 150 / SH 3C / PED 12065287 | 1 | 1 | |
| 10 | 642077 | VALVE, "ABS" 12VOLT / M-32QR | AR | AR | B |
| 10 | 640228 | VALVE, "ABS" 12VOLT / M-40QR | AR | AR | |
| 11 | 642079 | VALVE, "ATC" 12VOLT To D-5459 | 1 | 1 | |
| 11 | 640018 | VALVE, RELAY & ATC / ATR-6 | 1 | 1 | |
| 12 | 561115 | CLAMP W/ 3 & 4 / ITT CANNON 029-0262-000 | AR | AR | |
| 13 | 642085 | SENSOR ABS - OEM | 2 | 2 | I |
| 13 | 642184 | SENSOR ABS - AFTER MARKET | 2 | 2 | I |
| 13 | 642085 | SENSOR ABS - OEM | 2 | 2 | T |
| 13 | 642184 | SENSOR ABS - AFTER MARKET | 2 | 2 | T |
| 13 | 642085 | SENSOR ABS - OEM | 2 | 2 | A |
| 13 | 642184 | SENSOR ABS - AFTER MARKET | 2 | 2 | A |
| 14 | 641096 | CLIP, SPRING / TO FIX SENSOR | AR | AR | |
| 15 | 621869 | BUSHING - ABS SENSOR | 2 | 2 | A |
| 15 | 610641 | BUSHING ABS SENSOR MOUNTING TAG AXLE | 2 | 2 | T |
| 15 | 121912 | BUSHING ABS SENSOR MOUNTING TAG AXLE ONE PIECE | 2 | 2 | T |
| 20 | 611473 | TOOTH WHEEL / FRONT AXLE & TAG W/ "FAG" 143.90MM I.D. | 2 | 2 | I F |
| 20 | 611457 | ROTOR VENTED (W/TOOTH WHEEL / DRIVE AXLE) | 2 | 2 | A |
| 20 | 621801 | TOOTH WHEEL / TAG AXLE W/CAST TAG | 2 | 2 | T |
| 44 | 621870 | ABS SHIELD PROTECTOR | 2 | 2 | |
| | | | | | |
| | | | | | |
| | | | | | |
| | | A) ON DRIVE AXLE ONLY | | | |
| | | B) WHEN YOU REPLACE THE VALVE #642077 BY THE VALVE #640228 YOU HAVE REPLACE BOTH SIDE LEFT AND RIGHT | | | |
| | | F) WITH HUB "FAG" ONLY | | | |
| | | I) WITH INDEPENDENT SUSPENSION | | | |
| | | T) ON TAG AXLE ONLY | | | |

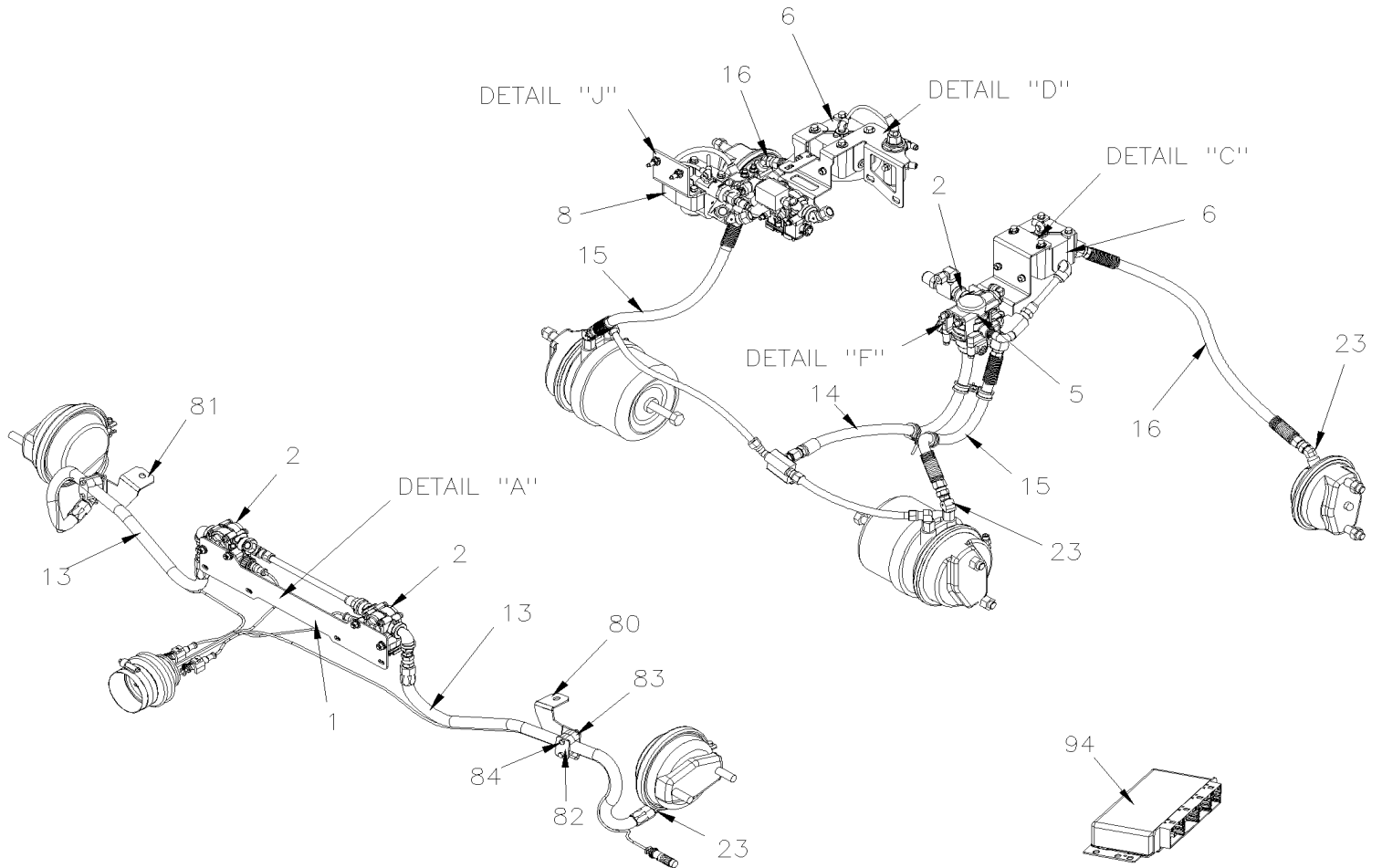


From B-5003 To D-5459

Date:10/2022

PAGE:XV-1250-10

ABS BRAKE VALVE - INSTALLATION



BASIC "STANDARD"

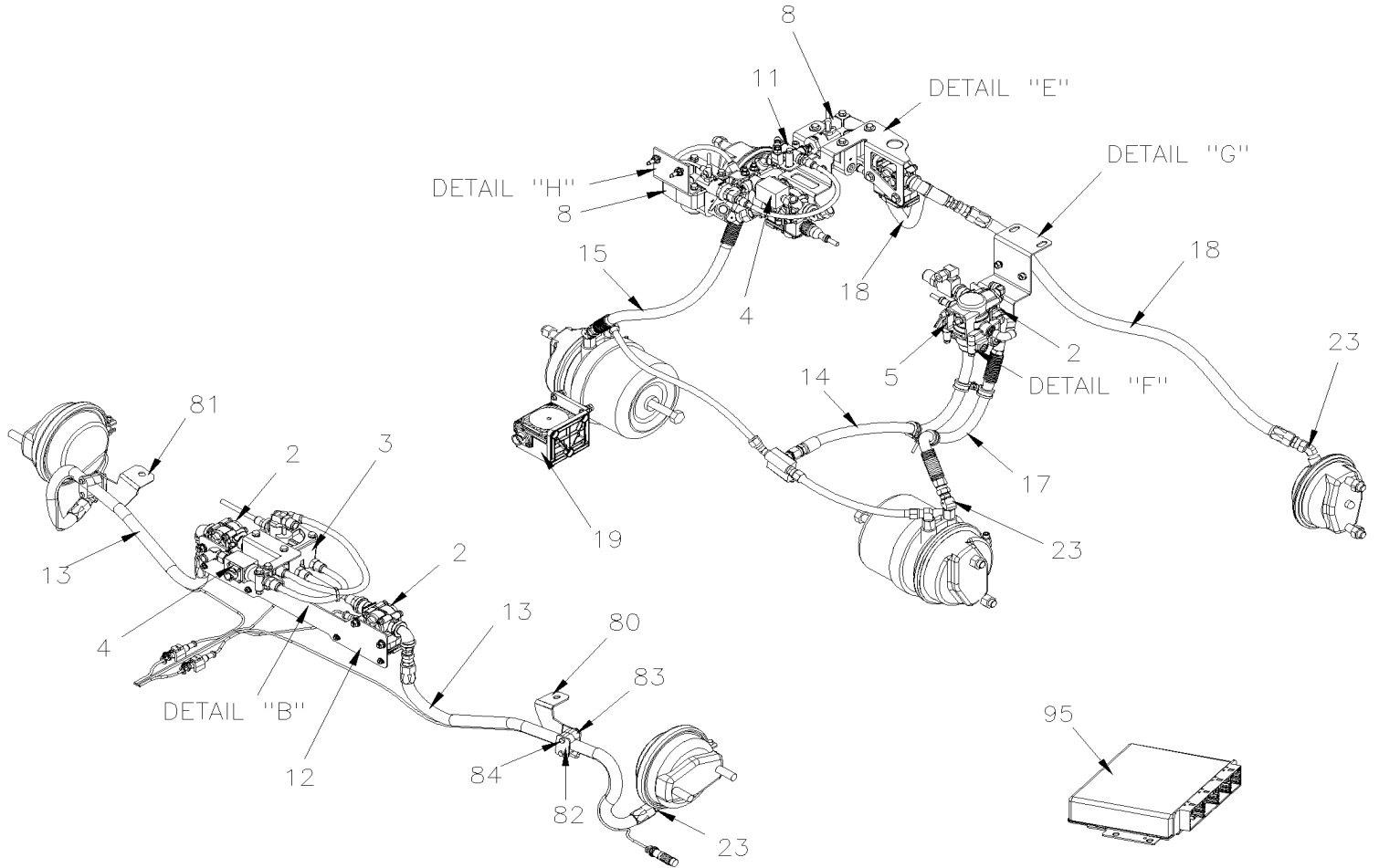


From B-5003 To D-5459

Date:10/2022

PAGE:XV-1250-10

ABS BRAKE VALVE - INSTALLATION



ADVANCE "OPTION"

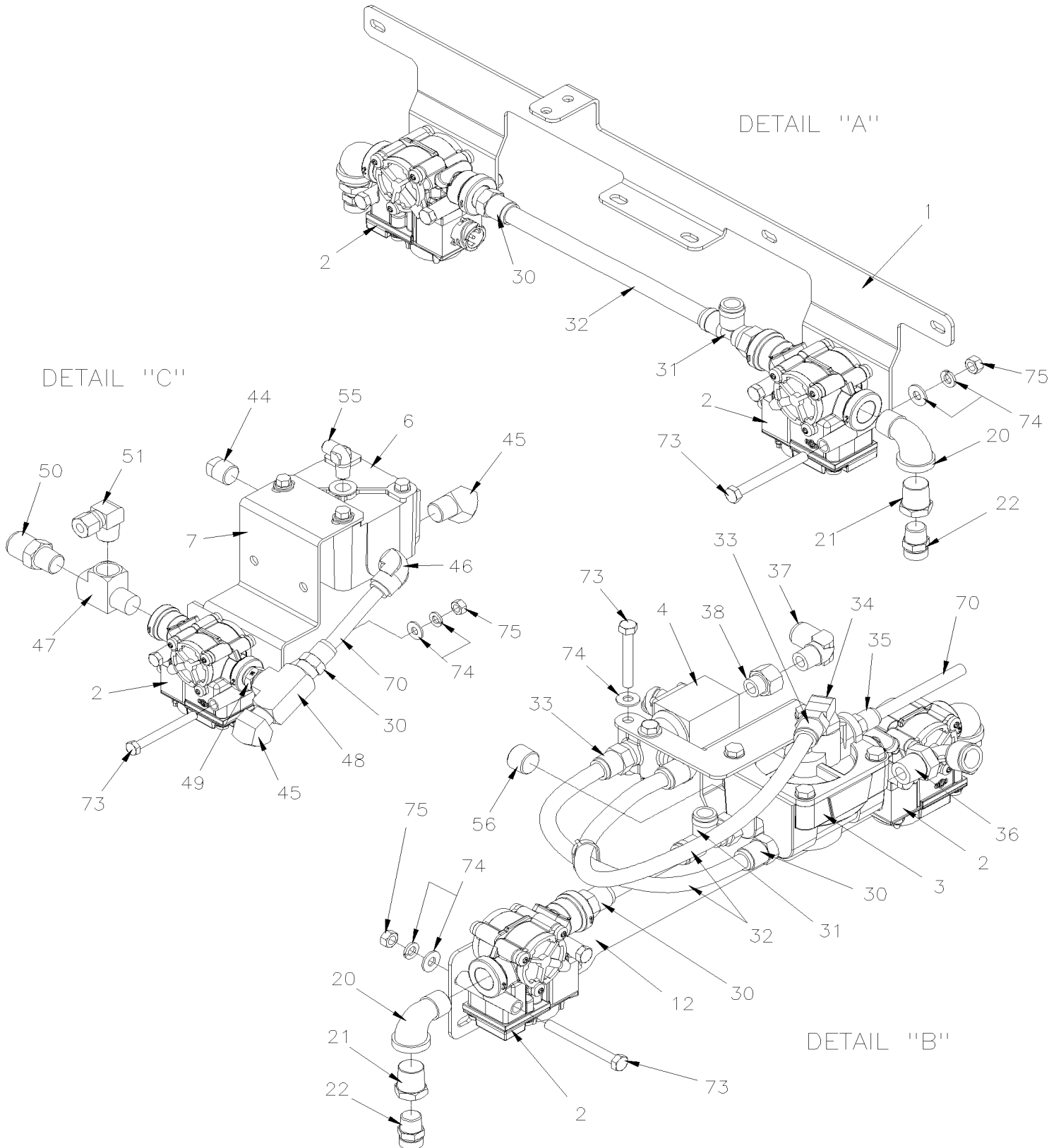


From B-5003 To D-5459

Date:10/2022

PAGE:XV-1250-10

ABS BRAKE VALVE - INSTALLATION



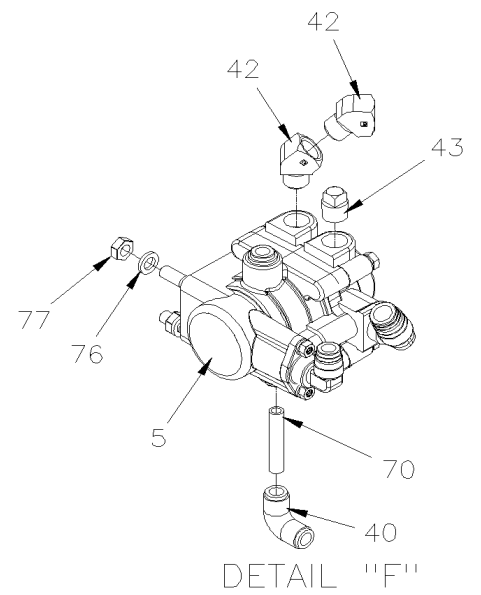
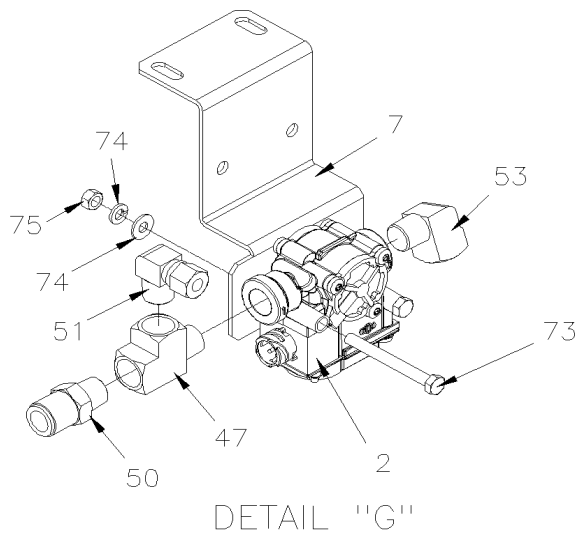
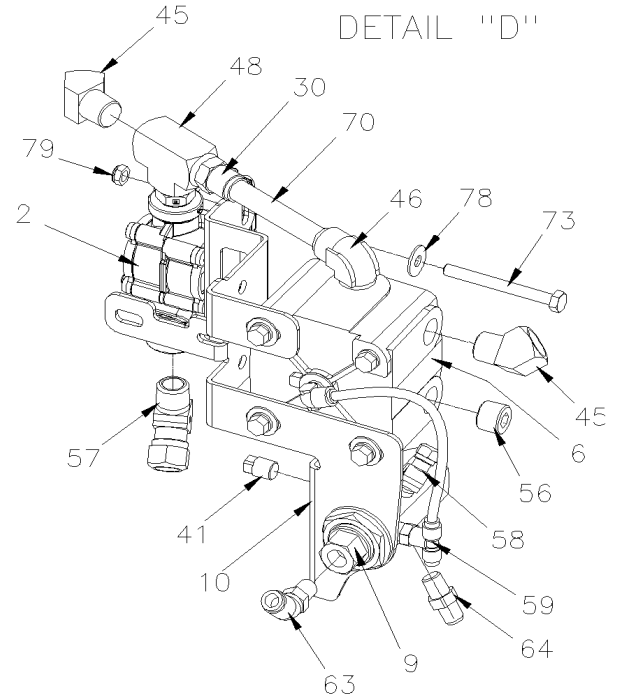
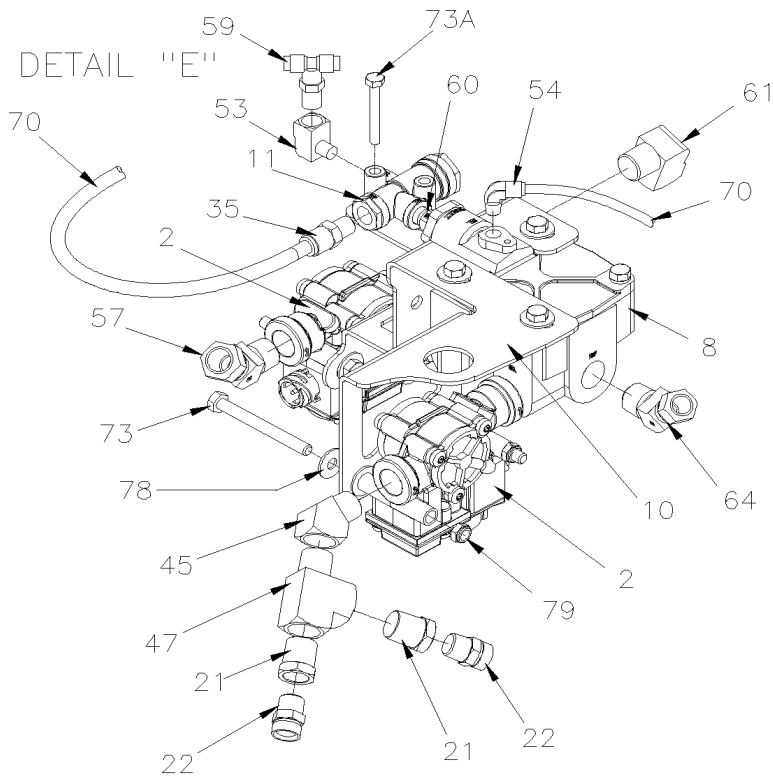


From B-5003 To D-5459

Date:10/2022

PAGE:XV-1250-10

ABS BRAKE VALVE - INSTALLATION



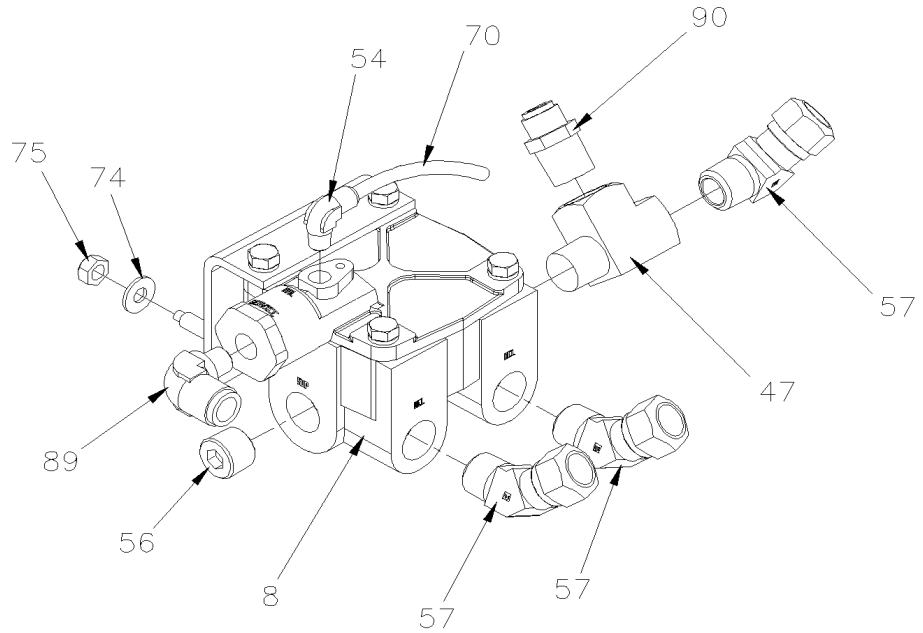


From B-5003 To D-5459

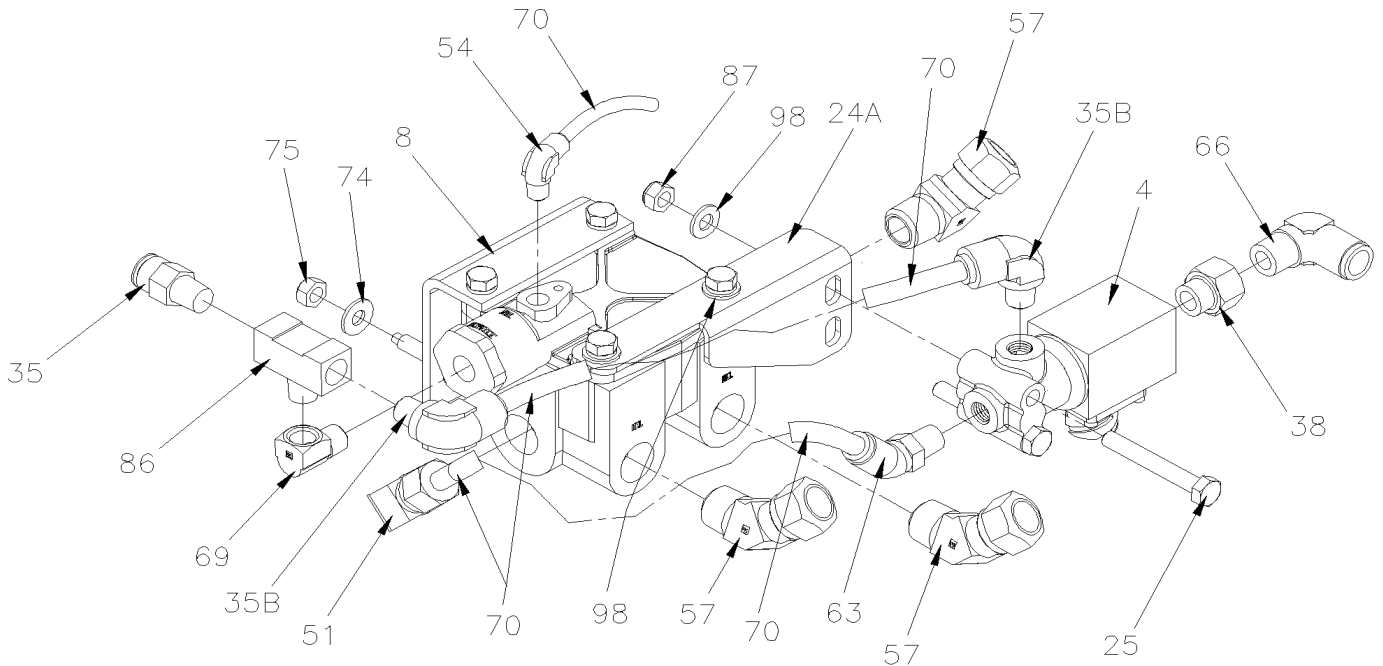
Date:10/2022

PAGE:XV-1250-10

ABS BRAKE VALVE - INSTALLATION



DETAIL "J"
WITH WORLD TRANSMISSION
WITH "ABS 6"
UP TO D-5300



DETAIL "H"
WITH WORLD TRANSMISSION
WITH "ESP"



| | | |
|------------------------------|---------------------|------------------------|
| From B-5003 To D-5459 | Date:10/2022 | PAGE:XV-1250-10 |
|------------------------------|---------------------|------------------------|

ABS BRAKE VALVE - INSTALLATION

| Item# | Part | Description | X 3 V I P | X L I I E N T 4 5 | N O T E S |
|-------|----------|--|-----------------------|---|-----------------------|
| 1 | 142624 | SUPPORT VALVE FRONT "STD" To D-5299 | 1 | 1 | |
| 2 | 642077 | VALVE, "ABS" 12VOLT / M-32QR | AR | AR | B |
| 2 | 640228 | VALVE, "ABS" 12VOLT / M-40QR | AR | AR | |
| 3 | 641991 | VALVE, RELAY R-14 "WABCO" | 1 | 1 | |
| 4 | 642079 | VALVE, "ATC" 12VOLT | 1 | 1 | |
| 5 | 643384 | VALVE / SPRING BRAKE SR-7 | 1 | 1 | |
| . NS | 642119 | . VALVE / SPRING BRAKE SR-7 | 1 | 1 | |
| 6 | 642068 | VALVE, RELAY R-12 HORIZONTAL PORT / W/OUT SUPPORT To D-5299 | 2 | 2 | |
| 7 | 144862 | SUPPORT L.H. / VALVE ABS & RELAY VALVE | 1 | 1 | |
| 8 | 641120 | VALVE, RELAY R-14 HORIZONTAL PORT | 1 | 1 | |
| . NS | 10508267 | . KIT, REPAIR | 1 | 1 | |
| 9 | 640442 | VALVE, INVERSION TR-2 To D-5299 | 1 | 1 | |
| 10 | 142682 | SUPPORT BRAKE VALVE REAR / CURBSIDE | 1 | 1 | |
| 11 | 640471 | VALVE, INVERSION TR-3 25-40LBS | 1 | 1 | |
| 12 | 142781 | SUPPORT VALVE FRONT "ADV" | 1 | 1 | |
| | | | | | |
| 13 | 641903 | HOSE BRAKE #8 1090MM (43") | 3 | 3 | |
| 14 | 642143 | HOSE BRAKE #8 560MM (22") | 1 | 1 | |
| 15 | 641305 | HOSE BRAKE #8 718MM (28 1/4") | AR | AR | |
| 16 | 641902 | HOSE BRAKE #8 737MM (29") To D-5299 | 2 | 2 | |
| 17 | 641302 | HOSE BRAKE #8 610MM (24") | 1 | 1 | |
| 18 | 641905 | HOSE BRAKE #8 952MM (37 1/2") | 2 | 2 | |
| 19 | 642076 | SENSOR "YAW" To B-5086 | 1 | 1 | |
| 19 | 642151 | SENSOR "YAW" From C-5087 | 1 | 1 | |
| | | | | | |
| 20 | 501406 | STREET ELBOW 90° / PIPE FITTING / 1/2NPT-Mx1/2NPT-F BR | 2 | 2 | |
| 21 | 501534 | BUSHING REDUCER / PIPE FITTING / 1/2NPT-Mx3/8NPT-F BR | 2 | 2 | |
| 22 | 501842 | ADAPTER / AIR BRAKE HOSE FITTING / 3/4-20-Mx3/8NPT-M STL | 2 | 2 | |
| 23 | 660914 | MALE ELBOW 90° / JIC 37° FITTING / #8JIC-MxM16-1.5-M STL | AR | AR | |
| . NS | 641297 | . O-RING 13.1MM I.D. X 2.6 TH | 1 | 1 | |
| . NS | 641298 | . WASHER FL 17MM I.D x 22MM O.D. x 1.5MM | 1 | 1 | |
| 24A | 143031 | SUPPORT "ATC" VALVE & RELAY VALVE | 1 | 1 | |
| 25 | 5001178 | SCREW CAP HEX M8-1.25x60 SS BK | AR | AR | |
| | | | | | |
| 30 | 641383 | MALE CONNECTOR / PUSH-IN FITTING / #8x1/2NPT-M BR | AR | AR | |
| 31 | 642096 | MALE RUN TEE NON-SWIVEL / PUSH-IN FITTING / #8x#8x1/2NPT-M COMPOSITE | AR | AR | |
| 31 | 641210 | MALE RUN TEE / NTA FITTING / #8x#8x1/2NPT-M BR | AR | AR | |
| 32 | 503468 | TUBE, NYLON 1/2 O.D. / RED S.L. | AR | AR | |
| 33 | 641380 | MALE CONNECTOR / PUSH-IN FITTING / #8x1/4NPT-M BR | AR | AR | |
| 34 | 501787 | STREET ELBOW 90° / PIPE FITTING / 1/8NPT-Mx1/4NPT-F BR | AR | AR | |
| 35 | 641331 | MALE CONNECTOR / PUSH-IN FITTING / #6x1/4NPT-M BR | AR | AR | |
| 35B | 641372 | MALE ELBOW 90° NON-SWIVEL / PUSH-IN FITTING / #6x1/4NPT-M BR | AR | AR | |



From B-5003 To D-5459 Date:10/2022 PAGE:XV-1250-10

ABS BRAKE VALVE - INSTALLATION

| Item# | Part | Description | X 3 V I P | X L I I E N T 4 5 | N O T E S |
|-------|-------------------|--|-----------------------|---|-----------------------|
| 36 | 642098 | MALE ELBOW 90° NON-SWIVEL / PUSH-IN FITTING / #10x1/2NPT-M COMPOSITE | AR | AR | |
| 37 | 641376 | MALE ELBOW 90° NON-SWIVEL / PUSH-IN FITTING / #8x3/8NPT-M BR | AR | AR | |
| 38 | 5001660 | REDUCER COUPLING / PIPE FITTING / 3/8NPT-Fx1/8NPT-F BR | AR | AR | |
| 39 | 641379 | MALE ELBOW 90° NON-SWIVEL / PUSH-IN FITTING / #10x1/2NPT-M BR | AR | AR | |
| 40 | 641436 | UNION ELBOW 90° / PUSH-IN FITTING / #6x#6 BR | AR | AR | |
| 41 | 501800 | PLUG HEXS / PIPE FITTING / 1/4NPT-M STL | AR | AR | |
| 42 | 501330 | STREET ELBOW 45° / PIPE FITTING / 3/8NPT-Mx3/8NPT-F BR | AR | AR | |
| 43 | 501449 | PLUG HEXS / PIPE FITTING / 3/8NPT-M STL | AR | AR | |
| 44 | 501966 | PLUG HEXS / PIPE FITTING / 1/2NPT-M STL | AR | AR | |
| 45 | 501528 | STREET ELBOW 45° / PIPE FITTING / 1/2NPT-Mx1/2NPT-F BR | AR | AR | |
| 46 | 641378 | MALE ELBOW 90° / PUSH-IN FITTING / #8x1/2NPT-M BRASS | AR | AR | |
| 47 | 501473 | MALE RUN TEE / PIPE FITTING / 1/2NPT-Mx1/2NPT-Fx1/2NPT-F BR | AR | AR | |
| 48 | 501472 | FEMALE UNION TEE / PIPE FITTING / 1/2NPT-Fx1/2NPT-Fx1/2NPT-F BR | AR | AR | |
| 49 | 5011067 | NIPPLE HEX / PIPE FITTING / 1/2NPT-Mx1/2NPT-Mx1 13/16 BR | AR | AR | |
| 50 | 641384 | MALE CONNECTOR / PUSH-IN FITTING / #10x1/2NPT-M BR | AR | AR | |
| 51 | 641175 | MALE ELBOW 90° / NTA FITTING / #6x1/2NPT-M BR | AR | AR | |
| 52 | 641119 | MALE ELBOW 45° / NTA FITTING / #6x1/2NPT-M BR | AR | AR | |
| 53 | 507557 | STREET ELBOW 90° / PIPE FITTING / 1/2NPT-Mx1/2NPT-F BR | AR | AR | |
| 54 | 641369 | MALE ELBOW 90° NON-SWIVEL / PUSH-IN FITTING / #4x1/8NPT-M BR | AR | AR | |
| 55 | 641371 | MALE ELBOW 90° NON-SWIVEL / PUSH-IN FITTING / #4x1/4NPT-M BR | AR | AR | |
| 56 | 501966 | PLUG HEXS / PIPE FITTING / 1/2NPT-M STL | AR | AR | |
| 57 | 641027 | MALE ELBOW 45° / NTA FITTING / #10x1/2NPT-M BR | AR | AR | |
| 58 | 641042 | MALE ELBOW 45° / NTA FITTING / #4x1/4NPT-M BR | AR | AR | |
| 59 | 642094 | MALE BRANCH TEE / PUSH-IN FITTING / #4x#4x1/4NPT-M COMPOSITE | AR | AR | |
| 60 | 501321 | NIPPLE HEX / PIPE FITTING / 1/4NPT-Mx1/4NPT-Mx1 3/8 BR | AR | AR | |
| 61 | 501424 | NIPPLE / PIPE FITTING / 1/2NPT-Mx1/2NPT-Mx1 1/8 BR | AR | AR | |
| 62 | 641089 | MALE ELBOW 45° / NTA FITTING / #8x1/2NPT-M BR | AR | AR | |
| 63 | 641366 | MALE ELBOW 45° NON-SWIVEL / PUSH-IN FITTING / #6x1/4NPT-M BR | AR | AR | |
| 64 | 641332 | MALE CONNECTOR / PUSH-IN FITTING / #4x1/4NPT-M BR | AR | AR | |
| 65 | 641366 | MALE ELBOW 45° NON-SWIVEL / PUSH-IN FITTING / #6x1/4NPT-M BR | AR | AR | |
| 66 | 641376 | MALE ELBOW 90° NON-SWIVEL / PUSH-IN FITTING / #8x3/8NPT-M BR | AR | AR | |
| 67 | 641388 | MALE RUN TEE NON-SWIVEL / PUSH-IN FITTING / #6x#6x3/8NPT-M BR | AR | AR | |
| 69 | 501332 | STREET ELBOW 90° / PIPE FITTING / 1/4NPT-Mx1/4NPT-F BR | AR | AR | |
| 70 | XV-1202-00 | TUBES PLASTIC / AIR D.O.T. | | | |
| 73 | 500187 | SCREW CAP HEX 5/16-18x3 G5 Z050 | AR | AR | |
| 73 | 500185 | SCREW CAP HEX 5/16-18x2 1/4 G5 Z050 | AR | AR | |
| 73 | 502650 | SCREW CAP HEX M8-1.25x80 G8.8 Z050 | AR | AR | |
| 73A | 500170 | SCREW CAP HEX 1/4-20x2 G5 PT Z050 | AR | AR | |
| 74 | 500441 | WASHER FL .312x.734x.065 Z050 | AR | AR | |
| 74 | 502638 | WASHER FL .312x.734x.065 N500 | AR | AR | |
| NS | 500942 | WASHER LO SPT 8.1x14.8x2.0 N500 | AR | AR | |
| 75 | 500778 | NUT HEX 5/16-18 N500 | AR | AR | |



| | | |
|------------------------------|---------------------|------------------------|
| From B-5003 To D-5459 | Date:10/2022 | PAGE:XV-1250-10 |
|------------------------------|---------------------|------------------------|

ABS BRAKE VALVE - INSTALLATION

| Item# | Part | Description | X 3 V I P | X L I I E N T 4 5 | N O T E S |
|-------|-------------------|--|-----------------------|---|-----------------------|
| 75 | 500248 | NUT HEX STO 5/16-18 N500 | AR | AR | |
| 76 | 500478 | WASHER LO SPT .380x.683x.094 Z050 | AR | AR | |
| 77 | 500783 | NUT HEX 3/8-16 Z050 | AR | AR | |
| 78 | 5011215 | WASHER FL .328x.875x.062 Z050 | AR | AR | |
| 79 | 500868 | NUT HEX NYRT M8-1.25 Z050 | AR | AR | |
| 80 | 142353 | HOSE SUPPORT L.H. | 1 | 1 | |
| 81 | 142352 | HOSE SUPPORT R.H. | 1 | 1 | |
| 82 | 504614 | PLATE RETAINING / COLLAR | 2 | 2 | |
| 83 | 504612 | COLLAR 13/16" I.D. / TO FIX HOSE | 2 | 2 | |
| 84 | 502656 | SCREW CAP HEX M6-1.0x50 SS | 2 | 2 | |
| NS | 502565 | NUT HEX M6-1.0 SS | 2 | 2 | |
| 86 | 501894 | MALE BRANCHE TEE / PIPE FITTING / 1/4NPT-Fx1/4NPT-Fx1/4NPT-M BR | AR | AR | |
| 87 | 502847 | NUT HEX NYRT M8-1.25 N500 | AR | AR | |
| 89 | 641373 | MALE ELBOW 90° NON-SWIVEL / PUSH-IN FITTING / #8x1/4NPT-M BR | AR | AR | |
| 90 | 641382 | MALE CONNECTOR / PUSH-IN FITTING / #6x1/2NPT-M BR | AR | AR | |
| 94 | 642081 | ECU ABS / W/6 CHANNELS / STANDARD To D-5299 | 1 | 1 | |
| 95 | 642146 | ECU ABS / W/6 CHANNELS / ADVANCED ESP UNPROGRAMMED / NON-PROGRAMME | 1 | 1 | |
| NS | XV-1250-00 | ABS & ESP CONTROL | | | |
| 98 | 5001341 | WASHER FL 8.4x17.0x1.6 SS | AR | AR | |
| | | | | | |
| | | | | | |
| | | | | | |
| | | | | | |
| | | B) WHEN YOU REPLACE THE VALVE #642077 BY THE VALVE #640228 YOU HAVE REPLACE BOTH SIDE LEFT AND RIGHT | | | |

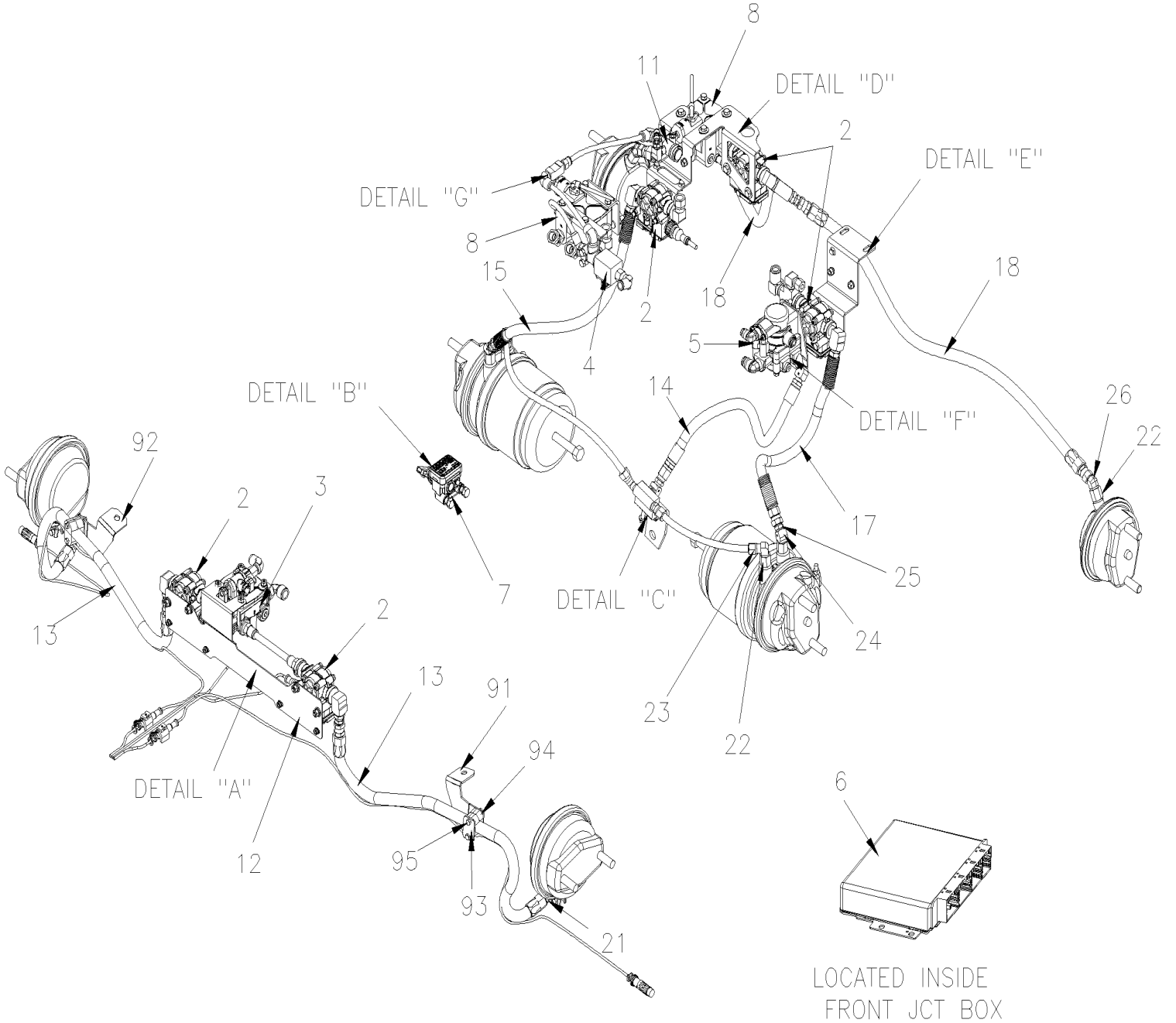


From D-5460 To D-5489

Date:10/2022

PAGE:XV-1250-11

ABS/ESP BRAKE VALVE - INSTALLATION



ADVANCE "OPTION"

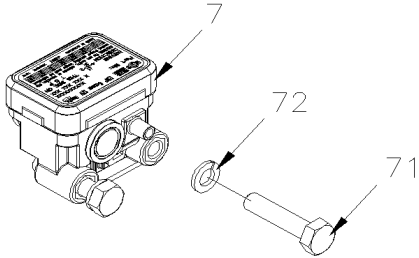


From D-5460 To D-5489

Date:10/2022

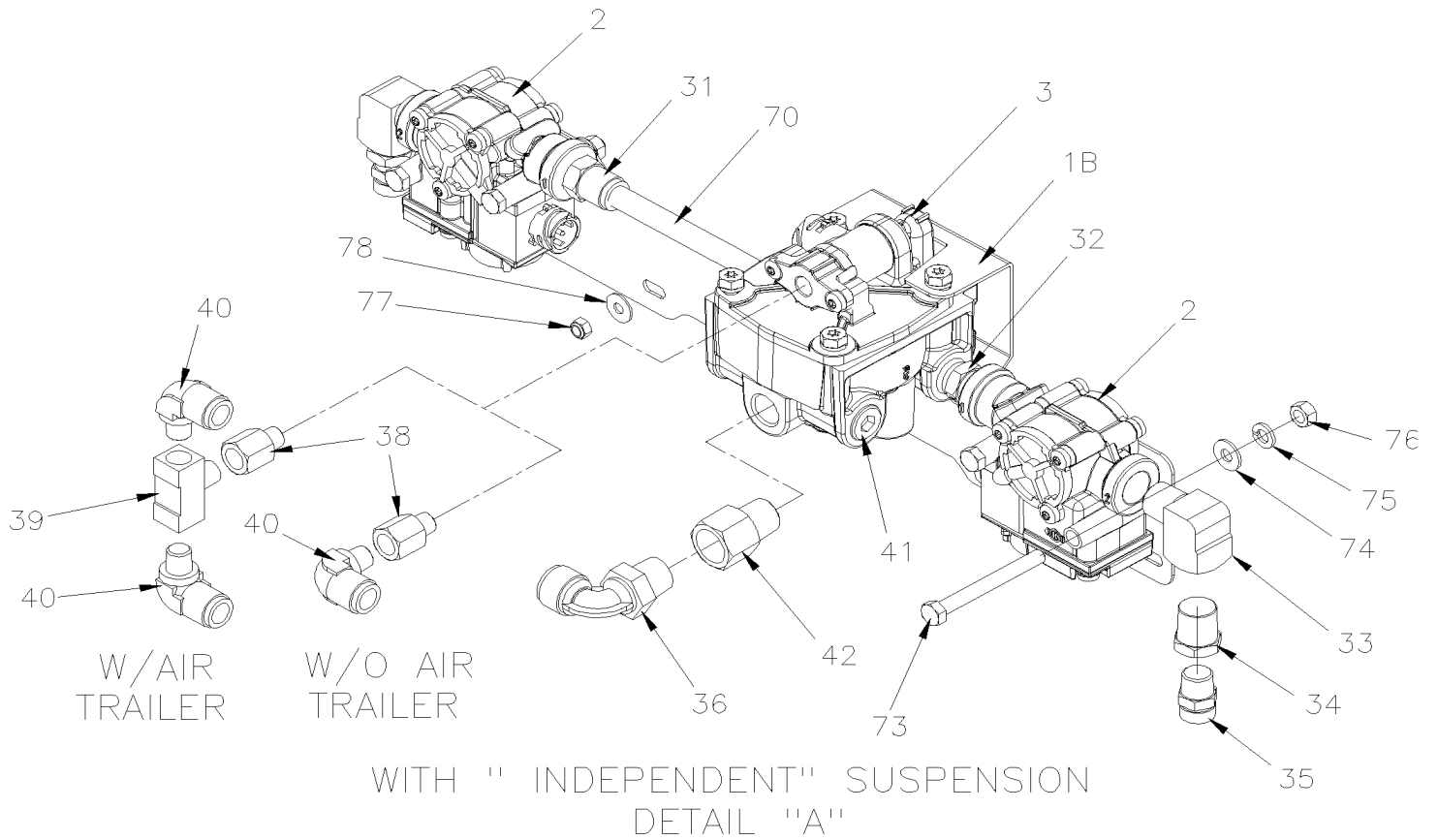
PAGE:XV-1250-11

ABS/ESP BRAKE VALVE - INSTALLATION



DETAIL "B"

DETAIL "A"



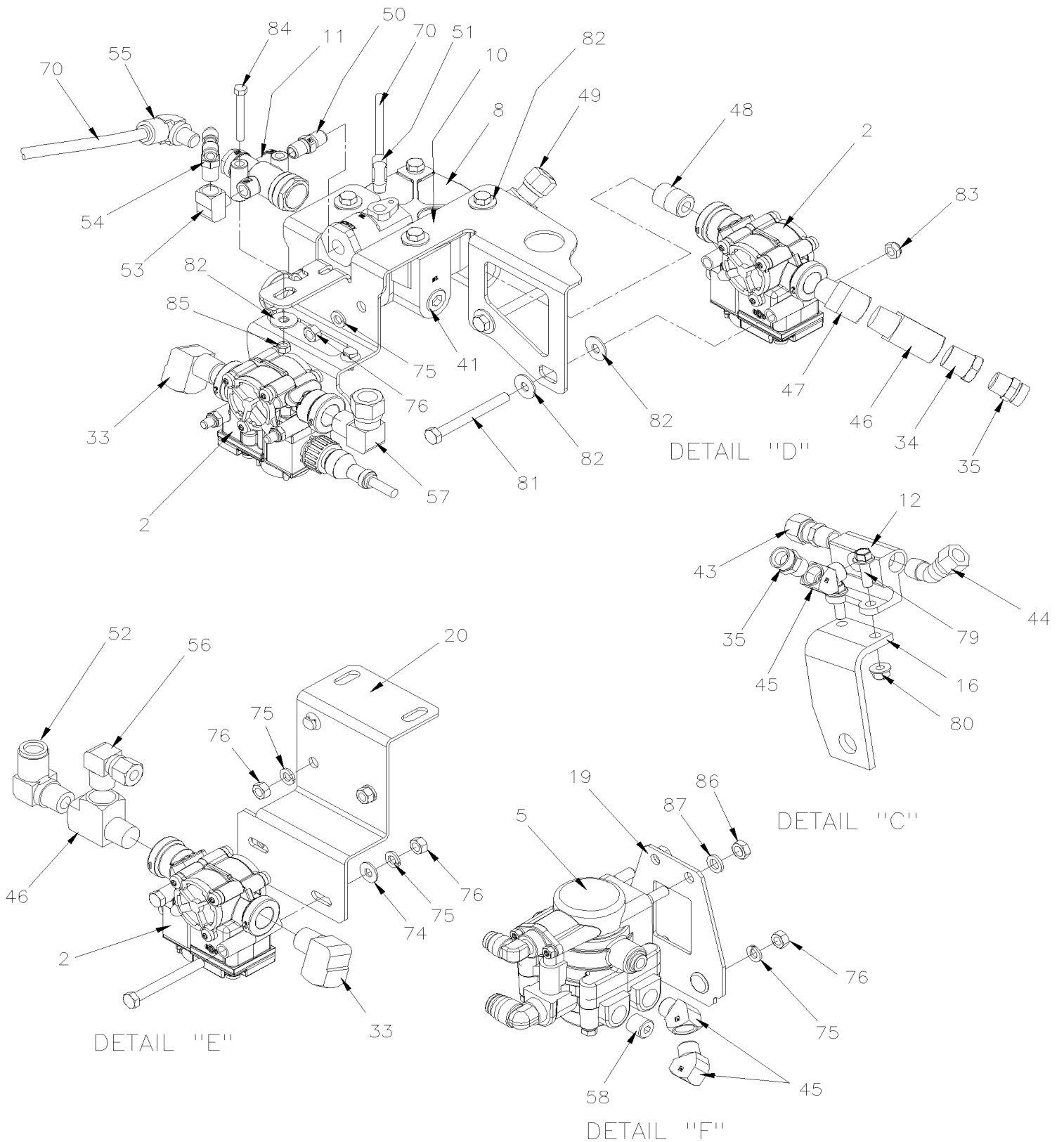


From D-5460 To D-5489

Date:10/2022

PAGE:XV-1250-11

ABS/ESP BRAKE VALVE - INSTALLATION



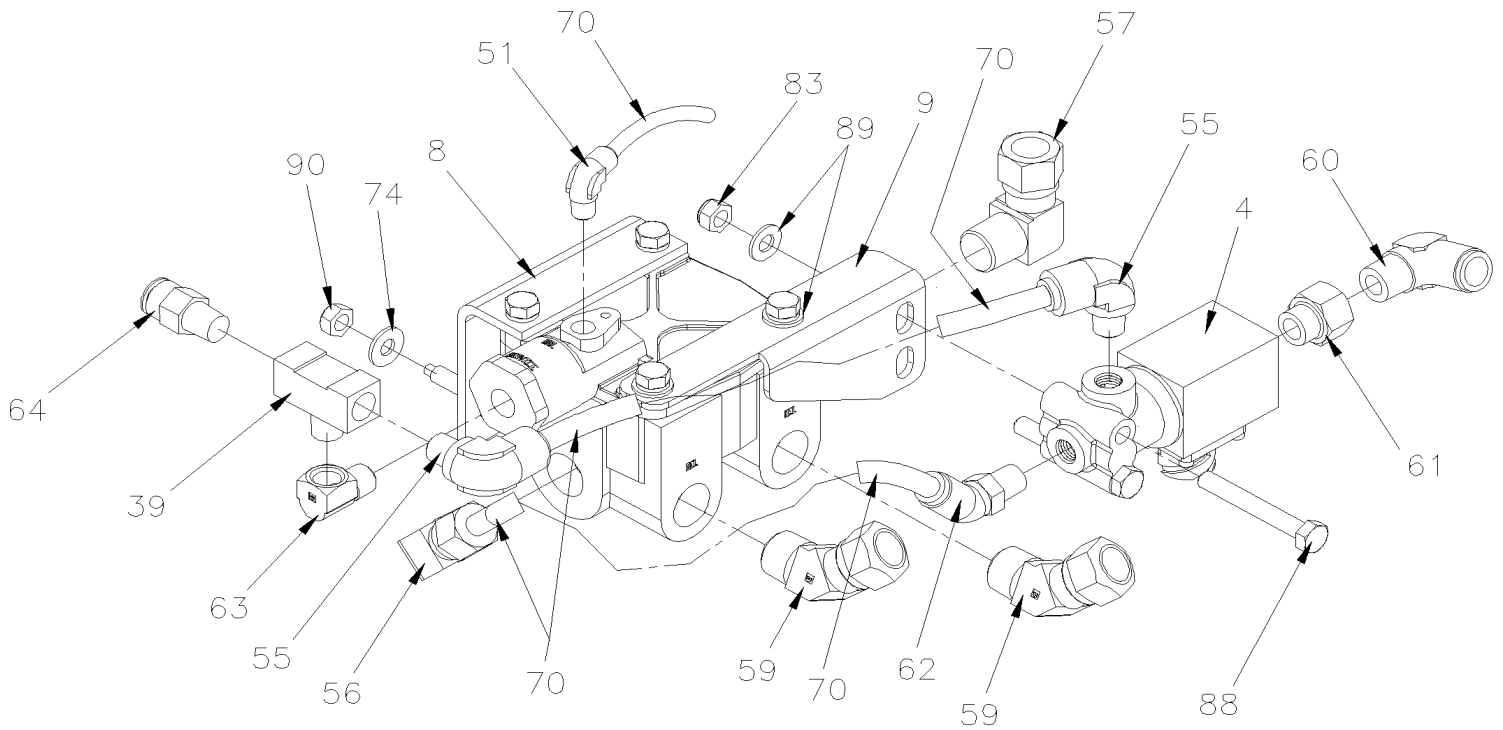


From D-5460 To D-5489

Date:10/2022

PAGE:XV-1250-11

ABS/ESP BRAKE VALVE - INSTALLATION



DETAIL "G"
WITH WORLD TRANSMISSION
WITH "ESP"



| | | |
|------------------------------|---------------------|------------------------|
| From D-5460 To D-5489 | Date:10/2022 | PAGE:XV-1250-11 |
|------------------------------|---------------------|------------------------|

ABS/ESP BRAKE VALVE - INSTALLATION

| Item# | Part | Description | X 3 V I P | X L I I E N T 4 5 | N O T E S |
|-------|----------|--|-----------------------|---|-----------------------|
| 1B | 145056 | SUPPORT VALVE FRONT | 1 | 1 | I |
| 2 | 642077 | VALVE, "ABS" 12VOLT / M-32QR | AR | AR | B |
| 2 | 640228 | VALVE, "ABS" 12VOLT / M-40QR | AR | AR | |
| 3 | 640018 | VALVE, RELAY & ATC / ATR-6 | 1 | 1 | |
| 4 | 642079 | VALVE, "ATC" 12VOLT | 1 | 1 | |
| 5 | 643384 | VALVE / SPRING BRAKE SR-7 | 1 | 1 | |
| . NS | 642119 | . VALVE / SPRING BRAKE SR-7 | 1 | 1 | |
| 6 | 642146 | ECU ABS / W/6 CHANNELS / ADVANCED ESP UNPROGRAMMED / NON-PROGRAMME | 1 | 1 | |
| 7 | 642151 | SENSOR "YAW" | 1 | 1 | |
| 8 | 641120 | VALVE, RELAY R-14 HORIZONTAL PORT | 2 | 2 | |
| . NS | 10508267 | . KIT, REPAIR | 1 | 1 | |
| 9 | 143031 | SUPPORT "ATC" VALVE & RELAY VALVE | 1 | 1 | |
| 10 | 142682 | SUPPORT BRAKE VALVE REAR / CURBSIDE | 1 | 1 | |
| 11 | 640471 | VALVE, INVERSION TR-3 25-40LBS | 1 | 1 | |
| 12 | 641136 | ANCHOR TEE / PIPE FITTING / 3/8NPT-Fx3/8NPT-Fx3/8NPT-F ZP | 1 | 1 | |
| 13 | 641903 | HOSE BRAKE #8 1090MM (43") | 2 | 2 | I |
| 14 | 642143 | HOSE BRAKE #8 560MM (22") | 1 | 1 | |
| 15 | 641305 | HOSE BRAKE #8 718MM (28 1/4") | 1 | 1 | |
| 16 | 121444 | SUPPORT / ANCHOR TEE / WITH MERITOR DRIVE AXLE | 1 | 1 | |
| 17 | 641302 | HOSE BRAKE #8 610MM (24") | 1 | 1 | |
| 18 | 641905 | HOSE BRAKE #8 952MM (37 1/2") | 2 | 2 | |
| 19 | 142475 | SUPPORT SPRING BRAKE VALVE | 1 | 1 | |
| 20 | 144862 | SUPPORT L.H. / VALVE ABS & RELAY VALVE | 1 | 1 | |
| 21 | 660914 | MALE ELBOW 90° / JIC 37° FITTING / #8JIC-MxM16-1.5-M STL | 2 | 2 | I |
| . NS | 641297 | . O-RING 13.1MM I.D. X 2.6 TH | 1 | 1 | I |
| . NS | 641298 | . WASHER FL 17MM I.D x 22MM O.D. x 1.5MM | 1 | 1 | I |
| 22 | 5011205 | FEMALE CONNECTOR / PIPE @ METRIC / 3/8NPT-FxM16-1.5-M ZP | 6 | 6 | |
| . NS | 641297 | . O-RING 13.1MM I.D. X 2.6 TH | 1 | 1 | |
| . NS | 641298 | . WASHER FL 17MM I.D x 22MM O.D. x 1.5MM | 1 | 1 | |
| 23 | 641040 | MALE ELBOW 90° / NTA FITTING / #8x3/8NPT-M BR | 2 | 2 | |
| 24 | 501330 | STREET ELBOW 45° / PIPE FITTING / 3/8NPT-Mx3/8NPT-F BR | 2 | 2 | |
| 25 | 501842 | ADAPTER / AIR BRAKE HOSE FITTING / 3/4-20-Mx3/8NPT-M STL | 2 | 2 | |
| 26 | 501291 | MALE ELBOW 45° / JIC 37° FITTING / #8JIC-Mx3/8NPT-M STL | 2 | 2 | |
| 31 | 641383 | MALE CONNECTOR / PUSH-IN FITTING / #8x1/2NPT-M BR | AR | AR | |
| 32 | 5011067 | NIPPLE HEX / PIPE FITTING / 1/2NPT-Mx1/2NPT-Mx1 13/16 BR | AR | AR | |
| 33 | 507557 | STREET ELBOW 90° / PIPE FITTING / 1/2NPT-Mx1/2NPT-F BR | AR | AR | |
| 34 | 501534 | BUSHING REDUCER / PIPE FITTING / 1/2NPT-Mx3/8NPT-F BR | AR | AR | |
| 35 | 501842 | ADAPTER / AIR BRAKE HOSE FITTING / 3/4-20-Mx3/8NPT-M STL | AR | AR | |
| 36 | 642098 | MALE ELBOW 90° NON-SWIVEL / PUSH-IN FITTING / #10x1/2NPT-M COMPOSITE | AR | AR | |
| 38 | 501308 | ADAPTER / PIPE FITTING / 1/4NPT-Fx1/4NPT-M BR | AR | AR | |
| 39 | 501894 | MALE BRANCHE TEE / PIPE FITTING / 1/4NPT-Fx1/4NPT-Fx1/4NPT-M BR | AR | AR | |



From D-5460 To D-5489 Date:10/2022 PAGE:XV-1250-11

ABS/ESP BRAKE VALVE - INSTALLATION

| Item# | Part | Description | X 3 V I P | X L I I E N T 4 5 | N O T E S |
|-------|-------------------|---|-----------------------|---|-----------------------|
| 40 | 641373 | MALE ELBOW 90° NON-SWIVEL / PUSH-IN FITTING / #8x1/4NPT-M BR | AR | AR | |
| 41 | 501966 | PLUG HEXS / PIPE FITTING / 1/2NPT-M STL | AR | AR | |
| 42 | 5011119 | ADAPTER / PIPE FITTING / 1/2NPT-Fx1/2NPT-M BR | AR | AR | |
| 43 | 640991 | MALE CONNECTOR / NTA FITTING / #8x3/8NPT-M BR | AR | AR | |
| 44 | 641010 | MALE ELBOW 45° / NTA FITTING / #8x3/8NPT-M BR | AR | AR | |
| 45 | 501330 | STREET ELBOW 45° / PIPE FITTING / 3/8NPT-Mx3/8NPT-F BR | AR | AR | |
| 46 | 501473 | MALE RUN TEE / PIPE FITTING / 1/2NPT-Mx1/2NPT-Fx1/2NPT-F BR | AR | AR | |
| 47 | 501528 | STREET ELBOW 45° / PIPE FITTING / 1/2NPT-Mx1/2NPT-F BR | AR | AR | |
| 48 | 501424 | NIPPLE / PIPE FITTING / 1/2NPT-Mx1/2NPT-Mx1 1/8 BR | AR | AR | |
| 49 | 641089 | MALE ELBOW 45° / NTA FITTING / #8x1/2NPT-M BR | AR | AR | |
| 50 | 501321 | NIPPLE HEX / PIPE FITTING / 1/4NPT-Mx1/4NPT-Mx1 3/8 BR | AR | AR | |
| 51 | 641369 | MALE ELBOW 90° NON-SWIVEL / PUSH-IN FITTING / #4x1/8NPT-M BR | AR | AR | |
| 52 | 641379 | MALE ELBOW 90° NON-SWIVEL / PUSH-IN FITTING / #10x1/2NPT-M BR | AR | AR | |
| 53 | 501787 | STREET ELBOW 90° / PIPE FITTING / 1/8NPT-Mx1/4NPT-F BR | AR | AR | |
| 54 | 642094 | MALE BRANCH TEE / PUSH-IN FITTING / #4x#4x1/4NPT-M COMPOSITE | AR | AR | |
| 55 | 641372 | MALE ELBOW 90° NON-SWIVEL / PUSH-IN FITTING / #6x1/4NPT-M BR | AR | AR | |
| 56 | 641175 | MALE ELBOW 90° / NTA FITTING / #6x1/2NPT-M BR | AR | AR | |
| 57 | 641001 | MALE ELBOW 90° / NTA FITTING / #10x1/2NPT-M BR | AR | AR | |
| 58 | 501449 | PLUG HEXS / PIPE FITTING / 3/8NPT-M STL | AR | AR | |
| 59 | 641027 | MALE ELBOW 45° / NTA FITTING / #10x1/2NPT-M BR | AR | AR | |
| 60 | 641376 | MALE ELBOW 90° NON-SWIVEL / PUSH-IN FITTING / #8x3/8NPT-M BR | AR | AR | |
| 61 | 5001660 | REDUCER COUPLING / PIPE FITTING / 3/8NPT-Fx1/8NPT-F BR | AR | AR | |
| 62 | 641366 | MALE ELBOW 45° NON-SWIVEL / PUSH-IN FITTING / #6x1/4NPT-M BR | AR | AR | |
| 63 | 501332 | STREET ELBOW 90° / PIPE FITTING / 1/4NPT-Mx1/4NPT-F BR | AR | AR | |
| 64 | 641331 | MALE CONNECTOR / PUSH-IN FITTING / #6x1/4NPT-M BR | AR | AR | |
| 65 | 501338 | MALE RUN TEE / PIPE FITTING / 1/4NPT-Mx1/4NPT-Fx1/4NPT-F BR | AR | AR | |
| 70 | XV-1202-00 | TUBES PLASTIC / AIR D.O.T. | | | |
| 71 | 5001316 | SCREW CAP HEX M10-1.5x45 SS | 2 | 2 | |
| 72 | 502616 | WASHER LO SPT 10.2x18.1x2.2 SS | 2 | 2 | |
| 73 | 500187 | SCREW CAP HEX 5/16-18x3 G5 Z050 | AR | AR | |
| 74 | 502638 | WASHER FL .312x.734x.065 N500 | AR | AR | |
| 75 | 500942 | WASHER LO SPT 8.1x14.8x2.0 N500 | AR | AR | |
| 76 | 500778 | NUT HEX 5/16-18 N500 | AR | AR | |
| 77 | 5001182 | NUT HEX NYRT M6-1.0 SS | AR | AR | |
| 78 | 500411 | WASHER FL .260x.697x.050 SS | AR | AR | |
| 79 | 5001643 | SCREW CAP HEXF M8-1.25x25 G8.8 G500 | 2 | 2 | |
| 80 | 502837 | NUT HEXF STO M8-1.25 N500 | 2 | 2 | |
| 81 | 502650 | SCREW CAP HEX M8-1.25x80 G8.8 Z050 | AR | AR | |
| 82 | 500332 | WASHER FL .328x.875x.062 N500 | AR | AR | |
| 83 | 502847 | NUT HEX NYRT M8-1.25 N500 | AR | AR | |



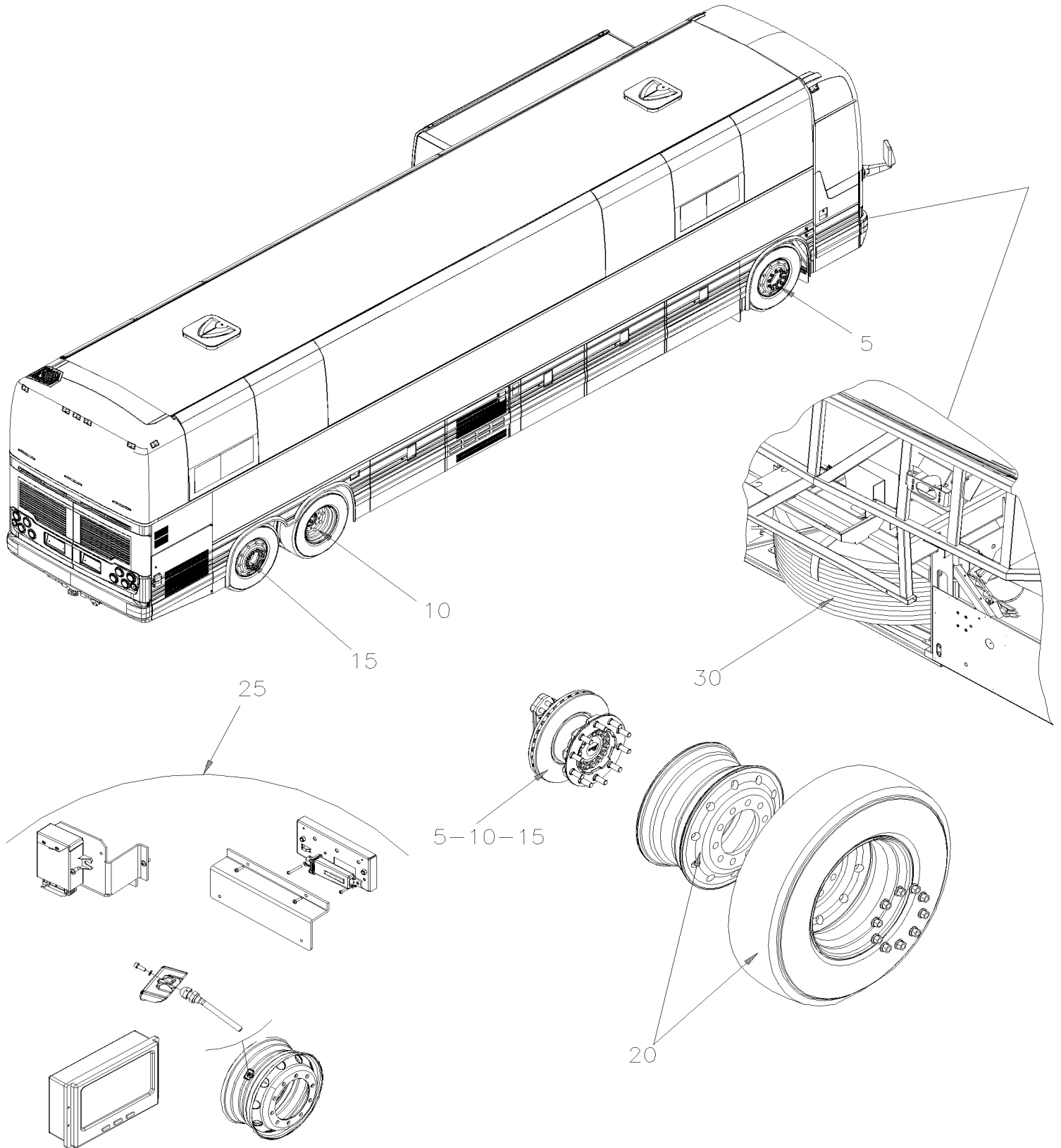
| | | |
|-----------------------|--------------|-----------------|
| From D-5460 To D-5489 | Date:10/2022 | PAGE:XV-1250-11 |
|-----------------------|--------------|-----------------|

ABS/ESP BRAKE VALVE - INSTALLATION

| Item# | Part | Description | X 3 V I P | X L I I E N T 4 5 | N O T E S |
|-------|---------|--|-----------------------|---|-----------------------|
| 84 | 5001636 | SCREW CAP HEX M6-1.0x50 SS BK | 1 | 1 | |
| 85 | 502681 | NUT HEX NYRT M6-1.0 N500 G8 | 1 | 1 | |
| 86 | 500783 | NUT HEX 3/8-16 Z050 | 2 | 2 | |
| 87 | 500478 | WASHER LO SPT .380x.683x.094 Z050 | 2 | 2 | |
| 88 | 5001178 | SCREW CAP HEX M8-1.25x60 SS BK | 2 | 2 | |
| 89 | 5001341 | WASHER FL 8.4x17.0x1.6 SS | 2 | 2 | |
| 90 | 500248 | NUT HEX STO 5/16-18 N500 | 2 | 2 | |
| 91 | 142353 | HOSE SUPPORT L.H. | 1 | 1 | I |
| 92 | 142352 | HOSE SUPPORT R.H. | 1 | 1 | I |
| 93 | 504614 | PLATE RETAINING / COLLAR | 2 | 2 | |
| 94 | 504612 | COLLAR 13/16" I.D. / TO FIX HOSE | 2 | 2 | |
| 95 | 502656 | SCREW CAP HEX M6-1.0x50 SS | 2 | 2 | |
| 95 | 502565 | NUT HEX M6-1.0 SS | 2 | 2 | |
| | | | | | |
| | | | | | |
| | | | | | |
| | | B) WHEN YOU REPLACE THE VALVE #642077 BY THE VALVE #640228 YOU HAVE REPLACE BOTH SIDE LEFT AND RIGHT | | | |
| | | I) WITH INDEPENDENT SUSPENSION | | | |



| | | |
|----------------------|--------------|-------|
| | Date:10/2022 | XV-13 |
| WHEELS, HUBS & TIRES | | |





| | | |
|---------------------------------|--------------|-------|
| | Date:10/2022 | XV-13 |
| WHEELS, HUBS & TIRES | | |

| Item# | Part | Description | X 3 V I P | X L I I E N T 4 5 | N O T E S |
|-------|------------|--|-----------------------|---|-----------------------|
| 5 | XV-1300-00 | HUB & ROTOR - FRONT AXLE MODEL "NDIFS80P" From B-5003 To D-5489 | | | |
| 10 | XV-1305-00 | HUB & ROTOR - DRIVE AXLE From B-5003 To D-5489 | | | |
| 10 | XV-1305-99 | ROTOR (SPLINED DISC) PRODUCT IMPROVMENT From B-5003 To D-5489 | | | |
| 15 | XV-1310-00 | HUB & ROTOR - TAG AXLE TYPE TS8U From B-5003 To D-5489 | | | |
| 20 | XV-1318-00 | WHEELS & COMPONENTS - TRUCK MOUNT (METRIC) From B-5003 To D-5489 | | | |
| 25 | XV-1318-10 | TIRE MONITOR PRESSURE - "BERU" From B-5003 To D-5489 | | | |
| 30 | XV-1325-00 | SPARE WHEEL - INSTALLATION From B-5003 To D-5489 | | | |

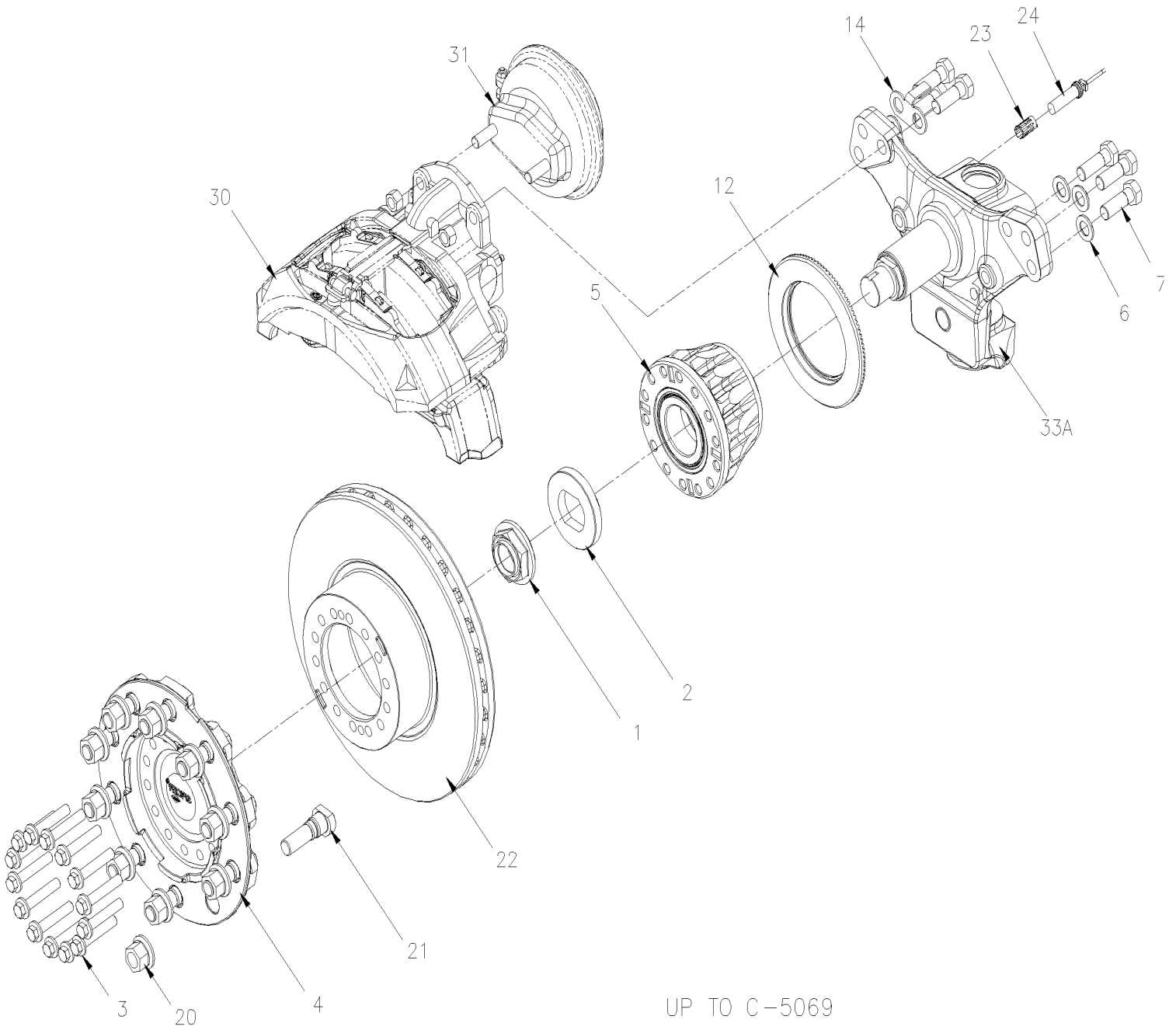


From B-5003 To D-5489

Date:10/2022

PAGE:XV-1300-00

HUB & ROTOR - FRONT AXLE MODEL "NDIFS80P"



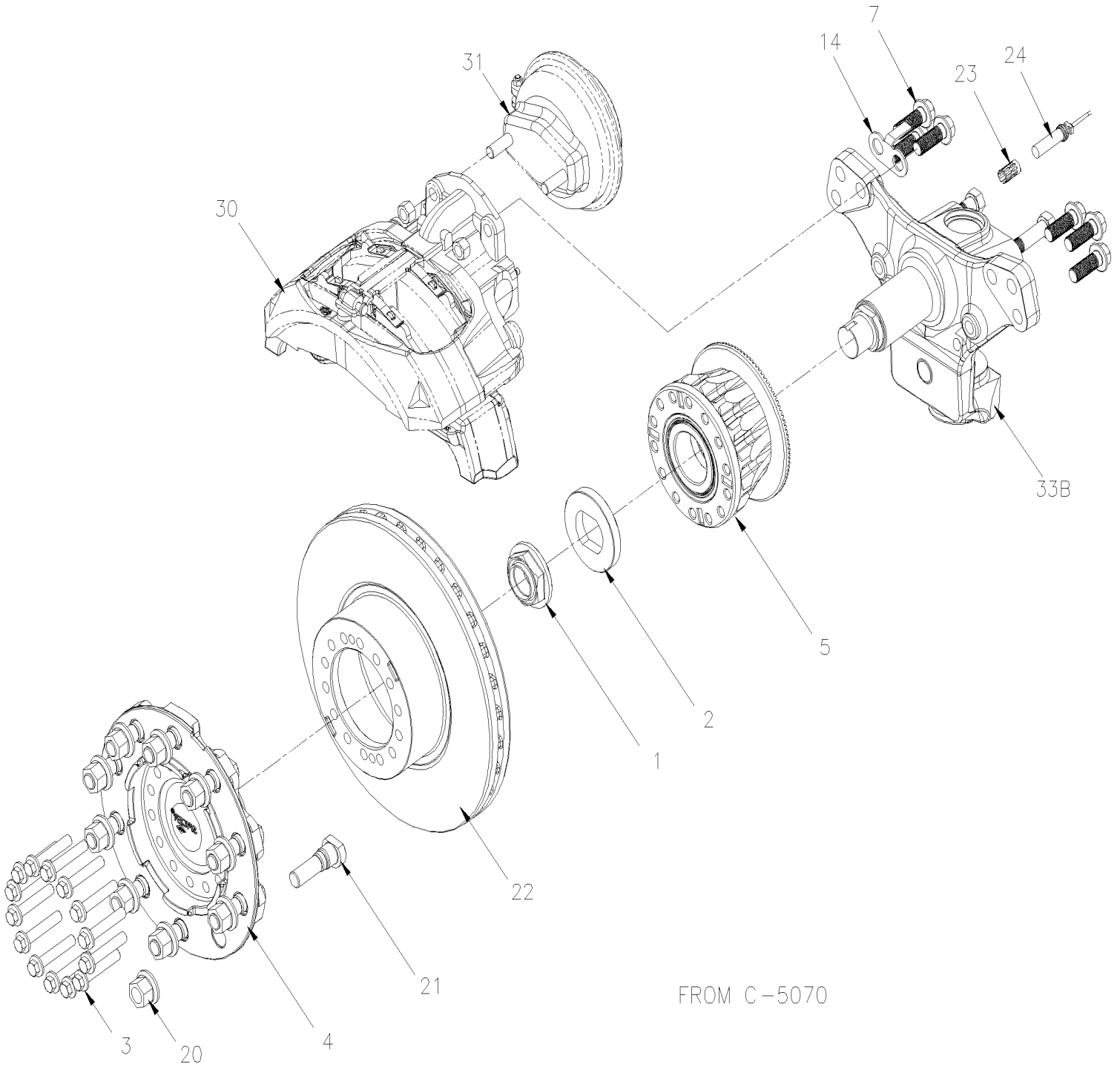


From B-5003 To D-5489

Date:10/2022

PAGE:XV-1300-00

HUB & ROTOR - FRONT AXLE MODEL "NDIFS80P"





| | | |
|--|---------------------|------------------------|
| From B-5003 To D-5489 | Date:10/2022 | PAGE:XV-1300-00 |
| HUB & ROTOR - FRONT AXLE MODEL "NDIFS80P" | | |

| Item# | Part | Description | X 3 V I P | X L I E N T 4 5 | N O T E S |
|-------|------------|---|-----------------------|--------------------------------------|-----------------------|
| 1 | 611949 | HUB NUT 1 3/4-8 To E-5493 | | 1 | A |
| 1 | 612357 | HUB NUT M42-2.0 From E-5494 | | 1 | B |
| 1 | 611949 | HUB NUT 1 3/4-8 To C-5235 | 1 | | A |
| 1 | 612357 | HUB NUT M42-2.0 From C-5236 | 1 | | B |
| 2 | 611948 | THRUST WASHER To E-5493 | | 1 | A |
| 2 | 612358 | THRUST WASHER From E-5494 | | 1 | B |
| 2 | 611948 | THRUST WASHER To C-5235 | 1 | | A |
| 2 | 612358 | THRUST WASHER From C-5236 | 1 | | B |
| 3 | 611955 | SCREW CAP HEXF M14-1.5x78 G12.9 N500 | 14 | 14 | S |
| 4 | 611301 | HUB FLANGE | 1 | 1 | |
| 5 | 611474 | HUB ASSY / UNITISED L.H. & R.H. "FAG" ASSY W/"ABS" RING To E-5493 | | 1 | A S |
| . NS | 611472 | . HUB ASSY / UNITISED L.H. & R.H. "FAG" To E-5493 | | 1 | A S |
| . NS | 611473 | . TOOTH WHEEL / FRONT AXLE & TAG W/ "FAG" 143.90MM I.D. To E-5493 | | 1 | A S |
| 5 | 611471 | HUB ASSY / UNITISED L.H. & R.H. "FAG" ASSY W/"ABS" RING From E-5494 | | 1 | B S |
| . NS | N.S.S. | . TOOTH WHEEL From E-5494 | | 1 | 1 B S |
| . NS | 509939 | . SCREW DRV RND #4x1/4 SS From E-5494 | | 3 | B S |
| 5 | 611474 | HUB ASSY / UNITISED L.H. & R.H. "FAG" ASSY W/"ABS" RING To C-5235 | 1 | | A S |
| . NS | 611472 | . HUB ASSY / UNITISED L.H. & R.H. "FAG" To C-5235 | 1 | | A S |
| . NS | 611473 | . TOOTH WHEEL / FRONT AXLE & TAG W/ "FAG" 143.90MM I.D. To C-5235 | 1 | | A S |
| 5 | 611471 | HUB ASSY / UNITISED L.H. & R.H. "FAG" ASSY W/"ABS" RING From C-5236 | 1 | | B S |
| . NS | N.S.S. | . TOOTH WHEEL From C-5236 | 1 | | 1 B S |
| . NS | 509939 | . SCREW DRV RND #4x1/4 SS From C-5236 | 3 | | B S |
| NS | 491115 | TOOL, HUB INSTALLER W/UNITISED BEARING / 70MM | 1 | 1 | |
| . NS | NDS8 | . MAINTENANCE INSTRUCTION | 1 | 1 | |
| 6 | 611044 | WASHER FL HARD 21.0x37.0x3.0 N500 | 4 | 4 | |
| 7 | 5001529 | SCREW CAP HEX M20-1.5x60 G10.9 G500 To E-5493 | | 6 | A |
| 7 | 612362 | SCREW CAP HEXF M20-1.5x55 G10.9 From E-5494 | | 6 | B |
| 7 | 5001529 | SCREW CAP HEX M20-1.5x60 G10.9 G500 To C-5235 | 6 | | A |
| 7 | 612362 | SCREW CAP HEXF M20-1.5x55 G10.9 From C-5236 | 6 | | B |
| 12 | 611473 | TOOTH WHEEL / FRONT AXLE & TAG W/ "FAG" 143.90MM I.D. To E-5493 | | 1 | A |
| 12 | 611473 | TOOTH WHEEL / FRONT AXLE & TAG W/ "FAG" 143.90MM I.D. To C-5235 | 1 | | A |
| 14 | 110786 | BRAKE WEAR INDICATOR MECHANICAL / 44MM | 1 | 1 | |
| 20 | 20434082 | NUT R.H. / W/HUB-MOUNT WHEEL M22-1.5 / 27 MM TH | 10 | 10 | |
| 21 | 611207 | STUD / R.H. / W/HUB-MOUNT WHEEL M22-1.5 x 81MM | 10 | 10 | |
| 22 | 611300 | ROTOR VENTED | 1 | 1 | |
| 23 | 641096 | CLIP, SPRING / TO FIX SENSOR | 1 | 1 | |
| 24 | 642085 | SENSOR ABS - OEM | 1 | 1 | |
| 24 | 642184 | SENSOR ABS - AFTER MARKET | 1 | 1 | |
| 30 | XV-1225-00 | BRAKE PARTS - FRONT & TAG AXLE "KNORR-BREMSE" SN7 SERIES W/NEW SLIDE PINS To E-5526 | | | |
| 30 | XV-1225-01 | BRAKE PARTS - FRONT & TAG AXLE "KNORR-BREMSE" SN7 SERIES From E-5527 | | | |
| 31 | XV-1225-10 | BRAKE CHAMBER - FRONT AXLE | | | |



| | | |
|--|--------------|-----------------|
| From B-5003 To D-5489 | Date:10/2022 | PAGE:XV-1300-00 |
| HUB & ROTOR - FRONT AXLE MODEL "NDIFS80P" | | |

| Item# | Part | Description | X 3 V I P | X L I I E N T 4 5 | N O T E S |
|-------|------------|---|-----------------------|---|-----------------------|
| 33A | XV-1005-50 | FRONT AXLE - INDEPENDENT MODEL "NDIFS80P" / 18000LBS To E-5493 | | | |
| 33A | XV-1005-60 | FRONT AXLE - INDEPENDENT MODEL "NDIFS80P" / 18000LBS To C-5235 | | | |
| 33B | XV-1005-61 | FRONT AXLE - INDEPENDENT MODEL "NDIFS80P" / 19000LBS From C-5236 | | | |
| | | | | | |
| | | | | | |
| | | A) WITH 18,000LBS INDEPENDANTE SUSPENSION | | | |
| | | B) WITH 19,000LBS INDEPENDANTE SUSPENSION | | | |
| | | S) INSPECTED ALL BOLTS FOR DAMAGE TO THE THREAD AND ON THE SURFACE BELOW THE HEAD WHEN YOU DISASSEMBLED OR UNSCREWED THE HUB AND REPLACE IF NECESSARY | | | |
| | | 1) NOT SOLD SEPARATELY | | | |

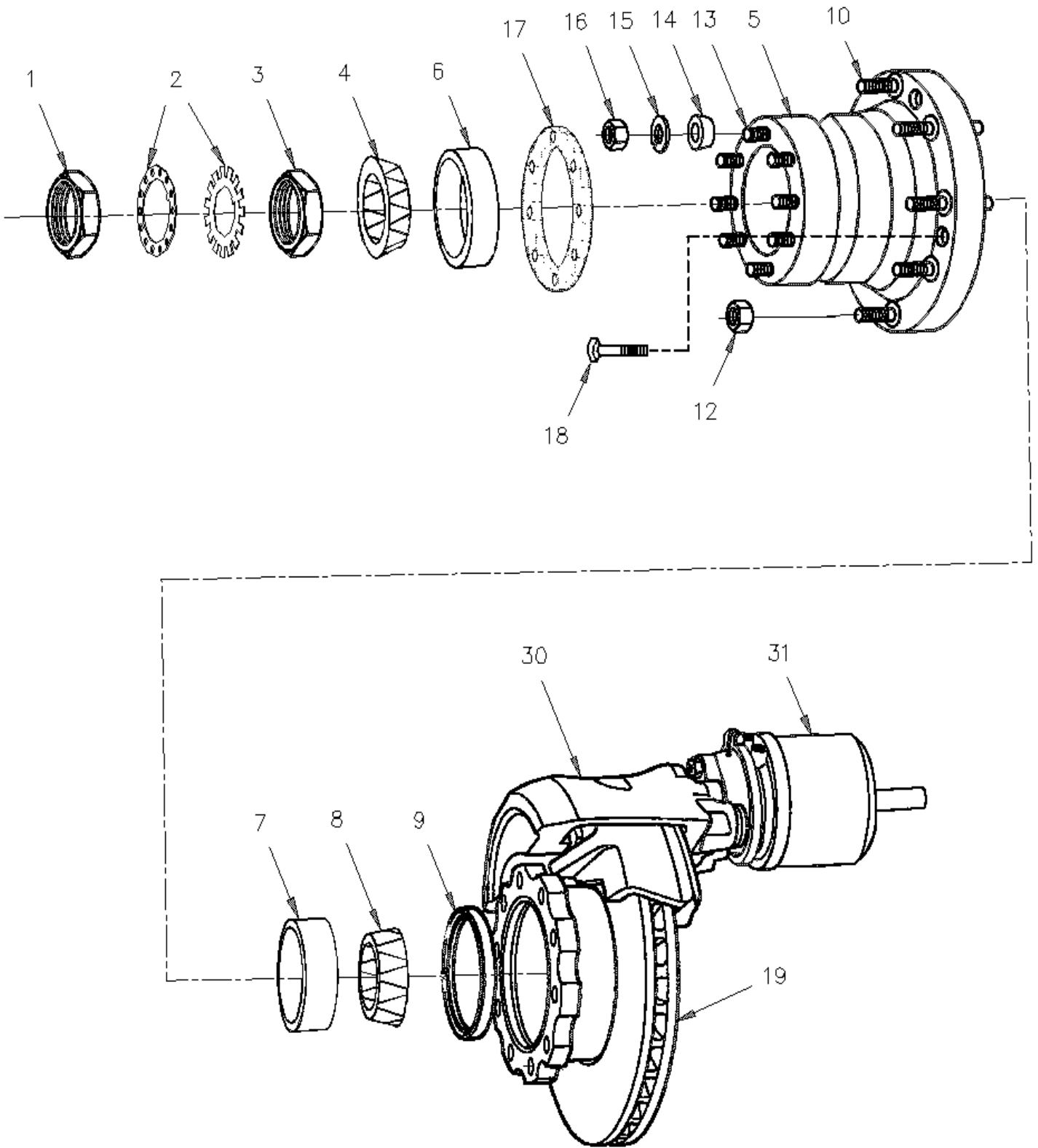


From B-5003 To D-5489

Date:10/2022

PAGE:XV-1305-00

HUB & ROTOR - DRIVE AXLE





| | | |
|-------------------------------------|---------------------|------------------------|
| From B-5003 To D-5489 | Date:10/2022 | PAGE:XV-1305-00 |
| HUB & ROTOR - DRIVE AXLE | | |

| Item# | Part | Description | X 3 V I P | X L I I E N T 4 5 | N O T E S |
|-------|-------------------|---|-----------------------|---|-----------------------|
| 1 | 620275 | NUT OUTER / WHEEL BEARING | 1 | 1 | |
| 2 | 621624 | WASHER LOCK / KIT | 1 | 1 | |
| 3 | 620279 | NUT INNER / WHEEL BEARING | 1 | 1 | |
| 4 | 620034 | CONE BEARING / OUTER WHEEL BEARING | 1 | 1 | A |
| 5 | 621617 | HUB & CUPS ASSY | 2 | 2 | |
| 6 | 620032 | . CUP BEARING | 1 | 1 | A |
| 7 | 621210 | . CUP BEARING | 1 | 1 | B |
| 8 | 621209 | CONE BEARING | 1 | 1 | B |
| 9 | 621623 | SEAL OIL | 1 | 1 | |
| 9 | 621916 | SEAL OIL | 1 | 1 | S |
| 10 | 621645 | STUD / R.H. / W/HUB-MOUNT WHEEL M22-1.5 x 100 MM | 10 | 10 | |
| 10 | 621686 | STUD / R.H. / W/HUB-MOUNT WHEEL M22-1.5 x 110 MM | AR | AR | D |
| 12 | 20434082 | NUT R.H. / W/HUB-MOUNT WHEEL M22-1.5 / 27 MM TH | 10 | 10 | |
| 13 | 621730 | STUD / 5/8-11x 5/8-18 x 2 7/8" | 8 | 8 | |
| 14 | 621627 | DOWEL 5/8" I.D. | 8 | 8 | |
| 15 | 5001518 | WASHER LO EXT .625x1.070x.055 ZP | 8 | 8 | |
| 16 | 500723 | NUT HEX 5/8-18 ZP | 8 | 8 | |
| 17 | 621640 | GASKET / AXLE SHAFT W/8 STUDS | AR | AR | |
| 18 | 621628 | SCREW CAP HEXS 5/8-18x1 3/4 GR8 | 10 | 10 | |
| 19 | 621672 | ROTOR SOLID (W/TOOTH WHEEL / DRIVE AXLE) | 1 | 1 | |
| 19 | 611457 | ROTOR VENTED (W/TOOTH WHEEL / DRIVE AXLE) | 1 | 1 | |
| 30 | XV-1235-00 | BRAKE PARTS - DRIVE AXLE "KNORR-BREMSE" SN7 SERIES | | | |
| 31 | XV-1235-10 | BRAKE CHAMBER - DRIVE AXLE | | | |
| NS | 621652 | KIT, CUP & CONE | 1 | 1 | |
| NS | 621653 | KIT, CUP & CONE | 1 | 1 | |
| NS | 684646 | SEAL INSTALLER TOOL / DRIVE W/DISC | 1 | 1 | |
| NS | XV-1305-99 | ROTOR (SPLINED DISC) PRODUCT IMPROVMENT | | | |
| | | | | | |
| | | | | | |
| | | | | | |
| | | | | | |
| | | A) ALSO AVAILABLE IN KIT #621652 | | | |
| | | B) ALSO AVAILABLE IN KIT #621653 | | | |
| | | D) WITH 2 ALUMINUM WHEELS | | | |
| | | S) SERVICE | | | |

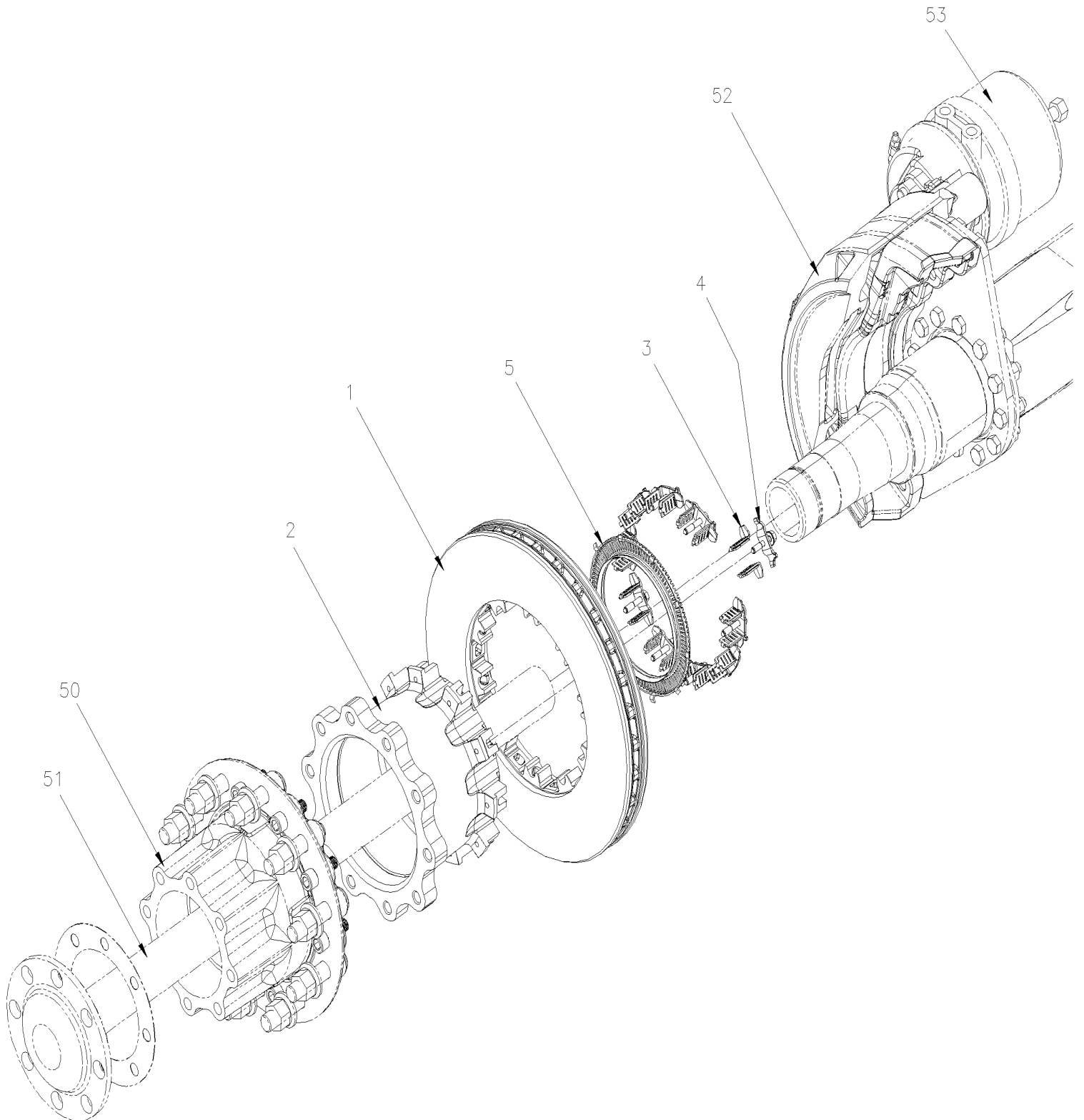


From B-5003 To D-5489

Date:10/2022

PAGE:XV-1305-99

ROTOR (SPLINED DISC) PRODUCT IMPROVMENT





| | | |
|-----------------------|--------------|-----------------|
| From B-5003 To D-5489 | Date:10/2022 | PAGE:XV-1305-99 |
|-----------------------|--------------|-----------------|

ROTOR (SPLINED DISC) PRODUCT IMPROVMENT

| Item# | Part | Description | X 3 V I P | X L I I E N T 4 5 | N O T E S |
|-------|-------------------|---|-----------------------|---|-----------------------|
| | 144982 | KIT SPLINED BRAKE DISC ON DRIVE AXLE | 1 | 1 | |
| . NS | IS-09085 | . SEE INSTRUCTION SHEET | 1 | 1 | |
| 1 | 144984 | . ROTOR / "SPLINED DISC" | 1 | 1 | |
| 2 | 144983 | . ROTOR ADAPTOR / "SPLINED DISC" | 1 | 1 | |
| 3 | 144986 | . PIECE INTERMEDIATE / "SPLINED DISC" | 20 | 20 | |
| 4 | 144985 | . SPRING ELEMENT / "SPLINED DISC" | 10 | 10 | |
| 5 | 124921 | . TOOTH WHEEL / DRIVE AXLE / "SPLINED DISC" | 1 | 1 | |
| NS | 680754 | GREASE, ANTI-SEIZE PERMATEx COPPER (454GR) | AR | AR | |
| 50 | XV-1305-00 | HUB & ROTOR - DRIVE AXLE | | | |
| 51 | XV-1105-00 | REAR AXLE - MODEL "RC23165" | | | |
| 52 | XV-1235-00 | BRAKE PARTS - DRIVE AXLE "KNORR-BREMSE" SN7 SERIES To E-5526 | | | |
| 52 | XV-1225-01 | BRAKE PARTS - FRONT & TAG AXLE "KNORR-BREMSE" SN7 SERIES From E-5527 | | | |
| 53 | XV-1235-10 | BRAKE CHAMBER - DRIVE AXLE | | | |
| | | | | | |
| | | | | | |
| | | | | | |

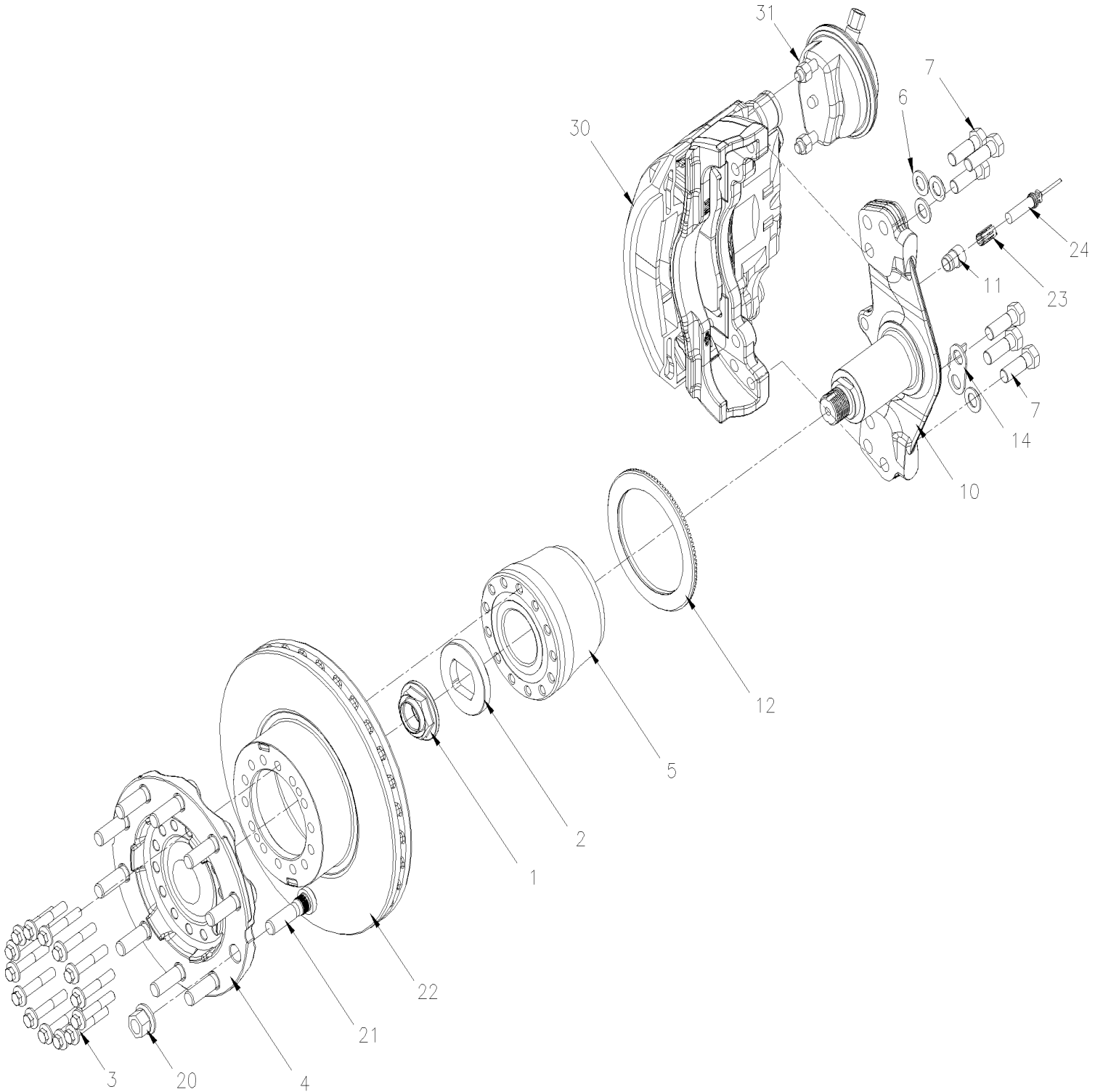


From B-5003 To D-5489

Date:10/2022

PAGE:XV-1310-00

HUB & ROTOR - TAG AXLE TYPE TS8U





| | | |
|------------------------------|---------------------|------------------------|
| From B-5003 To D-5489 | Date:10/2022 | PAGE:XV-1310-00 |
|------------------------------|---------------------|------------------------|

HUB & ROTOR - TAG AXLE TYPE TS8U

| Item# | Part | Description | X 3 V I P | X L I E N T 4 5 | N O T E S |
|--------|-------------------|--|-----------------------|--------------------------------------|-----------------------|
| 1 | 621811 | HUB NUT 1 3/4-8 | 1 | 1 | |
| 2 | 621810 | THRUST WASHER | 1 | 1 | |
| 3 | 5001842 | SCREW CAP HEXF M14-1.5x75 G10.9 SERR G500 | 14 | 14 | S |
| 4 | 621809 | HUB FLANGE | 1 | 1 | |
| 5 | 621816P | HUB ASSY / UNITISED L.H. & R.H. "FAG" WITH TOOTH WHEEL | 1 | 1 | S |
| . NS | 621807 | . HUB ASSY / UNITISED L.H. & R.H. "FAG" | 1 | 1 | S |
| . . NS | 621894 | . . O-RING | 1 | 1 | S |
| . NS | 621801 | . TOOTH WHEEL / TAG AXLE W/CAST TAG | 1 | 1 | S |
| NS | G32950 | TOOL, HUB INSTALLER W/UNITISED BEARING / 82MM | 1 | 1 | |
| 6 | 611044 | WASHER FL HARD 21.0x37.0x3.0 N500 | 6 | 6 | |
| 7 | 5001529 | SCREW CAP HEX M20-1.5x60 G10.9 G500 | 6 | 6 | |
| 10 | 621808 | TAG AXLE / FORGE | 1 | 1 | |
| 11 | 121912 | BUSHING ABS SENSOR MOUNTING TAG AXLE ONE PIECE | 1 | 1 | |
| 12 | 621801 | TOOTH WHEEL / TAG AXLE W/CAST TAG | 1 | 1 | |
| 14 | 110786 | BRAKE WEAR INDICATOR MECHANICAL / 44MM | 1 | 1 | |
| 20 | 20434082 | NUT R.H. / W/HUB-MOUNT WHEEL M22-1.5 / 27 MM TH | 10 | 10 | |
| 21 | 20515515 | STUD / R.H. / W/HUB-MOUNT WHEEL M22-1.5 x 88MM | 10 | 10 | |
| 22 | 611300 | ROTOR VENTED | 10 | 10 | |
| 23 | 641096 | CLIP, SPRING / TO FIX SENSOR | 1 | 1 | |
| 24 | 642085 | SENSOR ABS - OEM | 1 | 1 | |
| 24 | 642184 | SENSOR ABS - AFTER MARKET | 1 | 1 | |
| 30 | XV-1225-00 | BRAKE PARTS - FRONT & TAG AXLE "KNORR-BREMSE" SN7 SERIES W/NEW SLIDE PINS To E-5526 | | | |
| 30 | XV-1225-01 | BRAKE PARTS - FRONT & TAG AXLE "KNORR-BREMSE" SN7 SERIES From E-5527 | | | |
| 31 | XV-1245-10 | BRAKE CHAMBER - TAG AXLE | | | |
| NS | MI08-04 | SEE MAINTENANCE INFORMATION | 1 | 1 | |
| | | | | | |
| | | | | | |
| | | | | | |
| | | | | | |
| | | | | | |
| | | | | | |
| | | S) REPLACED ALL BOLTS EACH TIME WHEN YOU DISASSEMBLED OR UNSCREWED THE HUB | | | |

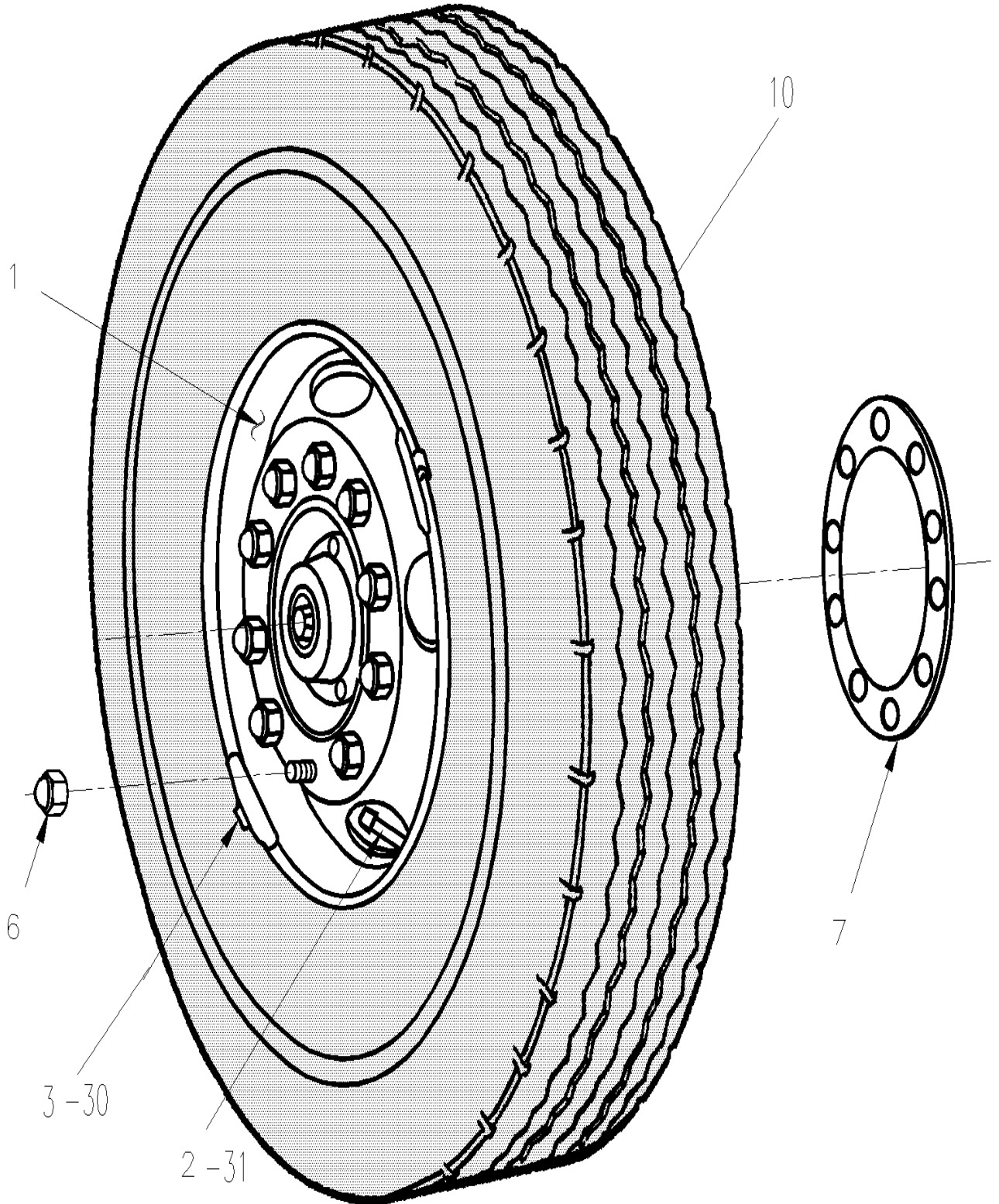


From B-5003 To D-5489

Date:10/2022

PAGE:XV-1318-00

WHEELS & COMPONENTS - TRUCK MOUNT (METRIC)





From B-5003 To D-5489 Date:10/2022 PAGE:XV-1318-00

WHEELS & COMPONENTS - TRUCK MOUNT (METRIC)

| Item# | Part | Description | X 3 V I P | X L I E N T 4 5 | N O T E S |
|-------|--------|--|-----------------------|--------------------------------------|-----------------------|
| | | ALUMINUM WHEELS / HUB-MOUNTED | | | |
| 1 | 650662 | WHEEL, ALU. HUB 22.5 X 10.5 / BOTH SIDE DURA-BRIGHT XBR | AR | AR | C |
| 1 | 650443 | WHEEL, ALU. HUB 22.5 X 10.5 / OUTSIDE POLISH | AR | AR | C |
| 1 | 650989 | WHEEL, ALU. HUB 22.5 X 9.00 / INSIDE POLISH | AR | AR | H |
| 1 | 651007 | WHEEL, ALU. HUB 22.5 X 9.00 / INSIDE DURA BRIGHT | AR | AR | H |
| 1 | 651021 | WHEEL, ALU. HUB 22.5 X 9.00 / BOTH SIDE POLISH | AR | AR | H |
| 1 | 651038 | WHEEL, ALU. HUB 22.5 X 9.00 / BOTH SIDE DURA-BRIGHT | AR | AR | H |
| 1 | 650728 | WHEEL, ALU. HUB 22.5 X 14.00 / INSIDE POLISH | AR | AR | S |
| 1 | 651548 | WHEEL, ALU. HUB 22.5 X 14.00 / INSIDE POLISH | AR | AR | S |
| 1 | 650729 | WHEEL, ALU. HUB 22.5 X 14.00 / INSIDE DURA BRIGHT | AR | AR | S |
| 1 | 651549 | WHEEL, ALU. HUB 22.5 X 14.00 / INSIDE DURA BRIGHT | AR | AR | S |
| NS | 683529 | CLEANER "ALUMINUM WHEEL" / SPRAY 22 OZ. | AR | AR | |
| NS | 683527 | SEALANT "ALLUMINUM WHEEL" / SPRAY 13 OZ. | AR | AR | |
| NS | 683528 | POLISH "ALLUMINUM WHEEL" / WAX 16 OZ. | AR | AR | |
| | | VALVES - VALVE EXTENTION & HOLDER | | | |
| 2 | 651078 | VALVE / W/ALUMINUM WHEEL / 2.31" LG | AR | AR | |
| NS | 650164 | . CAP VALVE / CHROME | AR | AR | |
| NS | 650151 | . CAP VALVE / STD | AR | AR | |
| NS | 650008 | . SPRING VALVE | AR | AR | |
| 2 | 650745 | EXTENSION VALVE 3/4" LG | AR | AR | |
| 2 | 650201 | EXTENSION VALVE 1 3/8" LG | AR | AR | |
| NS | 650188 | EXTENSION VALVE / 7" LG | AR | AR | |
| 2 | 650178 | RUBBER HOLDER / 1.5" O.D. / EXTENSION VALVE | AR | AR | |
| 2 | 651064 | RUBBER HOLDER / 2" O.D. / EXTENSION VALVE | AR | AR | |
| 2 | 650205 | SPRING VALVE 21116 | AR | AR | B |
| | | WEIGHTS | | | |
| 3 | 650175 | WEIGHT BALANCING / W/ALUMINUM WHEEL / INT. & EXT. / 2 OZ | AR | AR | |
| 3 | 650109 | WEIGHT BALANCING / W/ALUMINUM WHEEL / INT. & EXT. / 3 OZ | AR | AR | |
| 3 | 650110 | WEIGHT BALANCING / W/ALUMINUM WHEEL / EXT. ON 4 OZ | AR | AR | |
| 3 | 650114 | WEIGHT BALANCING / W/ALUMINUM WHEEL / INT. ON 4 OZ | AR | AR | |
| 3 | 650111 | WEIGHT BALANCING / W/ALUMINUM WHEEL / EXT. ON 6 OZ | AR | AR | |
| 3 | 650115 | WEIGHT BALANCING / W/ALUMINUM WHEEL / INT. ON 6 OZ | AR | AR | |
| 3 | 650112 | WEIGHT BALANCING / W/ALUMINUM WHEEL / EXT. ON 8 OZ | AR | AR | |
| 3 | 650116 | WEIGHT BALANCING / W/ALUMINUM WHEEL / INT. ON 8 OZ | AR | AR | |
| 3 | 650192 | WEIGHT BALANCING / W/ALUMINUM WHEEL / W/ADHES 6 OZ | AR | AR | |
| 3 | 650206 | WEIGHT BALANCING / POWDER (12 OZ BAG) | AR | AR | |



From B-5003 To D-5489 Date:10/2022 PAGE:XV-1318-00

WHEELS & COMPONENTS - TRUCK MOUNT (METRIC)

| Item# | Part | Description | X 3 V I P | X L I I E N T 4 5 | N O T E S |
|-------|-------------------|--|-----------------------|---|-----------------------|
| | | OTHERS | | | |
| 6 | 5001339 | CAP, PLASTIC CHROME / WHEEL NUT / HUB MOUNT / PUSH-ON TYPE | 60 | 60 | E |
| 7 | 650134 | WHEEL GUARD MYLAR / WHEEL & HUB | AR | AR | |
| 8 | 621753 | HUB CAP PLASTIC CHROME W/NUT / HUB MOUNT / METRIC | 2 | 2 | G |
| . NS | 624215 | . CAP NUT COVER WRENCH | 1 | 1 | G |
| 8 | 652236 | HUB CAP PLASTIC CHROME / HUB MOUNT / METRIC ONE SET OF 2 | 1 | 1 | G |
| NS | 611470 | HUB CAP PLASTIC CHROME W/NUT / HUB MOUNT / METRIC | 2 | 2 | F |
| . NS | 624215 | . CAP NUT COVER WRENCH | 1 | 1 | F |
| 8 | 652235 | HUB CAP PLASTIC CHROME W/NUT / HUB MOUNT / METRIC ONE SET OF 2 | 2 | 2 | F |
| NS | 652066 | WHEEL NUT FLAG, ORANGE | AR | AR | |
| | | VALVES - WITH TIRE PRESSURE SENSOR | | | |
| 30 | 066446 | DECAL / "WARNING DETECTOR INSIDE" / ENGLISH & FRANCAIS | AR | AR | |
| 30 | 066445 | DECAL / "WARNING DETECTOR INSIDE" / ENGLISH | AR | AR | |
| 31 | XV-1318-10 | TIRE MONITOR PRESSURE - "BERU" | | | |
| NS | MI02-17 | SEE MAINTENANCE INFORMATION | 1 | 1 | |
| NS | MI03-26A | SEE MAINTENANCE INFORMATION | 1 | 1 | |
| | | B) USE THIS EXTENSION WITH POWDER BALANCING WEIGHT | | | |
| | | C) USE WITH 650178 RUBBER HOLDER | | | |
| | | E) TO USE WITH NUT 22MM X 33MM THICK (611189) | | | |
| | | F) TO USE WITH FRONT AND TAG WHEEL | | | |
| | | G) TO USE WITH DRIVE AXLE WHEEL | | | |
| | | H) USE WITH 651064 RUBBER HOLDER | | | |
| | | S) USE ONLY WITH SUPER SINGLE TIRE (650447) | | | |

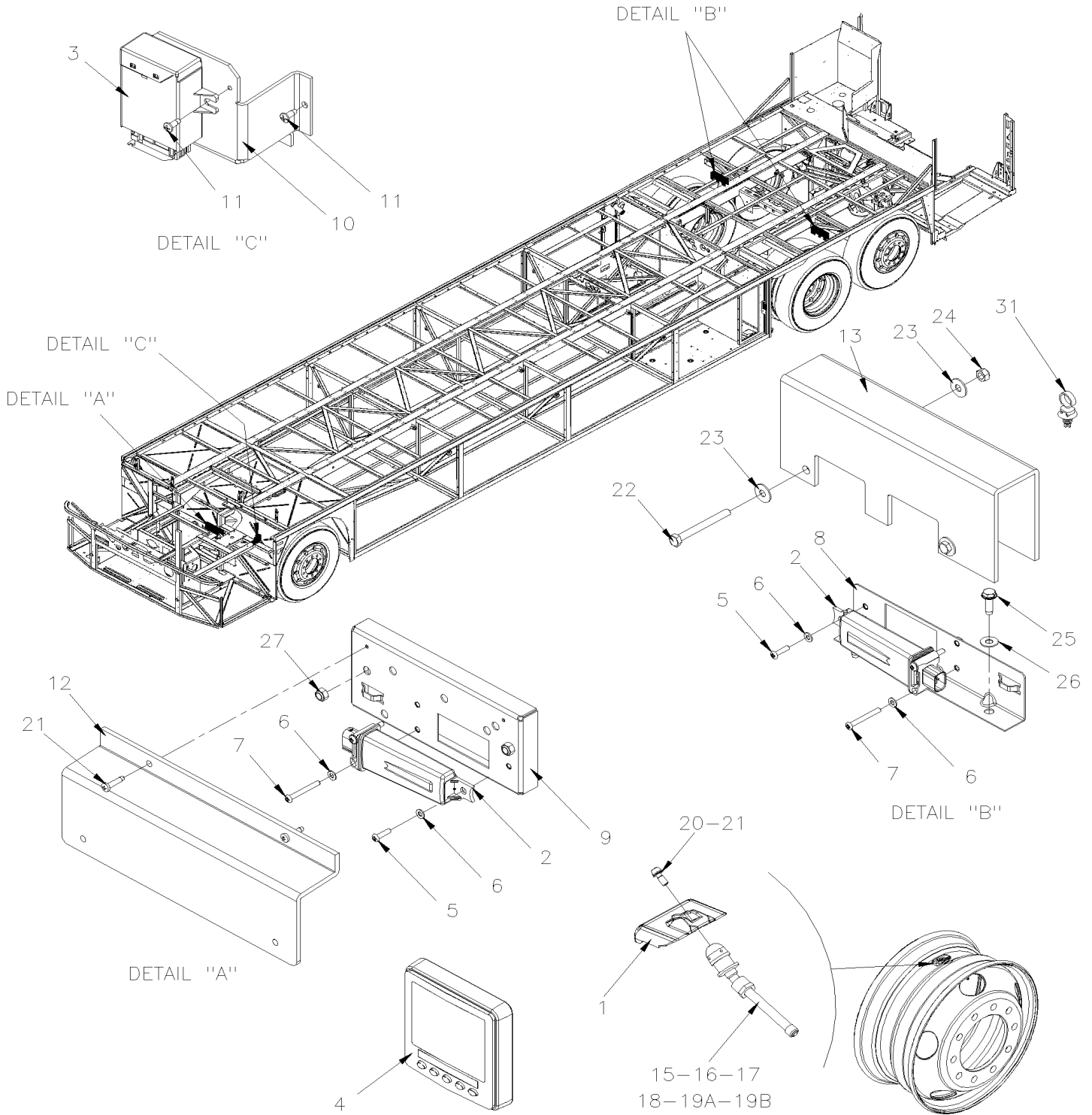


From B-5003 To D-5489

Date:10/2022

PAGE:XV-1318-10

TIRE MONITOR PRESSURE - "BERU"



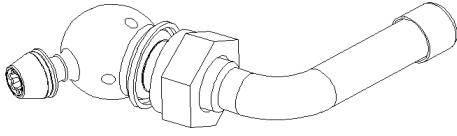


From B-5003 To D-5489

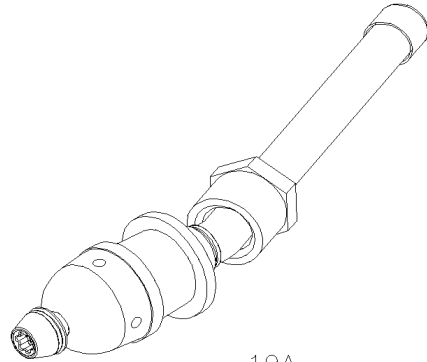
Date:10/2022

PAGE:XV-1318-10

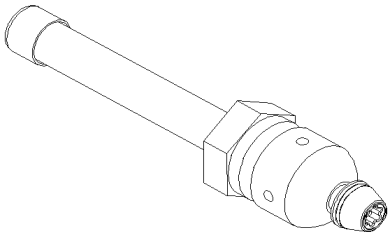
TIRE MONITOR PRESSURE - "BERU"



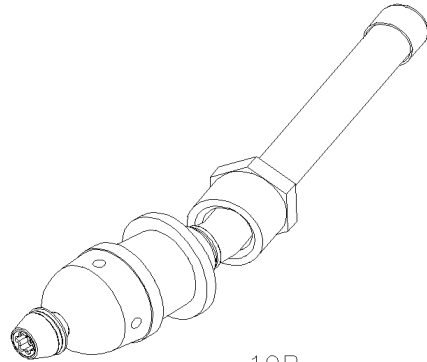
15



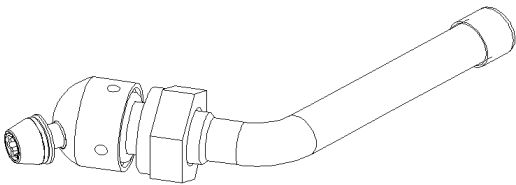
19A



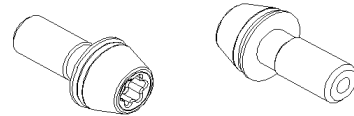
16



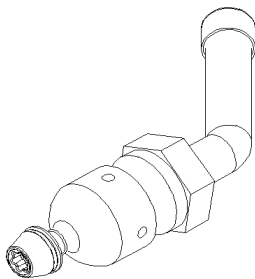
19B



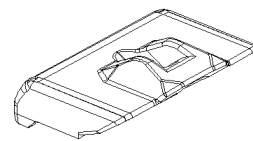
17



20



18



1



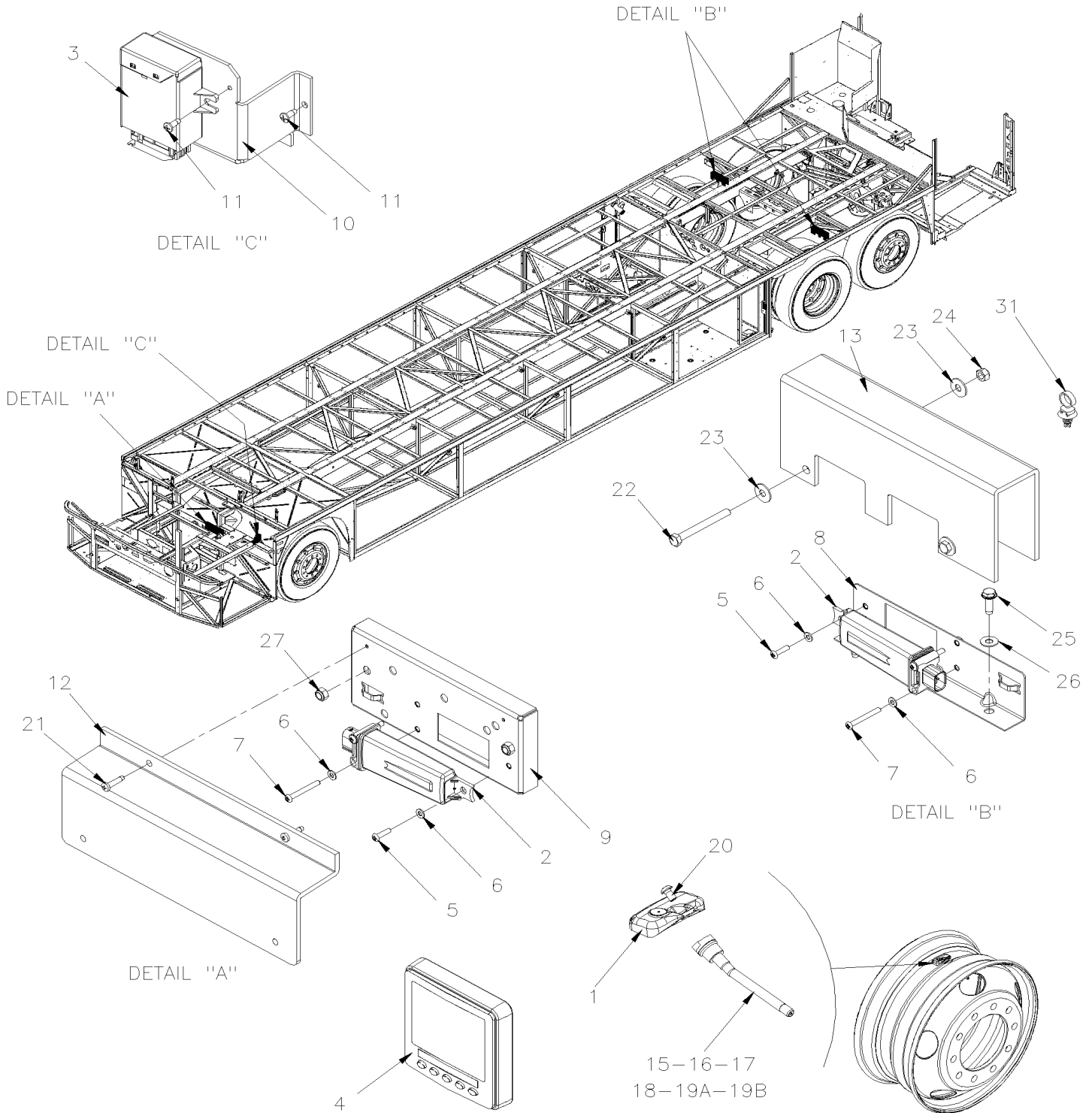
From B-5003 To D-5489

Date:10/2022

PAGE:XV-1318-10

TIRE MONITOR PRESSURE - "BERU"

SERVICE





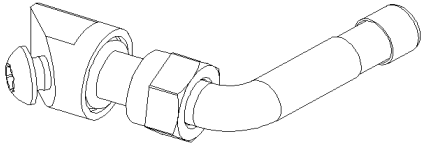
From B-5003 To D-5489

Date:10/2022

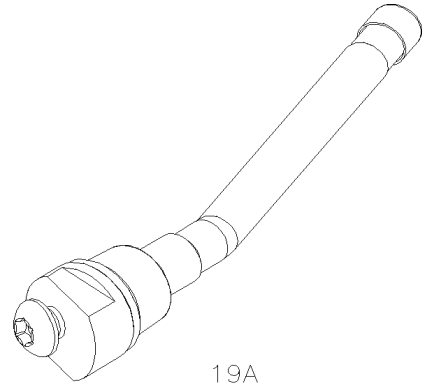
PAGE:XV-1318-10

TIRE MONITOR PRESSURE - "BERU"

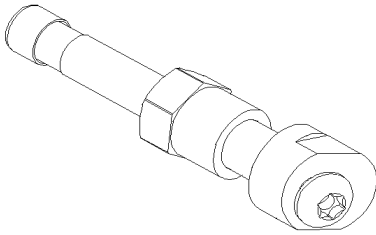
SERVICE



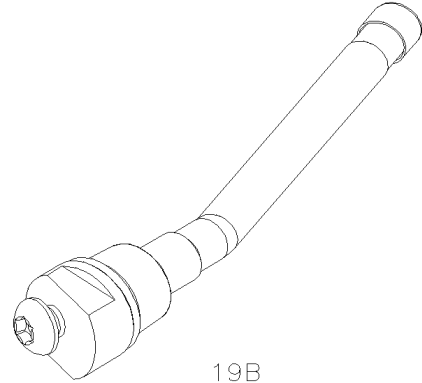
15



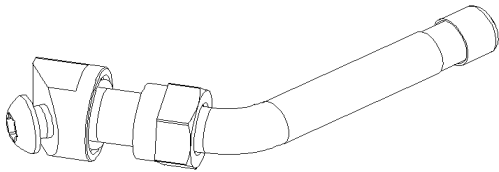
19A



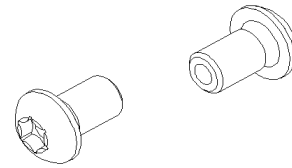
16



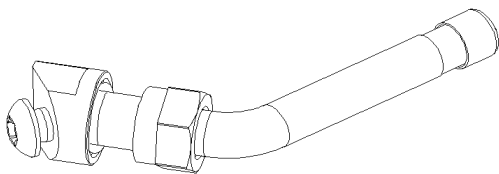
19B



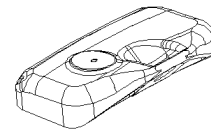
17



20



18



1



| | | |
|------------------------------|---------------------|------------------------|
| From B-5003 To D-5489 | Date:10/2022 | PAGE:XV-1318-10 |
|------------------------------|---------------------|------------------------|

TIRE MONITOR PRESSURE - "BERU"

| Item# | Part | Description | X 3 V I P | X L I I E N T 4 5 | N O T E S |
|--------|---------|--|-----------------------|---|-----------------------|
| 1 | 564078 | SENSOR TIRE PRESSURE - "BERU" | 9 | 9 | A |
| . NS | 651118 | . WASHER REINFORCMENT SENSOR TIRE MODULE OBLONG / SS | 1 | 1 | A |
| 1 | 560032 | SENSOR TIRE PRESSURE - "BERU" | 9 | 9 | |
| NS | 066445 | DECAL / "WARNING DETECTOR INSIDE" / ENGLISH | AR | AR | |
| NS | 066446 | DECAL / "WARNING DETECTOR INSIDE" / ENGLISH & FRANCAIS | AR | AR | |
| 2 | 564077 | ANTENNA - TIRE PRESSURE | 3 | 3 | |
| . NS | 563758 | . CONNECTOR / MICRO-QUADLOK-SYSTEM / SH 4C / AMP 1-967640-1 | 1 | 1 | |
| . NS | 564074 | . CONNECTOR CAP 90° / MICRO-QUADLOK-SYSTEM / SCH 7806880-K | 1 | 1 | |
| . NS | 563759 | . SOCKET TERMINAL / 20-18 / AMP 965907-1 | 1 | 1 | |
| . NS | 563761 | . SEAL PLUG CAVITY / BLUE / AMP 967056-1 | 1 | 1 | |
| 3 | 564076 | ECU TIRE PRESSURE | 1 | 1 | |
| . NS | 564073 | . CONNECTOR TANDEM SPRING/ AMPMODU / SH 32C / AMP 1394010-1 | 1 | 1 | |
| 4 | 564083 | SCREEN MONITOR TIRE To B-5023 | 1 | 1 | |
| 4 | 564094 | SCREEN MONITOR TIRE From B-5024 | 1 | 1 | |
| NS | 564084 | PLATE TPMS / FIXED AT CENTRAL BOARD | 1 | 1 | |
| NS | 564086 | PLATE REAR TPMS ON CENTRAL BOARD | 1 | 1 | |
| NS | 5001690 | SCREW TC M5 | 3 | 3 | |
| NS | 564085 | PLATE W/OUT TPMS ON CENTRAL BOARD | 1 | 1 | |
| NS | 067286 | CABLE ASSY / FRT JCT BOX & REAR JCT BOX | 1 | 1 | |
| NS | 067204 | WIRING HARNESS / ECU FRT JCT BOX & ACCES.. | 1 | 1 | |
| NS | 5001694 | SCREW MA PAN PH M4-0.7x40 SS BK | 6 | 6 | |
| 5 | 5001332 | SCREW MA PAN PH M4-0.7x16 SS | 3 | 3 | |
| 6 | 502556 | WASHER FL 4.3x9.0x0.8 SS | 9 | 9 | |
| 7 | 5001696 | SCREW MA PAN PH M4-0.7x35 SS | 6 | 6 | |
| 8 | 406121 | SUPPORT ANTENNA TIRE PRESSURE | 2 | 2 | |
| 9 | 406085 | SUPPORT ANTENNA TIRE PRESSURE | 1 | 1 | |
| 10 | 382406 | SUPPORT TIRE ECU PRESSURE | 1 | 1 | |
| 11 | 502868 | SCREW TC TR PH #10-16x1/2 N500 | 5 | 5 | |
| 12 | 406119 | PROTECTOR ANTENNA / AL "Z" SHAPE | 1 | 1 | |
| 13 | 406122 | PROTECTOR ANTENNA / AL "U" SHAPE | | 2 | |
| 13 | 406133 | PROTECTOR ANTENNA / AL "U" SHAPE | 1 | | |
| 15 | 651079 | KIT VALVE TR543E 60DEG 17.1 HD / W/AL / 14" To C-5195 | 1 | 1 | |
| . NS | 651084 | . SCREW MA BUT TORX W/HOLE M5-0.8x17 To C-5195 | 1 | 1 | |
| . . NS | 651118 | . . WASHER REINFORCMENT SENSOR TIRE MODULE OBLONG / SS To C-5195 | 1 | 1 | |
| . NS | 651116 | . O-RING 8.9MM I.D. x 1.9MM "VITON" To C-5195 | 1 | 1 | |
| 15 | 651126 | KIT VALVE TR543E 60DEG 17.1 HD / W/AL / 14" From C-5196 | 1 | 1 | |
| . NS | 651084 | . SCREW MA BUT TORX W/HOLE M5-0.8x17 From C-5196 | 1 | 1 | |
| . . NS | 651118 | . . WASHER REINFORCMENT SENSOR TIRE MODULE OBLONG / SS From C-5196 | 1 | 1 | |
| . NS | 651117 | . O-RING 9.5MM I.D. x 2.0MM "VITON" From C-5196 | 1 | 1 | |
| 15 | 650013 | KIT VALVE 60DEG / W/AL / 14" | 1 | 1 | A |
| . NS | 651116 | . O-RING 8.9MM I.D. x 1.9MM "VITON" | 1 | 1 | A |
| . NS | 650019 | . SCREW MA BUT TORX W/HOLE M5 | 1 | 1 | A |



From B-5003 To D-5489 Date:10/2022 PAGE:XV-1318-10

TIRE MONITOR PRESSURE - "BERU"

| Item# | Part | Description | X 3 V I P | X L I I E N T 4 5 | N O T E S |
|--------|--------|--|-----------------------|---|-----------------------|
| 15 | 650635 | KIT VALVE 60DEG / W/AL / 14" | 1 | 1 | |
| . NS | 650019 | . SCREW MA BUT TORX W/HOLE M5 | 1 | 1 | |
| . NS | 651191 | . NUT | 1 | 1 | |
| 16 | 651080 | KIT VALVE TR543 13HD / W/AL / 10.5" To C-5195 | 1 | 1 | |
| . NS | 651084 | . SCREW MA BUT TORX W/HOLE M5-0.8x17 To C-5195 | 1 | 1 | |
| . . NS | 651118 | . . WASHER REINFORCMENT SENSOR TIRE MODULE OBLONG / SS To C-5195 | 1 | 1 | |
| . NS | 651117 | . O-RING 9.5MM I.D. x 2.0MM "VITON" To C-5195 | 1 | 1 | |
| 16 | 651128 | KIT VALVE TR543 13HD / W/AL / 10.5" From C-5196 | 1 | 1 | |
| . NS | 651084 | . SCREW MA BUT TORX W/HOLE M5-0.8x17 From C-5196 | 1 | 1 | |
| . . NS | 651118 | . . WASHER REINFORCMENT SENSOR TIRE MODULE OBLONG / SS From C-5196 | 1 | 1 | |
| . NS | 651117 | . O-RING 9.5MM I.D. x 2.0MM "VITON" From C-5196 | 1 | 1 | |
| 16 | 650014 | KIT VALVE / W/AL / 10.5" | 1 | 1 | A |
| . NS | 651116 | . O-RING 8.9MM I.D. x 1.9MM "VITON" | 1 | 1 | A |
| . NS | 650019 | . SCREW MA BUT TORX W/HOLE M5 | 1 | 1 | A |
| 16 | 650636 | KIT VALVE / W/AL / 10.5" | 1 | 1 | |
| . NS | 650019 | . SCREW MA BUT TORX W/HOLE M5 | 1 | 1 | |
| 17 | 651081 | KIT VALVE TR544D 40DEG 13HD / W/AL HUB MOUNT / 9" To C-5195 | 1 | 1 | |
| . NS | 651084 | . SCREW MA BUT TORX W/HOLE M5-0.8x17 To C-5195 | 1 | 1 | |
| . . NS | 651118 | . . WASHER REINFORCMENT SENSOR TIRE MODULE OBLONG / SS To C-5195 | 1 | 1 | |
| . NS | 651117 | . O-RING 9.5MM I.D. x 2.0MM "VITON" To C-5195 | 1 | 1 | |
| 17 | 651122 | KIT VALVE TR544D 40DEG 13HD / W/AL HUB MOUNT / 9" From C-5196 | 1 | 1 | |
| . NS | 651084 | . SCREW MA BUT TORX W/HOLE M5-0.8x17 From C-5196 | 1 | 1 | |
| . . NS | 651118 | . . WASHER REINFORCMENT SENSOR TIRE MODULE OBLONG / SS From C-5196 | 1 | 1 | |
| . NS | 651117 | . O-RING 9.5MM I.D. x 2.0MM "VITON" From C-5196 | 1 | 1 | |
| 17 | 650015 | KIT VALVE 40DEG / W/AL / 9" | 1 | 1 | A |
| . NS | 651116 | . O-RING 8.9MM I.D. x 1.9MM "VITON" | 1 | 1 | A |
| . NS | 650019 | . SCREW MA BUT TORX W/HOLE M5 | 1 | 1 | A |
| 17 | 650634 | KIT VALVE 40DEG / W/AL / 9" | 1 | 1 | |
| . NS | 650019 | . SCREW MA BUT TORX W/HOLE M5 | 1 | 1 | |
| . NS | 651191 | . NUT | 1 | 1 | |
| 18 | 651082 | KIT VALVE TR543C 9.5HD / W/AL STUD MOUNT / 9" | 1 | 1 | |
| . NS | 651084 | . SCREW MA BUT TORX W/HOLE M5-0.8x17 | 1 | 1 | |
| . . NS | 651118 | . . WASHER REINFORCMENT SENSOR TIRE MODULE OBLONG / SS | 1 | 1 | |
| . NS | 651117 | . O-RING 9.5MM I.D. x 2.0MM "VITON" | 1 | 1 | |
| 18 | 650015 | KIT VALVE 40DEG / W/AL / 9" | 1 | 1 | A |
| . NS | 651116 | . O-RING 8.9MM I.D. x 1.9MM "VITON" | 1 | 1 | A |
| . NS | 650019 | . SCREW MA BUT TORX W/HOLE M5 | 1 | 1 | A |
| 18 | 650634 | KIT VALVE 40DEG / W/AL / 9" | 1 | 1 | |
| . NS | 650019 | . SCREW MA BUT TORX W/HOLE M5 | 1 | 1 | |
| . NS | 651191 | . NUT | 1 | 1 | |
| 19A | 651083 | KIT VALVE TR572 20DEG 13HD / W/STEEL WHEELS 8.25" & 9" | 1 | 1 | 9.0 |
| 19A | 651083 | KIT VALVE TR572 20DEG 13HD / W/STEEL WHEELS 8.25" & 9" | 1 | 1 | 9.0 |



| | | |
|---------------------------------------|--------------|-----------------|
| From B-5003 To D-5489 | Date:10/2022 | PAGE:XV-1318-10 |
| TIRE MONITOR PRESSURE - "BERU" | | |

| Item# | Part | Description | X 3 V I P | X L I I E N T 4 5 | N O T E S |
|--------|---------|--|-----------------------|---|-----------------------|
| . NS | 651084 | . SCREW MA BUT TORX W/HOLE M5-0.8x17 | 1 | 1 | 9.0 |
| . . NS | 651118 | . . WASHER REINFORCMENT SENSOR TIRE MODULE OBLONG / SS | 1 | 1 | 9.0 |
| . NS | 651119 | . SEAL VALVE / STEEL "VITON" GREEN | 1 | 1 | 9.0 |
| 19A | 650018 | KIT VALVE 20DEG / W/STEEL WHEELS 9" | 1 | 1 | A 9.0 |
| . NS | 650019 | . SCREW MA BUT TORX W/HOLE M5 | 1 | 1 | A 9.0 |
| . NS | 651119 | . SEAL VALVE / STEEL "VITON" GREEN | 1 | 1 | A 9.0 |
| 19B | 651083 | KIT VALVE TR572 20DEG 13HD / W/STEEL WHEELS 8.25" & 9" | 1 | 1 | 8.25 |
| 19B | 651083 | KIT VALVE TR572 20DEG 13HD / W/STEEL WHEELS 8.25" & 9" | 1 | 1 | 8.25 |
| . NS | 651084 | . SCREW MA BUT TORX W/HOLE M5-0.8x17 | 1 | 1 | 8.25 |
| . . NS | 651118 | . . WASHER REINFORCMENT SENSOR TIRE MODULE OBLONG / SS | 1 | 1 | 8.25 |
| . NS | 651119 | . SEAL VALVE / STEEL "VITON" GREEN | 1 | 1 | 8.25 |
| 19B | 650017 | KIT VALVE 20DEG / W/STEEL WHEELS 8.25" | 1 | 1 | 8.25 A |
| . NS | 650019 | . SCREW MA BUT TORX W/HOLE M5 | 1 | 1 | 8.25 A |
| . NS | 651119 | . SEAL VALVE / STEEL "VITON" GREEN | 1 | 1 | 8.25 A |
| 20 | 651084 | . SCREW MA BUT TORX W/HOLE M5-0.8x17 | 1 | 1 | |
| . NS | 651118 | . . WASHER REINFORCMENT SENSOR TIRE MODULE OBLONG / SS | 1 | 1 | |
| 20 | 650019 | . SCREW MA BUT TORX W/HOLE M5 | 1 | 1 | A |
| NS | 685324 | GREASE "PERMATEX" DIELECTRIC TUBE 3 OZ | AR | AR | S |
| NS | 680038 | THREAD LOCKER LOCTITE #243 / BLUE / 50ml | AR | AR | |
| 21 | 500952 | SCREW TP BDG PH #8x1/2 SS | 2 | 2 | |
| 22 | 5001681 | SCREW CAP HEX M6-1.0x60 SS | 2 | 2 | |
| 23 | 500411 | WASHER FL .260x.697x.050 SS | 8 | 8 | |
| 24 | 502681 | NUT HEX NYRT M6-1.0 N500 G8 | AR | AR | |
| 25 | 502848 | SCREW TC CAP HEXF 1/4-20x3/4 N500 | 2 | 2 | |
| 26 | 5001608 | WASHER BEL SPR 6.2x15.0x0.7 G500 | 4 | 4 | |
| 27 | 5001182 | NUT HEX NYRT M6-1.0 SS | 2 | 2 | |
| 31 | 509815 | TIE MOUNT / ATTACHMENT W/TREE MOUNT | AR | AR | |
| 31 | 504637 | CABLE TIE / 3/16" x 13" | AR | AR | |
| | | | | | |
| | | | | | |
| | | | | | |
| | | 8.25) USE WITH STEEL WHEEL 8.25" | | | |
| | | 9.0) USE WITH STEEL WHEEL 9.0" | | | |
| | | A) WHEN YOU REPLACE SENSOR 564078 YOU NEED TO REPLACE IT WITH SENSOR 560032 AND CHOOSE KIT VALVE 650013 / 650014 / 650015 / 650018 / 650017 FOR YOUR WHEEL MODEL | | | |
| | | S) USE TO PREVENT CORROSION WITH ALUMINUM WHEELS | | | |

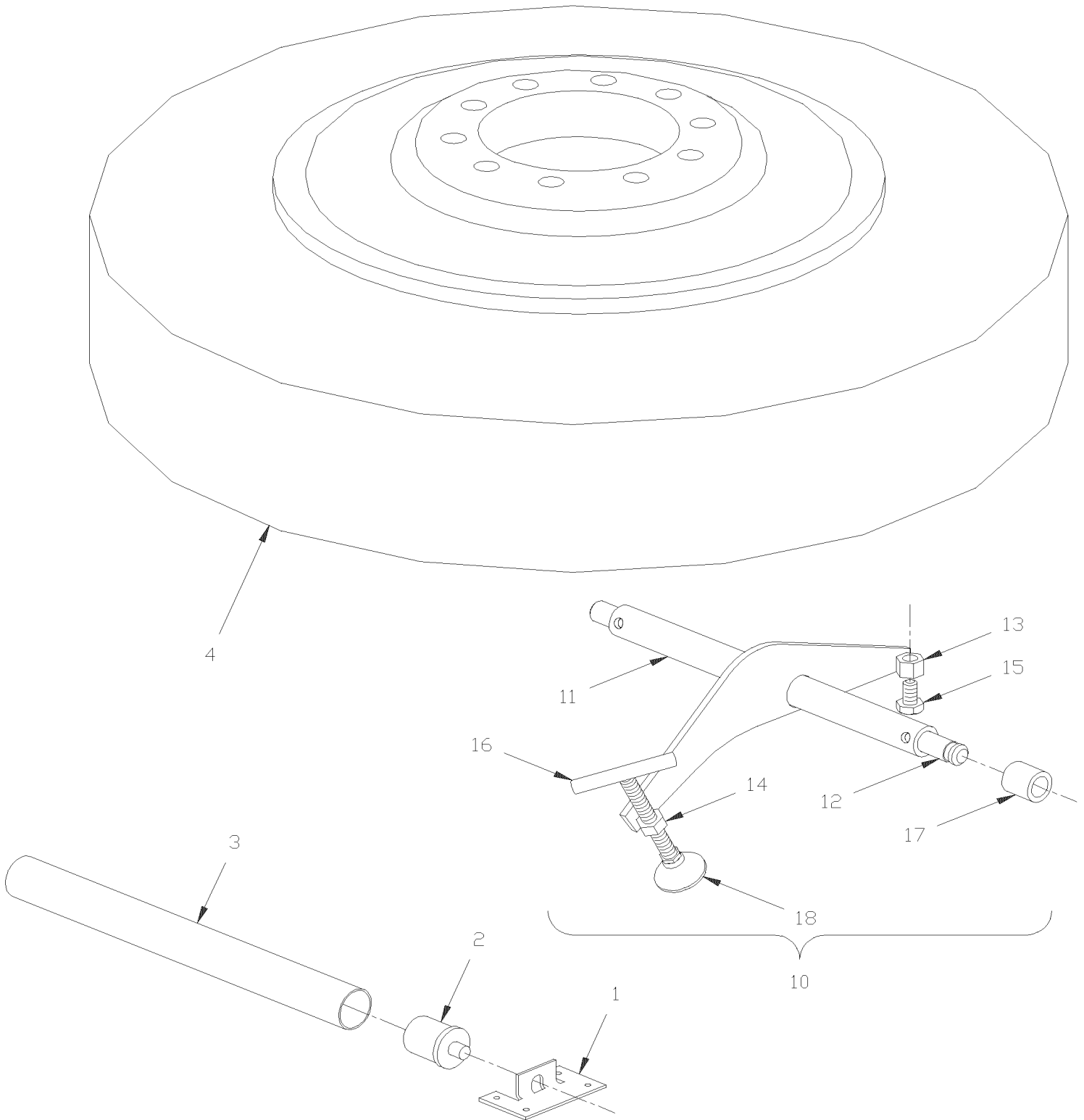


From B-5003 To D-5489

Date:10/2022

PAGE:XV-1325-00

SPARE WHEEL - INSTALLATION



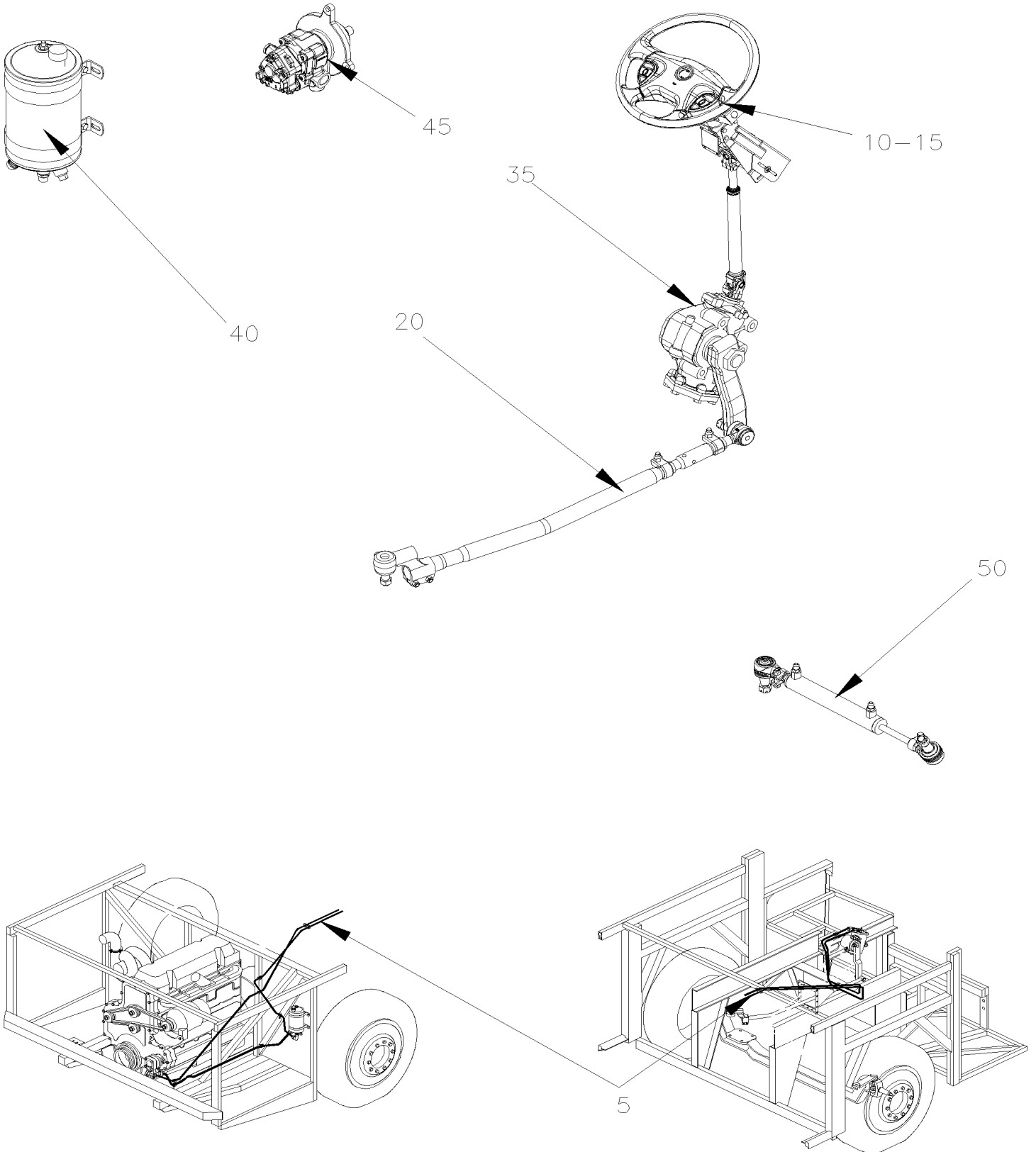


| | | |
|-----------------------------------|--------------|-----------------|
| From B-5003 To D-5489 | Date:10/2022 | PAGE:XV-1325-00 |
| SPARE WHEEL - INSTALLATION | | |

| Item# | Part | Description | X 3 V I P | X L I I E N T 4 5 | N O T E S |
|-------|---------|--|-----------------------|---|-----------------------|
| 1 | 150313 | ANGLE SUPPORT | | 4 | |
| 2 | 150314 | AXLE SHAFT | | 4 | |
| 3 | 150318 | TUBE | | 2 | |
| 4 | 150128 | COVER SPARE WHEEL | | 1 | |
| 10 | 150670 | ATTACHMENT SPARE TIRE RETAINER ASSY / COMPLETE To C-5086 | | 1 | |
| 10 | 150788 | ATTACHMENT SPARE TIRE RETAINER ASSY / COMPLETE From C-5087 | | 1 | |
| 11 | 150669 | . ATTACHMENT ASSY | | 1 | |
| 14 | 500789 | . . NUT HEX 1/2-13 Z050 | | 1 | |
| 16 | 150223 | . HANDLE ASSY | | 1 | |
| 17 | 150767 | SPACER | | 1 | |
| 18 | 5001001 | NUT SW 1/2-13 | | 1 | |
| | | | | | |
| | | | | | |
| | | | | | |



| | | |
|----------|--------------|-------|
| | Date:10/2022 | XV-14 |
| STEERING | | |





| | | Date:10/2022 | XV-14 | | |
|----------|----------------|--|-----------------------|---|-----------------------|
| STEERING | | | | | |
| Item# | Part | Description | X 3 V I P | X L I I E N T 4 5 | N O T E S |
| 5 | XV-1400-00 | POWER STEERING HOSE - INSTALLATION From B-5003 To D-5489 | | | |
| 10 | XV-1405-00 | STEERING WHEEL & COLUMN ASSY WITH CONTROL SWITCHES From B-5003 To D-5489 | | | |
| 15 | XV-1407-00 | STEERING COLUMN & COVER - INSTALLATION From B-5003 To D-5489 | | | |
| 20 | XV-1410-00 | STEERING GEAR BOX & DRAG LINK - INSTALLATION From B-5003 To D-5489 | | | |
| 20 | XV-1410-50 | STEERING RODS - INSTALLATION W/INDEPENDENT "NDIFS80P" / 18000LBS From B-5003 To D-5489 | | | |
| 20 | XV-1410-60 | STEERING RODS - INSTALLATION W/INDEPENDENT "NDIFS80P" / 18000LBS From B-5003 To C-5235 | | | |
| 20 | XV-1410-61 | STEERING RODS - INSTALLATION W/INDEPENDENT "NDIFS80P" / 19000LBS From C-5236 To D-5489 | | | |
| 35 | XV-1415-00 | STEERING GEARBOX - "ZF" From B-5003 To D-5489 | | | |
| 40 | XV-1420-00 | POWER STEERING TANK - 4 QT U.S. From B-5003 To D-5489 | | | |
| 45 | Refer To Volvo | POWER STEERING PUMP - "VOLVO" D13 From B-5003 To D-5489 | | | V |
| 50 | XV-1430-50 | CYLINDER POWER STEERING From B-5003 To D-5489 | | | |
| | | | | | |
| | | | | | |
| | | | | | |
| | | V) SEE IMPACT OR CALL ORDER DESK | | | |

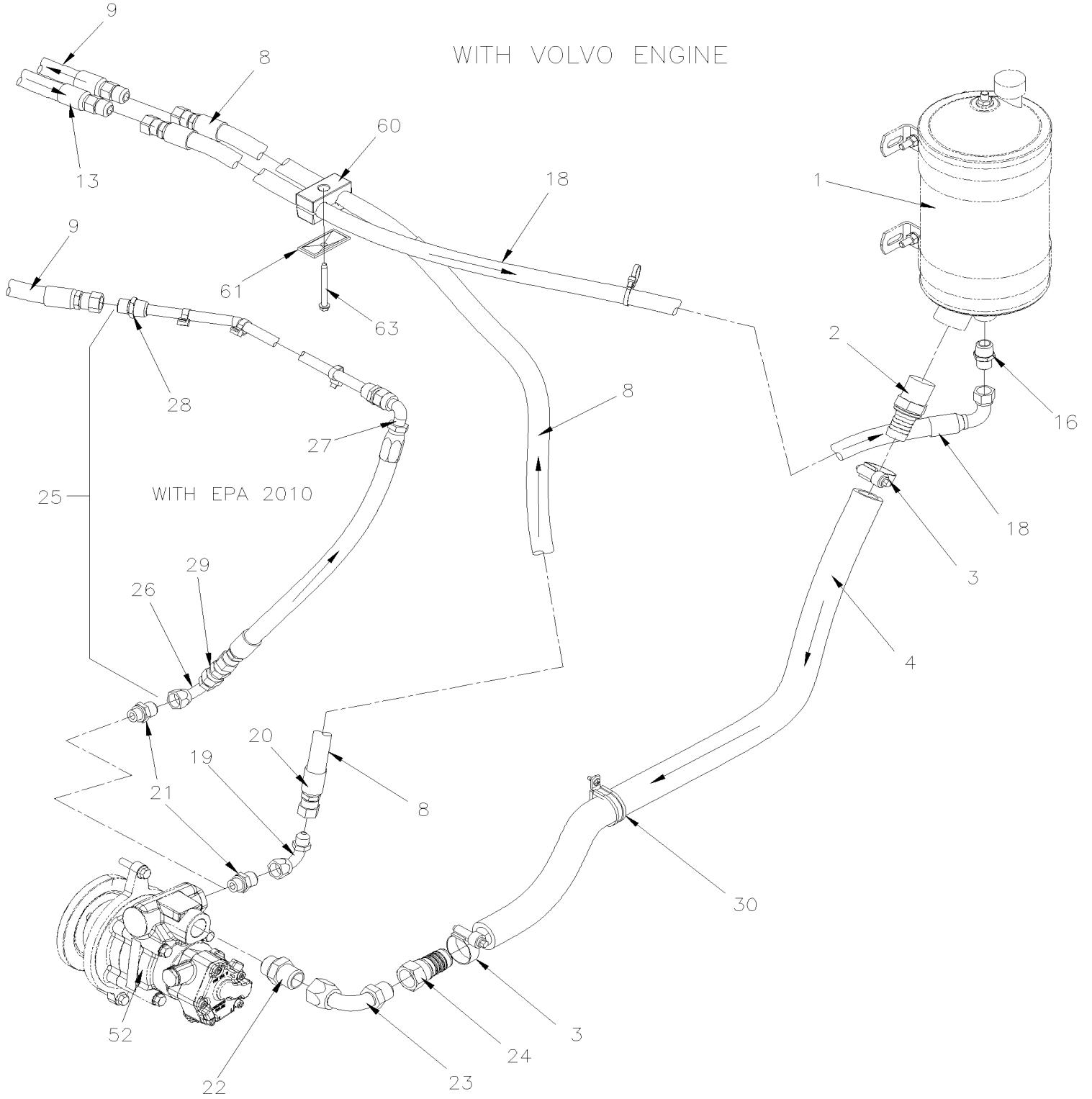


From B-5003 To D-5489

Date:10/2022

PAGE:XV-1400-00

POWER STEERING HOSE - INSTALLATION



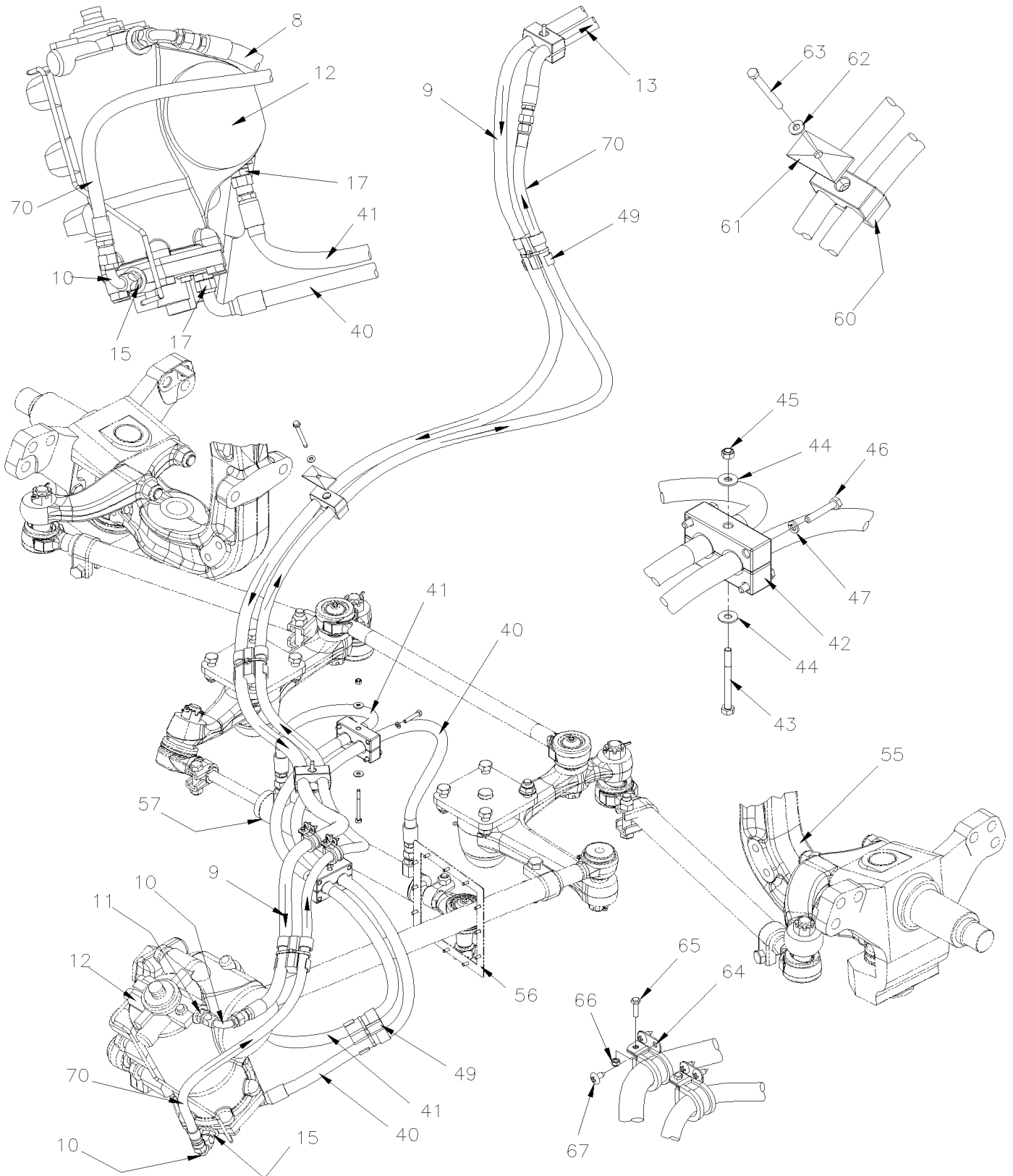


From B-5003 To D-5489

Date:10/2022

PAGE:XV-1400-00

POWER STEERING HOSE - INSTALLATION





From B-5003 To D-5489 Date:10/2022 PAGE:XV-1400-00

POWER STEERING HOSE - INSTALLATION

| Item# | Part | Description | X 3 V I P | X L I I E N T 4 5 | N O T E S |
|-------|-------------------|--|-----------------------|---|-----------------------|
| 1 | XV-1420-00 | POWER STEERING TANK - 4 QT U.S. | | | |
| 2 | 5011086 | MALE CONNECTOR / PUSH-LOK FITTING / 1NPT-Mx#16 STL | 1 | 1 | |
| 3 | 504291 | HOSE CLAMP / 1"1/8-1"3/4 SS / E.T. 20 | AR | AR | |
| 4 | 161334P | HOSE #16 1040MM | 1 | 1 | D13 |
| 4 | 503577 | . HOSE #16 / S.L. | AR | AR | |
| 5 | 5011147 | FEMALE CONNECTOR SWIVEL / COLLAR FITTING / #16JIC-Fx#16 STL | 1 | 1 | |
| 6 | 5011148 | MALE ELBOW 90° / JIC 37° FITTING / #16JIC-Mx#12ORB-M STL | 1 | 1 | |
| 7 | 5011167 | MALE ELBOW 45° / JIC 37° FITTING / #8JIC-Mx#8ORB-M STL | 1 | 1 | |
| 8 | 161335P | HOSE ASSY / #8 11620MM | 1 | 1 | |
| NS | 505181 | . COIL PROTECTOR / PLASTIC / #8 | AR | AR | |
| 9 | 161335P | HOSE ASSY / #8 11620MM | 1 | 1 | |
| NS | 505181 | . COIL PROTECTOR / PLASTIC / #8 | AR | AR | |
| 9 | 160122 | KIT, POWER STEERING PUMP DISCHARGE HOSE (PRESSURE) X To D-5387 | 1 | 1 | |
| . NS | 160006 | . HOSE PRESSURE, POWER STEERING #8 11690MM To D-5387 | 1 | 1 | |
| . NS | 1600100 | . FLANGE, POWER STEERING HOSE To D-5387 | 2 | 2 | |
| . NS | 500107 | . SCREW TC CAP HEXW 1/4-20x2 1/2 Z050 To D-5387 | 3 | 3 | |
| . NS | 501031 | . SEAL / JIC 37° FITTING / #8 To D-5387 | 1 | 1 | |
| . NS | 504189 | . CLAMP DOUBLE ASS / SPLIT BLOC / 22MM/19MM x 67MM POLYA To D-5387 | 13 | 13 | |
| . NS | 504728 | . PLATE RETAINER To D-5387 | 3 | 3 | |
| . NS | IS-19040 | . INSTRUCTION SHEET To D-5387 | 1 | 1 | |
| . NS | FI-19040 | . VOIR FEUILLE D'INSTRUCTION To D-5387 | 1 | 1 | |
| 9 | 160127 | KIT, POWER STEERING PUMP DISCHARGE HOSE (PRESSURE) X From D-5388 | 1 | 1 | |
| . NS | 160006 | . HOSE PRESSURE, POWER STEERING #8 11690MM From D-5388 | 1 | 1 | |
| . NS | 500107 | . SCREW TC CAP HEXW 1/4-20x2 1/2 Z050 From D-5388 | 3 | 3 | |
| . NS | 501031 | . SEAL / JIC 37° FITTING / #8 From D-5388 | 1 | 1 | |
| . NS | 504189 | . CLAMP DOUBLE ASS / SPLIT BLOC / 22MM/19MM x 67MM POLYA From D-5388 | 13 | 13 | |
| . NS | 504728 | . PLATE RETAINER From D-5388 | 3 | 3 | |
| . NS | IS-19040 | . INSTRUCTION SHEET From D-5388 | 1 | 1 | |
| . NS | FI-19040 | . VOIR FEUILLE D'INSTRUCTION From D-5388 | 1 | 1 | |
| 10 | 501845 | SWIVEL NUT ELBOW 90° LONG / JIC 37° FITTING / #8JIC-Fx#8JIC-Mx1.86 STL | 2 | 2 | |
| 11 | 5011192 | MALE CONNECTOR / JIC 37° FITTING / #8JIC-MxM18-1.5-M STL | 2 | 2 | |
| . NS | N.P.N. | . O-RING | 1 | 1 | 4 |
| . NS | N.P.N. | . WASHER RET | 1 | 1 | 4 |
| NS | 688910 | THREAD LOCKER LOCTITE #262 / RED / 250ml | AR | AR | |
| 12 | XV-1415-00 | STEERING GEARBOX - "ZF" | | | |
| 13 | 163248 | HOSE ASSY / #8 8850MM | | | A |
| 13 | 161336P | HOSE ASSY / | 1 | 1 | |
| . NS | 163250 | . HOSE ASSY / #8 1860MM | 1 | 1 | |
| . NS | 163248 | . HOSE ASSY / #8 8850MM | 1 | 1 | |
| . NS | 163249 | . HOSE ASSY / #6 3000MM | 1 | 1 | |
| NS | 505181 | . COIL PROTECTOR / PLASTIC / #8 | AR | AR | |
| 15 | 5011192 | MALE CONNECTOR / JIC 37° FITTING / #8JIC-MxM18-1.5-M STL | 1 | 1 | |



| | | |
|---|---------------------|------------------------|
| From B-5003 To D-5489 | Date:10/2022 | PAGE:XV-1400-00 |
| POWER STEERING HOSE - INSTALLATION | | |

| Item# | Part | Description | X 3 V I P | X L I I E N T 4 5 | N O T E S |
|-------|---------|--|-----------------------|---|-----------------------|
| . NS | N.P.N. | . O-RING | 1 | 1 | 4 |
| . NS | N.P.N. | . WASHER RET | 1 | 1 | 4 |
| 16 | 501739 | MALE CONNECTOR / JIC 37° FITTING / #8JIC-Mx1/2NPT-M STL | 1 | 1 | |
| 17 | 5011192 | MALE CONNECTOR / JIC 37° FITTING / #8JIC-MxM18-1.5-M STL | 1 | 1 | |
| . NS | N.P.N. | . O-RING | 1 | 1 | 4 |
| . NS | N.P.N. | . WASHER RET | 1 | 1 | 4 |
| 18 | 163250 | HOSE ASSY / #8 1860MM | 1 | 1 | |
| 18 | 161336P | HOSE ASSY / | 1 | 1 | |
| . NS | 163250 | . HOSE ASSY / #8 1860MM | 1 | 1 | |
| . NS | 163248 | . HOSE ASSY / #8 8850MM | 1 | 1 | |
| . NS | 163249 | . HOSE ASSY / #6 3000MM | 1 | 1 | |
| 19 | 501845 | SWIVEL NUT ELBOW 90° LONG / JIC 37° FITTING / #8JIC-Fx#8JIC-Mx1.86 STL | 1 | 1 | D13 |
| 20 | 5011162 | FEMALE CONNECTOR SWIVEL / JIC 37° FITTING / #8JIC-Fx#8 STL | 1 | 1 | D13 |
| 21 | 641294 | MALE CONNECTOR / JIC 37° FITTING / #8JIC-MxM16-1.5-M STL | 1 | 1 | D13 |
| . NS | 641297 | . O-RING 13.1MM I.D. X 2.6 TH | 1 | 1 | D13 |
| . NS | 641298 | . WASHER FL 17MM I.D x 22MM O.D. x 1.5MM | 1 | 1 | D13 |
| 22 | 507647 | MALE CONNECTOR W/ED SEAL / JIC 37° FITTING / #12JIC-MxM26-1.5-M STL | 1 | 1 | D13 |
| 23 | 507544 | SWIVEL NUT ELBOW 90° SHORT / JIC 37° FITTING/ #12JIC-Fx#12JIC-Mx1.82 STL | 1 | 1 | D13 |
| 24 | 507646 | FEMALE CONNECTOR SWIVEL / COLLAR FITTING / #12JIC-Fx#16 STL | 1 | 1 | D13 |
| 25 | 163597 | HOSE ASSY WITH NOISE ATENUATOR TUBE | 1 | 1 | D13 |
| . NS | 163603 | . HOSE ASSY / #12 593MM | 1 | 1 | D13 |
| 26 | 501845 | . SWIVEL NUT ELBOW 90° LONG / JIC 37° FITTING / #8JIC-Fx#8JIC-Mx1.86 STL | 1 | 1 | D13 |
| NS | 5011249 | . SWIVEL NUT MALE CONNECTOR / JIC 37° FITTING / #8JIC-Fx1/2NPT-M STL | 1 | 1 | D13 |
| 27 | 501594 | . FEMALE ELBOW 90° SHORT DROP/ JIC 37° FITTING/ #8JIC-Fx#8 STL | 1 | 1 | D13 |
| 28 | 501739 | . MALE CONNECTOR / JIC 37° FITTING / #8JIC-Mx1/2NPT-M STL | 1 | 1 | D13 |
| 29 | 5011162 | . FEMALE CONNECTOR SWIVEL / JIC 37° FITTING / #8JIC-Fx#8 STL | 1 | 1 | D13 |
| 30 | 952631 | CLAMP / 3/4" I.D. | AR | AR | |
| 30 | 952634 | CLAMP / 15/16" I.D. | AR | AR | |
| 31 | 500613 | SCREW TP PAN PH #10x1/2 Z050 | AR | AR | |
| 32 | 952641 | CLAMP / 1 5/16" I.D. | AR | AR | |
| 33 | 500574 | SCREW MA TR PH #10-24x1 1/4 SS | AR | AR | |
| 34 | 500767 | NUT HEX #10-24 Z050 | AR | AR | |
| 35 | 562036 | CLAMP / 7/8" I.D. X 90° | AR | AR | |
| 36 | 500657 | SCREW TC TR PH #10-24x1/2 Z050 | AR | AR | |
| 40 | 161178 | HOSE SET ASSY / CYLINDER POWER STEERING XL SERIES | 1 | 1 | |
| 40 | 163470 | . HOSE ASSY / #8 1648MM | 1 | 1 | |
| 41 | 163469 | . HOSE ASSY / #8 1648MM | 1 | 1 | |
| 42 | 160033 | . HOSE RETAINER BLOCK CLAMP | 2 | 2 | |
| 43 | 502888 | . SCREW CAP HEX M6-1.0x35 G8.8 N500 | 1 | 1 | |
| 44 | 502570 | . WASHER LO SPT 6.1x11.8x1.6 SS | 1 | 1 | |
| 45 | 5001182 | . NUT HEX NYRT M6-1.0 SS | 1 | 1 | |
| 46 | 500411 | . WASHER FL .260x.697x.050 SS | 1 | 1 | |



From B-5003 To D-5489 Date:10/2022 PAGE:XV-1400-00

POWER STEERING HOSE - INSTALLATION

| Item# | Part | Description | X 3 V I P | X L I I E N T 4 5 | N O T E S |
|-------|-------------------|---|-----------------------|---|-----------------------|
| 47 | 502570 | WASHER LO SPT 6.1x11.8x1.6 SS | 4 | 4 | |
| 49 | 504634 | T-CLIP / 7/8" - 1" | AR | AR | |
| NS | 504637 | CABLE TIE / 3/16" x 13" | AR | AR | |
| NS | 500620 | SCREW TP FL PH #10x1 1/2 Z050 | AR | AR | |
| 52 | XV-1427-01 | POWER STEERING PUMP - "VOLVO" D13 | | | |
| 55 | XV-1005-50 | FRONT AXLE - INDEPENDENT MODEL "NDIFS80P" / 18000LBS | | | |
| 55 | XV-1005-60 | FRONT AXLE - INDEPENDENT MODEL "NDIFS80P" / 18000LBS To C-5235 | | | |
| 55 | XV-1005-61 | FRONT AXLE - INDEPENDENT MODEL "NDIFS80P" / 19000LBS From C-5236 | | | |
| 56 | XV-1410-00 | STEERING GEAR BOX & DRAG LINK - INSTALLATION | | | |
| 57 | XV-1430-50 | CYLINDER POWER STEERING | | | |
| 60 | 504727 | CLAMP DOUBLE ASS / 2 HOSE SIZE 3/8" | AR | AR | |
| 61 | 504728 | PLATE RETAINER | AR | AR | |
| 62 | 500440 | WASHER FL .250x.562x.065 Z050 | AR | AR | |
| 63 | 500107 | SCREW TC CAP HEXW 1/4-20x2 1/2 Z050 | AR | AR | |
| 64 | 562036 | CLAMP / 7/8" I.D. X 90° | AR | AR | |
| 65 | 502550 | SCREW CAP HEX M4-0.7x16 G8.8 Z050 | AR | AR | |
| 66 | 500590 | NUT HEX NYRT M4-0.7 Z050 | AR | AR | |
| 67 | 500657 | SCREW TC TR PH #10-24x1/2 Z050 | AR | AR | |
| 70 | 163249 | HOSE ASSY / #6 3000MM | 1 | 1 | |
| 70 | 161336P | HOSE ASSY / | 1 | 1 | |
| . NS | 163250 | . HOSE ASSY / #8 1860MM | 1 | 1 | |
| . NS | 163248 | . HOSE ASSY / #8 8850MM | 1 | 1 | |
| . NS | 163249 | . HOSE ASSY / #6 3000MM | 1 | 1 | |
| | | A) FOR SERVICE, IT'S POSSIBLE TO REPAIR THIS HOSE IN FRONT SERVICE COMPARTMENT WITH KIT #161197 | | | |
| | | D13) WITH "VOLVO" ENGINE D13 | | | |
| | | 4) NO PARTS NUMBER | | | |

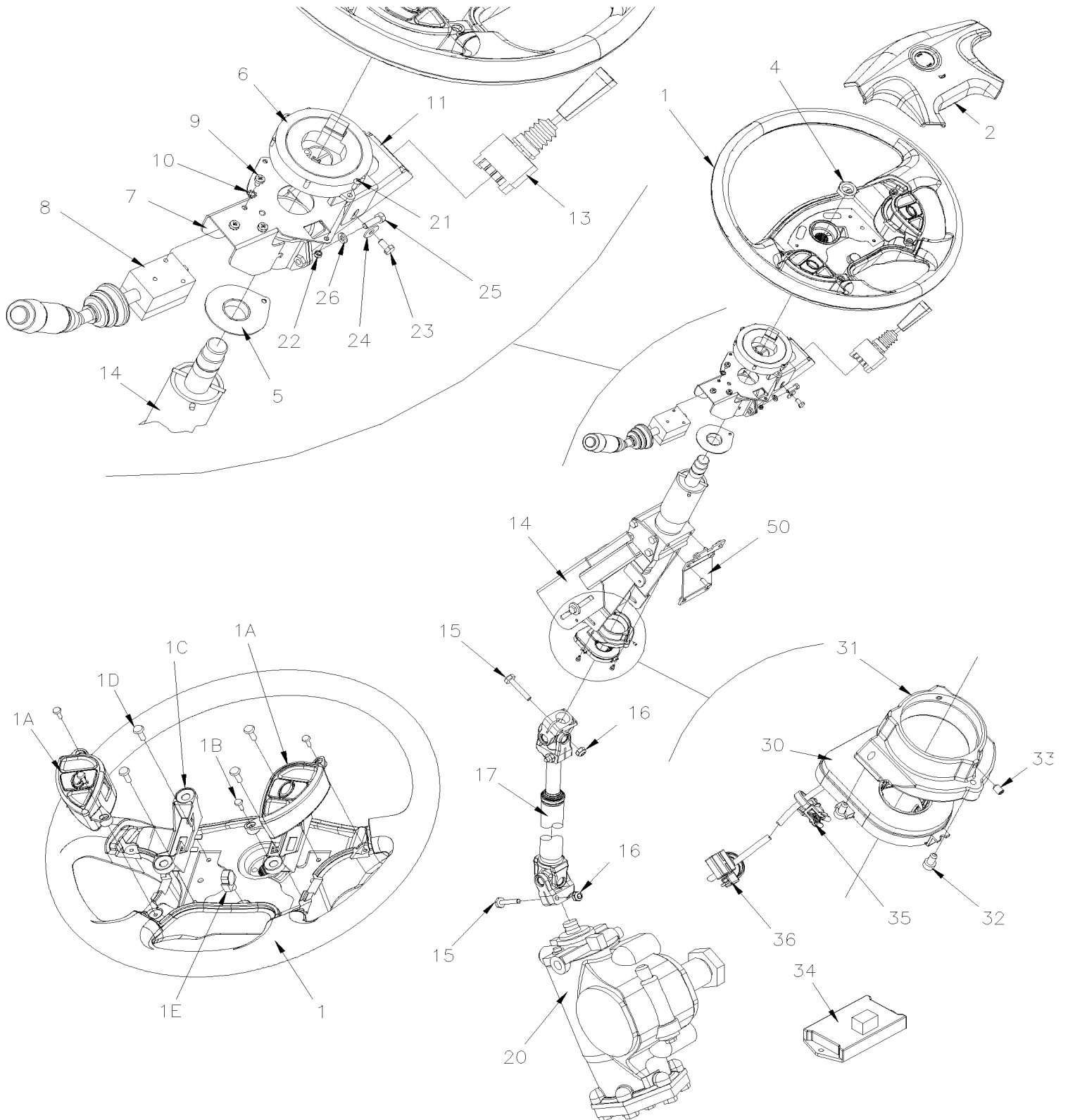


From B-5003 To D-5489

Date:10/2022

PAGE:XV-1405-00

STEERING WHEEL & COLUMN ASSY WITH CONTROL SWITCHES





From B-5003 To D-5489 Date:10/2022 PAGE:XV-1405-00

STEERING WHEEL & COLUMN ASSY WITH CONTROL SWITCHES

| Item# | Part | Description | X 3 V I P | X L I I E N T 4 5 | N O T E S |
|-------|---------|---|-----------------------|---|-----------------------|
| 1 | 661172 | STEERING WHEEL URHETHANE | 1 | 1 | |
| . A | 661204 | . SWITCH ASSY / W/OUT TRANS SHIFTER | 1 | 1 | |
| . B | 661159 | . SCREW MA BUT M4-0.7x8 | 4 | 4 | |
| . C | 661157 | . HORN PAD BASE | 2 | 2 | |
| . D | 661160 | . SCREW MA M5-0.8x8 | 4 | 4 | |
| . E | 661158 | . CLIP WIRE RETAINER | 1 | 1 | |
| 1 | 661174 | STEERING WHEEL LEATHER | 1 | 1 | |
| . A | 661204 | . SWITCH ASSY / W/OUT TRANS SHIFTER | 1 | 1 | |
| . B | 661159 | . SCREW MA BUT M4-0.7x8 | 4 | 4 | |
| . C | 661157 | . HORN PAD BASE | 2 | 2 | |
| . D | 661160 | . SCREW MA M5-0.8x8 | 4 | 4 | |
| . E | 661158 | . CLIP WIRE RETAINER | 1 | 1 | |
| 1 | 661176 | STEERING WHEEL LEATHER & WOOD | 1 | 1 | |
| . A | 661204 | . SWITCH ASSY / W/OUT TRANS SHIFTER | 1 | 1 | |
| . B | 661159 | . SCREW MA BUT M4-0.7x8 | 4 | 4 | |
| . C | 661157 | . HORN PAD BASE | 2 | 2 | |
| . D | 661160 | . SCREW MA M5-0.8x8 | 4 | 4 | |
| . E | 661158 | . CLIP WIRE RETAINER | 1 | 1 | |
| 2 | 661149 | HORN BUTTON CUSHION PAD W PROVOST EMBLEM | 1 | 1 | |
| . NS | N.S.S. | . SPRING HORN | 4 | 4 | 1 |
| . NS | 661162 | . SPRING RETAINER / HORN SPRING | 4 | 4 | |
| . NS | 661163 | . HORN CONTACT | 1 | 1 | |
| 4 | 661051 | NUT | 1 | 1 | |
| 5 | 161273 | RING TURN SIGNAL CANCELING | 1 | 1 | |
| NS | 502506 | SCREW SET HEXS CUP M4-0.7x16 | 2 | 2 | |
| 6 | 661119 | ROTATING CONTACT / CLOCK SPRING | 1 | 1 | |
| NS | 067214 | EXTENSION, CLOCK SPRING | 1 | 1 | |
| NS | 161249 | GUIDE ROTATING CONTACT | 1 | 1 | |
| NS | 504742 | RING RETAINER / EXT 1.562 x 1.446 x 0.62 | 1 | 1 | |
| 7 | 161212 | SUPPORT, DIRECTIONAL SWITCH | 1 | 1 | |
| 8 | 661075 | LEVER ASSY / MULTIFONCTINAL | 1 | 1 | |
| . NS | 660781 | . CAP PLEATED RUBBER | 1 | 1 | |
| 9 | 5001377 | SCREW MA PAN PH M5-0.8x8 SS | 3 | 3 | |
| 10 | 5001378 | WASHER LO EXT 5.3x10x0.6 Z050 | 3 | 3 | |
| 11 | 161211 | COLLAR W/SWITCH SUPPORT | 1 | 1 | |
| 13 | 562356 | SWITCH ASSY / W/LEVER & BOOT / 6 POSITIONS | 1 | 1 | |
| 14 | 661147 | STEERING COLUMN ASSY W/E.C.S. 36SPL / 66SPL LOWER | 1 | 1 | |
| NS | 161220 | DECAL "WARNING" STREERING SYSTEM CALIBRA.." | 2 | 2 | |
| NS | 641242 | MALE CONNECTOR / PUSH-IN FITTING / #4x1/8NPT-M BR | 1 | 1 | |
| 15 | 661195 | SCREW "SPECIAL" STEERING SHAFT "ZF" | 2 | 2 | |
| 17 | 661179 | SHAFT ASSY STEERING W/E.C.S. 66SPL / 79SPL LOWER | 1 | 1 | |
| . NS | 661195 | . SCREW "SPECIAL" STEERING SHAFT "ZF" | 2 | 2 | |



From B-5003 To D-5489 Date:10/2022 PAGE:XV-1405-00

STEERING WHEEL & COLUMN ASSY WITH CONTROL SWITCHES

| Item# | Part | Description | X 3 V I P | X L I I E N T 4 5 | N O T E S |
|-------|-------------------|--|-----------------------|---|-----------------------|
| 20 | XV-1415-00 | STEERING GEARBOX - "ZF" | | | |
| 21 | 500344 | SCREW MA RND PH M4-0.7x12 Z050 | 2 | 2 | |
| 22 | 500590 | NUT HEX NYRT M4-0.7 Z050 | 2 | 2 | |
| 23 | 502563 | SCREW CAP HEX M6-1.0x12 G8.8 Z050 | 2 | 2 | |
| 24 | 5001462 | WASHER FL 6.4x18.0x1.6 Z050 | 2 | 2 | |
| 25 | 502631 | SCREW CAP HEX M6-1.0x20 G8.8 Z050 | 2 | 2 | |
| 26 | 500356 | WASHER LO SERR 6.1x16.0x0.9 N500 | 2 | 2 | |
| 30 | 661148 | SENSOR ANGLE POSITION DETECTOR | 1 | 1 | |
| . NS | 564042 | . CONNECTOR / BOSCH 1 928 404 025 | 1 | 1 | |
| 31 | 161265 | SUPPORT SENSOR ANGLE POSITION STEERING | 1 | 1 | |
| 32 | 5001670 | SCREW CAP HEXS M4-0.7x8 G8.8 Z050 | 3 | 3 | |
| 33 | 500587 | SCREW SET HEXS CUP M4-0.7x6 | 3 | 3 | |
| 34 | 382446 | GATEWAY LIN BUS INTERFACE To D-5459 | 1 | 1 | A |
| 34 | 382562 | GATEWAY LIN BUS INTERFACE From D-5460 | 1 | 1 | A |
| 35 | 564204 | CABLE TIE / WITH EDGE CLIP / T50REC4A 10MMx200MM From D-5353 | 1 | 1 | |
| 36 | 564534 | CABLE TIE / WITH EDGE CLIP / T50REC5A 10 MM x 200 MM From D-5353 | 1 | 1 | |
| 50 | XV-1407-00 | STEERING COLUMN & COVER - INSTALLATION | | | |
| | | | | | |
| | | | | | |
| | | | | | |
| | | A) THIS INTERFACE BOX ARE LOCATED INSIDE OF DASH ON L.H. SIDE | | | |
| | | 1) NOT SOLD SEPARATELY | | | |

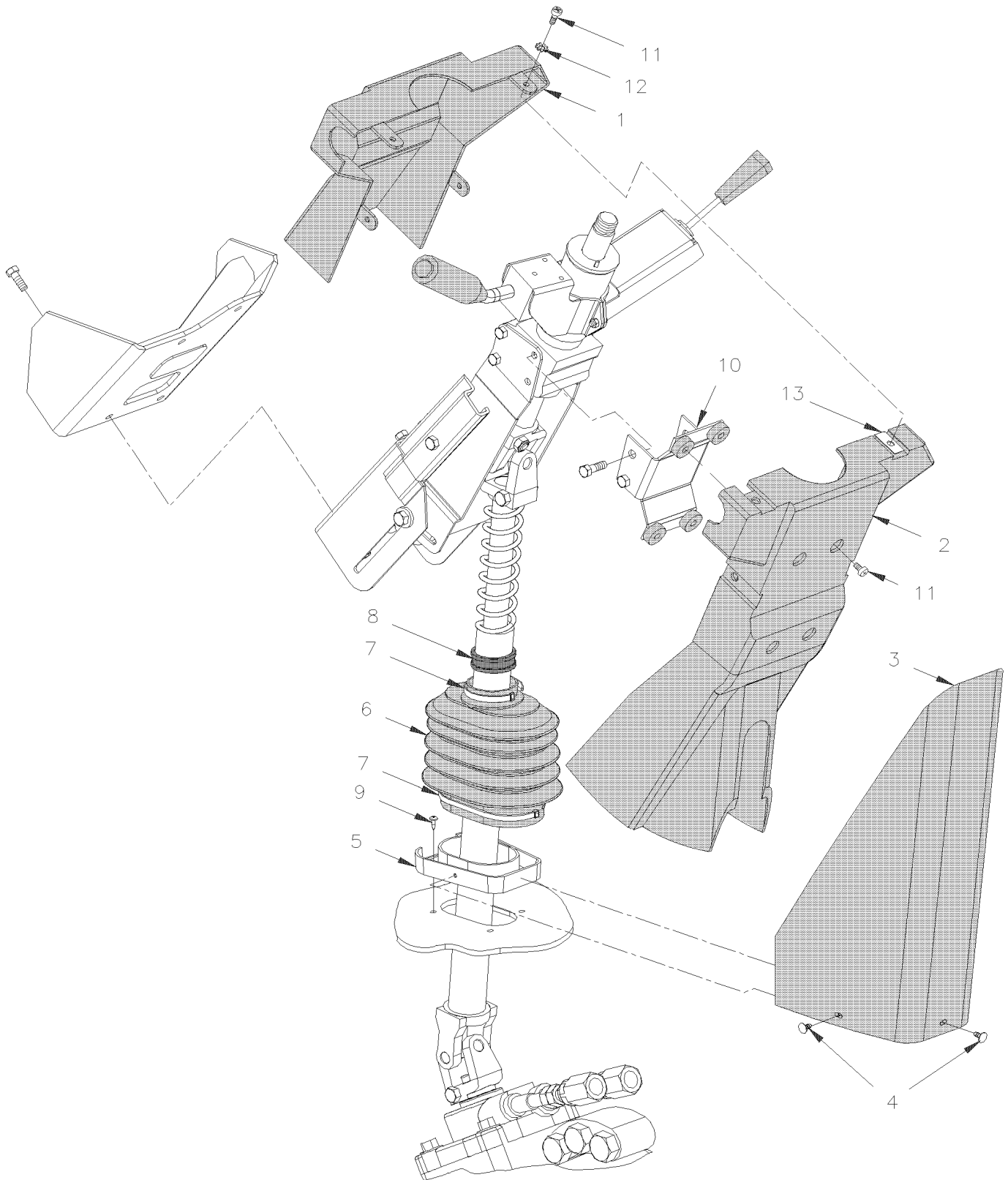


From B-5003 To D-5489

Date:10/2022

PAGE:XV-1407-00

STEERING COLUMN & COVER - INSTALLATION





| | | |
|------------------------------|---------------------|------------------------|
| From B-5003 To D-5489 | Date:10/2022 | PAGE:XV-1407-00 |
|------------------------------|---------------------|------------------------|

STEERING COLUMN & COVER - INSTALLATION

| Item# | Part | Description | X 3 V I P | X L I I E N T 4 5 | N O T E S |
|-------|--------|--|-----------------------|---|-----------------------|
| 1 | 161268 | COVER / W/RETARDER / BLACK | 1 | 1 | |
| 1 | 161270 | COVER / W/O RETARDER / BLACK | 1 | 1 | |
| 2 | 161271 | COVER / W/RETARDER / BLACK | 1 | 1 | |
| 2 | 161269 | COVER / W/O RETARDER / BLACK | 1 | 1 | |
| 3 | 161152 | COVER, LOWER / BLACK | 1 | 1 | |
| 4 | 504619 | CLIP CHRISTMAS TREE / BLACK 7/32"O.D.x1/2" HOLE 3/16 | 3 | 3 | |
| 5 | 391974 | PLATE SUPPORT | 1 | 1 | |
| 6 | 660981 | BELLOW | 1 | 1 | |
| 7 | 504637 | CABLE TIE / 3/16" x 13" | 2 | 2 | |
| 8 | 391930 | COLLAR | 1 | 1 | |
| 9 | 500641 | SCREW TP PAN PH #8x3/4 Z050 | 4 | 4 | |
| 10 | 161068 | ATTACHMENT | 1 | 1 | |
| 11 | 502569 | SCREW MA PAN PH M6-1.0x16 BK | 8 | 8 | |
| 12 | 500472 | WASHER LO INT .256x.478x.028 Z050 | 8 | 8 | |
| 13 | 502738 | NUT SPR U M6-1.0 0.6-4.0 | 2 | 2 | |
| 13 | 504669 | RIVET DRV BDG .187x.609 NYL | 2 | 2 | |
| | | | | | |
| | | | | | |
| | | | | | |

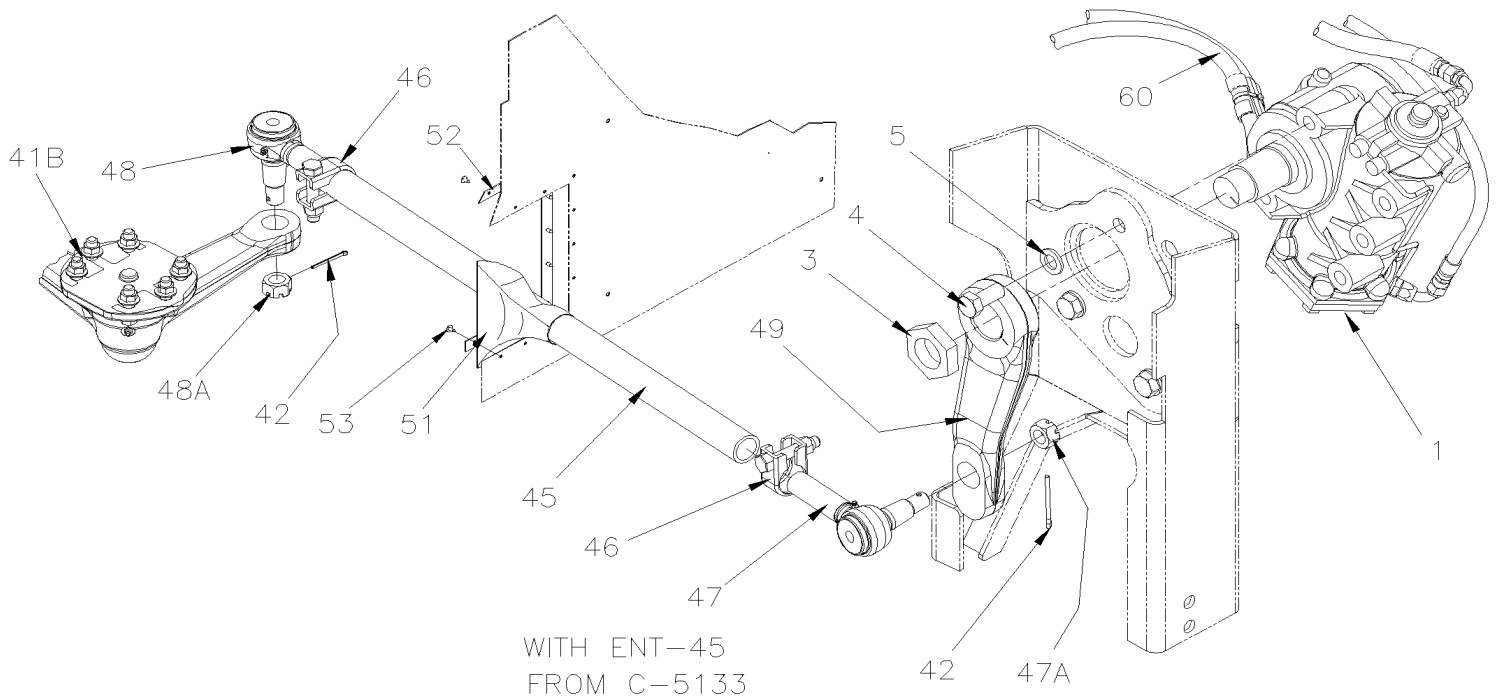
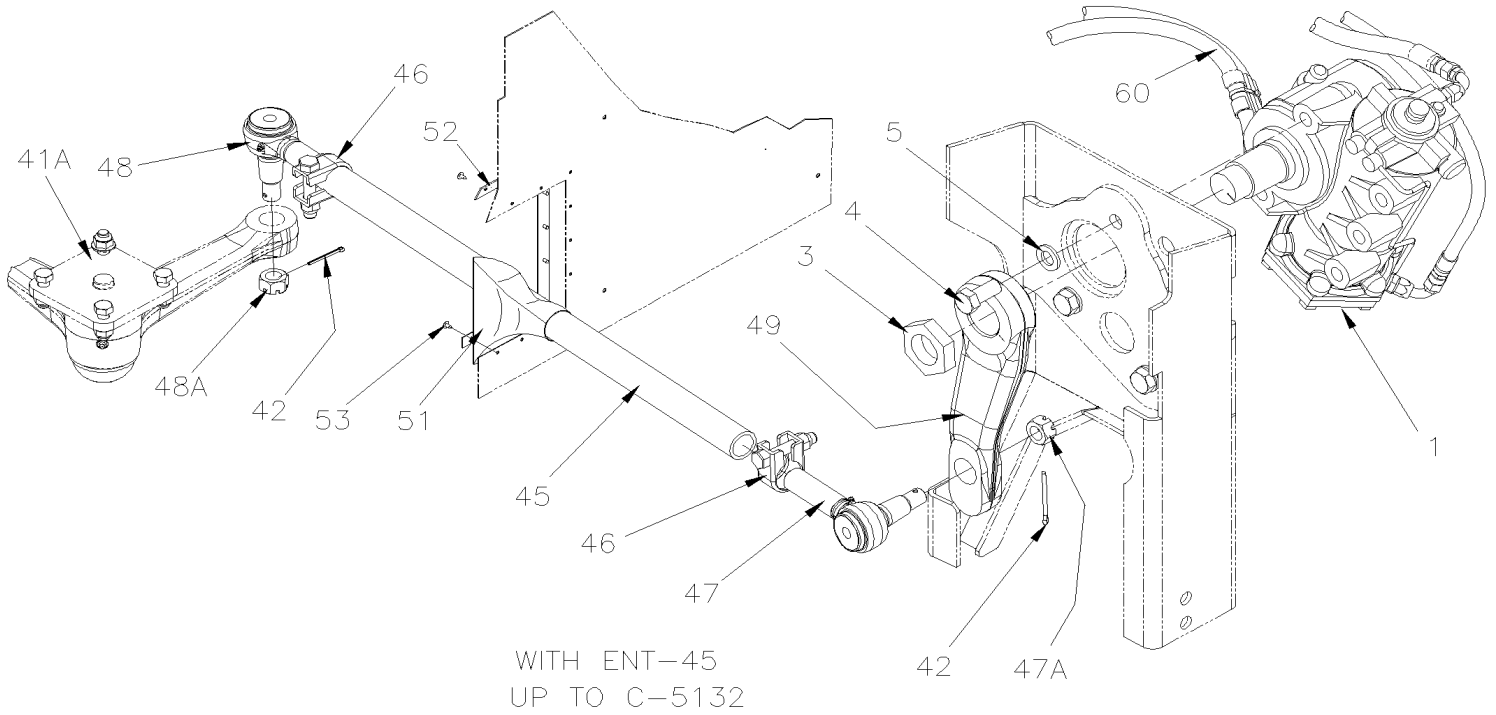


From B-5003 To D-5489

Date:10/2022

PAGE:XV-1410-00

STEERING GEAR BOX & DRAG LINK - INSTALLATION



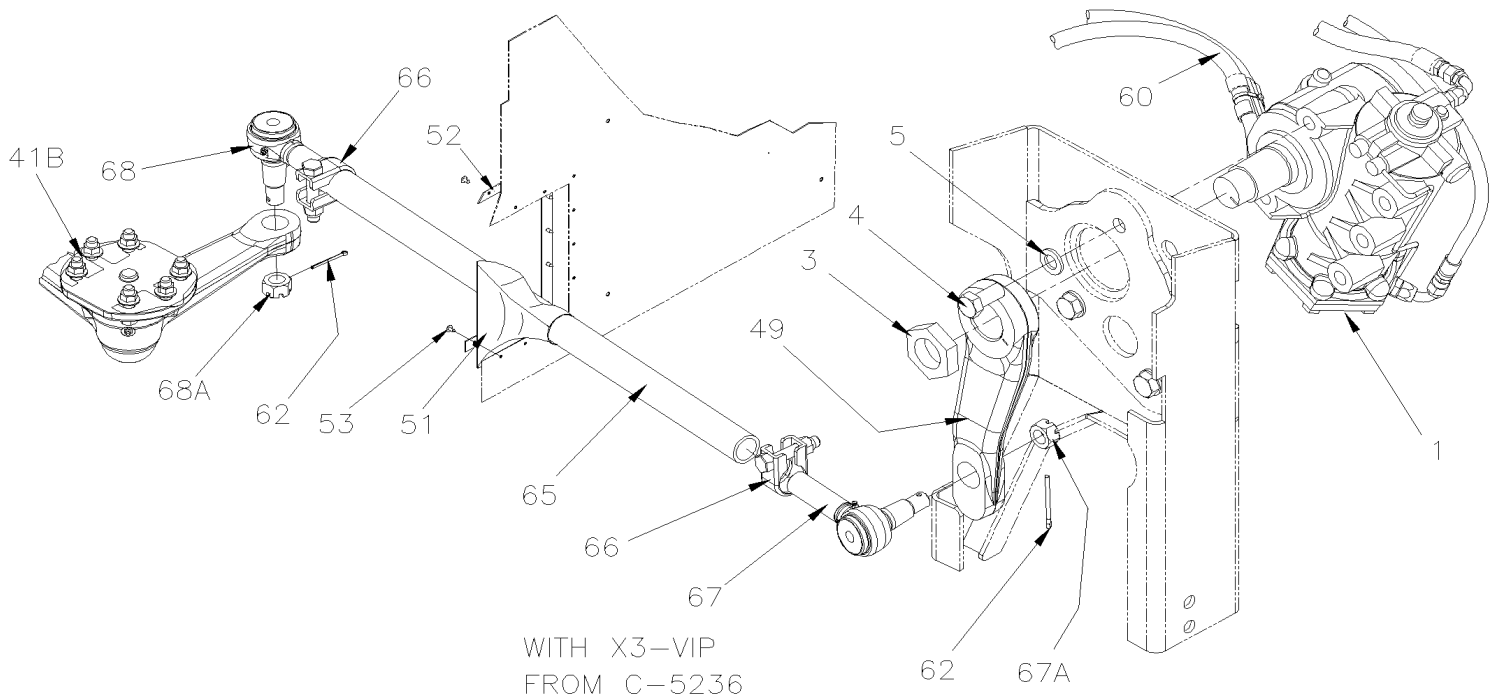
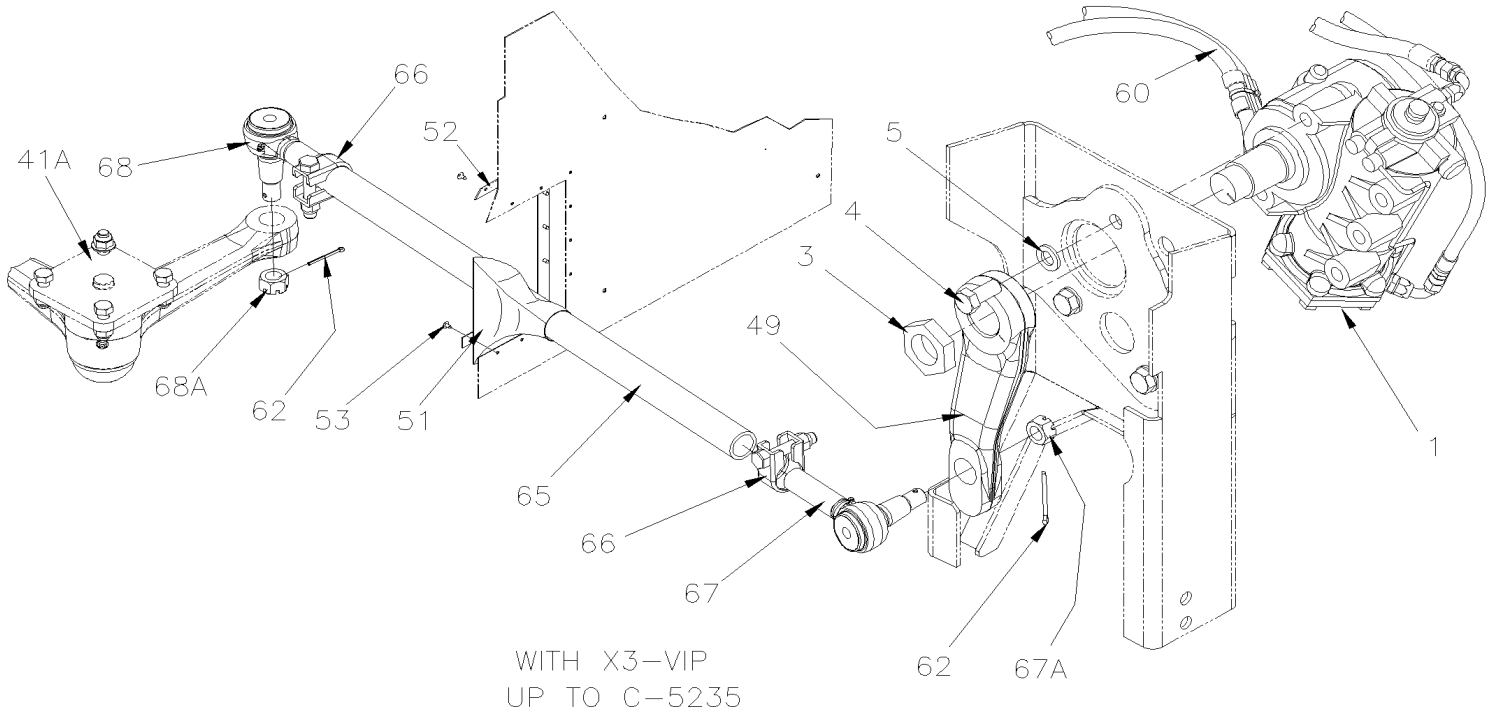


From B-5003 To D-5489

Date:10/2022

PAGE:XV-1410-00

STEERING GEAR BOX & DRAG LINK - INSTALLATION





From B-5003 To D-5489 Date:10/2022 PAGE:XV-1410-00

STEERING GEAR BOX & DRAG LINK - INSTALLATION

| Item# | Part | Description | X 3 V I P | X L I I E N T 4 5 | N O T E S |
|-------|-------------------|---|-----------------------|---|-----------------------|
| 1 | XV-1415-00 | STEERING GEARBOX - "ZF" | | | |
| 3 | 661050 | LOCKNUT M45X1.5 GEARBOX ZF | 1 | 1 | |
| 4 | 5001494 | SCREW CAP HEX M20-1.5x45 G10.9 Z050 To D-5394 | 5 | | R |
| 4 | 5001442 | SCREW CAP HEX M20-1.5x40 G10.9 N500 From D-5395 | 5 | | |
| 4 | 5001494 | SCREW CAP HEX M20-1.5x45 G10.9 Z050 To E-5493 | | 5 | R |
| 4 | 5001442 | SCREW CAP HEX M20-1.5x40 G10.9 N500 From E-5494 | | 5 | |
| 5 | 5001495 | WASHER FL 21.0x37.0x4.0 ZP To D-5394 | 5 | | R |
| 5 | 611044 | WASHER FL HARD 21.0x37.0x3.0 N500 From D-5395 | 5 | | |
| 5 | 5001495 | WASHER FL 21.0x37.0x4.0 ZP To E-5493 | | 5 | R |
| 5 | 611044 | WASHER FL HARD 21.0x37.0x3.0 N500 From E-5494 | | 5 | |
| 39 | XV-1005-50 | FRONT AXLE - INDEPENDENT MODEL "NDIFS80P" / 18000LBS | | | |
| 39A | XV-1005-60 | FRONT AXLE - INDEPENDENT MODEL "NDIFS80P" / 18000LBS To C-5235 | 1 | | |
| 39A | XV-1005-61 | FRONT AXLE - INDEPENDENT MODEL "NDIFS80P" / 19000LBS From C-5236 | 1 | | |
| | | WITH INDEPENDENT FRONT SUSPENSION | | | |
| 41A | XV-1410-50 | STEERING RODS - INSTALLATION W/INDEPENDENT "NDIFS80P" / 18000LBS | | | |
| 41A | XV-1410-60 | STEERING RODS - INSTALLATION W/INDEPENDENT "NDIFS80P" / 18000LBS To C-5235 | | | |
| 41B | XV-1410-61 | STEERING RODS - INSTALLATION W/INDEPENDENT "NDIFS80P" / 19000LBS From C-5236 | | | |
| 42 | 502115 | PIN, COTTER 3/16 x 2 1/2 To E-5493 | | 2 | |
| 42 | 502104 | PIN, COTTER 5/32 x 2 From E-5494 | | 2 | |
| 45 | 661153 | DRAG LINK ASSY / 970 MM C/C WITH LONG NECK TIE ROD END To E-5493 | | 1 | L |
| 45 | 661188 | DRAG LINK ASSY / 970 MM C/C / 19000LBS / LARGE TIE ROD END From E-5494 | | 1 | |
| 45 | N.P.N. | . ROD | | 1 | 4 |
| 46 | 661133 | . COLLAR ASSY / W/BOLT & NUT & STOPPER 1 5/8" I.D. | | 2 | |
| . NS | 500231 | . . SCREW CAP HEX 5/8-11x3 G5 ZP | | 1 | |
| . NS | 500683 | . . NUT HEX STO 5/8-11 ZP | | 1 | |
| 47 | 661152 | . TIE ROD END R.H. THREAD 1 1/4-12 W/LONG NECK TIE ROD To E-5493 | | 1 | LL |
| 47 | 661200 | . TIE ROD END R.H. THREAD 1 1/4-12 / 19000LBS From E-5494 | | 1 | |
| 47A | 5001345 | . . NUT HEX CSL THN 7/8-14 To E-5493 | | 1 | |
| 47A | | . . NUT HEX CSL THN From E-5494 | | 1 | |
| 48 | 661151 | . TIE ROD END L.H. THREAD 1 1/4-12 W/LONG NECK TIE ROD To E-5493 | | 1 | LL |
| 48 | 661202 | . TIE ROD END L.H. THREAD 1 1/4-12 / 19000LBS From E-5494 | | 1 | |
| 48A | 5001345 | . . NUT HEX CSL THN 7/8-14 To E-5493 | | 1 | |
| 48A | | . . NUT HEX CSL THN From E-5494 | | 1 | |
| 49 | 661760 | ARM, PITMAN 9" / (PAINTED BLACK) To E-5493 | | 1 | |
| 49 | 661187 | ARM, PITMAN 9" / (PAINTED BLACK) / 19000LBS From E-5494 | | 1 | |
| 49 | 661760 | ARM, PITMAN 9" / (PAINTED BLACK) To C-5235 | 1 | | |
| 49 | 661187 | ARM, PITMAN 9" / (PAINTED BLACK) / 19000LBS From C-5236 | 1 | | |



| | | |
|-----------------------|--------------|-----------------|
| From B-5003 To D-5489 | Date:10/2022 | PAGE:XV-1410-00 |
|-----------------------|--------------|-----------------|

STEERING GEAR BOX & DRAG LINK - INSTALLATION

| Item# | Part | Description | X 3 V I P | X L I I E N T 4 5 | N O T E S |
|-------|-------------------|--|-----------------------|---|-----------------------|
| 51 | 161009 | SHIELD RUBBER | 1 | 1 | I |
| 52 | 160994 | COLLAR SHIELD RETAINER / "O" FORM CLOSED | 1 | 1 | I |
| 53 | 500657 | SCREW TC TR PH #10-24x1/2 Z050 | 16 | 16 | |
| 60 | XV-1400-00 | POWER STEERING HOSE - INSTALLATION | | | |
| 62 | 502115 | PIN, COTTER 3/16 x 2 1/2 To C-5235 | 2 | | |
| 62 | 502104 | PIN, COTTER 5/32 x 2 From C-5236 | 2 | | |
| 65 | 661153 | DRAG LINK ASSY / 970 MM C/C WITH LONG NECK TIE ROD END To C-5235 | 1 | | L |
| 65 | 661188 | DRAG LINK ASSY / 970 MM C/C / 19000LBS / LARGE TIE ROD END From C-5236 | 1 | | |
| 65 | N.P.N. | . ROD | 1 | | 4 |
| 66 | 661133 | . COLLAR ASSY / W/BOLT & NUT & STOPPER 1 5/8" I.D. | 2 | | |
| . NS | 500231 | . . SCREW CAP HEX 5/8-11x3 G5 ZP | 1 | | |
| . NS | 500683 | . . NUT HEX STO 5/8-11 ZP | 1 | | |
| 67 | 661152 | . TIE ROD END R.H. THREAD 1 1/4-12 W/LONG NECK TIE ROD To C-5235 | 1 | | |
| 67 | 661200 | . TIE ROD END R.H. THREAD 1 1/4-12 / 19000LBS From C-5236 | 1 | | |
| 67A | 5001345 | . . NUT HEX CSL THN 7/8-14 To C-5235 | 1 | | |
| 67A | 661207 | . . NUT HEX CSL THN 1 1/8-12 From C-5236 | 1 | | |
| 68 | 661151 | . TIE ROD END L.H. THREAD 1 1/4-12 W/LONG NECK TIE ROD To C-5235 | 1 | | |
| 68 | 661202 | . TIE ROD END L.H. THREAD 1 1/4-12 / 19000LBS From C-5236 | 1 | | |
| 68A | 5001345 | . . NUT HEX CSL THN 7/8-14 To C-5235 | 1 | | |
| 68A | 661207 | . . NUT HEX CSL THN 1 1/8-12 From C-5236 | 1 | | |
| | | I) WITH INDEPENDENT SUSPENSION | | | |
| | | L) THIS ASSY USE ONLY LONG NECK TIE ROD END # 661151 & # 661152 | | | |
| | | LL) USE ONLY WITH ASSY 661134 & 661153 | | | |
| | | R) IF YOU HAVE REBUILT THE FRONT END STRUCTURE USE THOSE SCREW CAP 5001494 AND WASHER 611044 | | | |
| | | S) BUILD WITH TIE ROD END 661200 (LAGRE) AND TIE ROD END 661151 (SMALL) | | | |
| | | 4) NO PARTS NUMBER | | | |

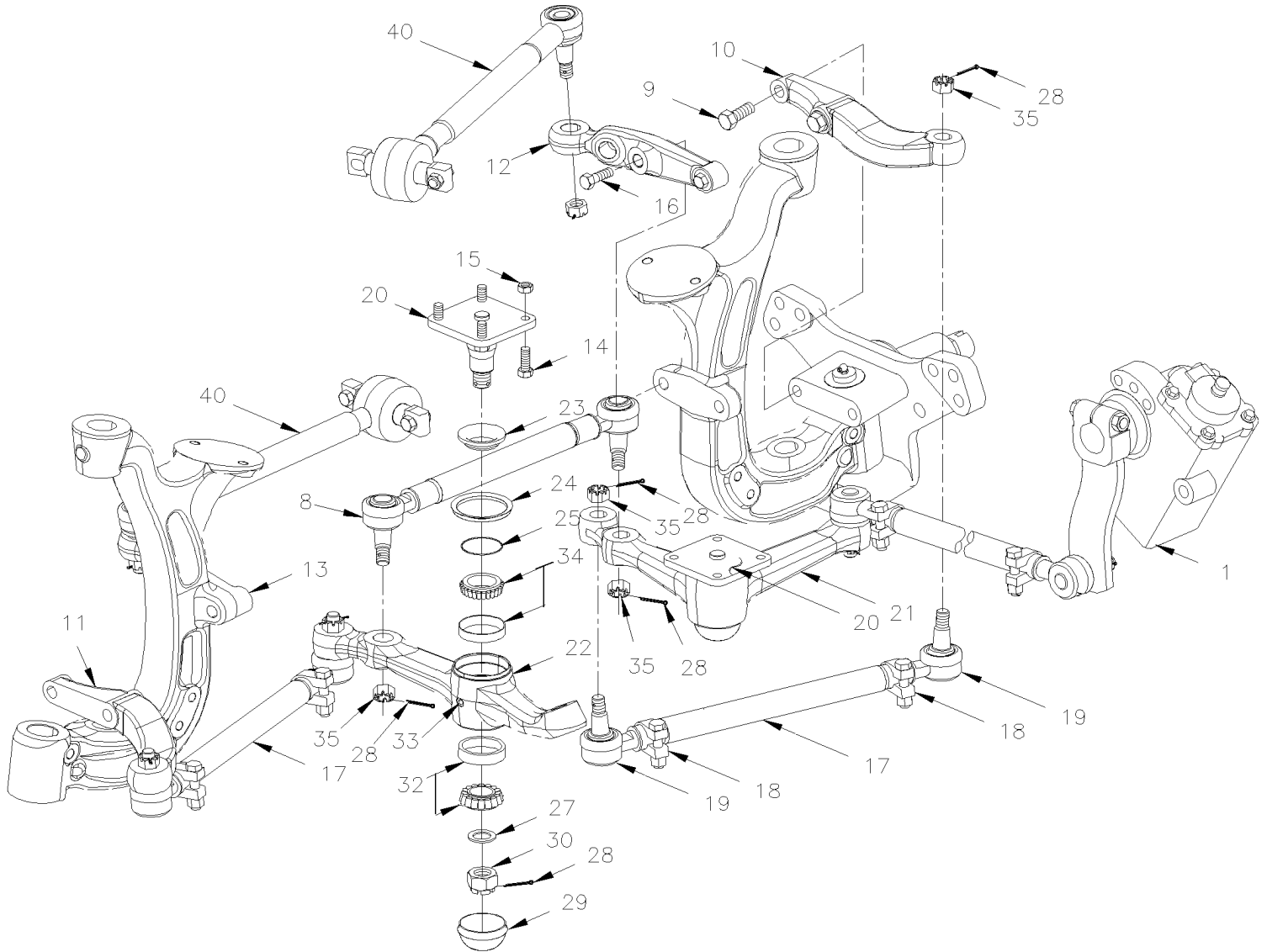


From B-5003 To D-5489

Date:10/2022

PAGE:XV-1410-50

STEERING RODS - INSTALLATION W/INDEPENDENT "NDIFS80P" / 18000LBS





From B-5003 To D-5489

Date:10/2022

PAGE:XV-1410-50

STEERING RODS - INSTALLATION W/INDEPENDENT "NDIFS80P" / 18000LBS





From B-5003 To D-5489 Date:10/2022 PAGE:XV-1410-50

STEERING RODS - INSTALLATION W/INDEPENDENT "NDIFS80P" / 18000LBS

| Item# | Part | Description | X 3 V I P | X L I I E N T 4 5 | N O T E S |
|-------|-------------------|---|-----------------------|---|-----------------------|
| 1 | XV-1410-00 | STEERING GEAR BOX & DRAG LINK - INSTALLATION | | | |
| 8 | 661132 | ROD ASSY / 591.8MM C/C CENTER | | 1 | |
| 8 | 661183 | ROD ASSY / 591.8MM C/C CENTER | | 1 | S |
| 9 | 611306 | SCREW CAP HEX M20-2.5x65 G12.9 | | 1 | |
| NS | 611308 | SCREW CAP HEX M20-2.5x100 G12.9 | | 1 | |
| 10 | 163246 | STEERING ARM L.H. | | 1 | |
| 10 | 612084 | STEERING ARM L.H. | | 1 | S |
| 11 | 163468 | STEERING ARM R.H. | | 1 | |
| 11 | 612085 | STEERING ARM R.H. | | 1 | S |
| 12 | 661113 | UPRIGHT ARM L.H / W/58 Deg | | 1 | |
| 12 | 612380 | UPRIGHT ARM L.H | | 1 | S |
| 13 | 661114 | UPRIGHT ARM R.H / W/58 Deg | | 1 | |
| 13 | 612381 | UPRIGHT ARM R.H | | 1 | S |
| 14 | 5001476 | SCREW CAP HEX M14-2.0x45 G8.8 G500 | | 8 | |
| 15 | 502538 | NUT HEX STO M14-2.0 Z050 | | 8 | |
| 16 | 611305 | SCREW CAP HEX M20-2.5x60 G12.9 | | 1 | |
| 16 | 611307 | SCREW CAP HEX M20-2.5x80 G12.9 | | 1 | |
| 17 | 661129 | ROD ASSY / 657MM C/C WITH LONG NECK TIE ROD END | | 2 | |
| 17 | 661182 | ROD ASSY / 657MM C/C | | 1 | S |
| 17 | N.P.N. | . ROD | | 1 | 4 |
| 18 | 661133 | . COLLAR ASSY / W/BOLT & NUT & STOPPER 1 5/8" I.D. | | 2 | |
| . NS | 500231 | . . SCREW CAP HEX 5/8-11x3 G5 ZP | | 1 | |
| . NS | 500683 | . . NUT HEX STO 5/8-11 ZP | | 1 | |
| 19 | 661138 | . TIE ROD END R.H. THREAD 1 1/4-12 | | 1 | |
| 19 | 661199 | . TIE ROD END R.H. THREAD 1 1/4-12 | | 1 | S |
| 19 | 661139 | . TIE ROD END L.H. THREAD 1 1/4-12 | | 1 | |
| 19 | 661201 | . TIE ROD END L.H. THREAD 1 1/4-12 | | 1 | S |
| 20 | 160983 | SPINDLE SHAFT To C-5132 | | 1 | |
| 20 | 661206 | SPINDLE SHAFT From C-5133 | | 1 | |
| NS | 161005 | SHIM 26GAGE 105MM C/C x 14MM slot | | AR | |
| NS | 161006 | SHIM 20GAGE 105MM C/C x 14MM slot | | AR | |
| 21 | 161169 | LEVER L.H. | | 1 | |
| 21 | 161349 | REPLACEMENT KIT / LEVER L.H. | | 1 | SA |
| 22 | 161170 | LEVER R.H. | | 1 | |
| 22 | 161350 | REPLACEMENT KIT / LEVER R.H. | | 1 | SA |
| 23 | 160984 | SLEEVE WIPER 63.5MM O.D. | | 1 | |
| 24 | 507351 | DUST SEAL 3.270 I.D. X 3.085 O.D. | | 1 | |
| 25 | 507350 | OIL SEAL | | 1 | |
| 27 | 5001227 | WASHER FL .453x.875x.090 | | 1 | |
| 28 | 502115 | PIN, COTTER 3/16 x 2 1/2 | | 1 | |
| 29 | 661014 | COVER | | 1 | |
| 30 | 5001218 | NUT HEX CSL M30-1.5 | | 1 | |



From B-5003 To D-5489 Date:10/2022 PAGE:XV-1410-50

STEERING RODS - INSTALLATION W/INDEPENDENT "NDIFS80P" / 18000LBS

| Item# | Part | Description | X 3 V I P | X L I I E N T 4 5 | N O T E S |
|-------|-------------------|---|-----------------------|---|-----------------------|
| 32 | 507354 | KIT, CUP & CONE BEARING | | 2 | |
| 33 | 501490 | GREASE FITTING / 1/8 NPT | | 1 | |
| 34 | 507353 | KIT, CUP & CONE BEARING | | 2 | |
| 35 | 5001345 | NUT HEX CSL THN 7/8-14 | | 1 | |
| 40 | XV-1605-50 | FRONT AXLE - INSTALL W/INDEPENDENT "NDIFS80P" / 18000LBS | | | |
| | | | | | |
| | | | | | |
| | | | | | |
| | | | | | |
| | | A) USE ONLY WHEN THE OLD NUMBER IS NO LONGER AVAILABLE | | | |
| | | S) SERVICE | | | |
| | | 4) NO PARTS NUMBER | | | |

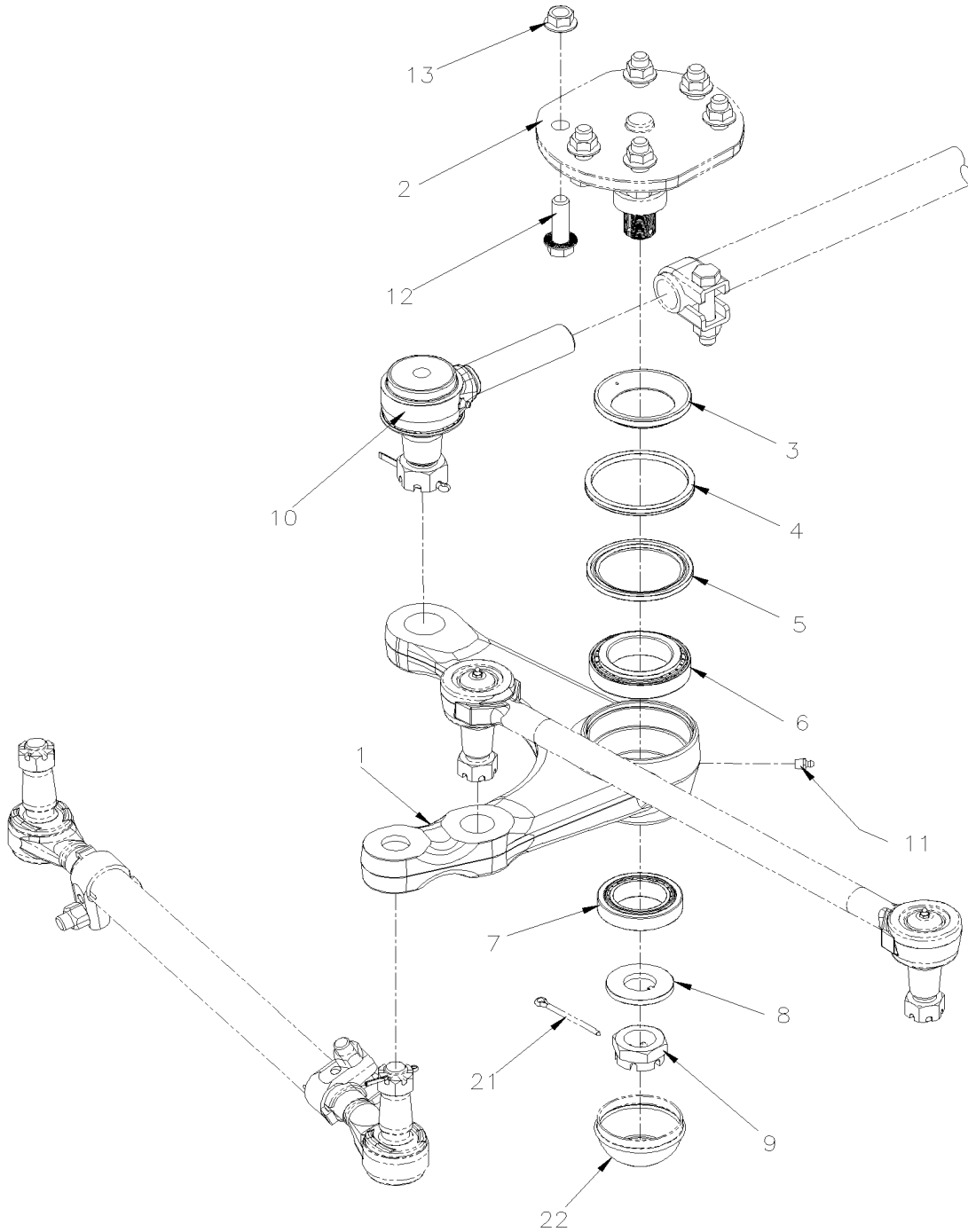


From B-5003 To D-5489

Date:10/2022

PAGE:161349

REPLACEMENT KIT / LEVER L.H.





| | | |
|-------------------------------------|---------------------|--------------------|
| From B-5003 To D-5489 | Date:10/2022 | PAGE:161349 |
| REPLACEMENT KIT / LEVER L.H. | | |

| Item# | Part | Description | X 3 V I P | X L I I E N T 4 5 | N O T E S |
|-------|----------|---|-----------------------|---|-----------------------|
| 1 | 661185 | LEVER L.H. / 19000LBS | 1 | 1 | |
| 2 | 661186 | SPINDLE SHAFT / 19K | 1 | 1 | |
| 3 | 160115 | SLEEVE WIPER 77.2MM O.D. | 1 | 1 | |
| 4 | 507673 | DUST SEAL 3.470 I.D. X 4.085 O.D. | 1 | 1 | |
| 5 | 507674 | OIL SEAL | 1 | 1 | |
| 6 | 507672 | KIT, CUP & CONE BEARING / 19K | 1 | 1 | |
| 7 | 507353 | KIT, CUP & CONE BEARING | 1 | 1 | |
| 8 | 161338 | WASHER FL / W/ INTERIOR KEY 30.5x63.05x6.3 | 1 | 1 | |
| 9 | 5001218 | NUT HEX CSL M30-1.5 | 1 | 1 | |
| 10 | 661202 | TIE ROD END L.H. THREAD 1 1/4-12 / 19000LBS | 1 | 1 | |
| 11 | 501490 | GREASE FITTING / 1/8 NPT | 1 | 1 | |
| 12 | 5001859 | SCREW CAP HEXF SERR M16-2.0x50 G10.9 | 4 | 4 | |
| 13 | 5001844 | NUT HEXF SERR M16-2.0 G500 | 4 | 4 | |
| NS | IS-12010 | SEE INSTRUCTION SHEET | 1 | 1 | |
| NS | FI-12010 | VOIR FEUILLE D'INSTRUCTION | 1 | 1 | |
| | | | | | |
| 21 | 502115 | PIN, COTTER 3/16 x 2 1/2 NOT INCLUDE WITH KIT | 1 | 1 | |
| NS | 502104 | PIN, COTTER 5/32 x 2 NOT INCLUDE WITH KIT | 2 | 2 | |
| NS | 502109 | PIN, COTTER 6.3MM x 71MM Z50 NOT INCLUDE WITH KIT | 1 | 1 | |
| 22 | 661014 | COVER NOT INCLUDE WITH KIT | 1 | 1 | |
| | | | | | |
| | | | | | |
| | | | | | |

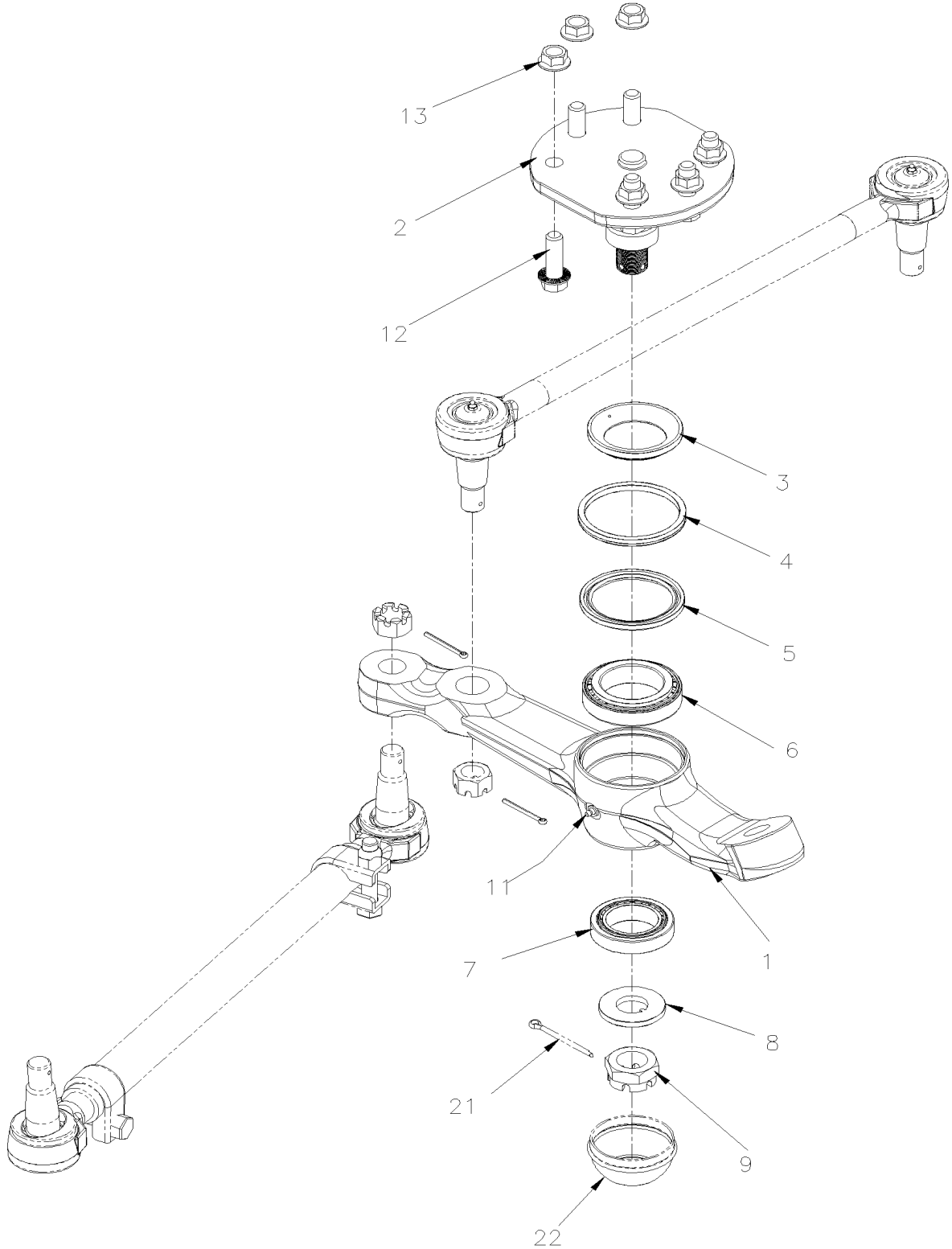


From B-5003 To D-5489

Date:10/2022

PAGE:161350

REPLACEMENT KIT / LEVER R.H.





| | | |
|-------------------------------------|--------------|-------------|
| From B-5003 To D-5489 | Date:10/2022 | PAGE:161350 |
| REPLACEMENT KIT / LEVER R.H. | | |

| Item# | Part | Description | X 3 V I P | X L I I E N T 4 5 | N O T E S |
|-------|----------|---|-----------------------|---|-----------------------|
| 1 | 661184 | LEVER R.H. / 19000LBS | 1 | 1 | |
| 2 | 661186 | SPINDLE SHAFT / 19K | 1 | 1 | |
| 3 | 160115 | SLEEVE WIPER 77.2MM O.D. | 1 | 1 | |
| 4 | 507673 | DUST SEAL 3.470 I.D. X 4.085 O.D. | 1 | 1 | |
| 5 | 507674 | OIL SEAL | 1 | 1 | |
| 6 | 507672 | KIT, CUP & CONE BEARING / 19K | 1 | 1 | |
| 7 | 507353 | KIT, CUP & CONE BEARING | 1 | 1 | |
| 8 | 161338 | WASHER FL / W/ INTERIOR KEY 30.5x63.05x6.3 | 1 | 1 | |
| 9 | 5001218 | NUT HEX CSL M30-1.5 | 1 | 1 | |
| 11 | 501490 | GREASE FITTING / 1/8 NPT | 1 | 1 | |
| 12 | 5001859 | SCREW CAP HEXF SERR M16-2.0x50 G10.9 | 4 | 4 | |
| 13 | 5001844 | NUT HEXF SERR M16-2.0 G500 | 4 | 4 | |
| NS | IS-12010 | SEE INSTRUCTION SHEET | 1 | 1 | |
| NS | FI-12010 | VOIR FEUILLE D'INSTRUCTION | 1 | 1 | |
| 21 | 502115 | PIN, COTTER 3/16 x 2 1/2 NOT INCLUDE WITH KIT | 1 | 1 | |
| 22 | 661014 | COVER NOT INCLUDE WITH KIT | 1 | 1 | |
| | | | | | |
| | | | | | |
| | | | | | |

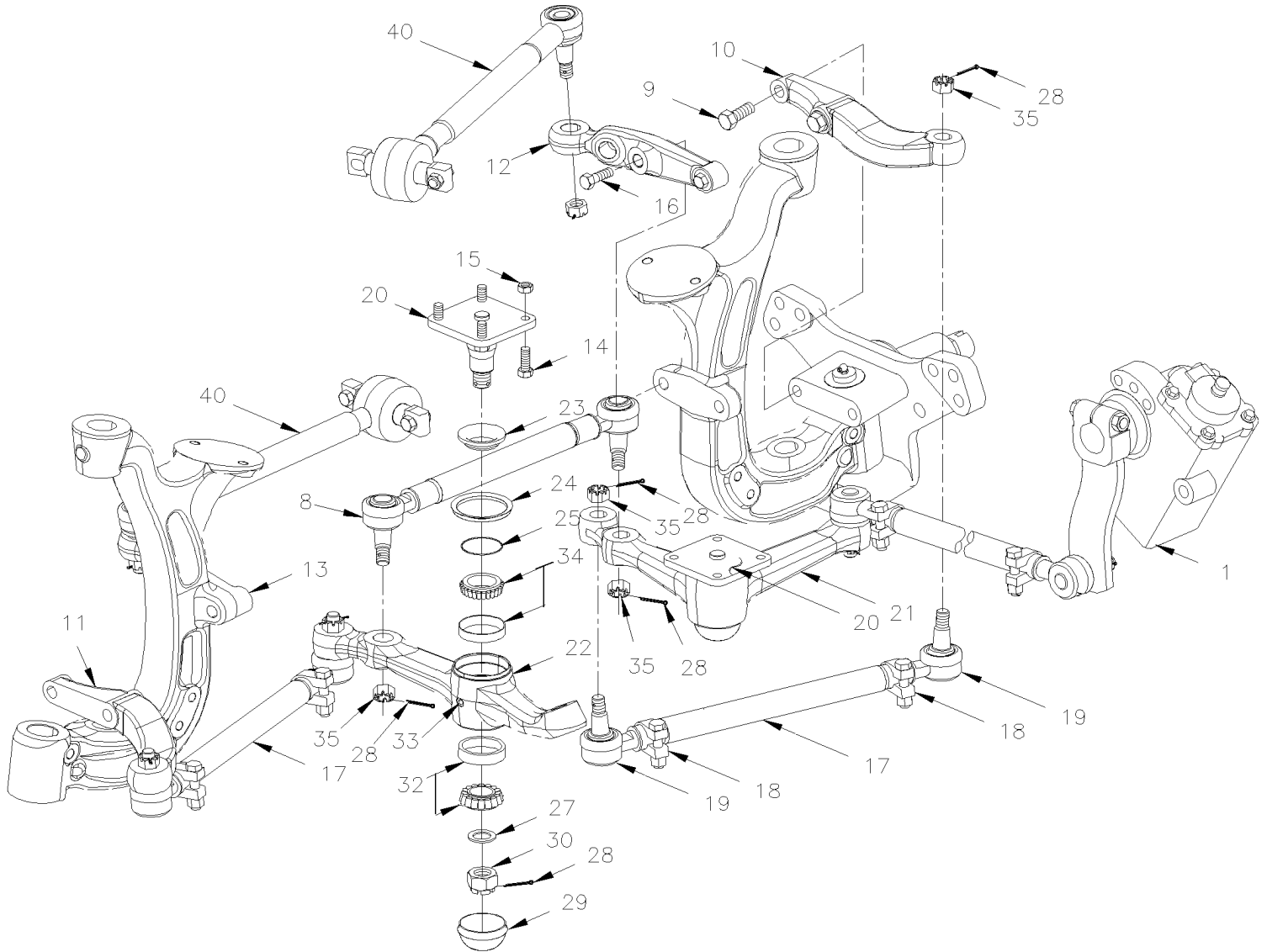


From B-5003 To C-5235

Date:10/2022

PAGE:XV-1410-60

STEERING RODS - INSTALLATION W/INDEPENDENT "NDIFS80P" / 18000LBS





From B-5003 To C-5235

Date:10/2022

PAGE:XV-1410-60

STEERING RODS - INSTALLATION W/INDEPENDENT "NDIFS80P" / 18000LBS





From B-5003 To C-5235 Date:10/2022 PAGE:XV-1410-60

STEERING RODS - INSTALLATION W/INDEPENDENT "NDIFS80P" / 18000LBS

| Item# | Part | Description | X 3 V I P | X L I I E N T 4 5 | N O T E S |
|-------|-------------------|---|-----------------------|---|-----------------------|
| 1 | XV-1410-00 | STEERING GEAR BOX & DRAG LINK - INSTALLATION | | | |
| 8 | 661132 | ROD ASSY / 591.8MM C/C CENTER | 1 | | |
| 8 | 661183 | ROD ASSY / 591.8MM C/C CENTER | 1 | | S |
| 9 | 611306 | SCREW CAP HEX M20-2.5x65 G12.9 | 1 | | |
| NS | 611308 | SCREW CAP HEX M20-2.5x100 G12.9 | 1 | | |
| 10 | 163246 | STEERING ARM L.H. | 1 | | |
| 10 | 612084 | STEERING ARM L.H. | 1 | | S |
| 11 | 163468 | STEERING ARM R.H. | 1 | | |
| 11 | 612085 | STEERING ARM R.H. | 1 | | S |
| 12 | 661113 | UPRIGHT ARM L.H / W/58 Deg | 1 | | |
| 12 | 612380 | UPRIGHT ARM L.H | 1 | | S |
| 13 | 661114 | UPRIGHT ARM R.H / W/58 Deg | 1 | | |
| 13 | 612381 | UPRIGHT ARM R.H | 1 | | S |
| 14 | 5001476 | SCREW CAP HEX M14-2.0x45 G8.8 G500 | 8 | | |
| 15 | 502538 | NUT HEX STO M14-2.0 Z050 | 8 | | |
| 16 | 611305 | SCREW CAP HEX M20-2.5x60 G12.9 | 1 | | |
| 16 | 611307 | SCREW CAP HEX M20-2.5x80 G12.9 | 1 | | |
| 17 | 661129 | ROD ASSY / 657MM C/C WITH LONG NECK TIE ROD END | 2 | | |
| 17 | 661182 | ROD ASSY / 657MM C/C | 2 | | S |
| 17 | N.P.N. | . ROD | 1 | | 4 |
| 18 | 661133 | . COLLAR ASSY / W/BOLT & NUT & STOPPER 1 5/8" I.D. | 2 | | |
| . NS | 500231 | . . SCREW CAP HEX 5/8-11x3 G5 ZP | 1 | | |
| . NS | 500683 | . . NUT HEX STO 5/8-11 ZP | 1 | | |
| 19 | 661138 | . TIE ROD END R.H. THREAD 1 1/4-12 | 1 | | |
| 19 | 661199 | . TIE ROD END R.H. THREAD 1 1/4-12 | 1 | | S |
| 19 | 661139 | . TIE ROD END L.H. THREAD 1 1/4-12 | 1 | | |
| 19 | 661201 | . TIE ROD END L.H. THREAD 1 1/4-12 | 1 | | S |
| 20 | 160983 | SPINDLE SHAFT | 1 | | |
| NS | 161005 | SHIM 26GAGE 105MM C/C x 14MM slot | AR | | |
| NS | 161006 | SHIM 20GAGE 105MM C/C x 14MM slot | AR | | |
| 21 | 161169 | LEVER L.H. | 1 | | |
| 21 | 161349 | REPLACEMENT KIT / LEVER L.H. | 1 | | SA |
| 22 | 161170 | LEVER R.H. | 1 | | |
| 22 | 161350 | REPLACEMENT KIT / LEVER R.H. | 1 | | SA |
| 23 | 160984 | SLEEVE WIPER 63.5MM O.D. | 1 | | |
| 24 | 507351 | DUST SEAL 3.270 I.D. X 3.085 O.D. | 1 | | |
| 25 | 507350 | OIL SEAL | 1 | | |
| 27 | 5001227 | WASHER FL .453x.875x.090 | 1 | | |
| 28 | 502115 | PIN, COTTER 3/16 x 2 1/2 | 1 | | |
| 29 | 661014 | COVER | 1 | | |
| 30 | 5001218 | NUT HEX CSL M30-1.5 | 1 | | |
| 32 | 507354 | KIT, CUP & CONE BEARING | 2 | | |



From B-5003 To C-5235 Date:10/2022 PAGE:XV-1410-60

STEERING RODS - INSTALLATION W/INDEPENDENT "NDIFS80P" / 18000LBS

| Item# | Part | Description | X 3 V I P | X L I I E N T 4 5 | N O T E S |
|-------|-------------------|---|-----------------------|---|-----------------------|
| 33 | 501490 | GREASE FITTING / 1/8 NPT | 1 | | |
| 34 | 507353 | KIT, CUP & CONE BEARING | 2 | | |
| 35 | 5001345 | NUT HEX CSL THN 7/8-14 | 1 | | |
| 40 | XV-1605-60 | FRONT AXLE - INSTALL W/INDEPENDENT "NDIFS80P" / 18000LBS | | | |
| | | | | | |
| | | | | | |
| | | | | | |
| | | | | | |
| | | A) USE ONLY WHEN THE OLD NUMBER IS NO LONGER AVAILABLE | | | |
| | | S) SERVICE | | | |
| | | 4) NO PARTS NUMBER | | | |

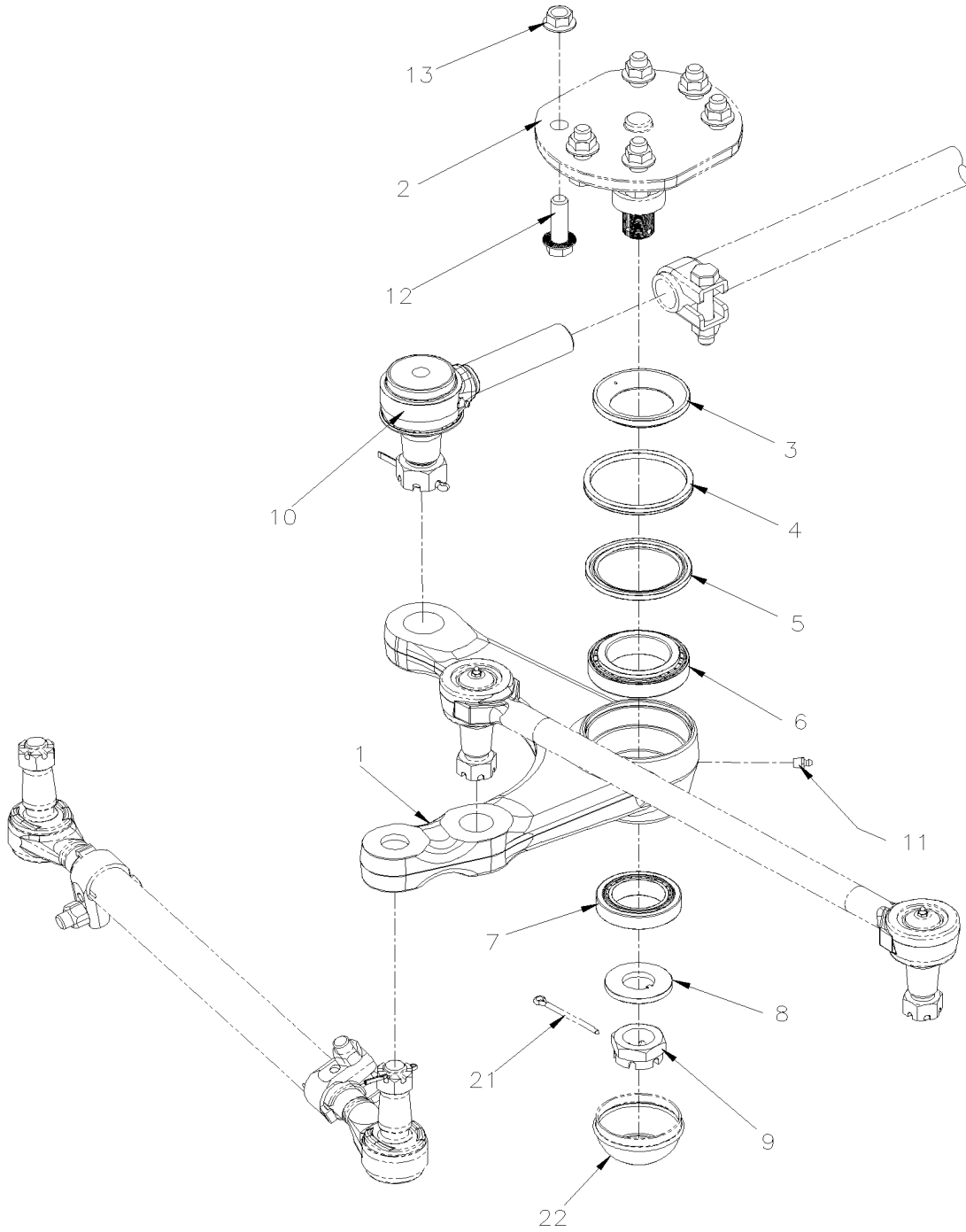


From B-5003 To C-5235

Date:10/2022

PAGE:161349

REPLACEMENT KIT / LEVER L.H.





| | | |
|-------------------------------------|---------------------|--------------------|
| From B-5003 To C-5235 | Date:10/2022 | PAGE:161349 |
| REPLACEMENT KIT / LEVER L.H. | | |

| Item# | Part | Description | X 3 V I P | X L I I E N T 4 5 | N O T E S |
|-------|----------|---|-----------------------|---|-----------------------|
| 1 | 661185 | LEVER L.H. / 19000LBS | 1 | 1 | |
| 2 | 661186 | SPINDLE SHAFT / 19K | 1 | 1 | |
| 3 | 160115 | SLEEVE WIPER 77.2MM O.D. | 1 | 1 | |
| 4 | 507673 | DUST SEAL 3.470 I.D. X 4.085 O.D. | 1 | 1 | |
| 5 | 507674 | OIL SEAL | 1 | 1 | |
| 6 | 507672 | KIT, CUP & CONE BEARING / 19K | 1 | 1 | |
| 7 | 507353 | KIT, CUP & CONE BEARING | 1 | 1 | |
| 8 | 161338 | WASHER FL / W/ INTERIOR KEY 30.5x63.05x6.3 | 1 | 1 | |
| 9 | 5001218 | NUT HEX CSL M30-1.5 | 1 | 1 | |
| 10 | 661202 | TIE ROD END L.H. THREAD 1 1/4-12 / 19000LBS | 1 | 1 | |
| 11 | 501490 | GREASE FITTING / 1/8 NPT | 1 | 1 | |
| 12 | 5001859 | SCREW CAP HEXF SERR M16-2.0x50 G10.9 | 4 | 4 | |
| 13 | 5001844 | NUT HEXF SERR M16-2.0 G500 | 4 | 4 | |
| NS | IS-12010 | SEE INSTRUCTION SHEET | 1 | 1 | |
| NS | FI-12010 | VOIR FEUILLE D'INSTRUCTION | 1 | 1 | |
| | | | | | |
| 21 | 502115 | PIN, COTTER 3/16 x 2 1/2 NOT INCLUDE WITH KIT | 1 | 1 | |
| NS | 502104 | PIN, COTTER 5/32 x 2 NOT INCLUDE WITH KIT | 2 | 2 | |
| NS | 502109 | PIN, COTTER 6.3MM x 71MM Z50 NOT INCLUDE WITH KIT | 1 | 1 | |
| 22 | 661014 | COVER NOT INCLUDE WITH KIT | 1 | 1 | |
| | | | | | |
| | | | | | |
| | | | | | |

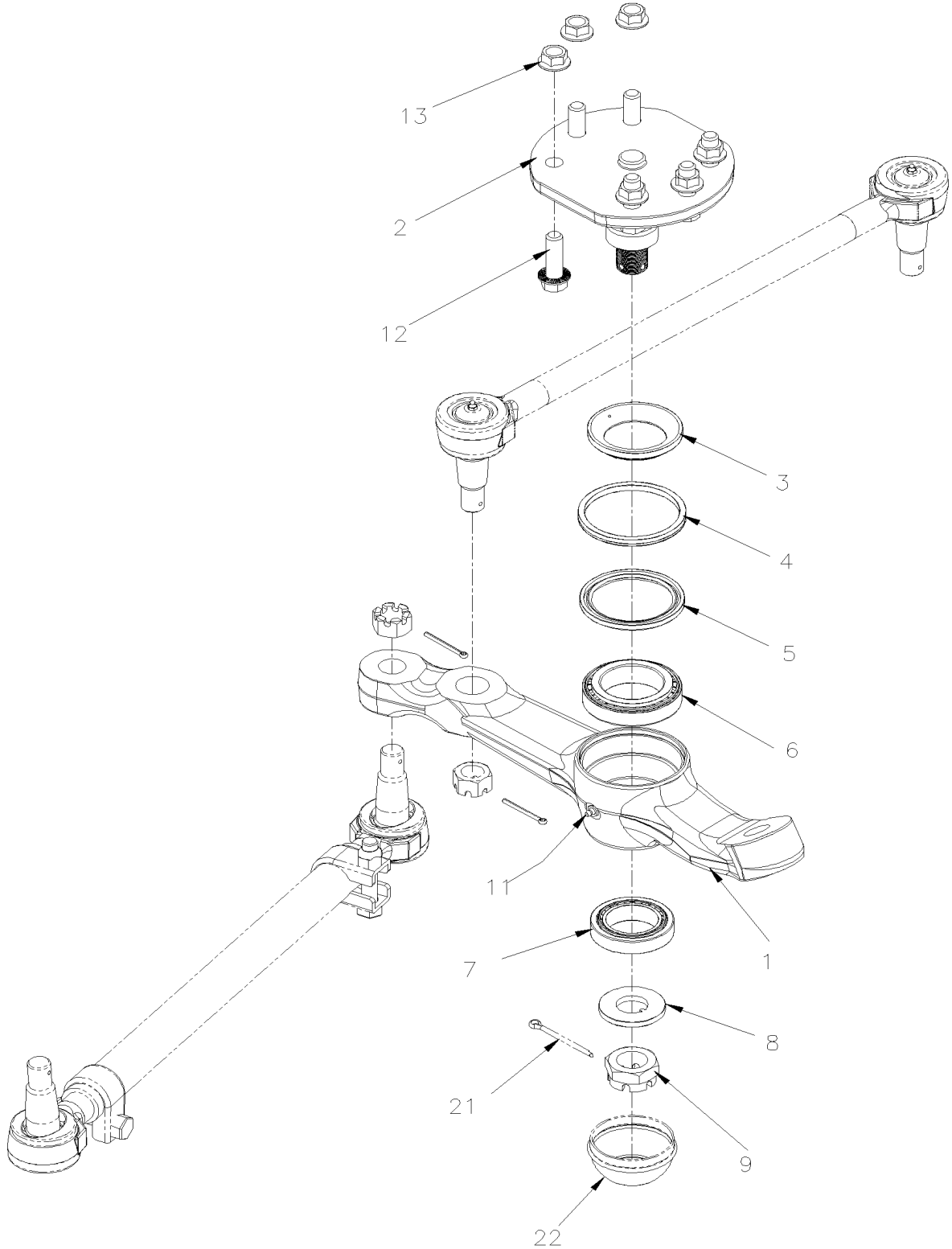


From B-5003 To C-5235

Date:10/2022

PAGE:161350

REPLACEMENT KIT / LEVER R.H.





| | | |
|-------------------------------------|--------------|-------------|
| From B-5003 To C-5235 | Date:10/2022 | PAGE:161350 |
| REPLACEMENT KIT / LEVER R.H. | | |

| Item# | Part | Description | X 3 V I P | X L I I E N T 4 5 | N O T E S |
|-------|----------|---|-----------------------|---|-----------------------|
| 1 | 661184 | LEVER R.H. / 19000LBS | 1 | 1 | |
| 2 | 661186 | SPINDLE SHAFT / 19K | 1 | 1 | |
| 3 | 160115 | SLEEVE WIPER 77.2MM O.D. | 1 | 1 | |
| 4 | 507673 | DUST SEAL 3.470 I.D. X 4.085 O.D. | 1 | 1 | |
| 5 | 507674 | OIL SEAL | 1 | 1 | |
| 6 | 507672 | KIT, CUP & CONE BEARING / 19K | 1 | 1 | |
| 7 | 507353 | KIT, CUP & CONE BEARING | 1 | 1 | |
| 8 | 161338 | WASHER FL / W/ INTERIOR KEY 30.5x63.05x6.3 | 1 | 1 | |
| 9 | 5001218 | NUT HEX CSL M30-1.5 | 1 | 1 | |
| 11 | 501490 | GREASE FITTING / 1/8 NPT | 1 | 1 | |
| 12 | 5001859 | SCREW CAP HEXF SERR M16-2.0x50 G10.9 | 4 | 4 | |
| 13 | 5001844 | NUT HEXF SERR M16-2.0 G500 | 4 | 4 | |
| NS | IS-12010 | SEE INSTRUCTION SHEET | 1 | 1 | |
| NS | FI-12010 | VOIR FEUILLE D'INSTRUCTION | 1 | 1 | |
| 21 | 502115 | PIN, COTTER 3/16 x 2 1/2 NOT INCLUDE WITH KIT | 1 | 1 | |
| 22 | 661014 | COVER NOT INCLUDE WITH KIT | 1 | 1 | |
| | | | | | |
| | | | | | |
| | | | | | |

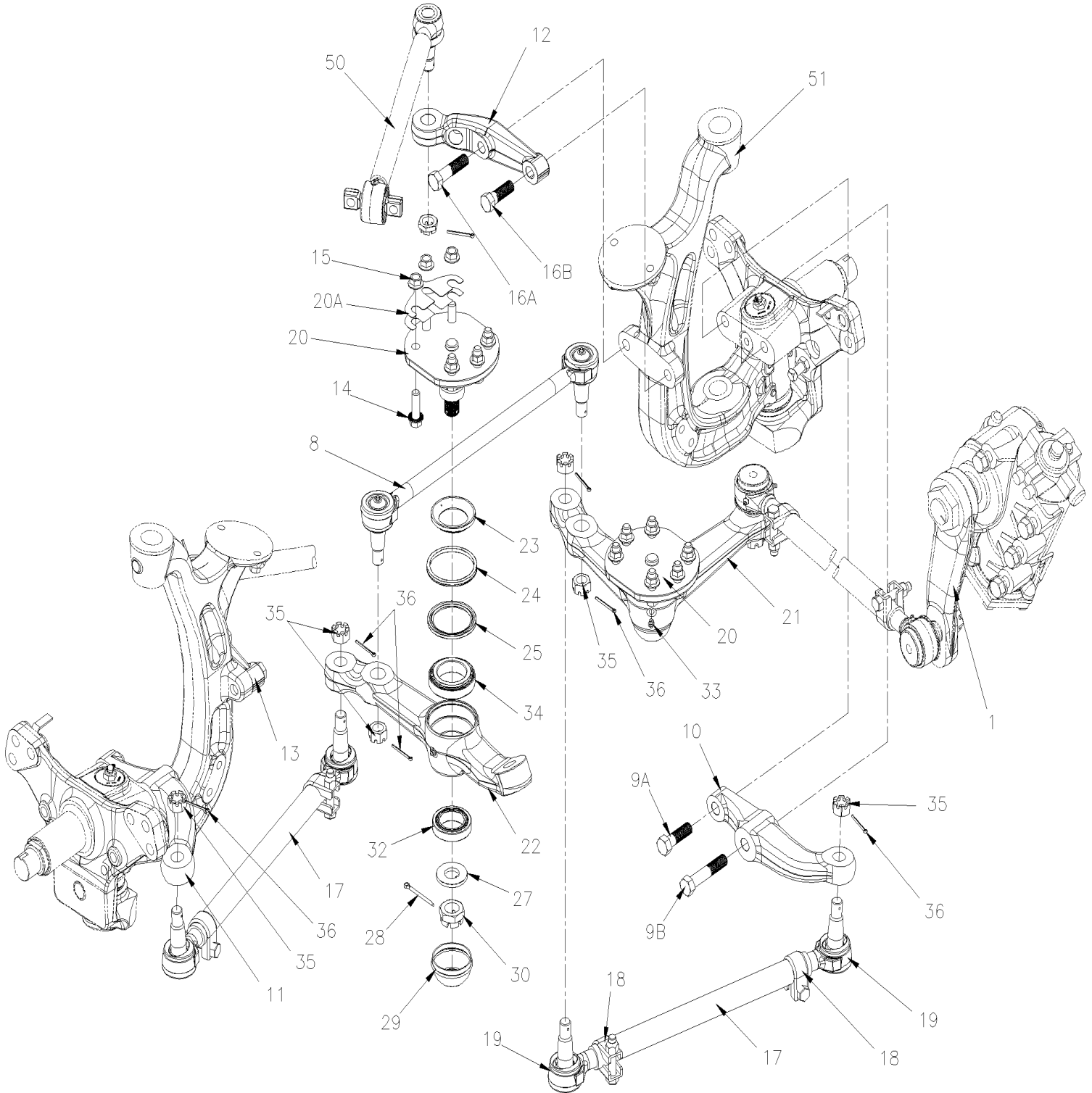


From C-5236 To D-5489

Date:10/2022

PAGE:XV-1410-61

STEERING RODS - INSTALLATION W/INDEPENDENT "NDIFS80P" / 19000LBS





From C-5236 To D-5489 Date:10/2022 PAGE:XV-1410-61

STEERING RODS - INSTALLATION W/INDEPENDENT "NDIFS80P" / 19000LBS

| Item# | Part | Description | X 3 V I P | X L I I E N T 4 5 | N O T E S |
|-------|-------------------|---|-----------------------|---|-----------------------|
| 1 | XV-1410-00 | STEERING GEAR BOX & DRAG LINK - INSTALLATION | | | |
| 8 | 661183 | ROD ASSY / 591.8MM C/C CENTER | 1 | | |
| 9A | 612360 | SCREW CAP HEX M22-2.5x65 G12.9 | 1 | | |
| 9B | 612359 | SCREW CAP HEX M22-2.5x100 G12.9 | 1 | | |
| 10 | 612378 | STEERING ARM L.H. / 19000LBS | 1 | | |
| 11 | 612379 | STEERING ARM R.H. / 19000LBS | 1 | | |
| 12 | 612380 | UPRIGHT ARM L.H | 1 | | |
| 13 | 612381 | UPRIGHT ARM R.H | 1 | | |
| 14 | 5001859 | SCREW CAP HEXF SERR M16-2.0x50 G10.9 | 12 | | |
| 15 | 5001844 | NUT HEXF SERR M16-2.0 G500 | 12 | | |
| 16A | 611307 | SCREW CAP HEX M20-2.5x80 G12.9 | 1 | | |
| 16B | 611305 | SCREW CAP HEX M20-2.5x60 G12.9 | 1 | | |
| 17 | 661182 | ROD ASSY / 657MM C/C | 2 | | |
| 17 | N.P.N. | . ROD | 1 | | 4 |
| 18 | 661133 | . COLLAR ASSY / W/BOLT & NUT & STOPPER 1 5/8" I.D. | 2 | | |
| . NS | 500231 | . . SCREW CAP HEX 5/8-11x3 G5 ZP | 1 | | |
| . NS | 500683 | . . NUT HEX STO 5/8-11 ZP | 1 | | |
| 19 | 661199 | . TIE ROD END R.H. THREAD 1 1/4-12 | 1 | | |
| 19 | 661201 | . TIE ROD END L.H. THREAD 1 1/4-12 | 1 | | |
| 20 | 661186 | SPINDLE SHAFT / 19K | 1 | | |
| 20A | 161343 | SHIM 26GAGE 105MM C/C x 18MM slot | AR | | |
| 20A | 161344 | SHIM 20GAGE 105MM C/C x 18MM slot | AR | | |
| 21 | 661185 | LEVER L.H. / 19000LBS | 1 | | |
| 22 | 661184 | LEVER R.H. / 19000LBS | 1 | | |
| 23 | 160115 | SLEEVE WIPER 77.2MM O.D. | 2 | | |
| 24 | 507673 | DUST SEAL 3.470 I.D. X 4.085 O.D. | 2 | | |
| 24 | 680752 | GREASE LITHIUM / BLUE | AR | | |
| 25 | 507674 | OIL SEAL | 2 | | |
| 27 | 161338 | WASHER FL / W/ INTERIOR KEY 30.5x63.05x6.3 | 2 | | |
| 28 | 502115 | PIN, COTTER 3/16 x 2 1/2 | 2 | | |
| 29 | 661014 | COVER | 2 | | |
| 30 | 5001218 | NUT HEX CSL M30-1.5 | 2 | | |
| 32 | 507353 | KIT, CUP & CONE BEARING | 2 | | |
| 33 | 501490 | GREASE FITTING / 1/8 NPT | 2 | | |
| 34 | 507672 | KIT, CUP & CONE BEARING / 19K | 2 | | |
| 35 | 5001345 | NUT HEX CSL THN 7/8-14 | 6 | | |
| 36 | 502104 | PIN, COTTER 5/32 x 2 | 6 | | |
| 50 | XV-1605-61 | FRONT AXLE - INSTALL W/INDEPENDENT "NDIFS80P" / 19000LBS | | | |
| 51 | XV-1005-61 | FRONT AXLE - INDEPENDENT MODEL "NDIFS80P" / 19000LBS | | | |
| | | | | | |
| | | | | | |
| | | | | | |



| | | |
|-----------------------|--------------|-----------------|
| From C-5236 To D-5489 | Date:10/2022 | PAGE:XV-1410-61 |
|-----------------------|--------------|-----------------|

STEERING RODS - INSTALLATION W/INDEPENDENT "NDIFS80P" / 19000LBS

| Item# | Part | Description | X 3 V I P | X L I I E N T 4 5 | N O T E S |
|-------|------|--------------------|-----------------------|---|-----------------------|
| | | 4) NO PARTS NUMBER | | | |

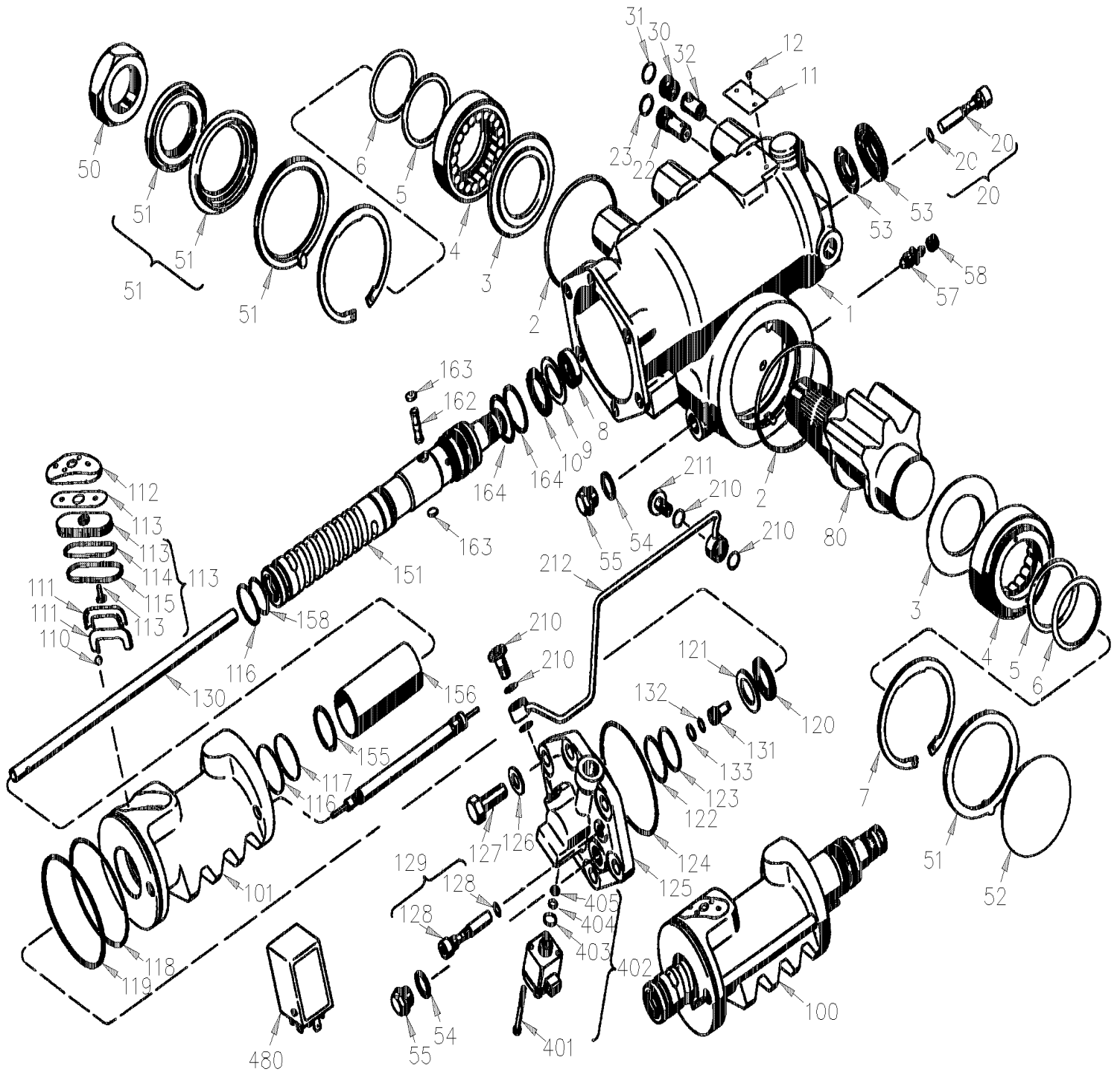


From B-5003 To D-5489

Date:10/2022

PAGE:XV-1415-00

STEERING GEARBOX - "ZF"



MODEL "ZF" - SERVOCOMTRONIC

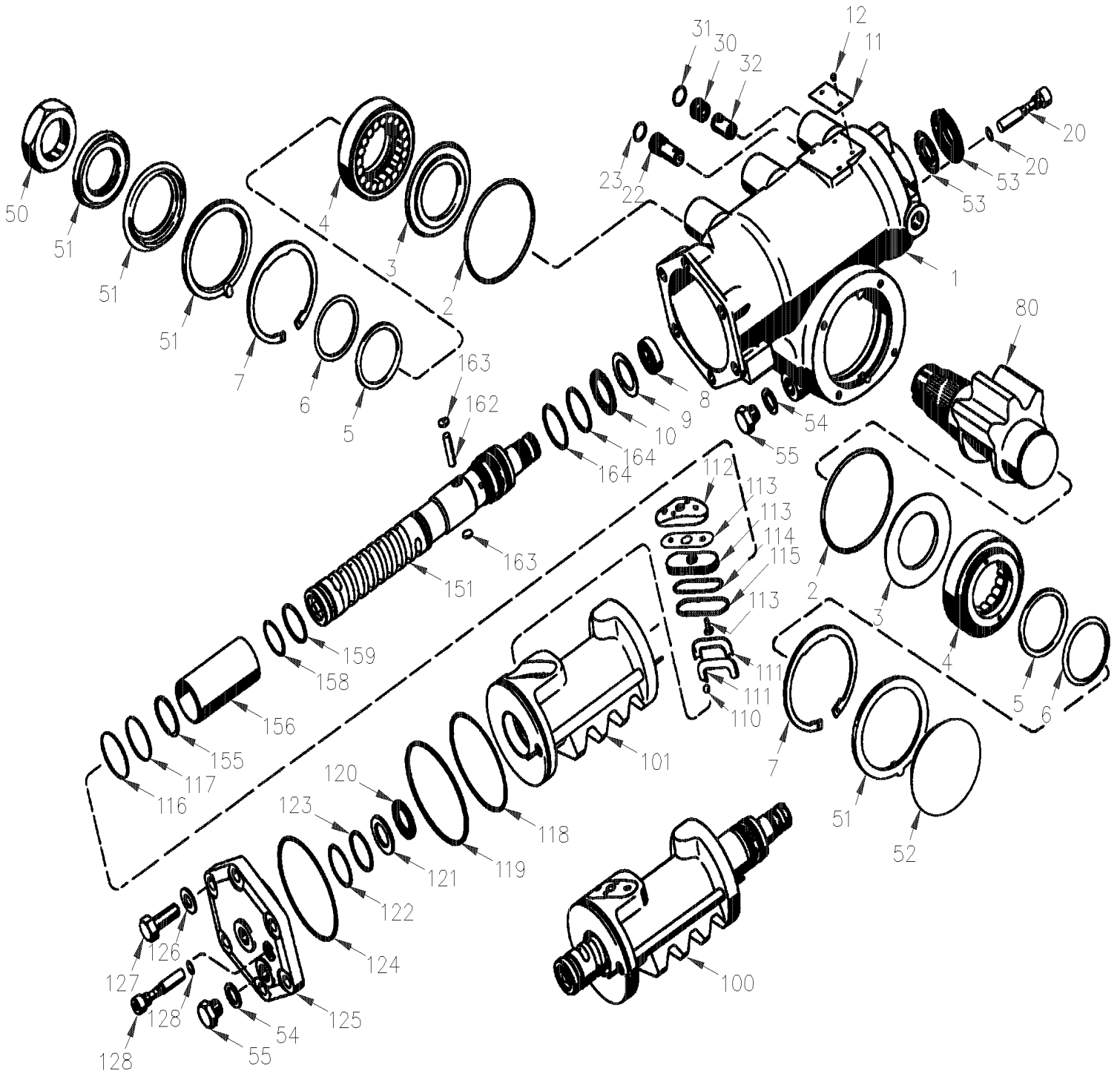


From B-5003 To D-5489

Date:10/2022

PAGE:XV-1415-00

STEERING GEARBOX - "ZF"



MODEL "ZF" - SEVOCOM



| | | |
|--------------------------------|---------------------|------------------------|
| From B-5003 To D-5489 | Date:10/2022 | PAGE:XV-1415-00 |
| STEERING GEARBOX - "ZF" | | |

| Item# | Part | Description | X 3 V I P | X L I I E N T 4 5 | N O T E S |
|-------|--------|---|-----------------------|---|-----------------------|
| | 661167 | GEARBOX STEERING "ZF" W/VARIABLE STEERING ASSISTANCE "SERVOCOMTRONIC" To D-5392 | 1 | | |
| | 661191 | GEARBOX STEERING "ZF"@ / W/SERVOCOMTRONIC From D-5393 | 1 | | |
| | 661137 | GEARBOX STEERING "ZF" To D-5392 | 1 | | |
| | 661190 | GEARBOX STEERING "ZF"@ From D-5393 | 1 | | |
| | 661167 | GEARBOX STEERING "ZF" W/VARIABLE STEERING ASSISTANCE "SERVOCOMTRONIC" To E-5493 | | 1 | |
| | 661191 | GEARBOX STEERING "ZF"@ / W/SERVOCOMTRONIC From E-5494 | | 1 | |
| | 661137 | GEARBOX STEERING "ZF" To E-5493 | | 1 | |
| | 661190 | GEARBOX STEERING "ZF"@ From E-5494 | | 1 | |
| 1 | N.P.N. | . HOUSING | 1 | 1 | 4 |
| 2 | N.P.N. | . O-RING | 1 | 1 | 4 |
| 3 | N.P.N. | . WASHER | 1 | 1 | 4 |
| 4 | N.P.N. | . HOUSING COVER | 1 | 1 | 4 |
| 5 | N.P.N. | . GASKET | 1 | 1 | 4 |
| 6 | N.P.N. | . SUPPORT RING | 1 | 1 | 4 |
| 7 | N.P.N. | . RETAINING RING | 1 | 1 | 4 |
| 8 | N.P.N. | . SHAFT SEAL | 1 | 1 | 4 |
| 9 | N.P.N. | . AXIAL-, WASHER | 1 | 1 | 4 |
| 10 | N.P.N. | . NEEDLE CAGE | 1 | 1 | 4 |
| 11 | N.P.N. | . TYPE PLATE | 1 | 1 | 4 |
| 12 | N.P.N. | . GROOVED STUD | 1 | 1 | 4 |
| 20 | N.P.N. | . SET SCREW / ADJUSTING SCREW / SCREW | 1 | 1 | 4 |
| 20 | N.P.N. | . O-RING | 1 | 1 | 4 |
| 21 | N.P.N. | . COLLAR NUT | 1 | 1 | 4 |
| 22 | N.P.N. | . VALVE INSERT | 1 | 1 | 4 |
| 23 | N.P.N. | . O-RING | 1 | 1 | 4 |
| 30 | N.P.N. | . SCREW | 1 | 1 | 4 |
| 31 | N.P.N. | . O-RING | 1 | 1 | 4 |
| 32 | N.P.N. | . VALVE INSERT | 1 | 1 | 4 |
| 50 | 661050 | . LOCKNUT M45X1.5 GEARBOX ZF | 1 | 1 | |
| 51 | N.P.N. | . DUST SEAL | 1 | 1 | 4 |
| 51 | N.P.N. | . STOP-RING | 1 | 1 | 4 |
| 51 | N.P.N. | . GASKET | 1 | 1 | 4 |
| 51 | N.P.N. | . DUST SEAL | 1 | 1 | 4 |
| 52 | N.P.N. | . PLUG | 1 | 1 | 4 |
| 53 | N.P.N. | . PROTECTING CAP | 1 | 1 | 4 |
| 53 | N.P.N. | . GASKET | 1 | 1 | 4 |
| 54 | N.P.N. | . SEALING RING | 1 | 1 | 4 |
| 55 | N.P.N. | . SCREW PLUG | 1 | 1 | 4 |
| 56 | N.P.N. | . PROTECTING SLEEVE | 1 | 1 | 4 |
| 57 | N.P.N. | . BREATHER | 1 | 1 | 4 |
| 58 | N.P.N. | . PROTECTING CAP | 1 | 1 | 4 |
| 80 | 661102 | . SECTOR SHAFT | 1 | 1 | |



| | | |
|--------------------------------|--------------|-----------------|
| From B-5003 To D-5489 | Date:10/2022 | PAGE:XV-1415-00 |
| STEERING GEARBOX - "ZF" | | |

| Item# | Part | Description | X 3 V I P | X L I I E N T 4 5 | N O T E S |
|-------|--------|---------------------------|-----------------------|---|-----------------------|
| 100 | 661104 | . PISTON | 1 | 1 | |
| 101 | N.P.N. | . PISTON | 1 | 1 | 4 |
| 110 | N.P.N. | . BALL SET | 1 | 1 | 4 |
| 111 | N.P.N. | . RECIRCULATING HALF TUBE | 1 | 1 | 4 |
| 112 | N.P.N. | . GASKET / PLUG | 1 | 1 | 4 |
| 113 | N.P.N. | . GASKET | 1 | 1 | 4 |
| 113 | N.P.N. | . COMPENSATING PLATE | 1 | 1 | 4 |
| 113 | N.P.N. | . PIN | 1 | 1 | 4 |
| 114 | N.P.N. | . O-RING | 1 | 1 | 4 |
| 115 | N.P.N. | . SEALING RING | 1 | 1 | 4 |
| 116 | N.P.N. | . SEALING RING | 1 | 1 | 4 |
| 117 | N.P.N. | . SEALING RING | 1 | 1 | 4 |
| 118 | N.P.N. | . O-RING | 1 | 1 | 4 |
| 119 | N.P.N. | . GASKET | 1 | 1 | 4 |
| 120 | N.P.N. | . NEEDLE CAGE | 1 | 1 | 4 |
| 121 | N.P.N. | . WASHER | 1 | 1 | 4 |
| 122 | N.P.N. | . O-RING | 1 | 1 | 4 |
| 123 | N.P.N. | . SEALING RING | 1 | 1 | 4 |
| 124 | N.P.N. | . O-RING | 1 | 1 | 4 |
| 125 | N.P.N. | . CYLINDER COVER | 1 | 1 | 4 |
| 126 | N.P.N. | . WASHER | 1 | 1 | 4 |
| 127 | N.P.N. | . HEXAGON SCREW | 1 | 1 | 4 |
| 128 | N.P.N. | . SET SCREW / SCREW | 1 | 1 | 4 |
| 128 | N.P.N. | . O-RING | 1 | 1 | 4 |
| 129 | N.P.N. | . COLLAR NUT | 1 | 1 | 4 |
| 130 | N.P.N. | . PIPE | 1 | 1 | 4 |
| 131 | N.P.N. | . REACTION PISTON | 1 | 1 | 4 |
| 132 | N.P.N. | . O-RING | 1 | 1 | 4 |
| 133 | N.P.N. | . SEALING RING | 1 | 1 | 4 |
| 151 | N.P.N. | . WORM | 1 | 1 | 4 |
| 155 | N.P.N. | . SNAP RING | 1 | 1 | 4 |
| 156 | N.P.N. | . SLIDING TUBE | 1 | 1 | 4 |
| 158 | N.P.N. | . O-RING | 1 | 1 | 4 |
| 159 | N.P.N. | . SEALING RING | 1 | 1 | 4 |
| 162 | N.P.N. | . PIN | 1 | 1 | 4 |
| 163 | N.P.N. | . PLUG | 1 | 1 | 4 |
| 164 | N.P.N. | . SEALING RING | 1 | 1 | 4 |
| 210 | 661105 | . O-RING | 1 | 1 | |
| 211 | 661106 | . UNION SCREW | 1 | 1 | |
| 212 | 661107 | . PIPE | 1 | 1 | |
| 401 | N.P.N. | . CAP SCREW | 1 | 1 | 4 B |
| 402 | 661108 | . CONVERTER | 1 | 1 | B |



| | | |
|--------------------------------|--------------|-----------------|
| From B-5003 To D-5489 | Date:10/2022 | PAGE:XV-1415-00 |
| STEERING GEARBOX - "ZF" | | |

| Item# | Part | Description | X 3 V I P | X L I I E N T 4 5 | N O T E S |
|-------|----------|---|-----------------------|---|-----------------------|
| 403 | N.P.N. | . O-RING | 1 | 1 | 4 B |
| 404 | N.P.N. | . O-RING | 1 | 1 | 4 B |
| 405 | N.P.N. | . OIL SCREEN | 1 | 1 | 4 B |
| 480 | 563033 | E.C.U. / W/STEERING ASSIST (STP 272 or 330) ((77//125)) | 1 | 1 | B |
| 480 | 661170 | E.C.U. / W/STEERING ASSIST (STP 338) ((60//95)) | 1 | 1 | B C |
| NS | 661110 | KIT, SEAL REPAIR MAJOR / W/SERVOCOMTRONIC | 1 | 1 | B |
| . NS | 85109291 | . KIT, SEAL REPAIR MAJOR / W/SERVOCOMTRONIC | 1 | 1 | B |
| | | | | | |
| | | | | | |
| | | B) USE WITH #661044 | | | |
| | | C) THIS E.C.U. GIVE LESS ASSISTANCE AT LOW SPEED | | | |
| | | 4) NO PARTS NUMBER | | | |

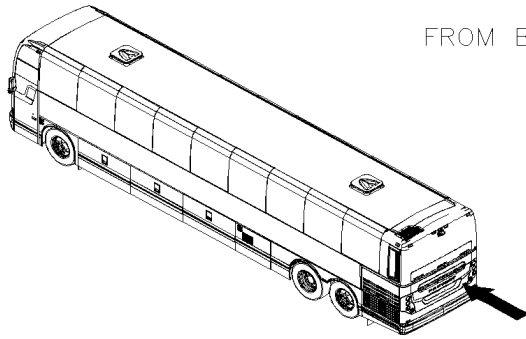


From B-5003 To D-5489

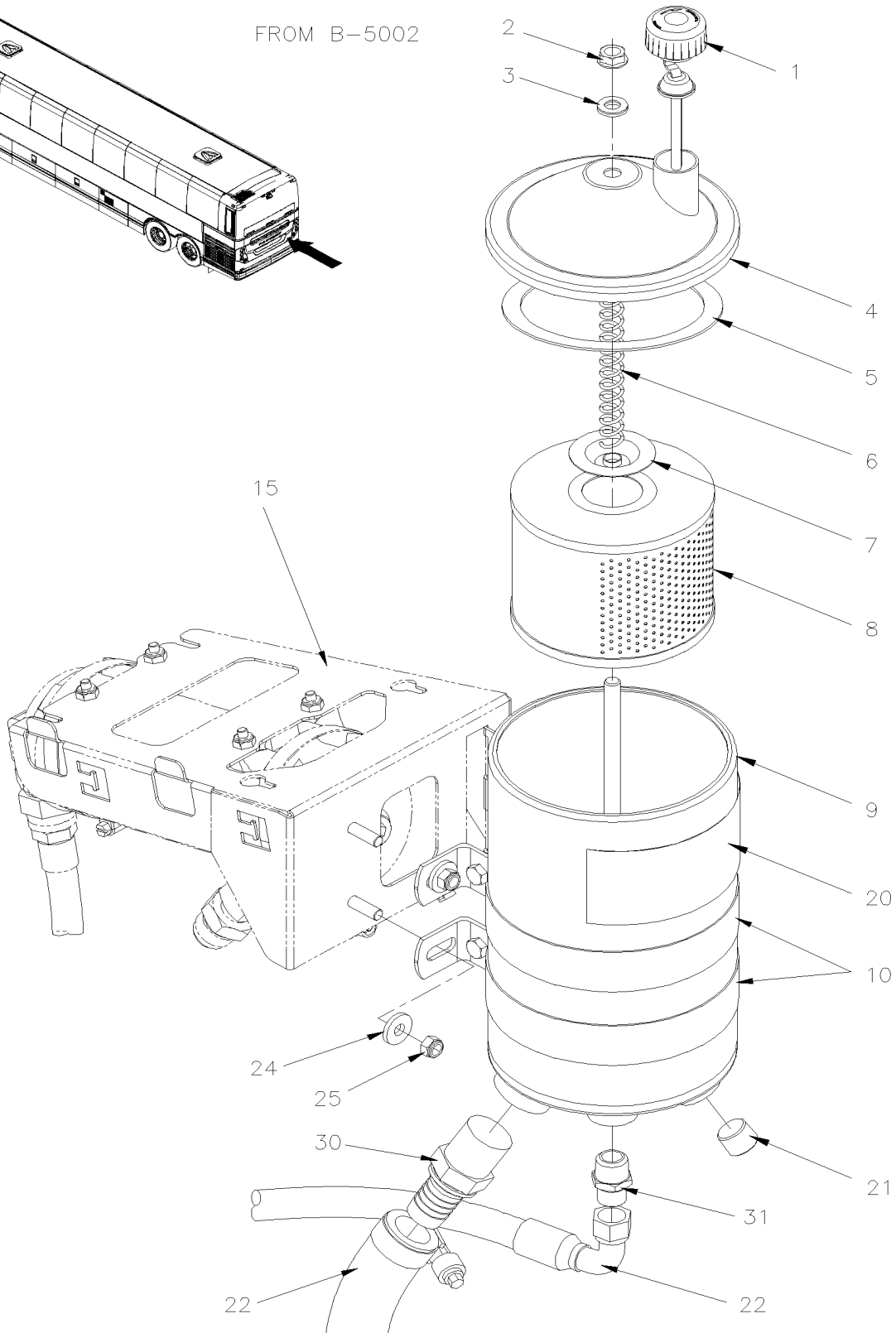
Date:10/2022

PAGE:XV-1420-00

POWER STEERING TANK - 4 QT U.S.



FROM B-5002





| | | |
|--|--------------|-----------------|
| From B-5003 To D-5489 | Date:10/2022 | PAGE:XV-1420-00 |
| POWER STEERING TANK - 4 QT U.S. | | |

| Item# | Part | Description | X 3 V I P | X L I I E N T 4 5 | N O T E S |
|-------|-------------------|---|-----------------------|---|-----------------------|
| | 660982 | TANK ASSY 4QT U.S. | 1 | 1 | |
| | 661060 | TANK ASSY 4QT US / WITH SIGHT GLASS OPTION | 1 | 1 | A |
| 1 | 660985 | . DIPSTICK | 1 | 1 | |
| 2 | N.S.P. | . WING NUT 3/8-16 | 1 | 1 | 2 |
| 3 | 19512588 | . WASHER | 1 | 1 | |
| 4 | 660989 | . COVER ASSY | 1 | 1 | |
| 5 | 660986 | . GASKET | 1 | 1 | |
| 6 | 660991 | . SPRING, COMP. | 1 | 1 | |
| 7 | N8886469 | . WASHER, RETAINER | 1 | 1 | |
| 8 | 660987 | . ELEMENT FILTER | 1 | 1 | |
| 9 | | . TANK | 1 | 1 | |
| 10 | 660988 | . ATTACHMENT SUPPORT | 2 | 2 | |
| 15 | XV-1203-50 | AIR TANK - INSTALLATION | 1 | 1 | |
| 20 | 160370 | DECAL "OIL DEXTRON" | 1 | 1 | |
| 21 | 501966 | PLUG HEXS / PIPE FITTING / 1/2NPT-M STL | 1 | 1 | |
| 21 | 667586 | PLUG HEXS / PIPE FITTING / MAGNETIC / 1/2NPT-M STL From C-5125 | 1 | 1 | D13 |
| 22 | XV-1400-00 | POWER STEERING HOSE - INSTALLATION | | | |
| 24 | 500401 | WASHER FL .343x.875x.125 N500 | 2 | 2 | |
| 25 | 502847 | NUT HEX NYRT M8-1.25 N500 | 2 | 2 | |
| 30 | 5011086 | MALE CONNECTOR / PUSH-LOK FITTING / 1NPT-Mx#16 STL | 1 | 1 | |
| 31 | 501739 | MALE CONNECTOR / JIC 37° FITTING / #8JIC-Mx1/2NPT-M STL | 1 | 1 | |
| | | | | | |
| | | | | | |
| | | A) OPTION AMERICAN COACH LINES | | | |
| | | D13) WITH "VOLVO" ENGINE | | | |
| | | 2) NOT SOLD BY PREVOST (SEE MANUFACTURING PART NUMBER AT END OF DESCRIPTION LINE) | | | |

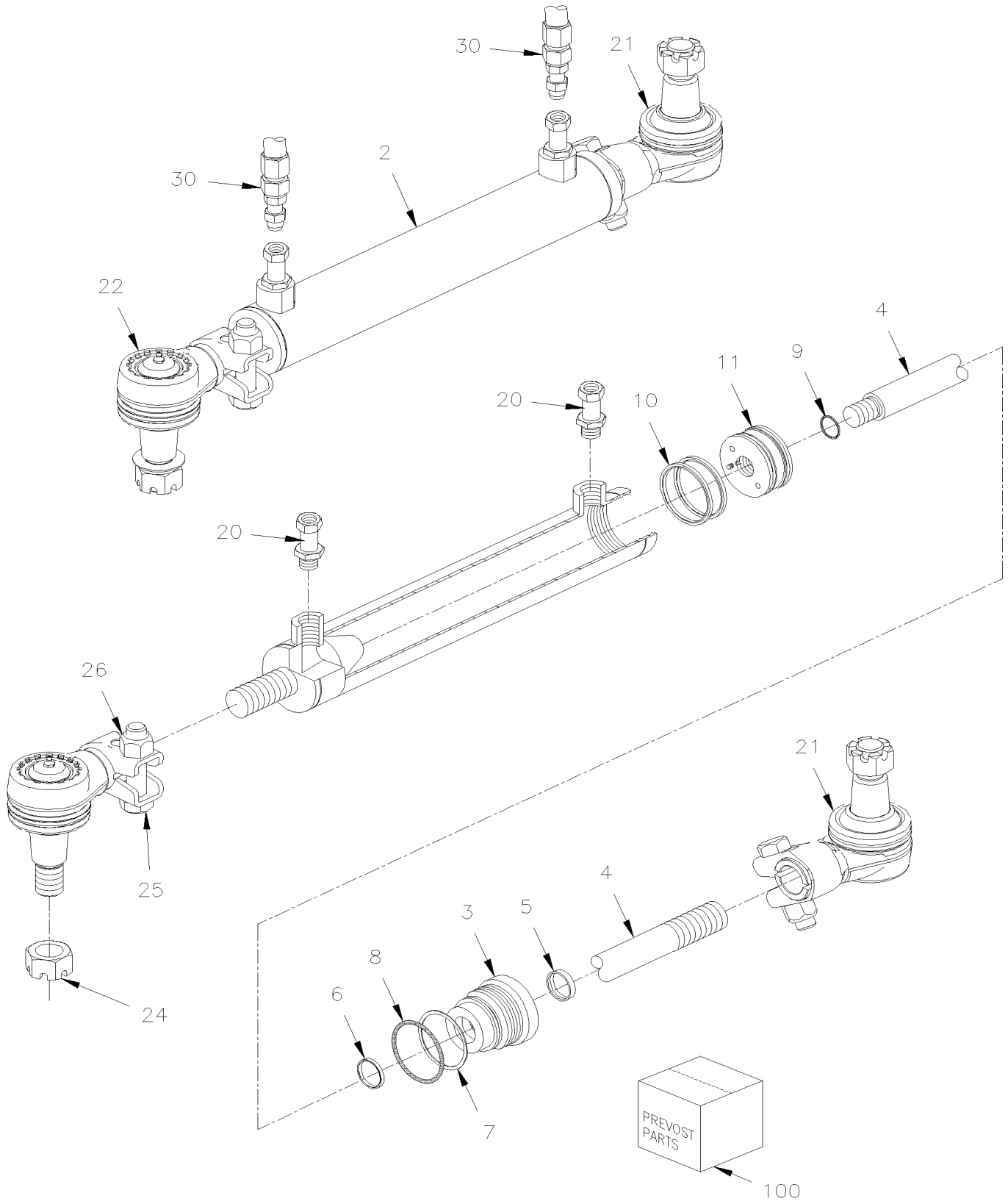


From B-5003 To D-5489

Date:10/2022

PAGE:XV-1430-50

CYLINDER POWER STEERING





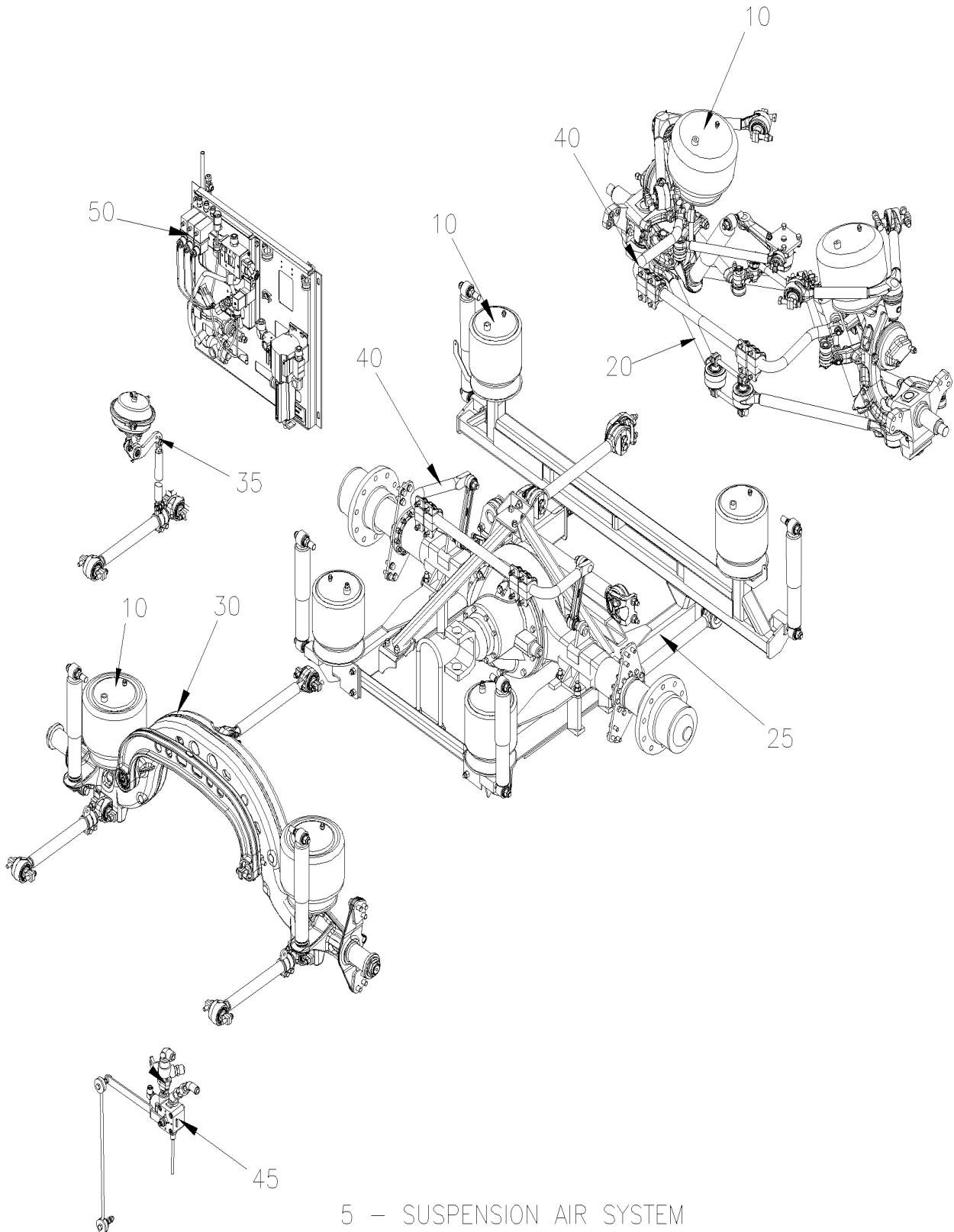
| | | |
|------------------------------|---------------------|------------------------|
| From B-5003 To D-5489 | Date:10/2022 | PAGE:XV-1430-50 |
|------------------------------|---------------------|------------------------|

CYLINDER POWER STEERING

| Item# | Part | Description | X 3 V I P | X L I I E N T 4 5 | N O T E S |
|-------|-------------------|--|-----------------------|---|-----------------------|
| 1 | 661076 | CYLINDER ASSY PRESSURE 160bar To D-5392 | 1 | | |
| 1 | 661194 | CYLINDER ASSY PRESSURE 170bar From D-5393 | 1 | | |
| 1 | 661076 | CYLINDER ASSY PRESSURE 160bar To E-5493 | | 1 | |
| 1 | 661194 | CYLINDER ASSY PRESSURE 170bar From E-5494 | | 1 | |
| 2 | N.S.S. | . TUBE | 1 | 1 | 1 |
| 3 | 661098 | . HEAD | 1 | 1 | |
| 4 | 661097 | . ROD | 1 | 1 | |
| 5 | N.S.S. | . WIPER ROD | 1 | 1 | 1 |
| 6 | N.S.S. | . SEAL ROD | 1 | 1 | 1 |
| 7 | N.S.S. | . BACK-UP | 1 | 1 | 1 |
| 8 | N.S.S. | . O-RING | 1 | 1 | 1 |
| 9 | N.S.S. | . O-RING | 1 | 1 | 1 |
| 10 | N.S.S. | . SEAL PISTON | 2 | 2 | 1 |
| 11 | 661099 | . PISTON | 1 | 1 | |
| 20 | 501593 | . MALE CONNECTOR / JIC 37° FITTING / #8JIC-Mx#8ORB-M STL | 2 | 2 | |
| 21 | 611275 | . END ASSY / STRUCTURE SIDE | 1 | 1 | |
| 22 | 611469 | . END ASSY / ROD SIDE | 1 | 1 | |
| 24 | 5001345 | . NUT HEX CSL THN 7/8-14 | 1 | 1 | |
| 25 | N.P.N. | . SCREW CAP HEX ZP 1/2-20X2.25 G8 | 2 | 2 | 4 |
| 26 | N.P.N. | . NUT HEX 1/2-20 G8 | 2 | 2 | 4 |
| 30 | XV-1400-00 | POWER STEERING HOSE - INSTALLATION | | | |
| 100 | 661100 | SEAL KIT, REPAIR | 1 | 1 | A |
| | | A) INCLUDES ITEMS 5, 6, 7, 8, 9, 10 | | | |
| | | 1) NOT SOLD SEPARATELY | | | |
| | | 4) NO PARTS NUMBER | | | |



| | | |
|------------|--------------|-------|
| | Date:10/2022 | XV-16 |
| SUSPENSION | | |



5 – SUSPENSION AIR SYSTEM



| | | Date:10/2022 | XV-16 | | |
|------------|------------|--|-----------------------|---|-----------------------|
| SUSPENSION | | | | | |
| Item# | Part | Description | X 3 V I P | X L I I E N T 4 5 | N O T E S |
| 5 | XV-1600-50 | SUSPENSION AIR SYSTEM - MTH From B-5003 To D-5489 | | | |
| 10 | XV-1601-00 | BELLOWS - AIR SUSPENSION From B-5003 To D-5489 | | | |
| 20 | XV-1605-50 | FRONT AXLE - INSTALL W/INDEPENDENT "NDIFS80P" / 18000LBS From B-5003 To D-5489 | | | |
| 20 | XV-1605-60 | FRONT AXLE - INSTALL W/INDEPENDENT "NDIFS80P" / 18000LBS From B-5003 To C-5235 | | | |
| 20 | XV-1605-61 | FRONT AXLE - INSTALL W/INDEPENDENT "NDIFS80P" / 19000LBS From C-5236 To D-5489 | | | |
| 25 | XV-1610-00 | REAR AXLE - INSTALL SUSPENSION From B-5003 To D-5459 | | | |
| 25 | XV-1610-01 | REAR AXLE - INSTALL SUSPENSION From D-5460 To D-5489 | | | |
| 31 | XV-1615-00 | TAG AXLE - INSTALL SUSPENSION ONE PIECE From B-5003 To D-5489 | | | |
| 35 | XV-1615-10 | TAG AXLE - LIFTING From B-5003 To D-5489 | | | |
| 40 | XV-1616-00 | SWAY BAR From B-5003 To D-5489 | | | |
| 45 | XV-1620-50 | HEIGHT CONTROL VALVE - MTH From B-5003 To D-5459 | | | |
| 45 | XV-1620-51 | HEIGHT CONTROL VALVE - MTH From D-5460 To D-5489 | | | |
| 50 | XV-1640-50 | LEVEL-LOW - CONTROL PANEL & VALVES From B-5003 To D-5489 | | | |

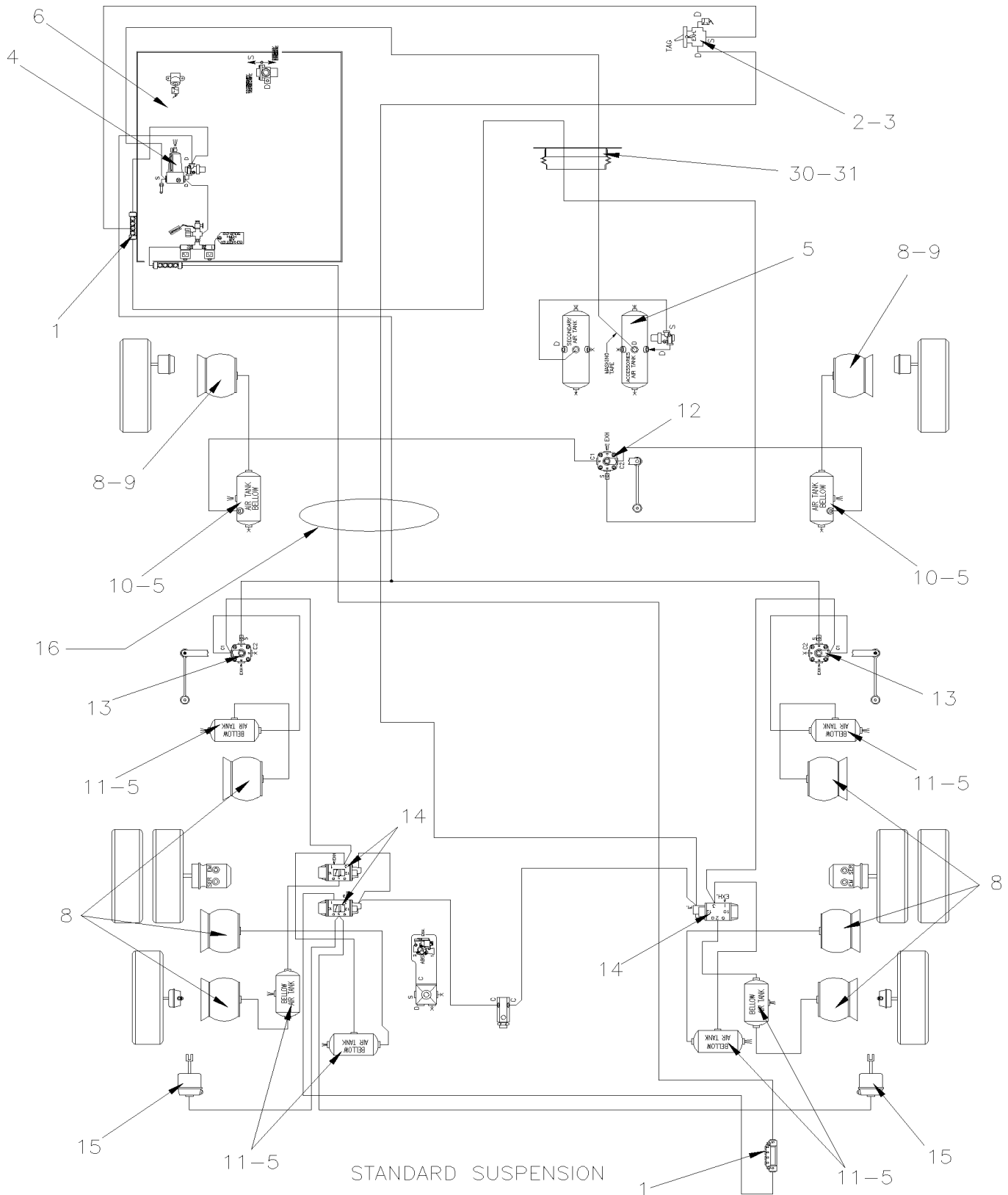


From B-5003 To D-5489

Date:10/2022

PAGE:XV-1600-50

SUSPENSION AIR SYSTEM - MTH



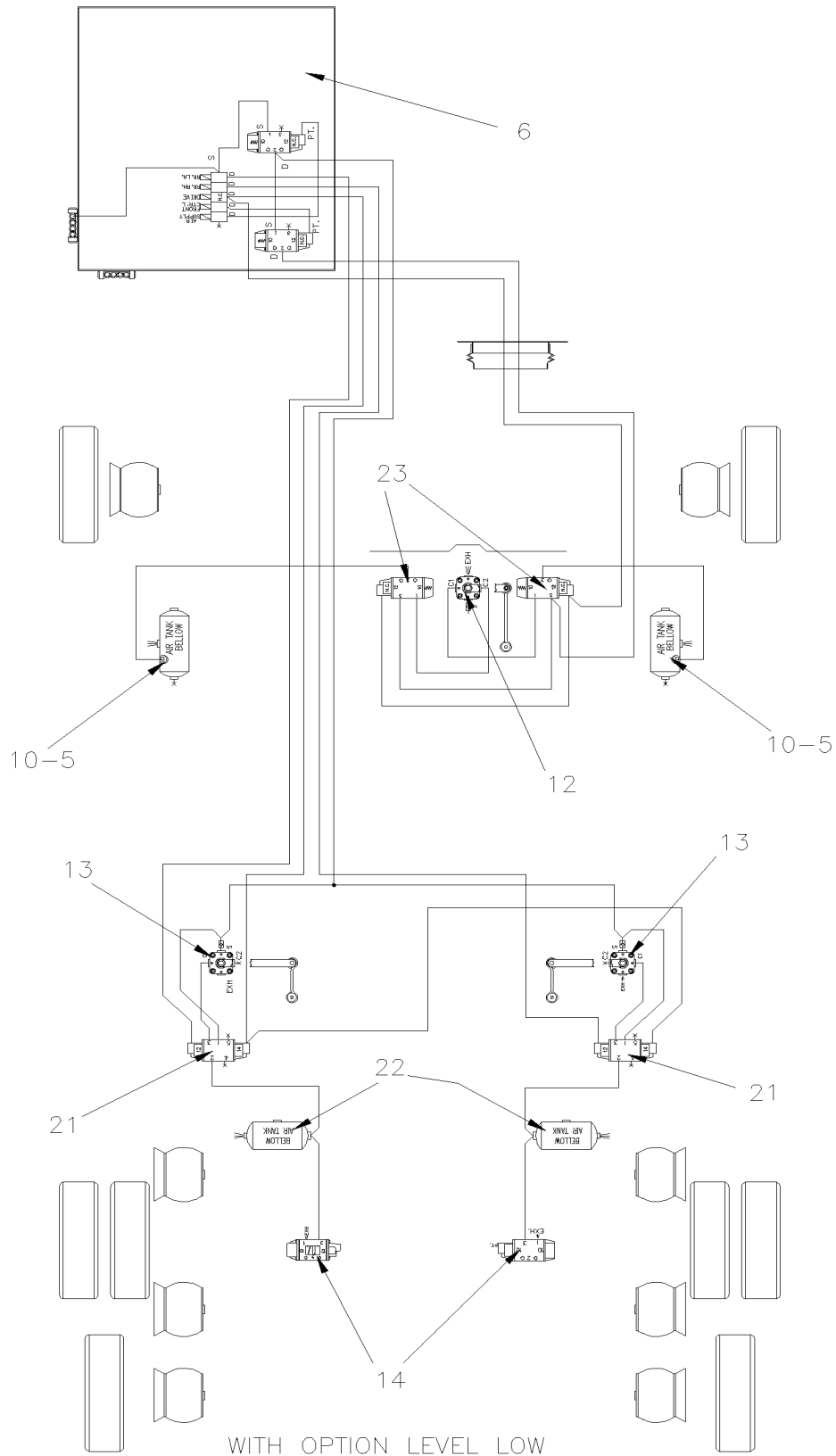


From B-5003 To D-5489

Date:10/2022

PAGE:XV-1600-50

SUSPENSION AIR SYSTEM - MTH



WITH OPTION LEVEL LOW



| | | |
|------------------------------------|--------------|-----------------|
| From B-5003 To D-5489 | Date:10/2022 | PAGE:XV-1600-50 |
| SUSPENSION AIR SYSTEM - MTH | | |

| Item# | Part | Description | X 3 V I P | X L I I E N T 4 5 | N O T E S |
|-------|-------------------|--|-----------------------|---|-----------------------|
| 1 | 641897 | MANIFOLD / PUSH-IN FITTING / 2x#6 / 4x#4 PLAS | 3 | 3 | |
| 2 | 640136 | VALVE, CONTROL TW-1 | 1 | 1 | |
| . NS | 641156 | . REPAIR KIT / TW-1 | 1 | 1 | |
| 3 | XV-1806-50 | L.H. CONSOLE - MTH | | | |
| 4 | XV-1220-15 | AIR FILTER - ACCESSORIES | | | |
| 5 | XV-1203-50 | AIR TANK - INSTALLATION | | | |
| 6 | XV-1640-50 | LEVEL-LOW - CONTROL PANEL & VALVES | | | |
| 8 | XV-1601-00 | BELLOWS - AIR SUSPENSION | | | |
| 9 | 131737 | MALE CONNECTOR 123.8MM 1/2 NPT | 2 | 2 | |
| 10 | 131403 | AIR TANK / 434 IN° / 7" O.D. X 13 1/4" | 2 | 2 | |
| 11 | 641424 | AIR TANK / 288 IN° / 7" O.D. X 9 1/4" / W/(3) 1/2" NPT | 6 | 6 | |
| 12 | 630237 | VALVE, HEIGHT CONTROL "BARKSDALE" / FRONT | 1 | 1 | |
| 13 | 630156 | VALVE, HEIGHT CONTROL "BARKSDALE" | 2 | 2 | |
| 14 | 641274 | VALVE, 3 WAYS, 2 POSITIONS N.C. | AR | AR | |
| 15 | XV-1615-10 | TAG AXLE - LIFTING | | | |
| 16 | XV-1202-00 | TUBES PLASTIC / AIR D.O.T. | | | |
| 21 | 641531 | VALVE, 5 WAYS, 3 POSITIONS | 2 | 2 | L |
| . NS | 641186 | . SPOOL | 1 | 1 | L |
| 22 | 642110 | AIR TANK / 290 IN° / 6" O.D. X 12" / W/(3) 1/2" NPT | 2 | 2 | L |
| 23 | 641274 | VALVE, 3 WAYS, 2 POSITIONS N.C. | 2 | 2 | |
| 30 | 504499 | CUFF END BELLOW / 2 7/8" I.D. x 3 5/8" x 4 7/16 | 1 | 1 | |
| 31 | 141567 | PROTECTOR RUBBER 100MM | 1 | 1 | |
| | | L) WITH LEVEL LOW | | | |

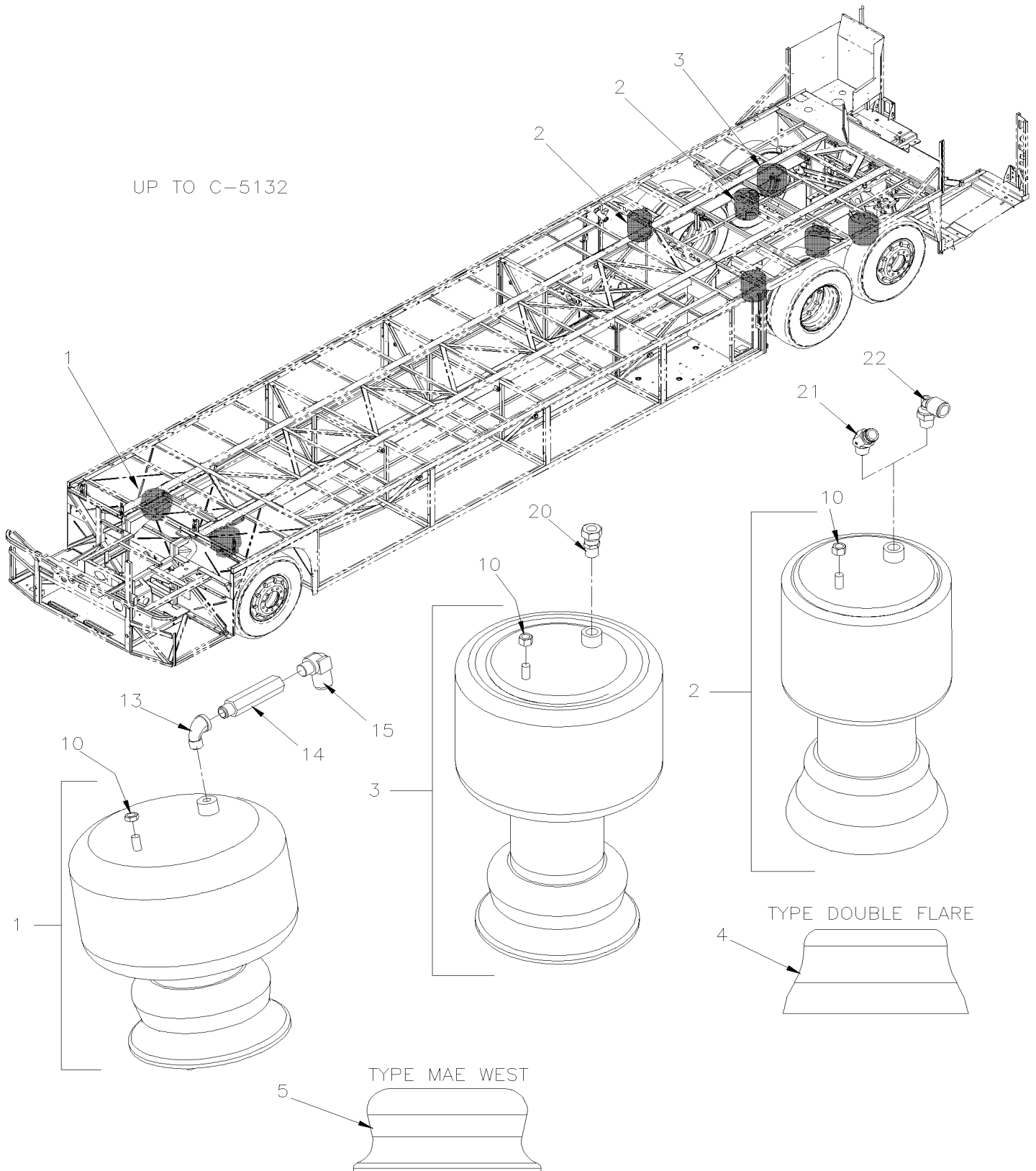


From B-5003 To D-5489

Date:10/2022

PAGE:XV-1601-00

BELLOWS - AIR SUSPENSION



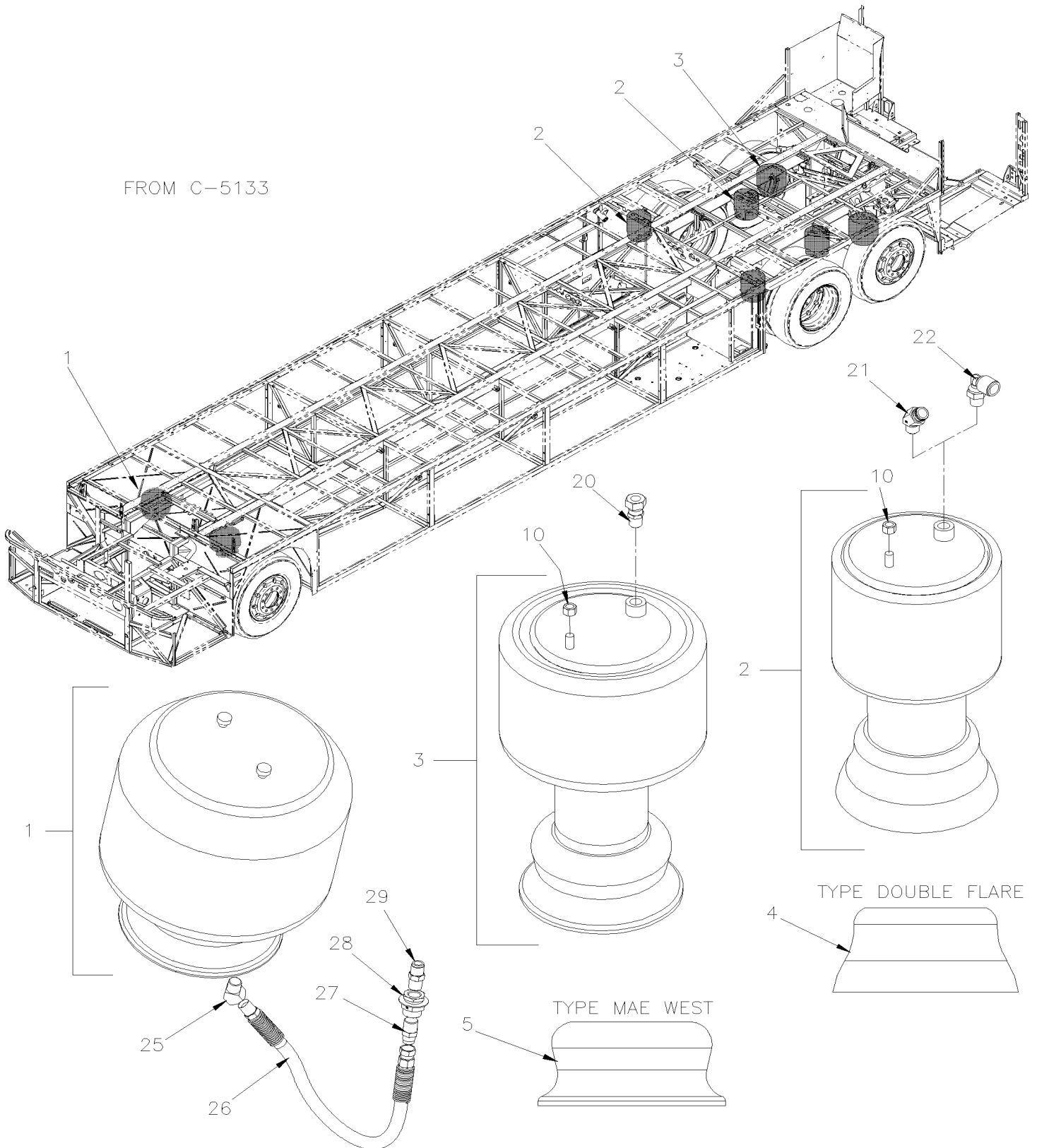


From B-5003 To D-5489

Date:10/2022

PAGE:XV-1601-00

BELLOWS - AIR SUSPENSION





From B-5003 To D-5489 Date:10/2022 PAGE:XV-1601-00

BELLOWS - AIR SUSPENSION

| Item# | Part | Description | X 3 V I P | X L I I E N T 4 5 | N O T E S |
|-------|---------|---|-----------------------|---|-----------------------|
| | | FRONT AXLE BELLOW | | | |
| 1 | 630239 | BELLOW ASSY / MODEL 1400 M.W. To C-5132 | 2 | 2 | |
| 1 | 630280 | BELLOW ASSY / MODEL 1400 M.W. / 19000lbs From C-5133 | 2 | 2 | |
| | | DRIVE AXLE BELLOW | | | |
| 2 | 630260 | BELLOW ASSY / MODEL 1100 D.F. | 4 | 4 | |
| | | TAG AXLE BELLOW | | | |
| 3 | 630162 | BELLOW ASSY / MODEL 1200 M.W. | 2 | 2 | |
| 10 | 500276 | NUT HEX STO 1/2-13 N500 | AR | AR | |
| 13 | 5011339 | STREET ELBOW 90° / PIPE FITTING / 1/2NPT-Mx1/2NPT-F STL To C-5132 | 2 | 2 | |
| 14 | 131737 | MALE CONNECTOR 123.8MM 1/2 NPT To C-5132 | 2 | 2 | |
| 15 | 641410 | MALE ELBOW 90° NON-SWIVEL / PUSH-IN FITTING / #12x1/2NPT-M BR To C-5132 | 2 | 2 | |
| 20 | 640994 | MALE CONNECTOR / NTA FITTING / #10x1/2NPT-M BR | 2 | 2 | |
| 21 | 642069 | MALE ELBOW 45° NON-SWIVEL / PUSH-IN FITTING / #10x1/2NPT-M BR | 2 | 2 | |
| 22 | 642124 | MALE ELBOW 90° NON-SWIVEL / PUSH-IN FITTING / #12x1/2NPT-M COMPOSITE | 2 | 2 | |
| 25 | 501528 | STREET ELBOW 45° / PIPE FITTING / 1/2NPT-Mx1/2NPT-F BR From C-5133 | 2 | 2 | |
| 26 | 642153 | HOSE ASSY / #8 22" From C-5133 | 2 | 2 | |
| 27 | 501616 | MALE CONNECTOR / SAE 45° FITTING / #8FL-Mx1/2NPT-M BR From C-5133 | 2 | 2 | |
| 28 | 501796 | BULKHEAD COUPLING / PIPE FITTING / 1/2NPT-Fx1/2NPT-Fx1 1/2 BR From C-5133 | 2 | 2 | |
| 29 | 641383 | MALE CONNECTOR / PUSH-IN FITTING / #8x1/2NPT-M BR From C-5133 | 2 | 2 | |
| | | | | | |
| | | | | | |
| | | | | | |

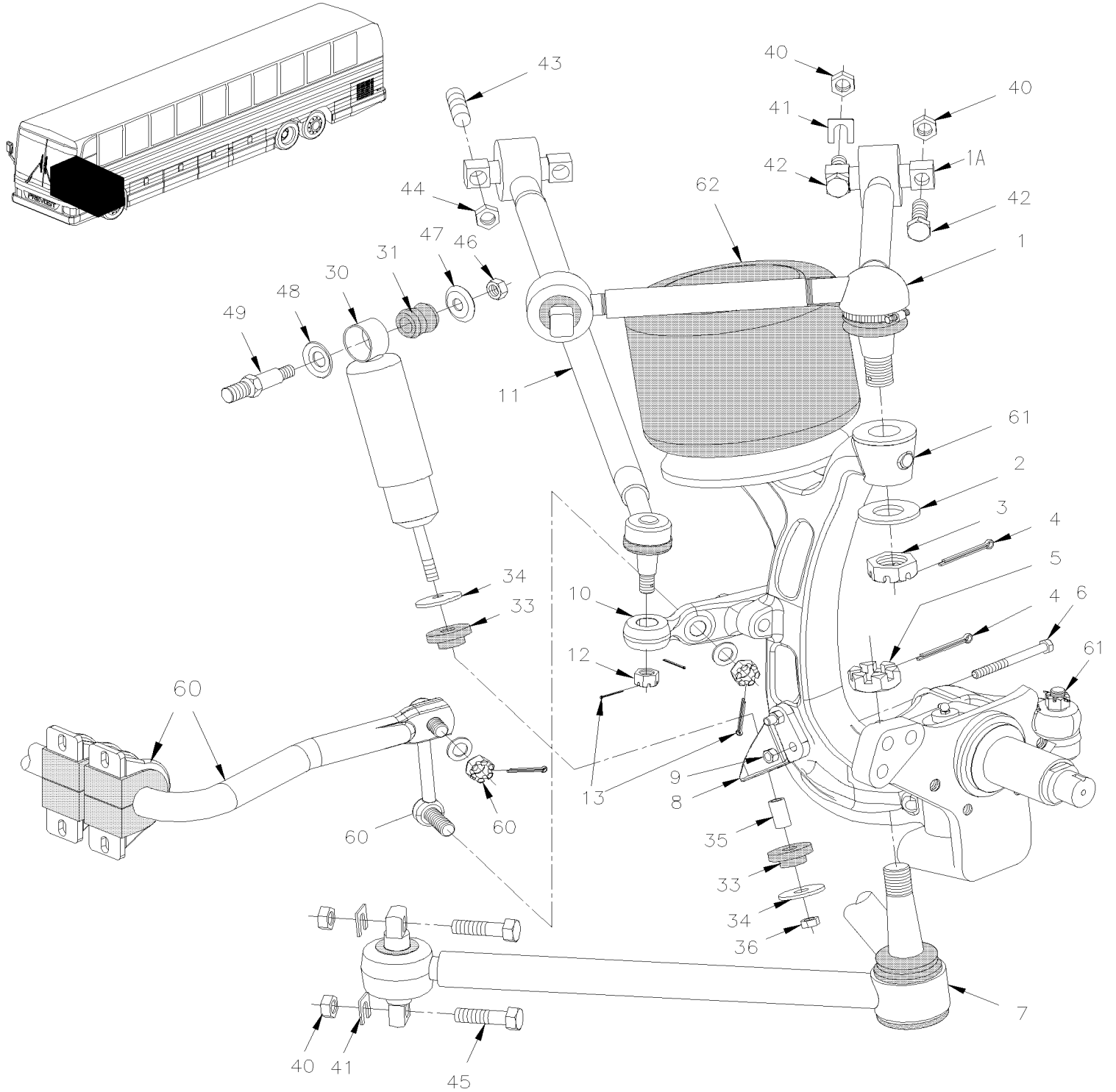


From B-5003 To D-5489

Date:10/2022

PAGE:XV-1605-50

FRONT AXLE - INSTALL W/INDEPENDENT "NDIFS80P" / 18000LBS





| | | |
|---|--------------|-----------------|
| From B-5003 To D-5489 | Date:10/2022 | PAGE:XV-1605-50 |
| FRONT AXLE - INSTALL W/INDEPENDENT "NDIFS80P" / 18000LBS | | |

| Item# | Part | Description | X 3 V I P | X L I I E N T 4 5 | N O T E S |
|-------|---------|--|-----------------------|---|-----------------------|
| 1 | 611270 | UPPER ARM ASSY / L.H. & R.H. | | 2 | |
| . A | 611346 | . BUSHING BAR PIN / 20MM 150mm c/c 85MM O.D. x 72MM wide | | 2 | |
| . A1 | 611358 | . BUSHING BAR PIN / 20MM 150mm c/c 85MM O.D. x 72MM wide | | 2 | |
| 2 | 5001255 | WASHER FL 31.75x54.77x3.175 | | 1 | |
| 3 | 5001321 | NUT HEX CSL M30-1.5 17TH CJ | | 1 | |
| 4 | 502115 | PIN, COTTER 3/16 x 2 1/2 | | 2 | |
| 5 | 5001333 | NUT HEX CSL M36-1.5 17TH CJ | | 1 | |
| 6 | 611273 | SCREW CAP HEX M14-2.0x135 G8.8 Z050 | | 2 | |
| 7 | 611344 | LOWER ARM ASSY / R.H / W/58 Deg | | 1 | |
| . NS | 611326 | . LOWER BEARING BALL ASSY / REPAIR KIT | | 1 | |
| . NS | 611325 | . BUSHING BAR PIN / 20MM 150mm c/c 85MM O.D. x 70MM wide | | 2 | |
| 7 | 611343 | LOWER ARM ASSY / L.H / W/58 Deg | | 1 | |
| . NS | 611326 | . LOWER BEARING BALL ASSY / REPAIR KIT | | 1 | |
| . NS | 611325 | . BUSHING BAR PIN / 20MM 150mm c/c 85MM O.D. x 70MM wide | | 2 | |
| 8 | 116454 | ATTACHMENT / SHOCK ABSORBER | | 1 | |
| 9 | 502538 | NUT HEX STO M14-2.0 Z050 | | 2 | |
| 10 | 661113 | UPRIGHT ARM L.H / W/58 Deg | | 1 | |
| 10 | 612380 | UPRIGHT ARM L.H | | 1 | S |
| 10 | 661114 | UPRIGHT ARM R.H / W/58 Deg | | 1 | |
| 10 | 612380 | UPRIGHT ARM L.H | | 1 | S |
| 11 | 661111 | ROD ASSY / 5TH / W/58 Deg | | 2 | |
| 12 | 5001325 | . NUT HEX CSL M24-1.5 15TH CJ | | 1 | |
| 13 | 661215 | . PIN, COTTER 5MMx40MM | | 1 | |
| 30 | 630240 | SHOCK ABSORBER / SACHS / 475 | | 2 | |
| . NS | 630255 | . KIT WASHER & RUBBER BUSHING | | 1 | |
| . NS | 630257 | . BUSHING / RUBBER / (TWO PIECES) 1" x 1.005" I.D. | | 1 | |
| 31 | 630257 | . BUSHING / RUBBER / (TWO PIECES) 1" x 1.005" I.D. | | 2 | |
| 33 | 630249 | . KIT WASHER & RUBBER BUSHING | | 2 | |
| 36 | 5001579 | . NUT HEX NYRT M16-1.5 Z050 | | 1 | |
| 40 | 5001252 | NUT HEX STO M20-2.5 DP | | 4 | |
| 41 | 160992 | SHIM "U" 6.35 x 39.5MM x 38MM x 20 i.d. | | AR | |
| 41 | 160993 | SHIM "U" 3.175x 39.5MM x 38MM x 20 i.d. | | AR | |
| 41 | 661094 | SHIM "U" 4.76 x 39.5MM x 38MM x 20 i.d. | | AR | |
| 42 | 983296 | SCREW CAP HEX M20-2.5x90 G10.9 ZP | | 4 | |
| 42 | 5001525 | SCREW CAP HEX M20-2.5x100 G10.9 N500 | | 4 | |
| 43 | 130963 | STUD M16-2.0x70 | | 2 | |
| 44 | 502588 | NUT HEX M16-2.0 ZP | | 2 | |
| 45 | 5001561 | SCREW CAP HEX M20-2.5x250 G10.9 ZP | | 4 | |
| 46 | 500809 | NUT HEX STO M20-2.5 N500 | | 1 | |
| 47 | 5001152 | WASHER CON 21.0x50.0x4.5 ZP | | 1 | |
| 48 | 5001153 | WASHER CON 25.5x50.0x4.5 ZP | | 1 | |
| 49 | 131424 | PIN W/TAPER ATTACHMENT M20-2.5 | | 1 | |



| | | |
|-----------------------|--------------|-----------------|
| From B-5003 To D-5489 | Date:10/2022 | PAGE:XV-1605-50 |
|-----------------------|--------------|-----------------|

FRONT AXLE - INSTALL W/INDEPENDENT "NDIFS80P" / 18000LBS

| Item# | Part | Description | X 3 V I P | X L I I E N T 4 5 | N O T E S |
|-------|------------|--|-----------------------|---|-----------------------|
| 60 | XV-1616-00 | SWAY BAR | | | |
| 61 | XV-1005-50 | FRONT AXLE - INDEPENDENT MODEL "NDIFS80P" / 18000LBS | | | |
| 62 | XV-1601-00 | BELLOWS - AIR SUSPENSION | | | |
| | | | | | |
| | | | | | |
| | | S) SERVICE | | | |

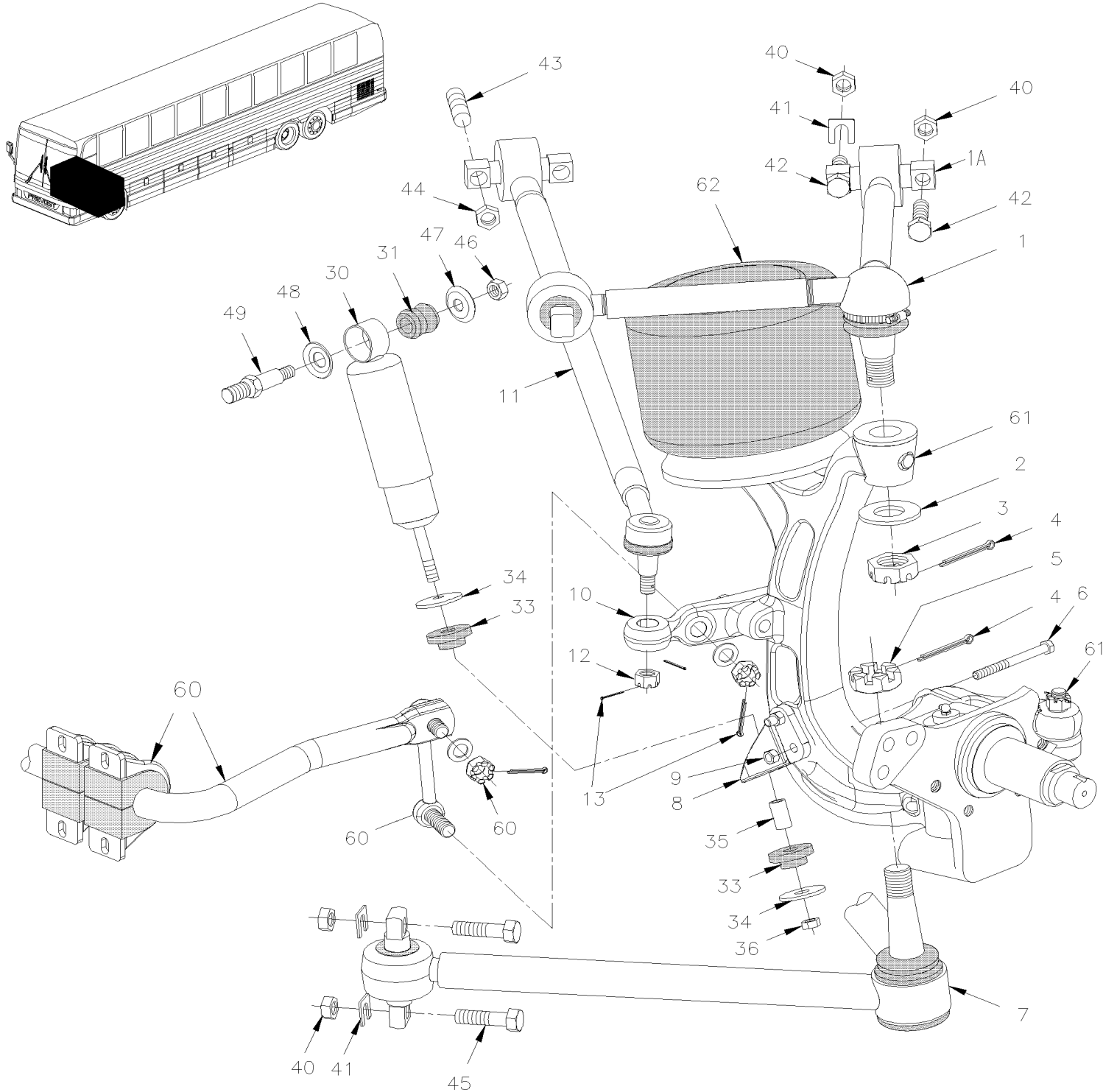


From B-5003 To C-5235

Date:10/2022

PAGE:XV-1605-60

FRONT AXLE - INSTALL W/INDEPENDENT "NDIFS80P" / 18000LBS





| | | |
|---|--------------|-----------------|
| From B-5003 To C-5235 | Date:10/2022 | PAGE:XV-1605-60 |
| FRONT AXLE - INSTALL W/INDEPENDENT "NDIFS80P" / 18000LBS | | |

| Item# | Part | Description | X 3 V I P | X L I I E N T 4 5 | N O T E S |
|-------|---------|--|-----------------------|---|-----------------------|
| 1 | 611270 | UPPER ARM ASSY / L.H. & R.H. | 2 | | |
| . A | 611346 | . BUSHING BAR PIN / 20MM 150mm c/c 85MM O.D. x 72MM wide | 2 | | |
| . A1 | 611358 | . BUSHING BAR PIN / 20MM 150mm c/c 85MM O.D. x 72MM wide | 2 | | |
| 2 | 5001255 | WASHER FL 31.75x54.77x3.175 | 1 | | |
| 3 | 5001321 | NUT HEX CSL M30-1.5 17TH CJ | 1 | | |
| 4 | 502115 | PIN, COTTER 3/16 x 2 1/2 | 2 | | |
| 5 | 5001333 | NUT HEX CSL M36-1.5 17TH CJ | 1 | | |
| 6 | 611273 | SCREW CAP HEX M14-2.0x135 G8.8 Z050 | 2 | | |
| 7 | 611344 | LOWER ARM ASSY / R.H / W/58 Deg | 1 | | |
| . NS | 611326 | . LOWER BEARING BALL ASSY / REPAIR KIT | 1 | | |
| . NS | 611325 | . BUSHING BAR PIN / 20MM 150mm c/c 85MM O.D. x 70MM wide | 2 | | |
| 7 | 611343 | LOWER ARM ASSY / L.H / W/58 Deg | 1 | | |
| . NS | 611326 | . LOWER BEARING BALL ASSY / REPAIR KIT | 1 | | |
| . NS | 611325 | . BUSHING BAR PIN / 20MM 150mm c/c 85MM O.D. x 70MM wide | 2 | | |
| 8 | 116454 | ATTACHMENT / SHOCK ABSORBER | 1 | | |
| 9 | 502538 | NUT HEX STO M14-2.0 Z050 | 2 | | |
| 10 | 661113 | UPRIGHT ARM L.H / W/58 Deg | 1 | | |
| 10 | 612380 | UPRIGHT ARM L.H | 1 | | S |
| 10 | 661114 | UPRIGHT ARM R.H / W/58 Deg | 1 | | |
| 10 | 612381 | UPRIGHT ARM R.H | 1 | | S |
| 11 | 661111 | ROD ASSY / 5TH / W/58 Deg | 2 | | |
| 12 | 5001325 | . NUT HEX CSL M24-1.5 15TH CJ | 1 | | |
| 13 | 661215 | . PIN, COTTER 5MMx40MM | 1 | | |
| 30 | 630240 | SHOCK ABSORBER / SACHS / 475 | 2 | | |
| . NS | 630255 | . KIT WASHER & RUBBER BUSHING | 1 | | |
| . NS | 630257 | . BUSHING / RUBBER / (TWO PIECES) 1" x 1.005" I.D. | 1 | | |
| 31 | 630257 | . BUSHING / RUBBER / (TWO PIECES) 1" x 1.005" I.D. | 2 | | |
| 33 | 630249 | . KIT WASHER & RUBBER BUSHING | 2 | | |
| 36 | 5001579 | . NUT HEX NYRT M16-1.5 Z050 | 1 | | |
| 40 | 5001252 | NUT HEX STO M20-2.5 DP | 4 | | |
| 41 | 160992 | SHIM "U" 6.35 x 39.5MM x 38MM x 20 i.d. | AR | | |
| 41 | 160993 | SHIM "U" 3.175x 39.5MM x 38MM x 20 i.d. | AR | | |
| 41 | 661094 | SHIM "U" 4.76 x 39.5MM x 38MM x 20 i.d. | AR | | |
| 42 | 983296 | SCREW CAP HEX M20-2.5x90 G10.9 ZP | 4 | | |
| 42 | 5001525 | SCREW CAP HEX M20-2.5x100 G10.9 N500 | 4 | | |
| 43 | 130963 | STUD M16-2.0x70 | 2 | | |
| 44 | 502588 | NUT HEX M16-2.0 ZP | 2 | | |
| 45 | 5001561 | SCREW CAP HEX M20-2.5x250 G10.9 ZP | 4 | | |
| 46 | 500809 | NUT HEX STO M20-2.5 N500 | 1 | | |
| 47 | 5001152 | WASHER CON 21.0x50.0x4.5 ZP | 1 | | |
| 48 | 5001153 | WASHER CON 25.5x50.0x4.5 ZP | 1 | | |
| 49 | 131424 | PIN W/TAPER ATTACHMENT M20-2.5 | 1 | | |



| | | |
|-----------------------|--------------|-----------------|
| From B-5003 To C-5235 | Date:10/2022 | PAGE:XV-1605-60 |
|-----------------------|--------------|-----------------|

FRONT AXLE - INSTALL W/INDEPENDENT "NDIFS80P" / 18000LBS

| Item# | Part | Description | X 3 V I P | X L I I E N T 4 5 | N O T E S |
|-------|------------|--|-----------------------|---|-----------------------|
| 60 | XV-1616-00 | SWAY BAR | | | |
| 61 | XV-1005-60 | FRONT AXLE - INDEPENDENT MODEL "NDIFS80P" / 18000LBS | | | |
| 62 | XV-1601-00 | BELLOWS - AIR SUSPENSION | | | |
| | | | | | |
| | | | | | |
| | | S) SERVICE | | | |

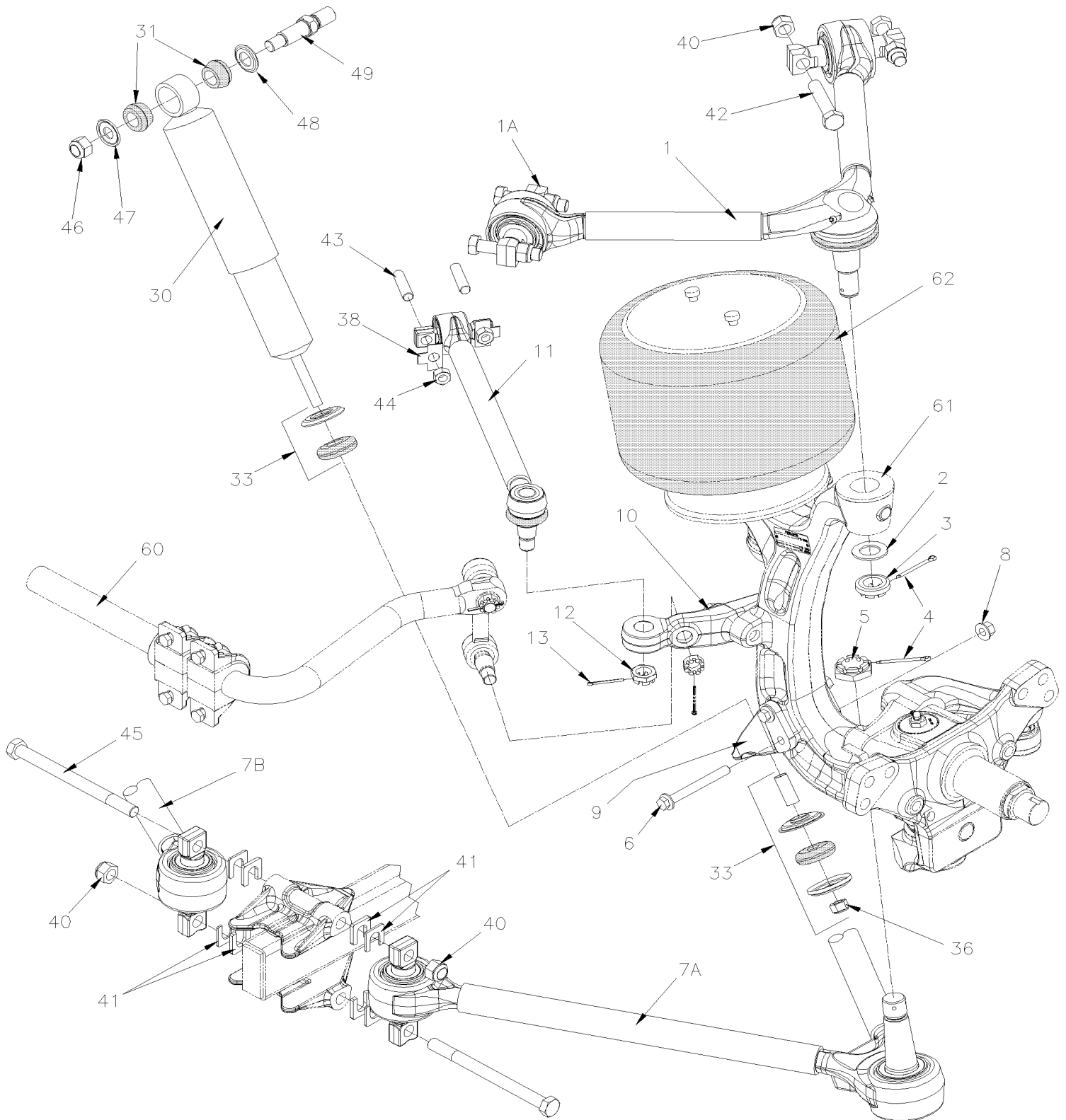


From C-5236 To D-5489

Date:10/2022

PAGE:XV-1605-61

FRONT AXLE - INSTALL W/INDEPENDENT "NDIFS80P" / 19000LBS





From C-5236 To D-5489 Date:10/2022 PAGE:XV-1605-61

FRONT AXLE - INSTALL W/INDEPENDENT "NDIFS80P" / 19000LBS

| Item# | Part | Description | X 3 V I P | X L I I E N T 4 5 | N O T E S |
|-------|---------|--|-----------------------|---|-----------------------|
| 1 | 611270 | UPPER ARM ASSY / L.H. & R.H. | 2 | | |
| . A | 611346 | . BUSHING BAR PIN / 20MM 150mm c/c 85MM O.D. x 72MM wide | 2 | | |
| . A1 | 611358 | . BUSHING BAR PIN / 20MM 150mm c/c 85MM O.D. x 72MM wide | 2 | | |
| 2 | 5001255 | WASHER FL 31.75x54.77x3.175 | 2 | | |
| 3 | 5001321 | NUT HEX CSL M30-1.5 17TH CJ | 2 | | |
| 4 | 502115 | PIN, COTTER 3/16 x 2 1/2 | 4 | | |
| 5 | 5001333 | NUT HEX CSL M36-1.5 17TH CJ | 2 | | |
| 6 | 5001790 | SCREW CAP HEXF M14-2.0x130 G10.9 PHC | 2 | | |
| 7A | 612373 | LOWER ARM ASSY / R.H / 19K | 1 | | |
| . NS | 611477 | . BUSHING BAR PIN / REPAIR KIT | 2 | | |
| . NS | 611478 | . BALL ASSY / REPAIR KIT | 1 | | |
| 7B | 612374 | LOWER ARM ASSY / L.H / 19K | 1 | | |
| . NS | 611477 | . BUSHING BAR PIN / REPAIR KIT | 2 | | |
| . NS | 611478 | . BALL ASSY / REPAIR KIT | 1 | | |
| 8 | 5001771 | NUT HEXF STO M14-2.0 G10 PHC | 2 | | |
| 9 | 116454 | ATTACHMENT / SHOCK ABSORBER | 2 | | |
| 10 | 612380 | UPRIGHT ARM L.H | 1 | | |
| 10 | 612381 | UPRIGHT ARM R.H | 1 | | |
| 11 | 661111 | ROD ASSY / 5TH / W/58 Deg | 2 | | |
| 12 | 5001325 | . NUT HEX CSL M24-1.5 15TH CJ | 1 | | |
| 13 | 661215 | . PIN, COTTER 5MMx40MM | 1 | | |
| 30 | 630281 | SHOCK ABSORBER / SACHS To D-5378 | 2 | | |
| . NS | 630255 | . KIT WASHER & RUBBER BUSHING To D-5378 | 1 | | |
| . NS | 630257 | . BUSHING / RUBBER / (TWO PIECES) 1" x 1.005" I.D. To D-5378 | 1 | | |
| 30 | 630282 | SHOCK ABSORBER / "KONI" (GOLD) From D-5379 | 2 | | |
| . NS | 630255 | . KIT WASHER & RUBBER BUSHING From D-5379 | 1 | | |
| . NS | 630291 | . BUSHING / RUBBER / (TWO PIECES) 1" x 1.005" I.D. From D-5379 | 1 | | |
| 31 | 630257 | . BUSHING / RUBBER / (TWO PIECES) 1" x 1.005" I.D. | 2 | | |
| 33 | 630255 | . KIT WASHER & RUBBER BUSHING | 2 | | |
| 36 | 5001579 | . NUT HEX NYRT M16-1.5 Z050 | 2 | | |
| 38 | 161176 | TAB LOCK W/1 HOLE 17MM I.D. | 4 | | |
| 40 | 5001663 | NUT HEX NYRT M20-2.5 G10 Z050 | 12 | | |
| 41 | 661219 | SHIM "U" 0.79 x 39.5MM x 38MM x 20 i.d. | AR | | |
| 41 | 661101 | SHIM "U" 1.52 x 39.5MM x 38MM x 20 i.d. | AR | | |
| 41 | 160993 | SHIM "U" 3.175x 39.5MM x 38MM x 20 i.d. | AR | | |
| 41 | 661094 | SHIM "U" 4.76 x 39.5MM x 38MM x 20 i.d. | AR | | |
| 41 | 160992 | SHIM "U" 6.35 x 39.5MM x 38MM x 20 i.d. | AR | | |
| 41 | 163599 | SHIM "U" 9.53 x 39.5MM x 38MM x 20 i.d. | AR | | |
| 42 | 5001525 | SCREW CAP HEX M20-2.5x100 G10.9 N500 | 4 | | |
| 43 | 130963 | STUD M16-2.0x70 | 2 | | |
| 44 | 502588 | NUT HEX M16-2.0 ZP | 2 | | |
| 45 | 5001561 | SCREW CAP HEX M20-2.5x250 G10.9 ZP | 8 | | |



| | | |
|---|--------------|-----------------|
| From C-5236 To D-5489 | Date:10/2022 | PAGE:XV-1605-61 |
| FRONT AXLE - INSTALL W/INDEPENDENT "NDIFS80P" / 19000LBS | | |

| Item# | Part | Description | X 3 V I P | X L I I E N T 4 5 | N O T E S |
|-------|-------------------|---|-----------------------|---|-----------------------|
| 46 | 5001663 | NUT HEX NYRT M20-2.5 G10 Z050 | 2 | | |
| 47 | 5001152 | WASHER CON 21.0x50.0x4.5 ZP | 2 | | |
| 48 | 5001153 | WASHER CON 25.5x50.0x4.5 ZP | 2 | | |
| 49 | 131424 | PIN W/TAPER ATTACHMENT M20-2.5 | 2 | | |
| 60 | XV-1616-00 | SWAY BAR | | | |
| 61 | XV-1005-61 | FRONT AXLE - INDEPENDENT MODEL "NDIFS80P" / 19000LBS | | | |
| 62 | XV-1601-00 | BELLOWS - AIR SUSPENSION | | | |
| | | | | | |
| | | | | | |
| | | | | | |

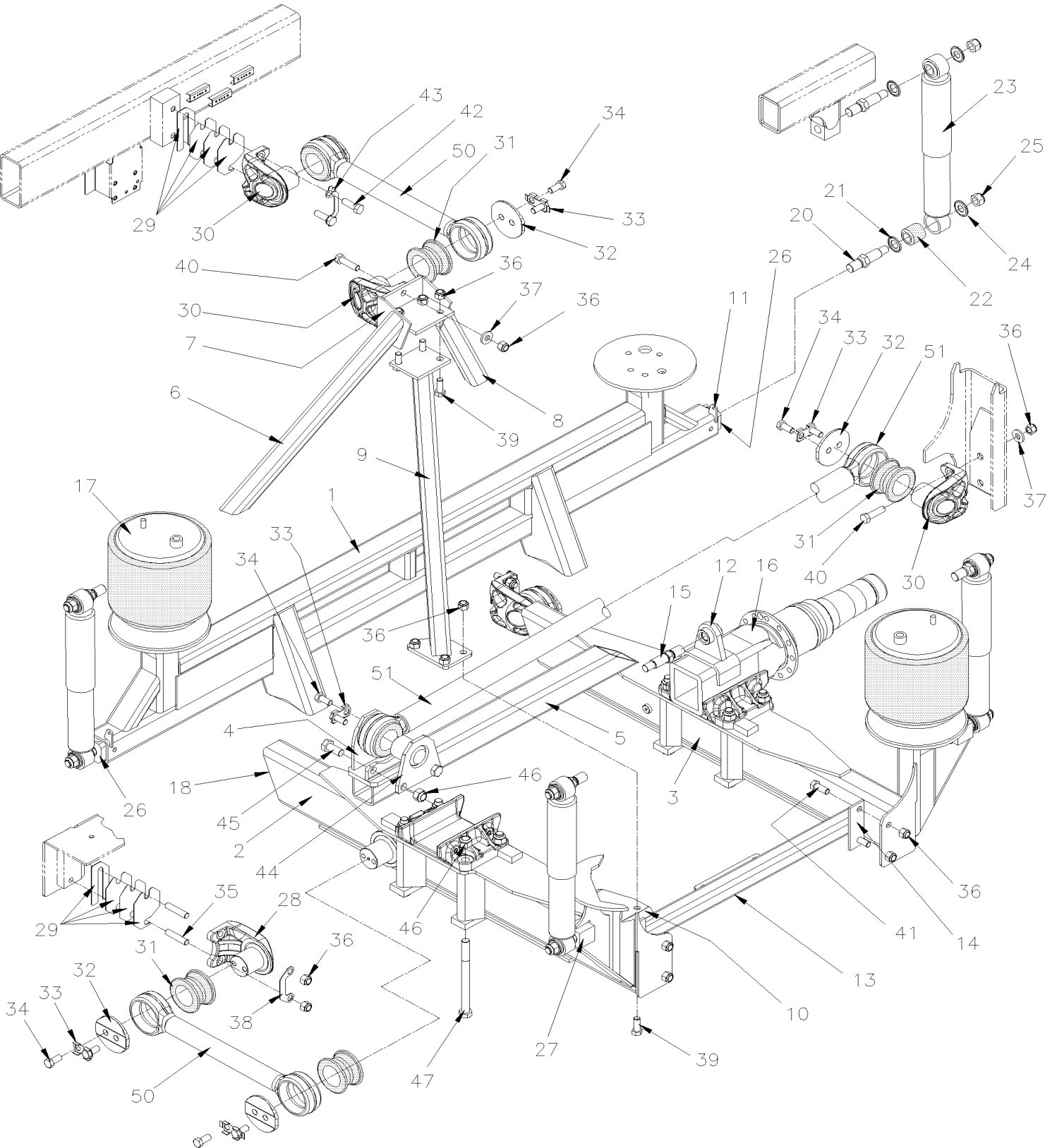


From B-5003 To D-5459

Date:10/2022

PAGE:XV-1610-00

REAR AXLE - INSTALL SUSPENSION





| | | |
|-----------------------|--------------|-----------------|
| From B-5003 To D-5459 | Date:10/2022 | PAGE:XV-1610-00 |
|-----------------------|--------------|-----------------|

REAR AXLE - INSTALL SUSPENSION

| Item# | Part | Description | X 3 V I P | X L I I E N T 4 5 | N O T E S |
|-------|-------------------|---|-----------------------|---|-----------------------|
| | Call order desk | REAR DIFFERENTIAL CARRIER ASSY WELDED | 1 | 1 | P |
| 1 | 121790P | . FRONT FRAME ASSY / W/AXLE WITH DISC BRAKE | 1 | 1 | |
| 2 | 121788P | . BEAM ASSY / L.H. | 1 | 1 | |
| 3 | 121789P | . BEAM ASSY / R.H. | 1 | 1 | |
| 4 | 131785 | . SUPPORT ASSY / (WELDED) | 1 | 1 | |
| 5 | 121773 | . TUBE / (WELDED) UNDER | 1 | 1 | |
| 6 | 121098 | . BRACE / FRONT L.H. | 1 | 1 | |
| 7 | 121577P | . PLATE TOP TRIPOD ASSY WELDED | 1 | 1 | |
| 8 | 121099 | . BRACE / FRONT R.H. | 1 | 1 | |
| 9 | 121610P | . TRIPOD ASSY WELDED | 1 | 1 | |
| 10 | 121601 | PLATE SUPPORT | 1 | 1 | |
| 11 | 121776 | ACTUATOR SUPPORT / TO FIX LINK / (WELDED) | 2 | 2 | |
| 12 | 121467 | ATTACHMENT PIN SWAY BAR / (WELDED TO HOUSING) | 2 | 2 | |
| 13 | 121911 | BAR ASSY | 1 | 1 | |
| 14 | 121442 | . ATTACHMENT PLATE | 2 | 2 | |
| 15 | 131522 | PIN W/TAPER ATTACHMENT M20-2.5 / SWAY-BAR | 2 | 2 | |
| 16 | XV-1105-00 | REAR AXLE - MODEL "RC23165" | | | |
| 17 | XV-1601-00 | BELLOWS - AIR SUSPENSION | | | |
| 18 | 121786 | CLOSING END / BEAM / (WELDED) | 2 | 2 | |
| 20 | 131424 | PIN W/TAPER ATTACHMENT M20-2.5 | 4 | 4 | |
| 21 | 5001153 | WASHER CON 25.5x50.0x4.5 ZP | 8 | 8 | |
| 22 | 630257 | BUSHING / RUBBER / (TWO PIECES) 1" x 1.005" I.D. | 8 | 8 | |
| 23 | 630253 | SHOCK ABSORBER / SACHS / 209 | 4 | 4 | |
| 23 | 630283 | SHOCK ABSORBER / "KONI" (GOLD) | 4 | 4 | O |
| . NS | 630255 | . KIT WASHER & RUBBER BUSHING | 1 | 1 | O |
| . NS | 630291 | . BUSHING / RUBBER / (TWO PIECES) 1" x 1.005" I.D. | 1 | 1 | O |
| 24 | 5001152 | WASHER CON 21.0x50.0x4.5 ZP | 8 | 8 | |
| 25 | 500809 | NUT HEX STO M20-2.5 N500 | 4 | 4 | |
| 26 | 121703 | RETAINER / (WELDED) | 2 | 2 | |
| 27 | 171032 | SUPPORT 1"-14 / SHOCK ABSORBER / 55MM | 2 | 2 | |
| 28 | 131807 | SUPPORT / ROD / W/2 M16-2 HOLES / 144MM C/C // 169MM LONG | 2 | 2 | |
| 29 | 121267 | SHIM 26GAGE | AR | AR | |
| NS | 121039 | SHIM 20GAGE | AR | AR | |
| NS | 131068 | SHIM 14GAGE | AR | AR | |
| NS | 121419 | SHIM "U" 14GA SS 133MM x 62MM x 18 i.d. | AR | AR | |
| NS | 121418 | SHIM "U" 26 GA SS 133MM x 62MM x 18 i.d. | AR | AR | |
| 30 | 132914 | SUPPORT / ROD / W/2 M16-2 HOLES / 95MM C/C // 150MM SHORT | 3 | 3 | |
| . NS | 121890 | . TORQUE PLATE / W/2HOLES 17MM I.D. X 90MM C/C | AR | AR | |
| 31 | 630021 | RUBBER BUSHING "PREVOST" | 8 | 8 | |
| NS | 192380 | SHIM WASHER / BUSHING RADIUS ROD 2.795x4.330x.0625 SS | AR | AR | W |
| 32 | 110681 | RETAINER PLATE / IRON 110MM OD W/16.7 @ 38C/C | 7 | 7 | |
| 33 | 110788 | TAB LOCK / W/2 HOLES / W/6 TABS / 18MM I.D. X 38MM C/C | 8 | 8 | |



| | | |
|---------------------------------------|---------------------|------------------------|
| From B-5003 To D-5459 | Date:10/2022 | PAGE:XV-1610-00 |
| REAR AXLE - INSTALL SUSPENSION | | |

| Item# | Part | Description | X 3 V I P | X L I E N T 4 5 | N O T E S |
|-------|---------|--|-----------------------|--------------------------------------|-----------------------|
| 34 | 500813 | SCREW CAP HEX M16-2.0x35 G8.8 ZP | AR | AR | |
| 35 | 621795 | STUD M16-2.0x72 MM ZP | 4 | 4 | |
| 36 | 5001662 | NUT HEX NYRT M16-2.0 G10 Z050 | 18 | 18 | |
| 37 | 5001046 | WASHER FL .656x1.500x.187 | 4 | 4 | |
| 38 | 121890 | TORQUE PLATE / W/2HOLES 17MM I.D. X 90MM C/C | 2 | 2 | |
| 39 | 5001590 | SCREW CAP HEX M16-2.0x40 G10.9 N500 | 6 | 6 | |
| 40 | 5001224 | SCREW CAP HEX M16-2.0x60 G10.9 G500 | 4 | 4 | |
| 41 | 5001590 | SCREW CAP HEX M16-2.0x40 G10.9 N500 | 4 | 4 | |
| 42 | 5001372 | SCREW CAP HEX M16-2.0x50 G10.9 N500 | 2 | 2 | |
| 43 | 121578 | TAB LOCK / W/2 HOLES 17MM I.D. X 90MM C/C | 1 | 1 | |
| 44 | 131784 | ATTACHMENT | 1 | 1 | |
| 45 | 5001765 | SCREW CAP HEX M20-2.5x45 G8.8 Z050 | 2 | 2 | |
| 46 | 5001663 | NUT HEX NYRT M20-2.5 G10 Z050 | 10 | 10 | |
| 47 | 5001829 | SCREW CAP HEX M20-2.5x240 G10.9 N500 | 8 | 8 | |
| 50 | 121697 | ROD ASSY / 21 1/8" C/C (536.5MM) | 3 | 3 | |
| 51 | 110648 | ROD ASSY / 34 13/16" C/C (885MM) | 1 | 1 | |
| NS | 688910 | THREAD LOCKER LOCTITE #262 / RED / 250ml | AR | AR | |
| NS | 680038 | THREAD LOCKER LOCTITE #243 / BLUE / 50ml | AR | AR | |
| | | | | | |
| | | | | | |
| | | | | | |
| | | | | | |
| | | O) OPTION | | | |
| | | W) IF NEED, USE BETWEEN BUSHING ROD SUPPORT | | | |
| | | P) CALL ORDER DESK FOR SPECIFIC APPLICATION (V.I.N.) | | | |

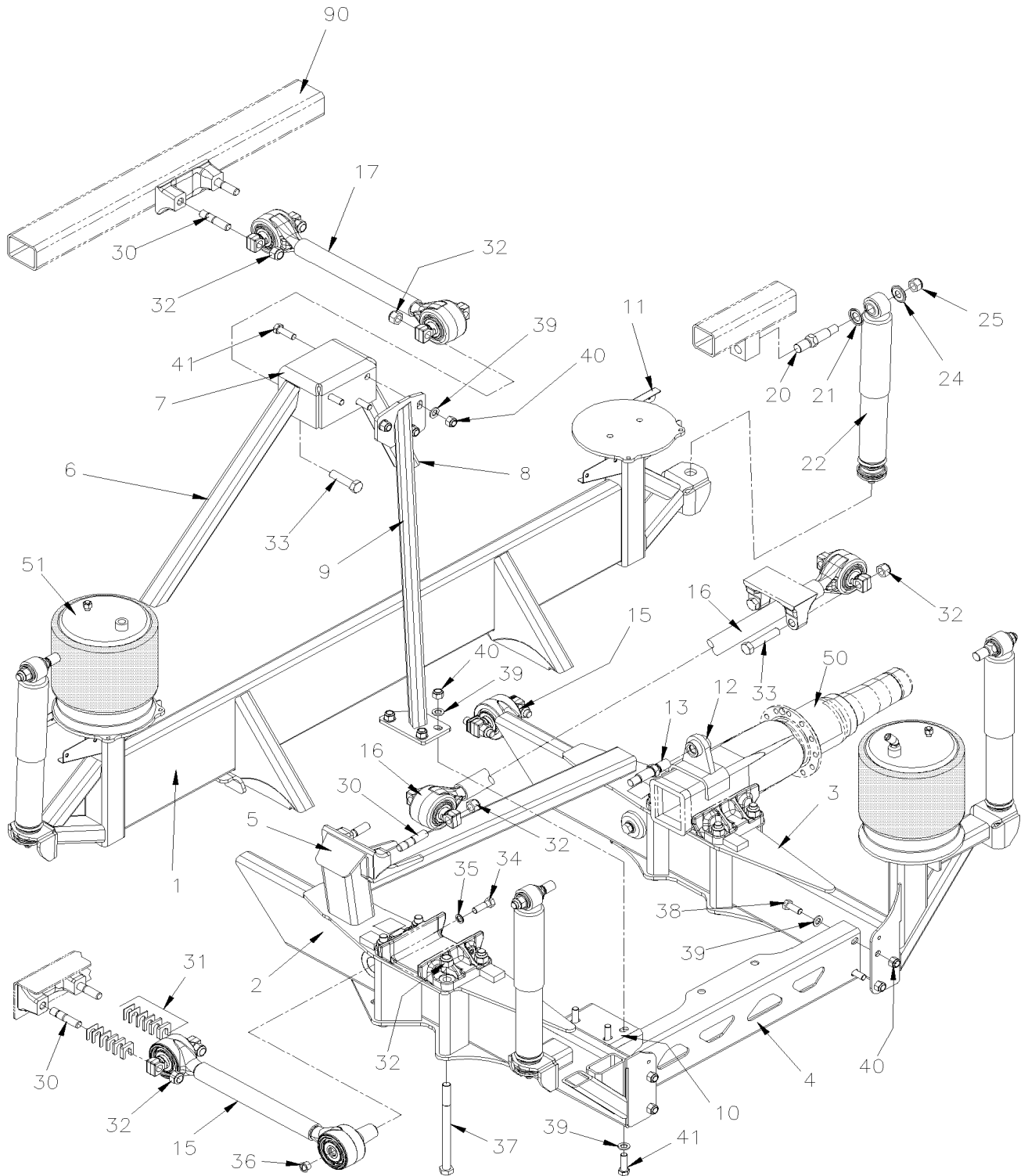


From D-5460 To D-5489

Date:10/2022

PAGE:XV-1610-01

REAR AXLE - INSTALL SUSPENSION





| | | |
|-----------------------|--------------|-----------------|
| From D-5460 To D-5489 | Date:10/2022 | PAGE:XV-1610-01 |
|-----------------------|--------------|-----------------|

REAR AXLE - INSTALL SUSPENSION

| Item# | Part | Description | X 3 V I P | X L I I E N T 4 5 | N O T E S |
|-------|---------|---|-----------------------|---|-----------------------|
| | 120188 | REAR DIFFERENTIAL CARRIER ASSY WELDED | 1 | 1 | |
| 1 | 121977 | . FRONT FRAME ASSY / W/AXLE | 1 | 1 | |
| 2 | 121967 | . BEAM ASSY / L.H. | 1 | 1 | |
| 3 | 121968 | . BEAM ASSY / R.H. | 1 | 1 | |
| 4 | 122000 | . CROSS MEMBER ASSY | 1 | 1 | |
| 5 | 121990 | . PANHARD ATTACHMEN ASSY | 1 | 1 | |
| 6 | 121998 | BRACE / FRONT L.H. | 1 | 1 | |
| 7 | 121970 | TOP TRIPOD ASSY WELDED | 1 | 1 | |
| 8 | 121997 | BRACE / FRONT R.H. | 1 | 1 | |
| 9 | 121980 | TRIPOD ASSY WELDED | 1 | 1 | |
| 10 | 122023 | PLATE SUPPORT | 1 | 1 | |
| 11 | 122013 | ACTUATOR SUPPORT / TO FIX LINK / (WELDED) | 2 | 2 | |
| 12 | 121467 | ATTACHMENT PIN SWAY BAR / (WELDED TO HOUSING) | 2 | 2 | |
| 13 | 131522 | PIN W/TAPER ATTACHMENT M20-2.5 / SWAY-BAR | 2 | 2 | |
| 15 | 621874 | ROD ASSY / 594MM | 2 | 2 | |
| . NS | 621891 | . BALL PIN BUSHING / REPAIR KIT 70MM O.D. | 1 | 1 | |
| . NS | 621892 | . BALL PIN BUSHING / REPAIR KIT 70MM O.D. / 130MM C/C | 1 | 1 | |
| 16 | 621873 | ROD ASSY / 889MM | 1 | 1 | |
| . NS | 621890 | . BALL PIN BUSHING / REPAIR KIT 70MM O.D. / 130MM C/C | 2 | 2 | |
| 17 | 621878 | ROD ASSY / 594MM | 1 | 1 | |
| . NS | 621890 | . BALL PIN BUSHING / REPAIR KIT 70MM O.D. / 130MM C/C | 2 | 2 | |
| 20 | 131424 | PIN W/TAPER ATTACHMENT M20-2.5 | 4 | 4 | |
| 21 | 5001153 | WASHER CON 25.5x50.0x4.5 ZP | 4 | 4 | |
| 22 | 630271 | SHOCK ABSORBER / SACHS | 4 | 4 | |
| . NS | 630257 | . BUSHING / RUBBER / (TWO PIECES) 1" x 1.005" I.D. | 2 | 2 | |
| . NS | 630255 | . KIT WASHER & RUBBER BUSHING | 1 | 1 | |
| 24 | 5001152 | WASHER CON 21.0x50.0x4.5 ZP | 4 | 4 | |
| 25 | 5001663 | NUT HEX NYRT M20-2.5 G10 Z050 | 4 | 4 | |
| 30 | 5001897 | STUD M20-2.5x70 G10.9 N500 | 8 | 8 | |
| 31 | 661219 | SHIM "U" 0.79 x 39.5MM x 38MM x 20 i.d. | AR | AR | |
| 31 | 661101 | SHIM "U" 1.52 x 39.5MM x 38MM x 20 i.d. | AR | AR | |
| 31 | 161351 | SHIM "U" 2.28 x 39.5MM x 38MM x 20 i.d. | AR | AR | |
| 31 | 160993 | SHIM "U" 3.175x 39.5MM x 38MM x 20 i.d. | AR | AR | |
| 31 | 661094 | SHIM "U" 4.76 x 39.5MM x 38MM x 20 i.d. | AR | AR | |
| 31 | 160992 | SHIM "U" 6.35 x 39.5MM x 38MM x 20 i.d. | AR | AR | |
| 31 | 163599 | SHIM "U" 9.53 x 39.5MM x 38MM x 20 i.d. | AR | AR | |
| 32 | 5001663 | NUT HEX NYRT M20-2.5 G10 Z050 | 20 | 20 | |
| 33 | 5001225 | SCREW CAP HEX M20-2.5x80 G10.9 G500 | 4 | 4 | |
| 34 | 5001899 | SCREW CAP HEX M16-1.5x50 G10.9 N500 | 2 | 2 | |
| 35 | 630278 | WASHER "NORD-LOCK" 17.0x25.4x3.4 YP | 2 | 2 | |
| 36 | 621832 | PULL PLUG DIA. 23MM | 2 | 2 | |
| 37 | 5001898 | SCREW CAP HEX M20-2.5x275 G10.9 N500 | 8 | 8 | |



| | | |
|-----------------------|--------------|-----------------|
| From D-5460 To D-5489 | Date:10/2022 | PAGE:XV-1610-01 |
|-----------------------|--------------|-----------------|

REAR AXLE - INSTALL SUSPENSION

| Item# | Part | Description | X 3 V I P | X L I I E N T 4 5 | N O T E S |
|-------|-------------------|--|-----------------------|---|-----------------------|
| 38 | 5001590 | SCREW CAP HEX M16-2.0x40 G10.9 N500 | 4 | 4 | |
| 39 | 5001150 | WASHER FL 17.0x30.0x3.0 N500 | 13 | 13 | |
| 40 | 5001662 | NUT HEX NYRT M16-2.0 G10 Z050 | 10 | 10 | |
| 41 | 5001372 | SCREW CAP HEX M16-2.0x50 G10.9 N500 | 6 | 6 | |
| NS | 680038 | THREAD LOCKER LOCTITE #243 / BLUE / 50ml | AR | AR | |
| NS | 688910 | THREAD LOCKER LOCTITE #262 / RED / 250ml | AR | AR | |
| NS | 680098 | THREAD SEALANT LOCTITE #567 / WHITE / 250ml | AR | AR | |
| NS | 680064 | OIL ANTICOROSIVE GREY (TECTYL) (20 LITERS) | AR | AR | |
| NS | 682175 | UNDERCOATING BLACK PROTECTOR (GRAVELGUARD) 567gr | AR | AR | |
| 50 | XV-1105-00 | REAR AXLE - MODEL "RC23165" | | | |
| 51 | XV-1601-00 | BELLOWS - AIR SUSPENSION | | | |
| 90 | Call order desk | CROSSMEMBER REAR SUB-FRAM | 1 | 1 | P |
| | | | | | |
| | | | | | |
| | | | | | |
| | | | | | |
| | | P) CALL ORDER DESK FOR SPECIFIC APPLICATION (V.I.N.) | | | |

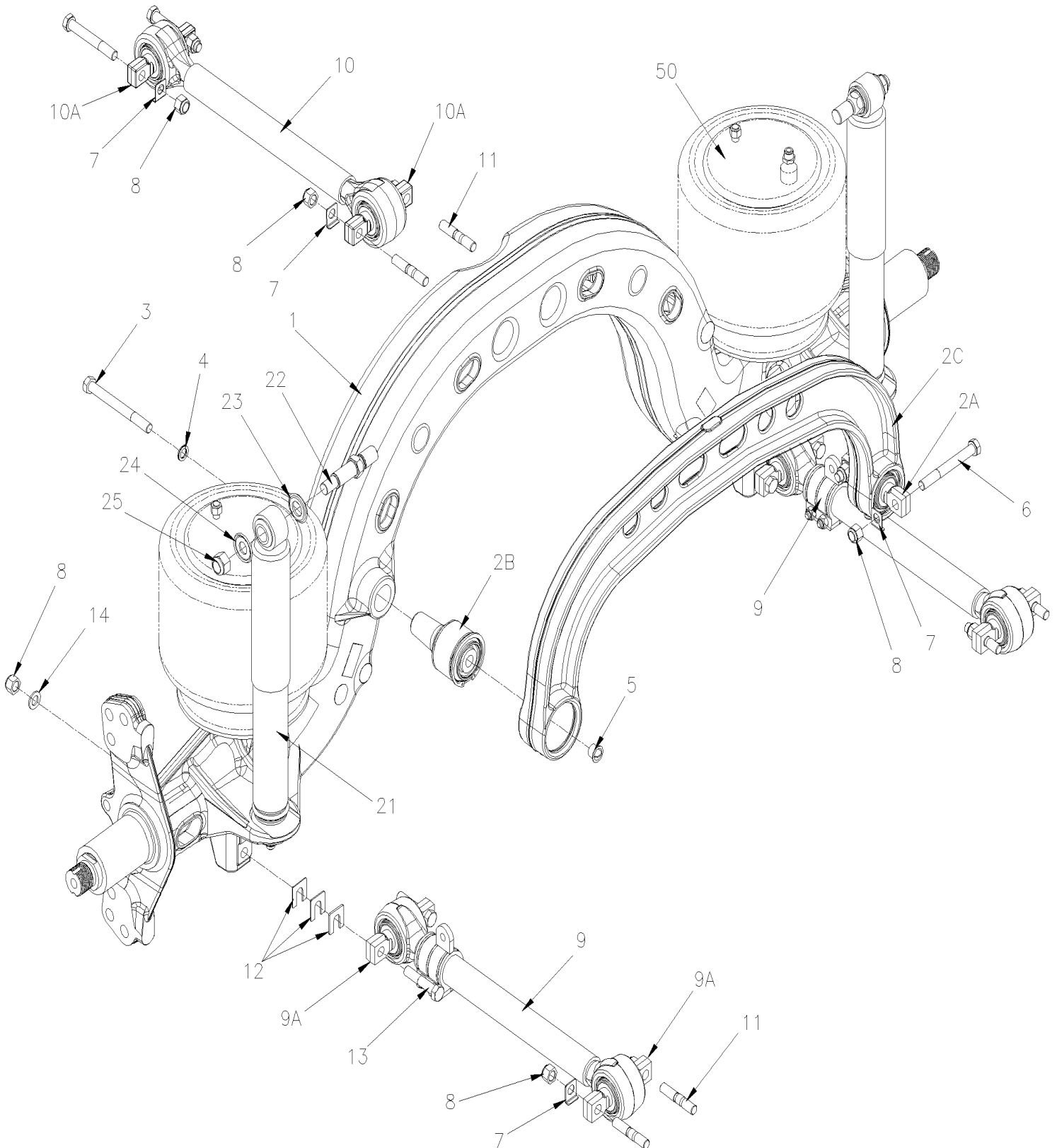


From B-5003 To D-5489

Date:10/2022

PAGE:XV-1615-00

TAG AXLE - INSTALL SUSPENSION ONE PIECE





From B-5003 To D-5489 Date:10/2022 PAGE:XV-1615-00

TAG AXLE - INSTALL SUSPENSION ONE PIECE

| Item# | Part | Description | X 3 V I P | X L I I E N T 4 5 | N O T E S |
|-------|-------------------|---|-----------------------|---|-----------------------|
| 1 | 621808 | TAG AXLE / FORGE | 1 | 1 | |
| 2 | 630272 | ROD ASSY WITH / 35" C/C (889MM) / CASTING | 1 | 1 | |
| . A | 630274 | . BALL PIN BUSHING / REPAIR KIT 75MM O.D. / 130MM C/C | 1 | 1 | |
| . B | 630275 | . BALL PIN BUSHING / REPAIR KIT 85MM O.D. | 1 | 1 | |
| . C | 630273 | . ROD 35" C/C (889MM) / CASTING | 1 | 1 | |
| NS | G32952 | TOOL REMOVER TAG PANHARD FROM AXLE | 1 | 1 | |
| 3 | 5001795 | SCREW CAP HEX M16-1.5x160 G10.9 N500 | 1 | 1 | |
| 4 | 630278 | WASHER "NORD-LOCK" 17.0x25.4x3.4 YP | 1 | 1 | |
| 5 | 621832 | PULL PLUG DIA. 23MM | 1 | 1 | |
| 6 | 5001828 | SCREW CAP HEX M16-2.0x140 G10.9 N500 | 2 | 2 | |
| 7 | 131961 | TAB LOCK From B-5017 | 10 | 10 | |
| 8 | 5001662 | NUT HEX NYRT M16-2.0 G10 Z050 | 14 | 14 | |
| 9 | 621803 | ROD ASSY / 23.38" (594.1MM) / 130MM / M16 | 2 | 2 | |
| . A | 630274 | . BALL PIN BUSHING / REPAIR KIT 75MM O.D. / 130MM C/C | 2 | 2 | |
| 10 | 621806 | ROD ASSY / 23.38" (594.1MM) / 130MM / M16 | 1 | 1 | |
| . A | 630274 | . BALL PIN BUSHING / REPAIR KIT 75MM O.D. / 130MM C/C | 2 | 2 | |
| 11 | 621795 | STUD M16-2.0x72 MM ZP To B-5016 | 6 | 6 | |
| 11 | 5001867 | STUD M16-2.0x60 G10.9 N500 From B-5017 | 6 | 6 | |
| 12 | 661220 | SHIM "U" 0.79 x39.5MM x 38MM x17 i.d. | AR | AR | |
| 12 | 621830 | SHIM "U" 1.59 x 39.5MM x 38MM x17 i.d. | AR | AR | |
| 12 | 161352 | SHIM "U" 2.28 x39.5MM x 38MM x17 i.d. | AR | AR | |
| 12 | 621831 | SHIM "U" 3.175 x39.5MM x 38MM x17 i.d. | AR | AR | |
| 13 | 5001830 | SCREW CAP HEX M16-2.0x80 G10.9 N500 | 4 | 4 | |
| 14 | 5001722 | WASHER FL 17.0x30.0x3.0 SS | 4 | 4 | |
| 15 | 5001827 | SCREW CAP HEX M16-2.0x120 G10.9 N500 | 2 | 2 | |
| 21 | 630271 | SHOCK ABSORBER / SACHS | 2 | 2 | |
| . NS | 630257 | . BUSHING / RUBBER / (TWO PIECES) 1" x 1.005" I.D. | 2 | 2 | |
| . NS | 630255 | . KIT WASHER & RUBBER BUSHING | 1 | 1 | |
| 22 | 131424 | PIN W/TAPER ATTACHMENT M20-2.5 | 1 | 1 | |
| 23 | 5001153 | WASHER CON 25.5x50.0x4.5 ZP | 2 | 2 | |
| 24 | 5001152 | WASHER CON 21.0x50.0x4.5 ZP | 2 | 2 | |
| 25 | 5001663 | NUT HEX NYRT M20-2.5 G10 Z050 | 2 | 2 | |
| 50 | XV-1601-00 | BELLOWS - AIR SUSPENSION | | | |
| | | | | | |
| | | | | | |
| | | | | | |

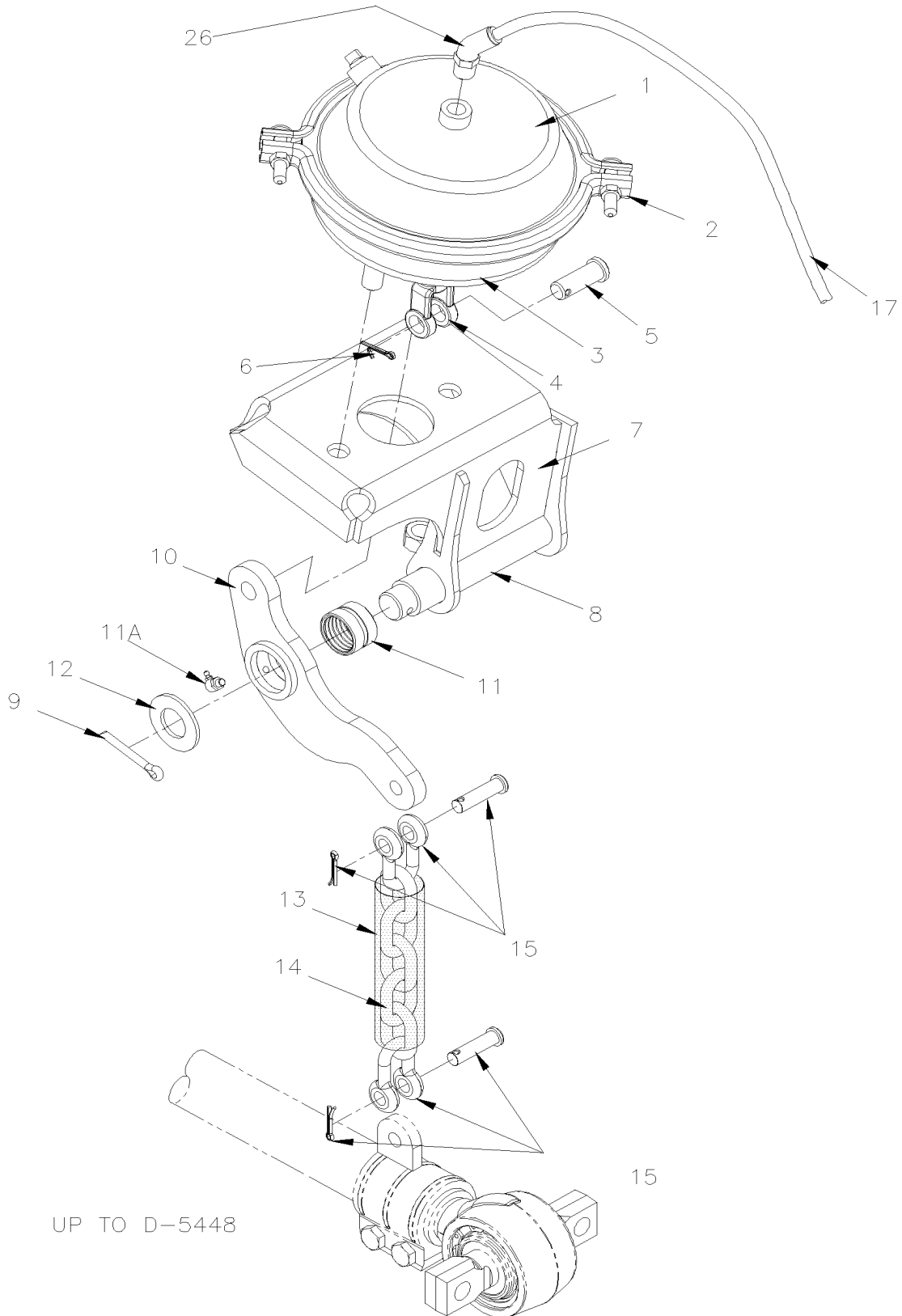


From B-5003 To D-5489

Date:10/2022

PAGE:XV-1615-10

TAG AXLE - LIFTING



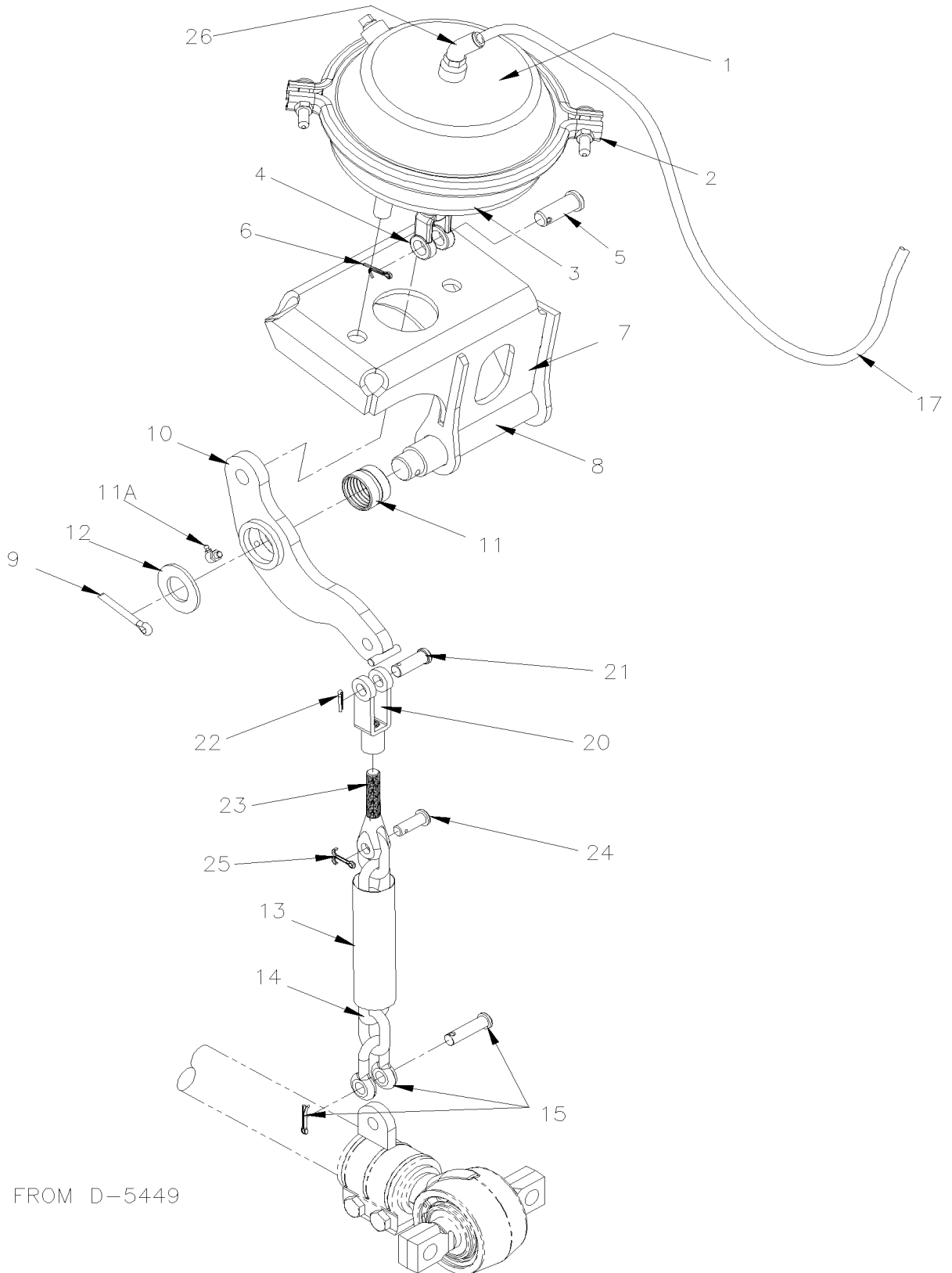


From B-5003 To D-5489

Date:10/2022

PAGE:XV-1615-10

TAG AXLE - LIFTING



FROM D-5449



| | | | |
|------------------------------|--|---------------------|------------------------|
| From B-5003 To D-5489 | | Date:10/2022 | PAGE:XV-1615-10 |
| TAG AXLE - LIFTING | | | |

| Item# | Part | Description | X 3 V I P | X L I I E N T 4 5 | N O T E S |
|-------|---------|---|-----------------------|---|-----------------------|
| 1 | 641425 | BRAKE CHAMBER ASSY / TYPE 36 | 2 | 2 | |
| 2 | 641067 | . CLAMP TYPE 36 | 1 | 1 | |
| 3 | 640979 | . DIAPHRAGM / TYPE 36 | 1 | 1 | |
| 3 | 641066 | . BOOT RUBBER | 1 | 1 | |
| 4 | 640130 | . YOKE 5/8-18x1 3/8 C/Lx9/16Wx5/8 | 1 | 1 | |
| 5 | 502028 | . . PIN, CLEVIS 5/8 x 3/4 | 1 | 1 | |
| 6 | 502102 | . . PIN, COTTER 1/8 x 1 | 1 | 1 | |
| NS | 641426 | . SHIELD, ROD CENTER HOLE | 1 | 1 | |
| 7 | 173154P | BRACKET / R.H. | 1 | 1 | |
| 7 | 173155P | BRACKET / L.H. | 1 | 1 | |
| 8 | 121724 | . PIVOT PIN | 1 | 1 | |
| 9 | 502106 | PIN, COTTER 1/4 x 2 | 1 | 1 | |
| 10 | 131837 | LEVER ASSY To D-5448 | 2 | 2 | |
| 10 | 132007 | LEVER ASSY From D-5449 | 2 | 2 | |
| 11 | 131699 | . BUSHING BRASS / W/GROOVE INSIDE 31.94 O.D. x 25.5 I.D. x 25.4 | 1 | 1 | |
| 11A | 501500 | . GREASE FITTING 90° / 1/4-28 | 1 | 1 | |
| 12 | 500456 | WASHER FL 1.062x2.000x.134 Z050 | 1 | 1 | |
| 13 | 121123 | TUBE COVERING CHAIN 290MM | 1 | 1 | |
| . NS | 5001503 | . TUBE, PVC / CLEAR / 1 1/2" I.D./ S.L. | AR | AR | |
| 14 | 121913 | CHAIN / 340MM To D-5448 | 1 | 1 | |
| 14 | 121930 | CHAIN / 243MM From D-5449 | 1 | 1 | |
| 15 | 505064 | SHACKLE CHAIN 3/8 To D-5448 | 2 | 2 | |
| 15 | 505064 | SHACKLE CHAIN 3/8 From D-5449 | 1 | 1 | |
| 17 | 503404 | TUBE, NYLON 3/8 O.D. / BLACK S.L. | 1 | 1 | |
| 20 | 5021002 | CLEVIS ROD END 1/2 From D-5449 | 1 | 1 | |
| 21 | 502035 | . PIN, CLEVIS 1/2 x 1 3/8 Z050 From D-5449 | 1 | 1 | |
| 22 | 502103 | . PIN, COTTER 1/8 x 2 From D-5449 | 1 | 1 | |
| 23 | 5021003 | CLEVIS ROD END 7/16 From D-5449 | 1 | 1 | |
| 24 | 5021004 | PIN, CLEVIS 7/16 x 1 1/4 ZP From D-5449 | 1 | 1 | |
| 25 | 502102 | PIN, COTTER 1/8 x 1 From D-5449 | 1 | 1 | |
| 26 | 641367 | MALE ELBOW 45° NON-SWIVEL / PUSH-IN FITTING / #6x3/8NPT-M BR | 1 | 1 | |
| | | | | | |
| | | | | | |
| | | | | | |

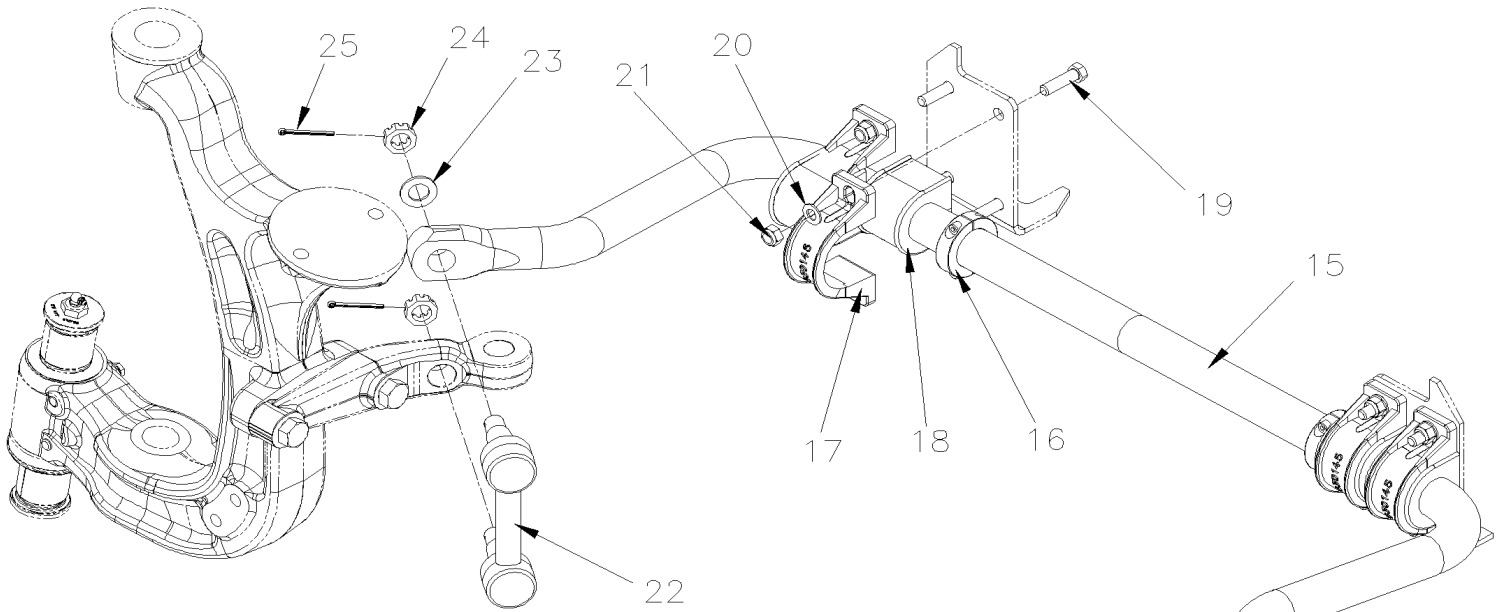


From B-5003 To D-5489

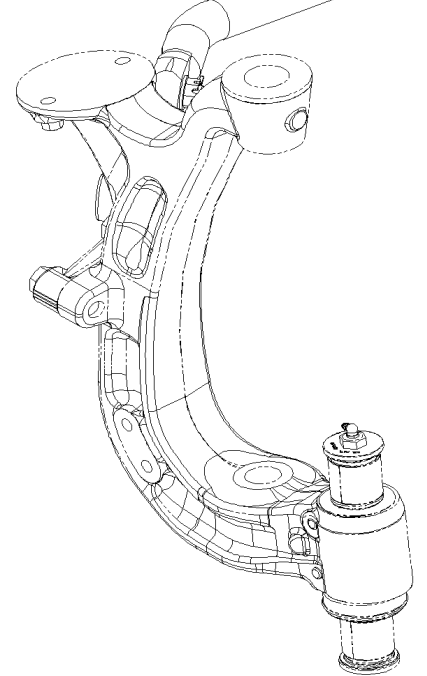
Date:10/2022

PAGE:XV-1616-00

SWAY BAR



WITH INDEPENDANTE SUSPENSION



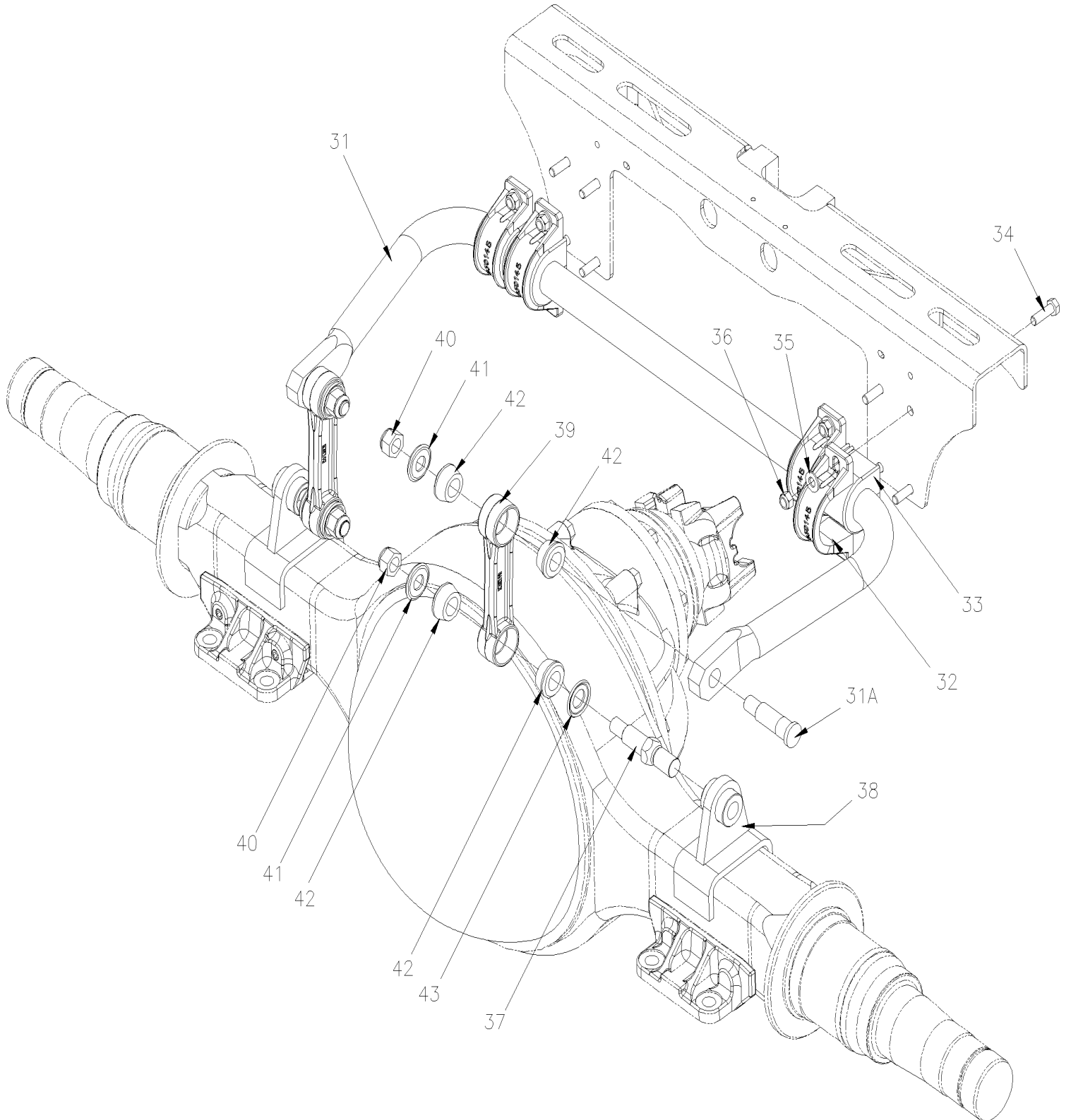


From B-5003 To D-5489

Date:10/2022

PAGE:XV-1616-00

SWAY BAR





| | | |
|------------------------------|---------------------|------------------------|
| From B-5003 To D-5489 | Date:10/2022 | PAGE:XV-1616-00 |
|------------------------------|---------------------|------------------------|

SWAY BAR

| Item# | Part | Description | X 3 V I P | X L I I E N T 4 5 | N O T E S |
|-------|---------|--|-----------------------|---|-----------------------|
| 15 | 131755 | SWAY BAR 1 3/4" O.D. 1175MM // W/58 Deg | 1 | 1 | I |
| 16 | 563042 | COLLAR 1 3/4" I.D. | 2 | 2 | I |
| 17 | 630145 | COLLAR / IRON / 2x.472" HOLE 4 5/8 C/C | 4 | 4 | I |
| 18 | 630020 | BUSHING / RUBBER / USE WITH SWAY BAR 1 3/4" | 4 | 4 | I |
| 19 | 500806 | SCREW CAP HEX M12-1.75X35 G10.9 G500 | 8 | 8 | I |
| 20 | 500011 | WASHER FL / HARDENED 13.0x24.0x3.0 STL | 8 | 8 | I |
| 21 | 5001695 | NUT HEX NYRT M12-1.75 Z050 | 8 | 8 | I |
| 22 | 630246 | LINK ASSY / 150MM C/C / W/18000LBS | 2 | 2 | I |
| 23 | 502558 | WASHER FL 21.0x37.0x3.0 G500 | 2 | 2 | I |
| 24 | 5001553 | NUT HEX CSL M20-1.5 N500 | 4 | 4 | I |
| 25 | 502104 | PIN, COTTER 5/32 x 2 | 4 | 4 | I |
| | | | | | |
| 31 | 131019 | SWAY BAR ASSY / 1 1/2" O.D. X 848MM | 1 | 1 | R |
| 32 | 630145 | COLLAR / IRON / 2x.472" HOLE 4 5/8 C/C | 4 | 4 | R |
| 33 | 130953 | BUSHING / RUBBER / USE WITH SWAY BAR 1 1/2" | 4 | 4 | R |
| 34 | 5001338 | SCREW CAP HEX M12-1.75x45 G10.9 N500 | 8 | 8 | R |
| 35 | 500011 | WASHER FL / HARDENED 13.0x24.0x3.0 STL | 8 | 8 | R |
| 36 | 5001695 | NUT HEX NYRT M12-1.75 Z050 | 8 | 8 | R |
| 37 | 131522 | PIN W/TAPER ATTACHMENT M20-2.5 / SWAY-BAR | 2 | 2 | R B |
| 38 | 121467 | ATTACHMENT PIN SWAY BAR / (WELDED TO HOUSING) | 2 | 2 | R |
| 39 | 630146 | LINK ASSY / 7" C/C / IRON | 2 | 2 | R |
| 40 | 5001663 | NUT HEX NYRT M20-2.5 G10 Z050 | 4 | 4 | R |
| 41 | 5001152 | WASHER CON 21.0x50.0x4.5 ZP | 4 | 4 | R |
| 42 | 506678 | BUSHING / POLYURETHANE / (TWO PIECES) RED 1" x 1.005" I.D. | 8 | 8 | R |
| 43 | 5001153 | WASHER CON 25.5x50.0x4.5 ZP | 2 | 2 | R |
| | | | | | |
| | | | | | |
| | | | | | |
| | | | | | |
| | | B) THIS PIN IS 3MM SHORTER ON BUSHING SIDE AND BLACK PAINTED FOR EASY IDENTIFICATION | | | |
| | | I) INDEPENDANT SUSPENSION | | | |
| | | R) REAR SUSPENSION | | | |



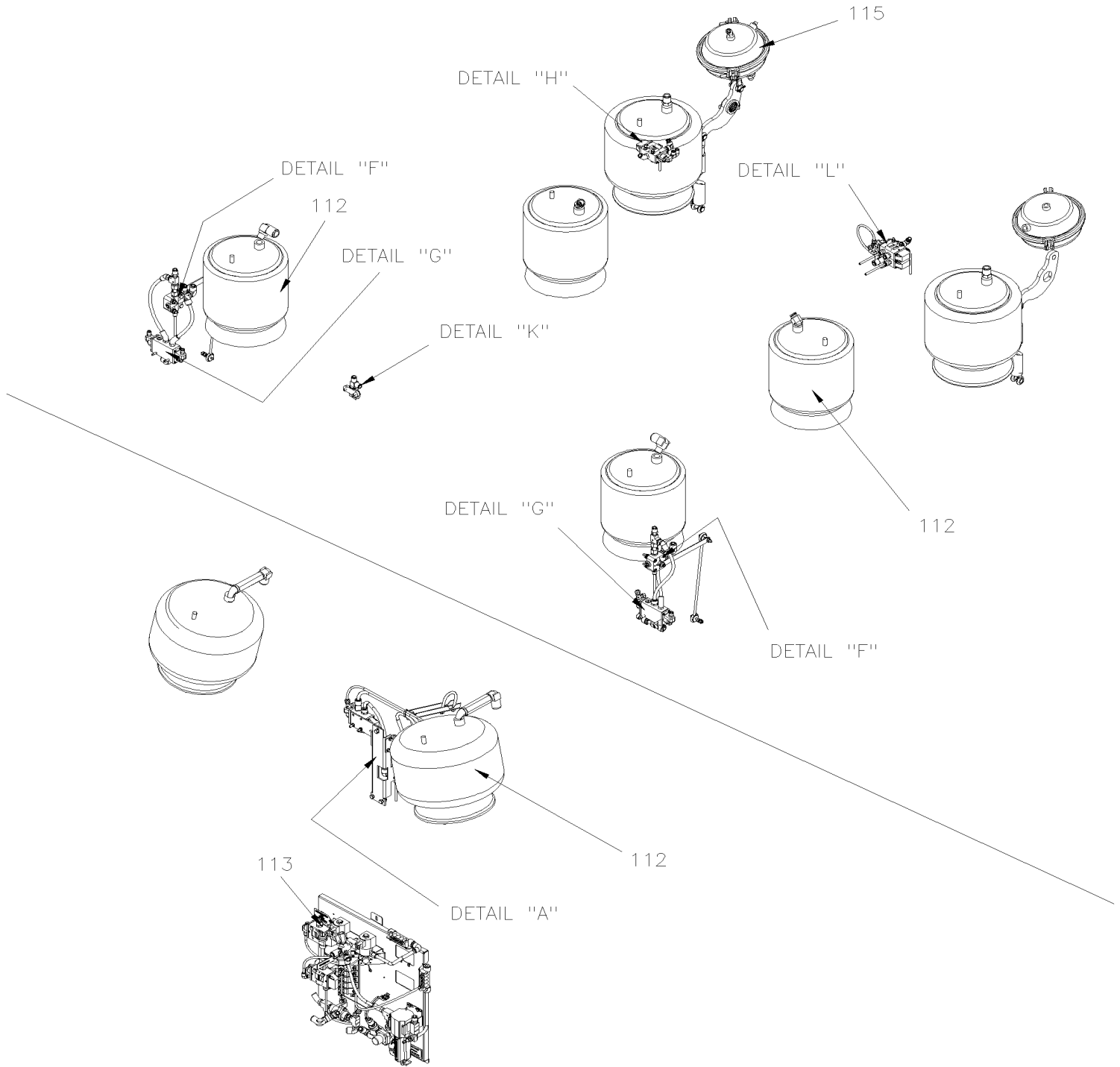
From B-5003 To D-5459

Date:10/2022

PAGE:XV-1620-50

HEIGHT CONTROL VALVE - MTH

REAR AND TAG AXLE



UP TO C-5132

INDEPENDANT SUSPENSION



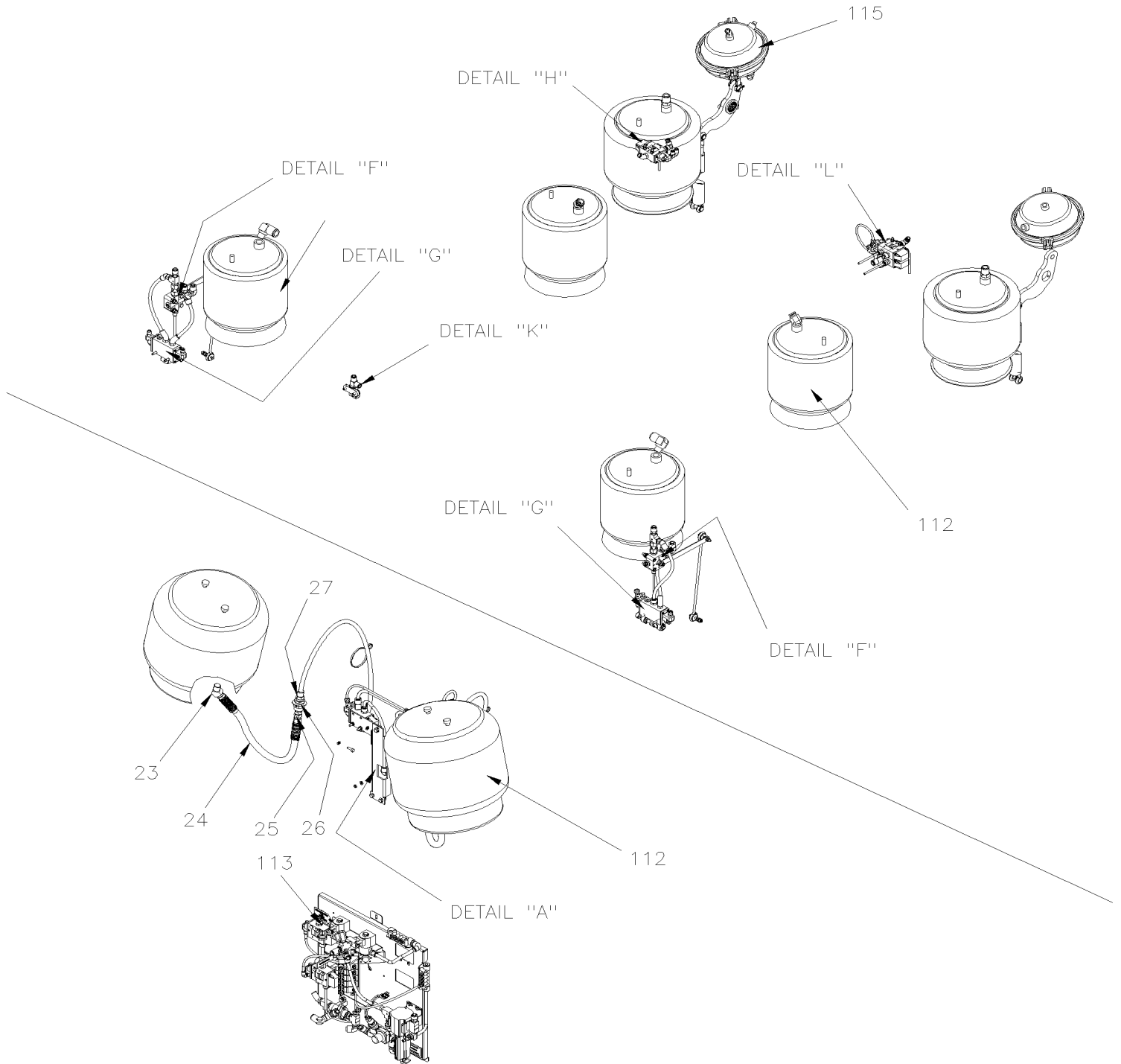
From B-5003 To D-5459

Date:10/2022

PAGE:XV-1620-50

HEIGHT CONTROL VALVE - MTH

REAR AND TAG AXLE



FROM C-5133

INDEPENDANT SUSPENSION

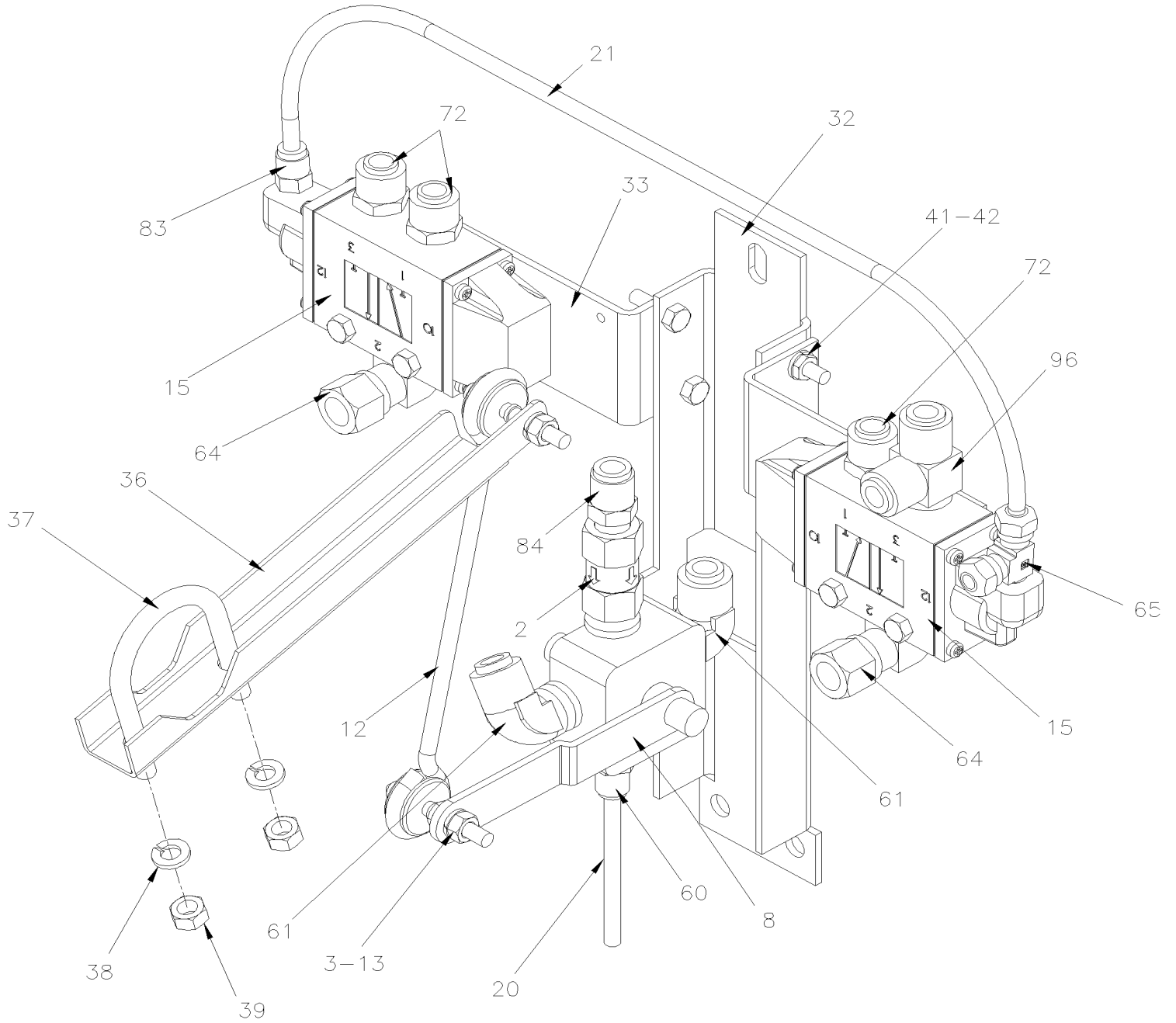


From B-5003 To D-5459

Date:10/2022

PAGE:XV-1620-50

HEIGHT CONTROL VALVE - MTH



DETAIL "A"

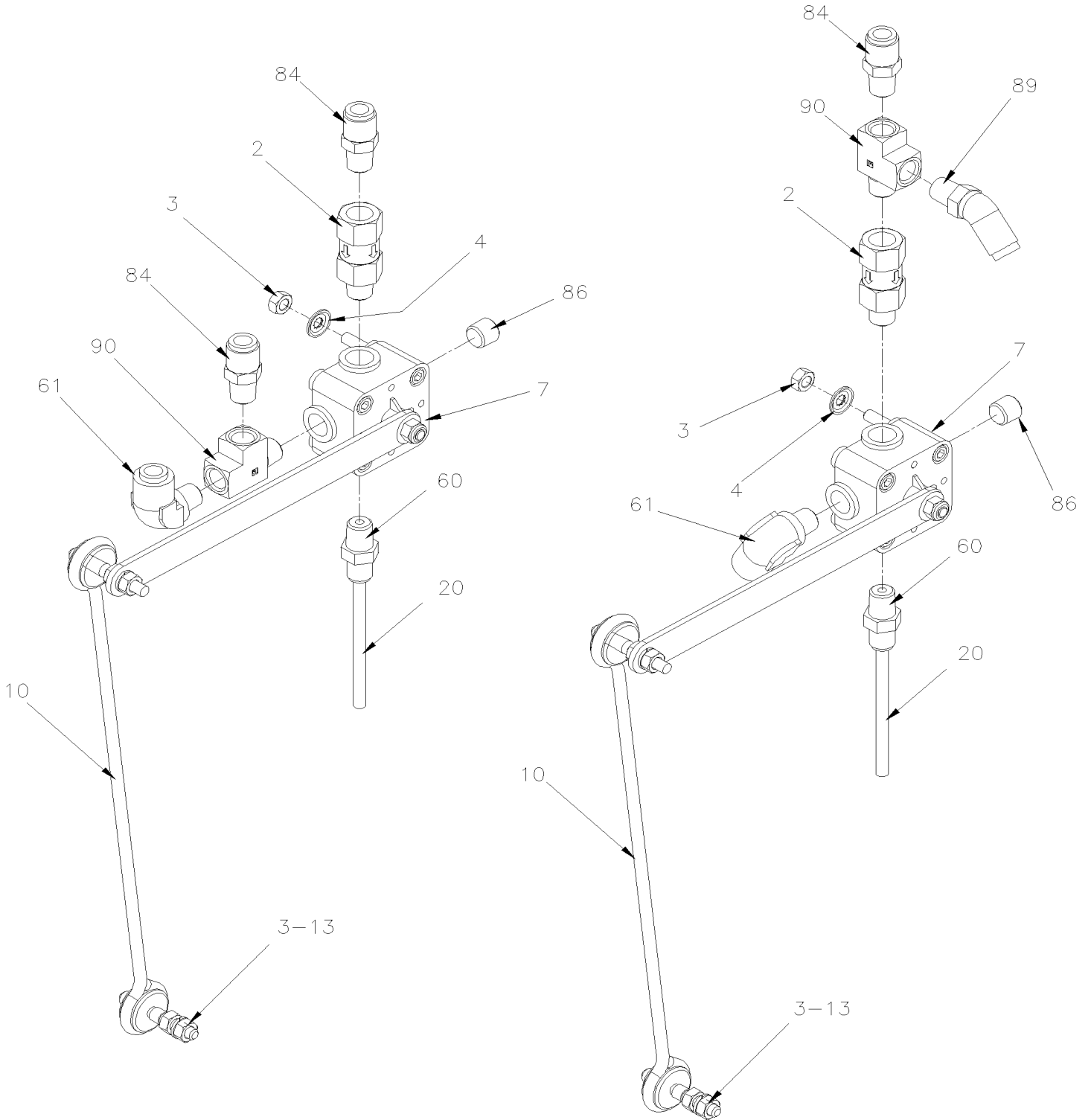


From B-5003 To D-5459

Date:10/2022

PAGE:XV-1620-50

HEIGHT CONTROL VALVE - MTH



WITHOUT "LEVEL LOW"

DETAIL "F"

WITH "LEVEL LOW"

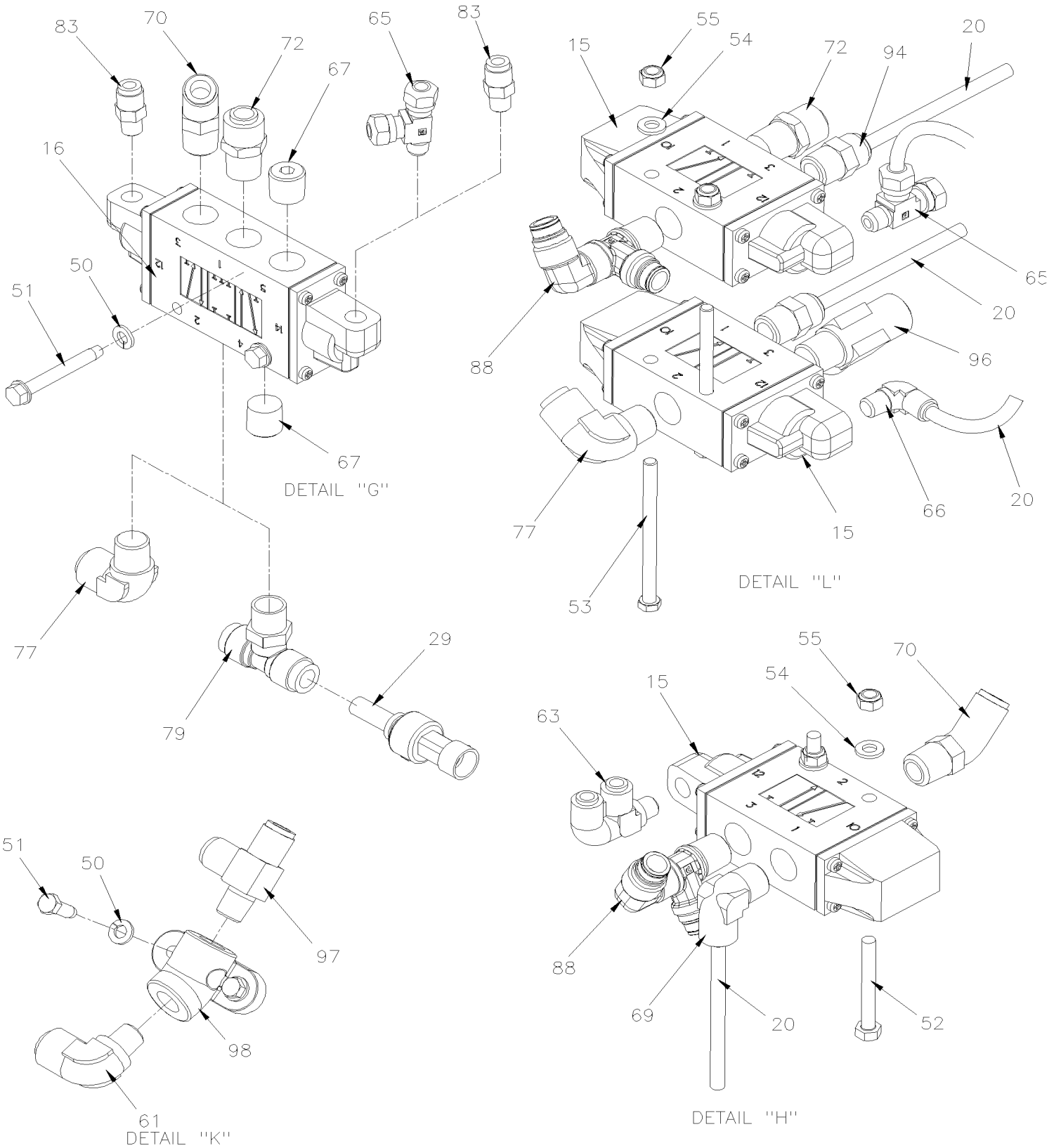


From B-5003 To D-5459

Date:10/2022

PAGE:XV-1620-50

HEIGHT CONTROL VALVE - MTH





| | | |
|------------------------------|---------------------|------------------------|
| From B-5003 To D-5459 | Date:10/2022 | PAGE:XV-1620-50 |
|------------------------------|---------------------|------------------------|

HEIGHT CONTROL VALVE - MTH

| Item# | Part | Description | X 3 V I P | X L I E N T 4 5 | N O T E S |
|-------|----------|---|-----------------------|--------------------------------------|-----------------------|
| 2 | 640135 | VALVE, CHECK 1/4 NPT | 1 | 1 | |
| 3 | 500769 | NUT HEX 1/4-20 Z050 | 2 | 2 | |
| 4 | 502582 | WASHER LO SERR 6.1x16.2x0.9 Z050 | 2 | 2 | |
| 7 | 630156 | VALVE, HEIGHT CONTROL "BARKSDALE" | 2 | 2 | |
| 8 | 630237 | VALVE, HEIGHT CONTROL "BARKSDALE" / FRONT | 1 | 1 | |
| 10 | 630229 | LINK ASSY 344MM C/C 13 1/2" | 2 | 2 | |
| . A | N8889244 | . GROMMET / LINK | 2 | 2 | |
| . C | 630250 | . STUD RETAINER 1/4-20 X 1" | 2 | 2 | |
| . NS | 500769 | . NUT HEX 1/4-20 Z050 | 4 | 4 | |
| . NS | 500473 | . WASHER LO SPT .262x.489x.062 Z050 | 4 | 4 | |
| 12 | 630231 | LINK ASSY 185MM C/C 7 1/4" | 1 | 1 | |
| . A | N8889244 | . GROMMET / LINK | 2 | 2 | |
| . B | 630250 | . STUD RETAINER 1/4-20 X 1" | 2 | 2 | |
| . C | 500247 | . NUT HEX 1/4-20 N500 | 4 | 4 | |
| . D | 500473 | . WASHER LO SPT .262x.489x.062 Z050 | 4 | 4 | |
| 13 | 630250 | STUD RETAINER 1/4-20 X 1" | 2 | 2 | |
| 15 | 641274 | VALVE, 3 WAYS, 2 POSITIONS N.C. | 2 | 2 | |
| 16 | 641531 | VALVE, 5 WAYS, 3 POSITIONS | 2 | 2 | |
| . NS | 641186 | . SPOOL | 1 | 1 | |
| 20 | 503402 | TUBE, NYLON 1/4 O.D. / BLACK S.L. | AR | AR | |
| 21 | 503517 | TUBE, NYLON 1/2 O.D. / BLUE S.L. | AR | AR | |
| NS | 507664 | CABLE TIE / 3/16" 11" / DOUBLE LOOP HEAD | AR | AR | |
| 23 | 501528 | STREET ELBOW 45° / PIPE FITTING / 1/2NPT-Mx1/2NPT-F BR From C-5133 | 2 | 2 | |
| 24 | 642153 | HOSE ASSY / #8 22" From C-5133 | 2 | 2 | |
| 25 | 501616 | MALE CONNECTOR / SAE 45° FITTING / #8FL-Mx1/2NPT-M BR From C-5133 | 2 | 2 | |
| 26 | 501796 | BULKHEAD COUPLING / PIPE FITTING / 1/2NPT-Fx1/2NPT-Fx1 1/2 BR From C-5133 | 2 | 2 | |
| 27 | 641383 | MALE CONNECTOR / PUSH-IN FITTING / #8x1/2NPT-M BR From C-5133 | 2 | 2 | |
| 29 | 642075 | TRANSDUCER PRESSURE | 1 | 1 | |
| . NS | 563159 | . CONNECTOR / METRI-PACK 150 / SH 3C / PED 12065287 | 1 | 1 | |
| 32 | 131468 | SUPPORT HEIGHT CONTROL VALVE | 1 | 1 | |
| 33 | 131319 | SUPPORT VALVE | 2 | 2 | |
| 36 | 110679 | ACTUATOR LEVER | 1 | 1 | |
| 37 | 504635 | U-BOLT 1 3/4" I.D. x 2 3/4" x 5/16-18 | 1 | 1 | |
| 38 | 500942 | WASHER LO SPT 8.1x14.8x2.0 N500 | 2 | 2 | |
| 39 | 500778 | NUT HEX 5/16-18 N500 | 2 | 2 | |
| 40 | 502656 | SCREW CAP HEX M6-1.0x50 SS | 4 | 4 | |
| 41 | 502570 | WASHER LO SPT 6.1x11.8x1.6 SS | 8 | 8 | |
| 42 | 502565 | NUT HEX M6-1.0 SS | 8 | 8 | |
| 44 | 500600 | SCREW TC CAP HEXW 1/4-20x2 N500 | AR | AR | |
| 45 | 5001749 | WASHER LO SPT 6.5x11.5x1.6 N500 | AR | AR | |
| 46 | 502622 | SCREW CAP HEX M6-1.0x20 SS BK | 4 | 4 | |
| 50 | 500473 | WASHER LO SPT .262x.489x.062 Z050 | AR | AR | |



From B-5003 To D-5459 Date:10/2022 PAGE:XV-1620-50

HEIGHT CONTROL VALVE - MTH

| Item# | Part | Description | X 3 V I P | X L I E N T 4 5 | N O T E S |
|-------|-------------------|---|-----------------------|--------------------------------------|-----------------------|
| 50 | 500440 | WASHER FL .250x.562x.065 Z050 | AR | AR | |
| 51 | 500923 | SCREW TC CAP HEX 1/4-20x3/4 Z050 | AR | AR | |
| 51 | 500625 | SCREW TC CAP HEXW 1/4-20x2 Z050 | AR | AR | |
| 52 | 502656 | SCREW CAP HEX M6-1.0x50 SS | 2 | 2 | |
| 53 | 5001682 | SCREW CAP HEX M6-1.0x80 SS | 2 | 2 | |
| 54 | 502573 | WASHER FL 6.4x12.5x1.6 SS | 4 | 4 | |
| 55 | 502681 | NUT HEX NYRT M6-1.0 N500 G8 | 4 | 4 | |
| | | | | | |
| 60 | 641332 | MALE CONNECTOR / PUSH-IN FITTING / #4x1/4NPT-M BR | 1 | 1 | |
| 61 | 641372 | MALE ELBOW 90° NON-SWIVEL / PUSH-IN FITTING / #6x1/4NPT-M BR | 1 | 1 | |
| 62 | 641373 | MALE ELBOW 90° NON-SWIVEL / PUSH-IN FITTING / #8x1/4NPT-M BR | 2 | 2 | |
| 63 | 642127 | MALE ELBOW 90° SWIVEL DUAL PORT / PUSH-IN / #4x#4x1/8NPT-M BR | 1 | 1 | |
| 64 | 641040 | MALE ELBOW 90° / NTA FITTING / #8x3/8NPT-M BR | 2 | 2 | |
| 65 | 641002 | MALE RUN TEE / NTA FITTING / #4x#4x1/8NPT-M BR | 1 | 1 | |
| 66 | 641369 | MALE ELBOW 90° NON-SWIVEL / PUSH-IN FITTING / #4x1/8NPT-M BR | 2 | 2 | |
| 67 | 501449 | PLUG HEXS / PIPE FITTING / 3/8NPT-M STL | 2 | 2 | |
| 68 | 501309 | ADAPTER / PIPE FITTING / 3/8NPT-Fx3/8NPT-M BR | 1 | 1 | |
| 69 | 641374 | MALE ELBOW 90° NON-SWIVEL / PUSH-IN FITTING / #4x3/8NPT-M BR | 1 | 1 | |
| 70 | 641367 | MALE ELBOW 45° NON-SWIVEL / PUSH-IN FITTING / #6x3/8NPT-M BR | 2 | 2 | |
| 71 | 501699 | MALE RUN TEE / PIPE FITTING / 3/8NPT-Mx3/8NPT-Fx3/8NPT-F BR | 1 | 1 | |
| 72 | 641330 | MALE CONNECTOR / PUSH-IN FITTING / #6x3/8NPT-M BR | 3 | 3 | |
| 77 | 641375 | MALE ELBOW 90° NON-SWIVEL / PUSH-IN FITTING / #6x3/8NPT-M BR | 1 | 1 | |
| 79 | 642090 | MALE BRANCH TEE / PUSH-IN FITTING / #6x#6x1/4NPT-M COMPOSITE | 1 | 1 | |
| 83 | 641242 | MALE CONNECTOR / PUSH-IN FITTING / #4x1/8NPT-M BR | 1 | 1 | |
| 84 | 641331 | MALE CONNECTOR / PUSH-IN FITTING / #6x1/4NPT-M BR | 1 | 1 | |
| 86 | 501800 | PLUG HEXS / PIPE FITTING / 1/4NPT-M STL | 2 | 2 | |
| 88 | 642128 | MALE ELBOW 90° SWIVEL DUAL PORT / PUSH-IN / #6x#6x3/8NPT-M BR | 1 | 1 | |
| 90 | 501338 | MALE RUN TEE / PIPE FITTING / 1/4NPT-Mx1/4NPT-Fx1/4NPT-F BR | 1 | 1 | |
| 92 | 501800 | PLUG HEXS / PIPE FITTING / 1/4NPT-M STL | 1 | 1 | |
| 94 | 641347 | MALE CONNECTOR / PUSH-IN FITTING / #4x3/8NPT-M BR | 1 | 1 | |
| 96 | 641388 | MALE RUN TEE NON-SWIVEL / PUSH-IN FITTING / #6x#6x3/8NPT-M BR | 1 | 1 | |
| 97 | 641389 | MALE RUN TEE SWIVEL / PUSH-IN FITTING / #6x#6x1/4NPT-M BR | 1 | 1 | |
| 98 | 640643 | ANCHOR ELBOW / PIPE FITTING / 1/4NPT-Fx1/4NPT-F STL | 1 | 1 | |
| 99 | 641008 | MALE BRANCH TEE / NTA FITTING / #6x#6x3/8NPT-M BR | 1 | 1 | |
| 102 | 501653 | MALE RUN TEE / PIPE FITTING / 1/8NPT-Mx1/8NPT-Fx1/8NPT-F BR | 1 | 1 | |
| 112 | XV-1601-00 | BELLOWS - AIR SUSPENSION | | | |
| 113 | XV-1640-50 | LEVEL-LOW - CONTROL PANEL & VALVES | | | |
| 115 | XV-1615-10 | TAG AXLE - LIFTING | | | |
| 116 | MI07-06 | SEE MAINTENANCE INFORMATION | | | |
| | | | | | |
| | | | | | |
| | | | | | |
| | | | | | |



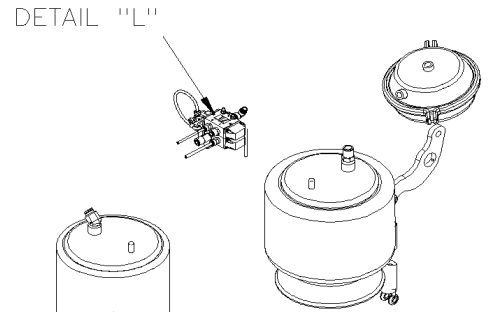
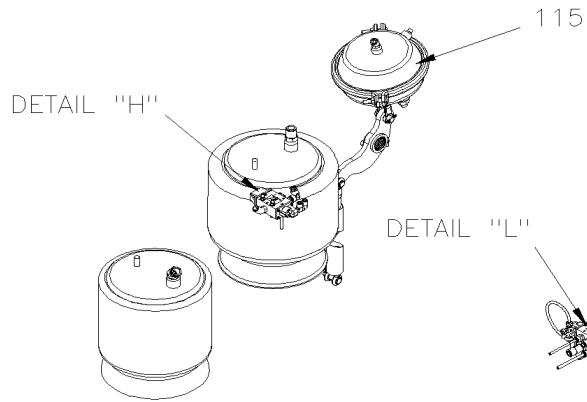
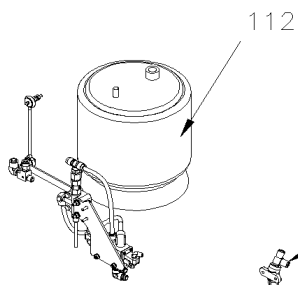
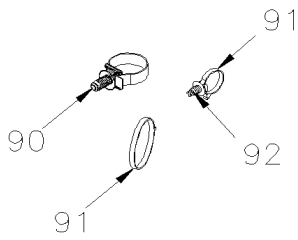
From D-5460 To D-5489

Date:10/2022

PAGE:XV-1620-51

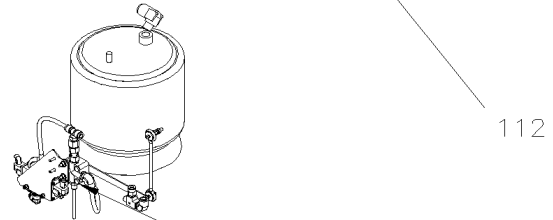
HEIGHT CONTROL VALVE - MTH

REAR AND TAG AXLE

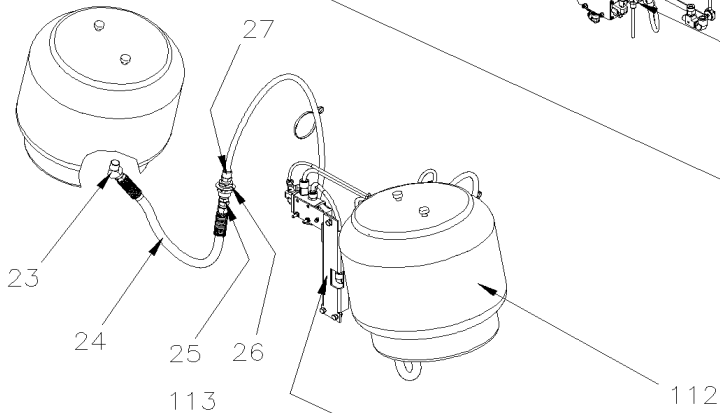


DETAIL "K"

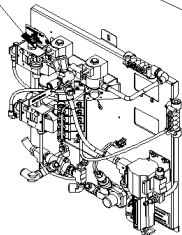
DETAIL "F"



DETAIL "F"



DETAIL "A"



INDEPENDANT SUSPENSION

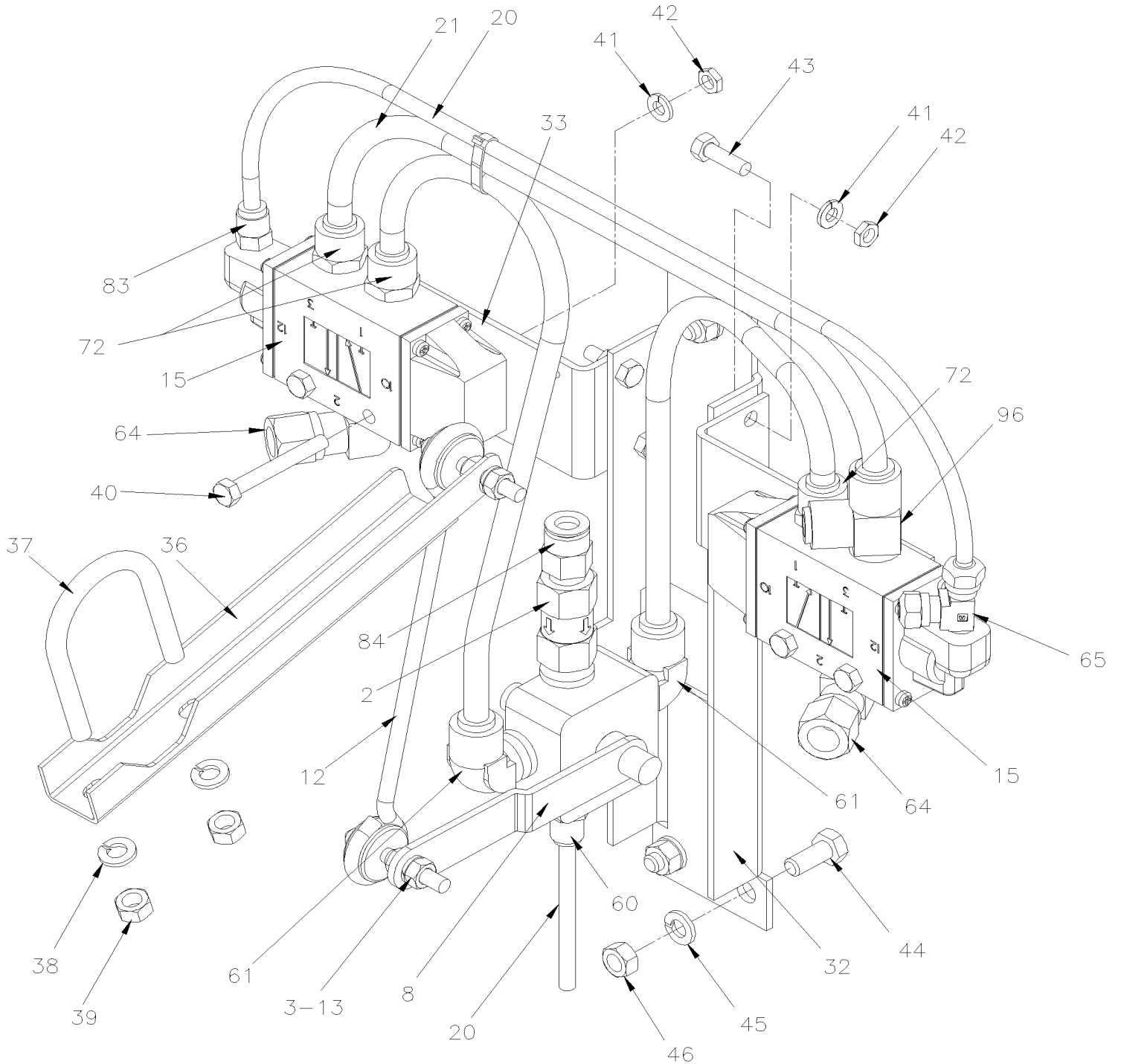


From D-5460 To D-5489

Date:10/2022

PAGE:XV-1620-51

HEIGHT CONTROL VALVE - MTH



DETAIL "A"

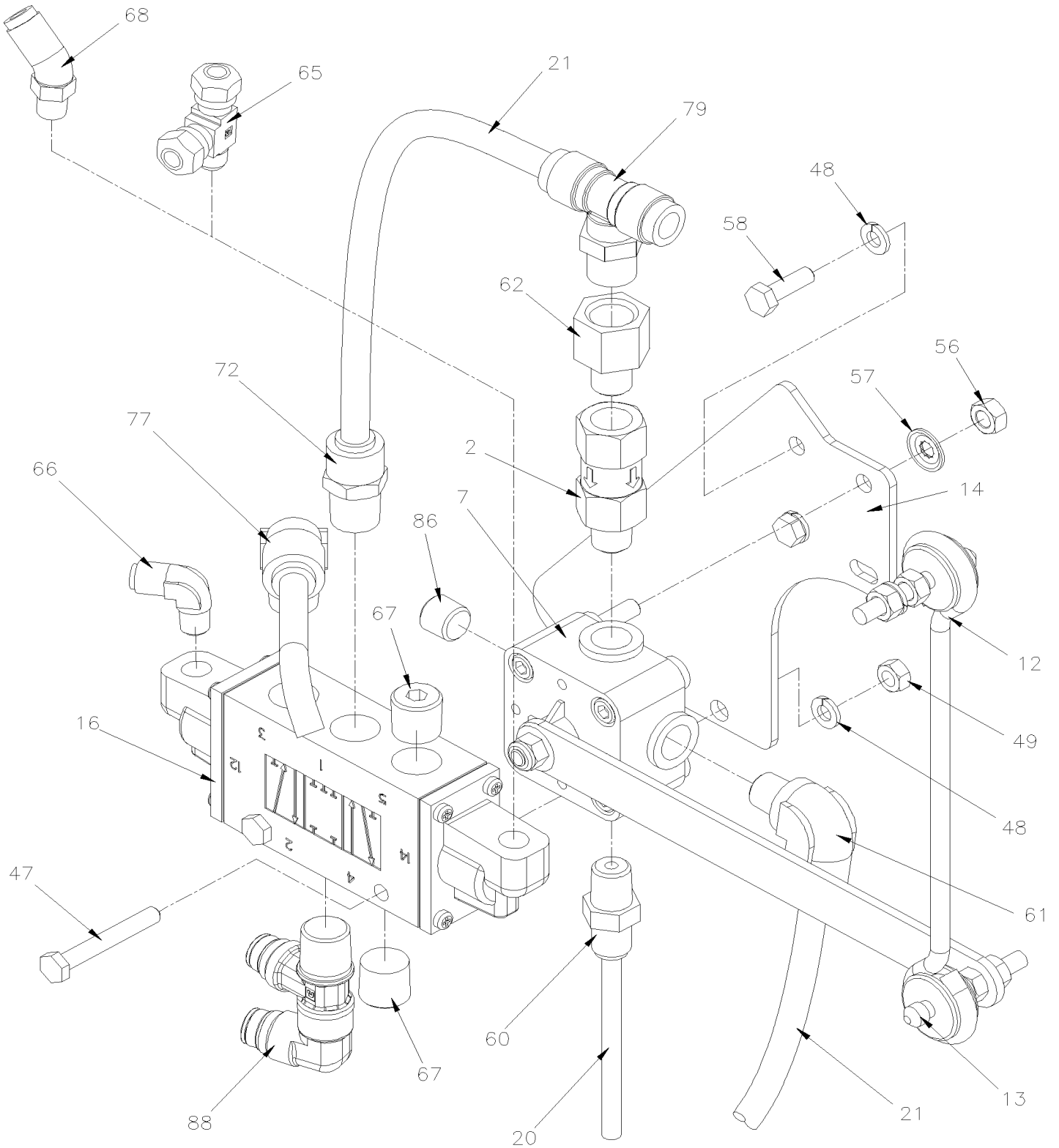


From D-5460 To D-5489

Date:10/2022

PAGE:XV-1620-51

HEIGHT CONTROL VALVE - MTH



DETAIL "F"

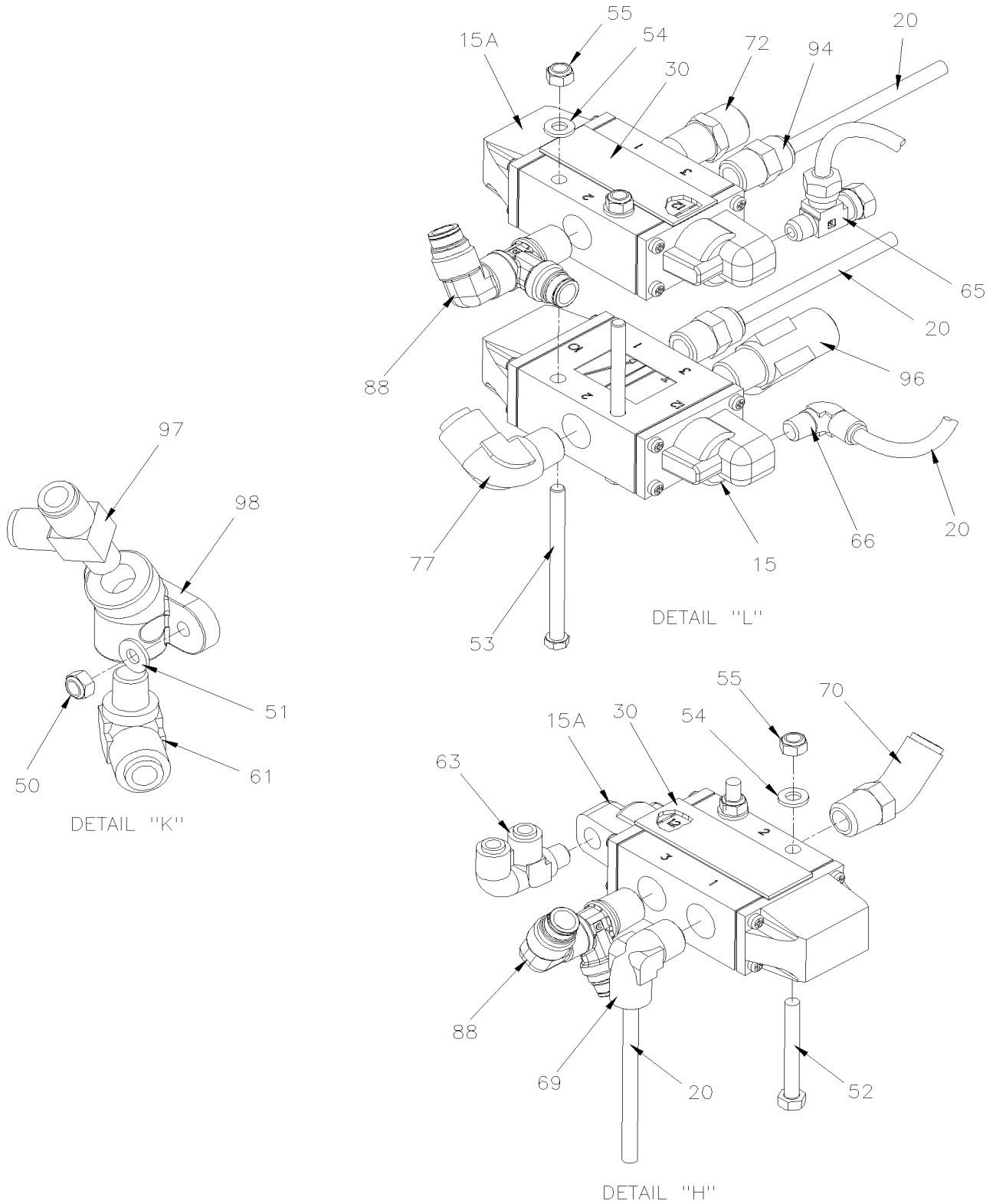


From D-5460 To D-5489

Date:10/2022

PAGE:XV-1620-51

HEIGHT CONTROL VALVE - MTH





| | | |
|-----------------------|--------------|-----------------|
| From D-5460 To D-5489 | Date:10/2022 | PAGE:XV-1620-51 |
|-----------------------|--------------|-----------------|

HEIGHT CONTROL VALVE - MTH

| Item# | Part | Description | X 3 V I P | X L I I E N T 4 5 | N O T E S |
|-------|----------|---|-----------------------|---|-----------------------|
| 2 | 640135 | VALVE, CHECK 1/4 NPT | 1 | 1 | |
| 3 | 500769 | NUT HEX 1/4-20 Z050 | 2 | 2 | |
| 7 | 630156 | VALVE, HEIGHT CONTROL "BARKSDALE" | 2 | 2 | |
| 8 | 630237 | VALVE, HEIGHT CONTROL "BARKSDALE" / FRONT | 1 | 1 | |
| 8 | 500247 | NUT HEX 1/4-20 N500 | 2 | 2 | |
| 8 | 500473 | WASHER LO SPT .262x.489x.062 Z050 | 2 | 2 | |
| 12 | 630231 | LINK ASSY 185MM C/C 7 1/4" | 1 | 1 | |
| . A | N8889244 | . GROMMET / LINK | 2 | 2 | |
| . B | 630250 | . STUD RETAINER 1/4-20 X 1" | 2 | 2 | |
| . C | 500247 | . NUT HEX 1/4-20 N500 | 4 | 4 | |
| . D | 500473 | . WASHER LO SPT .262x.489x.062 Z050 | 4 | 4 | |
| 13 | 630250 | STUD RETAINER 1/4-20 X 1" | 2 | 2 | |
| 14 | 131980 | SUPPORT VALVE | 1 | 1 | |
| 15 | 641274 | VALVE, 3 WAYS, 2 POSITIONS N.C. | 2 | 2 | A |
| 15A | 130009 | VALVE, 3 WAYS, 2 POSITIONS N.C. WITH VENT PROTECTOR | 2 | 2 | |
| . NS | 641274 | . VALVE, 3 WAYS, 2 POSITIONS N.C. | 1 | 1 | |
| . NS | 640004 | . VENT PROTECTOR | 1 | 1 | |
| 16 | 641531 | VALVE, 5 WAYS, 3 POSITIONS | 2 | 2 | |
| . NS | 641186 | . SPOOL | 1 | 1 | |
| 20 | 503402 | TUBE, NYLON 1/4 O.D. / BLACK S.L. | AR | AR | |
| 21 | 503471 | TUBE, NYLON 3/8 O.D. / BLUE S.L. | AR | AR | |
| 23 | 501528 | STREET ELBOW 45° / PIPE FITTING / 1/2NPT-Mx1/2NPT-F BR | 2 | 2 | |
| 24 | 642153 | HOSE ASSY / #8 22" | 2 | 2 | |
| 25 | 501616 | MALE CONNECTOR / SAE 45° FITTING / #8FL-Mx1/2NPT-M BR | 2 | 2 | |
| 26 | 501796 | BULKHEAD COUPLING / PIPE FITTING / 1/2NPT-Fx1/2NPT-Fx1 1/2 BR | 2 | 2 | |
| 27 | 641383 | MALE CONNECTOR / PUSH-IN FITTING / #8x1/2NPT-M BR | 2 | 2 | |
| 30 | 640004 | VENT PROTECTOR | 2 | 2 | |
| 32 | 131468 | SUPPORT HEIGHT CONTROL VALVE | 1 | 1 | |
| 33 | 131319 | SUPPORT VALVE | 2 | 2 | |
| 36 | 110679 | ACTUATOR LEVER | 1 | 1 | |
| 37 | 504635 | U-BOLT 1 3/4" I.D. x 2 3/4" x 5/16-18 | 1 | 1 | |
| 38 | 500942 | WASHER LO SPT 8.1x14.8x2.0 N500 | 2 | 2 | |
| 39 | 500778 | NUT HEX 5/16-18 N500 | 2 | 2 | |
| 40 | 502656 | SCREW CAP HEX M6-1.0x50 SS | 4 | 4 | |
| 41 | 502570 | WASHER LO SPT 6.1x11.8x1.6 SS | 8 | 8 | |
| 42 | 502565 | NUT HEX M6-1.0 SS | 8 | 8 | |
| 43 | 502622 | SCREW CAP HEX M6-1.0x20 SS BK | 4 | 4 | |
| 44 | 500836 | SCREW CAP HEX 5/16-18x3/4 G5 N500 | 3 | 3 | |
| 45 | 500942 | WASHER LO SPT 8.1x14.8x2.0 N500 | 3 | 3 | |
| 46 | 500778 | NUT HEX 5/16-18 N500 | 3 | 3 | |
| 47 | 502843 | SCREW CAP HEX M6-1.0x45 G8.8 N500 | 4 | 4 | |
| 48 | 502853 | WASHER LO SPT 6.1x11.8x1.6 N500 | 4 | 4 | |



HEIGHT CONTROL VALVE - MTH

| Item# | Part | Description | X 3 V I P | X L I I E N T 4 5 | N O T E S |
|-------|-------------------|---|-----------------------|---|-----------------------|
| 49 | 502860 | NUT HEX STO M6-1.0 N500 | 4 | 4 | |
| 50 | 502681 | NUT HEX NYRT M6-1.0 N500 G8 | 2 | 2 | |
| 51 | 500877 | WASHER FL .250x.562x.065 N500 | 2 | 2 | |
| 52 | 502656 | SCREW CAP HEX M6-1.0x50 SS | 2 | 2 | |
| 53 | 5001682 | SCREW CAP HEX M6-1.0x80 SS | 2 | 2 | |
| 54 | 502573 | WASHER FL 6.4x12.5x1.6 SS | 4 | 4 | |
| 55 | 502681 | NUT HEX NYRT M6-1.0 N500 G8 | 4 | 4 | |
| 56 | 500247 | NUT HEX 1/4-20 N500 | 2 | 2 | |
| 57 | 502582 | WASHER LO SERR 6.1x16.2x0.9 Z050 | 2 | 2 | |
| 58 | 502830 | SCREW CAP HEX M6-1.0x20 G8.8 N500 | 2 | 2 | |
| 60 | 641332 | MALE CONNECTOR / PUSH-IN FITTING / #4x1/4NPT-M BR | 1 | 1 | |
| 61 | 641372 | MALE ELBOW 90° NON-SWIVEL / PUSH-IN FITTING / #6x1/4NPT-M BR | 1 | 1 | |
| 62 | 501311 | ADAPTER / PIPE FITTING / 3/8NPT-Fx1/4NPT-M BR | 2 | 2 | |
| 63 | 642127 | MALE ELBOW 90° SWIVEL DUAL PORT / PUSH-IN / #4x#4x1/8NPT-M BR | 1 | 1 | |
| 64 | 641040 | MALE ELBOW 90° / NTA FITTING / #8x3/8NPT-M BR | 2 | 2 | |
| 65 | 641002 | MALE RUN TEE / NTA FITTING / #4x#4x1/8NPT-M BR | 1 | 1 | |
| 66 | 641369 | MALE ELBOW 90° NON-SWIVEL / PUSH-IN FITTING / #4x1/8NPT-M BR | 2 | 2 | |
| 67 | 501449 | PLUG HEXS / PIPE FITTING / 3/8NPT-M STL | 2 | 2 | |
| 68 | 641365 | MALE ELBOW 45° NON-SWIVEL / PUSH-IN FITTING / #4x1/8NPT-M BR | 1 | 1 | |
| 69 | 641374 | MALE ELBOW 90° NON-SWIVEL / PUSH-IN FITTING / #4x3/8NPT-M BR | 1 | 1 | |
| 70 | 641367 | MALE ELBOW 45° NON-SWIVEL / PUSH-IN FITTING / #6x3/8NPT-M BR | 2 | 2 | |
| 72 | 641330 | MALE CONNECTOR / PUSH-IN FITTING / #6x3/8NPT-M BR | 3 | 3 | |
| 77 | 641375 | MALE ELBOW 90° NON-SWIVEL / PUSH-IN FITTING / #6x3/8NPT-M BR | 1 | 1 | |
| 79 | 642090 | MALE BRANCH TEE / PUSH-IN FITTING / #6x#6x1/4NPT-M COMPOSITE | 1 | 1 | |
| 83 | 641242 | MALE CONNECTOR / PUSH-IN FITTING / #4x1/8NPT-M BR | 1 | 1 | |
| 84 | 641331 | MALE CONNECTOR / PUSH-IN FITTING / #6x1/4NPT-M BR | 1 | 1 | |
| 86 | 501800 | PLUG HEXS / PIPE FITTING / 1/4NPT-M STL | 2 | 2 | |
| 88 | 642128 | MALE ELBOW 90° SWIVEL DUAL PORT / PUSH-IN / #6x#6x3/8NPT-M BR | 1 | 1 | |
| 90 | 504750 | CABLE TIE / 1/2" x 15" / CHRISTMAS TREE | AR | AR | |
| 91 | 504637 | CABLE TIE / 3/16" x 13" | AR | AR | |
| 92 | 509815 | TIE MOUNT / ATTACHMENT W/TREE MOUNT | AR | AR | |
| 94 | 641347 | MALE CONNECTOR / PUSH-IN FITTING / #4x3/8NPT-M BR | 1 | 1 | |
| 96 | 641388 | MALE RUN TEE NON-SWIVEL / PUSH-IN FITTING / #6x#6x3/8NPT-M BR | 1 | 1 | |
| 97 | 641389 | MALE RUN TEE SWIVEL / PUSH-IN FITTING / #6x#6x1/4NPT-M BR | 1 | 1 | |
| 98 | 640643 | ANCHOR ELBOW / PIPE FITTING / 1/4NPT-Fx1/4NPT-F STL | 1 | 1 | |
| 112 | XV-1601-00 | BELLOWS - AIR SUSPENSION | | | |
| 113 | XV-1640-50 | LEVEL-LOW - CONTROL PANEL & VALVES | | | |
| 115 | XV-1615-10 | TAG AXLE - LIFTING | | | |
| | | | | | |
| | | | | | |
| | | | | | |
| | | | | | |
| | | A) WHEN YOU CHANGE THE VALVE 641274 OF THE TAG AXLE, YOU MUST ORDER THE NEW VALVE 130009 TO PROTECT THE EVENT OF DUST | | | |

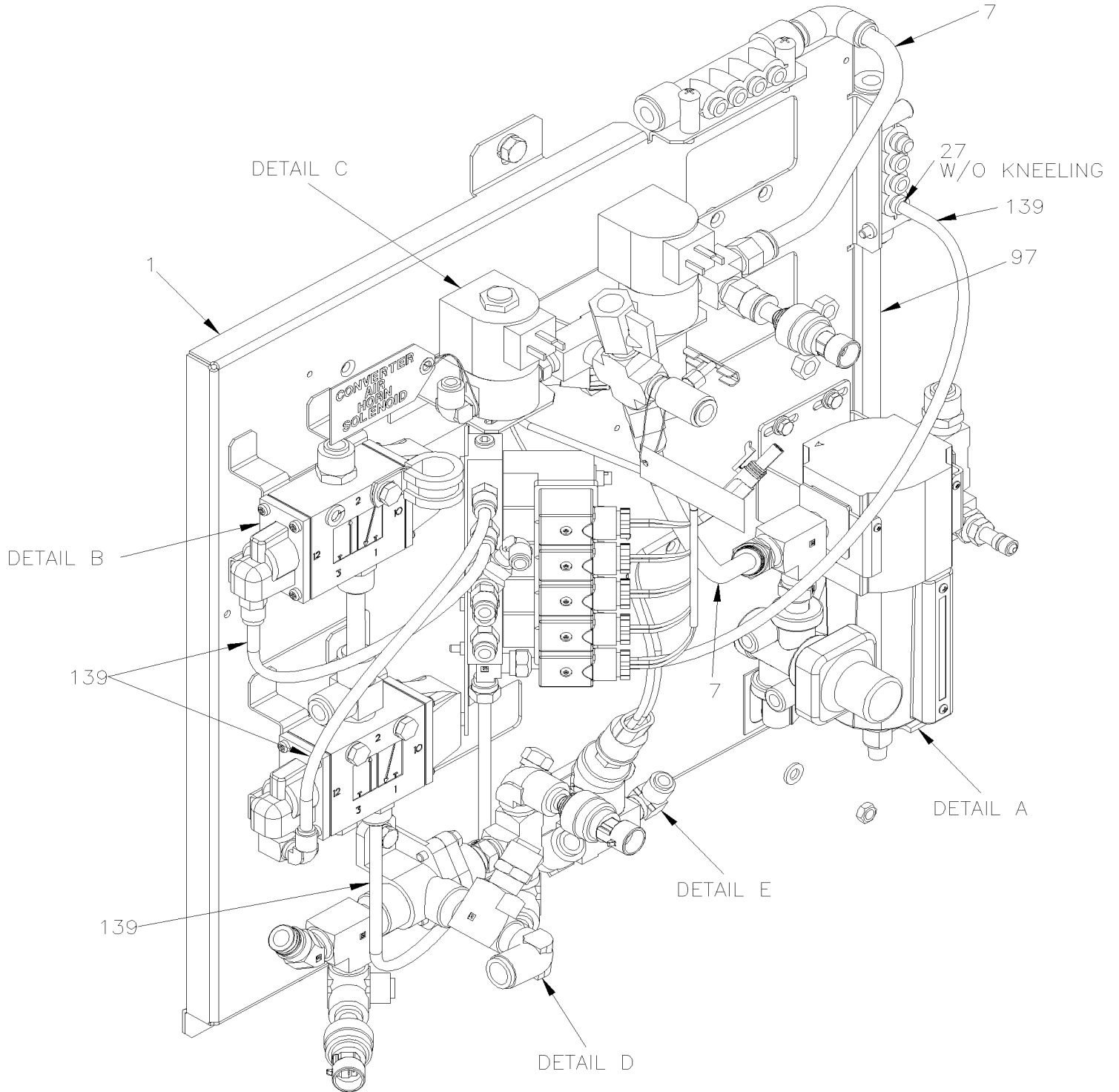


From B-5003 To D-5489

Date:10/2022

PAGE:XV-1640-50

LEVEL-LOW - CONTROL PANEL & VALVES



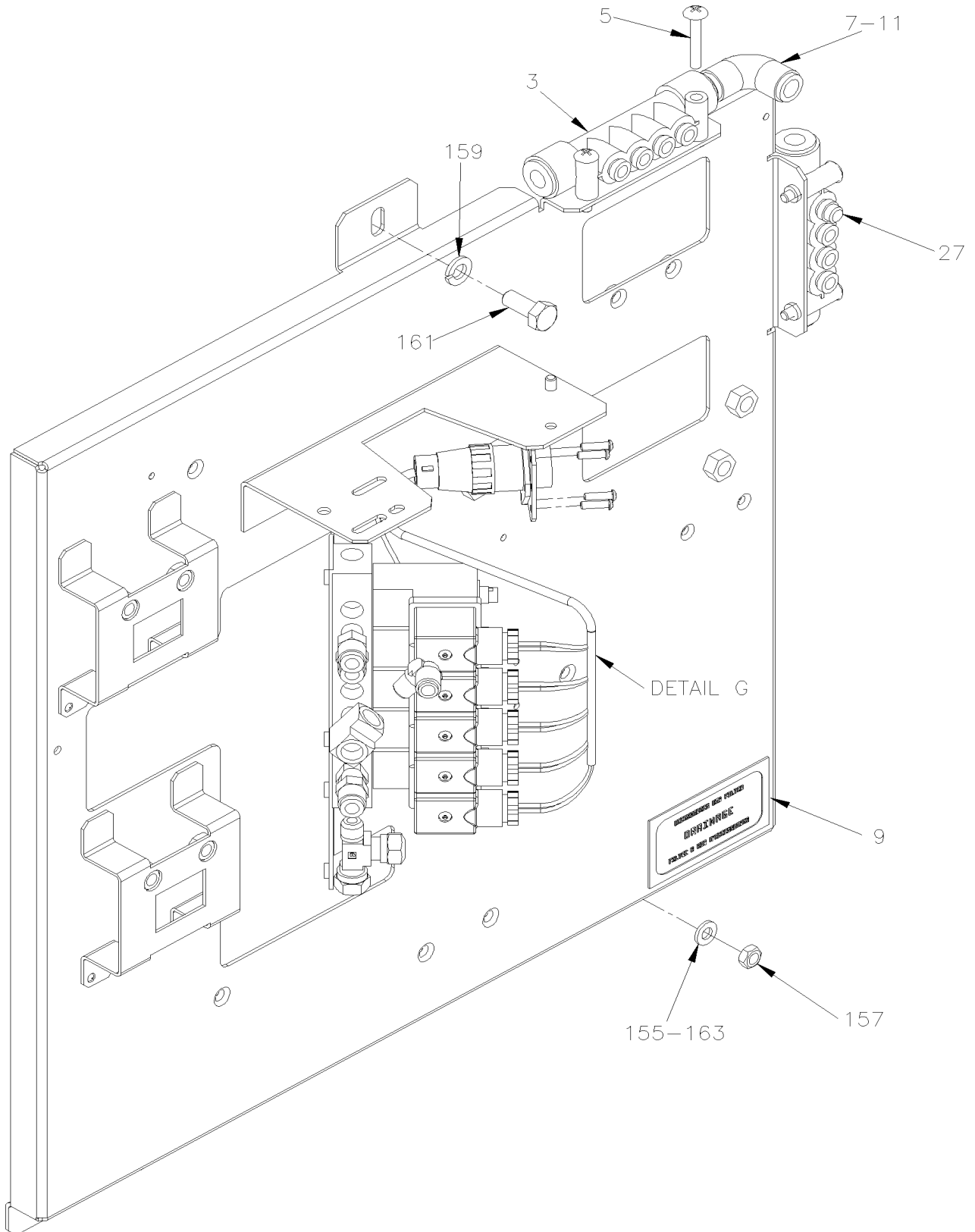


From B-5003 To D-5489

Date:10/2022

PAGE:XV-1640-50

LEVEL-LOW - CONTROL PANEL & VALVES



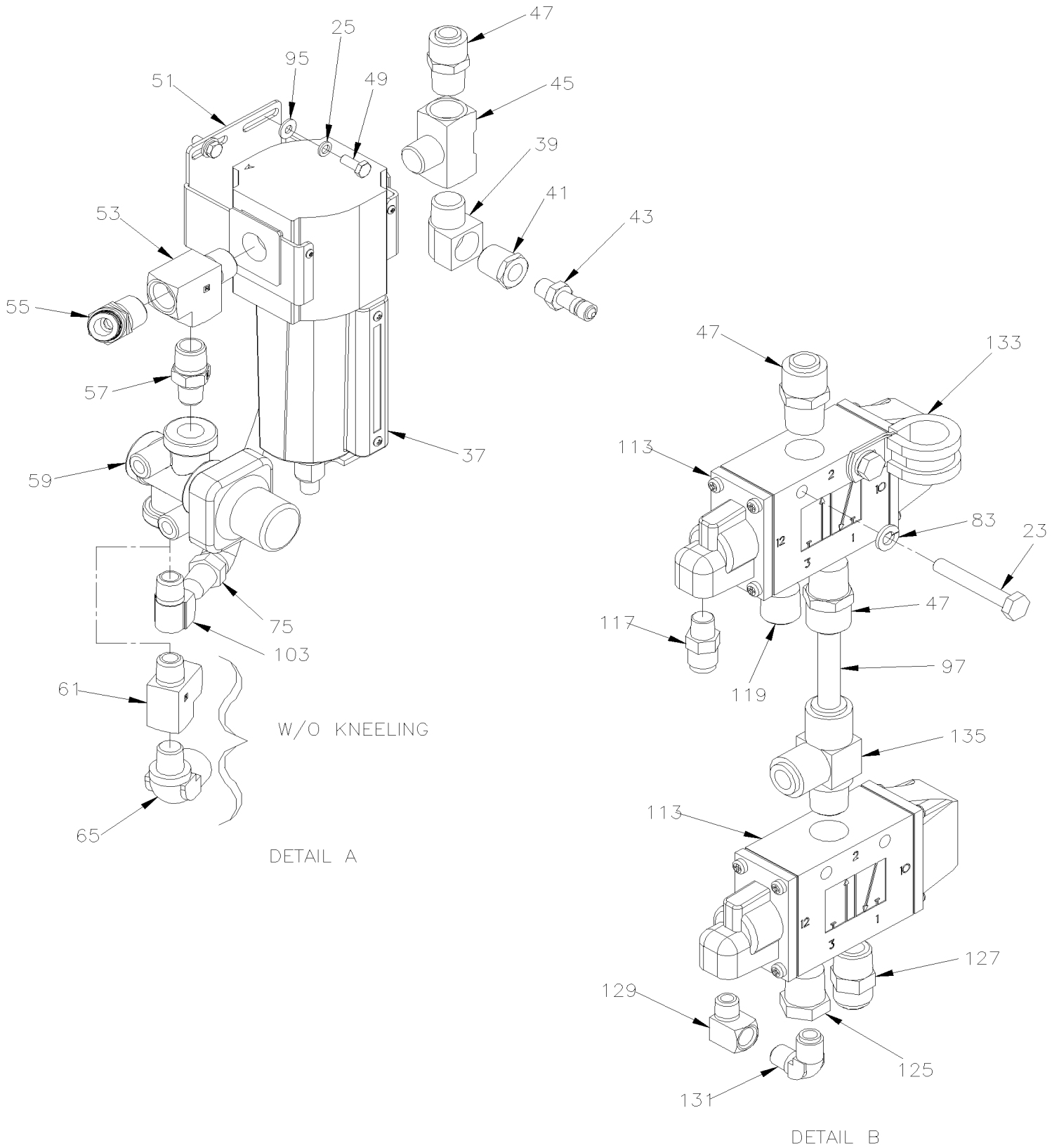


From B-5003 To D-5489

Date:10/2022

PAGE:XV-1640-50

LEVEL-LOW - CONTROL PANEL & VALVES



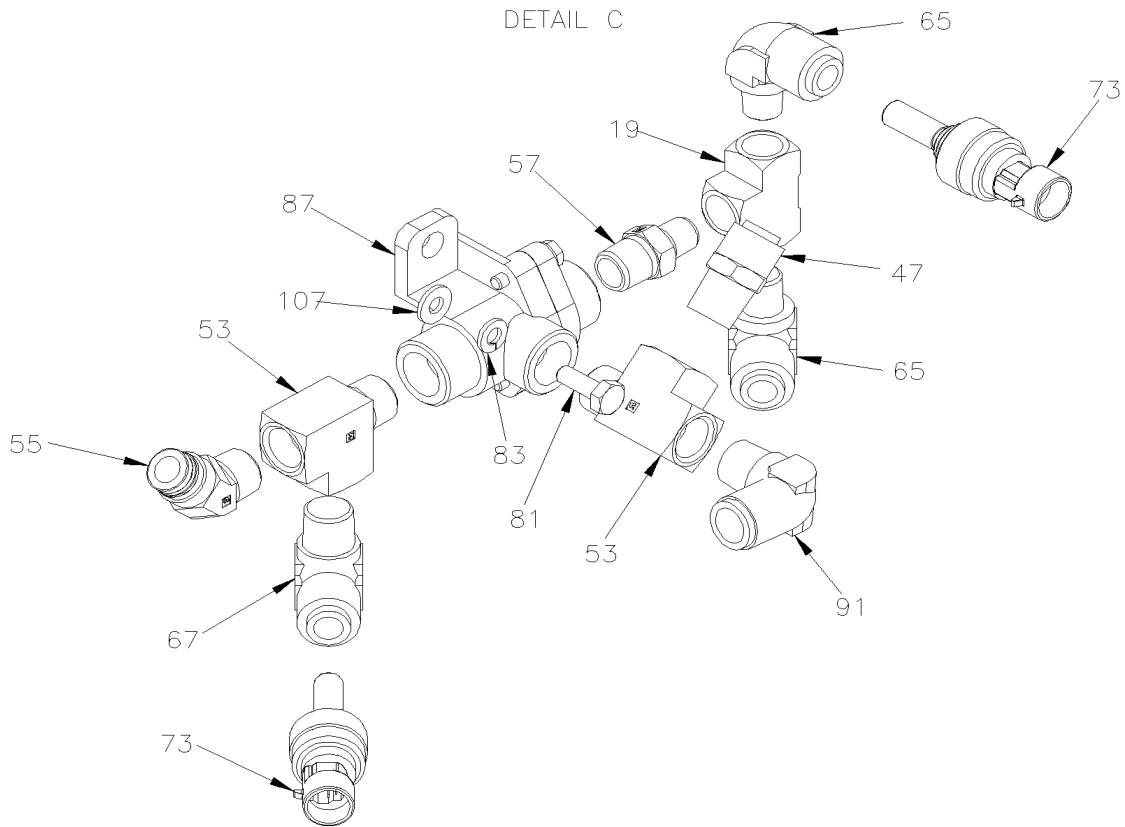
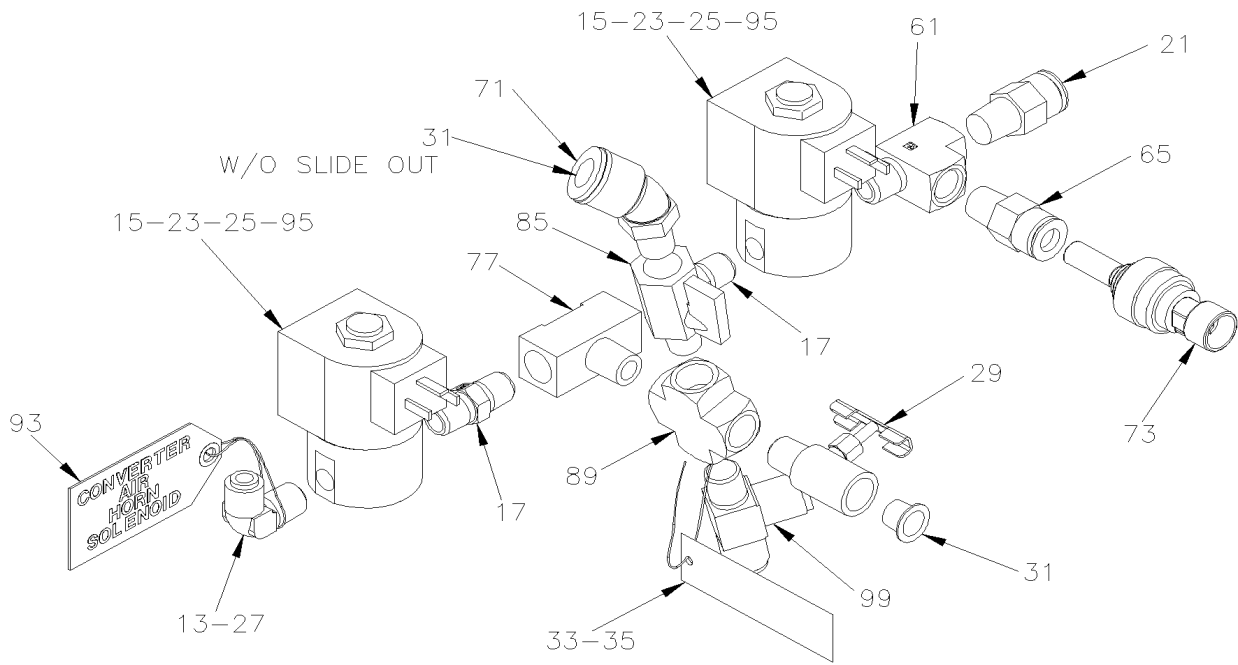


From B-5003 To D-5489

Date:10/2022

PAGE:XV-1640-50

LEVEL-LOW - CONTROL PANEL & VALVES



DETAIL D

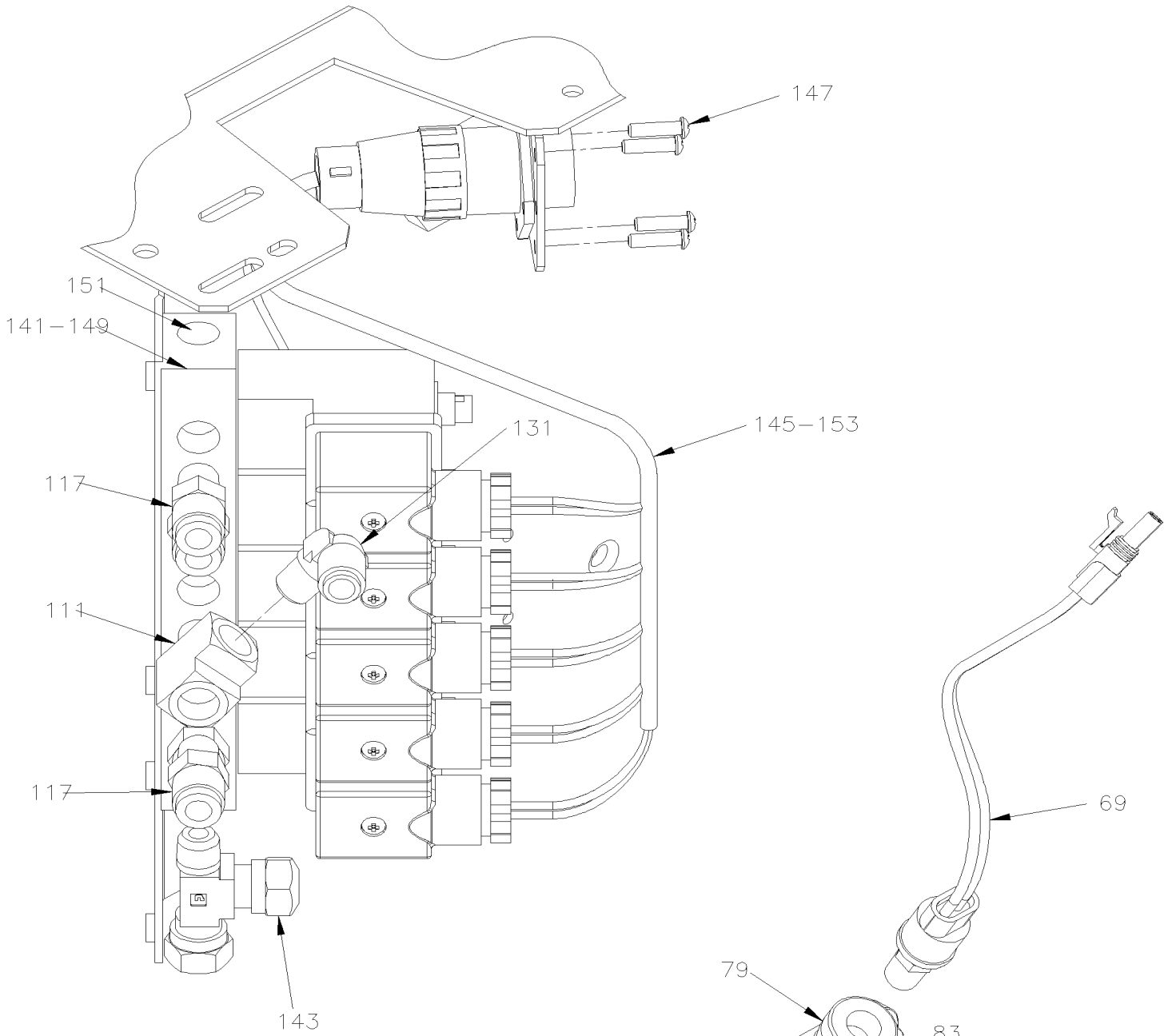


From B-5003 To D-5489

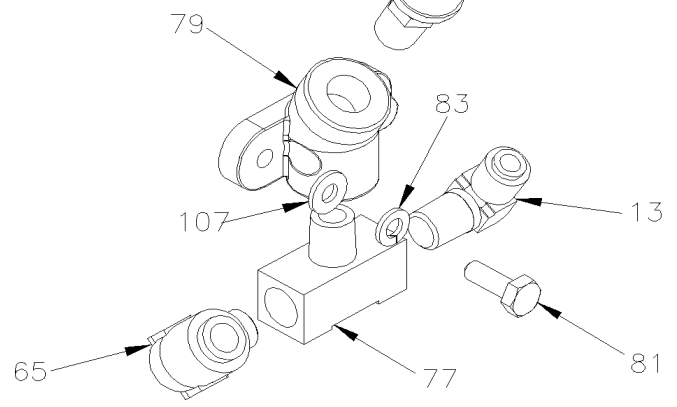
Date:10/2022

PAGE:XV-1640-50

LEVEL-LOW - CONTROL PANEL & VALVES



DETAIL G



DETAIL E



| | | |
|------------------------------|---------------------|------------------------|
| From B-5003 To D-5489 | Date:10/2022 | PAGE:XV-1640-50 |
|------------------------------|---------------------|------------------------|

LEVEL-LOW - CONTROL PANEL & VALVES

| Item# | Part | Description | X 3 V I P | X L I I E N T 4 5 | N O T E S |
|-------|-------------------|--|-----------------------|---|-----------------------|
| 1 | 142366 | VALVE SUPPORT ASSY | 1 | 1 | |
| 3 | 641897 | MANIFOLD / PUSH-IN FITTING / 2x#6 / 4x#4 PLAS | 2 | 2 | |
| 5 | 500574 | SCREW MA TR PH #10-24x1 1/4 SS | 4 | 4 | |
| 7 | 503404 | TUBE, NYLON 3/8 O.D. / BLACK S.L. | AR | AR | |
| 9 | 140227 | DECAL / ACC AIR FILTER DRAIN / ENGLISH & FRANCAIS | 1 | 1 | |
| 11 | 641436 | UNION ELBOW 90° / PUSH-IN FITTING / #6x#6 BR | 1 | 1 | |
| 13 | 641371 | MALE ELBOW 90° NON-SWIVEL / PUSH-IN FITTING / #4x1/4NPT-M BR | 2 | 2 | |
| 15 | 562804 | VALVE, 2 WAYS N.C. | 2 | 2 | |
| . NS | 562848 | . CONNECTOR / SOCKET HOUSING ASSY 3C / PNEUMAC 54933-05 | 1 | 1 | |
| 17 | 501321 | NIPPLE HEX / PIPE FITTING / 1/4NPT-Mx1/4NPT-Mx1 3/8 BR | 2 | 2 | |
| 19 | 501337 | FEMALE UNION TEE / PIPE FITTING / 1/4NPT-Fx1/4NPT-Fx1/4NPT-F BR | 1 | 1 | |
| 21 | 641331 | MALE CONNECTOR / PUSH-IN FITTING / #6x1/4NPT-M BR | 2 | 2 | |
| 23 | 502751 | SCREW CAP HEX #10-32x3/8 Z050 | 4 | 4 | |
| 25 | 500470 | WASHER LO SPT .193x.334x.047 Z050 | 6 | 6 | |
| 27 | 641416 | PLUG STEM / PUSH-IN FITTING / #4 PLAS | 3 | 3 | |
| 29 | 5011129 | NEEDLE VALVE 1/4 NPT M x 1/4 NPT F | 1 | 1 | |
| 31 | 680408 | CAP PLUG (ID 0.402, OD 0.471) | 1 | 1 | |
| 33 | 504273 | CABLE TIE / 1/8" X 3"1/2 | 1 | 1 | |
| 35 | 391812 | IDENTIFICATION PLATE (CONVERTER) | 1 | 1 | |
| 37 | XV-1220-15 | AIR FILTER - ACCESSORIES | | | |
| 39 | 501333 | STREET ELBOW 90° / PIPE FITTING / 3/8NPT-Mx3/8NPT-F BR | 1 | 1 | |
| 41 | 501313 | BUSHING REDUCER / PIPE FITTING / 3/8NTP-Mx1/8NPT-F BR | 1 | 1 | |
| 43 | 640488 | VALVE, AIR FILL 1/8" NPT | 1 | 1 | |
| . NS | 650164 | . CAP VALVE / CHROME | 1 | 1 | |
| 45 | 501737 | MALE BRANCHE TEE / PIPE FITTING / 3/8NPT-Fx3/8NPT-Fx3/8NPT-M BR | 1 | 1 | |
| 47 | 641330 | MALE CONNECTOR / PUSH-IN FITTING / #6x3/8NPT-M BR | 4 | 4 | |
| 49 | 500160 | SCREW CAP HEX #10-24x1/2 Z050 | 2 | 2 | |
| 51 | 641339 | SUPPORT / AIR FILTER | 1 | 1 | |
| 53 | 501699 | MALE RUN TEE / PIPE FITTING / 3/8NPT-Mx3/8NPT-Fx3/8NPT-F BR | 3 | 3 | |
| 55 | 641367 | MALE ELBOW 45° NON-SWIVEL / PUSH-IN FITTING / #6x3/8NPT-M BR | 2 | 2 | |
| 57 | 501749 | NIPPLE REDUCER HEX / PIPE FITTING / 3/8NPT-Mx1/4NPT-Mx1 13/32 BR | 2 | 2 | |
| 59 | 641137 | VALVE, PRESSURE PROTECTION TYPE PR-4 70PSI | 1 | 1 | |
| 61 | 501338 | MALE RUN TEE / PIPE FITTING / 1/4NPT-Mx1/4NPT-Fx1/4NPT-F BR | 2 | 2 | |
| 65 | 641372 | MALE ELBOW 90° NON-SWIVEL / PUSH-IN FITTING / #6x1/4NPT-M BR | 4 | 4 | |
| 67 | 641375 | MALE ELBOW 90° NON-SWIVEL / PUSH-IN FITTING / #6x3/8NPT-M BR | 1 | 1 | |
| 69 | 287234 | PRESSURE SWITCH N.C. 30-10 20PS001AB030E010E | 1 | 1 | |
| 71 | 642073 | MALE ELBOW 45° / PUSH-IN FITTING / #8x1/4NPT-M | 1 | 1 | |
| 73 | 20476992 | TRANSDUCER PRESSURE (0-12Bar / 0-174PSI) | 3 | 3 | |
| 75 | 641366 | MALE ELBOW 45° NON-SWIVEL / PUSH-IN FITTING / #6x1/4NPT-M BR | 1 | 1 | |
| 77 | 501894 | MALE BRANCHE TEE / PIPE FITTING / 1/4NPT-Fx1/4NPT-Fx1/4NPT-M BR | 2 | 2 | |
| 79 | 640643 | ANCHOR ELBOW / PIPE FITTING / 1/4NPT-Fx1/4NPT-F STL | 1 | 1 | |
| 81 | 5001746 | SCREW CAP HEX 1/4-20x3/4 G5 N500 | 3 | 3 | |



From B-5003 To D-5489 Date:10/2022 PAGE:XV-1640-50

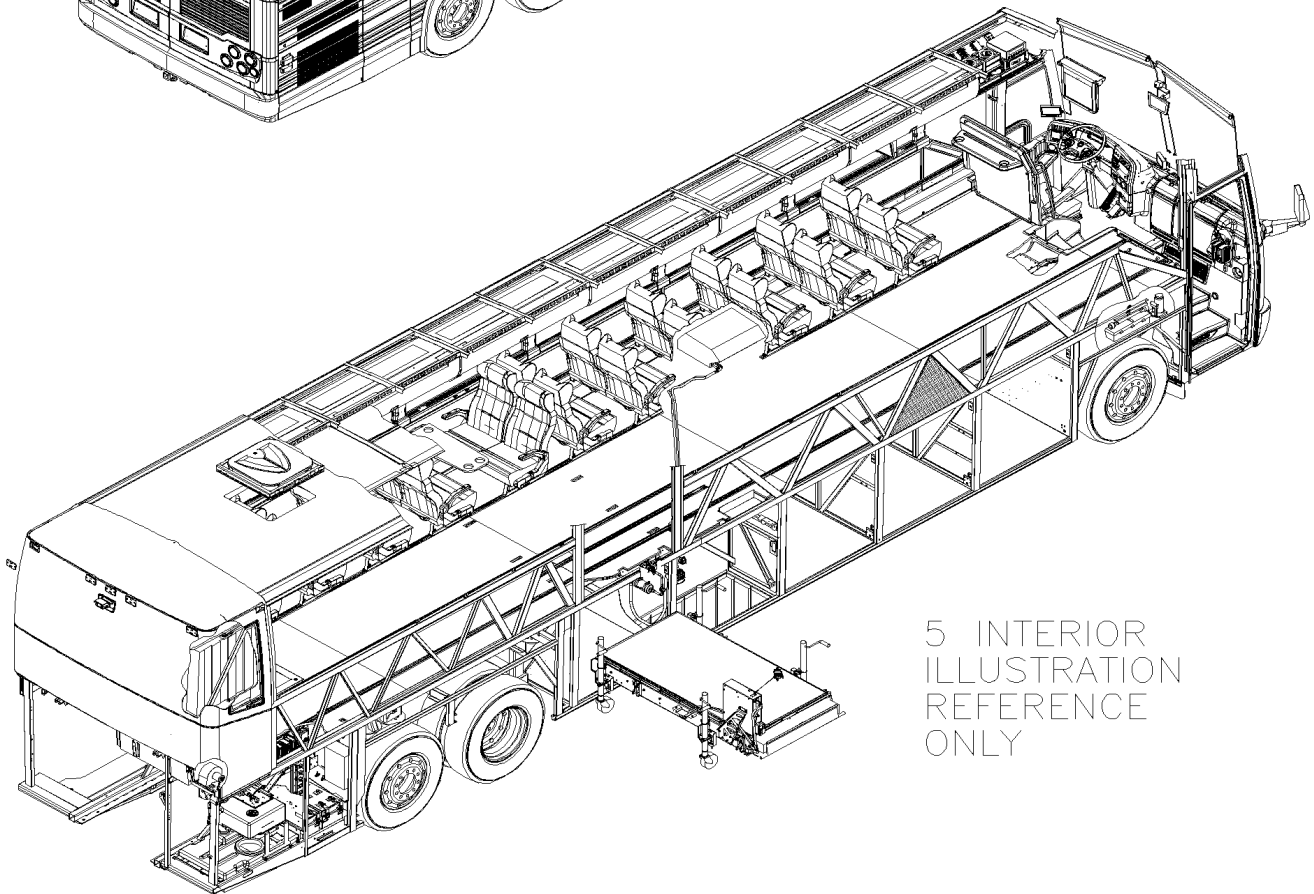
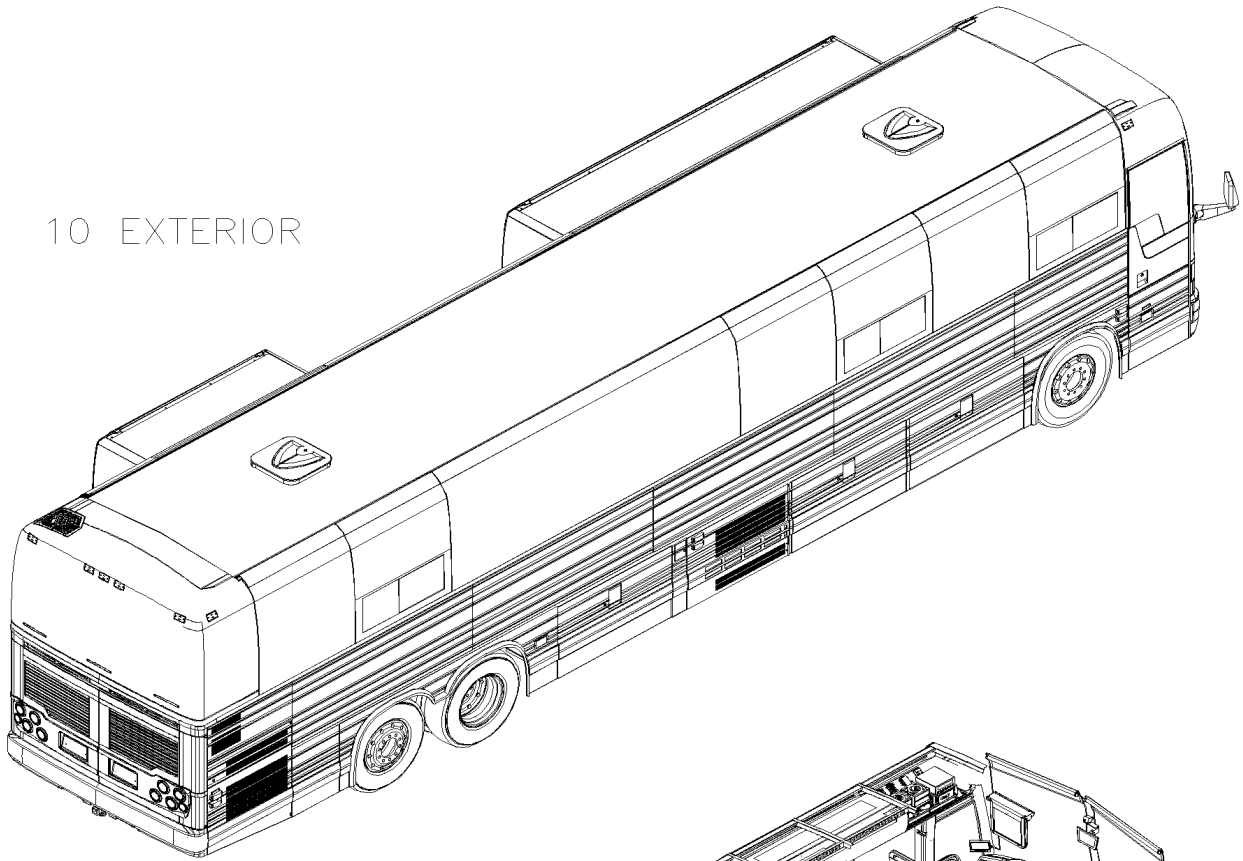
LEVEL-LOW - CONTROL PANEL & VALVES

| Item# | Part | Description | X 3 V I P | X L I I E N T 4 5 | N O T E S |
|-------|--------|--|-----------------------|---|-----------------------|
| 83 | 500473 | WASHER LO SPT .262x.489x.062 Z050 | 7 | 7 | |
| 85 | 641936 | BALL VALVE 1/4 NPT M x 1/4 NPT F | 1 | 1 | |
| 87 | 641564 | VALVE, DOUBLE CHECK DC-4 | 1 | 1 | |
| 89 | 501902 | CROSS / PIPE FITTING / 1/4NPT-Fx1/4NPT-Fx 1/4NPT-Fx1/4NPT-F BR | 1 | 1 | |
| 91 | 641376 | MALE ELBOW 90° NON-SWIVEL / PUSH-IN FITTING / #8x3/8NPT-M BR | 1 | 1 | |
| 93 | 142042 | PLATE CONVERTER AIR HORN SOLENOID | 1 | 1 | |
| 95 | 500855 | WASHER FL .188x.438x.049 N500 | 6 | 6 | |
| 97 | 503471 | TUBE, NYLON 3/8 O.D. / BLUE S.L. | AR | AR | |
| 99 | 641389 | MALE RUN TEE SWIVEL / PUSH-IN FITTING / #6x#6x1/4NPT-M BR | 1 | 1 | |
| 103 | 501332 | STREET ELBOW 90° / PIPE FITTING / 1/4NPT-Mx1/4NPT-F BR | 1 | 1 | |
| 107 | 500877 | WASHER FL .250x.562x.065 N500 | 3 | 3 | |
| 111 | 501653 | MALE RUN TEE / PIPE FITTING / 1/8NPT-Mx1/8NPT-Fx1/8NPT-F BR | 1 | 1 | |
| 113 | 641274 | VALVE, 3 WAYS, 2 POSITIONS N.C. | 2 | 2 | |
| 117 | 641242 | MALE CONNECTOR / PUSH-IN FITTING / #4x1/8NPT-M BR | 6 | 6 | |
| 119 | 501449 | PLUG HEXS / PIPE FITTING / 3/8NPT-M STL | 1 | 1 | |
| 121 | 500994 | SCREW CAP HEX 1/4-20x1 3/4 G5 PT Z050 | 4 | 4 | |
| 125 | 641934 | SILENCER / MUFFLER / 3/8NPT-M | 1 | 1 | |
| 127 | 641347 | MALE CONNECTOR / PUSH-IN FITTING / #4x3/8NPT-M BR | 1 | 1 | |
| 129 | 501331 | STREET ELBOW 90° / PIPE FITTING / 1/8NPT-Mx1/8NPT-F BR | 1 | 1 | |
| 131 | 641369 | MALE ELBOW 90° NON-SWIVEL / PUSH-IN FITTING / #4x1/8NPT-M BR | 2 | 2 | |
| 133 | 977742 | CLAMP / 3/4" I.D. | 1 | 1 | |
| 135 | 641388 | MALE RUN TEE NON-SWIVEL / PUSH-IN FITTING / #6x#6x3/8NPT-M BR | 1 | 1 | |
| 139 | 503402 | TUBE, NYLON 1/4 O.D. / BLACK S.L. | AR | AR | |
| 141 | 500671 | SCREW CAP HEXS #8-32x7/8 | 2 | 2 | |
| 143 | 641002 | MALE RUN TEE / NTA FITTING / #4x#4x1/8NPT-M BR | 2 | 2 | |
| 145 | 065429 | CABLE ASSY / VALVE "LEVEL-LOW" | 1 | 1 | |
| 147 | 500654 | SCREW TC BDG PH #8-32x1/2 Z050 | 4 | 4 | |
| 149 | 641205 | MANIFOLD VALVE / W/5 SOLENOID | 1 | 1 | |
| . NS | 641928 | . KIT, MANIFOLD REPAIR / N.C. | 5 | 5 | |
| . NS | 641107 | . COIL 24V | 5 | 5 | |
| 151 | 501072 | PLUG HEXS / PIPE FITTING / 1/8NPT-M STL | 1 | 1 | |
| 153 | 500657 | SCREW TC TR PH #10-24x1/2 Z050 | 1 | 1 | |
| 155 | 502573 | WASHER FL 6.4x12.5x1.6 SS | 2 | 2 | |
| 157 | 502854 | NUT HEX M6-1.0 N500 | 2 | 2 | |
| 159 | 500942 | WASHER LO SPT 8.1x14.8x2.0 N500 | 1 | 1 | |
| 161 | 502862 | SCREW CAP HEX M8-1.25x20 G8.8 N500 | 1 | 1 | |
| 163 | 502853 | WASHER LO SPT 6.1x11.8x1.6 N500 | 2 | 2 | |
| | | | | | |
| | | | | | |
| | | | | | |



| | | |
|------|--------------|-------|
| | Date:10/2022 | XV-18 |
| BODY | | |

10 EXTERIOR



5 INTERIOR
ILLUSTRATION
REFERENCE
ONLY



| | | Date:10/2022 | XV-18 | | |
|-------|-----------|-------------------------------------|-----------------------|---|-----------------------|
| BODY | | | | | |
| Item# | Part | Description | X 3 V I P | X L I I E N T 4 5 | N O T E S |
| 5 | XV-18-INT | BODY INTERIOR From B-5003 To D-5489 | | | |
| 10 | XV-18-EXT | BODY EXTERIOR From B-5003 To D-5489 | | | |



From B-5003 To D-5489

Date:10/2022

PAGE:XV-18-INT

BODY INTERIOR

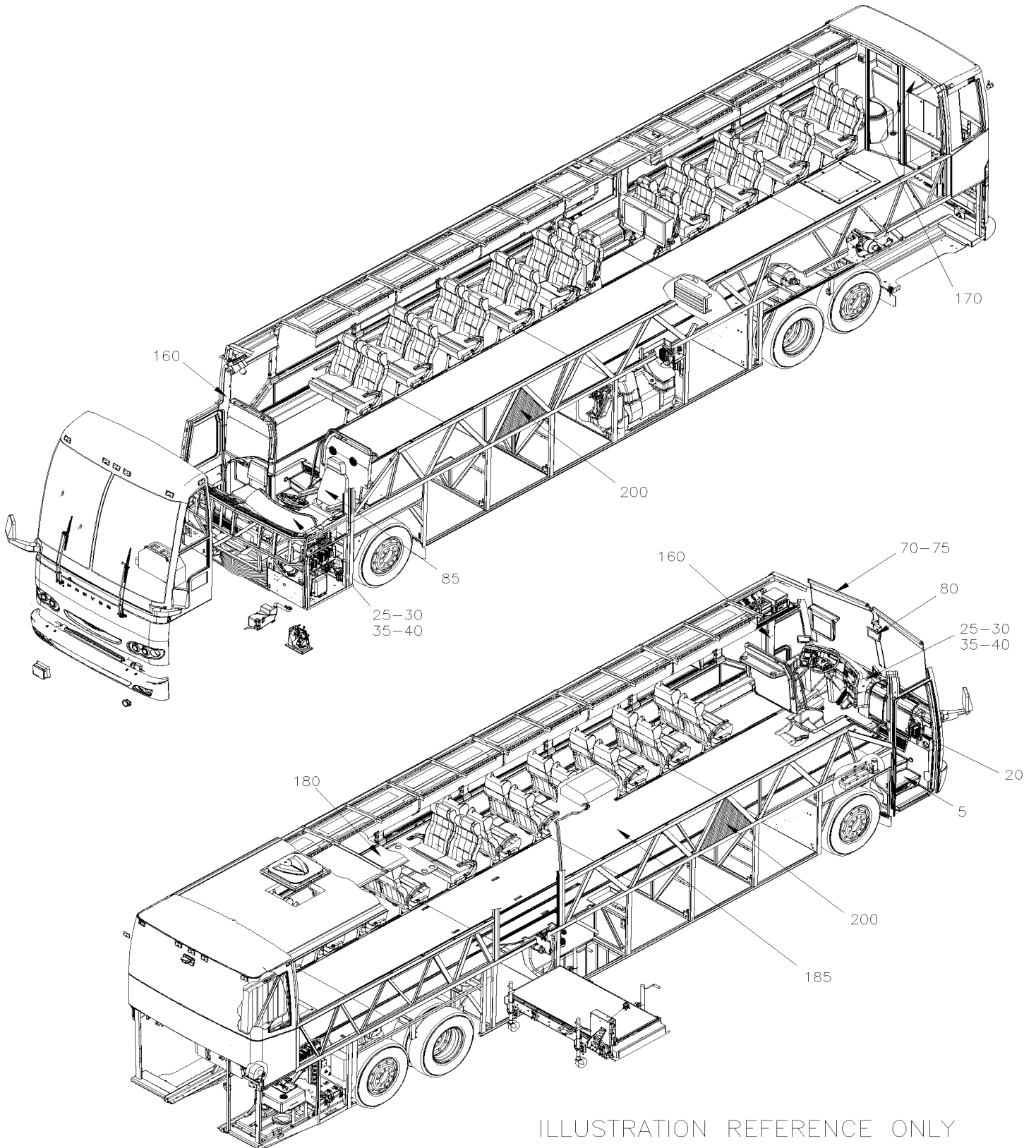


ILLUSTRATION REFERENCE ONLY



| | | |
|-----------------------|--------------|----------------|
| From B-5003 To D-5489 | Date:10/2022 | PAGE:XV-18-INT |
| BODY INTERIOR | | |

| Item# | Part | Description | X 3 V I P | X L I I E N T 4 5 | N O T E S |
|-------|-----------------|--|-----------------------|---|-----------------------|
| 5 | XV-1800-50 | FRONT STEPWELL - MTH From B-5003 To D-5489 | | | |
| 20 | XV-1804-50 | ENTRANCE DOOR - VALVE From B-5003 To D-5489 | | | |
| 25 | XV-1806-00 | CENTRAL DASHBOARD PANEL From B-5003 To D-5489 | | | |
| 30 | XV-1806-15 | DASHBOARD - ASSY From B-5003 To D-5489 | | | |
| 35 | XV-1806-20 | DASHBOARD PANEL From B-5003 To D-5489 | | | |
| 40 | XV-1806-50 | L.H. CONSOLE - MTH From B-5003 To D-5489 | | | |
| 70 | XV-1816-00 | ROLLER BLIND - DRIVER' S & WINDSHIELD From B-5003 To D-5489 | | | |
| 70 | XV-1816-05 | ROLLER BLIND - WINDSHIELD W/ELECTRICAL From B-5003 To D-5489 | | | |
| 75 | XV-1817-00 | SUN VISOR - "LE MIRAGE" From B-5003 To D-5489 | | | |
| 80 | XV-1820-00 | MIRROR - INTERIOR From B-5003 To D-5489 | | | |
| 85 | XV-1822-00 | DRIVER'S SEAT - "ISRI" - 6800/338 From B-5003 To C-5104 | | | |
| 85 | XV-1822-01 | DRIVER'S SEAT - "ISRI" - 6832/872 From B-5050 To D-5489 | | | |
| 160 | XV-1832-50 | FRONT FINISHING CAP From B-5003 To D-5489 | | | |
| 180 | XV-1837-50 | CEILING PANELS & MOULDING From B-5003 To D-5489 | | | |
| 185 | Call order desk | FLOOR - FRONT SECTION From B-5003 To D-5489 | | | P |
| 185 | XV-1838-50 | FLOOR - REAR SECTION From B-5003 To D-5489 | | | |
| 200 | XV-1839-10 | INSULATING FLOOR REAR AXLE From B-5003 To D-5489 | | | |
| 200 | XV-1839-15 | INSULATING FRONT - SUBFRAME From B-5003 To C-5132 | | | |
| 200 | XV-1839-16 | INSULATING FRONT - SUBFRAME From C-5133 To D-5489 | | | |
| 200 | XV-1839-25 | INSULATING - REAR SCR FILTER From B-5003 To D-5489 | | | |
| 200 | XV-1839-30 | INSULATING ROOF PANELS From B-5003 To D-5489 | | | |
| 200 | Call order desk | INSULATING SIDE WALL - LOWER PANEL - MTH From B-5003 To D-5489 | | | P |
| 200 | XV-1839-55 | INSULATING FRONT - MTH From B-5003 To D-5489 | | | |
| 200 | Call order desk | INSULATING SIDE WALL - UPPER From B-5003 To D-5489 | | | P |
| 200 | XV-1839-70 | INSULATING REAR END INSIDE OVER ENGINE From B-5003 To D-5489 | | | |
| 200 | XV-1839-90 | INSULATING - "SLIDE-OUT" From B-5003 To D-5489 | | | |
| | | | | | |
| | | | | | |
| | | | | | |
| | | | | | |
| | | P) CALL ORDER DESK FOR SPECIFIC APPLICATION (V.I.N.) | | | |

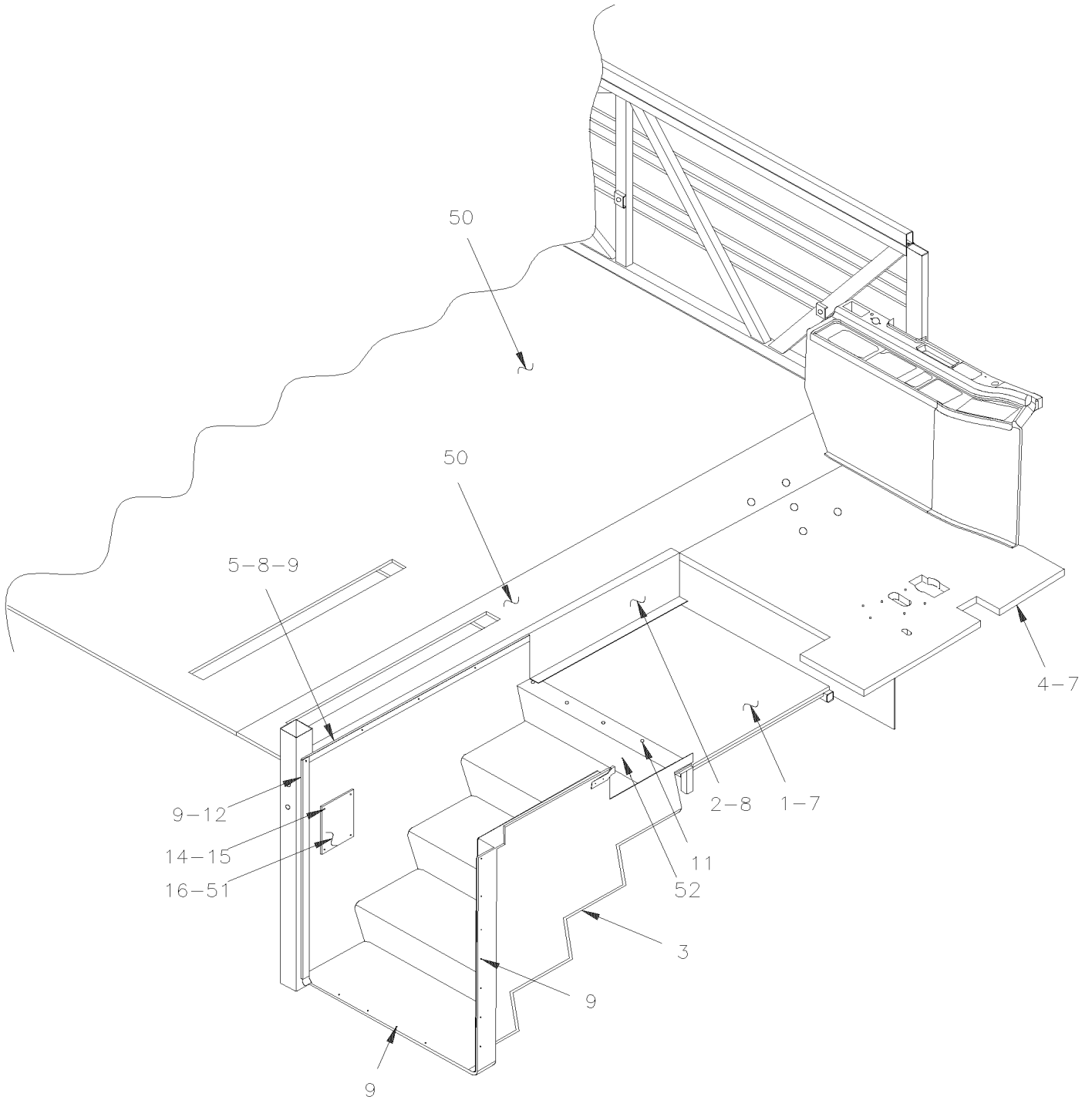


From B-5003 To D-5489

Date:10/2022

PAGE:XV-1800-50

FRONT STEPWELL - MTH





| | | |
|-----------------------------|--------------|-----------------|
| From B-5003 To D-5489 | Date:10/2022 | PAGE:XV-1800-50 |
| FRONT STEPWELL - MTH | | |

| Item# | Part | Description | X 3 V I P | X L I I E N T 4 5 | N O T E S |
|-------|-------------------|---|-----------------------|---|-----------------------|
| 1 | 326677 | STEPWELL FLOOR To D-5371 | 1 | 1 | |
| 1 | 3200837 | STEPWELL FLOOR From D-5372 | 1 | 1 | |
| 2 | 326681 | FINISHING PANEL STEPWELL | 1 | 1 | |
| 3 | 326434 | STEPWELL MTH | 1 | 1 | |
| 4 | 3200159 | DRIVER'S FLOOR To D-5371 | 1 | 1 | |
| 4 | 3200836 | DRIVER'S FLOOR From D-5372 | 1 | 1 | |
| 5 | 326679 | MOULDING FINISHING | 1 | 1 | |
| 7 | 5001535 | SCREW DR WF RO #14x1 3/4 Z050 | 50 | 50 | |
| 8 | 500640 | SCREW TP PAN PH #6x3/4 Z050 | 20 | 20 | |
| 9 | 504339 | RIVET POP DOME OE 1/8x3/8 SS | 6 | 6 | |
| NS | 680096 | SEALANT BUTYL ALUM / GREY / 310ml CARTRIDGE | AR | AR | |
| 11 | 500844 | SCREW TC FL PH #10-32x1 1/4 Z050 | 6 | 6 | |
| 12 | 326703 | FINISHING MOULDING | 1 | 1 | |
| 14 | 502774 | NUT WELL #10-32x.625 | 4 | 4 | |
| 15 | 5001042 | SCREW MA RND PH #10-32x1 1/4 SS | 4 | 4 | |
| 16 | 327352 | CLOSING PANEL | 1 | 1 | |
| | | | | | |
| 50 | Call order desk | FLOOR | AR | AR | P |
| 50 | 5001535 | SCREW DR WF RO #14x1 3/4 Z050 | AR | AR | |
| 50 | 680093 | SEALANT TAPE BUTYL / GREY / 1/16"x1 1/2"x50' /71079B11760 | AR | AR | |
| 50 | 680096 | SEALANT BUTYL ALUM / GREY / 310ml CARTRIDGE | AR | AR | |
| | | | | | |
| 52 | XV-2230-00 | DEFROSTER - INSTALLATION | | | |
| | | | | | |
| | | | | | |
| | | | | | |
| | | | | | |
| | | | | | |
| | | | | | |
| | | P) CALL ORDER DESK FOR SPECIFIC APPLICATION (V.I.N.) | | | |

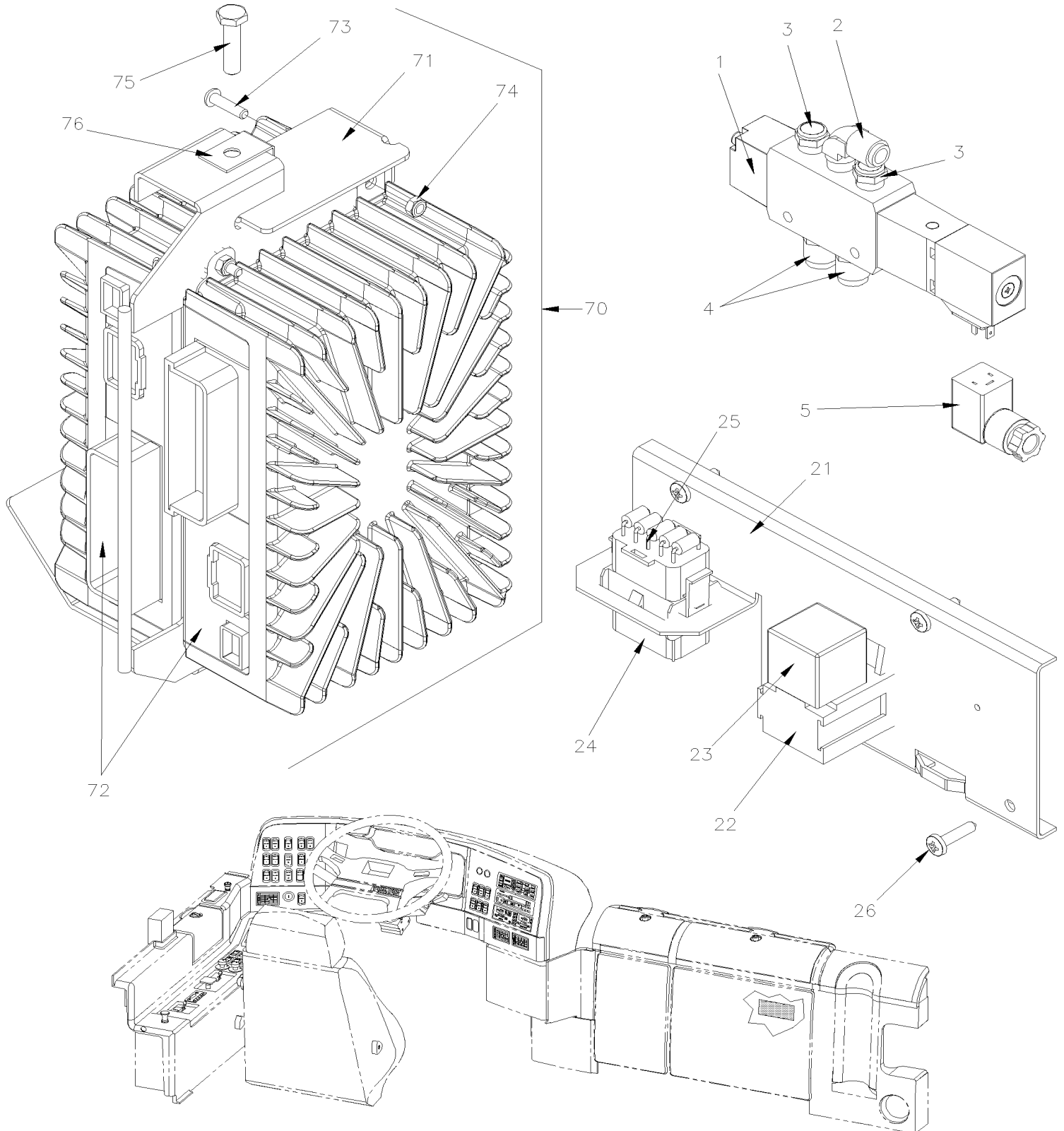


From B-5003 To D-5489

Date:10/2022

PAGE:XV-1804-50

ENTRANCE DOOR - VALVE





| | | |
|------------------------------|---------------------|------------------------|
| From B-5003 To D-5489 | Date:10/2022 | PAGE:XV-1804-50 |
|------------------------------|---------------------|------------------------|

ENTRANCE DOOR - VALVE

| Item# | Part | Description | X 3 V I P | X L I I E N T 4 5 | N O T E S |
|-------|-----------------|--|-----------------------|---|-----------------------|
| 1 | 642023 | VALVE, 5 WAYS, 2 POSITIONS 24V / MODEL V19 | 1 | 1 | |
| . NS | 641385 | . CONNECTOR / SOCKET HOUSING ASSY 3C / PNEUMAC 54934-01 | 1 | 1 | |
| 2 | 641369 | MALE ELBOW 90° NON-SWIVEL / PUSH-IN FITTING / #4x1/8NPT-M BR | 1 | 1 | |
| 3 | 641943 | SILENCER / MUFFLER / 1/8NPT-M | 2 | 2 | |
| 4 | 641242 | MALE CONNECTOR / PUSH-IN FITTING / #4x1/8NPT-M BR | 2 | 2 | |
| 5 | 563147 | CONNECTOR / SOCKET HOUSING ASSY 3C / PNEUTECH C052-09-N-22 | 1 | 1 | |
| 21 | 289652 | SUPPORT & RELAY ASSY | 1 | 1 | |
| 22 | 561183 | RELAY BASE / TAB TERMINAL / BOSCH 3334485008 | 1 | 1 | |
| 23 | 563332 | RELAY 24V S.P.D.T. W/RESISTOR / "VOLVO" (20374662) | 1 | 1 | |
| 24 | 561987 | CONNECTOR / UNIVERSAL MATE-N-LOK / PH 15C / AMP 1-480711-0 / NATURAL | 1 | 1 | |
| 25 | 381145 | DIODE ASSY / W/5 3AMPS | 1 | 1 | |
| 26 | 500641 | SCREW TP PAN PH #8x3/4 Z050 | 3 | 3 | |
| 70 | Call order desk | I/O B-MODULE VOLVO MULTIPLEX ASSY | 1 | 1 | P |
| 71 | 382398 | . SUPPORT REAR I/O B MODULE | 1 | 1 | |
| 72 | 564075 | . I/O B-MODULE VOLVO MULTIPLEX / ALUMINUM To B-5029 | 2 | 2 | |
| . NS | 563132 | . . CONNECTOR / SH 2C / YAZAKI 7283-6458-40 To B-5029 | 1 | 1 | |
| . NS | 563133 | . . CONNECTOR / JUNIOR POWER TIMER / SH 29C / AMP 1-963449-2 To B-5029 | 1 | 1 | |
| . NS | 562957 | . . CONNECTOR / SH 5C / GREEN / JAE IL-AG5-5S-S3C1 To B-5029 | 1 | 1 | |
| 72 | 564193 | . I/O B-MODULE VOLVO MULTIPLEX / ALUMINUM From B-5030 | 2 | 2 | |
| . NS | 563132 | . . CONNECTOR / SH 2C / YAZAKI 7283-6458-40 From B-5030 | 1 | 1 | |
| . NS | 563133 | . . CONNECTOR / JUNIOR POWER TIMER / SH 29C / AMP 1-963449-2 From B-5030 | 1 | 1 | |
| . NS | 562957 | . . CONNECTOR / SH 5C / GREEN / JAE IL-AG5-5S-S3C1 From B-5030 | 1 | 1 | |
| 73 | 502698 | . SCREW MA PAN PH M4-0.7x16 SS BK | 4 | 4 | |
| 74 | 500409 | . SCREW TP PAN PH #8x1/2 BK | 4 | 4 | |
| 75 | 5001433 | . SCREW CAP HEX M6-1.0x25 SS | 1 | 1 | |
| 76 | 502738 | . NUT SPR U M6-1.0 0.6-4.0 | 1 | 1 | |
| | | | | | |
| | | | | | |
| | | | | | |
| | | P) CALL ORDER DESK FOR SPECIFIC APPLICATION (V.I.N.) | | | |

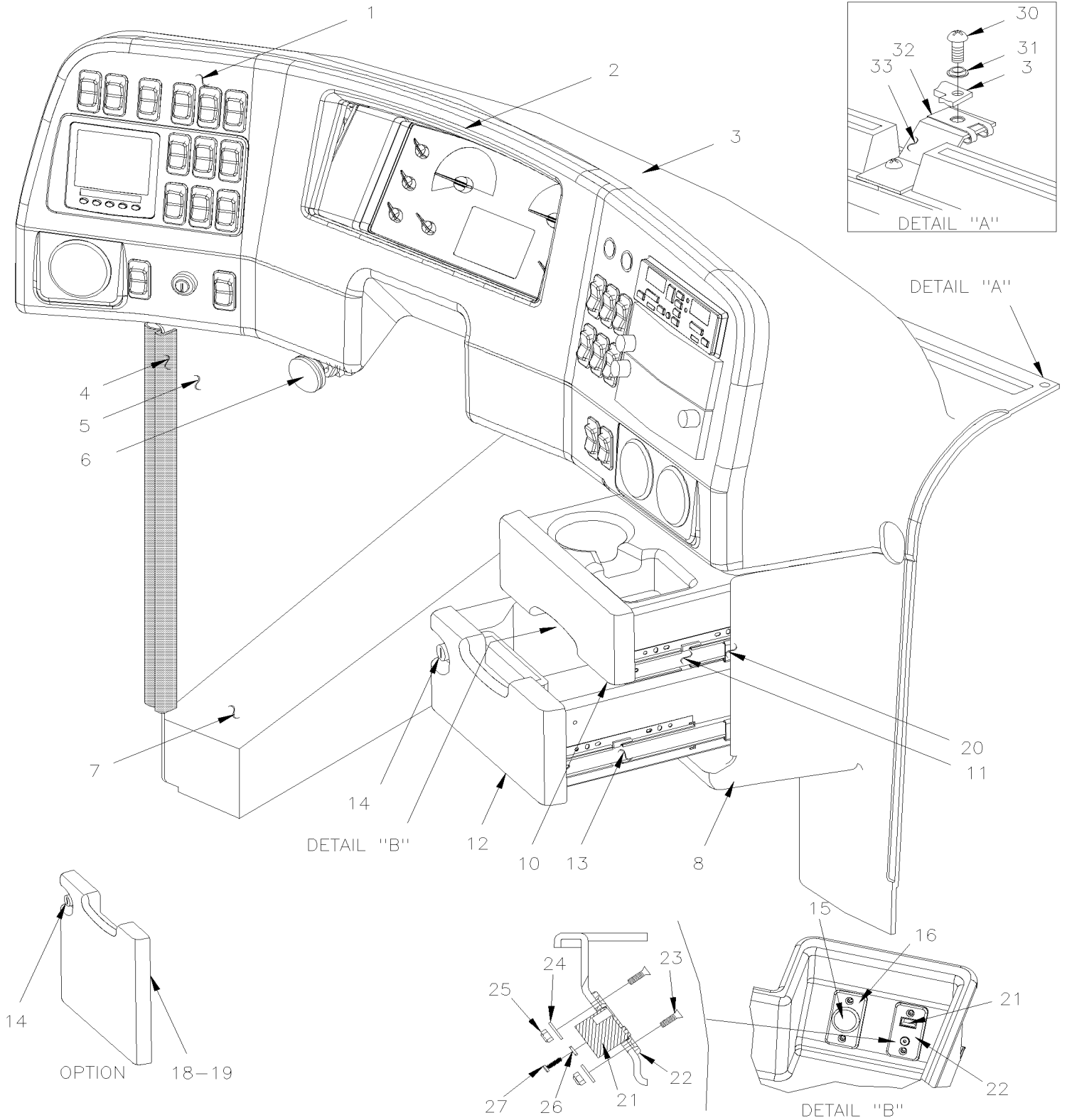


From B-5003 To D-5489

Date:10/2022

PAGE:XV-1806-00

CENTRAL DASHBOARD PANEL





From B-5003 To D-5489 Date:10/2022 PAGE:XV-1806-00

CENTRAL DASHBOARD PANEL

| Item# | Part | Description | X 3 V I P | X L I I E N T 4 5 | N O T E S |
|-------|-------------------|---|-----------------------|---|-----------------------|
| 1 | 392483 | PANEL / FRONT INSTRUMENTATION | 1 | 1 | |
| 2 | XV-0645-10 | L.H. DASHBOARD PANEL | | | |
| 2 | XV-0645-21 | CENTER DASHBOARD PANEL WITH "EPA 2010" | | | |
| 2 | XV-0645-30 | R.H. DASHBOARD PANEL | | | |
| 3 | 392144 | COVER, DASHBOARD PANEL / MTH 89" | 1 | | C |
| 3 | 392433 | COVER, DASHBOARD PANEL / MTH 89" | | 1 | A |
| 4 | 504675 | RUBBER EXTRUSION TRIM SEAL / GRIP .040/.070 / 5/8" HOLLOW BULB C.T.L. | AR | AR | |
| 5 | 392486 | STRUCTURE / L.H. / W/TPMS To D-5459 | 1 | 1 | C |
| 5 | 392502 | STRUCTURE / L.H. / W/TPMS W/HANDRAIL From D-5460 | 1 | 1 | C |
| 5 | 392487 | STRUCTURE / L.H. / W/TPMS To D-5452 | 1 | 1 | A |
| 5 | 392505 | STRUCTURE / L.H. / W/TPMS W/O HANDRAIL From D-5453 | 1 | 1 | A |
| 5 | 392320 | ADAPTOR TO CONVERT UPPER HVAC TO LOWER / "W " SHAPE SS | 1 | 1 | V |
| NS | 562361 | PROTECTIVE CAP / HD10 SERIES / 6C / DEUTSCH HDC16-6-BLACK | 1 | 1 | F |
| NS | 562492 | TYPE A COUPLING | 1 | 1 | F |
| NS | 562493 | CHAIN / C.T.L. | 1 | 1 | F |
| NS | 562494 | RING / ATTACHMENT END | 1 | 1 | F |
| 6 | 641445 | VALVE, 3 WAYS, 2 POSITIONS MECHANICAL To D-5458 | 1 | 1 | |
| . NS | 641992 | . KNOB To D-5458 | 1 | 1 | |
| NS | 5001403 | SCREW MA CHE PH M5-0.8x40 ZP To D-5458 | 2 | 2 | |
| NS | 500964 | WASHER FL .203x.500x.047 Z050 To D-5458 | 2 | 2 | |
| NS | 502782 | NUT HEX NYRT M5-0.8 Z050 To D-5458 | 2 | 2 | |
| 6 | 642173 | VALVE, 3 WAYS, 2 POSITIONS MECHANICAL From D-5459 | 1 | 1 | |
| NS | 5001036 | SCREW MA PAN PH M4-0.7x10 Z050 From D-5459 | 2 | 2 | |
| NS | 500539 | NUT HEX NYRT M4-0.7 N500 From D-5459 | 2 | 2 | |
| NS | 501307 | ADAPTER / PIPE FITTING / 1/8NPT-Fx1/8NPT-M BR | 1 | 1 | |
| NS | 641365 | MALE ELBOW 45° NON-SWIVEL / PUSH-IN FITTING / #4x1/8NPT-M BR | 2 | 2 | |
| NS | 392073 | ACCESS PANEL / FOR WIPER REPAIR | 1 | 1 | |
| 7 | 392013 | FOOT REST / SUPPORT | 1 | 1 | |
| NS | 5001036 | SCREW MA PAN PH M4-0.7x10 Z050 | 4 | 4 | |
| 8 | 392026 | UNDER DASH PANEL | 1 | 1 | |
| 8 | 392181 | UNDER DASH PANEL | 1 | | B |
| 8 | 392182 | UNDER DASH PANEL | 1 | 1 | G |
| 8 | 392068 | UNDER DASH PANEL | 1 | 1 | E |
| 8 | Call order desk | UNDER DASH PANEL | 1 | 1 | P J |
| 8 | 392199 | UNDER DASH PANEL / BLACK | 1 | 1 | D |
| 8 | 392028 | UNDER DASH PANEL ASSY W/FLIP-UP BOX | 1 | 1 | J |
| . NS | 901217 | . LATCH GRABBER CATCH / 44N PLASTIC BLACK | 1 | 1 | J |
| 10 | 391932 | DRAWER, UPPER / BLACK | 1 | 1 | |
| . NS | 392237 | . SUPPORT MAGNETIC LOCK / UPPER DRAWER | 1 | 1 | |
| . NS | 392241 | . CATCH MAGNETIC LOCK LOWER DRAWER | 1 | 1 | |
| . NS | 504733 | . KIT SLIDE TRACK / FIXED AT DRAWER | 1 | 1 | |
| 11 | 504677 | . RAIL ASSY 8" / (SET) | 1 | 1 | |



| | | |
|-----------------------|--------------|-----------------|
| From B-5003 To D-5489 | Date:10/2022 | PAGE:XV-1806-00 |
|-----------------------|--------------|-----------------|

CENTRAL DASHBOARD PANEL

| Item# | Part | Description | X 3 V I P | X L I I E N T 4 5 | N O T E S |
|-------|-------------------|---|-----------------------|---|-----------------------|
| NS | 504673 | CATCH MAGNETIC | 2 | 2 | |
| 12 | 391933 | DRAWER, LOWER / BLACK | 1 | 1 | |
| . NS | 392238 | . SUPPORT MAGNETIC LOCK / LOWER DRAWER | 1 | 1 | |
| . NS | 392240 | . CATCH MAGNETIC LOCK LOWER DRAWER | 1 | 1 | |
| . NS | 504733 | . KIT SLIDE TRACK / FIXED AT DRAWER | 1 | 1 | |
| 13 | 504678 | . RAIL ASSY 10" / (SET) | 1 | 1 | |
| NS | 504673 | CATCH MAGNETIC | 2 | 2 | |
| 14 | 504672 | LATCH ASSY W/2 KEYS | 1 | 1 | |
| . NS | 810084 | . KEY / (CH751) | 1 | 1 | |
| 14 | 810084 | . KEY / (CH751) | 2 | 2 | |
| 15 | 562796 | 12 VOLTS POWER OUTLET | 1 | 1 | |
| 16 | 500343 | SCREW MA FL PH M4-0.7x16 ZP | 2 | 2 | |
| NS | 500590 | NUT HEX NYRT M4-0.7 Z050 | 2 | 2 | |
| 18 | 392028 | UNDER DASH PANEL ASSY W/FLIP-UP BOX | 1 | 1 | |
| . NS | 901217 | . LATCH GRABBER CATCH / 44N PLASTIC BLACK | 1 | 1 | |
| 19 | 392205 | . COVER ONLY / W/OUT BOX OR DRAWER | 1 | 1 | |
| NS | 504673 | CATCH MAGNETIC | 2 | 2 | |
| NS | 392239 | SUPPORT MAGNET FLIP-UP BOX | 1 | 1 | |
| 20 | 392012 | MOUNTING PLATE / DRAWER | 4 | 4 | |
| NS | 5001413 | SCREW MA FL PH M4-0.7x20 Z050 | AR | AR | |
| 21 | 21280133 | CABLE USB / (DRAWER TO RADIO) / I-POD CONECTOR To E-5495 | AR | AR | |
| 21 | 401044 | CABLE USB / (DRAWER TO RADIO) / I-POD CONECTOR From E-5496 | AR | AR | |
| 22 | 406413 | SUPPORT "USB" CONNECTOR | 1 | 1 | |
| 23 | 5001429 | SCREW MA FL PH M4-0.7x25 BK | 2 | 2 | |
| 24 | 500855 | WASHER FL .188x.438x.049 N500 | 1 | 1 | |
| 25 | 500539 | NUT HEX NYRT M4-0.7 N500 | 2 | 2 | |
| 26 | 406414 | PLATE RETAINER "USB" CONECTOR | 1 | 1 | |
| 27 | 500798 | SCREW TP PAN PH #4-3/8 ZP | 2 | 2 | |
| 30 | 5001411 | SCREW MA FL PH M4-0.7x20 BK | AR | AR | |
| 30 | 392144 | COVER, DASHBOARD PANEL / MTH 89" | 1 | 1 | |
| 31 | 500345 | WASHER FN CKF .187x.500x.090 BR BK | AR | AR | |
| 32 | 5001406 | NUT SPR U M4-0.7 0.8-4.0x13.5 | AR | AR | |
| 33 | XV-2230-00 | DEFROSTER - INSTALLATION | | | |
| 34 | 563063 | SENSOR THERMISTOR ASSY / TEMPERATURE / ("DELPHI") | 1 | 1 | |
| NS | 067445 | WIRING HARNESS DASHBOARD CENTRAL MODULE / MUX To C-5276 | 1 | 1 | |
| NS | 068489 | WIRING HARNESS DASHBOARD CENTRAL MODULE From C-5277 To D-5459 | 1 | 1 | |
| 51 | 068504 | WIRING HARNESS DASHBOARD CENTRAL MODULE From D-5460 | 1 | 1 | |
| NS | 561821 | NUT, RING #17 & 20 / 1.500" I.D W/4 4-40 To D-5459 | 1 | 1 | M |
| NS | 5001454 | SCREW MA BDG PH #4-40x1/2 SS To D-5459 | 4 | 4 | M |
| NS | 562543 | PROTECTIVE CAP / HD10 SERIES / 9C / DEUTSCH HDC16-9 To D-5459 | 1 | 1 | M |
| NS | 562492 | TYPE A COUPLING To D-5459 | 1 | 1 | M |
| NS | 562493 | CHAIN / C.T.L. To D-5459 | 1 | 1 | M |



| | | |
|--------------------------------|---------------------|------------------------|
| From B-5003 To D-5489 | Date:10/2022 | PAGE:XV-1806-00 |
| CENTRAL DASHBOARD PANEL | | |

| Item# | Part | Description | X 3 V I P | X L I I E N T 4 5 | N O T E S |
|-------|--------|---|-----------------------|---|-----------------------|
| NS | 562494 | RING / ATTACHMENT END To D-5459 | 1 | 1 | M |
| | | | | | |
| | | | | | |
| | | | | | |
| | | | | | |
| | | | | | |
| | | A) USE WITHOUT HANDRAIL | | | |
| | | B) USE WITHOUT HANDRAIL & WITHOUT DRAWER | | | |
| | | C) USE WITH HANDRAIL | | | |
| | | D) USE WITHOUT HANDRAIL & WITH DRAWER | | | |
| | | E) USE WITH HANDRAIL WITHOUT DRAWER & WITHOUT FLIP-UP BOX | | | |
| | | F) ITEMS ARE RELATED WITH CONNECTOR FOR DIAGNOSTIC "DDEC" | | | |
| | | G) USE WITHOUT HANDRAIL & WITH FLIP-UP BOX | | | |
| | | J) USE WITH HANDRAIL & WITH FLIP-UP BOX | | | |
| | | M) USE WITH DIAGNOSTIC CONNECTOR | | | |
| | | V) THIS PART ARE REQUIRE TO CONVERT UPPER HVAC TO LOWER HVAC ON STRUCTURE #392316 | | | |
| | | P) CALL ORDER DESK FOR SPECIFIC APPLICATION (V.I.N.) | | | |

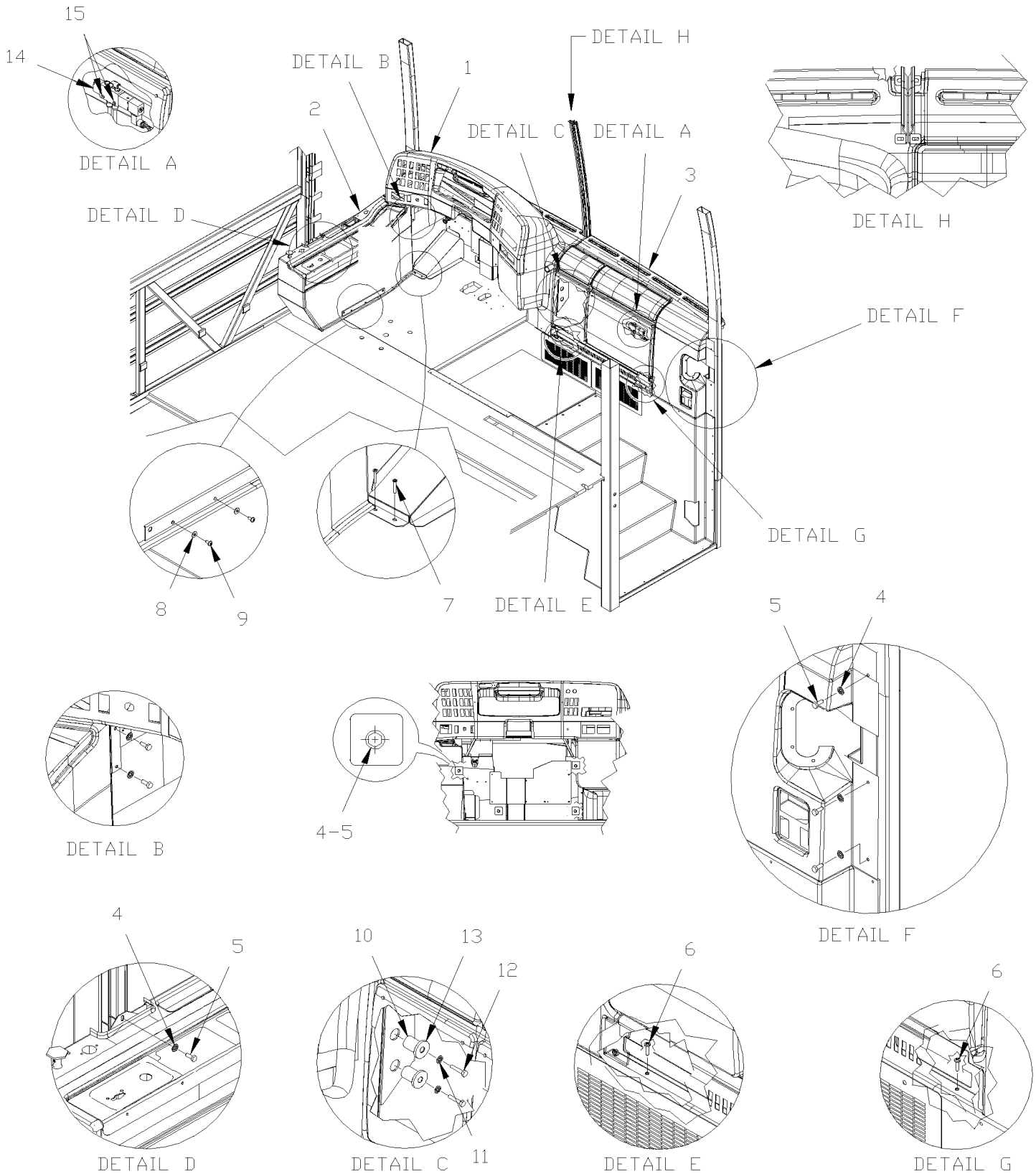


From B-5003 To D-5489

Date:10/2022

PAGE:XV-1806-15

DASHBOARD - ASSY





| | | | |
|------------------------------|--|---------------------|------------------------|
| From B-5003 To D-5489 | | Date:10/2022 | PAGE:XV-1806-15 |
|------------------------------|--|---------------------|------------------------|

DASHBOARD - ASSY

| Item# | Part | Description | X 3 V I P | X L I I E N T 4 5 | N O T E S |
|-------|-------------------|-------------------------------------|-----------------------|---|-----------------------|
| 1 | XV-1806-00 | CENTRAL DASHBOARD PANEL | | | |
| 2 | XV-1806-50 | L.H. CONSOLE - MTH | | | |
| 3 | XV-1806-20 | DASHBOARD PANEL | | | |
| 4 | 502582 | WASHER LO SERR 6.1x16.2x0.9 Z050 | 6 | 6 | |
| 5 | 500923 | SCREW TC CAP HEX 1/4-20x3/4 Z050 | 6 | 6 | |
| 6 | 500641 | SCREW TP PAN PH #8x3/4 Z050 | 3 | 3 | |
| 7 | 5001531 | SCREW TP FL PH #10x1 SS410 | 2 | 2 | |
| 8 | 500964 | WASHER FL .203x.500x.047 Z050 | 2 | 2 | |
| 9 | 500613 | SCREW TP PAN PH #10x1/2 Z050 | 2 | 2 | |
| 10 | 890007 | UNION TUBE | 2 | 2 | |
| 11 | 502507 | WASHER LO SPT 8.1x14.8x2.0 Z050 | 2 | 2 | |
| 12 | 502797 | SCREW CAP HEX M8-1.25x70 G10.9 G500 | 2 | 2 | |
| 13 | 5001164 | WASHER FL 8.4x25.0x2.0 Z050 | 2 | 2 | |
| 14 | XV-1804-50 | ENTRANCE DOOR - VALVE | | | |
| 15 | 5001074 | SCREW CAP HEX M4-0.7x30 G8.8 Z050 | 2 | 2 | |
| | | | | | |
| | | | | | |
| | | | | | |

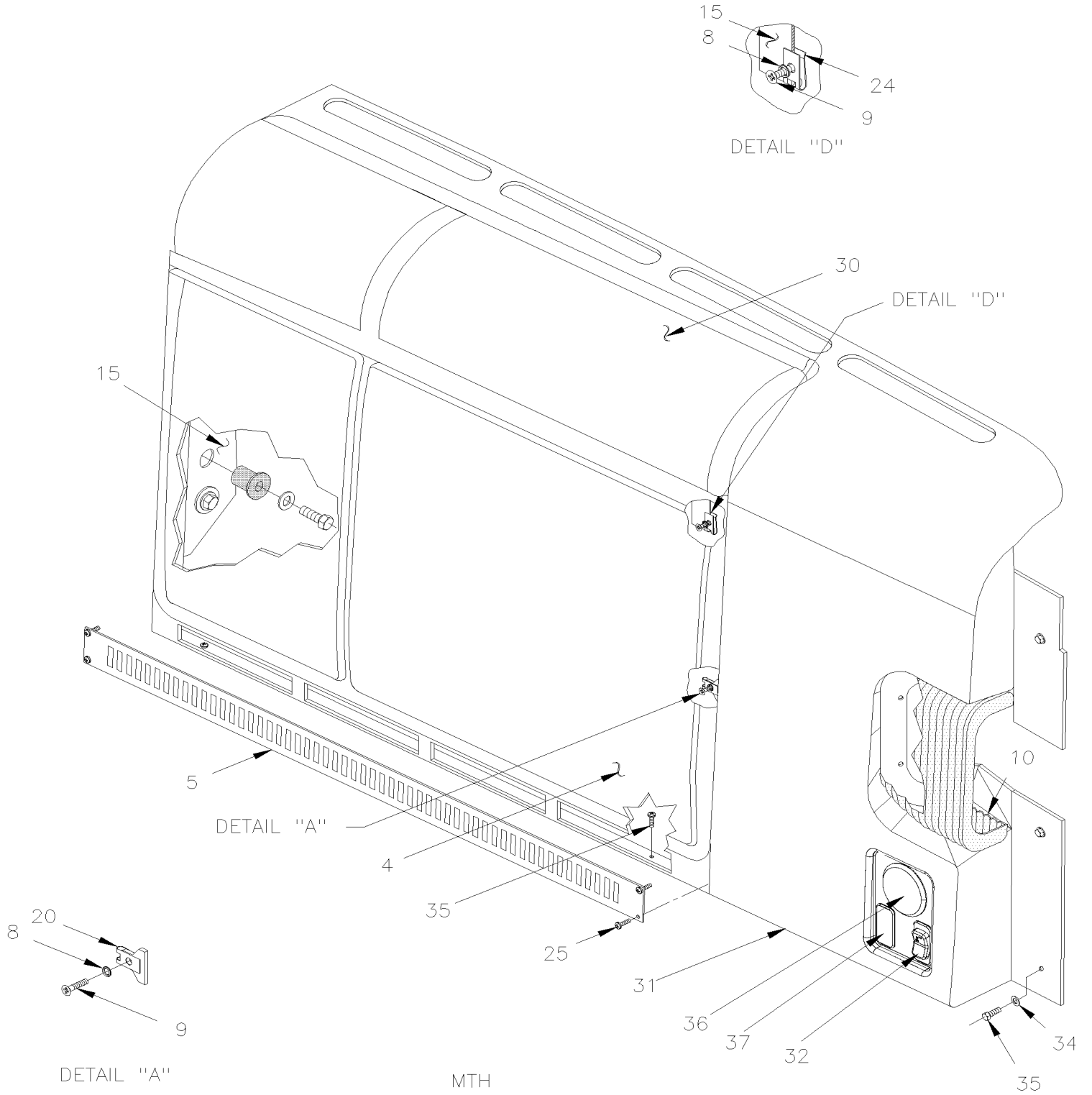


From B-5003 To D-5489

Date:10/2022

PAGE:XV-1806-20

DASHBOARD PANEL



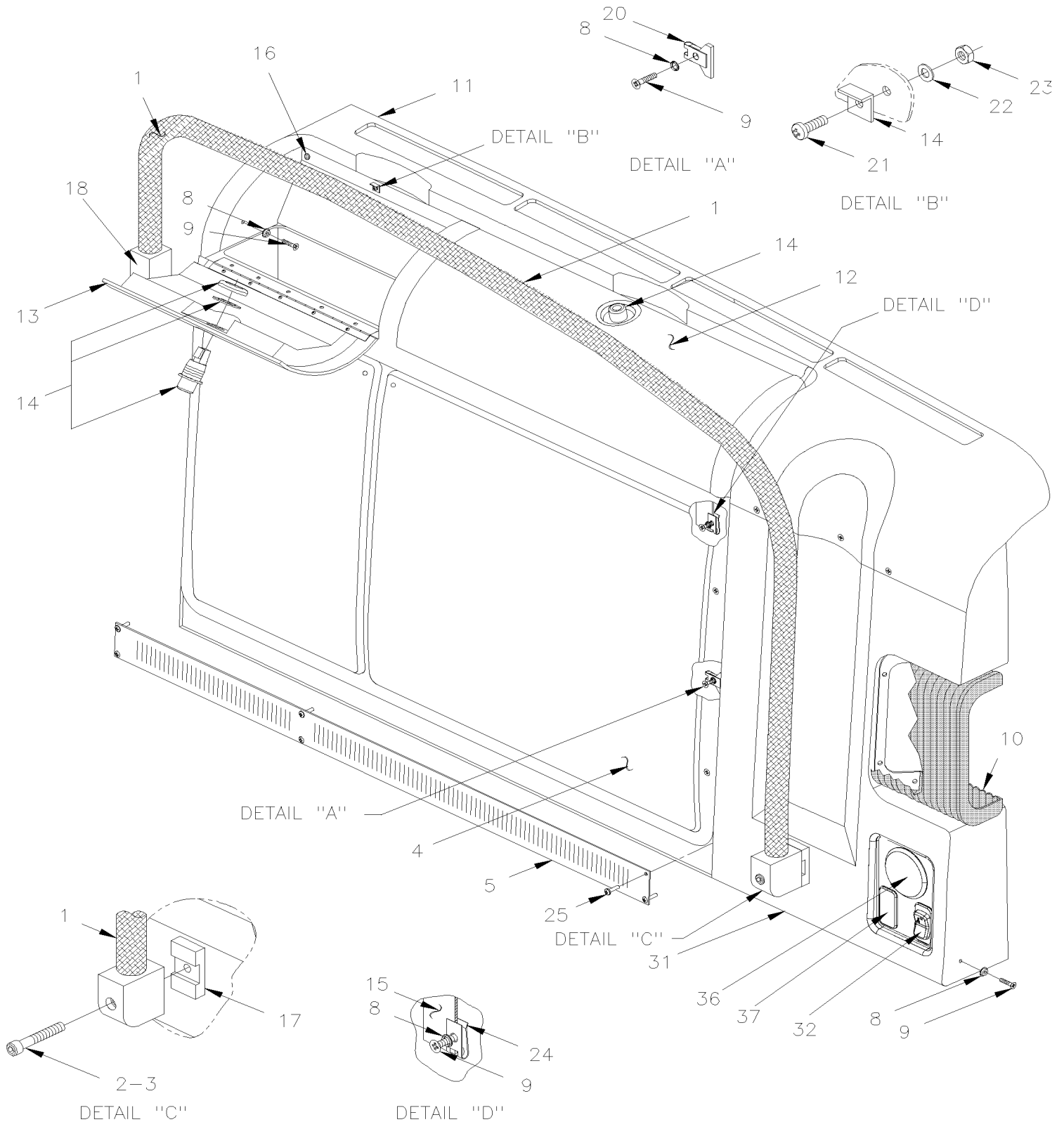


From B-5003 To D-5489

Date:10/2022

PAGE:XV-1806-20

DASHBOARD PANEL





From B-5003 To D-5489 Date:10/2022 PAGE:XV-1806-20

DASHBOARD PANEL

| Item# | Part | Description | X 3 V I P | X L I I E N T 4 5 | N O T E S |
|-------|-------------------|---|-----------------------|---|-----------------------|
| 1 | 392266 | HAND RAIL / BLACK | AR | AR | B |
| 2 | 5001598 | SCREW CAP HEXS M8-1.25x30 SS | AR | AR | B |
| 3 | 5001380 | SCREW CAP HEXS M8-1.25x100 SS | AR | AR | B |
| 4 | 392007 | PANEL / SERVICING | 1 | 1 | |
| 5 | 392194 | GRILLE / LOWER | 1 | 1 | |
| 8 | 500345 | WASHER FN CKF .187x.500x.090 BR BK | AR | AR | |
| 9 | 5001413 | SCREW MA FL PH M4-0.7x20 Z050 | AR | AR | |
| 9 | 5001429 | SCREW MA FL PH M4-0.7x25 BK | AR | AR | |
| 10 | XV-1862-60 | ENTRANCE DOOR FRAME - INSTALLATION | 1 | 1 | |
| 11 | 392146 | PANEL R.H. / TOP W/2 BOX MTH 89" | 1 | 1 | |
| 12 | 391954 | COVER R.H. / BLACK | 1 | 1 | |
| 13 | 391955 | COVER L.H. / BLACK | 1 | 1 | |
| 13 | 504676 | STRAP RETAINER | 1 | 1 | |
| 14 | 504672 | LATCH ASSY W/2 KEYS | AR | AR | |
| NS | 810084 | . KEY / (CH751) | 1 | 1 | |
| 15 | 392148 | STRUCTURE / R.H. MTH 89" | 1 | 1 | B |
| 15 | 392434 | STRUCTURE / R.H. MTH 89" | 1 | 1 | A |
| 16 | 504674 | BUMPER RUBBER / 1/4X13/32X13/32X1/8 | 4 | 4 | |
| 17 | 392489 | RAMP BLOCK SUPPORT WELD TO DASH STRUCTURE | 1 | 1 | |
| 18 | 392116 | RAMP SUPPORT WELD TO DASH STRUCTURE | 1 | 1 | |
| 20 | 5001406 | NUT SPR U M4-0.7 0.8-4.0x13.5 | 4 | 4 | |
| 21 | 5001398 | SCREW MA CHE PH M3-0.5x10 SS | 1 | 1 | |
| 22 | N.P.N. | WASHER | 4 | 4 | 4 |
| 23 | 5001408 | NUT HEX STO M3-0.5 ZP | 4 | 4 | |
| 24 | 5001405 | NUT SPR U M4-0.7 0.8-4.0x9.5 | 14 | 14 | |
| 25 | 5001410 | SCREW MA CHE PH M4-0.7x16 SS | 6 | 6 | |
| 30 | 392147 | PANEL R.H. / TOP W/O BOX MTH 89" | 1 | 1 | |
| 31 | 392133 | COVER / ENTRANCE DOOR MECHANISM / MTH 89" | 1 | 1 | B |
| 31 | 392435 | COVER / ENTRANCE DOOR MECHANISM / MTH 89" | 1 | 1 | A |
| 32 | 562697 | SWITCH / ON-ON / D.P.D.T. / CH-OVER / W/RED & GREEN LED | 1 | 1 | |
| 33 | 500923 | SCREW TC CAP HEX 1/4-20x3/4 Z050 | AR | AR | |
| 34 | 502582 | WASHER LO SERR 6.1x16.2x0.9 Z050 | AR | AR | |
| 35 | 500641 | SCREW TP PAN PH #8x3/4 Z050 | AR | AR | |
| 36 | 871315 | LOUVER, ADJUSTABLE / ROUND 2 1/8" O.D. | 1 | 1 | |
| 36 | 871314 | LOUVER, ADJUSTABLE / ROUND 2 5/8" O.D. | 1 | 1 | A |
| 37 | 562716 | CAP / DRIVER'S LAMP | 1 | 1 | |
| NS | 562773 | SWITCH / "DUMMY" / PLUG | 1 | 1 | |
| | | | | | |
| | | | | | |
| | | | | | |
| | | | | | |
| | | A) USE WITHOUT HANDRAIL | | | |
| | | B) WITH HANDRAIL | | | |



| | | | |
|-----------------------|--|--------------|-----------------|
| From B-5003 To D-5489 | | Date:10/2022 | PAGE:XV-1806-20 |
|-----------------------|--|--------------|-----------------|

DASHBOARD PANEL

| Item# | Part | Description | X 3 V I P | X L I I E N T 4 5 | N O T E S |
|-------|------|--------------------|-----------------------|---|-----------------------|
| | | 4) NO PARTS NUMBER | | | |

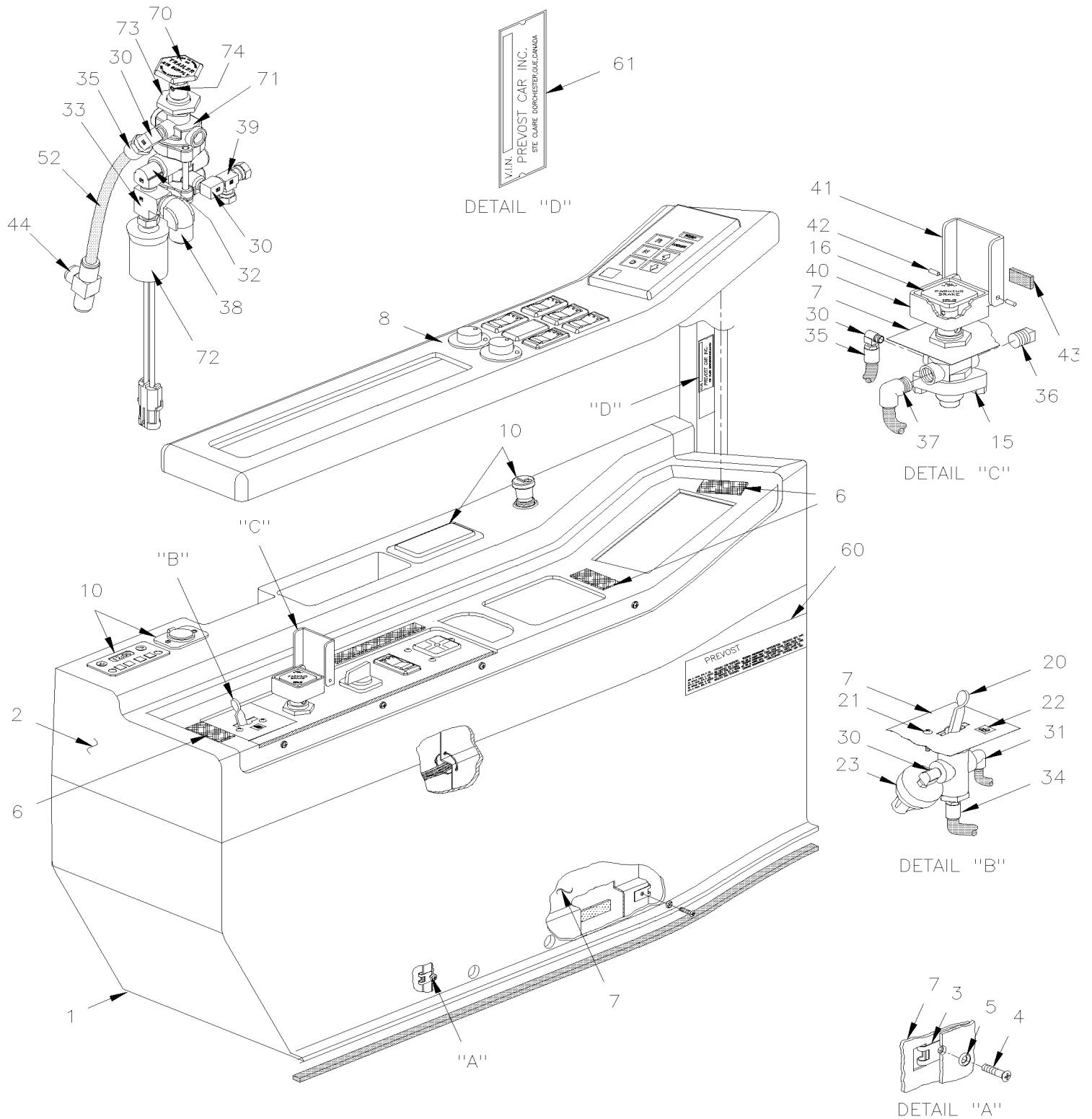


From B-5003 To D-5489

Date:10/2022

PAGE:XV-1806-50

L.H. CONSOLE - MTH





| | | |
|-----------------------|--------------|-----------------|
| From B-5003 To D-5489 | Date:10/2022 | PAGE:XV-1806-50 |
|-----------------------|--------------|-----------------|

L.H. CONSOLE - MTH

| Item# | Part | Description | X 3 V I P | X L I E N T 4 5 | N O T E S |
|-------|-------------------|--|-----------------------|--------------------------------------|-----------------------|
| 1 | 392042 | CONSOLE / LOWER | 1 | 1 | |
| 2 | 392037 | CONSOLE / UPPER | 1 | 1 | |
| 3 | 5001405 | NUT SPR U M4-0.7 0.8-4.0x9.5 | 10 | 10 | |
| 4 | 5001414 | SCREW MA FL PH M4-0.7x16 BK | 10 | 10 | |
| 5 | 500345 | WASHER FN CKF .187x.500x.090 BR BK | 10 | 10 | |
| 6 | 506493 | TAPE DUAL LOCK 1/2" x 150' / BLACK SJ3541 | AR | AR | |
| 7 | 392039 | STRUCTURE ASSY | 1 | 1 | |
| 8 | 392038 | PANEL / W/AUTOMATIC TRANSMISSION | 1 | 1 | |
| 10 | XV-0645-05 | SWITCHES L.H. CONSOLE - MTH | | | |
| 10 | 392043 | DUMMY PLUG LIGHTER | 1 | 1 | |
| 15 | 641128 | VALVE, CONTROL VALVE PP-1 / 40PSI To D-5395 | 1 | 1 | |
| . NS | 641154 | . REPAIR KIT / PP-1 & RD-3 To D-5395 | 1 | 1 | |
| 15 | 642169 | VALVE, CONTROL VALVE PP-1 / 60PSI From D-5396 | 1 | 1 | |
| . NS | 641154 | . REPAIR KIT / PP-1 & RD-3 From D-5396 | 1 | 1 | |
| . NS | 641149 | . BUTTON, PARKING BRAKE DIAMOND YELLOW / 1" From D-5396 | 1 | 1 | |
| 16 | 641149 | . BUTTON, PARKING BRAKE DIAMOND YELLOW / 1" | 1 | 1 | |
| 20 | 640136 | VALVE, CONTROL TW-1 | 1 | 1 | |
| . NS | 641156 | . REPAIR KIT / TW-1 | 1 | 1 | |
| 21 | 500572 | SCREW MA TR PH #10-24x1/2 SS BK | 2 | 2 | |
| 22 | 391992 | DECAL "TAG" | 1 | 1 | |
| 23 | 562518 | PRESSURE SWITCH N.O. 4PSI / 1/8NPT W/2 SCREWS / TAG | 1 | 1 | |
| 24 | 391994 | DECAL "LEVEL LOW" | 1 | 1 | |
| 30 | 501331 | STREET ELBOW 90° / PIPE FITTING / 1/8NPT-Mx1/8NPT-F BR | 3 | 3 | |
| 31 | 641369 | MALE ELBOW 90° NON-SWIVEL / PUSH-IN FITTING / #4x1/8NPT-M BR | 3 | 3 | |
| 32 | 501332 | STREET ELBOW 90° / PIPE FITTING / 1/4NPT-Mx1/4NPT-F BR | 1 | 1 | |
| 33 | 501338 | MALE RUN TEE / PIPE FITTING / 1/4NPT-Mx1/4NPT-Fx1/4NPT-F BR | 1 | 1 | |
| 34 | 641242 | MALE CONNECTOR / PUSH-IN FITTING / #4x1/8NPT-M BR | 1 | 1 | |
| 35 | 641349 | MALE CONNECTOR / PUSH-IN FITTING / #6x1/8NPT-M BR | 1 | 1 | |
| 36 | 501800 | PLUG HEXS / PIPE FITTING / 1/4NPT-M STL | 1 | 1 | |
| 37 | 641371 | MALE ELBOW 90° NON-SWIVEL / PUSH-IN FITTING / #4x1/4NPT-M BR | 1 | 1 | |
| 38 | 641372 | MALE ELBOW 90° NON-SWIVEL / PUSH-IN FITTING / #6x1/4NPT-M BR | 1 | 1 | |
| 39 | 641002 | MALE RUN TEE / NTA FITTING / #4x#4x1/8NPT-M BR | 1 | 1 | |
| 40 | 391727 | PROTECTOR BOX ASSY / OVER PARKING BRAKE VALVE | 1 | 1 | |
| 40 | 391725 | . BOX | 1 | 1 | |
| 41 | 391726 | . COVER / CLEAR PLASTIC | 1 | 1 | |
| 42 | 505221 | . SPRING, PIN 1/8 X 3/8 | 1 | 1 | |
| 43 | 506035 | . TAPE RUB ADH1 NEO 1/2" x 1" x 15' / BLACK 1220X | 1 | 1 | |
| 44 | 641922 | UNION TEE / PUSH-IN FITTING / #6x#6x#6 BR | 1 | 1 | |
| 52 | XV-1202-00 | TUBES PLASTIC / AIR D.O.T. | | | |
| 61 | Call order desk | PLATE / V.I.N. | 1 | 1 | P |
| NS | 504107 | RIVET POP DOME OE 1/8x5/16 AL | 6 | 6 | |
| 70 | 641935 | BUTTON RED / FOR TRAILER VALVE PP-7 | 1 | 1 | |



| | | |
|-----------------------|--------------|-----------------|
| From B-5003 To D-5489 | Date:10/2022 | PAGE:XV-1806-50 |
|-----------------------|--------------|-----------------|

L.H. CONSOLE - MTH

| Item# | Part | Description | X 3 V I P | X L I I E N T 4 5 | N O T E S |
|-------|--------|--|-----------------------|---|-----------------------|
| 71 | 641397 | TRAILER SUPPLY VALVE PP-7 | 1 | 1 | |
| 72 | 452043 | PRESSURE SWITCH N.O. 60-35 20SP001AA060E035E | 1 | 1 | |
| 73 | 640297 | NUT | 1 | 1 | |
| 74 | 640286 | PIN ROLLER | 1 | 1 | |
| | | | | | |
| | | | | | |
| | | | | | |
| | | P) CALL ORDER DESK FOR SPECIFIC APPLICATION (V.I.N.) | | | |

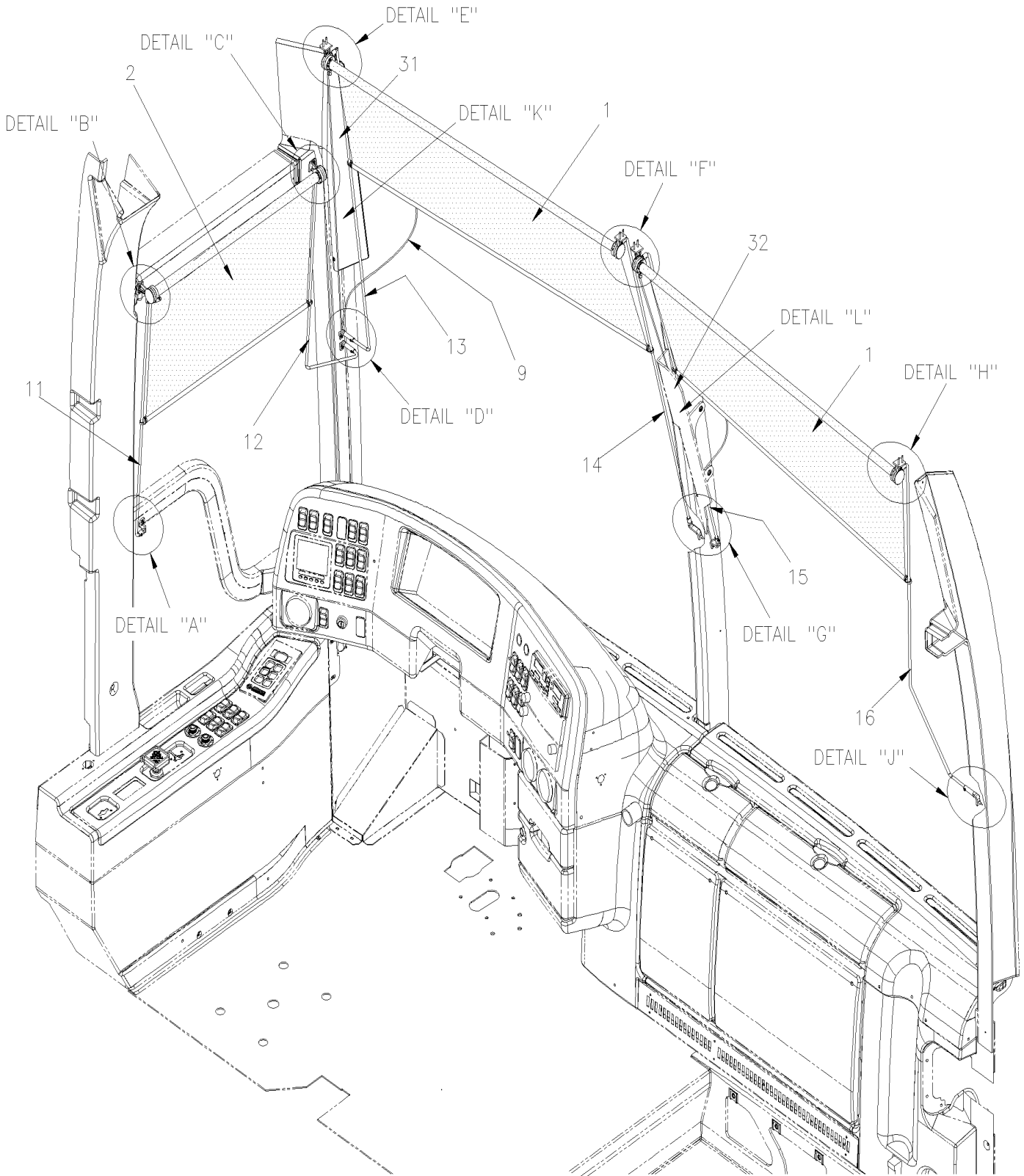


From B-5003 To D-5489

Date:10/2022

PAGE:XV-1816-00

ROLLER BLIND - DRIVER' S & WINDSHIELD



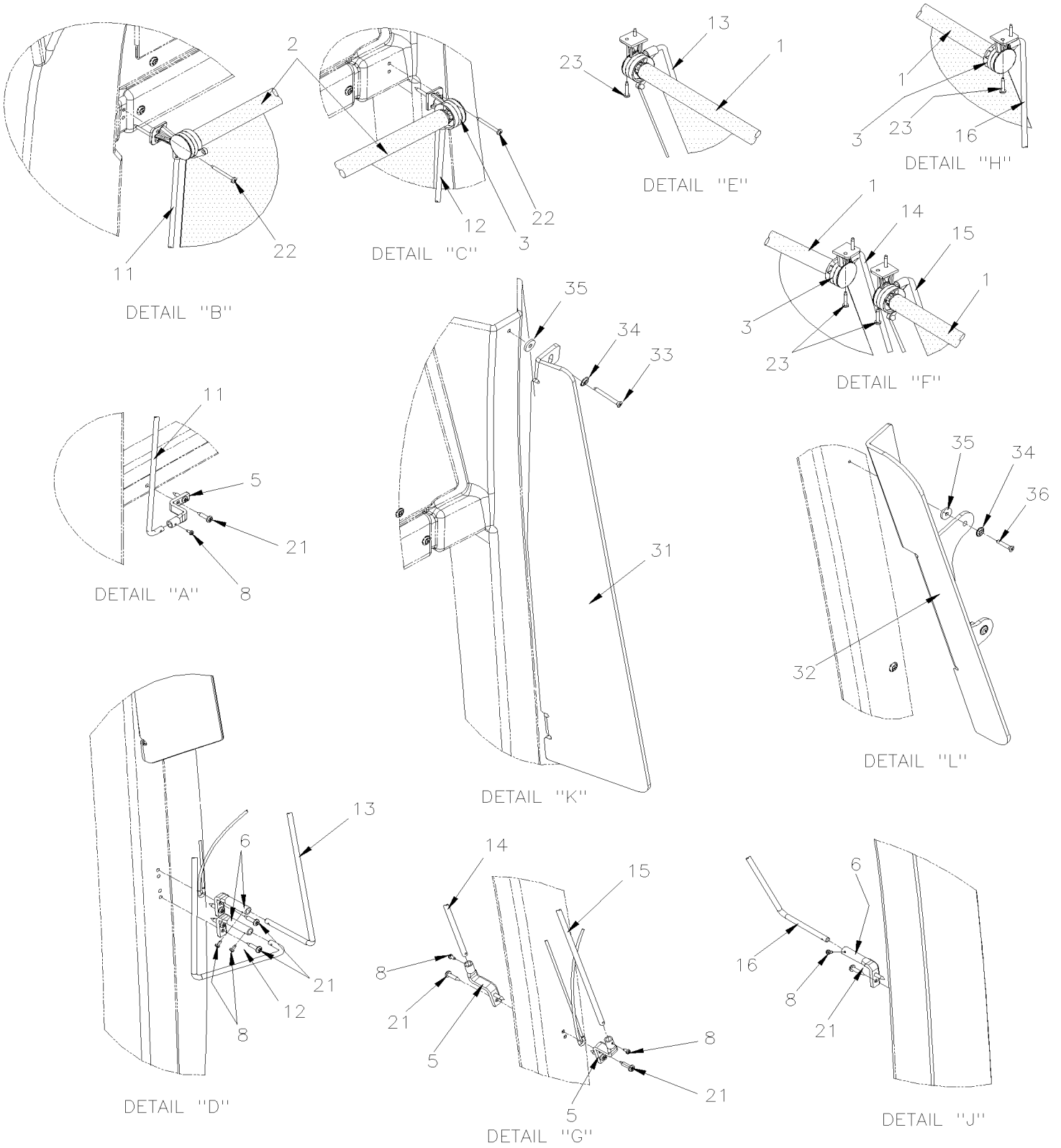


From B-5003 To D-5489

Date:10/2022

PAGE:XV-1816-00

ROLLER BLIND - DRIVER'S & WINDSHIELD





| | | |
|--|---------------------|------------------------|
| From B-5003 To D-5489 | Date:10/2022 | PAGE:XV-1816-00 |
| ROLLER BLIND - DRIVER' S & WINDSHIELD | | |

| Item# | Part | Description | X 3 V I P | X L I I E N T 4 5 | N O T E S |
|-------|---------|---|-----------------------|---|-----------------------|
| 1 | 901043 | BLIND ROLLER / CHARCOAL / 996MM To D-5449 | 2 | 2 | |
| NS | 900597 | . GUIDING PLUG / EACH END OF BLIND To D-5449 | 2 | 2 | |
| 1 | 901373 | BLIND ROLLER / CHARCOAL / 1045MM From D-5450 | 2 | 2 | |
| . NS | 901561 | . BRACKET W/SHAFT & RATCHED LEVER From D-5450 | 1 | 1 | |
| . NS | 901560 | . BRACKET W/SHAFT & RATCHED LEVER From D-5450 | 1 | 1 | |
| 2 | 901042 | BLIND ROLLER / CHARCOAL / 600MM To D-5449 | 1 | 1 | |
| NS | 900597 | . GUIDING PLUG / EACH END OF BLIND To D-5449 | 2 | 2 | |
| 2 | 901374 | BLIND ROLLER / CHARCOAL / 593MM From D-5450 | 1 | 1 | |
| . NS | 5001999 | . SCREW SET HEXS CUP M4-0.7x5 From D-5450 | 2 | 2 | |
| . NS | 901562 | . BRACKET W/O SHAFT & RATCHED LEVER From D-5450 | 1 | 1 | |
| . NS | 901560 | . BRACKET W/SHAFT & RATCHED LEVER From D-5450 | 1 | 1 | |
| 3 | 900478 | BEARING HOLDER / R.H. / BLACK CASTING To D-5449 | 1 | 1 | |
| 5 | 900476 | ROD HOLDER 90° / BLACK PLASTIC 30MM C/L | AR | AR | |
| 6 | 901263 | ROD HOLDER / BLACK / PLASTIC 50MM | 3 | 3 | |
| 8 | 5001091 | SCREW TC PAN PH #4-40x1/4 BK | AR | AR | |
| 9 | 900482 | CORD, W/BUTTON / BLACK 1700MM To D-5449 | 1 | 1 | |
| 11 | 405129 | ROD / BACKWARD / 720MM X 25MM | 1 | 1 | |
| 12 | 405193 | ROD / FORWARD / 670MM X 126MM | 1 | 1 | |
| 13 | 405071 | ROD / L.H. STREET SIDE / 718MM X 107MM | 1 | 1 | |
| 14 | 405070 | ROD / R.H. STREET SIDE / 710MM X 20MM | 1 | 1 | |
| 15 | 405077 | ROD / L.H. CURBSIDE / 710MM X 20MM | 1 | 1 | |
| 16 | 405072 | ROD / R.H. CURBSIDE / 718MM X 107MM | 1 | 1 | |
| 21 | 500814 | SCREW TP BDG PH #6x3/4 BK | AR | AR | |
| 21 | 5001145 | SCREW TP BDG PH #6x1 BK | AR | AR | |
| 22 | 5001298 | SCREW TP BDG PH #6x1 1/2 BK | AR | AR | |
| 23 | 500333 | SCREW TP OV PH #6x3/4 BK | AR | AR | |
| 31 | 3200339 | PLEXIGLASS / TINTED L.H. STREET SIDE / 795MM | 1 | 1 | |
| 32 | 3200340 | PLEXIGLASS / TINTED L.H. CURBSIDE / 540MM | 1 | 1 | |
| 33 | 500632 | SCREW TP OV PH #8x1 1/2 Z050 | AR | AR | |
| 34 | 500463 | WASHER FN CKF .187x.500x.090 BR Z050 | AR | AR | |
| 35 | 500950 | WASHER FL .187x.625x.094 RUB | AR | AR | |
| 36 | 500629 | SCREW TP OV PH #8x1 Z050 | AR | AR | |
| | | | | | |
| | | | | | |
| | | | | | |

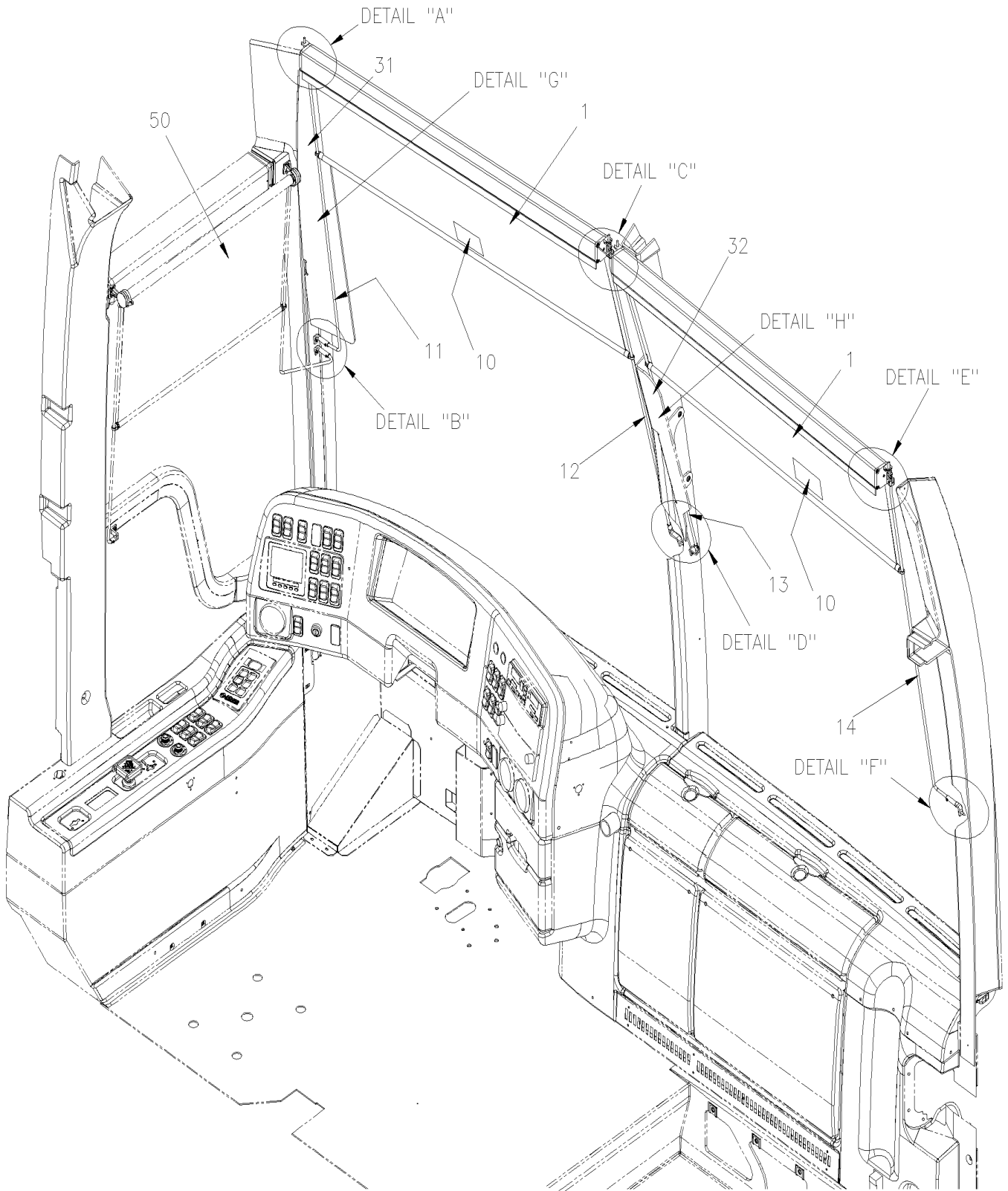


From B-5003 To D-5489

Date:10/2022

PAGE:XV-1816-05

ROLLER BLIND - WINDSHIELD W/ELECTRICAL



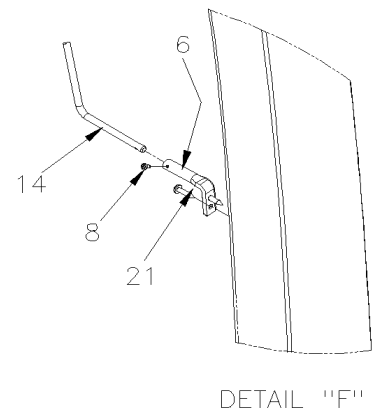
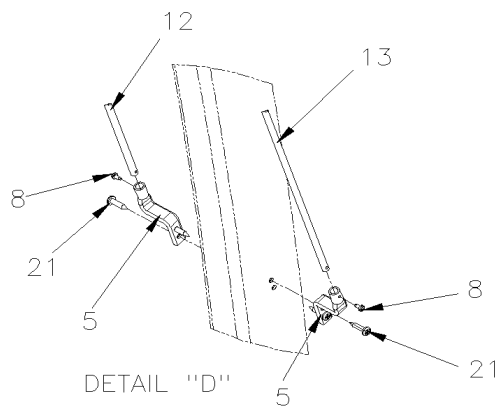
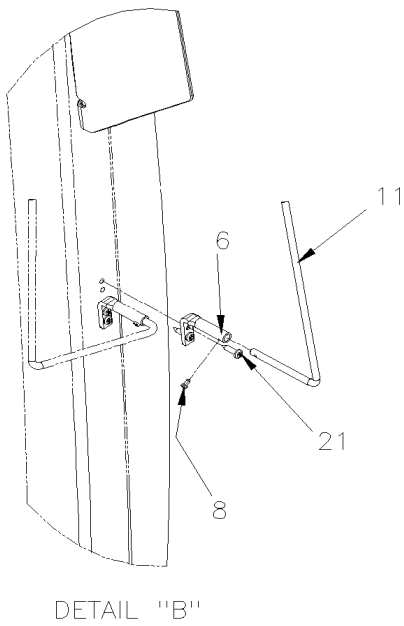
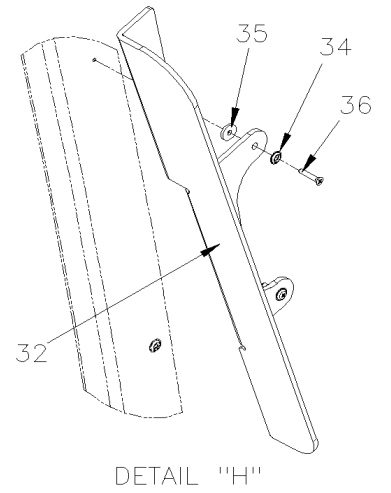
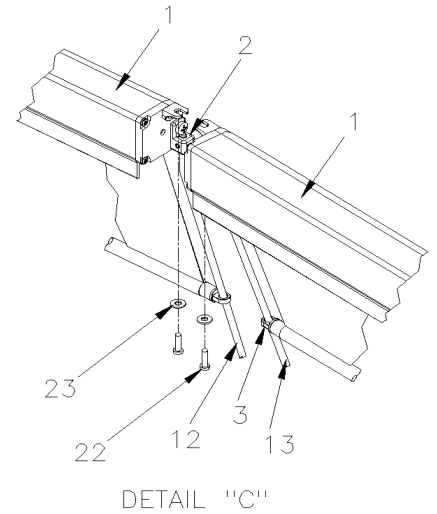
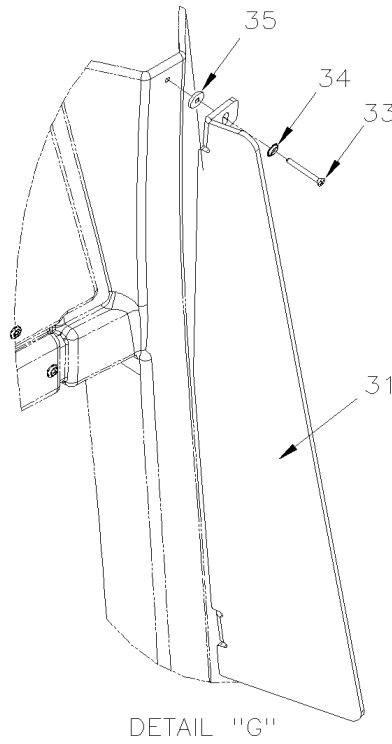
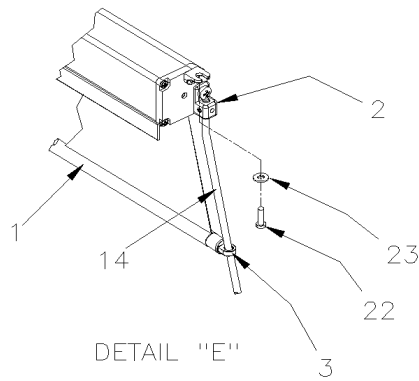
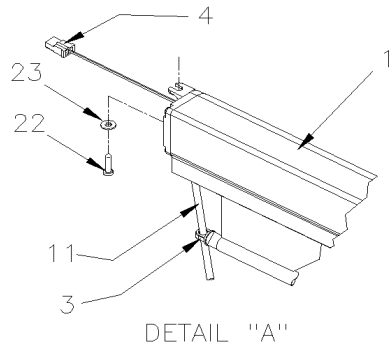


From B-5003 To D-5489

Date:10/2022

PAGE:XV-1816-05

ROLLER BLIND - WINDSHIELD W/ELECTRICAL





From B-5003 To D-5489 Date:10/2022 PAGE:XV-1816-05

ROLLER BLIND - WINDSHIELD W/ELECTRICAL

| Item# | Part | Description | X 3 V I P | X L I I E N T 4 5 | N O T E S |
|-------|-------------------|---|-----------------------|---|-----------------------|
| 1 | 901121 | ROLLER BLIND ASSY / ELECTRIC To C-5187 | 2 | 2 | |
| 1 | 408404 | ROLLER BLIND / ELECTRIC / PRODUCT IMPROVMENT To C-5187 | 1 | 1 | |
| . NS | 901532 | . ROLLER BLIND ASSY / ELECTRIC To C-5187 | 2 | 2 | |
| 1 | 901375 | ROLLER BLIND ASSY / ELECTRIC From C-5188 | 2 | 2 | |
| 2 | 901048 | . KIT BRACKET L.H. & R.H. To C-5187 | AR | AR | |
| 3 | 900597 | . GUIDING PLUG / EACH END OF BLIND To C-5187 | 1 | 1 | |
| 4 | 560854 | SOCKET TERMINAL / 24-18 / AMP 60617-1 | 2 | 2 | |
| 5 | 900476 | ROD HOLDER 90° / BLACK PLASTIC 30MM C/L | 2 | 2 | |
| 6 | 901263 | ROD HOLDER / BLACK / PLASTIC 50MM To E-5589 | 2 | 2 | |
| 6 | 901445 | ROD HOLDER / BLACK / PLASTIC From E-5590 | 2 | 2 | |
| 8 | 500409 | SCREW TP PAN PH #8x1/2 BK | 4 | 4 | |
| 10 | 402952 | DECAL | 1 | 1 | |
| 11 | 405373 | ROD / STREET SIDE / 730MM X 70MM / 10 DEG BEND | 1 | 1 | |
| 12 | 405374 | ROD 737MM / 10 DEG BEND | 1 | 1 | |
| 13 | 405374 | ROD 737MM / 10 DEG BEND | 1 | 1 | |
| 14 | 405375 | ROD / CURBSIDE / 730MM X 70MM / 10 DEG BEND | 1 | 1 | |
| 21 | 500814 | SCREW TP BDG PH #6x3/4 BK | 4 | 4 | |
| 22 | 500658 | SCREW TC PAN PH #10-24x3/4 Z050 | 4 | 4 | |
| 23 | 500964 | WASHER FL .203x.500x.047 Z050 | 4 | 4 | |
| 31 | 3200339 | PLEXIGLASS / TINTED L.H. STREET SIDE / 795MM | 1 | 1 | |
| 31 | 3201220 | PLEXIGLASS / TINTED L.H. STREET SIDE / 645MM | 1 | 1 | O |
| 32 | 3200340 | PLEXIGLASS / TINTED L.H. CURBSIDE / 540MM | 1 | 1 | |
| 33 | 500632 | SCREW TP OV PH #8x1 1/2 Z050 | AR | AR | |
| 34 | 500463 | WASHER FN CKF .187x.500x.090 BR Z050 | AR | AR | |
| 35 | 500950 | WASHER FL .187x.625x.094 RUB | AR | AR | |
| 36 | 500629 | SCREW TP OV PH #8x1 Z050 | AR | AR | |
| NS | 327623 | SUPPORT / ROLLER BLIND / UNDER DESTINATION SIGN / 244MM | 1 | 1 | |
| 50 | XV-1816-00 | ROLLER BLIND - DRIVER' S & WINDSHIELD | | | |
| | | | | | |
| | | | | | |
| | | | | | |
| | | O) OPTION | | | |

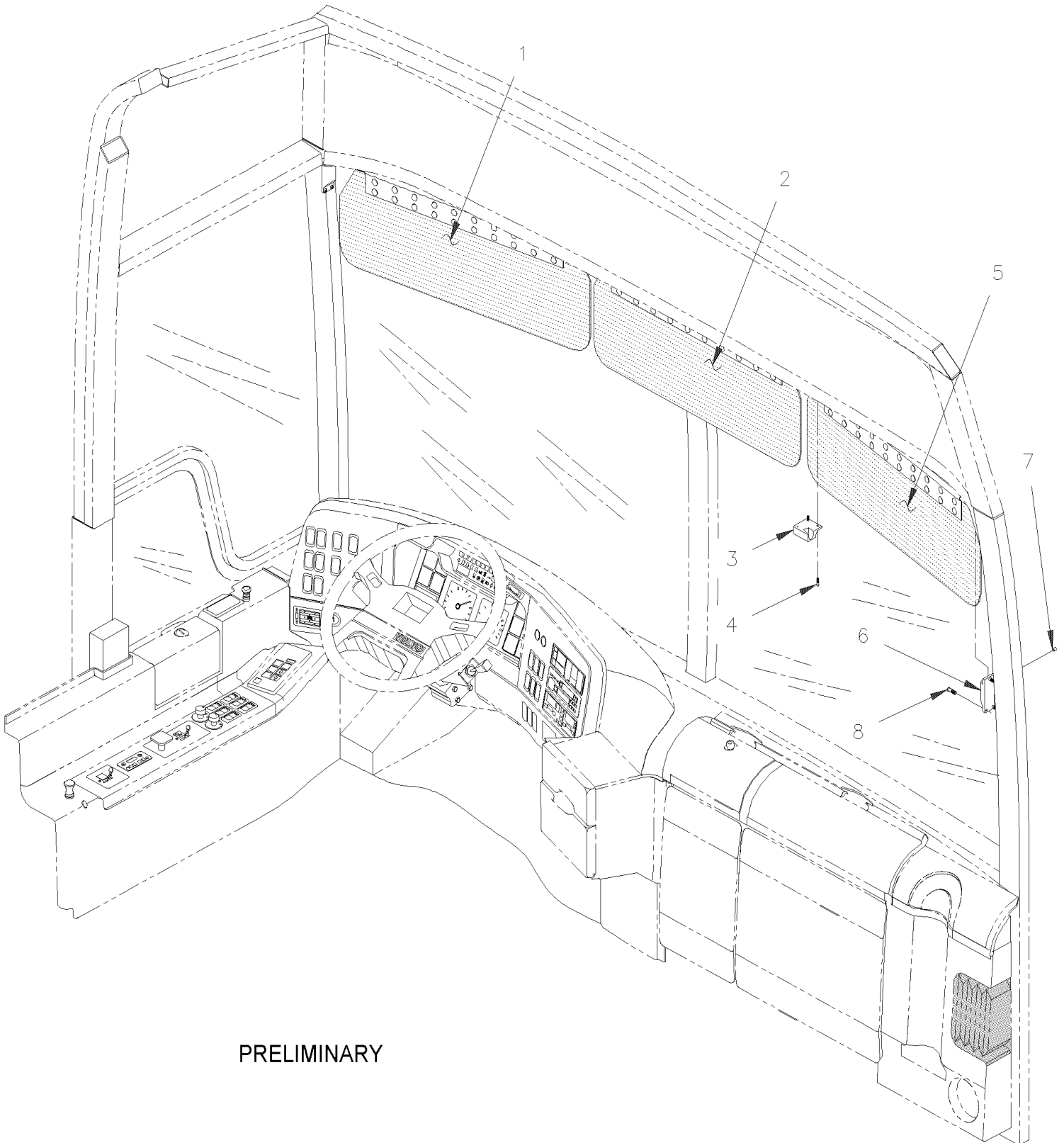


From B-5003 To D-5489

Date:10/2022

PAGE:XV-1817-00

SUN VISOR - "LE MIRAGE"



PRELIMINARY



| | | |
|-----------------------|--------------|-----------------|
| From B-5003 To D-5489 | Date:10/2022 | PAGE:XV-1817-00 |
|-----------------------|--------------|-----------------|

SUN VISOR - "LE MIRAGE"

| Item# | Part | Description | X 3 V I P | X L I I E N T 4 5 | N O T E S |
|-------|--------|--|-----------------------|---|-----------------------|
| 1 | 404741 | SUN VISOR ASSY / L.H. W/COVERING (BLACK) | 1 | 1 | |
| 1 | 404724 | . SUN VISOR ASSY / L.H. W/O COVERING | 1 | 1 | |
| 2 | 404740 | SUN VISOR ASSY / CENTRAL W/COVERING (BLACK) | 1 | 1 | |
| 2 | 404726 | . SUN VISOR ASSY / CENTRAL W/O COVERING | 1 | 1 | |
| 3 | 401586 | ATTACHMENT, R.H. / CENTRAL SUN VISOR | 1 | 1 | |
| 3 | 401585 | ATTACHMENT, L.H. / CENTRAL SUN VISOR | 1 | 1 | |
| NS | 401535 | HOOK, RETAINING / L.H. SUN VISOR W/O CENTRAL & R.H. SUNVISOR | 1 | 1 | |
| 3 | 505173 | SPRING, PIN 1/8 X 3/4 | 2 | 2 | |
| NS | 500409 | SCREW TP PAN PH #8x1/2 BK | 4 | 4 | |
| NS | 500263 | SCREW TP PAN PH #8x3/8 BK | 4 | 4 | |
| 5 | 404739 | SUN VISOR ASSY / R.H. W/COVERING (BLACK) | 1 | 1 | |
| 5 | 404725 | . SUN VISOR ASSY / R.H. W/O COVERING | 1 | 1 | |
| 5 | 404706 | . . PLATE, SUN VISOR LH & RH | 2 | 2 | |
| 5 | 404722 | . . PLATE, SUN VISOR CENTRAL | 2 | 2 | |
| 5 | 404727 | . . PRESSURE PLATE | 2 | 2 | |
| 5 | 504117 | . . RIVET POP DOME CLE 3/16x3/8 AL | 20 | 20 | |
| 5 | 500438 | . . WASHER FL .187x.437x.050 Z050 | 20 | 20 | |
| 5 | 401708 | . . ROD, SUN VISOR CENTRAL | 1 | 1 | |
| 5 | 404709 | . . ROD, SUN VISOR LH & RH | 1 | 1 | |
| 5 | 560171 | SLEEVE INSULATING | 1 | 1 | |
| 6 | 401465 | ATTACHMENT, PIVOT L.H. & R.H. CHARCOAL | 2 | 2 | |
| 7 | 500303 | SCREW SET HEXS CUP #10-24x3/16 | 2 | 2 | |
| 8 | 500630 | SCREW TP OV PH #10x1 Z050 | 6 | 6 | |
| | | | | | |
| | | | | | |
| | | | | | |

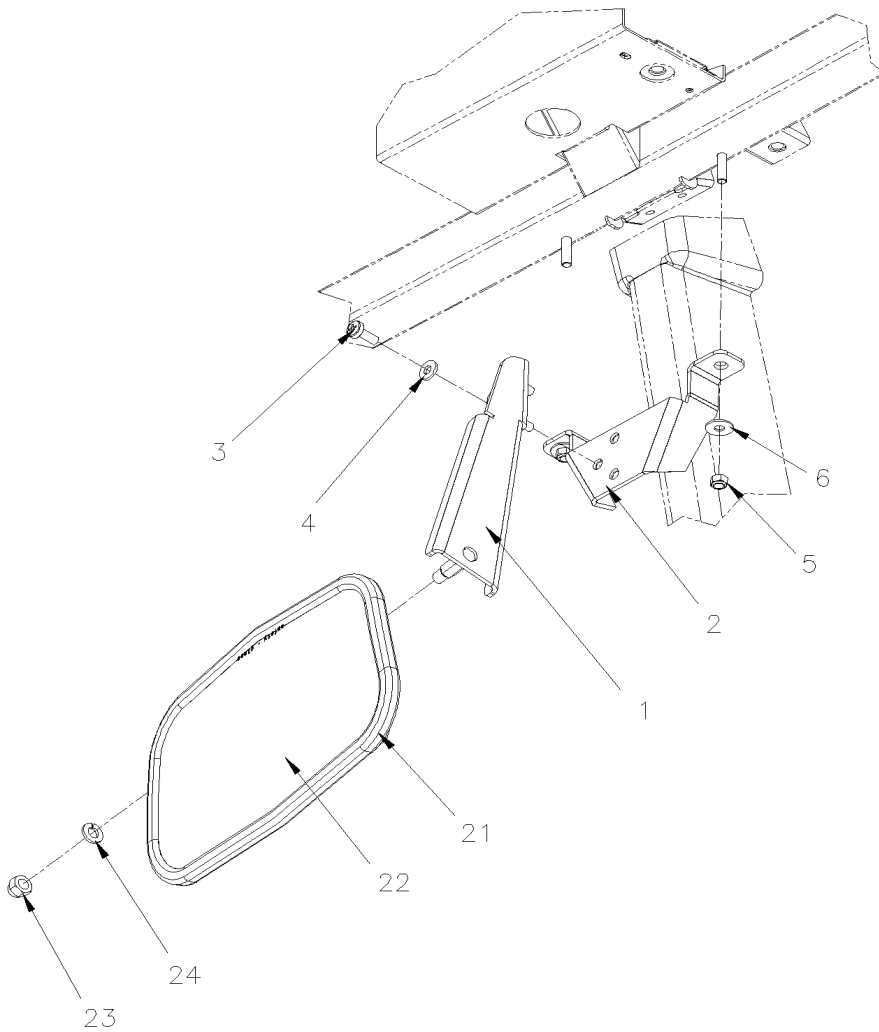
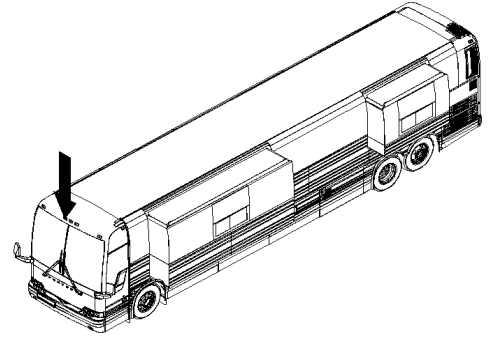


From B-5003 To D-5489

Date:10/2022

PAGE:XV-1820-00

MIRROR - INTERIOR





| | | |
|-----------------------|--------------|-----------------|
| From B-5003 To D-5489 | Date:10/2022 | PAGE:XV-1820-00 |
|-----------------------|--------------|-----------------|

MIRROR - INTERIOR

| Item# | Part | Description | X 3 V I P | X L I I E N T 4 5 | N O T E S |
|-------|---------|------------------------------------|-----------------------|---|-----------------------|
| 1 | 405136 | SUPPORT CENTRAL ASSY, MIRROR | 1 | 1 | |
| 2 | 408099 | MIRROR SUPPORT / CENTER WINDSHIELD | 1 | 1 | |
| 3 | 502569 | SCREW MA PAN PH M6-1.0x16 BK | 3 | 3 | |
| 4 | 500877 | WASHER FL .250x.562x.065 N500 | 3 | 3 | |
| 5 | 5001353 | NUT HEX NYRT M6-1.0 SS | 2 | 2 | |
| 6 | 500411 | WASHER FL .260x.697x.050 SS | 2 | 2 | |
| 21 | 900438 | MIRROR ASSY SAFETY | 1 | 1 | |
| 22 | 900440 | . GLASS / SAFETY | 1 | 1 | |
| 23 | 500780 | NUT HEX CAP 5/16-18 Z050 | 1 | 1 | |
| 24 | 500942 | WASHER LO SPT 8.1x14.8x2.0 N500 | 1 | 1 | |
| | | | | | |
| | | | | | |
| | | | | | |

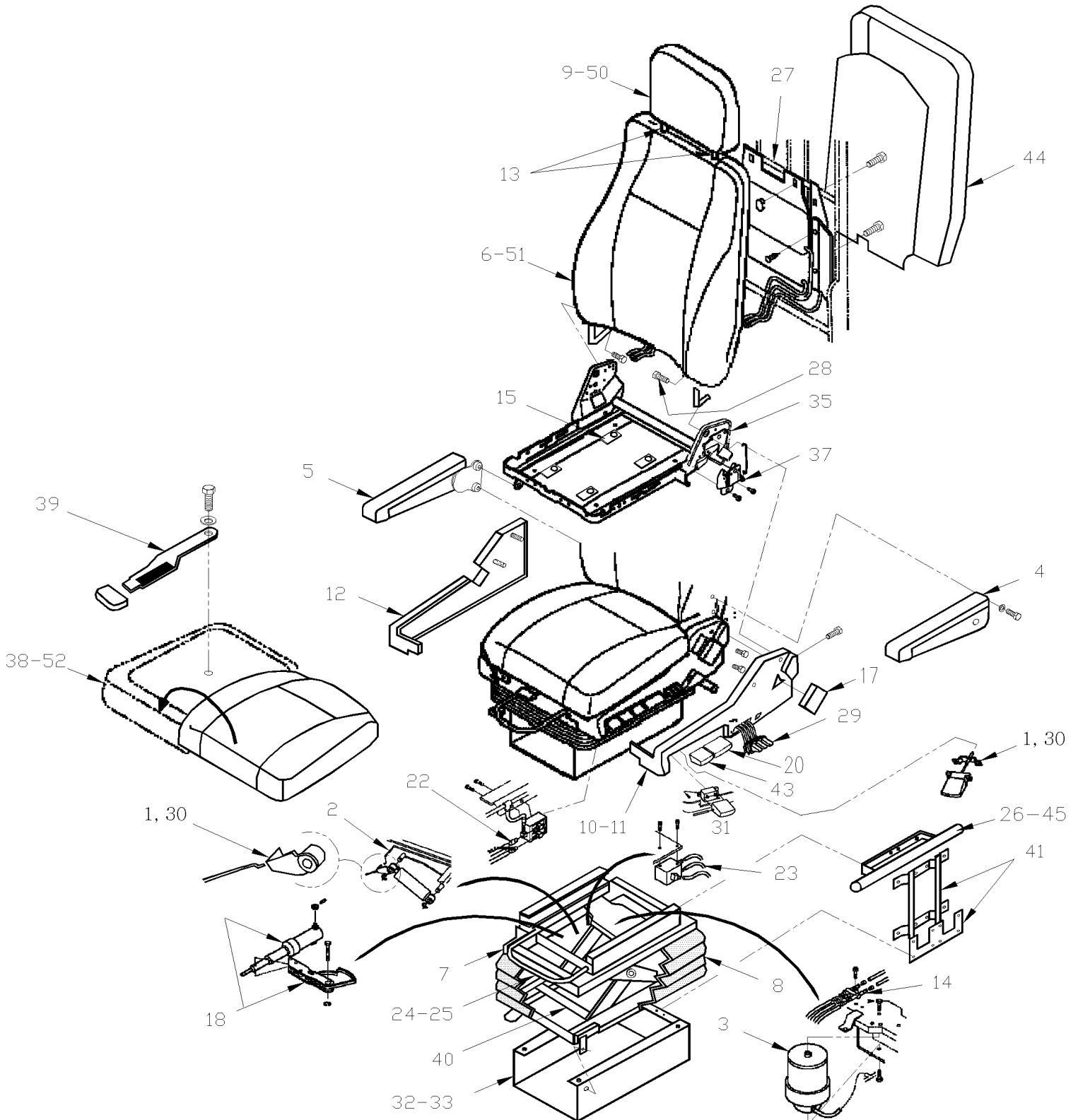


From B-5003 To D-5489

Date:10/2022

PAGE:XV-1822-00

DRIVER'S SEAT - "ISRI" - 6800/338





| | | |
|--|---------------------|------------------------|
| From B-5003 To D-5489 | Date:10/2022 | PAGE:XV-1822-00 |
| DRIVER'S SEAT - "ISRI" - 6800/338 | | |

| Item# | Part | Description | X 3 V I P | X L I I E N T 4 5 | N O T E S |
|-------|--------|--|-----------------------|---|-----------------------|
| | 364108 | DRIVER'S SEAT ASSY W/COVERING / SPECYFIED COLOR CODE | | 1 | F |
| | 861373 | DRIVER'S SEAT - "ISRI" - MODEL 6800/338 / W/R.H. CONTROL | | 1 | A |
| | 861374 | DRIVER'S SEAT - "ISRI" - MODEL 6800/338 / W/R.H. CONTROL | 1 | 1 | B |
| NS | 862420 | . LEVER RETAINING CLIP | 1 | 1 | |
| NS | 862421 | . NUT PLASTIC WHITE | 1 | 1 | |
| NS | 862422 | . RETAINING CLIP | 1 | 1 | |
| NS | 862423 | . SCREW FOR RETAINING CLIP | 1 | 1 | |
| 1 | 861638 | . ADJUSTABLE SHOCK ABSORBER CABLE KIT | 1 | 1 | |
| 2 | 861639 | . ADJUSTABLE SHOCK ABSORBER KIT | 1 | 1 | |
| 3 | 861640 | . AIR SPRING KIT | 1 | 1 | |
| 4 | 861641 | . ARMREST KIT - LH / W/OUT COVERING | 1 | 1 | |
| 4 | 861377 | . ARMREST KIT - LH / W/POLYURETHANE PAD | | 1 | |
| 5 | 861642 | . ARMREST KIT - RH / W/OUT COVERING | 1 | 1 | |
| 5 | 861378 | . ARMREST KIT - RH POLYURETHANE PAD | | 1 | |
| 6 | 861643 | . BACKREST ASSY / NUDE | 1 | 1 | |
| . NS | 864557 | . . FOAM / BACKREST | 1 | 1 | |
| 7 | 861644 | . BOOT ADAPTER PLATE | 1 | 1 | |
| 8 | 861645 | . BOOT KIT | 1 | 1 | |
| 9 | 861646 | . HEADREST ASSEMBLY - NUDE | 1 | 1 | |
| 10 | 861648 | . COVER KIT CONTROL - LH | 1 | 1 | |
| 11 | 861649 | . COVER KIT CONTROL - RH | 1 | 1 | |
| 12 | 861650 | . COVER KIT NON-CONTROL - LH | 1 | 1 | |
| 13 | 861647 | . HEADREST BOOT (2PCS) | 1 | 1 | |
| 14 | 861651 | . DISTRIBUTION VALVE KIT | 1 | 1 | |
| 15 | 861652 | . GLIDE - SEAT PAN | 1 | 1 | |
| 16 | 861653 | . HANDLE KIT - SEAT FRAME - LH | 1 | 1 | |
| 17 | 861654 | . HANDLE KIT - SEAT FRAME - RH | 1 | 1 | D |
| 18 | 864140 | . KIT, CYLINDER & CAM ADJUSTEMENT KIT | 1 | 1 | |
| . 18 | 861655 | . . HEIGHT ADJUSTMENT CAM KIT | 1 | 1 | |
| . 19 | 861656 | . . HEIGHT ADJUSTMENT CYLINDER KIT | 1 | 1 | |
| NS | 863741 | . KIT SLIDING TRACK PLASTIC OBLONG | 1 | 1 | |
| 20 | 862203 | . AIR HEIGHT ADJUST HANDLE KIT RH | 1 | 1 | |
| 22 | 861657 | . HEIGHT ADJUSTMENT VALVE KIT - RH | 1 | 1 | |
| 23 | 861658 | . HEIGHT ADJUSTMENT VALVE KIT - SUSPENSION | 1 | 1 | |
| 24 | 861659 | . HORIZONTAL ADJUSTMENT SLIDE HANDLE | 1 | 1 | |
| 25 | 861660 | . HORIZONTAL ADJUSTMENT SLIDE SET | 1 | 1 | |
| 26 | 862205 | . SEAT BELT KIT NOT ILLUSTRATED / PAS ILLUSTRÉ | 1 | 1 | |
| 27 | 864242 | . LUMBAR/BOLSTER KIT NEW STYLE | 1 | 1 | |
| 28 | 862204 | . BACKREST BOLT | 2 | 2 | |
| 29 | 861662 | . LUMBAR/BOLSTER VALVE RH | 1 | 1 | |
| 30 | 862424 | . HANDLE FOR ADJUSTMENT SHOCK | 1 | 1 | |
| NS | 862425 | . SHORT PIN ADJUSTMENT HANDLE | 1 | 1 | |



| | | |
|--|--------------|-----------------|
| From B-5003 To D-5489 | Date:10/2022 | PAGE:XV-1822-00 |
| DRIVER'S SEAT - "ISRI" - 6800/338 | | |

| Item# | Part | Description | X 3 V I P | X L I I E N T 4 5 | N O T E S |
|-------|---------|---|-----------------------|---|-----------------------|
| NS | 862426 | . LONG PIN ADJUSTMENT HANDLE | 1 | 1 | |
| NS | 862956 | . HANDLE SUPPORT / PLASTIC BLACK | 1 | 1 | |
| 31 | 861663 | . QUICK AIR RELEASE VALVE AND HANDLE KIT - RH | 1 | 1 | |
| 33 | 861664 | . RISER KIT 76MM | 1 | 1 | |
| 35 | 861665 | . SEAT FRAME - RH | 1 | 1 | |
| 37 | 861666 | . SEAT FRAME TOOTH PLATE KIT RH | 1 | 1 | |
| 38 | 864243 | . SEAT PAN ASSEMBLY - NUDE NEW STYLE | 1 | 1 | |
| . NS | 864237 | . . CUSHHION FOAM NEW PATERN | 1 | 1 | |
| 39 | 861668 | . SEAT PAN ASSEMBLY LEVER AND HANDLE KIT | 1 | 1 | |
| 40 | 861669 | . SUSPENSION | 1 | 1 | |
| 41 | 861670 | . TETHER AND TETHER PLATE KIT | 1 | 1 | |
| 43 | 861671 | . TILT HANDLE KIT - RH | 1 | 1 | |
| 44 | 861672 | . BACKREST PANEL | 1 | 1 | |
| NS | 363705 | INTERFACE COPILOTE ISRI 6800 | 1 | 1 | C |
| NS | 326831 | ANCHORAGE "U" FORM 48MM x 38MM x 112MM | 1 | 1 | C |
| NS | 362056 | ANCHOR PLATE ASSY USE W/CURBSIDE SEAT 7/16-14x1" / 32MMx89MM | 2 | 2 | C |
| NS | 362521 | ANCHOR PLATE ASSY USE W/CURBSIDE SEAT 7/16-14x2" / 32MMx89MM | 2 | 2 | C |
| 45 | 364128 | DRIVER'S SAFETY BELT EXTENSION R.H. | 1 | 1 | E |
| 45 | 364129 | DRIVER'S SAFETY BELT EXTENSION L.H. | 1 | 1 | E |
| NS | 500071 | SCREW CAP HEX 7/16-20x1 1/2 G5 Z050 | 2 | 2 | E |
| NS | 500709 | NUT HEX 7/16-20 Z050 | 2 | 2 | E |
| NS | 500747 | WASHER LO SPT 12.2x21.1x2.5 N500 | 4 | 4 | E |
| NS | 500860 | NUT HEX M12-1.75 Z050 | 2 | 2 | E |
| NS | 502731 | SCREW CAP HEX M12-1.75x40 G8.8 Z050 | 2 | 2 | E |
| 50 | 363740P | COVERING HEADREST ASSY / S.C.C. / DRIVER'S "ISRI" / 6800 | | 1 | |
| 51 | 364168P | COVERING BACKREST ASSY / S.C.C. / DRIVER'S "ISRI" / 6800 | | 1 | |
| 52 | 364071P | COVERING SEATREST ASSY / S.C.C. NEW STYLE / DRIVER'S "ISRI" / 6800 | | 1 | |
| NS | 867958 | ADAPTOR | 1 | 1 | |
| NS | 868125 | UNION 4MM/4MM | 1 | 1 | |
| NS | 868128 | UNION 6MM/4MM | 1 | 1 | |
| NS | 864709 | TUBE PLASTIC 6MM O.D. CHARCOAL W/RED LINE | AR | AR | |
| NS | 864710 | TUBE PLASTIC 6MM O.D. CHARCOAL W/GREY LINE | AR | AR | |
| NS | 864711 | TUBE PLASTIC 6MM O.D. CHARCOAL | AR | AR | |
| NS | 5001862 | SCREW CAP HEX M12-1.75x70 G10.9 N500 | 4 | 4 | G |
| NS | 500958 | WASHER FL .531x1.062x.095 SS | 4 | 4 | GH |
| NS | 500747 | WASHER LO SPT 12.2x21.1x2.5 N500 | 6 | 6 | GH |
| NS | 362549 | SPACER / STRUCTURE & BASE / 27MM | 4 | 4 | G |
| NS | 361677 | JOINT / W/AIR SUSPENSION / W/2 HOLES .344 O / 3 1/8" x W/2" C/C | 2 | 2 | H |
| NS | 363410 | JOINT / W/AIR SUSPENSION / W/2 HOLES .562 O.D / 3 1/8" x W/2 1/8 C/C" | 2 | 2 | H |
| NS | 364155 | JOINT / W/AIR SUSPENSION / W/2 HOLES .344 O / 4 3/8" x W/3 1/4" C/C SERVICE | 1 | 1 | H |
| NS | 500860 | NUT HEX M12-1.75 Z050 | 2 | 2 | H |



| | | |
|--|--------------|-----------------|
| From B-5003 To D-5489 | Date:10/2022 | PAGE:XV-1822-00 |
| DRIVER'S SEAT - "ISRI" - 6800/338 | | |

| Item# | Part | Description | X 3 V I P | X L I I E N T 4 5 | N O T E S |
|-------|---------|--|-----------------------|---|-----------------------|
| NS | 5001365 | SCREW CAP HEX M12-1.75x30 G10.9 DP | 2 | 2 | H |
| | | | | | |
| | | | | | |
| | | A) THIS SEAT IS WITHOUT COVERING & ARMREST | | | |
| | | B) THIS SEAT HAS BLACK COVERING, LARGE ARMREST & HEADREST FOR FACTORY DELIVERY | | | |
| | | C) USE WITH CO-PILOTE SEAT INSTALLATION | | | |
| | | D) INCLUDE ALL KNOB FOR ITEM # 17, 20, 29, & 39 | | | |
| | | E) YOU REQUIRE THOSE COMPONENTS TO EXTEND DRIVER'S SAFETY BELT | | | |
| | | F) INCLUDE ITEMS # 50, 51 & 52 | | | |
| | | G) TO FIX SEAT TO FLOOR | | | |
| | | H) TO FIX SAFETY BELT | | | |

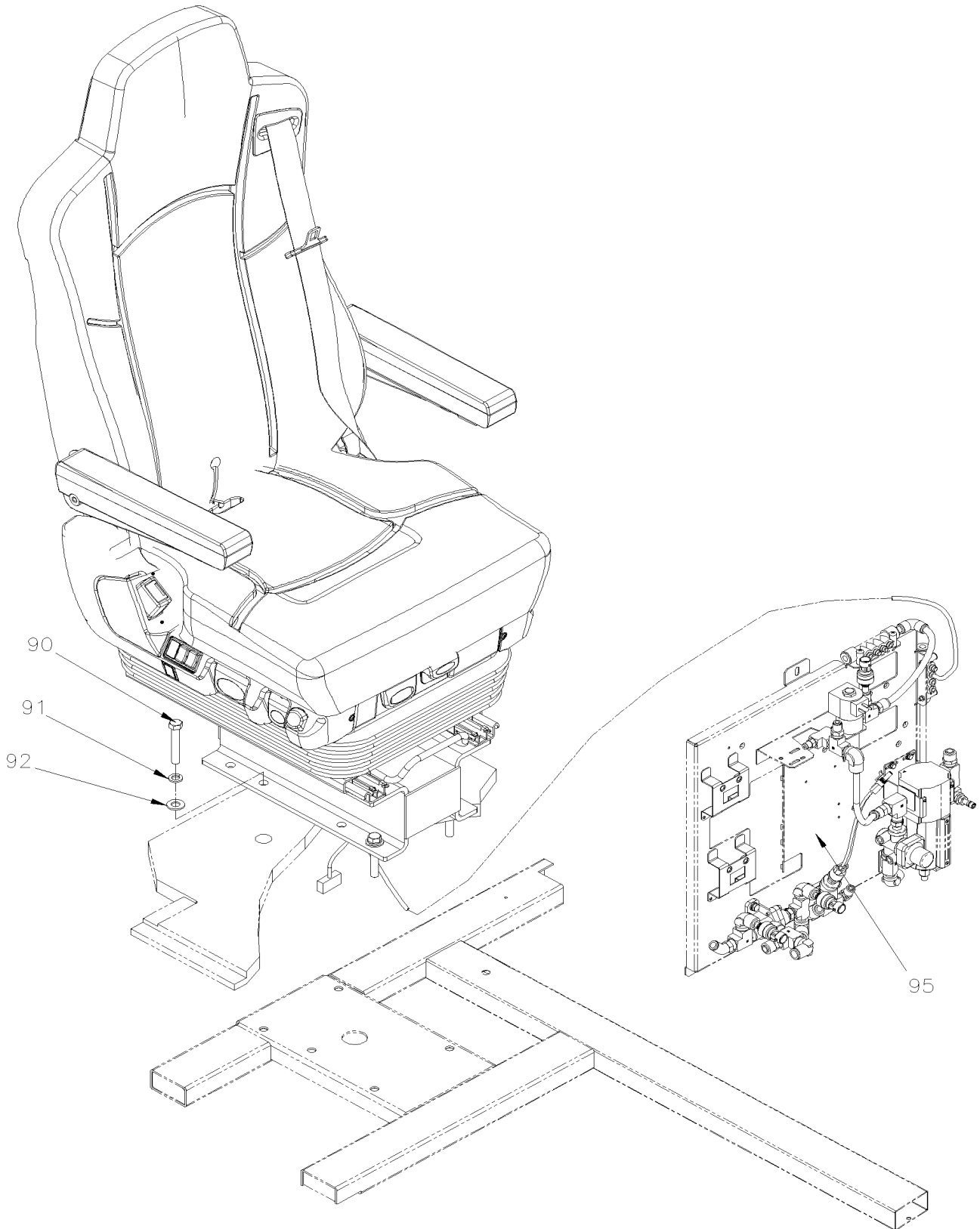


From B-5003 To D-5489

Date:10/2022

PAGE:XV-1822-01

DRIVER'S SEAT - "ISRI" - 6832/872



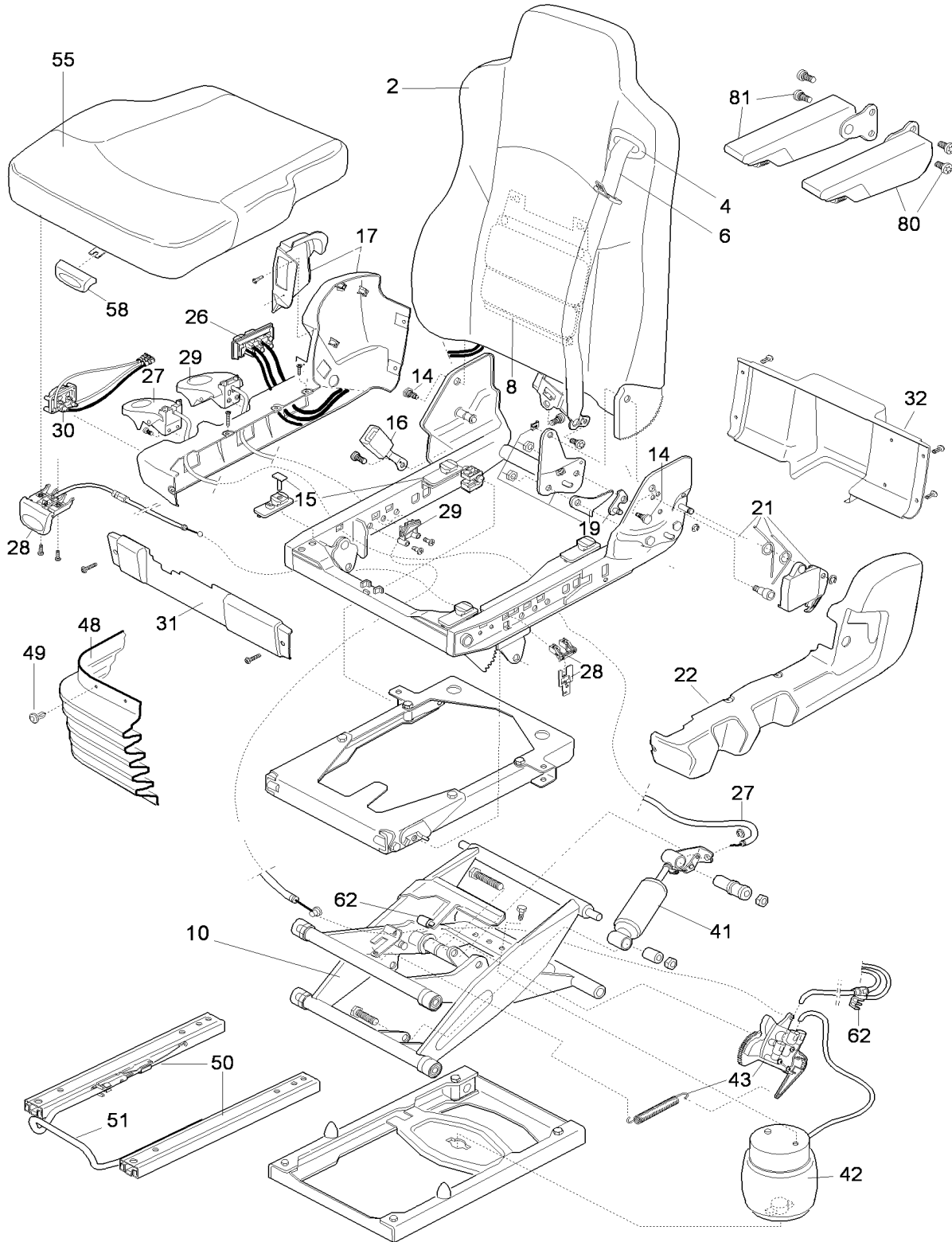


From B-5003 To D-5489

Date:10/2022

PAGE:XV-1822-01

DRIVER'S SEAT - "ISRI" - 6832/872





| | | |
|--|--------------|-----------------|
| From B-5003 To D-5489 | Date:10/2022 | PAGE:XV-1822-01 |
| DRIVER'S SEAT - "ISRI" - 6832/872 | | |

| Item# | Part | Description | X 3 V I P | X L I I E N T 4 5 | N O T E S |
|-------|-----------------|---|-----------------------|---|-----------------------|
| | 864374 | DRIVER'S SEAT - "ISRI" - MODEL 6832/872 / W/O ACTIVE CLIMATE CONTROL / W/COVERING BLACK / NOIR | 1 | 1 | |
| | 864373 | DRIVER'S SEAT - "ISRI" - MODEL 6832/872 / W/ACTIVE CLIMATE CONTROL / W/COVERING BLACK / NOIR | 1 | 1 | |
| | 864414 | DRIVER'S SEAT - "ISRI" - MODEL 6832/872 / W/HEATING / W/COVERING BLACK / NOIR | 1 | 1 | |
| | 864371 | DRIVER'S SEAT - "ISRI" - MODEL 6832/872 / W/ACTIVE CLIMATE CONTROL / W/O COVERING | 1 | 1 | |
| | 864372 | DRIVER'S SEAT - "ISRI" - MODEL 6832/872 / W/O ACTIVE CLIMATE CONTROL / W/O COVERING WITH ORANGE SEAT BELT | 1 | 1 | |
| | 360068 | DRIVER'S SEAT - "ISRI" - MODEL 6832/872 / W/O ACTIVE CLIMATE CONTROL / W/COVERING WITH ORANGE SEAT BELT | 1 | 1 | |
| | 864413 | DRIVER'S SEAT - "ISRI" - MODEL 6832/872 / WITH HEATING / W/O COVERING | 1 | 1 | |
| 1 | 865236 | . RISER | 1 | 1 | |
| 2 | 866273 | . BACKREST ASSEMBLY LH | 1 | 1 | |
| 3 | 364310 | . COVERING BACKREST ASSY / S.C.C. / DRIVER'S "ISRI" / 6832/872 | 1 | 1 | C |
| 3 | 364311 | . COVERING BACKREST ASSY / S.C.C. / DRIVER'S "ISRI" / 6832/872 | 1 | 1 | |
| 4 | 864418 | . . BELT GUIDE LH/RH | 1 | 1 | |
| 6 | 864419 | . . 3 POINT SAFETY BELT, LH | 1 | 1 | |
| 8 | 864420 | . . LUMBAR AIR CHAMBERS | 1 | 1 | |
| 10 | Call order desk | . SUSPENSION / SEAT FRAME ASSEMBLY | 1 | 1 | P S |
| 14 | N8904018 | . SCREWS FOR BACKREST PIVOT | 1 | 1 | |
| 15 | 861652 | . GLIDE - SEAT PAN | 1 | 1 | |
| 16 | 864421 | . BELT BUCKLE | 1 | 1 | |
| 17 | 864845 | . RH COVER (CONTROL SIDE) | 1 | 1 | |
| 19 | 866274 | . BACKREST RECLINE MECH. | 1 | 1 | |
| 21 | N8904020 | . BACKREST HANDLE LH | 1 | 1 | |
| 22 | 861708 | . LH COVER - (NON CONTROL SIDE) | 1 | 1 | |
| 26 | 864422 | . LUMBAR CONTROL VALVE, RH | 1 | 1 | |
| 27 | 864423 | . HANDLE/CABLE FOR SHOCK ABSORBER | 1 | 1 | |
| 28 | 865718 | . TILT GLIDER | 1 | 1 | |
| 29 | 864424 | . HANDLE/CABLE FOR HEIGHT ADJUSTMENT | 1 | 1 | |
| 30 | 864425 | . QUICK AIR RELEASE VALVE, RH | 1 | 1 | |
| 31 | Call order desk | . FRONT COVER | 1 | 1 | P |
| 32 | 865389 | . REAR COVER | 1 | 1 | |
| 41 | 864426 | . SHOCK ABSORBER | 1 | 1 | |
| 42 | 864427 | . AIR SPRING | 1 | 1 | |
| 43 | 864428 | . HEIGHT CONTROL VALVE | 1 | 1 | |
| 48 | Call order desk | . RUBBER BELLOW | 1 | 1 | P |
| 49 | Call order desk | . BELLOW FASTENERS | 1 | 1 | P |
| 50 | 866109 | . SLIDE SET | 1 | 1 | |
| 51 | 866037 | . . SLIDE HANDLE | 1 | 1 | |
| 55 | N8903231 | . SEAT CUSHION ASSEMBLY / WITHOUT COVERING | 1 | 1 | |
| 55 | Call order desk | . SEAT CUSHION ASSEMBLY / WITH COVERING | 1 | 1 | P |
| 56 | 364309 | . COVERING SEATREST ASSY / S.C.C. / DRIVER'S "ISRI" / 6832/872 | 1 | 1 | |
| 58 | 864429 | . . CUSHION ADJUSTMENT HANDLE | 1 | 1 | |
| 62 | 864430 | . PLASTIC VALVE STOP | 1 | 1 | |
| 80 | 864411 | . ARMREST LH / S.C.C. 13" | 1 | 1 | |



| | | |
|--|--------------|-----------------|
| From B-5003 To D-5489 | Date:10/2022 | PAGE:XV-1822-01 |
| DRIVER'S SEAT - "ISRI" - 6832/872 | | |

| Item# | Part | Description | X 3 V I P | X L I I E N T 4 5 | N O T E S |
|-------|-------------------|--|-----------------------|---|-----------------------|
| 80 | 866245 | . ARMREST LH / LONG 14" | 1 | 1 | |
| 81 | 864412 | . ARMREST RH / S.C.C. 13" | 1 | 1 | |
| 81 | 866246 | . ARMREST RH / LONG 14" | 1 | 1 | |
| NS | 865350 | . KIT PNEUMATIC COMPONENTS | 1 | 1 | |
| NS | 867958 | . ADAPTOR | 1 | 1 | |
| NS | 7771643 | . FITTING CONNECTOR "Y" | 1 | 1 | |
| NS | 868125 | . UNION 4MM/4MM | 1 | 1 | |
| NS | 868128 | . UNION 6MM/4MM | 1 | 1 | |
| NS | 868460 | . HOSE AIR KIT | 1 | 1 | |
| 90 | 5001862 | SCREW CAP HEX M12-1.75x70 G10.9 N500 | 4 | 4 | |
| NS | 362549 | SPACER / STRUCTURE & BASE / 27MM | 4 | 4 | |
| 91 | 500747 | WASHER LO SPT 12.2x21.1x2.5 N500 | 4 | 4 | |
| 92 | 500958 | WASHER FL .531x1.062x.095 SS | 4 | 4 | |
| 95 | XV-1640-50 | LEVEL-LOW - CONTROL PANEL & VALVES | 1 | 1 | |
| | | | | | |
| | | | | | |
| | | C) WITH CHOICE BACKREST BACK COLOR | | | |
| | | O) OPTION | | | |
| | | S) INCLUDES 15, 19, 21, 27, 28, 41, 42, 43, 48, 49, 50, 62 | | | |
| | | P) CALL ORDER DESK FOR SPECIFIC APPLICATION (V.I.N.) | | | |

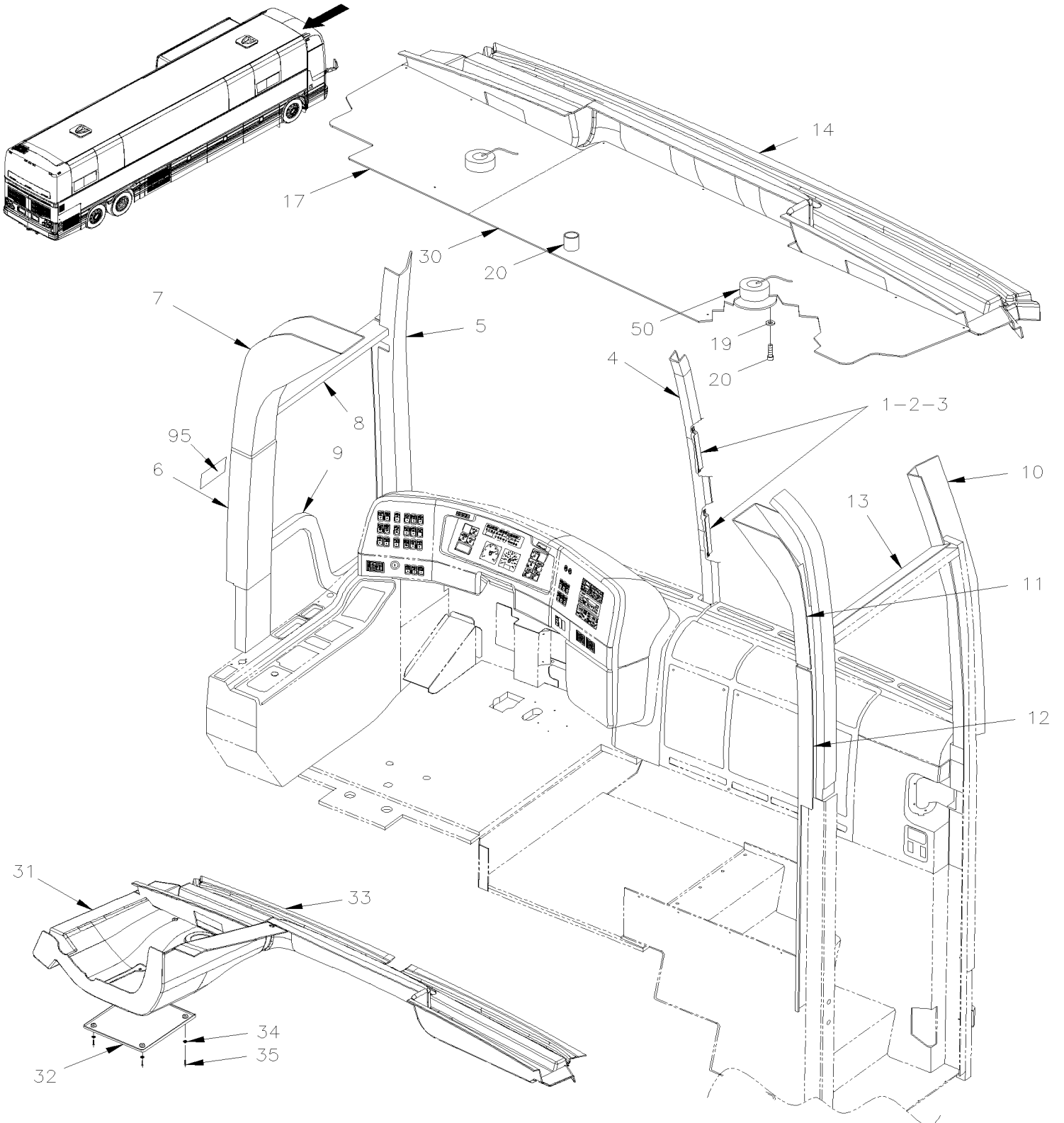


From B-5003 To D-5489

Date:10/2022

PAGE:XV-1832-50

FRONT FINISHING CAP





| | | |
|------------------------------|---------------------|------------------------|
| From B-5003 To D-5489 | Date:10/2022 | PAGE:XV-1832-50 |
| FRONT FINISHING CAP | | |

| Item# | Part | Description | X 3 V I P | X L I I E N T 4 5 | N O T E S |
|-------|-------------------|---|-----------------------|---|-----------------------|
| 1 | 326744 | CENTRAL MOULDING SUPPORT | 6 | 6 | |
| 2 | 502531 | SCREW CAP HEX M6-1.0x16 G8.8 Z050 | 6 | 6 | |
| 3 | 502511 | NUT HEX NYRT M6-1.0 Z050 | 12 | 12 | |
| 4 | 327142 | CENTER MOULDING / W/WINDSHIELD 86" | 1 | 1 | |
| 5 | 327182 | L.H. MOULDING / WINDSHIELD 89" | | 1 | |
| 6 | 328012 | L.H. MOULDING / 89" | | 1 | |
| 6 | 328013 | L.H. MOULDING / 89" | | 1 | A |
| 7 | 327029 | UPPER FINISHING MOULDING L.H. | 1 | 1 | |
| 8 | 327135 | UPPER MOULDING SERVICE DOOR | 1 | 1 | |
| 9 | 326741 | FINISHING MOULDING SERVICE DOOR | 1 | 1 | B |
| 9 | 327179 | FINISHING MOULDING SERVICE DOOR | 1 | 1 | C |
| 10 | 327183 | R.H. MOULDING / WINDSHIELD 89" | | 1 | |
| 11 | 327030 | UPPER FINISHING MOULDING R.H. | 1 | 1 | |
| 12 | 327181 | R.H. MOULDING / 89" | | 1 | |
| 12 | 327655 | R.H. MOULDING / 89" | | 1 | A |
| 13 | 327134 | UPPER MOULDING ENTRANCE DOOR | 1 | 1 | |
| 14 | 327136 | TRANSITION CEILING | 1 | | |
| 15 | 500463 | WASHER FN CKF .187x.500x.090 BR Z050 | 36 | 36 | |
| 16 | 500552 | SCREW TP OV PH #6x3/4 Z050 | 36 | 36 | |
| 17 | 327825 | TRANSITION CEILING PANEL | 1 | | |
| 18 | 500436 | SCREW TP OV PH #10x2 Z050 | AR | AR | |
| 19 | 500465 | WASHER FN CKF .278x.729x.119 SS | AR | AR | |
| 20 | 504586 | WASHER FL SPACER .450x.625x.875 NYL | AR | AR | |
| 30 | 327993 | TRANSITION CEILING PANEL | | 1 | |
| 31 | 341099 | TRANSITION CEILING FRONT LEFT W/HALOGEN | | 1 | |
| 32 | 341070 | ACCESS PANEL CEILING FRONT | | 1 | |
| 33 | 327992 | TRANSITION CEILING | | 1 | |
| 34 | 500464 | WASHER FN CKF .210x.540 SS | | 4 | |
| 35 | 500626 | SCREW TP OV PH #8x3/4 Z050 | | 4 | |
| 50 | XV-0665-00 | ENGINE COMPARTMENT - ELECTRIC COMPONENTS | | | |
| 95 | 0691001 | DECAL EMISSION WARNING CALIFORNIA | 1 | 1 | D |
| | | | | | |
| | | | | | |
| | | | | | |
| | | A) WITHOUT CUT AWAY FOR WINDOW CLEARANCE | | | |
| | | B) MTH 83" | | | |
| | | C) MTH 86" & MTH 89" | | | |
| | | D) REGULATIONS OF CALIFORNIA | | | |



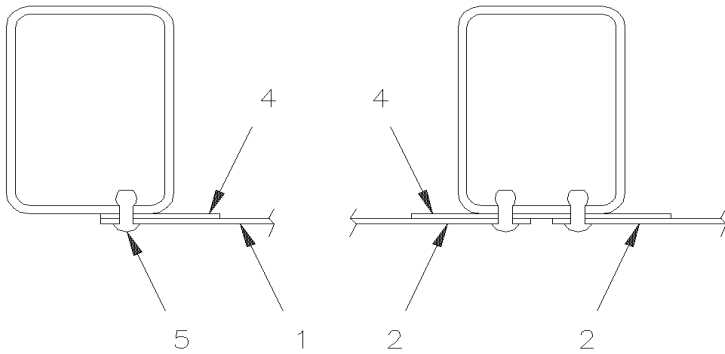
From B-5003 To D-5489

Date:10/2022

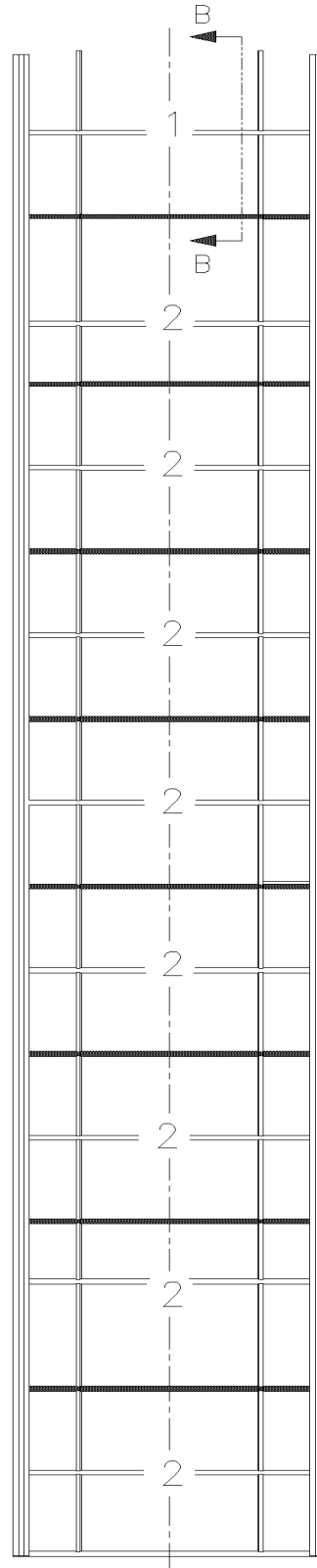
PAGE:XV-1837-50

CEILING PANELS & MOULDING

FRONT



SECTION B-B





| | | |
|-----------------------|--------------|-----------------|
| From B-5003 To D-5489 | Date:10/2022 | PAGE:XV-1837-50 |
|-----------------------|--------------|-----------------|

CEILING PANELS & MOULDING

| Item# | Part | Description | X 3 V I P | X L I I E N T 4 5 | N O T E S |
|-------|--------|---|-----------------------|---|-----------------------|
| 1 | 341075 | CEILLING PANEL #1 | 1 | 1 | |
| 1 | 341095 | CEILLING PANEL #1 / W/SLIDE-OUT | 1 | | |
| 2 | 341074 | CEILLING PANEL | 8 | 8 | |
| 2 | 341096 | CEILLING PANEL #2,3 & 4 / W/SLIDE-OUT | 7 | | |
| 4 | 506466 | TAPE RUB ADH1 CC POL 1/16" x 1 1/2" x 100 / GREY 2520 | 2 | 2 | |
| 5 | 504339 | RIVET POP DOME OE 1/8x3/8 SS | AR | AR | |
| | | | | | |
| | | | | | |
| | | | | | |

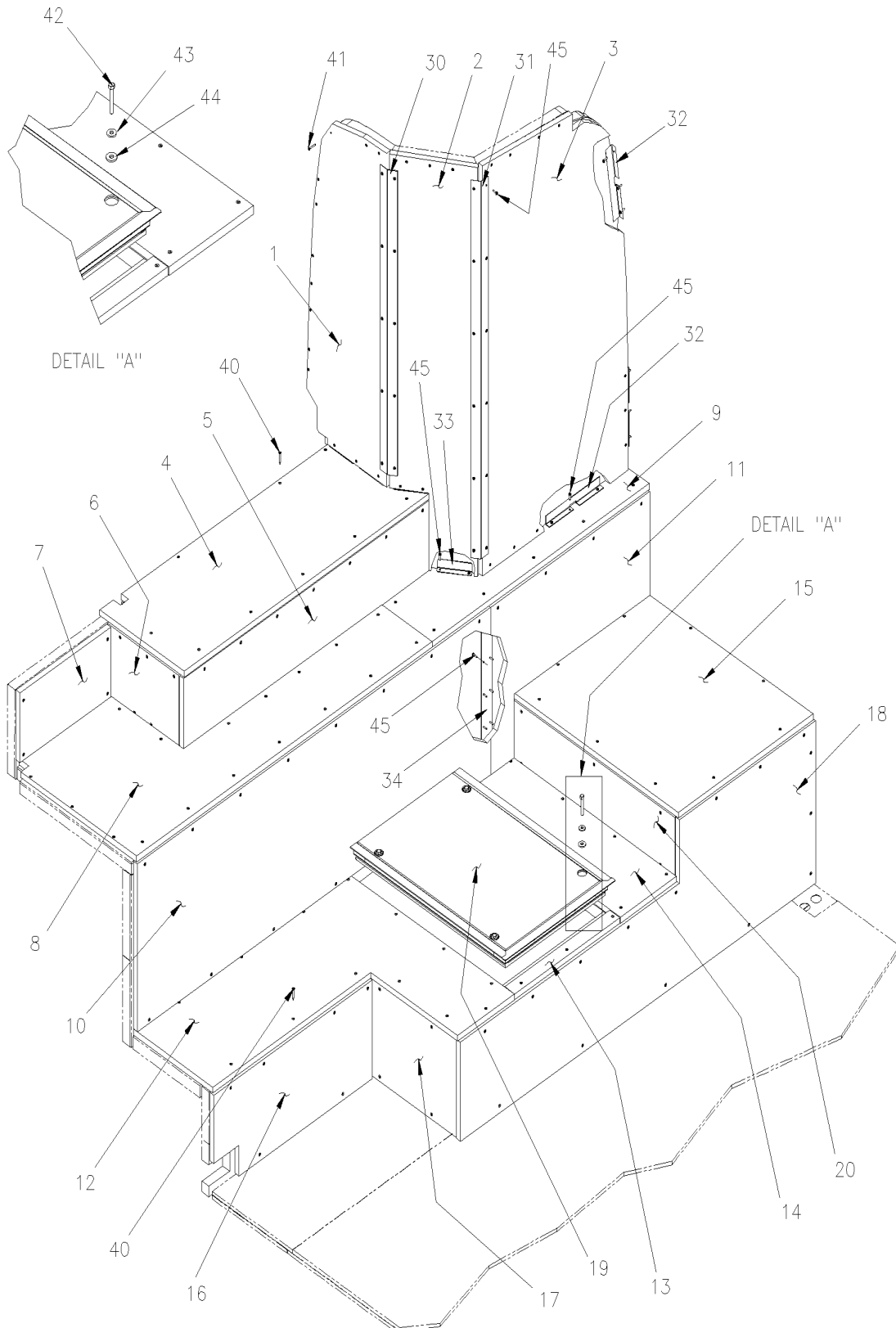


From B-5003 To D-5489

Date:10/2022

PAGE:XV-1838-50

FLOOR - REAR SECTION





| | | |
|------------------------------|---------------------|------------------------|
| From B-5003 To D-5489 | Date:10/2022 | PAGE:XV-1838-50 |
|------------------------------|---------------------|------------------------|

FLOOR - REAR SECTION

| Item# | Part | Description | X 3 V I P | X L I I E N T 4 5 | N O T E S |
|-------|-----------------|---|-----------------------|---|-----------------------|
| 1 | 3200281 | FLOOR PANEL | 1 | 1 | |
| 2 | 3200297 | FLOOR PANEL | 1 | 1 | |
| 3 | 3200298 | FLOOR PANEL | 1 | 1 | |
| 4 | 3200263 | FLOOR PANEL | 1 | 1 | |
| 5 | 3200265 | FLOOR PANEL | 1 | 1 | |
| 6 | 3200264 | FLOOR PANEL | 1 | 1 | |
| 7 | 3200276 | FLOOR PANEL | 1 | 1 | |
| 8 | 3200257 | FLOOR PANEL | 1 | 1 | |
| 9 | 3200262 | FLOOR PANEL | 1 | 1 | |
| 10 | 3200261 | FLOOR PANEL | 1 | 1 | |
| 11 | 3200279 | FLOOR PANEL | 1 | 1 | |
| 12 | 3200278 | FLOOR PANEL To D-5431 | 1 | 1 | |
| 12 | 320871 | FLOOR PANEL From D-5432 | 1 | 1 | |
| 13 | 3200260 | FLOOR PANEL To D-5431 | 1 | 1 | |
| 13 | 320879 | FLOOR PANEL From D-5432 | 1 | 1 | |
| 14 | 3200277 | FLOOR PANEL To D-5431 | 1 | 1 | |
| 14 | 320872 | FLOOR PANEL From D-5432 | 1 | 1 | |
| 15 | 3200258 | FLOOR PANEL | 1 | 1 | |
| 16 | 328663 | FLOOR PANEL / W/LARGE A/C | 1 | 1 | B |
| 16 | 328676 | FLOOR PANEL / W/SMALL A/C | 1 | 1 | A |
| 17 | 328664 | FLOOR PANEL ASSY | 1 | 1 | |
| 18 | 3200256 | FLOOR PANEL | 1 | 1 | |
| 19 | 328772P | PANEL ASSY / ENGINE ACCESS To D-5431 | 1 | 1 | |
| . NS | 320037 | . WEATHERSTRIP RUBBER ASSY To D-5431 | 1 | 1 | |
| 19 | Call order desk | PANEL ASSY / ENGINE ACCESS From D-5432 | 1 | 1 | P |
| . NS | 485669 | . WEATHERSTRIP RUBBER ASSY 480MMx723MM From D-5432 | 1 | 1 | |
| 20 | 3200259 | FLOOR PANEL | 1 | 1 | |
| 30 | 3200301 | SUPPORT VENEER | 1 | 1 | |
| 31 | 320399 | SUPPORT VENEER | 1 | 1 | |
| 32 | 405809 | ANGLE LOWER 260MM | 5 | 5 | |
| 33 | 3200302 | ANGLE LOWER 120MM | 2 | 2 | |
| 34 | 3200282 | PLATE ATTACHMENT 50MM x 450MM | 1 | 1 | |
| 40 | 500620 | SCREW TP FL PH #10x1 1/2 Z050 | AR | AR | |
| 41 | 500645 | SCREW TP OV PH #8x1 1/4 Z050 | AR | AR | |
| 42 | 500185 | SCREW CAP HEX 5/16-18x2 1/4 G5 Z050 To D-5431 | 4 | 4 | |
| 42 | 5001581 | SCREW CAP BUT HEXS M8-1.25x40 SS From D-5432 | 4 | 4 | |
| 43 | 500985 | WASHER FL .343x.875x.125 Z050 To D-5431 | 4 | 4 | |
| 43 | 500496 | WASHER FL .437x.750x.054 Z050 From D-5432 | 4 | 4 | |
| 44 | 471119 | SEAL WASHER / RUB RAIL & PANEL To D-5431 | 4 | 4 | |
| 45 | 500641 | SCREW TP PAN PH #8x3/4 Z050 | AR | AR | |
| NS | 680096 | SEALANT BUTYL ALUM / GREY / 310ml CARTRIDGE | AR | AR | |
| NS | 684517 | ADHESIVE SIMSON #ISR 70-03 / GREY / 310ml CARTRIDGE | AR | AR | |



| | | |
|-----------------------|--------------|-----------------|
| From B-5003 To D-5489 | Date:10/2022 | PAGE:XV-1838-50 |
|-----------------------|--------------|-----------------|

FLOOR - REAR SECTION

| Item# | Part | Description | X 3 V I P | X L I I E N T 4 5 | N O T E S |
|-------|------|--|-----------------------|---|-----------------------|
| | | | | | |
| | | | | | |
| | | | | | |
| | | A) WITH SMALL A/C SYSTEM | | | |
| | | B) WITH LARGE A/C SYSTEM | | | |
| | | P) CALL ORDER DESK FOR SPECIFIC APPLICATION (V.I.N.) | | | |

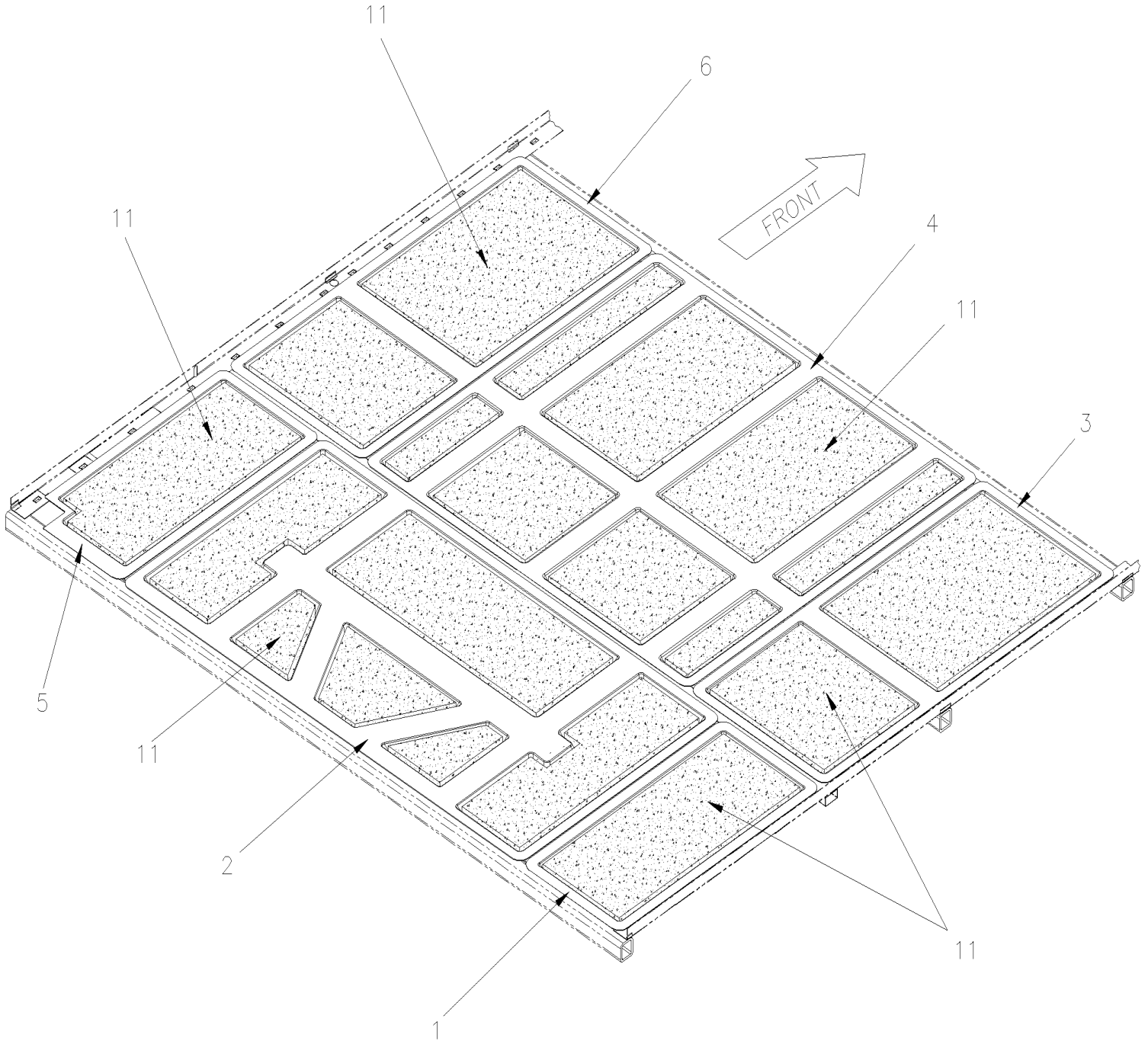


From B-5003 To D-5489

Date:10/2022

PAGE:XV-1839-10

INSULATING FLOOR REAR AXLE





| | | |
|------------------------------|---------------------|------------------------|
| From B-5003 To D-5489 | Date:10/2022 | PAGE:XV-1839-10 |
|------------------------------|---------------------|------------------------|

INSULATING FLOOR REAR AXLE

| Item# | Part | Description | X 3 V I P | X L I I E N T 4 5 | N O T E S |
|-------|---------|--|-----------------------|---|-----------------------|
| 1 | 324561 | INSULATING HOLDER To D-5458 | 1 | 1 | |
| 1 | 3200852 | INSULATING HOLDER From D-5459 | 1 | 1 | |
| 2 | 321264 | INSULATING HOLDER To D-5458 | 1 | 1 | |
| 2 | 3200875 | INSULATING HOLDER From D-5459 | 1 | 1 | |
| 3 | 324563 | INSULATING HOLDER To D-5458 | 1 | 1 | |
| 3 | 3200854 | INSULATING HOLDER From D-5459 | 1 | 1 | |
| 4 | 324564 | INSULATING HOLDER To D-5458 | 1 | 1 | |
| 4 | 3200857 | INSULATING HOLDER From D-5459 | 1 | 1 | |
| 5 | 328644 | INSULATING HOLDER # 1 STREETSIDE To D-5458 | 1 | 1 | |
| 5 | 3200853 | INSULATING HOLDER From D-5459 | 1 | 1 | |
| 6 | 324563 | INSULATING HOLDER To D-5458 | 1 | 1 | |
| 6 | 3200876 | INSULATING HOLDER From D-5459 | 1 | 1 | |
| 11 | 321265 | INSULATING KIT To D-5458 | 1 | 1 | |
| 11 | 356214 | INSULATING KIT From D-5459 | 1 | 1 | |
| NS | 329069 | . INSULATING PAD 48" X 48" / CUT TO FIT | AR | AR | |
| | | | | | |
| | | | | | |
| | | | | | |

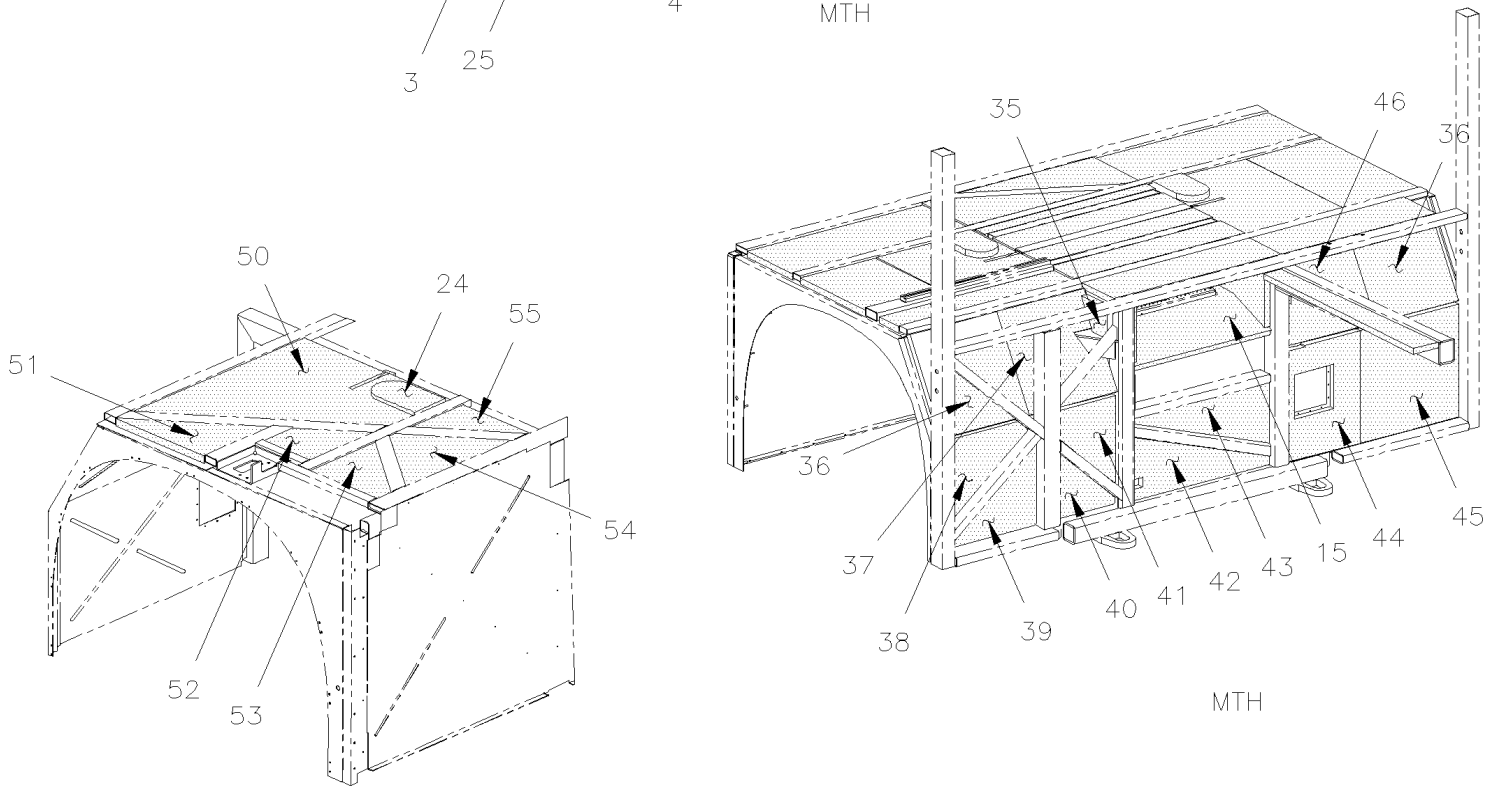
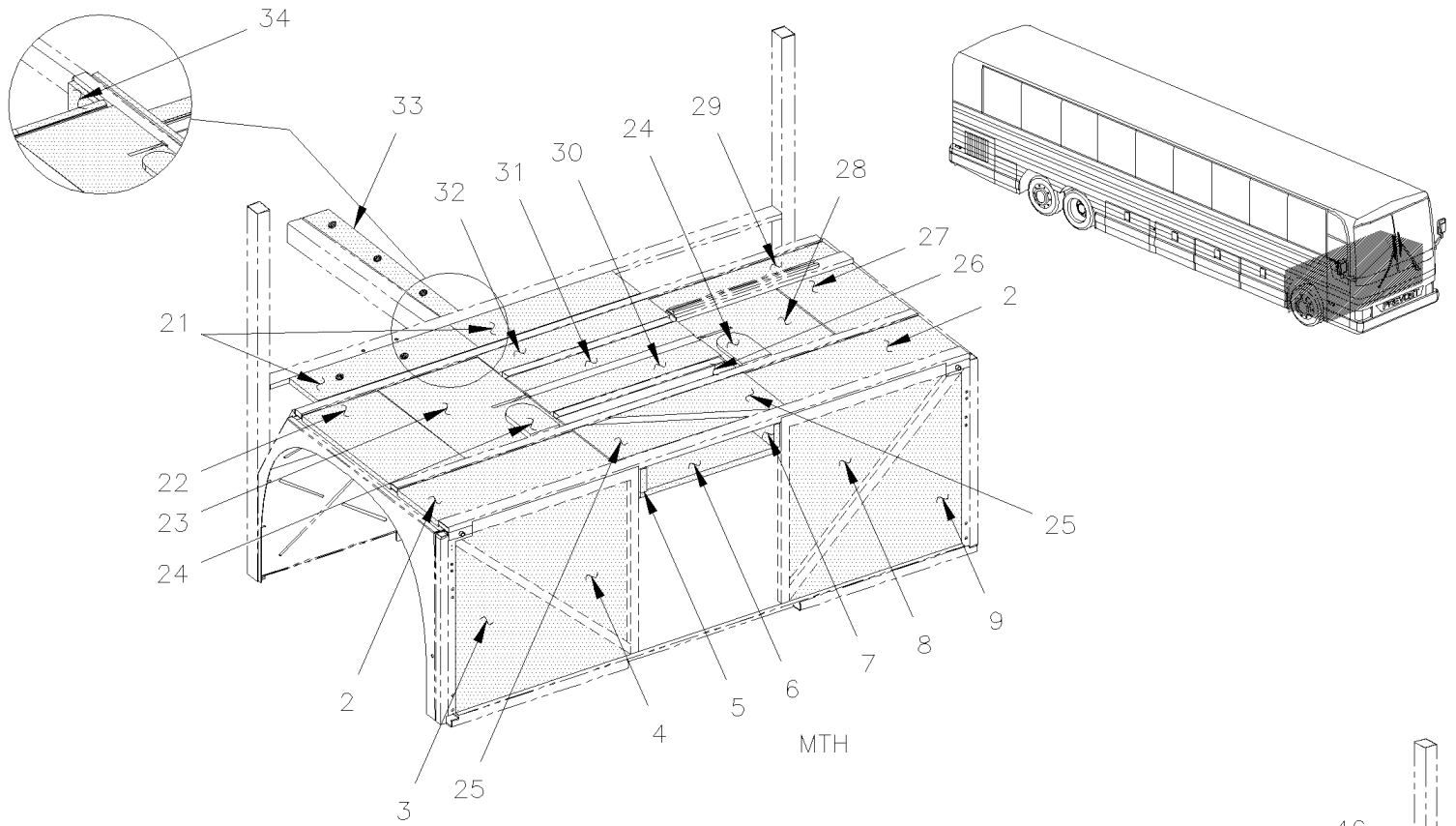


From B-5003 To C-5132

Date:10/2022

PAGE:XV-1839-15

INSULATING FRONT - SUBFRAME



MTH-45' WITH "SLIDE-OUT"



| | | |
|------------------------------------|--------------|-----------------|
| From B-5003 To C-5132 | Date:10/2022 | PAGE:XV-1839-15 |
| INSULATING FRONT - SUBFRAME | | |

| Item# | Part | Description | X 3 V I P | X L I I E N T 4 5 | N O T E S |
|-------|--------|-------------------------|-----------------------|---|-----------------------|
| 3 | 326503 | INSULATING | 1 | 1 | |
| 5 | 325357 | INSULATING PAD NOISE 1" | 1 | 1 | |
| 5 | 325360 | INSULATING PAD 1" | 1 | 1 | |
| 6 | 326521 | INSULATING PAD 1"1/16 | 1 | 1 | |
| 7 | 328748 | INSULATING PAD NOISE 1" | 1 | 1 | |
| | | | | | |
| | | | | | |
| 15 | 326520 | INSULATING PAD 1"1/16 | 1 | 1 | |
| 21 | 326577 | INSULATING PAD NOISE 1" | 2 | 2 | |
| 22 | 326525 | INSULATING | 1 | 1 | |
| 23 | 326510 | INSULATING | 1 | 1 | |
| 24 | 326512 | INSULATING | 2 | 2 | |
| 25 | 325023 | INSULATING PAD NOISE 1" | 2 | 2 | |
| 26 | 326509 | INSULATING | 1 | 1 | |
| 27 | 326514 | INSULATING | 1 | 1 | |
| 28 | 326513 | INSULATING | 1 | 1 | |
| 29 | 326515 | INSULATING | 1 | 1 | |
| 30 | 351489 | INSULATING | 1 | 1 | |
| 31 | 325322 | INSULATING | 1 | 1 | |
| 32 | 351490 | INSULATING | 1 | 1 | |
| 33 | 326529 | INSULATING | 1 | 1 | |
| 34 | 326523 | INSULATING | 1 | 1 | |
| 35 | 326524 | INSULATING | 2 | 2 | |
| 36 | 326508 | INSULATING | 2 | 2 | |
| 37 | 351486 | INSULATING | 1 | 1 | |
| 42 | 327279 | INSULATING | 1 | 1 | |
| 43 | 327278 | INSULATING | 1 | 1 | |
| 44 | 351484 | INSULATING | 1 | 1 | |
| 45 | 326517 | INSULATING | 1 | 1 | |
| 46 | 351485 | INSULATING | 1 | 1 | |
| 50 | 327775 | INSULATING | 1 | | |
| 51 | 327776 | INSULATING | 1 | | |
| 52 | 327777 | INSULATING | 1 | | |
| 53 | 327778 | INSULATING | 1 | | |
| 54 | 327779 | INSULATING | 1 | | |
| 55 | 327780 | INSULATING | 1 | | |
| | | | | | |
| | | | | | |
| | | | | | |

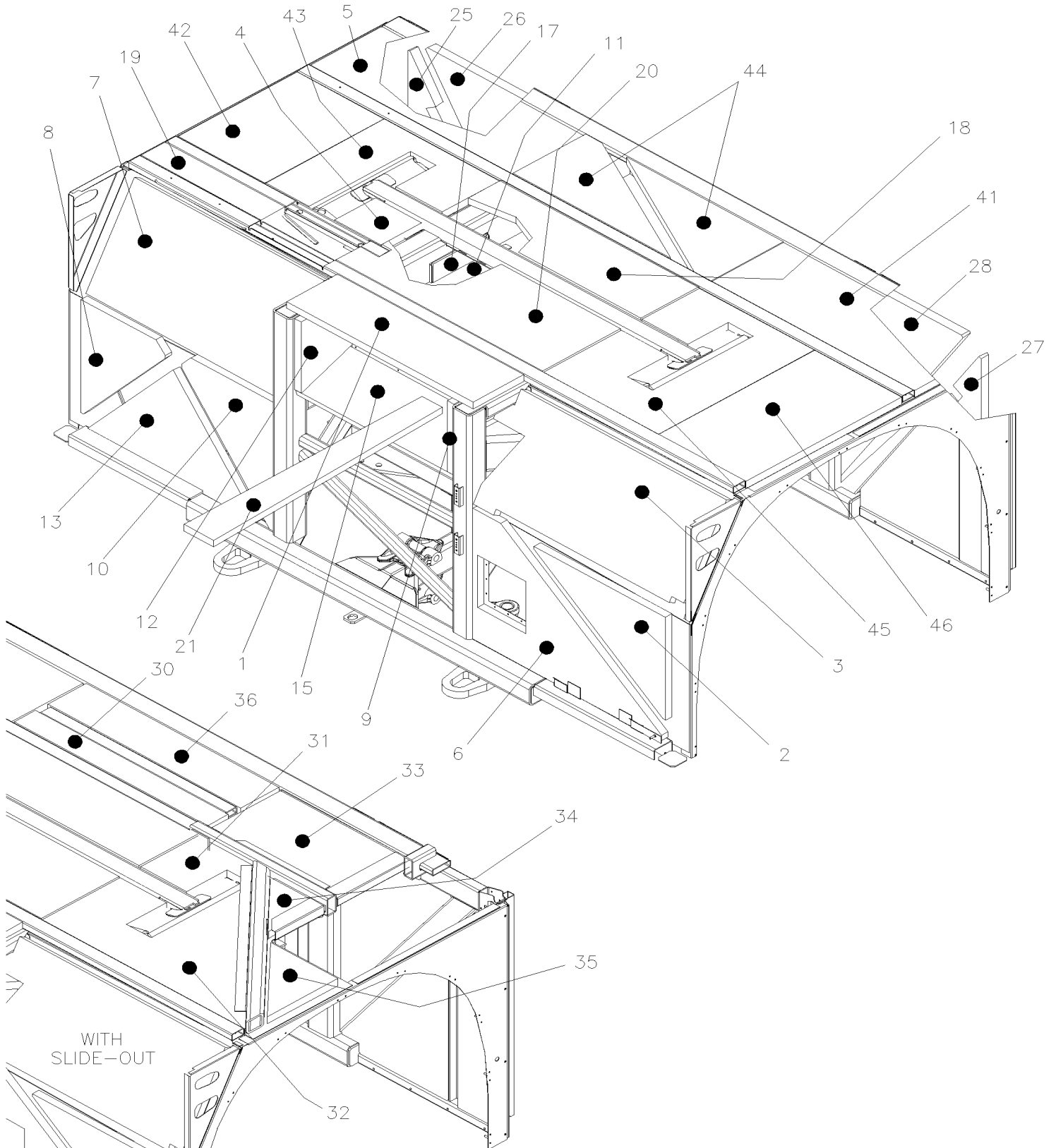


From C-5133 To D-5489

Date:10/2022

PAGE:XV-1839-16

INSULATING FRONT - SUBFRAME





| | | |
|------------------------------|---------------------|------------------------|
| From C-5133 To D-5489 | Date:10/2022 | PAGE:XV-1839-16 |
|------------------------------|---------------------|------------------------|

INSULATING FRONT - SUBFRAME

| Item# | Part | Description | X 3 V I P | X L I I E N T 4 5 | N O T E S |
|-------|---------|--|-----------------------|---|-----------------------|
| 1 | 326577 | INSULATING PAD NOISE 1" | 1 | 1 | |
| 2 | 356133 | INSULATING PAD 1" 1/16 | 1 | 1 | |
| 3 | 356131 | INSULATING PAD 1" 1/16 | 1 | 1 | |
| 4 | 3200665 | INSULATING PAD 1" 1/16 | 1 | 1 | |
| 5 | 326511 | INSULATING PAD 1" 1/16 | 1 | 1 | |
| 6 | 356132 | INSULATING PAD 1" 1/16 | 1 | 1 | |
| 7 | 357391 | INSULATING PAD 1" 1/16 | 1 | 1 | |
| 8 | 356134 | INSULATING PAD 1" 1/16 | 1 | 1 | |
| 9 | 3200656 | INSULATING PAD NOISE 1" | 1 | 1 | |
| 10 | 356274 | INSULATING PAD 1" 1/16 | 1 | 1 | |
| 11 | 3200655 | INSULATING PAD 1"1/16 | 1 | 1 | |
| 12 | 3200657 | INSULATING PAD NOISE 1" | 1 | 1 | |
| 13 | 357379 | INSULATING PAD 1" 1/16 | 1 | 1 | |
| 15 | 326520 | INSULATING PAD 1"1/16 | 1 | 1 | |
| NS | 680397 | CONTACT GLUE / AEROSOL 17oz | AR | AR | |
| 17 | 3200661 | INSULATING PAD 5/16" | 2 | 2 | |
| 18 | 3200663 | INSULATING PAD NOISE 1" | 1 | 1 | |
| 19 | 3200660 | INSULATING PAD 1"1/16 | 1 | 1 | |
| 19 | 3200697 | INSULATING PAD 1"1/16 To D-5458 | 1 | 1 | A |
| 20 | 3200662 | INSULATING PAD NOISE 1" | 1 | 1 | |
| 21 | 326529 | INSULATING | 1 | 1 | |
| 25 | 352585 | INSULATING | 1 | 1 | |
| 25 | 352593 | INSULATING To D-5458 | 1 | 1 | A |
| 26 | 352586 | INSULATING | 1 | 1 | |
| 26 | 352592 | INSULATING To D-5458 | 1 | 1 | A |
| 27 | 352587 | INSULATING To D-5333 | 1 | 1 | |
| 27 | 356277 | INSULATING From D-5334 | 1 | 1 | |
| 27 | 352591 | INSULATING To D-5333 | 1 | 1 | S |
| 27 | 356279 | INSULATING From D-5334 | 1 | 1 | S |
| 27 | 352591 | INSULATING To D-5458 | 1 | 1 | A |
| 28 | 352588 | INSULATING To D-5333 | 1 | 1 | |
| 28 | 356278 | INSULATING From D-5334 | 1 | 1 | |
| 28 | 352590 | INSULATING | 1 | 1 | S |
| 28 | 352590 | INSULATING To D-5458 | 1 | 1 | A |
| NS | 680532 | SEALANT SIKA #221 / GREY / 310ml CARTRIDGE | 3 | 3 | |
| 30 | 329186 | INSULATING PAD 1"1/16 | 1 | 1 | S |
| 31 | 3200670 | INSULATING PAD 1"1/16 | 1 | 1 | S |
| 32 | 3200669 | INSULATING PAD 1"1/16 | 1 | 1 | S |
| 33 | 329183 | INSULATING PAD 1"1/16 | 1 | 1 | S |
| 34 | 329184 | INSULATING PAD 1"1/16 | 1 | 1 | S |
| 35 | 329185 | INSULATING PAD 1"1/16 | 1 | 1 | S |
| 35 | 3200695 | INSULATING PAD 1"1/16 To D-5458 | 1 | 1 | A |



| | | |
|-----------------------|--------------|-----------------|
| From C-5133 To D-5489 | Date:10/2022 | PAGE:XV-1839-16 |
|-----------------------|--------------|-----------------|

INSULATING FRONT - SUBFRAME

| Item# | Part | Description | X 3 V I P | X L I I E N T 4 5 | N O T E S |
|-------|---------|---|-----------------------|---|-----------------------|
| 36 | 329187 | INSULATING PAD 1"1/16 | 1 | 1 | S |
| 41 | 326511 | INSULATING PAD 1" 1/16 | 1 | 1 | |
| 42 | 3200658 | INSULATING PAD 1"1/16 | 1 | 1 | |
| 42 | 3200698 | INSULATING PAD 1"1/16 To D-5458 | 1 | 1 | A |
| 43 | 3200659 | INSULATING PAD 1"1/16 | 1 | 1 | |
| 43 | 3200696 | INSULATING PAD 1"1/16 To D-5458 | 1 | 1 | A |
| 44 | 325023 | INSULATING PAD NOISE 1" | 2 | 2 | |
| 45 | 3200664 | INSULATING PAD 1"1/16 | 1 | 1 | |
| 46 | 326525 | INSULATING | 1 | 1 | |
| NS | 682484 | TAPE ALUMINUM ADH1 .005" x 3" x 300' ALUMINUM FSK3" | AR | AR | |
| NS | 850026 | INSULATING PAD NOISE ADH1 1" x 54" x 50" | AR | AR | |
| NS | 850061 | SOUND INSULATION 1"1/16X36X54 | AR | AR | |
| | | | | | |
| | | | | | |
| | | A) WITH TWO BEAM WITHOUT SLIDE-OUT | | | |
| | | S) WITH SLIDE OUT | | | |

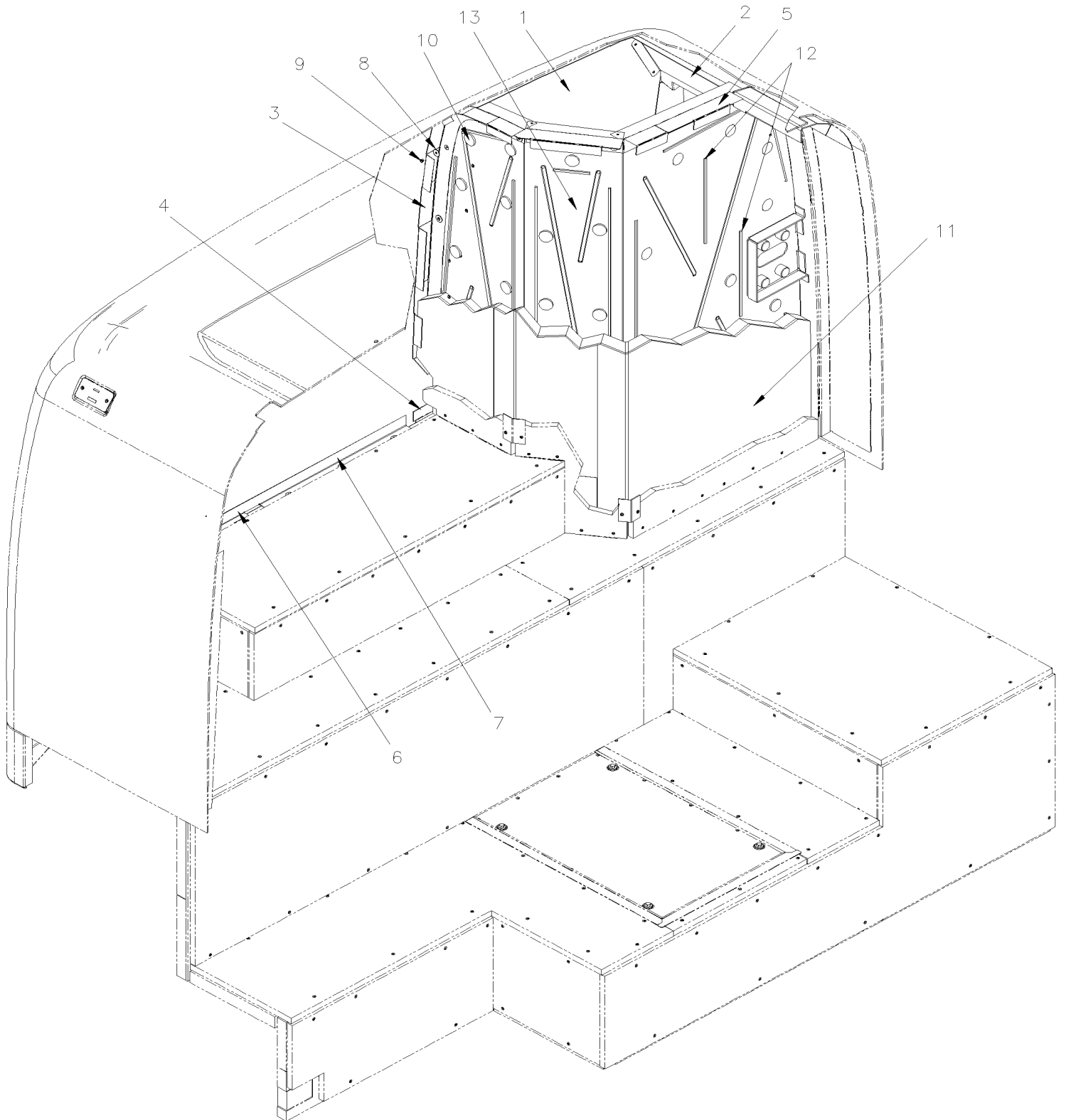


From B-5003 To D-5489

Date:10/2022

PAGE:XV-1839-25

INSULATING - REAR SCR FILTER





| | | |
|-----------------------|--------------|-----------------|
| From B-5003 To D-5489 | Date:10/2022 | PAGE:XV-1839-25 |
|-----------------------|--------------|-----------------|

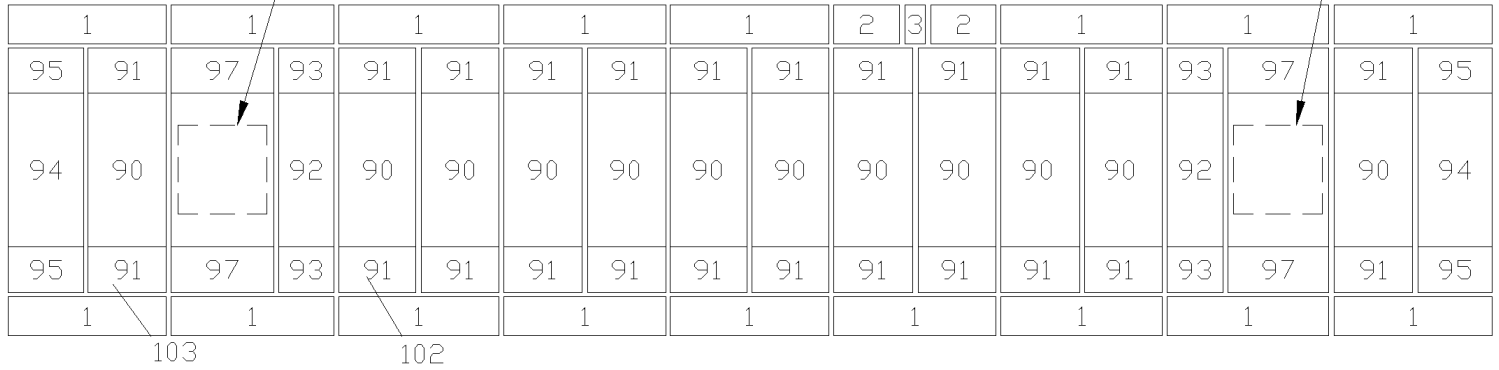
INSULATING - REAR SCR FILTER

| Item# | Part | Description | X 3 V I P | X L I I E N T 4 5 | N O T E S |
|-------|--------|---|-----------------------|---|-----------------------|
| 1 | 352245 | PANEL FIRE WALL | 1 | 1 | |
| 2 | 352246 | PANEL FIRE WALL | 1 | 1 | |
| 3 | 356126 | ANGLE RETAINER | 1 | 1 | |
| 4 | 356127 | ANGLE RETAINER | 1 | 1 | |
| 5 | 356128 | ANGLE RETAINER | 1 | 1 | |
| 6 | 356129 | ANGLE RETAINER | 1 | 1 | |
| 7 | 356130 | ANGLE RETAINER | 1 | 1 | |
| 8 | 500989 | WASHER FL .219x.875x.062 Z050 | AR | AR | |
| 9 | 504488 | RIVET MGLP PRDG 3/16x17/64 SS | AR | AR | |
| 10 | 684517 | ADHESIVE SIMSON #ISR 70-03 / GREY / 310ml CARTRIDGE | AR | AR | |
| 11 | 356122 | KIT REAR END INSULATING SCR SECTION | 1 | 1 | |
| 12 | 507000 | TAPE RUB ADH2 POL 3/16" x 1/4" x 50' / BLACK V2206 | AR | AR | |
| 13 | 261249 | WALL SHEET PANEL | 1 | 1 | |
| | | | | | |
| | | | | | |
| | | | | | |



| | | |
|-------------------------------|--------------|-----------------|
| From B-5003 To D-5489 | Date:10/2022 | PAGE:XV-1839-30 |
| INSULATING ROOF PANELS | | |

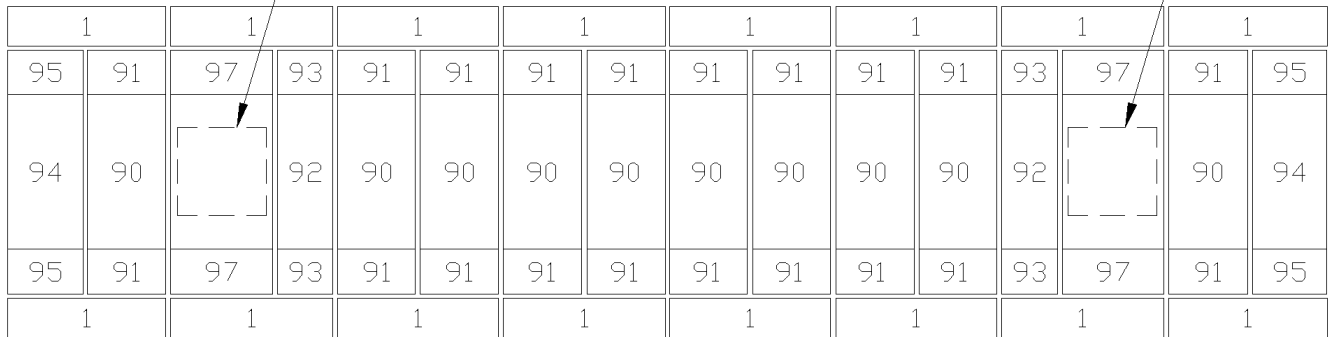
OPTIONS: 98 WITH ESCAPE HATCH, 96 WITHOUT



← FRONT

BUS & MTH 45

OPTIONS: 98 WITH ESCAPE HATCH, 96 WITHOUT



← FRONT

BUS & MTH 40



| | | |
|-----------------------|--------------|-----------------|
| From B-5003 To D-5489 | Date:10/2022 | PAGE:XV-1839-30 |
|-----------------------|--------------|-----------------|

INSULATING ROOF PANELS

| Item# | Part | Description | X 3 V I P | X L I I E N T 4 5 | N O T E S |
|-------|--------|---|-----------------------|---|-----------------------|
| | 350794 | KIT ROOF INSULATING PANEL | 1 | 1 | |
| | 354333 | KIT ROOF INSULATING PANEL | 1 | 1 | |
| | 351321 | KIT ROOF SIDE INSULATING PANEL | 1 | 1 | |
| | 351371 | KIT ROOF INSILATING PANEL / W/SLIDE OUT To D-5297 | 1 | | |
| | 356179 | KIT ROOF INSILATING PANEL / W/SLIDE OUT From D-5298 | 1 | | |
| 1 | 351316 | . INSULATING PANEL | 17 | 17 | |
| 2 | 351317 | . INSULATING PANEL | 2 | 2 | |
| 3 | 351319 | . INSULATING PANEL | 1 | 1 | |
| 90 | 350713 | . INSULATING PANEL | 12 | 12 | |
| 91 | 350714 | . INSULATING PANEL | 24 | 24 | |
| 92 | 350715 | . INSULATING PANEL | 2 | 2 | |
| 93 | 350716 | . INSULATING PANEL | 4 | 4 | |
| 94 | 350717 | . INSULATING PANEL | 2 | 2 | |
| 95 | 350719 | . INSULATING PANEL | 4 | 4 | |
| 96 | 350725 | . INSULATING PANEL | 2 | 2 | |
| 97 | 350734 | . INSULATING PANEL | 4 | 4 | |
| 102 | 351337 | . INSULATING PANEL / W/SLIDE OUT | 1 | | |
| 103 | 351365 | . INSULATING PANEL / W/SLIDE OUT | 1 | | |
| | | | | | |
| | | | | | |
| | | | | | |

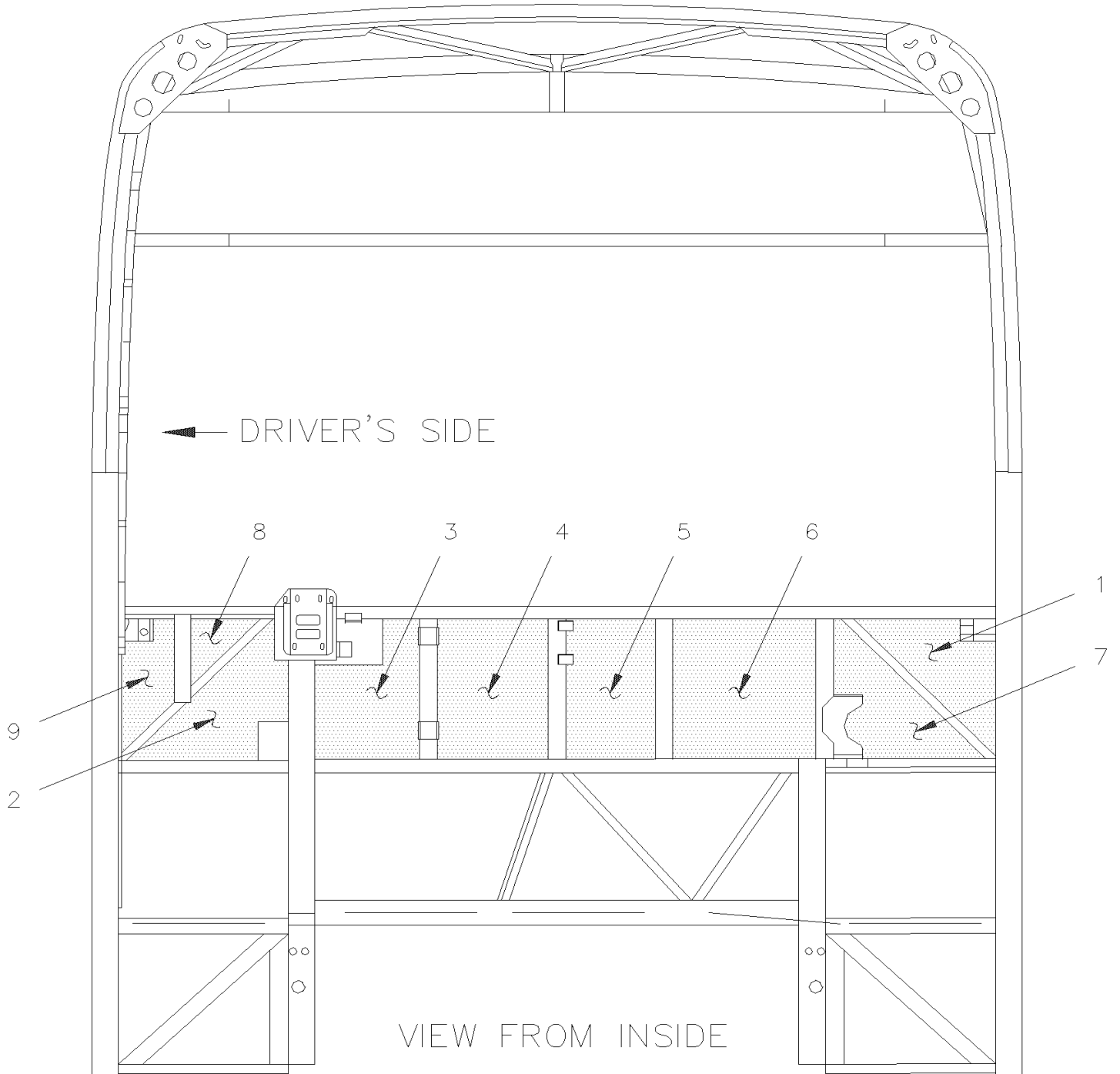


From B-5003 To D-5489

Date:10/2022

PAGE:XV-1839-55

INSULATING FRONT - MTH



MTH



| | | |
|-----------------------|--------------|-----------------|
| From B-5003 To D-5489 | Date:10/2022 | PAGE:XV-1839-55 |
|-----------------------|--------------|-----------------|

INSULATING FRONT - MTH

| Item# | Part | Description | X 3 V I P | X L I I E N T 4 5 | N O T E S |
|-------|--------|--|-----------------------|---|-----------------------|
| 1 | 350962 | INSULATING PANEL MTH 86" | 1 | 1 | |
| 1 | 351050 | INSULATING PANEL MTH 89" | | 1 | |
| 2 | 350963 | INSULATING PANEL MTH 86" | 1 | 1 | |
| 2 | 351051 | INSULATING PANEL MTH 89" | | 1 | |
| 3 | 350964 | INSULATING PANEL MTH 86" | 1 | 1 | |
| 3 | 351052 | INSULATING PANEL MTH 89" | | 1 | |
| 4 | 350965 | INSULATING PANEL MTH 86" | 1 | 1 | |
| 4 | 351053 | INSULATING PANEL MTH 89" | | 1 | |
| 5 | 350966 | INSULATING PANEL MTH 86" | 1 | 1 | |
| 5 | 351054 | INSULATING PANEL MTH 89" | | 1 | |
| 6 | 350967 | INSULATING PANEL MTH 86" | 1 | 1 | |
| 6 | 351055 | INSULATING PANEL MTH 89" | | 1 | |
| 7 | 350968 | INSULATING PANEL MTH 86" | 1 | 1 | |
| 7 | 351056 | INSULATING PANEL MTH 89" | | 1 | |
| 8 | 350969 | INSULATING PANEL MTH 86" | 1 | 1 | |
| 8 | 351058 | INSULATING PANEL MTH 89" | | 1 | |
| 9 | 350970 | INSULATING PANEL MTH 86" | 1 | 1 | |
| 9 | 351057 | INSULATING PANEL MTH 89" | | 1 | |
| NS | 680397 | CONTACT GLUE / AEROSOL 17oz | AR | AR | |
| 9 | 850032 | INSULATION PAD NOISE 1" x 48" x 35' / ARMAFLEX POLYURETHANE FOAM | AR | AR | |
| | | | | | |
| | | | | | |
| | | | | | |

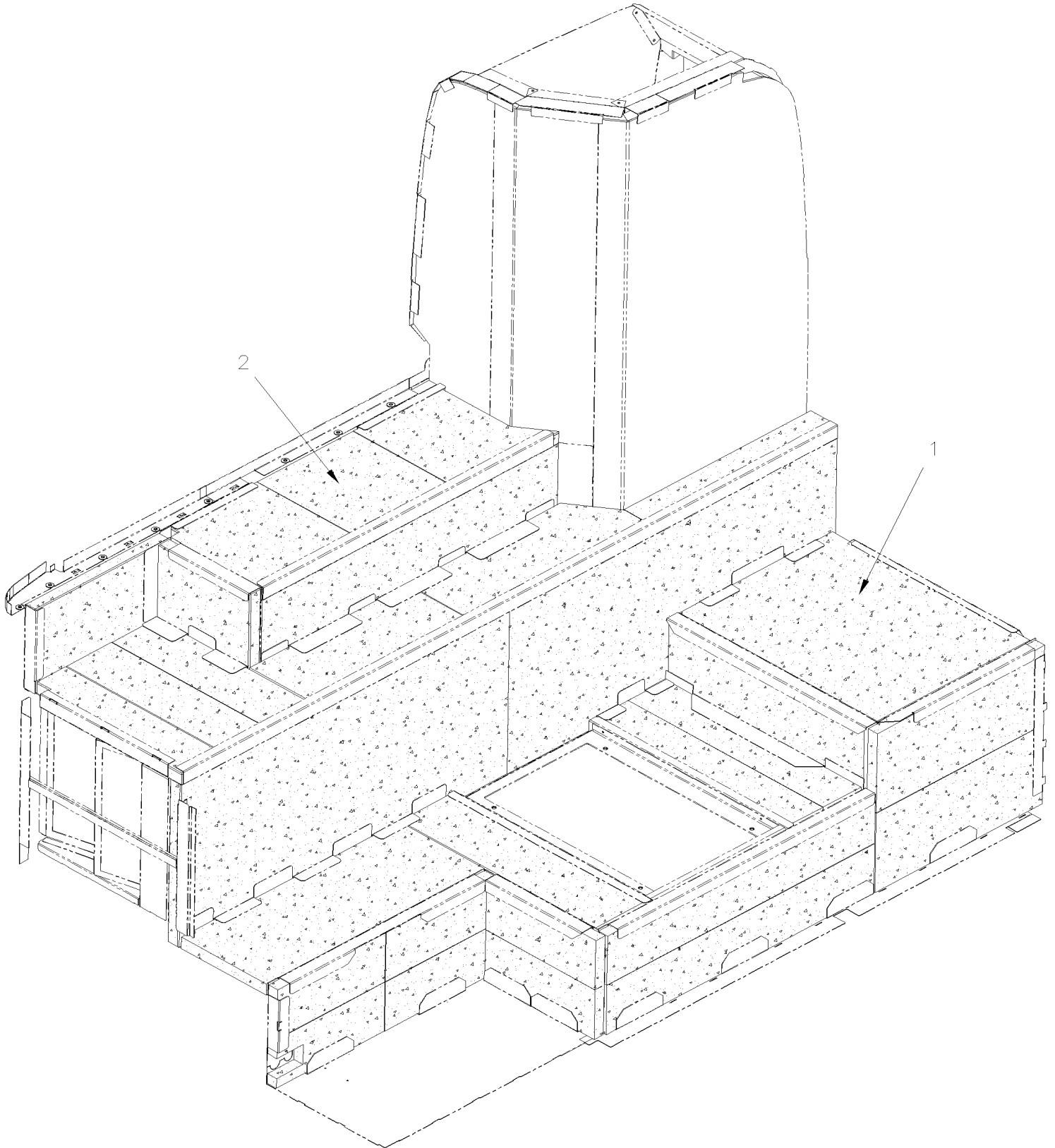


From B-5003 To D-5489

Date:10/2022

PAGE:XV-1839-70

INSULATING REAR END INSIDE OVER ENGINE





| | | |
|-----------------------|--------------|-----------------|
| From B-5003 To D-5489 | Date:10/2022 | PAGE:XV-1839-70 |
|-----------------------|--------------|-----------------|

INSULATING REAR END INSIDE OVER ENGINE

| Item# | Part | Description | X 3 V I P | X L I I E N T 4 5 | N O T E S |
|-------|---------|--|-----------------------|---|-----------------------|
| 1 | 356123 | KIT REAR END INSULATING BOTTOM To D-5431 | 1 | 1 | |
| . NS | 850079 | . INSULATING PAD NOISE ADH1 1 5/8" x 36" x 48" To D-5431 | AR | AR | |
| 1 | 352605 | KIT REAR END INSULATING BOTTOM From D-5432 | 1 | 1 | |
| . NS | 850079 | . INSULATING PAD NOISE ADH1 1 5/8" x 36" x 48" From D-5432 | AR | AR | |
| . NS | 850055 | . INSULATING AC AD1 URE FOAM 3/4"x36"x54 From D-5432 | AR | AR | |
| 2 | 3200251 | KIT REAR END INSULATING MIDDLE | 1 | 1 | |
| NS | 682484 | TAPE ALUMINUM ADH1 .005" x 3" x 300' ALUMINUM FSK3" | AR | AR | |
| | | | | | |
| | | | | | |
| | | | | | |

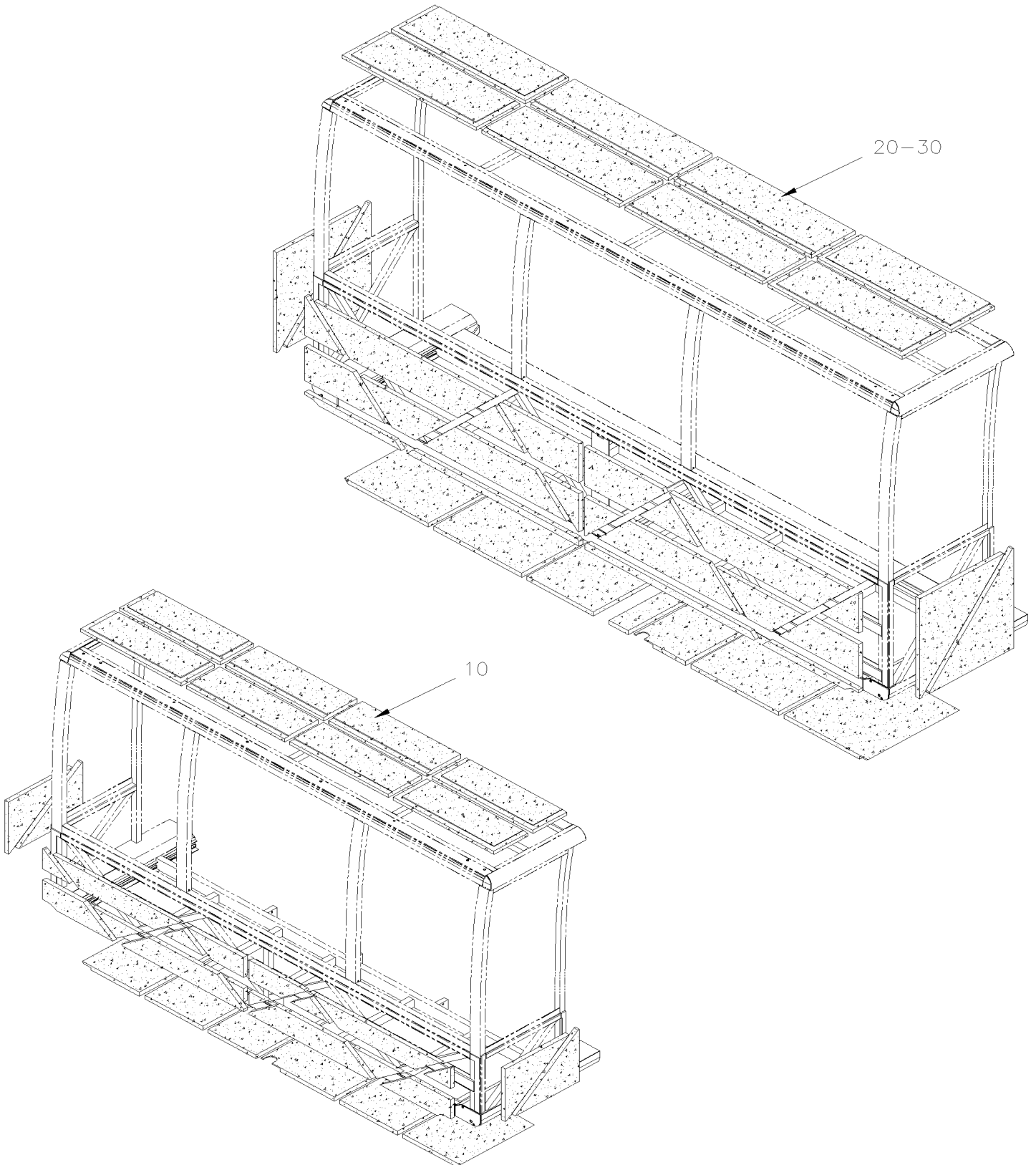


From B-5003 To D-5489

Date:10/2022

PAGE:XV-1839-90

INSULATING - "SLIDE-OUT"





| | | |
|-----------------------|--------------|-----------------|
| From B-5003 To D-5489 | Date:10/2022 | PAGE:XV-1839-90 |
|-----------------------|--------------|-----------------|

INSULATING - "SLIDE-OUT"

| Item# | Part | Description | X 3 V I P | X L I I E N T 4 5 | N O T E S |
|-------|-----------------|--|-----------------------|---|-----------------------|
| 10 | Call order desk | FRONT S/O INSULATION KIT | | | P |
| 20 | Call order desk | REAR S/O INSULATION KIT | | | P 7.5 |
| 20 | Call order desk | REAR S/O INSULATION KIT | | | P 10 |
| 30 | Call order desk | FRONT S/O INSULATION KIT | | | P |
| 41 | 850095 | WHITE WALL COVERING ADHESIVE / 32 1/4" X 300" | AR | AR | |
| 41 | 680415 | TAPE ADHESIVE 3" WIDE BLUE | AR | AR | |
| | | | | | |
| | | | | | |
| | | | | | |
| | | 10) WITH 10' SLIDE OUT | | | |
| | | 7.5) WITH 7.5' SLIDE-OUT | | | |
| | | P) CALL ORDER DESK FOR SPECIFIC APPLICATION (V.I.N.) | | | |



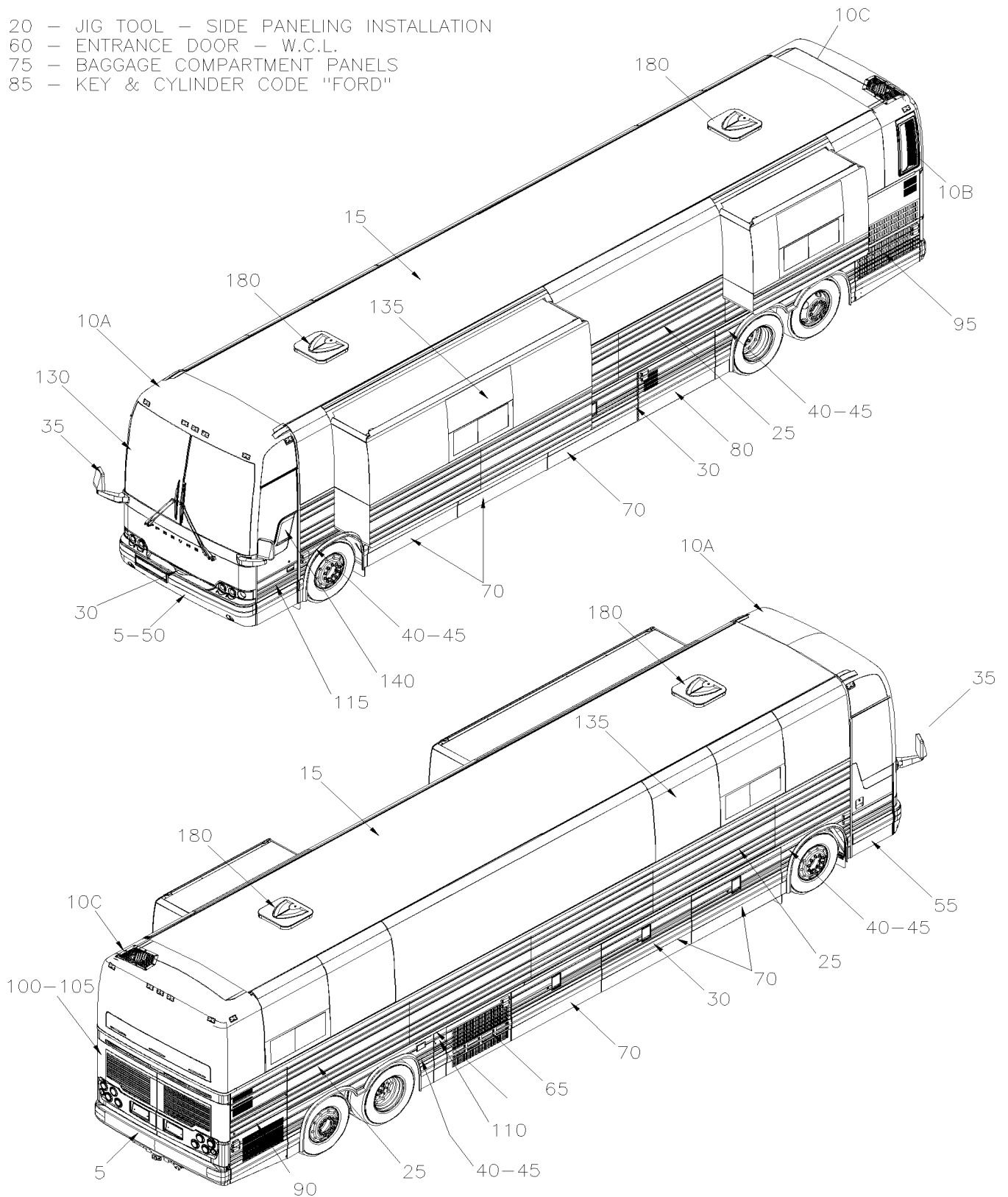
From B-5003 To D-5489

Date:10/2022

PAGE:XV-18-EXT

BODY EXTERIOR

- 20 - JIG TOOL - SIDE PANELING INSTALLATION
- 60 - ENTRANCE DOOR - W.C.L.
- 75 - BAGGAGE COMPARTMENT PANELS
- 85 - KEY & CYLINDER CODE "FORD"





| | | |
|------------------------------|---------------------|-----------------------|
| From B-5003 To D-5489 | Date:10/2022 | PAGE:XV-18-EXT |
|------------------------------|---------------------|-----------------------|

BODY EXTERIOR

| Item# | Part | Description | X 3 V I P | X L I E N T 4 5 | N O T E S |
|-------|------------|---|-----------------------|--------------------------------------|-----------------------|
| 5 | XV-1850-00 | BUMPER FRONT From B-5003 To D-5489 | | | |
| 5 | XV-1850-10 | BUMPER REAR From B-5003 To D-5489 | | | |
| 10A | XV-1851-00 | FRONT CAP - INSTALLATION From B-5003 To D-5489 | | | |
| 10B | XV-1851-05 | REAR CAP - DOOR DPF & SCR From B-5003 To D-5489 | | | |
| 10C | XV-1851-20 | REAR CAP - INSTALLATION From B-5003 To D-5489 | | | |
| 15 | XV-1852-00 | ROOF PANEL From B-5003 To D-5489 | | | |
| 25 | XV-1854-00 | SIDE PANELING From B-5003 To D-5489 | | | |
| 25 | XV-1854-50 | UPPER FIBERGLASS SIDE PANELING - MTH BETWEN SIDE WINDOW From B-5003 To D-5489 | | | |
| 25 | XV-1854-90 | SIDE PANELING - W/"SLIDE-OUT" From B-5003 To D-5489 | | | |
| 30 | XV-1855-00 | RUB RAIL - EXTERIOR CREST & TRIMS From B-5003 To D-5489 | | | |
| 35 | XV-1856-23 | MIRROR "RAMCO" FLAT GLASS / BLACK PAINTED From B-5003 To D-5489 | | | |
| 35 | XV-1856-50 | MIRROR "RAMCO" FLAT GLASS / CHROME From B-5003 To D-5489 | | | |
| 35 | XV-1856-51 | MIRROR "RAMCO" FLAT GLASS / CHROME WITH DIRECTIONAL From B-5003 To D-5489 | | | |
| 40 | XV-1857-50 | FENDERS L.H. From B-5003 To D-5459 | | | |
| 40 | XV-1857-51 | FENDERS L.H. From D-5460 To D-5489 | | | |
| 40 | XV-1857-55 | FENDERS R.H. From B-5003 To D-5459 | | | |
| 40 | XV-1857-56 | FENDERS R.H. From D-5460 To D-5489 | | | |
| 45 | XV-1859-00 | SPLASH GUARD - FRONT & REAR From B-5003 To D-5489 | | | |
| 50 | XV-1860-10 | SPARE WHEEL DOOR ASSY From B-5003 To B-5009 | | | |
| 50 | XV-1860-11 | SPARE WHEEL DOOR ASSY From B-5010 To D-5489 | | | |
| 55 | XV-1862-50 | ENTRANCE DOOR ASSY From B-5003 To D-5489 | | | |
| 55 | XV-1862-60 | ENTRANCE DOOR FRAME - INSTALLATION From B-5003 To D-5489 | | | |
| 65 | XV-1863-50 | CONDENSOR DOOR ASSY From B-5003 To D-5489 | | | |
| 70 | XV-1864-00 | BAGGAGE DOOR ASSY / 70" From B-5003 To D-5459 | | | |
| 70 | XV-1864-01 | BAGGAGE DOOR ASSY / 70" From D-5460 To D-5489 | | | |
| 70 | XV-1864-50 | BAGGAGE DOOR W/HINGE STREET SIDE WITH SMALL A/C SYSTEM / 60" From B-5003 To C-5096 | | | |
| 70 | XV-1864-51 | BAGGAGE DOOR W/HINGE STREET SIDE WITH SMALL A/C SYSTEM / 53 3/4 From C-5097 To D-5459 | | | |
| 70 | XV-1864-52 | BAGGAGE DOOR W/HINGE STREET SIDE WITH SMALL A/C SYSTEM / 53 3/4 From D-5460 To D-5489 | | | |
| 70 | XV-1864-60 | BAGGAGE DOOR W/HINGE CURBSIDE WITH SMALL A/C SYSTEM / 50 1/2 From B-5003 To D-5489 | | | |
| 70 | XV-1864-90 | BAGGAGE DOOR W/HINGE / 70" From B-5003 To D-5459 | | | |
| 70 | XV-1864-91 | BAGGAGE DOOR W/HINGE / 70" From D-5460 To D-5489 | | | |
| 75 | XV-1865-00 | FLOOR BAGGAGE COMPARTMENT From B-5003 To D-5489 | | | |
| 75 | XV-1865-10 | SEPARATOR PANEL - BAGGAGE COMPARTMENT From B-5003 To D-5489 | | | |
| 75 | XV-1865-20 | EVAPORATOR & CONDENSOR WALL INSTALLATION From B-5003 To C-5096 | | | |
| 75 | XV-1865-21 | EVAPORATOR & CONDENSOR WALL INSTALLATION From C-5097 To D-5489 | | | |
| 80 | XV-1866-50 | EVAPORATOR DOOR ASSY From B-5003 To C-5096 | | | |
| 80 | XV-1866-51 | EVAPORATOR DOOR ASSY From C-5097 To D-5459 | | | |
| 80 | XV-1866-52 | EVAPORATOR DOOR ASSY From D-5460 To D-5489 | | | |
| 85 | XV-1867-00 | KEY & CYLINDER CODE From B-5003 To D-5489 | | | |
| 90 | XV-1868-00 | A/C COMPRESSOR DOOR ASSY From B-5003 To D-5489 | | | |
| 95 | XV-1869-55 | RADIATOR DOOR ASSY From B-5003 To D-5489 | | | |
| 100 | XV-1870-00 | ENGINE DOOR ASSY L.H. From B-5003 To D-5489 | | | |



| | | |
|-----------------------|--------------|----------------|
| From B-5003 To D-5489 | Date:10/2022 | PAGE:XV-18-EXT |
| BODY EXTERIOR | | |

| Item# | Part | Description | X 3 V I P | X L I I E N T 4 5 | N O T E S |
|-------|------------|--|-----------------------|---|-----------------------|
| 100 | XV-1870-05 | ENGINE DOOR ASSY R.H. From B-5003 To D-5489 | | | |
| 105 | XV-1870-10 | ENGINE DOOR ASSY - INSTALLATION From B-5003 To D-5489 | | | |
| 107 | XV-1870-20 | REAR ENGINE UPPER DOOR WITH "EPA 2010" From B-5003 To D-5489 | | | |
| 110 | XV-1875-00 | FUEL TANK & UREA FILLING DOOR From B-5003 To D-5489 | | | |
| 115 | XV-1879-00 | FRONT SERVICE DOOR ASSY From B-5003 To D-5489 | | | |
| 115 | XV-1879-10 | FRONT SERVICE DOOR - INSTALLATION From B-5003 To D-5489 | | | |
| 130 | XV-1880-00 | WINDSHIELD & CHANNEL From B-5003 To D-5489 | | | |
| 135 | XV-1884-50 | SIDE WINDOW From B-5003 To D-5489 | | | |
| 135 | XV-1884-65 | ELECTRICAL AWNING WINDOW ASSY From B-5003 To D-5489 | | | |
| 135 | XV-1884-80 | ELECTRICAL SLIDING WINDOW ASSY From B-5003 To D-5489 | | | |
| 135 | XV-1884-90 | SIDE WINDOW - "SLIDE-OUT" From B-5003 To D-5489 | | | |
| 140 | XV-1886-00 | POWER WINDOW - ELECTRICAL INSTALLATION From B-5003 To D-5489 | | | |
| 145 | XV-189X-XX | STRUCTURE / CALL ORDER DESK From D-5460 To D-5489 | | | |
| 180 | XV-1898-00 | ESCAPE HATCH - INSTALLATION From B-5003 To D-5489 | | | |
| | | | | | |
| | | | | | |
| | | | | | |

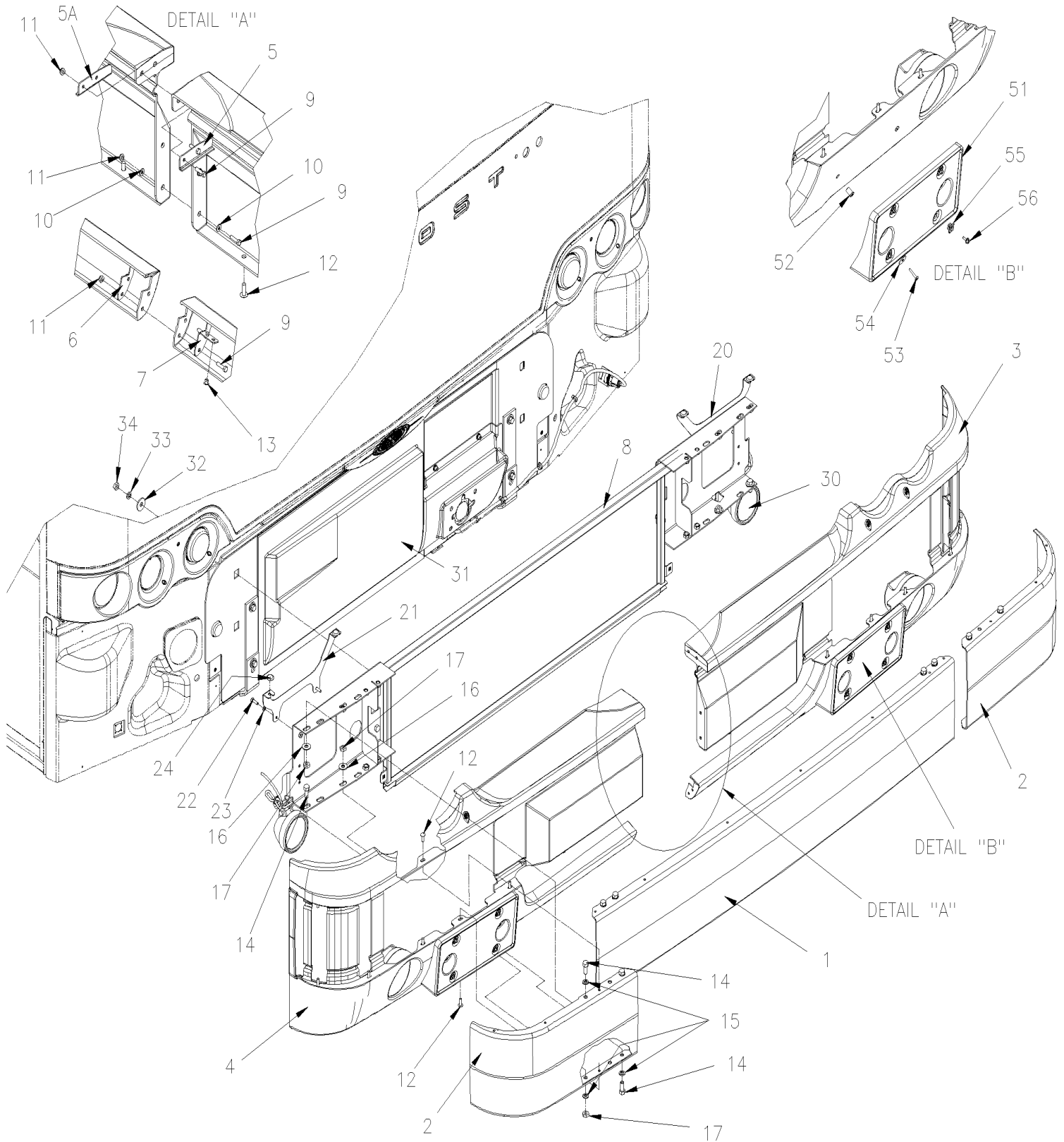


From B-5003 To D-5489

Date:10/2022

PAGE:XV-1850-00

BUMPER FRONT





| | | |
|------------------------------|---------------------|------------------------|
| From B-5003 To D-5489 | Date:10/2022 | PAGE:XV-1850-00 |
|------------------------------|---------------------|------------------------|

BUMPER FRONT

| Item# | Part | Description | X 3 V I P | X L I I E N T 4 5 | N O T E S |
|-------|-------------------|---|-----------------------|---|-----------------------|
| | 411063P | BUMPER ASSY W/FOG LAMP W/HEAD LAMP WASHER HOLE W/O "ACB" / B.A. | 1 | 1 | |
| 1 | 411116 | . BUMPER CENTER PART / SS / B.A. | 1 | 1 | |
| 2 | 411057 | . BUMPER CORNER / SS / S.B | 2 | 2 | |
| 3 | 411104 | . MOULDING L.H. W/HEAD LAMP WASHER HOLE | 1 | 1 | |
| 4 | 411103 | . MOULDING R.H. W/HEAD LAMP WASHER HOLE | 1 | 1 | |
| 5 | 411036 | . ATTACHMENT UPPER / CURBSIDE | 1 | 1 | |
| 5A | 411042 | . ATTACHMENT UPPER / STREETSIDE | 1 | 1 | |
| 6 | 411037 | . ATTACHMENT LOWER / STREETSIDE To B-5023 | 1 | 1 | |
| 6 | 411228 | . ATTACHMENT LOWER / STREETSIDE From B-5024 | 1 | 1 | |
| 7 | 411038 | . ATTACHMENT LOWER / CURBSIDE To B-5023 | 1 | 1 | |
| 7 | 411227 | . ATTACHMENT LOWER / CURBSIDE From B-5024 | 1 | 1 | |
| 8 | 411118 | . STRUCTURE BUMPER To B-5023 | 1 | 1 | |
| 8 | 411229 | . STRUCTURE BUMPER From B-5024 | 1 | 1 | |
| 9 | 5001146 | . SCREW CAP HEX M5-0.8x20 SS BK | 6 | 6 | |
| 10 | 5001137 | . WASHER FL .203x.438x.050 SS | 4 | 4 | |
| 11 | 5001587 | . NUT HEX NYRT M5-0.8 SS | 6 | 6 | |
| 12 | 5001438 | . RIVET DRV TR 1/4x3/4 NYL | 28 | 28 | |
| 13 | 504379 | . RIVET POP DOME OE 3/16x1/4 SS | 2 | 2 | |
| 14 | 502655 | . SCREW CAP HEX M10-1.5x25 SS BK | 16 | 16 | |
| 15 | 5001737 | . WASHER LO SPT 10.2x18.1x2.2 N500 | 16 | 16 | |
| 16 | 5001751 | . WASHER FL 10.5x26.0x2.0 N500 | 8 | 8 | |
| 17 | 502567 | . NUT HEX M10-1.5 SS | 8 | 8 | |
| 20 | 411054 | . SUPPORT UPPER CORNER STREETSIDE | 1 | 1 | |
| 21 | 411053 | . SUPPORT UPPER CORNER CURBSIDE | 1 | 1 | |
| 22 | 502622 | . SCREW CAP HEX M6-1.0x20 SS BK | 4 | 4 | |
| 23 | 502570 | . WASHER LO SPT 6.1x11.8x1.6 SS | 4 | 4 | |
| 24 | 504716 | . BUMPER RUBBER / .875OD X .256 TH X .312 HOLE | 4 | 4 | |
| 30 | XV-0661-00 | . FOG LAMP | | | |
| 31 | XV-1860-10 | SPARE WHEEL DOOR ASSY To B-5009 | | | |
| 31 | XV-1860-11 | SPARE WHEEL DOOR ASSY From B-5010 | 1 | 1 | |
| 32 | 5001417 | WASHER FL 11.0x34.0x3.0 SS | 4 | 4 | |
| 33 | 5001737 | WASHER LO SPT 10.2x18.1x2.2 N500 | 4 | 4 | |
| 34 | 502567 | NUT HEX M10-1.5 SS | 4 | 4 | |
| 51 | 410827 | MOULDING / PLATE HOLDER | 2 | 2 | |
| 52 | 500589 | NUT WELL M4-0.7x13.5 | 4 | 4 | |
| 53 | 502677 | SCREW MA RND PH M4-0.7x25 SS | 4 | 4 | |
| 54 | 508401 | WASHER FL .218x.875x.062 SS XL BK | 4 | 4 | |
| 55 | 5001009 | NUT AN 1/4 NYL | 8 | 8 | |
| 56 | 5001245 | SCREW TC CAP HEXW SLT #12-24x1/2 Z050 | 8 | 8 | |
| | | | | | |
| | | | | | |
| | | | | | |

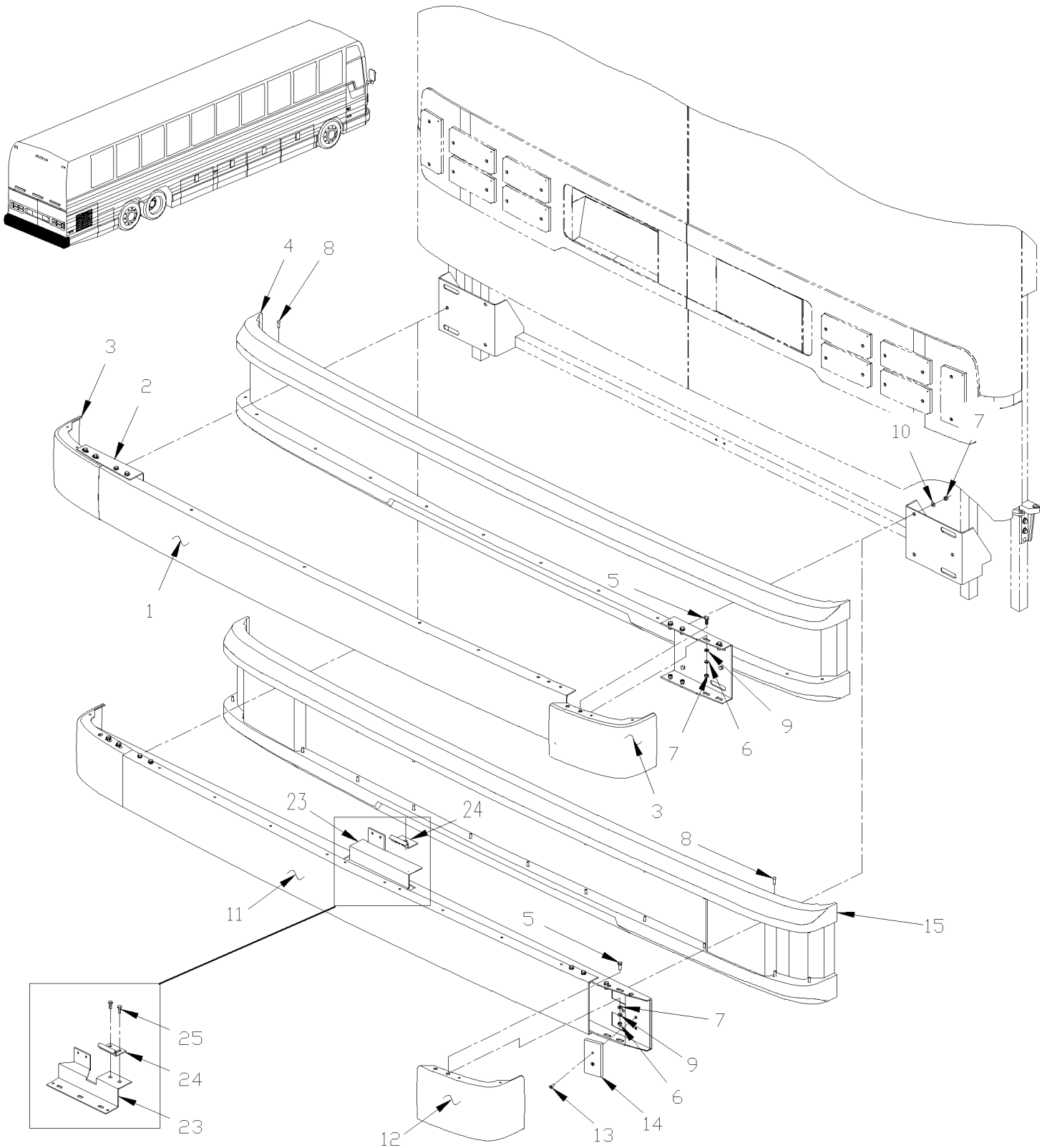


From B-5003 To D-5489

Date:10/2022

PAGE:XV-1850-10

BUMPER REAR





| | | |
|-----------------------|--------------|-----------------|
| From B-5003 To D-5489 | Date:10/2022 | PAGE:XV-1850-10 |
| BUMPER REAR | | |

| Item# | Part | Description | X 3 V I P | X L I I E N T 4 5 | N O T E S |
|-------|---------|--|-----------------------|---|-----------------------|
| | | LE PARE-CHOCS SUIVANT EST STANDARD SUR X3-VIP | | | |
| | | AND IT "OPTIONAL" WITH "ENT-45" | | | |
| | 411090P | BUMPER ASSY REAR CHROME / W/TRAILLER HITCH | 1 | 1 | |
| 1 | 411059 | . BUMPER REAR CENTER / SS / S.B.2B | 1 | 1 | |
| 2 | 410691 | . SUPPORT | 2 | 2 | |
| 3 | 411061 | . BUMPER / CORNER / SS / S.B.2B | 2 | 2 | |
| 4 | 473858 | . TRIM REAR BUMPER / W/TRAILLER HITCH | 1 | 1 | |
| 5 | 5001231 | . SCREW CAP HEX M10-1.5x25 SS | 16 | 16 | |
| 6 | 500958 | . WASHER FL .531x1.062x.095 SS | 16 | 16 | |
| 7 | 502567 | . NUT HEX M10-1.5 SS | 16 | 16 | |
| 8 | 5001438 | . RIVET DRV TR 1/4x3/4 NYL | 23 | 23 | |
| 9 | 502585 | . WASHER LO SERR 10.2x26.3x1.4 ZP | 16 | 16 | |
| 10 | 284447 | WASHERS BELLEVILLE | 6 | 6 | |
| | | NEXT BUMPER IT STANDARD ON "ENT-45" | | | |
| 11 | 410740P | BUMPER ASSY REAR BLACK | | 1 | |
| 11 | 411214 | . BUMPER REAR CENTER / BLACK | | 1 | |
| 12 | 410748 | . BUMPER / CORNER / BLACK | | 2 | |
| 13 | 5001198 | . SCREW MA FL PH M6-1.0x16 Z050 | | 4 | |
| 13 | 5001182 | . NUT HEX NYRT M6-1.0 SS | | 4 | |
| 14 | 410737 | . STOPPER | | 2 | |
| 15 | 473770 | . TRIM REAR BUMPER / W/O TRAILLER HITCH | | 1 | |
| 15 | 473858 | TRIM REAR BUMPER / W/TRAILLER HITCH | | 1 | A |
| 23 | 287231 | ATTACHMENT & STOPPER LH ENGINE DOOR / (WELDED TO BUMPER) | | 1 | |
| 24 | 287286 | CATCH PIN / RETAINER 45MMx21MM 90° | | 1 | |
| 25 | 502780 | SCREW CAP HEX M8-1.25x25 SS BK | | 2 | |
| | | A) THIS BUMPER ARE ASSY WITH TRIM W/TRAILER HITCH | | | |

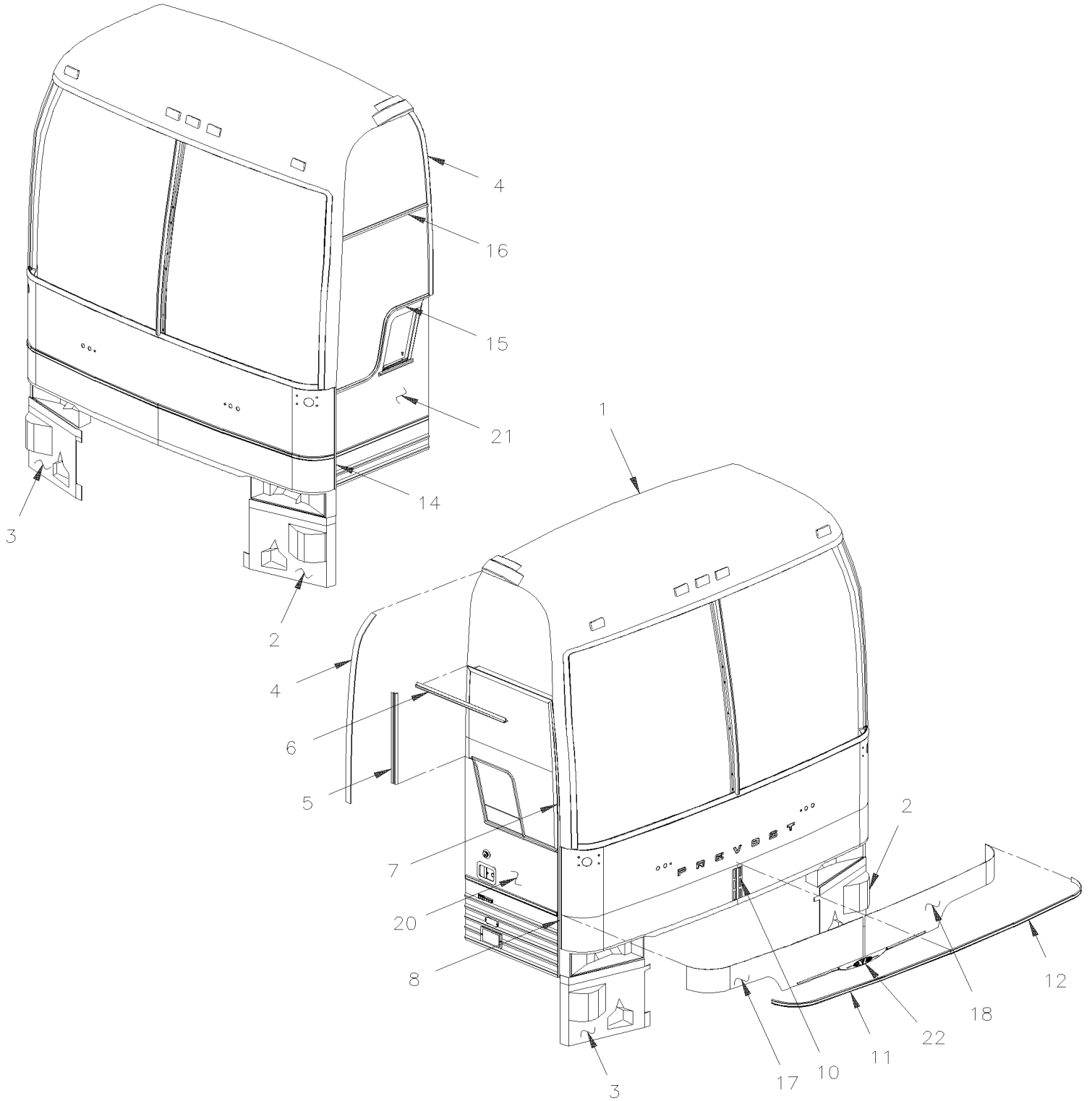


From B-5003 To D-5489

Date:10/2022

PAGE:XV-1851-00

FRONT CAP - INSTALLATION





| | | |
|------------------------------|---------------------|------------------------|
| From B-5003 To D-5489 | Date:10/2022 | PAGE:XV-1851-00 |
|------------------------------|---------------------|------------------------|

FRONT CAP - INSTALLATION

| Item# | Part | Description | X 3 V I P | X L I I E N T 4 5 | N O T E S |
|-------|-------------------|---|-----------------------|---|-----------------------|
| | | | | | |
| | | | | | |
| | | | | | |
| 1 | 478303 | FRONT CAP MTH 89" / WLARGE WINDSHIELD | | | |
| 1 | 478304 | FRONT CAP MTH 89" / WLARGE WINDSHIELD | | | B |
| | | | | | |
| 2 | 476709 | . PANEL LOWER L.H. To C-5086 | 1 | 1 | |
| 2 | 478535 | . PANEL LOWER L.H. From C-5087 | 1 | 1 | |
| 3 | 476710 | . PANEL LOWER R.H. To C-5086 | 1 | 1 | |
| 3 | 478532 | . PANEL LOWER R.H. From C-5087 | 1 | 1 | |
| NS | 504546 | RIVET CHY MONOLOK PRDG 1/4x5/8 ZP To E-5499 | 36 | 36 | |
| NS | 504787 | RIVET CHY MONOLOK PRDG 1/4x5/8 ZP From E-5500 | 36 | 36 | |
| NS | 500426 | SCREW TP PAN PH #8x1 SS | 6 | 6 | |
| NS | 506769 | TAPE RUB ADH2 CC POL 1/8" x 1/4" x 60' / BLACK H1CC-N-#14 | AR | AR | |
| NS | 506785 | TAPE RUB ADH2 CC POL 1/16" x 1/4" x 200' / BLACK 11C-N-A | AR | AR | |
| NS | 475703 | KIT STONE PROTECTOR / VINYL FILM 2x25"x120 + 1x16"x120" | 1 | 1 | |
| 4 | 474068 | FINISHING MOULDING 1340MM MTH 86" To C-5096 | 2 | 2 | |
| 4 | 477511 | FINISHING MOULDING 1295MM From C-5097 | 2 | 2 | |
| NS | 504339 | RIVET POP DOME OE 1/8x3/8 SS | AR | AR | |
| 5 | 474042 | MOULDING SUPPORT 709MM / MTH 86" | 1 | 1 | |
| 6 | 477516 | DRIP MOULDING OVER ENTRANCE DOOR / B.A. | 1 | 1 | |
| 7 | 477517 | FINISHING MOULDING ENTRANCE DOOR / 1131MM / B.A. | 1 | 1 | |
| 8 | 477522 | FINISHING MOULDING ENTRANCE DOOR / 1531MM MTH89" / B.A. | 1 | 1 | |
| 10 | 478404 | FINISHING CENTER SS / B.A. | 1 | 1 | |
| 11 | 477512 | MOULDING SS R.H. / B.A. | 1 | 1 | |
| 12 | 477513 | MOULDING SS L.H. / B.A. | 1 | 1 | |
| 14 | 477523 | FINISHING MOULDING SERVIR DOOR / 1531MM MTH89" / B.A. | 1 | 1 | |
| 15 | 286646 | DRIP MOULDING "S" MTH86" & MTH89" | 1 | 1 | |
| NS | 790392 | RUBBER BLOCK ADJUSTEMENT 1" x 5/16" x 1/8" 80DURO | AR | AR | |
| 16 | 286454 | DRIP MOULDING OVER DRIVER'S WINDOW | 1 | 1 | |
| 17 | 478402 | PANEL SS / CURBSIDE / B.A. | 1 | 1 | |
| 18 | 478403 | PANEL SS / STREETSIDE / B.A. | 1 | 1 | |
| 20 | XV-1862-50 | ENTRANCE DOOR ASSY | | | |
| 21 | XV-1879-00 | FRONT SERVICE DOOR ASSY | | | |
| 22 | XV-1855-00 | RUB RAIL - EXTERIOR CREST & TRIMS | | | |
| | | | | | |
| NS | 681092 | ADHESIVE SIKA #255FC / BLACK / 310ml CARTRIDGE | AR | AR | |
| NS | 683083 | ADHESIVE SIKA #252 / BLACK / 600 ml SAUSAGE | AR | AR | |
| NS | 687957 | GLUE MS POLYMER TEROSON MS 9399 / 400ml CARTRIDGE | AR | AR | |
| NS | 687961 | GLUE MS POLYMER TEROSON MS 9399 / "A" 21 Liters | AR | AR | |
| NS | 687962 | GLUE MS POLYMER TEROSON MS 9399 / "B" 21 Liters | AR | AR | |
| NS | 684685 | ADHESIVE SIMSON #ISR 70-03 / 310ml CARTRIDGE | AR | AR | |



| | | |
|-----------------------|--------------|-----------------|
| From B-5003 To D-5489 | Date:10/2022 | PAGE:XV-1851-00 |
|-----------------------|--------------|-----------------|

FRONT CAP - INSTALLATION

| Item# | Part | Description | X 3 V I P | X L I I E N T 4 5 | N O T E S |
|-------|--------|---|-----------------------|---|-----------------------|
| NS | 685124 | ADHESIVE SIMSON #ISR 70-03 / BLACK / 600ml SAUSAGE | AR | AR | |
| NS | 684517 | ADHESIVE SIMSON #ISR 70-03 / GREY / 310ml CARTRIDGE | AR | AR | |
| | | | | | |
| | | | | | |
| | | | | | |
| | | B) WITHOUT UPPER SIDE GLASS | | | |

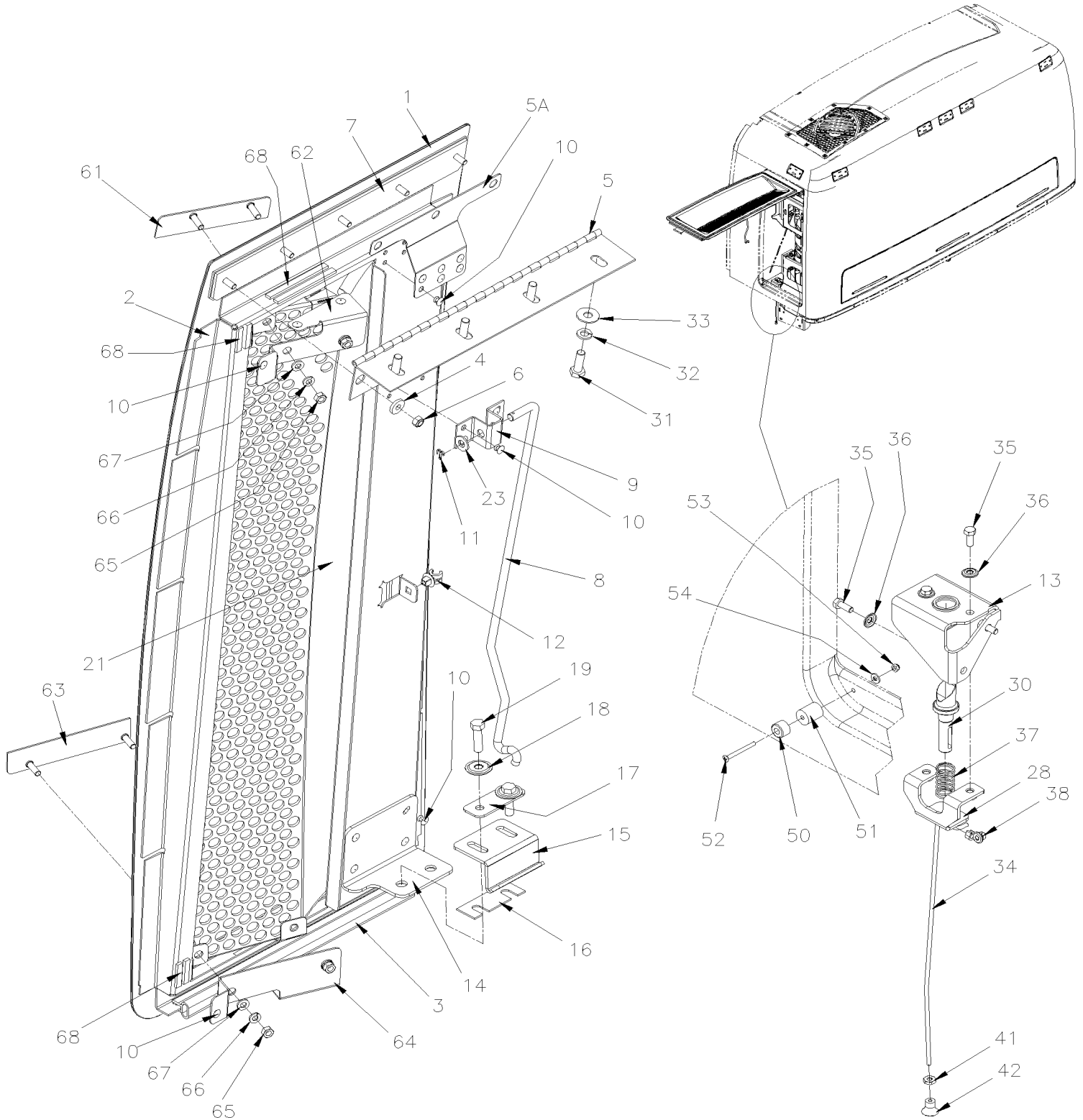


From B-5003 To D-5489

Date:10/2022

PAGE:XV-1851-05

REAR CAP - DOOR DPF & SCR





| | | |
|--------------------------------------|---------------------|------------------------|
| From B-5003 To D-5489 | Date:10/2022 | PAGE:XV-1851-05 |
| REAR CAP - DOOR DPF & SCR | | |

| Item# | Part | Description | X 3 V I P | X L I I E N T 4 5 | N O T E S |
|-------|---------|--|-----------------------|---|-----------------------|
| | 478567 | DOOR PANEL ASSY WITH HINGE | 1 | 1 | |
| 1 | 479169 | DOOR PANEL | 1 | 1 | |
| 2 | 479195 | FRAME DOOR To D-5484 | 1 | 1 | |
| 3 | 506303 | RUBBER SEAL EXTRUSION | 8 | 8 | |
| 4 | 5001654 | WASHER FL 6.4x17.0x3.0 SS | 4 | 4 | |
| 5 | 479170 | HINGE 338MM | 1 | 1 | |
| 5A | 479244 | ATTACHMENT PLATE "T" SHAPE | 1 | 1 | |
| 6 | 502681 | NUT HEX NYRT M6-1.0 N500 G8 | 4 | 4 | |
| 7 | 478258 | ATTACHMENT PLATE ASSY W/STUD 5 | 1 | 1 | |
| 8 | 478269 | ROD 442MM | 1 | 1 | |
| 9 | 478218 | ATTACHMENT ROD LOCK | 1 | 1 | |
| 10 | 504379 | RIVET POP DOME OE 3/16x1/4 SS | AR | AR | |
| 11 | 502094 | PIN, COTTER 1/16 x 1/2 SS | 1 | 1 | |
| 12 | 504734 | ATTACHMENT ROD | 1 | 1 | |
| NS | 680066 | ADHESIVE / ADBOND #5014 / 23.6ML BOTTLE | AR | AR | |
| 13 | 479274 | STOPPER CATCH PIN | 1 | 1 | |
| 14 | 479273 | ATTACHMENT LOCK | 1 | 1 | |
| 15 | 289700 | CATCH PIN / RETAINER 49.2MMx36.4MM 90° / OFFSET | 1 | 1 | |
| 16 | 287452 | SHIM SPACER 70MM X 25 X 14GA | 1 | 1 | |
| 17 | 288088 | PLATE RETAINER 66MM X 25.4MM | 1 | 1 | |
| 18 | 5001699 | WASHER BEL SPR 8.2x22x1.4 N500 | 2 | 2 | |
| 19 | 5001738 | SCREW CAP HEX M8-1.25x30 G8.8 N500 | 2 | 2 | |
| NS | 684743 | GLUE METHACRYLATE PLEXUS MA832GB 380 ml | AR | AR | |
| 21 | 478289 | GRILLE FIBERGLASS / AIR INLET / PAINTED | 1 | 1 | |
| . NS | 478278 | . GRILLE FIBERGLASS / AIR INLET | 1 | 1 | |
| 23 | 5001341 | WASHER FL 8.4x17.0x1.6 SS | 1 | 1 | |
| NS | 506236 | TAPE RUB ADH1 CC POL 1/16" x 1/2" x 100' / GREY 2520 | AR | AR | |
| 28 | 288061 | SUPPORT CATCH PIN | 1 | 1 | |
| 30 | 288118 | CATCH PIN ACETAL / 82MM | 1 | 1 | |
| 31 | 502580 | NUT HEX CAP M5-0.8 ZP | 7 | 7 | |
| 32 | 5001161 | WASHER LO SPT 8.1x14.8x2.0 SS-304 | 7 | 7 | |
| 33 | 5001448 | WASHER FL .343x.875x.062 SS18-8 | 7 | 7 | |
| 34 | 479477 | ROD OPENING 540MM | 1 | 1 | |
| 35 | 5001744 | SCREW CAP HEX M6-1.0x16 G8.8 N500 | 2 | 2 | |
| 36 | 500356 | WASHER LO SERR 6.1x16.0x0.9 N500 | 2 | 2 | |
| 37 | 502910 | SPRING COMPRESSION / .720 O.D. 1.75 x .055 | 1 | 1 | |
| 38 | 780340 | CLIP, RETAINER ROD | 1 | 1 | |
| 41 | 500986 | NUT HEX #8-32 N500 | 1 | 1 | |
| 42 | 505504 | KNOB, PULL / 8-32 | 1 | 1 | |
| 50 | 504334 | BUMPER RUBBER / .625 OD x .406 TH x .156 HOLE | 1 | 1 | |
| 51 | 479222 | SPACER ACETAL BLACK 4.37 I.D. x 17 O.D. x 20MM | 1 | 1 | |
| 52 | 502530 | SCREW MA OV PH M4-0.7x40 SS | 1 | 1 | |



| | | |
|--------------------------------------|--------------|-----------------|
| From B-5003 To D-5489 | Date:10/2022 | PAGE:XV-1851-05 |
| REAR CAP - DOOR DPF & SCR | | |

| Item# | Part | Description | X 3 V I P | X L I I E N T 4 5 | N O T E S |
|-------|---------|---|-----------------------|---|-----------------------|
| 53 | 502557 | NUT HEX NYRT M4-0.7 SS | 1 | 1 | |
| 54 | 504357 | WASHER FL .187x.437x.050 SS | 1 | 1 | |
| 61 | 478968 | UPPER PLATE From D-5485 | 1 | 1 | |
| 62 | 478965 | SUPPORT UPPER, GRILLE From D-5485 | 1 | 1 | |
| 63 | 478969 | LOWER PLATE From D-5485 | 1 | 1 | |
| 64 | 478966 | SUPPORT LOWER, GRILLE From D-5485 | 1 | 1 | |
| 65 | 5001851 | NUT HEX M6-1.0 SS BK From D-5485 | 4 | 4 | |
| 66 | 502570 | WASHER LO SPT 6.1x11.8x1.6 SS From D-5485 | 4 | 4 | |
| 67 | 502573 | WASHER FL 6.4x12.5x1.6 SS From D-5485 | 4 | 4 | |
| 68 | 506191 | TAPE RUB ADH1 CC POL 1/8" x 1/4" x 50' / GREY 2520X From D-5485 | AR | AR | |
| | | | | | |
| | | | | | |
| | | | | | |

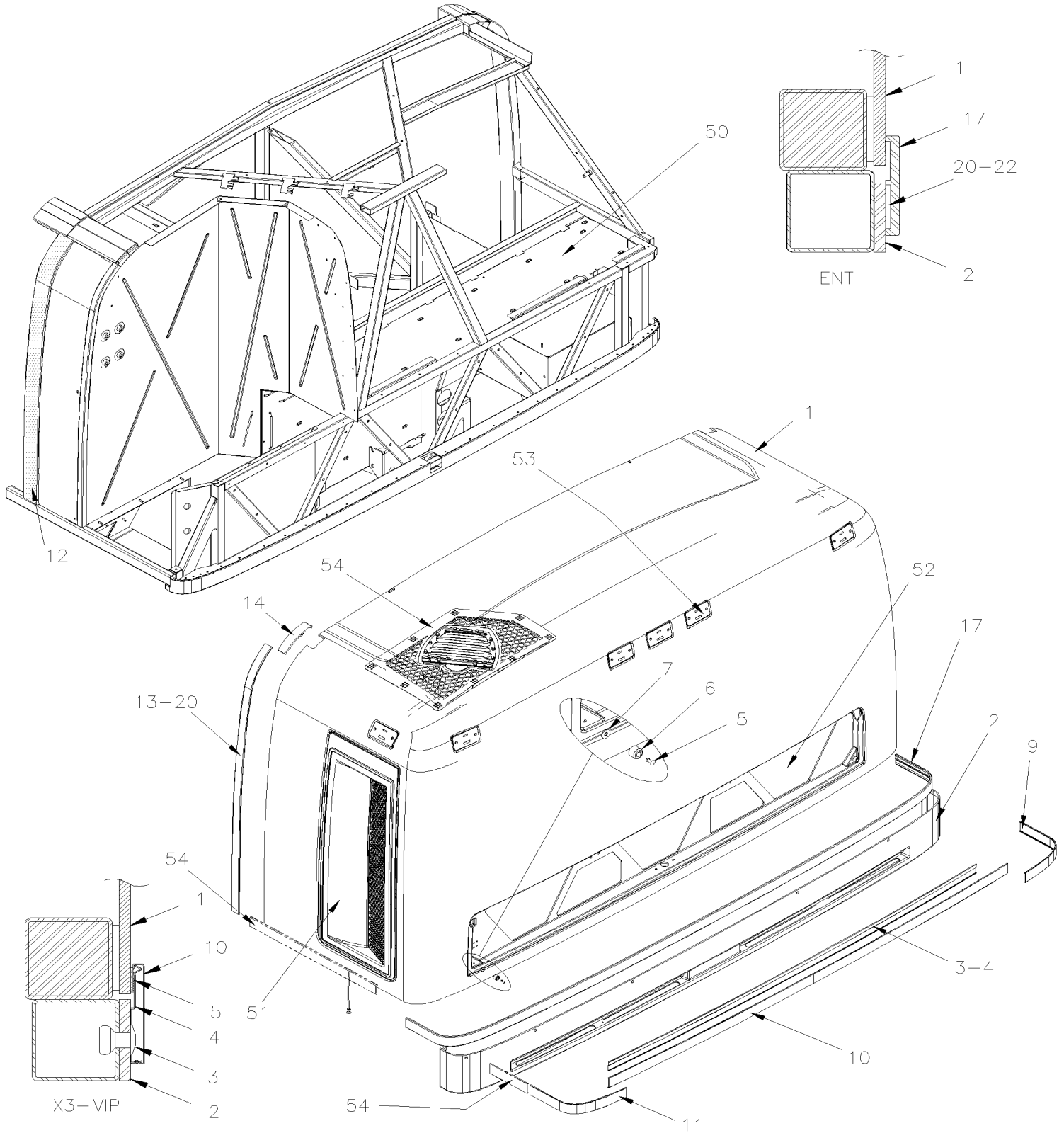


From B-5003 To D-5489

Date:10/2022

PAGE:XV-1851-20

REAR CAP - INSTALLATION





| | | |
|------------------------------|---------------------|------------------------|
| From B-5003 To D-5489 | Date:10/2022 | PAGE:XV-1851-20 |
|------------------------------|---------------------|------------------------|

REAR CAP - INSTALLATION

| Item# | Part | Description | X 3 V I P | X L I E N T 4 5 | N O T E S |
|-------|-------------------|---|-----------------------|--------------------------------------|-----------------------|
| 1 | 479263 | REAR CAP ASSY / MTH-86" & MTH-89" | 1 | 1 | |
| 2 | 479309 | AIR INTAKE / W/MTH-89" | 1 | 1 | |
| NS | 5001845 | SCREW TP FL PH #8x3/4 SS410 | 6 | 6 | |
| 3 | 504416 | RIVET POP DOME OE 3/16x5/8 SS | 12 | 12 | |
| 4 | 473895 | MOULDING RETAINER / 2250MM | 1 | | |
| 5 | 500414 | SCREW TP BDG PH #10x3/4 SS | 2 | 2 | |
| 6 | 5001168 | BUMPER RUBBER / .750 OD x .562 TH x .187 HOLE | 2 | 2 | |
| 7 | 500411 | WASHER FL .260x.697x.050 SS | 2 | 2 | |
| 9 | 473831 | MOULDING RIGHT CORNER | 1 | | |
| 10 | 473896 | FINISHING MOULDING SS / 2125MM | 1 | | |
| 11 | 473833 | MOULDING LEFT CORNER | 1 | | |
| 12 | 293136 | RUBBER SEAL 1391MM W/86" & 89" | 2 | 2 | |
| 13 | 474068 | FINISHING MOULDING 1340MM MTH 86" | 2 | 2 | |
| 14 | 293715 | UPPER EXTRUSION 38MM | 2 | 2 | |
| 17 | 474359 | FINISHING MOULDING PLASTIC 2800MM | | 1 | |
| . NS | 506785 | . TAPE RUB ADH2 CC POL 1/16" x 1/4" x 200' / BLACK I1C-N-A | | | AR |
| . NS | 506769 | . TAPE RUB ADH2 CC POL 1/8" x 1/4" x 60' / BLACK H1CC-N-#14 | | | AR |
| 20 | 506759 | TAPE RUB ADH2 CC POL 1/8" x 1/2" x 100' / BLACK I1C-N-A | AR | | AR |
| 22 | 683083 | ADHESIVE SIKA #252 / BLACK / 600 ml SAUSAGE | AR | | AR |
| NS | 687957 | GLUE MS POLYMER TEROSON MS 9399 / 400ml CARTRIDGE | AR | | AR |
| NS | 683084 | SEALANT SIKA #221 / GREY / 600 ml SAUSAGE | AR | | AR |
| NS | 680066 | ADHESIVE / ADBOND #5014 / 23.6ML BOTTLE | AR | | AR |
| NS | 687956 | GLUE METHACRYLATE PLEXUS MA530 400 ml | AR | | AR |
| NS | 684743 | GLUE METHACRYLATE PLEXUS MA832GB 380 ml | AR | | AR |
| NS | 684517 | ADHESIVE SIMSON #ISR 70-03 / GREY / 310ml CARTRIDGE | AR | | AR |
| 50 | XV-1894-00 | REAR CAP - STRUCTURE | | | |
| 51 | XV-1851-05 | REAR CAP - DOOR DPF & SCR | | | |
| 52 | XV-1870-20 | REAR ENGINE UPPER DOOR WITH "EPA 2010" | | | |
| 53 | XV-0662-00 | CLEARANCE & MARKER LIGHT | | | |
| 54 | XV-0405-00 | MUFFLER - INSTALLATION WITH DPF & SCR WITH VOLVO D13 WITH "EPA 2010" | | | |
| 55 | XV-1854-50 | UPPER FIBERGLASS SIDE PANELING - MTH BETWEEN SIDE WINDOW | | | |
| | | | | | |
| | | | | | |
| | | | | | |

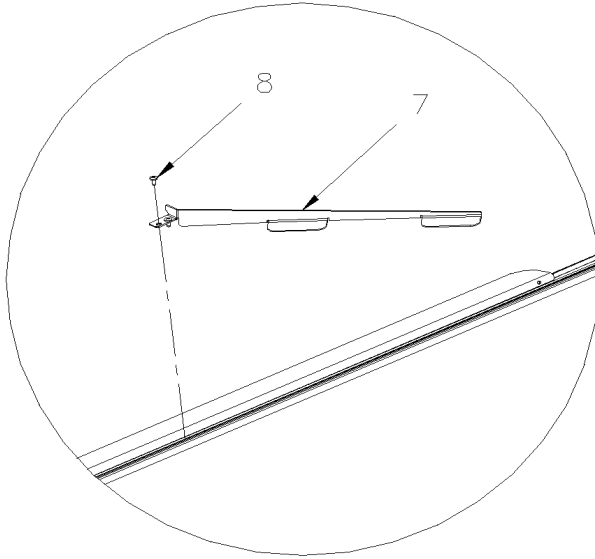


From B-5003 To D-5489

Date:10/2022

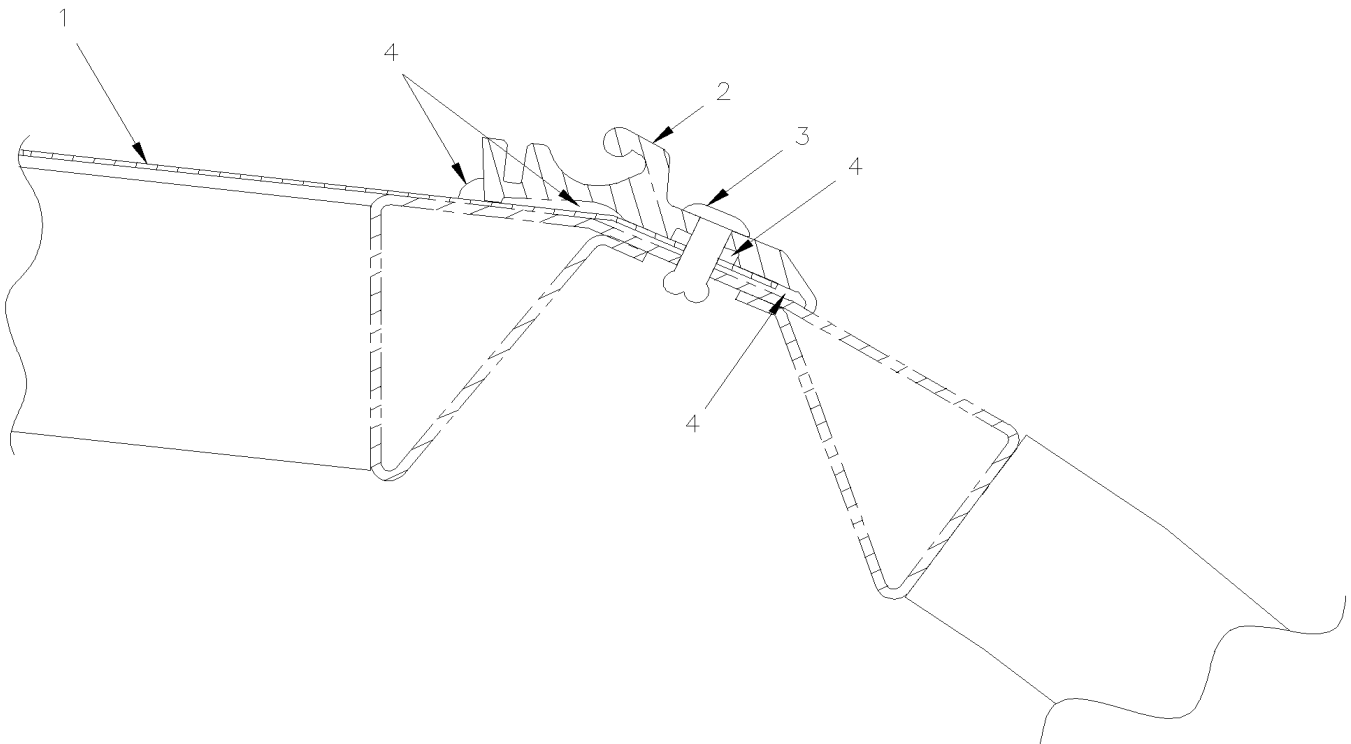
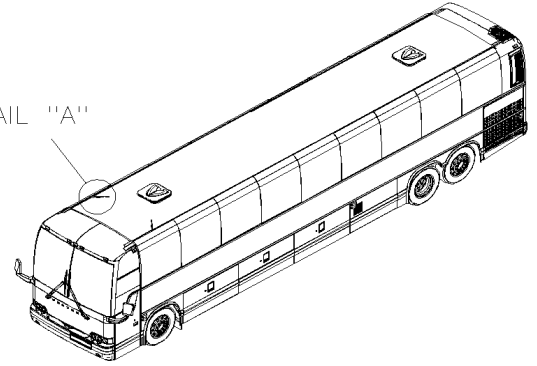
PAGE:XV-1852-00

ROOF PANEL



DETAIL "A"

DETAIL "A"





| | | |
|------------------------------|---------------------|------------------------|
| From B-5003 To D-5489 | Date:10/2022 | PAGE:XV-1852-00 |
| ROOF PANEL | | |

| Item# | Part | Description | X 3 V I P | X L I I E N T 4 5 | N O T E S |
|-------|-----------------|--|-----------------------|---|-----------------------|
| 1 | 970274 | ALUMINUM SHEET 3003 WHITE 18GAX82 1/4" | 165 | 165 | |
| 2 | 293181 | EXTRUSION, ALUMINUM 5870MM (231.1") To D-5297 | 4 | 4 | |
| 2 | 294092 | EXTRUSION, ALUMINUM 5870MM (231.1") From D-5298 | 4 | 4 | |
| 3 | 504546 | RIVET CHY MONOLOK PRDG 1/4x5/8 ZP To E-5499 | AR | AR | |
| 3 | 504545 | RIVET CHY MONOLOK PRDG 1/4x3/8 ZP To E-5499 | 50 | 50 | A |
| 3 | 504787 | RIVET CHY MONOLOK PRDG 1/4x5/8 ZP From E-5500 | AR | AR | |
| 4 | 680532 | SEALANT SIKA #221 / GREY / 310ml CARTRIDGE | AR | AR | |
| 4 | 682462 | ADHESIVE SIKA #252 / BLACK / 310ml CARTRIDGE | AR | AR | |
| 5 | 474057P | KIT, ROOF PANELING XL SERIES | 1 | 1 | |
| 6 | Call order desk | DEFLECTOR, ROOF | | | P |
| . NS | IS-12024 | . SEE INSTRUCTION SHEET | 1 | 1 | |
| 7 | 294115 | . DEFLECTOR R.H. | 1 | 1 | |
| NS | 294116 | . DEFLECTOR L.H. | 1 | 1 | |
| 8 | 500393 | . SCREW TC PAN PH #10-24x3/8 Z050 | 4 | 4 | |
| | | | | | |
| | | | | | |
| | | | | | |
| | | A) EACH END | | | |
| | | P) CALL ORDER DESK FOR SPECIFIC APPLICATION (V.I.N.) | | | |



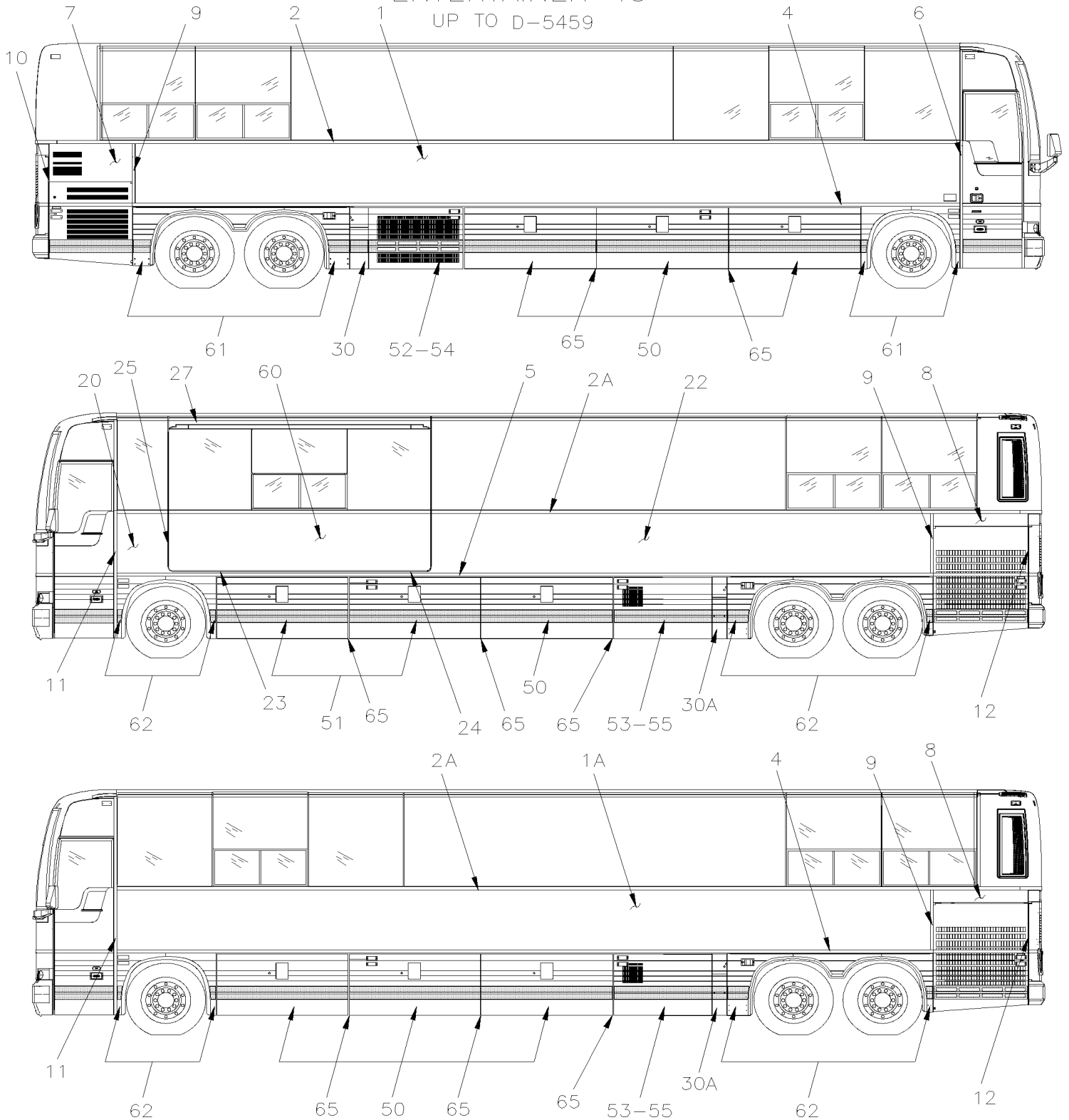
From B-5003 To D-5489

Date:10/2022

PAGE:XV-1854-00

SIDE PANELING

ENTERTAINER 45'
UP TO D-5459





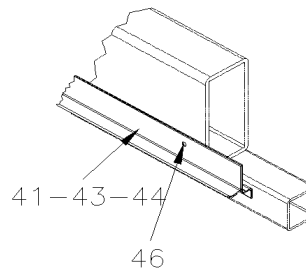
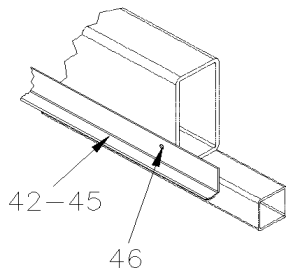
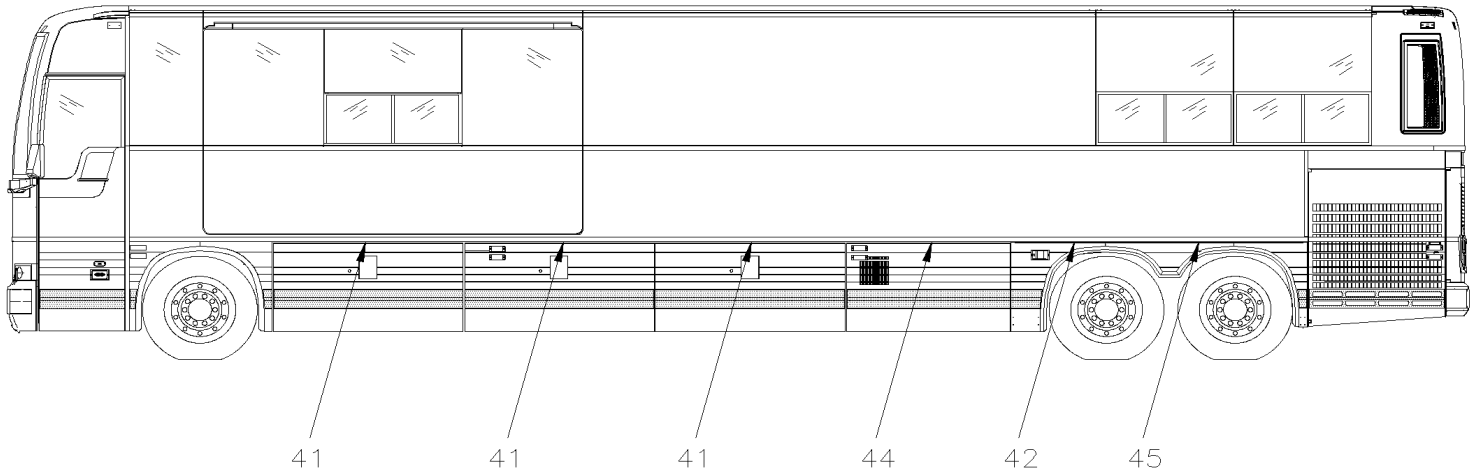
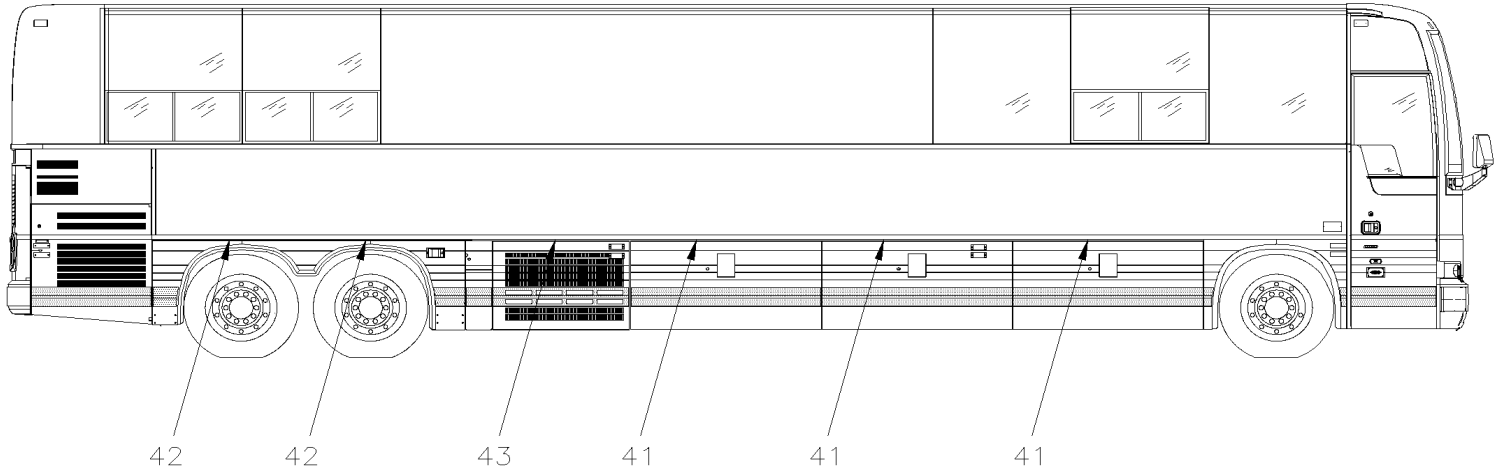
From B-5003 To D-5489

Date:10/2022

PAGE:XV-1854-00

SIDE PANELING

ENTERTAINER 45'
UP TO D-5459



UP TO D-5458

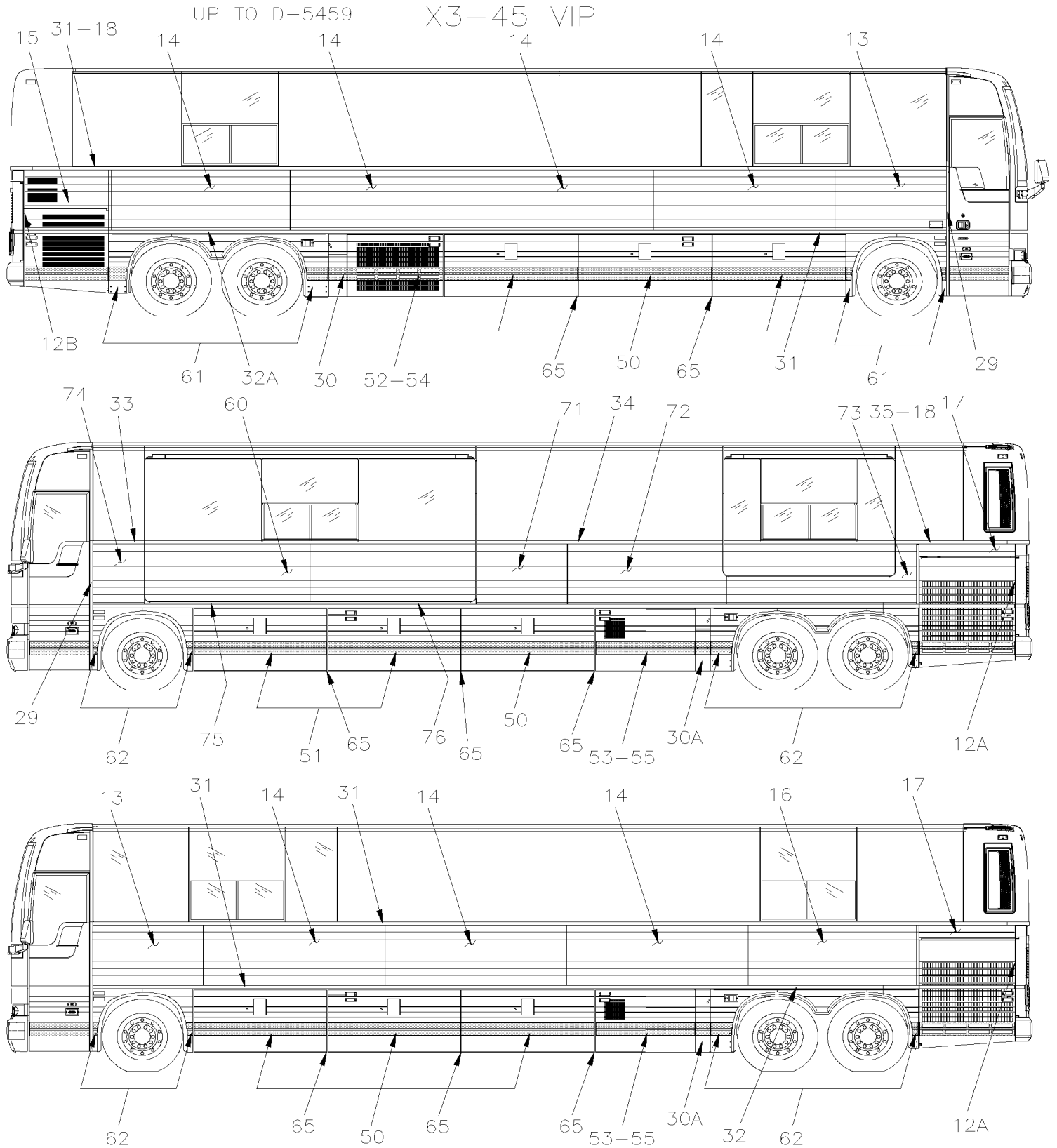


From B-5003 To D-5489

Date:10/2022

PAGE:XV-1854-00

SIDE PANELING





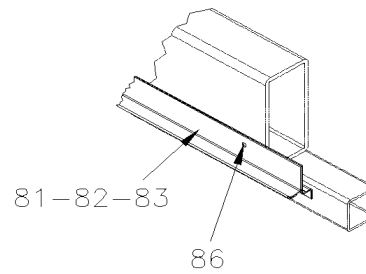
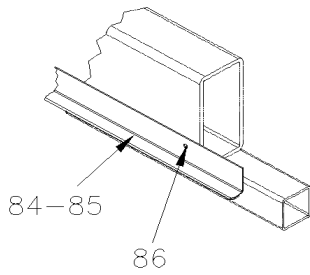
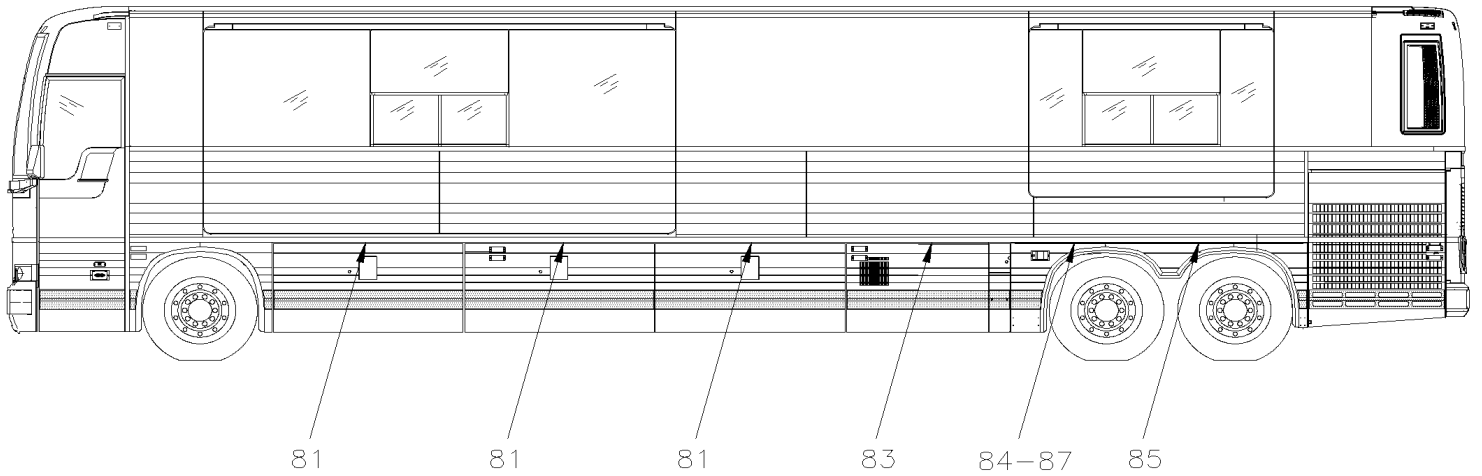
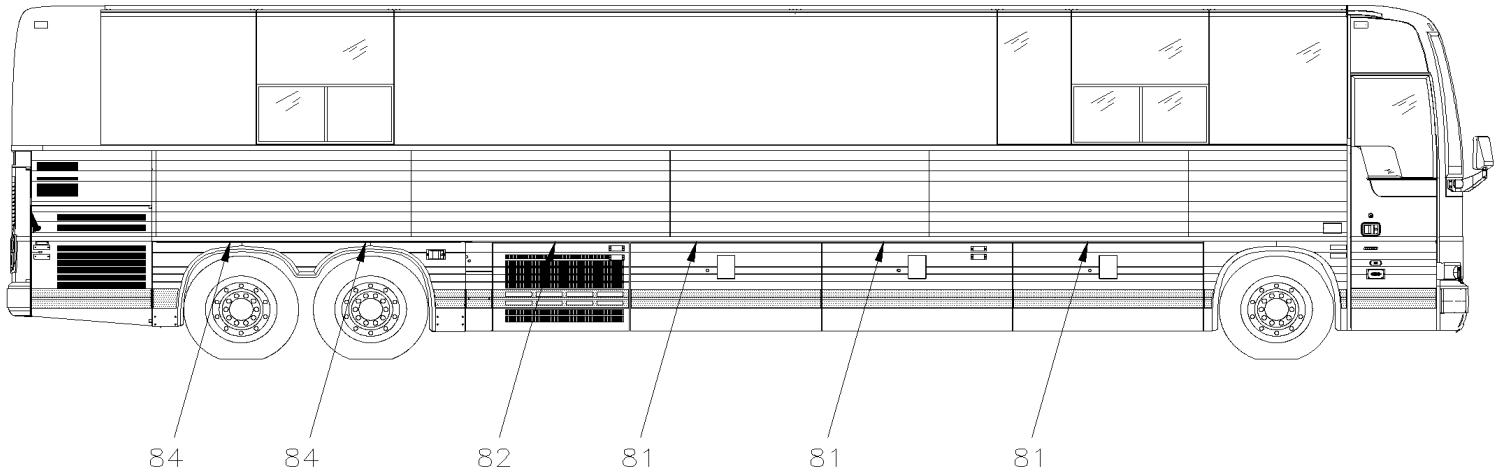
From B-5003 To D-5489

Date:10/2022

PAGE:XV-1854-00

SIDE PANELING

X3-45 VIP
UP TO D-5459





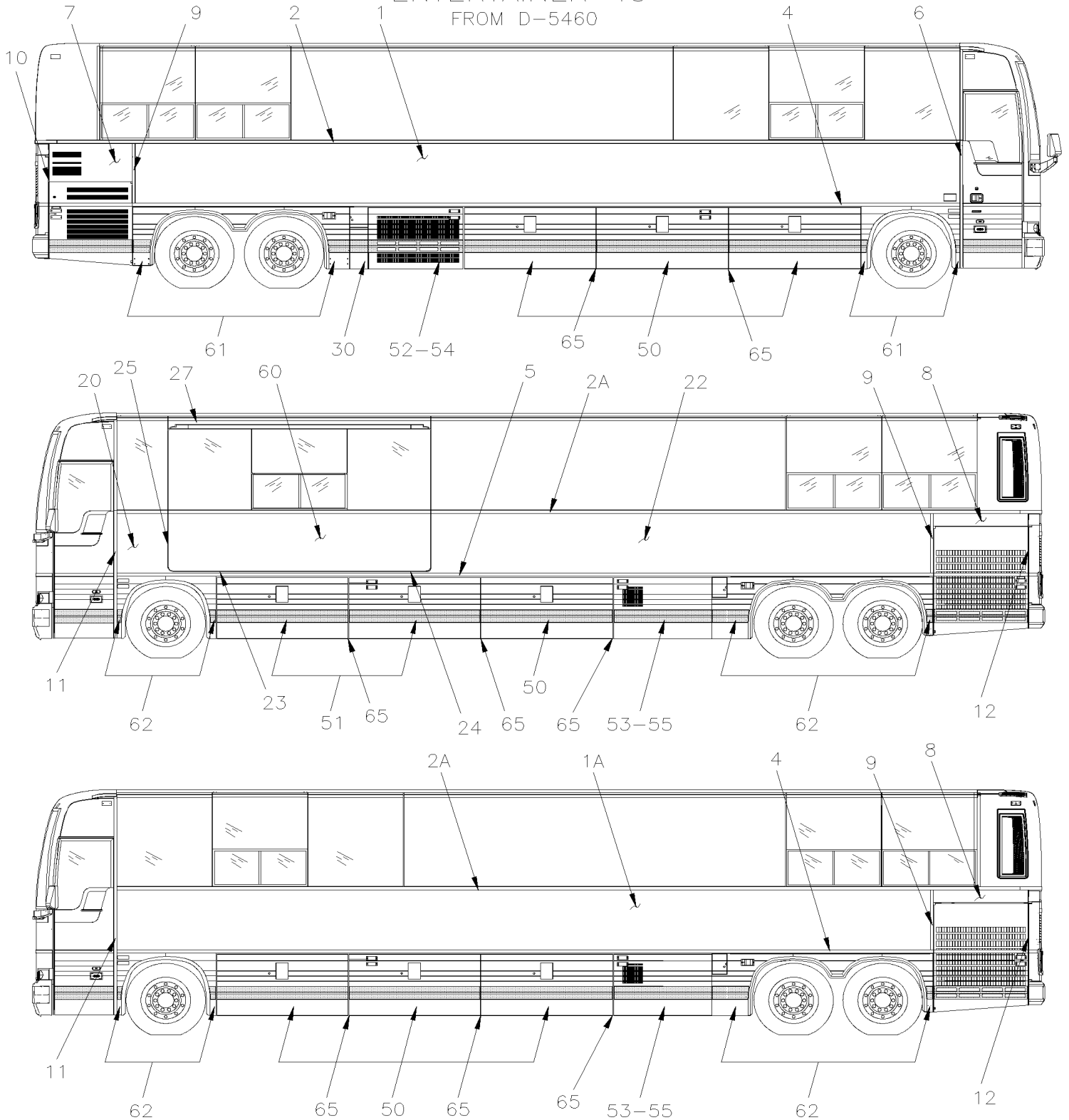
From B-5003 To D-5489

Date:10/2022

PAGE:XV-1854-00

SIDE PANELING

ENTERTAINER 45'
FROM D-5460





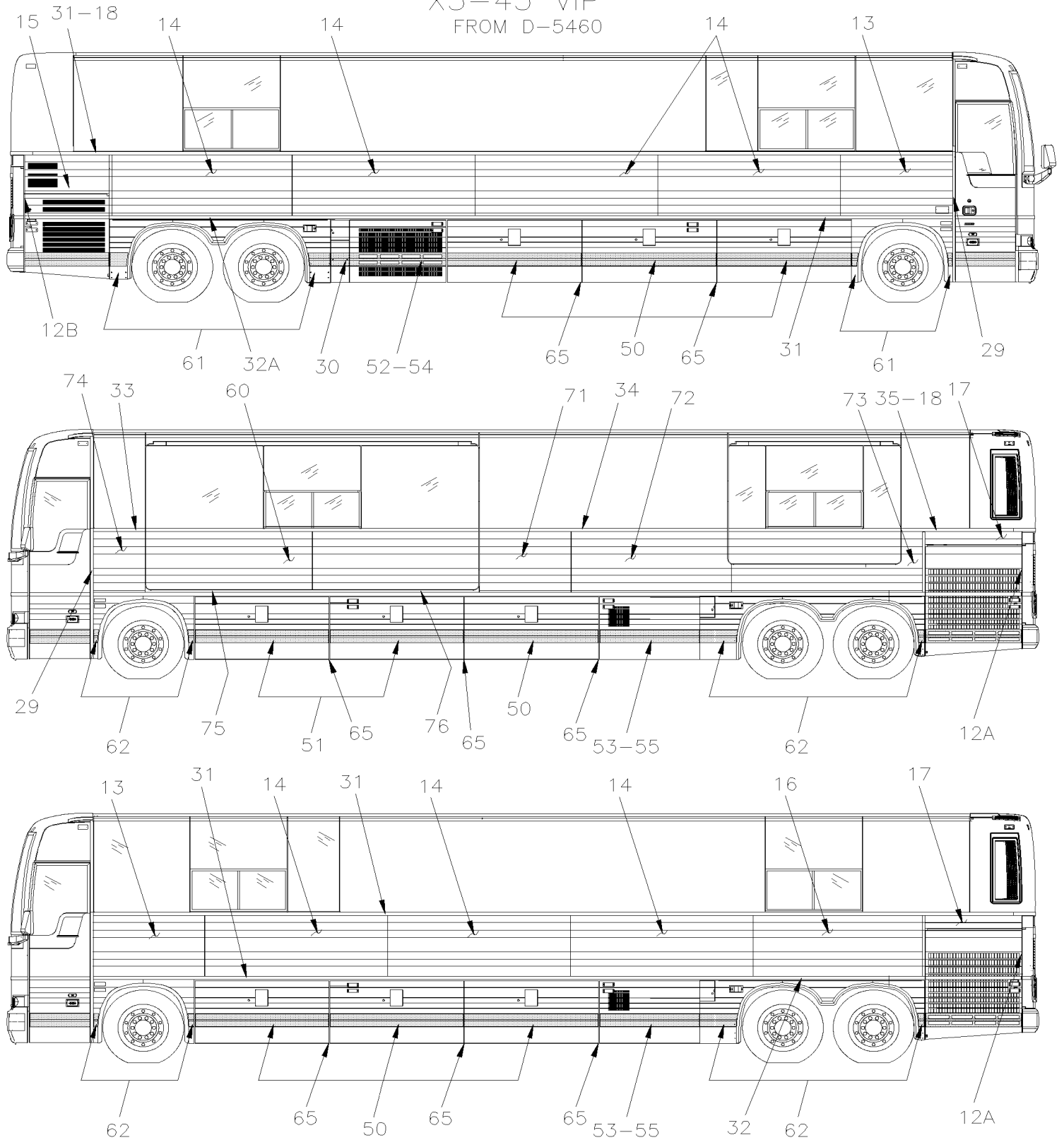
From B-5003 To D-5489

Date:10/2022

PAGE:XV-1854-00

SIDE PANELING

X3-45 VIP
FROM D-5460





| | | |
|------------------------------|---------------------|------------------------|
| From B-5003 To D-5489 | Date:10/2022 | PAGE:XV-1854-00 |
|------------------------------|---------------------|------------------------|

SIDE PANELING

| Item# | Part | Description | X 3 V I P | X L I I E N T 4 5 | N O T E S |
|-------|--------|--|-----------------------|---|-----------------------|
| 1 | 970286 | STAINLESS STEEL SHEET 912MM X 11392MM | | 1 | |
| 1A | 970316 | STAINLESS STEEL SHEET / STREET SIDE / 912MM X 11240MM | | 1 | |
| 2 | 474514 | FINISHING MOULDING UPPER R.H. 12253MM | | 1 | |
| . NS | 506785 | . TAPE RUB ADH2 CC POL 1/16" x 1/4" x 200' / BLACK I1C-N-A | | AR | |
| . NS | 506790 | . TAPE RUB ADH2 CC POL 1/16" x 1/2" x 200' / BLACK I1C-N-A | | AR | |
| 2A | 474515 | FINISHING MOULDING UPPER L.H. 12253MM | | 1 | A |
| . NS | 506785 | . TAPE RUB ADH2 CC POL 1/16" x 1/4" x 200' / BLACK I1C-N-A | | AR | A |
| . NS | 506790 | . TAPE RUB ADH2 CC POL 1/16" x 1/2" x 200' / BLACK I1C-N-A | | AR | A |
| 3 | 474515 | FINISHING MOULDING UPPER L.H. 12253MM | | 1 | |
| . NS | 506785 | . TAPE RUB ADH2 CC POL 1/16" x 1/4" x 200' / BLACK I1C-N-A | | AR | |
| . NS | 506790 | . TAPE RUB ADH2 CC POL 1/16" x 1/2" x 200' / BLACK I1C-N-A | | AR | |
| 4 | 474512 | FINISHING MOULDING LOWER R.H. 9846MM To D-5459 | | 1 | |
| . NS | 506785 | . TAPE RUB ADH2 CC POL 1/16" x 1/4" x 200' / BLACK I1C-N-A To D-5459 | | AR | |
| . NS | 506769 | . TAPE RUB ADH2 CC POL 1/8" x 1/4" x 60' / BLACK H1CC-N-#14 To D-5459 | | AR | |
| 4 | 478582 | FINISHING MOULDING LOWER R.H. 11239MM From D-5460 | | 1 | |
| . NS | 506785 | . TAPE RUB ADH2 CC POL 1/16" x 1/4" x 200' / BLACK I1C-N-A From D-5460 | | AR | |
| . NS | 506869 | . TAPE RUB ADH2 POL .031" x 1/4" x 300' / BLACK From D-5460 | | AR | |
| 5 | 479199 | FINISHING MOULDING LOWER L.H. 11086MM To D-5459 | | 1 | |
| . NS | 506785 | . TAPE RUB ADH2 CC POL 1/16" x 1/4" x 200' / BLACK I1C-N-A To D-5459 | | AR | |
| . NS | 506769 | . TAPE RUB ADH2 CC POL 1/8" x 1/4" x 60' / BLACK H1CC-N-#14 To D-5459 | | AR | |
| 5 | 478581 | FINISHING MOULDING LOWER L.H. 11086MM From D-5460 | | 1 | |
| . NS | 506785 | . TAPE RUB ADH2 CC POL 1/16" x 1/4" x 200' / BLACK I1C-N-A From D-5460 | | AR | |
| . NS | 506869 | . TAPE RUB ADH2 POL .031" x 1/4" x 300' / BLACK From D-5460 | | AR | |
| 6 | 477524 | FINISHING MOULDING / ANGLE / 1853MM SS / W/89" / B.A. | | 1 | |
| NS | 504473 | RIVET POP DOME OE 1/8x1/4 SS | | 12 | |
| 7 | 474971 | PANEL AIR INTAKE R.H. / MTH 89" To C-5132 | | 1 | |
| 7 | 478800 | PANEL AIR INTAKE R.H. / MTH 89" From C-5133 | | 1 | |
| 8 | 479184 | PANEL SUB ASSY AIR INTAKE L.H. / MTH 89" To C-5069 | | 1 | |
| 8 | 479164 | PANEL SUB ASSY L.H. / MTH 89" From C-5070 | | 1 | |
| 9 | 475101 | FINISHING MOULDING ALUMINUM 865MM / W89" | | 2 | |
| 10 | 477525 | FINISHING MOULDING / ANGLE / 552MM SS / W/89" / B.A. | | 1 | |
| 11 | 477526 | FINISHING MOULDING / ANGLE / 1853MM SS / W/89" / B.A. | | 1 | |
| NS | 506869 | TAPE RUB ADH2 POL .031" x 1/4" x 300' / BLACK | AR | AR | |
| NS | 506769 | TAPE RUB ADH2 CC POL 1/8" x 1/4" x 60' / BLACK H1CC-N-#14 | AR | AR | |
| NS | 506225 | TAPE RUB ADH1 CC POL 1/16" x 1/4" x 100' / GREY 2520 | AR | AR | |
| NS | 687957 | GLUE MS POLYMER TEROSON MS 9399 / 400ml CARTRIDGE | AR | AR | |
| NS | 683097 | CLEANER SIKA #205 / CLEAR / 1000ml | AR | AR | |
| NS | 685126 | ADHESIVE SIMSON #ISR 70-03 / GREY / 600ml SAUSAGE | AR | AR | |
| 12 | 479167 | FINISHING MOULDING / S.S. / 184MM | | 1 | |
| 12A | 470064 | FINISHING MOULDING / B.A. / 184MM | 1 | | |
| 12B | 470066 | FINISHING MOULDING / B.A. / 547MM | 1 | | |
| 13 | 470340 | LOWER PANEL / B.A. / 1521MM | 2 | | |



From B-5003 To D-5489 Date:10/2022 PAGE:XV-1854-00

SIDE PANELING

| Item# | Part | Description | X 3 V I P | X L I I E N T 4 5 | N O T E S |
|-------|------------|--|-----------------------|---|-----------------------|
| 14 | 470327 | LOWER PANEL / B.A. / 2428MM | 7 | | |
| 15 | 470329 | PANEL AIR INTAKE RH / B.A. | 1 | | |
| 16 | 470345 | LOWER PANEL / B.A. / 2275MM | 1 | | |
| 17 | 470331 | LOWER PANEL / B.A. / 1283MM | 1 | | |
| 17 | 470343 | PANEL JOINT CENTER PART B.A. | 1 | | |
| 17 | 502872 | RIVET POP CK OE 1/8x3/16 SS | AR | | |
| 18 | 475669 | MOULDING RETAINER / 312MM | 2 | | |
| 18 | 504488 | RIVET MGLP PRDG 3/16x17/64 SS | AR | | |
| 20 | 477938 | PANEL FLAT FORWARD SLIDE OUT | | 1 | |
| 22 | 970317 | STAINLESS STEEL SHEET / STREET SIDE / 912MM X 6934MM | | 1 | |
| 23 | 477836 | PANEL FLAT FORWARD UNDER SLIDE OUT | | 1 | |
| 24 | 477921 | PANEL FLAT BACKWARD UNDER SLIDE OUT | | 1 | |
| 25 | 477939 | MOULDING FORWARD SLIDE OUT | | 1 | |
| 26 | 477940 | MOULDING BACKWARD SLIDE OUT | | 1 | |
| 27 | 293834 | PANEL ASSY / UPPER "SLIDE-OUT" 3553.2MM | | 1 | |
| 29 | 470071 | FINISHING MOULDING SS / 1853MM | 2 | | |
| NS | 504717 | RIVET POP DOME OE 1/8x1/4 SS | AR | | |
| 30 | 477230 | PANEL CURBESIDE / B.A. 246.4MM | 1 | 1 | |
| 30A | 477238 | PANEL STREET SIDE / B.A. From C-5097 To D-5459 | 1 | 1 | |
| 31 | 474159 | FINISHING MOULDING S.S. / 6385MM | 6 | | |
| 31 | 477436 | MOULDING RETAINER / 50MM | AR | | |
| 32 | 470072 | FINISHING MOULDING S.S. / 4708MM | 1 | | |
| 32A | 474161 | FINISHING MOULDING S.S. / 4861MM | 1 | | |
| 33 | 476112 | FINISHING MOULDING SS / 720.6MM | 1 | | A |
| 33 | 470348 | FINISHING MOULDING B.A. / 1220MM | 1 | | A |
| 34 | 474159 | FINISHING MOULDING S.S. / 6385MM | 1 | | A |
| 34 | 478340 | FINISHING MOULDING SS / 3300MM | 1 | | B |
| 34 | 470367 | FINISHING MOULDING SS / 2286MM | 1 | | C |
| 34 | 478604 | FINISHING MOULDING SS / 1066MM | 1 | | D |
| 35 | 478339 | FINISHING MOULDING SS / 1489.8MM | 1 | | |
| 41 | 476263 | DRIP MOULDING / 1786MM To D-5459 | 6 | 6 | |
| 42 | 477536 | DRIP MOULDING / 1468MM / B.A. To D-5459 | 3 | 3 | |
| 43 | 478551 | DRIP MOULDING / 1541.4MM To D-5459 | 1 | 1 | |
| 44 | 478555 | DRIP MOULDING / 1541.4MM To D-5459 | 1 | 1 | |
| 45 | 476797 | DRIP MOULDING / 1315.65MM / B.A. To D-5459 | 1 | 1 | |
| 50 | XV-1864-00 | BAGGAGE DOOR ASSY / 70" To D-5459 | | | |
| 50 | XV-1864-01 | BAGGAGE DOOR ASSY / 70" From D-5460 | | | |
| 51 | XV-1864-90 | BAGGAGE DOOR W/HINGE / 70" To D-5459 | | | |
| 51 | XV-1864-91 | BAGGAGE DOOR W/HINGE / 70" From D-5460 | | | |
| 52 | XV-1863-50 | CONDENSOR DOOR ASSY | | | |



| | | |
|------------------------------|---------------------|------------------------|
| From B-5003 To D-5489 | Date:10/2022 | PAGE:XV-1854-00 |
|------------------------------|---------------------|------------------------|

SIDE PANELING

| Item# | Part | Description | X 3 V I P | X L I E N T 4 5 | N O T E S |
|-------|------------|---|-----------------------|--------------------------------------|-----------------------|
| 53 | XV-1866-50 | EVAPORATOR DOOR ASSY To C-5096 | | | |
| 53 | XV-1866-51 | EVAPORATOR DOOR ASSY From C-5097 To D-5459 | | | |
| 53 | XV-1866-52 | EVAPORATOR DOOR ASSY From D-5460 | | | |
| 54 | XV-1864-60 | BAGGAGE DOOR W/HINGE CURBSIDE WITH SMALL A/C SYSTEM / 50 1/2 | | | |
| 55 | XV-1864-50 | BAGGAGE DOOR W/HINGE STREET SIDE WITH SMALL A/C SYSTEM / 60" To C-5096 | | | |
| 55 | XV-1864-51 | BAGGAGE DOOR W/HINGE STREET SIDE WITH SMALL A/C SYSTEM / 53 3/4 From C-5097 To D-5459 | | | |
| 55 | XV-1864-52 | BAGGAGE DOOR W/HINGE STREET SIDE WITH SMALL A/C SYSTEM / 53 3/4 From D-5460 | | | |
| 60 | XV-1854-90 | SIDE PANELING - W/"SLIDE-OUT" | | | |
| 61 | XV-1857-55 | FENDERS R.H. To D-5459 | | | |
| 61 | XV-1857-56 | FENDERS R.H. From D-5460 | | | |
| 62 | XV-1857-50 | FENDERS L.H. To D-5459 | | | |
| 62 | XV-1857-51 | FENDERS L.H. From D-5460 | | | |
| 63 | XV-1854-50 | UPPER FIBERGLASS SIDE PANELING - MTH BETWEEN SIDE WINDOW | | | |
| 65 | 221777 | ANTI-SPLASH | 5 | 5 | |
| 65 | 507030 | RIVET POP DOME LARGE HEAD 3/16x1.2" SS | AR | AR | |
| 71 | 470337 | LOWER PANEL / B.A. / 1218.6MM | 1 | | |
| NS | N.S.S. | PANEL JOINT 125MM | 1 | | 1 |
| NS | 477609 | PANEL JOINT / CORNER | 1 | | |
| 72 | 470327 | LOWER PANEL / B.A. / 2428MM | 1 | | A |
| 72 | 470335 | LOWER PANEL / B.A. / 2428MM | 1 | | B |
| 72 | 470349 | LOWER PANEL / B.A. / 2428MM | 1 | | C |
| NS | 470341 | PANEL JOINT CENTER PART 125MM | 1 | | |
| 73 | 470345 | LOWER PANEL / B.A. / 2275MM | 1 | | A |
| 73 | 470334 | LOWER PANEL / B.A. / 2275MM | 1 | | B C |
| NS | 470332 | PANEL JOINT CENTER PART | 1 | | |
| 74 | 470338 | LOWER PANEL / B.A. / 720MM | 1 | | |
| NS | 477604 | PANEL JOINT / CORNER | 1 | | |
| 75 | 477588 | PANEL LOWER / "SLIDE-OUT" & MOULDING FORWARD / B.A. | 1 | | |
| 76 | 477589 | PANEL LOWER / "SLIDE-OUT" & MOULDING / BACKWARD / B.A. | 1 | | |
| 81 | 476263 | DRIP MOULDING / 1786MM To D-5459 | 6 | | |
| 81 | 476590 | DRIP MOULDING / 1788MM From D-5460 | 1 | | |
| 82 | 478551 | DRIP MOULDING / 1541.4MM To D-5459 | 1 | | |
| 82 | 478552 | DRIP MOULDING / 1541.4MM From D-5460 | 1 | | |
| 83 | 478555 | DRIP MOULDING / 1541.4MM To D-5459 | 1 | | |
| 83 | 477396 | DRIP MOULDING / 1210.6MM From D-5460 | 1 | | |
| 84 | 477536 | DRIP MOULDING / 1468MM / B.A. To D-5459 | 3 | | |
| 84 | 477536 | DRIP MOULDING / 1468MM / B.A. From D-5460 | 2 | | |
| 85 | 476797 | DRIP MOULDING / 1315.65MM / B.A. | 1 | | |
| 86 | 504339 | RIVET POP DOME OE 1/8x3/8 SS | AR | | |



| | | |
|-----------------------|--------------|-----------------|
| From B-5003 To D-5489 | Date:10/2022 | PAGE:XV-1854-00 |
|-----------------------|--------------|-----------------|

SIDE PANELING

| Item# | Part | Description | X 3 V I P | X L I I E N T 4 5 | N O T E S |
|-------|--------|--|-----------------------|---|-----------------------|
| 87 | 477397 | DRIP MOULDING / 1799MM From D-5460 | 1 | 1 | |
| | | | | | |
| | | | | | |
| | | A) WITH ONE SLIDE-OUT | | | |
| | | B) WITH 2 SLIDE-OUT / WITH REAR ONE 7.5' | | | |
| | | C) WITH 2 SLIDE-OUT / WITH REAR ONE 10' | | | |
| | | D) USE WITH ONLY A REAR SLIDE OUT | | | |
| | | 1) NOT SOLD SEPARATELY | | | |



From B-5003 To D-5489

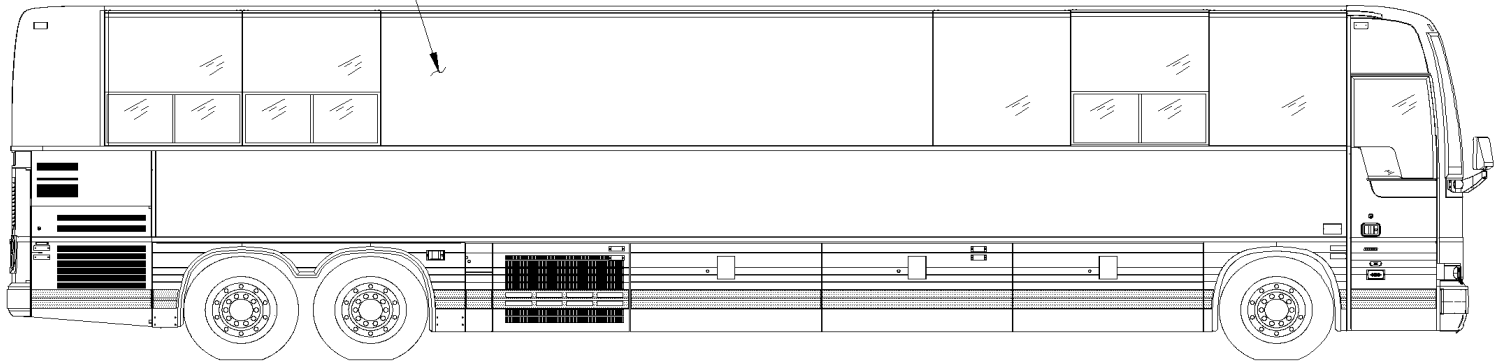
Date:10/2022

PAGE:XV-1854-50

UPPER FIBERGLASS SIDE PANELING - MTH BETWEEN SIDE WINDOW

10-11-12
13-14

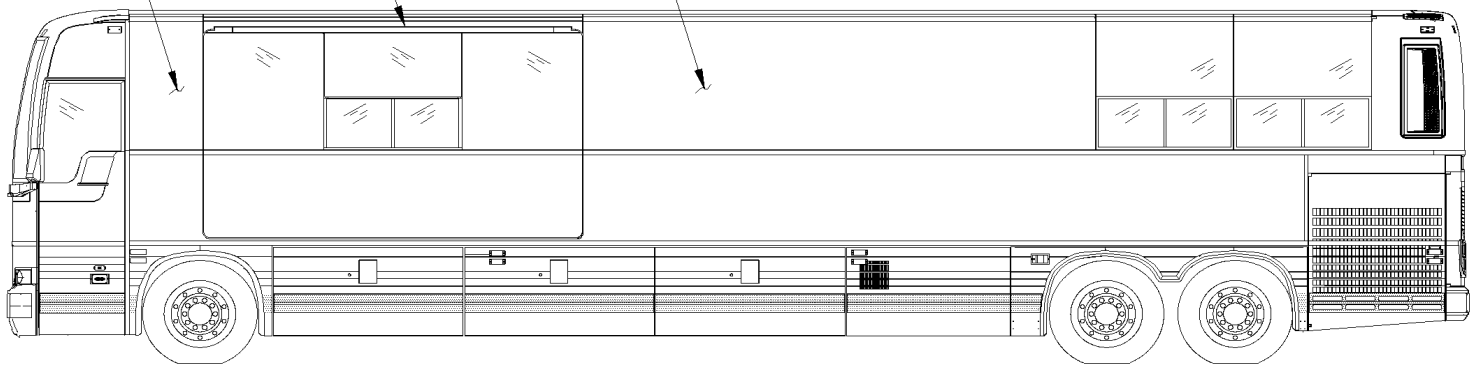
ENTERTAINER 45'



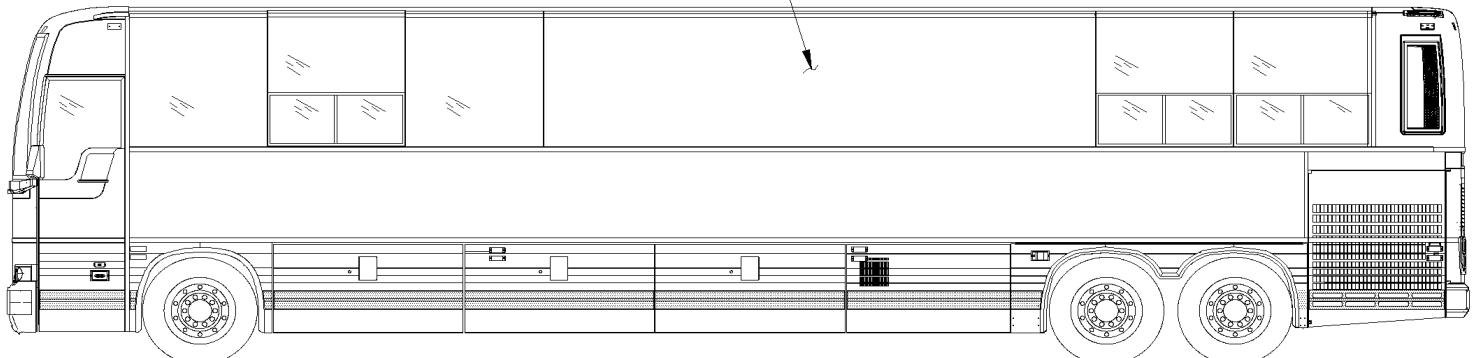
10-11-12
13-14

23-24

10-11-12
13-14



10-11-12
13-14



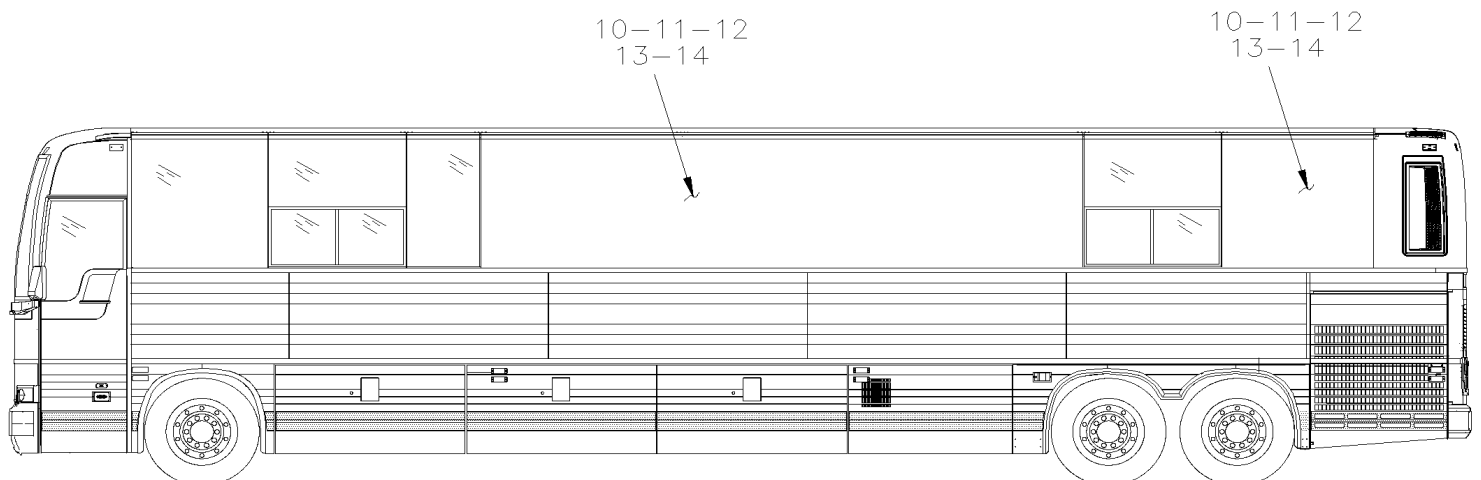
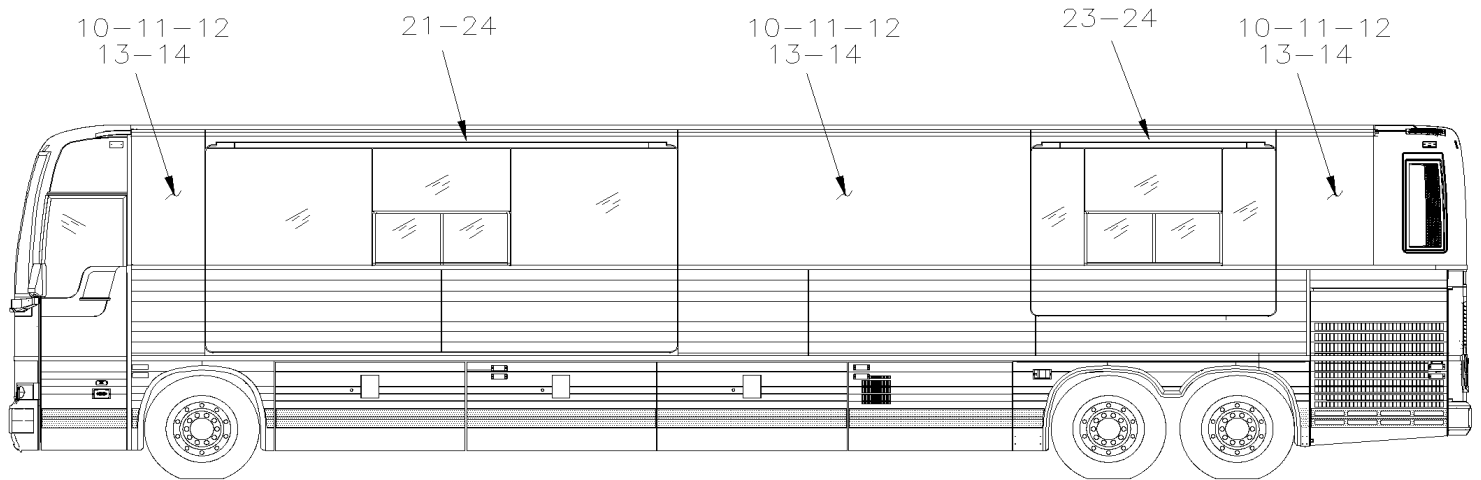
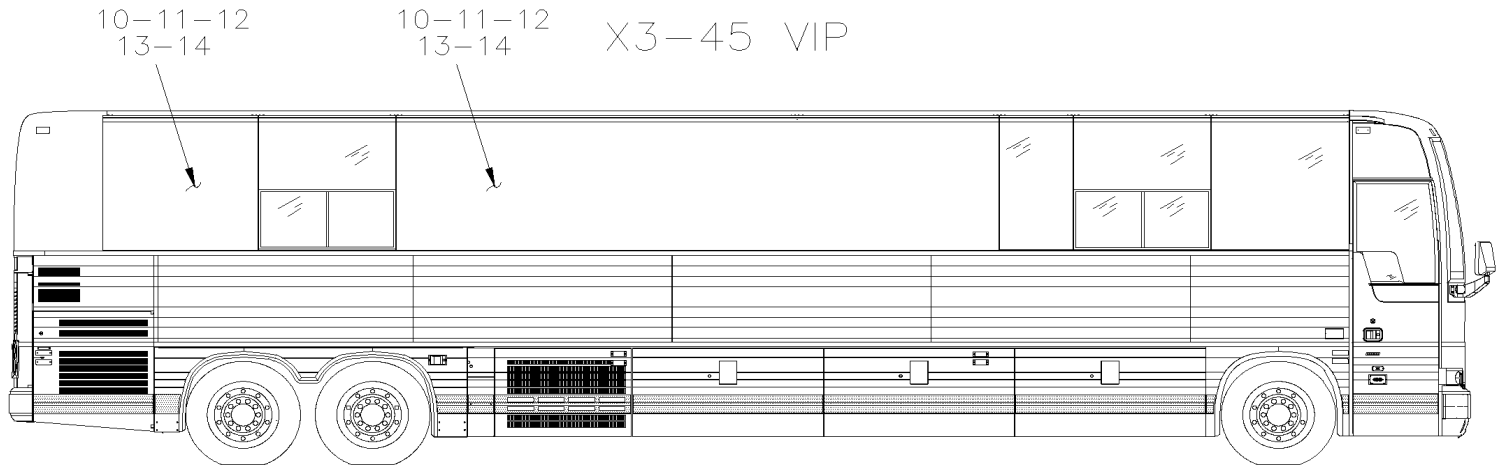


From B-5003 To D-5489

Date:10/2022

PAGE:XV-1854-50

UPPER FIBERGLASS SIDE PANELING - MTH BETWEEN SIDE WINDOW





From B-5003 To D-5489 Date:10/2022 PAGE:XV-1854-50

UPPER FIBERGLASS SIDE PANELING - MTH BETWEEN SIDE WINDOW

| Item# | Part | Description | X 3 V I P | X L I I E N T 4 5 | N O T E S |
|-------|--------|--------------------------------------|-----------------------|---|-----------------------|
| 10 | 475011 | UPPER PANEL / MTH-86" & 89" 96MM | AR | AR | |
| 10 | 474660 | UPPER PANEL / MTH-86" & 89" 195.2MM | AR | AR | |
| 10 | 476541 | UPPER PANEL / MTH-86" & 89" 215MM | AR | AR | |
| 10 | 475479 | UPPER PANEL / MTH-86" & 89" 271.4MM | AR | AR | |
| 10 | 475027 | UPPER PANEL / MTH-86" & 89" 310MM | AR | AR | |
| 10 | 474851 | UPPER PANEL / MTH-86" & 89" 328.6MM | AR | AR | |
| 10 | 475040 | UPPER PANEL / MTH-86" & 89" 340.5MM | AR | AR | |
| 10 | 479526 | UPPER PANEL / MTH-86" & 89" 347.6MM | AR | AR | |
| 10 | 474655 | UPPER PANEL / MTH-86" & 89" 399.5MM | AR | AR | |
| 10 | 474732 | UPPER PANEL / MTH-86" & 89" 414.3MM | AR | AR | |
| 10 | 474591 | UPPER PANEL / MTH-86" & 89" 423.8MM | AR | AR | |
| 10 | 475110 | UPPER PANEL / MTH-86" & 89" 433.3MM | AR | AR | |
| 10 | 474465 | UPPER PANEL / MTH-86" & 89" 489.3MM | AR | AR | |
| 10 | 475003 | UPPER PANEL / MTH-86" & 89" 500MM | AR | AR | |
| 10 | 474990 | UPPER PANEL / MTH-86" & 89" 500MM | AR | AR | |
| 10 | 475408 | UPPER PANEL / MTH-86" & 89" 579.4MM | AR | AR | |
| 10 | 474654 | UPPER PANEL / MTH-86" & 89" 589.5MM | AR | AR | |
| 10 | 474712 | UPPER PANEL / MTH-86" & 89" 593.7MM | AR | AR | |
| 10 | 474788 | UPPER PANEL / MTH-86" & 89" 603.3MM | AR | AR | |
| 10 | 475366 | UPPER PANEL / MTH-86" & 89" 613MM | AR | AR | |
| 10 | 474562 | UPPER PANEL / MTH-86" & 89" 639.7MM | AR | AR | |
| 10 | 474572 | UPPER PANEL / MTH-86" & 89" 689.8MM | AR | AR | |
| 10 | 476246 | UPPER PANEL / MTH-86" & 89" 703MM | AR | AR | |
| 10 | 477125 | UPPER PANEL / MTH-86" & 89" 717MM | AR | AR | |
| 10 | 479528 | UPPER PANEL / MTH-86" & 89" 722.2MM | AR | AR | |
| 10 | 475128 | UPPER PANEL / MTH-86" & 89" 741.3MM | AR | AR | |
| 10 | 474998 | UPPER PANEL / MTH-86" & 89" 843MM | AR | AR | |
| 10 | 476237 | UPPER PANEL / MTH-86" & 89" 849MM | AR | AR | |
| 10 | 475084 | UPPER PANEL / MTH-86" & 89" 881MM | AR | AR | |
| 10 | 474651 | UPPER PANEL / MTH-86" & 89" 887.2MM | AR | AR | |
| 10 | 478331 | UPPER PANEL / MTH-86" & 89" 908.1MM | AR | AR | |
| 10 | 475078 | UPPER PANEL / MTH-86" & 89" 914MM | AR | AR | |
| 10 | 477132 | UPPER PANEL / MTH-86" & 89" 921MM | AR | AR | |
| 10 | 477193 | UPPER PANEL / MTH-86" & 89" 931.8MM | AR | AR | |
| 10 | 474879 | UPPER PANEL / MTH-86" & 89" 938.2MM | AR | AR | |
| 10 | 476128 | UPPER PANEL / MTH-86" & 89" 982MM | AR | AR | |
| 11 | 475482 | UPPER PANEL / MTH-86" & 89" 1084.2MM | AR | AR | |
| 11 | 479502 | UPPER PANEL / MTH-86" & 89" 1094.1MM | AR | AR | |
| 11 | 476488 | UPPER PANEL / MTH-86" & 89" 1103MM | AR | AR | |
| 11 | 475283 | UPPER PANEL / MTH-86" & 89" 1107MM | AR | AR | |
| 11 | 474553 | UPPER PANEL / MTH-86" & 89" 1109.5MM | AR | AR | |
| 11 | 479371 | UPPER PANEL / MTH-86" & 89" 1116MM | AR | AR | |



From B-5003 To D-5489 Date:10/2022 PAGE:XV-1854-50

UPPER FIBERGLASS SIDE PANELING - MTH BETWEEN SIDE WINDOW

| Item# | Part | Description | X 3 V I P | X L I I E N T 4 5 | N O T E S |
|-------|--------|---------------------------------------|-----------------------|---|-----------------------|
| 11 | 474495 | UPPER PANEL / MTH-86" & 89" 1127MM | AR | AR | |
| 11 | 477163 | UPPER PANEL / MTH-86" & 89" 1195.4MM | AR | AR | |
| 11 | 479479 | UPPER PANEL / MTH-86" & 89" 1245.2MM | AR | AR | |
| 11 | 474558 | UPPER PANEL / MTH-86" & 89" 1287.4MM | AR | AR | |
| 11 | 479500 | UPPER PANEL / MTH-86" & 89" 1316.6MM | AR | AR | |
| 11 | 478334 | UPPER PANEL / MTH-86" & 89" 1411.4MM | AR | AR | |
| 11 | 476508 | UPPER PANEL / MTH-86" & 89" 1440MM | AR | AR | |
| 11 | 479501 | UPPER PANEL / MTH-86" & 89" 1506.9MM | AR | AR | |
| 11 | 477129 | UPPER PANEL / MTH-86" & 89" 1614.6MM | AR | AR | |
| 11 | 477212 | UPPER PANEL / MTH-86" & 89" 1889.1MM | AR | AR | |
| 11 | 470470 | UPPER PANEL / MTH-86" & 89" 1919.4MM | AR | AR | |
| 11 | 474656 | UPPER PANEL / MTH-86" & 89" 2177.5MM | AR | AR | |
| 11 | 477164 | UPPER PANEL / MTH-86" & 89" 2212.2MM | AR | AR | |
| 11 | 479499 | UPPER PANEL / MTH-86" & 89" 2337.6MM | AR | AR | |
| 11 | 475098 | UPPER PANEL / MTH-86" & 89" 2490.9MM | AR | AR | |
| 11 | 476099 | UPPER PANEL / MTH-86" & 89" 2526.5MM | AR | AR | |
| 11 | 474772 | UPPER PANEL / MTH-86" & 89" 2560MM | AR | AR | |
| 11 | 474182 | UPPER PANEL / MTH-86" & 89" 2582.8MM | AR | AR | |
| 11 | 475072 | UPPER PANEL / MTH-86" & 89" 2836MM | AR | AR | |
| 11 | 477131 | UPPER PANEL / MTH-86" & 89" 2857.2 MM | AR | AR | |
| 11 | 475148 | UPPER PANEL / MTH-86" & 89" 2907MM | AR | AR | |
| 11 | 476127 | UPPER PANEL / MTH-86" & 89" 2932MM | AR | AR | |
| 11 | 475077 | UPPER PANEL / MTH-86" & 89" 2956.3MM | AR | AR | |
| 11 | 475365 | UPPER PANEL / MTH-86" & 89" 3165MM | AR | AR | |
| 11 | 477178 | UPPER PANEL / MTH-86" & 89" 3184.5MM | AR | AR | |
| 11 | 474623 | UPPER PANEL / MTH-86" & 89" 3230.5MM | AR | AR | |
| 11 | 474564 | UPPER PANEL / MTH-86" & 89" 3230.5MM | AR | AR | |
| 11 | 476129 | UPPER PANEL / MTH-86" & 89" 3237MM | AR | AR | |
| 11 | 475407 | UPPER PANEL / MTH-86" & 89" 3291MM | AR | AR | |
| 11 | 475181 | UPPER PANEL / MTH-86" & 89" 3414.5MM | AR | AR | |
| 11 | 478330 | UPPER PANEL / MTH-86" & 89" 3302.7MM | AR | AR | |
| 11 | 475109 | UPPER PANEL / MTH-86" & 89" 3344.9MM | AR | AR | |
| 11 | 475485 | UPPER PANEL / MTH-86" & 89" 3364.7MM | AR | AR | |
| 11 | 474786 | UPPER PANEL / MTH-86" & 89" 3607.5MM | AR | AR | |
| 11 | 476540 | UPPER PANEL / MTH-86" & 89" 3655MM | AR | AR | |
| 11 | 477124 | UPPER PANEL / MTH-86" & 89" 3662.9MM | AR | AR | |
| 11 | 476786 | UPPER PANEL / MTH-86" & 89" 3675MM | AR | AR | |
| 11 | 475010 | UPPER PANEL / MTH-86" & 89" 3682MM | AR | AR | |
| 11 | 475086 | UPPER PANEL / MTH-86" & 89" 3731MM | AR | AR | |
| 11 | 476495 | UPPER PANEL / MTH-86" & 89" 3838MM | AR | AR | |
| 11 | 475081 | UPPER PANEL / MTH-86" & 89" 3859.1MM | AR | AR | |
| 11 | 474183 | UPPER PANEL / MTH-86" & 89" 3878.2MM | AR | AR | |



| | | |
|------------------------------|---------------------|------------------------|
| From B-5003 To D-5489 | Date:10/2022 | PAGE:XV-1854-50 |
|------------------------------|---------------------|------------------------|

UPPER FIBERGLASS SIDE PANELING - MTH BETWEEN SIDE WINDOW

| Item# | Part | Description | X 3 V I P | X L I I E N T 4 5 | N O T E S |
|-------|-----------------|---------------------------------------|-----------------------|---|-----------------------|
| 11 | 474791 | UPPER PANEL / MTH-86" & 89" 3930.5MM | AR | AR | |
| 11 | 474959 | UPPER PANEL / MTH-86" & 89" 3967MM | AR | AR | |
| 12 | 474496 | UPPER PANEL / MTH-86" & 89" 4038.5MM | AR | AR | |
| 12 | 474554 | UPPER PANEL / MTH-86" & 89" 4056MM | AR | AR | |
| 12 | 475392 | UPPER PANEL / MTH-86" & 89" 4059MM | AR | AR | |
| 12 | 476487 | UPPER PANEL / MTH-86" & 89" 4062MM | AR | AR | |
| 12 | 474790 | UPPER PANEL / MTH-86" & 89" 4105.6MM | AR | AR | |
| 12 | 475790 | UPPER PANEL / MTH-86" & 89" 4105.6MM | AR | AR | |
| 12 | 475617 | UPPER PANEL / MTH-86" & 89" 4108MM | AR | AR | |
| 12 | 475071 | UPPER PANEL / MTH-86" & 89" 4131.4MM | AR | AR | |
| 12 | 476268 | UPPER PANEL / MTH-86" & 89" 4193MM | AR | AR | |
| 12 | 474878 | UPPER PANEL / MTH-86" & 89" 4227.4MM | AR | AR | |
| 12 | 475079 | UPPER PANEL / MTH-86" & 89" 4251.7MM | AR | AR | |
| 12 | 474652 | UPPER PANEL / MTH-86" & 89" 4278.1MM | AR | AR | |
| 12 | 476236 | UPPER PANEL / MTH-86" & 89" 4316.5MM | AR | AR | |
| 12 | 470297 | UPPER PANEL / MTH-86" & 89" 4355.9MM | AR | AR | |
| 12 | 475000 | UPPER PANEL / MTH-86" & 89" 4372MM | AR | AR | |
| 12 | 475367 | UPPER PANEL / MTH-86" & 89" 4461MM | AR | AR | |
| 12 | 474597 | UPPER PANEL / MTH-86" & 89" 4475.8MM | AR | AR | |
| 12 | Call order desk | UPPER PANEL / MTH-86" & 89" 4480MM | AR | AR | P |
| 12 | 476247 | UPPER PANEL / MTH-86" & 89" 4512MM | AR | AR | |
| 12 | 474561 | UPPER PANEL / MTH-86" & 89" 4525.9MM | AR | AR | |
| 12 | 475565 | UPPER PANEL / MTH-86" & 89" 4529MM | AR | AR | |
| 12 | 476435 | UPPER PANEL / MTH-86" & 89" 4532MM | AR | AR | |
| 12 | 470469 | UPPER PANEL / MTH-86" & 89" 4561.5MM | AR | AR | |
| 12 | 477209 | UPPER PANEL / MTH-86" & 89" 4599.7MM | AR | AR | |
| 12 | 476729 | UPPER PANEL / MTH-86" & 89" 4656MM | AR | AR | |
| 12 | 475282 | UPPER PANEL / MTH-86" & 89" 4660MM | AR | AR | |
| 12 | 476570 | UPPER PANEL / MTH-86" & 89" 4711MM | AR | AR | |
| 12 | 475004 | UPPER PANEL / MTH-86" & 89" 4715MM | AR | AR | |
| 12 | 476787 | UPPER PANEL / MTH-86" & 89" 4803MM | AR | AR | |
| 12 | 470471 | UPPER PANEL / MTH-86" & 89" 4825.4MM | AR | AR | |
| 12 | 477135 | UPPER PANEL / MTH-86" & 89" 4846.45MM | AR | AR | |
| 12 | 474661 | UPPER PANEL / MTH-86" & 89" 4970.5MM | AR | AR | |
| 12 | 479372 | UPPER PANEL / MTH-86" & 89" 4974MM | AR | AR | |
| 13 | 476507 | UPPER PANEL / MTH-86" & 89" 5021MM | AR | AR | |
| 13 | 476463 | UPPER PANEL / MTH-86" & 89" 5022.8MM | AR | AR | |
| 13 | 477122 | UPPER PANEL / MTH-86" & 89" 5049.6MM | AR | AR | |
| 13 | 476245 | UPPER PANEL / MTH-86" & 89" 5064MM | AR | AR | |
| 13 | 476567 | UPPER PANEL / MTH-86" & 89" 5068.1MM | AR | AR | |
| 13 | 474801 | UPPER PANEL / MTH-86" & 89" 5081.3MM | AR | AR | |
| 13 | 475458 | UPPER PANEL / MTH-86" & 89" 5154.5MM | AR | AR | |



From B-5003 To D-5489 Date:10/2022 PAGE:XV-1854-50

UPPER FIBERGLASS SIDE PANELING - MTH BETWEEN SIDE WINDOW

| Item# | Part | Description | X 3 V I P | X L I I E N T 4 5 | N O T E S |
|-------|--------|---------------------------------------|-----------------------|---|-----------------------|
| 13 | 477194 | UPPER PANEL / MTH-86" & 89" 5158.5MM | AR | AR | |
| 13 | 474184 | UPPER PANEL / MTH-86" & 89" 5173.6MM | AR | AR | |
| 13 | 479478 | UPPER PANEL / MTH-86" & 89" 5215.6MM | AR | AR | |
| 13 | 476534 | UPPER PANEL / MTH-86" & 89" 5226MM | AR | AR | |
| 13 | 475388 | UPPER PANEL / MTH-86" & 89" 5326MM | AR | AR | |
| 13 | 479370 | UPPER PANEL / MTH-86" & 89" 5345MM | AR | AR | |
| 13 | 474556 | UPPER PANEL / MTH-86" & 89" 5351.4MM | AR | AR | |
| 13 | 479527 | UPPER PANEL / MTH-86" & 89" 5368.1MM | AR | AR | |
| 13 | 476506 | UPPER PANEL / MTH-86" & 89" 5404.6MM | AR | AR | |
| 13 | 475799 | UPPER PANEL / MTH-86" & 89" 5438.8MM | AR | AR | |
| 13 | 477128 | UPPER PANEL / MTH-86" & 89" 5448MM | AR | AR | |
| 13 | 476902 | UPPER PANEL / MTH-86" & 89" 5590.3MM | AR | AR | |
| 13 | 475002 | UPPER PANEL / MTH-86" & 89" 5631MM | AR | AR | |
| 13 | 478335 | UPPER PANEL / MTH-86" & 89" 5651.3MM | AR | AR | |
| 13 | 476330 | UPPER PANEL / MTH-86" & 89" 5654MM | AR | AR | |
| 13 | 475127 | UPPER PANEL / MTH-86" & 89" 5719.7MM | AR | AR | |
| 13 | 474573 | UPPER PANEL / MTH-86" & 89" 5771.2MM | AR | AR | |
| 13 | 474814 | UPPER PANEL / MTH-86" & 89" 5775.3MM | AR | AR | |
| 13 | 476557 | UPPER PANEL / MTH-86" & 89" 5895.1MM | AR | AR | |
| 13 | 474977 | UPPER PANEL / MTH-86" & 89" 5953MM | AR | AR | |
| 13 | 474989 | UPPER PANEL / MTH-86" & 89" 5961MM | AR | AR | |
| 13 | 474464 | UPPER PANEL / MTH-86" & 89" 5971.7MM | AR | AR | |
| 14 | 474590 | UPPER PANEL / MTH-86" & 89" 6037.2MM | AR | AR | |
| 14 | 476560 | UPPER PANEL / MTH-86" & 89" 6098.3MM | AR | AR | |
| 14 | 475028 | UPPER PANEL / MTH-86" & 89" 6151MM | AR | AR | |
| 14 | 479525 | UPPER PANEL / MTH-86" & 89" 6113.4MM | AR | AR | |
| 14 | 475083 | UPPER PANEL / MTH-86" & 89" 6181.7MM | AR | AR | |
| 14 | 475478 | UPPER PANEL / MTH-86" & 89" 6189.6MM | AR | AR | |
| 14 | 474674 | UPPER PANEL / MTH-86" & 89" 6265.8MM | AR | AR | |
| 14 | 474715 | UPPER PANEL / MTH-86" & 89" 6377MM | AR | AR | |
| 14 | 473592 | UPPER PANEL / MTH-86" & 89" 6469MM | AR | AR | |
| 14 | 474717 | UPPER PANEL / MTH-86" & 89" 6469MM | AR | AR | |
| 14 | 478478 | UPPER PANEL / MTH-86" & 89" 6734MM | AR | AR | |
| 14 | 475803 | UPPER PANEL / MTH-86" & 89" 6753.2MM | AR | AR | |
| 14 | 475129 | UPPER PANEL / MTH-86" & 89" 6867.5MM | AR | AR | |
| 14 | 474625 | UPPER PANEL / MTH-86" & 89" 7764.4MM | AR | AR | |
| 14 | 475029 | UPPER PANEL / MTH-86" & 89" 7446.4MM | AR | AR | |
| 14 | 475386 | UPPER PANEL / MTH-86" & 89" 8113.7MM | AR | AR | |
| 14 | 478108 | UPPER PANEL / MTH-86" & 89" 9661.4MM | AR | AR | |
| 14 | 475636 | UPPER PANEL / MTH-86" & 89" 10957MM | AR | AR | |
| 14 | 476682 | UPPER PANEL / MTH-86" & 89" 43507.5MM | AR | AR | |
| 21 | 293825 | PANEL ASSY / UPPER "SLIDE-OUT" 4426MM | 1 | | |



From B-5003 To D-5489 Date:10/2022 PAGE:XV-1854-50

UPPER FIBERGLASS SIDE PANELING - MTH BETWEEN SIDE WINDOW

| Item# | Part | Description | X 3 V I P | X L I I E N T 4 5 | N O T E S |
|-------|-------------------|---|-----------------------|---|-----------------------|
| 22 | 293826 | PANEL ASSY / UPPER "SLIDE-OUT" 2293MM | 1 | | 7.5 |
| 22 | 293962 | PANEL ASSY / UPPER "SLIDE-OUT" 3309MM | 1 | | 10 |
| 23 | 293834 | PANEL ASSY / UPPER "SLIDE-OUT" 3553.2MM | | 1 | |
| 24 | 293741 | RUBBER SEAL 255MM / 86" | 4 | 4 | |
| 31 | 687957 | GLUE MS POLYMER TEROSON MS 9399 / 400ml CARTRIDGE | AR | AR | |
| 32 | 506751 | TAPE RUB ADH1 CC PVC 3/16" x 7/8" x 50' / BLACK 1320 | AR | AR | |
| 33 | 683083 | ADHESIVE SIKA #252 / BLACK / 600 ml SAUSAGE | AR | AR | |
| 34 | 506759 | TAPE RUB ADH2 CC POL 1/8" x 1/2" x 100' / BLACK I1C-N-A | AR | AR | |
| 35 | 506225 | TAPE RUB ADH1 CC POL 1/16" x 1/4" x 100' / GREY 2520 | AR | AR | |
| 36 | 683084 | SEALANT SIKA #221 / GREY / 600 ml SAUSAGE | AR | AR | |
| 37 | 506002 | TAPE RUB ADH1 CC POL 3/16" x 1/2" x 40' / GREY 2520 | AR3 | AR3 | |
| 100 | XV-1884-50 | SIDE WINDOW | | | |
| | | | | | |
| | | | | | |
| | | | | | |
| | | 10) WITH 10' SLIDE OUT | | | |
| | | 7.5) WITH 7.5' SLIDE-OUT | | | |
| | | P) CALL ORDER DESK FOR SPECIFIC APPLICATION (V.I.N.) | | | |

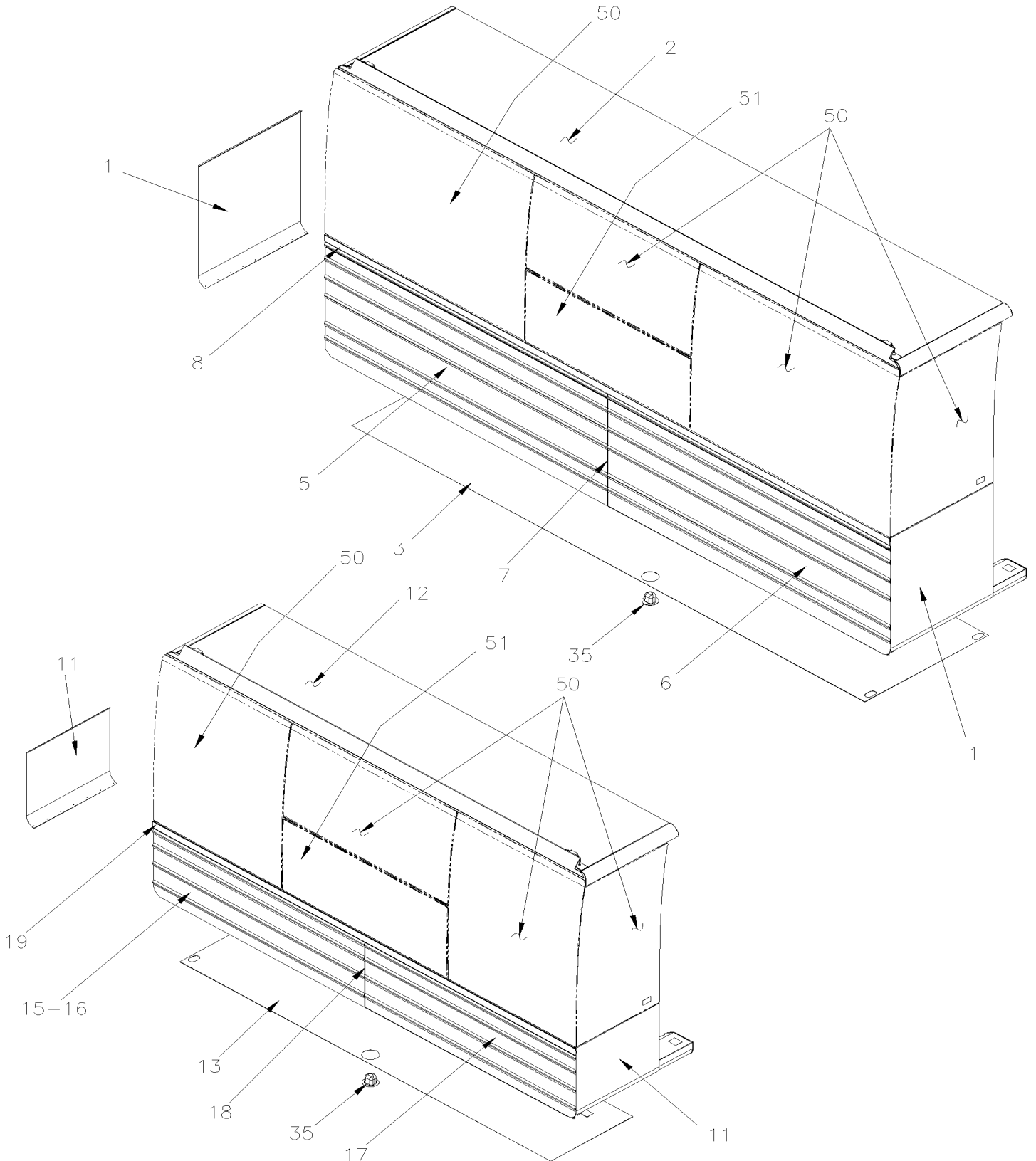


From B-5003 To D-5489

Date:10/2022

PAGE:XV-1854-90

SIDE PANELING - W/"SLIDE-OUT"



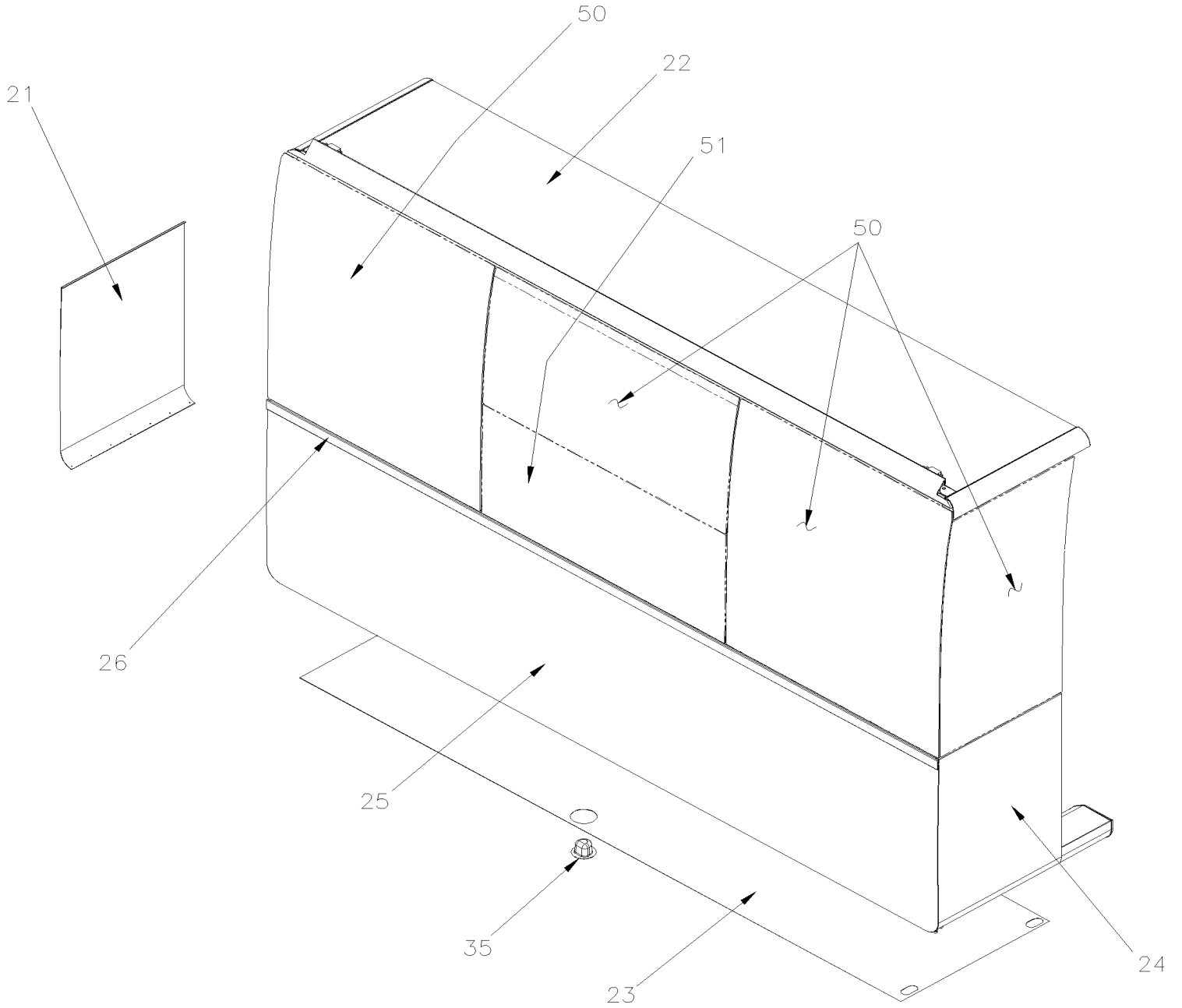


From B-5003 To D-5489

Date:10/2022

PAGE:XV-1854-90

SIDE PANELING - W/"SLIDE-OUT"





| | | |
|--------------------------------------|---------------------|------------------------|
| From B-5003 To D-5489 | Date:10/2022 | PAGE:XV-1854-90 |
| SIDE PANELING - W/"SLIDE-OUT" | | |

| Item# | Part | Description | X 3 V I P | X L I I E N T 4 5 | N O T E S |
|-------|---------|--|-----------------------|---|-----------------------|
| 1 | 478507 | FRONT & REAR PANEL S.S. / B.A. | 2 | | |
| 2 | 477763 | ROOF PANEL AL. | 1 | | |
| 3 | 478506 | PANEL UNDER To D-5459 | 1 | | |
| 3 | 478576 | PANEL UNDER From D-5460 | 1 | | |
| 5 | 470328 | PANEL / FORWARD FRT/"SLIDE-OUT" / B.A. 2211MM | 1 | | |
| 6 | 470339 | PANEL / BACKWARD FRT/"SLIDE-OUT" / B.A. 2211MM | 1 | | |
| 7 | 470330 | PANEL JOINT CENTER PART | 1 | | |
| 7 | 502872 | RIVET POP CK OE 1/8x3/16 SS | AR | | |
| 7 | 683478 | TAPE VHB ADH2 1.1MMx18MMx32.9M | AR | | |
| 8 | 476132 | FINISHING MOULDING SS / 4425.6MM | 1 | | |
| 11 | 477318 | FRONT & REAR PANEL S.S. / B.A. | 2 | | |
| 12 | 477771 | ROOF PANEL AL. | 1 | | 7.5 |
| 12 | 478343 | ROOF PANEL AL. | 1 | | 10 |
| 13 | 477772 | UNDER FLOOR PANEL AL. | 1 | | 7.5 |
| 13 | 478121 | UNDER FLOOR PANEL AL. | 1 | | 10 |
| 15 | 470333 | PANEL / REAR / "SLIDE-OUT" / B.A. | 1 | | 7.5 |
| 16 | 470363 | PANEL / FORWARD REAR/"SLIDE-OUT" / B.A. | 1 | | 10 |
| 17 | 470364 | PANEL / BACKWARD RR / "SLIDE-OUT" / B.A. | 1 | | 10 |
| 18 | 470365 | PANEL JOINT CENTER PART / B.A. | 1 | | 10 |
| 18 | 502872 | RIVET POP CK OE 1/8x3/16 SS | AR | | 10 |
| 18 | 683478 | TAPE VHB ADH2 1.1MMx18MMx32.9M | AR | | 10 |
| 19 | 476135 | FINISHING MOULDING SS / 2292.4MM | 1 | | 7.5 |
| 19 | 477023 | FINISHING MOULDING SS / 3309MM | 1 | | 10 |
| 21 | 470033 | FRONT PANEL S.S. / B.A. | | 1 | |
| 22 | 477837 | ROOF PANEL AL. | | 1 | |
| 23 | 479470 | PANEL UNDER SLIDE OUT To D-5459 | | 1 | |
| 23 | 478569 | PANEL UNDER SLIDE OUT From D-5460 | | 1 | |
| 24 | 470032 | REAR PANEL S.S. / B.A. | | 1 | |
| 25 | 477936 | PANEL FLAT FRONT SLIDE OUT | | 1 | |
| NS | 506071 | TAPE RUB ADH1 CC POL 1/8" x 1/2" x 50' / GREY 2520X | | AR | |
| NS | 507000 | TAPE RUB ADH2 POL 3/16" x 1/4" x 50' / BLACK V2206 | | AR | |
| 26 | 474515 | FINISHING MOULDING UPPER L.H. 12253MM | | 1 | |
| . NS | 506785 | . TAPE RUB ADH2 CC POL 1/16" x 1/4" x 200' / BLACK I1C-N-A | | AR | |
| . NS | 506790 | . TAPE RUB ADH2 CC POL 1/16" x 1/2" x 200' / BLACK I1C-N-A | | AR | |
| NS | 683083 | ADHESIVE SIKA #252 / BLACK / 600 ml SAUSAGE | | AR | |
| NS | 506759 | TAPE RUB ADH2 CC POL 1/8" x 1/2" x 100' / BLACK I1C-N-A | | AR | |
| NS | 502872 | RIVET POP CK OE 1/8x3/16 SS | AR | AR | |
| NS | 687957 | GLUE MS POLYMER TEROSON MS 9399 / 400ml CARTRIDGE | AR | AR | |
| NS | 506759 | TAPE RUB ADH2 CC POL 1/8" x 1/2" x 100' / BLACK I1C-N-A | AR | AR | |
| NS | 506785 | TAPE RUB ADH2 CC POL 1/16" x 1/4" x 200' / BLACK I1C-N-A | AR | AR | |
| NS | 506071 | TAPE RUB ADH1 CC POL 1/8" x 1/2" x 50' / GREY 2520X | AR | AR | |
| NS | 5060038 | TAPE RUB ADH1 CC POL 1/4" x 1" x 35' / BLACK H1C | AR | AR | |



| | | |
|--------------------------------------|--------------|-----------------|
| From B-5003 To D-5489 | Date:10/2022 | PAGE:XV-1854-90 |
| SIDE PANELING - W/"SLIDE-OUT" | | |

| Item# | Part | Description | X 3 V I P | X L I I E N T 4 5 | N O T E S |
|-------|-------------------|---|-----------------------|---|-----------------------|
| NS | 506207 | TAPE RUB ADH1 CC POL 3/16" x 1" x 50' / GREY 2520X | AR | AR | |
| NS | 506002 | TAPE RUB ADH1 CC POL 3/16" x 1/2" x 40' / GREY 2520 | AR | AR | |
| NS | 680532 | SEALANT SIKA #221 / GREY / 310ml CARTRIDGE | AR | AR | |
| NS | 683083 | ADHESIVE SIKA #252 / BLACK / 600 ml SAUSAGE | AR | AR | |
| 35 | 477902 | CAP PLASTIC BLACK / ROD LOOK | 1 | 1 | |
| 50 | XV-1884-90 | SIDE WINDOW - "SLIDE-OUT" | 1 | 1 | |
| 51 | XV-1884-65 | ELECTRICAL AWNING WINDOW ASSY | 1 | 1 | |
| 51 | XV-1884-80 | ELECTRICAL SLIDING WINDOW ASSY | 1 | 1 | |
| | | | | | |
| | | | | | |
| | | 10) WITH 10' SLIDE-OUT | | | |
| | | 7.5) WITH 7.5' SLIDE-OUT | | | |



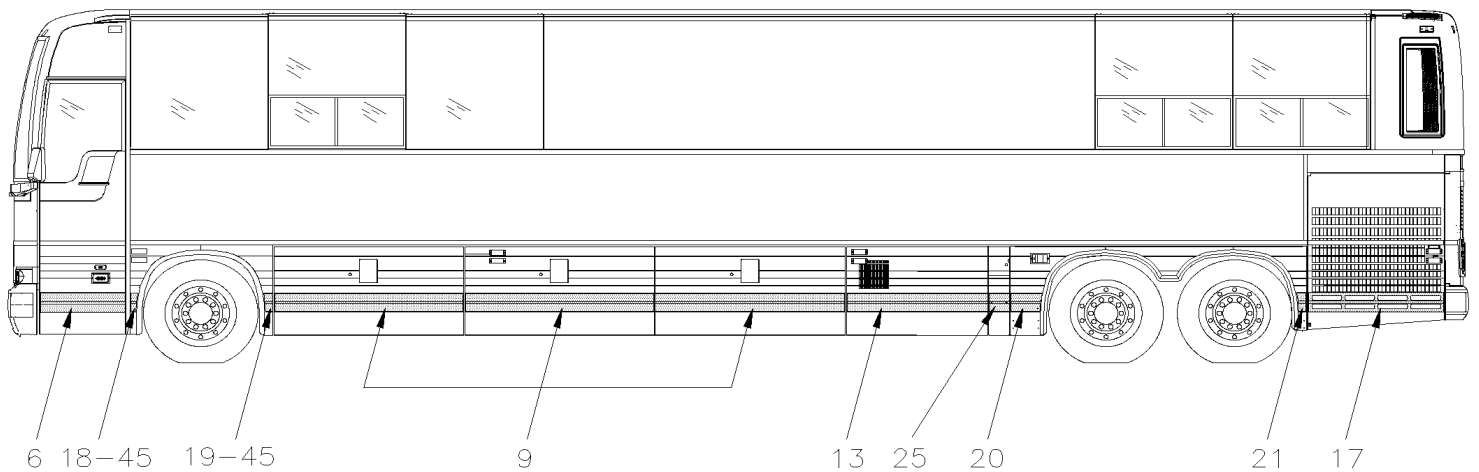
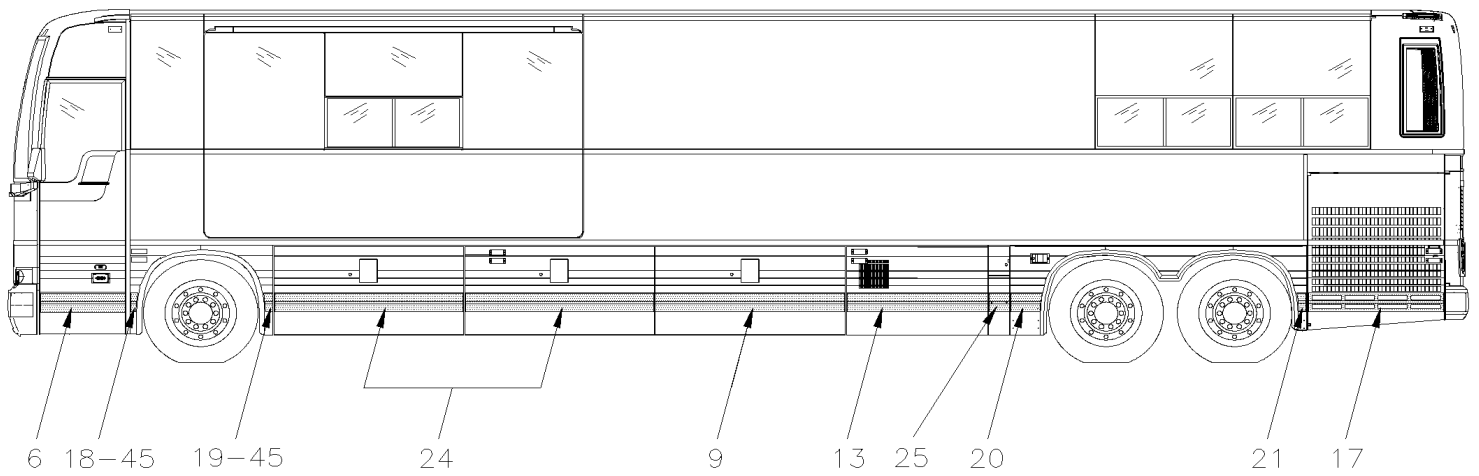
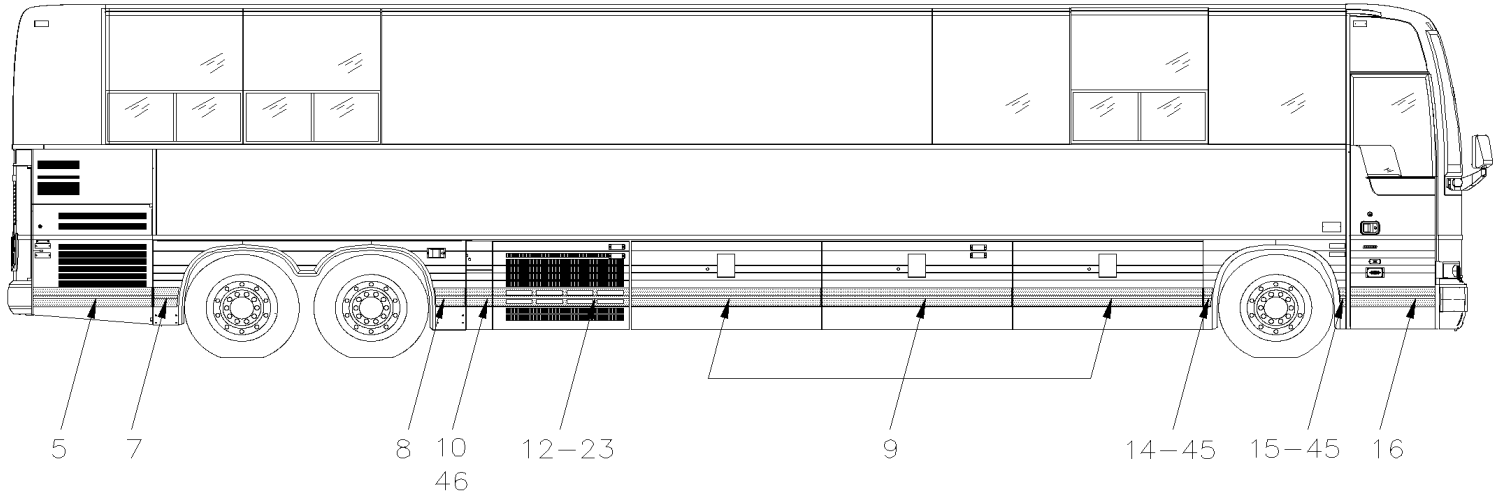
From B-5003 To D-5489

Date:10/2022

PAGE:XV-1855-00

RUB RAIL - EXTERIOR CREST & TRIMS

ENTERTAINER 45'





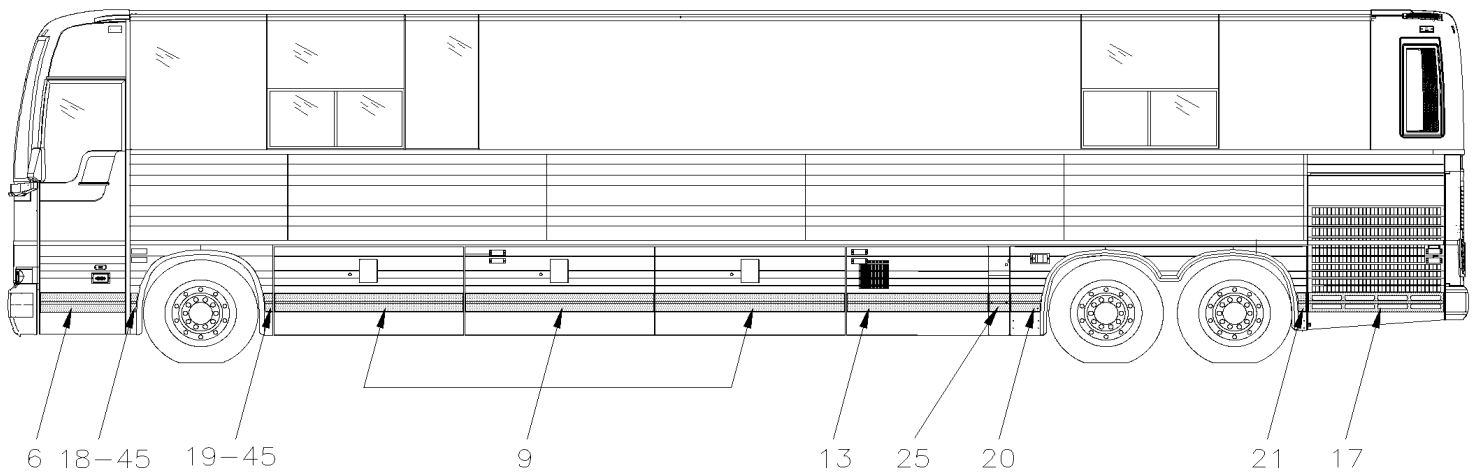
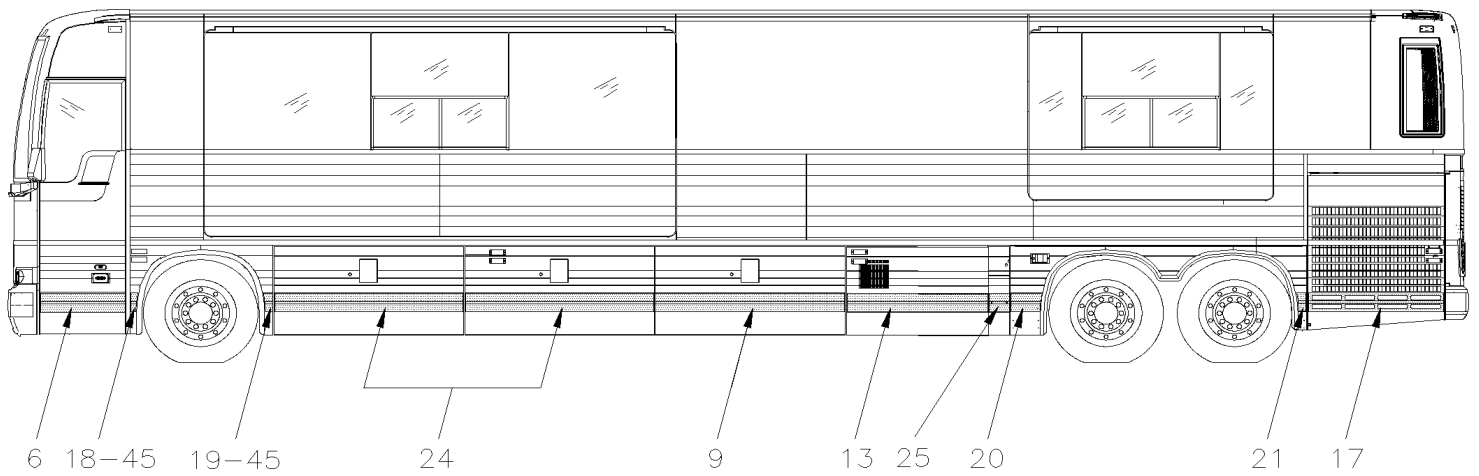
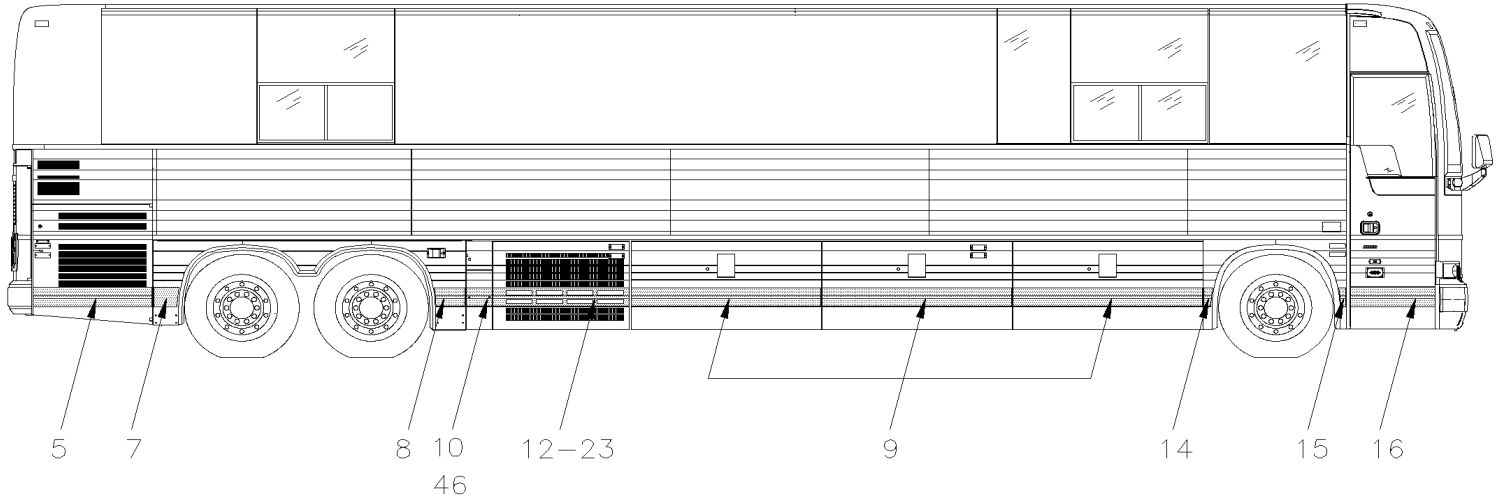
From B-5003 To D-5489

Date:10/2022

PAGE:XV-1855-00

RUB RAIL - EXTERIOR CREST & TRIMS

X3-45 VIP



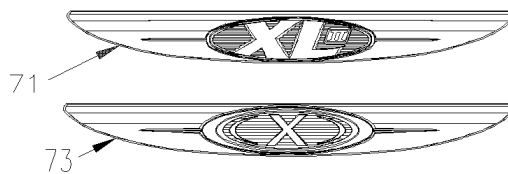
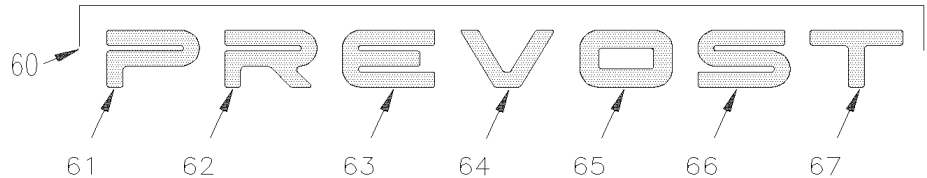
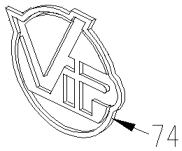
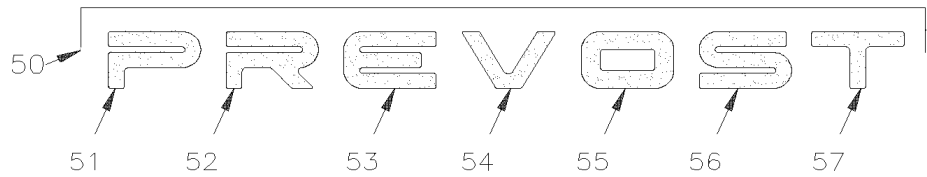
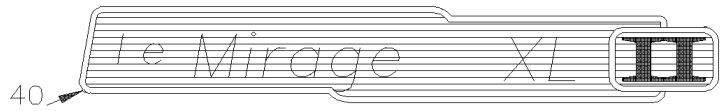
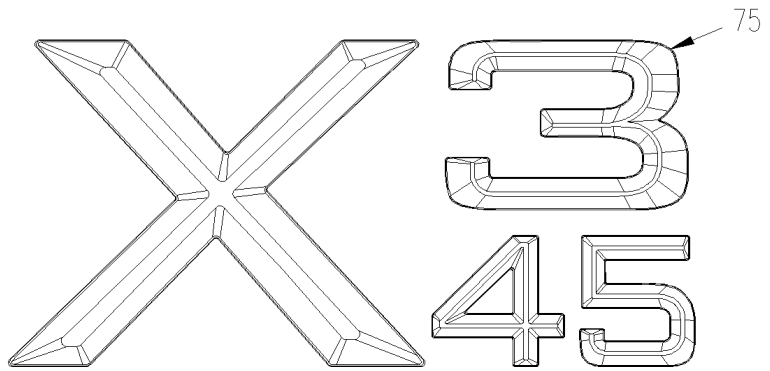
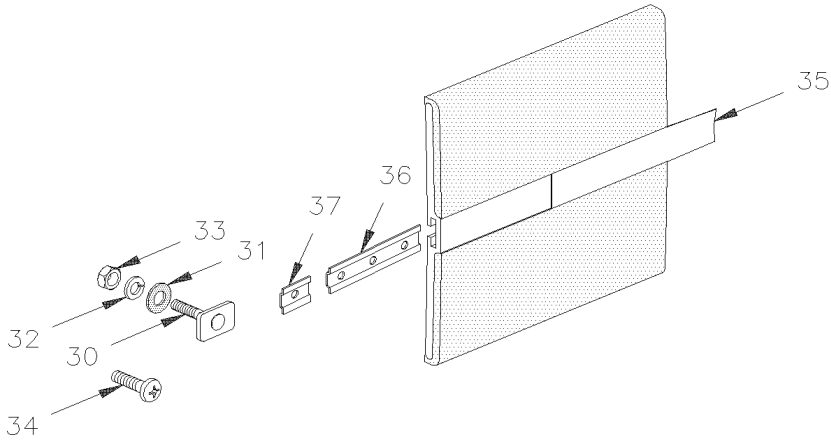


From B-5003 To D-5489

Date:10/2022

PAGE:XV-1855-00

RUB RAIL - EXTERIOR CREST & TRIMS





From B-5003 To D-5489 Date:10/2022 PAGE:XV-1855-00

RUB RAIL - EXTERIOR CREST & TRIMS

| Item# | Part | Description | X 3 V I P | X L I I E N T 4 5 | N O T E S |
|-------|---------|--|-----------------------|---|-----------------------|
| 5 | 286639 | RUB RAIL ASSY / 1115MM | 1 | 1 | |
| 6 | 474766 | RUB RAIL ASSY / 794MM / W/1" SCREW | 1 | 1 | |
| 7 | 476584 | RUB RAIL ASSY / 249MM | 1 | 1 | |
| 8 | 476583 | RUB RAIL ASSY / 294MM | 1 | 1 | |
| 9 | 471529 | RUB RAIL ASSY / 1782.3MM | 6 | 6 | |
| 10 | 477294 | RUB RAIL ASSY / 245.4MM | 1 | 1 | |
| 12 | 477291 | RUB RAIL ASSY / 1279.3MM PERFORATED | 1 | 1 | |
| 13 | 477292 | RUB RAIL ASSY / 1532.5MM To C-5096 | 1 | 1 | |
| 13 | 477336 | RUB RAIL ASSY / 1361.8MM From C-5097 To D-5459 | 1 | 1 | |
| 13 | 479399 | RUB RAIL ASSY / 1205MM From D-5460 | 1 | 1 | |
| 14 | 476640 | RUB RAIL ASSY / 87MM | 1 | 1 | |
| 15 | 478358 | RUB RAIL ASSY / 89MM | 1 | 1 | |
| 16 | 474290 | RUB RAIL ASSY / 794MM / W/1 1/2" SCREW | 1 | 1 | |
| . NS | 474304 | . SPECIAL SCREW ASSY SQ SS 1/4-20 X 1 1/2" | 1 | 1 | |
| 17 | 289417 | RUB RAIL ASSY / 1267.4MM PERFORATED | 1 | 1 | |
| 18 | 478359 | RUB RAIL ASSY / 89MM | 1 | 1 | |
| 19 | 476641 | RUB RAIL ASSY / 87MM | 1 | 1 | |
| 20 | 476581 | RUB RAIL ASSY / 294MM To D-5459 | 1 | 1 | |
| 20 | 479407 | RUB RAIL ASSY / 627MM From D-5460 | 1 | 1 | |
| 21 | 476793 | RUB RAIL ASSY / 99MM | 1 | 1 | |
| 23 | 478525 | RUB RAIL ASSY / 1277.3MM | 1 | 1 | A |
| 24 | 477299 | RUB RAIL ASSY / 1777MM To D-5459 | 2 | 2 | B |
| 25 | 477335 | RUB RAIL ASSY / 155.4MM From C-5097 To D-5459 | 1 | 1 | |
| 30 | 474304 | SPECIAL SCREW ASSY SQ SS 1/4-20 X 1 1/2" | AR | AR | |
| 31 | 473378 | SEAL WASHER / RUB RAIL & PANEL | AR | AR | |
| 32 | 500270 | WASHER FL .406x1.000x.063 SS To D-5459 | AR | AR | |
| 32 | 5001850 | WASHER FL 8.4 x 18 x 2 NYL From D-5460 | AR | AR | |
| 32 | 500270 | WASHER FL .406x1.000x.063 SS From D-5460 | 3 | 3 | Z |
| 33 | 5001123 | NUT HEXF 1/4-20 SS | AR | AR | |
| NS | 504433 | SNAP-IN PLUG / 1.090 O.D. | AR | AR | |
| 34 | 500310 | SCREW TC FL PH #10-24x1 1/4 SS410 | AR | AR | |
| 35 | 920010 | STRIPE, REFLECTIVE BLACK / 22MM X 150' | AR | AR | |
| 35 | 287287 | . STRIPE, REFLECTIVE BLACK / 22MM X 15' | AR | AR | |
| 36 | 474777 | ATTACHMENT SUPPORT THIN 5.6MM X 100MM 3 HOLES OK | AR | AR | |
| 36 | 474783 | ATTACHMENT SUPPORT THICK 5.6MM X 30MM | AR | AR | |
| 37 | 474953 | ATTACHMENT SUPPORT THIN 4MM X 30MM 1 HOLE | AR | AR | |
| 37 | 476796 | ATTACHMENT SUPPORT THIN 4MM X 59MM 2 HOLES | AR | AR | |
| 37 | 474944 | ATTACHMENT SUPPORT THIN 4MM X 100MM 3 HOLES | AR | AR | |
| 45 | 506790 | TAPE RUB ADH2 CC POL 1/16" x 1/2" x 200' / BLACK 11C-N-A From D-5460 | AR | AR | |
| 46 | 5001533 | SCREW TC FL PH #10-24x1 1/4 Z050 SS410 From D-5460 | 2 | 2 | |
| 49 | 490902 | CREST "XL-II" To E-5489 | | 1 | |
| 50 | 490922 | CREST "PREVOST" GOLD REAR | 1 | | |



| | | |
|--|--------------|-----------------|
| From B-5003 To D-5489 | Date:10/2022 | PAGE:XV-1855-00 |
| RUB RAIL - EXTERIOR CREST & TRIMS | | |

| Item# | Part | Description | X 3 V I P | X L I I E N T 4 5 | N O T E S |
|-------|--------|--|-----------------------|---|-----------------------|
| 51 | 490931 | . LETTER "P" GOLD | 1 | | |
| 52 | 490932 | . LETTER "R" GOLD | 1 | | |
| 53 | 490933 | . LETTER "E" GOLD | 1 | | |
| 54 | 490934 | . LETTER "V" GOLD | 1 | | |
| 55 | 490935 | . LETTER "O" GOLD | 1 | | |
| 56 | 490936 | . LETTER "S" GOLD | 1 | | |
| 57 | 490937 | . LETTER "T" GOLD | 1 | | |
| 60 | 490921 | CREST "PREVOST" SILVER REAR | | 1 | |
| 61 | 490924 | . LETTER "P" SILVER | | 1 | |
| 62 | 490925 | . LETTER "R" SILVER | | 1 | |
| 63 | 490926 | . LETTER "E" SILVER | | 1 | |
| 64 | 490927 | . LETTER "V" SILVER | | 1 | |
| 65 | 490928 | . LETTER "O" SILVER | | 1 | |
| 66 | 490929 | . LETTER "S" SILVER | | 1 | |
| 67 | 490930 | . LETTER "T" SILVER | | 1 | |
| 70 | 491015 | CREST "XL-II" & X3-45 / CURBSIDE WING PART | 1 | 1 | |
| 71 | 491014 | CREST "XL-II" / CENTER PART To E-5489 | 1 | 1 | |
| 72 | 491016 | CREST "XL-II" & X3-45 / STREETSIDE WING PART | 1 | 1 | |
| 73 | 491069 | CREST "X3" / CENTER PART From E-5490 | 1 | 1 | |
| 74 | 491471 | CREST "V.I.P." / SELF ADHESIVE | 1 | | |
| 75 | 491070 | CREST "X3-45" | 1 | | |
| 76 | 478519 | RUB RAIL KIT FOR ENT-45 W/ LARGE A/C | 1 | 1 | |
| | | | | | |
| | | | | | |
| | | | | | |
| | | A) WITH SMALL A/C SYSTEM | | | |
| | | B) WITH SLIDE OUT | | | |
| | | Z) USE ONLY W/ FRONT SERVICE DOOR | | | |

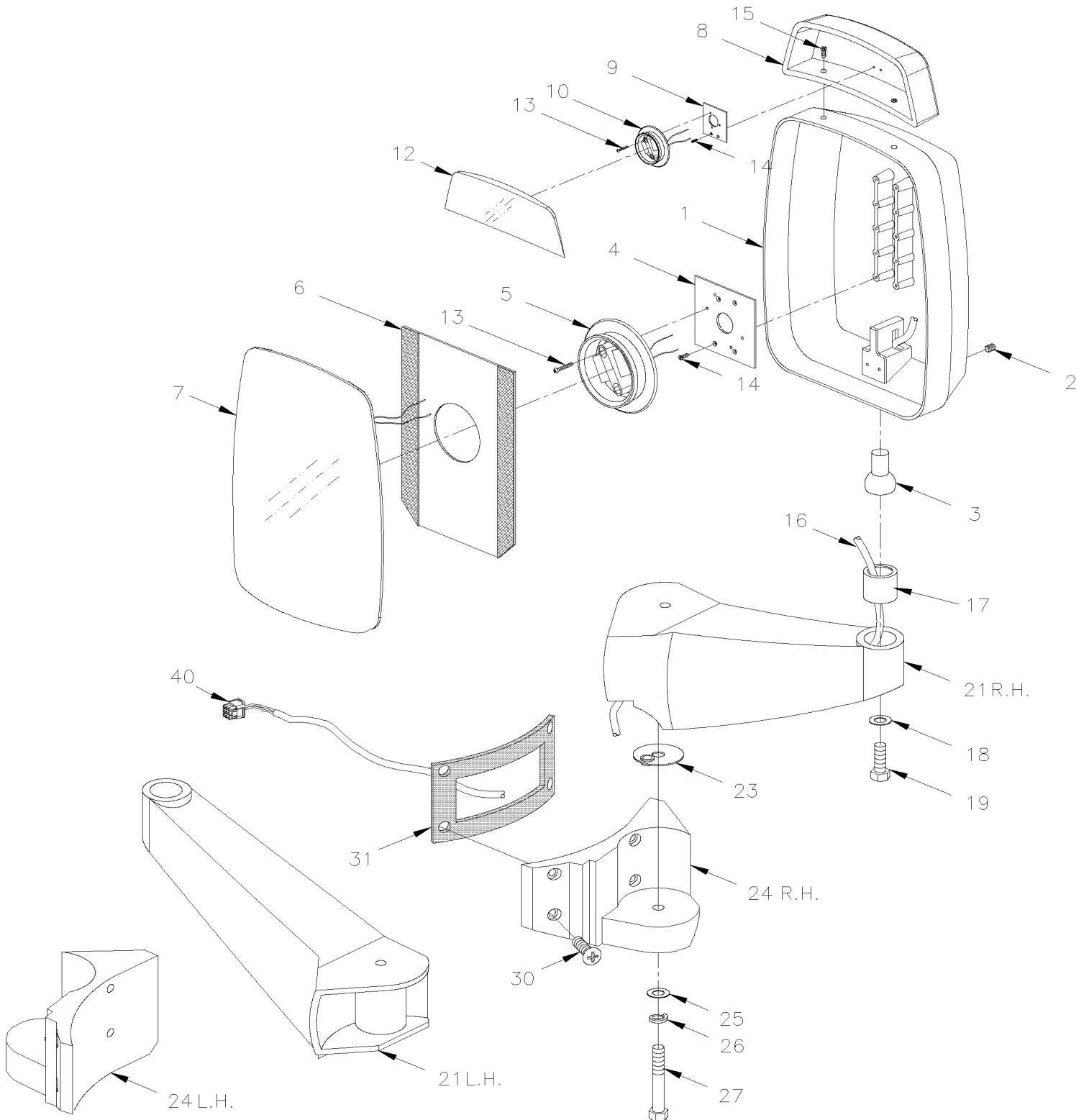


From B-5003 To D-5489

Date:10/2022

PAGE:XV-1856-23

MIRROR "RAMCO" FLAT GLASS / BLACK PAINTED





From B-5003 To D-5489 Date:10/2022 PAGE:XV-1856-23

MIRROR "RAMCO" FLAT GLASS / BLACK PAINTED

| Item# | Part | Description | X 3 V I P | X L I E N T 4 5 | N O T E S |
|-------|----------------|---|-----------------------|--------------------------------------|-----------------------|
| | 990431 | MIRROR ASSY, R.H. / W/CONVEX ELECTRIC / W/9 PINS CONNECTOR | | 1 | |
| | 990452 | MIRROR ASSY, L.H. / W/CONVEX ELECTRIC / W/9 PINS CONNECTOR | | 1 | |
| 1 | 990443 | . . HEAD ASSY / W/CONVEX ELECTRIC / W/9 PINS CONNECTOR | | 1 | |
| 2 | 502812 | . . SCREW SET HEXS CUP 3/8-16X3/8 SS | | 1 | |
| 3 | 990478 | . . STUD, BALL | | 1 | |
| 4 | 990272 | . . NOTCHED BACK MOUNTING PLATE (2" X 3") | | 1 | |
| 5 | 990349 | . . MOTOR 12V / MEDIUM / BLACK / 108MM / 4 1/4" O.D. | | 1 | |
| . NS | 564494 | . . . TAB TERMINAL / 20-16 / AMP 63138-1 | | 4 | |
| 6 | 990268 | . . VELCRO PLATE / 8" X 8" | | 1 | |
| 7 | 990199 | . . GLASS ASSY W/HEATER 12V | | 1 | |
| 8 | 990297 | . MIRROR ASSY / CONVEX ELECTRIC | | 1 | |
| 9 | 990295 | . . PLATE, TOP MOTOR MOUNTING | | 1 | |
| 10 | 990219 | . . MOTOR 12V / SMALL / BLACK / 85MM / 3 5/16" O.D. | | 1 | |
| . NS | 564494 | . . . TAB TERMINAL / 20-16 / AMP 63138-1 | | 4 | |
| 12 | 990339 | . . GLASS CONVEX ASSY W/HEATER 12V | | 1 | |
| 13 | N.P.N. | . . SCREW TC FL PH ZP 6-32 X 1 1/8" | | 3 | 4 |
| 14 | 500660 | . . SCREW TC FL PH #6-32x3/8 Z050 | | 2 | |
| 15 | 990530 | . . SCREW CAP HEX #10-24x1" SS | | 2 | |
| NS | 500787 | . . NUT HEX #10-24 SS | | 2 | |
| 16 | N.P.N. | . . CABLE ASSY / W/CONNECTOR / SEE ITEM # 40 | | 1 | 4 |
| 17 | 990379 | . . CUP, BALL STUD RETAINER / ONE PIECE | | 1 | |
| 18 | 500270 | . . WASHER FL .406x1.000x.063 SS | | 1 | |
| 19 | N.P.N. | . . SCREW CAP HEX SS 3/8-24 X 1.250 | | 1 | 4 |
| 21 | 990392 | . ARM, L.H. / DIRTY FREE | | 1 | |
| 21 | 990308 | . ARM, R.H. | | 1 | |
| 23 | 990265 | . WASHER ALUMINUM / 2 " O.D. | | 1 | |
| NS | 504082 | . . SNAP BUSHING / .125x.312x.312 | | 1 | |
| 24 | 990305 | . BRACKET, MOUNTING R.H. | | 1 | |
| 24 | 990306 | . BRACKET, MOUNTING L.H. | | 1 | |
| 25 | 500958 | . WASHER FL .531x1.062x.095 SS | | 1 | |
| 26 | 500035 | . WASHER LO SPT .317x.586x.078 SS | | 1 | |
| 27 | 990500 | . SCREW 1/2-13x2 HHCS SS | | 1 | |
| 30 | 5001461 | SCREW MA FL PH M8-1.25x40 SS | | 2 | |
| 30 | 5001581 | SCREW CAP BUT HEXS M8-1.25x40 SS | | 2 | |
| NS | 5001341 | WASHER FL 8.4x17.0x1.6 SS | | 2 | |
| 31 | 490873 | GASKET, RH | | 1 | |
| 31 | 490894 | GASKET, LH | | 1 | |
| 40 | 563802 | CONNECTOR / W 45" CABLE ASSY / PH 9C | | 2 | |
| 41 | 563801 | CONNECTOR / MULTI CON X / SH 9C / CONXALL 4280-9SG-300 | | 2 | B |
| NS | 562511 | SOCKET TERMINAL / 20 / CONXALL 586SG | | AR | B |
| NS | MI16-28 | DRIP EDGE ADDITION ON FRONT MIRRORS / PRODUCT IMPROVMENT | | 1 | |



| | | |
|-----------------------|--------------|-----------------|
| From B-5003 To D-5489 | Date:10/2022 | PAGE:XV-1856-23 |
|-----------------------|--------------|-----------------|

MIRROR "RAMCO" FLAT GLASS / BLACK PAINTED

| Item# | Part | Description | X 3 V I P | X L I I E N T 4 5 | N O T E S |
|-------|------|---|-----------------------|---|-----------------------|
| | | | | | |
| | | B) THIS CONNECTOR IT USED ON CABLE HARNESS FROM INSIDE OF VEHICLE | | | |
| | | 4) NO PARTS NUMBER | | | |

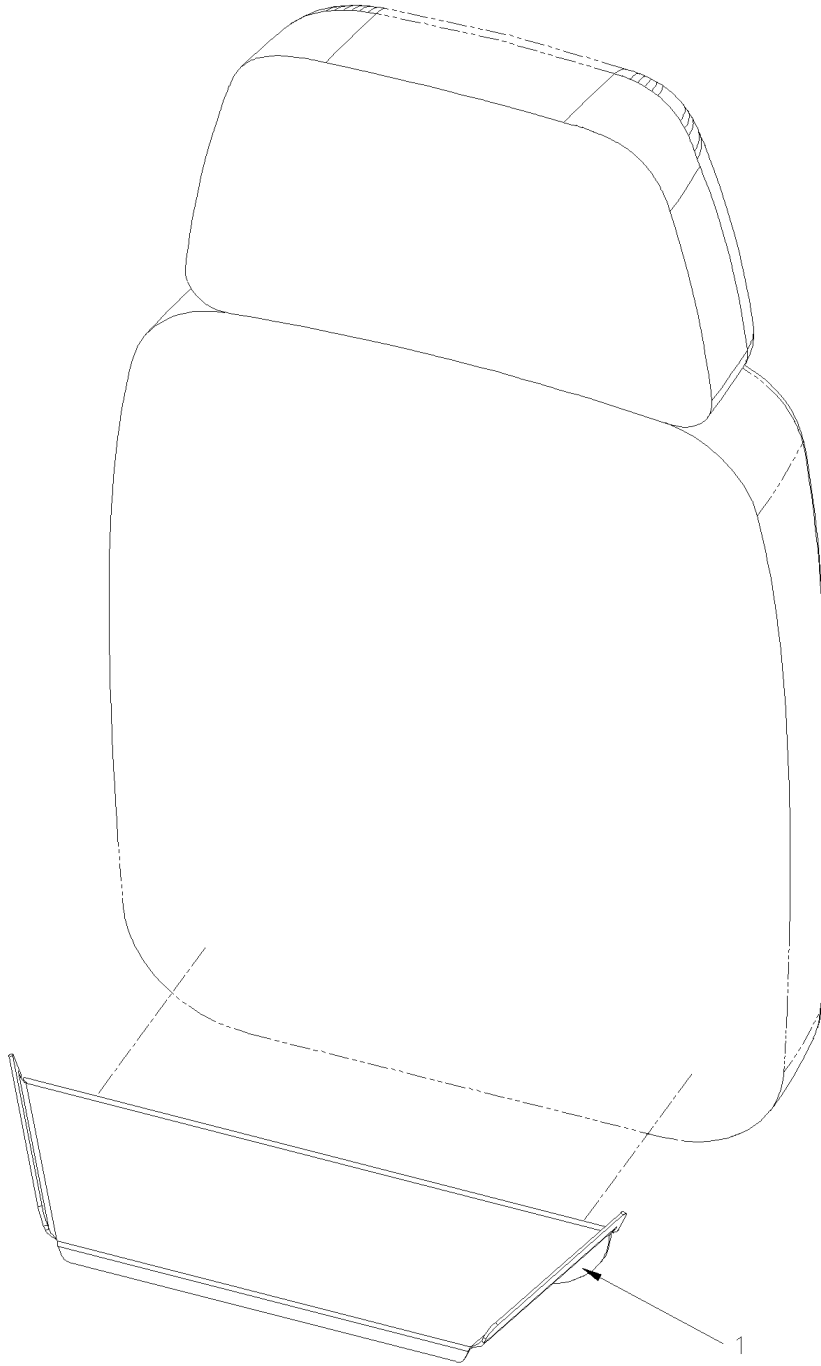


From B-5003 To D-5489

Date:10/2022

PAGE:MI16-28

DRIP EDGE ADDITION ON FRONT MIRRORS / PRODUCT IMPROVMENT





| | | |
|-----------------------|--------------|--------------|
| From B-5003 To D-5489 | Date:10/2022 | PAGE:MI16-28 |
|-----------------------|--------------|--------------|

DRIP EDGE ADDITION ON FRONT MIRRORS / PRODUCT IMPROVMENT

| Item# | Part | Description | X 3 V I P | X L I I E N T 4 5 | N O T E S |
|-------|--------|-------------------------------|-----------------------|---|-----------------------|
| 1 | 491507 | MIRROR EXT. DRIP MOLDING ASSY | 2 | 2 | |
| 2 | | MAINTENANCE INFORMATION | 1 | 1 | |
| | | | | | |
| | | | | | |
| | | | | | |

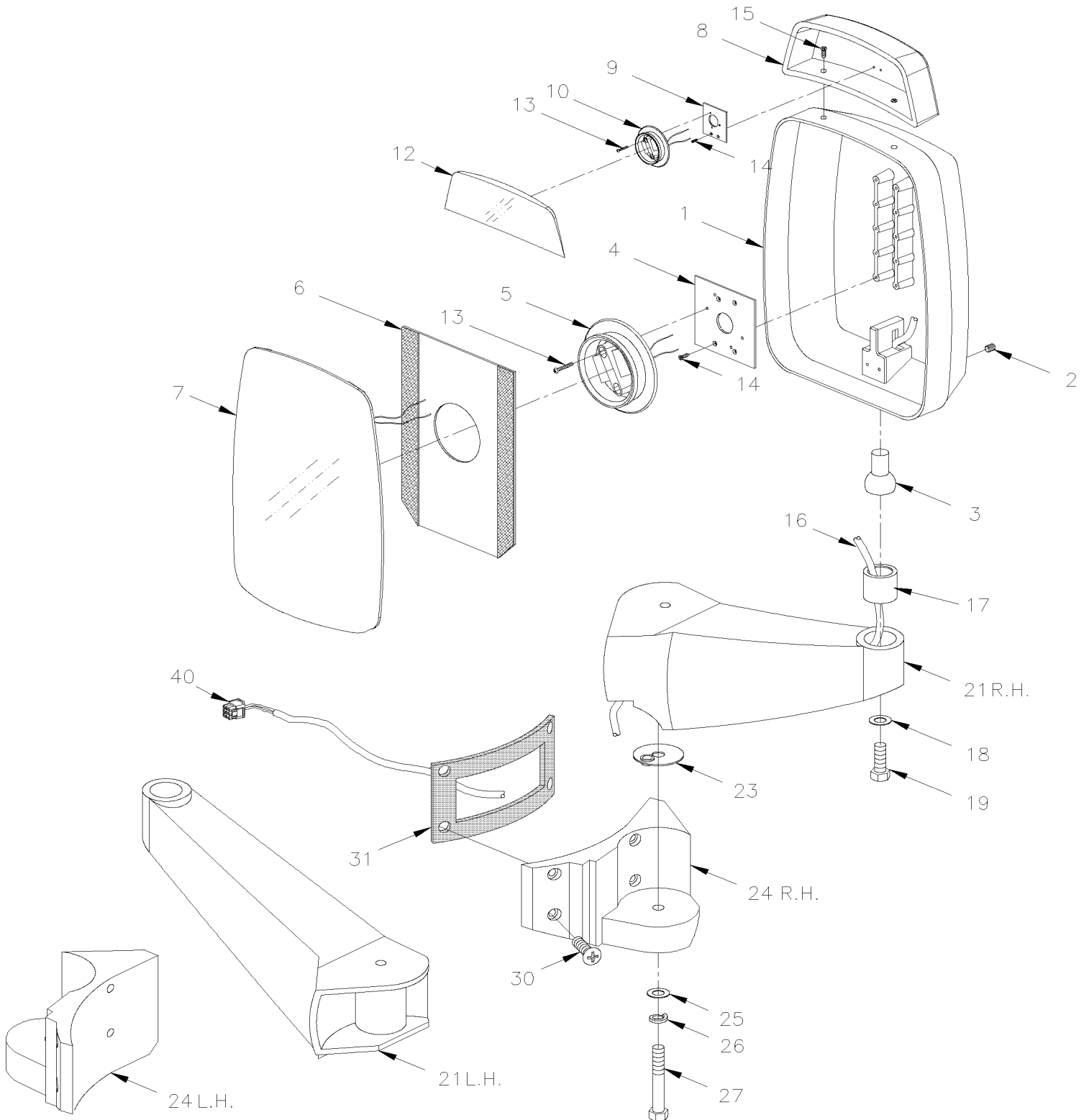


From B-5003 To D-5489

Date:10/2022

PAGE:XV-1856-50

MIRROR "RAMCO" FLAT GLASS / CHROME





From B-5003 To D-5489 Date:10/2022 PAGE:XV-1856-50

MIRROR "RAMCO" FLAT GLASS / CHROME

| Item# | Part | Description | X 3 V I P | X L I I E N T 4 5 | N O T E S |
|-------|----------------|---|-----------------------|---|-----------------------|
| | 990454 | MIRROR ASSY, L.H. / W/CONVEX ELECTRIC / W/9 PINS CONNECTOR | 1 | 1 | |
| | 990433 | MIRROR ASSY, R.H. / W/CONVEX ELECTRIC / W/9 PINS CONNECTOR | 1 | 1 | |
| 1 | 990444 | . HEAD ASSY / W/CONVEX ELECTRIC / W/9 PINS CONNECTOR | 1 | 1 | |
| 2 | 502812 | . . SCREW SET HEXS CUP 3/8-16X3/8 SS | 1 | 1 | |
| 3 | 990478 | . . STUD, BALL | 1 | 1 | |
| 4 | 990272 | . . NOTCHED BACK MOUNTING PLATE (2" X 3") | 1 | 1 | |
| 5 | 990349 | . . MOTOR 12V / MEDIUM / BLACK / 108MM / 4 1/4" O.D. | 1 | 1 | |
| . NS | 564494 | . . . TAB TERMINAL / 20-16 / AMP 63138-1 | 4 | 4 | |
| 6 | 990268 | . . VELCRO PLATE / 8" X 8" | 1 | 1 | |
| 7 | 990199 | . . GLASS ASSY W/HEATER 12V | 1 | 1 | |
| 8 | 990302 | . MIRROR ASSY / CONVEX ELECTRIC | 1 | 1 | |
| 9 | 990295 | . . PLATE, TOP MOTOR MOUNTING | 1 | 1 | |
| 10 | 990219 | . . MOTOR 12V / SMALL / BLACK / 85MM / 3 5/16" O.D. | 1 | 1 | |
| . NS | 564494 | . . . TAB TERMINAL / 20-16 / AMP 63138-1 | 4 | 4 | |
| 12 | 990339 | . . GLASS CONVEX ASSY W/HEATER 12V | 1 | 1 | |
| 13 | N.P.N. | . . SCREW TC FL PH ZP 6-32 X 1 1/8" | 3 | 3 | 4 |
| 14 | 500660 | . . SCREW TC FL PH #6-32x3/8 Z050 | 2 | 2 | |
| 15 | 990530 | . . SCREW CAP HEX #10-24x1" SS | 2 | 2 | |
| NS | 500787 | . . NUT HEX #10-24 SS | 2 | 2 | |
| 16 | N.P.N. | . . CABLE ASSY / W/CONNECTOR 8PIN / SEE ITEM # 40 | 1 | 1 | 4 |
| 17 | 990379 | . . CUP, BALL STUD RETAINER / ONE PIECE | 1 | 1 | |
| 18 | 500270 | . . WASHER FL .406x1.000x.063 SS | 1 | 1 | |
| 19 | N.P.N. | . . SCREW CAP HEX SS 3/8-24 X 1.250 | 1 | 1 | 4 |
| 21 | 990316 | . ARM, R.H. | 1 | 1 | |
| 21 | 990394 | . ARM, L.H. / DIRTY FREE | 1 | 1 | |
| 23 | 990265 | . WASHER ALUMINUM / 2 " O.D. | 1 | 1 | |
| NS | 504082 | . . SNAP BUSHING / .125x.312x.312 | 1 | 1 | |
| 24 | 990310 | . BRACKET, MOUNTING R.H. | 1 | 1 | |
| 24 | 990312 | . BRACKET, MOUNTING L.H. | 1 | 1 | |
| 25 | 500958 | . WASHER FL .531x1.062x.095 SS | 1 | 1 | |
| 26 | 500035 | . WASHER LO SPT .317x.586x.078 SS | 1 | 1 | |
| 27 | 990500 | . SCREW 1/2-13x2 HHCS SS | 1 | 1 | |
| 30 | 5001461 | SCREW MA FL PH M8-1.25x40 SS | 2 | 2 | |
| 30 | 5001581 | SCREW CAP BUT HEXS M8-1.25x40 SS | 2 | 2 | |
| NS | 5001341 | WASHER FL 8.4x17.0x1.6 SS | 2 | 2 | |
| 31 | 490873 | GASKET, RH | 1 | 1 | |
| 31 | 490894 | GASKET, LH | 1 | 1 | |
| 40 | 563802 | CONNECTOR / W 45" CABLE ASSY / PH 9C | 1 | 1 | |
| 41 | 563801 | CONNECTOR / MULTI CON X / SH 9C / CONXALL 4280-9SG-300 | 2 | 2 | B |
| NS | 562511 | SOCKET TERMINAL / 20 / CONXALL 586SG | AR | AR | B |
| NS | MI16-28 | DRIP EDGE ADDITION ON FRONT MIRRORS / PRODUCT IMPROVMENT | 1 | 1 | |



| | | |
|-----------------------|--------------|-----------------|
| From B-5003 To D-5489 | Date:10/2022 | PAGE:XV-1856-50 |
|-----------------------|--------------|-----------------|

MIRROR "RAMCO" FLAT GLASS / CHROME

| Item# | Part | Description | X 3 V I P | X L I I E N T 4 5 | N O T E S |
|-------|------|---|-----------------------|---|-----------------------|
| | | | | | |
| | | B) THIS CONNECTOR IT USED ON CABLE HARNESS FROM INSIDE OF VEHICLE | | | |
| | | 4) NO PARTS NUMBER | | | |

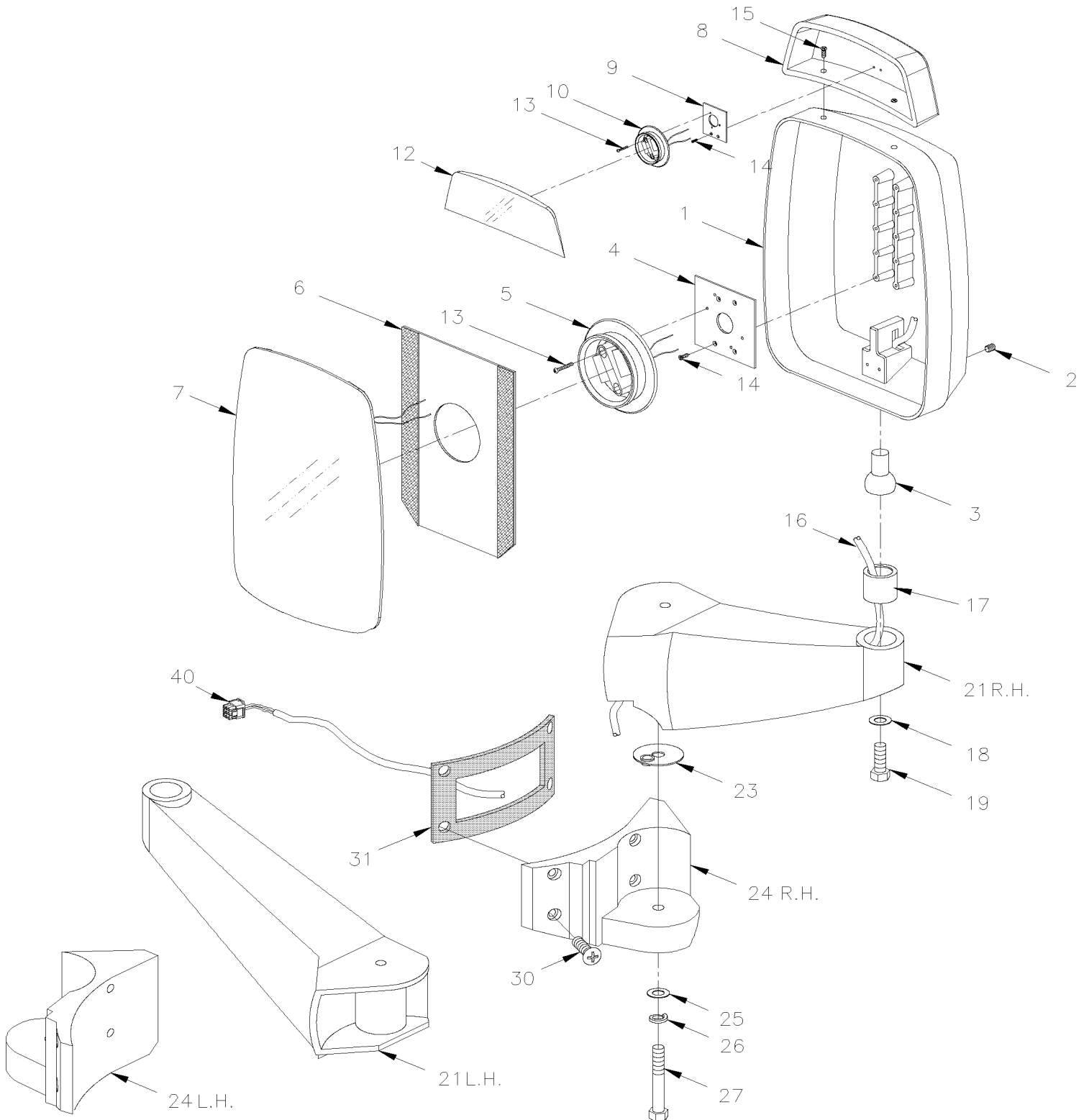


From B-5003 To D-5489

Date:10/2022

PAGE:XV-1856-51

MIRROR "RAMCO" FLAT GLASS / CHROME WITH DIRECTIONAL





From B-5003 To D-5489 Date:10/2022 PAGE:XV-1856-51

MIRROR "RAMCO" FLAT GLASS / CHROME WITH DIRECTIONAL

| Item# | Part | Description | X 3 V I P | X L I I E N T 4 5 | N O T E S |
|-------|---------|--|-----------------------|---|-----------------------|
| | 990456 | MIRROR ASSY, L.H. / DIRECTIONAL / W/CONVEX / W/9 PINS CONNECTOR | 1 | 1 | |
| | 990436 | MIRROR ASSY, R.H. / DIRECTIONAL / W/CONVEX / W/9 PINS CONNECTOR | 1 | 1 | |
| 1 | 990495 | . HEAD ASSY / ELECTRIC L.H. / W/9 PINS CONNECTOR | 1 | 1 | |
| 1 | 990494 | . HEAD ASSY / ELECTRIC R.H. / W/9 PINS CONNECTOR | 1 | 1 | |
| 2 | 502812 | . . SCREW SET HEXS CUP 3/8-16X3/8 SS | 1 | 1 | |
| 3 | 990478 | . . STUD, BALL | 1 | 1 | |
| 4 | 990272 | . . NOTCHED BACK MOUNTING PLATE (2" X 3") | 1 | 1 | |
| 5 | 990349 | . . MOTOR 12V / MEDIUM / BLACK / 108MM / 4 1/4" O.D. | 1 | 1 | |
| . NS | 564494 | . . . TAB TERMINAL / 20-16 / AMP 63138-1 | 4 | 4 | |
| 6 | 990474 | . . VELCRO PLATE / 8" X 8" / W/RECESS FOR FLASHER | 1 | 1 | |
| 7 | 990427 | . . GLASS ASSY W/DIRECTIONAL ARROW L.H. | 1 | 1 | |
| 7 | 990428 | . . GLASS ASSY W/DIRECTIONAL ARROW R.H. > | 1 | 1 | |
| 8 | 990302 | . MIRROR ASSY / CONVEX ELECTRIC | 1 | 1 | |
| 9 | 990295 | . . PLATE, TOP MOTOR MOUNTING | 1 | 1 | |
| 10 | 990219 | . . MOTOR 12V / SMALL / BLACK / 85MM / 3 5/16" O.D. | 1 | 1 | |
| . NS | 564494 | . . . TAB TERMINAL / 20-16 / AMP 63138-1 | 4 | 4 | |
| 12 | 990339 | . . GLASS CONVEX ASSY W/HEATER 12V | 1 | 1 | |
| 13 | N.P.N. | . . SCREW TC FL PH ZP 6-32 X 1 1/8" | 3 | 3 | 4 |
| 14 | 500660 | . . SCREW TC FL PH #6-32x3/8 Z050 | 2 | 2 | |
| 15 | 990530 | . . SCREW CAP HEX #10-24x1" SS | 2 | 2 | |
| NS | 500787 | . . NUT HEX #10-24 SS | 2 | 2 | |
| 16 | N.P.N. | . . CABLE ASSY / W/CONNECTOR 8PIN / SEE ITEM # 40 | 1 | 1 | 4 |
| 17 | 990379 | . . CUP, BALL STUD RETAINER / ONE PIECE | 1 | 1 | |
| 18 | 500270 | . . WASHER FL .406x1.000x.063 SS | 1 | 1 | |
| 19 | N.P.N. | . . SCREW CAP HEX SS 3/8-24 X 1.250 | 1 | 1 | 4 |
| 21 | 990316 | . ARM, R.H. | 1 | 1 | |
| 21 | 990394 | . ARM, L.H. / DIRTY FREE | 1 | 1 | |
| 23 | 990265 | . WASHER ALUMINUM / 2 " O.D. | 1 | 1 | |
| NS | 504082 | . . SNAP BUSHING / .125x.312x.312 | 1 | 1 | |
| 24 | 990310 | . BRACKET, MOUNTING R.H. | 1 | 1 | |
| 24 | 990312 | . BRACKET, MOUNTING L.H. | 1 | 1 | |
| 25 | 500958 | . WASHER FL .531x1.062x.095 SS | 1 | 1 | |
| 26 | 500035 | . WASHER LO SPT .317x.586x.078 SS | 1 | 1 | |
| 27 | 990500 | . SCREW 1/2-13x2 HHCS SS | 1 | 1 | |
| 30 | 5001461 | SCREW MA FL PH M8-1.25x40 SS | 2 | 2 | |
| 30 | 5001581 | SCREW CAP BUT HEXS M8-1.25x40 SS | 2 | 2 | |
| NS | 5001341 | WASHER FL 8.4x17.0x1.6 SS | 2 | 2 | |
| 31 | 490873 | GASKET, RH | 1 | 1 | |
| 31 | 490894 | GASKET, LH | 1 | 1 | |
| 40 | 563802 | CONNECTOR / W 45" CABLE ASSY / PH 9C From A-9873 | 2 | 2 | |
| 41 | 563801 | CONNECTOR / MULTI CON X / SH 9C / CONXALL 4280-9SG-300 From A-9873 | 2 | 2 | B |
| NS | 562511 | SOCKET TERMINAL / 20 / CONXALL 586SG | AR | AR | B |



| | | |
|-----------------------|--------------|-----------------|
| From B-5003 To D-5489 | Date:10/2022 | PAGE:XV-1856-51 |
|-----------------------|--------------|-----------------|

MIRROR "RAMCO" FLAT GLASS / CHROME WITH DIRECTIONAL

| Item# | Part | Description | X 3 V I P | X L I I E N T 4 5 | N O T E S |
|-------|---------|---|-----------------------|---|-----------------------|
| NS | MI16-28 | DRIP EDGE ADDITION ON FRONT MIRRORS / PRODUCT IMPROVMENT | 1 | 1 | |
| | | | | | |
| | | | | | |
| | | B) THIS CONNECTOR IT USED ON CABLE HARNESS FROM INSIDE OF VEHICLE | | | |
| | | 4) NO PARTS NUMBER | | | |

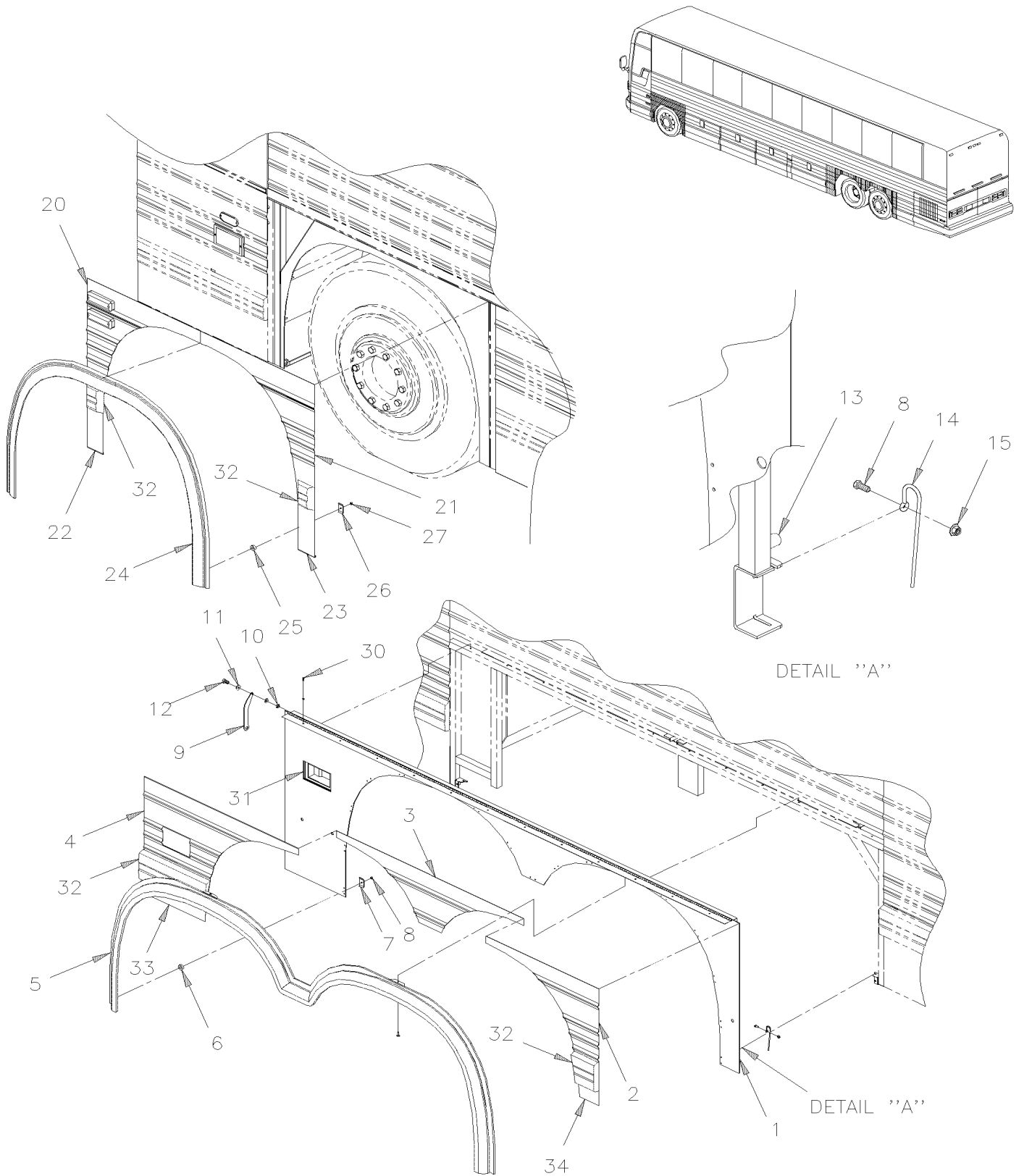


From B-5003 To D-5459

Date:10/2022

PAGE:XV-1857-50

FENDERS L.H.





| | | |
|-----------------------|--------------|-----------------|
| From B-5003 To D-5459 | Date:10/2022 | PAGE:XV-1857-50 |
| FENDERS L.H. | | |

| Item# | Part | Description | X 3 V I P | X L I I E N T 4 5 | N O T E S |
|-------|-------------------|--|-----------------------|---|-----------------------|
| | 460518 | REAR FENDER ASSY L.H. W/EDGE / B.A. | 1 | 1 | |
| | 460519 | REAR FENDER ASSY L.H. W/OUT EDGE / B.A. | 1 | 1 | |
| 1 | 460517 | FRAME REAR FENDER L.H. | 1 | 1 | |
| 2 | 476736 | PANEL REAR L.H. BACKWARD / B.A. | 1 | 1 | |
| 3 | 477562 | PANEL CENTER / B.A. | 1 | 1 | |
| 4 | 476716 | PANEL REAR L.H. FORWARD / B.A. | 1 | 1 | |
| 5 | 240482 | EDGE MOULDING LH W/FLUTED PANEL | 1 | 1 | |
| 5 | 240418 | EDGE MOULDING LH W/FLUTED & SS RAIL RECESS | 1 | 1 | O |
| NS | 500283 | SCREW TC TR PH #10-24x3/4 SS | 2 | 2 | |
| 6 | 571755 | SPACERS BUTTITE STAINLESS | 15 | 15 | |
| 7 | 240436 | MOUNTING PLATE EDGE 43.2MM x 25MM | 15 | 15 | |
| 8 | 502622 | SCREW CAP HEX M6-1.0x20 SS BK | 2 | 2 | |
| 9 | 240412 | LEVER / FOR LOCK | 1 | 1 | |
| NS | 502803 | PIN HITCH CLIP 3/32 x 2 1/2 SS | 1 | 1 | |
| 10 | 500868 | NUT HEX NYRT M8-1.25 Z050 | 1 | 1 | |
| 10 | 502543 | NUT HEX M8-1.25 Z050 | 1 | 1 | |
| 11 | 471119 | SEAL WASHER / RUB RAIL & PANEL | 1 | 1 | |
| 11 | 500874 | WASHER FL 8.4x17.0x1.6 Z050 | 1 | 1 | |
| 12 | 502589 | SCREW CAP HEX M8-1.25x25 G8.8 Z050 | 1 | 1 | |
| 13 | 504527 | BUMPER PLUG / .625ODx.312THx.250HOLEx.125 | 4 | 4 | |
| 14 | 472830 | SPRING GUIDE HOLDER | 2 | 2 | |
| 15 | 5001182 | NUT HEX NYRT M6-1.0 SS | 17 | 17 | |
| NS | 681092 | ADHESIVE SIKA #255FC / BLACK / 310ml CARTRIDGE | AR | AR | |
| NS | 683097 | CLEANER SIKA #205 / CLEAR / 1000ml | AR | AR | |
| NS | 683446 | PRIMER SIKA #206 / BLACK / 1000ml | AR | AR | |
| NS | 506790 | TAPE RUB ADH2 CC POL 1/16" x 1/2" x 200' / BLACK I1C-N-A | AR | AR | |
| 20 | 477634 | PANEL FRONT L.H. FORWARD / B.A. | 1 | 1 | |
| 21 | 476170 | PANEL FRONT L.H. BACKWARD / B.A. | 1 | 1 | |
| 22 | 479483 | PANEL LOWER 95MM X 243MM / B.A. | 1 | 1 | |
| 23 | 476489 | PANEL LOWER 81MM X 243MM / B.A. | 1 | 1 | |
| 24 | 240528 | EDGE MOULDING W/FLUTED PANEL | 1 | 1 | |
| 24 | 240415 | EDGE MOULDING W/FLUTED & SS RAIL RECESS | 1 | 1 | O |
| 25 | 571755 | SPACERS BUTTITE STAINLESS | 22 | 22 | |
| 26 | 240436 | MOUNTING PLATE EDGE 43.2MM x 25MM | 22 | 22 | |
| 27 | 5001182 | NUT HEX NYRT M6-1.0 SS | 22 | 22 | |
| 30 | 504488 | RIVET MGLP PRDG 3/16x17/64 SS | 14 | 14 | |
| 31 | XV-0663-00 | DOCK & CORNERING LIGHT | | | |
| 32 | XV-1855-00 | RUB RAIL - EXTERIOR CREST & TRIMS | | | |
| 33 | 477232 | PANEL LOWER 286MM X 255MM / B.A. | 1 | 1 | |
| 34 | 477234 | PANEL LOWER 88MM X 205MM / B.A. | 1 | 1 | |
| | | | | | |
| | | | | | |



| | | |
|-----------------------|--------------|-----------------|
| From B-5003 To D-5459 | Date:10/2022 | PAGE:XV-1857-50 |
|-----------------------|--------------|-----------------|

FENDERS L.H.

| Item# | Part | Description | X 3 V I P | X L I I E N T 4 5 | N O T E S |
|-------|------|------------------|-----------------------|---|-----------------------|
| | | | | | |
| | | O) WITH "OPTION" | | | |

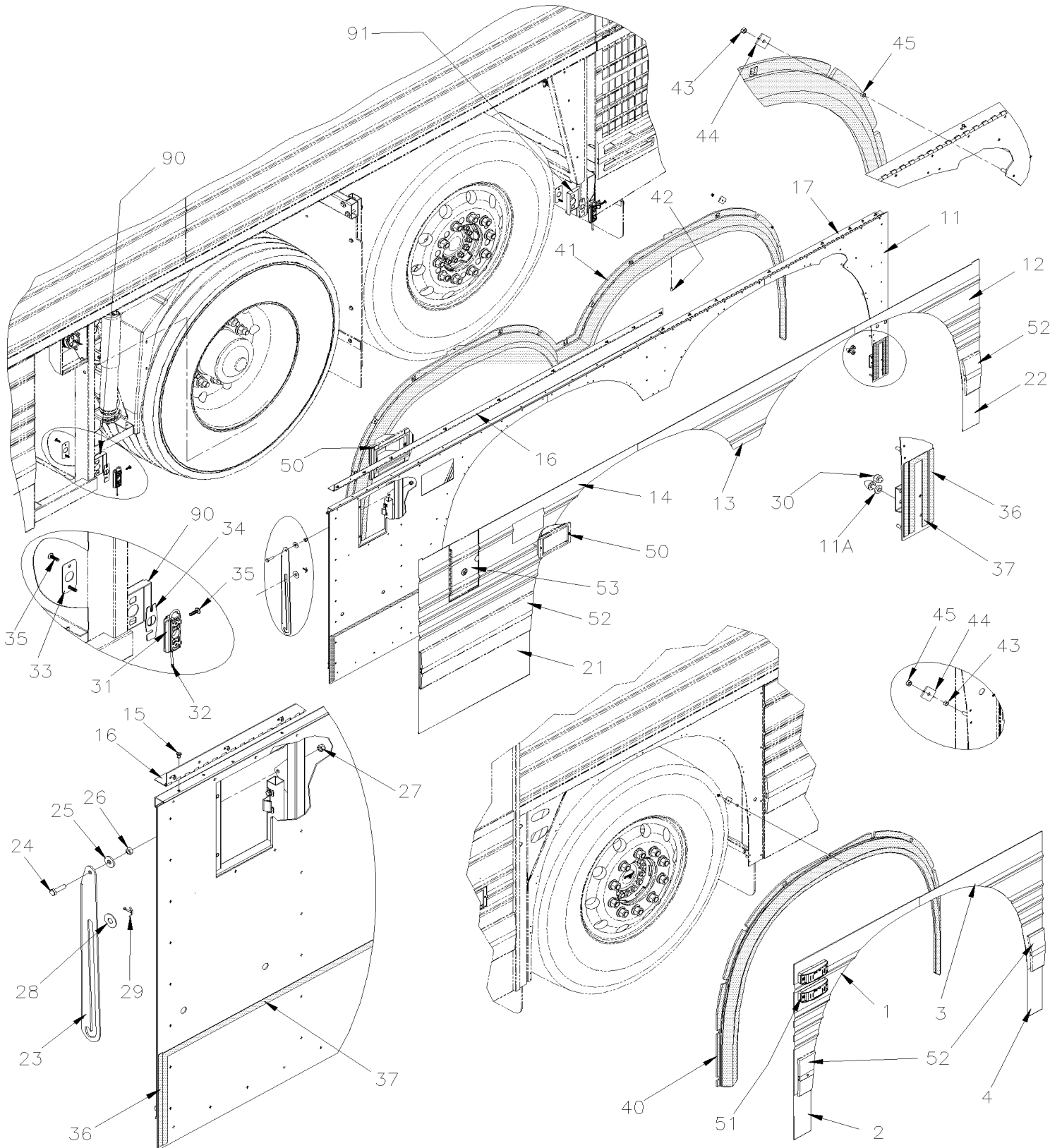


From D-5460 To D-5489

Date:10/2022

PAGE:XV-1857-51

FENDERS L.H.





| | | |
|------------------------------|---------------------|------------------------|
| From D-5460 To D-5489 | Date:10/2022 | PAGE:XV-1857-51 |
|------------------------------|---------------------|------------------------|

FENDERS L.H.

| Item# | Part | Description | X 3 V I P | X L I I E N T 4 5 | N O T E S |
|-------|---------|--|-----------------------|---|-----------------------|
| 1 | 477634 | PANEL FRONT L.H. FORWARD / B.A. | 1 | 1 | |
| 2 | 479483 | PANEL LOWER 95MM X 243MM / B.A. | 1 | 1 | |
| 3 | 476170 | PANEL FRONT L.H. BACKWARD / B.A. | 1 | 1 | |
| 4 | 476489 | PANEL LOWER 81MM X 243MM / B.A. | 1 | 1 | |
| 5 | 506759 | TAPE RUB ADH2 CC POL 1/8" x 1/2" x 100' / BLACK I1C-N-A | AR | AR | |
| 5 | 685126 | ADHESIVE SIMSON #ISR 70-03 / GREY / 600ml SAUSAGE | AR | AR | |
| 5 | 506790 | TAPE RUB ADH2 CC POL 1/16" x 1/2" x 200' / BLACK I1C-N-A | AR | AR | |
| 11 | 460542 | REAR FENDER ASSY L.H. W/EDGE | 1 | 1 | |
| 11 | 460582 | REAR FENDER ASSY L.H. W/OUT EDGE | 1 | 1 | |
| 11 | 460544 | . FRAME REAR FENDER L.H. | 1 | 1 | |
| 11A | 460694 | . . STOPPER | 2 | 2 | |
| 12 | 460574 | . PANEL REAR L.H. BACKWARD | 1 | 1 | |
| 13 | 460572 | . PANEL CENTER | 1 | 1 | |
| 14 | 460547 | . PANEL REAR L.H. FORWARD | 1 | 1 | |
| NS | 685124 | . ADHESIVE SIMSON #ISR 70-03 / BLACK / 600ml SAUSAGE | AR | AR | |
| NS | 506790 | . TAPE RUB ADH2 CC POL 1/16" x 1/2" x 200' / BLACK I1C-N-A | AR | AR | |
| 15 | 504488 | . RIVET MGLP PRDG 3/16x17/64 SS | AR | AR | |
| 16 | 464757 | . HINGE ASSY 1829MM | 1 | 1 | |
| 17 | 464759 | . HINGE ASSY 1213MM | 1 | 1 | |
| 21 | 460556 | PANEL LOWER 616MM X 255MM / B.A. | 1 | 1 | |
| 22 | 477234 | PANEL LOWER 88MM X 205MM / B.A. | 1 | 1 | |
| 23 | 460695 | LEVER / FOR LOCK | 1 | 1 | |
| 24 | 5001912 | SCREW CAP HEX M8-1.25x30 SS BK | 1 | 1 | |
| 25 | 471119 | SEAL WASHER / RUB RAIL & PANEL | 1 | 1 | |
| 26 | 5001852 | NUT HEX M8-1.25 SS BK | 1 | 1 | |
| 27 | 5001787 | NUT HEX NYRT M8-1.25 SS | 1 | 1 | |
| 28 | 5001233 | WASHER FL .500x1.250x.062 NYL | 1 | 1 | |
| 29 | 502111 | PIN, COTTER 1/8 x 1 1/2 SS | 1 | 1 | |
| 30 | 504527 | BUMPER PLUG / .625ODx.312THx.250HOLEx.125 | 2 | 2 | |
| 31 | 477399 | RECEPTACLE | 2 | 2 | |
| 32 | 472830 | SPRING GUIDE HOLDER | 2 | 2 | |
| 33 | 460708 | ADJUSTMENT PLATE | 2 | 2 | |
| 34 | 464765 | ADJUSTMENT PLATE | 2 | 2 | |
| 35 | 5001630 | SCREW TP BUTF TORX M6x20 SS | 6 | 6 | |
| 36 | 506790 | TAPE RUB ADH2 CC POL 1/16" x 1/2" x 200' / BLACK I1C-N-A | AR | AR | |
| 37 | 685126 | ADHESIVE SIMSON #ISR 70-03 / GREY / 600ml SAUSAGE | AR | AR | |
| 40 | 240528 | EDGE MOULDING W/FLUTED PANEL | 1 | 1 | |
| 41 | 240482 | EDGE MOULDING LH W/FLUTED PANEL | 1 | 1 | |
| 42 | 504748 | RIVET HKL MMS 3/16x1/2 SS | 2 | 2 | |
| 43 | 5001182 | NUT HEX NYRT M6-1.0 SS | AR | AR | |
| 44 | 240436 | MOUNTING PLATE EDGE 43.2MM x 25MM | AR | AR | |
| 45 | 571755 | SPACERS BUTTITE STAINLESS | AR | AR | |



| | | |
|-----------------------|--------------|-----------------|
| From D-5460 To D-5489 | Date:10/2022 | PAGE:XV-1857-51 |
| FENDERS L.H. | | |

| Item# | Part | Description | X 3 V I P | X L I I E N T 4 5 | N O T E S |
|-------|------------|-----------------------------------|-----------------------|---|-----------------------|
| 50 | XV-0663-00 | DOCK & CORNERING LIGHT | 1 | 1 | |
| 51 | XV-0662-00 | CLEARANCE & MARKER LIGHT | 1 | 1 | |
| 52 | XV-1855-00 | RUB RAIL - EXTERIOR CREST & TRIMS | 1 | 1 | |
| 53 | XV-1875-00 | FUEL TANK & UREA FILLING DOOR | 1 | 1 | |
| 90 | 217133 | CATCH FENDER LOWER | 1 | 1 | |
| 91 | 217140 | CATCH FENDER LOWER | 1 | 1 | |
| | | | | | |
| | | | | | |
| | | | | | |

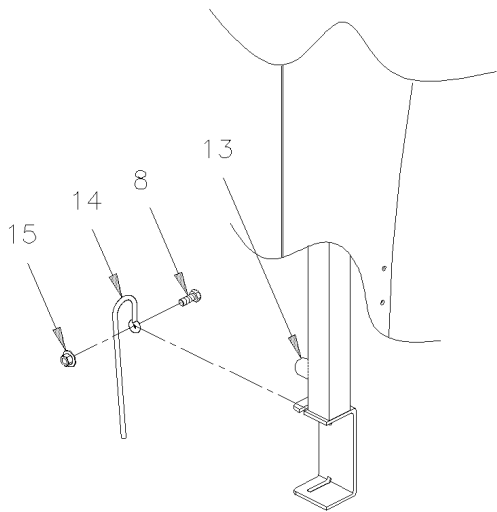
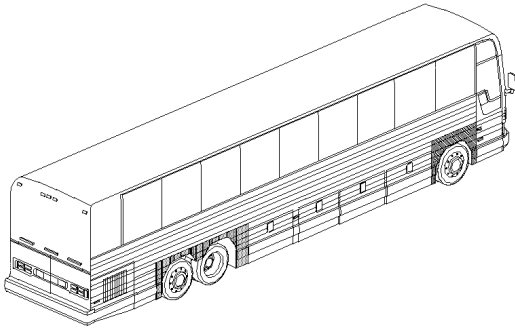


From B-5003 To D-5459

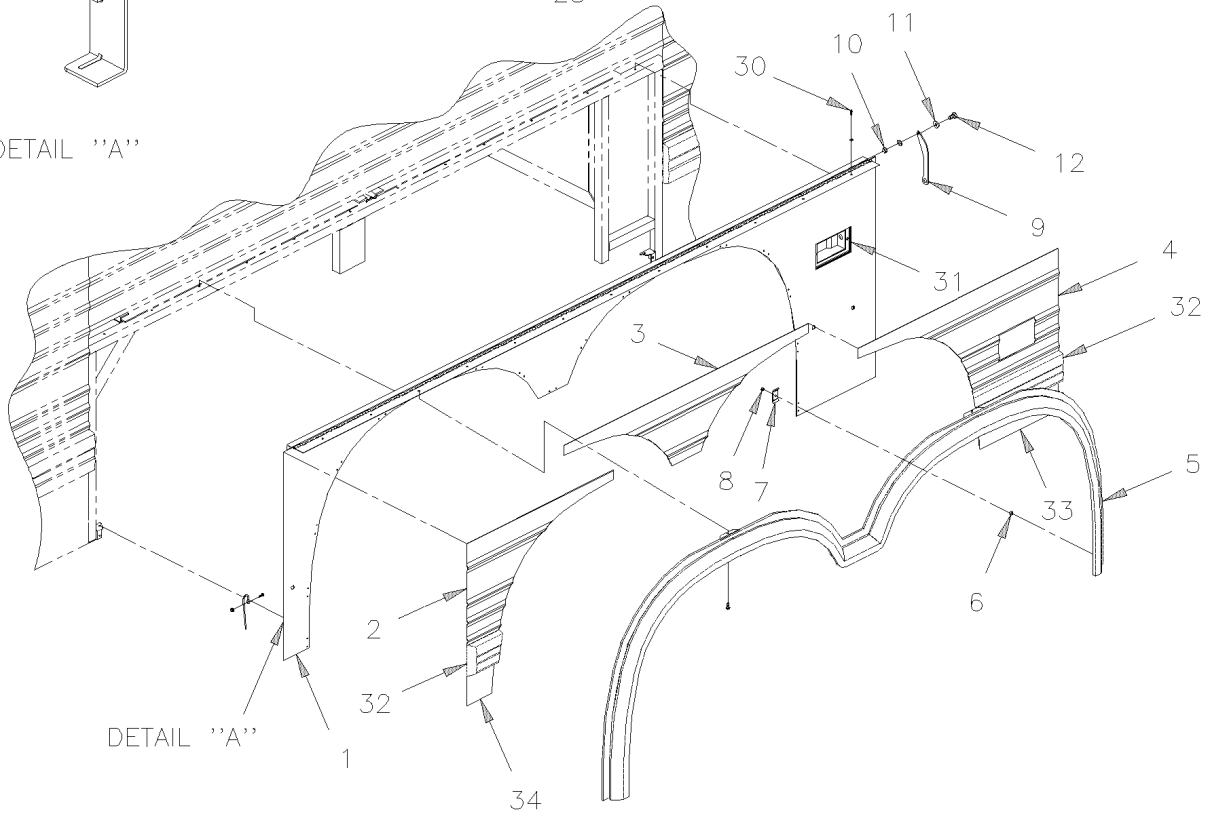
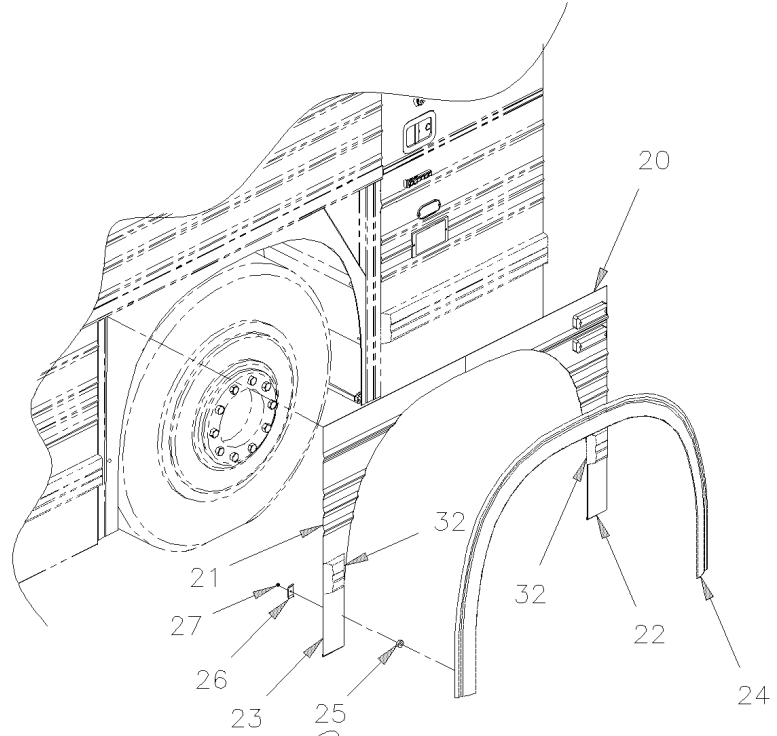
Date:10/2022

PAGE:XV-1857-55

FENDERS R.H.



DETAIL "A"



DETAIL "A"

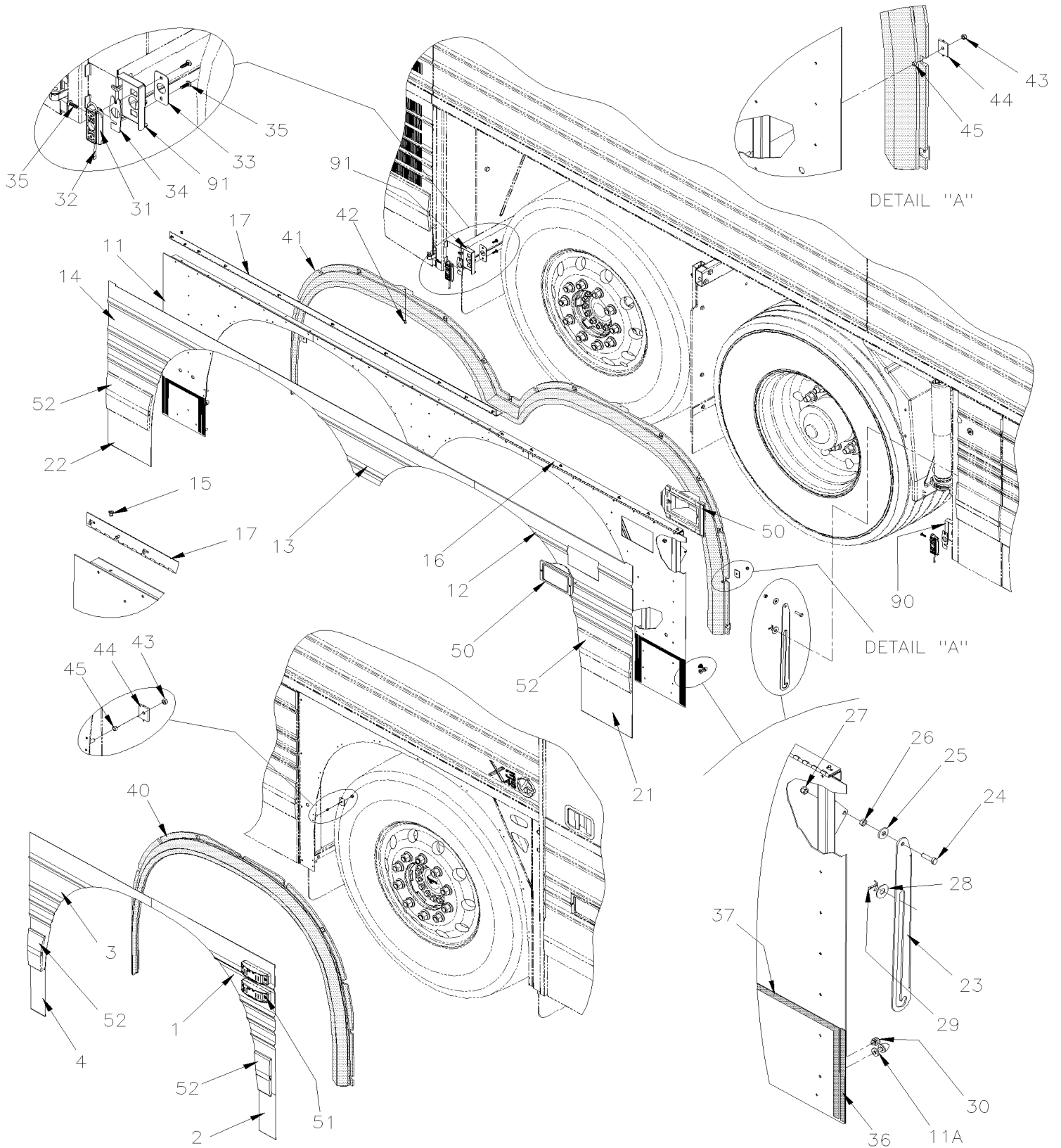


From D-5460 To D-5489

Date:10/2022

PAGE:XV-1857-56

FENDERS R.H.





| | | |
|------------------------------|---------------------|------------------------|
| From D-5460 To D-5489 | Date:10/2022 | PAGE:XV-1857-56 |
| FENDERS R.H. | | |

| Item# | Part | Description | X 3 V I P | X L I I E N T 4 5 | N O T E S |
|-------|---------|--|-----------------------|---|-----------------------|
| 1 | 477635 | PANEL FRONT R.H. FORWARD / B.A. | 1 | 1 | |
| 2 | 479483 | PANEL LOWER 95MM X 243MM / B.A. | 1 | 1 | |
| 3 | 477429 | PANEL FRONT R.H. BACKWARD / B.A. | 1 | 1 | |
| 4 | 476489 | PANEL LOWER 81MM X 243MM / B.A. | 1 | 1 | |
| NS | 506759 | TAPE RUB ADH2 CC POL 1/8" x 1/2" x 100' / BLACK I1C-N-A | AR | AR | |
| NS | 506790 | TAPE RUB ADH2 CC POL 1/16" x 1/2" x 200' / BLACK I1C-N-A | AR | AR | |
| NS | 685126 | ADHESIVE SIMSON #ISR 70-03 / GREY / 600ml SAUSAGE | AR | AR | |
| | | | | | |
| 11 | 460581 | REAR FENDER ASSY R.H. W/OUT EDGE | 1 | 1 | |
| 11 | 460541 | REAR FENDER ASSY R.H. W/EDGE | 1 | 1 | |
| 11 | 460543 | . FRAME REAR FENDER R.H. | | | |
| 11A | 460694 | . . STOPPER | 2 | 2 | |
| 12 | 460571 | . PANEL REAR R.H. FORWARD | | | |
| 13 | 460572 | . PANEL CENTER | | | |
| 14 | 460573 | . PANEL REAR R.H BACKWARD | | | |
| NS | 685124 | . ADHESIVE SIMSON #ISR 70-03 / BLACK / 600ml SAUSAGE | AR | AR | |
| NS | 506790 | . TAPE RUB ADH2 CC POL 1/16" x 1/2" x 200' / BLACK I1C-N-A | AR | AR | |
| 15 | 504488 | . RIVET MGLP PRDG 3/16x17/64 SS | AR | AR | |
| 16 | 464758 | . HINGE ASSY 1013MM | 1 | 1 | |
| 17 | 464757 | . HINGE ASSY 1829MM | 1 | 1 | |
| 21 | 477232 | PANEL LOWER 286MM X 255MM / B.A. | 1 | 1 | |
| 22 | 477233 | PANEL LOWER 240MM X 205MM / B.A. | 1 | 1 | |
| 23 | 460707 | LEVER / FOR LOCK | 1 | 1 | |
| 24 | 5001912 | SCREW CAP HEX M8-1.25x30 SS BK | 1 | 1 | |
| 25 | 471119 | SEAL WASHER / RUB RAIL & PANEL | 1 | 1 | |
| 26 | 5001852 | NUT HEX M8-1.25 SS BK | 1 | 1 | |
| 27 | 5001787 | NUT HEX NYRT M8-1.25 SS | 1 | 1 | |
| 28 | 5001233 | WASHER FL .500x1.250x.062 NYL | 1 | 1 | |
| 29 | 502111 | PIN, COTTER 1/8 x 1 1/2 SS | 1 | 1 | |
| 30 | 504527 | BUMPER PLUG / .625ODx.312THx.250HOLEx.125 | 2 | 2 | |
| 31 | 477399 | RECEPTACLE | 2 | 2 | |
| 32 | 472830 | SPRING GUIDE HOLDER | 2 | 2 | |
| 33 | 460708 | ADJUSTMENT PLATE | 2 | 2 | |
| 34 | 464765 | ADJUSTMENT PLATE | 2 | 2 | |
| 35 | 5001630 | SCREW TP BUTF TORX M6x20 SS | 6 | 6 | |
| 36 | 506790 | TAPE RUB ADH2 CC POL 1/16" x 1/2" x 200' / BLACK I1C-N-A | AR | AR | |
| 37 | 685126 | ADHESIVE SIMSON #ISR 70-03 / GREY / 600ml SAUSAGE | AR | AR | |
| | | | | | |
| 40 | 240528 | EDGE MOULDING W/FLUTED PANEL | 1 | 1 | |
| 41 | 240483 | EDGE MOULDING RH W/FLUTED PANEL | | | |
| 42 | 504748 | RIVET HKL MMS 3/16x1/2 SS | | | |
| 43 | 5001182 | NUT HEX NYRT M6-1.0 SS | | | |



| | | |
|-----------------------|--------------|-----------------|
| From D-5460 To D-5489 | Date:10/2022 | PAGE:XV-1857-56 |
| FENDERS R.H. | | |

| Item# | Part | Description | X 3 V I P | X L I I E N T 4 5 | N O T E S |
|-------|-------------------|--|-----------------------|---|-----------------------|
| 44 | 240436 | MOUNTING PLATE EDGE 43.2MM x 25MM | | | |
| 45 | 571755 | SPACERS BUTTITE STAINLESS | | | |
| 50 | XV-0663-00 | DOCK & CORNERING LIGHT | | | |
| 51 | XV-0662-00 | CLEARANCE & MARKER LIGHT | | | |
| 52 | XV-1855-00 | RUB RAIL - EXTERIOR CREST & TRIMS | | | |
| 90 | 217130 | CATCH FENDER LOWER | 1 | 1 | |
| 91 | 217144 | CATCH FENDER LOWER | 1 | 1 | |
| | | | | | |
| | | | | | |
| | | | | | |

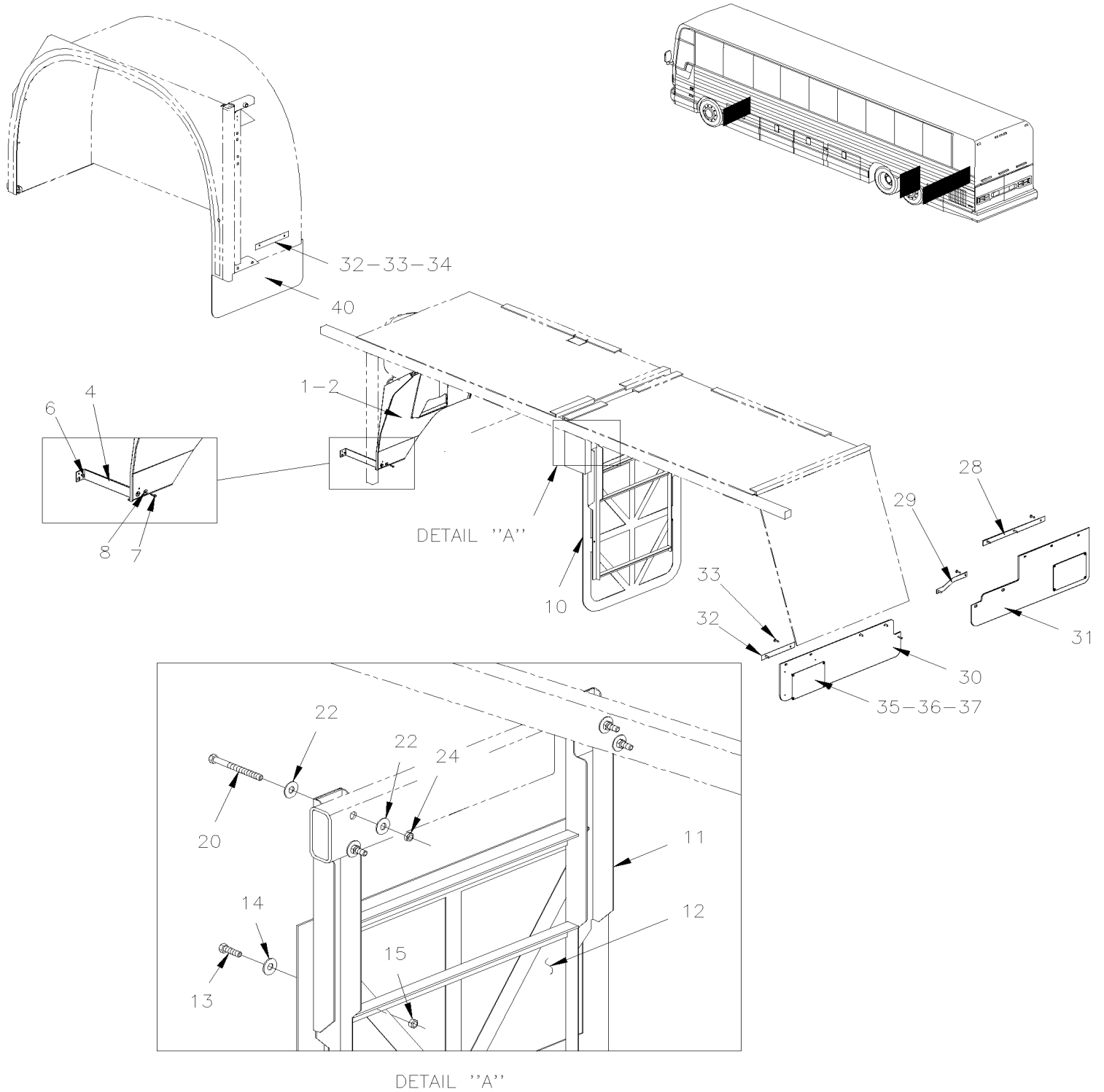


From B-5003 To D-5489

Date:10/2022

PAGE:XV-1859-00

SPLASH GUARD - FRONT & REAR



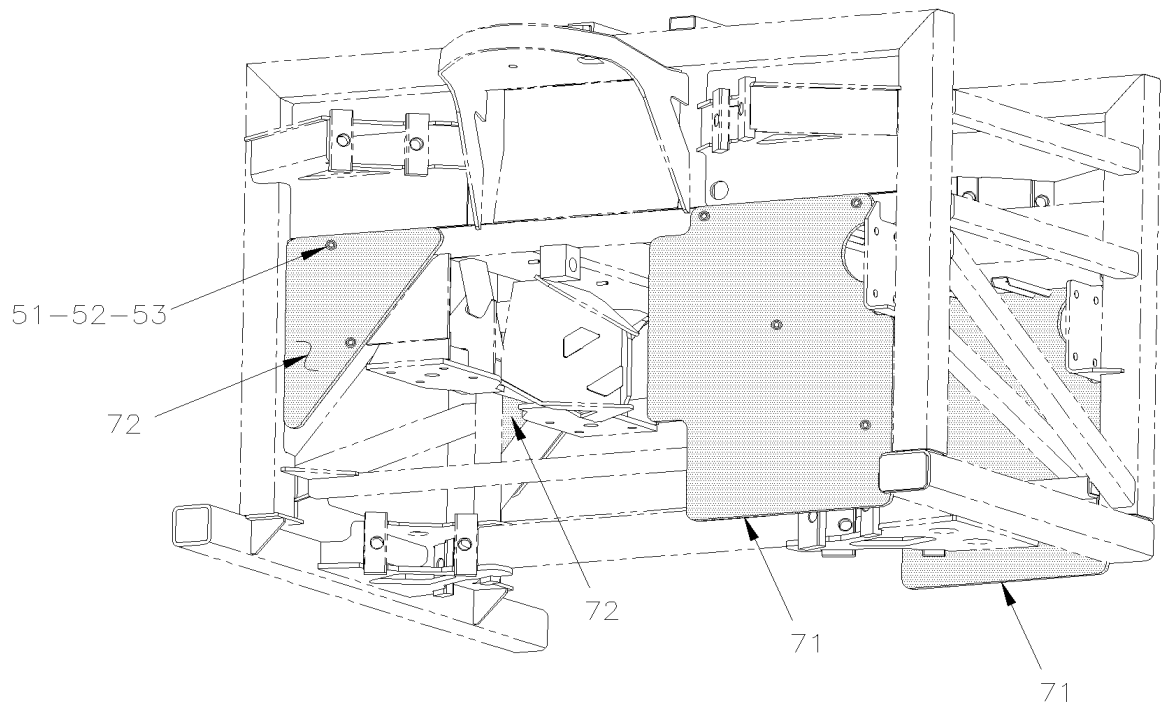
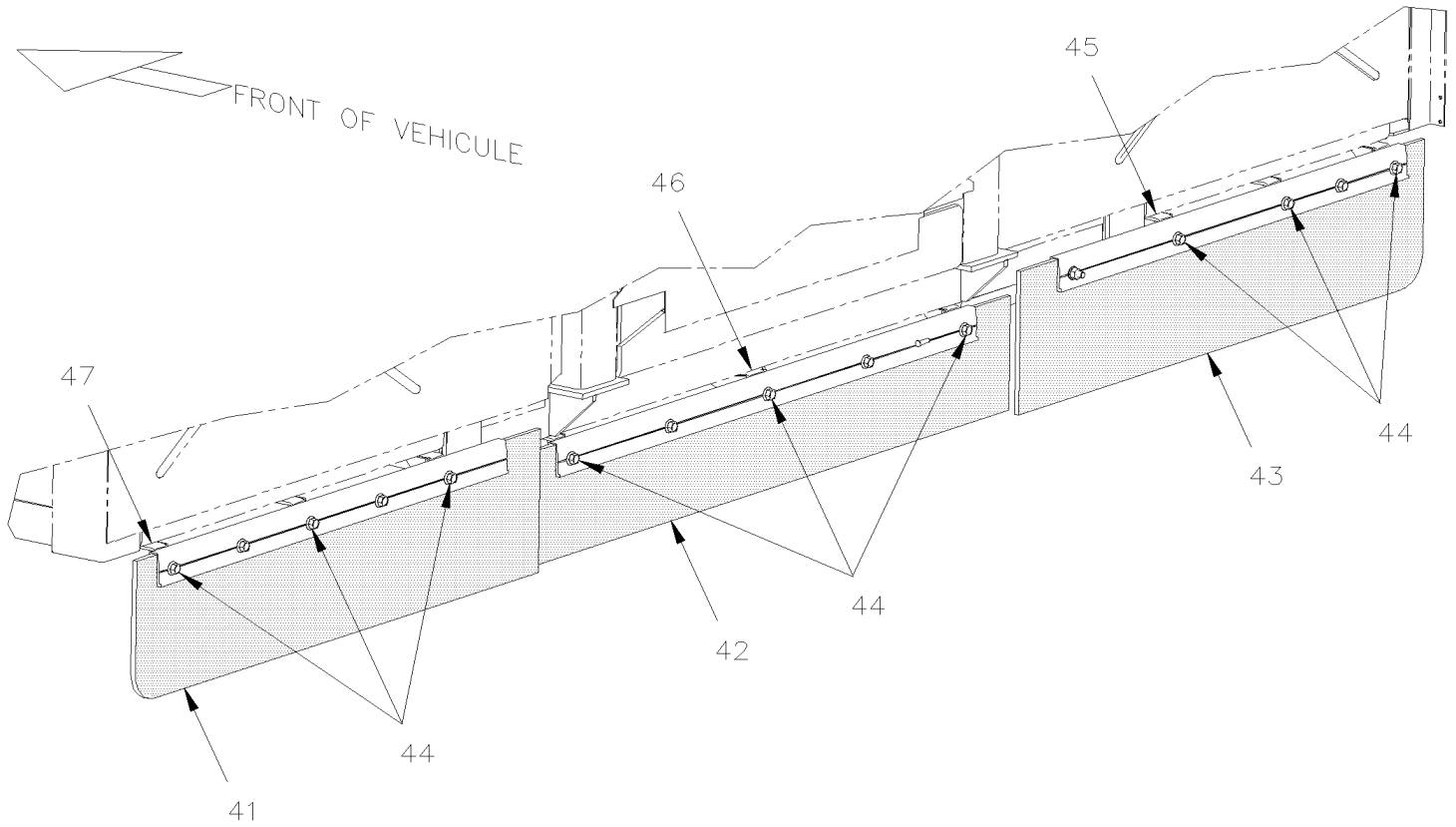


From B-5003 To D-5489

Date:10/2022

PAGE:XV-1859-00

SPLASH GUARD - FRONT & REAR





| | | |
|------------------------------|---------------------|------------------------|
| From B-5003 To D-5489 | Date:10/2022 | PAGE:XV-1859-00 |
|------------------------------|---------------------|------------------------|

SPLASH GUARD - FRONT & REAR

| Item# | Part | Description | X 3 V I P | X L I I E N T 4 5 | N O T E S |
|-------|---------|---|-----------------------|---|-----------------------|
| 1 | 460644 | SPLASH GUARD RH To D-5459 | 1 | 1 | |
| 1 | 464764 | SPLASH GUARD From D-5460 | 2 | 2 | |
| 2 | 460645 | SPLASH GUARD LH To D-5459 | 1 | 1 | |
| 4 | 460646 | SUPPORT To D-5459 | 1 | 1 | |
| 4 | 460698 | SUPPORT From D-5460 | 1 | 1 | |
| 6 | 504746 | RIVET HKL MMS 3/16x1/4 SS | 4 | 4 | |
| 7 | 5001169 | SCREW TP CAP HEXW #12x3/4 SS410 | 12 | 12 | |
| 8 | 500411 | WASHER FL .260x.697x.050 SS | 12 | 12 | |
| 10 | 460643 | SPLASH GUARD / R.H. DRIVE & TAG To D-5459 | 1 | 1 | |
| 10 | 464701 | . SPLASH GUARD / R.H. DRIVE & TAG To D-5459 | AR | AR | S |
| 10 | 460566P | SPLASH GUARD / R.H. DRIVE & TAG From D-5460 | 1 | 1 | |
| 10 | 460637 | SPLASH GUARD / L.H. DRIVE & TAG To D-5459 | 1 | 1 | |
| 10 | 464700 | . SPLASH GUARD / L.H. DRIVE & TAG To D-5459 | AR | AR | S |
| 10 | 460565P | SPLASH GUARD / L.H. DRIVE & TAG From D-5460 | 1 | 1 | |
| 11 | 460638 | . SUPPORT L.H. & R.H. To D-5459 | 2 | 2 | |
| 11 | 460561 | . SUPPORT L.H. & R.H. From D-5460 | 2 | 2 | |
| 12 | 460642 | . RUBBER PAD R.H. To D-5459 | 1 | 1 | |
| . NS | 960015 | . . RUBBER PAD To D-5459 | 1 | 1 | |
| 12 | 460641 | . RUBBER PAD L.H. To D-5459 | 1 | 1 | |
| . NS | 960015 | . . RUBBER PAD To D-5459 | 1 | 1 | |
| 12 | 464704 | . REINFORCMENT STRIP SS 749MM x 63MM To D-5459 | AR | AR | S |
| 12 | 464702 | . PAD L.H. & R.H. 749MM x 762MM To D-5459 | AR | AR | S |
| 12 | 460562 | . PAD L.H. & R.H. 749MM x 762MM From D-5460 | 2 | 2 | |
| 12 | 460563 | . PAD LOWER 749MM x 237MM From D-5460 | 2 | 2 | |
| 12 | 460564 | . REINFORCMENT STRIP SS 749MM x 38MM From D-5460 | 2 | 2 | |
| 13 | 5001636 | . SCREW CAP HEX M6-1.0x50 SS BK To D-5459 | 8 | 8 | S |
| 14 | 500411 | . WASHER FL .260x.697x.050 SS | 16 | 16 | |
| 15 | 5001182 | . NUT HEX NYRT M6-1.0 SS | 8 | 8 | |
| 20 | 5001185 | SCREW CAP HEX M8-1.25x80 SS BK | 8 | 8 | |
| 22 | 500270 | WASHER FL .406x1.000x.063 SS | 8 | 8 | |
| 24 | 5001787 | NUT HEX NYRT M8-1.25 SS | 8 | 8 | |
| 28 | 460672 | STRIP, FIXATION / SS 380MM W/3 HOLES | 1 | 1 | |
| 29 | 460673 | STRIP, FIXATION / SS 188MM W/2 HOLES / OFFSET | 1 | 1 | |
| 30 | 460533 | SPLASH GUARD / BEHIND TAG AXLE STREETSIDE 740MM x 200MM | 1 | 1 | |
| 31 | 460671 | SPLASH GUARD / BEHIND TAG AXLE CURBSIDE 725MM x 295MM | 1 | 1 | |
| 32 | 460189 | STRIP, FIXATION / SS 203MM W/2 HOLES | 4 | 4 | |
| 33 | 504610 | RIVET MGLP PRDG 1/4x5/8 SS | 8 | 8 | |
| 34 | 5001749 | WASHER LO SPT 6.5x11.5x1.6 N500 | 16 | 16 | |
| 35 | 071509 | PLATE ASSY W/DECAL "EDGE" | 2 | 2 | |
| . NS | 071507 | . PLATE SS 200MM x 133MM | 1 | 1 | |
| . NS | 071508 | . DECAL / "EDGE" - TRANS ALLISON | 1 | 1 | |
| 36 | 504487 | RIVET MGLP PRDG 3/16x7/16 SS | 4 | 4 | |



| | | |
|--|--------------|-----------------|
| From B-5003 To D-5489 | Date:10/2022 | PAGE:XV-1859-00 |
| SPLASH GUARD - FRONT & REAR | | |

| Item# | Part | Description | X 3 V I P | X L I I E N T 4 5 | N O T E S |
|-------|---------|---|-----------------------|---|-----------------------|
| 37 | 502637 | WASHER FL .200x.437x.037 SS | 4 | 4 | |
| 40 | 490081 | SPLASH GUARD / BEHIND FRONT AXLE 9" X 22" | 2 | 2 | |
| 41 | 460449 | AIR SHIELD DEFLECTOR ASSY / STREETSIDE To D-5371 | 1 | 1 | |
| . NS | 460443 | . AIR SHIELD DEFLECTOR To D-5371 | 1 | 1 | |
| . NS | 460433 | . EXTRUSION ALUMINUM / STREETSIDE To D-5371 | 1 | 1 | |
| 41 | 460443 | AIR SHIELD DEFLECTOR From D-5372 | 1 | 1 | |
| 41 | 464731 | STRIP DEFELECTOR 645MM From D-5372 | 1 | 1 | |
| 42 | 460450 | AIR SHIELD DEFLECTOR ASSY / CENTER To D-5371 | 1 | 1 | |
| . NS | 460444 | . AIR SHIELD DEFLECTOR / CENTER To D-5371 | 1 | 1 | |
| . NS | 460434 | . EXTRUSION ALUMINUM / CENTER To D-5371 | 1 | 1 | |
| 42 | 460444 | AIR SHIELD DEFLECTOR / CENTER From D-5372 | 1 | 1 | |
| 42 | 464732 | STRIP DEFELECTOR 804MM From D-5372 | 1 | 1 | |
| 43 | 460451 | AIR SHIELD DEFLECTOR ASSY / CURBSIDE To D-5371 | 1 | 1 | |
| . NS | 460445 | . AIR SHIELD DEFLECTOR / CURBSIDE To D-5371 | 1 | 1 | |
| . NS | 460435 | . EXTRUSION ALUMINUM / CURBSIDE To D-5371 | 1 | 1 | |
| 43 | 460443 | AIR SHIELD DEFLECTOR From D-5372 | 1 | 1 | |
| 43 | 464731 | STRIP DEFELECTOR 645MM From D-5372 | 1 | 1 | |
| 44 | 502912 | SCREW CAP HEXF M8-1.25x25 SS BK | 15 | 15 | |
| 44 | 502911 | NUT HEXF M8-1.25 SS | 6 | 6 | |
| 45 | 460440 | SUPPORT / AIR SHIELD / STREETSIDE To D-5371 | 1 | 1 | |
| 45 | 460682 | SUPPORT / AIR SHIELD From D-5372 | 1 | 1 | |
| 46 | 460441 | SUPPORT / AIR SHIELD / CENTER To D-5371 | 1 | 1 | |
| 46 | 460681 | SUPPORT / AIR SHIELD / CENTER From D-5372 | 1 | 1 | |
| 47 | 460442 | SUPPORT / AIR SHIELD / CURBSIDE To D-5371 | 1 | 1 | |
| 47 | 460682 | SUPPORT / AIR SHIELD From D-5372 | 1 | 1 | |
| 51 | 502565 | NUT HEX M6-1.0 SS | AR | AR | |
| 52 | 502570 | WASHER LO SPT 6.1x11.8x1.6 SS | AR | AR | |
| 53 | 5001467 | WASHER FL .343x1.250x.062 SS18-8 | AR | AR | |
| NS | 460436 | KIT RETROFIT AIR SHIELD DEFLECTOR / W/IND SUSPENSION | 1 | 1 | |
| . NS | D460031 | . SEE DRAWING | 1 | 1 | |
| 71 | 460492 | AIR SHIELD DEFLECTOR / FORWARD / W/IND SUSPENSION To C-5132 | 2 | 2 | |
| 71 | 460679 | AIR SHIELD DEFLECTOR / FORWARD / W/IND SUSPENSION From C-5133 | 2 | 2 | |
| 72 | 460456 | AIR SHIELD DEFLECTOR / BACKWARD / W/IND SUSPENSION | 2 | 2 | |
| | | | | | |
| | | | | | |
| | | | | | |
| | | | | | |
| | | S) WITH SPECIAL REQUEST ONLY | | | |

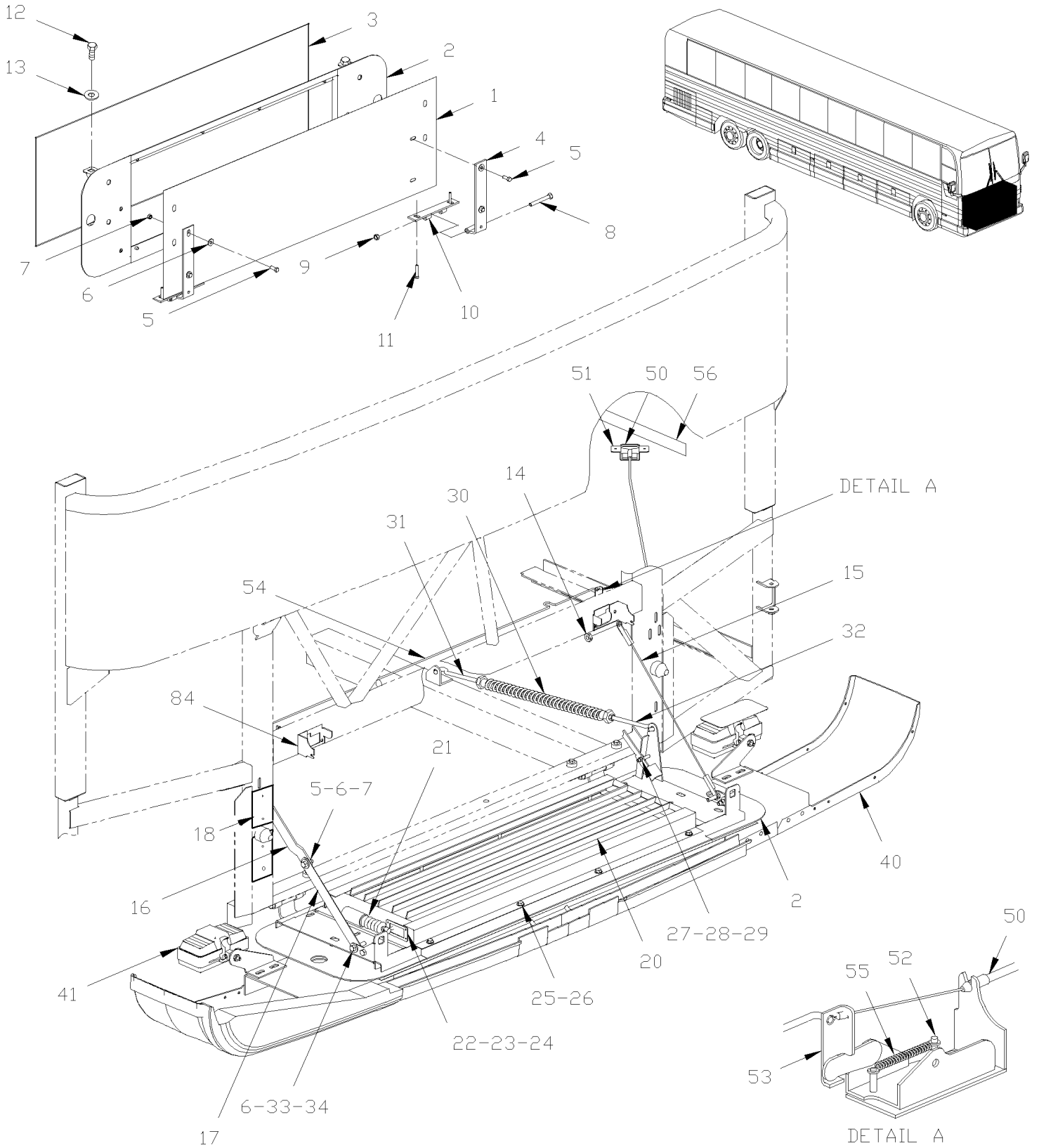


From B-5003 To B-5009

Date:10/2022

PAGE:XV-1860-10

SPARE WHEEL DOOR ASSY





| | | |
|-----------------------|--------------|-----------------|
| From B-5003 To B-5009 | Date:10/2022 | PAGE:XV-1860-10 |
|-----------------------|--------------|-----------------|

SPARE WHEEL DOOR ASSY

| Item# | Part | Description | X 3 V I P | X L I E N T 4 5 | N O T E S |
|-------|---------|---|-----------------------|--------------------------------------|-----------------------|
| | 287351 | SPARE WHEEL DOOR ASSY / W/PLAIN PANEL | 1 | 1 | |
| | 287353 | SPARE WHEEL DOOR ASSY / W/PERFORATED | 1 | 1 | |
| | 287355 | SPARE WHEEL DOOR ASSY / W/HINGE | | 1 | C |
| 1 | 287289 | . PANEL, PLASTIC | | 1 | A |
| 1 | 288536 | . PANEL, PERFORATED / B.A. | 1 | 1 | |
| 1 | 288535 | . PANEL, PLAIN PANEL WITHOUT ACB SYSTEM / B.A. WITHOUT ACB SYSTEM | 1 | 1 | |
| 2 | 287386 | . FRAME ASSY | 1 | 1 | |
| 3 | 288907 | . RUBBER SEAL EXTRUSION / SPARE WHEEL DOOR | 1 | 1 | |
| 3 | 2800124 | . RUBBER SEAL EXTRUSION / SPARE WHEEL DOOR | 1 | 1 | |
| 4 | 288564 | . HINGE UPPER SECTION | 2 | 2 | |
| 5 | 955535 | . SCREW CAP HEX 3/8-16x1 1/4 G5 ZG603 | 4 | 4 | |
| NS | 287383 | . RETAINING PLATE W/NUT / 195MM X 30MM | 2 | 2 | |
| 6 | 500445 | . WASHER FL .437x1.000x.083 Z050 | 10 | 10 | |
| NS | 500897 | . WASHER FL .437x1.000x.083 N500 | 6 | 6 | |
| 7 | 500102 | . NUT HEX 3/8-16 SS | 6 | 6 | |
| 8 | 500080 | . SCREW CAP HEX 7/16-20x4 1/2 G5 Z050 | 2 | 2 | |
| 9 | 3853273 | . NUT HEX STO 7/16-20 ZG603 | 2 | 2 | |
| 10 | 288563 | . HINGE LOWER SECTION | 2 | 2 | |
| 11 | 500214 | . SCREW CAP HEX 1/2-13x1 1/4 G5 Z050 | 4 | 4 | |
| 11 | 500482 | . WASHER LO SPT .506x.873x.125 Z050 | 4 | 4 | |
| 11 | 500448 | . WASHER FL .625x1.469x.109 ZP | 4 | 4 | |
| 12 | 284438 | . PIN STRIKER | 2 | 2 | |
| 13 | 284447 | . WASHERS BELLEVILLE | 2 | 2 | |
| 14 | 500208 | NUT HEX STO 3/8-16 N500 | AR | AR | |
| 15 | 287284 | CABLE DOOR ASSY 550MM | 1 | 1 | |
| 16 | 281348 | ARM, TIRE DOOR SUPPORT SUPERIOR | 1 | 1 | |
| 17 | 281347 | ARM, TIRE DOOR SUPPORT INFERIOR | 1 | 1 | |
| 18 | 287258 | RUBBER BUMPER 126MM X 48MM | 4 | 4 | |
| NS | 502903 | SCREW TC FL PH #10-24x1 1/4 N500 | 8 | 8 | |
| NS | 411084 | SHIM SPACER | 4 | 4 | |
| 20 | 051570 | SHUTTER ASSY | 1 | 1 | |
| . NS | 550568 | . CYLINDER AIR / SHUTTER / W/4" MOUNT | 1 | 1 | |
| . NS | 550569 | . BOOT RUBBER | 1 | 1 | |
| . NS | 550577 | . SPRING EXTENSION / .350 O.D. x 6.875 x .069 | 1 | 1 | |
| . NS | 550179 | . BUSHING 5/16" I.D. / NYLON | AR | AR | |
| 21 | 641365 | MALE ELBOW 45° NON-SWIVEL / PUSH-IN FITTING / #4x1/8NPT-M BR | 1 | 1 | |
| NS | 640996 | MALE ELBOW 90° / NTA FITTING / #4x1/8NPT-M BR | 1 | 1 | |
| NS | 503402 | TUBE, NYLON 1/4 O.D. / BLACK S.L. | 8 | 8 | |
| 22 | 282953 | PLATE, CLOSING | 1 | 1 | |
| 23 | 282954 | GASKET | 1 | 1 | |
| 24 | 504340 | RIVET POP DOME OE 1/8x3/16 SS | 1 | 1 | |
| 26 | 500441 | WASHER FL .312x.734x.065 Z050 | AR | AR | |



| | | |
|------------------------------|--------------|-----------------|
| From B-5003 To B-5009 | Date:10/2022 | PAGE:XV-1860-10 |
| SPARE WHEEL DOOR ASSY | | |

| Item# | Part | Description | X 3 V I P | X L I I E N T 4 5 | N O T E S |
|-------|-------------------|--|-----------------------|---|-----------------------|
| NS | 500942 | WASHER LO SPT 8.1x14.8x2.0 N500 | AR | AR | |
| 27 | 287274 | DOOR LOCKER | 1 | 1 | |
| 28 | 502170 | PIN, CLEVIS 5/16 x 1 5/8 SS | 1 | 1 | |
| 29 | 502097 | PIN, COTTER 3/32 x 3/4 | 1 | 1 | |
| 30 | 410836 | SPRING ASSY | 1 | 1 | |
| 31 | 5001238 | SCREW HOOK 3/8-16x5 ZP | AR | AR | |
| 32 | 500102 | NUT HEX 3/8-16 SS | AR | AR | |
| 33 | 500197 | SCREW CAP HEX 3/8-16x1 G5 N500 | 2 | 2 | |
| 34 | 500265 | NUT HEX STO 3/8-16 Z050 | 2 | 2 | |
| 40 | XV-1850-00 | BUMPER FRONT | | | |
| 41 | XV-0660-00 | HEADLAMP & FRONT DIRECTIONAL LAMPS ROUND "HALOGENE" & "XENON" | | | |
| 50 | 289495 | CABLE HANDLE ASSY | 1 | 1 | |
| NS | 504379 | RIVET POP DOME OE 3/16x1/4 SS | 4 | 4 | |
| 51 | 289981 | SUPPORT / HANDLE | 1 | 1 | |
| NS | 502500 | SCREW TC BDG PH #8-32x1/2 CJ | 2 | 2 | |
| NS | 5001378 | WASHER LO EXT 5.3x10x0.6 Z050 | 2 | 2 | |
| 52 | 780653 | LOCK SPAGNOLET R.H. / W/G-FITTING | 2 | 2 | |
| . NS | 780340 | . CLIP, RETAINER ROD | 1 | 1 | |
| . NS | 507607 | . GREASE FITTING / M6-1.00 | 1 | 1 | |
| NS | 502582 | WASHER LO SERR 6.1x16.2x0.9 Z050 | 4 | 4 | |
| NS | 502531 | SCREW CAP HEX M6-1.0x16 G8.8 Z050 | 4 | 4 | |
| 53 | 289496 | LEVER PIVOT | 1 | 1 | |
| NS | 504379 | RIVET POP DOME OE 3/16x1/4 SS | 2 | 2 | |
| 54 | 287257 | ROD | 1 | 1 | |
| 55 | 284914 | SPRING EXTENSION / .305 O.D. x 1.562 x .051 | 2 | 2 | |
| 56 | 287290 | DECAL / "UNLATCH FRONT BUMPER" / ENGLISH & FRANCAIS | 1 | 1 | |
| 56 | 288199 | DECAL / "UNLATCH FRONT BUMPER" / ENGLISH & SPANISH | 1 | 1 | |
| 84 | 289497 | SUPPORT SPAGNOLET | 1 | 1 | |
| | | | | | |
| | | | | | |
| | | A) ALSO USE WITH ENT45 WITH SPARE TIRE | | | |
| | | C) USE W/OUT SPARE & WITH BLACK BUMPER | | | |

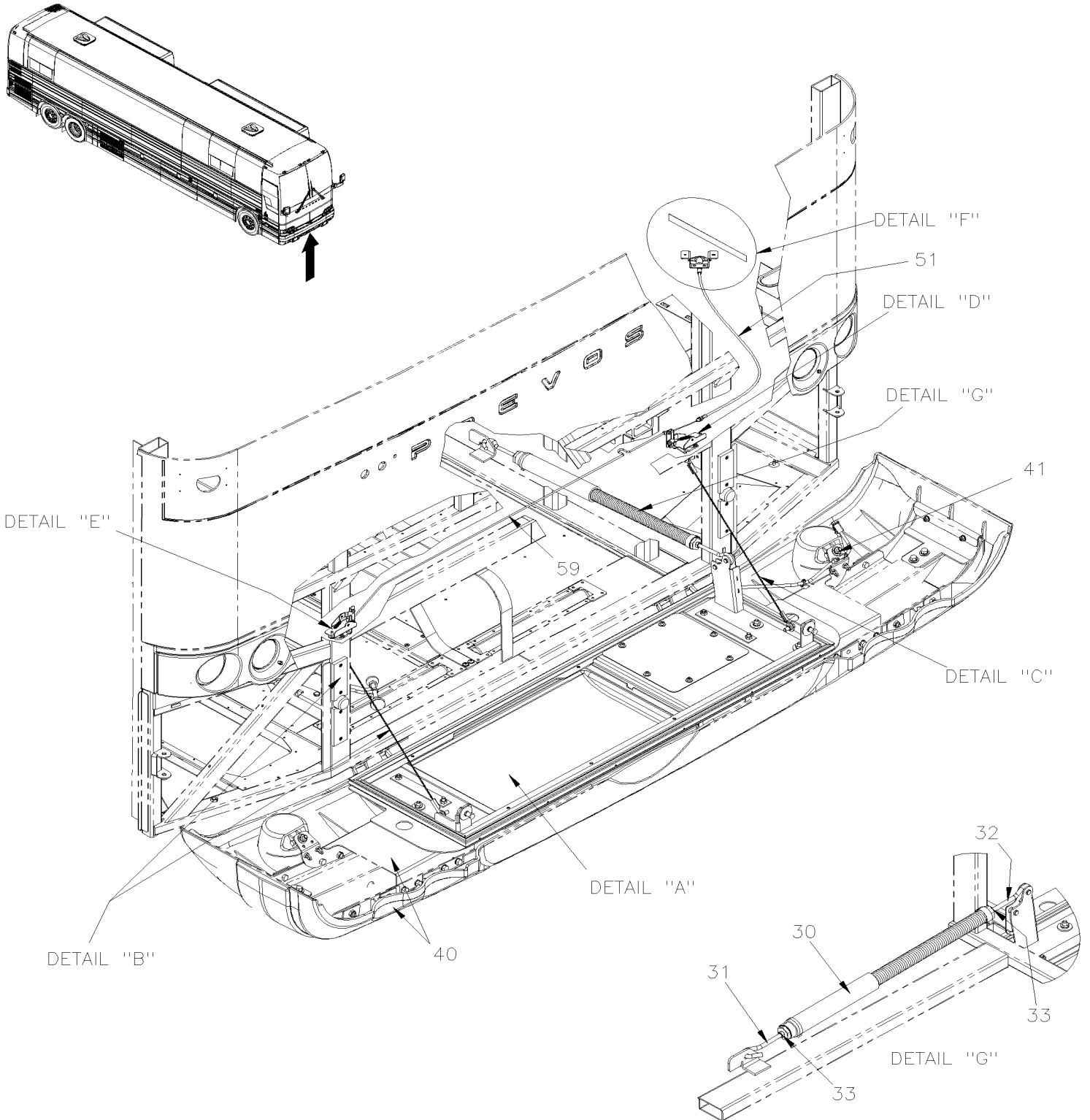


From B-5010 To D-5489

Date:10/2022

PAGE:XV-1860-11

SPARE WHEEL DOOR ASSY



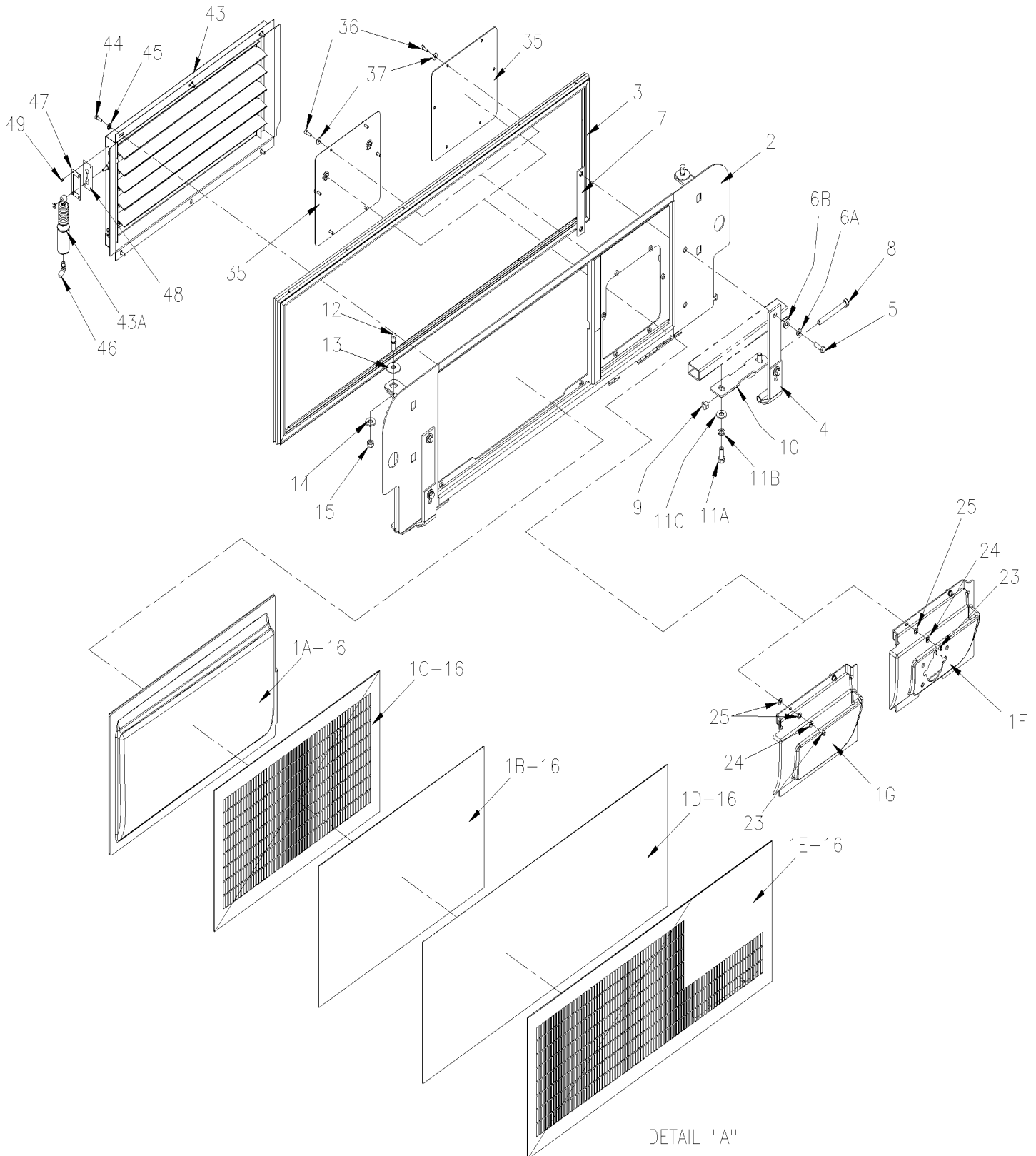


From B-5010 To D-5489

Date:10/2022

PAGE:XV-1860-11

SPARE WHEEL DOOR ASSY



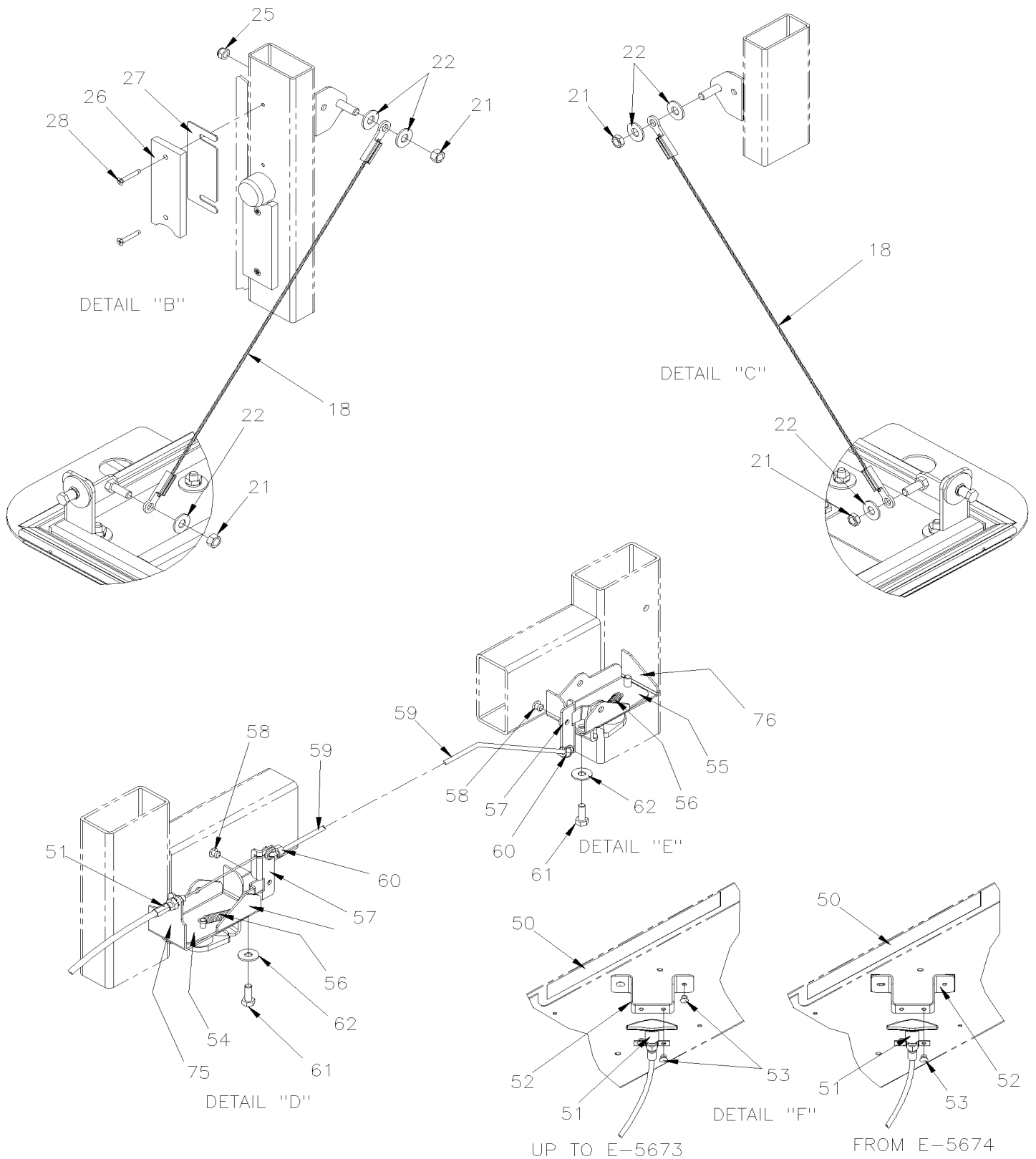


From B-5010 To D-5489

Date:10/2022

PAGE:XV-1860-11

SPARE WHEEL DOOR ASSY





From B-5010 To D-5489 Date:10/2022 PAGE:XV-1860-11

SPARE WHEEL DOOR ASSY

| Item# | Part | Description | X 3 V I P | X L I I E N T 4 5 | N O T E S |
|-------|---------|--|-----------------------|---|-----------------------|
| | 289273P | SPARE WHEEL DOOR ASSY / W/HINGE | | 1 | |
| | 287371 | SPARE WHEEL DOOR ASSY / W/HINGE / W/ACB | | 1 | |
| 1A | 411230 | . PANEL, PLASTIC / WITH SPARE WHEEL CENTRAL | 1 | 1 | |
| 1B | 280254 | . PANEL, STAINLESS / WITHOUT SPARE WHEEL CENTRAL | 1 | 1 | |
| 1C | 280255 | . PANEL, PERFORATED WITH ACB SYSTEM | 1 | 1 | |
| 1D | 288535 | . PANEL, PLAIN PANEL WITHOUT ACB SYSTEM / B.A. | 1 | 1 | |
| 1E | 280259 | . PANEL, PERFORATED WITHOUT ACB SYSTEM | 1 | 1 | |
| 1F | 411231 | . PANEL, PLASTIC WITH ACB SYSTEM STREET SIDE | | 1 | |
| 1G | 411245 | . PANEL, PLASTIC WITHOUT ACB SYSTEM STREET SIDE | | 1 | |
| 2 | 280243 | . FRAME ASSY To D-5299 | 1 | 1 | |
| 2 | 289152 | . FRAME ASSY From D-5300 | 1 | 1 | |
| 3 | 288907 | . RUBBER SEAL EXTRUSION / SPARE WHEEL DOOR To C-5244 | 1 | 1 | |
| 3 | 2800124 | . RUBBER SEAL EXTRUSION / SPARE WHEEL DOOR From C-5245 | 1 | 1 | |
| 4 | 288564 | . HINGE UPPER SECTION | 2 | 2 | |
| 5 | 5001748 | . SCREW CAP HEX 3/8-16x1 1/4 G5 N500 | 4 | 4 | |
| 6A | 502616 | . WASHER LO SPT 10.2x18.1x2.2 SS | 4 | 4 | |
| 6B | 500897 | . WASHER FL .437x1.000x.083 N500 | 4 | 4 | |
| 7 | 287383 | . RETAINING PLATE W/NUT / 195MM X 30MM | 2 | 2 | |
| 8 | 500696 | . SCREW CAP HEX 7/16-20x4 1/2 G5 N500 | 2 | 2 | |
| 9 | 502661 | . NUT HEX STO 7/16-20 N500 | 2 | 2 | |
| 10 | 288563 | . HINGE LOWER SECTION | 2 | 2 | |
| 11A | 502594 | . SCREW CAP HEX M12-1.75x30 G8.8 Z050 | 4 | 4 | |
| 11B | 500944 | . WASHER LO SPT .506x.873x.125 N500 | 4 | 4 | |
| 11C | 500211 | . WASHER FL .531x1.250x.125 N500 | 4 | 4 | |
| 12 | 284438 | . PIN STRIKER | 2 | 2 | |
| 13 | 500494 | . WASHER BEL SPR .470x1.680x.125 N500 | 2 | 2 | |
| 14 | 500211 | . WASHER FL .531x1.250x.125 N500 | 2 | 2 | |
| 15 | 502883 | . NUT HEX 7/16-14 N500 | 2 | 2 | |
| 16 | 506785 | . TAPE RUB ADH2 CC POL 1/16" x 1/4" x 200' / BLACK I1C-N-A | AR | AR | |
| 16 | 684685 | . ADHESIVE SIMSON #ISR 70-03 / 310ml CARTRIDGE | AR | AR | |
| 18 | 287284 | CABLE DOOR ASSY 550MM | 2 | 2 | |
| 21 | 500208 | NUT HEX STO 3/8-16 N500 | 4 | 4 | |
| 22 | 500897 | WASHER FL .437x1.000x.083 N500 | 6 | 6 | |
| 23 | 5001648 | SCREW CAP HEXS M6-1.0x18 SS BK | 2 | 2 | |
| 24 | 500877 | WASHER FL .250x.562x.065 N500 | 2 | 2 | |
| 25 | 500374 | WASHER FL .375x.625x.062 RUB | 2 | 2 | |
| 26 | 287258 | RUBBER BUMPER 126MM X 48MM | 4 | 4 | |
| 26 | 680030 | ADHESIVE ADCHEM #EC847 / 1 Liter | AR | AR | |
| 27 | 411084 | SHIM SPACER | AR | AR | |
| 28 | 502903 | SCREW TC FL PH #10-24x1 1/4 N500 | 8 | 8 | |
| 30 | 410836 | SPRING ASSY To C-5240 | 1 | 1 | |
| 30 | 411267P | SPRING ASSY From C-5241 | 1 | 1 | |



| | | |
|------------------------------|---------------------|------------------------|
| From B-5010 To D-5489 | Date:10/2022 | PAGE:XV-1860-11 |
|------------------------------|---------------------|------------------------|

SPARE WHEEL DOOR ASSY

| Item# | Part | Description | X 3 V I P | X L I E N T 4 5 | N O T E S |
|-------|-------------------|--|-----------------------|--------------------------------------|-----------------------|
| 31 | 5001238 | SCREW HOOK 3/8-16x5 ZP | 1 | 1 | |
| 32 | 5001239 | SCREW HOOK 3/8-16x5 LH ZP | 1 | 1 | |
| 33 | 500102 | NUT HEX 3/8-16 SS | 2 | 2 | |
| 35 | 280251 | PLATE CLOSING W/"ACB" | 1 | 1 | |
| 35 | 280256 | PLATE CLOSING W/OUT "ACB" | 1 | 1 | |
| 36 | 5001648 | SCREW CAP HEXS M6-1.0x18 SS BK | 4 | 4 | |
| 37 | 5001833 | WASHER BEL SPR 6.1x18x1.27 SS | 4 | 4 | |
| 40 | XV-1850-00 | BUMPER FRONT | | | |
| 41 | XV-0661-00 | FOG LAMP | | | |
| 42 | XV-189X-XX | STRUCTURE / CALL ORDER DESK | | | |
| 43 | 051570 | SHUTTER ASSY To C-5262 | 1 | 1 | |
| . NS | 550568 | . CYLINDER AIR / SHUTTER / W/4" MOUNT To C-5262 | 1 | 1 | |
| . NS | 550569 | . BOOT RUBBER To C-5262 | 1 | 1 | |
| . NS | 550577 | . SPRING EXTENSION / .350 O.D. x 6.875 x .069 To C-5262 | 1 | 1 | |
| . NS | 550179 | . BUSHING 5/16" I.D. / NYLON To C-5262 | AR | AR | |
| 43 | 053011 | SHUTTER ASSY From C-5263 | 1 | 1 | |
| 43 | 550577 | . SPRING EXTENSION / .350 O.D. x 6.875 x .069 | 1 | 1 | |
| 43A | 550568 | . CYLINDER AIR / SHUTTER / W/4" MOUNT | 1 | 1 | |
| 43A | 550569 | . . BOOT RUBBER | 1 | 1 | |
| 43A | 550179 | . . BUSHING 5/16" I.D. / NYLON | 1 | 1 | |
| 44 | 5001648 | SCREW CAP HEXS M6-1.0x18 SS BK | 5 | 5 | |
| 45 | 500356 | WASHER LO SERR 6.1x16.0x0.9 N500 | 5 | 5 | |
| 46 | 641365 | MALE ELBOW 45° NON-SWIVEL / PUSH-IN FITTING / #4x1/8NPT-M BR | 1 | 1 | |
| 47 | 282953 | PLATE, CLOSING | 1 | 1 | |
| 48 | 282954 | GASKET | 1 | 1 | |
| 49 | 504340 | RIVET POP DOME OE 1/8x3/16 SS | 4 | 4 | |
| 50 | 287290 | DECAL / "UNLATCH FRONT BUMPER" / ENGLISH & FRANCAIS | 1 | 1 | |
| 50 | 288199 | DECAL / "UNLATCH FRONT BUMPER" / ENGLISH & SPANISH | 1 | 1 | |
| 51 | 289495 | CABLE HANDLE ASSY | 1 | 1 | |
| 52 | 289981 | SUPPORT / HANDLE | 1 | 1 | |
| 53 | 504379 | RIVET POP DOME OE 3/16x1/4 SS | 4 | 4 | |
| 54 | 780653 | LOCK SPAGNOLET R.H. / W/G-FITTING | 1 | 1 | |
| . NS | 780340 | . CLIP, RETAINER ROD | 1 | 1 | |
| . NS | 507607 | . GREASE FITTING / M6-1.00 | 1 | 1 | |
| 54 | 680739 | GREASE SYNTHETIC / RED 20KG | AR | AR | |
| 55 | 780652 | LOCK SPAGNOLET L.H. / W/G-FITTING | 1 | 1 | |
| . NS | 780340 | . CLIP, RETAINER ROD | 1 | 1 | |
| . NS | 507607 | . GREASE FITTING / M6-1.00 | 1 | 1 | |
| 55 | 680739 | GREASE SYNTHETIC / RED 20KG | AR | AR | |
| 56 | 284914 | SPRING EXTENSION / .305 O.D. x 1.562 x .051 | 2 | 2 | |
| 57 | 289496 | LEVER PIVOT | 2 | 2 | |
| 58 | 504379 | RIVET POP DOME OE 3/16x1/4 SS | 2 | 2 | |



| | | |
|-----------------------|--------------|-----------------|
| From B-5010 To D-5489 | Date:10/2022 | PAGE:XV-1860-11 |
|-----------------------|--------------|-----------------|

SPARE WHEEL DOOR ASSY

| Item# | Part | Description | X 3 V I P | X L I I E N T 4 5 | N O T E S |
|-------|---------|---|-----------------------|---|-----------------------|
| 59 | 287424 | ROD | 1 | 1 | |
| 60 | 780340 | CLIP, RETAINER ROD | 2 | 2 | |
| 61 | 5001744 | SCREW CAP HEX M6-1.0x16 G8.8 N500 | 4 | 4 | |
| 62 | 500356 | WASHER LO SERR 6.1x16.0x0.9 N500 | 4 | 4 | |
| NS | 680739 | GREASE SYNTHETIC / RED 20KG | AR | AR | |
| 75 | 289497 | SUPPORT SPAGNOLET | 1 | 1 | |
| 76 | 287423 | SUPPORT SPAGNOLET | 1 | 1 | |
| | | | | | |
| NS | 161192 | DECAL "WARNING SPARE TIRE...." BILINGUAL 315/80/R22.5 Tag & Dr125 | 1 | 1 | |
| | | | | | |
| | | | | | |
| | | | | | |

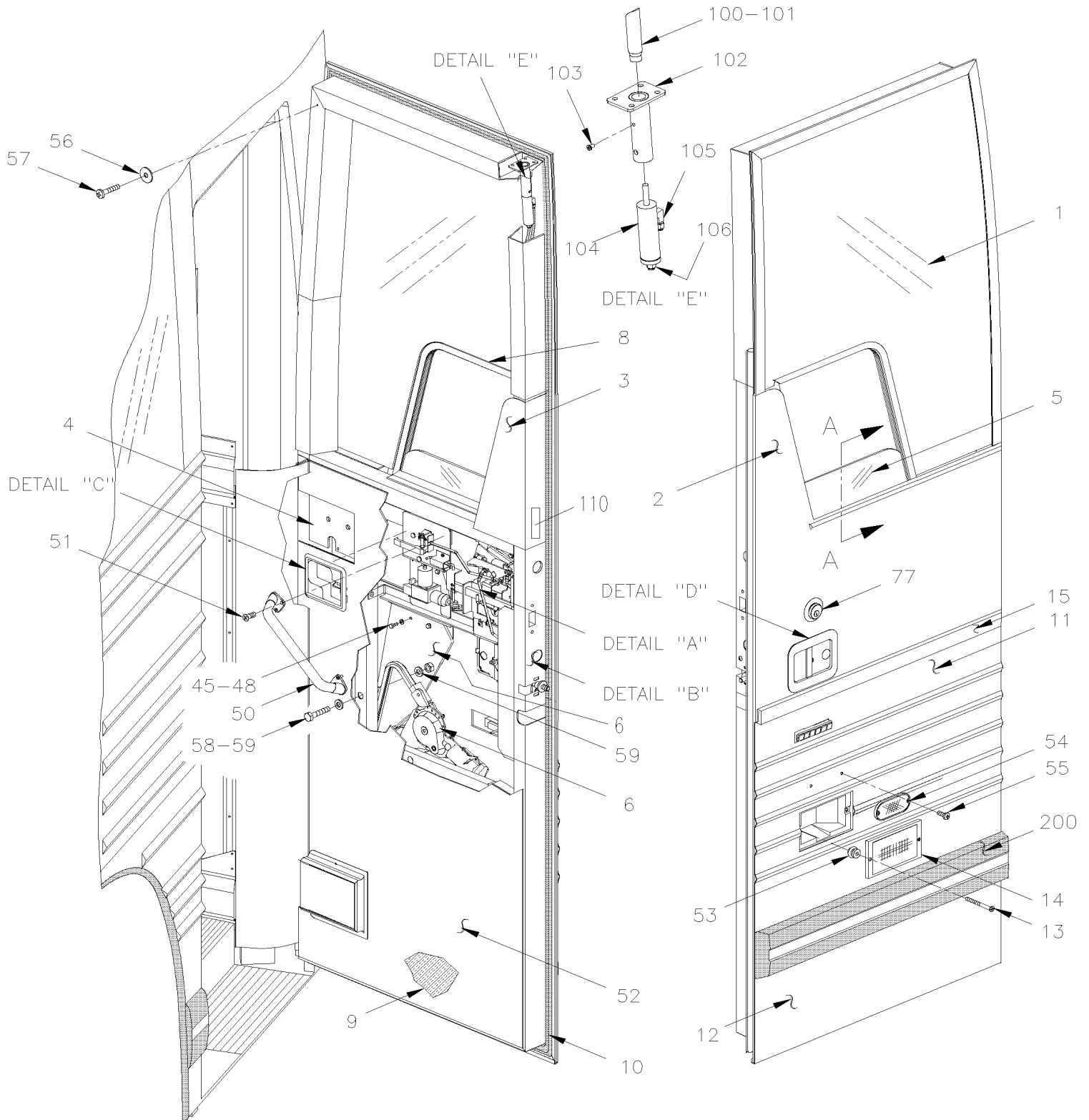


From B-5003 To D-5489

Date:10/2022

PAGE:XV-1862-50

ENTRANCE DOOR ASSY



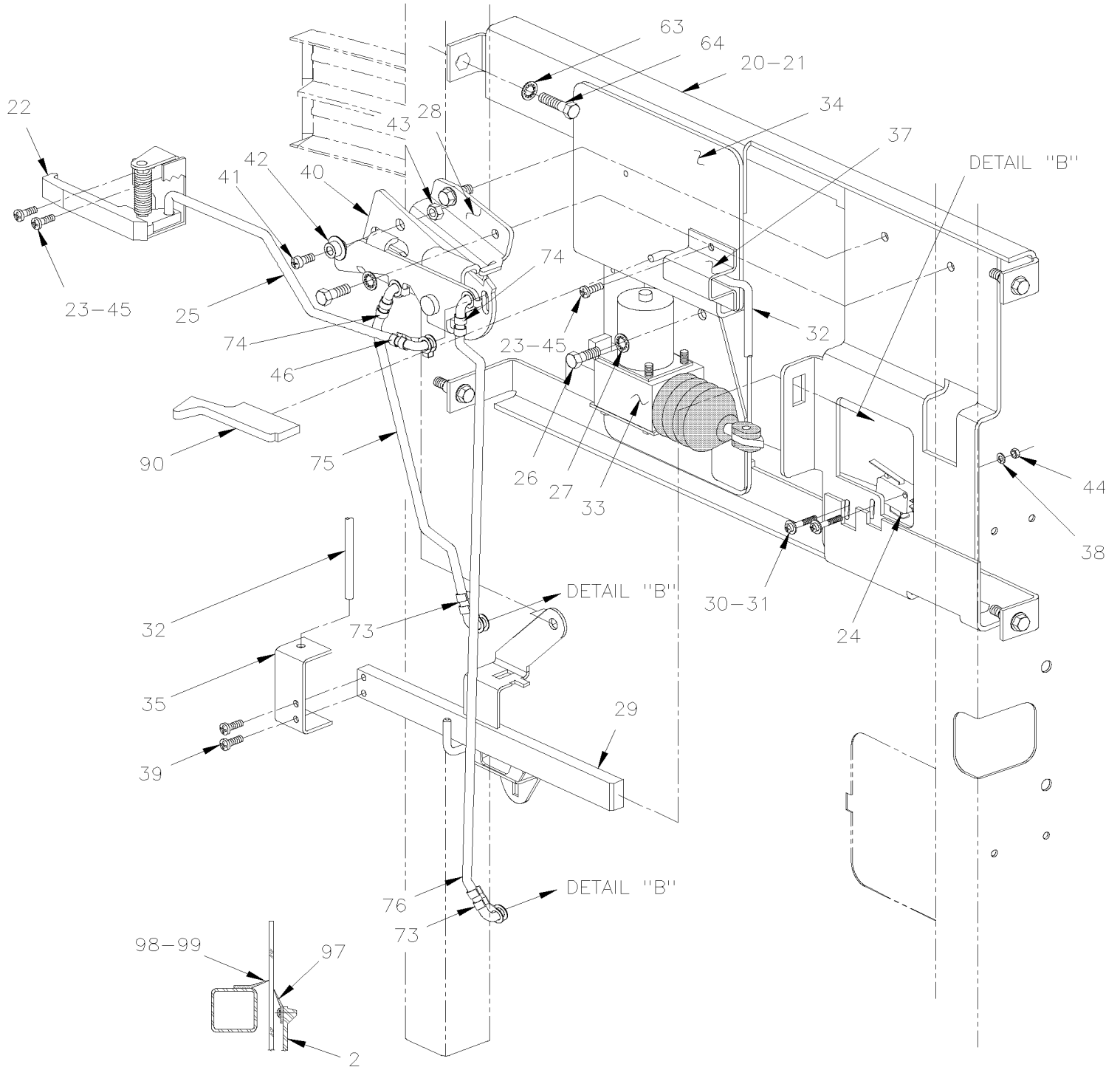


From B-5003 To D-5489

Date:10/2022

PAGE:XV-1862-50

ENTRANCE DOOR ASSY



SECTION "A-A"

DETAIL "A"

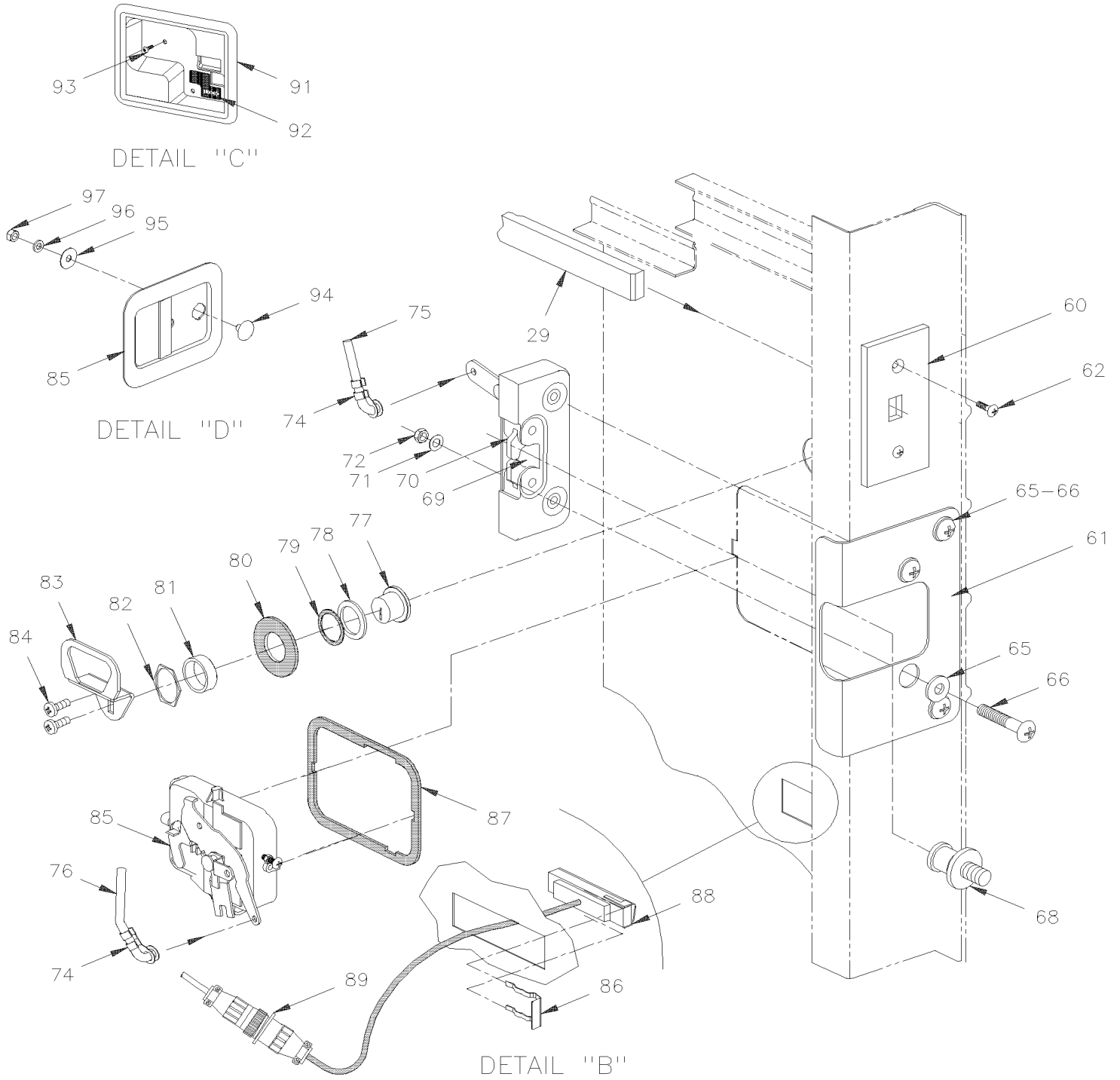


From B-5003 To D-5489

Date:10/2022

PAGE:XV-1862-50

ENTRANCE DOOR ASSY





| | | |
|-----------------------|--------------|-----------------|
| From B-5003 To D-5489 | Date:10/2022 | PAGE:XV-1862-50 |
|-----------------------|--------------|-----------------|

ENTRANCE DOOR ASSY

| Item# | Part | Description | X 3 V I P | X L I I E N T 4 5 | N O T E S |
|-------|-------------------|--|-----------------------|---|-----------------------|
| | | ALL DOORS ASSY DO NOT INCLUDE | | | |
| | | RUB-RAIL PLEASE ORDER SEPARATELY | | | |
| | 287181P | ENTRANCE DOOR ASSY MTH 89" | 1 | 1 | |
| 1 | 286427 | GLASS ENTRANCE DOOR / MTH 86" & 89" | 1 | 1 | |
| 2 | 286715 | PANEL UPPER / MTH 89" | 1 | 1 | |
| 3 | 287915 | FINISHING CAP MTH 83", 86", & 89" | 1 | 1 | |
| NS | 504340 | RIVET POP DOME OE 1/8x3/16 SS | 3 | 3 | |
| 4 | 287136P | FRAME ASSY 89" | 1 | 1 | |
| 5 | 286196 | GLASS ASSY W/SUPPORT | 1 | 1 | |
| 5 | 286078 | GLASS | 1 | 1 | |
| 5 | 299049 | SUPPORT ASSY | 1 | 1 | |
| 5 | 681092 | ADHESIVE SIKA #255FC / BLACK / 310ml CARTRIDGE | 1 | 1 | |
| 6 | XV-1886-00 | POWER WINDOW - ELECTRICAL INSTALLATION | | | |
| 8 | 293088 | MOULDING | 1 | 1 | |
| 9 | 286736 | INSULATION WITH 89" DOOR | 1 | 1 | |
| 10 | 288916 | RUBBER SEAL EXTRUSION / ENTRANCE DOOR MTH-89" To C-5244 | 1 | 1 | |
| 10 | 2800129 | RUBBER SEAL EXTRUSION // ENTRANCE DOOR MTH-89" From C-5245 | 1 | 1 | |
| 11 | 288523 | PANEL CENTER / MTH W/DOCKING LAMP / B.A. | 1 | 1 | |
| 12 | 288524 | PANEL LOWER / B.A. | 1 | 1 | |
| NS | 504335 | RIVET POP DOME CLE 3/16x1/4 AL | 2 | 2 | |
| NS | 500437 | WASHER FL .125x.375x.040 Z050 | 2 | 2 | |
| 13 | 502530 | SCREW MA OV PH M4-0.7x40 SS | 2 | 2 | |
| 14 | XV-0663-00 | DOCK & CORNERING LIGHT | | | |
| 15 | 288522 | FINISHING MOULDING 800MM / B.A. | 1 | 1 | |
| 20 | 288554 | . MECHANISM ASSY | 1 | 1 | |
| 21 | 289957 | . . SUPPORT ASSY | 1 | 1 | |
| 22 | 780484 | . . LEVER, RELEASE | 1 | 1 | |
| 23 | 500654 | . . SCREW TC BDG PH #8-32x1/2 Z050 | 4 | 4 | |
| 24 | 561677 | . . MICRO SWITCH | 1 | 1 | |
| NS | 680066 | . . ADHESIVE / ADBOND #5014 / 23.6ML BOTTLE | AR | AR | |
| 25 | 283387 | . . ROD | 1 | 1 | |
| 26 | 500472 | . . WASHER LO INT .256x.478x.028 Z050 | 4 | 4 | |
| 27 | 502531 | . . SCREW CAP HEX M6-1.0x16 G8.8 Z050 | 4 | 4 | |
| 28 | 288552 | . . SHUTTER, RELEASE ASSY | 1 | 1 | |
| 29 | 286217 | . . BAR ASSY, RIVETED | 1 | 1 | |
| 30 | 5001412 | . . SCREW MA CHE PH M3-0.5x20 EMN | 2 | 2 | |
| 31 | 500591 | . . WASHER FL 4.3x9.0x0.8 Z050 | 2 | 2 | |
| 32 | 284836 | . . ROD | 1 | 1 | |
| 33 | 780814 | . . LOCK ACTUATOR / 12V To C-5169 | 1 | 1 | |
| . NS | 562076 | . . . CONNECTOR / PACK-CON I / FEMALE HOUSING / 2C / PED 8911772 To C-5169 | 1 | 1 | |



| | | |
|------------------------------|---------------------|------------------------|
| From B-5003 To D-5489 | Date:10/2022 | PAGE:XV-1862-50 |
| ENTRANCE DOOR ASSY | | |

| Item# | Part | Description | X 3 V I P | X L I E N T 4 5 | N O T E S |
|-------|---------|---|-----------------------|--------------------------------------|-----------------------|
| 33 | 2800049 | . . LOCK ACTUATOR / 12V From C-5170 | 1 | 1 | |
| 34 | 289960 | . . SUPPORT ACTUATOR | 1 | 1 | |
| 35 | 283364 | . . TIE | 1 | 1 | |
| 37 | 780483 | . . CLAMP | 1 | 1 | |
| 38 | 502579 | . . NUT HEX M3-0.5 NP | 2 | 2 | |
| 39 | 500393 | . . SCREW TC PAN PH #10-24x3/8 Z050 | 2 | 2 | |
| 40 | 502156 | . . SPRING EXTENSION / .437 O.D. x 2 x .041 | 1 | 1 | |
| 41 | 502746 | . . SCREW MA PAN PH M5-0.8x20 SS BK | 1 | 1 | |
| 42 | 285546 | . . STOPPER | 1 | 1 | |
| 43 | 502782 | . . NUT HEX NYRT M5-0.8 Z050 | 1 | 1 | |
| 44 | 502691 | . . WASHER LO SPT 3.6x6.7x0.8 Z050 | 2 | 2 | |
| 45 | 680066 | . . ADHESIVE / ADBOND #5014 / 23.6ML BOTTLE | AR | AR | |
| 46 | 504541 | . . CLIP ROD 1/4" R.H. | 1 | 1 | |
| 48 | 502806 | SCREW MA FL PH M6-1.0x10 Z050 | 2 | 2 | |
| 50 | 901047 | HANDLE / SHORT | 1 | 1 | |
| 51 | 500616 | SCREW TP FL PH #10x3/4 Z050 | 4 | 4 | |
| 52 | 289281 | PANEL FINISHING / AL. / MTH 89" | 1 | 1 | |
| NS | 504373 | PLUG BUTTON / 1.000 O.D. / BARE METAL | 3 | 3 | |
| NS | 286117 | FINISHING PLATE | 1 | 1 | |
| NS | 289282 | ACCESS PANEL 834MM X 494MM | 1 | 1 | |
| 53 | 500589 | NUT WELL M4-0.7x13.5 | 2 | 2 | |
| 54 | 930212 | REFLECTOR AMBER 1 1/8" x 4 3/8" | 1 | 1 | |
| 55 | 500124 | SCREW TP TR PH #8x1/2 SS | 2 | 2 | |
| 56 | 500345 | WASHER FN CKF .187x.500x.090 BR BK | 14 | 14 | |
| 57 | 5001097 | SCREW TC OV PH #6-32x3/4 SS410 BK | 14 | 14 | |
| 58 | 502622 | SCREW CAP HEX M6-1.0x20 SS BK | 4 | 4 | |
| 59 | 502573 | WASHER FL 6.4x12.5x1.6 SS | 4 | 4 | |
| 60 | 283397 | GUIDE ASSY | 1 | 1 | |
| 61 | 286117 | FINISHING PLATE | 1 | 1 | |
| 62 | 500654 | SCREW TC BDG PH #8-32x1/2 Z050 | 2 | 2 | |
| 62 | 500438 | WASHER FL .187x.437x.050 Z050 | 2 | 2 | |
| 63 | 502582 | WASHER LO SERR 6.1x16.2x0.9 Z050 | 2 | 2 | |
| 64 | 5001433 | SCREW CAP HEX M6-1.0x25 SS | 1 | 1 | |
| 65 | 500411 | WASHER FL .260x.697x.050 SS | 4 | 4 | |
| 66 | 500559 | SCREW MA TR PH 1/4-20x1 1/2 SS EMN | 4 | 4 | |
| 68 | 780189 | STRIKER & SHIM | 1 | 1 | A |
| 70 | 780592 | LATCH, LH. | 1 | 1 | |
| 71 | 500411 | WASHER FL .260x.697x.050 SS | 4 | 4 | |
| 72 | 502716 | NUT HEX NYRT 1/4-20 | 4 | 4 | |
| 73 | 504243 | CLIP ROD 1/4" L.H. | 2 | 2 | |
| 74 | 504541 | CLIP ROD 1/4" R.H. | 4 | 4 | |
| NS | 504541 | CLIP ROD 1/4" R.H. | 2 | 2 | |



| | | |
|------------------------------|---------------------|------------------------|
| From B-5003 To D-5489 | Date:10/2022 | PAGE:XV-1862-50 |
|------------------------------|---------------------|------------------------|

ENTRANCE DOOR ASSY

| Item# | Part | Description | X 3 V I P | X L I E N T 4 5 | N O T E S |
|-------|----------|---|-----------------------|--------------------------------------|-----------------------|
| 75 | 288201 | RELEASE MECHANISM ROD | 1 | 1 | |
| 76 | 288200 | HANDLE ROD | 1 | 1 | |
| 77 | 780803 | CYLINDER LOCK ASSY W/2 KEYS / "SCHLAGE" SERVICE | 1 | 1 | |
| . NS | 780902 | . KEY / "SCHLAGE" BLANK | 1 | 1 | |
| NS | 780562 | KEY / "CORBIN" BLANK | 1 | 1 | |
| 78 | 283468 | WASHER FINISHING | 1 | 1 | |
| 80 | 285188 | GASKET | 1 | 1 | |
| 81 | 286704 | SPACER / LOCK & NUT | 1 | 1 | |
| 82 | 780427 | NUT | 1 | 1 | |
| 83 | 286626 | LEVER, TRIANGULAR SHAPE / W/"CORBIN" 18MM OFFSET | 1 | 1 | |
| 83 | 289029 | LEVER, TRIANGULAR SHAPE / W/"SCHLAGE" 18MM OFFSET SERVICE | 1 | 1 | |
| 84 | N.S.P. | SCREW MA FL PH 22 (INCLUDE W/ITEM #77) | 1 | 1 | 2 |
| 85 | 780713 | HANDLE EXTERIOR | 1 | 1 | |
| NS | 288814 | SPACER | 1 | 1 | |
| NS | 500438 | WASHER FL .187x.437x.050 Z050 | 1 | 1 | |
| NS | 500438 | WASHER FL .187x.437x.050 Z050 | 1 | 1 | |
| NS | 507610 | FOAM LOW EXPANSION | 1 | 1 | |
| 86 | 780637 | CLIP RETAINER | 1 | 1 | |
| 87 | 288815 | GASKET | 1 | 1 | |
| 88 | 065301 | KEYBOARD ASSY | 1 | 1 | |
| 88 | 069141 | KEYBOARD REPLACEMENT KIT | 1 | 1 | S |
| . NS | 069071 | . HARNESS ENTRANCE DOOR KEYLESS SKIM | 1 | 1 | S |
| . NS | 069164 | . SUPPORT SKIM MODULE | 1 | 1 | S |
| . NS | 069166 | . HARNESS KEYLESS KEYPAD - CPC | 1 | 1 | S |
| . NS | 502868 | . SCREW TC TR PH #10-16x1/2 N500 | 2 | 2 | S |
| . NS | 502903 | . SCREW TC FL PH #10-24x1 1/4 N500 | 3 | 3 | S |
| . NS | 504013 | . TIE MOUNT / 1/4" X 1/4" I.D. | 3 | 3 | S |
| . NS | 504637 | . CABLE TIE / 3/16" x 13" | 6 | 6 | S |
| . NS | 565914 | . KEYPAD, DOOR LOCK W/CONNECTOR | 1 | 1 | S |
| . NS | 565916 | . MODULE INTERFACE KEYLESS SYSTEM | 1 | 1 | S |
| . NS | IS-13158 | . SEE INSTRUCTION SHEET | 1 | 1 | S |
| . NS | FI-13158 | . VOIR FEUILLE D'INSTRUCTION | 1 | 1 | S |
| 88 | 065900 | WATER DEFLECTOR / PLASTIC | 1 | 1 | C |
| 89 | 064831 | CABLE KEYLESS MODULE | 1 | 1 | |
| NS | 504637 | CABLE TIE / 3/16" x 13" | 1 | 1 | |
| NS | 560503 | CLAMP / 1/4" I.D. | 1 | 1 | |
| NS | 500641 | SCREW TP PAN PH #8x3/4 Z050 | 1 | 1 | |
| 90 | 284127 | BUTTON | 1 | 1 | |
| 91 | 780482 | BEZEL | 1 | 1 | |
| 92 | 283769 | . DECAL / "LOCK" | 1 | 1 | |
| 93 | 5001155 | SCREW TP PAN PH #8X3/4 N050 | 1 | 1 | |
| 94 | 286480 | PLUG SS 3/4" O.D. X M8-1.25 | 1 | 1 | |



| | | |
|---------------------------|--------------|-----------------|
| From B-5003 To D-5489 | Date:10/2022 | PAGE:XV-1862-50 |
| ENTRANCE DOOR ASSY | | |

| Item# | Part | Description | X 3 V I P | X L I I E N T 4 5 | N O T E S |
|-------|-------------------|---|-----------------------|---|-----------------------|
| 95 | 286481 | WASHER FL .354x1.02x 22GA SS | 1 | 1 | |
| 96 | 502507 | WASHER LO SPT 8.1x14.8x2.0 Z050 | 1 | 1 | |
| 97 | 286993 | FLAP SEAL GLASS ASSY | 1 | 1 | |
| NS | 286992 | . FLAP SUPPORT | 1 | 1 | |
| 98 | 288063 | . FLAP SEAL / W/FLOCKING 37.6MM x 335MM | 1 | 1 | |
| 99 | 286717 | JOINT SUPPORT 345MM SS | 1 | 1 | |
| NS | 500124 | SCREW TP TR PH #8x1/2 SS | 4 | 4 | |
| 100 | 287012 | UPPER LOCK ASSY | 1 | 1 | |
| 101 | 285271 | . CATCH To C-5124 | 1 | 1 | |
| 101 | 282383 | . CATCH From C-5125 | 1 | 1 | |
| 102 | 287011 | . PLATE MOUNTING | 1 | 1 | |
| 103 | 500560 | . SCREW MA PAN PH M4-0.7x6 Z050 | 1 | 1 | |
| NS | 502636 | . WASHER LO SPT 4.1x7.6x0.9 Z050 | 1 | 1 | |
| 104 | 641983 | . CYLINDER 7/8" X 1" STROKE / DOUBLE ACTION | 1 | 1 | |
| 105 | 641369 | . MALE ELBOW 90° NON-SWIVEL / PUSH-IN FITTING / #4x1/8NPT-M BR | 1 | 1 | |
| 106 | 641242 | . MALE CONNECTOR / PUSH-IN FITTING / #4x1/8NPT-M BR | 1 | 1 | |
| NS | 683276 | . GREASE LOW TEMPERATURE 450GR | AR | AR | |
| 110 | 406050 | DECAL / "C.W.A." & "T.C.A." | 1 | 1 | |
| 110 | 157729 | DECAL / WALL TO WALL TURNING DIAM 90' 3" WITH VIN # | 1 | 1 | |
| . NS | 157730 | . DECAL / WALL TO WALL TURNING DIAM 90' 3" W/OUT VIN RAW MATERIAL | 1 | 1 | |
| 200 | XV-1855-00 | RUB RAIL - EXTERIOR CREST & TRIMS | | | |
| NS | 506769 | TAPE RUB ADH2 CC POL 1/8" x 1/4" x 60' / BLACK H1CC-N-#14 | AR | AR | |
| NS | 506790 | TAPE RUB ADH2 CC POL 1/16" x 1/2" x 200' / BLACK I1C-N-A | AR | AR | |
| NS | 680065 | TAPE COMPOUND / BLACK / 1/32" X 1" X 33' / L163-2400 | AR | AR | |
| NS | 684517 | ADHESIVE SIMSON #ISR 70-03 / GREY / 310ml CARTRIDGE | AR | AR | |
| NS | 687957 | GLUE MS POLYMER TEROSON MS 9399 / 400ml CARTRIDGE | AR | AR | |
| NS | 687958 | MIXER QUADRO 10.7MM W/"V" ADAPTOR / "B" | 1 | 1 | |
| NS | 289984 | SUPPORT WATER DEFLECTOR | 1 | 1 | |
| NS | 289948 | DEFLECTOR LONG | 1 | 1 | |
| | | | | | |
| | | | | | |
| | | | | | |
| | | A) FIXED ON STRUCTURAL FRAME | | | |
| | | C) FOR PRODUCT IMPROVEMENT USE THIS NEW DEFLECTOR UP TO 4-8261 | | | |
| | | S) SERVICE ONLY | | | |
| | | 2) NOT SOLD BY PREVOST (SEE MANUFACTURING PART NUMBER AT END OF DESCRIPTION LINE) | | | |

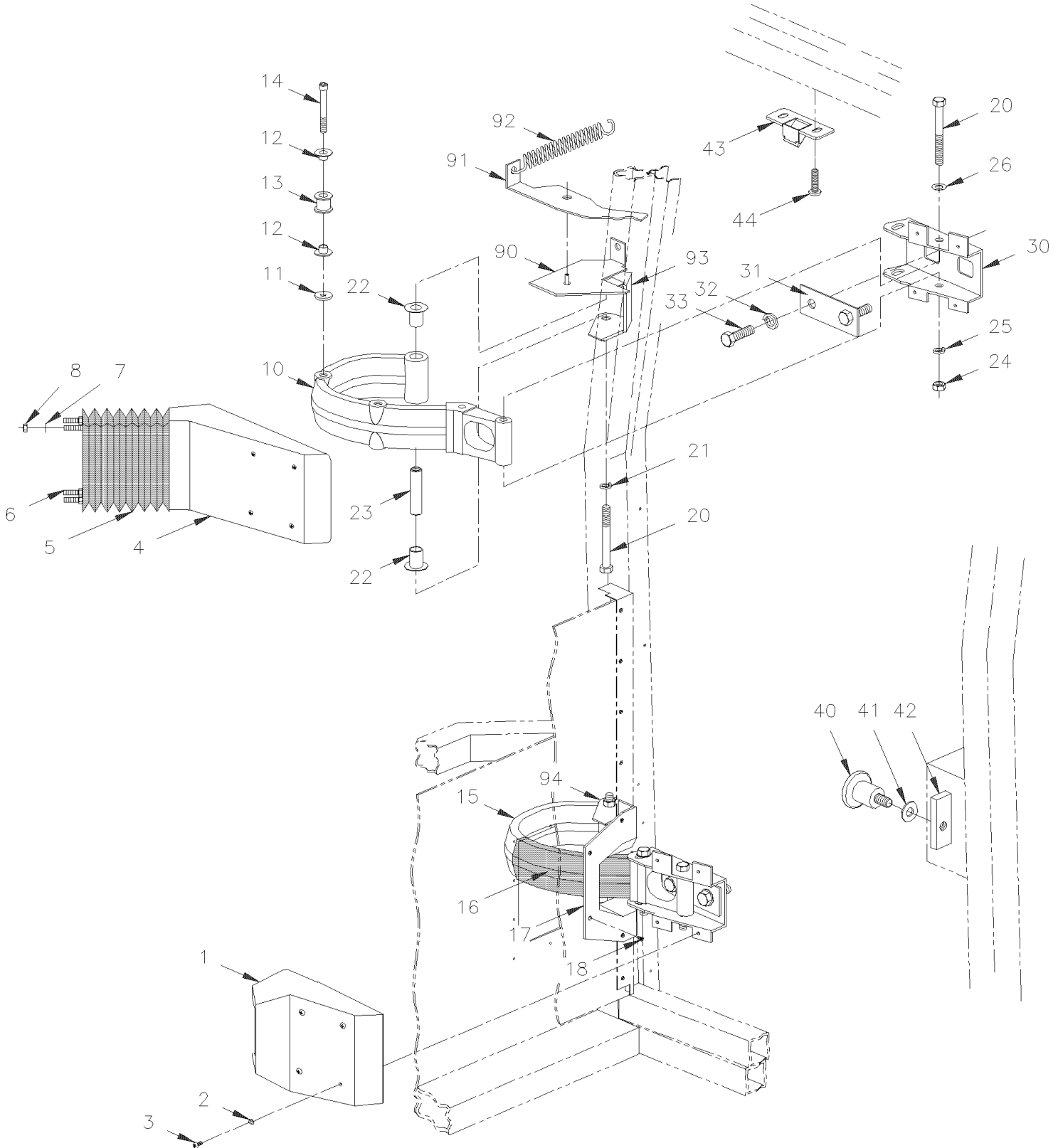


From B-5003 To D-5489

Date:10/2022

PAGE:XV-1862-60

ENTRANCE DOOR FRAME - INSTALLATION





| | | |
|------------------------------|---------------------|------------------------|
| From B-5003 To D-5489 | Date:10/2022 | PAGE:XV-1862-60 |
|------------------------------|---------------------|------------------------|

ENTRANCE DOOR FRAME - INSTALLATION

| Item# | Part | Description | X 3 V I P | X L I I E N T 4 5 | N O T E S |
|-------|---------|---|-----------------------|---|-----------------------|
| 1 | 326604 | CAP COVER LOWER | 1 | 1 | |
| 2 | 500950 | WASHER FL .187x.625x.094 RUB | 8 | 8 | |
| 3 | 500409 | SCREW TP PAN PH #8x1/2 BK | 8 | 8 | |
| 4 | 326727 | CAP COVER UPPER | 1 | 1 | |
| 5 | 285492 | BELLOWS / RUBBER | 1 | 1 | |
| 6 | 285491 | PLATE BELLOW RETAINER | 2 | 2 | |
| 7 | 500964 | WASHER FL .203x.500x.047 Z050 | 8 | 8 | |
| 8 | 502782 | NUT HEX NYRT M5-0.8 Z050 | 8 | 8 | |
| 10 | 287472 | HINGE UPPER | 1 | 1 | |
| 11 | 502638 | WASHER FL .312x.734x.065 N500 | 1 | 1 | |
| 12 | 507628 | BUSHING NYLINER | 2 | 2 | |
| 13 | 287405 | ROLLER SS 11MM I.D.x14.5 O.D. 19Fix17Th | 1 | 1 | |
| 14 | 500876 | SCREW SHR HEXS 3/8x3/4 {5/16-18 | 1 | 1 | |
| 15 | 287341 | HINGE | 1 | 1 | |
| 16 | 326228 | COVER HINGE LOWER / PLASTIC | 1 | 1 | |
| 17 | 326227 | PANEL FINISHING LOWER | 1 | 1 | |
| 20 | 5001016 | SCREW CAP HEX M10-1.5x90 G8.8 Z050 | 2 | 2 | |
| 21 | 500257 | WASHER LO SPT 10.2x18.1x2.2 Z050 | 2 | 2 | |
| 22 | 507326 | BEARING FLANGE | 2 | 2 | |
| 23 | 287337 | SPACER / BEARING FLANGE | 2 | 2 | |
| 24 | 500256 | NUT HEX M10-1.5 Z050 | 4 | 4 | |
| 25 | 502585 | WASHER LO SERR 10.2x26.3x1.4 ZP | 4 | 4 | |
| 26 | 500445 | WASHER FL .437x1.000x.083 Z050 | 2 | 2 | |
| 30 | 284040 | ATTACHMENT | 2 | 2 | |
| 31 | 286998 | SUPPORT PLATE 134MM X 48MM | 2 | 2 | |
| 32 | 500747 | WASHER LO SPT 12.2x21.1x2.5 N500 | 4 | 4 | |
| 33 | 502731 | SCREW CAP HEX M12-1.75x40 G8.8 Z050 | 4 | 4 | |
| 40 | 780189 | STRIKER & SHIM | 1 | 1 | |
| 41 | 500446 | WASHER FL .531x1.250x.125 Z050 | 1 | 1 | |
| 42 | 285014 | FIXING BLOCK | 1 | 1 | |
| 43 | 287008 | DOOR STOPPER ASSY | 1 | 1 | |
| 44 | 502806 | SCREW MA FL PH M6-1.0x10 Z050 | 2 | 2 | |
| 90 | 251548 | LEVER AND SUPPORT ASSY SS (WELDED TO FRAME) To D-5466 | 1 | 1 | |
| 90 | 251609 | LEVER AND SUPPORT ASSY SS (WELDED TO FRAME) From D-5467 | 1 | 1 | |
| NS | 504543 | . RIVET SHR FL 3/8x3/16 STL | 1 | 1 | |
| 91 | 214664 | . DOOR STOPPER To D-5466 | 1 | 1 | |
| 91 | 251610 | . DOOR STOPPER From D-5467 | 1 | 1 | |
| 92 | 502255 | SPRING EXTENSION / .814 O.D. x 3.14 x .148 | 1 | 1 | |
| 93 | 251083 | HINGE SUPPORT / UPPER | 1 | 1 | |
| 94 | 251001 | HINGE SUPPORT / LOWER | 1 | 1 | |
| | | | | | |
| | | | | | |



| | | |
|-----------------------|--------------|-----------------|
| From B-5003 To D-5489 | Date:10/2022 | PAGE:XV-1862-60 |
|-----------------------|--------------|-----------------|

ENTRANCE DOOR FRAME - INSTALLATION

| Item# | Part | Description | X 3 V I P | X L I I E N T 4 5 | N O T E S |
|-------|------|-------------|-----------------------|---|-----------------------|
| | | | | | |

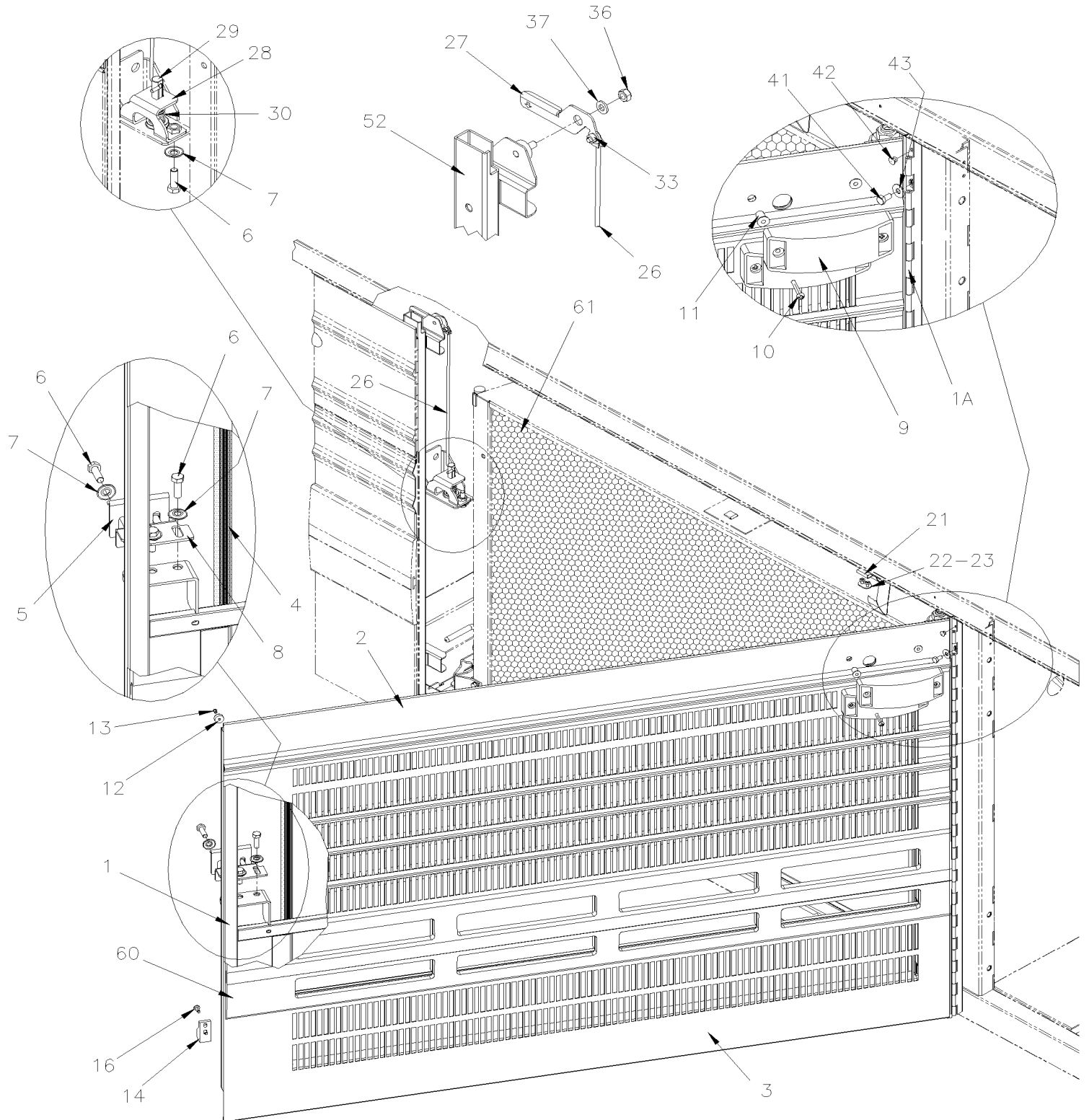


From B-5003 To D-5489

Date:10/2022

PAGE:XV-1863-50

CONDENSOR DOOR ASSY





| | | |
|-----------------------|--------------|-----------------|
| From B-5003 To D-5489 | Date:10/2022 | PAGE:XV-1863-50 |
|-----------------------|--------------|-----------------|

CONDENSOR DOOR ASSY

| Item# | Part | Description | X 3 V I P | X L I I E N T 4 5 | N O T E S |
|-------|-------------------|---|-----------------------|---|-----------------------|
| | | THIS DOOR ASSY DO NOT INCLUDE RUB-RAIL | | | |
| | | PLEASE ORDER SEPARATELY | | | |
| | 485868 | CONDENSOR DOOR ASSY / W/FLUTED To D-5459 | 1 | 1 | |
| | 485869 | CONDENSOR DOOR ASSY / W/FLUTED From D-5460 | 1 | 1 | |
| 1 | 484154 | . FRAME ASSY / 1285MM To D-5459 | 1 | 1 | |
| 1 | 484334 | . FRAME ASSY / 1289MM From D-5460 | 1 | 1 | |
| 1A | 484163 | . . HINGE | 1 | 1 | |
| 2 | 484250 | . ONE PIECE PANEL 1281.6MM W/ 3.20 SQF PERFORATED AREA To D-5459 | 1 | 1 | |
| 2 | 484333 | . ONE PIECE PANEL / FLUTED 1281.6MM From D-5460 | 1 | 1 | |
| 2 | 484202 | . . PANEL, UPPER / FLUTED To D-5459 | 1 | 1 | |
| 3 | 484205 | . . PANEL, LOWER 1285MM / FLUTED | 1 | 1 | |
| NS | 684517 | . ADHESIVE SIMSON #ISR 70-03 / GREY / 310ml CARTRIDGE | AR | AR | |
| NS | 687961 | . GLUE MS POLYMER TEROSON MS 9399 / "A" 21 Liters | AR | AR | |
| NS | 687962 | . GLUE MS POLYMER TEROSON MS 9399 / "B" 21 Liters | AR | AR | |
| 4 | 506303 | . RUBBER SEAL EXTRUSION | 12 | 12 | |
| 5 | 287051 | . CATCH PIN / RETAINER 52MM x 70MM | 1 | 1 | |
| 6 | 502780 | . SCREW CAP HEX M8-1.25x25 SS BK | 4 | 4 | |
| 7 | 5001699 | . WASHER BEL SPR 8.2x22x1.4 N500 | 4 | 4 | |
| 8 | 484167 | . DOOR LATCH ADJUSTABLE | 1 | 1 | |
| 9 | XV-0662-00 | . CLEARANCE & MARKER LIGHT | | | |
| 10 | 5001042 | . SCREW MA RND PH #10-32x1 1/4 SS | 2 | 2 | |
| 11 | 502774 | . NUT WELL #10-32x.625 | 2 | 2 | |
| 12 | 5001393 | . BUMPER RUBBER / .625 OD x .281 TH x .125 HOLE | 2 | 2 | |
| 13 | 504340 | . RIVET POP DOME OE 1/8x3/16 SS | 2 | 2 | |
| 14 | 289708 | . GUIDE LOWER COND DOOR PLASTIC To D-5484 | 1 | 1 | |
| 14 | 2800374 | . GUIDE LOWER COND DOOR PLASTIC From D-5485 | 1 | 1 | |
| 16 | 500945 | . SCREW TC BDG PH #10-24x1/2 G500 To D-5484 | 2 | 2 | |
| 16 | 500623 | . SCREW TC PAN PH #10-24x3/4 N500 From D-5485 | 2 | 2 | |
| 21 | 505507 | STRAP NYLON 1" WIDE / S.L. | AR | AR | |
| NS | 452813 | SUPPORT STRAP RETAINER W/2 SLOTS & 2 HOLES | 1 | 1 | |
| NS | 285476 | SUPPORT STRAP RETAINER W/2 SLOTS & 1 HOLE (WELDED AT DOOR STRUCTURE) | 1 | 1 | |
| 22 | 284439 | PLATE, STRAP RETAINING / OBLONG 16.5MM x 25.4MM W/2 HOLES | 1 | 1 | |
| 23 | 504747 | RIVET HKL MMS 3/16x3/8 SS | 2 | 2 | |
| 26 | 484169 | ROD OPENING 309MM | 1 | 1 | |
| 27 | 484216 | HANDLE | 1 | 1 | |
| 28 | 289674 | SUPPORT CATCH PIN W/OUT PIVOT | 1 | 1 | |
| 29 | 289636 | CATCH PIN ACETAL / 90.5MM | 1 | 1 | |
| 30 | 502910 | SPRING COMPRESSION / .720 O.D. 1.75 x .055 | 1 | 1 | |
| 33 | 780340 | CLIP, RETAINER ROD | 2 | 2 | |
| 36 | 5001182 | NUT HEX NYRT M6-1.0 SS | 1 | 1 | |



| | | |
|-----------------------|--------------|-----------------|
| From B-5003 To D-5489 | Date:10/2022 | PAGE:XV-1863-50 |
|-----------------------|--------------|-----------------|

CONDENSOR DOOR ASSY

| Item# | Part | Description | X 3 V I P | X L I I E N T 4 5 | N O T E S |
|--------|-------------------|---|-----------------------|---|-----------------------|
| 37 | 502573 | WASHER FL 6.4x12.5x1.6 SS | 1 | 1 | |
| 41 | 5001743 | SCREW CAP HEX M6-1.0x12 G8.8 N500 | 6 | 6 | |
| 42 | 504379 | RIVET POP DOME OE 3/16x1/4 SS | 2 | 2 | |
| 43 | 500411 | WASHER FL .260x.697x.050 SS | 6 | 6 | |
| 52 | 223954 | POST ASSY FORWARD FUEL DOOR ASSY W/REINFORCMENT PANEL | 1 | 1 | |
| . NS | 216798 | . PANEL REINFORCMENT LOWER FUEL DOOR 249MM x 600MM | 1 | 1 | |
| . NS | 223940 | . POST ASSY FORWARD FUEL DOOR ASSY | 1 | 1 | |
| . . NS | 216797 | . . STOPPER CONDENSOR DOOR | 2 | 2 | |
| . . NS | 223937 | . . BRACKET LATCH COND DOOR | 1 | 1 | |
| . . NS | 477296 | . . ATTACHMENT SPRING DOOR | 1 | 1 | |
| . . NS | 502659 | . . NUT WD RND M6-1.0 SS | 2 | 2 | |
| 60 | XV-1855-00 | RUB RAIL - EXTERIOR CREST & TRIMS | | | |
| 61 | XV-2255-00 | CONDENSOR - INSTALLATION | | | |
| | | | | | |
| | | | | | |
| | | | | | |



From B-5003 To D-5489

Date:10/2022

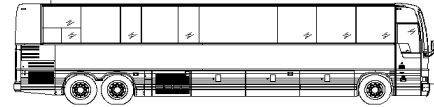
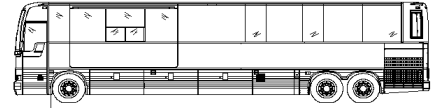
PAGE:484250

ONE PIECE PANEL 1281.6MM W/ 3.20 SQF PERFORATED AREA

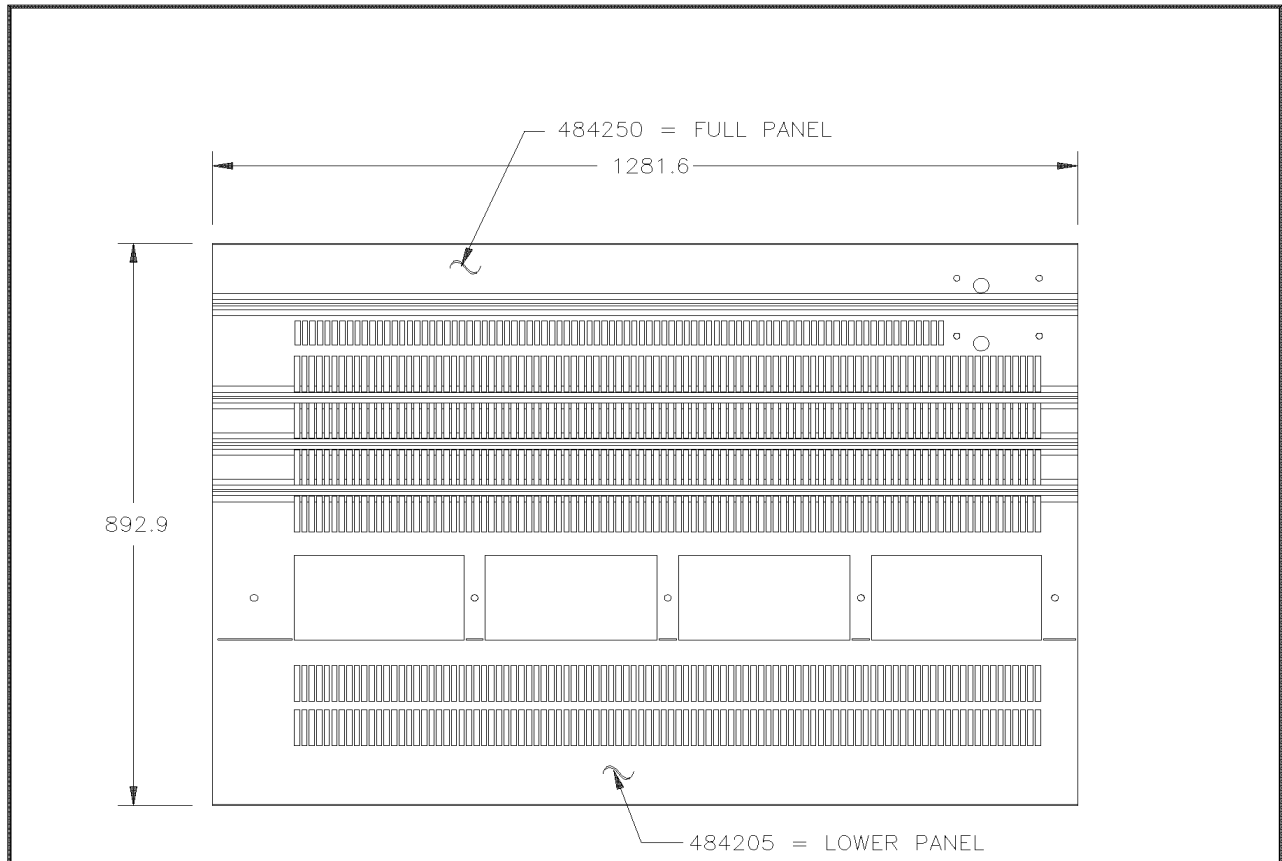
PREVOST



X3-VIP



XL-II ENT.



EXTERIOR VIEW

NOTE:

4TH DOOR RH
WITH SMALL A/C

| | | | |
|---|--------------------|-----------------------------------|--------|
| TOTAL PERFORATED AREA: 3.20 f ² | EFF : B-5003 | DOOR ASSY ONLY IN SERVICE PART | N.A. |
| | PRIOR: | | |
| DATE: 09-2011 | WITH INSULATION | REFERENCE ONLY | 484250 |
| REV. : | WITHOUT INSULATION | | |



| | | |
|-----------------------|--------------|-------------|
| From B-5003 To D-5489 | Date:10/2022 | PAGE:484250 |
|-----------------------|--------------|-------------|

ONE PIECE PANEL 1281.6MM W/ 3.20 SQF PERFORATED AREA

| Item# | Part | Description | X 3 V I P | X L I I E N T 4 5 | N O T E S |
|-------|-----------------|--|-----------------------|---|-----------------------|
| 1 | | BAGAGE DOOR FULL PANEL | 1 | 1 | |
| 2 | Call order desk | . PANEL, LOWER 1285MM / FLUTED | 1 | 1 | P |
| | | | | | |
| | | | | | |
| | | P) CALL ORDER DESK FOR SPECIFIC APPLICATION (V.I.N.) | | | |

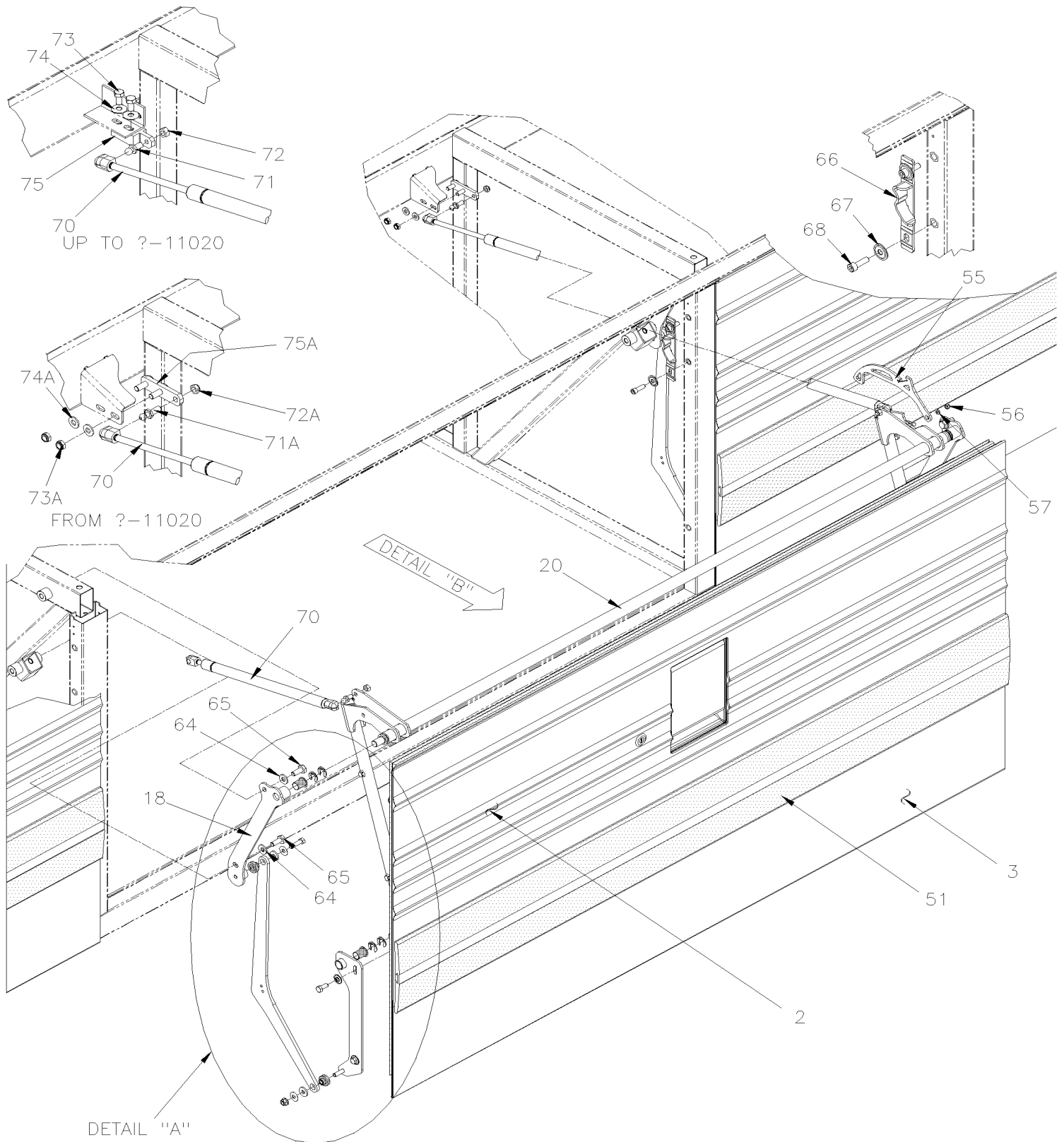


From B-5003 To D-5459

Date:10/2022

PAGE:XV-1864-00

BAGGAGE DOOR ASSY / 70"



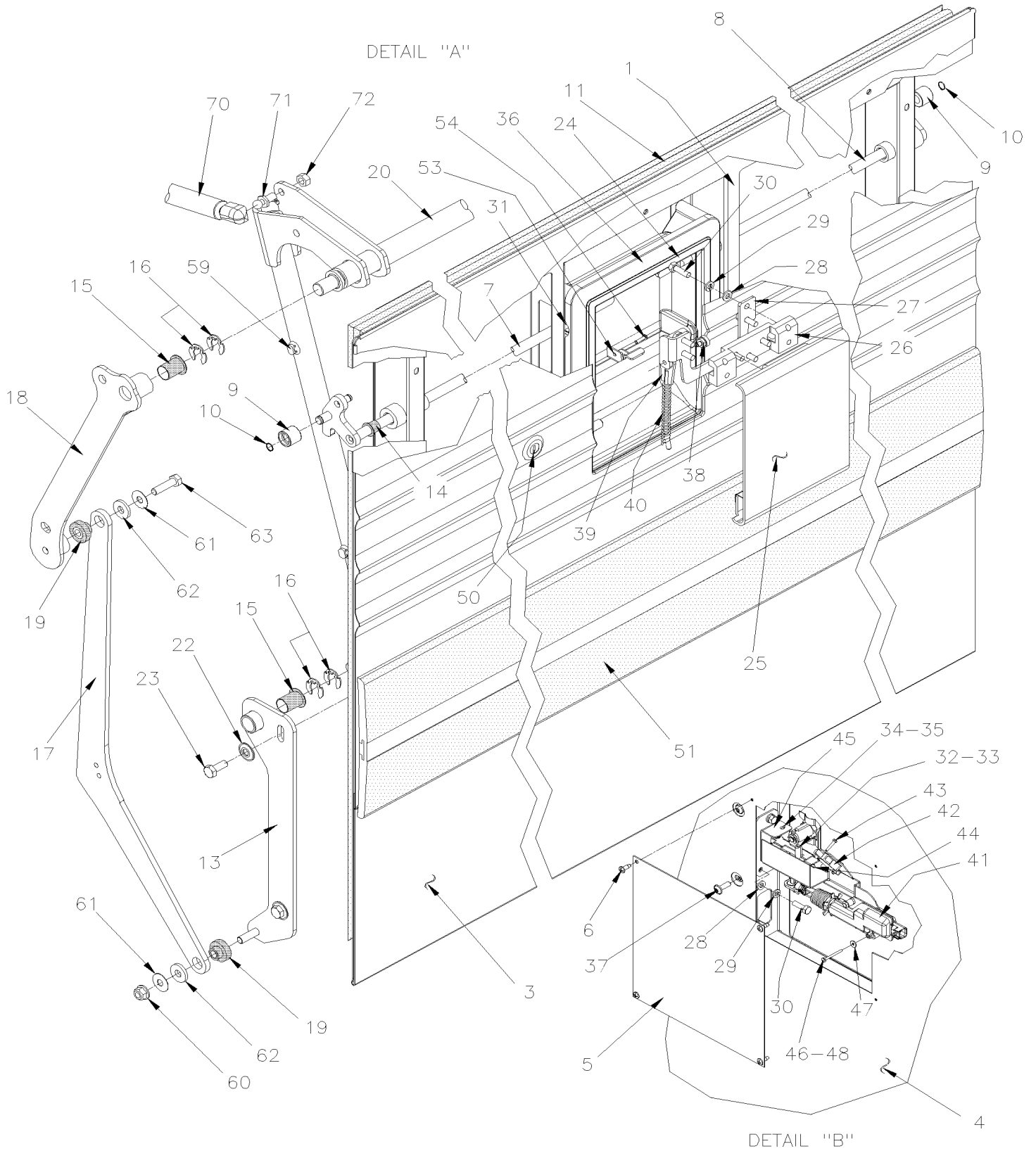


From B-5003 To D-5459

Date:10/2022

PAGE:XV-1864-00

BAGGAGE DOOR ASSY / 70"





| | | |
|--------------------------------|--------------|-----------------|
| From B-5003 To D-5459 | Date:10/2022 | PAGE:XV-1864-00 |
| BAGGAGE DOOR ASSY / 70" | | |

| Item# | Part | Description | X 3 V I P | X L I E N T 4 5 | N O T E S |
|-------|-----------------|---|-----------------------|--------------------------------------|-----------------------|
| | | | | | |
| | 485713 | DOOR ASSY 70" / ELECTRICAL LOCK / SS | 1 | 1 | |
| | Call order desk | DOOR ASSY 70" / ELECTRICAL LOCK / SS | 1 | 1 | P |
| | Call order desk | DOOR ASSY 70" / ELECTRICAL LOCK / SS | 1 | 1 | P |
| | 485712 | DOOR ASSY 70" W/VENT HOLE / ELECTRICAL LOCK / SS | 1 | 1 | |
| NS | Call order desk | . INSULATING KIT / BAGGAGE DOOR STD | 1 | 1 | P |
| 1 | 287057P | . FRAME 70" To D-5299 | 1 | 1 | |
| 1 | 289830P | . FRAME 70" From D-5300 | 1 | 1 | |
| 2 | 489174 | . ONE PIECE PANEL 1786.8 MM / FLUTED / B.A. | 1 | 1 | |
| 2 | 480124 | . ONE PIECE PANEL 1786.8 MM / FLUTED / W/MARKER LIGHT / CURBSIDE | 1 | 1 | |
| 2 | 480125 | . ONE PIECE PANEL 1786.8 MM / FLUTED / W/MARKER LIGHT / STREET SIDE | 1 | 1 | |
| 3 | 484340 | . . PANEL, LOWER / B.A. 1786.8 MM | 1 | 1 | |
| 4 | 287055 | . PANEL INTERIOR 70" | 1 | 1 | |
| 4 | 484228 | . PANEL INTERIOR 70" | 1 | 1 | |
| NS | 506785 | . TAPE RUB ADH2 CC POL 1/16" x 1/4" x 200' / BLACK I1C-N-A | AR | AR | |
| NS | 504433 | . SNAP-IN PLUG / 1.090 O.D. | AR | AR | |
| 5 | 481787 | . PANEL ACCESS 9" X 9" | 1 | 1 | |
| 6 | 502868 | . SCREW TC TR PH #10-16x1/2 N500 | 4 | 4 | |
| 7 | 288100 | . LOCKING ROD L.H. 793MM | 1 | 1 | |
| 8 | 280247 | . LOCKING ROD R.H. 793MM | 1 | 1 | |
| 9 | 288607 | . ROLLER CATCH | 2 | 2 | |
| 10 | 504318 | . RING RETAINER / EXT .375 x .352 x .025 | 2 | 2 | |
| 11 | 287060 | . RUBBER SEAL EXTRUSION / W/70" DOOR 1698MM x 800MM To C-5244 | 1 | 1 | |
| 11 | 2800140 | . RUBBER SEAL EXTRUSION / W/70" DOOR 1698MM x 800MM From C-5245 | 1 | 1 | |
| 13 | 287415 | SUPPORT LOWER L.H. | 1 | 1 | |
| 13 | 285724 | SUPPORT LOWER R.H. | 1 | 1 | |
| 14 | 507141 | BUSHING, NYLINER W/SHOULDER (7-L-7-F) | 2 | 2 | |
| 15 | 507299 | BUSHING NYLINER | 4 | 4 | |
| 16 | 508398 | RING RETAINER / EXT .625 x .500 x .050" / SS | AR | AR | |
| 17 | 287690 | ARM LOWER L.H. | 1 | 1 | |
| 17 | 287713 | ARM LOWER R.H. | 1 | 1 | |
| 18 | 287414 | ARM UPPER L.H. | 1 | 1 | |
| 18 | 286707 | ARM UPPER R.H. | 1 | 1 | |
| 19 | 286716 | SPACER BUSHING FLANGE / AUX. ARM & SUPPORT ACETAL 8.3MM I.D. | 4 | 4 | |
| 20 | 287691 | ARM PANTOGRAPH | 1 | 1 | |
| 21 | 283876 | ARM PANTOGRAPH W/ W.C.L. | 1 | 1 | |
| 22 | 5001699 | WASHER BEL SPR 8.2x22x1.4 N500 | 4 | 4 | |
| 23 | 502862 | SCREW CAP HEX M8-1.25x20 G8.8 N500 | 4 | 4 | |
| 24 | 287621 | FINISHING FRAME PLASTIC / AROUND HANDLE BLACK | 1 | 1 | |
| 25 | 287175 | HANDLE ASSY / B.A. | 1 | 1 | |
| 26 | 288606 | HINGE | 1 | 1 | |
| 27 | 288634 | GRIP HANDLE | 1 | 1 | |



| | | |
|--------------------------------|---------------------|------------------------|
| From B-5003 To D-5459 | Date:10/2022 | PAGE:XV-1864-00 |
| BAGGAGE DOOR ASSY / 70" | | |

| Item# | Part | Description | X 3 V I P | X L I I E N T 4 5 | N O T E S |
|-------|-------------------|--|-----------------------|---|-----------------------|
| 28 | 502573 | WASHER FL 6.4x12.5x1.6 SS | 9 | 9 | |
| 29 | 502570 | WASHER LO SPT 6.1x11.8x1.6 SS | 9 | 9 | |
| 30 | 502622 | SCREW CAP HEX M6-1.0x20 SS BK | 9 | 9 | |
| 31 | 507644 | O-RING 10MM I.D. X 2MM | 2 | 2 | |
| 32 | 287406 | PIVOT LOCK 9.5MM OFFSET | 1 | 1 | |
| 33 | 504402 | RING RETAINER / EXT .250 x .210 x .025" | 1 | 1 | |
| 34 | 481564 | ROD GUIDE | 2 | 2 | |
| 35 | 502934 | SPRING COMPRESSION / .300 O.D. x 1 x .026 | 2 | 2 | |
| 36 | 288611 | SEALING BOX | 1 | 1 | F |
| 37 | 5001630 | SCREW TP BUTF TORX M6x20 SS | 6 | 6 | |
| 38 | 287271 | RIVET SHR FL 9.95x3.6(4.8x4.8 SS | 1 | 1 | |
| 39 | 288639 | PIN HANDLE RELEASE | 1 | 1 | |
| 40 | 480394 | SPRING COMPRESSION / .355 O.D. 3.375 x .063 | 1 | 1 | |
| 41 | 780814 | LOCK ACTUATOR / 12V To C-5169 | 1 | 1 | |
| . NS | 562076 | . CONNECTOR / PACK-CON I / FEMALE HOUSING / 2C / PED 8911772 To C-5169 | 1 | 1 | |
| 41 | 2800049 | LOCK ACTUATOR / 12V From C-5170 | 1 | 1 | |
| NS | 504273 | CABLE TIE / 1/8" X 3"1/2 O | AR | AR | |
| NS | 562679 | 4 WAY ADH. BACKED MOUNTS 1.000 x 1.000 x .160 | AR | AR | |
| NS | 504637 | CABLE TIE / 3/16" x 13" | AR | AR | |
| 42 | 562096 | MICRO SWITCH | 1 | 1 | |
| 43 | 502577 | SCREW MA PAN PH M3-0.5x16 ZP | 2 | 2 | |
| 43 | 502826 | NUT HEX M3-0.5 N500 | 2 | 2 | |
| 44 | 502579 | NUT HEX M3-0.5 NP | 2 | 2 | |
| 45 | 289000 | SUPPORT LOCK ACTUATOR ASSY W/ ROD | 1 | 1 | |
| NS | 068011 | CABLE INTERFACE DOOR LOCK ACTUATOR (780428 vs 2800049) From A-9965 To A-9965 | 1 | 1 | |
| 46 | 5001100 | SCREW CAP HEX M3-0.5x30 G8.8 ZP | 2 | 2 | |
| 47 | 500437 | WASHER FL .125x.375x.040 Z050 | 2 | 2 | |
| 48 | 5001408 | NUT HEX STO M3-0.5 ZP | 2 | 2 | |
| 49 | 068083 | . CABLE ASSY / ACTUATOR POWER / EACH DOOR | 1 | 1 | |
| NS | 685126 | ADHESIVE SIMSON #ISR 70-03 / GREY / 600ml SAUSAGE O | AR | AR | |
| NS | 684517 | ADHESIVE SIMSON #ISR 70-03 / GREY / 310ml CARTRIDGE O | AR | AR | |
| NS | 680343 | GREASE CLEAR SPRAY BOTTLE 283GR O | AR | AR | |
| NS | 506268 | TAPE RUB ADH1 URE 3/8" x 1/2" x 25' / GREY 1820 O | AR | AR | |
| NS | 687961 | GLUE MS POLYMER TEROSON MS 9399 / "A" 21 Liters O | AR | AR | |
| 49 | 687962 | GLUE MS POLYMER TEROSON MS 9399 / "B" 21 Liters O | AR | AR | |
| 49 | 685252 | GLUE MS POLYMER LOCTITE 5570 (CLEAR) 300ml CARTRIDGE O | AR | AR | |
| 49 | 506785 | TAPE RUB ADH2 CC POL 1/16" x 1/4" x 200' / BLACK 11C-N-A P | AR | AR | |
| 49 | 506268 | TAPE RUB ADH1 URE 3/8" x 1/2" x 25' / GREY 1820 | AR | AR | |
| 50 | XV-1867-00 | KEY & CYLINDER CODE | | | |
| 51 | XV-1855-00 | RUB RAIL - EXTERIOR CREST & TRIMS | | | |
| 53 | 2800645 | HANDLE REINFORCEMENT | 1 | 1 | F |



| | | |
|--------------------------------|---------------------|------------------------|
| From B-5003 To D-5459 | Date:10/2022 | PAGE:XV-1864-00 |
| BAGGAGE DOOR ASSY / 70" | | |

| Item# | Part | Description | X 3 V I P | X L I I E N T 4 5 | N O T E S |
|-------|---------|---|-----------------------|---|-----------------------|
| 54 | 502673 | SCREW TC PAN PH #6-32x1/2 SS | 1 | 1 | F |
| 55 | 289336 | HOOK, BAGGAGE DOOR | 1 | 1 | |
| 56 | 5001182 | NUT HEX NYRT M6-1.0 SS | 1 | 1 | |
| 57 | 502573 | WASHER FL 6.4x12.5x1.6 SS | 1 | 1 | |
| 59 | 509815 | TIE MOUNT / ATTACHMENT W/TREE MOUNT | 4 | 4 | |
| 60 | 502837 | NUT HEXF STO M8-1.25 N500 | 2 | 2 | |
| 61 | 502856 | WASHER LO SERR 8.15x22.3x1.0 DP320 | 4 | 4 | |
| 62 | 500401 | WASHER FL .343x.875x.125 N500 | 4 | 4 | |
| 63 | 5001738 | SCREW CAP HEX M8-1.25x30 G8.8 N500 | 2 | 2 | |
| 64 | 5001834 | WASHER BEL SPR 10.5X23X2.5 N500 | 4 | 4 | |
| 65 | 502804 | SCREW CAP HEX M10-1.5x25 G8.8 N500 | 4 | 4 | |
| 66 | 288526 | LOCKING GUIDE L.H. ASSY | 1 | 1 | |
| 66 | 287150 | LOCKING GUIDE R.H. ASSY | 1 | 1 | |
| 67 | 502857 | WASHER LO SERR 8.2x26.3x1.8 N500 | 4 | 4 | |
| 68 | 5001775 | SCREW CAP HEXS M8-1.25x25 G8.8 G500 | 4 | 4 | |
| 70 | 980030 | CYLINDER GAZ / 669/409MM C/C / 210LBS | 2 | 2 | |
| 70 | 7770081 | CYLINDER GAZ / 669/409MM C/C / 300LBS | 2 | 2 | J |
| 71 | 980015 | BALL STUD / W/10 MM X M8-1.25 / 29.18 MM To C-5132 | 4 | 4 | |
| 71A | 980027 | BALL STUD / W/10 MM X M8-1.25 / 36.5MM From C-5133 | 4 | 4 | |
| 72 | 980016 | NUT, CYLINDER RETAINER To C-5132 | 4 | 4 | |
| 72A | 500868 | NUT HEX NYRT M8-1.25 Z050 From C-5133 | 4 | 4 | |
| 73 | 500820 | SCREW CAP HEX M8-1.25x16 G10.9 N500 To C-5132 | 4 | 4 | |
| 73A | 500868 | NUT HEX NYRT M8-1.25 Z050 From C-5133 | 4 | 4 | |
| 74 | 502856 | WASHER LO SERR 8.15x22.3x1.0 DP320 To C-5132 | 4 | 4 | |
| 74A | 5001736 | WASHER FL 8.4x18.0x2.0 N500 From C-5133 | 4 | 4 | |
| 75 | 288781 | BLOCK W/1 THREADED HOLE M8-1.25 To C-5132 | 2 | 2 | |
| 75A | 287727 | ATTACHMENT / DOOR CYLINDER From C-5133 | 1 | 1 | |
| | | | | | |
| | | | | | |
| | | | | | |
| | | F) USE TO REPAIR 288611 / TO INSTALL IT YOU HAVE TO DRILL A HOLE 7/64 | | | |
| | | J) USE WITH DOOR WITH ACCESSORIES | | | |
| | | P) CALL ORDER DESK FOR SPECIFIC APPLICATION (V.I.N.) | | | |

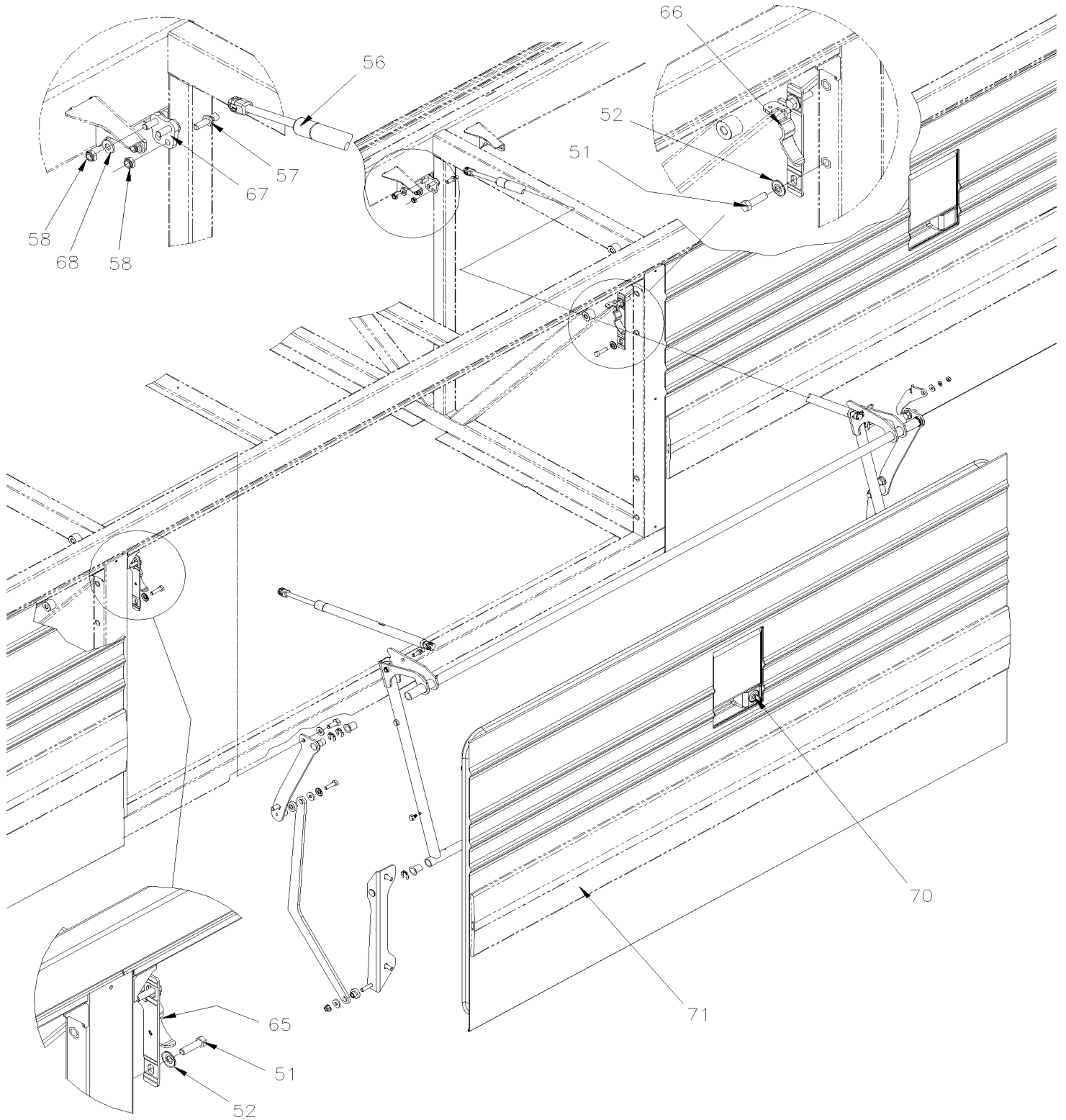


From D-5460 To D-5489

Date:10/2022

PAGE:XV-1864-01

BAGGAGE DOOR ASSY / 70"



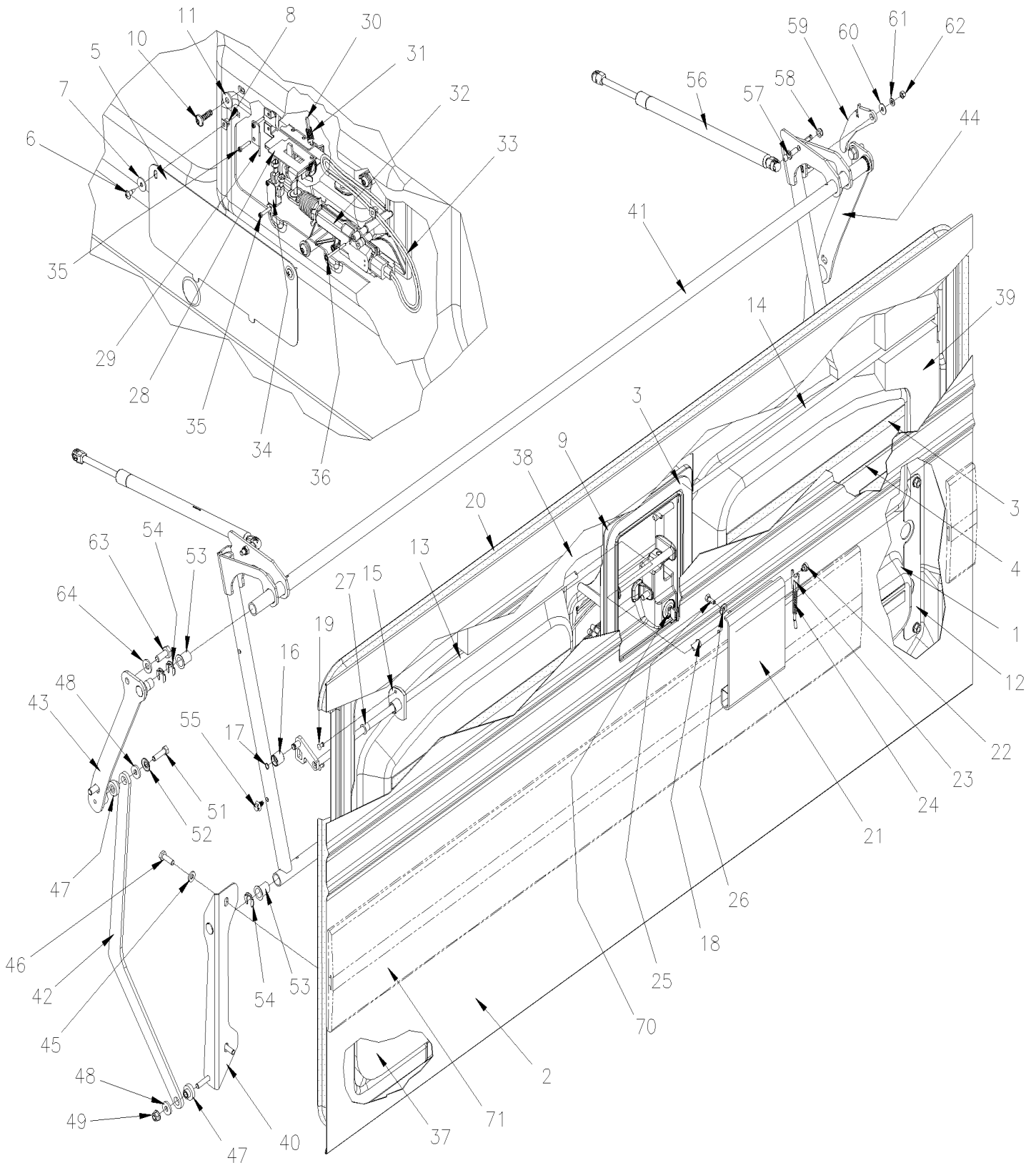


From D-5460 To D-5489

Date:10/2022

PAGE:XV-1864-01

BAGGAGE DOOR ASSY / 70"





From D-5460 To D-5489 Date:10/2022 PAGE:XV-1864-01

BAGGAGE DOOR ASSY / 70"

| Item# | Part | Description | X 3 V I P | X L I I E N T 4 5 | N O T E S |
|-------|---------|---|-----------------------|---|-----------------------|
| | 485714 | DOOR ASSY 70" / W/ELECTRICAL LOCK / SS | 1 | 1 | |
| | 485715 | DOOR ASSY 70" / W/ELECTRICAL LOCK / W/LAMP / SS / LH | 1 | 1 | |
| | 485716 | DOOR ASSY 70" / W/ELECTRICAL LOCK / W/LAMP / SS / RH | 1 | 1 | |
| | 485727 | DOOR ASSY 70" W/VENT HOLE / ELECTRICAL LOCK / SS / ELECTRICAL LOCK / SS | 1 | 1 | |
| 1 | 287941 | . FRAME 70" / ALUMINUM | 1 | 1 | |
| 1 | 2800291 | . FRAME 70" / ALUMINUM / W/VENT HOLE | 1 | 1 | |
| 2 | 484317 | . ONE PIECE PANEL / FLUTED 70" | 1 | 1 | |
| 2 | 484324 | . ONE PIECE PANEL / W/MARKER LIGHT / RH / FLUTED 70" | 1 | 1 | |
| 2 | 484323 | . ONE PIECE PANEL / W/MARKER LIGHT / LH / FLUTED 70" | 1 | 1 | |
| 2 | 484340 | . . PANEL, LOWER / B.A. 1786.8 MM | 1 | 1 | |
| 3 | 687961 | . GLUE MS POLYMER TEROSON MS 9399 / "A" 21 Liters | AR | AR | |
| 3 | 687962 | . GLUE MS POLYMER TEROSON MS 9399 / "B" 21 Liters | AR | AR | |
| 3 | 684517 | . ADHESIVE SIMSON #ISR 70-03 / GREY / 310ml CARTRIDGE | AR | AR | |
| 4 | 506769 | . TAPE RUB ADH2 CC POL 1/8" x 1/4" x 60' / BLACK H1CC-N-#14 | AR | AR | |
| 5 | 2800265 | . PANEL ACCESS 10 3/4" x 4 3/8" | 1 | 1 | |
| 6 | 500124 | . SCREW TP TR PH #8x1/2 SS | 2 | 2 | |
| 7 | 5001076 | . WASHER FL RET 4.6x15.4x1.37 NYL BK | 2 | 2 | |
| 8 | 502741 | . NUT AN #8 NYL | 2 | 2 | |
| 9 | 289062 | . SEALING BOX / W/FORD LOCK | 1 | 1 | |
| 10 | 5001630 | . SCREW TP BUTF TORX M6x20 SS | 5 | 5 | |
| 11 | 5001114 | . WASHER FL .260x.687x.060 NYL | 5 | 5 | |
| 12 | 2800053 | . ATTACH, HINGE | 2 | 2 | |
| 13 | 2800237 | . LOCKING ROD L.H. 793MM | 1 | 1 | |
| 14 | 2800238 | . LOCKING ROD R.H. 793MM | 1 | 1 | |
| 15 | 2800269 | . LOCKING ROD GUIDE | 2 | 2 | |
| 16 | 2800270 | . ROLLER CATCH | 2 | 2 | |
| 17 | 504318 | . RING RETAINER / EXT .375 x .352 x .025 | 2 | 2 | |
| 18 | 507644 | . O-RING 10MM I.D. X 2MM | 2 | 2 | |
| 19 | 504120 | . RIVET POP DOME CLE 3/16x1/2 AL | 4 | 4 | |
| 20 | 2800358 | . RUBBER SEAL EXTRUSION / W/70" DOOR | 1 | 1 | |
| 21 | 2800316 | . HANDLE ASSY / BAGAGE DOOR / SS | 1 | 1 | |
| 22 | 287271 | . . RIVET SHR FL 9.95x3.6{4.8x4.8 SS | 1 | 1 | |
| 23 | 289068 | . PIN HANDLE RELEASE | 1 | 1 | |
| 24 | 289070 | . SPRING COMPRESSION / .355 O.D. 2.755 x .063 | 1 | 1 | |
| 25 | 5001697 | . SCREW CAP HEX M6-1.0x16 SS BK | 2 | 2 | |
| 26 | 5001833 | . WASHER BEL SPR 6.1x18x1.27 SS | 2 | 2 | |
| 27 | 507141 | . BUSHING, NYLINER W/SHOULDER (7-L-7-F) | 2 | 2 | |
| 28 | 289065 | . PIN LATCH | 1 | 1 | |
| 29 | 289064 | . STOP PLATE LATCH | 1 | 1 | |
| 30 | 481564 | . ROD GUIDE | 2 | 2 | |
| 31 | 502934 | . SPRING COMPRESSION / .300 O.D. x 1 x .026 | 2 | 2 | |
| 32 | 2800049 | . LOCK ACTUATOR / 12V | 1 | 1 | |



| | | |
|--------------------------------|---------------------|------------------------|
| From D-5460 To D-5489 | Date:10/2022 | PAGE:XV-1864-01 |
| BAGGAGE DOOR ASSY / 70" | | |

| Item# | Part | Description | X 3 V I P | X L I I E N T 4 5 | N O T E S |
|-------|-------------------|--|-----------------------|---|-----------------------|
| 33 | 068617 | . CABLE ASSY / DOOR LOCK | 1 | 1 | |
| NS | 504637 | . CABLE TIE / 3/16" x 13" | AR | AR | |
| 34 | 562096 | . MICRO SWITCH | 1 | 1 | |
| 35 | 5001888 | . SCREW TP CAP TORX M3X18 SS | 4 | 4 | |
| 36 | 5001887 | . SCREW TP PAN WSHR TORX M3X35 SS | 2 | 2 | |
| 37 | 352597 | . INSULATING PANEL / LOWER | 1 | 1 | |
| 38 | 352598 | . INSULATING PANEL / UPPER LEFT | 1 | 1 | |
| 39 | 352599 | . INSULATING PANEL / UPPER RIGHT | 1 | 1 | |
| 40 | 288735 | BRACKET LOWER LH | 1 | 1 | |
| 40 | 288734 | BRACKET LOWER RH | 1 | 1 | |
| 41 | 2800107 | ARM PANTOGRAPH | 1 | 1 | |
| 42 | 2800307 | ARM LOWER L.H. | 1 | 1 | |
| 42 | 2800104 | ARM LOWER R.H. | 1 | 1 | |
| 43 | 288737 | ARM UPPER L.H. | 1 | 1 | |
| 44 | 288736 | ARM UPPER R.H. | 1 | 1 | |
| 45 | 5001868 | WASHER BEL SPR 8.4x18x2 SS | 4 | 4 | |
| 46 | 502780 | SCREW CAP HEX M8-1.25x25 SS BK | 4 | 4 | |
| 47 | 286716 | SPACER BUSHING FLANGE / AUX. ARM & SUPPORT ACETAL 8.3MM I.D. | 4 | 4 | |
| 48 | 500401 | WASHER FL .343x.875x.125 N500 | 4 | 4 | |
| 49 | 502837 | NUT HEXF STO M8-1.25 N500 | 2 | 2 | |
| 51 | 5001738 | SCREW CAP HEX M8-1.25x30 G8.8 N500 | 6 | 6 | |
| 52 | 5001699 | WASHER BEL SPR 8.2x22x1.4 N500 | 6 | 6 | |
| 53 | 507299 | BUSHING NYLINER | 4 | 4 | |
| 54 | 508398 | RING RETAINER / EXT .625 x .500 x .050" / SS | 6 | 6 | |
| 55 | 509815 | TIE MOUNT / ATTACHMENT W/TREE MOUNT | 2 | 2 | |
| 56 | 980030 | CYLINDER GAZ / 669/409MM C/C / 210LBS | 2 | 2 | |
| 56 | 7770081 | CYLINDER GAZ / 669/409MM C/C / 300LBS | 2 | 2 | J |
| 57 | 980027 | BALL STUD / W/10 MM X M8-1.25 / 36.5MM | 4 | 4 | |
| 58 | 502847 | NUT HEX NYRT M8-1.25 N500 | 8 | 8 | |
| 59 | 2800310 | HOOK, BAGGAGE DOOR | 1 | 1 | |
| NS | 2800309 | SPRING TENSION | 1 | 1 | |
| 60 | 5001833 | WASHER BEL SPR 6.1x18x1.27 SS | 1 | 1 | |
| 61 | 502573 | WASHER FL 6.4x12.5x1.6 SS | 1 | 1 | |
| 62 | 5001182 | NUT HEX NYRT M6-1.0 SS | 1 | 1 | |
| 63 | 502804 | SCREW CAP HEX M10-1.5x25 G8.8 N500 | 4 | 4 | |
| 64 | 5001834 | WASHER BEL SPR 10.5X23X2.5 N500 | 4 | 4 | |
| 65 | 2800260 | LOCKING GUIDE L.H. ASSY | 1 | 1 | |
| 66 | 2800259 | LOCKING GUIDE R.H. ASSY | 1 | 1 | |
| 67 | 2800370 | ATTACHMENT / DOOR CYLINDER | 2 | 2 | |
| 68 | 5001736 | WASHER FL 8.4x18.0x2.0 N500 | 4 | 4 | |
| 70 | XV-1867-00 | KEY & CYLINDER CODE | | | |
| 71 | XV-1855-00 | RUB RAIL - EXTERIOR CREST & TRIMS | | | |



| | | |
|-----------------------|--------------|-----------------|
| From D-5460 To D-5489 | Date:10/2022 | PAGE:XV-1864-01 |
|-----------------------|--------------|-----------------|

BAGGAGE DOOR ASSY / 70"

| Item# | Part | Description | X 3 V I P | X L I I E N T 4 5 | N O T E S |
|-------|------|-----------------------------------|-----------------------|---|-----------------------|
| | | | | | |
| | | | | | |
| | | | | | |
| | | J) USE WITH DOOR WITH ACCESSORIES | | | |



From B-5003 To C-5096 Date:10/2022 PAGE:XV-1864-50

BAGGAGE DOOR W/HINGE STREET SIDE WITH SMALL A/C SYSTEM / 60"

| Item# | Part | Description | X 3 V I P | X L I I E N T 4 5 | N O T E S |
|-------|-------------------|---|-----------------------|---|-----------------------|
| | | ALL EVAPORATOR DOORS ASSY DO NOT INCLUDE | | | |
| | | RUB-RAIL PLEASE ORDER SEPARATELY | | | |
| | 480023 | BAGGAGE DOOR ASSY / W/HINGE 60" | 1 | 1 | |
| 1 | 484243 | . DOOR FRAME (WELDED) | 1 | 1 | |
| NS | 504013 | . TIE MOUNT / 1/4" X 1/4" I.D. | 4 | 4 | |
| NS | 504379 | . RIVET POP DOME OE 3/16x1/4 SS | 4 | 4 | |
| NS | 504398 | . GROMMET / 1.000x1.375x.062x.437x1.750 | 1 | 1 | |
| 1A | 289708 | . GUIDE LOWER COND DOOR PLASTIC | 1 | 1 | |
| 1B | 500945 | . SCREW TC BDG PH #10-24x1/2 G500 | 2 | 2 | |
| 2 | 484193 | . INSULATING PANEL | 1 | 1 | |
| 2 | 484194 | . INSULATING PANEL | 2 | 2 | |
| 2 | 484195 | . INSULATING PANEL | 1 | 1 | |
| 2 | 484247 | . INSULATING PANEL 436MM X 350MM | 1 | 1 | |
| 4 | 484251 | . ONE PIECE PANEL 1530.9 MM / FLUTED / B.A. UPPER & LOWER | 1 | 1 | |
| 4 | 484238 | . . PANEL, UPPER / FLUTED / B.A. 1530.9 MM | 1 | 1 | |
| 5 | 484203 | . . PANEL, LOWER / B.A. 1530.9 MM | 1 | 1 | |
| NS | 684517 | . ADHESIVE SIMSON #ISR 70-03 / GREY / 310ml CARTRIDGE | AR | AR | |
| NS | 687962 | . GLUE MS POLYMER TEROSON MS 9399 / "B" 21 Liters | AR | AR | |
| NS | 687961 | . GLUE MS POLYMER TEROSON MS 9399 / "A" 21 Liters | AR | AR | |
| 6 | XV-1855-00 | . RUB RAIL - EXTERIOR CREST & TRIMS | | | |
| 7 | 5001497 | . SCREW MA OV PH M6-1.0x20 SS | 2 | 2 | |
| 8 | 5001182 | . NUT HEX NYRT M6-1.0 SS | 2 | 2 | |
| 9 | 780278 | . PIN, STRIKER STUD | 1 | 1 | |
| 10 | 283326 | . STRIKER PLATE, MOUNTING / 60MM X 25MM | 1 | 1 | |
| 11 | 289709 | . STRIKER SUPPORT 86 x 25 x 36 | 1 | 1 | |
| 12 | 500163 | . SCREW CAP HEX 1/4-20x3/4 G5 Z050 | 2 | 2 | |
| 13 | 5001699 | . WASHER BEL SPR 8.2x22x1.4 N500 | 2 | 2 | |
| 15 | 484176 | . WEATHERSTRIP / EVAPORATOR DOOR | 1 | 1 | |
| 16 | 5001042 | SCREW MA RND PH #10-32x1 1/4 SS | 4 | 4 | |
| 17 | 502774 | NUT WELL #10-32x.625 | 4 | 4 | |
| 18 | 483562 | SUPPORT ASSY / DOOR GUIDE M8-1.25 | 1 | 1 | |
| 19 | 504379 | RIVET POP DOME OE 3/16x1/4 SS | 2 | 2 | |
| 20 | 502780 | SCREW CAP HEX M8-1.25x25 SS BK | 2 | 2 | |
| 21 | 500411 | WASHER FL .260x.697x.050 SS | AR | AR | |
| 22 | 288031 | GUIDE ASSY / R.H. DOOR | 1 | 1 | |
| 23 | 504379 | RIVET POP DOME OE 3/16x1/4 SS | 2 | 2 | |
| 24 | 5001743 | SCREW CAP HEX M6-1.0x12 G8.8 N500 | 6 | 6 | |
| 25 | 485648 | LOCK SUPPORT | 1 | 1 | |
| 26 | 5001833 | WASHER BEL SPR 6.1x18x1.27 SS | 4 | 4 | |
| 27 | 5001697 | SCREW CAP HEX M6-1.0x16 SS BK | 4 | 4 | |
| 28 | 504433 | SNAP-IN PLUG / 1.090 O.D. | 4 | 4 | |



| | | |
|---|--------------|-----------------|
| From B-5003 To C-5096 | Date:10/2022 | PAGE:XV-1864-50 |
| BAGGAGE DOOR W/HINGE STREET SIDE WITH SMALL A/C SYSTEM / 60" | | |

| Item# | Part | Description | X 3 V I P | X L I I E N T 4 5 | N O T E S |
|-------|-------------------|---|-----------------------|---|-----------------------|
| 29 | 473378 | SEAL WASHER / RUB RAIL & PANEL | 4 | 4 | |
| NS | 500692 | NUT HEX 1/4-28 Z050 | 2 | 2 | |
| NS | 502582 | WASHER LO SERR 6.1x16.2x0.9 Z050 | 2 | 2 | |
| 30 | 289807 | LOCK SPAGNOLET W/GREASE FITTING | 1 | 1 | |
| . NS | 780340 | . CLIP, RETAINER ROD | 1 | 1 | |
| 31 | 5001188 | NUT HEX M8-1.25 SS | 1 | 1 | |
| 32 | 484168 | PIVOT ROD OPENNG | 2 | 2 | |
| 32A | 502159 | SPRING EXTENSION / .312 O.D. x 1.375 x .031 | 1 | 1 | |
| 33 | 780340 | CLIP, RETAINER ROD | 2 | 2 | |
| 34 | 484184 | ROD OPENING 1536MM | 1 | 1 | |
| 35 | 484183 | ROD OPENING 438MM | 1 | 1 | |
| 36 | 5001182 | NUT HEX NYRT M6-1.0 SS | 1 | 1 | |
| 37 | 502573 | WASHER FL 6.4x12.5x1.6 SS | 1 | 1 | |
| 38 | 504083 | SNAP BUSHING / .250x.468.406 | 2 | 2 | |
| 39 | 505504 | KNOB, PULL / 8-32 | 1 | 1 | |
| 40 | 500986 | NUT HEX #8-32 N500 | 1 | 1 | |
| 41 | 500270 | WASHER FL .406x1.000x.063 SS | 5 | 5 | |
| 43 | 500657 | SCREW TC TR PH #10-24x1/2 Z050 | 2 | 2 | |
| 44 | 223938 | SUPPORT PIVOT / DOOR GUIDE M-1.0 W/SHOULDER 10MM (WELD) | 1 | 1 | |
| 45 | 223956 | SUPPORT ROD UPPER FIXED W/SCREWS | 1 | 1 | |
| 46 | 216796 | SUPPORT PIVOT / DOOR GUIDE M8-1.25 / (WELDED AT STRUCTURE | 1 | 1 | |
| 47 | 484227 | SUPPORT ROD UPPER | 1 | 1 | |
| 48 | 500957 | SCREW TP BDG PH #10x3/4 N500 | 2 | 2 | |
| 70 | XV-0662-00 | CLEARANCE & MARKER LIGHT | | | |
| | | | | | |
| | | | | | |
| | | | | | |

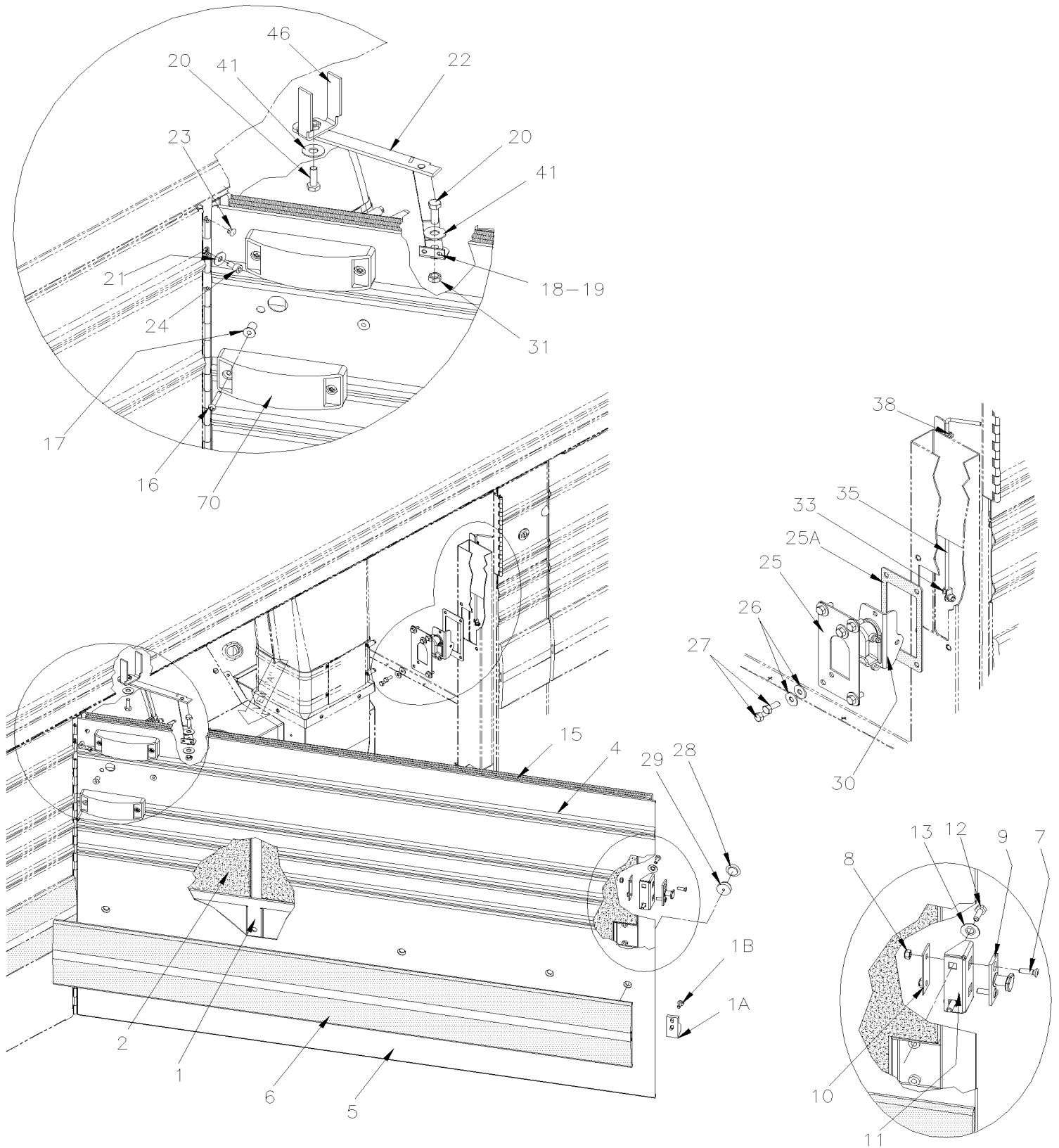


From C-5097 To D-5459

Date:10/2022

PAGE:XV-1864-51

BAGGAGE DOOR W/HINGE STREET SIDE WITH SMALL A/C SYSTEM / 53 3/4





From C-5097 To D-5459 Date:10/2022 PAGE:XV-1864-51

BAGGAGE DOOR W/HINGE STREET SIDE WITH SMALL A/C SYSTEM / 53 3/4

| Item# | Part | Description | X 3 V I P | X L I I E N T 4 5 | N O T E S |
|-------|-------------------|---|-----------------------|---|-----------------------|
| | | ALL EVAPORATOR DOORS ASSY DO NOT INCLUDE | | | |
| | | RUB-RAIL PLEASE ORDER SEPARATELY | | | |
| | 480024 | BAGGAGE DOOR ASSY / W/HINGE 53 3/4" | 1 | 1 | |
| 1 | 484243 | . DOOR FRAME (WELDED) | 1 | 1 | |
| NS | 504013 | . TIE MOUNT / 1/4" X 1/4" I.D. | 4 | 4 | |
| NS | 504379 | . RIVET POP DOME OE 3/16x1/4 SS | 4 | 4 | |
| 1 | 504398 | . GROMMET / 1.000x1.375x.062x.437x1.750 | 1 | 1 | |
| 1A | 289708 | . GUIDE LOWER COND DOOR PLASTIC | 1 | 1 | |
| 1B | 500945 | . SCREW TC BDG PH #10-24x1/2 G500 | 2 | 2 | |
| 2 | 484259 | . INSULATING PANEL 1270MM X 150MM | 1 | 1 | |
| 2 | 484260 | . INSULATING PANEL 434MM X 301MM | 2 | 2 | |
| 2 | 484261 | . INSULATING PANEL 434MM X 288MM | 1 | 1 | |
| 2 | 484247 | . INSULATING PANEL 436MM X 350MM | 2 | 2 | |
| 3 | 484185 | . GRILL | 1 | 1 | |
| 3 | 684517 | . ADHESIVE SIMSON #ISR 70-03 / GREY / 310ml CARTRIDGE | AR | AR | |
| 3 | 871432 | . FILTER SCREEN 12" x 12" / W2 STRIP GAL | 1 | 1 | |
| 4 | 484283 | . ONE PIECE PANEL 1365.9 MM / FLUTED / B.A. "OEM" UPPER & LOWER | 1 | 1 | |
| 5 | 484299 | . PANEL, LOWER / B.A. 1365.9 MM | 1 | 1 | |
| NS | 684517 | . ADHESIVE SIMSON #ISR 70-03 / GREY / 310ml CARTRIDGE | AR | AR | |
| NS | 687962 | . GLUE MS POLYMER TEROSON MS 9399 / "B" 21 Liters | AR | AR | |
| NS | 687961 | . GLUE MS POLYMER TEROSON MS 9399 / "A" 21 Liters | AR | AR | |
| 6 | XV-1855-00 | . RUB RAIL - EXTERIOR CREST & TRIMS | | | |
| 7 | 5001497 | . SCREW MA OV PH M6-1.0x20 SS | 2 | 2 | |
| 8 | 5001182 | . NUT HEX NYRT M6-1.0 SS | 2 | 2 | |
| 9 | 780278 | . PIN, STRIKER STUD | 1 | 1 | |
| 10 | 283326 | . STRIKER PLATE, MOUNTING / 60MM X 25MM | 1 | 1 | |
| 11 | 289709 | . STRIKER SUPPORT 86 x 25 x 36 | 1 | 1 | |
| 12 | 5001746 | . SCREW CAP HEX 1/4-20x3/4 G5 N500 | 2 | 2 | |
| 13 | 5001699 | . WASHER BEL SPR 8.2x22x1.4 N500 | 2 | 2 | |
| 15 | 484262 | . WEATHERSTRIP / EVAPORATOR DOOR | 1 | 1 | |
| 16 | 5001042 | SCREW MA RND PH #10-32x1 1/4 SS | 4 | 4 | |
| 17 | 502774 | NUT WELL #10-32x.625 | 4 | 4 | |
| 18 | 483562 | SUPPORT ASSY / DOOR GUIDE M8-1.25 | 1 | 1 | |
| 19 | 504379 | RIVET POP DOME OE 3/16x1/4 SS | 2 | 2 | |
| 20 | 502780 | SCREW CAP HEX M8-1.25x25 SS BK | 2 | 2 | |
| 21 | 500411 | WASHER FL .260x.697x.050 SS | 6 | 6 | |
| 22 | 288031 | GUIDE ASSY / R.H. DOOR | 1 | 1 | |
| 23 | 504379 | RIVET POP DOME OE 3/16x1/4 SS | AR | AR | |
| 24 | 5001743 | SCREW CAP HEX M6-1.0x12 G8.8 N500 | 6 | 6 | |
| 25 | 484268 | LOCK SUPPORT | 1 | 1 | |
| 25A | 484270 | RUBBER SEAL / LOCK SUPPORT | 1 | 1 | |



From C-5097 To D-5459 Date:10/2022 PAGE:XV-1864-51

BAGGAGE DOOR W/HINGE STREET SIDE WITH SMALL A/C SYSTEM / 53 3/4

| Item# | Part | Description | X 3 V I P | X L I I E N T 4 5 | N O T E S |
|-------|-------------------|---|-----------------------|---|-----------------------|
| 26 | 5001833 | WASHER BEL SPR 6.1x18x1.27 SS | 4 | 4 | |
| 27 | 5001697 | SCREW CAP HEX M6-1.0x16 SS BK | 4 | 4 | |
| 28 | 504433 | SNAP-IN PLUG / 1.090 O.D. | 4 | 4 | |
| 29 | 473378 | SEAL WASHER / RUB RAIL & PANEL | 4 | 4 | |
| NS | 500692 | NUT HEX 1/4-28 Z050 | 2 | 2 | |
| NS | 502582 | WASHER LO SERR 6.1x16.2x0.9 Z050 | 2 | 2 | |
| 30 | 289205 | LOCK SPAGNOLET W/GREASE FITTING | 1 | 1 | |
| 31 | 5001188 | NUT HEX M8-1.25 SS | 1 | 1 | |
| 33 | 780340 | CLIP, RETAINER ROD | 2 | 2 | |
| 35 | 484267 | ROD OPENING 269MM | 1 | 1 | |
| 38 | 504083 | SNAP BUSHING / .250x.468.406 | 2 | 2 | |
| 41 | 500270 | WASHER FL .406x1.000x.063 SS | 5 | 5 | |
| 46 | 216796 | SUPPORT PIVOT / DOOR GUIDE M8-1.25 / (WELDED AT STRUCTURE | 1 | 1 | |
| NS | 068384 | CABLE DOOR LAMP | 1 | 1 | |
| 70 | XV-0662-00 | CLEARANCE & MARKER LIGHT | | | |
| | | | | | |
| | | | | | |
| | | | | | |

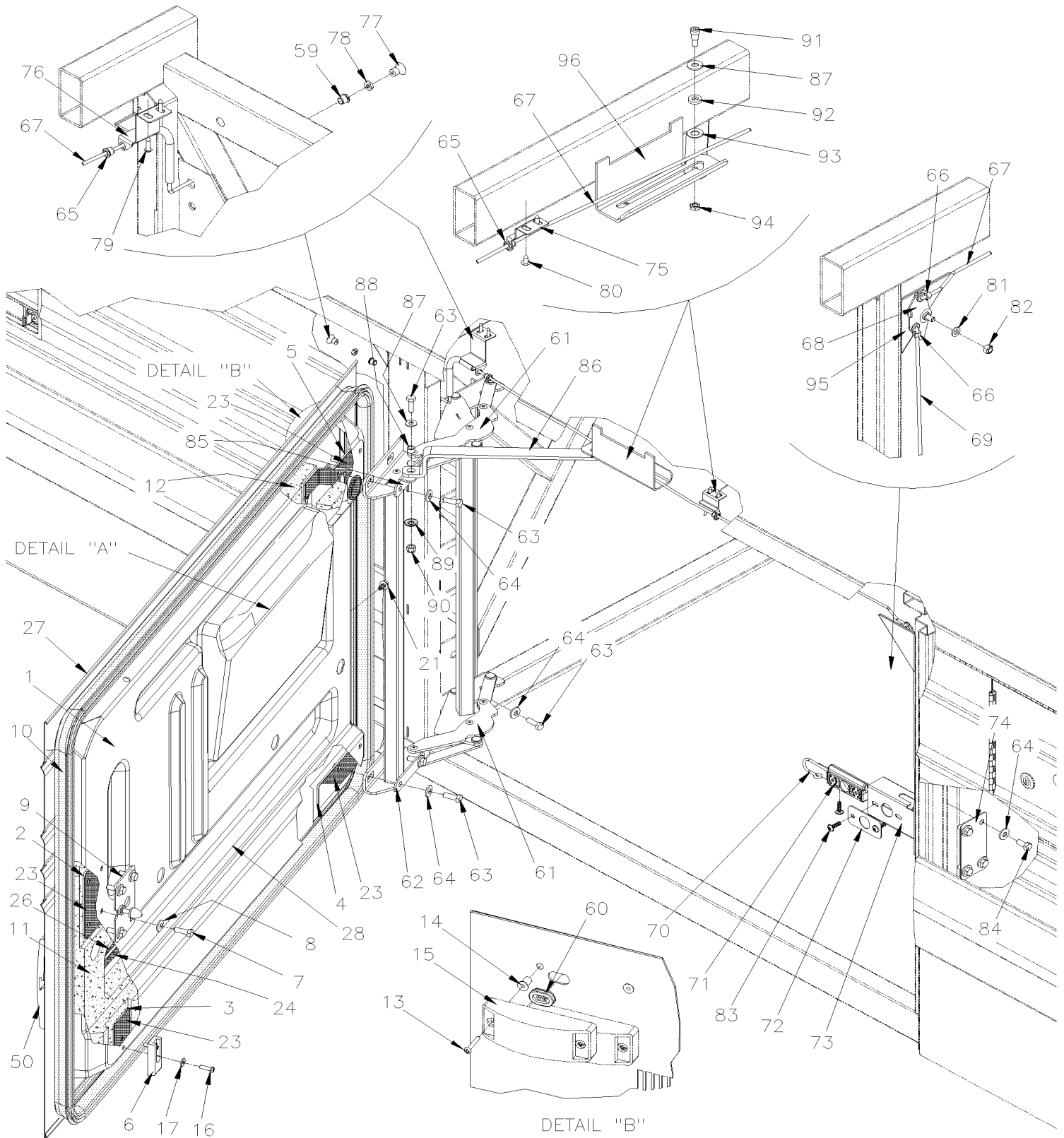


From D-5460 To D-5489

Date:10/2022

PAGE:XV-1864-52

BAGGAGE DOOR W/HINGE STREET SIDE WITH SMALL A/C SYSTEM / 53 3/4





| | | |
|-----------------------|--------------|-----------------|
| From D-5460 To D-5489 | Date:10/2022 | PAGE:XV-1864-52 |
|-----------------------|--------------|-----------------|

BAGGAGE DOOR W/HINGE STREET SIDE WITH SMALL A/C SYSTEM / 53 3/4

| Item# | Part | Description | X 3 V I P | X L I I E N T 4 5 | N O T E S |
|-------|-------------------|---|-----------------------|---|-----------------------|
| | 484335P | BAGGAGE DOOR ASSY / W/HINGE 1210mm | 1 | 1 | |
| 1 | 2800305 | . DOOR FRAME | 1 | 1 | |
| 2 | 2800250 | . ATTACH, PENE | 1 | 1 | |
| 3 | 2800251 | . ATTACH, SKID | 1 | 1 | |
| 4 | 2800252 | . ATTACH, DOWN HINGE | 1 | 1 | |
| 5 | 2800253 | . ATTACH, UPPER HINGE | 1 | 1 | |
| 6 | 2800234 | . GUIDE, HINGE DOOR | 1 | 1 | |
| 7 | 5001745 | . SCREW CAP HEX M8-1.25x25 G8.8 N500 | 4 | 4 | |
| 8 | 5001848 | . WASHER BEL SPR .827 x .331 x .098 th SS | 4 | 4 | |
| 9 | 2800226 | . PENE ASSY | 1 | 1 | |
| 10 | 2800357 | . WEATHERSTRIP / EVAPORATOR DOOR | 1 | 1 | |
| 11 | 352595 | . INSULATION, EVAPORATOR DOOR | 1 | 1 | |
| 11 | 352606 | . INSULATION WITHOUT FRESH AIR HOLES | 1 | 1 | |
| 12 | 352596 | . INSULATION, EVAPORATOR DOOR | 1 | 1 | |
| 13 | 5001042 | . SCREW MA RND PH #10-32x1 1/4 SS | 4 | 4 | |
| 14 | 502774 | . NUT WELL #10-32x.625 | 4 | 4 | |
| 15 | XV-0662-00 | . CLEARANCE & MARKER LIGHT | | | |
| 15 | 068731 | . HARNESS DOOR | 1 | 1 | |
| . NS | 504398 | . . GROMMET / 1.000x1.375x.062x.437x1.750 | 1 | 1 | |
| . NS | 478900 | . . GROMMET, MARKER LIGHT | 2 | 2 | |
| 16 | 502626 | . SCREW MA PAN PH M6-1.0x20 N500 | 2 | 2 | |
| 17 | 500877 | . WASHER FL .250x.562x.065 N500 | 2 | 2 | |
| 20 | 504398 | . GROMMET / 1.000x1.375x.062x.437x1.750 | 1 | 1 | |
| 21 | 509815 | . TIE MOUNT / ATTACHMENT W/TREE MOUNT | 3 | 3 | |
| 23 | 684743 | . GLUE METHACRYLATE PLEXUS MA832GB 380 ml | AR | AR | |
| 24 | 687961 | . GLUE MS POLYMER TEROSON MS 9399 / "A" 21 Liters | AR | AR | |
| 24 | 687962 | . GLUE MS POLYMER TEROSON MS 9399 / "B" 21 Liters | AR | AR | |
| 26 | 685126 | . ADHESIVE SIMSON #ISR 70-03 / GREY / 600ml SAUSAGE | AR | AR | |
| 27 | 484329 | . ONE PIECE PANEL / FLUTED 1210mm | 1 | 1 | |
| 50 | XV-1855-00 | RUB RAIL - EXTERIOR CREST & TRIMS | | | |
| 59 | 504226 | SNAP BUSHING / .391x.578x.406 | 1 | 1 | |
| 60 | 478900 | GROMMET, MARKER LIGHT | 1 | 1 | |
| 61 | 2800218 | HINGE ASSY | 1 | 1 | |
| 62 | 2800267 | SPACER | 1 | 1 | |
| 63 | 5001745 | SCREW CAP HEX M8-1.25x25 G8.8 N500 | 9 | 9 | |
| 64 | 500321 | WASHER BEL SPR .331x.827x.098 N500 | 12 | 12 | |
| 65 | 504083 | SNAP BUSHING / .250x.468.406 | 2 | 2 | |
| 66 | 780340 | CLIP, RETAINER ROD | 2 | 2 | |
| 67 | 484313 | ROD OPENING 1200MM | 1 | 1 | |
| 68 | 484309 | PIVOT LATCH | 1 | 1 | |
| 69 | 484310 | ROD OPENING 381MM | 1 | 1 | |
| 70 | 478577 | SPRING HOLDER | 1 | 1 | |



| | | |
|--|--------------|-----------------|
| From D-5460 To D-5489 | Date:10/2022 | PAGE:XV-1864-52 |
| BAGGAGE DOOR W/HINGE STREET SIDE WITH SMALL A/C SYSTEM / 53 3/4 | | |

| Item# | Part | Description | X 3 V I P | X L I I E N T 4 5 | N O T E S |
|-------|---------|--|-----------------------|---|-----------------------|
| 71 | 477399 | RECEPTACLE | 1 | 1 | |
| 72 | 460708 | ADJUSTMENT PLATE | 1 | 1 | |
| 73 | 2800228 | SUPPORT, RECEPTACLE ASSY | 1 | 1 | |
| 74 | 484319 | FIXATION PLATE | 1 | 1 | |
| 75 | 484321 | ROD SUPPOPRT | 1 | 1 | |
| 76 | 484320 | ROD SUPPOPRT | 1 | 1 | |
| 77 | 505504 | KNOB, PULL / 8-32 | 1 | 1 | |
| 78 | 500986 | NUT HEX #8-32 N500 | 1 | 1 | |
| 79 | 500957 | SCREW TP BDG PH #10x3/4 N500 | 2 | 2 | |
| 80 | 500657 | SCREW TC TR PH #10-24x1/2 Z050 | 2 | 2 | |
| 81 | 502573 | WASHER FL 6.4x12.5x1.6 SS | 1 | 1 | |
| 82 | 5001182 | NUT HEX NYRT M6-1.0 SS | 1 | 1 | |
| 83 | 5001630 | SCREW TP BUTF TORX M6x20 SS | 3 | 3 | |
| 84 | 502862 | SCREW CAP HEX M8-1.25x20 G8.8 N500 | 4 | 4 | |
| 85 | 2800225 | ATTACH, ARM STOPPER | 1 | 1 | |
| 86 | 2800223 | ARM STOPPER | 1 | 1 | |
| 87 | 502638 | WASHER FL .312x.734x.065 N500 | 2 | 2 | |
| 88 | 283770 | SPACER / TO FIX RETAINING ARM | 1 | 1 | |
| 89 | 5001699 | WASHER BEL SPR 8.2x22x1.4 N500 | 1 | 1 | |
| 90 | 5001787 | NUT HEX NYRT M8-1.25 SS | 1 | 1 | |
| 91 | 5001560 | SCREW SHR HEXS 5/16x3/8 {1/4-20 SS | 1 | 1 | |
| 92 | 502768 | WASHER FL RUB .312x.625x.125 NEO | 1 | 1 | |
| 93 | 502723 | WASHER FL .386x.750x.050 NYL | 1 | 1 | |
| 94 | 500384 | NUT HEX JAM 1/4-20 G500 | 1 | 1 | |
| 95 | 221810 | SUPPORT PIVOT / DOOR GUIDE M6-1.0 W/SHOULDER 10M | 1 | 1 | |
| 96 | 2800231 | GUIDE, ARM STOPPER | 1 | 1 | |
| NS | 680038 | THREAD LOCKER LOCTITE #243 / BLUE / 50ml | AR | AR | |
| | | | | | |
| | | | | | |
| | | | | | |

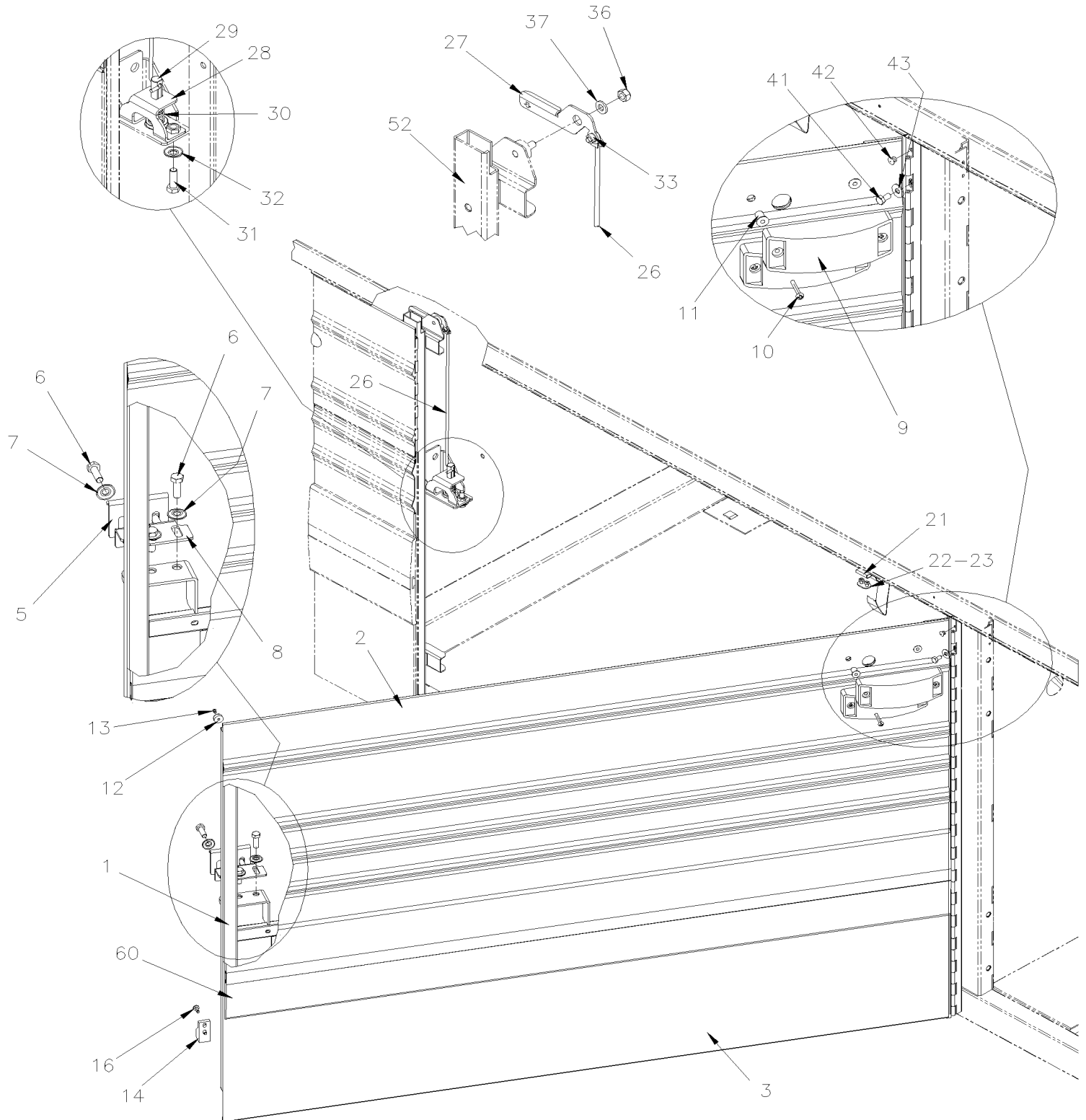


From B-5003 To D-5489

Date:10/2022

PAGE:XV-1864-60

BAGGAGE DOOR W/HINGE CURBSIDE WITH SMALL A/C SYSTEM / 50 1/2





| | | |
|-----------------------|--------------|-----------------|
| From B-5003 To D-5489 | Date:10/2022 | PAGE:XV-1864-60 |
|-----------------------|--------------|-----------------|

BAGGAGE DOOR W/HINGE CURBSIDE WITH SMALL A/C SYSTEM / 50 1/2

| Item# | Part | Description | X 3 V I P | X L I I E N T 4 5 | N O T E S |
|-------|-------------------|--|-----------------------|---|-----------------------|
| | | THIS DOOR ASSY DO NOT INCLUDE RUB-RAIL | | | |
| | | PLEASE ORDER SEPARATELY | | | |
| | 480025 | BAGGAGE DOOR ASSY / W/HINGE 50 1/2" To D-5459 | 1 | 1 | |
| | 480026 | BAGGAGE DOOR ASSY / W/HINGE 50 1/2" From D-5460 | 1 | 1 | |
| 1 | 484154 | . FRAME ASSY / 1285MM To D-5459 | 1 | 1 | |
| 1 | 484334 | . FRAME ASSY / 1289MM From D-5460 | 1 | 1 | |
| 2 | 484252 | . ONE PIECE PANEL / FLUTED 1281.6MM To D-5459 | 1 | 1 | |
| 2 | 484332 | . ONE PIECE PANEL / FLUTED 1281.6 / B.A. UPPER & LOWER From D-5460 | 1 | 1 | |
| 3 | 484240 | . . PANEL, LOWER / B.A. 1281.6 MM | 1 | 1 | |
| NS | 687962 | . GLUE MS POLYMER TEROSON MS 9399 / "B" 21 Liters | AR | AR | |
| NS | 687961 | . GLUE MS POLYMER TEROSON MS 9399 / "A" 21 Liters | AR | AR | |
| NS | 684517 | . ADHESIVE SIMSON #ISR 70-03 / GREY / 310ml CARTRIDGE | AR | AR | |
| 5 | 287051 | . CATCH PIN / RETAINER 52MM x 70MM | 1 | 1 | |
| 6 | 502780 | . SCREW CAP HEX M8-1.25x25 SS BK | 4 | 4 | |
| 7 | 5001699 | . WASHER BEL SPR 8.2x22x1.4 N500 | 4 | 4 | |
| 8 | 484167 | DOOR LATCH ADJUSTABLE | 1 | 1 | |
| 9 | XV-0662-00 | CLEARANCE & MARKER LIGHT | | | |
| 10 | 5001042 | . SCREW MA RND PH #10-32x1 1/4 SS | 2 | 2 | |
| 11 | 502774 | . NUT WELL #10-32x.625 | 2 | 2 | |
| 12 | 5001393 | . BUMPER RUBBER / .625 OD x .281 TH x .125 HOLE | 2 | 2 | |
| 13 | 504340 | . RIVET POP DOME OE 1/8x3/16 SS | 2 | 2 | |
| 14 | 289708 | . GUIDE LOWER COND DOOR PLASTIC To D-5484 | 1 | 1 | |
| 14 | 2800374 | . GUIDE LOWER COND DOOR PLASTIC From D-5485 | 1 | 1 | |
| 16 | 500945 | . SCREW TC BDG PH #10-24x1/2 G500 To D-5484 | 2 | 2 | |
| 16 | 500623 | . SCREW TC PAN PH #10-24x3/4 N500 From D-5485 | 2 | 2 | |
| 21 | 505507 | STRAP NYLON 1" WIDE / S.L. | AR | AR | |
| NS | 452813 | SUPPORT STRAP RETAINER W/2 SLOTS & 2 HOLES | 1 | 1 | |
| NS | 285476 | SUPPORT STRAP RETAINER W/2 SLOTS & 1 HOLE (WELDED AT DOOR STRUCTURE) | 1 | 1 | |
| 22 | 284439 | PLATE, STRAP RETAINING / OBLONG 16.5MM x 25.4MM W/2 HOLES | 1 | 1 | |
| 23 | 504747 | RIVET HKL MMS 3/16x3/8 SS | 2 | 2 | |
| 26 | 484169 | ROD OPENING 309MM | 1 | 1 | |
| 27 | 484216 | HANDLE | 1 | 1 | |
| 28 | 289674 | SUPPORT CATCH PIN W/OUT PIVOT | 1 | 1 | |
| 29 | 289636 | CATCH PIN ACETAL / 90.5MM | 1 | 1 | |
| 30 | 502910 | SPRING COMPRESSION / .720 O.D. 1.75 x .055 | 1 | 1 | |
| 31 | 502780 | SCREW CAP HEX M8-1.25x25 SS BK | 2 | 2 | |
| 32 | 5001699 | WASHER BEL SPR 8.2x22x1.4 N500 | 2 | 2 | |
| 33 | 780340 | CLIP, RETAINER ROD | 2 | 2 | |
| 36 | 5001182 | NUT HEX NYRT M6-1.0 SS | 1 | 1 | |
| 37 | 502573 | WASHER FL 6.4x12.5x1.6 SS | 1 | 1 | |
| 41 | 5001743 | SCREW CAP HEX M6-1.0x12 G8.8 N500 | 6 | 6 | |



| | | |
|---|--------------|-----------------|
| From B-5003 To D-5489 | Date:10/2022 | PAGE:XV-1864-60 |
| BAGGAGE DOOR W/HINGE CURBSIDE WITH SMALL A/C SYSTEM / 50 1/2 | | |

| Item# | Part | Description | X 3 V I P | X L I I E N T 4 5 | N O T E S |
|--------|-------------------|---|-----------------------|---|-----------------------|
| 42 | 504379 | RIVET POP DOME OE 3/16x1/4 SS | 2 | 2 | |
| 43 | 500411 | WASHER FL .260x.697x.050 SS | 6 | 6 | |
| 52 | 223954 | POST ASSY FORWARD FUEL DOOR ASSY W/REINFORCMENT PANEL | 1 | 1 | |
| . NS | 216798 | . PANEL REINFORCMENT LOWER FUEL DOOR 249MM x 600MM | 1 | 1 | |
| . NS | 223940 | . POST ASSY FORWARD FUEL DOOR ASSY | 1 | 1 | |
| . . NS | 216797 | . . STOPPER CONDENSOR DOOR | 2 | 2 | |
| . . NS | 223937 | . . BRACKET LATCH COND DOOR | 1 | 1 | |
| . . NS | 477296 | . . ATTACHMENT SPRING DOOR | 1 | 1 | |
| . . NS | 502659 | . . NUT WD RND M6-1.0 SS | 2 | 2 | |
| 60 | XV-1855-00 | RUB RAIL - EXTERIOR CREST & TRIMS | | | |
| | | | | | |
| | | | | | |
| | | | | | |



From B-5003 To D-5489

Date:10/2022

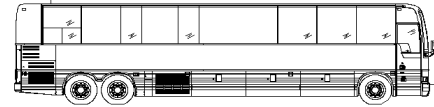
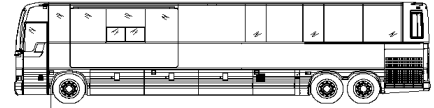
PAGE:484252

ONE PIECE PANEL / FLUTED 1281.6MM

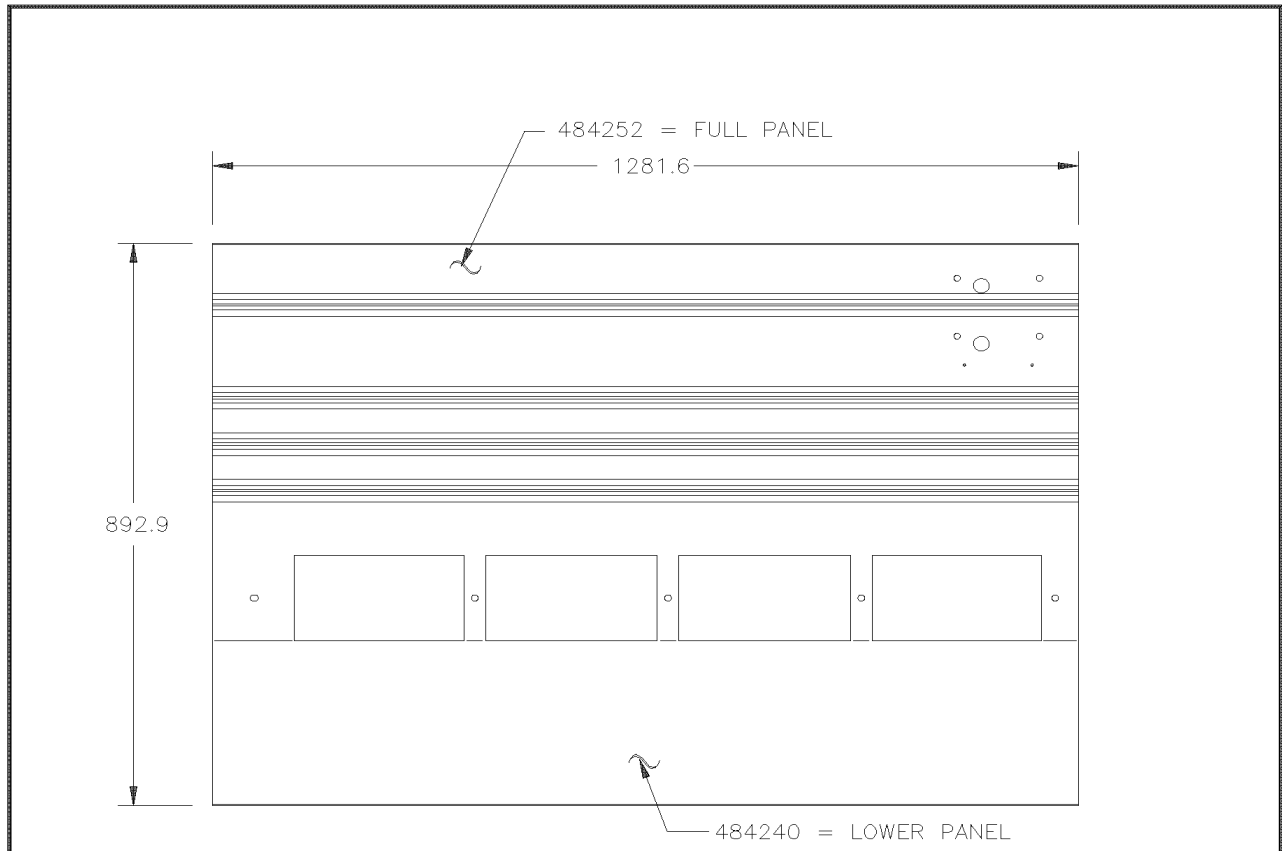
PREVOST



X3-VIP



XL-II ENT.



EXTERIOR VIEW

NOTE:

4TH DOOR RH
WITH SMALL A/C

| | | | |
|--|--------------------|-----------------------------------|--------|
| TOTAL PERFORATED AREA: 0 f ² | EFF : B-5003 | DOOR ASSY ONLY IN SERVICE PART | N.A. |
| | PRIOR: | | |
| DATE: 12-2012 | WITH INSULATION | REFERENCE ONLY | 484252 |
| REV. : C | WITHOUT INSULATION | | |



| | | |
|--|--------------|-------------|
| From B-5003 To D-5489 | Date:10/2022 | PAGE:484252 |
| ONE PIECE PANEL / FLUTED 1281.6MM | | |

| Item# | Part | Description | X 3 V I P | X L I I E N T 4 5 | N O T E S |
|-------|--------|-------------------------------|-----------------------|---|-----------------------|
| 1 | | BAGAGE DOOR FULL PANEL | 1 | 1 | |
| 2 | 484240 | PANEL, LOWER / B.A. 1281.6 MM | 1 | 1 | |
| | | | | | |
| | | | | | |
| | | | | | |



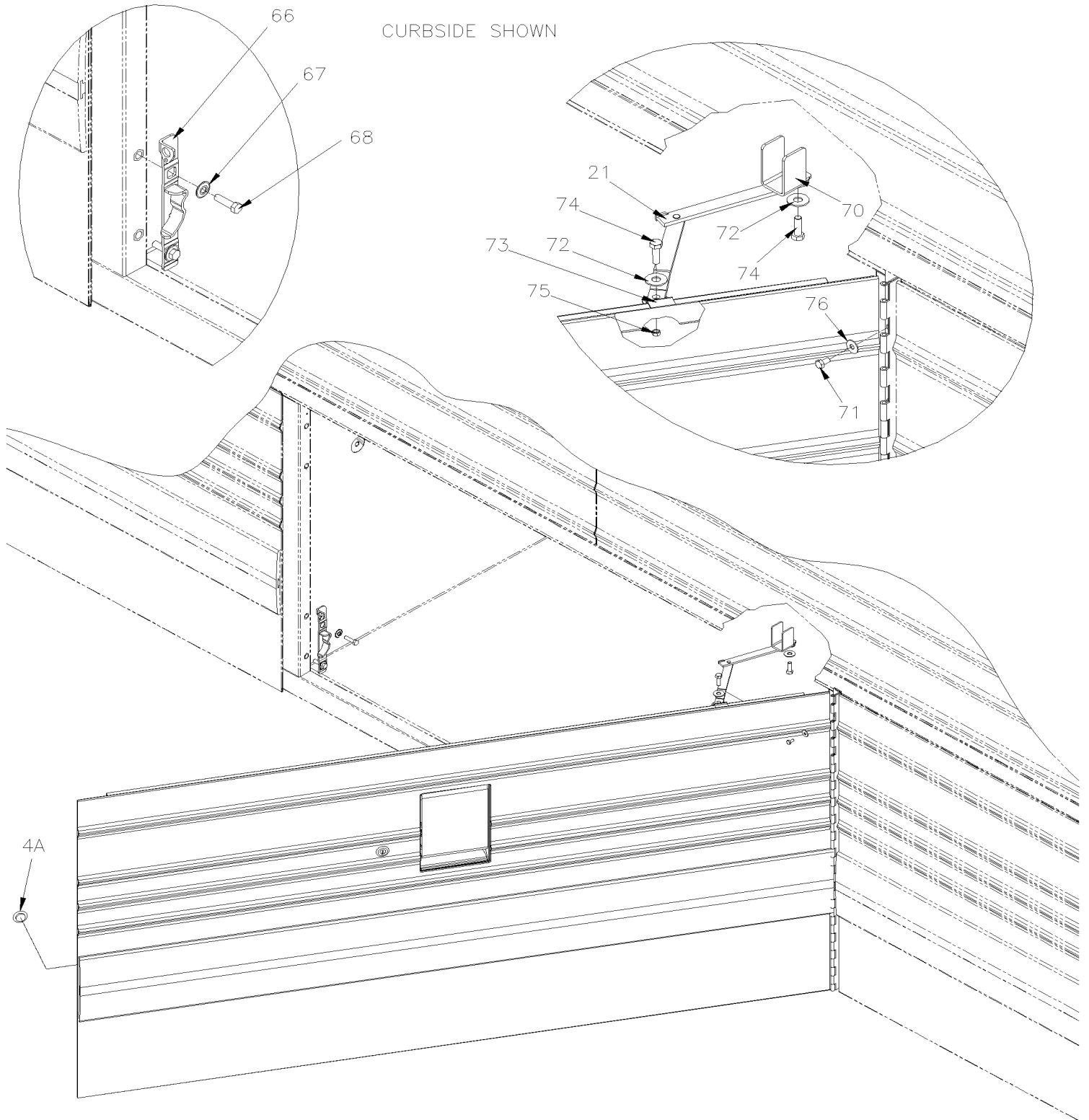
From B-5003 To D-5489

Date:10/2022

PAGE:XV-1864-90

BAGGAGE DOOR W/HINGE / 70"

CURBSIDE SHOWN



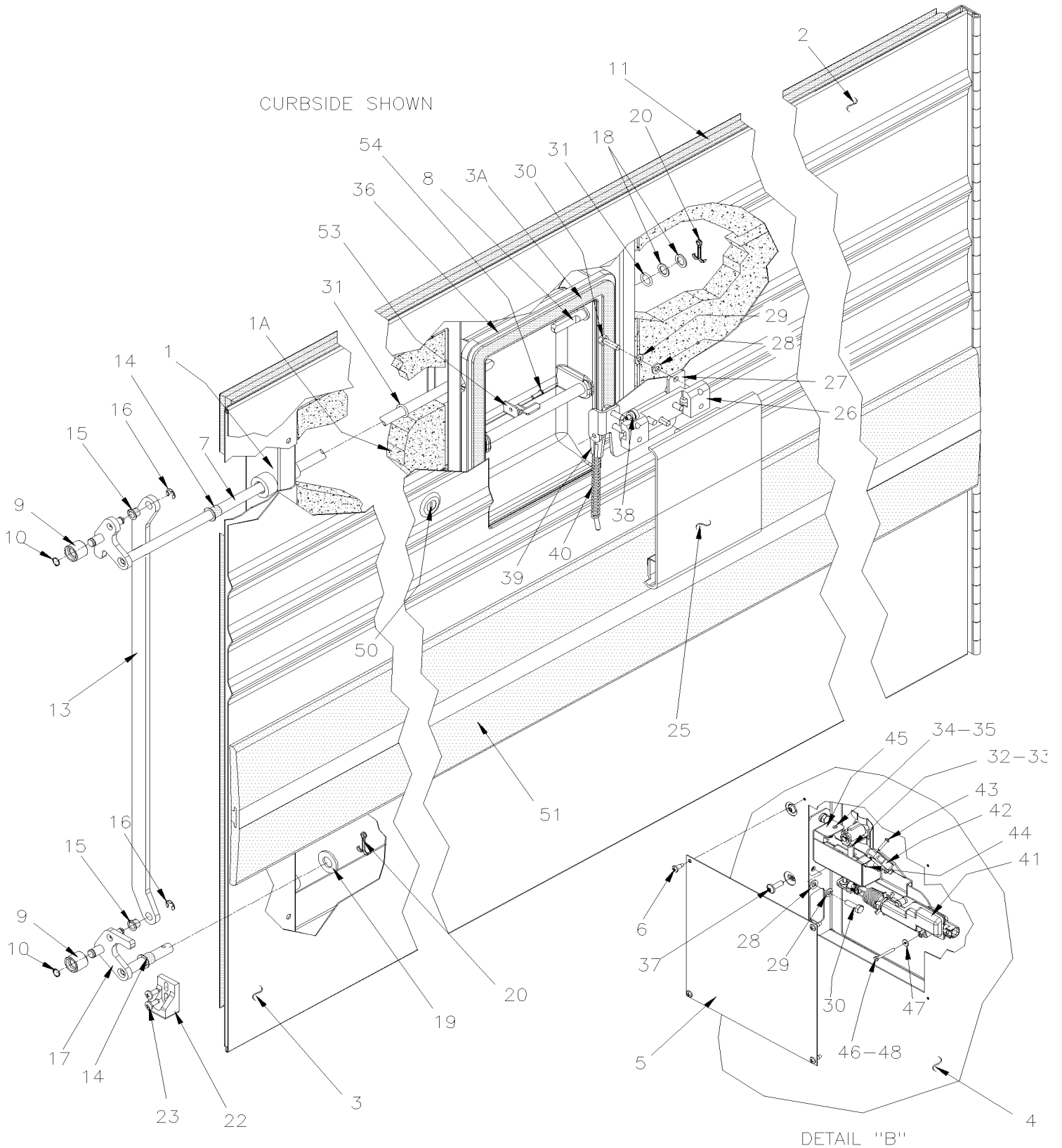


From B-5003 To D-5489

Date:10/2022

PAGE:XV-1864-90

BAGGAGE DOOR W/HINGE / 70"





| | | |
|-----------------------------------|---------------------|------------------------|
| From B-5003 To D-5489 | Date:10/2022 | PAGE:XV-1864-90 |
| BAGGAGE DOOR W/HINGE / 70" | | |

| Item# | Part | Description | X 3 V I P | X L I I E N T 4 5 | N O T E S |
|-------|-----------------|--|-----------------------|---|-----------------------|
| | 289051P | BAGGAGE DOOR ASSY 70" RH HINGE / CUBRSIDE | 1 | 1 | |
| | 289736P | BAGGAGE DOOR ASSY 70" LH HINGE / STREET SIDE | 1 | 1 | |
| 1 | 289052P | . FRAME ASSY 70" RH HINGE / CUBRSIDE | 1 | 1 | |
| 1 | 289737P | . FRAME ASSY 70" LH HINGE / STREET SIDE | 1 | 1 | |
| 1A | Call order desk | . INSULATING KIT / BAGGAGE DOOR STD | 1 | 1 | P |
| 1A | 352367 | . INSULATING / HINGE TYPE BAGGAGE DOOR | 1 | 1 | |
| 2 | 484286 | . ONE PIECE PANEL 1777.1 MM / FLUTED / B.A. / RH HINGE / CUBRSIDE | 1 | 1 | |
| 2 | 484253 | . ONE PIECE PANEL 1777.1 MM / FLUTED / B.A. / LH HINGE / STREET SIDE | 1 | 1 | |
| 3 | 484225 | . PANEL, LOWER / B.A. 1777.1 MM | 1 | 1 | |
| 3A | 687961 | . GLUE MS POLYMER TEROSON MS 9399 / "A" 21 Liters | AR | AR | |
| 3A | 687962 | . GLUE MS POLYMER TEROSON MS 9399 / "B" 21 Liters | AR | AR | |
| 3A | 684517 | . ADHESIVE SIMSON #ISR 70-03 / GREY / 310ml CARTRIDGE | AR | AR | |
| 4 | 484284 | . PANEL INTERIOR 70" RH HINGE / CUBRSIDE | 1 | 1 | |
| 4 | 484237 | . PANEL INTERIOR 70" LH HINGE / STREET SIDE | 1 | 1 | |
| NS | 506785 | . TAPE RUB ADH2 CC POL 1/16" x 1/4" x 200' / BLACK I1C-N-A | AR | AR | |
| 4A | 504433 | . SNAP-IN PLUG / 1.090 O.D. | AR | AR | |
| 5 | 481787 | . PANEL ACCESS 9" X 9" | 1 | 1 | |
| 6 | 502868 | . SCREW TC TR PH #10-16x1/2 N500 | 4 | 4 | |
| 7 | 287061 | . LOCKING ROD UPPER L.H. / W/70" DOOR 793MM / CUBRSIDE | 1 | 1 | |
| 7 | 287062 | . LOCKING ROD UPPER R.H. / W/70" DOOR 793MM / STREET SIDE | 1 | 1 | |
| 8 | 289743 | . LOCKING ROD UPPER / W/70" HINGED DOOR 112.7MM | 1 | 1 | |
| 9 | 288607 | . ROLLER CATCH | 2 | 2 | |
| 10 | 504318 | . RING RETAINER / EXT .375 x .352 x .025 | 2 | 2 | |
| 11 | 289738 | . RUBBER SEAL EXTRUSION / W/70" DOOR 1688MM x 800MM | 1 | 1 | |
| 13 | 288516 | . LINKAGE | 1 | 1 | |
| 14 | 507141 | . BUSHING, NYLINER W/SHOULDER (7-L-7-F) | 2 | 2 | |
| 15 | 507301 | . BUSHING NYLINER | 2 | 2 | |
| 16 | 504689 | . RING RETAINER / EXT .312 x .243 x .025 / SS | 2 | 2 | |
| 17 | 288788 | . LOCKING ROD LOWER L.H. CUBRSIDE | 1 | 1 | |
| 17 | 288787 | . LOCKING ROD LOWER R.H. STREET SIDE | 1 | 1 | |
| 18 | 5001011 | . WASHER FL .406x.625x.040 Z050 | 2 | 2 | |
| 19 | 500958 | . WASHER FL .531x1.062x.095 SS | 1 | 1 | |
| 20 | 502102 | . PIN, COTTER 1/8 x 1 | 2 | 2 | |
| 21 | 281912 | . GUIDE ASSY / L.H. DOOR RH HINGE / CUBRSIDE | 1 | 1 | |
| 21 | 288031 | . GUIDE ASSY / R.H. DOOR LH HINGE / STREET SIDE | 1 | 1 | |
| 22 | 289708 | . GUIDE LOWER COND DOOR PLASTIC | 1 | 1 | |
| 23 | 500945 | . SCREW TC BDG PH #10-24x1/2 G500 | 2 | 2 | |
| 25 | 287175 | . HANDLE ASSY / B.A. | 1 | 1 | |
| 26 | 288606 | . HINGE | 1 | 1 | |
| 27 | 288634 | . GRIP HANDLE | 1 | 1 | |
| 28 | 502573 | . WASHER FL 6.4x12.5x1.6 SS | 9 | 9 | |
| 29 | 502570 | . WASHER LO SPT 6.1x11.8x1.6 SS | 9 | 9 | |



| | | |
|-----------------------------------|--------------|-----------------|
| From B-5003 To D-5489 | Date:10/2022 | PAGE:XV-1864-90 |
| BAGGAGE DOOR W/HINGE / 70" | | |

| Item# | Part | Description | X 3 V I P | X L I I E N T 4 5 | N O T E S |
|-------|-------------------|--|-----------------------|---|-----------------------|
| 30 | 502622 | . SCREW CAP HEX M6-1.0x20 SS BK | 9 | 9 | |
| 31 | 507644 | . O-RING 10MM I.D. X 2MM | 2 | 2 | |
| 32 | 287406 | . PIVOT LOCK 9.5MM OFFSET | 1 | 1 | |
| 33 | 504402 | . RING RETAINER / EXT .250 x .210 x .025" | 1 | 1 | |
| 34 | 481564 | . ROD GUIDE | 2 | 2 | |
| 35 | 502934 | . SPRING COMPRESSION / .300 O.D. x 1 x .026 | 2 | 2 | |
| 36 | 288611 | . SEALING BOX | 1 | 1 | F |
| 37 | 5001630 | . SCREW TP BUTF TORX M6x20 SS | 6 | 6 | |
| 38 | 287271 | . RIVET SHR FL 9.95x3.6(4.8x4.8 SS | 1 | 1 | |
| 39 | 288639 | . PIN HANDLE RELEASE | 1 | 1 | |
| 40 | 480394 | . SPRING COMPRESSION / .355 O.D. 3.375 x .063 | 1 | 1 | |
| NS | 506268 | . TAPE RUB ADH1 URE 3/8" x 1/2" x 25' / GREY 1820 | AR | AR | |
| NS | 680343 | . GREASE CLEAR SPRAY BOTTLE 283GR | AR | AR | |
| NS | 684685 | . ADHESIVE SIMSON #ISR 70-03 / 310ml CARTRIDGE | AR | AR | |
| NS | 685252 | . GLUE MS POLYMER LOCTITE 5570 (CLEAR) 300ml CARTRIDGE | AR | AR | |
| | | | | | |
| 41 | 780814 | LOCK ACTUATOR / 12V To C-5169 | 1 | 1 | |
| . NS | 562076 | . CONNECTOR / PACK-CON I / FEMALE HOUSING / 2C / PED 8911772 To C-5169 | 1 | 1 | |
| 41 | 2800049 | LOCK ACTUATOR / 12V From C-5170 | 1 | 1 | |
| NS | 504273 | CABLE TIE / 1/8" X 3"1/2 | AR | AR | |
| NS | 562679 | 4 WAY ADH. BACKED MOUNTS 1.000 x 1.000 x .160 | AR | AR | |
| NS | 504637 | CABLE TIE / 3/16" x 13" | AR | AR | |
| 42 | 562096 | MICRO SWITCH | 1 | 1 | |
| 43 | 502577 | SCREW MA PAN PH M3-0.5x16 ZP | 2 | 2 | |
| 43 | 502691 | WASHER LO SPT 3.6x6.7x0.8 Z050 | 2 | 2 | |
| 44 | 502579 | NUT HEX M3-0.5 NP | 2 | 2 | |
| 45 | 289000 | SUPPORT LOCK ACTUATOR ASSY W/ ROD | 1 | 1 | |
| 46 | 5001100 | SCREW CAP HEX M3-0.5x30 G8.8 ZP | 2 | 2 | |
| 47 | 500437 | WASHER FL .125x.375x.040 Z050 | 2 | 2 | |
| 48 | 5001408 | NUT HEX STO M3-0.5 ZP | 2 | 2 | |
| 49 | 068083 | CABLE ASSY / ACTUATOR POWER / EACH DOOR | 1 | 1 | |
| 50 | XV-1867-00 | KEY & CYLINDER CODE | | | |
| 51 | XV-1855-00 | RUB RAIL - EXTERIOR CREST & TRIMS | | | |
| 53 | 2800645 | HANDLE REINFORCEMENT | 1 | 1 | F |
| 54 | 502673 | SCREW TC PAN PH #6-32x1/2 SS | 1 | 1 | F |
| 66 | 288526 | LOCKING GUIDE L.H. ASSY RH HINGE / CUBRSIDE | 2 | 2 | |
| 66 | 287150 | LOCKING GUIDE R.H. ASSY LH HINGE / STREET SIDE | 1 | 1 | |
| 67 | 5001699 | WASHER BEL SPR 8.2x22x1.4 N500 | 2 | 2 | |
| 68 | 5001738 | SCREW CAP HEX M8-1.25x30 G8.8 N500 | 2 | 2 | |
| 70 | 216917 | SUPPORT PIVOT / DOOR GUIDE M8-1.25 / (WELDED AT STRUCTURE | 1 | 1 | |
| 71 | 5001743 | SCREW CAP HEX M6-1.0x12 G8.8 N500 | 6 | 6 | |
| 72 | 500270 | WASHER FL .406x1.000x.063 SS | 5 | 5 | |



| | | |
|-----------------------------------|--------------|-----------------|
| From B-5003 To D-5489 | Date:10/2022 | PAGE:XV-1864-90 |
| BAGGAGE DOOR W/HINGE / 70" | | |

| Item# | Part | Description | X 3 V I P | X L I I E N T 4 5 | N O T E S |
|-------|---------|---|-----------------------|---|-----------------------|
| 73 | 484220 | SUPPORT ASSY / DOOR GUIDE M8-1.25 | 1 | 1 | |
| 74 | 502780 | SCREW CAP HEX M8-1.25x25 SS BK | 2 | 2 | |
| 75 | 5001188 | NUT HEX M8-1.25 SS | 1 | 1 | |
| 76 | 500411 | WASHER FL .260x.697x.050 SS | 6 | 6 | |
| | | | | | |
| | | | | | |
| | | F) USE TO REPAIR 288611 / TO INSTALL IT YOU HAVE TO DRILL A HOLE 7/64 | | | |
| | | P) CALL ORDER DESK FOR SPECIFIC APPLICATION (V.I.N.) | | | |

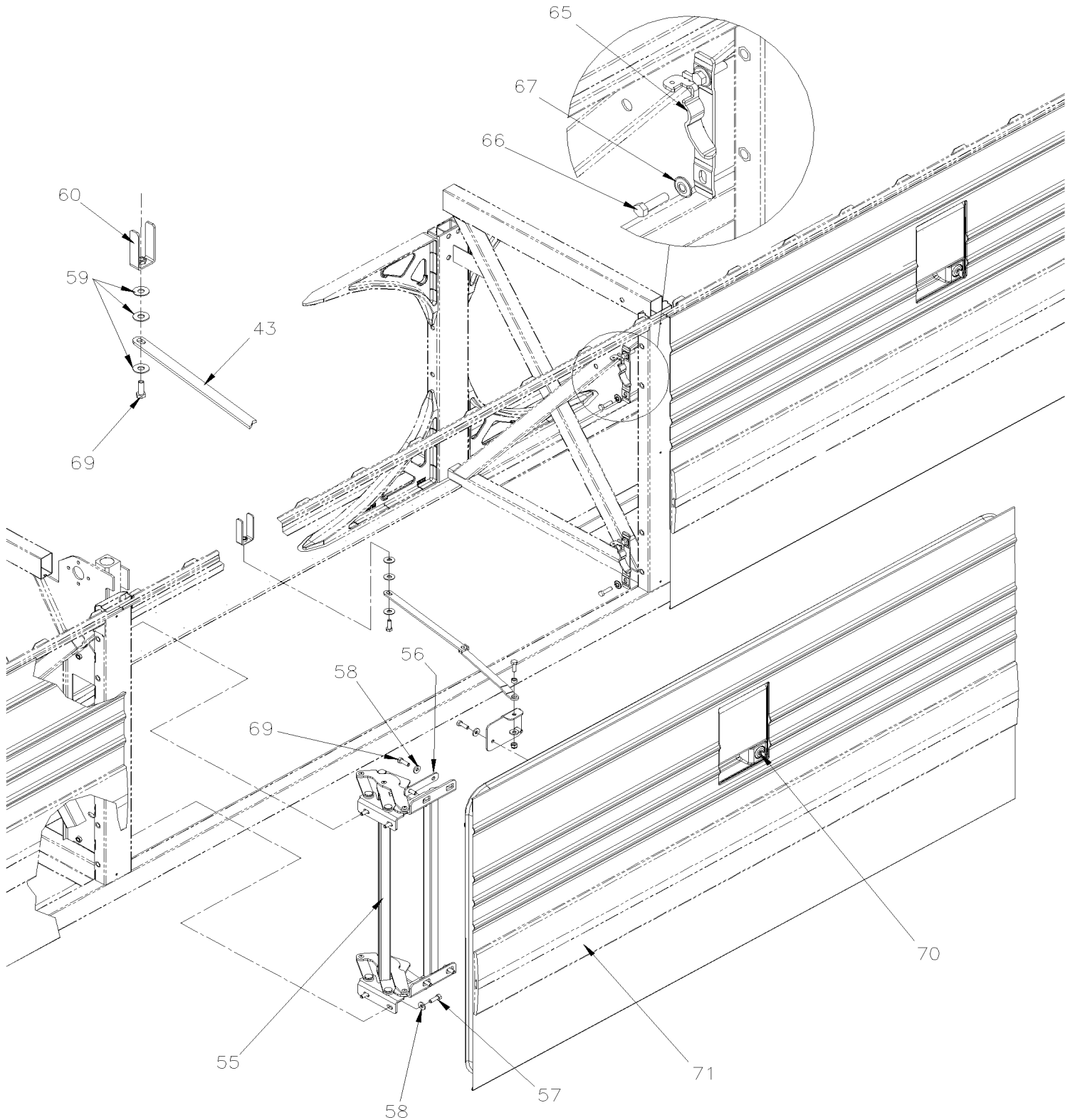


From B-5003 To D-5489

Date:10/2022

PAGE:XV-1864-91

BAGGAGE DOOR W/HINGE / 70"



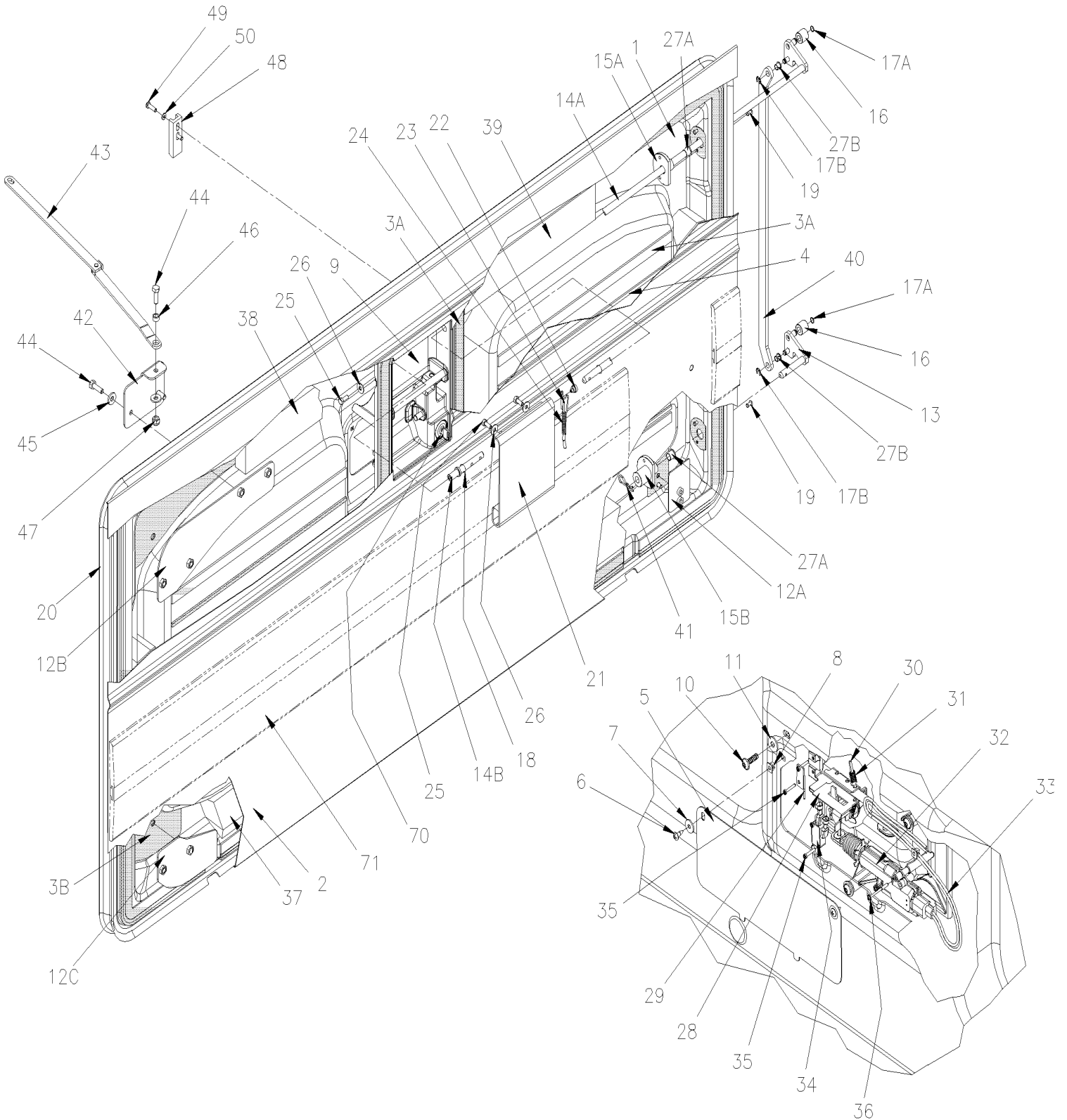


From B-5003 To D-5489

Date:10/2022

PAGE:XV-1864-91

BAGGAGE DOOR W/HINGE / 70"





| | | |
|-----------------------------------|--------------|-----------------|
| From B-5003 To D-5489 | Date:10/2022 | PAGE:XV-1864-91 |
| BAGGAGE DOOR W/HINGE / 70" | | |

| Item# | Part | Description | X 3 V I P | X L I I E N T 4 5 | N O T E S |
|-------|---------|--|-----------------------|---|-----------------------|
| | 487602 | DOOR ASSY 70" / W/FLUTED PANEL / ELECTRICAL LOCK / SS | 1 | 1 | |
| | 487601 | DOOR ASSY 70" / W/FLUTED PANEL / ELECTRICAL LOCK / MARKER LIGHT / SS | 1 | 1 | |
| 1 | 2800256 | . FRAME 70" | 1 | 1 | |
| 2 | 484317 | . ONE PIECE PANEL / FLUTED 70" | 1 | 1 | |
| 2 | 484323 | . ONE PIECE PANEL / W/MARKER LIGHT / LH / FLUTED 70" | 1 | 1 | |
| 2 | 484341 | . LOWER PANEL 70" | 1 | 1 | |
| 3A | 687961 | . GLUE MS POLYMER TEROSON MS 9399 / "A" 21 Liters | AR | AR | |
| 3A | 687962 | . GLUE MS POLYMER TEROSON MS 9399 / "B" 21 Liters | AR | AR | |
| 3A | 684517 | . ADHESIVE SIMSON #ISR 70-03 / GREY / 310ml CARTRIDGE | AR | AR | |
| 3B | 684743 | . GLUE METHACRYLATE PLEXUS MA832GB 380 ml | AR | AR | |
| 4 | 506769 | . TAPE RUB ADH2 CC POL 1/8" x 1/4" x 60' / BLACK H1CC-N-#14 | AR | AR | |
| 5 | 2800265 | . PANEL ACCESS 10 3/4" x 4 3/8" | 1 | 1 | |
| 6 | 500124 | . SCREW TP TR PH #8x1/2 SS | 2 | 2 | |
| 7 | 5001076 | . WASHER FL RET 4.6x15.4x1.37 NYL BK | 2 | 2 | |
| 8 | 502741 | . NUT AN #8 NYL | 2 | 2 | |
| 9 | 289062 | . SEALING BOX / W/FORD LOCK | 1 | 1 | |
| 10 | 5001630 | . SCREW TP BUTF TORX M6x20 SS | 5 | 5 | |
| 11 | 5001114 | . WASHER FL .260x.687x.060 NYL | 5 | 5 | |
| 12A | 2800251 | . ATTACH, SKID | 1 | 1 | |
| 12B | 2800254 | . ATTACH, HINGE UPPER | 1 | 1 | |
| 12C | 2800255 | . ATTACH, HINGE LOWER | 1 | 1 | |
| 13 | 2800245 | . LOCKING ROD LOWER 65MM | 1 | 1 | |
| 14A | 2800246 | . LOCKING ROD UPPER RH 793MM | 1 | 1 | |
| 14B | 2800317 | . LOCKING ROD UPPER LH 94.5MM | 1 | 1 | |
| 15A | 2800269 | . LOCKING ROD GUIDE | 1 | 1 | |
| 15B | 2800248 | . LOCKING ROD GUIDE LOWER | 1 | 1 | |
| 16 | 2800270 | . ROLLER CATCH | 2 | 2 | |
| 17A | 504318 | . RING RETAINER / EXT .375 x .352 x .025 | 2 | 2 | |
| 17B | 504689 | . RING RETAINER / EXT .312 x .243 x .025 / SS | 2 | 2 | |
| 18 | 507644 | . O-RING 10MM I.D. X 2MM | 2 | 2 | |
| 19 | 504120 | . RIVET POP DOME CLE 3/16x1/2 AL | 4 | 4 | |
| 20 | 2800358 | . RUBBER SEAL EXTRUSION / W/70" DOOR | 1 | 1 | |
| 21 | 2800316 | . HANDLE ASSY / BAGAGE DOOR / SS | 1 | 1 | |
| 22 | 287271 | . RIVET SHR FL 9.95x3.6{4.8x4.8 SS | 1 | 1 | |
| 23 | 289068 | . PIN HANDLE RELEASE | 1 | 1 | |
| 24 | 289070 | . SPRING COMPRESSION / .355 O.D. 2.755 x .063 | 1 | 1 | |
| 25 | 5001697 | . SCREW CAP HEX M6-1.0x16 SS BK | 4 | 4 | |
| 26 | 5001833 | . WASHER BEL SPR 6.1x18x1.27 SS | 4 | 4 | |
| 27A | 507141 | . BUSHING, NYLINER W/SHOULDER (7-L-7-F) | 2 | 2 | |
| 27B | 507301 | . BUSHING NYLINER | 2 | 2 | |
| 28 | 289065 | . PIN LATCH | 1 | 1 | |
| 29 | 289064 | . STOP PLATE LATCH | 1 | 1 | |



| | | |
|-----------------------------------|--------------|-----------------|
| From B-5003 To D-5489 | Date:10/2022 | PAGE:XV-1864-91 |
| BAGGAGE DOOR W/HINGE / 70" | | |

| Item# | Part | Description | X 3 V I P | X L I I E N T 4 5 | N O T E S |
|-------|-------------------|---|-----------------------|---|-----------------------|
| 30 | 481564 | . ROD GUIDE | 2 | 2 | |
| 31 | 502934 | . SPRING COMPRESSION / .300 O.D. x 1 x .026 | 2 | 2 | |
| 32 | 2800049 | . LOCK ACTUATOR / 12V | 1 | 1 | |
| 33 | 068617 | . CABLE ASSY / DOOR LOCK | 1 | 1 | |
| NS | 504637 | . CABLE TIE / 3/16" x 13" | AR | AR | |
| 34 | 562096 | . MICRO SWITCH | 1 | 1 | |
| 35 | 5001888 | . SCREW TP CAP TORX M3X18 SS | 4 | 4 | |
| 36 | 5001887 | . SCREW TP PAN WSHR TORX M3X35 SS | 2 | 2 | |
| 37 | 352597 | . INSULATING PANEL / LOWER | 1 | 1 | |
| 38 | 352598 | . INSULATING PANEL / UPPER LEFT | 1 | 1 | |
| 39 | 352599 | . INSULATING PANEL / UPPER RIGHT | 1 | 1 | |
| 40 | 288516 | . LINKAGE | 1 | 1 | |
| 41 | 502945 | . PIN HITCH CLIP 3/32 x 1/2 SS | 1 | 1 | |
| 42 | 2800288 | . ATTACH, ARM DOOR | 1 | 1 | |
| 43 | 2800285 | . ARM DOOR ASSY | 1 | 1 | |
| 44 | 5001745 | . SCREW CAP HEX M8-1.25x25 G8.8 N500 | 3 | 3 | |
| 45 | 500321 | . WASHER BEL SPR .331x.827x.098 N500 | 3 | 3 | |
| 46 | 283770 | . SPACER / TO FIX RETAINING ARM | 1 | 1 | |
| 47 | 5001787 | . NUT HEX NYRT M8-1.25 SS | 1 | 1 | |
| 48 | 2800234 | . GUIDE, HINGE DOOR | 1 | 1 | |
| 49 | 502626 | . SCREW MA PAN PH M6-1.0x20 N500 | 2 | 2 | |
| 50 | 500855 | . WASHER FL .188x.438x.049 N500 | 2 | 2 | |
| 55 | 2800219 | HINGE ASSY | 1 | 1 | |
| 56 | 2800267 | SPACER | 2 | 2 | |
| 57 | 5001745 | SCREW CAP HEX M8-1.25x25 G8.8 N500 | 4 | 4 | |
| 58 | 500321 | WASHER BEL SPR .331x.827x.098 N500 | 8 | 8 | |
| 59 | 500270 | WASHER FL .406x1.000x.063 SS | 3 | 3 | |
| 60 | 217204 | SUPPORT PIVOT / DOOR GUIDE M8-1.25 / (WELDED AT STRUCTURE | 1 | 1 | |
| 65 | 2800259 | LOCKING GUIDE R.H. ASSY | 1 | 1 | |
| 66 | 5001738 | SCREW CAP HEX M8-1.25x30 G8.8 N500 | 4 | 4 | |
| 67 | 5001699 | WASHER BEL SPR 8.2x22x1.4 N500 | 4 | 4 | |
| NS | 680739 | GREASE SYNTHETIC / RED 20KG | AR | AR | |
| NS | 680343 | GREASE CLEAR SPRAY BOTTLE 283GR | AR | AR | |
| 69 | 502780 | SCREW CAP HEX M8-1.25x25 SS BK | 7 | 7 | |
| 70 | XV-1867-00 | KEY & CYLINDER CODE | | | |
| 71 | XV-1855-00 | RUB RAIL - EXTERIOR CREST & TRIMS | | | |
| | | | | | |
| | | | | | |
| | | | | | |

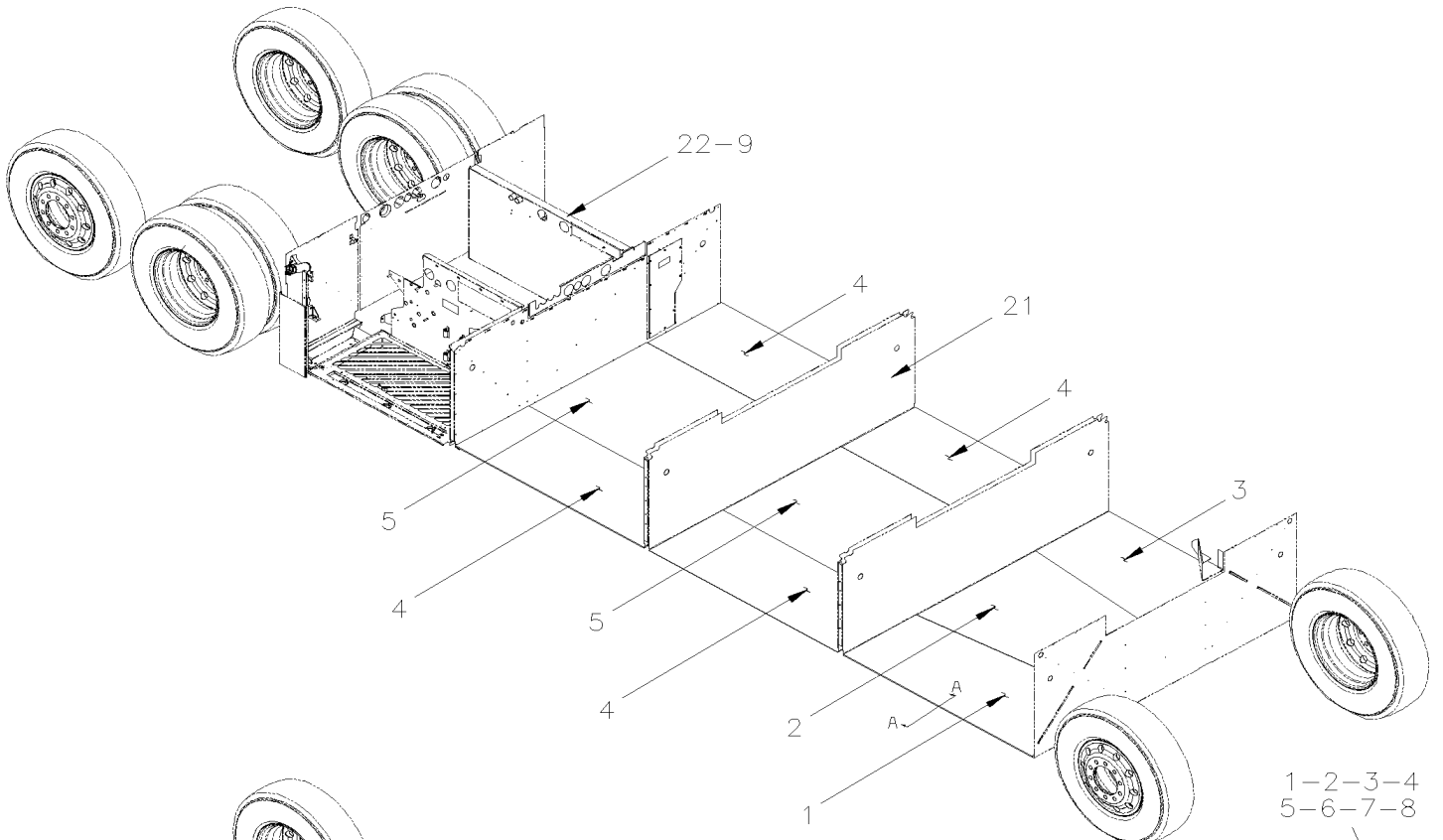


From B-5003 To D-5489

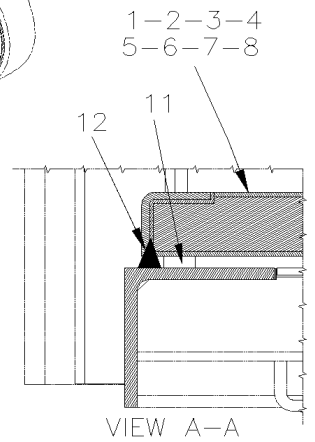
Date:10/2022

PAGE:XV-1865-00

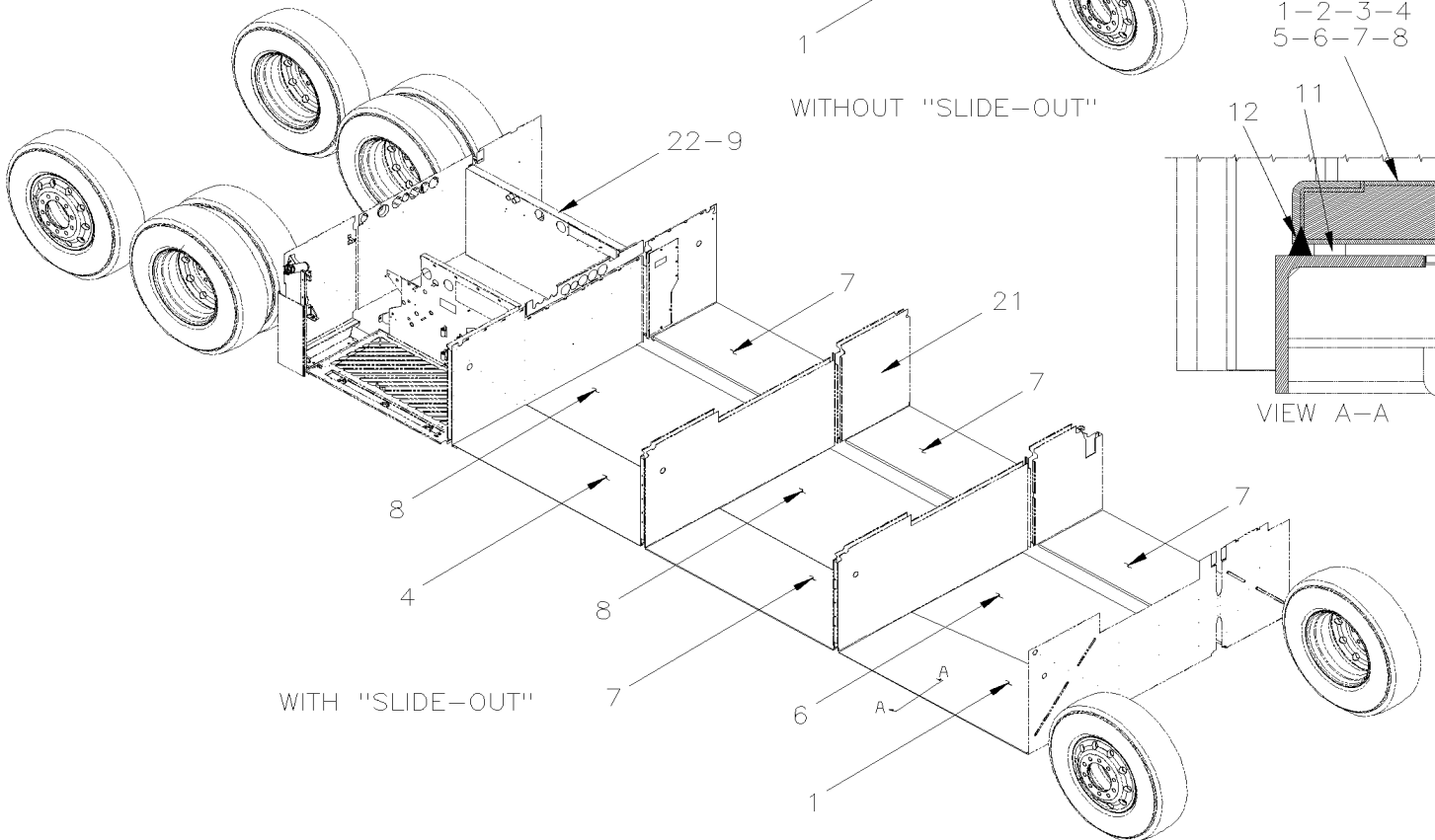
FLOOR BAGGAGE COMPARTMENT



WITHOUT "SLIDE-OUT"



VIEW A-A



WITH "SLIDE-OUT"

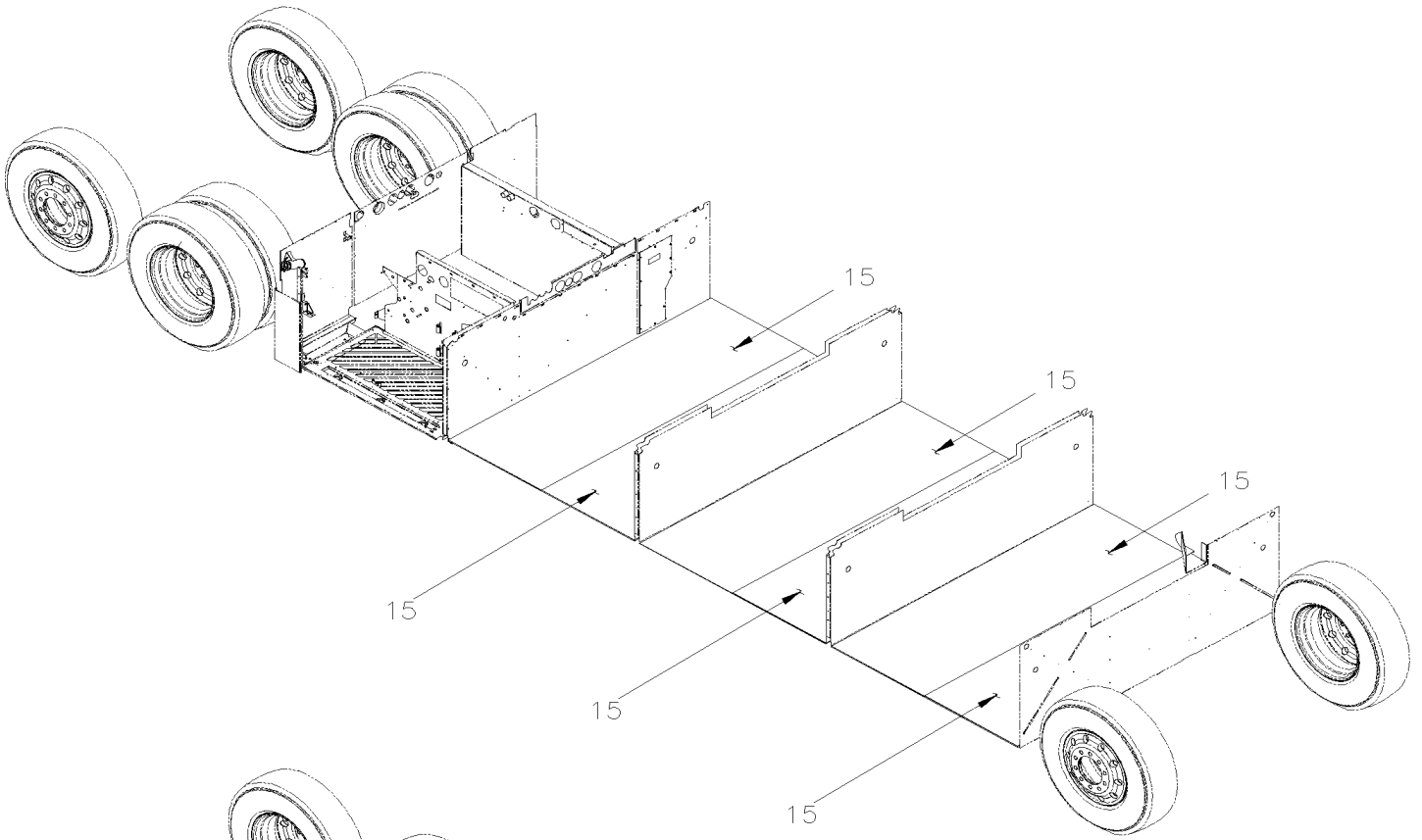


From B-5003 To D-5489

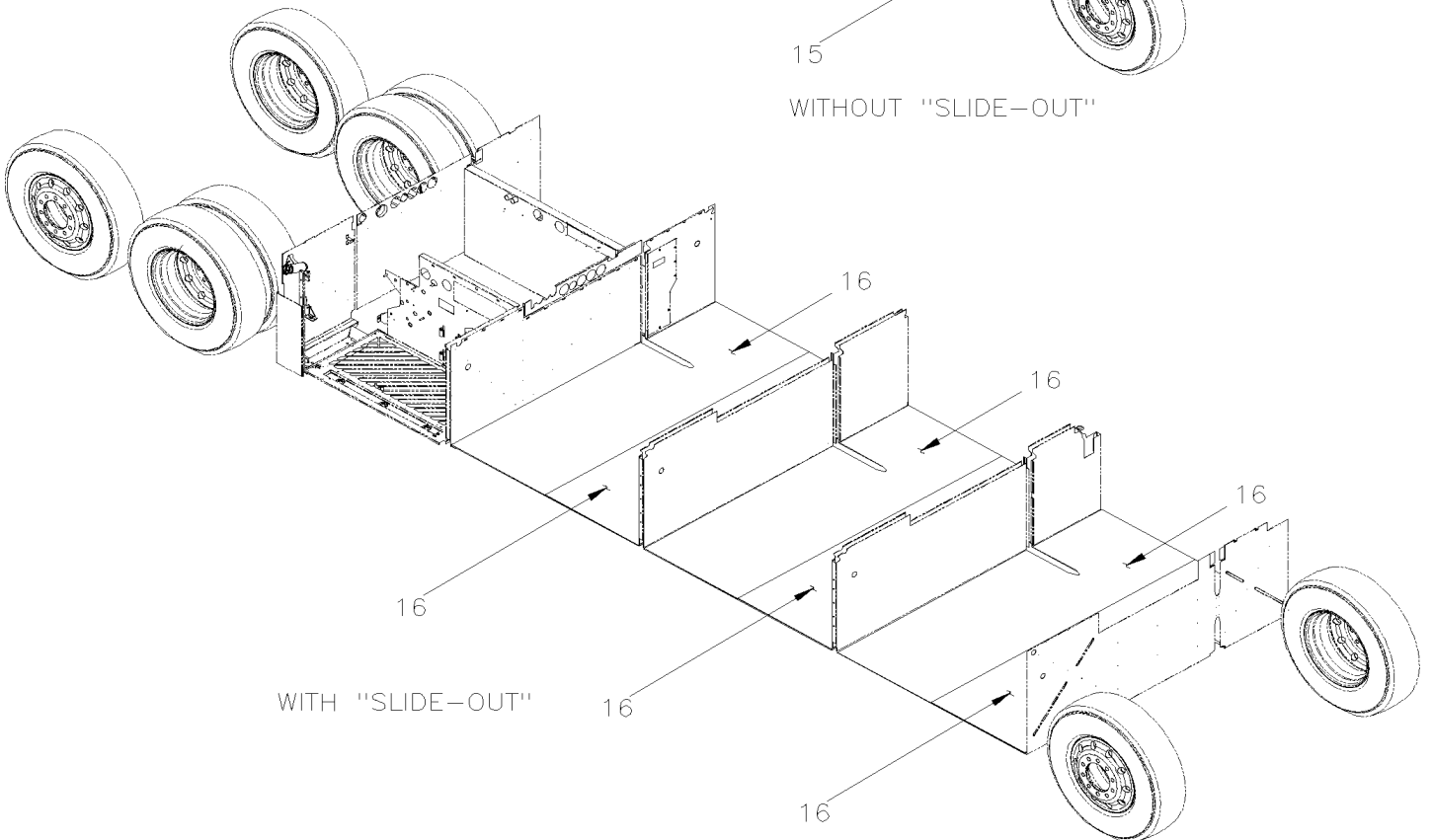
Date:10/2022

PAGE:XV-1865-00

FLOOR BAGGAGE COMPARTMENT



WITHOUT "SLIDE-OUT"



WITH "SLIDE-OUT"



From B-5003 To D-5489 Date:10/2022 PAGE:XV-1865-00

FLOOR BAGGAGE COMPARTMENT

| Item# | Part | Description | X 3 V I P | X L I I E N T 4 5 | N O T E S |
|-------|-------------------|---|-----------------------|---|-----------------------|
| 1 | 489197 | PANEL FLOOR L.H. FRONT 858MM x 1743 x 677MM To D-5459 | 1 | 1 | |
| 1 | 485692 | PANEL FLOOR L.H. FRONT 846MM x 1743 x 665MM From D-5460 | 1 | 1 | |
| 2 | 489201 | PANEL FLOOR CENTER / FRONT 1102MM x 1743 x 740MM | 1 | 1 | |
| 2 | 489204 | PANEL FLOOR CENTER / FRONT 598MM x 1517MM | 1 | 1 | A |
| 2 | 485697 | PANEL FLOOR CENTER / FRONT 586MM x 1138MM | 1 | 1 | A |
| 3 | 489202 | PANEL FLOOR L.H. FRONT 858MM x 1743 x 677MM | 1 | 1 | |
| 3 | 485694 | PANEL FLOOR L.H. FRONT 846MM x 1743 x 665MM | 1 | 1 | |
| 4 | 489198 | PANEL FLOOR L.H. & R.H. 682MM x 1743MM | 4 | 4 | |
| 4 | 485693 | PANEL FLOOR L.H. & R.H. 670MM x 1743MM | 4 | 4 | |
| 4 | 489198 | PANEL FLOOR L.H. & R.H. 682MM x 1743MM To D-5459 | 2 | 2 | S |
| 4 | 485693 | PANEL FLOOR L.H. & R.H. 670MM x 1743MM From D-5460 | 1 | 1 | S |
| 5 | 489203 | PANEL FLOOR CENTER 1092MM x 1743MM | 2 | 2 | |
| 6 | 489196 | PANEL FLOOR R.H. FRONT 1035MM x 1743 x 854MM | 1 | 1 | |
| 7 | 489200 | PANEL FLOOR L.H. & R.H. 598MM x 1743MM To D-5459 | 3 | 3 | |
| 7 | 485696 | PANEL FLOOR CENTER 586MM x 1743MM From D-5460 | 3 | 3 | |
| 8 | 489199 | PANEL FLOOR CENTER 1030MM x 1743MM | 2 | 2 | |
| 9 | 489205 | PANEL FLOOR L.H. WITH SMALL A/C SYSTEM 751MM x 1517MM To D-5459 | 1 | 1 | |
| 9 | 485695 | PANEL FLOOR L.H. WITH SMALL A/C SYSTEM 740MM x 1138MM From D-5460 | 1 | 1 | |
| 11 | 790392 | RUBBER BLOCK ADJUSTEMENT 1" x 5/16" x 1/8" 80DURO | AR | AR | |
| 12 | 685126 | ADHESIVE SIMSON #ISR 70-03 / GREY / 600ml SAUSAGE | AR | AR | |
| 12 | 680532 | SEALANT SIKA #221 / GREY / 310ml CARTRIDGE | AR | AR | |
| NS | 684459 | PAINT GREY FOR BAGGAGE FLOOR | AR | AR | |
| 15 | 485402 | FLOOR COVERING / ALUMINIUM / W/O SLIDE OUT | 6 | 6 | O |
| 15 | 485702 | FLOOR COVERING / ALUMINIUM / W/O SLIDE OUT | 1 | 1 | O |
| 16 | 480033 | FLOOR COVERING / ALUMINIUM / W/SLIDE OUT | 6 | 6 | O |
| 16 | 485701 | FLOOR COVERING / ALUMINIUM / W/SLIDE OUT | 1 | 1 | O |
| 17 | 685126 | ADHESIVE SIMSON #ISR 70-03 / GREY / 600ml SAUSAGE | AR | AR | O |
| 20 | XV-1893-00 | BAGGAGE COMPARTMENT STRUCTURE | | | |
| 21 | XV-1865-10 | SEPARATOR PANEL - BAGGAGE COMPARTMENT | | | |
| 22 | XV-1865-20 | EVAPORATOR & CONDENSOR WALL INSTALLATION To C-5096 | | | |
| 22 | XV-1865-21 | EVAPORATOR & CONDENSOR WALL INSTALLATION From C-5097 | | | |
| | | | | | |
| | | | | | |
| | | | | | |
| | | | | | |
| | | A) WITH SMALL A/C SYSTEME | | | |
| | | O) OPTION ALUMINIUM BAGGAGE COMPARTMENT FLOOR | | | |
| | | S) WITH SLIDE OUT | | | |

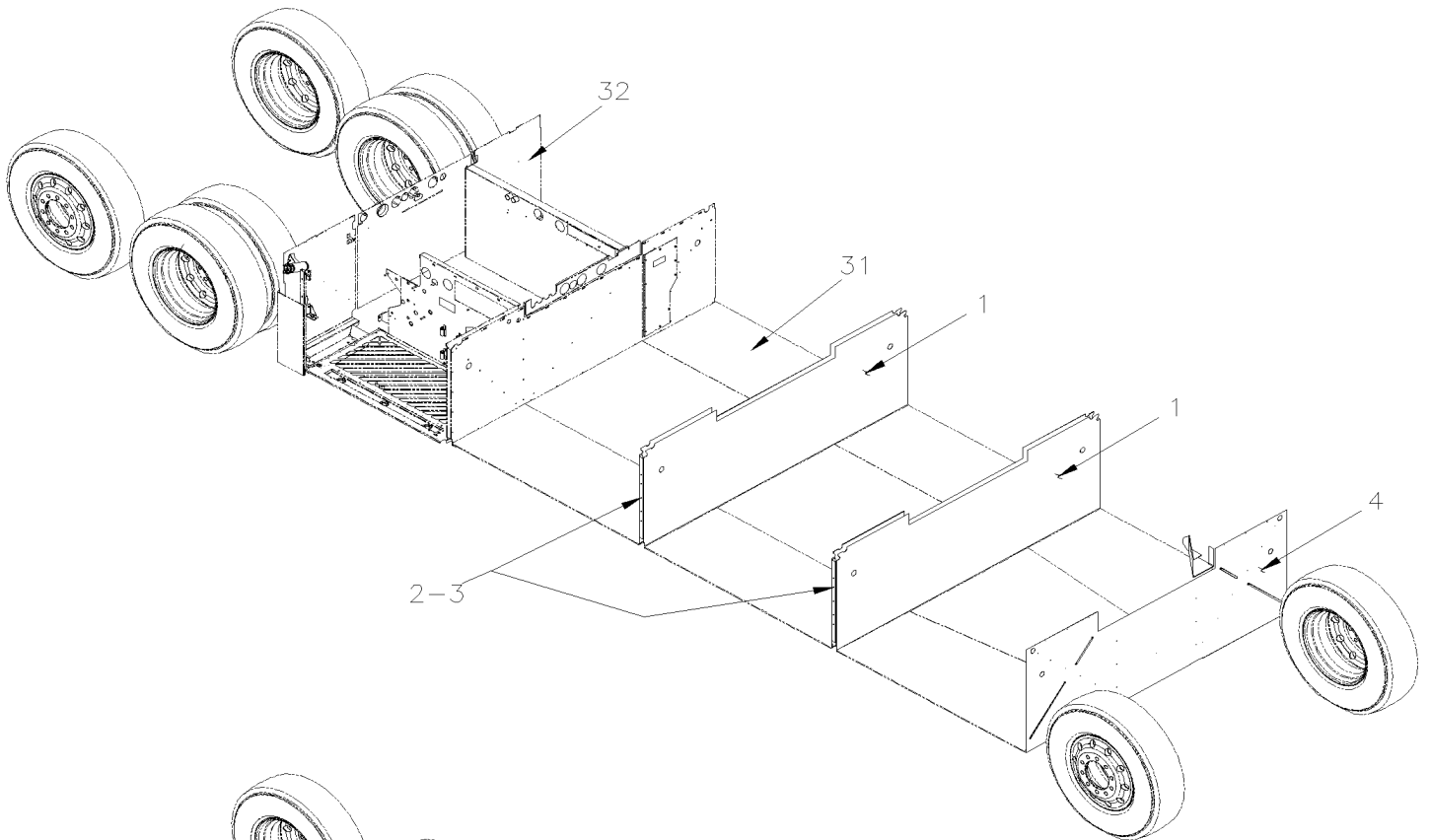


From B-5003 To D-5489

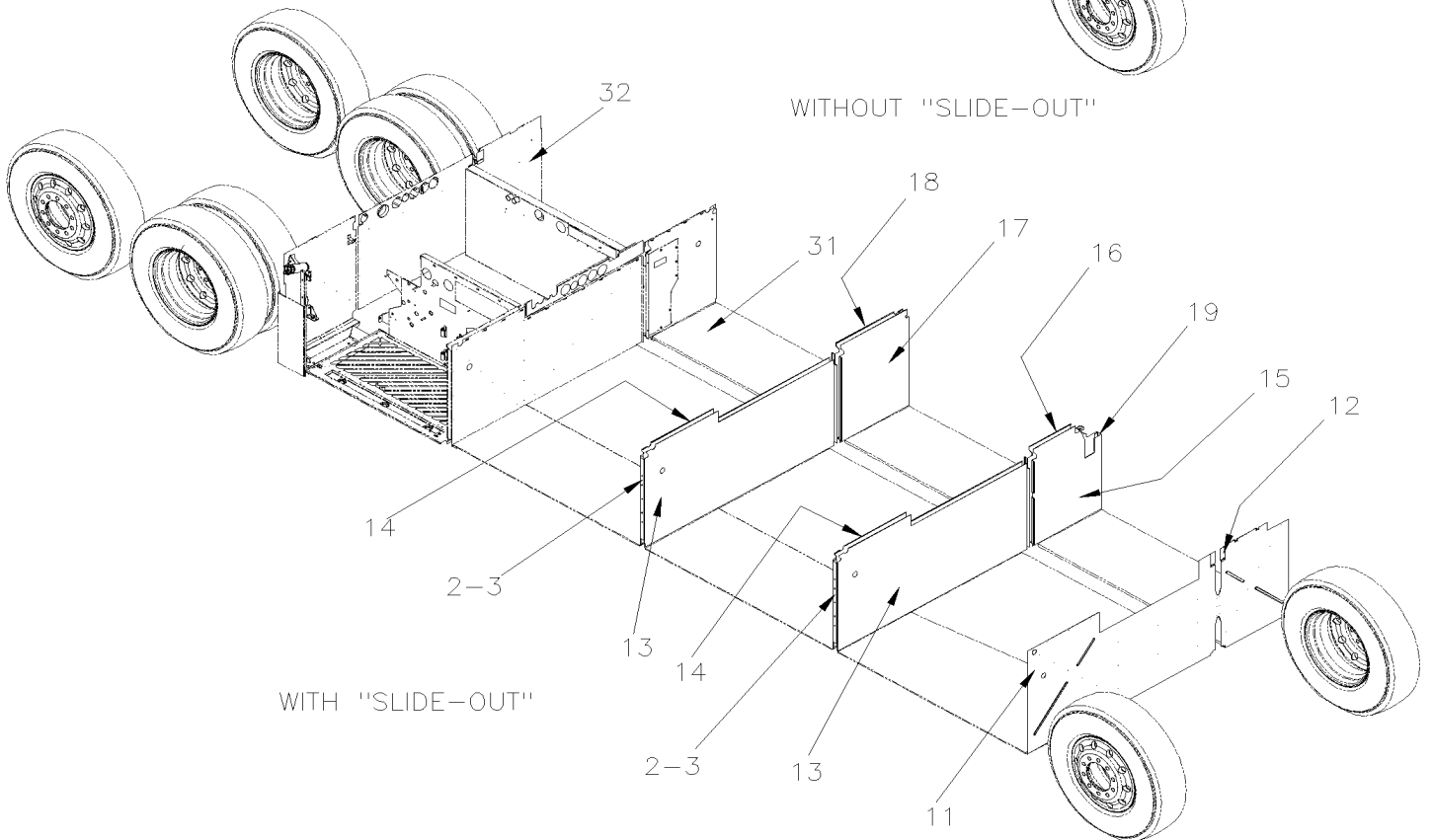
Date:10/2022

PAGE:XV-1865-10

SEPARATOR PANEL - BAGGAGE COMPARTMENT



WITHOUT "SLIDE-OUT"



WITH "SLIDE-OUT"



From B-5003 To D-5489 Date:10/2022 PAGE:XV-1865-10

SEPARATOR PANEL - BAGGAGE COMPARTMENT

| Item# | Part | Description | X 3 V I P | X L I I E N T 4 5 | N O T E S |
|-------|-------------------|---|-----------------------|---|-----------------------|
| 1 | 485657 | PANEL SIDE WALL COVERING To D-5459 | 4 | 4 | W |
| 1 | 485680 | PANEL SIDE WALL COVERING From D-5460 | 4 | 4 | W |
| 2 | 485658 | PANEL HOLDER 700MM x 38MM x 30MM To D-5459 | 4 | 4 | W |
| 2 | 485681 | PANEL HOLDER 635MM x 38MM x 30MM From D-5460 | 4 | 4 | W |
| 2 | 485658 | PANEL HOLDER 700MM x 38MM x 30MM To D-5459 | 3 | 3 | S |
| 2 | 485681 | PANEL HOLDER 635MM x 38MM x 30MM From D-5460 | 3 | 3 | S |
| 3 | 504347 | RIVET POP DOME OE 3/16x1/4 AL | AR | AR | |
| 4 | 216687 | PANEL BACKWARD FRONT FENDER / ONE PIECE | 1 | 1 | W |
| 11 | 221619 | PANEL BACKWARD FRONT FENDER / ONE PIECE | 1 | 1 | S |
| 12 | 240536 | CLOSING PLATE | 2 | 2 | S |
| 13 | 485662 | PANEL FORWARD To D-5459 | 2 | 2 | S |
| 13 | 485685 | PANEL FORWARD From D-5460 | 2 | 2 | S |
| 14 | 485666 | PANEL BACKWARD To D-5459 | 2 | 2 | S |
| 14 | 485686 | PANEL BACKWARD From D-5460 | 2 | 2 | S |
| 15 | 485663 | PANEL FORWARD To D-5459 | 1 | 1 | S |
| 15 | 485679 | PANEL FORWARD From D-5460 | 1 | 1 | S |
| 16 | 485661 | PANEL BACKWARD To D-5459 | | 1 | S |
| 16 | 485677 | PANEL BACKWARD From D-5460 | | 1 | S |
| 16 | 485688 | PANEL BACKWARD To D-5459 | 1 | | S |
| 16 | 485690 | PANEL BACKWARD From D-5460 | 1 | | S |
| 17 | 485659 | PANEL FORWARD To D-5459 | | 1 | S |
| 17 | 485683 | PANEL FORWARD From D-5460 | | 1 | S |
| 17 | 485682 | PANEL BACKWARD To D-5459 | 1 | | S |
| 17 | 485689 | PANEL BACKWARD From D-5460 | 1 | | S |
| 18 | 485660 | PANEL BACKWARD To D-5459 | 1 | 1 | S |
| 18 | 485684 | PANEL BACKWARD From D-5460 | 1 | 1 | S |
| 19 | 485664 | PANEL HOLDER 580MM x 38MM x 30MM To D-5459 | 1 | 1 | S |
| 19 | 485678 | PANEL HOLDER 580MM x 25MM x 30MM From D-5460 | 1 | 1 | S |
| NS | 506785 | TAPE RUB ADH2 CC POL 1/16" x 1/4" x 200' / BLACK I1C-N-A | AR | AR | |
| NS | 683084 | SEALANT SIKA #221 / GREY / 600 ml SAUSAGE | AR | AR | |
| 31 | XV-1865-00 | FLOOR BAGGAGE COMPARTMENT | | | |
| 32 | XV-1865-20 | EVAPORATOR & CONDENSOR WALL INSTALLATION To C-5096 | | | |
| 32 | XV-1865-21 | EVAPORATOR & CONDENSOR WALL INSTALLATION From C-5097 | | | |
| | | | | | |
| | | | | | |
| | | | | | |
| | | S) WITH SLIDE OUT | | | |
| | | W) WITHOUT SLIDE OUT | | | |

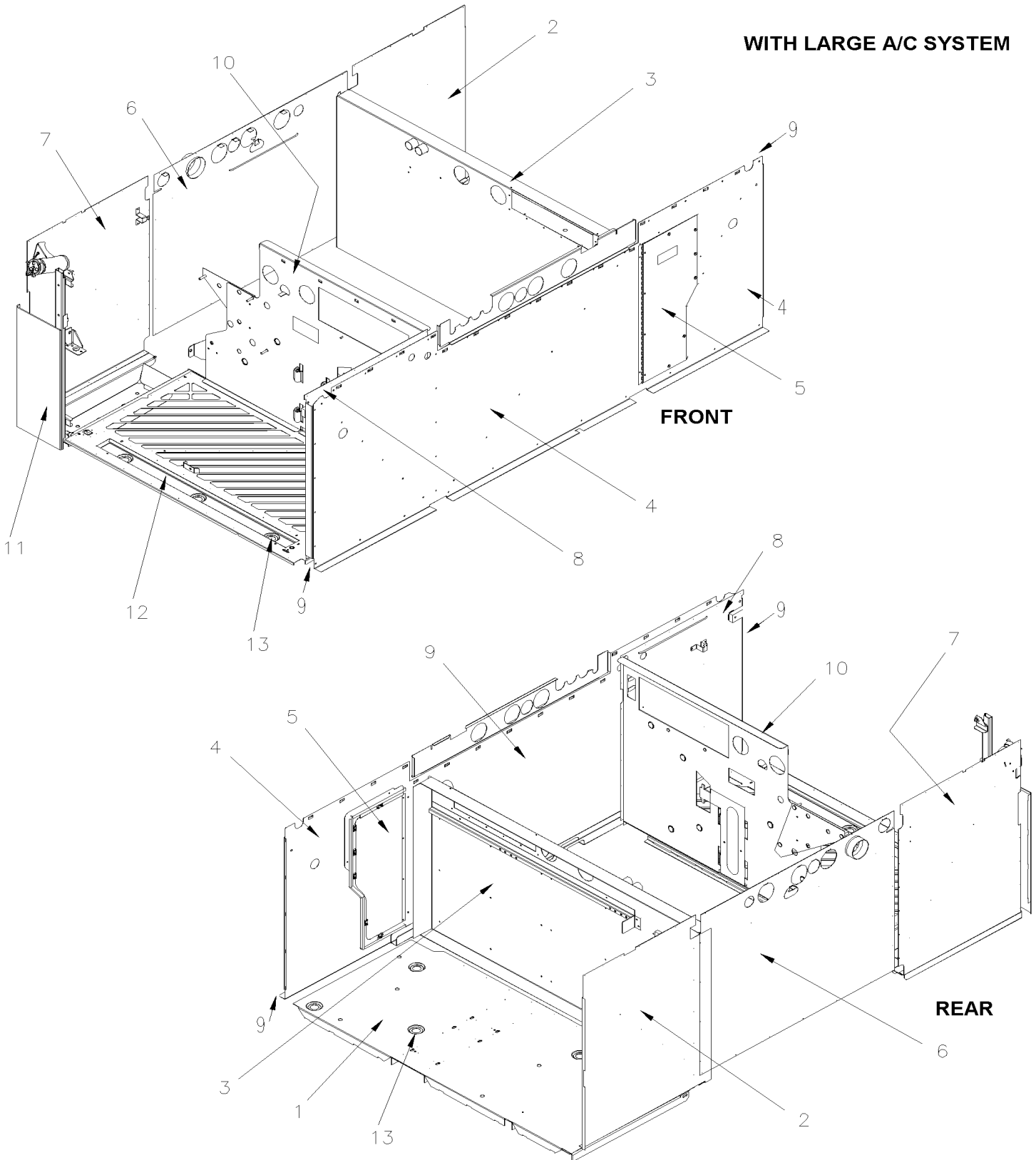


From B-5003 To C-5096

Date:10/2022

PAGE:XV-1865-20

EVAPORATOR & CONDENSOR WALL INSTALLATION





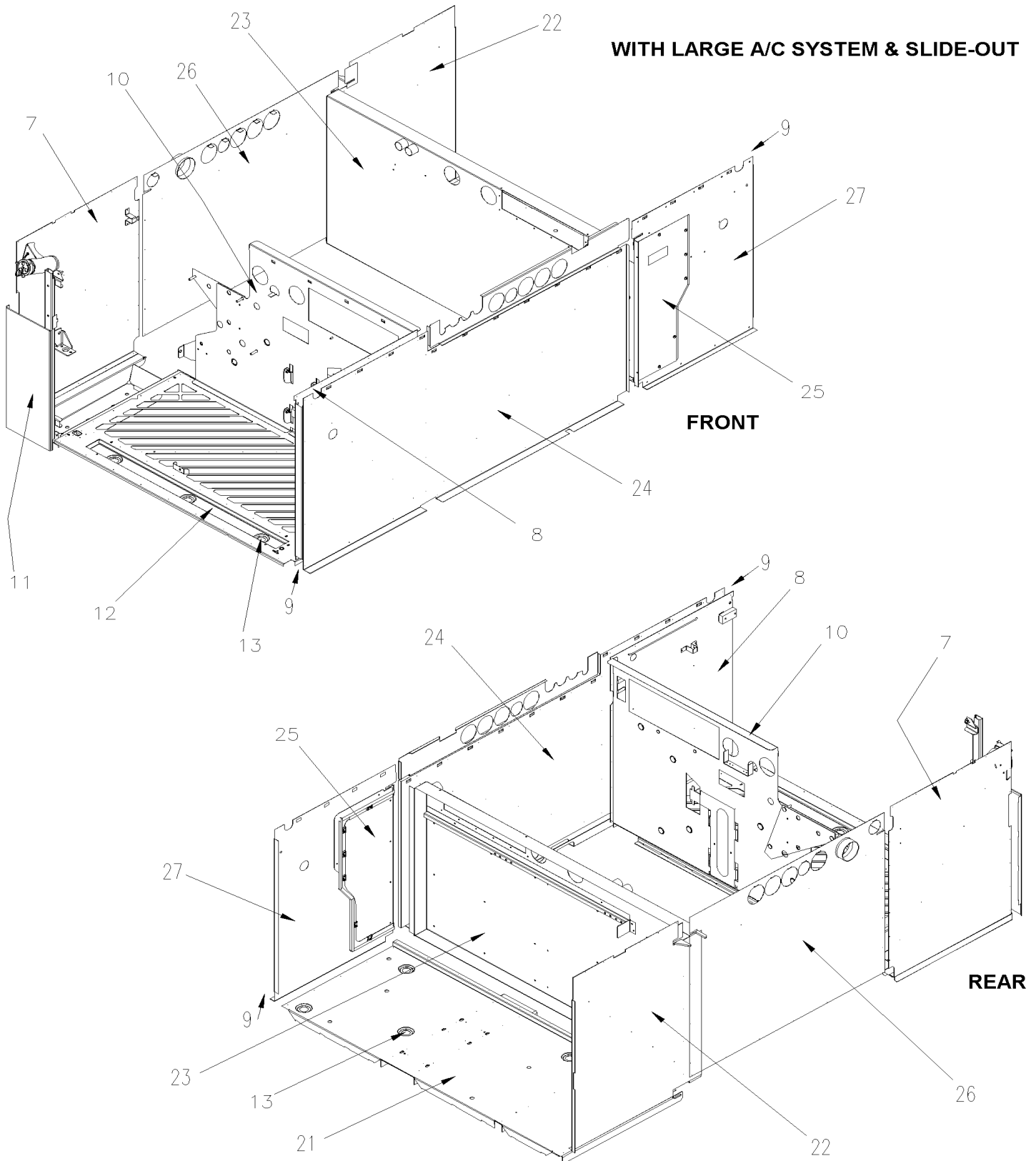
From B-5003 To C-5096

Date:10/2022

PAGE:XV-1865-20

EVAPORATOR & CONDENSOR WALL INSTALLATION

WITH LARGE A/C SYSTEM & SLIDE-OUT



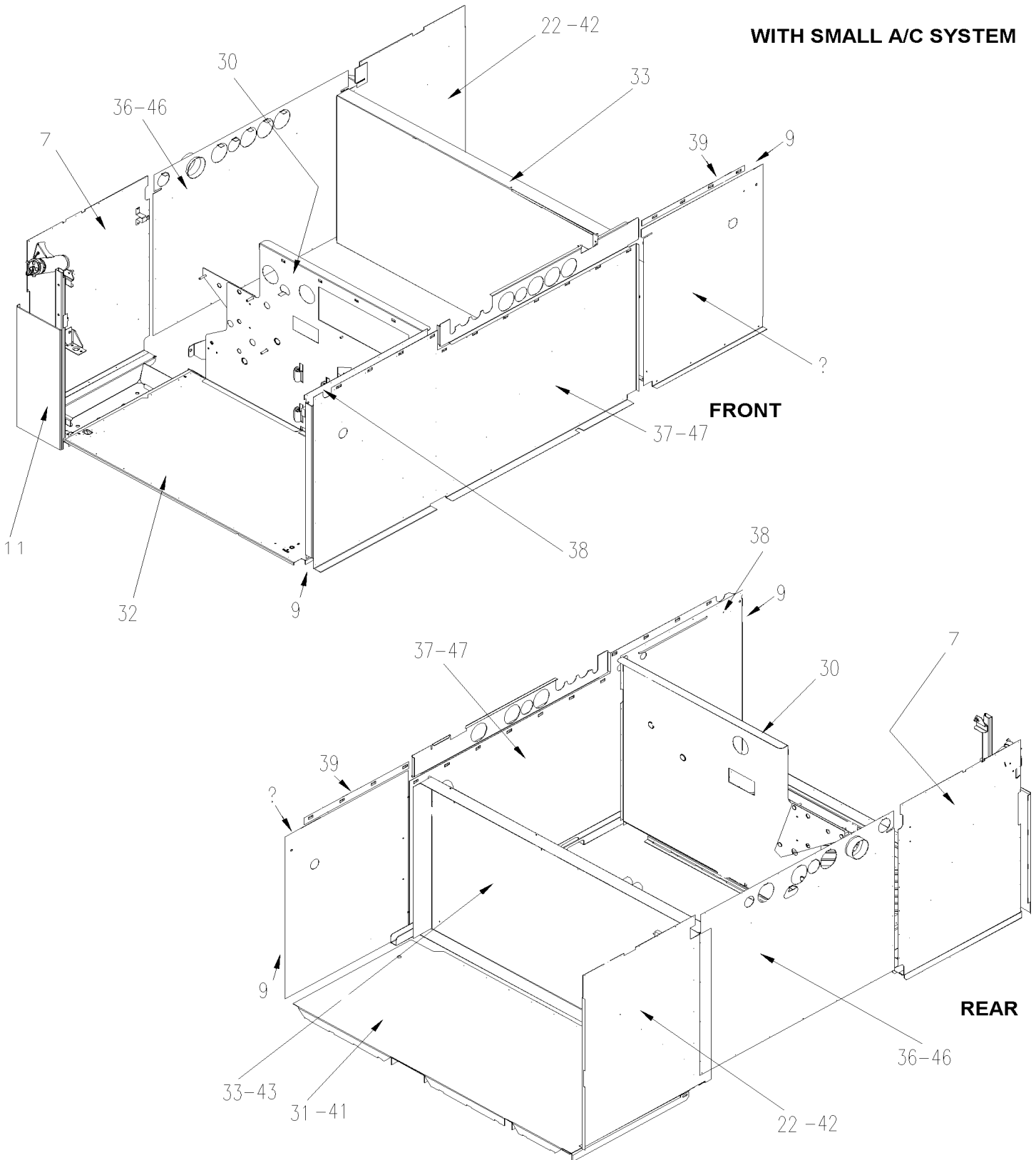


From B-5003 To C-5096

Date:10/2022

PAGE:XV-1865-20

EVAPORATOR & CONDENSOR WALL INSTALLATION





From B-5003 To C-5096 Date:10/2022 PAGE:XV-1865-20

EVAPORATOR & CONDENSOR WALL INSTALLATION

| Item# | Part | Description | X 3 V I P | X L I I E N T 4 5 | N O T E S |
|--------|--------|---|-----------------------|---|-----------------------|
| 1 | 216895 | PANEL ASSY / EVAPORATOR FLOOR WITH REINFORCMENT | 1 | 1 | |
| . NS | 216897 | . PANEL FLOOR | 1 | 1 | |
| . NS | 216840 | . SUPPORT MOTOR | 1 | 1 | |
| . NS | 216896 | . REINFORCMENT | 1 | 1 | |
| 2 | 216892 | PANEL REAR STREET SIDE | 1 | 1 | |
| 3 | 216893 | REAR VERTICAL PANEL EVAPORATOR | 1 | 1 | |
| 4 | 216927 | PANEL FRONT ONE PIECE | 1 | 1 | |
| 5 | 374491 | PANEL DOOR | 1 | 1 | |
| 5 | 374522 | PANEL DOOR | 1 | 1 | |
| NS | 374511 | HINGE / DOOR | 1 | 1 | |
| NS | 504681 | STUD 6MM (DZUS) | 6 | 6 | |
| NS | 504604 | FASTENER | 6 | 6 | |
| NS | 506228 | TAPE RUB ADH1 CC POL 1/4" x 1/2" x 37.5' / GREY 2520X | AR | AR | |
| NS | 370354 | DECAL / AIR FILTER / ENGLISH & FRANCAIS | 1 | 1 | |
| NS | 374207 | DECAL / AIR FILTER / ENGLISH & SPANISH | 1 | 1 | |
| 6 | 216667 | PANEL REAR CENTER | 1 | 1 | |
| 7 | 223925 | PANEL REAR CURBSIDE | 1 | 1 | |
| 8 | 216852 | PANEL ASSY / INTERIOR EVAPORATOR | 1 | 1 | |
| 9 | 485658 | PANEL HOLDER 700MM x 38MM x 30MM | 2 | 2 | |
| 10 | 216850 | REAR VERTICAL PANEL CONDENSOR | 1 | 1 | |
| 11 | 223954 | POST ASSY FORWARD FUEL DOOR ASSY W/REINFORCMENT PANEL | 1 | 1 | |
| . NS | 216798 | . PANEL REINFORCMENT LOWER FUEL DOOR 249MM x 600MM | 1 | 1 | |
| . NS | 223940 | . POST ASSY FORWARD FUEL DOOR ASSY | 1 | 1 | |
| . . NS | 216797 | . . STOPPER CONDENSOR DOOR | 2 | 2 | |
| . . NS | 223937 | . . BRACKET LATCH COND DOOR | 1 | 1 | |
| . . NS | 477296 | . . ATTACHMENT SPRING DOOR | 1 | 1 | |
| . . NS | 502659 | . . NUT WD RND M6-1.0 SS | 2 | 2 | |
| 12 | 216686 | PANEL CONDENSOR FLOOR ASSY W/LOUVER | 1 | 1 | |
| . NS | 216677 | . GRILL FLOOR | 1 | 1 | |
| . NS | 221576 | . SUPPORT UREA | 1 | 1 | |
| . NS | 216678 | . ANGLE REINFORCMENT FLOOR 1290MM | 1 | 1 | |
| . NS | 216679 | . ANGLE "Z" REINFORCMENT FLOOR 1287MM | 1 | 1 | |
| . NS | 223941 | . ANGLE REINFORCMENT FLOOR 748MM | 1 | 1 | |
| . NS | 216671 | . TUBE ASSY COND PIVOT 127MM | 1 | 1 | |
| . NS | 480081 | . DRAIN RECEPTACLE | 1 | 1 | |
| . NS | 216724 | . STOPPER CONDENSOR DOOR | 1 | 1 | |
| 13 | 414654 | DRAIN BOOT 1" I.D. W/GROOVE 1.5 x 35MM I.D. x 85MM | 7 | 7 | |
| | | PANEL WITH LARGE A/C & SLIDE-OUT | | | |
| 21 | 216884 | PANEL ASSY / EVAPORATOR FLOOR WITH REINFORCMENT | 1 | 1 | |
| 22 | 216879 | PANEL REAR STREET SIDE | 1 | 1 | |



| | | |
|------------------------------|---------------------|------------------------|
| From B-5003 To C-5096 | Date:10/2022 | PAGE:XV-1865-20 |
|------------------------------|---------------------|------------------------|

EVAPORATOR & CONDENSOR WALL INSTALLATION

| Item# | Part | Description | X 3 V I P | X L I I E N T 4 5 | N O T E S |
|-------|-----------------|---|-----------------------|---|-----------------------|
| 23 | 216882 | REAR VERTICAL PANEL EVAPORATOR | 1 | 1 | |
| 24 | 221622 | PANEL FRONT | 1 | 1 | |
| 25 | 374522 | PANEL DOOR | 1 | 1 | |
| NS | 504681 | STUD 6MM (DZUS) | 6 | 6 | |
| NS | 504604 | FASTENER | 6 | 6 | |
| NS | 506228 | TAPE RUB ADH1 CC POL 1/4" x 1/2" x 37.5' / GREY 2520X | AR | AR | |
| NS | 370354 | DECAL / AIR FILTER / ENGLISH & FRANCAIS | 1 | 1 | |
| | | | | | |
| 26 | 216880 | PANEL REAR CENTER | 1 | 1 | |
| 27 | 216928 | PANEL ASSY FRONT CURB-SIDE | 1 | 1 | |
| | | PANEL WITH SMALL A/C | | | |
| | | | | | |
| 30 | 216898 | REAR VERTICAL PANEL R.H. FUEL TANK | 1 | 1 | |
| 31 | N.P.N. | PANEL ASSY / FLOOR STREET SIDE WITH REINFORCMENT | 1 | 1 | 4 |
| 32 | 223957 | PANEL ASSY / FLOOR CURBSIDE | 1 | 1 | |
| . NS | 293946 | . PANEL | 1 | 1 | |
| . NS | 221576 | . SUPPORT UREA | 1 | 1 | |
| . NS | 216896 | . REINFORCMENT | 3 | 3 | |
| 33 | 216908 | REAR VERTICAL PANEL L.H. FUEL TANK | 1 | 1 | |
| 34 | 216909 | PANEL / CURBSIDE | 1 | 1 | |
| 36 | 216915 | PANEL REAR CENTER | 1 | 1 | |
| 38 | 216899 | PANEL ASSY | 1 | 1 | |
| 39 | 221649 | SUPPORT CABLE ATTACH | 1 | 1 | |
| | | PANEL WITH SMALL A/C & SLIDE-OUT | | | |
| | | | | | |
| 41 | N.P.N. | PANEL ASSY / FLOOR STREET SIDE WITH REINFORCMENT | 1 | 1 | 4 |
| 42 | 221618 | PLATE FINISHING | 1 | 1 | |
| 43 | 216914 | REAR VERTICAL PANEL | 1 | 1 | |
| 44 | 485665 | PANEL / STREET SIDE | 1 | 1 | |
| 46 | 216799 | PANEL REAR CENTER | 1 | 1 | |
| 49 | Call order desk | PANEL HOLDER | 1 | 1 | P S |
| | | | | | |
| | | | | | |
| | | S) WITH SLIDE-OUT | | | |
| | | 4) NO PARTS NUMBER | | | |
| | | P) CALL ORDER DESK FOR SPECIFIC APPLICATION (V.I.N.) | | | |

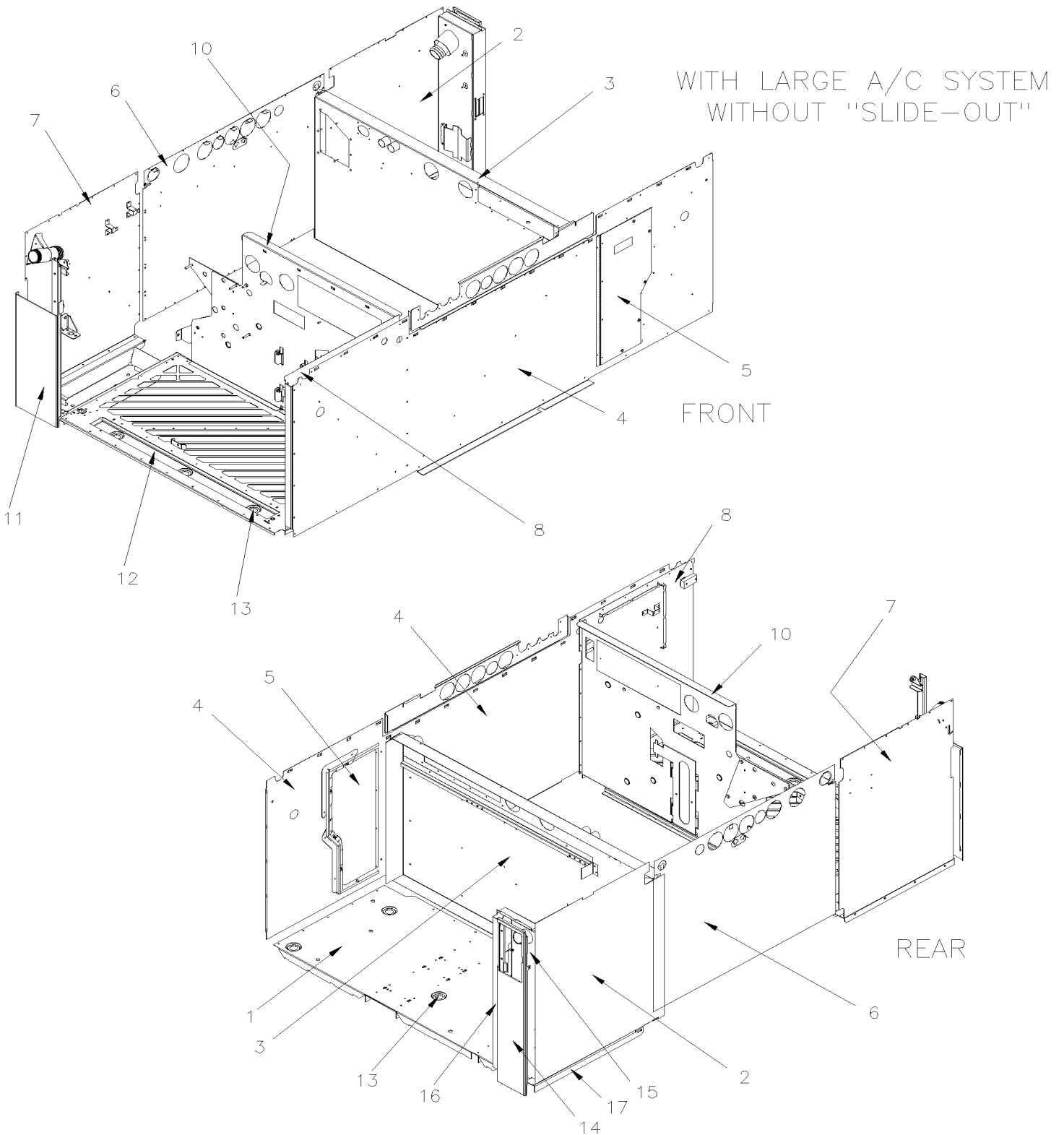


From C-5097 To D-5489

Date:10/2022

PAGE:XV-1865-21

EVAPORATOR & CONDENSOR WALL INSTALLATION



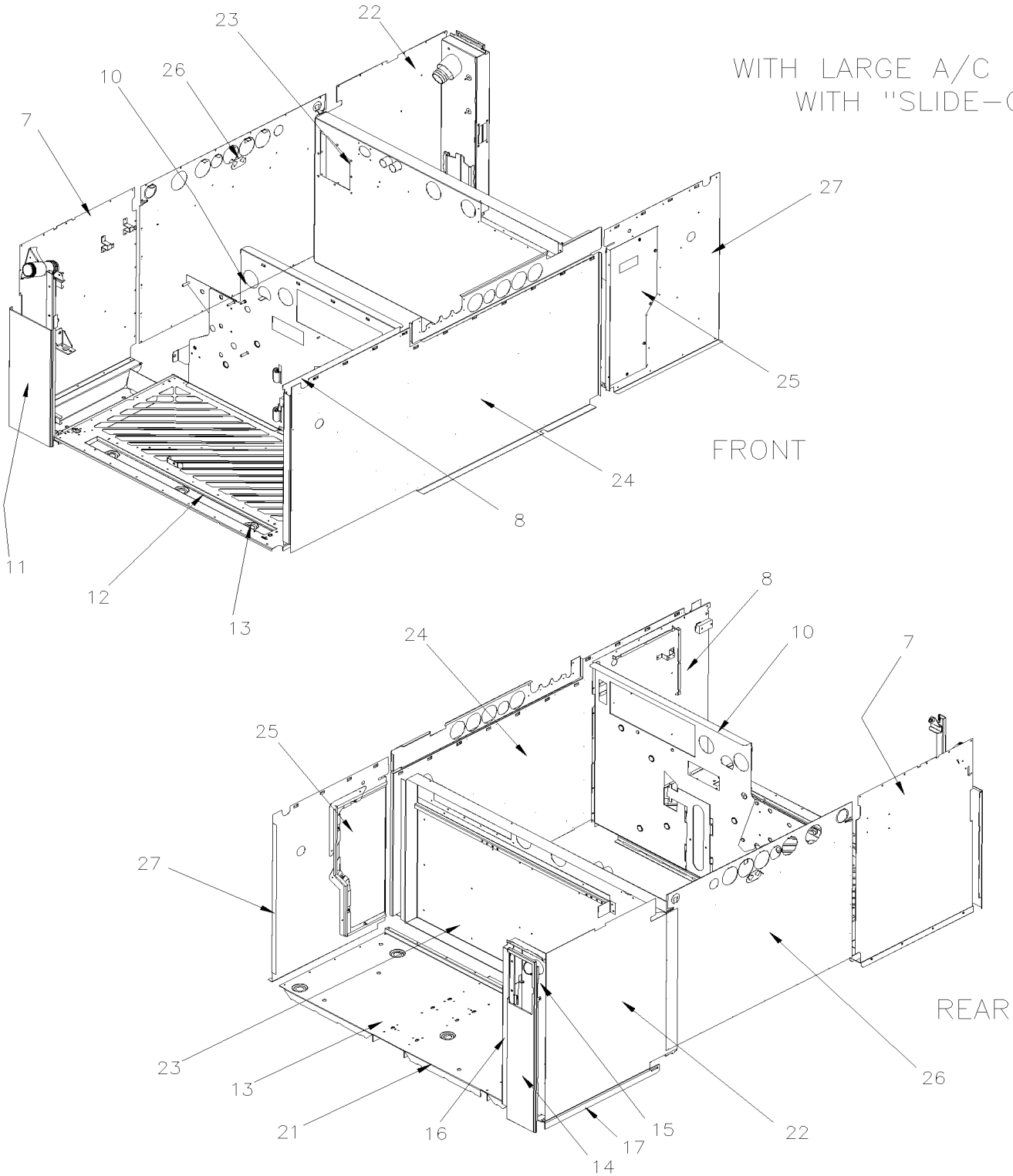


From C-5097 To D-5489

Date:10/2022

PAGE:XV-1865-21

EVAPORATOR & CONDENSOR WALL INSTALLATION



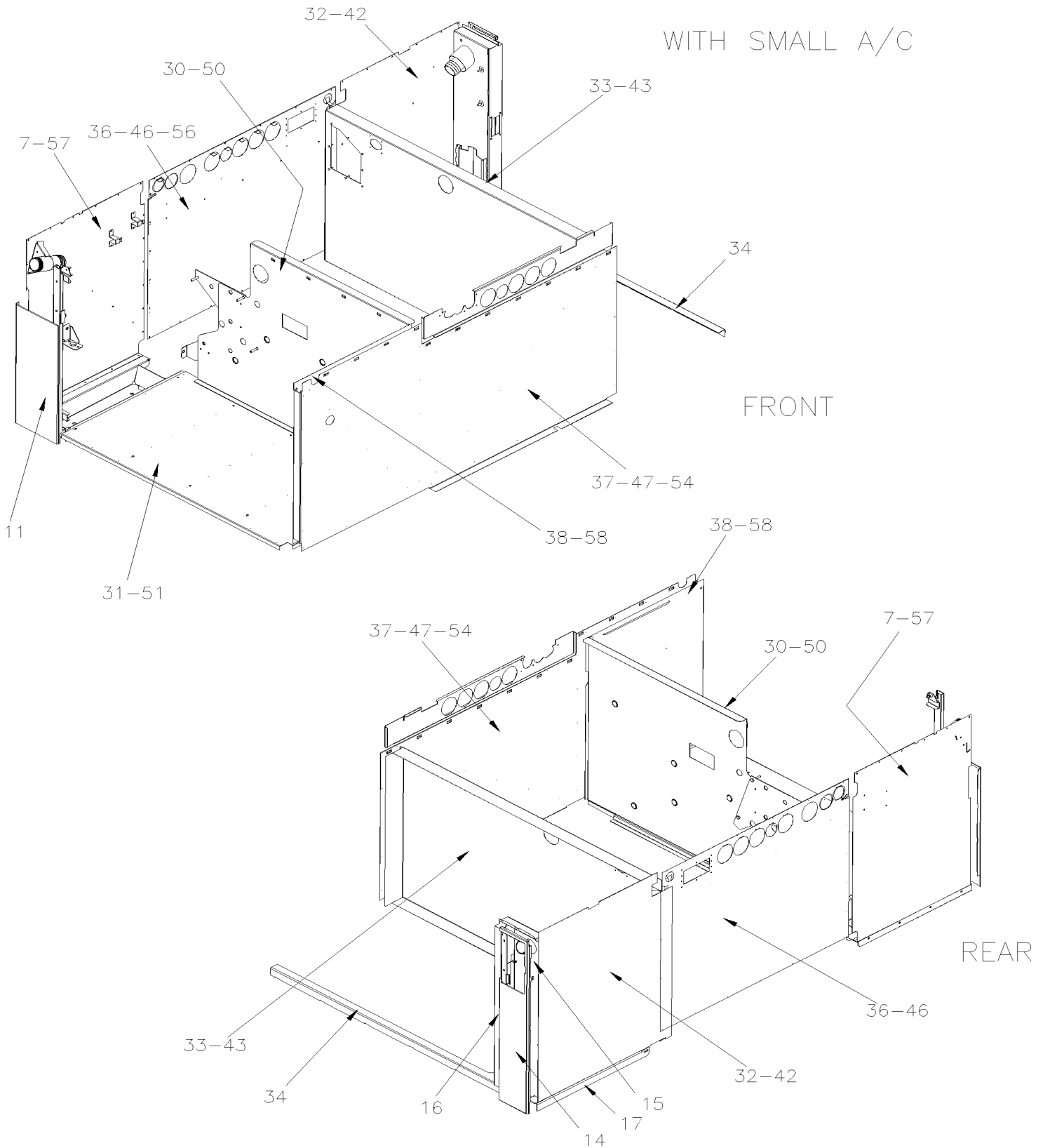


From C-5097 To D-5489

Date:10/2022

PAGE:XV-1865-21

EVAPORATOR & CONDENSOR WALL INSTALLATION





From C-5097 To D-5489 Date:10/2022 PAGE:XV-1865-21

EVAPORATOR & CONDENSOR WALL INSTALLATION

| Item# | Part | Description | X 3 V I P | X L I I E N T 4 5 | N O T E S |
|--------|--------|---|-----------------------|---|-----------------------|
| 1 | 216895 | PANEL ASSY / EVAPORATOR FLOOR WITH REINFORCMENT To C-5135 | 1 | 1 | |
| . NS | 216897 | . PANEL FLOOR To C-5135 | 1 | 1 | |
| . NS | 216840 | . SUPPORT MOTOR To C-5135 | 1 | 1 | |
| . NS | 216896 | . REINFORCMENT To C-5135 | 1 | 1 | |
| 1 | 216947 | PANEL ASSY / EVAPORATOR FLOOR WITH REINFORCMENT From C-5136 | 1 | 1 | |
| 2 | 216952 | PANEL REAR STREET SIDE | 1 | 1 | |
| 3 | 216981 | REAR VERTICAL PANEL EVAPORATOR To C-5266 | 1 | 1 | |
| 3 | 217069 | REAR VERTICAL PANEL EVAPORATOR From C-5267 | 1 | 1 | |
| 4 | 216927 | PANEL FRONT ONE PIECE To C-5132 | 1 | 1 | |
| 4 | 217024 | PANEL FRONT ONE PIECE From C-5133 | 1 | 1 | |
| 5 | 374491 | PANEL DOOR To C-5132 | 1 | 1 | |
| 5 | 374623 | PANEL DOOR From C-5133 | 1 | 1 | |
| NS | 374511 | HINGE / DOOR | 1 | 1 | |
| NS | 504681 | STUD 6MM (DZUS) | 6 | 6 | |
| NS | 504604 | FASTENER | 6 | 6 | |
| NS | 506228 | TAPE RUB ADH1 CC POL 1/4" x 1/2" x 37.5' / GREY 2520X | AR | AR | |
| NS | 370354 | DECAL / AIR FILTER / ENGLISH & FRANCAIS | 1 | 1 | |
| NS | 374207 | DECAL / AIR FILTER / ENGLISH & SPANISH | 1 | 1 | |
| 6 | 216667 | PANEL REAR CENTER To C-5132 | 1 | 1 | |
| 6 | 217011 | PANEL REAR CENTER From C-5133 To C-5232 | 1 | 1 | |
| 6 | 173738 | PANEL REAR CENTER From C-5233 | 1 | 1 | |
| 7 | 223925 | PANEL REAR CURBSIDE To C-5276 | 1 | 1 | |
| 7 | 223929 | PANEL REAR CURBSIDE From C-5277 | 1 | 1 | |
| 8 | 216852 | PANEL ASSY / INTERIOR EVAPORATOR | 1 | 1 | |
| 10 | 216850 | REAR VERTICAL PANEL CONDENSOR To D-5374 | 1 | 1 | |
| 10 | 217141 | REAR VERTICAL PANEL CONDENSOR From D-5375 To D-5459 | 1 | 1 | |
| 10 | 217132 | REAR VERTICAL PANEL CONDENSOR From D-5460 | 1 | 1 | |
| 11 | 223954 | POST ASSY FORWARD FUEL DOOR ASSY W/REINFORCMENT PANEL | 1 | 1 | |
| . NS | 216798 | . PANEL REINFORCMENT LOWER FUEL DOOR 249MM x 600MM | 1 | 1 | |
| . NS | 223940 | . POST ASSY FORWARD FUEL DOOR ASSY | 1 | 1 | |
| . . NS | 216797 | . . STOPPER CONDENSOR DOOR | 2 | 2 | |
| . . NS | 223937 | . . BRACKET LATCH COND DOOR | 1 | 1 | |
| . . NS | 477296 | . . ATTACHMENT SPRING DOOR | 1 | 1 | |
| . . NS | 502659 | . . NUT WD RND M6-1.0 SS | 2 | 2 | |
| 12 | 216686 | PANEL CONDENSOR FLOOR ASSY W/LOUVER To C-5242 | 1 | 1 | |
| . NS | 216677 | . GRILL FLOOR To C-5242 | 1 | 1 | |
| . NS | 221576 | . SUPPORT UREA To C-5242 | 1 | 1 | |
| . NS | 216678 | . ANGLE REINFORCMENT FLOOR 1290MM To C-5242 | 1 | 1 | |
| . NS | 216679 | . ANGLE "Z" REINFORCMENT FLOOR 1287MM To C-5242 | 1 | 1 | |
| . NS | 223941 | . ANGLE REINFORCMENT FLOOR 748MM To C-5242 | 1 | 1 | |
| . NS | 216671 | . TUBE ASSY COND PIVOT 127MM To C-5242 | 1 | 1 | |
| . NS | 480081 | . DRAIN RECEPTACLE To C-5242 | 1 | 1 | |



From C-5097 To D-5489 Date:10/2022 PAGE:XV-1865-21

EVAPORATOR & CONDENSOR WALL INSTALLATION

| Item# | Part | Description | X 3 V I P | X L I I E N T 4 5 | N O T E S |
|-------|--------|---|-----------------------|---|-----------------------|
| . NS | 216724 | . STOPPER CONDENSOR DOOR To C-5242 | 1 | 1 | |
| 12 | 217072 | PANEL CONDENSOR FLOOR ASSY W/LOUVER From C-5243 | 1 | 1 | |
| . NS | 216677 | . GRILL FLOOR From C-5243 | 1 | 1 | |
| . NS | 221709 | . SUPPORT UREA From C-5243 | 1 | 1 | |
| . NS | 216678 | . ANGLE REINFORCMENT FLOOR 1290MM From C-5243 | 1 | 1 | |
| . NS | 216679 | . ANGLE "Z" REINFORCMENT FLOOR 1287MM From C-5243 | 1 | 1 | |
| . NS | 223941 | . ANGLE REINFORCMENT FLOOR 748MM From C-5243 | 1 | 1 | |
| . NS | 216671 | . TUBE ASSY COND PIVOT 127MM From C-5243 | 1 | 1 | |
| . NS | 480081 | . DRAIN RECEPTACLE From C-5243 | 1 | 1 | |
| . NS | 216724 | . STOPPER CONDENSOR DOOR From C-5243 | 1 | 1 | |
| 13 | 414654 | DRAIN BOOT 1" I.D. W/GROOVE 1.5 x 35MM I.D. x 85MM | 7 | 7 | |
| 14 | 216977 | PANEL / FRAME REINFORCMENT | 1 | 1 | |
| 15 | 217058 | FILLING CAP ASSY / STREET SIDE | 1 | 1 | |
| 16 | 240932 | POST ASSY | 1 | 1 | |
| 17 | 221553 | SUPPORT / FLOOR 662MM | 1 | 1 | |
| | | PANEL WITH LARGE A/C & SLIDE-OUT | | | |
| 21 | 216884 | PANEL ASSY / EVAPORATOR FLOOR WITH REINFORCMENT To C-5138 | 1 | 1 | |
| 21 | 216949 | PANEL ASSY / EVAPORATOR FLOOR WITH REINFORCMENT From C-5139 | 1 | 1 | |
| 22 | 216879 | PANEL REAR STREET SIDE To C-5138 | 1 | 1 | |
| 22 | 216951 | PANEL REAR STREET SIDE From C-5139 | 1 | 1 | |
| 22 | 221618 | PLATE FINISHING | 1 | 1 | |
| 23 | 216979 | REAR VERTICAL PANEL EVAPORATOR From C-5097 To C-5266 | 1 | 1 | |
| 23 | 217070 | REAR VERTICAL PANEL EVAPORATOR From C-5267 | 1 | 1 | |
| 24 | 221622 | PANEL FRONT | 1 | 1 | |
| 25 | 374522 | PANEL DOOR To C-5132 | 1 | 1 | |
| 25 | 374624 | PANEL DOOR From C-5133 | 1 | 1 | |
| NS | 374511 | HINGE / DOOR | 1 | 1 | |
| NS | 504681 | STUD 6MM (DZUS) | 6 | 6 | |
| NS | 504604 | FASTENER | 6 | 6 | |
| NS | 506228 | TAPE RUB ADH1 CC POL 1/4" x 1/2" x 37.5' / GREY 2520X | AR | AR | |
| NS | 370354 | DECAL / AIR FILTER / ENGLISH & FRANCAIS | 1 | 1 | |
| 26 | 216880 | PANEL REAR CENTER To C-5232 | 1 | 1 | |
| 26 | 173738 | PANEL REAR CENTER From C-5233 | 1 | 1 | |
| 27 | 216928 | PANEL ASSY FRONT CURB-SIDE To C-5132 | 1 | 1 | |
| 27 | 217025 | PANEL ASSY FRONT CURB-SIDE From C-5133 | 1 | 1 | |
| | | PANEL WITH SMALL A/C | | | |
| 30 | 216898 | REAR VERTICAL PANEL R.H. FUEL TANK | 1 | 1 | |



| | | |
|---|--------------|-----------------|
| From C-5097 To D-5489 | Date:10/2022 | PAGE:XV-1865-21 |
| EVAPORATOR & CONDENSOR WALL INSTALLATION | | |

| Item# | Part | Description | X 3 V I P | X L I I E N T 4 5 | N O T E S |
|-------|--------|--|-----------------------|---|-----------------------|
| 31 | 223957 | PANEL ASSY / FLOOR CURBSIDE | 1 | 1 | |
| . NS | 293946 | . PANEL | 1 | 1 | |
| . NS | 221576 | . SUPPORT UREA | 1 | 1 | |
| . NS | 216896 | . REINFORCMENT | 3 | 3 | |
| 32 | 216952 | PANEL REAR STREET SIDE | 1 | 1 | |
| 33 | 216986 | REAR VERTICAL PANEL L.H. FUEL TANK To C-5266 | 1 | 1 | |
| 33 | 217067 | REAR VERTICAL PANEL L.H. FUEL TANK From C-5267 | 1 | 1 | |
| 34 | 221677 | PANEL SUPPORT | 1 | 1 | |
| 36 | 216915 | PANEL REAR CENTER To C-5232 | 1 | 1 | |
| 36 | 173740 | PANEL REAR CENTER From C-5233 | 1 | 1 | |
| 37 | 216909 | PANEL / CURBSIDE | 1 | 1 | |
| 38 | 216899 | PANEL ASSY | 1 | 1 | |
| 39 | 221649 | SUPPORT CABLE ATTACH | 1 | 1 | |
| | | PANEL WITH SMALL A/C & SLIDE-OUT | | | |
| | | PANEL WITH SMALL A/C & ONE "H-BEAM" | | | |
| 42 | 216951 | PANEL REAR STREET SIDE | 1 | 1 | |
| 42 | 221618 | PLATE FINISHING | 1 | 1 | |
| 43 | 216984 | REAR VERTICAL PANEL To C-5266 | 1 | 1 | |
| 43 | 217068 | REAR VERTICAL PANEL From C-5267 | 1 | 1 | |
| 44 | 485665 | PANEL / STREET SIDE | 1 | 1 | |
| 46 | 216799 | PANEL REAR CENTER To C-5232 | 1 | 1 | |
| 46 | 173740 | PANEL REAR CENTER From C-5233 | 1 | 1 | |
| 47 | 221622 | PANEL FRONT | 1 | 1 | |
| | | PANEL WITH SMALL A/C & TWO "H-BEAM" | | | |
| 50 | 216966 | REAR VERTICAL PANEL R.H. FUEL TANK | 1 | | |
| 51 | 217000 | PANEL ASSY / FLOOR CURBSIDE | 1 | | |
| . NS | 217001 | . PANEL | 1 | | |
| . NS | 216999 | . SUPPORT UREA | 1 | | |
| . NS | 216998 | . REINFORCMENT | 3 | | |
| 54 | 217005 | PANEL / CURBSIDE | 1 | | |
| 54 | 217003 | PANEL FRONT CENTER | 1 | | |
| 56 | 216995 | PANEL REAR CENTER | 1 | | |
| 57 | 216996 | PANEL REAR CURBSIDE | 1 | | |
| 58 | 217002 | PANEL ASSY | 1 | | |
| | | | | | |
| | | | | | |
| | | | | | |

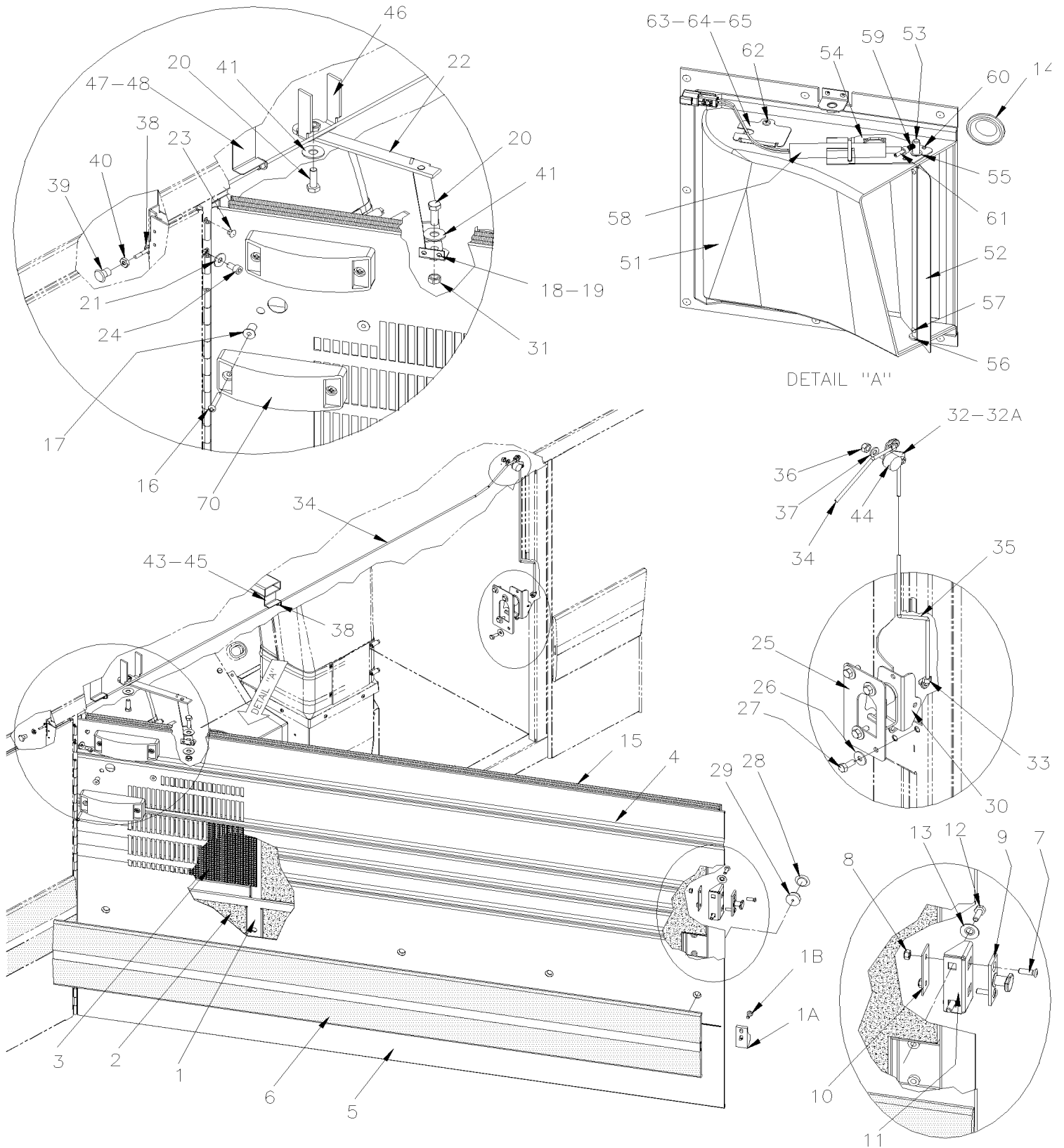


From B-5003 To C-5096

Date:10/2022

PAGE:XV-1866-50

EVAPORATOR DOOR ASSY





| | | |
|-----------------------------|--------------|-----------------|
| From B-5003 To C-5096 | Date:10/2022 | PAGE:XV-1866-50 |
| EVAPORATOR DOOR ASSY | | |

| Item# | Part | Description | X 3 V I P | X L I I E N T 4 5 | N O T E S |
|-------|-------------------|--|-----------------------|---|-----------------------|
| | | ALL EVAPORATOR DOORS ASSY DO NOT INCLUDE | | | |
| | | RUB-RAIL PLEASE ORDER SEPARATELY | | | |
| | 485706 | EVAPORATOR DOOR ASSY | 1 | 1 | |
| 1 | 484175 | . DOOR FRAME (WELDED) | 1 | 1 | |
| . NS | 484229 | . . HINGE, L.H. ASSY | 1 | 1 | |
| NS | 504013 | . TIE MOUNT / 1/4" X 1/4" I.D. | 4 | 4 | |
| NS | 504379 | . RIVET POP DOME OE 3/16x1/4 SS | 4 | 4 | |
| 1A | 289708 | GUIDE LOWER COND DOOR PLASTIC | 1 | 1 | |
| 1B | 500945 | SCREW TC BDG PH #10-24x1/2 G500 | 2 | 2 | |
| 2 | 484187 | . KIT INSULATING PANEL | 1 | 1 | |
| 3 | 484185 | . GRILL | 1 | 1 | |
| 3 | 684517 | ADHESIVE SIMSON #ISR 70-03 / GREY / 310ml CARTRIDGE | AR | AR | |
| 3 | 871432 | . FILTER SCREEN 12" x 12" / W2 STRIP GAL | 1 | 1 | |
| 4 | 484249 | . ONE PIECE PANEL 60" W/ 0.44 SQF PERFORATED AREA | 1 | 1 | |
| 4 | 484204 | . PANEL, UPPER / FLUTED / B.A. 1530.9 MM | 1 | 1 | |
| 5 | 484203 | . PANEL, LOWER / B.A. 1530.9 MM | 1 | 1 | |
| NS | 684517 | . ADHESIVE SIMSON #ISR 70-03 / GREY / 310ml CARTRIDGE | AR | AR | |
| NS | 687962 | . GLUE MS POLYMER TEROSON MS 9399 / "B" 21 Liters | AR | AR | |
| NS | 687961 | . GLUE MS POLYMER TEROSON MS 9399 / "A" 21 Liters | AR | AR | |
| 6 | XV-1855-00 | . RUB RAIL - EXTERIOR CREST & TRIMS | | | |
| 7 | 5001497 | . SCREW MA OV PH M6-1.0x20 SS | 2 | 2 | |
| 8 | 5001182 | . NUT HEX NYRT M6-1.0 SS | 2 | 2 | |
| 9 | 780278 | . PIN, STRIKER STUD | 1 | 1 | |
| 10 | 283326 | . STRIKER PLATE, MOUNTING / 60MM X 25MM | 1 | 1 | |
| 11 | 289709 | . STRIKER SUPPORT 86 x 25 x 36 | 1 | 1 | |
| 12 | 500163 | . SCREW CAP HEX 1/4-20x3/4 G5 Z050 | 2 | 2 | |
| 13 | 5001699 | . WASHER BEL SPR 8.2x22x1.4 N500 | 2 | 2 | |
| 14 | 504398 | . GROMMET / 1.000x1.375x.062x.437x1.750 | 1 | 1 | |
| 15 | 484176 | . WEATHERSTRIP / EVAPORATOR DOOR | 1 | 1 | |
| 16 | 5001042 | SCREW MA RND PH #10-32x1 1/4 SS | 4 | 4 | |
| 17 | 502774 | NUT WELL #10-32x.625 | 4 | 4 | |
| 18 | 483562 | SUPPORT ASSY / DOOR GUIDE M8-1.25 | 1 | 1 | |
| 19 | 504379 | RIVET POP DOME OE 3/16x1/4 SS | 2 | 2 | |
| 20 | 502780 | SCREW CAP HEX M8-1.25x25 SS BK | 2 | 2 | |
| 21 | 500411 | WASHER FL .260x.697x.050 SS | AR | AR | |
| 22 | 288031 | GUIDE ASSY / R.H. DOOR | 1 | 1 | |
| 23 | 504379 | RIVET POP DOME OE 3/16x1/4 SS | 2 | 2 | |
| 24 | 5001743 | SCREW CAP HEX M6-1.0x12 G8.8 N500 | 6 | 6 | |
| 25 | 485648 | LOCK SUPPORT | 1 | 1 | |
| 26 | 5001833 | WASHER BEL SPR 6.1x18x1.27 SS | 4 | 4 | |
| 27 | 5001697 | SCREW CAP HEX M6-1.0x16 SS BK | 4 | 4 | |



| | | |
|------------------------------|---------------------|------------------------|
| From B-5003 To C-5096 | Date:10/2022 | PAGE:XV-1866-50 |
| EVAPORATOR DOOR ASSY | | |

| Item# | Part | Description | X 3 V I P | X L I I E N T 4 5 | N O T E S |
|-------|---------|---|-----------------------|---|-----------------------|
| 28 | 504433 | SNAP-IN PLUG / 1.090 O.D. | 4 | 4 | |
| 29 | 473378 | SEAL WASHER / RUB RAIL & PANEL | 4 | 4 | |
| NS | 500692 | NUT HEX 1/4-28 Z050 | 2 | 2 | |
| NS | 502582 | WASHER LO SERR 6.1x16.2x0.9 Z050 | 2 | 2 | |
| 30 | 289807 | LOCK SPAGNOLET W/GREASE FITTING | 1 | 1 | |
| . NS | 780340 | . CLIP, RETAINER ROD | 1 | 1 | |
| 30 | 504528 | HOLE PLUG BUTTON / .437 O.D. BLACK | 1 | 1 | |
| 31 | 5001188 | NUT HEX M8-1.25 SS | 1 | 1 | |
| 32 | 484168 | PIVOT ROD OPENNG | 2 | 2 | |
| 32A | 502159 | SPRING EXTENSION / .312 O.D. x 1.375 x .031 | 1 | 1 | |
| 33 | 780340 | CLIP, RETAINER ROD | 2 | 2 | |
| 34 | 484184 | ROD OPENING 1536MM | 1 | 1 | |
| 35 | 484183 | ROD OPENING 438MM | 1 | 1 | |
| 36 | 5001182 | NUT HEX NYRT M6-1.0 SS | 1 | 1 | |
| 37 | 502573 | WASHER FL 6.4x12.5x1.6 SS | 1 | 1 | |
| 38 | 504083 | SNAP BUSHING / .250x.468.406 | 2 | 2 | |
| 39 | 505504 | KNOB, PULL / 8-32 | 1 | 1 | |
| 40 | 500986 | NUT HEX #8-32 N500 | 1 | 1 | |
| 41 | 500270 | WASHER FL .406x1.000x.063 SS | 5 | 5 | |
| 43 | 500657 | SCREW TC TR PH #10-24x1/2 Z050 | 2 | 2 | |
| 44 | 223938 | SUPPORT PIVOT / DOOR GUIDE M-1.0 W/SHOULDER 10MM (WELD) | 1 | 1 | |
| 45 | 223956 | SUPPORT ROD UPPER FIXED W/SCREWS | 1 | 1 | |
| 46 | 216796 | SUPPORT PIVOT / DOOR GUIDE M8-1.25 / (WELDED AT STRUCTURE | 1 | 1 | |
| 47 | 484227 | SUPPORT ROD UPPER | 1 | 1 | |
| 48 | 500957 | SCREW TP BDG PH #10x3/4 N500 | 2 | 2 | |
| | | | | | |
| 50 | 374183P | DAMPER TRAP ASSY | 1 | 1 | |
| 51 | 374184 | . DEFLECTOR PANEL | 1 | 1 | |
| 52 | 374171 | . DAMPER | 1 | 1 | |
| 53 | 374172 | . ROD | 1 | 1 | |
| 54 | 374173 | . PLATE FIXTURE | 1 | 1 | |
| 55 | 507309 | . BUSHING NYLINED .312x.375x.078x.500 | 1 | 1 | |
| 56 | 500975 | . WASHER FL .378x.620x.094 NYL | 1 | 1 | |
| 57 | 504339 | . RIVET POP DOME OE 1/8x3/8 SS | 1 | 1 | |
| 58 | 373415 | . ACTUATOR ASSY | 1 | 1 | |
| 59 | 374021 | . TUBE NYLON #4 12MM | 1 | 1 | |
| 60 | 504340 | . RIVET POP DOME OE 1/8x3/16 SS | 5 | 5 | |
| 61 | 502243 | . SPRING PIN | 1 | 1 | |
| 62 | 500952 | . SCREW TP BDG PH #8x1/2 SS | 1 | 1 | |
| 63 | 374185 | . SUPPORT SENSOR | 1 | 1 | |
| 64 | 563335 | . SENSOR THERMISTOR ASSY / OUTSIDE // PED 15416387 | 1 | 1 | |
| NS | 067573 | DECAL RELAY IDENTIFICATION EVAPORATOR CONTROL | 1 | 1 | |



| | | |
|-----------------------|--------------|-----------------|
| From B-5003 To C-5096 | Date:10/2022 | PAGE:XV-1866-50 |
|-----------------------|--------------|-----------------|

EVAPORATOR DOOR ASSY

| Item# | Part | Description | X 3 V I P | X L I I E N T 4 5 | N O T E S |
|-------|-------------------|-------------------------------------|-----------------------|---|-----------------------|
| 65 | 500996 | NUT SPR U #6-32 .135-.150 | 1 | 1 | |
| 70 | XV-0662-00 | CLEARANCE & MARKER LIGHT | | | |
| | | | | | |
| | | | | | |
| | | | | | |



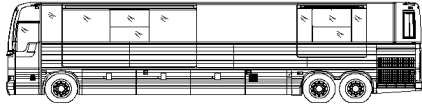
From B-5003 To D-5489

Date:10/2022

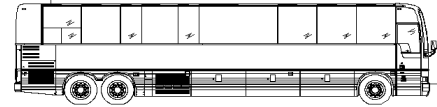
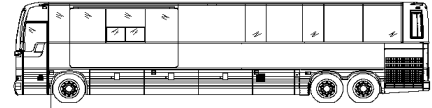
PAGE:484249

ONE PIECE PANEL 60" W/ 0.44 SQF PERFORATED AREA

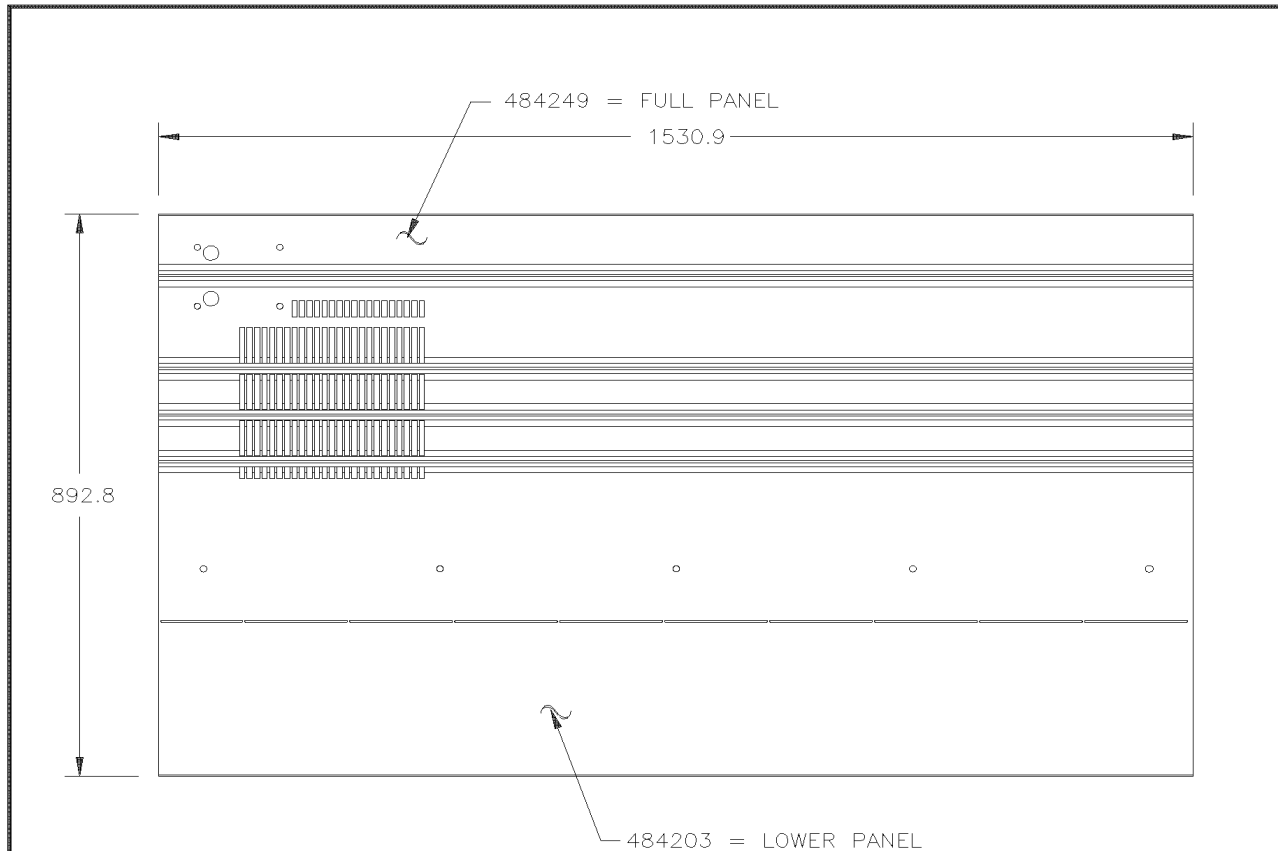
PREVOST



X3-VIP



XL-II ENT.



EXTERIOR VIEW

NOTE:

4TH DOOR LH
WITH SMALL A/C

| | | | |
|---|--------------------|-----------------------------------|--------|
| TOTAL PERFORATED AREA: 0.44 f ² | EFF : B-5003 | DOOR ASSY ONLY IN SERVICE PART | N.A. |
| | PRIOR: | | |
| DATE: 11-2010 | WITH INSULATION | REFERENCE ONLY | 484249 |
| REV. : B | WITHOUT INSULATION | | |



| | | |
|-----------------------|--------------|-------------|
| From B-5003 To D-5489 | Date:10/2022 | PAGE:484249 |
|-----------------------|--------------|-------------|

ONE PIECE PANEL 60" W/ 0.44 SQF PERFORATED AREA

| Item# | Part | Description | X 3 V I P | X L I I E N T 4 5 | N O T E S |
|-------|-----------------|--|-----------------------|---|-----------------------|
| 1 | | BAGAGE DOOR FULL PANEL | 1 | 1 | |
| 2 | Call order desk | . PANEL, LOWER / B.A. 1530.9 MM | 1 | 1 | P |
| | | | | | |
| | | | | | |
| | | | | | |
| | | P) CALL ORDER DESK FOR SPECIFIC APPLICATION (V.I.N.) | | | |

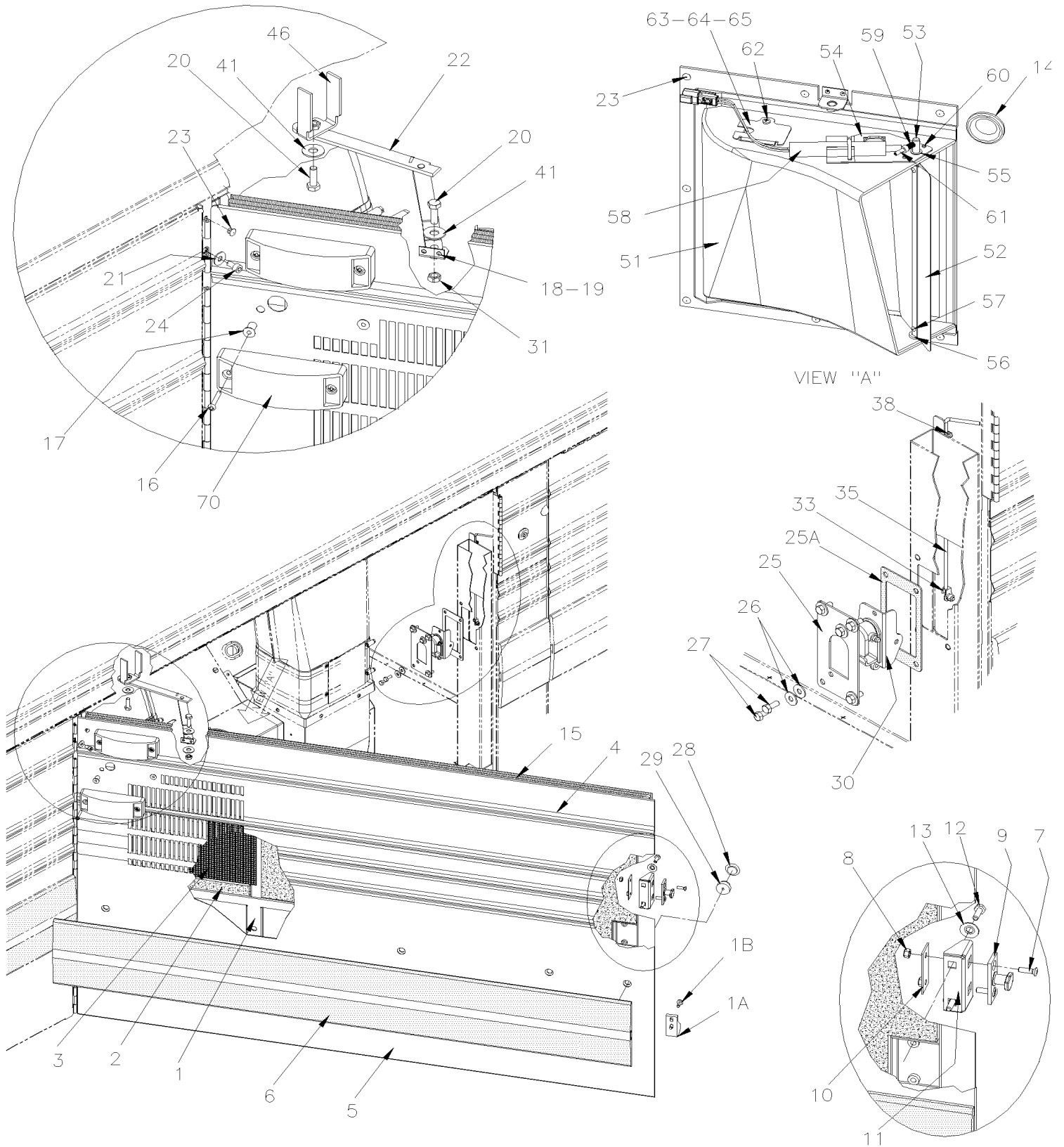


From C-5097 To D-5459

Date:10/2022

PAGE:XV-1866-51

EVAPORATOR DOOR ASSY





| | | |
|-----------------------------|--------------|-----------------|
| From C-5097 To D-5459 | Date:10/2022 | PAGE:XV-1866-51 |
| EVAPORATOR DOOR ASSY | | |

| Item# | Part | Description | X 3 V I P | X L I I E N T 4 5 | N O T E S |
|-------|-------------------|---|-----------------------|---|-----------------------|
| | | ALL EVAPORATOR DOORS ASSY DO NOT INCLUDE | | | |
| | | RUB-RAIL PLEASE ORDER SEPARATELY | | | |
| | 485707 | EVAPORATOR DOOR ASSY | 1 | 1 | |
| 1 | 484255 | . DOOR FRAME (WELDED) | 1 | 1 | |
| NS | 504013 | . TIE MOUNT / 1/4" X 1/4" I.D. | 4 | 4 | |
| NS | 504379 | . RIVET POP DOME OE 3/16x1/4 SS | 4 | 4 | |
| 1A | 289708 | . GUIDE LOWER COND DOOR PLASTIC | 1 | 1 | |
| 1B | 500945 | . SCREW TC BDG PH #10-24x1/2 G500 | 2 | 2 | |
| 2 | 484189 | . INSULATING PANEL 284MM X 68MM | 2 | 2 | |
| 2 | 484188 | . INSULATING PANEL 310MM X 60MM | 1 | 1 | |
| 2 | 484259 | . INSULATING PANEL 1270MM X 150MM | 1 | 1 | |
| 2 | 484260 | . INSULATING PANEL 434MM X 301MM | 2 | 2 | |
| 2 | 484261 | . INSULATING PANEL 434MM X 288MM | 1 | 1 | |
| 3 | 484185 | . GRILL | 1 | 1 | |
| 3 | 684517 | ADHESIVE SIMSON #ISR 70-03 / GREY / 310ml CARTRIDGE | AR | AR | |
| 3 | 871432 | . FILTER SCREEN 12" x 12" / W2 STRIP GAL | 1 | 1 | |
| 4 | 484263 | . ONE PIECE PANEL 1365.9MM W/ 0.44 SQF PERFORATED AREA | 1 | 1 | |
| 5 | 484299 | . PANEL, LOWER / B.A. 1365.9 MM | 1 | 1 | |
| NS | 684517 | . ADHESIVE SIMSON #ISR 70-03 / GREY / 310ml CARTRIDGE | AR | AR | |
| NS | 687962 | . GLUE MS POLYMER TEROSON MS 9399 / "B" 21 Liters | AR | AR | |
| NS | 687961 | . GLUE MS POLYMER TEROSON MS 9399 / "A" 21 Liters | AR | AR | |
| 6 | XV-1855-00 | . RUB RAIL - EXTERIOR CREST & TRIMS | | | |
| 7 | 5001497 | . SCREW MA OV PH M6-1.0x20 SS | 2 | 2 | |
| 8 | 5001182 | . NUT HEX NYRT M6-1.0 SS | 2 | 2 | |
| 9 | 780278 | . PIN, STRIKER STUD | 1 | 1 | |
| 10 | 283326 | . STRIKER PLATE, MOUNTING / 60MM X 25MM | 1 | 1 | |
| 11 | 289709 | . STRIKER SUPPORT 86 x 25 x 36 | 1 | 1 | |
| 12 | 5001746 | . SCREW CAP HEX 1/4-20x3/4 G5 N500 | 2 | 2 | |
| 13 | 5001699 | . WASHER BEL SPR 8.2x22x1.4 N500 | 2 | 2 | |
| 14 | 504398 | . GROMMET / 1.000x1.375x.062x.437x1.750 | 1 | 1 | |
| 15 | 484262 | . WEATHERSTRIP / EVAPORATOR DOOR | 1 | 1 | |
| 16 | 5001042 | SCREW MA RND PH #10-32x1 1/4 SS | 4 | 4 | |
| 17 | 502774 | NUT WELL #10-32x.625 | 4 | 4 | |
| 18 | 483562 | SUPPORT ASSY / DOOR GUIDE M8-1.25 | 1 | 1 | |
| 19 | 504379 | RIVET POP DOME OE 3/16x1/4 SS | 2 | 2 | |
| 20 | 502780 | SCREW CAP HEX M8-1.25x25 SS BK | 2 | 2 | |
| 21 | 500411 | WASHER FL .260x.697x.050 SS | 6 | 6 | |
| 22 | 288031 | GUIDE ASSY / R.H. DOOR | 1 | 1 | |
| 23 | 504379 | RIVET POP DOME OE 3/16x1/4 SS | AR | AR | |
| 24 | 5001743 | SCREW CAP HEX M6-1.0x12 G8.8 N500 | 6 | 6 | |
| 25 | 484268 | LOCK SUPPORT | 1 | 1 | |



| | | |
|-----------------------------|--------------|-----------------|
| From C-5097 To D-5459 | Date:10/2022 | PAGE:XV-1866-51 |
| EVAPORATOR DOOR ASSY | | |

| Item# | Part | Description | X 3 V I P | X L I E N T 4 5 | N O T E S |
|-------|-------------------|---|-----------------------|--------------------------------------|-----------------------|
| 25A | 484270 | RUBBER SEAL / LOCK SUPPORT | 1 | 1 | |
| 26 | 5001833 | WASHER BEL SPR 6.1x18x1.27 SS | 4 | 4 | |
| 27 | 5001697 | SCREW CAP HEX M6-1.0x16 SS BK | 4 | 4 | |
| 28 | 504433 | SNAP-IN PLUG / 1.090 O.D. | 4 | 4 | |
| 29 | 473378 | SEAL WASHER / RUB RAIL & PANEL | 4 | 4 | |
| NS | 500692 | NUT HEX 1/4-28 Z050 | 2 | 2 | |
| NS | 502582 | WASHER LO SERR 6.1x16.2x0.9 Z050 | 2 | 2 | |
| 30 | 289205 | LOCK SPAGNOLET W/GREASE FITTING | 1 | 1 | |
| 31 | 5001188 | NUT HEX M8-1.25 SS | 1 | 1 | |
| 33 | 780340 | CLIP, RETAINER ROD | 2 | 2 | |
| 35 | 484267 | ROD OPENING 269MM | 1 | 1 | |
| 38 | 504083 | SNAP BUSHING / .250x.468.406 | 2 | 2 | |
| 41 | 500270 | WASHER FL .406x1.000x.063 SS | 5 | 5 | |
| 46 | 216796 | SUPPORT PIVOT / DOOR GUIDE M8-1.25 / (WELDED AT STRUCTURE | 1 | 1 | |
| 50 | 374183P | DAMPER TRAP ASSY | 1 | 1 | |
| 51 | 374184 | . DEFLECTOR PANEL | 1 | 1 | |
| 52 | 374171 | . DAMPER | 1 | 1 | |
| 53 | 374172 | . ROD | 1 | 1 | |
| 54 | 374173 | . PLATE FIXTURE | 1 | 1 | |
| 55 | 507309 | . BUSHING NYLINED .312x.375x.078x.500 | 1 | 1 | |
| 56 | 500975 | . WASHER FL .378x.620x.094 NYL | 1 | 1 | |
| 57 | 504339 | . RIVET POP DOME OE 1/8x3/8 SS | 1 | 1 | |
| 58 | 373415 | . ACTUATOR ASSY | 1 | 1 | |
| 59 | 374021 | . TUBE NYLON #4 12MM | 1 | 1 | |
| 60 | 504340 | . RIVET POP DOME OE 1/8x3/16 SS | 5 | 5 | |
| 61 | 502243 | . SPRING PIN | 1 | 1 | |
| 62 | 500952 | . SCREW TP BDG PH #8x1/2 SS | 1 | 1 | |
| 63 | 374185 | . SUPPORT SENSOR | 1 | 1 | |
| 64 | 563335 | . SENSOR THERMISTOR ASSY / OUTSIDE // PED 15416387 | 1 | 1 | |
| NS | 067573 | DECAL RELAY IDENTIFICATION EVAPORATOR CONTROL | 1 | 1 | |
| 65 | 500996 | NUT SPR U #6-32 .135-.150 | 1 | 1 | |
| 70 | XV-0662-00 | CLEARANCE & MARKER LIGHT | | | |
| | | | | | |
| | | | | | |
| | | | | | |



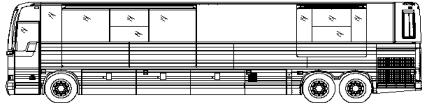
From B-5003 To D-5489

Date:10/2022

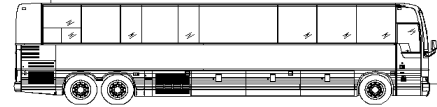
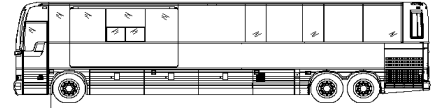
PAGE:484263

ONE PIECE PANEL 1365.9MM W/ 0.44 SQF PERFORATED AREA

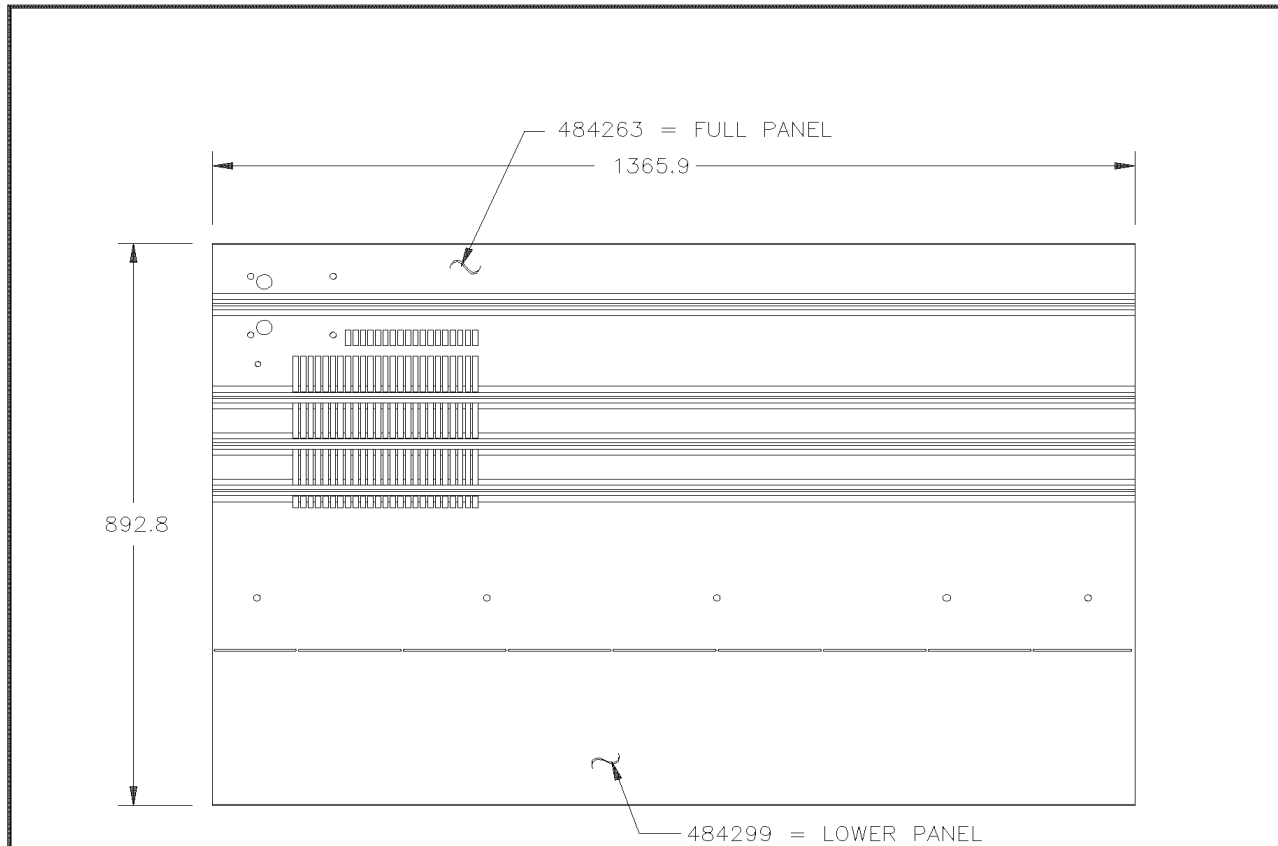
PREVOST



X3-VIP



XL-II ENT.



EXTERIOR VIEW

NOTE:

4TH DOOR LH
WITH SMALL A/C

| | | | |
|---|--------------------|-----------------------------------|--------|
| TOTAL PERFORATED AREA: 0.44 f ² | EFF : C-5097 | DOOR ASSY ONLY IN SERVICE PART | N.A. |
| | PRIOR: | | |
| DATE: 12-2012 | WITH INSULATION | REFERENCE ONLY | 484263 |
| REV. : B | WITHOUT INSULATION | | |



| | | |
|-----------------------|--------------|-------------|
| From B-5003 To D-5489 | Date:10/2022 | PAGE:484263 |
|-----------------------|--------------|-------------|

ONE PIECE PANEL 1365.9MM W/ 0.44 SQF PERFORATED AREA

| Item# | Part | Description | X 3 V I P | X L I E N T 4 5 | N O T E S |
|-------|-----------------|--|-----------------------|--------------------------------------|-----------------------|
| 1 | | BAGAGE DOOR FULL PANEL | 1 | 1 | |
| 2 | Call order desk | . PANEL, LOWER / B.A. 1365.9 MM | 1 | 1 | P |
| | | | | | |
| | | | | | |
| | | | | | |
| | | P) CALL ORDER DESK FOR SPECIFIC APPLICATION (V.I.N.) | | | |

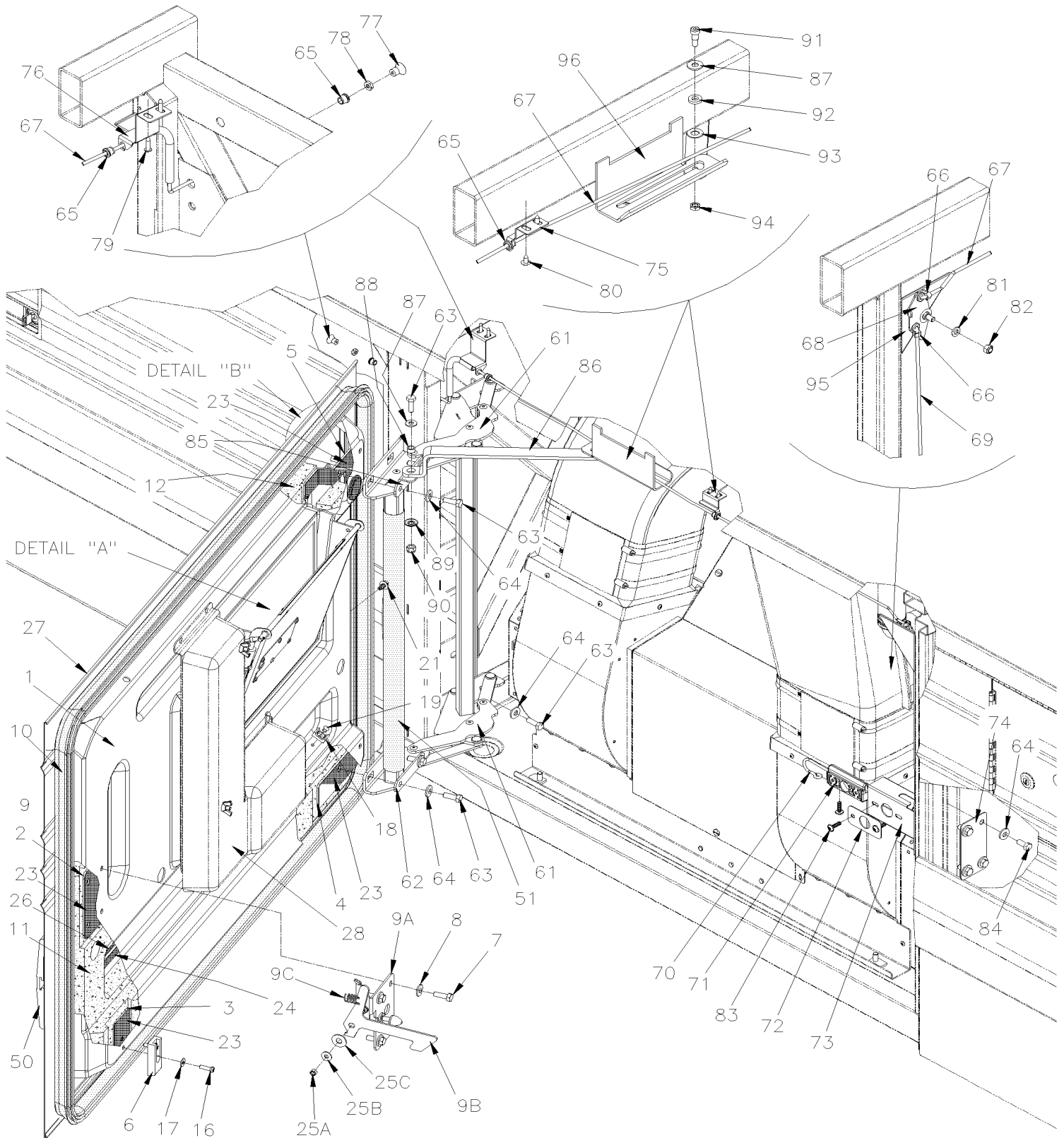


From D-5460 To D-5489

Date:10/2022

PAGE:XV-1866-52

EVAPORATOR DOOR ASSY



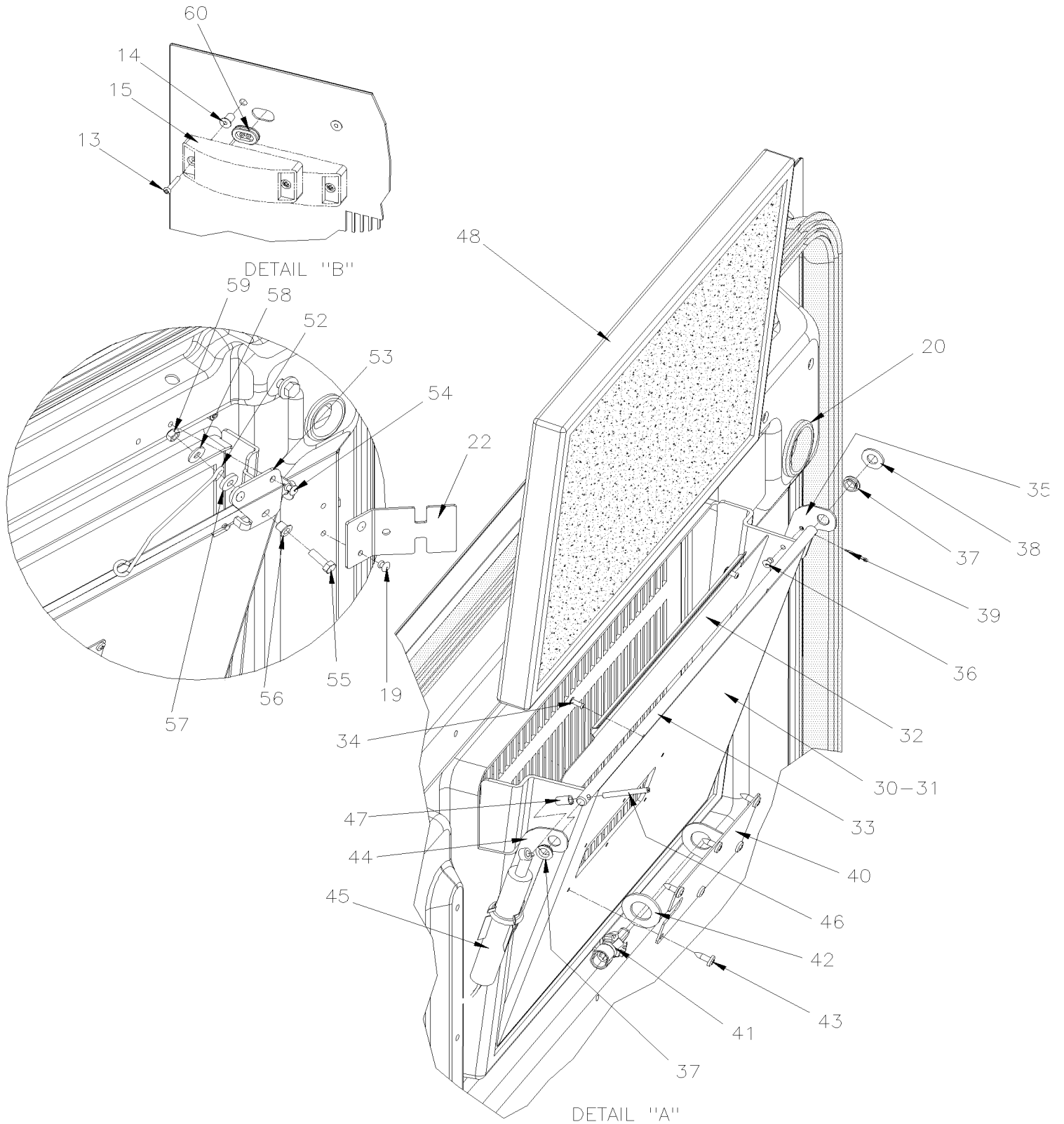


From D-5460 To D-5489

Date:10/2022

PAGE:XV-1866-52

EVAPORATOR DOOR ASSY





| | | |
|-----------------------------|--------------|-----------------|
| From D-5460 To D-5489 | Date:10/2022 | PAGE:XV-1866-52 |
| EVAPORATOR DOOR ASSY | | |

| Item# | Part | Description | X 3 V I P | X L I E N T 4 5 | N O T E S |
|-------|-------------------|---|-----------------------|--------------------------------------|-----------------------|
| | Call order desk | EVAPORATOR DOOR ASSY | 1 | 1 | P |
| 1 | 2800204 | . DOOR FRAME | 1 | 1 | |
| 2 | 2800250 | . ATTACH, PENE | 1 | 1 | |
| 3 | 2800251 | . ATTACH, SKID | 1 | 1 | |
| 4 | 2800252 | . ATTACH, DOWN HINGE | 1 | 1 | |
| 5 | 2800253 | . ATTACH, UPPER HINGE | 1 | 1 | |
| 6 | 2800234 | . GUIDE, HINGE DOOR | 1 | 1 | |
| 7 | 502780 | . SCREW CAP HEX M8-1.25x25 SS BK | 4 | 4 | |
| 8 | 500321 | . WASHER BEL SPR .331x.827x.098 N500 | 4 | 4 | |
| 9A | 2800389 | . PENE ASSY | 1 | 1 | |
| 9B | 2800388 | . LATCH | 1 | 1 | |
| 9C | 502245 | . SPRING COMPRESSION / .600 O.D. x 1.25 x .059 | 1 | 1 | |
| 10 | 2800357 | . WEATHERSTRIP / EVAPORATOR DOOR | 1 | 1 | |
| 11 | 352595 | . INSULATION, EVAPORATOR DOOR | 1 | 1 | |
| 12 | 352596 | . INSULATION, EVAPORATOR DOOR | 1 | 1 | |
| 13 | 5001042 | . SCREW MA RND PH #10-32x1 1/4 SS | 4 | 4 | |
| 14 | 502774 | . NUT WELL #10-32x.625 | 4 | 4 | |
| 15 | XV-0662-00 | . CLEARANCE & MARKER LIGHT | | | |
| 15 | 068731 | . HARNESS DOOR | 1 | 1 | |
| . NS | 504398 | . . GROMMET / 1.000x1.375x.062x.437x1.750 | 1 | 1 | |
| . NS | 478900 | . . GROMMET, MARKER LIGHT | 2 | 2 | |
| 16 | 502626 | . SCREW MA PAN PH M6-1.0x20 N500 | 2 | 2 | |
| 17 | 500877 | . WASHER FL .250x.562x.065 N500 | 2 | 2 | |
| 18 | 504013 | . TIE MOUNT / 1/4" X 1/4" I.D. | 4 | 4 | |
| 19 | 504114 | . RIVET POP DOME OE 3/16x1/4 AL | AR | AR | |
| 20 | 504398 | . GROMMET / 1.000x1.375x.062x.437x1.750 | 1 | 1 | |
| 21 | 509815 | . TIE MOUNT / ATTACHMENT W/TREE MOUNT | 3 | 3 | |
| 22 | 060998 | . SUPPORT CABLAGE A/C | 1 | 1 | |
| 23 | 684743 | . GLUE METHACRYLATE PLEXUS MA832GB 380 ml | AR | AR | |
| 24 | 687961 | . GLUE MS POLYMER TEROSON MS 9399 / "A" 21 Liters | AR | AR | |
| 24 | 687962 | . GLUE MS POLYMER TEROSON MS 9399 / "B" 21 Liters | AR | AR | |
| 25A | 5001182 | . NUT HEX NYRT M6-1.0 SS | 1 | 1 | |
| 25B | 5001833 | . WASHER BEL SPR 6.1x18x1.27 SS | 1 | 1 | |
| 25C | 500270 | . WASHER FL .406x1.000x.063 SS | 1 | 1 | |
| 26 | 685126 | . ADHESIVE SIMSON #ISR 70-03 / GREY / 600ml SAUSAGE | AR | AR | |
| 27 | 484315 | . ONE PIECE PANEL EVAPORATOR SS | 1 | 1 | |
| 27 | 484327 | . . LOWER PANEL / FLAT SS | 1 | 1 | |
| 28 | XV-0621-51 | A/C ELECTRICAL PANEL ASSY / EVAPORATOR DOOR | | | |
| 30 | 374707P | INTAKE FRESH AIR ASSY | 1 | 1 | |
| 31 | 374706 | . AIR DEFLECTOR | 1 | 1 | |
| 32 | 374713 | . FLAP | 1 | 1 | |
| 33 | 374714 | . PIVOT , FLAP | 1 | 1 | |



| | | |
|-----------------------------|--------------|-----------------|
| From D-5460 To D-5489 | Date:10/2022 | PAGE:XV-1866-52 |
| EVAPORATOR DOOR ASSY | | |

| Item# | Part | Description | X 3 V I P | X L I E N T 4 5 | N O T E S |
|-------|-------------------|--|-----------------------|--------------------------------------|-----------------------|
| 34 | 504339 | . RIVET POP DOME OE 1/8x3/8 SS | 2 | 2 | |
| 35 | 374708 | . SUPPORT, FRESH AIR FLAP | 1 | 1 | |
| 36 | 504340 | . RIVET POP DOME OE 1/8x3/16 SS | 5 | 5 | |
| 37 | 507309 | . BUSHING NYLINED .312x.375x.078x.500 | 2 | 2 | |
| 38 | 5001341 | . WASHER FL 8.4x17.0x1.6 SS | 1 | 1 | |
| 39 | 502094 | . PIN, COTTER 1/16 x 1/2 SS | 1 | 1 | |
| 40 | 374710 | . SENSOR SUPPORT ASSY | 1 | 1 | |
| 41 | 563335 | . SENSOR THERMISTOR ASSY / OUTSIDE // PED 15416387 | 1 | 1 | |
| 42 | 5001460 | . WASHER FL .640x1.188x0.073 SS | 1 | 1 | |
| 43 | 500952 | . SCREW TP BDG PH #8x1/2 SS | 6 | 6 | |
| 44 | 374709 | . SUPPORT, ACTUATOR | 1 | 1 | |
| 45 | 871180 | . ACTUATOR W/BOOT | 1 | 1 | G |
| . NS | 871452 | . . CLIP MOUTING ACTUATOR | 1 | 1 | G |
| . NS | N.S.S. | . . ACTUATOR | 1 | 1 | 1 G |
| . NS | N.S.S. | . . BOOT | 1 | 1 | 1 G |
| 45 | 870135 | . ACTUATOR W/BOOT W/E-COAT PROTECTION | 1 | 1 | |
| . NS | 871452 | . . CLIP MOUTING ACTUATOR | 1 | 1 | |
| 46 | 502243 | . SPRING PIN | 1 | 1 | |
| 47 | 503402 | . TUBE, NYLON 1/4 O.D. / BLACK S.L. | 1 | 1 | |
| 48 | 871448 | AIR FILTER 1" x 10 7/8" x 15 1/2" | 1 | 1 | |
| 49 | 502780 | SCREW CAP HEX M8-1.25x25 SS BK | 5 | 5 | |
| 50 | XV-1855-00 | RUB RAIL - EXTERIOR CREST & TRIMS | | | |
| 51 | 505110 | COIL PROTECTOR / PLASTIC / #12 | AR | AR | |
| 51 | 505182 | COIL PROTECTOR / PLASTIC / #16 | AR | AR | |
| 51 | 680319 | TAPE ADHESIF ELECTRIC / BLACK 3/4" | AR | AR | |
| 52 | 374777 | SPRING RETAINER | 1 | 1 | |
| 53 | 374778 | SUPPORT, SPRING | 1 | 1 | |
| 54 | 504113 | RIVET POP DOME CLE 3/16x1/4 AL | 2 | 2 | |
| 55 | 502622 | SCREW CAP HEX M6-1.0x20 SS BK | 1 | 1 | |
| 56 | 507381 | BUSHING W/SHOULDER 1/4" I,D, | 1 | 1 | |
| 57 | 5001481 | SPACER NYLON .323 I.D. X .750 O.D. X .125 | 2 | 2 | |
| 58 | 5001114 | WASHER FL .260x.687x.060 NYL | 1 | 1 | |
| 59 | 5001182 | NUT HEX NYRT M6-1.0 SS | 1 | 1 | |
| 60 | 478900 | GROMMET, MARKER LIGHT | 1 | 1 | |
| 61 | 2800218 | HINGE ASSY | 1 | 1 | |
| 62 | 2800267 | SPACER | 1 | 1 | |
| 63 | 5001745 | SCREW CAP HEX M8-1.25x25 G8.8 N500 | 4 | 4 | |
| 64 | 500321 | WASHER BEL SPR .331x.827x.098 N500 | 12 | 12 | |
| 65 | 504083 | SNAP BUSHING / .250x.468.406 | 3 | 3 | |
| 66 | 780340 | CLIP, RETAINER ROD | 2 | 2 | |
| 67 | 484313 | ROD OPENING 1200MM | 1 | 1 | |
| 68 | 484309 | PIVOT LATCH | 1 | 1 | |

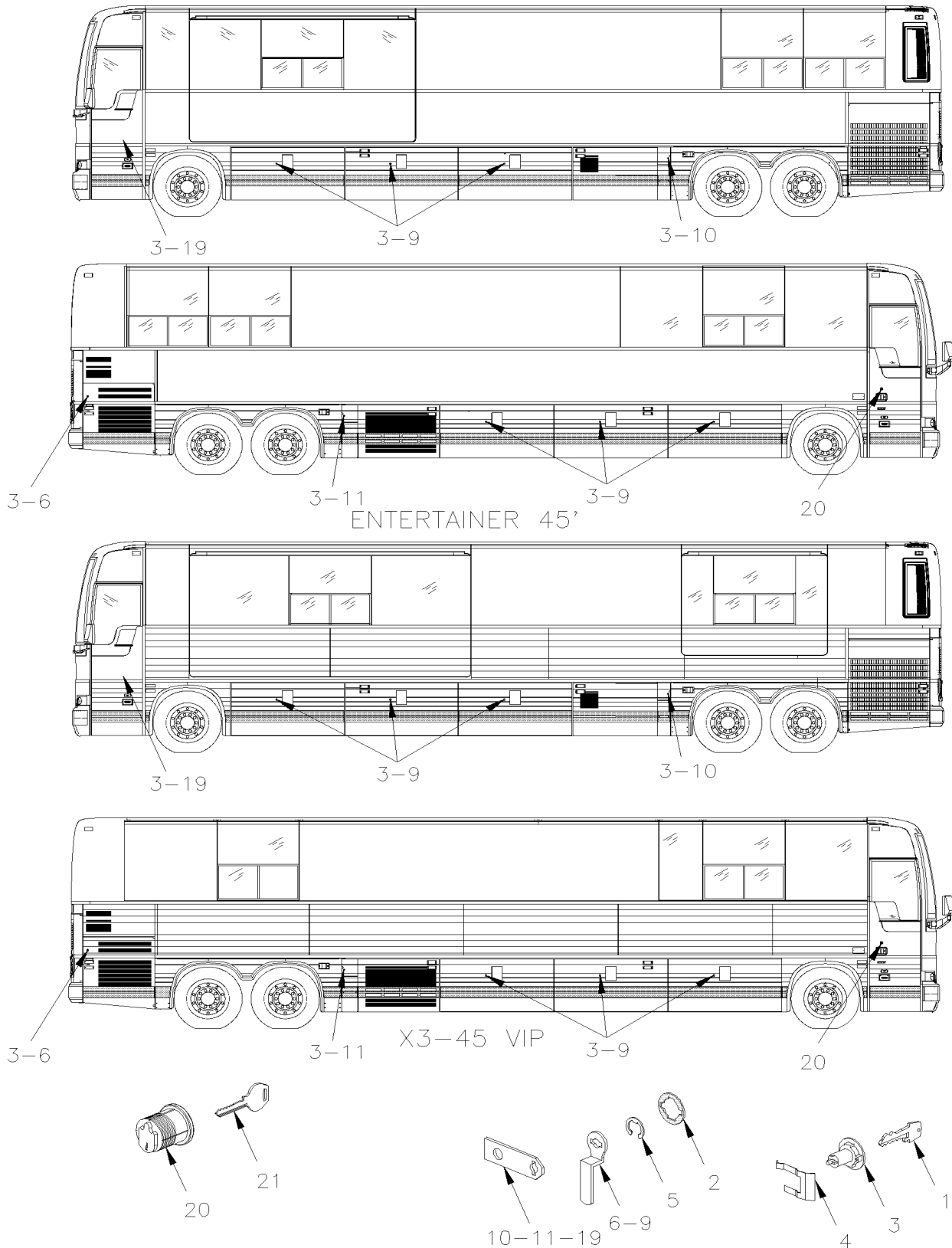


From B-5003 To D-5489

Date:10/2022

PAGE:XV-1867-00

KEY & CYLINDER CODE





From B-5003 To D-5489 Date:10/2022 PAGE:XV-1867-00

KEY & CYLINDER CODE

| Item# | Part | Description | X 3 V I P | X L I I E N T 4 5 | N O T E S |
|-------|--------|---------------|-----------------------|---|-----------------------|
| 1 | 282179 | KEY CODE / 00 | 1 | 1 | |
| 1 | 282180 | KEY CODE / 01 | 1 | 1 | |
| 1 | 282181 | KEY CODE / 02 | 1 | 1 | |
| 1 | 282182 | KEY CODE / 03 | 1 | 1 | |
| 1 | 282183 | KEY CODE / 04 | 1 | 1 | |
| 1 | 282184 | KEY CODE / 05 | 1 | 1 | |
| 1 | 282185 | KEY CODE / 06 | 1 | 1 | |
| 1 | 282186 | KEY CODE / 07 | 1 | 1 | |
| 1 | 282187 | KEY CODE / 08 | 1 | 1 | |
| 1 | 282188 | KEY CODE / 09 | 1 | 1 | |
| 1 | 282189 | KEY CODE / 10 | 1 | 1 | |
| 1 | 282190 | KEY CODE / 11 | 1 | 1 | |
| 1 | 282191 | KEY CODE / 12 | 1 | 1 | |
| 1 | 282192 | KEY CODE / 13 | 1 | 1 | |
| 1 | 282193 | KEY CODE / 14 | 1 | 1 | |
| 1 | 282194 | KEY CODE / 15 | 1 | 1 | |
| 1 | 282195 | KEY CODE / 16 | 1 | 1 | |
| 1 | 282196 | KEY CODE / 17 | 1 | 1 | |
| 1 | 282197 | KEY CODE / 18 | 1 | 1 | |
| 1 | 282198 | KEY CODE / 19 | 1 | 1 | |
| 1 | 282199 | KEY CODE / 20 | 1 | 1 | |
| 1 | 282200 | KEY CODE / 21 | 1 | 1 | |
| 1 | 282201 | KEY CODE / 22 | 1 | 1 | |
| 1 | 282202 | KEY CODE / 23 | 1 | 1 | |
| 1 | 282203 | KEY CODE / 24 | 1 | 1 | |
| 1 | 282204 | KEY CODE / 25 | 1 | 1 | |
| 1 | 282205 | KEY CODE / 26 | 1 | 1 | |
| 1 | 282206 | KEY CODE / 27 | 1 | 1 | |
| 1 | 282207 | KEY CODE / 28 | 1 | 1 | |
| 1 | 282208 | KEY CODE / 29 | 1 | 1 | |
| 1 | 282209 | KEY CODE / 30 | 1 | 1 | |
| 1 | 282210 | KEY CODE / 31 | 1 | 1 | |
| 1 | 282211 | KEY CODE / 32 | 1 | 1 | |
| 1 | 282212 | KEY CODE / 33 | 1 | 1 | |
| 1 | 282213 | KEY CODE / 34 | 1 | 1 | |
| 1 | 282214 | KEY CODE / 35 | 1 | 1 | |
| 1 | 282215 | KEY CODE / 36 | 1 | 1 | |
| 1 | 282216 | KEY CODE / 37 | 1 | 1 | |
| 1 | 282217 | KEY CODE / 38 | 1 | 1 | |
| 1 | 282218 | KEY CODE / 39 | 1 | 1 | |
| 1 | 282219 | KEY CODE / 40 | 1 | 1 | |
| 1 | 282220 | KEY CODE / 41 | 1 | 1 | |



| | | |
|--------------------------------|--------------|-----------------|
| From B-5003 To D-5489 | Date:10/2022 | PAGE:XV-1867-00 |
| KEY & CYLINDER CODE | | |

| Item# | Part | Description | X 3 V I P | X L I I E N T 4 5 | N O T E S |
|-------|--------|---------------|-----------------------|---|-----------------------|
| 1 | 282221 | KEY CODE / 42 | 1 | 1 | |
| 1 | 282222 | KEY CODE / 43 | 1 | 1 | |
| 1 | 282223 | KEY CODE / 44 | 1 | 1 | |
| 1 | 282224 | KEY CODE / 45 | 1 | 1 | |
| 1 | 282225 | KEY CODE / 46 | 1 | 1 | |
| 1 | 282226 | KEY CODE / 47 | 1 | 1 | |
| 1 | 282227 | KEY CODE / 48 | 1 | 1 | |
| 1 | 282228 | KEY CODE / 49 | 1 | 1 | |
| 1 | 282229 | KEY CODE / 50 | 1 | 1 | |
| 1 | 282230 | KEY CODE / 51 | 1 | 1 | |
| 1 | 282231 | KEY CODE / 52 | 1 | 1 | |
| 1 | 282232 | KEY CODE / 53 | 1 | 1 | |
| 1 | 282233 | KEY CODE / 54 | 1 | 1 | |
| 1 | 282234 | KEY CODE / 55 | 1 | 1 | |
| 1 | 282235 | KEY CODE / 56 | 1 | 1 | |
| 1 | 282236 | KEY CODE / 57 | 1 | 1 | |
| 1 | 282237 | KEY CODE / 58 | 1 | 1 | |
| 1 | 282238 | KEY CODE / 59 | 1 | 1 | |
| 1 | 282239 | KEY CODE / 60 | 1 | 1 | |
| 1 | 282240 | KEY CODE / 61 | 1 | 1 | |
| 1 | 282241 | KEY CODE / 62 | 1 | 1 | |
| 1 | 282242 | KEY CODE / 63 | 1 | 1 | |
| 1 | 282243 | KEY CODE / 64 | 1 | 1 | |
| 1 | 282244 | KEY CODE / 65 | 1 | 1 | |
| 1 | 282245 | KEY CODE / 66 | 1 | 1 | |
| 1 | 282246 | KEY CODE / 67 | 1 | 1 | |
| 1 | 282247 | KEY CODE / 68 | 1 | 1 | |
| 1 | 282248 | KEY CODE / 69 | 1 | 1 | |
| 1 | 282249 | KEY CODE / 70 | 1 | 1 | |
| 1 | 282250 | KEY CODE / 71 | 1 | 1 | |
| 1 | 282251 | KEY CODE / 72 | 1 | 1 | |
| 1 | 282252 | KEY CODE / 73 | 1 | 1 | |
| 1 | 282253 | KEY CODE / 74 | 1 | 1 | |
| 1 | 282254 | KEY CODE / 75 | 1 | 1 | |
| 1 | 282255 | KEY CODE / 76 | 1 | 1 | |
| 1 | 282256 | KEY CODE / 77 | 1 | 1 | |
| 1 | 282257 | KEY CODE / 78 | 1 | 1 | |
| 1 | 282258 | KEY CODE / 79 | 1 | 1 | |
| 1 | 282259 | KEY CODE / 80 | 1 | 1 | |
| 1 | 282260 | KEY CODE / 81 | 1 | 1 | |
| 1 | 282261 | KEY CODE / 82 | 1 | 1 | |
| 1 | 282262 | KEY CODE / 83 | 1 | 1 | |



| | | |
|--------------------------------|---------------------|------------------------|
| From B-5003 To D-5489 | Date:10/2022 | PAGE:XV-1867-00 |
| KEY & CYLINDER CODE | | |

| Item# | Part | Description | X 3 V I P | X L I E N T 4 5 | N O T E S |
|-------|---------|----------------------------------|-----------------------|--------------------------------------|-----------------------|
| 1 | 282263 | KEY CODE / 84 | 1 | 1 | |
| 1 | 282264 | KEY CODE / 85 | 1 | 1 | |
| 1 | 282265 | KEY CODE / 86 | 1 | 1 | |
| 1 | 282266 | KEY CODE / 87 | 1 | 1 | |
| 1 | 282267 | KEY CODE / 88 | 1 | 1 | |
| 1 | 282268 | KEY CODE / 89 | 1 | 1 | |
| 1 | 282269 | KEY CODE / 90 | 1 | 1 | |
| 1 | 282270 | KEY CODE / 91 | 1 | 1 | |
| 1 | 282271 | KEY CODE / 92 | 1 | 1 | |
| 1 | 282272 | KEY CODE / 93 | 1 | 1 | |
| 1 | 282273 | KEY CODE / 94 | 1 | 1 | |
| 1 | 282274 | KEY CODE / 95 | 1 | 1 | |
| 1 | 282275 | KEY CODE / 96 | 1 | 1 | |
| 1 | 282276 | KEY CODE / 97 | 1 | 1 | |
| 1 | 282277 | KEY CODE / 98 | 1 | 1 | |
| 1 | 282278 | KEY CODE / 99 | 1 | 1 | |
| 1 | 780238 | KEY BLANK UNCUT | AR | AR | |
| | | | | | |
| 2 | 780237 | SEAL RUBBER 1/32" TH To B-5026 | AR | AR | |
| 2 | 2800032 | SEAL RUBBER 1/16" TH From B-5027 | AR | AR | |
| 3 | 282079 | CYLINDER LOCK / CODE 00 | 1 | 1 | |
| 3 | 282080 | CYLINDER LOCK / CODE 01 | 1 | 1 | |
| 3 | 282081 | CYLINDER LOCK / CODE 02 | 1 | 1 | |
| 3 | 282082 | CYLINDER LOCK / CODE 03 | 1 | 1 | |
| 3 | 282083 | CYLINDER LOCK / CODE 04 | 1 | 1 | |
| 3 | 282084 | CYLINDER LOCK / CODE 05 | 1 | 1 | |
| 3 | 282085 | CYLINDER LOCK / CODE 06 | 1 | 1 | |
| 3 | 282086 | CYLINDER LOCK / CODE 07 | 1 | 1 | |
| 3 | 282087 | CYLINDER LOCK / CODE 08 | 1 | 1 | |
| 3 | 282088 | CYLINDER LOCK / CODE 09 | 1 | 1 | |
| 3 | 282089 | CYLINDER LOCK / CODE 10 | 1 | 1 | |
| 3 | 282090 | CYLINDER LOCK / CODE 11 | 1 | 1 | |
| 3 | 282091 | CYLINDER LOCK / CODE 12 | 1 | 1 | |
| 3 | 282092 | CYLINDER LOCK / CODE 13 | 1 | 1 | |
| 3 | 282093 | CYLINDER LOCK / CODE 14 | 1 | 1 | |
| 3 | 282094 | CYLINDER LOCK / CODE 15 | 1 | 1 | |
| 3 | 282095 | CYLINDER LOCK / CODE 16 | 1 | 1 | |
| 3 | 282096 | CYLINDER LOCK / CODE 17 | 1 | 1 | |
| 3 | 282097 | CYLINDER LOCK / CODE 18 | 1 | 1 | |
| 3 | 282098 | CYLINDER LOCK / CODE 19 | 1 | 1 | |
| 3 | 282099 | CYLINDER LOCK / CODE 20 | 1 | 1 | |
| 3 | 282100 | CYLINDER LOCK / CODE 21 | 1 | 1 | |



From B-5003 To D-5489 Date:10/2022 PAGE:XV-1867-00

KEY & CYLINDER CODE

| Item# | Part | Description | X 3 V I P | X L I I E N T 4 5 | N O T E S |
|-------|--------|-------------------------|-----------------------|---|-----------------------|
| 3 | 282101 | CYLINDER LOCK / CODE 22 | 1 | 1 | |
| 3 | 282102 | CYLINDER LOCK / CODE 23 | 1 | 1 | |
| 3 | 282103 | CYLINDER LOCK / CODE 24 | 1 | 1 | |
| 3 | 282104 | CYLINDER LOCK / CODE 25 | 1 | 1 | |
| 3 | 282105 | CYLINDER LOCK / CODE 26 | 1 | 1 | |
| 3 | 282106 | CYLINDER LOCK / CODE 27 | 1 | 1 | |
| 3 | 282107 | CYLINDER LOCK / CODE 28 | 1 | 1 | |
| 3 | 282108 | CYLINDER LOCK / CODE 29 | 1 | 1 | |
| 3 | 282109 | CYLINDER LOCK / CODE 30 | 1 | 1 | |
| 3 | 282110 | CYLINDER LOCK / CODE 31 | 1 | 1 | |
| 3 | 282111 | CYLINDER LOCK / CODE 32 | 1 | 1 | |
| 3 | 282112 | CYLINDER LOCK / CODE 33 | 1 | 1 | |
| 3 | 282113 | CYLINDER LOCK / CODE 34 | 1 | 1 | |
| 3 | 282114 | CYLINDER LOCK / CODE 35 | 1 | 1 | |
| 3 | 282115 | CYLINDER LOCK / CODE 36 | 1 | 1 | |
| 3 | 282116 | CYLINDER LOCK / CODE 37 | 1 | 1 | |
| 3 | 282117 | CYLINDER LOCK / CODE 38 | 1 | 1 | |
| 3 | 282118 | CYLINDER LOCK / CODE 39 | 1 | 1 | |
| 3 | 282119 | CYLINDER LOCK / CODE 40 | 1 | 1 | |
| 3 | 282120 | CYLINDER LOCK / CODE 41 | 1 | 1 | |
| 3 | 282121 | CYLINDER LOCK / CODE 42 | 1 | 1 | |
| 3 | 282122 | CYLINDER LOCK / CODE 43 | 1 | 1 | |
| 3 | 282123 | CYLINDER LOCK / CODE 44 | 1 | 1 | |
| 3 | 282124 | CYLINDER LOCK / CODE 45 | 1 | 1 | |
| 3 | 282125 | CYLINDER LOCK / CODE 46 | 1 | 1 | |
| 3 | 282126 | CYLINDER LOCK / CODE 47 | 1 | 1 | |
| 3 | 282127 | CYLINDER LOCK / CODE 48 | 1 | 1 | |
| 3 | 282128 | CYLINDER LOCK / CODE 49 | 1 | 1 | |
| 3 | 282129 | CYLINDER LOCK / CODE 50 | 1 | 1 | |
| 3 | 282130 | CYLINDER LOCK / CODE 51 | 1 | 1 | |
| 3 | 282131 | CYLINDER LOCK / CODE 52 | 1 | 1 | |
| 3 | 282132 | CYLINDER LOCK / CODE 53 | 1 | 1 | |
| 3 | 282133 | CYLINDER LOCK / CODE 54 | 1 | 1 | |
| 3 | 282134 | CYLINDER LOCK / CODE 55 | 1 | 1 | |
| 3 | 282135 | CYLINDER LOCK / CODE 56 | 1 | 1 | |
| 3 | 282136 | CYLINDER LOCK / CODE 57 | 1 | 1 | |
| 3 | 282137 | CYLINDER LOCK / CODE 58 | 1 | 1 | |
| 3 | 282138 | CYLINDER LOCK / CODE 59 | 1 | 1 | |
| 3 | 282139 | CYLINDER LOCK / CODE 60 | 1 | 1 | |
| 3 | 282140 | CYLINDER LOCK / CODE 61 | 1 | 1 | |
| 3 | 282141 | CYLINDER LOCK / CODE 62 | 1 | 1 | |
| 3 | 282142 | CYLINDER LOCK / CODE 63 | 1 | 1 | |



From B-5003 To D-5489 Date:10/2022 PAGE:XV-1867-00

KEY & CYLINDER CODE

| Item# | Part | Description | X 3 V I P | X L I I E N T 4 5 | N O T E S |
|-------|--------|---|-----------------------|---|-----------------------|
| 3 | 282143 | CYLINDER LOCK / CODE 64 | 1 | 1 | |
| 3 | 282144 | CYLINDER LOCK / CODE 65 | 1 | 1 | |
| 3 | 282145 | CYLINDER LOCK / CODE 66 | 1 | 1 | |
| 3 | 282146 | CYLINDER LOCK / CODE 67 | 1 | 1 | |
| 3 | 282147 | CYLINDER LOCK / CODE 68 | 1 | 1 | |
| 3 | 282148 | CYLINDER LOCK / CODE 69 | 1 | 1 | |
| 3 | 282149 | CYLINDER LOCK / CODE 70 | 1 | 1 | |
| 3 | 282150 | CYLINDER LOCK / CODE 71 | 1 | 1 | |
| 3 | 282151 | CYLINDER LOCK / CODE 72 | 1 | 1 | |
| 3 | 282152 | CYLINDER LOCK / CODE 73 | 1 | 1 | |
| 3 | 282153 | CYLINDER LOCK / CODE 74 | 1 | 1 | |
| 3 | 282154 | CYLINDER LOCK / CODE 75 | 1 | 1 | |
| 3 | 282155 | CYLINDER LOCK / CODE 76 | 1 | 1 | |
| 3 | 282156 | CYLINDER LOCK / CODE 77 | 1 | 1 | |
| 3 | 282157 | CYLINDER LOCK / CODE 78 | 1 | 1 | |
| 3 | 282158 | CYLINDER LOCK / CODE 79 | 1 | 1 | |
| 3 | 282159 | CYLINDER LOCK / CODE 80 | 1 | 1 | |
| 3 | 282160 | CYLINDER LOCK / CODE 81 | 1 | 1 | |
| 3 | 282161 | CYLINDER LOCK / CODE 82 | 1 | 1 | |
| 3 | 282162 | CYLINDER LOCK / CODE 83 | 1 | 1 | |
| 3 | 282163 | CYLINDER LOCK / CODE 84 | 1 | 1 | |
| 3 | 282164 | CYLINDER LOCK / CODE 85 | 1 | 1 | |
| 3 | 282165 | CYLINDER LOCK / CODE 86 | 1 | 1 | |
| 3 | 282166 | CYLINDER LOCK / CODE 87 | 1 | 1 | |
| 3 | 282167 | CYLINDER LOCK / CODE 88 | 1 | 1 | |
| 3 | 282168 | CYLINDER LOCK / CODE 89 | 1 | 1 | |
| 3 | 282169 | CYLINDER LOCK / CODE 90 | 1 | 1 | |
| 3 | 282170 | CYLINDER LOCK / CODE 91 | 1 | 1 | |
| 3 | 282171 | CYLINDER LOCK / CODE 92 | 1 | 1 | |
| 3 | 282172 | CYLINDER LOCK / CODE 93 | 1 | 1 | |
| 3 | 282173 | CYLINDER LOCK / CODE 94 | 1 | 1 | |
| 3 | 282174 | CYLINDER LOCK / CODE 95 | 1 | 1 | |
| 3 | 282175 | CYLINDER LOCK / CODE 96 | 1 | 1 | |
| 3 | 282176 | CYLINDER LOCK / CODE 97 | 1 | 1 | |
| 3 | 282177 | CYLINDER LOCK / CODE 98 | 1 | 1 | |
| 3 | 282178 | CYLINDER LOCK / CODE 99 | 1 | 1 | |
| 4 | 780236 | . RETAINER CLIP | 1 | 1 | |
| 5 | 504477 | . RING RETAINER / EXT 14.0 X 13.4 X 1.0MM | 1 | 1 | |
| 6 | 287406 | PIVOT LOCK 9.5MM OFFSET | 1 | 1 | |
| 9 | 287406 | PIVOT LOCK 9.5MM OFFSET To D-5459 | AR | AR | |
| 9 | 289071 | PIVOT LOCK From D-5460 | AR | AR | |
| 10 | 484276 | LEVER LOCK / STREET SIDE | 1 | 1 | |



| | | |
|-----------------------|--------------|-----------------|
| From B-5003 To D-5489 | Date:10/2022 | PAGE:XV-1867-00 |
|-----------------------|--------------|-----------------|

KEY & CYLINDER CODE

| Item# | Part | Description | X 3 V I P | X L I E N T 4 5 | N O T E S |
|-------|--------|---|-----------------------|--------------------------------------|-----------------------|
| 11 | 484218 | PIVOT LOCK / CURBSIDE | 1 | 1 | |
| 19 | 287087 | PIVOT | 1 | 1 | |
| 20 | 780803 | CYLINDER LOCK ASSY W/2 KEYS / "SCHLAGE" | 1 | 1 | |
| . NS | 780902 | . KEY / "SCHLAGE" BLANK | 1 | 1 | |
| 21 | 780562 | KEY / "CORBIN" BLANK | AR | AR | |
| | | | | | |
| | | | | | |
| | | | | | |

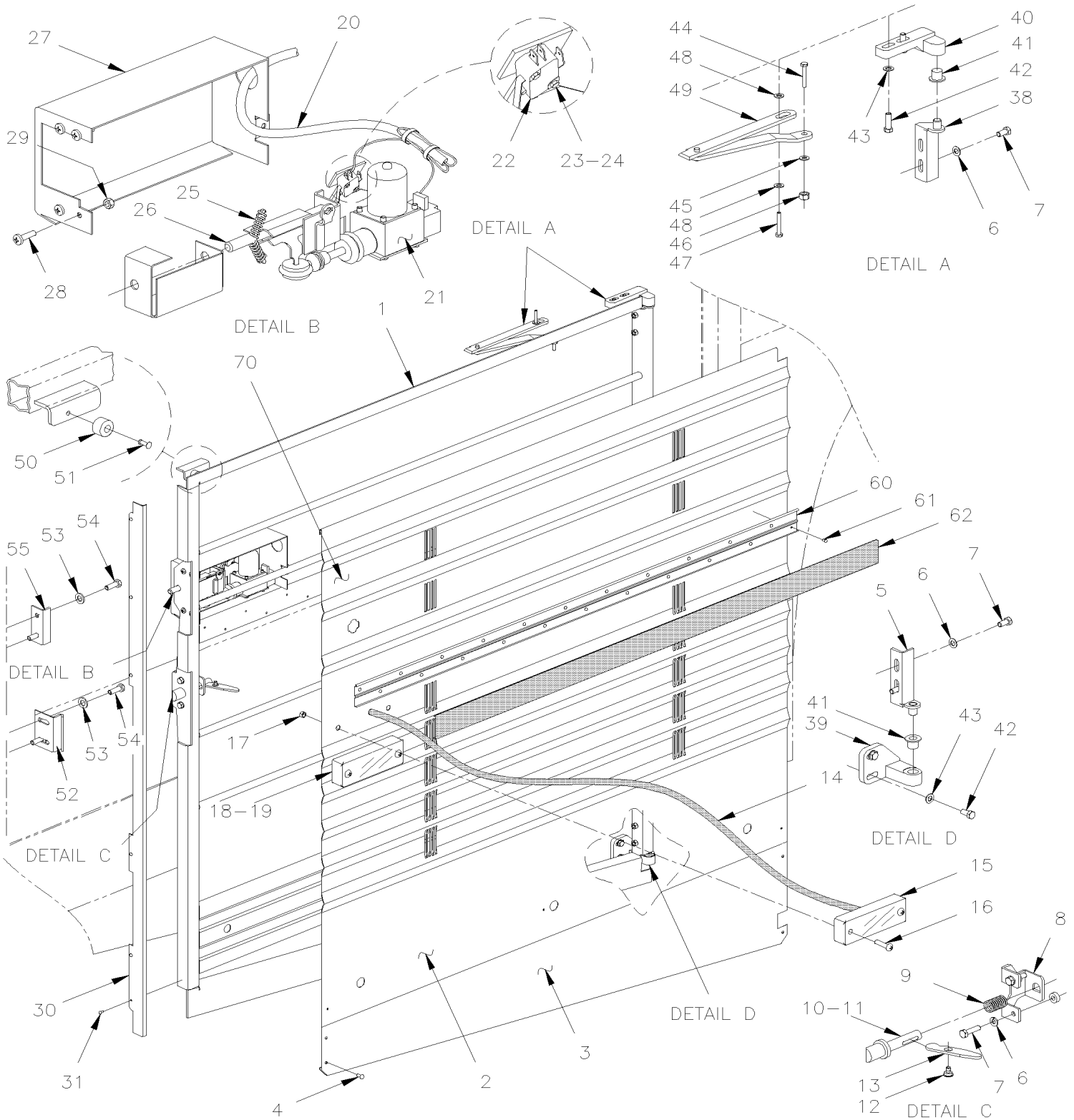


From B-5003 To D-5489

Date:10/2022

PAGE:XV-1868-00

A/C COMPRESSOR DOOR ASSY





| | | |
|---------------------------------|--------------|-----------------|
| From B-5003 To D-5489 | Date:10/2022 | PAGE:XV-1868-00 |
| A/C COMPRESSOR DOOR ASSY | | |

| Item# | Part | Description | X 3 V I P | X L I I E N T 4 5 | N O T E S |
|-------|-------------------|--|-----------------------|---|-----------------------|
| | 288339 | COMPRESSOR DOOR ASSY / W/FLUTED LOWER MOULDING To D-5459 | | 1 | |
| | 280064 | COMPRESSOR DOOR ASSY / W/FLUTED To D-5459 | 1 | | |
| | 280065 | COMPRESSOR DOOR ASSY / W/FLUTED LOWER MOULDING From D-5460 | | 1 | |
| | 280066 | COMPRESSOR DOOR ASSY / W/FLUTED From D-5460 | 1 | | |
| 1 | 288950 | . FRAME ASSY / COMPRESSOR DOOR | 1 | 1 | |
| . NS | 288989 | . . SUPPORT ACTUATOR / WELDED AT FRAME CURRENT ACTUATOR 780814 | 1 | 1 | |
| 2 | 477680 | . PANEL, UPPER / W/FLUTED / B.A. To D-5459 | | 1 | |
| 2 | 477392 | . PANEL, UPPER / W/FLUTED / B.A. From D-5460 | | 1 | |
| 2 | 470342 | . PANEL, UPPER / W/FLUTED / B.A. To D-5459 | 1 | | |
| 2 | 477393 | . PANEL, UPPER / W/FLUTED / B.A. From D-5460 | 1 | | |
| 3 | 477236 | . PANEL, LOWER / B.A. | 1 | 1 | |
| 4 | 504340 | . RIVET POP DOME OE 1/8x3/16 SS | 5 | 5 | |
| 5 | 286102 | . ARM ASSY To C-5279 | 1 | 1 | |
| 5 | 289150 | . ARM ASSY From C-5280 | 1 | 1 | |
| 6 | 500356 | . WASHER LO SERR 6.1x16.0x0.9 N500 | 4 | 4 | |
| 7 | 502737 | . SCREW CAP HEX M6-1.0x25 SS BK | 4 | 4 | |
| 8 | 288006 | . GUIDE PIN HOLDER To D-5299 | 1 | 1 | B |
| 8 | 288125 | . GUIDE PIN HOLDER From D-5300 | 1 | 1 | |
| 9 | 502910 | . SPRING COMPRESSION / .720 O.D. 1.75 x .055 | 1 | 1 | |
| 10 | 289585 | . CATCH PIN ACETAL / 90MM | 1 | 1 | |
| 11 | 507212 | . O-RING | 1 | 1 | |
| 12 | 287271 | . RIVET SHR FL 9.95x3.6{4.8x4.8 SS | 1 | 1 | |
| 13 | 286612 | . PIVOT | 1 | 1 | |
| 14 | 064990 | . CABLE ASSY / SIDE MARKER LAMP FOR DOORS | 1 | 1 | |
| . NS | 473832 | . . GROMMET 2 HOLESx1.6x11.0MMx2.0MMx8.0MMx16MM | 1 | 1 | |
| 14 | 067207 | . CABLE ASSY / SIDE MARKER LAMP FOR DOORS | 1 | 1 | |
| . NS | 473832 | . . GROMMET 2 HOLESx1.6x11.0MMx2.0MMx8.0MMx16MM | 1 | 1 | |
| NS | 504273 | . CABLE TIE / 1/8" X 3"1/2 | 2 | 2 | |
| 15 | XV-0662-00 | . CLEARANCE & MARKER LIGHT | | | |
| 16 | 5001042 | . SCREW MA RND PH #10-32x1 1/4 SS | 4 | 4 | |
| 17 | 502774 | . NUT WELL #10-32x.625 | 4 | 4 | |
| 18 | 930320 | . REFLECTOR RED 1 3/16" x 4 7/16" | 1 | 1 | |
| 19 | 500510 | . SCREW MA BDG PH #10-32x3/4 SS EMN | 2 | 2 | |
| 19 | 500423 | . NUT HEX NYRT #10-32 SS | 2 | 2 | |
| 19 | 500787 | . NUT HEX #10-24 SS | 2 | 2 | |
| 20 | 068084 | . CABLE ASSY / COMPRESSOR DOOR LOCK | 1 | 1 | |
| 21 | 780814 | . LOCK ACTUATOR / 12V To C-5169 | 1 | 1 | |
| . NS | 562076 | . . CONNECTOR / PACK-CON I / FEMALE HOUSING / 2C / PED 8911772 To C-5169 | 1 | 1 | |
| 21 | 2800049 | . LOCK ACTUATOR / 12V From C-5170 | 1 | 1 | |
| 22 | 562096 | . MICRO SWITCH | 1 | 1 | |
| 23 | 502577 | . SCREW MA PAN PH M3-0.5x16 ZP | 2 | 2 | |
| 24 | 502579 | . NUT HEX M3-0.5 NP | 2 | 2 | |



| | | |
|---------------------------------|--------------|-----------------|
| From B-5003 To D-5489 | Date:10/2022 | PAGE:XV-1868-00 |
| A/C COMPRESSOR DOOR ASSY | | |

| Item# | Part | Description | X 3 V I P | X L I I E N T 4 5 | N O T E S |
|-------|---------|---|-----------------------|---|-----------------------|
| NS | 502691 | . WASHER LO SPT 3.6x6.7x0.8 Z050 | 2 | 2 | |
| 25 | 502151 | . SPRING COMPRESSION / .300 O.D. x 1 x .032 | 2 | 2 | |
| 26 | 481564 | . ROD GUIDE | 1 | 1 | |
| 27 | 288990 | . COVER / ACTUATOR PROTECTOR From A-9966 | 1 | 1 | |
| 28 | 502698 | . SCREW MA PAN PH M4-0.7x16 SS BK | 2 | 2 | |
| 29 | 5001544 | . WASHER LO EXT .195x.410x.025 SS | 2 | 2 | |
| 30 | 288527 | . FINISHING MOULDING 1110MM / B.A. | 1 | 1 | |
| 31 | 504339 | . RIVET POP DOME OE 1/8x3/8 SS | 4 | 4 | |
| 38 | 286098 | . ARM ASSY To C-5279 | 1 | 1 | |
| 38 | 289149 | . ARM ASSY From C-5280 | 1 | 1 | |
| 39 | 286103 | LOWER HINGE To D-5484 | 1 | 1 | |
| 39 | 288945 | LOWER HINGE From D-5485 | 1 | 1 | |
| 40 | 286085 | HINGE / UPPER | 1 | 1 | |
| 41 | 284607 | BUSHING, NYLON / (NOT INCLUDE W/HINGE) | 1 | 1 | |
| NS | 502723 | WASHER FL .386x.750x.050 NYL | 1 | 1 | |
| 42 | 502737 | SCREW CAP HEX M6-1.0x25 SS BK | 4 | 4 | |
| 43 | 430406 | WASHER FLAT | 8 | 8 | |
| 44 | 502737 | SCREW CAP HEX M6-1.0x25 SS BK | 1 | 1 | |
| 45 | 502573 | WASHER FL 6.4x12.5x1.6 SS | 1 | 1 | |
| 46 | 502511 | NUT HEX NYRT M6-1.0 Z050 | 1 | 1 | |
| 47 | 502686 | SCREW CAP HEX M6-1.0x30 SS BK | 1 | 1 | |
| 48 | 5001448 | WASHER FL .343x.875x.062 SS18-8 | 2 | 2 | |
| 49 | 288031 | GUIDE ASSY / R.H. DOOR | 1 | 1 | |
| 50 | 504334 | BUMPER RUBBER / .625 OD x .406 TH x .156 HOLE | 1 | 1 | |
| 51 | 504339 | RIVET POP DOME OE 1/8x3/8 SS | 1 | 1 | |
| 52 | 287286 | CATCH PIN / RETAINER 45MMx21MM 90° To D-5299 | 1 | 1 | B |
| 52 | 288124 | CATCH PIN / RETAINER / SWITCH SUPPORT From D-5300 | 1 | 1 | |
| NS | 287452 | SHIM SPACER 70MM X 25 X 14GA | AR | AR | |
| 53 | 5001699 | WASHER BEL SPR 8.2x22x1.4 N500 | 4 | 4 | |
| 54 | 502780 | SCREW CAP HEX M8-1.25x25 SS BK | 4 | 4 | |
| 55 | 287578 | STRICKING PLATE | 1 | 1 | |
| 60 | 473826 | MOULDING RETAINER / 1125MM | 1 | | |
| 61 | 504488 | RIVET MGLP PRDG 3/16x17/64 SS | 10 | | |
| 62 | 473830 | FINISHING MOULDING SS / 1123MM | 1 | | |
| 62 | 474389 | FINISHING MOULDING PLASTIC 1123MM To D-5459 | | 1 | |
| . NS | 506769 | . TAPE RUB ADH2 CC POL 1/8" x 1/4" x 60' / BLACK H1CC-N-#14 To D-5459 | | AR | |
| 62 | 478584 | FINISHING MOULDING PLASTIC 1123MM From D-5460 | | 1 | |
| NS | 289005 | SERVICE KIT SWITCH RELOCATION To D-5299 | 1 | 1 | B |
| . NS | 288124 | . CATCH PIN / RETAINER / SWITCH SUPPORT To D-5299 | 1 | 1 | B |
| . NS | 288125 | . GUIDE PIN HOLDER To D-5299 | 1 | 1 | B |
| . NS | 287271 | . RIVET SHR FL 9.95x3.6(4.8x4.8 SS To D-5299 | 1 | 1 | B |
| . NS | 286688 | . DECAL DOOR OPEN To D-5299 | 1 | 1 | B |



| | | |
|---------------------------------|--------------|-----------------|
| From B-5003 To D-5489 | Date:10/2022 | PAGE:XV-1868-00 |
| A/C COMPRESSOR DOOR ASSY | | |

| Item# | Part | Description | X 3 V I P | X L I I E N T 4 5 | N O T E S |
|-------|-------------------|---|-----------------------|---|-----------------------|
| . NS | IS12026 | . SEE INSTRUCTION SHEET To D-5299 | 1 | 1 | B |
| NS | 061325 | DECAL "CAUTION" ALWAYS FIRST.... / ENGLISH & FRANCAIS | 1 | 1 | |
| 70 | XV-1867-00 | KEY & CYLINDER CODE | | | |
| | | | | | |
| | | | | | |
| | | | | | |
| | | B) FOR THE SWITCH RELOCATION ASK KIT #289005 | | | |

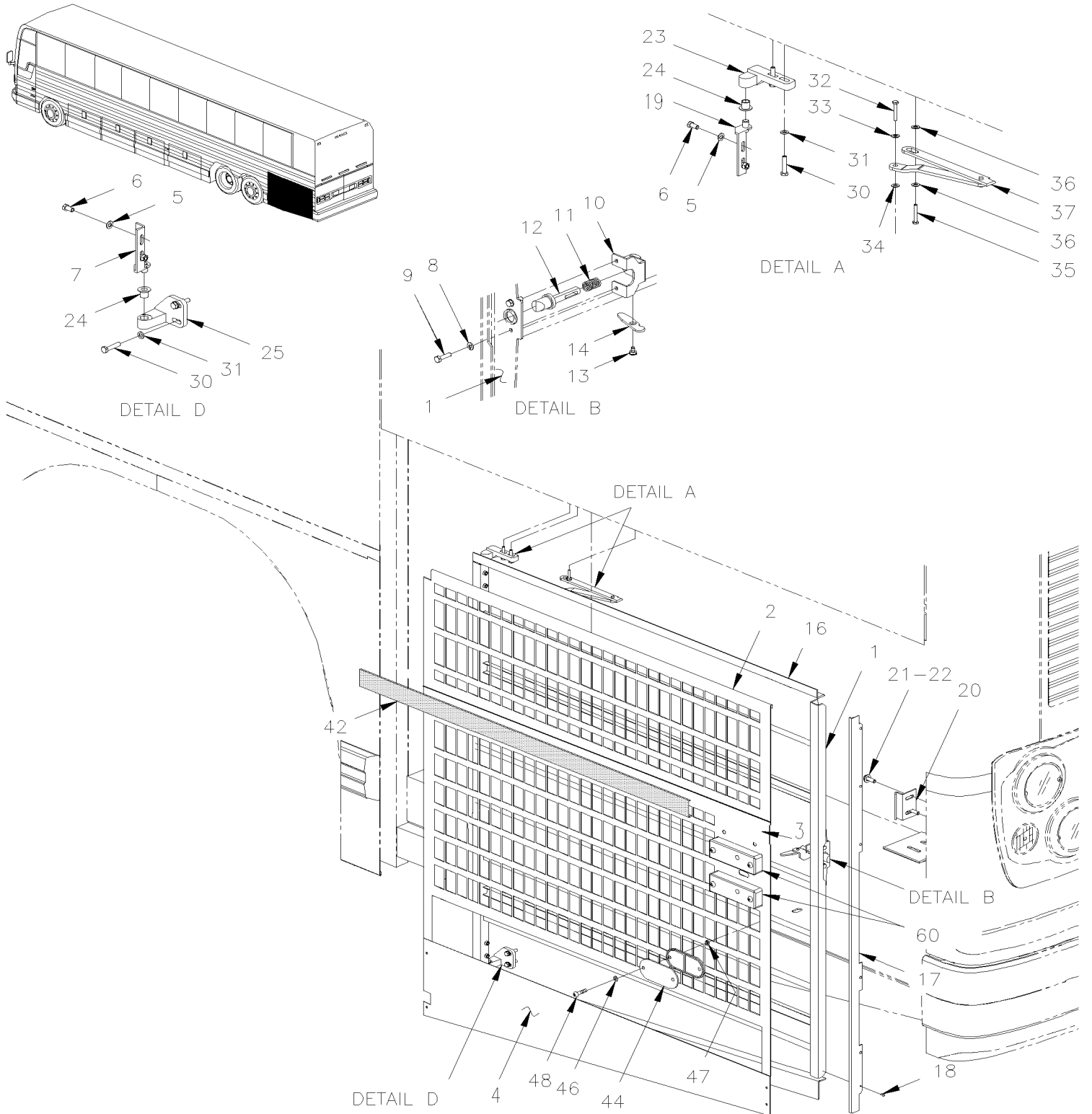


From B-5003 To D-5489

Date:10/2022

PAGE:XV-1869-55

RADIATOR DOOR ASSY





| | | |
|------------------------------|---------------------|------------------------|
| From B-5003 To D-5489 | Date:10/2022 | PAGE:XV-1869-55 |
| RADIATOR DOOR ASSY | | |

| Item# | Part | Description | X 3 V I P | X L I I E N T 4 5 | N O T E S |
|-------|-----------------|--|-----------------------|---|-----------------------|
| | Call order desk | RADIATOR DOOR ASSY / W/FLUTED LOWER MOULDING To C-5096 | | 1 | P |
| | 287827 | RADIATOR DOOR ASSY / W/FLUTED LOWER MOULDING From C-5097 | | 1 | |
| | 287828 | RADIATOR DOOR ASSY / W/FLUTED From C-5097 | 1 | | |
| 1 | 289398 | . FRAME ASSY / RADIATOR DOOR To C-5096 | | 1 | |
| 1 | 281294 | . FRAME ASSY / RADIATOR DOOR From C-5097 | 1 | 1 | |
| 2 | 479188 | . PANEL, UPPER / W/FLAT UPPER MOULDING / B.A. To C-5096 | | 1 | |
| 2 | 470344 | . PANEL, UPPER / W/FLAT UPPER MOULDING / B.A. From C-5097 | | 1 | |
| 2 | 470336 | . PANEL, UPPER / W/FLUTED UPPER MOULDING / B.A. | 1 | | |
| 3 | 479161 | . PANEL, CENTER / W/FLUTED LOWER MOULDING / B.A. To D-5459 | 1 | 1 | |
| 3 | 477391 | . PANEL, CENTER / W/FLUTED LOWER MOULDING / B.A. From D-5460 | 1 | 1 | |
| 4 | 477235 | . PANEL, LOWER / B.A. | 1 | 1 | |
| 5 | 502737 | . SCREW CAP HEX M6-1.0x25 SS BK | 4 | 4 | |
| NS | 430406 | . WASHER FLAT | 4 | 4 | |
| 6 | 502686 | . SCREW CAP HEX M6-1.0x30 SS BK | 4 | 4 | |
| 7 | 286098 | . ARM ASSY To C-5279 | 1 | 1 | |
| 7 | 289149 | . ARM ASSY From C-5280 | 1 | 1 | |
| 8 | 500356 | . WASHER LO SERR 6.1x16.0x0.9 N500 | 6 | 6 | |
| 9 | 502737 | . SCREW CAP HEX M6-1.0x25 SS BK | 6 | 6 | |
| 10 | 288006 | . GUIDE PIN HOLDER | 1 | 1 | |
| 11 | 502910 | . SPRING COMPRESSION / .720 O.D. 1.75 x .055 | 1 | 1 | |
| 12 | 289585 | . CATCH PIN ACETAL / 90MM | 1 | 1 | |
| NS | 507212 | . O-RING | 1 | 1 | |
| 13 | 287271 | . RIVET SHR FL 9.95x3.6{4.8x4.8 SS | 1 | 1 | |
| 14 | 286612 | . PIVOT | 1 | 1 | |
| 16 | 504334 | . BUMPER RUBBER / .625 OD x .406 TH x .156 HOLE | 1 | 1 | |
| 16 | 504339 | . RIVET POP DOME OE 1/8x3/8 SS | 1 | 1 | |
| 16 | 504340 | . RIVET POP DOME OE 1/8x3/16 SS | 7 | 7 | |
| 17 | 289415 | . FINISHING MOULDING 1477MM / B.A. | 1 | 1 | |
| 18 | 504339 | . RIVET POP DOME OE 1/8x3/8 SS | AR | AR | |
| 19 | 286102 | . ARM ASSY To C-5279 | 1 | 1 | |
| 19 | 289150 | . ARM ASSY From C-5280 | 1 | 1 | |
| 20 | 287286 | . CATCH PIN / RETAINER 45MMx21MM 90° | 1 | 1 | |
| NS | 287452 | . SHIM SPACER 70MM X 25 X 14GA | AR | AR | |
| 21 | 502857 | . WASHER LO SERR 8.2x26.3x1.8 N500 | 4 | 4 | |
| 22 | 502780 | . SCREW CAP HEX M8-1.25x25 SS BK | 4 | 4 | |
| 23 | 286129 | HINGE / UPPER | 1 | 1 | |
| 24 | 284607 | BUSHING, NYLON / (NOT INCLUDE W/HINGE) | 2 | 2 | |
| NS | 502723 | WASHER FL .386x.750x.050 NYL | 1 | 1 | |
| 25 | 286128 | LOWER HINGE To D-5484 | 1 | 1 | |
| 25 | 288827 | LOWER HINGE From D-5485 | 1 | 1 | |
| 30 | 502737 | SCREW CAP HEX M6-1.0x25 SS BK | 4 | 4 | |
| 31 | 430406 | WASHER FLAT | 4 | 4 | |



| | | |
|---------------------------|--------------|-----------------|
| From B-5003 To D-5489 | Date:10/2022 | PAGE:XV-1869-55 |
| RADIATOR DOOR ASSY | | |

| Item# | Part | Description | X 3 V I P | X L I I E N T 4 5 | N O T E S |
|-------|-------------------|---|-----------------------|---|-----------------------|
| 32 | 502568 | SCREW MA PAN PH M6-1.0x20 EMN | 1 | 1 | |
| 33 | 502573 | WASHER FL 6.4x12.5x1.6 SS | 1 | 1 | |
| 34 | 502511 | NUT HEX NYRT M6-1.0 Z050 | 1 | 1 | |
| 35 | 502780 | SCREW CAP HEX M8-1.25x25 SS BK | 1 | 1 | |
| 36 | 500270 | WASHER FL .406x1.000x.063 SS | 2 | 2 | |
| 37 | 281912 | GUIDE ASSY / L.H. DOOR | 1 | 1 | |
| 42 | 479176 | FINISHING MOULDING PLASTIC 1276MM | | 1 | |
| . NS | 506769 | . TAPE RUB ADH2 CC POL 1/8" x 1/4" x 60' / BLACK H1CC-N-#14 | | AR | |
| 42 | 470073 | FINISHING MOULDING SS 1280MM | 1 | | |
| NS | 683083 | ADHESIVE SIKA #252 / BLACK / 600 ml SAUSAGE | AR | AR | |
| NS | 5060044 | TAPE RUB ADH2 CC POL 1/4" X 1/4" X 50' / BLACK I1C-N-A | AR | AR | |
| 44 | 930320 | REFLECTOR RED 1 3/16" x 4 7/16" | 1 | 1 | |
| 46 | 500914 | WASHER LO SPT .193x.334x.047 N500 | 2 | 2 | |
| 47 | 500787 | NUT HEX #10-24 SS | 2 | 2 | |
| 48 | 500606 | SCREW MA TR PH #10-24x3/4 SS | 2 | 2 | |
| 60 | XV-0662-00 | CLEARANCE & MARKER LIGHT | | | |
| NS | 064990 | CABLE ASSY / SIDE MARKER LAMP FOR DOORS | 1 | 1 | |
| . NS | 473832 | . GROMMET 2 HOLESx1.6x11.0MMx2.0MMx8.0MMx16MM | 1 | 1 | |
| 61 | 067207 | CABLE ASSY / SIDE MARKER LAMP FOR DOORS | 1 | 1 | |
| . NS | 473832 | . GROMMET 2 HOLESx1.6x11.0MMx2.0MMx8.0MMx16MM | 1 | 1 | |
| | | | | | |
| | | | | | |
| | | | | | |
| | | P) CALL ORDER DESK FOR SPECIFIC APPLICATION (V.I.N.) | | | |

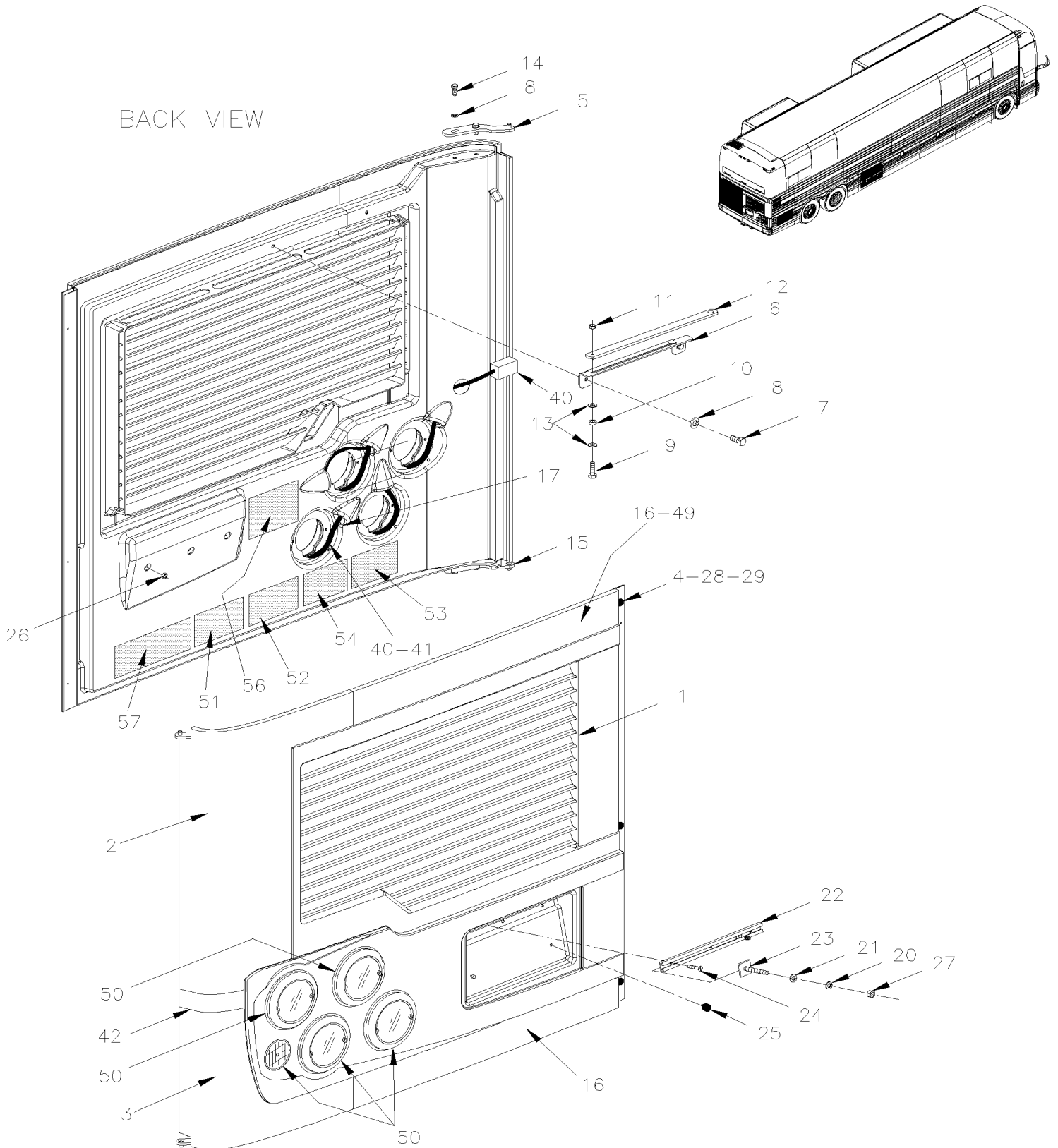


From B-5003 To D-5489

Date:10/2022

PAGE:XV-1870-00

ENGINE DOOR ASSY L.H.





| | | |
|------------------------------|---------------------|------------------------|
| From B-5003 To D-5489 | Date:10/2022 | PAGE:XV-1870-00 |
| ENGINE DOOR ASSY L.H. | | |

| Item# | Part | Description | X 3 V I P | X L I E N T 4 5 | N O T E S |
|-------|---------|--|-----------------------|--------------------------------------|-----------------------|
| | 288326 | ENGINE DOOR LH ASSY | | 1 | D |
| | 288325 | ENGINE DOOR LH ASSY | 1 | | D |
| 1 | 289433 | . ENGINE DOOR LH MOULDED VENTED | | 1 | |
| 1 | 289431 | . ENGINE DOOR LH MOULDED VENTED | 1 | | |
| 2 | 288528 | . UPPER PANEL / B.A. | 1 | | |
| 3 | 288529 | . LOWER PANEL / B.A. | 1 | 1 | |
| 4 | 509828 | . BUMPER RUBBER / .750 OD x .312 TH x .125 HOLE | 6 | 6 | |
| 5 | 289620 | . ARM ASSY | 1 | 1 | |
| 6 | 283776 | . GUIDE RETAINING ARM | 1 | 1 | |
| 7 | 955295 | . SCREW CAP HEX M8-1.25x20 G8.8 ZG603 | 2 | 2 | |
| 8 | 502857 | . WASHER LO SERR 8.2x26.3x1.8 N500 | 6 | 6 | |
| 9 | 5001560 | . SCREW SHR HEXS 5/16x3/8 {1/4-20 SS | 1 | 1 | |
| 10 | 502768 | . WASHER FL RUB .312x.625x.125 NEO | 1 | 1 | |
| 11 | 500384 | . NUT HEX JAM 1/4-20 G500 | 1 | 1 | |
| 12 | 283772 | . ARM RETAINING | 1 | 1 | |
| 13 | 502638 | . WASHER FL .312x.734x.065 N500 | 2 | 2 | |
| 14 | 955297 | . SCREW CAP HEX M8-1.25x25 G8.8 ZG603 | 4 | 4 | |
| 15 | 289617 | . ARM ASSY | 1 | 1 | |
| 16 | 288530 | . PANEL UPPER & LOWER DOOR / B.A. | | 1 | |
| 16 | 288530 | . PANEL UPPER & LOWER DOOR / B.A. | 2 | | |
| 17 | 504530 | . GROMMET / .750x1.250x.125x.312x1.625 | 5 | 5 | |
| 20 | 502570 | . WASHER LO SPT 6.1x11.8x1.6 SS | 2 | 2 | |
| 21 | 502637 | . WASHER FL .200x.437x.037 SS | 2 | 2 | |
| 22 | 286053 | . TRACK / LICENCE PLATE HOLDER 326MM | 1 | 1 | |
| 22 | 491572 | . TRACK / LICENCE PLATE HOLDER 321 MM | 1 | 1 | |
| 23 | 504286 | . T SCREW 10-24 X 3/4" / SS / PLATE HOLDER | 2 | 2 | |
| 24 | 502666 | . SCREW MA FL PH #6-32x3/4 SS BK | 3 | 3 | |
| 25 | 504498 | . BUMPER PLUG / .406ODx.218THx.250HOLEx.125 | 2 | 2 | |
| 26 | 500286 | . NUT WELL #6-32 | 3 | 3 | |
| 27 | 500787 | . NUT HEX #10-24 SS | 2 | 2 | |
| 28 | 509827 | . SCREW MA RND PH M4-0.7x20 SS | 3 | 3 | |
| 29 | 502557 | . NUT HEX NYRT M4-0.7 SS | 3 | 3 | |
| 31 | 683097 | . CLEANER SIKA #205 / CLEAR / 1000ml | AR | AR | |
| 40 | 066491 | . CABLE / ENGINE DOOR REAR LAMP W/LEDS | 1 | 1 | |
| 41 | 504637 | . CABLE TIE / 3/16" x 13" | 7 | 7 | |
| 41 | 509815 | . TIE MOUNT / ATTACHMENT W/TREE MOUNT | 7 | 7 | |
| 42 | 285899 | . FINISHING MOULDING L.H. / PLASTIC / (LOWER 3MM THINER THAN UPPER | | 1 | |
| 42 | 288531 | . FINISHING MOULDING SS / B.A. | 1 | | |
| NS | 506769 | . TAPE RUB ADH2 CC POL 1/8" x 1/4" x 60' / BLACK H1CC-N-#14 | AR | AR | |
| 49 | 506790 | . TAPE RUB ADH2 CC POL 1/16" x 1/2" x 200' / BLACK I1C-N-A | AR | AR | |
| 49 | 683084 | . SEALANT SIKA #221 / GREY / 600 ml SAUSAGE | AR | AR | |
| 49 | 683083 | . ADHESIVE SIKA #252 / BLACK / 600 ml SAUSAGE | AR | AR | |



| | | |
|------------------------------|--------------|-----------------|
| From B-5003 To D-5489 | Date:10/2022 | PAGE:XV-1870-00 |
| ENGINE DOOR ASSY L.H. | | |

| Item# | Part | Description | X 3 V I P | X L I I E N T 4 5 | N O T E S |
|-------|-------------------|---|-----------------------|---|-----------------------|
| 50 | XV-0664-00 | . REAR EXTERIOR LIGHTS & PLATE HOLDER | | | |
| 51 | 405730 | DECAL THIS VEHICULE EQUIPED ... FIRE SUPPRES / ENGLISH & FRANCAIS | 1 | 1 | |
| 51 | 405729 | DECAL THIS VEHICULE EQUIPED ... FIRE SUPPRES / ENGLISH | 1 | 1 | |
| 51 | 405731 | DECAL THIS VEHICULE EQUIPED ... FIRE SUPPRES / ENGLISH & SPANISH | 1 | 1 | |
| 52 | 071249 | DECAL "TranSynd OIL ONLY" / ENGLISH & FRANCAIS | 1 | 1 | |
| 52 | 071364 | DECAL "TranSynd OIL ONLY" / ENGLISH & SPANISH | 1 | 1 | |
| 53 | 454105 | DECAL "R-134A NOMINAL CHARGE...." / ENGLISH & FRANCAIS | 1 | 1 | |
| 54 | 141064 | DECAL / COLOR CODE / PNEUMATIC SYSTEM / ENGLISH & FRANCAIS | 1 | 1 | |
| 54 | 142370 | DECAL / COLOR CODE / PNEUMATIC SYSTEM / ENGLISH & SPANISH | 1 | 1 | |
| 56 | 066596 | DECAL / "CAUTION" BEFORE WELDING...." // ENGLISH & FRANCAIS | 1 | 1 | |
| 56 | 066436 | DECAL / "CAUTION" BEFORE WELDING...." // ENGLISH | 1 | 1 | |
| 56 | 067072 | DECAL / "CAUTION" BEFORE WELDING...." // ENGLISH | 1 | 1 | |
| 56 | 067067 | DECAL / "CAUTION" BEFORE WELDING...." // ENGLISH & SPANISH | 1 | 1 | |
| 57 | 012698 | DECAL / "BELT ROUTING" SHORT END COOL 2010 To D-5459 | 1 | 1 | |
| 57 | 012811 | DECAL / "BELT ROUTING" From D-5460 | 1 | 1 | |
| | | | | | |
| | | | | | |
| | | | | | |
| | | D) THIS DOOR ASSEMBLY DO NOT INCLUDE ITEM #40 | | | |

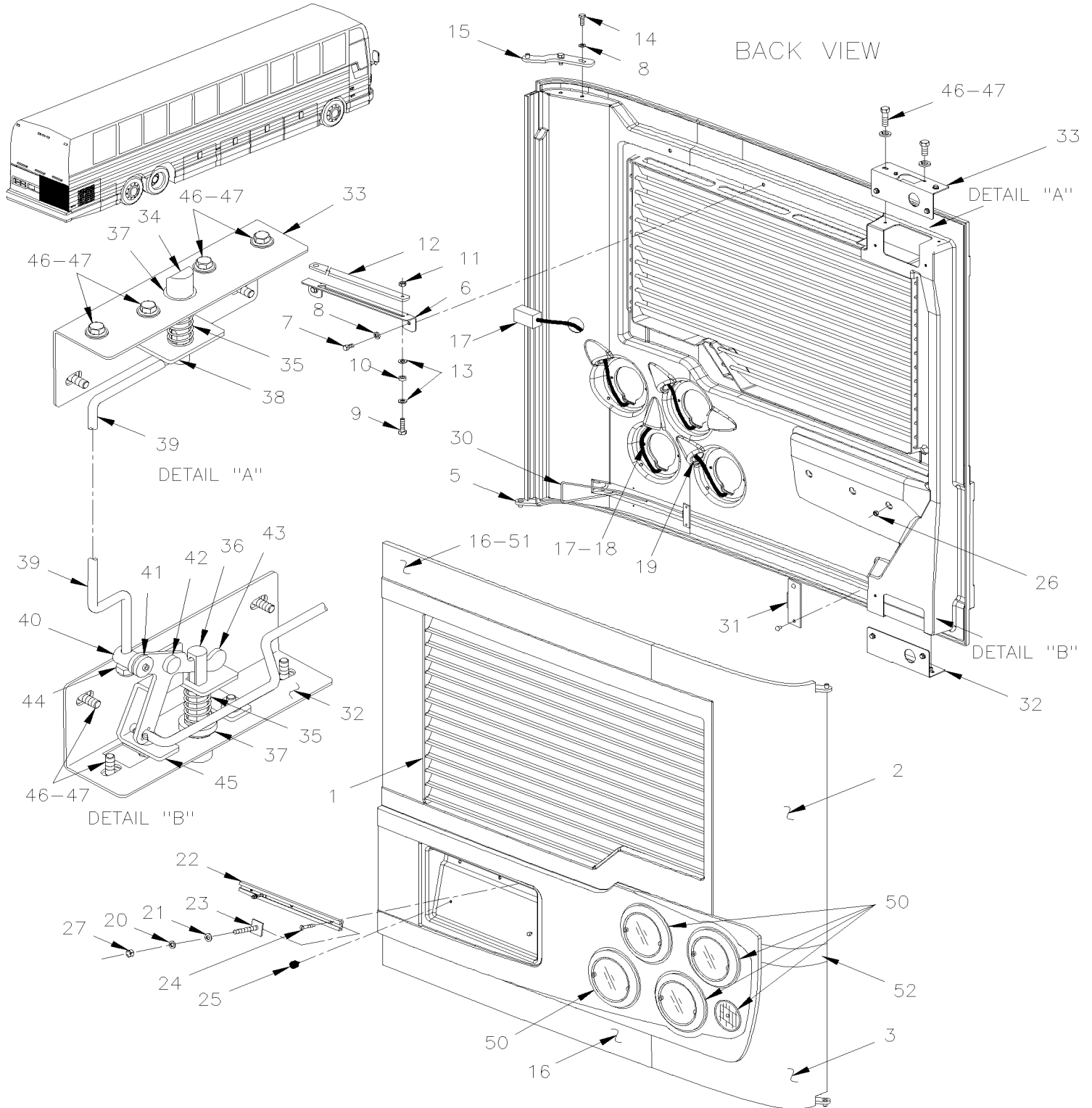


From B-5003 To D-5489

Date:10/2022

PAGE:XV-1870-05

ENGINE DOOR ASSY R.H.





| | | |
|------------------------------|--------------|-----------------|
| From B-5003 To D-5489 | Date:10/2022 | PAGE:XV-1870-05 |
| ENGINE DOOR ASSY R.H. | | |

| Item# | Part | Description | X 3 V I P | X L I I E N T 4 5 | N O T E S |
|-------|---------|--|-----------------------|---|-----------------------|
| | 288327 | ENGINE DOOR RH ASSY | 1 | | D |
| | 288328 | ENGINE DOOR RH ASSY | | 1 | D |
| 1 | 289432 | . ENGINE DOOR RH MOULDED VENTED | | 1 | |
| 1 | 289430 | . ENGINE DOOR RH MOULDED VENTED | 1 | | |
| 2 | 288532 | . UPPER PANEL / B.A. | 1 | | |
| 3 | 288533 | . LOWER PANEL / B.A. | 1 | 1 | |
| 5 | 289620 | . ARM ASSY | 1 | 1 | |
| 6 | 283771 | . GUIDE RETAINING ARM | 1 | 1 | |
| 7 | 955295 | . SCREW CAP HEX M8-1.25x20 G8.8 ZG603 | 2 | 2 | |
| 8 | 502857 | . WASHER LO SERR 8.2x26.3x1.8 N500 | 6 | 6 | |
| 9 | 5001560 | . SCREW SHR HEXS 5/16x3/8 {1/4-20 SS | 1 | 1 | |
| 10 | 502768 | . WASHER FL RUB .312x.625x.125 NEO | 1 | 1 | |
| 11 | 500384 | . NUT HEX JAM 1/4-20 G500 | 1 | 1 | |
| 12 | 283772 | . ARM RETAINING | 1 | 1 | |
| 13 | 502638 | . WASHER FL .312x.734x.065 N500 | 2 | 2 | |
| 14 | 955297 | . SCREW CAP HEX M8-1.25x25 G8.8 ZG603 | 4 | 4 | |
| 15 | 289617 | . ARM ASSY | 1 | 1 | |
| 16 | 288530 | . PANEL UPPER & LOWER DOOR / B.A. | 2 | | |
| 16 | 288530 | . PANEL UPPER & LOWER DOOR / B.A. | | 1 | |
| 17 | 066491 | . CABLE / ENGINE DOOR REAR LAMP W/LEDS | 1 | 1 | |
| 18 | 504637 | . CABLE TIE / 3/16" x 13" | AR | AR | |
| 18 | 509815 | TIE MOUNT / ATTACHMENT W/TREE MOUNT | 7 | 7 | |
| 19 | 504530 | . GROMMET / .750x1.250x.125x.312x1.625 | 5 | 5 | |
| 20 | 502570 | . WASHER LO SPT 6.1x11.8x1.6 SS | 2 | 2 | |
| 21 | 502637 | . WASHER FL .200x.437x.037 SS | 2 | 2 | |
| 22 | 286053 | . TRACK / LICENCE PLATE HOLDER 326MM | 1 | 1 | |
| 22 | 491572 | TRACK / LICENCE PLATE HOLDER 321 MM | 1 | 1 | |
| 23 | 504286 | . T SCREW 10-24 X 3/4" / SS / PLATE HOLDER | 2 | 2 | |
| 24 | 502666 | . SCREW MA FL PH #6-32x3/4 SS BK | 3 | 3 | |
| 25 | 504498 | . BUMPER PLUG / .406ODx.218THx.250HOLEx.125 | 2 | 2 | |
| 26 | 500286 | . NUT WELL #6-32 | 3 | 3 | |
| 27 | 500787 | . NUT HEX #10-24 SS | 2 | 2 | |
| 30 | 287325 | . CONTROL ROD | 1 | 1 | |
| NS | 506018 | . HANDLE PLASTIC / 1/4" I.D. X 4" | 1 | 1 | |
| 31 | 280143 | . FIXTURE / W/HOLE FOR ROD | 2 | 2 | |
| 31 | 287369 | . FIXTURE | 1 | 1 | |
| NS | 504339 | . RIVET POP DOME OE 1/8x3/8 SS | 4 | 4 | |
| 32 | 285018 | . SUPPORT LOCK / LOWER | 1 | 1 | |
| 33 | 286581 | . SUPPORT LOCK / UPPER | 1 | 1 | |
| 34 | 287381 | . CATCH PIN SS / 80.5MM | 1 | 1 | |
| NS | 506225 | . TAPE RUB ADH1 CC POL 1/16" x 1/4" x 100' / GREY 2520 | AR | AR | |
| 35 | 502910 | . SPRING COMPRESSION / .720 O.D. 1.75 x .055 | 2 | 2 | |



| | | |
|-----------------------|--------------|-----------------|
| From B-5003 To D-5489 | Date:10/2022 | PAGE:XV-1870-05 |
|-----------------------|--------------|-----------------|

ENGINE DOOR ASSY R.H.

| Item# | Part | Description | X 3 V I P | X L I I E N T 4 5 | N O T E S |
|-------|-------------------|--|-----------------------|---|-----------------------|
| 36 | 287391 | . CATCH PIN SS / 90.5MM | 1 | 1 | |
| 37 | 507212 | . O-RING | 2 | 2 | |
| 38 | 287382 | . GUIDE PIN HOLDER UPPER | 1 | 1 | |
| 39 | 287276 | . ROD / JUNCTION | 1 | 1 | |
| 40 | 280142 | . ROD HOLDER | 1 | 1 | |
| 41 | 280140 | . RETAINING WASHER | 1 | 1 | |
| 42 | 287271 | . RIVET SHR FL 9.95x3.6{4.8x4.8 SS | 1 | 1 | |
| 43 | 287277 | . PIVOT | 1 | 1 | |
| 44 | 5001251 | . NUT HEX NYRT 1/4-20 SS | 1 | 1 | |
| 45 | 287291 | . GUIDE PIN HOLDER LOWER | 1 | 1 | |
| 46 | 955271 | . SCREW CAP HEX M6-1.0x16 G8.8 ZG603 | 12 | 12 | |
| 47 | 500356 | . WASHER LO SERR 6.1x16.0x0.9 N500 | 12 | 12 | |
| 50 | XV-0664-00 | REAR EXTERIOR LIGHTS & PLATE HOLDER | | | |
| 51 | 506790 | . TAPE RUB ADH2 CC POL 1/16" x 1/2" x 200' / BLACK I1C-N-A | AR | AR | |
| 51 | 683084 | . SEALANT SIKA #221 / GREY / 600 ml SAUSAGE | AR | AR | |
| 51 | 683083 | . ADHESIVE SIKA #252 / BLACK / 600 ml SAUSAGE | AR | AR | |
| 52 | 285900 | . FINISHING MOULDING R.H. / PLASTIC / (LOWER 3MM THINER THAN UPPER | | 1 | |
| 52 | 288531 | . FINISHING MOULDING SS / B.A. | 1 | | |
| | | | | | |
| | | | | | |
| | | | | | |
| | | D) THIS DOOR ASSEMBLY DO NOT INCLUDE ITEM #17 | | | |

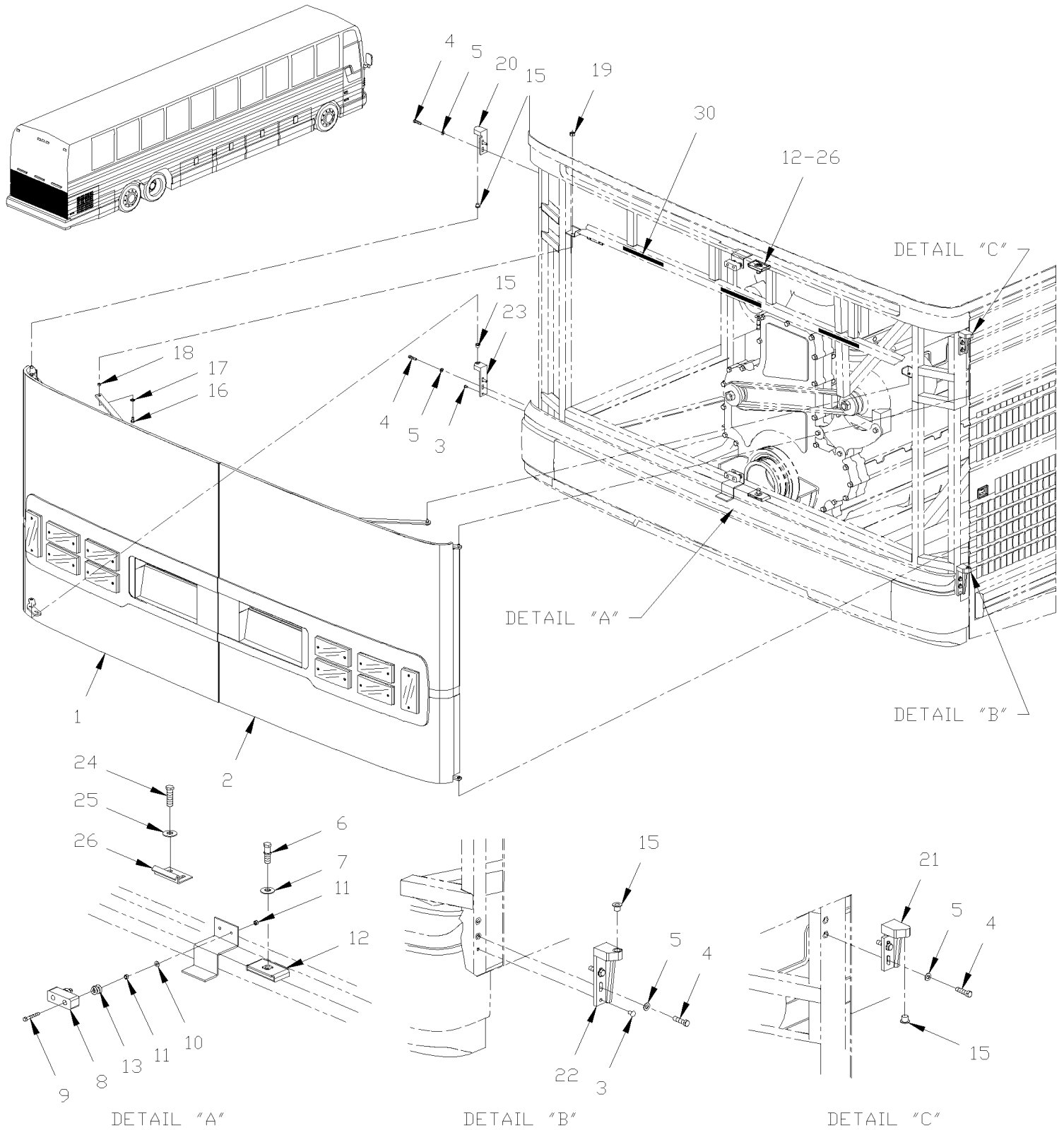


From B-5003 To D-5489

Date:10/2022

PAGE:XV-1870-10

ENGINE DOOR ASSY - INSTALLATION





From B-5003 To D-5489 Date:10/2022 PAGE:XV-1870-10

ENGINE DOOR ASSY - INSTALLATION

| Item# | Part | Description | X 3 V I P | X L I I E N T 4 5 | N O T E S |
|-------|------------|--|-----------------------|---|-----------------------|
| 1 | XV-1870-00 | ENGINE DOOR ASSY L.H. | | | |
| 2 | XV-1870-05 | ENGINE DOOR ASSY R.H. | | | |
| 3 | 504122 | RIVET POP DOME OE 1/4x3/8 AL | 2 | 2 | |
| 4 | 502780 | SCREW CAP HEX M8-1.25x25 SS BK | 5 | 5 | |
| 5 | 502584 | WASHER LO SERR 8.2x26.3x1.8 Z050 | 8 | 8 | |
| 8 | 506250 | RUBBER BUMPER | 1 | 1 | |
| 9 | 502708 | SCREW CAP HEX M5-0.8x35 SS | 2 | 2 | |
| 10 | 500411 | WASHER FL .260x.697x.050 SS | 2 | 2 | |
| 11 | 5001449 | NUT HEX M5-0.8 SS | 4 | 4 | |
| 13 | 502205 | SPRING COMPRESSION / .850 O.D. x .750 x .072 | 2 | 2 | |
| 15 | 284607 | BUSHING, NYLON / (NOT INCLUDE W/HINGE) | 4 | 4 | |
| 16 | 502780 | SCREW CAP HEX M8-1.25x25 SS BK | 10 | 10 | |
| 17 | 502583 | WASHER LO SERR 8.15x22.3x1.0 Z050 | 2 | 2 | |
| 18 | 283770 | SPACER / TO FIX RETAINING ARM | 2 | 2 | |
| 19 | 966171 | NUT HEX NYRT M8x1.25 SS | 2 | 2 | |
| 20 | 285930 | HINGE UPPER L.H. | 1 | 1 | |
| 21 | 285854 | HINGE UPPER R.H. | 1 | 1 | |
| 22 | 285855 | HINGE LOWER R.H. | 1 | 1 | |
| 23 | 285931 | HINGE LOWER L.H. | 1 | 1 | |
| 24 | 502780 | SCREW CAP HEX M8-1.25x25 SS BK | 4 | 4 | |
| 25 | 5001161 | WASHER LO SPT 8.1x14.8x2.0 SS-304 | 4 | 4 | |
| 26 | 287286 | CATCH PIN / RETAINER 45MMx21MM 90° | 2 | 2 | |
| 30 | 920009 | REFLECTOR STRIP RED | AR | AR | |
| NS | 286688 | DECAL DOOR OPEN | 1 | 1 | |
| NS | 012818 | DECAL "VEHICLE EMISSION..." CANADA From D-5459 | 1 | 1 | |
| | | | | | |
| | | | | | |
| | | | | | |

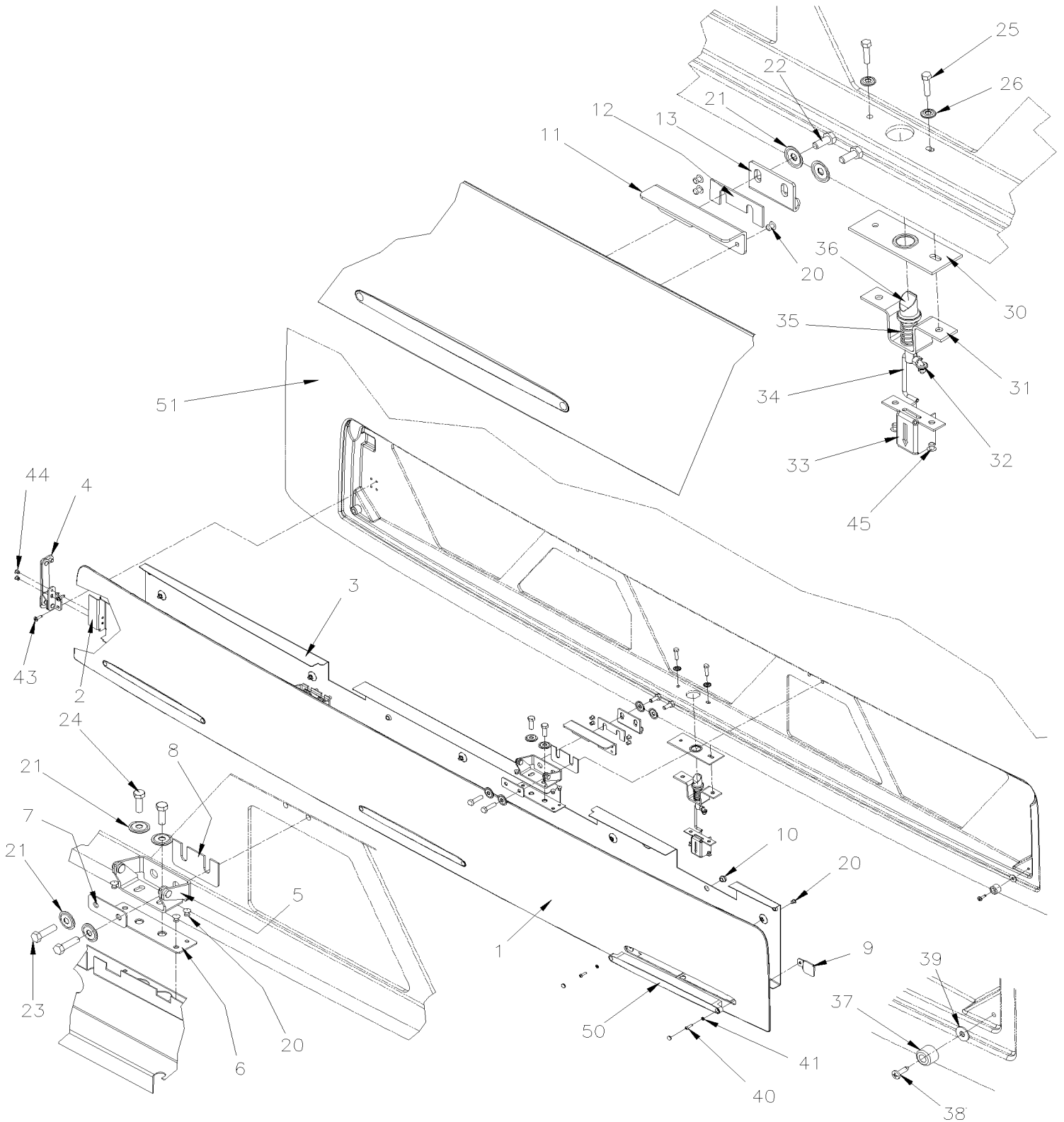


From B-5003 To D-5489

Date:10/2022

PAGE:XV-1870-20

REAR ENGINE UPPER DOOR WITH "EPA 2010"





| | | |
|---|---------------------|------------------------|
| From B-5003 To D-5489 | Date:10/2022 | PAGE:XV-1870-20 |
| REAR ENGINE UPPER DOOR WITH "EPA 2010" | | |

| Item# | Part | Description | X 3 V I P | X L I I E N T 4 5 | N O T E S |
|-------|-------------------|---|-----------------------|---|-----------------------|
| | 479002 | DOOR ASSY | 1 | 1 | |
| 1 | 479269 | DOOR PANEL ALUMINUM | 1 | 1 | |
| 2 | 479474 | FRAME DOOR | 1 | 1 | |
| 3 | 479475 | PANEL INSULATING ALUMINUM | 1 | 1 | |
| 4 | 479323 | ARM ASSY | 1 | 1 | |
| 5 | 479268 | HINGE ASSY | 2 | 2 | |
| 6 | 479275 | ATTACHMENT PLATE W/2 NUTS 131MMx35MM / 40MM C/C | 2 | 2 | |
| 7 | 288088 | PLATE RETAINER 66MM X 25.4MM | 2 | 2 | |
| NS | 506869 | TAPE RUB ADH2 POL .031" x 1/4" x 300' / BLACK | AR | AR | |
| 8 | 479299 | SHIM SPACER 40MM x 80MM x 14GA | 1 | 1 | |
| 9 | 479300 | ATTACHMENT LAMPS 32MMx32MM | 6 | 6 | |
| 10 | 504496 | GROMMET 2 HOLESx.062x.625x.062x.312x.875x.031 x.375 | 10 | 10 | |
| 11 | 479283 | ATTACHMENT ANGLE W/2 NUTS 131MMx35MM / 40MM C/C | 1 | 1 | |
| 12 | 479301 | SHIM SPACER 28MM x 78MM x 14GA | 1 | 1 | |
| 13 | 479288 | CATCH PIN / RETAINER 125X45 | 1 | 1 | |
| | | | | | |
| 20 | 504379 | RIVET POP DOME OE 3/16x1/4 SS | AR | AR | |
| 21 | 5001699 | WASHER BEL SPR 8.2x22x1.4 N500 | 10 | 10 | |
| 22 | 502862 | SCREW CAP HEX M8-1.25x20 G8.8 N500 | 2 | 2 | |
| 23 | 5001738 | SCREW CAP HEX M8-1.25x30 G8.8 N500 | 4 | 4 | |
| 24 | 502780 | SCREW CAP HEX M8-1.25x25 SS BK | 4 | 4 | |
| 25 | 502737 | SCREW CAP HEX M6-1.0x25 SS BK | 2 | 2 | |
| 26 | 500356 | WASHER LO SERR 6.1x16.0x0.9 N500 | 2 | 2 | |
| 30 | 479280 | GUIDE PIN PLATE 125MMx 45MM | 1 | 1 | |
| 31 | 479282 | SUPPORT CATCH PIN | 1 | 1 | |
| 32 | 780340 | CLIP, RETAINER ROD | 1 | 1 | |
| 33 | 479482 | COVER, MECANISME | 1 | 1 | |
| 34 | 479476 | ROD "J" FORM 213MMx31MMx15MM | 1 | 1 | |
| 35 | 502910 | SPRING COMPRESSION / .720 O.D. 1.75 x .055 | 1 | 1 | |
| 36 | 289636 | CATCH PIN ACETAL / 90.5MM | 1 | 1 | |
| 37 | 5001168 | BUMPER RUBBER / .750 OD x .562 TH x .187 HOLE | 2 | 2 | |
| 38 | 500414 | SCREW TP BDG PH #10x3/4 SS | 2 | 2 | |
| 39 | 500411 | WASHER FL .260x.697x.050 SS | 2 | 2 | |
| 40 | 5001332 | SCREW MA PAN PH M4-0.7x16 SS | 6 | 6 | |
| 41 | 502834 | WASHER LO SPT 4.1x7.6x0.9 N500 | 6 | 6 | |
| NS | 504637 | CABLE TIE / 3/16" x 13" | 8 | 8 | |
| NS | 067665 | CABLE ASSY DPF DOOR 3 LIGHTS | 9 | 9 | |
| 43 | 504610 | RIVET MGLP PRDG 1/4x5/8 SS | 4 | 4 | |
| 44 | 504793 | RIVET MNB OE LARGE HEAD 3/16x7/16 SS | 2 | 2 | |
| 45 | 504487 | RIVET MGLP PRDG 3/16x7/16 SS | 2 | 2 | |
| | | | | | |
| 50 | XV-0664-00 | REAR EXTERIOR LIGHTS & PLATE HOLDER | | | |



| | | |
|-----------------------|--------------|-----------------|
| From B-5003 To D-5489 | Date:10/2022 | PAGE:XV-1870-20 |
|-----------------------|--------------|-----------------|

REAR ENGINE UPPER DOOR WITH "EPA 2010"

| Item# | Part | Description | X 3 V I P | X L I I E N T 4 5 | N O T E S |
|-------|------------|-------------------------|-----------------------|---|-----------------------|
| 51 | XV-1851-20 | REAR CAP - INSTALLATION | | | |
| | | | | | |
| | | | | | |
| | | | | | |



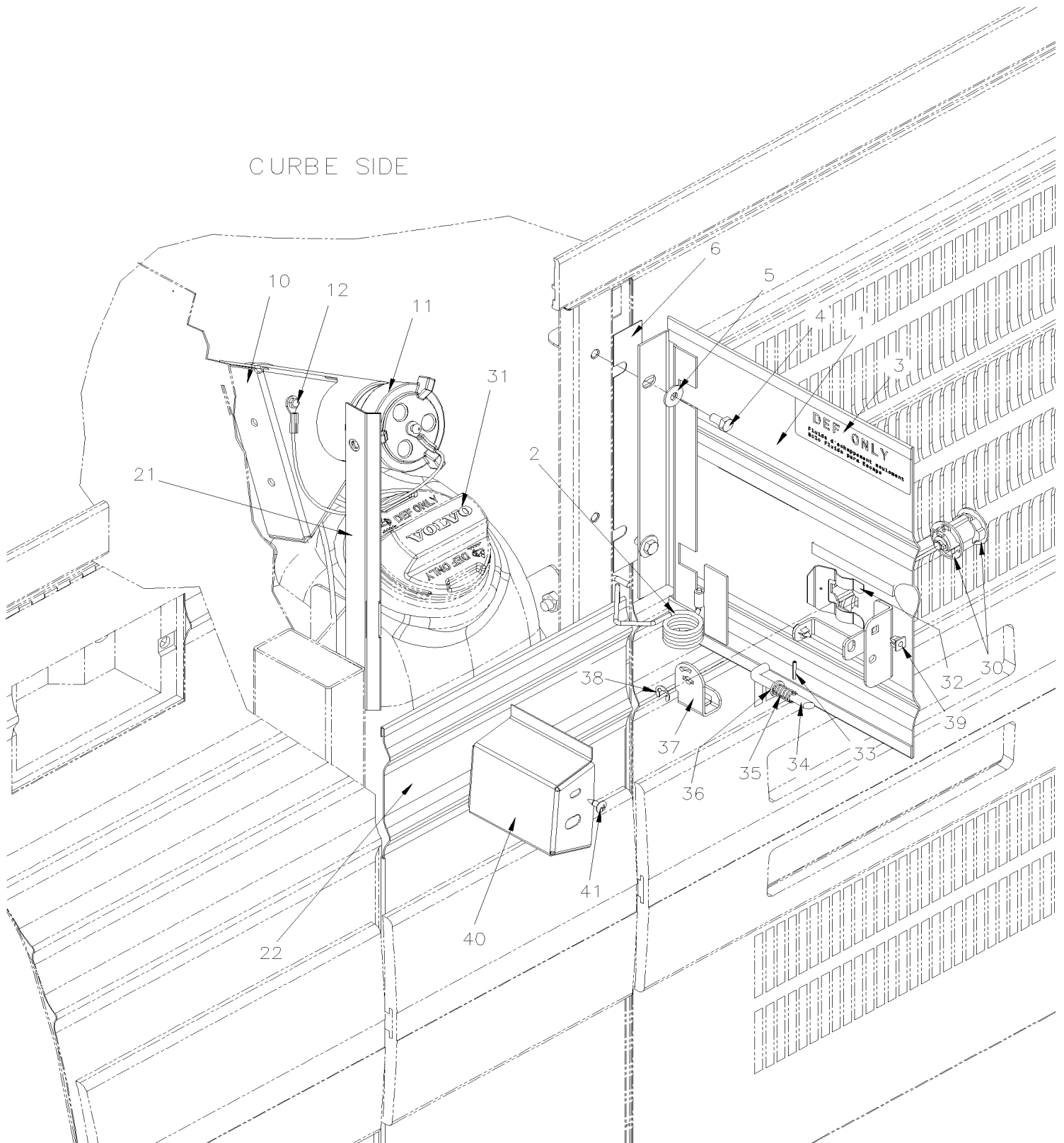
From B-5003 To D-5489

Date:10/2022

PAGE:XV-1875-00

FUEL TANK & UREA FILLING DOOR

CURBE SIDE





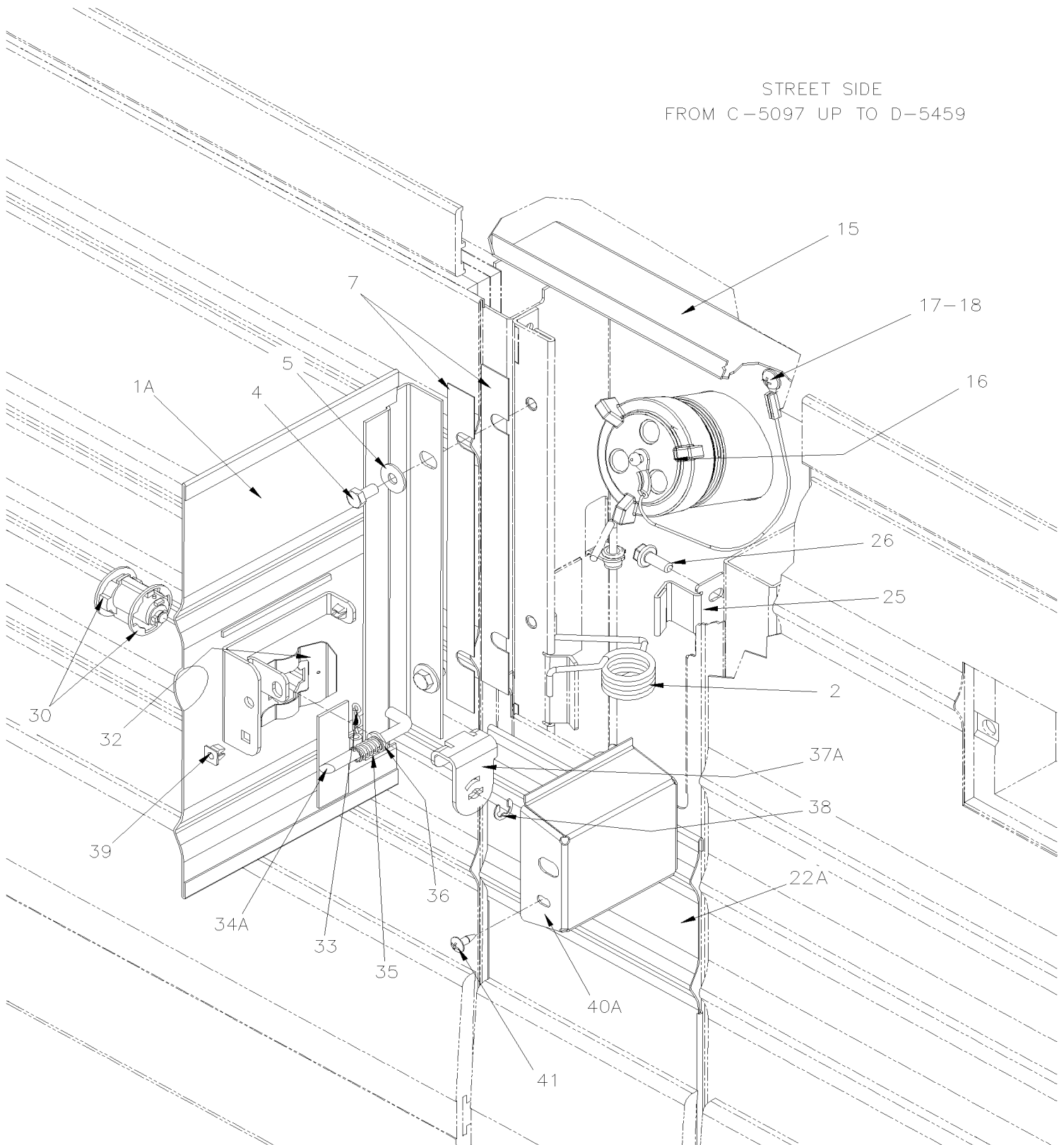
From B-5003 To D-5489

Date:10/2022

PAGE:XV-1875-00

FUEL TANK & UREA FILLING DOOR

STREET SIDE
FROM C-5097 UP TO D-5459



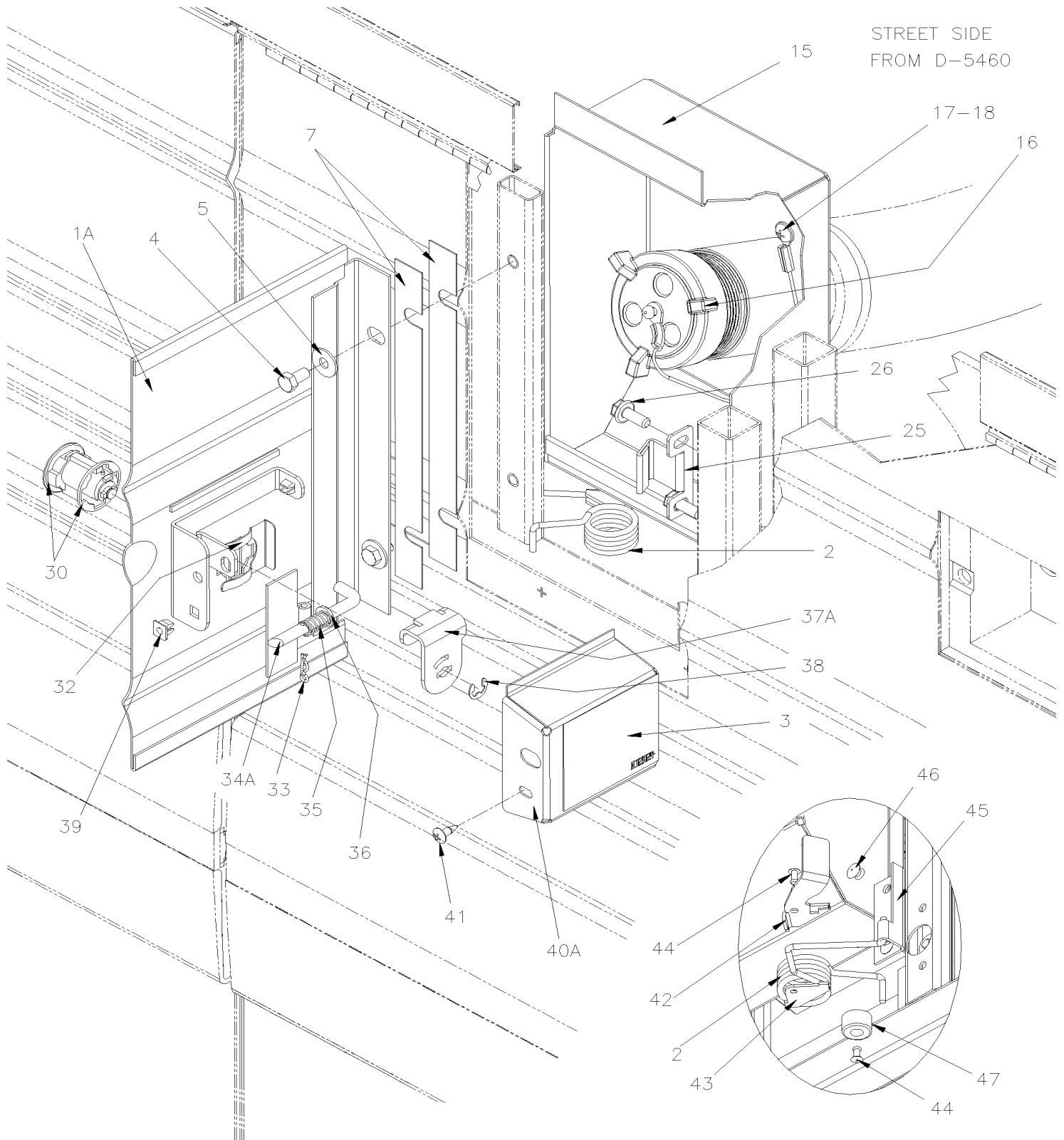


From B-5003 To D-5489

Date:10/2022

PAGE:XV-1875-00

FUEL TANK & UREA FILLING DOOR





| | | |
|------------------------------|---------------------|------------------------|
| From B-5003 To D-5489 | Date:10/2022 | PAGE:XV-1875-00 |
|------------------------------|---------------------|------------------------|

FUEL TANK & UREA FILLING DOOR

| Item# | Part | Description | X 3 V I P | X L I I E N T 4 5 | N O T E S |
|-------|-------------------|---|-----------------------|---|-----------------------|
| | Call order desk | DOOR ASSY, R.H. / W/LOCK installation | 1 | 1 | P |
| 1 | 484211 | DOOR ASSY, CURB SIDE / W/LOCK | 1 | 1 | |
| 1A | 484264 | DOOR ASSY, STREET SIDE / W/LOCK From C-5097 To D-5459 | 1 | 1 | |
| 1A | 460554 | DOOR ASSY, STREET SIDE / W/LOCK From D-5460 | 1 | 1 | |
| 2 | 032910 | SPRING, TORSION / | 1 | 1 | |
| 3 | 21467930 | DECAL, UREA FILLING | 1 | 1 | |
| 3 | 032824 | DECAL / ULTRA LOW SULFURE DIESEL / ENGLISH | 2 | 2 | |
| 3 | 400137 | DECAL / DIESEL FUEL BLACK | 2 | 2 | |
| 3 | 031164 | DECAL / CERTIFICATION | 2 | 2 | |
| 3 | 403747 | DECAL / INSTRUCTION FOR FILLING TANK /208 GAL BLACK | 2 | 2 | |
| 4 | 5001743 | SCREW CAP HEX M6-1.0x12 G8.8 N500 | 2 | 2 | |
| 5 | 500411 | WASHER FL .260x.697x.050 SS | 2 | 2 | |
| 6 | 484214 | SHIM SS / DOOR HINGE 28MM x 220MM x 24GA / CURBE SIDE To B-5002 | 2 | 2 | |
| 6 | 484278 | SHIM SS / DOOR HINGE 20MM x 220MM x 24GA From B-5003 | AR | AR | |
| 7 | 484278 | SHIM SS / DOOR HINGE 20MM x 220MM x 24GA / STREET SIDE | AR | AR | |
| 10 | 032903 | FILLING CAP ASSY / CURB-SIDE To C-5276 | 1 | 1 | |
| 10 | 032932 | FILLING CAP ASSY / CURB-SIDE From C-5277 | 1 | 1 | |
| 11 | 531424 | FUEL FILLING CAP / SCREW TYPE CAP | 1 | 1 | |
| 12 | 502799 | SCREW CAP HEX M4-0.7X16 G8.8 N500 | 1 | 1 | |
| 15 | 032923 | FILLING CAP ASSY / STREET SIDE From C-5097 To C-5266 | 1 | 1 | |
| 15 | 217058 | FILLING CAP ASSY / STREET SIDE From C-5267 To D-5459 | 1 | 1 | |
| 15 | 217190 | FILLING CAP ASSY / STREET SIDE From D-5460 | 1 | 1 | |
| 16 | 531424 | FUEL FILLING CAP / SCREW TYPE CAP From C-5097 | 1 | 1 | |
| 17 | 500510 | SCREW MA BDG PH #10-32x3/4 SS EMN From C-5097 | 1 | 1 | |
| 18 | 500519 | NUT WELL #10-32x.518 From C-5097 | 1 | 1 | |
| 21 | 477295 | CATCH PLATE / CURBSIDE | 1 | 1 | |
| 22 | 477230 | PANEL CURBESIDE / B.A. 246.4MM | 1 | 1 | |
| 22A | 477238 | PANEL STREET SIDE / B.A. From C-5097 To D-5459 | 1 | 1 | |
| NS | 506759 | TAPE RUB ADH2 CC POL 1/8" x 1/2" x 100' / BLACK I1C-N-A | AR | AR | |
| NS | 685126 | ADHESIVE SIMSON #ISR 70-03 / GREY / 600ml SAUSAGE | AR | AR | |
| 25 | 477334 | CATCH PLATE / STREET SIDE From C-5097 To D-5459 | 1 | 1 | |
| 25 | 460551 | CATCH PLATE / STREET SIDE From D-5460 | 1 | 1 | |
| 26 | 5001730 | SCREW CAP HEXF M6-1.0x16 G10.9 N500 From C-5097 | 2 | 2 | |
| 30 | XV-1867-00 | KEY & CYLINDER CODE | | | |
| 31 | XV-0410-00 | UREA RESERVOIR ASSY | | | |
| 32 | 780236 | RETAINER CLIP | 1 | 1 | |
| 33 | 505532 | SPRING, PIN 3/32 x 5/8 SS To B-5002 | 1 | 1 | |
| 33 | 5001860 | PIN HITCH CLIP .054 x 3/4 SS From B-5003 | 1 | 1 | |
| 34 | 289633 | ROD / CURBSIDE To B-5002 | 1 | 1 | |
| 34 | 289800 | ROD From B-5003 | 1 | 1 | |



| | | |
|--|---------------------|------------------------|
| From B-5003 To D-5489 | Date:10/2022 | PAGE:XV-1875-00 |
| FUEL TANK & UREA FILLING DOOR | | |

| Item# | Part | Description | X 3 V I P | X L I I E N T 4 5 | N O T E S |
|-------|--------|---|-----------------------|---|-----------------------|
| 34A | 289824 | ROD / STREET SIDE From C-5097 | 1 | 1 | |
| 35 | 474008 | SPRING COMPRESSION / .360 O.D. x .625 x .035 | 1 | 1 | |
| 36 | 502573 | WASHER FL 6.4x12.5x1.6 SS | 1 | 1 | |
| 37 | 484218 | PIVOT LOCK / CURBSIDE | | | |
| 37A | 484276 | LEVER LOCK / STREET SIDE From C-5097 | 1 | 1 | |
| 38 | 504402 | RING RETAINER / EXT .250 x .210 x .025" | 1 | 1 | |
| 39 | 502741 | NUT AN #8 NYL | 2 | 2 | |
| 40 | 484217 | PROTECTOR BOX / CURBSIDE | 1 | 1 | |
| 40A | 484275 | PROTECTOR BOX / STREET SIDE From C-5097 | 1 | 1 | |
| 40A | 506225 | TAPE RUB ADH1 CC POL 1/16" x 1/4" x 100' / GREY 2520 | AR | AR | |
| 41 | 500124 | SCREW TP TR PH #8x1/2 SS | 2 | 2 | |
| 42 | 460557 | ARM, FUEL DOOR From D-5460 | 1 | 1 | |
| 43 | 460558 | PLATE From D-5460 | 1 | 1 | |
| 44 | 504717 | RIVET POP DOME OE 1/8x1/4 SS From D-5460 | 2 | 2 | |
| 45 | 460555 | ATTACH, FUEL DOOR From D-5460 | 1 | 1 | |
| 46 | 504379 | RIVET POP DOME OE 3/16x1/4 SS From D-5460 | 2 | 2 | |
| 47 | 504334 | BUMPER RUBBER / .625 OD x .406 TH x .156 HOLE From D-5460 | 1 | 1 | |
| | | | | | |
| | | | | | |
| | | | | | |
| | | | | | |
| | | P) CALL ORDER DESK FOR SPECIFIC APPLICATION (V.I.N.) | | | |

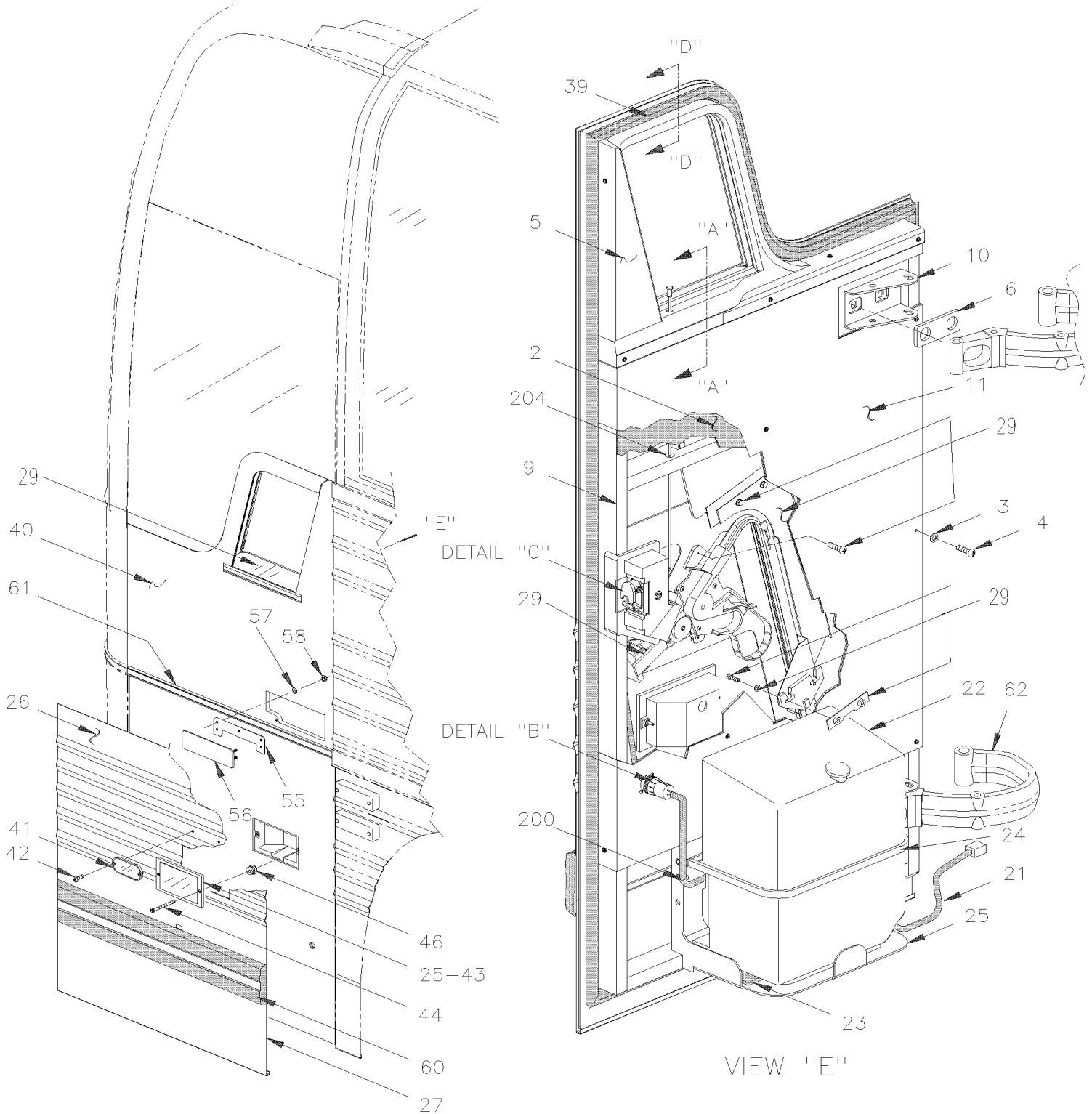


From B-5003 To D-5489

Date:10/2022

PAGE:XV-1879-00

FRONT SERVICE DOOR ASSY



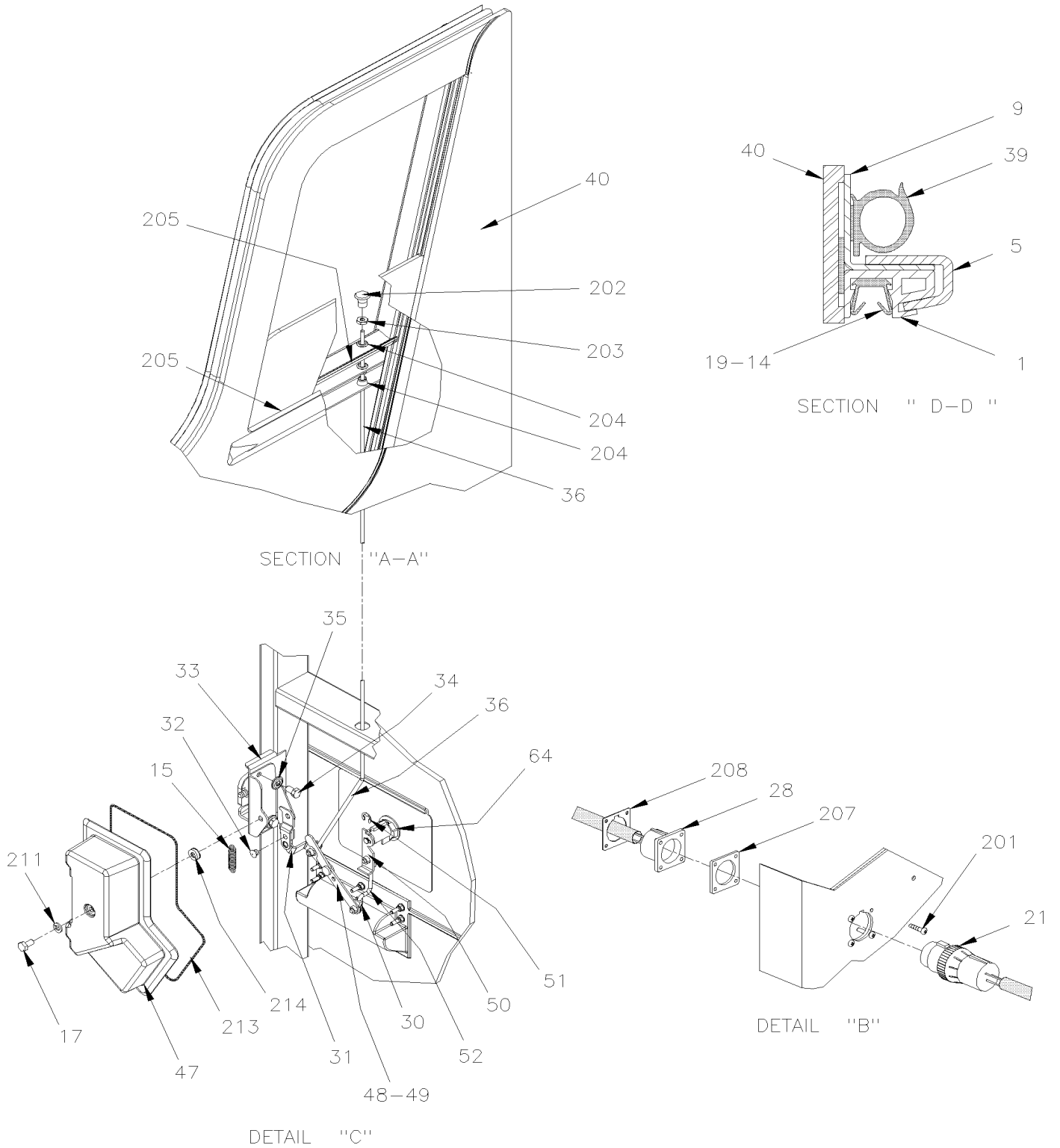


From B-5003 To D-5489

Date:10/2022

PAGE:XV-1879-00

FRONT SERVICE DOOR ASSY





| | | |
|-----------------------|--------------|-----------------|
| From B-5003 To D-5489 | Date:10/2022 | PAGE:XV-1879-00 |
|-----------------------|--------------|-----------------|

FRONT SERVICE DOOR ASSY

| Item# | Part | Description | X 3 V I P | X L I I E N T 4 5 | N O T E S |
|-------|-------------------|---|-----------------------|---|-----------------------|
| | | ALL FRONT SERVICE DOORS DO NOT INCLUDE | | | |
| | | RUB-RAIL PLEASE ORDER SEPARATELY | | | |
| | 287914P | FRONT SERVICE DOOR ASSY MTH 89" | 1 | 1 | |
| 1 | 285983 | WINDOW TRACK | 1 | 1 | |
| 2 | 287906 | INSULATING / 89" | 1 | 1 | |
| 3 | 500463 | WASHER FN CKF .187x.500x.090 BR Z050 | 17 | 17 | |
| 4 | 502673 | SCREW TC PAN PH #6-32x1/2 SS | 2 | 2 | |
| 5 | 286491 | INTERIOR FINISHING / 86" & 89" | 1 | 1 | |
| 6 | 283402 | SUPPORT PLATE | 2 | 2 | |
| 7 | 502731 | SCREW CAP HEX M12-1.75x40 G8.8 Z050 | 4 | 4 | |
| 8 | 500747 | WASHER LO SPT 12.2x21.1x2.5 N500 | 4 | 4 | |
| 9 | 287478 | DOOR FRAME ASSY / 89" | 1 | 1 | |
| 10 | 286014 | HINGE SUPPORT | 2 | 2 | |
| 11 | 287905 | INTERIOR PANEL / 89" | 1 | 1 | |
| NS | 506790 | TAPE RUB ADH2 CC POL 1/16" x 1/2" x 200' / BLACK 11C-N-A | 4 | 4 | |
| 13 | 5001182 | NUT HEX NYRT M6-1.0 SS | 4 | 4 | |
| 13 | 502570 | WASHER LO SPT 6.1x11.8x1.6 SS | 2 | 2 | |
| 14 | 286440 | FELT SLIDING 677MM | 1 | 1 | |
| 15 | 284914 | SPRING EXTENSION / .305 O.D. x 1.562 x .051 | 1 | 1 | |
| 17 | 5001433 | SCREW CAP HEX M6-1.0x25 SS | 1 | 1 | |
| 19 | 286439 | FELT SLIDING 930MM | 1 | 1 | |
| 21 | 066516 | CABLE ASSY / WINDSHIELD WASHER PUMP To C-5113 | 1 | 1 | |
| 21 | 067947 | CABLE ASSY / WINDSHIELD WASHER PUMP From C-5114 | 1 | 1 | |
| 21 | 067948 | CABLE ASSY / ADAPTOR / NEW LEVEL (SERVICE ONLY) To C-5113 | 1 | 1 | |
| 22 | XV-2305-20 | WINDSHIELD WASHER - INSTALLATION | | | |
| 23 | 506339 | TAPE RUB ADH1 NIT 1/4" x 1" x 35' / BLACK 1220 | 1 | 1 | |
| 24 | 287097 | STRAP RETAINING SS / 330MM x 196MM | 1 | 1 | |
| 25 | 286422 | SUPPORT / WINDSHIELD WASHER TANK / WELDED TO STRUCTURE | 1 | 1 | |
| 26 | 288525 | PANEL UPPER / B.A. | 1 | 1 | |
| 27 | 288524 | PANEL LOWER / B.A. | 1 | 1 | |
| 28 | 066626 | WIRING HARNESS SERVICE DOOR | 1 | 1 | |
| 29 | XV-1886-00 | POWER WINDOW - ELECTRICAL INSTALLATION | | | |
| 30 | 780340 | CLIP, RETAINER ROD | 3 | 3 | |
| 31 | 287077 | PIVOT | 1 | 1 | |
| 32 | 504379 | RIVET POP DOME OE 3/16x1/4 SS | 1 | 1 | |
| 33 | 780652 | LOCK SPAGNOLET L.H. / W/G-FITTING | 1 | 1 | |
| . NS | 780340 | . CLIP, RETAINER ROD | 1 | 1 | |
| . NS | 507607 | . GREASE FITTING / M6-1.00 | 1 | 1 | |
| 34 | 502563 | SCREW CAP HEX M6-1.0x12 G8.8 Z050 | 2 | 2 | |
| 35 | 502582 | WASHER LO SERR 6.1x16.2x0.9 Z050 | 2 | 2 | |



| | | |
|-----------------------|--------------|-----------------|
| From B-5003 To D-5489 | Date:10/2022 | PAGE:XV-1879-00 |
|-----------------------|--------------|-----------------|

FRONT SERVICE DOOR ASSY

| Item# | Part | Description | X 3 V I P | X L I E N T 4 5 | N O T E S |
|-------|-------------------|--|-----------------------|--------------------------------------|-----------------------|
| 36 | 287907 | OPENING ROD / 89" | 1 | 1 | |
| 37 | 500289 | SCREW TC OV PH #6-32x3/4 SS410 | 15 | 15 | |
| 38 | 286212 | GLASS ASSY W/SUPPORT | 1 | 1 | |
| 39 | 288914 | RUBBER SEAL EXTRUSION / SERVICE DOOR MTH-89" To C-5244 | 1 | 1 | |
| 39 | 2800128 | RUBBER SEAL EXTRUSION / SERVICE DOOR MTH-89" From C-5245 | 1 | 1 | |
| 40 | 286075 | PANEL FIBERGLASS / 89" | 1 | 1 | |
| 41 | 930212 | REFLECTOR AMBER 1 1/8" x 4 3/8" | 1 | 1 | |
| 42 | 500124 | SCREW TP TR PH #8x1/2 SS | 2 | 2 | |
| 43 | 286400 | BEZEL | 1 | 1 | |
| 44 | 502530 | SCREW MA OV PH M4-0.7x40 SS | 2 | 2 | |
| 45 | 504473 | RIVET POP DOME OE 1/8x1/4 SS | 2 | 2 | |
| 46 | 500589 | NUT WELL M4-0.7x13.5 | 2 | 2 | |
| 47 | 286456 | LOCK CAP | 1 | 1 | |
| 48 | 504542 | RIVET SHR FL 9/32x3/32 STL | 1 | 1 | |
| 49 | 287073 | ROD | 1 | 1 | |
| 50 | 287087 | PIVOT | 1 | 1 | |
| 51 | 504402 | RING RETAINER / EXT .250 x .210 x .025" | 1 | 1 | |
| 52 | 286709 | ROD | 1 | 1 | |
| 60 | XV-1855-00 | RUB RAIL - EXTERIOR CREST & TRIMS | | | |
| 61 | 288522 | FINISHING MOULDING 800MM / B.A. | 1 | 1 | |
| NS | 681051 | TAPE RUB ADH2 URE .045" x 1/2" x 108' / WHITE 4085 | AR | AR | A |
| NS | 682462 | ADHESIVE SIKA #252 / BLACK / 310ml CARTRIDGE | AR | AR | A |
| 62 | XV-1879-10 | FRONT SERVICE DOOR - INSTALLATION | | | |
| 64 | XV-1867-00 | KEY & CYLINDER CODE | | | |
| 200 | 504637 | CABLE TIE / 3/16" x 13" | 2 | 2 | |
| 201 | 5001454 | SCREW MA BDG PH #4-40x1/2 SS | 4 | 4 | |
| 202 | 505504 | KNOB, PULL / 8-32 | 1 | 1 | |
| 203 | 500764 | NUT HEX #8-32 Z050 | 1 | 1 | |
| 204 | 504083 | SNAP BUSHING / .250x.468.406 | 3 | 3 | |
| 205 | 286419 | FLAP SEAL / 25MM x 260MM | 2 | 2 | |
| 206 | 506866 | FLAP SEAL 3/4" x 7/8" / PVC / C.T.L. / RAW MATERIAL | AR | AR | |
| NS | 680030 | ADHESIVE ADCHEM #EC847 / 1 Liter | AR | AR | |
| 207 | 562946 | GASKET MOUNTING / HD10 SERIES / 5C / DEUTSCH HD10-5-GKT | 1 | 1 | |
| 208 | 561820 | NUT, RING #13 / 1.125" I.D. W/4 4-40 | 1 | 1 | |
| 211 | 502570 | WASHER LO SPT 6.1x11.8x1.6 SS | 1 | 1 | |
| 213 | 506002 | TAPE RUB ADH1 CC POL 3/16" x 1/2" x 40' / GREY 2520 | AR | AR | |
| 214 | 504399 | WASHER RETAINER SNAP CAP #10 | 1 | 1 | |
| NS | 684517 | ADHESIVE SIMSON #ISR 70-03 / GREY / 310ml CARTRIDGE | AR | AR | |
| NS | 687957 | GLUE MS POLYMER TEROSON MS 9399 / 400ml CARTRIDGE | AR | AR | |
| NS | 687958 | MIXER QUADRO 10.7MM W"/V" ADAPTOR / "B" | 1 | 1 | |
| | | | | | |
| | | | | | |



| | | | |
|-----------------------|--|--------------|-----------------|
| From B-5003 To D-5489 | | Date:10/2022 | PAGE:XV-1879-00 |
|-----------------------|--|--------------|-----------------|

FRONT SERVICE DOOR ASSY

| Item# | Part | Description | X 3 V I P | X L I I E N T 4 5 | N O T E S |
|-------|------|--|-----------------------|---|-----------------------|
| | | A) USE WITH BUS WITH FLUTED LOWER PANELLING WITH DOCKING LIGHT | | | |

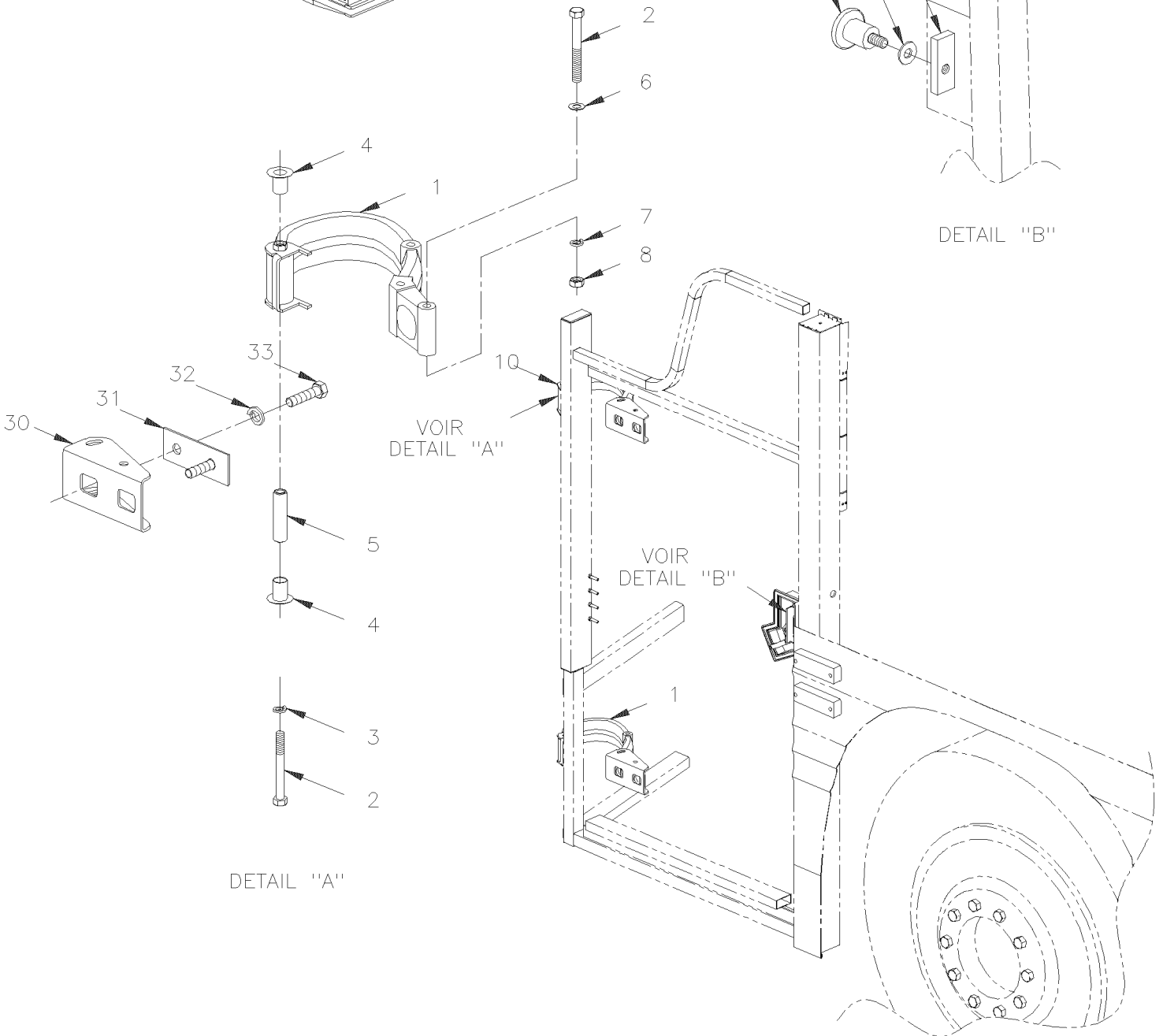
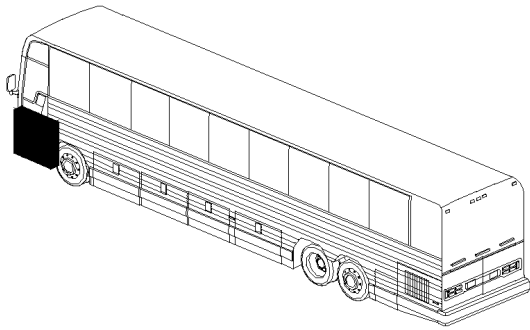


From B-5003 To D-5489

Date:10/2022

PAGE:XV-1879-10

FRONT SERVICE DOOR - INSTALLATION





| | | |
|--|---------------------|------------------------|
| From B-5003 To D-5489 | Date:10/2022 | PAGE:XV-1879-10 |
| FRONT SERVICE DOOR - INSTALLATION | | |

| Item# | Part | Description | X 3 V I P | X L I I E N T 4 5 | N O T E S |
|-------|--------|-------------------------------------|-----------------------|---|-----------------------|
| 1 | 287341 | HINGE | 2 | 2 | |
| 2 | 502890 | SCREW CAP HEX M10-1.5x90 G8.8 N500 | 4 | 4 | |
| 3 | 500257 | WASHER LO SPT 10.2x18.1x2.2 Z050 | 2 | 2 | |
| 4 | 507326 | BEARING FLANGE | 2 | 2 | |
| 5 | 287337 | SPACER / BEARING FLANGE | 1 | 1 | |
| 6 | 500445 | WASHER FL .437x1.000x.083 Z050 | 4 | 4 | |
| 7 | 502585 | WASHER LO SERR 10.2x26.3x1.4 ZP | 4 | 4 | |
| 8 | 500256 | NUT HEX M10-1.5 Z050 | 4 | 4 | |
| 10 | 251186 | STOPPER SERVICE DOOR | 1 | 1 | |
| NS | 502622 | SCREW CAP HEX M6-1.0x20 SS BK | 2 | 2 | |
| NS | 502570 | WASHER LO SPT 6.1x11.8x1.6 SS | 2 | 2 | |
| 20 | 284438 | PIN STRIKER | 1 | 1 | |
| 21 | 284447 | WASHERS BELLEVILLE | 1 | 1 | |
| 30 | 286014 | HINGE SUPPORT | 2 | 2 | |
| 31 | 283402 | SUPPORT PLATE | 2 | 2 | |
| 32 | 500747 | WASHER LO SPT 12.2x21.1x2.5 N500 | 4 | 4 | |
| 33 | 502731 | SCREW CAP HEX M12-1.75x40 G8.8 Z050 | 4 | 4 | |
| | | | | | |
| | | | | | |
| | | | | | |

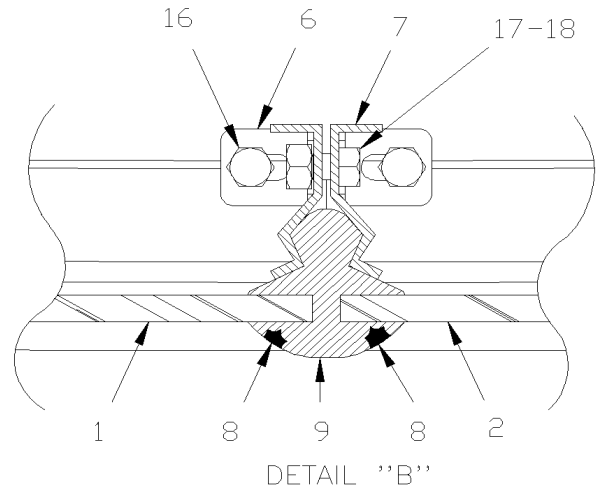
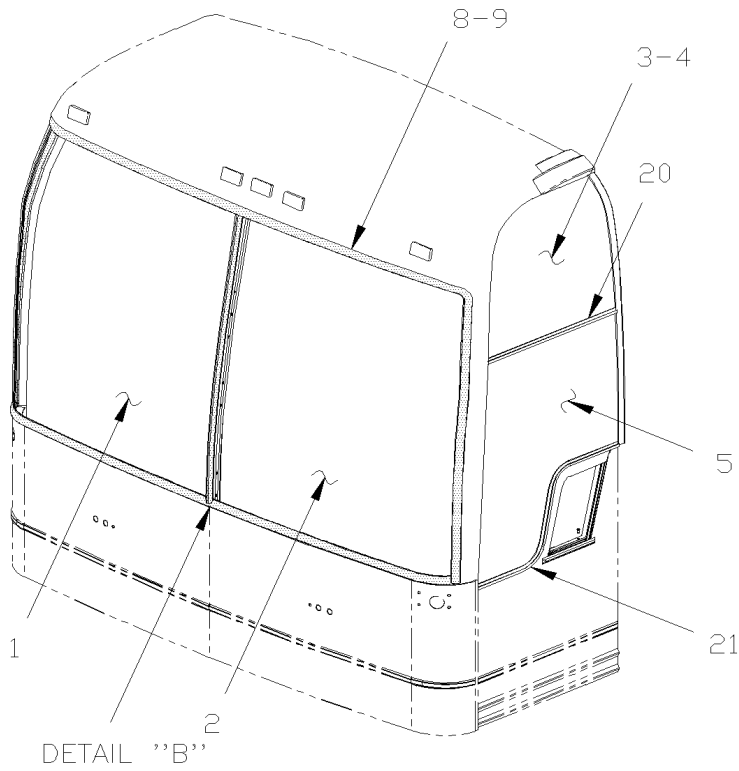


From B-5003 To D-5489

Date:10/2022

PAGE:XV-1880-00

WINDSHIELD & CHANNEL





| | | |
|------------------------------|---------------------|------------------------|
| From B-5003 To D-5489 | Date:10/2022 | PAGE:XV-1880-00 |
|------------------------------|---------------------|------------------------|

WINDSHIELD & CHANNEL

| Item# | Part | Description | X 3 V I P | X L I I E N T 4 5 | N O T E S |
|-------|---------|---|-----------------------|---|-----------------------|
| 1 | 300476 | WINDSHIELD R.H. | 1 | 1 | |
| 2 | 300475 | WINDSHIELD L.H. | 1 | 1 | |
| 3 | 293241 | GLASS UPPER L.H. THERMOS | 1 | 1 | |
| 4 | 293240 | GLASS UPPER R.H. THERMOS | 1 | 1 | |
| 5 | 293081 | GLASS DRIVER'S WINDOW / MTH 86" & 89" | 1 | 1 | |
| 5 | 506962 | RUB POL 1/4 X 7/16 X 1 LG | AR | AR | |
| 6 | 293070 | POST R.H. WINDSHIELD / WITH LARGE | 1 | 1 | |
| 7 | 293689 | POST L.H. WINDSHIELD / WITH LARGE | 1 | 1 | |
| 8 | 293059 | STRIP, LOCKING / S.L. | 70FT | 70FT | |
| 9 | 293393 | WINDSHIELD RUBBER SEAL / WITH LARGE / DOUBLE LOCK | 1 | 1 | |
| . NS | MI03-22 | . SEE MAINTENANCE INFORMATION | 1 | 1 | |
| 16 | 500948 | SCREW TC CAP HEX 1/4-20x1 Z050 | 4 | 4 | |
| 17 | 5001106 | SCREW CAP HEX M6-1.0x10 G8.8 Z050 | 8 | 8 | |
| 18 | 502570 | WASHER LO SPT 6.1x11.8x1.6 SS | 8 | 8 | |
| 20 | 286454 | DRIP MOULDING OVER DRIVER'S WINDOW | 1 | 1 | |
| 20 | 477516 | DRIP MOULDING OVER ENTRANCE DOOR / B.A. | 1 | 1 | |
| 21 | 286646 | DRIP MOULDING "S" MTH86" & MTH89" | 1 | 1 | |
| NS | 293842 | HANDLE ASSY (TO FIX FRONT GLASS CHANNEL) | 1 | 1 | |
| . NS | 293843 | . END TIP "PRÉVOST" | AR | AR | |
| | | | | | |
| | | | | | |
| | | | | | |



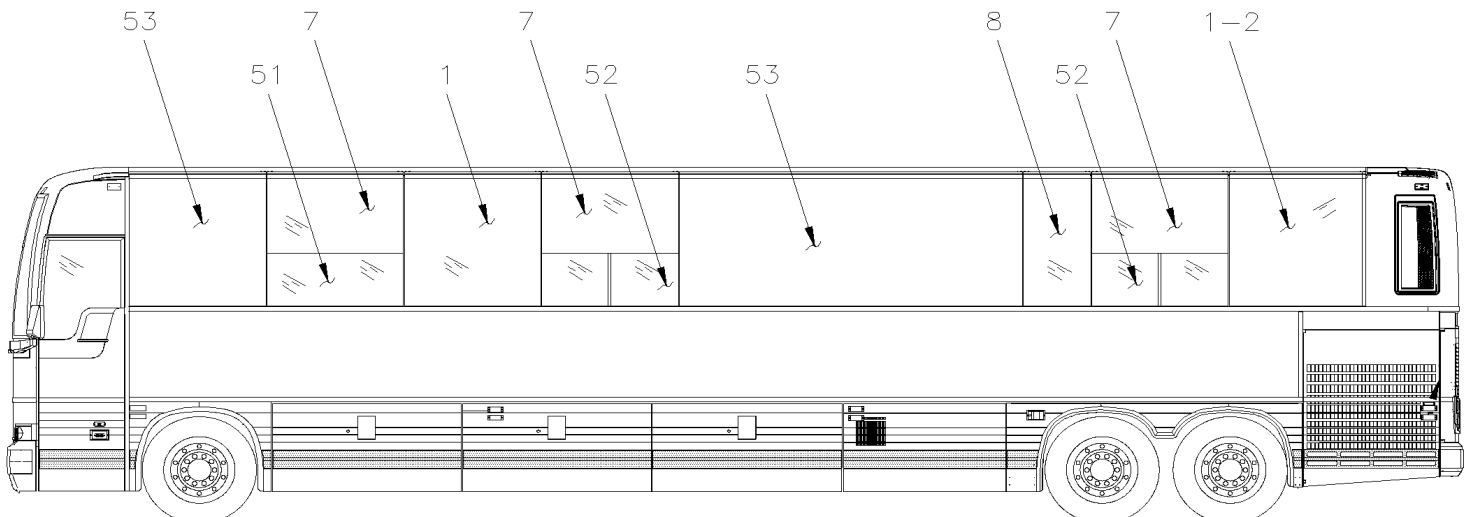
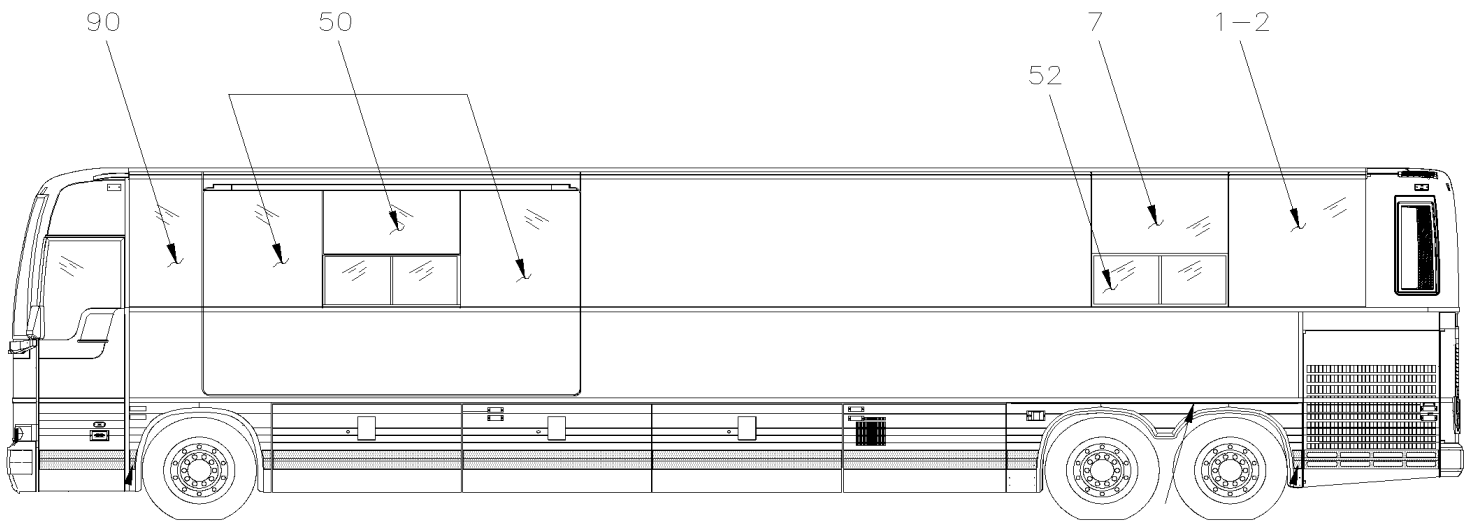
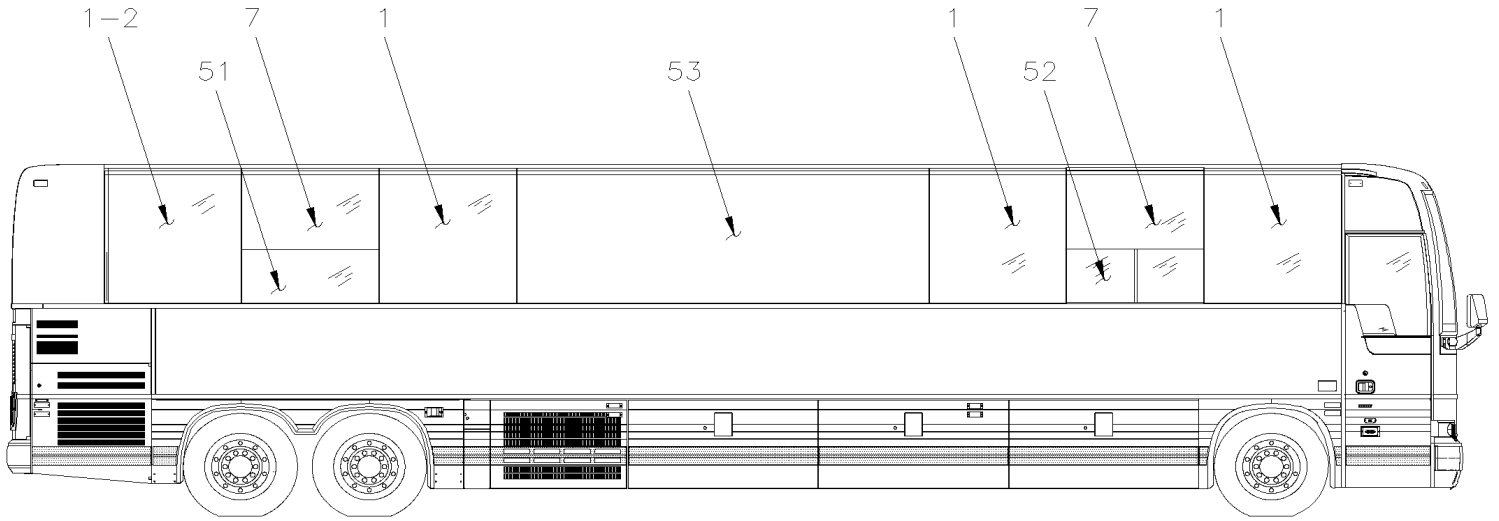
From B-5003 To D-5489

Date:10/2022

PAGE:XV-1884-50

SIDE WINDOW

ENTERTAINER 45'





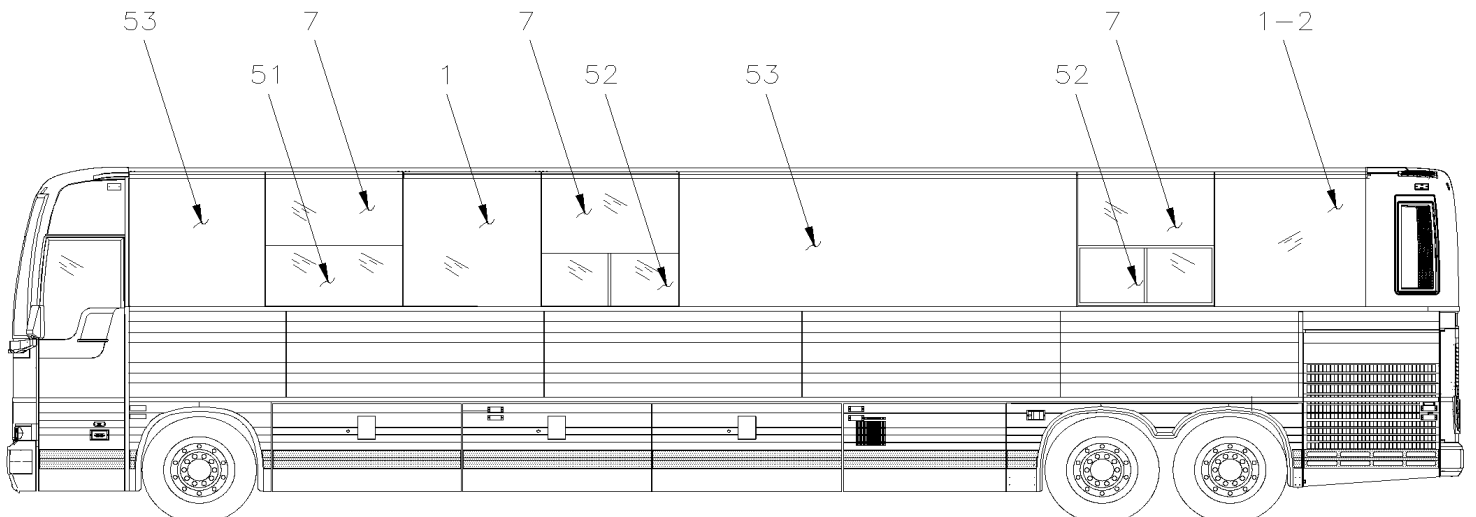
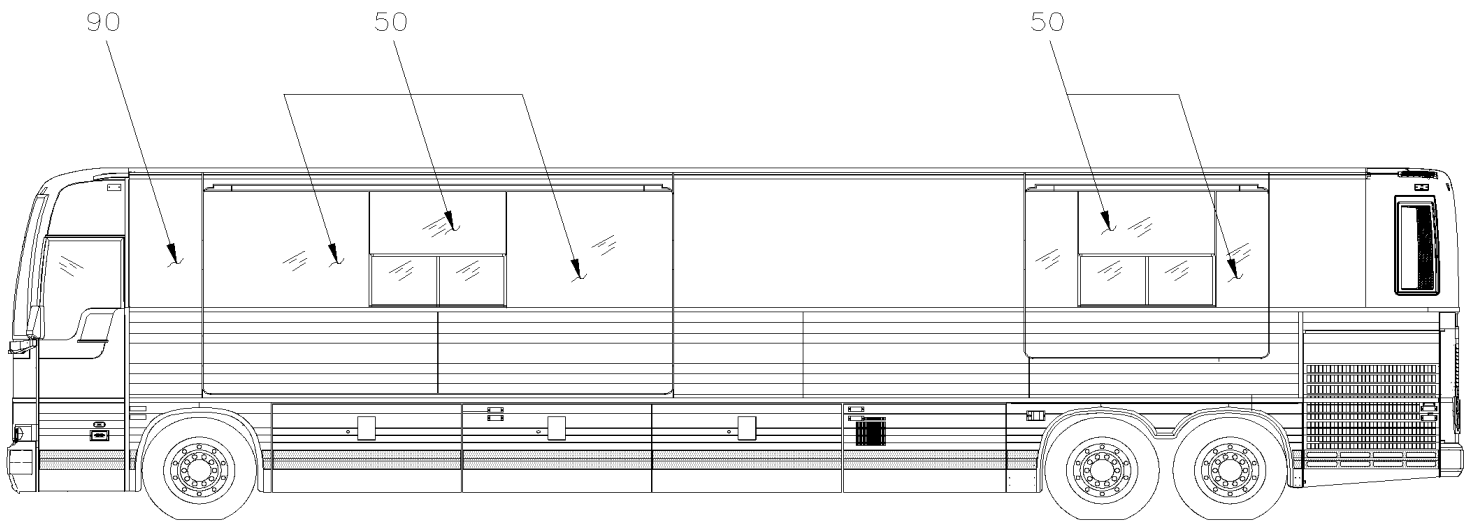
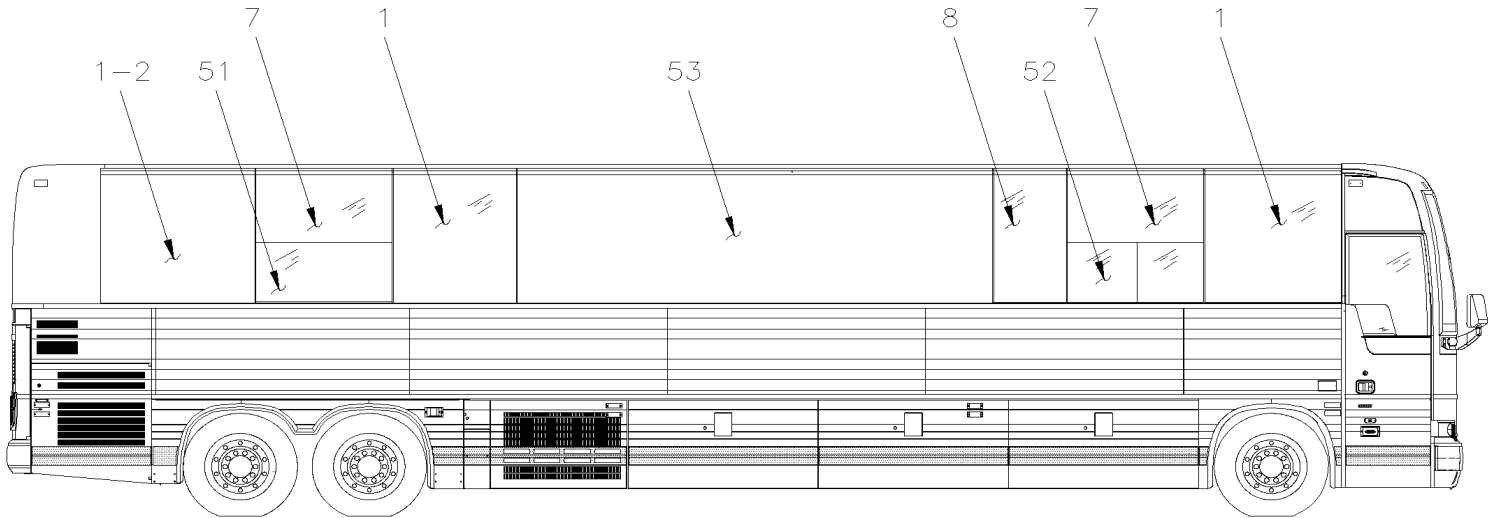
From B-5003 To D-5489

Date:10/2022

PAGE:XV-1884-50

SIDE WINDOW

X3-45 VIP



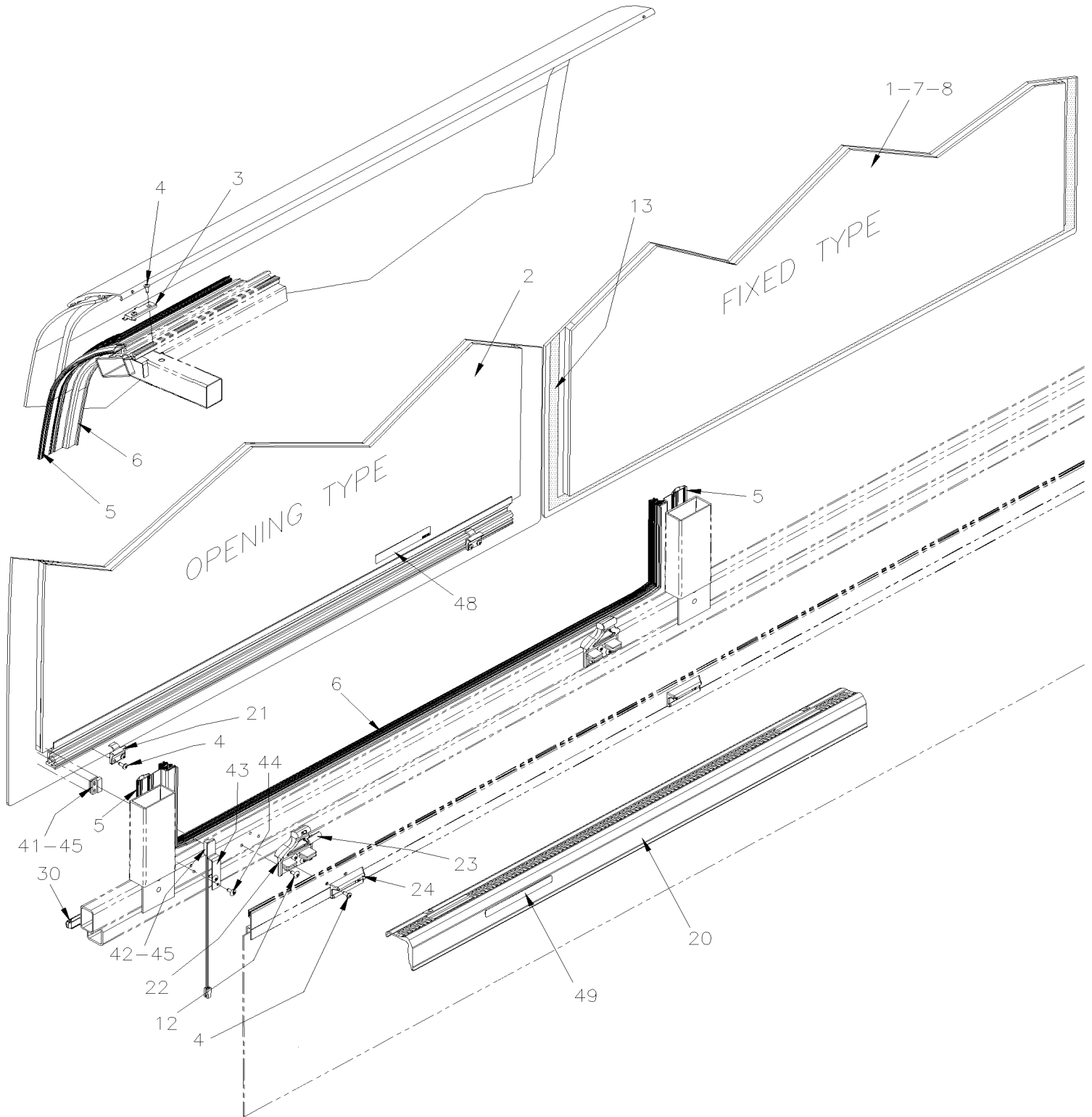


From B-5003 To D-5489

Date:10/2022

PAGE:XV-1884-50

SIDE WINDOW





| | | |
|------------------------------|---------------------|------------------------|
| From B-5003 To D-5489 | Date:10/2022 | PAGE:XV-1884-50 |
|------------------------------|---------------------|------------------------|

SIDE WINDOW

| Item# | Part | Description | X 3 V I P | X L I I E N T 4 5 | N O T E S |
|-------|---------|---|-----------------------|---|-----------------------|
| 1 | 297084 | GLASS ASSY, SINGLE 13% / 1287.4MM / W/86" & 89" MTH | AR | AR | |
| 1 | 297083 | GLASS ASSY, THERMOS 13% / 1287.4MM / W/86" & 89" MTH | AR | AR | |
| 2 | 294104 | GLASS ASSY, SINGLE 13% / OPEN TYPE / 1287.4M/ W/86" MTH | 2 | 2 | |
| NS | 293290 | . STRAP NYLON 108MM | 2 | 2 | C |
| NS | 5001889 | . SCREW TC FL PH #12-24x1/2 ZP | 2 | 2 | C |
| NS | 502573 | . WASHER FL 6.4x12.5x1.6 SS | 2 | 2 | C |
| 3 | 293124 | STOPPER BLOCK | 4 | 4 | |
| 3 | 293125 | STOPPER BLOCK SEPARATOR / 2 GLASS | 16 | 16 | |
| 4 | 500611 | SCREW TC PAN PH #10-24x1/2 Z050 | AR | AR | |
| 5 | 293136 | RUBBER SEAL 1391MM W/86" & 89" | 2 | 2 | |
| NS | 507000 | TAPE RUB ADH2 POL 3/16" x 1/4" x 50' / BLACK V2206 | AR | AR | |
| NS | 507087 | TAPE RUB ADH1 NEO BLACK 1/4"X3/8"X1/2"LG | AR | AR | |
| 6 | 294107P | FRAME W/WINDOW SEAL ASSY / WITH OPEN TYPE ONLY | 1 | 1 | C |
| . NS | 294106 | . FRAME FIBERGLASS SEAL SUPPORT | 1 | 1 | C |
| . NS | 294108 | . WINDOW SEAL / WITH OPEN TYPE ONLY 1249MM X 1219MM | 1 | 1 | C |
| . NS | 685124 | . ADHESIVE SIMSON #ISR 70-03 / BLACK / 600ml SAUSAGE | AR | AR | C |
| NS | 684743 | GLUE METHACRYLATE PLEXUS MA832GB 380 ml | AR | AR | C |
| NS | 685124 | ADHESIVE SIMSON #ISR 70-03 / BLACK / 600ml SAUSAGE | AR | AR | C |
| NS | 684517 | ADHESIVE SIMSON #ISR 70-03 / GREY / 310ml CARTRIDGE | AR | AR | C |
| 7 | 297085 | GLASS ASSY, SINGLE 13% / UPPER / 1287.4MM / W/86" MTH | 1 | 1 | |
| 7 | 293906 | GLASS ASSY, THERMOS 13% / UPPER / 1287.4MM / W/86" MTH | 1 | 1 | |
| 8 | 293328 | GLASS ASSY, SINGLE 13% / 685.7MM / W/86" MTH | 1 | 1 | |
| 8 | 293329 | GLASS ASSY, THERMOS 13% / 685.7MM / W/86" MTH | 1 | 1 | |
| 12 | 504249 | RIVET CHY Q PRDG 3/16x3/8 SS | AR | AR | C |
| 13 | 683097 | CLEANER SIKA #205 / CLEAR / 1000ml | AR | AR | |
| 13 | 683446 | PRIMER SIKA #206 / BLACK / 1000ml | AR | AR | |
| 13 | 684685 | ADHESIVE SIMSON #ISR 70-03 / 310ml CARTRIDGE | AR | AR | |
| 13 | 683083 | ADHESIVE SIKA #252 / BLACK / 600 ml SAUSAGE | AR | AR | |
| 13 | 687957 | GLUE MS POLYMER TEROSON MS 9399 / 400ml CARTRIDGE | AR | AR | |
| 13 | 687958 | MIXER QUADRO 10.7MM W/"V" ADAPTOR / "B" | AR | AR | |
| 20 | 293284 | HANDLE WINDOW OPENING 1098MM | 2 | 2 | C |
| 21 | 791007 | SUPPORT W/STOPPER (ONE PIECE) | 4 | 4 | C |
| 22 | 293235 | SUPPORT | 4 | 4 | C |
| 23 | 292837 | CUSHION 2.0MM TH / BLACK PLASTIC | 4 | 4 | C |
| 23 | 298215 | CUSHION / BLACK PLASTIC / 1.5MM TH | AR | AR | C |
| 23 | 298225 | CUSHION / BLACK PLASTIC / 2.5MM TH | AR | AR | C |
| 23 | 680066 | ADHESIVE / ADBOND #5014 / 23.6ML BOTTLE | AR | AR | C |
| 24 | 293975 | PROTECTOR | 4 | 4 | C |
| 30 | 293281 | RUBBER SEAL EXTRUSION / ADHESIVE / LOWER WINDOW | AR | AR | C |
| 41 | 064679 | MAGNET SENSOR ASSY W/TAPE DUAL LOCK | 2 | 2 | C |
| 42 | 064678 | SWITCH MAGNETIC ASSY W/TAPE DUAL LOCK | 2 | 2 | C |



| | | |
|------------------------------|---------------------|------------------------|
| From B-5003 To D-5489 | Date:10/2022 | PAGE:XV-1884-50 |
| SIDE WINDOW | | |

| Item# | Part | Description | X 3 V I P | X L I I E N T 4 5 | N O T E S |
|-------|-------------------|---|-----------------------|---|-----------------------|
| 43 | 293345 | SUPPORT / SWITCH MAGNETIC | 2 | 2 | C |
| 44 | 504793 | RIVET MNB OE LARGE HEAD 3/16x7/16 SS | 4 | 4 | C |
| 45 | 680415 | TAPE ADHESIVE 3" WIDE BLUE | AR | AR | C |
| 45 | 685089 | TAPE ADHESIVE RED 60MMx60M | AR | AR | C |
| 48 | 408206 | DECAL / "EMERGENCY EXIT" / ENGLISH | 1 | 1 | C |
| 49 | 408209 | DECAL 1.PULL UP BAR 2. PUSH OUT WINDOW" / ENGLISH | 1 | 1 | C |
| 50 | XV-1884-90 | SIDE WINDOW - "SLIDE-OUT" | 1 | 1 | |
| 51 | XV-1884-65 | ELECTRICAL AWNING WINDOW ASSY | 1 | 1 | |
| 52 | XV-1884-80 | ELECTRICAL SLIDING WINDOW ASSY | 1 | 1 | |
| 53 | XV-1854-50 | UPPER FIBERGLASS SIDE PANELING - MTH BETWEEN SIDE WINDOW | 1 | 1 | |
| 90 | 293736 | GLASS ASSY, THERMOS 685.7MM W/86" / STREETSIDE 685.7MM x 1382.6MM | 1 | 1 | S |
| | | | | | |
| | | | | | |
| | | | | | |
| | | | | | |
| | | C) OPEN TYPE ONLY | | | |
| | | S) USE ONLY WITH FRONT "SLIDE-OUT" | | | |

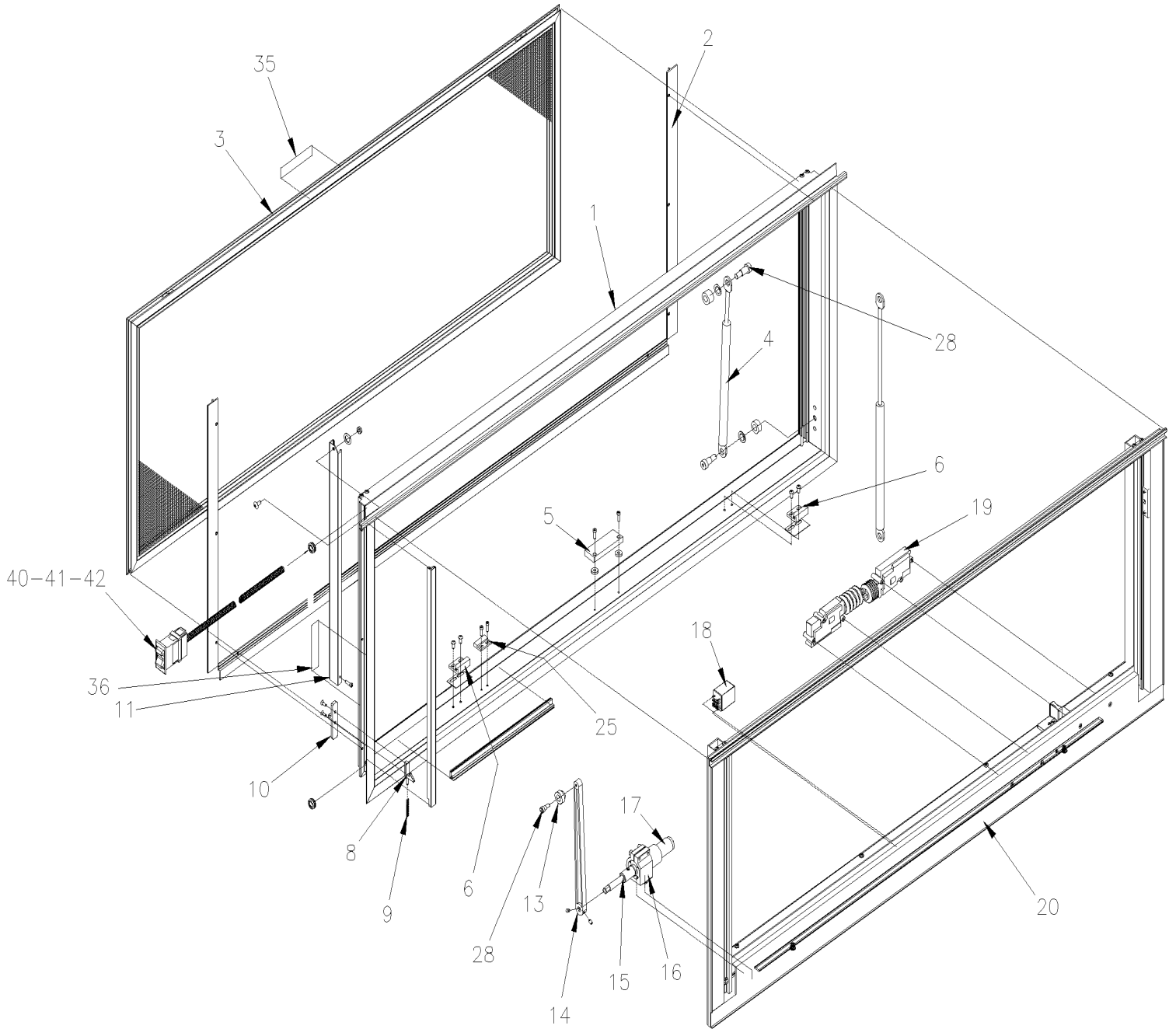


From B-5003 To D-5489

Date:10/2022

PAGE:XV-1884-65

ELECTRICAL AWNING WINDOW ASSY



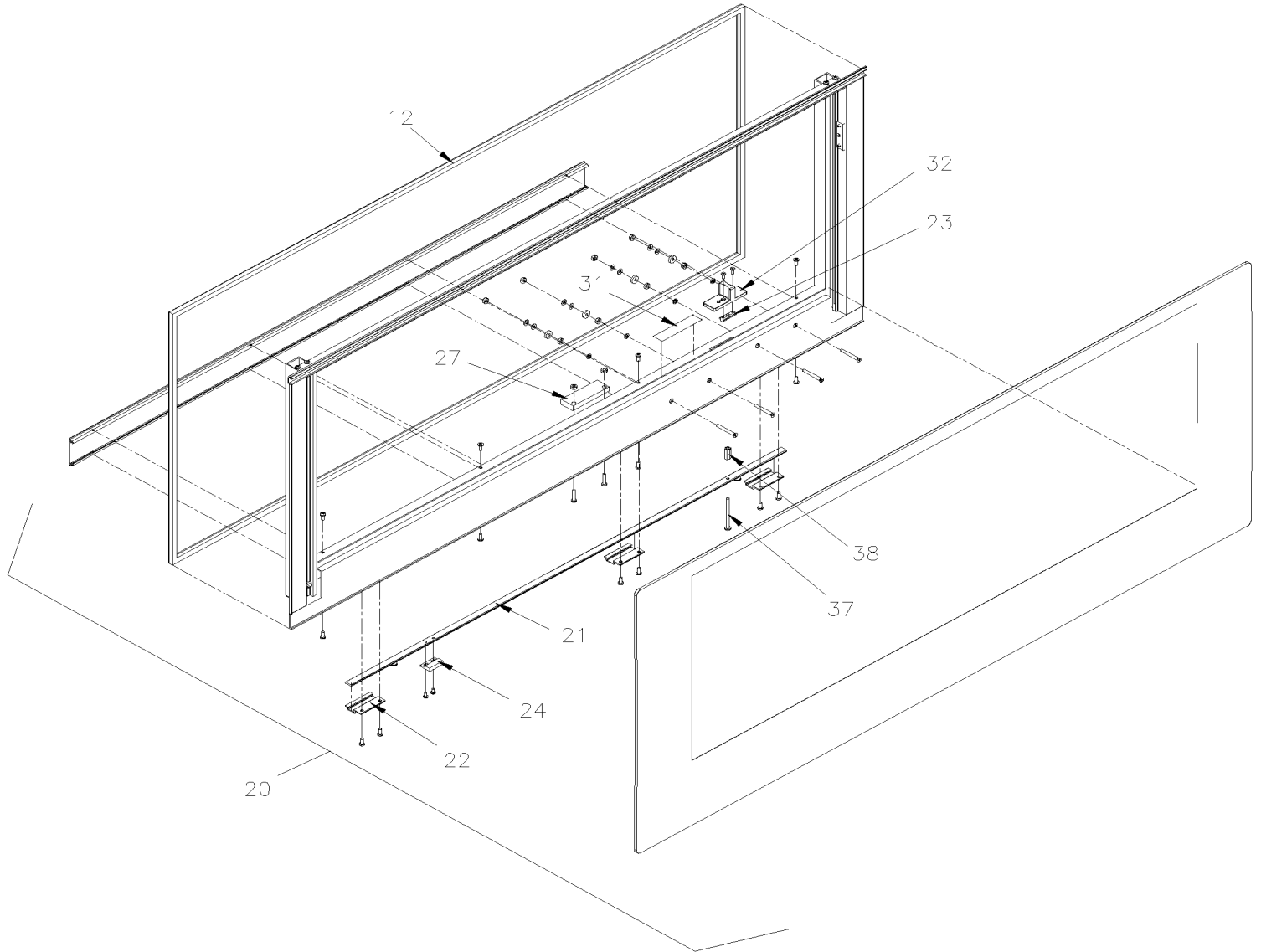


From B-5003 To D-5489

Date:10/2022

PAGE:XV-1884-65

ELECTRICAL AWNING WINDOW ASSY





From B-5003 To D-5489 Date:10/2022 PAGE:XV-1884-65

ELECTRICAL AWNING WINDOW ASSY

| Item# | Part | Description | X 3 V I P | X L I I E N T 4 5 | N O T E S |
|-------|----------|--|-----------------------|---|-----------------------|
| | 790613 | AWNING WINDOW ASSY / W/REMOTE SWITCH OPERATING | 1 | 1 | |
| | 790614 | AWNING WINDOW ASSY / W/REMOTE SWITCH OPERATING | 1 | | A |
| 1 | 790595 | . FRAME ASSY | 1 | 1 | |
| 2 | 790568 | . RETAINING RING | 1 | 1 | |
| 2 | 790569 | . RETAINING RING | 1 | | A |
| 3 | 790571 | . SCREEN / XL-II 45" x 18 1/2" | 1 | 1 | |
| 4 | 790578 | . CYLINDER | 1 | 1 | |
| 5 | 563442 | . PROXIMITY SWITCH MAGNET | 1 | 1 | |
| 6 | 790609 | . TIE BAR KEEPER | 1 | 1 | |
| NS | 790611 | . SHIM KEEPER | 1 | 1 | |
| 8 | 790574 | . TRACK LATCH | 1 | 1 | |
| 9 | 790575 | . SPRING | 1 | 1 | |
| 10 | 790582 | . RELEASE LATCH HANDLE / RED / SASH | 1 | 1 | |
| 11 | 790581 | . TRACK ROLLER | 1 | 1 | |
| 12 | 790579 | . SEAL | 12 | 12 | |
| 13 | 790586 | . ROLLER | 1 | 1 | |
| 14 | 790585 | . ARM | 1 | 1 | |
| NS | 790045 | . SET SCREW 10-32X1/4 S/S | 1 | 1 | |
| 15 | 790587 | . MOTOR COUPLER | 1 | 1 | |
| 16 | 790619 | . MOTOR ASSY W/MOTOR MOUNT / SMALL O.D. | 1 | 1 | E |
| 16 | N.P.N. | . . MOTOR / SMALL O.D. | 1 | 1 | 4 |
| 17 | N.P.N. | . . MOTOR MOUNT / SMALL O.D. | 1 | 1 | 4 |
| 18 | 563444 | . RELAY 24V | 1 | 1 | |
| 19 | 790592 | . ACTUATOR | 2 | 2 | |
| 20 | 790548 | . GLASS ASSY W/AWNING FRAME | 1 | 1 | |
| 21 | 790583 | . TIE BAR XL | 1 | 1 | |
| 22 | 790584 | . GUIDE | 2 | 2 | |
| 23 | 790580 | . RELEASE LATCH GUIDE | 1 | 1 | |
| 24 | 562641 | . MAGNET | .1 | .1 | |
| 25 | 562640 | . SWITCH MAGNETIC | 1 | 1 | |
| 26 | N8888119 | . SCREW #8-32 X 0.38 | AR | AR | |
| 27 | 563443 | . PROXIMITY SWITCH SENSOR | 1 | 1 | |
| 28 | 790996 | . SHOULDER BOLT | 3 | 3 | |
| 30 | 790598 | . DECAL / OPEN-CLOSE | 1 | 1 | |
| 31 | 790601 | . DECAL / "EMERGENCY EXIT" # 3 | 1 | 1 | |
| 32 | 790620 | . RELEASE LATCH HANDLE / RED / FRAME | 1 | 1 | |
| 35 | 790599 | . DECAL / "EMERGENCY EXIT" # 1 / PULL SCREEN | 1 | 1 | |
| 36 | 790600 | . DECAL / "EMERGENCY EXIT" # 2 | 1 | 1 | |
| 37 | 790012 | . SCREW MA PAN PH #10-32x2 1/4 SS | 1 | 1 | |
| 38 | 790013 | . COUPLING #10-32x5/16 OD x3/4 ZP | 1 | 1 | |
| 40 | 563570 | . CABLE ASSY WITH ROCKER SWITCH AND HARNESS / W/XL2 & H3 | 1 | 1 | B |
| NS | 293854 | . SUPPORT SWITCH / REMOTE OPERATIONAL MODEL | 1 | 1 | |



| | | |
|--------------------------------------|--------------|-----------------|
| From B-5003 To D-5489 | Date:10/2022 | PAGE:XV-1884-65 |
| ELECTRICAL AWNING WINDOW ASSY | | |

| Item# | Part | Description | X 3 V I P | X L I I E N T 4 5 | N O T E S |
|-------|---------|---|-----------------------|---|-----------------------|
| 41 | 563571 | . SWITCH / M/ON-OFF-M/ON S.P.D.T. | 1 | 1 | |
| 42 | 563572 | . CAP / "OPEN - CLOSE" | 1 | 1 | |
| NS | 066029 | CABLE ASSY / POWER AWNING EXTENTION 3M | 1 | 1 | |
| NS | 7770423 | MASK FOR WINDOW MTH | 1 | 1 | |
| | | A) WITH "SLIDE-OUT" | | | |
| | | B) THIS SWITCH ASSY COULD BE USE FROM 5-8624 | | | |
| | | E) INCLUDE ITEMS # 15,16 & 17 WITH ELECTRICAL CONNECTOR | | | |
| | | 4) NO PARTS NUMBER | | | |

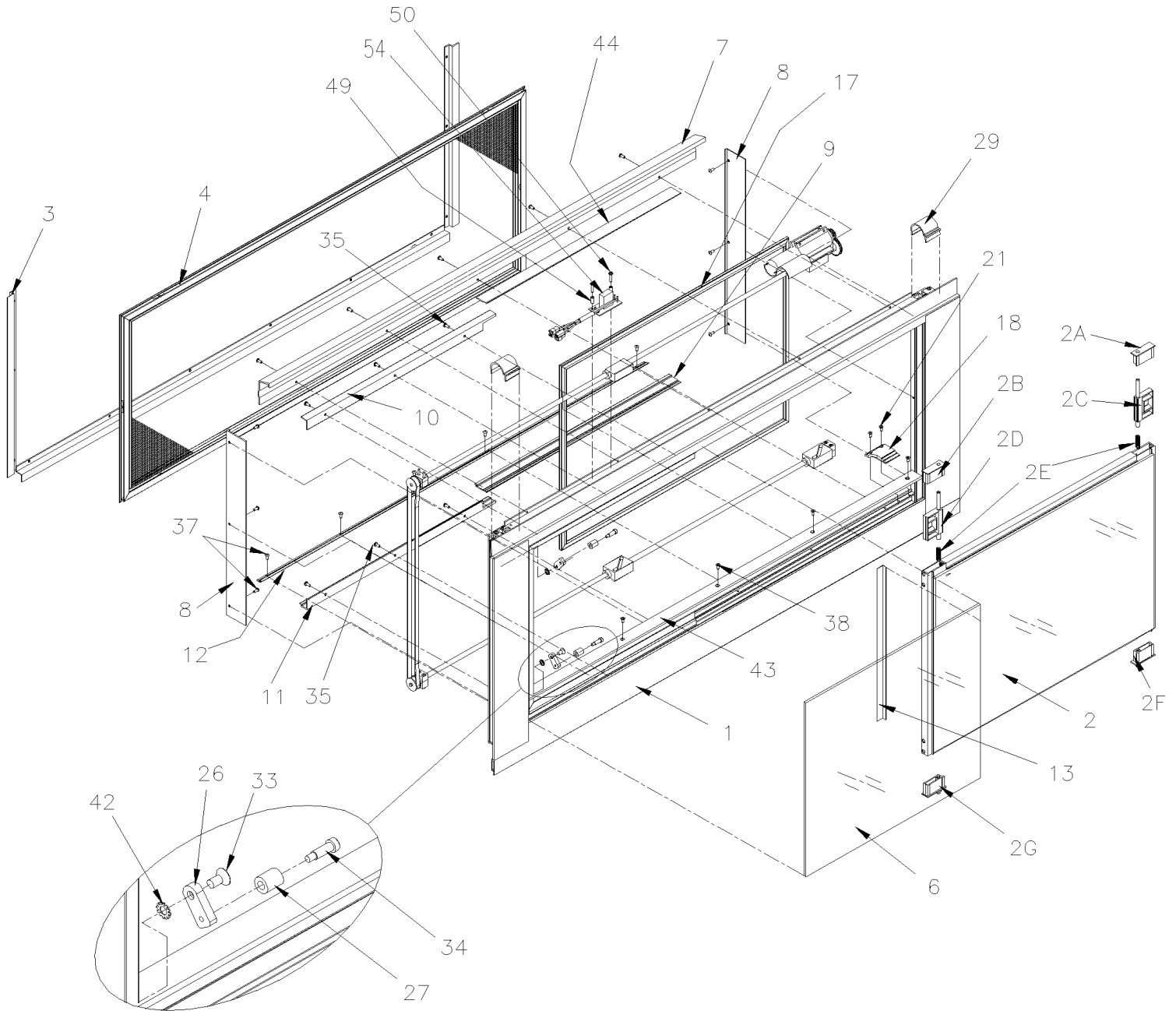


From B-5003 To D-5489

Date:10/2022

PAGE:XV-1884-80

ELECTRICAL SLIDING WINDOW ASSY



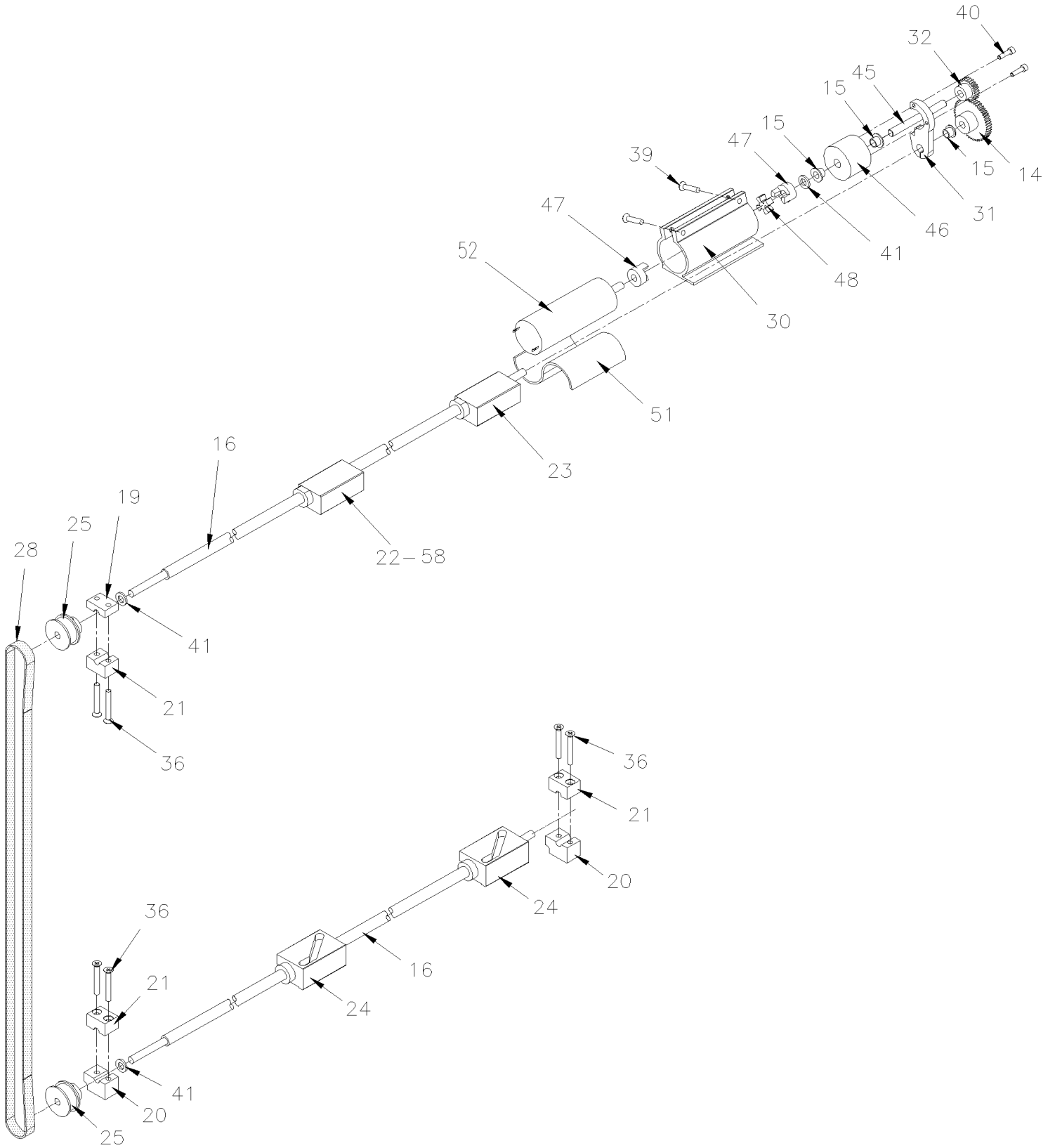


From B-5003 To D-5489

Date:10/2022

PAGE:XV-1884-80

ELECTRICAL SLIDING WINDOW ASSY





From B-5003 To D-5489 Date:10/2022 PAGE:XV-1884-80

ELECTRICAL SLIDING WINDOW ASSY

| Item# | Part | Description | X 3 V I P | X L I I E N T 4 5 | N O T E S |
|-------|--------|---|-----------------------|---|-----------------------|
| | 791005 | ELECTRICAL SLIDING WINDOW ASSY | 1 | 1 | |
| NS | 293911 | CLAMPRING, POWER SLIDER WINDOW | | 1 | |
| NS | 500657 | SCREW TC TR PH #10-24x1/2 Z050 | | 6 | |
| 1 | 790711 | . FRAME COMPONENT ASSY | 1 | 1 | |
| 2 | 790713 | . SASH ASSY - 5MM T GRAY/4mm T CLR | 1 | 1 | |
| . A | 790751 | . . SASH INSERT - RH UPPER / LH LOWER | 1 | 1 | |
| . B | 790750 | . . SASH INSERT - LH UPPER / RH LOWER | 1 | 1 | |
| . C | 790728 | . . RELEASE LATCH ASSY - RH | 1 | 1 | |
| . D | 790727 | . . RELEASE LATCH ASSY - LH | 1 | 1 | |
| . E | 790752 | . . SPRING RELEASE LATCH | 2 | 2 | |
| . F | 790732 | . . FIXED SASH INSERT ASSY - RH | 1 | 1 | |
| . G | 790730 | . . FIXED SASH INSERT ASSY - LH | 1 | 1 | |
| 3 | 790717 | . CLAMPRING ASSY | 1 | 1 | |
| 4 | 790719 | . SCREEN ASSY | 1 | 1 | |
| 6 | 790707 | . GLASS ASSY-5MM T GRAY/4mm T CLR-XL2-FIXED | 1 | 1 | |
| 7 | 790709 | . COVER HEADER ACCESS | 1 | 1 | |
| 8 | 790714 | . JAMB COVER | 2 | 2 | |
| 9 | 790729 | . COVER SASH GUIDE - SILL | 2 | 2 | |
| 10 | 790734 | . COVER FIXED GUIDE - HEADER | 1 | 1 | |
| 11 | 790737 | . COVER FIXED GUIDE - SILL | 1 | 1 | |
| 12 | 790758 | . COVER INNER GUIDE | 1 | 1 | |
| 13 | 790741 | . FIXED GLAZING ANGLE | 1 | 1 | |
| 14 | 790770 | . SPUR GEAR - 1 1/2" - STAINLESS / W/24Volt Motor | 1 | 1 | |
| 14 | 790780 | . SPUR GEAR - 1 1/4" - STAINLESS / W/30Volt Motor | 1 | 1 | |
| 15 | 790743 | . FLANGE BEARING 0.25" DEPTH | 1 | 1 | |
| 16 | 790744 | . DRIVE SHAFT | 2 | 2 | |
| 17 | 790778 | . D-SEAL EPDM SPONGE (PER FT) | AR | AR | |
| 18 | 790746 | . SASH END STOP | 1 | 1 | |
| 19 | 790747 | . BLOCK BASE SUPPORT SHAFT - UPPER | 1 | 1 | |
| 20 | 790748 | . BLOCK BASE SUPPORT SHAFT - LOWER | 2 | 2 | |
| 21 | 790749 | . CAP SUPPORT BLOCK SHAFT | 3 | 3 | |
| 22 | 790724 | . FOLLOWER CAM ASSY - UPPER w/ MAGNET | 1 | 1 | |
| . NS | 790015 | . . BUSHING INSERT | 1 | 1 | |
| 23 | 790725 | . FOLLOWER CAM ASSY - UPPER | 1 | 1 | |
| . NS | 790015 | . . BUSHING INSERT | 1 | 1 | |
| 24 | 790726 | . FOLLOWER CAM ASSY - LOWER | 2 | 2 | |
| . NS | 790015 | . . BUSHING INSERT | 1 | 1 | |
| 25 | 790753 | . PULLEY | 2 | 2 | |
| 26 | 790754 | . BRACKET TENSIONER | 2 | 2 | |
| 27 | 790755 | . ROLLER TENSIONER | 2 | 2 | |
| 28 | 790756 | . DRIVE BELT | 1 | 1 | |
| 29 | 790757 | . COVER, GEAR | 1 | 1 | |



From B-5003 To D-5489 Date:10/2022 PAGE:XV-1884-80

ELECTRICAL SLIDING WINDOW ASSY

| Item# | Part | Description | X 3 V I P | X L I I E N T 4 5 | N O T E S |
|--------|--------|--|-----------------------|---|-----------------------|
| 30 | 790740 | . MOTOR MOUNT | 1 | 1 | |
| 31 | 790742 | . MOTOR MOUNT END PLATE | 1 | 1 | |
| 32 | 790769 | . SPUR GEAR - 3/4" - ACETAL / W/24Volt Motor | 1 | 1 | |
| 32 | 790781 | . SPUR GEAR - 1" - ACETAL / W/30Volt Motor | 1 | 1 | |
| 33 | N.P.N. | . SCREW CAP FL HEXS 1/4-20 x 1/2 | 2 | 2 | 4 |
| 34 | N.P.N. | . SCREW SHR CAP HEX .250x.625 | 2 | 2 | 4 |
| 35 | 500883 | . SCREW TC PAN PH #8-32x3/8 Z050 | 6 | 6 | |
| 36 | 500887 | . SCREW MA FL PH #8-32x1 1/4 SS | 6 | 6 | |
| 37 | 790704 | . SCREW CAP BUT HEXS #8-32x3/8 420 S/S BLACK OX | 19 | 19 | |
| 38 | 790702 | . SCREW MA FL PH #8-32x3/8 410 S/S BLACK OX | 7 | 7 | |
| 39 | 790703 | . SCREW MA FL PH #8-32x7/8 TYPE 23 410 SS | 2 | 2 | |
| 40 | 790773 | . SCREW CAP HEXS M3-0.5x9.5 SS | 2 | 2 | |
| 41 | 790774 | . WASHER FL .250x.470x .065 | 2 | 2 | |
| 42 | 790775 | . WASHER LO EXT .250x.500x.187 SS | 2 | 2 | |
| 43 | 790760 | . STRIP ANTI FRICTION | 1 | 1 | |
| 44 | 790762 | . COVER SASH GUIDE - HEADER | 1 | 1 | |
| 45 | 790767 | . OUTPUT SHAFT | 1 | 1 | |
| 46 | 790768 | . SUPPORT OUTPUT SHAFT | 1 | 1 | |
| 47 | 790766 | . JAW COUPLER | 2 | 2 | |
| 48 | 790765 | . SPIDER | 1 | 1 | |
| 49 | 790772 | . SPACER SLEEVE | 2 | 2 | |
| 50 | 790700 | . SCREW MA PAN PH #8-32x7/8 TYPE 23 410 SS | 1 | 1 | |
| 51 | 790771 | . PAD VIBRATION DAMPER | 1 | 1 | |
| 52 | 790738 | MOTOR ELECTRIC 24V ASSY / W/CABLE | 1 | 1 | |
| 52 | 790779 | . MOTOR ELECTRIC 30V ASSY | 1 | 1 | |
| 53 | 790736 | CABLE ASSY W/CAPACITOR / MOTOR 24V | 1 | 1 | |
| . NS | 790721 | . FRAME WIRING HARNESS WITH RELAY ASSY | 1 | 1 | |
| . . NS | 790002 | . . RELAY | 1 | 1 | |
| . NS | 790722 | . POWER WIRING HARNESS ASSY | 1 | 1 | |
| . NS | 790738 | . MOTOR ELECTRIC 24V ASSY / W/CABLE | 1 | 1 | |
| . NS | 790723 | . PROXIMITY SENSOR ASSY | 2 | 2 | |
| . NS | 563570 | . CABLE ASSY WITH ROCKER SWITCH AND HARNESS / W/XL2 & H3 | 1 | 1 | |
| . NS | 790764 | . VOLTAGE REGULATOR | 1 | 1 | |
| NS | 790721 | . FRAME WIRING HARNESS WITH RELAY ASSY | 1 | 1 | |
| . NS | 790002 | . . RELAY | 1 | 1 | |
| 55 | 790780 | SPUR GEAR - 1 1/4" - STAINLESS / W/30Volt Motor | 1 | 1 | |
| 56 | 790781 | SPUR GEAR - 1" - ACETAL / W/30Volt Motor | 1 | 1 | |
| 57 | 790779 | MOTOR ELECTRIC 30V ASSY | 1 | 1 | |
| 58 | 790723 | PROXIMITY SENSOR ASSY | 1 | 1 | |
| NS | 790599 | DECAL / "EMERGENCY EXIT" # 1 / PULL SCREEN | 1 | 1 | |
| NS | 790600 | DECAL / "EMERGENCY EXIT" # 2 | 1 | 1 | |



| | | |
|-----------------------|--------------|-----------------|
| From B-5003 To D-5489 | Date:10/2022 | PAGE:XV-1884-80 |
|-----------------------|--------------|-----------------|

ELECTRICAL SLIDING WINDOW ASSY

| Item# | Part | Description | X 3 V I P | X L I I E N T 4 5 | N O T E S |
|-------|------|--------------------|-----------------------|---|-----------------------|
| | | | | | |
| | | | | | |
| | | 4) NO PARTS NUMBER | | | |

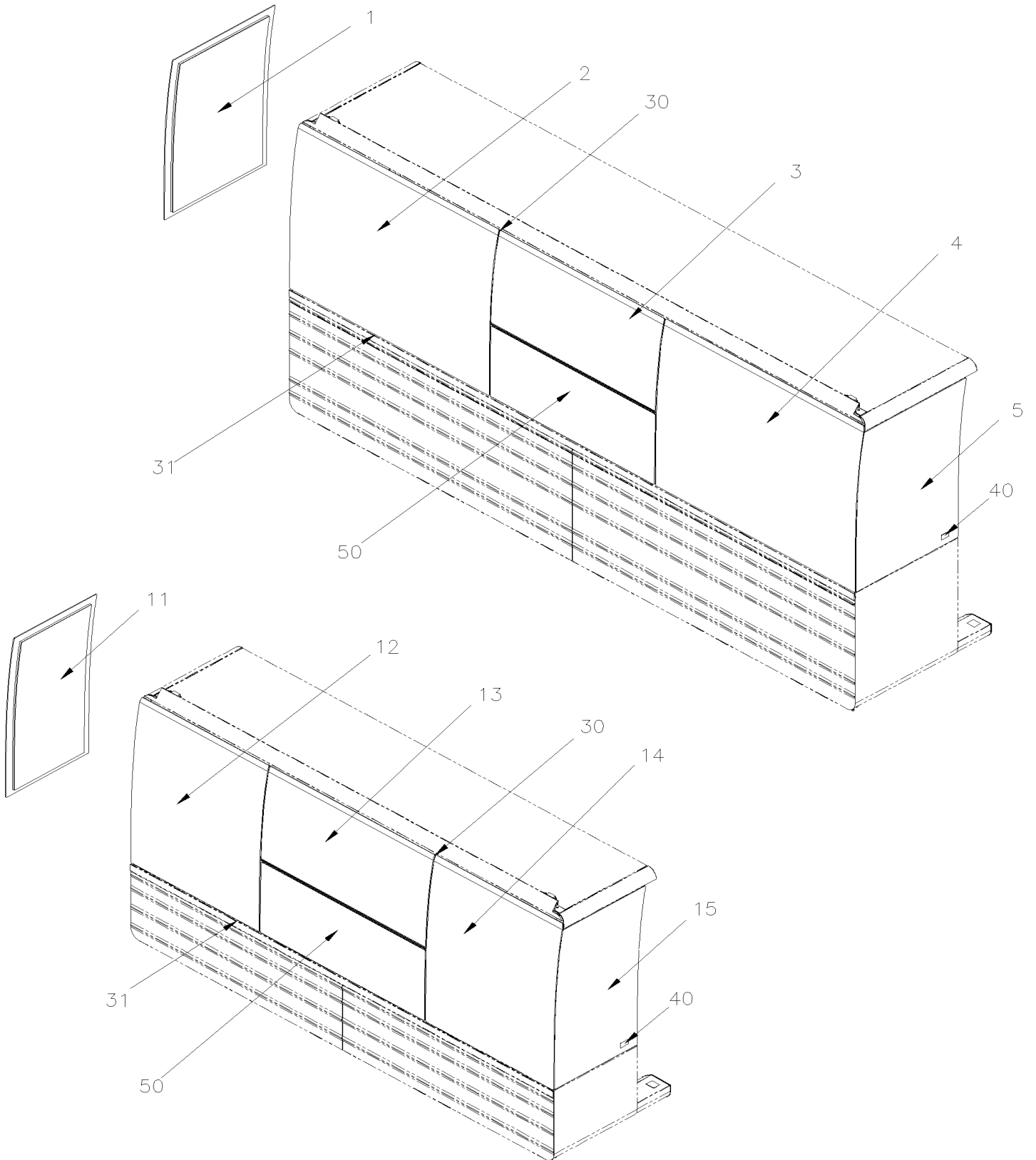


From B-5003 To D-5489

Date:10/2022

PAGE:XV-1884-90

SIDE WINDOW - "SLIDE-OUT"



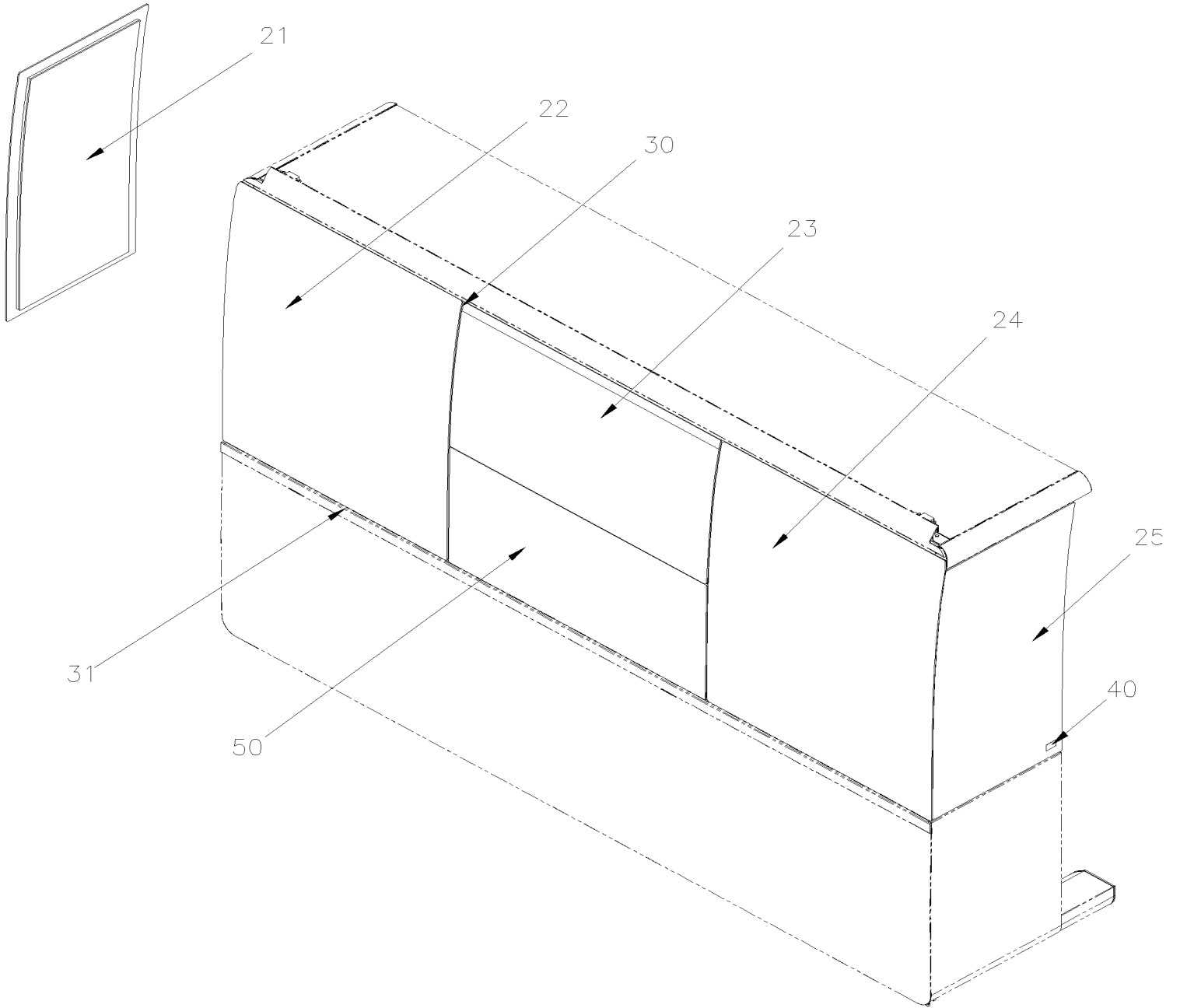


From B-5003 To D-5489

Date:10/2022

PAGE:XV-1884-90

SIDE WINDOW - "SLIDE-OUT"



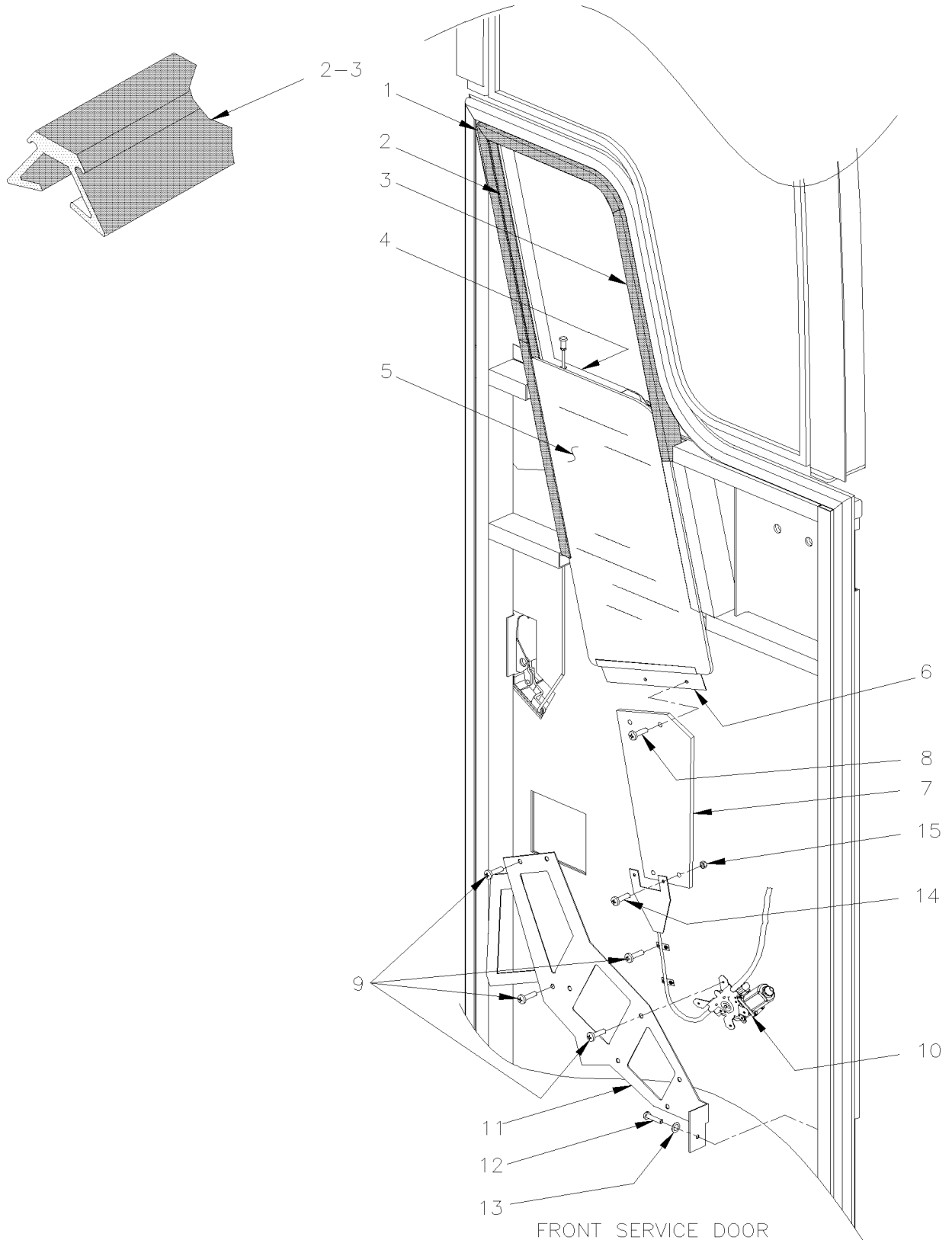


From B-5003 To D-5489

Date:10/2022

PAGE:XV-1886-00

POWER WINDOW - ELECTRICAL INSTALLATION



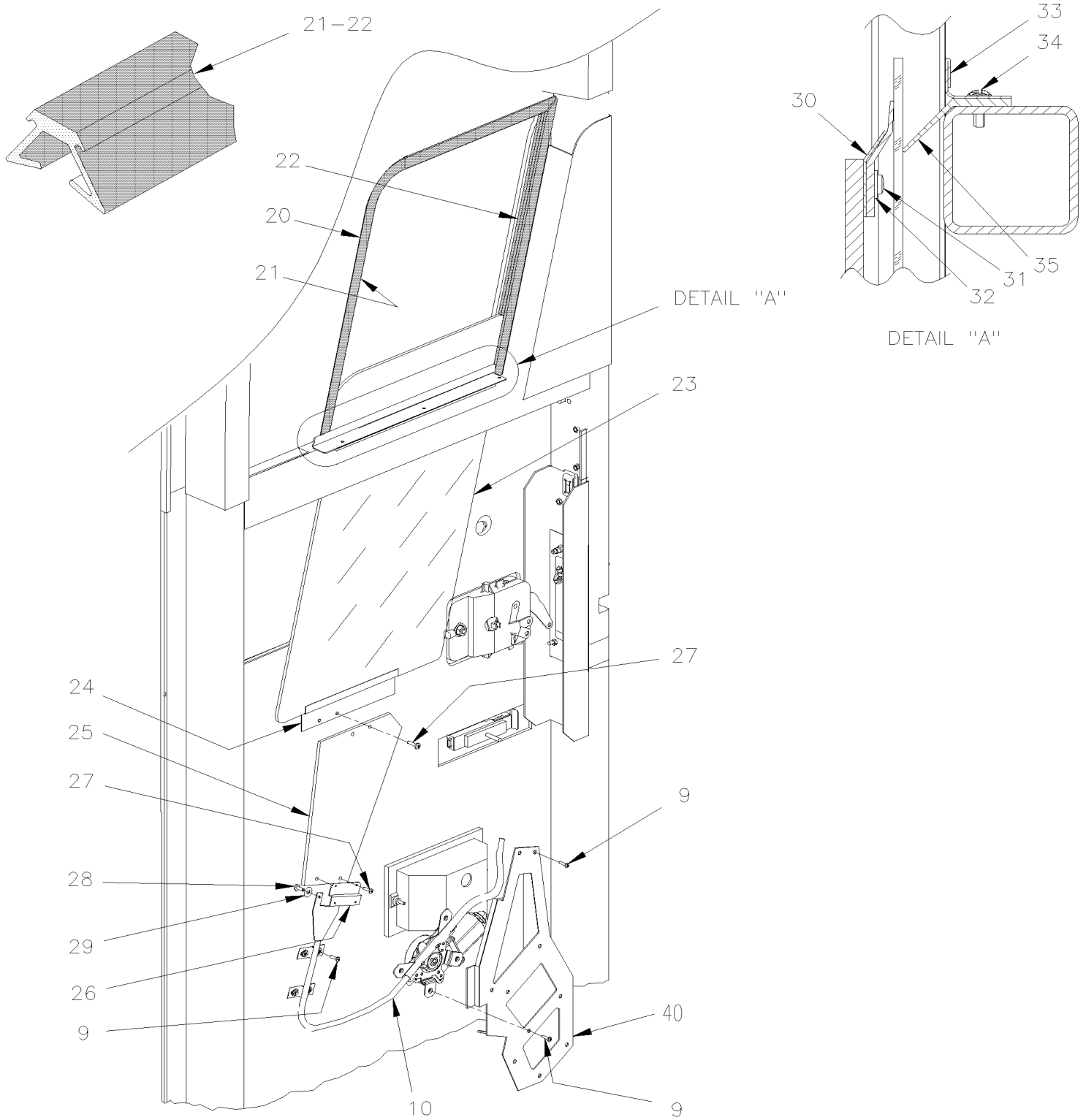


From B-5003 To D-5489

Date:10/2022

PAGE:XV-1886-00

POWER WINDOW - ELECTRICAL INSTALLATION



ENTRANCE DOOR - MTH



| | | |
|------------------------------|---------------------|------------------------|
| From B-5003 To D-5489 | Date:10/2022 | PAGE:XV-1886-00 |
|------------------------------|---------------------|------------------------|

POWER WINDOW - ELECTRICAL INSTALLATION

| Item# | Part | Description | X 3 V I P | X L I I E N T 4 5 | N O T E S |
|-------|---------|--|-----------------------|---|-----------------------|
| | | THIS ELECTRICAL WINDOW FIT ALSO ON MTH-40' SERVICE | | | |
| 1 | 285983 | WINDOW TRACK | 1 | 1 | |
| 2 | 286440 | FELT SLIDING 677MM | 1 | 1 | |
| 3 | 286439 | FELT SLIDING 930MM | 1 | 1 | |
| 4 | 286419 | FLAP SEAL / 25MM x 260MM | 2 | 2 | |
| 5 | 286212 | GLASS ASSY W/SUPPORT | 1 | 1 | |
| 6 | 293194 | . SUPPORT ASSY | 1 | 1 | |
| 7 | 293857 | SUPPORT TRANSITION PLASTIC / MTH 89" ONLY | 1 | 1 | |
| 8 | 5001633 | SCREW MA FL PH M6-1.0x12 Z050 | 2 | 2 | |
| 9 | 500541 | SCREW MA FL PH 1/4-20x1/2 SS BK | 8 | 8 | |
| 10 | 790500 | MOTOR & REGULATOR ASSY / SERIES "XL-II" | 1 | 1 | |
| 11 | 293850 | SUPPORT MOTOR SERVICE DOOR / MTH 86" & 89" | 1 | 1 | |
| 12 | 502857 | WASHER LO SERR 8.2x26.3x1.8 N500 | 1 | 1 | |
| 13 | 5001433 | SCREW CAP HEX M6-1.0x25 SS | 1 | 1 | |
| 14 | 955271 | SCREW CAP HEX M6-1.0x16 G8.8 ZG603 | 2 | 2 | |
| 15 | 5001182 | NUT HEX NYRT M6-1.0 SS | 2 | 2 | |
| 20 | 293088 | MOULDING | 1 | 1 | |
| 21 | 293211 | FELT SLIDING 923MM | 1 | 1 | |
| 22 | 293210 | FELT SLIDING 597MM | 1 | 1 | |
| 23 | 286196 | GLASS ASSY W/SUPPORT | 1 | 1 | |
| 24 | 299049 | . SUPPORT ASSY | 1 | 1 | |
| 25 | 293861 | SUPPORT TRANSITION PLASTIC / MTH 89" ONLY | 1 | 1 | |
| 26 | 293845 | ATTACHMENT ASSY W/NUTS WINDOW "Z" SHAPE | 1 | 1 | |
| 27 | 5001633 | SCREW MA FL PH M6-1.0x12 Z050 | 4 | 4 | |
| 28 | 5001181 | SCREW CAP HEX M6-1.0x12 SS | 2 | 2 | |
| NS | 502570 | WASHER LO SPT 6.1x11.8x1.6 SS | 2 | 2 | |
| 30 | 286993 | FLAP SEAL GLASS ASSY | 1 | 1 | |
| 30 | 286992 | . FLAP SUPPORT | 1 | 1 | |
| 30 | 288063 | . FLAP SEAL / W/FLOCKING 37.6MM x 335MM | 1 | 1 | |
| 31 | 955223 | SCREW CAP HEX M4-0.7x6 G8.8 ZP | 4 | 4 | |
| 32 | 500989 | WASHER FL .219x.875x.062 Z050 | 4 | 4 | |
| 33 | 286717 | JOINT SUPPORT 345MM SS | 1 | 1 | |
| 34 | 500124 | SCREW TP TR PH #8x1/2 SS | 3 | 3 | |
| 35 | 288063 | FLAP SEAL / W/FLOCKING 37.6MM x 335MM | 1 | 1 | |
| 36 | 502622 | SCREW CAP HEX M6-1.0x20 SS BK | 4 | 4 | |
| 36 | 502573 | WASHER FL 6.4x12.5x1.6 SS | 4 | 4 | |
| 39 | 502806 | SCREW MA FL PH M6-1.0x10 Z050 | 2 | 2 | |
| 40 | 293848 | SUPPORT MOTOR ENTRANCE DOOR / MTH 86" & 89" | 1 | 1 | |
| NS | 680066 | ADHESIVE / ADBOND #5014 / 23.6ML BOTTLE | AR | AR | |
| 50 | 685072 | THREAD LOCKER LOCTITE #243 / BLUE / 5ml | AR | AR | |



| | | |
|-----------------------|--------------|-----------------|
| From B-5003 To D-5489 | Date:10/2022 | PAGE:XV-1886-00 |
|-----------------------|--------------|-----------------|

POWER WINDOW - ELECTRICAL INSTALLATION

| Item# | Part | Description | X 3 V I P | X L I I E N T 4 5 | N O T E S |
|-------|------|-------------|-----------------------|---|-----------------------|
| | | | | | |
| | | | | | |
| | | | | | |

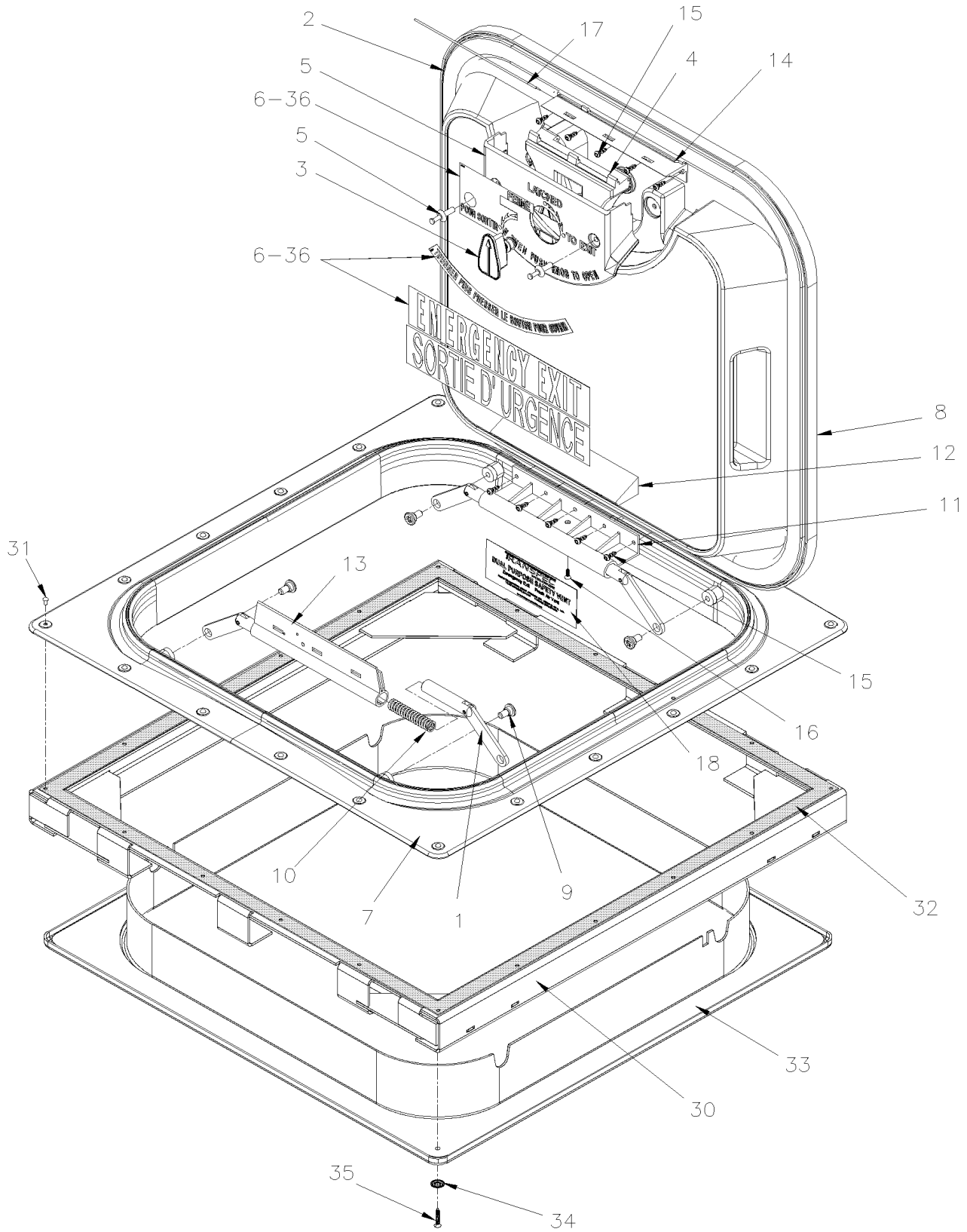


From B-5003 To D-5489

Date:10/2022

PAGE:XV-1898-00

ESCAPE HATCH - INSTALLATION





| | | |
|-----------------------|--------------|-----------------|
| From B-5003 To D-5489 | Date:10/2022 | PAGE:XV-1898-00 |
|-----------------------|--------------|-----------------|

ESCAPE HATCH - INSTALLATION

| Item# | Part | Description | X 3 V I P | X L I I E N T 4 5 | N O T E S |
|-------|----------|---|-----------------------|---|-----------------------|
| | 950396 | HATCH ASSY / 23" X 23" GREY / LOW PROFILE GREY / ENG & FRENCH To C-5114 | | 1 | |
| | 950468 | HATCH ASSY / 23" X 23" GREY / LOW PROFILE GREY / ENG & FRENCH From C-5115 | | 1 | |
| 1 | 790436 | . LINK & LEVER ASSY | | 4 | |
| 2 | 950069 | . SEAL, GASKET KIT | | 1 | |
| 3 | 790663 | . RELEASE KNOB W/SCREW / RED | | 1 | |
| 4 | 790664 | . RELEASE HANDLE ASSY GREY | | 1 | |
| 4 | 790371 | . HANDLE, RELEASE W/SPRING / GREY | | 1 | |
| 5 | 790662 | . RELEASE HINGE SHIELD ASSY GREY To C-5114 | | 1 | |
| 5 | N8893808 | . RELEASE HINGE SHIELD ASSY GREY From C-5115 | | 1 | |
| 6 | 950690 | . DECAL KIT INSTRUCTION / ENGLISH & FRANCAIS | | 1 | |
| 6 | 950698 | . DECAL KIT INSTRUCTION / ENGLISH From C-5115 | | 1 | |
| NS | 403651 | . DECAL, "EMEREGENCY... JAPAN" | | AR | |
| NS | 405775 | . DECAL / BRAILLE / EMERGENCY EXIT ONLY / ENGLISH & FRANCAIS | | AR | |
| 6 | 406161 | . DECAL / DO NOT OPEN... MOTION / ENGLISH & SPANISH | | 1 | |
| 6 | 406329 | . DECAL / DO NOT OPEN... MOTION / ENGLISH & FRANCAIS | | 1 | |
| 7 | 950205 | . FRAME ASSY, EXTERIOR FIBERGLASS / 23" X 23" GREY | | 1 | |
| 8 | 950464 | . COVER ASSY / LOW PROFILE / GREY ENGLISH & FRENCH To C-5114 | | 1 | A |
| 8 | 950478 | . COVER ASSY / LOW PROFILE / THIN GREY ENGLISH & FRENCH From C-5115 | | 1 | A |
| 8 | 950480 | . COVER ASSY / LOW PROFILE / THIN / GREY ENGLISH ONLY From C-5115 | | 1 | A |
| 9 | 790372 | . SCREW SHR HEXS 7/16x3/16 {5/16-18 | | 4 | |
| 9 | 950449 | . SCREW CAP BUT TORX 5/16-18x3/4 BK G8 | | 4 | |
| 9 | 950450 | . SPACER BUSHING 5/16I.D.x 7/16O.D.x 3/16TH | | 4 | |
| 10 | 790449 | . SPRING COMPRESSION / .549 O.D. x 2.590 x .078 | | 4 | |
| 11 | N.S.S. | . HINGE COVER SECTION | | 1 | 1 |
| 12 | N8891498 | . HINGE COVER GREY To C-5114 | | 1 | |
| 12 | 950479 | . HINGE COVER GREY From C-5115 | | 1 | |
| 13 | 790375 | . HINGE, RELEASE / GREY | | 1 | |
| 14 | 6982866 | . HANDLE BASE | | 1 | |
| 15 | N8880007 | . SPECIAL TORX SCREW #10 x 1/2 SS | | 10 | |
| 16 | 7775130 | . SCREW FL PH #8 x 1/2 SS | | 1 | |
| 17 | 950693 | . HINGE PIN SS | | 1 | |
| 18 | N8891500 | DECAL PURPOSE SAFETY VENT | | 1 | |
| | | | | | |
| 30 | 292398 | FRAME ASSY, MOUNTING 23" X 23" | | 1 | |
| NS | 685126 | ADHESIVE SIMSON #ISR 70-03 / GREY / 600ml SAUSAGE | | AR | |
| 31 | 504546 | RIVET CHY MONOLOK PRDG 1/4x5/8 ZP | | 20 | |
| 32 | 685126 | ADHESIVE SIMSON #ISR 70-03 / GREY / 600ml SAUSAGE | | AR | |
| 33 | 291720 | MOULDING, INTERIOR 23" X 23" GREY | | 1 | |
| 34 | 500464 | WASHER FN CKF .210x.540 SS | | 4 | |
| 35 | 500629 | SCREW TP OV PH #8x1 Z050 | | 4 | |
| | | | | | |
| 36 | 297090 | DECAL / "PARA SALIR" / SPANISH | | 1 | |



| | | |
|-----------------------|--------------|-----------------|
| From B-5003 To D-5489 | Date:10/2022 | PAGE:XV-1898-00 |
|-----------------------|--------------|-----------------|

ESCAPE HATCH - INSTALLATION

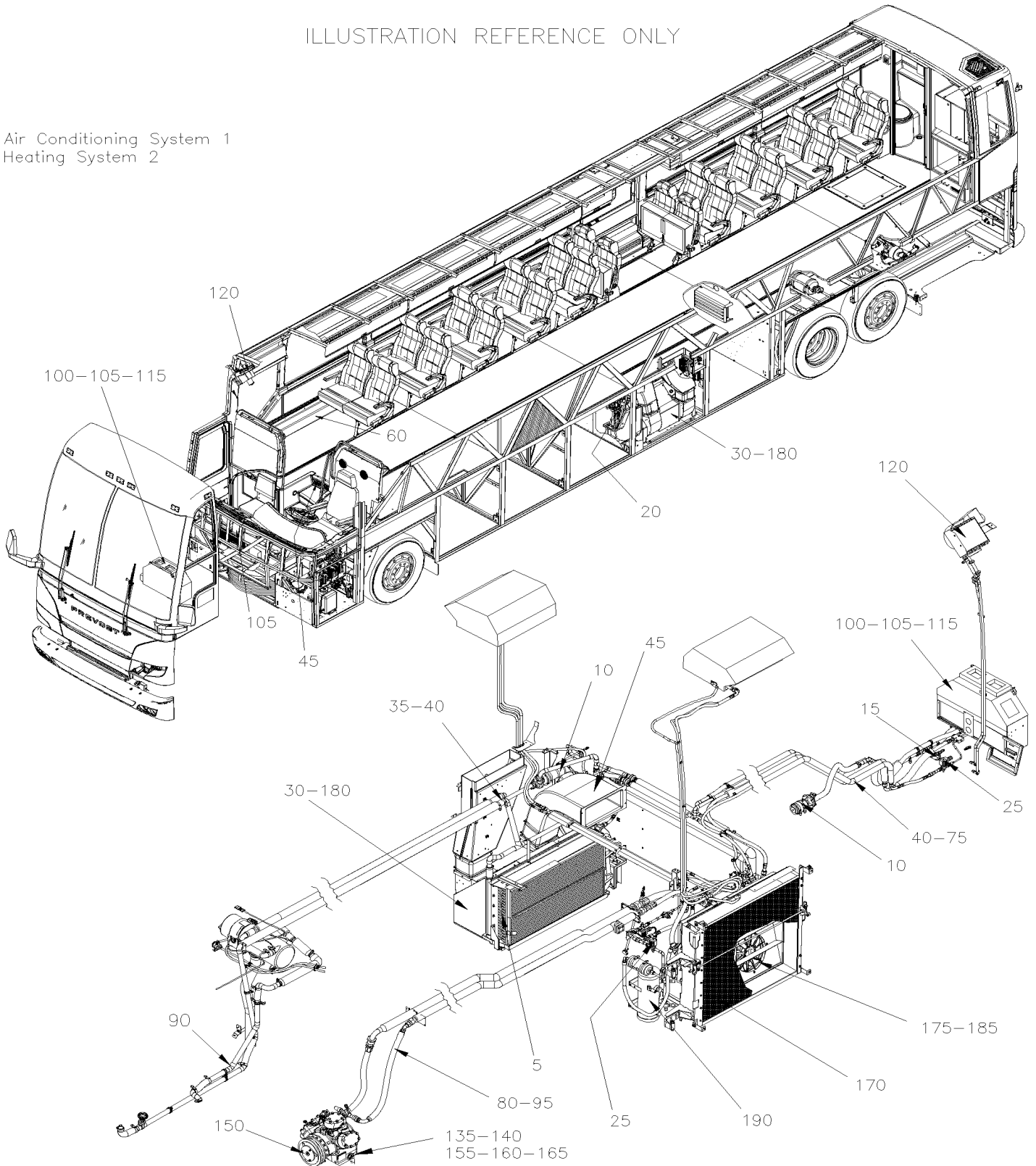
| Item# | Part | Description | X 3 V I P | X L I I E N T 4 5 | N O T E S |
|-------|--------|--|-----------------------|---|-----------------------|
| 36 | 297089 | DECAL / "CERRADO" / SPANISH | | 1 | |
| 36 | 297091 | DECAL / "GIRE Y EMPUHE EL BUTON.. / SPANISH | | 1 | |
| 36 | 297092 | DECAL / "EMERGENCY..." / ENGLISH & SPANISH | | 1 | |
| 36 | 400019 | DECAL / "EMERGENCY..." / ENGLISH & SPANISH & FRANCAIS | | 1 | |
| 36 | 406161 | DECAL / DO NOT OPEN... MOTION / ENGLISH & SPANISH | | 1 | |
| 36 | 400020 | DECAL / DO NOT OPEN... MOTION / ENGLISH & SPANISH & FRANCAIS | | 1 | |
| | | | | | |
| | | | | | |
| | | A) INCLUDED ITEMS 2-3-4-5-6-8-11-12-15-16-17 | | | |
| | | 1) NOT SOLD SEPARATELY | | | |



| | | |
|----------------------------|--------------|-------|
| | Date:10/2022 | XV-22 |
| HEATING & AIR CONDITIONING | | |

ILLUSTRATION REFERENCE ONLY

Air Conditioning System 1
Heating System 2





| | | Date:10/2022 | XV-22 | | |
|----------------------------|------------|---|-----------------------|---|-----------------------|
| HEATING & AIR CONDITIONING | | | | | |
| Item# | Part | Description | X 3 V I P | X L I I E N T 4 5 | N O T E S |
| 1 | XV-2200-00 | AIR CONDITIONING SYSTEM From B-5003 To D-5489 | | | |
| 2 | XV-2200-05 | HEATING SYSTEM From B-5003 To D-5489 | | | |
| 5 | XV-2205-00 | HEATER & EVAPORATOR COIL - INSTALLATION From B-5003 To D-5489 | | | |
| 10 | XV-2206-00 | WATER PUMP #871342 SEALLESS From B-5003 To D-5299 | | | |
| 10 | XV-2206-01 | WATER PUMP #874297 AMETEK From D-5300 To D-5489 | | | |
| 15 | XV-2207-00 | WATER VALVE - HEATER From B-5003 To D-5489 | | | |
| 15 | XV-2207-05 | WATER VALVE - HEATER From B-5003 To D-5489 | | | |
| 15 | XV-2207-99 | WATER VALVE - W/2 WAYS / SERVICE From B-5003 To D-5489 | | | |
| 20 | XV-2208-00 | A/C EXPANSION VALVE From B-5003 To D-5489 | | | |
| 25 | XV-2208-10 | REFRIGERANT SOLENOID VALVE From B-5003 To D-5489 | | | |
| 30 | XV-2210-00 | HEATER & EVAPORATOR BLOWER - INSTALLATION From B-5003 To D-5489 | | | |
| 35 | XV-2210-11 | WATER PUMP - INSTALLATION From B-5003 To D-5489 | | | |
| 40 | XV-2210-20 | WATER PUMP & FILTER - W/SMALL A/C From B-5003 To D-5489 | | | |
| 45 | XV-2220-00 | UNDER FLOOR AIR DUCTING From B-5003 To D-5489 | | | |
| 46 | XV-2221-05 | UNDER FLOOR AIR FILTERS From D-5372 To D-5489 | | | |
| 60 | XV-2221-50 | DUCTING HEATER & A/C - MTH FLOOR From B-5003 To D-5489 | | | |
| 75 | XV-2222-10 | A/C & HEATING LINE FRONT SECTION From B-5003 To D-5489 | | | |
| 80 | XV-2222-15 | A/C LINE REAR SECTION W/05G From B-5003 To D-5458 | | | |
| 80 | XV-2222-16 | A/C LINE REAR SECTION W/ "BITZER" From D-5459 To D-5489 | | | |
| 90 | XV-2222-35 | HEATER LINE REAR SECTION WITH "VOLVO" ENGINE "EPA 2010" From B-5003 To D-5489 | | | |
| 95 | XV-2222-50 | SMALL A/C LINES & HOSES WITH R134A From B-5003 To D-5489 | | | |
| 100 | XV-2225-00 | DRIVER'S HEATER & DEFROSTER ASSY From B-5003 To D-5489 | | | |
| 105 | XV-2230-00 | DEFROSTER - INSTALLATION From B-5003 To D-5489 | | | |
| 120 | XV-2240-10 | UPPER WINDSHIELD FAN - INSTALLATION From B-5003 To D-5489 | | | |
| 135 | XV-2245-00 | A/C COMPRESSOR 05G - INSTALLATION From B-5003 To D-5458 | | | |
| 135 | XV-2245-01 | A/C COMPRESSOR "BITZER" - INSTALLATION From D-5459 To D-5489 | | | |
| 140 | XV-2245-50 | A/C SMALL COMPRESSOR - INSTALLATION From B-5003 To D-5489 | | | |
| 150 | XV-2246-00 | A/C CLUTCH 05G - HOUSING MOUNTED From B-5003 To D-5458 | | | |
| 150 | XV-2246-01 | A/C CLUTCH - WITH "BITZER" COMPRESSOR From D-5459 To D-5489 | | | |
| 155 | XV-2250-00 | A/C COMPRESSOR ASSY 05G - TWIN PORT From B-5003 To D-5458 | | | |
| 155 | XV-2250-01 | A/C COMPRESSOR "BITZER" 4NFCY From D-5459 To D-5489 | | | |
| 160 | XV-2250-15 | A/C ELECTRIC UNLOADER - W/05G COMPRESSOR From B-5003 To D-5458 | | | |
| 160 | XV-2250-16 | A/C ELECTRIC UNLOADER - WITH "BITZER" COMPRESSOR From D-5459 To D-5489 | | | |
| 165 | XV-2251-00 | GASKET - 05G A/C COMPRESSOR From B-5003 To D-5458 | | | |
| 170 | XV-2255-00 | CONDENSOR - INSTALLATION From B-5003 To D-5489 | | | |
| 170 | XV-2255-10 | CONDENSOR - INSTALLATION SMALL A/C SYSTEM From B-5003 To D-5489 | | | |
| 175 | XV-2260-00 | CONDENSOR FANS - INSTALLATION From B-5003 To D-5489 | | | |
| 180 | XV-2265-01 | MOTOR - EVAPORATOR BRUSHLESS From B-5003 To D-5489 | | | |
| 190 | XV-2270-00 | RECEIVER TANK & FILTER DRYER From B-5003 To D-5489 | | | |



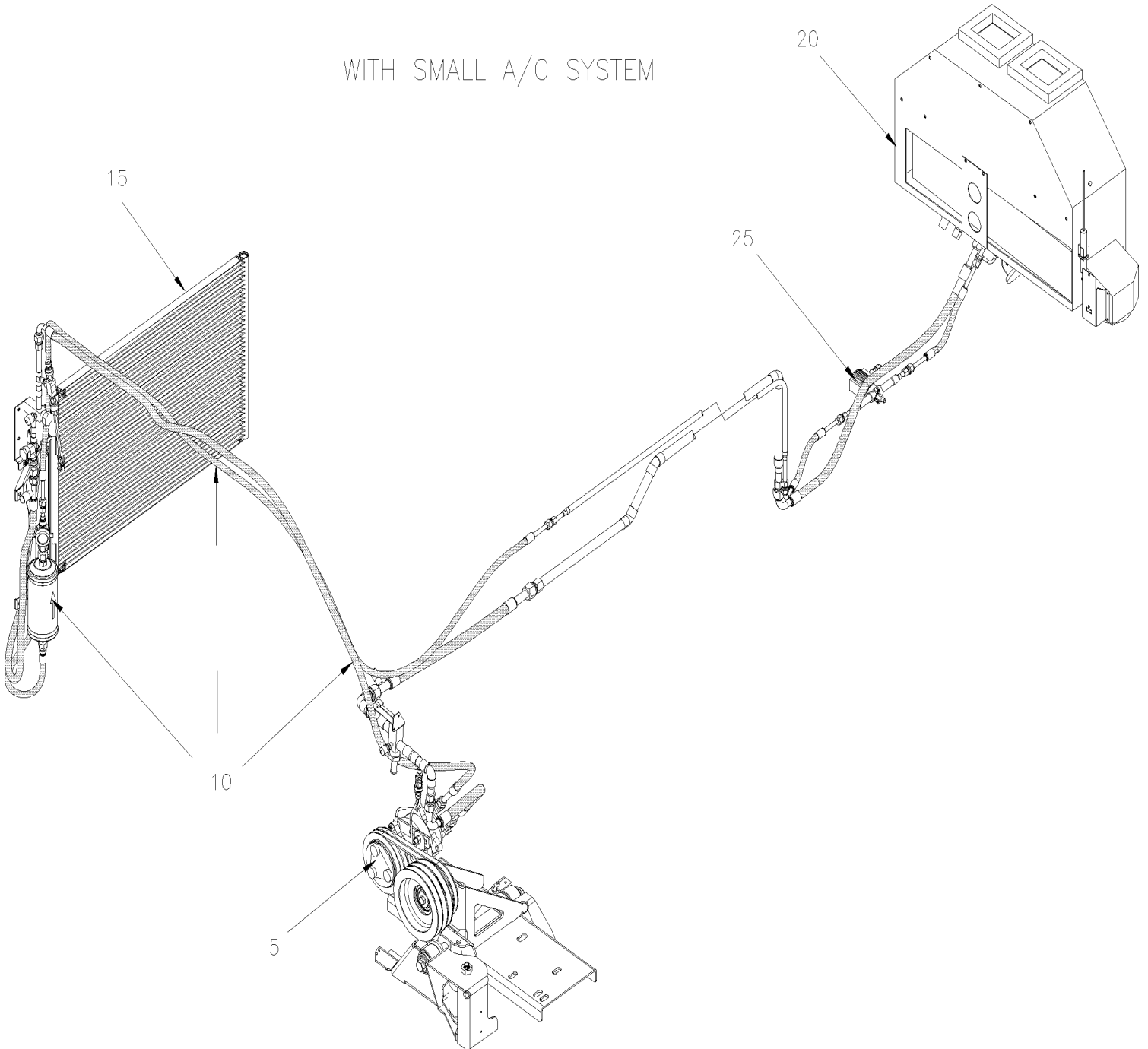
From B-5003 To D-5489

Date:10/2022

PAGE:XV-2200-00

AIR CONDITIONING SYSTEM

WITH SMALL A/C SYSTEM





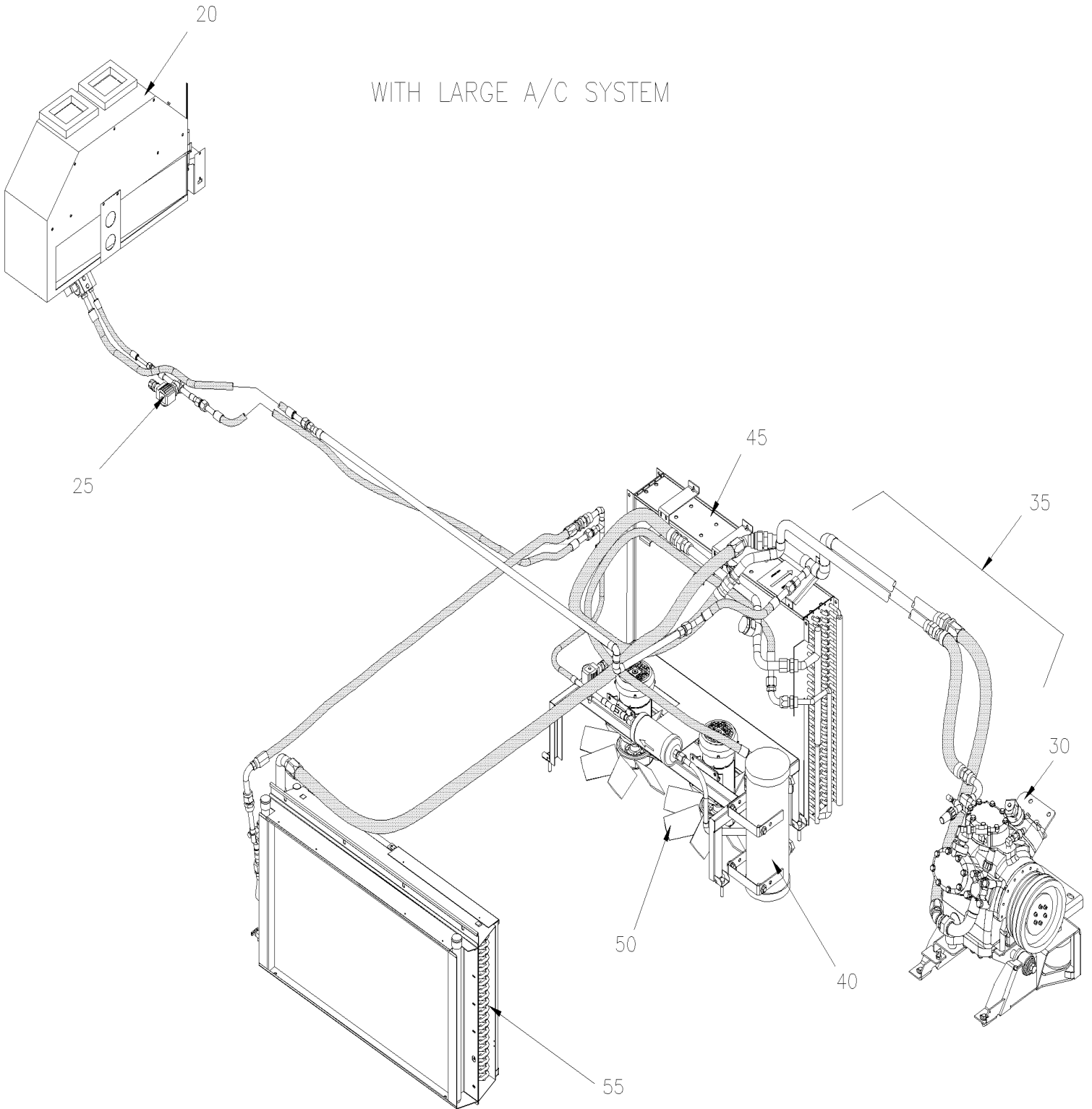
From B-5003 To D-5489

Date:10/2022

PAGE:XV-2200-00

AIR CONDITIONING SYSTEM

WITH LARGE A/C SYSTEM





| | | |
|------------------------------|---------------------|------------------------|
| From B-5003 To D-5489 | Date:10/2022 | PAGE:XV-2200-00 |
|------------------------------|---------------------|------------------------|

AIR CONDITIONING SYSTEM

| Item# | Part | Description | X 3 V I P | X L I I E N T 4 5 | N O T E S |
|-------|------------|---|-----------------------|---|-----------------------|
| 5 | XV-2245-50 | A/C SMALL COMPRESSOR - INSTALLATION From B-5003 To D-5489 | | | |
| 10 | XV-2222-50 | SMALL A/C LINES & HOSES WITH R134A From B-5003 To D-5489 | | | |
| 15 | XV-2255-10 | CONDENSOR - INSTALLATION SMALL A/C SYSTEM From B-5003 To D-5489 | | | |
| 20 | XV-2225-00 | DRIVER'S HEATER & DEFROSTER ASSY From B-5003 To D-5489 | | | |
| 25 | XV-2208-10 | REFRIGERANT SOLENOID VALVE From B-5003 To D-5489 | | | |
| 30 | XV-2245-00 | A/C COMPRESSOR 05G - INSTALLATION From B-5003 To D-5458 | | | |
| 30 | XV-2245-01 | A/C COMPRESSOR "BITZER" - INSTALLATION From D-5459 To D-5489 | | | |
| 30 | XV-2250-00 | A/C COMPRESSOR ASSY 05G - TWIN PORT From B-5003 To D-5458 | | | |
| 30 | XV-2250-01 | A/C COMPRESSOR "BITZER" 4NFCY From D-5459 To D-5489 | | | |
| 35 | XV-2222-15 | A/C LINE REAR SECTION W/05G From B-5003 To D-5458 | | | |
| 35 | XV-2222-16 | A/C LINE REAR SECTION W/ "BITZER" From D-5459 To D-5489 | | | |
| 40 | XV-2270-00 | RECEIVER TANK & FILTER DRYER From B-5003 To D-5489 | | | |
| 45 | XV-2255-00 | CONDENSOR - INSTALLATION From B-5003 To D-5489 | | | |
| 50 | XV-2260-00 | CONDENSOR FANS - INSTALLATION From B-5003 To D-5489 | | | |
| 55 | XV-2205-00 | HEATER & EVAPORATOR COIL - INSTALLATION From B-5003 To D-5489 | | | |
| | | | | | |
| | | | | | |
| | | | | | |



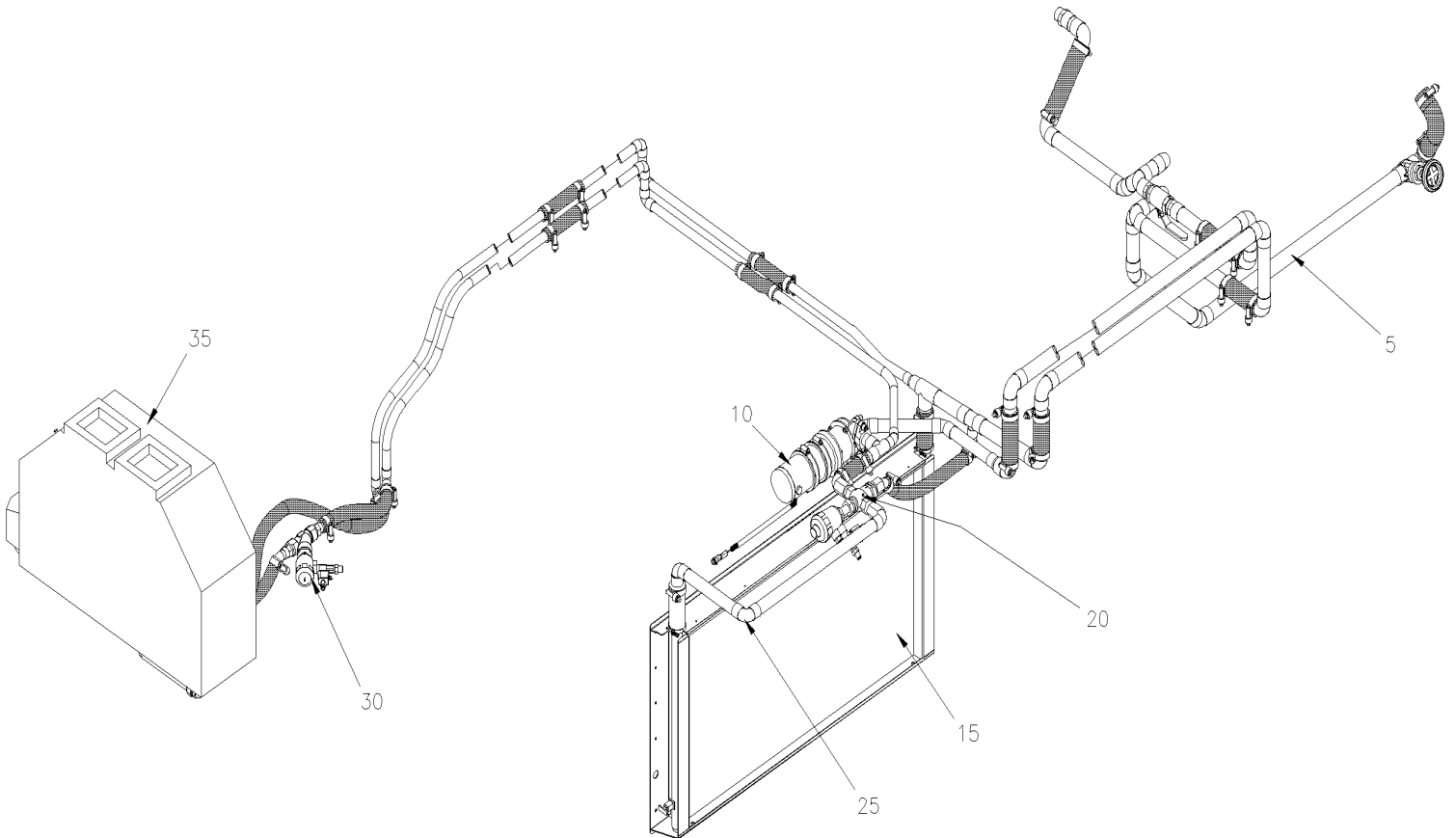
From B-5003 To D-5489

Date:10/2022

PAGE:XV-2200-05

HEATING SYSTEM

WITH LARGE A/C SYSTEM





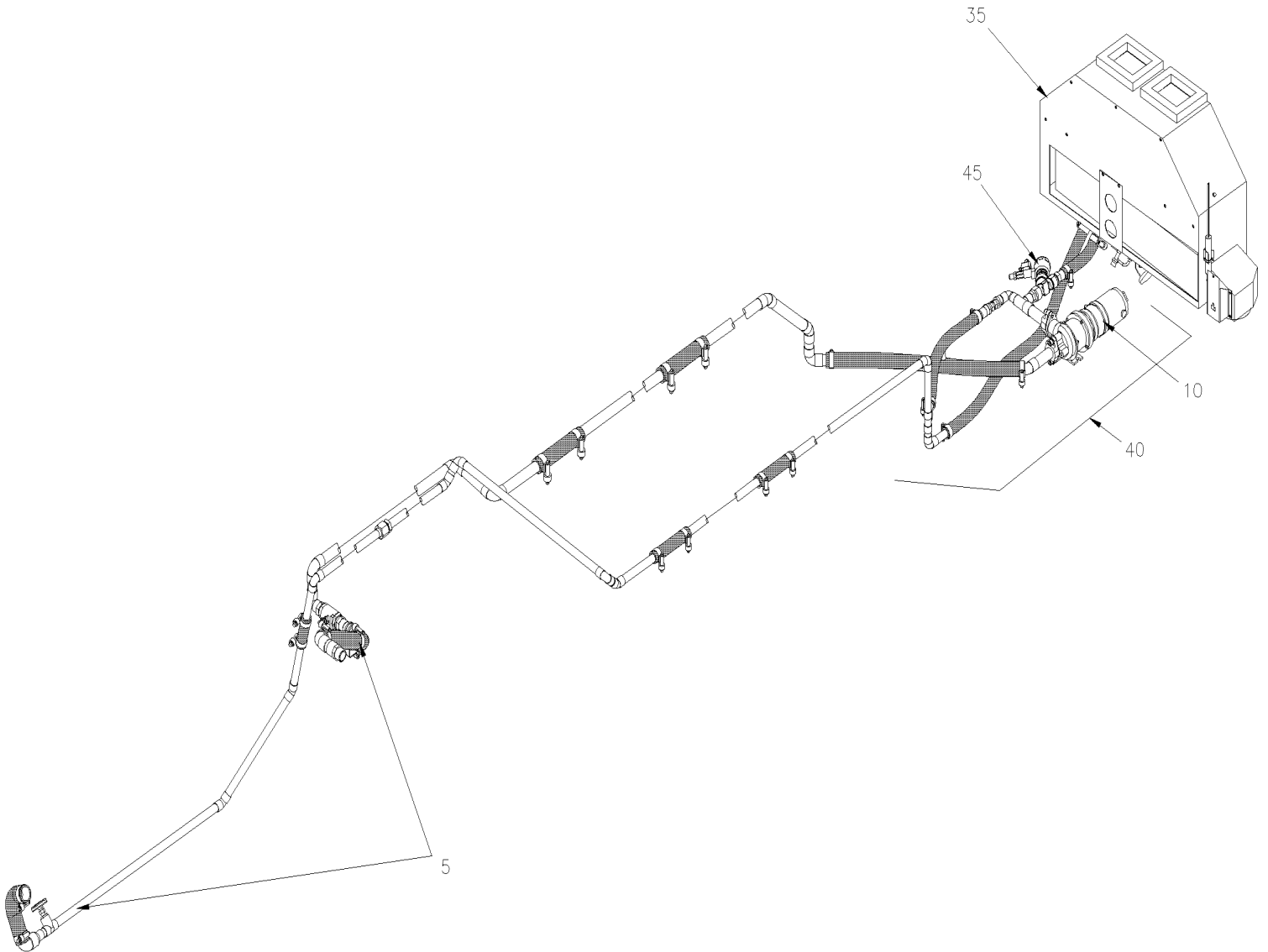
From B-5003 To D-5489

Date:10/2022

PAGE:XV-2200-05

HEATING SYSTEM

WITH SMALL A/C SYSTEM





| | | |
|-----------------------|--------------|-----------------|
| From B-5003 To D-5489 | Date:10/2022 | PAGE:XV-2200-05 |
|-----------------------|--------------|-----------------|

HEATING SYSTEM

| Item# | Part | Description | X 3 V I P | X L I I E N T 4 5 | N O T E S |
|-------|------------|---|-----------------------|---|-----------------------|
| 5 | XV-2222-35 | HEATER LINE REAR SECTION WITH "VOLVO" ENGINE "EPA 2010" From B-5003 To D-5489 | | | |
| 10 | XV-2206-00 | WATER PUMP #871342 SEALLESS From B-5003 To D-5299 | | | |
| 10 | XV-2206-01 | WATER PUMP #874297 AMETEK From D-5300 To D-5489 | | | |
| 15 | XV-2205-00 | HEATER & EVAPORATOR COIL - INSTALLATION From B-5003 To D-5489 | | | |
| 15 | XV-2210-00 | HEATER & EVAPORATOR BLOWER - INSTALLATION From B-5003 To D-5489 | | | |
| 20 | XV-2207-00 | WATER VALVE - HEATER From B-5003 To D-5489 | | | |
| 25 | XV-2210-11 | WATER PUMP - INSTALLATION From B-5003 To D-5489 | | | |
| 30 | XV-2207-05 | WATER VALVE - HEATER From B-5003 To D-5489 | | | |
| 35 | XV-2230-00 | DEFROSTER - INSTALLATION From B-5003 To D-5489 | | | |
| 40 | XV-2210-20 | WATER PUMP & FILTER - W/SMALL A/C From B-5003 To D-5489 | | | |
| 45 | XV-2207-05 | WATER VALVE - HEATER From B-5003 To D-5489 | | | |
| | | | | | |
| | | | | | |
| | | | | | |

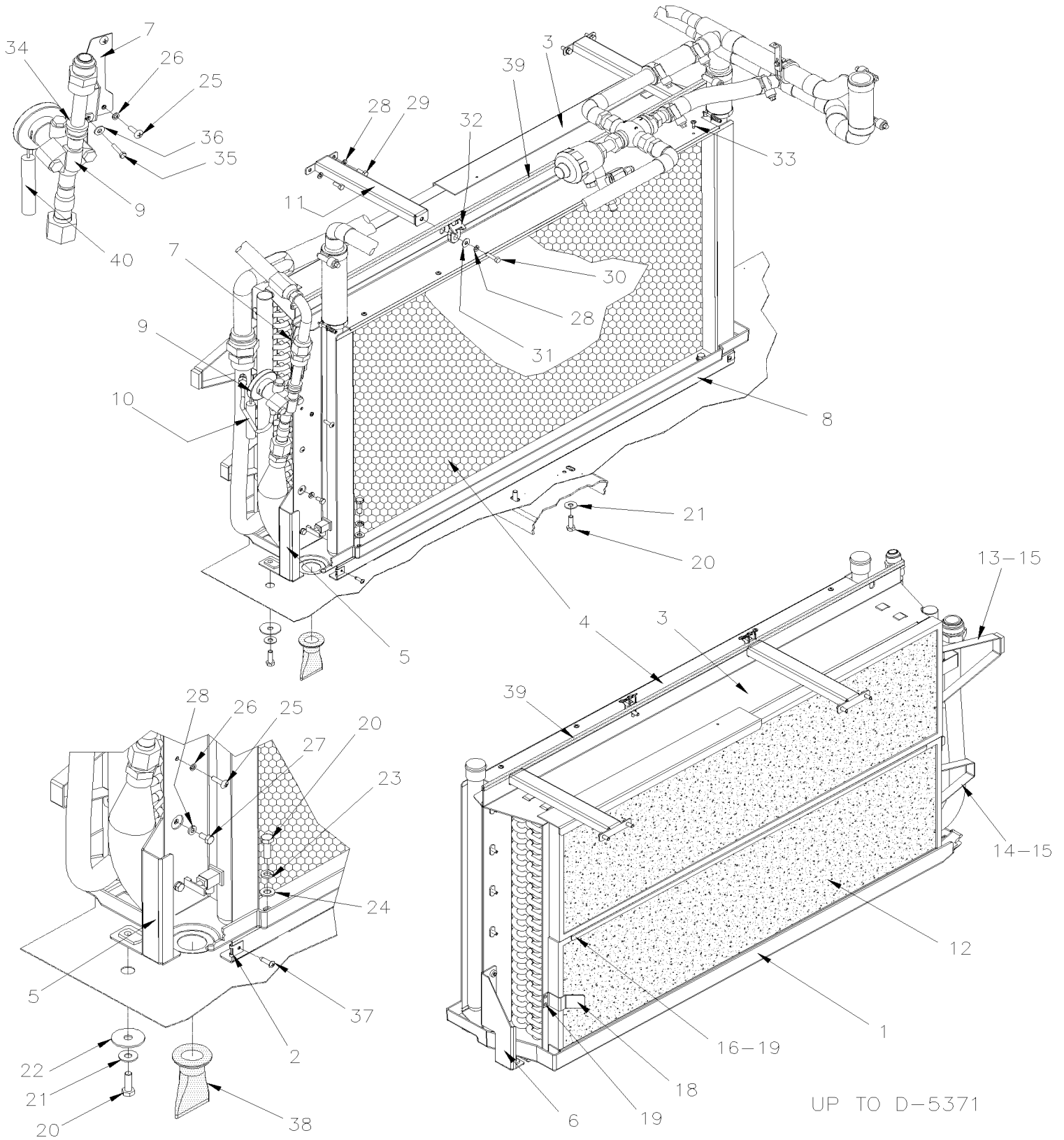


From B-5003 To D-5489

Date:10/2022

PAGE:XV-2205-00

HEATER & EVAPORATOR COIL - INSTALLATION



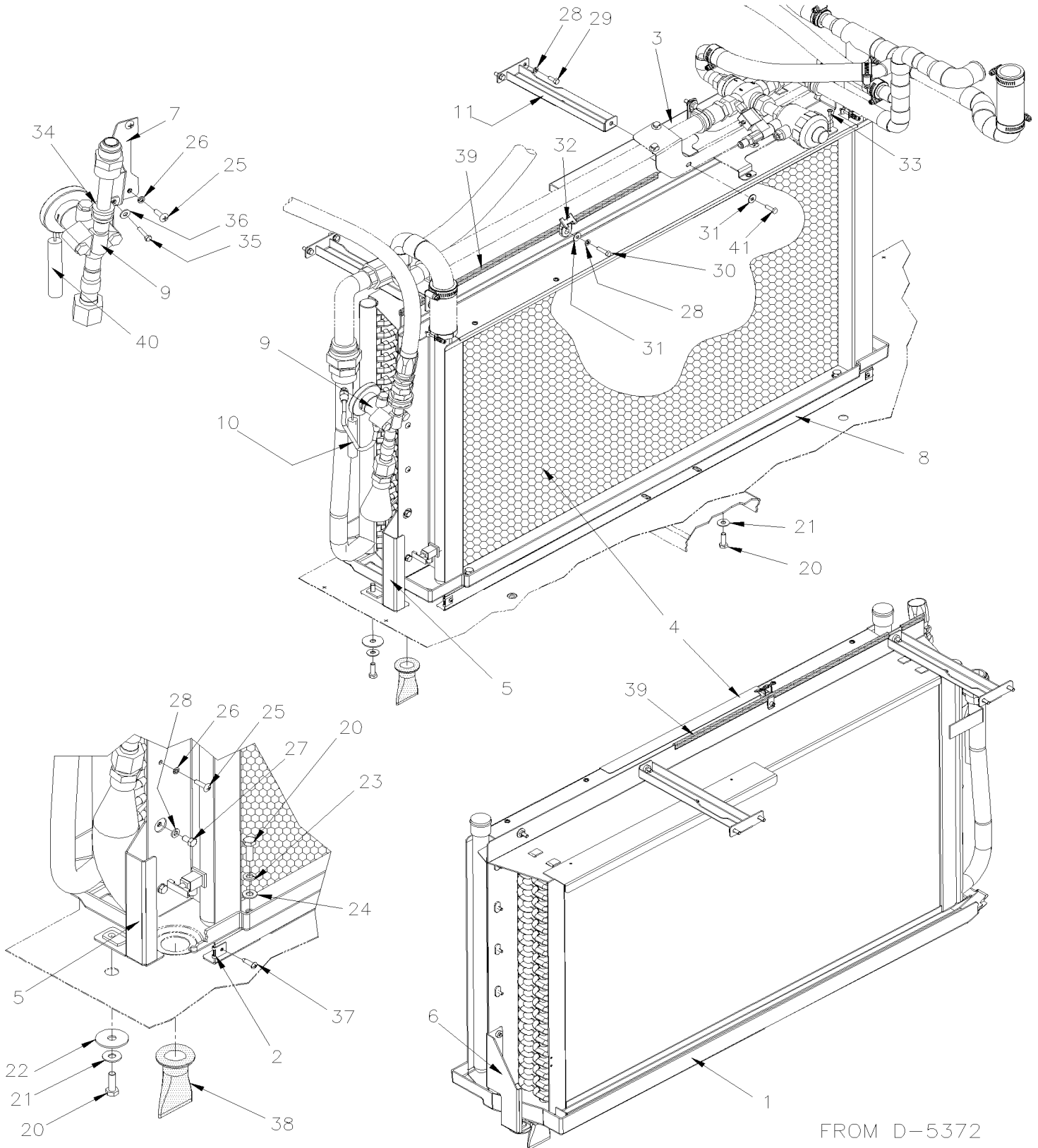


From B-5003 To D-5489

Date:10/2022

PAGE:XV-2205-00

HEATER & EVAPORATOR COIL - INSTALLATION



FROM D-5372



| | | |
|-----------------------|--------------|-----------------|
| From B-5003 To D-5489 | Date:10/2022 | PAGE:XV-2205-00 |
|-----------------------|--------------|-----------------|

HEATER & EVAPORATOR COIL - INSTALLATION

| Item# | Part | Description | X 3 V I P | X L I E N T 4 5 | N O T E S |
|-------|-------------------|--|-----------------------|--------------------------------------|-----------------------|
| 1 | 453994 | DRAIN PAN | 1 | 1 | |
| 2 | 481249 | NUT | 2 | 2 | |
| 3 | 950390 | COIL EVAPORATOR | 1 | 1 | |
| . NS | 501829 | . O-RING / ORS FITTING / #12 NEO | 1 | 1 | |
| . NS | 501803 | . O-RING / ORS FITTING / #20 NEO | 1 | 1 | |
| 4 | 871372 | COIL HEATER | 1 | 1 | |
| 5 | 453983 | SUPPORT EVAPORATOR / FORWARD | 1 | 1 | |
| 6 | 453984 | SUPPORT EVAPORATOR / BACKWARD | 1 | 1 | |
| 7 | 454257 | SUPPORT VALVE EXPANSION To C-5132 | 1 | 1 | |
| 7 | 454700 | SUPPORT VALVE EXPANSION From C-5133 | 1 | 1 | |
| 8 | 453982 | SUPPORT HEATER CORE | 1 | 1 | |
| 9 | XV-2208-00 | A/C EXPANSION VALVE | 1 | 1 | |
| 10 | 454256 | TUBE STABILISATOR A/C PRESSURE | 1 | 1 | |
| 11 | 374505 | SUPPORT / EVAPORATOR | 2 | 2 | |
| 12 | 871383 | FILTER 1" x 38" x 10 1/2" | 2 | 2 | |
| 13 | 374509 | HANDLE UPPER W/RETAINER SLOT To B-5049 | 1 | 1 | |
| 13 | 374611 | HANDLE UPPER W/RETAINER SLOT From B-5050 To D-5371 | 1 | 1 | |
| 14 | 374510 | HANDLE LOWER W/GUIDE To B-5049 | 1 | 1 | |
| 14 | 374612 | HANDLE LOWER W/GUIDE From B-5050 To D-5371 | 1 | 1 | |
| 15 | 504340 | RIVET POP DOME OE 1/8x3/16 SS To D-5371 | 5 | 5 | |
| 16 | 374231 | SLIDING GUIDE 55MM To B-5049 | 1 | 1 | |
| 16 | 374606 | SLIDING GUIDE 885MM From B-5050 To D-5371 | 1 | 1 | |
| 18 | 374232 | SUPPORT LOWER GUIDE To D-5371 | 1 | 1 | |
| 19 | 504340 | RIVET POP DOME OE 1/8x3/16 SS To D-5371 | AR | AR | |
| 20 | 502780 | SCREW CAP HEX M8-1.25x25 SS BK | 6 | 6 | |
| 21 | 5001448 | WASHER FL .343x.875x.062 SS18-8 | 4 | 4 | |
| 22 | 500261 | WASHER FL .390x1.500x.083 N500 | 2 | 2 | |
| 23 | 500035 | WASHER LO SPT .317x.586x.078 SS | 2 | 2 | |
| 24 | 5001341 | WASHER FL 8.4x17.0x1.6 SS | 2 | 2 | |
| 25 | 500510 | SCREW MA BDG PH #10-32x3/4 SS EMN | 7 | 7 | |
| 26 | 500914 | WASHER LO SPT .193x.334x.047 N500 | 7 | 7 | |
| 27 | 5001743 | SCREW CAP HEX M6-1.0x12 G8.8 N500 | 4 | 4 | |
| 28 | 502853 | WASHER LO SPT 6.1x11.8x1.6 N500 | 11 | 11 | |
| 29 | 5001744 | SCREW CAP HEX M6-1.0x16 G8.8 N500 | 4 | 4 | |
| 30 | 502737 | SCREW CAP HEX M6-1.0x25 SS BK To D-5371 | 3 | 3 | |
| 30 | 502830 | SCREW CAP HEX M6-1.0x20 G8.8 N500 From D-5372 | 1 | 1 | |
| 31 | 500411 | WASHER FL .260x.697x.050 SS To D-5371 | 3 | 3 | |
| 31 | 5001833 | WASHER BEL SPR 6.1x18x1.27 SS From D-5372 | 1 | 1 | |
| 32 | 507383 | TIE MOUNT HOLE 3/8" | 2 | 2 | |
| NS | 502738 | NUT SPR U M6-1.0 0.6-4.0 | 1 | 1 | |
| 33 | 502868 | SCREW TC TR PH #10-16x1/2 N500 | 4 | 4 | |
| 34 | 952629 | CLAMP / 5/8" I.D. To C-5132 | 1 | 1 | |



| | | |
|-----------------------|--------------|-----------------|
| From B-5003 To D-5489 | Date:10/2022 | PAGE:XV-2205-00 |
|-----------------------|--------------|-----------------|

HEATER & EVAPORATOR COIL - INSTALLATION

| Item# | Part | Description | X 3 V I P | X L I I E N T 4 5 | N O T E S |
|-------|---------------|--|-----------------------|---|-----------------------|
| 34 | 952639 | CLAMP / 1"1/4 I.D. From C-5133 | 1 | 1 | |
| 35 | 500588 | SCREW CAP HEX M4-0.7x20 G8.8 Z050 | 1 | 1 | |
| 36 | 500964 | WASHER FL .203x.500x.047 Z050 | 1 | 1 | |
| 37 | 500957 | SCREW TP BDG PH #10x3/4 N500 | 2 | 2 | |
| 38 | 414654 | DRAIN BOOT 1" I.D. W/GROOVE 1.5 x 35MM I.D. x 85MM | 5 | 5 | |
| 39 | 506337 | RUBBER CHANNEL / 3/32" x 11/32" INT "U" SHAPE / ROUND C.T.L. | AR | AR | |
| 40 | 680091 | TAPE INSULATING / 1/8" x 2" x 30' / BLACK PT-1 | AR | AR | |
| 41 | 502737 | SCREW CAP HEX M6-1.0x25 SS BK From D-5372 | 2 | 2 | |
| 50 | 374694 | KIT EVAPORATOR FILTER W WITH/ EXT. RETROFIT | 1 | 1 | |
| 51 | 374695 | KIT EVAPORATOR FILTER W WITHOUT/ EXT. RETROFIT | 1 | 1 | |
| | | | | | |
| | | | | | |
| | | | | | |

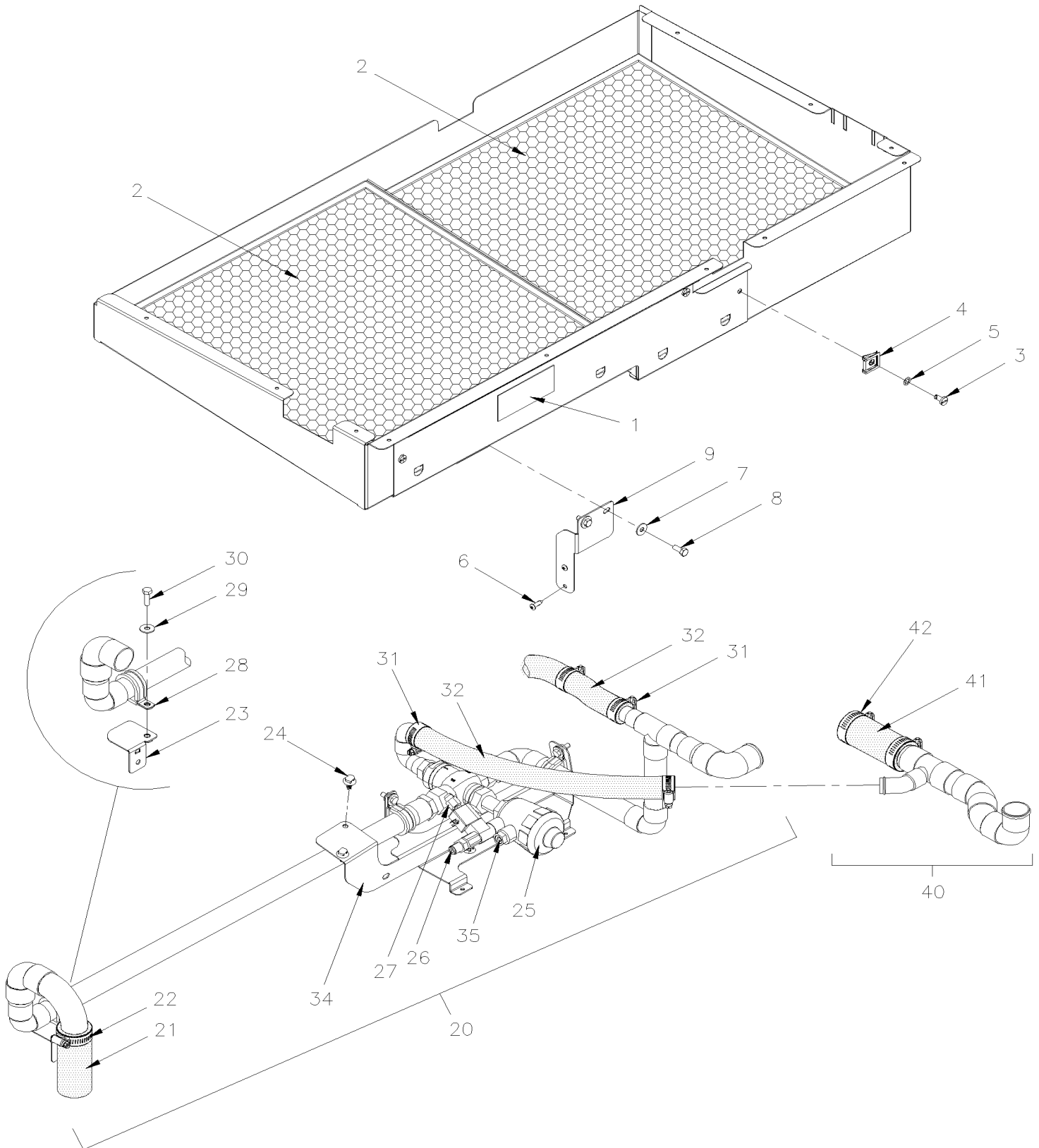


From B-5003 To D-5489

Date:10/2022

PAGE:374694

KIT EVAPORATOR FILTER W WITH/ EXT. RETROFIT





| | | |
|--|--------------|-------------|
| From B-5003 To D-5489 | Date:10/2022 | PAGE:374694 |
| KIT EVAPORATOR FILTER W WITH/ EXT. RETROFIT | | |

| Item# | Part | Description | X 3 V I P | X L I I E N T 4 5 | N O T E S |
|-------|----------|--|-----------------------|---|-----------------------|
| 1 | 370354 | DECAL / AIR FILTER / ENGLISH & FRANCAIS | 1 | 1 | |
| 2 | 871447 | FILTER 1" x 19 1/2" X 19 1/2" | 2 | 2 | |
| 3 | 504681 | STUD 6MM (DZUS) | 3 | 3 | |
| 4 | 504605 | RECEPTACLE 6 MM | 3 | 3 | |
| 5 | 504604 | FASTENER | 3 | 3 | |
| 6 | 500957 | SCREW TP BDG PH #10x3/4 N500 | 13 | 13 | |
| 7 | 5001833 | WASHER BEL SPR 6.1x18x1.27 SS | 3 | 3 | |
| 8 | 5001744 | SCREW CAP HEX M6-1.0x16 G8.8 N500 | 3 | 3 | |
| 9 | 374685 | SUPPORT, EVAPORATOR DUCT W/ SLIDE-OUT | 1 | 1 | |
| 20 | 374690 | CENTRAL WATER VALVE, ASSY | 1 | 1 | |
| 21 | 503783 | . HOSE SILICONE 4PLY / NOMEX-ARAMID 34MM I.D. x 6' | AR | AR | |
| 22 | 504783 | . HOSE CLAMP / 1"1/16-2" SS / C.T. W.S. | 1 | 1 | |
| 23 | 374673 | . SUPPORT WATER VALVE FORWARD | 1 | 1 | |
| 24 | 509815 | . TIE MOUNT / ATTACHMENT W/TREE MOUNT | 3 | 3 | |
| 25 | 871430 | . WATER VALVE ASSY / 24V / 3/WAY 3/4" NPT | 1 | 1 | |
| 26 | 641332 | . MALE CONNECTOR / PUSH-IN FITTING / #4x1/4NPT-M BR | 1 | 1 | |
| NS | 142087 | . RESTRICTION / ALU. TUBE 10MM x 4.14MM O.D. W/0.79" HOLE / W/FLANGE | 1 | 1 | |
| 27 | 642028 | . MALE CONNECTOR / PUSH-IN FITTING / 6MM x M5-0.8 BR | 1 | 1 | |
| 28 | 952637 | . CLAMP / 1"1/16 I.D. | 3 | 3 | |
| 29 | 5001833 | . WASHER BEL SPR 6.1x18x1.27 SS | 3 | 3 | |
| 30 | 502830 | . SCREW CAP HEX M6-1.0x20 G8.8 N500 | 3 | 3 | |
| 31 | 504781 | . HOSE CLAMP / 13/16"-1 5/16" SS / C.T. W.S. | 4 | 4 | |
| 32 | 503797 | . HOSE SILICONE 4 PLY / NOMEX-ARAMID 7/8" I.D. x 6' | AR | AR | |
| 34 | 374674 | . SUPPORT WATER VALVE BACKWARD | 1 | 1 | |
| 35 | 641926 | . SILENCER / MUFFLER / 1/4NPT-M | 1 | 1 | |
| 40 | 374691 | PIPE, OUTLET HEATING COIL ASSY | 1 | 1 | |
| 41 | 503783 | . HOSE SILICONE 4PLY / NOMEX-ARAMID 34MM I.D. x 6' | AR | AR | |
| 42 | 504783 | . HOSE CLAMP / 1"1/16-2" SS / C.T. W.S. | 2 | 2 | |
| NS | IS-12050 | SEE INSTRUCTION SHEET | 1 | 1 | |
| | | | | | |
| | | | | | |
| | | | | | |

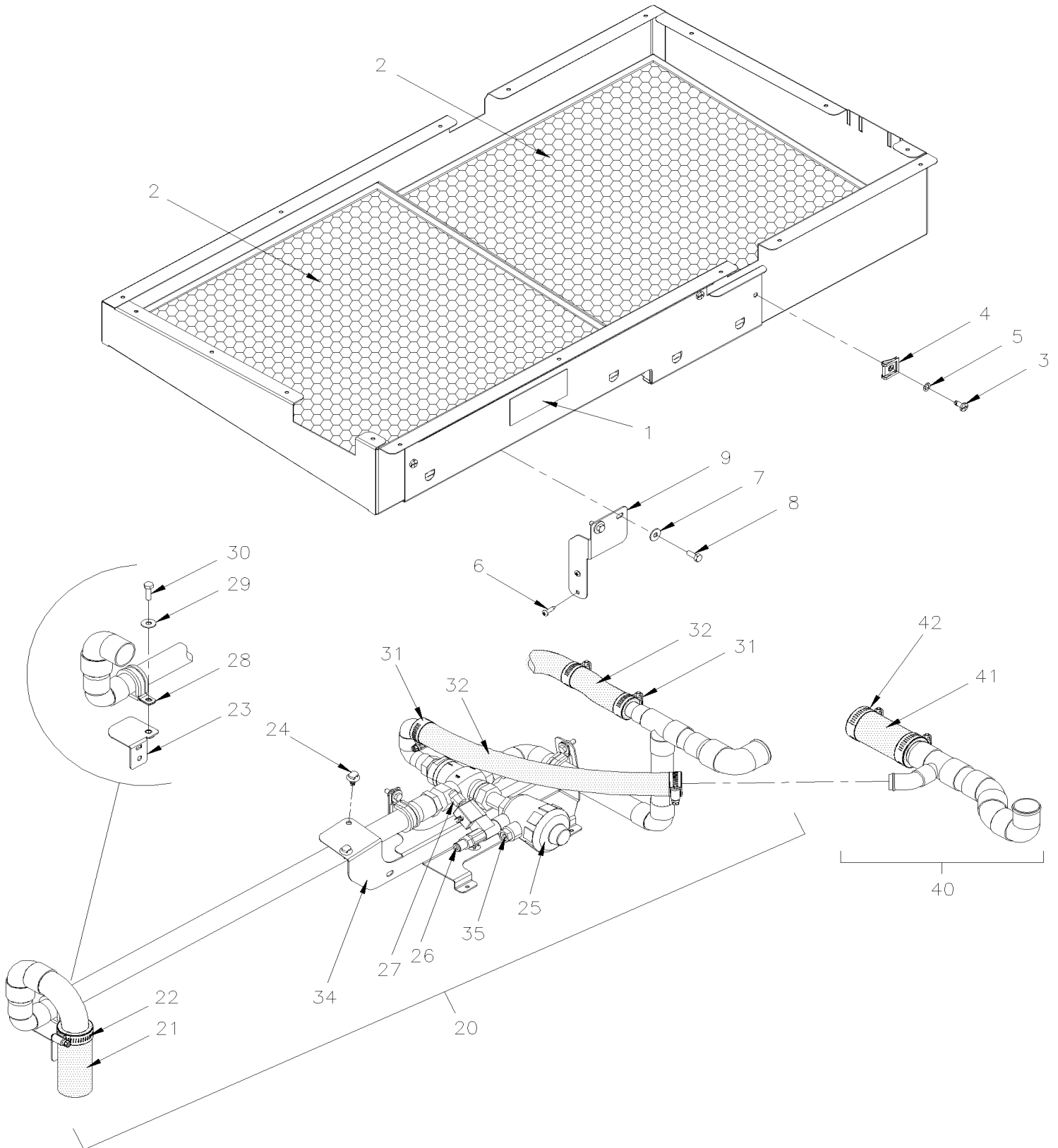


From B-5003 To D-5489

Date:10/2022

PAGE:374695

KIT EVAPORATOR FILTER W WITHOUT/ EXT. RETROFIT





| | | |
|---|--------------|-------------|
| From B-5003 To D-5489 | Date:10/2022 | PAGE:374695 |
| KIT EVAPORATOR FILTER W WITHOUT/ EXT. RETROFIT | | |

| Item# | Part | Description | X 3 V I P | X L I I E N T 4 5 | N O T E S |
|-------|----------|--|-----------------------|---|-----------------------|
| 1 | 370354 | DECAL / AIR FILTER / ENGLISH & FRANCAIS | 1 | 1 | |
| 2 | 871447 | FILTER 1" x 19 1/2" X 19 1/2" | 2 | 2 | |
| 3 | 504681 | STUD 6MM (DZUS) | 3 | 3 | |
| 4 | 504605 | RECEPTACLE 6 MM | 3 | 3 | |
| 5 | 504604 | FASTENER | 3 | 3 | |
| 6 | 500957 | SCREW TP BDG PH #10x3/4 N500 | 13 | 13 | |
| 7 | 5001833 | WASHER BEL SPR 6.1x18x1.27 SS | 3 | 3 | |
| 8 | 5001744 | SCREW CAP HEX M6-1.0x16 G8.8 N500 | 3 | 3 | |
| 9 | 374684 | SUPPORT, EVAPORATOR DUCT WO/ SLIDE-OUT | 1 | 1 | |
| 20 | 374690 | CENTRAL WATER VALVE, ASSY | 1 | 1 | |
| 21 | 503783 | . HOSE SILICONE 4PLY / NOMEX-ARAMID 34MM I.D. x 6' | AR | AR | |
| 22 | 504783 | . HOSE CLAMP / 1"1/16-2" SS / C.T. W.S. | 1 | 1 | |
| 23 | 374673 | . SUPPORT WATER VALVE FORWARD | 1 | 1 | |
| 24 | 509815 | . TIE MOUNT / ATTACHMENT W/TREE MOUNT | 3 | 3 | |
| 25 | 871430 | . WATER VALVE ASSY / 24V / 3/WAY 3/4" NPT | 1 | 1 | |
| 26 | 641332 | . MALE CONNECTOR / PUSH-IN FITTING / #4x1/4NPT-M BR | 1 | 1 | |
| NS | 142087 | . RESTRICTION / ALU. TUBE 10MM x 4.14MM O.D. W/0.79" HOLE / W/FLANGE | 1 | 1 | |
| 27 | 642028 | . MALE CONNECTOR / PUSH-IN FITTING / 6MM x M5-0.8 BR | 1 | 1 | |
| 28 | 952637 | . CLAMP / 1"1/16 I.D. | 3 | 3 | |
| 29 | 5001833 | . WASHER BEL SPR 6.1x18x1.27 SS | 3 | 3 | |
| 30 | 502830 | . SCREW CAP HEX M6-1.0x20 G8.8 N500 | 3 | 3 | |
| 31 | 504781 | . HOSE CLAMP / 13/16"-1 5/16" SS / C.T. W.S. | 4 | 4 | |
| 32 | 503797 | . HOSE SILICONE 4 PLY / NOMEX-ARAMID 7/8" I.D. x 6' | AR | AR | |
| 34 | 374674 | . SUPPORT WATER VALVE BACKWARD | 1 | 1 | |
| 35 | 641926 | . SILENCER / MUFFLER / 1/4NPT-M | 1 | 1 | |
| 40 | 374691 | PIPE, OUTLET HEATING COIL ASSY | 1 | 1 | |
| 41 | 503783 | . HOSE SILICONE 4PLY / NOMEX-ARAMID 34MM I.D. x 6' | AR | AR | |
| 42 | 504783 | . HOSE CLAMP / 1"1/16-2" SS / C.T. W.S. | 2 | 2 | |
| NS | IS-12050 | SEE INSTRUCTION SHEET | 1 | 1 | |
| | | | | | |
| | | | | | |
| | | | | | |



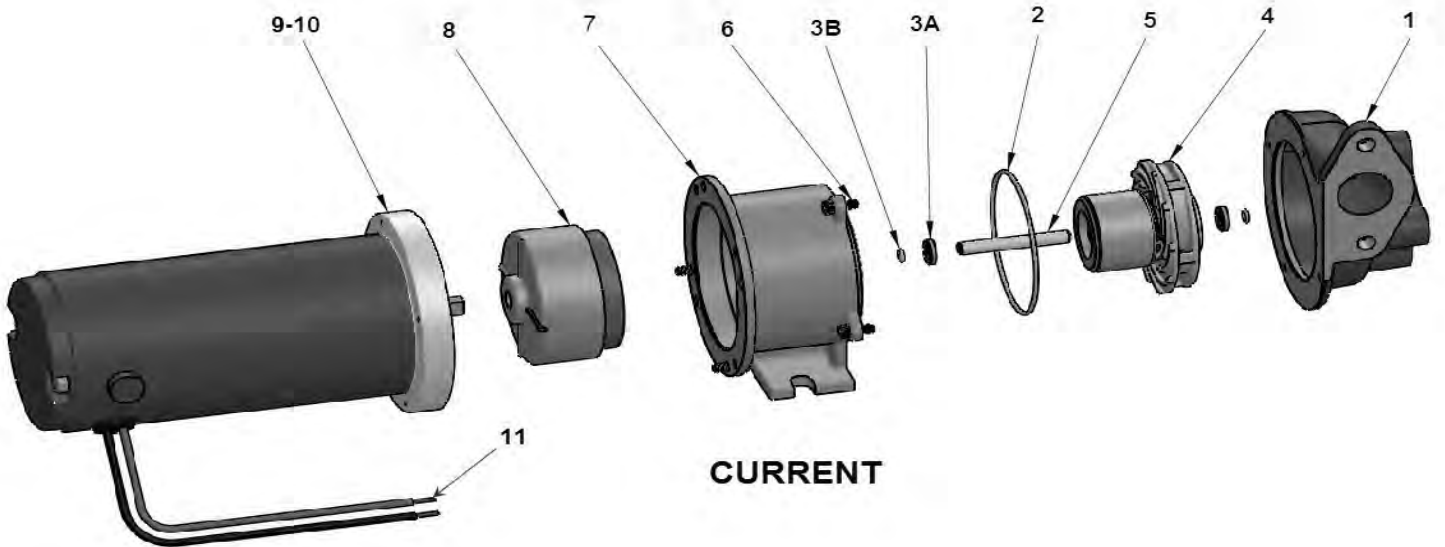
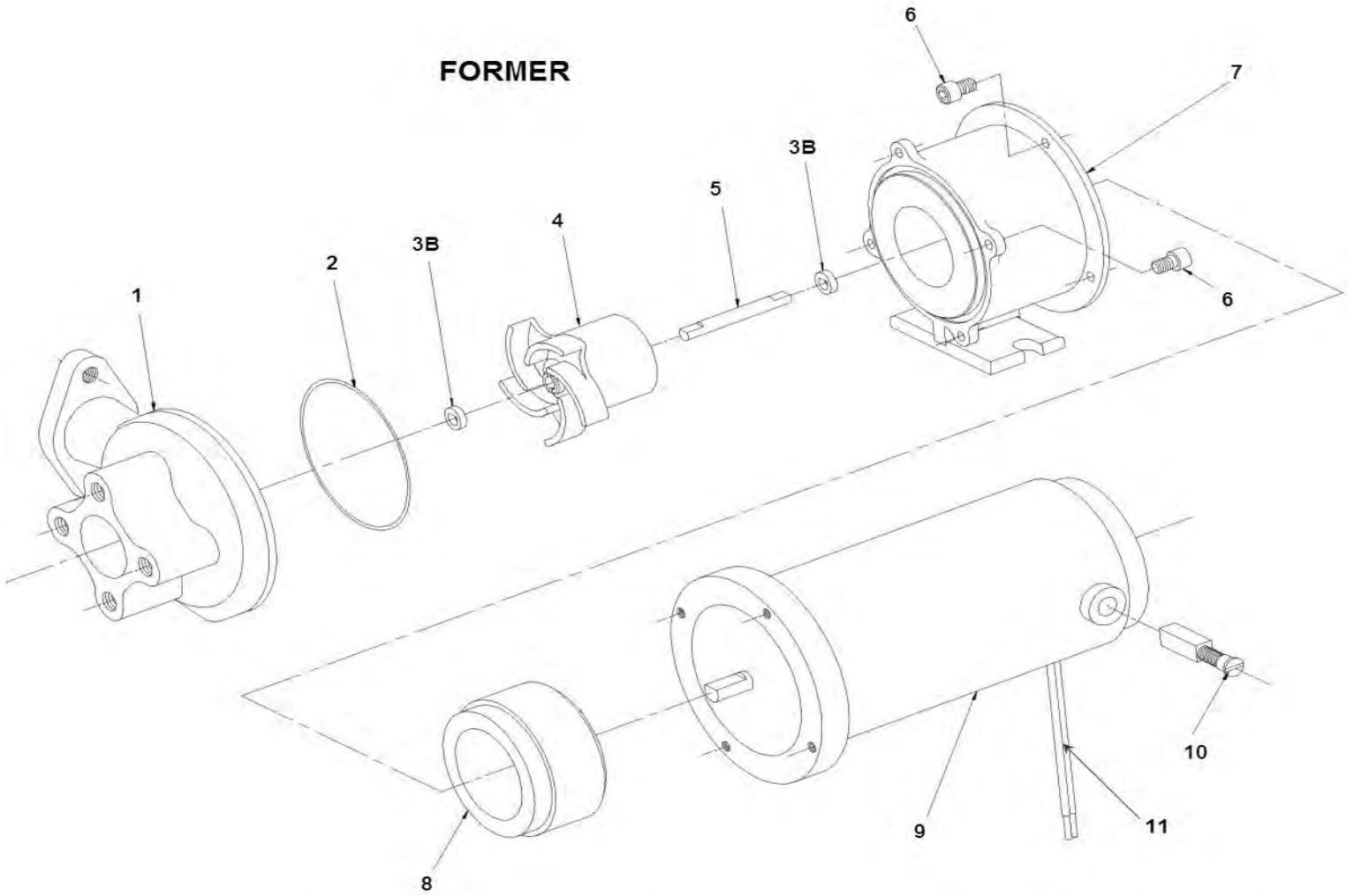
From B-5003 To D-5299

Date:10/2022

PAGE:XV-2206-00

WATER PUMP #871342 SEALLESS

FORMER



CURRENT

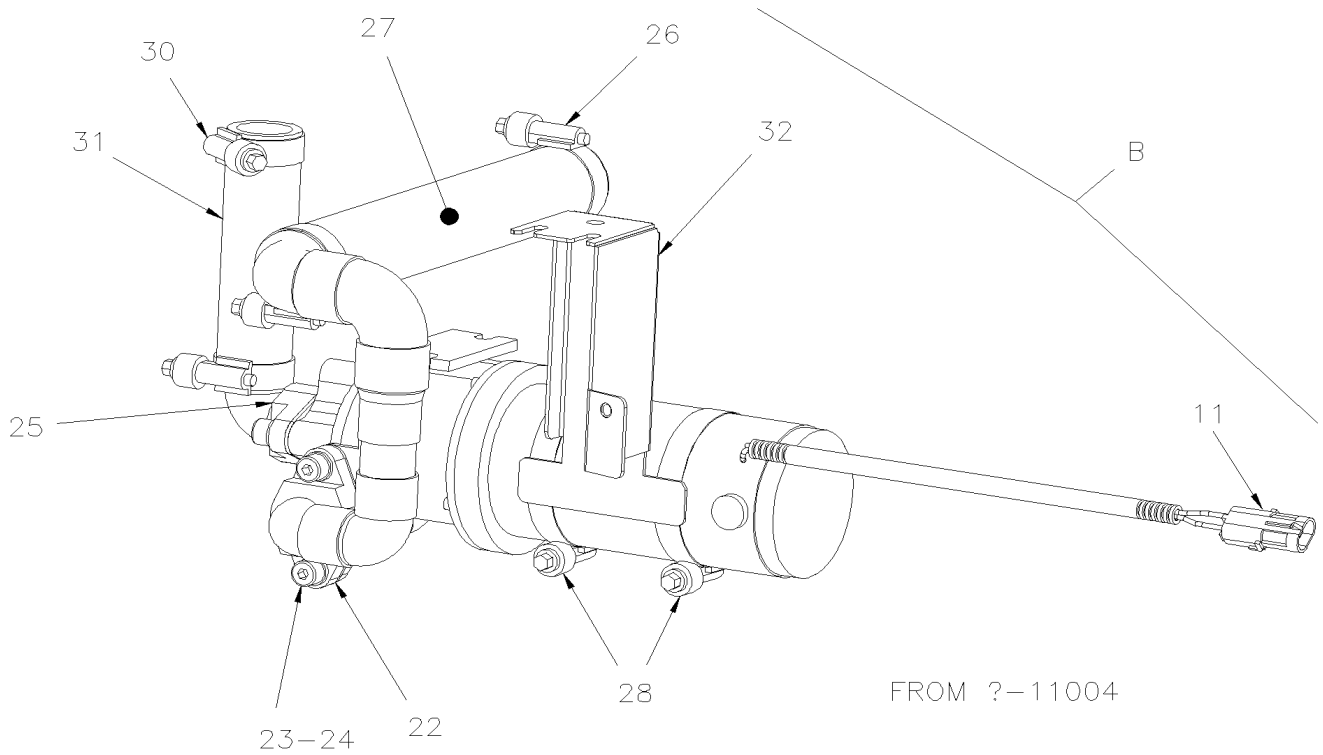
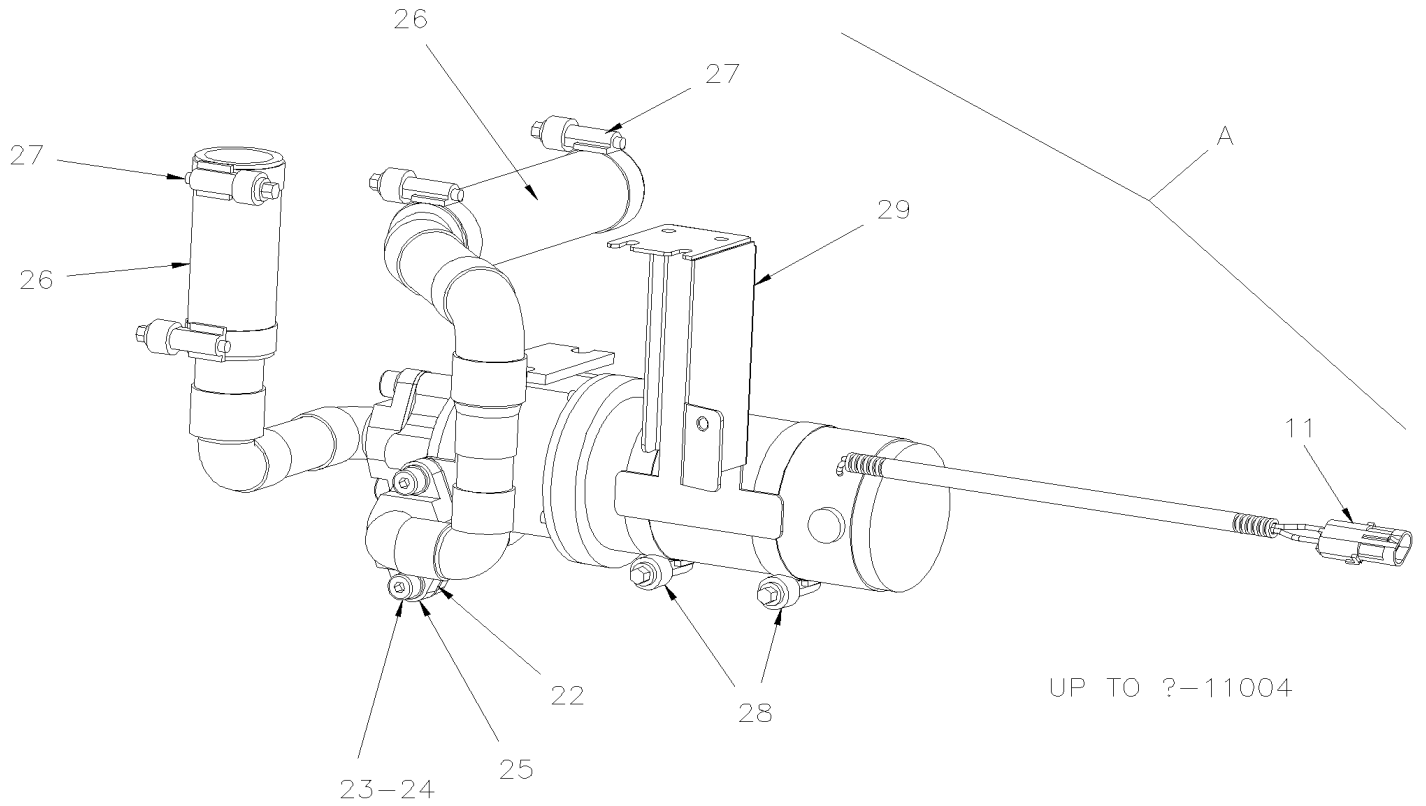


From B-5003 To D-5299

Date:10/2022

PAGE:XV-2206-00

WATER PUMP #871342 SEALLESS





| | | |
|------------------------------------|---------------------|------------------------|
| From B-5003 To D-5299 | Date:10/2022 | PAGE:XV-2206-00 |
| WATER PUMP #871342 SEALLESS | | |

| Item# | Part | Description | X 3 V I P | X L I I E N T 4 5 | N O T E S |
|-------|-----------------|--|-----------------------|---|-----------------------|
| | 374032 | . PUMP WATER ASSY WITH CONNECTOR / SEALLESS MODEL | 1 | 1 | |
| | 871414 | WATER PUMP ASSY / 24V / SEALLESS / "MP PUMPS" | 1 | 1 | A |
| | 871342 | . WATER PUMP ASSY / 24V / SEALLESS / "MP PUMPS" | 1 | 1 | |
| 1 | N.S.S. | . . HOUSING | 1 | 1 | 1 |
| 2 | 871236 | . . O-RING | 1 | 1 | |
| 3A | 870138 | . . O-RING | 2 | 2 | C |
| 3B | 871239 | . . WASHER SS | 2 | 2 | F |
| 3B | Call order desk | . . WASHER THRUST | 2 | 2 | P C |
| 4 | 871240 | . . ROTOR ASSY | 1 | 1 | F |
| 4 | 870117 | . . ROTOR ASSY | 1 | 1 | C |
| 5 | 871241 | . . SHAFT SS | 1 | 1 | F |
| 5 | Call order desk | . . SHAFT SS | 1 | 1 | P C |
| 6 | G1094056 | . . SCREW CAP HEXS 8-32x3/8 | 8 | 8 | |
| 7 | G1094057 | . . ADAPTOR | 1 | 1 | |
| 8 | 871242 | . . DRIVE MAGNET | 1 | 1 | |
| 9 | 871322 | . . MOTOR ASSY 24V | 1 | 1 | |
| 10 | 871323 | . . BRUSH | 2 | 2 | |
| 11 | 561566 | . CONNECTOR / WEATHER PACK / PH 2C / BLACK / PED 12010973 | 1 | 1 | |
| 11 | 561568 | . PIN TERMINAL / 16-14 / PED 12089305 | 2 | 2 | |
| 11 | 561786 | . CABLE SEAL / GRAY / PED 15324980 | 2 | 2 | |
| 11 | 562387 | . CONVOLUTED TUBING / SLIT / BLACK / .250" | AR | AR | |
| 22 | 870441 | GASKET PUMP INLET & OUTLET | 2 | 2 | |
| 22 | 680527 | SEALANT 473ml | AR | AR | |
| 23 | 5001580 | SCREW CAP HEXS 3/8-16x7/8 | 4 | 4 | |
| 24 | 500478 | WASHER LO SPT .380x.683x.094 Z050 | 4 | 4 | |
| 25 | 871206 | FLANGE ADAPTOR / W/QUAD RING | 2 | 2 | |
| 26 | 504657 | HOSE CLAMP / 1"1/16-2" C.T. 9424 To D-5404 | 4 | 4 | |
| 27 | 503392 | HOSE SILICONE 4PLY 1 3/8" I.D. x 4' | AR | AR | |
| 28 | 504026 | HOSE CLAMP / 2"13/16-3"3/4 SS / HS-52 | 2 | 2 | |
| 29 | 374494 | SUPPORT WATER PUMP | 1 | 1 | |
| 30 | 504658 | HOSE CLAMP / 13/16"-1"3/4 / C.T. 9420 To D-5404 | 2 | 2 | |
| 31 | 503652 | HOSE SILICONE 2PLY 1 1/8" I.D. x 3' | AR | AR | |
| 32 | 374595 | SUPPORT WATER PUMP | 1 | 1 | |
| A | Call order desk | PUMP WATER ASSY W/PIPE & CONNECTOR W/OUT WATER HEATER To B-5049 | 1 | 1 | P |
| B | Call order desk | PUMP WATER ASSY W/PIPE & CONNECTOR W/OUT WATER HEATER From B-5050 | 1 | 1 | P |
| | | | | | |
| | | | | | |
| | | A) THIS PUMP IS PACKAGING INDIVIDUALLY WITHOUT ELECTRICAL CONNECTORS | | | |
| | | C) CURRENT | | | |
| | | F) FORMER | | | |
| | | 1) NOT SOLD SEPARATELY | | | |



| From B-5003 To D-5299 | | | Date:10/2022 | PAGE:XV-2206-00 | | |
|------------------------------------|------|--|-----------------------|---|-----------------------|--|
| WATER PUMP #871342 SEALLESS | | | | | | |
| Item# | Part | Description | X 3 V I P | X L I I E N T 4 5 | N O T E S | |
| | | P) CALL ORDER DESK FOR SPECIFIC APPLICATION (V.I.N.) | | | | |

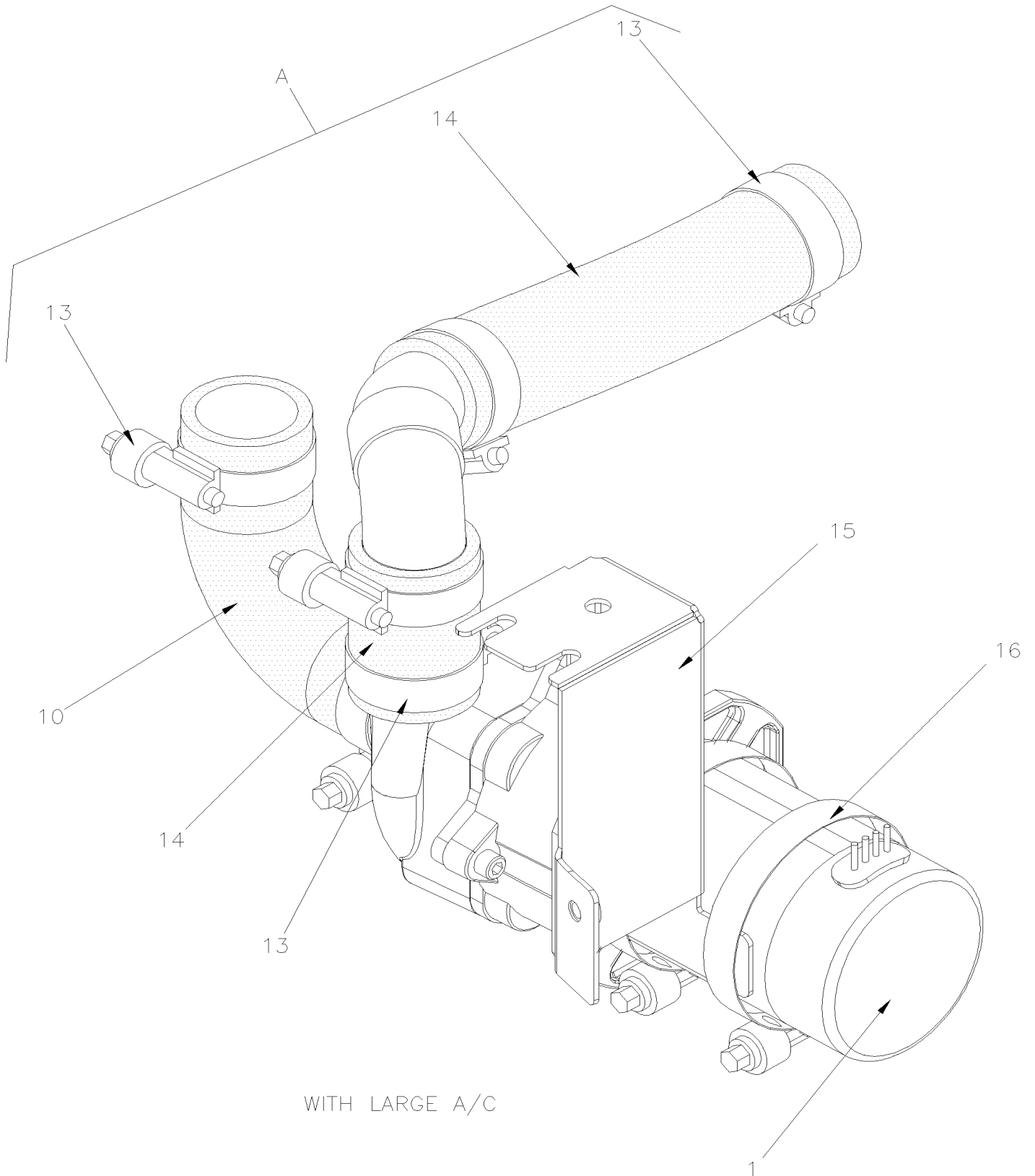


From D-5300 To D-5489

Date:10/2022

PAGE:XV-2206-01

WATER PUMP #874297 AMETEK



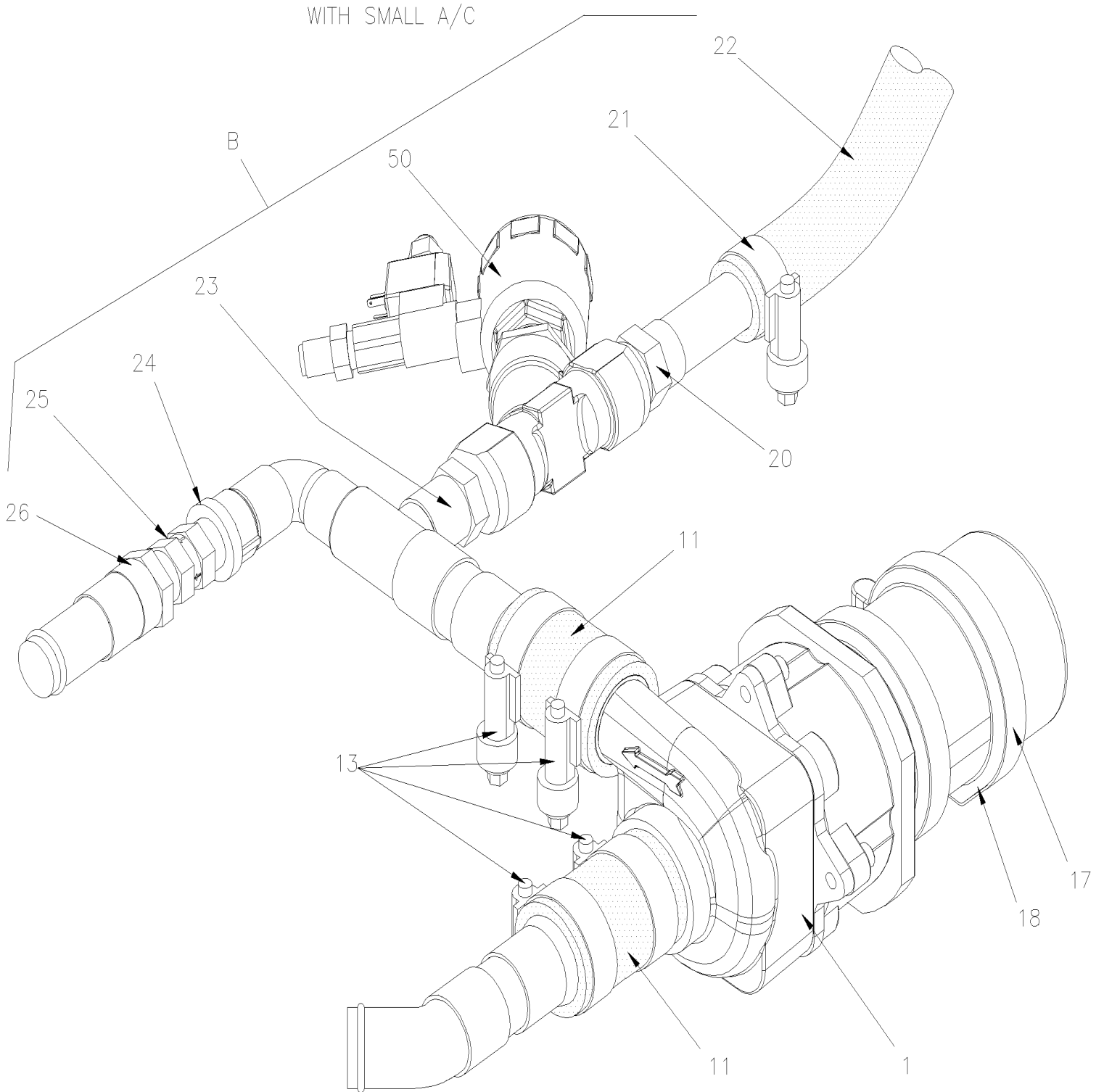


From D-5300 To D-5489

Date:10/2022

PAGE:XV-2206-01

WATER PUMP #874297 AMETEK





| | | |
|----------------------------------|---------------------|------------------------|
| From D-5300 To D-5489 | Date:10/2022 | PAGE:XV-2206-01 |
| WATER PUMP #874297 AMETEK | | |

| Item# | Part | Description | X 3 V I P | X L I I E N T 4 5 | N O T E S |
|-------|-------------------|--|-----------------------|---|-----------------------|
| 1 | 874297 | WATER PUMP "AMETEK" / SEALLESS & BRUSHLESS | 1 | 1 | |
| NS | 561781 | CONNECTOR / WEATHER PACK / PH 3C / BLACK / PED 12010717 | 1 | 1 | |
| NS | 561568 | PIN TERMINAL / 16-14 / PED 12089305 | 2 | 2 | |
| NS | 561786 | CABLE SEAL / GRAY / PED 15324980 | 2 | 2 | |
| NS | 561783 | SEAL PLUG CAVITY / GREEN / PED 12010300 | 1 | 1 | |
| NS | 680319 | TAPE ADHESIF ELECTRIC / BLACK 3/4" | AR | AR | |
| NS | 562387 | CONVOLUTED TUBING / SLIT / BLACK / .250" | AR | AR | |
| 10 | 374307 | ELBOW 90° X 1 3/8" I.D. / 88MM x 150MM C/C / SILICONE 1 PLY | 1 | 1 | |
| 11 | 503392 | HOSE SILICONE 4PLY 1 3/8" I.D. x 4' To D-5299 | AR | AR | |
| 11 | 503653 | HOSE SILICONE 4PLY 1 3/8" I.D. x 3' From D-5300 To D-5381 | AR | AR | |
| 11 | 503783 | HOSE SILICONE 4PLY / NOMEX-ARAMID 34MM I.D. x 6' From D-5382 | AR | AR | |
| 13 | 504657 | HOSE CLAMP / 1"1/16-2" C.T. 9424 To D-5404 | 6 | 6 | |
| 13 | 504783 | HOSE CLAMP / 1"1/16-2" SS / C.T. W.S. From D-5405 | 1 | 1 | |
| 14 | 503392 | HOSE SILICONE 4PLY 1 3/8" I.D. x 4' To D-5381 | AR | AR | |
| 14 | 503783 | HOSE SILICONE 4PLY / NOMEX-ARAMID 34MM I.D. x 6' From D-5382 | AR | AR | |
| 15 | 374649 | SUPPORT / WATER PUMP | 1 | 1 | |
| 16 | 504026 | HOSE CLAMP / 2"13/16-3"3/4 SS / HS-52 | 2 | 2 | |
| 17 | 504235 | HOSE CLAMP / 3"9/16"-4"1/2 SS / HS-64 | 2 | 2 | |
| 18 | 506728 | TAPE RUB ADH1 NEO 1/4" x 3/4" x 10' / BLACK | AR | AR | |
| 20 | 501866 | ADAPTER / COPPER @ PIPE / 3/4Fx3/4NPT-M | 1 | 1 | |
| 21 | 504646 | HOSE CLAMP / 11/16"-1"1/4 / C.T. 9412 To D-5404 | 1 | 1 | |
| 21 | 504781 | HOSE CLAMP / 13/16"-1 5/16" SS / C.T. W.S. From D-5405 | 1 | 1 | |
| 22 | 503684 | HOSE SILICONE 1 PLY 7/8" I.D. x 100' / S.L. To D-5381 | AR | AR | |
| 22 | 503803 | HOSE SILICONE 1 PLY / NOMEX-ARAMID 7/8" I.D. x 100' / S.L. From D-5382 | AR | AR | |
| 23 | 501896 | ADAPTER / COPPER @ PIPE / 3/4Fx3/4NPT-M | 1 | 1 | |
| 24 | 501889 | ADAPTER / COPPER @ PIPE / 3/4Mx1/2NPT-F | 1 | 1 | |
| 25 | 870727 | CHECK VALVE 1/2 NPT | 1 | 1 | |
| 26 | 501568 | ADAPTER / COPPER @ PIPE / 3/4Fx1/2NPT-F | 1 | 1 | |
| 50 | XV-2207-05 | WATER VALVE - HEATER | | | |
| A | Call order desk | WATER PUMP ASSY WITH PIPE / WITH LARGE A/C | 1 | 1 | P |
| B | Call order desk | WATER PUMP ASSY WITH PIPE / WITH SMALL A/C | 1 | 1 | P |
| | | | | | |
| | | | | | |
| | | P) CALL ORDER DESK FOR SPECIFIC APPLICATION (V.I.N.) | | | |

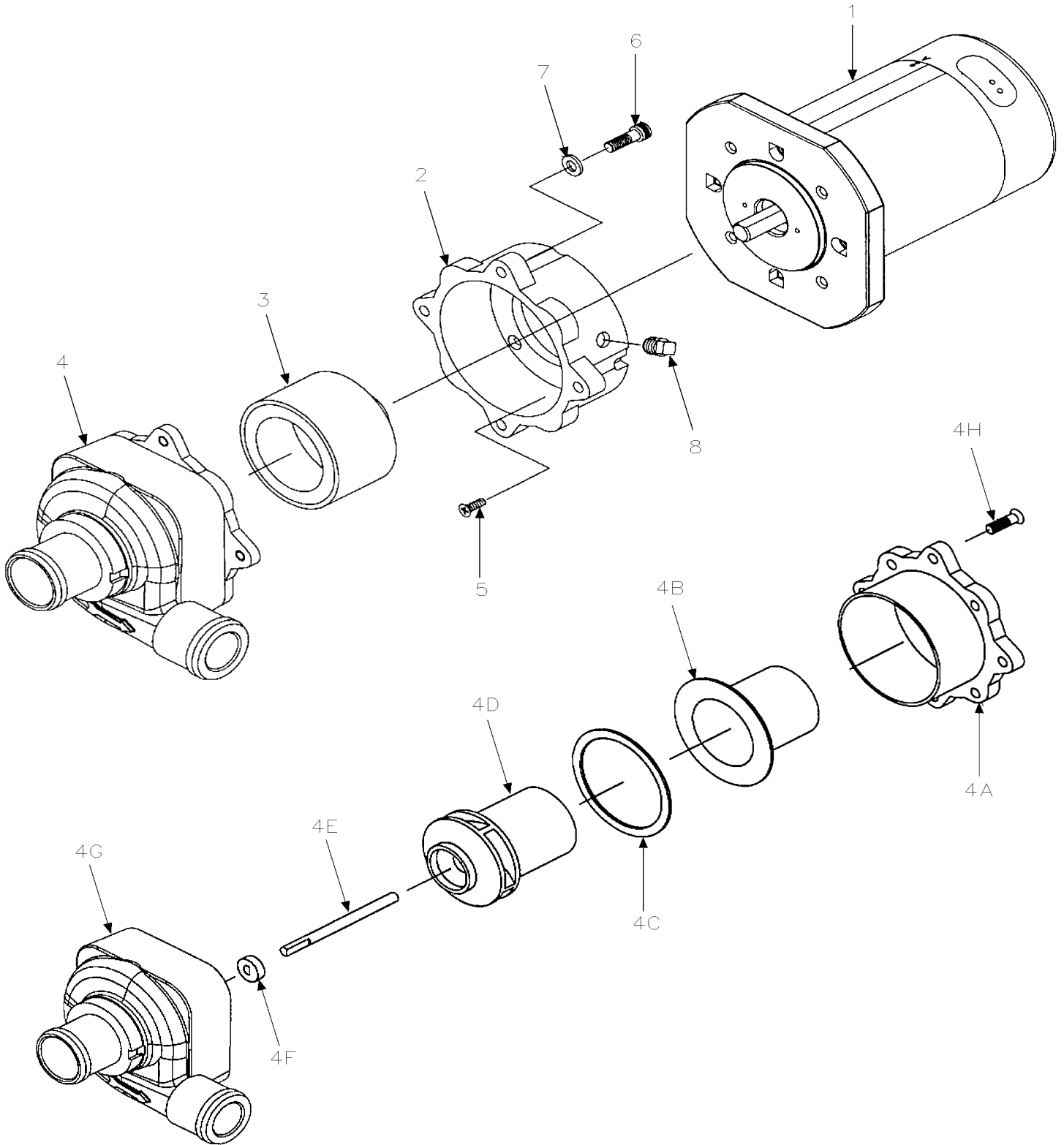


From D-5300 To D-5489

Date:10/2022

PAGE:874297

WATER PUMP "AMETEK" / SEALLESS & BRUSHLESS





| | | |
|------------------------------|---------------------|--------------------|
| From D-5300 To D-5489 | Date:10/2022 | PAGE:874297 |
|------------------------------|---------------------|--------------------|

WATER PUMP "AMETEK" / SEALLESS & BRUSHLESS

| Item# | Part | Description | X 3 V I P | X L I I E N T 4 5 | N O T E S |
|-------|----------|----------------------------------|-----------------------|---|-----------------------|
| 1 | N.P.N. | MOTOR ASSEMBLY WITHOUT BASEPLATE | 1 | 1 | 4 |
| 2 | N8896645 | CONNECTING HOUSING | 1 | 1 | |
| 3 | N8896646 | DRIVE MAGNET | 1 | 1 | |
| 4 | 19517742 | HOUSING | 1 | 1 | |
| 4A | G1091780 | . HOUSING CONNECTOR RING | 1 | 1 | |
| 4B | G1091781 | . IMPELLER HOUSING | 1 | 1 | |
| 4C | G1091782 | . GASKET ROUND | 1 | 1 | |
| 4D | G1091783 | . IMPELLER ASSY | 1 | 1 | |
| 4E | G1091785 | . IMPELLER SHAFT | 1 | 1 | |
| 4F | G1091784 | . THRUST WASHER | 1 | 1 | |
| 4G | 870074 | . PUMP HOUSING BRASS | 1 | 1 | |
| 4H | 19508912 | . SCREW FLAT HEAD | 4 | 4 | |
| 5 | N.P.N. | SCREW FLAT HEAD | 4 | 4 | 4 |
| 6 | N8896647 | SCREW SOCKET HEAD | 4 | 4 | |
| 7 | N8896640 | FLAT WASHER | 4 | 4 | |
| 8 | 195971 | PLUG, TREATED | 1 | 1 | |
| | | | | | |
| | | | | | |
| | | | | | |
| | | 4) NO PARTS NUMBER | | | |

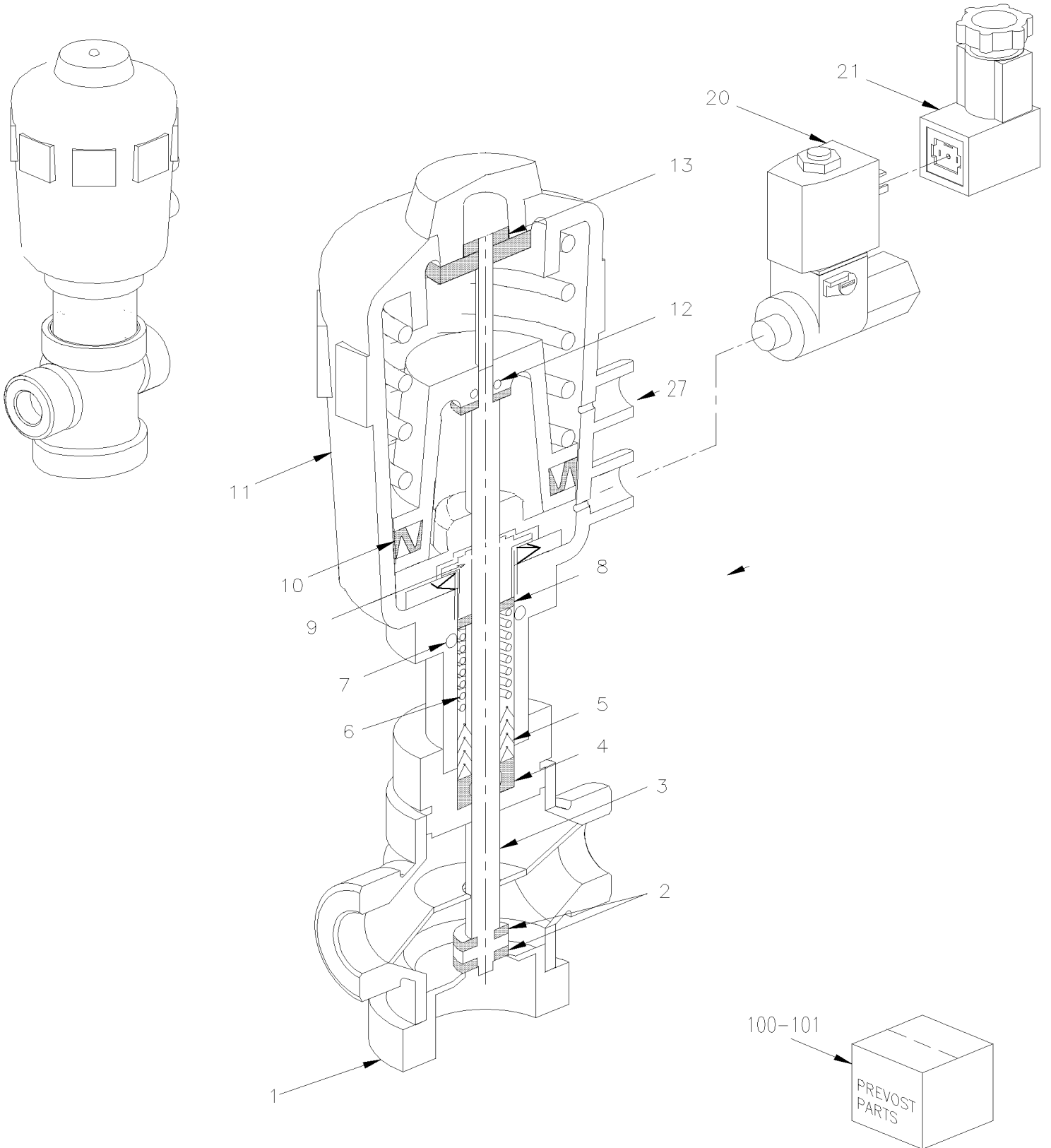


From B-5003 To D-5489

Date:10/2022

PAGE:XV-2207-00

WATER VALVE - HEATER



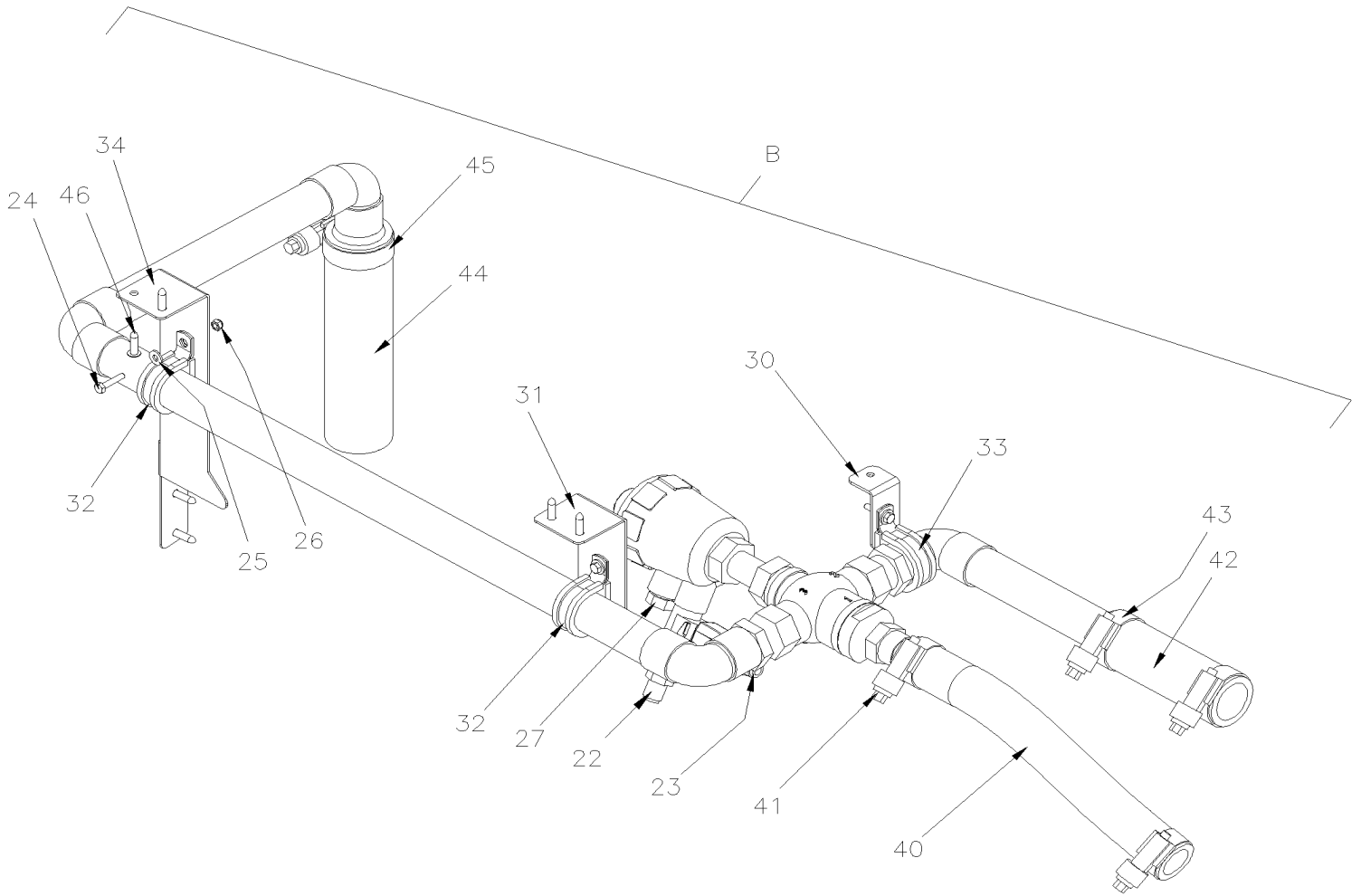


From B-5003 To D-5489

Date:10/2022

PAGE:XV-2207-00

WATER VALVE - HEATER



UP TO D-5371

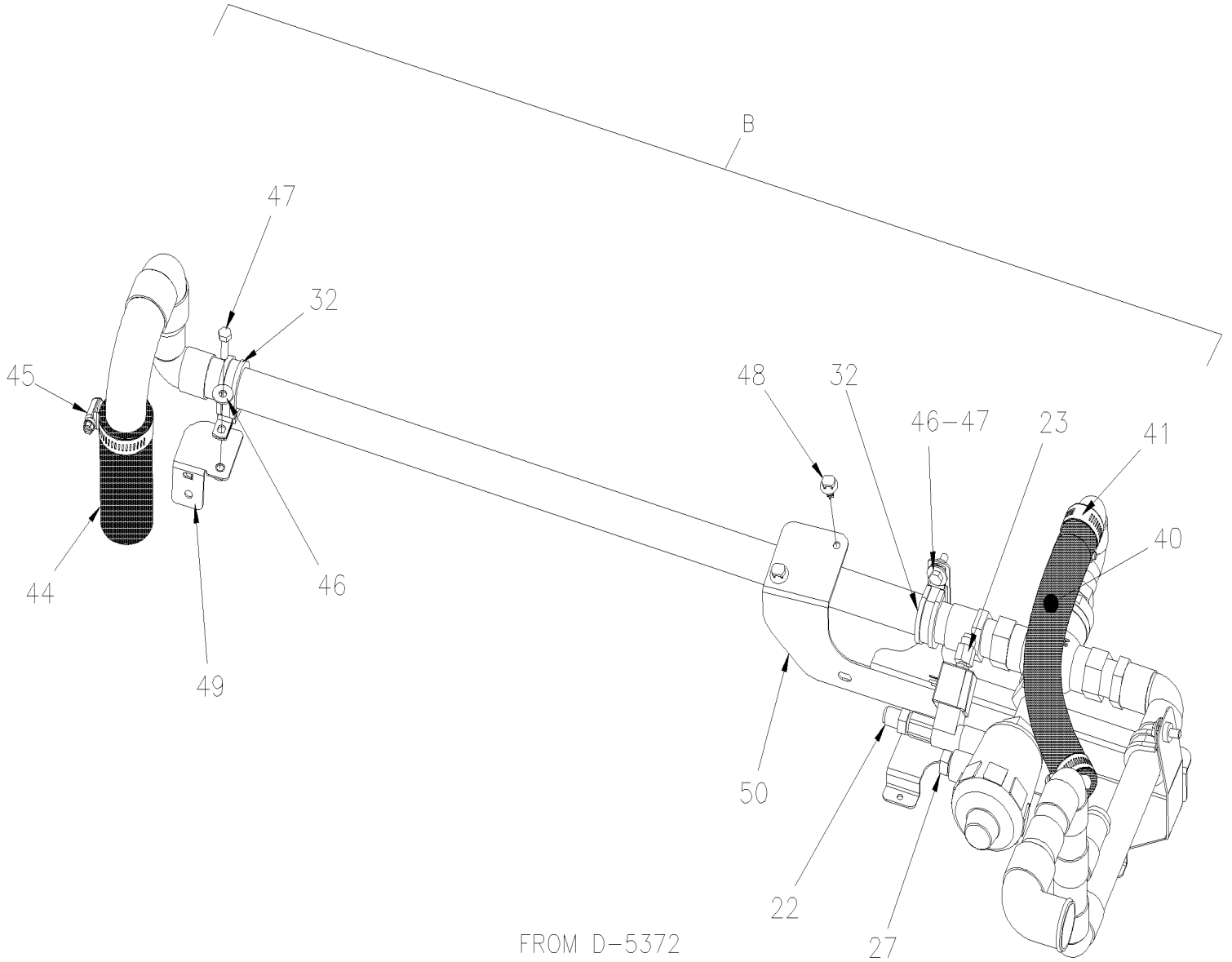


From B-5003 To D-5489

Date:10/2022

PAGE:XV-2207-00

WATER VALVE - HEATER





From B-5003 To D-5489 Date:10/2022 PAGE:XV-2207-00

WATER VALVE - HEATER

| Item# | Part | Description | X 3 V I P | X L I I E N T 4 5 | N O T E S |
|-------|--------|---|-----------------------|---|-----------------------|
| | 871430 | WATER VALVE ASSY / 24V / 3/WAY 3/4" NPT | 1 | 1 | |
| 1 | N.S.S. | . BODY | 1 | 1 | 1 |
| 2 | N.S.S. | . SEAL | 1 | 1 | 1 |
| 3 | N.S.S. | . SPINDLE | 1 | 1 | 1 |
| 4 | N.S.S. | . WIPER | 1 | 1 | 1 |
| 5 | N.S.S. | . V-SEAL | 3 | 3 | 1 |
| 6 | N.S.S. | . SPRING | 1 | 1 | 1 |
| 7 | N.S.S. | . O-RING | 1 | 1 | 1 |
| 8 | N.S.S. | . LIP SEAL | 1 | 1 | 1 |
| 9 | N.S.S. | . SCREW PISTON | 1 | 1 | 1 |
| 10 | N.S.S. | . CYLINDER SEAL | 1 | 1 | 1 |
| 11 | N.S.S. | . ACTUATOR CASING | 1 | 1 | 1 |
| 12 | N.S.S. | . O-RING. | 1 | 1 | 1 |
| 13 | N.S.S. | . LIP SEAL | 1 | 1 | 1 |
| 14 | N.S.S. | . CONE GLAND 1/8" | 2 | 2 | 1 |
| 20 | 871390 | . SOLENOID VALVE / 24V 4 WATTS | 1 | 1 | |
| . NS | 871391 | . . COIL 24V 4 WATTS | 1 | 1 | |
| 21 | 563204 | . CONNECTOR / SOCKET HOUSING ASSY 4C / BURKET 303148 | 1 | 1 | |
| 22 | 641332 | MALE CONNECTOR / PUSH-IN FITTING / #4x1/4NPT-M BR | 1 | 1 | |
| 23 | 642028 | MALE CONNECTOR / PUSH-IN FITTING / 6MM x M5-0.8 BR | 1 | 1 | |
| 24 | 500588 | SCREW CAP HEX M4-0.7x20 G8.8 Z050 | 3 | 3 | |
| 25 | 500438 | WASHER FL .187x.437x.050 Z050 | 3 | 3 | |
| 26 | 500590 | NUT HEX NYRT M4-0.7 Z050 | 3 | 3 | |
| 27 | 641926 | SILENCER / MUFFLER / 1/4NPT-M | 1 | 1 | |
| NS | 142087 | RESTRICTION / ALU. TUBE 10MM x 4.14MM O.D. W/0.79" HOLE / W/FLANGE | 1 | 1 | |
| 30 | 374576 | SUPPORT PIPE | 1 | 1 | |
| 31 | 374499 | SUPPORT WATER VALVE BACKWARD | 1 | 1 | |
| 32 | 952637 | CLAMP / 1"1/16 I.D. | 2 | 2 | |
| 33 | 952639 | CLAMP / 1"1/4 I.D. | 1 | 1 | |
| 34 | 374595 | SUPPORT WATER PUMP | 1 | 1 | |
| 40 | 503651 | HOSE SILICONE 2PLY 7/8" I.D. x 3' To C-5166 | AR | AR | |
| 40 | 503791 | HOSE SILICONE 4 PLY / NOMEX-ARAMID 7/8" I.D. x 4' From C-5167 To D-5381 | AR | AR | |
| 40 | 503797 | HOSE SILICONE 4 PLY / NOMEX-ARAMID 7/8" I.D. x 6' From D-5382 | AR | AR | |
| 41 | 504646 | HOSE CLAMP / 11/16"-1"1/4 / C.T. 9412 To D-5404 | 2 | 2 | |
| 41 | 504781 | HOSE CLAMP / 13/16"-1 5/16" SS / C.T. W.S. From D-5405 | 2 | 2 | |
| 42 | 503652 | HOSE SILICONE 2PLY 1 1/8" I.D. x 3' To D-5381 | AR | AR | |
| 42 | 503796 | HOSE SILICONE 2 PLY / NOMEX-ARAMID 1 1/8" I.D. x 6' From D-5382 | AR | AR | |
| 43 | 504658 | HOSE CLAMP / 13/16"-1"3/4 / C.T. 9420 To D-5404 | 2 | 2 | |
| 43 | 504782 | HOSE CLAMP / 1 3/16-1 13/16 SS / C.T. W.S. From D-5405 | 2 | 2 | |
| 44 | 503392 | HOSE SILICONE 4PLY 1 3/8" I.D. x 4' To D-5381 | AR | AR | |
| 44 | 503783 | HOSE SILICONE 4PLY / NOMEX-ARAMID 34MM I.D. x 6' From D-5382 | AR | AR | |
| 45 | 504657 | HOSE CLAMP / 1"1/16-2" C.T. 9424 To D-5404 | 1 | 1 | |



| | | |
|-----------------------|--------------|-----------------|
| From B-5003 To D-5489 | Date:10/2022 | PAGE:XV-2207-00 |
|-----------------------|--------------|-----------------|

WATER VALVE - HEATER

| Item# | Part | Description | X 3 V I P | X L I I E N T 4 5 | N O T E S |
|-------|-----------------|---|-----------------------|---|-----------------------|
| 45 | 504783 | HOSE CLAMP / 1"1/16-2" SS / C.T. W.S. From D-5405 | 1 | 1 | |
| 46 | 500957 | SCREW TP BDG PH #10x3/4 N500 To D-5371 | 4 | 4 | |
| 46 | 5001833 | WASHER BEL SPR 6.1x18x1.27 SS From D-5372 | 4 | 4 | |
| 47 | 502830 | SCREW CAP HEX M6-1.0x20 G8.8 N500 From D-5372 | 3 | 3 | |
| 48 | 509815 | TIE MOUNT / ATTACHMENT W/TREE MOUNT From D-5372 | 3 | 3 | |
| 49 | 374673 | SUPPORT WATER VALVE FORWARD From D-5372 | 1 | 1 | |
| 50 | 374674 | SUPPORT WATER VALVE BACKWARD From D-5372 | 1 | 1 | |
| | | | | | |
| 100 | 871389 | SEAL KIT / WATER SIDE | 1 | 1 | |
| 101 | 871388 | SEAL KIT / AIR PISTON SIDE | 1 | 1 | |
| | | | | | |
| B | Call order desk | WATER VALVE ASSY W/PIPE & SUPPORT | 1 | 1 | P |
| B | Call order desk | WATER VALVE ASSY W/PIPE & SUPPORT To C-5166 | 1 | 1 | P |
| B | Call order desk | WATER VALVE ASSY W/PIPE & SUPPORT From C-5167 To D-5371 | | 1 | P |
| B | 374688 | WATER VALVE ASSY W/PIPE & SUPPORT From D-5372 | | 1 | |
| | | | | | |
| | | | | | |
| | | | | | |
| | | | | | |
| | | 1) NOT SOLD SEPARATELY | | | |
| | | P) CALL ORDER DESK FOR SPECIFIC APPLICATION (V.I.N.) | | | |

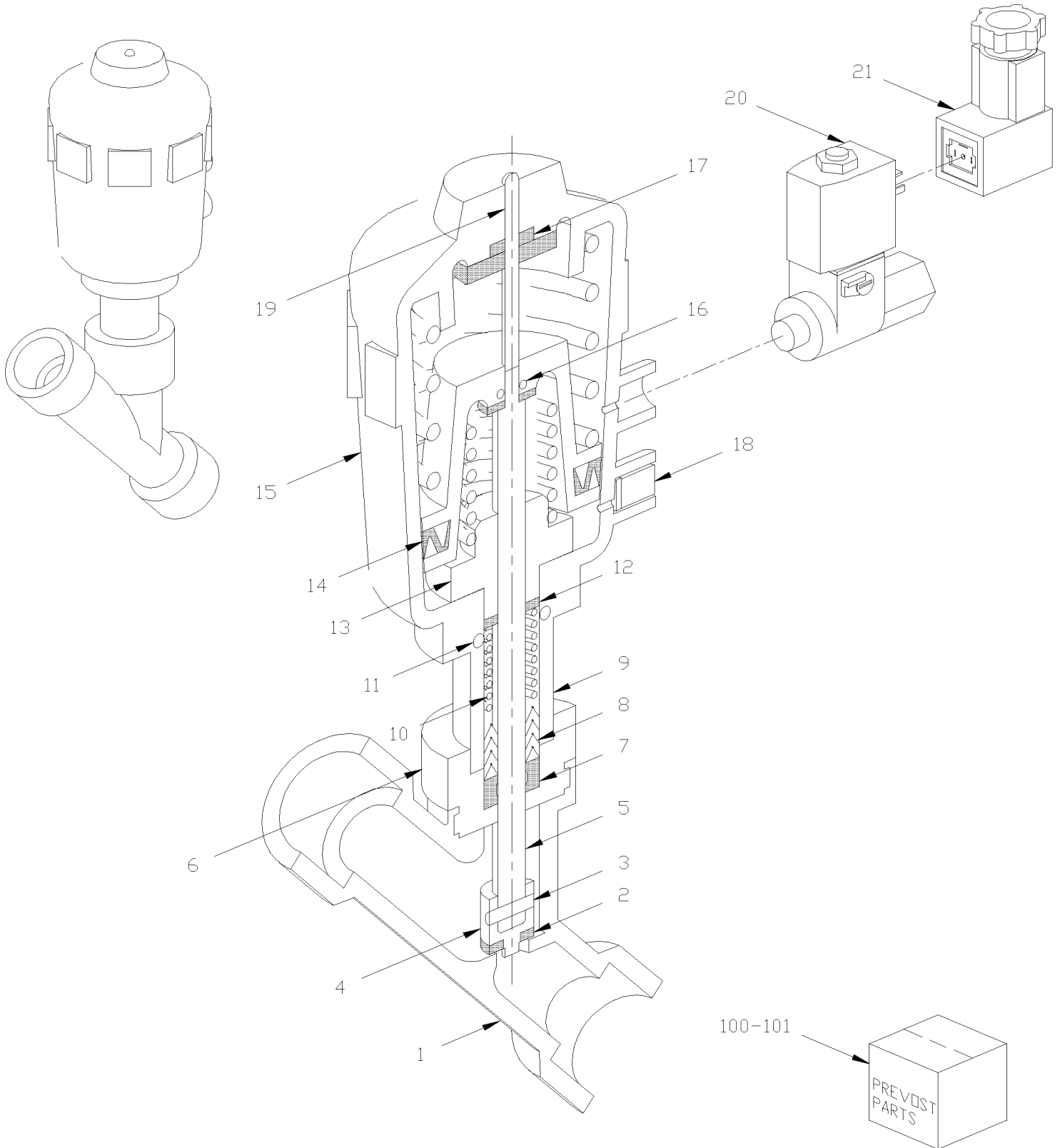


From B-5003 To D-5489

Date:10/2022

PAGE:XV-2207-05

WATER VALVE - HEATER



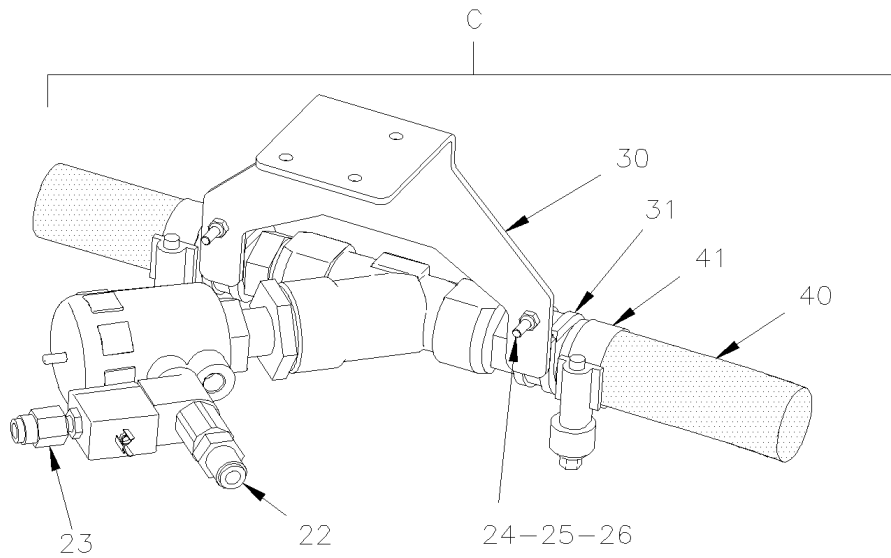


From B-5003 To D-5489

Date:10/2022

PAGE:XV-2207-05

WATER VALVE - HEATER





| | | |
|------------------------------|---------------------|------------------------|
| From B-5003 To D-5489 | Date:10/2022 | PAGE:XV-2207-05 |
|------------------------------|---------------------|------------------------|

WATER VALVE - HEATER

| Item# | Part | Description | X 3 V I P | X L I E N T 4 5 | N O T E S |
|-------|-----------------|---|-----------------------|--------------------------------------|-----------------------|
| | 871252 | . WATER VALVE ASSY / 24V | 1 | 1 | |
| 1 | N.S.S. | . . BODY | 1 | 1 | 1 |
| 2 | N.S.S. | . . SEAL | 1 | 1 | 1 |
| 3 | N.S.S. | . . PIN | 1 | 1 | 1 |
| 4 | N.S.S. | . . SWIVEL PLATE | 1 | 1 | 1 |
| 5 | N.S.S. | . . SPINDLE | 1 | 1 | 1 |
| 6 | N.S.S. | . . NIPPLE | 1 | 1 | 1 |
| 7 | N.S.S. | . . WIPER | 1 | 1 | 1 |
| 8 | N.S.S. | . . V-SEAL | 3 | 3 | 1 |
| 9 | N.S.S. | . . TUBE | 1 | 1 | 1 |
| 10 | N.S.S. | . . SPRING | 1 | 1 | 1 |
| 11 | N.S.S. | . . O-RING | 1 | 1 | 1 |
| 12 | N.S.S. | . . LIP SEAL | 1 | 1 | 1 |
| 13 | N.S.S. | . . SCREW | 1 | 1 | 1 |
| 14 | N.S.S. | . . CYLINDER SEAL | 1 | 1 | 1 |
| 15 | N.S.S. | . . ACTUATOR CASING | 1 | 1 | 1 |
| 16 | N.S.S. | . . O-RING | 1 | 1 | 1 |
| 17 | N.S.S. | . . LIP SEAL | 1 | 1 | 1 |
| 18 | N.S.S. | . . CONE GLAND 1/8" | 2 | 2 | 1 |
| 19 | N.S.S. | . . POSITION INDICATOR | 1 | 1 | 1 |
| 20 | 871313 | . SOLENOID VALVE 24V 4 WATTS 1/8SPT X 1/4NPT | 1 | 1 | |
| . NS | 871391 | . . COIL 24V 4 WATTS | 1 | 1 | |
| 21 | 563204 | . CONNECTOR / SOCKET HOUSING ASSY 4C / BURKET 303148 | 1 | 1 | |
| 22 | 641332 | MALE CONNECTOR / PUSH-IN FITTING / #4x1/4NPT-M BR | 1 | 1 | |
| 23 | 642028 | MALE CONNECTOR / PUSH-IN FITTING / 6MM x M5-0.8 BR | 1 | 1 | |
| 24 | 500588 | SCREW CAP HEX M4-0.7x20 G8.8 Z050 | 2 | 2 | |
| 25 | 500438 | WASHER FL .187x.437x.050 Z050 | 2 | 2 | |
| 26 | 500590 | NUT HEX NYRT M4-0.7 Z050 | 2 | 2 | |
| 30 | 374147 | SUPPORT WATER VALVE | 1 | 1 | A |
| 31 | 952635 | CLAMP / 1" I.D. | 2 | 2 | |
| 40 | 503684 | HOSE SILICONE 1 PLY 7/8" I.D. x 100' / S.L. To C-5166 | AR | AR | |
| 40 | 503791 | HOSE SILICONE 4 PLY / NOMEX-ARAMID 7/8" I.D. x 4' From C-5167 To D-5381 | AR | AR | |
| 40 | 503797 | HOSE SILICONE 4 PLY / NOMEX-ARAMID 7/8" I.D. x 6' From D-5382 | AR | AR | |
| 41 | 504646 | HOSE CLAMP / 11/16"-1"1/4 / C.T. 9412 To D-5404 | 2 | 2 | |
| 41 | 504781 | HOSE CLAMP / 13/16"-1 5/16" SS / C.T. W.S. From D-5405 | 2 | 2 | |
| 100 | 871311 | SEAL KIT / WATER SIDE | 1 | 1 | |
| 101 | 871312 | SEAL KIT / AIR PISTON SIDE | 1 | 1 | |
| | | | | | |
| C | Call order desk | WATER VALVE ASSY W/PIPE & SUPPORT | 1 | 1 | P |
| C | Call order desk | WATER VALVE ASSY W/PIPE & SUPPORT | 1 | 1 | P |



| | | |
|-----------------------|--------------|-----------------|
| From B-5003 To D-5489 | Date:10/2022 | PAGE:XV-2207-05 |
|-----------------------|--------------|-----------------|

WATER VALVE - HEATER

| Item# | Part | Description | X 3 V I P | X L I I E N T 4 5 | N O T E S |
|-------|------|--|-----------------------|---|-----------------------|
| | | | | | |
| | | A) AS SHOWN | | | |
| | | 1) NOT SOLD SEPARATELY | | | |
| | | P) CALL ORDER DESK FOR SPECIFIC APPLICATION (V.I.N.) | | | |

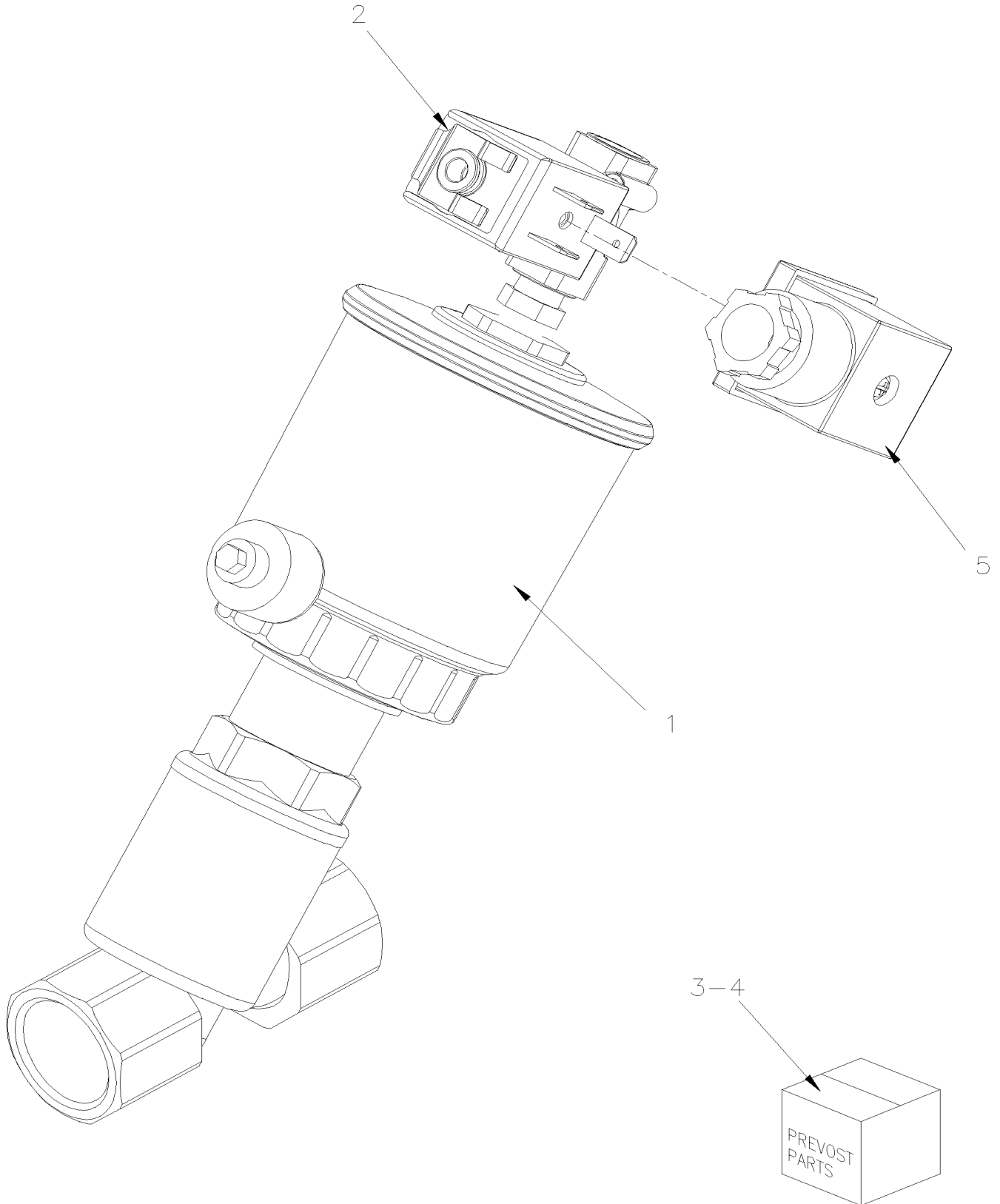


From B-5003 To D-5489

Date:10/2022

PAGE:XV-2207-99

WATER VALVE - W/2 WAYS / SERVICE





| | | |
|---|--------------|-----------------|
| From B-5003 To D-5489 | Date:10/2022 | PAGE:XV-2207-99 |
| WATER VALVE - W/2 WAYS / SERVICE | | |

| Item# | Part | Description | X 3 V I P | X L I I E N T 4 5 | N O T E S |
|-------|--------|---|-----------------------|---|-----------------------|
| 1 | 871454 | WATER VALVE ASSY / 24V | 1 | 1 | |
| 2 | 871458 | . VALVE PILOT | 1 | 1 | |
| 3 | 871459 | . VALVE PSITON SERVICE KIT | 1 | 1 | |
| . NS | N.S.S. | . . VALVE PSITON SERVICE KIT | 1 | 1 | 1 |
| . NS | N.S.S. | . . WASHER | 1 | 1 | 1 |
| . NS | N.S.S. | . . WASHER | 1 | 1 | 1 |
| . NS | N.S.S. | . . SEAL | 1 | 1 | 1 |
| 4 | 871460 | . CONNECTOR KIT | 1 | 1 | |
| 5 | 641385 | CONNECTOR / SOCKET HOUSING ASSY 3C / PNEUMAC 54934-01 | 1 | 1 | |
| | | | | | |
| | | | | | |
| | | | | | |
| | | 1) NOT SOLD SEPARATELY | | | |

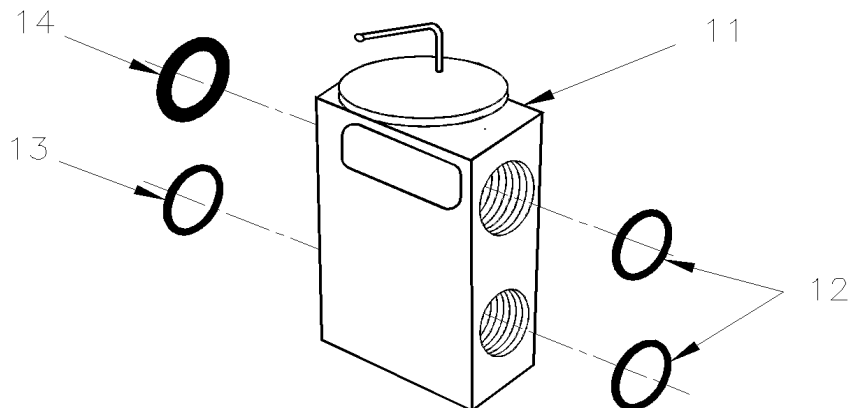
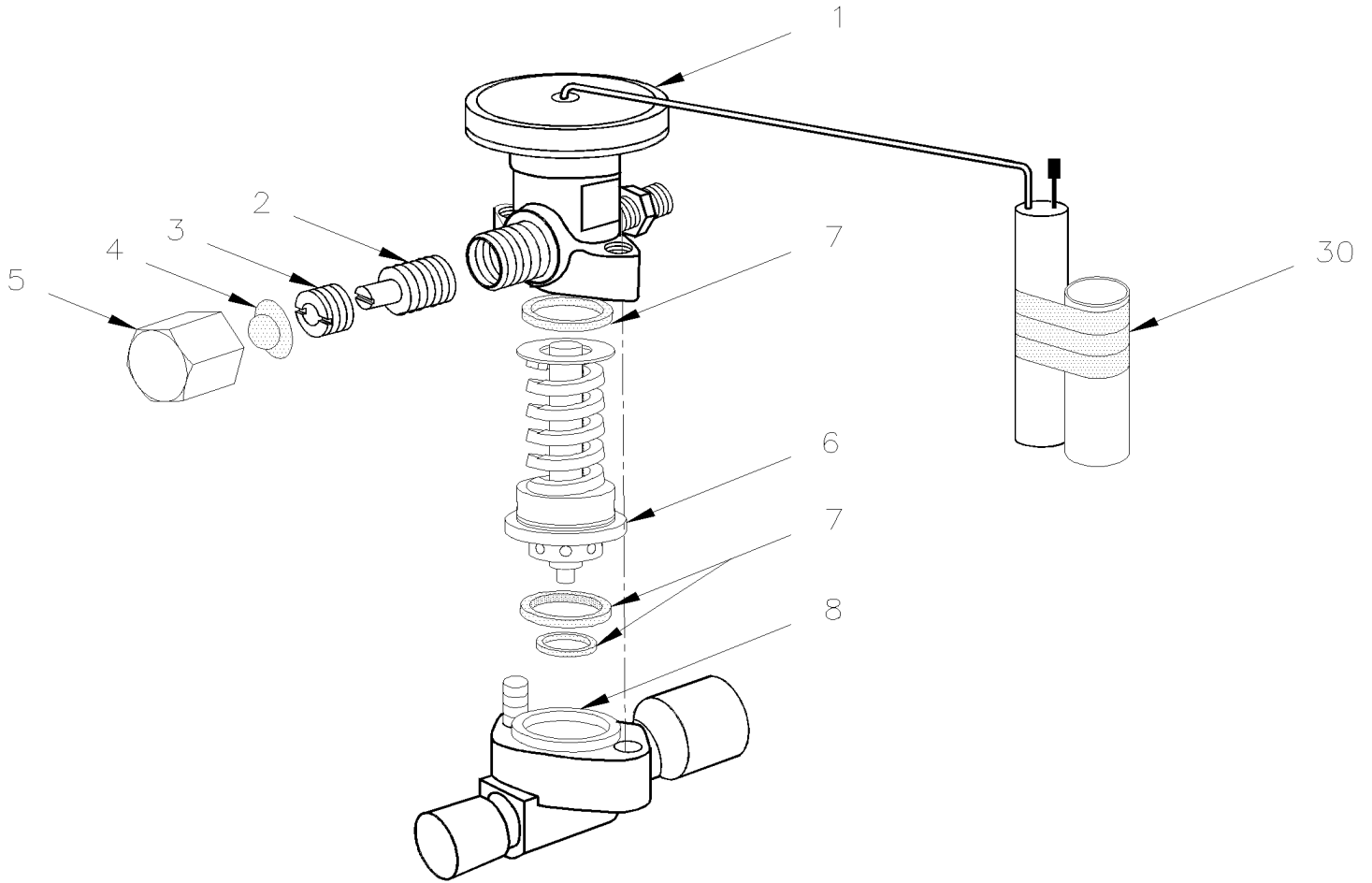


From B-5003 To D-5489

Date:10/2022

PAGE:XV-2208-00

A/C EXPANSION VALVE



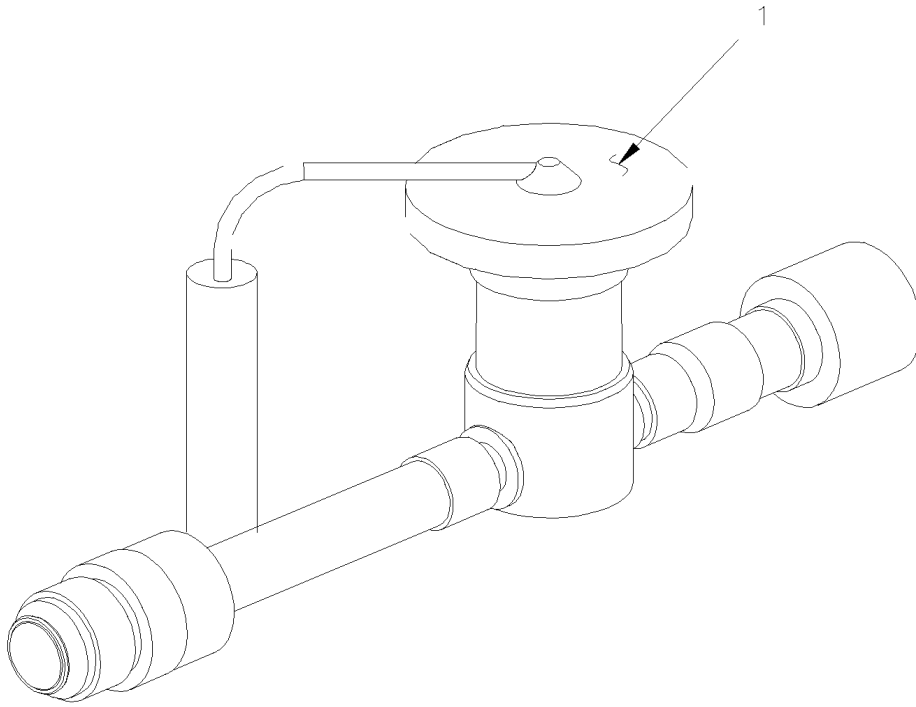


From B-5003 To D-5489

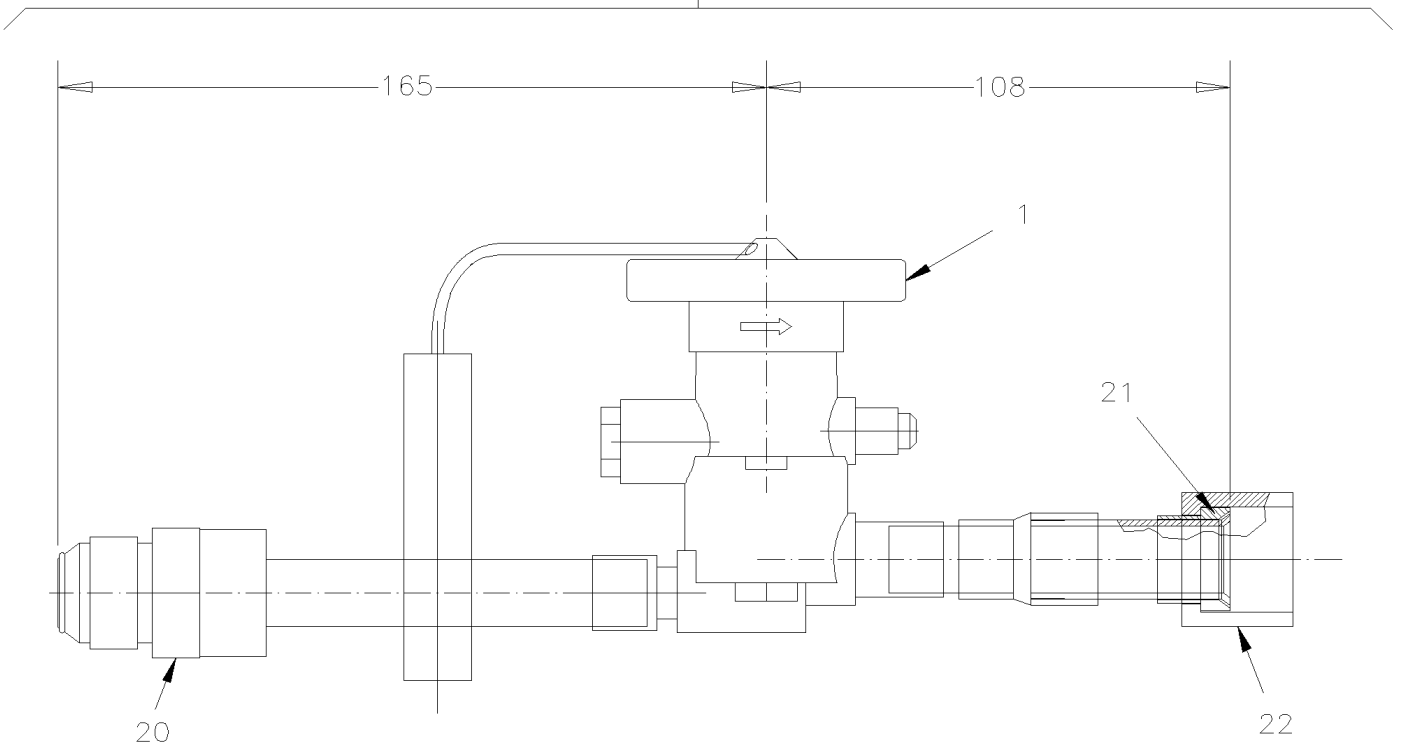
Date:10/2022

PAGE:XV-2208-00

A/C EXPANSION VALVE



B





| | | |
|------------------------------|---------------------|------------------------|
| From B-5003 To D-5489 | Date:10/2022 | PAGE:XV-2208-00 |
| A/C EXPANSION VALVE | | |

| Item# | Part | Description | X 3 V I P | X L I E N T 4 5 | N O T E S |
|-------|--------|--|-----------------------|--------------------------------------|-----------------------|
| | 871344 | VALVE, EXPANSION ASSY / WITH PIPE | 1 | 1 | A |
| | 950320 | . VALVE, EXPANSION 5 1/2 TON | 1 | 1 | |
| 1 | 950241 | . . ELEMENT POWER R134A | 1 | 1 | |
| 1 | 950241 | . . ELEMENT POWER R134A | 1 | 1 | A |
| 2 | 870622 | . . ADJUSTING STEM & PACKING ASSY | 1 | 1 | |
| 3 | 870621 | . . NUT PACKING | 1 | 1 | |
| 4 | N.S.S. | . . SEAL | 1 | 1 | 1 |
| 5 | 870619 | . . NUT CAP | 1 | 1 | |
| 6 | 950317 | . . CAGE ASSY & SPRING / B6B | 1 | 1 | |
| 6 | 950258 | . . CAGE ASSY & SPRING / B3B | 1 | 1 | A |
| 7 | 870709 | . . SET GASKET | 1 | 1 | |
| 8 | N.S.S. | . . FLANGE BODY | 1 | 1 | 1 |
| 8 | 504634 | T-CLIP / 7/8" - 1" | 1 | 1 | |
| 8 | 504637 | CABLE TIE / 3/16" x 13" | 1 | 1 | |
| 11 | 950221 | VALVE, EXPANSION / DRIVER'S W/R134A | 1 | 1 | |
| 12 | 507279 | O-RING / ORS FITTING / #8 NEO | 1 | 1 | |
| 13 | 507278 | O-RING / ORS FITTING / #4 NEO | 1 | 1 | |
| 14 | 507344 | O-RING / ORS FITTING / #10 NEO | 1 | 1 | |
| 20 | 507525 | ADAPTER JIC @ BRAZE W/O-RING / / #12JIC-Mx#10BRAZE-F BR | 1 | 1 | |
| . NS | 501829 | . O-RING / ORS FITTING / #12 NEO | 1 | 1 | |
| 21 | 507518 | SLEEVE / JIC 37° FITTING / #12 STL | 1 | 1 | |
| 22 | 507519 | NUT / JIC 37° FITTING / #12JIC-F STL | 1 | 1 | |
| 30 | 680091 | TAPE INSULATING / 1/8" x 2" x 30' / BLACK PT-1 | 1 | 1 | |
| | | | | | |
| B | 453985 | VALVE, EXPANSION ASSY / WITH PIPE To C-5132 | 1 | 1 | |
| B | 454699 | VALVE, EXPANSION ASSY / WITH PIPE From C-5133 | 1 | 1 | |
| | | | | | |
| | | | | | |
| | | A) WITH SMALL A/C SYSTEM INSTALL ON FRONT DEFROSTER ASSY | | | |
| | | 1) NOT SOLD SEPARATELY | | | |

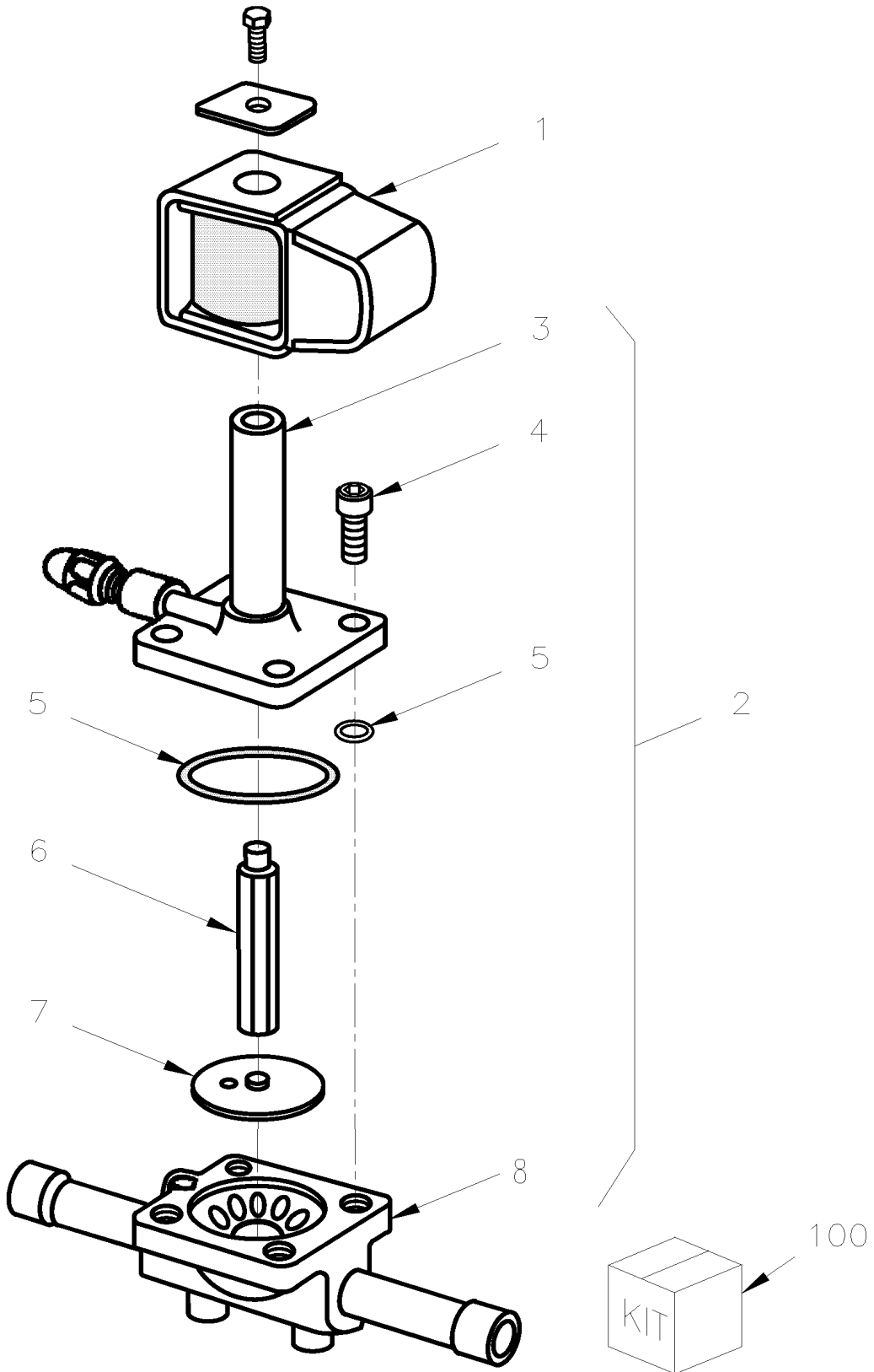


From B-5003 To D-5489

Date:10/2022

PAGE:XV-2208-10

REFRIGERANT SOLENOID VALVE



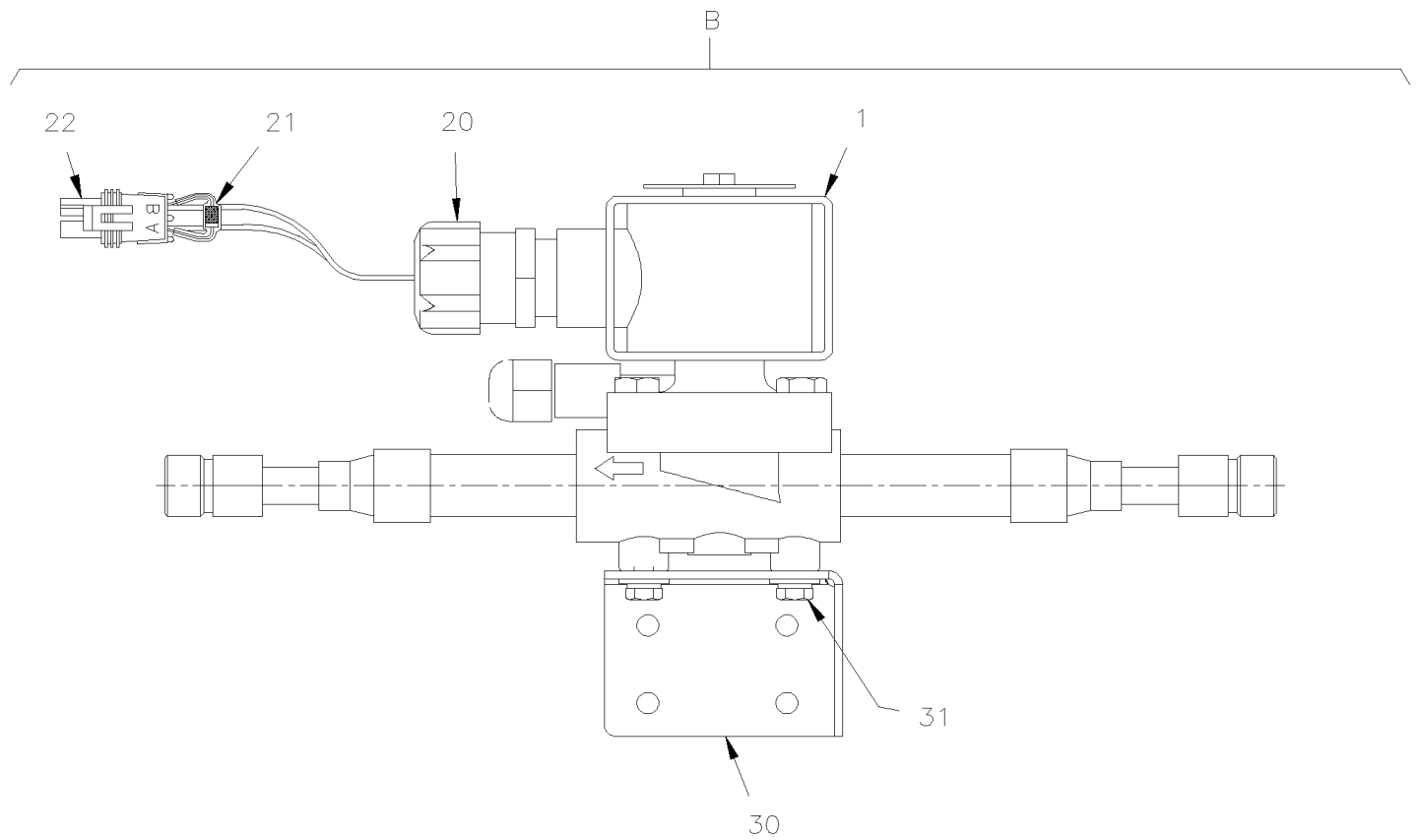
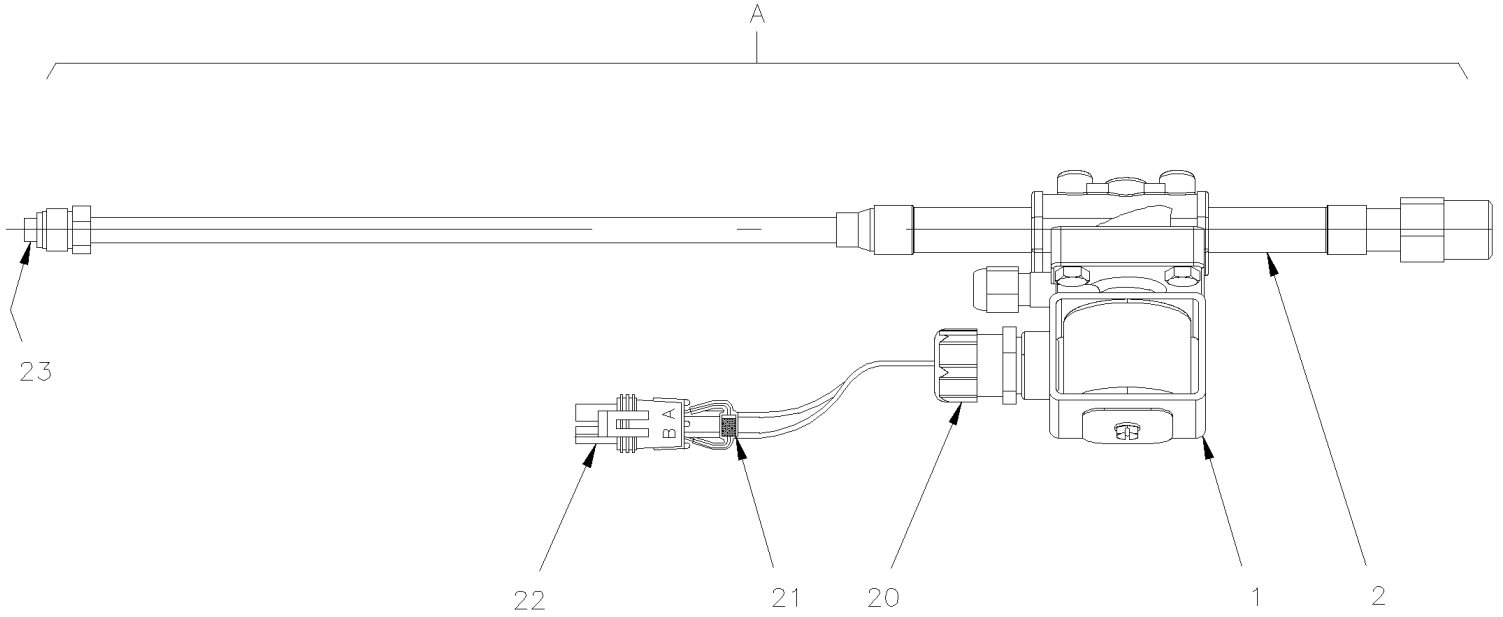


From B-5003 To D-5489

Date:10/2022

PAGE:XV-2208-10

REFRIGERANT SOLENOID VALVE





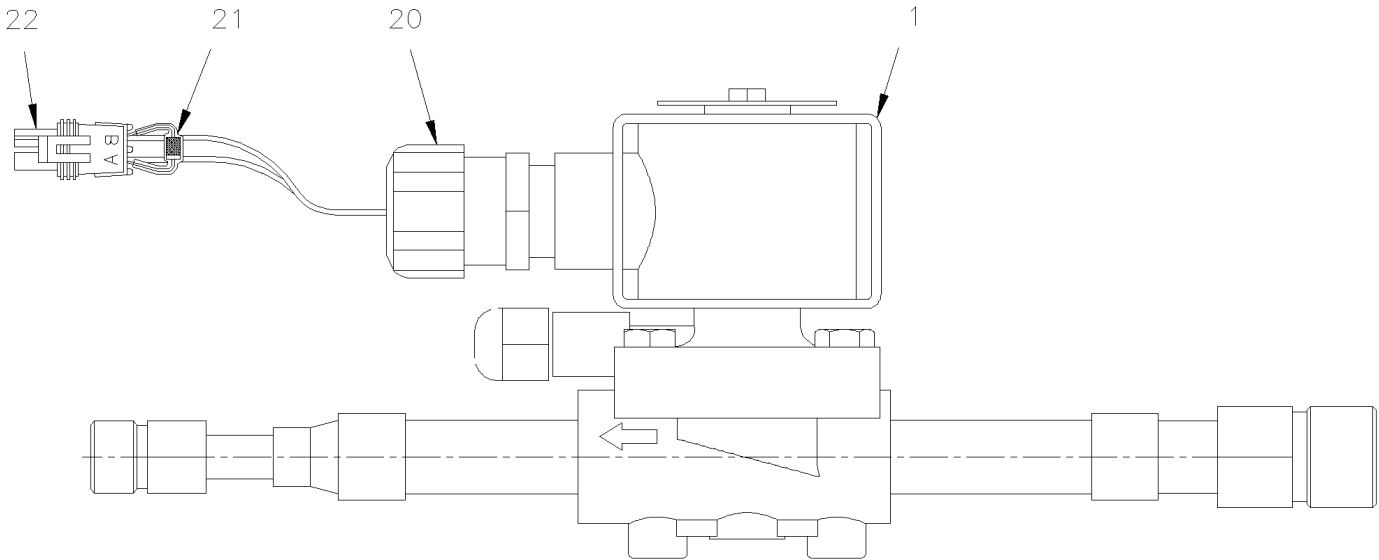
From B-5003 To D-5489

Date:10/2022

PAGE:XV-2208-10

REFRIGERANT SOLENOID VALVE

C





| | | |
|-----------------------------------|---------------------|------------------------|
| From B-5003 To D-5489 | Date:10/2022 | PAGE:XV-2208-10 |
| REFRIGERANT SOLENOID VALVE | | |

| Item# | Part | Description | X 3 V I P | X L I I E N T 4 5 | N O T E S |
|-------|--------|---|-----------------------|---|-----------------------|
| 1 | 950953 | . COIL 24V / SERVICE | 1 | 1 | |
| 2 | 950951 | . VALVE REFRIGERANT SOLENOID | 1 | 1 | |
| 3 | N.S.S. | . . BONNET & ENCLOSING TUBE ASSY | 1 | 1 | 1 |
| 4 | 500238 | . . SCREW CAP HEXS 1/4-20x3/4 ZP | 4 | 4 | |
| 5 | N.S.S. | . . O-RING | 1 | 1 | 1 |
| 6 | N.S.S. | . . PLUNGER ASSY | 1 | 1 | 1 |
| 7 | N.S.S. | . . DIAPRAGM ASSY | 1 | 1 | 1 |
| 8 | N.S.S. | . . BODY | 1 | 1 | 1 |
| NS | 500160 | . SCREW CAP HEX #10-24x1/2 Z050 | 2 | 2 | |
| 20 | 560434 | . CONNECTOR 1/2" PIPE | 1 | 1 | |
| 21 | 560931 | . DIODE / 3AMPS | 1 | 1 | |
| 22 | 561690 | . CONNECTOR / WEATHER PACK / SH 2C / BLACK / PED 12015792 | 1 | 1 | |
| NS | 561565 | . CABLE SEAL / GREEN / PED 15324982 | 2 | 2 | |
| NS | 561578 | . SOCKET TERMINAL / 16-14 / PED 12010182 | 2 | 2 | |
| 23 | 507278 | . O-RING / ORS FITTING / #4 NEO | 1 | 1 | |
| 30 | 453315 | . SUPPORT / A/C VALVE | 1 | 1 | |
| 31 | 500041 | . SCREW CAP HEX #10-24x3/8 SS | 2 | 2 | |
| NS | 500470 | . WASHER LO SPT .193x.334x.047 Z050 | 2 | 2 | |
| NS | 500964 | . WASHER FL .203x.500x.047 Z050 | 2 | 2 | |
| | | | | | |
| B | 453318 | VALVE ASSY / REFRIGERANT SOLENOID | 1 | 1 | B |
| C | 453151 | VALVE ASSY / REFRIGERANT SOLENOID | 1 | 1 | A |
| | | | | | |
| | | | | | |
| | | A) IN SPARE COMPARTMENT | | | |
| | | B) IN SPARE COMPARTEMENT WITH SMALL A/C SYSTEM | | | |
| | | 1) NOT SOLD SEPARATELY | | | |

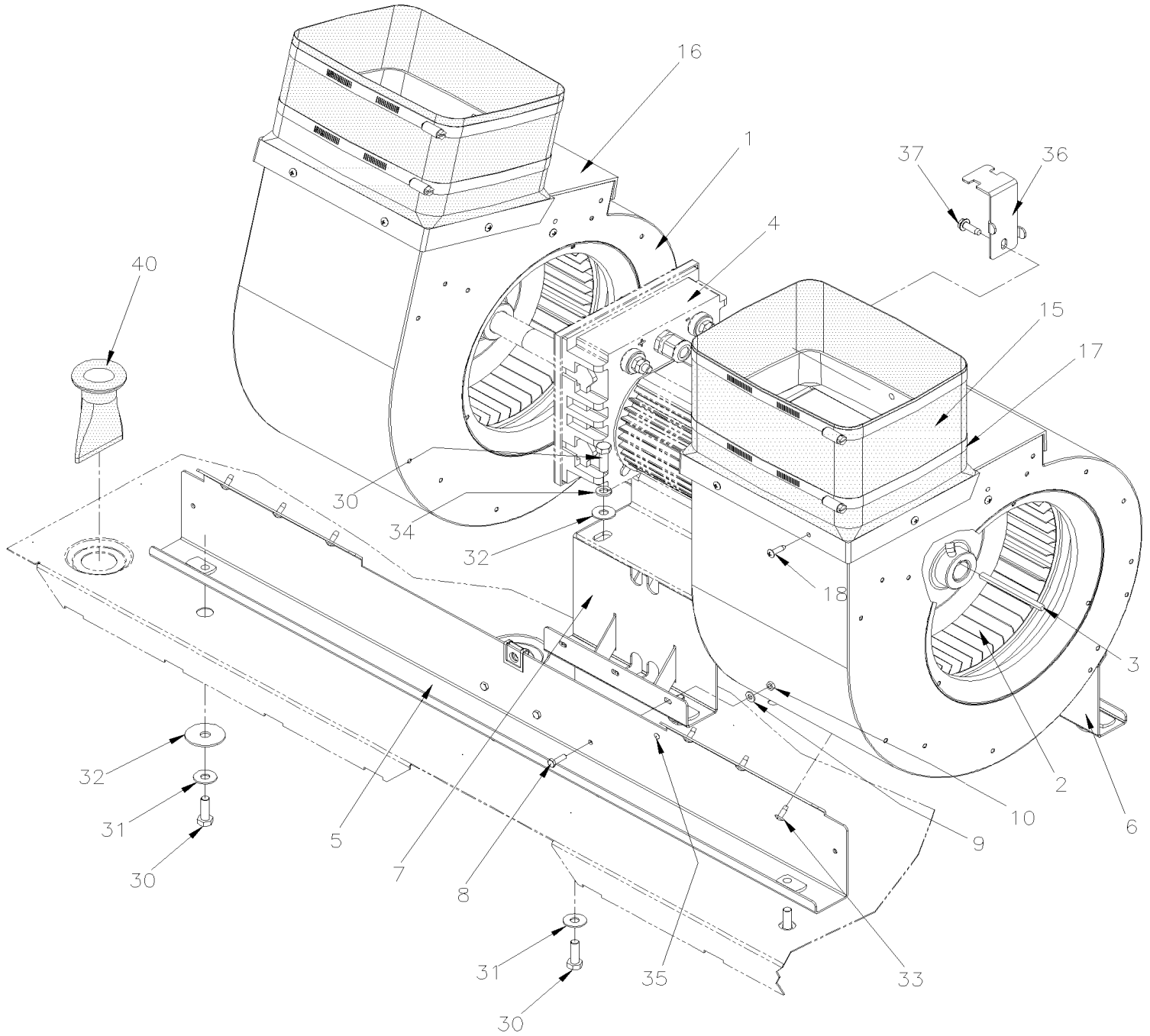


From B-5003 To D-5489

Date:10/2022

PAGE:XV-2210-00

HEATER & EVAPORATOR BLOWER - INSTALLATION





| | | |
|--|--------------|-----------------|
| From B-5003 To D-5489 | Date:10/2022 | PAGE:XV-2210-00 |
| HEATER & EVAPORATOR BLOWER - INSTALLATION | | |

| Item# | Part | Description | X 3 V I P | X L I I E N T 4 5 | N O T E S |
|-------|-------------------|--|-----------------------|---|-----------------------|
| 1 | 871306 | HOUSING ASSY W/BLOWER WHEEL | 2 | 2 | |
| 1 | 871308 | . HOUSING ASSY, GALVANISED | 1 | 1 | |
| 2 | 870956 | . BLOWER WHEEL | 1 | 1 | |
| 3 | 452085 | KEY 3/16 X 82 MM | 2 | 2 | |
| 4 | XV-2265-01 | MOTOR - EVAPORATOR BRUSHLESS | | | |
| 5 | 453990 | SUPPORT | 1 | 1 | |
| 6 | 453995 | SUPPORT | 1 | 1 | |
| 7 | 457414 | BASE SUB ASSY | 1 | 1 | |
| 8 | 5001447 | SCREW CAP HEX #10-24x5/8 PT SS BK | 6 | 6 | |
| 9 | 5001137 | WASHER FL .203x.438x.050 SS | 6 | 6 | |
| 10 | 5001180 | NUT HEX NYRT #10-24 SS | 6 | 6 | |
| 15 | 453986 | FLEXIBLE DUCT / HEIGHT 140MM | 2 | 2 | |
| 16 | 453992 | TRANSITION ADAPTOR FLEXIBLE DUCT | 2 | 2 | |
| 17 | 504729 | CLAMP HOSE SS/CR 203-279 | 2 | 2 | |
| 18 | 500957 | SCREW TP BDG PH #10x3/4 N500 | 10 | 10 | |
| 30 | 502780 | SCREW CAP HEX M8-1.25x25 SS BK | 12 | 12 | |
| 31 | 5001448 | WASHER FL .343x.875x.062 SS18-8 | 12 | 12 | |
| 32 | 500261 | WASHER FL .390x1.500x.083 N500 | 4 | 4 | |
| 33 | 502868 | SCREW TC TR PH #10-16x1/2 N500 | AR | AR | |
| 34 | 500035 | WASHER LO SPT .317x.586x.078 SS | 4 | 4 | |
| 35 | 504112 | RIVET POP DOME OE 1/8x1/8 AL | 2 | 2 | |
| 36 | 068359 | SUPPORT WIRING HARNESS | 1 | 1 | |
| 37 | 502848 | SCREW TC CAP HEXF 1/4-20x3/4 N500 | 1 | 1 | |
| 40 | 414654 | DRAIN BOOT 1" I.D. W/GROOVE 1.5 x 35MM I.D. x 85MM | 4 | 4 | |
| | | | | | |
| | | | | | |
| | | | | | |

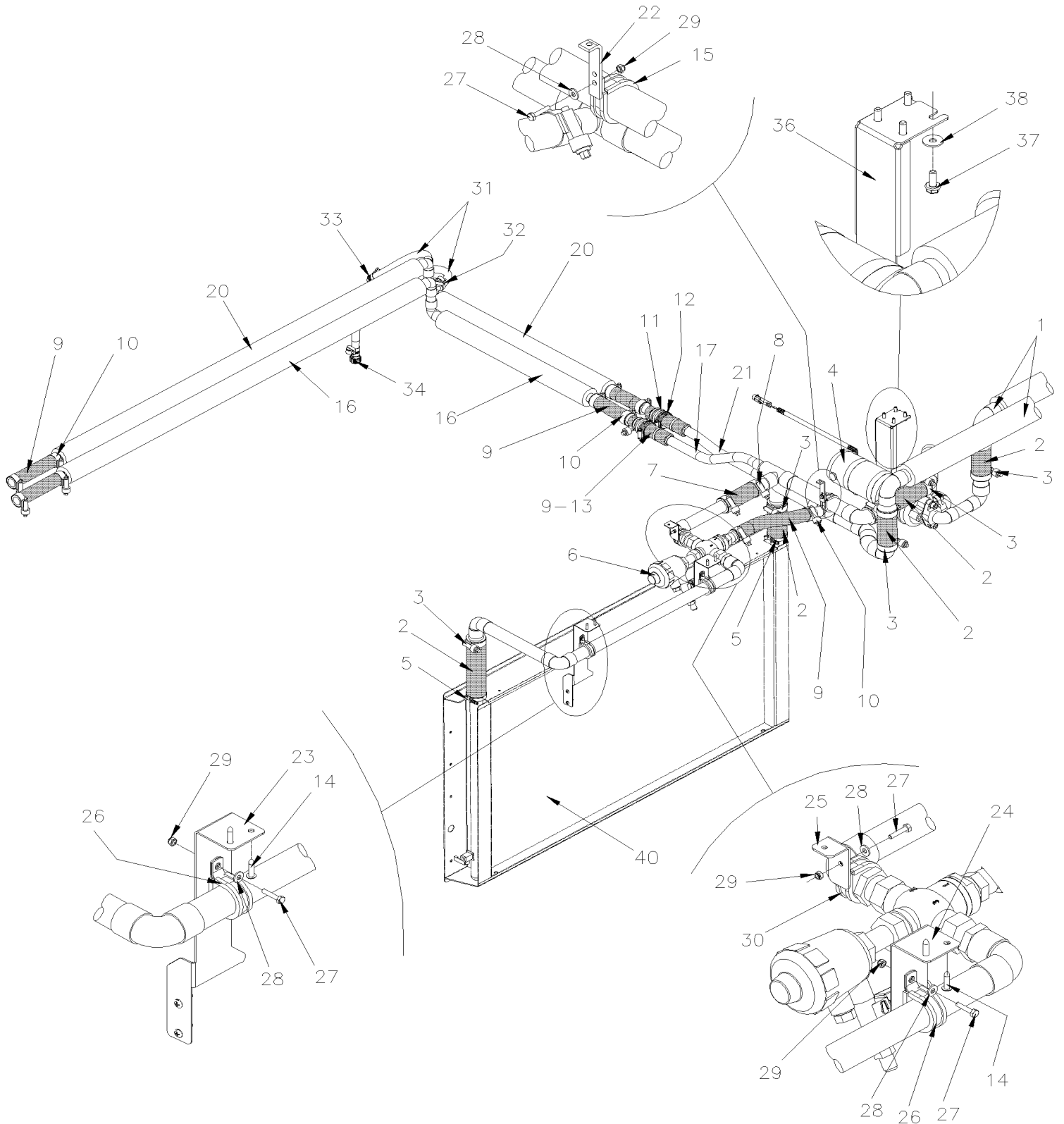


From B-5003 To D-5489

Date:10/2022

PAGE:XV-2210-11

WATER PUMP - INSTALLATION





| | | |
|----------------------------------|---------------------|------------------------|
| From B-5003 To D-5489 | Date:10/2022 | PAGE:XV-2210-11 |
| WATER PUMP - INSTALLATION | | |

| Item# | Part | Description | X 3 V I P | X L I E N T 4 5 | N O T E S |
|-------|-------------------|---|-----------------------|--------------------------------------|-----------------------|
| 1 | XV-2222-35 | HEATER LINE REAR SECTION WITH "VOLVO" ENGINE "EPA 2010" | | | |
| 2 | 503392 | HOSE SILICONE 4PLY 1 3/8" I.D. x 4' To D-5381 | AR | AR | |
| 2 | 503783 | HOSE SILICONE 4PLY / NOMEX-ARAMID 34MM I.D. x 6' From D-5382 | AR | AR | |
| 3 | 504657 | HOSE CLAMP / 1"1/16-2" C.T. 9424 To D-5404 | AR | AR | |
| 3 | 504783 | HOSE CLAMP / 1"1/16-2" SS / C.T. W.S. From D-5405 | AR | AR | |
| 4 | XV-2206-00 | WATER PUMP #871342 SEALLESS To D-5299 | | | |
| 4 | XV-2206-01 | WATER PUMP #874297 AMETEK From D-5300 | | | |
| 5 | 504692 | HOSE CLAMP STEPLESS SPRING SS / OETIKER / 1.5-1.8 | 2 | 2 | |
| 6 | XV-2207-00 | WATER VALVE - HEATER | | | |
| 7 | 503652 | HOSE SILICONE 2PLY 1 1/8" I.D. x 3' To D-5381 | AR | AR | |
| 7 | 503796 | HOSE SILICONE 2 PLY / NOMEX-ARAMID 1 1/8" I.D. x 6' From D-5382 | AR | AR | |
| 8 | 504658 | HOSE CLAMP / 13/16"-1"3/4 / C.T. 9420 To D-5404 | AR | AR | |
| 8 | 504782 | HOSE CLAMP / 1 3/16-1 13/16 SS / C.T. W.S. From D-5405 | AR | AR | |
| 9 | 503651 | HOSE SILICONE 2PLY 7/8" I.D. x 3' To C-5166 | AR | AR | |
| 9 | 503791 | HOSE SILICONE 4 PLY / NOMEX-ARAMID 7/8" I.D. x 4' From C-5167 To D-5381 | AR | AR | |
| 9 | 503797 | HOSE SILICONE 4 PLY / NOMEX-ARAMID 7/8" I.D. x 6' From D-5382 | AR | AR | |
| 10 | 504646 | HOSE CLAMP / 11/16"-1"1/4 / C.T. 9412 To D-5404 | AR | AR | |
| 10 | 504781 | HOSE CLAMP / 13/16"-1 5/16" SS / C.T. W.S. From D-5405 | AR | AR | |
| 11 | 504383 | CUFF END BELLOW / 7/8" I.D. x 1 1/2" x 2 1/4" | 2 | 2 | |
| 12 | 504022 | HOSE CLAMP / 3/4"-1"3/4 SS / HS-20 | 2 | 2 | |
| 13 | 504637 | CABLE TIE / 3/16" x 13" | 1 | 1 | |
| 14 | 500957 | SCREW TP BDG PH #10x3/4 N500 | AR | AR | |
| 15 | 952641 | CLAMP / 1 5/16" I.D. | AR | AR | |
| 16 | Call order desk | PIPE ASSY / INLET 1220MM To C-5166 | 1 | 1 | P |
| 16 | Call order desk | PIPE ASSY / INLET 1220MM To C-5166 | 1 | 1 | P |
| 16 | Call order desk | PIPE ASSY / INLET 1220MM From C-5167 To D-5371 | 1 | 1 | P |
| 16 | Call order desk | PIPE ASSY / INLET 1220MM From C-5167 To D-5371 | 1 | 1 | P |
| 16 | Call order desk | PIPE ASSY / INLET From D-5372 | 1 | 1 | P |
| 16 | Call order desk | PIPE ASSY / INLET From D-5372 | 1 | 1 | P |
| 17 | Call order desk | PIPE ASSY / INLET 267.8MM C/C To B-5049 | 1 | 1 | P |
| 17 | Call order desk | PIPE ASSY / INLET To B-5049 | 1 | 1 | P |
| 17 | Call order desk | PIPE ASSY / INLET From B-5050 To C-5166 | 1 | 1 | P |
| 17 | Call order desk | PIPE ASSY / INLET From B-5050 To C-5166 | 1 | 1 | P |
| 17 | Call order desk | PIPE ASSY / INLET 757MM From C-5167 | 1 | 1 | P |
| 17 | Call order desk | PIPE ASSY / INLET From C-5167 | 1 | 1 | P |
| 20 | Call order desk | PIPE ASSY / OUTLET 1225MM To C-5166 | 1 | 1 | P |
| 20 | Call order desk | PIPE ASSY / OUTLET 1225MM To C-5166 | 1 | 1 | P |
| 20 | Call order desk | PIPE ASSY / OUTLET 1225MM From C-5167 To D-5371 | 1 | 1 | P |
| 20 | Call order desk | PIPE ASSY / OUTLET 1225MM From C-5167 To D-5371 | 1 | 1 | P |
| 20 | Call order desk | PIPE ASSY / OUTLET From D-5372 | 1 | 1 | P |
| 20 | Call order desk | PIPE ASSY / OUTLET 1225MM From D-5372 | 1 | 1 | P |
| 21 | Call order desk | PIPE ASSY / OUTLET 395.2MM C/C To C-5166 | 1 | 1 | P |



| | | |
|----------------------------------|---------------------|------------------------|
| From B-5003 To D-5489 | Date:10/2022 | PAGE:XV-2210-11 |
| WATER PUMP - INSTALLATION | | |

| Item# | Part | Description | X 3 V I P | X L I I E N T 4 5 | N O T E S |
|-------|-------------------|---|-----------------------|---|-----------------------|
| 21 | Call order desk | PIPE ASSY / OUTLET To C-5166 | 1 | 1 | P |
| 21 | Call order desk | PIPE ASSY / OUTLET From C-5167 To D-5371 | 1 | 1 | P |
| 21 | Call order desk | PIPE ASSY / OUTLET From C-5167 To D-5371 | 1 | 1 | P |
| 21 | Call order desk | PIPE ASSY / OUTLET From D-5372 | 1 | 1 | P |
| 21 | Call order desk | PIPE ASSY / OUTLET From D-5372 | 1 | 1 | P |
| 22 | 450488 | SUPPORT PIPE | 1 | 1 | |
| 23 | 374498 | SUPPORT WATER VALVE FORWARD | 1 | 1 | |
| 24 | 374499 | SUPPORT WATER VALVE BACKWARD | 1 | 1 | |
| 25 | 374576 | SUPPORT PIPE | 1 | 1 | |
| 26 | 952637 | CLAMP / 1"1/16 I.D. | 3 | 3 | |
| 27 | 500588 | SCREW CAP HEX M4-0.7x20 G8.8 Z050 | 4 | 4 | |
| 28 | 500438 | WASHER FL .187x.437x.050 Z050 | 4 | 4 | |
| 29 | 500590 | NUT HEX NYRT M4-0.7 Z050 | 4 | 4 | |
| 30 | 952639 | CLAMP / 1"1/4 I.D. | 1 | 1 | |
| 31 | 503779 | HOSE SILICONE 1PLY 3/8" I.D. x 100' To D-5381 | AR | AR | |
| 31 | 503806 | HOSE SILICONE 1 PLY / NOMEX-ARAMID 3/8" I.D. x 100' From D-5382 | AR | AR | |
| 32 | 992081 | HOSE CLAMP / 12MM/22MM | 4 | 4 | |
| 33 | 20805110 | QUICK CONNECTOR 90° 10MM | 1 | 1 | |
| 34 | 20805109 | QUICK CONECTOR 10MM | 1 | 1 | |
| 36 | 374494 | SUPPORT WATER PUMP | 1 | 1 | |
| 37 | 5001730 | SCREW CAP HEXF M6-1.0x16 G10.9 N500 | 4 | 4 | |
| 38 | 5001833 | WASHER BEL SPR 6.1x18x1.27 SS | 4 | 4 | |
| 40 | XV-2205-00 | HEATER & EVAPORATOR COIL - INSTALLATION | | | |
| | | | | | |
| | | | | | |
| | | | | | |
| | | | | | |
| | | P) CALL ORDER DESK FOR SPECIFIC APPLICATION (V.I.N.) | | | |

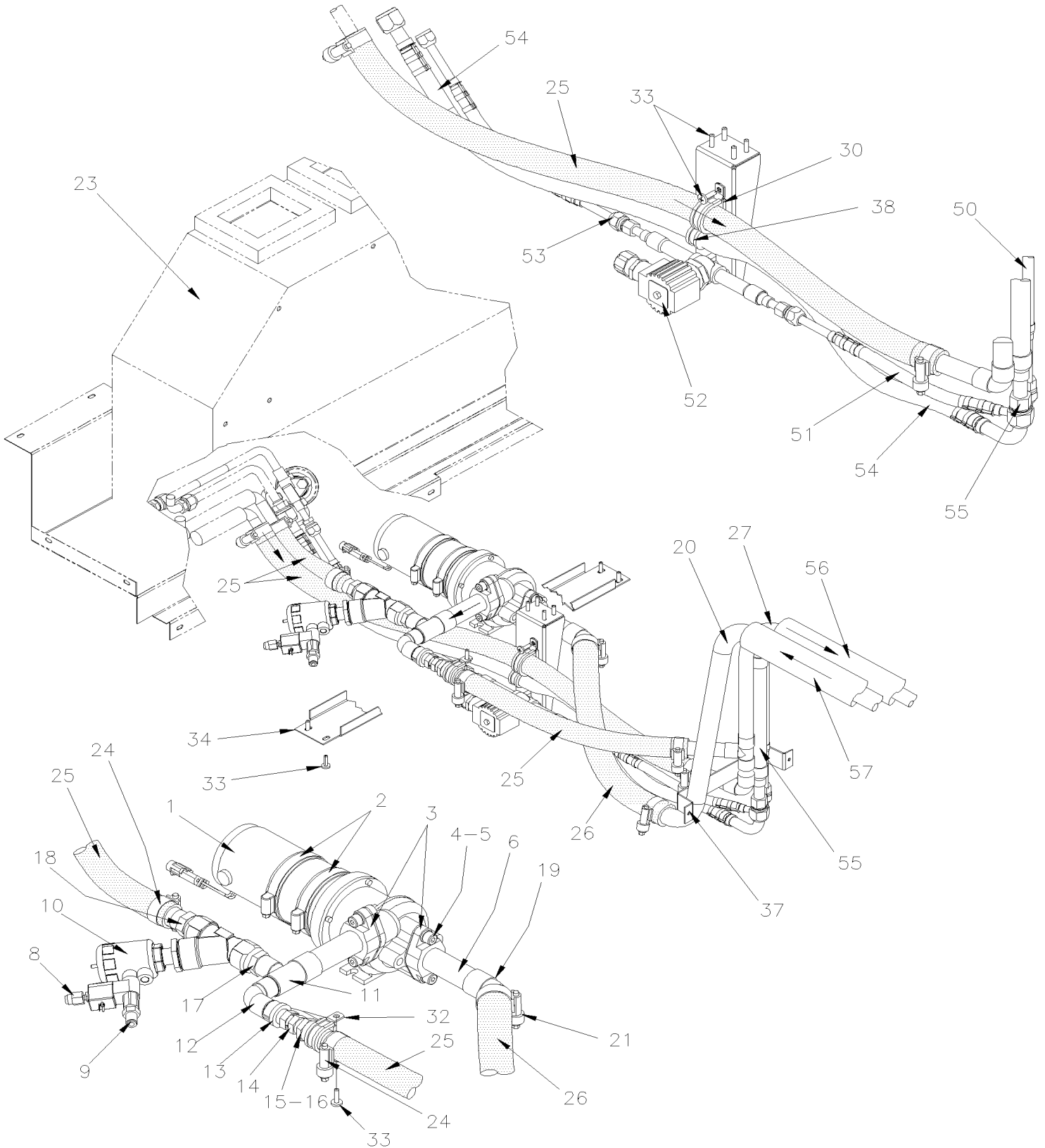


From B-5003 To D-5489

Date:10/2022

PAGE:XV-2210-20

WATER PUMP & FILTER - W/SMALL A/C





From B-5003 To D-5489 Date:10/2022 PAGE:XV-2210-20

WATER PUMP & FILTER - W/SMALL A/C

| Item# | Part | Description | X 3 V I P | X L I I E N T 4 5 | N O T E S |
|-------|-------------------|---|-----------------------|---|-----------------------|
| | Call order desk | WATER PUMP ASSY W/WATER VALVE | 1 | 1 | P |
| 1 | XV-2206-00 | WATER PUMP #871342 SEALLESS To D-5299 | | | |
| 1 | XV-2206-01 | WATER PUMP #874297 AMETEK From D-5300 | | | |
| 2 | 504235 | HOSE CLAMP / 3"9/16"-4"1/2 SS / HS-64 | 2 | 2 | |
| NS | 506728 | TAPE RUB ADH1 NEO 1/4" x 3/4" x 10' / BLACK | AR | AR | |
| 3 | 871206 | FLANGE ADAPTOR / W/QUAD RING | 2 | 2 | |
| NS | 870441 | GASKET PUMP INLET & OUTLET | 2 | 2 | |
| 4 | 5001580 | SCREW CAP HEXS 3/8-16x7/8 | 4 | 4 | |
| 5 | 500478 | WASHER LO SPT .380x.683x.094 Z050 | 4 | 4 | |
| 6 | 503199 | COPPER TUBE 1.125" O.D.x .050" x 240" | AR | AR | |
| 8 | 642028 | MALE CONNECTOR / PUSH-IN FITTING / 6MM x M5-0.8 BR | 1 | 1 | |
| 9 | 641332 | MALE CONNECTOR / PUSH-IN FITTING / #4x1/4NPT-M BR | 1 | 1 | |
| 10 | XV-2207-05 | WATER VALVE - HEATER | | | |
| 11 | 501963 | UNION TEE / COPPER TUBE / 1Fx3/4Fx3/4F | 1 | 1 | |
| 12 | 501217 | STREET ELBOW 90° SHORT RADIUS / COPPER TUBE / 3/4Mx3/4F | 1 | 1 | |
| 13 | 501889 | ADAPTER / COPPER @ PIPE / 3/4Mx1/2NPT-F | 1 | 1 | |
| 14 | 870727 | CHECK VALVE 1/2 NPT | 1 | 1 | |
| 15 | 501568 | ADAPTER / COPPER @ PIPE / 3/4Fx1/2NPT-F | 1 | 1 | |
| 16 | 503198 | COPPER TUBE .875" O.D. x .045" x 240" | AR | AR | |
| 17 | 501896 | ADAPTER / COPPER @ PIPE / 3/4Fx3/4NPT-M | 1 | 1 | |
| 18 | 501866 | ADAPTER / COPPER @ PIPE / 3/4Fx3/4NPT-M | 1 | 1 | |
| 19 | 372675 | ELBOW 45° W/BEAD | 1 | 1 | |
| 20 | 374556 | PIPE ASSY / FORWARD SECTION 4038MM | 1 | 1 | |
| 20 | Call order desk | PIPE ASSY / CENTRAL SECTION 2345MM | 1 | 1 | P |
| 20 | Call order desk | PIPE ASSY / BACKWARD SECTION | 1 | 1 | P |
| 21 | 504658 | HOSE CLAMP / 13/16"-1"3/4 / C.T. 9420 To D-5404 | 2 | 2 | |
| 21 | 504782 | HOSE CLAMP / 1 3/16-1 13/16 SS / C.T. W.S. From D-5405 | 2 | 2 | |
| 23 | XV-2230-00 | DEFROSTER - INSTALLATION | | | |
| 24 | 504646 | HOSE CLAMP / 11/16"-1"1/4 / C.T. 9412 To D-5404 | AR | AR | |
| 24 | 504781 | HOSE CLAMP / 13/16"-1 5/16" SS / C.T. W.S. From D-5405 | AR | AR | |
| 25 | 503684 | HOSE SILICONE 1 PLY 7/8" I.D. x 100' / S.L. To C-5166 | AR | AR | |
| 25 | 503791 | HOSE SILICONE 4 PLY / NOMEX-ARAMID 7/8" I.D. x 4' From C-5167 To D-5381 | AR | AR | |
| 25 | 503797 | HOSE SILICONE 4 PLY / NOMEX-ARAMID 7/8" I.D. x 6' From D-5382 | AR | AR | |
| 26 | 503652 | HOSE SILICONE 2PLY 1 1/8" I.D. x 3' To D-5381 | AR | AR | |
| 26 | 503796 | HOSE SILICONE 2 PLY / NOMEX-ARAMID 1 1/8" I.D. x 6' From D-5382 | AR | AR | |
| 27 | Call order desk | PIPE ASSY / FORWARD SECTION | 1 | 1 | P |
| 27 | Call order desk | PIPE ASSY / CENTRAL SECTION 2345MM | 1 | 1 | P |
| 27 | Call order desk | PIPE ASSY / BACKWARD SECTION To C-5166 | 1 | 1 | P |
| 27 | Call order desk | PIPE ASSY / BACKWARD SECTION From C-5167 | 1 | 1 | P |
| 30 | 952639 | CLAMP / 1"1/4 I.D. | AR | AR | |
| 32 | 952635 | CLAMP / 1" I.D. | AR | AR | |
| 33 | 502526 | SCREW TC BDG PH #12-24x3/4 Z050 | 10 | 10 | |



| | | |
|--|--------------|-----------------|
| From B-5003 To D-5489 | Date:10/2022 | PAGE:XV-2210-20 |
| WATER PUMP & FILTER - W/SMALL A/C | | |

| Item# | Part | Description | X 3 V I P | X L I I E N T 4 5 | N O T E S |
|-------|-------------------|--|-----------------------|---|-----------------------|
| 34 | 172355 | SUPPORT / VALVE | 1 | 1 | |
| NS | 504637 | CABLE TIE / 3/16" x 13" | AR | AR | |
| 37 | 450458 | SUPPORT | 1 | 1 | |
| 38 | 952631 | CLAMP / 3/4" I.D. | AR | AR | |
| 50 | 453319 | PIPE ASSY | 1 | 1 | |
| 51 | 455212 | HOSE ASSY / PIPE & VALVE #6 205MM | 1 | 1 | |
| . NS | 507278 | . O-RING / ORS FITTING / #4 NEO | 2 | 2 | |
| 52 | XV-2208-10 | REFRIGERANT SOLENOID VALVE | | | |
| 53 | 455290 | HOSE ASSY / VALVE & EVAPORATOR / #6 205MM | 1 | 1 | A |
| . NS | 507278 | . O-RING / ORS FITTING / #4 NEO | 2 | 2 | A |
| 54 | 455289 | HOSE ASSY / EXPANSION VALVE OUTLET / #10 875MM | 1 | 1 | A |
| . NS | 507344 | . O-RING / ORS FITTING / #10 NEO | 2 | 2 | A |
| 55 | 453704 | PIPE | 1 | 1 | |
| 56 | 506276 | PIPE INSULATING / 7/8" I.D. X 1/2" TH. X 72 / APT07812 | AR | AR | |
| 57 | 506267 | PIPE INSULATING / 1 1/8" I.D. X 1/2" TH. X / APT11812 | AR | AR | |
| | | | | | |
| | | | | | |
| | | | | | |
| | | A) ALSO USE WITH "SELTEC" RETROFIT | | | |
| | | P) CALL ORDER DESK FOR SPECIFIC APPLICATION (V.I.N.) | | | |

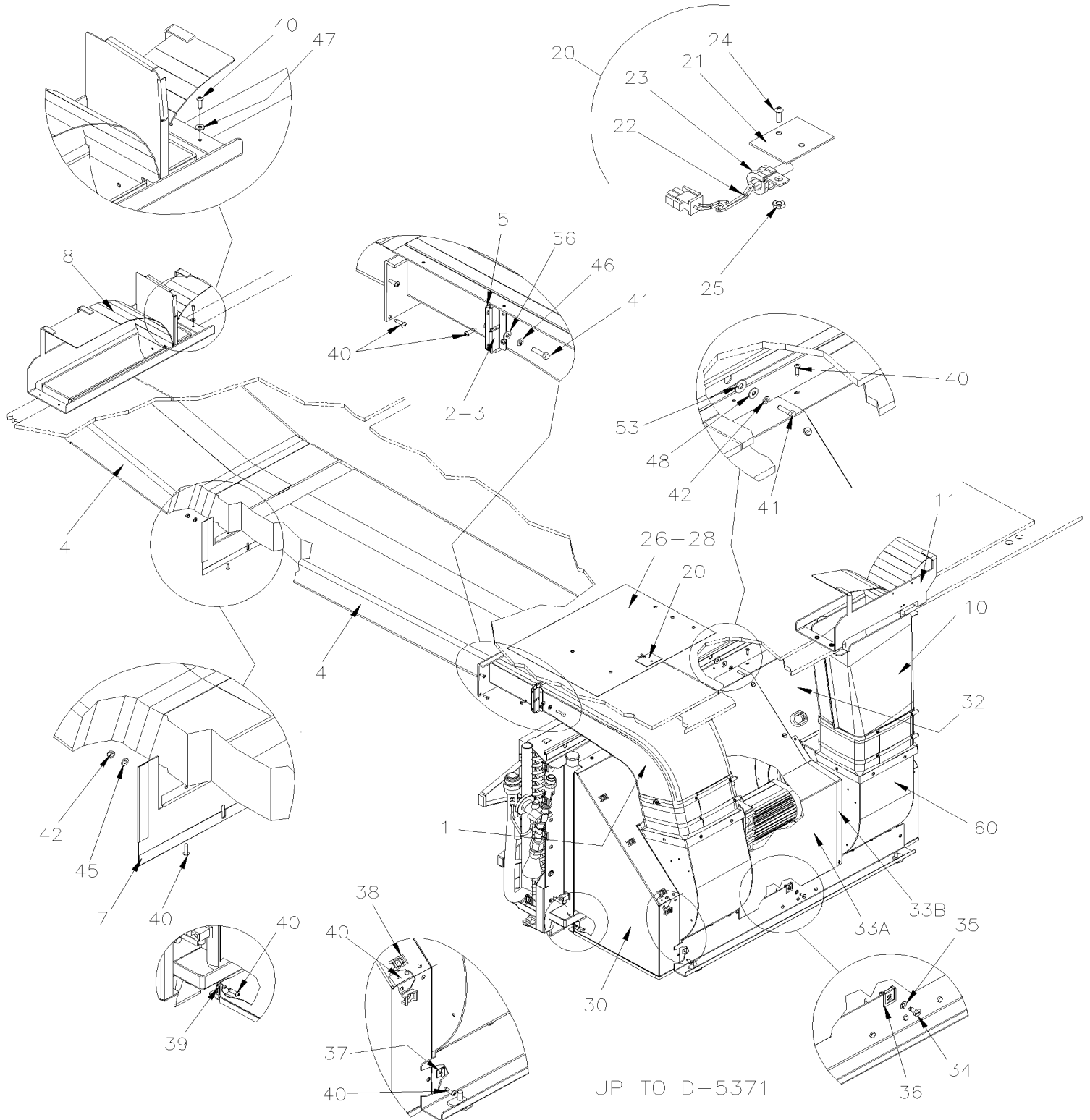


From B-5003 To D-5489

Date:10/2022

PAGE:XV-2220-00

UNDER FLOOR AIR DUCTING



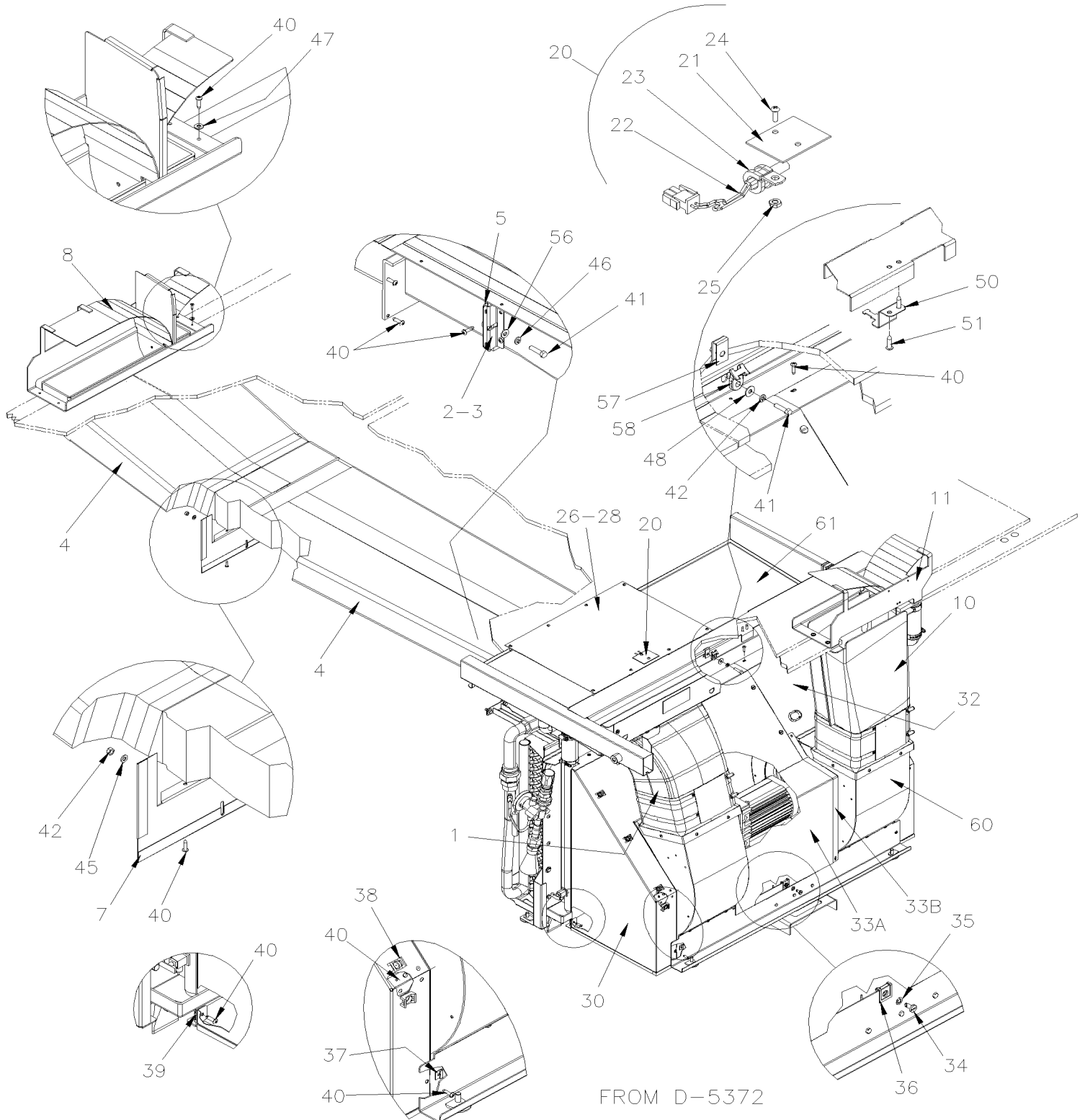


From B-5003 To D-5489

Date:10/2022

PAGE:XV-2220-00

UNDER FLOOR AIR DUCTING





| | | |
|------------------------------|---------------------|------------------------|
| From B-5003 To D-5489 | Date:10/2022 | PAGE:XV-2220-00 |
|------------------------------|---------------------|------------------------|

UNDER FLOOR AIR DUCTING

| Item# | Part | Description | X 3 V I P | X L I I E N T 4 5 | N O T E S |
|-------|-----------------|---|-----------------------|---|-----------------------|
| 1 | Call order desk | DUCT, L.H. OUTLET EVAPORATOR FAN | 1 | 1 | P |
| 1 | 453978 | . DUCT | 1 | 1 | |
| 2 | 454236 | . ATTACHMENT | 2 | 2 | |
| 3 | 453997 | . GASKET | 1 | 1 | |
| 4 | Call order desk | DUCT UNDER FLOOR ASSY | 1 | 1 | P |
| 4 | 454279 | . DUCT | 4 | 4 | |
| 5 | 454235 | . ATTACHMENT W/NUT | 1 | 1 | |
| NS | 500957 | . SCREW TP BDG PH #10x3/4 N500 | 4 | 4 | |
| NS | 506268 | . TAPE RUB ADH1 URE 3/8" x 1/2" x 25' / GREY 1820 | AR | AR | |
| 7 | 453640 | PLATE SEALING | 1 | 1 | |
| 8 | 374561 | DEFLECTOR ASSY CONDENSOR SIDE | 1 | 1 | |
| 10 | 453979 | DUCT, R,H, OUTLET EVAPORATOR FAN | 1 | 1 | |
| 11 | 374557 | DEFLECTOR ASSY EVAPORATOR SIDE | 1 | 1 | |
| 20 | 453791 | TEMPERATURE SENSOR ASSY W/SUPPORT | 1 | 1 | |
| 21 | 453792 | . SUPPORT TERMISTOR | 1 | 1 | |
| 22 | 563063 | . SENSOR THERMISTOR ASSY / TEMPERATURE / ("DELPHI") | 1 | 1 | |
| 23 | 952637 | . CLAMP / 1"1/16 I.D. | 1 | 1 | |
| 24 | 500416 | . SCREW MA PAN PH #10-32x1/2 BK | 1 | 1 | |
| 25 | 500700 | . NUT HEX #10-32 Z050 | 1 | 1 | |
| 26 | 453789 | . GRILL / AIR RETURN | 1 | 1 | |
| 28 | 500642 | SCREW TP PAN PH #10x3/4 Z050 | AR | AR | |
| 30 | 454665P | PLENUM FORWARD SECTION To D-5459 | 1 | 1 | |
| 30 | Call order desk | PLENUM FORWARD SECTION From D-5460 | 1 | 1 | P |
| 31 | 453991 | REINFORCMENT | 2 | 2 | |
| 32 | 454664P | PLENUM BACKWARD SECTION | 1 | 1 | |
| NS | 504574 | . GROMMET / 1.125x1.312x.062x.312x1.56 | 1 | 1 | |
| 33A | 454670P | PLENUM CENTRAL SECTION | 1 | 1 | |
| 33B | 454648 | SUPPORT PLENUM CENTRAL SECTION | 1 | 1 | |
| 34 | 504681 | STUD 6MM (DZUS) | 5 | 5 | |
| 35 | 504604 | FASTENER | 5 | 5 | |
| 36 | 504605 | RECEPTACLE 6 MM | 5 | 5 | |
| 37 | 502904 | NUT SPR J #10A .035-.050 N500 | 2 | 2 | |
| 38 | 504013 | TIE MOUNT / 1/4" X 1/4" I.D. | AR | AR | |
| 39 | 481249 | NUT | 2 | 2 | |
| 40 | 500957 | SCREW TP BDG PH #10x3/4 N500 | 17 | 17 | |
| 41 | 502737 | SCREW CAP HEX M6-1.0x25 SS BK | 2 | 2 | |
| 42 | 502681 | NUT HEX NYRT M6-1.0 N500 G8 | 2 | 2 | |
| 43 | 500642 | SCREW TP PAN PH #10x3/4 Z050 | 9 | 9 | |
| 44 | 502737 | SCREW CAP HEX M6-1.0x25 SS BK | 2 | 2 | |
| 45 | 502573 | WASHER FL 6.4x12.5x1.6 SS | 2 | 2 | |
| 46 | 502853 | WASHER LO SPT 6.1x11.8x1.6 N500 | 6 | 6 | |
| 47 | 500804 | WASHER FL .203x.500x.047 N500 | 4 | 4 | |



| | | |
|-----------------------|--------------|-----------------|
| From B-5003 To D-5489 | Date:10/2022 | PAGE:XV-2220-00 |
|-----------------------|--------------|-----------------|

UNDER FLOOR AIR DUCTING

| Item# | Part | Description | X 3 V I P | X L I I E N T 4 5 | N O T E S |
|-------|-------------------|--|-----------------------|---|-----------------------|
| 48 | 500411 | WASHER FL .260x.697x.050 SS | 4 | 4 | |
| 49 | 502868 | SCREW TC TR PH #10-16x1/2 N500 | 16 | 16 | |
| 50 | 374705 | SUPPORT WIRING From D-5372 | 1 | 1 | |
| 51 | 500957 | SCREW TP BDG PH #10x3/4 N500 From D-5372 | 2 | 2 | |
| 53 | 5001448 | WASHER FL .343x.875x.062 SS18-8 To D-5371 | 3 | 3 | |
| 56 | 500877 | WASHER FL .250x.562x.065 N500 | 2 | 2 | |
| 57 | 502738 | NUT SPR U M6-1.0 0.6-4.0 From D-5372 | 1 | 1 | |
| 58 | 507383 | TIE MOUNT HOLE 3/8" From D-5372 | 1 | 1 | |
| 60 | XV-2210-00 | HEATER & EVAPORATOR BLOWER - INSTALLATION | | | |
| 61 | XV-2221-05 | UNDER FLOOR AIR FILTERS From D-5372 | | | |
| | | | | | |
| | | | | | |
| | | | | | |
| | | P) CALL ORDER DESK FOR SPECIFIC APPLICATION (V.I.N.) | | | |

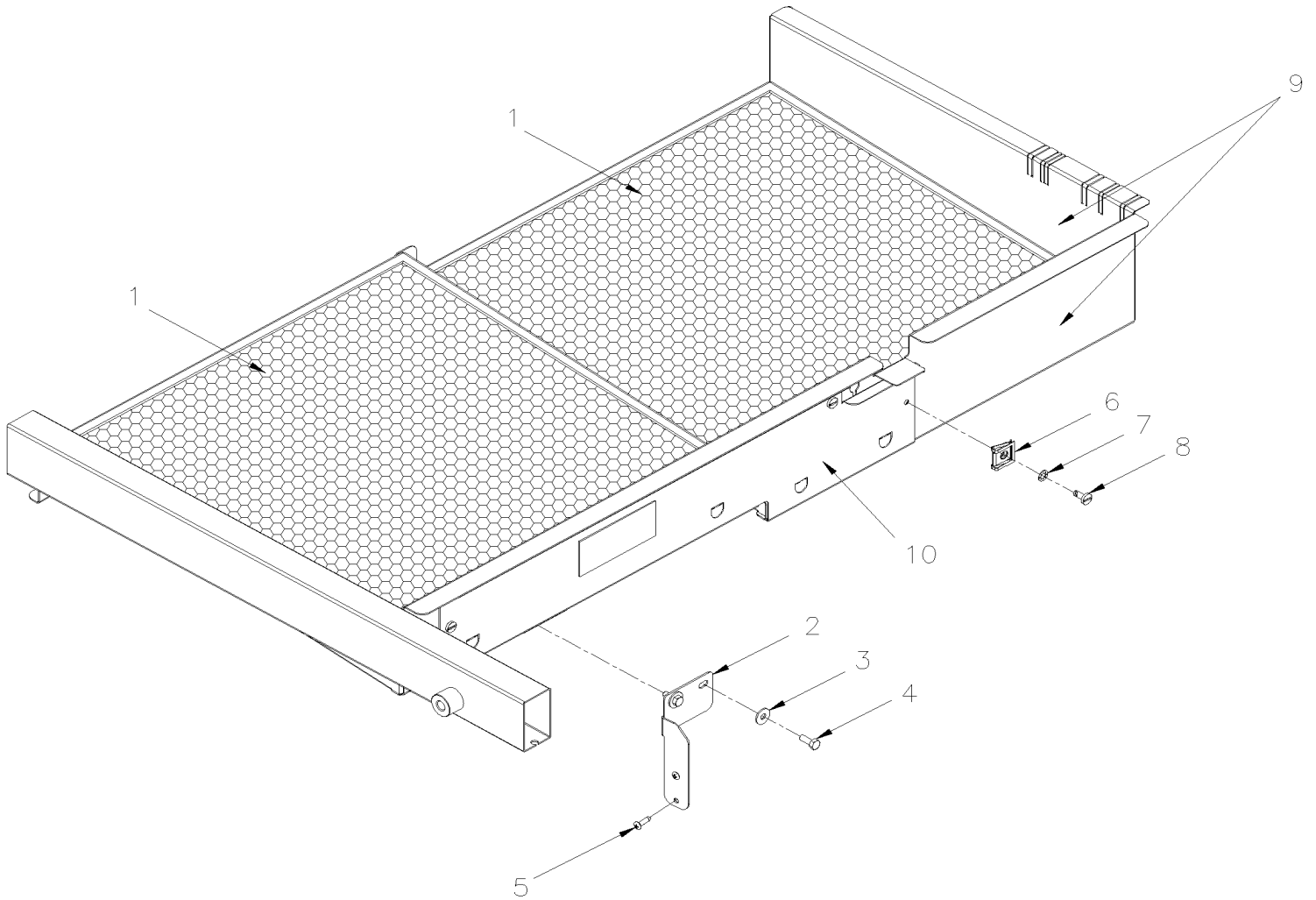
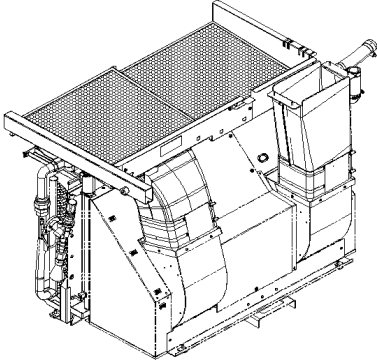


From D-5372 To D-5489

Date:10/2022

PAGE:XV-2221-05

UNDER FLOOR AIR FILTERS





| | | |
|------------------------------|---------------------|------------------------|
| From D-5372 To D-5489 | Date:10/2022 | PAGE:XV-2221-05 |
|------------------------------|---------------------|------------------------|

UNDER FLOOR AIR FILTERS

| Item# | Part | Description | X 3 V I P | X L I I E N T 4 5 | N O T E S |
|-------|---------|--|-----------------------|---|-----------------------|
| 1 | 871447 | FILTER 1" x 19 1/2" X 19 1/2" | 2 | 2 | |
| 2 | 374684 | SUPPORT, EVAPORATOR DUCT WO/ SLIDE-OUT | 1 | 1 | |
| 2 | 374685 | SUPPORT, EVAPORATOR DUCT W/ SLIDE-OUT | 1 | 1 | |
| 3 | 5001833 | WASHER BEL SPR 6.1x18x1.27 SS | 2 | 2 | |
| 4 | 5001744 | SCREW CAP HEX M6-1.0x16 G8.8 N500 | 2 | 2 | |
| 5 | 500957 | SCREW TP BDG PH #10x3/4 N500 | 2 | 2 | |
| 6 | 504605 | RECEPTACLE 6 MM | AR | AR | |
| 7 | 504604 | FASTENER | AR | AR | |
| 8 | 504681 | STUD 6MM (DZUS) | AR | AR | |
| 9 | 217063 | SUPPORT FILTER, FRONT PANEL ASSY | 1 | 1 | |
| 10 | 374681 | CLOSING, FILTER | 1 | 1 | |
| | | | | | |
| | | | | | |
| | | | | | |



| | | |
|-----------------------|--------------|-----------------|
| From B-5003 To D-5489 | Date:10/2022 | PAGE:XV-2221-50 |
|-----------------------|--------------|-----------------|

DUCTING HEATER & A/C - MTH FLOOR

| Item# | Part | Description | X 3 V I P | X L I I E N T 4 5 | N O T E S |
|-------|--------|--|-----------------------|---|-----------------------|
| 1 | 850090 | WHITE WALL COVERING ADHESIVE / 36" X 438" | 2 | 2 | |
| 2 | 320186 | AIR GRILL & SPACER 48"LG / BELOW WINDOW To B-5028 | 18 | 18 | |
| 3 | 328243 | AIR GRILL & SPACER 560MM / BELOW WINDOW | | 1 | E |
| 4 | 374571 | "T" SUPPORT, AIR DUCT 2799MM | 1 | 1 | |
| 5 | 374572 | "T" SUPPORT, AIR DUCT 3015MM | 1 | 1 | |
| 6 | 374573 | "T" SUPPORT, AIR DUCT 3519MM | 2 | 2 | |
| 7 | 374574 | "T" SUPPORT, AIR DUCT 4241MM | 1 | 1 | |
| 8 | 374575 | "T" SUPPORT, AIR DUCT 4316MM | 1 | 1 | |
| 9 | 370201 | "T" SUPPORT, AIR DUCT 3599MM | | 1 | E |
| 10 | 371716 | CAP L.H. / FRONT | 1 | 1 | |
| 11 | 374555 | AIR DUCT 2391MM | 3 | 3 | |
| 12 | 374180 | AIR DUCT 450MM / W/SLIDE OUT | 1 | 1 | |
| 13 | 374181 | AIR DUCT 1826MM / W/SLIDE OUT | 1 | 1 | |
| 14 | 378898 | AIR DUCT 1350MM | 2 | 2 | |
| 15 | 371715 | CAP R.H. / FRONT | 1 | 1 | |
| 16 | 371712 | AIR DUCT 2438MM | 3 | 3 | |
| 17 | 374553 | AIR DUCT 2438MM | 1 | 1 | |
| 18 | 374218 | CAP L.H. / FRONT / W/SLIDE OUT | | 1 | E |
| 19 | 371712 | AIR DUCT 2438MM | | 1 | E |
| 20 | 374554 | AIR DUCT 448MM | | 1 | E |
| 20 | 374589 | AIR DUCT 406MM | 1 | | V |
| 26 | 293854 | SUPPORT SWITCH / REMOTE OPERATIONAL MODEL | 1 | 1 | |
| 27 | 562699 | SWITCH / M/ON-OFF-M/ON / D.P.D.T. / W/GREEN LED | 1 | 1 | |
| 28 | 563278 | CAP / HI SPEED MAIN VENTILATION | 1 | 1 | |
| 31 | 504105 | RIVET POP DOME OE 1/8x3/16 AL | AR | AR | |
| 32 | 500437 | WASHER FL .125x.375x.040 Z050 | AR | AR | |
| 33 | 500654 | SCREW TC BDG PH #8-32x1/2 Z050 | AR | AR | |
| 34 | 500641 | SCREW TP PAN PH #8x3/4 Z050 | AR | AR | |
| 35 | 504379 | RIVET POP DOME OE 3/16x1/4 SS | AR | AR | |
| 36 | 506025 | RUBBER CHANNEL / 1/18" x 5/16" INT "U" SHAPE / SQUARE C.T.L. | AR | AR | |
| 37 | 506236 | TAPE RUB ADH1 CC POL 1/16" x 1/2" x 100' / GREY 2520 | AR | AR | |
| | | | | | |
| | | | | | |
| | | | | | |
| | | | | | |
| | | E) WITH SLIDE-OUT ENT-45 | | | |
| | | V) WITH X3-VIP | | | |

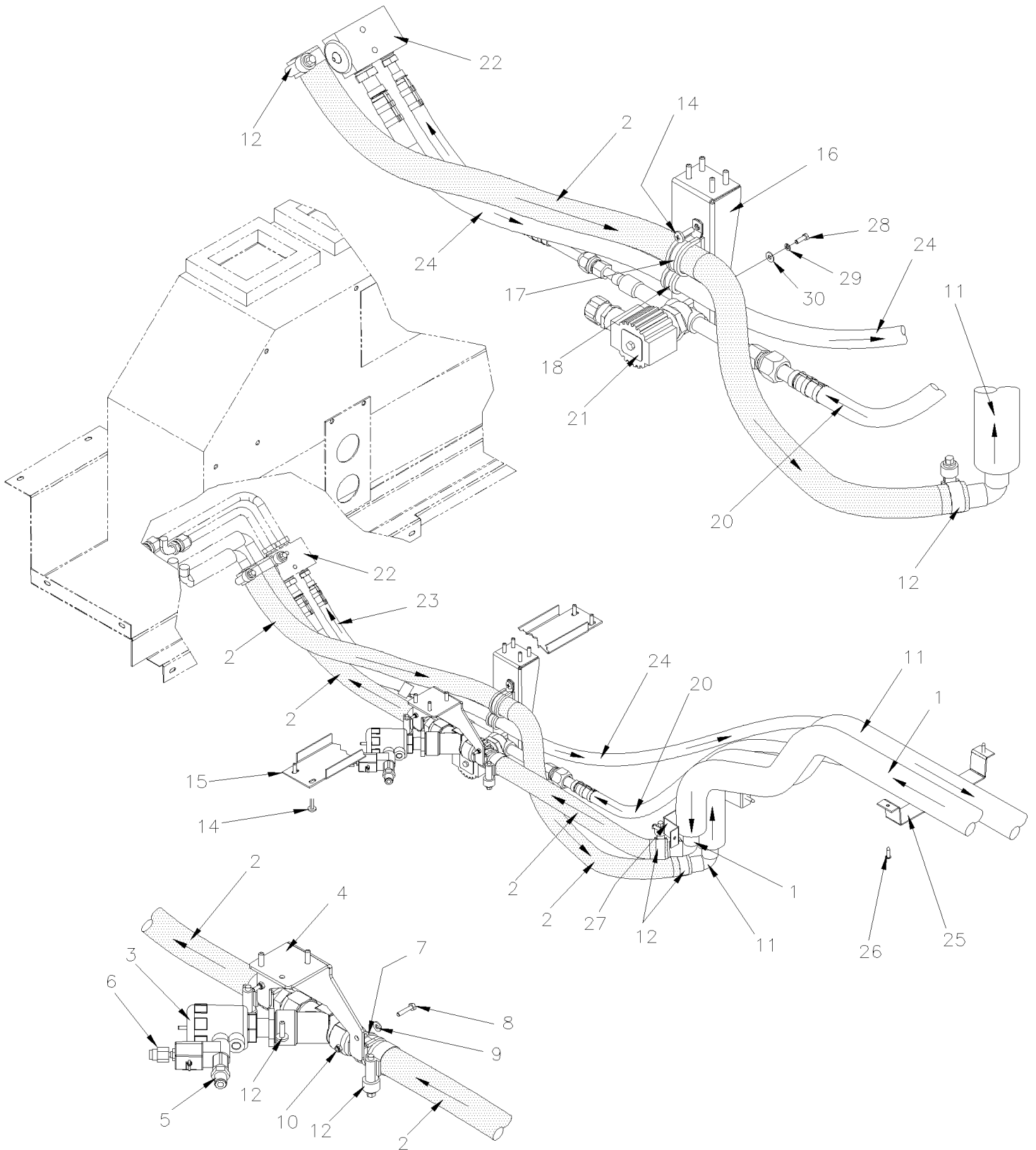


From B-5003 To D-5489

Date:10/2022

PAGE:XV-2222-10

A/C & HEATING LINE FRONT SECTION



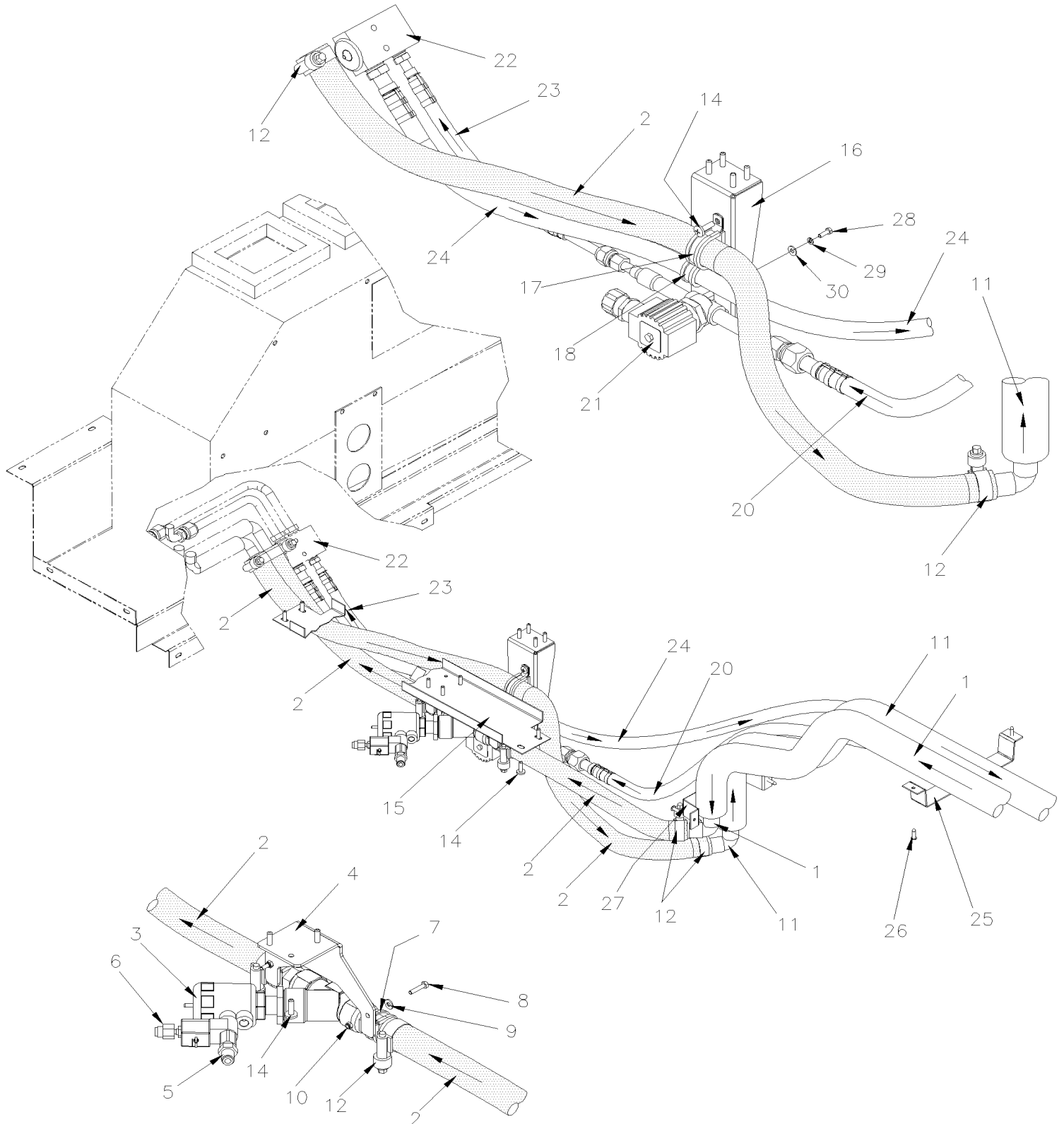


From B-5003 To D-5489

Date:10/2022

PAGE:XV-2222-10

A/C & HEATING LINE FRONT SECTION





| | | |
|---|--------------|-----------------|
| From B-5003 To D-5489 | Date:10/2022 | PAGE:XV-2222-10 |
| A/C & HEATING LINE FRONT SECTION | | |

| Item# | Part | Description | X 3 V I P | X L I I E N T 4 5 | N O T E S |
|-------|-------------------|--|-----------------------|---|-----------------------|
| 1 | Call order desk | PIPE ASSY / FORWARD SECTION To C-5166 | 1 | 1 | P |
| 1 | Call order desk | PIPE ASSY / FORWARD SECTION To C-5166 | 1 | 1 | P |
| 1 | Call order desk | PIPE ASSY / FORWARD SECTION From C-5167 | 1 | 1 | P |
| 1 | Call order desk | PIPE ASSY / FORWARD SECTION From C-5167 | 1 | 1 | P |
| 2 | 503684 | HOSE SILICONE 1 PLY 7/8" I.D. x 100' / S.L. To C-5166 | AR | AR | |
| 2 | 503803 | HOSE SILICONE 1 PLY / NOMEX-ARAMID 7/8" I.D. x 100' / S.L. From C-5167 | AR | AR | |
| 3 | Call order desk | WATER VALVE ASSY W/PIPE & SUPPORT To C-5166 | 1 | 1 | P |
| 3 | Call order desk | WATER VALVE ASSY W/PIPE & SUPPORT From C-5167 | 1 | 1 | P |
| 3 | XV-2207-05 | . WATER VALVE - HEATER | | | |
| 4 | 374147 | . SUPPORT WATER VALVE To C-5166 | 1 | 1 | |
| 4A | 374646 | . SUPPORT WATER VALVE From C-5167 | 1 | 1 | |
| 5 | 641332 | . MALE CONNECTOR / PUSH-IN FITTING / #4x1/4NPT-M BR | 1 | 1 | |
| 6 | 642028 | . MALE CONNECTOR / PUSH-IN FITTING / 6MM x M5-0.8 BR | 1 | 1 | |
| 7 | 952635 | . CLAMP / 1" I.D. | 2 | 2 | |
| 8 | 500588 | . SCREW CAP HEX M4-0.7x20 G8.8 Z050 | 2 | 2 | |
| 9 | 500438 | . WASHER FL .187x.437x.050 Z050 | 2 | 2 | |
| 10 | 500590 | . NUT HEX NYRT M4-0.7 Z050 | 2 | 2 | |
| 11 | Call order desk | PIPE ASSY / 4094MM / FORWARD SECTION To C-5166 | 1 | 1 | P |
| 11 | Call order desk | PIPE ASSY / 4094MM To C-5166 | 1 | 1 | P |
| 11 | Call order desk | PIPE ASSY / 4352MM / FORWARD SECTION From C-5167 | 1 | 1 | P |
| 11 | Call order desk | PIPE ASSY / 4352MM From C-5167 | 1 | 1 | P |
| 12 | 504646 | HOSE CLAMP / 11/16"-1"1/4 / C.T. 9412 To D-5404 | 6 | 6 | |
| 12 | 504781 | HOSE CLAMP / 13/16"-1 5/16" SS / C.T. W.S. From D-5405 | 6 | 6 | |
| 14 | 502526 | SCREW TC BDG PH #12-24x3/4 Z050 | AR | AR | |
| 15 | 172355 | SUPPORT / VALVE | 1 | 1 | |
| 16 | 453315 | SUPPORT / A/C VALVE | 1 | 1 | |
| 17 | 952639 | CLAMP / 1"1/4 I.D. | 1 | 1 | |
| 18 | 952631 | CLAMP / 3/4" I.D. | 1 | 1 | |
| 20 | 455375 | HOSE ASSY / #10 7620MM | 1 | 1 | |
| . NS | 507344 | . O-RING / ORS FITTING / #10 NEO | 2 | 2 | |
| 21 | 453151 | VALVE ASSY / REFRIGERANT SOLENOID | 1 | 1 | |
| 21 | XV-2208-10 | REFRIGERANT SOLENOID VALVE | | | |
| 22 | XV-2208-00 | A/C EXPANSION VALVE | | | |
| 23 | 455210 | HOSE ASSY / VALVE & EVAPORATOR / #6 250MM | 1 | 1 | |
| . NS | 507278 | . O-RING / ORS FITTING / #4 NEO | 2 | 2 | |
| 24 | 455376 | HOSE ASSY / #10 6775MM | 1 | 1 | |
| . NS | 507344 | . O-RING / ORS FITTING / #10 NEO | 2 | 2 | |
| 25 | 450458 | SUPPORT To B-5049 | AR | AR | |
| 25 | 454675 | SUPPORT From B-5050 | AR | AR | |
| 26 | 500957 | SCREW TP BDG PH #10x3/4 N500 | AR | AR | |
| 27 | 452906 | SUPPORT | 1 | 1 | |
| 28 | 5001689 | SCREW CAP HEX #8-32x1/2 SS | 2 | 2 | |



| | | |
|-----------------------|--------------|-----------------|
| From B-5003 To D-5489 | Date:10/2022 | PAGE:XV-2222-10 |
|-----------------------|--------------|-----------------|

A/C & HEATING LINE FRONT SECTION

| Item# | Part | Description | X 3 V I P | X L I I E N T 4 5 | N O T E S |
|-------|--------|--|-----------------------|---|-----------------------|
| 29 | 502636 | WASHER LO SPT 4.1x7.6x0.9 Z050 | 2 | 2 | |
| 30 | 500438 | WASHER FL .187x.437x.050 Z050 | 2 | 2 | |
| | | | | | |
| | | | | | |
| | | | | | |
| | | P) CALL ORDER DESK FOR SPECIFIC APPLICATION (V.I.N.) | | | |

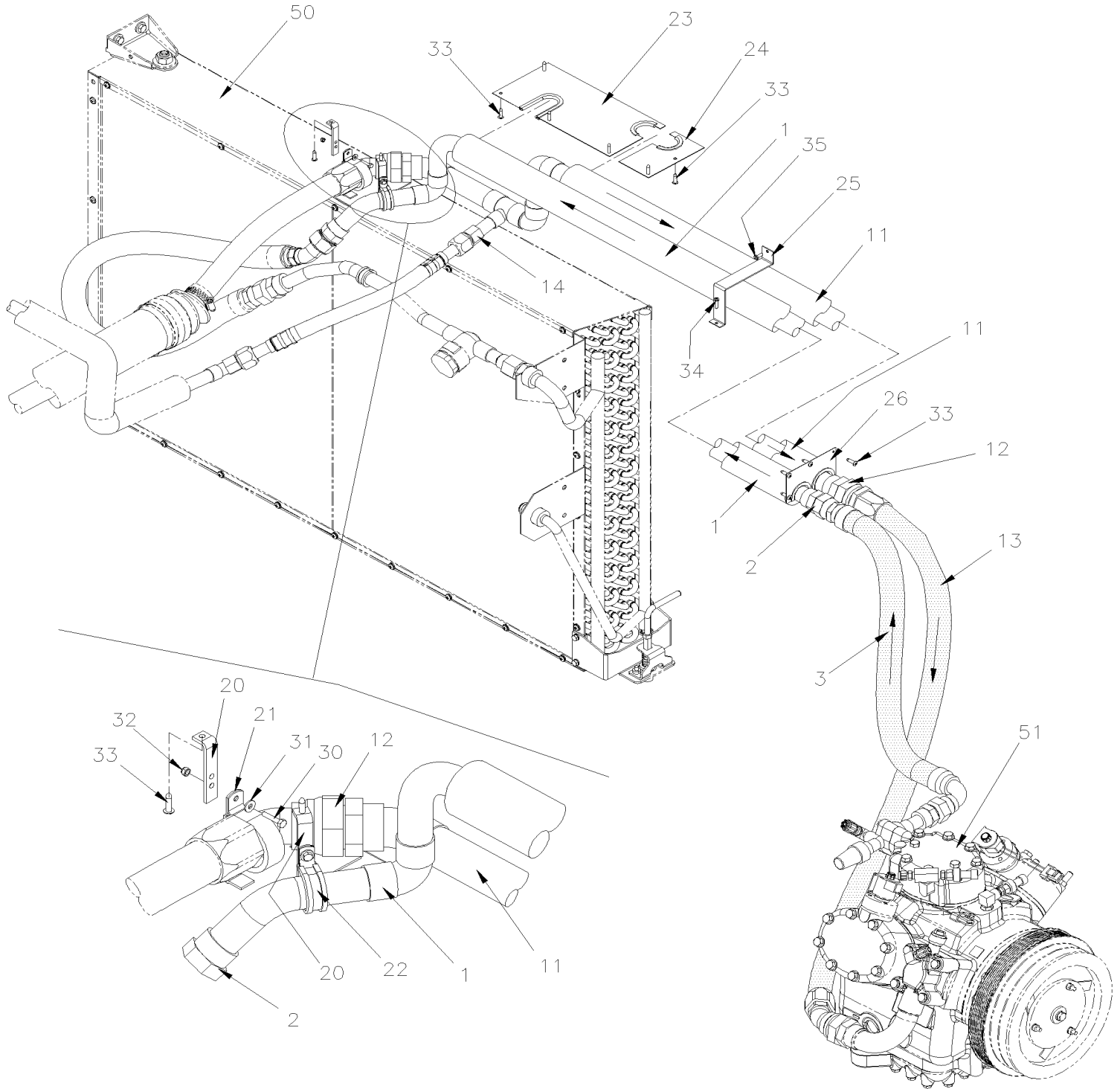


From B-5003 To D-5458

Date:10/2022

PAGE:XV-2222-15

A/C LINE REAR SECTION W/05G





| | | |
|------------------------------------|---------------------|------------------------|
| From B-5003 To D-5458 | Date:10/2022 | PAGE:XV-2222-15 |
| A/C LINE REAR SECTION W/05G | | |

| Item# | Part | Description | X 3 V I P | X L I I E N T 4 5 | N O T E S |
|-------|-------------------|--|-----------------------|---|-----------------------|
| 1 | 455389 | TUBE ASSY, PRESSURE / A/C COMPRESSOR | 1 | 1 | |
| 2 | 501718 | ADAPTER JIC @ BRAZE W/O-RING // #16JIC-Mx#18BRAZE-F BR | 2 | 2 | |
| . NS | 501802 | . O-RING / ORS FITTING / #16 NEO | 1 | 1 | |
| 3 | 950462 | HOSE ASSY / DISCHARGE W/R-134a / #16 662MM / SS BELLOW | 1 | 1 | |
| 11 | Call order desk | TUBE ASSY, VACUUM / A/C COMPRESSOR To C-5132 | 1 | 1 | P |
| 11 | Call order desk | TUBE ASSY, VACUUM / A/C COMPRESSOR From C-5133 | 1 | 1 | P |
| 12 | 501717 | ADAPTER JIC @ BRAZE W/O-RING // #20JIC-Mx#22BRAZE-F BR | 2 | 2 | |
| . NS | 501803 | . O-RING / ORS FITTING / #20 NEO | 1 | 1 | |
| 13 | 454304 | HOSE ASSY / SUCTION W/R-134a / #20 1000MM | 1 | 1 | |
| 14 | 5011099 | ADAPTER "TUBE-O" @ BRAZE / #12TUBE-O-Mx#14 BR | 1 | 1 | |
| 20 | 450488 | SUPPORT PIPE | 2 | 2 | |
| 21 | 504458 | CLAMP / 1 5/8" I.D. | 1 | 1 | |
| 22 | 952637 | CLAMP / 1"1/16 I.D. | 1 | 1 | |
| 23 | 326417 | PLATE CLOSING AROUND PIPE / LARGE To B-5066 | 1 | 1 | |
| 23 | 3200543 | PLATE CLOSING AROUND PIPE / LARGE From B-5067 | 1 | 1 | |
| 24 | 326738 | PLATE CLOSING AROUND PIPE / SMALL | 1 | 1 | |
| 25 | 372005 | SUPPORT / TUBE | 3 | 3 | |
| 26 | 483041 | PLATE CLOSING AROUND PIPE | 1 | 1 | |
| 26 | 506338 | RUBBER CHANNEL / 1/16" x 1/4" INT "U" SHAPE / ROUND C.T.L. | AR | AR | |
| 30 | 500588 | SCREW CAP HEX M4-0.7x20 G8.8 Z050 | 2 | 2 | |
| 31 | 500438 | WASHER FL .187x.437x.050 Z050 | 2 | 2 | |
| 32 | 500590 | NUT HEX NYRT M4-0.7 Z050 | 2 | 2 | |
| 33 | 500957 | SCREW TP BDG PH #10x3/4 N500 | AR | AR | |
| 34 | 500641 | SCREW TP PAN PH #8x3/4 Z050 | 3 | 3 | |
| 35 | 500654 | SCREW TC BDG PH #8-32x1/2 Z050 | 3 | 3 | |
| 50 | XV-2270-00 | RECEIVER TANK & FILTER DRYER | | | |
| 51 | XV-2245-00 | A/C COMPRESSOR 05G - INSTALLATION | | | |
| | | | | | |
| | | | | | |
| | | | | | |
| | | | | | |
| | | P) CALL ORDER DESK FOR SPECIFIC APPLICATION (V.I.N.) | | | |

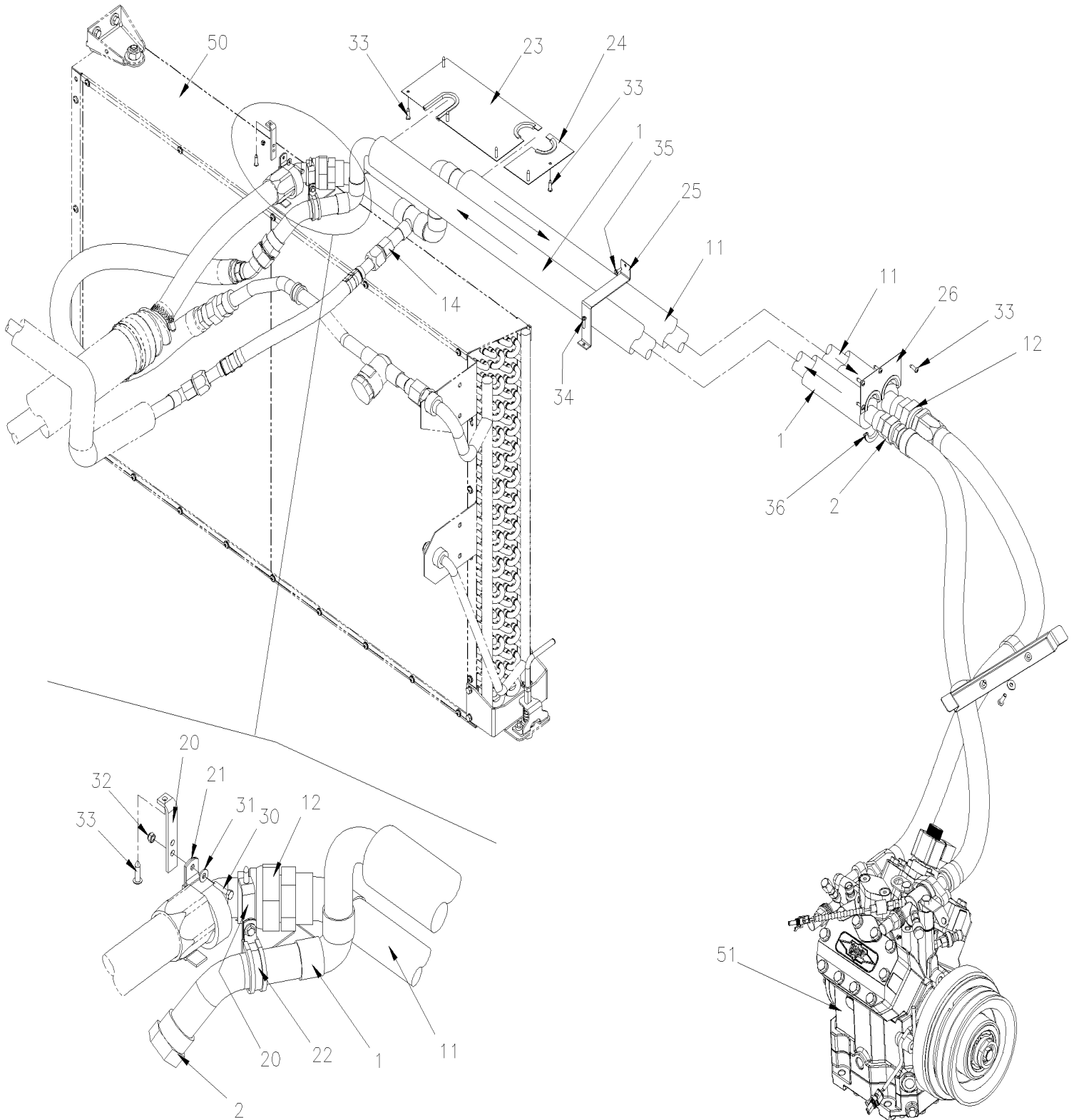


From D-5459 To D-5489

Date:10/2022

PAGE:XV-2222-16

A/C LINE REAR SECTION W/ "BITZER"



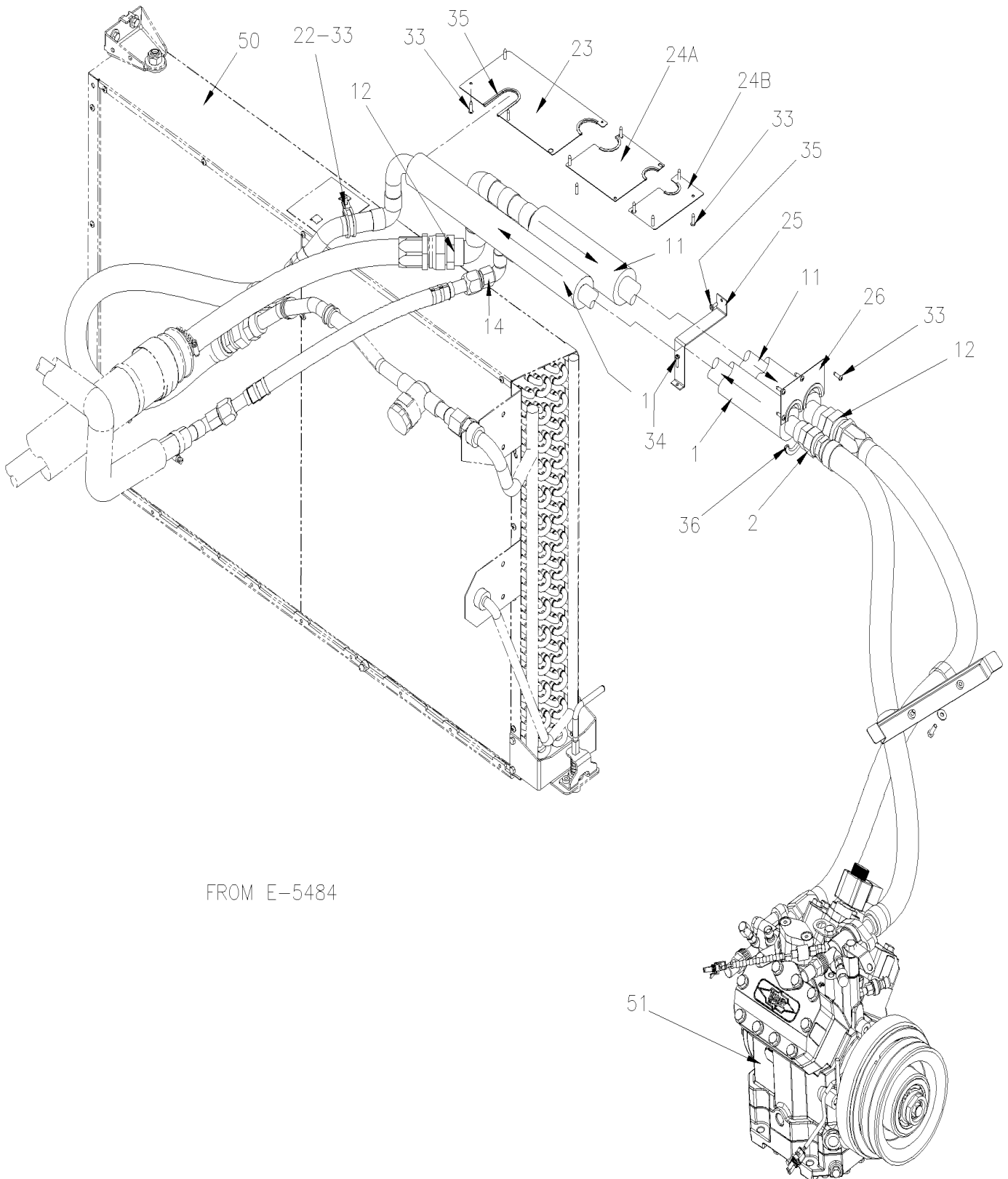


From D-5459 To D-5489

Date:10/2022

PAGE:XV-2222-16

A/C LINE REAR SECTION W/ "BITZER"





| | | |
|--|--------------|-----------------|
| From D-5459 To D-5489 | Date:10/2022 | PAGE:XV-2222-16 |
| A/C LINE REAR SECTION W/ "BITZER" | | |

| Item# | Part | Description | X 3 V I P | X L I E N T 4 5 | N O T E S |
|-------|-------------------|--|-----------------------|--------------------------------------|-----------------------|
| 1 | 455389 | TUBE ASSY, PRESSURE / A/C COMPRESSOR | 1 | 1 | |
| 2 | 501718 | ADAPTER JIC @ BRAZE W/O-RING // #16JIC-Mx#18BRAZE-F BR | 2 | 2 | |
| . NS | 501802 | . O-RING / ORS FITTING / #16 NEO | 1 | 1 | |
| 11 | Call order desk | TUBE ASSY, VACUUM / A/C COMPRESSOR To D-5483 | 1 | 1 | P |
| 11 | Call order desk | TUBE ASSY, VACUUM / A/C COMPRESSOR From D-5484 | 1 | 1 | P |
| 12 | 501717 | ADAPTER JIC @ BRAZE W/O-RING // #20JIC-Mx#22BRAZE-F BR | 2 | 2 | |
| . NS | 501803 | . O-RING / ORS FITTING / #20 NEO | 1 | 1 | |
| 14 | 5011099 | ADAPTER "TUBE-O" @ BRAZE / #12TUBE-O-Mx#14 BR | 1 | 1 | |
| 20 | 450488 | SUPPORT PIPE | 2 | 2 | |
| 21 | 504458 | CLAMP / 1 5/8" I.D. | 1 | 1 | |
| 22 | 952637 | CLAMP / 1"1/16 I.D. | 1 | 1 | |
| 23 | Call order desk | PLATE CLOSING AROUND PIPE / LARGE To D-5483 | 1 | 1 | P |
| 23 | 454787 | PLATE CLOSING AROUND PIPE / 264MMx132MM From D-5484 | 1 | 1 | |
| 24 | Call order desk | PLATE CLOSING AROUND PIPE / SMALL To D-5483 | 1 | 1 | P |
| 24A | 454785 | PLATE CLOSING AROUND PIPE / 132MMx132MM From D-5484 | 1 | 1 | |
| 24B | 454786 | PLATE CLOSING AROUND PIPE / 70MMx132MM From D-5484 | 1 | 1 | |
| 25 | 372005 | SUPPORT / TUBE | 3 | 3 | |
| 26 | 483041 | PLATE CLOSING AROUND PIPE | 1 | 1 | |
| 30 | 500588 | SCREW CAP HEX M4-0.7x20 G8.8 Z050 | 2 | 2 | |
| 31 | 500438 | WASHER FL .187x.437x.050 Z050 | 2 | 2 | |
| 32 | 500590 | NUT HEX NYRT M4-0.7 Z050 | 2 | 2 | |
| 33 | 500957 | SCREW TP BDG PH #10x3/4 N500 | AR | AR | |
| 34 | 500641 | SCREW TP PAN PH #8x3/4 Z050 | 3 | 3 | |
| 35 | 500654 | SCREW TC BDG PH #8-32x1/2 Z050 | 3 | 3 | |
| 36 | 506338 | RUBBER CHANNEL / 1/16" x 1/4" INT "U" SHAPE / ROUND C.T.L. | AR | AR | |
| 50 | XV-2270-00 | RECEIVER TANK & FILTER DRYER | | | |
| 51 | XV-2245-01 | A/C COMPRESSOR "BITZER" - INSTALLATION | | | |
| | | | | | |
| | | | | | |
| | | | | | |
| | | | | | |
| | | P) CALL ORDER DESK FOR SPECIFIC APPLICATION (V.I.N.) | | | |

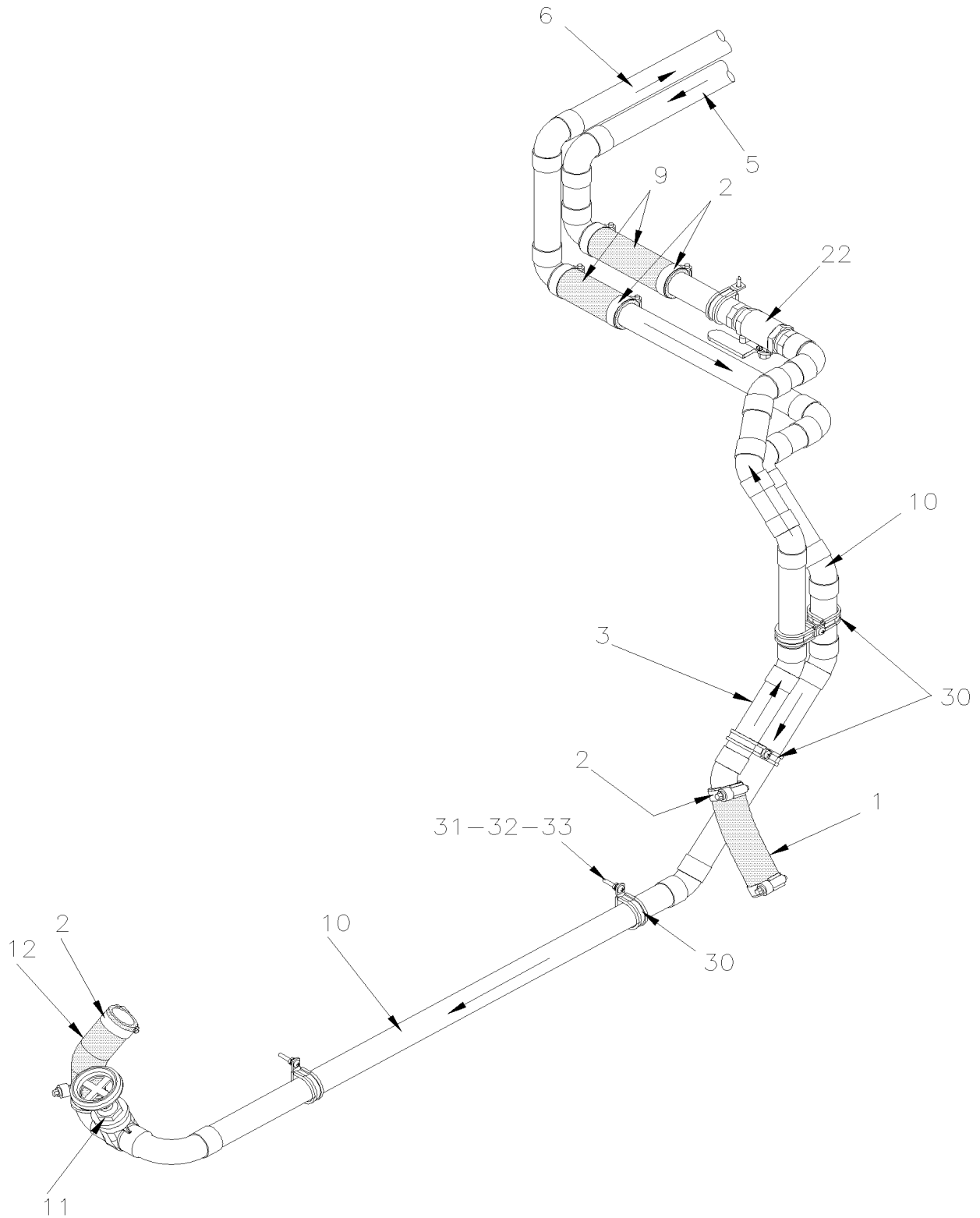


From B-5003 To D-5489

Date:10/2022

PAGE:XV-2222-35

HEATER LINE REAR SECTION WITH "VOLVO" ENGINE "EPA 2010"



WITH LARGE A/C SYSTEM

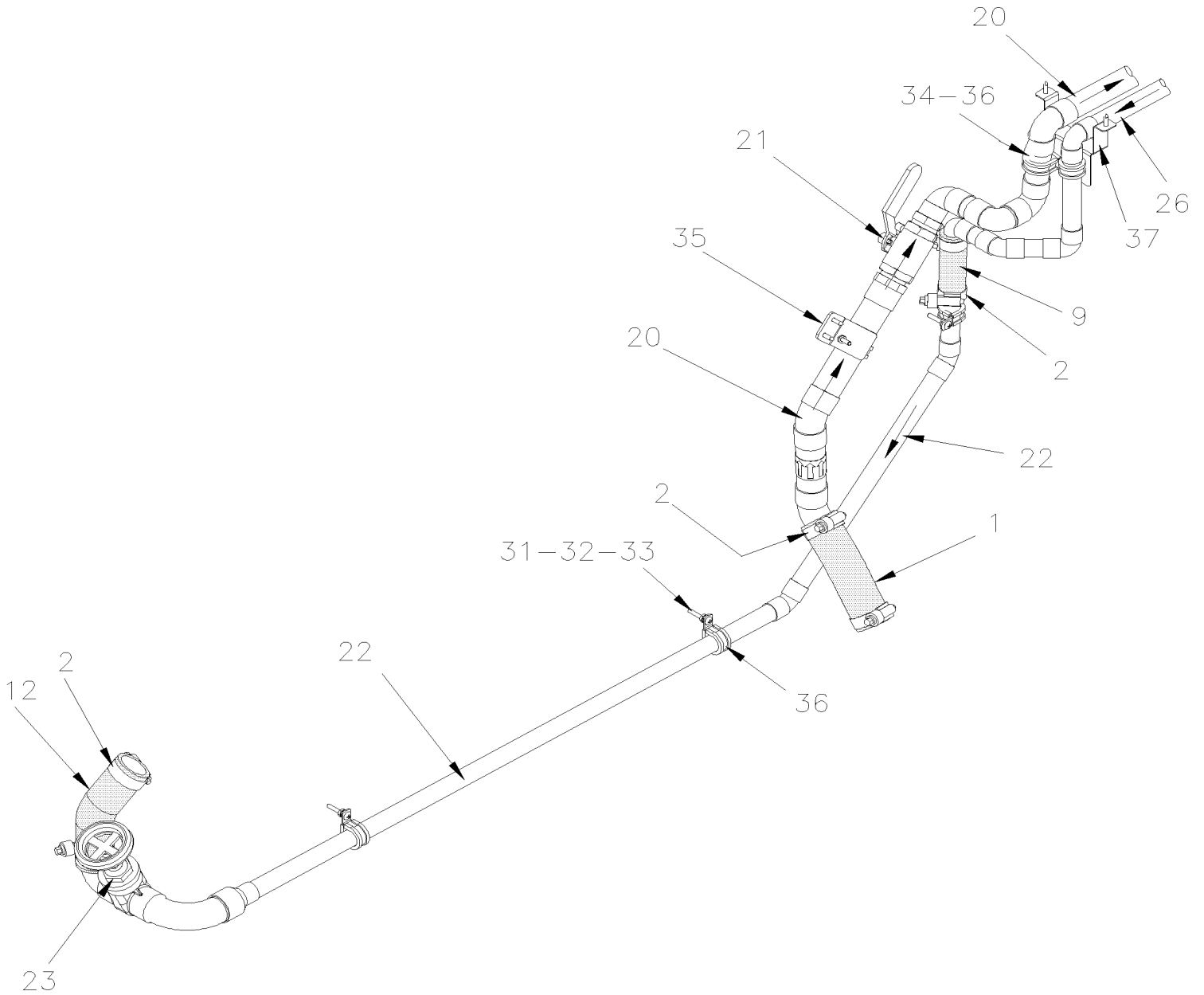


From B-5003 To D-5489

Date:10/2022

PAGE:XV-2222-35

HEATER LINE REAR SECTION WITH "VOLVO" ENGINE "EPA 2010"



WITH SMALL A/C SYSTEM



From B-5003 To D-5489 Date:10/2022 PAGE:XV-2222-35

HEATER LINE REAR SECTION WITH "VOLVO" ENGINE "EPA 2010"

| Item# | Part | Description | X 3 V I P | X L I I E N T 4 5 | N O T E S |
|-------|-----------------|--|-----------------------|---|-----------------------|
| 1 | 374365 | HOSE 1 3/8" I.D. X 180MM | 1 | 1 | |
| 1 | 503392 | . HOSE SILICONE 4PLY 1 3/8" I.D. x 4' To D-5381 | AR | AR | |
| 1 | 503783 | . HOSE SILICONE 4PLY / NOMEX-ARAMID 34MM I.D. x 6' From D-5382 | AR | AR | |
| 2 | 504657 | HOSE CLAMP / 1"1/16-2" C.T. 9424 To D-5404 | AR | AR | |
| 2 | 504783 | HOSE CLAMP / 1"1/16-2" SS / C.T. W.S. From D-5405 | AR | AR | |
| 3 | 374312P | PIPE ASSY HEATING / FEED LINE / LOWER SECTION W/"WORLD" TRANS | 1 | 1 | |
| 4 | 871419 | . BALL VALVE 1" NPT-F | 1 | 1 | |
| 4 | 501997 | . ADAPTER / COPPER @ PIPE / 1 1/4Fx1NPT-M | 2 | 2 | |
| 5 | Call order desk | PIPE ASSY HEATING / RETURN LINE To D-5299 | 1 | 1 | P |
| 5 | 374665 | PIPE ASSY HEATING / RETURN LINE From D-5300 | 1 | 1 | |
| 6 | Call order desk | PIPE ASSY HEATING / FEED LINE To B-5049 | 1 | 1 | P |
| 6 | Call order desk | PIPE ASSY HEATING / FEED LINE From B-5050 To D-5299 | 1 | 1 | P |
| 6 | 374664 | PIPE ASSY HEATING / FEED LINE From D-5300 | 1 | 1 | |
| 9 | 503392 | HOSE SILICONE 4PLY 1 3/8" I.D. x 4' To D-5381 | AR | AR | |
| 9 | 503783 | HOSE SILICONE 4PLY / NOMEX-ARAMID 34MM I.D. x 6' From D-5382 | AR | AR | |
| 10 | 374313P | PIPE ASSY HEATING / RETURN LINE | 1 | 1 | |
| 11 | 501861 | . GATE VALVE 1 1/4" (WELDED) | 1 | 1 | |
| 12 | 374377 | ELBOW 35° X 1 3/8" I.D. / 80MM x 80MM C/C / SILICONE To D-5381 | 1 | 1 | |
| 12 | 374616 | ELBOW 35° X 1 3/8" I.D. / 80MM x 80MM C/C / SILICONE / NOMEX From D-5382 | 1 | 1 | |
| | | | | | |
| | | WITH SMALL A/C SYSTEM | | | |
| | | | | | |
| 20 | 374534P | PIPE ASSY HEATING / FEED LINE / W/SMALL A/C SYSTEM | 1 | 1 | |
| 21 | 871419 | . BALL VALVE 1" NPT-F | 1 | 1 | |
| 21 | 501997 | . ADAPTER / COPPER @ PIPE / 1 1/4Fx1NPT-M | 2 | 2 | |
| 22 | Call order desk | PIPE ASSY HEATING / RETURN LINE / W/SMALL A/C SYSTEM | 1 | 1 | P |
| 23 | 501861 | . GATE VALVE 1 1/4" (WELDED) | 1 | 1 | |
| 26 | Call order desk | PIPE ASSY HEATING / RETURN LINE / W/SMALL A/C SYSTEM To C-5166 | 1 | 1 | P |
| 26 | Call order desk | PIPE ASSY HEATING / RETURN LINE / W/SMALL A/C SYSTEM From C-5167 | 1 | 1 | P |
| | | | | | |
| 30 | 952641 | CLAMP / 1 5/16" I.D. | AR | AR | |
| 31 | 500574 | SCREW MA TR PH #10-24x1 1/4 SS | AR | AR | |
| 32 | 500914 | WASHER LO SPT .193x.334x.047 N500 | AR | AR | |
| 33 | 502882 | NUT HEX #10-24 N500 | AR | AR | |
| 34 | 500957 | SCREW TP BDG PH #10x3/4 N500 | AR | AR | |
| 35 | 374402 | SUPPORT FEED LINE | 1 | 1 | |
| 36 | 952633 | CLAMP / 7/8" I.D. | 4 | 4 | |
| 36 | 952637 | CLAMP / 1"1/16 I.D. | 1 | 1 | |
| 37 | 374361 | SUPPORT PIPE | 1 | 1 | |
| | | | | | |
| | | | | | |
| | | | | | |



| From B-5003 To D-5489 | | Date:10/2022 | | PAGE:XV-2222-35 | |
|---|------|--|-----------------------|---|-----------------------|
| HEATER LINE REAR SECTION WITH "VOLVO" ENGINE "EPA 2010" | | | | | |
| Item# | Part | Description | X 3 V I P | X L I I E N T 4 5 | N O T E S |
| | | P) CALL ORDER DESK FOR SPECIFIC APPLICATION (V.I.N.) | | | |

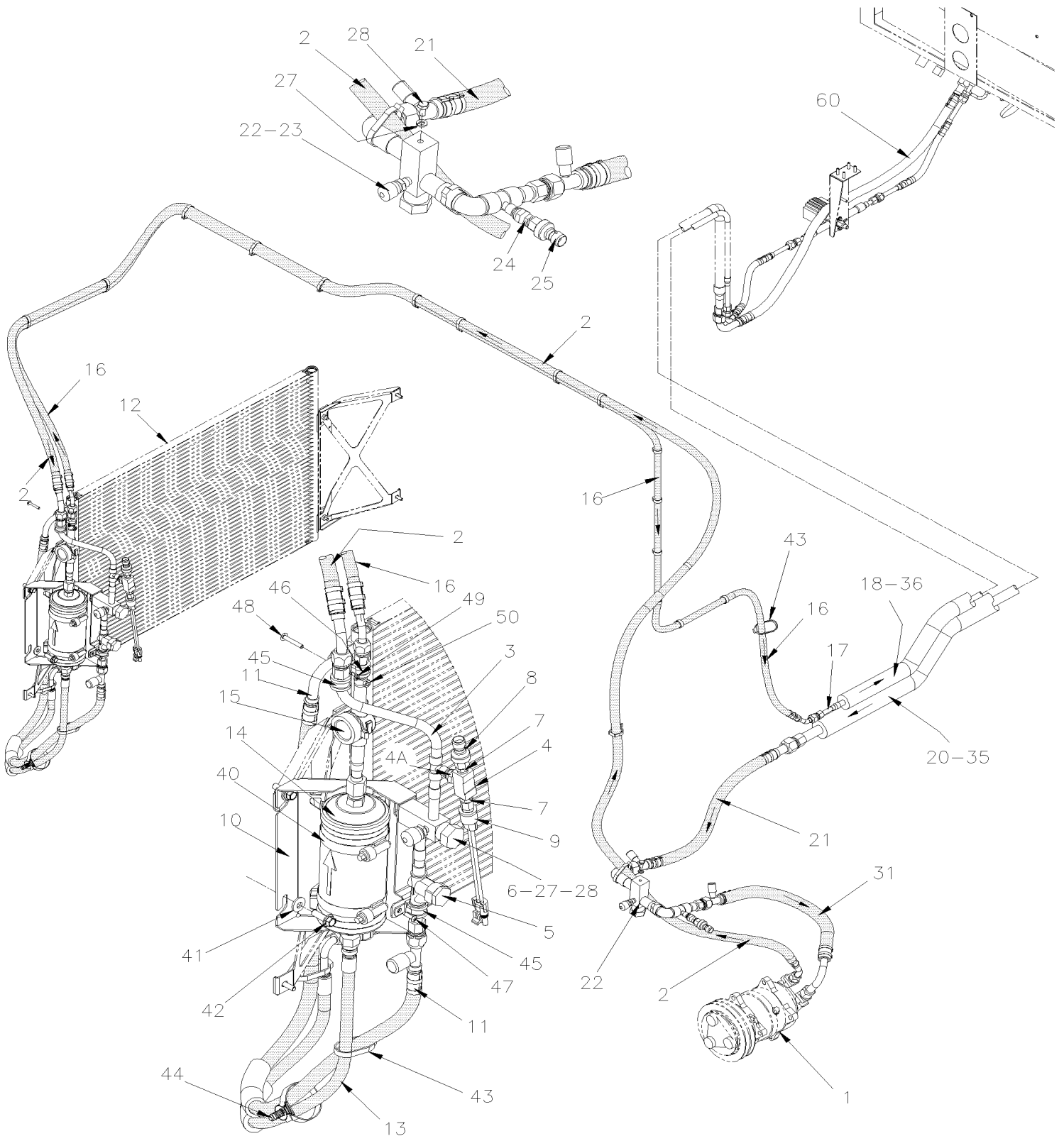


From B-5003 To D-5489

Date:10/2022

PAGE:XV-2222-50

SMALL A/C LINES & HOSES WITH R134A





From B-5003 To D-5489 Date:10/2022 PAGE:XV-2222-50

SMALL A/C LINES & HOSES WITH R134A

| Item# | Part | Description | X 3 V I P | X L I E N T 4 5 | N O T E S |
|-------|-------------------|---|-----------------------|--------------------------------------|-----------------------|
| 1 | XV-2245-50 | A/C SMALL COMPRESSOR - INSTALLATION | | | |
| 2 | Call order desk | HOSE ASSY / #8 4555MM | 1 | 1 | P |
| . NS | 507343 | . O-RING / ORS FITTING / #8 NEO | 2 | 2 | |
| 3 | 457485P | VALVE ASSY / HI-SIDE (superseded by 409205) | 1 | 1 | |
| 4 | 501894 | . MALE BRANCHE TEE / PIPE FITTING / 1/4NPT-Fx1/4NPT-Fx1/4NPT-M BR | 1 | 1 | |
| 4A | 507588 | . ADAPTER / COPPER @ PIPE / 1/4Fx1/4NPT-F | 1 | 1 | |
| 5 | 950326 | . CHECK VALVE | 1 | 1 | |
| 6 | 950376 | . VALVE SERVICE HIGH PRESSURE | 1 | 1 | |
| 7 | 950249 | SCHRADER VALVE 1/4NPT-M | 2 | 2 | |
| 8 | 563423 | TRANSDUSER -6.7 to 420 LBS / 1/8 NPT-F | 1 | 1 | |
| . NS | 563159 | . CONNECTOR / METRI-PACK 150 / SH 3C / PED 12065287 | 1 | 1 | |
| 9 | 453380 | PRESSURE SWITCH N.C. 350-245 20PS001MB350K245R | 1 | 1 | |
| 10 | 459204 | SUPPORT / HIGHT PRESSURE VALVE | 1 | 1 | |
| 11 | 455356 | HOSE ASSY / #8 1140MM | 1 | 1 | |
| . NS | 507343 | . O-RING / ORS FITTING / #8 NEO | 2 | 2 | |
| 12 | XV-2255-10 | CONDENSOR - INSTALLATION SMALL A/C SYSTEM | | | |
| 13 | 455355 | HOSE ASSY / #6 760MM | 1 | 1 | |
| . NS | 507278 | . O-RING / ORS FITTING / #4 NEO | 1 | 1 | |
| 14 | 950370 | FILTER DRYER | 1 | 1 | |
| . NS | 507085 | . O-RING 7/16" I.D X 1/32" | 1 | 1 | |
| 15 | 455336 | MOISTURE INDICATOR ASSY | 1 | 1 | |
| . NS | 950455 | . MOISTURE INDICATOR | 1 | 1 | |
| 16 | Call order desk | HOSE ASSY / #6 3865MM | 1 | 1 | P |
| . NS | 507278 | . O-RING / ORS FITTING / #4 NEO | 2 | 2 | |
| 17 | 452437 | PIPE ASSY | 1 | 1 | |
| 18 | 453319 | PIPE ASSY | 1 | 1 | |
| 20 | Call order desk | PIPE ASSY | 1 | 1 | P |
| 21 | 455300 | HOSE ASSY / #12 847MM | 1 | 1 | |
| . NS | 507280 | . O-RING / ORS FITTING / #12 NEO | 2 | 2 | |
| . NS | 505110 | . COIL PROTECTOR / PLASTIC / #12 | AR | AR | |
| 22 | Call order desk | VALVE ASSY W/SUPPORT / LOW SIDE | 1 | 1 | P |
| 23 | 950950 | . VALVE SERVICE LOW PRESSURE | 1 | 1 | |
| . NS | 950235 | . GAUGE ADAPTOR ASSY / W/BUE CAP FOR R-134A / SUCTION SIDE (ALUMINUM) | 1 | 1 | |
| 24 | 950249 | SCHRADER VALVE 1/4NPT-M | 1 | 1 | |
| 25 | 563423 | TRANSDUSER -6.7 to 420 LBS / 1/8 NPT-F | 1 | 1 | |
| . NS | 563159 | . CONNECTOR / METRI-PACK 150 / SH 3C / PED 12065287 | 1 | 1 | |
| 27 | 5001749 | WASHER LO SPT 6.5x11.5x1.6 N500 | 2 | 2 | |
| 28 | 502772 | SCREW CAP HEX 1/4-20x1/2 G5 N500 | 2 | 2 | |
| 31 | Call order desk | HOSE ASSY / | 1 | 1 | P |
| 35 | 506276 | PIPE INSULATING / 7/8" I.D. X 1/2" TH. X 72 / APT07812 | 1 | 1 | |
| 36 | 506215 | PIPE INSULATING / 1/2" I.D. X 1/2" TH. X 72" / APT01212 | 1 | 1 | |
| 40 | 504026 | HOSE CLAMP / 2"13/16-3"3/4 SS / HS-52 | 2 | 2 | |



| | | |
|-----------------------|--------------|-----------------|
| From B-5003 To D-5489 | Date:10/2022 | PAGE:XV-2222-50 |
|-----------------------|--------------|-----------------|

SMALL A/C LINES & HOSES WITH R134A

| Item# | Part | Description | X 3 V I P | X L I I E N T 4 5 | N O T E S |
|-------|-------------------|--|-----------------------|---|-----------------------|
| 41 | 500321 | WASHER BEL SPR .331x.827x.098 N500 | 2 | 2 | |
| 42 | 5001643 | SCREW CAP HEXF M8-1.25x25 G8.8 G500 | 2 | 2 | |
| 43 | 504016 | CABLE TIE / 5/16" X 14"1/2 | AR | AR | |
| 44 | 504750 | CABLE TIE / 1/2" x 15" / CHRISTMAS TREE | AR | AR | |
| 45 | 952629 | CLAMP / 5/8" I.D. | 3 | 3 | |
| 46 | 952627 | CLAMP / 1/2" I.D. | 1 | 1 | |
| 47 | 500957 | SCREW TP BDG PH #10x3/4 N500 | 2 | 2 | |
| 48 | 500574 | SCREW MA TR PH #10-24x1 1/4 SS | 1 | 1 | |
| 49 | 500914 | WASHER LO SPT .193x.334x.047 N500 | 1 | 1 | |
| 50 | 502882 | NUT HEX #10-24 N500 | 1 | 1 | |
| 60 | XV-2210-20 | WATER PUMP & FILTER - W/SMALL A/C | 1 | 1 | |
| | | | | | |
| | | | | | |
| | | | | | |
| | | P) CALL ORDER DESK FOR SPECIFIC APPLICATION (V.I.N.) | | | |

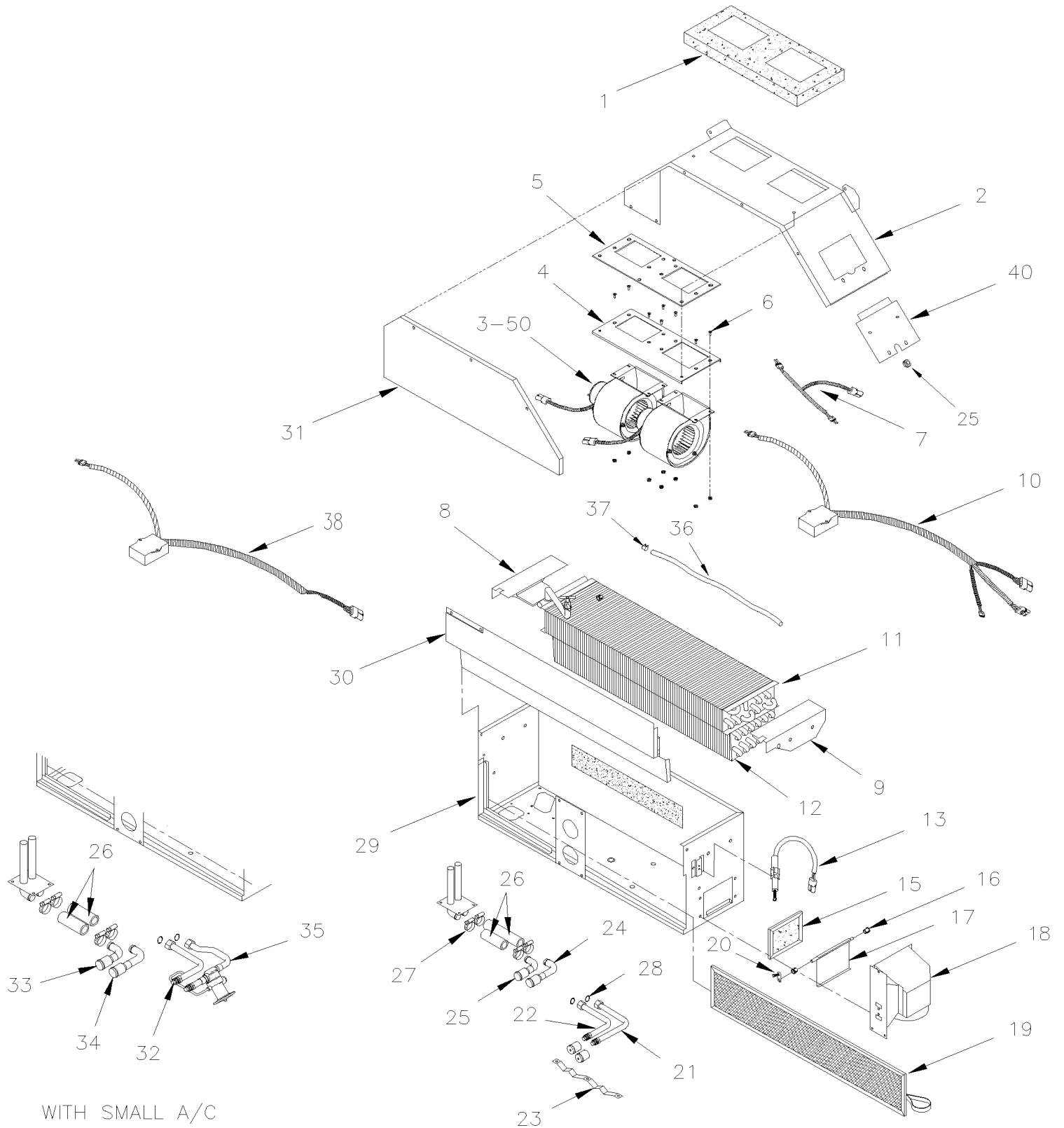


From B-5003 To D-5489

Date:10/2022

PAGE:XV-2225-00

DRIVER'S HEATER & DEFROSTER ASSY





From B-5003 To D-5489 Date:10/2022 PAGE:XV-2225-00

DRIVER'S HEATER & DEFROSTER ASSY

| Item# | Part | Description | X 3 V I P | X L I I E N T 4 5 | N O T E S |
|-------|-------------------|---|-----------------------|---|-----------------------|
| | 871415 | DEFROSTER & A/C UNIT ASSY | 1 | 1 | |
| | 871416 | DEFROSTER & A/C UNIT ASSY MUX | 1 | 1 | A |
| 1 | 871129 | . SEAL | 1 | 1 | |
| 2 | 871223 | . COVER | 1 | 1 | |
| 3 | 871359 | . BLOWER ASSY 24V / W/DOUBLE MOTOR MOUNT | 2 | 2 | |
| 3 | 871360 | . BLOWER & MOTOR ASSY - "M.C.C." "CCW" / FAN END | 2 | 2 | |
| 4 | 871362 | . . PLATE MOUNTING | 1 | 1 | |
| 5 | 871363 | . . SEAL PLATE MOUNTING | 1 | 1 | |
| 6 | 684605 | . . SCREW CAP HEXS #10-32x1/2 | 8 | 8 | |
| NS | 500423 | . . NUT HEX NYRT #10-32 SS | 8 | 8 | |
| 7 | 871364 | . . CABLE HARNESS | 1 | 1 | |
| 8 | 871137 | . BRACKET L.H. | 1 | 1 | |
| 9 | 871138 | . BRACKET R.H. | 1 | 1 | |
| 10 | 871353 | . MODULE CONTROL FAN SPEED / W/DOUBLE MOTOR | 1 | 1 | |
| 11 | 871140 | . HEATER COIL | 1 | 1 | |
| . NS | 870127 | . . DRAIN VALVE ROBINET VIDANGE | 1 | 1 | |
| 12 | 871141 | . EVAPORATOR COIL | 1 | 1 | |
| 13 | 871142 | . ACTUATOR, THERMAL | 1 | 1 | |
| 15 | 871144 | . FILTER / FRESH AIR 1/4" x 3 5/8" x 5 1/4" | 1 | 1 | |
| 16 | 871025 | . BUSHING / CABLE PIVOT | 2 | 2 | |
| 17 | 871145 | . DAMPER TRAP | 1 | 1 | |
| 18 | 871225 | . BOX, FRESH AIR | 1 | 1 | |
| 19 | 871147 | . FILTER / RECIRCULATING 1/4" x 6 1/4" x 28" | 1 | 1 | |
| 20 | 871148 | . LEVER , F/A DAMPER | 1 | 1 | |
| 20 | 5001410 | . SCREW MA CHE PH M4-0.7x16 SS | 1 | 1 | |
| 20 | 502557 | . NUT HEX NYRT M4-0.7 SS | 1 | 1 | |
| 21 | 871229 | . TUBE, A/C | 1 | 1 | |
| 22 | 871228 | . TUBE, A/C | 1 | 1 | |
| 23 | 871226 | . TUBE SUPPORT | 1 | 1 | |
| NS | 871237 | . TUBE SUPPORT | 1 | 1 | |
| 24 | 871231 | . TUBE HEATER | 1 | 1 | |
| 25 | 871230 | . TUBE HEATER | 1 | 1 | |
| 26 | 503007 | . HOSE 2 PLY / RADIATOR HOSE / 5/8" I.D. / S.L. To C-5133 | AR | AR | |
| 26 | 871442 | . HOSE SILICONE 4 PLY 5/8 OD x 4" From C-5134 | AR | AR | |
| 27 | 504646 | . HOSE CLAMP / 11/16"-1"1/4 / C.T. 9412 To C-5133 | 4 | 4 | |
| 27 | 871443 | . HOSE CLAMP / From C-5134 | 4 | 4 | |
| 28 | 507279 | . O-RING / ORS FITTING / #8 NEO | 2 | 2 | |
| 28 | XV-2208-00 | . A/C EXPANSION VALVE | | | |
| 29 | N.P.N. | . CASING | 1 | 1 | 4 |
| 30 | 871155 | . COVER | 1 | 1 | |
| 31 | 871156 | . COVER / BLOWER ACCESS | 1 | 1 | |
| NS | 5001047 | . . SCREW TC PAN PH M5-0.8X10 ZP | 17 | 17 | |



From B-5003 To D-5489 Date:10/2022 PAGE:XV-2225-00

DRIVER'S HEATER & DEFROSTER ASSY

| Item# | Part | Description | X 3 V I P | X L I I E N T 4 5 | N O T E S |
|-------|----------|---|-----------------------|---|-----------------------|
| 32 | 871343 | . TUBE A/C | 1 | 1 | A |
| 33 | 871230 | . TUBE HEATER | 1 | 1 | A |
| 34 | 871231 | . TUBE HEATER | 1 | 1 | A |
| 35 | 871344 | . VALVE, EXPANSION ASSY / WITH PIPE | 1 | 1 | A |
| 36 | 8860148 | . TUBE, NYLON 5/16 O.D. / BLACK S.L. | 1 | 1 | |
| 37 | N8888160 | . SPRING CLIP | 1 | 1 | |
| 38 | 563660 | . MODULE CONTROL FAN SPEED / W/DOUBLE MOTOR W/MUX PASSNGER SIDE | 1 | 1 | |
| 40 | 871227 | . HARNESS COVER | 1 | 1 | |
| | | | | | |
| | | | | | |
| | | A) WITH SMALL A/C SYSTEM | | | |
| | | 4) NO PARTS NUMBER | | | |

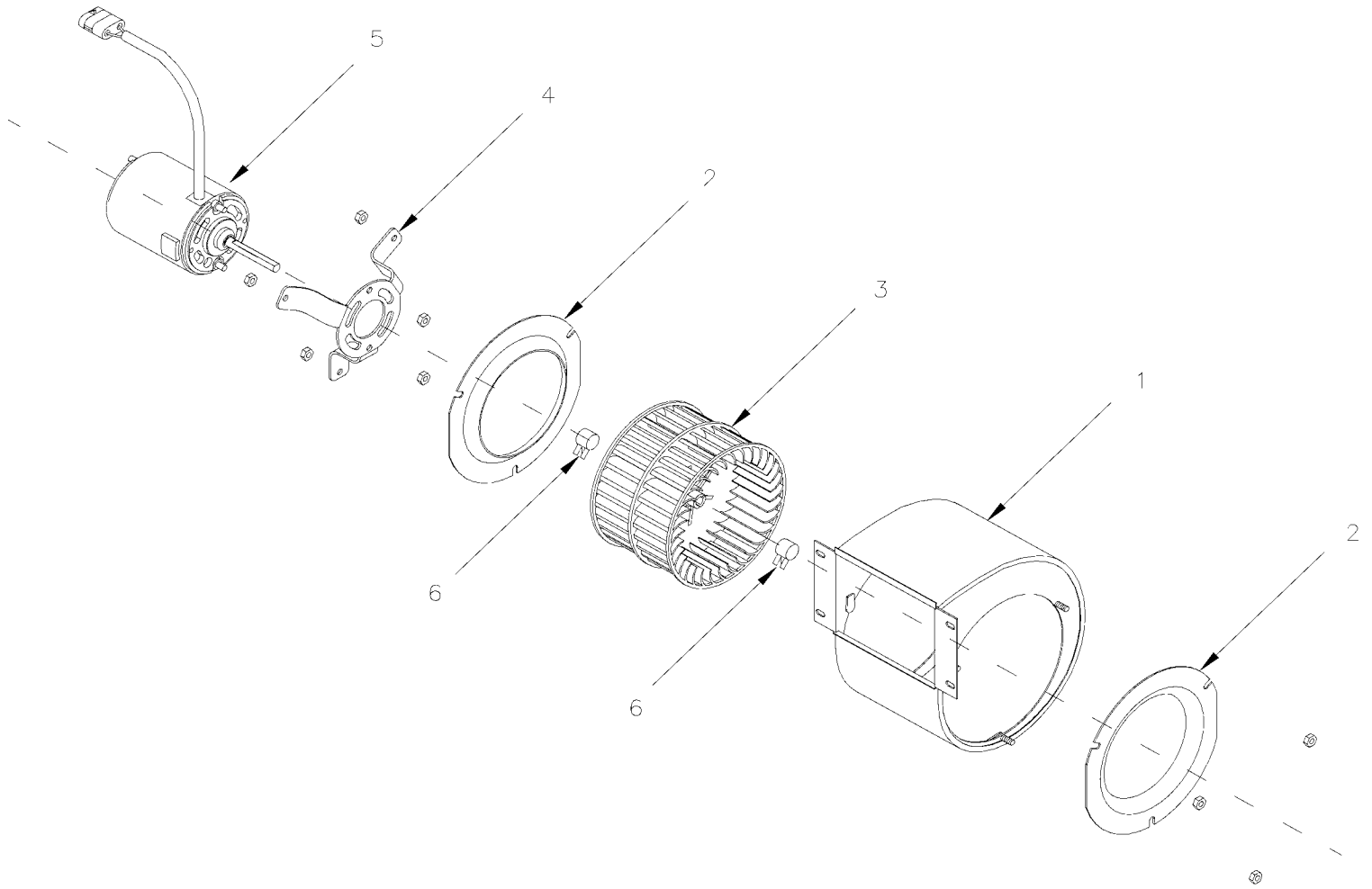


From B-5003 To D-5489

Date:10/2022

PAGE:871360

BLOWER & MOTOR ASSY - "M.C.C." "CCW" / FAN END





| | | |
|-----------------------|--------------|-------------|
| From B-5003 To D-5489 | Date:10/2022 | PAGE:871360 |
|-----------------------|--------------|-------------|

BLOWER & MOTOR ASSY - "M.C.C." "CCW" / FAN END

| Item# | Part | Description | X 3 V I P | X L I I E N T 4 5 | N O T E S |
|-------|----------|---|-----------------------|---|-----------------------|
| | | BLOWER ASSY 24V / CCW | 1 | 1 | |
| 1 | 871365 | . BLOWER HOUSING | 1 | 1 | |
| 2 | N8889479 | . VENTURY | 2 | 2 | |
| 3 | 871133 | . BLOWER WHEEL / PLASTIC 5 1/8" x 3 1/2" x 5/16" x I.D. | 1 | 1 | |
| 4 | N8890530 | . MOUNTING MOTOR BRACKET | 1 | 1 | |
| 5 | 871366 | . MOTOR ASSY 24V / CCW | 1 | 1 | |
| 6 | N8888160 | . SPRING CLIP | 2 | 2 | |
| | | | | | |
| | | | | | |
| | | | | | |

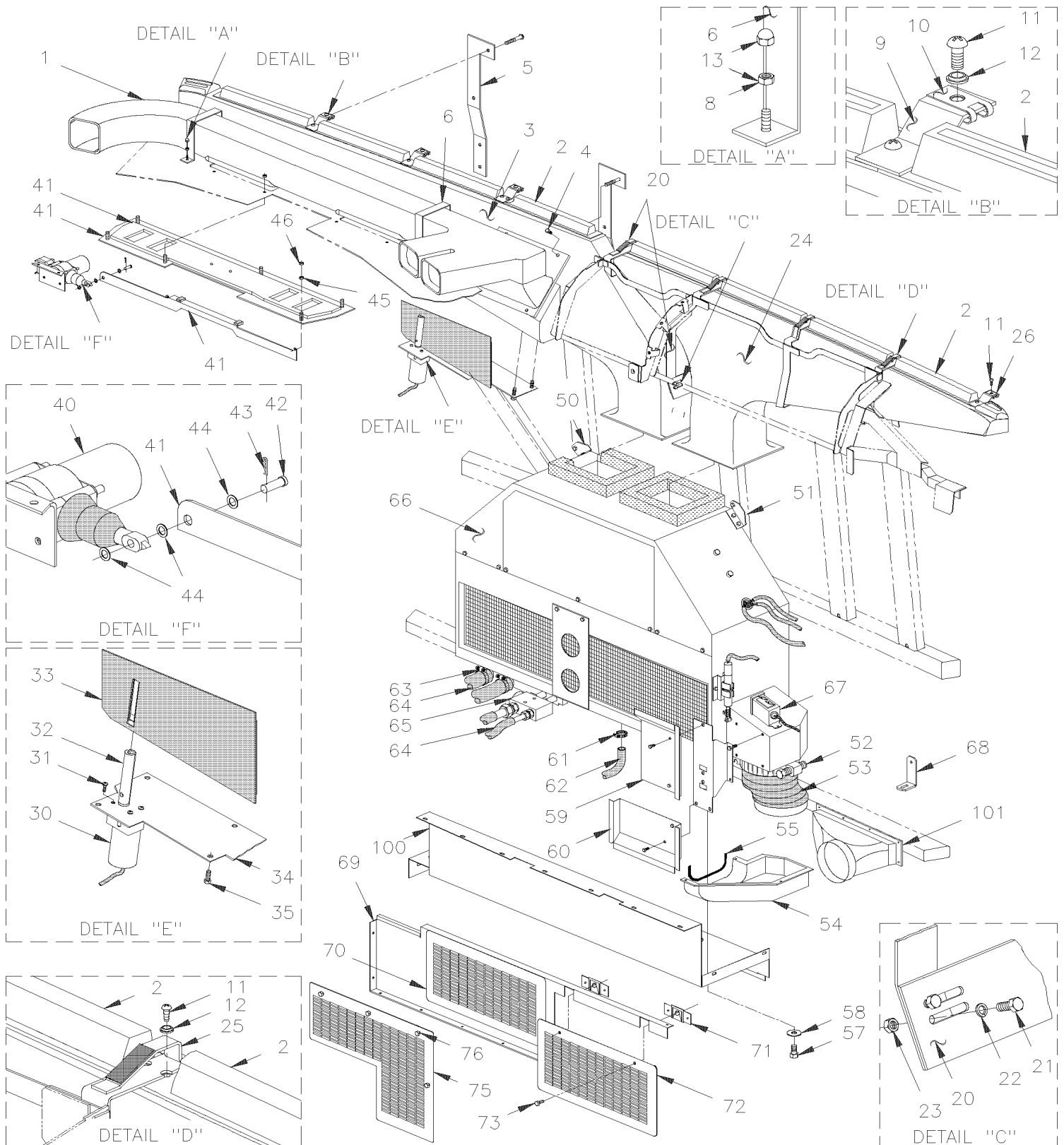


From B-5003 To D-5489

Date:10/2022

PAGE:XV-2230-00

DEFROSTER - INSTALLATION



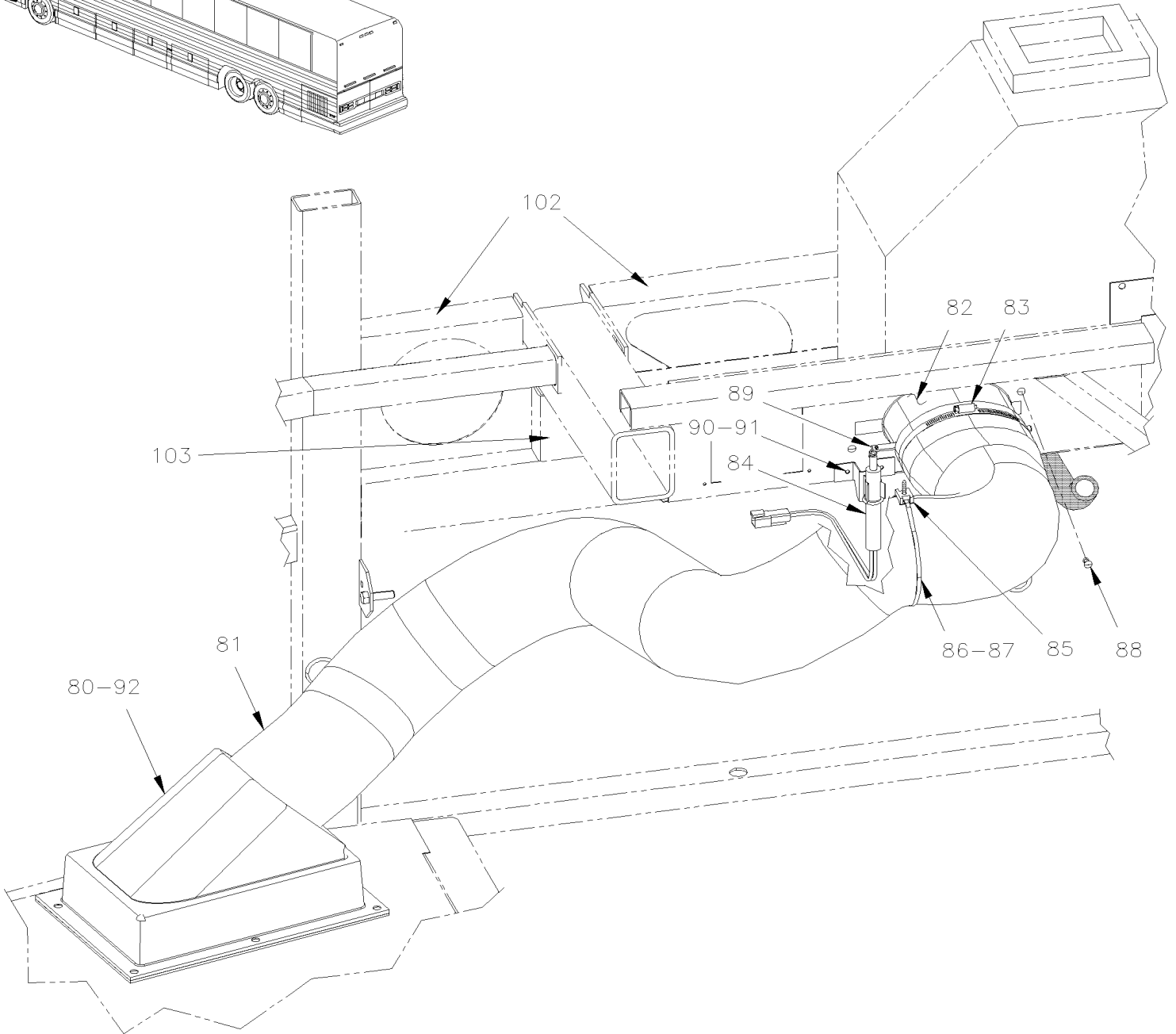
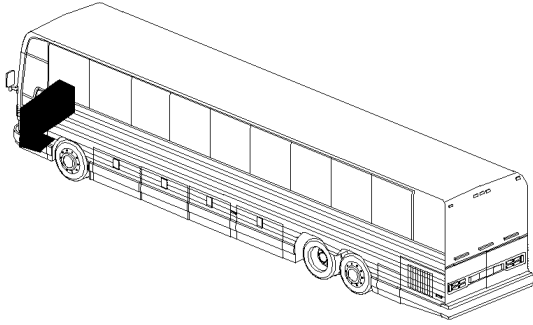


From B-5003 To D-5489

Date:10/2022

PAGE:XV-2230-00

DEFROSTER - INSTALLATION



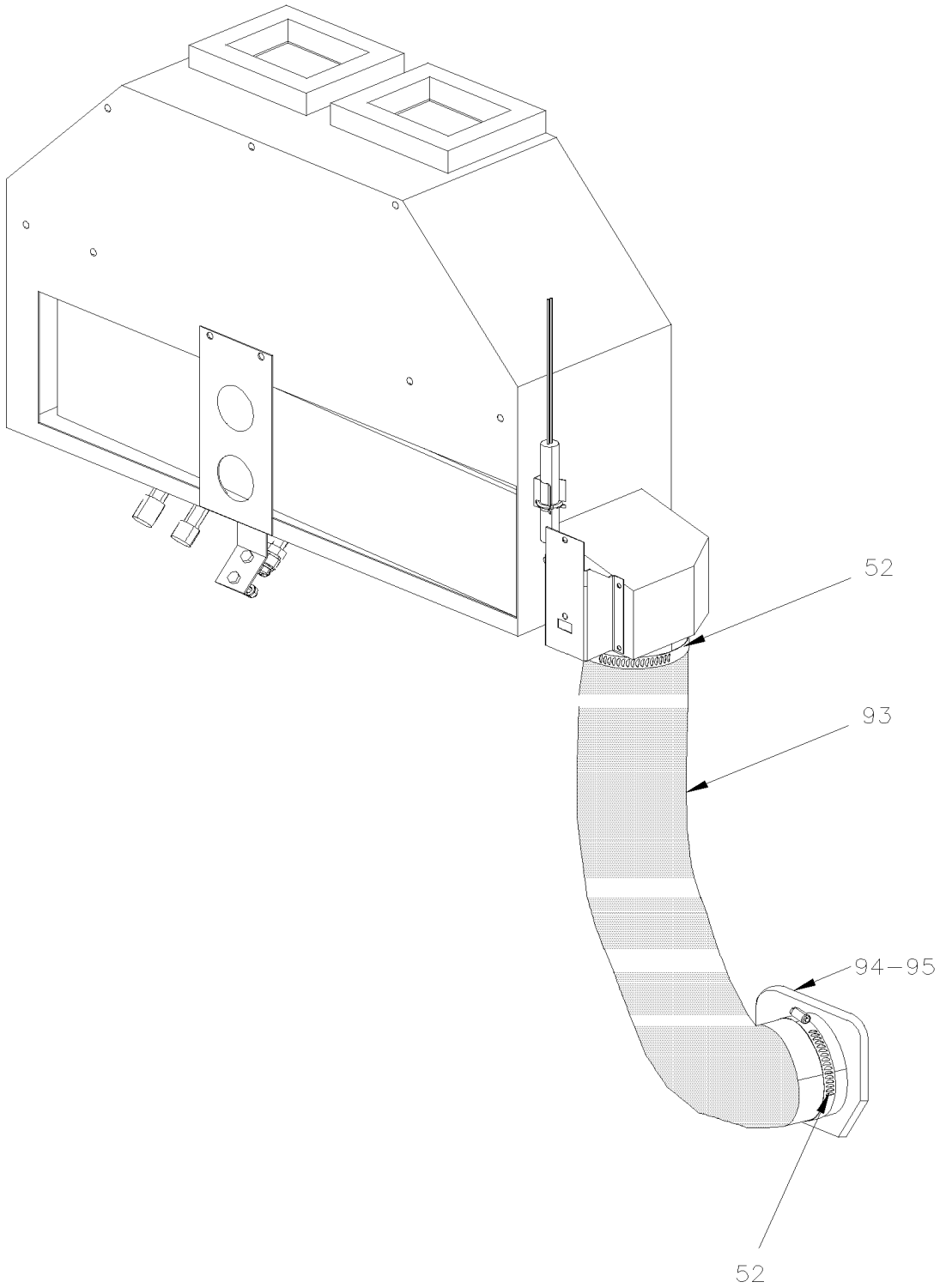


From B-5003 To D-5489

Date:10/2022

PAGE:XV-2230-00

DEFROSTER - INSTALLATION





| | | |
|-----------------------|--------------|-----------------|
| From B-5003 To D-5489 | Date:10/2022 | PAGE:XV-2230-00 |
|-----------------------|--------------|-----------------|

DEFROSTER - INSTALLATION

| Item# | Part | Description | X 3 V I P | X L I I E N T 4 5 | N O T E S |
|-------|---------|--|-----------------------|---|-----------------------|
| 1 | 392488 | DUCT DRIVER CENTER SECTION | 1 | 1 | |
| NS | 392479 | DUCT DRIVER LH SECTION | 1 | 1 | |
| 1 | 392212 | DUCT DRIVER RH SECTION | 1 | 1 | G |
| . NS | 391003 | . SEAL DUCT | 1 | 1 | G |
| NS | 392064 | SUPPORT | 1 | 1 | |
| NS | 392085 | . DEFLECTOR (INSIDE DUCT) | 1 | 1 | |
| 2 | 392045 | LOUVER | 8 | 8 | |
| NS | 392046 | LOUVER CORNER | 2 | 2 | |
| 3 | 392044 | DEFROSTER DUCT STREETSIDE | 1 | 1 | |
| NS | 392292 | GASKET / DRIVER'S DUCT & WINDSHIELD DUCT | 1 | 1 | |
| NS | 391979 | DEFLECTOR / (INSIDE OF DUCT) | 1 | 1 | |
| NS | 392160 | SUPPORT / DEFROSTER DUCT | 1 | | |
| NS | 392161 | SUPPORT / DEFROSTER DUCT MTH 89" | | 1 | |
| 4 | 500641 | SCREW TP PAN PH #8x3/4 Z050 | 1 | 1 | |
| 4 | 500841 | SCREW TP PAN PH #14x3/4 Z050 | | | |
| 8 | 502557 | NUT HEX NYRT M4-0.7 SS | 4 | 4 | |
| 10 | 5001405 | NUT SPR U M4-0.7 0.8-4.0x9.5 | AR | AR | |
| 11 | 5001411 | SCREW MA FL PH M4-0.7x20 BK | AR | AR | |
| 12 | 500345 | WASHER FN CKF .187x.500x.090 BR BK | AR | AR | |
| 13 | 5001404 | NUT HEX CAP M4-0.7 SS | 4 | 4 | |
| 20 | 391996 | STRUCTURE / R.H. | 1 | 1 | |
| 21 | 502529 | SCREW MA BDG PH M5-0.8x12 BZC | 2 | 2 | |
| 22 | 500440 | WASHER FL .250x.562x.065 Z050 | 2 | 2 | |
| 23 | 502782 | NUT HEX NYRT M5-0.8 Z050 | 2 | 2 | |
| 24 | 392049 | DEFROSTER DUCT CURBSIDE | 1 | 1 | |
| NS | 453585 | HOSE ADAPTOR / CURBSIDE DUCT | 1 | 1 | C |
| NS | 453584 | HOSE ADAPTOR / WINDSHIELD | 1 | 1 | C |
| NS | 453588 | HOSE 510MM | 1 | 1 | C |
| 25 | 392018 | STRAP R.H. / TO FIX DUCT TO STRUCTURE | 1 | 1 | |
| 25 | 392019 | STRAP L.H. / TO FIX DUCT TO STRUCTURE | 1 | 1 | |
| 26 | 392017 | SUPPORT / R.H. WINDSHIELD | 1 | 1 | |
| 30 | 392282 | DAMPER ASSY | 1 | 1 | |
| 30 | 871424 | . MOTOR | 1 | 1 | |
| 31 | N.P.N. | . SCREW | 7 | 7 | 4 |
| 32 | N.P.N. | . SHAFT | 1 | 1 | 4 |
| 33 | N.P.N. | . TRAP ASSY | 1 | 1 | 4 |
| 34 | N.P.N. | . PLATE | 1 | 1 | 4 |
| 35 | N.P.N. | SCREW | 4 | 4 | 4 |
| NS | 563429 | SWITCH MAGNETIC ASSY | 1 | 1 | |
| . NS | 562641 | . MAGNET | 1 | 1 | |
| 40 | 890009 | LOCK ACTUATOR / 12V | 1 | 1 | |
| . NS | 562076 | . CONNECTOR / PACK-CON I / FEMALE HOUSING / 2C / PED 8911772 | 1 | 1 | |



From B-5003 To D-5489 Date:10/2022 PAGE:XV-2230-00

DEFROSTER - INSTALLATION

| Item# | Part | Description | X 3 V I P | X L I E N T 4 5 | N O T E S |
|-------|-------------------|--|-----------------------|--------------------------------------|-----------------------|
| 41 | 392484 | DAMPER, FOOT ASSY | 1 | 1 | |
| 42 | 502023 | . PIN, CLEVIS 1/4 x 51/64 | 1 | 1 | |
| 43 | 502180 | . PIN HITCH CLIP 3/32 x 1/2 Z050 | 1 | 1 | |
| 44 | 500411 | . WASHER FL .260x.697x.050 SS | 2 | 2 | |
| NS | 563429 | . SWITCH MAGNETIC ASSY | 1 | 1 | |
| . NS | 562641 | . . MAGNET | 1 | 1 | |
| 45 | N.P.N. | SPACER | 6 | 6 | 4 |
| 46 | 5001036 | SCREW MA PAN PH M4-0.7x10 Z050 | 6 | 6 | |
| 50 | 373551 | ATTACHMENT L.H. | 1 | 1 | |
| 51 | 373552 | ATTACHMENT R.H. | 1 | 1 | |
| NS | 500642 | SCREW TP PAN PH #10x3/4 Z050 | 2 | 2 | |
| NS | 504114 | RIVET POP DOME OE 3/16x1/4 AL | 4 | 4 | |
| 52 | 504235 | HOSE CLAMP / 3"9/16"-4"1/2 SS / HS-64 | 2 | 2 | |
| 53 | 373630 | HOSE 4" I.D. X 350MM | 1 | 1 | |
| 53 | 503434 | . HOSE FLEXIBLE / AIR DUCT 4" I.D. X 12' / RUBBER | AR | AR | |
| 57 | 500179 | SCREW CAP HEX 5/16-18x3/4 G5 Z050 | 3 | 3 | |
| 58 | 500462 | WASHER FL .343x1.500x.083 SS | 3 | 3 | |
| NS | 500476 | WASHER LO SPT .317x.586x.078 Z050 | 3 | 3 | |
| 59 | 453343 | DEFLECTOR, UPPER | 1 | 1 | |
| NS | 453345 | FOAM 5" X 3" X 1" | 1 | 1 | |
| 60 | 502761 | SCREW TP BDG PH #10x3/4 SS BK | 5 | 5 | |
| 60 | 500803 | NUT SPR J #10A .035-.050 | 5 | 5 | |
| 60 | 506268 | TAPE RUB ADH1 URE 3/8" x 1/2" x 25' / GREY 1820 | AR | AR | |
| 61 | 504014 | HOSE CLAMP / 1/4"-5/8" SS / HM-4 | 2 | 2 | |
| 62 | 373680 | HOSE 1/2" I.D. X 1135MM | 1 | 1 | |
| 62 | 503666 | HOSE 1/2" I.D. 100' / S.L. | AR | AR | |
| NS | 504356 | GROMMET / .625x.875x.062x.312x1.125 | 1 | 1 | |
| NS | 590286 | DRAIN BOOT 1 1/4" I.D. X 4" / FLAT | 1 | 1 | |
| 63 | 504646 | HOSE CLAMP / 11/16"-1"1/4 / C.T. 9412 To D-5404 | 2 | 2 | |
| 63 | 504781 | HOSE CLAMP / 13/16"-1 5/16" SS / C.T. W.S. From D-5405 | 2 | 2 | |
| 64 | XV-2222-10 | A/C & HEATING LINE FRONT SECTION | | | |
| 65 | XV-2208-00 | A/C EXPANSION VALVE | | | |
| 66 | XV-2225-00 | DRIVER'S HEATER & DEFROSTER ASSY | | | |
| 67 | 950035 | THERMOSTAT | 1 | 1 | A |
| NS | 500583 | SCREW TP PAN PH #6x1/2 Z050 | 2 | 2 | A |
| 68 | 373754 | ANGLE SUPPORT / CURBSIDE / 25MM X 35MM X 65MM | 1 | 1 | |
| 69 | 373640 | GRILLE ASSY W/SUPPORT | 1 | 1 | |
| 69 | 373633 | . SUPPORT | 1 | 1 | |
| 70 | 453338 | . GRILL AIR / FRONT STEPWELL / RETURN / 200MM X 408MM | 1 | 1 | |
| 71 | 504605 | . RECEPTACLE 6 MM | 2 | 2 | |
| NS | 681283 | . TAPE RUB ADH2 ACRYLIC .045" x 1/2" x 108' / WHITE 4945 | AR | AR | |
| NS | 506268 | . TAPE RUB ADH1 URE 3/8" x 1/2" x 25' / GREY 1820 | AR | AR | |



| | | |
|-----------------------|--------------|-----------------|
| From B-5003 To D-5489 | Date:10/2022 | PAGE:XV-2230-00 |
|-----------------------|--------------|-----------------|

DEFROSTER - INSTALLATION

| Item# | Part | Description | X 3 V I P | X L I I E N T 4 5 | N O T E S |
|-------|-------------------|--|-----------------------|---|-----------------------|
| 72 | 453341 | GRILL AIR / FRONT STEPWELL / RETURN / 197MM X 408MM | 1 | 1 | |
| 73 | 504681 | . STUD 6MM (DZUS) | 2 | 2 | |
| NS | 504604 | . FASTENER | 2 | 2 | |
| 93 | 374010 | HOSE 4" I.D. X 650MM | 1 | 1 | |
| 94 | 373930 | HOSE ADAPTOR 4" To C-5086 | 1 | 1 | |
| 94 | 374580 | FRAME AIR INTAKE From C-5087 | 2 | 2 | |
| 95 | 373933 | GRILLE 111MM X 111MM | 1 | 1 | |
| 95 | 476156 | CLOSING PLATE 39MM X 257MM | 1 | 1 | |
| 95 | 476159 | CLOSING PLATE 55MM X 257MM | 1 | 1 | |
| 100 | 172316 | SUPPORT / DEFROST & A/C UNIT | 1 | 1 | |
| 101 | XV-1851-00 | FRONT CAP - INSTALLATION | | | |
| | | | | | |
| | | | | | |
| | | | | | |
| | | A) WITH SMALL A/C SYSTEM ONLY | | | |
| | | C) FEED AIR TO CENTER POST WINDSHIELD | | | |
| | | G) FOR PRODUCT IMPROVEMENT, USE KIT #871318 AND SEE INSTRUCTION SHEET IS-04902 | | | |
| | | 4) NO PARTS NUMBER | | | |

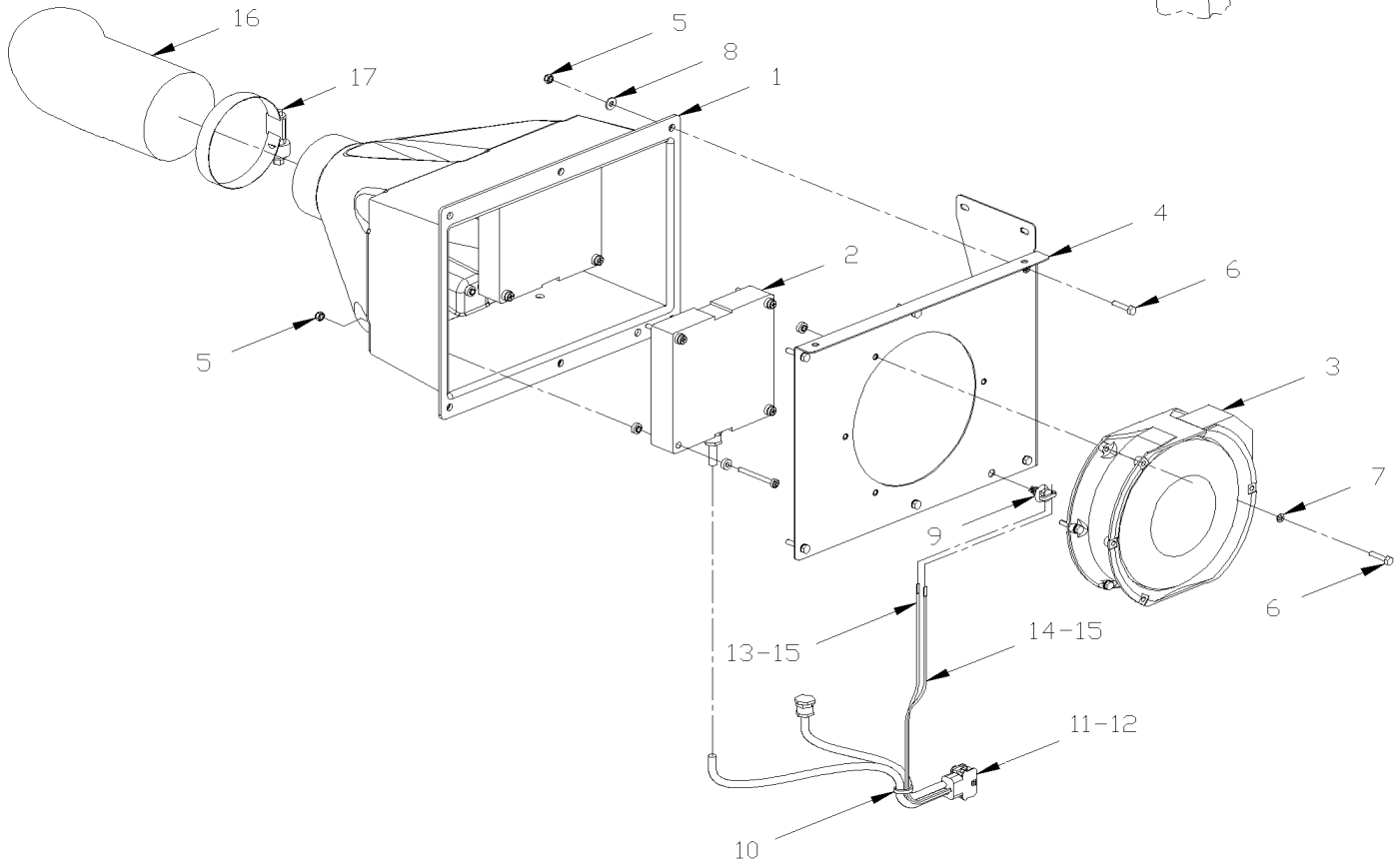
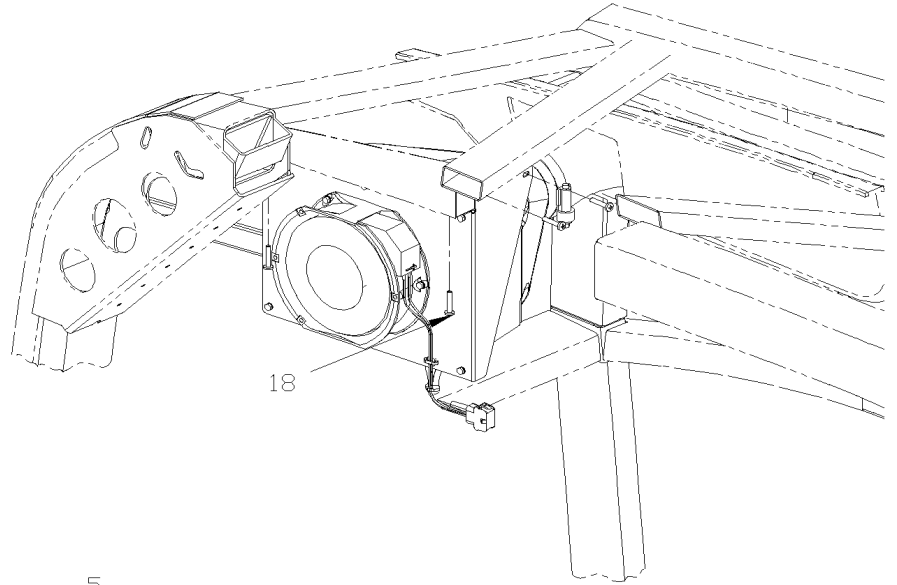
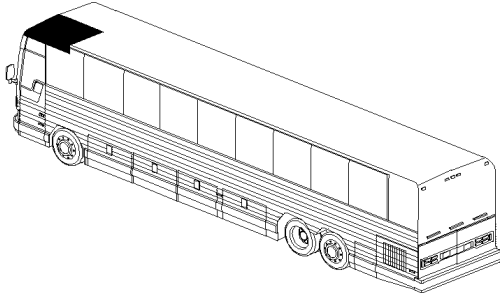


From B-5003 To D-5489

Date:10/2022

PAGE:XV-2240-10

UPPER WINDSHIELD FAN - INSTALLATION





| | | |
|--|--------------|-----------------|
| From B-5003 To D-5489 | Date:10/2022 | PAGE:XV-2240-10 |
| UPPER WINDSHIELD FAN - INSTALLATION | | |

| Item# | Part | Description | X 3 V I P | X L I I E N T 4 5 | N O T E S |
|-------|---------|--|-----------------------|---|-----------------------|
| | 373936P | HEATER FAN ASS | | 1 | |
| 1 | 373938 | . SHROUD | | 1 | |
| NS | 506254 | . RUBBER EXTRUSION NEO / GLASS FILLER / B / C.T.L. | | AR | |
| 2 | 871324 | . HEATER COIL 300W | | 1 | |
| 3 | 871326 | . FAN AXIAL 12/28V 230CFM | | 1 | |
| 4 | 373939 | . SUPPORT, FAN TOP WINDSHIELD | | 1 | |
| 5 | 500590 | . NUT HEX NYRT M4-0.7 Z050 | | 11 | |
| 6 | 500588 | . SCREW CAP HEX M4-0.7x20 G8.8 Z050 | | 7 | |
| 7 | 502636 | . WASHER LO SPT 4.1x7.6x0.9 Z050 | | 7 | |
| 8 | 500438 | . WASHER FL .187x.437x.050 Z050 | | 3 | |
| 9 | 509815 | . TIE MOUNT / ATTACHMENT W/TREE MOUNT | | 1 | |
| 10 | 504637 | . CABLE TIE / 3/16" x 13" | | 2 | |
| 11 | 561552 | . CONNECTOR / UNIVERSAL MATE-N-LOK / PH 6C / AMP 1-480705-0 | | 1 | |
| 12 | 561671 | . PIN TERMINAL / 24-18 / AMP 350690-1 | | 6 | |
| 13 | 562588 | . WIRE CABLE 14 / RED / TXL | | AR | |
| 14 | 562585 | . WIRE CABLE 14 / BLACK / TXL | | AR | |
| 15 | 561625 | . TAB RECEPTACLE TERMINAL INSUL. NYLON / 16-1 / AMP 3-520125-2 | | 2 | |
| 16 | 373941 | . HOSE 200MM X 3" I.D. | | 1 | |
| 17 | 504026 | . HOSE CLAMP / 2"13/16-3"3/4 SS / HS-52 | | 1 | |
| 18 | 500642 | SCREW TP PAN PH #10x3/4 Z050 | | 4 | |
| | | | | | |
| | | | | | |
| | | | | | |

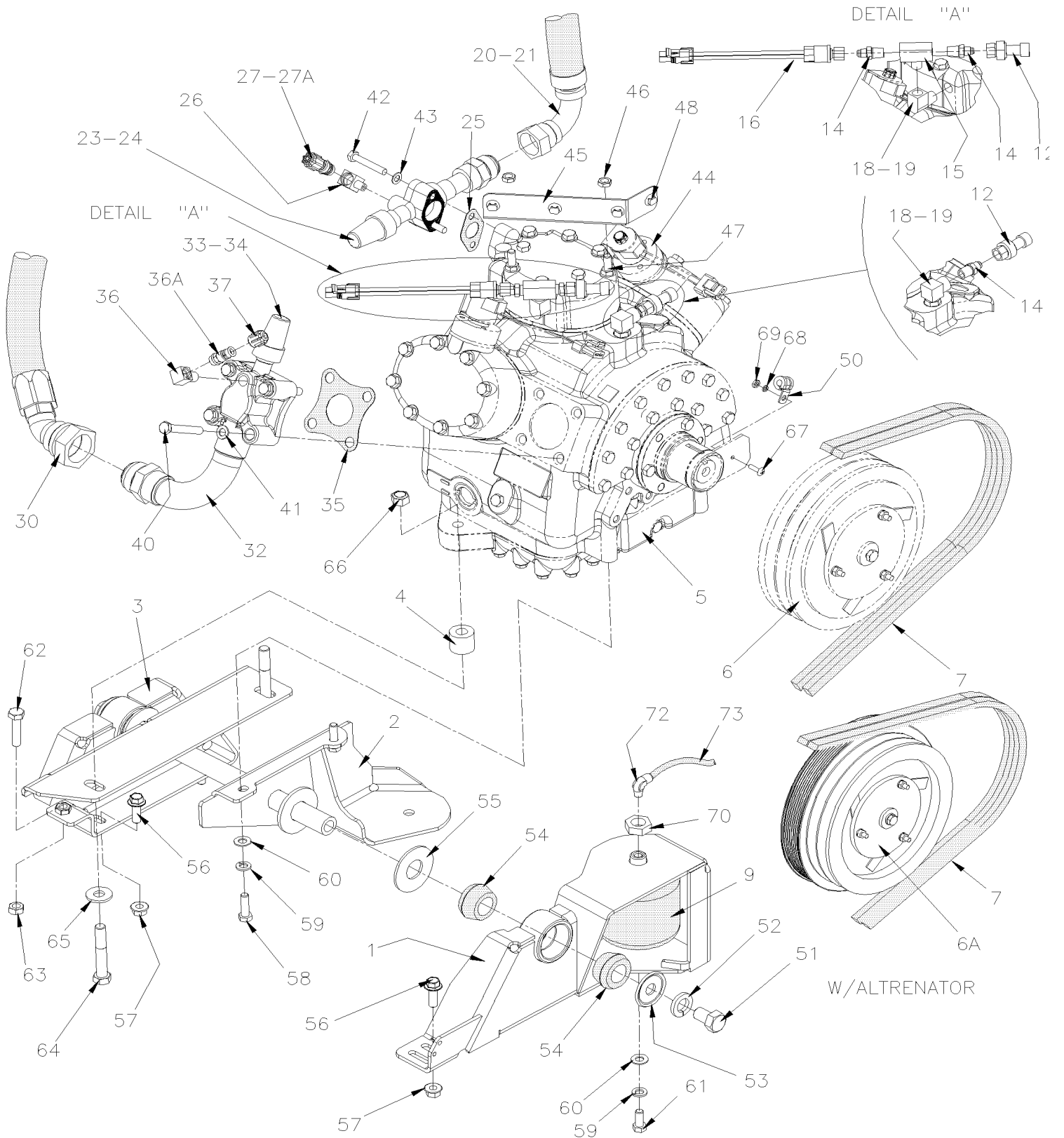


From B-5003 To D-5458

Date:10/2022

PAGE:XV-2245-00

A/C COMPRESSOR 05G - INSTALLATION





From B-5003 To D-5458 Date:10/2022 PAGE:XV-2245-00

A/C COMPRESSOR 05G - INSTALLATION

| Item# | Part | Description | X 3 V I P | X L I I E N T 4 5 | N O T E S |
|-------|-------------------|---|-----------------------|---|-----------------------|
| 1 | 454190 | SUPPORT ASSY | 1 | 1 | |
| 2 | 453651 | SUPPORT ASSY | 1 | 1 | |
| 3 | 457450 | SUPPORT OPPOSITE PULLEY SIDE | 1 | 1 | |
| 4 | 452268 | SLEEVE SPACER | 2 | 2 | |
| 5 | XV-2250-00 | A/C COMPRESSOR ASSY 05G - TWIN PORT | | | |
| 6 | XV-2246-00 | A/C CLUTCH 05G - HOUSING MOUNTED | | | |
| 6A | XV-2246-01 | A/C CLUTCH - WITH "BITZER" COMPRESSOR | | | A |
| 7 | 5060086 | V-BELT / BX-96 / SET OF 2 9013-2096 | AR | AR | |
| 7 | 5060121 | SUPER V-BELT / 2B-96 | AR | AR | |
| 9 | 550840 | BELLOW ASSY / BELT TENSIONER / 4" O.D. | 1 | 1 | |
| 12 | 563423 | TRANSDUSER -6.7 to 420 LBS / 1/8 NPT-F | 2 | 2 | |
| . NS | 563159 | . CONNECTOR / METRI-PACK 150 / SH 3C / PED 12065287 | 1 | 1 | |
| 14 | 950249 | SCHRADER VALVE 1/4NPT-M | 1 | 1 | |
| 15 | 501894 | MALE BRANCHE TEE / PIPE FITTING / 1/4NPT-Fx1/4NPT-Fx1/4NPT-M BR | 1 | 1 | |
| 16 | 453380 | PRESSURE SWITCH N.C. 350-245 20PS001MB350K245R | 1 | 1 | |
| 18 | 501332 | STREET ELBOW 90° / PIPE FITTING / 1/4NPT-Mx1/4NPT-F BR | 1 | 1 | |
| 19 | 5011184 | FEMALE CONNECTOR / PIPE @ ORB / 1/4NPT-Fx#4ORB-M STL | AR | AR | |
| 20 | 950461 | HOSE ASSY / DISCHARGE W/R-134a / #16 710MM / SS BELLOW | 1 | 1 | |
| 21 | 501802 | O-RING / ORS FITTING / #16 NEO | 2 | 2 | |
| 22 | 950463 | VALVE ASSY / DISCHARGE / W/R134A | 1 | 1 | |
| 23 | 870751 | . GASKET | 1 | 1 | |
| 24 | 870752 | . GASKET, CAP SEAL | 1 | 1 | |
| 25 | 870753 | GASKET / DISCHARGE VALVE | 1 | 1 | |
| 26 | 5011133 | ELBOW 90° 1/8 NPT X M15 / W/R134A | 1 | 1 | |
| 27 | 950287 | SCHROUDER CAP / HIGH PRESSURE | 1 | 1 | |
| 27A | 5011134 | GAUGE ADAPTOR ASSY M15 / W/BLACK CAP W/R134A | 1 | 1 | |
| 30 | 454304 | HOSE ASSY / SUCTION W/R-134a / #20 1000MM | 1 | 1 | |
| 31 | 501803 | O-RING / ORS FITTING / #20 NEO | 2 | 2 | |
| 32 | 950265 | VALVE ASSY / SUCTION / W/R134A | 1 | 1 | |
| 33 | 870751 | . GASKET | 1 | 1 | |
| 34 | 870752 | . GASKET, CAP SEAL | 1 | 1 | |
| 35 | 870754 | GASKET / SUCTION VALVE | 1 | 1 | |
| 36 | 5011131 | ELBOW 90° 1/4 NPT X M13 / W/R134A | 1 | 1 | |
| 36A | 5011132 | GAUGE ADAPTOR ASSY M13 / W/BLACK CAP W/R134A | 1 | 1 | |
| 37 | 950288 | SCHROUDER CAP / LOW PRESSURE | 1 | 1 | |
| 40 | 870755 | SCREW CAP HEX 1/2-13x2 1/2 G5 ZP | 4 | 4 | |
| 41 | 870756 | GASKET | 4 | 4 | |
| 42 | 870877 | SCREW CAP HEX 5/16-18x2 G5 ZP | 2 | 2 | |
| 43 | 870750 | GASKET | 2 | 2 | |
| 44 | XV-2250-15 | A/C ELECTRIC UNLOADER - W/05G COMPRESSOR | | | |
| 45 | 068370 | SUPPORT , A/C COMPRESSOR HARNESS | 1 | 1 | |
| 46 | 500208 | NUT HEX STO 3/8-16 N500 | 2 | 2 | |



| | | |
|--|---------------------|------------------------|
| From B-5003 To D-5458 | Date:10/2022 | PAGE:XV-2245-00 |
| A/C COMPRESSOR 05G - INSTALLATION | | |

| Item# | Part | Description | X 3 V I P | X L I I E N T 4 5 | N O T E S |
|-------|---------|--|-----------------------|---|-----------------------|
| 47 | 950481 | STUD | 2 | 2 | |
| 48 | 509815 | TIE MOUNT / ATTACHMENT W/TREE MOUNT | 4 | 4 | |
| 50 | 952624 | CLAMP / 1/4" I.D. | 1 | 1 | |
| 51 | 500225 | SCREW CAP HEX 5/8-11x1 G5 Z050 | 2 | 2 | |
| 52 | 500484 | WASHER LO SPT .635x1.079x.156 Z050 | 2 | 2 | |
| 53 | 5001151 | WASHER CON 16.5x50.0x4.5 ZP | 2 | 2 | |
| 54 | 630002 | BUSHING / RUBBER / (TWO PIECES) 1" x 1.005" I.D. | 4 | 4 | |
| 54 | 506678 | BUSHING / POLYURETHANE / (TWO PIECES) RED 1" x 1.005" I.D. | 4 | 4 | B |
| 55 | 500997 | WASHER FL 1.062x2.500x.125 SS | 1 | 1 | |
| 56 | 5001741 | SCREW CAP HEXF M10-1.5x30 G8.8 N500 | 4 | 4 | |
| 57 | 5001727 | NUT HEXF NYRT M10-1.5 N500 | 1 | 1 | |
| 58 | 500192 | SCREW CAP HEX 3/8-16x1 1/4 G5 Z050 | 2 | 2 | |
| 59 | 5001737 | WASHER LO SPT 10.2x18.1x2.2 N500 To C-5216 | 3 | 3 | |
| 59 | 5001834 | WASHER BEL SPR 10.5X23X2.5 N500 From C-5217 | 3 | 3 | |
| 60 | 500832 | WASHER FL .406x.812x.065 N500 To C-5216 | 3 | 3 | |
| 61 | 502926 | SCREW CAP HEX 3/8-16x7/8 G5 N500 | 1 | 1 | |
| 62 | 5001316 | SCREW CAP HEX M10-1.5x45 SS | 1 | 1 | |
| 63 | 500847 | NUT HEX M10-1.5 N500 | 2 | 2 | |
| 64 | 500096 | SCREW CAP HEX 1/2-20x3 G5 Z050 | 2 | 2 | |
| 65 | 500446 | WASHER FL .531x1.250x.125 Z050 | 2 | 2 | |
| 66 | 500718 | NUT HEX STO 1/2-20 Z050 | 1 | 1 | |
| 67 | 500606 | SCREW MA TR PH #10-24x3/4 SS | 1 | 1 | |
| 68 | 500914 | WASHER LO SPT .193x.334x.047 N500 | 1 | 1 | |
| 69 | 502882 | NUT HEX #10-24 N500 | 1 | 1 | |
| 70 | 502917 | NUT HEX JAM 3/4-16 G2 N500 | 1 | 1 | |
| 72 | 641369 | MALE ELBOW 90° NON-SWIVEL / PUSH-IN FITTING / #4x1/8NPT-M BR | 1 | 1 | |
| 73 | 503402 | TUBE, NYLON 1/4 O.D. / BLACK S.L. | AR | AR | |
| | | | | | |
| | | | | | |
| | | | | | |
| | | | | | |
| | | A) WITH ALTERNATOR MOUNTED ON COMPRESSOR | | | |
| | | B) ONLY USE WITH ALTERNATOR MOUNT ON COMPRESSOR | | | |

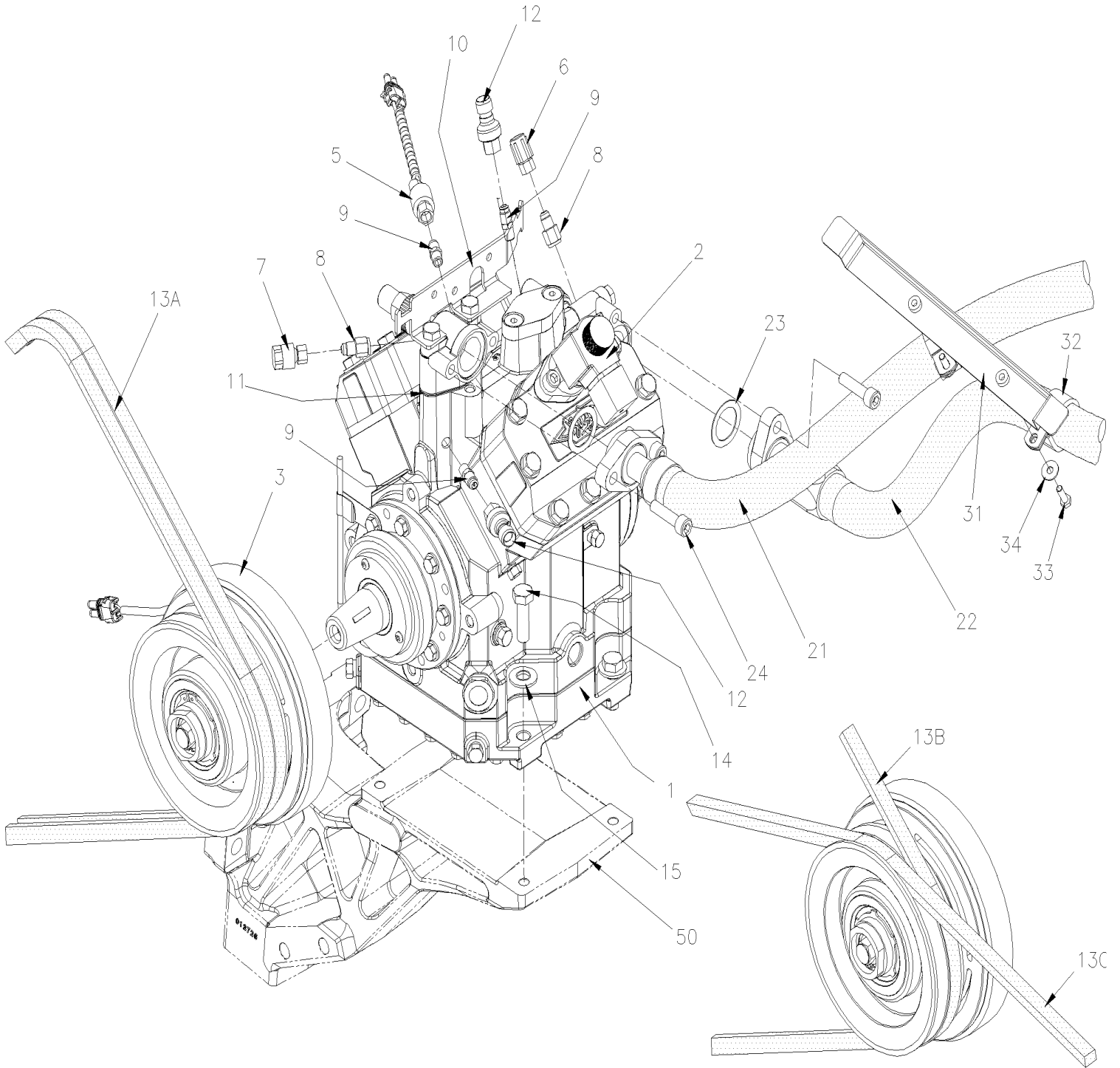


From D-5459 To D-5489

Date:10/2022

PAGE:XV-2245-01

A/C COMPRESSOR "BITZER" - INSTALLATION



WITH 3 ALTERNATORS

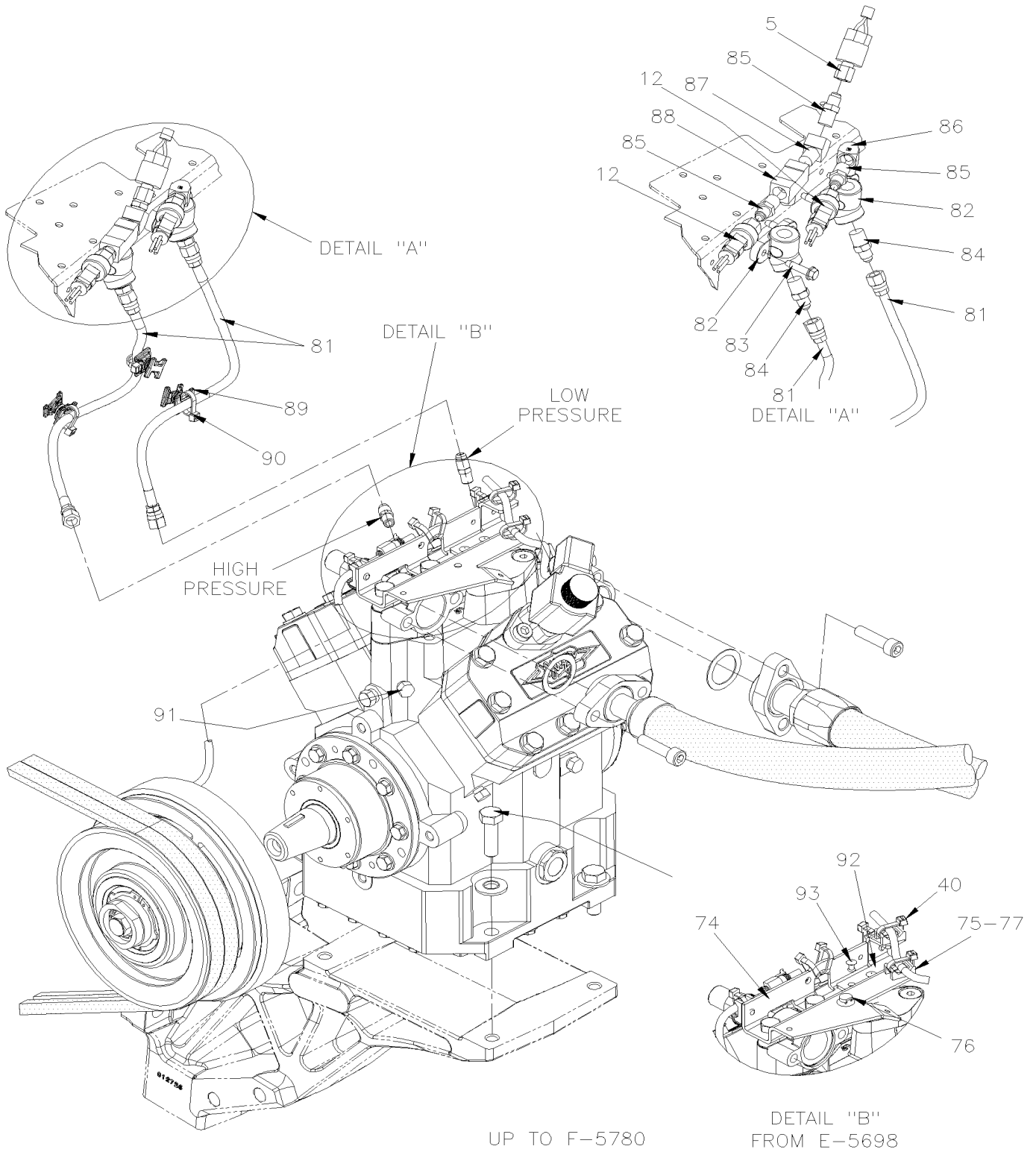


From D-5459 To D-5489

Date:10/2022

PAGE:XV-2245-01

A/C COMPRESSOR "BITZER" - INSTALLATION





From D-5459 To D-5489 Date:10/2022 PAGE:XV-2245-01

A/C COMPRESSOR "BITZER" - INSTALLATION

| Item# | Part | Description | X 3 V I P | X L I I E N T 4 5 | N O T E S |
|-------|-------------------|--|-----------------------|---|-----------------------|
| | 950001D | A/C COMPRESSOR ASSY 4 CYLINDERS W/O CLUTCH W/O VALVES - "BITZER" REMAN | 1 | 1 | |
| | 950494 | A/C COMPRESSOR ASSY 4 CYLINDERS W/O CLUTCH W/O VALVES - "BITZER" | 1 | 1 | |
| . NS | 680801 | . OIL, BITZER COMPRESSOR, POE 134A 1 GALLON | AR | AR | |
| 1 | XV-2250-01 | . A/C COMPRESSOR "BITZER" 4NFCY | | | |
| 2 | XV-2250-16 | . A/C ELECTRIC UNLOADER - WITH "BITZER" COMPRESSOR | | | |
| 3 | XV-2246-01 | . A/C CLUTCH - WITH "BITZER" COMPRESSOR | | | |
| 5 | 950498 | . PRESSURE SWITCH ASSY | 1 | 1 | |
| . NS | 561690 | . . CONNECTOR / WEATHER PACK / SH 2C / BLACK / PED 12015792 | 1 | 1 | |
| . NS | 561567 | . . PIN TERMINAL / 20-18 / PED 12089040 | 2 | 2 | |
| . NS | 561786 | . . CABLE SEAL / GRAY / PED 15324980 | 2 | 2 | |
| 6 | 950499 | . ADAPTOR 7/16-20 x R134 13MM | 1 | 1 | |
| 7 | 950500 | . ADAPTOR 7/16-20 x R134 16MM | 1 | 1 | |
| 8 | 950501 | . ADAPTOR 7/16-20-F x 7/16-20-M | 2 | 2 | |
| 9 | 950502 | . ADAPTOR / SHRADER FITTING / 1/8NPT-M | 3 | 3 | |
| 10 | 068758 | . BRACKET WIRIING HARNESS COMPRESSOR | 1 | 1 | |
| 11 | 950503 | . MUFFLER 14MM / 56MM C/C | 1 | 1 | |
| 12 | 950504 | . TRANSDUCER 0-500 PSIG | 2 | 2 | |
| 13A | 5060134 | V-BELT / BX-71 / SET OF 2 | 1 | 1 | |
| 13B | 5060127 | SUPER V-BELT / 5VX810 | 1 | 1 | A |
| 13C | 5060125 | SUPER V-BELT / 5VX918 | 1 | 1 | A |
| 14 | 5001885 | SCREW CAP HEX M12-1.75X40 G10.9 N500 | 4 | 4 | |
| 15 | 500967 | WASHER BEL SPR .512x1.142x.098 N500 | 4 | 4 | |
| 21 | 950485 | HOSE ASSY / DISCHARGE / #16 / 1055MM | 1 | 1 | |
| 22 | 950484 | HOSE ASSY / SUCTION / #20 / 1155MM | 1 | 1 | |
| 23 | 950957 | GASKET | 2 | 2 | |
| 24 | Call order desk | SCREW CAP HEXS M10-1.5x40 G10.9 | 1 | 1 | P |
| 31 | 454454 | SUPPORT / A/C HOSE | 1 | 1 | |
| 32 | 504785 | CLAMP / SS / SILICONE RUBBER / 1 1/2" I.D. x .281 HOLE | | | |
| 33 | 5001833 | WASHER BEL SPR 6.1x18x1.27 SS | 2 | 2 | |
| 34 | 502830 | SCREW CAP HEX M6-1.0x20 G8.8 N500 | 2 | 2 | |
| 50 | XV-0150-00 | ENGINE CRADLE - WITH VOLVO D13 | | | |
| 73 | WB14-06 | BRACKET WIRIING HARNESS COMPRESSOR REPLACEMENT | 1 | 1 | |
| 73 | 069206 | . CABLE ASSY / A/C COMPRESSOR W/LARGE SYSTEM | 1 | 1 | |
| 74 | 067349 | . BRACKET WIRIING HARNESS COMPRESSOR | 1 | 1 | |
| 75 | 504379 | . RIVET POP DOME OE 3/16x1/4 SS | 5 | 5 | |
| 76 | 509815 | . TIE MOUNT / ATTACHMENT W/TREE MOUNT | 1 | 1 | |
| 77 | 504013 | . TIE MOUNT / 1/4" X 1/4" I.D. | 5 | 5 | |
| 78 | 504637 | CABLE TIE / 3/16" x 13" | AR | AR | |
| 80 | WB14-06-1 | RELOCATION PRESSURE SWITCHES & TRANSDUCER | | | |
| 81 | 457743 | . HOSE ASSY / #4 / 400MM | 2 | 2 | |



| | | |
|---|--------------|-----------------|
| From D-5459 To D-5489 | Date:10/2022 | PAGE:XV-2245-01 |
| A/C COMPRESSOR "BITZER" - INSTALLATION | | |

| Item# | Part | Description | X 3 V I P | X L I I E N T 4 5 | N O T E S |
|-------|--------|---|-----------------------|---|-----------------------|
| 82 | 640643 | . ANCHOR ELBOW / PIPE FITTING / 1/4NPT-Fx1/4NPT-F STL | 2 | 2 | |
| 83 | 500266 | . SCREW TC CAP HEX 1/4-20x1 N500 | 4 | 4 | |
| 84 | 501027 | . MALE CONNECTOR / SAE 45° FITTING / #4FL-Mx1/4NPT-M BR | 2 | 2 | |
| 85 | 950249 | . SCHRADER VALVE 1/4NPT-M | 3 | 3 | |
| 86 | 501332 | . STREET ELBOW 90° / PIPE FITTING / 1/4NPT-Mx1/4NPT-F BR | 1 | 1 | |
| 87 | 501329 | . STREET ELBOW 45° / PIPE FITTING / 1/4NPT-Mx1/4NPT-F BR | 1 | 1 | |
| 88 | 501894 | . MALE BRANCHE TEE / PIPE FITTING / 1/4NPT-Fx1/4NPT-Fx1/4NPT-M BR | 1 | 1 | |
| 89 | 504751 | . ROTATIF SPACER DOUBLE / SMALL | 4 | 4 | |
| 90 | 504637 | . CABLE TIE / 3/16" x 13" | AR | AR | |
| 91 | 501303 | . PLUG SQUARE HEAD / PIPE FITTING / 1/8NPT-M BR | 1 | 1 | |
| 92 | 069099 | . SUPPROT WIRIING HARNESS COMPRESSOR | 1 | 1 | |
| 93 | 504379 | . RIVET POP DOME OE 3/16x1/4 SS | 2 | 2 | |
| | | | | | |
| | | | | | |
| | | | | | |
| | | A) WITH 3 ALTERNATORS INSTALLATION | | | |
| | | P) CALL ORDER DESK FOR SPECIFIC APPLICATION (V.I.N.) | | | |

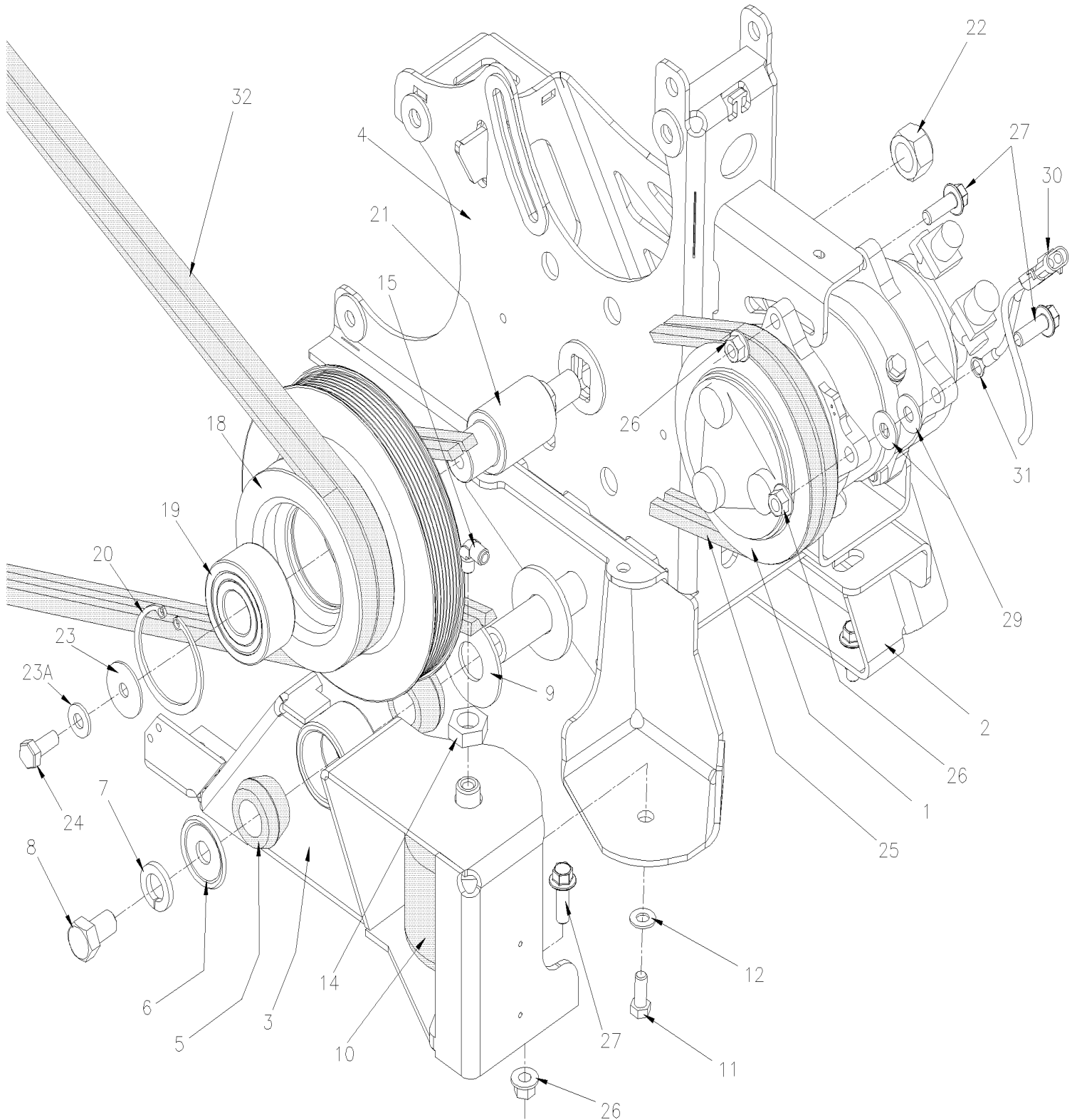


From B-5003 To D-5489

Date:10/2022

PAGE:XV-2245-50

A/C SMALL COMPRESSOR - INSTALLATION





| | | |
|------------------------------|---------------------|------------------------|
| From B-5003 To D-5489 | Date:10/2022 | PAGE:XV-2245-50 |
|------------------------------|---------------------|------------------------|

A/C SMALL COMPRESSOR - INSTALLATION

| Item# | Part | Description | X 3 V I P | X L I E N T 4 5 | N O T E S |
|-------|---------|---|-----------------------|--------------------------------------|-----------------------|
| 1 | 950436 | A/C COMPRESSOR ASSY "SD7" | 1 | 1 | |
| . NS | 950445 | . MANIFOLD FITTING 3/4-16 & 7/8-14 | 1 | 1 | |
| 2 | 457450 | SUPPORT OPPOSITE PULLEY SIDE To D-5458 | 1 | 1 | |
| 2 | 457528 | SUPPORT OPPOSITE PULLEY SIDE From D-5459 | 1 | 1 | |
| 3 | 454190 | SUPPORT ASSY To D-5458 | 1 | 1 | |
| 3 | 457529 | SUPPORT ASSY From D-5459 | 1 | 1 | |
| 4 | 457469 | SUPPORT ASSY / SMALL A/C COMPRESSOR To D-5458 | 1 | 1 | |
| 4 | 457521 | SUPPORT ASSY / SMALL A/C COMPRESSOR From D-5459 | 1 | 1 | |
| 5 | 630002 | BUSHING / RUBBER / (TWO PIECES) 1" x 1.005" I.D. | 4 | 4 | |
| 6 | 5001151 | WASHER CON 16.5x50.0x4.5 ZP | 2 | 2 | |
| 7 | 500484 | WASHER LO SPT .635x1.079x.156 Z050 To D-5458 | 2 | 2 | |
| 7 | 502884 | WASHER LO SPT 16.2x27.4x3.5 N500 From D-5459 | 2 | 2 | |
| 8 | 500225 | SCREW CAP HEX 5/8-11x1 G5 Z050 To D-5458 | 2 | 2 | |
| 8 | 500813 | SCREW CAP HEX M16-2.0x35 G8.8 ZP From D-5459 | 2 | 2 | |
| 9 | 500997 | WASHER FL 1.062x2.500x.125 SS | 2 | 2 | |
| 10 | 550840 | BELLOW ASSY / BELT TENSIONER / 4" O.D. | 1 | 1 | |
| 11 | 502926 | SCREW CAP HEX 3/8-16x7/8 G5 N500 | 1 | 1 | |
| 12 | 500832 | WASHER FL .406x.812x.065 N500 To C-5216 | 1 | 1 | |
| 12 | 5001737 | WASHER LO SPT 10.2x18.1x2.2 N500 To C-5216 | 1 | 1 | |
| 12 | 5001834 | WASHER BEL SPR 10.5X23X2.5 N500 From C-5217 | 1 | 1 | |
| 14 | 502917 | NUT HEX JAM 3/4-16 G2 N500 | 1 | 1 | |
| 15 | 641369 | MALE ELBOW 90° NON-SWIVEL / PUSH-IN FITTING / #4x1/8NPT-M BR | 1 | 1 | |
| NS | 680098 | THREAD SEALANT LOCTITE #567 / WHITE / 250ml | AR | AR | |
| NS | 503402 | TUBE, NYLON 1/4 O.D. / BLACK S.L. | AR | AR | |
| 18 | 457449 | PULLEY / W/4 GROOVE & 8 RIB 2/B + 8 RIB + 2/A To D-5296 | 1 | 1 | |
| 18 | 457499 | PULLEY / W/4 GROOVE & 8 RIB 2/B + 8 RIB + 2/A From D-5297 To D-5458 | 1 | 1 | |
| 18 | 457530 | PULLEY / W/4 GROOVE & 8 RIB 2/B + 8 RIB + 2/A From D-5459 | 1 | 1 | |
| 18 | 950471 | CAP, DUST From D-5297 | 1 | 1 | |
| 19 | 507675 | BALL BEARING | 1 | 1 | |
| 20 | 504736 | RING RETAINER / INT 72 x 75 x 2.5MM | 1 | 1 | |
| 21 | 457474 | SHAFT PULLEY | 1 | 1 | |
| 22 | 5001252 | NUT HEX STO M20-2.5 DP | 1 | 1 | |
| 23 | 500261 | WASHER FL .390x1.500x.083 N500 | 1 | 1 | |
| 23A | 5001834 | WASHER BEL SPR 10.5X23X2.5 N500 | 1 | 1 | |
| 24 | 502804 | SCREW CAP HEX M10-1.5x25 G8.8 N500 | 1 | 1 | |
| 25 | 5060081 | V-BELT / AX-32 / SET OF 2 9012-2032 | 1 | 1 | |
| 26 | 5001758 | NUT HEX STO M10-1.5 N500 | 8 | 8 | |
| 27 | 5001741 | SCREW CAP HEXF M10-1.5x30 G8.8 N500 | 4 | 4 | |
| 29 | 5001751 | WASHER FL 10.5x26.0x2.0 N500 | 2 | 2 | |
| 30 | 561566 | CONNECTOR / WEATHER PACK / PH 2C / BLACK / PED 12010973 | 1 | 1 | |
| 30 | 561565 | CABLE SEAL / GREEN / PED 15324982 | 2 | 2 | |
| 30 | 561568 | PIN TERMINAL / 16-14 / PED 12089305 | 2 | 2 | |



| | | |
|-----------------------|--------------|-----------------|
| From B-5003 To D-5489 | Date:10/2022 | PAGE:XV-2245-50 |
|-----------------------|--------------|-----------------|

A/C SMALL COMPRESSOR - INSTALLATION

| Item# | Part | Description | X 3 V I P | X L I I E N T 4 5 | N O T E S |
|-------|---------|---|-----------------------|---|-----------------------|
| 30 | 560673 | WIRE CABLE 16 / BLACK / GXL | 1 | 1 | |
| 31 | 560093 | RING TERMINAL .375 / 16-14 / INSULATED / AMP 330896 | 1 | 1 | |
| 32 | 5060082 | V-BELT / BX-92 / SET OF 2 9013-2092 To D-5458 | 1 | 1 | |
| 32 | 5060126 | SUPER V-BELT / 5VX950 / SET OF 2 From D-5459 | 1 | 1 | |
| | | | | | |
| | | | | | |
| | | | | | |

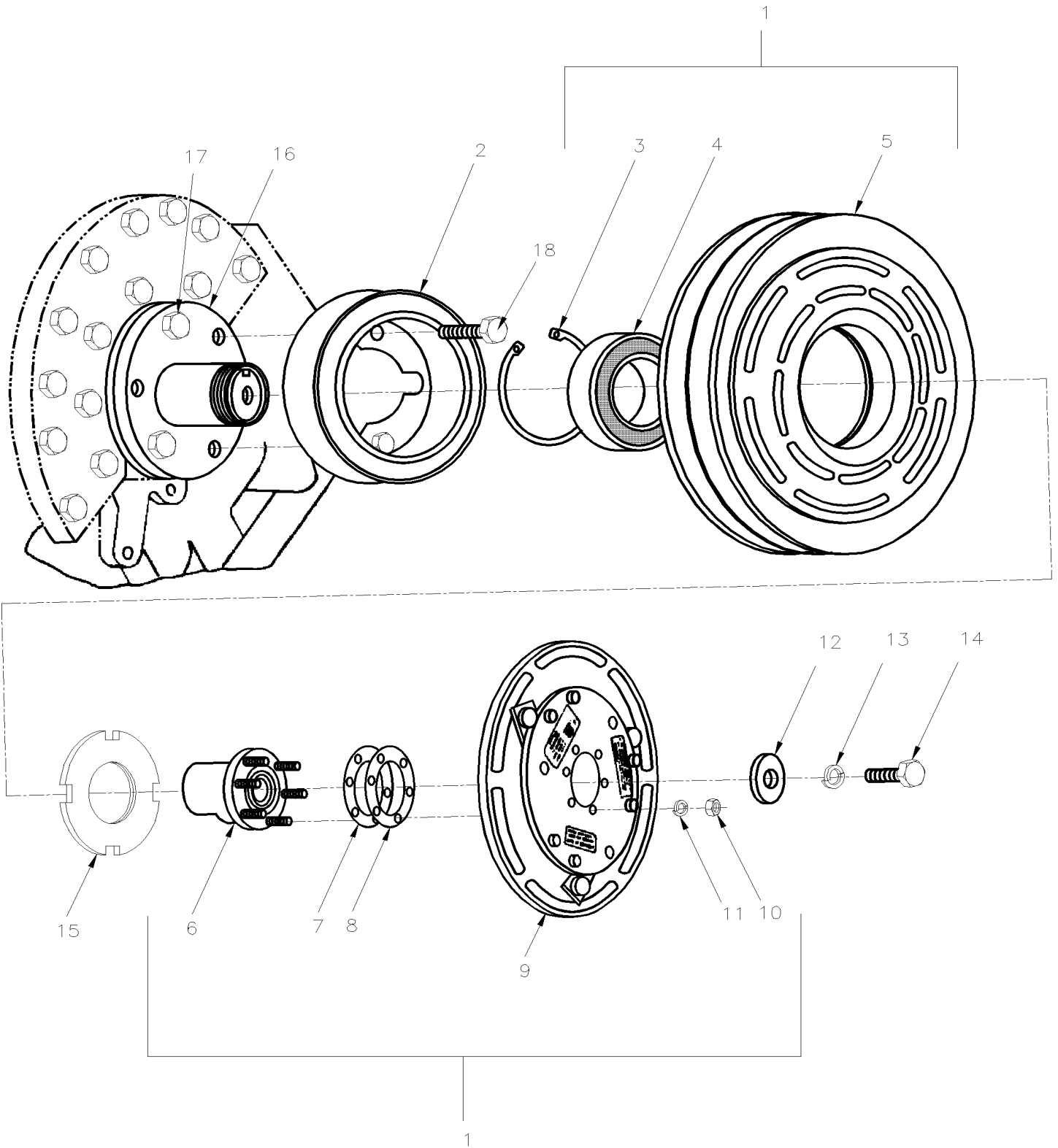


From B-5003 To D-5458

Date:10/2022

PAGE:XV-2246-00

A/C CLUTCH 05G - HOUSING MOUNTED





| | | |
|---|---------------------|------------------------|
| From B-5003 To D-5458 | Date:10/2022 | PAGE:XV-2246-00 |
| A/C CLUTCH 05G - HOUSING MOUNTED | | |

| Item# | Part | Description | X 3 V I P | X L I E N T 4 5 | N O T E S |
|-------|--------|---|-----------------------|--------------------------------------|-----------------------|
| 1 | 950204 | CLUTCH HOUSING-MOUNTED/24V DC 9" DIA 2B GROVE | 1 | 1 | |
| 1 | 950960 | CLUTCH HOUSING-MOUNTED/24V DC 9" DIA 2B GROVE / 8PK | 1 | 1 | B |
| 2 | 950156 | COIL 24V | 1 | 1 | A |
| 3 | 950146 | . CIRCLIP INTERNAL | 1 | 1 | |
| 4 | 950141 | . BEARING | 1 | 1 | |
| 5 | N.S.S. | . PULLEY | 1 | 1 | 1 |
| 6 | N.S.S. | . HUB DRIVE | 1 | 1 | 1 |
| 7 | 950104 | . SHIM 0.010 | 1 | 1 | |
| 8 | 950103 | . SHIM 0.020 | 5 | 5 | |
| 9 | N.S.S. | . ARMATURE | 1 | 1 | 1 |
| 10 | 500769 | . NUT HEX 1/4-20 Z050 | 6 | 6 | |
| 11 | 500473 | . WASHER LO SPT .262x.489x.062 Z050 | 6 | 6 | |
| NS | 561813 | CONNECTOR / SURE-SEAL / FEMALE HOUSING 2C / ITT CANNON 120-1804-000 | 1 | 1 | |
| NS | 561023 | PIN TERMINAL / 18-14 / ITT CANNON 030-2196-001 | 1 | 1 | |
| NS | 561024 | SOCKET TERMINAL / 18-14 / ITT CANNON 031-1267-001 | 1 | 1 | |
| NS | 561815 | CLAMP W/ 2 / ITT CANNON 029-0263-000 | 1 | 1 | |
| 12 | 870784 | WASHER 13/32" I.D. X 1 1/2" O.D. X 3/16" TH | 1 | 1 | |
| 13 | 500478 | WASHER LO SPT .380x.683x.094 Z050 | 1 | 1 | |
| 14 | 870785 | SCREW CAP HEX 3/8-24x7/8 G8 ZP | 1 | 1 | |
| 15 | 950093 | NUT / W/HUB MOUNTING ONLY | 1 | 1 | |
| 16 | 950408 | HUB HOUSING MOUNT W/GROOVE FOR TWIN PORT | 1 | 1 | |
| . NS | 950409 | . SEAL, LIP, SHAFT SEAL / W/TWIN PORT ONLY | 1 | 1 | |
| . NS | 870795 | . GASKET, HUB BEARING | 1 | 1 | |
| 17 | 500192 | SCREW CAP HEX 3/8-16x1 1/4 G5 Z050 | 6 | 6 | |
| 18 | 186679 | SCREW CAP HEX 3/8-16x1 1/4 G8 ZP | 1 | 1 | |
| NS | 950105 | SOCKET / TOOL FOR INSTALLATION | | | |
| NS | 950106 | PUSHER ROTOR / TOOL | | | |
| NS | 950107 | SPANNER WRENCH / TOOL | | | |
| | | | | | |
| | | | | | |
| | | | | | |
| | | A) THIS COIL IS NOT INCLUDE WITH #950204 | | | |
| | | B) WITH ALTERNATOR MOUNTED ON COMPRESSOR | | | |
| | | 1) NOT SOLD SEPARATELY | | | |

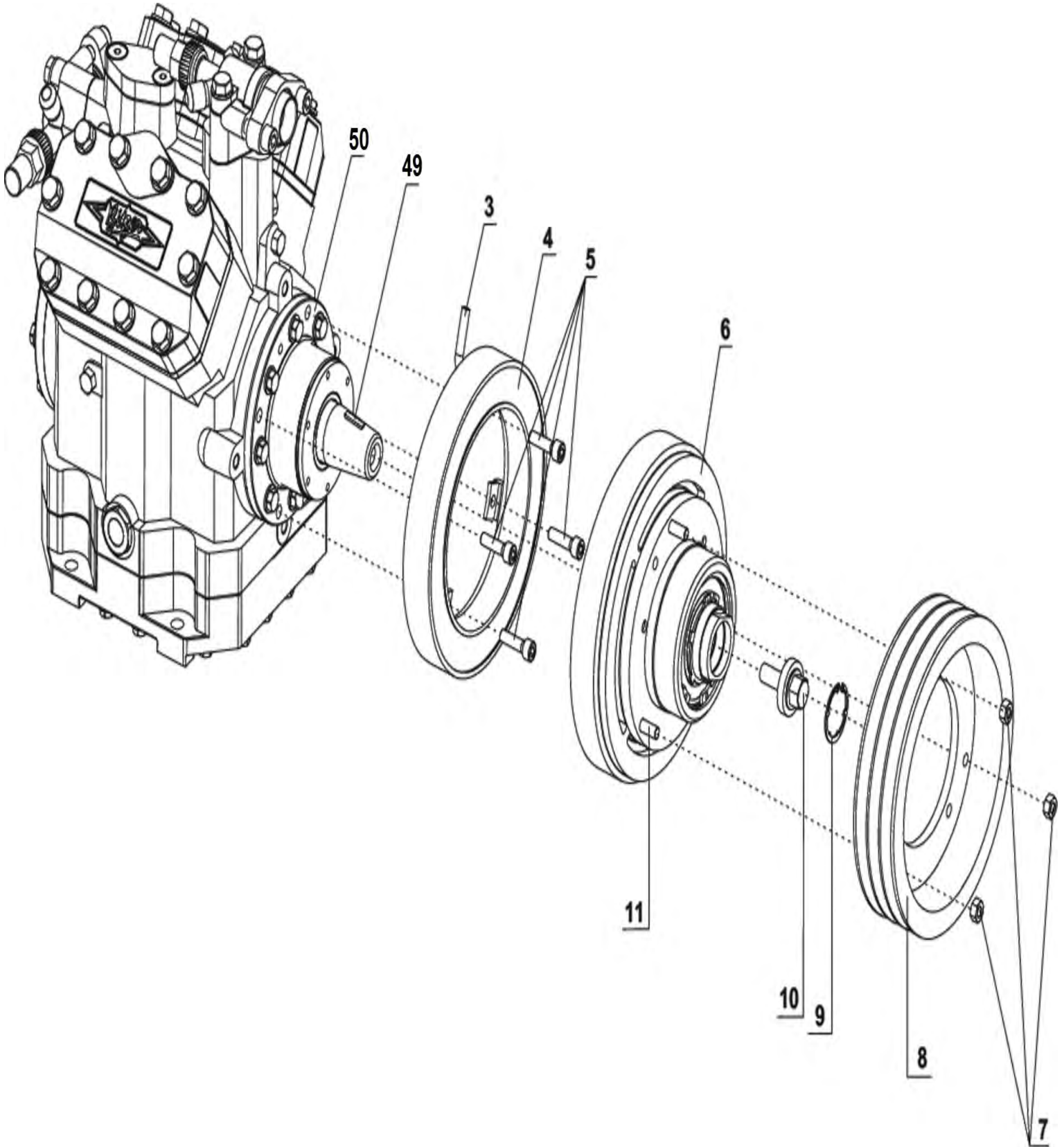


From D-5459 To D-5489

Date:10/2022

PAGE:XV-2246-01

A/C CLUTCH - WITH "BITZER" COMPRESSOR





From D-5459 To D-5489

Date:10/2022

PAGE:XV-2246-01

A/C CLUTCH - WITH "BITZER" COMPRESSOR





| | | |
|-----------------------|--------------|-----------------|
| From D-5459 To D-5489 | Date:10/2022 | PAGE:XV-2246-01 |
|-----------------------|--------------|-----------------|

A/C CLUTCH - WITH "BITZER" COMPRESSOR

| Item# | Part | Description | X 3 V I P | X L I I E N T 4 5 | N O T E S |
|-------|-------------------|---|-----------------------|---|-----------------------|
| | 950496 | CLUTCH ASSY 24V | 1 | 1 | |
| . NS | 561690 | . CONNECTOR / WEATHER PACK / SH 2C / BLACK / PED 12015792 | 1 | 1 | |
| . NS | 561567 | . PIN TERMINAL / 20-18 / PED 12089040 | 2 | 2 | |
| . NS | 561786 | . CABLE SEAL / GRAY / PED 15324980 | 2 | 2 | |
| | 459228 | CLUTCH ASSY 24V | 1 | 1 | S |
| . NS | 950974 | . CLUTCH ASSY 24V | 1 | 1 | S |
| . NS | 561690 | . CONNECTOR / WEATHER PACK / SH 2C / BLACK / PED 12015792 | 1 | 1 | S |
| . NS | 561567 | . PIN TERMINAL / 20-18 / PED 12089040 | 2 | 2 | S |
| . NS | 561786 | . CABLE SEAL / GRAY / PED 15324980 | 2 | 2 | S |
| 3 | N.S.S. | CABLE | 1 | 1 | 1 |
| 4 | 950972 | MAGNET | 1 | 1 | |
| 4 | 950533 | MAGNET / WITH CABLE | 1 | 1 | S |
| 5 | N.S.S. | SCREW CAP HEXS M8-1.25x30 | 1 | 1 | 1 |
| 6 | N.S.S. | ROTOR | 1 | 1 | 1 |
| 7 | N.S.S. | NUT HEX M8-1.25 | 1 | 1 | 1 |
| 8 | N.S.S. | PULLEY | 1 | 1 | 1 |
| 9 | N.S.S. | CIRCLIP | 1 | 1 | 1 |
| 10 | N.S.S. | SCREW STRAINING | 1 | 1 | 1 |
| 11 | N.S.S. | STUD M8-1.25x20 | 1 | 1 | 1 |
| 49 | 950520 | WOODRUFF KEY 5 x 9 | 1 | 1 | |
| 50 | XV-2250-01 | A/C COMPRESSOR "BITZER" 4NFCY | | | |
| | | | | | |
| | | | | | |
| | | S) SERVICE | | | |
| | | 1) NOT SOLD SEPARATELY | | | |

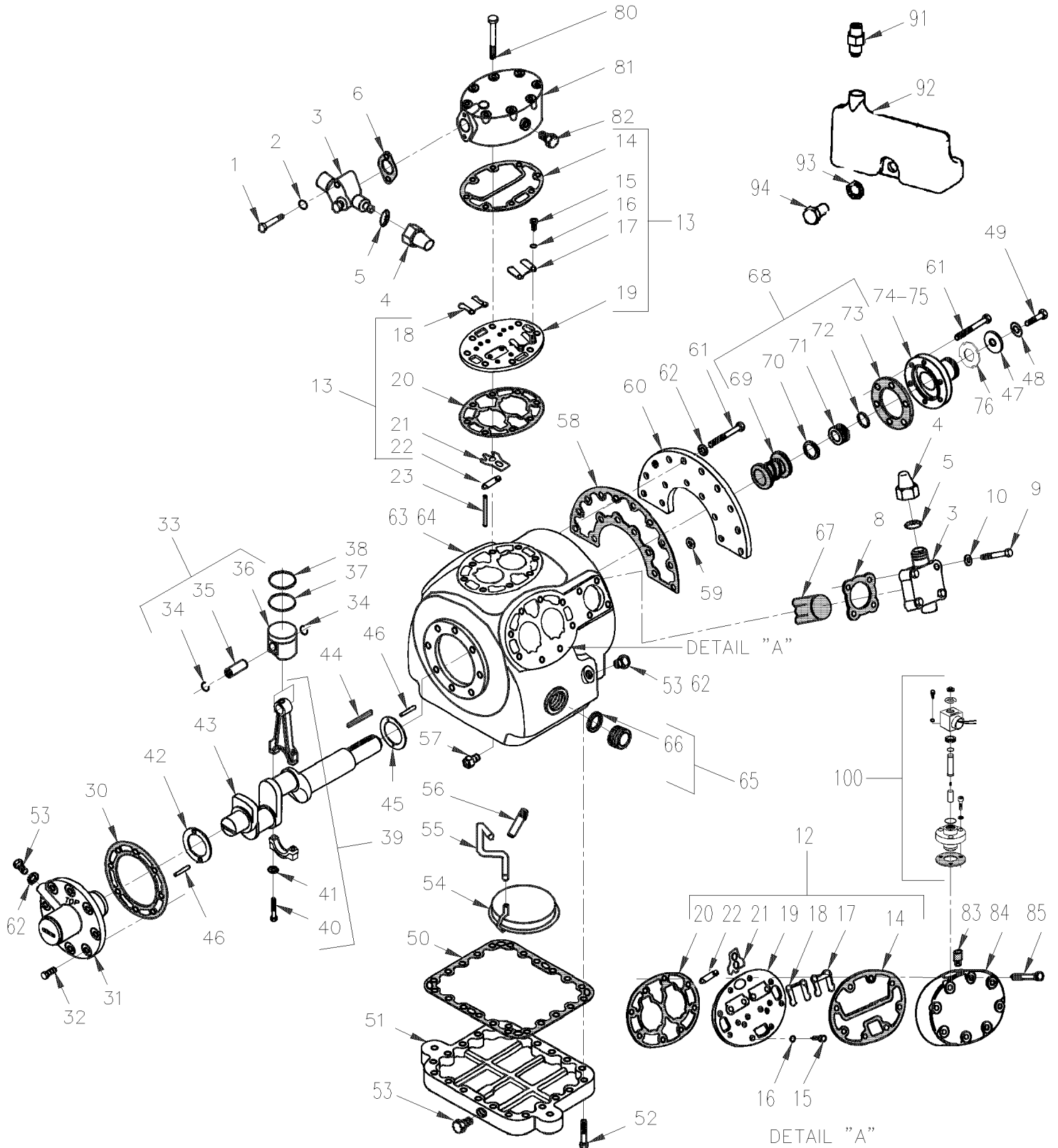


From B-5003 To D-5458

Date:10/2022

PAGE:XV-2250-00

A/C COMPRESSOR ASSY 05G - TWIN PORT





| | | |
|--|--------------|-----------------|
| From B-5003 To D-5458 | Date:10/2022 | PAGE:XV-2250-00 |
| A/C COMPRESSOR ASSY 05G - TWIN PORT | | |

| Item# | Part | Description | X 3 V I P | X L I E N T 4 5 | N O T E S |
|-------|-------------------|--|-----------------------|--------------------------------------|-----------------------|
| NS | 950401 | A/C COMPRESSOR ASSY REBUILT / W/41 C.F.M W/O ACCESSORIES TWIN PORT | | | |
| 1 | 870877 | . SCREW CAP HEX 5/16-18x2 G5 ZP | 2 | 2 | |
| 2 | 870750 | . GASKET | 2 | 2 | |
| 3 | XV-2245-00 | . A/C COMPRESSOR 05G - INSTALLATION | | | |
| 4 | 870446 | . . CAP SEAL | 1 | 1 | |
| 5 | 870752 | . . . GASKET, CAP SEAL | 1 | 1 | |
| 6 | 950425 | . GASKET / DISCHARGE VALVE / (METAL) | 1 | 1 | |
| 8 | 950423 | . GASKET / SUCTION VALVE / (METAL) | 1 | 1 | |
| 9 | 870755 | . SCREW CAP HEX 1/2-13x2 1/2 G5 ZP | 4 | 4 | |
| 10 | 870756 | . GASKET | 4 | 4 | |
| 12 | 950415 | . VALVE PLATE ASSY / SIDE BANK / W/TWIN PORT ONLY | 2 | 2 | |
| NS | 870800 | . . CHECK VALVE ASSY / UNLOADER | 2 | 2 | |
| 13 | 950414 | . VALVE PLATE ASSY / CENTER BANK / W/TWIN PORT ONLY | 1 | 1 | |
| 14 | 950421 | . . GASKET, CYLINDER HEAD / W/TWIN PORT ONLY | 1 | 1 | |
| 15 | 870761 | . . SCREW CAP HEXS 1/4-28 x 3/8" | 4 | 4 | |
| 16 | 500473 | . . WASHER LO SPT .262x.489x.062 Z050 | 4 | 4 | |
| 17 | 950416 | . . VALVE DISCHARGE / W/TWIN PORT ONLY | 2 | 2 | |
| 18 | 950417 | . . BACKER VALVE DISCHARGE / W/TWIN PORT ONLY | 2 | 2 | |
| 19 | N.S.S. | . . PLATE VALVE | 1 | 1 | 1 |
| 20 | 950420 | . . GASKET, VALVE PLATE / W/TWIN PORT ONLY | 1 | 1 | |
| 21 | 950418 | . . VALVE SUCTION / W/TWIN PORT ONLY | 2 | 2 | |
| 22 | 950419 | . . SPRING / SUCTION VALVE / W/TWIN PORT ONLY | 2 | 2 | |
| 23 | 870767 | . PIN DOWEL VALVE PLATE | 4 | 4 | |
| 30 | 870771 | . GASKET / OIL PUMP | 1 | 1 | |
| 31 | 950403 | . OIL PUMP ASSY / W/TWIN PORT ONLY | 1 | 1 | |
| 32 | 500192 | . SCREW CAP HEX 3/8-16x1 1/4 G5 Z050 | 8 | 8 | |
| 33 | 950272 | . PISTON & PIN ASSY / STANDARD / W/41 CFM | 6 | 6 | |
| 33 | 950274 | . PISTON & PIN ASSY/.020" OVERSIZE / W/41 CFM | 6 | 6 | |
| 34 | N.S.S. | . . RETAINER | 2 | 2 | 1 |
| 35 | N.S.S. | . . PIN | 1 | 1 | 1 |
| 36 | N.S.S. | . . PISTON SINGLE RING | 1 | 1 | 1 |
| 37 | 870774 | . RING / W/DOUBLE RING PISTON ONLY | 6 | 6 | |
| 38 | 870775 | . RING COMPRESSION / STANDARD | 6 | 6 | |
| 38 | 870815 | . RING COMPRESSION / .020" OVERSIZE | 6 | 6 | |
| 39 | 870776 | . CONNECTING ROD & CLIP ASSY / STANDARD | 6 | 6 | |
| 39 | 870816 | . CONNECTING ROD & CLIP ASSY / .010" OVERSIZE | 6 | 6 | |
| NS | 870767 | . . PIN DOWEL VALVE PLATE | 2 | 2 | |
| 40 | 870777 | . . BOLT | 2 | 2 | |
| 41 | 500440 | . . WASHER FL .250x.562x.065 Z050 | 1 | 1 | |
| 42 | 870778 | . WASHER THRUST / PUMP END | 1 | 1 | |
| 43 | 950406 | . CRANKSHAFT ASSY / W/41 CFM / W/TWIN PORT ONLY | 1 | 1 | |



| | | |
|--|--------------|-----------------|
| From B-5003 To D-5458 | Date:10/2022 | PAGE:XV-2250-00 |
| A/C COMPRESSOR ASSY 05G - TWIN PORT | | |

| Item# | Part | Description | X 3 V I P | X L I E N T 4 5 | N O T E S |
|-------|----------|---|-----------------------|--------------------------------------|-----------------------|
| 44 | 950140 | . KEY CRANKSHAFT / W/HOUSING-MOUNTED CLUTCH | 1 | 1 | |
| 45 | 870781 | . WASHER THRUST | 1 | 1 | |
| 46 | 870782 | . PIN STRAIGHT 1/8" DIA. X 1/2" | 2 | 2 | |
| NS | 870783 | . PIN STRAIGHT .094" X 5/16" | 2 | 2 | |
| 47 | 870784 | . WASHER 13/32" I.D. X 1 1/2" O.D. X 3/16" TH | 1 | 1 | |
| 48 | 500478 | . WASHER LO SPT .380x.683x.094 Z050 | 1 | 1 | |
| 49 | 870785 | . SCREW CAP HEX 3/8-24x7/8 G8 ZP | 1 | 1 | |
| 50 | 950402 | . GASKET, BOTTOM PLATE / (METAL) | 1 | 1 | |
| 51 | 950444 | . PLATE BOTTOM | 1 | 1 | |
| 52 | 500191 | . SCREW CAP HEX 3/8-16x1 G5 Z050 | 22 | 22 | |
| 53 | 950303 | . PLUG, O-RING / (CURRENT) | 2 | 2 | |
| 54 | 870787 | . SCREEN ASSY / OIL FILTER | 1 | 1 | |
| 55 | 870788 | . TUBE / OIL SUCTION | 1 | 1 | |
| 56 | 870789 | . VALVE / OIL RELIEF | 1 | 1 | |
| 57 | 870790 | . CHECK VALVE ASSY / OIL RETURN | 2 | 2 | |
| 58 | 950412 | . GASKET, SHAFT END COVER / W/TWIN PORT ONLY | 1 | 1 | |
| 59 | 950139 | . WASHER .393x.622x.031 | 2 | 2 | |
| 60 | 870792 | . FLANGE | 1 | 1 | |
| 61 | 500192 | . SCREW CAP HEX 3/8-16x1 1/4 G5 Z050 | 21 | 21 | |
| 62 | 950139 | . WASHER .393x.622x.031 | 21 | 21 | |
| 63 | N.S.S. | . CRANKCASE | 1 | 1 | 1 |
| 64 | 950283 | . BEARING, MAIN SEAL END | 1 | 1 | |
| 65 | 870768 | . SIGHT GLASS ASSY | 2 | 2 | |
| 66 | 870769 | . GASKET, SIGHT GLASS | 2 | 2 | |
| 67 | 870770 | . STRAINER SUCTION | 1 | 1 | |
| 68 | 950407 | . SHAFT SEAL ASSY / W/HOUSING-MOUNTED CLUTCH / W/TWIN PORT ONLY | 1 | 1 | |
| 69 | N.S.S. | . SEAL / SHAFT | 1 | 1 | 1 |
| 70 | 870794 | . RING CARBON | 1 | 1 | |
| 71 | N.S.S. | . RING WEAR | 1 | 1 | 1 |
| 72 | N.S.S. | . O-RING | 1 | 1 | 1 |
| 73 | 870795 | . GASKET, HUB BEARING | 1 | 1 | |
| 74 | 950408 | . HUB HOUSING MOUNT W/GROOVE FOR TWIN PORT | 1 | 1 | |
| NS | 950409 | . SEAL, LIP, SHAFT SEAL / W/TWIN PORT ONLY | 1 | 1 | |
| NS | 870795 | . GASKET, HUB BEARING | 1 | 1 | |
| 75 | 950409 | . SEAL, LIP, SHAFT SEAL / W/TWIN PORT ONLY | 1 | 1 | |
| 76 | 950093 | . NUT / W/HUB MOUNTING ONLY | 1 | 1 | |
| 80 | G1091280 | . SCREW CAP HEX 3/8-16 X 3"1/4 | 8 | 8 | |
| 81 | 870757 | . HEAD CYLINDER / CENTER BANK | 1 | 1 | |
| 82 | 501303 | . PLUG SQUARE HEAD / PIPE FITTING / 1/8NPT-M BR | 1 | 1 | |
| 83 | 870799 | . STRAINER | 1 | 1 | |
| 84 | 950426 | HEAD CYLINDER / UNLOADER / W/TWIN PORT ONLY | 1 | 1 | |
| 85 | 502694 | SCREW CAP HEX 3/8-16x3 1/4 G5 ZP | 1 | 1 | |



| | | |
|--|--------------|-----------------|
| From B-5003 To D-5458 | Date:10/2022 | PAGE:XV-2250-00 |
| A/C COMPRESSOR ASSY 05G - TWIN PORT | | |

| Item# | Part | Description | X 3 V I P | X L I I E N T 4 5 | N O T E S |
|-------|-------------------|---|-----------------------|---|-----------------------|
| 91 | 950410 | ACCESS VALVE / W/TWIN PORT ONLY | 1 | 1 | |
| 92 | 950411 | RESERVOIR / W/TWIN PORT ONLY | 1 | 1 | |
| 93 | 500856 | WASHER LO INT .384x.692x.040 ZP | 1 | 1 | |
| 94 | 950967 | SCREW CAP HEX 3/8-16 X 3/4 G8 | | | |
| 100 | XV-2250-15 | A/C ELECTRIC UNLOADER - W/05G COMPRESSOR | | | |
| NS | 950236 | REFRIGERANT OIL POE / USE W/134A (4LITER) | AR | AR | |
| | | | | | |
| | | | | | |
| | | | | | |
| | | 1) NOT SOLD SEPARATELY | | | |

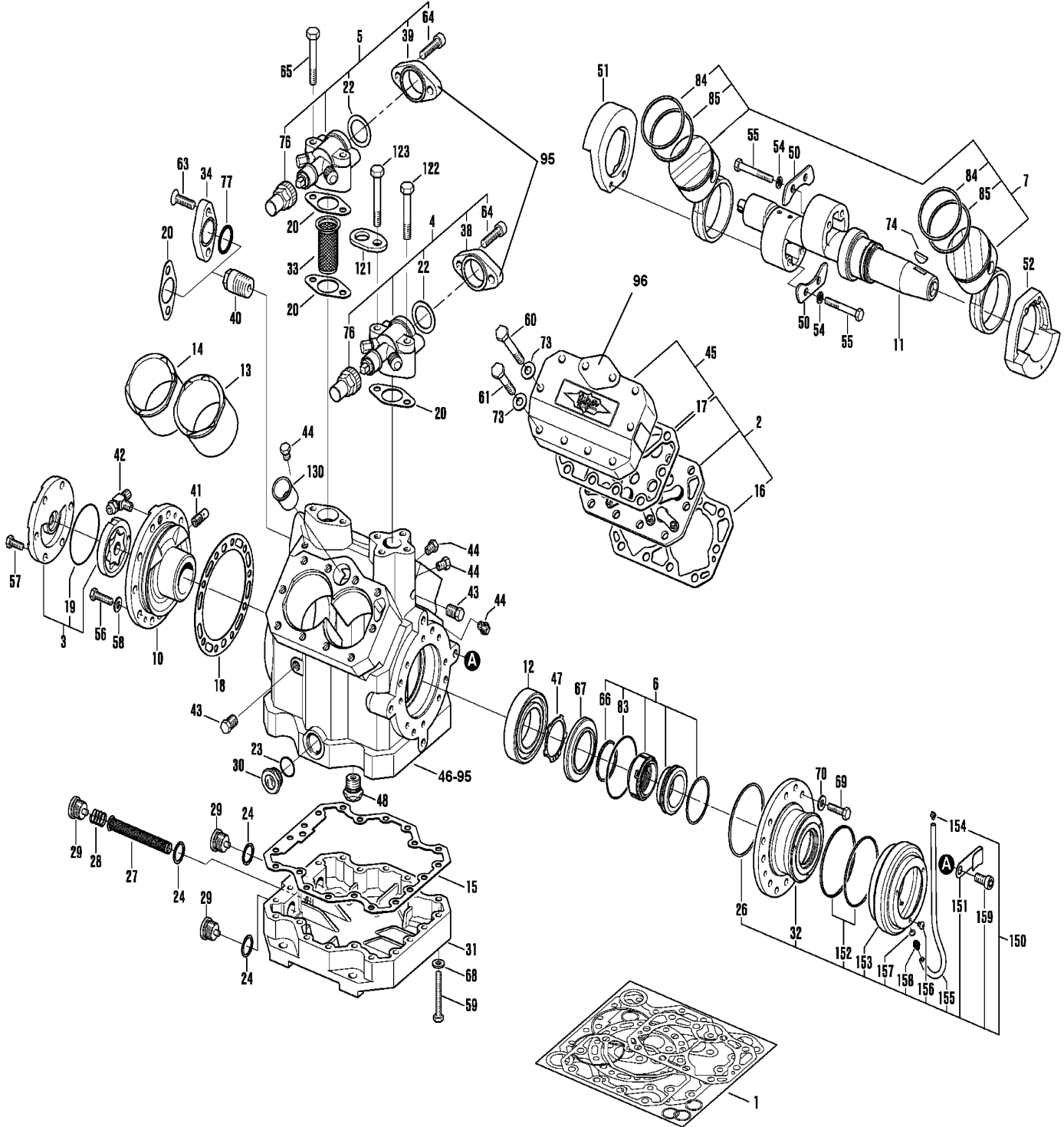


From D-5459 To D-5489

Date:10/2022

PAGE:XV-2250-01

A/C COMPRESSOR "BITZER" 4NFCY





| | | |
|--------------------------------------|--------------|-----------------|
| From D-5459 To D-5489 | Date:10/2022 | PAGE:XV-2250-01 |
| A/C COMPRESSOR "BITZER" 4NFCY | | |

| Item# | Part | Description | X 3 V I P | X L I I E N T 4 5 | N O T E S |
|-------|-----------------|--|-----------------------|---|-----------------------|
| | 950494 | A/C COMPRESSOR ASSY 4 CYLINDERS W/O CLUTCH W/O VALVES - "BITZER" | 1 | 1 | |
| . NS | 680801 | . OIL, BITZER COMPRESSOR, POE 134A 1 GALLON | AR | AR | |
| 1 | 950510 | . KIT GASKET | 1 | 1 | A |
| 2 | 950517 | . VALVE COMPLET WITH GASKET | 3 | 3 | B |
| 3 | 950518 | . OIL PUMP W/ O-RING | 1 | 1 | C |
| 4 | 950956 | . DISCHARGE & SUCTION SHUT-OFF VALVE | 1 | 1 | D |
| 4 | 950557 | GASKET KIT FOR VALVE | 1 | 1 | |
| 5 | 950956 | . DISCHARGE & SUCTION SHUT-OFF VALVE | 1 | 1 | D |
| 5 | 950557 | GASKET KIT FOR VALVE | 1 | 1 | |
| 6 | 950509 | . SHAFT SEAL COMPLETE | 1 | 1 | E |
| 7 | 950627 | . CONNECTING ROD W/PISTON COMPLETE | 4 | 4 | F |
| 8 | N.S.S. | . . PISTON STD | 4 | 4 | 1 |
| 9 | N.S.S. | . . CONNECTING ROD | 4 | 4 | 1 |
| 10 | 950541 | . BEARING COVER | 1 | 1 | G |
| 11 | 950628 | . ECCENTRIC SHAFT | 1 | 1 | H |
| 12 | 950585 | . CYLINDRIC ROLLER BEARING | 1 | 1 | |
| 13 | Call order desk | . CYLINDER LINER RIGHT | 3 | 3 | P |
| 14 | Call order desk | . CYLINDER LINER LEFT | 3 | 3 | P |
| 15 | N.S.S. | . GASKET | 1 | 1 | 1 |
| 16 | 950516 | . GASKET | 3 | 3 | |
| 17 | 950625 | . GASKET | 2 | 2 | |
| 18 | 950542 | . GASKET | 1 | 1 | |
| 19 | 950519 | . O-RING 74 x 2 | 1 | 1 | |
| 20 | 950506 | . GASKET | 3 | 3 | |
| 22 | 950957 | . GASKET | 2 | 2 | |
| 23 | 950515 | . O-RING 23.5 x 1.8 | 2 | 2 | |
| 24 | 950544 | . GASKET RING ALUMINUM | 1 | 1 | |
| 26 | 950626 | . O-RING 85 x 3.53 MM | 1 | 1 | |
| 27 | 951082 | . OIL FILTER | 1 | 1 | |
| 28 | 950600 | . PRESSURE SPRING | 1 | 1 | |
| 29 | 950545 | . MAGNETIC SCREW M22-1.5 | 3 | 3 | |
| 30 | 950514 | . SIGHT GLASS | 2 | 2 | |
| 31 | Call order desk | . BOTTOM PLATE | 1 | 1 | P |
| 32 | 950605 | . SHAFT SEAL COVER | 1 | 1 | |
| 33 | 950973 | . SUCTION GAS FILTER | 2 | 2 | |
| 34 | 950644 | . BLIND FLANGE 80x44.5x15 | 1 | 1 | |
| 38 | Call order desk | . COMPANION FLANGE 35 (1 3/8") | 1 | 1 | P |
| 39 | Call order desk | . COMPANION FLANGE 35 (1 3/8") | 2 | 2 | P |
| 40 | Call order desk | . PRESSURE RELIEF VALVE | 2 | 2 | P |
| 41 | Call order desk | . OIL PRESSURE RELIEF VALVE | 1 | 1 | P |
| 42 | 950540 | . SCHRADER VALVE 7/16 UNF | 1 | 1 | |
| 43 | Call order desk | . SEALING PLUG | 2 | 2 | P |



| | | |
|--------------------------------------|--------------|-----------------|
| From D-5459 To D-5489 | Date:10/2022 | PAGE:XV-2250-01 |
| A/C COMPRESSOR "BITZER" 4NFCY | | |

| Item# | Part | Description | X 3 V I P | X L I E N T 4 5 | N O T E S |
|-------|-------------------|---|-----------------------|--------------------------------------|-----------------------|
| 44 | Call order desk | . SEALING PLUG | 2 | 2 | P |
| 45 | Call order desk | . CYLINDER HEAD | 2 | 2 | P J |
| 45 | 950511 | . CYLINDER HEAD W/MUFFLER | 2 | 2 | J |
| 45 | Call order desk | . GASKET CYLINDER HEAD | 1 | 1 | P |
| 46 | Call order desk | . HOUSING | 1 | 1 | P |
| 47 | 950970 | . RETAINING RING W/LUGS | 1 | 1 | |
| 48 | Call order desk | . GAS EQUALISING VALVE | 1 | 1 | P |
| 50 | Call order desk | . THRUST SEGMENT | 2 | 2 | P |
| 51 | Call order desk | . BALANCE WEIGHT | 1 | 1 | P |
| 52 | Call order desk | . BALANCE WEIGHT | 1 | 1 | P |
| 54 | Call order desk | . WASHER A 8 DIN 134 | 4 | 4 | P |
| 55 | Call order desk | . SCREW CAP HEX M8-1.25x60 G10.9 ZP | 4 | 4 | P |
| 56 | Call order desk | . SCREW CAP HEX M8-1.25x30 G10.9 FT | 10 | 10 | P |
| 57 | Call order desk | . SCREW CAP HEX M8-1.25x20 G10.9 FT | 6 | 6 | P |
| 58 | Call order desk | . WASHER A 8 DIN 134 | 16 | 16 | P |
| 59 | Call order desk | . SCREW CAP HEX M8-1.25x60 G10.9 FT | 20 | 20 | P |
| 60 | Call order desk | . SCREW CAP HEX M10-1.5x75 G10.9 | 18 | 18 | P |
| 61 | Call order desk | . SCREW CAP HEX M10-1.5x55 G10.9 | 8 | 8 | P |
| 63 | Call order desk | . SCREW CAP CK HEXS M10-1.5x35 G10.9 | 1 | 1 | P |
| 64 | 950488 | . SCREW CAP HEXS M10-1.5x40 G10.9 | 4 | 4 | |
| 65 | 950641 | . SCREW CAP HEX M10-1.5x65 G10.9 | 2 | 2 | |
| 66 | Call order desk | . GASKET | 1 | 1 | P |
| 67 | 950565 | . BLANKING PLATE | 1 | 1 | |
| 68 | Call order desk | . WASHER A 8 DIN 134 | 20 | 20 | P |
| 69 | Call order desk | . SCREW CAP HEX M8-1.25x30 G10.9 FT | 8 | 8 | P |
| 70 | Call order desk | . WASHER A 8 DIN 134 | 8 | 8 | P |
| 73 | Call order desk | . WASHER A10 DIN 134 | 20 | 20 | P |
| 74 | 950520 | . WOODRUFF KEY 5 x 9 | 1 | 1 | |
| NS | 950634 | . SPIRAL PIN 3 x 20 | 1 | 1 | |
| 76 | 950564 | . PROTECTIVE CAP | 3 | 3 | |
| 77 | 950645 | . O RING 33x3.5 | 1 | 1 | |
| 83 | 950519 | . O-RING 74 x 2 | 1 | 1 | |
| 84 | Call order desk | . GROOVE # 1 COMPRESSION RING | 4 | 4 | P |
| 85 | Call order desk | . GROOVE # 2 COMPRESSION RING | 4 | 4 | P |
| NS | Call order desk | . FLANGE KIT INTERMEDIATE | 1 | 1 | P |
| NS | Call order desk | . CROSS FLANGE KIT | 1 | 1 | P |
| NS | Call order desk | . SEALING SCREW M36 x 1.5 | 2 | 2 | P |
| NS | Call order desk | . GASKET RING | 2 | 2 | P |
| 95 | XV-2245-01 | . A/C COMPRESSOR "BITZER" - INSTALLATION | | | |
| 95 | XV-2246-01 | . A/C CLUTCH - WITH "BITZER" COMPRESSOR | | | |
| 96 | XV-2250-16 | . A/C ELECTRIC UNLOADER - WITH "BITZER" COMPRESSOR | | | |
| 121 | 950505 | . LIFTING LUG | 1 | 1 | |



| | | |
|--------------------------------------|--------------|-----------------|
| From D-5459 To D-5489 | Date:10/2022 | PAGE:XV-2250-01 |
| A/C COMPRESSOR "BITZER" 4NFCY | | |

| Item# | Part | Description | X 3 V I P | X L I I E N T 4 5 | N O T E S |
|-------|-----------------|--|-----------------------|---|-----------------------|
| 122 | 950641 | . SCREW CAP HEX M10-1.5x65 G10.9 | 1 | 1 | |
| 123 | 950646 | . SCREW CAP HEX M10-1.5x70 G10.9 | 1 | 1 | |
| 130 | Call order desk | . BUSHING DRAIN INSERT | 1 | 1 | P |
| 150 | 950968 | . RETROFIT KIT OF SEALING COVER | 1 | 1 | |
| 151 | 950532 | . . BRACKET OIL TUBING | 1 | 1 | |
| 152 | 950969 | . . O RING 85x2 | 2 | 2 | |
| 153 | Call order desk | . . OIL COLLECTION CHAMBER | 1 | 1 | P |
| 154 | 950507 | . . SEALING PLUG | 1 | 1 | |
| 155 | 950975 | . . HOSE | 1 | 1 | |
| 156 | 950555 | . . SCREW MA BUT M5x6 | 1 | 1 | |
| 157 | 950560 | . . GASKET 9.5 | 1 | 1 | |
| 158 | 951087 | . . CONNECTION PIECE M6 | 1 | 1 | |
| 159 | Call order desk | . . SCREW CAP HEXS M10x16 G10.9 | 1 | 1 | P |
| | | | | | |
| | | | | | |
| | | | | | |
| | | A) INCLUDE ITEMS # 15 to 26 + 66,77,83,94 & 266 | | | |
| | | B) INCLUDE ITEMS # 16 & 17 | | | |
| | | C) INCLUDE ITEM # 19 | | | |
| | | D) INCLUDE ITEMS # 22, 35, 38, 64 & 76 | | | |
| | | E) INCLUDE ITEMS # 26, 66, 83, 152 & 156 | | | |
| | | F) INCLUDE ITEMS # 8, 9, 84, 85 | | | |
| | | G) INCLUDE ITEM # 105 | | | |
| | | H) INCLUDE ITEM # 75 | | | |
| | | J) INCLUDE ITEM # 17 | | | |
| | | 1) NOT SOLD SEPARATELY | | | |
| | | P) CALL ORDER DESK FOR SPECIFIC APPLICATION (V.I.N.) | | | |

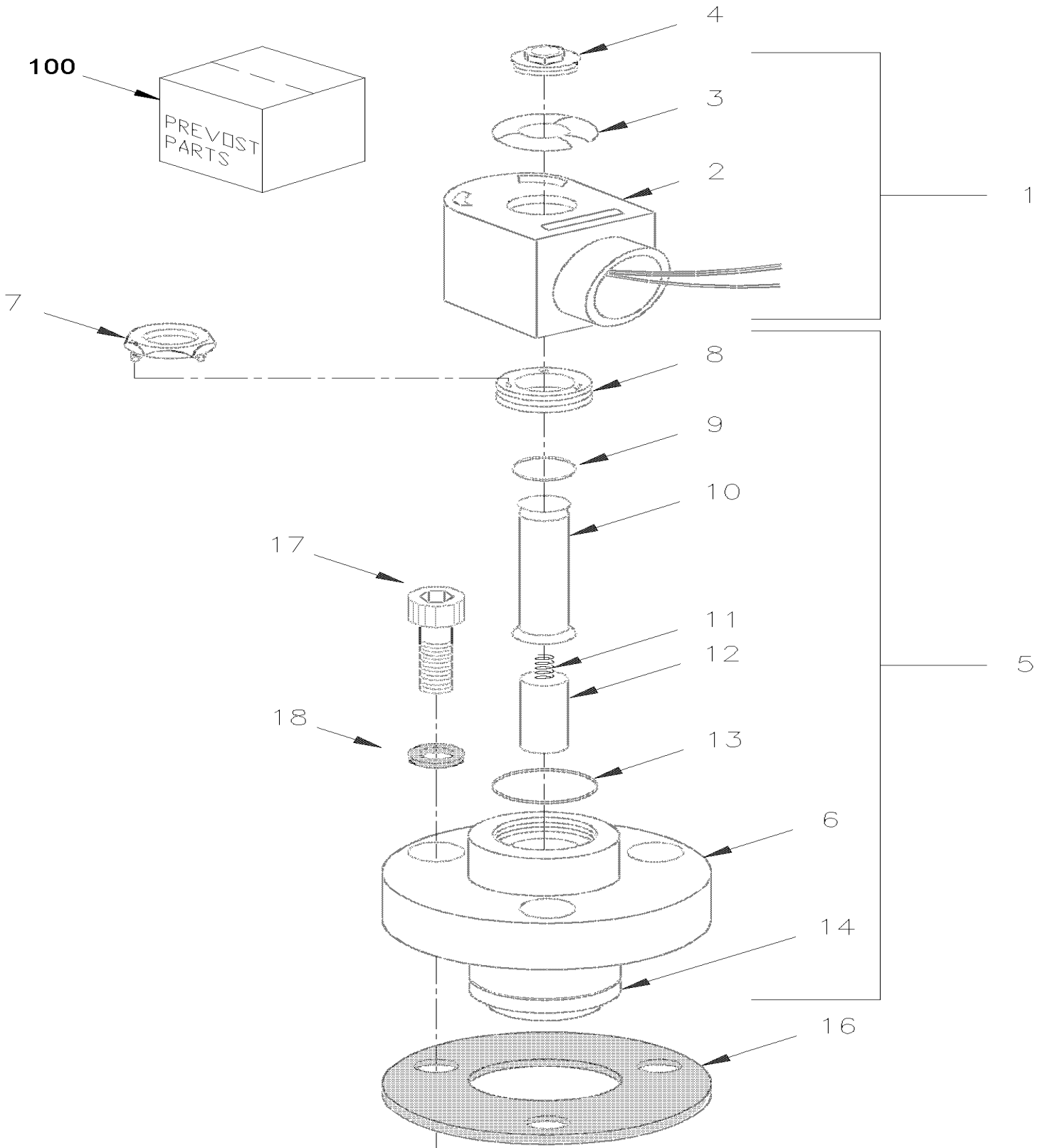


From B-5003 To D-5458

Date:10/2022

PAGE:XV-2250-15

A/C ELECTRIC UNLOADER - W/05G COMPRESSOR





| | | |
|---|---------------------|------------------------|
| From B-5003 To D-5458 | Date:10/2022 | PAGE:XV-2250-15 |
| A/C ELECTRIC UNLOADER - W/05G COMPRESSOR | | |

| Item# | Part | Description | X 3 V I P | X L I I E N T 4 5 | N O T E S |
|-------|---------|---|-----------------------|---|-----------------------|
| | 063969 | COIL ASSY W/CONNECTOR | 2 | 2 | |
| 1 | 950096 | . COIL 24V | 1 | 1 | |
| 2 | N.S.S. | . COIL | 1 | 1 | 1 |
| 3 | N.S.S. | . NAMEPLATE / VOLTAGE | 1 | 1 | 1 |
| 4 | N.S.S. | . CAP, SNAP | 1 | 1 | 1 |
| 4 | N.S.S. | . CAP, SNAP | 1 | 1 | 1 |
| NS | 561566 | . CONNECTOR / WEATHER PACK / PH 2C / BLACK / PED 12010973 | 1 | 1 | |
| NS | 561578 | . SOCKET TERMINAL / 16-14 / PED 12010182 | 2 | 2 | |
| NS | 561786 | . CABLE SEAL / GRAY / PED 15324980 | 2 | 2 | |
| 5 | 950095 | BODY / UNLOADER VALVE | 1 | 1 | |
| 6 | N.S.S. | . BODY, VALVE | 1 | 1 | 1 |
| 7 | N.S.S. | . NUT / FOR REMOVING OR REPLACING TUBE COLLAR | 1 | 1 | 1 |
| 8 | N.S.S. | . COLLAR / TUBE | 1 | 1 | 1 |
| 9 | N.S.S. | . O-RING | 1 | 1 | 1 |
| 10 | N.S.S. | . TUBE | 1 | 1 | 1 |
| 11 | N.S.S. | . SPRING, PLUNGER | 1 | 1 | 1 |
| 12 | N.S.S. | . PLUNGER | 1 | 1 | 1 |
| 13 | N.S.S. | . O-RING | 1 | 1 | 1 |
| 14 | 870818 | . RING, PISTON | 1 | 1 | |
| 16 | 870820 | GASKET, UNLOADER | 1 | 1 | |
| 17 | 5001415 | SCREW CAP HEXS 1/4-28x3/4 | 3 | 3 | |
| 18 | 950305 | GASKET / W/ALLEN BOLT | 3 | 3 | |
| 100 | 950413 | KIT, STEM REPAIR | 1 | 1 | B |
| | | | | | |
| | | | | | |
| | | B) INCLUDE ITEMS # 7, 10, 11,12 & 13 | | | |
| | | 1) NOT SOLD SEPARATELY | | | |

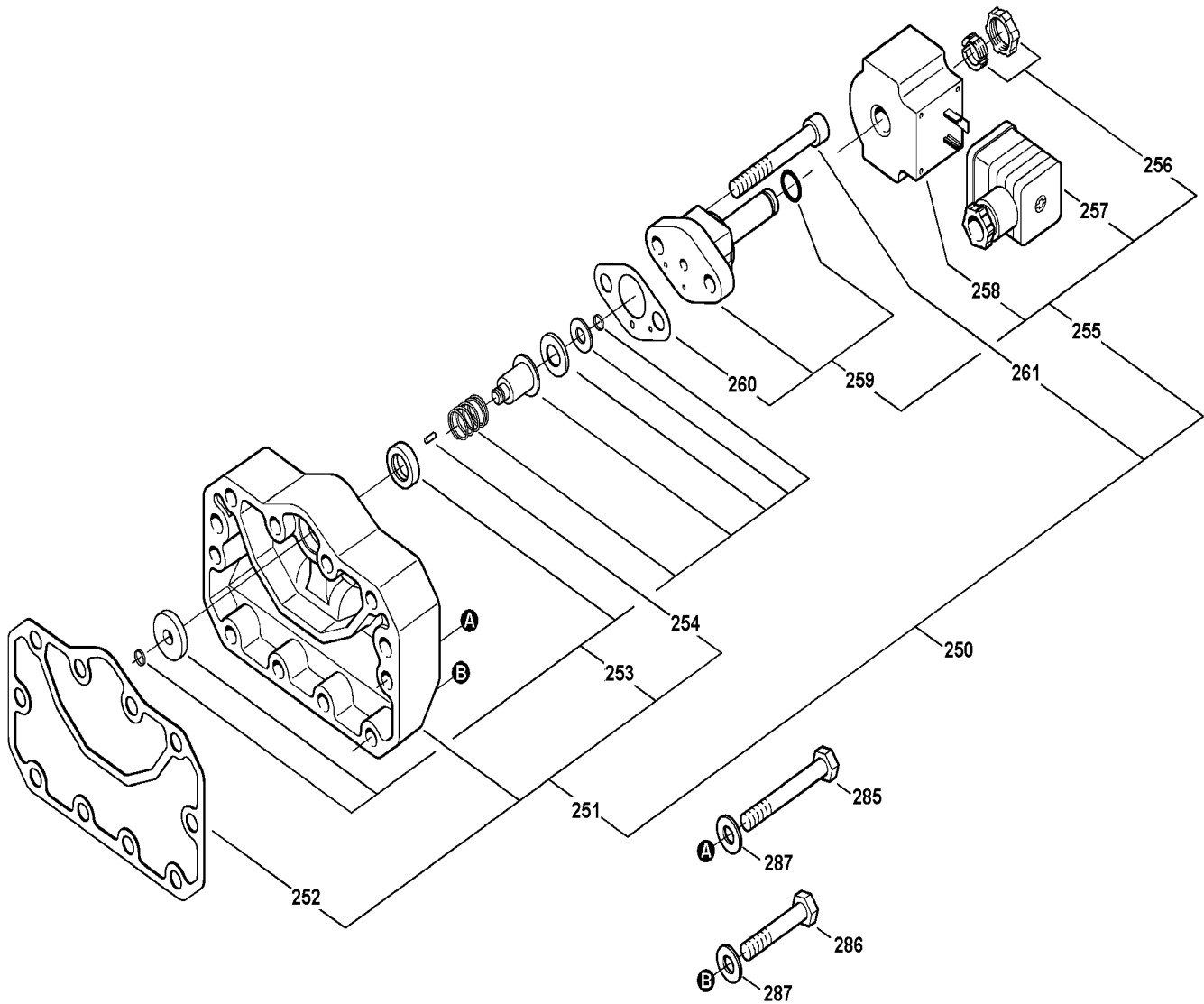


From D-5459 To D-5489

Date:10/2022

PAGE:XV-2250-16

A/C ELECTRIC UNLOADER - WITH "BITZER" COMPRESSOR





| | | |
|---|--------------|-----------------|
| From D-5459 To D-5489 | Date:10/2022 | PAGE:XV-2250-16 |
| A/C ELECTRIC UNLOADER - WITH "BITZER" COMPRESSOR | | |

| Item# | Part | Description | X 3 V I P | X L I I E N T 4 5 | N O T E S |
|-------|-----------------|--|-----------------------|---|-----------------------|
| 250 | 950513 | CAPACITY REGULATOR COMPLETE 24 VOLT | 1 | 1 | |
| 251 | 950512 | . CYLINDER HEAD W/PISTON "CR" | 1 | 1 | |
| 252 | 950625 | . . GASKET | 1 | 1 | |
| 253 | Call order desk | . . CONTROL PISTON COMPLETE | 1 | 1 | P |
| 254 | Call order desk | . . HALF LENGHT RESERVE TAPER GROVE DOWEL PIN 3 x 8 | 1 | 1 | P |
| 255 | 950521 | . SOLONOID VALVE COMPLET 24VOLT | 1 | 1 | |
| 256 | 950563 | . . COIL FIXATION | 1 | 1 | |
| 257 | 950971 | . . ELECTRICAL CONNECTOR ASSY | 1 | 1 | |
| 258 | 950495 | . . COIL 24 VOLT W/CONNECTOR | 1 | 1 | |
| 259 | 950522 | . . SOLONOID VALVE W/OUT COIL | 1 | 1 | |
| 260 | 950965 | . . . GASKET | 1 | 1 | |
| 261 | Call order desk | . SCREW CAP HEXS M10 x 80 GR 10.9 | 1 | 1 | P |
| 285 | Call order desk | SCREW CAP HEX M10x75 G10.9 | 4 | 4 | P |
| 286 | Call order desk | SCREW CAP HEX M10x55 G10.9 | 4 | 4 | P |
| 287 | Call order desk | WASHER 10 | 8 | 8 | P |
| | | | | | |
| | | | | | |
| | | | | | |
| | | P) CALL ORDER DESK FOR SPECIFIC APPLICATION (V.I.N.) | | | |

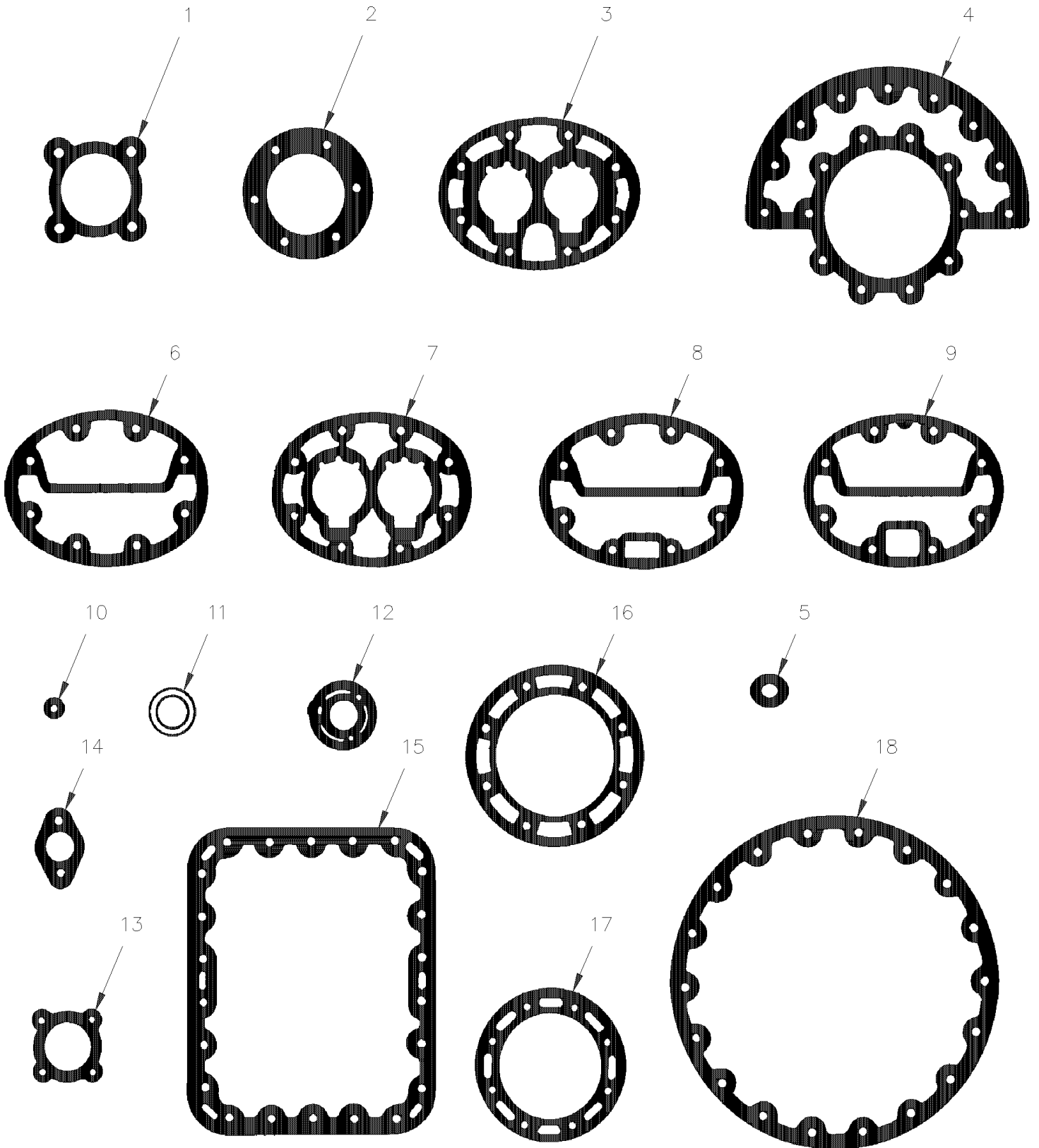


From B-5003 To D-5458

Date:10/2022

PAGE:XV-2251-00

GASKET - 05G A/C COMPRESSOR





| | | |
|------------------------------------|--------------|-----------------|
| From B-5003 To D-5458 | Date:10/2022 | PAGE:XV-2251-00 |
| GASKET - 05G A/C COMPRESSOR | | |

| Item# | Part | Description | X 3 V I P | X L I I E N T 4 5 | N O T E S |
|-------|--------|--|-----------------------|---|-----------------------|
| | 870829 | KIT GASKET | 1 | 1 | |
| 1 | 870754 | . GASKET / SUCTION VALVE | 1 | 1 | |
| 2 | 870795 | . GASKET, HUB BEARING | 1 | 1 | |
| 3 | 870764 | . GASKET, VALVE PLATE | 3 | 3 | |
| 4 | N.S.S. | . GASKET, END FLANGE | 1 | 1 | 1 |
| 5 | 870791 | . GASKET, SHAFT END COVER | 2 | 2 | |
| 6 | N.S.S. | . GASKET, LEFT & RIGHT CYLINDER HEAD - STANDARDS | 2 | 2 | 1 |
| 7 | N.S.S. | . GASKET, VALVE PLATE | 3 | 3 | 1 |
| 8 | 870760 | . GASKET, CENTER CYLINDER HEAD | 1 | 1 | |
| 9 | 870797 | . GASKET, L.H & R.H CYLINDER HEAD | 2 | 2 | |
| 10 | N.S.S. | . GASKET, OIL SUPPLY TUBE | 1 | 1 | 1 |
| 11 | 870769 | . GASKET, SIGHT GLASS | 2 | 2 | |
| 12 | 870820 | . GASKET, UNLOADER | 2 | 2 | |
| 13 | N.S.S. | . GASKET, OIL PUMP COVER | 1 | 1 | 1 |
| 14 | 870753 | . GASKET / DISCHARGE VALVE | 2 | 2 | |
| 15 | 870786 | . GASKET, BOTTOM PLATE | 1 | 1 | |
| 16 | 870771 | . GASKET / OIL PUMP | 1 | 1 | |
| 17 | N.S.S. | . GASKET, SHAFT | 1 | 1 | 1 |
| 18 | N.S.S. | . GASKET, MOTOR END COVER | 1 | 1 | 1 |
| NS | 870791 | . GASKET, SHAFT END COVER | 1 | 1 | |
| | | | | | |
| | | | | | |
| | | | | | |
| | | 1) NOT SOLD SEPARATELY | | | |

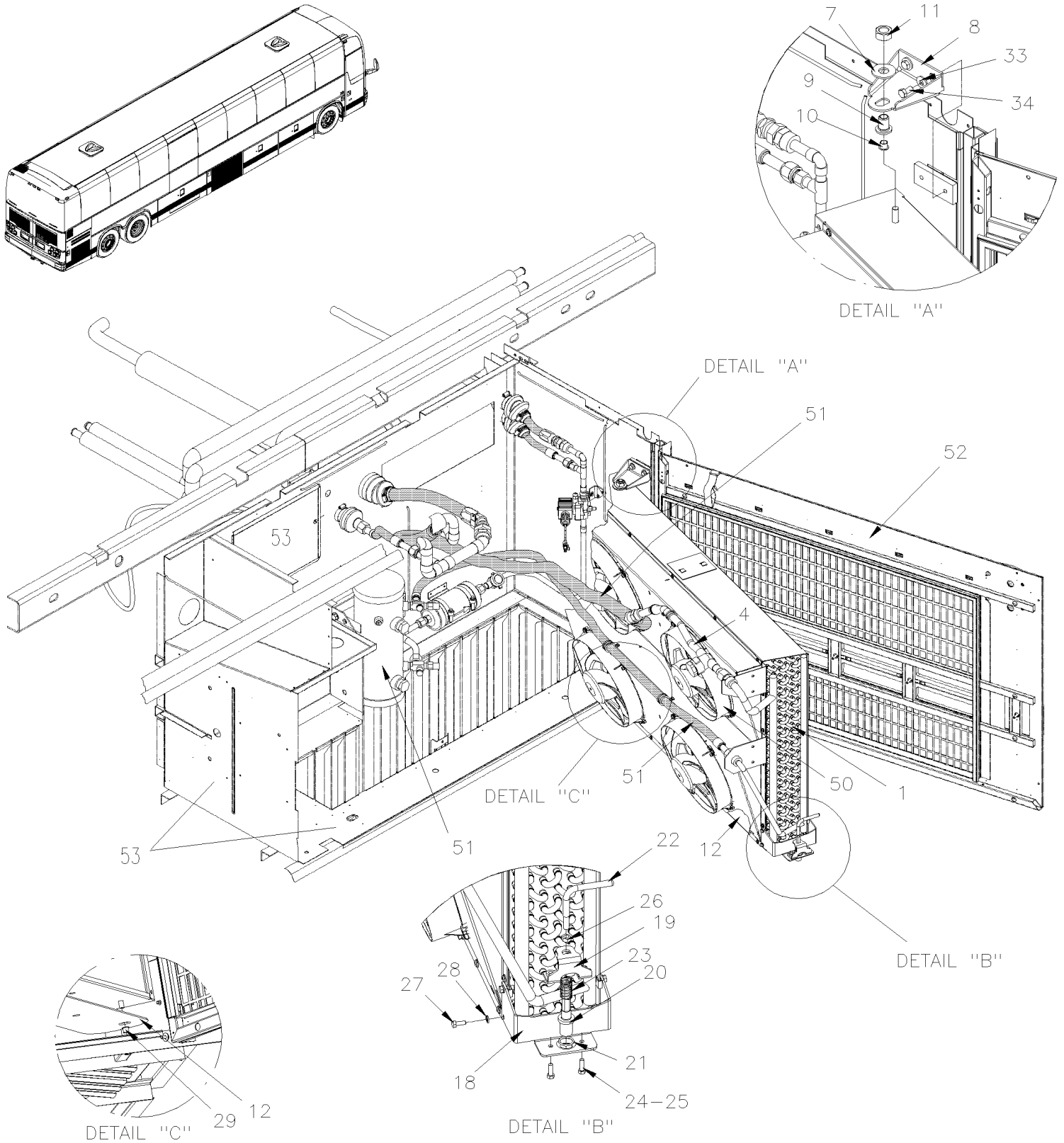


From B-5003 To D-5489

Date:10/2022

PAGE:XV-2255-00

CONDENSOR - INSTALLATION





| | | |
|-----------------------|--------------|-----------------|
| From B-5003 To D-5489 | Date:10/2022 | PAGE:XV-2255-00 |
|-----------------------|--------------|-----------------|

CONDENSOR - INSTALLATION

| Item# | Part | Description | X 3 V I P | X L I I E N T 4 5 | N O T E S |
|-------|---------------|--|-----------------------|---|-----------------------|
| 1 | 950006 | CONDENSOR ALUMINUM To B-5089 | 1 | 1 | |
| . NS | 501802 | . O-RING / ORS FITTING / #16 NEO To B-5089 | 1 | 1 | |
| . NS | 501829 | . O-RING / ORS FITTING / #12 NEO To B-5089 | 1 | 1 | |
| 1 | 950007 | CONDENSOR COPPER To C-5132 | 1 | 1 | |
| . NS | 501802 | . O-RING / ORS FITTING / #16 NEO To C-5132 | 1 | 1 | |
| . NS | 501829 | . O-RING / ORS FITTING / #12 NEO To C-5132 | 1 | 1 | |
| 1 | 950008 | CONDENSOR COPPER From C-5133 To D-5314 | 1 | 1 | |
| . NS | 501802 | . O-RING / ORS FITTING / #16 NEO From C-5133 To D-5314 | 1 | 1 | |
| . NS | 501829 | . O-RING / ORS FITTING / #12 NEO From C-5133 To D-5314 | 1 | 1 | |
| 1 | 950010 | CONDENSOR COPPER From D-5315 | 1 | 1 | |
| . NS | 501802 | . O-RING / ORS FITTING / #16 NEO From D-5315 | 1 | 1 | |
| . NS | 501829 | . O-RING / ORS FITTING / #12 NEO From D-5315 | 1 | 1 | |
| 1 | 454964 | CONDENSER PIVOT REINFORCEMENT PLATE / UPPER | 1 | 1 | A |
| 1 | 454965 | CONDENSER PIVOT REINFORCEMENT PLATE / LOWER | 1 | 1 | A |
| 4 | 454712 | PIPE ASSY WITH CHECK VALVE | 1 | 1 | |
| . NS | 951081 | . CHECK VALVE | 1 | 1 | |
| . NS | 950537 | . GASKET, COPPER | 1 | 1 | |
| . NS | 501802 | . O-RING / ORS FITTING / #16 NEO | 1 | 1 | |
| 7 | 500449 | WASHER FL .625x1.500 SS | 1 | 1 | |
| 8 | 483999 | SUPPORT UPPER | 1 | 1 | |
| 9 | 485452 | PIVOT UPPER | 1 | 1 | |
| 10 | 507260 | BUSHING NYLINER W/SHOULDER .375x.437x.375x.594 | 2 | 2 | |
| 11 | 5001646 | NUT HEX M16-1.5 G500 | 1 | 1 | |
| 12 | 485627 | PLATE / SUPPORT GREY PLASTIC 1125MM x 142MM To C-5132 | 1 | 1 | |
| 12 | 485672 | PLATE / SUPPORT GREY PLASTIC 1105MM x 147MM From C-5133 | 1 | 1 | |
| NS | 506790 | TAPE RUB ADH2 CC POL 1/16" x 1/2" x 200' / BLACK I1C-N-A | AR | AR | |
| NS | 684517 | ADHESIVE SIMSON #ISR 70-03 / GREY / 310ml CARTRIDGE | AR | AR | |
| 18 | 454294 | SUPPORT LOCK | 1 | 1 | |
| 19 | 454293 | LOCK | 1 | 1 | |
| 20 | 454295 | CATCH PIN | 1 | 1 | |
| 21 | 507212 | O-RING | 1 | 1 | |
| 22 | 454296 | HANDLE CATCH PIN | 1 | 1 | |
| 23 | 502910 | SPRING COMPRESSION / .720 O.D. 1.75 x .055 | 1 | 1 | |
| 24 | 502622 | SCREW CAP HEX M6-1.0x20 SS BK | AR | AR | |
| 25 | 500356 | WASHER LO SERR 6.1x16.0x0.9 N500 | AR | AR | |
| 26 | 502851 | NUT HEX M8-1.25 N500 | 1 | 1 | |
| 27 | 955271 | SCREW CAP HEX M6-1.0x16 G8.8 ZG603 | 4 | 4 | |
| 28 | 502570 | WASHER LO SPT 6.1x11.8x1.6 SS | AR | AR | |
| 29 | 504527 | BUMPER PLUG / .625ODx.312THx.250HOLEx.125 | 1 | 1 | |
| 33 | 500321 | WASHER BEL SPR .331x.827x.098 N500 | 2 | 2 | |
| 34 | 507637 | SCREW CAP HEXF M8-1.25x20 G10.9 PHC | 2 | 2 | |



| | | |
|------------------------------|---------------------|------------------------|
| From B-5003 To D-5489 | Date:10/2022 | PAGE:XV-2255-00 |
|------------------------------|---------------------|------------------------|

CONDENSOR - INSTALLATION

| Item# | Part | Description | X 3 V I P | X L I I E N T 4 5 | N O T E S |
|-------|------------|--|-----------------------|---|-----------------------|
| 50 | XV-2260-00 | CONDENSOR FANS - INSTALLATION | | | |
| 51 | XV-2270-00 | RECEIVER TANK & FILTER DRYER | | | |
| 52 | XV-1863-50 | CONDENSOR DOOR ASSY | | | |
| 53 | XV-1865-20 | EVAPORATOR & CONDENSOR WALL INSTALLATION To C-5096 | | | |
| 53 | XV-1865-21 | EVAPORATOR & CONDENSOR WALL INSTALLATION From C-5097 | | | |
| | | | | | |
| | | | | | |
| | | | | | |
| | | A) USE ONLY IF THE CONDENSOR PIVOT PIN BROKE | | | |

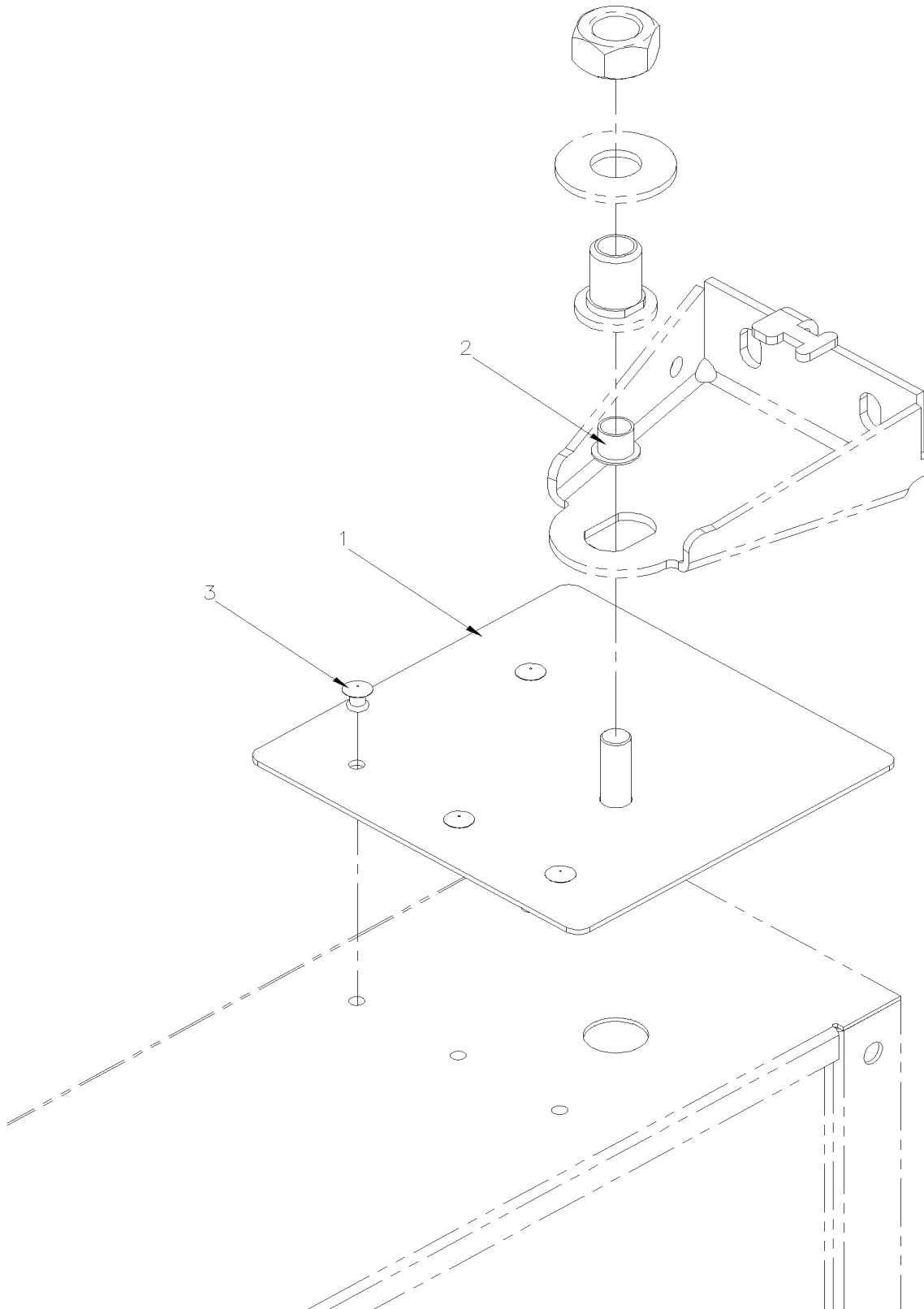


From B-5003 To D-5489

Date:10/2022

PAGE:454964

CONDENSER PIVOT REINFORCEMENT PLATE / UPPER





| | | |
|-----------------------|--------------|-------------|
| From B-5003 To D-5489 | Date:10/2022 | PAGE:454964 |
|-----------------------|--------------|-------------|

CONDENSER PIVOT REINFORCEMENT PLATE / UPPER

| Item# | Part | Description | X 3 V I P | X L I I E N T 4 5 | N O T E S |
|-------|----------|--|-----------------------|---|-----------------------|
| 1 | 454956 | REINFORCEMENT PLATE UPPER | 1 | 1 | |
| 2 | 507260 | BUSHING NYLINER W/SHOULDER .375x.437x.375x.594 | 1 | 1 | |
| 3 | 504379 | RIVET POP DOME OE 3/16x1/4 SS | 4 | 4 | |
| NS | 504637 | CABLE TIE / 3/16" x 13" | AR | AR | |
| NS | IS-14904 | SEE INSTRUCTION SHEET | 1 | 1 | |
| | | | | | |
| | | | | | |
| | | | | | |

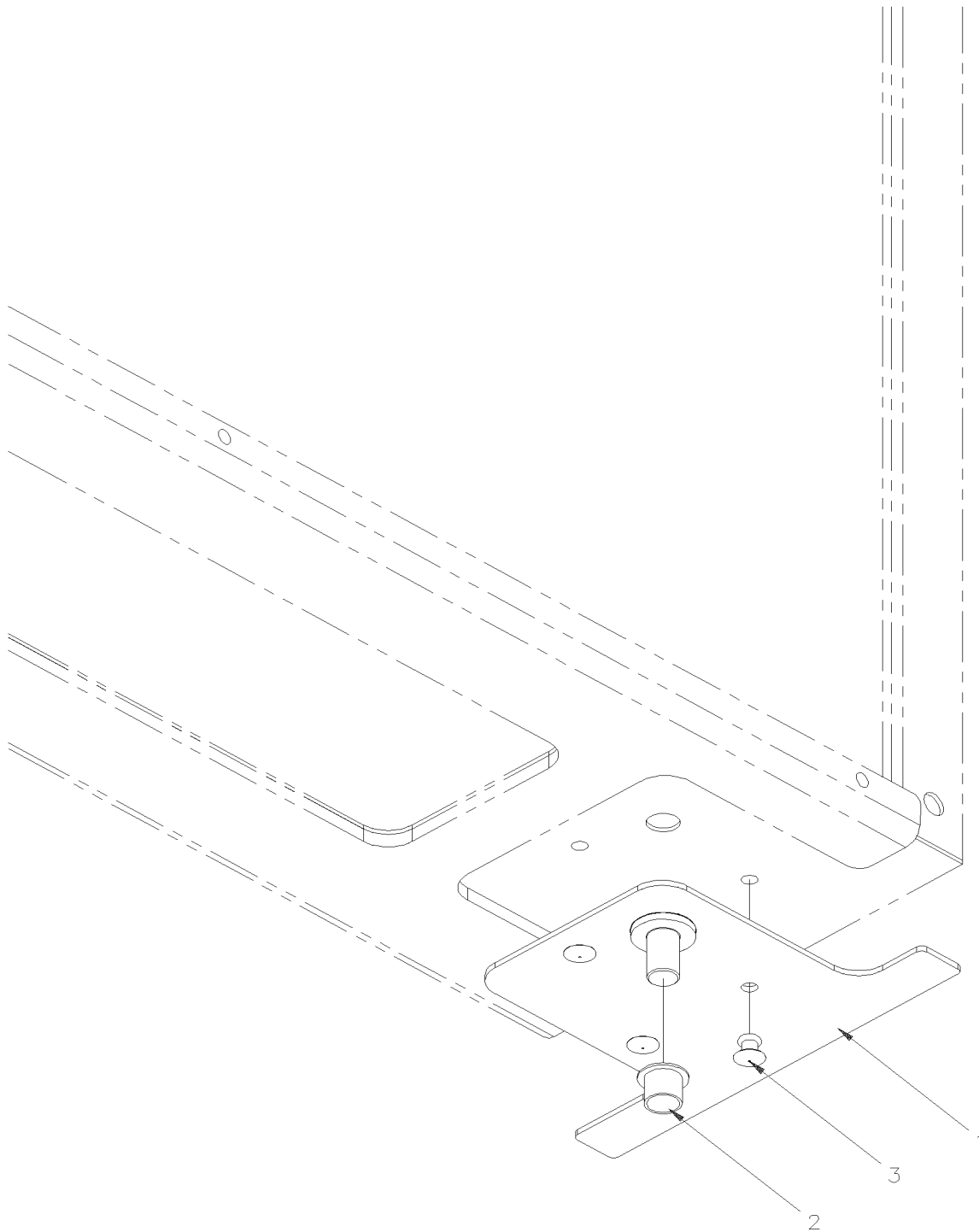


From B-5003 To D-5489

Date:10/2022

PAGE:454965

CONDENSER PIVOT REINFORCEMENT PLATE / LOWER





| | | |
|-----------------------|--------------|-------------|
| From B-5003 To D-5489 | Date:10/2022 | PAGE:454965 |
|-----------------------|--------------|-------------|

CONDENSER PIVOT REINFORCEMENT PLATE / LOWER

| Item# | Part | Description | X 3 V I P | X L I I E N T 4 5 | N O T E S |
|-------|--------|--|-----------------------|---|-----------------------|
| 1 | 454959 | REINFORCEMENT PLATE LOWER | 1 | 1 | |
| 2 | 507260 | BUSHING NYLINER W/SHOULDER .375x.437x.375x.594 | 1 | 1 | |
| 3 | 504379 | RIVET POP DOME OE 3/16x1/4 SS | 4 | 4 | |
| | | | | | |
| | | | | | |
| | | | | | |

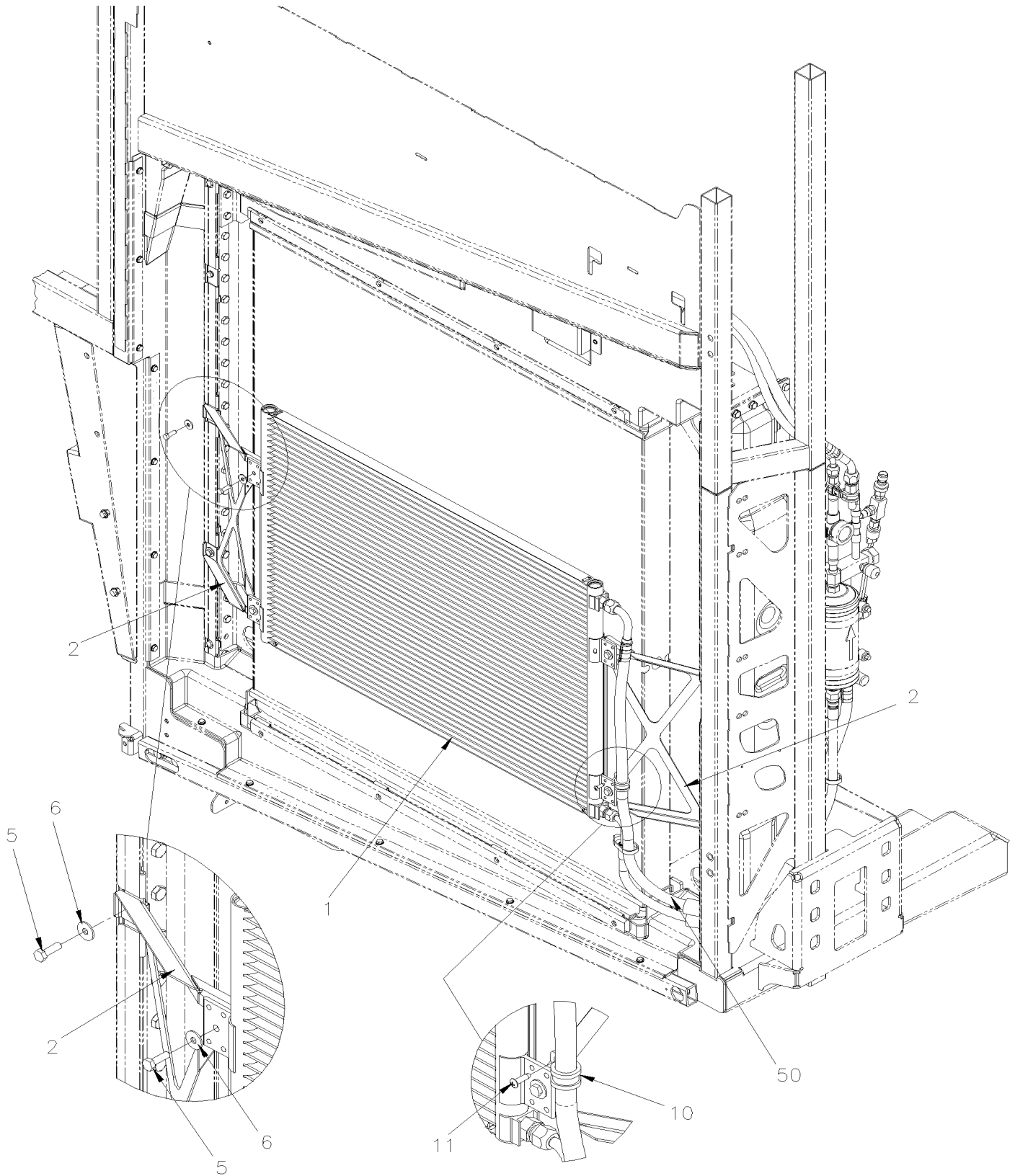


From B-5003 To D-5489

Date:10/2022

PAGE:XV-2255-10

CONDENSOR - INSTALLATION SMALL A/C SYSTEM





| | | |
|-----------------------|--------------|-----------------|
| From B-5003 To D-5489 | Date:10/2022 | PAGE:XV-2255-10 |
|-----------------------|--------------|-----------------|

CONDENSOR - INSTALLATION SMALL A/C SYSTEM

| Item# | Part | Description | X 3 V I P | X L I I E N T 4 5 | N O T E S |
|-------|-------------------|--|-----------------------|---|-----------------------|
| 1 | 950958 | CONDENSOR COIL E-COAT 8.2 To C-5188 | 1 | 1 | |
| 1 | 950467 | CONDENSOR COIL E-COAT LT-8 From C-5241 To C-5292 | 1 | 1 | |
| 1 | 950958 | CONDENSOR COIL E-COAT 8.2 From C-5293 | 1 | 1 | |
| 2 | 454519 | SUPPORT CONDENSOR / EACH SIDE | 2 | 2 | |
| 5 | 502830 | SCREW CAP HEX M6-1.0x20 G8.8 N500 | 8 | 8 | |
| 6 | 5001833 | WASHER BEL SPR 6.1x18x1.27 SS | 8 | 8 | |
| 10 | 952629 | CLAMP / 5/8" I.D. | 1 | 1 | |
| 11 | 500957 | SCREW TP BDG PH #10x3/4 N500 | 1 | 1 | |
| 50 | XV-2222-50 | SMALL A/C LINES & HOSES WITH R134A | | | |
| | | | | | |
| | | | | | |
| | | | | | |

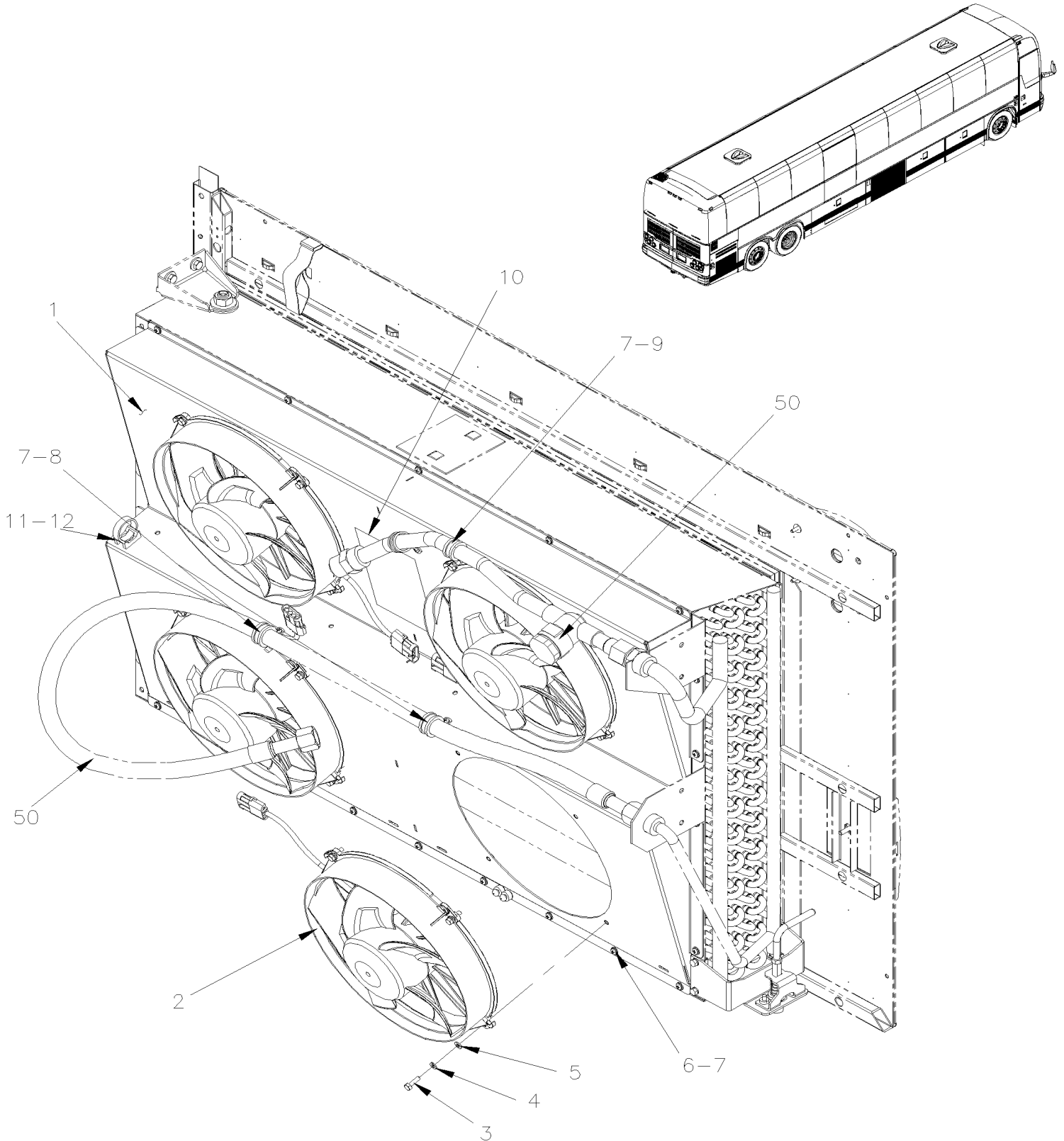


From B-5003 To D-5489

Date:10/2022

PAGE:XV-2260-00

CONDENSOR FANS - INSTALLATION





| | | |
|-----------------------|--------------|-----------------|
| From B-5003 To D-5489 | Date:10/2022 | PAGE:XV-2260-00 |
|-----------------------|--------------|-----------------|

CONDENSOR FANS - INSTALLATION

| Item# | Part | Description | X 3 V I P | X L I I E N T 4 5 | N O T E S |
|-------|-------------------|---|-----------------------|---|-----------------------|
| 1 | 454264 | SHROUD FAN To B-5084 | 1 | 1 | |
| 1 | 454697 | SHROUD FAN From B-5085 | 1 | 1 | |
| 2 | 565881 | CONDENSOR FAN ASSY 24V | 4 | 4 | |
| . NS | 563691 | . CONNECTOR / JUNIOR POWER TIMER / SH 6C / AMP 1-963212-1 | 1 | 1 | |
| 2 | 068381 | CABLE CONDENSOR FANS To D-5373 | 1 | 1 | |
| 2 | 068626 | CABLE CONDENSOR FANS From D-5374 | 1 | 1 | |
| 3 | 502622 | SCREW CAP HEX M6-1.0x20 SS BK | 16 | 16 | |
| 4 | 502570 | WASHER LO SPT 6.1x11.8x1.6 SS | 16 | 16 | |
| 5 | 502573 | WASHER FL 6.4x12.5x1.6 SS | 16 | 16 | |
| 6 | 500209 | SCREW TC BDG PH #10-24x3/8 N500 | 22 | 22 | |
| 7 | 500804 | WASHER FL .203x.500x.047 N500 | 26 | 26 | |
| 8 | 952635 | CLAMP / 1" I.D. | 2 | 2 | |
| 9 | 952633 | CLAMP / 7/8" I.D. | 2 | 2 | |
| 10 | 402792 | DECAL / "DANGER" SHUT DOWN A/C BEFORE SERVI. / ENGLISH & FRANCAIS | 1 | 1 | |
| 10 | 405637 | DECAL / "DANGER" SHUT DOWN A/C BEFORE SERVI. / ENGLISH & SPANISH | 1 | 1 | |
| 11 | 504013 | TIE MOUNT / 1/4" X 1/4" I.D. | 1 | 1 | |
| 12 | 504016 | CABLE TIE / 5/16" X 14"1/2 | 1 | 1 | |
| 50 | XV-2270-00 | RECEIVER TANK & FILTER DRYER | | | |
| | | | | | |
| | | | | | |
| | | | | | |



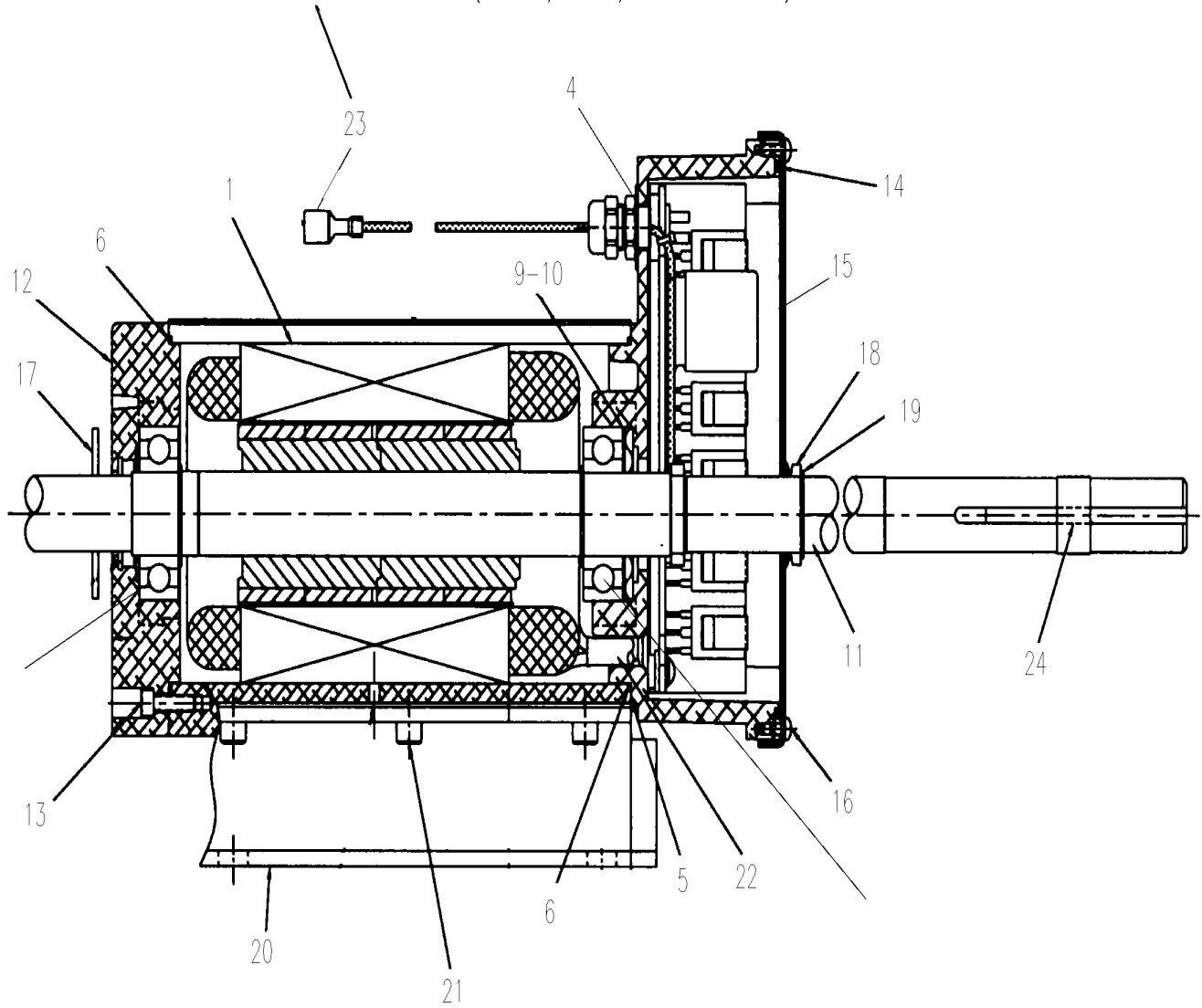
From B-5003 To D-5489

Date:10/2022

PAGE:XV-2265-01

MOTOR - EVAPORATOR BRUSHLESS

NOTE.: IN REPLACEMENT OF FORMER MOTOR MODEL YOU REQUIRE THOSE PARTS
TO MODIFIED ITEM # 23 ONE OF EACH (561577,561578, 561786 & 563623)





| | | |
|-------------------------------------|---------------------|------------------------|
| From B-5003 To D-5489 | Date:10/2022 | PAGE:XV-2265-01 |
| MOTOR - EVAPORATOR BRUSHLESS | | |

| Item# | Part | Description | X 3 V I P | X L I I E N T 4 5 | N O T E S |
|-------|-----------------|--|-----------------------|---|-----------------------|
| | 563586 | MOTOR EVAPORATOR BRUSHLESS / (E-50348-0A) To B-5088 | | | S |
| | 564216 | MOTOR EVAPORATOR BRUSHLESS / 2 SPEEDS From B-5089 | | | |
| 1 | Call order desk | . MOTOR ASSY / COMPLETE | 1 | 1 | P |
| 4 | 564621 | . CONTROLLER ASSEMBLY | 1 | 1 | |
| 5 | Call order desk | . GASKET | 1 | 1 | P |
| 6 | Call order desk | . O-RING 3.989" x .070" | 1 | 1 | P |
| 7 | Call order desk | . SCREW MA PAN 8-32 x ? | 1 | 1 | P |
| 8 | Call order desk | . HEAT-SHRINK TUBING | 1 | 1 | P |
| 9 | Call order desk | . WAVE SPRING | 1 | 1 | P |
| 10 | Call order desk | . SHIM | 1 | 1 | P |
| 11 | Call order desk | . SHAFT / ROTOR ASSY W/KEYS | 1 | 1 | P |
| 12 | Call order desk | . ENDBELL | 1 | 1 | P |
| 13 | Call order desk | . SCREW MA PAN 8-32 x .875" | 1 | 1 | P |
| 14 | Call order desk | . O-RING SEAL | 1 | 1 | P |
| 15 | Call order desk | . COVER | 1 | 1 | P |
| 16 | Call order desk | . SCREW MA PAN #6-32 | 1 | 1 | P |
| 17 | Call order desk | . SLINGER | 1 | 1 | P |
| 18 | Call order desk | . V-SEAL | 1 | 1 | P |
| 19 | Call order desk | . EXTERNAL RETAINING RING | 1 | 1 | P |
| 20 | Call order desk | . BASE PLATE | 1 | 1 | P |
| 21 | Call order desk | . SCREW CAP HEXS 1/4-20 x ? | 1 | 1 | P |
| 22 | Call order desk | . TUBING | 1 | 1 | P |
| 23 | Call order desk | . TERMINAL (0.032 X 0.25) | 1 | 1 | P |
| 24 | Call order desk | . KEY SQUARE 3/16" x 3" | 1 | 1 | P |
| | | | | | |
| 30 | 032937 | KIT / SHAFT SHIELD To C-5069 | 1 | 1 | S |
| . NS | 033188 | . SHIELD / SHAFT To C-5069 | 1 | 1 | S |
| . NS | 500443 | . SCREW TP PAN PH #8x1/2 N500 To C-5069 | 5 | 5 | S |
| . NS | IS-10125 | . SEE INSTRUCTION SHEET To C-5069 | 1 | 1 | S |
| | | | | | |
| | | | | | |
| | | S) USE WITH OLD MOTOR 563586 WITHOUT SEAL ON THE SHAFT | | | |
| | | P) CALL ORDER DESK FOR SPECIFIC APPLICATION (V.I.N.) | | | |



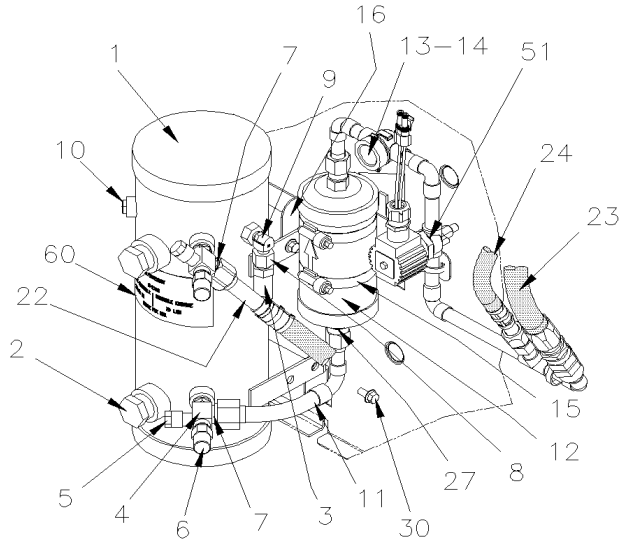
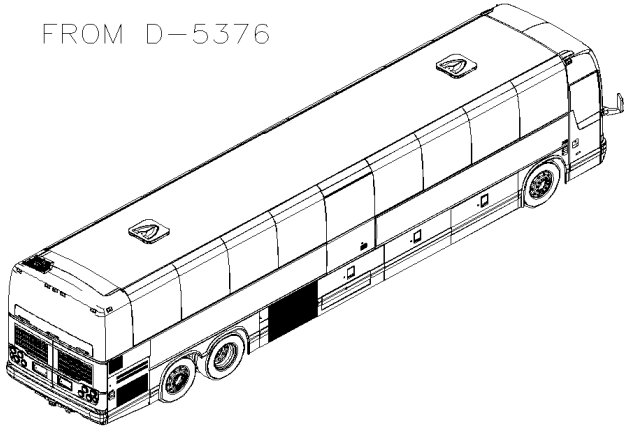
From B-5003 To D-5489

Date:10/2022

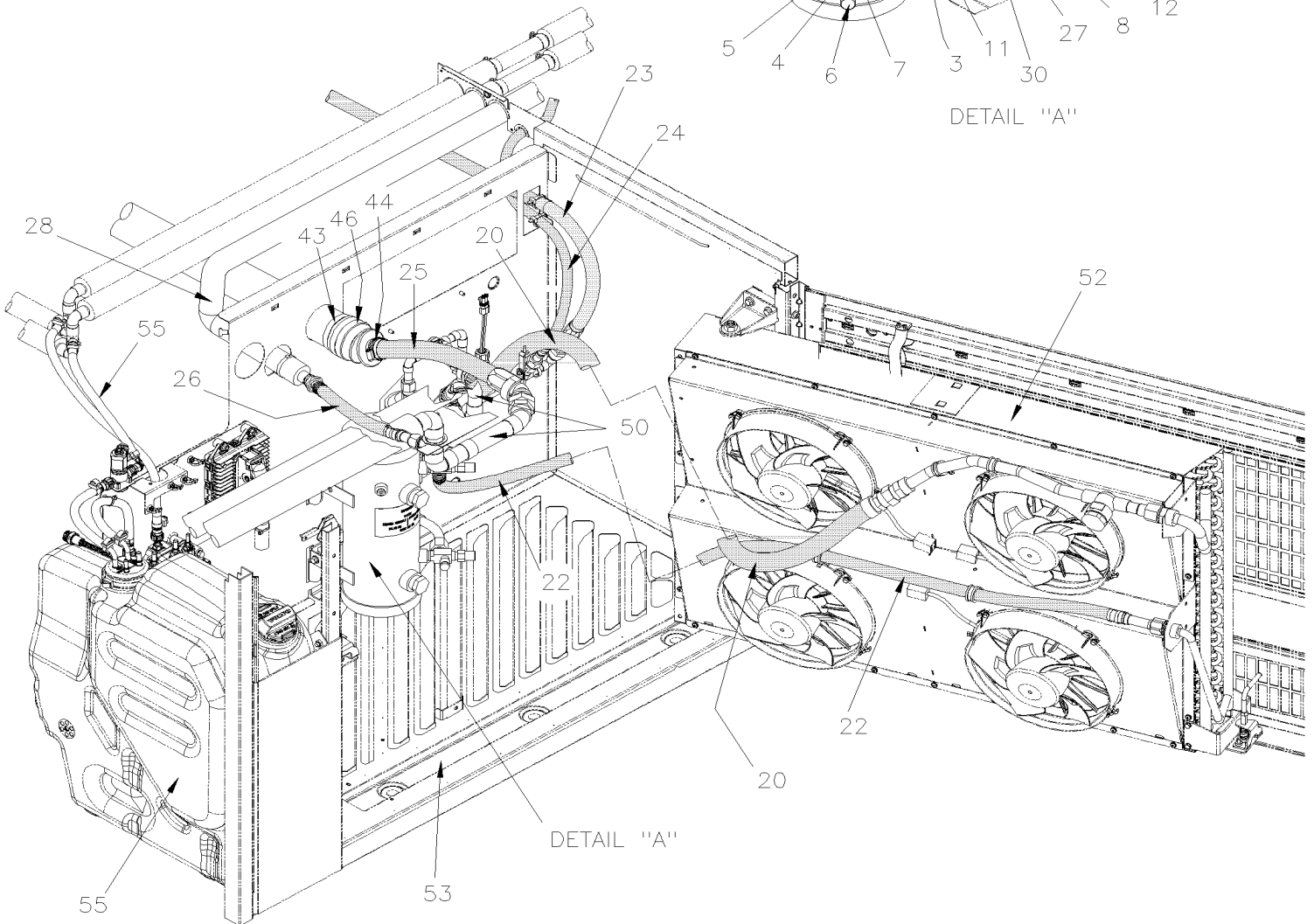
PAGE:XV-2270-00

RECEIVER TANK & FILTER DRYER

FROM D-5376



DETAIL "A"



DETAIL "A"



| | | |
|---|--------------|-----------------|
| From B-5003 To D-5489 | Date:10/2022 | PAGE:XV-2270-00 |
| RECEIVER TANK & FILTER DRYER | | |

| Item# | Part | Description | X 3 V I P | X L I I E N T 4 5 | N O T E S |
|-------|-----------------|--|-----------------------|---|-----------------------|
| | Call order desk | RECEIVER TANK & FILTER DRYER ASSY From D-5375 | 1 | 1 | P |
| | Call order desk | RECEIVER TANK & FILTER DRYER ASSY From D-5375 | 1 | 1 | P |
| 1 | 950261 | RECEIVER TANK ASSY | 1 | 1 | |
| . NS | 950428 | . SIGHTGLASS / W/BALL 1NPT-M (FORMER) | 1 | 1 | |
| . NS | 951198 | . SIGHTGLASS / W/BALL 1 1/4NPT-F (CURRENT) | 1 | 1 | |
| 3 | 870890 | VALVE, SAFETY 450 PSI | 1 | 1 | |
| 4 | 950228 | VALVE ASSY / SERVICE / INLET & OUTLET | 2 | 2 | |
| . NS | 950284 | . CAP / PROTECTOR / FOR GAUGE | 1 | 1 | |
| . NS | 507169 | . O-RING 1/2 I.D. | 1 | 1 | |
| 5 | 950285 | . CAP VALVE / PROTECTOR / PLASTIC | 1 | 1 | |
| 6 | 950284 | . CAP / PROTECTOR / FOR GAUGE | 1 | 1 | |
| 7 | 507169 | O-RING 1/2 I.D. | 2 | 2 | |
| 8 | 501311 | ADAPTER / PIPE FITTING / 3/8NPT-Fx1/4NPT-M BR | 1 | 1 | |
| 9 | 501332 | STREET ELBOW 90° / PIPE FITTING / 1/4NPT-Mx1/4NPT-F BR | 1 | 1 | |
| 10 | 501449 | PLUG HEXS / PIPE FITTING / 3/8NPT-M STL | 1 | 1 | |
| 11 | 455377P | FILTER DRYER ASSY To D-5374 | 1 | 1 | |
| . NS | 501829 | . O-RING / ORS FITTING / #12 NEO To D-5374 | 1 | 1 | |
| 12 | 950332 | . FILTER DRYER | 1 | 1 | |
| . NS | 507370 | . O-RING #10 | 1 | 1 | U |
| 13 | 950333 | . MOISTURE INDICATOR | 1 | 1 | |
| 14 | 950029 | . CAP, MOISTURE INDICATOR | 1 | 1 | |
| 15 | 504026 | HOSE CLAMP / 2"13/16-3"3/4 SS / HS-52 | 2 | 2 | |
| 16 | 455411 | SUPPORT / FILTER DRYER From D-5375 | 1 | 1 | |
| 20 | 455343 | HOSE ASSY / PIPE TO COND / #16 1143MM / SS BELLOW | 1 | 1 | |
| NS | 501802 | . O-RING / ORS FITTING / #16 NEO | 1 | 1 | |
| NS | 507169 | . O-RING 1/2 I.D. | 1 | 1 | |
| 22 | 455314 | HOSE ASSY / #12 1558MM | 1 | 1 | |
| NS | 505110 | . COIL PROTECTOR / PLASTIC / #12 | AR | AR | |
| 22 | 501829 | O-RING / ORS FITTING / #12 NEO | 1 | 1 | |
| 23 | 454673 | HOSE ASSY / #12 1630MM To C-5132 | 1 | 1 | |
| . NS | 505182 | . COIL PROTECTOR / PLASTIC / #16 To C-5132 | AR | AR | |
| 23 | 454701 | HOSE ASSY / #12 1845MM From C-5133 To D-5374 | 1 | 1 | |
| . NS | 505182 | . COIL PROTECTOR / PLASTIC / #16 From C-5133 To D-5374 | 1 | 1 | |
| 23 | 455412 | HOSE ASSY / #12 2150MM From D-5375 | 1 | 1 | |
| . NS | 505182 | . COIL PROTECTOR / PLASTIC / #16 From D-5375 | AR | AR | |
| 24 | 455375 | HOSE ASSY / #10 7620MM To D-5374 | 1 | 1 | |
| . NS | 507344 | . O-RING / ORS FITTING / #10 NEO To D-5374 | 2 | 2 | |
| 24 | 455413 | HOSE ASSY / #10 7790MM From D-5375 | 1 | 1 | |
| . NS | 507344 | . O-RING / ORS FITTING / #10 NEO From D-5375 | 2 | 2 | |
| 25 | 454239 | HOSE ASSY / #20 2210MM To D-5458 | 1 | 1 | |
| . NS | 501803 | . O-RING / ORS FITTING / #20 NEO To D-5458 | 1 | 1 | |
| 25 | 454705 | HOSE ASSY / #20 2335MM From D-5459 | 1 | 1 | |



| | | |
|---|---------------------|------------------------|
| From B-5003 To D-5489 | Date:10/2022 | PAGE:XV-2270-00 |
| RECEIVER TANK & FILTER DRYER | | |

| Item# | Part | Description | X 3 V I P | X L I I E N T 4 5 | N O T E S |
|-------|-------------------|---|-----------------------|---|-----------------------|
| . NS | 501803 | . O-RING / ORS FITTING / #20 NEO From D-5459 | 1 | 1 | |
| 26 | 455349 | HOSE ASSY / #12 330MM To D-5458 | 1 | 1 | |
| . NS | 501829 | . O-RING / ORS FITTING / #12 NEO To D-5458 | 1 | 1 | |
| 26 | 454708 | HOSE ASSY / #12 415MM From D-5459 | 1 | 1 | |
| . NS | 501829 | . O-RING / ORS FITTING / #12 NEO From D-5459 | 1 | 1 | |
| 27 | 507370 | O-RING #10 | 2 | 2 | |
| 28 | Call order desk | PIPE ASSY | 1 | 1 | P |
| 28 | Call order desk | PIPE ASSY | 1 | 1 | P |
| 30 | 5001780 | SCREW CAP HEXF M8-1.25x16 G8.8 N500 | 4 | 4 | |
| 33 | 216725 | SUPPORT RECEIVER TANK / WELDED TO STRUCTURE | 1 | 1 | |
| 40 | 504022 | HOSE CLAMP / 3/4"-1"3/4 SS / HS-20 | 5 | 5 | |
| 41 | 504026 | HOSE CLAMP / 2"13/16-3"3/4 SS / HS-52 | 3 | 3 | |
| 42 | 504384 | CUFF END BELLOW / 1 1/4" I.D. x 1 3/4" x 4" | 4 | 4 | |
| 43 | 451075 | PROTECTOR HOSE SPLIT / 7/8" O.D. x 3" | 2 | 2 | |
| 44 | 504024 | HOSE CLAMP / 1"13/16"-2"3/4 SS / HS-36 | 4 | 4 | |
| NS | 504016 | CABLE TIE / 5/16" X 14"1/2 | AR | AR | |
| 46 | 504442 | CUFF END BELLOW / 1 1/4" I.D. x 3 1/2" x 4 1/2" | 1 | 1 | |
| 47 | 952629 | CLAMP / 5/8" I.D. | 1 | 1 | |
| 47 | 500957 | SCREW TP BDG PH #10x3/4 N500 | 1 | 1 | |
| 50 | XV-2222-15 | A/C LINE REAR SECTION W/05G To D-5458 | | | |
| 50 | XV-2222-16 | A/C LINE REAR SECTION W/ "BITZER" From D-5459 | | | |
| 51 | XV-2208-10 | REFRIGERANT SOLENOID VALVE | | | |
| 52 | XV-2255-00 | CONDENSOR - INSTALLATION | | | |
| 53 | XV-1865-20 | EVAPORATOR & CONDENSOR WALL INSTALLATION To C-5096 | | | |
| 53 | XV-1865-21 | EVAPORATOR & CONDENSOR WALL INSTALLATION From C-5097 | | | |
| 55 | XV-0410-00 | UREA RESERVOIR ASSY | | | |
| 60 | 453066 | DECAL R134A / NOMINAL CHARGE 24 LBS // ENGLISH & FRANCAIS | 1 | 1 | |
| 60 | 454180 | DECAL R134A / NOMINAL CHARGE 24 LBS // ENGLISH & SPANISH | 1 | 1 | |
| | | | | | |
| | | | | | |
| | | | | | |
| | | | | | |
| | | P) CALL ORDER DESK FOR SPECIFIC APPLICATION (V.I.N.) | | | |
| | | U) UNDER CONSTRUCTION | | | |



| | | |
|-------------|--------------|-------|
| | Date:10/2022 | XV-23 |
| ACCESSORIES | | |

Accessories Air System 5

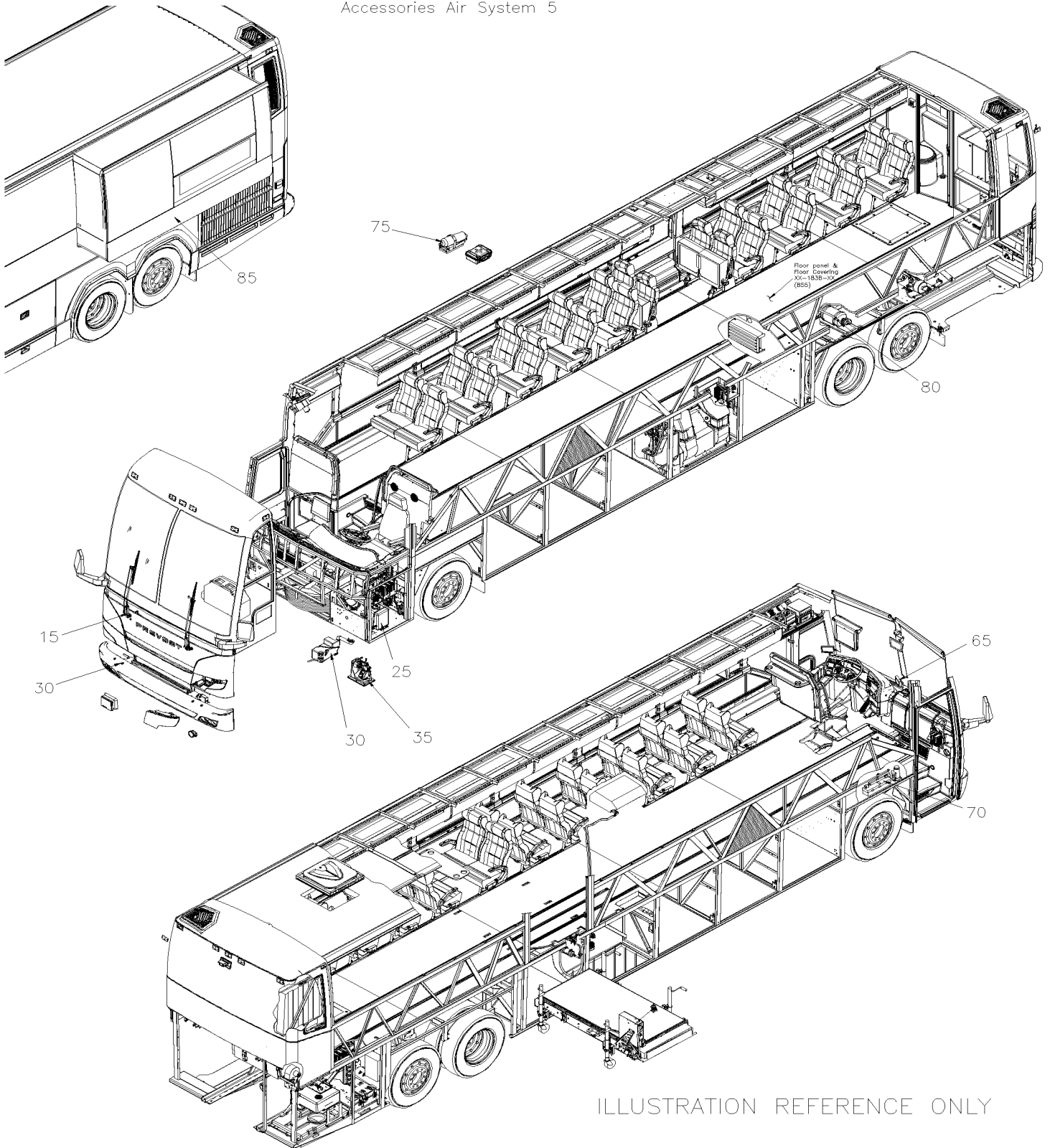


ILLUSTRATION REFERENCE ONLY



| | | Date:10/2022 | XV-23 | | |
|-------------|------------|--|-----------------------|---|-----------------------|
| ACCESSORIES | | | | | |
| Item# | Part | Description | X 3 V I P | X L I I E N T 4 5 | N O T E S |
| 5 | XV-2300-50 | ACCESSORIES AIR SYSTEM - MTH From B-5003 To D-5489 | | | |
| 10 | XV-2300-90 | "SLIDE-OUT" AIR SYSTEM From B-5003 To D-5489 | | | |
| 15 | XV-2305-00 | LOWER WINDSHIELD WIPER From B-5003 To D-5489 | | | |
| 15 | XV-2305-05 | LOWER WINDSHIELD WIPER - INSTALLATION From B-5003 To D-5489 | | | |
| 25 | XV-2305-20 | WINDSHIELD WASHER - INSTALLATION From B-5003 To D-5489 | | | |
| 30 | XV-2305-25 | HEAD LAMP CLEANING WASHER TANK From B-5003 To D-5489 | | | |
| 35 | XV-2310-00 | HORN - INSTALLATION From B-5003 To D-5489 | | | |
| 65 | XV-2319-00 | VOLVO LINK ANTENNA - INSTALLATION From B-5003 To D-5489 | | | |
| 70 | XV-2320-00 | JACK & FLARE KIT - INSTALLATION From B-5003 To D-5489 | | | |
| 75 | XV-2320-30 | EXTINGUISHER - INSTALLATION From B-5003 To D-5489 | | | |
| 80 | XV-2320-50 | FIRE PROTECTION SYSTEM From B-5003 To C-5266 | | | |
| 80 | XV-2320-51 | FIRE PROTECTION SYSTEM / HEATER & EVAPORATOR COMPARTMENT From C-5267 To D-5489 | | | |
| 85 | XV-2390-00 | "SLIDE-OUT" INFLATED SEAL From B-5003 To D-5489 | | | |
| 85 | XV-2390-10 | "SLIDE-OUT" AIR CONTROL PANEL - MUX From B-5003 To D-5489 | | | |
| 85 | XV-2390-20 | "SLIDE-OUT" - FRONT MECHANISM - INSTALLATION From B-5003 To D-5489 | | | |
| 85 | XV-2390-30 | "SLIDE-OUT" - REAR MECHANISM INSTALLATION From B-5003 To D-5489 | | | |
| 85 | XV-2390-40 | "SLIDE-OUT" - BED SUPPORT From B-5003 To D-5489 | | | |
| 85 | XV-2390-50 | "SLIDE-OUT" - INSTALLATION From B-5003 To D-5489 | | | |

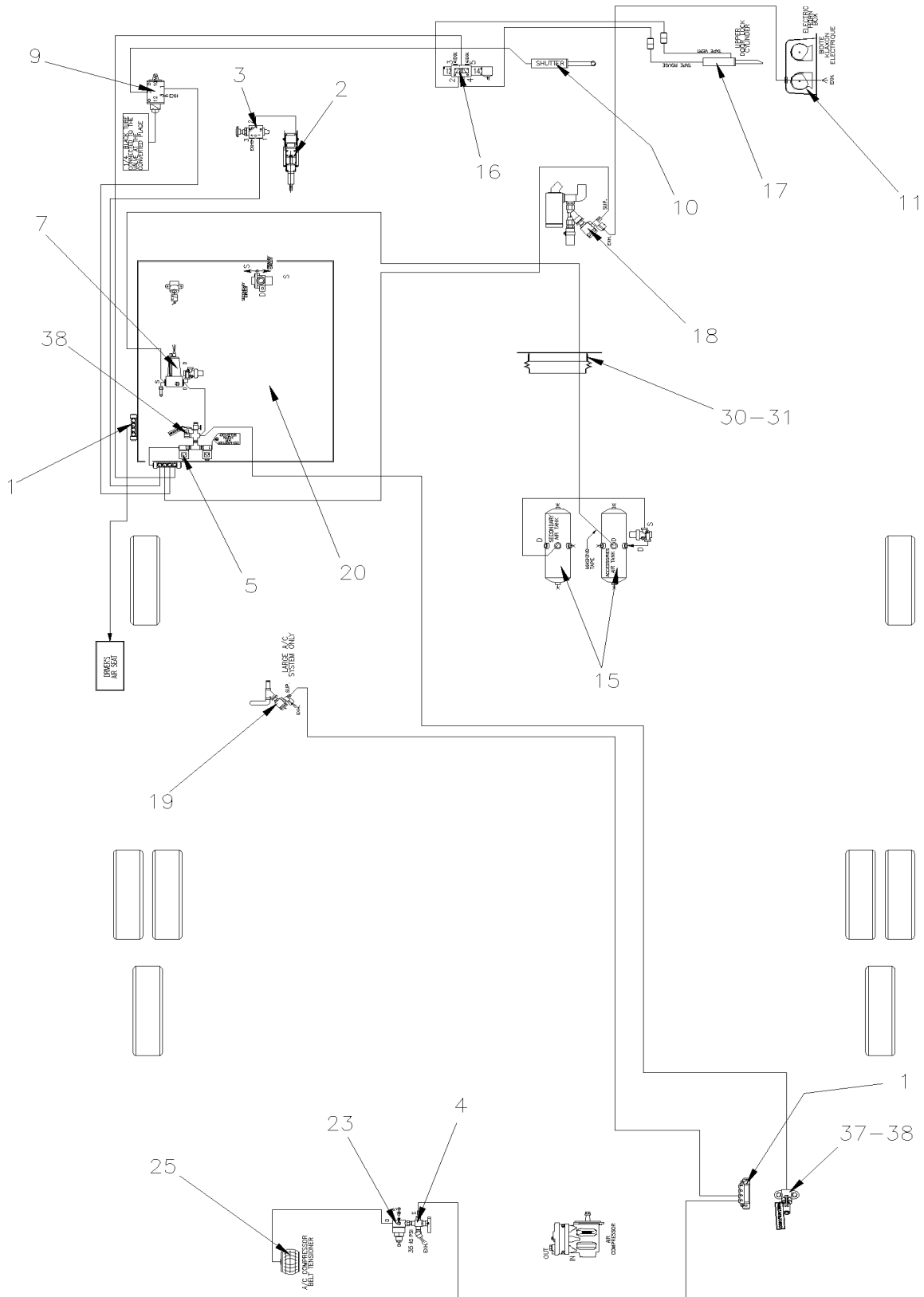


From B-5003 To D-5489

Date:10/2022

PAGE:XV-2300-50

ACCESSORIES AIR SYSTEM - MTH



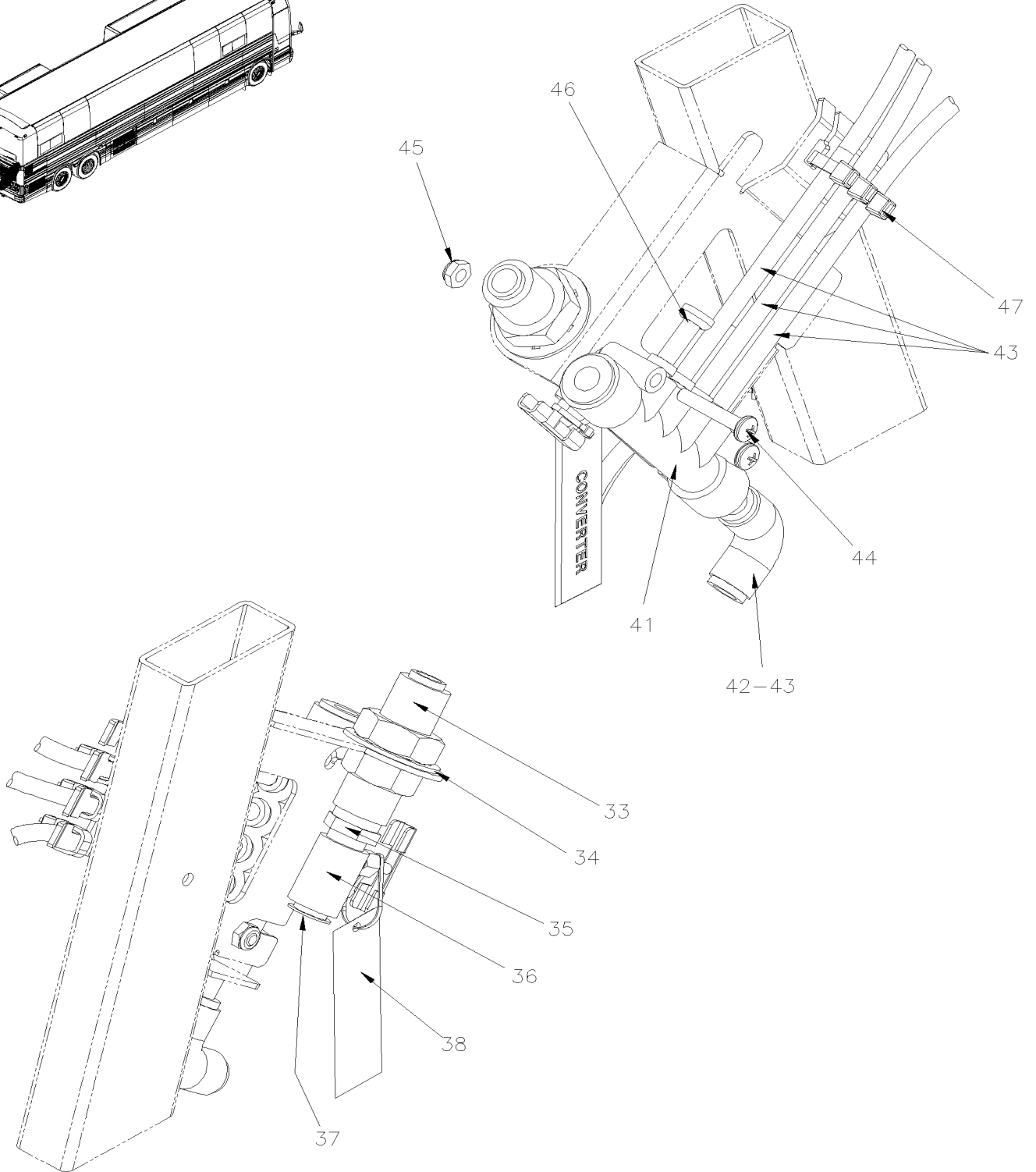
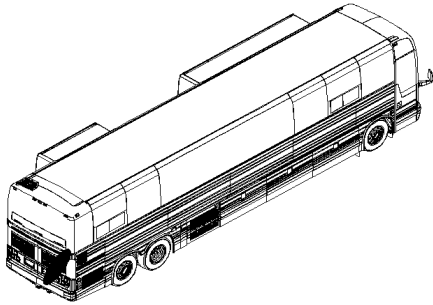


From B-5003 To D-5489

Date:10/2022

PAGE:XV-2300-50

ACCESSORIES AIR SYSTEM - MTH





| | | |
|-------------------------------------|--------------|-----------------|
| From B-5003 To D-5489 | Date:10/2022 | PAGE:XV-2300-50 |
| ACCESSORIES AIR SYSTEM - MTH | | |

| Item# | Part | Description | X 3 V I P | X L I I E N T 4 5 | N O T E S |
|-------|-------------------|---|-----------------------|---|-----------------------|
| 1 | 641897 | MANIFOLD / PUSH-IN FITTING / 2x#6 / 4x#4 PLAS | 1 | 1 | |
| 1 | 20462708 | ELBOW 90° STEM / PUSH-IN FITTING / #6x#6STEM PLAS To E-5718 | 1 | 1 | |
| 1 | 647894 | ELBOW 90° STEM / PUSH-IN FITTING / #6x#6STEM PLAS From E-5719 | 1 | 1 | |
| 2 | XV-1405-00 | STEERING WHEEL & COLUMN ASSY WITH CONTROL SWITCHES | | | |
| 3 | 641445 | VALVE, 3 WAYS, 2 POSITIONS MECHANICAL To D-5458 | 1 | 1 | |
| . NS | 641992 | . KNOB To D-5458 | 1 | 1 | |
| 3 | 642173 | VALVE, 3 WAYS, 2 POSITIONS MECHANICAL From D-5459 | 1 | 1 | |
| 4 | 641417 | VALVE, 3 WAYS 1/8NPT-Fx1/8NPT-Fx1/8NPT-F BR To C-5132 | 1 | 1 | |
| . NS | 642014 | . HANDLE / RED To C-5132 | 1 | 1 | |
| 4 | 642161 | VALVE, 3 WAYS 1/8NPT-Fx1/8NPT-Fx1/8NPT-F BR From C-5133 | 1 | 1 | |
| . NS | 642014 | . HANDLE / RED From C-5133 | 1 | 1 | |
| 5 | 562804 | VALVE, 2 WAYS N.C. | 2 | 2 | |
| . NS | 562848 | . CONNECTOR / SOCKET HOUSING ASSY 3C / PNEUMAC 54933-05 | 1 | 1 | |
| 7 | XV-1220-15 | AIR FILTER - ACCESSORIES | | | |
| 8 | XV-0645-21 | CENTER DASHBOARD PANEL WITH "EPA 2010" | | | |
| 9 | N.P.N. | SUPPLIED BY CONVERTER | | | 4 |
| 10 | 053011 | SHUTTER ASSY | 1 | 1 | |
| 11 | XV-2310-00 | HORN - INSTALLATION | | | |
| 15 | 141834 | AIR TANK / 1303 IN° / 8" O.D. X 27"1/2 | 2 | 2 | |
| 16 | 642023 | VALVE, 5 WAYS, 2 POSITIONS 24V / MODEL V19 | 1 | 1 | |
| . NS | 641385 | . CONNECTOR / SOCKET HOUSING ASSY 3C / PNEUMAC 54934-01 | 1 | 1 | |
| 17 | 287012 | UPPER LOCK ASSY | 1 | 1 | |
| 18 | XV-2207-05 | WATER VALVE - HEATER | | | |
| 19 | XV-2207-00 | WATER VALVE - HEATER | | | |
| 20 | XV-1640-50 | LEVEL-LOW - CONTROL PANEL & VALVES | | | |
| 23 | 641472 | AIR PRESSURE REGULATOR 1/4" NPT / COPPER | 2 | 2 | |
| 25 | 550840 | BELLOW ASSY / BELT TENSIONER / 4" O.D. | 3 | 3 | |
| 30 | 504499 | CUFF END BELLOW / 2 7/8" I.D. x 3 5/8" x 4 7/16 | 1 | 1 | |
| 31 | 141567 | PROTECTOR RUBBER 100MM | 1 | 1 | |
| 33 | 642157 | BULKHEAD FEMALE CONNECTOR / PUSH-IN FITTING / #6x3/8NPT-F BR | 1 | 1 | |
| 34 | 500489 | WASHER LO INT .894x1.410x.060 Z050 | 1 | 1 | |
| 35 | 501314 | BUSHING REDUCER / PIPE FITTING / 3/8NTP-Mx1/4NPT-F BR | 1 | 1 | |
| 36 | 5011129 | NEEDLE VALVE 1/4 NPT M x 1/4 NPT F | 1 | 1 | |
| 36 | 680098 | THREAD SEALANT LOCTITE #567 / WHITE / 250ml | AR | AR | |
| 37 | 680408 | CAP PLUG (ID 0.402, OD 0.471) | 1 | 1 | |
| 38 | 391812 | IDENTIFICATION PLATE (CONVERTER) | 1 | 1 | |
| 38 | 504273 | CABLE TIE / 1/8" X 3"1/2 | 1 | 1 | |
| 41 | 641897 | MANIFOLD / PUSH-IN FITTING / 2x#6 / 4x#4 PLAS | 1 | 1 | |
| 42 | 641436 | UNION ELBOW 90° / PUSH-IN FITTING / #6x#6 BR | 1 | 1 | |
| 43 | 503402 | TUBE, NYLON 1/4 O.D. / BLACK S.L. | AR | AR | |
| 44 | 5001042 | SCREW MA RND PH #10-32x1 1/4 SS | 2 | 2 | |
| 45 | 500423 | NUT HEX NYRT #10-32 SS | 2 | 2 | |



| | | |
|-------------------------------------|--------------|-----------------|
| From B-5003 To D-5489 | Date:10/2022 | PAGE:XV-2300-50 |
| ACCESSORIES AIR SYSTEM - MTH | | |

| Item# | Part | Description | X 3 V I P | X L I I E N T 4 5 | N O T E S |
|-------|-------------------|---|-----------------------|---|-----------------------|
| 46 | 641416 | PLUG STEM / PUSH-IN FITTING / #4 PLAS | 1 | 1 | |
| 47 | 504637 | CABLE TIE / 3/16" x 13" | 3 | 3 | |
| 50 | XV-0665-00 | ENGINE COMPARTMENT - ELECTRIC COMPONENTS | | | |
| | | | | | |
| | | | | | |
| | | | | | |
| | | 4) NO PARTS NUMBER | | | |

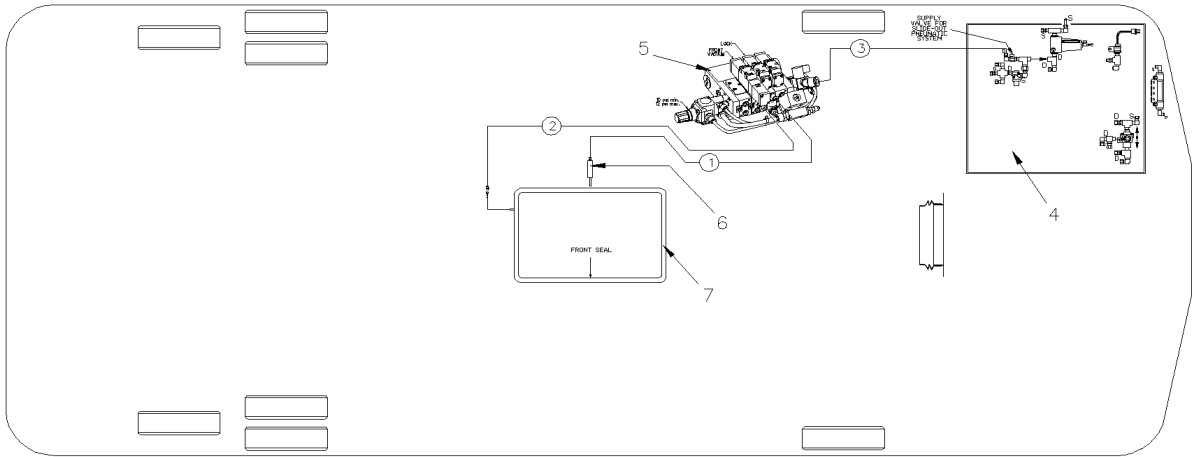


From B-5003 To D-5489

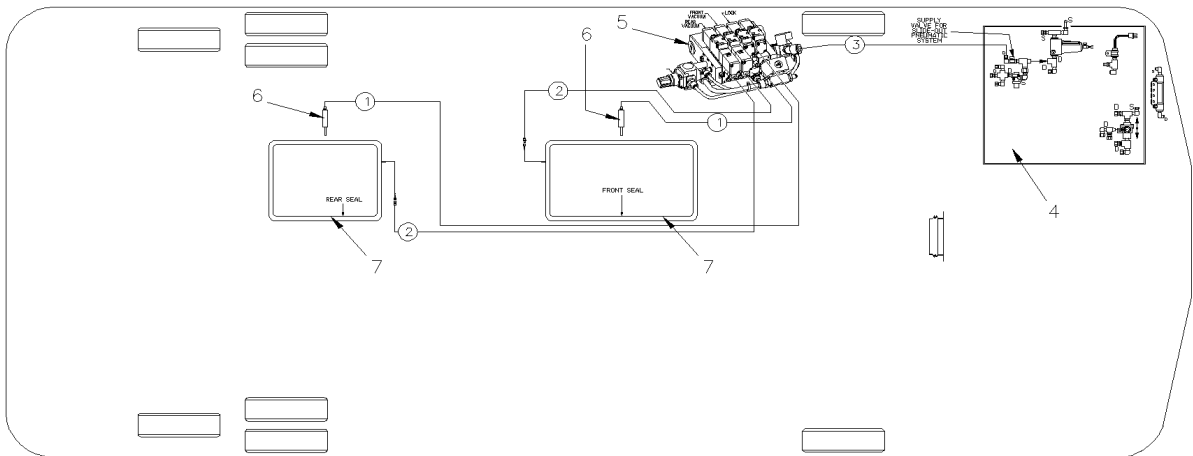
Date:10/2022

PAGE:XV-2300-90

"SLIDE-OUT" AIR SYSTEM



WITH FRONT SINGLE SLIDE-OUT



WITH DOUBLE SLIDE-OUT



| | | |
|-----------------------|--------------|-----------------|
| From B-5003 To D-5489 | Date:10/2022 | PAGE:XV-2300-90 |
|-----------------------|--------------|-----------------|

"SLIDE-OUT" AIR SYSTEM

| Item# | Part | Description | X 3 V I P | X L I I E N T 4 5 | N O T E S |
|-------|-------------------|---|-----------------------|---|-----------------------|
| 1 | 503536 | TUBE, NYLON 1/8 O.D. / BLACK S.L. | AR | AR | |
| 2 | 503404 | TUBE, NYLON 3/8 O.D. / BLACK S.L. | AR | AR | |
| 3 | 503488 | TUBE, NYLON 1/2 O.D. / BLACK S.L./ | AR | AR | |
| 4 | XV-1640-50 | LEVEL-LOW - CONTROL PANEL & VALVES | | | |
| 5 | XV-2390-10 | "SLIDE-OUT" AIR CONTROL PANEL - MUX | | | |
| 6 | XV-2390-20 | "SLIDE-OUT" - FRONT MECHANISM - INSTALLATION | | | |
| 6 | XV-2390-30 | "SLIDE-OUT" - REAR MECHANISM INSTALLATION | | | |
| 7 | XV-2390-00 | "SLIDE-OUT" INFLATED SEAL | | | |
| 8 | 642095 | UNION "Y" / PUSH-IN FITTING / #2x#2x#2 PLAS | AR | AR | |
| | | | | | |
| | | | | | |
| | | | | | |

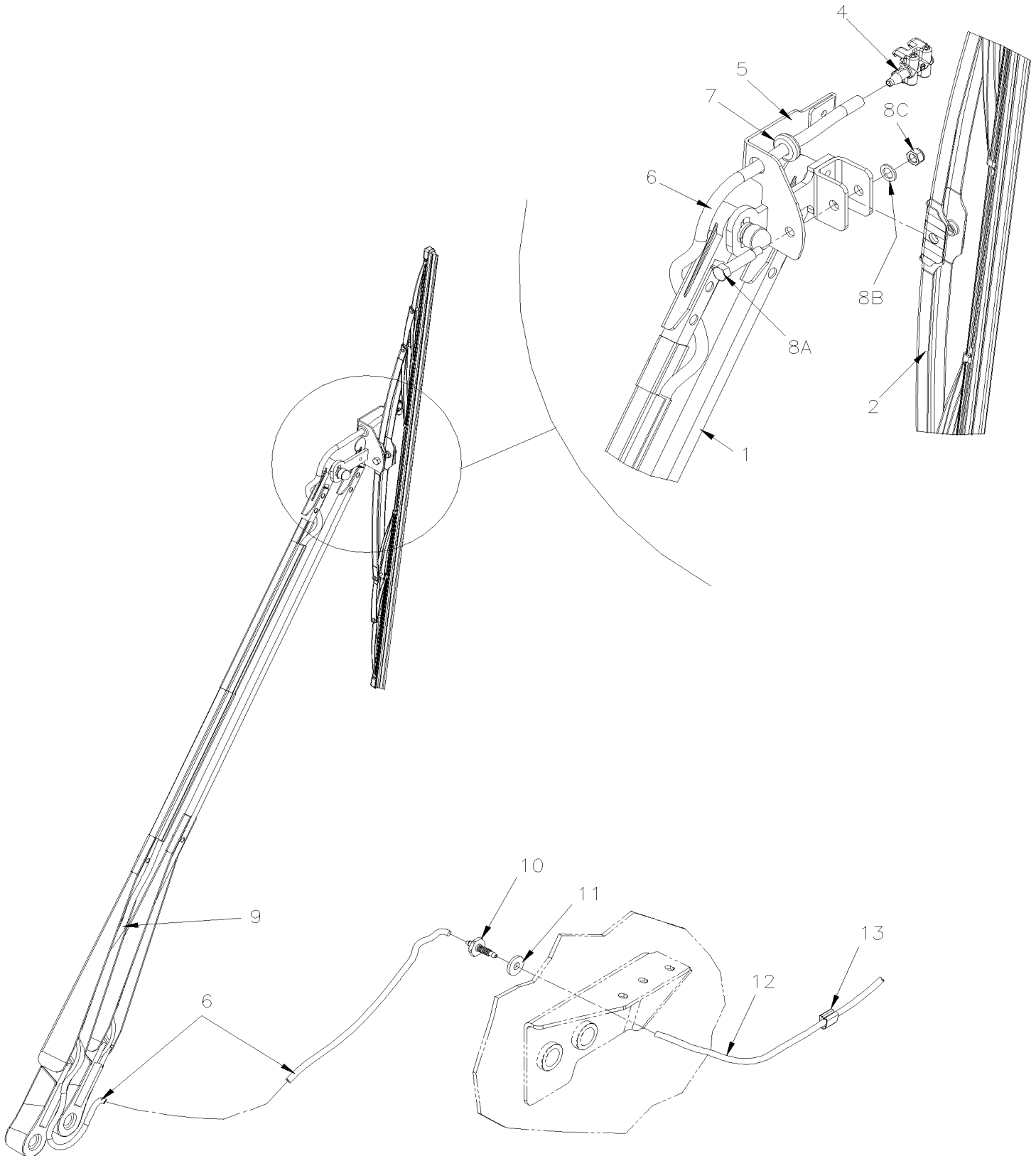


From B-5003 To D-5489

Date:10/2022

PAGE:XV-2305-00

LOWER WINDSHIELD WIPER





| | | |
|------------------------------|---------------------|------------------------|
| From B-5003 To D-5489 | Date:10/2022 | PAGE:XV-2305-00 |
|------------------------------|---------------------|------------------------|

LOWER WINDSHIELD WIPER

| Item# | Part | Description | X 3 V I P | X L I I E N T 4 5 | N O T E S |
|-------|-----------------|--|-----------------------|---|-----------------------|
| 1 | 800359 | ARM WIPER ASSY | 1 | 1 | |
| . NS | 800362 | . CAP CLOSING LOWER MAIN ARM | 1 | 1 | |
| . NS | 800363 | . CAP CLOSING LOWER IDLER ARM | 1 | 1 | |
| 2 | 800378 | WIPER BLADE 700MM | 1 | 1 | |
| 4 | 800361 | NOZZLE, WINDSHIELD WASHER "DOGA" | 1 | 1 | |
| 5 | 300552 | NOZZLE SUPPORT / DRIVER'S SIDE | 1 | 1 | |
| 6 | Call order desk | HOSE 1400MM 1/8" I.D | 1 | 1 | P |
| 6 | 503696 | . HOSE 1/8" I.D | AR | AR | |
| 7 | 504529 | GROMMET / .250x.375x.062x.281x.625 | 1 | 1 | |
| 8A | 800345 | SCREW SHR CAP HEX M6X25 [M4-0.7 | 1 | 1 | |
| 8A | 680038 | THREAD LOCKER LOCTITE #243 / BLUE / 50ml | AR | AR | |
| 8C | 502557 | NUT HEX NYRT M4-0.7 SS | 1 | 1 | |
| 9 | 948702 | TIE CABLE BK 85 X 2.5 | 1 | 1 | |
| 10 | 300469 | ADAPTOR HOSE #3 / WET ARM M8-1.25 x 44MM | 1 | 1 | |
| 11 | 502220 | WASHER FL .375x1.000x.125 RUB | 1 | 1 | |
| 12 | 503002 | HOSE / EPDM 5/32" I.D. / S.L. | AR | AR | |
| NS | 561681 | CONVOLUTED TUBING / SLIT / BLACK & GRAY / .350" | AR | AR | |
| 13 | 504536 | CABLE CLIP 1/2" / ADHESIVE | AR | AR | |
| NS | 504273 | CABLE TIE / 1/8" X 3"1/2 | AR | AR | |
| NS | 504637 | CABLE TIE / 3/16" x 13" | AR | AR | |
| | | | | | |
| | | | | | |
| | | | | | |
| | | P) CALL ORDER DESK FOR SPECIFIC APPLICATION (V.I.N.) | | | |

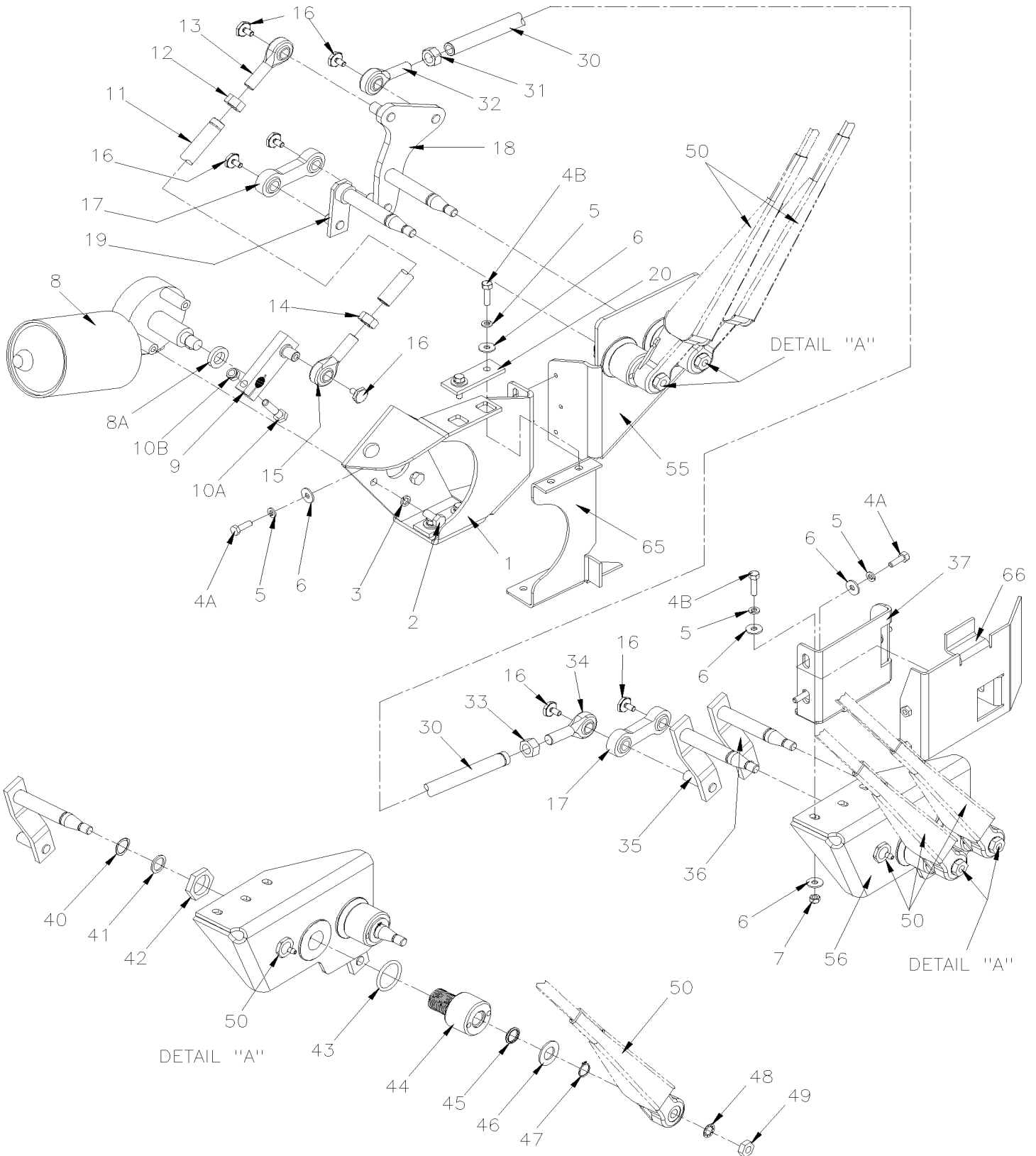


From B-5003 To D-5489

Date:10/2022

PAGE:XV-2305-05

LOWER WINDSHIELD WIPER - INSTALLATION





From B-5003 To D-5489 Date:10/2022 PAGE:XV-2305-05

LOWER WINDSHIELD WIPER - INSTALLATION

| Item# | Part | Description | X 3 V I P | X L I I E N T 4 5 | N O T E S |
|-------|---------|---|-----------------------|---|-----------------------|
| 1 | 300415 | SUPPORT ELECTRIC MOTOR | 1 | 1 | |
| 1 | 300543 | SHIM 20GA | 1 | 1 | |
| 1 | 300544 | SHIM 24GA | 1 | 1 | |
| 2 | 5001217 | SCREW CAP HEX M8-1.25x20 G10.9 | 3 | 3 | |
| 3 | 500942 | WASHER LO SPT 8.1x14.8x2.0 N500 | 3 | 3 | |
| 4A | 502830 | SCREW CAP HEX M6-1.0x20 G8.8 N500 | 6 | 6 | |
| 4B | 5001209 | SCREW CAP HEX M6-1.0x25 G8.8 Z050 | 7 | 7 | |
| 5 | 502564 | WASHER LO SPT 6.1x11.8x1.6 Z050 | 13 | 13 | |
| 6 | 5001462 | WASHER FL 6.4x18.0x1.6 Z050 | 16 | 16 | |
| 7 | 502681 | NUT HEX NYRT M6-1.0 N500 G8 | 3 | 3 | |
| 8 | 800328 | MOTOR WIPER ASSY / 24V / BOSCH To D-5419 | 1 | 1 | |
| 8 | 800380 | MOTOR WIPER ASSY / 24V / BOSCH From D-5420 | 1 | 1 | |
| 8A | 300424 | WASHER | 1 | 1 | |
| 9 | 300445 | CRANK ARM | 1 | 1 | |
| 10A | 502651 | . SCREW CAP HEX M8-1.25x35 G8.8 Z050 | 1 | 1 | |
| 10B | 500868 | . NUT HEX NYRT M8-1.25 Z050 | 1 | 1 | |
| 11 | 300363 | ROD ASSY 254MM C/C | 1 | 1 | |
| 11 | 300344 | . ROD 179MM | 1 | 1 | |
| 12 | 5001466 | . NUT HEX LH M12-1.75 N500 | 1 | 1 | |
| 13 | 502253 | . ROD END MALE L.H. M12-1.75-L.HH / 12MM I.D. | 1 | 1 | |
| 14 | 5001757 | . NUT HEX M12-1.75 N500 | 1 | 1 | |
| 15 | 502252 | . ROD END MALE M12-1.75 / 12MM I.D. | 1 | 1 | |
| 16 | 507613 | SCREW CAP HEX M6-1.0x12 / W/17MM HEAD ZP | 7 | 7 | |
| 17 | 502256 | DOUBLE LINK 60MM | 1 | 1 | |
| 18 | 300515 | COUPLING PLATE ASSY | 1 | 1 | |
| 19 | 300519 | DRIVE LEVER ASSY EXT | 1 | 1 | |
| 20 | 300426 | PLATE 25MMx70MM | 2 | 2 | |
| 30 | 300362 | ROD ASSY 1168MM C/C | 1 | 1 | |
| 30 | 300332 | . ROD 1093MM | 1 | 1 | |
| 31 | 5001757 | . NUT HEX M12-1.75 N500 | 1 | 1 | |
| 32 | 502252 | . ROD END MALE M12-1.75 / 12MM I.D. | 1 | 1 | |
| 33 | 5001466 | . NUT HEX LH M12-1.75 N500 | 1 | 1 | |
| 34 | 502253 | . ROD END MALE L.H. M12-1.75-L.HH / 12MM I.D. | 1 | 1 | |
| 35 | 300524 | DRIVE LEVER ASSY INT. | 1 | 1 | |
| 36 | 300521 | DRIVE LEVER ASSY EXT. | 1 | 1 | |
| 37 | 300336 | TRANSITION SUPPORT | 1 | 1 | |
| 40 | 5001471 | WASHER SPR WAVE .855x.650x.015 | 4 | 4 | |
| 41 | 5001459 | WASHER SPR WAVE 16.0x22.0x1.5 | 4 | 4 | |
| 42 | 5001463 | NUT HEX JAM 1-14 Z050 | 4 | 4 | |
| 43 | 507366 | O-RING | 4 | 4 | |
| 44 | 300333 | CAP-HOUSING | 4 | 4 | |
| . NS | 5001455 | . BUSHING BRASS 16X20X20 | 2 | 2 | |



| | | |
|--|--------------|-----------------|
| From B-5003 To D-5489 | Date:10/2022 | PAGE:XV-2305-05 |
| LOWER WINDSHIELD WIPER - INSTALLATION | | |

| Item# | Part | Description | X 3 V I P | X L I I E N T 4 5 | N O T E S |
|-------|-------------------|---|-----------------------|---|-----------------------|
| NS | 680739 | GREASE SYNTHETIC / RED 20KG | AR | AR | |
| 45 | 507369 | O-RING W/BACKING | 4 | 4 | |
| 46 | 5001460 | WASHER FL .640x1.188x0.073 SS | 4 | 4 | |
| 47 | 504691 | RING RETAINER / EXT .625 x .588 x .035" / SS | 4 | 4 | |
| 48 | 500823 | WASHER LO INT 10.5x18.0x0.9 BK | 4 | 4 | |
| 49 | 502567 | NUT HEX M10-1.5 SS | 4 | 4 | |
| NS | 680038 | THREAD LOCKER LOCTITE #243 / BLUE / 50ml | AR | AR | |
| 50 | XV-2305-00 | LOWER WINDSHIELD WIPER | | | |
| 55 | N.S.S. | SUPPORT R.H. | 1 | 1 | 1 A |
| 56 | N.S.S. | SUPPORT L.H. | 1 | 1 | 1 A |
| 65 | 251087 | SUPPORT WIPER R.H. | 1 | 1 | |
| 66 | 251086 | SUPPORT WIPER L.H. | 1 | 1 | |
| | | | | | |
| | | | | | |
| | | A) THIS PART IS FIXED IN FRONT FIBERGLASS CAP | | | |
| | | 1) NOT SOLD SEPARATELY | | | |



| | | |
|---|--------------|-----------------|
| From B-5003 To D-5489 | Date:10/2022 | PAGE:XV-2305-20 |
| WINDSHIELD WASHER - INSTALLATION | | |

| Item# | Part | Description | X 3 V I P | X L I I E N T 4 5 | N O T E S |
|-------|--------|--|-----------------------|---|-----------------------|
| 1 | 800326 | WINDSHIELD WASHER TANK To C-5113 | 1 | 1 | |
| 1 | 800379 | WINDSHIELD WASHER TANK From C-5114 | 1 | 1 | |
| 2 | 800346 | . PUMP WINDSHIELD WASHER 24V | 2 | 2 | |
| 3 | 800348 | . SEAL RETAINER | 5 | 5 | |
| 4 | 800349 | . SEAL RETAINER | 1 | 1 | |
| 5 | 800347 | . SENSOR LEVEL-LOW / "BOSCH" To C-5113 | 1 | 1 | S |
| . NS | 562426 | . . CONNECTOR / METRI-PACK 150.2 P2S / SH 2C / PED 12162193 To C-5113 | 1 | 1 | S |
| . NS | 562857 | . . SOCKET TERMINAL / 18-16 / PED 12089340 To C-5113 | 2 | 2 | S |
| 5 | 800364 | . SENSOR LEVEL-LOW From C-5114 | 1 | 1 | |
| . NS | 563409 | . . CONNECTOR / SUPERSEAL 1.5 SERIES / SH 2C / AMP 282080-1 From C-5114 | 1 | 1 | |
| . NS | 562607 | . . SOCKET TERMINAL / 20-16 / AMP 183025-1 From C-5114 | 2 | 2 | |
| 5 | 067948 | . CABLE ASSY / ADAPTOR / NEW LEVEL (SERVICE ONLY) To C-5113 | 1 | 1 | S |
| 6 | 800352 | . ELBOW 90° | 2 | 2 | |
| 7 | 560382 | . PLASTIC TUBING / 1/4" / CLEAR | AR | AR | |
| 8 | 800350 | . COVER WASHER RESERVOIR | 1 | 1 | |
| 9 | 800351 | . CHECK VALVE | 1 | 1 | |
| 20 | 503002 | HOSE / EPDM 5/32" I.D. / S.L. | AR | AR | |
| 30 | 286422 | SUPPORT / WINDSHIELD WASHER TANK / WELDED TO STRUCTURE | 1 | 1 | |
| 31 | 287097 | STRAP RETAINING SS / 330MM x 196MM | 1 | 1 | |
| | | | | | |
| | | | | | |
| | | | | | |
| | | S) THIS SENSOR LEVEL IT SUPPERSEDED BY # 800364 AND YOU NEED CABLE ADAPTOR # 067948 TO REPLACE | | | |

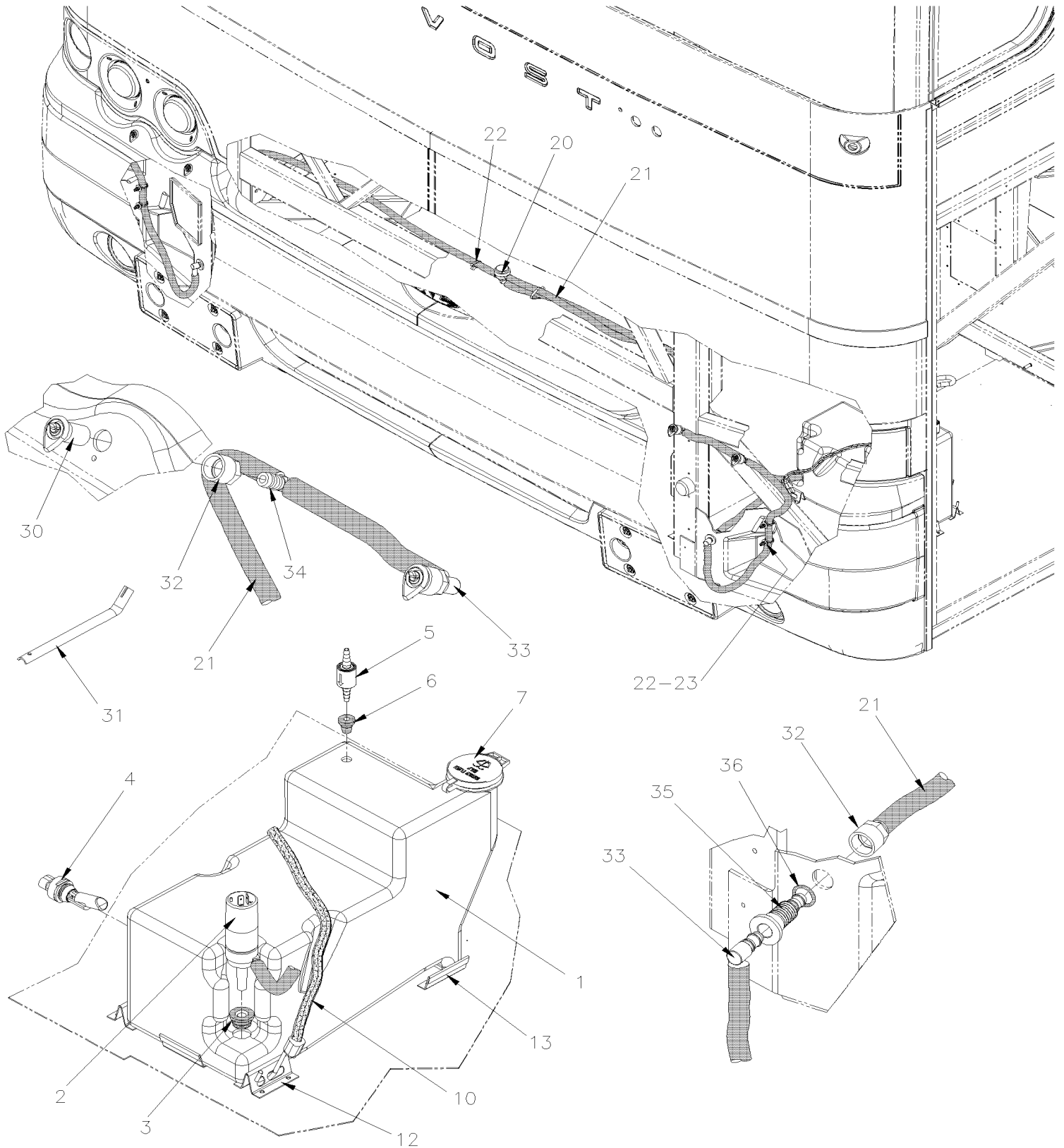


From B-5003 To D-5489

Date:10/2022

PAGE:XV-2305-25

HEAD LAMP CLEANING WASHER TANK





| | | |
|---------------------------------------|--------------|-----------------|
| From B-5003 To D-5489 | Date:10/2022 | PAGE:XV-2305-25 |
| HEAD LAMP CLEANING WASHER TANK | | |

| Item# | Part | Description | X 3 V I P | X L I I E N T 4 5 | N O T E S |
|-------|----------|---|-----------------------|---|-----------------------|
| | 300573P | HEADLAMP WASHER TANK ASSY | 1 | 1 | |
| 1 | 300577P | . HEADLAMP WASHER TANK | 1 | 1 | |
| 2 | 800367 | . PUMP SEALBEAM WASHER | 1 | 1 | |
| 3 | 800368 | . GROMMET PUMP | 1 | 1 | |
| 4 | 800364 | . SENSOR LEVEL-LOW | 1 | 1 | |
| . NS | 563409 | . . CONNECTOR / SUPERSEAL 1.5 SERIES / SH 2C / AMP 282080-1 | 1 | 1 | |
| . NS | 562607 | . . SOCKET TERMINAL / 20-16 / AMP 183025-1 | 2 | 2 | |
| 5 | 800351 | . CHECK VALVE | 1 | 1 | |
| 6 | 800348 | . SEAL RETAINER | 1 | 1 | |
| 7 | 20462640 | . COVER WASHER RESERVOIR | 1 | 1 | |
| 10 | 504731 | TIE RUBBER BELT, W/HOOK 15" | 1 | 1 | |
| 12 | 300563 | RESERVOIR SUPPORT FOR HOOK / HEADLAMP WASH. | 4 | 4 | |
| 13 | 300570 | RESERVOIR SUPPORT SIDE | 2 | 2 | |
| 20 | 800371 | VALVE CENTRAL | 1 | 1 | |
| 21 | 800376 | HOSE HEADLAMP WASHER / 5M | 1 | 1 | |
| 22 | 504637 | CABLE TIE / 3/16" x 13" | 1 | 1 | |
| 23 | 509815 | TIE MOUNT / ATTACHMENT W/TREE MOUNT | 4 | 4 | |
| 30 | 800372 | NOZZLE SEALBEAM WASHER | 4 | 4 | |
| 31 | 800377 | TOOL, ALIGNMENT NOZZLE HEADLAMP | AR | AR | |
| 32 | 800373 | NUT NOZZLE ADAPTOR | 4 | 4 | |
| 33 | 800369 | ELBOW NOZZLE ADAPTOR | 4 | 4 | |
| 34 | 300561 | TEE CONNECTOR (MODIFIED) | 2 | 2 | |
| 35 | 800375 | ADAPTOR WALL / FRONT FACE | 2 | 2 | |
| 36 | 507214 | O-RING | 2 | 2 | |
| | | | | | |
| | | | | | |
| | | | | | |

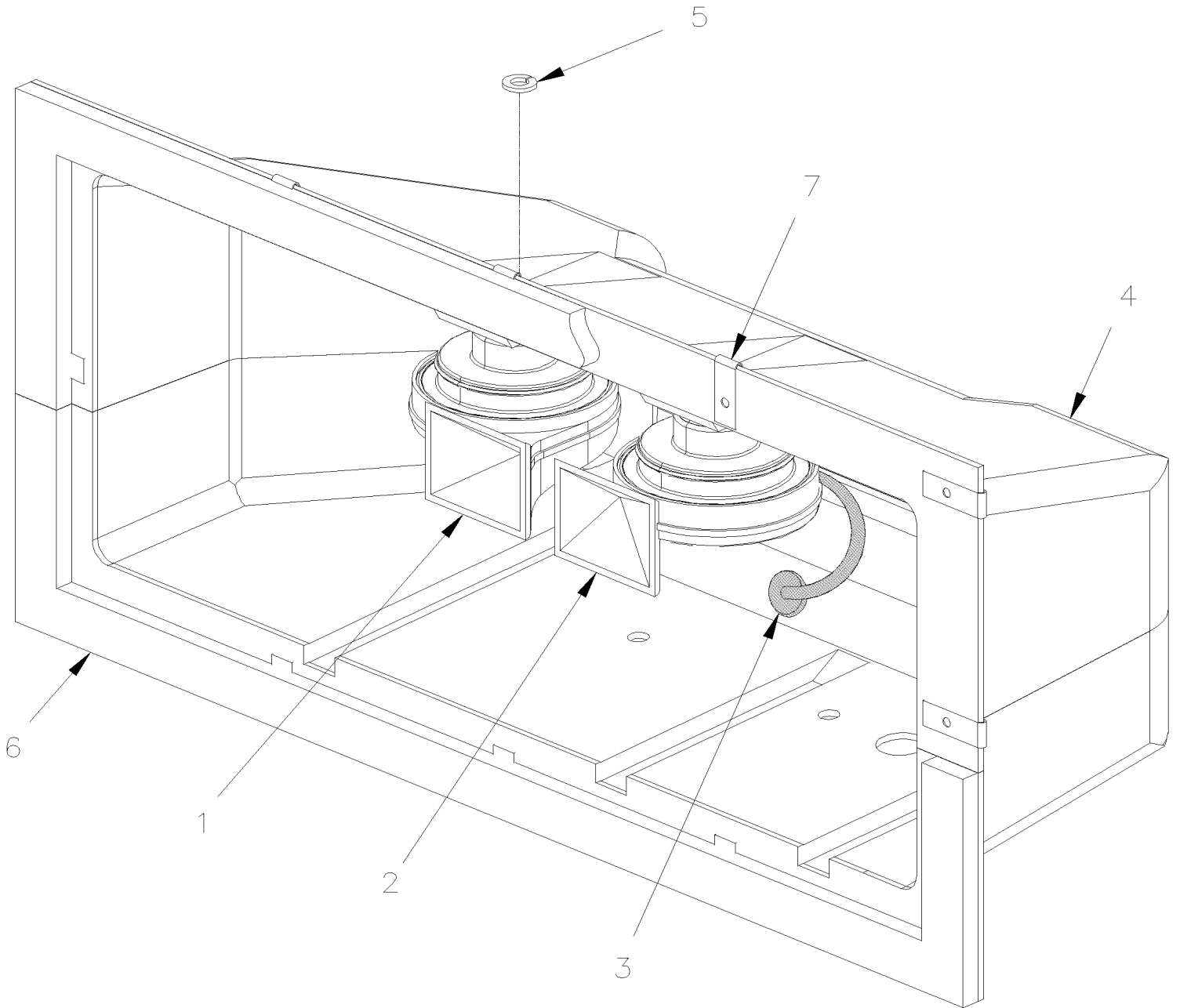


From B-5003 To D-5489

Date:10/2022

PAGE:XV-2310-00

HORN - INSTALLATION



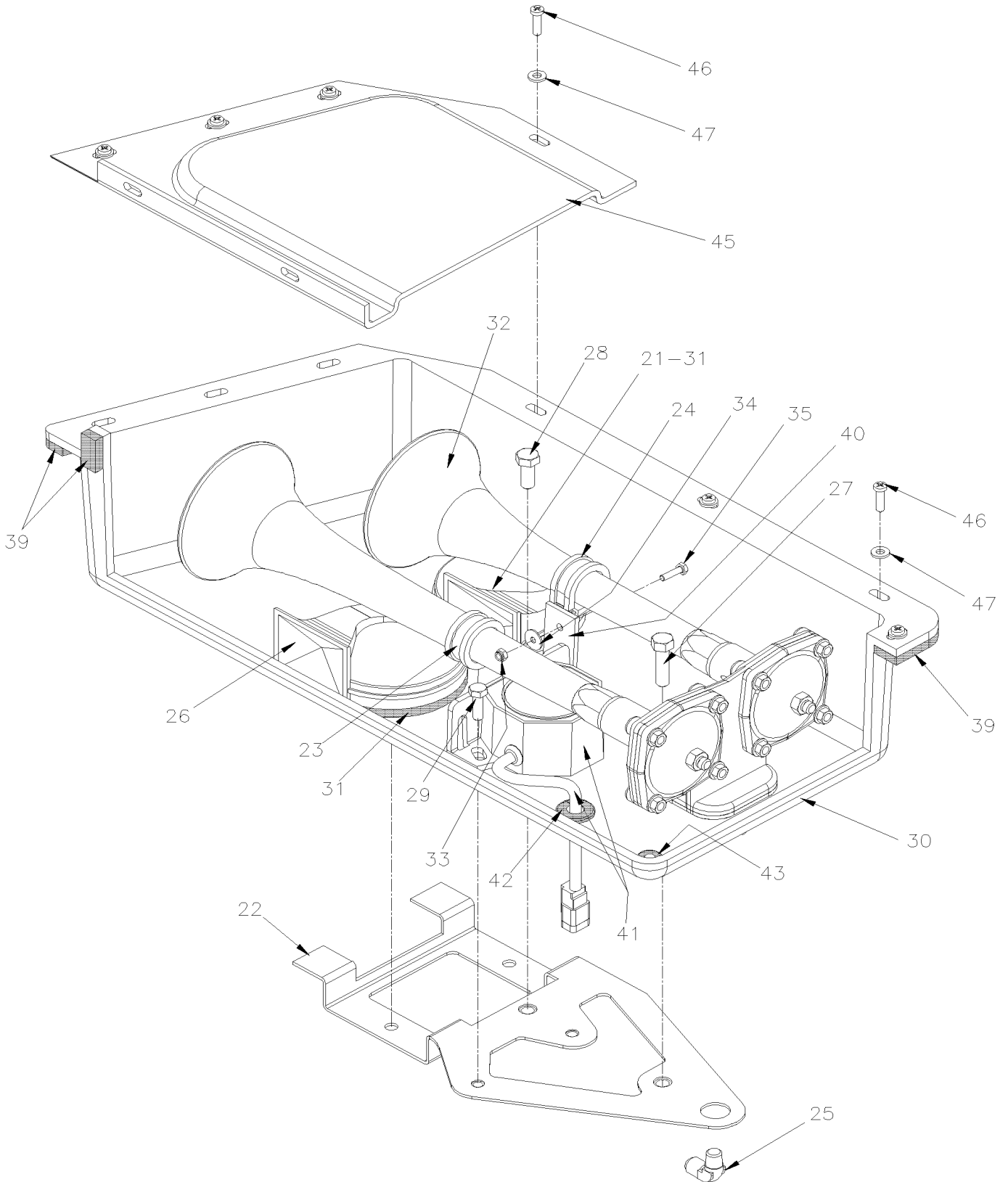


From B-5003 To D-5489

Date:10/2022

PAGE:XV-2310-00

HORN - INSTALLATION





| | | |
|------------------------------|---------------------|------------------------|
| From B-5003 To D-5489 | Date:10/2022 | PAGE:XV-2310-00 |
|------------------------------|---------------------|------------------------|

HORN - INSTALLATION

| Item# | Part | Description | X 3 V I P | X L I E N T 4 5 | N O T E S |
|-------|---------|--|-----------------------|--------------------------------------|-----------------------|
| | 142502 | HORNS BOX ASSY ELECTRIC | 1 | 1 | |
| 1 | 563015 | . HORN, ELECTRIC / LOW 405HZ / 12V "FIAM" SERVICE | 1 | 1 | |
| 2 | 563023 | . HORN, ELECTRIC / HIGH 485HZ / 12V "FIAM" SERVICE | 1 | 1 | |
| 3 | 504593 | . GROMMET / .250x.437x.250x.375x.625 | 1 | 1 | |
| NS | 065257 | . HARNESS / HORN & CONNECTOR | 1 | 1 | |
| 4 | 142501 | . BOX, PLASTIC / BLACK / ELECTRIC HORN | 1 | 1 | |
| 5 | 500468 | . WASHER FL .281x1.250x.065 Z050 | 2 | 2 | |
| NS | 500489 | . WASHER LO INT .894x1.410x.060 Z050 | 2 | 2 | |
| 6 | 506282 | . TAPE RUB ADH1 CC POL 3/8" x 1" x 20' / GREY 2520 | AR | AR | |
| 7 | 500252 | NUT SPR U #10-24 .156-.187 | 10 | 10 | |
| | | NEXT FOLLOWING ITEMS ARE RELATED | | | |
| | | WITH AIR HORN | | | |
| 21 | 563015 | HORN, ELECTRIC / LOW 405HZ / 12V "FIAM" SERVICE | 1 | 1 | |
| 22 | 142283 | SUPPORT | 1 | 1 | |
| 23 | 952635 | CLAMP / 1" I.D. | 1 | 1 | |
| 24 | 952639 | CLAMP / 1"1/4 I.D. | 1 | 1 | |
| 25 | 641369 | MALE ELBOW 90° NON-SWIVEL / PUSH-IN FITTING / #4x1/8NPT-M BR | 1 | 1 | |
| NS | 680098 | THREAD SEALANT LOCTITE #567 / WHITE / 250ml | AR | AR | |
| 26 | 563023 | HORN, ELECTRIC / HIGH 485HZ / 12V "FIAM" SERVICE | 1 | 1 | |
| 27 | 5001738 | SCREW CAP HEX M8-1.25x30 G8.8 N500 | 1 | 1 | |
| 28 | 502862 | SCREW CAP HEX M8-1.25x20 G8.8 N500 | 1 | 1 | |
| 29 | 502830 | SCREW CAP HEX M6-1.0x20 G8.8 N500 | 2 | 2 | |
| 30 | 142529 | PLASTIC BOX, HORN | 1 | 1 | |
| 31 | 142869 | INSULATING PAD | 2 | 2 | |
| 32 | 640093 | HORN AIR | 1 | 1 | |
| 33 | 500539 | NUT HEX NYRT M4-0.7 N500 | 2 | 2 | |
| 34 | 5001750 | WASHER FL 4.3x14.0x1.0 N500 | 2 | 2 | |
| 35 | 502799 | SCREW CAP HEX M4-0.7X16 G8.8 N500 | 2 | 2 | |
| NS | 066540 | HARNESS / HORN & CONNECTOR | 1 | 1 | |
| NS | 680111 | GREASE PROTECTIVE / NYK77 (8 oz) | AR | AR | |
| 39 | 506339 | TAPE RUB ADH1 NIT 1/4" x 1" x 35' / BLACK 1220 | AR | AR | |
| 40 | 141120 | SUPPORT / AIR HORN | 1 | 1 | |
| 41 | 065593 | ALARM "KNEELING" | 1 | 1 | |
| . NS | 563164 | . ALARM "KNEELING" | 1 | 1 | |
| 42 | 504625 | . GROMMET / .250x.750x.250x.437x1.000 | 1 | 1 | |
| 42 | 504076 | PLUG BUTTON / .750 O.D. / NICKEL | 1 | 1 | |
| 43 | 504593 | GROMMET / .250x.437x.250x.375x.625 | 1 | 1 | |
| 45 | 142309 | DEFLECTOR | 1 | 1 | |
| 46 | 500623 | SCREW TC PAN PH #10-24x3/4 N500 | 13 | 13 | |
| 47 | 5001137 | WASHER FL .203x.438x.050 SS | 13 | 13 | |



| | | | |
|-----------------------|--|--------------|-----------------|
| From B-5003 To D-5489 | | Date:10/2022 | PAGE:XV-2310-00 |
|-----------------------|--|--------------|-----------------|

HORN - INSTALLATION

| Item# | Part | Description | X 3 V I P | X L I I E N T 4 5 | N O T E S |
|-------|------|-------------|-----------------------|---|-----------------------|
| | | | | | |
| | | | | | |
| | | | | | |

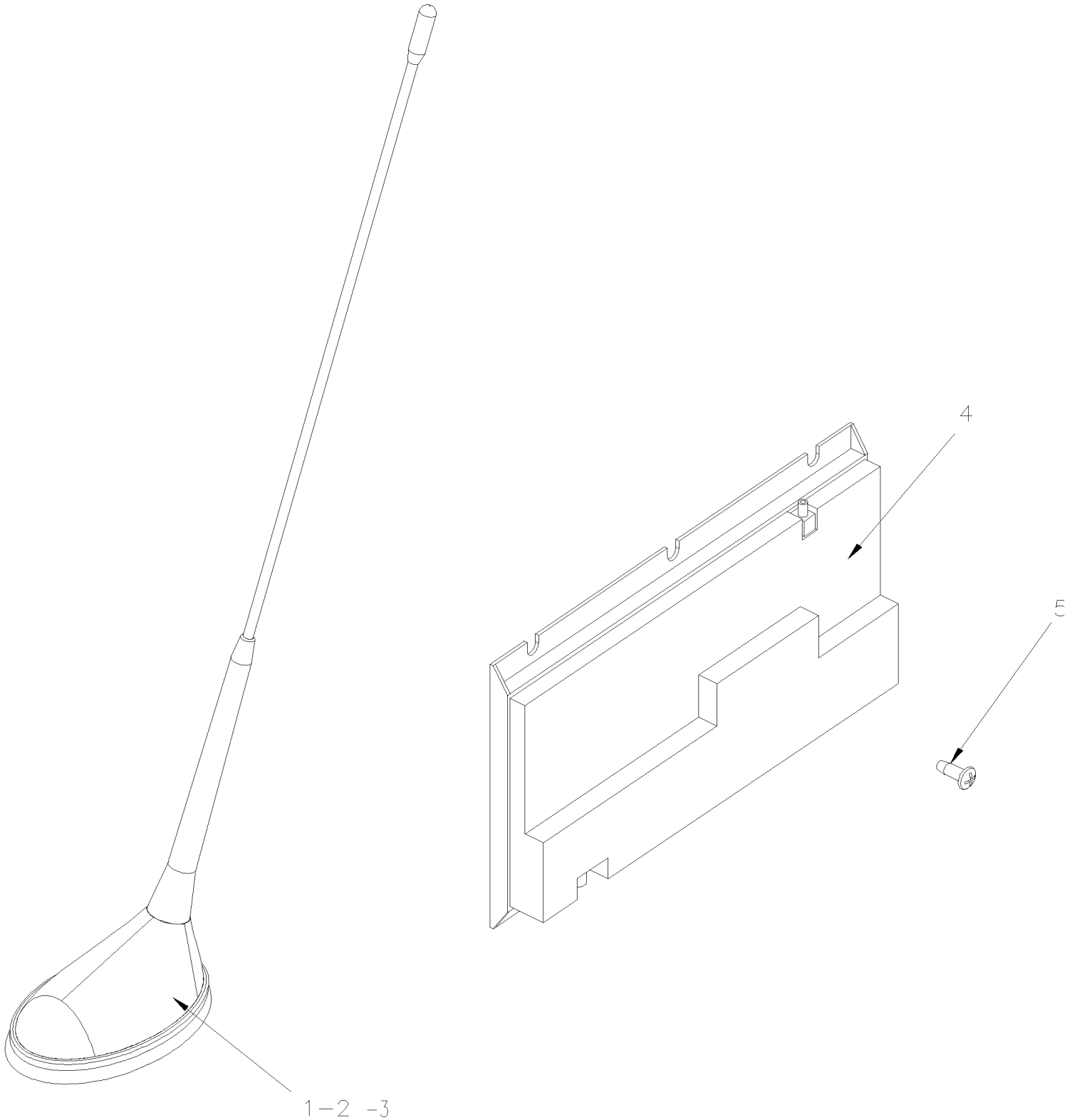


From B-5003 To D-5489

Date:10/2022

PAGE:XV-2319-00

VOLVO LINK ANTENNA - INSTALLATION





| | | |
|--|---------------------|------------------------|
| From B-5003 To D-5489 | Date:10/2022 | PAGE:XV-2319-00 |
| VOLVO LINK ANTENNA - INSTALLATION | | |

| Item# | Part | Description | X 3 V I P | X L I I E N T 4 5 | N O T E S |
|-------|----------|--|-----------------------|---|-----------------------|
| 1 | 903228 | ANTENNA BASE To C-5276 | 1 | 1 | |
| 1 | 21383947 | ANTENNA (VOLVO LINK) From C-5277 To D-5456 | 1 | 1 | |
| 1 | 21705662 | ANTENNA (VOLVO LINK) From D-5457 | 1 | 1 | |
| 1 | 880050 | WASHER FL 19X24.4X3.2 RUB | 1 | 1 | |
| 2 | 903230 | NUT RETAINER ANTENNA | 1 | 1 | |
| 3 | 903229 | CABLE ANTENNA (GPS & RF-in VOLVO LINK) To C-5276 | 1 | 1 | |
| 3 | 21385255 | CABLE ANTENNA (RF-in VOLVO LINK) From C-5277 | 1 | 1 | |
| 4 | 20700142 | ECU VOLVO LINK MODULE To C-5276 | 1 | 1 | |
| 4 | 21284312 | ECU VOLVO LINK MODULE From C-5277 | 1 | 1 | |
| 4 | 21443469 | SIM CARD VOLVO LINK MODULE From C-5277 | 1 | 1 | |
| 4 | 067448 | RETROFIT KIT / VOLVO LINK MODULE ONLY / WITH EPA 2010 From C-5277 | 1 | 1 | |
| . NS | 21385255 | . CABLE ANTENNA (RF-in VOLVO LINK) From C-5277 | 1 | 1 | |
| . NS | 21383947 | . ANTENNA (VOLVO LINK) From C-5277 | 1 | 1 | |
| . NS | 21443469 | . SIM CARD VOLVO LINK MODULE From C-5277 | 1 | 1 | |
| . NS | 21284312 | . ECU VOLVO LINK MODULE From C-5277 | 1 | 1 | |
| . NS | 067447 | . CABLE / "GATEWAY" From C-5277 | 1 | 1 | |
| . NS | 562583 | . CONNECTOR / DT SERIES / PH 6C / GRAY / DEUTSCH DT04-6P From C-5277 | 1 | 1 | |
| . NS | 562286 | . PIN TERMINAL / 18-16 / DEUTSCH 0460-202-16141 From C-5277 | 6 | 6 | |
| . NS | 382470 | . DIODE SUPPORT PLATE From C-5277 | 1 | 1 | |
| . NS | 382472 | . SUPPORT / RELAY From C-5277 | 1 | 1 | |
| . NS | 504013 | . TIE MOUNT / 1/4" X 1/4" I.D. From C-5277 | 1 | 1 | |
| . NS | 502868 | . SCREW TC TR PH #10-16x1/2 N500 From C-5277 | 3 | 3 | |
| . NS | 504347 | . RIVET POP DOME OE 3/16x1/4 AL From C-5277 | 1 | 1 | |
| . NS | 880050 | . WASHER FL 19X24.4X3.2 RUB From C-5277 | 1 | 1 | |
| 5 | 502868 | SCREW TC TR PH #10-16x1/2 N500 | 2 | 2 | |
| NS | 562679 | 4 WAY ADH. BACKED MOUNTS 1.000 x 1.000 x .160 | AR | AR | |
| NS | 504637 | CABLE TIE / 3/16" x 13" | AR | AR | |
| NS | 504671 | GROMMET / .687x1.000x.125x.437x1.312 | 1 | 1 | |
| | | | | | |
| | | | | | |
| | | | | | |

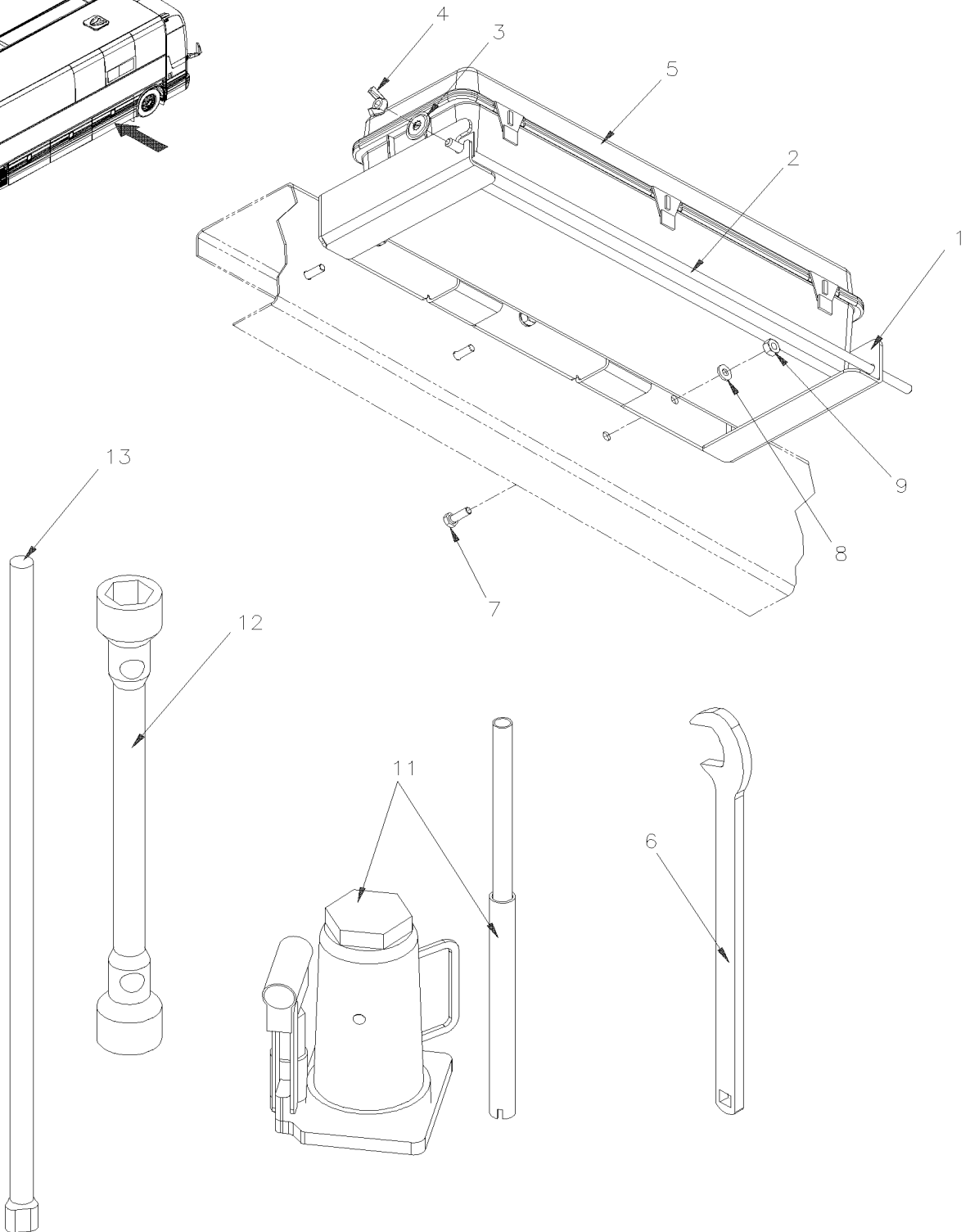
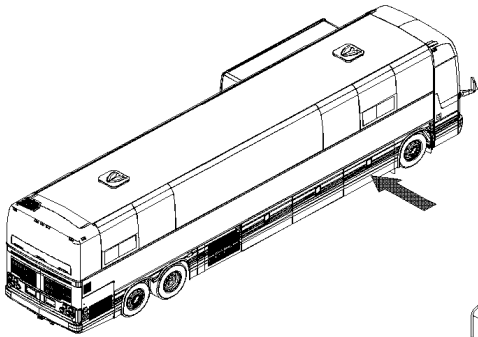


From B-5003 To D-5489

Date:10/2022

PAGE:XV-2320-00

JACK & FLARE KIT - INSTALLATION





| | | |
|-----------------------|--------------|-----------------|
| From B-5003 To D-5489 | Date:10/2022 | PAGE:XV-2320-00 |
|-----------------------|--------------|-----------------|

JACK & FLARE KIT - INSTALLATION

| Item# | Part | Description | X 3 V I P | X L I I E N T 4 5 | N O T E S |
|-------|---------|--|-----------------------|---|-----------------------|
| 1 | 211220 | SUPPORT, FLARE KIT / BOLTED TO STRUCTURE | 1 | 1 | |
| 2 | 210280 | ROD, RETAINING / FLARE KIT | 1 | 1 | |
| 3 | 502584 | WASHER LO SERR 8.2x26.3x1.8 Z050 | 1 | 1 | |
| 4 | 500782 | NUT WING 5/16-18 Z050 | 2 | 2 | |
| 5 | 930283 | FLARE KIT, TRIANGULAR To D-5341 | 1 | 1 | |
| 5 | 930442 | FLARE KIT, TRIANGULAR From D-5342 | 1 | 1 | |
| 6 | 010032 | TOOL KEY 1 1/2" / TENSIONER RELEASE | 1 | 1 | |
| 7 | 5001190 | SCREW CAP HEX 1/4-20x3/4 SS BK | 3 | 3 | |
| 8 | 500877 | WASHER FL .250x.562x.065 N500 | 3 | 3 | |
| 9 | 500771 | NUT HEX 1/4-20 SS | 3 | 3 | |
| 11 | 505505 | JACK, 12TONS | 1 | 1 | |
| 12 | 690005 | WRENCH, WHEEL 33 MM | 1 | 1 | |
| 13 | 690002 | HANDLE, W/WRENCH WHEEL NUT | 1 | 1 | |
| | | | | | |
| | | | | | |
| | | | | | |

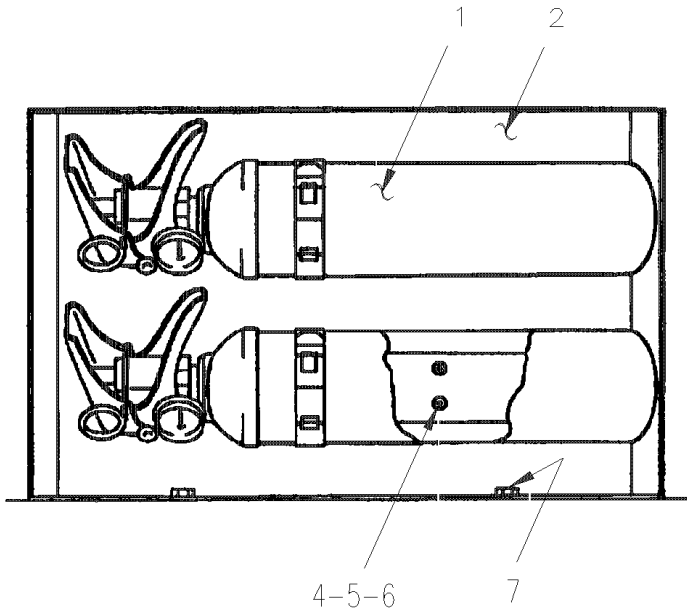


From B-5003 To D-5489

Date:10/2022

PAGE:XV-2320-30

EXTINGUISHER - INSTALLATION





| | | |
|-----------------------|--------------|-----------------|
| From B-5003 To D-5489 | Date:10/2022 | PAGE:XV-2320-30 |
|-----------------------|--------------|-----------------|

EXTINGUISHER - INSTALLATION

| Item# | Part | Description | X 3 V I P | X L I I E N T 4 5 | N O T E S |
|-------|--------|---|-----------------------|---|-----------------------|
| 1 | 901001 | EXTINGUISHER 2.5 LBS / W/METAL HANDLE | 2 | 2 | |
| 1 | 901360 | EXTINGUISHER 2.5 LBS / W/PLASTIC HANDLE | 2 | 2 | |
| 2 | 324391 | SUPPORT ASSY / EXTINGUISHER | 1 | 1 | |
| 3 | 324349 | SUPPORT ASSY / EXTINGUISHER | 2 | 2 | |
| NS | 470949 | SPACER RUBBER 3/4" O.D. / S.Q. | 2 | 2 | |
| 4 | 500572 | SCREW MA TR PH #10-24x1/2 SS BK | 8 | 8 | |
| 5 | 500470 | WASHER LO SPT .193x.334x.047 Z050 | 8 | 8 | |
| 6 | 500786 | NUT HEX #10-24 Z050 | 8 | 8 | |
| 7 | 500535 | SCREW TP CAP HEX #14x3/4 Z050 | 4 | 4 | |
| | | | | | |
| | | | | | |
| | | | | | |

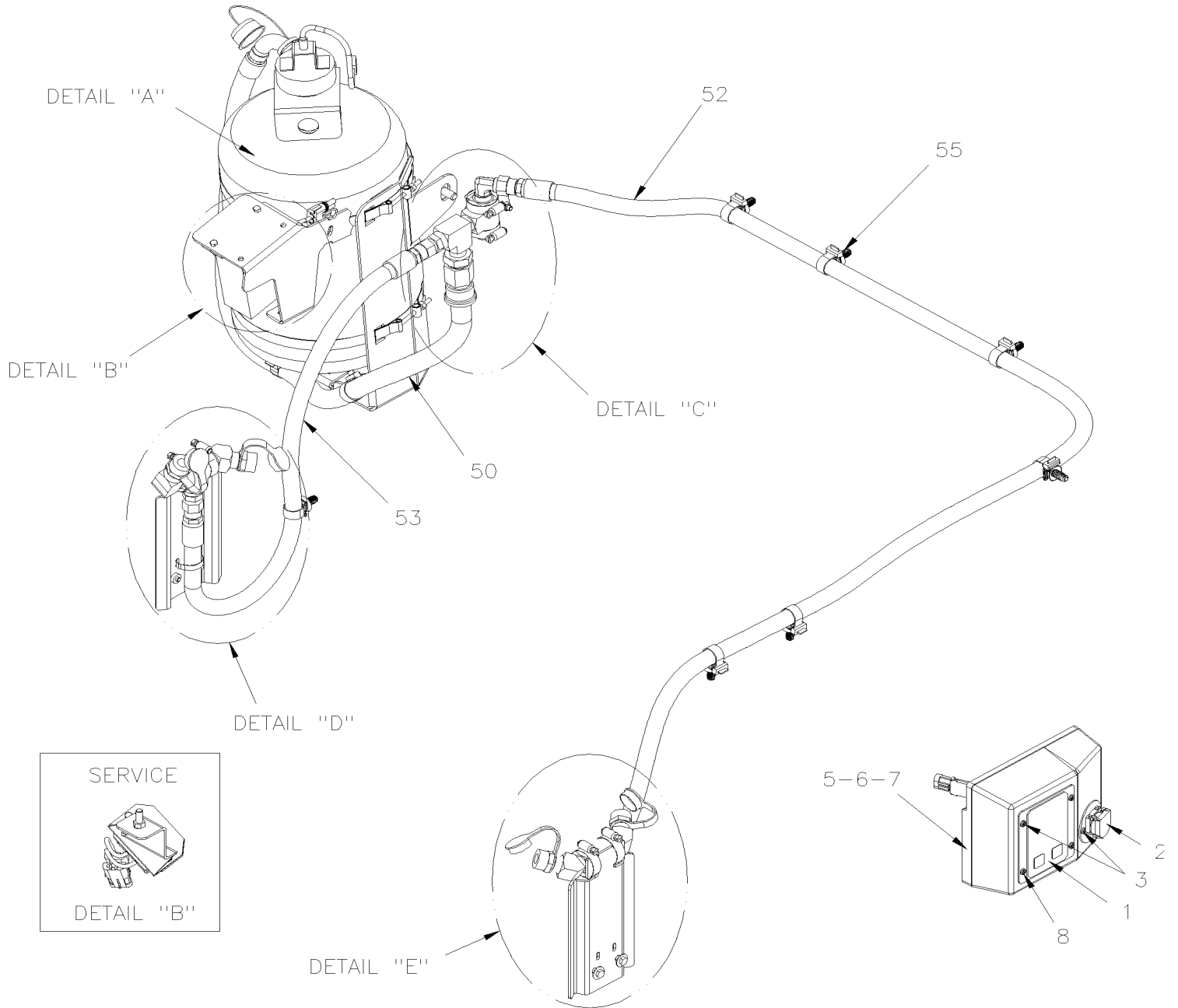


From B-5003 To C-5266

Date:10/2022

PAGE:XV-2320-50

FIRE PROTECTION SYSTEM



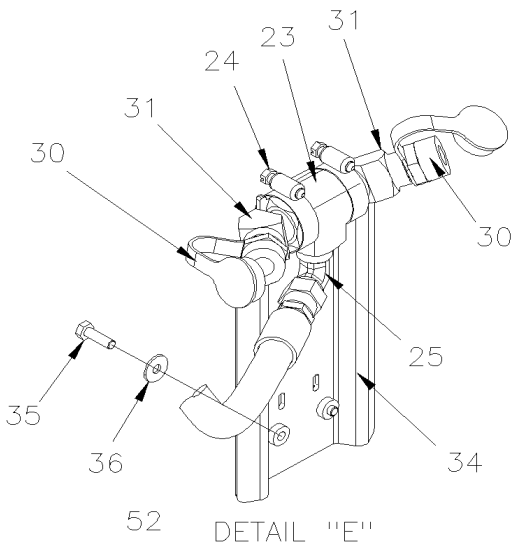


From B-5003 To C-5266

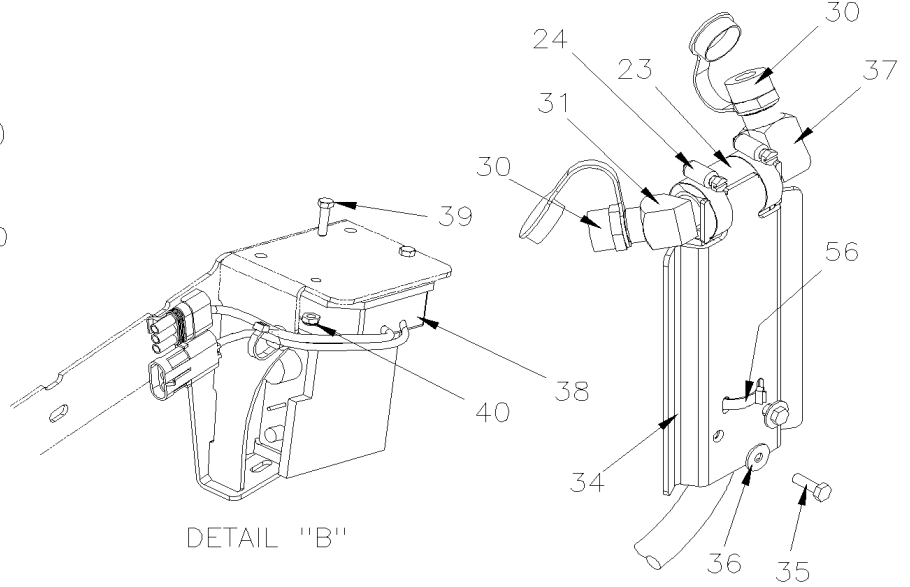
Date:10/2022

PAGE:XV-2320-50

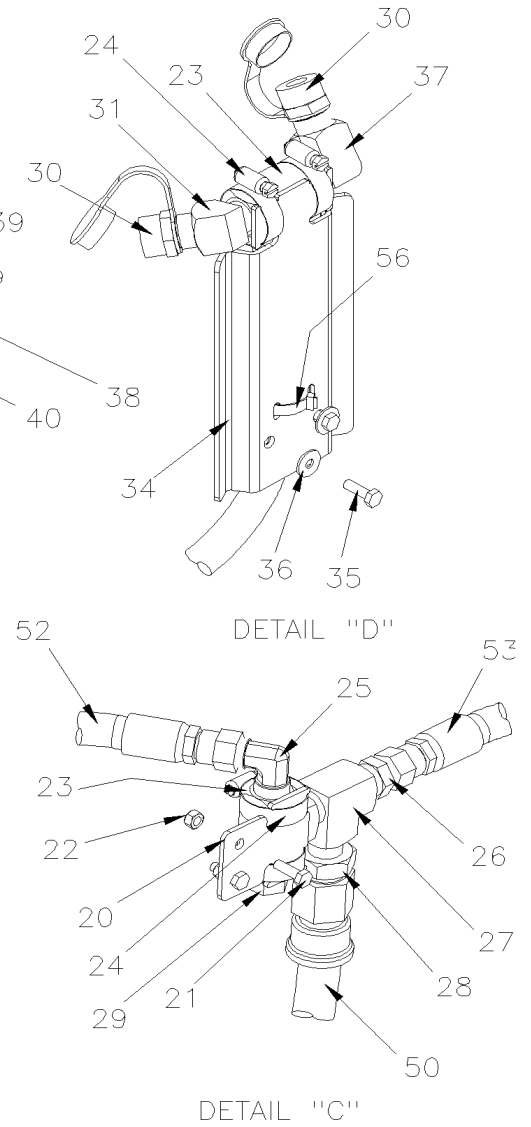
FIRE PROTECTION SYSTEM



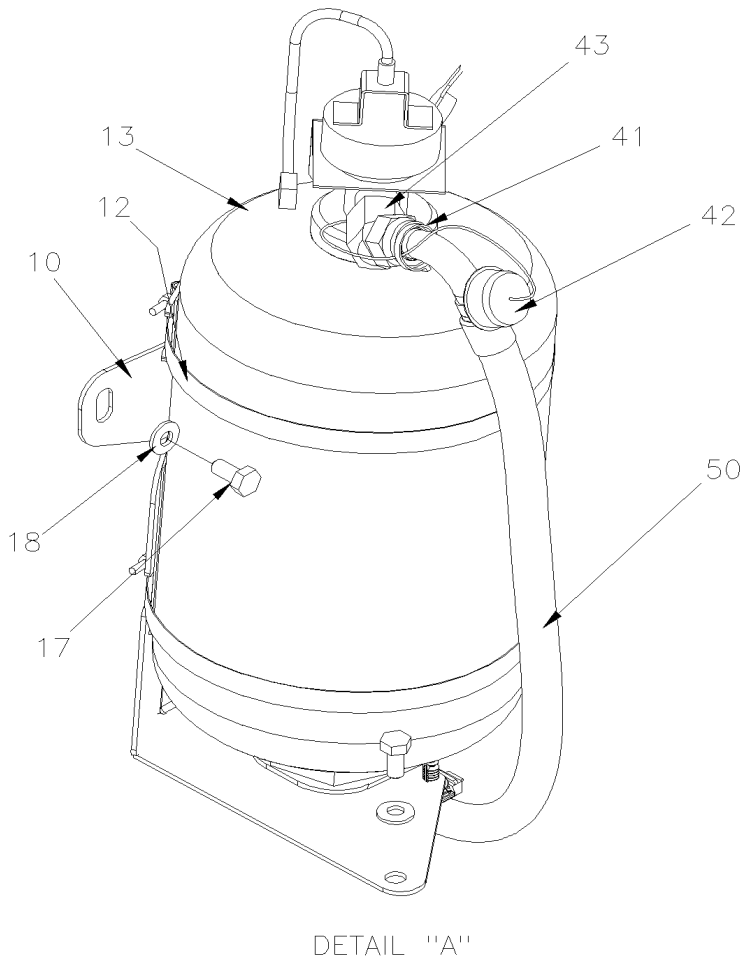
DETAIL "E"



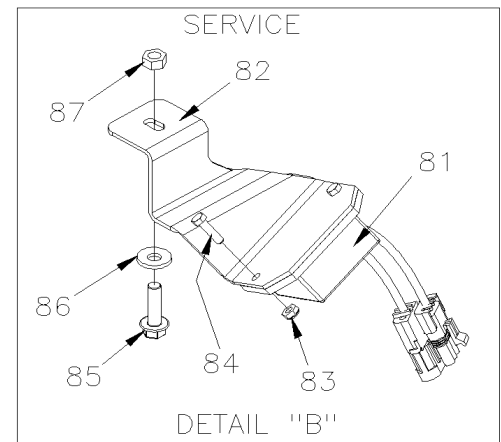
DETAIL "B"



DETAIL "C"



DETAIL "A"



SERVICE

DETAIL "B"

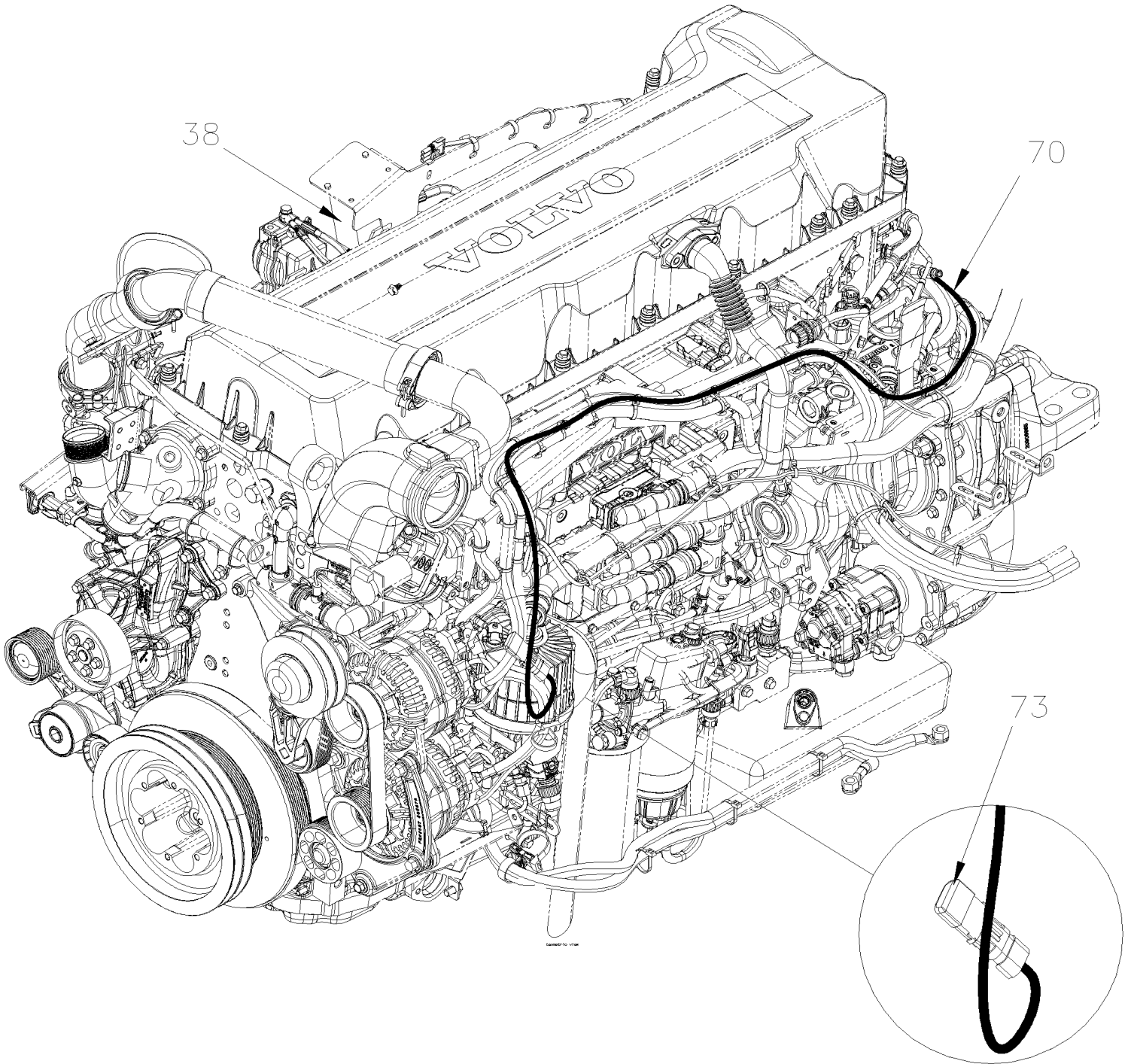


From B-5003 To C-5266

Date:10/2022

PAGE:XV-2320-50

FIRE PROTECTION SYSTEM



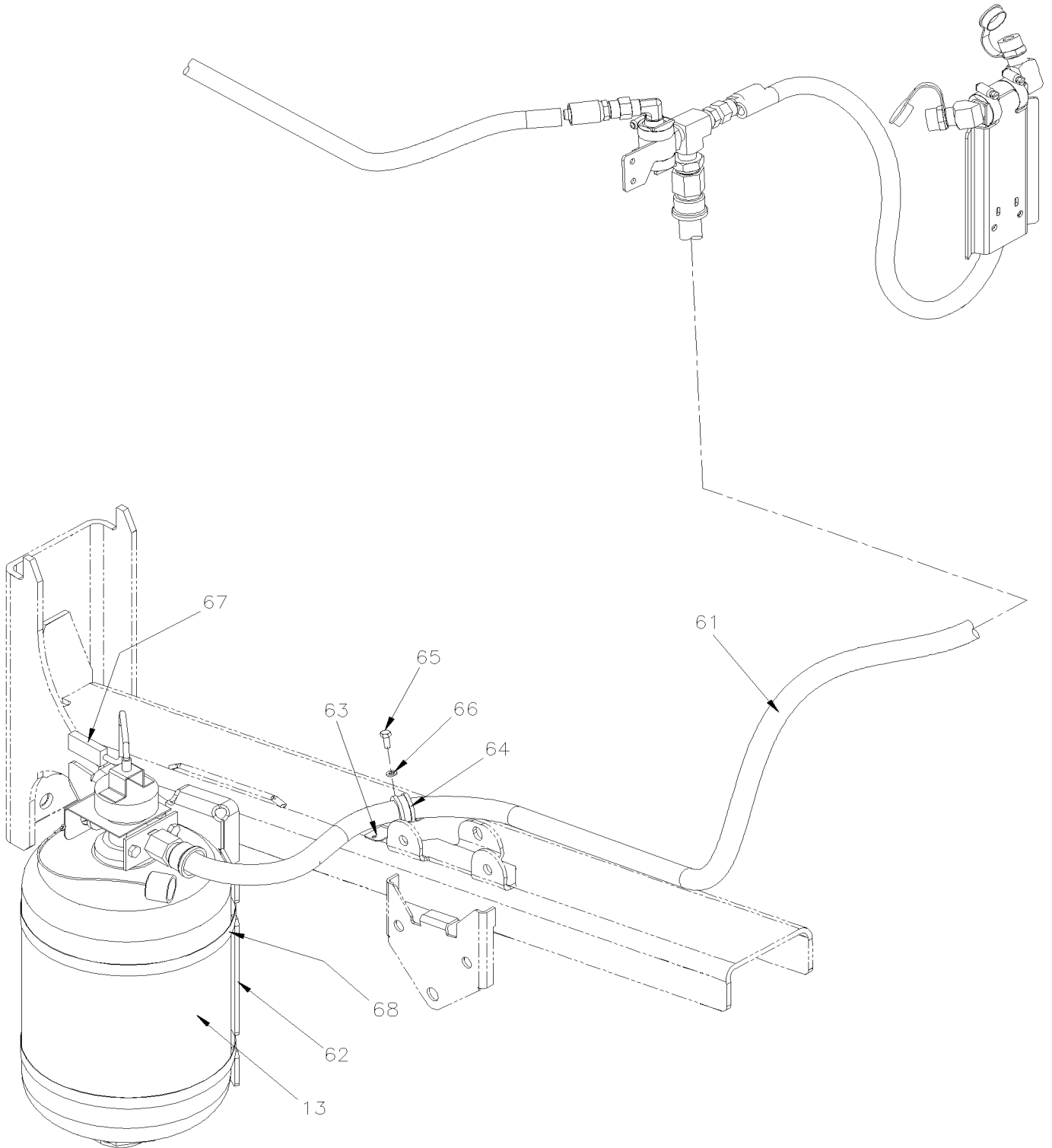


From B-5003 To C-5266

Date:10/2022

PAGE:XV-2320-50

FIRE PROTECTION SYSTEM





| | | |
|-------------------------------|---------------------|------------------------|
| From B-5003 To C-5266 | Date:10/2022 | PAGE:XV-2320-50 |
| FIRE PROTECTION SYSTEM | | |

| Item# | Part | Description | X 3 V I P | X L I E N T 4 5 | N O T E S |
|-------|---------------|---|-----------------------|--------------------------------------|-----------------------|
| 1 | 563455 | PANEL FIRE PROTECTOR DISPLAY | 1 | 1 | |
| 2 | 563456 | BUTTON FIRE / MANUAL OPERATING | 1 | 1 | |
| . NS | 563462 | . SEAL BUTTON FIRE / MANUAL OPERATING | 1 | 1 | |
| 3 | 5001155 | SCREW TP PAN PH #8X3/4 N050 | 6 | 6 | |
| NS | 405725 | DECAL / "IN CASE OF FIRE..." / ENGLISH & FRANCAIS | 1 | 1 | |
| NS | 405724 | DECAL / "IN CASE OF FIRE..." / ENGLISH | 1 | 1 | |
| 5 | 329655 | SUPPORT PANEL FRONT | 1 | 1 | |
| 6 | 329644 | COVER PANEL | 1 | 1 | |
| 7 | 8631155 | CABLE TIE / 4.6MM x 200 / CHRISTMAS TREE | 1 | 1 | |
| 8 | 509916 | SCREW TP PAN PH #8x3 1/2" BK | 2 | 2 | |
| 10 | 406128 | SUPPORT EXTINGUISHER 25 LBS To B-5001 | 1 | 1 | |
| 10 | 406485 | SUPPORT EXTINGUISHER 25 LBS From B-5002 | 1 | 1 | |
| 12 | 509915 | T-BOLT BAND CLAMP/ 9.19" ID | 2 | 2 | |
| 13 | 901125 | EXTINGUISHER 25 LBS | 1 | 1 | |
| . NS | 901299 | . KIT REPAIR, FIRE EXTINGUISHER SYSTEM | 1 | 1 | |
| 17 | 500359 | SCREW CAP HEX M10-1.5x22 G8.8 N500 | 2 | 2 | |
| 18 | 5001834 | WASHER BEL SPR 10.5X23X2.5 N500 | 2 | 2 | |
| 20 | 406404 | SUPPORT HOSE To B-5009 | 1 | 1 | |
| 20 | 406499 | SUPPORT HOSE From B-5010 To C-5133 | 1 | 1 | |
| 20 | 491473 | SUPPORT HOSE From C-5134 | 1 | 1 | |
| 21 | 502830 | SCREW CAP HEX M6-1.0x20 G8.8 N500 | 2 | 2 | |
| 22 | 502681 | NUT HEX NYRT M6-1.0 N500 G8 | 2 | 2 | |
| 23 | 501472 | FEMALE UNION TEE / PIPE FITTING / 1/2NPT-Fx1/2NPT-Fx1/2NPT-F BR | 3 | 3 | |
| 24 | 504021 | HOSE CLAMP / 11/16"-1"1/2 SS / HS-16 | 6 | 6 | |
| 25 | 501612 | MALE ELBOW 90° / SAE 45° FITTING / #8FL-Mx1/2NPT-M BR | 2 | 2 | |
| 26 | 501616 | MALE CONNECTOR / SAE 45° FITTING / #8FL-Mx1/2NPT-M BR | 2 | 2 | |
| 27 | 501473 | MALE RUN TEE / PIPE FITTING / 1/2NPT-Mx1/2NPT-Fx1/2NPT-F BR | 1 | 1 | |
| 28 | 501600 | MALE CONNECTOR / JIC 37° FITTING / #12JIC-Mx1/2NPT-M STL | 1 | 1 | |
| 29 | 501966 | PLUG HEXS / PIPE FITTING / 1/2NPT-M STL | 1 | 1 | B |
| 30 | 901128 | NOZZLE DRY CHEMICAL | 4 | 4 | |
| . NS | 901184 | . CAP PROTECTOR NOZZLE | 1 | 1 | |
| 31 | 501528 | STREET ELBOW 45° / PIPE FITTING / 1/2NPT-Mx1/2NPT-F BR | 3 | 3 | |
| 33 | 504021 | HOSE CLAMP / 11/16"-1"1/2 SS / HS-16 | 1 | 1 | |
| 34 | 406403 | SUPPORT NOZZLE | 2 | 2 | |
| 35 | 502830 | SCREW CAP HEX M6-1.0x20 G8.8 N500 | 4 | 4 | |
| 36 | 5001833 | WASHER BEL SPR 6.1x18x1.27 SS | 4 | 4 | |
| 37 | 507557 | STREET ELBOW 90° / PIPE FITTING / 1/2NPT-Mx1/2NPT-F BR | 1 | 1 | |
| 38 | 563457 | FIRE SENSOR PM-3M | 1 | 1 | |
| NS | 500975 | WASHER FL .378x.620x.094 NYL | 2 | 2 | |
| 39 | 5001146 | SCREW CAP HEX M5-0.8x20 SS BK | 2 | 2 | |
| 40 | 502841 | NUT HEX NYRT M5-0.8 N500 | 2 | 2 | |
| 41 | 5011305 | FEMALE ELBOW 45° / JIC 37° FITTING / #12JIC-Mx3/4NPT-F STL | 1 | 1 | |



| | | |
|------------------------------|---------------------|------------------------|
| From B-5003 To C-5266 | Date:10/2022 | PAGE:XV-2320-50 |
|------------------------------|---------------------|------------------------|

FIRE PROTECTION SYSTEM

| Item# | Part | Description | X 3 V I P | X L I I E N T 4 5 | N O T E S |
|--------|----------|---|-----------------------|---|-----------------------|
| 42 | 680470 | CAP PLUG ID 1.364 OD 1.423 | 1 | 1 | |
| 43 | 504637 | CABLE TIE / 3/16" x 13" | 1 | 1 | |
| 50 | 406433P | HOSE ASSY / #12 955MM | 1 | 1 | |
| 52 | 406421P | HOSE ASSY / #8 1930MM | 1 | 1 | |
| 53 | 406422P | HOSE ASSY / #8 665MM | 1 | 1 | |
| 55 | 504750 | CABLE TIE / 1/2" x 15" / CHRISTMAS TREE | AR | AR | |
| 56 | 504016 | CABLE TIE / 5/16" X 14"1/2 | 1 | 1 | |
| | | | | | |
| | | | | | |
| 61 | 406983 | HOSE ASSY / #12 4250MM | 1 | 1 | R |
| 62 | 175249 | SUPPORT EXTINGUISHER 25 LBS | 1 | 1 | R |
| 62 | 175281 | REINFORCMENT PLATE | 1 | 1 | R |
| 63 | 216108 | SUPPORT / CLAMP | 1 | 1 | R |
| 64 | 952635 | CLAMP / 1" I.D. | 1 | 1 | R |
| 65 | 5001744 | SCREW CAP HEX M6-1.0x16 G8.8 N500 | 1 | 1 | R |
| 66 | 502853 | WASHER LO SPT 6.1x11.8x1.6 N500 | 1 | 1 | R |
| 67 | 069161 | HARNESS / TANK RELOCATIION | 1 | 1 | R |
| 68 | 509951 | T-BOLT BAND CLAMP/ 9.19" ID | 1 | 1 | |
| | | | | | |
| 70 | 067405 | CABLE THERMO DETECTOR (LINEAR FIRE CABLE) / 4M / 168C/180C // 334F/356F | 1 | 1 | E |
| . NS | 563587 | . MODULE DETECTOR / END CIRCUIT | 1 | 1 | E |
| 72 | 067267 | CABLE ASSY / FIRE DETECTOR FRT JCT BOX | 1 | 1 | |
| 73 | 563587 | MODULE DETECTOR / END CIRCUIT | 1 | 1 | |
| | | | | | |
| 75 | 19500355 | TEST KIT EXTINGUISHER 25LBS / W/SIMULATOR & POWER CABLE | 1 | 1 | |
| . NS | 685536 | . POWER CABLE / USED W 24VOLT | 1 | 1 | |
| . NS | 685537 | . SOURCE SIMILATOR | 1 | 1 | |
| . NS | 901301 | . TEST KIT EXTINGUISHER 25LBS | 1 | 1 | |
| . . NS | 685128 | . . VALVE SIMULATOR / EXTINGUISHER 25LBS | 1 | 1 | |
| . . NS | 685129 | . . TEST SWITCH W/CABLE 48" / EXTINGUISHER 25LBS | 1 | 1 | |
| . . NS | N.P.N. | . . STORAGE CASE | 1 | 1 | 4 |
| 75 | 901301 | TEST KIT EXTINGUISHER 25LBS | 1 | 1 | |
| . NS | 685128 | . VALVE SIMULATOR / EXTINGUISHER 25LBS | 1 | 1 | |
| . NS | 685129 | . TEST SWITCH W/CABLE 48" / EXTINGUISHER 25LBS | 1 | 1 | |
| . NS | N.P.N. | . STORAGE CASE | 1 | 1 | 4 |
| | | | | | |
| 81 | 563457 | FIRE SENSOR PM-3M | 1 | 1 | G |
| 81 | 069020 | CABLE INTERFACE FIRE SENSOR & MAIN HARNESS | 1 | 1 | G |
| 81 | 069041 | CABLE THERMO DETECTOR (LINEAR FIRE CABLE) / 1.5M / 168C/180C // 334F/356F | 1 | 1 | G |
| 82 | 406701 | SUPPORT / FIRE SENSOR | 1 | 1 | G |
| 82 | 564534 | CABLE TIE / WITH EDGE CLIP / T50REC5A 10 MM x 200 MM | 1 | 1 | G |
| 83 | 502841 | NUT HEX NYRT M5-0.8 N500 | 2 | 2 | G |



| | | |
|-------------------------------|--------------|-----------------|
| From B-5003 To C-5266 | Date:10/2022 | PAGE:XV-2320-50 |
| FIRE PROTECTION SYSTEM | | |

| Item# | Part | Description | X 3 V I P | X L I I E N T 4 5 | N O T E S |
|-------|---------|-------------------------------------|-----------------------|---|-----------------------|
| 84 | 5001146 | SCREW CAP HEX M5-0.8x20 SS BK | 2 | 2 | G |
| 85 | 5001742 | SCREW CAP HEXF M8-1.25x30 G8.8 N500 | 1 | 1 | G |
| 86 | 500321 | WASHER BEL SPR .331x.827x.098 N500 | 1 | 1 | G |
| 87 | 502851 | NUT HEX M8-1.25 N500 | 1 | 1 | G |
| | | | | | |
| | | | | | |
| | | B) WITHOUT WATER HEATER | | | |
| | | E) INSTALL ON ENGINE | | | |
| | | G) RELOCATION OF FIRE SENSOR | | | |
| | | R) EXTINGUISHER TANK RELOCATION | | | |
| | | 4) NO PARTS NUMBER | | | |

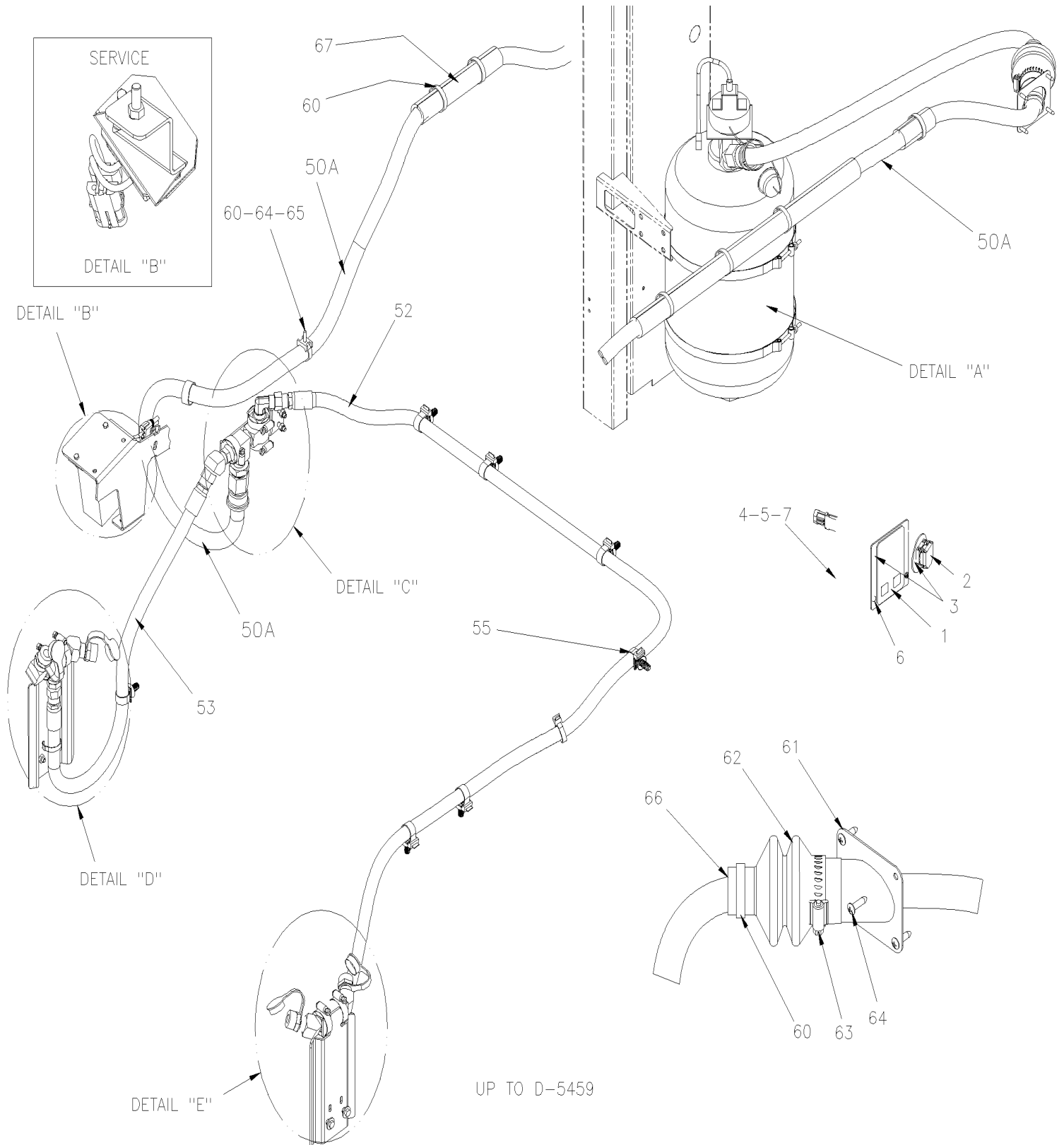


From C-5267 To D-5489

Date:10/2022

PAGE:XV-2320-51

FIRE PROTECTION SYSTEM / HEATER & EVAPORATOR COMPARTMENT



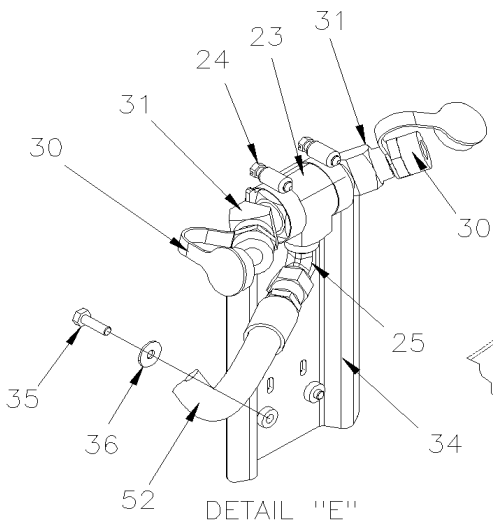


From C-5267 To D-5489

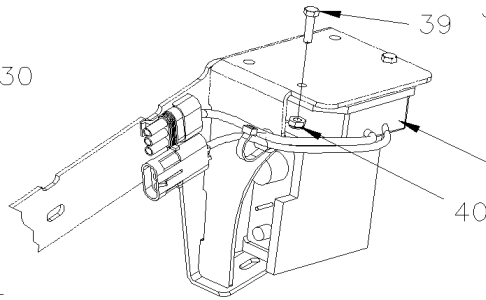
Date:10/2022

PAGE:XV-2320-51

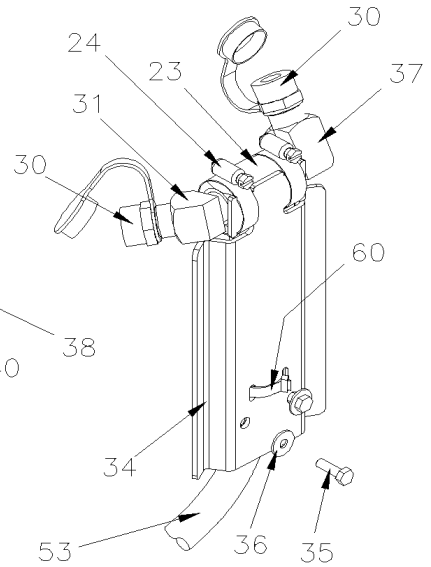
FIRE PROTECTION SYSTEM / HEATER & EVAPORATOR COMPARTMENT



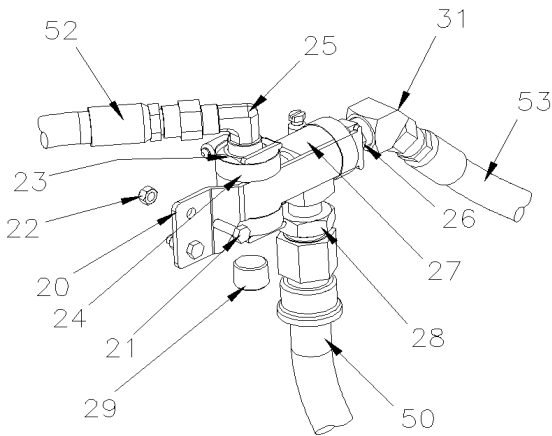
DETAIL "E"



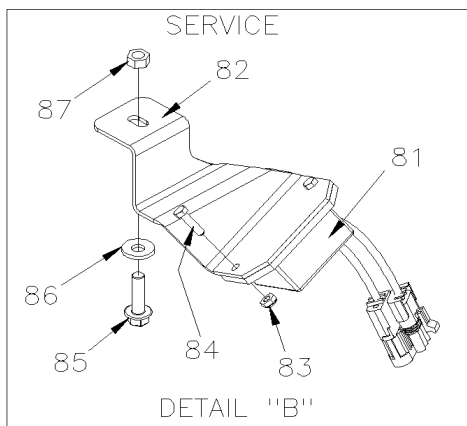
DETAIL "B"



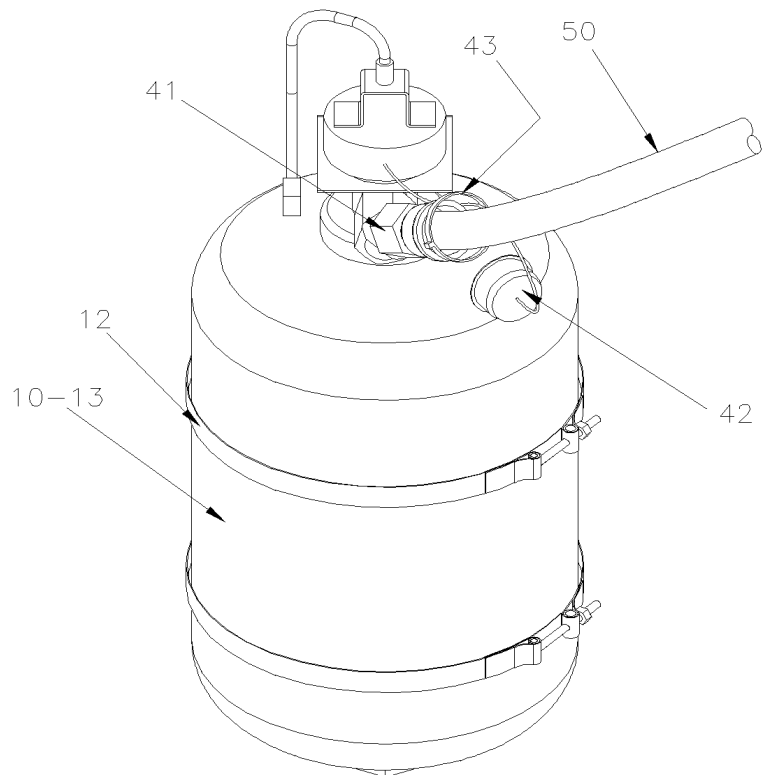
DETAIL "D"



DETAIL "C"



DETAIL "B"



DETAIL "A"

UP TO D-5459

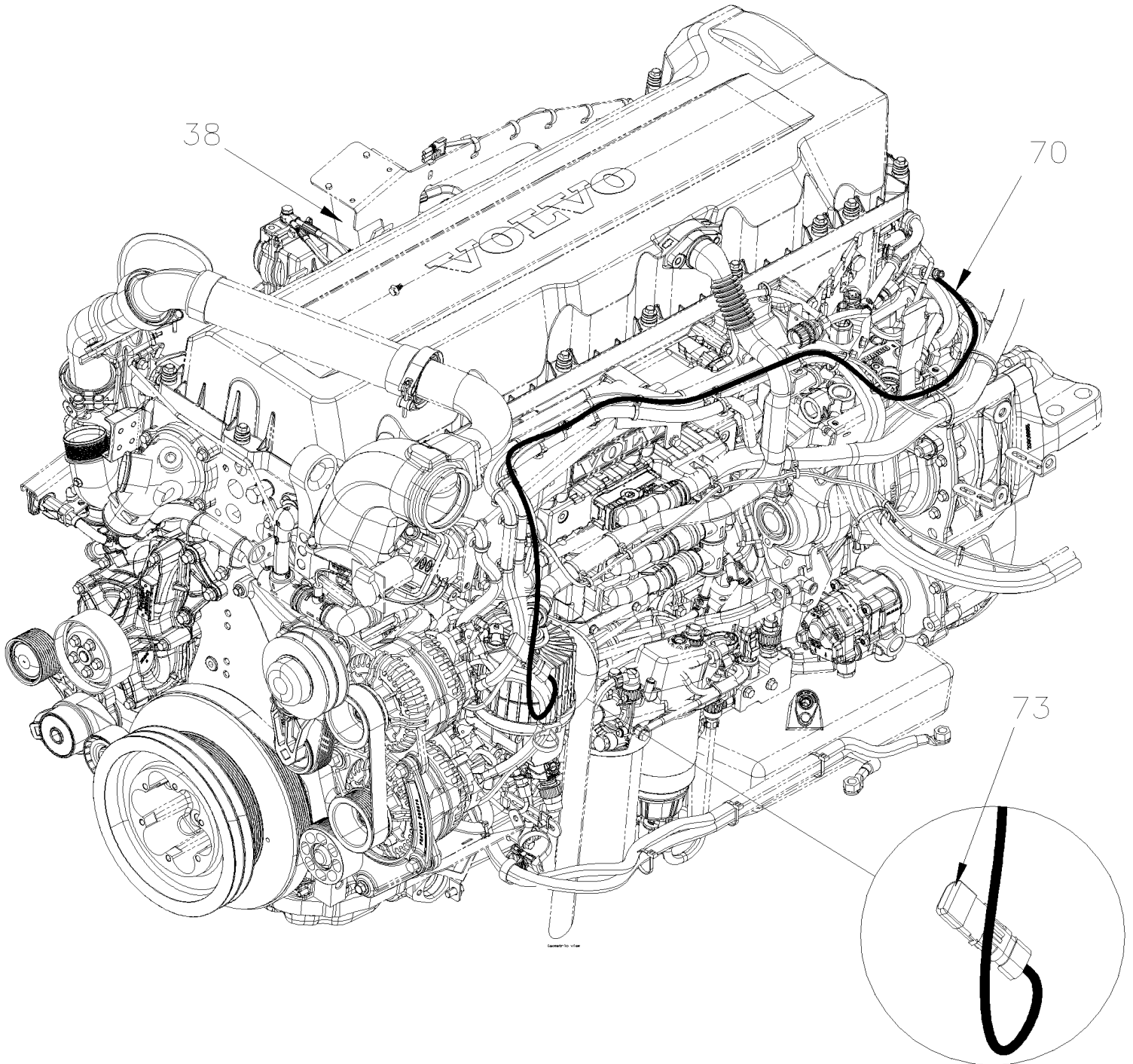


From C-5267 To D-5489

Date:10/2022

PAGE:XV-2320-51

FIRE PROTECTION SYSTEM / HEATER & EVAPORATOR COMPARTMENT



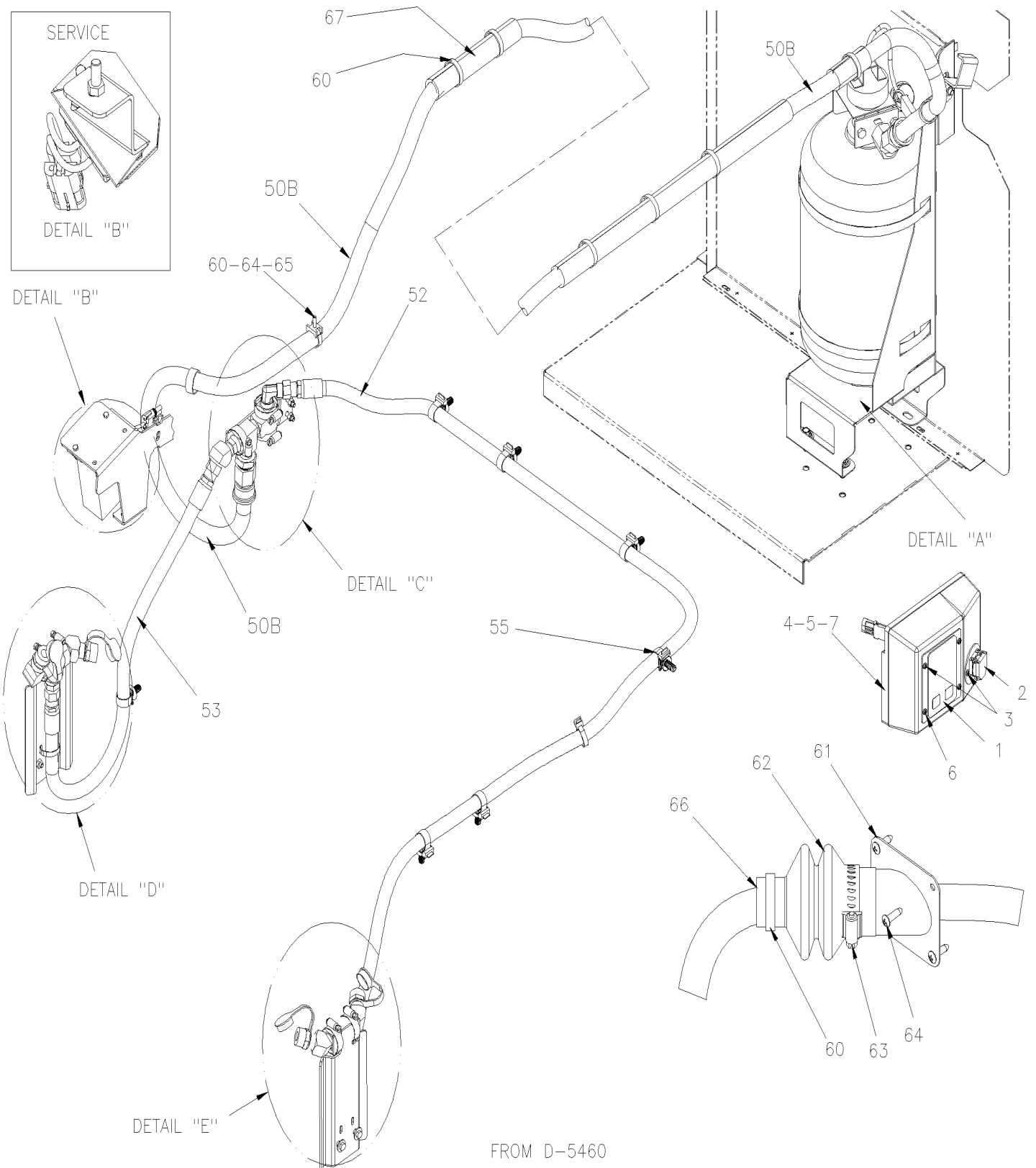


From C-5267 To D-5489

Date:10/2022

PAGE:XV-2320-51

FIRE PROTECTION SYSTEM / HEATER & EVAPORATOR COMPARTMENT



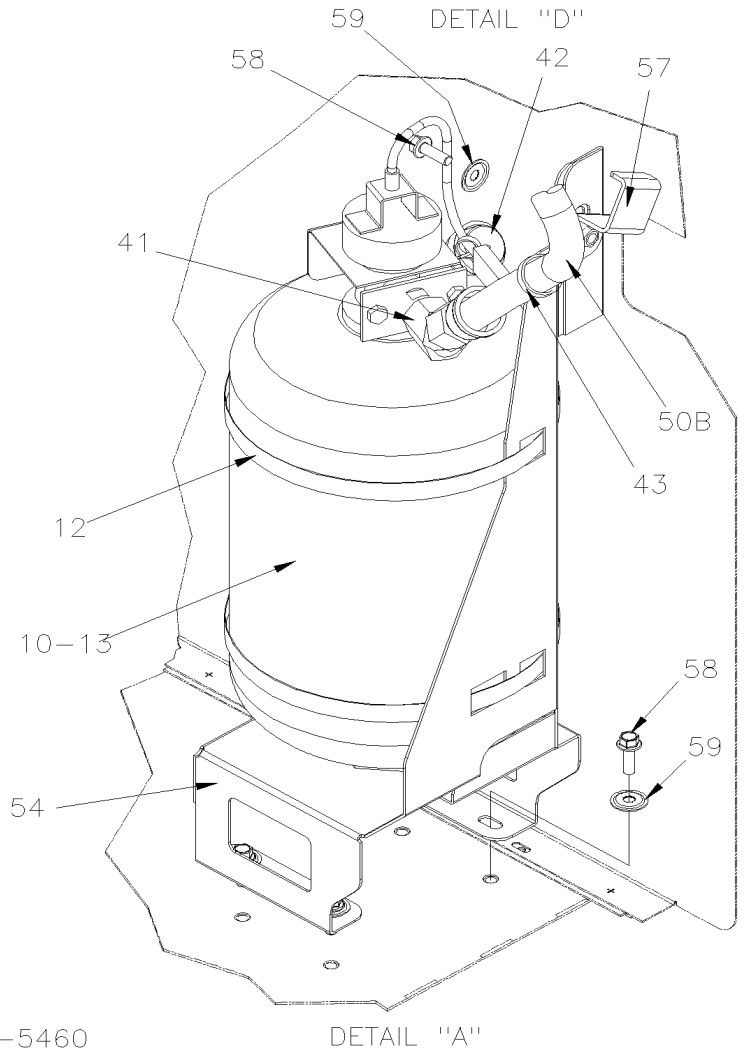
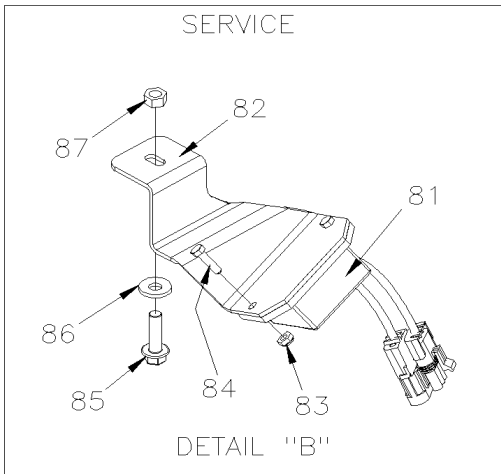
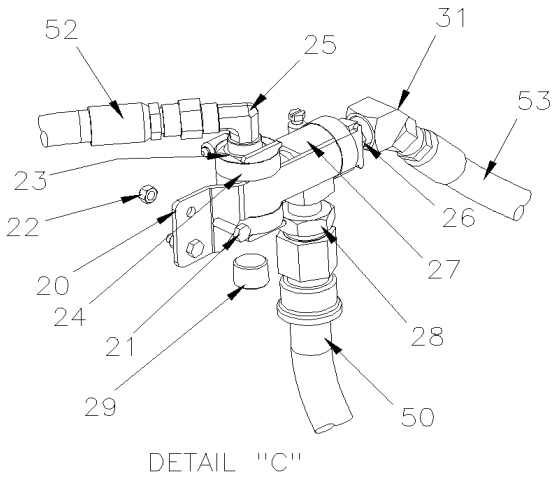
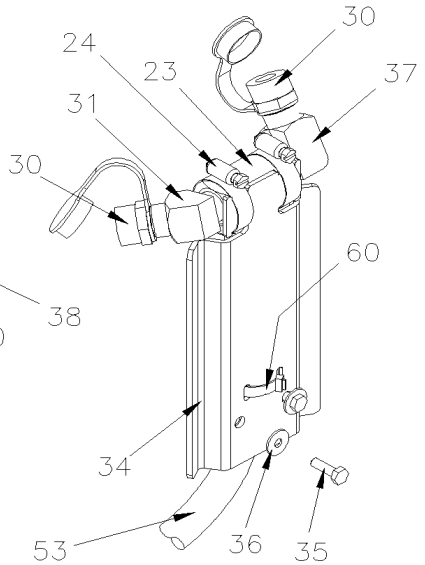
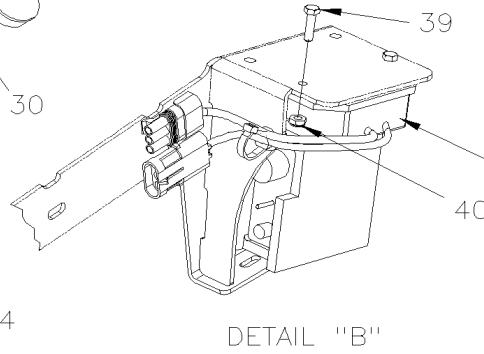
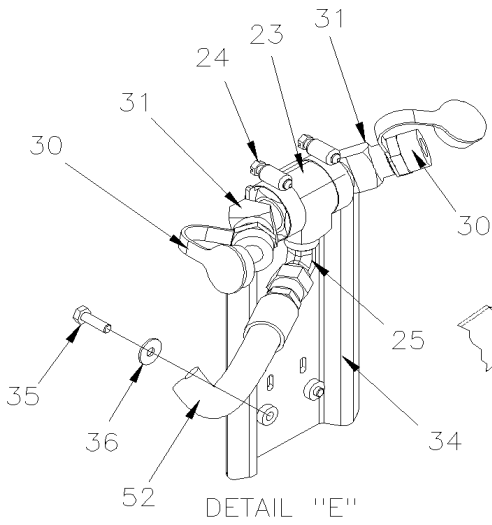


From C-5267 To D-5489

Date:10/2022

PAGE:XV-2320-51

FIRE PROTECTION SYSTEM / HEATER & EVAPORATOR COMPARTMENT



FROM D-5460

DETAIL "A"



From C-5267 To D-5489 Date:10/2022 PAGE:XV-2320-51

FIRE PROTECTION SYSTEM / HEATER & EVAPORATOR COMPARTMENT

| Item# | Part | Description | X 3 V I P | X L I I E N T 4 5 | N O T E S |
|-------|-----------------|---|-----------------------|---|-----------------------|
| 1 | 563455 | PANEL FIRE PROTECTOR DISPLAY | 1 | 1 | |
| 1 | 405725 | DECAL / "IN CASE OF FIRE..." / ENGLISH & FRANCAIS | 1 | 1 | |
| 1 | 405724 | DECAL / "IN CASE OF FIRE..." / ENGLISH | 1 | 1 | |
| 2 | 563456 | BUTTON FIRE / MANUAL OPERATING | 1 | 1 | |
| . NS | 563462 | . SEAL BUTTON FIRE / MANUAL OPERATING | 1 | 1 | |
| 3 | 500814 | SCREW TP BDG PH #6x3/4 BK | 6 | 6 | |
| 4 | 329655 | SUPPORT PANEL FRONT | 1 | 1 | |
| 5 | 329644 | COVER PANEL | 1 | 1 | |
| 5 | 329799 | SUPPORT / CONTROL PANEL | 1 | 1 | |
| 6 | 509916 | SCREW TP PAN PH #8x3 1/2" BK | 2 | 2 | |
| 7 | 509815 | TIE MOUNT / ATTACHMENT W/TREE MOUNT | 2 | 2 | |
| 10 | 217060 | SUPPORT EXTINGUISHER 25 LBS | 1 | 1 | |
| 12 | 509915 | T-BOLT BAND CLAMP/ 9.19" ID | 2 | 2 | |
| 13 | 901125 | EXTINGUISHER 25 LBS | 1 | 1 | |
| . NS | 901299 | . KIT REPAIR, FIRE EXTINGUISHER SYSTEM | 1 | 1 | |
| 20 | 494173 | SUPPORT HOSE | 1 | 1 | |
| 21 | 502830 | SCREW CAP HEX M6-1.0x20 G8.8 N500 | 2 | 2 | |
| 22 | 502681 | NUT HEX NYRT M6-1.0 N500 G8 | 2 | 2 | |
| 23 | 501472 | FEMALE UNION TEE / PIPE FITTING / 1/2NPT-Fx1/2NPT-Fx1/2NPT-F BR | 3 | 3 | |
| 24 | 504021 | HOSE CLAMP / 11/16"-1"1/2 SS / HS-16 | 6 | 6 | |
| 25 | 501612 | MALE ELBOW 90° / SAE 45° FITTING / #8FL-Mx1/2NPT-M BR | 2 | 2 | |
| 26 | 501616 | MALE CONNECTOR / SAE 45° FITTING / #8FL-Mx1/2NPT-M BR | 2 | 2 | |
| 27 | 501473 | MALE RUN TEE / PIPE FITTING / 1/2NPT-Mx1/2NPT-Fx1/2NPT-F BR | 1 | 1 | |
| 28 | 501600 | MALE CONNECTOR / JIC 37° FITTING / #12JIC-Mx1/2NPT-M STL | 1 | 1 | |
| 29 | 501966 | PLUG HEXS / PIPE FITTING / 1/2NPT-M STL | 1 | 1 | B |
| 30 | 901128 | NOZZLE DRY CHEMICAL | 4 | 4 | |
| . NS | 901184 | . CAP PROTECTOR NOZZLE | 1 | 1 | |
| 31 | 501528 | STREET ELBOW 45° / PIPE FITTING / 1/2NPT-Mx1/2NPT-F BR | 3 | 3 | |
| 33 | 504021 | HOSE CLAMP / 11/16"-1"1/2 SS / HS-16 | 1 | 1 | |
| 34 | 406403 | SUPPORT NOZZLE | 2 | 2 | |
| 35 | 502830 | SCREW CAP HEX M6-1.0x20 G8.8 N500 | 4 | 4 | |
| 36 | 5001833 | WASHER BEL SPR 6.1x18x1.27 SS | 4 | 4 | |
| 37 | 507557 | STREET ELBOW 90° / PIPE FITTING / 1/2NPT-Mx1/2NPT-F BR | 1 | 1 | |
| 38 | 563457 | FIRE SENSOR PM-3M | 1 | 1 | |
| NS | 500975 | WASHER FL .378x.620x.094 NYL | 2 | 2 | |
| 39 | 5001146 | SCREW CAP HEX M5-0.8x20 SS BK | 2 | 2 | |
| 40 | 502841 | NUT HEX NYRT M5-0.8 N500 | 2 | 2 | |
| 41 | 5011305 | FEMALE ELBOW 45° / JIC 37° FITTING / #12JIC-Mx3/4NPT-F STL | 1 | 1 | |
| 42 | 680470 | CAP PLUG ID 1.364 OD 1.423 | 1 | 1 | |
| 43 | 504637 | CABLE TIE / 3/16" x 13" | 1 | 1 | |
| 50A | Call order desk | HOSE ASSY / #8 4760MM To D-5459 | 1 | 1 | P |



From C-5267 To D-5489 Date:10/2022 PAGE:XV-2320-51

FIRE PROTECTION SYSTEM / HEATER & EVAPORATOR COMPARTMENT

| Item# | Part | Description | X 3 V I P | X L I I E N T 4 5 | N O T E S |
|--------|-----------------|--|-----------------------|---|-----------------------|
| 50B | Call order desk | HOSE ASSY / #12 4150MM From D-5460 | 1 | 1 | P |
| 52 | 406421P | HOSE ASSY / #8 1930MM | 1 | 1 | |
| 53 | 406422P | HOSE ASSY / #8 665MM | 1 | 1 | |
| 54 | 406608 | SUPPORT / TANK | 1 | 1 | |
| 55 | 504750 | CABLE TIE / 1/2" x 15" / CHRISTMAS TREE | AR | AR | |
| 57 | 406609 | ATTACH From D-5460 | 1 | 1 | |
| 58 | 5001643 | SCREW CAP HEXF M8-1.25x25 G8.8 G500 From D-5460 | 5 | 5 | |
| 59 | 5001699 | WASHER BEL SPR 8.2x22x1.4 N500 From D-5460 | 5 | 5 | |
| 60 | 504016 | CABLE TIE / 5/16" X 14"1/2 | AR | AR | |
| 61 | 406539 | SUPPORT HOSE | 1 | 1 | |
| 62 | 504384 | CUFF END BELLOW / 1 1/4" I.D. x 1 3/4" x 4" | 1 | 1 | |
| 63 | 504022 | HOSE CLAMP / 3/4"-1"3/4 SS / HS-20 | 1 | 1 | |
| 64 | 500957 | SCREW TP BDG PH #10x3/4 N500 | AR | AR | |
| 65 | 504013 | TIE MOUNT / 1/4" X 1/4" I.D. | AR | AR | |
| 66 | 374643 | PROTECTOR HOSE SPLIT / 7/8" x 200MM | 2 | 2 | |
| 67 | 503684 | HOSE SILICONE 1 PLY 7/8" I.D. x 100' / S.L. To D-5381 | AR | AR | |
| 67 | 503803 | HOSE SILICONE 1 PLY / NOMEX-ARAMID 7/8" I.D. x 100' / S.L. From D-5382 | AR | AR | |
| 70 | 067736 | CABLE THERMO DETECTOR (LINEAR FIRE CABLE) / 7M / 168C/180C // 334F/356F | 1 | 1 | E |
| . NS | 563587 | . MODULE DETECTOR / END CIRCUIT | 1 | 1 | E |
| 70 | 067405 | CABLE THERMO DETECTOR (LINEAR FIRE CABLE) / 4M / 168C/180C // 334F/356F To D-5299 | 1 | 1 | E |
| . NS | 563587 | . MODULE DETECTOR / END CIRCUIT To D-5299 | 1 | 1 | E |
| 70 | 068564 | CABLE THERMO DETECTOR (LINEAR FIRE CABLE) / 2.26M / 168C/180C // 334F/356F From D-5300 | 1 | 1 | E |
| 72 | 067267 | CABLE ASSY / FIRE DETECTOR FRT JCT BOX | 1 | 1 | F |
| 73 | 563587 | MODULE DETECTOR / END CIRCUIT | 1 | 1 | |
| 75 | 19500355 | TEST KIT EXTINGUISHER 25LBS / WSIMULATOR & POWER CABLE | 1 | 1 | |
| . NS | 685536 | . POWER CABLE / USED W 24VOLT | 1 | 1 | |
| . NS | 685537 | . SOURCE SIMILATOR | 1 | 1 | |
| . NS | 901301 | . TEST KIT EXTINGUISHER 25LBS | 1 | 1 | |
| . . NS | 685128 | . . VALVE SIMULATOR / EXTINGUISHER 25LBS | 1 | 1 | |
| . . NS | 685129 | . . TEST SWITCH W/CABLE 48" / EXTINGUISHER 25LBS | 1 | 1 | |
| . . NS | N.P.N. | . . STORAGE CASE | 1 | 1 | 4 |
| 75 | 901301 | TEST KIT EXTINGUISHER 25LBS | 1 | 1 | |
| . NS | 685128 | . VALVE SIMULATOR / EXTINGUISHER 25LBS | 1 | 1 | |
| . NS | 685129 | . TEST SWITCH W/CABLE 48" / EXTINGUISHER 25LBS | 1 | 1 | |
| . NS | N.P.N. | . STORAGE CASE | 1 | 1 | 4 |
| 81 | 563457 | FIRE SENSOR PM-3M | 1 | 1 | G |
| 81 | 069020 | CABLE INTERFACE FIRE SENSOR & MAIN HARNESS | 1 | 1 | G |
| 81 | 069041 | CABLE THERMO DETECTOR (LINEAR FIRE CABLE) / 1.5M / 168C/180C // 334F/356F | 1 | 1 | G |



| | | |
|-----------------------|--------------|-----------------|
| From C-5267 To D-5489 | Date:10/2022 | PAGE:XV-2320-51 |
|-----------------------|--------------|-----------------|

FIRE PROTECTION SYSTEM / HEATER & EVAPORATOR COMPARTMENT

| Item# | Part | Description | X 3 V I P | X L I I E N T 4 5 | N O T E S |
|-------|---------|--|-----------------------|---|-----------------------|
| 82 | 406701 | SUPPORT / FIRE SENSOR | 1 | 1 | G |
| 83 | 502841 | NUT HEX NYRT M5-0.8 N500 | 2 | 2 | G |
| 84 | 5001146 | SCREW CAP HEX M5-0.8x20 SS BK | 2 | 2 | G |
| 85 | 5001742 | SCREW CAP HEXF M8-1.25x30 G8.8 N500 | 1 | 1 | G |
| 86 | 500321 | WASHER BEL SPR .331x.827x.098 N500 | 1 | 1 | G |
| 87 | 502851 | NUT HEX M8-1.25 N500 | 1 | 1 | G |
| | | | | | |
| | | | | | |
| | | | | | |
| | | | | | |
| | | | | | |
| | | B) WITHOUT WATER HEATER | | | |
| | | E) INSTALL ON THE ENGINE | | | |
| | | F) LOCATED IN FRONT JCT BOX PANEL | | | |
| | | G) RELOCATION OF FIRE SENSOR | | | |
| | | P) CALL ORDER DESK FOR SPECIFIC APPLICATION (V.I.N.) | | | |
| | | 4) NO PARTS NUMBER | | | |

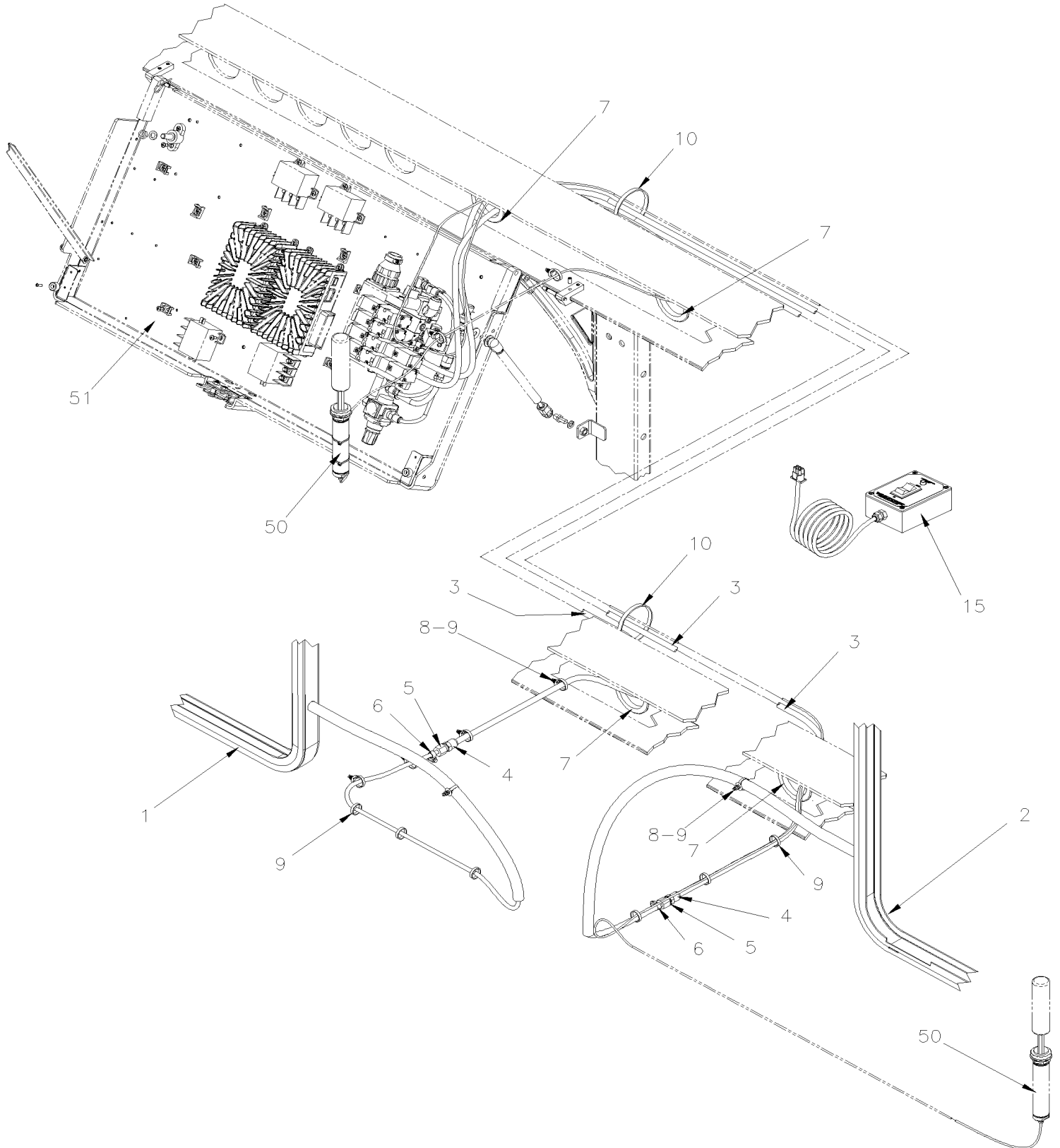


From B-5003 To D-5489

Date:10/2022

PAGE:XV-2390-00

"SLIDE-OUT" INFLATED SEAL





| | | |
|------------------------------|---------------------|------------------------|
| From B-5003 To D-5489 | Date:10/2022 | PAGE:XV-2390-00 |
|------------------------------|---------------------|------------------------|

"SLIDE-OUT" INFLATED SEAL

| Item# | Part | Description | X 3 V I P | X L I I E N T 4 5 | N O T E S |
|-------|-------------------|---|-----------------------|---|-----------------------|
| 1 | 478510 | SEAL, INFLATABLE FRONT / 4465MM x 2115MM / 175MM | 1 | | |
| 1 | 479434 | SEAL INSTALLATION FRONT / 4465MM x 2115MM | 1 | | |
| . NS | 470660 | . SEAL, BASE FRONT / 4465MM x 2115MM | 1 | | |
| . NS | 470661 | . SEAL, INFLATABLE FRONT / 4465MM x 2115MM | 1 | | |
| . NS | IS-16080 | . SEE INSTRUCTION SHEET | 1 | | |
| . NS | FI-16080 | . VOIR FEUILLE D'INSTRUCTION | 1 | | |
| 1 | 478149 | SEAL, INFLATABLE FRONT / 3591MM x 2115MM / 175MM | | 1 | |
| 1 | 479430 | SEAL INSTALLATION FRONT / 3591MM x 2115MM | | 1 | |
| . NS | 470666 | . SEAL, BASE FRONT / 3591MM x 2115MM | | 1 | |
| . NS | 470667 | . SEAL, INFLATABLE FRONT / 3591MM x 2115MM | | 1 | |
| . NS | IS-16080 | . SEE INSTRUCTION SHEET | | 1 | |
| . NS | FI-16080 | . VOIR FEUILLE D'INSTRUCTION | | 1 | |
| 2 | 477328 | SEAL, INFLATABLE REAR / 2330MM x 1775MM / 175MM | 1 | | 7.5 |
| 2 | 479432 | SEAL INSTALLATION REAR / 2330MM x 1775MM | 1 | | 7.5 |
| . NS | 470656 | . SEAL, BASE REAR / 2330MM x 1775MM | 1 | | 7.5 |
| . NS | 470657 | . SEAL, INFLATABLE REAR / 2330MM x 1775MM | 1 | | 7.5 |
| . NS | IS-16080 | . SEE INSTRUCTION SHEET | 1 | | 7.5 |
| . NS | FI-16080 | . VOIR FEUILLE D'INSTRUCTION | 1 | | 7.5 |
| 2 | 477320 | SEAL, INFLATABLE REAR / 3347MM x 1775MM / 175MM | 1 | | 10 |
| 2 | 479431 | SEAL INSTALLATION REAR / 3347MM x 1775MM | 1 | | 10 |
| . NS | 470658 | . SEAL, BASE REAR / 3347MM x 1775MM | 1 | | 10 |
| . NS | 470659 | . SEAL, INFLATABLE REAR / 3347MM x 1775MM | 1 | | 10 |
| . NS | IS-16080 | . SEE INSTRUCTION SHEET | 1 | | 10 |
| . NS | FI-16080 | . VOIR FEUILLE D'INSTRUCTION | 1 | | 10 |
| 3 | 503541 | TUBE, NYLON 3/4" O.D. / BLACK S.L | AR | AR | |
| 4 | 641331 | MALE CONNECTOR / PUSH-IN FITTING / #6x1/4NPT-M BR | 2 | 2 | |
| 5 | 642010 | FEMALE CONNECTOR / HOSE BARB FITTING / #4x1/4NPT-F BR | 2 | 2 | |
| 6 | 504715 | HOSE CLAMP / 7/32"-5/8" SS | 2 | 2 | |
| 7 | 504720 | GROMMET / 2.375x3.000x.250x.437x3.250 | 4 | 4 | |
| 7 | 680066 | ADHESIVE / ADBOND #5014 / 23.6ML BOTTLE | AR | AR | |
| 8 | 509815 | TIE MOUNT / ATTACHMENT W/TREE MOUNT | AR | AR | |
| 9 | 504637 | CABLE TIE / 3/16" x 13" | AR | AR | |
| 10 | 504016 | CABLE TIE / 5/16" X 14"1/2 | AR | AR | |
| NS | 684517 | ADHESIVE SIMSON #ISR 70-03 / GREY / 310ml CARTRIDGE | AR | AR | |
| 15 | 382048 | REMOTE CONTROL / SINGLE SLIDE-OUT | 1 | 1 | |
| . NS | 563380 | . SWITCH / M/ON-OFF-M/ON S P.D.T BLACK | 1 | 1 | |
| . NS | 564421 | . PILOT LIGHT GREEN / LED 24V | 1 | 1 | |
| . NS | 382047 | . DECAL "REMOTE CONTROL" | 1 | 1 | |
| 50 | XV-2390-20 | "SLIDE-OUT" - FRONT MECHANISM - INSTALLATION | 1 | 1 | |
| 50 | XV-2390-30 | "SLIDE-OUT" - REAR MECHANISM INSTALLATION | 1 | 1 | |
| 51 | XV-2390-10 | "SLIDE-OUT" AIR CONTROL PANEL - MUX | 1 | 1 | |



| | | |
|-----------------------|--------------|-----------------|
| From B-5003 To D-5489 | Date:10/2022 | PAGE:XV-2390-00 |
|-----------------------|--------------|-----------------|

"SLIDE-OUT" INFLATED SEAL

| Item# | Part | Description | X 3 V I P | X L I I E N T 4 5 | N O T E S |
|-------|------|-------------------------------|-----------------------|---|-----------------------|
| | | | | | |
| | | 10) WITH SLIDE OUT 10' WIDE | | | |
| | | 7.5) WITH SLIDE OUT 7.5' WIDE | | | |

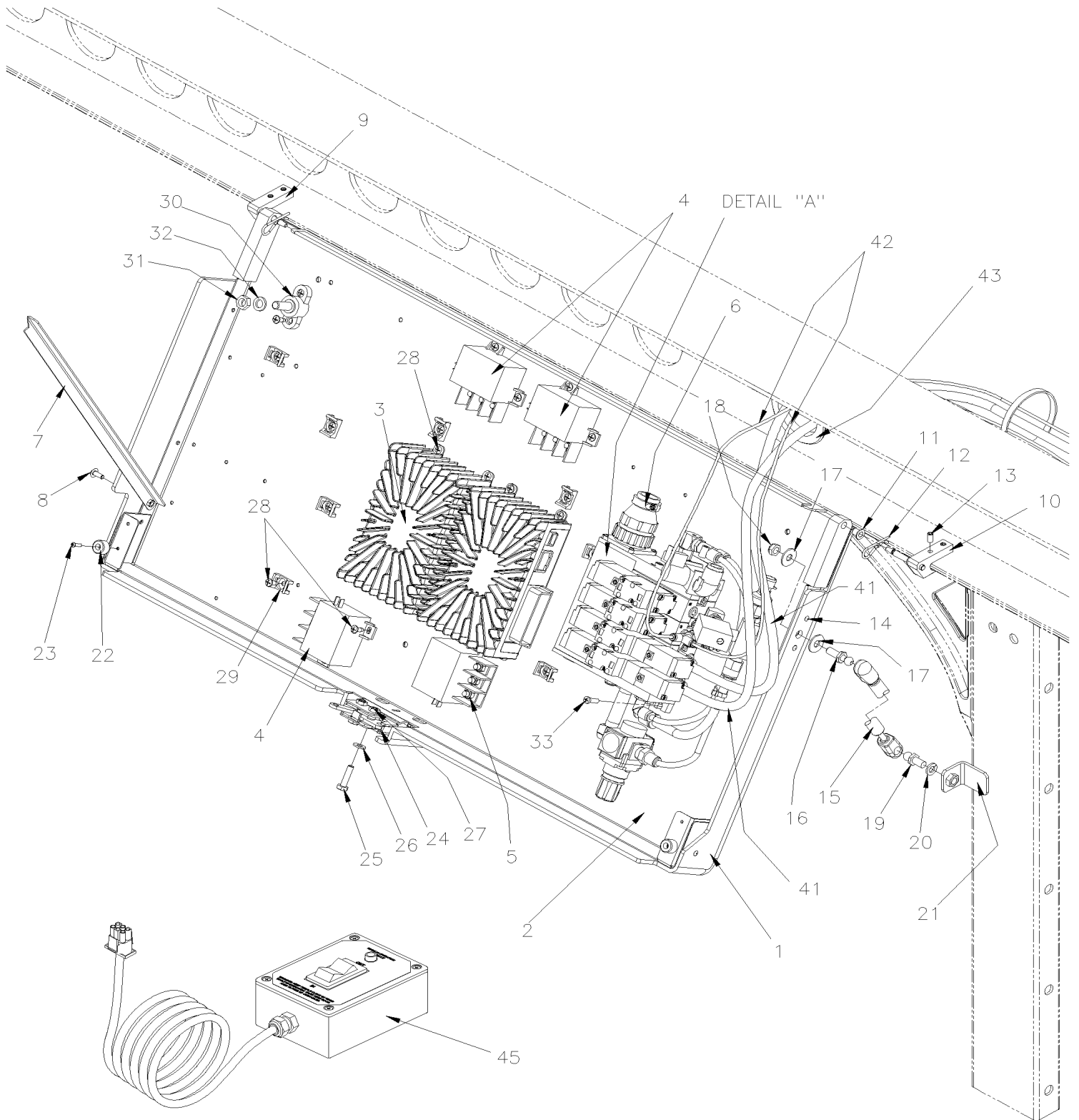


From B-5003 To D-5489

Date:10/2022

PAGE:XV-2390-10

"SLIDE-OUT" AIR CONTROL PANEL - MUX



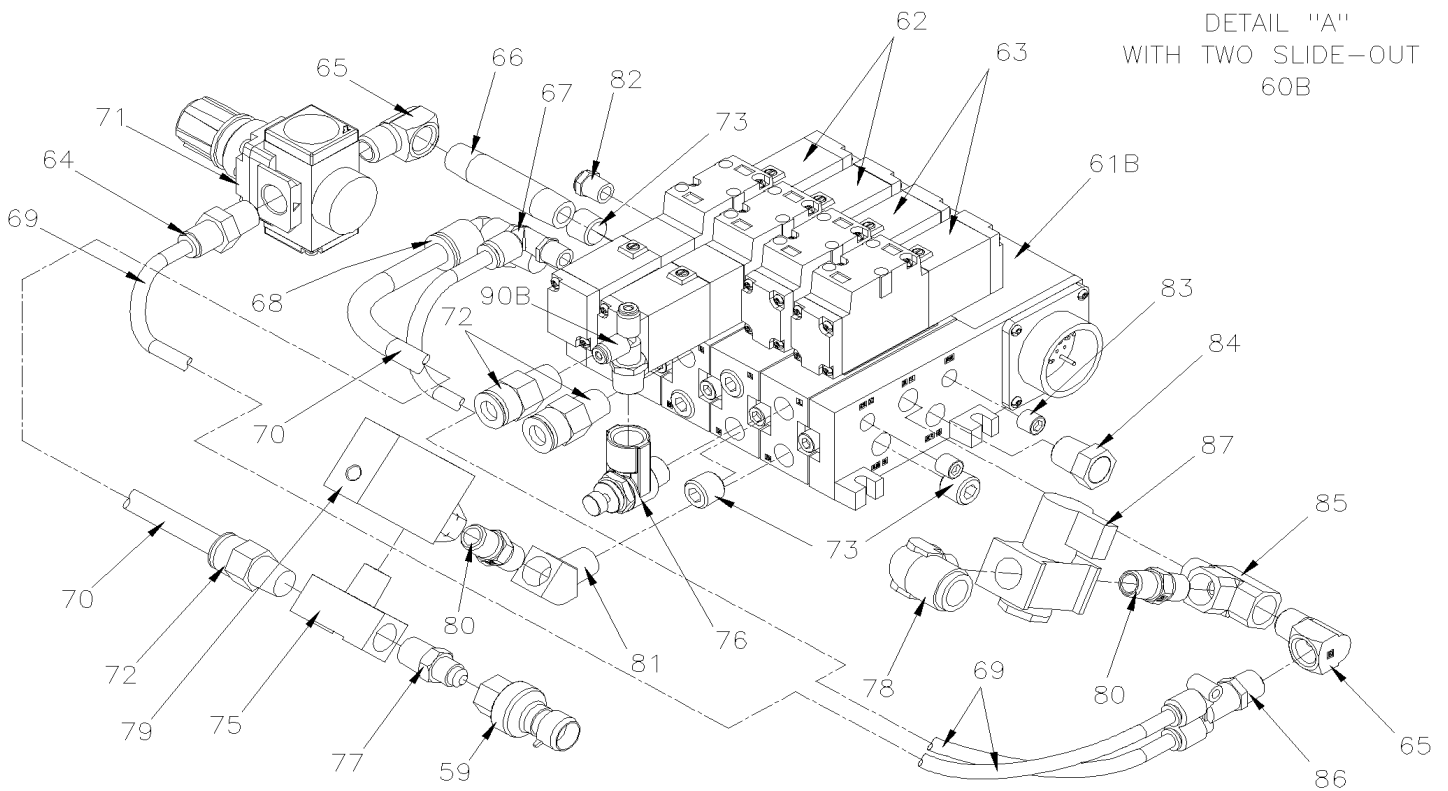
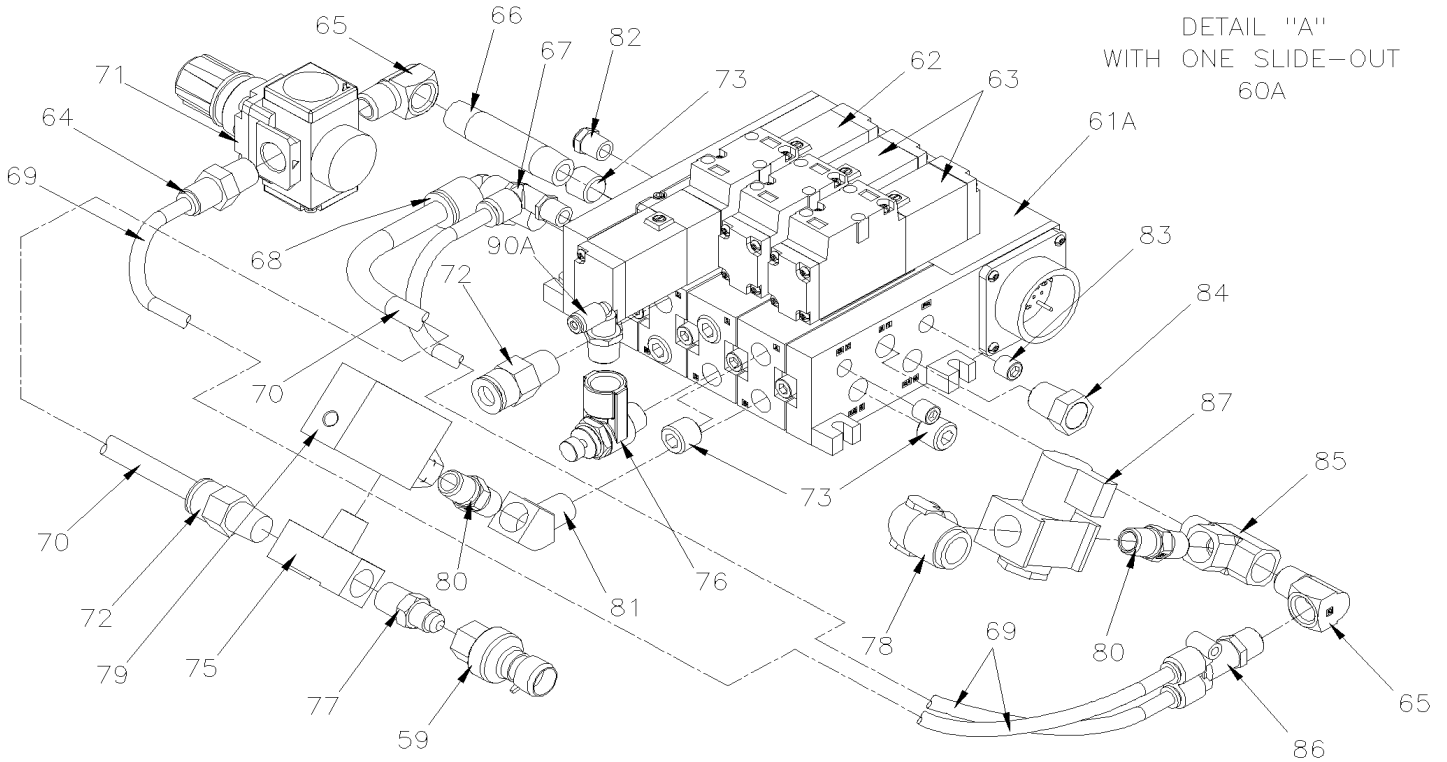


From B-5003 To D-5489

Date:10/2022

PAGE:XV-2390-10

"SLIDE-OUT" AIR CONTROL PANEL - MUX





| | | |
|--|---------------------|------------------------|
| From B-5003 To D-5489 | Date:10/2022 | PAGE:XV-2390-10 |
| "SLIDE-OUT" AIR CONTROL PANEL - MUX | | |

| Item# | Part | Description | X 3 V I P | X L I E N T 4 5 | N O T E S |
|-------|-----------------|--|-----------------------|--------------------------------------|-----------------------|
| 1 | 066380 | COVER PLASTIC | 1 | 1 | |
| 1 | 066885 | DECAL "JCT BOX SLIDE-OUT "VIP" / W/DOUBLE "SLIDE-OUT" | 1 | 1 | |
| 1 | 068854 | DECAL "JCT BOX SLIDE-OUT "VIP" / W/REAR "SLIDE-OUT" ONLY | 1 | | |
| 2 | 067538 | PANEL MOUNTING / W/TRIPLE "SLIDE-OUT" | 1 | 1 | |
| 3 | 564075 | I/O B-MODULE VOLVO MULTIPLEX / ALUMINUM To B-5029 | AR | AR | |
| . NS | 563132 | . CONNECTOR / SH 2C / YAZAKI 7283-6458-40 To B-5029 | 1 | 1 | |
| . NS | 563133 | . CONNECTOR / JUNIOR POWER TIMER / SH 29C / AMP 1-963449-2 To B-5029 | 1 | 1 | |
| . NS | 562957 | . CONNECTOR / SH 5C / GREEN / JAE IL-AG5-5S-S3C1 To B-5029 | 1 | 1 | |
| 3 | 564193 | I/O B-MODULE VOLVO MULTIPLEX / ALUMINUM From B-5030 | AR | AR | |
| . NS | 563132 | . CONNECTOR / SH 2C / YAZAKI 7283-6458-40 From B-5030 | 1 | 1 | |
| . NS | 563133 | . CONNECTOR / JUNIOR POWER TIMER / SH 29C / AMP 1-963449-2 From B-5030 | 1 | 1 | |
| . NS | 562957 | . CONNECTOR / SH 5C / GREEN / JAE IL-AG5-5S-S3C1 From B-5030 | 1 | 1 | |
| 4 | 563445 | RELAY POWER 24V 130 AMPS / S.P.D.T. N.O. | 4 | 4 | |
| 5 | 5001182 | NUT HEX NYRT M6-1.0 SS | 6 | 6 | |
| 6 | 068159 | WIRING HARNESS SLIDE-OUT FRONT LEFT | 1 | 1 | |
| 6 | 066776 | WIRING HARNESS SLIDE-OUT REAR LEFT | 1 | | |
| 7 | 066928 | ANGLE HOLDING SUPPORT (OPEN) | 1 | 1 | |
| 8 | 5001241 | SCREW MA TR PH #10-24x1/2 SS | 1 | 1 | |
| 8 | 5001180 | NUT HEX NYRT #10-24 SS | 1 | 1 | |
| 9 | 066489 | HINGE BLOCK L.H. FIXED TO STRUCTURE | 1 | 1 | |
| 10 | 066490 | HINGE BLOCK R.H. FIXED TO STRUCTURE | 1 | 1 | |
| 11 | 507381 | BUSHING W/SHOULDER 1/4" I,D, | 2 | 2 | |
| 12 | 502180 | PIN HITCH CLIP 3/32 x 1/2 Z050 | 2 | 2 | |
| 13 | 5001634 | SCREW SET HEXS CUP M6-1.0X12MM Z050 | 6 | 6 | |
| 14 | 504105 | RIVET POP DOME OE 1/8x3/16 AL | 6 | 6 | |
| 15 | 980029 | CYLINDER GAZ / 354/219MM C/C / 46LBS | 1 | 1 | |
| 16 | 980027 | BALL STUD / W/10 MM X M8-1.25 / 36.5MM | 1 | 1 | |
| 17 | 500332 | WASHER FL .328x.875x.062 N500 | 2 | 2 | |
| 18 | 500868 | NUT HEX NYRT M8-1.25 Z050 | 1 | 1 | |
| 19 | 980015 | BALL STUD / W/10 MM X M8-1.25 / 29.18 MM | 1 | 1 | |
| 20 | 5001161 | WASHER LO SPT 8.1x14.8x2.0 SS-304 | 1 | 1 | |
| 21 | Call order desk | SUPPORT CYLINDER STUD | 1 | 1 | P |
| 22 | 504334 | BUMPER RUBBER / .625 OD x .406 TH x .156 HOLE | 2 | 2 | |
| 23 | 500576 | SCREW TC PAN PH #6-32x1/2 Z050 | 2 | 2 | |
| 24 | 780778 | LOCK L.H. | 1 | 1 | |
| 25 | 500165 | SCREW CAP HEX 1/4-20x1 G5 Z050 | 2 | 2 | |
| 26 | 500440 | WASHER FL .250x.562x.065 Z050 | 2 | 2 | |
| 27 | 502819 | NUT HEX JAM 1/4-20 Z050 | 2 | 2 | |
| 28 | 502868 | SCREW TC TR PH #10-16x1/2 N500 | AR | AR | |
| 29 | 504013 | TIE MOUNT / 1/4" X 1/4" I.D. | AR | AR | |
| 29 | 504637 | CABLE TIE / 3/16" x 13" | AR | AR | |
| 30 | 560422 | BLOCK, TERMINAL / 1 STUD 3/8-16 / BLACK | 1 | 1 | |



| | | |
|------------------------------|---------------------|------------------------|
| From B-5003 To D-5489 | Date:10/2022 | PAGE:XV-2390-10 |
|------------------------------|---------------------|------------------------|

"SLIDE-OUT" AIR CONTROL PANEL - MUX

| Item# | Part | Description | X 3 V I P | X L I I E N T 4 5 | N O T E S |
|-------|-----------------|--|-----------------------|---|-----------------------|
| 31 | 500379 | NUT HEX 3/8-16 BR | 1 | 1 | |
| 32 | 500478 | WASHER LO SPT .380x.683x.094 Z050 | 1 | 1 | |
| 33 | 500658 | SCREW TC PAN PH #10-24x3/4 Z050 | 2 | 2 | |
| 41 | 503404 | TUBE, NYLON 3/8 O.D. / BLACK S.L. | AR | AR | |
| 42 | 503536 | TUBE, NYLON 1/8 O.D. / BLACK S.L. | AR | AR | |
| 43 | 504720 | GROMMET / 2.375x3.000x.250x.437x3.250 | AR | AR | |
| 43 | 680066 | ADHESIVE / ADBOND #5014 / 23.6ML BOTTLE | AR | AR | |
| 45 | 382048 | REMOTE CONTROL / SINGLE SLIDE-OUT | AR | AR | |
| . NS | 563380 | . SWITCH / M/ON-OFF-M/ON S P.D.T BLACK | 1 | 1 | |
| . NS | 564421 | . PILOT LIGHT GREEN / LED 24V | 1 | 1 | |
| . NS | 382047 | . DECAL "REMOTE CONTROL" | 1 | 1 | |
| 59 | 563459 | TRANSDUSER -14.7 to 100LBS / 1/8 NPT-F | 1 | 1 | |
| . NS | 563159 | . CONNECTOR / METRI-PACK 150 / SH 3C / PED 12065287 | 1 | 1 | |
| 60A | 144867 | CONTROL VALVE ASSY / W/SINGLE "SLIDE-OUT" | 1 | 1 | |
| 60B | 144866 | CONTROL VALVE ASSY / W/DOUBLE "SLIDE-OUT" | 1 | | |
| 61A | 642025 | . BLOCK VALVE / W/SINGLE "SLIDE-OUT" | 1 | 1 | |
| 61B | 642024 | . BLOCK VALVE / W/DOUBLE "SLIDE-OUT" | 1 | | |
| 62 | 641995 | . . SOLENOID VALVE 5/2 ASSY / W/DOUBLE COIL 2 | 1 | | |
| . NS | 642059 | . . . GASKET VALVE BODY / RECTANGULAR | 1 | | |
| 63 | 641997 | . . SOLENOID VALVE 5/2 ASSY / W/SIMPLE COIL 2 | 1 | 1 | |
| . NS | 642059 | . . . GASKET VALVE BODY / RECTANGULAR | 1 | 1 | |
| 64 | 641332 | . MALE CONNECTOR / PUSH-IN FITTING / #4x1/4NPT-M BR | 1 | 1 | |
| 65 | 501332 | . STREET ELBOW 90° / PIPE FITTING / 1/4NPT-Mx1/4NPT-F BR | 2 | 2 | |
| 66 | Call order desk | . NIPPLE / PIPE FITTING / 1/4NPT-Mx1/4NPT-Mx2 1/2 | 1 | 1 | P |
| 67 | 642052 | . MALE ELBOW 90° / PUSH-IN FITTING / #2x3/8NPT-M PLAS | 1 | 1 | |
| 68 | 642051 | . MALE ELBOW 90° / PUSH-IN FITTING / #6x1/4NPT-M PLAS | 1 | 1 | |
| 69 | 503402 | . TUBE, NYLON 1/4 O.D. / BLACK S.L. | AR | AR | |
| 70 | 503404 | . TUBE, NYLON 3/8 O.D. / BLACK S.L. | AR | AR | |
| 71 | 647891 | . PRESSURE REGULATOR | 1 | 1 | |
| 72 | 641331 | . MALE CONNECTOR / PUSH-IN FITTING / #6x1/4NPT-M BR | 2 | 2 | |
| 73 | 501800 | . PLUG HEXS / PIPE FITTING / 1/4NPT-M STL | 7 | 7 | |
| 75 | 501894 | . MALE BRANCHE TEE / PIPE FITTING / 1/4NPT-Fx1/4NPT-Fx1/4NPT-M BR | 1 | 1 | |
| NS | 680098 | . THREAD SEALANT LOCTITE #567 / WHITE / 250ml | AR | AR | |
| 76 | 642050 | . AIR REGULATOR | 1 | 1 | |
| 77 | 501027 | . MALE CONNECTOR / SAE 45° FITTING / #4FL-Mx1/4NPT-M BR | 1 | 1 | |
| 78 | 641373 | . MALE ELBOW 90° NON-SWIVEL / PUSH-IN FITTING / #8x1/4NPT-M BR To C-5276 | 1 | 1 | |
| 78 | 642165 | . MALE ELBOW 90° NON-SWIVEL / PUSH-IN FITTING / #8x1/4NPT-M BR From C-5277 | 1 | 1 | |
| 79 | 690424 | . VACUUM GENERATORS To C-5276 | 1 | 1 | |
| 79 | 642166 | . VACUUM GENERATORS From C-5277 | 1 | 1 | |
| 80 | 501321 | . NIPPLE HEX / PIPE FITTING / 1/4NPT-Mx1/4NPT-Mx1 3/8 BR | 2 | 2 | |
| 81 | 501329 | . STREET ELBOW 45° / PIPE FITTING / 1/4NPT-Mx1/4NPT-F BR To C-5276 | 1 | 1 | |
| 81 | 642170 | . MALE ELBOW 90° / PIPE FITTING / 1/4NPT-Mx1/8NPT-M BR From C-5277 | 1 | 1 | |



| | | |
|--|--------------|-----------------|
| From B-5003 To D-5489 | Date:10/2022 | PAGE:XV-2390-10 |
| "SLIDE-OUT" AIR CONTROL PANEL - MUX | | |

| Item# | Part | Description | X 3 V I P | X L I I E N T 4 5 | N O T E S |
|-------|--------|---|-----------------------|---|-----------------------|
| 82 | 642048 | . SILENCER / MUFFLER / 1/8NPT-M | 1 | 1 | |
| 83 | 501072 | . PLUG HEXS / PIPE FITTING / 1/8NPT-M STL | 1 | 1 | |
| 84 | 641926 | . SILENCER / MUFFLER / 1/4NPT-M | 1 | 1 | |
| 85 | 501338 | . MALE RUN TEE / PIPE FITTING / 1/4NPT-Mx1/4NPT-Fx1/4NPT-F BR | 1 | 1 | |
| 86 | 642047 | . MALE BRANCH "Y" / PUSH-IN FITTING / #4X#4X1/4NPT-M PLAS | 1 | 1 | |
| 87 | 690351 | . PORT RELIEVING SHUT-OFF VALVE | 1 | 1 | |
| 88 | 504637 | . CABLE TIE / 3/16" x 13" | 1 | 1 | |
| 90A | 642053 | . MALE ELBOW 90° / PUSH-IN FITTING / #2x1/4NPT-M PLAS | 1 | 1 | |
| 90B | 641920 | . MALE RUN TEE / PUSH-IN FITTING / #2x#2x1/4NPT-M PLAS | 1 | | |
| | | | | | |
| | | | | | |
| | | | | | |
| | | P) CALL ORDER DESK FOR SPECIFIC APPLICATION (V.I.N.) | | | |

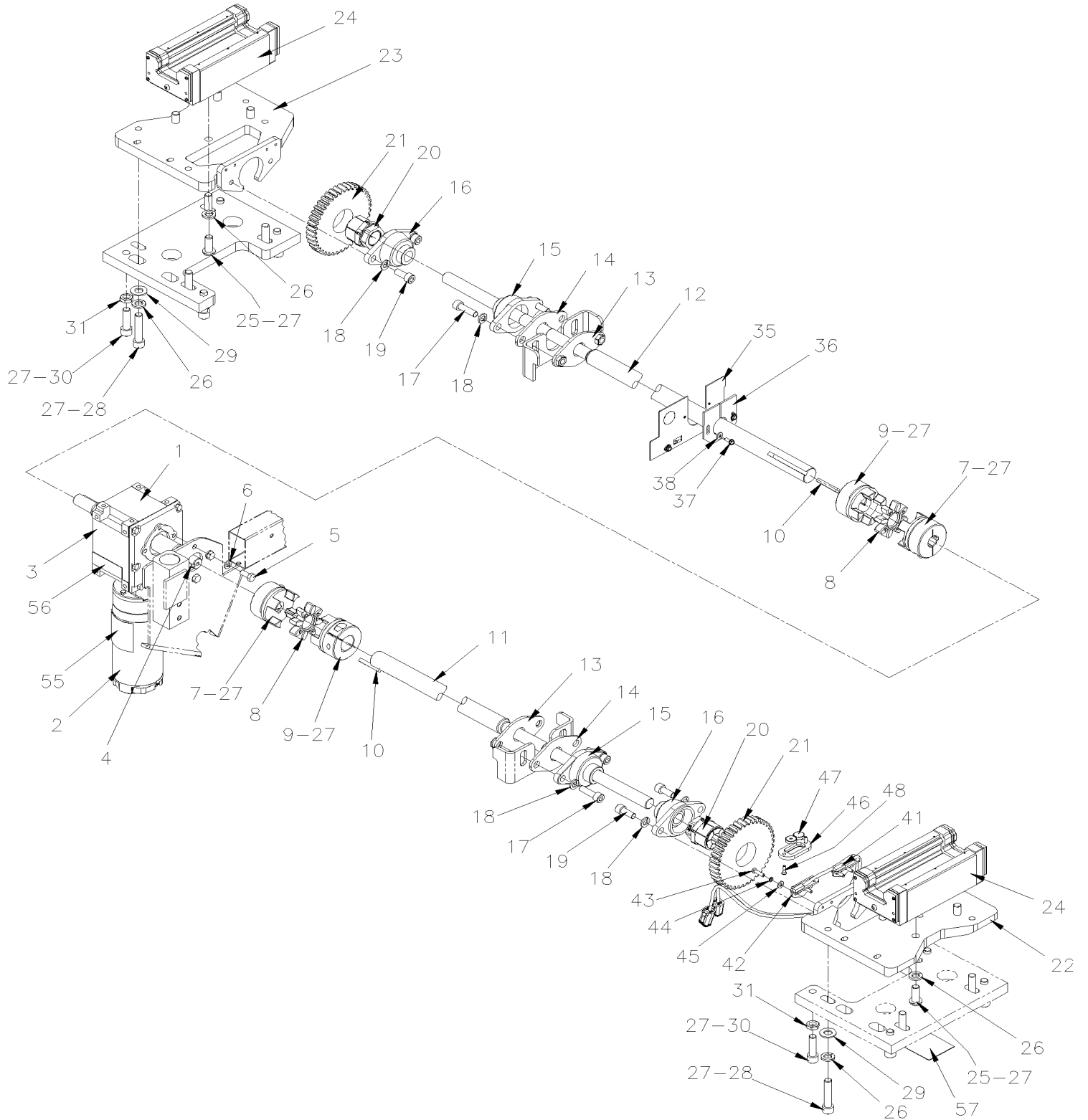


From B-5003 To D-5489

Date:10/2022

PAGE:XV-2390-20

"SLIDE-OUT" - FRONT MECHANISM - INSTALLATION



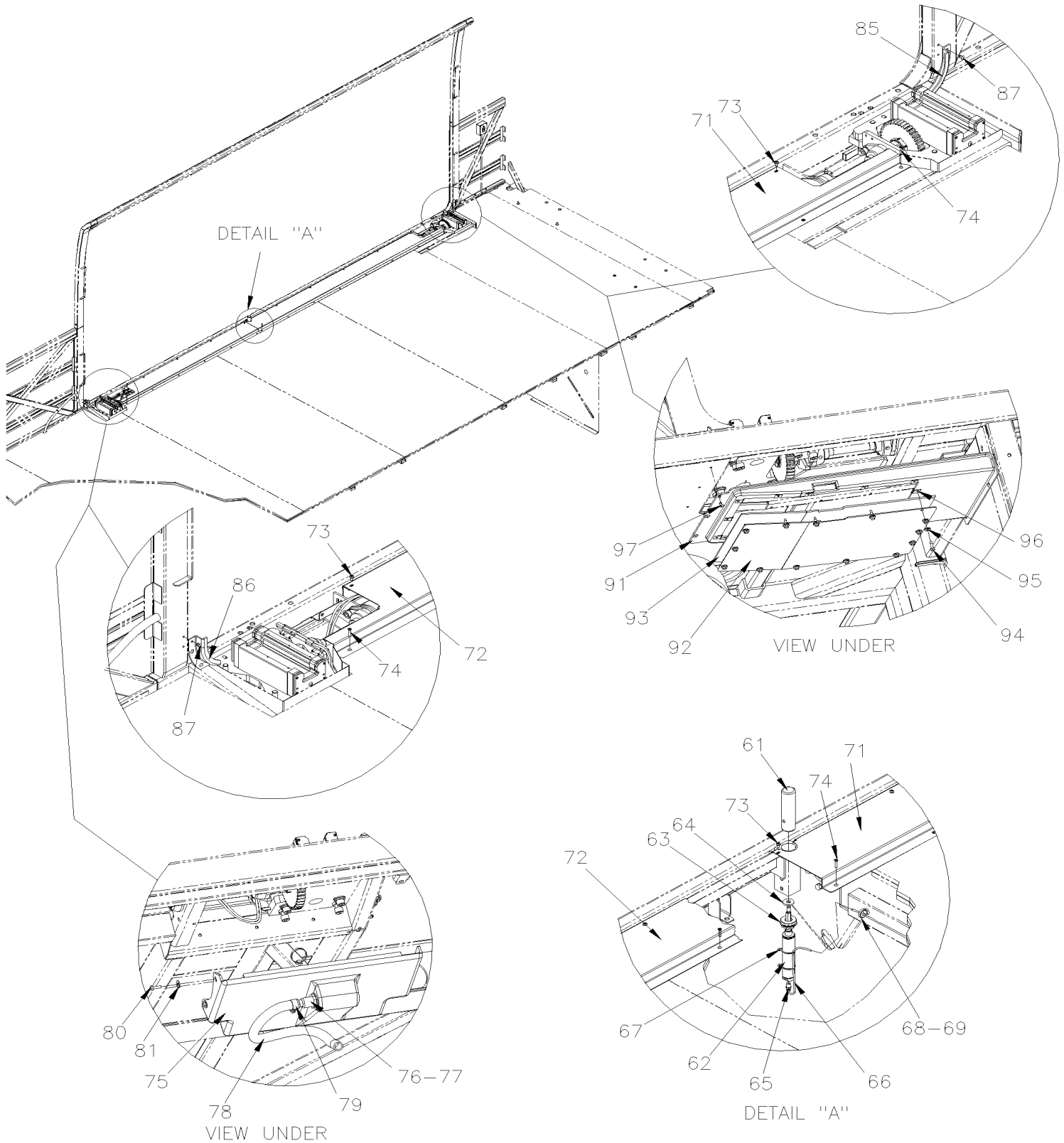


From B-5003 To D-5489

Date:10/2022

PAGE:XV-2390-20

"SLIDE-OUT" - FRONT MECHANISM - INSTALLATION





From B-5003 To D-5489 Date:10/2022 PAGE:XV-2390-20

"SLIDE-OUT" - FRONT MECHANISM - INSTALLATION

| Item# | Part | Description | X 3 V I P | X L I I E N T 4 5 | N O T E S |
|--------|---------|--|-----------------------|---|-----------------------|
| 1 | 066651 | MOTOR 24V ASSY W/CONNECTOR | 1 | 1 | |
| . NS | 563936 | . MOTOR 24V ASSY W/GEAR-BOX | 1 | 1 | |
| . . NS | 563937 | . . MOTOR 24V | 1 | 1 | |
| . . NS | 563938 | . . GEAR BOX RATIO 738/1 | 1 | 1 | |
| . NS | 561944 | . CONNECTOR / CPC SERIES 3 / PH 3C / AMP 206426-1 | 1 | 1 | |
| . NS | 561655 | . CABLE CLAMP / CPC / #17 / AMP 206070-8 | 1 | 1 | |
| . NS | 561698 | . PIN TERMINAL 16-12 / POWER CONTACT / AMP 66261-4 | 2 | 2 | |
| 2 | 563937 | . . MOTOR 24V | 1 | 1 | |
| 3 | 563938 | . . GEAR BOX RATIO 738/1 | 1 | 1 | |
| 4 | 505533 | . . KEY 6MM x 6MM x 40MM | 2 | 2 | |
| 5 | 5001450 | SCREW CAP HEX M8-1.25x20 G10.9 DP | 4 | 4 | |
| 6 | 500035 | WASHER LO SPT .317x.586x.078 SS | 4 | 4 | |
| 7 | 505530 | COUPLING SHAFT DRIVE 20MM I.D. / TYPE GS 28 | 2 | 2 | |
| 8 | 505529 | SPIDER RUBBER / TYPE GS 28 | 2 | 2 | |
| 9 | 505528 | COUPLING SHAFT DRIVE 1 1/8" I.D. / TYPE GS 28 | 2 | 2 | |
| 10 | 505527 | KEY SQUARE 1/4" x 1/4" x 1 3/4" | 2 | 2 | |
| 11 | 478514 | SHAFT / BACKWARD / 1703.6MM | 1 | | |
| 11 | 479462 | SHAFT / BACKWARD / 830.5MM | | 1 | |
| 12 | 479461 | SHAFT / FORWARD / 2067.2MM | 1 | 1 | |
| 13 | 470129 | PLATE TORQUE | 2 | 2 | |
| 14 | 470128 | SPACER 3/16" | 2 | 2 | |
| 15 | 507641 | PILLOW BEARING ASSY | 2 | 2 | |
| 16 | 470116 | PILLOW BEARING ASSY | 2 | 2 | |
| 17 | 5001620 | SCREW CAP HEXS M10-1.5X35 G10.9 G500 | 4 | 4 | |
| 18 | 502616 | WASHER LO SPT 10.2x18.1x2.2 SS | 8 | 8 | |
| 19 | 5001616 | SCREW CAP HEXS M10-1.5X25 G10.9 DP | 4 | 4 | |
| 20 | 470118 | COUPLING TORQUE | 2 | 2 | |
| 21 | 470119 | GEAR 5 1/4" W/40TH | 2 | 2 | |
| 22 | 477753 | BASE GUIDE ASSY BACKWARD | 1 | 1 | |
| 23 | 477752 | BASE GUIDE ASSY FORWARD | 1 | 1 | |
| 24 | 476761 | GUIDE | 2 | 2 | E |
| 24 | 479623 | SLIDE-OUT LINEAR BEARING AND GUIDE KIT | 2 | 2 | E |
| 25 | 5001615 | SCREW CAP BUT HEXS M12-1.75x30 G10.9 G500 | 8 | 8 | |
| 26 | 500944 | WASHER LO SPT .506x.873x.125 N500 | 16 | 16 | |
| 27 | 684420 | SCREW MARKER LOCK 90ml | AR | AR | |
| 28 | 5001621 | SCREW CAP HEXS M12-1.75x55 G10.9 DP | 8 | 8 | |
| 29 | 500958 | WASHER FL .531x1.062x.095 SS | 8 | 8 | |
| 30 | 5001622 | SCREW CAP HEXS M12-1.75x40 G10.9 DP | 8 | 8 | |
| 31 | 5001623 | NUT HEX JAM M12x1.75 SS | 8 | 8 | |
| 35 | 477916 | CLOSING PLATE SS 168MM x 94MM | 1 | 1 | |
| 36 | 479436 | CLOSING PLATE PLASTIC 74MM x 75MM | 1 | 1 | |
| NS | 680532 | SEALANT SIKA #221 / GREY / 310ml CARTRIDGE | AR | AR | |



| | | |
|------------------------------|---------------------|------------------------|
| From B-5003 To D-5489 | Date:10/2022 | PAGE:XV-2390-20 |
|------------------------------|---------------------|------------------------|

"SLIDE-OUT" - FRONT MECHANISM - INSTALLATION

| Item# | Part | Description | X 3 V I P | X L I E N T 4 5 | N O T E S |
|-------|-------------------|---|-----------------------|--------------------------------------|-----------------------|
| 37 | 5001017 | SCREW TC CAP HEXW #10-24x1/2 Z050 | 4 | 4 | |
| 38 | 500964 | WASHER FL .203x.500x.047 Z050 | 4 | 4 | |
| 41 | 066852 | LIMITING REED SWITCH ASSY W/LED S.P.D.T. / W/SLIDE OUT | 2 | 2 | |
| . NS | 563426 | . HALL EFFECT SENSOR | 1 | 1 | |
| . NS | 563452 | . LED GREEN / 5VOLTS | 1 | 1 | |
| . NS | 562477 | . CONNECTOR / DT SERIES / SH 4C / GRAY / DEUTSCH DT06-4S | 1 | 1 | |
| 41 | 504273 | CABLE TIE / 1/8" X 3"1/2 | 2 | 2 | |
| 42 | 477829 | SUPPORT LIMITING READ SWITCH | 2 | 2 | |
| 43 | 5001146 | SCREW CAP HEX M5-0.8x20 SS BK | 4 | 4 | |
| 44 | 500914 | WASHER LO SPT .193x.334x.047 N500 | 4 | 4 | |
| 45 | 500804 | WASHER FL .203x.500x.047 N500 | 4 | 4 | |
| 46 | 470124 | SUPPORT MAGNET / ALUMINUM | 2 | 2 | |
| 47 | 562949 | MAGNET ROUND .200x.700 DIA | 4 | 4 | |
| 48 | 5001614 | SCREW CAP FL HEXS M4-0.7x16 SS EMN | 4 | 4 | |
| 50 | XV-2390-50 | "SLIDE-OUT" - INSTALLATION | | | |
| 55 | 477989 | DECAL "SEAL MUST BE DEFLATED..." | 1 | 1 | |
| 56 | 477987 | DECAL " ON OVERRIDE MUST BE LOW TORQUE..." | 1 | 1 | |
| 57 | 477990 | DECAL "THIS SLIDE-OUT PLATE IS FACTORY.." | 2 | 2 | |
| NS | 216451 | DECAL PATENT | 1 | 1 | |
| 61 | 470182 | SAFETY PIN 1 1/4" O.D. x 116MM | 1 | 1 | |
| 62 | 642027 | CYLINDER 1 1/16" | 1 | 1 | |
| 63 | 470183 | ADAPTOR CYLINDER 5/8-18 x M36-2 | 1 | 1 | |
| 64 | 502220 | WASHER FL .375x1.000x.125 RUB | 1 | 1 | |
| 65 | 641126 | MALE CONNECTOR / PUSH-IN FITTING / #2x1/8NPT-M BR | 1 | | |
| 65 | 641126 | MALE CONNECTOR / PUSH-IN FITTING / #2x1/8NPT-M BR To D-5459 | | 1 | |
| 65 | 642062 | MALE ELBOW 90° / PUSH-IN FITTING / #2x1/8NPT-M PLAS From D-5460 | | 1 | |
| NS | 680098 | THREAD SEALANT LOCTITE #567 / WHITE / 250ml | AR | AR | |
| 66 | 503536 | TUBE, NYLON 1/8 O.D. / BLACK S.L. | AR | AR | |
| 67 | 504273 | CABLE TIE / 1/8" X 3"1/2 | AR | AR | |
| 68 | 509815 | TIE MOUNT / ATTACHMENT W/TREE MOUNT | AR | AR | |
| 69 | 504637 | CABLE TIE / 3/16" x 13" | AR | AR | |
| 71 | 329153 | PROTECTOR PLATE FORWARD To D-5459 | 1 | 1 | |
| 71 | 323202 | PROTECTOR PLATE FORWARD From D-5460 | 1 | 1 | |
| 72 | 326251 | PROTECTOR PLATE BACKWARD | | 1 | |
| 72 | 324228 | PROTECTOR PLATE BACKWARD | 1 | | |
| NS | 506227 | TAPE RUB ADH1 CC POL 1/16" x 3/4" x 100' / GREY 2520 | AR | AR | |
| NS | 506466 | TAPE RUB ADH1 CC POL 1/16" x 1 1/2" x 100' / GREY 2520 | AR | AR | |
| 73 | 500799 | SCREW TC PAN PH #8-32x3/8 N500 | AR | AR | |
| 74 | 5001349 | SCREW WO TR PH #8x7/8 | AR | AR | |
| 75 | 479487 | ACCESS PANEL | 1 | 1 | |
| 76 | 409038 | GASKET | 1 | 1 | |
| 77 | 900280 | THRU HULL, CONNECTOR / PLASTIC | 1 | 1 | |



| | | |
|-----------------------|--------------|-----------------|
| From B-5003 To D-5489 | Date:10/2022 | PAGE:XV-2390-20 |
|-----------------------|--------------|-----------------|

"SLIDE-OUT" - FRONT MECHANISM - INSTALLATION

| Item# | Part | Description | X 3 V I P | X L I E N T 4 5 | N O T E S |
|-------|---------|---|-----------------------|--------------------------------------|-----------------------|
| 78 | 900220 | TUBE PVC / 5/8" I.D. / S.L. | AR | AR | |
| NS | 504637 | CABLE TIE / 3/16" x 13" | 1 | 1 | |
| 79 | 504019 | HOSE CLAMP / 9/16"-1"1/16 SS / HS-10 | 1 | 1 | |
| 80 | 502830 | SCREW CAP HEX M6-1.0x20 G8.8 N500 | 4 | 4 | |
| 81 | 502638 | WASHER FL .312x.734x.065 N500 | 4 | 4 | |
| 85 | 477747 | GUTTER MOULDING FORWARD | 1 | 1 | |
| 86 | 477748 | GUTTER MOULDING BACKWARD | 1 | 1 | |
| NS | 680532 | SEALANT SIKA #221 / GREY / 310ml CARTRIDGE | AR | AR | |
| 87 | 504379 | RIVET POP DOME OE 3/16x1/4 SS | 6 | 6 | |
| 90 | 477740P | ACCESS PANEL ASSY / FORWARD | 1 | 1 | |
| 91 | 477737 | . RECEPTACLE BOX | 1 | 1 | |
| 91 | 684517 | . ADHESIVE SIMSON #ISR 70-03 / GREY / 310ml CARTRIDGE | AR | AR | |
| 92 | 477738 | . ACCESS PANEL | 1 | 1 | |
| 93 | 477739 | . GASKET | 1 | 1 | |
| 94 | 5001169 | . SCREW TP CAP HEXW #12x3/4 SS410 | 14 | 14 | |
| 95 | 5001686 | . WASHER FL SEAL .218x.625x20GA SS | 14 | 14 | |
| 96 | 481249 | . NUT | 14 | 14 | |
| 97 | 504746 | RIVET HKL MMS 3/16x1/4 SS | 8 | 8 | |
| | | | | | |
| | | | | | |
| | | | | | |
| | | E) WHEN YOU REPLACE THE OLD LINEAR BEARING 476761 YOU NEED 478827 AND 2 SLIDE-OUT RAIL SEE PAGE XV-1854-95 | | | |

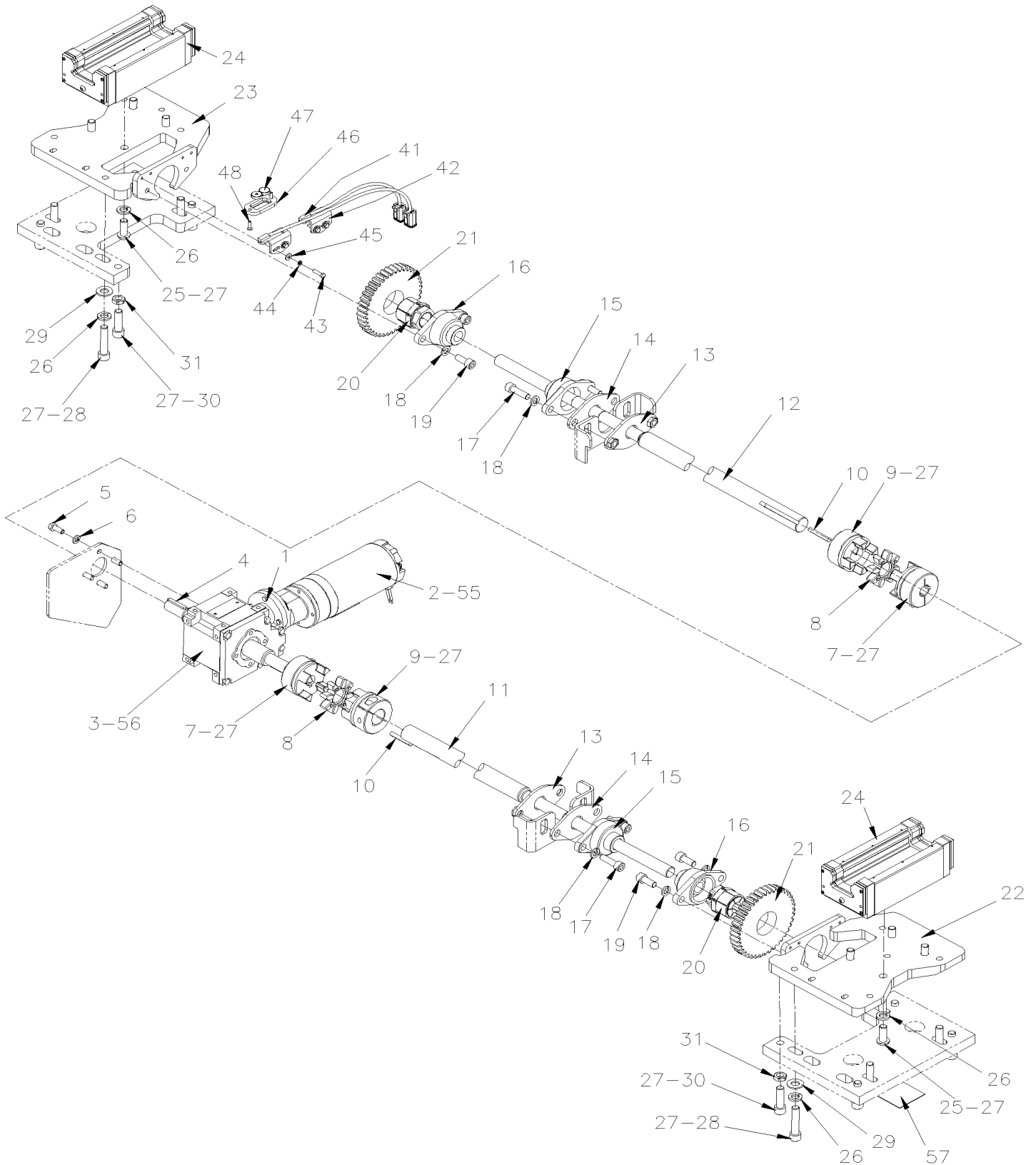


From B-5003 To D-5489

Date:10/2022

PAGE:XV-2390-30

"SLIDE-OUT" - REAR MECHANISM INSTALLATION



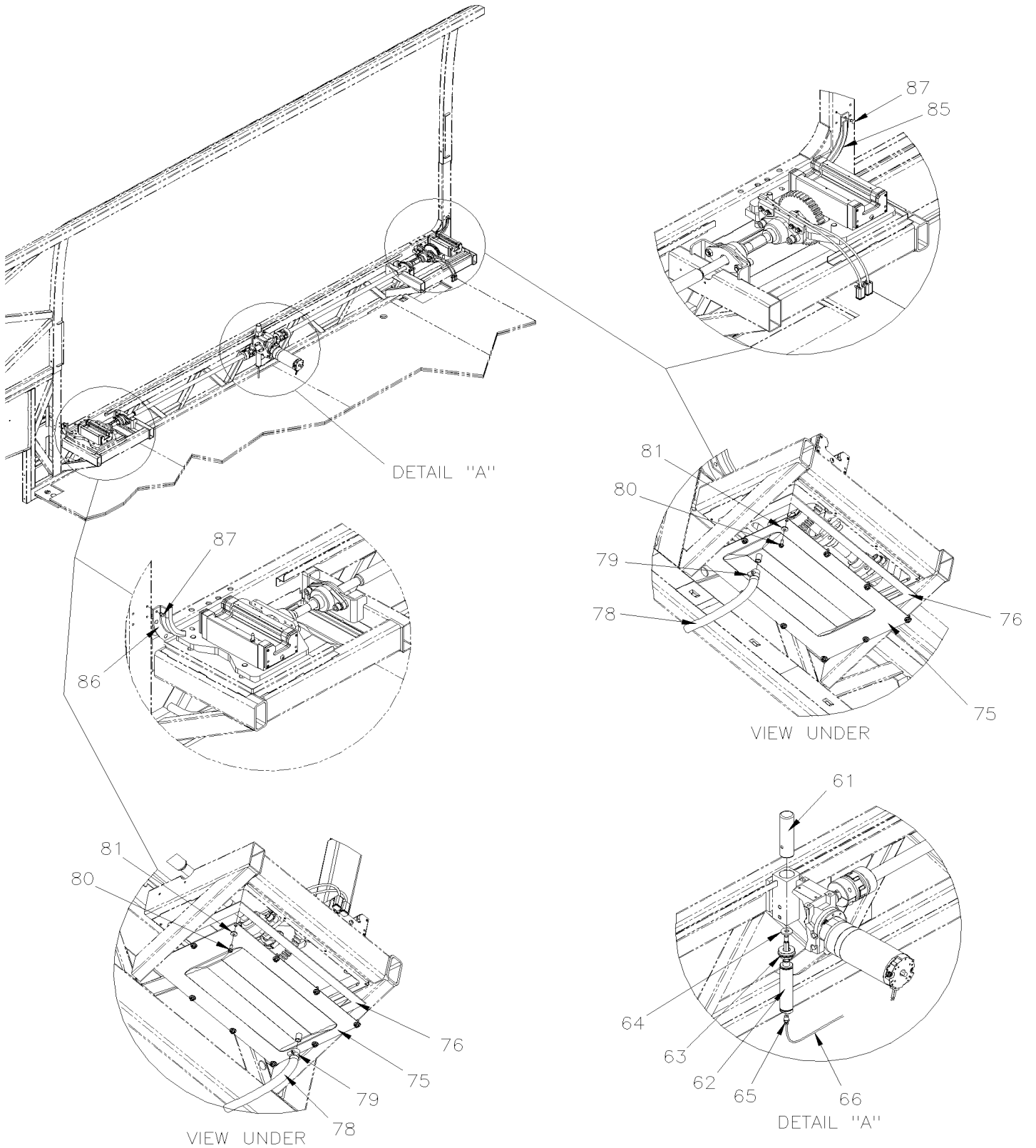


From B-5003 To D-5489

Date:10/2022

PAGE:XV-2390-30

"SLIDE-OUT" - REAR MECHANISM INSTALLATION





From B-5003 To D-5489 Date:10/2022 PAGE:XV-2390-30

"SLIDE-OUT" - REAR MECHANISM INSTALLATION

| Item# | Part | Description | X 3 V I P | X L I E N T 4 5 | N O T E S |
|--------|---------|--|-----------------------|--------------------------------------|-----------------------|
| 1 | 067323 | MOTOR 24V ASSY W/CONNECTOR | 1 | | |
| . NS | 564091 | . MOTOR 24V ASSY W/GEAR-BOX | 1 | | |
| . . NS | 563937 | . . MOTOR 24V | 1 | | |
| . . NS | 563938 | . . GEAR BOX RATIO 738/1 | 1 | | |
| . . NS | 505533 | . . KEY 6MM x 6MM x 40MM | 2 | | |
| . NS | 563764 | . CONNECTOR / CPC SERIES 3 / PH 3C / PED 15300002 | 1 | | |
| . NS | 561655 | . CABLE CLAMP / CPC / #17 / AMP 206070-8 | 1 | | |
| . NS | 563763 | . PIN TERMINAL / 14-12 / PED 12129497 | 2 | | |
| 2 | 563937 | . . MOTOR 24V | 1 | | |
| 3 | 563938 | . . GEAR BOX RATIO 738/1 | 1 | | |
| 4 | 505533 | . . KEY 6MM x 6MM x 40MM | 2 | | |
| 5 | 5001450 | SCREW CAP HEX M8-1.25x20 G10.9 DP | 4 | | |
| 6 | 500035 | WASHER LO SPT .317x.586x.078 SS | 4 | | |
| 7 | 505530 | COUPLING SHAFT DRIVE 20MM I.D. / TYPE GS 28 | 2 | | |
| 8 | 505529 | SPIDER RUBBER / TYPE GS 28 | 2 | | |
| 9 | 505528 | COUPLING SHAFT DRIVE 1 1/8" I.D. / TYPE GS 28 | 2 | | |
| 10 | 505527 | KEY SQUARE 1/4" x 1/4" x 1 3/4" | 2 | | |
| 11 | 476544 | SHAFT 1326MM | 1 | | 10 |
| 11 | 470144 | SHAFT 859MM / BACKWARD | 1 | | 7.5 |
| 12 | 476544 | SHAFT 1326MM | 1 | | 10 |
| 12 | 470141 | SHAFT 776MM / FORWARD | 1 | | 7.5 |
| 13 | 470129 | PLATE TORQUE | 2 | | |
| 14 | 470128 | SPACER 3/16" | 2 | | |
| 15 | 507641 | PILLOW BEARING ASSY | 2 | | |
| 16 | 470116 | PILLOW BEARING ASSY | 2 | | |
| 17 | 5001620 | SCREW CAP HEXS M10-1.5X35 G10.9 G500 | 4 | | |
| 18 | 502616 | WASHER LO SPT 10.2x18.1x2.2 SS | 8 | | |
| 19 | 5001616 | SCREW CAP HEXS M10-1.5X25 G10.9 DP | 4 | | |
| 20 | 470118 | COUPLING TORQUE | 2 | | |
| 21 | 470119 | GEAR 5 1/4" W/40TH | 2 | | |
| 22 | 477753 | BASE GUIDE ASSY BACKWARD | 1 | | |
| 23 | 477752 | BASE GUIDE ASSY FORWARD | 1 | | |
| 24 | 476761 | GUIDE | 2 | | E |
| 24 | 479623 | SLIDE-OUT LINEAR BEARING AND GUIDE KIT | 2 | | E |
| 25 | 5001615 | SCREW CAP BUT HEXS M12-1.75x30 G10.9 G500 | 8 | | |
| 26 | 500944 | WASHER LO SPT .506x.873x.125 N500 | 16 | | |
| 27 | 684420 | SCREW MARKER LOCK 90ml | AR | | |
| 28 | 5001621 | SCREW CAP HEXS M12-1.75x55 G10.9 DP | 8 | | |
| 29 | 500958 | WASHER FL .531x1.062x.095 SS | 8 | | |
| 30 | 5001622 | SCREW CAP HEXS M12-1.75x40 G10.9 DP | 8 | | |
| 31 | 5001623 | NUT HEX JAM M12x1.75 SS | 8 | | |
| 41 | 066852 | LIMITING REED SWITCH ASSY W/LED S.P.D.T. / W/SLIDE OUT | 2 | | |



From B-5003 To D-5489 Date:10/2022 PAGE:XV-2390-30

"SLIDE-OUT" - REAR MECHANISM INSTALLATION

| Item# | Part | Description | X 3 V I P | X L I I E N T 4 5 | N O T E S |
|-------|-------------------|---|-----------------------|---|-----------------------|
| . NS | 563426 | . HALL EFFECT SENSOR | 1 | | |
| . NS | 563452 | . LED GREEN / 5VOLTS | 1 | | |
| . NS | 562477 | . CONNECTOR / DT SERIES / SH 4C / GRAY / DEUTSCH DT06-4S | 1 | | |
| 41 | 504273 | CABLE TIE / 1/8" X 3"1/2 | 2 | | |
| 42 | 470120 | SUPPORT LIMITING READ SWITCH | 2 | | |
| 43 | 5001146 | SCREW CAP HEX M5-0.8x20 SS BK | 4 | | |
| 44 | 500914 | WASHER LO SPT .193x.334x.047 N500 | 4 | | |
| 45 | 500804 | WASHER FL .203x.500x.047 N500 | 4 | | |
| 46 | 470124 | SUPPORT MAGNET / ALUMINUM | 2 | | |
| 47 | 562949 | MAGNET ROUND .200x.700 DIA | 4 | | |
| 48 | 5001614 | SCREW CAP FL HEXS M4-0.7x16 SS EMN | 4 | | |
| 50 | XV-2390-50 | "SLIDE-OUT" - INSTALLATION | | | |
| 55 | 477989 | DECAL "SEAL MUST BE DEFLATED..." | 1 | | |
| 56 | 477987 | DECAL " ON OVERRIDE MUST BE LOW TORQUE..." | 1 | | |
| 57 | 477990 | DECAL "THIS SLIDE-OUT PLATE IS FACTORY.." | 2 | | |
| NS | 216451 | DECAL PATENT | 1 | | |
| 61 | 470182 | SAFETY PIN 1 1/4" O.D. x 116MM | 1 | | |
| 62 | 642027 | CYLINDER 1 1/16" | 1 | | |
| 63 | 470183 | ADAPTOR CYLINDER 5/8-18 x M36-2 | 1 | | |
| 64 | 502220 | WASHER FL .375x1.000x.125 RUB | 1 | | |
| 65 | 641126 | MALE CONNECTOR / PUSH-IN FITTING / #2x1/8NPT-M BR | 1 | | |
| NS | 680098 | THREAD SEALANT LOCTITE #567 / WHITE / 250ml | AR | | |
| 66 | 503536 | TUBE, NYLON 1/8 O.D. / BLACK S.L. | AR | | |
| 75 | 476935 | ACCESS PANEL ASSY W/DRAIN | 2 | | |
| NS | 680532 | SEALANT SIKA #221 / GREY / 310ml CARTRIDGE | AR | | |
| 76 | 478123 | GASKET | 2 | | |
| 78 | 503707 | HOSE / PVC REINFORCED 1/2" I.D. 100' / S.L. | AR | | |
| NS | 684517 | ADHESIVE SIMSON #ISR 70-03 / GREY / 310ml CARTRIDGE | AR | | |
| 79 | 504230 | HOSE CLAMP / 3/8"-7/8" SS / HS-6 | 2 | | |
| 80 | 500526 | SCREW TP CAP HEXW #12x3/4 N500 | 8 | | |
| 81 | 5001686 | WASHER FL SEAL .218x.625x20GA SS | 8 | | |
| 85 | 477747 | GUTTER MOULDING FORWARD | 1 | | |
| 86 | 477748 | GUTTER MOULDING BACKWARD | 1 | | |
| NS | 680532 | SEALANT SIKA #221 / GREY / 310ml CARTRIDGE | AR | | |
| 87 | 504379 | RIVET POP DOME OE 3/16x1/4 SS | 6 | | |
| | | | | | |
| | | | | | |
| | | | | | |
| | | 10) WITH 10' SLIDE-OUT | | | |
| | | 7.5) WITH 7.5' SLIDE-OUT | | | |
| | | E) WHEN YOU REPLACE THE OLD LINEAR BEARING 476761 YOU NEED 478827 AND 2 SLIDE-OUT RAIL SEE PAGE XV-1854-95 | | | |

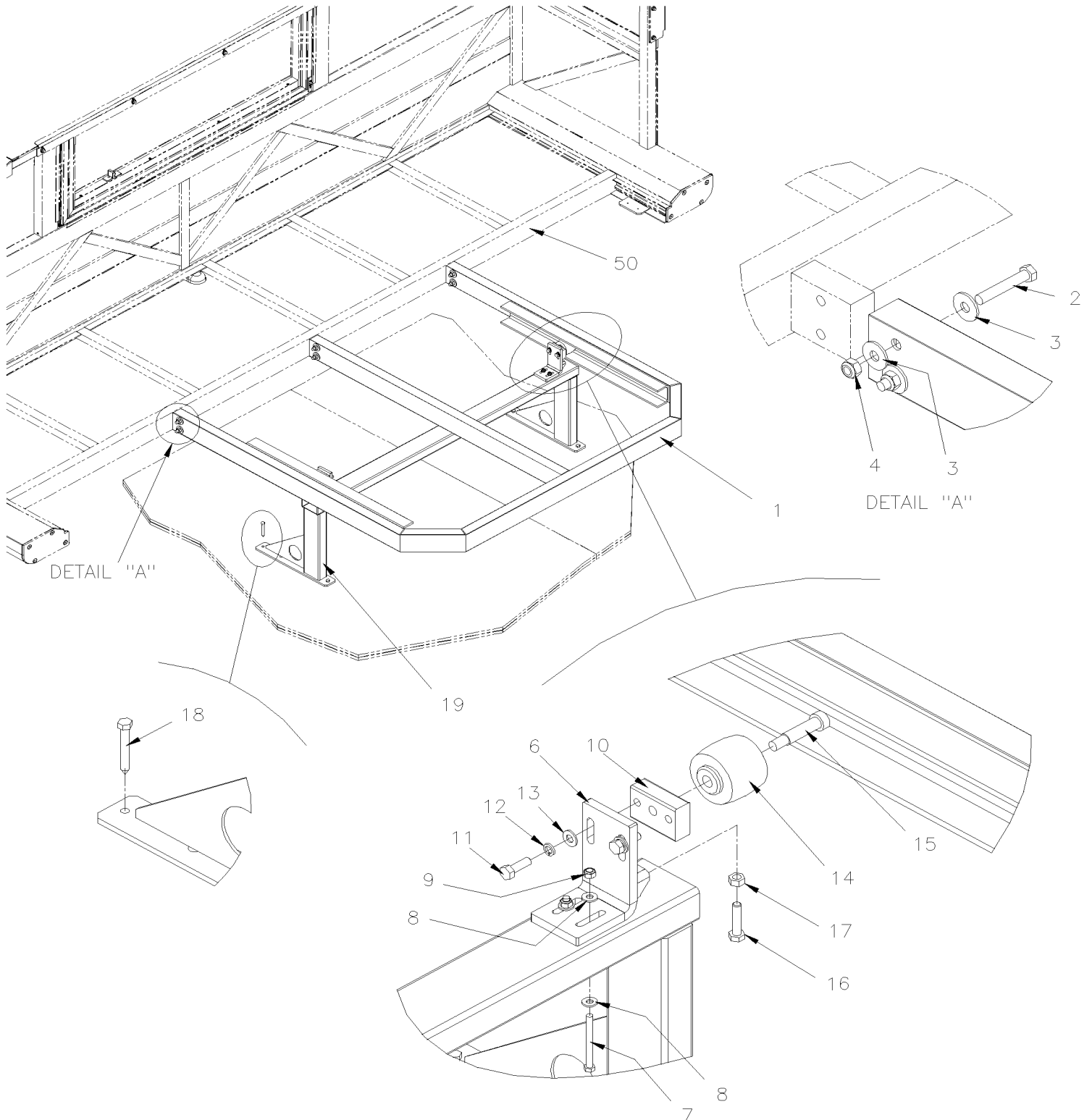


From B-5003 To D-5489

Date:10/2022

PAGE:XV-2390-40

"SLIDE-OUT" - BED SUPPORT





| | | |
|------------------------------|---------------------|------------------------|
| From B-5003 To D-5489 | Date:10/2022 | PAGE:XV-2390-40 |
|------------------------------|---------------------|------------------------|

"SLIDE-OUT" - BED SUPPORT

| Item# | Part | Description | X 3 V I P | X L I I E N T 4 5 | N O T E S |
|-------|-------------------|--|-----------------------|---|-----------------------|
| 1 | 407525 | SUPPORT REAR BED | 1 | | |
| 2 | 5001485 | SCREW CAP HEX M10-1.5x60 G8.8 Z050 | 6 | | |
| 3 | 502644 | WASHER FL 10.5x30.0x2.5 Z050 | 12 | | |
| 4 | 5001570 | NUT HEX NYRT M10-1.5 Z050 | 6 | | |
| 6 | 477815 | ANGLE SUPPORT | 1 | | |
| 7 | 509839 | SCREW CAP HEX M6-1.0x60 G8.8 ZP | 4 | | |
| 8 | 500440 | WASHER FL .250x.562x.065 Z050 | 8 | | |
| 9 | 502511 | NUT HEX NYRT M6-1.0 Z050 | 4 | | |
| 10 | 476177 | PLATE | 1 | | |
| 11 | 502589 | SCREW CAP HEX M8-1.25x25 G8.8 Z050 | 4 | | |
| 12 | 500874 | WASHER FL 8.4x17.0x1.6 Z050 | 4 | | |
| 13 | 5001003 | WASHER LO SPT 8.1x12.7x2.0 Z050 | 4 | | |
| 14 | 476181 | WHEEL | 1 | | |
| 15 | 5001064 | SCREW SHR HEXS 12x40 {M10-1.5 | 2 | | |
| 15 | 680038 | THREAD LOCKER LOCTITE #243 / BLUE / 50ml | AR | | |
| 16 | 502651 | SCREW CAP HEX M8-1.25x35 G8.8 Z050 | 2 | | A |
| 17 | 502543 | NUT HEX M8-1.25 Z050 | 2 | | A |
| 18 | 500918 | SCREW TP CAP HEX 5/16-12x2 1/4 Z050 | 2 | | |
| 18 | 5001221 | SCREW TP CAP HEX 5/16x1 1/2 Z050 | 2 | | |
| 19 | 478760 | SUPPORT REAR BED | 1 | | |
| 50 | XV-2390-50 | "SLIDE-OUT" - INSTALLATION | | | |
| | | | | | |
| | | | | | |
| | | | | | |
| | | | | | |
| | | A) FIXED TO ANGLE TO ADJUST HEIGHT | | | |

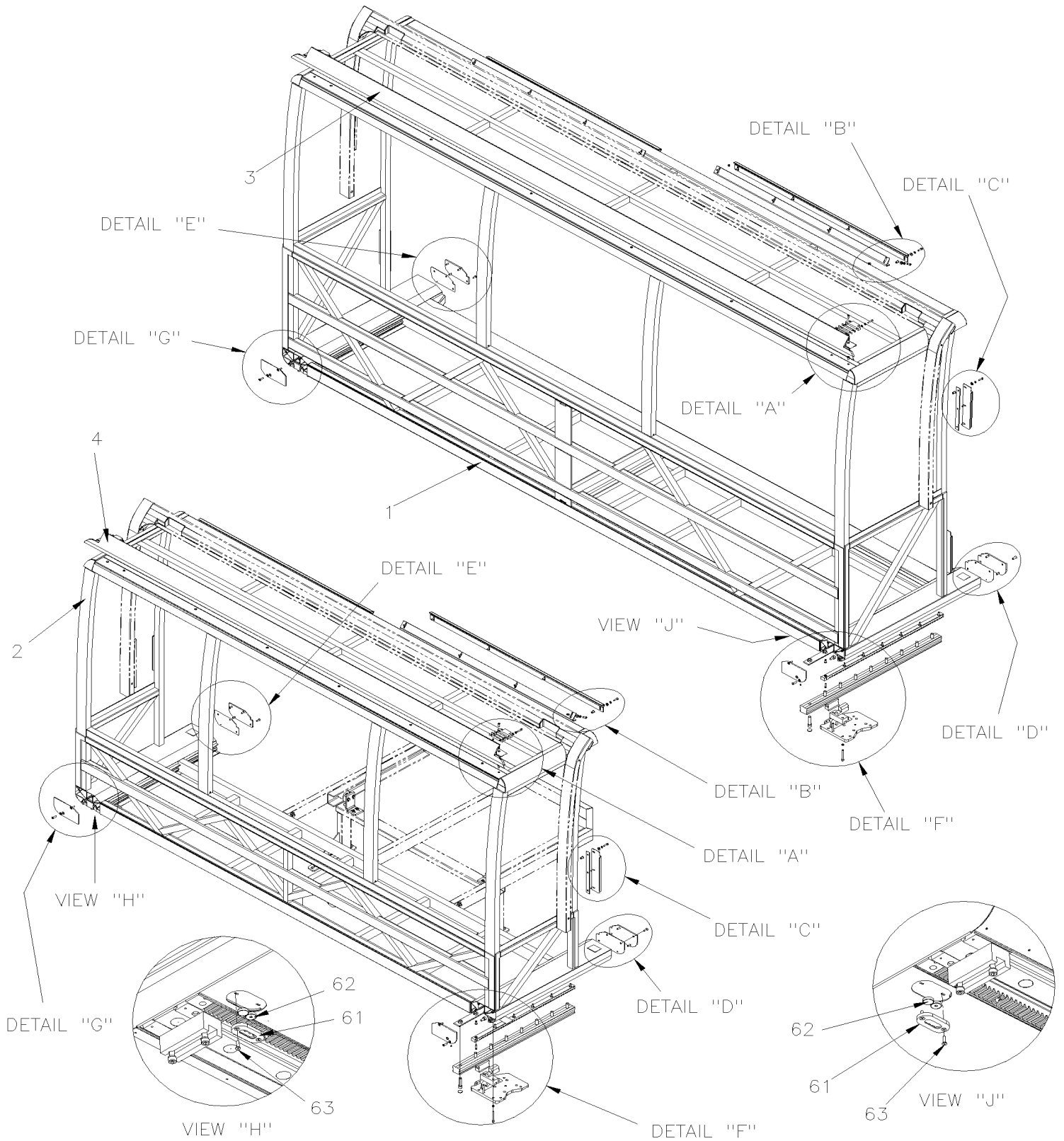


From B-5003 To D-5489

Date:10/2022

PAGE:XV-2390-50

"SLIDE-OUT" - INSTALLATION



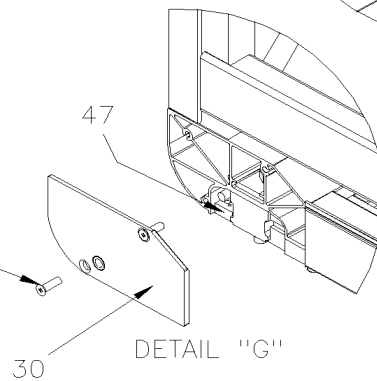
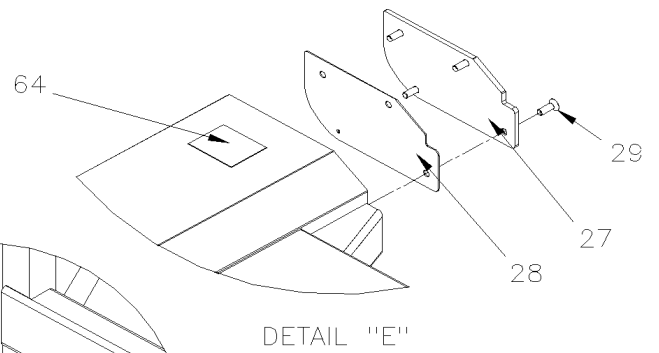
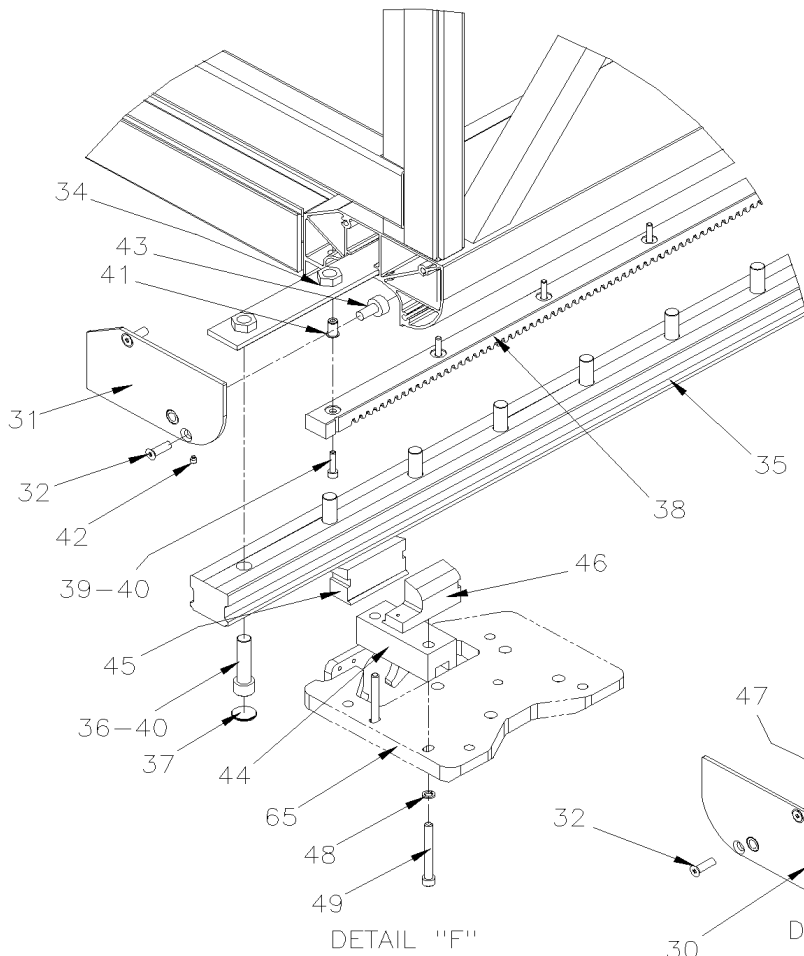
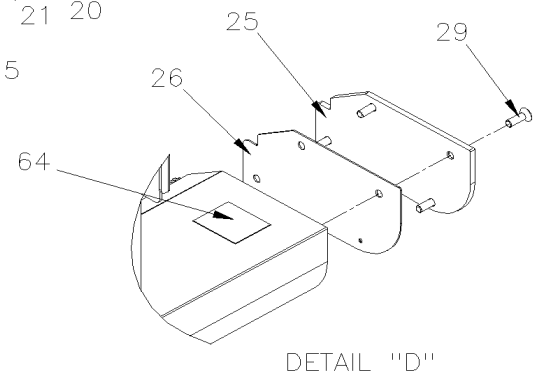
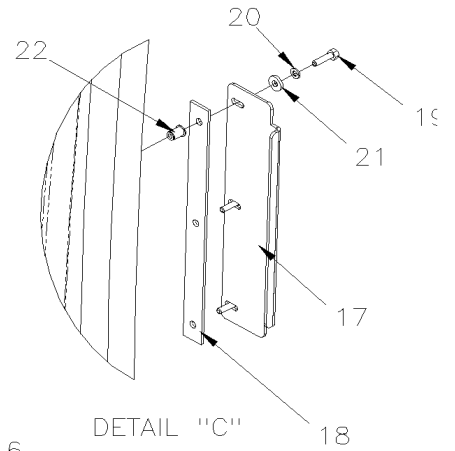
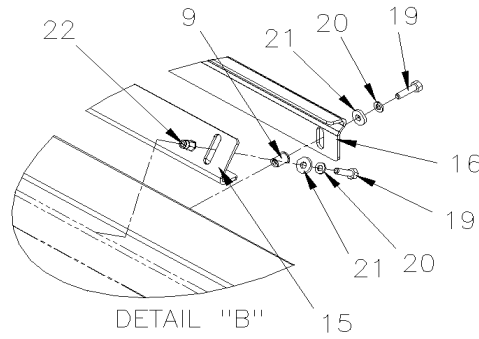
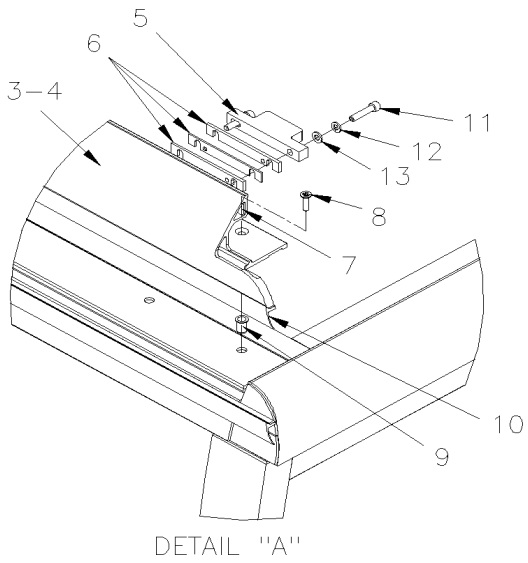


From B-5003 To D-5489

Date:10/2022

PAGE:XV-2390-50

"SLIDE-OUT" - INSTALLATION





From B-5003 To D-5489 Date:10/2022 PAGE:XV-2390-50

"SLIDE-OUT" - INSTALLATION

| Item# | Part | Description | X 3 V I P | X L I I E N T 4 5 | N O T E S |
|-------|---------|---|-----------------------|---|-----------------------|
| 1 | | FRONT "SLIDE-OUT" | 1 | 1 | |
| 2 | | REAR "SLIDE-OUT" | 1 | 1 | |
| 3 | 477726 | EXTRUSION & STOPPER / FRONT SLIDE-OUT | 1 | | |
| 3 | 477913 | EXTRUSION & STOPPER / FRONT SLIDE-OUT | | 1 | |
| 4 | 477810 | EXTRUSION & STOPPER / REAR SLIDE-OUT 7.5' | 1 | | |
| 4 | 470097 | EXTRUSION & STOPPER / REAR SLIDE-OUT 10' | 1 | | |
| 5 | 477724 | BUMPER | 2 | 2 | |
| 6 | 477725 | SHIM 12.7MM x 101MM x 11GA | AR | AR | |
| 6 | 477807 | SHIM 12.7MM x 101MM x 16GA | AR | AR | |
| 7 | 5001612 | SCREW CAP FL HEXS M4-0.7x8 SS EMN | 2 | 2 | |
| 8 | 5001768 | SCREW MA FL TORX M6-1.0x20 G8.8 Z050 | 6 | 6 | |
| 8 | 682176 | SEALANT SIKA #221 / BLACK / 310ml CARTRIDGE | AR | AR | |
| 9 | 502842 | NUT INS TYPE "A-L" OE M6-1.0 0.7-4.2 Z050 | AR | AR | |
| 10 | 470095 | RUBBER EXTRUSION / RAW MATERIAL | AR | AR | |
| 11 | 5001611 | SCREW CAP HEXS M6-1.0x30 SS BK | 4 | 4 | |
| 12 | 502570 | WASHER LO SPT 6.1x11.8x1.6 SS | 4 | 4 | |
| 13 | 502573 | WASHER FL 6.4x12.5x1.6 SS | 4 | 4 | |
| 15 | 477915 | INTERIOR KEY | 2 | 2 | |
| 16 | 477723 | PLATE TOP STOPPER 1354MM | 2 | 2 | |
| 17 | 476176 | SIDE KEY STOPPER 300MM | 4 | 4 | |
| 18 | 476180 | SPACER | 4 | 4 | |
| 19 | 5001209 | SCREW CAP HEX M6-1.0x25 G8.8 Z050 | AR | AR | |
| 20 | 502564 | WASHER LO SPT 6.1x11.8x1.6 Z050 | AR | AR | |
| 21 | 5001586 | WASHER FL 6.4x17.0x3.0 Z050 | AR | AR | |
| 22 | 5001344 | NUT INS FL HEX M6-1.0 0.5-3.0 SS | AR | AR | |
| 25 | 477681 | CLOSING PLATE / BACKWARD | 1 | 1 | |
| 26 | 477790 | GASKET CLOSING PLATE / BACKWARD | 1 | 1 | |
| 27 | 477879 | CLOSING PLATE / FORWARD | 1 | 1 | |
| 28 | 477744 | GASKET CLOSING PLATE / FORWARD | 1 | 1 | |
| 29 | 5001517 | SCREW CAP FL HEXS M8-1.25x25 G8.8 Z050 | 8 | 8 | |
| 30 | 477676 | CLOSING PLATE / FORWARD | 1 | 1 | |
| 31 | 477677 | CLOSING PLATE / BACKWARD | 1 | 1 | |
| 32 | 502576 | SCREW MA FL PH M8-1.25x25 Z050 | 4 | 4 | |
| 34 | 470104 | ATTACHMENT STRIP 1020MM | 2 | | F |
| 34 | 477901 | ATTACHMENT STRIP 900MM | 2 | 2 | |
| 35 | 476759 | RAIL GUIDE LINEAR BEARING 1058MM | 2 | | F |
| 35 | 476758 | RAIL GUIDE LINEAR BEARING 904MM | 2 | 2 | |
| 35 | 478826 | RAIL GUIDE LINEAR BEARING 1058MM | 1 | | E F |
| 35 | 478825 | RAIL GUIDE LINEAR BEARING 904MM | 1 | 1 | E |
| 36 | 5001617 | SCREW CAP HEXS M14-2.0x55 G10.9 DP | 18 | 18 | |
| 37 | 504757 | FINISHING PLUG / RAIL GUIDE | 18 | 18 | |
| 38 | 470125 | BOTTOM RACK 935MM | 2 | | F |



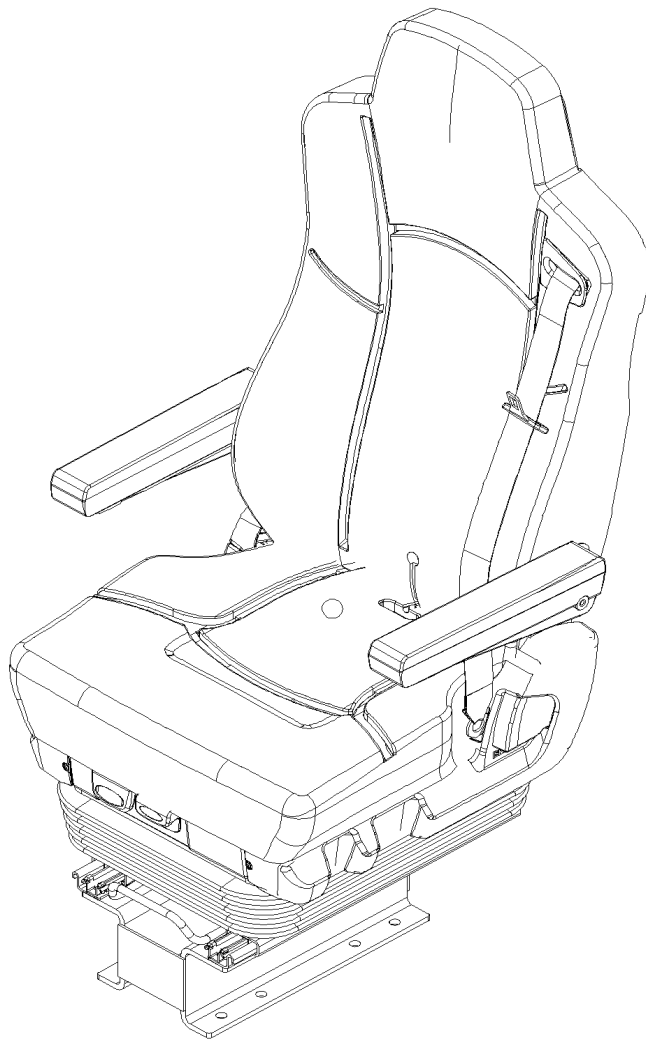
| | | |
|------------------------------|---------------------|------------------------|
| From B-5003 To D-5489 | Date:10/2022 | PAGE:XV-2390-50 |
|------------------------------|---------------------|------------------------|

"SLIDE-OUT" - INSTALLATION

| Item# | Part | Description | X 3 V I P | X L I I E N T 4 5 | N O T E S |
|-------|-------------------|--|-----------------------|---|-----------------------|
| 38 | 470127 | BOTTOM RACK 785MM | 2 | 2 | |
| 39 | 5001610 | SCREW CAP HEXS M6-1.0x25 SS EMN | 14 | 14 | |
| 40 | 680038 | THREAD LOCKER LOCTITE #243 / BLUE / 50ml | AR | AR | |
| 41 | 502839 | NUT INS TYPE "A-L" OE M6-1.0 4.2-6.6 Z050 | 14 | 14 | |
| 42 | 5001602 | SCREW SET HEXS FLAT M6-1.0x6 SS | 2 | 2 | |
| 43 | 5001603 | SCREW CAP HEXS M10-1.5x20 SS EMN | 2 | 2 | |
| 44 | 470114 | SPACER NYLON 100MM x 41MM x 35MM | 2 | 2 | |
| 45 | 476762 | SEALING BLOCK 81MM | 2 | 2 | |
| 46 | 476763 | SEALING BLOCK 81MM | 1 | 1 | |
| 47 | 476764 | SEALING BLOCK 81MM | 1 | 1 | |
| 48 | 5001604 | SCREW CAP HEXS M8-1.25x70 G8.8 G500 | 4 | 4 | |
| 49 | 502889 | WASHER LO SPT 8.1x12.7x2.0 N500 | 4 | 4 | |
| 61 | 470124 | SUPPORT MAGNET / ALUMINUM | 2 | 2 | |
| 61 | 476473 | GASKET MAGNET SUPPORT | 2 | 2 | |
| 61 | 5061078 | . TAPE RUB ADH1 CC POL 1/32" x 20" x 20" | AR | AR | |
| 61 | 682176 | SEALANT SIKA #221 / BLACK / 310ml CARTRIDGE | AR | AR | |
| 62 | 562949 | MAGNET ROUND .200x.700 DIA | 4 | 4 | |
| 63 | 5001614 | SCREW CAP FL HEXS M4-0.7x16 SS EMN | 4 | 4 | |
| 64 | 477991 | DECAL "CAUTION" DO NOT MAKE ANY MODI.." | 4 | 4 | |
| 65 | XV-2390-20 | "SLIDE-OUT" - FRONT MECHANISM - INSTALLATION | | | |
| 65 | XV-2390-30 | "SLIDE-OUT" - REAR MECHANISM INSTALLATION | | | |
| | | | | | |
| | | | | | |
| | | | | | |
| | | | | | |
| | | E) WHEN YOU REPLACE THE OLD LINEAR BEARING 476761 YOU NEED 478827 AND 2 SLIDE-OUT RAIL | | | |
| | | F) FRONT "SLIDE-OUT" WITH "X3-VIP" ONLY | | | |



| | | | |
|---------------|--|--------------|--------------|
| | | Date:10/2022 | XV-DRIVER-00 |
| DRIVER'S SEAT | | | |





| | | Date:10/2022 | XV-DRIVER-00 | | |
|---------------|--------|--|-----------------------|---|-----------------------|
| DRIVER'S SEAT | | | | | |
| Item# | Part | Description | X 3 V I P | X L I I E N T 4 5 | N O T E S |
| 1 | 861373 | DRIVER'S SEAT - "ISRI" - MODEL 6800/338 / W/R.H. CONTROL From B-5003 To B-5003 | | | |
| 2 | 861373 | DRIVER'S SEAT - "ISRI" - MODEL 6800/338 / W/R.H. CONTROL From B-5011 To B-5011 | | | |
| 3 | 861373 | DRIVER'S SEAT - "ISRI" - MODEL 6800/338 / W/R.H. CONTROL From B-5017 To B-5017 | | | |
| 4 | 861373 | DRIVER'S SEAT - "ISRI" - MODEL 6800/338 / W/R.H. CONTROL From B-5018 To B-5018 | | | |
| 5 | 861373 | DRIVER'S SEAT - "ISRI" - MODEL 6800/338 / W/R.H. CONTROL From B-5024 To B-5024 | | | |
| 6 | N.P.N. | DRIVER'S SEAT - SUPPLY BY CONVERTER From B-5089 To B-5089 | | | 4 A |
| 7 | 861373 | DRIVER'S SEAT - "ISRI" - MODEL 6800/338 / W/R.H. CONTROL From B-9971 To B-9971 | | | |
| 8 | N.P.N. | DRIVER'S SEAT - SUPPLY BY CONVERTER From C-5070 To C-5070 | | | 4 A |
| 9 | 864374 | DRIVER'S SEAT - "ISRI" - MODEL 6832/872 / W/O ACTIVE CLIMATE CONTROL / W/COVERING BLACK / NOIR From C-5133 To C-5133 | | | |
| 10 | N.P.N. | DRIVER'S SEAT - SUPPLY BY CONVERTER From C-5135 To C-5135 | | | 4 A |
| 11 | 864374 | DRIVER'S SEAT - "ISRI" - MODEL 6832/872 / W/O ACTIVE CLIMATE CONTROL / W/COVERING BLACK / NOIR From C-5136 To C-5136 | | | |
| 12 | 864374 | DRIVER'S SEAT - "ISRI" - MODEL 6832/872 / W/O ACTIVE CLIMATE CONTROL / W/COVERING BLACK / NOIR From C-5138 To C-5138 | | | |
| 13 | N.P.N. | DRIVER'S SEAT - SUPPLY BY CONVERTER From C-5139 To C-5139 | | | 4 A |
| 14 | 864374 | DRIVER'S SEAT - "ISRI" - MODEL 6832/872 / W/O ACTIVE CLIMATE CONTROL / W/COVERING BLACK / NOIR From C-5141 To C-5141 | | | |
| 15 | 864374 | DRIVER'S SEAT - "ISRI" - MODEL 6832/872 / W/O ACTIVE CLIMATE CONTROL / W/COVERING BLACK / NOIR From C-5142 To C-5142 | | | |
| 16 | N.P.N. | DRIVER'S SEAT - SUPPLY BY CONVERTER From C-5143 To C-5143 | | | 4 A |
| 17 | N.P.N. | DRIVER'S SEAT - SUPPLY BY CONVERTER From C-5233 To C-5233 | | | 4 A |
| 18 | 864374 | DRIVER'S SEAT - "ISRI" - MODEL 6832/872 / W/O ACTIVE CLIMATE CONTROL / W/COVERING BLACK / NOIR From C-5234 To C-5234 | | | |
| 19 | 864374 | DRIVER'S SEAT - "ISRI" - MODEL 6832/872 / W/O ACTIVE CLIMATE CONTROL / W/COVERING BLACK / NOIR From C-5235 To C-5235 | | | |
| 20 | N.P.N. | DRIVER'S SEAT - SUPPLY BY CONVERTER From C-5236 To C-5236 | | | 4 A |
| 21 | 864374 | DRIVER'S SEAT - "ISRI" - MODEL 6832/872 / W/O ACTIVE CLIMATE CONTROL / W/COVERING BLACK / NOIR From C-5237 To C-5237 | | | |
| 22 | 864374 | DRIVER'S SEAT - "ISRI" - MODEL 6832/872 / W/O ACTIVE CLIMATE CONTROL / W/COVERING BLACK / NOIR From C-5238 To C-5238 | | | |
| 23 | N.P.N. | DRIVER'S SEAT - SUPPLY BY CONVERTER From C-5239 To C-5239 | | | 4 A |
| 24 | 864374 | DRIVER'S SEAT - "ISRI" - MODEL 6832/872 / W/O ACTIVE CLIMATE CONTROL / W/COVERING BLACK / NOIR From C-5240 To C-5240 | | | |
| 25 | 864374 | DRIVER'S SEAT - "ISRI" - MODEL 6832/872 / W/O ACTIVE CLIMATE CONTROL / W/COVERING BLACK / NOIR From C-5248 To C-5248 | | | |
| 26 | N.P.N. | DRIVER'S SEAT - SUPPLY BY CONVERTER From C-5262 To C-5262 | | | 4 A |
| 27 | N.P.N. | DRIVER'S SEAT - SUPPLY BY CONVERTER From C-5263 To C-5263 | | | 4 A |
| 28 | N.P.N. | DRIVER'S SEAT - SUPPLY BY CONVERTER From C-5265 To C-5265 | | | 4 A |
| 29 | 864374 | DRIVER'S SEAT - "ISRI" - MODEL 6832/872 / W/O ACTIVE CLIMATE CONTROL / W/COVERING BLACK / NOIR From C-5267 To C-5267 | | | |
| 30 | N.P.N. | DRIVER'S SEAT - SUPPLY BY CONVERTER From C-5277 To C-5277 | | | 4 A |
| 31 | N.P.N. | DRIVER'S SEAT - SUPPLY BY CONVERTER From C-5278 To C-5278 | | | 4 A |
| 32 | 864374 | DRIVER'S SEAT - "ISRI" - MODEL 6832/872 / W/O ACTIVE CLIMATE CONTROL / W/COVERING BLACK / NOIR From C-5279 To C-5279 | | | |
| 33 | 864374 | DRIVER'S SEAT - "ISRI" - MODEL 6832/872 / W/O ACTIVE CLIMATE CONTROL / W/COVERING BLACK / NOIR From C-5280 To C-5280 | | | |
| 34 | 864374 | DRIVER'S SEAT - "ISRI" - MODEL 6832/872 / W/O ACTIVE CLIMATE CONTROL / W/COVERING BLACK / NOIR From C-5281 To C-5281 | | | |

| | | | | | |
|----|--------|--|--|--|--|
| 35 | 864374 | DRIVER'S SEAT - "ISRI" - MODEL 6832/872 / W/O ACTIVE CLIMATE CONTROL / W/COVERING BLACK / NOIR From C-5282 To C-5282 | | | |
| 36 | 864374 | DRIVER'S SEAT - "ISRI" - MODEL 6832/872 / W/O ACTIVE CLIMATE CONTROL / W/COVERING BLACK / NOIR From C-5283 To C-5283 | | | |
| 37 | 864374 | DRIVER'S SEAT - "ISRI" - MODEL 6832/872 / W/O ACTIVE CLIMATE CONTROL / W/COVERING BLACK / NOIR From C-5284 To C-5284 | | | |
| 38 | 864374 | DRIVER'S SEAT - "ISRI" - MODEL 6832/872 / W/O ACTIVE CLIMATE CONTROL / W/COVERING BLACK / NOIR From C-5285 To C-5285 | | | |
| 39 | 864374 | DRIVER'S SEAT - "ISRI" - MODEL 6832/872 / W/O ACTIVE CLIMATE CONTROL / W/COVERING BLACK / NOIR From C-5286 To C-5286 | | | |
| 40 | 864374 | DRIVER'S SEAT - "ISRI" - MODEL 6832/872 / W/O ACTIVE CLIMATE CONTROL / W/COVERING BLACK / NOIR From C-5287 To C-5287 | | | |
| 41 | 864374 | DRIVER'S SEAT - "ISRI" - MODEL 6832/872 / W/O ACTIVE CLIMATE CONTROL / W/COVERING BLACK / NOIR From D-5296 To D-5296 | | | |
| 42 | 864374 | DRIVER'S SEAT - "ISRI" - MODEL 6832/872 / W/O ACTIVE CLIMATE CONTROL / W/COVERING BLACK / NOIR From D-5297 To D-5297 | | | |



| | | Date:10/2022 | XV-DRIVER-00 | | |
|---------------|--------|--|-----------------------|---|-----------------------|
| DRIVER'S SEAT | | | | | |
| Item# | Part | Description | X 3 V I P | X L I I E N T 4 5 | N O T E S |
| 43 | N.P.N. | DRIVER'S SEAT - SUPPLY BY CONVERTER From D-5298 To D-5298 | | | 4 A |
| 44 | 864374 | DRIVER'S SEAT - "ISRI" - MODEL 6832/872 / W/O ACTIVE CLIMATE CONTROL / W/COVERING BLACK / NOIR From D-5299 To D-5299 | | | |
| 45 | N.P.N. | DRIVER'S SEAT - SUPPLY BY CONVERTER From D-5311 To D-5311 | | | 4 A |
| 46 | 864374 | DRIVER'S SEAT - "ISRI" - MODEL 6832/872 / W/O ACTIVE CLIMATE CONTROL / W/COVERING BLACK / NOIR From D-5314 To D-5314 | | | |
| 47 | 864374 | DRIVER'S SEAT - "ISRI" - MODEL 6832/872 / W/O ACTIVE CLIMATE CONTROL / W/COVERING BLACK / NOIR From D-5324 To D-5324 | | | |
| 48 | N.P.N. | DRIVER'S SEAT - SUPPLY BY CONVERTER From D-5334 To D-5334 | | | 4 A |
| 49 | 864374 | DRIVER'S SEAT - "ISRI" - MODEL 6832/872 / W/O ACTIVE CLIMATE CONTROL / W/COVERING BLACK / NOIR From D-5349 To D-5349 | | | |
| 50 | 864374 | DRIVER'S SEAT - "ISRI" - MODEL 6832/872 / W/O ACTIVE CLIMATE CONTROL / W/COVERING BLACK / NOIR From D-5372 To D-5372 | | | |
| 51 | 864374 | DRIVER'S SEAT - "ISRI" - MODEL 6832/872 / W/O ACTIVE CLIMATE CONTROL / W/COVERING BLACK / NOIR From D-5373 To D-5373 | | | |
| 52 | 864374 | DRIVER'S SEAT - "ISRI" - MODEL 6832/872 / W/O ACTIVE CLIMATE CONTROL / W/COVERING BLACK / NOIR From D-5374 To D-5374 | | | |
| 53 | 864374 | DRIVER'S SEAT - "ISRI" - MODEL 6832/872 / W/O ACTIVE CLIMATE CONTROL / W/COVERING BLACK / NOIR From D-5377 To D-5377 | | | |
| 54 | 864374 | DRIVER'S SEAT - "ISRI" - MODEL 6832/872 / W/O ACTIVE CLIMATE CONTROL / W/COVERING BLACK / NOIR From D-5378 To D-5378 | | | |
| 55 | 864374 | DRIVER'S SEAT - "ISRI" - MODEL 6832/872 / W/O ACTIVE CLIMATE CONTROL / W/COVERING BLACK / NOIR From D-5379 To D-5379 | | | |
| 56 | 864374 | DRIVER'S SEAT - "ISRI" - MODEL 6832/872 / W/O ACTIVE CLIMATE CONTROL / W/COVERING BLACK / NOIR From D-5380 To D-5380 | | | |
| 57 | 864374 | DRIVER'S SEAT - "ISRI" - MODEL 6832/872 / W/O ACTIVE CLIMATE CONTROL / W/COVERING BLACK / NOIR From D-5381 To D-5381 | | | |
| 58 | 864374 | DRIVER'S SEAT - "ISRI" - MODEL 6832/872 / W/O ACTIVE CLIMATE CONTROL / W/COVERING BLACK / NOIR From D-5384 To D-5384 | | | |
| 59 | N.P.N. | DRIVER'S SEAT - SUPPLY BY CONVERTER From D-5385 To D-5385 | | | 4 A |
| 60 | 864374 | DRIVER'S SEAT - "ISRI" - MODEL 6832/872 / W/O ACTIVE CLIMATE CONTROL / W/COVERING BLACK / NOIR From D-5389 To D-5389 | | | |
| 61 | 864374 | DRIVER'S SEAT - "ISRI" - MODEL 6832/872 / W/O ACTIVE CLIMATE CONTROL / W/COVERING BLACK / NOIR From D-5395 To D-5395 | | | |
| 62 | 864374 | DRIVER'S SEAT - "ISRI" - MODEL 6832/872 / W/O ACTIVE CLIMATE CONTROL / W/COVERING BLACK / NOIR From D-5396 To D-5396 | | | |
| 63 | 864374 | DRIVER'S SEAT - "ISRI" - MODEL 6832/872 / W/O ACTIVE CLIMATE CONTROL / W/COVERING BLACK / NOIR From D-5397 To D-5397 | | | |
| 64 | 864374 | DRIVER'S SEAT - "ISRI" - MODEL 6832/872 / W/O ACTIVE CLIMATE CONTROL / W/COVERING BLACK / NOIR From D-5398 To D-5398 | | | |
| 65 | 864374 | DRIVER'S SEAT - "ISRI" - MODEL 6832/872 / W/O ACTIVE CLIMATE CONTROL / W/COVERING BLACK / NOIR From D-5399 To D-5399 | | | |
| 66 | 864374 | DRIVER'S SEAT - "ISRI" - MODEL 6832/872 / W/O ACTIVE CLIMATE CONTROL / W/COVERING BLACK / NOIR From D-5400 To D-5400 | | | |
| 67 | 864374 | DRIVER'S SEAT - "ISRI" - MODEL 6832/872 / W/O ACTIVE CLIMATE CONTROL / W/COVERING BLACK / NOIR From D-5401 To D-5401 | | | |
| 68 | 864374 | DRIVER'S SEAT - "ISRI" - MODEL 6832/872 / W/O ACTIVE CLIMATE CONTROL / W/COVERING BLACK / NOIR From D-5402 To D-5402 | | | |
| 69 | 864374 | DRIVER'S SEAT - "ISRI" - MODEL 6832/872 / W/O ACTIVE CLIMATE CONTROL / W/COVERING BLACK / NOIR From D-5403 To D-5403 | | | |
| 70 | 864374 | DRIVER'S SEAT - "ISRI" - MODEL 6832/872 / W/O ACTIVE CLIMATE CONTROL / W/COVERING BLACK / NOIR From D-5404 To D-5404 | | | |

| | | | | | |
|----|--------|--|--|--|-----|
| | | NOIR From D-5404 To D-5404 | | | |
| 71 | N.P.N. | DRIVER'S SEAT - SUPPLY BY CONVERTER From D-5416 To D-5416 | | | 4 A |
| 72 | N.P.N. | DRIVER'S SEAT - SUPPLY BY CONVERTER From D-5417 To D-5417 | | | 4 A |
| 73 | N.P.N. | DRIVER'S SEAT - SUPPLY BY CONVERTER From D-5432 To D-5432 | | | 4 A |
| 74 | N.P.N. | DRIVER'S SEAT - SUPPLY BY CONVERTER From D-5434 To D-5434 | | | 4 A |
| 75 | N.P.N. | DRIVER'S SEAT - SUPPLY BY CONVERTER From D-5435 To D-5435 | | | 4 A |
| 76 | 864374 | DRIVER'S SEAT - "ISRI" - MODEL 6832/872 / W/O ACTIVE CLIMATE CONTROL / W/COVERING BLACK / NOIR From D-5436 To D-5436 | | | |
| 77 | 864374 | DRIVER'S SEAT - "ISRI" - MODEL 6832/872 / W/O ACTIVE CLIMATE CONTROL / W/COVERING BLACK / NOIR From D-5439 To D-5439 | | | |
| 78 | 864374 | DRIVER'S SEAT - "ISRI" - MODEL 6832/872 / W/O ACTIVE CLIMATE CONTROL / W/COVERING BLACK / NOIR From D-5440 To D-5440 | | | |
| 79 | N.P.N. | DRIVER'S SEAT - SUPPLY BY CONVERTER From D-5441 To D-5441 | | | 4 A |
| 80 | 864374 | DRIVER'S SEAT - "ISRI" - MODEL 6832/872 / W/O ACTIVE CLIMATE CONTROL / W/COVERING BLACK / NOIR From D-5442 To D-5442 | | | |
| 81 | 864374 | DRIVER'S SEAT - "ISRI" - MODEL 6832/872 / W/O ACTIVE CLIMATE CONTROL / W/COVERING BLACK / NOIR From D-5443 To D-5443 | | | |
| 82 | N.P.N. | DRIVER'S SEAT - SUPPLY BY CONVERTER From D-5445 To D-5445 | | | 4 A |
| 83 | 864374 | DRIVER'S SEAT - "ISRI" - MODEL 6832/872 / W/O ACTIVE CLIMATE CONTROL / W/COVERING BLACK / NOIR From D-5446 To D-5446 | | | |
| 84 | 864374 | DRIVER'S SEAT - "ISRI" - MODEL 6832/872 / W/O ACTIVE CLIMATE CONTROL / W/COVERING BLACK / NOIR From D-5447 To D-5447 | | | |



| | | Date:10/2022 | XV-DRIVER-00 | | |
|---------------|------------|--|-----------------------|---|-----------------------|
| DRIVER`S SEAT | | | | | |
| Item# | Part | Description | X 3 V I P | X L I I E N T 4 5 | N O T E S |
| 85 | 864374 | DRIVER`S SEAT - "ISRI" - MODEL 6832/872 / W/O ACTIVE CLIMATE CONTROL / W/COVERING BLACK / NOIR From D-5448 To D-5448 | | | |
| 86 | 864374 | DRIVER`S SEAT - "ISRI" - MODEL 6832/872 / W/O ACTIVE CLIMATE CONTROL / W/COVERING BLACK / NOIR From D-5452 To D-5452 | | | |
| 87 | 864374 | DRIVER`S SEAT - "ISRI" - MODEL 6832/872 / W/O ACTIVE CLIMATE CONTROL / W/COVERING BLACK / NOIR From D-5453 To D-5453 | | | |
| 88 | N.P.N. | DRIVER`S SEAT - SUPPLY BY CONVERTER From D-5454 To D-5454 | | | 4 A |
| 89 | 864374 | DRIVER`S SEAT - "ISRI" - MODEL 6832/872 / W/O ACTIVE CLIMATE CONTROL / W/COVERING BLACK / NOIR From D-5455 To D-5455 | | | |
| 90 | 864374 | DRIVER`S SEAT - "ISRI" - MODEL 6832/872 / W/O ACTIVE CLIMATE CONTROL / W/COVERING BLACK / NOIR From D-5456 To D-5456 | | | |
| 91 | N.P.N. | DRIVER`S SEAT - SUPPLY BY CONVERTER From D-5457 To D-5457 | | | 4 A |
| 92 | 864374 | DRIVER`S SEAT - "ISRI" - MODEL 6832/872 / W/O ACTIVE CLIMATE CONTROL / W/COVERING BLACK / NOIR From D-5458 To D-5458 | | | |
| 93 | 864374 | DRIVER`S SEAT - "ISRI" - MODEL 6832/872 / W/O ACTIVE CLIMATE CONTROL / W/COVERING BLACK / NOIR From D-5461 To D-5461 | | | |
| 94 | N.P.N. | DRIVER`S SEAT - SUPPLY BY CONVERTER From D-5468 To D-5468 | | | 4 A |
| 95 | N.P.N. | DRIVER`S SEAT - SUPPLY BY CONVERTER From D-5479 To D-5479 | | | 4 A |
| 96 | 864374 | DRIVER`S SEAT - "ISRI" - MODEL 6832/872 / W/O ACTIVE CLIMATE CONTROL / W/COVERING BLACK / NOIR From D-5485 To D-5485 | | | |
| 97 | N.P.N. | DRIVER`S SEAT - SUPPLY BY CONVERTER From D-5489 To D-5489 | | | 4 A |
| 100 | XV-1822-00 | DRIVER`S SEAT - "ISRI" - 6800/338 From B-5003 To D-5489 | | | |
| 101 | XV-1822-01 | DRIVER`S SEAT - "ISRI" - 6832/872 From B-5050 To D-5489 | | | |
| | | | | | |
| | | | | | |
| | | A) DRIVER`S SEAT SUPPLY BY CONVERTER | | | |
| | | 4) NO PARTS NUMBER | | | |



Date:10/2022

PAGE:ABBREVIATIONS

ABBREVIATIONS

| Item# | Part | Description | QTY | Notes |
|-------|----------|--------------------------|-----|-------|
| A | ABS | ANTILOCK BRAKING SYSTEM | | |
| A | ADH1 | ONE SIDE ADHESIVE | | |
| A | ADH2 | TWO SIDE ADHESIVE | | |
| A | AR | AS REQUIRED | | |
| A | ASSY | ASSEMBLY | | |
| B | BDG | BINDING | | |
| B | BEL | BELLEVILLE | | |
| B | BOW | BOWED | | |
| B | BR | BRASS | | |
| B | BRAZ | BRAZIER | | |
| B | BRZ | BRONZE | | |
| B | BUT | BUTTON | | |
| B | BZC | BRIGHT ZINC CHROMATE | | |
| C | C.E. | COMMUTATOR END | | |
| C | C.T. | CONSTANT TORQUE | | |
| C | C/C | CENTER/CENTER | | |
| C | CC | CLOSED CELL | | |
| C | CCW | COUNTERCLOCKWISE | | |
| C | CEB | CUFF END BELLOW | | |
| C | CHE | CHEESE | | |
| C | CHR | CHROME | | |
| C | CHY | CHERRY | | |
| C | CK | COUNTERSUNK | | |
| C | CKD | CLOSED KEYED | | |
| C | CKF | COUNTERSUNK FLUSH | | |
| C | CKS | CLOSED KEYLESS | | |
| C | CLE | CLOSE END | | |
| C | CON | CONCAVE | | |
| C | CONV | CONVOLUTED TUBING | | |
| C | COP | COPPER | | |
| C | CP | CADMIUM PLATED | | |
| C | CPG | COUPLING | | |
| C | CPV | CAPTIVE | | |
| C | CRG | CARRIAGE | | |
| C | CRS | COLD ROLLED STEEL | | |
| C | CSL | CASTLE | | |
| C | CT | CONSTANT TORQUE | | |
| C | CW | CLOCKWISE | | |
| C | CYL. | CYLINDER | | |
| D | D.E. | DRIVE END | | |
| D | D.P.D.T. | DOUBLE POLE DOUBLE THROW | | |
| D | DIA. | DIAMETER | | |
| D | DIFF | DIFFERENTIAL | | |
| D | DOB | DIAMETER OVER BALLS | | |
| D | DR | DRILL | | |
| D | DRV | DRIVE | | |
| D | DW | DOUBLE WAVE | | |
| E | ECU | ELECTRONIC CONTROL UNIT | | |
| E | EFF | EFFECTIVE | | |
| E | EMN | EMRALON | | |



Date:10/2022

PAGE:ABBREVIATIONS

ABBREVIATIONS

| Item# | Part | Description | QTY | Notes |
|-------|--------|---|-----|-------|
| E | ENG. | ENGINE | | |
| E | EXT | EXTERNAL | | |
| F | F | FEMALE | | |
| F | FER | FERRULE | | |
| F | FFB | FLAT FACE BOWED | | |
| F | FH | FITTING HOSE | | |
| F | FIB | FIBER | | |
| F | FIL | FILLISTER | | |
| F | FL | FLAT | | |
| F | FLRET | FLOATING RETAINER | | |
| F | FN | FINISHING | | |
| F | FORM | FORMICA | | |
| F | FRT | FRONT | | |
| F | FT | FULLY THREADED | | |
| G | G500 | MAGNI 565 GRAY / 500 HOURS SALT SPRAY | | |
| G | GAL | GALVANISED | | |
| G | GND | GROUND | | |
| H | H.P. | HIGH PRESSURE | | |
| H | HD | HEAVY DUTY | | |
| H | HEX | HEXAGONAL | | |
| H | HEXF | HEXAGONAL FLANGE | | |
| H | HEXH | HEXAGONAL HEAVY | | |
| H | HEXS | HEXAGONAL SOCKET | | |
| H | HEXW | HEXAGONAL WASHER | | |
| H | HI | HIGH | | |
| H | HK | HOOK | | |
| H | HRS | HOT ROLLED STEEL | | |
| H | HVAC | HEATING, VENTILATION & AIR CONDITIONING | | |
| H | HYD | HYDRAULIC | | |
| I | I.D. | INSIDE DIAMETER | | |
| I | INS | INSERT | | |
| I | INT | INTERNAL | | |
| J | JCT | JUNCTION | | |
| L | L.P. | LOW PRESSURE | | |
| L | LED | LIGHT-EMITTING DIODE | | |
| L | LGE | LARGE | | |
| L | LH | LEFT HAND | | |
| L | LO | LOCK | | |
| L | LUGG. | LUGGAGE | | |
| M | M | MALE | | |
| M | M & F | MALE & FEMALE | | |
| M | MA | MACHINE | | |
| M | MAX | MAXIMUM | | |
| M | MGLP | MAGNA-LOK | | |
| M | MIN | MINIMUM | | |
| M | MNB | MONOBOLT | | |
| M | MNL | MONEL | | |
| N | N.C. | NORMALY CLOSE | | |
| N | N.O. | NORMALY OPEN | | |
| N | N.P.N. | NO PARTS NUMBER | | |



Date:10/2022

PAGE:ABBREVIATIONS

ABBREVIATIONS

| Item# | Part | Description | QTY | Notes |
|-------|---------|--|-----|-------|
| N | N.S.P. | NOT SOLD AT PREVOST | | |
| N | N.S.S. | NOT SOLD SEPARATELY | | |
| N | N/A | NOT AVAILABLE | | |
| N | N500 | MAGNI 565 BLACK / 500 HOURS SALT SPRAY | | |
| N | NEG. | NEGATIVE | | |
| N | NEO | NEOPRENE | | |
| N | NERB | NEOPRENE & BRASS | | |
| N | NIT | NITRILE | | |
| N | NP | NICKEL PLATED | | |
| N | NPT | NATIONAL PIPE THREAD | | |
| N | NS | NOT SHOWN | | |
| N | NYAL | NYLON & ALUMINIUM | | |
| N | NYL | NYLON | | |
| N | NYRT | NYLON INSERT | | |
| O | O.D. | OUTSIDE DIAMETER | | |
| O | O.S. | OVERSIZE | | |
| O | OE | OPEN END | | |
| O | OKD | OPEN KEYED | | |
| O | OKS | OPEN KEYLESS | | |
| O | OPT. | OPTION | | |
| O | OV | OVAL | | |
| P | PH | PHILIPS | | |
| P | PHB | PHOSPHOR BRONZE | | |
| P | PHC | PHOSPHATE COATING | | |
| P | PLAS | PLASTIC | | |
| P | PLEX | PLEXIGLASS | | |
| P | PO | PUSH-ON | | |
| P | POL | POLYETHYLENE | | |
| P | POLCAR | POLYCARBONATE | | |
| P | POLY | POLYPROPYLENE | | |
| P | POLYA | POLYAMIDE | | |
| P | POLYP | POLYPROPYLENE | | |
| P | POS. | POSITIVE | | |
| P | PRDG | PROTRUDING | | |
| P | PROT | PROTECTIVE | | |
| P | PT | PARTIALLY THREADED | | |
| R | RBP | RUBBER BUMPER | | |
| R | RCT | RECEPTACLE | | |
| R | REC | RECTANGULAR | | |
| R | RES | RECESS | | |
| R | RET | RETANING / RETAINER | | |
| R | RH | RIGHT HAND | | |
| R | RND | ROUND | | |
| R | RR | REAR | | |
| R | RUB | RUBBER | | |
| R | RVT | RIVET | | |
| S | S.C.C. | SPECIFY COLOR CODE | | |
| S | S.D. | SPECIFY DIMENSION | | |
| S | S.L. | SPECIFY LENGHT | | |
| S | S.P.D.T | SINGLE POLE DOUBLE THROW | | |



Date:10/2022

PAGE:ABBREVIATIONS

ABBREVIATIONS

| Item# | Part | Description | QTY | Notes |
|-------|-------------|------------------------------|-----|-------|
| S | S.P.S.T | SINGLE POLE SINGLE THROW | | |
| S | SB | SATIN BLEND | | |
| S | SCT | SECTION | | |
| S | SERR | SERRATED | | |
| S | SG | SPRING GUARD | | |
| S | SHR | SHOULDER | | |
| S | SLE | SLEEVE | | |
| S | SLO | SELF LOCKING | | |
| S | SLT | SLOTTED | | |
| S | SM | SMALL | | |
| S | SOL | SOLID | | |
| S | SPE | SPECIAL | | |
| S | SPR | SPRING | | |
| S | SPT | SPLIT | | |
| S | SQ | SQUARE | | |
| S | SQS | SQUARE SOCKET | | |
| S | SS | STAINLESS STEEL | | |
| S | STD | STANDARD | | |
| S | STL | STEEL | | |
| S | STO | STOVER | | |
| S | SW | SWIVEL | | |
| S | SWL FITT. | SWIVEL FITT | | |
| T | TC | THREAD CUTTING | | |
| T | TH | THICKNESS | | |
| T | TP | TAPPING | | |
| T | TPG | TAPPING | | |
| T | TR | TRUSS | | |
| T | TRANS. | TRANSMISSION | | |
| T | TWAY | TWO WAY LOCK | | |
| T | TXV | THERMAL EXPANSION VALVE | | |
| U | U.S. | UNDERSIZE | | |
| V | VAC | VEHICLE ACCELERATION CONTROL | | |
| W | W | WITH | | |
| W | W.S. | WAVE SEAL | | |
| W | W/O | WITHOUT | | |
| W | WD | WELDED | | |
| W | WIND. | WINDOW | | |
| W | WO | WOOD | | |
| W | WOC | WITHOUT CERAMIC | | |
| X | XX-XXXX-XX | SEE PAGE | | |
| Y | YZP | YELLOW ZINC PLATED | | |
| Z | Z050 | ZINC PLATED | | |
| Z | ZG603 | ZINC IRON BLACK | | |
| Z | ZP | ZINC PLATED | | |
| N | N_A | NOT AVAILABLE | | |
| W | W_O | WITHOUT | | |
| C | C_C | CENTER/CENTER | | |
| A | ABBREVIATIC | ABBREVIATIONS | | |