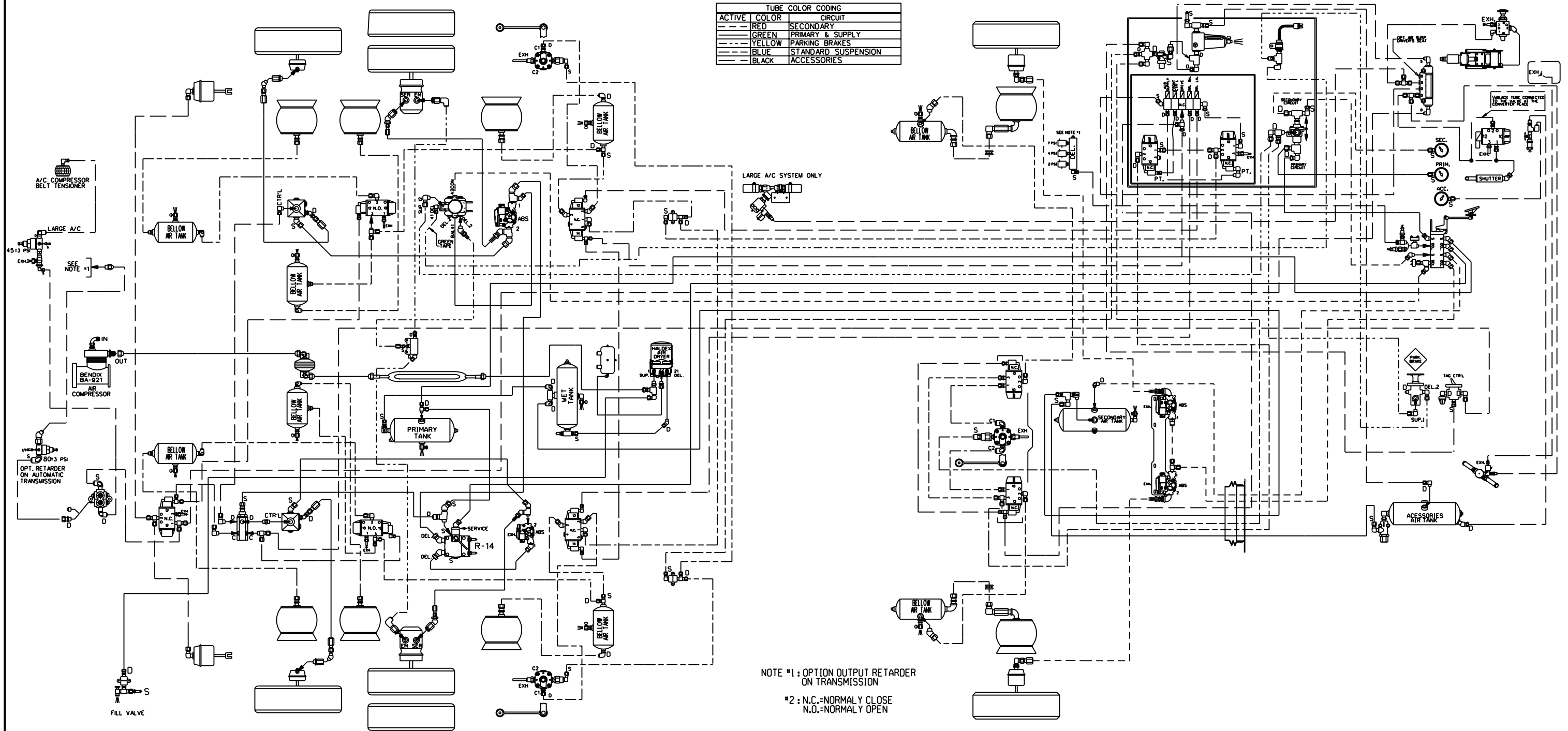


ACTIVE	COLOR	CIRCUIT
---	RED	SECONDARY
---	GREEN	PRIMARY & SUPPLY
---	YELLOW	PARKING BRAKES
---	BLUE	STANDARD SUSPENSION
---	BLACK	ACCESSORIES



NOTE #1 : OPTION OUTPUT RETARDER ON TRANSMISSION
 #2 : N.C.-NORMALY CLOSE
 N.O.-NORMALY OPEN

PREVOST

DESCRIPTION: VIP, ENGINE 2007,
 WITH INDEPENDENT SUSPENSION SYSTEM
 -FULL PNEUMATIC ABS 6 BASIC SYSTEM-

EFF. W/ VEH : #7-0942...
 DATE: 2007/05
 REV.: A

PAGE: D140355 P1.1