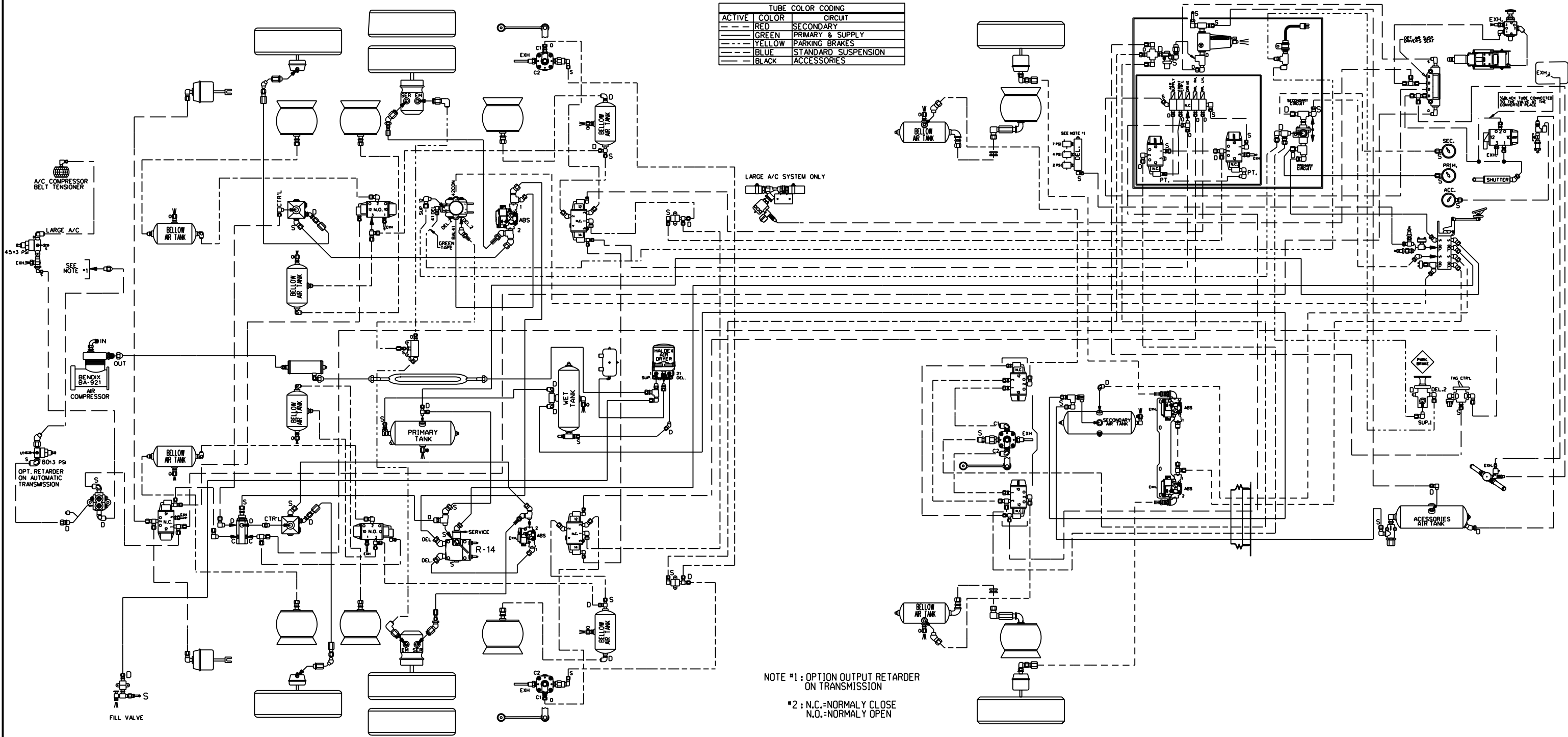


ACTIVE	COLOR	CIRCUIT
---	RED	SECONDARY
---	GREEN	PRIMARY & SUPPLY
---	YELLOW	PARKING BRAKES
---	BLUE	STANDARD SUSPENSION
---	BLACK	ACCESSORIES



NOTE #1 : OPTION OUTPUT RETARDER ON TRANSMISSION
 #2 : N.C.=NORMALY CLOSE
 N.O.=NORMALY OPEN

PREVOST®

DESCRIPTION: VIP, ENGINE 2007,
 WITH INDEPENDENT SUSPENSION SYSTEM
 FULL PNEUMATIC ABS 6 BRAKE SYSTEM

EFF. W/ VEH : #7-1017...
 DATE: 2007/10
 REV.: B

PAGE: D140355 P1.1