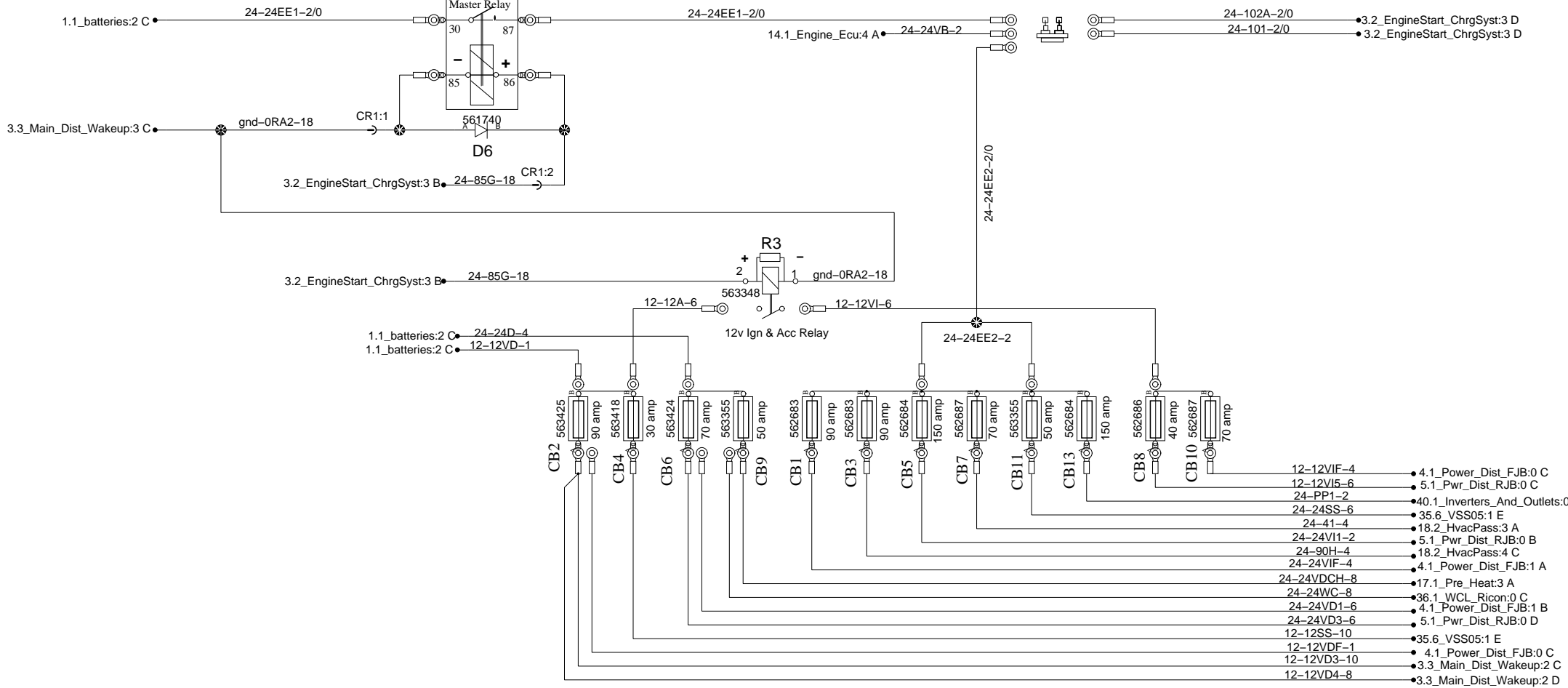
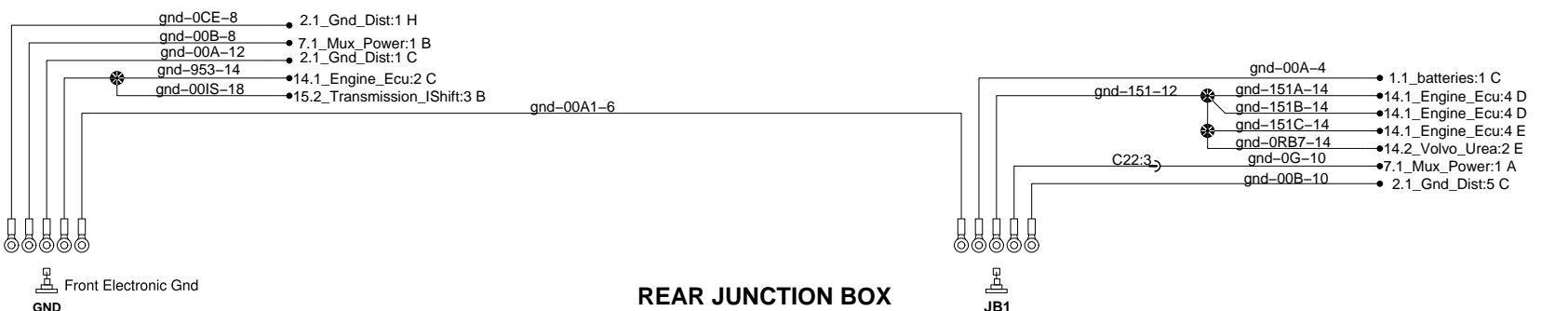


# MAIN DISTRIBUTION Batteries & Ignition



# Electronic Gnd



FRONT JUNCTION BOX

Front Electronic Gnd  
GND

REAR JUNCTION BOX

JB1