

# V60-V62 Series

3/2, 5/2, 5/3, and 2 x 3/2

Directional control valves

High flow rate

Extensive manual override options

Manifold system with easy assembly

Low power consumption

Maintenance-free

## Technical data

Medium:

Compressed air, filtered to 50 µm, lubricated or non-lubricated.

Operation:

Solenoid pilot or air pilot operated

Mounting:

Individual or fixed length manifold

Connection:

1/8" NPT, 1/4" NPT and 3/8" NPT

Operating pressure:

145 psi (10 bar)

Flow direction:

Internal pilot supply: fixed

External pilot supply: optional

Flow:

Size NPT 3/2, 5/2      2 x 3/2, 5/3

Cv (l/min)      Cv (l/min)

1/8      0.75 (750)      0.50 (500)

1/4      1.3 (1300)      0.95 (950)

3/8      2.6 (2600)      1.9 (1900)

Ambient temperature:

14°F to +122°F (-10°C to +50°C)

Consult our Technical Service for use below 36°F (+2°C).

Materials

Housing and base plate: aluminum

Spool: stainless steel,

Piston, spacers and cover: synthetic material

Static and dynamic seals: NBR

Screws: zinc plated

Springs: stainless steel



## 3-Port and 5-Port Air Pilot Valves

	Model	Port size	Function	Operator/ Operator	Flow Cv	Operating Pressure (Cv)	Pilot pressure (psi)	Weight (lbs)	Drawing No.	
	<b>3/2 Air Pilot Valves</b>									
	V60P4D7A-XP0900	1/8	NC	Air/Spring	0.75	26" Hg to 145	36 to 145	0.29	16	
	V61R4D7A-XP0900	1/4	NC	Air/Spring	1.30	26" Hg to 145	36 to 145	0.46	16	
	V62S4D7A-XP0900	3/8	NC	Air/Spring	2.60	26" Hg to 145	36 to 145	0.95	16	
	V60P3D7A-XP0900	1/8	NO	Spring/Air	0.75	26" Hg to 145	36 to 145	0.29	17	
	V61R3D7A-XP0900	1/4	NO	Spring/Air	1.30	26" Hg to 145	36 to 145	0.46	17	
	<b>3/2 Air Pilot Valves</b>									
	V62S3D7A-XP0900	3/8	NO	Spring/Air	2.60	26" Hg to 145	36 to 145	0.95	17	
	V60P4DDA-XP0200	1/8	-	Air/Air	0.75	26" Hg to 145	22 to 145	0.29	18	
	V61R4DDA-XP0200	1/4	-	Air/Air	1.30	26" Hg to 145	22 to 145	0.46	18	
	V62S4DDA-XP0200	3/8	-	Air/Air	2.60	26" Hg to 145	22 to 145	0.95	18	
		<b>2 x 3/2 Air Pilot Valves</b>								
V60PADDA-XP0200		1/8	NC/NC	Air/Air	0.50	29 to 145	29 to 145	0.4	19	
V61RADDA-XP0200		1/4	NC/NC	Air/Air	0.95	29 to 145	29 to 145	0.67	19	
V62SADDA-XP0200		3/8	NC/NC	Air/Air	1.90	29 to 145	29 to 145	1.32	19	
V60PBDDA-XP0200		1/8	NO/NO	Air/Air	0.50	29 to 145	29 to 145	0.4	19	
V61RBDDA-XP0200		1/4	NO/NO	Air/Air	0.95	29 to 145	29 to 145	0.67	19	
V62SBDDA-XP0200		3/8	NO/NO	Air/Air	1.90	29 to 145	29 to 145	1.32	19	
V60PCDDA-XP0200		1/8	NO/NC	Air/Air	0.50	29 to 145	29 to 145	0.4	19	
V61RCDDA-XP0200		1/4	NO/NC	Air/Air	0.95	29 to 145	29 to 145	0.67	19	
V62SCDDA-XP0200		3/8	NO/NC	Air/Air	1.90	29 to 145	29 to 145	1.32	19	
		<b>5/2 Air Pilot Valves</b>								
		V60P5D7A-XP0900	1/8	-	Air/Spring	0.75	26" Hg to 145	36 to 145	0.35	22
	V61R5D7A-XP0900	1/4	-	Air/Spring	1.30	26" Hg to 145	36 to 145	0.57	22	
	V62S5D7A-XP0900	3/8	-	Air/Spring	2.60	26" Hg to 145	36 to 145	1.23	22	
	V60P5DDA-XP0200	1/8	-	Air/Air	0.75	26" Hg to 145	22 to 145	0.37	23	
	V61R5DDA-XP0200	1/4	-	Air/Air	1.30	26" Hg to 145	22 to 145	0.6	23	
	<b>5/3 Air Pilot Valves</b>									
	V62S5DDA-XP0200	3/8	-	Air/Air	2.60	26" Hg to 145	22 to 145	1.28	23	
	V60P6DDA-XP0200	1/8	APB	Air/Air	0.50	26" Hg to 145	44 to 145	0.44	24	
	V61R6DDA-XP0200	1/4	APB	Air/Air	0.95	26" Hg to 145	44 to 145	0.71	24	
	V62S6DDA-XP0200	3/8	APB	Air/Air	1.90	26" Hg to 145	44 to 145	1.48	24	
	V60P7DDA-XP0200	1/8	COE	Air/Air	0.50	26" Hg to 145	44 to 145	0.44	24	
	V61R7DDA-XP0200	1/4	COE	Air/Air	0.95	26" Hg to 145	44 to 145	0.71	24	
	V62S7DDA-XP0200	3/8	COE	Air/Air	1.90	26" Hg to 145	44 to 145	1.48	24	
	V60P8DDA-XP0200	1/8	COP	Air/Air	0.50	26" Hg to 145	44 to 145	0.44	24	
	V61R8DDA-XP0200	1/4	COP	Air/Air	0.95	26" Hg to 145	44 to 145	0.71	24	
	V62S8DDA-XP0200	3/8	COP	Air/Air	1.90	26" Hg to 145	44 to 145	1.48	24	

## 5-Port Solenoid Pilot Valves

Model	Port size	Function	Pilot supply	Operator	Solenoid variant	Flow Cv	Operating pressure (psi)	Pilot pressure	Weight (lbs)	Drawing No.
<b>2 x 3/2 Solenoid Pilot Valves</b>										
V60PA11A-Ax****	1/8	NC/NC	Internal	Sol/sol	Standard	0.5	29 to 145	-	0.75	7
V60PA11D-Cx13AA	1/8	NC/NC	Internal	Sol/sol	Standard	0.5	29 to 145	-	0.53	8
V61RA11A-Ax****	1/4	NC/NC	Internal	Sol/sol	Standard	0.95	29 to 145	-	0.95	7
V61RA11D-Cx13AA	1/4	NC/NC	Internal	Sol/sol	Twin	0.95	29 to 145	-	0.73	8
V62SA11A-Ax****	3/8	NC/NC	Internal	Sol/sol	Standard	1.9	29 to 145	-	0.73	7
V62SA11D-Cx13AA	3/8	NC/NC	Internal	Sol/sol	Twin	1.9	29 to 145	-	1.39	8
V60PB11A-Ax****	1/8	NO/NO	Internal	Sol/sol	Standard	0.5	29 to 145	-	0.75	7
V60PB11D-Cx13AA	1/8	NO/NO	Internal	Sol/sol	Twin	0.5	29 to 145	-	0.53	8
V61RB11A-Ax****	1/4	NO/NO	Internal	Sol/sol	Standard	0.95	29 to 145	-	0.95	7
V61RB11D-Cx13AA	1/4	NO/NO	Internal	Sol/sol	Twin	0.95	29 to 145	-	0.73	8
V62SB11A-Ax****	3/8	NO/NO	Internal	Sol/sol	Standard	1.9	29 to 145	-	1.61	7
V62SB11D-Cx13AA	3/8	NO/NO	Internal	Sol/sol	Twin	1.9	29 to 145	-	1.39	8
V60PC11A-Ax****	1/8	NO/NC	Internal	Sol/sol	Standard	0.5	29 to 145	-	0.75	7
V60PC11D-Cx13AA	1/8	NO/NC	Internal	Sol/sol	Twin	0.5	29 to 145	-	0.53	8
V61RC11A-Ax****	1/4	NO/NC	Internal	Sol/sol	Standard	0.95	29 to 145	-	0.95	7
V61RC11D-Cx13AA	1/4	NO/NC	Internal	Sol/sol	Twin	0.95	29 to 145	-	0.73	8
V62SC11A-Ax****	3/8	NO/NC	Internal	Sol/sol	Standard	1.9	29 to 145	-	1.61	7
V62SC11D-Cx13AA	3/8	NO/NC	Internal	Sol/sol	Twin	1.9	29 to 145	-	1.39	8
<b>5/2 Solenoid Pilot Valves</b>										
V60P517A-Ax****	1/8	-	Internal	Sol/spring	Standard	0.75	29 to 145	-	0.53	9
V60P527A-Ax****	1/8	-	External	Sol/spring	Standard	0.75	26" Hg to 145	44 to 145	0.53	9
V60P511D-Cx13AA	1/8	-	Internal	Sol/sol	Twin	0.75	29 to 145	-	0.51	12
V60P522D-Cx13AA	1/8	-	External	Sol/sol	Twin	0.75	29" Hg to 145	44 to 145	0.51	12
V61R517A-Ax****	1/4	-	Internal	Sol/spring	Standard	1.3	29 to 145	-	0.73	29
V61R527A-Ax****	1/4	-	External	Sol/spring	Standard	1.3	26" Hg to 145	44 to 145	0.73	29
V61R517D-Cx13AA	1/4	-	Internal	Sol/spring	Twin	1.3	29 to 145	-	0.71	12
V61R527D-Cx13AA	1/4	-	External	Sol/spring	Twin	1.3	29 to 145	-	0.71	12
V62S517A-Ax****	3/8	-	Internal	Sol/spring	Standard	2.6	29 to 145	-	1.36	29
V62S527A-Ax****	3/8	-	External	Sol/spring	Standard	2.6	26" Hg to 145	44 to 145	1.36	29
V62S517D-Cx13AA	3/8	-	Internal	Sol/spring	Twin	2.6	29 to 145	-	1.34	12
V62S527D-Cx13AA	3/8	-	External	Sol/spring	Twin	2.6	26" Hg to 145	44 to 145	1.34	12
V60P511A-Ax****	1/8	-	Internal	Sol/sol	Standard	0.75	29 to 145	-	0.73	10
V60P522A-Ax****	1/8	-	External	Sol/sol	Standard	0.75	26" Hg to 145	44 to 145	0.51	10
V60P522D-Cx13AA	1/8	-	External	Sol/sol	Twin	0.75	26" Hg to 145	44 to 145	0.51	11
V61R511A-Ax****	1/4	-	Internal	Sol/sol	Standard	1.3	29 to 145	-	0.93	10
V61R522A-Ax****	1/4	-	External	Sol/sol	Standard	1.3	26" Hg to 145	44 to 145	0.93	10
V61R511D-Cx13AA	1/4	-	Internal	Sol/sol	Twin	1.3	29 to 145	-	0.71	11
V61R522D-Cx13AA	1/4	-	External	Sol/sol	Twin	1.3	26" Hg to 145	44 to 145	0.71	11
V62S511A-Ax****	3/8	-	Internal	Sol/sol	Standard	2.6	29 to 145	-	1.59	10
V62S522A-Ax****	3/8	-	External	Sol/sol	Standard	2.6	26" Hg to 145	44 to 145	1.59	10
V62S511D-Cx13AA	3/8	-	Internal	Sol/sol	Twin	2.6	29 to 145	-	1.36	11
V62S522D-Cx13AA	3/8	-	External	Sol/sol	Twin	2.6	26" Hg to 145	44 to 145	1.36	11

NC = Normally closed, NO = Normally open, APB = All ports blocked, COE = Center open exhaust, COP = Center open pressure \*\*\*\* Insert coil connector code from Connectors table.  
For manual override options, substitute 'x' as follows: 2 = locking, 3 = non-locking.

## Coil & voltage codes

### \*\*\*Standard (22 mm coil industrial standard)

Voltage	Coil code	Power inrush/hold	Model
12 V d.c.	12J	2 W	54469-01
24 V d.c.	13J	2 W	54469-02
24 V 50/60 Hz	14J	4/2.5 VA	54469-04
110/120 V 50/60 Hz	18J	4/2.5 VA	54469-03
220/240 V 50/60 Hz	19J	6/5 VA	54469-08

## Twin

Double solenoid DIN EN 175 301-803 (DIN 43650 type C) 4 pin

Voltage	Coil code	Power inrush/hold	Override	Replacement
24 V d.c.	13 A	2 W	Non-locking	9031703900024
24 V d.c.	13 A	2 W	Locking	9031704900024

## Plug configuration, valve side/twin pilot

Symbol	Plug no.	Function	Actuation	Connector color
	1	(+)	12 (Solenoid 2)	Black
	2	(-)	12 + 14	Blue
	3	(+)	14 (Solenoid 1)	Brown
		Ground		Green

## Electrical details

Voltage tolerance:	±10%
Rating:	100% E.D.
Protection class:	IP 65 with sealed plugs (ISO 6952)

## †Connectors

### 3-Pin Industrial Standard 22mm

A = no connector	
B = Cable grip 0-240Vac/Vdc	54934-01
C = 6 ft molded cable, 0-240Vac/Vdc	54934-21
H = Cable grip w/indicator light 24Vdc	54934-08
J = Cable grip w/indicator light 120Vdc	54934-02
Z = 1/2" Conduit 0-240Vac/Vdc	54934-05
5 = 6 ft molded cable w/indicator light, surge suppression, 24Vac/Vdc	54934-30
6 = 6 ft molded cable w/indicator light, 120Vdc	54934-35

### 4-Pin Connector

A = no connector	
Y = 4-pin cable grip 0-240Vac/Vdc	0588666
X = 4-pin 10' molded cable 0-240Vac/Vdc	0102144

# V60-V62 Series

3/2, 5/2, 5/3, and 2 x 3/2

Directional control valves

## 5-Port Solenoid Pilot Valves

Model	Port size	Function	Pilot supply	Operator	Solenoid variant	Flow Cv	Operating pressure (psi)	Pilot pressure	Weight (lbs)	Drawing No.
<b>5/3 Solenoid Pilot Valves</b>										
V60P611A-Ax****	1/8	APB	Internal	Sol/sol	Standard	0.5	44 to 145	–	0.77	14
V60P622A-Ax****	1/8	APB	External	Sol/sol	Standard	0.5	26" Hg to 145	44 to 145	0.77	14
V60P611D-Cx13AA	1/8	APB	Internal	Sol/sol	Twin	0.5	44 to 145	–	0.55	15
V60P622D-Cx13AA	1/8	APB	External	Sol/sol	Twin	0.5	26" Hg to 145	44 to 145	0.55	15
V61R611A-Ax****	1/4	APB	Internal	Sol/sol	Standard	0.95	44 to 145	–	1.04	14
V61R622A-Ax****	1/4	APB	External	Sol/sol	Standard	0.95	26" Hg to 145	44 to 145	1.04	14
V61R611D-Cx13AA	1/4	APB	Internal	Sol/sol	Twin	0.95	44 to 145	–	0.82	15
V61R622D-Cx13AA	1/4	APB	External	Sol/sol	Twin	0.95	26" Hg to 145	44 to 145	0.82	15
V62S611A-Ax****	3/8	APB	Internal	Sol/sol	Standard	1.9	44 to 145	–	1.79	14
V62S622A-Ax****	3/8	APB	External	Sol/sol	Standard	1.9	26" Hg to 145	44 to 145	1.79	14
V62S611D-Cx13AA	3/8	APB	Internal	Sol/sol	Twin	1.9	44 to 145	–	1.57	15
V62S622D-Cx13AA	3/8	APB	External	Sol/sol	Twin	1.9	26" Hg to 145	44 to 145	1.57	15
<b>5/2 Solenoid Pilot Valves</b>										
V60P711A-Ax****	1/8	COE	Internal	Sol/sol	Standard	0.5	44 to 145	–	0.77	14
V60P722A-Ax****	1/8	COE	External	Sol/sol	Standard	0.5	26" Hg to 145	44 to 145	0.77	14
V60P711D-Cx13AA	1/8	COE	Internal	Sol/sol	Twin	0.5	44 to 145	–	0.55	15
V60P722D-Cx13AA	1/8	COE	External	Sol/sol	Twin	0.5	26" Hg to 145	44 to 145	0.55	15
V61R711A-Ax****	1/4	COE	Internal	Sol/sol	Standard	0.95	44 to 145	–	1.04	14
V61R722A-Ax****	1/4	COE	External	Sol/sol	Standard	0.95	26" Hg to 145	44 to 145	1.04	14
V61R711D-Cx13AA	1/4	COE	Internal	Sol/sol	Twin	0.95	44 to 145	–	0.82	15
V61R722D-Cx13AA	1/4	COE	External	Sol/sol	Twin	0.95	26" Hg to 145	44 to 145	0.82	15
V62S711A-Ax****	3/8	COE	Internal	Sol/sol	Standard	1.9	44 to 145	–	1.79	14
V62S722A-Ax****	3/8	COE	External	Sol/sol	Standard	1.9	26" Hg to 145	44 to 145	1.79	14
V62S711D-Cx13AA	3/8	COE	Internal	Sol/sol	Twin	1.9	44 to 145	–	1.57	15
V62S722D-Cx13AA	3/8	COE	External	Sol/sol	Twin	1.9	26" Hg to 145	44 to 145	1.57	15
<b>3/2 Solenoid Pilot Valves</b>										
V60P811A-Ax****	1/8	COP	Internal	Sol/sol	Standard	0.5	44 to 145	–	0.77	14
V60P822A-Ax****	1/8	COP	External	Sol/sol	Standard	0.5	26" Hg to 145	44 to 145	0.77	14
V60P811D-Cx13AA	1/8	COP	Internal	Sol/sol	Twin	0.5	44 to 145	–	0.55	15
V60P822D-Cx13AA	1/8	COP	External	Sol/sol	Twin	0.5	26" Hg to 145	44 to 145	0.55	15
V61R811A-Ax****	1/4	COP	Internal	Sol/sol	Standard	0.95	44 to 145	–	1.04	14
V61R822A-Ax****	1/4	COP	External	Sol/sol	Standard	0.95	26" Hg to 145	44 to 145	1.04	14
V61R811D-Cx13AA	1/4	COP	Internal	Sol/sol	Twin	0.95	44 to 145	–	0.82	15
V61R822D-Cx13AA	1/4	COP	External	Sol/sol	Twin	0.95	26" Hg to 145	44 to 145	0.82	15
V62S811A-Ax****	3/8	COP	Internal	Sol/sol	Standard	1.9	44 to 145	–	1.79	14
V62S822A-Ax****	3/8	COP	External	Sol/sol	Standard	1.9	26" Hg to 145	44 to 145	1.79	14
V62S811D-Cx13AA	3/8	COP	Internal	Sol/sol	Twin	1.9	44 to 145	–	1.57	15
V62S822D-Cx13AA	3/8	COP	External	Sol/sol	Twin	1.9	26" Hg to 145	44 to 145	1.57	15

NC = Normally closed, NO = Normally open, APB = All ports blocked, COE = Center open exhaust, COP = Center open pressure \*\*\*\* Insert coil connector code from Connectors table. For manual override options, substitute 'x' as follows: 2 = locking, 3 = non-locking.

## Coil & voltage codes

### \*\*\*Standard (22 mm coil industrial standard)

Voltage	Coil code	Power inrush/hold	Model
12 V d.c.	12J	2 W	54469-01
24 V d.c.	13J	2 W	54469-02
24 V 50/60 Hz	14J	4/2.5 VA	54469-04
110/120 V 50/60 Hz	18J	4/2.5 VA	54469-03
220/240 V 50/60 Hz	19J	6/5 VA	54469-08

### Electrical details

Voltage tolerance:	±10%
Rating:	100% E.D.
Protection class:	IP 65 with sealed plugs (ISO 6952)

## Twin

Double solenoid DIN EN 175 301-803 (DIN 43650 type C) 4 pin

Voltage	Coil code	Power inrush/hold	Override	Replacement
24 V d.c.	13 A	2 W	Non-locking	9031703900024
24 V d.c.	13 A	2 W	Locking	9031704900024

## Plug configuration, valve side/twin pilot

Symbol	Plug no.	Function	Actuation	Connector color
	1	(+)	12 (Solenoid 2)	Black
	2	(-)	12 + 14	Blue
	3	(+)	14 (Solenoid 1)	Brown
		Ground		Green

## †Connectors

### 3-Pin Industrial Standard 22mm

A = no connector	
B = Cable grip 0-240Vac/Vdc	54934-01
C = 6 ft molded cable, 0-240Vac/Vdc	54934-21
H = Cable grip w/indicator light 24Vdc	54934-08
J = Cable grip w/indicator light 120Vac	54934-02
Z = 1/2" Conduit 0-240Vac/Vdc	54934-05
5 = 6 ft molded cable w/indicator light, surge suppression, 24Vac/Vdc	54934-30
6 = 6 ft molded cable w/indicator light, 120Vac	54934-35

### 4-Pin Connector

A = no connector	
Y = 4-pin cable grip 0-240Vac/Vdc	0588666
X = 4-pin 10' molded cable 0-240Vac/Vdc	0102144

### 3-Port Solenoid Pilot Valves

Model	Port size	Func-tion	Pilot supply*	Operator	Solenoid	Flow Cv	Operating pressure (psi)	Pilot Pressure (psi)	Wt	Drawing (lbs) no
V60P417A-Ax***†	1/8	NC	Internal	Sol/spring	Standard	0.75	29 to 145	–	0.49	1
V60P427A-Ax***†	1/8	NC	External	Sol/spring	Standard	0.75	26" Hg to 145	44 to 145	0.49	1
V60P417D-Cx13AA	1/8	NC	Internal	Sol/spring	Twin	0.75	29 to 145	–	0.46	5
V60P427D-Cx13AA	1/8	NC	External	Sol/spring	Twin	0.75	26" Hg to 145	44 to 145	0.46	5
V61R417A-Ax***†	1/4	NC	Internal	Sol/spring	Standard	1.30	29 to 145	–	0.64	1
V61R427A-Ax***†	1/4	NC	External	Sol/spring	Standard	1.30	26" Hg to 145	44 to 145	0.64	1
V61R417D-Cx13AA	1/4	NC	Internal	Sol/spring	Twin	1.30	29 to 145	–	0.60	5
V61R427D-Cx13AA	1/4	NC	External	Sol/spring	Twin	1.30	26" Hg to 145	44 to 145	0.60	5
V62S417A-Ax***†	3/8	NC	Internal	Sol/spring	Standard	2.60	29 to 145	–	1.15	1
V62S427A-Ax***†	3/8	NC	External	Sol/spring	Standard	2.60	26" Hg to 145	44 to 145	1.15	1
V62S417D-Cx13AA	3/8	NC	Internal	Sol/spring	Twin	2.60	29 to 145	–	1.10	5
V62S427D-Cx13AA	3/8	NC	External	Sol/spring	Twin	2.60	26" Hg to 145	44 to 145	1.10	5
V60P317A-Ax***†	1/8	NO	Internal	Sol/spring	Standard	0.75	29 to 145	–	0.5	2
V60P327A-Ax***†	1/8	NO	External	Sol/spring	Standard	0.75	26" Hg to 145	44 to 145	0.5	2
V60P317D-Cx13AA	1/8	NO	Internal	Sol/spring	Twin	0.75	29 to 145	–	0.5	5
V60P327D-Cx13AA	1/8	NO	External	Sol/spring	Twin	0.75	26" Hg to 145	44 to 145	0.5	5
V61R317A-Ax***†	1/4	NO	Internal	Sol/spring	Standard	1.30	29 to 145	–	0.64	2
V61R327A-Ax***†	1/4	NO	External	Sol/spring	Standard	1.30	26" Hg to 145	44 to 145	0.64	2
V61R317D-Cx13AA	1/4	NO	Internal	Sol/spring	Twin	1.30	29 to 145	–	0.60	5
V61R327D-Cx13AA	1/4	NO	External	Sol/spring	Twin	1.30	26" Hg to 145	44 to 145	0.60	5
V62S317A-Ax***†	3/8	NO	Internal	Sol/spring	Standard	2.60	29 to 145	–	1.15	2
V62S327A-Ax***†	3/8	NO	External	Sol/spring	Standard	2.60	26" Hg to 145	44 to 145	1.15	2
V62S317D-Cx13AA	3/8	NO	Internal	Sol/spring	Twin	2.60	29 to 145	–	1.10	5
V62S327D-Cx13AA	3/8	NO	External	Sol/spring	Twin	2.60	26" Hg to 145	44 to 145	1.10	5
V60P411A-Ax***†	1/8	–	Internal	Sol/sol	Standard	0.75	22 to 145	–	0.66	3
V60P422A-Ax***†	1/8	–	External	Sol/sol	Standard	0.75	26" Hg to 145	44 to 145	0.66	3
V60P411D-Cx13AA	1/8	–	Internal	Sol/sol	Twin	0.75	22 to 145	–	0.44	4
V60P422D-Cx13AA	1/8	–	External	Sol/sol	Twin	0.75	26" Hg to 145	44 to 145	0.44	4
V61R411A-Ax***†	1/4	–	Internal	Sol/sol	Standard	1.30	22 to 145	–	0.84	3
V61R422A-Ax***†	1/4	–	External	Sol/sol	Standard	1.30	26" Hg to 145	44 to 145	0.84	3
V61R411D-Cx13AA	1/4	–	Internal	Sol/sol	Twin	1.30	22 to 145	–	0.60	4
V61R422D-Cx13AA	1/4	–	External	Sol/sol	Twin	1.30	26" Hg to 145	44 to 145	0.60	4
V62S411A-Ax***†	3/8	–	Internal	Sol/sol	Standard	2.60	22 to 145	–	1.34	3
V62S422A-Ax***†	3/8	–	External	Sol/sol	Standard	2.60	26" Hg to 145	44 to 145	1.34	3
V62S411D-Cx13AA	3/8	–	Internal	Sol/sol	Twin	2.60	22 to 145	–	1.10	4
V62S422D-Cx13AA	3/8	–	External	Sol/sol	Twin	2.60	26" Hg to 145	44 to 145	1.10	4

\*\*\* Insert coil connector code from Connectors table.

NC = Normally closed, NO = Normally open

For manual override options, substitute 'x' as follows:

2 = locking, 3 = non-locking,

\* Valves are not field convertible from internal to external pilot.

### Coil & voltage codes

#### \*\*\*Standard (22 mm coil industrial standard)

Voltage	Coil code	Power inrush/hold	Model
12 V d.c.	12J	2 W	54469-01
24 V d.c.	13J	2 W	54469-02
24 V 50/60 Hz	14J	4/2.5 VA	54469-04
110/120 V 50/60 Hz	18J	4/2.5 VA	54469-03
220/240 V 50/60 Hz	19J	6/5 VA	54469-08

### Twin

Double solenoid DIN EN 175 301-803 (DIN 43650 type C) 4 pin, with indicator lights, and surge suppression

Voltage	Coil code	Power inrush/hold	Override	Replacement
24 V d.c.	13 A	2 W	Non-locking	9031703900024
24 V d.c.	13 A	2 W	Locking	9031704900024

### Plug configuration, valve side/twin pilot

Symbol	Plug no.	Function	Actuation	Connector color
	1	(+)	12 (Solenoid 2)	Black
	2	(-)	12 + 14	Blue
	3	(+)	14 (Solenoid 1)	Brown
		Ground		Green

### Electrical details

Voltage tolerance:	±10%
Rating:	100% E.D.
Protection class:	IP 65 with sealed plugs (ISO 6952)

### †Connectors

#### 3-Pin Industrial Standard 22mm

A = no connector	
B = Cable grip 0-240Vac/Vdc	54934-01
C = 6 ft molded cable, 0-240Vac/Vdc	54934-21
H = Cable grip w/indicator light 24Vdc	54934-08
J = Cable grip w/indicator light 120Vac	54934-02
Z = 1/2" Conduit 0-240Vac/Vdc	54934-05
5 = 6 ft molded cable w/indicator light, surge suppression, 24Vac/Vdc	54934-30
6 = 6 ft molded cable w/indicator light, 120Vac	54934-35

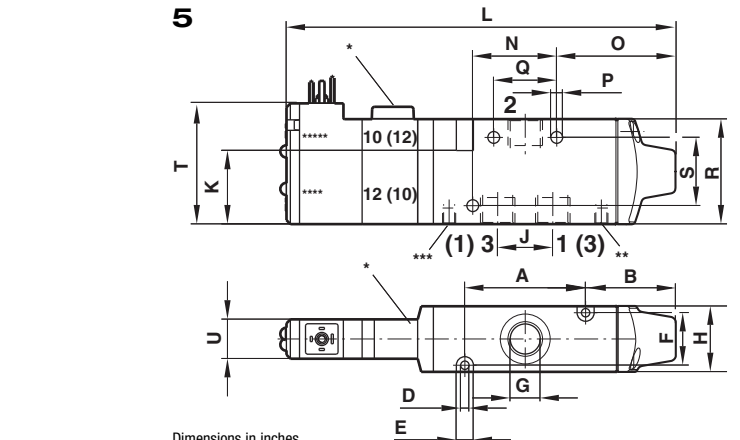
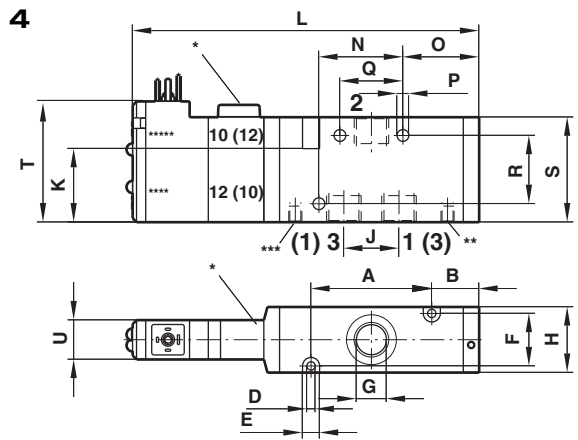
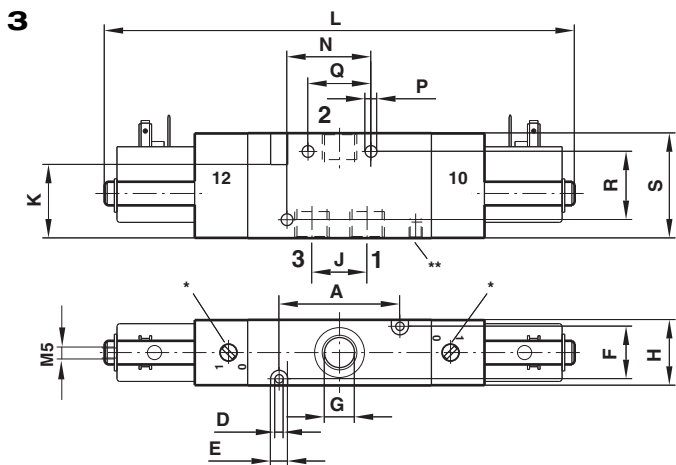
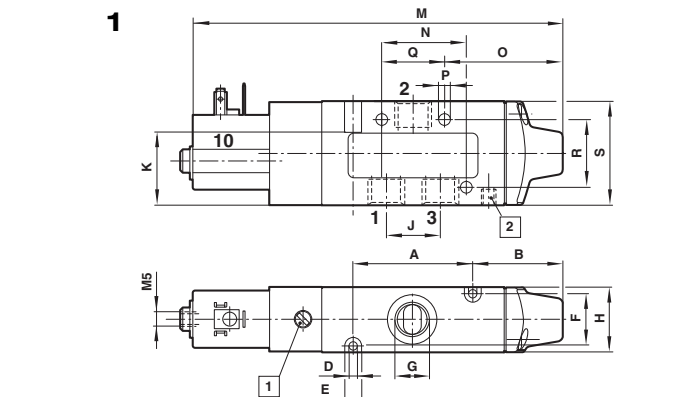
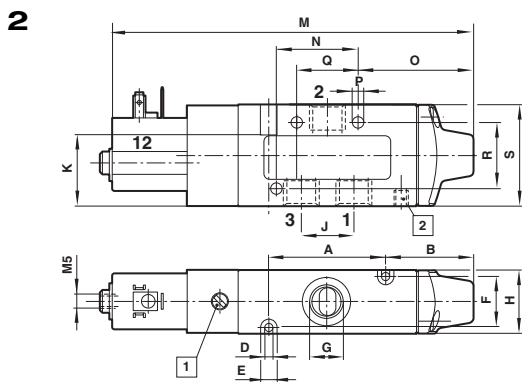
#### 4-Pin Connector

A = no connector	
Y = 4-pin cable grip 0-240Vac/Vdc	0588666
X = 4-pin 10' molded cable 0-240Vac/Vdc	0102144

# V60-V62 Series

3/2, 5/2, 5/3, and 2 x 3/2

Directional control valves



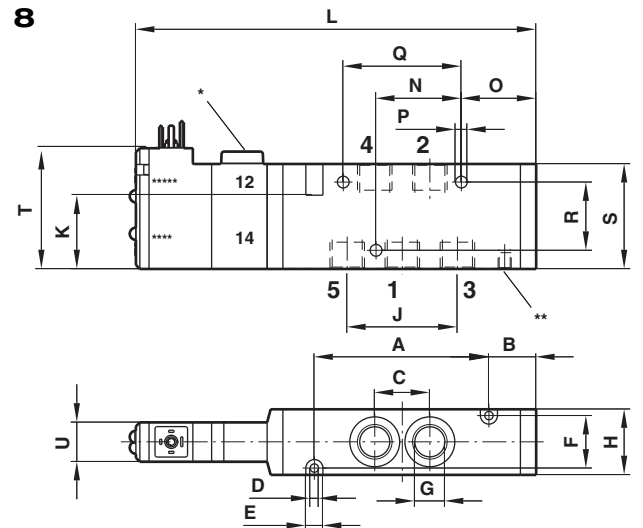
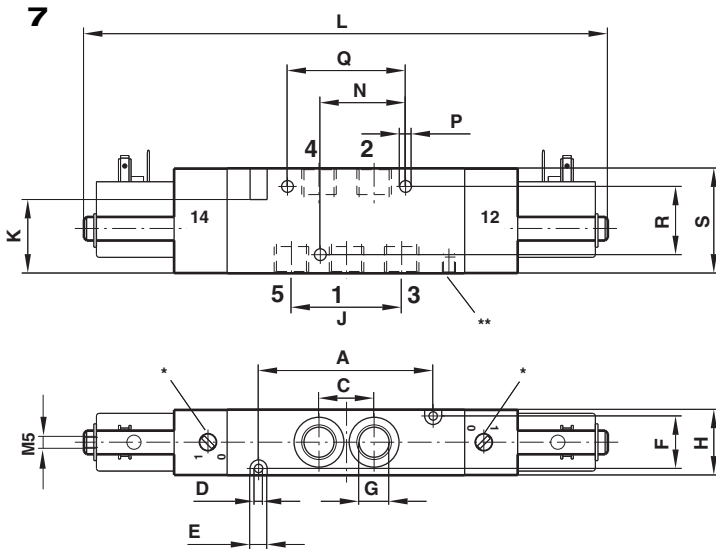
\* Manual override \*\* External pilot supply 10-32 \*\*\* Collected pilot exhaust 10-32 \*\*\*\* Solenoid 1 \*\*\*\*\* Solenoid 2

Dimensions in inches

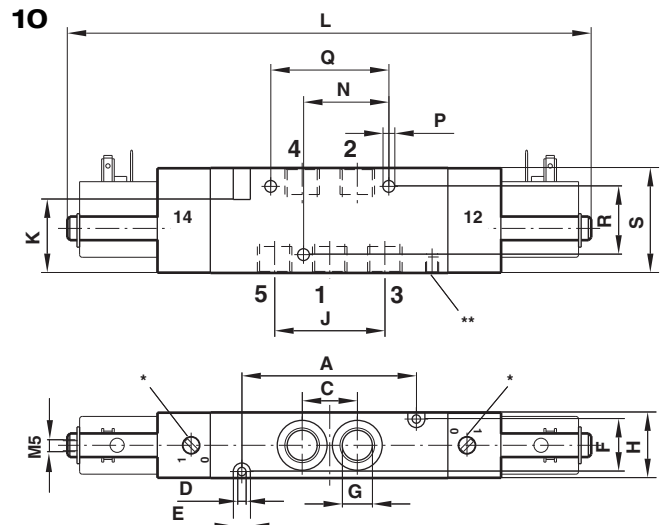
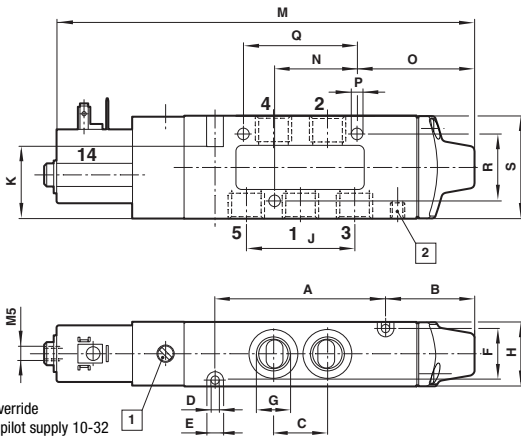
Drawing No	Type	A	B	C	D	E	F	G	H	J	K	L	M	N	O	P	Q	R	S	T	U
1	V60	1.38	0.67	-	0.13	0.26	0.67	1/8	0.87	0.64	1.10	-	4.49	0.98	0.98	0.18	0.71	1.02	1.38	-	-
1	V61	1.81	0.79	-	0.13	0.26	0.79	1/4	0.98	0.83	1.10	-	5.22	1.26	1.22	0.18	0.94	1.02	1.57	-	-
1	V62	2.13	0.83	-	0.18	0.31	1.10	3/8	1.34	0.96	1.73	-	5.71	0.47	1.42	0.18	1.02	1.42	2.17	-	-
2	V60	1.38	0.67	-	0.13	0.26	0.67	1/8	0.87	0.64	1.10	-	4.49	0.98	0.98	0.18	0.71	1.02	1.38	-	-
2	V61	1.81	0.79	-	0.13	0.26	0.79	1/4	0.98	0.83	1.10	-	5.22	1.26	1.22	0.18	0.94	1.02	1.57	-	-
2	V62	2.13	0.83	-	0.18	0.31	1.10	3/8	1.34	0.96	1.73	-	5.71	0.47	1.34	0.18	1.02	1.42	2.17	-	-
3	V60	1.38	-	-	0.13	0.26	0.67	1/8	0.87	0.64	1.10	6.30	-	0.98	-	0.18	0.71	1.02	1.38	-	-
3	V61	1.81	-	-	0.13	0.26	0.79	1/8	0.98	0.83	1.10	7.05	-	1.26	-	0.18	0.94	1.02	1.57	-	-
3	V62	2.13	-	-	0.18	0.31	1.10	3/8	1.34	0.96	1.73	7.64	-	0.47	-	0.18	1.02	1.42	2.17	-	-
4	V60	1.38	0.67	-	0.13	0.26	0.67	1/8	0.87	0.64	1.10	4.69	-	0.98	0.98	0.18	0.71	1.02	1.38	1.81	0.59
4	V61	1.81	0.71	-	0.13	0.26	0.79	1/4	0.98	0.83	1.10	5.24	-	1.26	1.14	0.18	0.94	1.02	1.57	1.81	0.59
4	V62	2.13	0.83	-	0.18	0.31	1.10	3/8	1.34	0.96	1.73	5.79	-	0.47	1.42	0.18	1.02	1.42	2.17	2.13	0.59
5	V60	1.38	1.1	-	0.13	0.26	0.67	1/8	0.87	0.64	1.10	5.12	-	0.98	1.41	0.18	0.71	1.02	1.38	1.81	0.59
5	V61	1.81	1.28	-	0.13	0.26	0.79	1/4	0.98	0.83	1.10	5.81	-	1.26	1.71	0.18	0.94	1.02	1.57	1.81	0.59
5	V62	2.13	1.70	-	0.18	0.31	1.10	3/8	1.34	0.96	1.73	6.66	-	0.47	2.29	0.18	1.02	1.42	2.17	2.13	0.59

# V60-V62 Series

5/2 and 2/3  
Directional control valves



**9** DR\_V\_M29\_R12



- \* Manual override
- \*\* External pilot supply 10-32
- \*\*\* Collected pilot exhaust 10-32
- \*\*\*\* Solenoid 1
- \*\*\*\*\* Solenoid 2

Dimensions in inches

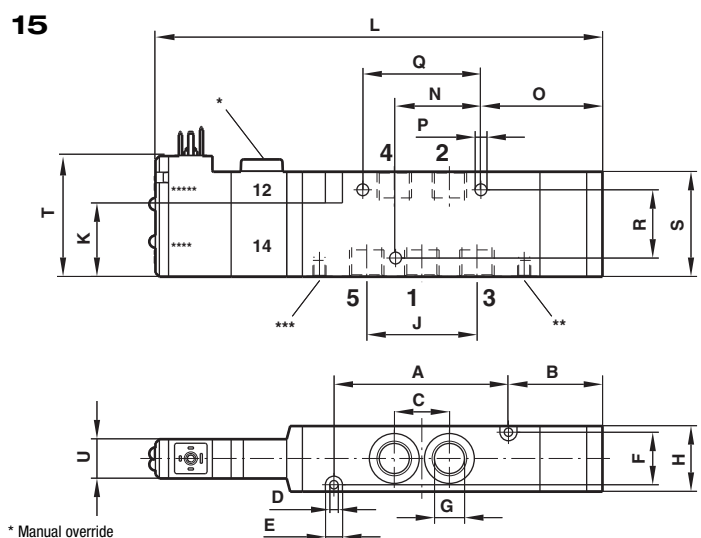
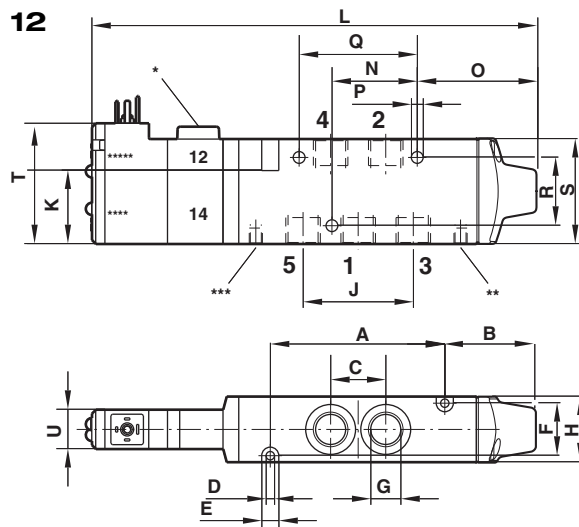
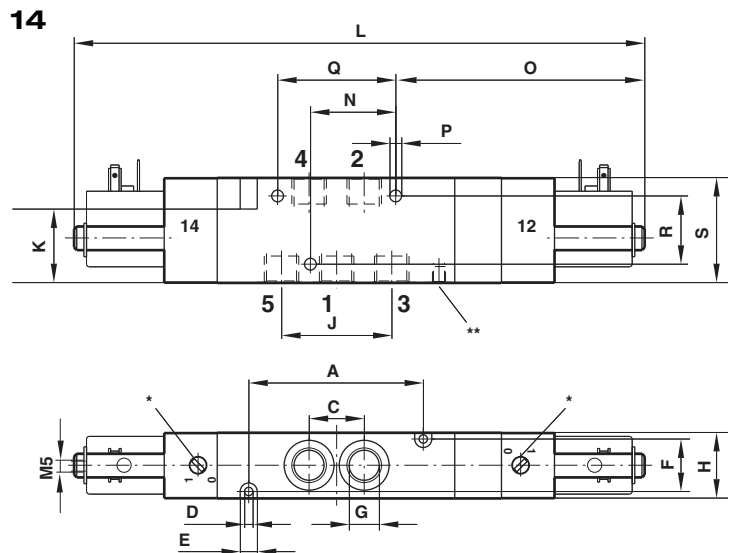
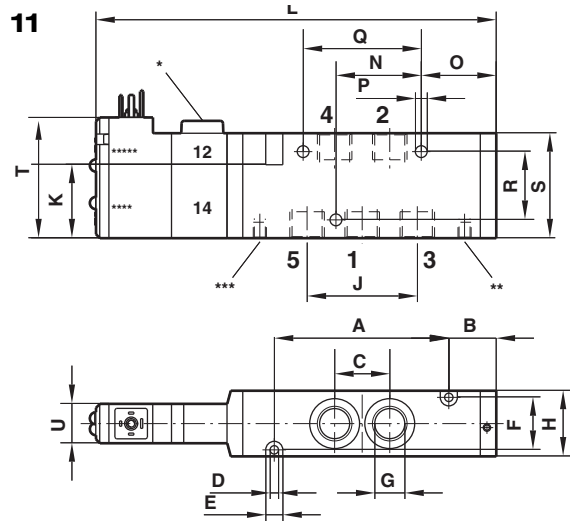
Drawing No	Type	A	B	C	D	E	F	G	H	J	K	L	M	N	O	P	Q	R	S	T	U
7	V60	1.97	-	0.64	0.13	0.26	0.67	1/8	0.87	1.28	1.10	6.89	-	0.98	-	0.18	1.32	1.02	1.38	-	-
7	V61	2.60	-	0.83	0.13	0.26	0.79	1/4	0.98	1.65	1.10	7.83	-	1.26	-	0.18	1.73	1.02	1.57	-	-
7	V62	3.07	-	0.96	0.18	0.31	1.10	3/8	1.34	1.92	1.73	8.58	-	0.47	-	0.18	1.02	1.42	2.17	-	-
8	V60	1.97	0.67	0.64	0.13	0.26	0.67	1/8	0.87	1.28	1.10	5.28	-	0.98	0.98	0.18	1.32	1.02	1.38	1.81	0.59
8	V61	2.60	0.71	0.83	0.13	0.26	0.79	1/4	0.98	1.65	1.10	6.02	-	1.26	1.14	0.18	1.73	1.02	1.57	1.81	0.59
8	V62	3.07	0.87	0.96	0.18	0.31	1.10	3/8	1.34	1.92	1.73	6.77	-	0.47	2.40	0.18	1.02	1.42	2.17	2.13	0.59
9	V60	1.97	0.67	0.64	0.13	0.26	0.67	1/8	0.87	1.28	1.10	-	5.08	0.98	0.98	0.18	1.32	1.02	1.38	-	-
9	V61	2.60	0.79	0.83	0.13	0.26	0.79	1/4	0.98	1.65	1.10	-	6.00	1.26	1.22	0.18	1.73	1.02	1.57	-	-
9	V62	3.07	0.83	0.96	0.18	0.31	1.10	3/8	1.34	1.92	1.73	-	6.69	0.47	2.36	0.18	1.02	1.42	2.17	-	-
10	V60	1.97	-	0.64	0.13	0.26	0.67	1/8	0.87	1.28	1.10	6.89	-	0.98	-	0.18	1.32	1.02	1.38	-	-
10	V61	2.60	-	0.83	0.13	0.26	0.79	1/4	0.98	1.65	1.10	7.83	-	1.26	-	0.18	1.73	1.02	1.57	-	-
10	V62	3.07	-	0.96	0.18	0.31	1.10	3/8	1.34	1.92	1.73	8.58	-	0.47	-	0.18	1.02	1.42	2.17	-	-



# V60-V62 Series

5/2 and 2 x 3/2

Directional control valves



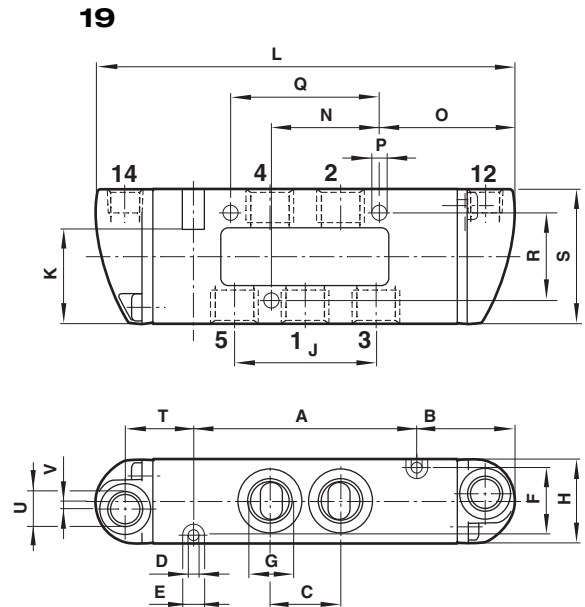
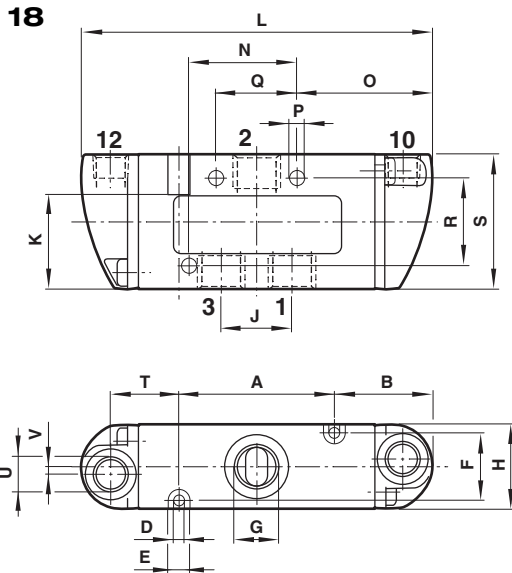
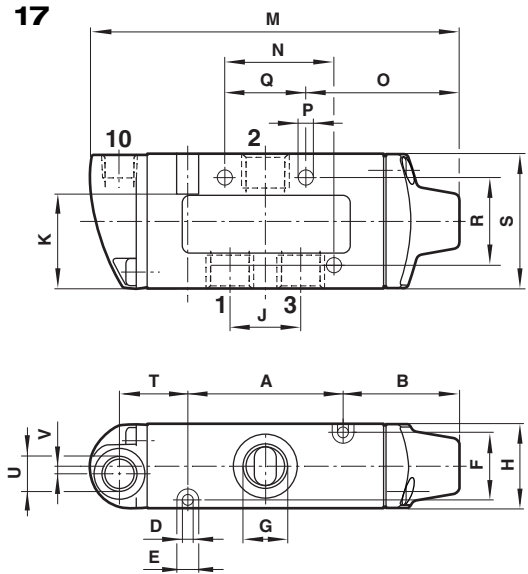
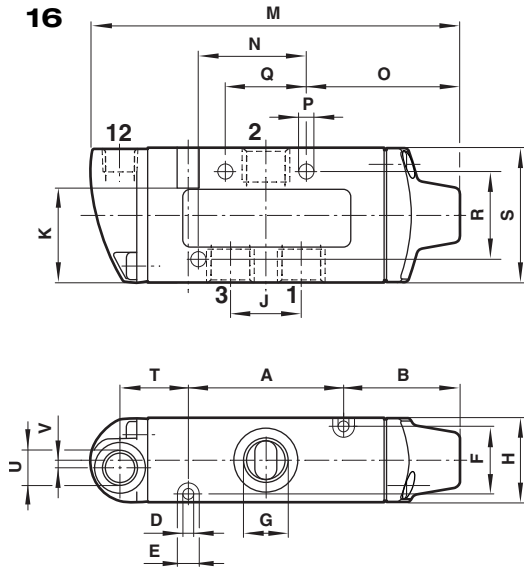
- \* Manual override
- \*\* External pilot supply 10-32
- \*\*\* Collected pilot exhaust 10-32
- \*\*\*\* Solenoid 1
- \*\*\*\*\* Solenoid 2

Dimensions in inches

Drawing No.	Type	A	B	C	D	E	F	G	H	J	K	L	M	N	O	P	Q	R	S	T	U
11	V60	1.97	0.67	0.64	0.13	0.26	0.67	1/8	0.87	1.28	1.10	5.28	-	0.98	0.98	0.18	1.32	1.02	1.38	1.81	0.59
11	V61	2.60	0.71	0.83	0.13	0.26	0.79	1/4	0.98	1.65	1.10	6.02	-	1.26	1.14	0.18	1.73	1.02	1.57	1.81	0.59
11	V62	3.07	0.87	0.96	0.18	0.31	1.10	3/8	1.34	1.92	1.73	6.77	-	0.47	2.40	0.18	1.02	1.42	2.17	2.13	0.59
12	V60	1.97	1.10	0.64	0.13	0.26	0.67	1/8	0.87	1.28	1.10	5.71	-	0.98	1.41	0.18	1.32	1.02	1.38	1.81	0.59
12	V61	2.60	1.28	0.83	0.13	0.26	0.79	1/4	0.98	1.65	1.10	6.59	-	1.26	1.71	0.18	1.73	1.02	1.57	1.81	0.59
12	V62	3.07	1.74	0.96	0.18	0.31	1.10	3/8	1.34	1.92	1.73	7.64	-	0.47	3.27	0.18	1.02	1.42	2.17	2.13	0.59
14	V60	1.97	-	0.64	0.13	0.26	0.67	1/8	0.87	1.28	1.10	7.44	-	0.98	3.33	0.18	1.32	1.02	1.38	-	-
14	V61	2.60	-	0.83	0.13	0.26	0.79	1/4	0.98	1.65	1.10	8.54	-	1.26	-	0.18	1.73	1.02	1.57	-	-
14	V62	3.07	-	0.96	0.18	0.31	1.10	3/8	1.34	1.92	1.73	9.49	-	0.47	5.20	0.18	1.02	1.42	2.17	-	-
15	V60	1.97	1.22	0.64	0.13	0.26	0.67	1/8	0.87	1.28	1.10	5.83	-	0.98	1.54	0.18	1.32	1.02	1.38	1.81	0.59
15	V61	2.60	1.42	0.83	0.13	0.26	0.79	1/4	0.98	1.65	1.10	6.73	-	1.26	1.85	0.18	1.73	1.02	1.57	1.81	0.59
15	V62	3.07	1.75	0.96	0.18	0.31	1.10	3/8	1.34	1.92	1.73	7.68	-	0.47	3.31	0.18	1.02	1.42	2.17	2.13	0.59

# V60-V62 Series

5/2 and 2/3  
Directional control valves



Dimensions in inches

Drawing No.	Type	A	B	C	D	E	F	G	H	J	K	L	M	N	O	P	Q	R	S	T	U
16	V60	1.38	1.08	-	0.13	0.26	0.67	1/8	0.87	0.64	1.10	-	3.54	0.98	1.41	0.18	0.71	1.02	1.38	0.73	1/8" NPT
16	V61	1.81	1.36	-	0.13	0.26	0.79	1/4	0.98	0.83	1.10	-	4.33	1.26	1.79	0.18	0.94	1.02	1.57	0.80	1/8" NPT
16	V62	2.13	1.69	-	0.18	0.31	1.10	3/8	1.34	0.96	1.73	-	4.88	0.47	2.28	0.18	1.02	1.42	2.17	0.83	1/8" NPT
17	V60	1.38	1.08	-	0.13	0.26	0.67	1/8	0.87	0.64	1.10	-	3.54	0.98	1.41	0.18	0.71	1.02	1.38	0.73	1/8" NPT
17	V61	1.81	1.36	-	0.13	0.26	0.79	1/4	0.98	0.83	1.10	-	4.33	1.26	1.79	0.18	0.94	1.02	1.57	0.80	1/8" NPT
17	V62	2.13	1.69	-	0.18	0.31	1.10	3/8	1.34	0.96	1.73	-	4.88	0.47	2.20	0.18	1.02	1.42	2.17	0.83	1/8" NPT
18	V60	1.38	1.08	-	0.13	0.26	0.67	1/8	0.87	0.64	1.10	3.50	-	0.98	1.40	0.18	0.71	1.02	1.38	0.73	1/8" NPT
18	V61	1.81	1.14	-	0.13	0.26	0.79	1/4	0.98	0.83	1.10	4.09	-	1.26	1.57	0.18	0.94	1.02	1.57	0.80	1/8" NPT
18	V62	2.13	1.06	-	0.18	0.31	1.10	3/8	1.34	0.96	1.73	4.25	-	0.47	1.65	0.18	1.02	1.42	2.17	0.83	1/8" NPT
19	V60	1.97	1.07	0.64	0.13	0.26	0.67	1/8	0.87	1.28	1.10	4.11	-	0.98	1.40	0.18	1.32	1.02	1.38	0.74	1/8" NPT
19	V61	2.60	1.14	0.83	0.13	0.26	0.79	1/4	0.98	1.65	1.10	4.88	-	1.26	1.57	0.18	1.73	1.02	1.57	0.80	1/8" NPT
19	V62	3.07	1.06	0.96	0.18	0.31	1.10	3/8	1.34	1.92	1.73	5.20	-	0.47	2.60	0.18	1.02	1.42	2.17	0.83	1/8" NPT

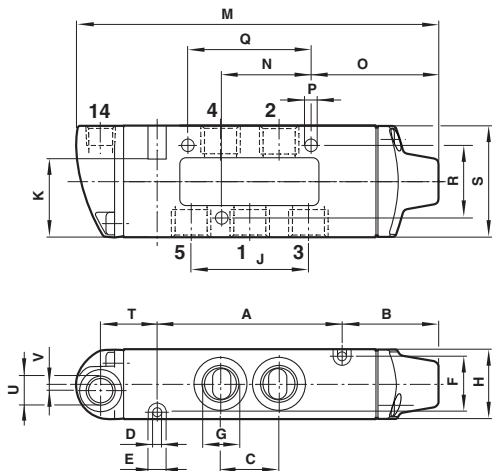


# V60-V62 Series

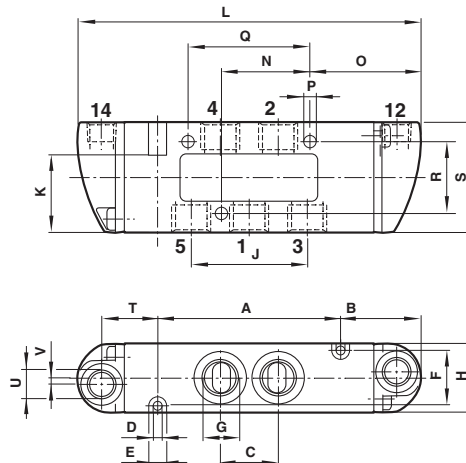
3/2 and 2 x 3/2

Directional control valves

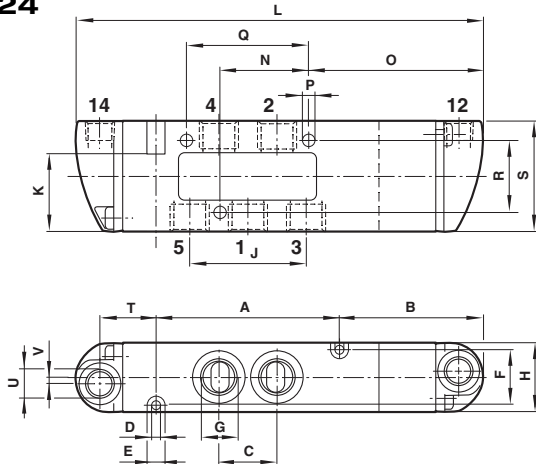
**22**



**23**



**24**



Dimensions in inches

Drawing No.	Type	A	B	C	D	E	F	G	H	J	K	L	M	N	O	P	Q	R	S	T	U
22	V60	1.97	1.08	0.64	0.13	0.26	0.67	1/8	0.87	1.28	1.10	-	4.13	0.98	1.41	0.18	1.73	1.02	1.38	0.74	1/8" NPT
22	V61	2.60	1.36	0.83	0.13	0.26	0.79	1/4	0.98	1.65	1.10	-	5.12	1.26	1.79	0.18	1.02	1.02	1.57	0.80	1/8" NPT
22	V62	3.07	1.69	0.96	0.18	0.31	1.10	3/8	1.34	1.92	1.73	-	5.83	0.47	3.23	0.18	1.32	1.42	2.17	0.83	1/8" NPT
23	V60	1.97	1.07	0.64	0.13	0.26	0.67	1/8	0.87	1.28	1.10	4.11	-	0.98	1.40	0.18	1.73	1.02	1.38	0.74	1/8" NPT
23	V61	2.60	1.14	0.83	0.13	0.26	0.79	1/4	0.98	1.65	1.10	4.88	-	1.26	1.57	0.18	1.02	1.02	1.57	0.80	1/8" NPT
23	V62	3.07	1.06	0.96	0.18	0.31	1.10	3/8	1.34	1.92	1.73	5.20	-	0.47	2.60	0.18	1.32	1.42	2.17	0.83	1/8" NPT
24	V60	1.97	1.63	0.64	0.13	0.26	0.67	1/8	0.87	1.28	1.10	4.67	-	0.98	1.95	0.18	1.73	1.02	1.38	0.74	1/8" NPT
24	V61	2.60	2.05	0.83	0.13	0.26	0.79	1/4	0.98	1.65	1.10	5.79	-	1.26	2.48	0.18	1.02	1.02	1.57	0.80	1/8" NPT
24	V62	3.07	1.95	0.96	0.18	0.31	1.10	3/8	1.34	1.92	1.73	6.08	-	0.47	3.48	0.18	1.32	1.42	2.17	0.83	1/8" NPT

# V60-V62 Series

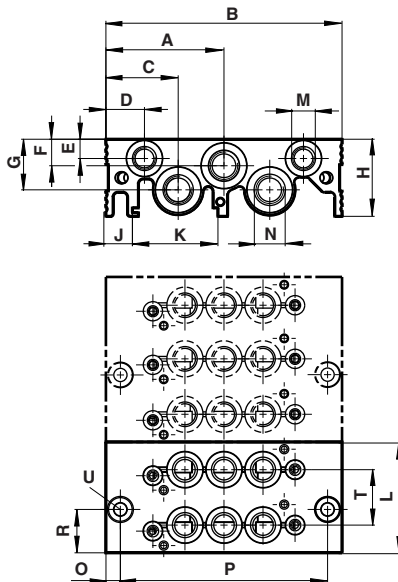
5/2 and 5/3  
Directional control valves

## Manifold plate

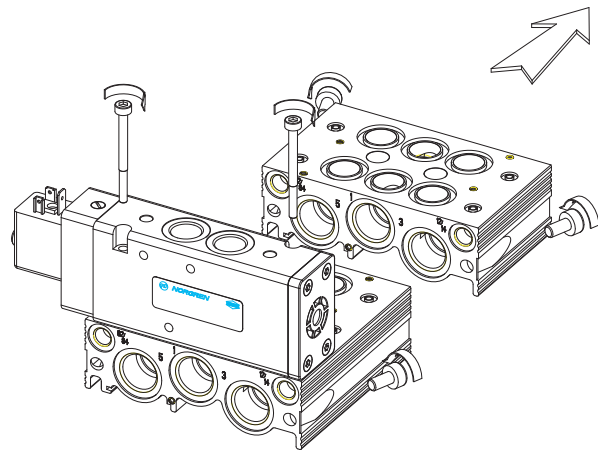
Valve ports	V60	lbs (kg)	V61	lbs (kg)	V62	lbs (kg)
2	2221032	0.51 (0.23)	2221132	0.62 (0.28)	2221232	1.10 (0.50)
3	2221033	0.62 (0.28)	2221133	0.99 (0.45)	2221233	1.87 (0.85)

**Note:** Fixed length manifolds can only be used with 5-ported V60-V62 valves

Drawing dimensions  
Manifold plate 2 stations + 3 stations



Extension possibilities with manifold plates



Dimensions in inches

Type	A	B	C	D	E	F	G	H	J	K	L	M	N	O	P	R	S	T	U
V60 2 stations	1.93	3.86	1.18	0.63	0.31	0.43	0.83	1.26	0.43	1.40	1.81	1/8	1/4	0.24	3.39	1.10	-	0.91	10-32
V60 3 stations	1.93	3.86	1.18	0.63	0.31	0.43	0.83	1.26	0.43	1.40	2.72	1/8	1/4	0.24	3.39	1.10	-	0.91	10-32
V61 2 stations	2.05	4.09	1.02	0.35	0.31	0.51	0.83	1.30	0.39	1.40	2.05	1/8	3/8	1.57	0.94	1.02	-	1.02	10-32
V61 3 stations	2.05	4.09	1.02	0.35	0.31	0.51	0.79	1.30	0.39	1.40	3.07	1/8	3/8	1.57	0.94	2.05	-	1.02	10-32
V62 2 stations	2.36	4.72	1.14	0.35	0.31	0.59	0.87	1.50	0.51	1.40	2.76	1/8	1/2	1.73	1.26	1.38	-	1.38	M6
V62 3 stations	2.36	4.72	1.14	0.35	0.31	0.59	0.87	1.50	0.51	1.40	4.13	1/8	1/2	1.73	1.26	2.76	-	1.38	M6

Blanking plate	Pressure shut-off part for 4 station up to 20 station manifolds	Intermediate supply/exhaust plate (instead of a valve)	Adapter plate to connect different manifold sizes	DIN Rail fixing kit
0100561 (V60)	0100567 (V60)	0101808 (V60)	0101289 (V60-V61)	0101796 (V60-V62)
0100563 (V61)	0100569 (V61)	0101797 (V61)	0102160 (V61-V62)	
0100565 (V62)	0100571 (V62)	0101809 (V62)	0102162 (V60-V62)	

## V60-V62 Series

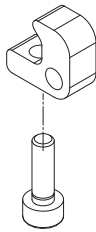
5/2, 5/3, and 2 x 3/2

Directional control valves

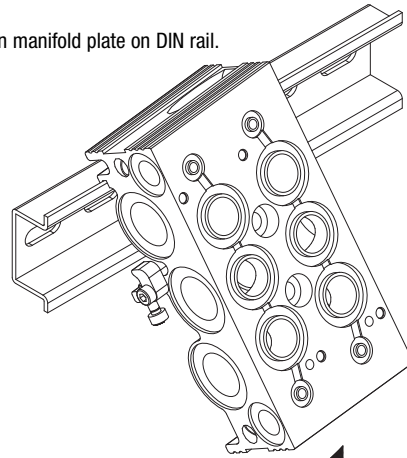
### Mounting instructions

DIN Rail

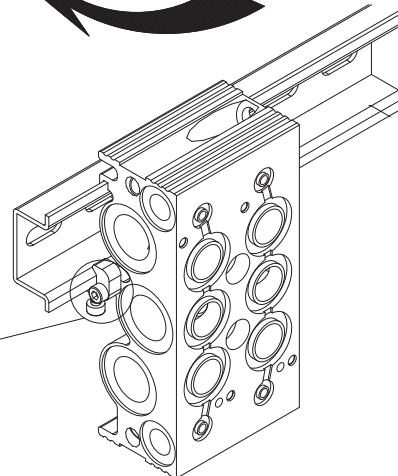
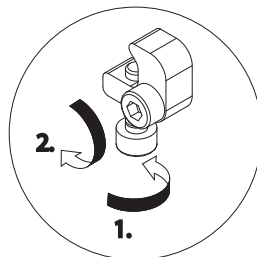
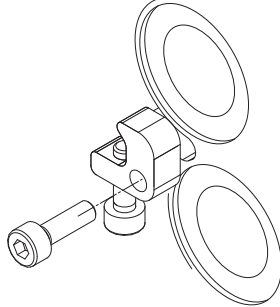
1. Mount screw in rod



3. Position manifold plate on DIN rail.

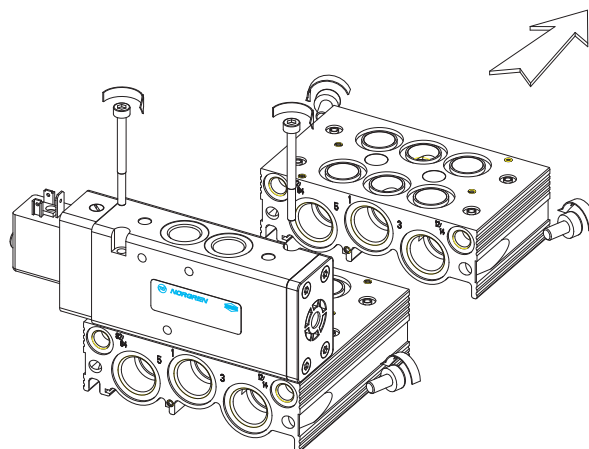


2. Fix rod on manifold plate with screw.



4. Tighten screws in steps as shown on picture

### Extension possibilities with manifold plates



**Product De-configuration Tree**

V 6 0 A 5 1 7 A \_ A 3 1 3 J B

