

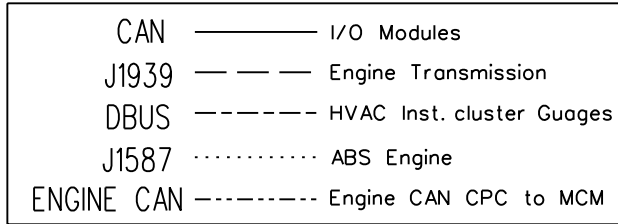
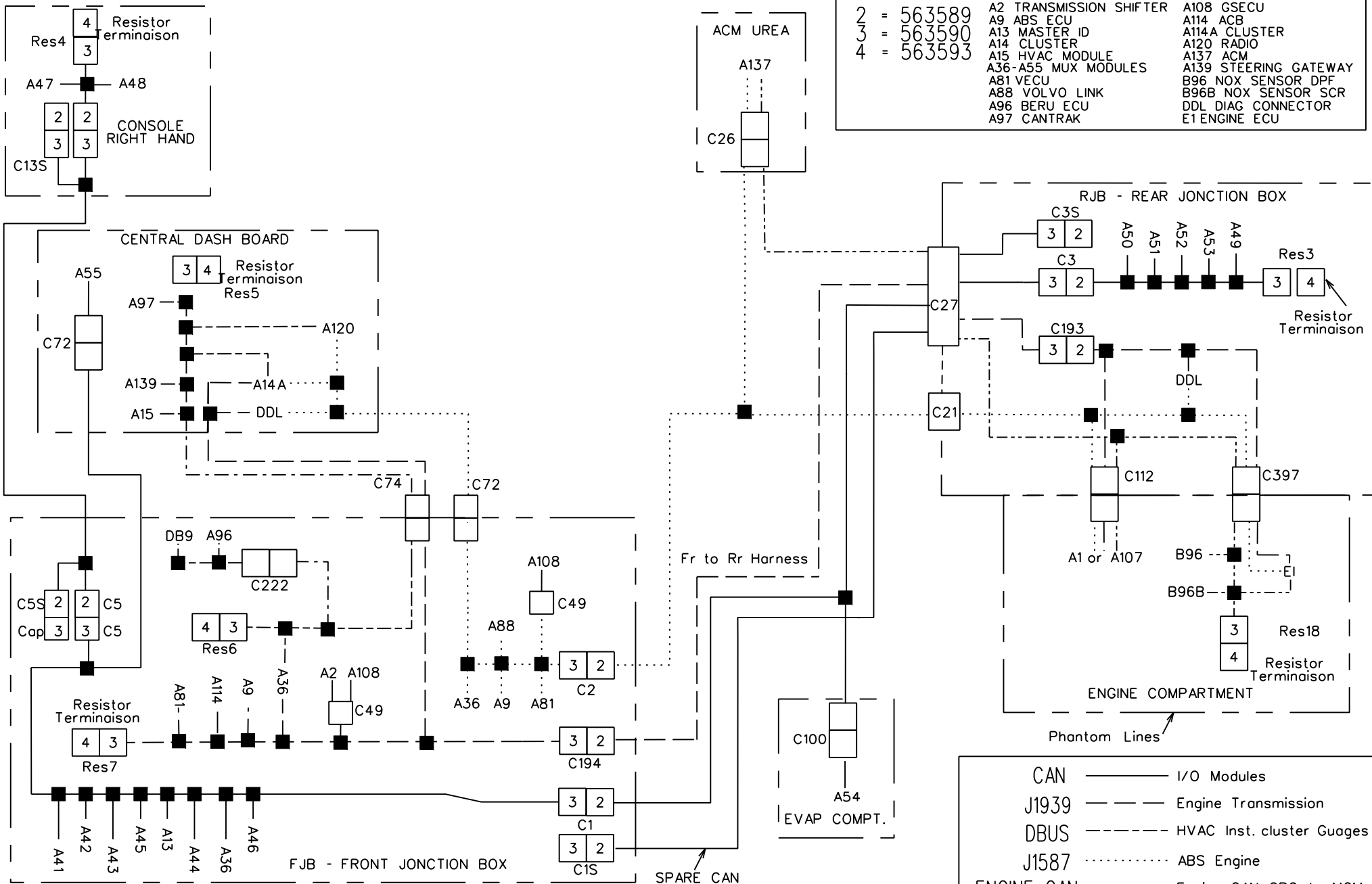
# NETWORKS LAYOUT SCHEMATIC

## CONNECTORS

2 = 563589  
3 = 563590  
4 = 563593

## LEGEND

A1 ALLISON TRANS ECU	A107 TECU
A2 TRANSMISSION SHIFTER	A108 GSECU
A9 ABS ECU	A114 ACB
A13 MASTER ID	A114A CLUSTER
A14 CLUSTER	A120 RADIO
A15 HVAC MODULE	A137 ACM
A36-A55 MUX MODULES	A139 STEERING GATEWAY
A81 VECU	B96 NOX SENSOR DPF
A88 VOLVO LINK	B96B NOX SENSOR SCR
A96 BERU ECU	DDL DIAG CONNECTOR
A97 CANTRAK	E1 ENGINE ECU



FRONT

REAR