

0

1

2

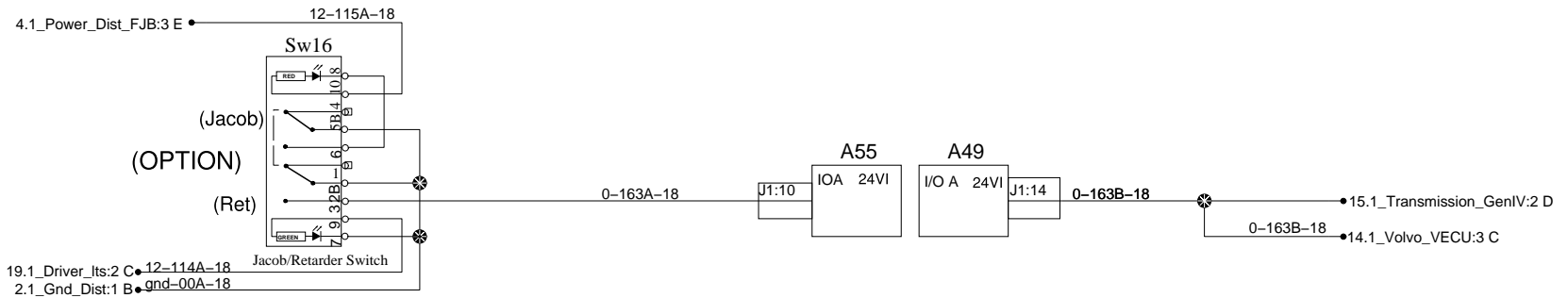
3

4

Brake, Engine Brake and Retarder

A

A

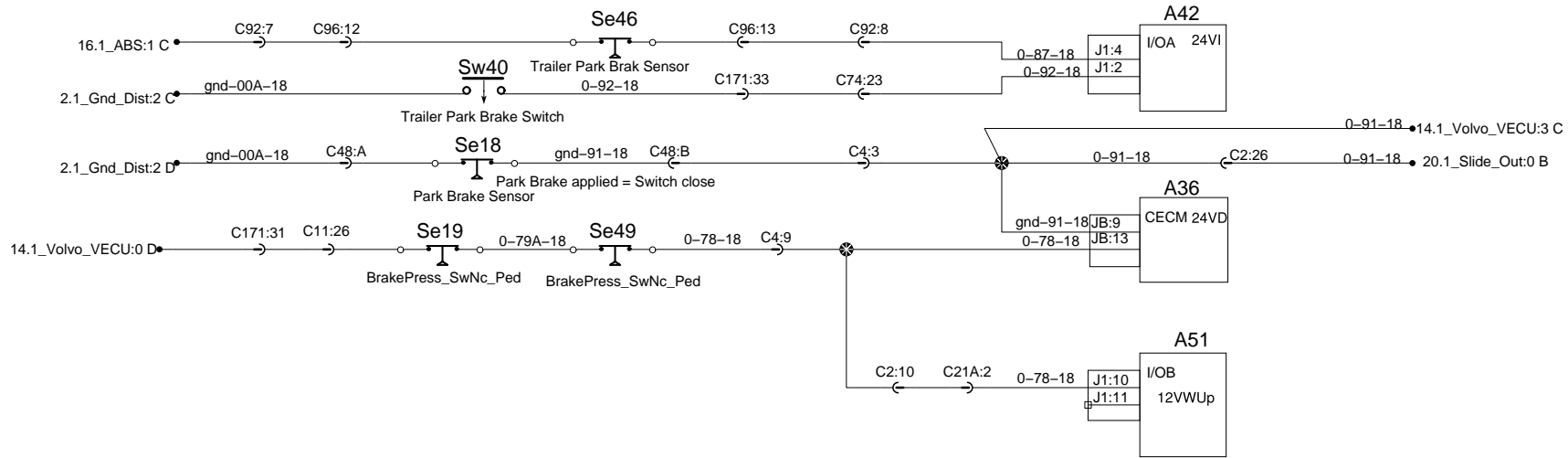


B

B

C

C



D

D

E

E

0

1

2

3

4