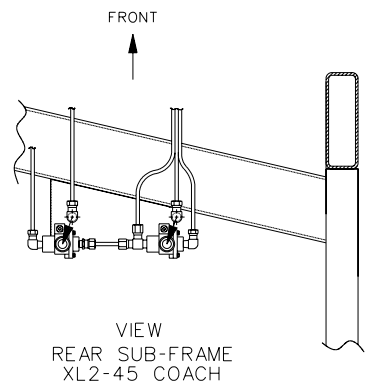


SEE VIEW
REAR SUB-FRAME
XL2-45 COACH



TUBE COLOR CODING		
ACTIVE	COLOR	CIRCUIT
→ → →	RED	SECONDARY
→ → →	GREEN	PRIMARY & SUPPLY
→ → →	YELLOW	PARKING BRAKE
→ → →	BLUE	SUSPENSION
→ → →	BLACK	ACCESSORIES

BALLOON	PIPE
# 1	3/8" O.D. BLUE
# 2	1/2" O.D. BLUE
# 3	3/4" O.D. BLACK
—	STD PIPING
==	OPTIONAL PIPING

XL2-45 COACH,
ENGINE 2002
WITH I.F.S.

WITH OPTION FRONT KNEELING
& HIGH-BUOY COMBINATION.

D1 40300 P3 REV. B

DATE : 2004/02