

SECTION 00 : GENERAL INFORMATION

CONTENTS

1. FOREWORD	00-2
2. SCHEMATICS	00-2
3. SAFETY NOTICE	00-2
3.1 DATA PLATES AND CERTIFICATIONS.....	00-2
3.1.1 <i>Engine</i>	00-2
3.1.2 <i>Transmission</i>	00-3
3.1.3 <i>Drive Axle</i>	00-3
3.1.4 <i>Front Axle</i>	00-3
3.1.5 <i>Power Steering Pump</i>	00-4
3.1.6 <i>Coach Final Record</i>	00-4
3.1.7 <i>Safety Certification</i>	00-4
3.1.8 <i>DOT Certification Label</i>	00-4
3.1.9 <i>EPA Engine Label</i>	00-4
3.1.10 <i>Fuel Tank Label</i>	00-4
3.1.11 <i>Vehicle Identification Number (VIN)</i>	00-5
4. FASTENER STRENGTH IDENTIFICATION	00-7
4.1 SELF-LOCKING FASTENERS	00-8
4.2 RECOMMENDATIONS FOR REUSE	00-8
4.3 SIX LOBED SOCKET HEAD.....	00-8

ILLUSTRATIONS

FIGURE 1 : DETROIT DIESEL SERIES 60	00-3
FIGURE 2: WORLD TRANSMISSION	00-3
FIGURE 3: EATON TRANSMISSION	00-3
FIGURE 4: MANUAL TRANSMISSION	00-3
FIGURE 5 : TYPICAL SERIAL AND MODEL NUMBERS	00-3
FIGURE 6 : TYPICAL SERIAL AND MODEL NUMBERS	00-3
FIGURE 7: ISS TYPICAL SERIAL & MODEL NUMBERS	00-4
FIGURE 8 : POWER STEERING PUMP NAMEPLATE.....	00-4
FIGURE 9 : ENGINE COMPARTMENT	00-4
FIGURE 10 : VEHICLE I.D.	00-5
FIGURE 11 : VEHICLE IDENTIFICATION NUMBER	00-6
FIGURE 12 : THREAD NOTATION	00-7
FIGURE 13: BOLT STRENGTH MARKINGS	00-7
FIGURE 14 : SELF-LOCKING FASTENERS.....	00-8
FIGURE 15: METRIC - US STANDARD CONVERSION TABLE	00-9
FIGURE 16: CONVERSION CHART	00-10

SECTION 00 : GENERAL INFORMATION

1. FOREWORD

This manual includes procedures for diagnosis, service, maintenance and repair for components of the H3 series coach or bus shell model listed on the front cover page.

This manual should be kept in a handy place for ready reference by the technician. If properly used, it will meet the needs of the technician and owner.

Information provided in Section 1 through 24 pertains to standard equipment items, systems and components as well as the most commonly used optional equipment and special equipment offered on the coach models covered by this manual.

At the beginning of each section; a Table of Contents and a list of illustrations give the page number on which each subject begins and where each figure is located.

Coach operating information is provided in a separate Operator's Manual. Audio/Video system operator instructions are also included in a separate manual.

More specific information on engine and transmission operating, maintenance, and overhaul information is contained in the applicable engine or transmission service manual published by the engine or transmission manufacturer. Engine and transmission parts information is contained in the applicable engine or transmission parts catalog published by the engine or transmission manufacturer.

All information, illustrations and specifications contained in this manual are based on the latest product information available at the time of publication approval. The right is reserved to make product changes at any time without notice.

Note: *Typical illustrations may be used, therefore minor illustration difference may exist when compared to actual parts or other publications.*

Prévoist Car occasionally sends Maintenance Information, Warranty Bulletins, Campaign Bulletins or other literature to update users with the latest service procedures. They are issued, when required, to supplement or supersede information in this manual. Update sheet should be filled out and bulletins should be filed at the end of their respective section for future reference.

2. SCHEMATICS

Vehicle AIR SCHEMATICS are provided at the end of Section 12, "Brake". SUSPENSION AIR SCHEMATICS are provided at the end of Section 16, "Suspension". Moreover, ELECTRICAL SCHEMATICS are provided in the technical publications box. Refer to those schematics for detailed circuit information or during diagnosis.

3. SAFETY NOTICE

This maintenance manual has been prepared in order to assist skilled mechanics in the efficient repair and maintenance of PRÉVOST vehicles.

This manual covers only the procedures as of manufacturing date.

Safety features may be impaired if other than genuine PRÉVOST parts are installed.

Torque wrench tightening specifications must be strictly observed. Locking devices must be installed or replaced by new ones, where specified. If the efficiency of a locking device is impaired, It must be replaced.

This manual emphasizes particular information outlined by the wording and symbols:

Warning: *Identifies an instruction which, if not followed, could cause personal injuries.*

Caution: *Outlined an instruction which, if not followed, could severely damage vehicle components.*

Note: Indicates supplementary information needed to fully complete an instruction. *Although, the mere reading of such information does not eliminate the hazard, understanding of the information will promote its correct use.*

3.1 DATA PLATES AND CERTIFICATIONS

Delay and confusion can be avoided by placing the complete vehicle identification number of the coach and the serial numbers of the engine on parts orders and correspondence. Also, the transmission, axles, power steering pump chassis and other major components are identified by serial numbers.

3.1.1 Engine

The engine serial and model number are stamped on the cylinder block (as viewed from the flywheel end) on the left side just below the

fire deck and above the cast-in Detroit Diesel logo (Fig. 1).

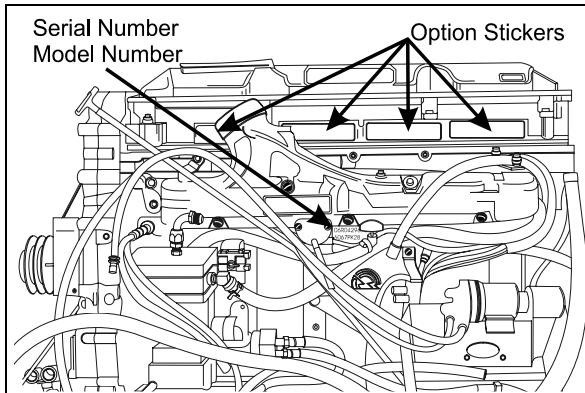


FIGURE 1 : DETROIT DIESEL SERIES 60 01054

In addition, option plates made of laminated paper are located on the rocker cover (starter side). The engine serial and model number and a list of the optional engine equipment is written on the option plate. Refer to this information when ordering replacement parts (Fig. 1).

3.1.2 Transmission

The transmission identification plate is located on the right-rear side or exit side of the transmission. The identification plate shows the transmission serial number, part number (assembly number), and model number. Use all three numbers when ordering parts.

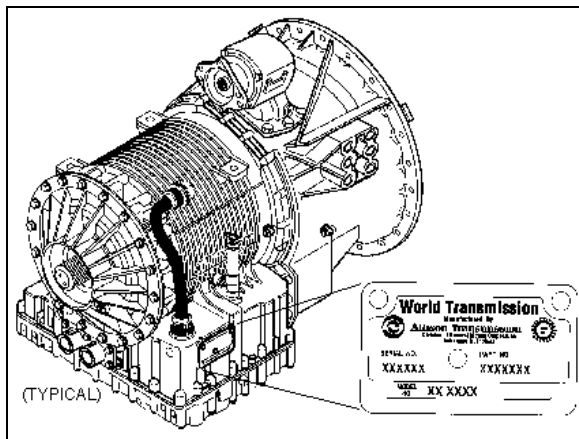


FIGURE 2 : WORLD TRANSMISSION 07019

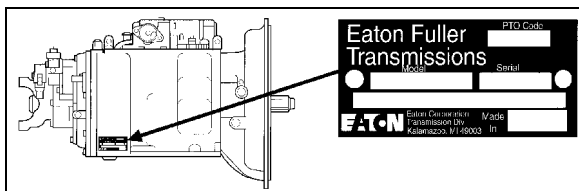


FIGURE 3 : EATON TRANSMISSION 07062

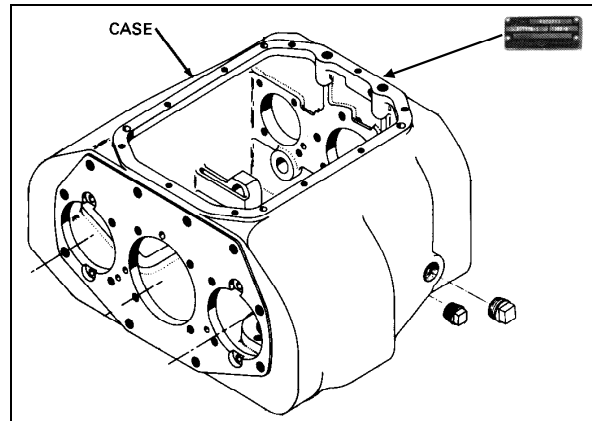


FIGURE 4 : MANUAL TRANSMISSION 07010B

3.1.3 Drive Axle

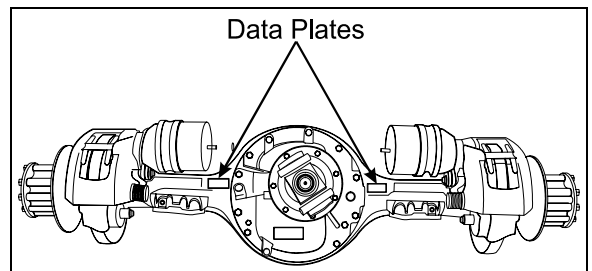


FIGURE 5 : TYPICAL SERIAL AND MODEL NUMBERS 11019

3.1.4 Front Axle

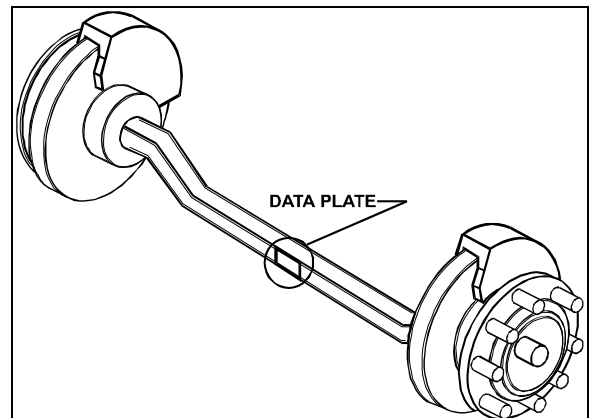


FIGURE 6 : TYPICAL SERIAL AND MODEL NUMBERS 10024

Section 00 : GENERAL INFORMATION

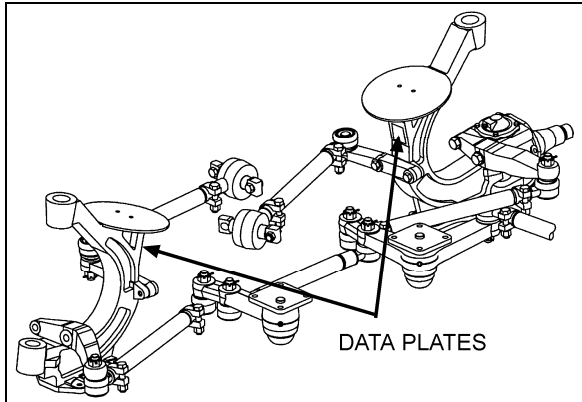


FIGURE 7: ISS TYPICAL SERIAL & MODEL NUMBERS^{00025C}

3.1.5 Power Steering Pump

Power steering pump serial number is engraved on the pump casing (Fig. 8). The pump is mounted on the engine beside the crankshaft pulley.

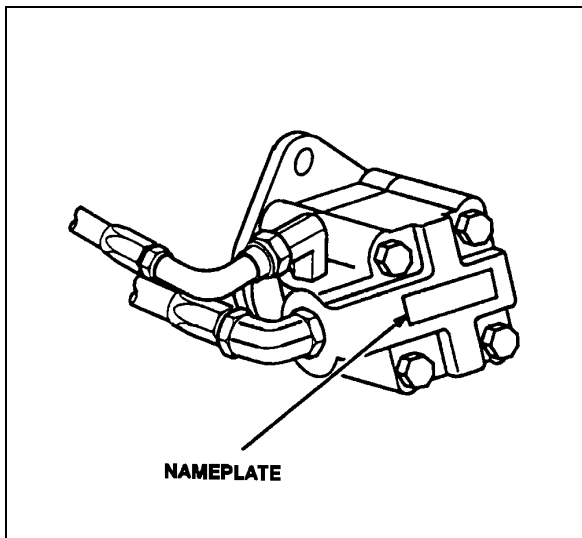


FIGURE 8 : POWER STEERING PUMP SERIAL NUMBER
00035

3.1.6 Coach Final Record

The Coach Final Record is a record of all data pertaining to the assembly of the coach. This record is included in the technical publication package supplied with the coach. Retain this record in the company records office for reference and safe-keeping.

3.1.7 Safety Certification

Coach components meet specifications and standards as follows:

- Material and parts conform to ASTM and/or SAE standards in effect at the time of manufacture.

- All factory-installed interior materials meet FMVSS 302 for fire resistance.

- Certified according to Provincial, State and Federal Safety standards (Canadian and US) BMCSS, FMVSS, and CMVSS.

Other applicable certification labels are affixed to the component.

3.1.8 DOT Certification Label

This certifies that coaches manufactured by Prevost Car Inc., comply with all Federal Motor Vehicle Safety Standards at the time of manufacture. The DOT Certification label is affixed on the wall, behind the driver's seat.

3.1.9 EPA Engine Label

The exhaust emission certification label affixed above the oil reserve tank certifies that the engine conforms to federal and any state exhaust emission regulations (Fig. 9). It gives the operating conditions under which certification was made.

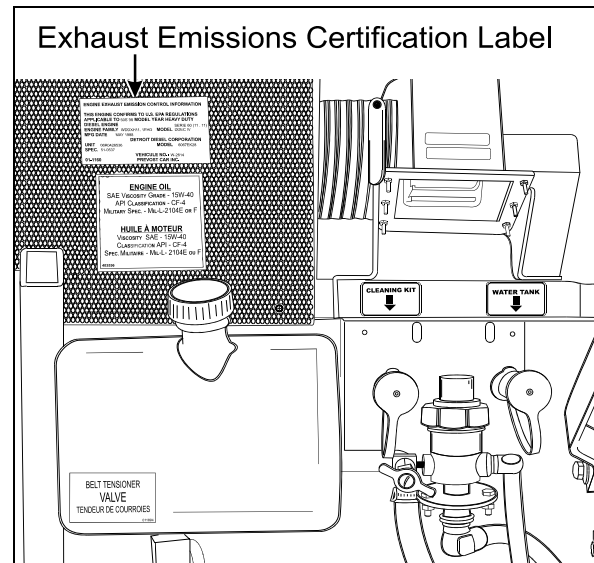


FIGURE 9 : ENGINE COMPARTMENT
23229

3.1.10 Fuel Tank Label

The fuel tank label is molded on the side of the fuel tank. To read this label, unscrew the fuel tank access panel nuts located at the left in the condenser compartment.

3.1.11 Vehicle Identification Number (VIN)

The seventeen digit vehicle identification number (VIN) is located on a plate (Fig. 10 & 11) located on the windshield frame pillar (driver's side). The VIN is visible from the outside of the coach. Make sure the correct vehicle identification number is given when ordering replacement parts. Using the VIN when ordering parts will facilitate processing.

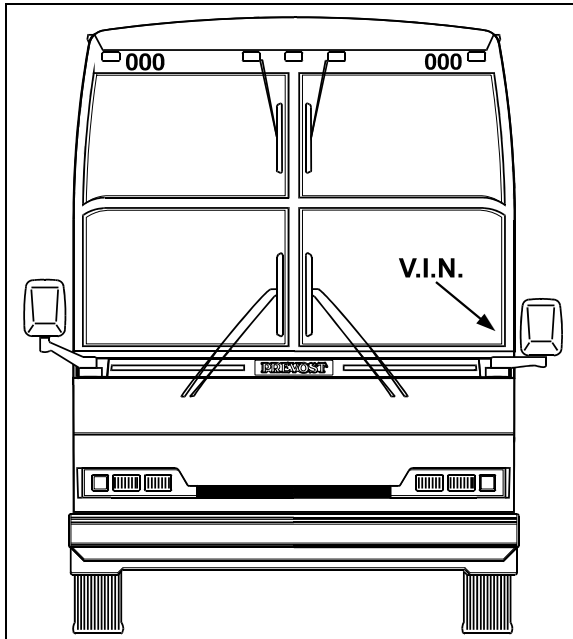


FIGURE 10 : VEHICLE I.D.

18309

Note: Record the VIN in the coach documentation and keep with company records. The VIN will normally be used for vehicle registration and for obtaining vehicle insurance coverage.

SECTION 00 : GENERAL INFORMATION

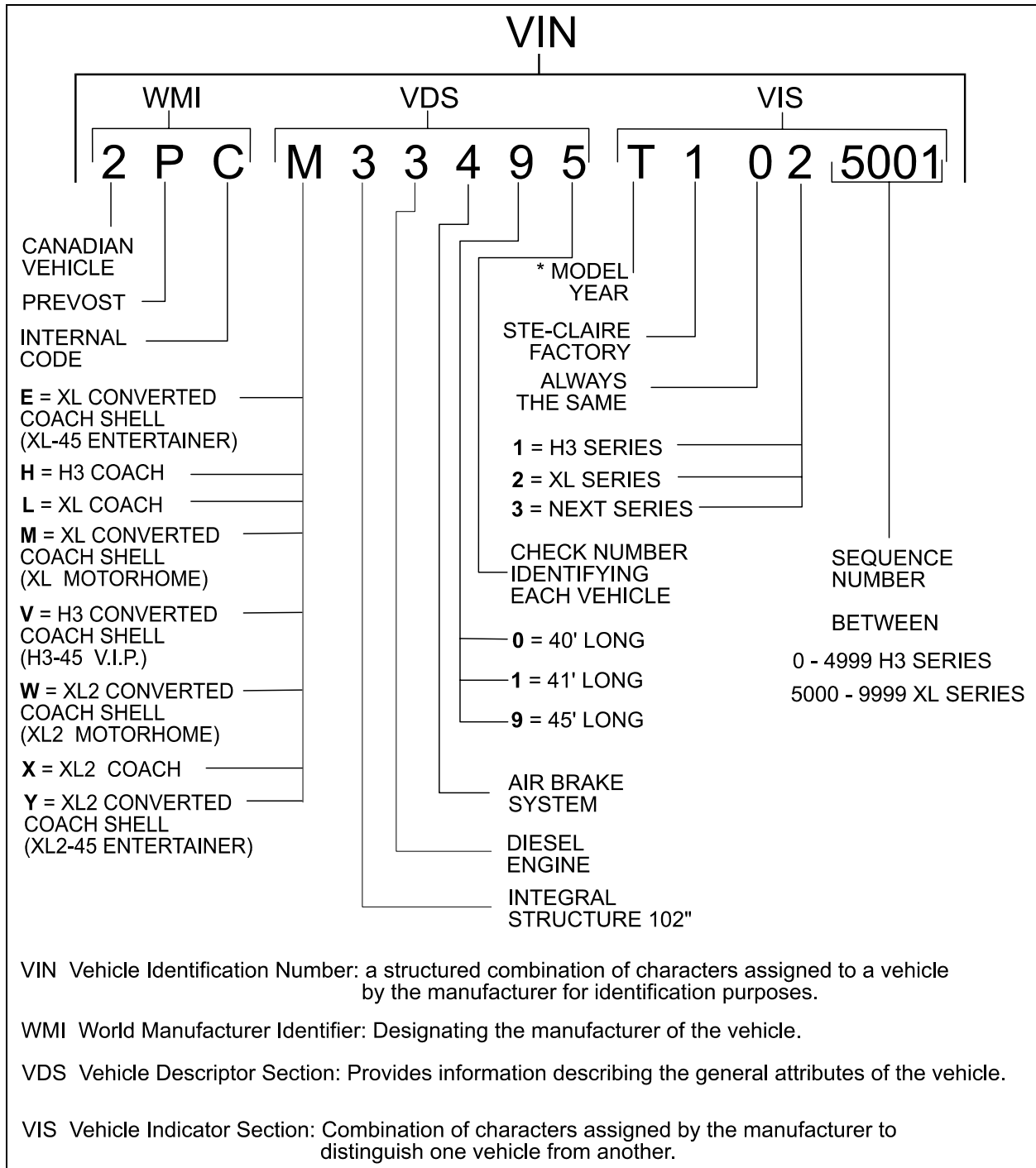


FIGURE 11 : VEHICLE IDENTIFICATION NUMBER

VIN

YEAR	CODE	YEAR	CODE
1996	T	1999	X
1997	V	2000	Y
1998	W	2001	1

4. FASTENER STRENGTH IDENTIFICATION

Most commonly used metric fastener strength property classes are 9.8 and 10.9 with the class identification embossed on the head of each bolt. Customary (inch) strength classes range from grade 2 to 8 with radial line identification embossed on each bolt head actual grade (i.e., a grade 7 bolt will have 5 embossed radial lines on the bolt head). Some metric nuts will be marked with single digit strength identification numbers on the nut face. Fig. 13 shows the different strength markings. When replacing metric

fasteners, be careful to use fasteners of the same or greater strength than the original fasteners (the same number marking or higher). It is also important to select replacement fasteners of the correct size. Correct replacement fasteners are available through the parts division. Some metric fasteners available in after-market parts sources were designed to metric standards of countries other the United States and may be of a lower strength, may not have the numbered head marking system, and may be of a different thread pitch.

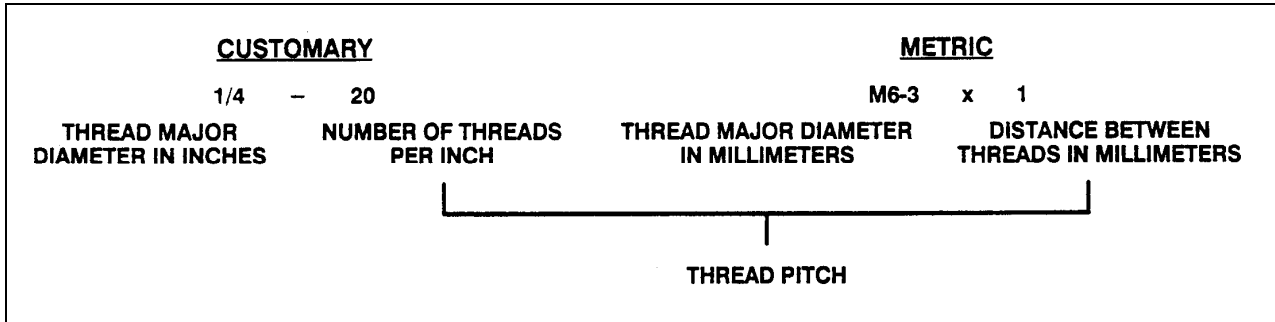


FIGURE 12 : THREAD NOTATION

00002

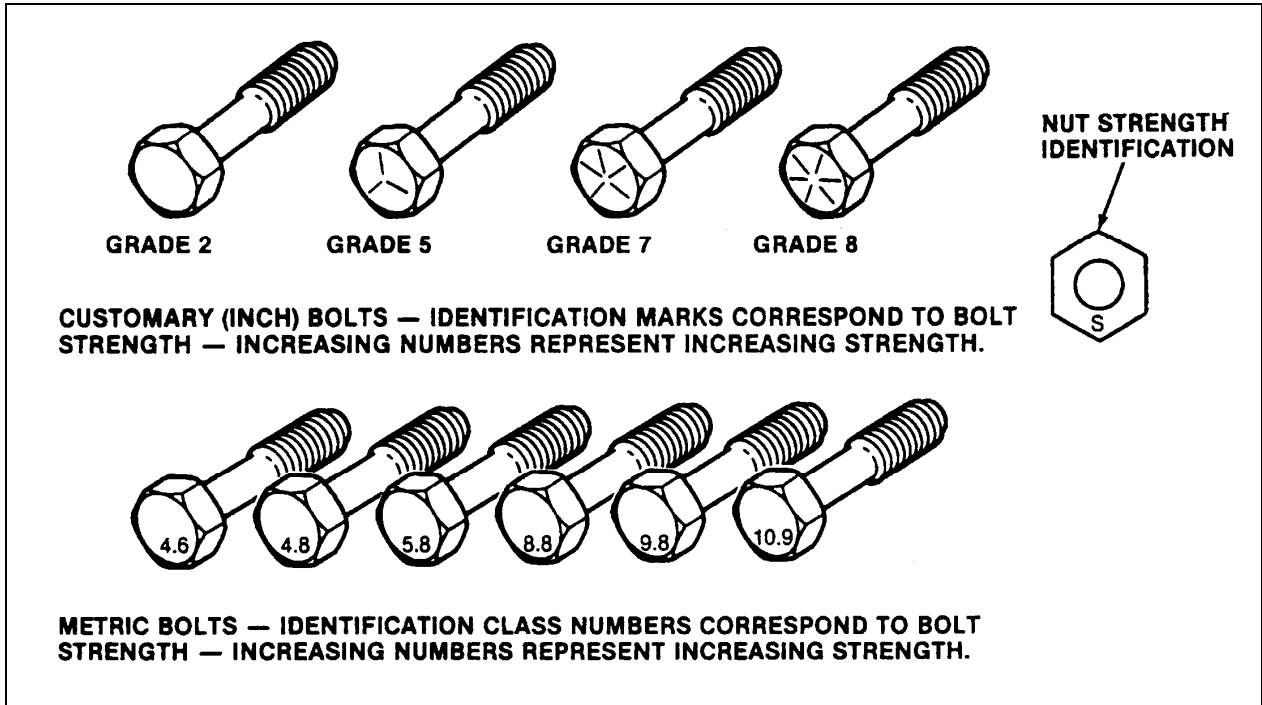


FIGURE 13: BOLT STRENGTH MARKINGS

00003

The metric fasteners used on the coach are designed to new standards and may not yet be manufactured by some non-domestic fastener suppliers. In general, except for special applications, the common sizes and pitches are :

- M 8 X 1.25;

- M 10 X 1.5;
- M 12 X 1.75;
- M 14 X 2;

Section 00 : GENERAL INFORMATION

4.1 SELF-LOCKING FASTENERS

A self-locking fastener is designed with an interference fit between the nut and bolt threads. This is most often accomplished by distortion of the top thread of an all-metal nut or bolt or by using a nylon patch on the threads. A nylon insert or the use of adhesives may also be used as a method of interference between nut and bolt threads (Fig. 14).

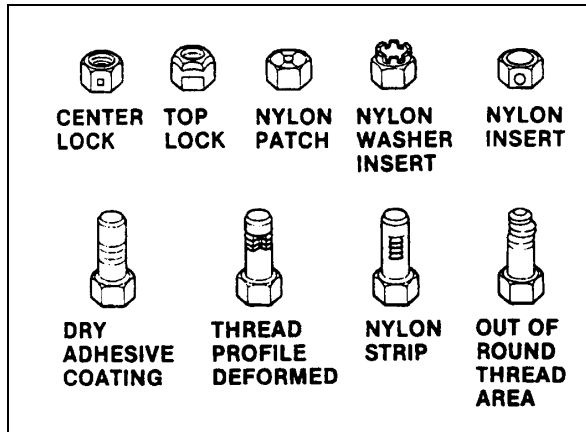


FIGURE 14 : SELF-LOCKING FASTENERS 00004

4.2 RECOMMENDATIONS FOR REUSE

Clean, unruined self-locking fasteners may be reused as follows :

- a) Clean dirt and other foreign matter from the fastener;
- b) Inspect the fastener to ensure there is no crack, elongation, or other sign of fatigue or overtightening. If there is any doubt, replace with a new self-locking fastener of equal or greater strength;
- c) Assemble parts and hand start fastener;
- d) Observe that, before the fastener seats, it develops torque per the chart in table two. If there is any doubt, replace with a new self-locking fastener of equal or greater strength;
- e) Tighten the fastener to the torque specified in the applicable section of this manual;

Fasteners which are rusty or damaged should be replaced with new ones of equal or greater strength.

SELF-LOCKING FASTENER TORQUE CHART									
METRIC		6 & 6.3	8	10	12	14	16	20	
NUTS AND ALL-METAL BOLTS	N□m	0.4	0.8	1.4	2.2	3.0	4.2	7.0	
	lbf•in	4.0	7.0	12	18	25	35	57	
ADHESIVE OR NYLON COATED BOLTS	N□m	0.4	0.6	1.2	1.6	2.4	3.4	5.6	
	lbf•in	4.0	5.0	10	14	20	28	46	
US STANDARD		.250	.312	.375	.437	.500	.562	.625	.750
NUTS AND ALL-METAL BOLTS	N□m	0.4	0.6	1.4	1.8	2.4	3.2	4.2	6.2
	lbf•in	4.0	5.0	12	15	20	27	35	51
ADHESIVE OR NYLON COATED BOLTS	N□m	0.4	0.6	1.0	1.4	1.8	2.6	3.4	5.2
	lbf•in	4.0	5.0	9.0	12	15	22	28	43

4.3 SIX LOBED SOCKET HEAD

Six lobed socket head (Torx) fasteners are used in some applications on vehicles covered in this manual. The tools designed for these fasteners are available commercially. However, in some cases, if the correct tool is not available, a hex socket head wrench may be used.

Multiply	by	to get equivalent number of:	Multiply	by	to get equivalent number of:
	LENGTH			ACCELERATION	
Inch	25.4	millimeters (mm)	Foot/sec ²	0.305	meter/sec ² (m/s ²)
Foot	0.305	meters (m)	Inch/sec ²	0.026	meter/sec ²
Yard	0.914	meters			
Mile	1.609	kilometers (km)			
	AREA			TORQUE	
Inch ²	645.2	millimeters ² (mm ²)	Pound-inch	0.113	newton-meters (N·m)
Foot ²	6.45	centimeters ² (cm ²)	Pound-foot	1.35	newton-meters
Yard ²	0.093	meters ² (m ²)			
	VOLUME			POWER	
Inch ³	16	mm ³	Horsepower	0.746	kilowatts (kW)
Quart	0.946	liters (l)			
Gallon	3.785	liters			
Yard ³	0.765	meters ³ (m ³)			
	MASS			PRESSURE OR STRESS	
Pound	0.453	kilograms (kg)		0.249	kilopascals (kPa)
Ton	907.18	kilograms (kg)	Inches of water	6.895	kilopascals
Ton	0.907	ton (t)	Pounds/sq. in.		
	FORCE			ENERGY OR WORK	
Kilogram	9.807	newtons (N)	BTU	1	joules (J)
Ounce	0.278	newtons	Foot-pound	1.356	joules
Pound	4.448	newtons	kilowatt-hour	3 600 000.0	joules (J = one W's)
				or 3.6 x 10 ⁶	
	TEMPERATURE			LIGHT	
Degree Fahrenheit	(°F - 32) ÷ 1.8	Degree Celsius (C)	Foot candle	1.076	lumens/meter ² (lm/m ²)
			Miles/hour		kilometers/hr (km/h)

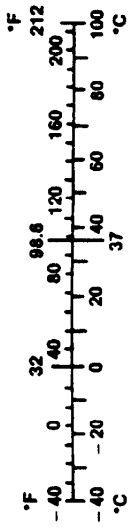


FIGURE 15: METRIC - US STANDARD CONVERSION TABLE

00005

SECTION 00 : GENERAL INFORMATION

DECIMAL AND METRIC EQUIVALENTS

FRACTIONS	DECIMAL IN.	METRIC MM	FRACTIONS	DECIMAL IN.	METRIC MM
1/64	.015625	.39688	33/64	.515625	13.09687
1/32	.03125	.79375	17/32	.53125	13.49375
3/64	.046875	1.19062	35/64	.546875	13.89062
1/16	.0625	1.58750	9/16	.5625	14.28750
5/64	.078125	1.98437	37/64	.578125	14.68437
3/32	.09375	2.38125	19/32	.59375	15.08125
7/64	.109375	2.77812	39/64	.609375	15.47812
1/8	.125	3.1750	5/8	.625	15.87500
9/64	.140625	3.57187	41/64	.640625	16.27187
5/32	.15625	3.96875	21/32	.65625	16.66875
11/64	.171875	4.36562	43/64	.671875	17.06562
3/16	.1875	4.76250	11/16	.6875	17.46250
13/64	.203125	5.15937	45/64	.703125	17.85937
7/32	.21875	5.55625	23/32	.71875	18.25625
15/64	.234375	5.95312	47/64	.734375	18.65312
1/4	.250	6.35000	3/4	.750	19.05000
17/64	.265625	6.74687	49/64	.765625	19.44687
9/32	.28125	7.14375	25/32	.78125	19.84375
19/64	.296875	7.54062	51/64	.796875	20.24062
5/16	.3125	7.93750	13/16	.8125	20.63750
21/64	.328125	8.33437	53/64	.828125	21.03437
11/32	.34375	8.73125	27/32	.84375	21.43125
23/64	.359375	9.12812	55/64	.859375	21.82812
3/8	.375	9.52500	7/8	.875	22.22500
25/64	.390625	9.92187	57/64	.890625	22.62187
13/32	.40625	10.31875	29/32	.90625	23.01875
27/64	.421875	10.71562	59/64	.921875	23.41562
7/16	.4375	11.11250	15/16	.9375	23.81250
29/64	.453125	11.50937	61/64	.953125	24.20937
15/32	.46875	11.90625	31/32	.96875	24.60625
31/64	.484375	12.30312	63/64	.984375	25.00312
1/2	.500	12.70000	1	1.00	25.40000

FIGURE 16: CONVERSION CHART

00006

CONTENTS

- 1. ENGINE..... 01-3**
- 2. ENGINE-MOUNTED COMPONENTS 01-3**
 - 2.1 ELECTRONIC CONTROL MODULE 01-4
 - 2.2 ELECTRONIC UNIT INJECTOR..... 01-4
- 3. SYNCHRONOUS REFERENCE SENSOR 01-4**
 - 3.1 TIMING REFERENCE SENSOR 01-5
 - 3.2 TURBO BOOST PRESSURE SENSOR..... 01-5
 - 3.3 COOLANT TEMPERATURE SENSOR 01-6
 - 3.4 FUEL TEMPERATURE SENSOR..... 01-6
 - 3.5 AIR TEMPERATURE SENSOR..... 01-6
 - 3.6 OIL PRESSURE SENSOR 01-6
 - 3.7 OIL TEMPERATURE SENSOR..... 01-6
- 4. ENGINE-RELATED COMPONENTS 01-6**
 - 4.1 COOLANT LEVEL SYSTEM (CLS) 01-6
 - 4.2 ELECTRONIC FOOT PEDAL ASSEMBLY (EFPA) & THROTTLE POSITION SENSOR 01-7
 - 4.3 CRUISE CONTROL SWITCHES (CCS)..... 01-7
 - 4.4 DIAGNOSTIC SYSTEM ACCESSORIES (DSA)..... 01-7
 - 4.4.1 *Check Engine Telltale Light*..... 01-7
 - 4.4.2 *Stop Engine Warning Light*..... 01-8
 - 4.4.3 *Stop Engine Override Switch*..... 01-8
 - 4.4.4 *Diagnostic Data Link (DDL) Connectors*..... 01-8
- 5. DDEC IV DIAGNOSTIC CODES 01-8**
 - 5.1 READING DIAGNOSTIC CODES – FLASHING LIGHT METHOD: 01-8
- 6. ENGINE OIL LEVEL 01-10**
- 7. ENGINE OIL AND FILTER CHANGE 01-11**
- 8. RECOMMENDED ENGINE OIL TYPE 01-11**
- 9. WELDING PRECAUTIONS 01-12**
- 10. POWER PLANT ASSEMBLY REMOVAL 01-12**
- 11. POWER PLANT ASSY. INSTALLATION 01-15**
- 12. VALVE COVER REMOVAL 01-15**
- 13. JAKE BRAKE 01-16**
- 14. ENGINE MOUNTS 01-16**
- 15. ENGINE TROUBLESHOOTING GUIDE..... 01-17**
- 16. SPECIFICATIONS..... 01-18**

ILLUSTRATIONS

FIGURE 1: DETROIT DIESEL SERIES 60 ENGINE (TYPICAL).....	01-3
FIGURE 2: ELECTRONIC CONTROL MODULE (ECM).....	01-4
FIGURE 3: UNIT INJECTOR CROSS SECTION	01-4
FIGURE 4: SRS LOCATION.....	01-5
FIGURE 5: BULL GEAR	01-5
FIGURE 6: TIMING GEAR.....	01-5
FIGURE 7: TURBO BOOST PRESSURE SENSOR	01-5
FIGURE 8: FUEL TEMPERATURE SENSOR.....	01-6
FIGURE 9: CYLINDER BLOCK	01-6
FIGURE 10: ELECTRONIC FOOT PEDAL ASSEMBLY	01-7
FIGURE 11: ENGINE OIL LEVEL DIPSTICK	01-10
FIGURE 12: ENGINE COMPARTMENT	01-11
FIGURE 13: UNDER VEHICLE VIEW	01-11
FIGURE 14: ENGINE COMPARTMENT	01-12
FIGURE 15: ENGINE COMPARTMENT	01-13
FIGURE 16: ENGINE COMPARTMENT	01-14
FIGURE 17: RUBBER DAMPER TOLERANCE	01-15
FIGURE 18: POWER PLANT CRADLE INSTALLATION	01-16

1. ENGINE

This vehicle is powered by a 6-cylinder, four-cycle, Detroit Diesel series 60 engine, equipped with an electronic control system (DDEC IV).

This vehicle Series 60 engine comes in one displacement volume: 12.7 liters. Summary information on the Electronic Control System is given in this section.

Complete maintenance and repair information on the engine will be found in the current DDEC IV Service Manual #6SE483. This maintenance manual covers engine accessories, controls and related components.

Procedures for engine removal and installation are given at the end of this section. The DDEC system is self-diagnostic. It can identify faulty components and other engine-related problems by providing the technician with a diagnostic code.

Refer to DDEC Troubleshooting Guide #6SE492 published by Detroit Diesel for more complete information on diagnosis of components and system problems.

DDEC IV (**D**etroit **D**iesel **E**lectronic **C**ontrol) controls the timing and amount of fuel injected by the electronic unit injectors (EUI). The system also monitors several engine functions using electrical sensors, which send electrical signals to the Electronic Control Module (ECM). The ECM computes the electrical signals and determines the correct fuel output and timing for optimum power, fuel economy and emissions. The ECM also has the ability to display warnings or shut down the engine completely (depending on option selection) in the event of damaging engine conditions, such as low oil pressure, low coolant level, or high oil temperature.

Two categories divide system components: engine-mounted components and engine-related components.

2. ENGINE-MOUNTED COMPONENTS

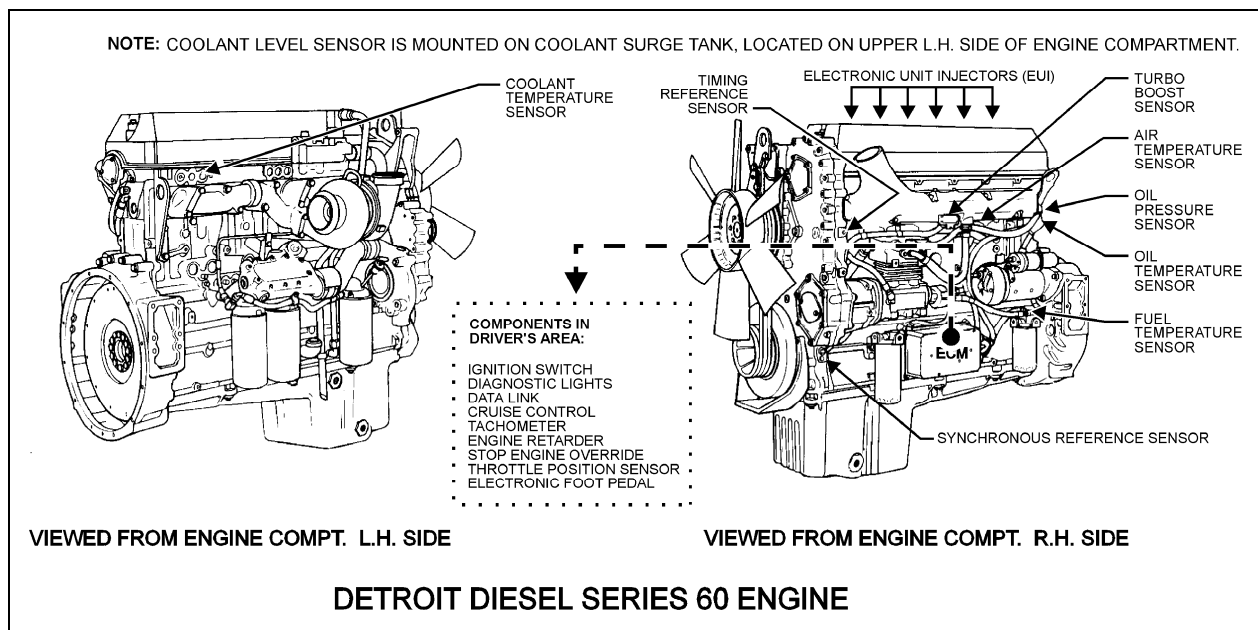


FIGURE 1: DETROIT DIESEL SERIES 60 ENGINE (TYPICAL)

01015B

Engine-mounted components are as follows:

- Electronic Control Module
- Electronic Unit Injector
- Synchronous Reference Sensor
- Timing Reference Sensor
- Turbo Boost Pressure Sensor
- Coolant Temperature Sensor
- Fuel Temperature Sensor
- Air Temperature Sensor
- Oil Pressure Sensor
- Oil Temperature Sensor

Section 01: ENGINE

2.1 ELECTRONIC CONTROL MODULE

The Electronic Control Module is mounted, on the starter side of the engine (Fig. 2). Considered the "Brain" of the DDEC IV system, it provides overall monitoring and control of the engine. It does so by comparing input data from the various sensors to a set of calibration data stored in the EEPROM (Electrically Erasable, Programmable, Read-Only Memory) within the Electronic Control Module. After comparing the input data with the calibration data, the ECM sends high-current command pulses to the Electronic Unit Injectors (EUI) to initiate fuel injection. The ECM also receives feedback regarding the start and end of injection for a given cylinder. The EEPROM within the Electronic Control Module is factory programmed by Detroit Diesel. Reprogramming must be done at a Detroit Diesel authorized service center. However, some changes may be performed to the cruise control and road speed limiter using a diagnostic data reader (see paragraph "DDEC IV Diagnostic Codes" in this section).

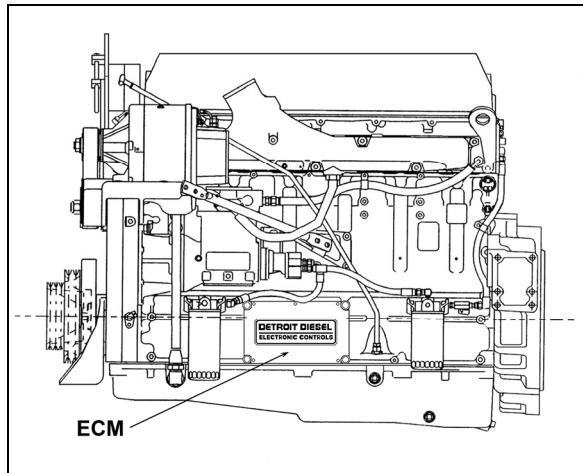


FIGURE 2: ELECTRONIC CONTROL MODULE (ECM) 01064

2.2 ELECTRONIC UNIT INJECTOR

The Electronic Unit Injector is a compact device that injects diesel fuel directly into the combustion chamber (Fig. 3). The amount of fuel injected and the Electronic Control Module (ECM) determines the beginning of injection timing. The ECM sends a command pulse, which activates the injector solenoid. The EUI performs four functions:

- Creates the high-fuel pressure required for efficient injection;
- Meters and injects the exact amount of fuel required to handle the load;

- Atomizes the fuel for mixing with the air in the combustion chamber;
- Permits continuous fuel flow for component cooling.

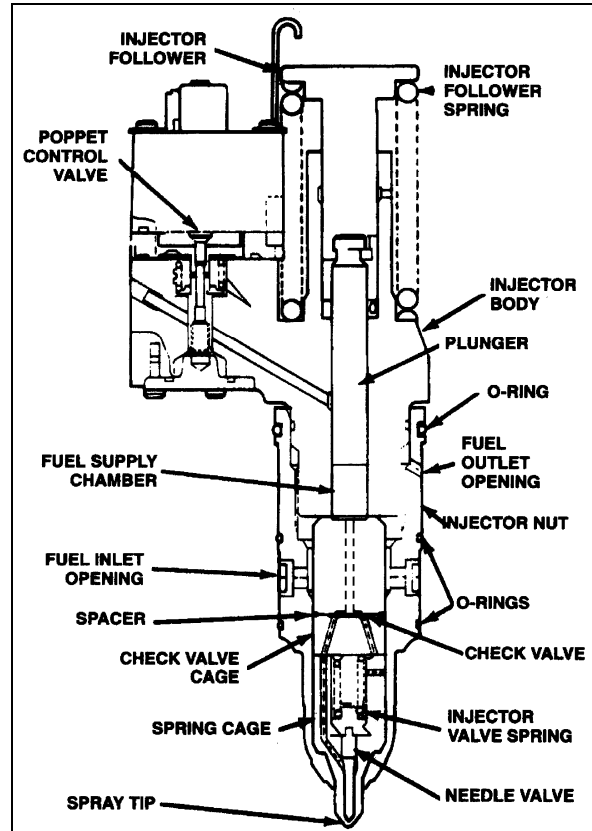


FIGURE 3: UNIT INJECTOR CROSS SECTION

01019

3. SYNCHRONOUS REFERENCE SENSOR

The Synchronous Reference Sensor (SRS) is an electronic component, mounted to the rear of the gear case (Fig. 4). The SRS senses a raised metal pin on the rear of the bull gear and sends a signal to the ECM via a black connector wire. The SRS sensor extends through a hole in the gear case. It is positioned near the rear of the bull gear. A bolt, inserted through a hole in the SRS bracket, secures the SRS assembly to the gear case.

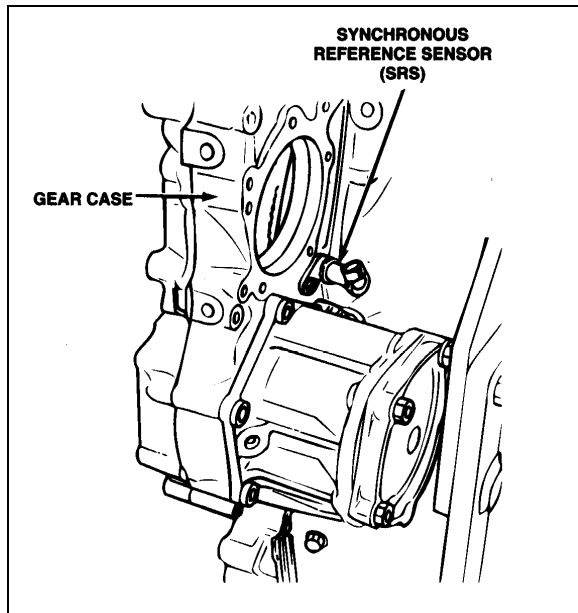


FIGURE 4: SRS LOCATION

01020

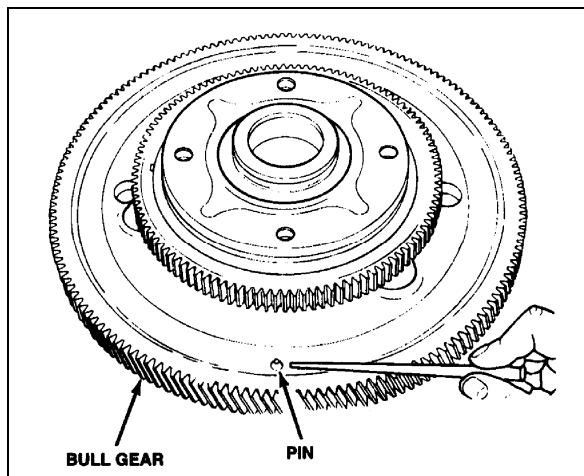


FIGURE 5: BULL GEAR

01021

The bull gear pin passes by the SRS as piston number one crank pin reaches 45° before Top-Dead-Center. The ECM uses this information to determine engine speed.

The SRS is non-serviceable and must be replaced as a unit. No adjustment is required.

3.1 TIMING REFERENCE SENSOR

The Timing Reference Sensor (TRS) is an electronic component mounted on the left side of the gear case (right side of coach), near the crankshaft centerline. The TRS sensor is positioned near the timing wheel gear teeth, extends through an opening in the gear case. A bolt, inserted through a hole in the TRS bracket, secures the TRS assembly to the gear case. The TRS connector is gray. The TRS sensor sends a signal to the ECM. The TRS senses a

series of evenly spaced special teeth on the timing wheel. A tooth passes by the TRS as each cylinder crank pin reaches 10° before Top-Dead-Center.

The ECM uses these signals to determine injector solenoid operation time. The TRS is non-serviceable and must be replaced as a unit. No adjustment is required.

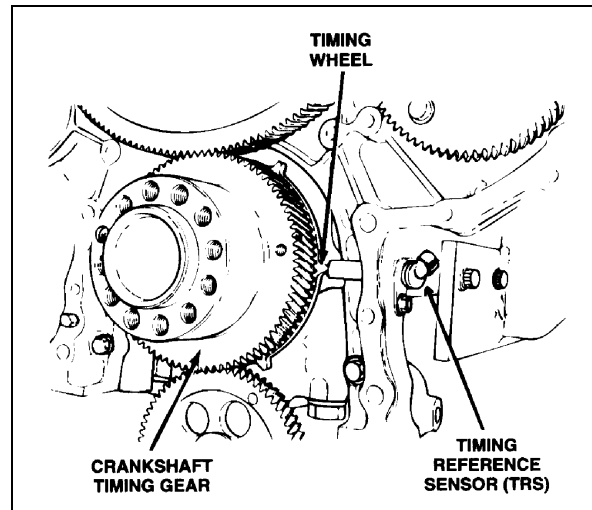


FIGURE 6: TIMING GEAR

01022

3.2 TURBO BOOST PRESSURE SENSOR

Two bolts mount the Turbo Boost Pressure Sensor to the intake manifold. A rubber O-ring seals the sensor to the manifold (Fig. 7). This device is a pressure sensor that sends an electrical signal to the ECM. The ECM uses this information to compute the amount of air entering the engine. Turbo boost sensor information regulates fuel supply to control engine exhaust.

The turbo boost sensor is non-serviceable and must be replaced as an assembly. No adjustment is required.

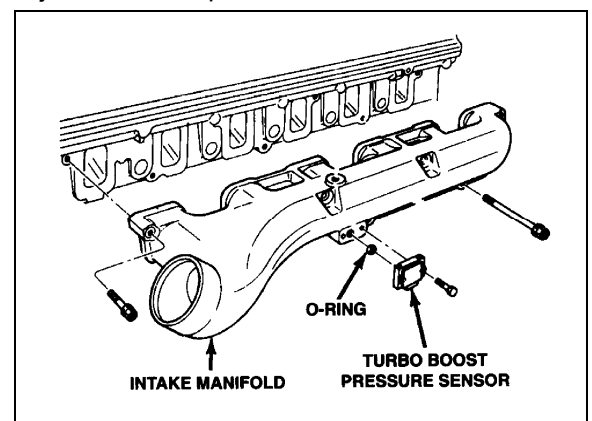


FIGURE 7: TURBO BOOST PRESSURE SENSOR

01023

3.3 COOLANT TEMPERATURE SENSOR

The coolant temperature sensor is mounted on the engine's right side (vehicle's left side). The sensor helps protect the engine against overheating by sensing coolant temperature.

3.4 FUEL TEMPERATURE SENSOR

The Fuel Temperature Sensor (FTS) is installed on the secondary fuel filter (Fig. 8).

The FTS sends an electrical signal to the ECM indicating fuel inlet temperature. The ECM uses this information to calculate fuel consumption.

The FTS is non-serviceable and must be replaced as a unit. No adjustment is required.

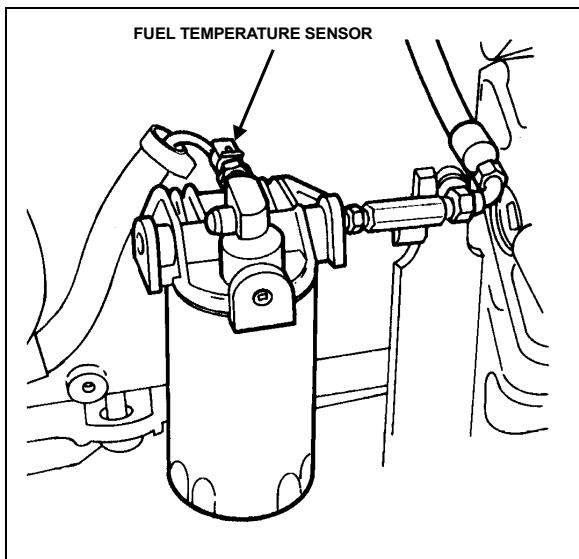


FIGURE 8: FUEL TEMPERATURE SENSOR 01024

3.5 AIR TEMPERATURE SENSOR

The Air Temperature Sensor (Fig. 1) located on the engine (starter side) near the intake manifold provides input data to vary hot idle speed and injection timing. This helps to improve cold starts and reduces white exhaust smoke.

3.6 OIL PRESSURE SENSOR

The Oil Pressure Sensor (OPS) is installed in the main engine-oil gallery. A typical location is the left rear corner of the cylinder block (Fig. 9). The OPS sends an electrical signal to the ECM indicating the engine oil pressure at any given speed. A low oil pressure signal exceeding seven seconds is used by the ECM to begin the stop engine or warning function. The OPS is non-serviceable and must be replaced as a unit. No adjustment is required.

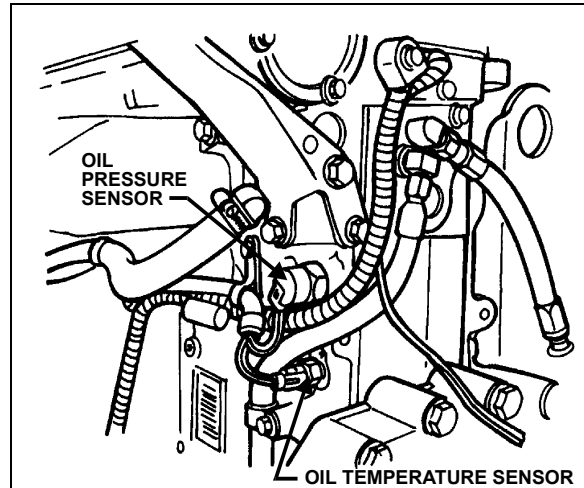


FIGURE 9: CYLINDER BLOCK 01025

3.7 OIL TEMPERATURE SENSOR

The Oil Temperature Sensor (OTS) is installed on the main engine-oil gallery. A typical location is the left rear corner of the cylinder block as shown in Figure 9. The OTS sends an electrical signal to the ECM indicating engine oil temperature. The ECM uses this information to modify engine speed for better cold weather starts and faster warm-ups. Oil temperatures exceeding engine specifications for two seconds or more will illuminate the Check Engine Light.

The OTS is non-serviceable and must be replaced as a unit. No adjustment is required.

4. ENGINE-RELATED COMPONENTS

Engine-related components include:

- Coolant Level System (CLS)
- Electronic Foot Pedal Assembly (EFPA) and Throttle Position Sensor
- Cruise Control Switch (CCS)
- Diagnostic System Accessories (DSA)

4.1 COOLANT LEVEL SYSTEM (CLS)

The coolant level system consists of a conductivity probe mounted in the surge tank and an electronic interface module located inside the rear junction box. Coolant level is determined by the change in impedance of the probe and its brass mount when immersed in coolant. The electronic device in the module conditions the signal to levels compatible with DDEC. A low coolant level will trigger the engine warning functions.

The probe and electronic interface module are non-serviceable items and should be replaced

as units, if found defective. No adjustment is required.

4.2 ELECTRONIC FOOT PEDAL ASSEMBLY (EFPA) & THROTTLE POSITION SENSOR

The Electronic Foot Pedal Assembly (EFPA) connects the accelerator pedal to a Throttle Position Sensor (TPS). The (TPS) is a device, which sends an electrical signal to the Electronic Control Module (ECM). The TPS varies in voltage depending on how far the pedal is depressed. The system is installed in the space normally occupied by a mechanical foot pedal. The (EFPA) has maximum and minimum stops that are built into the unit during manufacturing (Fig. 10). The (TPS) converts the operator's foot pedal input into a signal for the ECM. The (EFPA) is shown in Figure 10.

When installed by the equipment manufacturer, the TPS should not require adjustment. If the TPS is suspected of being misadjusted, confirm that the sensor is installed in accordance with the manufacturer's specifications. It is recommended that the idle count be at 50 or higher with a full throttle count of up to 200.

The TPS is self-calibrating and therefore has no optimum closed throttle or wide open throttle count value. If the counts are within the 50 to 200 range, the sensor is properly set.

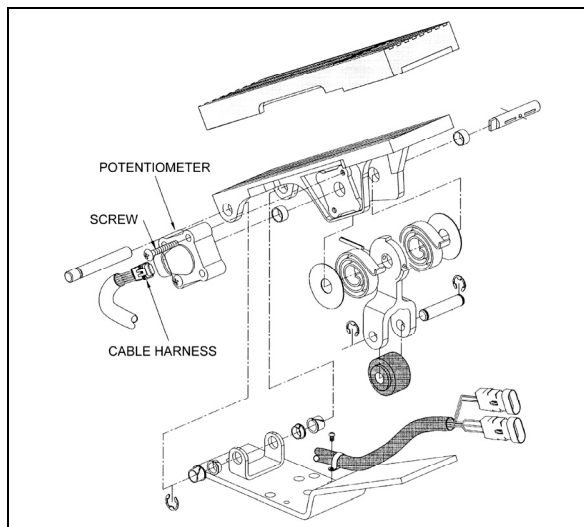


FIGURE 10: ELECTRONIC FOOT PEDAL ASSEMBLY 03035

Monitor the (TPS) as the controls move it through its full stroke. Be sure there is no misalignment or obstruction preventing the smooth movement of the TPS through the full stroke. Using a diagnostic data reader, check that the idle and full throttle position counts do not fall within the error zones. The error zones occur when the idle position is less than 14

counts, or when the full throttle position is more than 233 counts. Should these conditions occur, the ECM will signal diagnostic codes of 21-12 for idle error and 21-23 for wide-open throttle error.

4.3 CRUISE CONTROL SWITCHES (CCS)

The four cruise control switches are located in the driver's area on the L.H. side control panel.

1. **Cruise:** This is the main switch that actuates the ECM memory in order to use the speed-regulating mode.
2. **Set:** This switch is used to set the cruise control speed or to decrease the set speed by 2 MPH at each application.

Note: Cruise control system will not accept speed settings, nor will the "Resume" switch operate below 20 mph (32 km/h) and the engine speed must be above 1100 RPM.

3. **Resume:** Each time this switch is actuated, the speed will be increased by 2 mph (3.5 km/h). This switch allows the driver return to the last regulated speed following a brake or "DECEL" switch application.

Note: On-off switch must be in the "ON" position in order to return to the last regulated speed.

4. **DECEL:** Will cancel the cruise temporarily and let the vehicle coast. Set speed is still in memory for resume.

For additional information, see the "Operator's Manual" or the "Owner's Manual".

4.4 DIAGNOSTIC SYSTEM ACCESSORIES (DSA)

The DDEC IV engine Diagnostic System Accessories include the following:

- Check Engine telltale light;
- Stop Engine telltale light;
- Stop Engine Override switch;
- Diagnostic Data Link (DDL) connectors.

4.4.1 Check Engine Telltale Light

The Check Engine telltale, mounted on the telltale light panel indicates that a problem has been detected and that a code has been stored in the ECM memory. This light also has a 5-second bulb check when the ignition is first turned on. The Check Engine telltale illuminates when the temperature at coolant sensors exceeds 217°F (103°C) and the temperature at

Section 01: ENGINE

oil sensors exceeds 260°F (127°C). When sensors reach those temperatures, DDEC starts to decrease engine power linearly.

4.4.2 Stop Engine Warning Light

This light, also mounted on the telltale light panel, illuminates to indicate that a major engine problem is occurring (with the exception of a 5-second bulb check when the ignition is first turned on). The Stop Engine Light illuminates when the temperature at coolant sensors exceeds 222°F (106°C) and the temperature at oil sensors exceeds 239°F (115°C). When sensors detect such temperatures, DDEC shuts the engine down after a 30 seconds grace period. This 30-second delay may be extended another 30 seconds (if absolutely necessary) by using the STOP ENGINE OVERRIDE switch.

Note: *Once engine is stopped, it can not be restarted until the malfunction is corrected.*

4.4.3 Stop Engine Override Switch

This switch, mounted on the dashboard, may be used to extend the 30-second delay period before engine shutdown when the Stop engine telltale light is illuminated. This switch can be repeatedly depressed in order to move the vehicle out of traffic.

Note: *The stop engine override switch will be operative only if it has been depressed before the end of the 30 second delay period.*

Caution: *The OVERRIDE switch must be used only in emergency cases, such as to move the vehicle out of traffic. Excessive use of this switch can cause serious damage to the engine.*

This switch is also used for DDEC diagnostic code requests. Press this switch with the engine at idle or off but with the ignition in the "ON" position and active codes will be flashed on the CHECK ENGINE and STOP ENGINE telltale lights alternately. Refer to "DDEC IV DIAGNOSTIC CODES" in this section for more information.

4.4.4 Diagnostic Data Link (DDL) Connectors

A connector is mounted on the L.H. footwell wall. Another connector is located in the rear electric

compartment. They allow the connection of the Diagnostic Data Reader (DDR) to read the codes or to access pertinent data on the condition of the engine. This enables a more complete analysis of any defect found in the DDEC system operation. For more information, see Detroit Diesel Troubleshooting Guide #6SE492.

5. DDEC IV DIAGNOSTIC CODES

5.1 READING DIAGNOSTIC CODES – FLASHING LIGHT METHOD:

DDEC IV makes use of two types of codes: Active and inactive. The difference between the two types of codes is as follows:

Active Codes: Codes that are currently keeping the Check Engine or Stop Engine telltale light illuminated. Active codes are flashed via the Stop Engine Light when checked with the stop-engine-override switch.

Inactive Codes: These are all the codes logged in the ECM (whether or not they are currently turning on the Stop or Check Engine Light). Inactive codes are flashed via the Check Engine telltale light when checked with the stop-engine-override switch. In most instances, only the DDR can provide the information necessary for a quick diagnosis of the problem. If you just need to read out codes, however, and do not have a DDR available, the following procedure will let you read out codes. Make sure the rear-starting switch (located in the engine compartment) is in the normal position. With the ignition ON, the engine idling or engine shut-off, momentarily depress the Stop Engine Override switch. Active codes will be flashed on the stop engine telltale, followed by the inactive codes being flashed on the check-engine telltale panel. The cycle repeats itself until the operator depresses the stop engine override switch again. A code "43" consists of four flashes, followed by a short pause, then three flashes in quick succession.

Refer to DDEC Troubleshooting Manual 6SE497 for more information and SAE codes.

Note: *Active codes are flashed in ascending numerical flash code order. Inactive codes are flashed in most recent to least recent order.*

Note: *Fault codes can only be cleared using the DDR.*

DDEC Code Number (Flashed)	DESCRIPTION	DDEC Code Number (Flashed)	DESCRIPTION
----------------------------	-------------	----------------------------	-------------

DDEC Code Number (Flashed)	DESCRIPTION	DDEC Code Number (Flashed)	DESCRIPTION
11	Variable speed governor sensor input voltage low	12	Variable speed governor sensor input voltage high
13	Coolant level sensor input voltage low	14	Oil, coolant or intercooler temperature sensor input voltage high
15	Oil, coolant or intercooler temperature sensor input voltage low	16	Coolant level sensor input voltage high
17	Bypass or throttle valve position sensor input voltage high	18	Bypass or throttle valve position sensor input voltage low
21	TPS input voltage high	22	TPS input voltage low
23	Fuel temperature sensor input voltage high	24	Fuel temperature sensor input voltage low
25	No active codes	26	Auxiliary shutdown #1 or #2, input active
27	Air inlet or intake air temperature sensor input voltage high	28	Air inlet or intake air temperature sensor input voltage low
31	Auxiliary high side output open circuit or short to ground	32	Check Engine Light or Stop Engine Light short to battery (+) or open circuit
33	Turbo boost pressure sensor input voltage high	34	Turbo boost pressure sensor input voltage low
35	Oil pressure sensor input voltage high	36	Oil pressure sensor input voltage low
37	Fuel pressure sensor input voltage high	38	Fuel pressure sensor input voltage low
41	Too many SRS (missing TRS)	42	Too few SRS (missing SRS)
43	Coolant level low	44	Oil, coolant, intercooler or intake air temperature high
45	Oil pressure low	46	ECM battery voltage low
47	Fuel, air inlet or turbo boost pressure high	48	Fuel or air inlet pressure low
52	ECM A/D conversion fault	53	ECM non volatile memory fault
54	Vehicle speed sensor fault	55	J1939 data link fault
56	J1587 data link fault	57	J1922 data link fault
58	Torque overload	61	Injector response time long

Section 01: ENGINE

DDEC Code Number (Flashed)	DESCRIPTION	DDEC Code Number (Flashed)	DESCRIPTION
62	Auxiliary output short to battery (+) or open circuit or mechanical fault	63	PWM drive short to battery (+) or open circuit
64	Turbo speed sensor input fault	65	Throttle valve position input fault
66	Engine knock sensor input fault	67	Coolant or air inlet pressure sensor input voltage fault
68	TPS idle validation switch open circuit or short to ground	71	Injector response time short
72	Vehicle overspeed	73	Gas valve position input fault or ESS fault
74	Optimized idle safety loop short to ground	75	ECM battery voltage high
76	Engine overspeed with engine brake	77	Fuel temperature high
81	Oil level, crankcase pressure, dual fuel BOI or exhaust temperature voltage high	82	Oil level, crankcase pressure, dual fuel BOI or exhaust temperature voltage low
83	Oil level, crankcase pressure, exhaust temperature or external pump pressure high	84	Oil level low or crankcase pressure low
85	Engine overspeed	86	External pump or barometer pressure sensor input voltage high
87	External pump or barometer pressure sensor input voltage low	88	Coolant pressure low

TABLE X-X: FLASH CODES AND DESCRIPTION

6. ENGINE OIL LEVEL

Check the oil level daily with the engine stopped. If the engine has just been stopped and is warm, wait at least 10 minutes to allow the oil to drain back to the oil pan before checking. Wipe the dipstick clean then check oil level. The level should always be within the safe range on the dipstick (Fig. 11). Add the proper grade of oil to maintain the correct level on the dipstick. All diesel engines are designed to consume some oil, so a periodic addition of oil is normal.

Warning: Touching a hot engine can cause serious burns.

Caution: Do not overfill. Oil may be blown out through the crankcase breather if the crankcase is overfilled.

Caution: Clean end of tube before removing the dipstick to prevent oil contamination.

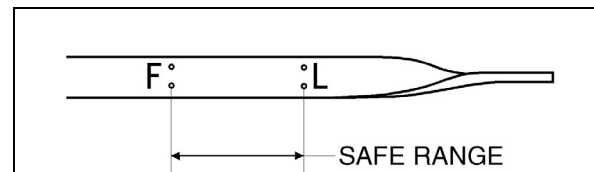


FIGURE 11: ENGINE OIL LEVEL DIPSTICK

01027

Caution: If the oil level is constantly above normal and excess lube oil has not been added to the crankcase, consult with an authorized Detroit Diesel service outlet for the cause. Fuel or coolant dilution of lube oil can result in serious engine damage.

The vehicle is provided with an oil reserve tank in the engine. To adjust oil level, open the oil reserve tank valve and allow oil to discharge into the engine until the "Full" mark on the dipstick is reached then close the valve. Check oil reserve tank level and pour oil in the reserve tank if necessary (Fig. 12).

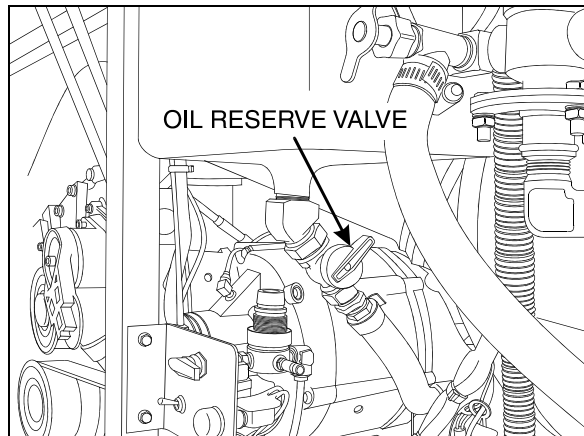


FIGURE 12: ENGINE COMPARTMENT

01050

7. ENGINE OIL AND FILTER CHANGE

Both the oil and filter should be changed every 12,500 miles (20,000-km) or once a year, whichever comes first. However, changes that are more frequent may be required when the engine is subject to high levels of contamination and/or overheating. Change intervals may be decreased or gradually increased with experience on specific lubricants until the most practical service condition has been established. Always refer to the lubricant manufacturer's recommendations (analysis of drained oil can be helpful).

Caution: Do not use solvents to dilute the engine oil when draining. Dilution of fresh oil can occur which may be detrimental to the engine.

Change engine oil with the vehicle on a flat and level surface and with the parking brake applied. It is best to drain the oil when the engine is still warm.

1. From under the vehicle, remove the engine drain plug on the oil pan. Allow oil to drain (Fig. 13).

Warning: Hot engine oil can cause serious burns. Wear coveralls with sleeves pulled down and gloves to protect hands.

2. Reinstall the drain plug.

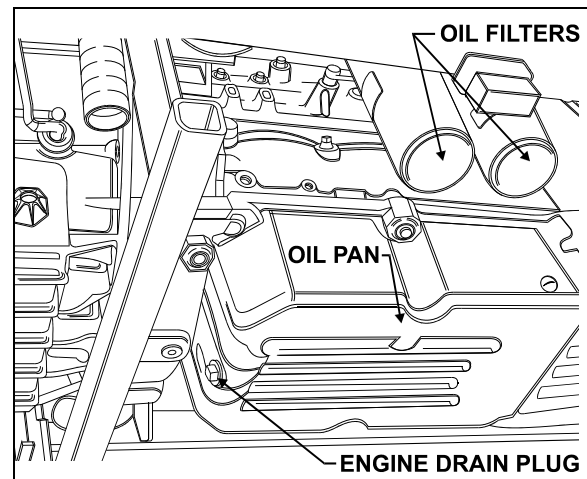


FIGURE 13: UNDER VEHICLE VIEW

01029

3. Remove the spin-on filter cartridge using a 1/2" drive socket wrench and extension.
 4. Dispose of the used oil and filter in an environmentally responsible manner in accordance with state and/or federal (EPA) recommendations.
 5. Clean the filter adapter with a clean rag.
 6. Lightly coat the filter gasket (seal) with clean engine oil.
 7. Install the new filter on the adapter and tighten manually until the gasket touches the mounting adapter head. Tighten full-flow filters an additional two-thirds of a turn manually. Then, manually tighten bypass filter one full turn.
- Caution:** Overtightening may distort or crack the filter adapter.
8. Remove the engine-oil filler cap and pour oil in the engine until it reaches the "FULL" mark on the dipstick (Fig. 11).
 9. Start and run the engine for a short period and check for leaks. After any leaks have been corrected, stop the engine long enough for oil from various parts of the engine to drain back to the crankcase (approximately 20 minutes).
 10. Add oil as required to bring the level within the safe range on the dipstick (Fig. 11).

8. RECOMMENDED ENGINE OIL TYPE

To provide maximum engine life, lubricants shall meet the following specifications: SAE Viscosity Grade: 15W-40 API Classification: CH-4.

Section 01: ENGINE

Note: Monograde oils should not be used in these engines regardless of API Service Classification.

Note: The use of supplemental oil additives is discouraged from use in Detroit Diesel Engines.

Synthetic oils Synthetic oils may be used in Detroit Diesel engines provided they are API-licensed and meet the performance and chemical requirements of non-synthetic oils outlined previously. Synthetic oils do not permit extension of recommended oil drain intervals.

Lubricant Selection World Wide Oils meeting API CD or CC specifications may be used if they also meet military specification MIL-L-2104 D or E. Oils which meet European CCMC D4 specifications may also be used.

Modification of drain interval may be necessary, depending on fuel quality. Contact Detroit Diesel Corporation for further guidance.

9. WELDING PRECAUTIONS

1. Cut off battery power (battery master switch) in rear electrical compartment.
2. Disconnect wiring harness connectors from ECM (Electronic Control Module). The ECM is mounted on the starter side of the engine.
3. For vehicles equipped with an automatic transmission, disconnect wiring harness connectors from ECU (Electronic Control Unit). The ECU is located in rear electrical compartment.
4. For vehicles equipped with ABS (Anti-Lock Brake System), disconnect wiring harness connectors from ABS Electronic Control Unit. The ABS Electronic Control Unit is located in the front service compartment.
5. Cover electronic control components and wiring to protect from hot sparks, etc.
6. Do not connect welding cables to electronic control components.
7. Do the appropriate welding on vehicle.
8. Connect ECM, ECU and ABS electronic control units.

10. POWER PLANT ASSEMBLY REMOVAL

To access the engine or engine-related components, the vehicle power plant assembly must be removed as a whole unit by means of a slide-out cradle. The power plant assembly includes the engine, transmission (including retarder if so equipped), air compressor, alternator and transmission oil cooler.

Remove the power plant assembly as follows:

Caution: Tag hoses and cables for identification before disconnecting in order to facilitate reinstallation. Plug all openings to prevent dirt from entering the system.

Note: No parts within the ECM are serviceable. If found defective, replace the complete ECM unit.

1. Disconnect the battery or batteries from the starting system by removing one or both of the battery cables from each battery system. With the electrical circuit disrupted, accidental contact with the starter button will not produce an engine start. In addition, the Electronic Unit Injectors (EUI) will be disabled, preventing any fuel delivery to the injector tips.

Warning: Due to the heavy load of the rear bumper assembly, it must be adequately supported before attempting to remove it.

2. Remove the rear bumper assembly from the vehicle. Refer to Section 18, BODY, under "REAR BUMPER REMOVAL AND INSTALLATION".
3. Drain the engine cooling system. Refer to Section 05, COOLING under "DRAINING COOLING SYSTEM".

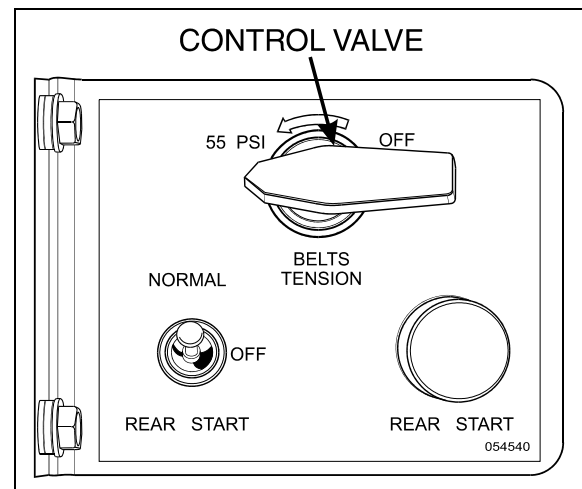


FIGURE 14: ENGINE COMPARTMENT

01044

4. Locate the belt tensioner control valve (Fig. 14). Turn handle counterclockwise in order to release pressure in belt-tensioner air bellows and loosen belts. Remove the belts.
5. Release all pressure from the air system. Refer to Section 12, BRAKES & AIR SYSTEM for instructions.
6. Disconnect and remove the engine-air intake duct mounted between air cleaner housing and turbocharger inlet (1, Fig. 16).

Caution: To avoid damage to turbocharger, cover the turbocharger inlet opening to prevent foreign material from entering.

7. Disconnect and remove the air intake duct mounted between the air cooler outlet and the engine intake (2, Fig. 16).
8. Disconnect and remove section of coolant pipe assembly mounted between the radiator outlet and the water pump inlet (3, Fig. 16).
9. Disconnect the coolant delivery hose located close to the water pump.
10. Disconnect the electric fan-clutch connector, close to the water pump (Fig. 15).

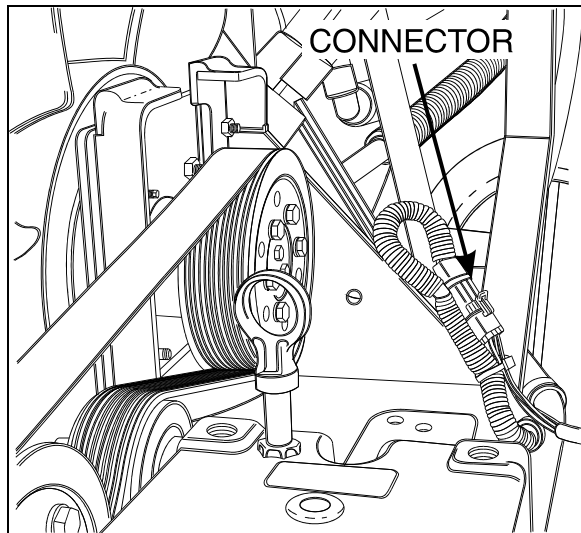


FIGURE 15: ENGINE COMPARTMENT

01069

11. Dismantle the air bellow from the upper bracket of the fan-drive assembly tensioner. Remove the upper bracket (4, Fig. 16).
12. If necessary, remove the fan drive from the motor compartment by removing the four retaining bolts, washers and nuts securing the fan drive to the floor.
13. Disconnect and remove the air intake duct mounted between the turbocharger outlet and the air cooler inlet (5, Fig. 16).

14. Disconnect two vent hoses from the thermostat housing and from the coolant pipe assembly.
15. Disconnect and remove a section of coolant pipe assembly mounted between the thermostat housings and the radiator inlet.
16. Disconnect and remove the small hose connected to the heater line valve and to the water pump.
17. Disconnect the small heater hose located on the cylinder head at the back of the engine.
18. Disconnect and remove the exhaust pipe mounted between the turbocharger outlet and the exhaust bellows. If necessary, refer to Section 04: EXHAUST SYSTEM under "Muffler Removal And Installation".

Caution: To avoid damage to turbocharger, cover the turbocharger outlet opening to prevent foreign material from entering.

19. Disconnect the block heater connector above the power steering pump (6, Fig. 16).
20. Disconnect the steel-braided airline from the A/C compressor air bellows.
21. Disconnect the oil delivery hose from the valve located at the reserve tank drain (7, Fig. 16).
22. Disconnect the power steering pump supply and discharge hoses. Cap hose openings immediately to limit fluid loss. Remove retaining clips from cradle (8, Fig. 16).
23. Close engine fuel supply shutoff valve on primary fuel filter. Disconnect the fuel line connected to inlet port. On vehicles equipped with the optional water-separator-fuel-filter, disconnect the connector and remove cable ties from cradle.
24. Disconnect the air compressor discharge, governor steel-braided airlines and manual filling airlines from compressor. Remove retaining clips.
25. Disconnect the hose connecting the compressor head to the sump tank.
26. Disconnect ground cables from rear subframe ground-stud located close to the starter motor.
27. Disconnect positive cable (red terminal) from starting motor solenoid.
28. Disconnect the power plant wiring-harness main connectors from ECM and remove

Section 01: ENGINE

retaining clips from engine compartment backwall.

29. On vehicles equipped with an automatic transmission provided with a hydraulic output retarder, disconnect steel-braided airline from pressure regulator output. The pressure regulator is mounted in the upper section of engine compartment backwall and is accessible through the engine compartment R.H. side door.

30. Disconnect fuel return line from bulkhead fixed on engine cylinder head end.

31. On vehicles equipped with an electrically operated cold-starting aid, disconnect the delivery hose from the starting-aid cylinder solenoid valve. Remove cable ties securing hoses.

32. Disconnect turbo boost pressure gauge airline from engine air intake.

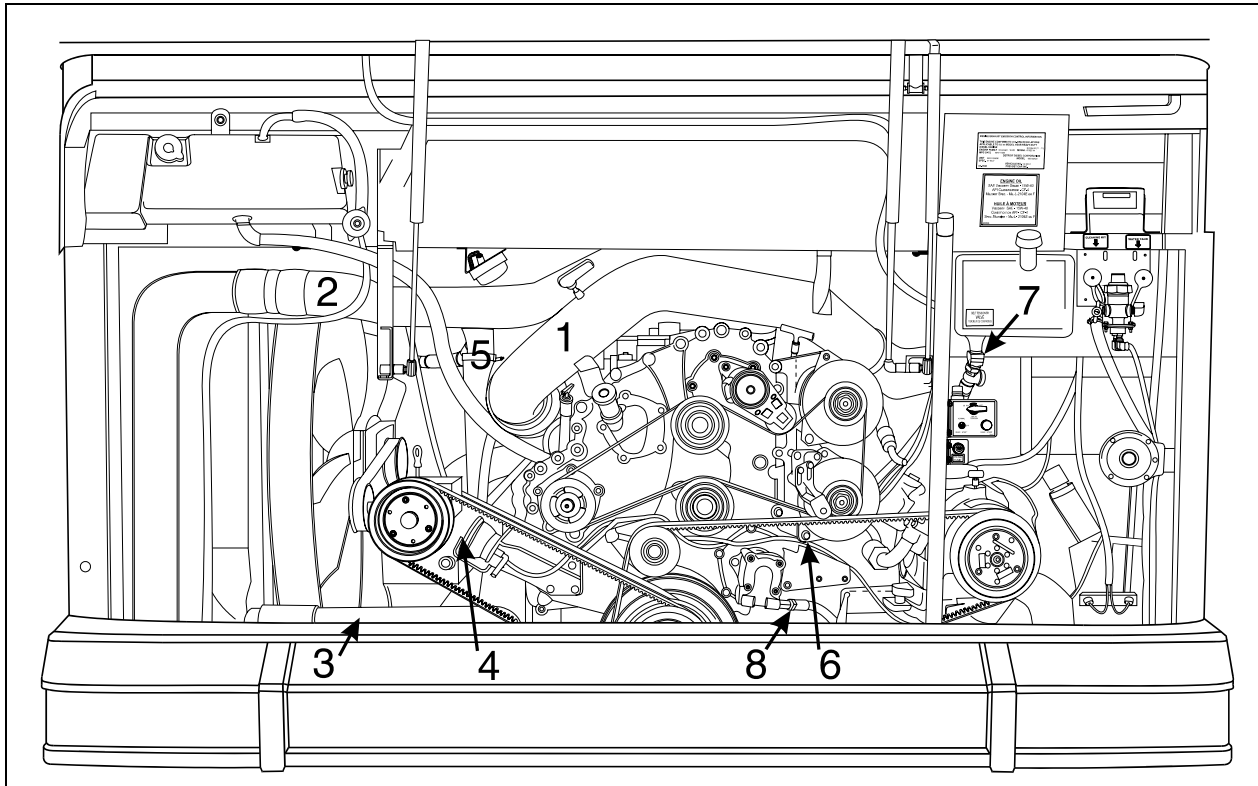


FIGURE 16: ENGINE COMPARTMENT

01067

33. Only if the vehicle is equipped with a retarder, remove the transmission rubber-damper assembly above transmission by removing: nut, bushing, rubber damper, rubber damper guide, bolt and washer. Remove the rubber damper bracket from transmission

34. Disconnect connectors from transmission. On the left side: four on rear side with one close to yoke. On right side: close to the solenoid valve of the output retarder.

35. From under the vehicle, disconnect the propeller shaft as detailed in Section 09, under heading "Propeller Shaft Removal".

Manual Transmission Only:

- Disconnect hydraulic gear shifting system.
- Remove clutch slave cylinder from transmission without disconnecting the hydraulic hose.

36. Inspect the power plant assembly to ensure that nothing will interfere when sliding out the cradle. Check for connections or hoses not mentioned in this list as some vehicles are equipped with special or aftermarket components.

37. Remove the six retaining bolts, washers and nuts securing the power plant cradle to the vehicle rear subframe (Fig. 18).

Note: Check if any spacer(s) have been installed between power plant cradle and vehicle rear subframe, and if so, note position of each washer for reinstallation purposes.

38. Using a forklift, with a minimum capacity of 4,000 lbs (1 800 kg), slightly raise the power plant cradle.

39. Pull engine out slowly from the engine compartment. Make sure all lines, wiring and accessories are disconnected and are not tangled.

Caution: Due to the minimum clearance between the power plant equipment and the top of the engine compartment, extreme care should be used to raise the power plant cradle, just enough to free the cradle. Clearance between power plant cradle and mounting rail should range between 1/4" and 1/2" (6-12 mm).

11. POWER PLANT ASSY. INSTALLATION

To install a power plant assembly, follow the same procedure as in "Power Plant Assembly Removal" except in reverse order, then proceed with the following:

1. Torque the power plant cradle mounting bolts to 113-144 lbf•ft (153-195 N•m).
 - For vehicles equipped with an Allison automatic transmission and a retarder:
 - a) Install transmission bracket (Fig. 17), tighten to 71-81 lbf•ft (96-110 N•m).
 - b) Install the transmission's rubber damper assembly above transmission by assembling: bolt, washer, rubber damper guide, rubber damper, bushing nut.
 - c) Respect damper tolerance of 58 mm (Fig. 17).
2. If fan drive has been removed, reinstall and align as per Section 05, COOLING SYSTEM, under "FAN DRIVE ALIGNMENT".
3. Refill cooling system with saved fluid (refer to Section 05, COOLANT SYSTEM).
4. Once engine fuel system has been drained, it will aid restarting if fuel filters are filled with fuel oil (refer to Section 03, FUEL SYSTEM).

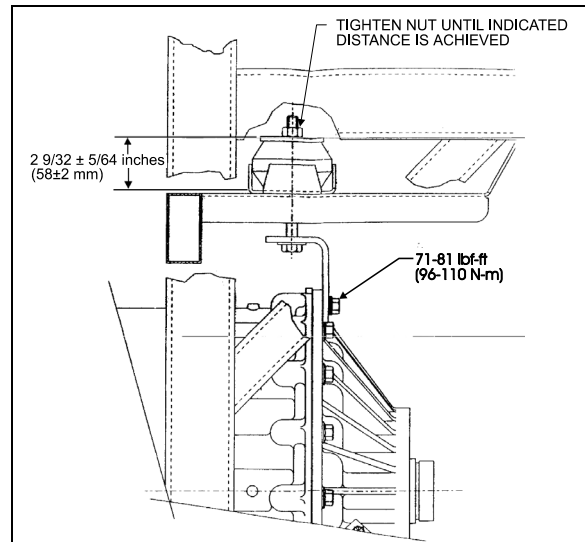


FIGURE 17: RUBBER DAMPER TOLERANCE

07014

5. Start engine for a visual check. Check fuel, oil, cooling, pneumatic and hydraulic system connections for leakage. Test operation of engine controls and accessories.

12. VALVE COVER REMOVAL

The following instructions explain how to remove the valve cover for valve, injector or Jake Brake maintenance, without having to remove the engine:

1. Remove air intake duct (1, Fig. 16).
2. Remove the air intake duct mounted between the air cooler outlet and the engine intake (2, Fig. 16).
3. Disconnect ventilation pipe from valve cover.
4. Remove engine cover.
5. Adjust Jake Brake (if applicable), injectors and valves following instructions in the Detroit Diesel service manual for series 60 engines.
6. Verify engine cover gasket and replace if necessary.

Note: New gasket must be ordered directly from Detroit Diesel.

7. Reinstall engine cover and tighten bolts to 18-22 Lbf•ft (25-30 N•m), in a criss-cross pattern.
8. Reconnect ventilation pipe to engine cover.
9. Reinstall air ducts.

13. JAKE BRAKE

Refer to both "The Jake Brake Troubleshooting and Maintenance Manual" and "Jake Brake Series 60 Service Manual" for troubleshooting and installation procedures. They are annexed at the end of this section.

Two rubber mounts are used at the front of the engine while two others are mounted on each side of the flywheel housing on vehicles equipped with automatic and manual transmissions (Fig. 18).

It is recommended that new rubber mounts be installed at each major overhaul.

14. ENGINE MOUNTS

The power plant assembly on a vehicle powered with a series 60 engine is mounted to the cradle by means of four rubber mounts.

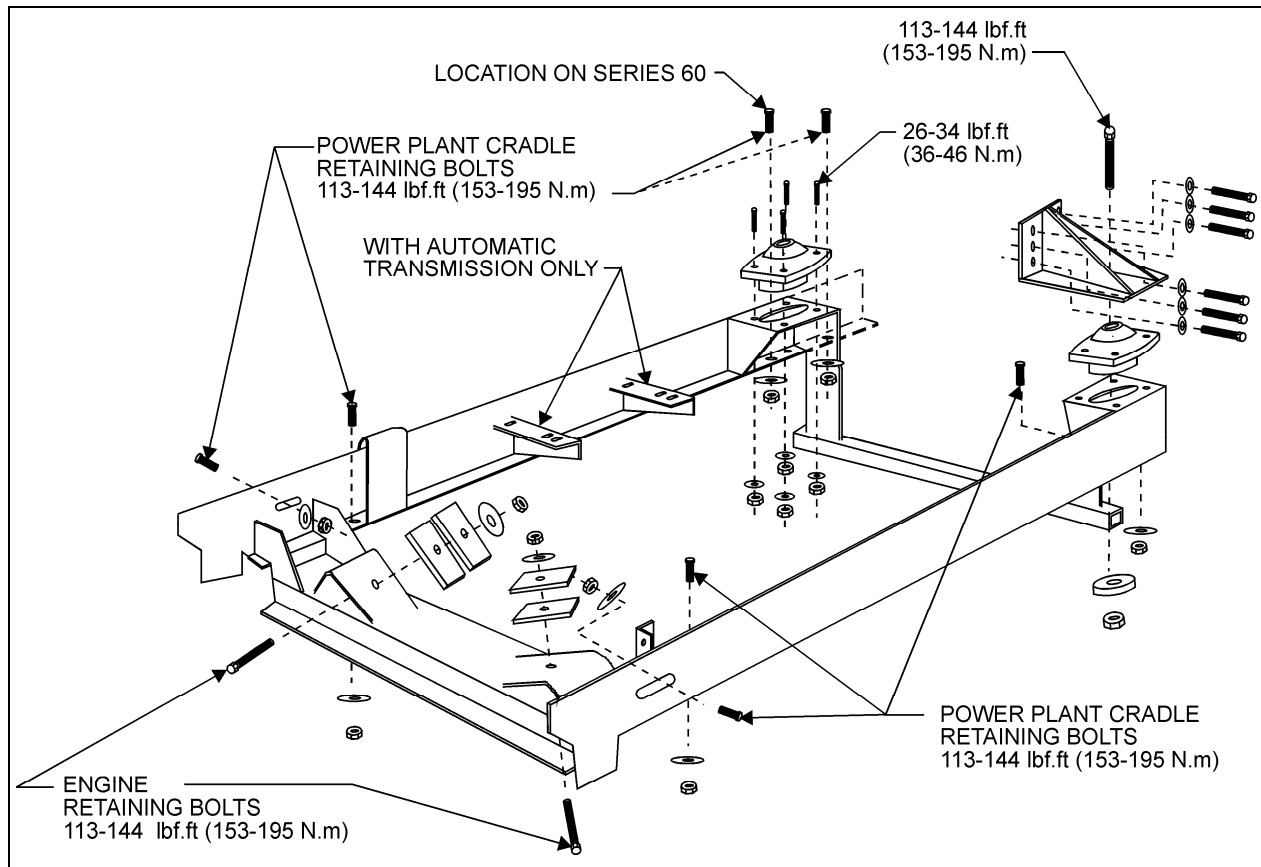
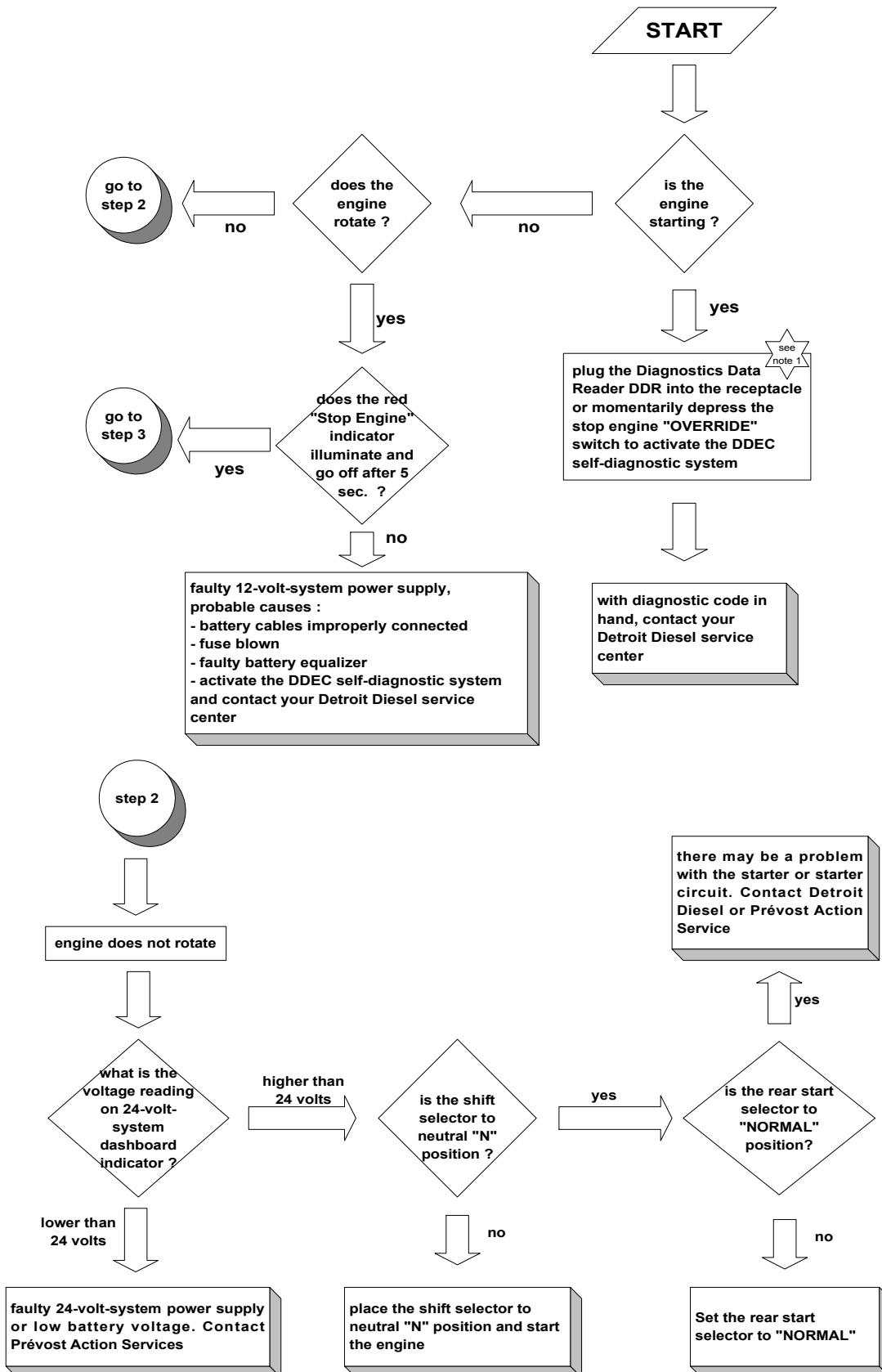
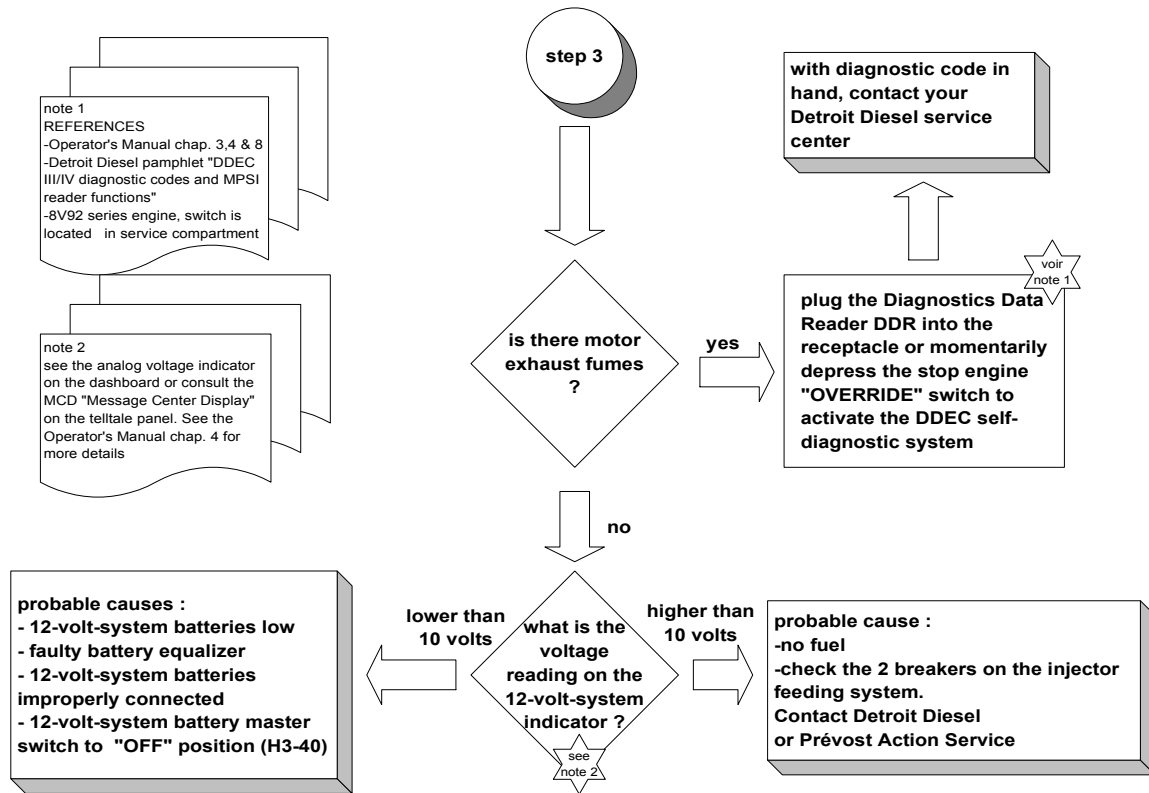


FIGURE 18: POWER PLANT CRADLE INSTALLATION

01032

15. ENGINE TROUBLESHOOTING GUIDE





01089

16. SPECIFICATIONS

Series 60 Engine

Make	Detroit Diesel
Type	Diesel four cycle/in-line engine
Description	Turbo/Air to air charge cooled
No. of cylinders	6
Operating range	1200-2100 RPM
Maximum RPM	2100
Displacement, 12.7 Liters:	
Bore & Stroke	5.12 X 6.30 in (130 X 160 mm)
Horsepower Range	330 BHP, 400 BHP, 500 BHP

Lubricant

Heavy-duty engine oil SAE Viscosity Grade 15W-40, API Classification CH-4 and meeting MIL-L-2104 D or E specifications. Synthetic oil may be used if it meets the performance and chemical requirements of non-synthetic oils outlined previously. Some engine operating conditions may require exceptions to this recommendation.

Caution: To avoid possible engine damage, do not use single grade (Monograde) lubricants in Detroit Diesel four-cycle Series 60 engines, regardless of API classification.

Capacity

Oil reserve tank..... 10 US qts (9.5 L)

Engine oil level quantity

Oil Pan Capacity, Low Limit..... 26 quarts/25 liters

Oil Pan Capacity, High Limit..... 32 quarts/30 liters

Total Engine Oil Capacity with Filters..... 41 quarts/39 liters

Lubricating oil filter elements

Make AC Rochester Div. GMC # 25014505

Make A/C Filter # PF-2100

Type Full Flow

Prévost number 510458

Torque specification

Engine oil filter Tighten 2/3 of a turn after gasket contact

Filters

Engine Air Cleaner Filter

Make Nelson # 70337-N

Prévost number 530197

Engine Coolant Filter/Conditioner

Make Nalco Chemical Company # DDF3000

Make Detroit Diesel # 23507545

Prévost number 550630

Note: For primary and secondary fuel filters, refer to Specifications in section 03.

4. Install the bolts that secure the accessory drive housing to the gear case cover and tighten to 30–38 N·m (22–28 lb·ft) torque using the pattern shown. See Figure 1–413.

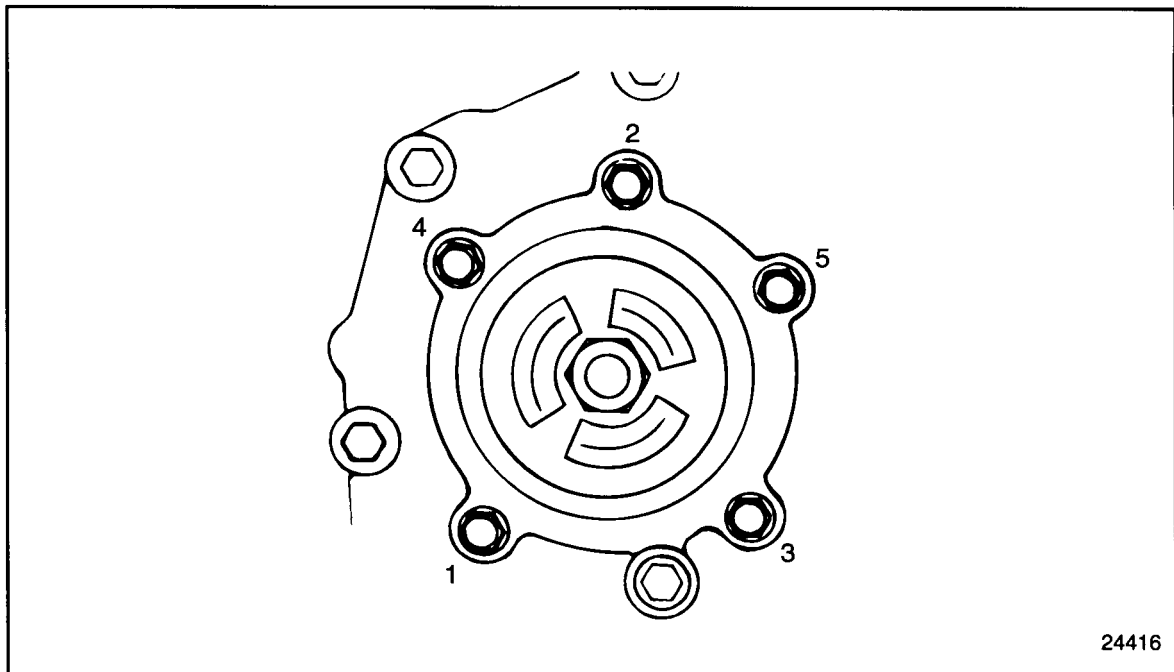


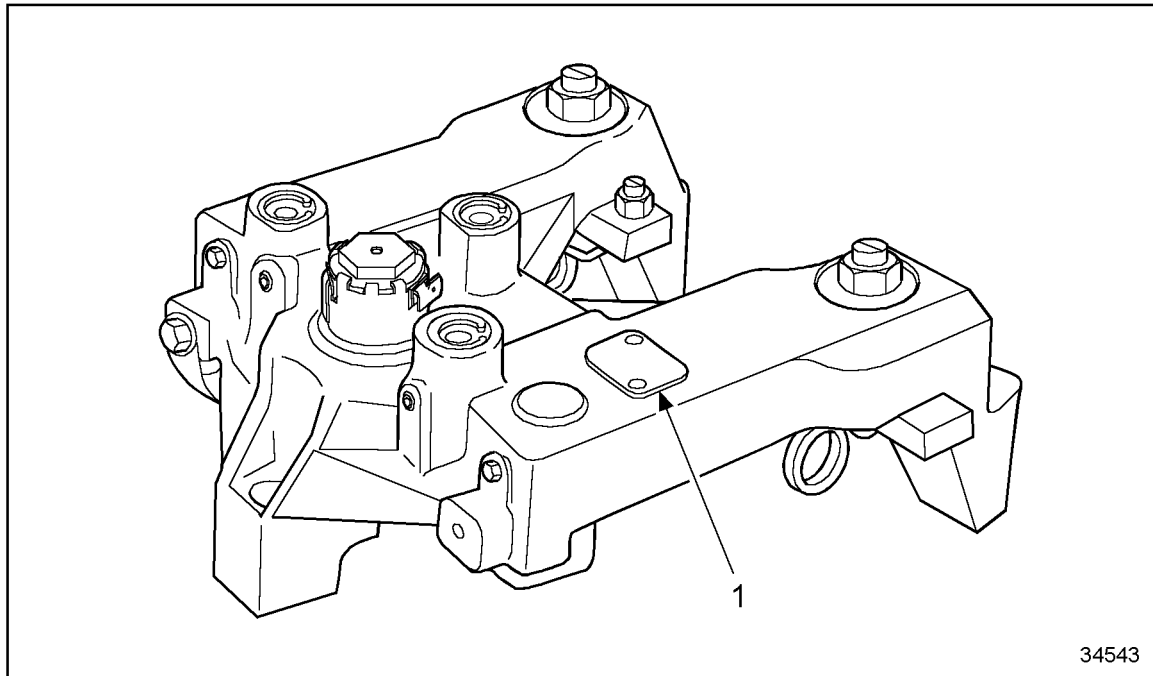
Figure 1-413 **Accessory Drive Housing Bolt Torque Sequence**

5. Check the bull gear-to-accessory drive gear backlash. Refer to section 1.21.2.1.
6. Adjust the alternator belts. Refer to section 13.12.10.
7. Tighten the alternator mounting bolts.
8. Install any other components removed for this procedure.
9. Refer to section 11.3 for verification of proper accessory drive installation.

1.29 JAKE BRAKE

The engine brake has been designed to fit on the Series 60 engine with no additional valve cover spacers. There are three styles of valve covers for the Series 60 engine. On engines equipped with a two-piece aluminum valve cover, it is NOT necessary to remove the lower valve cover to install the engine brake. However, one style of upper valve cover may require modification at the breather housing location (inside) for engine brake clearance.

The model, part number and serial number are located on the nameplates at the top of each housing. See Figure 1-414.



1. Identification Plate

Figure 1-414 Nameplate Location on Housing

NOTICE:

Only the specific brake model can be used with the engine model it was designed for. Also, the correct slave piston adjustment specification must be used. Failure to follow these instructions may result in serious engine or engine brake damage.

Listed in Table 1-9 are the different Jake Brake models used and the slave piston adjustment specification.

Model Number	Model Year	Engine Displacement	Engine Brake	Slave Piston Adjustment
6067WU40	Pre-1991	11.1L	760/760A	0.660 mm (0.026 in.)
6067GU40	Pre-1991	12.7L	760/760A	0.508 mm (0.020 in.)
6067WU60	1991	11.1L	760/760A	0.660 mm (0.026 in.)
6067GU40	1991	12.7L	765	0.660 mm (0.026 in.)
6067GU28	1991	12.7L	765	0.660 mm (0.026 in.)
6067GU91	1991	12.7L	765	0.660 mm (0.026 in.)
6067WK60	1994	11.1L	760A	0.660 mm (0.026 in.)
6067GK60	1994	12.7L	765	0.660 mm (0.026 in.)
6067GK28	1994	12.7L	765	0.660 mm (0.026 in.)
6067EK60	1998	11.1L	760B	0.584 mm (0.023 in.)
6067PK60	1998	12.7L	765A	0.584 mm (0.023 in.)
6067TK60	1998	12.7L	765A	0.584 mm (0.023 in.)
6067TK45	1998	12.7L	765A	0.584 mm (0.023 in.)
6067MK60	1998	12.7L	770	0.660 mm (0.023 in.)
6067BK60	1998	12.7L	770	0.660 mm (0.023 in.)
6067HKXX	1998 (Non-Line Haul)	14L	770	0.660 mm (0.023 in.)
6067MK28, 6067MK45, 6067MK57, 6067MK60	2000	12.7L Standard	790	0.660 mm (0.026 in.)
6067BK28, 6067BK45, 6067BK57, 6067BK60	2000	12.7L Premium	790	0.660 mm (0.026 in.)
6067HK45, 6067HK60	2000	14L U.S.	790A	0.660 mm (0.026 in.)
6067WK28, 6067WK60	2000	11.1L	790B	0.660 mm (0.026 in.)
6067LK28, 6067LK45, 6067LK60	2000	11.1L	790B	0.660 mm (0.026 in.)
6063GK60, 6067GK28, 6067GK45, 6067GK91, 6067PK62, 6067TK28, 6067TK60, 6067TK62	2000	12.7L	790B	0.660 mm (0.026 in.)
6067HK62	2000	14L Australian	790C	0.660 mm (0.026 in.)

All slave piston adjustments shown here are current as of the date of this manual and supersede all previous adjustments.

XXXX = Model numbers to be determined.

Table 1-9 Jake Brake Model Information

NOTE:

All engines built after serial number 06R0004455 have the correct engine parts for engine brake installation. The model numbers have changed because of design changes in the engine brakes.

NOTE:

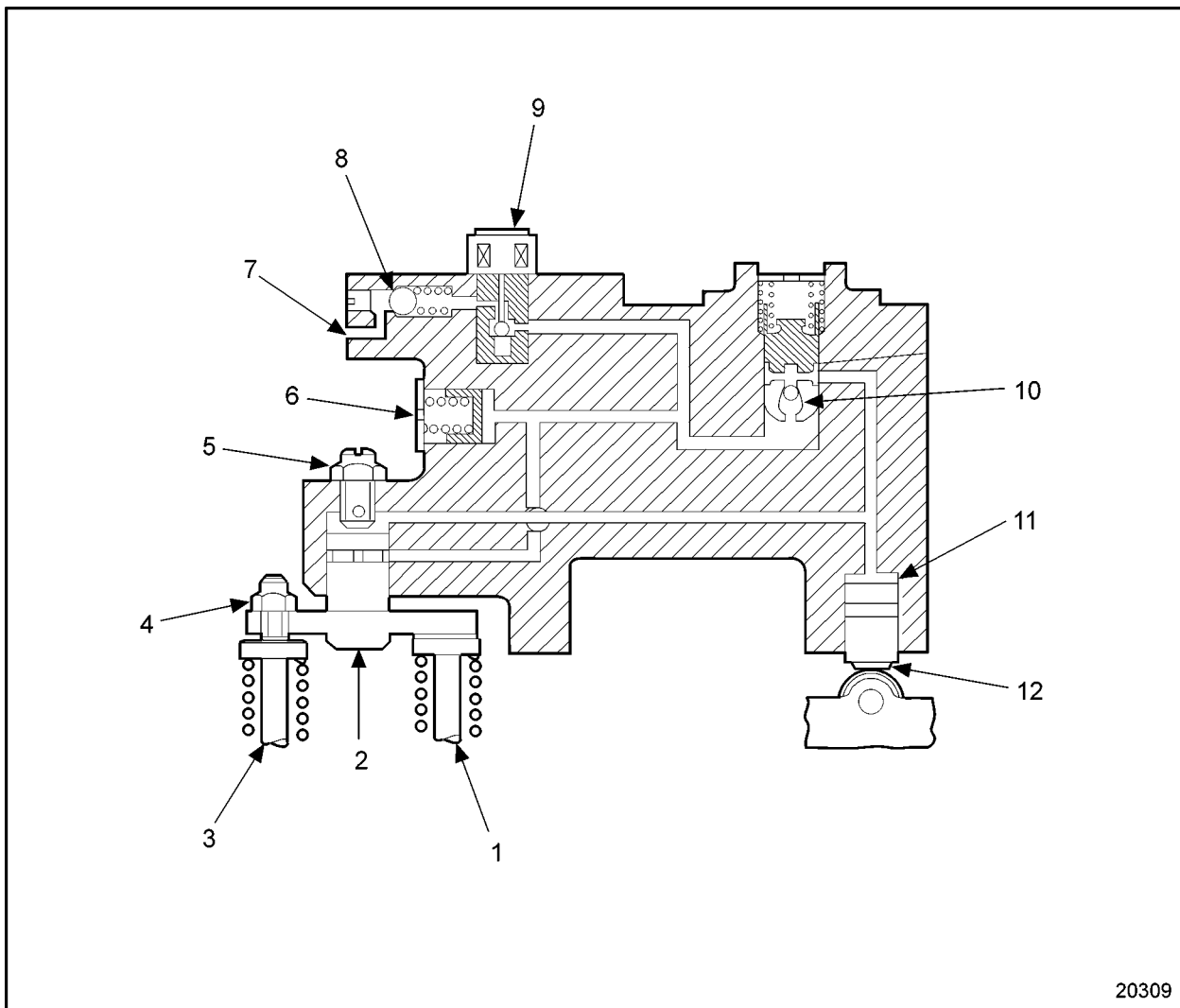
All Series 60 engines with serial numbers 06R0004455 or higher are Jake Brake ready. Do not install a Jake Brake on engines with lower serial numbers.

Effective December 16, 1999, Model 790 Jake Brakes are used on all Series 60 engines requiring an engine brake.

Former Jake Brake production models for the Series 60 engine were the 760A (which replaced model 760), 760B, 765, 765A, and 770.

Detroit Diesel engine model Nos. 6067GU28 and 6067GK28 are for bus/coach applications. Due to interference fits on some coach chassis, a two-housing Jake Brake kit may be required. Contact your Detroit Diesel Distributor for information on these kits.

Energizing the engine brake effectively converts a power-producing diesel engine into a power-absorbing air compressor. This is accomplished through motion transfer using a master-slave piston arrangement which opens cylinder exhaust valves near the top of the normal compression stroke, releasing the compressed cylinder charge to exhaust. See Figure 1-415.



- | | |
|---------------------------------|-----------------------------|
| 1. Exhaust Valve | 7. Oil In |
| 2. Slave Piston Assembly | 8. Check Valve (Model 760) |
| 3. Exhaust Valve | 9. Solenoid Valve |
| 4. Leveling Screw | 10. Control Valve |
| 5. Slave Piston Adjusting Screw | 11. Master Piston |
| 6. Accumulator | 12. Injector Pin and Roller |

Figure 1-415 Jake Brake Schematic

The blowdown of compressed air to atmospheric pressure prevents the return of energy to the engine piston on the expansion stroke, the effect being a net energy loss, since the work done in compressing the cylinder charge is not returned during the expansion process.

Exhaust blowdown occurs as the energized solenoid valve permits engine lube oil to flow under pressure through the control valve to both the master piston and the slave piston. See Figure 1-415.

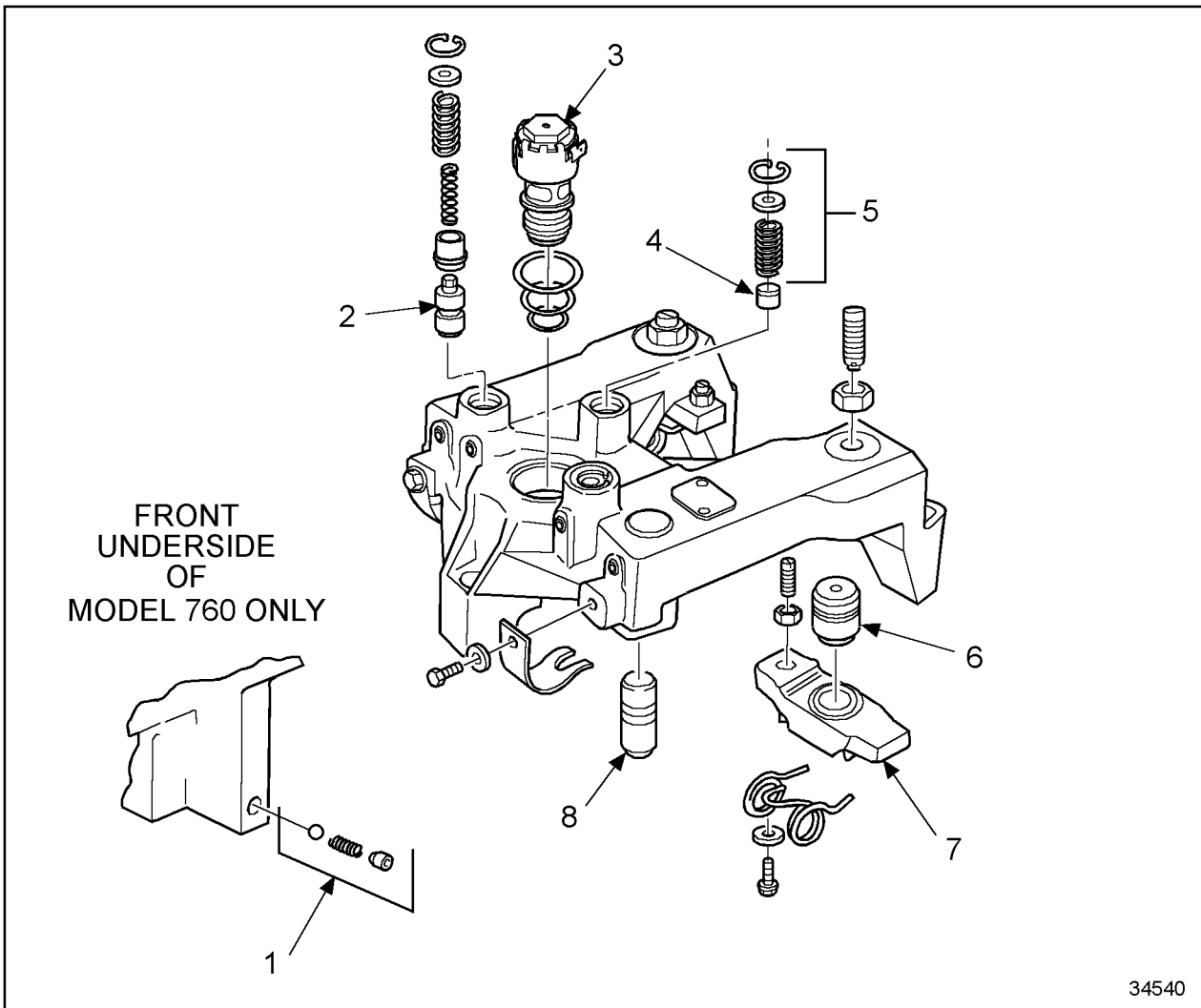
Oil pressure causes the master piston to move down, coming to rest on the injector rocker arm roller.

The injector rocker arm begins its travel as in the normal injection cycle, moving the master piston upward and directing high-pressure oil to the slave piston. The ball check valve in the control valve traps high-pressure oil in the master-slave piston system.

High pressure oil causes the slave piston to move down, momentarily opening the exhaust valves, while the engine piston is near its top-dead-center position, releasing compressed cylinder air to the exhaust manifold.

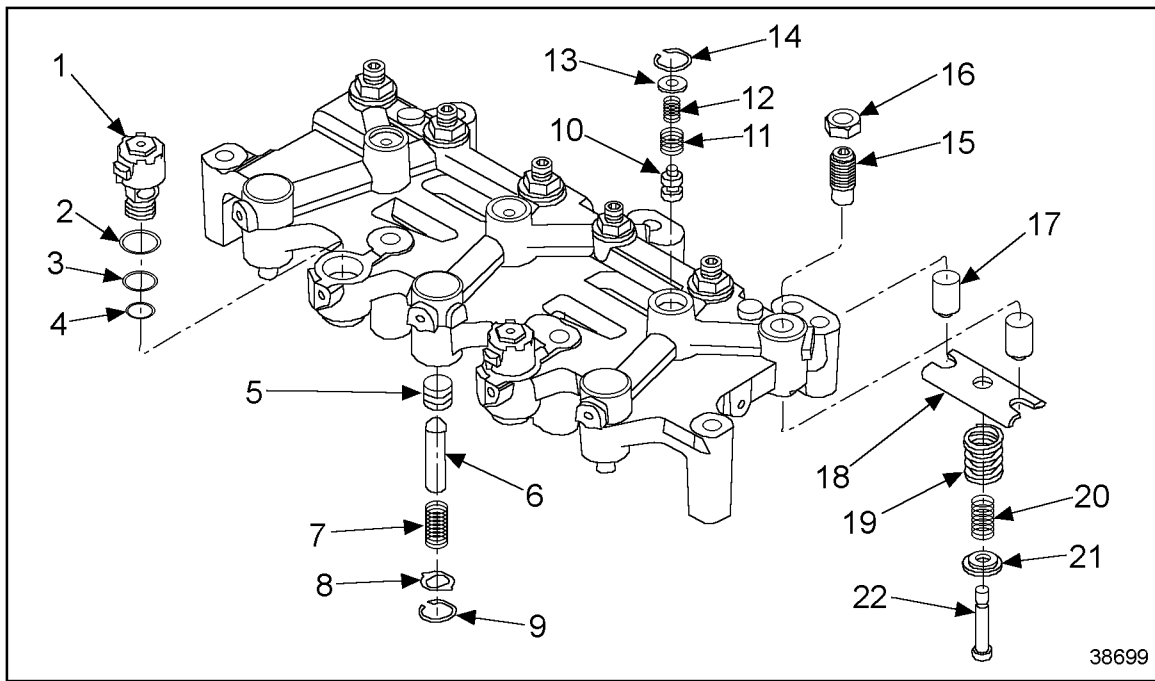
At the bottom of its stroke, the slave piston separates from the valve in the slave piston adjusting screw, allowing high pressure oil to flow into the accumulator. This reduces the pressure in the high pressure circuit, permitting the slave piston to retract and the exhaust valves to close in preparation for the normal exhaust valve cycle. The oil pressure reserved in the accumulator ensures that the hydraulic circuit is fully charged for the next cycle. Compressed air escapes to the atmosphere, completing a compression braking cycle.

The Jake Brake is electronically controlled. Jake Brake control system wiring will vary depending on the vehicle manufacturer. For a general overview of the Jake Brake, see Figure 1-416 and see Figure 1-416a.



- | | |
|--------------------------------------|------------------------|
| 1. Ball Check Valve (Model 760 Only) | 5. Power Lash Assembly |
| 2. Control Valve | 6. Slave Piston |
| 3. Solenoid Valve | 7. Bridge |
| 4. Accumulator Piston | 8. Master Piston |

Figure 1-416 Typical Model 760, 765, or 770 Jake Brake Assembly



- | | |
|--------------------------------|--------------------------------|
| 1. Solenoid Valve | 12. Inner Control Valve Spring |
| 2. Upper Seal | 13. Washer |
| 3. Center Seal | 14. Retaining Ring |
| 4. Lower Seal | 15. J-Lash® Screw |
| 5. Master Piston | 16. Locknut |
| 6. Master Piston Pushrod | 17. Slave Piston |
| 7. Master Piston Spring | 18. Slave Piston Bridge |
| 8. Washer | 19. Outer Slave Piston Spring |
| 9. Retaining Ring | 20. Inner Slave Piston Spring |
| 10. Control Valve | 21. Slave Piston Spring Seat |
| 11. Outer Control Valve Spring | 22. Shoulder Bolt |

Figure 1-416a Typical Model 790 Jake Brake Assembly

NOTICE:

This application and adjustment information must be strictly followed. Failure to follow these instructions may result in serious engine or engine brake damage.

1.29.1 Repair or Replacement of Jake Brake

To determine if repair is possible or replacement is necessary, perform the following procedure. See Figure 1-417.

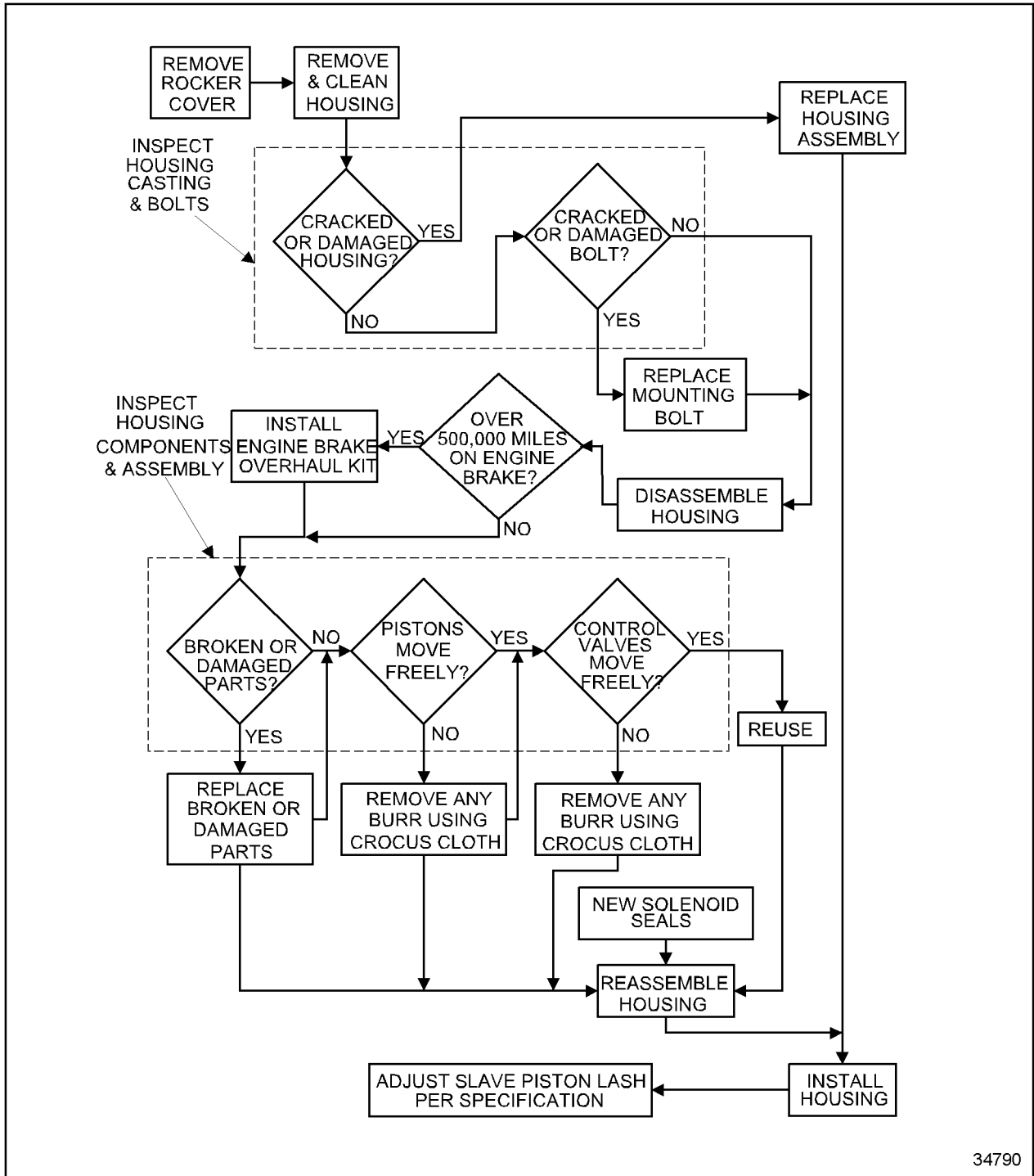


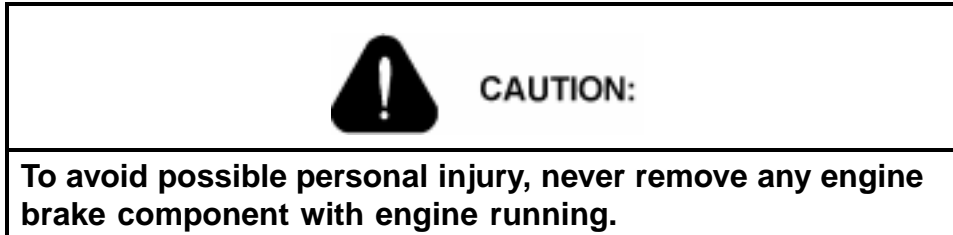
Figure 1-417 Jake Brake Repair or Replacement Flowchart

1.29.2 Removal of Model 760, 765, or 770 Jake Brake

Remove the model 760, 765, or 770 Jake Brake as follows:

NOTE:

The following procedures apply to Model 760, 765, and 777 Jake Brakes. For Model 790 Jake Brake removal procedures, refer to section 1.29.6.

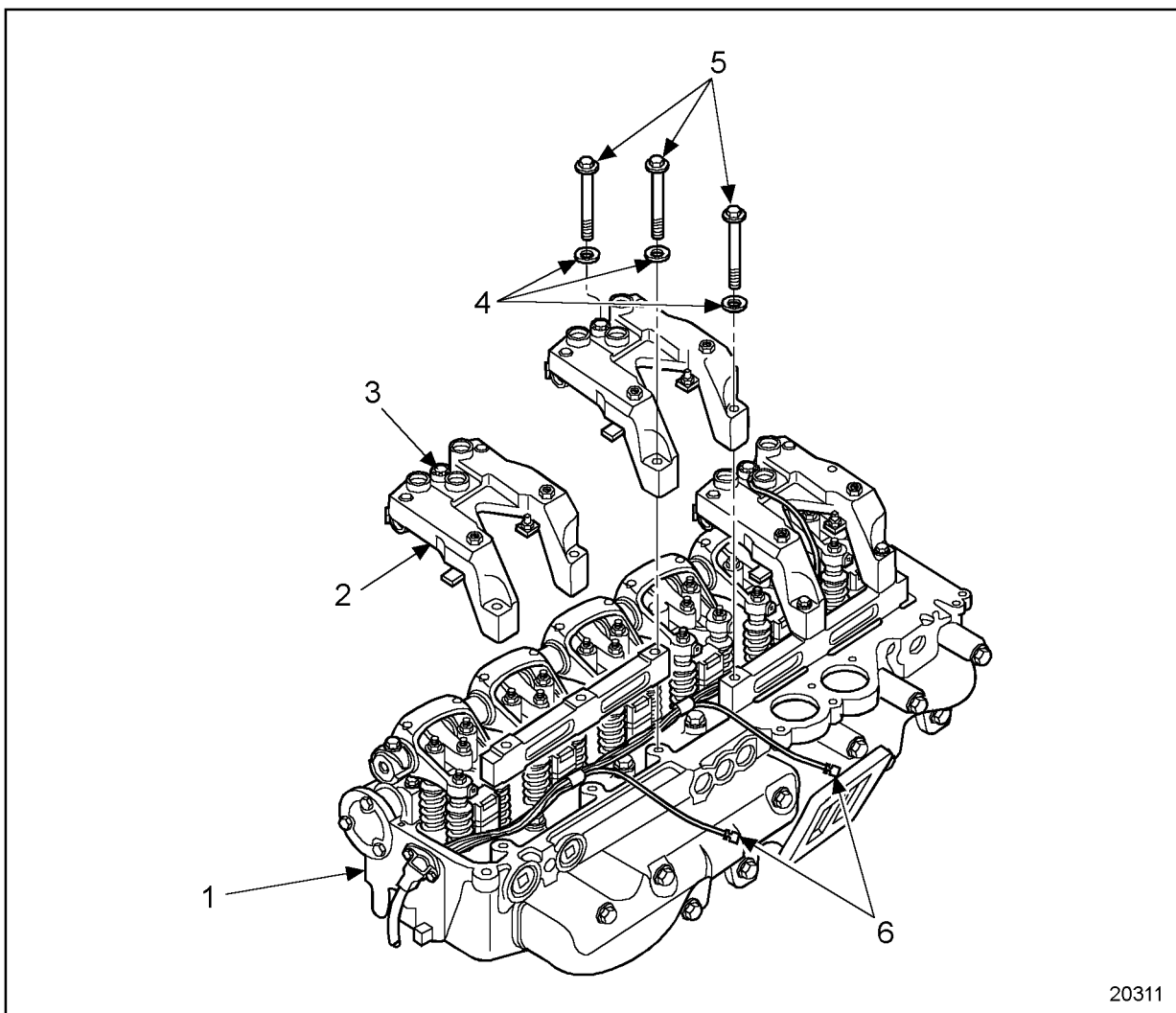


1. Disconnect starting power for engine. Refer to OEM guidelines.
2. Remove the engine rocker cover. Refer to section 1.6.2 for one-piece, refer to section 1.6.3 for two-piece and refer to section 1.6.5 for three-piece.

NOTE:

If the engine is equipped with an aluminum two-piece valve cover, remove only the upper valve cover when installing the engine brake.

3. Note the location of the rocker arm shaft, the exhaust valve rocker arm, the fuel injector rocker arm, and the intake valve rocker arm.
4. Disconnect the solenoid wiring harness connectors from the engine brake solenoids. See Figure 1-418.



- | | |
|------------------------|----------------------------|
| 1. Cylinder Head | 4. Washers (3 each) |
| 2. Jake Brake Assembly | 5. Mounting Bolts (3 each) |
| 3. Solenoid | 6. Engine Brake Harness |

Figure 1-418 Jake Brake Assembly

- Remove the nine mounting bolts and washers that secure the engine brake assemblies to the cylinder head. See Figure 1-418.

NOTE:

Only the Model 760 Jake Brake uses two different length mounting bolts. Six bolts, 120 mm (4.72 in.) long, are used on the exhaust side of the engine. Three bolts, 110 mm (4.33 in.) long, are used on the intake side of the engine. These bolts must be reinstalled in their correct positions.

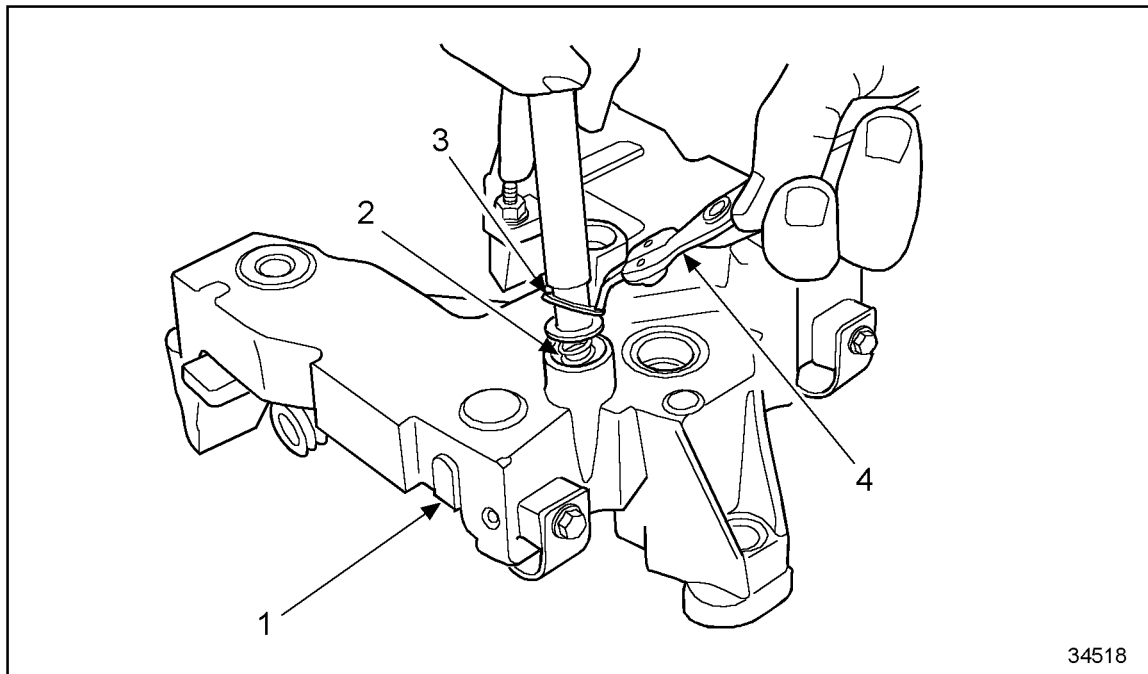
- Remove the engine brake assemblies and the spacer bar.

1.29.3 Disassembly of Model 760, 765, or 770 Jake Brake

Remove the control valve as follows:

	CAUTION:
To avoid personal injury, remove control valve covers carefully. Control valve covers are under load from the control valve springs.	

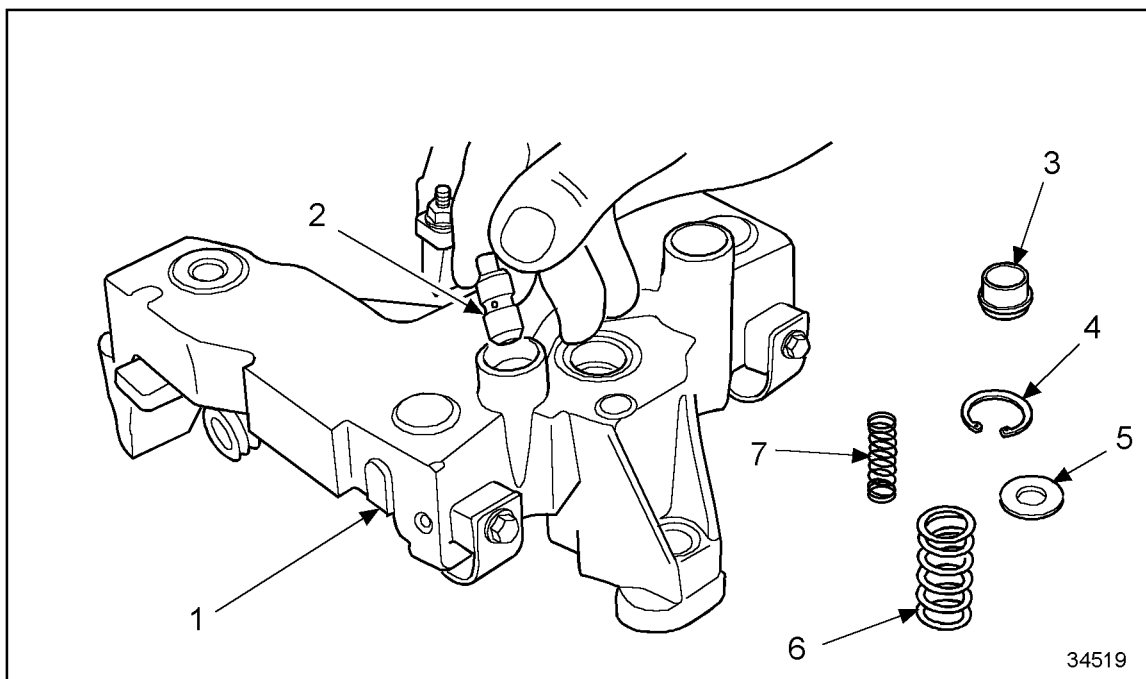
1. Press down on control valve washer using an appropriate diameter rod to relieve spring pressure. See Figure 1-419.



- | | |
|------------------------|-----------------------|
| 1. Jake Brake Assembly | 3. Snap Ring Retainer |
| 2. Spring | 4. Snap Ring Pliers |

Figure 1-419 Relieving Spring Pressure

2. Using retaining ring pliers, remove retaining ring.
3. Slowly remove cover until spring pressure ceases, then remove the two control valve springs and collar. See Figure 1-420.



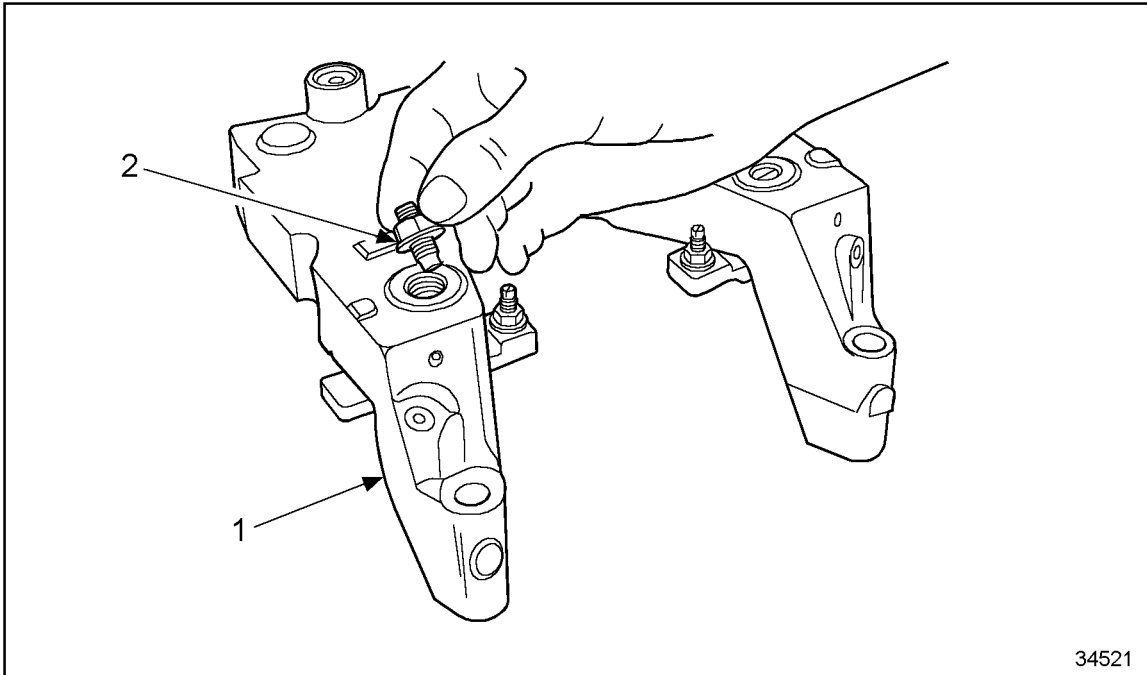
- | | |
|------------------------|-------------------------|
| 1. Jake Brake Assembly | 5. Washer |
| 2. Control Valve | 6. Collar Spring |
| 3. Collar | 7. Control Valve Spring |
| 4. Snap Ring Retainer | |

Figure 1-420 Removing Control Valve Springs and Collar

4. Using needle-nose pliers, reach into the bore and grasp the stem of the control valve. Remove control valve.

Remove the slave piston adjusting screw as follows:

1. Loosen slave piston adjusting screw locknut.
2. Remove adjusting screw from housing. See Figure 1-421.



1. Jake Brake Assembly

2. Slave Piston Adjusting Screw

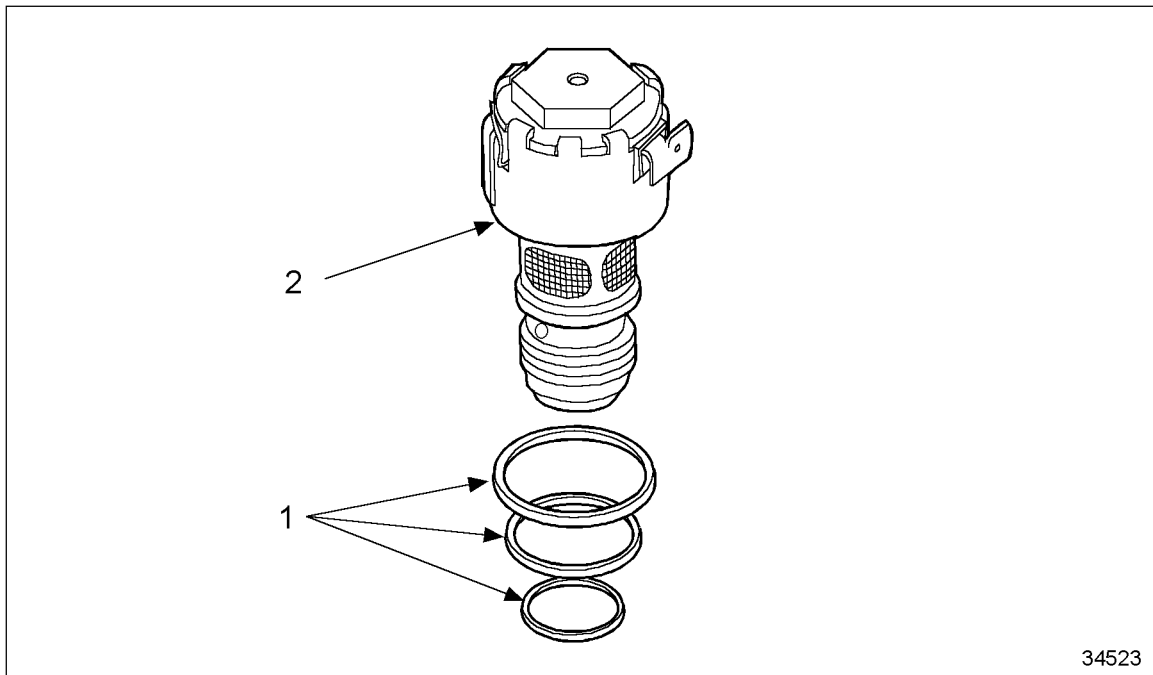
Figure 1-421 Removing Slave Piston Adjusting Screw

Remove the solenoid valve as follows:

NOTICE:

To avoid possible engine damage, do not disassemble or tamper with the solenoid valve.

1. Disconnect solenoid valve harness.
2. Using a 7/8 in. socket and extension for former solenoids or a 3/4 in., 6 point socket and extension for current solenoids, unscrew solenoid valve.
3. Remove and discard the three rubber seal rings. See Figure 1-422.



1. Seal Rings (3)

2. Solenoid

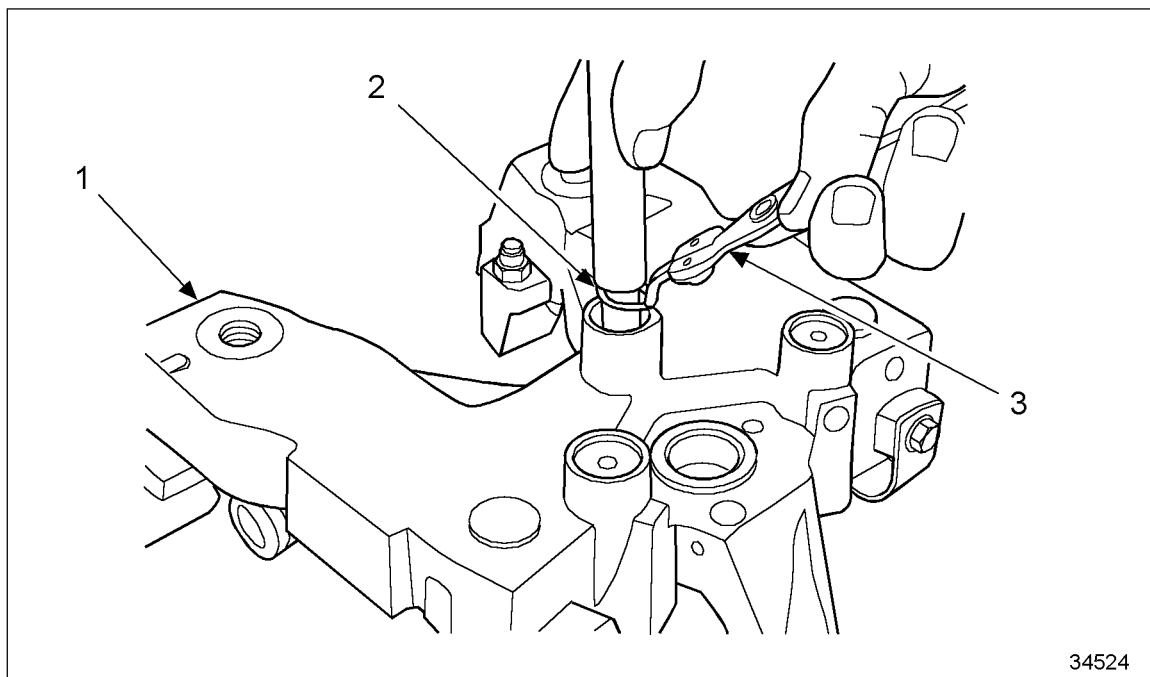
Figure 1-422 Removing Rubber Seal Rings

4. If the lower ring stays in the bottom of the housing bore, remove with a piece of wire.

Remove the accumulator as follows:

	CAUTION:
The accumulator spring is under strong compression. To avoid possible personal injury if the accumulator spring is discharged, wear safety glasses and use caution when removing the retaining ring and cover.	

1. Push down on the accumulator cover using the appropriate diameter rod, and remove the retaining ring. See Figure 1-423.



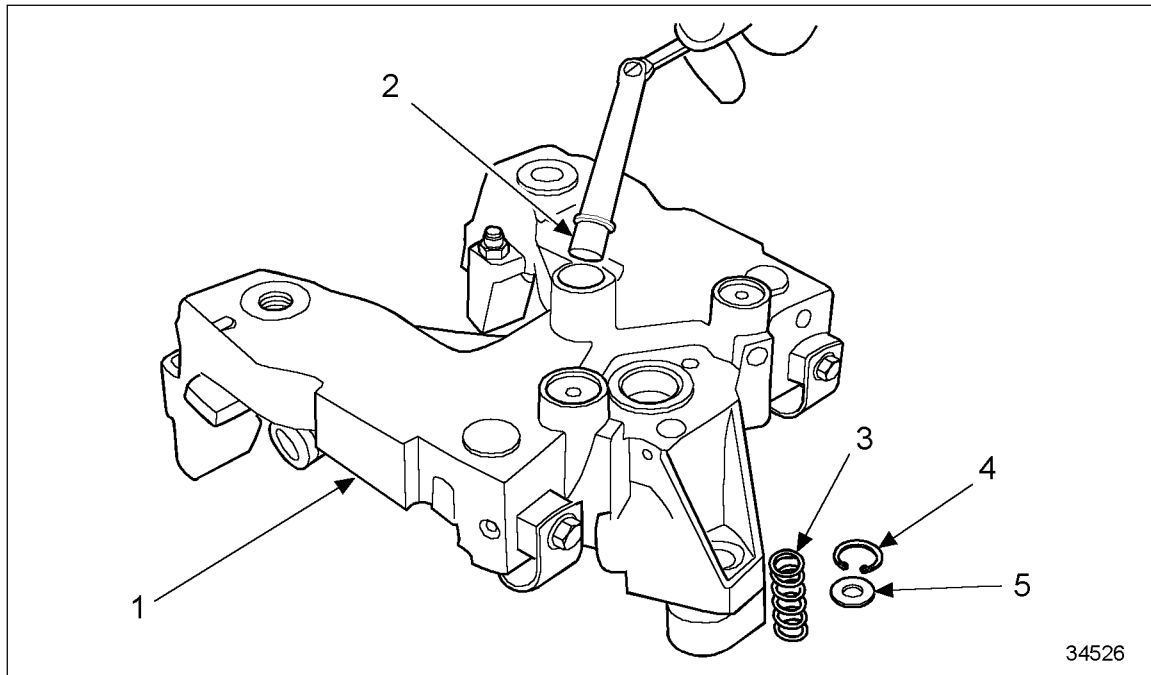
1. Jake Brake Assembly
2. Retaining Ring

3. Retaining Ring Pliers

Figure 1-423 Removing Retaining Ring

2. Relieve pressure on the accumulator cover.
3. Remove the cover and spring.

4. Use a magnet to remove the piston from the accumulator bore. See Figure 1-424.



- | | |
|------------------------|-------------------|
| 1. Jake Brake Assembly | 4. Retaining Ring |
| 2. Piston | 5. Washer |
| 3. Spring | |

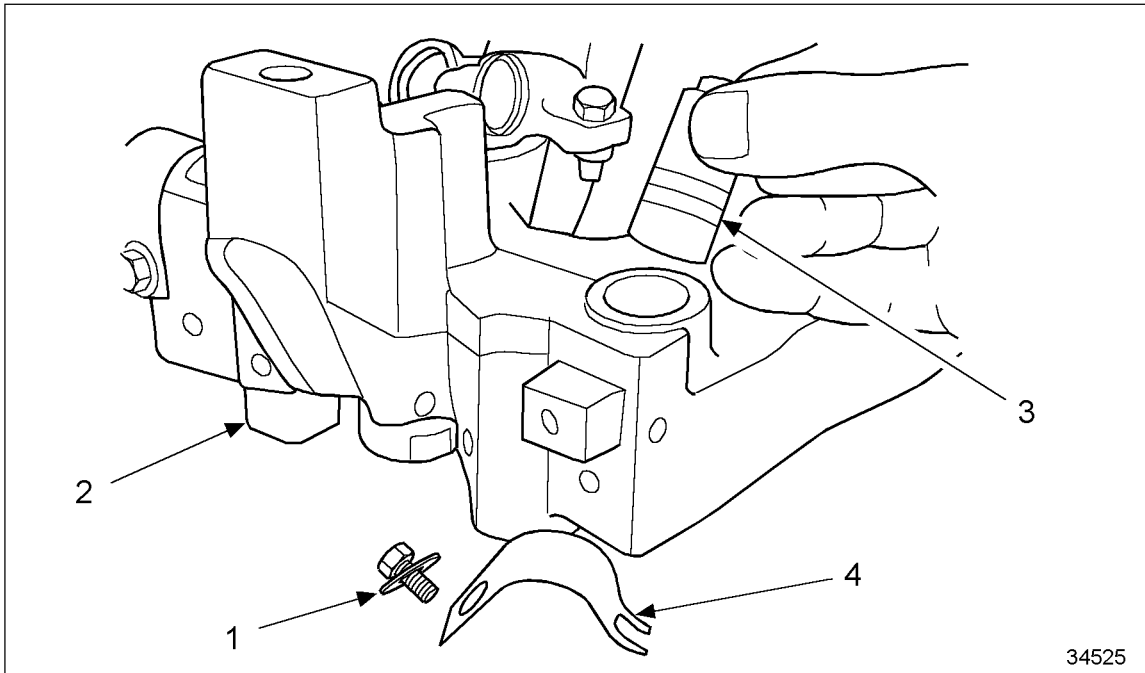
Figure 1-424 Removing Piston from Accumulator Bore with Magnet

Remove the master piston as follows:

1. Remove the screw, washer, and master piston spring from the housing.
2. Remove the master piston. See Figure 1-425.

NOTE:

Use needle-nose pliers, if necessary.



- | | |
|------------------------------|-------------------------|
| 1. Washer and Screw Assembly | 3. Master Piston |
| 2. Jake Brake Assembly | 4. Master Piston Spring |

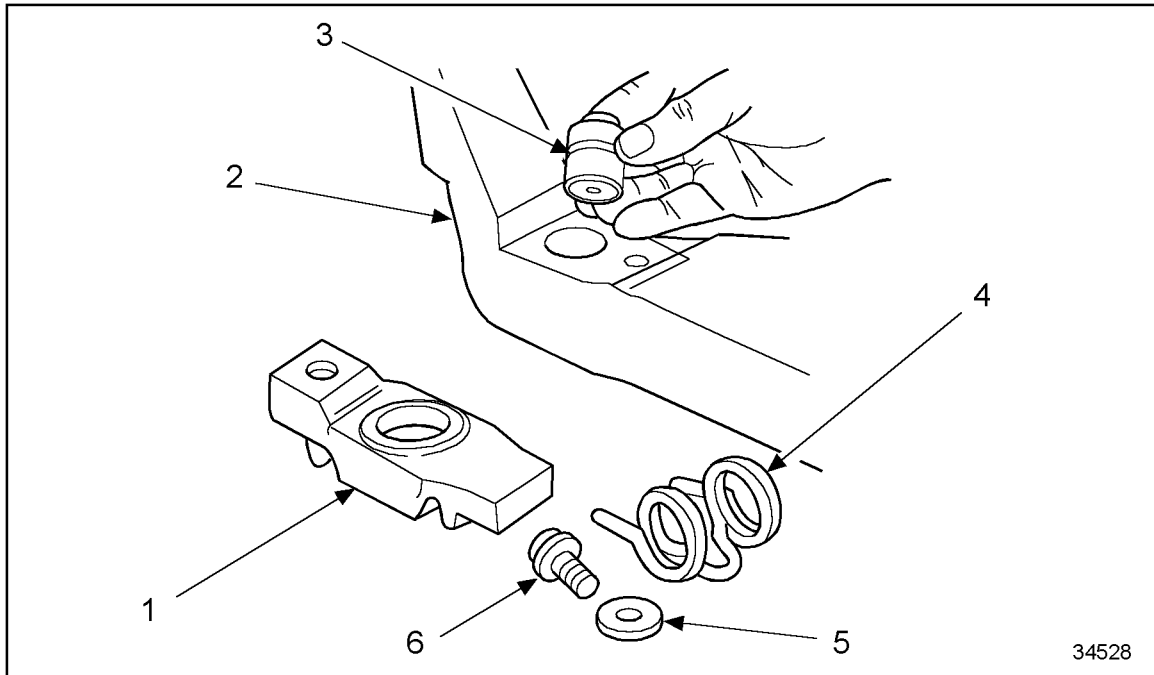
Figure 1-425 Removing The Master Piston

On Model 760 only, remove the ball check valve as follows:

1. Remove the plug.
2. Remove the ball check valve and spring.

Remove the slave piston as follows:

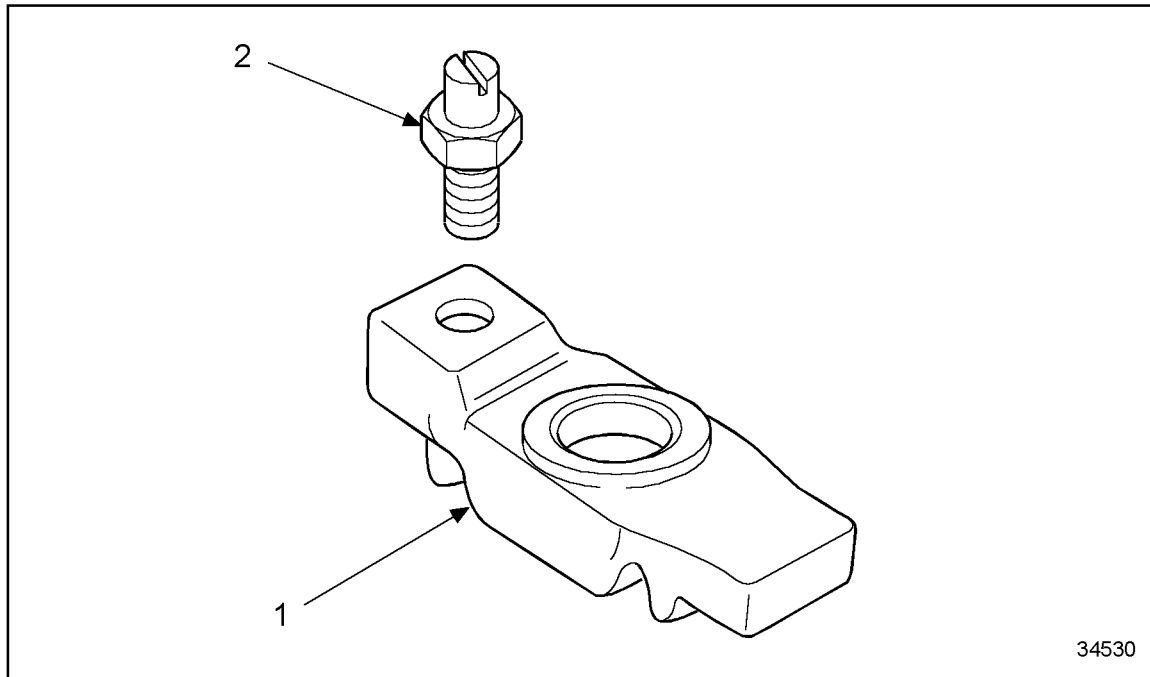
1. Remove the screw and spring that retains the slave piston return spring.
2. Remove the bridge and the slave piston. See Figure 1-426.



- | | |
|------------------------|------------------|
| 1. Slave Piston Bridge | 4. Return Spring |
| 2. Jake Brake Housing | 5. Washer |
| 3. Slave Piston | 6. Screw |

Figure 1-426 **Removing Bridge and Slave Piston**

3. Loosen the leveling screw locknut and remove the leveling screw from the bridge.
See Figure 1-427.



1. Slave Piston Bridge

2. Slave Piston Leveling Screw

Figure 1-427 Removing the Leveling Screw from the Bridge

The injector rocker arm contains a pin and roller for actuating the engine brake master piston. If excessive wear or damage to the roller is present, replace the rocker arm assembly. Refer to Section 1.6.2.

1.29.3.1 Cleaning of Model 760, 765, or 770 Jake Brake

Clean the Jake Brake as follows:

NOTE:

Use an OSHA-approved cleaning solvent when washing parts. Be sure to coat parts with clean engine oil when reinstalling them.

1. Wash the control valves with approved cleaning solvent.
2. Push a wire through the hole in the base of the valve to the distance required to ensure that the ball check is free.

NOTE:

The ball should lift with light pressure on the wire.



CAUTION:

To prevent possible personal injury when using compressed air, wear adequate eye protection (face plate or safety glasses) and do not exceed 40 psi (276 kPa) air pressure.

3. Dry the valve with compressed air, and wipe clean with a paper towel.
4. Thoroughly clean the control valve bore in the housing using clean paper towels.
5. Clean slave piston adjusting screw in an approved cleaning solvent.
6. Clean out the solenoid valve bore in the housing.

NOTICE:

Use clean paper towels to clean the solenoid valve bore. Never use rags, as they may leave lint and residue which can plug the oil passageways, causing Jake Brake malfunction.

7. Clean the master piston in approved cleaning solvent.

| 1.29.3.2 Inspection of Model 760, 765, or 770 Jake Brake

The Jacobs engine brake is typically a trouble-free device. However, inspections are necessary and some maintenance is required. Use the following procedures to keep the engine brake in top condition.

Inspect the Jake Brake as follows:

1. Inspect slave piston adjusting screw for protrusion, spring pressure and freedom of movement.

NOTE:

The plunger should protrude from the bottom of the screw, have light spring pressure apparent when depressed, and move freely. Be sure the retaining ring is fully engaged in its groove (groove is located on the bottom of the reset screw and top of the POWER-LASH assembly).

- [a] If the plunger does not protrude, the spring does not have light pressure or does not move freely, replace the entire screw assembly. Refer to Section 1.29.4
 - [b] If the slave piston adjusting screw meets specifications, continue with inspection.
2. Inspect the accumulator for wear or damage.
 - [a] If worn or damaged, replace the accumulator. Refer to Section 1.29.4.
 - [b] If accumulator is not worn or damaged, continue with inspection.
 3. Inspect the master piston bore for wear or damage.

NOTE:

Some wear marks are permissible.

- [a] If worn or damaged, replace the master piston. Refer to Section 1.29.4.
 - [b] If not worn or damaged, continue with inspection.
4. Apply clean lube oil to the piston, and insert into bore.

NOTE:

Master piston should move in and out freely with no binding.

- [a] If binding occurs, replace master piston and/or housing. Refer to Section 1.29.4.
 - [b] If no binding occurs, continue with inspection.
5. Inspect master piston spring for relaxation.

NOTE:

The spring should hold the master piston completely in the housing.

- [a] If relaxed, replace the spring. Refer to Section 1.29.4.
- [b] If spring holds tightly, continue with inspection.

6. Inspect the ball check valve (Model 760 only) for wear or damage.
 - [a] If worn or damaged, replace ball check valve. Refer to Section 1.29.4.
 - [b] If not worn or damaged, proceed with inspection.
7. Inspect slave piston components for excessive wear or damage.
 - [a] If worn or damaged, replace slave piston component.
 - [b] If not worn or damaged, proceed with inspection.

1.29.3.3 Inspection of Control Valve

Inspect the control valve as follows:

1. Dip the control valves in clean lube oil.
2. Holding the control valve by the stem, let it drop into the bore.
 - [a] If binding occurs or if the ball sticks in the valve, replace the control valve. Refer to Section 1.29.4.
 - [b] If no binding occurs and the ball does not stick in the control valve, assemble the Jake Brake. Refer to Section 1.29.4.

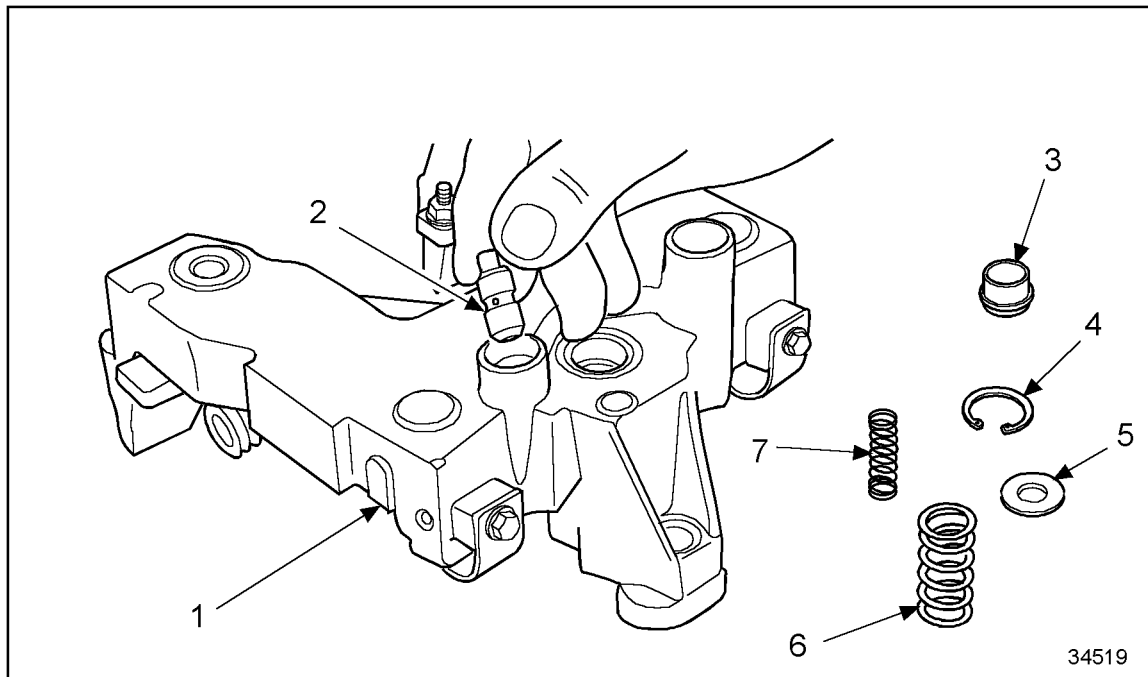
1.29.4 Assembly of Model 760, 765, or 770 Jake Brake

Install the control valve as follows:

1. Slip the control valve into the bore. See Figure 1-428.

NOTE:

Make sure the control valve collar is installed with the longer sleeve area facing up. If the collar is installed upside down, the engine brake cylinder will not operate.



- | | |
|------------------------|-------------------------|
| 1. Jake Brake Assembly | 5. Washer |
| 2. Control Valve | 6. Collar Spring |
| 3. Collar | 7. Control Valve Spring |
| 4. Snap Ring Retainer | |

Figure 1-428 Installing the Control Valve

2. Install the control valve collar and two springs.

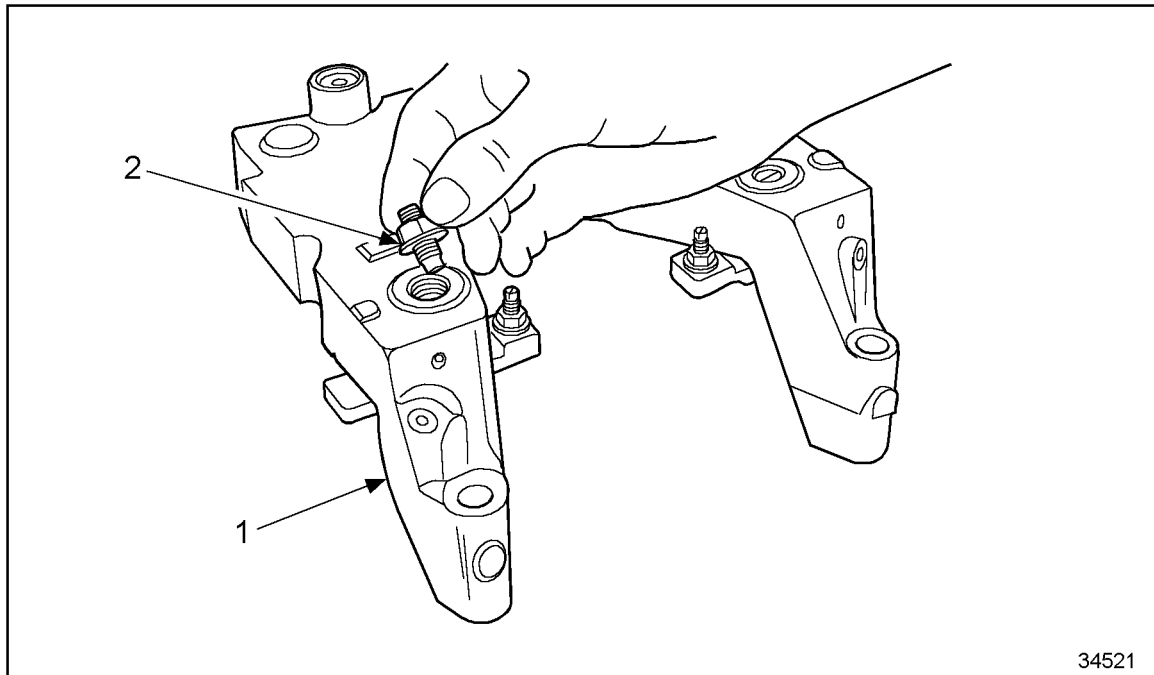
NOTE:

Ensure the collar is installed with the longer sleeve area facing up. If the collar is installed upside down, the engine brake cylinder will not operate.

3. Press the cover (washer) into place.
4. While holding the cover tightly in place, install the retaining ring.
5. Rotate retaining ring ears 90 degrees to assure ring is seated in groove.

Install the slave piston adjusting screw as follows:

1. Place the screw in the housing. See Figure 1-429.



1. Jake Brake Assembly

2. Slave Piston Adjusting Screw

Figure 1-429 Installing the Slave Piston Adjusting Screw

2. Torque the slave piston adjusting screw locknut to 35 N·m (25 lb·ft).

Install the solenoid valve as follows:

NOTE:

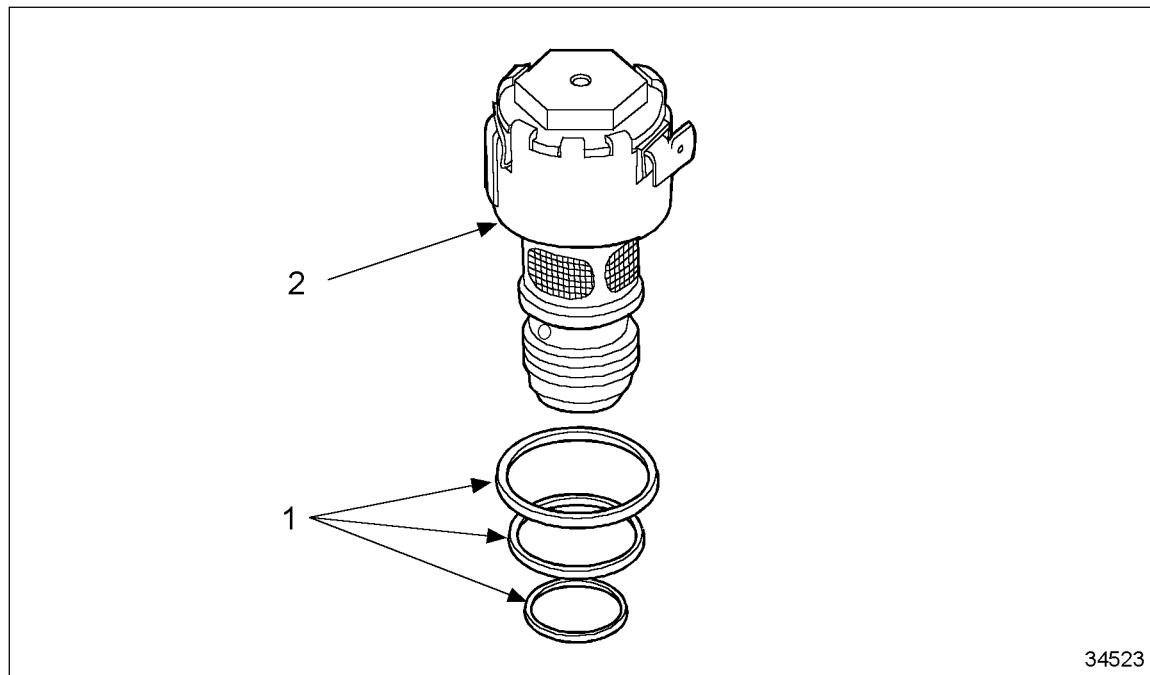
As of October 19, 1997, former solenoids have been replaced with the current improved solenoids. The current solenoids have an increased installation torque and improved durability. The current solenoid is interchangeable with the former.

1. Coat new solenoid valve seal rings with clean lube oil.

NOTE:

Use current upper seals when installing current solenoids. New seals are identified with yellow stripes.

2. Install the upper and center seal rings on the solenoid valve body and the lower seal ring into the bottom of the bore in the housing. See Figure 1-430.



1. Seal Rings (3)

2. Solenoid

Figure 1-430 Installation of Solenoid Valve Seal Rings

3. Make sure the seals are seated properly.
4. Using a 7/8 in. socket and extension for former solenoids or a 3/4 in., 6 point socket and extension for current solenoids, carefully screw the solenoid valve into the housing without unseating the seals.
5. Torque the former solenoid to 12.4 N·m (9 lb·ft). Torque the current solenoid to 20 N·m (15 lb·ft.)

NOTE:

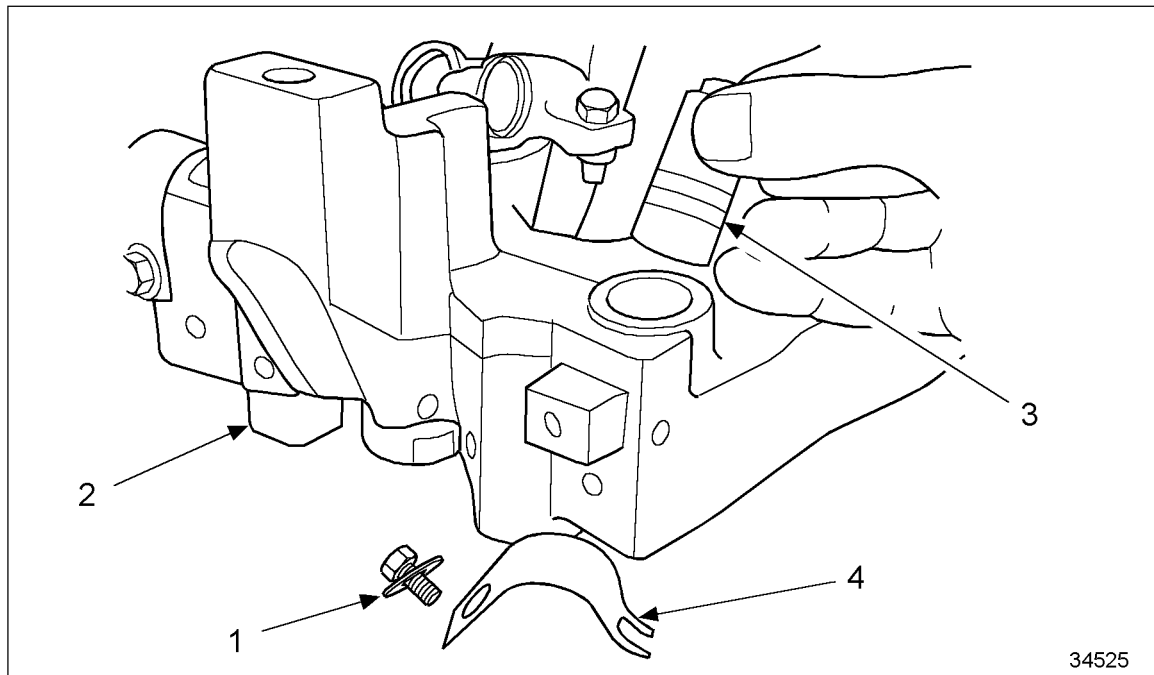
Be careful not to twist the seals while installing.

Install the accumulator as follows:

1. Place the piston into the accumulator bore.
2. Insert the spring, and install the cover.
3. Push down the accumulator cover, and insert retaining ring.

Install the master piston as follows:

1. Apply clean lube oil to the piston.
2. Insert master piston into bore. See Figure 1-431.



- | | |
|------------------------------|-------------------------|
| 1. Washer and Screw Assembly | 3. Master Piston |
| 2. Jake Brake Assembly | 4. Master Piston Spring |

Figure 1-431 **Inserting Master Piston into Bore**

3. Install spring, washer, and screw.

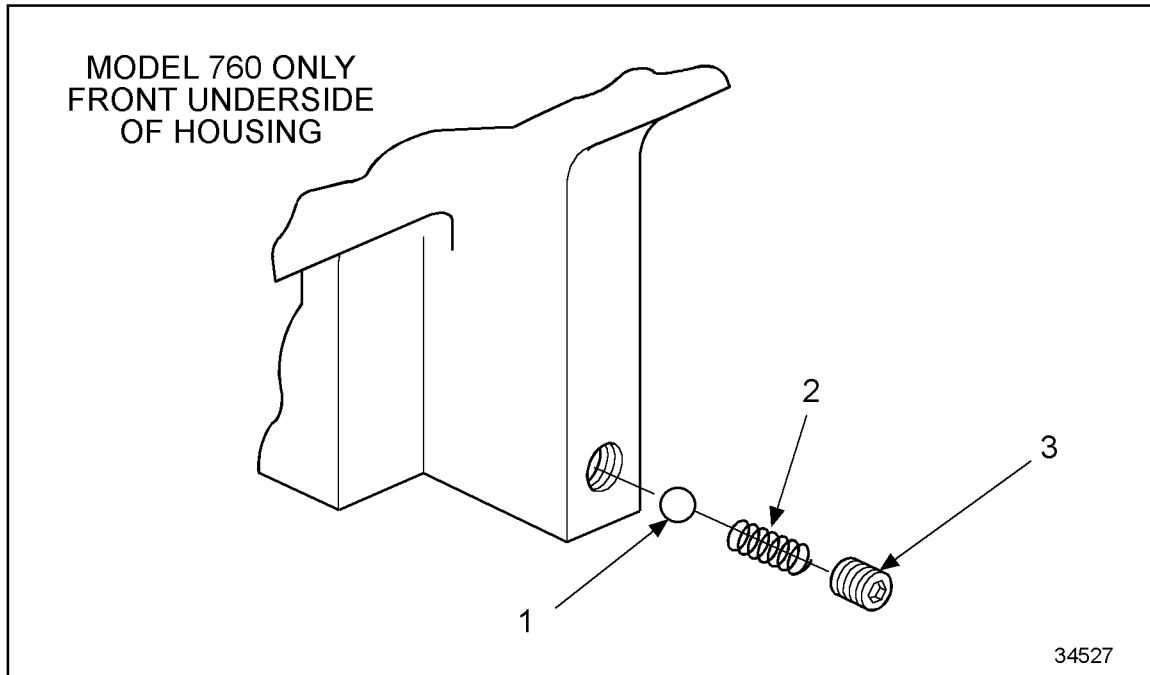
NOTE:

Make sure spring legs are centered around master piston boss.

4. Torque screw to 10 N·m (7.4 lb·ft).

On model 760 only, install the ball check valve as follows:

1. Install the ball check valve and spring. See Figure 1-432.



1. Ball Check Valve

3. Pipe Plug

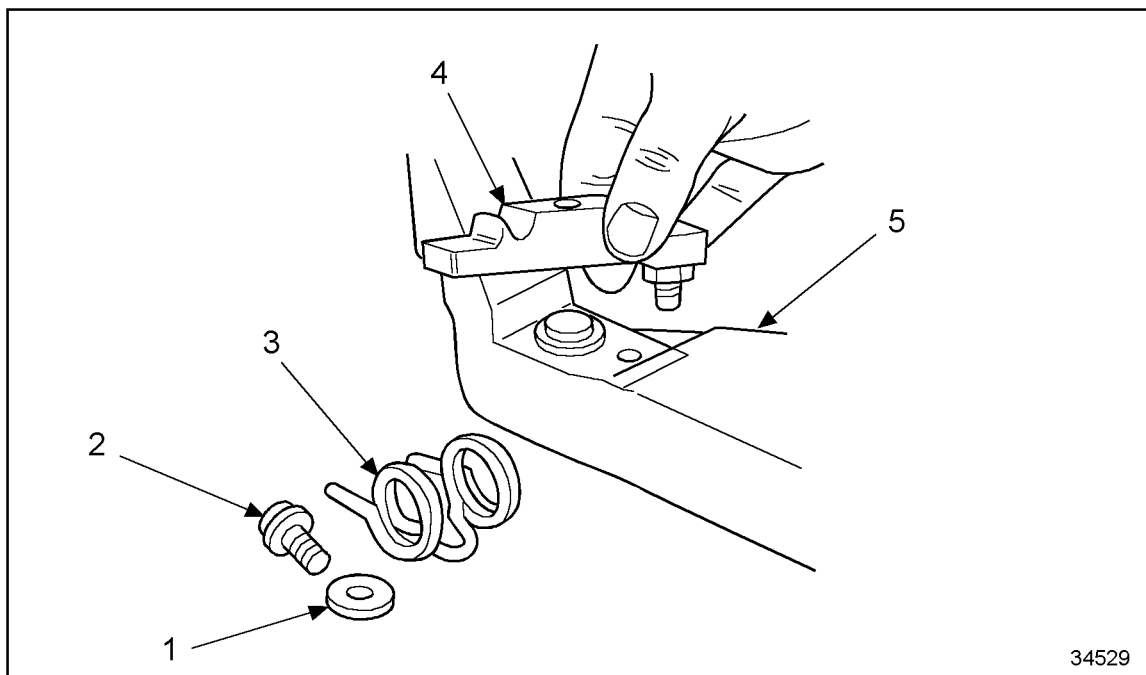
2. Spring

Figure 1-432 Installation of Ball Check Valve

2. Insert the plug. Torque pipe plug to 11.2 N·m (8.3 lb-ft).

Install the slave piston as follows:

1. Install the screw from the slave piston side of the bridge.
2. Install the leveling screw locknut.
3. Install the bridge with the leveling screw toward the center of the housing.
See Figure 1-433.



- | | |
|-------------------|-----------------------|
| 1. Washer | 4. Bridge Assembly |
| 2. Screw | 5. Jake Brake Housing |
| 3. Torsion Spring | |

Figure 1-433 **Installing Bridge with Leveling Screw Toward Center of Housing**

4. Install the slave piston assembly torsion spring with the ends over the bridge.
See Figure 1-434.

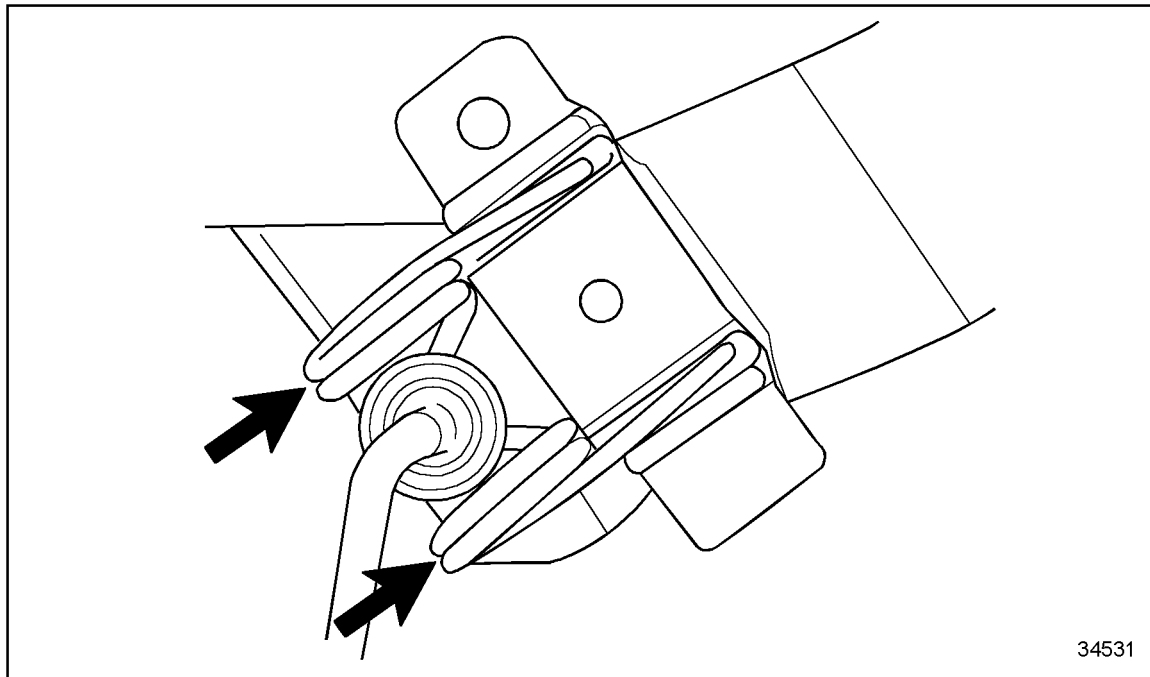


Figure 1-434 **Installing the Slave Piston Assembly Torsion Spring**

5. Install the screw over the center part of the spring.

NOTICE:
While tightening the screw on the torsion spring, push the spring toward the slave piston assembly. Failure to do so may result in contact between the intake valve adjusting screw and torsion spring. Serious engine damage may result.

6. Torque the screw to 20 N·m (15 lb·ft.).
7. Torque the slave piston leveling screw locknut to 47 N·m (35 lb·ft.).

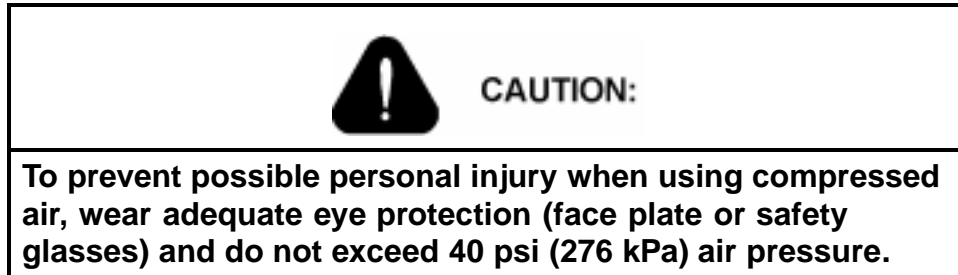
1.29.5 Installation of Model 760, 765, or 770 Jake Brake

Install the model 760, 765, or 770 Jake Brake as follows:

NOTE:

The following procedures apply to Model 760, 765, and 770 Jake Brakes. For Model 790 Jake Brake installation procedures, refer to section 1.29.10.

1. Adjust the intake and exhaust valve clearances and set the injector heights. Refer to section .



2. Attach the length of tubing to a blow gun nozzle, and blow out the oil from the bolt holes.
3. Cover the holes with hand towels to minimize oil spray.

NOTE:

Removing the oil from the bolt holes prevents the cylinder head from cracking when tightening the bolts.

4. Place the spacer bar on the exhaust manifold side of the cylinder head with the "OUT" markings adjoining each other and facing the exhaust manifold. See Figure 1-435, and see Figure 1-436.

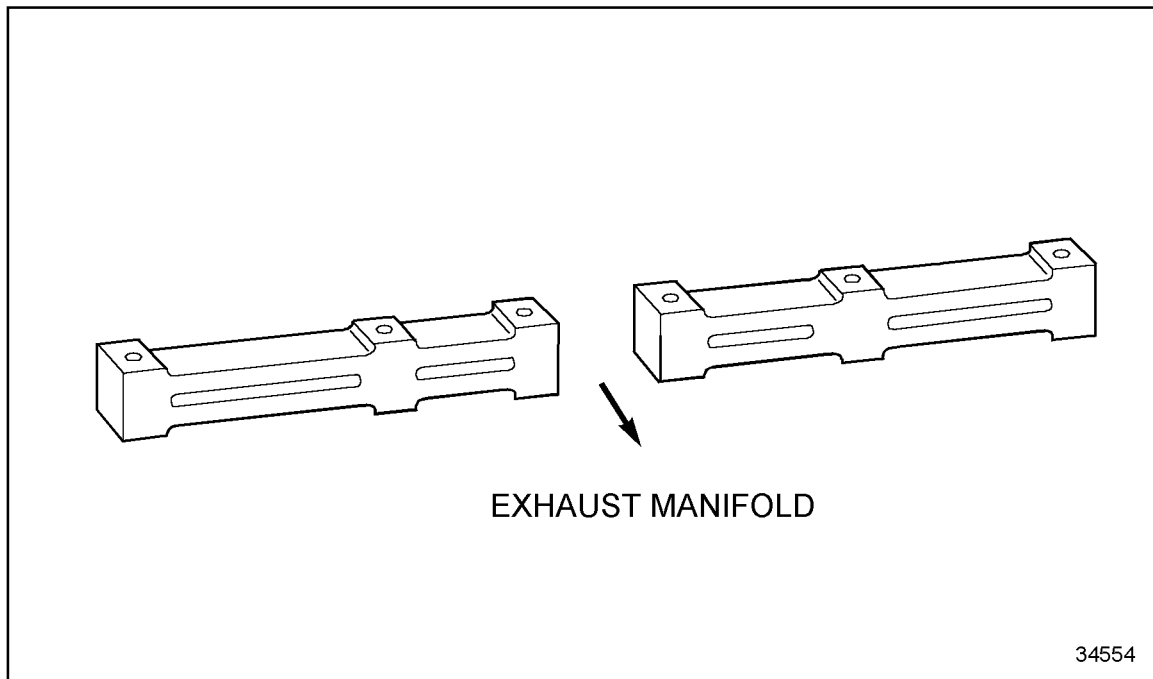


Figure 1-435 **Spacer Bars with "Out" Marks Adjoined**

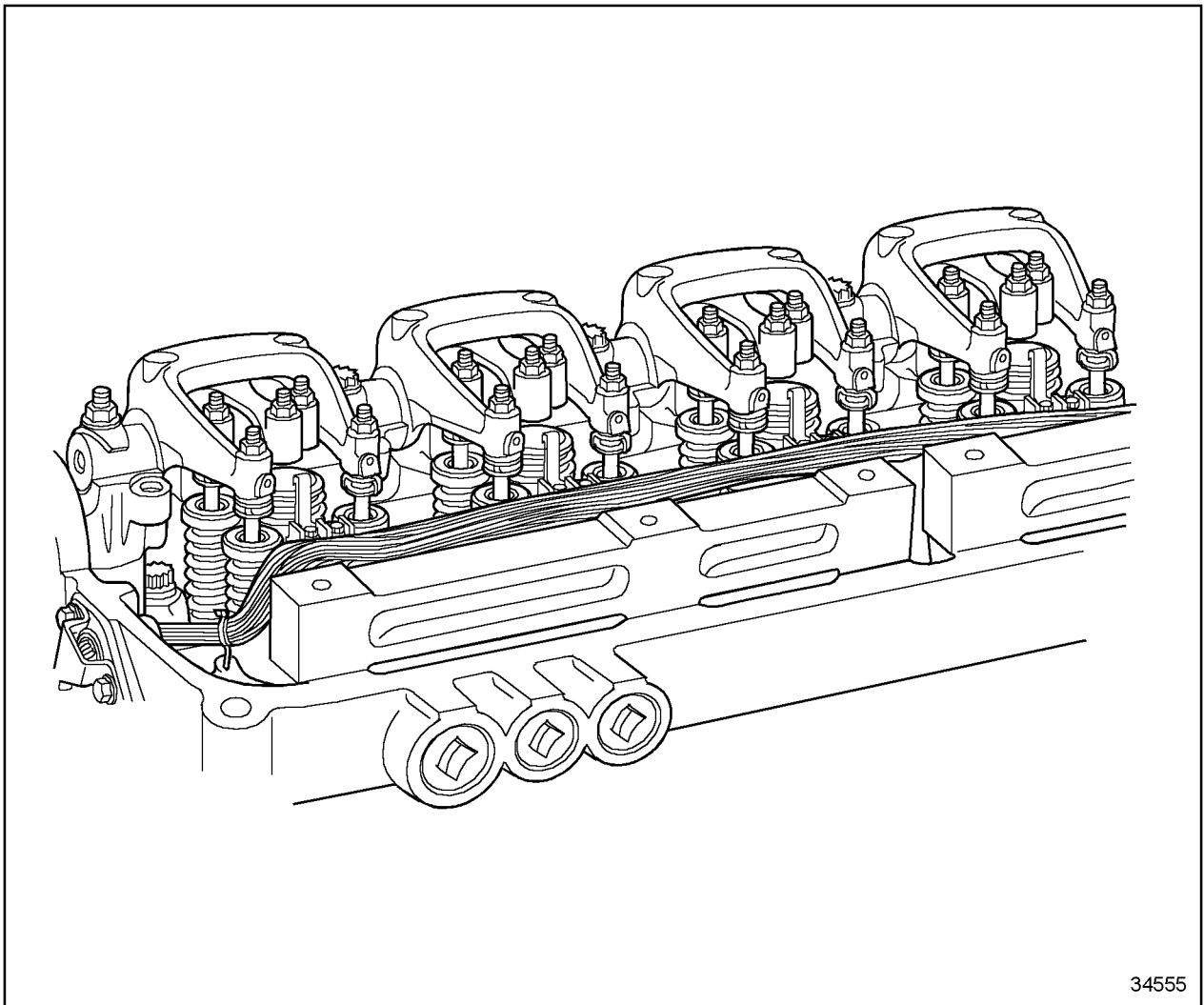


Figure 1-436 **Location of Spacer Bars**

5. Place the three engine brake housings over the rocker shafts with the solenoid valves toward the camshaft side of the engine.

NOTE:

Be sure housings do not interfere with wiring harness.

NOTICE:

Do not mix the rocker arm shaft bolts and the Jake Brake mounting bolts. If the rocker arm shaft bolt is mistakenly used to mount the Jake Brake housing, the longer shoulder on the bolt will block the oil supply to the Jake Brake on the camshaft side of the housing. The brake will not retard the engine as designed. This condition could cause loss of vehicle braking control on downgrades, which may create a risk of personal injury to the vehicle operator or other persons and damage to the vehicle or property of others.

NOTE:

The rocker arm shaft mounting bolt and Jake Brake mounting bolt, part of the Jake Brake assembly, are similar in appearance. Both are M12 x 110 mm (4.33 in.) long and have 12-point heads.

NOTE:

In the event of a housing hold down bolt failure on a Jacobs engine brake housing, replace all bolts on that particular housing.

NOTICE:

Use bolts that have the Jacobs logo, circled "J". Installation of bolts that do not have the circled "J" may result in damage to the engine, engine brake or both.

- [a] The Jake Brake bolt has the Jacobs logo (circled "J") and the letters "EF" marked on the head. The bolt length is no longer marked atop the bolt head.
- [b] The DDC rocker arm shaft bolt has the DDC logo (spinning arrows) and the vendor I.D. (F-C) on its head.
- [c] Jake Brake model 760 requires two bolts along with one bolt and new washers.

NOTE:

Be sure that only Jake Brake bolts, see Figure 1-437, are installed in the Jake Brake housing.

[d] The DDC bolt shoulder is much longer, 17.0 mm (0.669 in.) versus 4 mm (0.157 in.) than the Jake Brake bolt. See Figure 1-437.

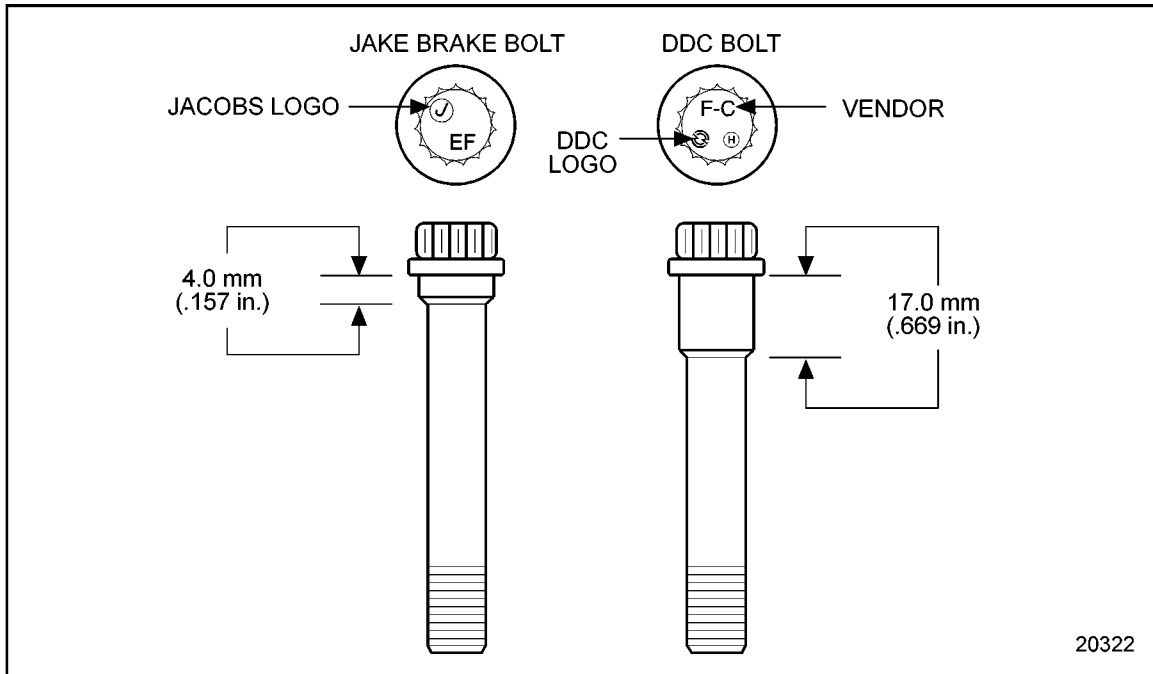
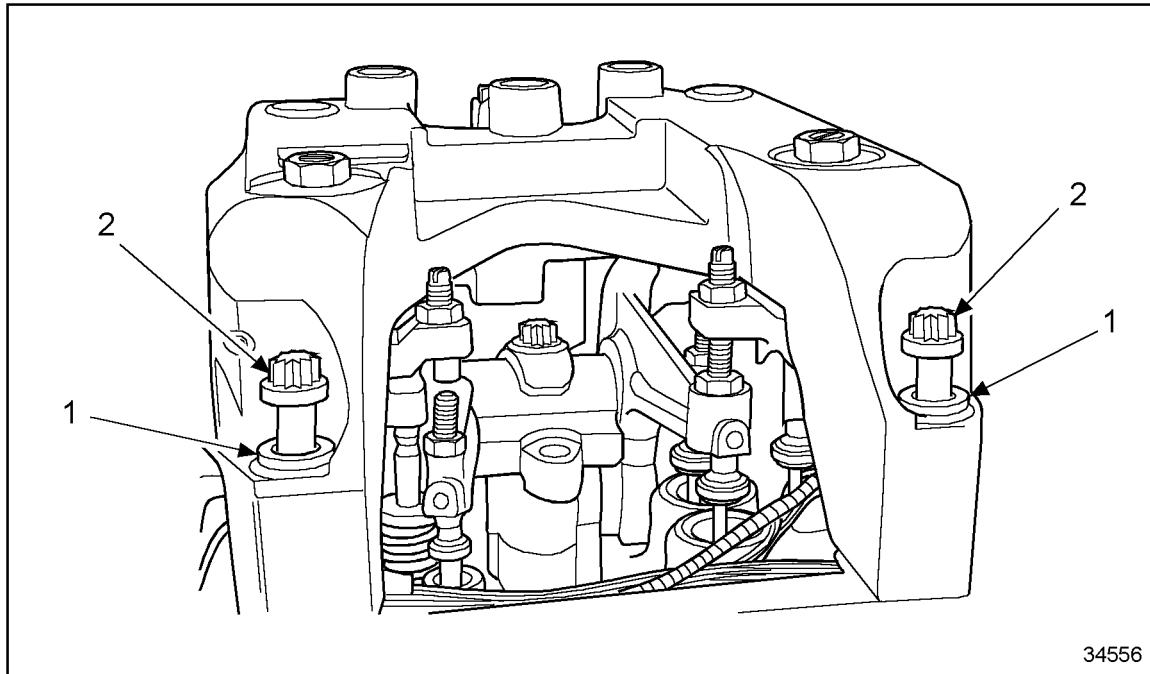


Figure 1-437 Jake Brake and DDC Bolt Identification

NOTICE:

The model 760 uses two lengths of mounting bolts. Six 120 mm bolts should be installed on the exhaust side of the engine. Three 110 mm bolts should be installed on the camshaft side of the engine. Failure to do so will result in engine damage.

6. On model 760, install one washer onto each 120 mm (4.75 in.) bolt, and insert into brake housing on the exhaust manifold side (two per housing). See Figure 1-438.

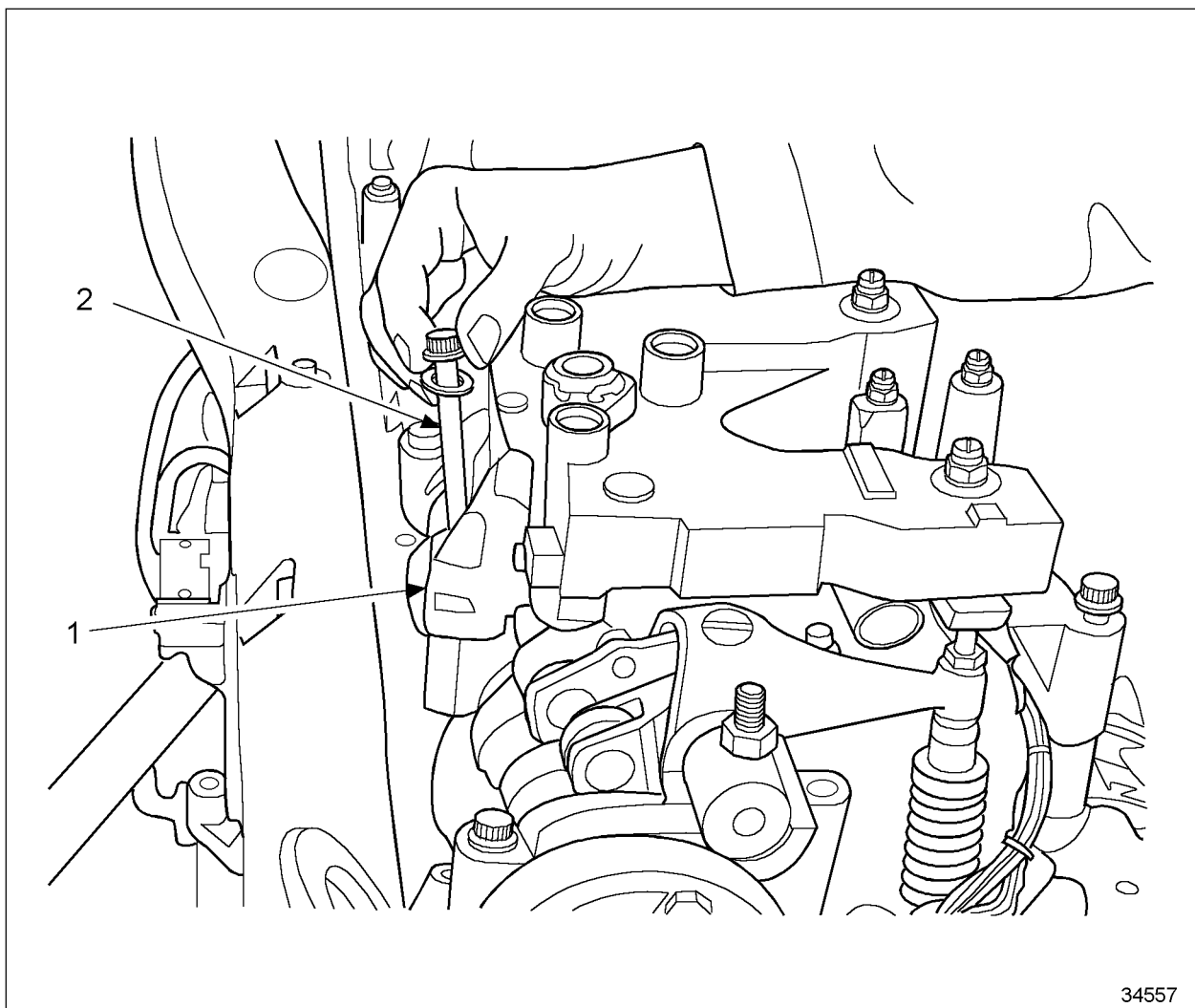


1. Washer

2. Long Bolt

Figure 1-438 Installation of Brake Housing Bolts on Exhaust Manifold Side

- On model 760, install one washer on the 110 mm (4.375 in.) bolt, and insert into brake housing at the camshaft side (one per housing). See Figure 1-439.



1. Jake Brake Housing Assembly

2. Mounting Bolt

Figure 1-439 Installation of Brake Housing Bolts on Camshaft Side

- On models 760A, 760B, 765, and 765A, lubricate each hold down bolt with clean engine oil.

NOTE:

All the housing mounting bolts for these models are the same length of 110 mm (4.375 in.).

- On models 760A, 760B, 765, and 765A, install a washer on each bolt, and install into housings (three bolts per housing).

10. On models 760A and 765, move the housing from side to side, and locate the housing in the center position of the movement. See Figure 1-440.

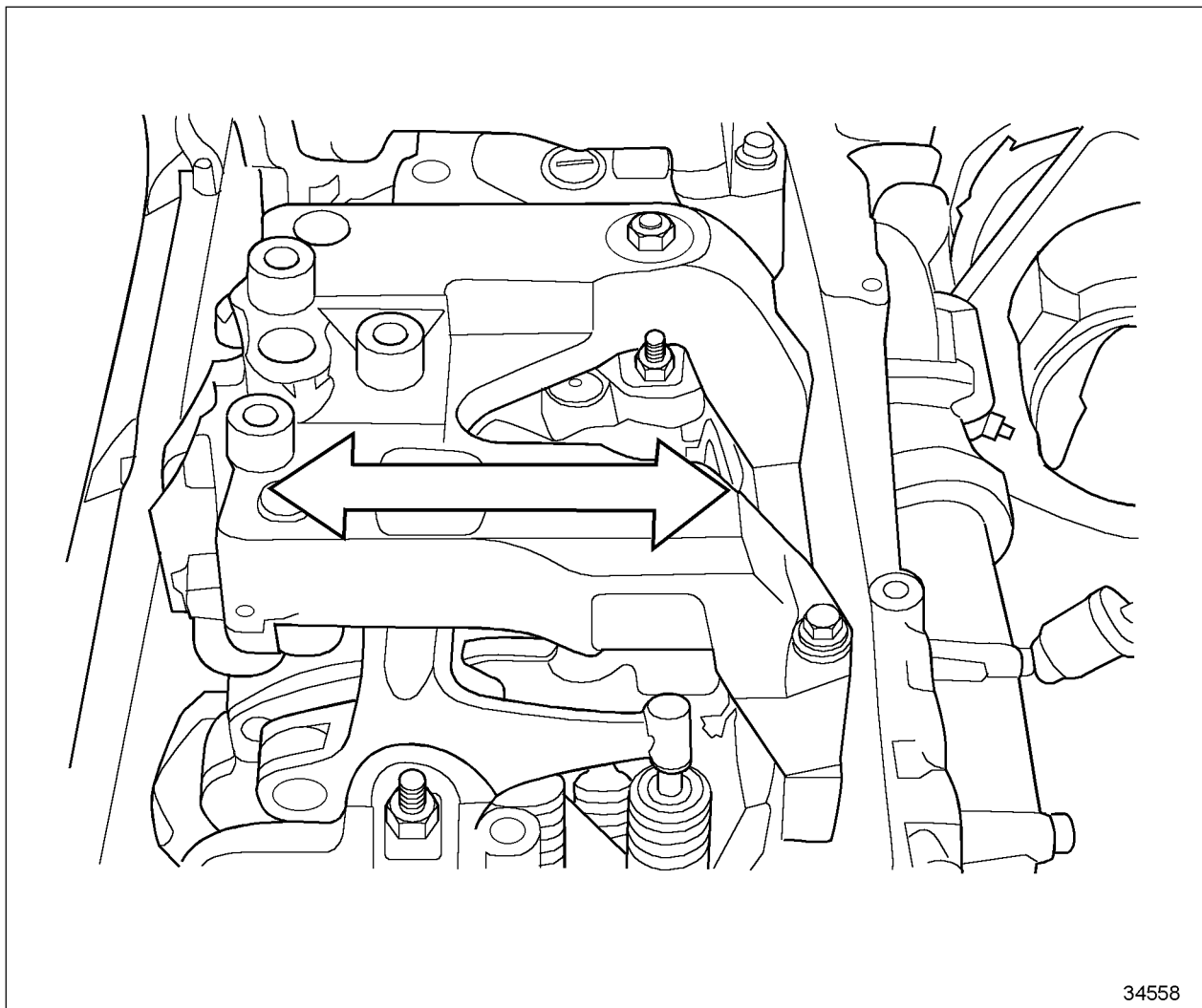


Figure 1-440 Locating Center Position of Housing

11. On models 760B and 765A, move the housing from side to side, and locate as far toward the camshaft side of the engine as possible.
12. On all models, torque the engine brake mounting bolts using the following sequence:
 - [a] Torque the three bolts on the camshaft side of the engine to 55 N·m (40 lb·ft).
 - [b] Torque the six bolts on the exhaust manifold side of the engine to 55 N·m (40 lb·ft).
 - [c] Repeat the tightening sequence and re-torque all bolts to 136 N·m (100 lb·ft).
 - [d] Check the torque to 136 N·m (100 lb·ft).
13. Secure wire harness to spacer bars with plastic ties.
14. Connect wiring harness solenoid connectors to solenoids.

1.29.5.1 Adjustment of Slave Piston on Model 760, 765, or 770 Jake Brake

Make the following adjustment with the engine stopped and cold, and the oil temperature at 60°C (140°F) or below. The exhaust valves on the cylinder *must* be in the closed position (rocker arm roller on the base circle of the camshaft). When setting the engine brake lash, the exhaust valves must be in the closed position. Adjust the slave piston on all models as follows:

NOTE:

The following procedures apply to Model 760, 765, and 770 Jake Brakes. For Model 790 Jake Brake slave piston lash setting procedures, refer to section 1.29.10.1.

NOTE:

Model 770 Jacobs engine brake requires a special procedure for adjusting the slave piston. The procedure is clearly indicated in the following adjustment steps.

NOTICE:

Improper slave piston adjustment can result in engine or brake housing damage.

NOTICE:

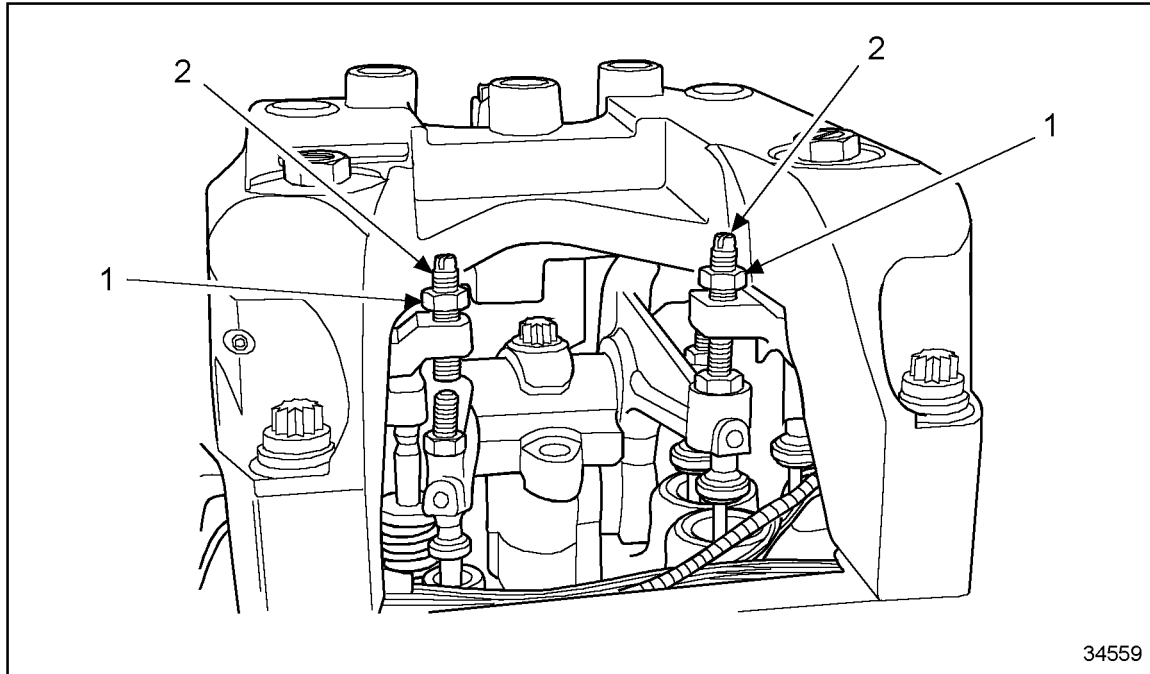
Strictly follow the slave piston adjustment procedure. Failure to use the proper adjustment procedure will result in poor engine brake performance and/or serious engine damage.

1. Refer to section 1.29 for proper slave piston clearance setting.

2. Back out the leveling screw in the slave piston assembly until the end of the screw is beneath the surface of the bridge in the slave piston assembly. See Figure 1-441.

NOTE:

The leveling screw is located in the bridge member of the slave piston assembly.



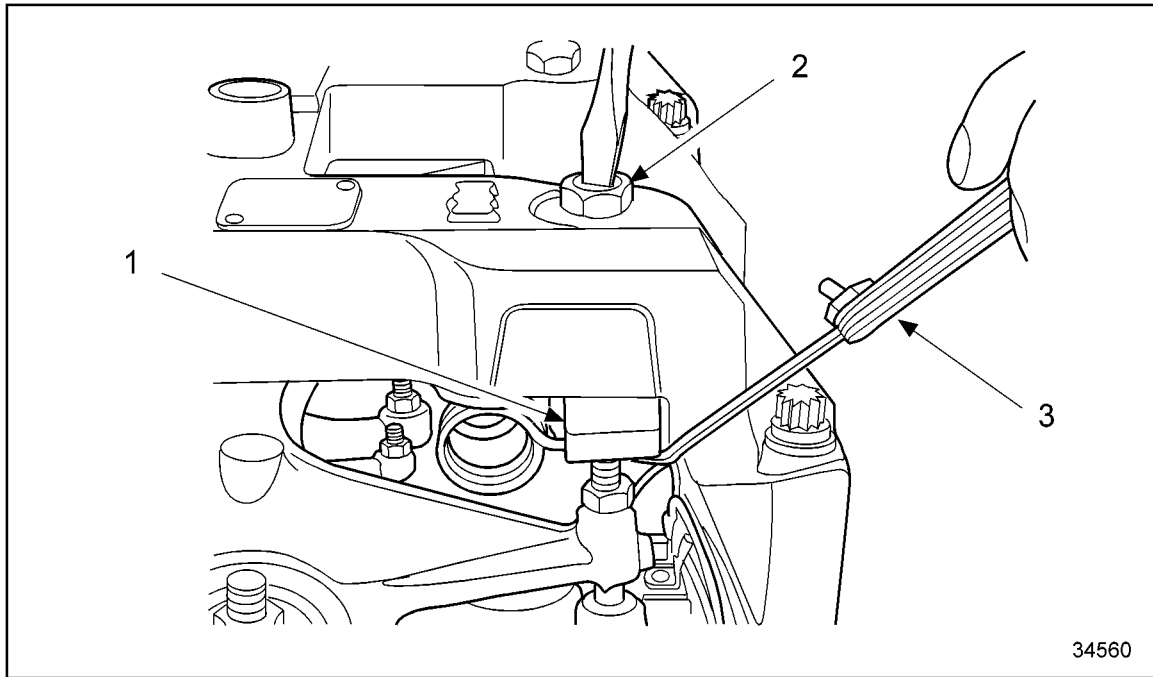
1. Leveling Screw

2. Locknut

Figure 1-441 Location of Leveling Screw

3. On models 760, 760A, 760B, 765, and 765A, place the correct size feeler gage between the solid side of the slave piston (the side without the leveling screw) and the exhaust rocker arm adjusting screw. Feeler gage sizes are listed in Table 1-9.

4. On models 760, 760A, 760B, 765, and 765A, turn the slave piston adjusting screw clockwise until a slight drag is felt on the feeler gage. See Figure 1-442.



- | | |
|---------------------------------|----------------|
| 1. Slave Piston Bridge | 3. Feeler Gage |
| 2. Slave Piston Adjusting Screw | |

Figure 1-442 Turn Slave Piston Adjusting Screw Clockwise

5. Perform the following additional steps on model 770:

- [a] Turn in the J-Lash® adjusting screw until the solid side of the slave piston bridge assembly contacts the exhaust valve and the valve springs begin to compress. Turn in one additional turn.

NOTICE:

All oil must be purged from the J-Lash adjusting screw. Oil remaining in the J-Lash screw will cause inaccurate clearance adjustment, resulting in possible engine or engine brake damage. If oil is below room temperature (below 60°F), wait at least two minutes for oil to be purged from the J-Lash adjusting screw.

NOTE:

Wait at least 30 seconds for oil to be purged from the J-Lash adjusting screw.

- [b] Back out the adjusting screw **only** until the correct size feeler gage can be inserted between the solid side of the slave piston bridge assembly and the exhaust valve.
- [c] Adjust the J-Lash so that a light drag is felt on the feeler gage.

NOTE:

Do not back out the J-Lash more than required to obtain a light drag on the feeler gage.

- [d] Use a screwdriver to hold the J-Lash in place, and torque the lock nut to 34 N·m (25 lb·ft).

NOTE:

If the J-Lash screw is backed out until it no longer compresses the slave piston spring, oil will enter the screw and the adjustment will be incorrect. If this occurs, repeat the J-Lash adjustment procedure.

- [e] Recheck the lash settings. If clearance setting is incorrect, repeat the J-Lash adjustment procedure.

NOTE:

Once the engine brake has been run, oil enters the J-Lash screw making the engine brake adjustment unreadable. If unsure of the adjustment, repeat the J-Lash adjustment procedure.

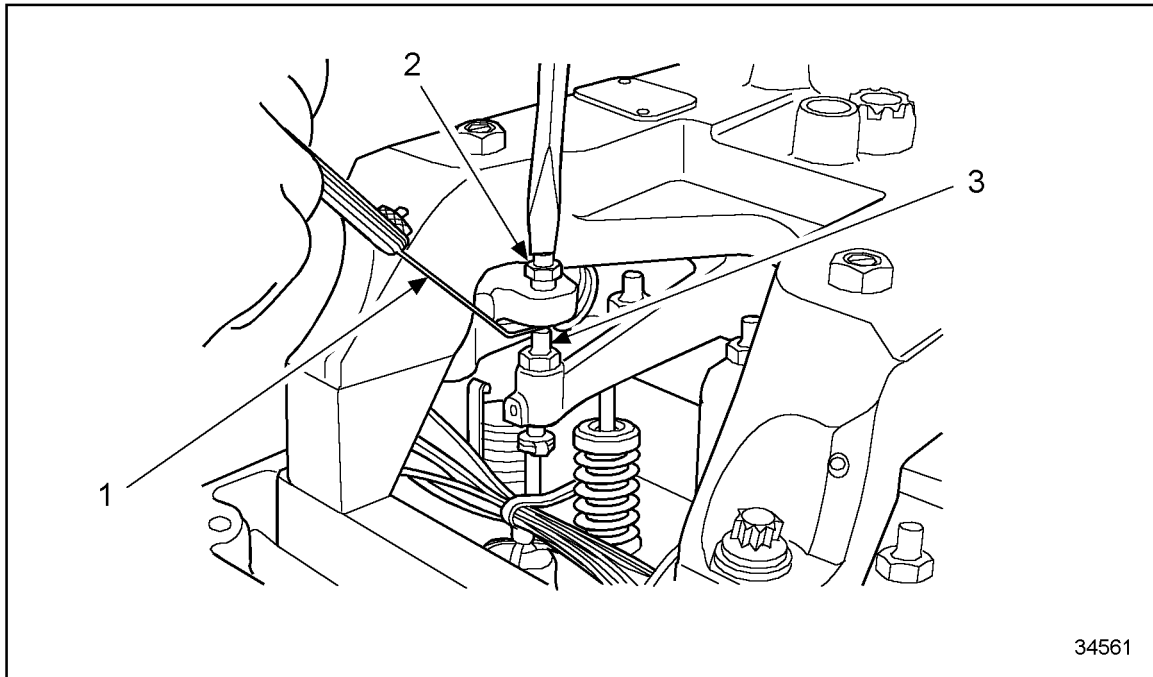
6. On all models, hold the screw in position, and torque the locknut to 35 N·m (26 lb·ft).
7. Check the adjustment, and repeat if necessary.

NOTE:

Do not disassemble the slave piston adjusting screws.

8. Place the correct feeler gage between the leveling screw and the rocker arm adjusting screw.

9. Turn the leveling screw clockwise until a slight drag is felt on the feeler gage. See Figure 1-443.



- | | |
|--------------------------------|-------------------------------|
| 1. Feeler Gage | 3. Rocker Arm Adjusting Screw |
| 2. Slave Piston Leveling Screw | |

Figure 1-443 Setting Clearance on Leveling Screw and Rocker Arm Adjusting Screw

10. Hold the leveling screw in position, and torque the locknut to 47 N·m (35 lb·ft).
11. Check adjustment, and repeat if necessary.
12. Repeat the adjustment procedures for the remaining cylinders. Refer to step 2 through step 11.


NOTE:

Bar over the engine when necessary to place the exhaust valves in the closed position for slave piston adjustment.

13. Install the engine rocker cover. Refer to section 1.6.2 for one-piece, refer to section 1.6.3 for two-piece, and refer to section 1.6.5 for three-piece.
14. Install all remaining components that were removed for this procedure.
15. Connect starting power for the engine.
16. Verify proper Jake Brake installation by driving the vehicle, then checking engine brake performance.

1.29.6 Removal of Model 790 Jake Brake Assembly

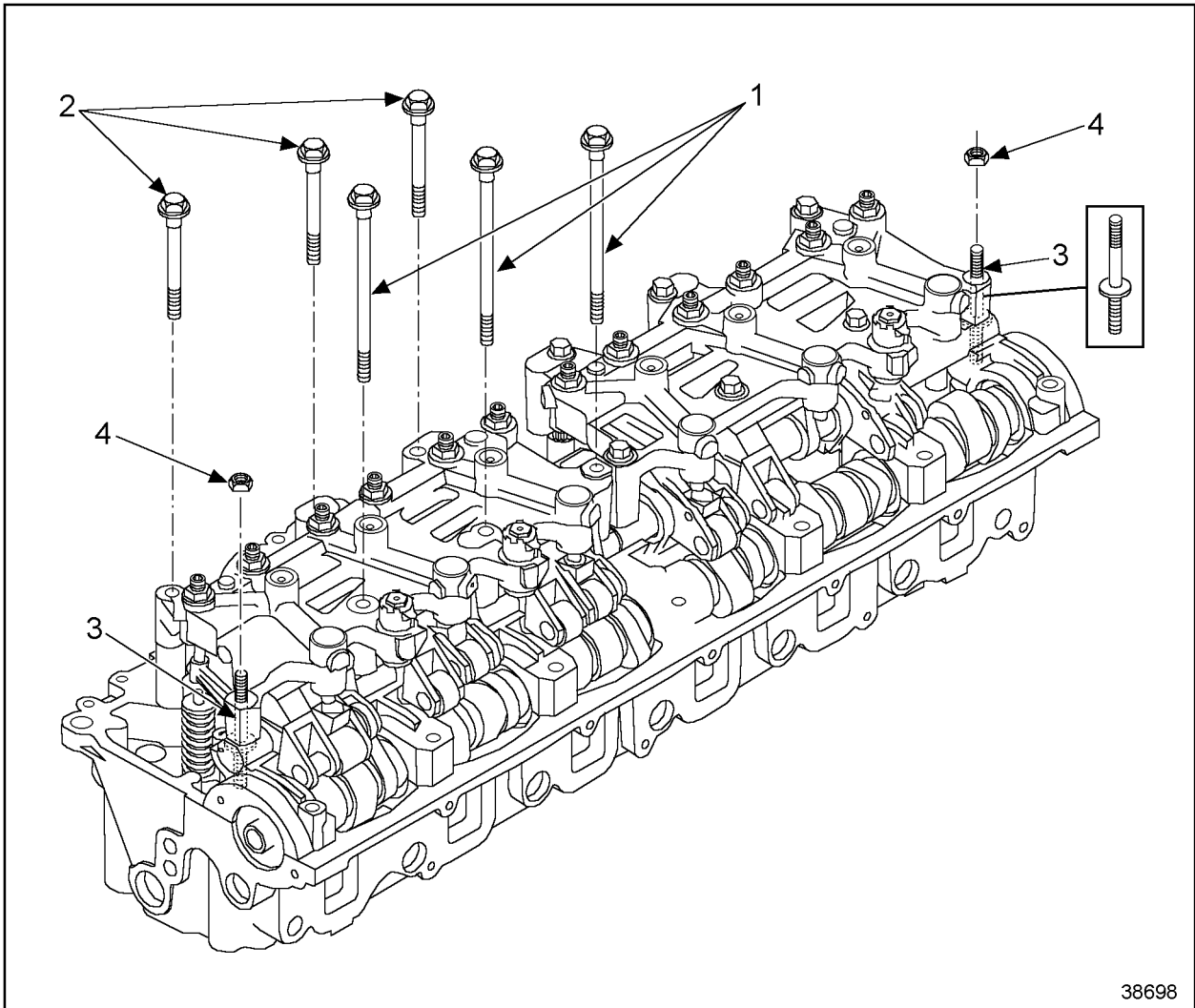
Remove the Model 790 Jake Brake as follows:

 CAUTION:
To avoid injury from hot engine surfaces, stop the engine and allow it to cool ambient temperature before working on it.

 CAUTION:
To avoid injury from accidental engine start-up, disable/disconnect power to the engine starting system.

1. With the engine at ambient temperature and power to the starting system disconnected, Refer to section of the *Series 60 Service Manual*, 6SE483 and remove the engine rocker cover.
2. Note the location of the rocker arm shaft, the exhaust valve rocker arm, the fuel injector rocker arm, and the intake valve rocker arm.
3. Disconnect the solenoid wiring harness connectors from the Jake Brake solenoids.

4. Remove the three (3) 140 mm long mounting bolts that secure the engine brake to the cylinder head. See Figure 1-443a.



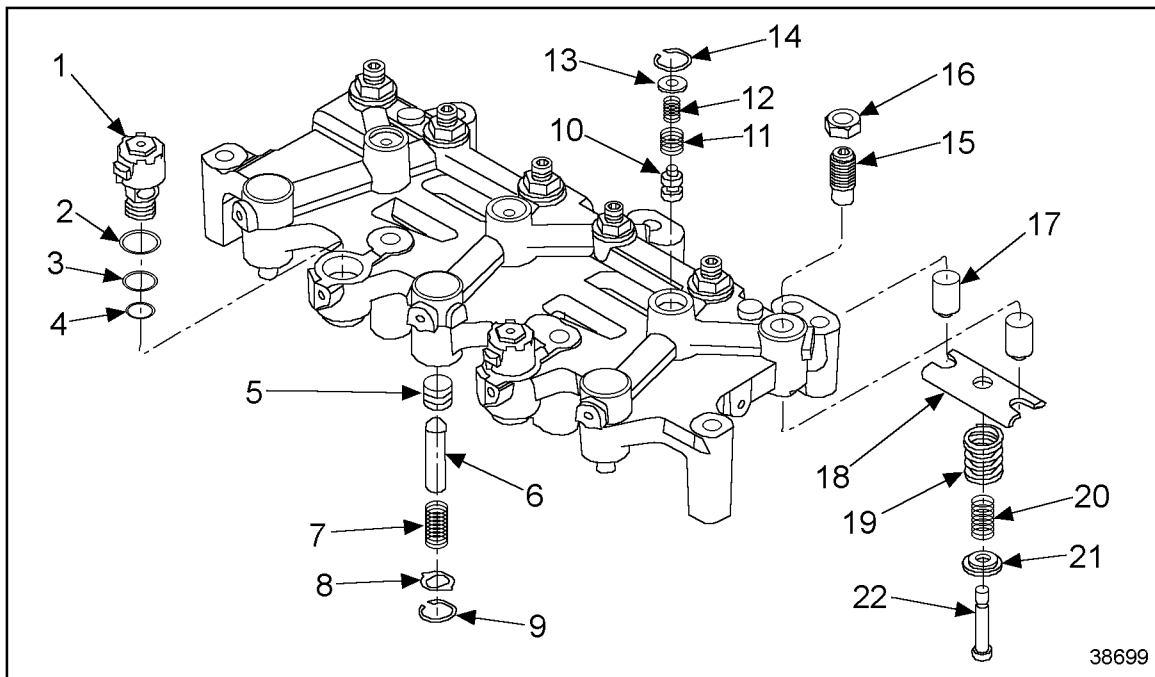
- | | |
|--------------------------------|--------------|
| 1. Mounting Bolt — 170 mm Long | 3. Stud Bolt |
| 2. Mounting Bolt — 140 MM Long | 4. Nut |

Figure 1-443a Model 790 Jake Brake Fasteners

5. Remove the three (3) 170 mm long mounting bolts and the two (2) nuts that secure the engine brake to the cylinder head.
6. Remove the engine brake assembly.
7. Repeat steps 1 through step 5 and remove the second Jake Brake assembly from the engine.

1.29.6.1 Disassembly of Model 790 Jake Brake

Instructions for disassembly of Model 790 Jake Brakes are incomplete at time of publication, but will be provided at a future date. For components of Model 790 Jake Brakes, see Figure 1-443b.



- | | |
|--------------------------------|-------------------------------|
| 1. Solenoid Valve | 12. Washer |
| 2. Center Seal | 13. Retaining Ring |
| 3. Center Seal | 14. J-Lash® Screw |
| 4. Lower Seal | 15. Locknut |
| 5. Master Piston | 16. Slave Piston |
| 6. Master Piston Pushrod | 17. Slave Piston Bridge |
| 7. Master Piston Spring | 18. Outer Slave Piston Spring |
| 8. Retaining Ring | 19. Inner Slave Piston Spring |
| 9. Control Valve | 20. Slave Piston Spring Seat |
| 10. Outer Control Valve Spring | 21. Shoulder Bolt |
| 11. Inner Control Valve Spring | 22. Shoulder Bolt |

Figure 1-443b Typical Model 790 Jake Brake Assembly

1.29.7 Cleaning of Model 790 Jake Brake

Instructions for cleaning of Model 790 Jake Brake are incomplete at the time of publication, but will be provided at a future date.

1.29.8 Inspection of Model 790 Jake Brake

Instructions for inspection of Model 790 Jake Brake are incomplete at the time of publication, but will be provided at a future date.

1.29.9 Assembly of Model 790 Jake Brake

Instructions for assembly of Model 790 Jake Brake are incomplete at the time of publication, but will be provided at a future date.

1.29.10 Installation of Model 790 Jake Brake Assembly

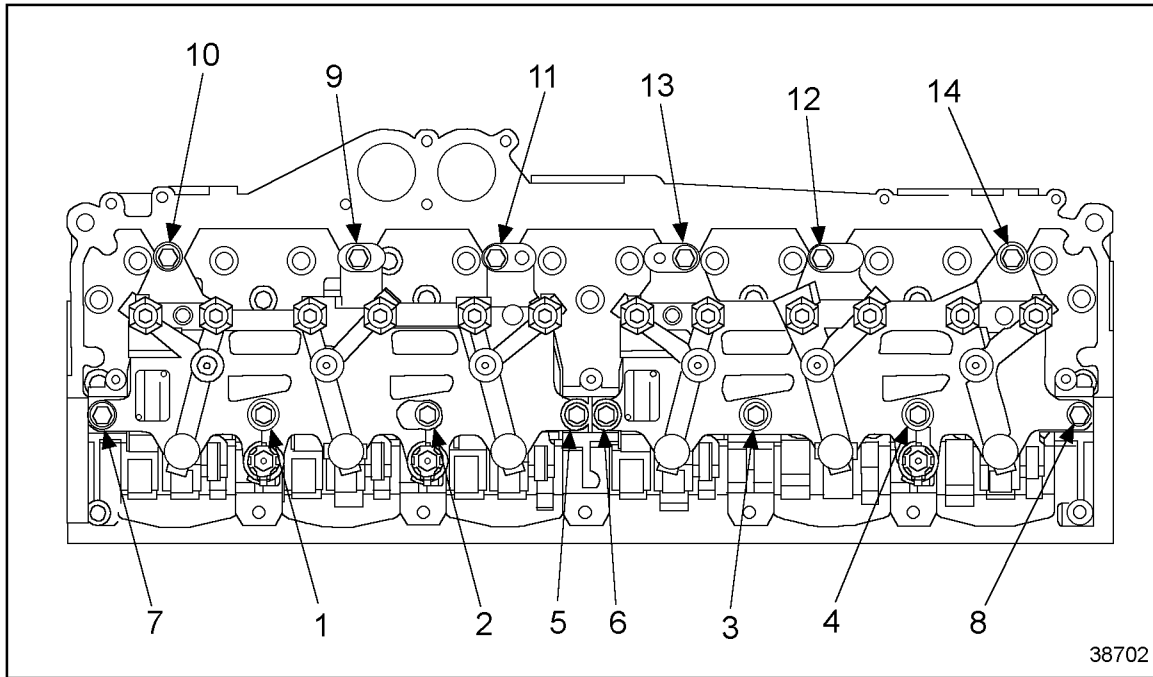
The installation procedures for the model 790 Jake Brake assemblies differ slightly from the former engine brakes. Two brake housings are used, instead of three, and spacer bars are not required. Install the model 790 Jake Brake assemblies as follows:

1. With the engine at ambient temperature, install front Jake Brake housing (with two solenoids) over the front three cylinders. Position with solenoids on camshaft side of engine.
2. Install the rear housing (with one solenoid) over the rear three cylinders. Position with solenoid on camshaft side of engine.

NOTE:

There is one extra mounting hole drilled on the slave piston side of each housing. These holes are for manufacturing purposes only and are not used for installation.

3. Install six (6) 170 mm bolts through the housings into the rocker shafts in locations 1 through 6, and install two (2) nuts in locations 7 and 8. See Figure 1-443c.



38702

Figure 1-443c Housing Hold-Down Bolt Locations

NOTICE:

To ensure proper engine brake housing installation, Jake Brake mounting bolts (identified by a circle "J" on the heads) and required one-piece spacers *must* be used when mounting the brake assemblies.

4. Install six (6) 140 mm bolts into each housing and through the spacers in locations 9 through 14.
5. Torque all mounting bolts to 136 N·m (100 lb-ft) in bolt location number sequence shown. See Figure 1-443c.
6. Route the wire to the solenoid for cylinder 1 through the front retaining clip on the front housing and connect to the solenoid. Torque screw to 1.13 N·m (10 lb-in.).
7. Route wire to the solenoid for cylinders 3 and 4 through the rear retaining clip on the front housing and connect to the solenoid. Torque screw to 1.13 N·m (10 lb-in.).
8. Route wire to the solenoid for cylinders 4, 5 and 6 through the single retaining clip on the rear housing and secure to the terminal screw on the solenoid. Torque screw to 1.13 N·m (10 lb-in.).
9. Secure any excess wire to the injector harness with wire ties.

1.29.10.1 Set Slave Piston Lash

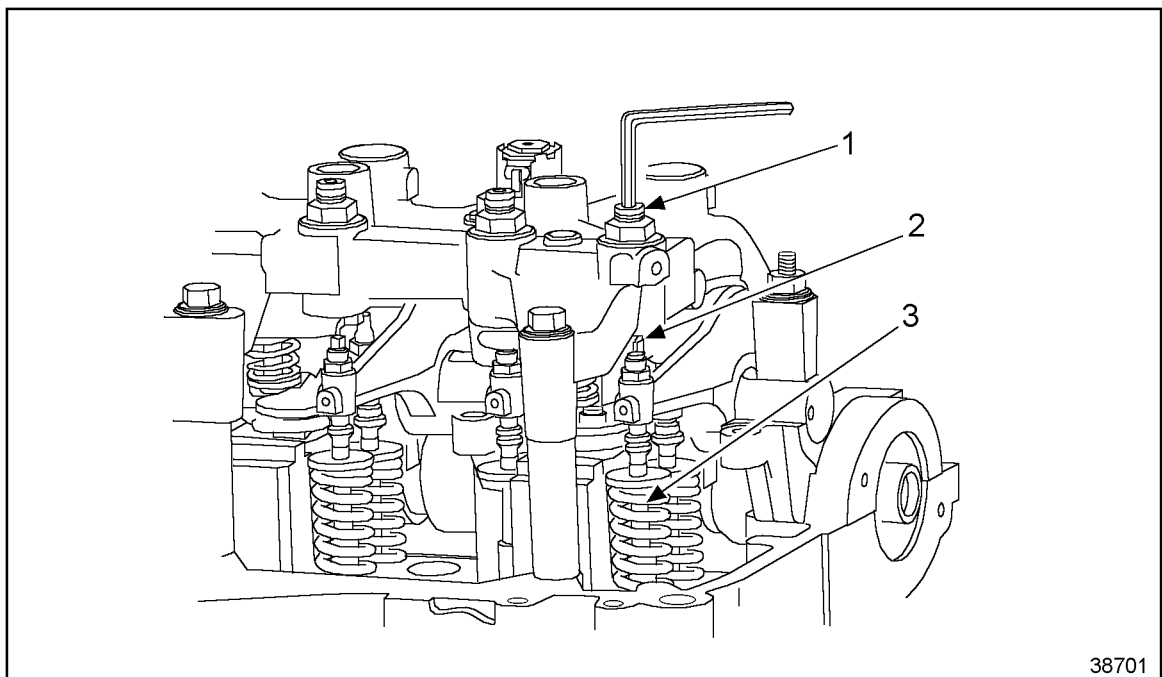
The slave piston lash must be set after Jake Brake housings are installed. Adjustments must be made with the engine stopped and cold and the oil temperature at 60°C (140°F) or below. Exhaust valves on the cylinder must be in the closed position (rocker arm roller should be on the base circle of the camshaft).

NOTICE:

The slave piston adjustment procedure *must* be followed exactly. Failure to properly adjust Jake Brakes will result in inefficient engine brake performance and may lead to severe engine or Jake Brake damage.

Adjust Jake Brake Model 790 slave piston lash as follows:

1. Loosen the locknut. Then, using a 5/16 in. Allen wrench, turn the J-Lash adjusting screw counter-clockwise until a 0.660 mm (0.026 in.) feeler gauge can be inserted between the slave piston and the exhaust rocker adjusting screw. Insert the feeler gauge.
2. Using the 5/16 in. Allen wrench, turn the J-Lash adjusting screw in (clockwise) until the slave piston contacts the feeler gauge and the exhaust rocker adjusting screw. When the valve spring begins to compress, turn the screw clockwise *one* additional turn. *Wait at least 30 seconds for oil to be purged from the J-Lash adjusting screw.* See Figure 1-443d.



38701

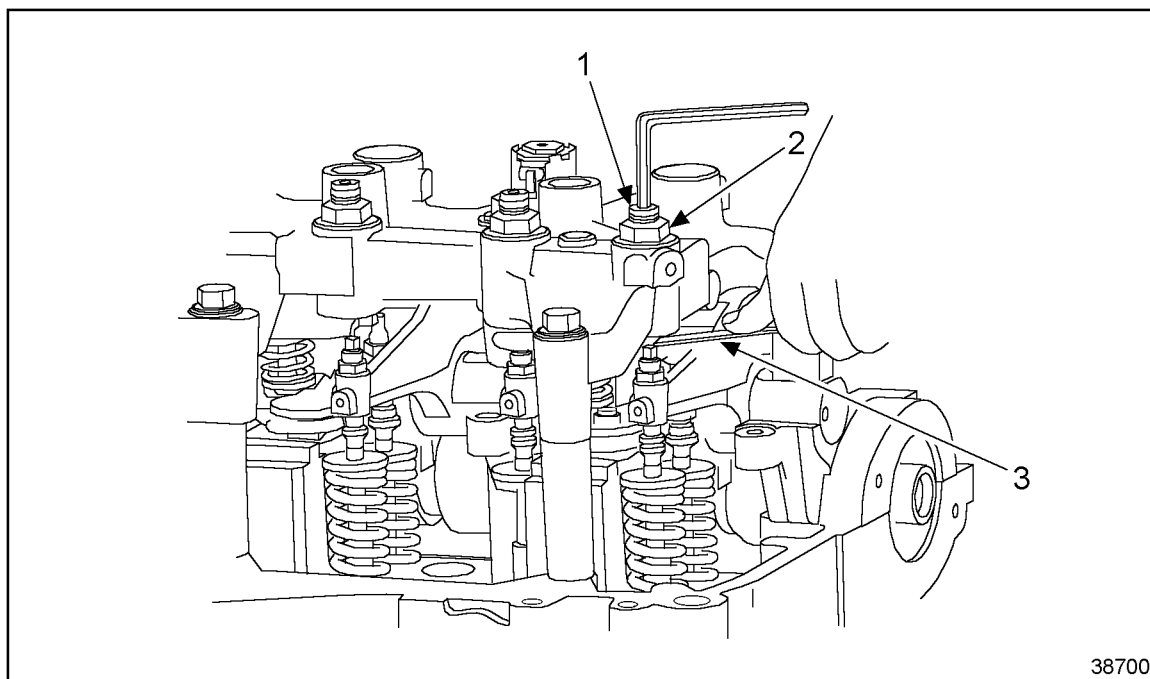
- | | |
|---------------------------|-------------------------|
| 1. J-Lash Adjusting Screw | 3. Exhaust Valve Spring |
| 2. Slave Piston | |

Figure 1-443d Turn the Adjusting Screw Until the Valve Spring Compresses

NOTICE:

Oil *must* be purged from the J-Lash adjusting screw. Oil remaining in the J-Lash screw will cause inaccurate clearance adjustment, which could result in damage to the engine or Jake Brake. ***If oil is below room temperature (below 16° C or 60° F), wait at least two minutes for oil to be purged from the J-Lash adjusting screw.***

- After waiting the required interval to purge oil from the J-Lash adjusting screw, back out the adjusting screw (turn counter-clockwise) **only** until a 0.660 mm (0.026 in.) feeler gage can be moved with a slight resistance. See Figure 1-443e. ***Do not back out the J-Lash adjusting screw more than required to obtain a light drag on the feeler gage.*** Using the Allen wrench to hold the J-Lash adjusting screw in place, torque the lock nut to 35 N·m (25 lb-ft).



1. J-Lash Adjusting Screw

3. Feeler Gage

2. Locknut

Figure 1-443e Adjusting Slave Piston Lash**NOTE:**

If the J-Lash adjusting screw is backed out until it no longer compresses the slave piston spring, oil will enter the screw and the adjustment will be incorrect. If this occurs, repeat step 1 and step 2.

4. After torquing the adjusting screw lock nut, recheck lash setting. If lash is incorrect, repeat step 1 and step 2.

NOTE:

Once the engine brake has been run, you will not be able to check Jake Brake adjustment. This is because of oil retained in the J-Lash adjusting screw. If unsure of the adjustment, you must repeat step 1 through step 3.

5. Repeat step 1 through step 3 for the remaining slave piston on the same cylinder.
6. Repeat step 1 through step 4 for the remaining cylinders.
7. Complete the installation by installing the rocker cover. Refer to section 1.6 of the service manual.
8. Install all remaining components that were removed for this procedure.
9. Connect starting power for the engine.
10. Start and drive the vehicle to verify proper Jake Brake performance.

This Page is Intentionally
Left Blank.

SECTION 02: CLUTCH

CONTENTS

1. CLUTCH	02-2
2. CLUTCH ADJUSTMENT	02-2
2.1 CLUTCH PEDAL ADJUSTMENT	02-2
2.2 INTERNAL CLUTCH ADJUSTMENT.....	02-3
2.3 FREE TRAVEL SETTING	02-3
2.4 AIR PRESSURE REGULATOR	02-4
3. HYDRAULIC LINE BLEEDING.....	02-4
3.1 FILLING.....	02-4
4. LUBRICATION	02-5
5. PNEUMATIC AIR LINE FILTER	02-5
6. TROUBLESHOOTING	02-5
7. SPECIFICATIONS.....	02-8

ILLUSTRATIONS

FIGURE 1: FREE PLAY ADJUSTMENT	02-3
FIGURE 2: CLUTCH ADJUSTMENT	02-3
FIGURE 3: SQUARE HEAD BOLT.....	02-3
FIGURE 4: CLUTCH INSTALLATION.....	02-4
FIGURE 5: AIR PRESSURE REGULATOR.....	02-4
FIGURE 6: SERVO UNIT	02-5

Section 02: CLUTCH

1 CLUTCH

For vehicles equipped with an Eaton Spicer Solo adjustment free 15-1/2", two disk clutch. Refer to CLWP-1279 poster provided in the coach publications box for information about inspection and installation procedures.

Some vehicles may be equipped with the "Spicer" Angle-Spring Clutch. The clutch assembly consists of a 15-1/2" dry disc two-plate model. It is a pull-type design with riveted organic wear surface facing on driven discs. It is manually adjustable to compensate wear, hydraulically operated and pneumatically assisted. A torque limiting clutch brake as well as a positive separator pin system are also provided.

Refer to the "SPICER SERVICE MANUAL" annexed to the end of this section for the following:

- Transmission Removal

Note: For more details, refer to section 07 "Transmission".

Note: Disconnect the clutch operating cylinder external linkage and remove cylinder assembly (without disconnecting hydraulic hose) to permit the release yoke to turn up and pull free of the release bearing thrust pads, then disconnect the transmission hydraulic gear shifting system.

- Clutch Removal;
- Engine and Transmission Alignment (Inspection);
- Clutch Installation;
- Transmission Installation.

Note: For more details, refer to Section 07 "Transmission".

Note: Position the torque limiting clutch brake on the main drive gear of the transmission, then shift transmission into gear so that the input shaft can be rotated during assembly to align with clutch-driven disc hub splines.

Note: Rotate clutch release bearing housing so that the flat section is on top.

Note: Rotate clutch release yoke so that release yoke fingers clear the pads on the release bearing housing. Use a suitable transmission jack to support and maintain the engine-to-transmission alignment while installing the transmission. Use care to avoid having the clutch bearing the weight of the transmission or forcing the transmission into the clutch or flywheel housing. Such abuse can cause bent or "sprung" driven discs and prevent the clutch from releasing. Rotate clutch release yoke into proper position as transmission is moved into place.

Note: Tighten all transmission bell housing cap screws and torque progressively and in a criss-cross pattern around the housing to 45 lbf•ft (61 N•m).

Note: Connect the transmission hydraulic gear shifting system. Install the clutch operating cylinder and its linkage, then proceed with the clutch adjustment in accordance with "CLUTCH ADJUSTMENT".

2 CLUTCH ADJUSTMENT

Note: if for any reason, air is present inside clutch hydraulic lines, bleed clutch hydraulic system in accordance with paragraph "3.1. BLEEDING"

2.1 CLUTCH PEDAL ADJUSTMENT

Adjust clutch pedal as follows:

1. Free play adjustment is made by loosening nut (1, Fig. 1) and moving bolt in slot. The pedal moves down allowing a 1/4" (6 mm) of **free play** before the master cylinder (5, Fig. 1) starts to move.
2. Keep this adjustment by tightening nut (1, Fig. 1).
3. Push the clutch pedal until the master cylinder piston touches the cylinder bottom.
4. Loosen the adjustment bolt (2, Fig. 1) until it touches the pedal wall support (3, Fig. 1).
5. Loosen the adjustment bolt (2, Fig. 1) for another 1-1/2 turn. Lock in position by tightening nut (4, Fig. 1).

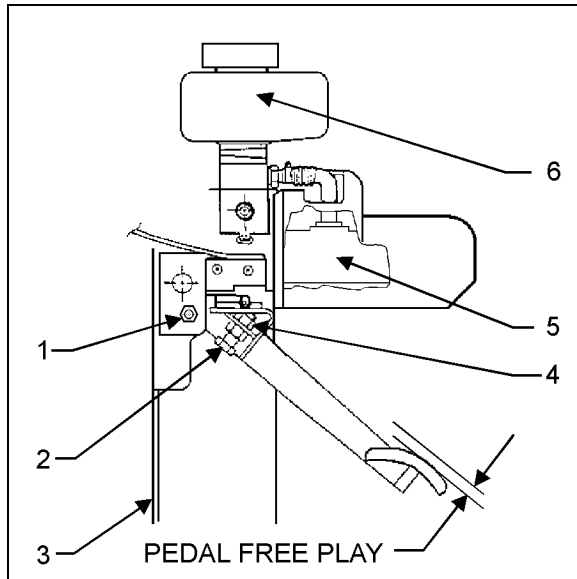


FIGURE 1: FREE PLAY ADJUSTMENT 02004

Note: Clean reservoir internal parts with compressed air to eliminate dirt.

2.2 INTERNAL CLUTCH ADJUSTMENT

1. Remove inspection cover at bottom of clutch housing (Fig. 4).
2. Measure the **release travel** (clearance between release bearing housing and clutch brake) (Fig. 2). The clearance should be between 1/2" and 9/16" (13 and 14 mm).
3. If clearance is incorrect, release the clutch by depressing the clutch pedal to end of pedal travel. Insert a 3/4" socket (12 points) or a 3/4" box-end wrench through the inspection hole. Depress square-head bolt to adjust clutch (Figs. 3 & 4).

The Kwik-Adjust" will re-engage at a quarter of a turn. The flat surface on the bolt head will align with the flat edge of the bracket.

Note: If clearance between release bearing housing and clutch brake is less than 1/2" (13 mm), rotate the adjusting ring counterclockwise to move the release bearing towards the engine. If clearance is greater than 9/16" (14 mm), rotate the adjusting ring clockwise to move the release bearing towards the transmission.

4. Ensure "Kwik-Adjust" is engaged in the locked position. Release the clutch pedal to engage clutch.

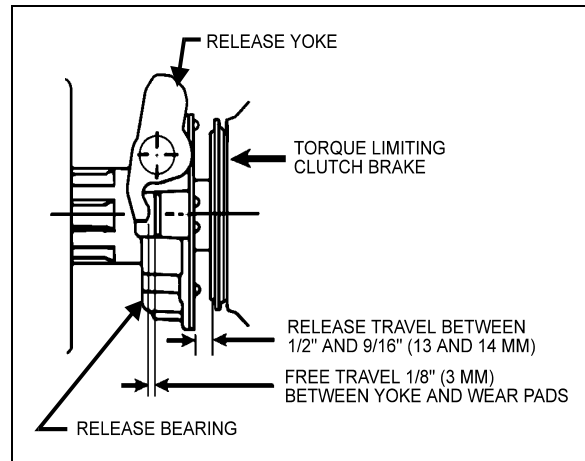


FIGURE 2: CLUTCH ADJUSTMENT 02005

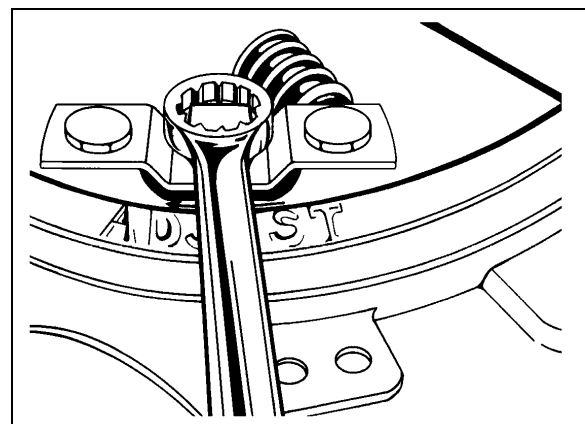


FIGURE 3: SQUARE HEAD BOLT 02006

2.3 FREE TRAVEL SETTING

1. Check **free travel** as shown in figure 2. Clearance should be between 1/16" and 1/8" (1,5 and 3 mm).
2. If clearance is incorrect, adjust bolt until it touches the shaft lever and locks in position with nut (Fig. 4).

Section 02: CLUTCH

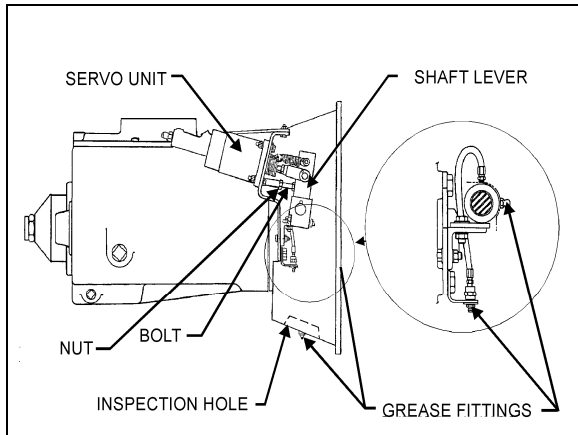


FIGURE 4: CLUTCH INSTALLATION

02001

Note: The return springs do not require any tension adjustment.

2.4 AIR PRESSURE REGULATOR

The air pressure regulator is located in engine compartment and accessible through R.H. side door (Fig. 5). To adjust, remove dust cap from check valve, connect a pressure gauge to port.

Loosen adjusting screw lock nut. Turn screw to **adjust pressure to 40 psi (275 kPa)**. Tighten lock nut, then reinstall dust cap. Refer to Section 12, "BRAKE AND AIR SYSTEM" under "AIR REGULATING VALVES".

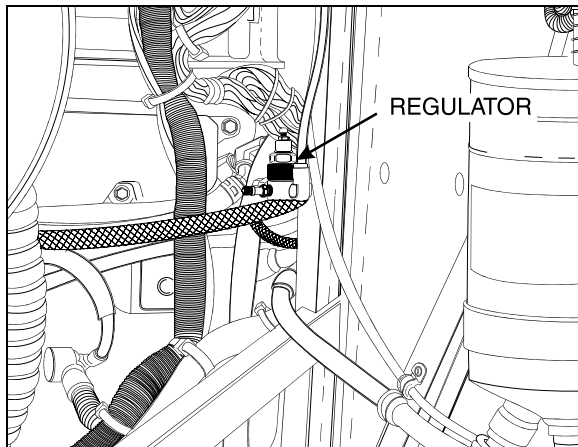


FIGURE 5: AIR PRESSURE REGULATOR

07037

3 HYDRAULIC LINE BLEEDING

The clutch hydraulic system must be bled whenever air enters it. Unlike hydraulic fluid, air is compressible. This means that instead of transmitting pedal pressure through the

hydraulic line, the master cylinder will compress air in the line. This results in a spongy feel in the pedal, incomplete clutch disengagement and hard shifting.

Note: Two people are required to bleed air from the hydraulic lines. One to operate the clutch pedal and the other to open and close the bleed valve.

Warning: Wear safety glasses during the following operation.

1. Locate the bleed valve mounted at the end of servo unit. Remove dust cap (Figs. 4 and 6).
2. Connect a plastic tube to the bleeding valve (Fig. 6). Dip the other end of the tube in a jar containing several inches of clean brake fluid.

Note: Do not allow the end of the tube out of the brake fluid during bleeding. This could allow air into the hydraulic system, requiring that the bleeding procedure be done again.

3. Press the clutch pedal as far as it will go 2 or 3 times, then hold it down.
4. With the clutch pedal down, open the bleeding valve until the pedal goes to the floor, then close the bleeding valve. Do not release the pedal until the bleeding valve is closed.
5. Close valve and slowly release the pedal.
6. Repeat steps 4-6 until the fluid entering the jar is free of air bubbles.

Note: If after pumping the clutch pedal the system does not bleed, open the bleed valve and blow compressed air inside the master cylinder reservoir until the system has been completely bled. Then perform filling procedure.

3.1 FILLING

1. Remove the master cylinder reservoir cap.
2. Slightly loosen teflon flexible hydraulic hose connector from adapter mounted on extremity of servo unit (Fig. 6).

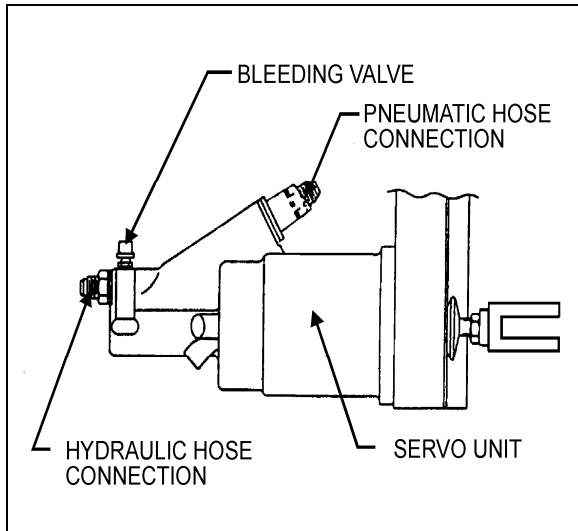


FIGURE 6: SERVO UNIT 02002

- Remove the plastic tube on the bleeding valve. Make sure the bleeding valve is open. Force fluid (meeting DOT 3 specifications) through the bleeding valve opening. Tighten teflon flexible hose connector when fluid is free of air bubbles. Continue to force brake fluid until it enters master cylinder reservoir and flows free of air bubbles.

Note: A 40 psi (275 kPa) pressure allows filling hydraulic line in reasonable time.

- Tighten bleeding valve and reinstall dust cap.
- Fill master cylinder reservoir.
- Install the master cylinder reservoir cap.

Note: To make the filling procedure easier to perform, the reservoir support may be unbolted and the reservoir moved closer to you.

Caution: Never re-use brake fluid which has been bled from the system. Discard old brake fluid and use a fresh supply.

4 LUBRICATION

The clutch components should be lubricated every 6,250 miles (10 000 km) or twice a year, whichever comes first (refer to Fig. 4 to identify the clutch component grease fittings). The clutch release bearing (one grease fitting) and the clutch control cross shaft (three grease fittings, two on the operating cylinder side and one on the other side) should be lubricated with a good quality lithium-based soap or equivalent E.P. grease meeting N.L.G.I. grades 1 or 2.

5 PNEUMATIC AIR LINE FILTER

The pneumatic air line filter should be cleaned every 6,250 miles (10 000 km) or twice a year, whichever comes first (Fig. 6). The filter is mounted inside the servo unit pneumatic branch.

6 TROUBLESHOOTING

Poor Clutch Release or Poor Engagement	
Probable cause	Corrective action
Clutch adjustment incorrect.	Recheck adjustment as per instructions.
Air in clutch hydraulic lines.	Bleed clutch hydraulic lines as per instructions.
Flywheel pilot bearing too tight in flywheel or on end of drive gear.	Free pilot bearing with a light push. If bearing is rough, replace.
Damaged clutch release bearing.	Replace bearing. Lubricate with recommended lubricant.

Section 02: CLUTCH

Poor Clutch Release or Poor Engagement	
Probable cause	Corrective action
Clutch release shaft projecting through release yoke.	Relocate release shaft so that it does not project. Check bell housing bushing and release yoke for wear.
Release yoke contacting cover assembly at full release position.	Replace release yoke with proper yoke.
Release yoke not aligned properly with release bearing.	Check flywheel. Probably has been resurfaced by more than the 0.060" (1,52 mm) recommended.
Intermediate plate sticking on drive lugs.	Check that drive pins are 90° square to flywheel surface and that there is a minimum .006" (0,152 mm) clearance between drivepins and intermediate plate slots.
Pressure plate not retracting.	a) Check pressure plate drive lugs for 0.006" (0,152 mm) clearance. b) Check pressure plate return springs for proper tension. c) Check amount of release travel. d) Lever nose out of groove.
Driven disc distorted.	Should be straight within 0.015" (0,381 mm). Replace if distortion cannot be corrected.
Worn splines on drive gear of transmission.	Check drive gear and driven disc hubs for excessive wear.
Disc facings gummed with oil or grease.	Replace facings or entire disc. Cleaning not recommended. Check for leak causing gumming.
Broken intermediate plate.	Replace entire intermediate plate/driven disc assembly. Damage such as this is almost always caused by abusive use of clutch.

Clutch Slipping	
Probable Cause	Corrective action
Pedal has no free play	Re-adjust as per instructions.
Release mechanism binding.	Check release mechanism and linkage. Lubricate if necessary.
Worn clutch facings.	Replace facings or entire disc if necessary.
Grease or oil on facings.	Replace facings.

Section 02: CLUTCH

Clutch Slipping	
Probable Cause	Corrective action
Weak pressure springs.	Replace springs
Overloaded clutch	Check to assure that proper clutch has been specified.

Noisy Clutch	
Probable Cause	Corrective action
Clutch release bearing dry or damaged.	Lubricate bearings or replace.
Flywheel pilot bearing dry or damaged.	Lubricate bearings or replace.
Clutch release bearing housing striking flywheel ring.	Adjust clutch. Also check wear on cross shafts, bell housing bushings and release yoke fingers. Replace if necessary.
Improper clearance between drive slots and drive lugs on pressure plates.	Clearance should be at least 0.006" (0,152 mm).

Section 02: CLUTCH

7 SPECIFICATIONS

Clutch Adjustment

Pedal free play.....	1/4 ±1/8" (6±3 mm)
Internal clutch adjustment.....	between 1/2-9/16" (13-14 mm)
Free travel setting.....	1/16" - 1/8" (1,5 - 3 mm)
Clutch brake setting (between stopper and adjusting bolt).....	between 1/4-3/8" (6-9 mm)

Clutch Assembly - Series 60

Make.....	DANA Corp. (Spicer)
Supplier number.....	108391-78
Prevost number.....	520147
Model.....	Easy Pedal
Type.....	Dry, two-plate, pull-type, manually adjustable (Kwik- Adjust)
Size.....	15 1/2" (394 mm)
Plate Load Capacity.....	4000 lbs (17 792 N)
Maximum Torque Capacity.....	1450 lbf•ft (1966 N•m)
Disc Facing Thickness.....	0.487/0.452
Hub Spline Size (No. splines).....	2" (10)
Disc Assembly Max. Runout (T.I.R.).....	0.015" (0,381 mm)
Disc Assembly Max. Out-of-Flat.....	0.020" (0,508 mm)
Release Sleeve Bushing Dia. (new).....	2.010/2.008" (51,054/51,003 mm)
Intermediate Plates, driving lugs to slot clearance (new min.).....	0.006" (0,152 mm)
Intermediate Plates, driving lugs to slot clearance (max. worn).....	0.015 to .021" (0,381 to 0,508 mm)
Pressure Plates, driving lugs to slot clearance (new).....	0.003 to .010" (0,076 to 0,254 mm)
Pressure Plates, driving lugs to slot clearance (max. worn).....	0.016/.021" (0,406/0,533 mm)
Intermediate Plates & Pressure Plates: Out-of-Flat.....	0.000 to .004 Concave (0,000 to 0,102 mm)
Scoring - Max. depth that can be re-used.....	0.015" (0,381 mm)
Release Sleeve Retainer, driving lugs to slot clearance (max. worn).....	0.020" (0,508 mm)
Maximum Engine RPM.....	2600

SECTION 03: FUEL SYSTEM

CONTENTS

1. FUEL SYSTEM DESCRIPTION	03-3
2. FUEL LINES AND FLEXIBLE HOSES	03-4
3. FUEL VALVES	03-4
4. FILTERS AND WATER SEPARATOR	03-4
4.1 FUEL FILTER/WATER SEPARATOR SERVICING.....	03-4
4.2 FUEL FILTER SERVICING (PRIMARY AND SECONDARY).....	03-5
4.3 DAVCO FUEL PRO 382.....	03-6
4.4 PREHEATER FUEL FILTER.....	03-7
5. FUEL TANK	03-7
5.1 TANK REMOVAL.....	03-7
5.2 TANK INSTALLATION.....	03-8
5.3 FUEL TANK VERIFICATION.....	03-9
5.4 POLYETHYLENE FUEL TANK REPAIR.....	03-9
6. PRIMING FUEL SYSTEM	03-9
7. FUEL PUMP INSTALLATION	03-10
8. FUEL OIL SPECIFICATIONS	03-10
9. AIR CLEANER (DRY TYPE)	03-10
9.1 PRE-CLEANER SERVICING.....	03-11
9.2 AIR CLEANER SERVICING.....	03-11
9.3 GENERAL RECOMMENDATIONS.....	03-11
9.4 AIR CLEANER RESTRICTION INDICATOR.....	03-11
10. FUEL COOLER	03-11
11. FUEL PEDAL	03-12
11.1 FUEL PEDAL ADJUSTMENT.....	03-12
11.2 POTENTIOMETER REPLACEMENT.....	03-12
12. SPECIFICATIONS	03-13

ILLUTRATIONS

FIGURE 1: FUEL SYSTEM SCHEMATIC03-3
FIGURE 2: MANUAL SHUT-OFF VALVES03-4
FIGURE 3: FUEL FILTER/WATER SEPARATOR03-5
FIGURE 4: DAVCO FUEL PRO 382 INSTALLATION03-6
FIGURE 5: DAVCO FUEL PRO 382 EXPLODED VIEW03-7
FIGURE 6: FUEL TANK ARRANGEMENT03-8
FIGURE 7: FUEL TANK INSTALLATION03-8
FIGURE 8: FUEL TANK RETENTION.....03-9
FIGURE 9:FUEL TANK REPAIR.....03-9
FIGURE 10: PRIME PUMP SWITCH LOCATION03-10
FIGURE 11: FUEL PUMP LOCATION03-10
FIGURE 12: RESTRICTION INDICATOR.....03-11
FIGURE 13: ELECTRONIC FOOT PEDAL ASSEMBLY03-12

1. FUEL SYSTEM DESCRIPTION

Figure 1 shows a schematic of the fuel system. Fuel is drawn from the fuel tank through a manual shut-off valve, a primary fuel filter or a fuel filter/water separator (optional) before it enters the fuel pump. If the vehicle is equipped with the optional “Davco Fuel Pro 382”, it is designed to be the only fuel filter in the system, no secondary fuel filter is necessary. Leaving the pump under pressure, the fuel flows through a secondary fuel filter and a shut-off valve, then to the cylinder head. The fuel reaches the injectors in the cylinder head through passages within the head. Excess fuel exits at the rear of the head just above the inlet, through a restrictive return fitting which maintains fuel pressure in the system. Finally, the fuel flows through the check valve and the fuel cooler before it returns to the fuel tank. Three preheaters are available: 41 000 BTU, 45000 BTU or 80 000 BTU. If the vehicle is equipped with the 41 000 BTU preheater, the fuel is drawn from the tank through the fuel pump to the preheater. If the vehicle is equipped with the 45000 BTU or with the 80 000 BTU preheater, the fuel is drawn from the fuel tank through a fuel filter to the preheater. Excess fuel returns to the fuel tank.

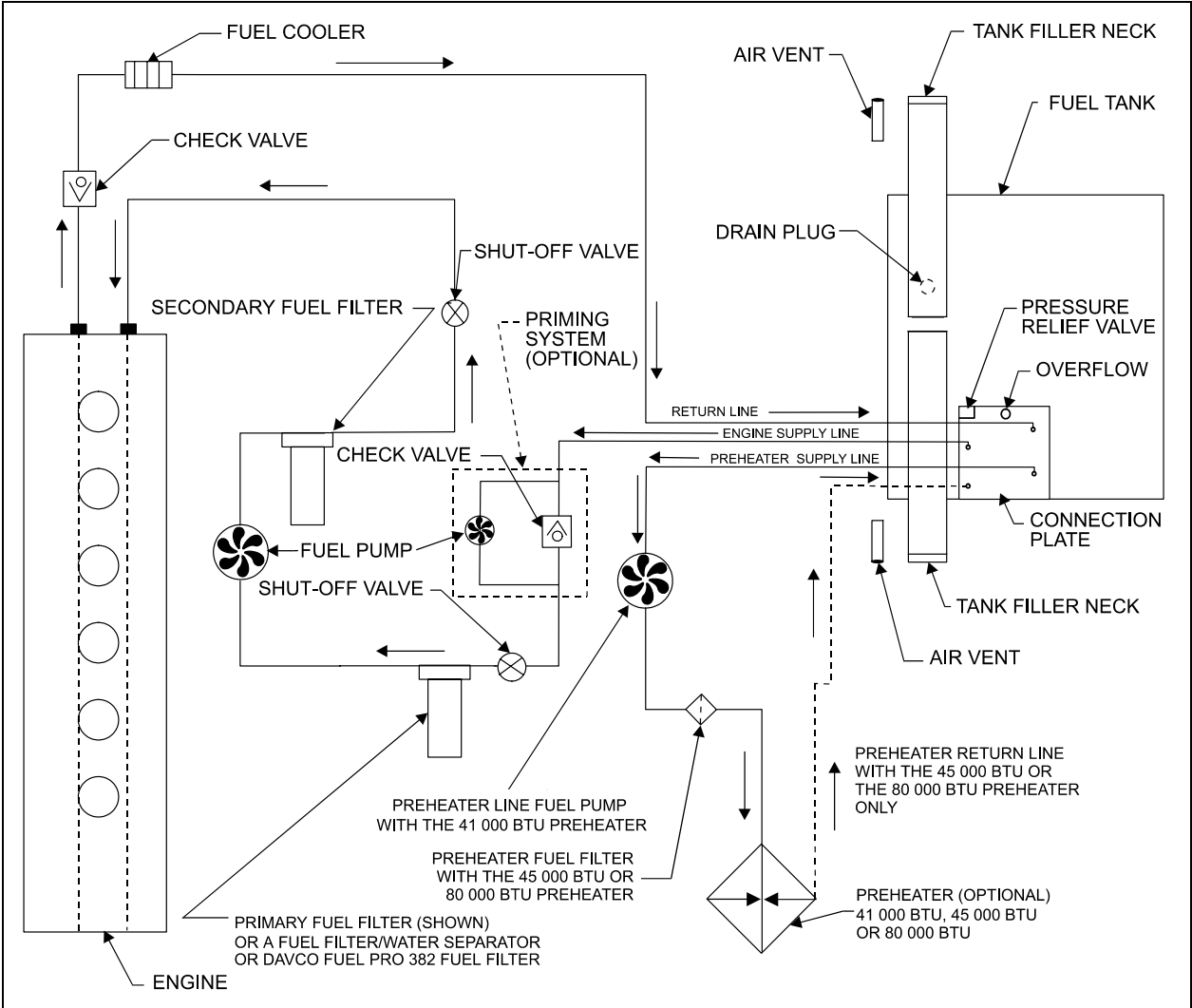


FIGURE 1: FUEL SYSTEM SCHEMATIC

03005

Section 03: FUEL SYSTEM

2. FUEL LINES AND FLEXIBLE HOSES

Make a visual check for fuel leaks at all engine-mounted fuel lines and connections and at the fuel tank suction and return lines. Since fuel tanks are susceptible to road hazards, leaks in this area may best be detected by checking for accumulation of fuel under the tank. Engine performance and auxiliary equipment is greatly dependent on the ability of flexible hoses to transfer lubricating oil, air, coolant and fuel oil. Diligent maintenance of hoses is an important step in ensuring efficient, economical and safe operation of engine and related equipment.

Check hoses daily as part of the pre-start-up inspection. Examine hoses for leaks and check all fittings, clamps and ties carefully. Make sure that the hoses are not resting on or touching shafts, couplings, and heated surfaces, including exhaust manifolds, any sharp edges or other obviously hazardous areas. Since all machinery vibrates and moves to a certain extent, clamps and ties can fatigue with age. To ensure continued proper support, inspect fasteners frequently and tighten or replace them as necessary. Refer to the schematic diagram of the fuel system (Fig. 1).

Caution: Oil level above the dipstick full mark or a decrease in lube oil consumption may indicate internal fuel leaks. Check oil level frequently.

3. FUEL VALVES

Manual shut-off valves on engine fuel-supply line are located on the R.H. side of engine compartment (Fig. 2). A manual shut-off valve is located at the inlet side of the primary fuel filter (fuel filter/water separator, if vehicle is so equipped) under the air compressor or at the inlet side of Davco Fuel Pro 282 fuel filter. Another manual shut-off valve is located at the outlet side of the secondary fuel filter, under the starter or at the outlet side of the pump in the case of Davco. No manual valve is required on preheater fuel-supply line, since the positive-displacement fuel pump (located close to the fuel tank) prevents fuel flow when not activated.

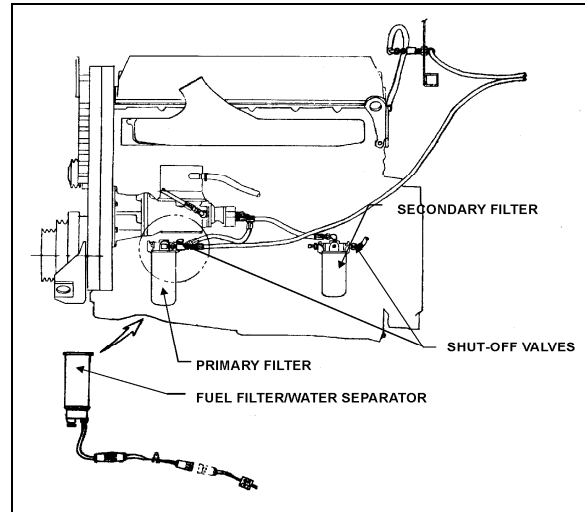


FIGURE 2: MANUAL SHUT-OFF VALVES

03006

4. FILTERS AND WATER SEPARATOR

The fuel system is equipped with primary and secondary fuel filters for additional protection of the injectors. A fuel-filter/water-separator may be installed in primary fuel-filter location, to prevent water infiltration in engine fuel system (Fig. 2). It should be drained periodically, or when the water separator telltale light on the dashboard illuminates. To drain, loosen positive seal drain valve below separator, and tighten after water has been flushed out.

Note: The operating conditions and cleanliness of type of fuel used determine the service intervals of the filter/water separator element and the secondary fuel filter cartridge.

Note: For more information on the Davco Fuel Pro 382 fuel filter, refer to paragraph 4.3.

4.1 FUEL FILTER/WATER SEPARATOR SERVICING

The fuel filter/water separator is located on the starter side of the engine, below the air compressor. The water separator must be drained periodically or when the telltale light on the dashboard illuminates (Fig. 3).

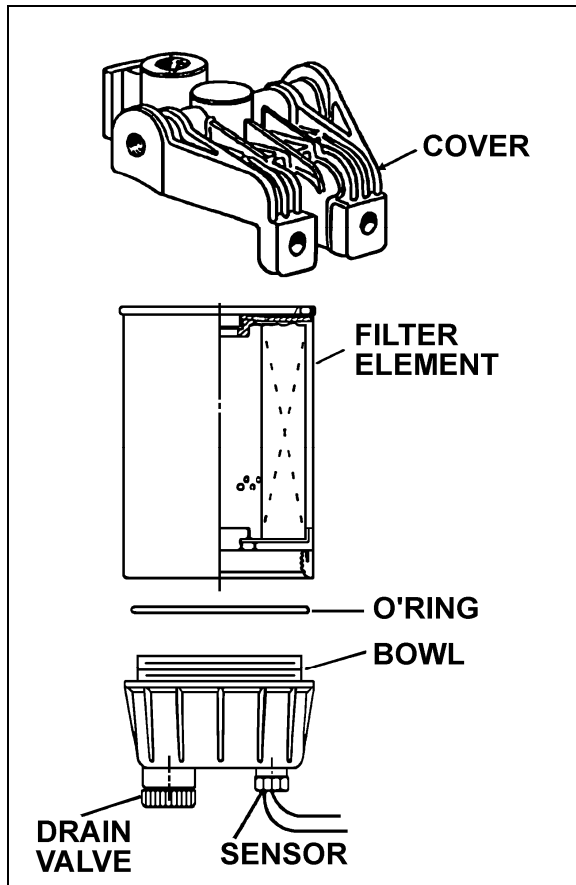


FIGURE 3: FUEL FILTER/WATER SEPARATOR 03025

Replace the water separator element as follows:

1. Drain the fuel filter/water separator as stated previously.
2. With engine "OFF" and engine fuel supply line valves closed; remove the filter element/bowl assembly from cover (for valve location, see "3. FUEL VALVES" in this section).
3. Separate bowl from filter element. Clean bowl and O-ring groove.

Note: Bowl is reusable, do not discard.

4. Lubricate O-ring with clean diesel fuel or motor oil and place it in bowl groove.
5. Screw new filter element onto bowl snugly by hand.

Caution: Do not use tool to tighten. Tighten by hand only.

6. Lubricate filter seal with clean diesel fuel or motor oil.
7. Fill filter element/bowl assembly with clean diesel fuel and attach onto cover. Hand tighten an additional 1/3 to 1/2 turn after making full seal contact.
8. Open valves of the engine fuel supply line.
9. Run the engine and check for leaks.

Caution: If the water separator continuously requires draining, it is possible that water or sediment has accumulated in the fuel tank. To correct this situation, open the drain plug under the tank when the fuel gauge indicates tank is 1/4 full in order to drain any contaminant.

4.2 FUEL FILTER SERVICING (PRIMARY AND SECONDARY)

The primary and secondary fuel filters are located on the R.H. side of the engine. The primary filter is located below the air compressor, and the secondary fuel filter is below the starter. They are of a spin-on type and must be replaced every 12,500 miles (20 000 km) or once a year, whichever comes first. The primary fuel filter is equipped with a positive seal drain-valve to prevent water infiltration in engine fuel system. To drain, loosen positive seal drain-valve below filter and tighten after water has been flushed out.

A method of determining when filters are clogged to the extent that they should be changed is based on the fuel pressure at the cylinder head fuel inlet fitting and the inlet restriction at the fuel pump. In a clean system, the maximum pump-inlet restriction should not exceed 6 inches of mercury (20.3 kPa) and must not exceed 12 inches of mercury (41 kPa) with a dirty system.

At normal operating speeds and with the standard "0.080" restriction fittings, the fuel pressure at the cylinder head inlet is 50-75 psi (345-577 kPa). Change the fuel filters whenever the inlet restriction at the fuel pump reaches 12 inches of mercury (42 kPa) at normal operating speeds. Also, change whenever the fuel pressure at the cylinder head inlet fitting falls to the minimum fuel pressure given above.

Section 03: FUEL SYSTEM

Change the filter cartridge(s) as follows:

Note: Use a suitable band wrench or filter wrench, such as J22775, to remove the filters.

1. Stop engine, shut off the engine fuel supply line valves (for valve location, See "3. FUEL VALVES"). Unscrew and discard filters.
2. Fill new filter replacement cartridge(s) with clean fuel oil, about two thirds (2/3). Apply a thin coat of clean fuel oil on gasket.
3. Install new filters. Tighten until filter is snug against the gasket, with no side movement. Rotate an additional 1/2 turn by hand.
4. Open engine fuel supply line valves.

Caution: Mechanical tightening of the fuel filters is not recommended and may result in seal and/or cartridge damage. Tighten the fuel filters by hand only.

5. Start the engine and check for leaks.

Note: There is a fuel system shut-off valve on the discharge side of the secondary fuel filter. This check valve is designed to prevent fuel loss at time of filter replacement.

4.3 DAVCO FUEL PRO 382

The optional Fuel Pro 382 diesel fuel filter system consists of a permanently mounted fuel processor, a replaceable filter element, a filter element cover and collar and a fluid filter base assembly. This system is installed between the fuel tank and the fuel pump and is designed to be the only fuel filter in the fuel system. The filter serves as a water separator as well as a fuel filter (Fig. 4).

When new, the fuel level as seen through the clear cover in the 382 filter is very low. It rises as dirt collects on the filter from the bottom up. Restriction remains consistently low because fuel always flows through clean, new media. Change filter when fuel level reaches the top of filter element (Refer to figure 5).

Filter renewal:

1. Stop engine;
2. Drain fuel by opening the drain valve;

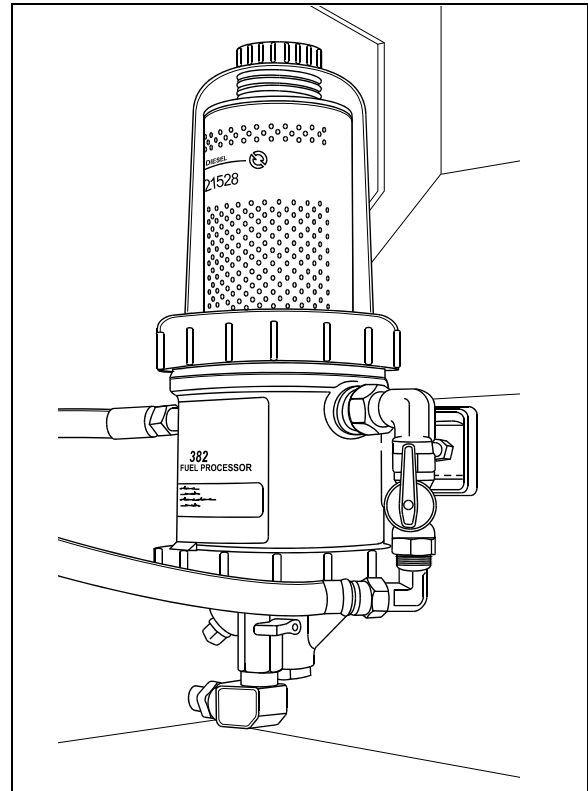
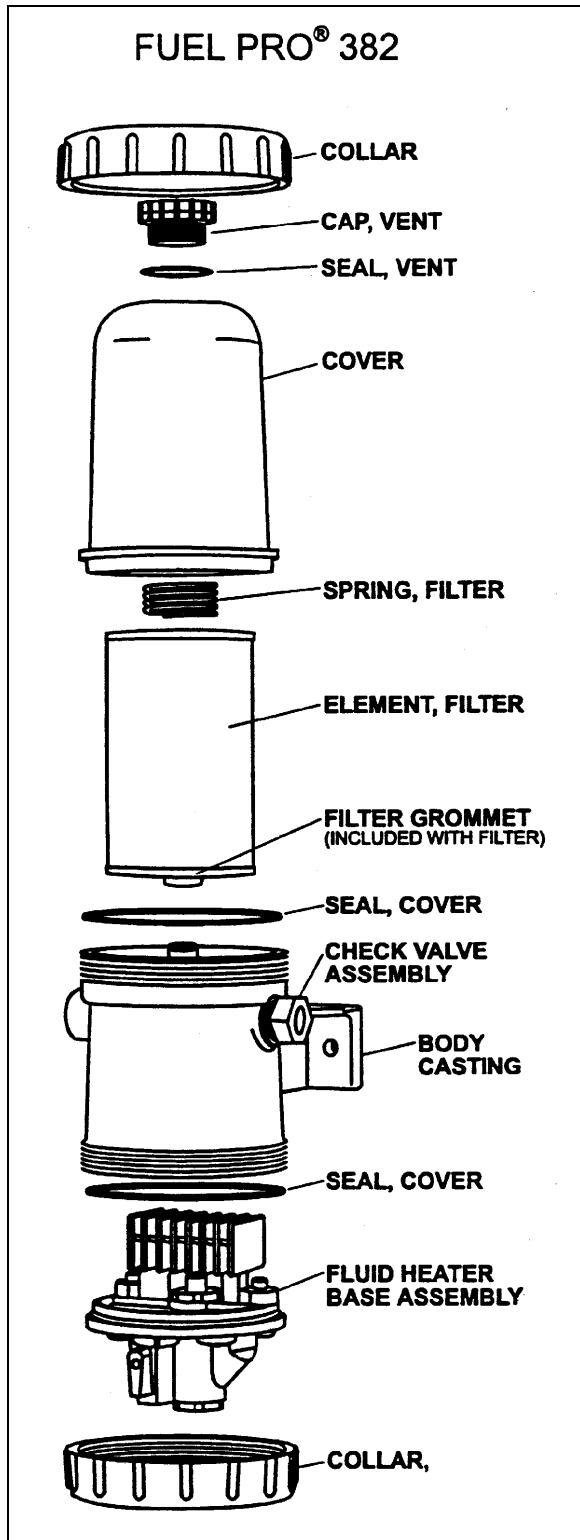


FIGURE 4: DAVCO FUEL PRO 382 INSTALLATION 03032

3. Untighten upper collar, remove cover;
4. Replace filter element;
5. Check O-Rings and components for wear;
6. Replace cover, hand tighten collar;
7. Pour fuel up to bottom of filter element through spin off cap located on top of cover.
8. Start engine, raise rpm for 2-3 minutes, hand tighten collar again.

Note: Fuel Pro 382 also accepts standard secondary spin-on fuel filters.

Environmental Notice: Diesel fuel is an environmentally hazardous product. Dispose in an environmentally friendly manner.

FIGURE 5: DAVCO FUEL PRO 382 EXPLODED VIEW⁰³⁰³⁴

4.4 PREHEATER FUEL FILTER

The preheater fuel filter is installed only on vehicles with the optional 45000 BTU or 80 000 BTU preheaters. The filter is located above the preheater, on the ceiling of the lower portion of the rear electrical compartment. Replace the filter every 50,000 miles (80 000 km) or once a year, whichever comes first.

5. FUEL TANK

All H3 series vehicles are equipped with a high-density cross-link polyethylene fuel tank with a capacity of 235 US gallons (890 liters). The tank is located just forward of the last baggage compartment, between the A/C condenser and evaporator.

Fuel filling access doors on both sides of vehicle provide direct access to filler necks; offering the added advantage of refueling from either side of vehicle.

A pressure relief valve on the fuel tank connection-panel relieves high-pressure buildup and an overflow tube allows offset air in the tank to escape during filling. For 95% of the tank volume, 5% of tank inside space is kept filled with air with no exit opening, allowing for a fuel expansion safety margin. A drain plug, accessible from under the vehicle, is fitted at the bottom of the tank.

5.1 TANK REMOVAL

Warning: Park vehicle safely, apply parking brake, stop engine and set battery master switch (es) to the OFF position before working on the vehicle.

Before working under an air-suspended vehicle, it is strongly recommended to support the body at the recommended jacking points.

Note: Before removal, the fuel tank should be completely drained by unscrewing the drain plug. Ensure that the container used has a capacity equal to the amount of fuel remaining in the tank.

Open the condenser door and remove the fuel tank access panel. The rear baggage compartment fuel tank access panel may also be removed to facilitate access to components.

Section 03: FUEL SYSTEM

1. If applicable, unscrew clamps retaining L.H. side filler tube to the fuel tank, then disconnect tube and remove it.
2. Unscrew clamps retaining R.H. side filler tube to fuel tank and filler neck. Disconnect tube and remove it.
3. If applicable, unscrew preheater supply line, preheater return line, auxiliary return line and/or auxiliary return line from fuel tank connection-panel.
4. Unscrew engine supply and return lines from fuel tank connection-panel, identify them for reinstallation.
5. Disconnect electrical wiring from tank on connection plate.

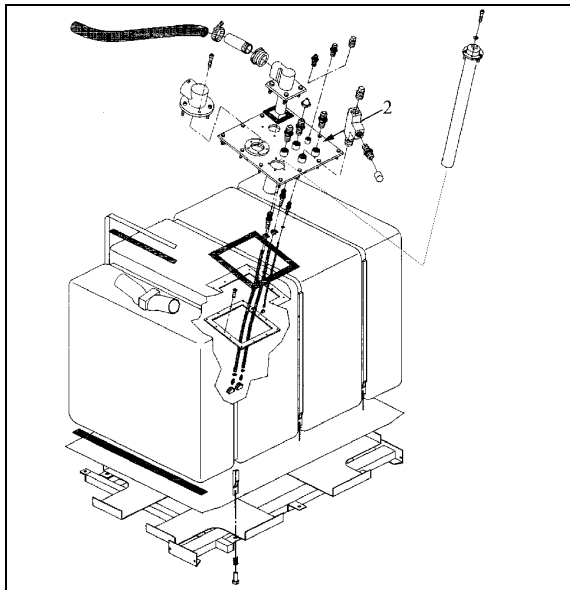


FIGURE 6: FUEL TANK ARRANGEMENT

03048

Warning: Before removing the bolts securing the tank support to the frame, make sure the tank is supported adequately. Failure to do so could result in injury as well as damage to the tank.

6. From under the vehicle, on R.H. side, unscrew the 4 bolts (2 in front, 2 in back) retaining the tank support to the frame.
7. From under the vehicle, on the L.H. side, unscrew the 2 bolts (1 in front, 1 in back) retaining the tank support to the frame.

8. Carefully remove tank from under the vehicle.

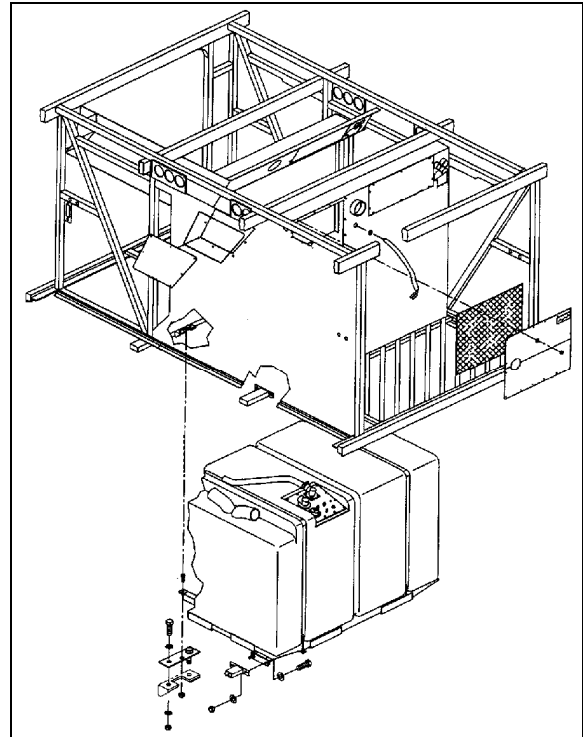


FIGURE 7: FUEL TANK INSTALLATION

03049

5.2 TANK INSTALLATION

Tank installation is the reverse of removal.

Note: Fastening of rubber flap must always be on top, in line with clamp screw (Fig. 6).

Note: Insert check valve assembly in right-side filler hose (Fig. 6), use hose clamp to fix it. Repeat with left side filler hose.

Note: When reinstalling lines, use Loctite 567 type thread sealant on line fittings.

Warning: For proper assembly, check connections and fasteners for tightness.

Note: Under vehicle, locate fuel tank and the four nuts retaining the two fuel-tank-retaining straps.

For each of the four nuts (Fig. 7):

1. Clean nuts and stud threads;
2. Apply a Loctite 242 type thread adhesive on stud threads;

When installing an old fuel tank, screw nuts so coils touch. When installing a new fuel tank, screw nuts so coils touch, then unscrew nuts 3.5 turns.

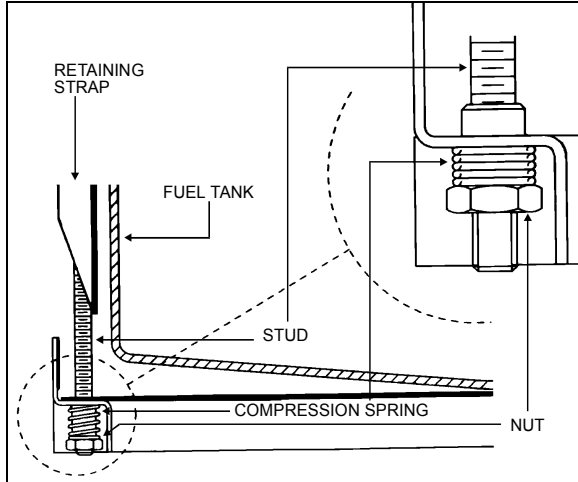


FIGURE 8: FUEL TANK RETENTION 03019

5.3 FUEL TANK VERIFICATION

Inspect fuel tank from under vehicle for leaks or fuel traces. If a leak is detected, repair immediately as per "Polyethylene Fuel Tank Repair" in this section.

Warning: Park vehicle safely, apply parking brake, stop engine and set battery master switch(es) to the OFF position before working on the vehicle.

Before working under an air-suspended vehicle, it is strongly recommended to support the body at the recommended jacking points.

5.4 POLYETHYLENE FUEL TANK REPAIR

Note: Fuel level must be lower than perforation to carry out this procedure.

Warning: Park vehicle safely, apply parking brake, stop engine and set battery master switches to the OFF position before working on the vehicle.

1. Locate perforation on fuel tank.
2. If necessary, remove fuel tank as per instructions in this section.
3. Drill perforation with a 23/64" bit. Make sure drill hole is perfectly round.

4. Insert a screw (Prevost #500196) and a washer (Prevost #5001244) into anchor nut (Prevost #500331).
5. Place assembly in drill hole. tighten screw by 10 complete turns. Refer to Fig. 9.
6. Apply sealant on head plug (Prevost #507300) and seal hole with the head plug.

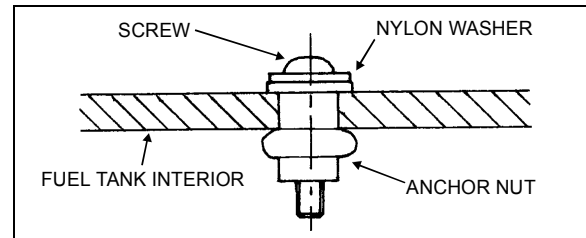


FIGURE 9: FUEL TANK REPAIR 03014

6. PRIMING FUEL SYSTEM

The problem with restarting a diesel engine that has run out of fuel, is that after the fuel is exhausted from the tank, it is pumped from the primary fuel filter or the fuel filter/water separator (if vehicle is so equipped), and sometimes partially removed from the secondary filter. This results in an insufficient fuel supply to sustain engine firing. The primary fuel filter or fuel filter/water separator and secondary filter must be free of air in order for the systems to provide adequate fuel for the injectors. When the engine runs out of fuel, the following operations must be performed before restarting:

Fill fuel tank with the recommended fuel oil. If only partial filling is possible, add a minimum of 10 gallons (38 liters) of fuel.

- If the vehicle is equipped with a Fuel Pro 382 fuel filter/water separation, pour fuel through spin on cap as per "4.3 DAVCO FUEL PRO 382".
- If the vehicle is equipped with an optional priming pump see Figure 10.

Press the priming switch, located under the rear start panel. Start the engine and check for leaks.

Section 03: FUEL SYSTEM

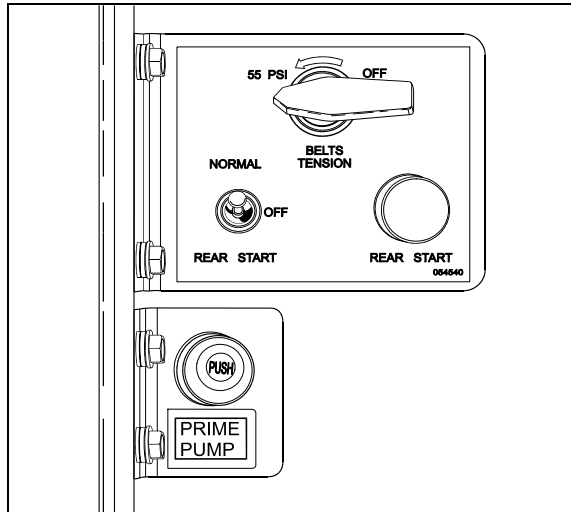


FIGURE 10: PRIME PUMP SWITCH LOCATION 03033

If the vehicle is not equipped with a priming pump:

1. Unscrew the cap on the priming valve located on the secondary filter;
2. Direct fuel under pressure 25 psi (172 kPa) to the priming valve using a quick coupling;
3. Start the engine and check for leaks.

7. FUEL PUMP INSTALLATION

The fuel pump is driven off the rear of the air compressor.

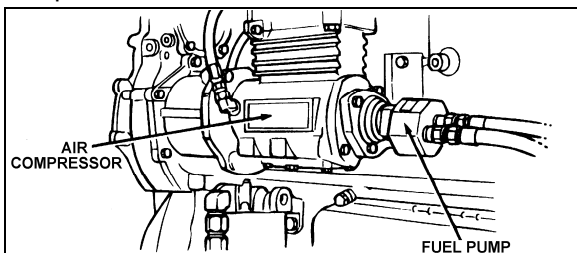


FIGURE 11: FUEL PUMP LOCATION 03026

1. If removed, install inlet and outlet fittings in the cover of the fuel pump.

Note: New fittings have sealant already applied. When reusing fittings, coat the threads lightly with Loctite Pipe Sealant, Detroit Diesel number J 26558-92, or equivalent, before installing. To prevent sealant from entering fuel system, do not apply to the first two threads of the fitting. Do not use Teflon tape or paste on the fittings.

2. Install drive coupling in drive hub of the fuel pump. Install a new gasket to the mounting flange of the pump.
3. Index the drive coupling with the drive hub on the end of the air compressor crankshaft and align the pump mounting boltholes with those in the air-compressor rear cover.

Note: When correctly positioned, the outlet fitting on the pump should be in approximately an 8 o'clock position when viewed from the rear, and the drain opening in the pump body facing down.

4. Seat the fuel pump squarely against the air compressor. Pilot the flange on the pump body, in the opening in the rear cover of the compressor. Install three mounting bolts and tighten them to 22-28 lbs•ft (30-38 N•m).
5. Connect the fuel inlet and outlet lines to the fuel pump and tighten.
6. Prime engine fuel system before starting engine to ensure pump seal lubrication and prompt engine starting.

8. FUEL OIL SPECIFICATIONS

The quality of fuel oil used for high-speed diesel engine operation is a very important factor in obtaining satisfactory engine performance, long engine life and acceptable exhaust emission levels. The fuel oil should meet ASTM designation D 975. Grade 1-D is recommended, however grade 2-D is acceptable.

Note: These fuel grades are very similar to grade DF-1 or DF-2 of Federal Specifications VV-F-800. For detailed fuel recommendations, refer to publication "Engine Requirements-Lubricating Oil, Fuel, and Filters" #7SE270 available from Detroit Diesel Distributors.

9. AIR CLEANER (DRY TYPE)

The vehicle is equipped with a dry-type replaceable element air cleaner, located in the engine compartment. Access the air cleaner through the engine R.H. side door. Engine air enters the air cleaner through an intake duct on the R.H. side of the rear cap, next to the last window. It then flows through a pre-cleaner and

finally through the air cleaner. The pre-cleaner removes dust and moisture by means of a discharge tube at the bottom of the element. It is in series with a replaceable impregnated paper filter element (air cleaner).

9.1 PRE-CLEANER SERVICING

The pre-cleaner is designed to be self-cleaning ; however, it should be inspected and any accumulated foreign material removed during the periodic replacement of the impregnated paper filter element.

9.2 AIR CLEANER SERVICING

Stop the engine, open the R.H. side engine compartment door, and loosen the wing nut retaining the air cleaner element to the air cleaner. Remove the element by pulling on the handle in the center of the air cleaner element.

Install cleaner element as follows:

1. Inspect the gasket-sealing surface inside the air cleaner. It must be smooth, flat and clean;
2. Install the air cleaner element;
3. Make sure that the element seals securely;
4. Inspect element cover gasket and replace if necessary.

Whenever it becomes necessary to remove the air cleaner assembly (dry type) for maintenance or other repair in this area, great care should be taken when installing air cleaner assembly.

The pre-filter should be installed snugly in the air duct and clamped tightly to the air cleaner inlet to prevent any dust infiltration into the air cleaner.

9.3 GENERAL RECOMMENDATIONS

The following maintenance procedures will ensure efficient air cleaner operation:

1. Keep the air cleaner housing tight on the air intake pipe;
2. Make sure the correct filters are used for replacement;
3. Keep the air cleaner properly assembled so the joints are air-tight;

4. Immediately repair any damage to the air cleaner or related parts;
5. Inspect, clean or replace the air cleaner or elements as operating conditions warrant. Whenever an element has been removed from the air cleaner housing the inside surface of the housing must be cleaned with a soft clean cloth;
6. Periodically inspect the entire system. Dust-laden air can pass through an almost invisible crack or opening which may eventually cause damage to an engine;
7. Never operate the engine without an element in the air cleaner assembly;

Caution: Do not ignore the Warning given by the air restriction indicator. This could result in serious engine damage.

8. Store new elements in a closed area free from dust and possible damage.

9.4 AIR CLEANER RESTRICTION INDICATOR

A resettable restriction indicator may be installed on the engine air-intake duct, clearly visible from the rear engine compartment. The indicator monitors the vacuum level between the air filter and the engine. A red marker is displayed when the air filter is clogged and must be replaced. Reset by pressing on the indicator's extremity.

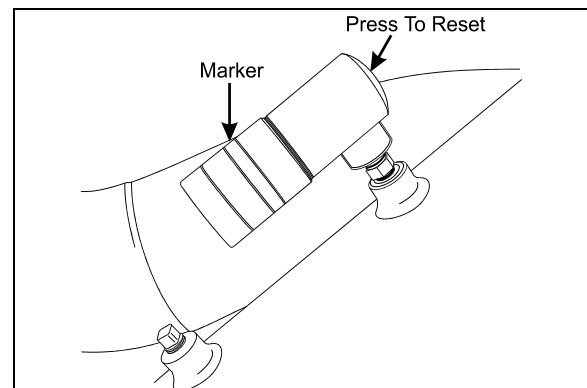


FIGURE 12: RESTRICTION INDICATOR

01052

10. FUEL COOLER

The fuel cooler serves to cool the surplus diesel fuel after it has exited the cylinder head, on its way back to the fuel tank. It is accessible

Section 03: FUEL SYSTEM

through the engine radiator door and is located just in front of the coolant radiator.

11. FUEL PEDAL

The EFPA (Electronic Foot Pedal Assembly) connects the accelerator pedal to a potentiometer (a device that sends an electrical signal to the ECM, which varies in voltage, depending on how far down the pedal is depressed). The EFPA is installed in the space normally occupied by a mechanical foot pedal. It has maximum and minimum stops that are built into the unit during manufacturing.

11.1 FUEL PEDAL ADJUSTMENT

The EFPA contains a throttle position sensor that varies the electrical signal sent to the ECM. The sensor must be adjusted whenever an EFPA is serviced. In addition, the sensor should be adjusted any time codes 21 and 22 are flashed.

With the ignition "ON" and the proper diagnostic tool (DDR) (for information regarding the DDR, see "01 ENGINE" in this manual), check the throttle counts at idle and full throttle positions. Proper pedal output should be 20/30 counts at idle and 200/235 at full throttle. If adjustment is necessary, remove the potentiometer retaining screws and rotate the potentiometer clockwise to increase counts or counterclockwise to decrease. When correct output is confirmed, tighten retaining screws.

11.2 POTENTIOMETER REPLACEMENT

1. Disconnect cable harness connector.

Caution: Note the routing and clamping locations of the cable before disassembly. Proper cable routing and fastening is critical to the operation of this system. Marking the foot pedal assembly to record cable routing is recommended.

2. Loosen the two screws and remove potentiometer. Retain for re-assembly.
3. Discard potentiometer (Fig. 14).
4. Position new potentiometer. Press potentiometer onto the potentiometer shaft, matching cutouts in shaft to drive tangs of potentiometer. Apply hand pressure until potentiometer has bottomed out in housing. Reinstall screws (Fig. 14) and tighten just enough to secure potentiometer lightly. Tighten screws to 10 - 20 lbf•in (1.5 - .2 N•m).
5. Reconnect electronic foot pedal assembly's cable harness to the ECM connector. If potentiometer calibration is necessary (see "FUEL PEDAL ADJUSTMENT" in this section).

Caution: Make sure the cable harness is routed correctly, and securely installed so that it does not become pinched, stretched, or otherwise damaged during vehicle operation.

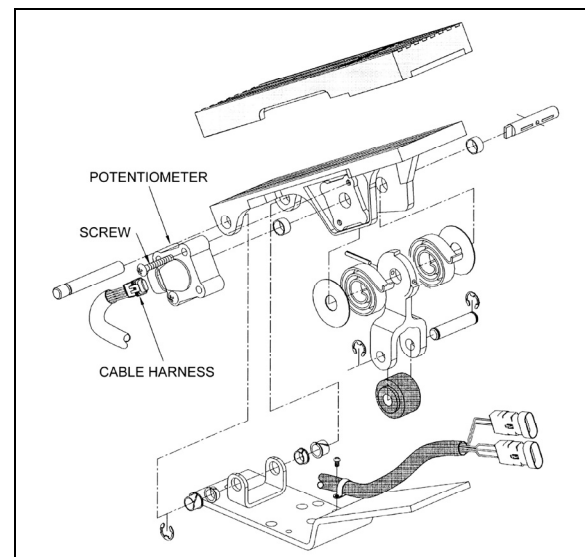


FIGURE 13: ELECTRONIC FOOT PEDAL ASSEMBLY⁰³⁰³⁵

12. SPECIFICATIONS

Davco FuelPro 382 Fuel Filter / Water Separator Element

Supplier number23521528
Prévost number531437

Primary Fuel Filter / Water Separator (optional)

(May be used instead of primary filter (never use with a primary filter).

Make Racor
Type Spin-on

ELEMENT

Supplier number S 3202
Prévost number531390

BOWL

Supplier numberRK30051
Prévost number531389

DRAIN VALVE AND SEAL

Supplier numberRK30058
Prévost number531397

O-RING

Supplier numberRK30076
Prévost number531398

PROBE/WATER SENSOR

Supplier numberRK21069
Prévost number531391

Primary Fuel Filter

Make AC
Type Spin-on
Filter No. T-915D
Service Part No.25014274
Prévost number510137

OR

Service Part No (Type with Water Separator)23512317
Prévost number531407
Element torque 1/2 turn after gasket contact

Secondary Fuel Filter

Section 03: FUEL SYSTEM

Make AC
Type Spin-on
Filter No. T-916D
Service Part No. 25014342
Prévost number 510128
Element torque 1/2 turn after gasket contact

Fuel tank

Capacity 235 US gal (890 liters)

Air Cleaner

Make Nelson
Prevost Number 530206
Service Part No 7182 8N
Supplier number (element cartridge) 70337N
Prévost number (element cartridge) 530197

Air Cleaner Restriction Indicator

Make Donaldson
Model RBX00-2220
Indicates at 20" (508 mm) of water
Prévost number 530161

Preheater Fuel Filter (45 000 BTU or 80 000 BTU)

Make Webasto
Supplier number 603.359
Prévost number 871037

Preheater Line Fuel Pump (41 000 BTU)

Make Espar
Supplier number 25-1571-45-0000
Prévost number 870973

Fuel Cooler

Make Berendsen
Supplier number DB-1240
Prévost number 950109

SECTION 04 : EXHAUST SYSTEM

CONTENTS

1. DESCRIPTION	04-2
2. MAINTENANCE	04-2
3. MUFFLER REMOVAL / INSTALLATION	04-3
4. FLEXIBLE TUBE INSTALLATION	04-3

ILLUSTRATIONS

FIGURE 1: EXHAUST SYSTEM	04-2
FIGURE 2: FLEXIBLE TUBE INSTALLATION	04-3

Section 04: EXHAUST SYSTEM

1. DESCRIPTION

The muffler is rubber mounted to the vehicle frame. This feature reduces the transmission of vibrations to the muffler thus resulting in extended life of muffler, brackets and other components.

2. MAINTENANCE

Inspect the exhaust system periodically for restrictions and leaks. Figure 1 presents the major components of the exhaust system. Restrictions such as kinked or crimped pipes result in excessive back pressure which can lead to increased fuel consumption, power loss and possible damage to engine combustion chamber

components. Exhaust leaks are commonly the result of loose clamp bolts, corroded pipes or a punctured muffler. In addition to excessive noise, a leaking exhaust system could allow toxic gases to enter the vehicle. Damage to surrounding components from hot gases could result as well. Replace damaged or corroded exhaust components immediately.

Inspect the exhaust system as follows:

- At vehicle inspection intervals;
- Whenever a change is noticed to the sound the exhaust system makes;
- When components close to the exhaust system get unnaturally dirty.

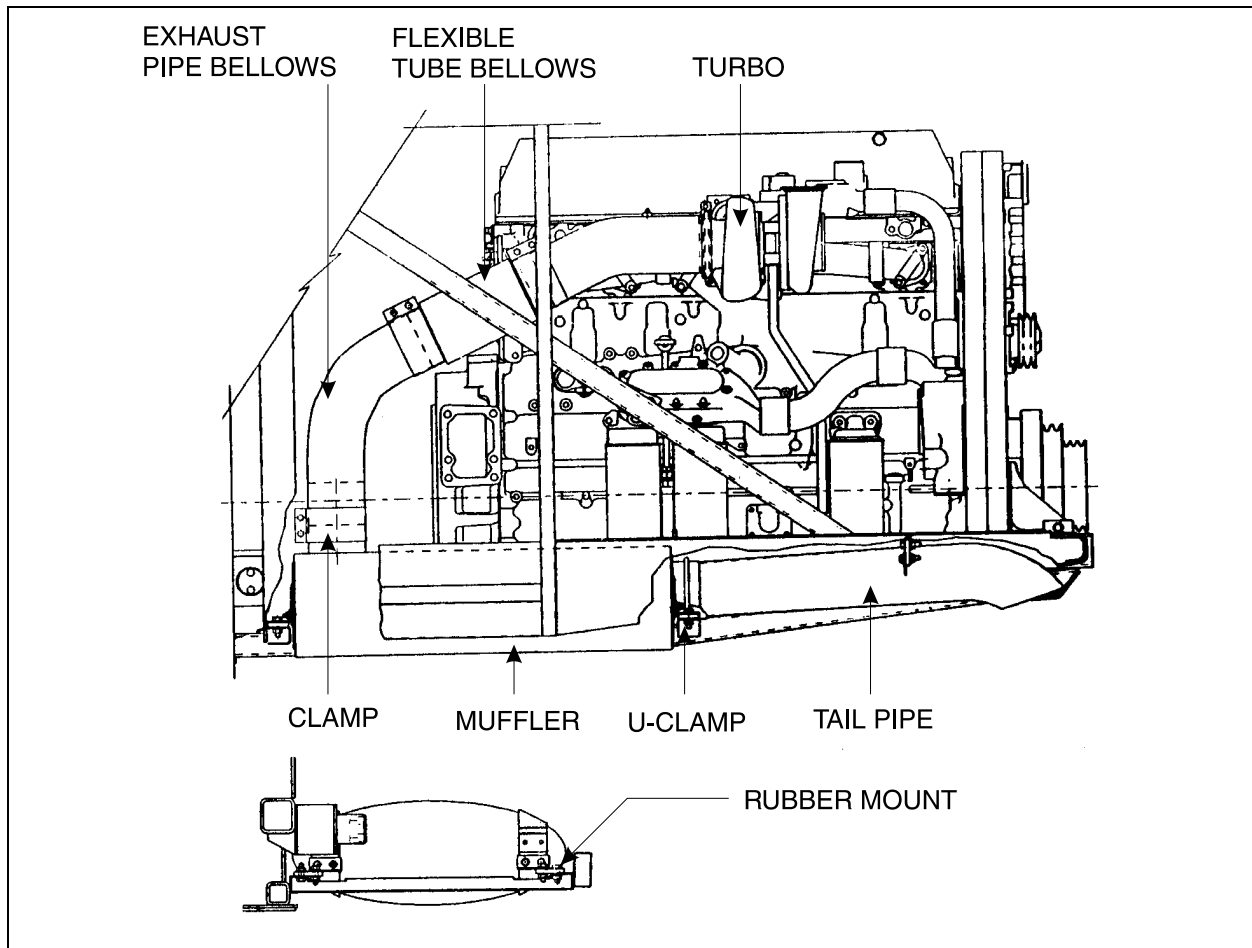


FIGURE 1: EXHAUST SYSTEM

04001

When operating the engine in a closed area such as a service garage, vent exhaust gases to the outside by means of a shop vent hose placed over the exhaust outlet pipe.

Warning: Avoid breathing exhaust gases. Exhaust gases are poisonous and contain carbon monoxide, an odorless and colorless gas that can cause unconsciousness or death. If exhaust gases are suspected of entering the vehicle, the cause(s) must be located and corrected immediately.

3. MUFFLER REMOVAL / INSTALLATION

Warning: Make sure muffler and components are cold before handling.

1. Remove bolts and clamps securing exhaust pipe bellows to muffler;
2. Support muffler from under vehicle;
3. Remove U-clamp retaining the tail pipe to the frame bracket;
4. Remove tail pipe;
5. Remove the fasteners holding the four rubber mounts to the frame brackets and the fasteners securing the rubber mounts to the muffler brackets;

Note: The front retaining bolts are accessible from the L.H. side axle wheel housing;

6. Remove rubber mounts. Lower muffler from under vehicle;
7. Remove attached parts from muffler such as brackets and collar. Inspect and replace if necessary.

For installation, reverse the removal procedure.

4. FLEXIBLE TUBE INSTALLATION

The flexible exhaust tube contains a rigid interior pipe (Fig. 1). To allow appropriate flexibility for assembly, be sure interior pipe is concentric to flexible part. To maintain the pipe centered at time of installation, insert cardboard spacers as shown (Fig. 2). These spacers may be left in place for they will deteriorate over time.

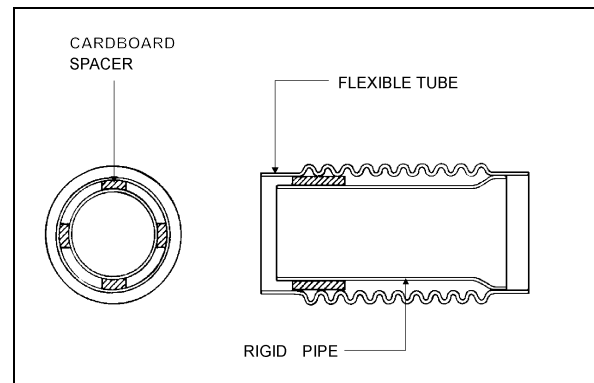


FIGURE 2: FLEXIBLE TUBE INSTALLATION 04003

SECTION 05: COOLING SYSTEM

CONTENTS

1. DESCRIPTION	05-3
2. MAINTENANCE	05-4
2.1 VEHICLES WITHOUT COOLANT FILTERS.....	05-4
2.2 VEHICLES WITH COOLANT FILTERS.....	05-4
3. HOSES	05-5
3.1 CONSTANT-TORQUE HOSE CLAMPS.....	05-5
3.1.1 <i>Installation</i>	05-5
3.1.2 <i>Maintenance</i>	05-5
4. COOLANT	05-6
4.1 COOLANT LEVEL VERIFICATION.....	05-6
4.2 COOLANT LEVEL SENSOR.....	05-6
4.3 THAWING COOLING SYSTEM	05-6
4.4 COOLANT REQUIREMENTS.....	05-6
4.5 COOLING SYSTEM RECOMMENDATIONS	05-7
4.6 INHIBITORS	05-7
4.6.1 <i>Inhibitor Test Procedures</i>	05-7
4.7 COOLANT RECOMMENDATIONS	05-7
4.7.1 <i>Vehicles Without Coolant Filters</i>	05-8
4.7.2 <i>Vehicles With Coolant Filters</i>	05-8
5. DRAINING COOLING SYSTEM	05-8
6. FILLING COOLING SYSTEM	05-9
7. FLUSHING.....	05-10
7.1 COOLING SYSTEM DESCALERS	05-10
7.2 REVERSE FLUSHING.....	05-10
8. SPIN-ON COOLANT FILTER	05-11
9. RADIATOR.....	05-12
9.1 MAINTENANCE	05-12
10. VARIABLE SPEED RADIATOR FAN.....	05-12
10.1 MAINTENANCE	05-12
10.2 INSPECTION	05-13
10.3 THERMOSTAT OPERATION	05-13
11. FAN GEARBOX.....	05-13
11.1 MAINTENANCE	05-13
11.2 OIL CHANGE.....	05-13
12. RADIATOR FAN BELT REPLACEMENT.....	05-14
12.1 BELT TENSION ADJUSTMENT	05-14
13. FAN DRIVE ALIGNMENT	05-15

Section 05: COOLING SYSTEM

14. SPECIFICATIONS05-16

ILLUSTRATIONS

FIGURE 1: COOLING SYSTEM.....05-3
FIGURE 2: SURGE TANK - ENGINE COMPART.05-4
FIGURE 3: CONSTANT-TORQUE CLAMP05-5
FIGURE 4: SURGE TANK SIGHT GLASS05-6
FIGURE 5: ENGINE COMPARTMENT05-8
FIGURE 6: REAR ELECTRICAL COMPARTMENT.....05-9
FIGURE 7: ENGINE COOLANT DRAIN COCKS05-9
FIGURE 8: UNDERNEATH ENGINE05-9
FIGURE 9: UNDERNEATH ENGINE05-11
FIGURE 10: MECHANICAL LOCKING DEVICE05-12
FIGURE 11: THERMOSTAT AND RELATED PARTS05-13
FIGURE 12: FAN GEARBOX05-13
FIGURE 13: REAR START PANEL.....05-14
FIGURE 14: REGULATOR VALVE05-14
FIGURE 15: BELT TENSIONER.....05-15
FIGURE 16: ANGLE SUPPORT05-15
FIGURE 17: PULLEYS ALIGNMENT.....05-15
FIGURE 18: PULLEY'S VERTICAL ANGLE05-15

1. DESCRIPTION

A radiator and thermo-modulated fan are used to effectively dissipate the heat generated by the engine. A centrifugal-type water pump is used to circulate the engine coolant (Fig. 1).

Two full blocking-type thermostats are used in the water outlet passage to control the flow of coolant, providing fast engine warm-up and regulating coolant temperature.

The engine coolant is drawn from the lower portion of the radiator by the water pump and is forced through the oil cooler and into the cylinder block. For vehicles with automatic transmissions, the coolant circulates in the transmission cooler before going through the oil cooler and the cylinder block.

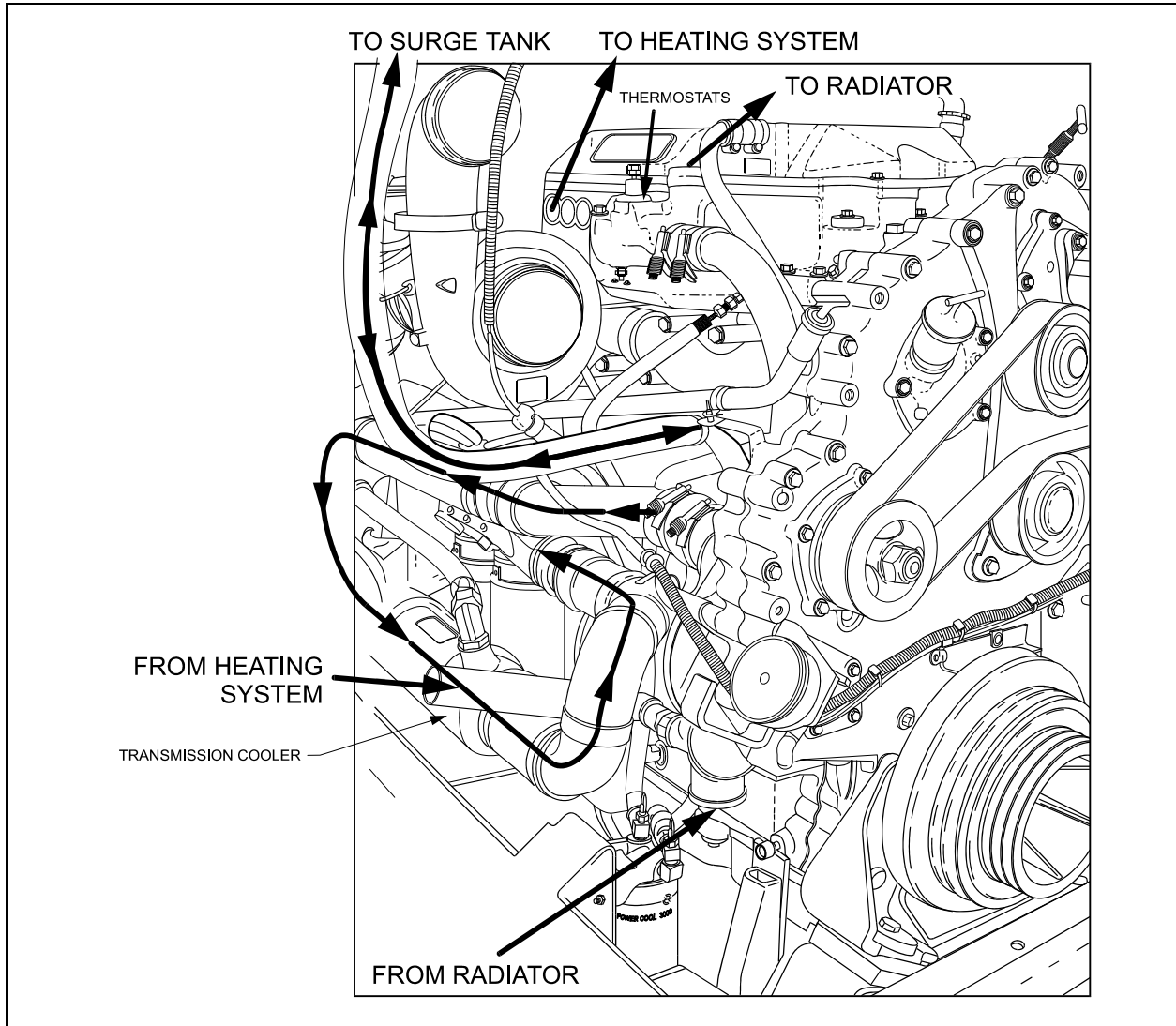


FIGURE 1: COOLING SYSTEM

05075

From the cylinder block, the coolant passes up through the cylinder head and, when the engine is at normal operating temperature, it goes through the thermostat housing and into the

upper portion of the radiator. The coolant then passes through a series of tubes where its heat is dissipated by air streams created by the revolving fan and the motion of the vehicle.

Section 05: COOLING SYSTEM

Upon starting a cold engine or when the coolant is below normal operating temperature, the closed thermostats direct coolant flow from the thermostat housing through the by-pass tube to the water pump. Coolant is recirculated through the engine to aid engine warm up. When the thermostat opening temperature is reached, coolant flow is divided between the radiator inlet and the by-pass tube. When the thermostats are completely open, all of the coolant flow is to the radiator inlet.

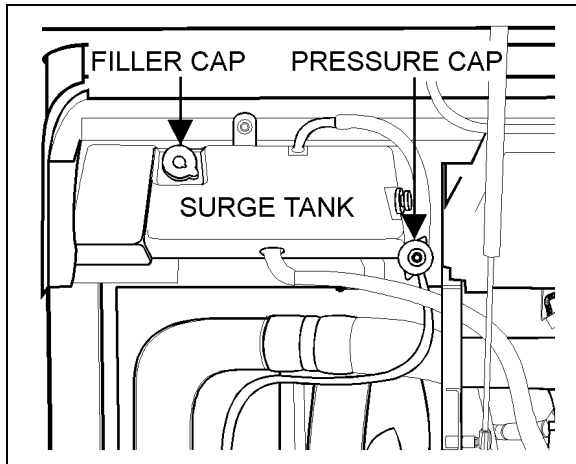


FIGURE 2: SURGE TANK - ENGINE COMPART. 05086

The cooling system is filled through a filler cap on the surge tank (Fig. 2). A pressure cap on top of surge tank is used to maintain pressure within the system. When system exceeds normal pressure rating (14 psi - 96.53 kPa), the cap releases air and if necessary, coolant through the overflow tube (Fig. 2). Two thermostats are located in the housing attached to the right side of the cylinder head (Fig. 1). Furthermore, a water temperature sensor mounted on the cylinder head (radiator side) is also supplied for engine protection purposes.

The engine cooling system also provides hot coolant fluid for the vehicle heating system. Refer to section 22, "HEATING AND AIR CONDITIONING" in this manual for information relating to heating system water circulation.

2. MAINTENANCE

A systematic routine inspection of cooling system components is essential to ensure maximum engine and heating system efficiency.

- Check coolant level in the surge tank daily, and correct if required. Test antifreeze strength.
- Maintain the prescribed inhibitor strength levels as required. Coolant and inhibitor concentration must be checked at each oil change, every 12,500 miles (20 000 km) or once a year, whichever comes first to ensure inhibitor strength. For vehicles equipped with coolant filters replace precharge element filter with a maintenance element filter as per "COOLANT FILTER" in this section. If the vehicle is not equipped with a filter, add the recommended inhibitor concentration to the antifreeze/water solution.
- Drain, flush, thoroughly clean and refill the system every two years or every 200,000 miles (320 000 km), whichever comes first. For vehicle equipped with coolant filters, change the precharge element filter or the existing maintenance element filter for a new maintenance element filter. If the vehicle is not equipped with filters add the recommended inhibitor concentration to the antifreeze/water solution.

Note: Do not add inhibitors to the antifreeze / water solution if vehicle is equipped with a coolant filter.

Coolant must be discarded in an environmentally safe manner.

2.1 VEHICLES WITHOUT COOLANT FILTERS

Refer to Nalcool 3000 with Stabil-Aid bulletin annexed to the end of this section for preventive maintenance (at each oil change) and initial treatment instructions (each time the cooling system is drained and flushed).

2.2 VEHICLES WITH COOLANT FILTERS

Change the coolant precharge element filter for a maintenance element filter at initial oil change (see "Specifications" at the end of this section) and replace existing maintenance element filter with a new one as per "COOLANT FILTER" in this section. A precharge element filter must be installed each time the cooling system is drained and flushed prior to installing a maintenance element filter.

- Check belts for proper tension; adjust as necessary and replace any frayed or badly worn belts.
- Check radiator cores for leaks and make sure the cores are not clogged with dirt or insects. To avoid damaging the fins, clean cores with a low-pressure air hose. Steam clean if required.
- Inspect the water pump operation. A leaky pump sucks in air, increasing corrosion.
- Repair all leaks promptly. Unrepaired leaks can lead to trouble. Inspect and tighten radiator mounts periodically. Test and replace thermostats regularly.

Note: In order to ensure the integrity of the system, it is recommended that a periodic cooling system pressure check be made. Pressurize the cooling system to 103-138 kPa (15-20 psi) using Radiator and Cooling System Tester, J24460-1. Do not exceed 138 kPa (20 psi).

Any measurable drop in pressure may indicate a leak. Whenever the oil pan is removed, the cooling system should be pressure checked as a means of identifying any incipient coolant leaks. Make sure the cause of the internal leak has been corrected before flushing the contaminated system.

Leaks at the thermostat housing hose connections may be caused by deformation of connections or by rough surfaces on the castings of the hose mounting surfaces. It is recommended that "Dow Corning RTV-102 Compound" or any equivalent product be applied on cast surfaces prior to hose installation.

Caution: Castings should be clean and free of oil and grease before applying compound. No other sealer should be used with RTV-102 compound.

3. HOSES

Rotten, swollen, and worn out hoses or loose connections are frequent causes of cooling system problems.

Serious overheating is often caused by an old hose collapsing or from rotten rubber shedding from hoses and clogging the coolant passages.

Connections should be inspected periodically and hose clamps tightened. Replace any hose found to be cracked or swollen.

When installing a new hose, clean pipe connections and apply a thin layer of a non-hardening sealing compound. Replace worn out clamps or clamps that pinch hoses.

3.1 CONSTANT-TORQUE HOSE CLAMPS

All hose clamps of 1 3/8" ID and over, used on the heating and cooling systems, are of the "Constant-torque" type. These clamps are worm-driven, made of stainless steel, and supplied with a series of Belleville spring washers. They also feature an extended integral liner that covers the band slots to protect soft/silicone hoses from damage, and help maintain consistent sealing pressure.

This type of clamp is designed to automatically adjust its diameter to compensate for the normal expansion/contraction of a hose and metal connection that occurs during vehicle operation and shutdown. The constant-torque clamp virtually eliminates coolant losses due to "Cold flow" leakage and greatly minimizes clamp maintenance.

3.1.1 Installation

A torque wrench should be used for proper installation. The recommended torque is 90 to 100 lbf•in. (10 to 11 N•m). The Belleville spring washer stacks should be nearly collapsed flat and the screw tip should extend 1/4" (6 mm) beyond the housing (Fig. 3).

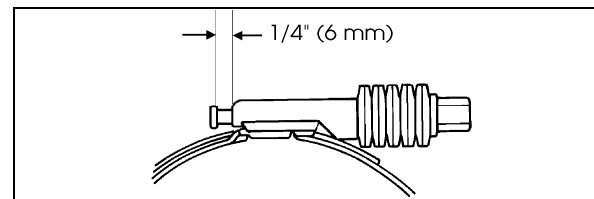


FIGURE 3: CONSTANT-TORQUE CLAMP 05037

Caution: The hose clamps will break if over-torqued. Do not over-tighten, especially during cold weather when hose has contracted.

3.1.2 Maintenance

The constant-torque clamps contain a "Visual torque check" feature. When the tip of the screw is extending 1/4" (6 mm) out of the housing, the

Section 05: COOLING SYSTEM

clamp is properly installed and maintains a leak-proof connection. Since the constant-torque clamp automatically adjusts to keep a consistent sealing pressure, there is no need to retorque hose clamps on a regular basis. During vehicle operation and shutdown, the screw tip will adjust according to the temperature and pressure changes. Checking for proper torque should be done at room temperature.

4. COOLANT

4.1 COOLANT LEVEL VERIFICATION

Coolant level is correct when cold coolant is visible through the surge tank sight glass (Fig. 4). If coolant level is low, fill cooling system.

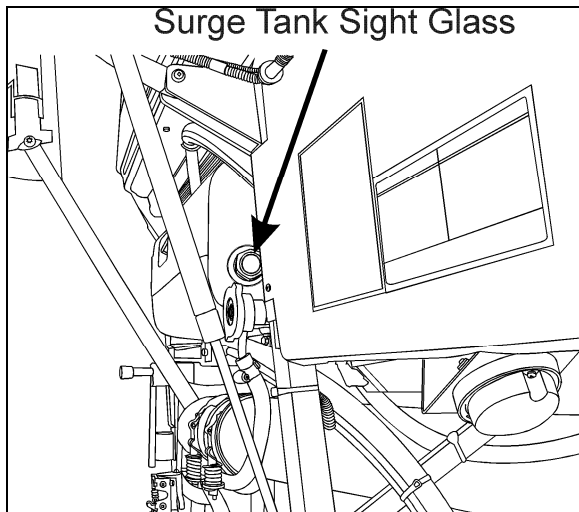


FIGURE 4: SURGE TANK SIGHT GLASS

05066

4.2 COOLANT LEVEL SENSOR

This warning device consists of a fluid level probe mounted on the surge tank. The probe sends a signal to the ECM to indicate coolant level. If the coolant level drops below the probe, the "Check Engine" light flashes and a diagnostic code is registered (see section 01 "ENGINE").

Caution: Do not run engine with the "Check Engine" light flashing.

The level probe is mounted on the R.H. side of the surge tank while the electronic module is mounted inside the rear electric junction box.

4.3 THAWING COOLING SYSTEM

If the cooling system becomes frozen solid, place the coach in a warm area until the ice is completely thawed. Under no circumstances should the engine be operated when the cooling system is frozen, as it will result in engine overheating due to insufficient coolant.

Once thawed, check engine, radiator and related components for damage caused by expansion of frozen coolant fluid.

4.4 COOLANT REQUIREMENTS

The coolant provides a medium for heat transfer and controls the internal temperature of the engine during operation. In an engine having proper coolant flow, some of the combustion heat is conveyed through the cylinder walls and the cylinder head into the coolant. Without adequate coolant, normal heat transfer cannot take place within the engine, and engine temperature rapidly rises. Coolant must therefore be carefully selected and properly maintained.

Select and maintain coolant in order to meet the following basic requirements:

- Provide for adequate heat transfer.
- Provide protection from cavitation damage.
- Provide a corrosion and erosion resistant environment within the cooling system.
- Prevent formation of scale or sludge deposits in the cooling system.
- Be compatible with the cooling system hose and seal materials.
- Provide adequate freeze protection during cold weather operation.

Combining suitable water with reliable inhibitors satisfies the first five requirements. When freeze protection is required, a solution of suitable water and antifreeze containing adequate inhibitors will provide a satisfactory coolant fluid. Ethylene glycol-based antifreeze is recommended for use in Series 60 engines. The cooling system capacity is 24 US gal (91 liters).

Note: In general, antifreeze does not contain adequate inhibitors. For this reason, supplemental coolant additives are required.

For a complete overview of engine coolants used with Detroit Diesel Engines, refer to "Specifications" in the Detroit Diesel Series 60 "Engine Operator's Guide".

4.5 COOLING SYSTEM RECOMMENDATIONS

Always maintain cooling system at the proper coolant level. Check daily.

The cooling system must be pressurized to prevent localized boiling of coolant. The system must be kept clean and leak-free. The filler and pressure caps must be checked periodically for proper operation.

4.6 INHIBITORS

A coolant solution, which has insufficient inhibitors or no inhibitors at all, invites the formation of rust, scale, sludge and mineral deposits within the cooling system. These deposits can cause water pump seal wear and coat the interior of coolant system passages. Heat transfer is reduced as deposits build up, leading to an overheating condition. Continued operation with this condition can lead to serious engine damage: liner scuffing, scoring, piston seizure and cylinder head cracking. These damages can occur quickly or over a longer period of time, depending of location and amount of deposits. Improperly inhibited coolants can become corrosive enough to "eat away" coolant passages and seal ring grooves and cause leaks to develop. Hydrostatic lock can occur if leak is internal and accumulates on top of a piston. The result may be a bent connecting rod. Cavitation erosion may occur in improperly inhibited coolants. Cavitation erosion is caused by the implosion of tiny bubbles against localized surfaces of the system. Such implosion causes pinpoint pressures high enough to erode pump impellers, cylinder liners and cylinder blocks. In extreme cases, their surfaces are so deeply pitted that they appear to be spongy, and holes can develop completely through them.

4.6.1 Inhibitor Test Procedures

Test Kits are commercially available to check engine coolant for nitrite concentration. Nitrite concentration is an indication of Supplemental Coolant Additive (SCA) level. Nitrite must be maintained within recommended levels. Coolant

must be tested at each oil change to insure that inhibitor levels are maintained within the ranges shown below:

Detroit Diesel Selected Products System		
	Min. PPM	Max PPM
Boron (B)	1000	1500
Nitrite (NO2)	800	2400
Nitrates (NO3)	1000	2000
Silicon (Si)	50	250
Phosphorous (P)	300	500
pH	8.5	10.5

Note: Above SCA values with GM6038-M or ASTM 4985. Use Nalco Chemical Company nitrite test kits (CO-318). A factory coolant analysis program is available through Detroit Diesel distributors under part number 23508774.

4.7 COOLANT RECOMMENDATIONS

1. Always use recommended antifreeze, inhibitor and water at proper concentration levels. A 50% coolant/water solution is normally used as factory fill. Antifreeze concentration over 70% is not recommended because of poor heat transfer capability, adverse freeze protection and silicate dropout. Antifreeze concentration below 30% offers little freeze, boilover or corrosion protection.
2. Use only ethylene glycol antifreeze meeting the GM 6038-M or ASTM D 4985 formulation or an equivalent antifreeze with a 0.15% maximum silicate content meeting GM 1899-M performance specifications.
3. Use an antifreeze solution year-round for freeze and boil-over protection. Seasonal changing of coolant from an antifreeze solution to an inhibitor/water solution is recommended.
4. Pre-mix coolant makeup solutions at proper concentrations before adding to the cooling system.
5. Maintain the prescribed inhibitor strength levels as required.
6. Do not mix different base inhibitor packages.

Section 05: COOLING SYSTEM

7. Always maintain proper coolant level.

Caution: Always test the solution before adding water or antifreeze.

8. If cooling system is not at the proper protection level. Mix coolant/water solution to the proper concentration before adding to the cooling system

9. Use only non-chromate inhibitors.

10. Distilled water is recommended.

DO NOT USE THE FOLLOWING:

- Soluble oil;
- Chromate inhibitor;
- Methoxy propanol-base antifreeze;
- Methyl alcohol-base antifreeze;
- Sealer additives or antifreezes containing sealer additives;

Warning: Never remove filler cap while coolant is hot. When coolant is at ambient temperature, release pressure from system by turning the pressure cap counterclockwise $\frac{1}{4}$ turn; then remove filler cap slowly. A sudden release of pressure from the heated cooling system can result in severe burns from the expulsion of hot coolant fluid.

4.7.1 Vehicles Without Coolant Filters

Refer to Nalcool 3000 with Stabil-Aid bulletin annexed to the end of this section for preventive maintenance (at each oil change) and initial treatment instructions (each time the cooling system is drained and flushed).

4.7.2 Vehicles With Coolant Filters

Change the coolant precharge element filter for a maintenance element filter at initial oil change (see Specifications at the end of this section) and replace existing maintenance element filter with a new one as per "COOLANT FILTER" in this section. A precharge element filter must be installed each time the cooling system is drained and flushed before installing a maintenance element filter.

Note: The coolant filter contains inhibitors.

5. DRAINING COOLING SYSTEM

Use the following procedures to drain the cooling system partially or completely.

To drain engine and related components:

1. Stop engine and allow engine to cool. Close both heater line shutoff valves. One valve is located in the engine compartment under the radiator fan gearbox (Fig. 5). Another valve is located in the L.H. rear electric compartment near the optional coolant heater (Fig. 6).

Note: Refer to section 22 under "Preheating System" for information about preheater access and heater line shutoff valve.

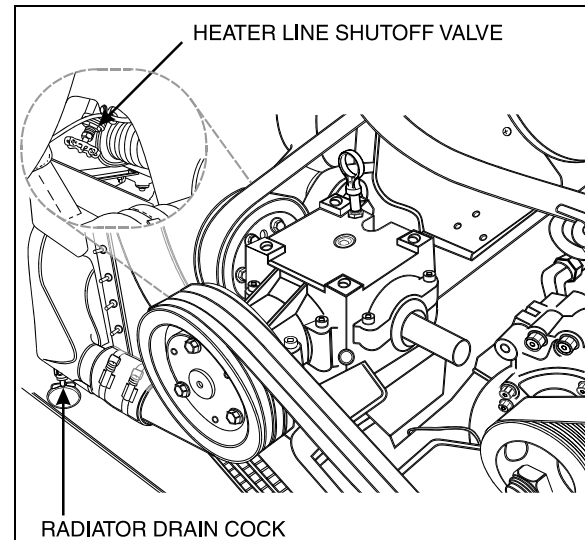


FIGURE 5: ENGINE COMPARTMENT

05078

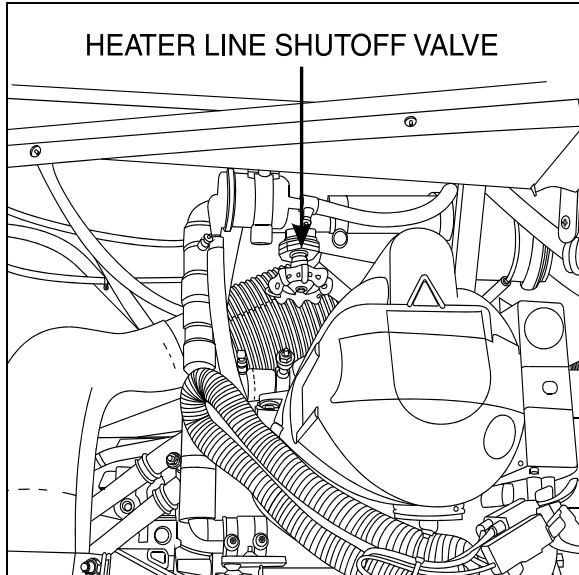


FIGURE 6: REAR ELECTRICAL COMPARTMENT 05058

Warning: Before proceeding with the following steps, make sure the coolant has cooled down. The sudden release of pressure from a heated cooling system can result in loss of coolant and possible personal injury (scalding) from the hot liquid.

2. Unscrew the surge tank pressure cap counterclockwise, ¼ turn to let air enter the system and permit the coolant to drain completely from system.

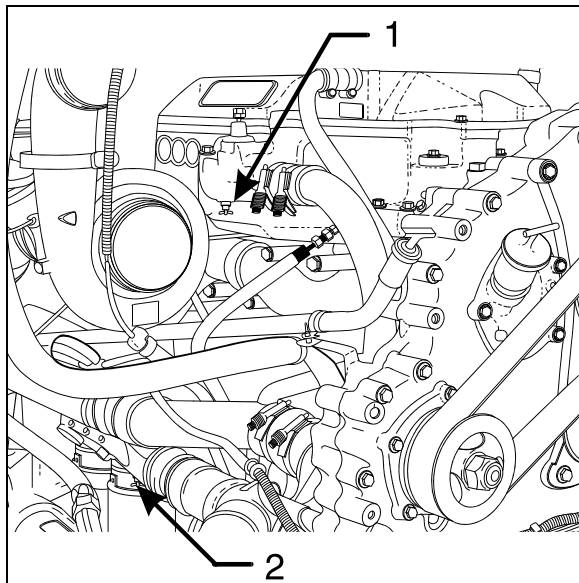


FIGURE 7: ENGINE COOLANT DRAIN COCKS 05074

3. Open the water pump housing inlet line drain cock (Fig. 8).

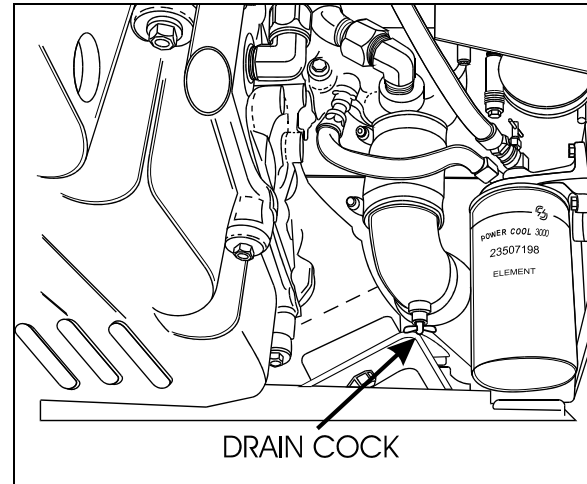


FIGURE 8: UNDERNEATH ENGINE 05060

4. Open drain cock at bottom of thermostat housing to drain the coolant trapped above the thermostats (1, Fig. 7).
5. Open the radiator drain cock (Fig. 5).
6. Open engine drain cock (2, Fig. 7).
7. Remove the transmission oil cooler. Drain, flush and inspect. Refer to Section 7, "TRANSMISSION" for oil cooler maintenance or preventive replacement.

Caution: If freezing weather is anticipated and the engine is not protected with antifreeze, drain the cooling system completely when vehicle is not in use. Trapped water in the cylinder block, radiator or other components may freeze and expand resulting in damages. Leave the drain plugs open until the cooling system can be filled with coolant fluid. Do not run engine with cooling system empty.

To drain the entire system, do the previous steps while maintaining the shutoff valves in the open position; then follow the procedure under "Draining Heating System" in Section 22.

6. FILLING COOLING SYSTEM

If only the engine and related components were drained, maintain the two heater line shutoff valves in their closed position, then proceed as follows:

Section 05: COOLING SYSTEM

1. Close all drain cocks. Refer to draining procedure for the location of draining points.
2. Refill cooling system from the surge tank filler cap inlet with a recommended ethylene glycol-based antifreeze and water solution of the required concentration. Add Detroit Diesel selected product cooling system inhibitors (if required).

Note: The coolant level should remain within two inches of the surge tank filler neck.

Note: Make sure the vent line at top of thermostat housing is properly connected and not obstructed. The vent line (thermostat housing dome to radiator top tank) is required to ensure complete engine fill and proper venting of air in the system.

3. Install the filler and pressure caps, then start the engine and run it at fast idle until reaching normal operating temperature. Check for leaks.

Note: If for any reason, the coolant level drops below the surge tank level probe, the Check Engine light will flash.

4. Stop engine and allow to cool.
5. Open the two heater line shutoff valves, check the coolant level in the surge tank, and then add as required.

Caution: Never pour cold coolant into a hot engine. The sudden change in temperature may crack the cylinder head or block.

If the entire system has been drained, redo the previous steps while maintaining the two heater line shutoff valves in the "Open" position. With engine running, activate the driver's and central heating systems to permit coolant circulation. Complete the procedure by bleeding the heater cores as explained in Section 22, under "9.4 Bleeding Heating System".

7. FLUSHING

If the cooling system is contaminated, flush the cooling system as follows:

1. Drain the coolant from the engine.
2. Refill with clean water.

Caution: If the engine is hot, fill slowly to prevent rapid cooling and distortion of the engine castings.

3. To thoroughly circulate the water, start and run the engine for 15 minutes after the thermostats have opened.
4. Fully drain system.
5. Refill with clean water and operate for 15 minutes after the thermostats have opened.
6. Stop engine and allow to cool.
7. Fully drain system.

Vehicles without coolant filters:

Fill with a 50/50-antifreeze/water solution and add required inhibitors.

Vehicles with coolant filters:

Replace the coolant filter with a precharge element filter; in this case do not mix inhibitors with antifreeze/water solution.

Dispose of spent fluids in an environmentally responsible manner according to regulations in effect in your area.

7.1 COOLING SYSTEM DESCALERS

If the engine overheats and the fan belt tension, coolant level and thermostat operation have been found to be satisfactory, it may be necessary to de-scale and flush the entire cooling system.

Remove scale formation by using a reputable and safe de-scaling solvent. Immediately after using the de-scaling solvent, neutralize with a neutralizing agent. It is important that product directions be thoroughly read and followed.

After using the solvent and neutralizer, fully drain the system, then reverse flush the engine and radiator (see "Reverse Flushing" in this section) before filling the system with coolant solution.

7.2 REVERSE FLUSHING

After the engine and radiator have been thoroughly de-scaled, they should be reverse-flushed. The water pump should be removed and the radiator and engine reverse-flushed separately to prevent dirt and scale deposits from clogging the radiator tubes or being forced

through the pump. Reverse flushing is accomplished by hot water, under pressure, being forced through the cooling system in a direction opposite to the normal flow of coolant, loosening and forcing deposits out.

The radiator is reverse flushed as follows:

1. Remove the radiator inlet and outlet hoses and replace existing radiator cap with a new one.
2. Attach a hose to the top of the radiator to lead water away from the engine.
3. Attach a hose at the bottom of the radiator and insert a flushing gun in the hose.
4. Connect the water hose of the gun to the water outlet and the air hose to the compressed air outlet.
5. Turn on the water and when the radiator is full, turn on the air in short blasts, allowing the radiator to fill between blasts.

Note: Apply air gradually. Do not exert more than 138 kPa (20 psi) air pressure. Too great a pressure may rupture a radiator tube.

6. Continue flushing until only clean water is expelled from the radiator.

The cylinder block and cylinder head water passages are reverse flushed as follows:

1. Remove the thermostats and the water pump.
2. Attach a hose to the water inlet of oil cooler housing to drain water away from engine.
3. Attach a hose to the water outlet at the top of the cylinder head (thermostat housing) and insert the flushing gun in the hose.
4. Turn on the water until the jackets are filled, and then turn on the air in short blasts. Allow jackets to fill with water between air blasts.
5. Continue flushing until the water from the engine runs clean.

If scale deposits in the radiator cannot be removed by chemical cleaners or reverse flushing as outlined above, it may be necessary to remove the upper tank and rod out the individual radiator tubes with flat steel rods. Circulate the water through the radiator core from the bottom to the top during this operation.

8. SPIN-ON COOLANT FILTER

The optional engine cooling system filter is used to filter out impurities such as scale or sand from the coolant and it also eliminates the process of adding inhibitors to the antifreeze/water solution. The filter is mounted to the engine cradle (Fig. 9).

The precharge element filter lasts for 12,500 miles (20 000 km) or one year, whichever comes first. Replace the precharge element filter with a maintenance element filter, which lasts for 200,000 miles (320 000 km) or two years, whichever comes first. Each time the coolant is renewed, a precharge element filter must be installed before installing a maintenance element filter.

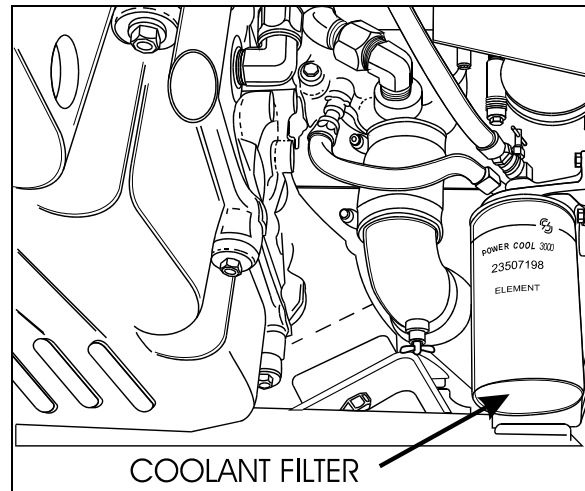


FIGURE 9: UNDERNEATH ENGINE

05072

Note: If a coolant filter is to be installed on an engine already in service, drain and flush the cooling system before installing the filter.

To replace a filter:

1. Close the two filter shutoff cocks on the filter mounting head and unscrew the old filter from mounting.

Warning: Failure to relieve cooling system pressure may result in personal injury.

2. Remove and discard the filter.
3. Clean the filter adapter with a clean, lint-free cloth.
4. Coat surface of gasket with oil, tighten 2/3 to 1 turn after gasket makes contact with head.
5. Open the two filter shutoff cocks.

Section 05: COOLING SYSTEM

6. Start engine and check for leaks.

Caution: Do not exceed recommended service intervals.

9. RADIATOR

The radiator is mounted at the L.H. side of engine compartment. It is designed to reduce the temperature of the coolant under all operating conditions. It is essential that the radiator core be kept clean and free from corrosion and scale at all times.

9.1 MAINTENANCE

Inspect the exterior of the radiator core every 25,000 miles (40 000 km) or once a year, whichever comes first. Clean with a quality grease solvent, such as a mineral spirits and dry with compressed air. Do not use fuel oil, kerosene, gasoline, or any caustic material. It may be necessary to clean the radiator more frequently if the vehicle is operated in extremely dusty or dirty areas. Refer to coolant system flushing and reverse flushing in this section for maintenance of radiator interior.

10. VARIABLE SPEED RADIATOR FAN

The radiator fan has two thermostatically controlled speeds. The ECM controls the speed by comparing data from engine temperature, coolant temperature and air inlet temperature to a set of calibration data. The fan drive clutch is electromagnetic; the ECM sends an electric current to regulate speed by activating one magnetic coil for the first speed and two magnetic coils for the second speed.

The settings are:

For Series 60 engines with motor serial numbers up to 06R0194000 inclusively

- 204°F (96°C) first speed
- 208°F (98°C) second speed

For Series 60 engines with motor serial numbers from 06R0194000

- Coolant Temp. Fan ON 203°F (95°C)
- Coolant Temp. Fan OFF 194°F (90°C)
- Oil Temp. Fan ON 235°F (113°C)
- Oil Temp. Fan OFF 219°F (104°C)

- Air Temp. Fan ON 151°F (66°C)
- Air Temp. Fan OFF 121°F (49°C)

Low Speed Operation

- Coolant Temp. 196°F (91°C)
- Oil Temp. 230°F (110°C)
- Air Temp. 140°F (60°C)

Note: In case of an electrical power failure: remove the bolt from the end of the shaft and screw it into the locking plate. This procedure will prevent engine from overheating by forcing fan rotation (Fig. 10).

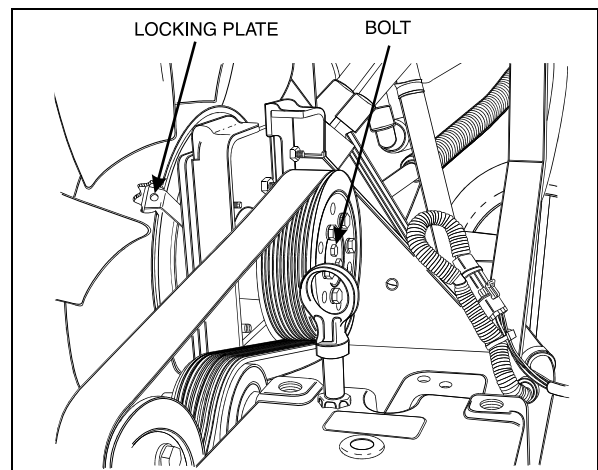


FIGURE 10: MECHANICAL LOCKING DEVICE

05061

10.1 MAINTENANCE

1. Clean the fan and related parts with clean fuel oil and dry them with compressed air. Do not clean with steam or high-pressure jet.
2. Check the fan blades for cracks or other damage. Replace the fan if the blades are cracked or deformed.
3. Remove any rust or rough spots in the grooves of the fan pulley. If the grooves are damaged or severely worn, replace the pulley.
4. Do not add any fluids or lubricants to the fan driving mechanism.
5. Do not restrict fan rotation during engine operation for any reason.
6. Do not operate fan-driving mechanism with a damaged fan assembly. Replace a damaged fan as soon as the fault is noted.

7. Immediately investigate and correct any operator complaint involving driving mechanism or cooling system performance.
8. When questions arise, obtain answers before proceeding. Assistance is available through the authorized Field Sales distributor serving your area.

10.2 INSPECTION

Warning: Set the starter selector switch in engine compartment to the "Off" position to prevent accidental starting of the engine.

- Check security of fasteners securing fan blade assembly to fan driving mechanism.
- Check coupling installation between fan blade assembly and gearbox.
- Visually inspect fan driving mechanism, fan blade assembly, shroud, radiator, and surrounding area for evidence of contact between rotating and non-rotating parts.
- Check fan transfer belt for fraying, cracking, and proper tension.
- Turn fan through at least 360° of rotation. It should turn smoothly with no resistance.

10.3 THERMOSTAT OPERATION

Coolant temperature is controlled by two blocking-type thermostats located in a housing attached to the cylinder head, on the turbo side of the engine (Fig. 11).

At coolant temperature below approximately 190°F (88°C), the thermostat valves remain closed and block the flow of coolant from the engine to the radiator. During this period, all of the coolant in the system is recirculated through the engine and directed back to the suction side of the water pump via a bypass tube. As the coolant temperature rises above 190°F (88°C) the thermostat valves start to open, restricting the bypass system, and allowing a portion of the coolant to recirculate through the radiator. When the coolant temperature reaches approximately 205-207°F (96-97°C) thermostat valves are fully open, the bypass system is blocked off and the coolant is directed through the radiator.

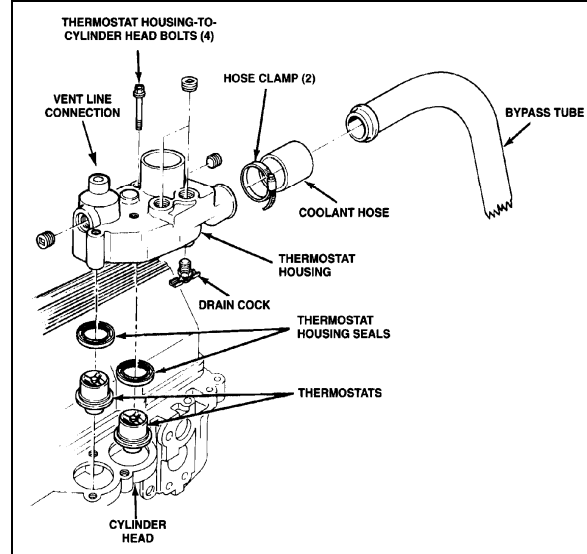


FIGURE 11: THERMOSTAT AND RELATED PARTS 05034

11. FAN GEARBOX

The radiator fan is belt driven from the engine crankshaft pulley through a standard gearbox, which is designed with two output shafts.

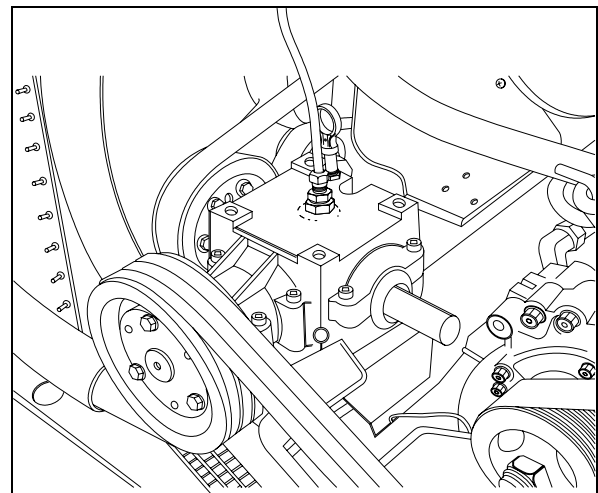


FIGURE 12: FAN GEARBOX 05062T

11.1 MAINTENANCE

Change the gearbox oil at 3,000 miles (4,800 km) and subsequently every 50,000 miles (80,000-km) or once a year, whichever comes first.

11.2 OIL CHANGE

1. Stop engine and make sure that all engine safety precautions have been observed.

Section 05: COOLING SYSTEM

2. Remove the drain plug located underneath the gearbox case.
3. Drain gearbox.
4. Replace drain plug.
5. Remove the dipstick located on top of gearbox and wipe with a clean rag (Fig. 12).
6. Insert dipstick in gearbox case, then remove again to check mark.
7. Unfasten tube and its connector from the gearbox case.
8. Adjust level to "Full" mark using Mobil SHC 630 (Prévost #180217) synthetic oil.
9. Reinsert the dipstick to check mark then fasten tube and connector.

Caution: Vehicles up to V.I.N. #2PCH3341XX1012847 used Mobil SHC 634 (Prévost #682268). Do not mix these two types of oil.

12. RADIATOR FAN BELT REPLACEMENT

Locate the belt tensioner pressure-releasing valve (Fig. 13), then turn handle counter-clockwise in order to release pressure in belt tensioner air bellows, thus releasing tension on belts.

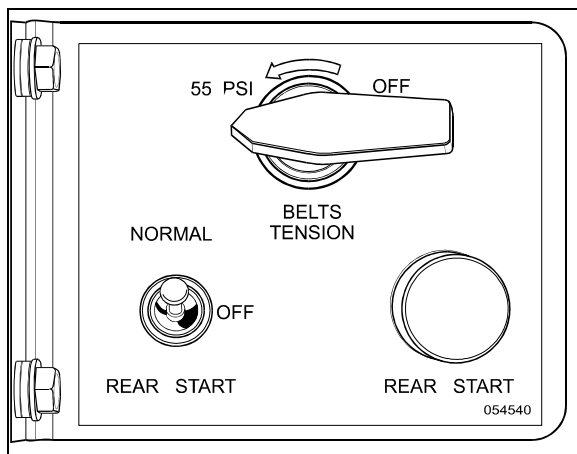


FIGURE 13: REAR START PANEL

01044

Remove existing belts (3"V"belts & 1 Poly) from fan assembly and replace with new ones.

Turn the pressure-releasing valve clockwise to its initial position to apply tension on the new belts.

Note: For proper operation of the belts, adjust the air bellows tensioner pressure regulating valve (located next to control valve) to 50 psi (345 kPa).

12.1 BELT TENSION ADJUSTMENT

The regulator is located behind the belt tension release valve panel in the engine compartment. Turn the knob located under the regulator assembly to change the tension pressure. Check proper pressure using the pressure check valve (Fig. 14).

Use Belt Tension Gauge #68-2404 to measure tension of engine belts. For proper operation of air tensioners, adjust upper tensioning bracket to provide a 2-3/8" to 2-1/2" (60 to 64 mm) bracket extension under normal pressure of 50 psi (345 kPa). Refer to figure 15 for more information.

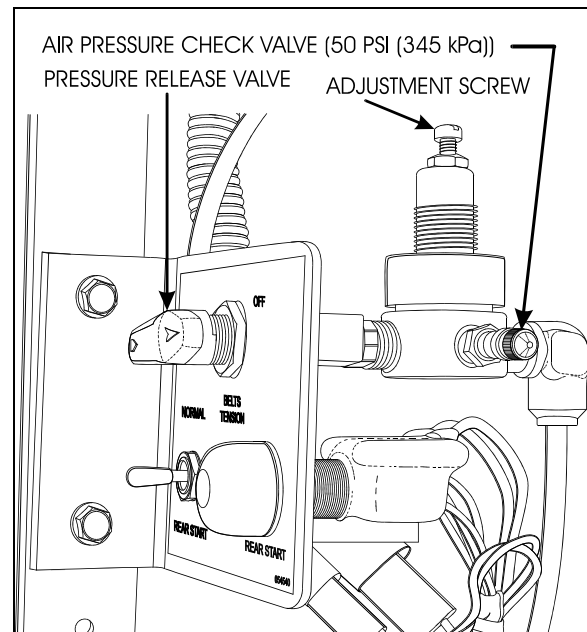


FIGURE 14: REGULATOR VALVE

01058

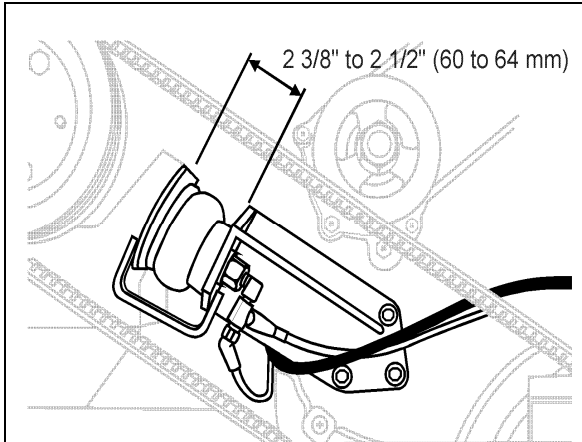


FIGURE 15: BELT TENSIONER 01059

13. FAN DRIVE ALIGNMENT

1. Install both attachment assembly plates (P/N 051779) (48, Fig. 16) through lower plating and secure with four spring nuts (P/N 500666), (70, Fig. 16). Then install one spacer (P/N 050705), (49, Fig. 16) on each spring nut at both anchoring locations (Fig. 16).

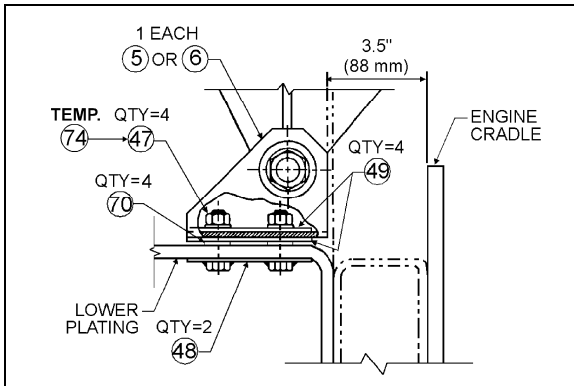


FIGURE 16: ANGLE SUPPORT 05014

2. Center seat assembly in the fan shroud using the horizontal displacement of the fan driving mechanism support. Center with the slots in the floor at anchoring angle support (on some vehicles only). Vertical displacement of the fan clutch is made possible by slots at the base of the fan clutch (on some vehicles only) or by shimming with additional spacers at anchoring locations. Temporarily secure assembly with two nuts (P/N 500709), (74, Fig. 16) at both anchoring locations.

Caution: Tilt fan and check for clearance.

3. Using a straight edge, align the 3"V" pulley on gearbox central shaft pulley with engine pulley, while taking pulleys outer edge thickness under consideration i.e. 3"V" pulley's outer edge is thicker than that of engine pulley's (Fig. 17).

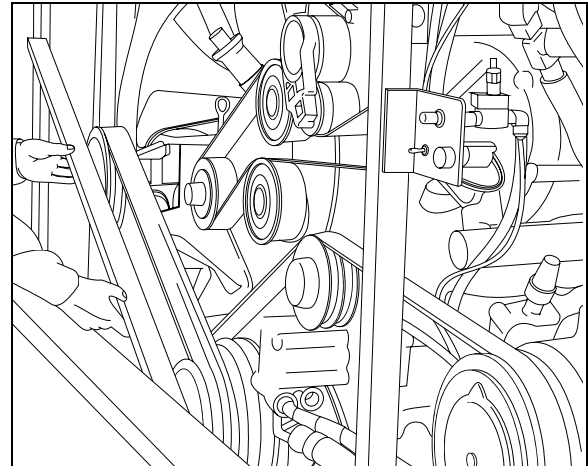


FIGURE 17: PULLEYS ALIGNMENT 05064

4. Using a universal protractor, check 3"V" pulley's vertical angle with that of engine pulleys. If angles do not correspond, raise seat assembly by shimming with additional spacers (#49 - P/N 050705).

Note: Use a straight edge to measure engine pulley's vertical angle (Fig. 18).

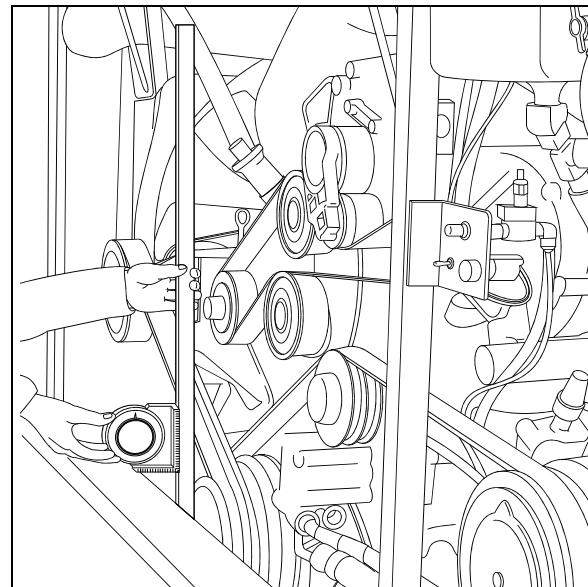


FIGURE 18: PULLEY'S VERTICAL ANGLE 05063

Section 05: COOLING SYSTEM

5. Check alignments again (steps 3, 4 & 5) then replace temporary anchoring nuts (P/N 500709) (74, Fig. 16) with four nuts (P/N 500714) (47, Fig. 16) and wrench tighten.
6. Align multi "V" pulley with fan pulley. Adjust the depth of the pulley on the gearbox shaft.
7. Set belt tensioner pressure regulating valve to 50 PSI (345 kPa).

Caution: In order for tensioning system to work properly, the distance between the inside faces of belt tensioning brackets should be between 2-3/8" (60 mm) and 2 1/2" (64 mm). Otherwise, release tension on system and readjust distance using bolts securing upper tensioning bracket (Fig. 15).

14. SPECIFICATIONS

Cooling System Capacity (Approximation)

Includes heating system..... 24 US gal (91 liters)

Thermostat

Number used 2
Start to open 186-193°F (86-89°C)
Fully open 207°F (97°C)

Radiator

Make Long
Location Rear L.H. side
H3-41 & H3-45 Coach
Supplier number..... 7601-8317-1
Prevost number..... 550687
H3-45 VIP
Supplier number..... 7601-8336
Prevost number..... 550689

Surge Tank Filler Cap

Make Stant
Model R3
Prevost number 530191

Pressure Cap

Make Stant
Pressure setting..... 14 psi (96.53 kPa)
Supplier number R12
Prevost number 550606

Fan Clutch

Make Linnig
Type 3 speed
Supplier number LA1.2.024Y
Prevost number 550634

Note: The fan clutch is controlled by DDEC (not by thermoswitch).

Fan Gearbox

Section 05: COOLING SYSTEM

Make Superior Gearbox
Ratio..... 1:1
Supplier number 411ACF-097-6
Prevost number 550789
Lubricating Oil..... MOBIL SHC 630
Prevost number (Oil) 683666

Caution: Vehicles up to V.I.N. #2PCH3341XX1012847 use Mobil SHC 634 (Prévost #682268). Do not mix these two types of oil.

Fan Belt (gearbox-fan)

Make Dayco
Type Multi-V, Poly rib, 51"
Qty 1
Supplier number 5100495
Prevost number 506663

Fan Belt (gearbox-motor)

Make Gates
Type V belt
Qty 3

H3-45 Coach and H3-45 VIP:

Supplier number AX73
Prevost number 506691

H3-41 Coach:

Supplier number AX74
Prevost number 506690

Corrosion Inhibitor and Coolant Stabilizer

Supplier number.....Detroit Diesel23507857
Supplier number.....Nalco..... DD3000-15

Coolant Filter

Number used 1
Make Nalco
Type Spin-on

MAINTENANCE ELEMENT FILTER

Supplier number.Detroit Diesel23507545
Supplier number.....Nalco..... DDF3000
Prevost number 550630

PRECHARGE ELEMENT FILTER

Supplier number.Detroit Diesel23507189
Supplier number.....Nalco..... DDF60
Prevost number 550629

SECTION 06: ELECTRICAL

CONTENTS

1. GENERAL DESCRIPTION.....	06-5
1.1 WIRING DIAGRAMS.....	06-5
1.1.1 <i>Wiring Diagram Keys</i>	06-5
1.1.2 <i>Using Wiring Diagrams</i>	06-5
1.1.3 <i>Testing Circuits</i>	06-5
1.2 WIRE SIZES AND COLORS.....	06-6
1.3 SPARE WIRES.....	06-6
1.4 CLEANING CONNECTORS.....	06-6
1.5 CIRCUIT BREAKERS.....	06-6
1.6 RELAYS.....	06-7
2. H3 SERIES VEHICLES ELECTRICAL COMPARTMENTS AND JUNCTION BOXES.....	06-9
2.1 MAINTENANCE.....	06-9
2.2 MAIN POWER COMPARTMENT.....	06-9
2.2.1 <i>Battery Charger or In-Station Lighting Connector</i>	06-10
2.3 REAR ELECTRICAL COMPARTMENT.....	06-10
2.4 FRONT ELECTRICAL AND SERVICE COMPARTMENT.....	06-11
2.5 ENGINE STARTING CONTROL PANEL.....	06-11
2.6 A/C AND HEATING CONTROLS.....	06-11
3. BATTERIES.....	06-12
3.1 MAIN BATTERY RELAYS.....	06-12
3.2 BATTERY REMOVAL AND INSTALLATION.....	06-13
3.3 BATTERY RATING.....	06-13
3.4 BATTERY TESTING.....	06-13
3.4.1 <i>Visual Inspection</i>	06-14
3.4.2 <i>Removing Surface Charge</i>	06-14
3.4.3 <i>Load Test</i>	06-14
3.4.4 <i>Testing Battery Cables</i>	06-15
3.5 BATTERY CHARGING.....	06-15
3.5.1 <i>Battery Charging Guide</i>	06-16
3.5.2 <i>Emergency Jump Starting With Auxiliary (Booster) Battery</i>	06-17
3.6 CLEANING AND INSPECTION.....	06-18
3.7 COMMON CAUSES OF BATTERY FAILURE.....	06-18
3.8 TROUBLESHOOTING.....	06-18
4. ELECTRICAL SYSTEM MONITOR.....	06-18
4.1 TELLTALE LIGHT DEFINITIONS.....	06-19
5. BOSCH ALTERNATOR.....	06-19
6. DELCO ALTERNATOR.....	06-19
7. CHARGING SYSTEM TROUBLESHOOTING.....	06-21
7.1 ALTERNATOR OR VOLTAGE REGULATOR.....	06-21
7.2 ALTERNATOR DIAGNOSIS.....	06-21
7.2.1 <i>Diode Checks</i>	06-22
7.2.2 <i>Field Winding Check</i>	06-23
7.2.3 <i>Stator Winding Check</i>	06-23
7.3 DIODE REPLACEMENT.....	06-24
7.3.1 <i>Diode Replacement (in Support)</i>	06-24

Section 06: ELECTRICAL

7.3.2	<i>Diode Replacement (in End Frame)</i>	06-24
7.4	FIELD REMOVAL.....	06-25
7.5	FIELD INSTALLATION.....	06-25
7.6	STATOR REPLACEMENT.....	06-25
7.6.1	<i>Removal</i>	06-25
7.6.2	<i>Soldering Stator Terminal Leads</i>	06-25
7.6.3	<i>Installation</i>	06-26
7.7	DIODE END COVER INSTALLATION.....	06-26
7.8	ALTERNATOR REMOVAL (DELCO).....	06-26
7.8.1	<i>Disassembly of Alternator</i>	06-27
7.8.2	<i>Alternator Cleaning and Inspection</i>	06-27
7.8.3	<i>Bearing or Rotor Replacement</i>	06-27
7.8.4	<i>Alternator Reassembly</i>	06-28
7.8.5	<i>Output check</i>	06-28
7.9	ALTERNATOR DRIVE BELT.....	06-28
7.9.1	<i>Adjustment</i>	06-29
8.	VOLTAGE REGULATOR (DELCO)	06-29
8.1	TROUBLESHOOTING PROCEDURES.....	06-30
8.1.1	<i>Undercharged Battery</i>	06-31
8.1.2	<i>Overcharged Battery</i>	06-31
8.2	REGULATOR CHECKS.....	06-31
8.3	ADJUSTING VOLTAGE.....	06-32
9.	BATTERY EQUALIZER	06-33
10.	STARTER	06-33
10.1	MAINTENANCE.....	06-33
10.2	TROUBLESHOOTING.....	06-33
10.2.1	<i>No-Load Test</i>	06-34
10.2.2	<i>Lock-Torque Test</i>	06-35
10.3	DISASSEMBLY.....	06-35
10.3.1	<i>Cleaning</i>	06-35
10.3.2	<i>Armature Servicing</i>	06-36
10.3.3	<i>Field Coil Checks</i>	06-36
10.3.4	<i>Field Coil Removal</i>	06-36
10.3.5	<i>Reassembly</i>	06-36
10.4	PINION CLEARANCE.....	06-36
10.5	STARTER SOLENOID.....	06-37
10.5.1	<i>Disassembly</i>	06-37
10.5.2	<i>Solenoid Maintenance</i>	06-37
10.5.3	<i>Solenoid Tests</i>	06-37
10.5.4	<i>Recommendations</i>	06-38
11.	ENGINE BLOCK HEATER	06-38
11.1	MAINTENANCE.....	06-38
12.	EXTERIOR LIGHTING	06-38
12.1	HEADLIGHTS.....	06-38
12.1.1	<i>Headlight Beam Toggle Switch</i>	06-38
12.1.2	<i>Maintenance</i>	06-39
12.1.3	<i>Headlight Adjustment</i>	06-39
12.2	SEALED-BEAM UNIT REPLACEMENT.....	06-41
12.3	FRONT TURN SIGNAL.....	06-41
12.3.1	<i>Bulb Removal and Replacement</i>	06-41
12.4	STOP, TAIL, DIRECTIONAL, BACK-UP, AND HAZARD WARNING LIGHTS.....	06-41

12.4.1	<i>Bulb Removal and Replacement</i>	06-42
12.5	LICENCE PLATE LIGHT.....	06-42
12.6	CLEARANCE, IDENTIFICATION AND MARKER LIGHTS	06-42
12.6.1	<i>Marker Light Removal and Replacement</i>	06-42
12.6.2	<i>Clearance and Identification Light Removal and Replacement</i>	06-43
12.7	DOCKING AND CORNERING LIGHTS	06-43
12.7.1	<i>Lamp Removal and Replacement</i>	06-43
12.8	FOG LIGHTS.....	06-43
12.8.1	<i>Bulb Removal and Replacement</i>	06-43
13.	INTERIOR LIGHTING EQUIPEMENT	06-43
13.1	CONTROL PANEL LIGHTING.....	06-43
13.1.1	<i>Switch Lighting</i>	06-43
13.1.2	<i>Telltale Light Replacement</i>	06-44
13.1.3	<i>Gauge Light Bulb Replacement</i>	06-44
13.2	STEPWELL LIGHT AND LAVATORY NIGHT-LIGHT	06-44
13.2.1	<i>Bulb Removal and Replacement</i>	06-44
13.3	DRIVER'S AREA LIGHTS.....	06-44
13.3.1	<i>Bulb Removal and Replacement</i>	06-45
13.4	PASSENGER SECTION LIGHTING	06-45
13.4.1	<i>Fluorescent Tube Replacement</i>	06-45
13.4.2	<i>Removal and Replacement of In-Station Fluorescent Tubes</i>	06-46
13.4.3	<i>Removal and Replacement of Reading Lamp Bulb</i>	06-46
13.5	ENGINE COMPARTMENT LIGHTING.....	06-46
13.6	LAVATORY LIGHT	06-46
14.	LIGHT BULB DATA	06-47
15.	SPECIFICATIONS	06-49

Section 06: ELECTRICAL

ILLUSTRATIONS

FIGURE 1: WIRE IDENTIFICATION	06-6
FIGURE 2: MAIN BREAKERS	06-6
FIGURE 3: TYPES OF RELAYS	06-8
FIGURE 4: ELECTRICAL COMPARTMENTS	06-9
FIGURE 5: MAIN POWER COMPARTMENT	06-10
FIGURE 6: MAIN POWER COMPARTMENT	06-10
FIGURE 7: REAR ELECTRICAL COMPARTMENT	06-10
FIGURE 8: REAR ELECTRICAL COMPARTMENT	06-11
FIGURE 9: FRONT ELECT. & SERVICE COMPARTMENT	06-11
FIGURE 10: ENGINE STARTING CONTROL PANEL	06-11
FIGURE 11: LOCATION OF RELAYS AND RESISTORS	06-11
FIGURE 12: CONTROL PANEL IN HVAC COMPARTMENT	06-12
FIGURE 13: BATTERIES	06-12
FIGURE 14: TEST INDICATOR	06-14
FIGURE 15: LOAD TEST	06-14
FIGURE 16: ALLIGATOR CLAMPS AND BATTERY	06-16
FIGURE 17: OIL CIRCULATION THROUGH ALTERNATOR	06-20
FIGURE 18: ALTERNATOR WIRING DIAGRAM (DELCO)	06-20
FIGURE 19: CONNECTIONS FOR CHECKING ALTERNATOR OUTPUT	06-21
FIGURE 20: VIEW OF RECTIFIER END FRAME WITH COVER REMOVED	06-22
FIGURE 21: CHECKING DIODES WITH OHMMETER ON A TYPICAL OIL COOLED ALTERNATOR (END COVER REMOVED)	06-23
FIGURE 22: CHECKING DIODES WITH OHMMETER ON A TYPICAL OIL COOLED ALTERNATOR (END COVER REMOVED)	06-23
FIGURE 23: CHECKING STATOR WINDING FOR "OPEN" AND GROUND	06-24
FIGURE 24: ALTERNATOR (HOSES AND WIRES)	06-26
FIGURE 25: ALTERNATOR RETAINING BOLTS AND WASHERS	06-27
FIGURE 26: ALTERNATOR DRIVE BELT	06-29
FIGURE 27: VOLT REGULATOR	06-29
FIGURE 28: TYPICAL WIRING DIAGRAM OF A NEGATIVE GROUND SYSTEM	06-30
FIGURE 29: REGULATOR VOLTAGE TEST	06-30
FIGURE 30: ADJUSTING REGULATOR VOLTAGE SETTING	06-30
FIGURE 31: REGULATOR VOLTAGE TEST (UNDERCHARGED BATTERY)	06-31
FIGURE 32: CHECKING TRANSISTORS TR1	06-32
FIGURE 33: CHECKING TRANSISTORS TR2	06-32
FIGURE 34: TYPICAL STARTER CROSS SECTION	06-34
FIGURE 35: STARTING MOTOR TEST CONNECTIONS	06-34
FIGURE 36: PINION CLEARANCE	06-37
FIGURE 37: ELECTRIC HEATER PLUG LOCATION	06-38
FIGURE 38: HEADLIGHT ASSEMBLY	06-39
FIGURE 39: HEADLIGHT ALIGNER	06-39
FIGURE 40: HEADLIGHT ALIGNER	06-40
FIGURE 41: HEADLIGHT ALIGNER	06-40
FIGURE 42: HEADLIGHT ALIGNER	06-40
FIGURE 43: HEADLIGHT ALIGNER	06-40
FIGURE 44: VARIOUS LIGHTS LOCATION	06-42
FIGURE 45: SWITCH	06-44
FIGURE 46: STEPWELL	06-44
FIGURE 47: PARCEL RACK	06-45
FIGURE 48: ENGINE COMPARTMENT LIGHT	06-46

1. GENERAL DESCRIPTION

This vehicle uses a dual voltage system to obtain two different voltages (12 and 24 volts) for various electrical controls and accessories. The main power source incorporates four maintenance-free "Delco" model 1150 batteries connected in a parallel-series configuration. All batteries are kept uniformly charged by means of a 100 amp battery equalizer (standard), giving a maximum possible output supply of 100 amps on the 12 volt system. Both the 12 and 24 volt systems are controlled through individual main battery relays. One or two 24 volt self-rectified alternators are belt driven from the engine, and can be reached through the engine compartment door.

1.1 WIRING DIAGRAMS

A master wiring diagram of the electric circuits, covering standard and optional accessories and systems, is located in the technical publications box. Usually, a separate wiring diagram page is provided for each major function or system. In some cases, more than one circuit may appear on one wiring diagram page; when this occurs, each circuit covered in this page is listed in the wiring diagram index. Moreover, a circuit may appear on several pages; in such case, the number(s) at the extremity of the diagram title will indicate the sheet reference number. Refer to the "*Wiring Diagram Index*" to ensure that the correct diagram is being used to trace the circuit in question.

1.1.1 Wiring Diagram Keys

Various symbols are used on the wiring diagrams to depict different types of electrical components. It is essential to become familiar with these symbols in order to understand the diagrams. The major symbols shown on the diagrams are identified under "*Wiring Diagram keys*" (page **K** of wiring diagrams).

1.1.2 Using Wiring Diagrams

Two methods are used to "*work*" with electric wiring diagrams.

Situation: You have identified the defective part (breaker, diode, relay, etc.), and you wish to locate its corresponding circuit.

Problem: Circuit breaker #56 is released (open circuit) and you don't know which circuit is affected.

- a) Refer to wiring diagram index, and look for "*Circuit breaker code*", pages **F**.
- b) At item CB #56, in the first column, you will find the page on which to find the corresponding diagram, in the second column the breaker ampere rating, and in the third column, the Prévost number. The other columns give you the location and the function of the breaker.
- c) Refer to page 4, keeping in mind the function of the breaker, i.e. emergency exit lights.
- d) When you have located "*emergency exit lights*", follow the wiring until you come across CB #56 and its circuit.

Situation: You have a problem with a specific system and you want to find the corresponding diagram.

Problem: The last three (3) speakers on the R.H. side of vehicle are inoperative and you must trace the electric circuit.

- a) Refer to wiring diagram index and look for "*Sound system*".
- b) You will find on page 26 the components as well as the electric wiring, thus providing you with a complete understanding of this circuit.

1.1.3 Testing Circuits

A careful study of the wiring diagrams should be made to determine the source and flow of current through each circuit. When a circuit is thoroughly understood, a point-to-point check can be made with the aid of the applicable wiring diagrams. Any circuit can be tested for continuity or short circuits with a multimeter or a suitable voltmeter.

All electrical connections must always be kept clean and adequately tight. Loose or corroded connections can result in discharged batteries, difficult starting, dim lights and improper functioning of other electric circuits. Inspect all wiring connections at regular intervals. Make sure knurled nuts on all amphenol-type plugs are securely tightened. Knurled nuts on the plastic amphenol-type connectors will click into a detent when properly tightened. Line

Section 06: ELECTRICAL

connectors, who have the side locking tabs, must have the locks latched in place to ensure a proper electrical connection.

1.2 WIRE SIZES AND COLORS

Each wire in the electrical system has a specific size as designated on the wiring diagram. When replacing a wire, the correct size must be used. Never replace a wire with one of a smaller size.

The vehicle electrical system is provided with different voltages. The insulation on each wire is distinctly colored in order to determine visually the wiring voltage and to assist in making connectors. The wires are color coded as follows:

Red	24 volt system
Yellow	12 volt system
Black	grounded wire
Blue	110 V ac system (live)
White	110 V ac system (neutral)
Green	110 V ac system (ground)
Orange	speakers (+)
Brown	speakers (-)
Grey	spare wire

Note: Wires are identified at each 2-4 inch (5-10 cm) intervals by a printed number.

Each wire on a diagram is patterned to assist in tracing and testing circuits. The wire number identifies the voltage rating, the wire identification number and the basic wire gauge as illustrated in figure 1.

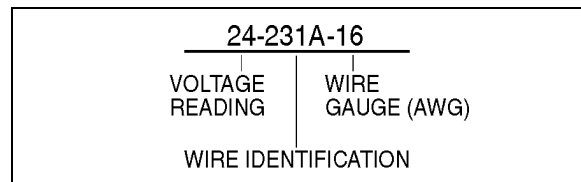


FIGURE 1: WIRE IDENTIFICATION 06048

1.3 SPARE WIRES

When the vehicle leaves the factory, and even in the case of a fully-equipped vehicle, an important number of unconnected spare wires are routed between the junction boxes. Consequently, for any connection of an additional accessory, refer to page D "Spare wires" in master wiring diagram to determine the number, the gauge and location of these wires.

Note: Spare wires are identified by a wire identification number and by the letters "SP", to designate "spare".

1.4 CLEANING CONNECTORS

When the pins and sockets of connectors become dirty, clean them with a good quality solvent containing HFC 134A refrigerant as its active ingredient. HFC 134A has two qualities that recommend it. First, it does not conduct electricity and therefore, will not cause shorting between connector pins and sockets. Second, it evaporates quickly, eliminating the possibility of condensation within the connectors.

Always shake out or gently blow out any excess HFC 134A before assembling a connector to its mating connector or hardware. HFC 134A trapped in the connector can affect the connector seal.

Warning: HFC 134A is toxic. HFC 134A bases compounds should always be used in a well-ventilated area, never in a confined space. Use outdoor whenever possible.

1.5 CIRCUIT BREAKERS

Most electric circuits are protected by circuit breakers of the "Manual Reset" type. The main circuit breakers, as well as those protecting the A/C system, are located in the main power compartment, on R.H. side of the vehicle, figure 2.

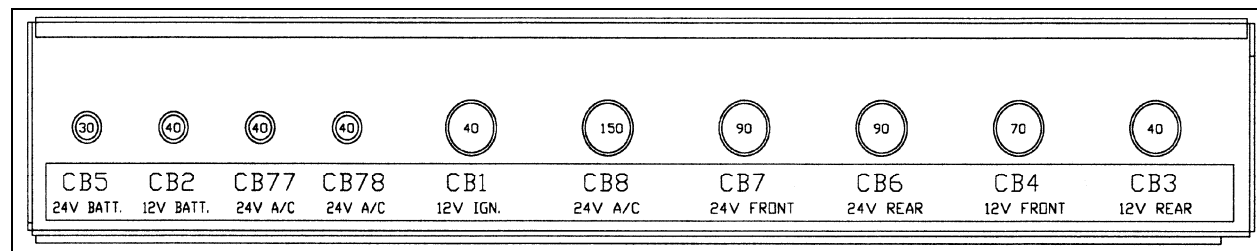


FIGURE 2: MAIN BREAKERS 06473

CIRCUIT BREAKERS

CIRCUIT BREAKERS

CIRCUIT BREAKERS			
CB1	Ignition	12 volts	40 amps
CB2	Hot Wire	12 volts	40 amps
CB3	Rear Junction Box	12 volts	40 amps
CB4	Front Junction Box	12 volts	70 amps
CB5	Hot Wire	24 volts	30 amps
CB6	Rear Junction Box & Starter Relay	24 volts	90 amps
CB7	Front Junction Box & Inverter Compartment	24 volts	90 amps
CB8	A/C Junction Box & Evaporator Fan	24 volts	150 amps
CB7 7	Condenser Fan Motor RH	24 volts	40 amps
CB7 8	Condenser Fan Motor LH	24 volts	40 amps

The smaller circuit breakers are accessible in front and L.H. side rear electrical compartments. This type of circuit breaker deenergizes the circuit without disconnecting any wire. Simply press down the red tab on breaker to open the circuit, repair defective circuit, and afterwards depress black button in center of breaker to close the circuit.

1.6 RELAYS

Relays are used to automatically energize or deenergize a circuit from a remote location. The relay draws a very low current to energize its coil. Once the coil is energized, it develops a magnetic field that pulls a switch arm closed or open, to either energize or deenergize a given component. As the control current required for the coil is very low, the relay allows a remote station to control a high energy circuit without running great lengths of costly high capacity cable, and also eliminates the need for high amperage switches and heavy connectors.

Many systems on this vehicle are provided with control relays, which are all, located in or on the junction boxes, figure 3.

Note: Each relay is identified with "12 V" or "24 V" printed on its casing in order to identify the coil operating voltage.

Caution: The magnetic relays for the starting motor, evaporator and both condenser motors and condenser speed controls should have the 5/16" stud nuts torqued to 50 ± 5 in•lbf ($5,5 \pm 0,5$ N•m).

Section 06: ELECTRICAL



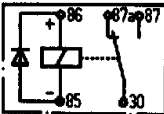
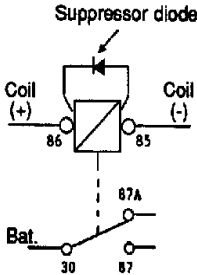
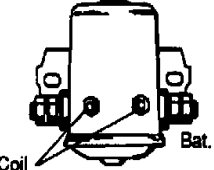
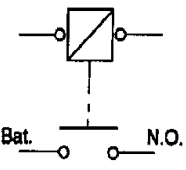
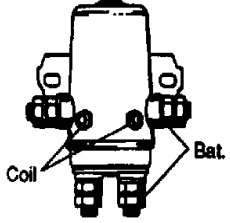
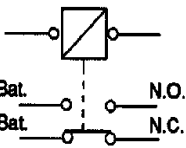
	Configuration on base	Key printed on casing	Key used on wiring diagram	Example
<p>Cubic relay (Steel or plastic casing) Type: S.P.D.T.</p> 				R #5
<p>NOTE: This relay is provided with an internal suppressor diode; never reverse wiring terminals #85 and 86 at base as a direct short circuit will result.</p> <p>The relay coils connected to the alternator "relay terminal" should never be provided with a suppressor diode as the output current at this terminal is not rectified, thus rendering relay inoperative.</p>				
<p>Magnetic relay (Round steel casing) Type: S.P.S.T.</p> 	None	None		R #4
<p>Magnetic relay (Round steel casing) Type: D.P.D.T.</p> 	None	None		R #40
<p>LEGEND</p> <p>Bat. Battery N.O. Normally Open N.C. Normally Closed S.P.D.T. Single Pole Double Throw S.P.S.T. Single Pole Single Throw D.P.D.T. Double Pole Double Throw</p>				

FIGURE 3: TYPES OF RELAYS

06050

2. H3 SERIES VEHICLES ELECTRICAL COMPARTMENTS AND JUNCTION BOXES

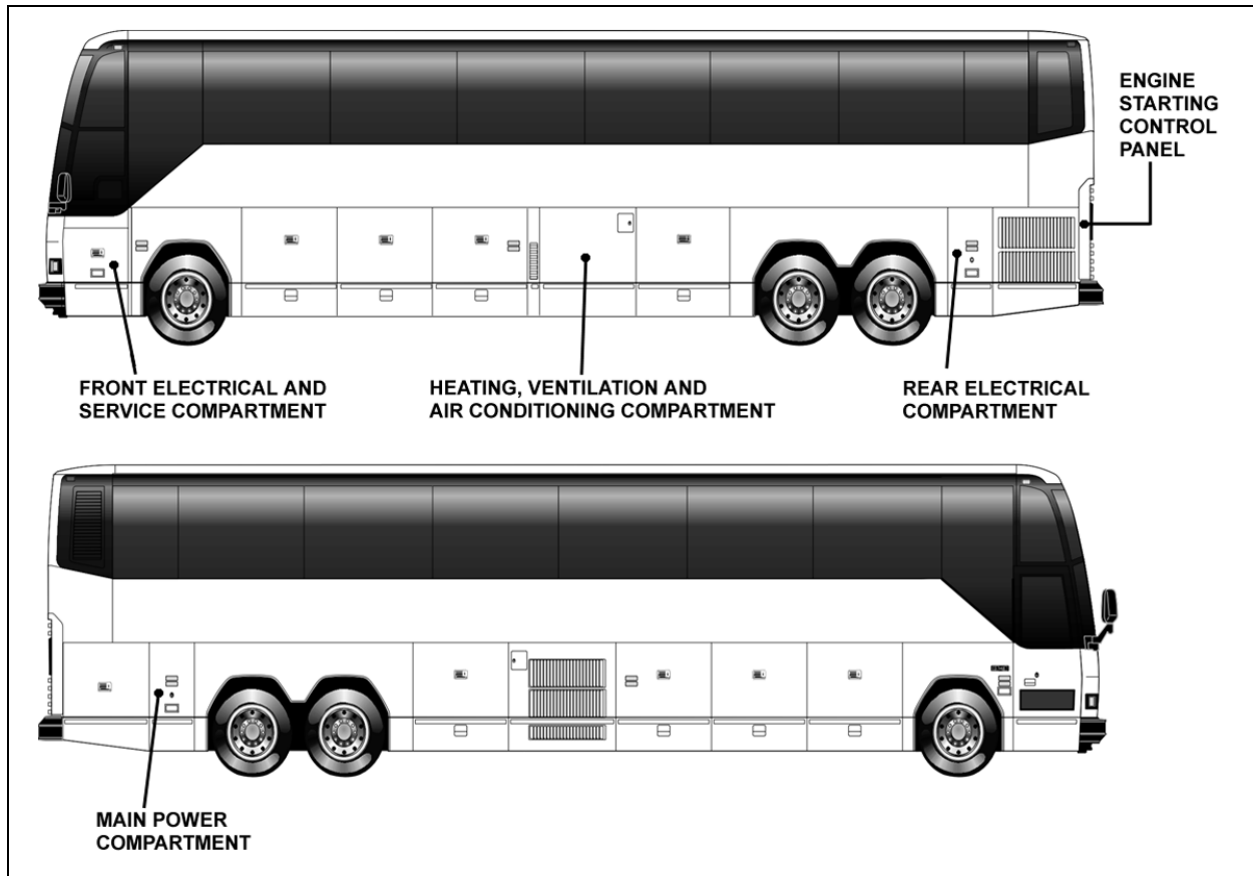


FIGURE 4: ELECTRICAL COMPARTMENTS

2.1 MAINTENANCE

A Cortec VCI-238 corrosion inhibitor has been sprayed in all electrical compartments to protect components from corrosion. The life expectancy of this product is five years, so it is recommended to reapply it every five years. It is also recommended to spray it on new components when added or replaced.

Warning: Use VIC-238 in a well ventilated area. Do not smoke. Avoid prolonged contact with skin and breathing of spray mist. Harmful or fatal if swallowed. Do not induce vomiting. Call physician immediately.

2.2 MAIN POWER COMPARTMENT

The main power compartment is located on rear R.H. side of vehicle aft of the rear wheelhousing. This compartment contains the following components (Fig. 5 and 6):

- Four 12 volts batteries;
- Main circuit breakers;
- Voltage regulator (if applicable);
- Battery equalizer;
- Battery Charger (optional);
- Electrical system monitor;
- Main battery relays (safety switch);
- Battery booster block.

Section 06: ELECTRICAL

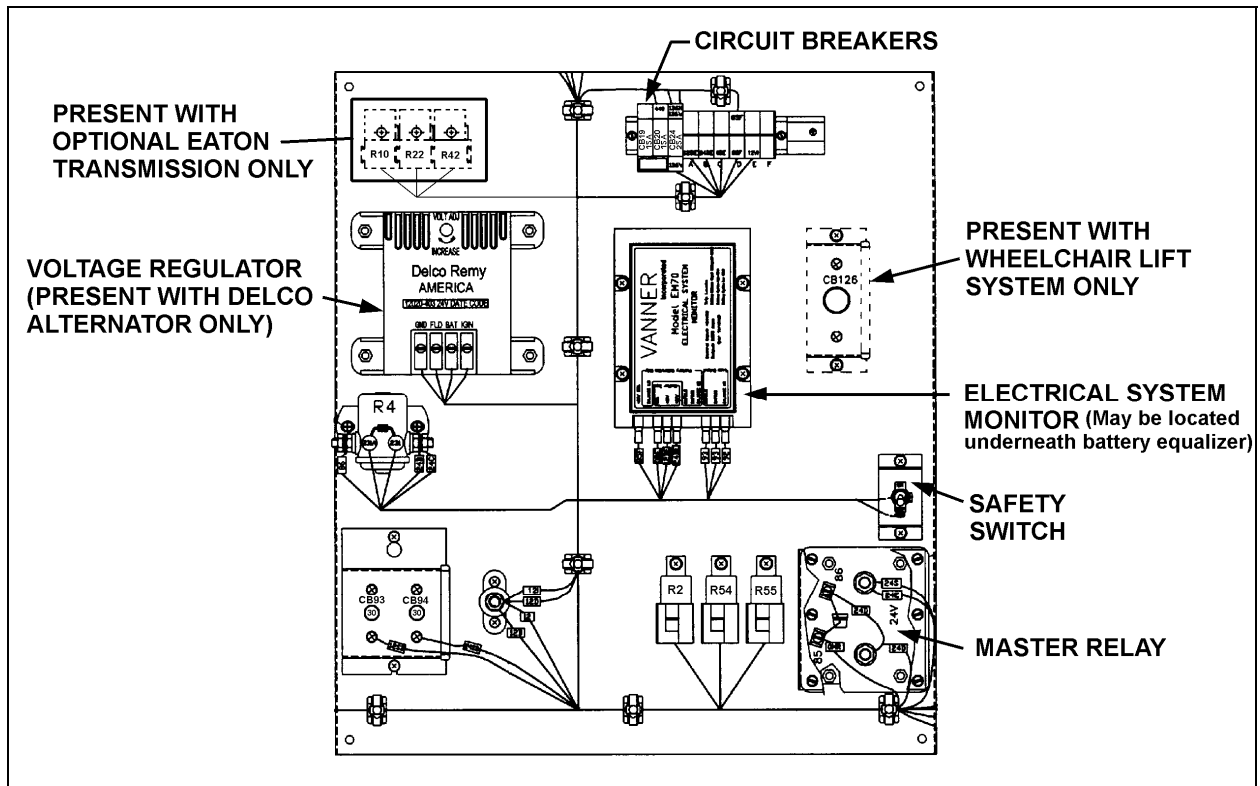


FIGURE 5: MAIN POWER COMPARTMENT

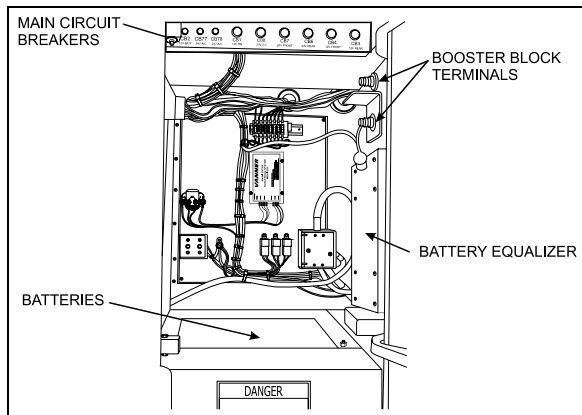


FIGURE 6: MAIN POWER COMPARTMENT

2.2.1 Battery Charger or In-Station Lighting Connector

The vehicle may be equipped with a battery charger or in-station lighting connector. When it is connected to an external 110-120 VAC power source, the in-station lighting circuit can be energized without depleting the batteries. The receptacle is usually located on the main power compartment door or engine compartment R.H. side door.

2.3 REAR ELECTRICAL COMPARTMENT

The rear electrical compartment is located on L.H. side of vehicle aft of the rear wheelhousing (Fig.4). It contains the rear junction panel and the following components (Fig. 7 and 8):

- ECU (Electronic Control Unit) for Allison World Transmission;
- Secondary circuit breakers;
- Relays;
- Programmable speed switch (present with manual or Eaton transmission only).

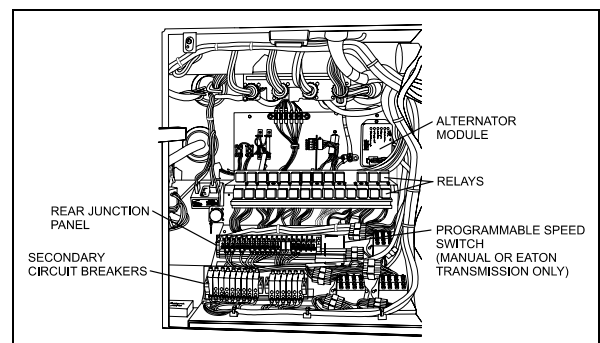


FIGURE 7: REAR ELECTRICAL COMPARTMENT

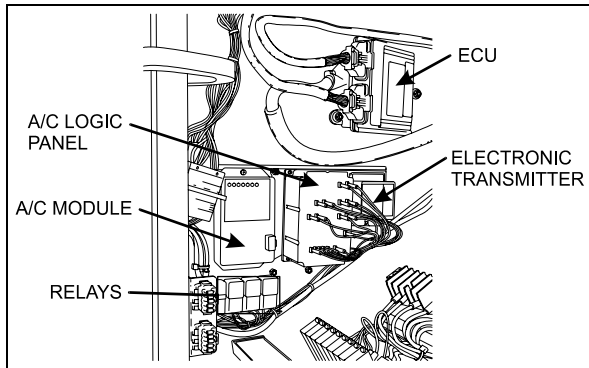


FIGURE 8: REAR ELECTRICAL COMPARTMENT

2.4 FRONT ELECTRICAL AND SERVICE COMPARTMENT

The front electrical and service compartment is located on front L.H. side of vehicle. It contains the front junction panel with the following components (Fig. 9).

- Circuit breakers
- Resistors
- Pulse regulator (upper wiper)
- Electric flasher
- Fuses
- Relays
- Alarm

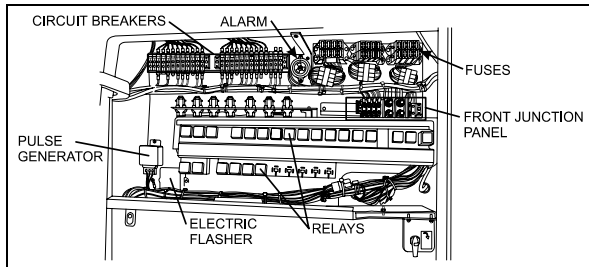


FIGURE 9: FRONT ELECT. & SERVICE COMPARTMENT

2.5 ENGINE STARTING CONTROL PANEL

This control panel is located in the R.H. side of engine compartment near the engine oil reserve tank. This control panel includes the engine starter selector switch, as well as the rear start push button switch to start engine from engine compartment.

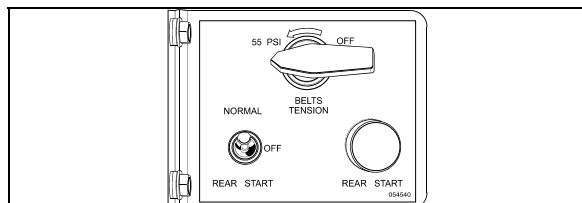


FIGURE 10: ENGINE STARTING CONTROL PANEL 01044

2.6 A/C AND HEATING CONTROLS

The following components are located in the rear electrical compartment (see Fig. 8). They are located on the L.H. side wall, when facing the compartment:

- A/C module
- A/C Logic panel (W973B module)
- Electronic transmitter (T7067B)
- Relay R34 – A/C logic panel
- Relay R35 – Water booster pump
- Relay R36 – A/C compressor clutch
- Relay R38 – A/C liquid solenoid valve
- Diodes

Each component is well identified to facilitate its location.

The following relays and resistors are located in the Heating, Ventilation and Air Conditioning Compartment (HVAC). They are mounted on the control panel located on the R.H. side wall when facing the compartment:

- R39 – Condenser fan motor
- R40 – Condenser speed control HI
- R41 – Condenser speed control HI
- RS36 – Current limit for relay
- RS37 – Current limit for relay

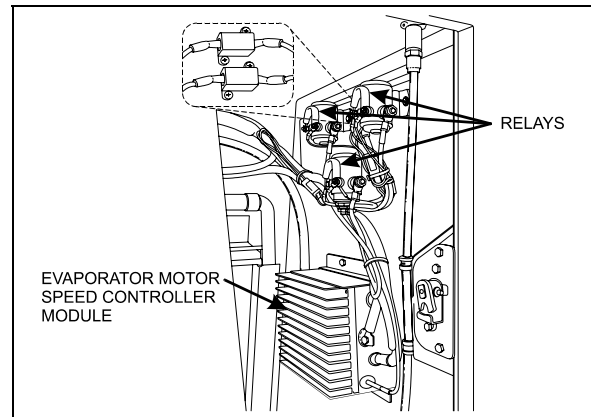


FIGURE 11: LOCATION OF RELAYS AND RESISTORS

Each relay or resistor is identified to facilitate its location (Fig. 12).

Note: It is important when checking the A/C and heating system to keep the condenser compartment door closed in order to avoid faulty readings.

Section 06: ELECTRICAL

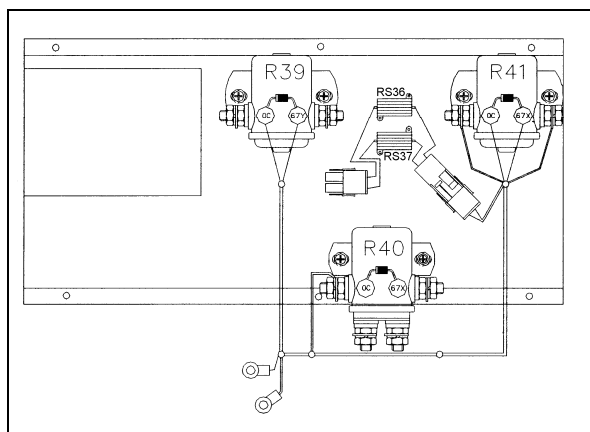


FIGURE 12: CONTROL PANEL IN HVAC COMPARTMENT

3. BATTERIES

The vehicle is provided with four (4) maintenance-free 12 volt heavy-duty batteries connected in series-parallel (Fig. 13). The top-mounted negative and positive terminals are tightly sealed to prevent leaks. Water never needs to be added to this type of battery. There are no filler caps in the cover. The battery is sealed, except for small vent holes in the cover. The vents must not be restricted as they allow small amounts of gases produced in the battery to escape. The special chemical composition inside the battery reduces gassing to a very small amount at normal charging voltages. Besides reducing gassing, the special chemistry greatly reduces the possibility of overcharge damage.

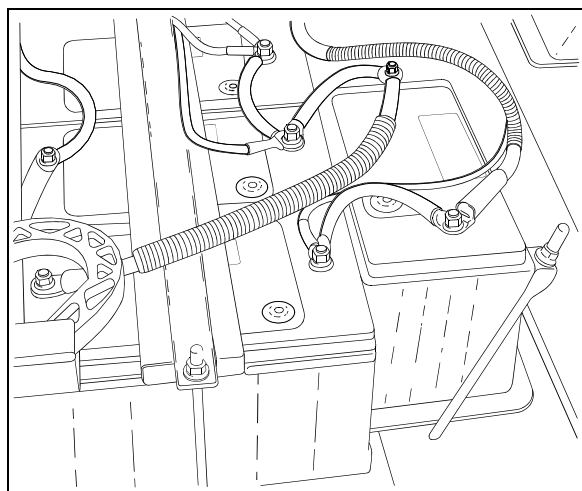


FIGURE 13: BATTERIES

The vents require keeping the battery in an upright position to prevent electrolyte leakage. Tipping the battery beyond a 45° angle in any direction can allow a small amount of electrolyte to leak out of the vent holes.

Warning: DO NOT tip battery by more than 45° when carrying or installing the battery.

Note: Evidence of electrolyte leakage does not necessarily mean the battery is defective.

With special cables properly attached to batteries, the metal surfaces that carry the current are completely sealed from the atmosphere. This prevents terminal oxidation and corrosion that may cause starting and charging problems. If new cables are required, sealed terminal cable replacements should be used to retain the reliability of the original maintenance-free connections.

Warning: All lead-acid batteries generate hydrogen gas, which is highly flammable. If ignited by a spark or flame, the gas may explode violently, causing spraying of acid, fragmentation of the battery, which may result in severe personal injuries. Wear safety glasses and do not smoke when working near batteries. In case of contact with acid, flush immediately with water.

The battery has four (4) major functions:

1. Providing a source of current for starting the engine.
2. Stabilizing the voltage in the electrical system;
3. Supplying current for a limited time, when electrical demands of the equipment exceed the power output of the alternator;
4. Providing a limited source of power for connected accessories, when the engine is not running.

3.1 MAIN BATTERY RELAYS

Main battery relays (12 V. and 24 V.) are provided for this vehicle. The relays are located in the main power compartment. The 24 volt battery relay is actuated by a master switch located on the dashboard.

When the main battery relays are turned to the OFF position, all electrical supply from the batteries is cut off, with the exception of the following items.

- Battery equalizer check module;
- ECM;
- ECU power (World transmission);
- Preheater electronic timer;

- Preheater and water recirculating pump;
- Sedan entrance door;
- Radio memory
- Cluster memory.

3.2 BATTERY REMOVAL AND INSTALLATION

1. Remove the two screws at the bottom of the plastic protective cover. Unscrew the two quarter turn nuts to remove the protective cover.
2. Remove supports. Unscrew terminal nuts of each defective battery.

Note: Main battery relays should be in the “Off” position before disconnecting cables from the batteries.

3. Remove battery cables from the batteries.

Note: When the battery cables have been removed from the batteries, wrap the battery terminals and cable ends with electric tape to prevent accidental grounding. The ground cables should always be disconnected first and replaced last.

4. Remove batteries.
5. Installation is the reverse of removal.

Note: In replacing batteries, only batteries of the same specification should be used. Refer to “Specifications” at the end of this section for further details.

Caution: Ensure that connections are not reversed when reinstalling batteries, since damage to electrical system components will result.

When reinstalling batteries, battery connections must be tightened to 10-15 ft-lbf (13-20 N·m) and the nut on top of sliding tray to 45-55 in-lbf (5-6 N·m). A torque wrench is required to ensure an accurate tightening torque.

Caution: After reinstalling battery terminals, apply protective coating (Nyogel grease). Do not use Cortec VCI-238.

Warning: To prevent possible electric shock or sparking, the main battery relays must be set to the “Off” position before tightening an electrical connection.

Note: A protective silicone free, coating should be applied on all connections that have been disconnected. We recommend the use of Cortec VCI-238 (Prévost #682460) on all electrical connections.

3.3 BATTERY RATING

Each of the 12 volt batteries used on the vehicle has the following rating:

- Reserve capacity: 180 minutes
- Cold cranking (amps): 625 @ 0°F (-18°C)
- Cold cranking (amps): 490 @ -20°F (-29°C)
- Weight (filled): 59 lb. (26,7 kg)

The reserve capacity is defined as the number of minutes a new, fully charged battery at 80°F (26,6°C) can be discharged at 25 amperes and maintain a minimum of 1.75 volts per cell (10.5 volts total for one 12 volts battery). This rating can be used as a basis for determining how long a vehicle might run after an alternator failure.

The cold cranking rating is defined as the minimum discharge current a battery will deliver in amperes for 30 seconds at 0 F (-18 C) while maintaining a minimum of 1.2 volts per cell (7.2 volts total for one 12 volts battery). This rating can be used as a basis for comparing starting performance.

3.4 BATTERY TESTING

The maintenance-free battery has a strong ability to withstand the damaging effects of overcharge. The test indicator in the cover is used only to determine if the battery can be tested in case of a cranking problem.

The test indicator in the battery cover is to be used with accepted diagnostic procedures only. It must not be used to determine if the battery is good or bad, charged or discharged. The test indicator is a built-in hydrometer in one cell that provides visual information for battery testing (Fig. 14).

It is important when observing the test indicator, that the battery be relatively level and has a clean indicator top to see the correct indication. Some lighting may be required in poorly lit areas. Under normal operation, two indications can be observed.

Green Dot Visible

Section 06: ELECTRICAL

Any green appearance is interpreted as a "green dot", and the battery is ready for testing. On rare occasions, following prolonged cranking, the green dot may still be visible when the battery is obviously discharged. Should this occur, charge the battery as described under "Charging Procedure" in "Battery Charging" later in this section.

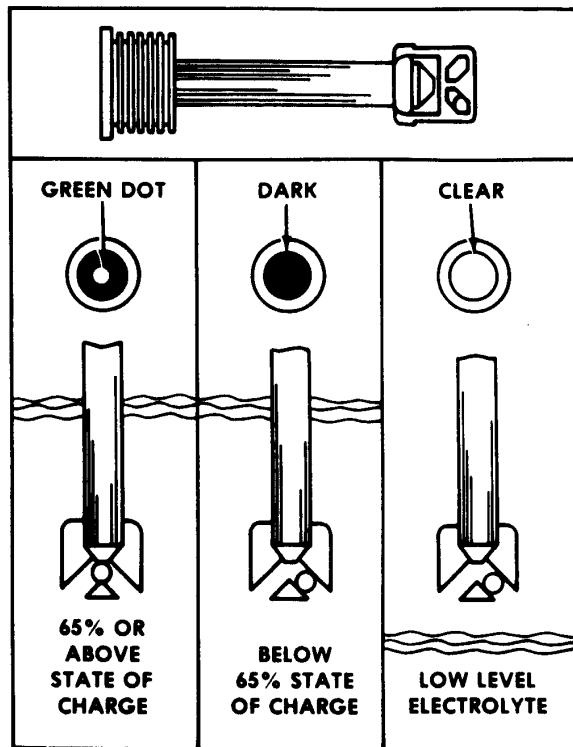


FIGURE 14: TEST INDICATOR

Dark - Green Dot Not Visible

If there is difficulty cranking the engine, the battery should be tested as described in this section. On rare occasions, the test indicator may turn light yellow. In this case, the integral charging system should be checked. Normally, the battery is capable of further service; however, if difficult start has been reported, replace the battery. **DO NOT CHARGE, TEST, OR JUMP-START.**

3.4.1 Visual Inspection

1. Check the outside of the battery for a broken or cracked cover or case that could permit loss of electrolyte. If obvious physical damage is noted, replace the battery.
2. Check for loose terminal posts, cable connections, damaged cables, and for

evidence of corrosion. Correct conditions as required before proceeding with tests.

3.4.2 Removing Surface Charge

Disconnect cables from the battery and attach alligator clamps to the contact lead pad on the battery as shown in figure 16. Connect a 300 ampere load across the terminal for 15 seconds to remove surface charge from the battery.

3.4.3 Load Test

This test is one means of checking the battery to determine its ability to function as required in the vehicle.

To make this test, use test equipment that will withstand a heavy electrical load from the battery, such as a carbon pile resistor or other suitable means.

1. Connect a voltmeter, ammeter, and a variable load resistance as illustrated in figure 15.

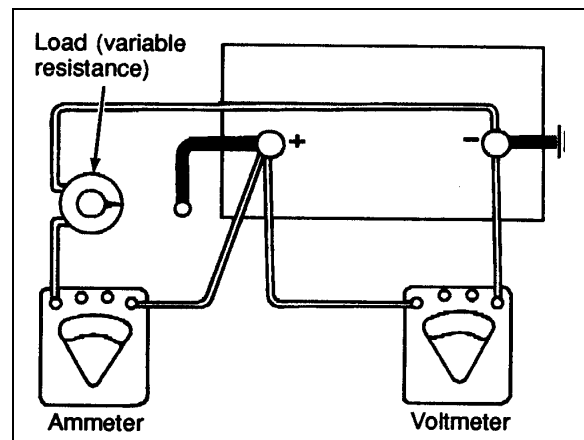


FIGURE 15: LOAD TEST

06064

Caution: Observe polarity of the meters and the battery when making connections, and select the correct meter range.

2. Apply a 290 amperes load to the battery for 15 seconds.
3. With an ammeter reading specified load, read voltage. The voltage should be at least 9.6 volts. Disconnect the load. If the voltmeter indicates 9.6 volts or more, the battery is good. If the voltmeter reading is less than 9.6 volts, replace the battery. This voltage is to be used for battery ambient temperatures of 70°F (21°C) and above. For temperatures below 70°F (21°C), refer to the following "Voltage and Temperature Chart".

Voltage and Temperature Chart

Ambient Temperature	Minimum Voltage
70°F (21°C) and above	9.6
60°F (16°C)	9.5
50°F (10°C)	9.4
40°F (4°C)	9.3
30°F (-1°C)	9.1
20°F (-7°C)	8.9
10°F (-12°C)	8.7
0°F (-18°C)	8.5

Note: The accuracy of this test procedure is dependent upon close adherence to the proper load, time and temperature specifications.

3.4.4 Testing Battery Cables

Check all cable ring terminals and connections to determine if they are in good condition. Excessive resistance, generally caused by poor connections, produces an abnormal voltage drop which may lower voltage at the starter to such a low value that normal operation of the starter will not be obtained. An abnormal voltage drop can be detected with a low-reading voltmeter as follows:

Warning: To prevent the engine from starting, the DDEC engine circuits, which are protected by breakers; (CB-19 and CB-20) located in the main power compartment and CB-21, located in the rear electrical compartment, must be de-energized. Once these tests are completed, depress black button to close circuit.

1. Check voltage drop between grounded (negative) battery terminal and vehicle frame by placing one prod of the voltmeter on the battery terminal and the other on a good ground (unpainted surface) on the vehicle. With the starter cranking the engine at a temperature of 70°F (21°C), voltage reading should be less than 0.3 volt. If the voltage reading exceeds 0.3 volt, there is excessive resistance in this circuit.
2. Check voltage drop between the positive battery terminal and the starter positive terminal stud while the motor is operated. If the reading is more than 2.5 volts, there is excessive resistance in this circuit.

Note: If it is necessary to extend the voltmeter lead for this test, use a #16 (AWG) or larger wire.

3. Check voltage drop between the starter housing and a good ground on the vehicle. The reading should be less than 0.2 volt.

Warning: Any procedure other than the following could cause personal injury or damages to the charging system resulting from battery explosion or electrical burns.

Wear adequate eye protection when working on or near the batteries. Ensure that metal tools or jumper cables do not contact the positive battery terminal (or a metal surface in contact with it) as a short circuit will result. Do not attempt to jump start a vehicle suspected of having a frozen battery because the battery may rupture or explode. Both the booster and discharged batteries must be treated carefully when using jumper cables. Follow exactly the procedure outlined later in this section, being careful not to cause sparks.

3.5 BATTERY CHARGING

Warning: During charging of the batteries, an explosive gas mixture forms in each cell. Part of this gas escapes through the vent holes and may form an explosive atmosphere around the battery itself if ventilation is poor. This explosive gas may remain in or around the battery for several hours after it has been charged. Sparks or flames can ignite this gas causing an internal explosion, which may shatter the battery.

1. Do not smoke near a battery which is being charged or which has been recently charged.
2. Do not break live circuits at battery terminals because a spark usually occurs at the point where a live circuit is broken. Care must always be taken when connecting or disconnecting booster leads or cable clamps on chargers. Poor connections are a common cause of electric arcs, which cause explosions.

Caution: The electrical system on this vehicle is negative ground. Installing the batteries with the positive terminals grounded or incorrect use of the booster battery and jumper cables will result in serious damage to the alternator, batteries and battery cables.

Section 06: ELECTRICAL

The batteries used on this vehicle can be charged either on or off the vehicle; however, when they are removed from the vehicle, it is recommended that an adapter kit, which is available from any "A/C DELCO" dealer, be used in charging sealed-terminal batteries. Use the booster block to charge the batteries when they are left on vehicle and **make sure that the main battery disconnect switch is set to the "On" position.**

The alligator clamps of the tester or charger must be placed between the terminal nuts and the lead pads of the terminal studs (Fig. 16) after the vehicle cables are detached. The alligator clamps should make firm contact with the lead pads.

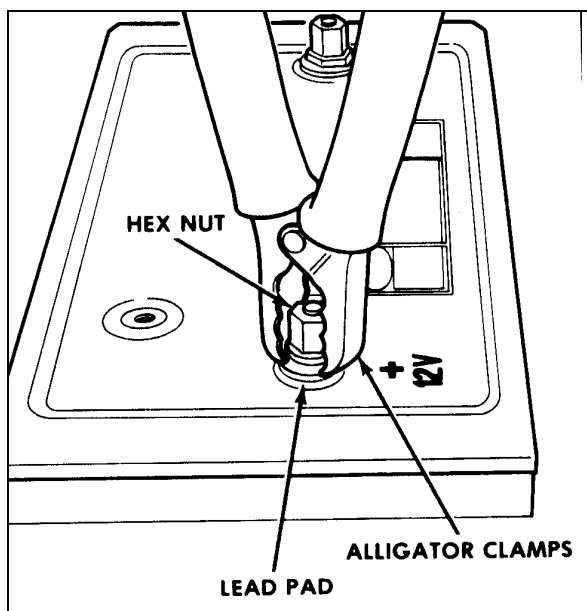


FIGURE 16: ALLIGATOR CLAMPS AND BATTERY 06065

Note: If this connection cannot be made because of the alligator clamp design, the load value for testing must be reduced from 290 to 260 amperes.

On rare occasions, such as those that occur following prolonged cranking, the green dot in the test indicator may still be visible when the battery is obviously discharged. Should this occur, a boost charge of 20 amperes-hour is recommended. Under normal operating conditions, do not charge battery if the green dot is visible. The battery should never be charged if the test indicator (hydrometer) is clear or light yellow. If this occurs, replace the battery.

A charge rate between 3 and 50 amperes is generally satisfactory for any maintenance-free battery as long as spewing of electrolyte does

not occur or the battery does not feel excessively hot (over 125°F (52°C)). If spewing or violent gassing of electrolyte occurs or battery temperature exceeds 125°F (52°C), the charging rate must be reduced or temporarily stopped to allow cooling and to avoid damaging the battery.

Battery temperature can be estimated by touching or feeling the battery case. The battery is sufficiently charged when the green dot in the built-in hydrometer is visible. No further charging is required. Shake or tilt the battery at hourly intervals during charging to mix the electrolyte and see if the green dot appears.

Warning: Always turn off the charger before connecting or disconnecting to a battery.

Note: The charge rate must be doubled when the batteries are charged by the booster block, because of the series-parallel circuit.

Battery charging consists of a charge current in amperes for a period of time in hours. Thus, a 25 ampere charging rate for 2 hours would be a 50 ampere-hour charge to the battery. Most batteries, whose load test values are greater than 200 amperes, will have the green dot visible after at least a 75 ampere-hour charge. In the event that the green dot does not appear, replace the battery.

3.5.1 Battery Charging Guide

Fast Charging Rate

20 amps @ 3-3/4 hours

30 amps @ 2-1/2 hours

40 amps @ 2 hours

50 amps @ 1-1/2 hours

Slow Charging Rate

5 amps @ 15 hours

10 amps @ 7-1/2 hours

The time required for a charge will vary according to the following factors:

Size of Battery

For example, a completely discharged large heavy-duty battery requires more than twice the recharging time of a completely discharged small passenger car battery.

Temperature

For example, a longer time will be needed to charge any battery at 0°F (-18°C) than at 80°F (27°C). When a fast charger is connected to a cold battery, the current accepted by the battery will be very low at first, then in time, the battery will accept a higher rate as it warms.

State of Charge

For example, a completely discharged battery requires more than twice as much charge than a half-charged battery. Since the electrolyte is nearly pure water and a poor conductor in a completely discharged battery, the current accepted is very low at first. Later, as the charging current causes the electrolyte acid content to increase, the charging current will likewise increase.

Charger Capacity

For example, a charger which can supply only 5 amperes will require a much longer period of charging than a charger that can supply 30 amperes or more.

3.5.2 Emergency Jump Starting With Auxiliary (Booster) Battery

Warning: Do not jump start vehicles equipped with maintenance-free batteries if the test indicator is light yellow.

Both booster and discharged batteries should be treated carefully when using jumper cables. A vehicle with a discharged battery may be started by using energy from a booster battery or the battery from another vehicle.

Warning: Jump starting may be dangerous and should be attempted only if the following conditions are met:

The booster battery or the battery in the other vehicle must be of the same voltage as the battery in the vehicle being started, and must be negative grounded.

If the booster battery is a sealed-type battery without filler openings or caps, its test indicator must be dark or a green dot must be visible. Do not attempt jump starting if the test indicator of the booster battery or the discharged battery has a light or bright center.

Warning: Follow the procedure exactly as outlined hereafter. Avoid making sparks.

1. Wear eye protection and remove rings, watches with metal bands and other metal jewelry.
2. Apply parking brake and place the transmission shift lever or push-button pads in Neutral (N) position in both vehicles. Turn off lights, heater and other electrical loads. Observe the charge indicator. If the indicator in the discharged battery is illuminated, replace the battery. **Do not** attempt jump starting when indicator is illuminated. If the test indicator is dark and has a green dot in the center, failure to start is not due to a discharged battery and the cranking system should be checked. If charge indicator is dark but the green dot does not appear in center, proceed as follows:
3. Connect one end of one red jumper cable to the positive (+) terminal of the booster power source and the other end to the positive (+) post of the booster power block, located in the main electrical compartment (refer to fig. 6).
4. Connect one end of the remaining negative jumper cable (black) to the negative (-) terminal of the booster power source, and the other end of the black jumper cable to the negative (-) post of the booster power block.
5. Make sure the clips from one cable do not inadvertently touch the clips on the other cable. Do not lean over the battery when making connections. The ground connection must provide good electrical conductivity and current carrying capacity.
6. Start the engine in the vehicle that is providing the jump start. Let the engine run for a few minutes, then start the engine in the vehicle that has the discharged batteries.
7. When removing the jumper cables, perform the above procedure exactly in reverse order, and replace protective caps on booster block terminals.

Warning: Any procedure other than the above could result in personal injury, property damage due to battery explosion, or damage to the charging system of the booster vehicle or of the boosted vehicle

Section 06: ELECTRICAL

Note: Jumper cables must withstand 500 cranking amperes. If cable length is 20 feet (6m) or less, use 2/0 (AWG) gauge wires. If cable length is between 20-30 feet (6-9m), use 3/0 (AWG) wires.

3.6 CLEANING AND INSPECTION

The external condition of the battery and the battery cables should be checked periodically. The top of the battery should be kept clean and the battery hold-down clamp bolts should be kept properly tightened. For best results when cleaning the battery, wash first with a diluted solution of ammonia or soda to neutralize any acid present, then wash out with clean water. The battery hold-down bolts should be kept tight enough to prevent the batteries from moving, but they should not be tightened to the point that excessive strain is placed on the battery hold-down cover (proper tightening torque: 45-55 in•lbf (5-6 N•m).

To insure good contact, the battery cable ring terminals should be tight on the battery posts. If the posts or cable ring terminals are corroded, the cables should be disconnected and the posts and clamps cleaned separately with a soda solution and a wire brush. Install cable ring terminals on battery posts and tighten to a torque of 10-15 ft•lbs (13-20 N•m). Replace protective caps to prevent corrosion and sparks.

3.7 COMMON CAUSES OF BATTERY FAILURE

When a battery fails, the cause of failure may be related to something other than the battery. For this reason, when a battery failure occurs, do not be satisfied with merely recharging or replacing the battery. Locate and correct the cause of the failure to prevent recurrence. Some common external causes of battery failure are as follows:

1. A defect in charging system such as high resistance or a faulty alternator or regulator.
2. A malfunction within the 12 volts system (equalizer).
3. Overloads caused by a defective starter or excessive use of accessories.
4. Dirt and electrolyte on top of the batteries causing a constant drain.
5. Hardened battery plates, due to battery being in a low state of charge over a long period of time.

6. Shorted cells, loss of active material from plates.
7. Driving conditions or requirements under which the vehicle is driven for short periods of time.
8. A constant drain caused by a shorted circuit such as an exposed wire or water infiltration in junction boxes causing ground fault.
9. Extended operation of preheating system with engine not running.
10. Failing to close disconnect switches during the night.

3.8 TROUBLESHOOTING

If a battery is known to be good and then has not performed satisfactorily in service for no apparent reason, the following factors may reveal the cause of trouble:

1. Vehicle accessories and disconnect switches inadvertently left on overnight.
2. Defects in the charging system, such as high wiring resistance, faulty alternator, regulator or battery equalizer.
3. A vehicle electrical load exceeding the alternator (or battery equalizer) capacity, with the addition of electrical devices, such as CB radio equipment, a cellular phone or additional lighting systems.
4. Defects in the electrical system, such as shorted or pinched wires.
5. Extended driving at a slow speed while using many accessories.
6. Loose or poor battery cable-to-post connections, previous improper charging of a run-down battery, or loose hold-down clamp bolts.
7. High-resistance connections or defects in the cranking system.

4. ELECTRICAL SYSTEM MONITOR

This vehicle is equipped with an electronic device that monitors and detects abnormal alternator, voltage regulator, battery banks or battery equalizers conditions. The monitor is installed on back wall of the main power compartment (refer to fig. 5). The "Battery balance" and "Battery Hi/Lo" warning lamps

connected to this module are mounted in the dashboard (refer to “*Operator’s Manual*” for location). If a malfunction should occur, the monitor sends a signal to the driver through the warning light of the malfunctioning component. If the “*Battery Hi/Lo*” warning light is illuminated, check the 24 volt voltmeter to determine if the battery voltage is too high or too low.

Note: *According to the battery charging condition, it is normal that “Battery Hi/Lo” warning light illuminates upon starting the engine and stays illuminated for a few seconds. This is caused by the normal voltage drop of the battery during starting.*

4.1 TELLTALE LIGHT DEFINITIONS

Battery Hi/Lo

Voltmeter drops below 24 V dc

- Check alternator output.
- Check voltage regulator.
- Check battery connections.
- Check battery cells.
- Check battery equalizer connections.

Voltmeter exceeds 30 V dc

- Check alternator output.
- Check voltage regulator.
- Check battery connections.

Battery Balance

Note: *Allow at least 15 minutes to balance batteries after any corrective measure has been taken.*

1. Batteries out of balance (difference greater than 1.5 volts between the two battery banks).
 - Check battery equalizer connections.
 - Check equalizer cables for proper gauge.
 - Check battery connections.
2. Demand for 12 volt power exceeding rated amperage output of battery equalizers causing batteries to go out of balance.
 - Reduce 12 volt load or install additional battery equalizer(s).

“Battery” Warning Light

This warning light is not controlled by the electronic monitor, but by the “R” terminal of the alternator using the normally-closed contact of relay R-33. If a voltage drop should occur in the charging system, the “*Battery*” telltale light will immediately illuminate to warn the driver. The “*Battery Hi/Lo*” telltale light will illuminate if voltage drops below 24 V dc.

Refer to heading “*Diagnosis of Charging System Problems*” later in this section, to determine whether the alternator or the voltage regulator is defective. Should the “*Battery*” telltale light illuminate while the 24 volt voltmeter keeps on giving a normal reading and the “*Battery Hi/Lo*” telltale light does not illuminate, the relay R-33 or its wiring is probably defective.

Caution: *The relay R-33 should never be replaced with a relay provided with a suppressor diode on its coil as the output current (between 12 and 14 volts) at the alternator “R” terminal is not rectified, thus rendering the relay inoperative.*

Note: *When the “Battery” warning light illuminates, the “A/C & Heating” system shuts off in order to prevent battery discharge.*

5. BOSCH ALTERNATOR

One or two 24 volt 140 amp., self regulated, belt driven, air-cooled BOSCH alternators may be used in the 24 volt electrical system (instead of the DELCO 24 volt 270 amp. alternator).

Change the brushes as per “Repair and Testing Instructions for T1 Alternator 0120 69 552” every 100,000 miles (160 000 fm) or once every two years, whichever comes first.

Replace bearings as per “Repair and Testing Instructions for T1 Alternator 0120 69 552” every 200,000 miles (320 000 fm) or once every four years, whichever comes first.

Refer to Bosh T1 Alternator Maintenance Manual Annexed at the end of this section.

6. DELCO ALTERNATOR

The 24 volt charging system consists of a belt driven, oil-cooled, brushless alternator, a 24 volt voltage regulator, an alternator relay and a 12 volt system that includes a 12 volt, 100 amp equalizer. The components used in this system are described under the applicable headings hereafter.

Section 6: ELECTRICAL

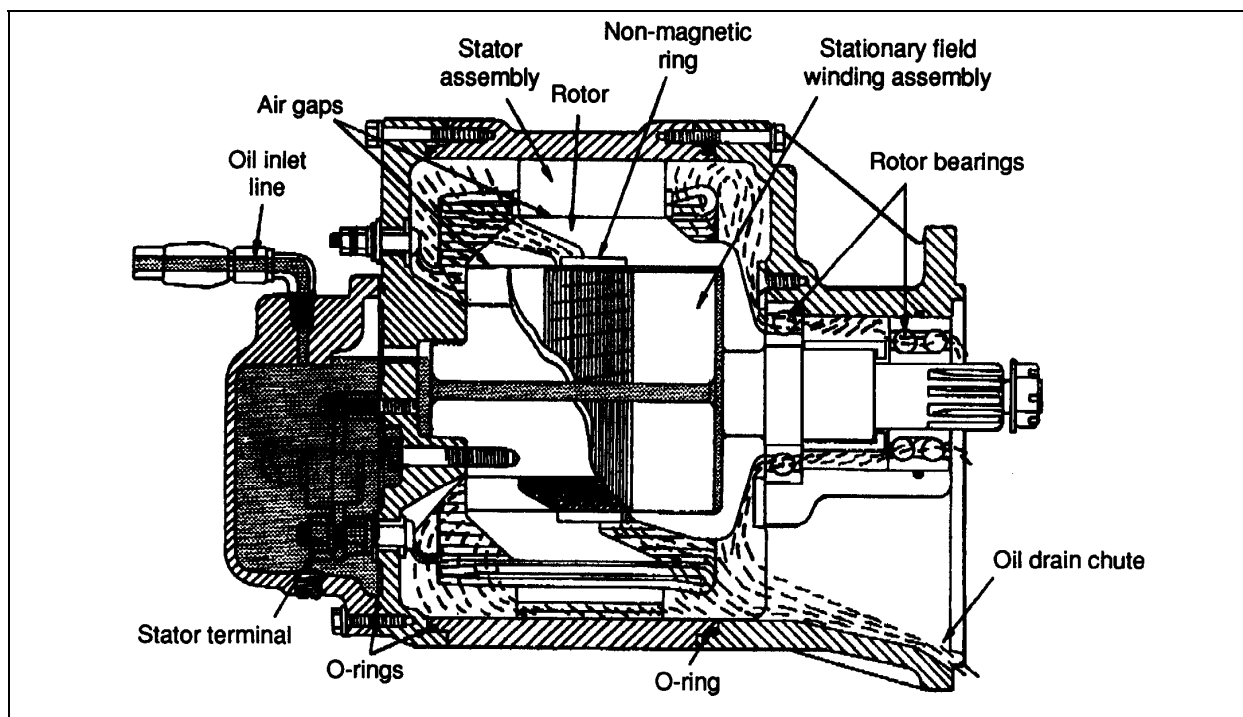


FIGURE 17: OIL CIRCULATION THROUGH ALTERNATOR

This oil-cooled alternator is self rectifying. All current carrying members, windings, built-in diodes, and field coils are stationary. The only moving component is the rotor. The alternator is a totally-enclosed unit, cooled and lubricated by engine oil. The oil inlet is on the diode end cover. The oil drains back into the engine crankcase through the drive end frame and drive adapter housing. This alternator should never

be operated with the oil supply line disconnected. A continuous flow of engine oil through the alternator lubricates the bearings and cools the assembly. Four terminals are used on this alternator: the DC output terminal, two field terminals, and a 12 volt relay terminal. The alternator output voltage is regulated by a separate 24 volt regulator that controls the alternator field current (Fig. 17 and 18).

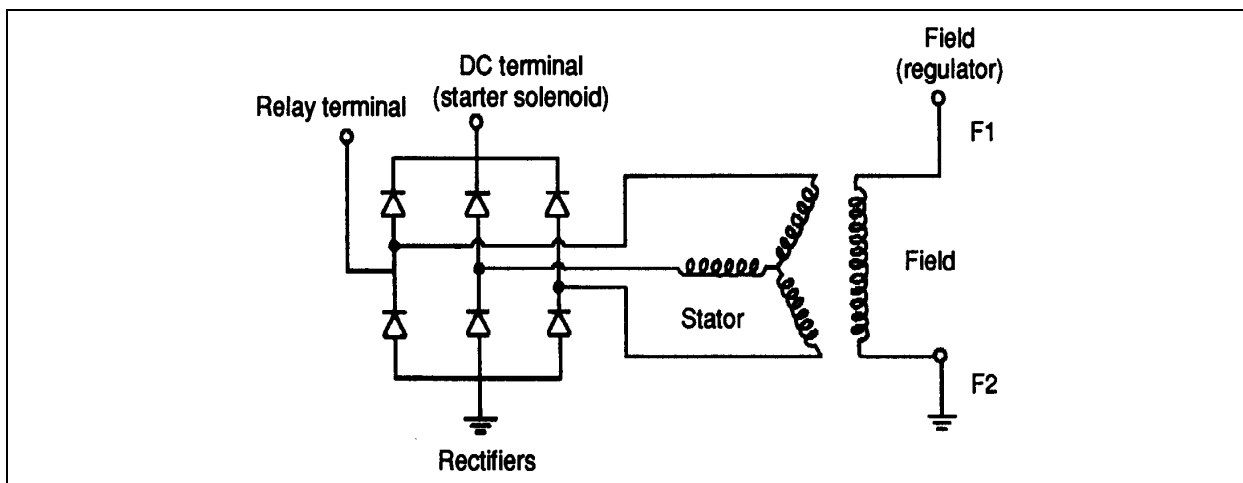


FIGURE 18: ALTERNATOR WIRING DIAGRAM (DELCO)

Note: The relay coils connected to the alternator "relay terminal" SHOULD NEVER BE PROVIDED WITH A SUPPRESSOR DIODE as the output current at this terminal is not rectified, thus rendering relay inoperative.

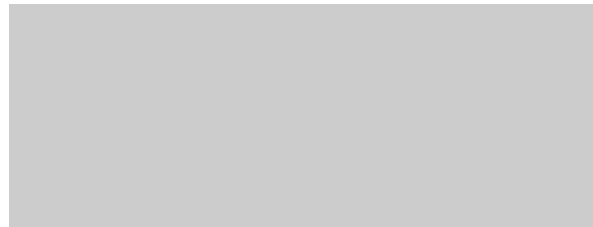
Caution: The electrical system is **NEGATIVE GROUNDED**. Connecting the batteries or a battery charger with the positive terminal grounded will endanger the alternator diodes and vehicle wiring by a high current flow. Burned wiring harnesses and burned “open” diodes will result. Always ensure that the alternator and battery polarities are matched prior to installation. **THE ALTERNATOR WILL NOT REVERSE TO ACCEPT INVERSE POLARITY.** Also, do not ground or short across any of the alternator or regulator terminals.

The troubleshooting of the charging system is made easier by the use of a 12 and a 24 volt voltmeter, “Battery”, “Battery balance” and “Battery Hi/Lo” telltale lights mounted in the dashboard (for location refer to the “Operator’s Manual”). The definition of each warning light is explained under the “ELECTRICAL SYSTEM MONITOR”

7.1 ALTERNATOR OR VOLTAGE REGULATOR

Since there are no brushes, slip rings, or rubbing seals, the alternator requires no periodic maintenance other than the following:

1. Check alternator-to-engine mounting bolts for looseness and tighten to the proper torque.
2. Check all electrical connections for tightness and corrosion. Clean and tighten connections as necessary. Be sure wiring insulation is in good condition and that all wiring is securely clipped to prevent chafing of the insulation.
3. With the engine running, listen for noise and check the alternator for vibration. If the alternator is noisy or vibrates excessively, it should be removed for inspection and repair.
4. Ensure that battery terminals are clean and tight.



7. CHARGING SYSTEM TROUBLESHOOTING

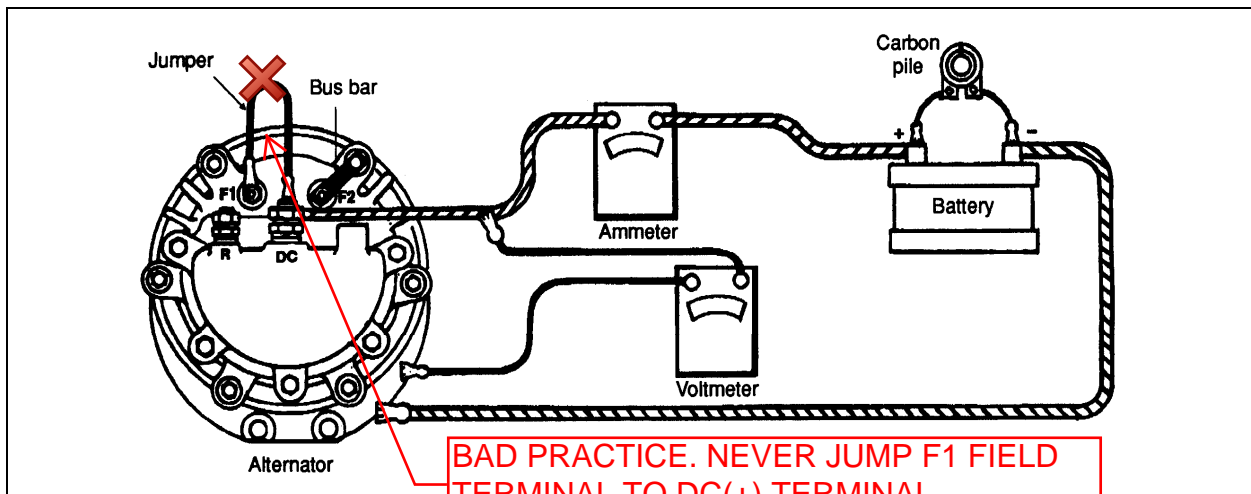


FIGURE 19: CONNECTIONS FOR CHECKING
7.2 ALTERNATOR DIAGNOSIS

06068

Caution: Before checking the alternator, **TURN OFF** the battery main disconnect switch.

It is not necessary to disassemble completely the alternator to make electrical checks. All electrical checks are made at the diode end of

Section 6: ELECTRICAL

the assembly without having to remove the rotor, drive end frame or bearing. If the electrical components are not defective but bearing replacement is necessary, this can be done at the drive end without having to disassemble the diode end of the unit.

The components in the alternator that require electrical checks are the field winding, the six diodes, and the stator winding.

7.2.1 Diode Checks

Each diode may be checked for shorts and opens as follows:

1. Ensure the battery main disconnect switch is set to the "OFF" position.
2. Remove the pipe plug from underneath the end housing to drain the oil in the rectifier engine oil supply.
3. Remove the cap screws (7) and lock washers that attach the diode end cover to the end housing. Remove the end cover from the end housing.

Note: Do not operate the alternator unless this unit is completely reassembled.

4. Remove seal from the end housing, detach and remove "DC" and relay terminals, stud, insulating sleeves and O-rings.
5. Disconnect all diode flexible leads; i.e. three from the output terminal stud and three from the diode supports. See figure 20 for more details.

Each diode may be checked for short or open circuits with an ohmmeter.

Note: The ohmmeter polarity may be determined by connecting its leads to the voltmeter leads. The voltmeter will read up-scale when the negative leads are connected together and the positive leads are connected together. The polarity of the voltmeter leads may be determined by connecting the leads to the identified terminals on a battery.

Note: Use an ohmmeter with a single 1.5 volts cell. Most accurate reading will be determined when the 300 ohms value is calibrated to the center one-third of the scale. DO NOT USE high voltage, such as a 110 volts test lamp to check diodes.

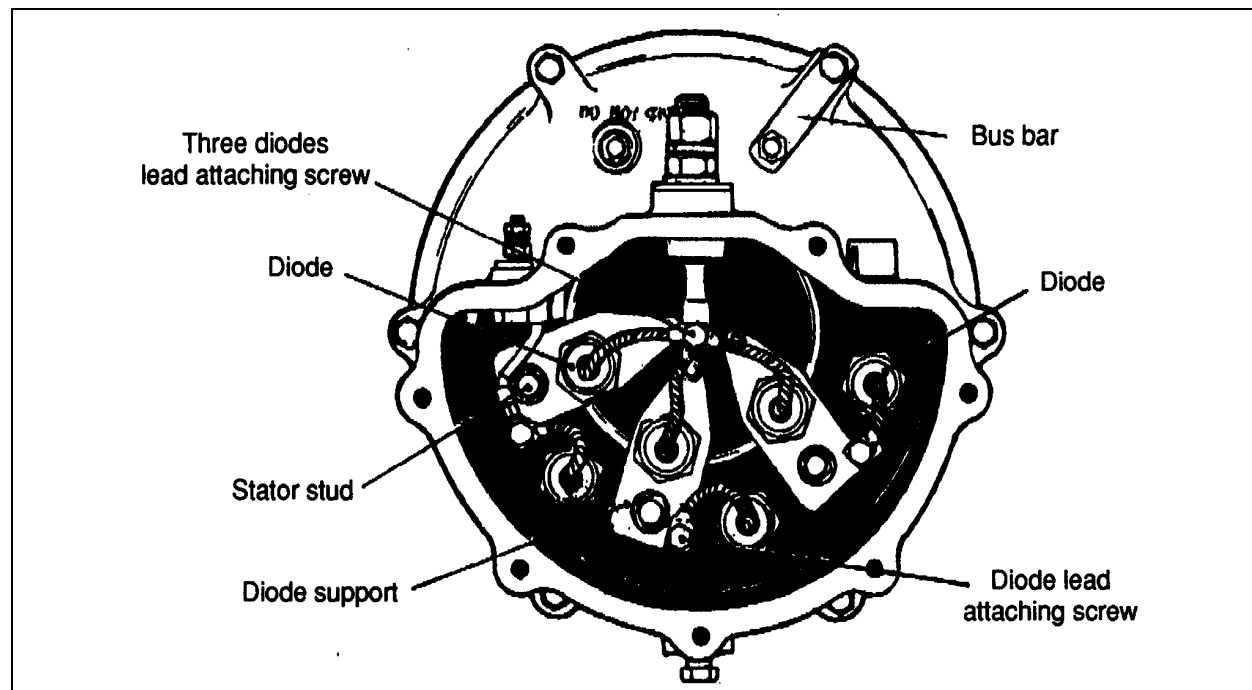


FIGURE 20: VIEW OF RECTIFIER END FRAME WITH COVER REMOVED

06069

To check diodes mounted in the supports for short fields, connect the positive ohmmeter lead to each diode lead and the ohmmeter negative lead to each support as shown in "A", "B", and

"C" of figure 21. To check diodes mounted in the end frame for shorts, connect the ohmmeter positive lead to each diode lead and the ohmmeter negative lead to the end frame as

shown in parts "D", "E", "F". The ohmmeter readings may vary considerably when checking diodes for shorts, but if the reading is 300 ohms or less, the diode is probably defective and should be replaced. A diode that reads 300 ohms or less will allow excessive reverse current from the battery. Replace defective diodes as explained later in this section.

To check the diodes mounted in the diode supports for open fields, connect the ohmmeter negative lead to each diode lead and the ohmmeter positive lead to each support as shown in parts "A", "B", and "C" of figure 22. To check the diodes mounted in end frame for shorts, connect the ohmmeter negative lead to each diode lead and the ohmmeter positive lead to the end frame as shown in parts "D", "E" and "F". An infinite resistance reading indicates an open diode. Diodes can be replaced by following the procedure outlined under "DIODE REPLACEMENT".

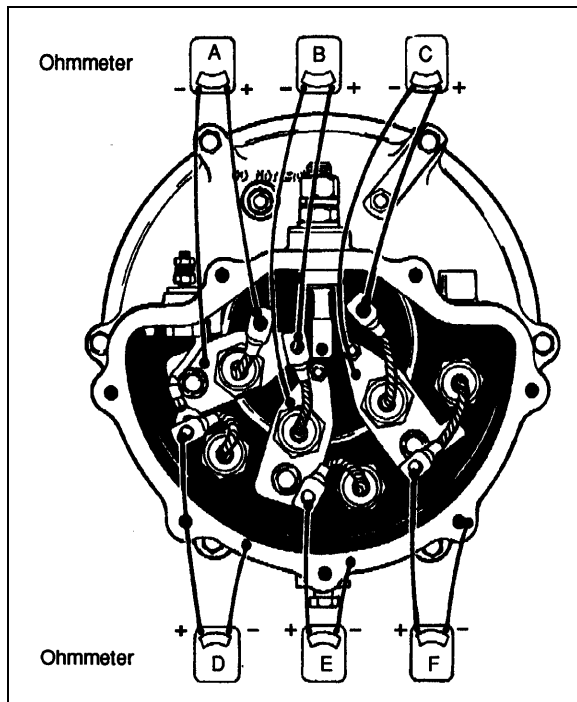


FIGURE 21: CHECKING DIODES WITH OHMMETER ON A TYPICAL OIL COOLED ALTERNATOR (END COVER REMOVED)

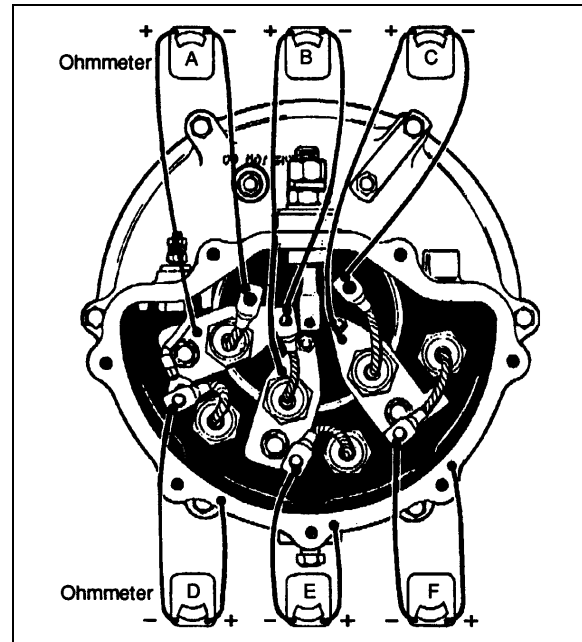


FIGURE 22: CHECKING DIODES WITH OHMMETER ON A TYPICAL OIL COOLED ALTERNATOR (END COVER REMOVED)

When reinstalling diodes, torque to 9-11 ft·lbf (12-15 N·m). Re-stake next to the threads in an arbor press with an 1/8 inch (3,2 mm) round punch. Press the punch with gradual pressure. Do not strike as the shock may damage the diodes.

7.2.2 Field Winding Check

The field winding may be checked for shorts and opens with an ohmmeter. To check the field winding, connect the ohmmeter to field terminal and to ground. A resistance reading above normal indicates an open, and a reading less than normal indicates a short field. The normal resistance value is 3.0 to 3.3 ohms at 80°F (27°C). An alternate method of checking is to place a battery of specified voltage, and an ammeter in series with the field winding. The current should register 7.2 to 8.3 amperes at 24 volts. Coil resistance is approximately 3.1 ohms. Amperage readings, other than the above, indicate an open, grounded, or shorted field. A defective field coil can be replaced by removing the end frame on which the field terminal is located and then removing the four field coil mounting screws. See "FIELD REPLACEMENT" for a detailed procedure.

7.2.3 Stator Winding Check

The stator winding may be checked for open and short fields with an ohmmeter as follows:

Open Fields

Section 6: ELECTRICAL

Connect the ohmmeter leads to two pairs of diode supports as shown in parts "A", "B", and "C" of figure 23. Correct polarity of the leads must be observed. The ohmmeter should indicate a low resistance. If an infinite or a high resistance is measured in either one or both checks, the stator windings are open.

Ground

To check the stator windings for ground, connect an ohmmeter to the diode support and diode end frame as shown in part "C" of figure 23. The ohmmeter should indicate a very high or infinite resistance. If zero, or a very low resistance is measured, the windings are grounded.

Shorts

The stator windings are difficult to check for shorts without finely calibrated laboratory test equipment due to the very low resistance values of the windings. However, if all other alternator checks are satisfactory, yet the unit fails to perform to specifications, shorted stator windings are probable.

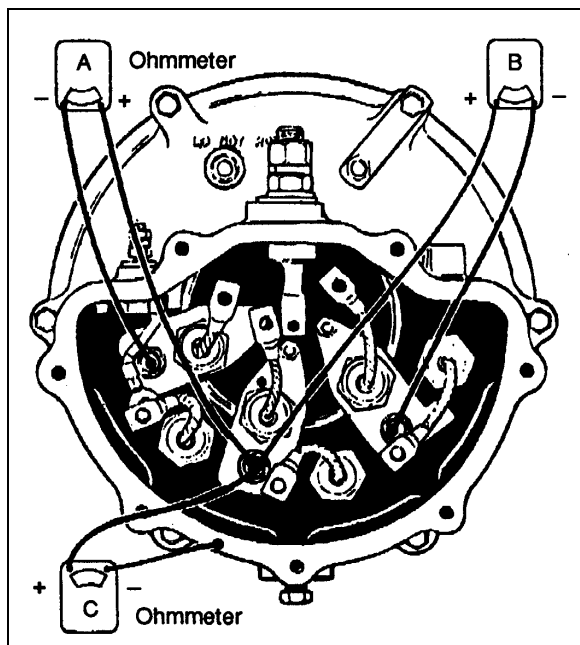


FIGURE 23: CHECKING STATOR WINDING FOR "OPEN" AND GROUND

7.3 DIODE REPLACEMENT

The following replacement procedures are based on the assumption that the diode end cover is still off and diode leads were disconnected as explained earlier in this section.

Note: When replacing a diode, make sure it is designed for a negative ground system. The diode can be identified by the symbol stamped on the diode case. The arrow must point toward the diode flexible lead.

To replace the three diodes that are mounted in the supports attached to the stator lead studs, it is necessary to remove the diode and support assembly. The two outer diode and support assemblies are identical and can be installed on either side. The center unit has a different support, with 2 inches (50,8 mm) between the mounting hole centers.

Note: The outer supports are provided with 2 1/4" (57,15 mm) center holes.

7.3.1 Diode Replacement (in Support)

1. Remove nut with lock washer attaching the diode support to the stator lead stud.
2. Remove nut, lock washer, and flat washer attaching support to the small stud in the end frame.
3. Remove the diode and support assembly. Then remove insert from small hole in support or from small stud in the end frame.
4. Remove nut and flat washer from diode mounting stud, then remove diode from the support.
5. Place a new diode in the support and install a flat washer and nut on the diode mounting stud. Hold the diode with a wrench placed over flats on the diode, while tightening nut on the mounting stud to a torque of 160-180 in•lbf (18-20 N•m).
6. Place diode and support assembly over the stator lead stud and the small mounting stud. Place insert over small stud inside the hole in the support. Install flat washer, lock washer, and nut on the small stud, and tighten to a torque of 22-25 in•lbf (2-3 N•m). Install nut with lock washer on stator lead stud and tighten firmly.

7.3.2 Diode Replacement (in End Frame)

To remove diode, use a thin 1 inch open end wrench on flats of the diode case to unscrew diode from the end frame. Thread the new diode into the end frame and tighten to a torque of 160-180 in•lbs (18-20 N•m). If no other parts are

to be replaced, refer to "DIODE END COVER INSTALLATION" in this section.

7.4 FIELD REMOVAL

1. Remove three diode and support assemblies from the end frame to provide access to the two lower field to end frame bolts.
2. Remove nut with lock washer and flat washer from three stator lead studs.
3. Remove the six bolts and lock washers attaching the diode end frame to the stator frame.
4. Separate the end frame from the stator frame, and remove the end frame and field assembly from the rotor while pushing the stator lead studs out of the end frame.
5. Remove nut, lock washer, flat washer, and insulating washer which secure the field lead terminal stud in the end frame. Push the stud out of the end frame.
6. Remove field terminal stud insulating bushing and seal from the end frame. Remove insulating sleeve from the field terminal stud.
7. Remove the four bolts and lock washers attaching the field to the end frame.
8. To separate the field from the end frame, install four 3/8-24 x 3 inch bolts in place of the 3/8-24 x 2 inch bolts removed in step 7. Thread bolts in to even heights. Support the end frame in an arbor press. Then, using a suitable press plate to exert pressure on all four bolt heads, press the field out of the end frame.

7.5 FIELD INSTALLATION

1. Position the field assembly on the end frame. Insert four 3/8-24 x 3 inch bolts through the end frame and thread into the field to keep holes aligned.
2. Support the end frame on an arbor press bed so that the diodes will not be damaged, and press the field into the end frame. Press in until shoulder on field coil bottoms against the end frame.
3. Remove the four guide bolts. Install four 3/8-24 x 2 inch bolts, using new lock washers to

attach the field to the end frame. Tighten bolts securely.

4. Place insulating sleeve in inner side of the field terminal stud hole in the end frame, and insert the terminal stud through the sleeve. Place two O-rings and insulating bushing over the terminal stud and push into hole in the end frame. Install insulating washer, flat washer, toothed lock washer, and nut on terminal stud. Tighten firmly.
5. Install each stator lead stud in the end frame as follows: Place insulating washer over the stud and insert the stud through the end frame. Place the insulating bushing over the stud and position in end frame hole. Install flat washer, lock washer, and nut on the stud. Tighten firmly.
6. Install three diode and support assemblies on the end frame as previously directed under "DIODE REPLACEMENT".
7. Install a new seal in notch around end of the stator frame. Insert field into the rotor and position the end frame against the stator frame. Attach end frame to the stator frame with six bolts and lock washers. Tighten bolts firmly.
8. If no other parts require replacement, refer to "DIODE END COVER INSTALLATION" in this section to complete the assembly.

7.6 STATOR REPLACEMENT

If tests performed under "Stator Winding Checks" earlier in this section indicated an open circuit or short in the stator, the stator and frame assembly must be replaced.

7.6.1 Removal

1. Remove diode end frame and field assembly as previously directed in steps 1 through 4 under "Field Removal".
2. Remove the six bolts and lock washers attaching the stator frame to the drive end frame.
3. Separate the stator frame from the drive end frame and remove the stator frame from the end frame and rotor.

7.6.2 Soldering Stator Terminal Leads

Section 6: ELECTRICAL

1. Using a wire brush, thoroughly clean the wire and terminal.
2. Silver solder the stator lead to the terminal using a torch.
3. Thoroughly clean the silver solder connection with a wire brush.
4. Using a high grade energized rosin flux, coat the silver soldered connection with a 80-20 tin-lead solder or pure tin solder to prevent deterioration of the silver solder by engine oil.

Note: The silver solder will provide the required mechanical strength, which will not be affected by temperature. The tin-lead solder will protect the silver solder connection from deterioration by engine oil.

7.6.3 Installation

1. Position new seal in notch around the drive end of the stator frame.
2. Position the stator and frame assembly over the rotor against the drive end frame. Attach the stator frame to the drive end frame with six bolts and lock washers. Tighten bolts firmly.
3. Install diode end frame and field assembly as directed in steps 5, 6 and 7 under "installation".
4. Install rectifier end cover as directed later.

7.7 DIODE END COVER INSTALLATION

1. Make sure all diodes are properly installed and securely tightened. Leads from diodes threaded into the end frame must be securely attached to the diode supports. The relay terminal lead must also be attached to the left diode support.
2. Connect leads from the three diodes mounted in supports to the output terminal stud. Tighten the attachment screw firmly. Place insulating bushing over relay terminal stud.
3. Place a new seal in the diode end frame.
4. With the end cover in place against the end frame, install the cap screws and lock washers. Tighten the cap screws evenly and firmly.

5. Make sure the drain plug is installed in bottom of the end cover and securely tightened.

7.8 ALTERNATOR REMOVAL (DELCO)

1. Place "Starter Selector Switch" in engine compartment to the "OFF" position.
2. Place the battery main disconnect switch to the "OFF" position.
3. Remove alternator drive belt (see "7.9 ALTERNATOR DRIVE BELT").

Note: When reinstalling drive belt, it is important to set the belt tension correctly. (refer to the appropriate heading later in this section).

4. Scratch off protective sealer from electrical connections (relay, field and positive terminals). Refer to figure 24.

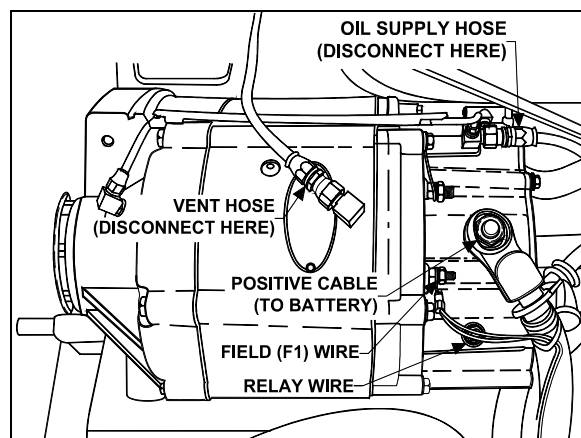


FIGURE 24: ALTERNATOR (HOSES AND WIRES) 06073

Note: After reconnecting electrical wires, it is important to cover terminals with protective sealer (Prévost #680745).

5. Disconnect wire #25 from the relay terminal, wire #107 from the field "F1" terminal and disconnect battery cable from the positive "+" terminal on the diode end cover. Tag wires removed to ease identification at time of installation. Refer to figure 24.
6. Disconnect oil supply line and vent hose from top of alternator (Fig. 24) and tape lines to prevent entry of foreign matter. Disconnect oil drain hose from bottom of alternator (Fig. 25) and tape line to prevent entry of foreign matter.
7. Remove the four bolts and lock washer retaining alternator (refer to fig. 25).

Warning: Alternator weights approximately 154 lbs (70 kg). Another person is required to take the alternator out of engine compartment.

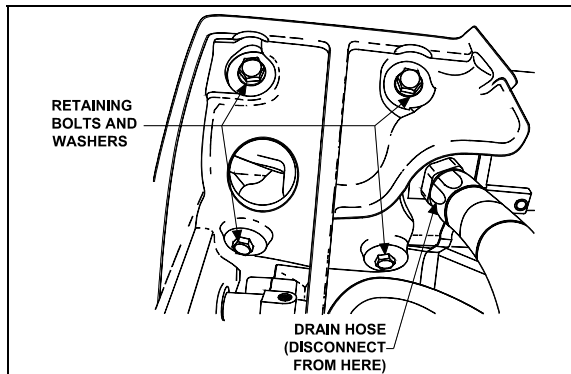


FIGURE 25: ALTERNATOR RETAINING BOLTS AND WASHERS

7.8.1 Disassembly of Alternator

After diode, field and stator winding checks, the alternator can be disassembled to repair a faulty component, such as field or stator, or to proceed with bearing or rotor replacement. Perform the following steps to disassemble the alternator:

1. Remove nuts and washers from "DC" terminal on diode end frame.
2. Separate the diode cover plate from the diode end frame by removing the mounting screws.
3. Remove the washer, nut and lock washer attaching the diode supports to the end frame, the three screws connecting the diode leads to the diode supports, and the three nuts which attach the stator studs to the diode supports.
4. Separate the diode support assemblies from the diode end frame, and the three nuts that connect the studs to the diode end frame.
5. Mark the position of the drive end frame and diode frame with respect to the stator assembly so that the parts can be reassembled in the same position.
6. Detach the diode end frame and field assembly from the stator assembly by removing the attachment screws.
7. Separate the field assembly from the diode end frame by removing the four attachment screws.

8. Separate the rotor assembly and drive end frame from the stator assembly by removing the attaching screws.
9. Remove the shaft nut and washer, and the pulley. Press the rotor shaft out of the drive end frame.
10. Remove the retainer plate and pull the bearings from the drive end frame.

7.8.2 Alternator Cleaning and Inspection

Whenever the alternator is disassembled, it should be cleaned and inspected.

Cleaning

If sludge has accumulated on the stator, a light mineral oil should be used to clean it.

Inspection

When the alternator has been disassembled to the extent that the stator is exposed, the stator should be checked for the following:

- a) Adequate varnish.
- b) Proper spacing of conductors so that "near shorts" do not exist.
- c) Proper phase lead placement.
- d) Strong conductor and cross-over welds

7.8.3 Bearing or Rotor Replacement

Whenever the rotor and drive end frame are disassembled for any reason, the single-row ball bearing must be replaced with a new one due to the probability of damage during disassembly.

Removal and Disassembly

1. If the pulley was not removed from the rotor shaft at time of alternator removal, remove the nut and flat washer from the shaft and pull the pulley off the shaft.
2. Remove the six bolts and lock washers attaching the drive end frame to the stator frame. Separate the drive end frame from the stator frame. Remove the drive end frame and support assembly.
3. Support the drive end frame in an arbor press so that the rotor can be pressed out of the end frame. Using a suitable adapter against the end of the rotor shaft that will pass through the inner race of the

Section 6: ELECTRICAL

double-row ball bearing, press the rotor down out of the end frame and bearings. Since the single-row bearing outer race is held in the end frame by the retainer plate, and the inner race is a press fit on to the rotor shaft, the bearing will probably be damaged when the shaft is pressed out and need to be replaced with a new part.

4. Remove the six screws attaching the bearing retainer plate to the drive end frame. Remove the retainer plate, the single-row bearing and the bearing spacer from the end frame.
5. Support the drive end frame in an arbor press with the double-row bearing down, so that the bearing can be pressed down out of the end frame. Using a suitable driver that will exert a force on the bearing outer race, press the bearing out of the end frame.
6. Remove the rubber bearing clamp from groove in the end frame.

Assembly and Installation

1. Install a new single-row ball bearing into inner side of the drive end frame. Install the bearing retainer plate and attach with six screws. Stake screws in place after tightening.
2. Position the rubber bearing clamp in the groove in bearing bore of the drive end frame. Lubricate the clamp to permit the bearing to be pressed in without dislodging or damaging the clamp.
3. Position the rotor in an arbor press with the shaft end up. Install the drive end frame and single-row bearing assembly over the rotor shaft. Using a driver over the rotor shaft, which will exert a force on the bearing inner race, press the bearing onto the shaft until it bottoms against the rotor.
4. Install bearing spacer over the rotor shaft. Position the double-row bearing over the rotor shaft at end frame bore. Using an adapter that will exert a force on both the inner and outer races of the bearing, press the bearing onto the shaft and into the end frame until the inner race bottoms against the bearing spacer.
5. Place a new seal around the drive end of the stator frame.

6. Insert the rotor between the stator and field, and position the drive end frame against the stator frame. Attach the end frame to the stator frame with six bolts and lock washers. Tighten the bolts to a torque of 5 to 5.4 ft•lbf (6-7 N•m).

Caution: When replacing the alternator on the vehicle, ensure that an alternator with the proper drive ratio is used. Installation of an alternator with any other drive ratio will result in severe and costly damage to the alternator and engine.

7.8.4 Alternator Reassembly

Reassembly is the reverse of disassembly.

Note: When tightening the outside nut on the “DC” output terminal, torque the nut to 30-35 ft•lbf (41-47 N•m). The lower nut should be supported while doing so.

When reinstalling diodes, tighten to a torque of 9-11 ft•lbf (12-15 N•m).

7.8.5 Output check

When removed from the engine, the alternator may be checked without circulating oil on a test bench, providing the output is limited to 100 amperes or less. The alternator may be bench tested without circulating oil at outputs exceeding 100 amperes, as long as the period of operation is limited to less than 15 seconds.

Caution: Operating the alternator at outputs greater than 100 amperes without adequate oil circulation for periods exceeding 15 seconds, will cause the alternator to overheat, resulting in damage to the winding and diodes.

If the alternator is to be operated at an output greater than 100 amperes for longer than 15 seconds, circulating oil must be provided. SAE 30 engine oil must be applied to the connection on the diode end cover at a pressure of 35 psi and at a temperature of 60°F to 220°F (16°C to 104°C). This will provide an oil flow of about one gallon per minute.

To check the alternator on a test bench, make electrical connections as shown in figure 21. Make sure the negative battery terminal is connected to the alternator frame.

7.9 ALTERNATOR DRIVE BELT

Removal

1. Insert a $\frac{3}{4}$ " socket drive into one of the tensioning arm opening (Fig. 26).
2. Twist the tensioning arm to slacken belt.
3. Remove belt.

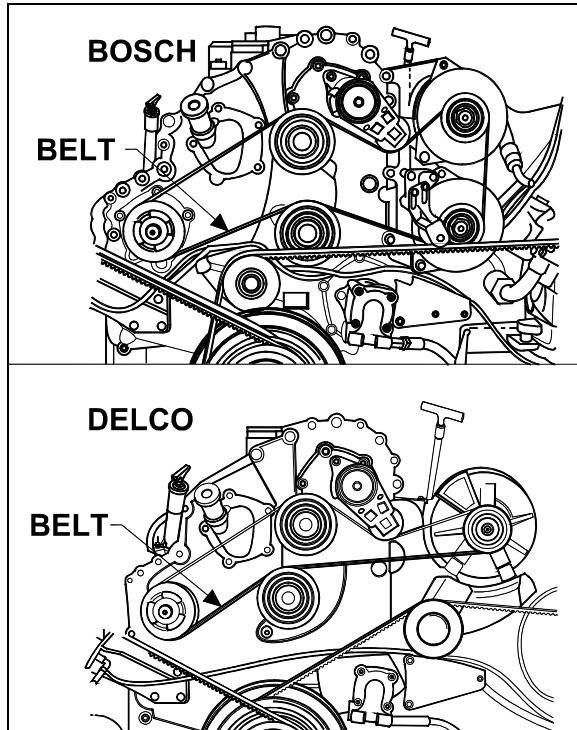


FIGURE 26: ALTERNATOR DRIVE BELT

Installation

Installation of the alternator drive belt is the reverse of removal.

7.9.1 Adjustment

Correct belt tension is required to maximize belt life. The tensioning arm maintains proper belt tension, no adjustment is required.

Check for wear and proper tension every 6,250 miles (10 000 km) or twice a year, whichever comes first.

8. VOLTAGE REGULATOR (DELCO)

The 24 volt regulator (Delco) is located in the main power compartment.

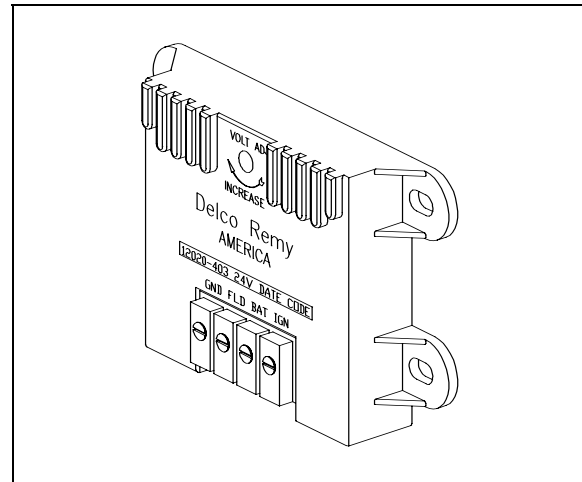


FIGURE 27: VOLT REGULATOR

The transistor regulator illustrated in figure 27 is an assembly mainly consisting of diodes, capacitors, resistors and transistors. These components are mounted on a printed circuit panel board to form a completely static unit containing no moving parts. Regulators of this type have only four terminals which are identified "GND." (ground), "FLD" (field) "BAT" (battery) and "IGN" (ignition).

The regulator components work together to limit the alternator voltage to the preset value by controlling the alternator field current. This is the only function that the regulator performs in the charging system.

The voltage at which the alternator operates is determined by the regulator adjustment. Once adjusted, the alternator voltage remains constant. The regulator is unaffected by length of service, changes in temperature, or changes in alternator output and speed.

A typical wiring diagram of a negative ground system is illustrated in figure 28. This diagram shows only the basic charging system components. It does not show any components such as the control relays. Refer to "Charging system" wiring diagram, in "Wiring diagrams" for the electric circuits and connections.

Voltage regulator maintenance

The voltage regulator is a service-free electronic unit. When it fails, it should be replaced. The following procedure must be used:

- Open the exterior panel of the R.H. side coach main electrical compartment in order to get access to the voltage regulator;
- Unscrew the electrical cable connectors;

Section 6: ELECTRICAL

- Unscrew the voltage regulator unit;
- Install a new voltage regulator by reversing the procedure.

Caution: Place the battery main disconnect switch to "OFF" position.

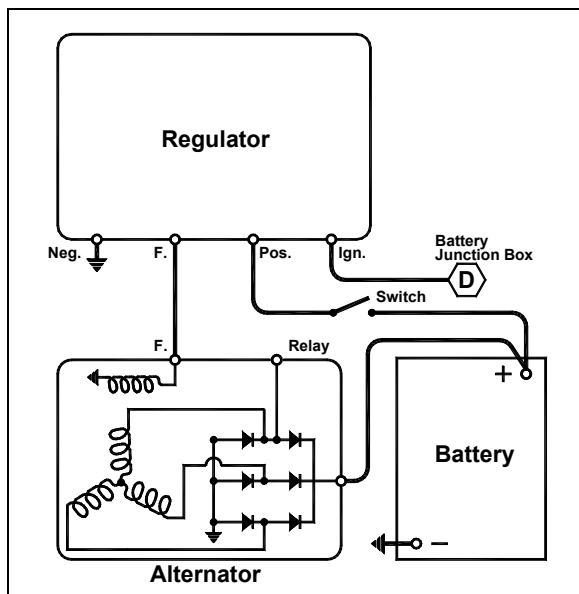


FIGURE 28: TYPICAL WIRING DIAGRAM OF A NEGATIVE GROUND SYSTEM

Note: For information about BOSCH alternator and voltage regulator, refer to technical publication "Repair and Testing Instructions for T1 Alternator 0120 689 552".

8.1 TROUBLESHOOTING PROCEDURES

Trouble in the electrical system will usually be indicated by one of two conditions: an undercharged or an overcharged battery. Either condition can result from an improper voltage regulator setting:

Checking Battery Voltage

The absence of gas production during the continuous appearance of the green dot in the battery's built-in hydrometer indicates that the voltage setting is satisfactory. Check the following conditions:

Checking Voltage Regulator Setting

1. To check the voltage setting, connect a voltmeter across the "POS" and "NEG" terminals on the regulator, and an ammeter to the "C" terminal on the alternator. Refer to figure 29.

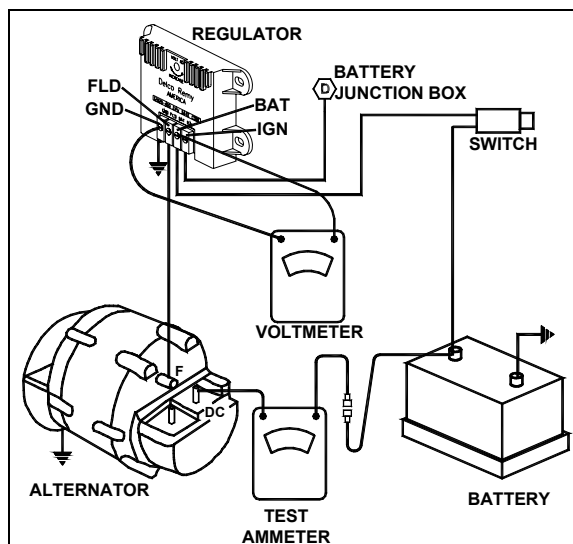


FIGURE 29: REGULATOR VOLTAGE TEST 06078

2. Operate the engine at approximately 1000 rpm (about 2300 alternator rpm), with accessories on, to obtain an alternator output of 20-200 amperes.
3. Note the voltage setting. It should be steady at 27.5 volts.
4. If not, the desired setting can be obtained by removing the plug from the voltage regulator cover and slightly turning the adjusting screw inside the regulator. Turn the adjusting screw clockwise to increase the voltage setting or counterclockwise to decrease it. See figure 30 for details.

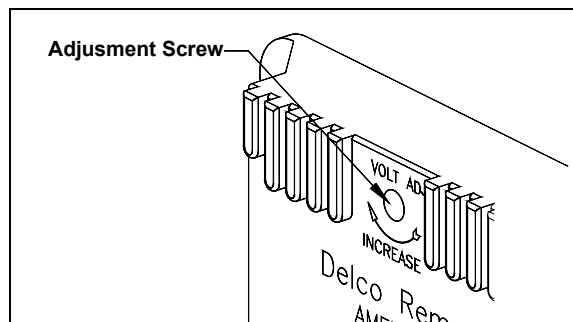


FIGURE 30: ADJUSTING REGULATOR VOLTAGE SETTING

Note: If regulator voltage cannot be adjusted to the specified setting, remove the regulator and repair or replace it as necessary.

8.1.1 Undercharged Battery

If the voltage setting is steady and reasonably close to the specified value and the battery is undercharged, raise the setting by 0.3 volt, then check for an improved battery condition over a minimum service period of 48 hours. If the voltage cannot be adjusted to the desired value, the alternator should be checked as follows:

1. Stop alternator, turn off all accessories and disconnect battery ground cable.
2. Disconnect all leads from the regulator and from the alternator field. **Do not allow leads to touch ground.**
3. Connect a voltmeter and an ammeter in the circuit at the alternator "DC" terminal.
4. Connect a jumper lead from the alternator "DC" terminal to the alternator field terminal.

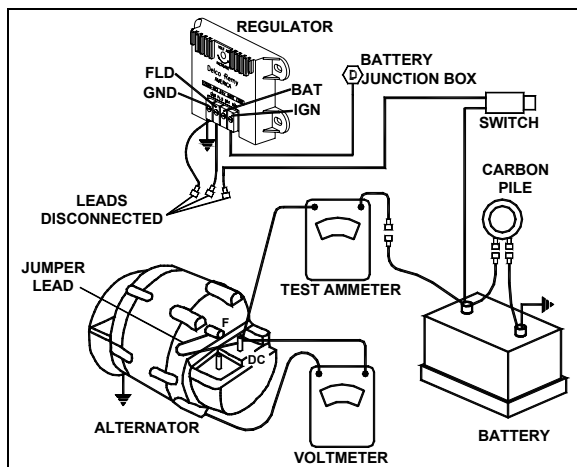


FIGURE 31: REGULATOR VOLTAGE TEST
(UNDERCHARGED BATTERY)

06080

5. Connect a carbon pile resistor load across the battery. Turn to the "Off" position.
 6. See figure 31 for wiring connections.
- Reconnect battery ground cable
7. Turn on all vehicle accessories.
 8. Operate alternator and adjust carbon pile resistor load as required to check for rated output as given in Delco-Remy Service Bulletin 1G-187 or 1G-188.
 9. Check the alternator field winding as follows: Disconnect the lead from the field terminal and connect an ohmmeter from the field terminal to ground. A resistance reading above normal indicates an open field, and a resistance reading less than normal

indicates a shorted or grounded field. The normal resistance can be calculated by dividing the voltage by the field current published in Delco-Remy Service Bulletin 1G-186, 1G-187, or 1G-188. The normal resistance value should be at or near midscale on the ohmmeter for accuracy. An alternate method of checking is to connect a battery of specified voltage and an ammeter in series with the field winding, and compare readings with published specifications in Delco-Remy Service Bulletin 1G-186, 1G-187, or 1G-188. An alternator is defective if it does not produce rated output or if field windings are faulty. If the alternator provides rated output, and field windings check satisfactorily, the regulator should be checked as covered under "Regulator Checks".

8.1.2 Overcharged Battery

If the voltage setting as checked above is steady and reasonably close to the specified value, lower the setting by 0.3 volt and check for an improved battery condition over a minimum service period of 48 hours. If the voltage cannot be adjusted to the desired value, proceed as follows: where the alternator field is grounded internally in the alternator as shown in figure 28 a shorted or grounded field or a defective regulator can cause an overcharged battery. The field winding can be checked as covered in paragraph "Undercharged Battery". If the field winding is found to be correct, the alternator is not defective, and the regulator should be checked as covered under "Regulator Checks".

8.2 REGULATOR CHECKS

Separate the cover from the base, and remove the panel assembly from the cover. Carefully note the location of all washers and lock washers.

The component parts are keyed to figure 28. Before making electrical checks, visually inspect the components and make sure all soldered connections are secure. Various electrical checks with an ohmmeter can be made to determine which components are defective.

The ohmmeter **must** be accurate, and should be a scale-type meter with a 1.5 or 3 volt cell. Most digital ohmmeters cannot be used to check semiconductors. However, some digital ohmmeters are specially designed to test semiconductors and can be used to test components in the regulator. Consult the

Section 6: ELECTRICAL

ohmmeter's manufacturer for specifications concerning the capabilities of the ohmmeter.

It is important that all of the following checks be made. If a defective part is found, replace it before proceeding with the remaining checks. Be sure to make all the checks since more than one component may be defective.

A defective regulator can be repaired according to the following methods:

- A) By changing the printed circuit board in the regulator. Unscrew the retaining screws on the printed circuit and remove it. Install a new printed circuit board. This method is the most commonly used.
- B) By removing any retaining screws involved and unsoldering the connections. When resoldering, limit solder time to a minimum as excessive heat may damage the printed circuit board and component parts. However good soldered connections are essential for satisfactory operation. A resin core 63% tin 37% lead solder with a 360°F (182°C) melting point is recommended along with a soldering iron rated at 50 watts or less. Use extreme care to avoid overheating. Before checking the printed circuit board, remove transistor TR1, which must be checked separately. Connect the ohmmeter as shown in figure 31, and then reverse the ohmmeter leads to obtain two readings on the same component. Use the middle scale on scale-type meters on which the 300 ohm value should be within, or nearly within, the middle third of scale.

Capacitors C1 and C2 = The ohmmeter should read high and low on each capacitor. If not, replace capacitor.

Diodes D1, D2 and D3 = Each diode should give one high and one low reading. If not, replace diode.

Resistor R2 = Turn voltage adjustment screw (identified in figure 30) with ohmmeter connecting each way. Reading should change as slotted screw is turned. If not, replace R2.

Transistor TR1 = See figure 32. Use the low scale. Each of the three checks should read low and high. If not, replace TR1.

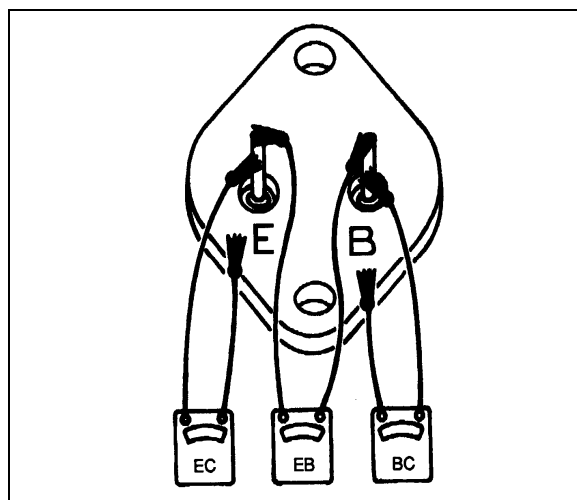


FIGURE 32: CHECKING TRANSISTORS TR1 06081

Transistor TR2 = Change the ohmmeter to use the low scale. EB should read low and high. BC should read low and high. EC should both read high. If not, replace TR2. See figure 33.

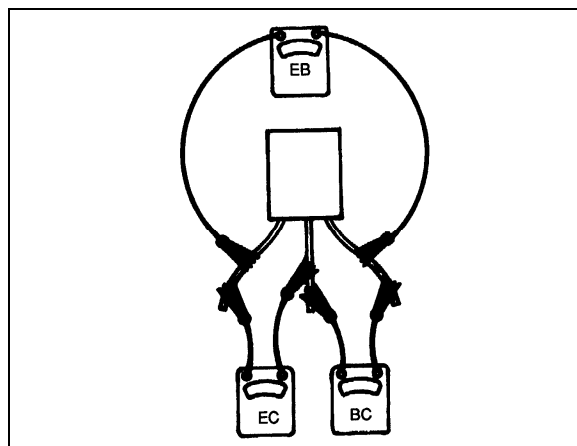


FIGURE 33: CHECKING TRANSISTORS TR2 06081

8.3 ADJUSTING VOLTAGE

After repair, the regulator must be adjusted to the desired voltage setting. Follow the procedure under "Checking Voltage Regulator Setting". Slowly turn the adjusting screw full range and observe the voltmeter to ensure that the voltage is being controlled, then, while still turning, slowly adjust to the desired setting.

9. BATTERY EQUALIZER

Battery equalizer troubleshooting guide and owner's manual (50 and 100 amps) are annexed at the end of this section.

Refer to "Electrical Compartments and Junction Box" of this section, for location.

10. STARTER

The starter has a shift lever and solenoid plunger that are totally enclosed to protect them from exposure to dirt, icy conditions and splashing.

Positive lubrication is provided to the bronze bushing located in the commutator end frame, in the lever housing and in the nose housing, by an oil-saturated wick that projects through each bushing and contacts the armature shaft.

The clutch is a "Positork" drive type, that meshes with the ring gear by the action of the solenoid. Once engaged, the clutch will not disengage during intermittent engine firing. That prevents damage to pinion and ring gear teeth. The pinion remains engaged until starting is assured and the solenoid circuit is interrupted. Refer to figure 35 for more details.

10.1 MAINTENANCE

All wicks and oil reservoirs should be saturated with SAE 10 oil, and the splines underneath the clutch should be lubricated with a light coating of SAE 10 oil. Other than normal periodic lubrication and keeping cable connections clean and tight, the starter should require no periodic maintenance. However, under normal operating conditions, the starter should be disassembled, inspected, cleaned and tested at time of engine overhaul.

10.2 TROUBLESHOOTING

Failure of the starter to crank the engine at normal speed may be due to a defective battery, worn battery cables, poor connections in the cranking circuit, defective engine starting switch, low temperature, condition of the engine or a defective starter. To determine if the starter is the problem, it will first be necessary to check the batteries, the cranking circuit, the magnetic switch, the solenoid and the control switch.

To obtain full performance data on a starter, or to determine the cause of abnormal operation, the starter should be subjected to the following tests. These tests are performed with the starter removed from the engine. Check the armature for freedom of rotation by prying on the pinion with a screwdriver. Tight bearings, a bent armature shaft, or a loose pole shoe screw will prevent the armature from turning freely. Failure of the starter to perform according to specifications will require disassembly of the motor for further checks and adjustments. However, if the armature does rotate freely, the motor should be given a no-load test before disassembly.

Caution: Never operate the starter more than 30 seconds at a time without pausing to allow it to cool for at least 2 minutes. Overheating, caused by excessive starting, will seriously damage the starter.

Section 6: ELECTRICAL

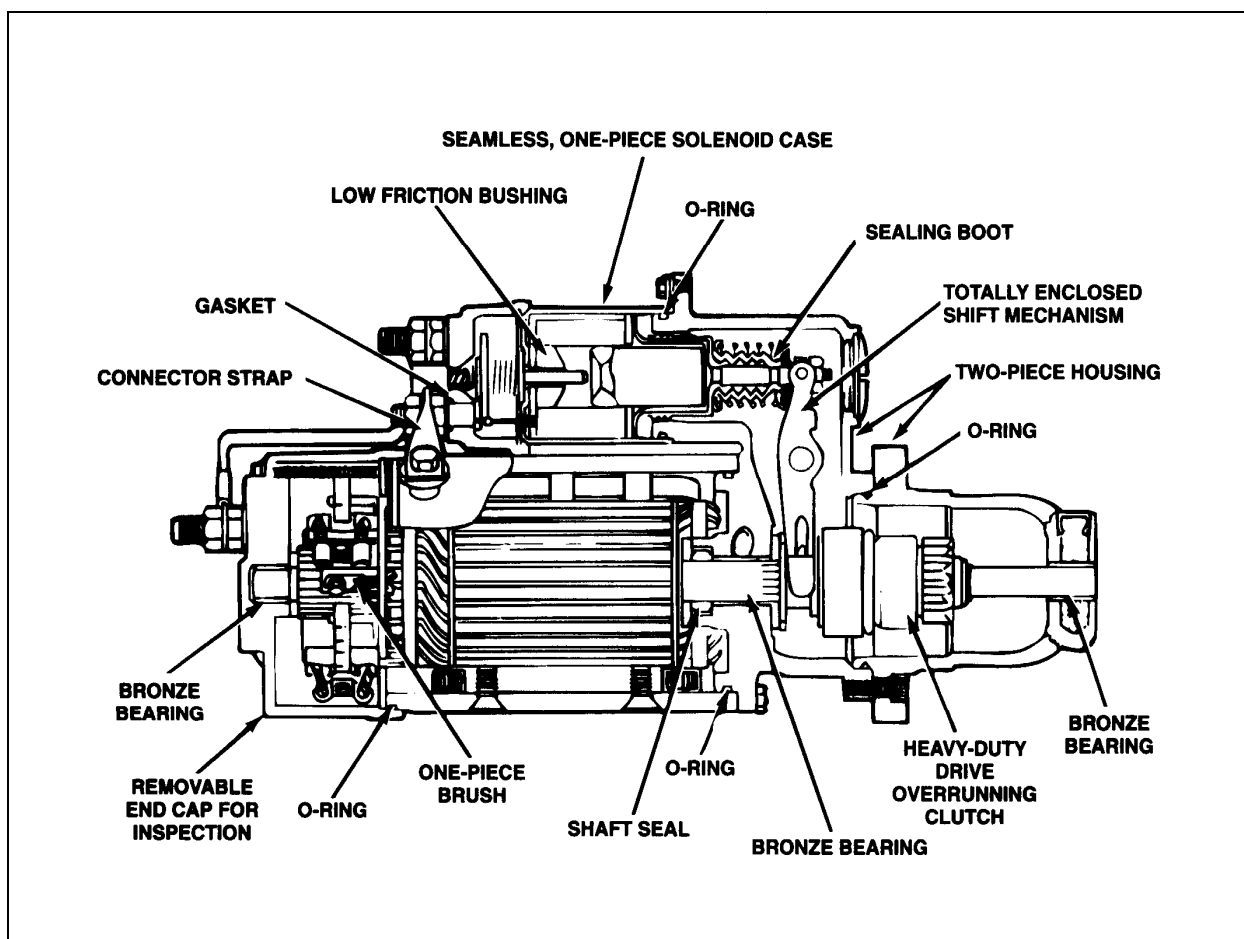


FIGURE 34: TYPICAL STARTER CROSS SECTION

06147

10.2.1 No-Load Test

Before disassembly of the starting motor, the following check of starting motor operation should be done to determine any condition that may require special attention during overhaul. Make test connections to the starting motor as in figure 35.

Connect the starting motor in series with fully charged batteries to give 24 volts, an ammeter capable of reading several hundred amperes and a variable resistance. Also connect a voltmeter as illustrated in figure 35 from the solenoid motor (M) terminal to the starter frame. A rpm indicator is necessary to measure armature speed. Proper voltage can be obtained by varying the resistance unit.

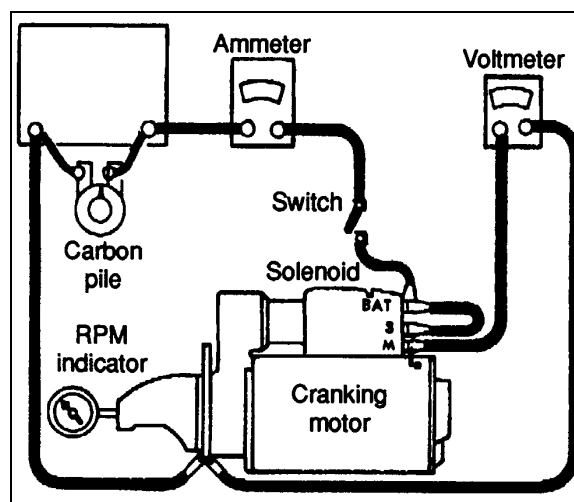


FIGURE 35: STARTING MOTOR TEST CONNECTIONS⁰⁶⁰⁸⁴

No-load test results

1. Rated current draw and no-load speed indicate normal condition of the starter.

2. Low free-speed and high current draw indicate the following:
 - a) Excessive friction. Tight, dirty, or worn bearings, bent armature shaft, or loose pole shoes allowing the armature to drag.
 - b) Shorted armature. This can be further checked on a growler after disassembly of the starter.
 - c) Grounded armature or fields. Check again after disassembly.
3. Failure of the starter to operate with high current draw indicates the following:
 - a) A direct ground in the terminal or fields.
 - b) "Frozen" bearings. This may be determined by turning the armature by hand.
4. Failure to operate with no current draw indicates:
 - a) Open field circuit. This can be checked after starter disassembly by inspecting internal connections and tracing circuit with a test lamp.
 - b) Open armature coils. Inspect the commutator for badly burned bars after disassembly.
 - c) Broken brush springs, worn brushes, high insulation between the commutator bars or other causes which would prevent good contact between the brushes and commutator.
5. Low no-load speed and low current draw indicate high internal resistance due to poor connections, defective leads, dirty commutator and causes listed previously in condition 4.
6. High free-speed and high current draw indicate shorted fields. If shorted fields are suspected, replace the field coil assembly and check for improved performance.

10.2.2 Lock-Torque Test

A variable resistance with a high current capacity should be used. The starter should be securely mounted and brake arm hooked to the drive pinion. When specified current is applied, the torque can be computed from the reading on the scale. A one foot brake arm will directly indicate foot-pounds.

Warning: This test requires extreme caution. Follow instructions carefully.

10.3 DISASSEMBLY

Normally, the starter should be disassembled only far enough to make repairs or to replace the defective parts. As a precaution, it is suggested that safety glasses be worn when disassembling or assembling the cranking motor. Proceed as follows:

1. Note the relative position of the solenoid, lever housing, and nose housing so the motor can be reassembled in the same manner.
2. Disconnect field coil from the solenoid motor terminal, and lead from the solenoid ground terminal.
3. On motors with brush inspection plugs, remove the plugs and then remove the brush lead screws. This will disconnect the field leads from the brush holders.
4. Remove the attaching bolts and separate the commutator end frame from the field frame.
5. Separate the nose housing and field frame from the lever housing by removing attaching bolts.
6. Remove armature and clutch assembly from lever housing.
7. Separate solenoid from the lever housing by pulling apart.

10.3.1 Cleaning

The driving mechanism armature and fields should not be cleaned in a degreasing tank, or with grease dissolving solvents, since these would dissolve the lubricants in the drive mechanism and damage the insulation in the armature and field coils. All parts, except the drive, should be cleaned with mineral spirits and a brush. The drive can be wiped with a clean cloth.

Section 6: ELECTRICAL

If the commutator is dirty, it may be cleaned with No. 00 sandpaper.

Caution: *Never use emery cloth to clean the commutator.*

10.3.2 Armature Servicing

If the armature commutator is worn, dirty, out of round, or has high insulation, the armature should be put in a lathe so the commutator can be turned down. The insulation should then be cut 1/32" (0,79 mm) wide and 1/32" (0,79 mm) deep, and the slots cleaned out to remove any trace of dirt or copper dust. As a final step in this procedure, the commutators should be sanded lightly with No. 00 sandpaper to remove any burrs left as a result of the undercutting procedures.

The armature should be checked for opens, short circuits and grounds as follows:

Open Circuit Test

Open circuits are usually caused by excessively long starting periods. The most likely place for an open circuit to occur is at the commutator riser bars. Inspect the points where the conductors are joined to the commutator bars for loose connections. Poor connections cause arcing and burning of the commutator bars as the starter is used. If the bars are not too badly burned, repair can often be performed by resoldering the leads in the riser bars (using rosin flux), and turning down the commutator in a lathe to remove the burned material.

Caution: *Do not undercut the insulation between the commutator segments after turning down the commutator.*

Short Circuit Test

Short circuits in the armature are located by means of a growler. When the armature is revolved in the growler with a steel strip such as a hacksaw blade held above it, the blade will vibrate above the area of the armature core in which the short circuit is located. Short circuits between bars are sometimes produced by brush dust or copper between the bars. These short circuits can be eliminated by cleaning out the slots.

Ground Test

Grounds in the armature can be detected by the use of a 110 volts test lamp and test points. If the lamp lights when one test point is placed on the commutator with the other point on the core or

shaft, the armature is grounded. Grounds occur as a result of insulation failure, which is often brought about by overheating of the starter produced by excessively long starting periods, or by accumulation of brush dust between the commutator bars and the steel commutator ring.

10.3.3 Field Coil Checks

The field coils may be checked for grounds and opens by using a test lamp.

Grounds

If the motor has one or more coils normally connected to ground, the ground connections must be disconnected during this check. Connect one lead of the 110 volts test lamp to the field frame and the other lead to the field connector. If the lamp lights, at least one field coil is grounded, and it must be repaired or replaced.

Opens

Connect test lamp leads to ends of field coils. If lamp does not light, the field coils are open.

10.3.4 Field Coil Removal

Field coils can be removed from the field frame assembly by using a pole shoe screwdriver. A pole shoe spreader should also be used to prevent distortion of the field frame. Careful installation of the field coils is necessary to prevent shorting or grounding of the field coils as the pole shoe is tightened into place. Where the pole shoe has a long lip on one side and a short lip on the other, the long lip should be assembled in the direction of armature rotation so it becomes the trailing (not leading) edge of the pole shoe.

10.3.5 Reassembly

Reassembly is the reverse of disassembly. To reassemble the end frame with brushes on to the field frame, pull the armature out of the field frame just far enough to permit the brushes to be placed over the commutator. Push the commutator end frame and the armature back against the field frame.

The recommended torque for the cross-slotted pole shoe screws is 25-35 ft•lbf (34-47 N•m). The electric cable connector is fixed with a nut tightened to 20 ft•lbf (27 N•m) and a jam nut tightened to 27 ft•lbf (37 N•m).

10.4 PINION CLEARANCE

Pinion clearance should be checked after reassembly of motor to ensure the clearance is within specifications. To check pinion clearance (starter off engine), first disconnect the motor field connector from the solenoid motor terminal. Connect 24 volt battery with the positive battery lead to the solenoid switch terminal (5), and the negative battery lead to the grounded (G) solenoid terminal. Momentarily flash a jumper lead from the solenoid motor terminal to the grounded (G) solenoid terminal. The pinion gear will now shift into cranking position and remain that way until the battery is disconnected. Push the pinion or drive back towards the commutator end to eliminate slack movement. Measure the distance between pinion and pinion stop. This should be $23/64" \pm 1/32"$ (9,5 mm \pm 0,79 mm). Pinion clearance is adjusted to these limits by turning the solenoid shaft nut after removing access plug in shift housing. See figure 36.

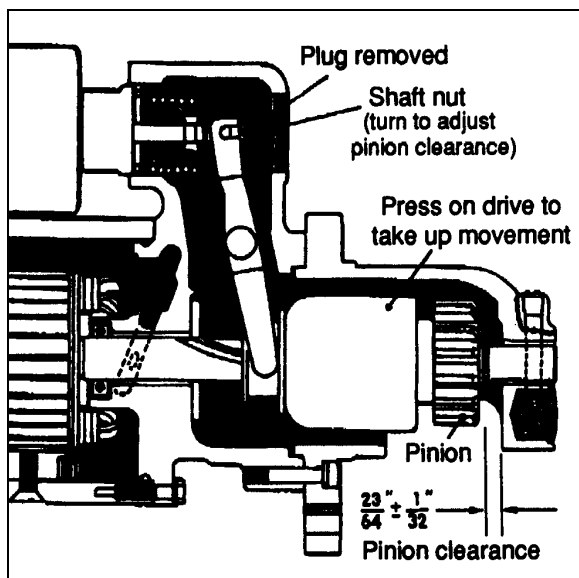


FIGURE 36: PINION CLEARANCE

06085

10.5 STARTER SOLENOID

The starter solenoid allows the starter pinion to mesh with the flywheel ring gear and also closes the electric circuit to energize the starting motor.

There are two windings in the solenoid: a pull-in winding and a hold-in winding. Both windings are energized when the external control switch is closed. They produce a magnetic field that pulls the plunger in so that the drive pinion is allowed into mesh, and the main contacts in the solenoid switch are closed to connect the battery directly to the starter. Closing of the main switch contacts shorts out the pull-in winding since this winding is connected across the main contacts. The

magnetism produced by the hold-in winding is sufficient to hold the plunger in, and shorting out the pull-in winding reduces drain on the battery. When the control switch is opened momentarily, the pull-in winding and the hold-in winding are connected in series between the battery and common ground.

The polarity of the pull-in winding is reversed and opposes the magnetic pull of the hold-in winding. The magnetic holding force on the solenoid plunger is thus canceled. The return spring then quickly pulls the solenoid plunger back, opening the solenoid switch contacts and withdrawing the pinion gear from the meshing position at the same time. Proper operation of the switch depends on maintaining a definite balance between the magnetic strength of the pull-in and hold-in windings.

This balance is established in the design by the size of wire and the number of turns specified. An open circuit in the hold-in winding or attempts to start the motor with a discharged battery may cause the switch to chatter.

10.5.1 Disassembly

To disassemble the solenoid, remove nuts, washers, and insulators from the switch terminal and battery terminal. Remove the cover screws and cover. Take out the contact disk assembly.

10.5.2 Solenoid Maintenance

The solenoid requires no periodic maintenance other than keeping the terminals clean and tight. Always check the action of the solenoid if it has been removed. If the unit fails to function, first check wiring before condemning the solenoid. Solenoid windings can be checked for open or short circuit or current draw.

10.5.3 Solenoid Tests

Two tests must be made to determine the current draw of (1) both windings in parallel and (2) the hold-in winding alone. The solenoid windings can be tested with the solenoid either off or on the starter. However, when the solenoid is checked on the starter, it is necessary to disconnect both leads at the main solenoid terminals to prevent interference. The main solenoid terminal that is normally connected to the starter must then be grounded to the solenoid base by means of a jumper lead. For the first test, connect a source of variable voltage (battery and a variable resistance) in series with an ammeter between

Section 6: ELECTRICAL

the solenoid base and the solenoid small switch terminal. Connect a voltmeter between the same two points. Slowly increase voltage and note the current draw. It should be 55-63 amps at 24 volts. Disconnect the jumper lead grounding the main solenoid terminal and readjust the variable resistance to obtain the specified voltage of 24 volts. It should not exceed 6.8 amperes.

When the solenoid has been removed from the starter for repair or replacement, the linkage must be adjusted to provide the correct pinion clearance when the solenoid is remounted on the starter. See "Pinion Clearance" earlier in this section for correct pinion clearance adjustment.

10.5.4 Recommendations

1. Tag each lead to ensure correct connections when the starter is reinstalled.
2. Tighten the 5/8"-11 starter attaching bolts to a torque of 137-147 ft•lbf (186-200 N•m).
3. Keep all the electrical connections clean and tight.
4. When installing wiring terminal leads to the starter and the solenoid switch, torque the No. 10-32 connections to 16-30 in•lbf (2-3 N•m) and torque the 1/2"-13 connections to 18-20 ft•lbf (24-27 N•m) for first nut and 24-27 ft•lbf (33-36 N•m) for the terminal one.

11. ENGINE BLOCK HEATER

The vehicle may be equipped with an engine immersion-type electric block heater to assist cold weather starting. The heater male electric plug is located on the engine compartment door (Fig. 37) or on the engine compartment R.H. side door. To use it, connect the female plug of an electrical extension cord to the heater plug. Some converted vehicles may have the heater connected to the coach AC power system. The extension cord must be plugged into a 110-120 V AC power source only. The engine block heater should be used whenever the vehicle is parked for an extended period of time in cold weather and a suitable power source is available.

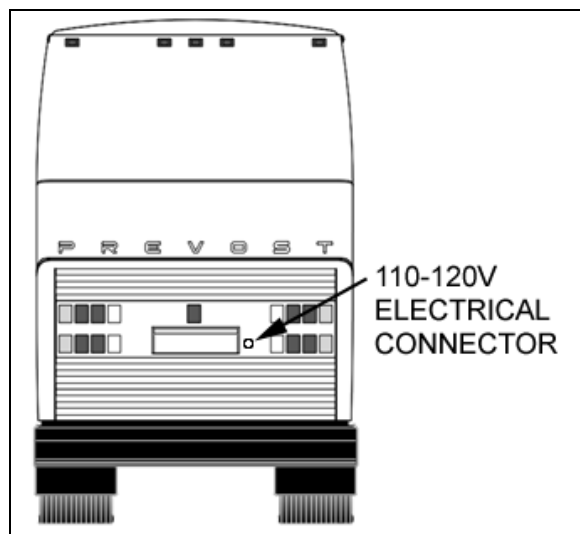


FIGURE 37: ELECTRIC HEATER PLUG LOCATION

11.1 MAINTENANCE

This heater is non-serviceable except for the cord, and if faulty, must be replaced as a unit.

12. EXTERIOR LIGHTING

The circuit for exterior lights, as well as their control switches, relays and circuit breakers are shown on the applicable wiring diagrams. Wiring diagrams are located in the technical publication box.

12.1 HEADLIGHTS

Each headlight assembly consists of two 12 volt halogen rectangular sealed-beam units. Outer lamps are double-filament units. Having high and low beams. Inner lamps are single-filament and operate with high beam of outer units. For identification purposes, outer units are molded with "2A1" and inner units are molded with "1A1" on top of the lens.

12.1.1 Headlight Beam Toggle Switch

The multifunction lever located on the steering column is used to select proper lighting. High beams or low beams can be selected by pulling the lever rearward. A high beam indicator on the central dashboard panel is illuminated when the high beam circuit is energized.

Note: Pulling the lever rearward while the lights are off will flash the headlights.

12.1.2 Maintenance

Clean headlights with soap and water and a good glass cleaner whenever dirty. For maximum illumination, headlight connections must be coated with a dielectric grease to prevent oxidation and proper voltage must be maintained. Low battery voltage, loose or dirty contacts in wiring system and poor ground contribute to a decrease in voltage. Check wiring and connections regularly and keep battery properly charged. When a headlight burns out, a new sealed-beam unit must be installed. Headlights must be properly aimed to provide maximum allowable road illumination. When using mechanical aiming devices, follow manufacturer's instructions.

Headlight aim should be checked after installing a new sealed-beam unit. Aiming can be performed without removing headlight bezels. Horizontal and vertical aiming of each sealed-beam unit is provided by two adjusting screws that move the mounting ring in the body against the tension of the coil spring (fig. 38). There is no adjustment for focus since the sealed-beam unit is set for proper focus during manufacturing assembly.

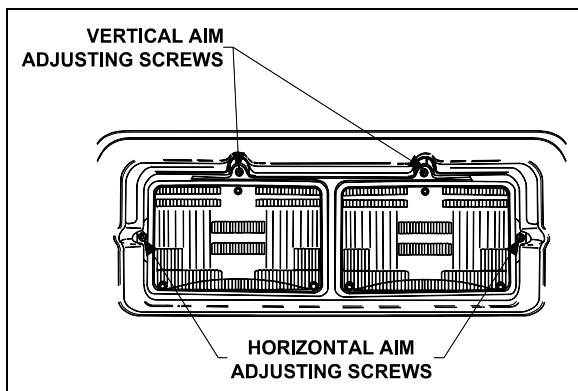


FIGURE 38: HEADLIGHT ASSEMBLY

06086

12.1.3 Headlight Adjustment

The following is a general procedure for headlight adjustment using a mechanical equipment, such as a "Bear 47-132 headlight aligner". If your mechanical equipment is different, refer to the manufacturer's instruction manual.

Setting aligner according to slope

The floor level offset dial must match with slope to ensure a precise alignment.

1. Park vehicle on a level floor.
2. Fix one (1) calibration fixture to each aligner.
3. Install aligner in center of each wheel on one side of vehicle. Unit B must be installed beside the front axle wheel with its viewing port facing rearward, and unit A beside the drive axle wheel with its viewing port facing forward. See figure 40 for more details.

Note: Check that the three indicators on each module are set to zero.

4. Level each unit with the thumb adjusting screw on the fixture until level-vial bubble is centered.
5. Look through the top port hole of unit A, and turn horizontal knob until split images are aligned. See figure 39.

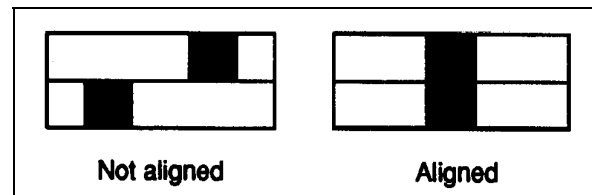


FIGURE 39: HEADLIGHT ALIGNER

06088

6. Set according to floor slope. Transfer positive (+) or negative (-) reading of horizontal dial to the floor level offset dial to offset floor slope on each aligner (Fig. 41). Push on the floor level offset dial to register reading.
7. Remove calibration fixture from each unit.

Note: If vehicle remains stationary during the headlight alignment procedure, it is not necessary to check floor slope each time.

Section 6: ELECTRICAL

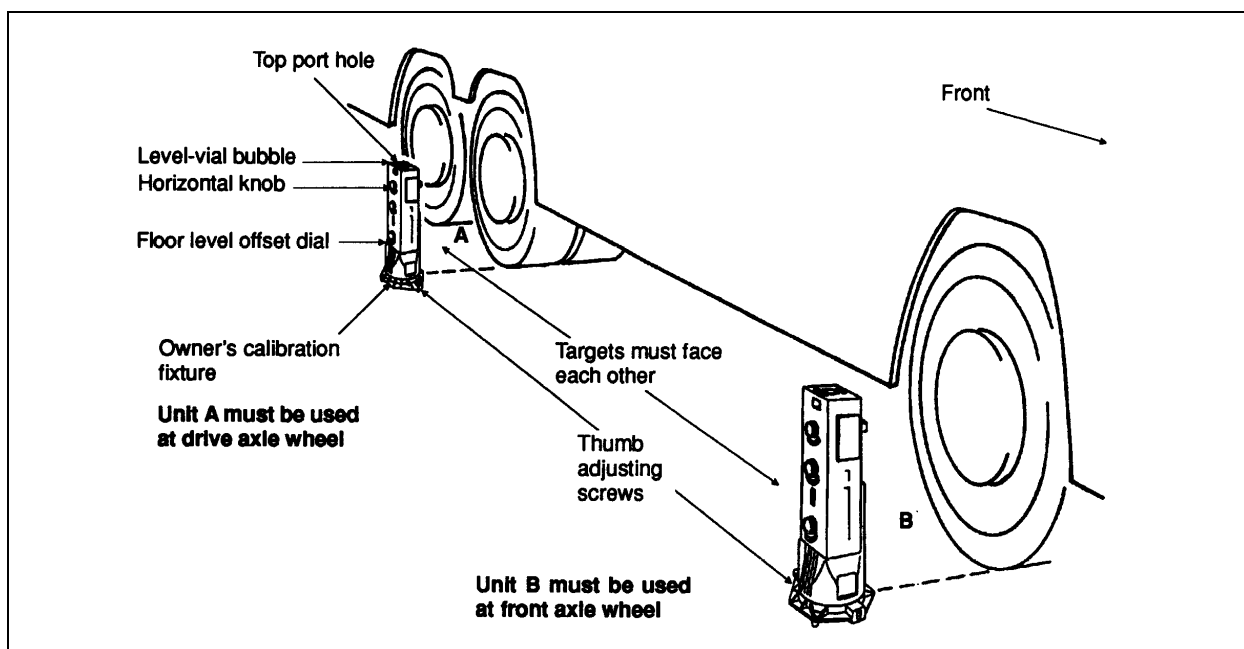


FIGURE 40: HEADLIGHT ALIGNER

06087

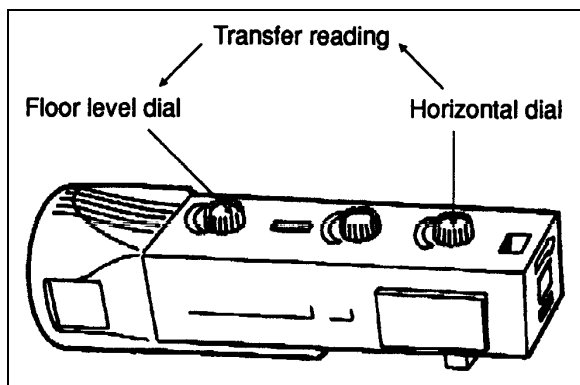


FIGURE 41: HEADLIGHT ALIGNER

06089

Headlight Alignment

The aligner is provided with adapters for different sizes of headlights that are always aligned in pairs.

1. Fix the adequate adapter on each headlight.

Note: The adapters are equipped with steel inserts, thus providing a good seating for precise headlight adjustment.

2. Install aligners on headlights (unit A on driver's side and unit B on other side with the sight openings facing each other) by pushing the handle forward to secure rubber suction disc. Pull handle until it locks. Refer to figure 42.

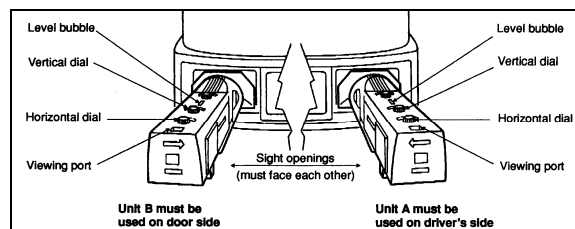


FIGURE 42: HEADLIGHT ALIGNER

06090

Note: Ensure that floor level offset dial is set correctly before aligning headlights.

Horizontal Alignment

1. Reset horizontal dial to zero.
2. Check that split image is visible in the viewing port. If not, reposition aligner by turning it.
3. Turn the horizontal aim adjusting screw of each headlight until split image is aligned (Fig. 43).

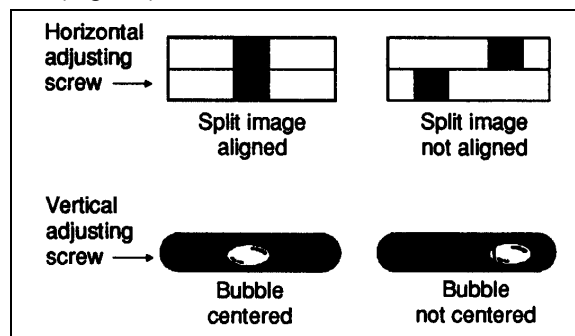


FIGURE 43: HEADLIGHT ALIGNER

06091

Vertical Alignment

1. Reset vertical dial to zero.
2. Turn the adjusting screw of the headlight vertical aim until bubble is centered (Fig. 43). Repeat operation on other headlight.
3. Recheck the horizontal alignment.

Remove aligners by pressing on vacuum release button.

Repeat the same procedure for the high beams.

If proper mechanical equipment is not available, perform adjustments as described below:

1. Park vehicle on level floor so headlights are 25 feet (7,6 m) from a smooth surface preferably of light color. A door or wall is suitable. Centerline of vehicle should be perpendicular to this vertical surface.
2. Draw a horizontal line on vertical surface at height of light center. Locate point on this horizontal line at which projected centerline of vehicle intersects. Measure distance between light centers and divide this distance equally on either side of center mark. Then draw two vertical lines directly ahead of each light center.
3. Switch on high beams and cover one headlight while adjusting the other.
4. When aiming headlights, beam may appear distorted. A new sealed-beam unit must be installed to correct this condition.
5. After headlight is properly aligned, cover it and proceed in the same manner as above with opposite headlight.

12.2 SEALED-BEAM UNIT REPLACEMENT

Removal

1. Remove screws attaching headlight bezel to front panel (10 "Philips" screws) and remove bezel.
2. Remove four mounting screws attaching sealed-beam unit retaining ring to mounting ring.

Note: Do not disrupt headlight screw adjustment.

3. Remove sealed-beam unit and pull wiring connector off back of unit.

Replacement

1. Install wiring connector on back of sealed-beam unit. Position unit in mounting ring with molded lens number at top.

Note: Sealed-beam units with number "1A1" molded, on top of the lens must be used at inside light positions. Units with number "2A1" molded, on top of the lens must be used at outside light positions.

2. Position the retaining ring over the lens and secure it to the mounting ring with four screws.

Note: The headlight aim must be checked and adjusted even if it was properly adjusted before the sealed-beam unit was replaced, and adjusting screws were not removed.

3. After installing and adjusting the headlight assembly, install the headlight bezel.

12.3 FRONT TURN SIGNAL

The front turn signal is a part of the front headlight cluster. The turn signal lens is located on each front corner and shares a common bezel with the headlights. Turn signal is visible from both front and side.

12.3.1 Bulb Removal and Replacement

1. Remove the ten "Phillips" screws attaching the headlight bezel, then remove headlight bezel.
2. Remove socket from headlight bezel.
3. Remove the bulb by pushing and rotating it out of the socket.
4. Install the new bulb by reversing the previous procedure.

12.4 STOP, TAIL, DIRECTIONAL, BACK-UP, AND HAZARD WARNING LIGHTS

A combination stoplight, taillight, directional signal light and back-up light assembly is mounted at the rear, on each side of the vehicle. Furthermore, when braking, a center stoplight will illuminate simultaneously with the stoplights on the sides for increased safety.

Section 6: ELECTRICAL

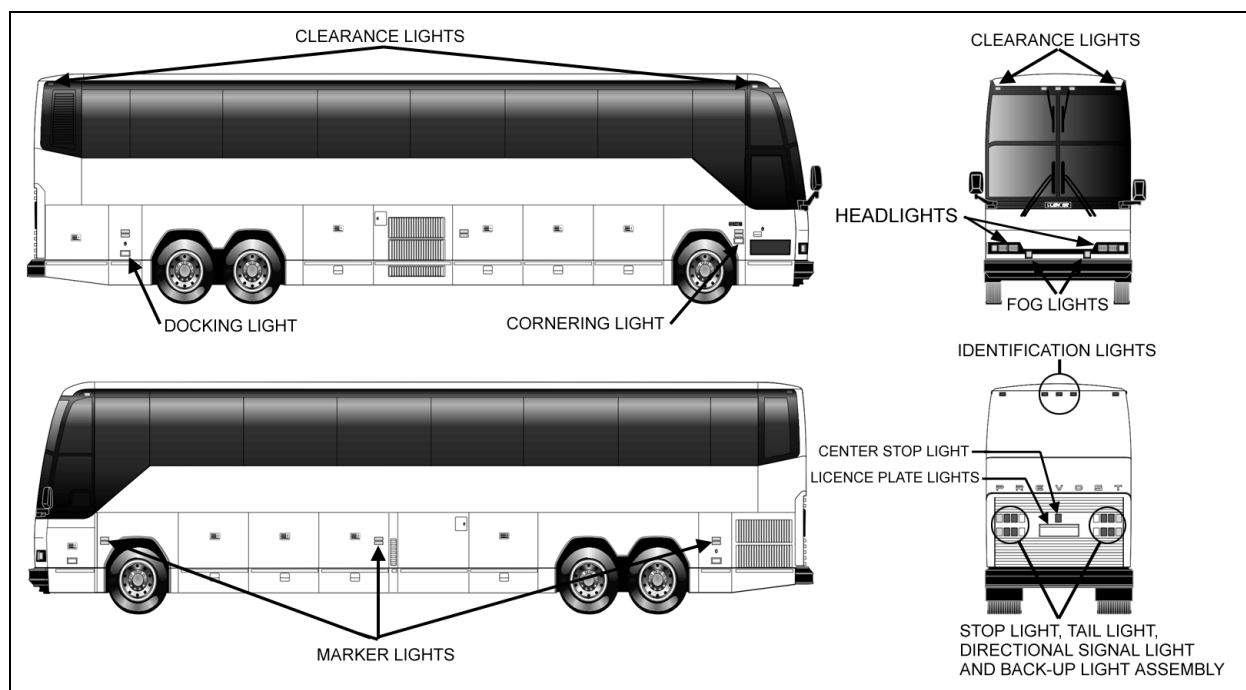


FIGURE 44: VARIOUS LIGHTS LOCATION

06459

The stop, tail, directional signal and back-up lights consist of individual bulbs mounted in a common housing, and each light is serviced individually as a complete unit and need only to be plugged into or unplugged from socket after removing proper light lens.

The hazard warning flashing system uses the front, side and rear directional lights simultaneously. This system is energized by a switch on the L.H. dashboard.

12.4.1 Bulb Removal and Replacement

1. Unscrew the retaining lens screws (2), then remove the lens.
2. Remove the bulb by pushing and then rotating it counterclockwise out of the socket.
3. Install the new bulb by pushing and rotating it clockwise, then replace the lens; the "Hella" inscription molded on the lens must be pointing upwards.

Note: Lens must be installed in their original position.

Note: Taillights are provided with a different candle power bulb. Make sure appropriate replacements are used for any defective bulbs.

12.5 LICENCE PLATE LIGHT

Two sealed units are mounted above the rear licence plate(s) of vehicle. In case of burn out, the sealed unit must be changed according to the following procedure.

1. Pry out the rubber seal with a small screwdriver. Pull on the sealed unit and disconnect it.
2. Reconnect new sealed unit, place rubber seal, and press on it until it is seated in position.

12.6 CLEARANCE, IDENTIFICATION AND MARKER LIGHTS

The vehicle is equipped with marker, identification and clearance lights (LED). The clearance lights are mounted at each corner of the coach near the top and the identification lights are in the upper center of rear and front sections. The rear clearance and identification lights are red and the front ones are amber.

The amber marker lights are mounted along the sides of vehicle.

12.6.1 Marker Light Removal and Replacement

The side marker light is a sealed unit (LED) and should be replaced as an assembly in accordance with the following procedure:

1. Unscrew both “Phillips” light screws, then remove the light assembly.
2. Position the new light assembly and install the “Phillips” screws.

12.6.2 Clearance and Identification Light Removal and Replacement

The clearance and identification lights are sealed units (LED) and should be replaced as an assembly in accordance with the following procedure:

1. Unscrew both “Phillips” light screws, then remove the light assembly.
2. Position the new light assembly, then install the “Phillips” screws.

12.7 DOCKING AND CORNERING LIGHTS

This vehicle is provided with two halogen sealed-beam units that serve as cornering lights. They are mounted on the vehicle as follows: one is mounted on the front L.H. side service compartment door, while the other is located between the front wheel and the entrance door on the R.H. side. The main function of these lights is to increase lateral visibility when turning a corner. These lights are energized simultaneously with the directional lights. On the V.I.P. model, a dashboard-mounted rocker switch may be actuated to cancel this system in special situations.

Two additional halogen sealed-beam units are installed on rear electrical compartment doors. These lights are used as docking lights and both will illuminate automatically when reverse range is selected to facilitate back-up or docking procedure.

On the V.I.P. model, these lights do not operate automatically when the reverse range is selected, but by means of a dashboard-mounted rocker switch. When actuated, the docking as well as the cornering lights illuminate. Furthermore, a “Low docking” switch, also located on dashboard, allows the use of the docking and cornering lights at a lower intensity when the docking switch is actuated.

12.7.1 Lamp Removal and Replacement

Both docking and cornering sealed-beam units can be changed in accordance with the following procedure:

1. Remove the two “Phillips” screws attaching the retaining ring.

2. Disconnect the light unit connection.
3. Remove the lamp.
4. Position new lamp.
5. Connect and position the light unit.
6. Finally, install the retaining ring.

12.8 FOG LIGHTS

Optional halogen fog lights can be mounted on this vehicle to give the driver better visibility in foggy weather, or to improve the range of vision just ahead of the coach.

12.8.1 Bulb Removal and Replacement

1. Remove the protector cap on light unit (if so equipped). Remove the light unit retainer screw and slide the retainer upward.
2. Remove the light unit. Disconnect the light unit connection.
3. Remove retaining clip from its notches, then lift the retaining clip and remove the bulb.
4. Install the new bulb, then replace the retaining tab of clip to its position into the notches.

Caution: During this step, avoid contacting the bulb with your fingers. This could alter the bulb life.

5. Reconnect the light unit and replace in its proper position.
6. Replace the retainer.
7. Replace the light unit cover (if so equipped).

13. INTERIOR LIGHTING EQUIPEMENT

13.1 CONTROL PANEL LIGHTING

The instrument gauges and switches mounted on all control panels are energized whenever the exterior light switch is pushed to the first position. A control dimmer located on the dashboard is used to vary the brightness of the panel gauges, switches and indicator lights.

The gauge lights, panel lights, switch lights and indicator lights have a different bulb arrangement. Thus, the procedure to change a defective bulb can vary according to the application.

13.1.1 Switch Lighting

Section 6: ELECTRICAL

1. Slightly pull the switch with a defective LED away from the control panel.
2. Disconnect the electric cable from the switch.
3. To install a new switch, reverse the procedure (Fig. 45).

Note: Switches are lighted by the use of LED. When lighting on a switch fails, replace defective switch as a unit.

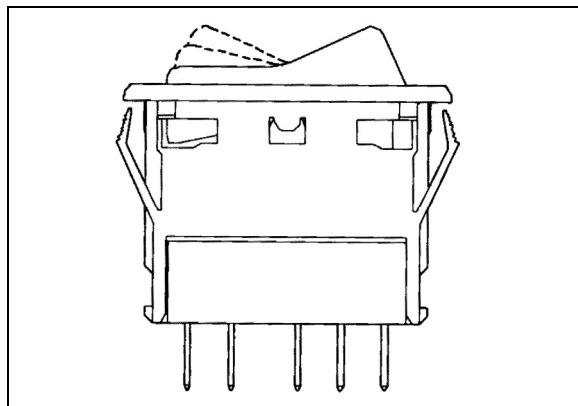


FIGURE 45: SWITCH

13.1.2 Telltale Light Replacement

Telltale module is non-serviceable and must be replaced as a unit.

1. Unscrew and remove the top dashboard panel.
2. Remove the telltale back wire electric connectors.
3. Unscrew and remove the telltale module.
4. To replace the telltale module, reverse the procedure.

13.1.3 Gauge Light Bulb Replacement

1. For any gauge light bulb replacement, the dashboard panel must be removed in order to have access to the rear of gauges.
2. Remove bulb socket from the gauge, turn the defective bulb counterclockwise and pull it out of the gauge.
3. Push a new bulb and socket ASM and turn clockwise to lock in place.
4. Replace the rear dashboard housing.

13.2 STEPWELL LIGHT AND LAVATORY NIGHT-LIGHT

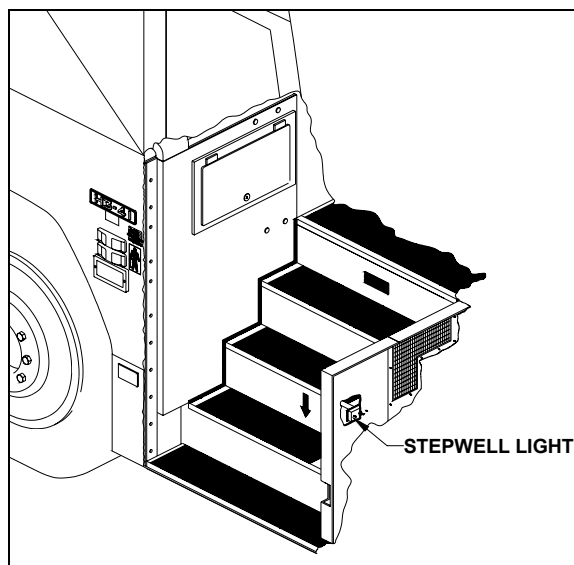


FIGURE 46: STEPWELL

Stepwell light is illuminated when the door opening system is activated (Fig. 46).

The lavatory night-light is illuminated as soon as the ignition switch is set to the "ON" position.

13.2.1 Bulb Removal and Replacement

Proceed as follows to replace defective bulb:

1. Unscrew the two Phillips-head screws retaining the lens to the lavatory wall, and remove it.
2. With the light lens removed, pull bulb from the lamp while applying lateral pressure.
3. Install the new bulb into the lamp.
4. Position the light lens and install it.

13.3 DRIVER'S AREA LIGHTS

One halogen ceiling light is installed over the stepwell and another one over the driver's area. These lights are frequently used for nighttime operation when passengers board or leave coach.

13.3.1 Bulb Removal and Replacement

1. Unsnap the lamp with a flat head screwdriver and remove it.
2. Pull the defective bulb out of the socket.
3. Install the new bulb by pushing it in position.
4. Replace the lamp by snapping it back in place.

Caution: Do not touch halogen bulbs with bare hands as natural oils on skin will shorten bulb life span.

13.4 PASSENGER SECTION LIGHTING

The passenger section of coach is lit by two types of fluorescent tube lamps installed on the parcel racks.

The aisle lights are located on front of parcel racks, and provide soft, indirect cabin lighting and parcel rack interior lighting. More powerful lighting for general and in-station applications is provided by fluorescent tubes located under the parcel racks, close to the windows. A dual power system is available for this lighting either from the 24 volt vehicle power supply or from a 110 volt outlet supply. In order to save batteries during extended periods of in-station lighting, no current is drawn from the batteries as soon as the 110 volt circuit is connected.

Moreover, adjustable reading lamps are installed under the parcel racks for passenger accommodation.

13.4.1 Fluorescent Tube Replacement

Indirect Fluorescent Light

1. Open the parcel rack access door, if so equipped, unscrew the two Phillips screws (one each end). Let the hinged cover down.
2. Remove fluorescent tube from light socket.
3. Install a new fluorescent tube.
4. Lift the hinged cover and replace the two retaining screws (Fig. 47).

Parcel Rack Interior Lighting

1. Open the parcel rack access door, if so equipped, unscrew the two Phillips screws (one each end). Pull the hinged cover down.
2. Push on the bulb, turn and then, pull it from the socket.
3. Install a new bulb.
4. Lift the hinged cover and replace the two retaining screws.

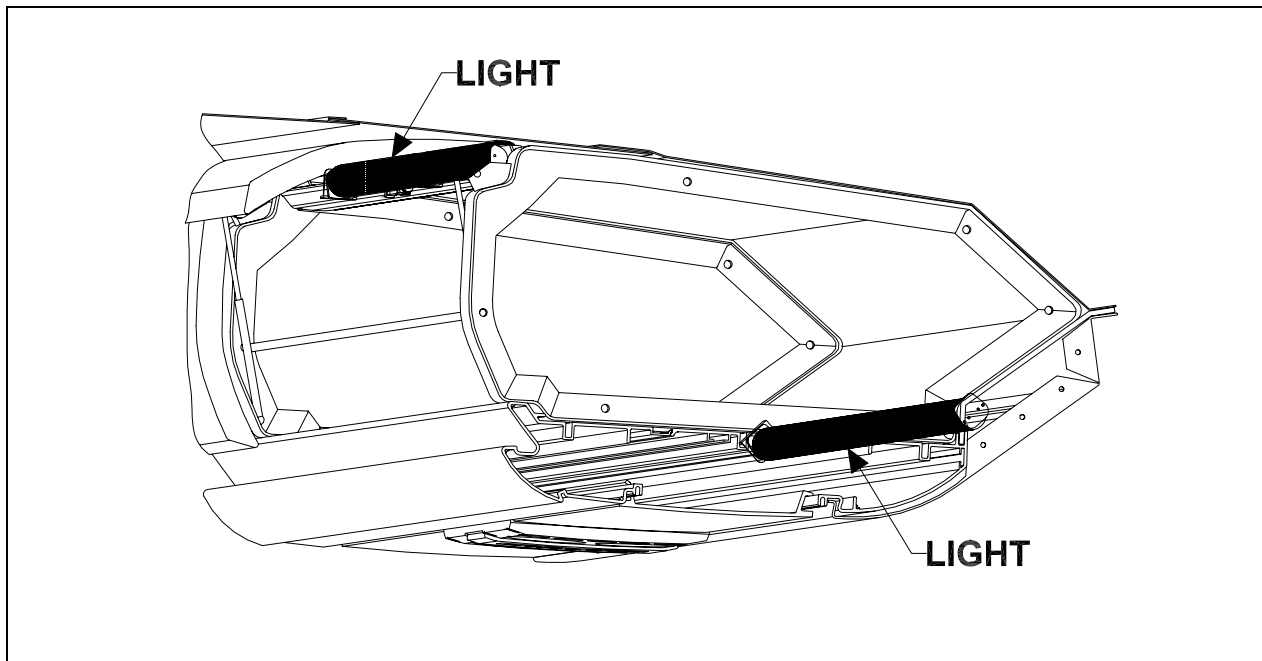


FIGURE 47: PARCEL RACK

06095

Section 6: ELECTRICAL

13.4.2 Removal and Replacement of In-Station Fluorescent Tubes

1. Start by pulling out the corner of the lens then delicately peeling it out of its seat.

Caution: The lens is fragile. Be very careful when removing and handling.

2. Rotate and pull the fluorescent tube from its sockets.
3. Install a new fluorescent tube, rotating the tube to secure it in the sockets.
4. Replace the screen lens by first inserting one side in the seat, then push the other side in and snap it in place by running it in from one corner to the next.

13.4.3 Removal and Replacement of Reading Lamp Bulb

1. Engage the tool (#830164) over the lamp and turn one quarter turn counterclockwise. Then, remove the tool slowly.
2. Pull the bulb socket off the reading lamp unit.
3. Push and turn bulb counterclockwise, then pull it out of the socket.
4. Install new bulb in the socket, then push and turn clockwise to lock bulb in position.
5. Push the bulb socket in the reading lamp unit.
6. Position the reading lamp with the tool (#830164), turn one quarter turn clockwise.

13.5 ENGINE COMPARTMENT LIGHTING

Two lights illuminate the engine compartment upon opening of the engine door (Fig. 48).

Each light is provided with one bulb that can be replaced as follows:

1. Remove the lens by unscrewing the ring two fixing screws then pry out the lens.
2. Push and turn the defective bulb counterclockwise, then pull it out of the socket.
3. Install the new bulb in the socket, then push and turn clockwise to lock bulb in position.
4. Install the lens, and fasten the ring two fixing screws.

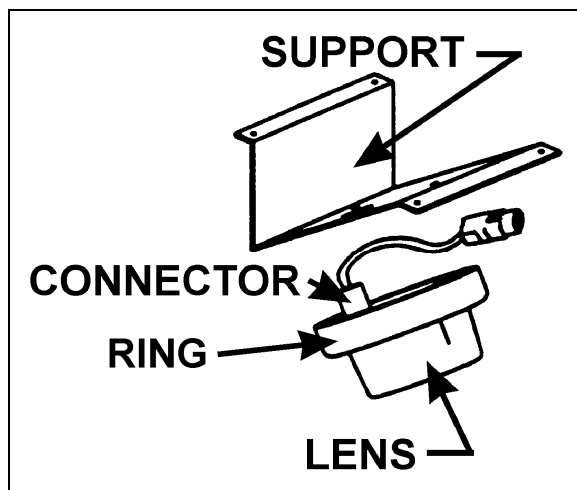


FIGURE 48: ENGINE COMPARTMENT LIGHT

06425

13.6 LAVATORY LIGHT

The lavatory light is installed on ceiling and is provided with two fluorescent tubes. A microswitch, mounted in the door exterior frame, is activated by the door lock mechanism upon locking to energize the circuit. This switch is readily serviced by removing the two Phillips-head screws securing the mounting plate to the door exterior frame.

Proceed as follows to replace a fluorescent tube:

1. Press in side of lens (mirror side), free lens from its retaining groove, slide out other side and then remove lens.
2. Unsnap defective fluorescent tube by pushing both extremities simultaneously against felt discs.
3. Holding the fluorescent with one hand, push one of the pin receptacle steel plates inwards to free tube extremity, then remove tube from its fixture.
4. Reverse above procedure to install new fluorescent tube.

If ballast is defective or a wire feed voltage check is required, ballast cover may be removed by performing the previous first three steps and the following:

Warning: Be careful when checking the ballast feed voltage as its output voltage is 600 volts.

- a. Grasp and press both cover extremities inwards to free edges from the four rivets.

- b. Reverse previous steps to install cover, fluorescent tubes and lens.

14. LIGHT BULB DATA

When replacing a light bulb, special attention must be paid to the voltage rating (refer to light bulb data hereafter).

Note: All exterior lights are 12 volts and all interior lights are 24 volts, except for the "Check engine" and "Stop engine" warning lights and flasher indicator lights which are also on 12 volt system.

Application	Prévost part no.	Trade or SAE number	Watts or Candle Power	Volts	Qty
EXTERIOR LIGHTING					
Hi-beam	562690	H5051	50 W	12	2
Low-beam/Hi-beam	562689	H5062	40/55W	12	2
Docking & cornering	930319	H9415	37.5 W	12	4
Fog	561882	H3 (Osram)	55 W	12	2
License plate (sealed)	930266	---	---	12	2
Side directional	930341	Led	0.6 A	12	6
Side marker (red)	930340	Led	0.6 A	12	2
Side marker (amber)	930341	Led	0.6 A	12	10
Identification (red)	930334	Led	0.10 A	12	3
Identification (amber)	930337	Led	0.10 A	12	3
Clearance (red)	930334	Led	0.10 A	12	4
Clearance (amber)	930337	Led	0.10 A	12	4
Front directional (hazard and marker)	561899	1157 NA	32/6 cp	12	2
Rear directional	561880	Hella	21 W	12	4
Stop	561880	Hella	21 W	12	4
Back-up	561880	Hella	21 W	12	4
Center stop	561880	Hella	21 W	12	1
Tail	561881	Hella	10 W	12	4
Exterior compartment (except engine)	562278	6429 (78207)	10 W	24	A R
Engine compartment	560136	1003-	15 cp-	12	2
INTERIOR LIGHTING					
Speedometer	560145	2721 M OSRAM	1 cp	24	2

Section 6: ELECTRICAL

Application	Prévost part no.	Trade or SAE number	Watts or Candle Power	Volts	Qty
Tachometer	560145	2721 M	1 cp	24	2
Turbo boost	561167	2721 M	3 W	24	1
Other instruments (1/unit)	560144	2721 MFX OSRAM	1.6 cp	24	A R
Step	562278	6429	10 W	24	1
Lavatory	562276	6429	10 W	24	1
Parcel rack	561553	313	1.6 cp	24	A R
Driver's area	830151	Q35MR16	35 W	12	2
"EMERGENCY EXIT" decal	560601	456	2 cp	24	20
"LAVATORY OCCUPIED"	561166	1820	1.6 cp	24	2
"WATCH YOUR STEP"	561166	1820	1.6 cp	24	2
Aisle	560141	1251	3 cp	24	6
Reading	561553	5637	10 W	24	A R
Fluorescent (In-Station)	830153	F32T8/SP41	32 W	---	A R
Lavatory fluorescent	830102	F15T8CW	15 W	---	2
Destination sign fluorescent	830080	F30T8CW4	30 W	---	1
Fluorescent (Indirect)	830152	F13T5/CW	13 W	---	---

15. SPECIFICATIONS

Battery

Make.....	Delco-Remy
Model.....	1150
Type	Maintenance-free
Terminal type	Top Stud
Group size.....	31
Volts	12
Load test amperage	290
Reserve capacity (minutes)	180
Cold cranking (in amps)	
-At 0°F (-18°C).....	625 (each battery)
-At-20°F (-29°C)	490 (each battery)
Maximum dimensions (inches/mm)	
-Length (including flange)	13.0/330,2
-Width.....	6.8/172,7
-Height (including top posts)	9.4/238,8
-Approximate weight (lbs/kg)	60/27,2
❖ <i>Battery tester cable clamps should be between terminal nuts and lead pads of terminals. If not possible, load value should be 210 amperes.</i>	

Torque specifications

Battery cable to post	10-15 ft-lbf (13-20 N·m)
Battery cover	45-50 ft-lbf (5-6 N·m)

Electrical system monitor

Make.....	Vanner
Model.....	EM-70
Input	24 V dc
System high	Greater than 30 V dc
System low	Less than 24 V dc
Trip level.....	+ 0.75 V dc
Prévost Number	562058

Alternator

Make.....	Delco Remy
Model Number.....	1117702
Series	50DN
Type	600

Section 6: ELECTRICAL

Field current at 80°F (27°C)

-Amperes 7.2 – 8.0

-Volts 24

Hot output

-Amperes 270 at 80°F (27°C) ambient

-Volts 28

-Approximate rpm 3000

Ground negative

Prévost number 561723

Alternator

Make BOSCH

Model Number 0120689552

Series T1

Hot output

-Amperes 140 at 25°C (AMBIENT)

-Volts 28

-Approximate rpm 6000

Ground negative

Prevost Number 562752

Regulator

Make Delco-Remy

Model Number

Type Transistor

Voltage adjustment External screw

Prévost number 562775

Battery equalizer

Make Vanner

Model 60-50A

Amperes 50 amps

Prévost Number 561016

Battery equalizer

Make..... Vanner
Model..... 60-100D
Amperes 100 amps
Prévost Number 562542

Starter

Make..... Delco-Remy
Model Number..... 1990269
Series 50 MT
Type 400
Rotation (viewing drive end) CW
Brush tension 5 lbs (2,2 kg) Min.
Voltage 24

No-load test

-Volts 23
-Min. current draw 60 amperes
-Max. current draw 90 amperes
-Min. rpm 7000 rpm

Starter solenoid

Make..... Delco-Remy
Model Number..... 1115557
Current Draw 80°F(27°C)
-Hold-in winding 7.35 – 8.2 amps
-Pull-in winding..... 48 – 54.5 amps
Volts 24



Repair and Testing Instructions for T1 Alternator 0120 689 552



Modifications

Edition	Date	Name	Modifications
001	8/28/98	I. Serra	Original
002	12/4/98	I. Serra	Update 8.98 Instructions



Table of contents

1	GENERAL	5
2	SAFETY PRECAUTIONS.....	6
2.1	SPECIAL TOOL USAGE.....	6
2.2	FIRE RISK.....	6
2.3	SKIN PROTECTION	6
2.4	COMPRESSED AIR.....	6
2.5	EXPLOSION RISK.....	6
3	SPECIFICATIONS	7
3.1	ELECTRICAL TEST SPECIFICATIONS	7
3.2	MECHANICAL TEST SPECIFICATIONS.....	8
3.3	TIGHTENING TORQUES.....	8
4	ALTERNATOR SCHEMATIC	9
5	ALTERNATOR CODING.....	10
6	PARTS CLEANING	11
7	TOOLS, TEST EQUIPMENT LUBRICANTS AND ADHESIVES.....	12
7.1	TEST EQUIPMENT	12
7.2	SPECIAL TOOLS	12
7.3	LUBRICANTS AND ADHESIVES	13
7.3.1	<i>Lubricant Quantities</i>	13
8	EXPLODED VIEW.....	14
9	ALTERNATOR DISASSEMBLY AND TESTING.....	15
9.1	REAR COVER REMOVAL	15
9.2	VOLTAGE REGULATOR REMOVAL.....	15
9.2.1	<i>Brush Replacement</i>	16
9.3	NOISE SUPPRESSION CAPACITOR TESTING AND REMOVAL.....	16
9.4	PULLEY AND FAN REMOVAL.....	17
9.5	SEPARATION OF DRIVE SHIELD AND COLLECTOR END SHIELD	17
9.6	RECTIFIER ASSEMBLY TESTING	18
9.7	REMOVAL AND TESTING OF STATOR ASSEMBLY	19
9.8	RECTIFIER ASSEMBLY REMOVAL	20
9.9	DAMPENING RESISTOR TESTING AND REMOVAL	21
9.10	REMOVAL OF COLLECTOR END SHIELD BEARING AND SEAL.....	21
9.11	REMOVAL OF SLIDING BUSHING IN COLLECTOR END SHIELD	22
9.12	REMOVAL OF ROTOR FROM DRIVE END SHIELD.....	22
9.13	REMOVAL OF BEARING AND SEAL FROM DRIVE END SHIELD	24
9.14	REMOVAL OF COLLECTOR RING END INNER BEARING RACE FROM ROTOR.....	24
9.15	ROTOR INSPECTION	25
9.16	COLLECTOR RING REPLACEMENT.....	26
10	ALTERNATOR ASSEMBLY.....	27
10.1	ROTOR ASSEMBLY	27
10.2	DRIVE END SHIELD ASSEMBLY.....	28



10.3	COLLECTOR RING END SHIELD ASSEMBLY	29
10.4	RECTIFIER ASSEMBLY	30
10.5	STATOR ASSEMBLY	32
10.6	ROTOR AND DRIVE END SHIELD INSTALLATION	32
10.7	REGULATOR AND CAPACITOR INSTALLATION	33
11	FUNCTIONAL TESTING	35
11.1	GENERAL INFORMATION	35
11.1.1	<i>Power Output Tests</i>	35
11.1.2	<i>Voltage Trace Evaluation</i>	35
11.2	POWER OUTPUT TESTING	35
11.2.1	<i>Test Bench Mounting</i>	35
11.2.2	<i>Power Output Test</i>	36
11.3	VOLTAGE TRACE EVALUATION	37
11.3.1	<i>Oscilloscope Hook-up</i>	37
11.3.2	<i>Normal Pattern</i>	38
11.3.3	<i>Open Exciter Diode</i>	39
11.3.4	<i>Open Positive Rectifier Diode</i>	40
11.3.5	<i>Open Negative Rectifier Diode</i>	41
11.3.6	<i>Shorted Exciter Diode</i>	42
11.3.7	<i>Shorted Positive Rectifier Diode</i>	43
11.3.8	<i>Shorted Negative Rectifier Diode</i>	44
11.3.9	<i>Open Phase of Stator</i>	45



1 General

This manual contains repair and testing instructions with corresponding test specifications for the 0 120 689 5... series alternators.

T1 (RL) 28V 70/140A

Note: Alternator 0 120 689 543 was utilized in preparing these instructions.



2 Safety Precautions

2.1 Special Tool Usage



The use of incorrect or unsuitable tools and test equipment can lead to personal injury and may damage the alternator or its component parts. Only use tools that are specified in this instruction or meet the specification of the recommended tools.

2.2 Fire Risk



To provide radio interference suppression, the alternator is equipped with capacitors with a long storage time. Cleaning of alternator components may cause an electrical discharge when they are immersed in cleaning fluid. This discharge may cause combustible liquids to ignite.

2.3 Skin Protection



To avoid skin irritation when handling oils and greases, apply protective gloves or creams before starting work and wash off hands with soap and water when servicing has been completed.

2.4 Compressed Air



Only use compressed air regulated to a maximum of 4 Bar (60 PSI), and a clean cloth for cleaning of the armature, excitation windings and alternator plates.

2.5 Explosion Risk



Avoid exposure to fire, open flame and sparks. Thoroughly dry all cleaned parts as gases could form from the cleaning process and may cause an explosion.



3 Specifications

3.1 Electrical Test Specifications

Interference suppression capacitor	1.8 ... 2.6 μ F (microfarad)
Load current less than/equal to 10A	27.6 ... 28.4 V (volts, regulated)
Damping Resistance	3.1 ... 3.5 k Ω (kilohms)
Stator Resistance	0.036 Ω (-0/+10%) T1 (RL) 28V70/140A
Rotor Resistance	7.5 Ω (-0/+10%) T1 (RL) 28V70/140A

Power Output Test

Alternator	Speed (RPM)	Load Current - Inductive (A)	Test Duration (Min)
T1 (RL) 28V70/140 A	1500	76	30
	6000	136	10

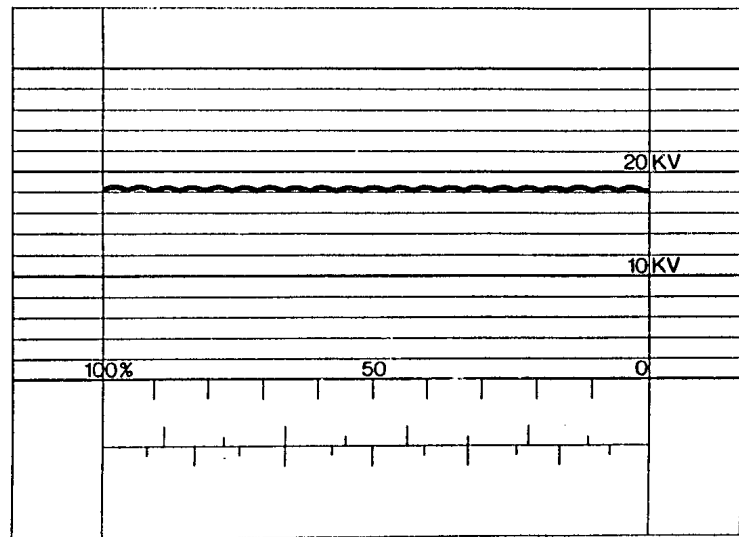
Following completion of the output test, allow alternator to run at 7000 rpm for one minute.

Oscilloscope Pattern

This image represents a properly functioning alternator. The D.C. voltage produced has a small harmonic wave.

Small spikes may be superimposed on the oscilloscope screen if the voltage regulator is regulating. Applying a load to the alternator output terminals can turn off the regulator.

In order to be able to compare oscilloscope images, the oscilloscope so the pattern fits between two vertical 10x divisions.



KME00052

Figure 1 Normal Oscilloscope Pattern



3.2 Mechanical Test Specifications

Rotor to Stator Air Gap (Between any side of stator and rotor)		Greater than 0.3 mm (0.012 in)
Eccentricity (Rotor mounted at bearing points)	Outer Diameter Of Rotor	0.05 mm (0.002 in) maximum
	Outer Diameter Of Collector Rings	0.03 mm (0.0012 in) maximum
Collector ring diameter	New	32.5 mm (1.279 in)
	Used	31.5 mm (1.240 in) minimum
Carbon Brush Projection	New	16.0 mm (0.630 in) minimum
	Used	7.0 mm (0.275 in) minimum

3.3 Tightening Torques

Item Number	Description	Metric (Nm)	SAE
55	Air Intake Stud	3.0 ... 3.4	26.5 ... 30.1 in. lbs.
66	D+ Terminal	2.4 ... 3.2	21.2 ... 28.3 in. lbs.
29	B+ Terminal, B- Terminal	10.0 ... 13.0	88.5 ... 115 in. lbs.
37	W Terminal	4.1 ... 5.5	36.3 ... 48.7 in. lbs.
15	Voltage Regulator	1.3 ... 1.7	11.5 ... 15.0 in. lbs.
43	Capacitor Mounting Screw	4.3 ... 5.7	38.0 ... 50.4 in. lbs.
23	Rectifier Mounting Screw	1.3 ... 1.7	11.5 ... 15.0 in. lbs.
21	Drive End Shield to Collector Ring Shield	7.2 ... 9.7	63.7 ... 85.9 in. lbs.
5	Drive End Shield Bearing Cover Plate	4.1 ... 5.5	36.3 ... 48.7 in. lbs.
52	Pulley Retaining Nut	135 ... 170	99.5 ... 125.4 ft. lbs.

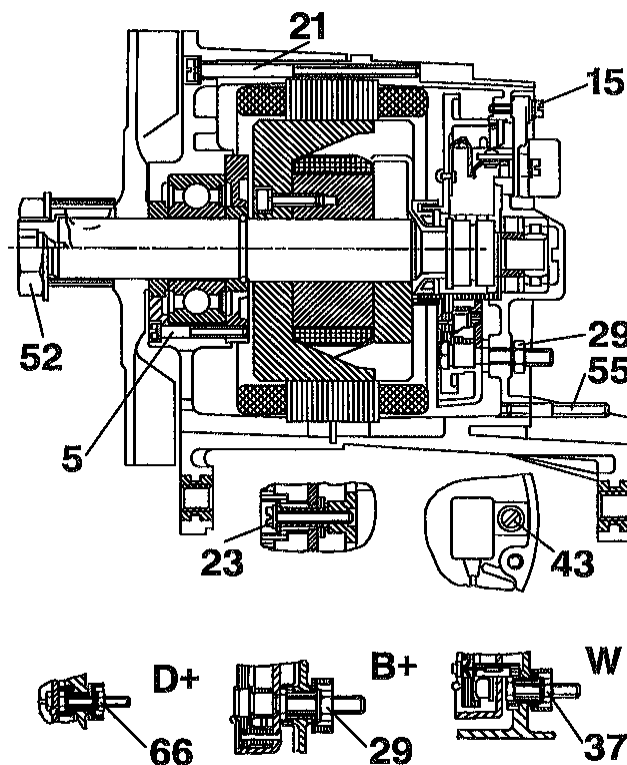
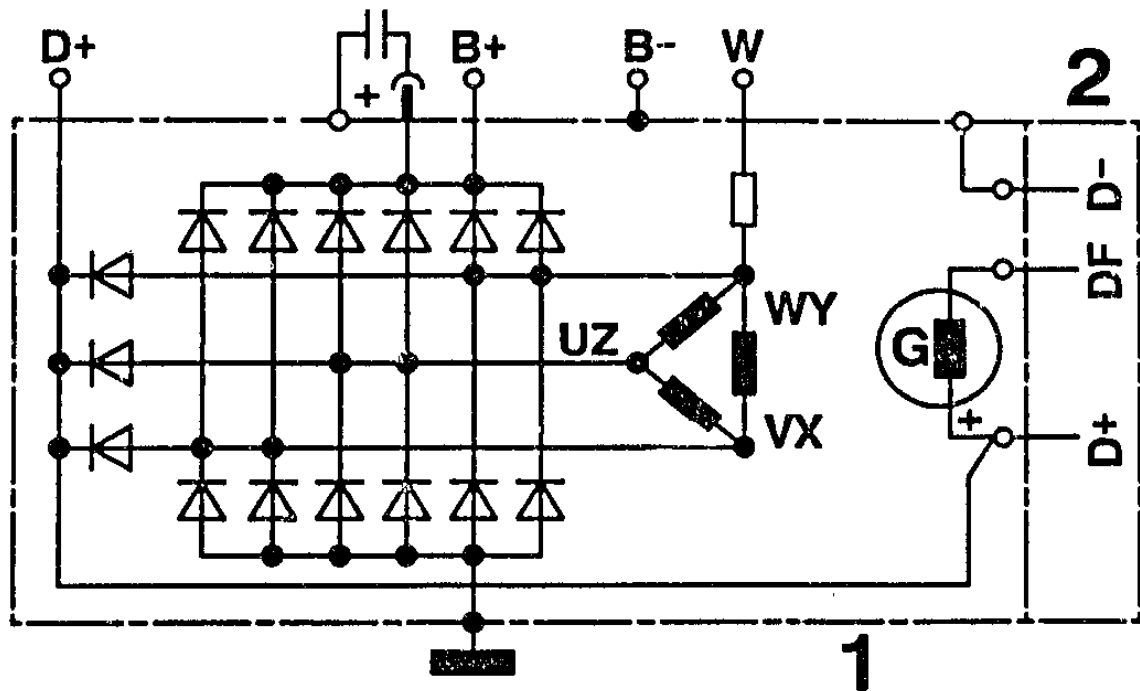


Figure 2 Fastener Torque Chart



4 Alternator Schematic



KME 00050

Figure 3 Alternator/Voltage Regulator Schematic

1 Alternator

- B+ Battery Positive
- B- Battery Negative
- D+ Dynamo + (Warning Lamp Output)
- W Tachometer Output

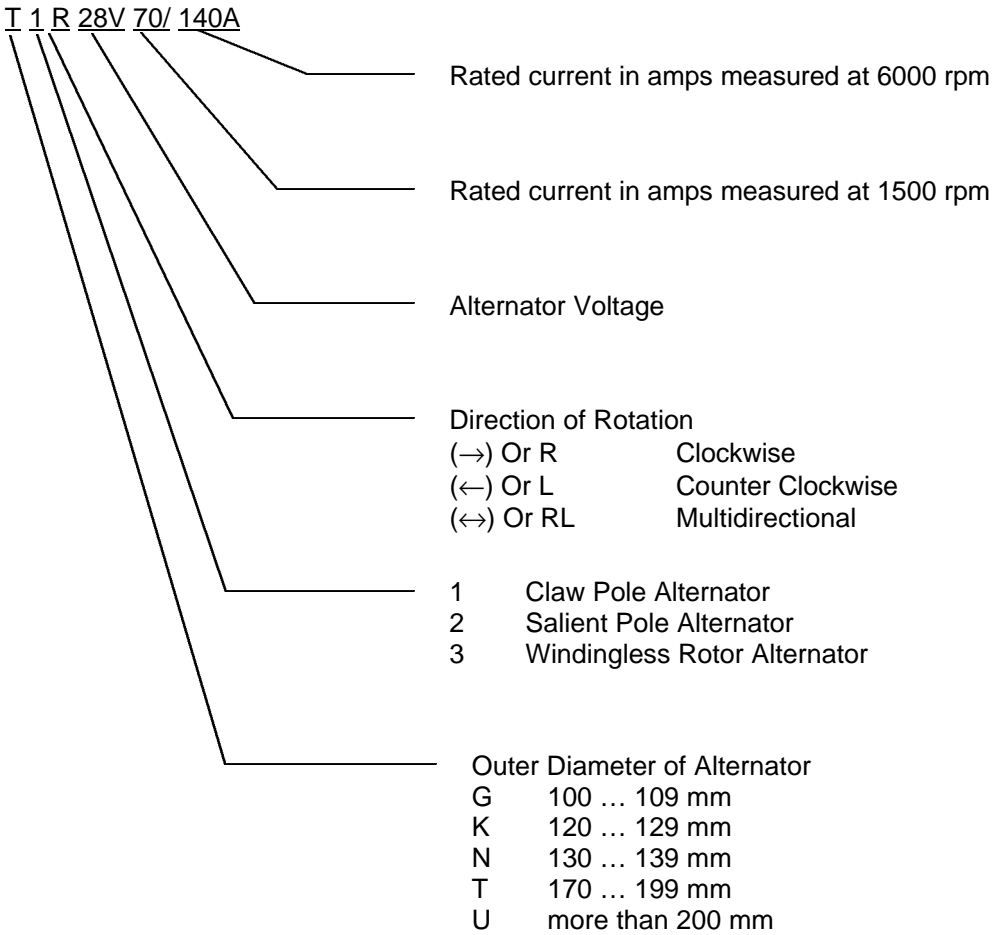
2 Voltage Regulator

- D+ Dynamo + (Alternator Output)
- DF Dynamo Field
- D- Dynamo -



5 Alternator Coding

T 1 R 28V 70/ 140A





6 Parts Cleaning



Caution: Fire Risk

To provide radio interference suppression, the alternator is equipped with capacitors with a long storage time. Cleaning of alternator components may cause an electrical discharge when they are immersed in cleaning fluid. This discharge may cause combustible liquids to ignite.

Alternator components with capacitors should only be cleaned with a non-combustible cleaner such as HAKU 1025/6.



Caution: Compressed Air

Only use compressed air regulated to a maximum of 4 Bar (60 PSI), and a clean cloth for cleaning of the armature, excitation windings and alternator plates.



Caution: Explosion Risk

Avoid exposure to fire, open flame and sparks. Thoroughly dry all cleaned parts as gases could form from the cleaning process and may cause an explosion.



7 Tools, Test Equipment Lubricants and Adhesives

7.1 Test Equipment

Description	Bosch Number	
Alternator Test Bench	Commercially Available	
Internal Short-Circuit Tester (Flash Tester)	KDAW 9978	0 986 619 110
Universal Multi-Meter	MMD 302	0 684 500 302
Alternator Tester	WPG 012.00	0 684 201 200

7.2 Special Tools

Description	Bosch Number	
Arbor Press	Commercially Available	
Soldering Iron	Commercially Available	
Universal Bearing Puller	Commercially Available	
V-Block <i>Note: 2 Required</i>	Commercially Available	
14mm Hex, 1/2" Drive Socket	Commercially Available	
Clamping Support	KDAW 9999	0 986 619 362
Die Spigot for Arbor Press (Used with KDLJ 6011, KDLJ 6012, KDLJ 6015)	KDLJ 6010	0 986 618 124
Bearing Remover	KDLJ 6009	0 986 618 121
Press Tool for Roller Bearing	KDLJ 6021	0 986 618 139
Bearing and Seal Installer	KDLJ 6011	0 986 618 125
Collector Ring Installer	KDLJ 6012	0 986 618 126
Drive End Shield Support Ring for Rotor Pressing	KDLJ 6013	0 986 618 127
Press Tool - Spacer Ring, Roller Bearing Inner Race and Collector Rings	KDLJ 6018	0 986 618 134
Alignment Pin - Drive End Shield and Collector Ring End Shield	KDLJ 6014	0 986 618 128
Removal Tool - Sliding Bushing	KDLJ 6015	0 986 618 129
Holding Tool - Sliding Bushing	KDLJ 6016	0 986 618 130
Inner Bearing Race Removal Tool	KDAW 9996	0 986 619 269
Puller Receiver Cup	KDAW 9995/0/1	0 986 619 214
Threaded Pin with Cone	KDAW 9995/14	0 986 619 250
Bearing Puller Spring Collet	KDAW 9995/6	0 986 619 233
Feeler Gauge 0.15 ... 0.6 mm (.005024 in) <i>Note: 4 required</i>	KDZV 7399	0 986 618 378
Dial Indicator	EFAW 7	1 687 233 011
Magnetic Indicator Stand	T-M 1	4 851 601 124



7.3 Lubricants and Adhesives

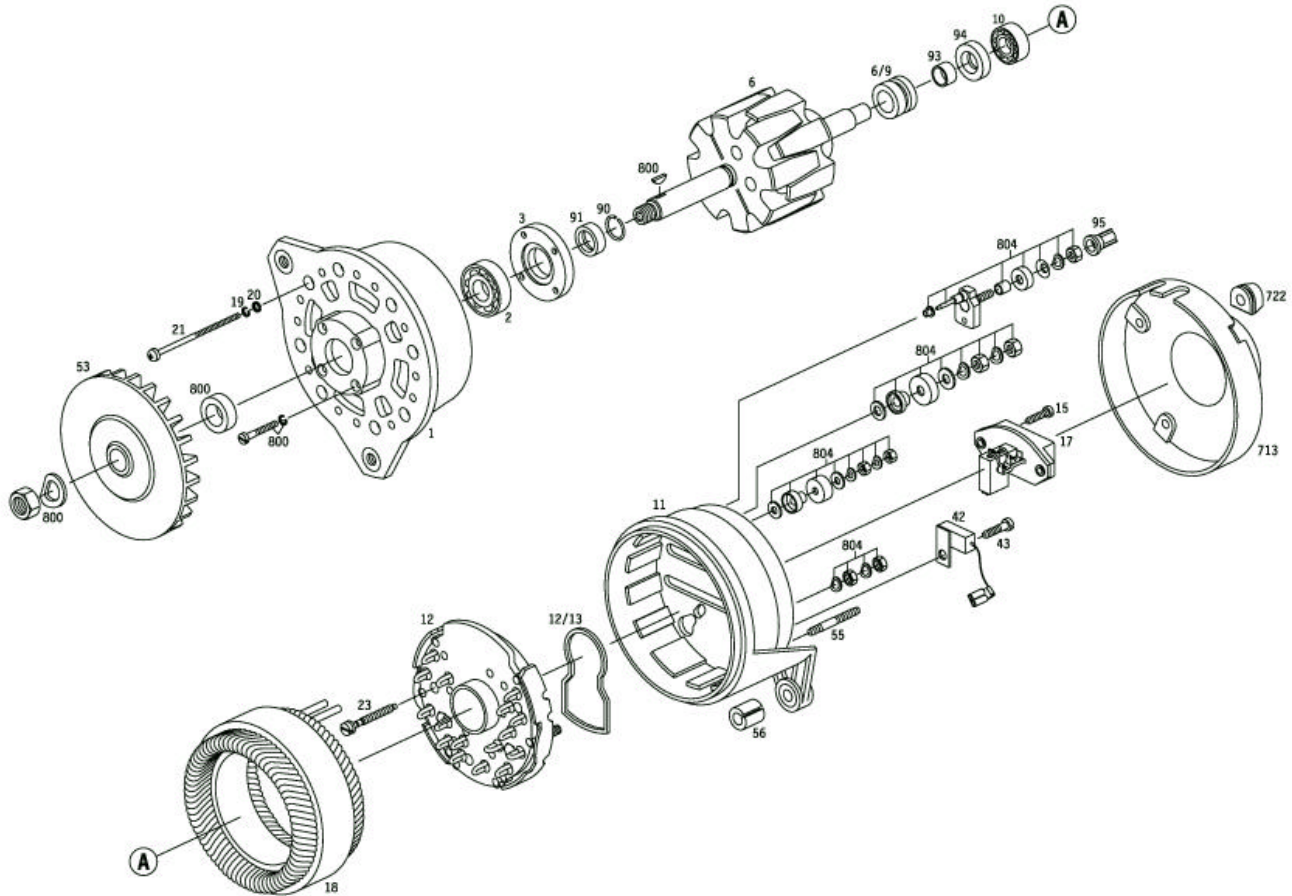
Description	Manufacturer Number	Bosch Number
Roller Bearing Grease	UNIREX N3	5 975 560 125
	Ft1 v 34	5 700 009 000
	VS 15164-Ft	5 975 560 000
Molycote Paste	Ft 70 v 1	5 700 040 000
Adhesive Dispersant	KK57v1	5 703 151 000
Silicon Paste	Ft2v4	5 700 083 005

7.3.1 Lubricant Quantities

Bottom of Roller Bearing	2 g (0.07 oz.)
Collector End Shield Radial Seal	2 g (0.07 oz.)
Roller Bearing	2...2.5 g (0.07...0.09 oz.)



8 Exploded View

**Figure 4 Alternator Exploded View**

<u>Item</u>	<u>Designation</u>	<u>Item</u>	<u>Designation</u>
1	Drive End Shield	20	Plain Washer
2	Ball Bearing	21	Oval-Head Screw
3	Cover Plate	23	Washer & Screw Assembly
6	Rotor	42	Suppression Capacitor
6/9	Collector Ring	43	Oval-Head Screw
10	Roller Bearing	53	Fan
11	Collector-Ring End Shield	55	Stud
12	Rectifier	56	Expansion Bushing
12/13	Seal	90	Retainer
15	Washer & Screw Assembly	91	Support Ring
17	Transistor Regulator	93	Spacer Ring
17/3/8	Compression Spring	94	Radial Seal
17/3/801	Carbon-Brush Set	95	Protective Cap
17/10	Gasket	713	Air-Intake Cover
18	Stator	722	Grommet
19	Spring Lock Washer		



9 Alternator Disassembly and Testing

9.1 Rear Cover Removal

1. Clamp alternator in clamping fixture KDAW 9999 (Bosch Number 0 986 619 362).
2. Remove four nuts holding on the air intake cover. (Figure 5)

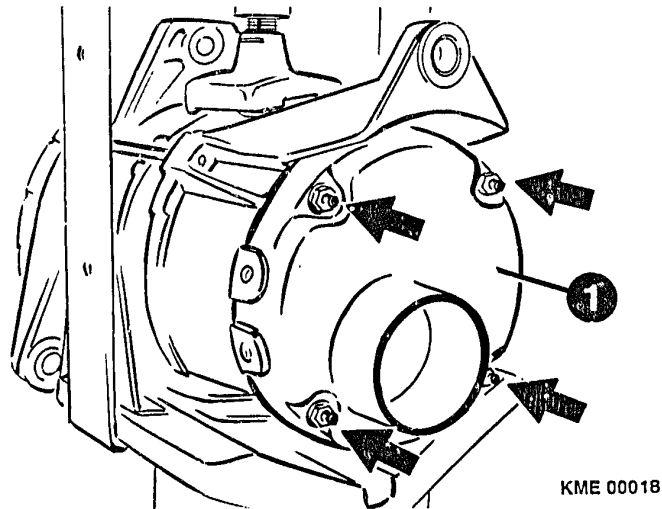


Figure 5 Air Intake Cover Removal (1)

Note: The voltage regulator must be removed before any further disassembly of the alternator takes place. The brushes of the regulator can break if the regulator is not removed before any other disassembly takes place.

9.2 Voltage Regulator Removal

1. Remove the three (3) screws that secure the regulator to the collector ring end shield. (Figure 6)
2. Carefully remove the voltage regulator from the collector ring end shield.

Note: The brushes of the regulator will break if the regulator is not removed before any other disassembly of the alternator takes place.

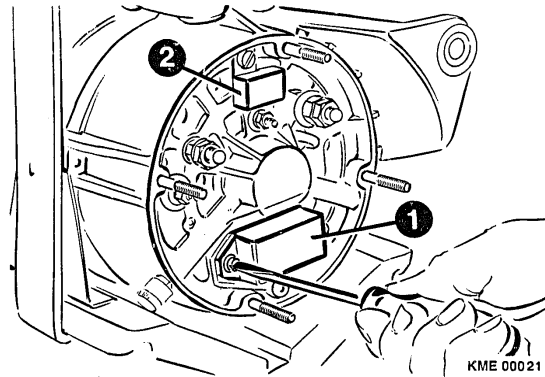


Figure 6 Voltage Regulator (1) and Suppression Capacitor (2)

9.2.1 Brush Replacement

1. The exposed length of the carbon brushes must be measured to determine if they require replacement. Measure the length of each brush. If the exposed brush length is less than 7 mm (0.276"), the brush must be replaced. (Figure 7)

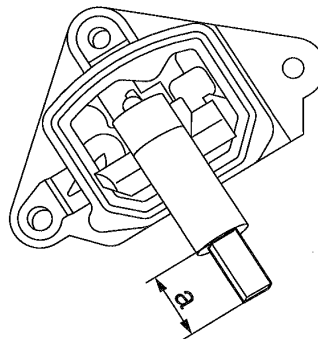


Figure 7 Brush Length Measurement

2. To replace the brushes, the brush lead must be unsoldered and the brush removed from the regulator.
3. Insert the new brush into the regulator and solder the brush lead to the regulator.

Note: Use only rosin-core solder to attached the brush lead.

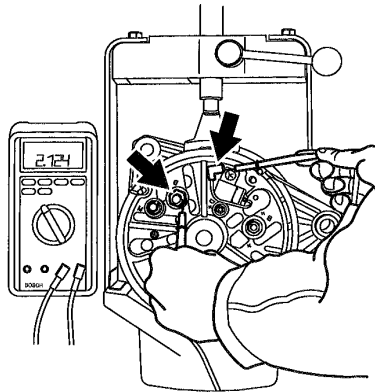
4. Check the brushes for freedom of movement after they are soldered.
5. Measure the exposed length of the new brushes. The exposed length should be 16 mm (0.630")

9.3 Noise Suppression Capacitor Testing and Removal

1. Disconnect the suppression capacitor from terminal B+.



2. Connect Multimeter MMD 302 (Bosch Number 0 684 500 302) or equivalent to the lead of the suppression capacitor and the B- terminal of the alternator. (Figure 8)

**Figure 8 Testing of Suppression Capacitor**

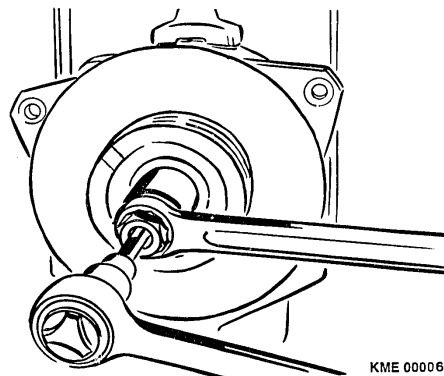
3. Measure the capacitance of the suppression capacitor. If the capacitance does not read between 1.8 and 2.6 μF (microfarad), the capacitor must be replaced.
4. Remove the screw that secures the suppression capacitor and remove capacitor.

Note: After removing the suppression capacitor from the alternator, the capacitor lead should be shorted to the capacitor-mounting strip to discharge the capacitor. Failure to do so may cause the capacitor to discharge while being cleaned.

9.4 Pulley and Fan Removal

1. Using a 14-mm hex socket to hold the rotor shaft. Loosen and remove pulley-retaining nut with a box wrench. (Figure 9)

Note: Do not use an air impact gun to remove the nut as the force of the impact may cause damage to the alternator bearings.

**Figure 9 Pulley and Fan Removal**

2. Remove the pulley and cooling fan from the alternator.

9.5 Separation of Drive Shield and Collector End Shield

Note: With a scribe, mark the relationship between the drive end shield and the collector ring end shield. This will assist in the realignment of the two shields upon reassembly.

1. Loosen and remove the four (4) outer Oval-head screws which hold the end shields together. (Figure 10)



2. Slide the drive end shield and rotor out of the collector end shield.

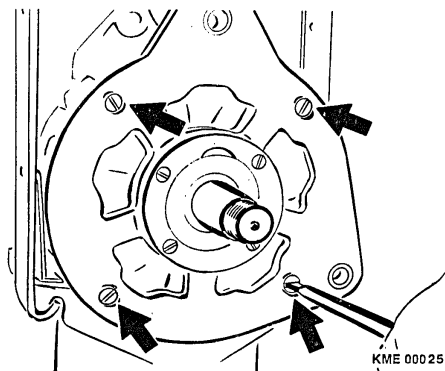


Figure 10 Drive End Shield Removal

9.6 Rectifier Assembly Testing

Note: The following testing of the rectifier is to be performed with the rectifier assembly installed and wired in to the stator.

1. With the rectifier assembly still installed in the collector end shield, testing of the rectifier is to be performed.
 - a. **Using tester WPG 012.00 (Bosch Number 0 684 201 200)** (Figure 11)
 - i) Connect the negative (black) lead of the tester to the collector end shield and the positive (red) lead to each of the stator connection solder joints.
 - ii) Connect the positive (red) lead of the tester to the B+ Terminal and the negative (black) lead to each of the stator connection solder joints.
 - iii) Connect the positive (red) lead of the tester to the D+ Terminal and the negative (black) lead to each of the stator connection solder joints.

The rectifier assembly is reusable if the tester remains in green zone. If the rectifier assembly fails any test, one or more of the diodes are defective and the whole assembly must be replaced.

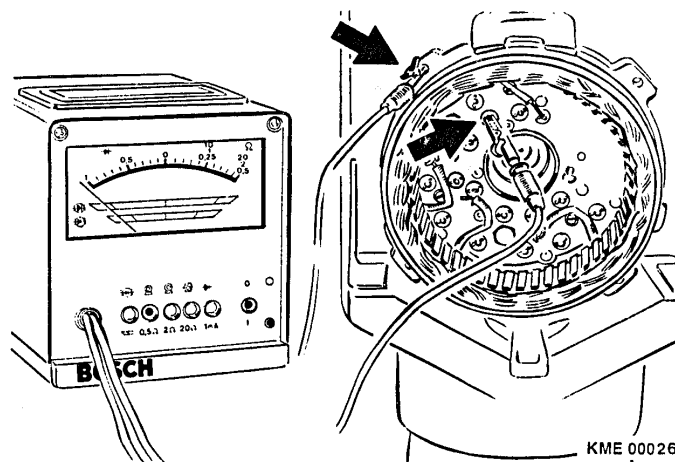


Figure 11 Testing of Rectifier Assembly

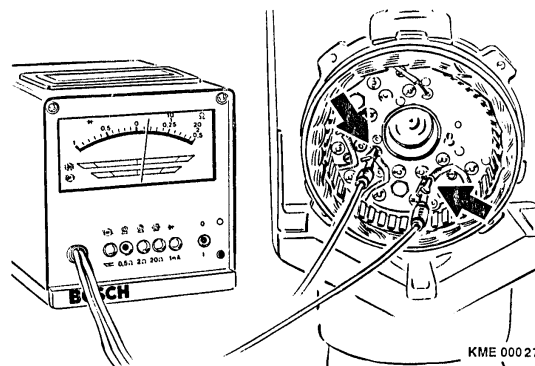
**b. Using a Diode Tester**

- i) Connect the negative (black) lead of the tester to the collector end shield and the positive (red) lead to each of the stator connection solder joints. No current should pass through the rectifier assembly.
- ii) Connect the positive (red) lead of the tester to the collector end shield and the negative (black) lead to each of the stator connection solder joints. Current should pass through the rectifier assembly.
- iii) Connect the positive (red) lead of the tester to the B+ Terminal and the negative (black) lead to each of the stator connection solder joints. No current should pass through the rectifier assembly.
- iv) Connect the negative (black) lead of the tester to the B+ Terminal and the positive (red) lead to each of the stator connection solder joints. Current should pass through the rectifier assembly.
- v) Connect the positive (red) lead of the tester to the D+ Terminal and the negative (black) lead to each of the stator connection solder joints. No current should pass through the rectifier assembly.
- vi) Connect the negative (black) lead of the tester to the D+ Terminal and the positive (red) lead to each of the stator connection solder joints. Current should pass through the rectifier assembly.

If the rectifier assembly fails any test, one or more of the diodes are defective and the whole assembly must be replaced.

9.7 Removal and Testing of Stator Assembly

1. With tester WPG 012.00 or Multimeter MMD 302 set to read 0 to 0.5 Ω , test the resistance of the stator while it is still attached to the rectifier assembly. Connect the test leads between the phase outputs of the stator. Repeat the test until all three phases of the stator has been tested. A good stator will read between 0.036 Ω and 0.040 Ω . (Figure 12)

**Figure 12 Stator Resistance Testing**

2. Unsolder the stator phase connections from the rectifier assembly with a soldering gun or iron.
3. Bend open any bent-over lead connections with a screwdriver or pliers and pull the stator leads from the rectifier eyelets.

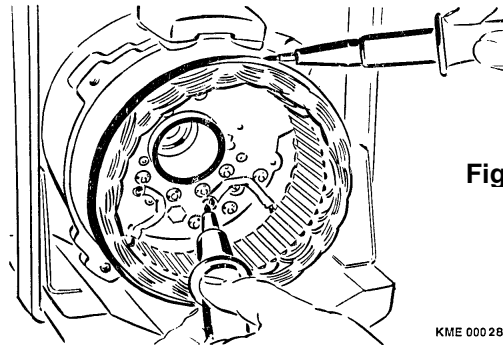


Note: The insulation tester applies a voltage of 80 VAC to the stator. Voltages of 80V can be fatal. When performing this test, observe care is used in handling the stator and any component or surface that is exposed to the stator. Use insulated gloves and do not touch the work surface until all tests are completed.



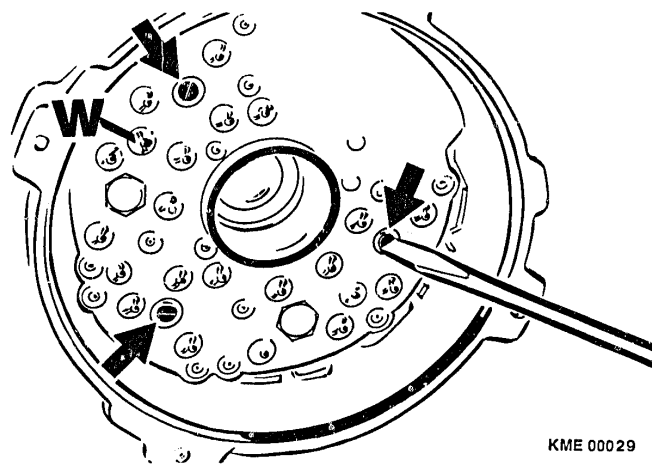
- Using insulation tester KDAW 9983 (Bosch Number 0 986 619 110) or equivalent, apply 80 VAC to each of the stator phase leads with one probe while the other probe is in contact with the exterior of the stator. (Figure 13)

No continuity should be present. Any continuity between the stator phase leads and the exterior of the stator indicates a breakdown of the stator insulation and a short to ground. If continuity is present, the stator must be replaced.

**Figure 13 Stator Insulation Testing**

9.8 Rectifier Assembly Removal

- Loosen and remove the three screws that hold the rectifier to the collector end shield. (Figure 14)
- Unsolder the W terminal from the rectifier assembly.

**Figure 14 Rectifier Assembly Removal**

- Remove the nuts holding terminals B+, B- and D+ to the collector end shield.

Note: Do not attempt to remove the studs from the rectifier assembly. Terminals B+, B- and D+ are permanently attached to the rectifier assembly. Terminal W is attached to the collector end shield. Do not loosen Terminal W.

- Remove the rectifier assembly from the collector end shield.



9.9 Dampening Resistor Testing and Removal

1. The W Terminal incorporates a dampening resistor. Using a Multimeter MMD 302, connect one lead to the exterior portion of the W terminal and connect the other lead to the other side of the W Terminal. The Multimeter should read between 3.1 and 3.5 k (kilohm). If the resistance is above or below this range, the W terminal is to be replaced as an assembly. (Figure 15)

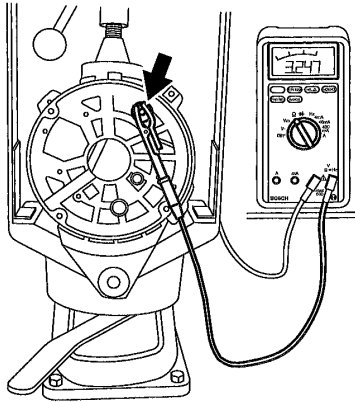


Figure 15 Testing of W Terminal Dampening Resistor

2. Loosen the nut retaining terminal W to the collector end shield.
3. Remove terminal W.

9.10 Removal of Collector End Shield Bearing and Seal

1. Insert extractor KDLJ 6009 (Bosch Number 0 986 618 121) into bearing.
2. Screw threaded rod KDAW 9995/14 (Bosch Number 0 986 618 214) into extractor KDLJ 6009.
3. Slide the receiver cup KDAW 9995/0/5 (Bosch Number 0 986 619 250) onto threaded rod.
4. Screw on the handle, rotate until the bearing, and seal come out of the collector end shield. (Figure 16)

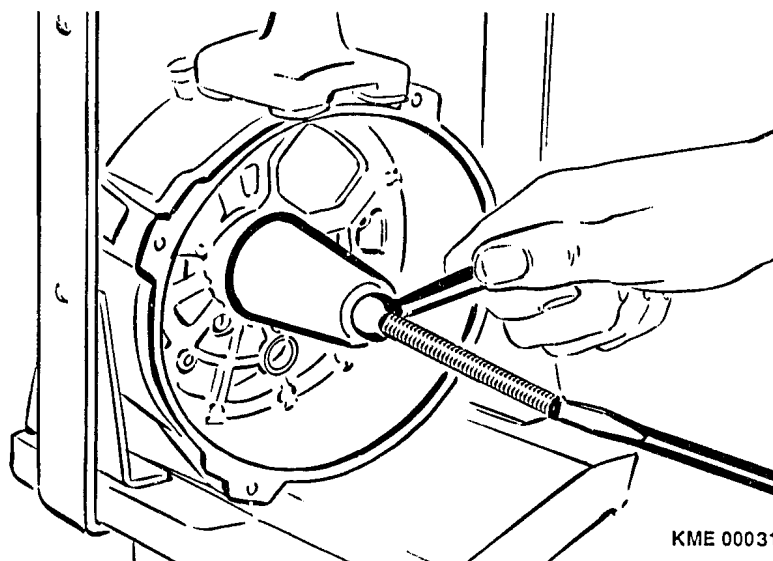


Figure 16 Bearing and Seal Removal



5. If the roller bearing is stuck in end shield, proceed as follows:
 - a. Remove extractor KDLJ 6009 from the bearing.
 - b. Destroy the bearing cage with a screwdriver or similar tool.
 - c. Remove rollers from bearing.
 - d. Insert spring collet KDAW 9995/6 (Bosch Number 0 986 619 233) into bearing outer race.
 - e. Screw threaded rod KDAW 9995/14 into extractor KDAW 9995/6.
 - f. Slide the receiver cup KDAW 9995/0/5 onto threaded rod.
 - g. Screw on handle and rotate until the bearing race comes out of the collector end shield.

9.11 Removal of Sliding Bushing in Collector End Shield

1. Place collector end shield in an arbor press, support mounting/pivot boss on mandrel KDLJ 6016 (Bosch Number 0 986 618 130). (Figure 17)
2. Place bushing mandrel KDLJ 6015 (Bosch Number 0 986 618 219) on sliding bushing.
3. Press sliding bushing out of collector end shield into mandrel KDLJ 6016.

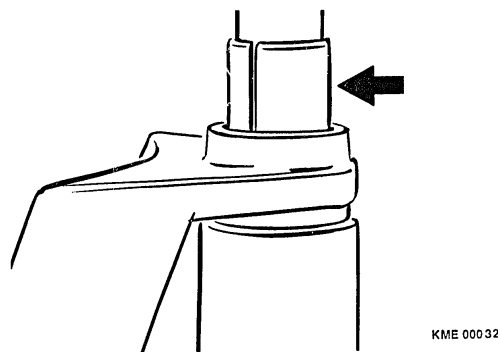


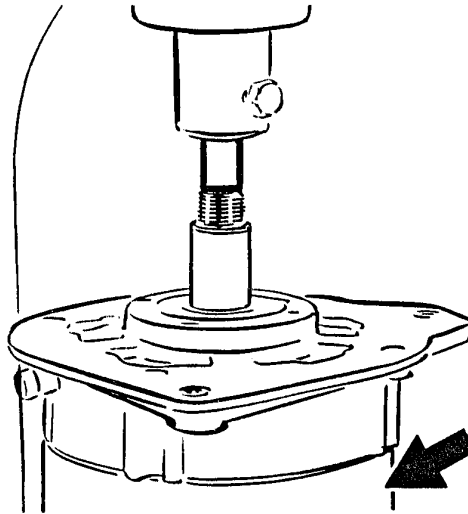
Figure 17 Sliding Bushing Removal

9.12 Removal of Rotor from Drive End Shield

1. Place drive end shield onto pressing ring KDLJ 6013 (Bosch Number 0 986 618 127).
2. Place pressing ring into an arbor press. (Figure 18)



3. Press out rotor.



KME 00033

Figure 18 Pressing out Rotor

4. Remove spacer ring from rotor shaft.

Notes: Protect the threads of the rotor from damage prior to pressing. Always replace the drive end bearing if the rotor has been pressed out. Therefore, only remove the rotor if;

- *the rotor is to be replaced*
- *the excitation winding of the rotor is to be replaced*
- *the drive end bearing/spacer ring is to be serviced*
- *the rotor collector rings are to be replaced*



9.13 Removal of Bearing and Seal from Drive End Shield

1. Loosen and remove the four (4) screws holding the bearing cover plate. (Figure 19)
2. Remove the spacer ring (Refer to arrow in Figure 19).
3. Remove the bearing from the drive end shield.

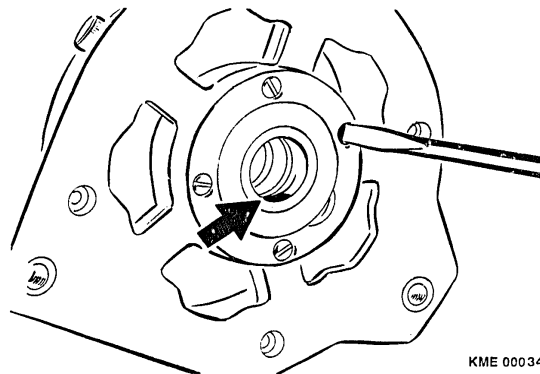


Figure 19 Drive End Bearing Removal

9.14 Removal of Collector Ring End Inner Bearing Race from Rotor

1. With a universal bearing puller, remove the inner race of the endshield bearing. (Figure 20)

Notes: Place jaws of the puller yoke behind the inner-bearing race and pull the bearing race only. Do not place the yoke behind the spacer ring. Pulling both the bearing and the spacer ring at the same time may damage the rotor. The inner bearing race must be replaced anytime the collector end shield bearing is replaced.

2. Reposition the puller and remove the spacer ring from the rotor shaft.

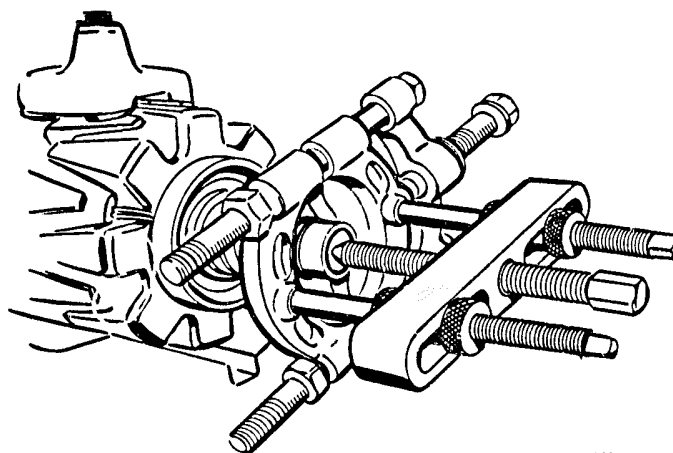


Figure 20 Inner Bearing Race Removal



9.15 Rotor Inspection

1. Using electric tester ETE 014.00 or Multimeter MMD 302, measure the resistance between the two collector rings of the rotor. The resistance measured should be between 7.5 and 8.3 Ω . (Figure 21)

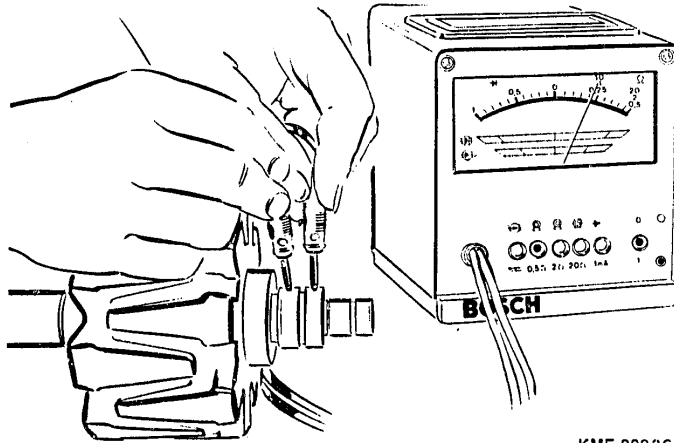


Figure 21 Rotor Resistance Testing

2. Using insulation tester KDAW 9983 or equivalent, apply 80 VAC to the rotor claw poles and each of the collector rings. If the insulation tester lights, there is a short to ground within the rotor. (Figure 22)

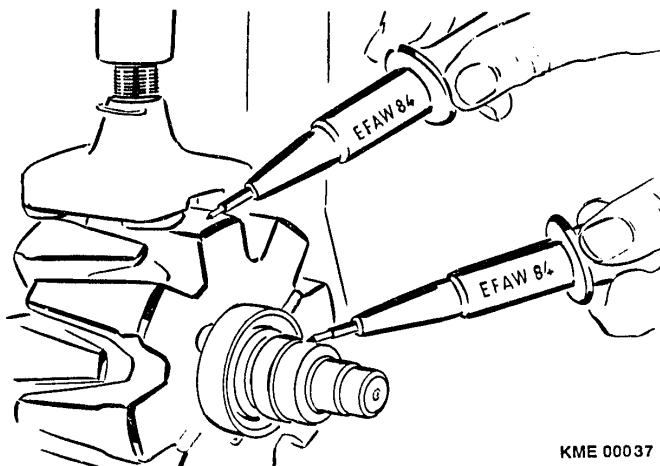


Figure 22 Rotor Insulation Testing

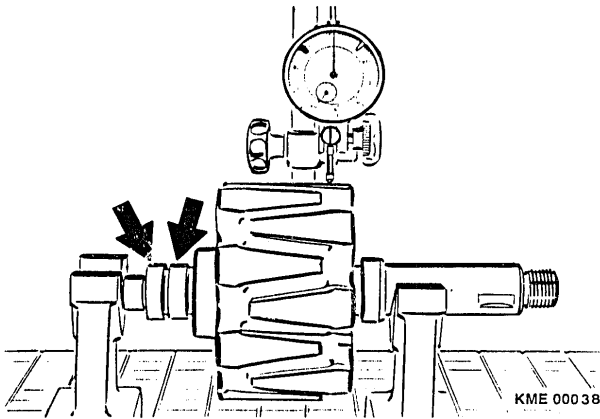


Note: The insulation tester applies a voltage of 80 VAC to the rotor. Voltages of 80V can be fatal. When performing this test, observe care is used in handling the rotor and any component or surface that is exposed to the rotor. Use insulated gloves and do not touch the work surface until all tests are completed.

3. Mount the rotor in a pair of V-Blocks at the rotor bearing points.



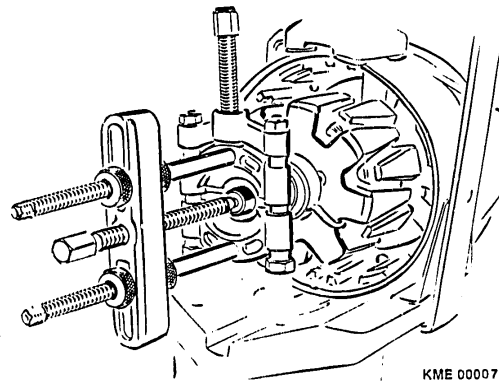
4. Position dial indicator (Magnetic Base T-M 1 (Bosch Number 4 851 601 124) and Dial Indicator EFAW 7 (Bosch Number 1 687 233 011)) to measure the concentricity of the rotor at: (Figure 23)
 - a. Outer diameter of rotor, maximum run-out 0.05 mm (0.002 in). If the run-out of the rotor exceeds the maximum, the rotor must be replaced.

**Figure 23 Rotor Concentricity Measurement**

- b. Each collector ring, maximum run-out 0.03 mm (0.0012 in). If the run-out exceeds the maximum, the collector rings can be machined down to a minimum of 31.5 mm (1.240 in) diameter. If the required machining causes the collector ring diameter to drop below the minimum dimension, the collector ring(s) must be replaced.

9.16 Collector Ring Replacement

1. Before the collector rings can be removed, the spacer ring from the end of the rotor must be removed. Refer to Section 9.14 "*Removal of Inner Bearing Race from Rotor.*"
2. Unsolder the rotor leads from each collector ring.
3. With a universal bearing puller, remove each collector ring one at a time from the rotor. (Figure 24)

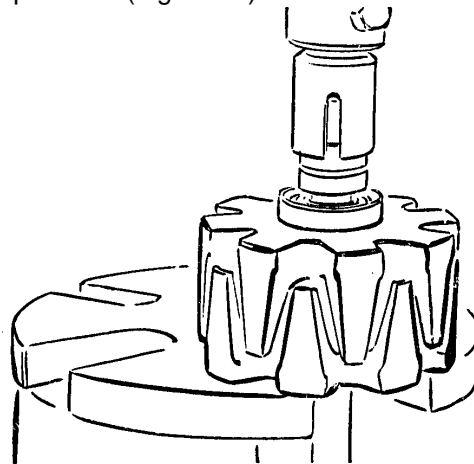
**Figure 24 Collector Ring Removal**



10 Alternator Assembly

10.1 Rotor Assembly

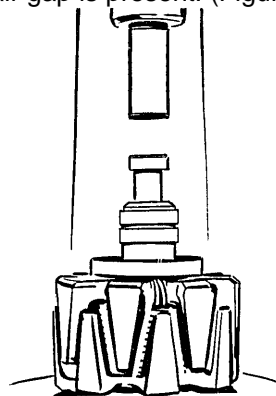
1. Position rotor in arbor press with the drive end pointing down.
2. Press the lead for the rotor winding into the slot of the rotor.
3. Slide the collector rings onto the rotor shaft as far as possible by hand. Make sure the lead for the rotor windings does not become damaged while sliding the collector rings over the lead.
4. Lining up the slot in tool KDLJ 6012 (Bosch Number 0 986 618 126) with the rotor lead, press the collector rings onto the rotor as far as possible. (Figure 25)



KME 00040

Figure 25 Pressing on Collector Rings

5. Solder each of the rotor winding leads to one of the collector rings with rosin core solder.
6. After soldering, touch up surface of collector ring to remove any excess solder from the brush contact surface.
7. Press on collector end shield bearing spacer ring with tool KDLJ 6018 (Bosch Number 0 986 618 134) until it contacts the stop on the rotor and no air gap is present. (Figure 26)



KME 00008

Figure 26 Spacer Ring



Note: Do not allow the spacer ring to twist while pressing onto the rotor.

8. Place the inner bearing race of the collector end shield bearing onto the rotor shaft.
9. Press the bearing onto the rotor shaft with tool KDLJ 6018. (Figure 26)

10.2 Drive End Shield Assembly

1. Insert sealed ball bearing into the drive end shield.
2. Align the holes of the bearing cover plate with the holes in the drive end shield.
3. Start the four screws which hold the bearing cover plate and tighten to 4.1 ... 5.5 Nm (36.3 ... 48.7 in. lbs.) (Figure 27)

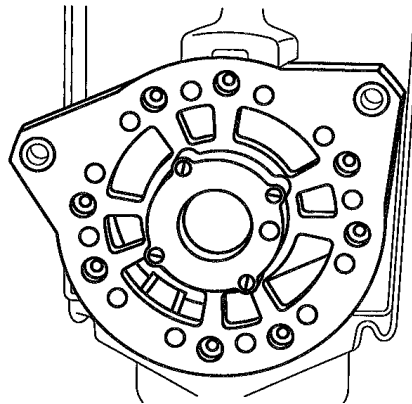
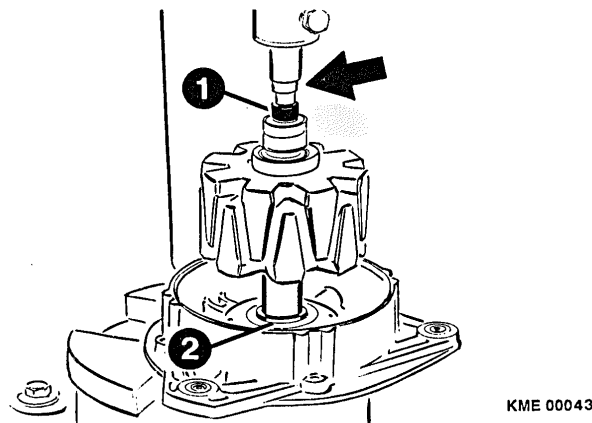


Figure 27 Drive End Bearing Retaining Screws

4. Insert bearing/fan spacer ring into the drive end shield from the fan side of the shield.
5. Place drive end shield on to an arbor press with the bearing/fan spacer ring pointed down. (Figure 28)
6. Slide support ring onto the drive end of the rotor. Make sure the under cut side of the ring faces the retaining ring on the rotor.



**Figure 28 Installing Rotor into Drive End Shield
(1) Tool KDLJ 6018 (2) Support Ring**



7. Place rotor into the drive end bearing.
8. Place tool KDLJ 6018 onto the end of the rotor and press the rotor into the drive end bearing until the bearing seats against the support ring.

10.3 Collector Ring End Shield Assembly

1. Pack the collector end roller bearing with 2 to 2.5 g (0.07 to 0.09 oz.) of UNIREX N3 grease.
2. Place the end shield on an arbor press.
3. Place tool KDLJ 6011 (Bosch Number 0 986 618 125) into bearing and press bearing into collector end shield. (Figure 29)
4. Pack the bottom of the collector end housing bearing bore with an additional 2 g (0.07 oz.) of UNIREX N3 grease.
5. Coat the sealing lip of the radial lip seal and pack the seal with 2 g (0.07 oz.) of UNIREX N3 grease.

Notes: Do not assemble the alternator with a dry radial seal as this will lead to seal failure and contamination of the brushes and collector rings.

Make sure there is no excess grease on the exterior of the seal before installation in the collector end shield. Excess grease on the exterior of the seal will cause contamination of the collector rings and brushes.

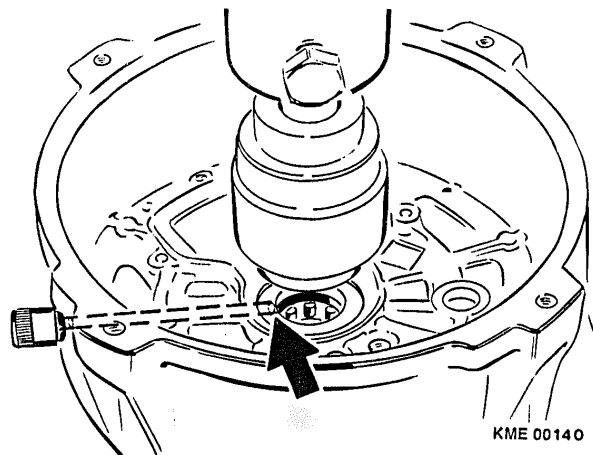
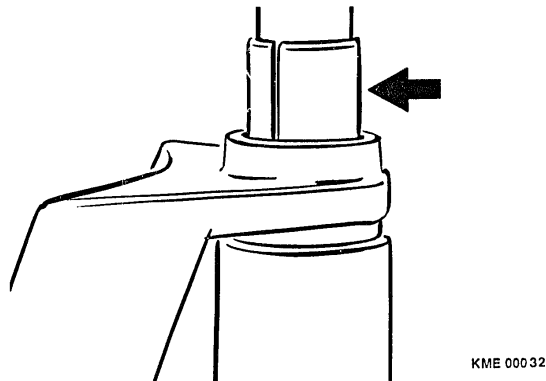


Figure 29 Installation of Bearing and Seal

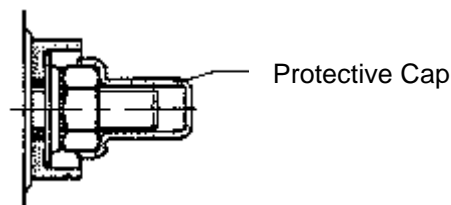
6. Place seal onto tool KDLJ 6011 and press the seal into the collector end shield. (Figure 29)
7. Place collector end shield in an arbor press, support mounting/pivot boss on tool KDLJ 6016. (Figure 30)
8. Coat the inside of the collector end shield bore with Molycote.
9. Place sliding bushing into place on collector end shield.



10. With tool KDLJ 6015, press sliding bushing into end shield until the bushing is flush with the inner surface of the mounting/pivot boss. (Figure 30)

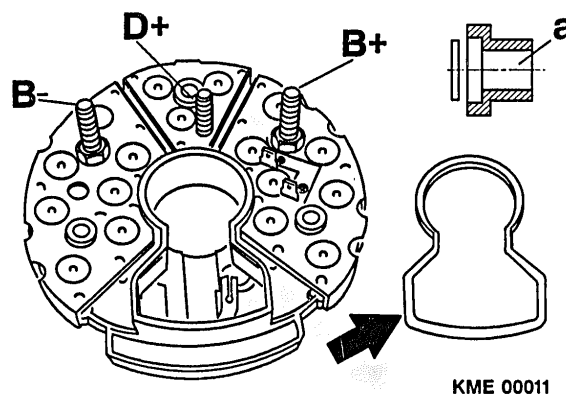
**Figure 30 Sliding Bushing Installation**

11. Insert terminal W into collector end shield in location marked W. Make sure the locating lug of the terminal assembly indexes the end shield correctly.
12. Place insulator and flat washer onto terminal W.
13. Install nut and torque to 4.1 to 5.5 Nm (36.3 to 48.7 in. lbs.)
14. Install protective cap onto terminal W. (Figure 31)

**Figure 31 Terminal W Insulator,
Washer, Nut and Cap**

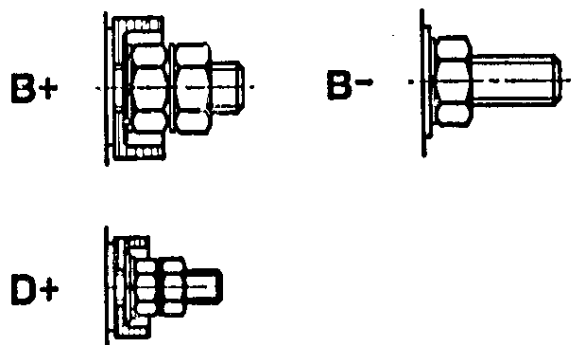
10.4 Rectifier Assembly

1. Place flat washer and insulator (a) onto terminal B+ and D+ studs of the rectifier assembly. (Figure 32)

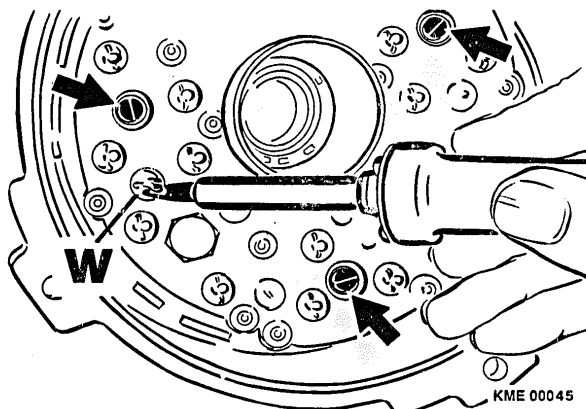
**Figure 32 Rectifier Insulators and Seal**



2. Coat the keyhole shaped surface of the rectifier with adhesive. (Figure 32)
3. Place the rectifier seal ring onto the keyhole shaped surface of the rectifier. Make sure the seal conforms to the shape of the keyhole.
4. Once the adhesive has cured, place the rectifier into the collector end shield. Make sure the solder lug of the W Terminal passes into the correct position of the rectifier assembly.
5. Install the insulating washer, flat washer and nut to terminal studs B+ and D+. (Figure 33)
6. Install flat washer and nut onto terminal stud B-. (Figure 33)
7. Check that the soldering lug of terminal W is still in the proper location of the rectifier assembly.

**Figure 33 Terminal B+, B- and D+ Assembly**

8. Torque terminal stud nuts B+, D+ and B- to:
 - a. Terminal B+ and B-..... 10 to 13 Nm (88.5 to 115 in. lbs.)
 - b. Terminal D+..... 2.4 to 3.2 Nm (21.2 to 28.3 in. lbs.)
9. Install the flat washer and second nut to terminal studs B+, D+ and B- and torque to:
 - a. Terminal B+ and B-..... 10 to 13 Nm (88.5 to 115 in. lbs.)
 - b. Terminal D+..... 2.4 to 3.2 Nm (21.2 to 28.3 in. lbs.)
10. Install the three (3) rectifier mounting screws and torque to 1.3 to 1.7 Nm (11.5 to 15 in. lbs.).
11. Solder the soldering lug of terminal W to the solder pad of the rectifier assembly with rosin core solder. (Figure 34)

**Figure 34 Rectifier Mounting and Soldering of Terminal W**



10.5 Stator Assembly

1. Position the stator on the collector end shield. The side of the stator with the winding leads should be closest to the collector end shield.
2. Line up the scribed mark of the stator with the scribed mark of the collector end shield. If either the stator or collector end shield was replaced, a new mark should be scribe across the new part using the replaced component as a reference.
3. Place each of the stator leads into a corresponding soldering lug of the rectifier assembly. After the lead is through the soldering lug, bend the lead so it forms a U around the lug. (Figure 35)

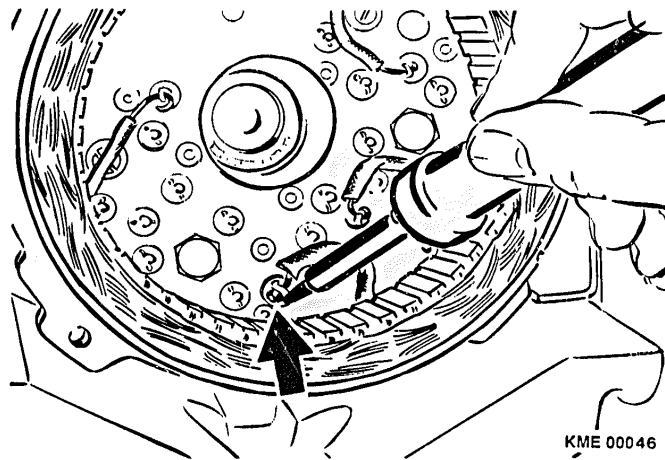


Figure 35 Soldering of Stator Leads

4. Solder each of the stator leads to the rectifier assembly with rosin core solder.

10.6 Rotor and Drive End Shield Installation

1. Place collector end shield and stator assembly on a suitable surface so the rotor and drive end shield assembly can be lowered into place
2. Guide the rotor and drive end shield assembly until the inner bearing race of the collector end bearing enters the roller bearing. Once the inner race enters the bearing, lower the assemblies completely into the collector end shield.
3. Insert guide pin KDLJ 6014 (Bosch Number 0 986 618 128) through the sliding bushing of the collector end shield and the bushing of the drive end shield. (Figure 36)
4. Start the four (4) drive end shield to collector end shield screws.
5. Place the alternator assembly into clamping fixture KDAW 9999.
6. Insert four (4) 0.3 mm (0.012 in) feeler gauges between the stator and the rotor. The feeler gauges should be place in four diametrically opposed positions. (Figure 36)
7. Torque the drive end shield to collector end shield screws to 7.2 to 9.7 NM (21.2 to 28.3 in. lbs.).



8. Remove the four feeler gauges from between the stator and rotor.
9. Turn the rotor by hand. The rotor should rotate freely by hand. If the rotor does not turn freely, loosen the drive end shield to collector end shield screws and repeat steps 6, 7, 8 and 9.
10. While rotating the rotor by hand, listen for contact between the rotor and the stator or stator leads. If any contact sound is heard, the rotor and drive end shield assembly must be removed, the cause determined and repaired before continuing. Once the problem has been corrected, start at step 1 of this section.

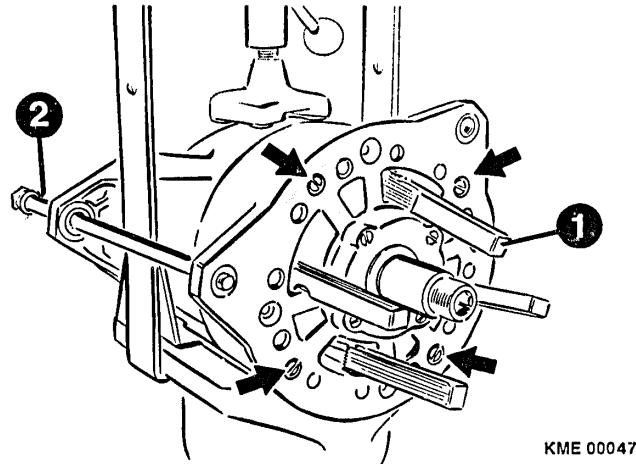


Figure 36 Drive End Shield, Stator and Collector End Shield Assembly
(1) Feeler Gauge (2) Tool KDLJ 6015

11. Remove the alignment pin KDLJ 6014 from the alternator.

10.7 Regulator and Capacitor Installation

1. Depress the carbon brush closest to the regulator into the regulator/brush holder.
2. Insert a straightened paper clip (1 to 1.3 mm dia. x 40mm) into the hole of the regulator until the pin holds the brush in place.
3. Pivot the regulator into the opening of the alternator. Once the brush holder is inside the alternator cavity, slowly remove the paper clip and allow the brushes to extend from the holder. (Figure 37)

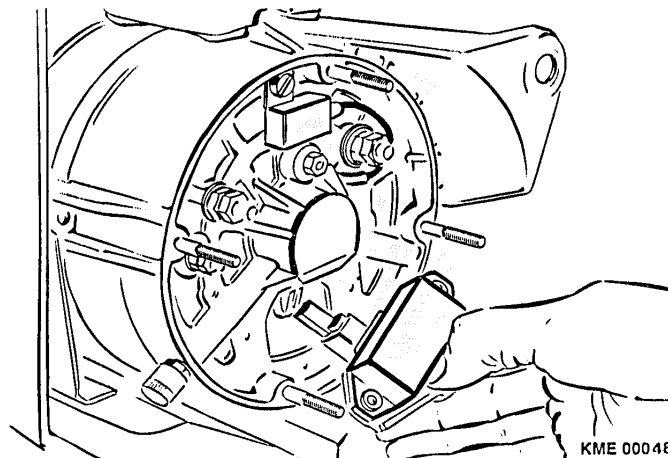


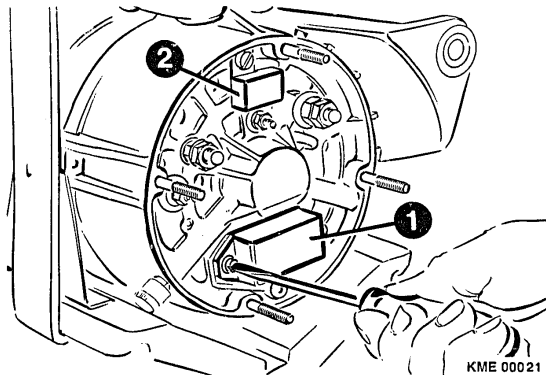
Figure 37 Regulator Installation



4. Align the mounting holes of the regulator to holes of the alternator housing.

Note: When aligning the mounting holes, pay attention to the force used as damage can occur to the brushes.

5. Install the three (3) regulator mounting screws and torque to 1.3 to 1.7 Nm (11.5 to 15 in. lbs.). (Figure 38)
6. Install capacitor on collector end shield and tighten mounting screw to 4.3 to 5.7 Nm (38.0 to 50.4 in. lbs.). (Figure 38)



**Figure 38 Capacitor Installation
(1) Voltage Regulator (2)**

7. Connect lead of capacitor to spade terminal +.
8. Install air intake cover onto alternator. Do not torque cover until it has been installed on the vehicle/engine.



11 Functional Testing

11.1 General Information

The functional testing of the alternator is broken into two categories, Power Output and Voltage Trace Evaluation. All of the tests describe here are performed with the voltage regulator installed on the alternator.

11.1.1 Power Output Tests

The power output tests verify the capability of the alternator to produce rated current and voltage at different speeds. This test requires a test bench of sufficient horsepower to turn a fully loaded alternator at a given speed. Additionally, the test bench must have the ability to inductively load the alternator to its rated amperage for an extended amount of time.

The power output test is to be performed anytime the alternator is suspected of being defective or if the alternator has been disassembled.

11.1.1.1 Test Bench Requirements

To perform the power output test of this series alternator, a test bench must meet the following minimum criteria.

Characteristic	Minimum Specification
Variable Speed Control	0 - 12,000 RPM
Drive Motor	4 kW (5.4 hp)
Load Bank Capability	170 A @ 28 V for 10 minutes 80 A @ 28 V for 30 minutes
Output Voltage Capability	28 V

11.1.2 Voltage Trace Evaluation

The voltage trace evaluation compares the output of the alternator as viewed on an oscilloscope to know oscilloscope patterns. The voltage trace evaluation is an important tool for diagnostics of an alternator that cannot meet the criteria of the power output test. Proper interpretation of the waveforms obtained can lead a technician to the defective component of a failed alternator. The voltage trace evaluation is done while the alternator is still mounted to the alternator test bench. Most any oscilloscope, which is capable of accepting the alternator voltage output, is useable for this evaluation.

11.2 Power Output Testing

11.2.1 Test Bench Mounting

1. Mount the alternator to the test bench per the operating instructions of the test bench manufacturer.
2. Connect the drive system of the test bench to the alternator as per the instructions of the test bench manufacturer.

Note: Only perform the power output tests with the fan pulley installed on the alternator. Failure to test the alternator with the correct fan installed can cause the alternator to overheat and damage the internal components of the alternator.



3. Connect the test leads of the test bench to the alternator as follows:

- a. Connect the +24 v lead of the test bench to the B+ terminal of the alternator.
- b. Connect the -24 v lead of the test bench to the B- terminal of the alternator.
- c. Connect the charging indicator lamp of the test bench to the D+ terminal of the alternator.

*Note: Refer to test bench manufacturers operating instructions for correct terminology of test leads
Refer to figure 39 for a schematic outline of alternator to test bench connections. Compare this schematic to the hook-up schematic of your test bench.*

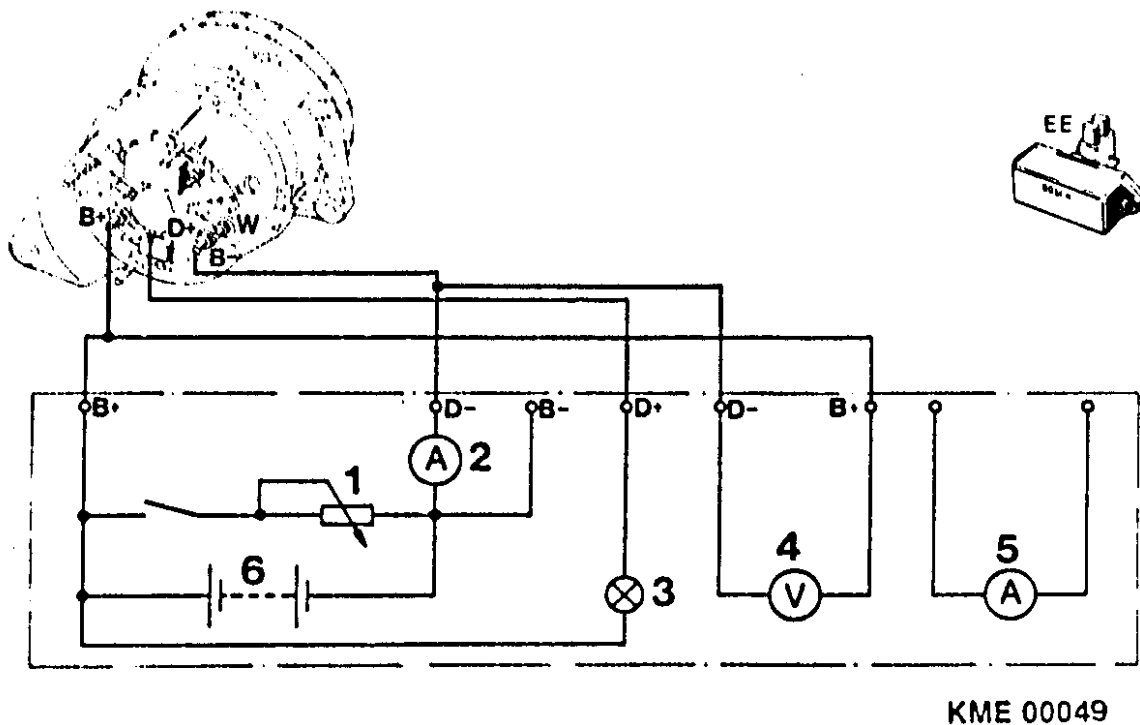


Figure 39 Alternator Test Bench Hook-up Schematic

- (1) Variable Load Resistor
- (2) Ammeter (Alternator Output)
- (3) Charging Indicator Lamp
- (4) Voltmeter (Regulated Voltage)
- (5) Ammeter
- (6) Test Bench Battery

4. Make sure the test bench is set for the correct voltage and rotation before starting tests.

11.2.2 Power Output Test

1. Start test bench and increase speed to 1500 rpm, alternator speed.
2. Increase inductive load on the alternator until 76A output is achieved. As load is increased, monitor test bench speed and correct if speed drops while applying load.



3. Hold test bench at this speed and load for 30 minutes. Monitor alternator output and speed during the test period.
4. Remove load and operate the alternator at 7000 rpm for one minute to allow the alternator to cool.
5. Refer to the test bench operating instructions and allow the load bank to cool the required amount of time before proceeding to the next test.
6. After the load bank has cooled, increase the test bench until the alternator has reached 6000 rpm.
7. Increase inductive load on the alternator until 136A alternator output is achieved. As load is increased, monitor test bench speed and correct if speed drops while applying load.
8. Hold test bench at this speed and load for 10 minutes. Monitor alternator output and speed during the test period.
9. Remove load and operate the alternator at 7000 rpm for one minute to allow the alternator to cool.
10. Refer to the test bench operating instructions and allow the load bank to cool the required amount of time before proceeding to the next test.
11. Apply a minimum load of 10A to the alternator.
12. Measure the regulated voltage of the alternator. The correct regulated voltage is between 27.6 and 28.4 volts.
13. If the alternator passes the three output tests, no further testing is required. If the alternator failed any of the three tests, proceed with the voltage trace evaluation.

11.3 Voltage Trace Evaluation

The voltage trace evaluation is a comparison of the voltage output of the alternator to know patterns. These know patterns will help identify different failed components.

11.3.1 Oscilloscope Hook-up

1. Following the manufacturer's instructions for your oscilloscope, connect the scope to the B+ and B- terminals of the alternator.
2. Adjust the oscilloscope to read 28 volts.
3. Turn on test bench and operate the alternator with a 10A load.
4. Compare oscilloscope display to the following test patterns.

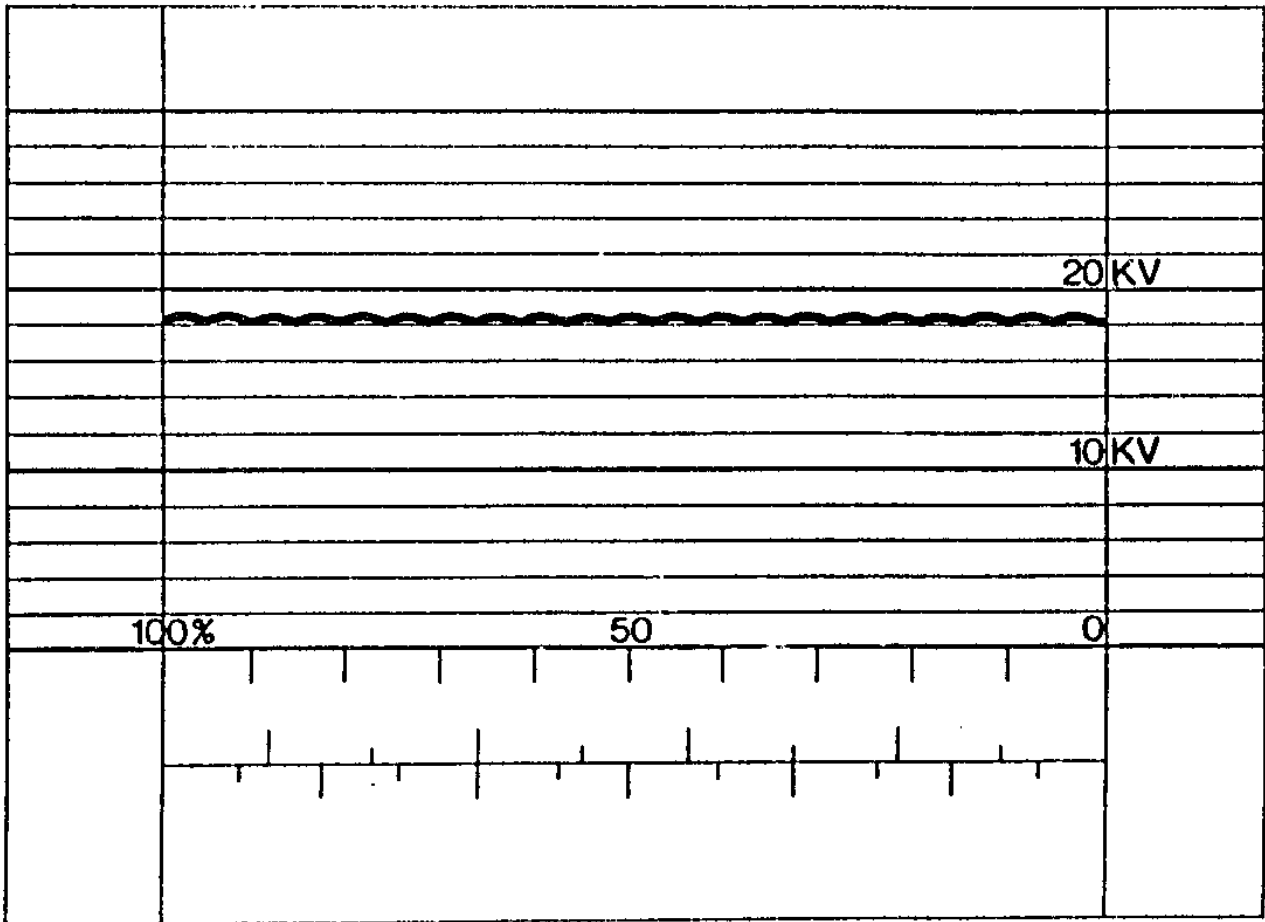


11.3.2 Normal Pattern

This image represents a properly functioning alternator. The D.C. voltage produced has a small harmonic wave.

Small spikes may be superimposed on the oscilloscope screen if the voltage regulator is regulating. Applying a load to the alternator output terminals can turn off the regulator.

In order to be able to compare oscilloscope images, the oscilloscope so the pattern fits between two vertical 10x divisions.



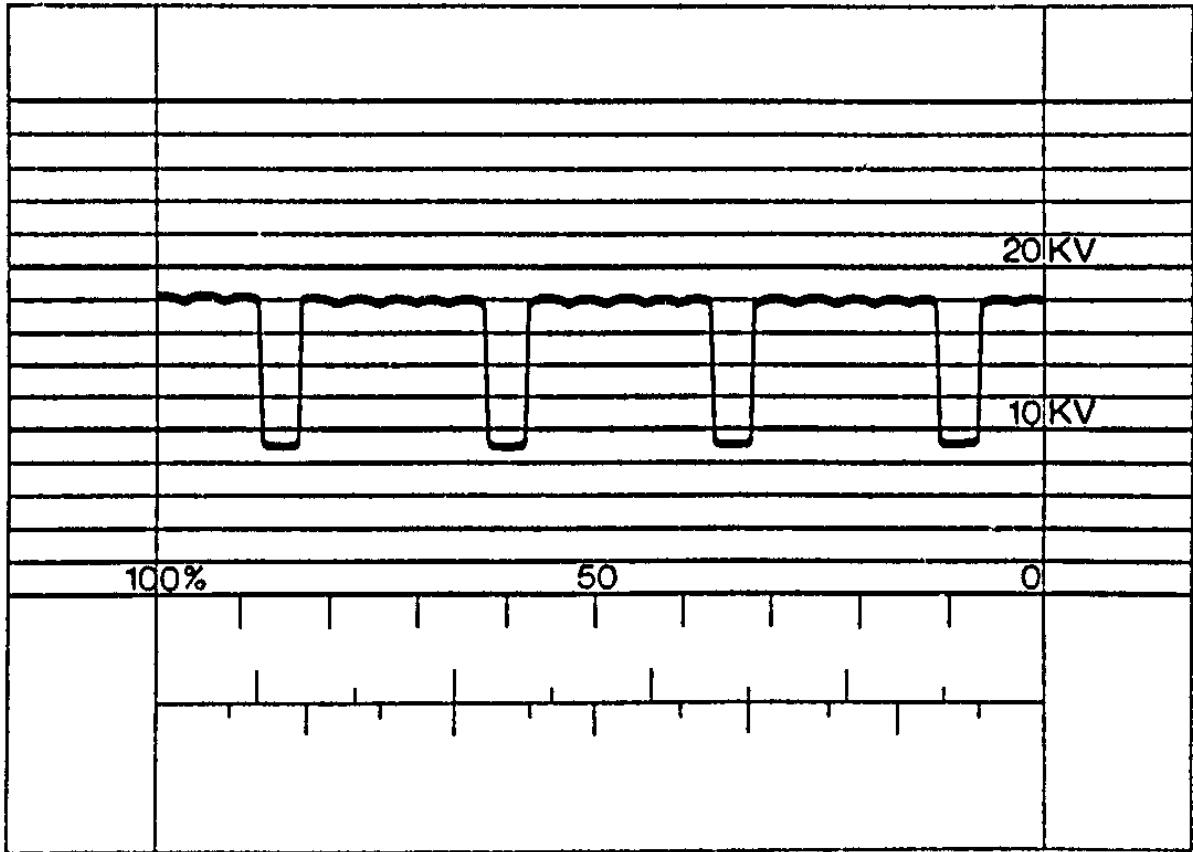
KME00052

Figure 40 Normal Pattern



11.3.3 Open Exciter Diode

This pattern displays a characteristic dip in the normally smooth wave characteristic of a defective exciter diode. This would require disassembly of the alternator and replacement of the rectifier assembly.



KME00053

Figure 41 Open Exciter Diode

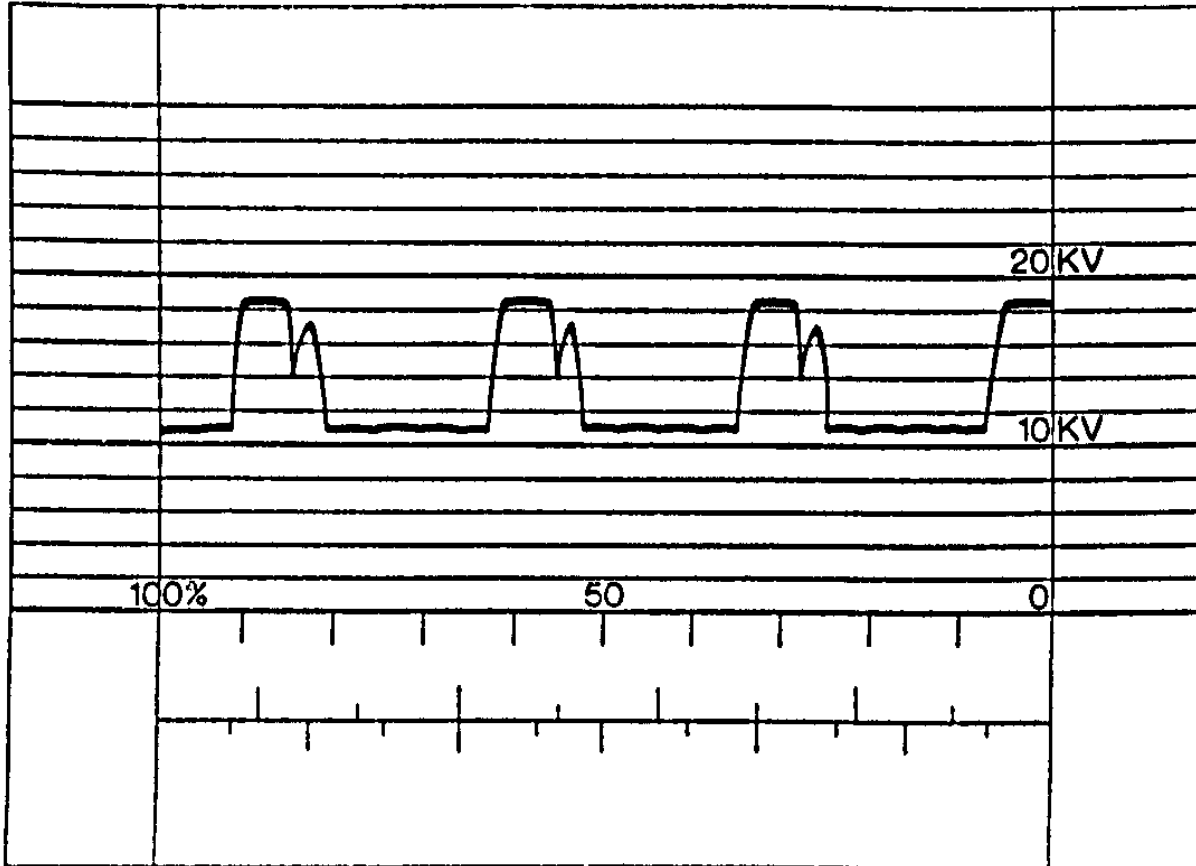


11.3.4 Open Positive Rectifier Diode

This pattern identifies an open positive rectifier diode. In the case of multiple diodes in parallel, all of the diodes on the circuit must be open. An example is:

There are two diodes in the rectifier for each phase of the stator. Both diodes must be open for this pattern to appear.

With this type of defect, the rectifier assembly must be replaced.



KME00054

Figure 42 Open Positive Rectifier Diode

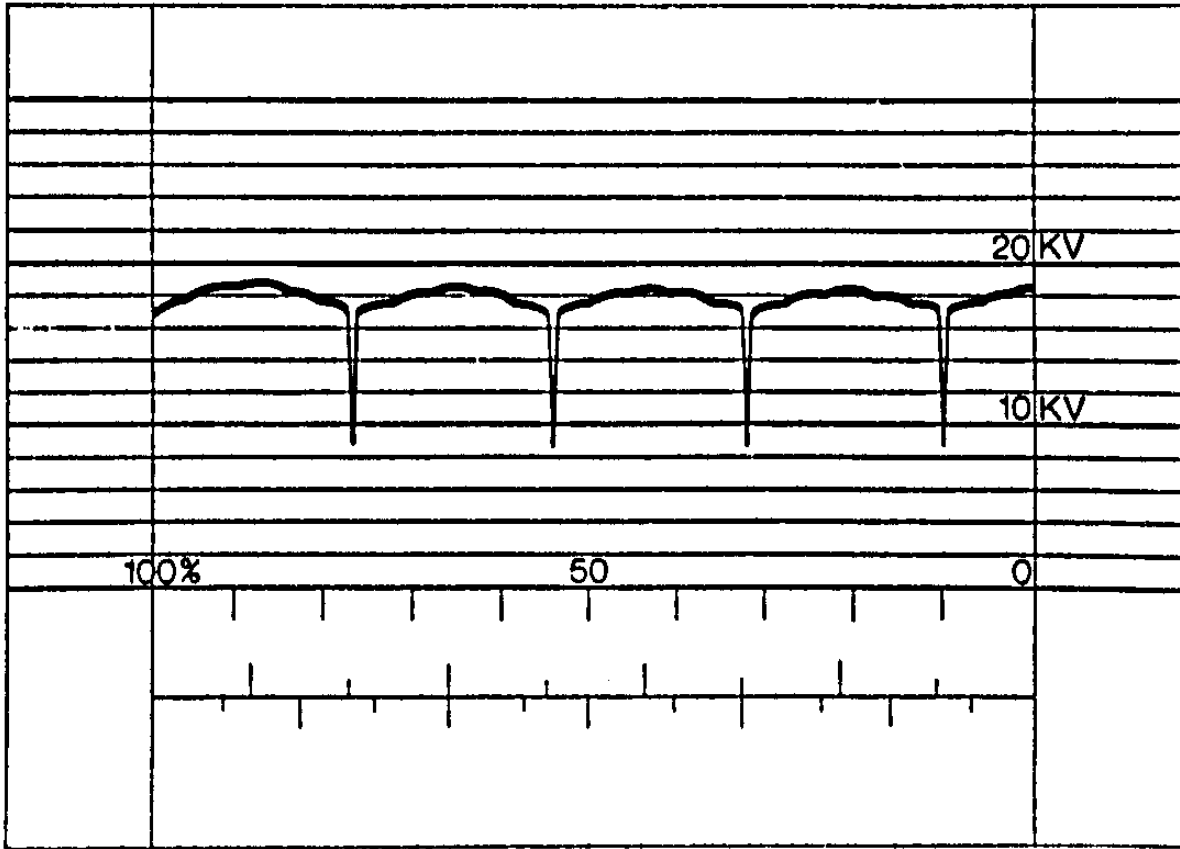


11.3.5 Open Negative Rectifier Diode

This pattern identifies an open negative rectifier diode. In the case of multiple diodes in parallel, all of the diodes on the circuit must be open. An example is:

There are two diodes in the rectifier for each phase of the stator. Both diodes must be open for this pattern to appear.

With this type of defect, the rectifier assembly must be replaced.



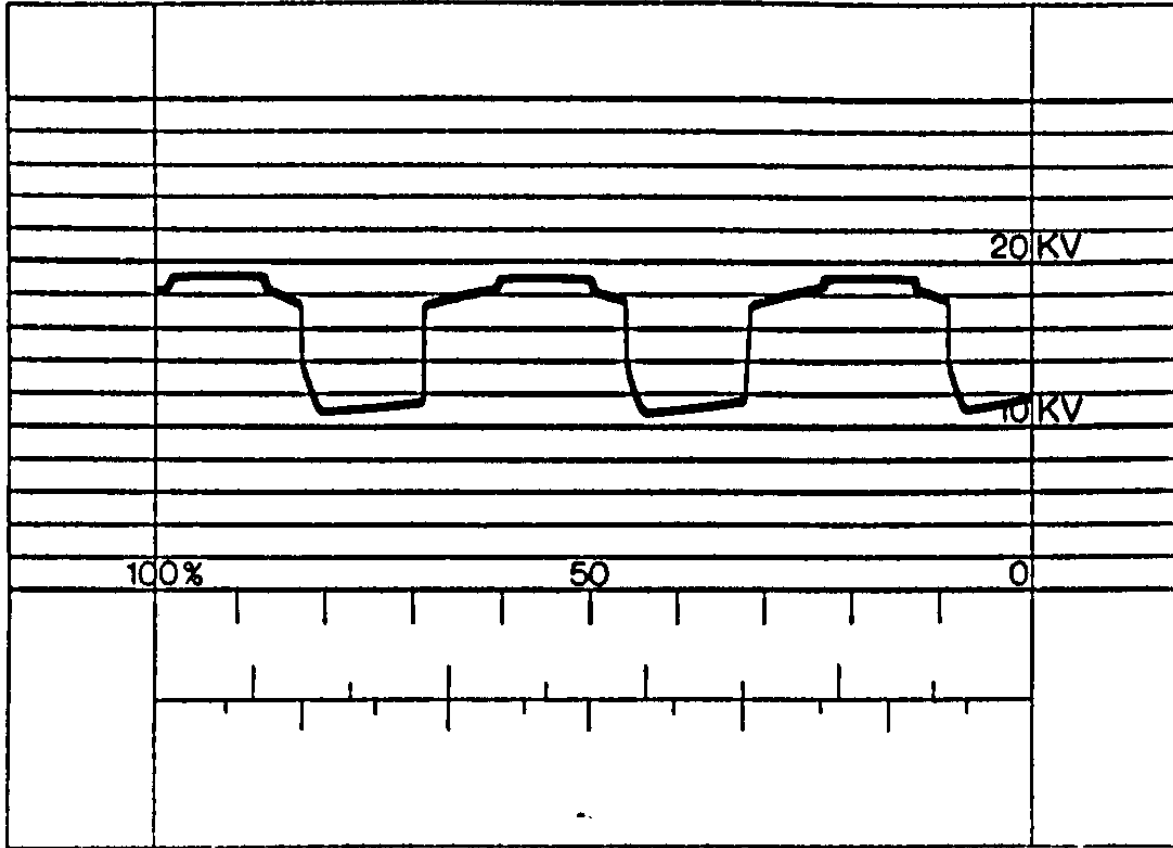
KME00055

Figure 43 Open Negative Rectifier Diode



11.3.6 Shorted Exciter Diode

This pattern identifies a shorted exciter diode. This would require disassembly of the alternator and replacement of the rectifier assembly.



KME 00056

Figure 44 Shorted Exciter Diode



11.3.7 Shorted Positive Rectifier Diode

This pattern identifies a positive rectifier diode that is shorted. This defect requires replacement of the rectifier assembly.

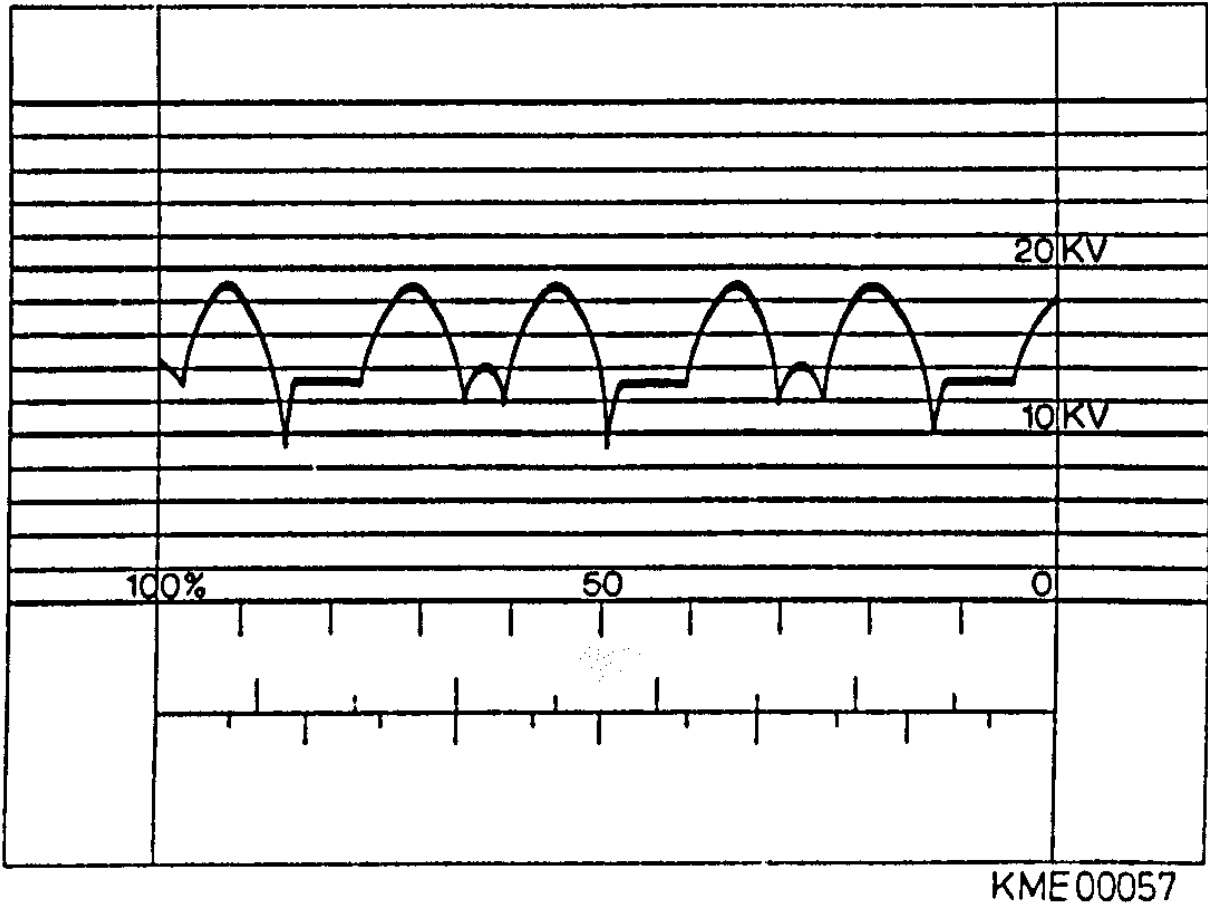
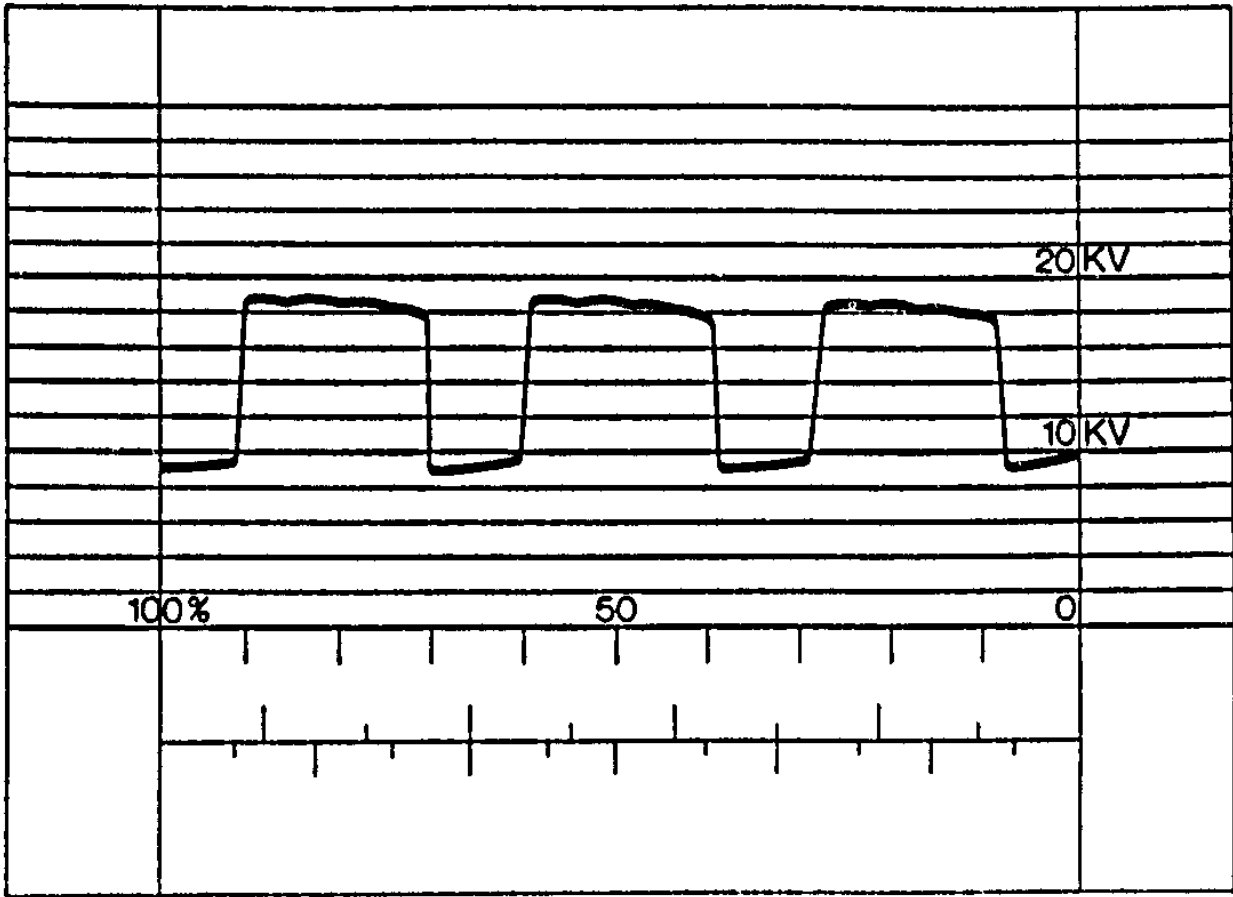


Figure 45 Shorted Positive Rectifier Diode



11.3.8 Shorted Negative Rectifier Diode

This pattern identifies a negative rectifier diode that is shorted. This defect requires replacement of the rectifier assembly.



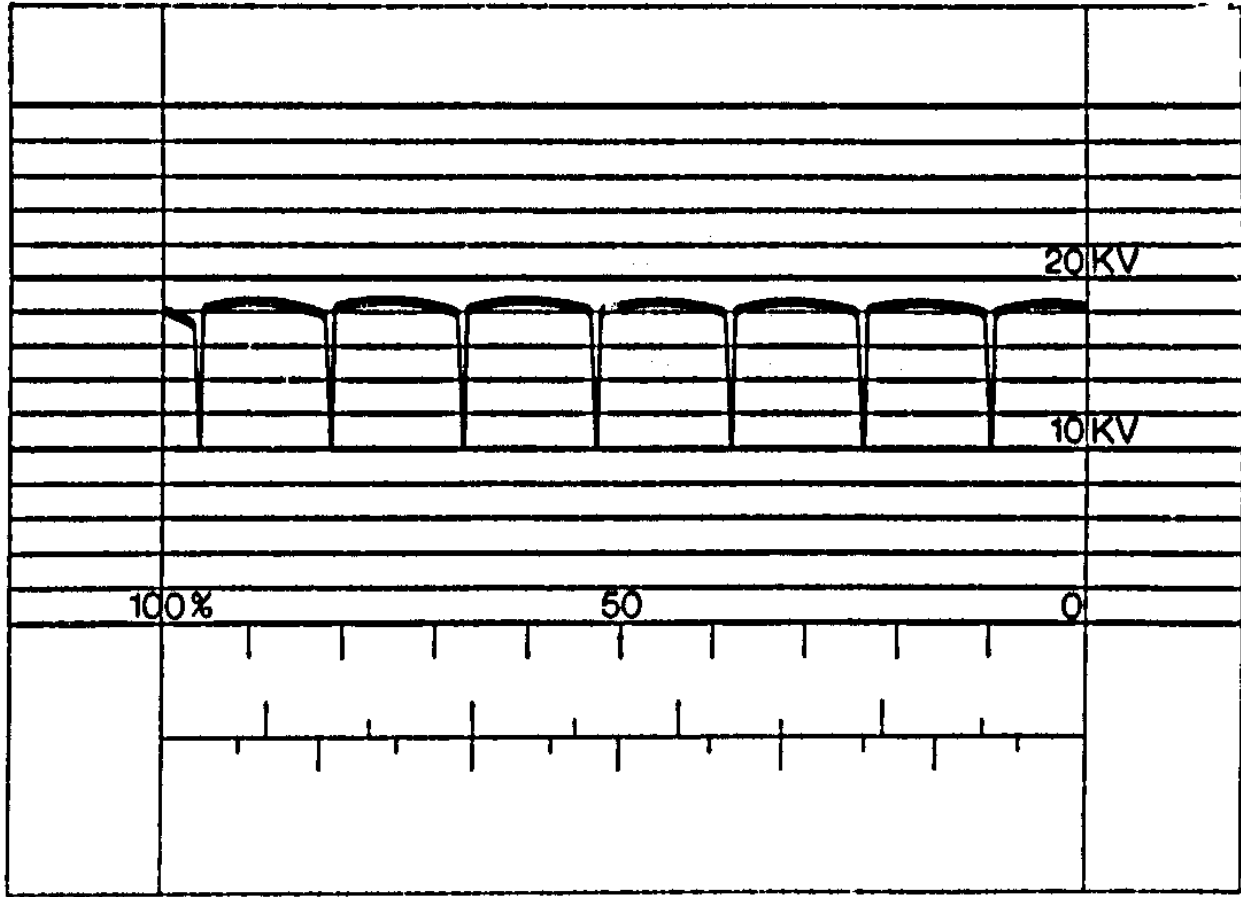
KME00058

Figure 46 Shorted Negative Rectifier Diode



11.3.9 Open Phase of Stator

This pattern illustrates a stator with an open phase winding. This type of defect would require replacement of the stator.



KME00059

Figure 47 Open Stator Phase

SECTION 07: TRANSMISSION

CONTENTS

1. DESCRIPTION	07-3
1.1 MANUAL TRANSMISSION	07-3
1.2 SEMI-AUTOMATIC TRANSMISSION	07-3
1.3 AUTOMATIC TRANSMISSION	07-3
1.3.1 Retarder (if applicable)	07-4
2. WELDING PROCEDURES	07-4
3. MAINTENANCE	07-5
3.1 MANUAL TRANSMISSION	07-5
3.1.1 Oil Recommendations	07-5
3.1.2 Oil Level Check	07-5
3.1.3 Oil Change	07-5
3.1.4 Metal Particles	07-6
3.2 SEMI-AUTOMATIC TRANSMISSION	07-6
3.2.1 Oil Recommendations	07-6
3.2.2 Oil Level Check	07-6
3.2.3 Maintenance Intervals Chart	07-7
3.2.4 Coolant Leakage	07-7
3.2.5 Metal Particles	07-7
3.2.6 Transmission Operating Angles	07-8
3.2.7 Operating Temperatures with Oil Coolers	07-8
3.3 AUTOMATIC TRANSMISSION	07-8
3.3.1 Cold Check	07-9
3.3.2 Hot Check	07-9
3.3.3 Readout of the Oil Level Sensor	07-10
3.3.4 Keeping Oil Clean	07-11
3.3.5 Oil Recommendations	07-11
3.3.6 Oil Contamination	07-12
3.3.7 Metal Particles	07-12
3.3.8 Coolant Leakage	07-12
3.3.9 Oil and Filter Change	07-12
4. HYDRAULIC GEAR SHIFTING SYSTEM (MANUAL TRANSMISSION)	07-13
4.1 OIL RECOMMENDATIONS	07-13
4.2 MAINTENANCE INTERVALS	07-13
4.3 REFILLING HYDRAULIC GEAR SHIFTING SYSTEM	07-14
5. TRANSMISSION REMOVAL	07-15
5.1 MANUAL TRANSMISSION	07-15
5.2 SEMI-AUTOMATIC TRANSMISSION	07-15
5.3 AUTOMATIC TRANSMISSION	07-16
6. TRANSMISSION OIL COOLER REMOVAL	07-17
6.1 TRANSMISSION WITHOUT RETARDER	07-17
6.2 TRANSMISSION WITH RETARDER	07-18
7. TRANSMISSION DISASSEMBLY AND REASSEMBLY	07-19

Section 07: TRANSMISSION

7.1 MANUAL TRANSMISSION07-19
7.2 SEMI-AUTOMATIC TRANSMISSION07-19

8. CLEANING AND INSPECTION OF THE TRANSMISSION07-19

8.1 MANUAL TRANSMISSION07-19
8.2 SEMI-AUTOMATIC TRANSMISSION07-19
8.3 AUTOMATIC TRANSMISSION07-19
 8.3.1 *Breather*.....07-20

9. TRANSMISSION INSTALLATION.....07-20

9.1 MANUAL TRANSMISSION07-20
9.2 SEMI-AUTOMATIC TRANSMISSION07-21
9.3 AUTOMATIC TRANSMISSION07-21

10. ALLISON TRANSMISSION PRINCIPLES OF OPERATION07-23

11. TROUBLESHOOTING.....07-23

11.1 MANUAL TRANSMISSION07-23
11.2 SEMI-AUTOMATIC TRANSMISSION07-23
11.3 AUTOMATIC TRANSMISSION07-25
 11.3.1 *WTEC/Electronic Control Unit*.....07-25
 11.3.2 *WTEC/Troubleshooting*.....07-25
 11.3.3 *Diagnostic Code Memory*.....07-25
 11.3.4 *Active Indicator*.....07-26
 11.3.5 *Clearing Codes*.....07-27

12. SPECIFICATIONS07-39

ILLUSTRATIONS

FIGURE 1: SHIFTING PATTERNS07-3
FIGURE 2: EATON FULLER SHIFT CONSOLE07-3
FIGURE 3: WORLD TRANSMISSION CONTROL PAD07-4
FIGURE 4: MANUAL TRANSMISSION PLUGS07-5
FIGURE 5: OIL LEVEL07-6
FIGURE 6: DRAIN AND FILLER PLUGS07-7
FIGURE 7: OIL LEVEL DIPSTICK (AUTO. TRANS.)07-8
FIGURE 8: COLD CHECK07-9
FIGURE 9: HOT CHECK07-10
FIGURE 10: PLUG AND FILTERS07-13
FIGURE 11: SHIFT LEVER ASSEMBLY07-13
FIGURE 12: HYDRAULIC SHIFTER ASSEMBLY07-13
FIGURE 13: DIAPHRAGM PUMP CONNECTION07-14
FIGURE 14: HYDRAULIC SYSTEM SCHEMATIC07-14
FIGURE 15: EATON TRANSMISSION CONNECTIONS07-16
FIGURE 16: ENGINE CRANKING POSITION07-17
FIGURE 17: TRANSMISSION OIL COOLER.....07-18
FIGURE 18: OIL COOLER INSTALLATION07-18
FIGURE 19: OIL COOLER SECTION VIEW07-19
FIGURE 20: NUT TOLERANCE.....07-22
FIGURE 21: AIR PRESSURE REGULATOR.....07-23
FIGURE 22: WTEC/ELECTRONIC CONTROL UNIT07-25

1. DESCRIPTION

H3 Series vehicles may be provided with either a manual, a semi-automatic or an automatic transmission.

1.1 MANUAL TRANSMISSION

The Spicer PS130-6B, 6-speed, has 6 forward speeds and 1 reverse speed.

The Spicer PS145-7A, 7-speed, has 7 forward speeds and 1 reverse speed.

Note: A Spicer PS145-7A, 7-speed transmission is specified with the 12.7 liter, series-60, 400 horsepower engine and a PS130-6B, 6-speed, is specified with the 12.7 liter, 330 horsepower engine.

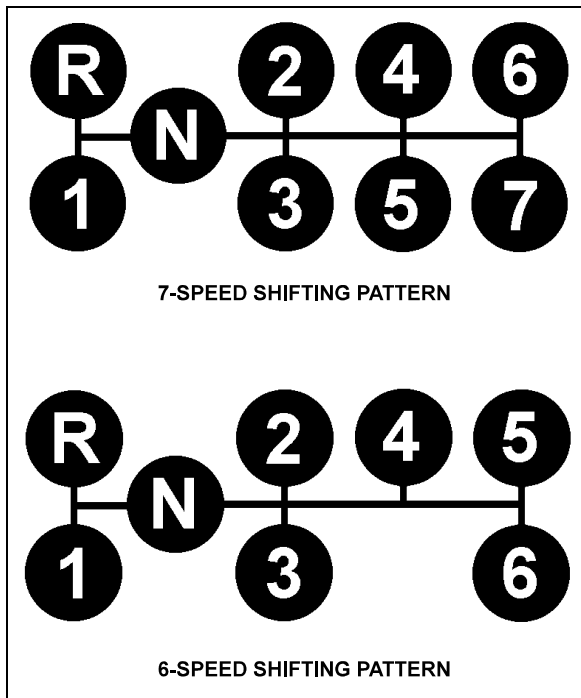


FIGURE 1: SHIFTING PATTERNS 07008

1.2 SEMI-AUTOMATIC TRANSMISSION

The optional Eaton Fuller Autoshift is a ten speed semi-automatic transmission and works similarly to any automatic transmission except that the driver must depress the clutch pedal for startups and stops.

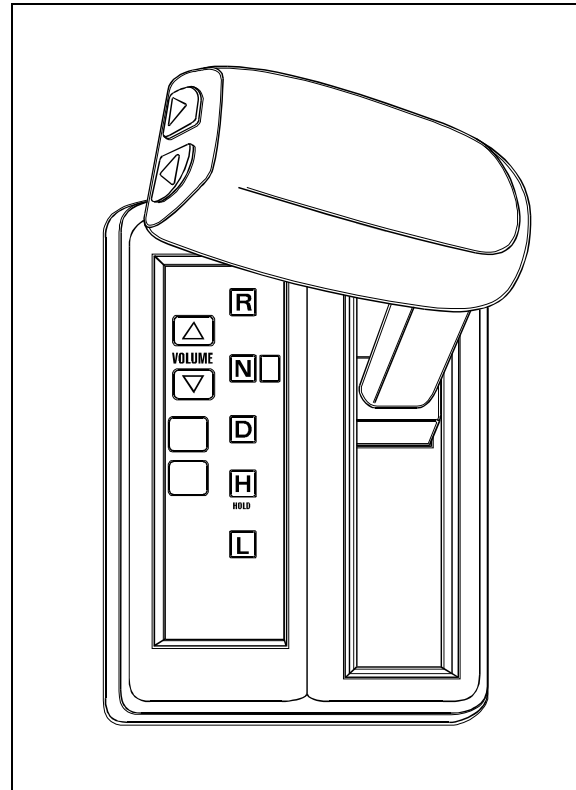


FIGURE 2: EATON FULLER SHIFT CONSOLE 07024

1.3 AUTOMATIC TRANSMISSION

The B500(R) World Transmission has 6 speeds with two top range (fifth and sixth) overdrives. Total coverage is determined by dividing the highest gear ratio by the lowest gear ratio. Total coverage expresses the transmission gear ratio versatility. Transmissions with larger total coverage number have a wider variety of available ratios.

An electronic control allows the transmission to shift at exactly the right point on the engine's fuel consumption curve for best economy. Early lockup maintains the highest possible mechanical efficiency through the closely-spaced gear steps, culminating in two overdrive ratios. This combination allows progressive shifting techniques, where engine speeds are reduced for higher efficiency and lower fuel consumption.

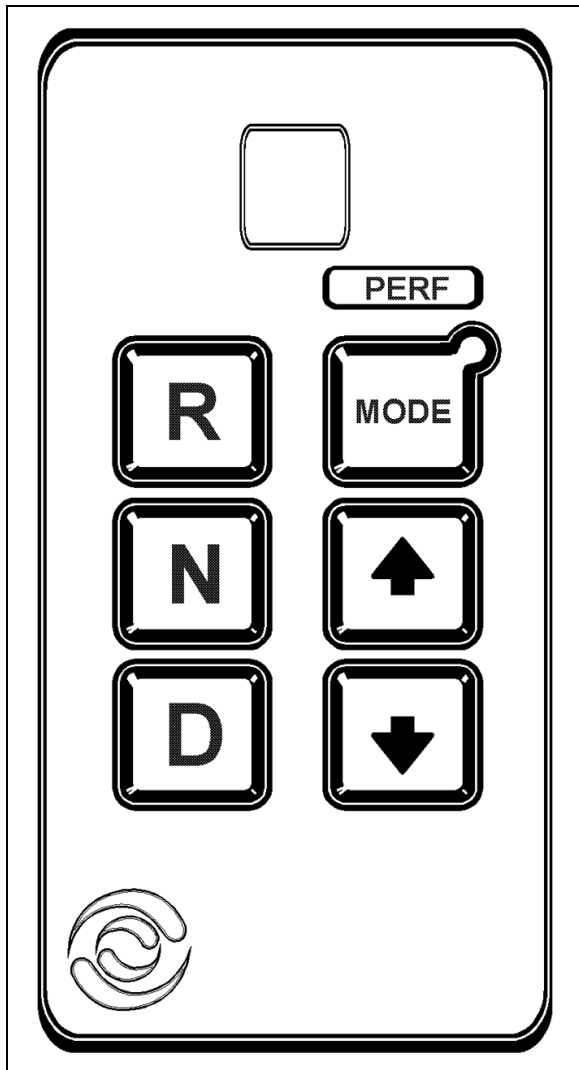


FIGURE 3: WORLD TRANSMISSION CONTROL PAD⁰⁷⁰²⁵

Gear selection and torque converter modes are controlled by a microcomputer-based electronic transmission management system. It is fed information regarding throttle position, operator range selection, engine speed, turbine speed, transmission output speed and various system pressures from special electronic sensors. With this information, it computes shift points and clutch pressures to meet immediate needs. Using closed loop adaptive logic, the electronic control looks at a number of parameters during the shift, and makes minute adjustments to match the shift to desired profile stored in its memory.

It then looks at these adjustments and resets the parameters, which allow the transmission to

quickly compensate for variations in load, terrain or environment and to adjust for clutch wear and engine power changes. A Diagnostic Data Reader can be connected to the electronic control unit to provide a self-check of all systems in the transmission. Four-digit trouble codes greatly reduce the time it takes to pinpoint potential problems. (Refer to heading "10. TROUBLESHOOTING" in this section).

1.3.1 Retarder (if applicable)

This optional auxiliary braking device for the automatic transmission is integrated into the basic envelope of the transmission and transmits its braking force directly to the propeller shaft. It requires no additional length and adds only 75 pounds (34 kg) of weight. Operation of the retarder is controlled electronically by the driver's use of the brake and/or by hand control lever. When activated, fluid enters a cavity and provides resistance to the turning of rotor blades revolving with the output shaft. This effectively slows the vehicle to the point where the service brakes are needed only for final stopping. The retarder is fully modulated and is compatible with ABS.

2. WELDING PROCEDURES

These procedures are intended only for vehicles equipped with transmission electronic controls. When frame or other welding is required on the vehicle, precautions are to be taken to protect the electronic control components. Refer to section 00: GENERAL INFORMATION, paragraph 3: "Precautions to be observed before welding" for complete procedure.

3. MAINTENANCE

3.1 MANUAL TRANSMISSION

3.1.1 Oil Recommendations

The following lubricants are recommended in order of preference.

TEMPERATURE	GRADE	TYPE
Above 0°F (-18°C) Below 0°F (-18°C)	SAE 30, 40, or 50 SAE 30	Heavy Duty Engine Oil meeting MIL-L-2104D or MIL-L-46152 B, API-SF or API-CD specifications (MIL-L-2104 B & C, OR 46152 are also acceptable)
Above 0°F (-18°C) Below 0°F (-18°C)	SAE 90 SAE 80	Straight Mineral Gear Oil R & O Type API-GL-1
Above 0°F (-18°C) Below 0°F (-18°C)	SAE 90 SAE 80	* Mild EP Gear Oil MIL-L-2105 or API-GL-4
All	CD SAE 50 CD SAE 30	Synthetic Engine Oil meeting MIL-L-2104 D or MIL-L-46152 B, API-SF or API-CD specifications
All	EP SAE 75W90 EP SAE 75W140	* Synthetic Gear Oil meeting MIL-L-2105C or API-GL5 specifications

*EP gear oils are not recommended when lubricant operating temperatures are above 230°F (110°C).

3.1.2 Oil Level Check

Manual transmission oil should be checked when engine is stopped and cold. Check level, and add if necessary, every 6,250 miles (10 000 km) or twice a year, whichever comes first.

Warning: Before servicing the coach, park safely over a repair pit, apply parking brake, stop engine and set battery safety switch to the "OFF" position.

Unscrew the fill plug and check if the oil level is at plug thread level (Fig. 4).

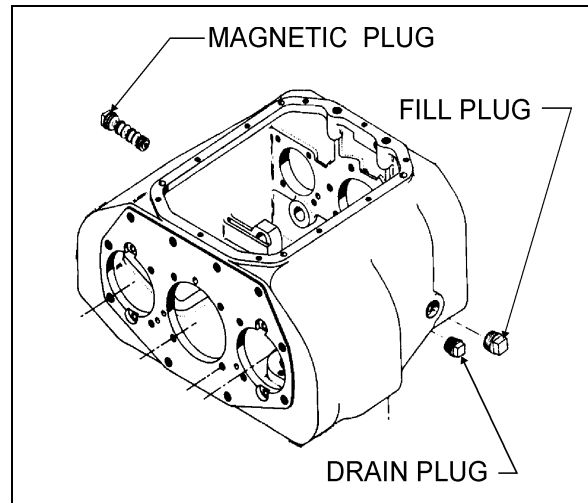


FIGURE 4: MANUAL TRANSMISSION PLUGS 07010

3.1.3 Oil Change

OIL CHANGE INTERVALS
Change break-in oil after 3,000 miles (4 800 km) of initial operation, then every 50,000 miles (80 000 km) or once a year, whichever comes first.

Drain manual transmission as follows:

Section 07: TRANSMISSION

1. Unscrew the drain plug (Fig.4) and allow the oil to drain into a suitable container.
2. Inspect plug and replace if necessary. Reinstall plug.

Note: *Dispose of used oil in an environmentally safe manner.*

Refill manual transmission as follows :

1. Remove fill plug.
2. Add oil until it overflows through fill plug opening.

3. Clean oil from the transmission case and the fill plug.
4. Reinstall plug.

Caution: *Do not overfill transmission. Oil breakdown due to excessive heat and/or sludge deposits impairing proper operation of transmission may result.*

3.1.4 Metal Particles

The magnetic plug attracts metal particles. When metal particles are of abnormal size, the transmission must be disassembled. See Spicer "Service Manuals" annexed to this section.

3.2 SEMI-AUTOMATIC TRANSMISSION

3.2.1 Oil Recommendations

TYPE	GRADE	FAHRENHEIT AMBIENT TEMPERATURE
Eaton Roadranger CD50 Transmission Fluid	50	All

Caution: *Additives and friction modifiers must not be introduced.*

3.2.2 Oil Level Check

Semi-automatic transmission oil should be checked when engine is stopped and cold. Check level, and add if necessary, every 10,000 miles (17,000 km) or twice a year, whichever comes first (Fig. 5).

Warning: *Before servicing the coach, park safely over a repair pit, apply parking brake, stop engine and set battery master switch to the "OFF" position.*

Make sure oil is level with the filler opening. Because you can reach oil with your finger does not mean oil is at proper level.

Note: *One inch of oil level is about one gallon of oil.*

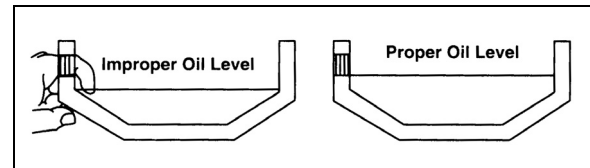


FIGURE 5: OIL LEVEL

07036

3.2.3 Maintenance Intervals Chart

EATON ROADRANGER CD50 TRANSMISSION FLUID	
HIGHWAY USE - Heavy Duty and Mid-Range Initial Fill with Eaton Roadranger CD50 Transmission Fluid	
Every 10,000 miles (17,000 km)	Check fluid level. Check for leaks.
Every 100,000 miles (160,000 km) or once a year, whichever comes first	Change transmission fluid.

Caution: When adding oil, types and brands of oil should not be mixed because of possible incompatibility.

Drain semi-automatic transmission as follows:

1. Unscrew the drain plug (Fig. 6) and allow the oil to drain into a suitable container.

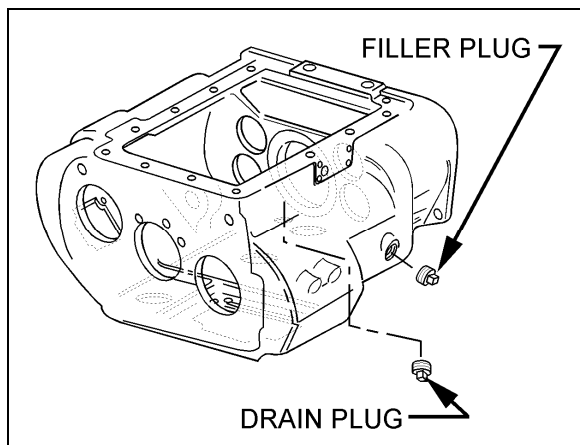


FIGURE 6: DRAIN AND FILLER PLUGS

07030

2. Inspect plug and replace if necessary. Reinstall plug and torque to 45-55 ft•lb.

Note: Dispose of used oil in an environmentally safe manner.

Refill semi-automatic transmission as follows:

1. Remove filler plug (Fig. 6).
2. Add oil until it overflows through filler plug opening.
3. Clean oil from the transmission case and the filler plug.
4. Reinstall plug and torque to 60-70 ft•lb.

Caution: Do not overfill transmission. Oil breakdown due to excessive heat and/or sludge deposits impairing proper operation of transmission may result.

3.2.4 Coolant Leakage

If engine coolant leaks into the transmission oil system, immediate action must be taken to prevent malfunction and possible serious damage. The transmission must be completely disassembled, inspected, and cleaned. All traces of the coolant contamination must be removed. Friction clutch plates contaminated with ethylene glycol must be replaced.

Caution: It is recommended to change the transmission oil cooler every two years. Cyclical heating and cooling of oil will unsolder internal piping and will permit coolant to leak into the transmission. Refer to "Oil Cooler Removal Procedure" in this section

3.2.5 Metal Particles

The magnetic plug attracts metal particles. When metal particles are of abnormal size, the transmission must be disassembled. Refer to Eaton Fuller "Service Manual" TRSM-0050.

Section 07: TRANSMISSION

3.2.6 Transmission Operating Angles

If the transmission operating angle is more than 12°, improper lubrication will occur. The operating angle is the transmission mounting angle in the chassis plus the percent of upgrade (expressed in degrees).

For operating angles over 12°, the transmission must be equipped with an oil pump or cooler kit to ensure proper lubrication.

3.2.7 Operating Temperatures with Oil Coolers

The transmission must not be operated consistently at temperatures above 250°F, however, intermittent operating temperatures to 300°F do not harm the transmission. Operating temperatures above 250°F increases the lubricant's oxidation rate and shortens its effective life. When the average operating temperature is above 250°F, the transmission can require more frequent oil changes or external cooling.

The following conditions in any combination can cause operating temperatures of over 250°F :

- (1) operating consistently at slow speeds,
- (2) high ambient temperatures,
- (3) restricted air flow around transmission,
- (4) exhaust system too close to transmission,
- (5) high horsepower operation.

Internal oil coolers are available to reduce operating temperatures when the above conditions are encountered.

OIL COOLER CHART	
TRANSMISSION OIL COOLERS ARE :	
Recommended	- With engines of 350 HP and above.
Required	- With engines of 399 HP and above and GVW's over 90,000 lbs,
	- With engines of 399 HP and above and 1400 ft•lbf or greater torque,
	- With engines of 450 HP and above.
	- With transmission retarder installed.

3.3 AUTOMATIC TRANSMISSION

To gain access to the dipstick, open the engine compartment rear door; dipstick is located on the radiator side of the engine (Fig. 7).

To check the transmission oil level, a cold check and a hot check must be performed. A cold check must be made between 60°F (16°C) and 140°F (60°C). The optional transmission oil temperature gauge indicates the operating temperature; it is located in the TDR dashboard integrated Liquid Crystal Display and can be viewed when selecting the Gauge Mode (refer to "Operator's Manual" for added information).

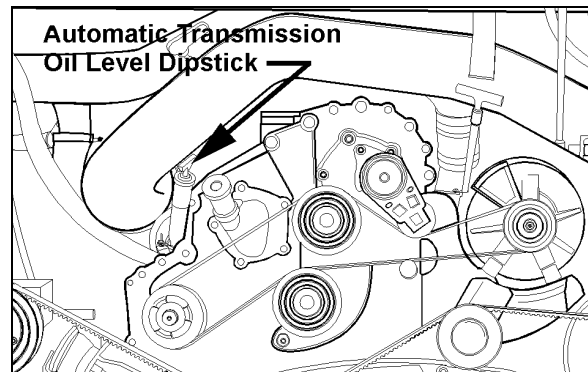


FIGURE 7: OIL LEVEL DIPSTICK (AUTO. TRANS.) 07033

Note: Perform the cold check first to verify the transmission oil level before performing the hot check.

The hot check can be performed when the transmission oil reaches the normal operating temperature of 160°F (71°C) to 200°F (93°C).

Clean all dirt from around the end of the oil filler tube before removing the dipstick. Dirt or foreign matter must not be permitted to enter the oil system since it will cause valves to stick, undue wear of transmission parts, and clogged passages. Check the oil level in accordance with the following procedures and record any abnormal level on your "Maintenance Records".

Warning: When checking the oil level, be sure that the parking brake and/or emergency brakes are set and properly engaged, and the wheels are chocked. Unexpected and possible sudden vehicle movement may occur if these precautions are not taken.

Special care must be taken not to touch the engine coolant tubing and/or exhaust pipe, since this could cause severe burns.

Do not wear loose clothing and, stay away from rotating parts during procedure; personal injury could occur.

Always check the oil level reading at least twice when the engine is running. Consistency is important in maintaining the accuracy of the reading. If inconsistent readings persist, check the transmission breather to ensure it is clean and free of debris.

3.3.1 Cold Check

The purpose of the **Cold Check** is to determine if the transmission has enough fluid to be operated safely until a **Hot Check** can be made.

1. If the engine has been shut down for an extended period of time, park the vehicle on a level surface and apply the parking brake.

Caution: The oil level rises as sump temperature increases. DO NOT fill above the "Cold Run" band if the transmission oil is below normal operating temperature.

2. Run the engine for at least one minute. Shift to Drive (D) and operate the engine for 30 seconds at 1000-1500 rpm; then shift to Reverse (R) to clear the hydraulic system of air. Finally shift to Neutral (N) and allow the engine to idle (500 - 800 rpm).
3. While the engine is running, remove the dipstick from the tube and wipe it clean (Figs. 7 & 8).

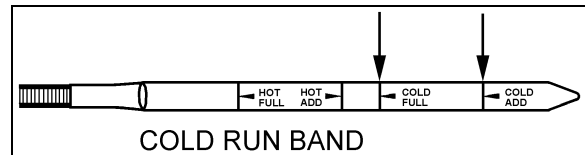


FIGURE 8: COLD CHECK

07050

4. Insert the dipstick into the tube and then remove, checking the oil level reading (Fig. 8). Repeat the check procedure to verify the reading. If the oil reading is within the "Cold Run" band, the level is satisfactory for operating the transmission until the oil is hot enough to perform a "Hot Run" check. If the oil reading is not within the "Cold Run" band, add or drain oil as necessary to bring the level within the "Cold Run" band.
5. Perform a **Hot Check** at the first opportunity after the normal operating temperature of 160°F (71°C) to 200°F (93°C) is attained.

Caution: An accurate fluid level check cannot be made unless the engine is idling (500-800 rpm) in Neutral, the transmission fluid is at the proper temperature, and the vehicle is on a level surface.

3.3.2 Hot Check

Caution: The oil must be hot to ensure an accurate check for this procedure. The oil level rises as temperature increases.

1. Operate the transmission in Drive (D) range until normal operating temperature is reached 160°F (71°C) to 200°F (93°C).
2. Park the vehicle on a level surface and shift to Neutral (N). Apply the parking brake and allow the engine to idle (500 - 800 rpm).
3. While the engine is running, remove the dipstick from the tube and wipe it clean.

Section 07: TRANSMISSION

4. Insert the dipstick into the tube and then remove, checking the oil level reading. Repeat the check procedure to verify the reading.

The safe operating level is anywhere within the "Hot Run" band on the dipstick (Fig. 9).

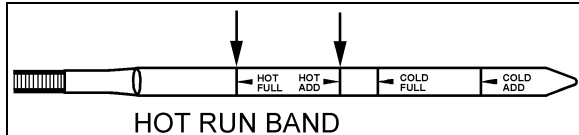


FIGURE 9: HOT CHECK

07049

5. If the oil level is not within the "Hot Run" band, add or drain oil as necessary to bring the oil level within the band.

Note: The Cold Check is more appropriate for verifying the oil level after the first fill-up. In case of conflict, the Hot Check has priority over the Cold Check; the automatic system of verification via the shift selector has priority over the Hot Check.

3.3.3 Readout of the Oil Level Sensor

The optional Oil Level Sensor (OLS) is designed to measure transmission oil level only when the following combination of operating conditions exist:

1. Engine must be at idle;
2. **NEUTRAL** must be selected;
3. Zero output speed;
4. Transmission oil must be within a "normal" temperature band (160-250°F; 70-120°C), and;
5. Once the first four (4) conditions are met, there must be a "waiting" period (approx. 2 min., to facilitate consistent oil drainback) before oil level measurement begins.

To enter OLS readout mode (after meeting the conditions noted above), simultaneously press the UPSHIFT and DOWNSHIFT arrows on the shifter. If the five (5) conditions noted above are present, the display will immediately enter the reading mode. If the "waiting" period has not elapsed, the left digit of the display will become a "chasing" digit and the right digit will count down from (8) to (1) until the waiting period is complete.

After attaining the reading mode, the display will flash "OL-OK", "LO-01", "HI-02", etc., where the suffix "01" or "02" indicates the volume of oil (in quarts) either low or high.

At any time in this sequence, simultaneously pressing the UPSHIFT and DOWNSHIFT arrows directs the ECU to enter the transmission diagnostic mode as described under "10. Troubleshooting" in this section.

D, N, or R may also be selected on the shifter at any time - the OLS mode will abort and normal transmission will commence. Shifts are not inhibited.

Oil Level Sensor (OLS) Codes

<u>CODE</u>	<u>CAUSE OF CODE</u>
OL-OK	Oil Level Is Correct
LO-01	One Quart Low
LO-02	Two Quarts Low
HI-01	One Quart High
HI-02	Two Quarts High
OL-50	Engine Speed (RPM) Too Low
OL-59	Engine Speed (RPM) Too High
OL-65	Neutral Must Be Selected
OL-70	Sump Oil Temperature Too Low
OL-79	Sump Oil Temperature Too High
OL-89	Output Shaft Rotation
OL-95	Sensor Failure

3.3.4 Keeping Oil Clean

Oil must be handled in clean containers, fillers, etc., to prevent foreign material from entering the transmission. Place the dipstick on a clean surface area while filling the transmission.

Caution: Containers or fillers that have been used to handle antifreeze or engine coolant must NEVER be used for handling transmission fluid. Antifreeze and coolant solutions contain ethylene glycol that, if introduced into the transmission, can cause the clutch plates to fail.

3.3.5 Oil Recommendations

Hydraulic oils used in the transmission have an important influence on transmission reliability and durability. In order of preference DEXRON-III and DEXRON-IIIE, Castrol TranSynd Synthetic Fluid, MIL-L-2104D, and type C-4 oils (Allison approved SAE 10W or SAE 30) are recommended. Type C-4 oil is the only oil approved for use in off-highway applications. Use type SAE 30 where ambient temperature is consistently above 86°F (30°C). Some DEXRON-II oils are also qualified as type C-4 oils and may be used in off-highway applications. However, a DEXRON-II fluid which is not a qualified type C-4 oil must never be used in off-highway applications. Consult your local Allison dealer or distributor to determine if a DEXRON-II oil is also a qualified type C-4 oil.

Before using type C-4 oils, consult the vehicle manufacturer to ensure that materials used in tubes, hoses, seals, etc., are compatible with type C-4 oils. Also, consult your local Allison dealer or distributor to determine if the oil you have selected is an approved type C-4 oil. Ford Motor Company specification oils M2C33-F, M2C138-CJ and M2C166-H may be used and may be intermixed with DEXRON-II oil.

OIL SPECIFICATIONS AND AMBIENT TEMPERATURE OPERATING CONDITIONS	
Oil type	Ambient temperature
MIL-L-2104D, DEXRON-II, TranSynd TES 295, C-4	120°F (48°C) to -25°F (-32 °C)
MIL-L-46167	-25°F (-32°C) to -60°F (-51°C)

The use of an arctic preheat kit is recommended at temperatures below -25°F (-32°C). If a preheat kit is not available, the ECU will restrict full operation until the sump temperature is increased. The chart below shows the temperature ranges in which the transmission will operate. It should be noted that at lower sump temperature, the transmission's operation may be restricted.

Transmission Oil Temperature	"DO NOT SHIFT" Light	Operation
Below -26°F (-32°C)	ON	Neutral only
-24°F (-31°C) to +19°F (-7°C)	OFF	Start with neutral and reverse, normal upshifts
+20°F (-6°C) to 260°F (126°C)	OFF	Full operation in all ranges
Above 260°F (126°C)	ON	Inhibits 5th and 6th ranges

Section 07: TRANSMISSION

3.3.6 Oil Contamination

At each oil change, examine the drained oil for evidence of dirt or water. A nominal amount of condensation will emulsify during operation of the transmission. However, if there is evidence of water, check the cooler (heat exchanger) for other signs of leakage. This, however, may also indicate leakage from the engine oil system.

3.3.7 Metal Particles

Metal particles in the oil (except for minute particles normally trapped in the oil filter) indicate damage has occurred in the transmission. When these particles are found in the sump, the transmission must be disassembled and closely inspected to find the source. Metal contamination will require complete disassembly of the transmission and cleaning of all internal and external circuits, coolers, and all other areas where the particles could lodge.

Caution: *If excessive metal contamination has occurred, replacement of the oil cooler and replacement of all bearings within the transmission is recommended.*

3.3.8 Coolant Leakage

If engine coolant leaks into the transmission oil system, immediate action must be taken to prevent malfunction and possible serious damage. The transmission must be completely disassembled, inspected, and cleaned. All traces of the coolant contamination must be removed. Friction clutch plates contaminated with ethylene glycol must be replaced.

3.3.9 Oil and Filter Change

Transmission oil change must be performed with the vehicle on a flat and level surface and with parking brake applied. Oil and oil filter change frequency is determined by the severity of service and operating conditions of the transmission and by the filter equipment installed. See "Table 1" for oil and filter change intervals.

More frequent changes may be required when operations are subject to high levels of contamination or overheating.

TABLE 1 : Oil and oil filter change intervals

Change break-in oil after 5,000 miles (8000 km) of initial operation and subsequently every 25,000 miles (40 000 km), 50,000 miles (80.000 km) for TranSynd or once a year, whichever comes first.

The procedure for changing the transmission oil and oil filters is as follows:

Drain

1. The transmission should be at an operating temperature of 160°F (71°C) to 200°F (93°C) when the oil is drained. This will ensure quicker and more complete fluid drainage.

Note: *Remove transmission protective panel located underneath transmission for easier access.*

2. Remove the drain plug from under the transmission (Fig. 10) and allow the oil to drain into a suitable container. Check the condition of the oil as described previously.
3. To replace the integral filters, remove twelve bolts (6 on each cover), two filter covers, two O-rings, two square cut seals and the two filters from the bottom of the control module (Fig. 10).
4. To install filters, pre-lube and install the two O-rings, the two square cut seals followed by the filters (lube the O-ring in filter cartridge only) into the filter compartment. Index each filter/cover assembly to holes in channel plate/sump. Push the cover assembly in by hand to seat the seals.

Caution: *Do not use bolts to draw the cover to sump. This can damage the cover, seal, or sump.*

5. Install twelve bolts and both covers, and then tighten to 38-45 lbf•ft (51-61 N•m).
6. Inspect the drain plug and O-ring. Replace if necessary. Reinstall the drain plug and tighten to 18-24 lbf•ft (25-32 N•m).
7. Reinstall transmission protective panel

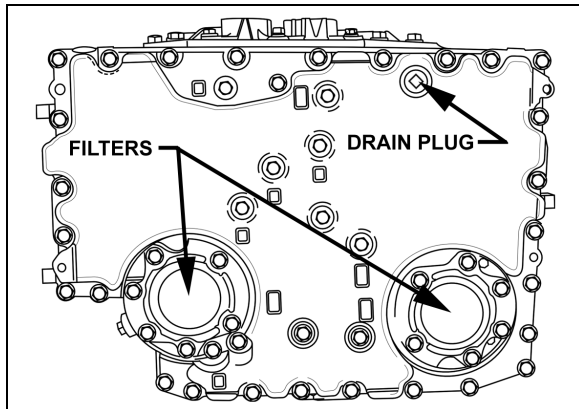


FIGURE 10: PLUG AND FILTERS

07052

Refill

Using the oil level dipstick filler tube, refill with 37 US qts (39 liters) and check the oil level using the previously described procedure. The refill amount is less than the initial filling because some of the oil remains in the external circuits and transmission cavities.

4. HYDRAULIC GEAR SHIFTING SYSTEM (MANUAL TRANSMISSION)

4.1 OIL RECOMMENDATIONS

Brake fluid DOT 4 (Specification SAE 1703)

4.2 MAINTENANCE INTERVALS

Change oil every three years.

Once a year:

- Check that hydraulic line connections are tight and that lines are not damaged or leaking.
- Check that shift lever assembly and hydraulic shifter assembly are secure and in good working order.

Note: Surge tank oil level must be visible without exceeding maximum limit. Reservoir is located behind driver's seat (refer to figure 11)

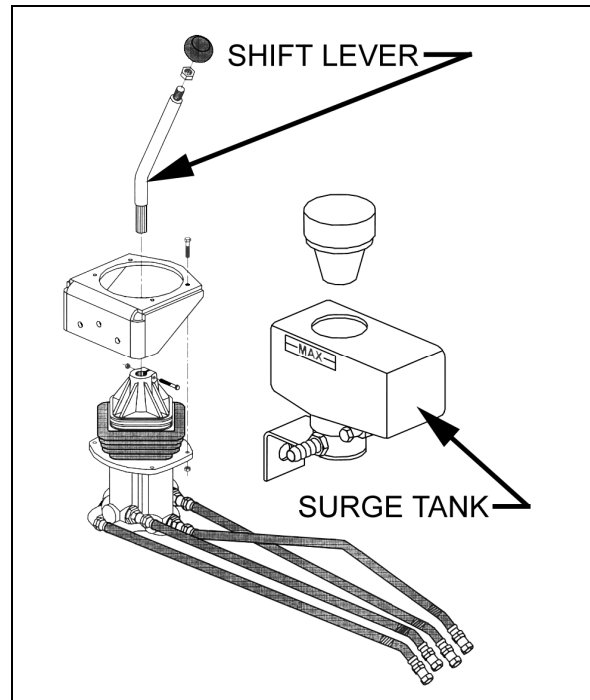


FIGURE 11: SHIFT LEVER ASSEMBLY

07040

Hydraulic gear shifting system requires no additional maintenance.

The shift lever assembly requires no adjustment since the unit is self-adjusting. The shift lever finds the correct position after a few initial gear shifting operations.

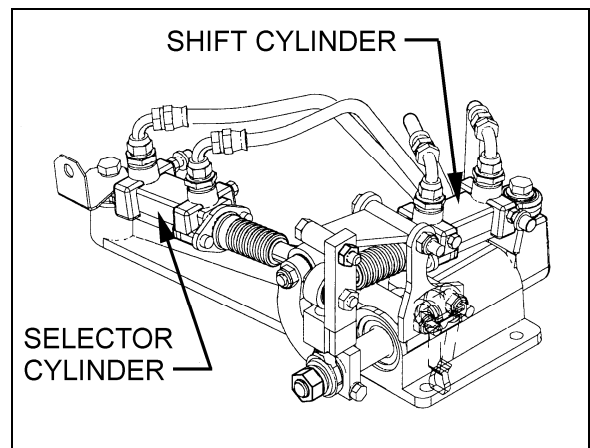


FIGURE 12: HYDRAULIC SHIFTER ASSEMBLY

07038

Section 07: TRANSMISSION

4.3 REFILLING HYDRAULIC GEAR SHIFTING SYSTEM

Fluid used: Brake oil.

Equipment used:

- 1 diaphragm pump;
- 2 quick connect adapters for cylinders;
- 1 air pressure regulator;
- 1 air pressure gauge;
- 1 air hose adapter;
- 1 overflow tank;
- 1 surge tank cap equipped with a hose;
- 1 (one) 11 mm wrench.

Warning: Wear safety goggles while carrying out this procedure.

1. Place transmission lever in neutral position;
2. Connect the overflow tank to the surge tank (surge tank is located behind driver's seat);

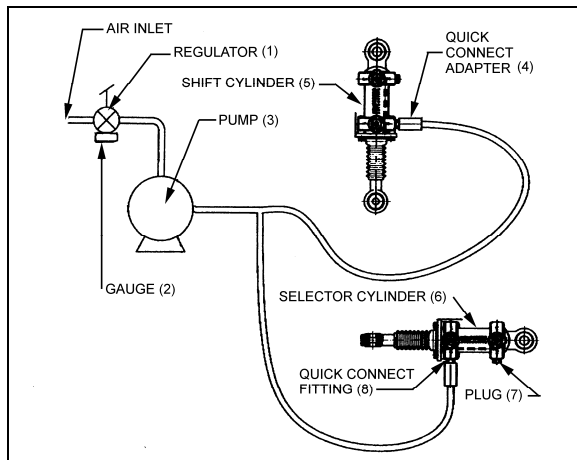


FIGURE 13: DIAPHRAGM PUMP CONNECTION 07034

Note: Use a surge tank cap fitted with a hose.

3. Connect the diaphragm pump and the quick connect adapters to both cylinders (4 and 8, fig. 13);

Note: Cylinders are located on top of transmission.

4. Loosen by $\frac{1}{2}$ to 1 full turn both the quick connect and the plug (7 and 8, fig. 13) on selector cylinder;
5. Use regulator (1, fig.13) and gauge (2, fig.13) to obtain 60 psi at pump inlet;

6. Move the shift lever to the extreme left to fill circuit 3 (fig. 14). Maintain lever in this position until there are no more air bubbles mixed with the oil entering the overflow tank;
7. Move the shift lever to the extreme right to fill circuit 1 (fig. 14). Maintain lever in this position until there are no more air bubbles mixed with the oil entering the overflow tank;
8. Bring lever to neutral position;
9. Close quick connect and plug (7 and 8, fig. 13) on the selector cylinder;

Caution: Do not force the plug; damage to the O'Ring may occur. In case of damaged O'Ring, replace entire plug.

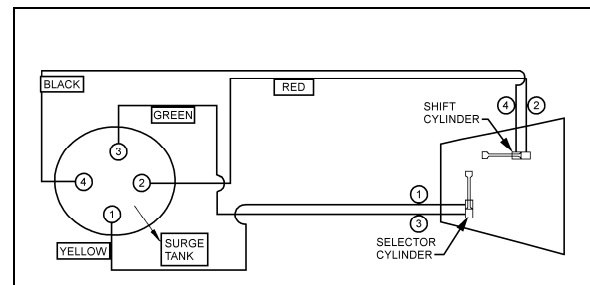


FIGURE 14: HYDRAULIC SYSTEM SCHEMATIC 07035

10. Check hydraulic shifter assembly; move the shift lever from left to right and check if the selector cylinder (6 fig. 13) moves accordingly;
11. Loosen by $\frac{1}{2}$ to 1 full turn both the quick connect and the plug on shift cylinder (fig. 13);
12. Move the shift lever to the extreme forward position to fill circuit 2 (fig. 14). Maintain lever in this position until there are no more air bubbles mixed with the oil entering the overflow tank;
13. Move the shift lever to the extreme rear position to fill circuit 4 (fig. 14). Maintain lever in this position until there are no more air bubbles mixed with the oil entering the overflow tank;
14. Bring lever to neutral position;
15. Close both the quick connect and the plug on the shift cylinder (fig. 14);

Caution: Do not force the plug; damage to the O'Ring may occur. In case of damaged O'Ring, replace entire plug.

16. Check hydraulic shifter assembly; move the shift lever from front to back and check if the selector cylinder (6 fig. 13) moves accordingly;
17. Stop the pump;
18. Disconnect the fill hoses from the cylinders;
19. Bring the shift lever to the neutral position;
20. Remove the overflow tank and adjust oil level in the surge tank;
21. Start the engine and test shifting in all gears.

5. TRANSMISSION REMOVAL

5.1 MANUAL TRANSMISSION

The following procedures deal with the removal of the transmission without removing the power plant cradle from vehicle. The method used to support the transmission depends upon conditions and available equipment.

1. Set transmission shift lever to "Neutral" position, apply parking brake, then set battery master switch to the "OFF" position.
2. Jack up vehicle, then place safety supports underneath body.

Caution: Only the recommended jacking points must be used as outlined in Section 18, "Body".

Note: For more clearance between the tag axle and transmission, the tag axle may be unloaded and jacked up or retracted (if applicable).

3. Remove engine splash guards surrounding transmission.
4. Remove cross member from under transmission.
5. Remove the transmission drain plug and allow oil to drain. Reinstall drain plug.

Warning: It is better to drain oil when it is still warm. Avoid contact with oil since it can be very hot and cause personal injury.

6. Disconnect propeller shaft from transmission and remove its safety guard. Refer to Section 09, "PROPELLER SHAFT".
7. Remove fiberglass transmission protection.

8. Disconnect hydraulic gear shifting system as follows:
 - a. Disconnect the hydraulic pipes four connectors from hydraulic shifter assembly (Fig. 11 and 12).
 - b. Cover pipe ends and fittings to prevent fluid contamination.
 - c. Remove hydraulic shifter assembly from transmission if required.

Warning: A significant amount of oil may drain from oil lines when they are disconnected.

9. Remove the return spring and disconnect yoke. Remove clutch slave cylinder from transmission without disconnecting hoses.

Note: Removing clutch slave cylinder will enable the release yoke to turn up and pull free from the release bearing thrust pads.

10. Disconnect speedometer sensor, back-up signal switch and neutral start switch.
11. Remove any locking tie, clamp and bracket that may interfere with the removal of transmission.
12. Support transmission using a suitable transmission jack, then remove the twelve clutch/engine mounting screws.

Caution: Make sure transmission-to-engine alignment is maintained when removing transmission. Do not let the rear end of transmission drop down and hang unsupported in the splined hubs of the clutch discs to avoid bending or distorting the friction discs.

13. Slowly pull transmission straight out to clear the input shaft.
14. Remove the transmission.

5.2 SEMI-AUTOMATIC TRANSMISSION

The following procedures deal with the removal of the transmission without removing the power plant cradle from vehicle. The method used to support the transmission depends upon conditions and available equipment.

Section 07: TRANSMISSION

1. Set transmission shift lever to "Neutral" position, apply parking brake, then set battery master switch to the "OFF" position.
2. Jack up vehicle, then place safety supports underneath body.

Caution: Only the recommended jacking points must be used as outlined in Section 18, "Body".

Note: For more clearance between the tag axle and transmission, the tag axle may be unloaded and jacked up or retracted (if applicable).

3. Remove engine splash guards surrounding transmission.
4. Remove cross member from under transmission.
5. Remove transmission drain plug and allow oil to drain. Reinstall drain plug and tighten to 45-55 ft•lb (see 3.2.3 in this section).

Warning: It is better to drain oil when it is still warm. Avoid contact with oil since it can be very hot and cause personal injury.

6. Disconnect propeller shaft from transmission and remove its safety guard. Refer to Section 09, "PROPELLER SHAFT".
7. Disconnect the two oil cooler hoses from transmission. Cover hose ends and fittings to prevent fluid contamination.

Warning: A significant amount of oil may drain from oil lines when they are disconnected.

8. Disconnect main power supply ring terminals (Fig. 15).
9. Disconnect transmission harness 3-way and 6-way connectors (Fig. 15).
10. Disconnect air supply lines at inertia brake end, at solenoid end, clutch and accessories.
11. Remove any locking tie, clamp and bracket that may interfere with the removal of transmission.

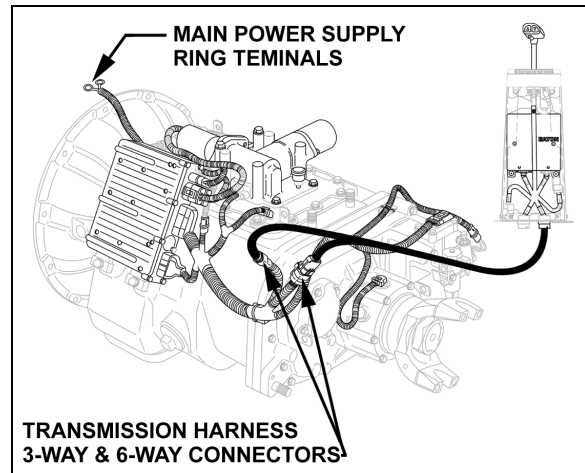


FIGURE 15: EATON TRANSMISSION CONNECTIONS⁰⁷⁰⁵¹

12. Support transmission using a suitable transmission jack, then remove the twelve clutch/engine mounting screws.

Caution: Make sure transmission-to-engine alignment is maintained when removing transmission. Do not let the rear end of transmission drop down and hang unsupported in the splined hubs of the clutch discs to avoid bending or distorting the friction discs.

13. Slowly pull transmission straight out to clear the input shaft.
14. Remove the transmission.

5.3 AUTOMATIC TRANSMISSION

The following procedure deals with the removal of the transmission without removing the power plant cradle from vehicle. The methods used to support the transmission and engine depend upon conditions and available equipment.

1. Select transmission's "NEUTRAL" position, apply parking brake, then set battery master switch to the "OFF" position.
2. Jack up vehicle, then place safety supports underneath body.

Caution: Only the recommended jacking points must be used as outlined in Section 18, "BODY".

Note: For more clearance between the tag axle and transmission, the tag axle may be unloaded and jacked up or retracted (if applicable).

3. Remove engine splash guards and protective panels surrounding transmission.
4. Remove cross member from under transmission.
5. Remove the transmission drain plug and allow oil to drain. Inspect the drain plug washer and replace it if necessary. Reinstall the drain plug and tighten to 33-41 lbf·ft (45-56 N·m) (see "3.3.9 Oil and Filter Change" in this section).

Warning: It is better to drain oil when it is still warm. Avoid contact with oil since it can be very hot and cause personal injury.

6. Remove transmission dipstick and filler tube.
7. Disconnect propeller shaft from transmission and remove its safety guard. Refer to Section 09, "PROPELLER SHAFT".
8. Disconnect the two oil cooler hoses from transmission. Cover hose ends and fittings to prevent fluid contamination.

Warning: A significant amount of oil may drain from oil lines when they are disconnected.

9. Disconnect all sensors on L.H. side of the transmission.
10. Disconnect main wiring harness.
11. Disconnect the air supply line (steel-braided hose) from retarder control valve (if applicable).
12. Remove any locking tie, clamp and bracket that may interfere with the removal of transmission.
13. Support transmission using a suitable transmission jack.
14. Remove the access plug from the flywheel housing on the R.H. side below starter. From access plug, remove the 12 converter-to-flexible plate attaching screws. Cranking the engine to gain access to the attaching screws may be done by turning the crankshaft pulley using a suitable adapter (fig. 16).

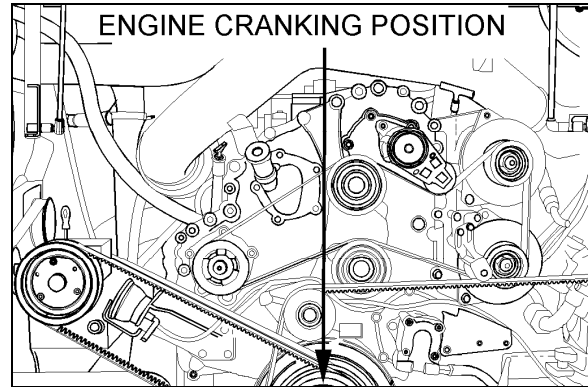


FIGURE 16: ENGINE CRANKING POSITION 01061

Caution: Do not rotate alternator shaft clockwise to avoid removing tension on belt.

15. Remove the 12 screws retaining the torque converter housing to the flywheel housing.

Caution: Make sure transmission-to-engine alignment is maintained when removing screws to avoid damaging torque converter housing.

16. Remove the transmission rubber mount above transmission by removing the nut, bolt and washer over the rubber and its support. Remove the bracket from transmission (only if the vehicle is equipped with a retarder).
17. Slowly pull transmission straight out to clear engine.
18. Remove the transmission.

6. TRANSMISSION OIL COOLER REMOVAL

6.1 TRANSMISSION WITHOUT RETARDER

Stop engine and allow engine to cool. Close both heater line shutoff valves (refer to Section 05 "Cooling").

If the cooling system is contaminated, proceed as per Section 05 "Cooling", paragraph 7: Flushing.

1. Disconnect and remove the engine air intake duct mounted between the air cleaner housing and the turbocharger inlet.

Caution: To avoid damage to turbocharger, cover the turbocharger inlet opening to prevent foreign material from entering.

Section 07: TRANSMISSION

2. Disconnect the two transmission hoses from oil cooler. Cover hose ends and fittings to prevent fluid contamination.

Warning: A significant amount of oil may drain from oil lines when they are disconnected.

3. Unfasten the constant-torque hose clamps and remove the two hoses.
4. Unscrew the four holding nuts and remove the U-bolts, remove the oil cooler from engine compartment.
5. Reinstall transmission oil cooler by using reverse procedure.

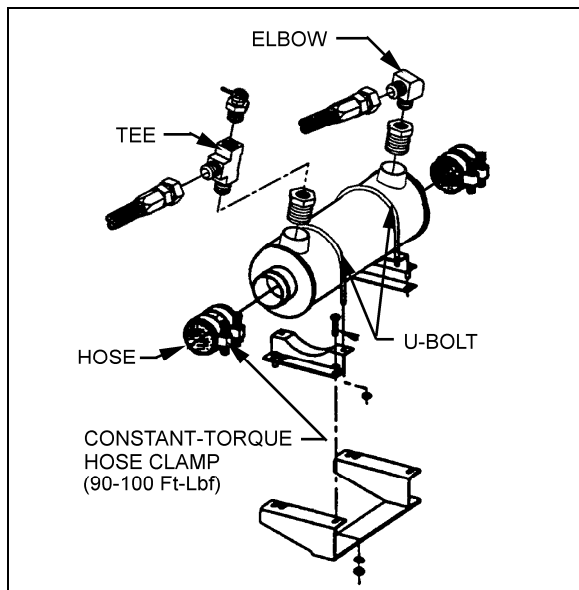


FIGURE 17: TRANSMISSION OIL COOLER 07031

6.2 TRANSMISSION WITH RETARDER

This specification covers the procedure on installing the removable tube bundle into the shell.

Stop engine and allow engine to cool. Close both heater line shutoff valves (refer to Section 05 "Cooling").

To drain the cooling system, proceed as per Section 05 "Cooling", paragraph 5: Draining. If the cooling system is contaminated, flush system as per Section 05 "Cooling", paragraph 7: Flushing.

1. Disconnect and remove the engine air intake duct mounted between the air cleaner housing and the turbocharger inlet.

Caution: To avoid damage to turbocharger, cover the turbocharger inlet opening to prevent foreign material from entering.

2. Disconnect the two transmission hoses from oil cooler. Cover hose ends and fittings to prevent fluid contamination.

Warning: A significant amount of oil may drain from oil lines when they are disconnected.

3. Unfasten the constant-torque hose clamps and remove the two hoses.
4. Unscrew the four holding nuts and remove the straps, remove the oil cooler from engine compartment.

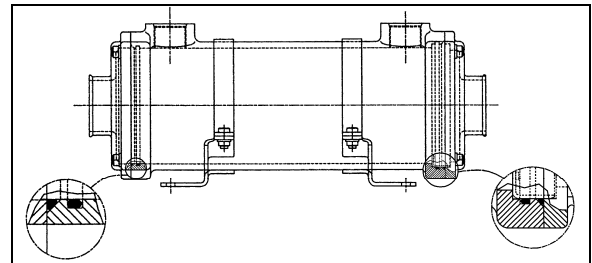


FIGURE 18: OIL COOLER INSTALLATION 07053

5. Unscrew the bolts and remove the water bonnets, remove the tube bundle. Clean and oil, (mineral oil is sufficient), inside of the shell.
6. Oil, (mineral oil is sufficient), and stretch all o'rings, stretching the o'rings slightly will help hold them in place during installation. It is mandatory to replace all o'rings after a unit is disassembled.

Note: One end of the shell is larger than the other end and the tube bundle can only be inserted one way.

7. Inspect, (beveled areas are critical), and oil, (mineral oil is sufficient), tube bundle.
8. Insert O-rings into the grooves on the shell, (one large and one small), inspect O-rings to ensure they are seated properly.
9. Place shell on solid surface with the smaller end down.

Note: When inserting the floating tube bundle, be certain that the oil ports on the shell are orientated properly with the baffles on the tube bundle, (this will ensure maximum oil flow across the tube bundle.

- Care to be taken to ensure tube bundle and tube plate sealing surfaces are not damaged during the installation process. Insert the tube bundle with the smaller end first into the shell until snug.

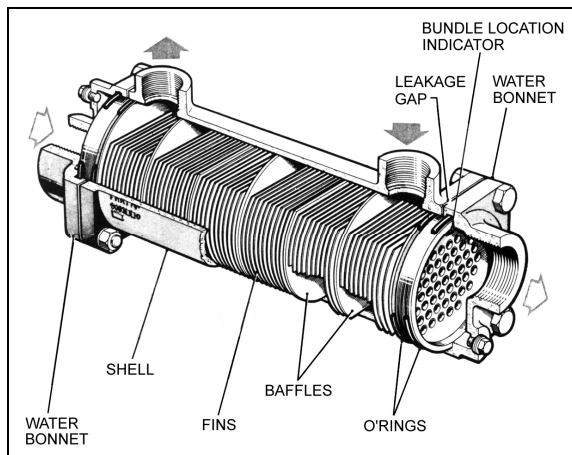


FIGURE 19: OIL COOLER SECTION VIEW 07054

- While handling the unit be careful that the tube bundle does not slide out. Inspect the O-ring on smaller end and ensure that it is properly seated.
- Slight force will be required to fully seat the tube bundle. A press is recommended being used to ensure equal force is applied to the tube bundle. After the tube bundle is fully seated, inspect the ends to ensure the o-rings were not damaged during the installation.
- Place proper size O-rings onto the 45° chamfers on the tube bundle and install the water bonnets. Tighten bolts snug to compress O-rings.

Caution: Do not use air or electric impact wrenches while tightening bolts.

- Reinstall transmission oil cooler by using reverse procedure.

7. TRANSMISSION DISASSEMBLY AND REASSEMBLY

7.1 MANUAL TRANSMISSION

Refer to "Spicer" Service Manuals annexed to this section.

7.2 SEMI-AUTOMATIC TRANSMISSION

Refer to "Eaton Fuller" Service Manual, Illustrated Parts List and Troubleshooting Guide annexed to this section.

8. CLEANING AND INSPECTION OF THE TRANSMISSION

8.1 MANUAL TRANSMISSION

Warning: Use a petroleum-based solvent.

Warning: Do not use gasoline to clean parts. Gasoline can explode, causing serious physical injury.

Caution: Do not use water or steam to clean internal components, it could corrode them.

8.2 SEMI-AUTOMATIC TRANSMISSION

When performing preventive maintenance inspections, several items must be checked. It is important, however, to perform every step to insure the transmission meets its life expectancy. Proper preventive maintenance consists of the following:

- Check the transmission oil level;
- Inspect under the vehicle for loose or missing bolts;
- Check the transmission for air leaks;
- Check the transmission for oil leaks;
- Inspect the rear transmission seal;
- Worn or frayed electrical harnesses, improper routing.

Caution: DO NOT pressure wash the transmission electrical connectors. Water and detergent will cause the contacts to corrode or become faulty.

8.3 AUTOMATIC TRANSMISSION

The exterior of the transmission should be cleaned and inspected at regular intervals. The length of service and severity of operating

Section 07: TRANSMISSION

conditions will determine the frequency of such inspections. Inspect the transmission for:

1. Loose bolts (transmission and mounting components);
2. Oil leaks (correct immediately);
3. Loose, dirty, or improperly adjusted throttle sensor linkage;
4. Damaged or loose oil lines;
5. Worn or frayed electrical harnesses, improper routing;
6. Worn or out of phase drive line U-joint and slip fittings.

Caution: DO NOT pressure wash the transmission electrical connectors. Water and detergent will cause the contacts to corrode or become faulty.

8.3.1 Breather

The breather is located on the engine, flywheel side near the valve cover. It serves to prevent pressure build-up within the transmission and must be cleaned to keep the passage opened. The prevalence of dust and dirt will determine the frequency at which the breather requires cleaning. Use care when cleaning the engine. Spraying steam, water or cleaning solution directly at the breather can force the water or solution into the transmission. Always use care when removing the hose connector from transmission to prevent the entry of foreign matter.

9. TRANSMISSION INSTALLATION

9.1 MANUAL TRANSMISSION

Note: For more clearance between the tag axle and transmission, the tag axle may be unloaded and jacked up or retracted (if applicable).

1. Place the transmission on a transmission jack.
2. Ensure clutch brake is in position on transmission input shaft.
3. Position the clutch release bearing with the flat section on top.
4. Shift transmission into 5th gear, then raise it and position the input shaft into clutch discs. Align input shaft splines with those on clutch

discs by rotating the output shaft. As the input shaft enters the clutch discs, rotate the clutch release yoke backwards until the release yoke fingers clear the pads on release bearing housing. Rotate the clutch release yoke into proper position as transmission is pushed into place.

Caution: Avoid hanging the weight of the transmission on the clutch or forcing the transmission into the clutch or flywheel housing. This can cause bent or sprung clutch discs and prevent the clutch from releasing.

Caution: The clutch housing must be seated against the flywheel housing prior to tightening any screw. Do not use screws to draw the housing.

5. Install all clutch/engine screws, then tighten them gradually in a criss-cross manner around the housing. Recommended torque is 44-50 lbf•ft (60-68 N•m).
 6. Remove jack from under transmission.
 7. Install clutch slave cylinder and its return spring.
- Note:** Refer to Section 02, "CLUTCH" for adjustment.
8. Connect speedometer sensor, back-up signal switch and neutral start switch.
 9. Reinstall clamps, brackets, and replace locking ties previously removed during removal procedure.
 10. Reconnect hydraulic shifter assembly pipe connectors with hydraulic pipes coming from shift lever assembly. Shift transmission to neutral, then refill system (refer to paragraph 4: "HYDRAULIC GEAR SHIFTING SYSTEM").
 11. Install fiberglass transmission protection.
 12. Install propeller shaft and its safety guard. Refer to Section 09, "PROPELLER SHAFT".
 13. Install cross member under transmission.
 14. Install engine splash guards.
 15. Install tag axle wheels (if previously removed).
 16. Make sure that the drain plug is in place, then refill transmission. Check and adjust oil level.

17. Adjust the servo clutch pressure to 40 psi with the air pressure regulator. For more information, refer to Section 12, "BRAKE AND AIR SYSTEM", under heading "AIR PRESSURE REGULATOR". The regulator is located at back of engine compartment, on R.H. side (Fig. 21).

9.2 SEMI-AUTOMATIC TRANSMISSION

Note: For more clearance between the tag axle and transmission, the tag axle may be unloaded and jacked up, or retracted (if applicable).

1. Place the transmission on a transmission jack.
2. Ensure clutch brake is in position on transmission input shaft.
3. Raise transmission and position the input shaft into clutch discs. Align input shaft splines with those on clutch discs by rotating the output shaft. As the input shaft enters the clutch discs, rotate the clutch release yoke backwards until the release yoke fingers clear the pads on release bearing housing. Rotate the clutch release yoke into proper position as transmission is pushed into place.

Caution: Avoid hanging the weight of the transmission on the clutch or forcing the transmission into the clutch or flywheel housing. This can cause bent or sprung clutch discs and prevent the clutch from releasing.

Caution: The clutch housing must be seated against the flywheel housing prior to tightening any screw. Do not use screws to draw the housing.

4. Install the twelve clutch/engine screws, then tighten them gradually in a criss-cross manner around the housing. Recommended torque is 44-50 lbf•ft (60-68 N•m).
5. Remove jack from under transmission.
6. Reconnect main power supply ring terminals, transmission harness 3-way and 6-way connectors.
7. Reconnect air supply lines at inertia brake end, solenoid end, clutch and accessories.

8. Reinstall clamps, brackets, and replace locking ties previously removed during removal procedure.
9. Reinstall the two oil coolers hoses previously removed from transmission.
10. Install propeller shaft and its safety guard. Refer to Section 09, "PROPELLER SHAFT".
11. Install cross member under transmission.
12. Install engine splash guards.
13. Install tag axle wheels (if previously removed).
14. Make sure that the drain plug is in place, then refill transmission. Check and adjust oil level.
15. Adjust the servo clutch pressure to 40 psi with the air pressure regulator. For more information, refer to Section 12, "BRAKE AND AIR SYSTEM", under heading "AIR PRESSURE REGULATOR". The regulator is located at back of engine compartment, on R.H. side (Fig. 21).

9.3 AUTOMATIC TRANSMISSION

Note: For more clearance between the tag axle and transmission, the tag axle may be unloaded and jacked up, or retracted (if applicable).

1. With the access plug removed, align one of the 12 attaching screw holes in the flexible plate with the access opening (starter side).
2. Place the transmission on a transmission jack.
3. Install a headless guide bolt into one of the 12 threaded holes for flexible plate attaching screws in the flywheel.
4. Lubricate the flywheel center pilot boss with molybdenum disulfide grease (Molycote G, or equivalent).
5. Raise transmission and position the flywheel pilot boss into the flexible plate adapter. Align the guide bolt previously installed in the flywheel with the flexible plate hole facing the access opening in the flywheel housing.

Warning: Severe damages and/or personal injury can occur if transmission is not adequately supported.

6. Seat the transmission against the engine flywheel housing. NO FORCE IS REQUIRED. If interference is encountered,

Section 07: TRANSMISSION

move the transmission away from engine, then investigate the cause.

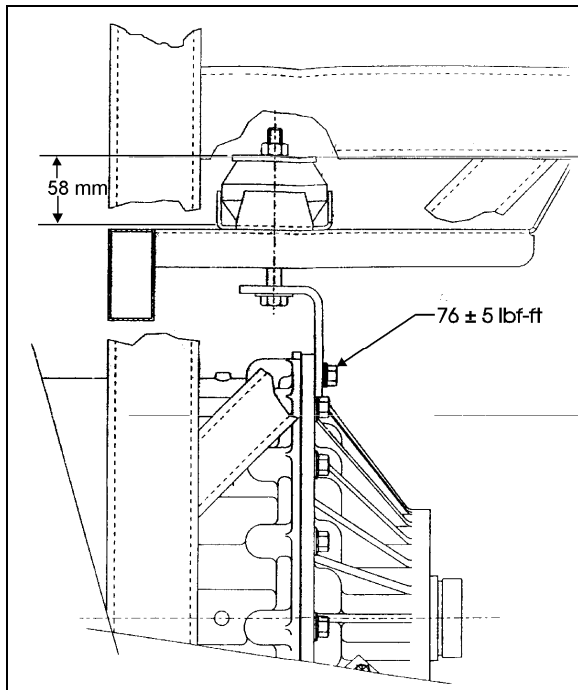


FIGURE 20: NUT TOLERANCE

07014

Caution: The torque converter housing must be seated against the flywheel housing prior to tightening any screws. DO NOT USE SCREWS TO SEAT THE HOUSING.

7. Start all torque converter housing screws, then tighten four of them gradually and in a criss-cross sequence around the housing. Tighten the 12 remaining screws. Recommended torque is between 42-50 lbf•ft (57-68 N•m).
8. Remove the guide bolt through the access opening in the flywheel housing. Replace it with a self-locking screw, finger-tighten then start the remaining screws; tighten to 17-21 lbf•ft (23-28 N•m). Place a wrench on crankshaft pulley attaching screw to turn the converter to gain access to the threaded holes.
9. Reinstall the access plug.
10. If the vehicle is equipped with a retarder; install the bracket on the transmission and tighten the bolt to 71-81 lbf•ft (96-110 N•m). Install the transmission rubber mount between the rubber support and the frame with a bolt, nut and washer. Tighten the nut until the tolerance of 58 ± 2 mm is met (Fig. 20).
11. Remove jack from under transmission.
12. Connect all sensors.
13. Connect the main wiring harness.
14. Connect the air supply line (steel-braided hose) to the retarder control valve (if applicable).
15. Connect the two transmission oil cooler hoses as they were previously.
16. Reinstall clamps and brackets, and replace locking ties previously removed during removal procedure.
17. Install propeller shaft and its safety guard. Refer to Section 09, "PROPELLER SHAFT".
18. Install transmission dipstick and filler tube.
19. Install cross member under transmission.
20. Install engine splash guards.
21. Adjust the retarder pressure to 80 ± 3 psi with the air pressure regulator. For more information refer to Section 12, "BRAKE AND AIR SYSTEM", under heading "AIR PRESSURE REGULATOR". The air pressure regulator is located at back of engine compartment, on R.H. side (Fig. 21).

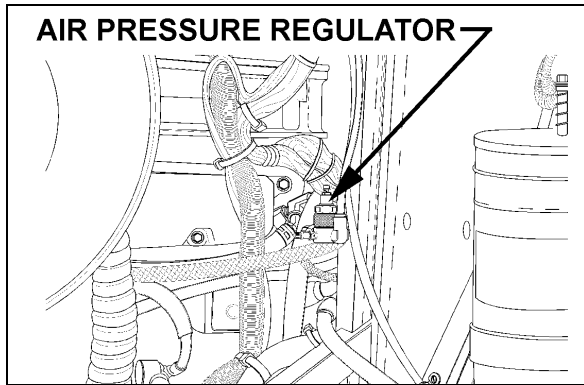


FIGURE 21: AIR PRESSURE REGULATOR

07037

22. Make sure that the drain plug is in place, then remove the transmission dipstick and pour approximately 37 US qts (39 L) of DEXRON-IIIE or DEXRON-III automatic transmission fluid through the filler tube. Check and adjust oil level.

Caution: Do not overfill the transmission. Overfilling can cause oil aeration (milky appearance) and overheating. If overfilling occurs, drain oil as required to bring it to the proper level.

10. ALLISON TRANSMISSION PRINCIPLES OF OPERATION

Refer to "Allison Transmission, MD Series, Principles of Operation, SA 2454".

11. TROUBLESHOOTING

11.1 MANUAL TRANSMISSION

Refer to the Troubleshooting section in the Spicer "Service Manual PS130-6B (6-speed)" or "PS145-7A (7-speed)" depending on which transmission is installed on your vehicle. Manuals are annexed to this section.

11.2 SEMI-AUTOMATIC TRANSMISSION

Refer to "Eaton Fuller" Troubleshooting Guide TRTS-0050 annexed at the end of this section.

Fault code retrieval and clearing

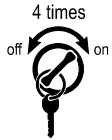
Retrieve fault codes by enabling the system's self-diagnostic mode:

- Place the shift lever in neutral;
- Apply the parking brakes;
- Turn the ignition key/lever to ON but do *not* start the engine;
- Retrieve codes :

Section 07: TRANSMISSION



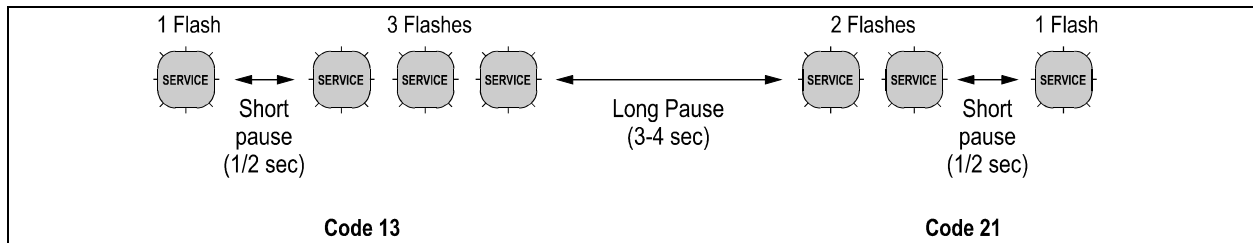
To retrieve active codes, start with the key/lever in the ON position. Turn the key/lever OFF and ON two times within five seconds ending with the key/lever in the ON position.



To retrieve inactive (intermittent) codes, start with the key/lever in the ON position. Turn the key/lever OFF and ON four times within five seconds ending with the key/lever in the ON position.

After a brief pause, the service transmission indicator light begins flashing two digit codes.

- Observe the sequence of flashes on the indicator lights and record the codes. A one or two second pause separates each stored code and the sequence automatically repeats after all codes have been flashed.



Refer to Eaton Fuller Troubleshooting Guide (TRTS-0050).

Eaton Fuller Semi-Automatic Transmission Fault Codes					
Code	Description	Code	Description	Code	Description
11	System controller	35	Engine control failure	58	Output shaft speed sensor
12	Transmission ECU	41	Range failed to engage	61	Rail select motor
13	Power connect relay coil	43	Range solenoid valve	63	Gear select motor
14	Shift lever	44	Inertia brake solenoid coil	65	Low motor voltage
15	Shift lever data link	51	Rail select sensor	71	Stuck engaged
16	Eaton proprietary link (EPL)	52	Gear select sensor	72	Failed to select rail
17	Start enable relay Coil	53	Reverse ball switch	73	Failed to engage gear
31	Engine brake relay coil	56	Input shaft speed sensor	74	Failed to synchronize initial engagement
33	Battery voltage supply	57	Main shaft speed sensor	83	Shift lever missing

11.3 AUTOMATIC TRANSMISSION

Refer to “Allison Transmission, MD Series, Troubleshooting Manual, SA 2158A”.

11.3.1 WTEC/Electronic Control Unit

The “World” automatic transmission has a new Electronic Control Unit (ECU) which involves specific diagnostic incident codes. The ECU transmission unit is located in the coach L.H. side rear electrical compartment.

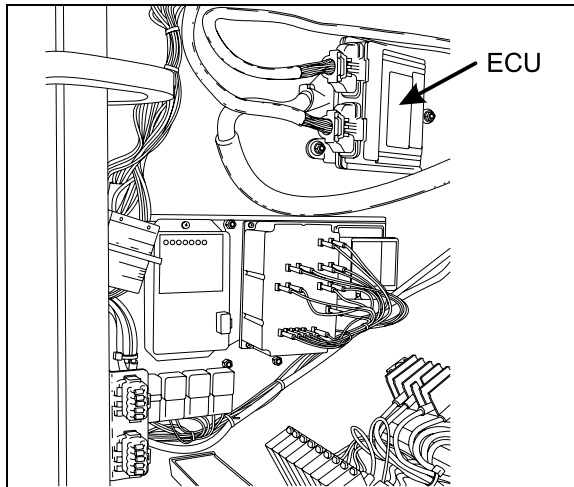


FIGURE 22: WTEC/ELECTRONIC CONTROL UNIT 07039

WTEC/ECU Replacement

The automatic transmission ECU is a non-serviceable electronic device. When it fails, it must be replaced using the following procedure:

- open the coach L.H. side rear junction box exterior panel in order to get access to the ECU;
- remove the electrical cable connectors;
- unscrew the WTEC/ECU unit;
- replace by reversing the procedure.

Caution: Place the battery master switch to the “OFF” position.

11.3.2 WTEC/Troubleshooting

For complete information about WTEC /Troubleshooting, refer to “Allison Transmission, MD Series, Troubleshooting Manual, SA2978” March 1997, pages D-9 and D-10.

11.3.3 Diagnostic Code Memory

Diagnostic codes are logged in a list in memory (sometimes referred to as the queue), positioning the most recently occurring code first and containing up to five codes. The codes contained in the list have the information recorded as shown in the chart below. Access to the code list position, main code, sub code and active indicator is available through either the shifter display or the Pro-Link Diagnostic Data Reader (DDR). Access to the ignition cycle counter and event counter is obtained through the DDR only.

Code List Position	Main Code	Sub Code	Active Indicator	Ignition Cycle Counter	Event Counter
d1	21	12	YES	00	10
d2	41	12	YES	00	04
d3	23	12	NO	08	02
d4	34	12	NO	13	01
d5	56	11	NO	22	02
Displayed on shifter display and DDR			YES= ACTIVE= "MODE ON"	Ignition cycle counter and event counter are not available on shifter display	

Note: All information is available with a diagnostic tool (DDR).

Section 07: TRANSMISSION

The following paragraphs define the different parts of the code list.

Code List Position

The position (1 through 5) which a code occupies in the code list in memory. Positions are shown as "d1" (Diagnostic Code #1) through "d5."

Main Code

The general condition or area of fault detected by ECU.

Sub Code

The specific area or condition under the main code in which the condition was detected.

11.3.4 Active Indicator

Will be turned "On" when a fault condition is active (shifter will display "MODE ON" or the DDR will display "YES"). Will be set to "Off" when conditions exist to indicate fault condition is gone.

Ignition Cycle Counter

Used to clear diagnostic codes that are inactive from the code list in memory. A counter is incremented each time a normal ECU power down occurs following clearing of the Active Indicator. A code will be cleared from the list when the counter exceeds 25.

Event Counter

Used to count the number of occurrences of a diagnostic code that occurs prior to the incident being cleared from the code list. The most recent code will be in position "d1". If the most recent code is one which is already in the code list, that code will be moved to position "d1", the Active Indicator will be turned "On" (shifter will display "MODE ON" or the DDR will display "YES"), the Ignition Cycle Counter is cleared and "1" is added to the Event Counter.

Clearing the Active Indicator and code Records from the Code List in Memory

If the conditions causing a diagnostic code to be set are cleared, the Active Indicator can be manually cleared by holding the "MODE" button down continuously for 3 seconds until a tone is heard from the shifter.

To clear code records from the list, hold the "MODE" button down continuously for ten seconds until a second tone sounds. All diagnostic records in the list that are not active will then be cleared and the remaining records will be moved up the list.

Code Reading and Code Clearing Procedures

Diagnostic codes can be read and cleared by two methods: by using the Pro-Link 9000 DDR plugged in the receptacle located on L.H. lateral console (Shells)/L.H. side control panel (Coaches) or by using the shifter display. The use of the Pro-Link 9000 DDR is described in the instruction manual supplied with each tool. The method for reading and clearing codes described in this section refers only to entering of the Diagnostic Display Mode by the proper button selection.

The Diagnostic Display Mode may be entered for viewing of codes at any speed. Codes can only be cleared when the output speed = 0 and no output speed sensor failure is active.

The following descriptions explain how to use the shifter to read and clear codes.

Reading Codes

1. Enter the diagnostic display mode by pressing the "□" and "□" (upshift and downshift arrows) buttons at the same time on the pushbutton shifter.

Note: If a "DO NOT SHIFT" condition is present at this time, the lever should be in the same position as it was at the time of code detection. If not, this shifter tone will sound continuously.

Note: If an Oil Level Sensor (OLS) is present, the oil level will be displayed first. Diagnostic code display is achieved by depressing the UPSHIFT and DOWNSHIFT arrows or display MODE button a second time.

2. Read the first code in the first of five code positions on the digital display of the shifter. For example, we will read code 25 11 in the first position. The display will change every two seconds as follows:
 - a. Code list position --"d1";
 - b. Main code --"25";
 - c. Sub code --"11"; and
 - d. Display will repeat cycle of a., b. and c, above.
3. Press the "MODE" button momentarily to view the second position (d2) in the same way as 2. above.
4. To view the third, fourth and fifth positions (d3, d4 and d5), momentarily press the "MODE" button as explained above.
5. Pressing the "MODE" button momentarily after the fifth position is displayed will cause the sequence of code positions to start over with the first position.
6. Any code that is active will be indicated by the "MODE ON" indicator (Active Indicator) being turned on while in that code position (while in the normal operation).
7. Any code position in the list which does not have a diagnostic code logged will display "- -" for both the main and sub code displays. All positions after a code codes.

11.3.5 Clearing Codes

1. Clearing of the active indicator is automatically done at ECU power down on all but code 69 34.
2. Some codes will clear the active indicator automatically when the condition causing the code is no longer detected by the ECU (see Diagnostic Code List and Description, page 7 - 23).
3. Manual clearing is possible while in the diagnostic display mode and after the condition causing the code is corrected (output speed must be zero).
 - a. To clear all active indicators, hold the "MODE" button down continuously for 3

seconds until the shifter tone sounds for 0.5 seconds.

- b. Release the "MODE" button to return to normal operating mode. If the condition causing the code was not active at the time, the active indicator will turn off.

Caution: *If clearing a code while locked in a Forward or Reverse position (fail-to-range), the transmission will still be in Drive or Reverse when the clearing procedure is completed. Neutral must be selected manually.*

Exiting the Diagnostic Display Mode

The diagnostic display mode can be exited by any of the following procedures:

1. Press the "□" and "□" (upshift and downshift) buttons at the same time on the pushbutton shifter.
2. Press any range button, "D", "N" or "R", on the pushbutton shifter (the shift will be commanded if it is not inhibited by an active code).
3. Do nothing and wait until the calibrated time (approximately 10 minutes) has passed and the system automatically returns to the normal operating mode.
4. Turn off power to the ECU (turn off the vehicle at the ignition switch).
5. After the clearing of a code, the active indicator procedure described above has been performed.

Clearing Records from the Code List in Memory

If the requirements for Manual Clearing the Active Indicator have been satisfied, and the "MODE" button is held down continuously for ten seconds while in the display mode until a tone sounds, then all diagnostic records in the code list that are not active will be cleared and the remaining records will be moved up in the code list.

Abbreviations found in the Code Chart

Section 07: TRANSMISSION

The following responses are used throughout the following chart to command safe operation when diagnostic codes are set.

1. **DNS (Do Not Shift)** Response
 - a. Turn off lockup clutch and inhibit lockup operation.
 - b. Inhibit all shifts.
 - c. Turn on the *DO NOT SHIFT* light.
 - d. Pulse the tone generator for 8 seconds when the condition is first detected.
 - e. Blank the select digit in the display.
 - f. Ignore any range selection inputs and disable the button feedback tone for the pushbutton shifter.

2. **SOL OFF (Solenoid Off)** Response

All solenoids are commanded off (turning solenoids "A" and "B" off electrically causes them to be on hydraulically).

3. **RPR (Return to Previous Range)** Response

When the ratio or C3 pressure switch tests associated with a shift are not passed, the ECU commands the same range as commanded at the beginning of the shift.

4. **NNC (Neutral No Clutches)** Response

When certain ratio or C3 pressure switch tests are not passed, the ECU commands a neutral condition with no clutches applied.

Diagnostic code list and description

MAIN CODE	SUB CODE	DESCRIPTION	DO NOT SHIFT LIGHT	INHIBITED OPERATION DESCRIPTION
12	12	Oil level, low	No	No upshift above a calibration range
12	23	Oil level, high	No	No upshift above a calibration range
13	12	ECU input voltage, low	Yes	DNS, SOL OFF (Hydraulic default)
13	13	ECU input voltage, medium low	No	None: Shift adaptive feature will not function.
13	23	ECU input voltage, high	Yes	DNS, SOL OFF (Hydraulic default)
14	12	Oil level sensor, low	No	None
14	23	Oil level sensor, high	No	None
21	12	Throttle position sensor, low	No	Use Throttle default value
21	23	Throttle position sensor, high	No	Use Throttle default value
22	14	Engine speed sensor reasonableness test	No	Use default engine speed
22	15	Turbine speed sensor reasonableness test	Yes	DNS, Lock in current range
22	16	Output speed sensor reasonableness or rapid decel test	Yes	DNS, Lock in current range
23	12	Primary Shifter or RSI Link Fault	No	Hold in last valid direction

MAIN CODE	SUB CODE	DESCRIPTION	DO NOT SHIFT LIGHT	INHIBITED OPERATION DESCRIPTION
23	13	Primary Shifter Mode Function Fault	No	Mode change not permitted
23	14	Secondary Shifter or RSI Link Fault	No	Hold in last valid direction
23	15	Secondary Shifter Mode Function Fault	No	Mode change not permitted
24	12	Sump oil temperature, cold	Yes	DNS
24	23	Sump oil temperature, hot	No	No upshifts above a calibration range
25	00	Output speed reasonableness test, detected at 0 speed, (L)	Yes	DNS, Lock in current range (L)
25	11	Output speed reasonableness test, detected at 0 speed, (1st)	Yes	DNS, Lock in current range (1st)
25	22	Output speed reasonableness test, detected at 0 speed 2nd	Yes	DNS, Lock in current range (2nd)
25	33	Output speed reasonableness test, detected at 0 speed, 3rd	Yes	DNS, Lock in current range (3rd)
25	44	Output speed reasonableness test, detected at 0 speed, 4th	Yes	DNS, Lock in current range (4th)
25	55	Output speed reasonableness test, detected at 0 speed, 5th	Yes	DNS, Lock in current range (5th)
25	66	Output speed reasonableness test, detected at 0 speed, 6th	Yes	DNS, Lock in current range (6th)
25	77	Output speed reasonableness test, detected at 0 speed, R	Yes	DNS, Lock in current range (R)
32	00	C3 pressure switch open, L range	Yes	DNS, Lock in current range (L)
32	33	C3 pressure switch open, 3rd range	Yes	DNS, Lock in current range (3rd)
32	55	C3 pressure switch open, 5th range	Yes	DNS, Lock in current range (5th)
32	77	C3 pressure switch open, R range	Yes	DNS, Lock in current range (R)
33	12	Sump oil temperature sensor, low	No	Use default value of 200° F (93° C)
33	23	Sump oil temperature sensor, high	No	Use default value of 200° F (93° C)
34	12	EEPROM, factory cal. compatibility number wrong	Yes	DNS, SOL OFF (Hydraulic default)
34	13	EEPROM, factory calibration block	Yes	DNS, SOL OFF

Section 07: TRANSMISSION

MAIN CODE	SUB CODE	DESCRIPTION	DO NOT SHIFT LIGHT	INHIBITED OPERATION DESCRIPTION
		checksum		(Hydraulic default)
34	14	EEPROM, Power Off Block checksum	Yes	Use previous location, or factory calibration and reset adaptive
34	15	EEPROM, Diagnostic Queue Block Checksum	Yes	Use previous location, or clear diagnostic queue
34	16	EEPROM, Real Time Block Checksum	Yes	DNS, SOL OFF (Hydraulic default)
35	00	Power interruption (Code set after power restored)	No	NONE (Hydraulic default during interruption)
35	16	Real Time EEPROM Write Interruption	Yes	DNS, SOL OFF (Hydraulic default)
36	00	Hardware/Software not compatible	Yes	DNS, SOL OFF (Hydraulic default)
41	12	Open or short to ground, A solenoid circuit	Yes	DNS, SOL OFF (Hydraulic default)
41	13	Open or short to ground, B solenoid circuit	Yes	DNS, SOL OFF (Hydraulic default)
41	14	Open or short to ground, C solenoid circuit	Yes	DNS, SOL OFF (Hydraulic default)
41	15	Open or short to ground, D solenoid circuit	Yes	DNS, SOL OFF (Hydraulic default)
41	16	Open or short to ground, E solenoid circuit	Yes	DNS, SOL OFF (Hydraulic default)
41	21	Open or short to ground, F solenoid circuit	No	Lock-up inhibited
41	22	Open or short to ground, G solenoid circuit	Yes	DNS, SOL OFF (Hydraulic default)
41	23	Open or short to ground, H solenoid circuit	No	Retarder allowed, differential lock inhibited
41	24	Open or short to ground, J solenoid circuit	No	Low and 1st inhibited
41	25	Open or short to ground, K solenoid circuit	No	K solenoid operation inhibited
41	26	Open or short to ground, N solenoid circuit	No	Low and 1st inhibited
42	12	Short to battery, A solenoid circuit	Yes	DNS, Lock in a range
42	13	Short to battery, B	Yes	DNS, Lock in a range

Section 07: TRANSMISSION

MAIN CODE	SUB CODE	DESCRIPTION	DO NOT SHIFT LIGHT	INHIBITED OPERATION DESCRIPTION
		solenoid circuit		
42	14	Short to battery, C solenoid circuit	Yes	DNS, Lock in a range
42	15	Short to battery, D solenoid circuit	Yes	DNS, Lock in a range
42	16	Short to battery, E solenoid circuit	Yes	DNS, Lock in a range
42	21	Short to battery, F solenoid circuit	No	Lock-up inhibited
42	22	Short to battery, G solenoid circuit	Yes	DNS, Lock in a range
42	23	Short to battery, H solenoid circuit	No	Retarder allowed, differential lock inhibited
42	24	Short to battery, J solenoid circuit	No	Low and 1st inhibited
42	25	Short to battery, K solenoid circuit	No	K solenoid operation inhibited
42	26	Short to battery, N solenoid circuit	No	Low and 1st inhibited
43	21	Low side driver, F solenoid circuit	No	Lock-up inhibited
43	25	Low side driver, K solenoid circuit	No	K solenoid operation inhibited
43	26	Low side driver, N solenoid circuit	No	Low and 1st inhibited
44	12	Short to ground, A solenoid circuit	Yes	DNS, SOL OFF (Hydraulic default)
44	13	Short to ground, B solenoid circuit	Yes	DNS, SOL OFF (Hydraulic default)
44	14	Short to ground, C solenoid circuit	Yes	DNS, SOL OFF (Hydraulic default)
44	15	Short to ground, D solenoid circuit	Yes	DNS, SOL OFF (Hydraulic default)
44	16	Short to ground, E solenoid circuit	Yes	DNS, SOL OFF (Hydraulic default)
44	21	Short to ground, F solenoid circuit	No	Lock-up inhibited
44	22	Short to ground, G	Yes	DNS, SOL OFF

Section 07: TRANSMISSION

MAIN CODE	SUB CODE	DESCRIPTION	DO NOT SHIFT LIGHT	INHIBITED OPERATION DESCRIPTION
		solenoid circuit		(Hydraulic default)
44	23	Short to ground, H solenoid circuit	No	Retarder allowed. differential lock inhibited
44	24	Short to ground, J solenoid circuit	No	Low and 1st inhibited
44	25	Short to ground, K solenoid circuit	No	K solenoid operation inhibited
44	26	Short to ground, N solenoid circuit	No	Low and 1st inhibited
45	12	Open circuit, A solenoid circuit	Yes	DNS, SOL OFF (Hydraulic default)
45	13	Open circuit, B solenoid circuit	Yes	DNS, SOL OFF (Hydraulic default)
45	14	Open circuit, C solenoid circuit	Yes	DNS, SOL OFF (Hydraulic default)
45	15	Open circuit, D solenoid circuit	Yes	DNS, SOL OFF (Hydraulic default)
45	16	Open circuit, E solenoid circuit	Yes	DNS, SOL OFF (Hydraulic default)
45	21	Open circuit, F solenoid circuit	No	Lock-up inhibited
45	22	Open circuit, G solenoid circuit	Yes	DNS, SOL OFF (Hydraulic default)
45	23	Open circuit, H solenoid circuit	No	Retarder allowed differential lock inhibited
45	24	Open circuit, J solenoid circuit	No	Low and 1st inhibited
45	25	Open circuit, K solenoid circuit	No	K solenoid operation inhibited
45	26	Open circuit, N solenoid circuit	No	Low and 1st inhibited
51	10	Offgoing ratio test (during shift), 1 to L	Yes	Low and 1st inhibited
51	12	Offgoing ratio test (during shift), 1 to 2	Yes	DNS, RPR
51	21	Offgoing ratio test (during shift), 2 to 1	Yes	DNS, RPR

MAIN CODE	SUB CODE	DESCRIPTION	DO NOT SHIFT LIGHT	INHIBITED OPERATION DESCRIPTION
51	23	Offgoing ratio test (during shift), 2 to 3	Yes	DNS, RPR
51	43	Offgoing ratio test (during shift), 4 to 3	Yes	DNS, RPR
51	45	Offgoing ratio test (during shift), 4 to 5	Yes	DNS, RPR
51	65	Offgoing ratio test (during shift), 6 to 5	Yes	DNS, RPR
52	01	Offgoing C3PS test (during shift), L to 1	Yes	DNS, RPR
52	08	Offgoing C3PS test (during shift), L to N1	Yes	DNS, NNC
52	32	Offgoing C3PS test (during shift), 3 to 2	Yes	DNS, RPR
52	34	Offgoing C3PS test (during shift), 3 to 4	Yes	DNS, RPR
52	54	Offgoing C3PS test (during shift), 5 to 4	Yes	DNS, RPR
52	56	Offgoing C3PS test (during shift), 5 to 6	Yes	DNS, RPR
52	71	Offgoing C3PS test (during shift), R to 1	Yes	DNS, NNC
52	72	Offgoing C3PS test (during shift), R to 2	Yes	DNS, NNC
52	78	Offgoing C3PS test (during shift), R to N1	Yes	DNS, NNC
52	79	Offgoing C3PS test (during shift), R to 2 (R to NNC to 2)	Yes	DNS, NNC
52	99	Offgoing C3PS test (during shift), N3 to N2	Yes	DNS, RPR
53	08	Offgoing speed test (during shift), L to N1	Yes	DNS, NNC
53	18	Offgoing speed test (during shift), 1 to N1	Yes	DNS, NNC
53	28	Offgoing speed test (during shift), 2 to N1	Yes	DNS, NNC

Section 07: TRANSMISSION

MAIN CODE	SUB CODE	DESCRIPTION	DO NOT SHIFT LIGHT	INHIBITED OPERATION DESCRIPTION
53	29	Offgoing speed test (during shift), 2 to N2	Yes	DNS, RPR
53	38	Offgoing speed test (during shift), 3 to N1	Yes	DNS, NNC
53	39	Offgoing speed test (during shift), 3 to N3	Yes	DNS, RPR
53	48	Offgoing speed test (during shift), 4 to N1	Yes	DNS, NNC
53	49	Offgoing speed test (during shift), 4 to N3	Yes	DNS, RPR
53	58	Offgoing speed test (during shift), 5 to N1	Yes	DNS, NNC
53	59	Offgoing speed test (during shift), 5 to N3	Yes	DNS, RPR
53	68	Offgoing speed test (during shift), 6 to N1	Yes	DNS, NNC
53	69	Offgoing speed test (during shift), 6 to N4	Yes	DNS, RPR
53	78	Offgoing speed test (during shift), R to N1	Yes	DNS, NNC
53	99	Offgoing speed test (during shift), N2 to N3 or N3 to N2	Yes	DNS, RPR
54	01	Oncoming ratio test (after shift), L to 1	Yes	DNS, RPR
54	07	Oncoming ratio test (after shift), L to R	Yes	DNS, NNC
54	10	Oncoming ratio test (after shift), 1 to L	Yes	DNS, RPR
54	12	Oncoming ratio test (after shift), 1 to 2	Yes	DNS, RPR
54	17	Oncoming ratio test (after shift), 1 to R	Yes	DNS, NNC
54	21	Oncoming ratio test (after shift), 2 to 1	Yes	DNS, RPR
54	23	Oncoming ratio test (after shift), 2 to 3	Yes	DNS, RPR

MAIN CODE	SUB CODE	DESCRIPTION	DO NOT SHIFT LIGHT	INHIBITED OPERATION DESCRIPTION
54	27	Oncoming ratio test (after shift), 2 to R	Yes	DNS, NNC
54	32	Oncoming ratio test (after shift), 3 to 2	Yes	DNS, RPR
54	34	Oncoming ratio test (after shift), 3 to 4	Yes	DNS, RPR
54	43	Oncoming ratio test (after shift), 4 to 3	Yes	DNS, RPR
54	45	Oncoming ratio test (after shift), 4 to 5	Yes	DNS, RPR or SOL OFF (Hydraulic default)
54	54	Oncoming ratio test (after shift), 5 to 4	Yes	DNS,RPR
54	56	Oncoming ratio test (after shift), 5 to 6	Yes	DNS,RPR
54	65	Oncoming ratio test (after shift), 6 to 5	Yes	DNS,RPR
54	70	Oncoming ratio test (after shift), R to L	Yes	DNS,NNC
54	71	Oncoming ratio test (after shift), R to 1	Yes	DNS,NNC
54	72	Oncoming ratio test (after shift), R to 2	Yes	DNS,NNC
54	80	Oncoming ratio test (after shift), N1 to L	Yes	DNS,RPR
54	81	Oncoming ratio test (after shift), N1 to 1	Yes	DNS,RPR
54	82	Oncoming ratio test (after shift), N1 to 2	Yes	DNS,RPR
54	83	Oncoming ratio test (after shift), N1 to 3	Yes	DNS,RPR
54	85	Oncoming ratio test (after shift), N1 to 5	Yes	DNS,RPR
54	86	Oncoming ratio test (after shift), N1 to 6	Yes	DNS, RPR
54	92	Oncoming ratio test (after shift), R to 2 (R to NNC to 2)	Yes	DNS, NNC

Section 07: TRANSMISSION

MAIN CODE	SUB CODE	DESCRIPTION	DO NOT SHIFT LIGHT	INHIBITED OPERATION DESCRIPTION
54	92	Oncoming ratio test (after shift), N1 to 2 (N1 to NNC to 2)	Yes	DNS, RPR
54	92	Oncoming ratio test (after shift), N2 to 2	Yes	DNS, RPR
54	93	Oncoming ratio test (after shift), N3 to 3	Yes	DNS, RPR
54	95	Oncoming ratio test (after shift), N3 to 5	Yes	DNS, RPR
54	96	Oncoming ratio test (after shift), N4 to 6	Yes	DNS, RPR
54	97	Oncoming ratio test (after shift), 2 to R (2 to NNC to R)	Yes	DNS, NNC
55	17	Oncoming C3PS test (after shift), 1 to R	Yes	DNS, NNC
55	27	Oncoming C3PS test (after shift), 2 to R	Yes	DNS, NNC
55	80	Oncoming C3PS test (after shift), N1 to L	Yes	DNS, RPR
55	87	Oncoming C3PS test (after shift), N1 to R	Yes	DNS, RPR
55	97	Oncoming C3PS test (after shift), 2 to R or NVL to R (2 to NNC to R)	Yes	DNS, NNC
56	00	Range verification test, L	Yes	DNS, 1st, Low, or SOL OFF (Low)
56	11	Range verification test, 1st	Yes	DNS, 6th
56	22	Range verification test, 2nd	Yes	DNS, 6th or 5th
56	33	Range verification test, 3rd	Yes	DNS, 5th or SOL
56	44	Range verification test, 4th	Yes	DNS, 3rd or 5th
56	55	Range verification test, 5th	Yes	DNS, SOL OFF (5th) or 3rd
56	66	Range verification test, 6th	Yes	DNS, 5th, 3rd, or SOL OFF (3rd)
56	77	Range verification test, R	Yes	DNS, N2 or N3
57	11	Range verification C3PS test, 1st	Yes	DNS, SOL OFF (3rd)
57	22	Range verification C3PS test, 2nd	Yes	DNS, 3rd
57	44	Range verification C3PS test, 4th	Yes	DNS, 5th or SOL OFF (3rd)

Section 07: TRANSMISSION

MAIN CODE	SUB CODE	DESCRIPTION	DO NOT SHIFT LIGHT	INHIBITED OPERATION DESCRIPTION
57	66	Range verification C3PS test, 6th	Yes	SOL OFF (5th), DNS
57	88	Range verification C3PS test, N1	Yes	DNS, N3
57	99	Range verification C3PS test, N2 or N4	Yes	DNS, N3
61	00	Retarder oil temperature, hot	No	None
62	12	Retarder oil temperature sensor, low	No	None
62	23	Retarder oil temperature sensor, high	No	None
63	00	Special function input	No	Depends on special function
64	12	Retarder modulation request sensor, low	No	Retarder operation inhibited
64	23	Retarder modulation request sensor, high	No	Retarder operation inhibited
65	00	Engine rating too high	Yes	DNS
66	00	Serial communications interface fault	No	Use default throttle values
69	12	ECU, A solenoid driver open	Yes	DNS, SOL OFF (hydraulic default)
69	13	ECU, B solenoid driver open	Yes	DNS, SOL OFF (hydraulic default)
69	14	ECU, C solenoid driver open	Yes	DNS, SOL OFF (hydraulic default)
69	15	ECU, D solenoid driver open	Yes	DNS, SOL OFF (hydraulic default)
69	16	ECU, E solenoid driver open	Yes	DNS, SOL OFF (hydraulic default)
69	21	ECU, F solenoid driver open	No	Lock-up inhibited
69	22	ECU, G solenoid driver open	Yes	DNS, SOL OFF (Hydraulic default)
69	23	ECU, H solenoid driver open	No	Retarder allowed, differential lock inhibited
69	24	ECU, J solenoid driver open	No	Low and 1 st inhibited
69	25	ECU, K solenoid driver open	No	K solenoid operation inhibited
69	26	ECU, N solenoid driver open	No	Low and 1st inhibited
69	32	ECU, SPI communications link fault	No	Hold in last valid

Section 07: TRANSMISSION

MAIN CODE	SUB CODE	DESCRIPTION	DO NOT SHIFT LIGHT	INHIBITED OPERATION DESCRIPTION
				direction
69	33	ECU, Central Operating Processor (COP) time-out	Yes	Reset ECU, Shutdown ECU on 2nd occurrence (power loss: hydraulic defaults)
69	34	ECU, EEPROM write time-out	Yes	DNS, SOL OFF (Hydraulic default)
69	35	ECU, EEPROM checksum	Yes	Induce COP time-out (reset ECU)
69	36	ECU, RAM self test	Yes	Induce COP time-out (reset ECU)
69	41	ECU, I/O ASIC addressing test	Yes	Induce COP time-out (reset ECU)
0	35	Software, minor loop overrun	Yes	Induce COP time-out (reset ECU)
70	35	Software, illegal write to access \$0000	Yes	Induce COP time-out (reset ECU)
70	35	Software, major loop overrun	Yes	Induce COP time-out (reset ECU)

12. SPECIFICATIONS

MANUAL TRANSMISSION

SIX-SPEED

Make Spicer
 Model PS130-6B

Ratio:

LO 8.53:1
 1st 4.87:1
 2nd 3.00:1
 3rd 1.90:1
 4th 1.33:1
 5th 1.00:1
 Rev 8.53:1

Fluid:

Type Same as engine oil
 Capacity 41 Pints (19.4 liters) at 0° Installation
 Torque Capacity 1300 lbf•ft (1761 N•m)

SEVEN-SPEED

Make Spicer
 Model PS145-7A

Ratio:

LO 10.13:1
 1st 5.99:1
 2nd 3.56:1
 3rd 2.57:1
 4th 1.84:1
 5th 1.33:1
 6th 1.00:1
 Rev 10.13:1

Fluid:

Type Same as engine oil
 Capacity 48 Pints (22.7 liters) at 0° Installation
 Torque Capacity 1450 lbf•ft (1964 N•m)

Section 07: TRANSMISSION

SEMI-AUTOMATIC TRANSMISSION

Make Eaton Fuller
Model RTAO-14710B-AS

Ratio:

Overall..... 14.78:1
LO Reverse 11.23:1
1st 10.99:1
2nd 8.18:1
3rd 6.07:1
4th 4.46:1
5th 3.32:1
6th 2.46:1
7th 1.83:1
8th 1.36:1
9th 1.00:1
10th 0.74:1

Fluid:

Type Eaton Roadranger CD50 Transmission Fluid
Capacity 13 US qts (12 liters)
Torque Capacity 1450 lbf•ft (1964 N•m)

AUTOMATIC TRANSMISSION WITH OR WITHOUT RETARDER

Gross input power (maximum)..... 450 hp (335 kW)
Gross input torque (maximum) 1460 lbf•ft (1978 N•m)
Rated input speed (minimum-maximum) 1600-2300 rpm

Mounting:

Engine SAE #1 flywheel housing, flex disk drive

Torque converter:

Type One stage, three element, polyphase
Stall torque ratio TC 521-2.4;TC 531-2.3;TC 541-1.9;TC 551-1.8;TC 561-1.6
Lockup clutch with torsional damper Integral/standard

Gearing:

Type Patented, constant mesh, helical, planetary

Ratio:

First 3.51:1
Second 1.91:1
Third 1.43:1
Fourth 1.00:1
Fifth 0.74:1
Sixth 0.64:1
Reverse 4.80:1

Ratio coverage:

6 speed 5.48:1

*** Gear ratios do not include torque converter multiplication.**

Oil System:

Oil type DEXRON-IIIE OR DEXRON III

Capacity (excluding external circuits) Initial fill 47 US qts (45 liters)

Oil change 37 US qts (39 liters)

Oil Filters:

Make Allison Transmission

Type Disposable cartridge

Supplier number 29503829

Prévost number 57-1687

SECTION 09: PROPELLER SHAFT

CONTENTS

1. PROPELLER SHAFT	09-2
1.1 DESCRIPTION	09-2
2. REMOVAL, DISASSEMBLY, REASSEMBLY AND INSTALLATION	09-2
3. CLEANING, INSPECTION AND LUBRICATION	09-3
3.1 CLEANING AND INSPECTION	09-3
3.2 LUBRICATION	09-3
4. EXPLANATION OF COMMON DAMAGES	09-3
5. TROUBLESHOOTING	09-3
6. SPECIFICATIONS	09-3

ILLUSTRATIONS

FIGURE 1: PROPELLER SHAFT ASSEMBLY	09-2
--	------

Section 09: PROPELLER SHAFT

1. PROPELLER SHAFT

1.1 DESCRIPTION

The propeller shaft transmits power from the transmission to the differential (Fig. 1). Depending on the vehicle's transmission type, three lengths of propeller shafts are available. Refer to paragraph "6. SPECIFICATIONS" at the end of this section for details. All propeller shafts are "Dana 1810" type with tubular shafts. They are provided with two heavy-duty universal joints (Fig. 1).

The propeller shaft has a full round end yoke at each end. The tube yoke is connected to the differential by a full round end yoke with four needle bearings.

The other extremity (slip yoke assembly) is connected to the transmission by a half round end yoke with two needle bearings.

Furthermore, a slip joint on the propeller shaft compensates for variations in distance between the transmission (manual or automatic) and the differential, or between the output retarder (optional on the automatic transmission) and differential.

The rise and fall of the drive axle bring about these variations as the vehicle passes over uneven surfaces. The slip joint also eases removal of the transmission or the drive axle.

2. REMOVAL, DISASSEMBLY, REASSEMBLY AND INSTALLATION

Refer to "SPICER UNIVERSAL JOINTS AND DRIVESHAFTS" annexed to this section, under headings "Heavy Duty - removal, disassembly, reassembly and installation".

Where applicable:

- Remove or install propeller shaft safety guard.
- Screw bolts to the specified torque (Fig. 1).

Note: Disregard the procedure on "Lock straps" mentioned in the "Spicer Universal Joints and Driveshafts Manual".

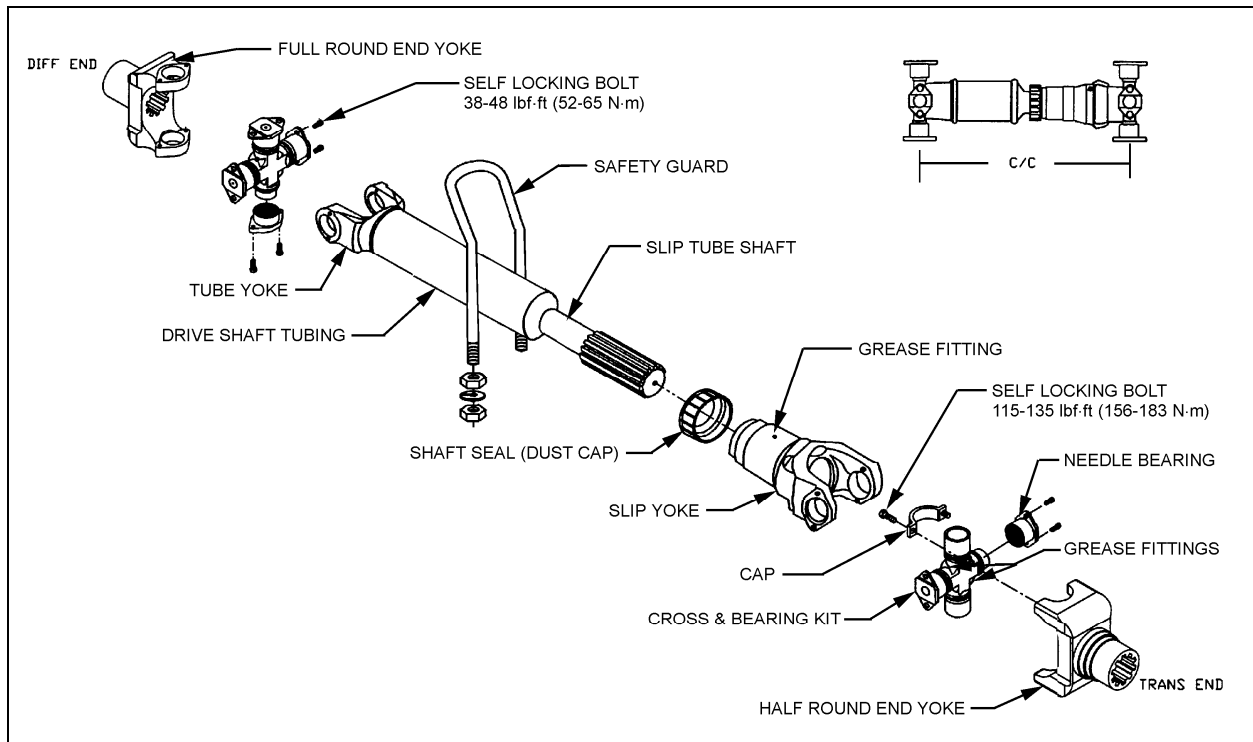


FIGURE 1: PROPELLER SHAFT ASSEMBLY

09003

3. CLEANING, INSPECTION AND LUBRICATION

3.1 CLEANING AND INSPECTION

Thoroughly clean grease from bearings, journal, lubricating grease fittings and other parts. Needle bearing assemblies may be soaked in a cleaning solution to soften hard grease particles. It is extremely important that bearing assemblies be absolutely clean and blown out with compressed air, since small particles of dirt or grit can cause rapid bearing wear. Do not attempt to disassemble needle bearings.

Bearing journal areas should be inspected for roughness or grooving. If light honing does not remove roughness, the entire bearing assembly should be replaced. Excessive wear of the needle bearing is indicated if the needles drop out of the retainer, or if marks are present on the journal bearing surface. In such case, replace bearing assembly. Finally, inspect yokes for cracks, wear or distortion.

Note: Repair kits are available for overhaul of the propeller shaft assembly. Refer to the paragraph "6. Specifications" of this section.

3.2 LUBRICATION

Lubricate propeller shaft universal joints and slip yoke periodically, every 6,250 miles (10 000 km) or twice a year, whichever comes first. Apply grease gun pressure to the lube fitting. Use a good quality lithium-base grease such as: NLGI No.2 (suitable for most temperatures) or NLGI No.1 (suitable for extremely low temperatures). Refer to "Spicer Universal Joints and Driveshafts, Service Manual", under heading, "Inspection and Lubrication". See lubrication procedures for U-joints and lubrication for slip splines.

Note: Do not assume that bearing cavities have been filled with new grease unless it has expelled around all seals.

6. SPECIFICATIONS

4. EXPLANATION OF COMMON DAMAGES

1. Cracks: Stress lines due to metal fatigue. Severe and numerous cracks will weaken the metal until it breaks.

2. Galling: Scraping off of metal or metal displacement due to friction between surfaces. This is commonly found on trunnion ends.

3. Spalling (surface fatigue): Breaking off of chips, scales, or flakes of metal due to fatigue rather than wear. It is usually found on splines and U-joint bearings.

4. Pitting: Small pits or craters in metal surfaces due to corrosion. If excessive, pitting can lead to surface wear and eventual failure.

5. Brinelling: Surface wear failure due to the wearing of grooves in metal. It is often caused by improper installation procedures. Do not confuse the polishing of a surface (false brinelling), where no structural damage occurs, with actual brinelling.

6. Structural Overloading: Failure caused by a load greater than the component can stand. A structural overload may cause propeller shaft tubing to twist under strain or it may cause cracks or breaks in U-joints and spline plugs.

5. TROUBLESHOOTING

Refer to "Spicer Service Manual - Universal Joints and Driveshafts" under heading "Troubleshooting".

Section 09: PROPELLER SHAFT

PROPELLER SHAFT

H3 Vehicles equipped with a 6-speed Manual Transmission

Make Hayes-Dana Inc.
Series..... 1810
Supplier number 819325-2200
Prevost number580070

H3 Vehicles equipped with an Automatic World Transmission or a 7-speed Manual Transmission

Make Hayes-Dana Inc.
Series..... 1810
Supplier number 819325-1900
Prevost number580069

H3 Vehicles equipped with an Eaton Fuller Semi-Automatic Transmission

Make Hayes-Dana Inc.
Series..... 1810
Supplier number 816688-1600
Prevost number580080

Repair kits

Make Hayes-Dana Inc.
U-joint kit (tube yoke), Supplier number 5-281X
U-joint kit (tube yoke), Prevost number580043
U-joint kit (slip yoke), Supplier number 5-510X
U-joint kit (slip yoke), Prevost number580062
Cap and bolt kit, bolt torque 115-135 lbf•ft (156-183 N•m), Supplier number 6.5-70-18X
Cap and bolt kit, bolt torque 115-135 lbf•ft (156-183 N•m), Prevost number580063
Bolts kit, bolt torque 38-48 lbf•ft (52-65 N•m), Supplier number 6-73-209
Bolts kit, bolt torque 38-48 lbf•ft (52-65 N•m), Prevost number580071

Half Round End Yoke

Make Hayes-Dana Inc
(6 speed), Supplier number 6.5-4-3021-1
(6 speed), Prevost number580072

Make Dana-Spicer
(7 speed), Supplier number 6.5-4-3821-1
(7 speed), Prevost number571690

Note: U-joint kits will come equipped with the serrated bolt and lock patch and will no longer contain a lock strap.

SECTION 10: FRONT AXLE

CONTENTS

1. FRONT AXLE	10-2
1.1 DESCRIPTION.....	10-2
2. LUBRICATION	10-2
3. MAINTENANCE	10-2
4. REMOVAL AND REPLACEMENT	10-3
4.1 REMOVAL	10-3
4.2 REPLACEMENT.....	10-3
5. SERVICE INSTRUCTIONS FOR STEER AXLE	10-3
6. FRONT WHEEL ALIGNMENT	10-3
6.1 MINOR FRONT WHEEL ALIGNMENT.....	10-4
6.2 MAJOR FRONT WHEEL ALIGNMENT	10-4
6.3 INSPECTION BEFORE ALIGNMENT.....	10-4
6.4 TURNING ANGLE ADJUSTMENT	10-4
6.4.1 <i>R.H. Turn Adjustment</i>	10-5
6.4.2 <i>L.H. Turn Adjustment</i>	10-5
6.5 HYDRAULIC STOP.....	10-6
6.6 FRONT WHEEL CAMBER.....	10-6
6.6.1 <i>Camber Check</i>	10-6
6.7 FRONT AXLE CASTER.....	10-6
6.8 FRONT WHEEL TOE-IN	10-7
6.8.1 <i>Inspection and Adjustment</i>	10-8
7. TROUBLESHOOTING	10-9
8. SPECIFICATIONS	10-10

ILLUSTRATIONS

FIGURE 1: FRONT AXLE ASSEMBLY.....	10-2
FIGURE 2: CAMBER	10-6
FIGURE 3: CASTER.....	10-7
FIGURE 4: TOE-IN MEASUREMENT.....	10-7
FIGURE 5: AIR BELLOWS MOUNTING SUPPORT AND AXLE	10-10
FIGURE 6: DEFLECTION VERSUS APPLIED LOAD	10-11

Section 10: FRONT AXLE

1. FRONT AXLE

1.1 DESCRIPTION

This front axle is of the "Reverse Elliot" type manufactured by Dana Spicer Europe. The front axle consists of a girder section axle bed or beam with stub axles. Each stub axle is carried on a taper king pin, with a steep angle taper roller bearing at its top and a plain phosphor bronze bushing at the bottom. The hub taper roller bearings are of a generous size and adjusted by means of shims, and secured by a special nut and washer. Brakes are manufactured by KNORR-BREMSE. Steering ball joints with hardened balls and rubbing pads incorporate compression springs which automatically take up any wear.

The tie rod simplifies toe-in adjustment. The maximum turning angle is set through stop screws installed on the inner side of the knuckle.

Steering stabilizer (damper) and steering drag link which are mounted on the front axle are described in Section 14; "Steering" of this manual.

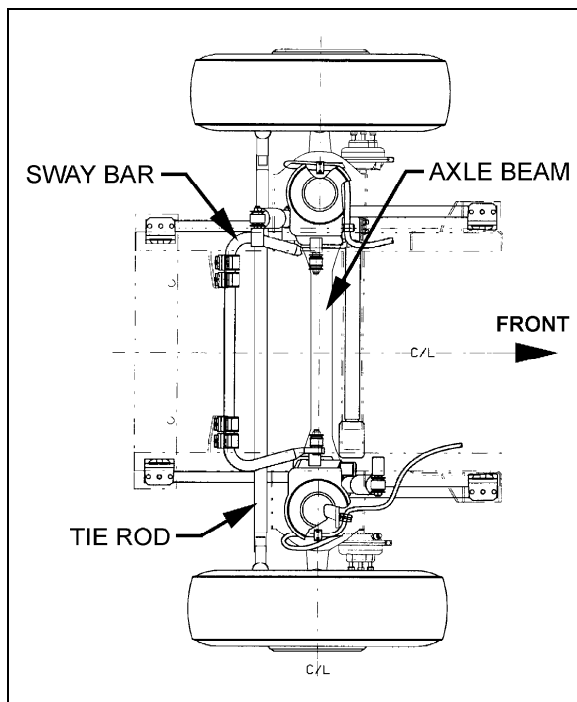


FIGURE 1: FRONT AXLE ASSEMBLY

10025

2. LUBRICATION

Perform periodic lubrication. Lubrication points of the front axle are shown on the lubrication and servicing chart annexed to Section 24; "Lubrication". Tie rod ends and knuckle pins are provided with grease fittings for pressure lubrication. These grease fittings should be serviced every 6,250 miles (10 000 km) or twice a year whichever comes first. Good quality lithium-base grease NLGI No.1 and 2 are recommended.

3. MAINTENANCE

A periodic inspection of the front axle assembly should be made to check that all bolts are tight, and that no damage and distortion have taken place. Suspension support stud nuts, U-bolt nuts, tie rod arms, steering arm nuts and stop screws should be checked and tightened, as required, to the torque specifications given at the end of this section. Also check the condition of the steering knuckle pins and bushings. In case of excessive looseness, the bushings and pins should be replaced.

Any looseness in the steering linkage, under normal steering loads, is sufficient cause to immediately check all pivot points for wear, regardless of accumulated mileage. Steering linkage pivot points should be checked each time the front axle assembly is lubricated. Any looseness can be visually detected while rotating the steering wheel in both directions.

Steering knuckles, knuckle pins and bushings can be overhauled or replaced without removing the axle from the vehicle. However, if extensive overhaul work is necessary, the axle assembly should be removed.

Caution: Should removal of a locking device be required when undergoing repairs, disassembly or adjustments, always replace with a new one.

4. REMOVAL AND REPLACEMENT

The following procedure deals with the removal of the front axle assembly. The method used to support the axle assembly and suspension components during removal and disassembly depends upon local conditions and available equipment.

4.1 REMOVAL

1. Raise the vehicle by its jacking points on the body (see Section 18, "Body" under heading 34; Vehicle Jacking Points) until vehicle body is approximately 20 inches (508 mm) from the floor. Place jack stands under frame. Remove the wheels (if required, refer to Section 13, "Wheels, Hubs and Tires").

Caution : Use only the recommended jacking points as outlined in section 18 "BODY".

2. Exhaust compressed air from the air supply system by opening the drain valve of each reservoir.
3. Install jacks under axle jacking points to support the axle weight.

Warning : To help prevent injury caused by the axle rolling off the jacks, these should be equipped with U-adapters, or similar precautions must be taken.

4. Disconnect the steering drag link from the steering arm.
5. Remove the ABS sensors from their location in hubs (if applicable).
6. Disconnect the height control valve link from its support on the axle.
7. Disconnect air lines from front brake chambers, and cover line ends and fittings to prevent the entry of foreign matter.

Caution: Position the air lines and electric wires so they will not be damaged while removing the front axle assembly.

8. Proceed with steps a, b and c, while referring to Section 16: "SUSPENSION".
 - a) Disconnect sway bar links from axle brackets.
 - b) Remove shock absorbers.
 - c) Disconnect five radius rods: one transversal and two longitudinal from subframe, and two upper rods from axle.
9. Remove the bolts and nuts fixing the axle to the left-hand and right-hand side air bellows mounting supports.
10. Using the jacks, slowly lower the axle assembly, and carefully pull away from underneath vehicle.

4.2 REPLACEMENT

Reverse front axle "Removal" procedure. Ensure cleanliness of air bellows support mounting plates.

Note : Refer to Section 16, "SUSPENSION", Section 14, "Steering" and to paragraph 8 "Specifications" at the end of this section for applicable checks and recommended tightening torques.

5. SERVICE INSTRUCTIONS FOR STEER AXLE

Refer to GKN Parts and Service Manual for axles annexed at the end of this section.

6. FRONT WHEEL ALIGNMENT

Correct front wheel alignment must be maintained for steering comfort and satisfactory tire life. Road shocks and vibrations, as well as normal stress and strains on the front-end system can, under normal operating conditions, result in loss of front wheel alignment.

Section 10: FRONT AXLE

Check the front wheel alignment when the following occurs:

1. Every 200,000 miles (320 000 km) or 24 months (normal maintenance);
2. When the vehicle does not steer correctly; or
3. To correct a tire wear condition.

There are two types of front wheel alignment: **minor alignment** and **major alignment**.

6.1 MINOR FRONT WHEEL ALIGNMENT

Perform a minor front wheel alignment for all normal maintenance conditions.

Perform the minor front wheel alignment in the following sequence :

1. Inspect all the systems that affect the wheel alignment. See paragraph 6.3, *"Inspection Before Alignment"* in this section.
2. Check and adjust the hub bearings. See section 13, *"Wheels, hubs and Tires"* under heading 8: Front and Tag Axle Wheel Hubs.
3. Check and adjust the toe-in.

6.2 MAJOR FRONT WHEEL ALIGNMENT

Perform a major front wheel alignment to correct steering and tire wear conditions.

Perform the major front wheel alignment in the following sequence:

1. Inspect all systems affecting the wheel alignment. See paragraph 6.3, *"Inspection Before Alignment"* in this section.
2. Check and adjust the hub bearings. See section 13, *"Wheels, hubs and Tires"* under heading 8: Front and Tag Axle Wheel Hubs.

Note: *If steering angle stoppers are changed, a special procedure is required for readjusting gearbox poppet valves. See paragraph 6.5 "HYDRAULIC STOP" in this section.*

3. Check and adjust the turning angle adjustment.
4. Check the camber angle.
5. Check and adjust the caster angle.
6. Check and adjust the toe-in.

6.3 INSPECTION BEFORE ALIGNMENT

Check the following before doing a front wheel alignment:

1. Ensure that the vehicle is at normal riding height. See Section 16, *"Suspension"* under heading 7: *"Suspension Height Adjustment"*.
2. Ensure that front wheels are not the cause of the problem. See Section 13, *"Wheels, Hubs and Tires"*. Inspect the tires for wear patterns indicating suspension damage or misalignment.
 - a. Make sure the tires are inflated to the specified pressure.
 - b. Make sure the front tires are the same size and type.
 - c. Make sure the wheels are balanced.
 - d. Check wheel installation and straightness.
3. Check the wheel bearing adjustment. See Section 13, *"Wheels, Hubs and Tires"*.
4. Check steering linkage for bending and pivot points for looseness.
5. Check knuckle pins for evidence of excessive wear.
6. Check radius rods for bending and rubber bushings for evidence of excessive wear.
7. Make sure all fasteners are tightened to the specified torque. Use a torque wrench for verification. As soon as the fastener starts to move, record the torque. Correct if necessary. Replace any worn or damaged fasteners.

6.4 TURNING ANGLE ADJUSTMENT

The maximum turning angle is set through the two steering stop screws installed on the axle center. The turning angle is factory adjusted to accommodate the chassis design, and therefore, does not require adjustment on new vehicles. However, it should be checked and adjusted any time any component of the steering system is repaired, disassembled or adjusted.

Check if front tires rub against the frame or if the steering gear has been serviced.

Proceed with the following method to check the steering maximum turning angle :

6.4.1 R.H. Turn Adjustment

Caution : *To prevent the steering damper from interfering with the adjustment of turning angles, make sure its fixing bracket is at the correct location on the axle center (refer to section 14 "STEERING").*

1. Turn steering wheel to the right until the boss on the axle center touches the right stop screw.
2. Verify the nearest point of contact of the ball socket body with the air bellows support assembly. Measure the distance between those two points.
3. The distance between these two points should be approximately 1/8 inch (3 mm). If not, the steering stop screws must be readjusted.
4. Verify the nearest point of contact of the drag link with the tire. Measure the distance between those two points.
5. The distance should be 1 inch (25 mm) or more. If not, the steering stop screws must be readjusted.
6. This must be done for a full right turn.
7. If readjustment is required:
 - a. Remove the swivel stop screw.
 - b. Add to the stop screw the required number of washers to obtain the

proper measure, tighten the stop screw afterwards. Two washers of different thickness are available: 1/16 inch and 3/16 inch.

6.4.2 L.H. Turn Adjustment

1. Turn steering wheel to the left until the boss on the axle center touches the left stop screw.
2. Verify the nearest point of contact of the ball socket body with the air bellows support assembly. Measure the distance between those two points.
3. The distance between these two points should be approximately 1/8 inch (3 mm). If not, the steering stop screws must be readjusted.
4. Check the stroke of the steering stabilizer cylinder (damper). It should not exceed 12.59 inches (320 mm).
5. The steering stopper screw must be in contact before the steering stabilizer reaches the end of the stroke.
6. This must be done for a full left turn.
7. If readjustment is required:
 - a. Remove the swivel stop screw.
 - b. Add to the stop screw the required number of washers to obtain the proper measure, tighten the stop screw afterwards. Two washers of different thickness are available: 1/16 inch and 3/16 inch.

Note : *If steering angle stoppers are changed, a special procedure is required for readjusting gearbox poppet valves. See paragraph 6.5 "HYDRAULIC STOP" in this section.*

Section 10: FRONT AXLE

6.5 HYDRAULIC STOP

Note : Before poppet valve readjustment, verify vehicle wheel alignment and ensure that oil level is checked and that air bleeding is done.

Refer to "TAS Steering Gear Service Manual" annexed at the end of Section 14 "Steering" under heading "Filling and Air Bleeding the System" and "Poppet Readjustment".

6.6 FRONT WHEEL CAMBER

Wheel camber is the number of degrees the top of the wheel tilts outward (positive) or inward (negative) from a vertical angle (Fig. 2).

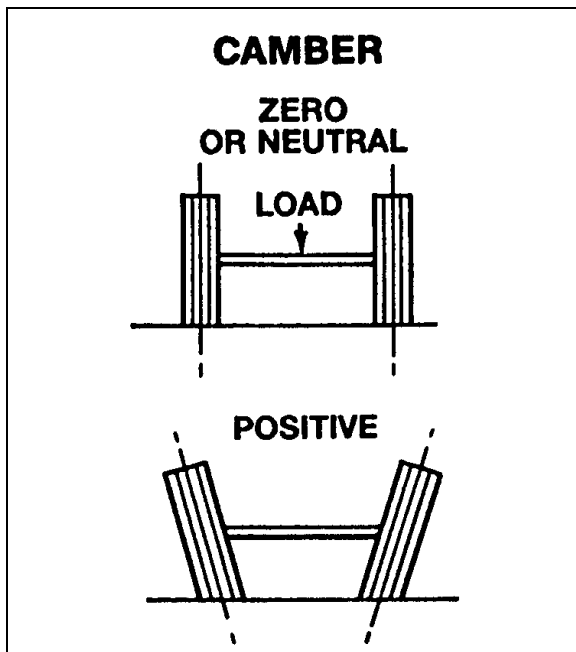


FIGURE 2 : CAMBER

10006

The camber angle is not adjustable. Camber variations may be caused by wear at the wheel bearings, steering knuckle pins or by a bent knuckle or sagging axle center. Steering effort is affected by improper camber, and uneven tire wear will result. Excessive positive camber causes an irregular wear of tire at the outer shoulder and excessive negative camber causes wear at the inner shoulder.

6.6.1 Camber Check

For camber specifications, refer to paragraph 8: "SPECIFICATIONS" in this section

Note: Camber angle varies with the axle loading. If the vehicle is not completely empty, please refer to the camber angle curve in the specifications at the end of this section.

1. Use an alignment machine to check the camber angle.
2. If camber reading is not in the specifications, adjust the wheel bearings and repeat the check. If the reading is still not within specifications, verify the steering knuckle pins and axle center.

See instructions in "GKN Parts and Service Manual For Axles" annexed to the end of this section under heading: "Removal of Stub Axle".

3. Check the wheel lateral distortion as instructed in Section 13, "Wheels, Hubs and Tires" under heading, "Checking for Distorted Wheel on Vehicle". If distortion is excessive, straighten or replace wheel(s).

6.7 FRONT AXLE CASTER

For caster specifications, refer to paragraph 8: "SPECIFICATIONS" in this section.

Positive caster is the rearward tilt from the vertical axis of the knuckle pin. Negative caster is the forward tilt from the vertical axis of the knuckle pin (Fig. 3). This vehicle is designed with a positive caster. The purpose of the caster angle is to give a trailing effect. This results in stabilized steering and a tendency for the wheels to return to the straight-ahead position after taking a turn.

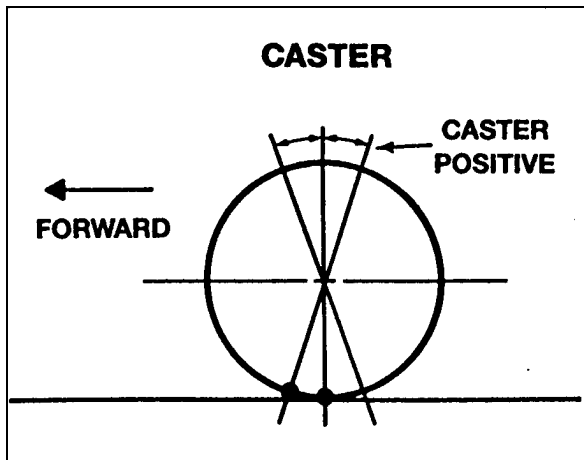


FIGURE 3: CASTER

10007

Excessive caster results in hard steering around corners. A shimmy may also develop when returning to the straight ahead position (pulling out of curves).

Insufficient caster will cause wandering and steering instability. Caster variations may be caused by a bent axle, tilting or distortion of the side suspension supports, damaged radius rod bushings, or unequal tightening of the front and rear suspension support bolts. Incorrect caster must be corrected by replacing the damaged suspension parts. A precision instrument should be used to measure the caster.

Note : *The caster of this vehicle is factory set and is not adjustable. However, if after replacing damaged parts or in case of improper caster due to irregular setting, the front axle caster needs adjustment; it can be adjusted by means of shims (Prévost #110663) on the left-hand side upper radius rod support in order to obtain minor adjustment.*

6.8 FRONT WHEEL TOE-IN

Wheel toe-in is the degree (usually expressed in fractions of an inch) to which the forward part of the vehicle front wheels are closer together than the rear part, measured at wheel centerline height with the wheels in the normal "straight-ahead" position of the steering gear.

Incorrect toe-in results in excessive tire wear caused by side slippage and also steering instability with a tendency to wander. Toe-in may be measured from the center of tire tread or from the inside of the tires. Take measurements at both front and rear of axle (see "F and "G" in fig. 4).

When setting toe-in adjustment, the front suspension must be neutralized; that is, all component parts must be in the same relative position when marking the adjustment as they will be when in operation.

To neutralize the suspension, the vehicle must be rolled forward, approximately ten feet.

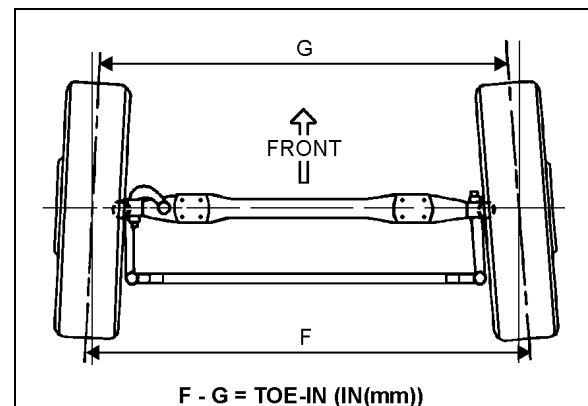


FIGURE 4: TOE-IN MEASUREMENT

10008B

For toe-in specifications, refer to paragraph 8 "Specifications" in this section.

By rolling the vehicle forward, all tolerances in the front suspension are taken up and the suspension is then in its normal operating position. Neutralizing the front suspension is extremely important, especially if the vehicle has been jacked up in order to mark the tires. Otherwise, the front wheels will not return to their normal operating position due to the tires gripping the floor surface when the vehicle jack is lowered.

Note: *"Toe-in" measurements must be taken at the horizontal axis of the wheel centerline.*

Section 10: FRONT AXLE

6.8.1 Inspection and Adjustment

Before checking front wheel toe-in, first check the camber angles and make the necessary corrections.

1. Measure the toe-in.
2. If the toe-in measurement is not within the specified tolerance, carry out the following procedure :
 - a. Loosen the pinch bolt nuts and bolts on each tie rod end.
 - b. Turn the tie rod until the specified toe-in measurement is obtained.
 - c. Tighten the pinch bolt nuts alternately and progressively to 65-75 lbf•ft (88-102 N•m), thus securing all tie rod joints.

7. TROUBLESHOOTING

CONDITION	CAUSE	CORRECTION
Tires wear out quickly or have uneven tire tread wear.	<ol style="list-style-type: none"> 1. Tires have incorrect air pressure. 2. Tires out-of-balance. 3. Incorrect tag axle alignment. 4. Incorrect toe-in setting. 5. Incorrect steering arm geometry. 	<ol style="list-style-type: none"> 1. Put specified air pressure in tires. 2. Balance or replace tires. 3. Align tag axle. 4. Adjust toe-in specified setting. 5. Service steering system as necessary.
Vehicle is hard to steer.	<ol style="list-style-type: none"> 1. Low pressure in the power steering system. 2. Steering gear not assembled correctly. 3. Steering linkage needs lubrication. 4. King pins binding. 5. Incorrect steering arm geometry. 6. Caster improperly adjusted. 7. Tie rod ends hard to move. 8. Worn thrust bearing. 	<ol style="list-style-type: none"> 1. Repair power steering system. 2. Assemble steering gear correctly. 3. Lubricate steering linkage. 4. Replace king pins. 5. Service steering system as necessary. 6. Adjust caster as necessary. 7. Replace tie rod ends. 8. Replace thrust bearing.
Bent or damaged steering arm, steering top lever or tie rod assembly.	<ol style="list-style-type: none"> 1. Too much pressure in the power steering system. 2. Cut-off pressure of the power steering system improperly adjusted. 3. Vehicle not powered on correctly. 4. Power steering system not installed correctly. 	<ol style="list-style-type: none"> 1. Replace damaged part(s), adjust power steering system to specified pressure. 2. Make sure vehicle is powered on correctly. 3. Correctly install the power steering system. 4. Correctly install the power steering system.
Worn or damaged steering ball stud.	<ol style="list-style-type: none"> 1. Drag link fasteners tightened past specified torque. 2. Lack of lubrication or incorrect lubricant. 3. Power steering stops improperly adjusted. 	<ol style="list-style-type: none"> 1. Replace damaged part(s), tighten drag link fasteners to specified torque. 2. Lubricate linkage with specified lubricant. 3. Adjust stops to specified dimension.
Worn king pins and knuckle bushings.	<ol style="list-style-type: none"> 1. Worn or missing seals and gaskets. 2. Incorrect lubricant. 3. Axle not lubricated at scheduled frequency. 4. Incorrect lubrication procedures. 5. Lubrication schedule does not match operating conditions. 	<ol style="list-style-type: none"> 1. Replace damaged part(s), replace seals and gaskets. 2. Lubricate axle with specified lubricant. 3. Lubricate axle at scheduled frequency. 4. Use correct lubrication schedule to match operating conditions. 5. Change lubrication schedule to match operating conditions.
Vibration or shimmy of front axle during operation.	<ol style="list-style-type: none"> 1. Caster not adjusted properly. 2. Wheels and/or tires out-of balance. 3. Worn steering stabilizer cylinder. 	<ol style="list-style-type: none"> 1. Adjust caster. 2. Balance or replace wheels and/or tires. 3. Replace steering stabilizer cylinder.

8. SPECIFICATIONS

Front Axle

Make DANA SPICER EUROPE

Model S-84

Front Track 84.4 inches (2 145 mm)

Rated load capacity 18,067 lbs (8 200 kg)

Torque specifications

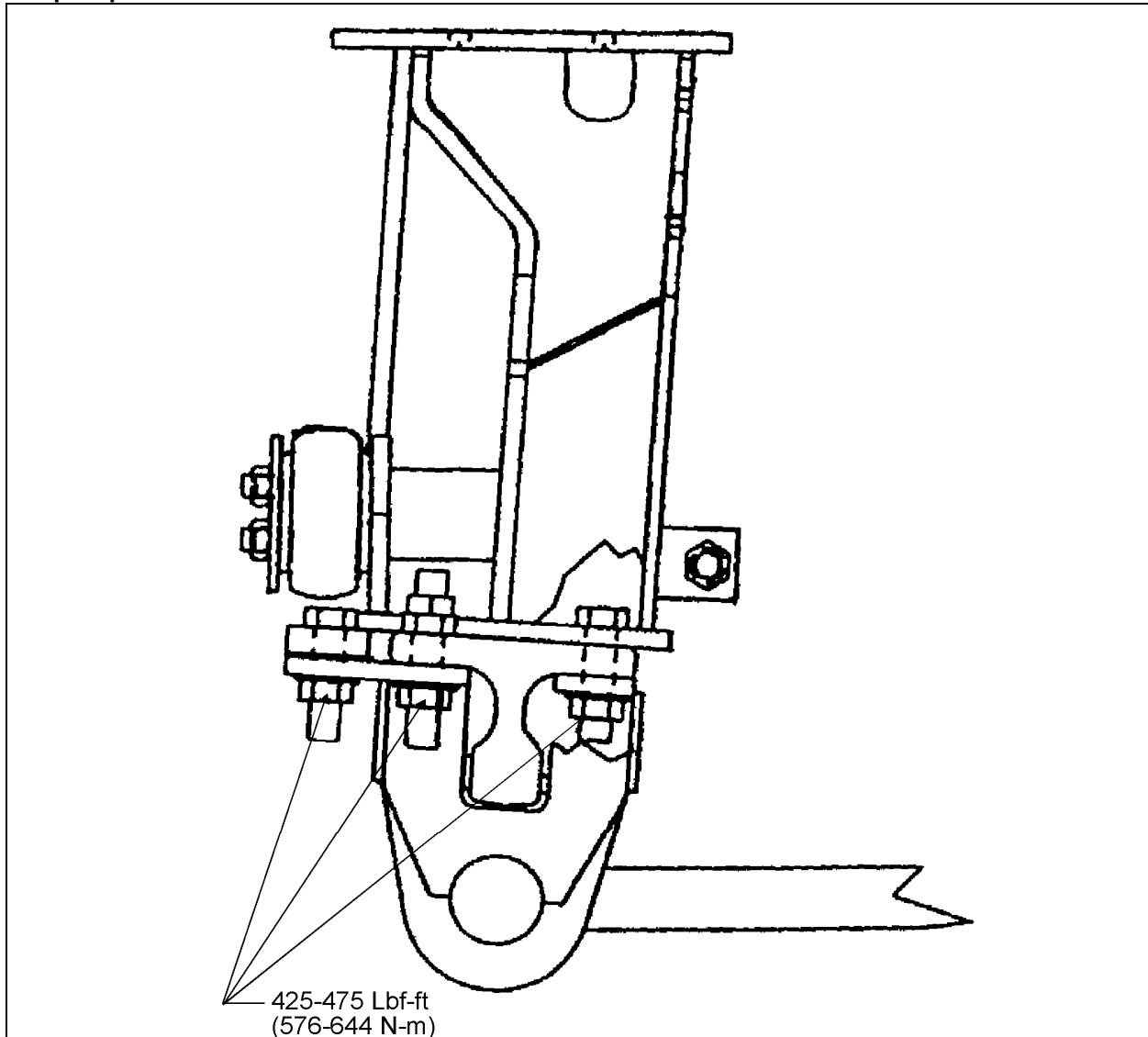


FIGURE 5 : AIR BELLOWS MOUNTING SUPPORT AND AXLE

10009

For more torque specifications, see "GKN Parts and Service Manual for Axles" annexed at the end of this section , under heading "Tightening Torque Table for type S-82 Steer Axle.

FRONT WHEEL ALIGNMENT SPECIFICATIONS			
Front Wheel Alignment	Minimal	Nominal	Maximal
Camber, degrees R.H. and L.H. *	- 1/2	0	+ 1/2
Caster, degrees R.H. and L.H.	+ 2	+ 2 3/4	+ 3 1/2
Toe-in (F minus G), inches	+ 1/16	+ 3/32	+ 1/8

*** Note :** Camber angle changes with loading. The given numbers are for an empty vehicle. Refer to chart below for possible correction, if loaded.

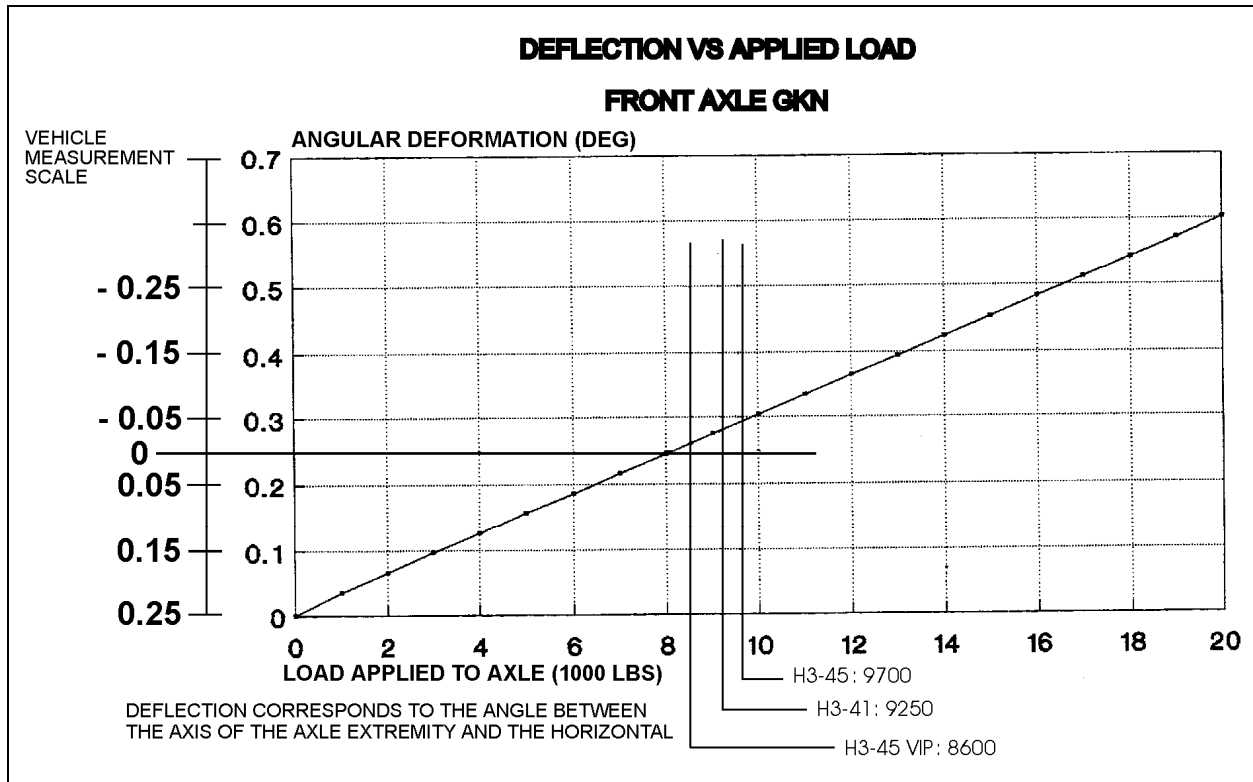


FIGURE 6 : DEFLECTION VERSUS APPLIED LOAD

10010

SECTION 11: REAR AXLES

CONTENTS

- 1. DRIVE AXLE11-2**
 - 1.1 DESCRIPTION.....11-2
 - 1.2 DRIVE AXLE LUBRICATION11-2
 - 1.3 MAINTENANCE11-2
 - 1.3.1 *Checking and Adjusting the Oil Level*11-2
 - 1.3.2 *Draining and Replacing the Oil*11-3
 - 1.3.3 *Speed Sensors (Anti-Lock Brake system, ABS)*.....11-3
 - 1.4 REMOVAL AND REINSTALLATION11-3
 - 1.5 DISASSEMBLY AND REASSEMBLY11-4
 - 1.6 GEAR SET IDENTIFICATION11-4
 - 1.7 ADJUSTMENTS11-4
 - 1.8 FASTENER TORQUE CHART11-4
 - 1.9 TIRE MATCHING11-4
 - 1.10 DRIVE AXLE ALIGNMENT.....11-4
 - 1.10.1 *Procedure*.....11-5
 - 1.11 AXLE SHAFT SEALING METHOD.....11-7
- 2. TAG AXLE.....11-7**
 - 2.1 OIL LUBRICATED WHEEL BEARINGS11-7
 - 2.2 REMOVAL AND REINSTALLATION11-8
 - 2.3 TAG AXLE ALIGNMENT.....11-8
- 3. SPECIFICATIONS.....11-9**

ILLUSTRATIONS

- FIGURE 1: TYPICAL SERIAL AND MODEL NUMBERS.....11-2
- FIGURE 2: DIFFERENTIAL AXLE HOUSING BOWL.....11-2
- FIGURE 3: JACKING POINTS ON FRAME11-3
- FIGURE 4: JACKING POINTS ON DRIVE AXLE.....11-4
- FIGURE 5: FRONT AND DRIVE AXLE ALIGNMENT11-6
- FIGURE 6: TAG AXLE ALIGNMENT.....11-6
- FIGURE 7: AXLE SHAFT INSTALLATION.....11-7
- FIGURE 8: OIL FILL CAP11-8
- FIGURE 9: JACKING POINTS ON TAG AXLE11-8

Section 11: REAR AXLES

1. DRIVE AXLE

1.1 DESCRIPTION

The Meritor drive axle is equipped with a single reduction standard carrier mounted in front of the axle housing. The carrier consists of a hypoid drive pinion, a ring gear set and gears in the differential assembly (refer to figure 1 for serial and model numbers).

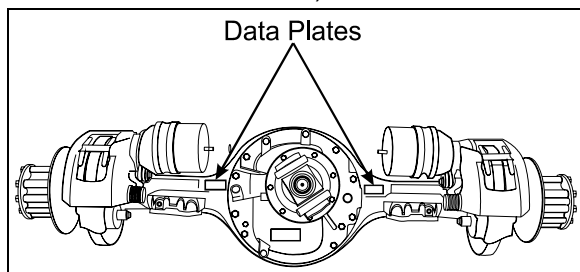


FIGURE 1: TYPICAL SERIAL & MODEL NUMBERS 11019

A straight roller bearing (spigot) is mounted on the head of the drive pinion. All other bearings in the carrier are tapered roller bearings. When the carrier operates, there is a normal differential action between the wheels all the time.

Several speed ratios are available for the drive axle. These ratios depend upon the motor and transmission. Also, special applications may suggest slightly different gear ratios.

1.2 DRIVE AXLE LUBRICATION

Additional lubrication information is covered in the Rockwell *"Maintenance Manual No. 5"* annexed to this section. During initial stage of normal operation, tiny metal particles originating from moving parts can be found on mating surfaces. These particles are carried by the lubricant through the assembly and act as lapping compound, which accelerates wear of all parts. To ensure maximum life of the differential and prevent premature failure, the original "factory fill" lubricant should be drained. Change break-in oil before 3,000 miles (4 800 km) of initial operation (drain the unit while it is still warm from operation), in accordance with the lubrication and servicing schedule.

Change differential oil and clean the breathers, magnetic fill and drain plugs, every 100,000 miles (160 000 km) or once every two years, whichever comes first.

Use Multigrade gear oil MIL-L-2105-D. Use the 75W90-gear oil for northern climates and the

80W140 for southern climates. In extreme conditions, or for better performance, fill with synthetic gear oil. Check oil level and add (if necessary) every 6,250 miles (10 000 km) or twice a year, whichever comes first (Fig. 2).

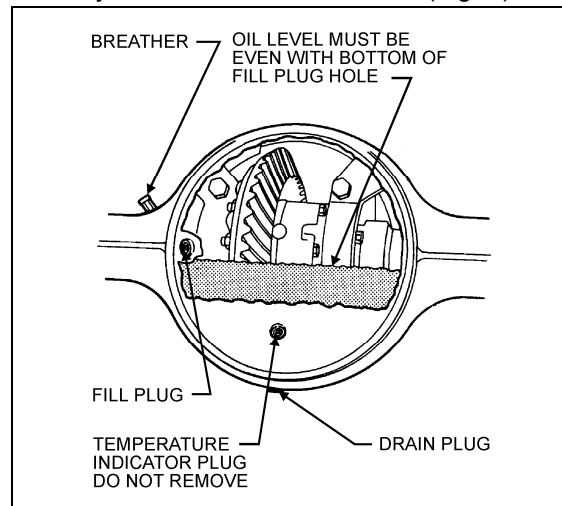


FIGURE 2: DIFFERENTIAL AXLE HOUSING BOWL 11007

1.3 MAINTENANCE

Proper vehicle operation begins with preventive maintenance, such as good differential use. The most common types of drive axle carrier failures are spinout, shock, fatigue, overheating and lubrication. Avoid neglecting these points since they would be the first steps to improper maintenance, expensive repairs, and excessive downtime.

Inspect the pinion oil seal, axle shaft flange and carrier housing gaskets for evidence of lubricant leakage. Tighten the bolts and nuts, or replace the gaskets and seals to correct leaks. Maintenance of the axle mountings consists primarily in a regular and systematic inspection of the air suspension units and radius rods, as directed in Section 16, "SUSPENSION".

1.3.1 Checking and Adjusting the Oil Level

Warning: Before servicing, park safely over a repair pit, apply parking brake, stop engine and set battery master switch to the "OFF" position.

1. Make sure the vehicle is parked on a level surface.

Caution: Check the oil level when the axle is at room temperature. When hot, the oil temperature may be 190°F (88°C) or more and can cause

burns. Also, a correct reading is not obtained when the axle is warm or hot.

2. Make sure the axle is "cold" or at room temperature.
3. Clean the area around the fill plug. Remove the fill plug from the differential axle housing bowl (Fig. 2).
4. The oil level must be even with the bottom of the hole of the fill plug.
 - a. If oil flows from the hole when the plug is loosened, the oil level is high. Drain the oil to the correct level.
 - b. If the oil level is below the bottom of the hole of the fill plug, add the specified oil.
5. Install and tighten the fill plug to 35-50 lbf•ft (48-67 N•m).

1.3.2 Draining and Replacing the Oil

Warning: Before servicing, park safely over a repair pit, apply parking brake, stop engine and set battery master switch to the "OFF" position.

1. Make sure the vehicle is parked on a level surface. Put a large container under the axle's drain plug.

Note: Drain the oil when the axle is warm.

2. Remove the drain plug from the bottom of the axle. Drain and discard the oil in an environment friendly manner.
3. Install and tighten the drain plug to 35-50 lbf•ft (48-67 N•m).
4. Clean the area around the fill plug. Remove the fill plug from the differential housing bowl.
5. Add the specified oil until the oil level is even with the bottom of the hole of the fill plug. Allow the oil to flow through the axle and check the oil level again (lube capacity 41 pints [13,3 liters]).

Caution: The differential overheats when the oil temperature rises above 250°F (120°C).

6. Install and tighten the fill plug to 35-50 lbf•ft (48-67 N•m).

1.3.3 Speed Sensors (Anti-Lock Brake system, ABS)

For removing and installing the drive axle speed sensors (for anti-lock brake systems, ABS), refer

to Section 12: "Brake and Air System" and to Rockwell WABCO Maintenance Manual: "Anti-Lock Brake Systems For Trucks, Tractors and Buses", annexed at the end of section 12.

1.4 REMOVAL AND REINSTALLATION

The following procedure deals with the removal of the drive axle assembly and its attachments as a unit. The method used to support the axle during removal and disassembly depends upon local conditions and available equipment.

1. Raise vehicle by its jacking points on the body (fig. 3 or see Section 18, "BODY" under heading "VEHICLE JACKING POINTS"). Place jack stands under frame. Remove drive axle wheels (if required, refer to Section 13, "WHEELS, HUBS AND TIRES").

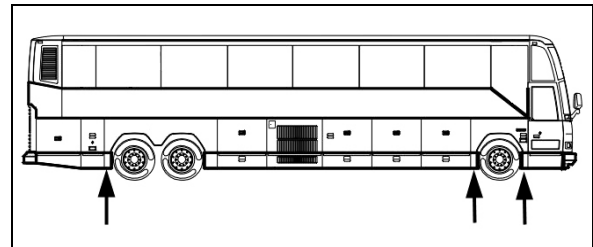


FIGURE 3: JACKING POINTS ON FRAME

18459

2. Exhaust compressed air from the air supply system by opening the drain cock on each air reservoir.
3. Disconnect the propeller shaft as directed in Section 9, "PROPELLER SHAFT", in this manual.
4. On both sides of the vehicle, unscrew fasteners retaining front wheel housing plastic guards, and remove them from vehicle.
5. Disconnect both height control valve links from air spring mounting plate brackets.
6. Remove cable ties securing the ABS cables (if vehicle is so equipped) to service brake chamber hoses. Disconnect the ABS cable plugs from the drive axle wheel hubs.
7. Disconnect the brake chamber hoses.

Note: When removing drive axle, if unfastening cable ties is necessary for ease of operation, remember to replace them afterwards.

Note: Position the hoses so they will not be damaged when removing the axle.

Section 11: REAR AXLES

8. Install jacks under the axle jacking points to support the axle weight (refer to figure 4).

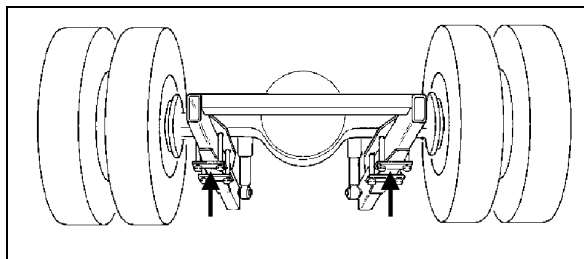


FIGURE 4: JACKING POINTS ON DRIVE AXLE 11005

9. Remove the four shock absorbers as outlined in Section 16, "SUSPENSION" under heading "SHOCK ABSORBER REMOVAL".
10. Remove the sway bar.
11. Remove the lower and upper longitudinal radius rod supports from vehicle sub-frame as outlined in Section 16, "SUSPENSION", under heading "RADIUS ROD REMOVAL".
12. Remove the transversal radius rod support from the vehicle sub-frame.
13. Remove the two retaining nuts from each of the four air bellows lower mounting supports.
14. Use the jacks to lower axle. Carefully pull away the jacks axle assembly from underneath vehicle.
15. Reverse removal procedure to reinstall drive axle.

Note: Refer to Section 16, "SUSPENSION" for suspension components' proper tightening torques.

Note: Refer to section 13 "WHEELS, HUBS AND TIRES" for correct wheel bearing adjustment procedure.

1.5 DISASSEMBLY AND REASSEMBLY

Disassembly and re-assembly procedures are covered under applicable headings in Rockwell's "MAINTENANCE MANUAL, NO. 5", annexed to this section.

1.6 GEAR SET IDENTIFICATION

Gear set identification is covered under applicable heading in Rockwell's

"MAINTENANCE MANUAL NO. 5", annexed to this section.

1.7 ADJUSTMENTS

Adjustments are covered under applicable headings in Rockwell's "MAINTENANCE MANUAL NO. 5", annexed to this section.

1.8 FASTENER TORQUE CHART

A differential fastener torque chart is provided in Rockwell's "MAINTENANCE MANUAL NO. 5", annexed to this section.

1.9 TIRE MATCHING

Drive axle tire matching is covered under the applicable heading in Section 13, "WHEELS, HUBS AND TIRES" in this manual.

1.10 DRIVE AXLE ALIGNMENT

Note: For drive axle alignment specifications, refer to chart in this section.

The drive axle alignment consists in aligning the axle according to the frame. The axle must be perpendicular to the frame. The alignment is achieved with the use of shims inserted between the lower longitudinal radius rod supports and the frame.

Drive axle alignment is factory set and is not subject to any change, except if the vehicle has been damaged by an accident or if there are requirements for replacement.

Caution: If this setting is significantly altered, the vehicle will produce offset tracking (dog tracking).

If the axle has been removed for repairs or servicing and if all the parts are reinstalled exactly in the same place, the axle alignment is not necessary. However, if the suspension supports have been replaced or altered, proceed with the following instructions to verify or adjust the drive axle alignment.

Note: When drive axle alignment is modified, tag axle alignment must be re-verified.

1.10.1 Procedure

1. Park vehicle on a level surface, then chock front vehicle wheels.
2. Using two jacking points (which are at least 30 inches [76 cm] apart) on drive axle, raise the vehicle sufficiently so that wheels can turn freely at about ½ inch from ground. Secure in this position with safety stands, and release parking brake.

3. Install wheel mount sensors on front and drive axles (fig. 5). Adjust front axle according to appropriate specifications chart below.

Note : See reference numbers on wheel mount sensors (fig. 5).

Note: Select axle specifications in the appropriate chart.

FRONT AXLE INDEPENDENT FRONT SUSPENSION EQUIPPED VEHICLES			
Alignment / value	Minimum value	Nominal value	Maximum value
Right camber (deg.)	-0.5	0	0.5
Left camber (deg.)	-0.5	0	0.5
Right caster (deg.)	2	2.75	3.5
Left caster (deg.)	2	2.75	3.5
Total toe (inches)	1/16	3/32	1/8

DRIVE AXLE ALIGNMENT

- With the system installed as for front axle alignment (fig.5), adjust drive axle according to specifications' chart below.

DRIVE AXLE ALL VEHICLES			
Alignment / value	Minimum value	Nominal value	Maximum value
Thrust angle (deg.)	-0.11	0	0.11

TAG AXLE ALIGNMENT

- Remove and reinstall all wheel mount sensors on the drive and tag axles (fig. 6);

Note : For an accurate alignment, the tag axle must be aligned with the drive axle.

Note : Reinstall wheel mount sensors as shown in figure 6. For example, the sensor from the right side of the front axle is mounted on the left side of the tag axle. For corresponding wheel mount sensor reference numbers, refer to figure 5.

Section 11: REAR AXLES

- Adjust tag axle according to specifications' chart below.

TAG AXLE ALL VEHICLES			
Alignment / value	Minimum value	Nominal value	Maximum value
Thrust angle (deg.)	-0.02	0	0.02

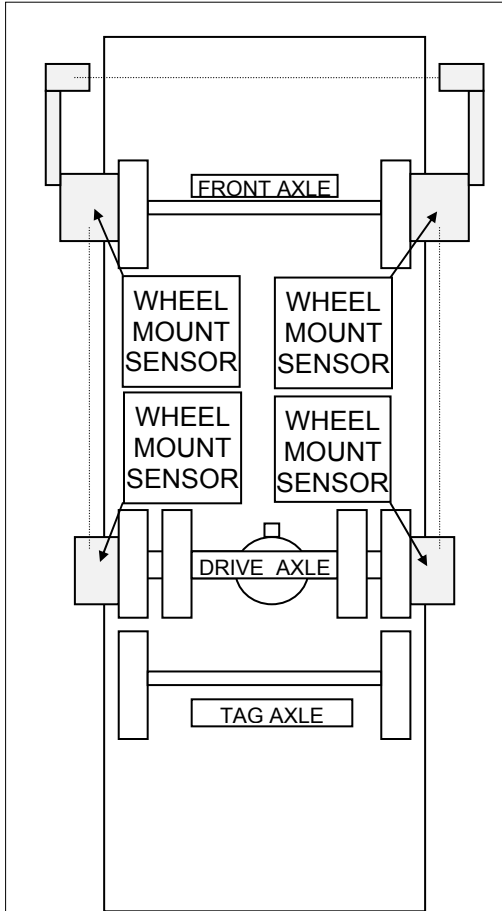


FIGURE 5: FRONT AND DRIVE AXLE ALIGNMENT

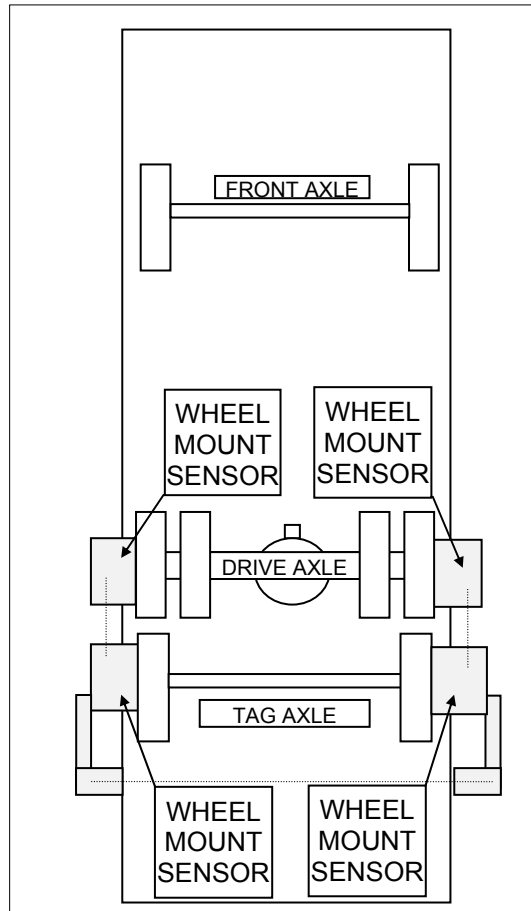


FIGURE 6: TAG AXLE ALIGNMENT

Note: Refer to Section 16, "SUSPENSION", for proper torque tightening of the longitudinal radius rod support nuts.

Note (2): When the drive alignment is changed, the tag alignment must also be adjusted.

1.11 AXLE SHAFT SEALING METHOD

The following method is to be used to ensure that axle shaft installation is fluid-tight:

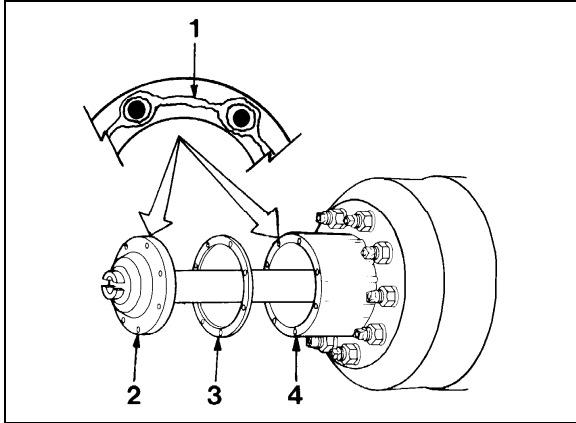


FIGURE 7: AXLE SHAFT INSTALLATION 11003

- 1..... Silicone sealant*
- 2..... Axle shaft
- 3..... Gasket
- 4..... Wheel hub

1. Clean the mounting surfaces of both the axle shaft flange and wheel hub where silicone sealant will be applied. Remove all old silicone sealant, oil, grease, dirt and moisture. Dry both surfaces.
2. Apply a continuous thin bead of silicone sealant* (Prevost P/N 680053) on the mounting surfaces and around the edge of all fastener holes of both the axle shaft flange and wheel hub.

* GENERAL ELECTRIC Silicone Rubber Adhesive Sealant RTV 103 Black.

Warning: Carefully read cautions and instructions on the tube of silicone sealant and its packing.

3. Assemble components immediately to permit the silicone sealant to compress evenly between parts.
 - a. Place a new gasket, then install the axle shaft into the wheel hub and differential carrier. The gasket and flange of the axle shaft must fit flat against the wheel hub.
 - b. Install the tapered dowels at each stud and into the flange of the axle shaft. Use a punch or drift and hammer if needed.

- c. Install the lock washers and nuts on the studs. Tighten nuts to the correct torque value.

Note: Torque values are for fasteners that have a light application of oil on the threads (refer to Rockwell Maintenance Manual).

9/16-18 plain nut: 110 – 165 lbf•ft(149 – 224 N•m)

5/8-18 plain nut: 150 - 230 lbf•ft (203 - 312 N•m)

2. TAG AXLE

The tag axle is located behind the drive axle. It carries a single wheel and tire on each side. The standard system allows unloading of the tag axle air springs without raising the axle, while the optional system enables unloading and raising of the tag axle (refer to the "OPERATOR'S MANUAL" for location of controls). Both these systems have been designed for the following purposes :

1. Shortening of wheelbase, thus allowing tighter turning in tight maneuvering areas such as parking lots or when making a sharp turn.
2. Transferring extra weight and additional traction to the drive wheels on slippery surfaces.

Caution: Never exceed 30 mph (50 km/h) with tag axle up or unloaded and resume normal driving as soon as possible.

The tag axle service brakes operate only when the axle is in normal driving (loaded) position.

2.1 OIL LUBRICATED WHEEL BEARINGS

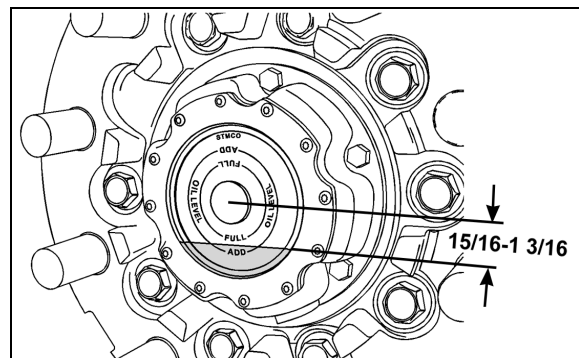


FIGURE 8: OIL FILL CAP 13017a

The oil level on the tag axle and front axle wheel bearings must be maintained between the

Section 11: REAR AXLES

"ADD" and "FULL" level mark in the sight glass or between 15/16" and 1 3/16" from wheel centerline (23 to 30 mm) (Fig. 8). To check the oil level after the vehicle has been driven, wait at least 15 minutes to ensure that oil has settled. Differential oil is used to lubricate the drive axle wheel bearings. Maintain the drive axle wheel bearing oil at the level indicated to ensure adequate lubrication.

2.2 REMOVAL AND REINSTALLATION

The following procedure deals with the removal of the tag axle assembly along with the suspension components. The method used to support the axle and suspension components during removal and disassembly depends upon local conditions and available equipment.

1. Raise vehicle by its jacking points on the body (fig. 3 or see Section 18, "BODY" under heading : "VEHICLE JACKING POINTS"). Place jack under frame. Remove drive axle wheels (if required, refer to Section 13, "WHEELS, HUBS AND TIRES").
2. Exhaust compressed air from the air supply system by opening the drain cock on each air reservoir.
3. Install jacks under tag axle jacking points to support the axle weight (refer to figure 9).

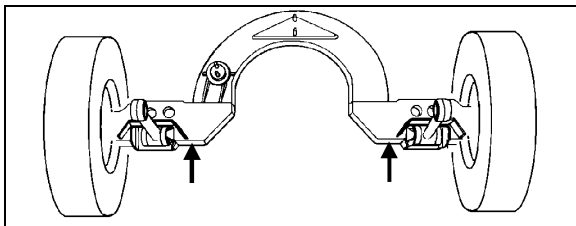


FIGURE 9: JACKING POINTS ON TAG AXLE 11023

4. Applies only to vehicles equipped with retractable tag axles: Disconnect tag axle lifting chain collars from lower longitudinal radius rods.
5. Remove the propeller shaft as directed in Section 9, "PROPELLER SHAFT", in this manual.
6. Disconnect the tag axle brake chamber hoses.

Caution: Position the hoses so they will not be damaged when removing axle.

7. Disconnect hose from the air spring upper mounting plate.
8. Remove the two shock absorbers as outlined in Section 16, "SUSPENSION", under "SHOCK ABSORBER REMOVAL".
9. Disconnect the lower longitudinal radius rods as outlined in Section 16, "SUSPENSION", under "RADIUS ROD REMOVAL".
10. Disconnect the transversal radius rod.
11. Disconnect the upper longitudinal radius rod.
12. Remove the air bellows retaining nuts from each of the two upper mounting plates.
13. Use the jacks to move the axle forward to clear the axle off the transmission. Lower the axle.

Caution: On vehicles equipped with an automatic transmission (with or without the output retarder), move tag assembly very carefully. Pay special attention to the U-shaped section, as the transmission end components may be easily damaged through a false maneuver.

14. Reverse removal procedure to reinstall tag axle.

Note: Refer to Section 16, "SUSPENSION", for proper torque tightening of suspension components.

Note: Refer to section 13 "WHEELS, HUBS AND TIRES" for correct wheel bearing adjustment procedure.

2.3 TAG AXLE ALIGNMENT

Note: For tag axle alignment specifications, refer to paragraph 3: "SPECIFICATIONS" in this section.

The tag axle alignment consists in aligning the tag axle parallel to the drive axle position. Before aligning the tag axle, proceed with the drive axle alignment (paragraph 1.10). Tag axle alignment is achieved with the use of shims inserted between the lower longitudinal radius rod supports and axle. Tag axle alignment is factory set and is not subject to any change, except if vehicle has been damaged by an accident or if there are requirements for parts replacement.

Caution: If this setting is altered significantly, it will cause excessive tire wear.

If axle has been removed for repair or servicing and if all parts are reinstalled exactly in their previous locations, axle alignment is not

necessary. However, if the suspension supports have been replaced or have changed position, proceed with the following instructions to verify or adjust the tag axle alignment.

3. SPECIFICATIONS

Drive Axle

MakeMeritor
Drive track..... 76.7 inches (1 949 mm)
Gear typeHypoid
Axle type Full floating
Lube capacity 41 pints (19,3 liters)

Drive axle ratio

World Transmission
4.88:1 Standard
4.56:1 Optional

Note: The drive axle alignment consists in aligning the axle with reference to the frame. The axle must be perpendicular to the frame.

Tag Axle

MakePrévost
Rear track 83.6 inches (2 124 mm)
Axle type Dana Spicer Europe TS5 Hub Unit

Note: The tag axle alignment consists in aligning the tag axle parallel to the drive axle.

SECTION 12: BRAKE AND AIR SYSTEM

CONTENTS

1. AIR SYSTEM	12-5
2. BRAKES	12-5
3. AIR RESERVOIRS	12-5
3.1 MAINTENANCE.....	12-6
3.1.1 <i>Wet (Main) Air Tank</i>	12-6
3.1.2 <i>Primary Air Tank</i>	12-6
3.1.3 <i>Accessory Air Tank</i>	12-6
3.1.4 <i>Emergency/Parking Brake Override Air Tank</i>	12-6
3.1.5 <i>Secondary Air Tank</i>	12-6
3.1.6 <i>Kneeling Air Tank</i>	12-6
4. AIR SYSTEM EMERGENCY FILL VALVES	12-7
5. ACCESSORY AIR FILTER	12-7
5.1 FILTER ELEMENT REPLACEMENT.....	12-7
5.2 CLEANING.....	12-7
6. AIR GAUGES (PRIMARY AND SECONDARY)	12-7
7. AIR FILTER/DRYER	12-8
8. AIR LINES	12-8
8.1 FLEXIBLE HOSES.....	12-8
8.2 NYLON TUBING.....	12-8
8.3 AIR LINE OPERATING TEST.....	12-8
8.4 AIR LINE LEAKAGE TEST.....	12-9
8.5 MAINTENANCE.....	12-9
9. PRESSURE REGULATING VALVES	12-9
9.1 MAINTENANCE.....	12-9
9.2 PRESSURE SETTING PROCEDURE.....	12-9
10. AIR COMPRESSOR (TU-FLO 750)	12-10
10.1 COMPRESSOR REMOVAL AND INSTALLATION.....	12-10
11. GOVERNOR (D-2)	12-10
12. EMERGENCY / PARKING BRAKE CONTROL VALVE (PP-1)	12-11
13. EMERGENCY / PARKING BRAKE OVERRULE CONTROL VALVE (RD-3)	12-11
14. FLIP-FLOP CONTROL VALVE (TW-1)	12-11
15. DUAL BRAKE APPLICATION VALVE (E-10P)	12-12
15.1 BRAKE PEDAL ADJUSTMENT.....	12-12
15.1.1 <i>Maintenance</i>	12-12

Section 12: BRAKE AND AIR SYSTEM

16.	STOPLIGHT SWITCHES	12-12
17.	PARKING BRAKE ALARM SWITCH	12-12
18.	BRAKE RELAY VALVE (R-12 & R-12DC)	12-13
19.	QUICK RELEASE VALVES (QR-1)	12-13
20.	SPRING BRAKE VALVE (SR-1)	12-13
21.	PRESSURE PROTECTION VALVE (PR-2)	12-13
22.	LOW PRESSURE INDICATORS (LP-3)	12-14
23.	SHUTTLE-TYPE DOUBLE CHECK VALVE (DC-4)	12-14
24.	EMERGENCY DOOR OPENING VALVES	12-14
24.1	INTERIOR VALVE MAINTENANCE	12-14
25.	AIR HORN VALVE	12-15
26.	AIR SYSTEM TROUBLESHOOTING	12-15
27.	BRAKE OPERATION	12-15
28.	AIR BRAKES	12-15
28.1	DISC BRAKE PADS	12-16
28.2	CALIPER MAINTENANCE	12-16
28.3	ROADSIDE INSPECTION FOR KNORR /BENDIX AIR DISC BRAKES	12-17
28.4	PAD REMOVAL	12-18
28.5	CHECKING PAD WEAR	12-18
28.6	IMPORTANT PAD AND ROTOR MEASUREMENTS	12-18
28.7	CHECKING CALIPER GUIDANCE AND SEAL CONDITION	12-19
28.8	CHECKING THE TAPPET BOOTS	12-19
28.9	PAD INSTALLATION	12-19
28.10	ADJUSTING THE RUNNING CLEARANCE	12-20
28.11	BRAKE TOOLS	12-20
28.12	TORQUE SPECIFICATIONS	12-20
29.	SAFE SERVICE PROCEDURES	12-21
30.	AIR BRAKE TROUBLESHOOTING	12-21
31.	BRAKE AIR CHAMBER	12-23
31.1	MAINTENANCE	12-23
31.2	EMERGENCY/PARKING BRAKE MANUAL RELEASE	12-24
31.3	BRAKE CHAMBER REMOVAL	12-24
31.4	BRAKE CHAMBER INSTALLATION	12-25
31.5	BRAKE CHAMBER DISASSEMBLY	12-25
32.	ANTI-LOCK BRAKING SYSTEM (ABS)	12-25

32.1	TROUBLESHOOTING AND TESTING.....	12-26
32.2	ABS COMPONENTS.....	12-26
32.2.1	<i>Electronic Control Unit (ECU)</i>	12-26
32.2.2	<i>Maintenance</i>	12-26
32.3	ABS MODULATOR VALVE.....	12-26
32.3.1	<i>Maintenance</i>	12-27
32.4	SENSORS.....	12-27
32.4.1	<i>Maintenance</i>	12-27
32.4.2	<i>Sensor Installation</i>	12-27
32.5	SPRING CLIP.....	12-28
32.5.1	<i>Maintenance</i>	12-28
33.	FITTING TIGHTENING TORQUES	12-28
34.	SPECIFICATIONS	12-29

ILLUSTRATIONS

FIGURE 1: AIR RESERVOIRS LOCATION.....	12-5
FIGURE 2: REAR VALVE LOCATION.....	12-6
FIGURE 3: FRONT SERVICE COMPARTMENT.....	12-6
FIGURE 4: ACCESSORY AIR FILTER.....	12-7
FIGURE 5: BENDIX AD-9 AIR FILTER/DRYER.....	12-8
FIGURE 6: AIR PRESSURE REGULATING VALVE.....	12-9
FIGURE 7: AIR PRESSURE REGULATOR.....	12-10
FIGURE 8: AIR COMPRESSOR INSTALLATION.....	12-10
FIGURE 9: D-2 GOVERNOR.....	12-11
FIGURE 10: PP-1.....	12-11
FIGURE 11: RD-3.....	12-11
FIGURE 12: TW-1.....	12-12
FIGURE 13: BRAKE PEDAL ADJUSTMENT.....	12-12
FIGURE 14: DELCO SWITCH.....	12-12
FIGURE 15: BENDIX SWITCH.....	12-12
FIGURE 16: R-12.....	12-13
FIGURE 17: QR-1.....	12-13
FIGURE 18: SR-1.....	12-13
FIGURE 19: PR-2.....	12-13
FIGURE 20: LP-3.....	12-14
FIGURE 21: DC-4.....	12-14
FIGURE 22: THREE WAY VALVE.....	12-14
FIGURE 23: BRAKE PAD CHECK.....	12-16
FIGURE 24: CLEARANCE INSPECTION.....	12-16
FIGURE 25: RUNNING CLEARANCE.....	12-16
FIGURE 26: ADJUSTER PINION.....	12-17
FIGURE 27: BOX WRENCH ON ADJUSTER PINION.....	12-17
FIGURE 28: CALIPER AXIAL MOVEMENT.....	12-17
FIGURE 29: RADIAL MOVEMENT INSPECTION.....	12-18
FIGURE 30: BRAKE PAD CHECK.....	12-18
FIGURE 31: PAD REMOVAL.....	12-18
FIGURE 32: PAD WEAR.....	12-18
FIGURE 33: ROTOR AND PAD WEAR LIMITS.....	12-18
FIGURE 34: CALIPER GUIDANCE.....	12-19
FIGURE 35: RUBBER BOOTS.....	12-19

Section 12: BRAKE AND AIR SYSTEM

FIGURE 36: PAD INSTALLATION	12-20
FIGURE 37: RUNNING CLEARANCE	12-20
FIGURE 38: TORQUE SPECIFICATION	12-20
FIGURE 39: TORQUE SPECIFICATION	12-21
FIGURE 40: RIGID SUSPENSION FRONT AXLE BRAKE AIR CHAMBER	12-23
FIGURE 41: TAG AXLE OR DRIVE AXLE BRAKE AIR CHAMBER	12-24
FIGURE 42: FIRST L.H. BAGGAGE COMPARTMENT	12-26
FIGURE 43: ABS MODULATOR VALVE	12-27
FIGURE 44: ABS SENSOR LOCATION	12-27
FIGURE 45: SPRING CLIP	12-28
FIGURE 46: HOSE FITTINGS	12-28
FIGURE 47: HOSE FITTING	12-28
FIGURE 48: HOSE FITTING	12-28

1. AIR SYSTEM

The basic air system consists of an air compressor, reservoirs, valves, filters and interconnecting lines and hoses. It provides a means for breaking, operating controls and accessories, and suspension (refer to Section 16, "Suspension", for complete information on suspension description and maintenance). An air system schematic diagram is annexed in the technical publications box provided with the vehicle for better understanding of the system.

2. BRAKES

This vehicle uses both the service brake and emergency/parking brake. The service brake air system is divided into two independent circuits to isolate front brakes from rear brakes, thus providing safe breaking in the event that one circuit fails. Front axle brakes operate from the secondary air system, while brakes on both the drive axle and tag axle operate from the primary air system.

Note: The tag axle service brake operates only when the axle is in normal ride position (loaded and down).

Furthermore, the brake application or release, which is speed up by pneumatic relay valves (R-12 & R-12DC), will start with the rear axles and will be followed by the front axle, thus providing uniform braking on a slippery road. The vehicle may also be equipped with an Anti-Lock Braking System (ABS), which is detailed later in this section.

The drive and tag axles are provided with spring-loaded emergency/parking brakes, which are applied automatically whenever the control valve supply pressure drops below 40 psi (275 kPa). The optional emergency/parking brake overrule system allows the driver to release spring brakes, and to move the vehicle to a safe parking place, such as in the case of a self-application of these brakes due to a drop in air pressure.

3. AIR RESERVOIRS

The air coming from the air dryer is first forwarded to the wet air tank, then to the primary (for the primary brake system), secondary (for the secondary brake system), and accessory (for the pneumatic accessories) air tanks (Fig. 1).

Two additional air reservoirs may be installed on the vehicle: the kneeling air tank and emergency/ parking brake overrule air tank.

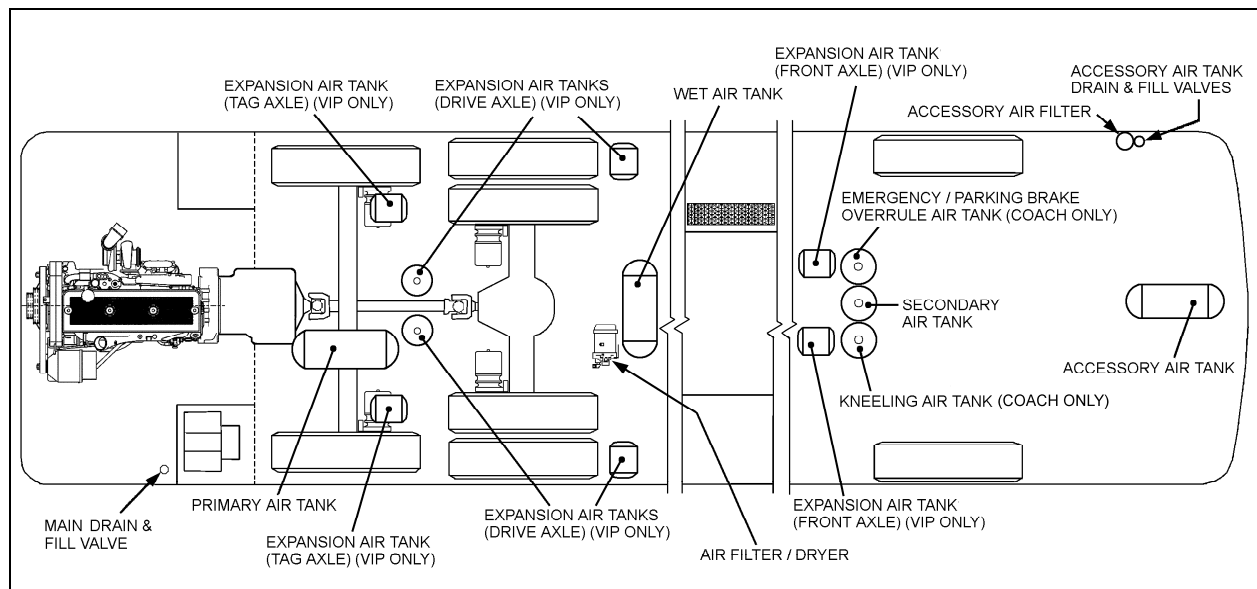


FIGURE 1: AIR RESERVOIRS LOCATION

12182

Section 12: BRAKE AND AIR SYSTEM

3.1 MAINTENANCE

Ensure that both the accessories and the wet (main) air tanks are purged during pre-starting inspection. In addition, it is good practice to purge these reservoirs at the end of every working day. The remaining reservoirs must be purged at every 12,000 miles (or 20 000 km) or once every year, whichever comes first.

3.1.1 Wet (Main) Air Tank

This reservoir, located in front and above the drive axle in the rear wheelhousing, is provided with a bottom drain valve. A recommended purge using the bottom drain valve should be done every 12,000 miles (20 000 km), or once a year, whichever comes first. Purge daily using the drain valve located in the engine compartment R.H. side (Fig. 2).

3.1.2 Primary Air Tank

This reservoir is located above the tag axle, and is provided with a bottom drain valve (Fig. 1). It is recommended to purge the primary air tank every 12,500 miles (20 000 km) or once a year, whichever comes first.

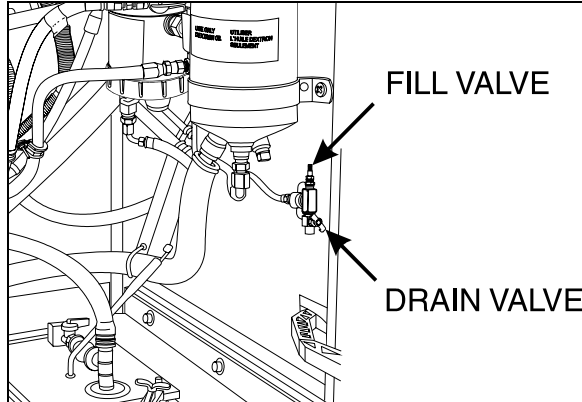


FIGURE 2: REAR VALVE LOCATION

12148

3.1.3 Accessory Air Tank

The accessory air tank is installed at the ceiling of spare wheel compartment and is provided with a bottom drain valve (Fig. 1). Purge daily using the remote drain valve located in the front service compartment (Fig. 3). Purge the reservoir by its drain valve every 12,500 miles (20 000 km) or once a year, whichever comes first.

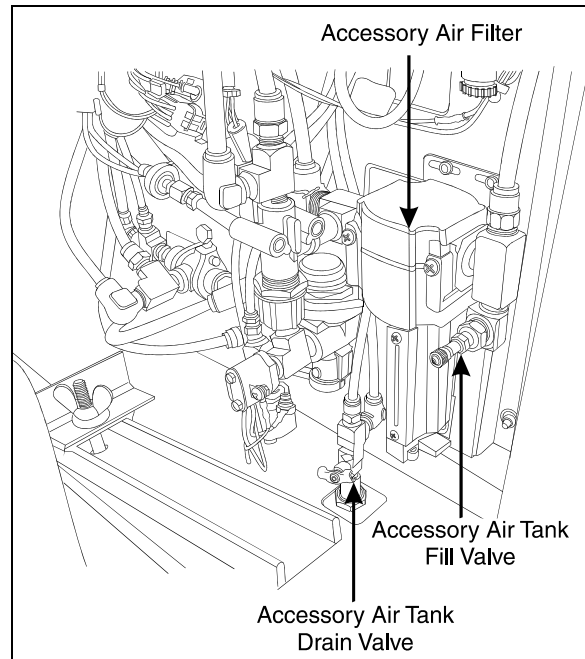


FIGURE 3: FRONT SERVICE COMPARTMENT

12130

3.1.4 Emergency/Parking Brake Override Air Tank

Installed on vehicles equipped with this option, this reservoir is located in the front wheelhousing (Fig. 1). It is provided with a bottom drain valve.

Purge this reservoir every 12,500 miles (20 000 km) or once a year, whichever comes first.

3.1.5 Secondary Air Tank

Located in the front wheelhousing, this tank is set between the optional Emergency/Parking Brake override air tank and the Kneeling air tank (Fig. 1). It is provided with a bottom drain valve.

Purge this reservoir every 12,500 miles (20 000 km) or once a year, whichever comes first.

3.1.6 Kneeling Air Tank

The kneeling air tank is installed on vehicles equipped with the Kneeling or Hi/Low-Buoy options. It is located in the front wheelhousing (Fig. 1), and is provided with a bottom drain valve.

Purge this reservoir every 12,500 miles (20 000 km) or once a year, whichever comes first.

4. AIR SYSTEM EMERGENCY FILL VALVES

All vehicles come equipped with two emergency fill valves that enable system pressurisation by an external source such as an air compressor. The rear valve is located in the engine compartment and is accessible from engine compartment R.H. side door (Fig 2.).

Caution: Maximum allowable air pressure is 140 psi (965 kPa). Air filled through these two points will pass through the standard air filtering system provided by Prevost. Do not fill system by any other point on the system.

The front valve is located in the front electrical and service compartment close to R.H. side of door frame (Fig. 3).

These two air system emergency fill valves are fitted with the same valve stems as standard tires, and can be filled by any standard external air supply line.

The rear air system emergency fill valve will supply air for all systems (brakes, suspension and accessories) while the front fill valve might supply air to accessories only.

whenever supplying the system with an external air line and at least every 12,500 miles (20 000 km).

To purge, open drain valve (Fig. 4), let the moisture come out, then close the drain valve.

5.1 FILTER ELEMENT REPLACEMENT

Replace filter element whichever of the following occurs first: every 100,000 miles (160 000 km), every two years, or whenever differential pressure exceeds 15 psi (105 kPa) between filter inlet and outlet ports. Check condition of all three O-rings for damage. Replace when necessary (Fig. 4).

5.2 CLEANING

Clean filter body and bowl with a warm water and soap solution. Rinse thoroughly with clean water.

Blow dry with compressed air making sure the air stream is moisture free and clean. Pay particular attention to the internal passages. Inspect all parts for damage and replace if necessary.

5. ACCESSORY AIR FILTER

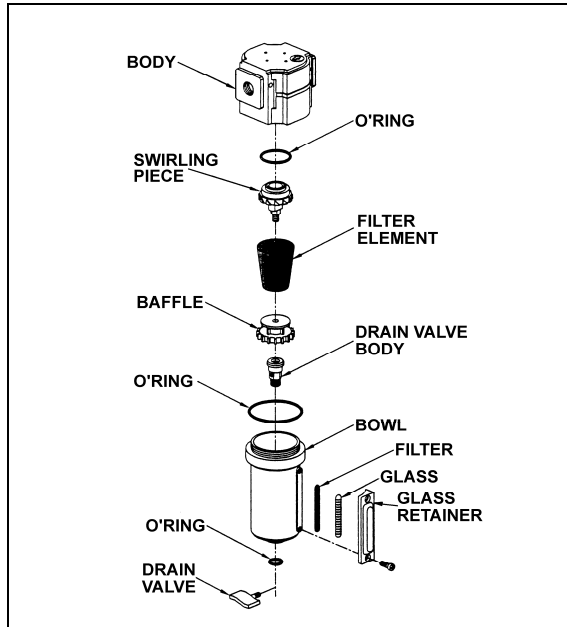


FIGURE 4: ACCESSORY AIR FILTER

12088

This filter is located inside the front electrical and service compartment (Fig. 3). Its main function consists in filtering the air supplied to the accessory air system, when connected to an external supply line. Ensure filter is purged

6. AIR GAUGES (PRIMARY AND SECONDARY)

The air pressure gauges, located on the dashboard (see "Operator's Manual" or "Owner's Manual"), are connected to the DC-4 double check valve, located on the pneumatic accessories panel in the front service compartment.

The latter is connected to the air lines running from the primary and secondary air tanks, as shown on the pneumatic system diagram provided in the technical publications box. The vehicle should never be set in motion until the buzzer alarm and warning lights turn off, i.e. when air pressure registers at least 66 psi (455 kPa). Moreover, if pressure drops below 66 psi (455 kPa), the "Low air pressure" warning lights will turn on, and the "Low air pressure" buzzer will sound. Stop the vehicle immediately, determine and correct the cause(s) of pressure loss. Check the gauges regularly with an accurate test gauge. Replace the gauge with a new unit if there is a difference of 4 psi (27 kPa) or more in the reading.

Section 12: BRAKE AND AIR SYSTEM

7. AIR FILTER/DRYER

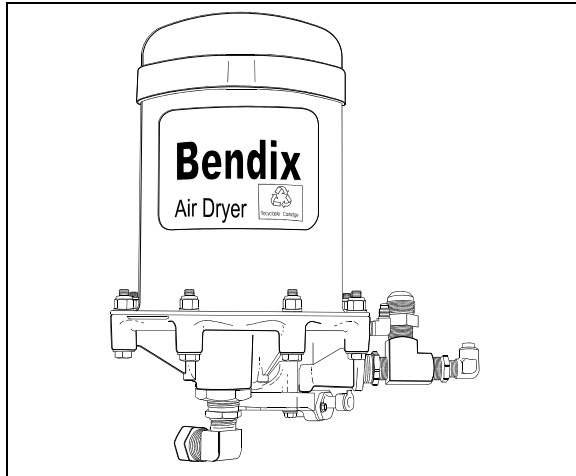


FIGURE 5: BENDIX AD-9 AIR FILTER/DRYER 12155

The air filter/dryer is located in front of rear wheelhousing above drive axle (Fig. 1 & 5). Its purpose is to remove moisture that could damage the air system before the air enters the system reservoir. The air filter/dryer also filters the air to remove dirt, compressor oil, and other contaminants that can damage the system. Change cartridge every 100,000 miles (160 000 km) or once every two years, whichever comes first. The air dryer may be purged for maintenance purposes using the remote drain valve located in the engine compartment and accessible through the engine compartment R.H. side door. The valve is positioned close to the door hinge (Fig. 2).

Maintenance and repair information are supplied in the applicable booklet annexed to this section under reference "Service Data Sheet SD-08-2412".

8. AIR LINES

Nylon-reinforced tubing, and flexible hoses are used to connect the units in the pneumatic system, including air brake system, suspension system and accessory systems such as the entrance door, air horns, etc. Furthermore, the nylon tubing is color coded to ease identification. Refer to the following table for the complete color identification code. Service instructions for each type of air line are also provided under the applicable headings.

Color	Circuit
Red	Secondary
Green	Primary and Delivery
Yellow	Parking Brake
Blue	Suspension
Black	Accessory
Brown	Trailer Brake

8.1 FLEXIBLE HOSES

A flexible hose is used normally where it is impractical to use copper or nylon tubing due to constant flexing during operation, such as brake chamber hoses or belt tensioner air cylinder hoses. Hose connections should be tested for leakage at least every 6,250 miles (10 000 km) or twice a year, whichever comes first and tightened or replaced if necessary. Any hose, which is chafed, worn or kinked, should be replaced.

Teflon-braided stainless steel hoses used in the engine compartment must be replaced only with similar hoses.

8.2 NYLON TUBING

Nylon tubing is used for air lines in areas where usage of this material is suitable. Nylon tubing is flexible, durable, and weather resistant. When replacing an air line, use nylon tubing only where it has been used previously.

Nylon air lines must never be routed in areas where temperature could exceed 200°F (93°C).

Caution: Nylon air lines should be used to replace existing nylon lines only, and must comply with the color identification code to ease pneumatic system troubleshooting.

8.3 AIR LINE OPERATING TEST

If any trouble symptom such as slow brake application or slow brake release indicates a restricted or clogged air line, disconnect the suspected tube or hose at both ends and blow through it to clear the passage.

Inspect tubing and hose for partial restriction that may be caused by dents or kinks. If such a condition is found, the tubing or hose should be replaced.

8.4 AIR LINE LEAKAGE TEST

With air system fully charged and the brakes applied, coat all tubing and hose connections with a soapy solution to check for air leakage. No leakage is permitted. Leakage can sometimes be corrected by tightening the connection. If this fails to correct the leakage, new fittings, nylon tubing, copper tubing, teflon-braided stainless steel and flexible hoses must be installed as applicable.

8.5 MAINTENANCE

Inspect all lines for cuts, swelling, kinks or other damage or deterioration. Check for lines being pinched by other components. Retaining clips and ties must be in place.

Any support or bracket should be in good condition and mounted firmly in position. Hose spring guards should be in usable condition and not distorted. Particular attention should be given to long lines. Any supporting component (clips, ties, grommets, etc.) must be secured to prevent against unnecessary vibration and eventual loosening of connection. Any detected leak should be repaired. Be sure nylon lines are not near areas of intense heat. Check for any missing grommets or loose material where chafing or cutting may occur. Replace with new material as required. In general, lines should be securely located in position and free from any binding condition which would hinder air flow.

9. PRESSURE REGULATING VALVES

There is one pressure regulator for the belt tensioners, and an optional one installed on vehicles equipped with either the world transmission output retarder or the manual transmission servo-clutch.

The belt tensioner pressure regulating valve is located in the engine compartment at the back of the engine starting control panel. It is used to limit the air pressure in belt tensioners to 50 ± 2 psi (345 ± 15 kPa) (Fig. 7).

The optional regulator is located in the engine compartment and is accessible through the engine R.H. side door. It is used either for transmission retarder or for servo-clutch. When used for the transmission retarder, it should be adjusted to 80 ± 3 psi (550 ± 20 kPa). When used for the manual transmission servo-clutch, it should be adjusted to 40 psi (275 kPa)

	Air Pressure (psi)	Air Pressure (kPa)
Belt Tensioner	50 ± 2	345 ± 15
Retarder	80 ± 3	550 ± 20
Servo-Clutch	40	275

9.1 MAINTENANCE

Every 100,000 miles (160 000 km) or once every two years, whichever comes first, disassemble the pressure regulating valve and wash all metal parts in a cleaning solvent (Fig. 6). Examine the diaphragm; if cracked, worn or damaged, replace with a new one. If the valve is excessively grooved or pitted, it should be replaced. Replace any other part that appears worn or damaged. After reassembly, adjust to the specified pressure setting and check for air leakage.

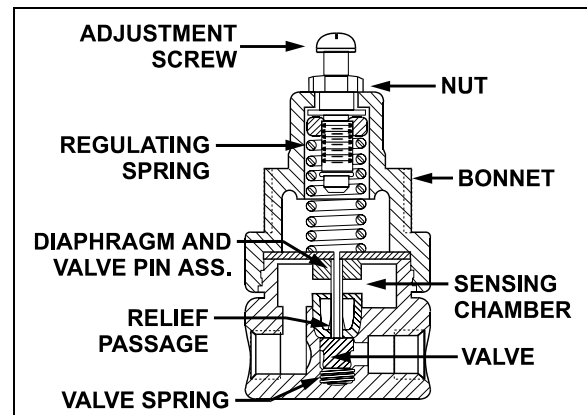


FIGURE 6: AIR PRESSURE REGULATING VALVE 12141A

9.2 PRESSURE SETTING PROCEDURE

Remove the dust cap from the pressure check port (Fig. 7). Attach a pressure gauge at this port and check the pressure reading. If the pressure reading is incorrect, adjust as follows:

1. Loosen the locking nut, turn the adjustment screw counterclockwise to decrease pressure by approximately 10 psi (70 kPa) below the required pressure.
2. Turn the adjustment screw clockwise to increase the pressure slowly until the required pressure setting is reached. Tighten the locking nut.
3. Remove pressure gauge and replace dust cap on the pressure check port.

Section 12: BRAKE AND AIR SYSTEM

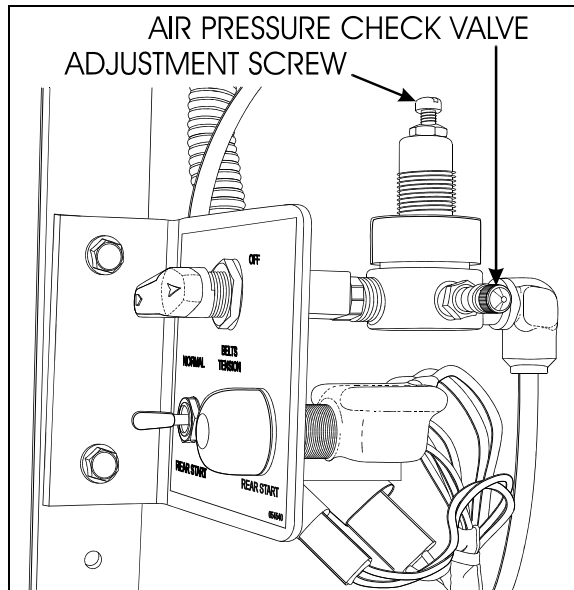


FIGURE 7: AIR PRESSURE REGULATOR 12143

10. AIR COMPRESSOR (TU-FLO 750)

The air compressor is located on starter side of the engine, on the rear of the engine gear case (Fig. 8). Its function is to provide and maintain air under pressure to operate devices in brake and air systems.

This air compressor also drives the engine fuel pump which is bolted to the rear end of the compressor. The compressor crankshaft is designed to accept a drive coupling which is placed between the compressor and fuel pump.

The compressor is driven by the bull gear, and is water cooled. Engine coolant is fed to the compressor through a flexible hose tapped into the block water jacket and connected to the rear of the compressor. Coolant returns from the right of the compressor (governor side) through a flexible hose to the engine cylinder head.

The air is taken from the air intake manifold and entered in the back of the compressor. The compressed air is pushed into the discharge line located on top of the compressor, which sends air to the air dryer. Lubricating oil is supplied to the compressor by a line from the cylinder block oil gallery connected to the air compressor. Lubricating oil returns to the engine crankcase through the air compressor drive assembly.

Maintenance and repair information on the TU-FLO 750 air compressor is supplied in the

applicable booklet annexed to this section under reference number SD-01-344.

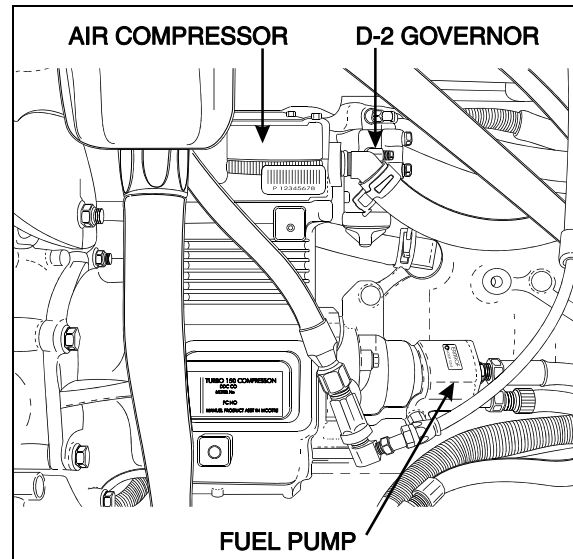


FIGURE 8: AIR COMPRESSOR INSTALLATION 12160

10.1 COMPRESSOR REMOVAL AND INSTALLATION

1. Exhaust compressed air from air system by opening the drain valve of each air tank.
2. Drain the engine cooling system. See Section 5: "Cooling System".
3. Identify and disconnect all air, coolant and oil lines from the compressor and governor assembly.
4. Access the compressor by the engine R.H. side compartment. Remove the four compressor mounting bolts and the two fuel pump support bracket bolts.
5. Slide air compressor rearward to disengage the hub from coupling. Remove the air compressor.

Reverse removal procedure for installation.

11. GOVERNOR (D-2)

The governor is mounted on the air compressor (Fig. 8 and 9), its function is to maintain the system pressure between a minimum and a maximum value. Maintenance and repair information on D-2 governor is supplied in the applicable booklet annexed to this section under reference number SD-01-503.

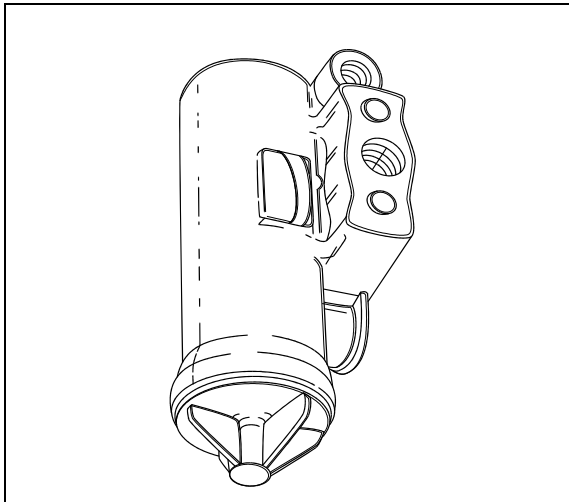


FIGURE 9: D-2 GOVERNOR 12137

12. EMERGENCY / PARKING BRAKE CONTROL VALVE (PP-1)

A push-pull control valve mounted on the L.H. lateral console is provided for parking brake application or release. The spring brakes are self-actuated whenever the control valve supply pressure drops below 40 psi (275 kPa). In the UP position, brakes are ON. In the DOWN position, brakes are RELEASED. A protective case around the knob prevents accidentally releasing the brakes.

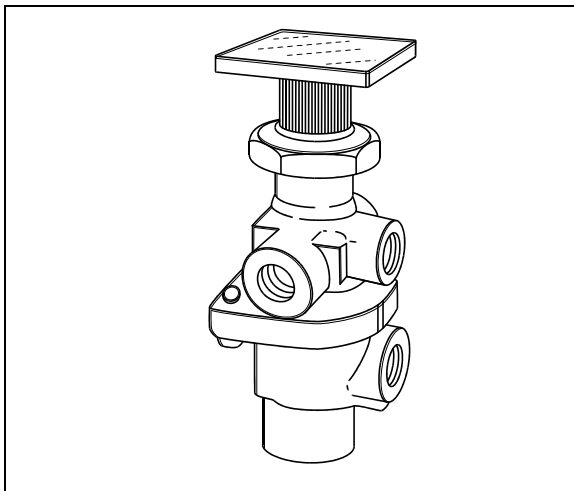


FIGURE 10: PP-1 12142

Maintenance and repair information on this valve is supplied in the applicable booklet annexed to this section under reference number SD-03-3611.

Remove the valve the following way:

1. Drain the air system.
2. Access this valve by tearing out the finishing panel, which holds the controls in place (Fig. 10).
3. Disconnect the air tubes.
4. Remove the retaining screws.
5. Service or replace the valve.
6. Installation is the reverse of removal.

13. EMERGENCY / PARKING BRAKE OVERRULE CONTROL VALVE (RD-3)

A RD-3 control valve is used with the optional parking brake overrule system. In the case of self-application of spring brakes due to a pressure drop, the brakes can be released by holding down this control valve. Maintenance and repair information on this valve is supplied in the applicable booklet annexed to this section under reference number SD-03-3611.

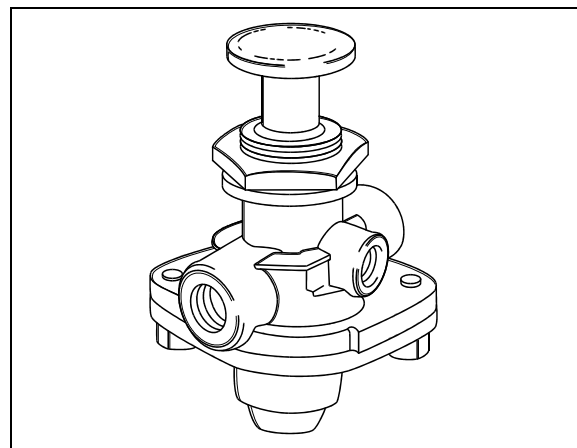


FIGURE 11: RD-3 12136

14. FLIP-FLOP CONTROL VALVE (TW-1)

A flip-flop control valve mounted on the L.H. lateral console is provided to unload tag axle air springs (and to lift tag axle if vehicle is so equipped). Another one controls the low-buoy system (coaches only). It is a manually operated "on-off" valve. Maintenance and repair information on this valve is supplied in the applicable booklet annexed to this section under reference number SD-03-3602.

Section 12: BRAKE AND AIR SYSTEM

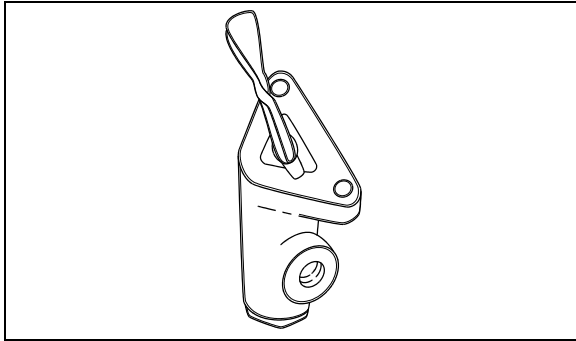


FIGURE 12: TW-1

12138

15. DUAL BRAKE APPLICATION VALVE (E-10P)

The E-10P dual brake valve is a floor mounted, foot-operated type brake valve with two separate supply and delivery circuits. This valve is located in the front service compartment (Fig. 13).

15.1 BRAKE PEDAL ADJUSTMENT

After brake pedal replacement or repair, adjust the pedal to its proper position according to the following procedure:

1. Replace the linkage, loosen threaded rod lock nuts and screw or unscrew the threaded adjustment rod in order to obtain a 45° brake pedal inclination (Fig. 13).
2. Tighten threaded rod lock nuts.

15.1.1 Maintenance

Maintenance and repair information on the E-10P dual brake application valve is supplied in the applicable booklet annexed to this section under reference number SD-03-830.

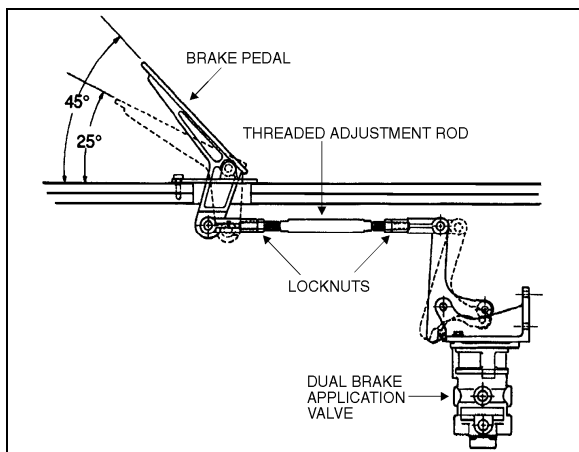


FIGURE 13: BRAKE PEDAL ADJUSTMENT

12040

16. STOPLIGHT SWITCHES

Two electro-pneumatic stoplight switches are mounted on the dual brake application valve (E-10P). The upper one is used for the primary air circuit while the lower one is used for the secondary air circuit. Both switches are connected in parallel and have the same purpose, i.e. completing the electrical circuit and lighting the stoplights when a brake application is made. The upper switch (AC Delco) is designed to close its contact between 2 psi and 4 psi (14 kPa to 28 kPa) (Fig. 14), while the lower one (Bendix, SL-5) closes its contact at 4 psi (28 kPa) (Fig. 15). The switches are not a serviceable items; if found defective, the complete unit must be replaced.

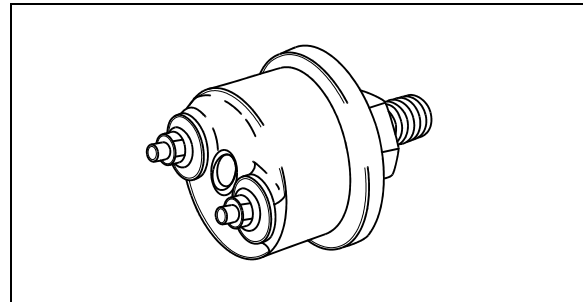


FIGURE 14: DELCO SWITCH

12139

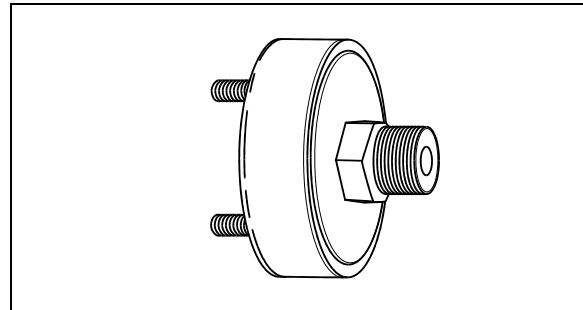


FIGURE 15: BENDIX SWITCH

12140

17. PARKING BRAKE ALARM SWITCH

Refer to the appropriate annexed booklet (Bendix, SL-5 Stop Light Switch; reference no. SD-06-2501).

The parking brake alarm uses the same switch as the stoplights. It is mounted on the spring brake valve and operates in conjunction with a NC relay to sound a warning alarm by completing the electrical circuit when the ignition key is turned OFF with parking brake released.

18. BRAKE RELAY VALVE (R-12 & R-12DC)

The primary air system includes three brake relay valves being supplied by the dual brake valve, and which function is to speed up the application and release of the service brakes.

One R-12DC valve supplies the drive axle service brake air line, while the other two valves supply independently both the tag axle right and left service brake air line and act as interlock valves. These valves are accessible from under the vehicle at the level of the tag axle. Maintenance and repair information on these valves is supplied in the applicable booklet annexed to this section under reference number SD-03-1064 and SD-03-1068.

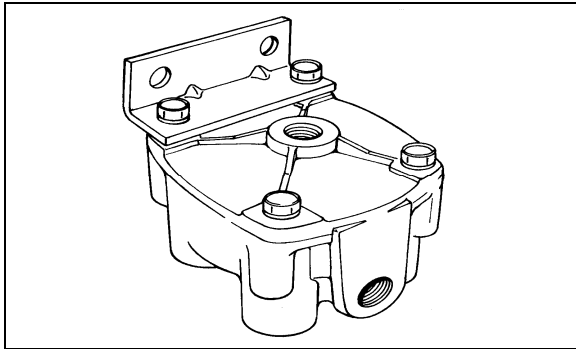


FIGURE 16: R-12 12074

19. QUICK RELEASE VALVES (QR-1)

One quick release valve is installed on this vehicle and is located on the front axle service brakes air line. It is also used on Low Buoy rear release system. It permits rapid exhaust of air pressure from brakes, thus decreasing the brake release time.

Maintenance and repair information on these valves is supplied in the applicable booklet annexed to this section under reference number SD-03-901.

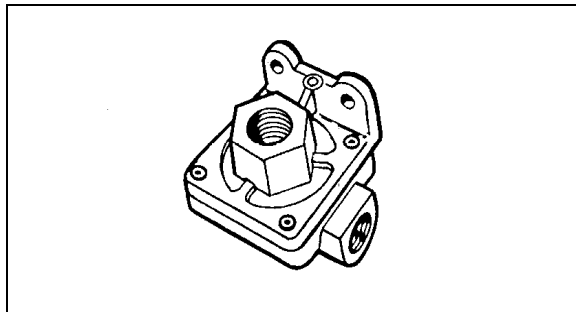


FIGURE 17: QR-1 12075

20. SPRING BRAKE VALVE (SR-1)

The spring brake valve is located at ceiling of front bumper compartment. The function of the SR-1 is to modulate the spring brakes during the application of the foot brake valve in the event of loss of service brake pressure. Maintenance and repair information on the spring brake valve is supplied in the applicable booklet annexed to this section under reference number SD-03-4508.

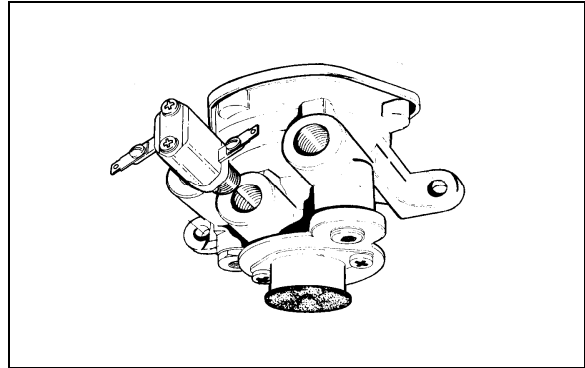


FIGURE 18: SR-1 12076

21. PRESSURE PROTECTION VALVE (PR-2)

Maintenance and repair information on the pressure protection valve is supplied in the applicable booklet annexed to this section under reference number SD-03-2010.

The air system includes two pressure protection valves (Fig. 19). One valve is installed on the manifold block, and insures at all times a minimum pressure of 75 psi (517 kPa) in the suspension air system in the event that a pressure drop occurs in either the suspension air system or accessory air system. This valve is located in the steering compartment besides the air filter.

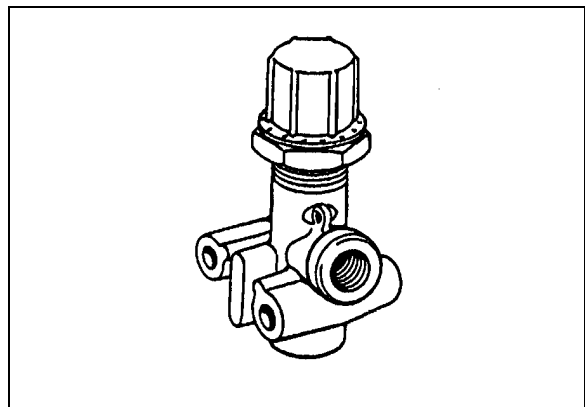


FIGURE 19: PR-2 12077

Section 12: BRAKE AND AIR SYSTEM

The other valve is installed on the accessory air tank, and insures a minimum pressure of 75 psi (517 kPa) in the accessory air system in the event that a pressure drop occurs in either the suspension air system or braking air system (refer to Fig. 1 for accessory air tank location).

22. LOW PRESSURE INDICATORS (LP-3)

Maintenance and repair information on the low pressure indicators is supplied in the applicable booklet annexed to this section under reference number SD-06-1600.

The air system includes two low pressure switches. One is located on the pneumatic accessories panel in the front service compartment. The remaining pressure switch is mounted on the spring brake valve, and monitors the parking brake pilot lamp. Its pressure setting is 30 psi (205 kPa).

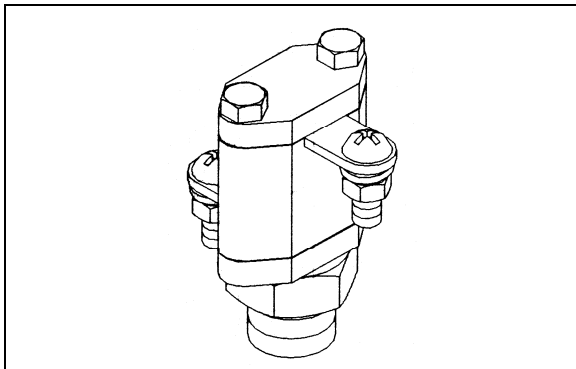


FIGURE 20: LP-3

12078

23. SHUTTLE-TYPE DOUBLE CHECK VALVE (DC-4)

Maintenance and repair information on the shuttle-type double check valve is supplied in the applicable booklet annexed to this section under reference number SD-03-2202.

The double check valve is located on the pneumatic accessories panel in the front service compartment. In the event of a pressure drop in either the primary or secondary system, this unit will protect the emergency /parking brake control valve and the intact portion of the air system from pressure loss.

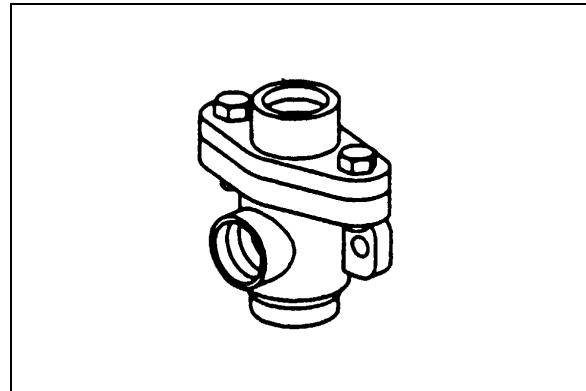


FIGURE 21: DC-4

12134

24. EMERGENCY DOOR OPENING VALVES

Two emergency door opening three-way valves are installed on coaches. One is in the front service compartment, readily accessible. The other one is on the R.H. side lateral console, close to the entrance door. When used, the valve releases pressure in the door locking cylinder, thus allowing the door to be manually opened.

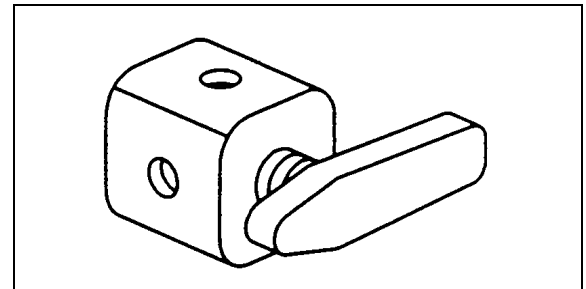


FIGURE 22: THREE WAY VALVE

12186

24.1 INTERIOR VALVE MAINTENANCE

When needed, this valve can be changed according to the following procedure:

1. Unscrew the front R.H. decorative panel in order to access the valve.
2. Unscrew and remove the valve handle.
3. Unscrew and remove the valve retaining ring.
4. Push the valve inside the console.
5. Disconnect the air tubes.
6. Reverse the procedure to install a new valve.

25. AIR HORN VALVE

The air horn solenoid valve is located in the front service compartment. The air horn activating button is on the center of the steering wheel. Refer to section 23 "ACCESSORIES" for more information.

26. AIR SYSTEM TROUBLESHOOTING

The following list has been designed to help in troubleshooting some of the most common problems in the air system and main causes. For air brakes troubleshooting, refer to "*Air Brakes Troubleshooting*" in this section. For more troubleshooting information, refer to the manufacturer's brochures annexed to this section.

Air pressure doesn't rise to, or doesn't maintain, a normal setting:

- Defective air gauge (registering incorrectly).
- Excessive leaking in air system.
- Reservoir drain cock open.
- Governor poorly adjusted or defective.
- Defective compressor.
- Worn compressor or excessive wear on piston and/or ring.
- Air pressure rises to normal setting too slowly.

Excessive leaking in air system:

- Clogged engine air cleaner.
- Worn compressor or excessive wear on piston and/or ring.
- Engine speed too low.

Air pressure rises above a normal setting:

- Defective air gauge (registering incorrectly).
- Governor poorly adjusted or defective.
- Restriction in line between governor and compressor unloading mechanism.

Air pressure drops quickly when engine is stopped:

- Leaks in compressor discharge valve.
- Leaks in governor.
- Leaks in air lines.
- Leaks in air system valves.

27. BRAKE OPERATION

The vehicle braking system uses both service and parking air-operated brakes. The air system is divided into two independent circuits to isolate the front axle brakes and the rear axle brakes (drive and tag), thus providing safe brake operation in the event that one circuit of the system fails. The primary circuit is connected to the drive and tag axle brakes, while the secondary circuit is connected to the front axle brakes. The tag axle service brakes operate only when the axle is in the normal driving (loaded) position. The spring-type emergency brakes are mounted on the drive and tag axles, and will apply automatically if primary system pressure falls below 40 psi (276 kPa). The optional parking brake override system can cancel the parking brakes, enabling the driver to move the vehicle to a safe parking place. To operate this system, push down and hold the control knob located on the R.H. side of the driver's seat (see "*Operator's Manual*" for more details).

Furthermore, brake application or release, which is sped up by a pneumatic relay valve (R-12 & R-12DC), will start with the rear axles and be followed by the front axle, thus providing uniform braking on a slippery surface. The vehicle may also be equipped with an Anti-lock Brake System (ABS), detailed later in this section.

Brake and air system maintenance consists of periodic inspections. Check all parts for damage and brake adjustment (refer to subsequent headings in this section for more details). Ensure all fasteners are tight (refer to "*Specifications*" for recommended tightening torques).

28. AIR BRAKES

Knorr-Bremse SB7000 disc brakes are used on all axles. The front and drive axle discs are actuated by 24 inch² effective area air brake chambers (22 inch² for front solid beam axle), while on tag axle, the brake chambers have a 16 inch² effective area for service brake and a 16 inch² effective area for emergency/parking brakes. The *Knorr-Bremse SB7000* brakes are supplied with automatic clearance (slack) adjusters as standard equipment for easier adjustment. For more information on disc brake components and maintenance, refer to the manufacturer's brochure at the end of this section.

Section 12: BRAKE AND AIR SYSTEM

28.1 DISC BRAKE PADS

Brake pads have to be checked on a regular basis depending on the vehicle operation. The remaining thickness of the pads should never be less than 3/32 in (2 mm). To check pad condition without removing the wheel, verify the position of guide bushing (6) relatively to guide sleeve (4) (see Fig. 23). When guide sleeve is in alignment with guide bushing, brake pad thickness has to be checked more precisely with the wheel removed. When replacing brake pads, all four pads on an axle have to be changed at the same time. There is no inner or outer pad, since all pads are the same. Once removed, worn pads should be replaced in their original position.

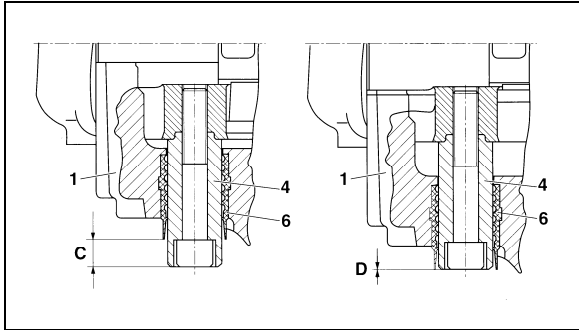


FIGURE 23: BRAKE PAD CHECK

12117

28.2 CALIPER MAINTENANCE

Use the following procedure for brake calipers servicing. The procedure must be followed in proper sequence to ensure that only needed repairs or replacements are performed on calipers. Problems such as hot brakes or cracked rotors may be effects of sticking calipers, too-small clearance between rotor and pad or possible trapped air pressure in the brake chamber. If any of these symptoms occur, perform this procedure before replacing the rotor to ensure the cause of the problem is properly solved.

1. Check for presence of residual pressure:

To check if there is any residual air pressure in the brake chamber, make four or five brake applications, then try to turn the wheel manually, if the wheel does not turn, use a wrench to crack the air line and listen for trapped air in the brake chamber then try to turn the wheel manually again. If you find trapped air in the brake booster, ensure that all pneumatic components in the braking system are functioning properly.

Note: A residual pressure of 2-3 PSI in the system is sufficient to prevent the brakes from releasing. Also the stop light switch can operate with as little as 1 PSI, therefore an illuminated brake light does not mean brakes are dragging.

2. Pad to rotor clearance inspection:

Remove clip and washer (26 & 45, Fig. 24), push down retainer bar (11), pull out pin (44) and remove retainer bar. Push caliper toward actuator (center of vehicle) for maximum clearance.

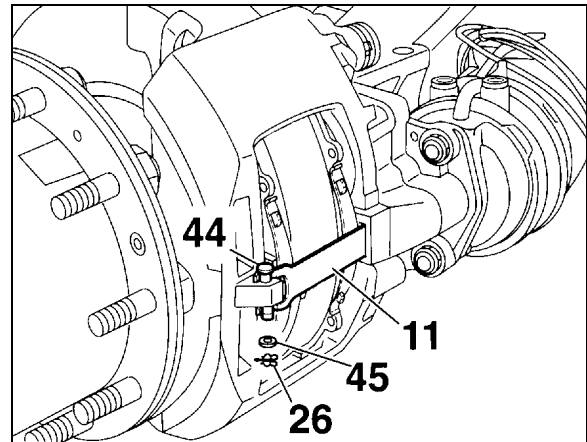


FIGURE 24: CLEARANCE INSPECTION

12119

3. Measure pad to rotor clearance:

Place a long feeler gauge (long enough to measure across entire tappet surface) between the tappet and the backing plate of the pad, measure clearance at both tappets. Clearance should range between 0.020 and 0.035 inch (0.5 mm and 0.9 mm), with a maximum difference between tappet measurements on same brake of 0.008 inch (0.2 mm).

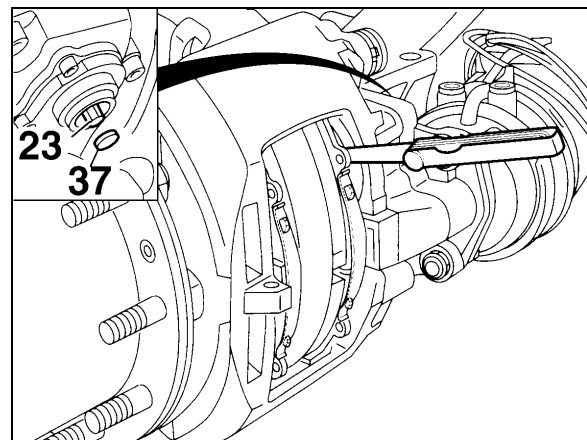


FIGURE 25: RUNNING CLEARANCE

12116

4. Checking the adjuster

Warning: Use only a standard box wrench on the adjuster hexagonal pinion. Do not overtorque the pinion as overtorquing will damage the pinion.

- a) Remove cap (37, Fig. 26).
- b) Using a box wrench (8 mm), turn the adjuster pinion (23, Fig. 26) counterclockwise about 2-3 clicks to increase running clearance. By operating the braking system about 5-10 times (30 PSI or 2 bar), the wrench should turn clockwise in small increments if the adjuster is functioning correctly (Figs. 26 and 27).

Note: With increasing number of applications, the incremental adjustment will decrease.

- c) In case of malfunction, i. e. the pinion or box wrench:
 - i) Does not turn.
 - ii) Turns only with the first application.
 - iii) Turns forwards then backwards with every application.

In any of the above cases, the automatic adjuster has failed and the caliper must be replaced. In such cases the brakes can be adjusted manually to run a short distance.

- d) Take the box wrench off. Replace the cap and check for proper sealing.

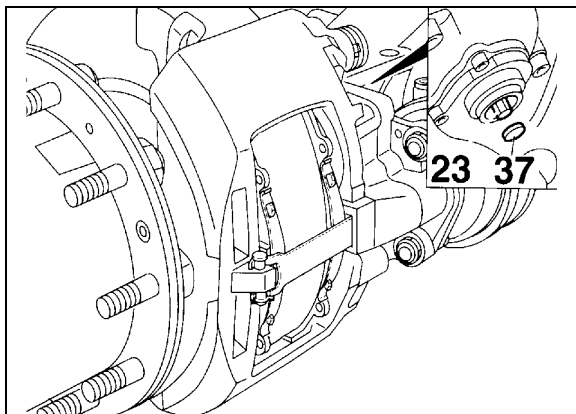


FIGURE 26: ADJUSTER PINION

12120

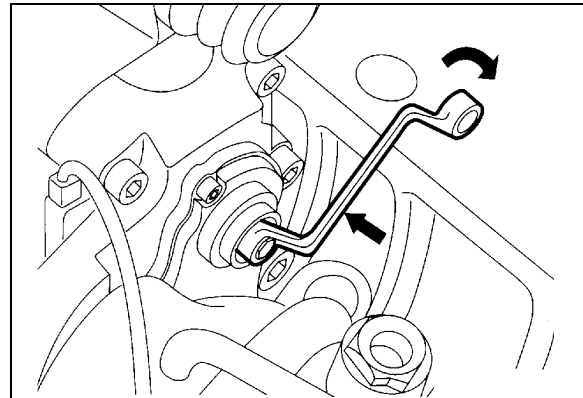


FIGURE 27: BOX WRENCH ON ADJUSTER PINION 12118

28.3 ROADSIDE INSPECTION FOR KNORR /BENDIX AIR DISC BRAKES

The coach is equipped with air disc brakes and therefore, cannot be inspected using the requirements for chamber stroke or visible lining clearance or lining thickness as specified for drum brakes. The roadside inspector should use the following instructions to determine that the air disc brakes are within proper adjustment and have sufficient pad wear thickness.

The Knorr/Bendix air disc brake is designed to move freely, with minimal force, in the axial direction on the two sliding pins as identified in figure 28. The movement in the axial direction should not exceed 2 mm (5/64”).

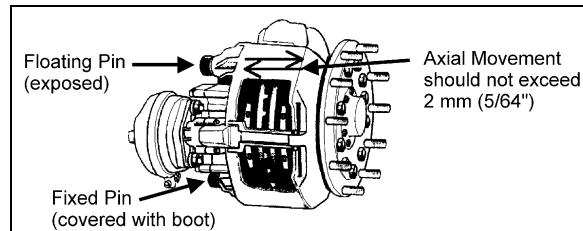


FIGURE 28: CALIPER AXIAL MOVEMENT

12132

The caliper flotation consists of two pins. One pin (fixed pin) floats and should have minimal movement in the radial direction. The other pin is floating in a rubber bushing. The maximum radial movement should not exceed 2.0 mm (0.080”). To check the radial movement, insert a pry tool between the caliper and carrier near the middle and then measure the relative movement as shown in figure 29.

Section 12: BRAKE AND AIR SYSTEM

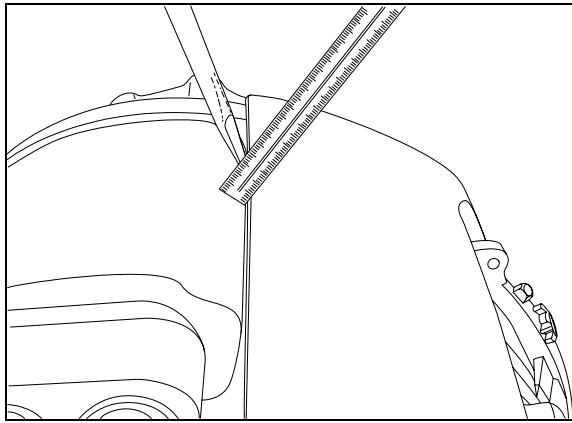


FIGURE 29: RADIAL MOVEMENT INSPECTION 12187

The pad thickness can be seen but would require removal of the tire and rim. An indicator of the pad wear condition is available by inspecting the floating pin location in relation to the rubber bushing as shown in figure 30. When pads are in new thickness condition, the pin will be exposed (C) 19 mm ($\frac{3}{4}$ "). When the pads are worn to replacement conditions, the pin will be nearly flush to the bushing (D) or within 1 mm ($\frac{3}{64}$ ") of the edge of the rubber bushing.

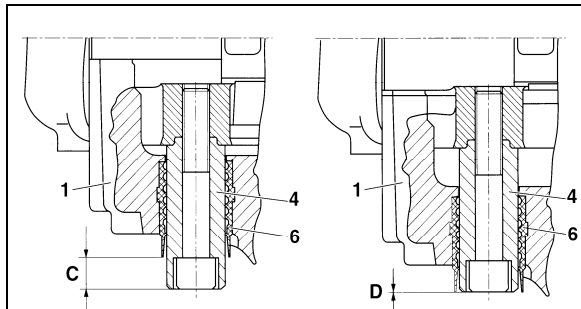


FIGURE 30: BRAKE PAD CHECK 12117

28.4 PAD REMOVAL

Turn adjuster pin (23) counterclockwise to increase pad to rotor clearance (a clicking noise will be heard). Push caliper toward actuator and remove pads (12).

Caution: Do not apply brakes while pads are removed as this could cause over stroke damage to the adjusting mechanism.

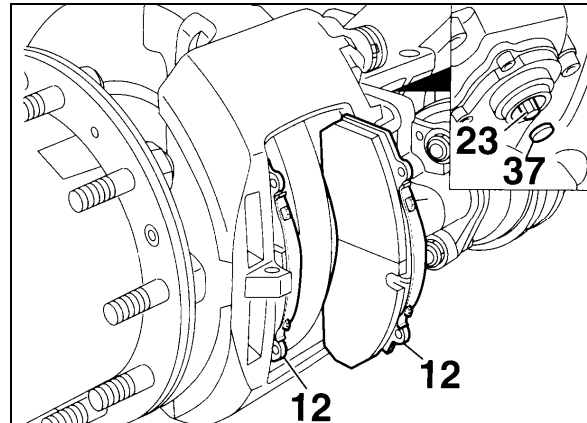


FIGURE 31: PAD REMOVAL 12111

28.5 CHECKING PAD WEAR

Minimum friction material thickness is 2 mm (A, Fig. 32)

New friction material has a thickness of 21 mm (B, Fig. 32)

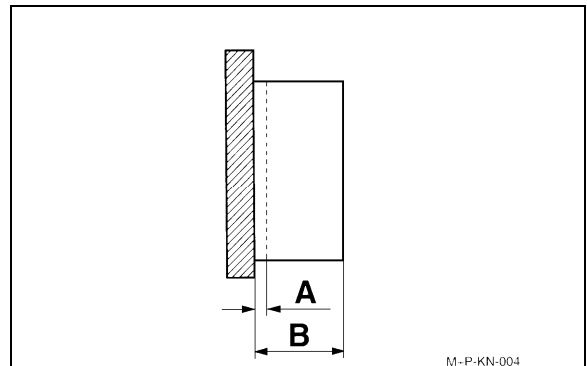


FIGURE 32: PAD WEAR 12112

28.6 IMPORTANT PAD AND ROTOR MEASUREMENTS

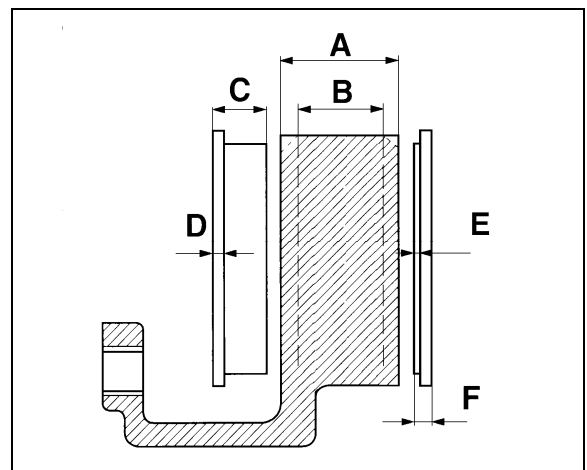


FIGURE 33: ROTOR AND PAD WEAR LIMITS 12113

- A = Rotor thickness (new): 45 mm;
 - B = Rotor thickness (worn): 37 mm Requires replacement;
 - C = Overall thickness of pad (new): 30 mm;
 - D = Backplate: 9 mm;
 - E = Minimum thickness of pad material: 2 mm;
 - F = Minimum allowed thickness of overall backplate and friction material: 11 mm.
- Replacement necessary.**

28.7 CHECKING CALIPER GUIDANCE AND SEAL CONDITION

Perform sliding test. You must be able to slide the caliper easily at any time. Sliding test should be performed at least every three months or more often depending on the type of operation.

Sliding Test (Refer to Fig. 34):

- a) Using hand pressure only, the caliper (1) must slide freely with its guide pin arrangements (4-7) across a distance of 1 3/16 inch (30 mm) when the pads are removed. The sleeve (5) is sealed using the boot (9) and the cap (10).
- b) The rubber components (9 and 10) should show no damage. The positioning must be checked. If necessary the caliper has to be repaired using the guide kit (part #611168) or with the seal and guide kit (part #611199). When repairing a caliper with the above kits, make sure all parts in the kit are used. Use special green grease (Prévost #683344) to reassemble the slide pin into the bushing, white or yellow grease (Prévost #683345) may be used for all other lubrication needs.
- c) Depending on caliper manufacturing date, black paint may be present on the unsealed pin (short pin). Paint on the slide pin can prevent the caliper from sliding properly especially when the pad starts to wear. If paint is present on the pin, separate the pin from the bushing, clean and reinstall the pin according to procedure.

Note: Do not attempt to use thinner or alcohol to clean the pin without removing it as it may damage the rubber bushing.

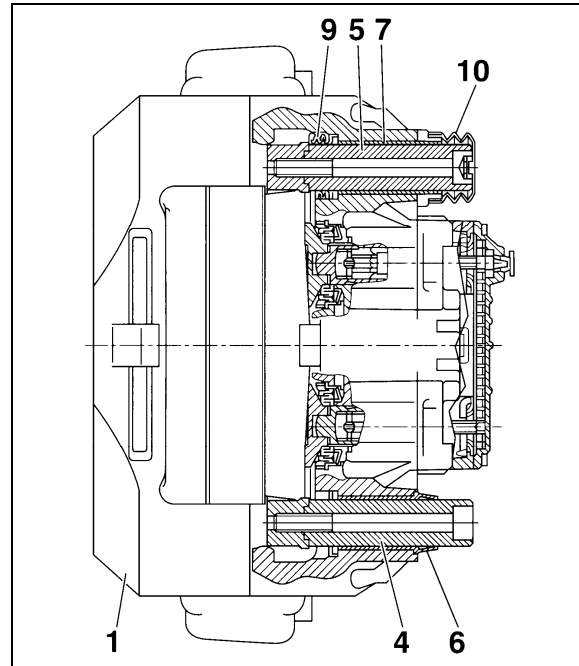


FIGURE 34: CALIPER GUIDANCE

12114

28.8 CHECKING THE TAPPET BOOTS

- a) The rubber boots (13, Fig. 35) should show no damage, check the attachment.

Caution: Any ingress of water and dirt will lead to corrosion and may affect the function of the actuation mechanism and adjuster unit.

- b) If boots are damaged but show no corrosion, the boots and tappets should be replaced (Prévost #611177).

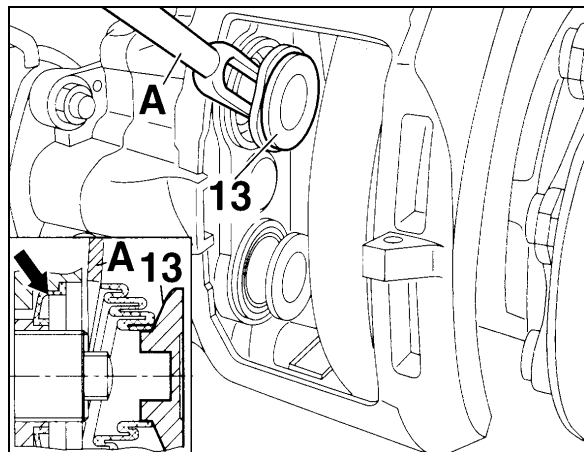


FIGURE 35: RUBBER BOOTS

12115

28.9 PAD INSTALLATION

Turn adjuster pinion (23, Fig. 36) counterclockwise until tappets are fully retracted and clean

Section 12: BRAKE AND AIR SYSTEM

pad seat area. Slide caliper to full outboard position and install outside pad. Slide caliper to full inboard position and install inside pad.

Warning: It is recommended to change all pads on an axle at the same time.

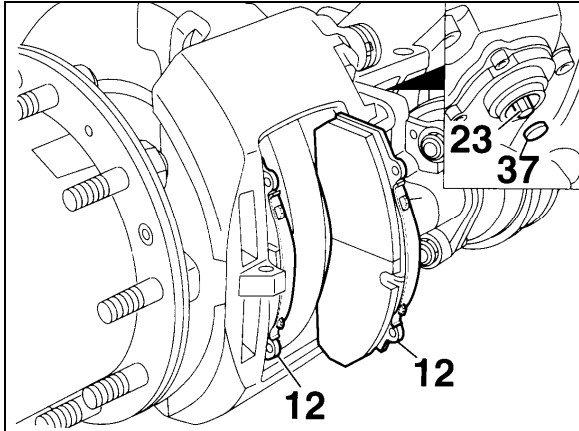


FIGURE 36: PAD INSTALLATION 12111

28.10 ADJUSTING THE RUNNING CLEARANCE

- Insert a feeler gauge 0.028 inch (0.7 mm thickness) between tappet and pad back-plate (Fig. 37). Turn adjuster pinion clockwise until 0.028 inch (0.7 mm) clearance is achieved. Replace cap (37) (Prévost # 641313).
- To ensure a constant running clearance between the rotor and pads, the brake is equipped with an automatic adjuster unit. When the pads and rotor wear, the running clearance between the pads and rotor increases. The adjuster (23, Fig. 37) and turning device turn the threaded tubes by the amount necessary to compensate the wear.

Total running clearance should be between 0.020 and 0.035 inch (0.5 and 0.9 mm). Smaller clearances may lead to overheating problems.

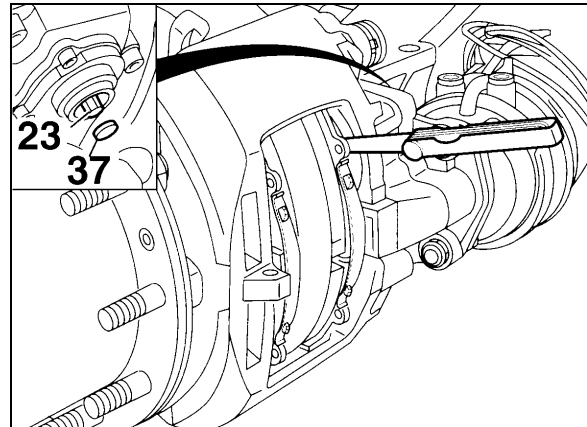


FIGURE 37: RUNNING CLEARANCE 12116

28.11 BRAKE TOOLS

Four brake tools are available from Prévost to facilitate disc brake maintenance:

- #641321, Tappet with boot (item 13).
- #641322, Caliper inner boot (item 9).
- #641323, Caliper bushing (item 7).
- #641435, Fork for boot tappet (item 13).

Maintenance tip

Using the following procedure, pad wear can be determined without removing the wheel.

28.12 TORQUE SPECIFICATIONS

For proper caliper maintenance, refer to the following figures.

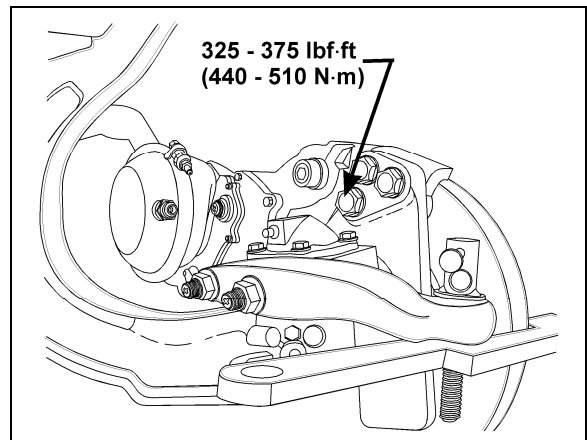


FIGURE 38: TORQUE SPECIFICATION 12145

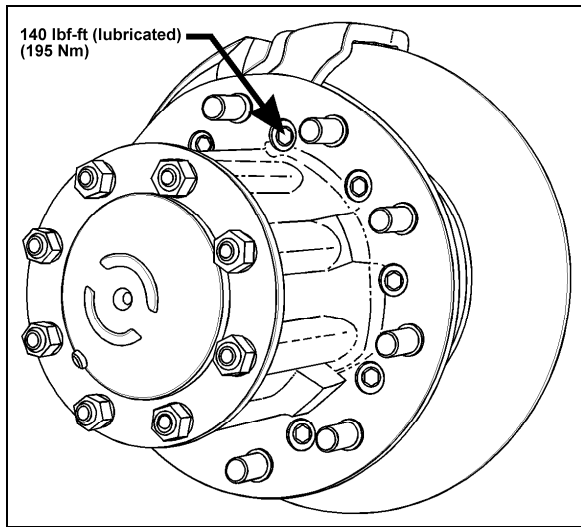


FIGURE 39: TORQUE SPECIFICATION 12149

29. SAFE SERVICE PROCEDURES

Most recently manufactured brake linings no longer contain asbestos fibers. Instead of asbestos, these linings contain a variety of ingredients, including glass fibers, mineral wool, aramid fibers, ceramic fibers, and carbon fibers. At present, OSHA (Occupational Safety and Health Administration) does not specifically regulate these non-asbestos fibers, except as nuisance dust. Medical experts do not agree about the potential long-term risks from working with and inhaling non-asbestos fibers. Nonetheless some experts think that long-term exposure to some non-asbestos fibers could cause diseases of the lung, including pneumoconiosis, fibrosis, and cancer. Therefore, lining suppliers recommend that workers use caution to avoid creating and breathing dust when working on brakes that contain non-asbestos fibers.

Warning:

Whenever possible, work on brakes in a separate area away from other operations.

Always wear a respirator approved by NIOSH (National Institute of Occupational Safety and Health) or MSHA (Mine Safety and Health Administration) during all brake service procedures. Wear the respirator from removal of the wheels through assembly.

NEVER use compressed air or dry brushing to clean brake parts or assemblies. OSHA recommends that you use cylinders that enclose the brake. These cylinders have vacuums with high efficiency (HEPA (Health and Environment Protection Agency)) filters and workmans' arm sleeves. But, if such equipment is not available, carefully clean parts and assemblies in the open air.

Clean brake parts and assemblies in the open air. During disassembly, carefully place all parts on the floor to avoid getting dust into the air. Use an industrial vacuum cleaner with a HEPA filter system to clean dust from the brake drums, backing plates and other brake parts. After using the vacuum, remove any remaining dust with a rag soaked in water and wrung until nearly dry.

If you must grind or machine brake linings, take additional precautions because contact with fiber dust is higher during these operations. In addition to wearing an approved respirator, do such work in an area with exhaust ventilation.

When cleaning the work area, NEVER use compressed air or dry sweeping to clean the work area. Use an industrial vacuum with a HEPA filter and rags soaked in water and wrung until nearly dry. Dispose of used rags with care to avoid getting dust into the air. Use an approved respirator when emptying vacuum cleaners and handling used rags.

Wash your hands before eating, drinking or smoking. Do not wear your work clothes home. Vacuum your work clothes after use and then launder them separately, without shaking, to prevent fiber dust from getting into the air.

Material safety data sheets on this product, as required by OSHA, are available from Knorr-Bremse.

30. AIR BRAKE TROUBLESHOOTING

The following tests and check lists have been designed to identify the cause(s) of a sluggish performance and/or leaks in the system. These tests require very little time to perform, and give you a general idea of the system condition. Each test is provided with a corresponding check list which will guide you to the most common causes of problems.

Section 12: BRAKE AND AIR SYSTEM

Before performing any test, check all air lines for kinks or dents, and hoses for signs of wear, drying out or overheating.

Warning: *When working on or around brake system and its related components, the following precautions should be observed:*

Always block vehicle wheels. Stop engine when working under a vehicle. Keep hands away from chamber push rods and slack adjusters as they may apply when system pressure drops.

Never connect or disconnect a hose or line containing air pressure. It may whip as air escapes. Never remove a component or pipe plug unless you are sure all system pressure has been depleted.

Never exceed recommended air pressure and always wear safety glasses when working with air pressure. Never look into air jets or direct them at anyone.

Never attempt to disassemble a component until you have read and understood the recommended procedures. Some components contain powerful springs and injury can result if not properly disassembled. Use only proper tools and observe all precautions pertaining to the use of those tools.

Always clean connecting piping and/or fittings, and coat pipe threads with Teflon pipe sealant before installing any air brake system component.

Pressure Build-Up / Low Pressure Warning / Cutoff Point / Governor Cutout

CONDITION: Vehicle parked, wheels blocked.

1. Completely drain air reservoirs.
2. Start engine and run at fast idle. Low pressure warning lights should be "On".
3. Start checking pressure at 50 psi (344 kPa).
4. Low pressure warning lights and buzzer should go off at or above 60 psi (415 kPa).
5. At 85 psi (586 kPa), run engine at full rpm, then check that build up time to 100 psi (690 kPa) is 30 seconds or less.
6. Governor cutout. Cuts out at the correct pressure of 120-125 psi (826-861 kPa).
7. Governor cut-in. Reduce service air pressure to governor cut-in. The difference

between cut-in and cut-out pressures should not exceed 25 psi (172 kPa).

For common corrections, refer to the following check list:

High or Low Warning Cutoff Point

- ✓ Perform a telltale light and gauge test. Replace entire cluster if found defective.

High or Low Governor Cutout Point

- ✓ Perform a telltale light and gauge test. Replace entire cluster if found defective.
- ✓ Adjust governor to desired cutout.

OR

- ✓ Repair or replace governor as necessary after checking that compressor unloader mechanism operates correctly.

More than 30 seconds to build-up pressure from 85 to 100 psi (585 - 690 kPa) at full engine RPM

- ✓ Perform a telltale light and gauge test. Replace entire cluster if found defective
- ✓ Check compressor strainer or inlet line. If restricted, clean or replace element or faulty line.
- ✓ Check compressor head or discharge line for carbonisation or restriction. Clean or replace as necessary.
- ✓ If discharge valves leak, pull head and correct or replace cylinder head.
- ✓ If drive is slipping, replace gear.
- ✓ If inlet valves are stuck, open or leaking severely, replace unloader kit, inlet valves and/or seats as necessary.
- ✓ If drain cock is found open, close it.
- ✓ If governor leaks when "unloaded", clean or replace inlet valve or replace governor.
- ✓ Listen for air leaks and repair.
- ✓ Redo list to check all items repaired or replaced.

Air Supply Reservoir Leakage

CONDITION: Full pressure, engine stopped, parking brake applied

1. Allow at least 1 minute for pressure to stabilize.
2. Stop engine, then check air pressure gauge for 2 minutes. Note any pressure drop.
3. Pressure should not drop by more than 3 psi (20 kPa) per minute.

For common corrections, refer to the following check list:

Excessive air loss:

- ✓ With the primary air system at normal operating pressure (95 - 125 psi (655 - 860 kPa)), coat all air line connections and pneumatic components with a water and soap solution. Bubbles will indicate an air leak, and none should be permissible. Repair or replace defective parts.
- ✓ Listen for leaks and correct as required.
- ✓ Redo test to check all items repaired or replaced.

Brake System Air Leakage

CONDITION: Full pressure, engine stopped, parking brake released.

1. Apply service (foot) brakes, allow at least 1 minute for pressure to stabilize.
2. Hold down foot valve for 2 minutes while observing air pressure gauge on the dash-board.
3. Pressure drop should not be more than 4 psi (27 kPa) per minute.

For common corrections, refer to the following check list.

Excessive leakage on brake service side:

- ✓ With the primary air system at normal operating pressure (95 - 125 psi (655 - 860 kPa)) and foot brake applied, coat all air line connections and brake pneumatic components with a water and soap solution. Bubbles will indicate an air leak, and none should be permissible. Repair or replace defective parts.
- ✓ Listen for leaks and correct as required.
- ✓ Redo test to check all items repaired or replaced.

31. BRAKE AIR CHAMBER

This vehicle uses “Knorr-Bremse” brake chambers on all axles. The tag and drive axle chambers consist of two separate air chambers, each having its own diaphragm and push rod. They are used as a service brake chamber, an emergency brake in case of air pressure loss and a spring-applied parking brake. Refer to figures 40 and 41.

The front axle brake air chambers are used only for service brake duty (Fig. 40).

31.1 MAINTENANCE

Every 6,250 Miles (10 000 km) or twice a year, whichever comes first depending on type of operation:

1. Insert a box wrench (8 mm) onto the adjuster pinion.
2. Apply brakes 5 – 10 times and observe that the pads move out promptly without binding and that box wrench turns clockwise in small increments.
3. Check tightness of mounting nuts. Check that cotter pins are in place.
4. Check all hoses and lines. They should be secure and in good condition.

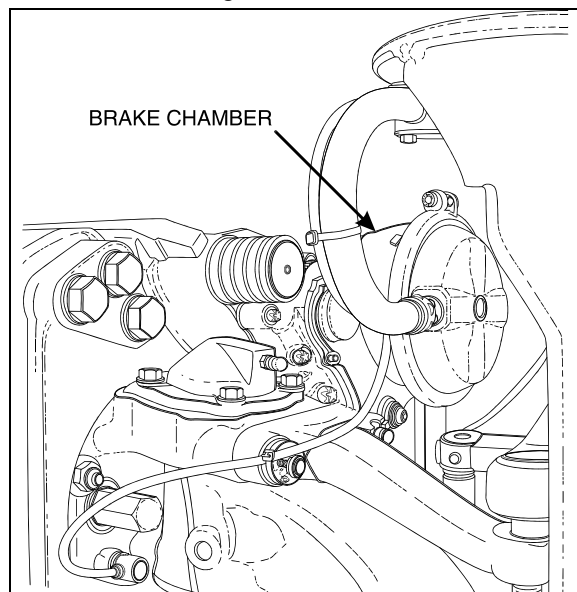


FIGURE 40: RIGID SUSPENSION FRONT AXLE BRAKE AIR CHAMBER

12158

Section 12: BRAKE AND AIR SYSTEM

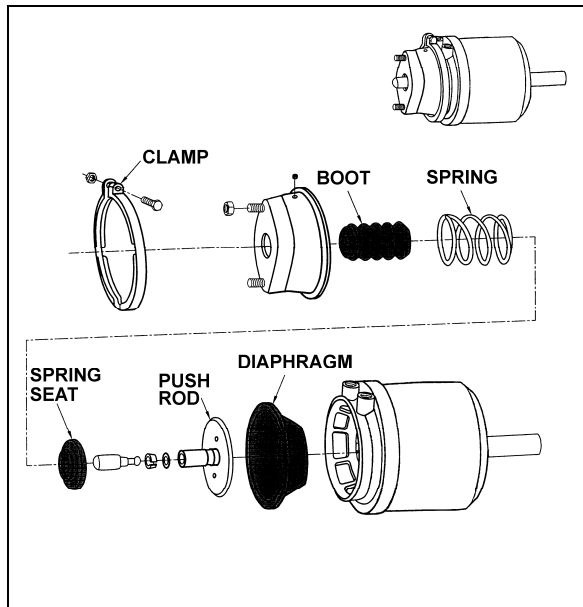


FIGURE 41: TAG AXLE OR DRIVE AXLE BRAKE AIR CHAMBER

12126

Every 100,000 Miles (160 000 km) or once a year, whichever comes first depending on type of operation

1. Disassemble and clean all parts.
2. Install new diaphragm or any other part if worn or deteriorated.

Note: When the diaphragm, spring, or both are replaced, they should be replaced in the corresponding chamber on the same axle.

3. Perform an airtightness test:
 - a) Make and hold a full brake application.
 - b) Coat clamping ring(s) with a soapy solution. If leakage is detected, tighten clamping ring only enough to stop leakage. **Do not over-tighten** as this can distort sealing surface or clamping ring. Coat area around push rod hole (loosen boot if necessary). No leakage is permitted. If leakage is detected, the diaphragm must be replaced.

31.2 EMERGENCY/PARKING BRAKE MANUAL RELEASE

Warning: Never stand in the axis line of the spring brake chambers, especially when caging the spring.

Drive Axle

1. Block the wheels to prevent the vehicle from moving.
2. Remove the release stud tool from its storage place on drive axle brake air chamber.
3. Remove the access plug from the end of the spring chamber, then insert the release stud through the opening. Turn the release stud 1/4 turn (clockwise) to anchor it into the spring plate. Install the flat washer and nut, then turn the nut clockwise to cage the spring. Repeat on the opposite side.

Warning: Make sure the release stud is properly anchored in spring plate receptacle prior to caging the spring.

4. To manually reset the emergency/parking brake, turn the nut counterclockwise. Reinstall access plugs on the spring chambers, and release stud tools in their storage places.

Tag Axle

1. Block the wheels to prevent the vehicle from moving.
2. Turn the release bolt counterclockwise to cage the power spring (approx. 2.5 inches (6 cm)). Repeat on the opposite side.
3. To manually reset the emergency/parking brake, turn the bolt clockwise.

31.3 BRAKE CHAMBER REMOVAL

Warning: To prevent personal injuries, brakes should be inoperative prior to working on any of their components.

Warning: To prevent personal injuries, brake chambers should be made inoperative by releasing spring tension prior to disposal.

1. Block the wheels to prevent the vehicle from moving.
2. Safely support vehicle at the recommended body jacking points.
3. To gain access to a given brake air chamber, the corresponding wheel can be removed (refer to Section 13: "Wheels, Hubs and Tires").
4. Exhaust compressed air from system by opening the drain valve of each reservoir.

5. For the drive and tag axles brake chambers, manually release spring brakes (refer to "Emergency/Parking Brake, Manual Release" procedure in this section).
6. Disconnect air line(s) from brake chamber.
7. Remove the cotter pin connecting brake chamber and slack adjuster (drive axle).
8. Unbolt and remove the brake chamber from vehicle.

31.4 BRAKE CHAMBER INSTALLATION

Reverse removal procedure, then check brake adjustment.

Caution: Always clean air lines and fittings, and coat pipe threads with teflon pipe sealant before reconnecting air lines.

31.5 BRAKE CHAMBER DISASSEMBLY

Warning: Spring brake chambers, on drive and tag axles contain an extremely high compressive force spring, which can possibly cause serious injury if special precautions are not taken when working around this area.

To avoid such injury, the following recommendations must be applied:

1. *Prévost recommends the installation of a new spring brake chamber if it is found to be defective.*
2. *Spring brake chamber maintenance and/or repair must be performed by trained and qualified personnel only.*
3. *Before manually releasing spring brakes, visually check spring brake for cracks and/or corrosion.*
4. *Make sure the release stud is properly anchored in spring plate receptacle prior to caging the spring.*
5. *Never stand in the axis line of the spring brake chambers, especially when caging the spring.*

Warning: To prevent personal injury, brakes should be inoperative before working on any components.

1. Block the wheels to prevent the vehicle from moving.

2. Safely support vehicle at the recommended body jacking points.

Note: To gain access to a given brake air chamber, the corresponding wheel can be removed (refer to Section 13: "Wheels, Hubs and Tires").

3. Exhaust compressed air from air system by opening the drain valve of each reservoir.
4. For the drive and tag axles brake chambers, manually release spring brakes (refer to "Emergency/Parking Brake Manual Release" procedure in this section).
5. Remove clamp ring, remove and discard the existing diaphragm. Install the new diaphragm squarely on body.
6. Reverse the procedure for assembly. Tap clamp ring to ensure proper seating. Check for proper operation before placing vehicle in service.

32. ANTI-LOCK BRAKING SYSTEM (ABS)

This device has been designed to ensure stability and permit steering control of vehicle during hard braking, and to minimize its stopping distance whatever the road conditions are. On slippery roads and generally in emergency situations, over-braking frequently induces wheel lock. The anti-lock braking system provides maximum braking performance while maintaining adequate steering control on slippery roads.

The ABS continuously monitors wheel behavior during braking. Sensors on each wheel of front and drive axles (tag axle is slave to drive axle) transmit data to a four channel electronic processor which senses when any wheel is about to lock. Modulator valves quickly adjust the brake pressure (up to 5 times per second) to prevent wheel locking. Each wheel is therefore controlled according to the grip available between its tire and the road.

With this device, the vehicle is brought to a halt in the shortest possible time, while remaining stable and under the driver's control.

Since the braking system has dual circuits, the ABS is also provided with a secondary system should a fault develop in the ABS. Anti-lock systems are a parallel system which does not hinder brake functioning in case of failure.

Section 12: BRAKE AND AIR SYSTEM

Braking system functions in normal, non anti-lock controlled operation during ABS system failure.

The ABS system consists of two diagonally related circuits, only the half of the system which has sustained damage or other fault is switched off (i.e. wheels return to normal non-ABS braking). The other diagonal half remains under full ABS control.

Note: ABS is active on service brake, transmission retarder, Jake brake, but is inactive on emergency/parking brake.

Note: The ABS system is inoperative at speeds under 4 mph (7 Km/h). Illumination of ABS telltale indicator at these speeds is normal.

Caution: Disconnect the ECU or pull the ABS fuse before towing vehicle.

32.1 TROUBLESHOOTING AND TESTING

For troubleshooting and testing of the vehicle's anti-lock braking system, refer to Rockwell WABCO Maintenance Manual: "Anti-Lock Brake Systems For Trucks, Tractors and Buses", at the end of this section. Blink codes are listed in section 06 ELECTRICAL of this manual.

Caution: Turn Blink switch OFF before driving. ABS COMPONENTS

32.2 ABS COMPONENTS

The main components of the ABS system are listed hereafter. Refer to each component for its specific function in the system and for proper maintenance.

32.2.1 Electronic Control Unit (ECU)

This control unit is located in the first baggage compartment, on the driver's side of the vehicle (refer to figure 42 for location). According to the data transmitted by the sensors (number of pulses/sec is proportional to the speed of each wheel), the electronic control unit determines which wheel is accelerating or decelerating. It then establishes a reference speed (average speed) from each wheel data, and compares the speed of each wheel with this reference speed to determine which wheel is accelerating or decelerating.

As soon as wheel deceleration or wheel slip threshold values are exceeded, the electronic control unit signals a solenoid control valve to

limit the excessive brake pressure produced by the driver in the appropriate brake chamber.

32.2.2 Maintenance

No specific maintenance is required. The ECU is not serviceable. When found to be defective, replace.

Caution: In order to protect the ABS electronic control unit from voltage surges, always disconnect before performing any welding procedure on vehicle.

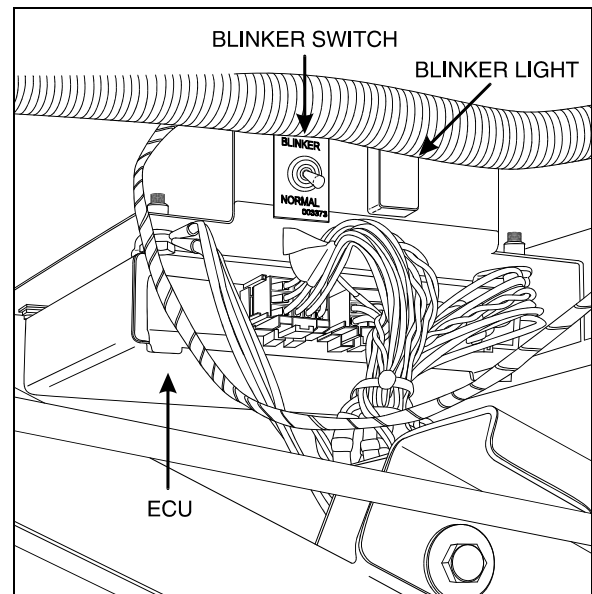


FIGURE 42: FIRST L.H. BAGGAGE COMPARTMENT 12157

32.3 ABS MODULATOR VALVE

This ABS system is equipped with four modulator valves, located between the brake chamber and the relay valve or quick release valve (Fig. 43). Note that there is only one solenoid valve controlling the drive and tag axle wheels on the same side (tag axle is slave to drive axle).

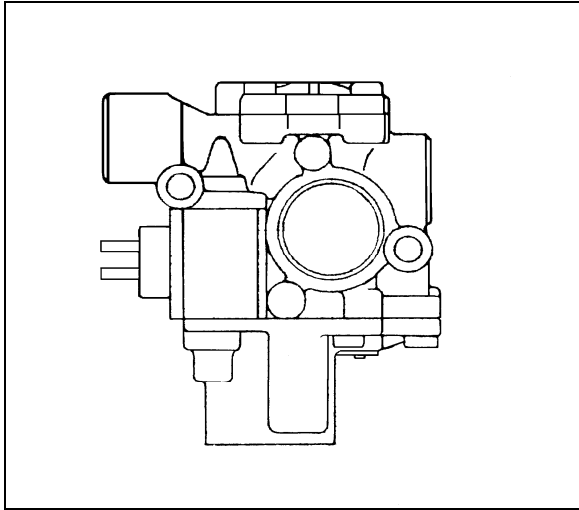


FIGURE 43: ABS MODULATOR VALVE

12084

This is an "On/Off" type valve, i.e., at brake application, the valve exhausts air from the brake chamber when the electronic unit senses that the corresponding wheel speed is decreasing in relation to the other wheels.

32.3.1 Maintenance

No specific maintenance is required for the solenoid control valve.

32.4 SENSORS

The sensors are mounted on the front and drive axle wheel hubs (Fig. 44). The inductive sensors consist essentially of a permanent magnet with a round pole pin and a coil. The rotation of the toothed wheel alters the magnetic flux picked up by the coil, producing an alternating voltage, the frequency of which is proportional to wheel speed. When wheel speed decreases, magnetic flux decreases proportionately. Consequently, the electronic control unit will command the solenoid control valve to decrease the pressure at the corresponding brake chamber.

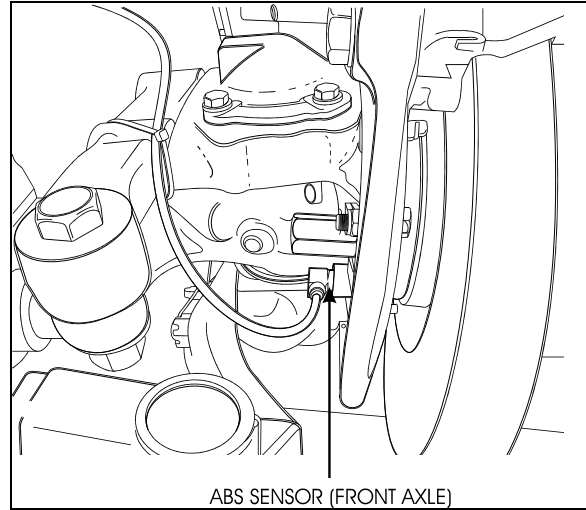


FIGURE 44: ABS SENSOR LOCATION

12153

32.4.1 Maintenance

No specific maintenance is required for sensors, except if the sensors have to be removed for axle servicing. In such a case, sensors should be lubricated with a special grease (Prévost #680460) before reinstallation. Refer to paragraph "Sensor Installation" for details.

Note: The resistance value, when sensors are checked as a unit, must be equal to 1,75 k ohms. To check the sensors for proper output voltage after the sensors and toothed wheels have been assembled to the axle, connect a suitable AC voltmeter across the output terminals. With the hubs rotating at 30 rpm, the output voltages should read from 50 to 1999 mV to be acceptable.

32.4.2 Sensor Installation

The following procedure deals with sensor installation on the axle wheel hubs. Read procedure carefully before reinstalling a sensor, as its installation must comply with operational tolerances and specifications.

1. Apply recommended lubricant (Prévost #680460) to spring clip and sensor.

Caution: Use only this type of grease on the sensors.

2. Insert spring clip in the holder on hub. Make sure the spring clip tabs are on the inboard side of the vehicle. Push in until the clip stops.

Section 12: BRAKE AND AIR SYSTEM

- Push the sensor completely inside the spring clip until it is in contact with the tooth wheel. Ensure mounting is rigid, as it is an important criterion for adequate sensor operation.

Note: This installation should be of the "press fit" type.

32.5 SPRING CLIP

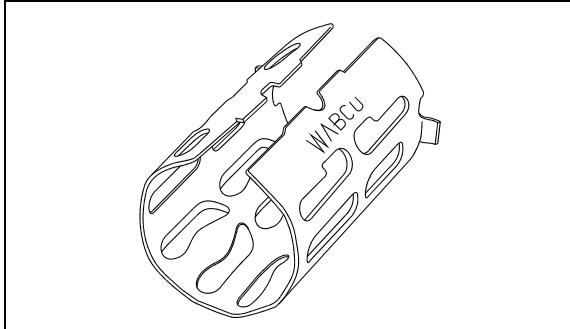


FIGURE 45: SPRING CLIP

12161

The spring clip retains the sensor in its mounting bracket close to the toothed pulse wheel. The gap between the sensor end and teeth is set automatically by pushing the sensor in the clip hard up against the tooth wheel, and the latter knocks back the sensor to its adjusted position (Fig. 45).

32.5.1 Maintenance

The spring clip requires no specific maintenance.

33. FITTING TIGHTENING TORQUES

45° Flare and Inverted Flare: Tighten assembly with a wrench until a solid feeling is encountered. From that point, tighten 1/6 turn (Fig. 46).

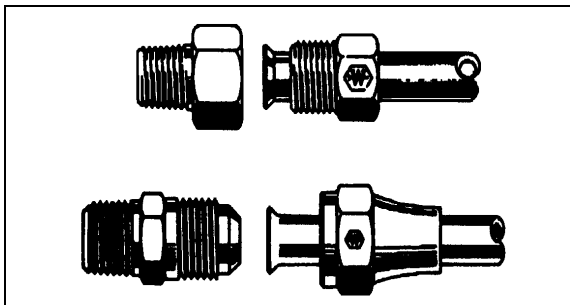


FIGURE 46: HOSE FITTINGS

12053

Compression: Tighten nut by hand (Fig. 47). From that point, tighten using a wrench the number of turns indicated in the chart hereafter.

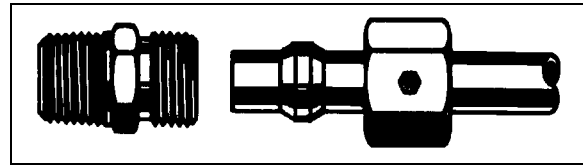


FIGURE 47: HOSE FITTING

12054

Fitting size	Pipe diameter (inches)	Number of additional turns required following manual tightening
2	1/8	1 ¼
3	3/16	1 ¼
4	1/4	1 ¼
5	5/16	1 ¾
6	3/8	2 ¼
8	1/2	2 ¼
10	5/8	2 ¼
12	3/4	2 ¼
16	1	2 ¼

NTA-Type Plastic Tubing: Hand tighten nut (Fig. 48). From that point, tighten using a wrench the number of turns indicated in the following chart.

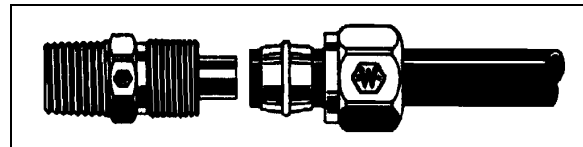


FIGURE 48: HOSE FITTING

12055

Tubing diameter (inch)	Number of additional turns required following manual tightening
1/4	3
3/8 to 1/2	4
5/8 to 3/4	3 ½

34. SPECIFICATIONS

Air Compressor

Make..... Bendix Westinghouse
 Model..... Tu-Flo 750
 Capacity (at 1250 rpm) 16.5 cfm (0,467 m³/min.)
 Supplier number 109426
 Prévost number 641392

Governor

Make..... Bendix Westinghouse
 Model..... D-2
 Cut-in pressure..... 95-105 psi (655-724 kPa)
 Cutout pressure..... 120-125 psi (827-861 kPa)
 Supplier number 284358
 Prévost number 640964

Air Dryer

Make..... Bendix Westinghouse
 Model..... AD-9
 Heater consumption 100 watts
 Supplier number 108229
 Prévost number 641243
 Desiccant cartridge kit supplier number 107796
 Desiccant cartridge kit Prévost number 641244

Flip-Flop Control Valve

Make..... Bendix Westinghouse
 Model..... TW-1
 Type On-Off
 Supplier number 229635
 Prévost number 640136

Emergency/Parking Brake Control Valve

Make..... Bendix Westinghouse
 Model..... PP-1
 Automatic release pressure 40 psi (275 kPa) nominal
 Supplier number 287325
 Prévost number 641128

Emergency/Parking Brake Overrule Control Valve

Make..... Bendix Westinghouse
 Model..... RD-3
 Supplier number 281481
 Prévost number 640472

Dual Brake Application Valve

Make..... Bendix Westinghouse
 Model..... E-10P
 Supplier number 5006280
 Prévost number 641856

Stoplight Switches

Section 12: BRAKE AND AIR SYSTEM

Make..... Bendix Westinghouse
Model..... SL-5
Contact close (ascending pressure) 4 psi and more (28 kPa)
Supplier number 286404
Prévost number 641462

Brake Relay Valves

Make..... Bendix Westinghouse
Model..... R-12 & R-12DC
Supplier number 102852
Prévost number 641088

Quick Release Valve

Make..... Bendix Westinghouse
Model..... QR-1
Supplier number 5001496
Prévost number 641429

Spring Brake Valve

Make..... Bendix Westinghouse
Model..... SR-1
Supplier number 286364
Prévost number 640870

Pressure Protection Valve

Make..... Bendix Westinghouse
Model..... PR-2
Nominal closing pressure 75 psi (517 kPa)
Supplier number 277226
Prévost number 640439

Shuttle-Type Double Check Valve

Make..... Bendix Westinghouse
Model..... DC-4
Supplier number 277988
Prévost number 641015

Low Pressure Indicators

Make..... Bendix Westinghouse
Model..... LP-3
Contact close 66 psi (455 kPa)
Supplier number 277227
Prévost number 640975

Make..... Bendix Westinghouse
Model..... LP-3
Contact close 30 psi (207 kPa)
Supplier number 276599
Prévost number 641174

Air Pressure Regulator

Make..... Norgren
Adjustable output range 0-80/85 psi (0-552/586 kPa)
Recommended pressure setting 75 psi (517 kPa)
Supplier number R06-2G7 RNKA
Prévost number 641472

Air Filter Element

Section 12: BRAKE AND AIR SYSTEM

Make..... Norgren
Type With manual drain
Supplier number..... F74G-345-004
Prévost number..... 641338

Front Axle Brake Chambers

Make..... Knorr-Bremse
Type 22
Supplier number (R.H.)..... BS-3457 II 34671
Prévost number (R.H.)..... 641414
Supplier number (L.H.)..... BS-3457 II 34670
Prévost number (L.H.)..... 641413

Drive Axle Brake Chambers

Make..... Knorr-Bremse
Type 24 as service -24 as emergency
Supplier number..... II/35699/BS-9524
Prévost number..... 641432

Tag Axle Brake Chambers

Make..... Knorr-Bremse
Type 16 as service – 16 as emergency
Supplier number..... II/18224/V1-BS9396
Prévost number..... 641308

Brake Lining (All Axles)

Make..... Knorr-Bremse
Supplier number..... II 33976
Prévost number..... 611049

ABS ANTILOCK BRAKING SYSTEM (if applicable)

ABS Modulator Valve

Make..... Rockwell Wabco
Voltage 24 V
Supplier number..... 472 195 006 0
Prévost number..... 641097

Sensor, Front Axle

Supplier number..... 441 032-572-0
Prévost number..... 641288

Sensor, Drive Axle (In Carrier)

Supplier number..... SA13280X9150
Prévost number..... 641341

Sensor, Drive Axle (In Wheel End)

Supplier number..... 441 032-576-0
Prévost number..... 641095



Service Data

SD-01-503*

D-2 GOVERNOR

*FORMERLY SD-01-16

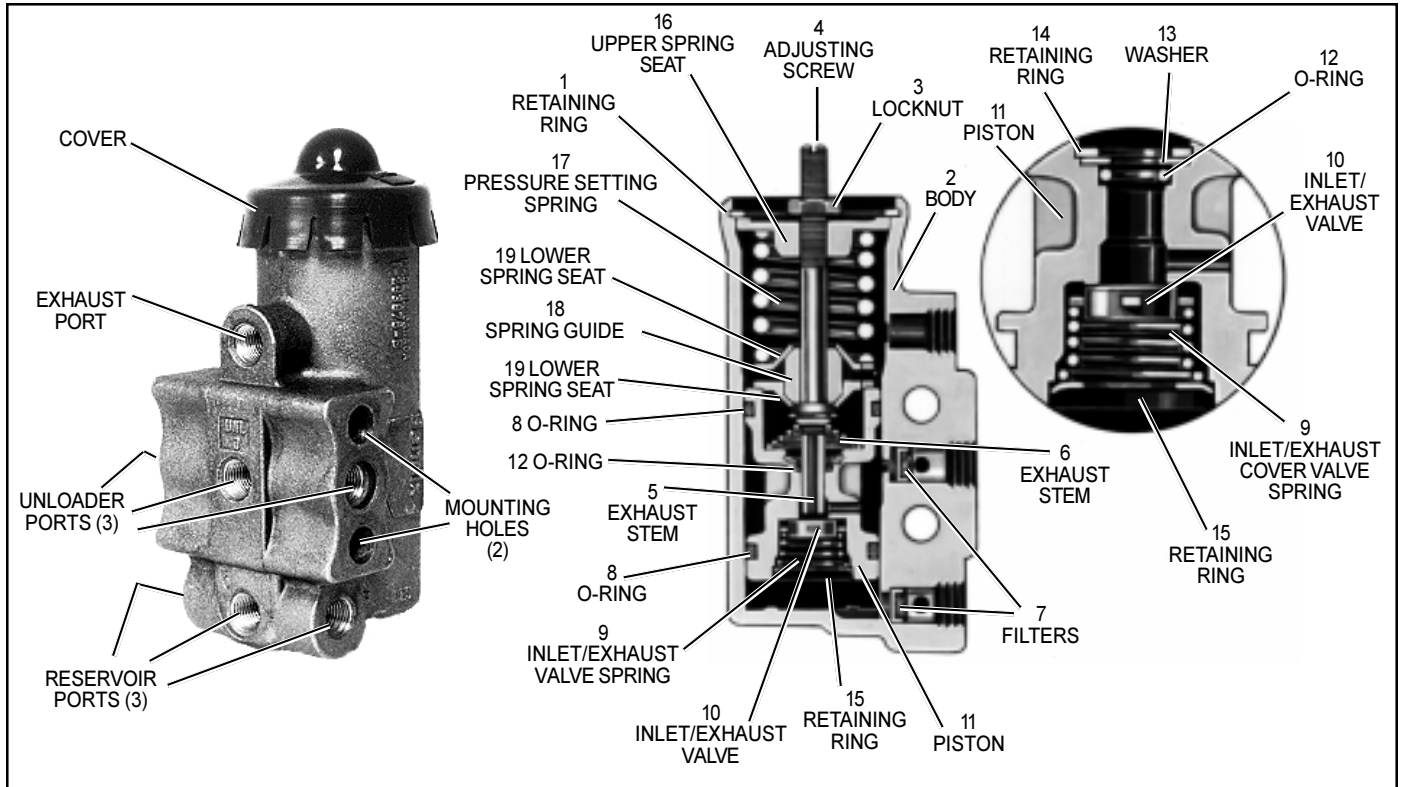


FIGURE 1 - D-2 GOVERNOR

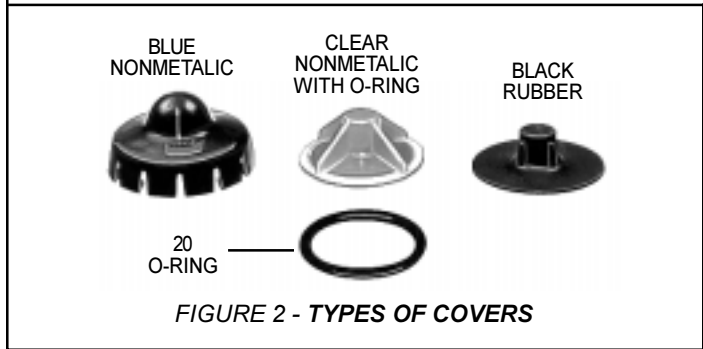


FIGURE 2 - TYPES OF COVERS

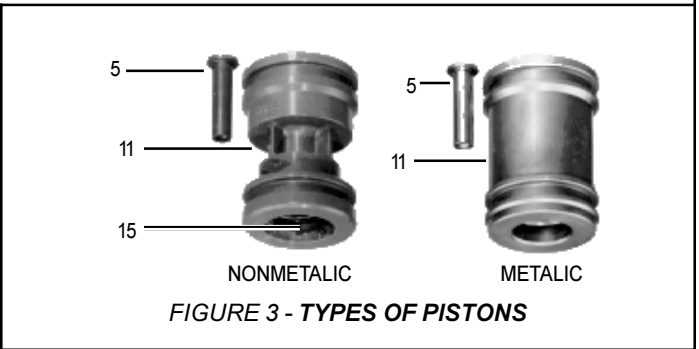


FIGURE 3 - TYPES OF PISTONS

DESCRIPTION

The D-2 Governor, operating in conjunction with the unloading mechanism, automatically controls the air pressure in the air brake or air supply system between a maximum (cut-out) pressure and a minimum (cut-in) pressure. The compressor runs continually while the engine runs, but the actual compression of air is controlled by the governor actuating the compressor unloading mechanism which stops or starts the compression of air when the maximum or minimum reservoir pressures are reached.

D-2 governors are provided with mounting holes which allow direct mounting to the compressor or remote mounting.

Porting consists of three reservoir ports (1/8 inch P.T.), three unloader ports (1/8 inch P.T.) and one exhaust port (1/8 inch P.T.).

OPERATION

Reservoir air pressure enters the D-2 Governor at one of its reservoir ports and acts on the piston and inlet/exhaust valve. As the air pressure builds up, the piston and valve move together against the resistance of the pressure setting spring. When the reservoir air pressure reaches the cut-out setting of the governor, the exhaust stem seats on the inlet/exhaust valve, closing the exhaust passage, and then opens the inlet passage. Reservoir air pressure then flows around the inlet valve, through the passage in the piston and out the unloader port to the compressor unloading mechanism. Air also flows around the piston which is slightly larger at the upper end. The added force resulting from this larger area assures a positive action and fully opens the inlet valve.

As the system reservoir air pressure drops to the cut-in setting of the governor, the force exerted by the air pressure on the piston will be reduced so that the pressure setting spring will move the piston down. The inlet valve will close and the exhaust will open. With the exhaust open, the air in the unloader line will escape back through the piston, through the exhaust stem and out the exhaust port.

PREVENTIVE MAINTENANCE

Important Note: Review the warranty policy before performing any intrusive maintenance procedures. An extended warranty may be voided if intrusive maintenance is performed during this period.

Every 6 months, 50,000 miles or 1800 operating hours, perform operating and leakage tests.

SERVICE TESTS

OPERATING TESTS

Start the vehicle engine and build up air pressure in the air brake system and check the pressure registered by a dash or test gauge at the time the governor cuts-out, stopping the compression of air by the compressor. The cut-out pressure should be in accordance with the pressure setting of the piece number being used. (Common cut-out pressures are between 105-125 psi.) With the engine still running, make a series of brake applications to reduce the air pressure and observe at what pressure the governor cuts-in the compressor. As in the case of the cut-out pressure, the cut-in pressure should be in accordance with the pressure setting of the piece number being used. (Common cutting pressures are between 90-105 psi.)

Never condemn or adjust the governor pressure settings unless they are checked with an accurate test gauge or a dash gauge that is registering accurately. If the pressure settings of the D-2 Governor are inaccurate or it is necessary that they be changed, the adjustment procedure follows. **Note:** If the governor cover is marked nonadjustable and the

adjusting stem has been sheared off, this is a nonserviceable governor and must be replaced with a new or remanufactured unit.

- A. Remove the top cover from the governor.
- B. Loosen the adjusting screw locknut.
- C. **To raise the pressure settings**, turn the adjusting screw counter-clockwise. **To lower the pressure settings**, turn the adjusting screw clockwise. **Note:** Be careful not to overadjust. Each 1/4 turn of the adjusting screw raises or lowers the pressure setting approximately 4 psi.
- D. When proper adjustment is obtained, tighten the adjusting screw locknut and replace the cover.

(**Note:** The pressure range between cut-in and cut-out is not adjustable.)

LEAKAGE TEST

Leakage tests on the D-2 governor should be made in both cut-in and cut-out positions.

CUT-IN POSITION

Apply soap solution around the cover and to the exhaust port. Slight bubble leakage permitted. Excessive leakage indicates a faulty inlet valve or lower piston o-ring.

CUT-OUT POSITION

Apply soap solution around the cover and to the exhaust port. Slight bubble leakage permitted. Excessive leakage indicates a faulty exhaust valve seat, exhaust stem o-ring, or o-ring at the top of the piston.

If the governor does not function as described or leakage is excessive, it is recommended that it be replaced with a new or remanufactured unit, or repaired with genuine Bendix parts available at authorized Bendix parts outlets.

IMPORTANT! PLEASE READ:

When working on or around air brake systems and components, the following precautions should be observed:

1. **Park the vehicle on a level surface, apply the parking brakes, and always block the wheels.**
2. **Stop the engine when working around the vehicle.**
3. **If the vehicle is equipped with air brakes, make certain to drain the air pressure from all reservoirs before beginning any work on the vehicle.**
4. **Following the vehicle manufacturer's recommended procedures, deactivate the electrical system in a manner that removes all electrical power from the vehicle.**

5. When working in the engine compartment the engine should be shut off. Where circumstances require that the engine be in operation, **extreme caution** should be used to prevent personal injury resulting from contact with moving, rotating, leaking, heated, or electrically charged components.
6. Never connect or disconnect a hose or line containing pressure; it may whip. Never remove a component or plug unless you are certain all system pressure has been depleted.
7. Never exceed recommended pressures and always wear safety glasses.
8. Do not attempt to install, remove, disassemble or assemble a component until you have read and thoroughly understand the recommended procedures. Use only the proper tools and observe all precautions pertaining to use of those tools.
9. Use only genuine Bendix replacement parts, components, and kits. Replacement hardware, tubing, hose, fittings, etc. should be of equivalent size, type, and strength as original equipment and be designed specifically for such applications and systems.
10. Components with stripped threads or damaged parts should be replaced rather than repaired. Repairs requiring machining or welding should not be attempted unless specifically approved and stated by the vehicle or component manufacturer.
11. Prior to returning the vehicle to service, make certain all components and systems are restored to their proper operating condition.

REMOVING AND INSTALLING

REMOVING

1. Block and hold vehicle by means other than air brakes.
2. Drain air brake system.
3. If the governor is compressor-mounted type, disconnect reservoir air line. If the governor is remote-mounted, disconnect both the unloader and reservoir air lines.
4. Remove governor mounting bolts, then governor.

Caution: Prior to disassembly, it is required to have the proper maintenance kit available to replace parts to be discarded during disassembly.

DISASSEMBLY

1. Clean the governor exterior of dirt and grease.
2. If the governor cover is marked nonadjustable and the adjusting screw has been sheared off, this is a nonserviceable governor and must be replaced with a new or remanufactured unit.
3. If the governor has a blue nonmetallic cover, (refer to Figure 2) hold governor with one hand, with the other

hand grip cover from the top and pull up with thumb until cover disengages from the governor body. If top cover on governor is made of rubber or clear nonmetallic material unscrew cover until it releases from the adjusting screw (4) of governor. Remove o-ring (20, Figure 2) if present. **Note:** O-ring (20) is used on Hi-Temp and waterproof governors only.

4. With a pair of retaining ring pliers, remove the spring assembly retaining ring (1) and save.
5. Pull the adjusting screw (4) and spring assembly out of the governor body (2).

Note: Disassembly of the spring assembly normally is not required. (Reuse and do not wash the assembly because lubrication may be removed.) If Disassembly of the spring assembly is necessary, the following instructions apply; otherwise, proceed to Step 6.

Remove the lock nut (3), then the hex-shaped upper spring seat (16) from the adjusting screw (4). Remove the pressure setting spring (17), lower spring seat (19), spring guide (18) and the other lower spring seat (19) from the adjusting screw (4).

6. Gently tap the open end of the valve body on a flat surface to remove the exhaust stem (5), the exhaust stem spring (6), and piston assembly (11). Items 5 and 11 may be made of metal or nonmetallic material.
7. Remove and discard the two o-rings (8) on the piston O.D. and with a hooked wire remove and discard the o-ring (12) from the piston I.D. On nonmetallic piston, washer (13) and retaining ring (14) may be removed to facilitate removal of o-ring (12).
8. If piston assembly is nonmetallic (Figure 3), use a small screwdriver and carefully insert blade of screwdriver between two of the ears of the retainer ring in the bottom of the piston (11) and pry retainer ring (15) out of the piston and discard. Remove inlet/exhaust valve spring (9) and the inlet/exhaust valve (10) and discard. If piston assembly is metallic, disengage inlet/exhaust valve spring (9) from recess in bottom of piston (11), remove inlet/exhaust valve spring (9), and the inlet exhaust valve (10) and discard.
9. Remove and discard filters (7) from unloader and reservoir ports in governor body.

CLEANING AND INSPECTION

1. Clean all remaining parts in mineral spirits.
2. Inspect body for cracks or other damage. Be particularly careful that all air passages in the body, exhaust stem, and piston are not obstructed.
3. Check springs for cracks, distortion, or corrosion.
4. Replace all parts which are worn or damaged.

ASSEMBLY

Prior to assembly, lubricate the two lower body bores, all o-rings and o-ring grooves with lubricant provided. **Note:** Also spring guide and adjusting screw (if disassembled).

1. Install o-ring (12) in piston (11). Replace washer (13) and retaining ring (14) on nonmetallic piston if removed during disassembly.
2. Drop the inlet/exhaust valve (10) into place at the bottom of the piston (11).
3. **Nonmetallic Piston:** Install the inlet/exhaust valve spring (9) with the small end against the valve, place the retaining ring (15) on top of the large end of the valve spring (9) [concave side of retaining ring (15) facing away from piston (11)], press into piston with thumb, making sure ears of retaining ring (15) are seated into piston (11) as far as possible.
Note: Do not use a press or hammer to install retaining ring. Excessive force may damage the piston.
Metallic Piston: Install the inlet/exhaust valve spring (9) with the small end against the valve. Press the spring down until the larger coiled end snaps into the recess inside the piston (11).
4. Install the piston o-rings (8) on the piston (11).
5. Install the exhaust stem spring (6) in the piston (11) with the large coil end next to the piston.
6. Install the exhaust stem (5) through spring (6) and into piston (11).
7. Install assembled piston (11) into the governor body (2).
8. If the spring assembly was not disassembled, proceed to Step 9. If the spring assembly was disassembled, the following instructions apply: install on the adjusting screw (4) in this order; lower spring seat (19), spring guide (18), spring seat (19), pressure setting spring (17), hex-shaped upper spring seat (16). Screw the upper spring seat onto the adjusting screw until the distance from the top of the seat to the bottom of the adjusting

screw head is approximately 1-7/8 inches. Install the lock nut (3).

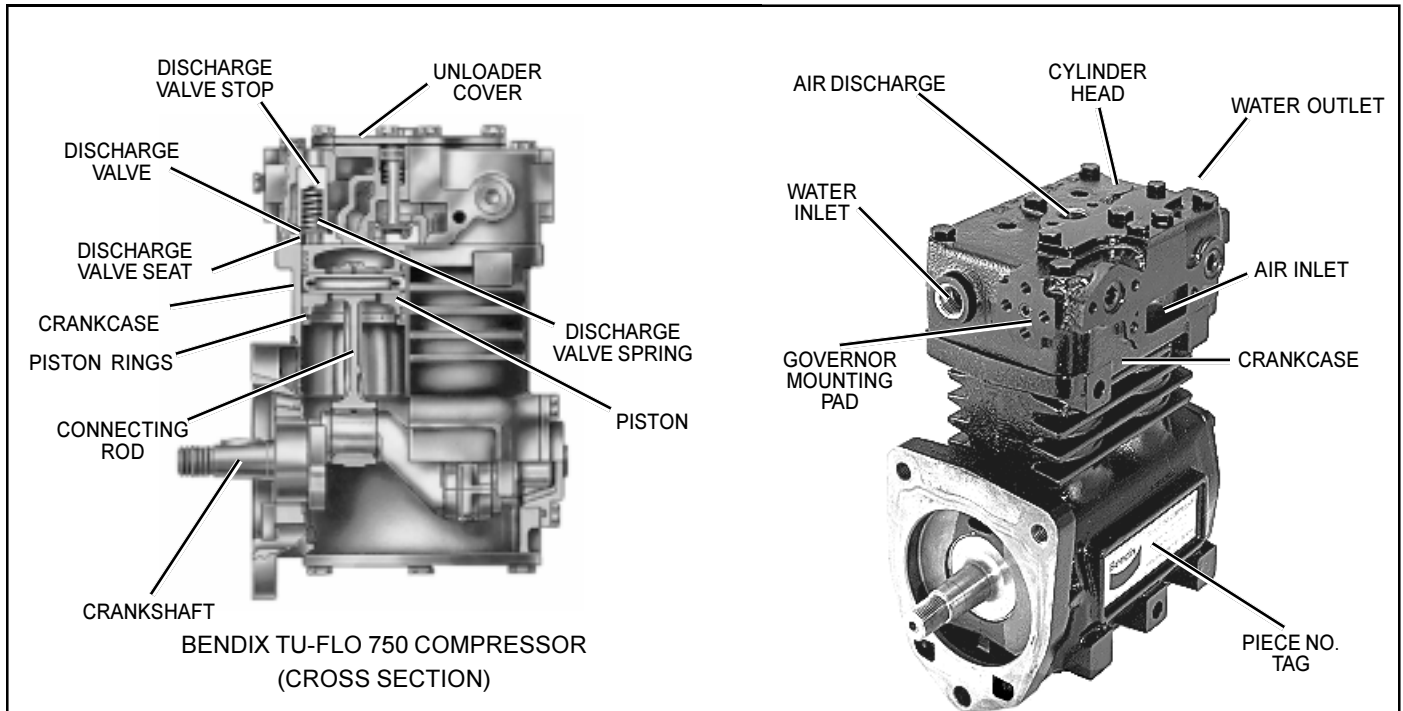
9. Install the adjusting screw (4) and spring assembly into the governor body (2).
10. Install retaining ring (1) making certain that it seats completely into the groove in the governor body (2).
If cover provided in kit is black rubber, (refer to Figure 2) install by pushing it onto the adjusting screw.
If cover provided in kit is clear nonmetallic, install o-ring (20) and screw cover onto the adjusting screw. Tighten until cover bottoms on governor body. **Note:** O-ring (20) is used only on Hi-Temp and waterproof governors. If cover provided in kit is blue nonmetallic place cover over one edge of top of governor; with index finger catch knob on top of cover and pull until cover snaps into place.
Note: Nonmetallic cover should be at room temperature for ease of assembly. Do not attempt to force cover on square to the governor body.
12. Install filters (7) in governor body. The head of a pencil makes a satisfactory installation tool.

INSTALLATION

1. If the governor is compressor-mounted, clean the mounting pad on both the compressor and governor. Clean connecting line, or lines. Be certain the unloading port is clear and clean. If the governor is mounted remotely, it should be positioned so that its exhaust port points down. It should be mounted higher than the compressor so that its connecting lines will drain away from the governor.
2. Install governor.
3. If compressor-mounted type, use the governor mounting gasket provided.
4. Connect air lines to governor.
5. Perform operating and leakage tests as outlined under Service Tests section.



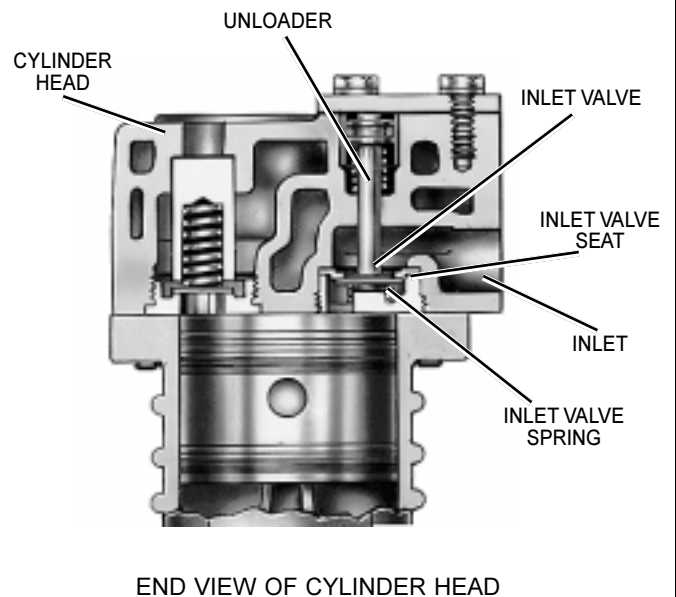
TU-FLO 750 COMPRESSOR



DESCRIPTION

The function of the air compressor is to provide and maintain air under pressure to operate devices in the air brake and/or auxiliary air systems. The Tu-Flo 650 compressor is a two cylinder single stage, reciprocating compressor with a rated displacement of 16.5 cubic feet per minute at 1250 RPM.

The compressor assembly consists of two major subassemblies, the cylinder head and the crankcase. The cylinder head is an iron casting which houses the inlet, discharge, and unloader valving. (See Figure 1.) The cylinder head contains the air inlet port and is designed with both top and side air discharge ports. Three water coolant ports provide a choice of coolant line connections. Governor mounting surfaces are provided at both the front and the rear of the cylinder head. The head is mounted on the crankcase and is secured by six cap screws. The Tu-Flo 750 compressor is designed such that the cylinder head can be installed in one of two positions which are 180 degrees apart. The crankcase houses the cylinder bores, pistons, crankshaft and main bearings, and provides the flange or base mounting surface.



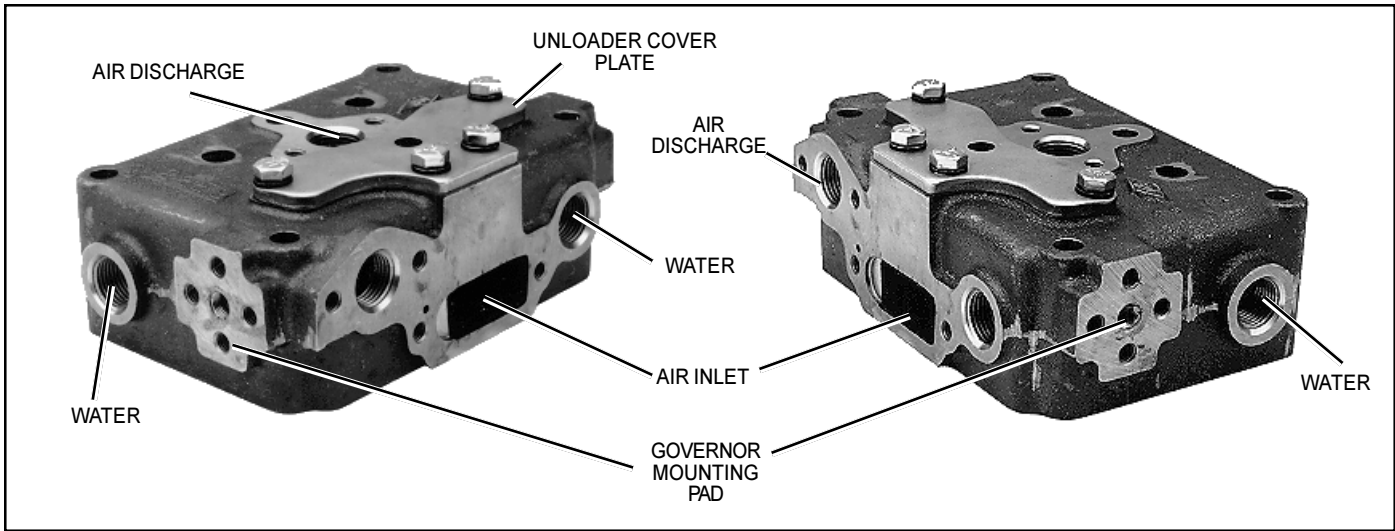


FIGURE 1 - CYLINDER HEAD

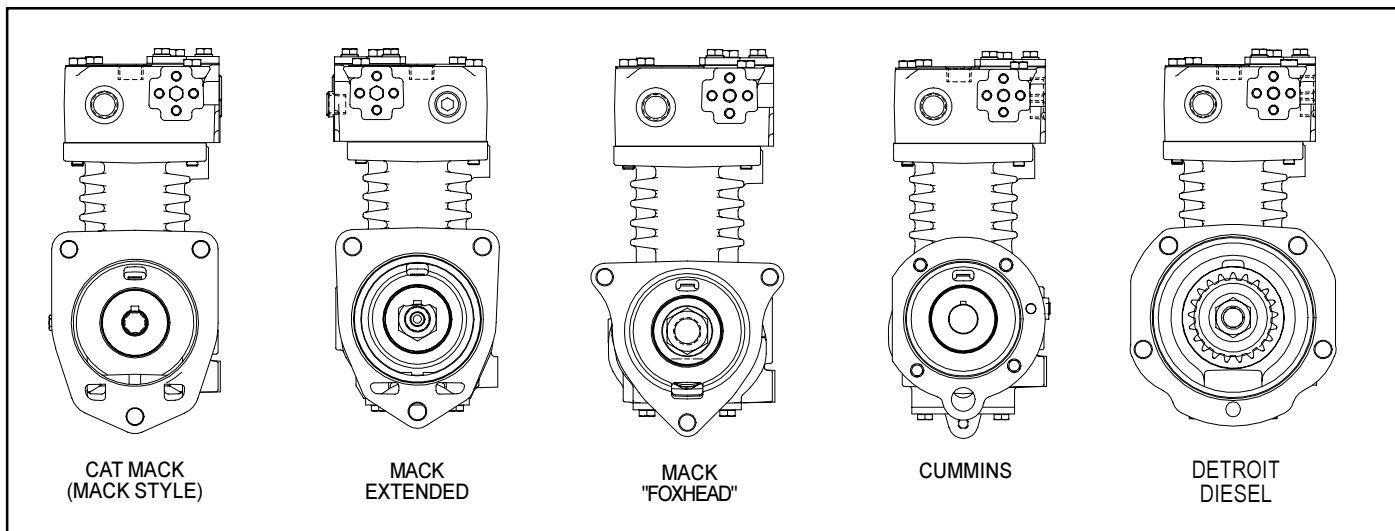


FIGURE 2 - MOUNTING CONFIGURATIONS

Various mounting and drive configurations, as shown in Figure 2, are supplied as required by the vehicle engine designs. A nameplate identifying the compressor piece number and serial number is attached to the side of the crankcase. (Reference Figure 3.)

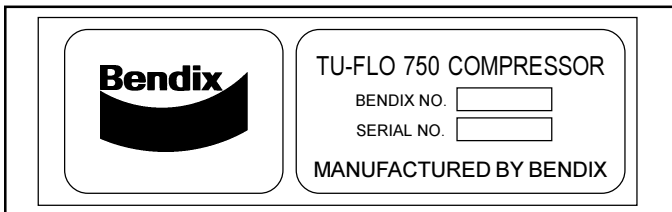


FIGURE 3 - NAMEPLATE

OPERATION

The compressor is driven by the vehicle engine and is operating continuously while the engine is running. Actual compression of air is controlled by the compressor unloading mechanism and the governor. The governor which is generally mounted on the compressor maintains the brake

system air pressure to a preset maximum and minimum pressure level.

INTAKE AND COMPRESSION OF AIR (LOADED)

During the down stroke of the piston, a slight vacuum is created between the top of the piston and the cylinder head, causing the inlet valve to move off its seat and open. (Note: The discharge valve remains on its seat.) Atmospheric air is drawn through the air strainer and the open inlet valve into the cylinder (see Figure 4). As the piston begins its upward stroke, the air that was drawn into the cylinder on the down stroke is being compressed. Air pressure on the inlet valve plus the force of the inlet spring, returns the inlet valve to its seat and closes. The piston continues the upward stroke and compressed air pushes the discharge valve off its seat and air flows by the open discharge valve, into the discharge line and to the reservoirs (see Figure 5). As the piston reaches the top of its stroke and starts down, the discharge valve spring and air pressure in the discharge line returns the discharge valve to its seat. This prevents the compressed

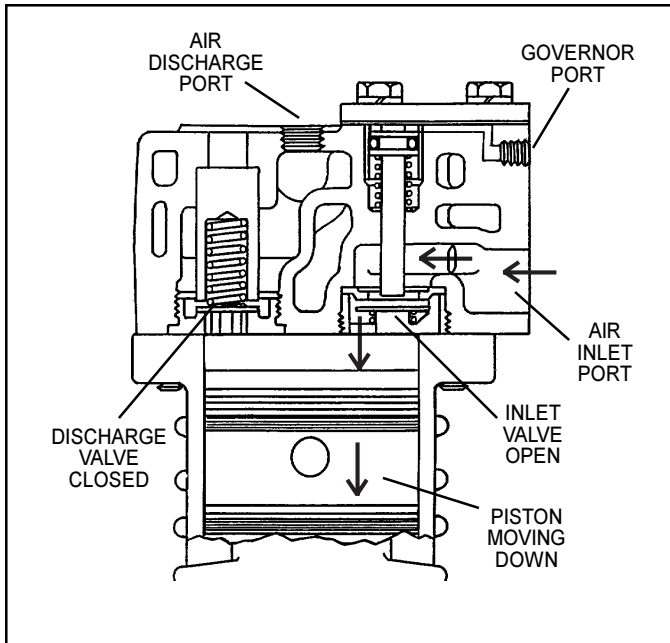


FIGURE 4 - OPERATIONAL-LOADED (INTAKE)

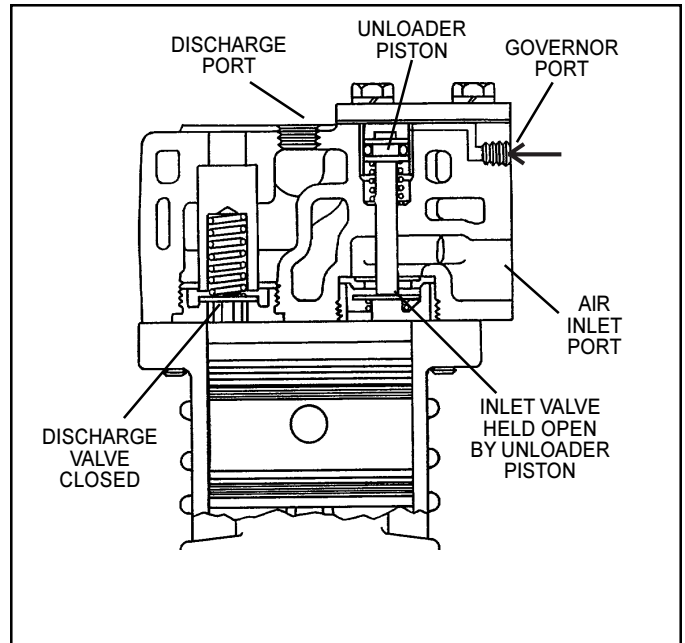


FIGURE 6 - OPERATIONAL-UNLOADED

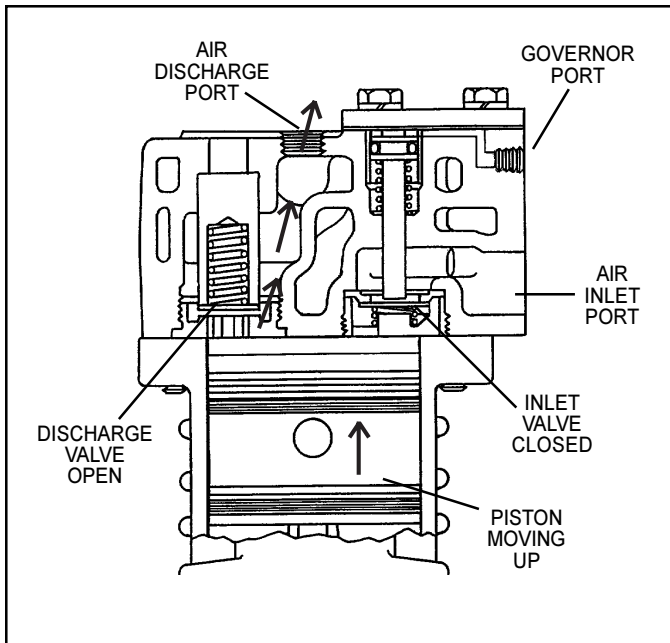


FIGURE 5 - OPERATIONAL-LOADED (COMPRESSION)

air in the discharge line from returning to the cylinder bore as the intake and compression cycle is repeated.

NON-COMPRESSION OF AIR (UNLOADED)

When air pressure in the reservoir reaches the cut-out setting of the governor, the governor allows air to pass from the reservoir, through the governor and into the cavity above the unloader pistons. The unloader pistons move down holding the inlet pistons. The unloader pistons move down holding the inlet valves off their seats (see Figure 6.) With the inlet valves held off their seats by the unloader pistons, air is pumped back and forth between the two cylinders, and the discharge valves remain closed. When air pressure from the reservoir drops to the cut-in setting of the governor, the gov-

ernor closes and exhausts the air from above the unloader pistons. The unloader springs force the pistons upward and the inlet valves return to their seats. Compression is then resumed.

LUBRICATION

The vehicle's engine provides a continuous supply of oil to the compressor. Oil is routed from the engine to the compressor oil inlet. An oil passage in the compressor crankshaft allows oil to lubricate the connecting rod crankshaft bearings. Connecting rod wrist pin bushings and crankshaft ball bearings are spray lubricated. An oil return line connected from the compressor drain outlet to the vehicle engine crankcase allows for oil return. On flange mounted models the oil drains back directly to the engine through the mounting flange.

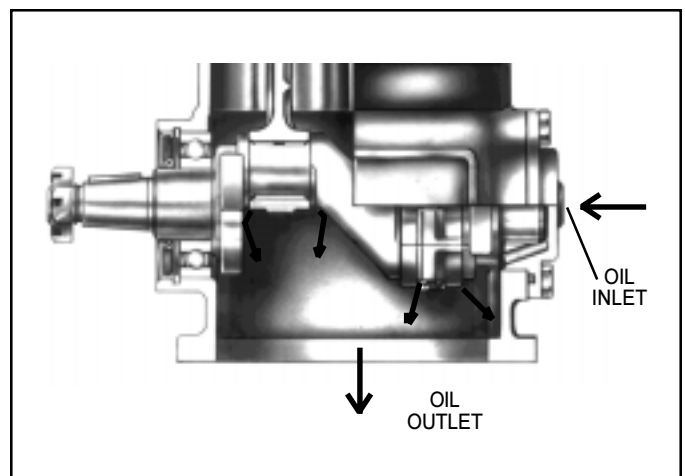


FIGURE 7 - LUBRICATION (BASE MOUNT MODEL SHOWN)

COOLING

Air flowing through the engine compartment from the action of the engine's fan and the movement of the vehicle assists in cooling the compressor. Coolant flowing from the engine's cooling system through connecting lines enters the head and passes through internal passages in the cylinder head and is returned to the engine. Proper cooling is important in maintaining discharge air temperatures below the maximum recommended 400 degrees Fahrenheit.

Figure 8 illustrates the various approved coolant flow connections. See the tabulated technical data in the back of this manual for specific requirements.

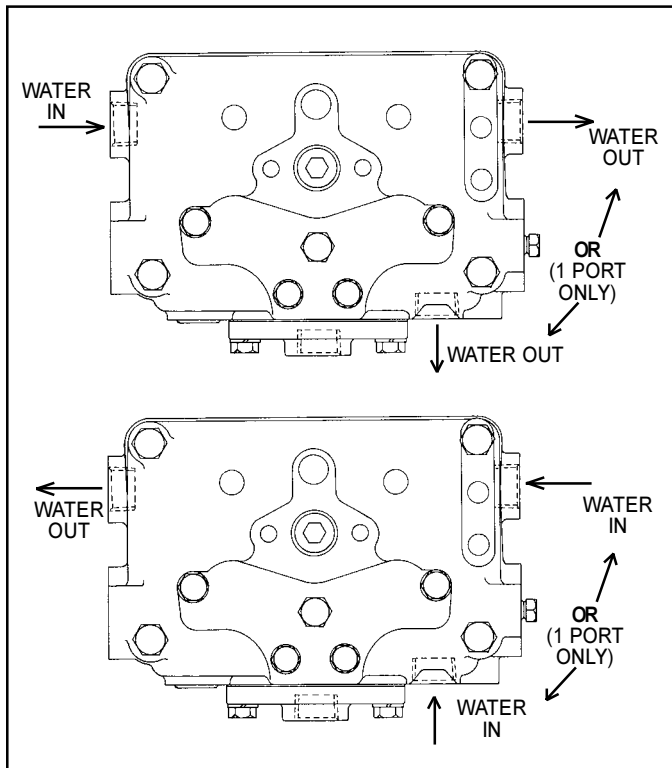


FIGURE 8 - COOLING

AIR INDUCTION

There are three methods of providing clean air to the Tu-Flo 750 compressor:

1. Naturally aspirated - Compressor utilizes its own attached air strainer (polyurethane sponge or pleated paper dry element).
2. Naturally aspirated - Compressor inlet is connected to the engine air cleaner or the vacuum side (engine air cleaner) of the supercharger or turbocharger.
3. Pressurized induction - Compressor inlet is connected to the pressure side of the supercharger or turbocharger.

See the tabulated technical data in the back of this manual for specific requirements for numbers 2 and 3 above.

If a previously unturbocharged compressor is being turbocharged, it is recommended that the inlet cavity screen (238948) be installed with an inlet gasket (291909) on both sides of the screen.

COMPRESSOR TURBOCHARGING PARAMETERS

Air entering the compressor inlet during the loaded cycle must not exceed 250 degrees Fahrenheit (121 degrees Celsius). A metal inlet line is suggested to help meet this parameter.

The following compressor crankshaft rotative speed and inlet pressure relationships may not be exceeded.

Crankshaft	Maximum Compressor R.P.M. Inlet Pressure
1900 RPM	30.0 psi (207 kPa)
2000 RPM	27.5 psi (190 kPa)
2100 RPM	24.0 psi (165 kPa)
2200 RPM	21.0 psi (145 kPa)
2300 RPM	19.0 psi (131 kPa)
2400 RPM	16.0 psi (110 kPa)

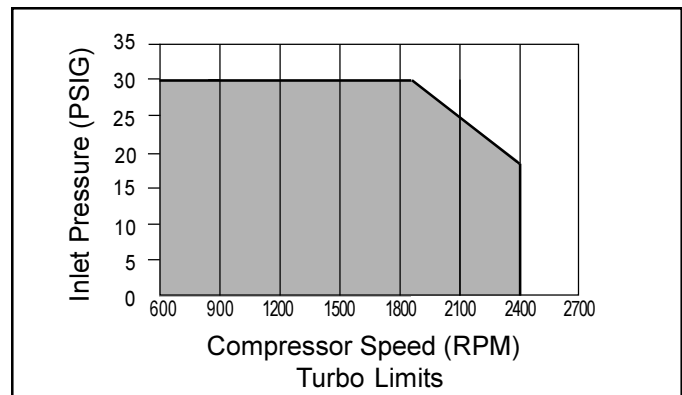


FIGURE 9 - TURBO LIMITS CURVE

PREVENTATIVE MAINTENANCE

Important Note: Review the warranty policy before performing any intrusive maintenance procedures. An extended warranty may be voided if intrusive maintenance is performed during this period.

AIR INDUCTION

One of the single most important aspects of compressor preventive maintenance is the induction of clean air. The type and interval of maintenance required will vary depending upon the air induction system used.

The intervals listed under the headings below pertain to typical highway and street operation. More frequent maintenance will be required for operation in dusty or dirty environments.



POLYURETHANE SPONGE STRAINER



PAPER AIR STRAINER DRY ELEMENT-PLEATED

FIGURE 10 - STRAINERS

POLYURETHANE SPONGE STRAINER

Every month, 150 operating hours or 5,000 miles, whichever occurs first, remove and wash all of the parts. The strainer element should be cleaned or replaced. If the element is cleaned, it should be washed in a commercial solvent or a detergent and water solution. The element should be saturated in clean engine oil, then squeezed dry before replacing it in the strainer. Be sure to replace the air strainer gasket if the entire strainer is removed from the compressor intake.

DRY ELEMENT - PLEATED PAPER STRAINER

Every two months, 800 operating hours or 20,000 miles whichever occurs first, loosen the spring clip from the unhinged side of the mounting baffle and open the cover. Replace the pleated paper filter and secure the cleaned cover, making sure the filter is in position. Be sure to replace the air strainer gasket if the entire air strainer is removed from the compressor intake.

INTAKE ADAPTER

When the engine air cleaner is replaced: Some compressors are fitted with compressor intake adapters, which allow the compressor intake to be connected to the engine air induction system. In this case, the compressor receives a supply of clean air from the engine air cleaner. When the engine air filter is changed, the compressor intake adapter should be checked. If it is loose, remove the intake adapter, clean the strainer plate, if applicable, and replace the intake adapter gasket, and reinstall the adapter securely. Check line connections both at the compressor intake adapter and at the engine. Inspect the connecting line for ruptures and replace it if necessary.

COMPRESSOR COOLING

Every 6 months, 1800 operating hours or after each 50,000 miles whichever occurs first, inspect the compressor discharge port, inlet cavity and discharge line for evidence of restrictions and carboning. If excessive buildup is noted, thoroughly clean or replace the affected parts and closely inspect the compressor cooling system. Check all compressor coolant lines for kinks and restrictions to flow. **Minimum** coolant line size is 3/8" I.D. Check coolant lines for internal clogging from rust scale. If coolant lines appear suspicious, check the coolant flow and compare to the tabulated technical data present in the back of this manual. Carefully inspect the air induction system for restrictions.

LUBRICATION

Every six months, 1800 operating hours or 50,000 miles which ever occurs first, check external oil supply and return lines, if applicable, for kinks, bends, or restrictions to flow. Supply lines must be a minimum of 3/16" I.D. and return lines must be a minimum of 1/2" I.D. Oil return lines should slope as sharply as possible back to the engine crankcase and should have as few fittings and bends as possible. Refer to the tabulated technical data in the back of this manual for oil pressure minimum values

COMPRESSOR DRIVE

Every six months, 1800 operating hours or 50,000 miles, whichever occurs first, check for noisy compressor operation, which could indicate a worn drive gear coupling, a loose pulley or excessive internal wear. Adjust and/or replace as necessary.

If the compressor is belt driven, check for proper belt and pulley alignment and belt tension. Check all compressor mounting bolts and retighten evenly if necessary. Check for leakage and proper unloader mechanism operation. Repair or replace parts as necessary.

Every 24 months, 7200 operating hours, or after each 200,000 MILES, perform a thorough inspection, and depend-

ing upon the results of this inspection or experience, disassemble the compressor, clean and inspect all parts thoroughly, replace all worn or damaged parts using only genuine Bendix replacements or replace the compressor with a genuine Bendix remanufactured unit.

GENERAL SERVICE CHECKS

OPERATING TESTS

Vehicles manufactured after the effective date of FMVSS 121, with the minimum required reservoir volume, must have a compressor capable of raising air system pressure from 85-100 psi in 25 seconds or less. This test is performed with the engine operating at maximum recommended governed speed. The vehicle manufacturer must certify this performance on new vehicles with appropriate allowances for air systems with greater than the minimum required reservoir volume.

AIR LEAKAGE TESTS

Compressor leakage tests need not be performed on a regular basis. These tests should be performed when; it is suspected that discharge valve leakage is substantially affecting compressor build-up performance, or when it is suspected that the compressor is "cycling" between the load and unloaded modes due to unloader piston leakage.

These tests must be performed with the vehicle parked on a level surface, the engine not running, the entire air system completely drained to 0 P.S.I., and the inlet check valve detail parts removed, if applicable.

UNLOADER PISTON LEAKAGE

The unloader pistons can be checked for leakage as follows: with the cylinder head removed from the compressor and the inlet flange securely covered, apply 120 psi of air pressure to the governor port. Listen for an escape of air at the inlet valve area. An audible escape of air should not be detected.

DISCHARGE VALVE LEAKAGE

Unloader piston leakage must be repaired before this test is performed. Leakage past the discharge valves can be detected as follows: Remove the discharge line and apply shop air back through the discharge port. Listen for an escape of air at the compressor inlet cavity. A barely audible escape of air is generally acceptable.

If the compressor does not function as described above or if the leakage is excessive, it is recommended that it be returned to the nearest authorized Bendix distributor for a factory remanufactured compressor. If it is not possible, the compressor can be repaired using a genuine Bendix cylin-

der head maintenance kit. Retest the cylinder head after installation of the kit.

REMOVAL AND DISASSEMBLY

GENERAL

The following disassembly and assembly procedure is presented for reference purposes and presupposes that a major rebuild of the compressor is being undertaken. Several maintenance kits are available which do not require full disassembly. The instructions provided with these parts and kits should be followed in lieu of the instructions presented here.

REMOVAL

These instructions are general and are intended to be a guide, in some cases additional preparations and precautions are necessary.

1. Block the wheels of the vehicle and drain the air pressure from all the reservoirs in the system.
2. Drain the engine cooling system and the cylinder head of the compressor. Identify and disconnect all air, water and oil lines leading to the compressor.
3. Remove the governor and any supporting bracketry attached to the compressor and note their positions on the compressor to aid in reassembly.
4. Remove the discharge and inlet fittings, if applicable, and note their position on the compressor to aid in reassembly.
5. Remove the flange or base mounting bolts and remove the compressor from the vehicle.
6. Remove the drive gear(s) or pulley from the compressor crankshaft using a gear puller. Inspect the pulley or gear and associated parts for visible wear or damage. Since these parts are precision fitted, they must be replaced if they are worn or damaged.

PREPARATION FOR DISASSEMBLY

Remove road dirt and grease from the exterior of the compressor with a cleaning solvent. Before the compressor is disassembled, the following items should be marked to show their relationship when the compressor is assembled. Mark the rear end cover in relation to the crankcase. Mark the base plate or base adapter in relation to the crankcase.

A convenient method to indicate the above relationships is to use a metal scribe to mark the parts with numbers or lines. Do not use marking methods such as chalk that can be wiped off or obliterated during rebuilding.

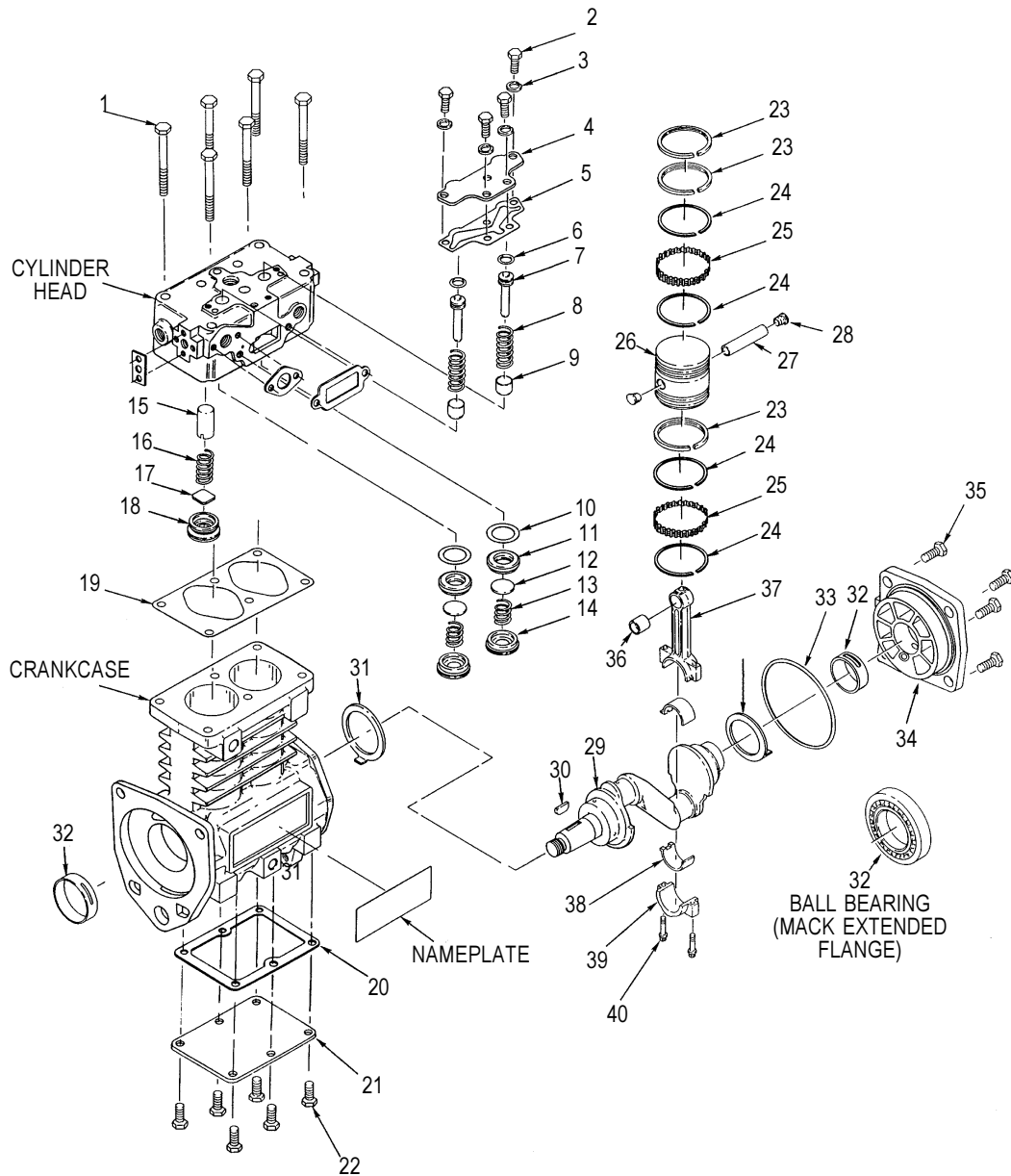


FIGURE 11 - EXPLODED VIEW

ITEM	QTY	DESCRIPTION	ITEM	QTY	DESCRIPTION	ITEM	QTY	DESCRIPTION
1	6	Cylinder Head Cap Screws	15	2	Discharge Valve Stop	29	1	Crankshaft
2	4	Unloader Plate Cap Screws	16	2	Discharge Valve Spring	30	1	Crankshaft Key
3	4	Unloader Plate Lock Washers	17	2	Discharge Valve	31	2	Thrust Washer
4	1	Unloader Plate	18	2	Discharge Valve Stop	32	2	Sleeve (or Ball) Bearing
5	1	Unloader Plate Gasket	19	1	Cylinder Head Gasket	33	1	End Cover Seal
6	2	O-ring	20	1	Base Gasket	34	1	End Cover
7	2	Unloader	21	1	Base Plate	35	4	End Cover Cap Screws
8	2	Spring	22	6	Base Plate Cap Screws	36	2	Wrist Pin Bushing
9	2	Unloader Bushing	23	6	Standard Piston Rings	37	2	Connecting Rod
10	2	Gasket	24	8	Oil Ring	38	2	Conn. Rod Inserts (Sets)
11	2	Inlet Valve Seat	25	4	Expander Ring	39	2	Connecting Rod Caps
12	2	Inlet Valve	26	2	Piston	40	4	Connecting Rod Bolts
13	2	Inlet Valve Spring	27	2	Wrist Pin			
14	2	Inlet Valve Stop	28	4	Wrist Pin Button			

CYLINDER HEAD

Remove the six cylinder head cap screws (1) and tap the head with a soft mallet to break the gasket seal. Remove the unloader cover plate cap screws (2), lockwashers (3) and the unloader cover plate (4). Scrape off any gasket material (5) from the cover plate, cylinder head and crankcase.

1. Remove the unloader pistons (7), o-rings (6) and springs (8).
2. Inspect the unloader piston bushings (9) for nicks, wear, corrosion and scoring. It is recommended that the compressor be replaced if it is determined that the unloader bushing is damaged or worn excessively.

Before disassembling the discharge valve mechanism, measure and record the discharge valve travel (from closed to completely open).

3. If the measured discharge valve travel **exceeds** .046 inches, the compressor should be replaced. If the discharge valve travel does not exceed .046, using a 9/16" Allen wrench, remove the discharge valve seats (18), valves (17) and valve springs (16).
4. Remove the inlet valve stops (14), valves (17), valve seats (11), valve springs (12) and gaskets (10). It is recommended that a tool such as a J-25447-B, produced by Kent Moore Tool Division Roseville, Michigan phone 1-800-328-6657, be used to remove the inlet valve stop.

CRANKCASE BOTTOM COVER OR ADAPTER DISASSEMBLY

1. Remove the cap screws (22) securing the bottom cover or adapter (21). Tap with a soft mallet to break the gasket seal. Scrape off any gasket material (20) from the crankcase and bottom cover or adapter.

CONNECTING ROD DISASSEMBLY

Before removing the connecting rod, mark the connecting rods (37) and their caps (39) to ensure correct reassembly. The connecting rod and cap are a matched set therefore the caps must not be switched or rotated end for end.

1. Remove the connecting rod bolts (40) and bearing caps (39).
2. Push the pistons (26) with the connecting rods (37) attached out the top of the cylinder bore of the crankcase. Replace the bearing caps on the connecting rods.
3. Remove the piston rings (23-25) from the piston. If the piston is to be removed from the connecting rod, remove the wrist pin teflon plugs (28) and press the wrist pin (27) from the piston and connecting rod.
4. If the piston is removed from the rod, inspect the wrist pin bore in the piston and bronze wrist pin bushing (36)

in the connecting rod. If excessive wear is noted or suspected, replace the connecting rod and piston.

COMPRESSOR CRANKCASE DISASSEMBLY

1. Remove the key or keys (30) from the crankshaft (29) and any burrs from the crankshaft where the key or keys were removed. (**Note:** Through drive compressors may have a crankshaft key at both ends.)
2. Remove the four cap screws (35) and lockwashers or nuts and lockwashers that secure the rear end cover (34) to the crankcase.
3. Remove the rear end cover (34), thrust washer (31) and end cover oil seal ring (33), taking care not to damage the bearing if present in the end cover.
4. If the compressor has ball type main bearings, press the crankshaft (29) and ball bearings from the crankcase, then press the ball bearings from the crankshaft.
5. Press the oil seal out of the compressor crankcase, if so equipped.

CLEANING OF PARTS GENERAL

All parts should be cleaned in a good commercial grade of solvent and dried prior to inspection.

CYLINDER HEAD

Remove carbon deposits from the discharge cavity and rust and scale from the cooling cavities of the cylinder head body. Scrape all foreign matter from the body surfaces and use shop air pressure to blow the dirt particles from the cavities. Clean carbon and dirt from the inlet and unloader passages. Use shop air to blow the carbon and dirt deposits from the unloader passages.

OIL PASSAGES

Thoroughly clean all oil passages through the crankshaft, crankcase, end covers, base plate or base adapter. Inspect the passages with a wire to be sure. Blow the loosened foreign matter out with air pressure.

INSPECTION OF PARTS

CYLINDER HEAD BODY

Inspect the cylinder head for cracks or damage. With the cylinder head and head gasket secured to a flat surface or crankcase, apply shop air pressure to one of the coolant ports with all others plugged, and check for leakage by applying a soap solution to the exterior of the body. If leakage is detected, replace the compressor.

END COVERS

Check for cracks and external damage. If the crankshaft main bearing (32) is installed in the end cover (34), check for excessive wear and flat spots and replace if necessary.

CRANKCASE

Check all crankcase surfaces for cracks and damage. On compressors where ball bearing main bearings are used the difference between the O.D. of the outer race and the I.D. of the crankcase hole should be .0003 in. tight to .0023 in. loose. This is to maintain the correct fit. The compressor must be replaced if the fit is too loose.

On compressors fitted with precision, sleeve main bearings, the difference between the O.D. of the crankshaft journal and the main bearing I.D. must not exceed .005 in. If the clearance is greater than .005 in. the bearing must be replaced.

The cylinder bores should be checked with inside micrometers or calipers. Cylinder bores which are scored or out of round by more than .0005 in. or tapered more than .0005 in. should be rebored or honed oversize. Oversized pistons and piston rings are available in .010 in., .020 in. and .030 in. oversizes. Cylinder bores must be smooth, straight and round. Clearance between the cast iron pistons and cylinder bores should be between .002 in. minimum and .004 in. maximum.

PISTON RINGS

Check the pistons for scores, cracks or enlarged ring grooves; replace the pistons if any of these conditions are found. Measure each piston with a micrometer in relation to the cylinder bore diameter to be sure the diametrical clearance is between .002 in. minimum and .004 in. maximum.

Check the fit of the wrist pins to the pistons and connecting rod bushings. The wrist pin should be a light press fit in the piston. If the wrist pin is a loose fit, the piston and pin assembly should be replaced. Check the fit of the wrist pin in the connecting rod bushing by rocking the piston. This clearance should not exceed .0007 in. Replace the connecting rod and cap assembly which includes the wrist pin bushings if excessive clearance is found. Check the fit of the rings in the piston ring grooves. Check the ring gap with the rings installed in the cylinder bores. Refer to Figure 12 for correct gap and groove clearances.

CRANKSHAFT

Check the crankshaft threads, keyways, tapered ends and all machined and ground surfaces for wear, scores, or damage. Standard crankshaft journals are 1.1242 in. - 1.1250 in. in diameter. If the crankshaft journals are excessively scored or worn or out of round and cannot be reground, the compressor must be replaced. Connecting rod bearing inserts are available in .010 in., .020 in. and .030 in. undersizes for compressors with reground crankshafts. Main bearing journals must be maintained so the ball bearings are a snug fit or so that no more than .005 in. clearance exists between the precision sleeve main bearing and the main bearing jour-

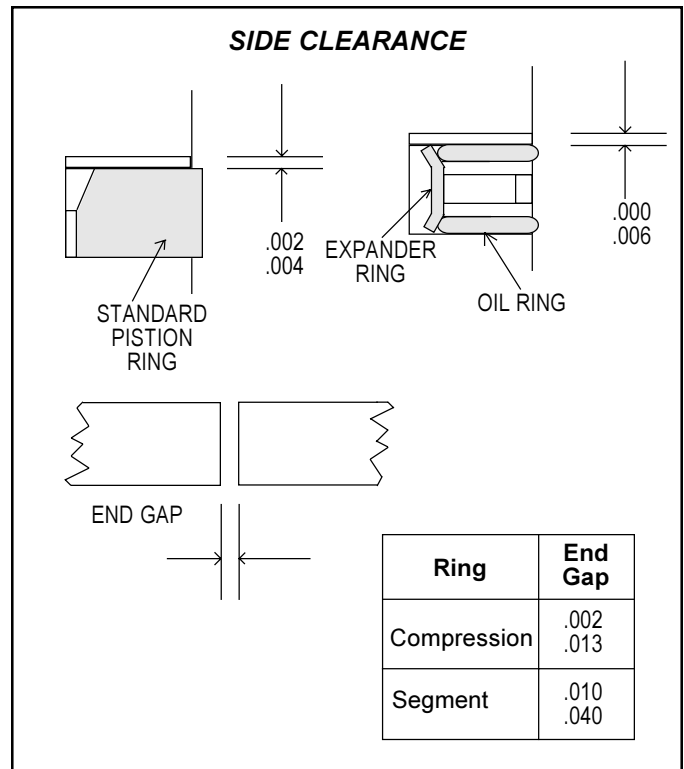


FIGURE 12 - RING CONFIGURATION

nals on the crankshaft. Check to be sure the oil passages are open through the crankshaft.

CONNECTING ROD BEARINGS

Used bearing inserts must be replaced. The connecting rod and cap are a matched set and therefore the caps must not be switched or rotated end for end. Make sure the locating tangs on the inserts engage with the locating notches in the rod and cap. Clearance between the connecting rod journal and the connecting rod bearing must not be less than .0003 in. or more than .0021 in. after rebuilding.

REPAIRS

UNLOADER

A new cylinder head maintenance kit should be used when rebuilding. **Note: The entire contents of this kit must be used. Failure to do so may result in compressor failure.** The unloader pistons in the kit are prelubricated with a special lubricant piece number 239379 and need no additional lubrication. Install the springs and unloader pistons in their bores being careful not to cut the o-rings. Install the unloader cover gasket and unloader cover and secure the cover cap screws. Tighten the cap screws to 175-225 in. lbs. in a crossing pattern after first snugging all screws.

DISCHARGE VALVES, VALVE STOPS AND SEATS

If the discharge valve seats merely show signs of slight wear, they can be dressed by using a lapping stone, grinding compound and grinding tool however it is recommended that a cylinder head maintenance be used. Install new discharge valve springs and valves. Screw in the discharge valve seats, and tighten to 70-90 ft.-lbs. Discharge valve travel should be between .030 in. to .046 in. To test for leakage by the discharge valves, apply 100 psi to the cylinder head discharge port and apply a soap solution to the discharge valve and seats. Leakage in the form of soap bubbles is permissible. If excessive leakage is found, leave the air pressure applied and with the use of a fiber or hardwood dowel and a hammer, tap the discharge valves off their seats several times. This will help the valves to seat and should reduce the leakage. With the air pressure still applied at the discharge port of the cylinder head, check for leakage around the discharge valve stop on the top of the cylinder head casting. No leakage is permitted.

INLET VALVES AND SEATS

Inlet valves and springs should be replaced. However, if the inlet valve seats show signs of slight nicks or scratches, they can be redressed with a fine piece of emery cloth or by lapping with a lapping stone, grinding compound and grinding tool. If the seats are damaged to the extent that they cannot be reclaimed, they must be replaced.

ASSEMBLY

General Note: All torques specified in this manual are assembly torques and typically can be expected to fall off after assembly is accomplished. **Do not retorquer** after initial assembly torques fall unless instructed otherwise. A compiled listing of torque specifications is presented at the end of this manual.

To convert inch pounds of torque to foot pounds of torque, divide in pounds by 12.

inch pounds ÷ 12 = foot pounds

To convert foot pounds of torque to inch pounds of torque, multiply foot pounds by 12.

foot pounds x 12 = inch pounds

INSTALLING CRANKSHAFT

Press new sleeve bearings in the end cover and crankcase. Ensure that the slot in the bearings line up with the oil passages in the end cover or crankcase. If you have a model with no oil passage present in the crankcase, press the sleeve bearing into the crankcase with the slot located 90 degrees from vertical.

Install the front thrust washer with the tang inserted in the slot toward the flange. Insert the crankshaft and the rear thrust washer with the tang toward the rear of the compressor.

Place the oil seal ring on the boss of the rear end cover and install the end cover making sure not to pinch the seal ring. Ensure the tang of the thrust washer is inserted in the slot of the end cover. Fasten the end cover to the crankcase with the four cover cap screws. Torque the cap screws to 175-225 inch pounds in a cross pattern.

PISTONS AND CONNECTING RODS

If the pistons are to be replaced ensure that the correct pistons are being installed. Note that the pistons for the Tu-Flo 750 compressor are similar to those of other Bendix compressor models but may be identified by the piston diameter and the distance to the center of the wrist pin from the top of the piston as shown in Figure 13.

PISTON RINGS

Check each ring end gap in a cylinder bore before installation. Place the ring in the top of the cylinder bore and using the piston, push the ring to the midpoint of the cylinder bore and check the ring gap. If the end gaps are incorrect either the wrong repair size has been purchased or the compressor is worn beyond specification and should be replaced.

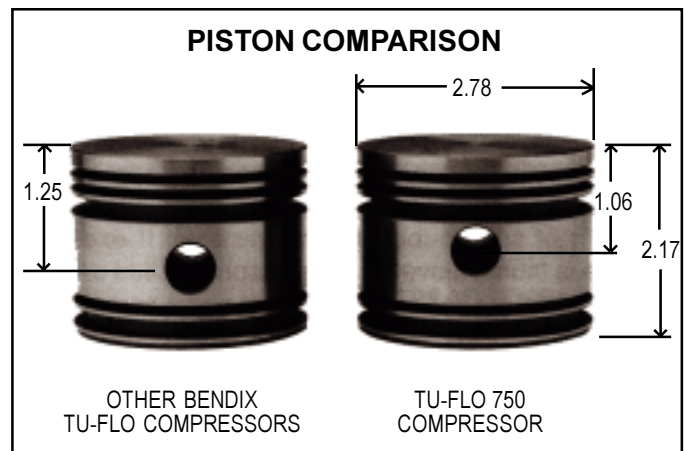


FIGURE 13 - PISTON COMPARISON

Install the rings on the pistons per the following instructions starting at the center of the piston and moving outward.

1. Install the spacer and segment rings as follows. Place the spacer ring (25) in the piston groove, the ends of the spacer must butt and not overlap. Install the top segment (24) by inserting one end above the spacer in the ring groove, 120 degrees from the spacer ends and wind the segment into position. Install the bottom segment in the same manner beneath the spacer making sure the gap is staggered 120 degrees from both the top ring segment and the spacer end gaps. Before using be sure

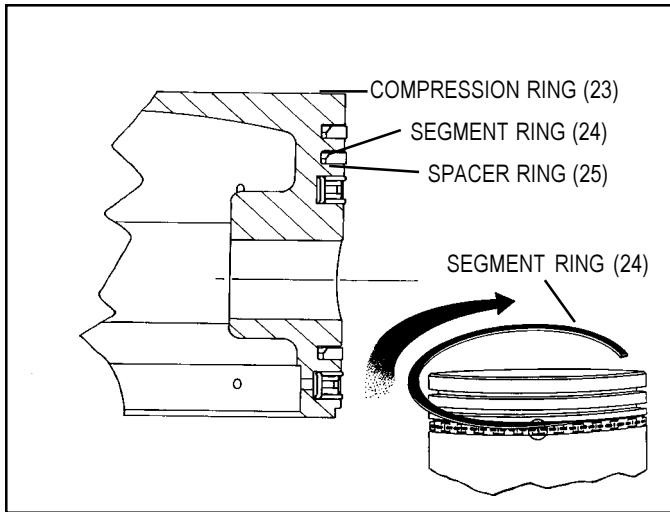


FIGURE 14 - PISTON & RINGS

both painted ends of the spacer are visible and butted. (Refer to Figure 14.)

2. Install the compression rings (23) in the proper grooves with the bevel or "pip" mark (if any) toward the top of the piston. (Refer to Figure 14.)

Check the ring side clearance of each ring in the piston ring groove. (Refer to Figure 12.) If the side clearance is too large, the piston ring groove is worn beyond specifications and the piston must be replaced.

Rotate the piston rings in their respective groove so that each end gap is at least 90 degrees from the previous ring's end gap.

Lubricate the wrist pin (22) and wrist pin bushing in the connecting rod with engine oil. Assemble the upper portion of the connecting rods and the pistons with the wrist pins. Insert the wrist pin buttons (28) in the ends of the wrist pin. Lubricate the pistons and rings with engine oil. Using a ring compression tool return the piston to the cylinder bore.

Turn the crankshaft so that one of its connecting rod journals is in the downward, center position. Install the crankshaft journal bearing segments (38) on the connecting rod (37) and connecting rod cap (39). Tighten the connecting rod bolts (40) evenly and torque to 150 - 170 inch pounds. Install the other connecting rod and piston in the same manner. It is recommended that new connecting rod cap screws be used.

Before replacing the cylinder head on the crankcase ensure the correct pistons have been used by turning the crankshaft one complete revolution such that each piston moves to its maximum upward stroke. At the maximum upward stroke position each piston should move to the top of the crankcase. If the piston does not approach the top of the crankcase the piston is incorrect and if not replaced could result in compressor damage.

BASE PLATE OR BASE ADAPTER

Position the base plate or base adapter gasket (20) on the crankcase and install the base plate or base adapter (21) as marked before disassembly. Tighten the six cap screws (22), securing the cast iron base adapter evenly to a torque of 175-225 inch pounds for base plate or cover in a crossing pattern after first snugging all 6 screws.

CYLINDER HEAD

Place the cylinder head gasket (19) and cylinder head on the compressor crankcase and install the six cylinder head cap screws. If the cylinder head gasket has a bead on one side, install the gasket on the crankcase with the beaded side up. Snug the cylinder head cap screws prior to torquing the cap screws to 440-500 in. lbs. in a cross pattern. Retorque the unloader cover cap screws to 170-225 in. lbs.

FINAL COMPRESSOR ASSEMBLY

Install all crankshaft keys making certain to support the crankshaft to avoid bearing damage. Install the crankshaft nut where applicable. When installing drive couplings or gears, **do not exceed 120 foot pounds torque** on the crankshaft nut.

Use covers, plugs, or masking tape to protect all ports if compressor is not to be installed immediately. Protect the ends of the crankshaft against damage by wrapping with masking tape or friction tape.

TESTING REBUILT COMPRESSOR

In order to properly test a compressor under operating conditions, a test rack for correct mounting, cooling, lubricating, and driving the compressor is necessary. Such tests are not compulsory if the unit has been carefully rebuilt by an experienced person. A compressor efficiency or build up test can be run which is not too difficult. An engine lubricated compressor must be connected to an oil supply line of at least 15 P.S.I. pressure during the test and an oil return line must be installed to keep the crankcase drained.

Connect to the compressor discharge port, a reservoir with a volume of 1500 cubic inches, including the volume of the connecting line. With the compressor operating at 2100 R.P.M., the time required to raise the reservoir(s) pressure from 85 psi to 100 psi should not exceed 5 seconds. During this test, the compressor should be checked for gasket leakage and noisy operation, as well as unloader operation and leakage.

If the compressor functions as indicated reinstall on the vehicle connecting all lines as marked in the disassembly procedure.

TU-FLO 750 SPECIFICATIONS

Average weight	53
Number of cylinders	2
Bore size	2.78 In.
Stroke	1.87 In.
Displacement at 1250 RPM	16.5 CFM
CFM Maximum recommended RPM	2400 RPM
Minimum coolant flow (water cooled) at Maximum RPM	2.5 GPM
Minimum RPM	5 GPM
Approximate horsepower required at 1250 RPM at 120 PSIG (naturally aspirated)	3.2
Turbocharge limits See Compressor Turbocharging Parameters	
Maximum inlet air temperature	250°F
Maximum discharge air temperature	400°F
Minimum pressure required to unload (naturally aspirated)	60 PSIG
Minimum oil pressure required at engine idling speed	15 PSIG
Minimum oil pressure required at maximum governed engine speed	15 PSIG
Minimum discharge-line size	1/2" I.D.
Minimum coolant-line size	3/8" I.D.
Minimum oil-supply line size	3/16" I.D.
Minimum oil-return line size	1/2" I.D.
Minimum air-inlet line size	5/8" I.D.
Minimum unloader-line size	3/16" I.D.

TORQUE SPECIFICATIONS

Bolt, Nut or Screw	Assembly Torque (in. lbs.)
Cylinder Head	440 - 500
Unloader Cover Plate	175 - 225
Discharge Valve Seat	840 - 1080 (70-90 ft. lbs.)
Inlet Valve Stop	840 - 1080 (70-90 ft. lbs.)
End Cover	175 - 225
Connecting Rod	150 - 170
Bottom Cover	175 - 225
Air Strainer	125 - 150
Inlet Fitting	175 - 225
Discharge Fitting	175 - 225
Governor or Governor Adapter	175 - 225
Pipe Plugs	
1/16	35 - 50
1/8	85 - 105
1/4	130 - 170
3/8	160 - 200
1/2	200 - 270
Pipe Bushing	
1/2	175 - 225
Crankshaft Nut:	
Marsden or Castle	1200 - 1400 (100-120 ft. lbs.)
P/N 298125	

(Metric Thread) 2640 - 3048 (220-254 ft. lbs.)

DIMENSIONAL DATA

Port Sizes	
Water inlet	1/2 - 14 NPT
Water outlet	1/2 - 14 NPT
Air discharge	1/2 - 14 NPT
Governor	1/8 - 27 NPT
Oil inlet (end cover)	1/8 - 27 NPT
Piston	
(standard)	2.77825 in.
(.010 oversize)	2.78825 in.
(.020 oversize)	2.79825 in.
(.030 oversize)	2.80825 in.
Cylinder bore	
(standard)	2.7810 in.
(.010 oversize)	2.7910 in.
(.020 oversize)	2.8010 in.
(.030 oversize)	2.8110 in.

MAINTENANCE KITS AND AVAILABLE SERVICE PARTS

- Cylinder Maintenance Kit.
- Piston Ring Kit (standard and oversizes.)
- Piston and Rod Kit (standard and oversizes.)
- Crankshaft Bearing Kit.

IMPORTANT! PLEASE READ:

When working on or around a vehicle, the following general precautions should be observed:

1. Park the vehicle on a level surface, apply the parking brakes, and always block the wheels.
2. Stop the engine when working around the vehicle.
3. If the vehicle is equipped with air brakes, make certain to drain the air pressure from all reservoirs before beginning any work on the vehicle.
4. Following the vehicle manufacturer's recommended procedures, deactivate the electrical system in a manner that removes all electrical power from the vehicle.
5. When working in the engine compartment the engine should be shut off. Where circumstances require that the engine be in operation, extreme caution should be used to prevent personal injury resulting from contact with moving, rotating, leaking, heated, or electrically charged components.
6. Never connect or disconnect a hose or line containing pressure; it may whip. Never remove a component or plug unless you are certain all system pressure has been depleted.
7. Never exceed recommended pressures and always wear safety glasses.
8. Do not attempt to install, remove, disassemble or assemble a component until you have read and thoroughly understand the recommended procedures. Use only the proper tools and observe all precautions pertaining to use of those tools.
9. Use only genuine Bendix replacement parts, components, and kits. Replacement hardware, tubing, hose, fittings, etc. should be of equivalent size, type, and strength as original equipment and be designed specifically for such applications and systems.
10. Components with stripped threads or damaged parts should be replaced rather than repaired. Repairs requiring machining or welding should not be attempted unless specifically approved and stated by the vehicle or component manufacturer.
11. Prior to returning the vehicle to service, make certain all components and systems are restored to their proper operating condition.

COMPRESSOR TROUBLESHOOTING CHART

SYMPTOMS	CAUSE	REMEDY
1. Compressor passes excessive oil as evidenced by presence of oil at exhaust ports of valving or seeping from air strainer.	A. Restricted air intake.	A. Check engine or compressor air cleaner and replace if necessary. Check compressor air inlet for kinks, excessive bends and be certain inlet lines have the minimum specified inside diameter. Recommended minimum inlet line inside diameter is 5/8". Recommended maximum air inlet restriction is 25" of water.
	B. Restricted oil return (to engine)	B. Oil return to the engine should not be in any way restricted. Check for excessive bends, kinks and restrictions in the oil return line. Minimum recommended oil return line size is 5/8" O.D. tubing or equivalent I.D. (1/2" minimum). Return line must constantly descend from the compressor to the engine crankcase. Make certain oil drain passages in the compressor and mating engine surfaces are unobstructed and aligned. Special care must be taken when sealants are used with, or instead of, gaskets.
	C. Poorly filtered inlet air.	C. Check for damaged, defective or dirty air filter on engine or compressor. Check for leaking, damaged or defective compressor air intake components (e.g. induction line, fittings, gaskets, filter bodies, etc.). The compressor intake should not be connected to any part of the exhaust gas recirculation (E.G.R.) system on the engine.
	D. Insufficient compressor cooling (compressor runs hot).	D. <i>For air-cooled portions of the compressor:</i> <ol style="list-style-type: none"> 1. Remove accumulated grease, grime or dirt from the cooling fins. Replace components found damaged. 2. Check for damaged cooling fins. Replace components found damaged. <i>For water-cooled compressor or water-cooled portions of the compressor:</i> <ol style="list-style-type: none"> 1. Check for proper coolant line sizes. Minimum recommended size is 1/2" O.D. tubing. 2. Check the coolant flow through the compressor. Minimum allowable flow is 2.5 gallons per minute at engine governed speed. If low coolant flow is detected, inspect the coolant lines and fittings for accumulated rust scale, kinks and restrictions. 3. Water temperature should not exceed 200 degrees Fahrenheit. 4. Optimum cooling is achieved when engine coolant flows, as shown in Figure 8 of this manual.

COMPRESSOR TROUBLESHOOTING CHART (Continued)

SYMPTOMS	CAUSE	REMEDY
1. (Continued.)	E. Contaminants not being regularly drained from system reservoirs.	E. Check reservoir drain valves to insure that they are functioning properly. It is recommended that the vehicle should be equipped with functioning automatic drain valves, or have all reservoirs drained to zero (0) psi daily, or optimally to be equipped with a desiccant-type air dryer prior to the reservoir system.
	F. Compressor runs loaded an excessive amount of time.	F. Vehicle system leakage should not exceed industry standards of 1 psi pressure drop per minute without brakes applied and 3 psi pressure drop per minute with brakes applied. If leakage is excessive, check for system leaks and repair.
	G. Excessive engine crankcase pressure.	G. Test for excessive engine crankcase pressure & replace or repair ventilation components as necessary. (An indication of crankcase pressure is a loose or partially lifted dipstick.)
	H. Excessive engine oil pressure.	H. Check the engine oil pressure with a test gauge and compare the reading to the engine specifications. Bendix does not recommend restricting the compressor oil supply line because of the possibility of plugging the restriction with oil contaminants. Minimum oil supply line size is 3/16" I.D. tubing.
	I. Faulty compressor.	I. Replace or repair the compressor only after making certain none of the preceding installation defects exist.
2. Noisy compressor operations.	A. Loose drive gear or pulley.	A. Inspect the fit of the drive gear on pulley on the compressor crankshaft. The pulley on gear must be completely seated and the crankshaft nut must be tight. If the compressor crankshaft surface or its keyway are damaged, it is an indication of loose drive components. If damage to the compressor crankshaft is detected, replace the compressor. When installing the drive gear or pulley, torque the crankshaft nut to the appropriate torque specifications. <u>Do not back off the crankshaft nut to align the cotter pin and castellated nut.</u> (Some compressors do not use castellated nuts.) <u>Do not use impact wrenches.</u>

COMPRESSOR TROUBLESHOOTING CHART (Continued)

SYMPTOMS	CAUSE	REMEDY
2. (Continued.)	B. Excessively worn drive couplings or gears.	B. Inspect drive gear and couplings and engine for excessive wear. Replace as necessary. (Nonmetallic gears should be replaced when the compressor is changed.)
	C. Compressor cylinder head or discharge line restrictions.	C. Inspect the compressor discharge port and discharge line for carbon build-up. If carbon is detected, check for proper cooling to the compressor. (See Cause and Remedy (D) under Symptom #1.) Inspect the discharge line for kinks and restrictions. Replace discharge line as necessary.
	D. Worn or burned out bearings.	D. Check for proper oil pressure in the compressor. Minimum required oil pressure; 15 psi engine idling, 15 psi maximum governed engine rpm. Check for excessive oil temperature—should not exceed 240 degrees Fahrenheit.
	E. Faulty compressor.	E. Replace or repair the compressor after determining none of the preceding installation defects exist.
3. Excessive build-up and recover time. Compressor should be capable of building air system from 85-100 psi in 40 seconds with engine at full governed rpm. Minimum compressor performance is certified to meet Federal requirements by the vehicle manufacturer. Do not downsize the original equipment compressor.	A. Dirty induction air filter.	A. Inspect engine or compressor air filter and replace if necessary.
	B. Restricted induction line.	B. Inspect the compressor air induction line for kinks and restrictions and replace as necessary.
	C. Restricted discharge line or compressor discharge cavity.	C. Inspect the compressor discharge port and line for restrictions and carbon build-up. If a carbon build-up is found, check for proper compressor cooling. Replace faulty sections of the discharge line.
	D. Slipping drive components.	D. Check for faulty drive gears and couplings and replace as necessary. Check the condition of drive belts and replace or tighten, whichever is appropriate.
	E. Excessive air system leakage.	E. Test for excessive system leakage and repair as necessary. Use the following as a guide: Build system pressure to governor cutout and allow the pressure to stabilize for one minute. Using the dash gauge, note the system pressure and the pressure drop after two minutes. The pressure drops should not exceed: <ol style="list-style-type: none"> 1. 2 psi in each reservoir for a single vehicle. 2. 6 psi in each reservoir for a tractor and trailer. 3. 8 psi in each reservoir for a tractor and 2 trailers.

COMPRESSOR TROUBLESHOOTING CHART (Continued)

SYMPTOMS	CAUSE	REMEDY
3. (Continued.)	F. Sticking unloader pistons.	F. Check the operation of the unloading mechanism. Check the proper operation of the compressor air governor. If the governor is operating properly, replace the unloader mechanism. Inspect for bent, linked or blocked tubing leading to or from the governor.
	G. Faulty compressor.	G. Replace or repair the compressor after determining none of the preceding installation defects exist.
4. Compressor fails to unload.	A. Faulty governor or governor installation.	A. Test the governor for proper operation and inspect air lines to and from the governor for kinks or restrictions. Replace or repair the governor or its connecting air lines
	B. Faulty or worn unloader pistons or bores.	B. Inspect for worn, dirty or corroded unloader pistons and their bores. Replace as necessary.
5. Compressor leaks oil.	A. Damaged mounting gasket.	A. Check the compressor mounting bolt torque. If the mounting bolt torque is low, replace the compressor mounting gasket before retorquing the mounting bolts.
	B. Cracked crankcase or end cover.	B. Visually inspect the compressor exterior for cracked or broken components. Cracked or broken crankcases or mounting flanges can be caused by loose mounting bolts. The end cover can be cracked by overtorquing fitting or plugs installed in the end cover. Replace or repair the compressor as necessary.
	C. Loose end cover cap cover.	C. Check the cap screw torques and tighten as necessary.
	D. Loose oil supply or return line fittings.	D. Check the torque of external oil line fittings and tighten as necessary.
	E. Porous compressor casting.	E. Replace the compressor if porosity is found.
	F. Mounting flange or end cover, o-ring or gasket - missing, cut or damaged	F. Replace as necessary.
6. Compressor constantly cycles (compressor remains unloaded for a very short time).	A. Leaking compressor unloader pistons.	A. Remove the compressor inlet air strainer or fitting. With the compressor unloaded (not compressing air), check for air leakage. Replace as necessary.
	B. Faulty Governor.	B. Test the governor for proper operation and repair or replace as necessary.

COMPRESSOR TROUBLESHOOTING CHART (Continued)

SYMPTOMS	CAUSE	REMEDY
6. (Continued.)	C. Excessive system leakage.	C. Test for excessive system leakage as instructed in Symptom #3 Remedy E. Reduce leakage wherever possible.
	D. Excessive reservoir contaminants.	D. Drain reservoirs.
7. Compressor leaks coolant.	A. Improperly installed plugs and coolant line fittings.	A. Check torque of fittings and plugs and tighten as necessary. Overtorqued fittings and plugs can crack the head or block casting.
	B. Freeze cracks due to improper antifreeze strength.	B. Test antifreeze and strengthen as necessary. Check coolant flow through compressor to assure the proper antifreeze mixture reaches the compressor.
	C. Faulty compressor (porous castings).	C. If casting porosity is detected, replace the compressor.
8. Compressor head gasket failure.	A. Restricted discharge line.	A. Clear restriction or replace line.
	B. Loose head bolts	B. Tighten evenly to a torque of 25-30 foot pounds.
	C. Faulty compressor or head gasket.	C. Check for rough or poorly machined head or block surfaces. Replace compressor as necessary.



E-8P & E-10P DUAL BRAKE VALVES

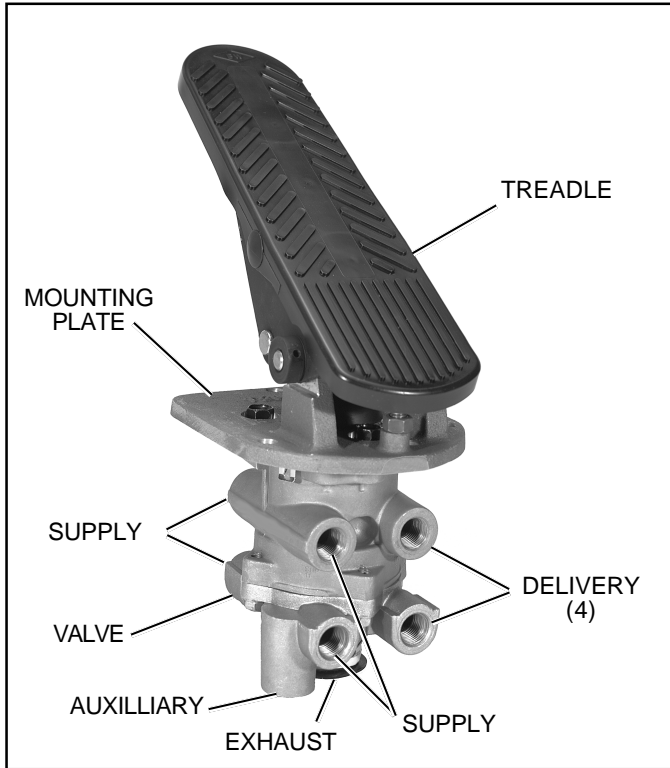


FIGURE 1 - E-8P

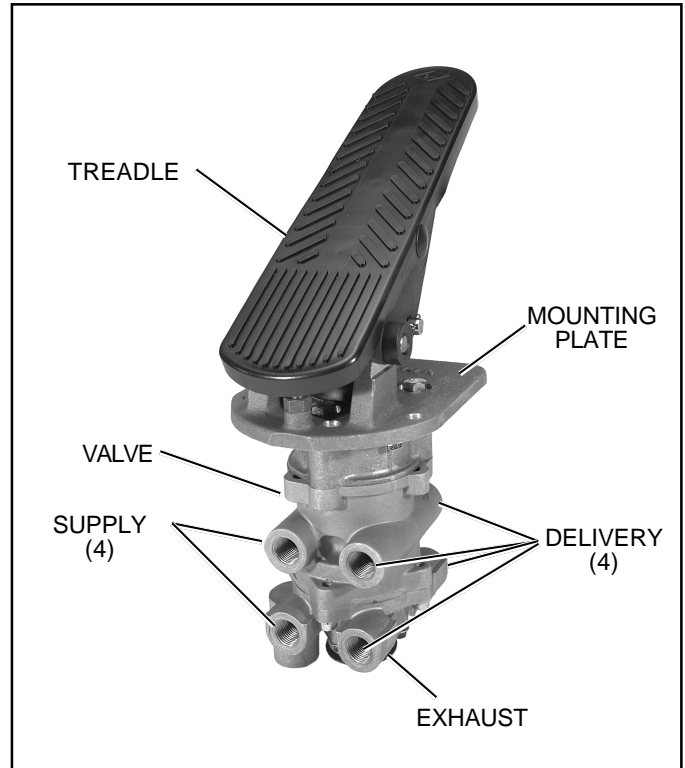


FIGURE 2 - E-10P

DESCRIPTION

Refer to Figures 4, 5 and 6 for item numbers referenced in parenthesis.

The E-8P (Figure 1) and E-10P (Figure 2) Dual Brake Valves are floor mounted, treadle operated type brake valves with two separate supply and delivery circuits for service (primary and secondary) braking, which provides the driver with a graduated control for applying and releasing the vehicle brakes.

The E-10P Dual Brake Valve (Figure 2) is similar to the E-8P Dual Brake Valve except that a metal coil spring (5) housed in an upper body assembly replaces the rubber spring (27) used in the E-8P valve. The use of a metal coil spring (and the upper body assembly) provides greater treadle travel and, therefore, provides the driver with a less sensitive "feel" when making a brake application. The E-10P Dual Brake

Valve is generally used on busses, where smooth brake applications contribute to passenger comfort.

The circuits in the E-8P/E-10P Dual Brake Valves are identified as follows: The No. 1 or primary circuit is that portion of the valve between the spring seat which contacts the plunger and the relay piston; the No. 2 or secondary circuit is that portion between the relay piston and the exhaust cavity.

The primary circuit of the valve is similar in operation to a standard single circuit air brake valve and under normal operating conditions the secondary circuit is similar in operation to a relay valve.

Both primary and secondary circuits of the brake valve use a common exhaust protected by an exhaust diaphragm.

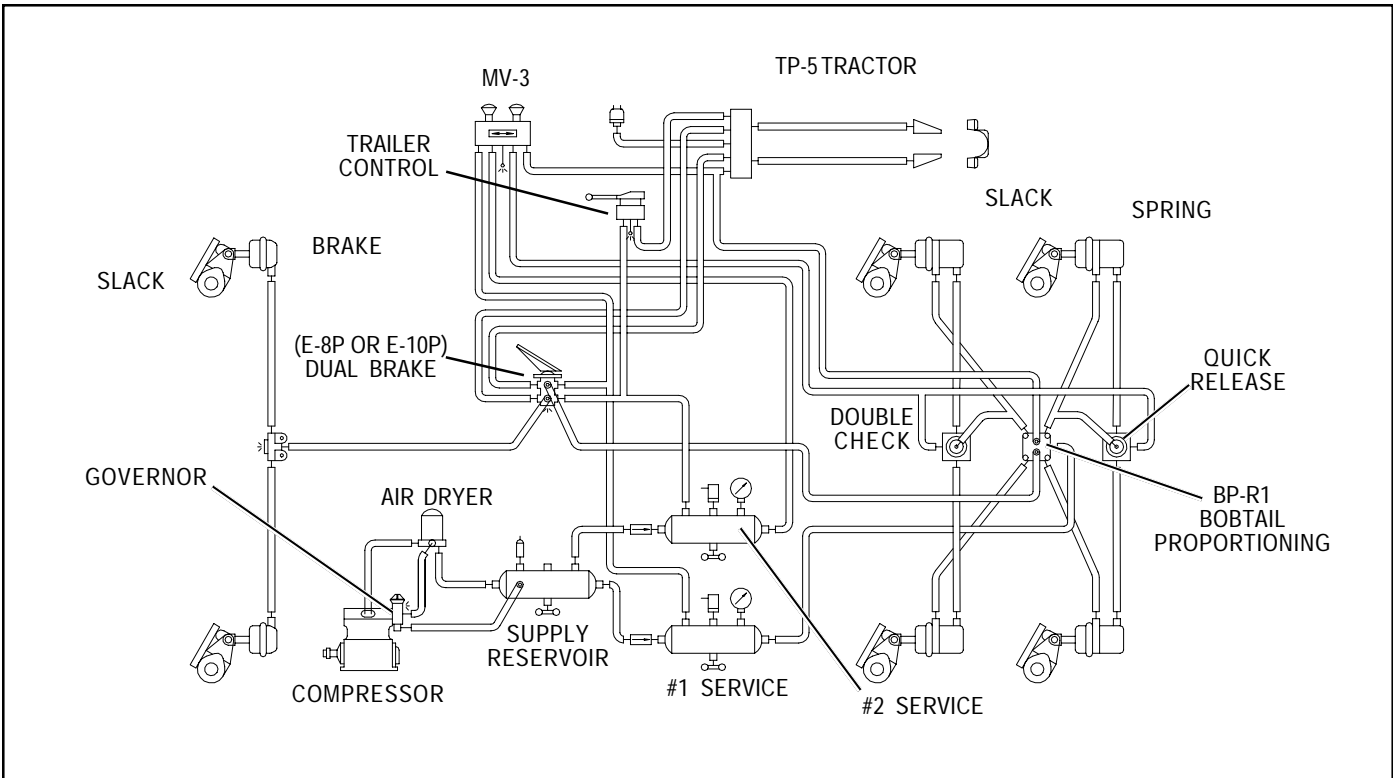


FIGURE 3 - TYPICAL PIPING SCHEMATIC

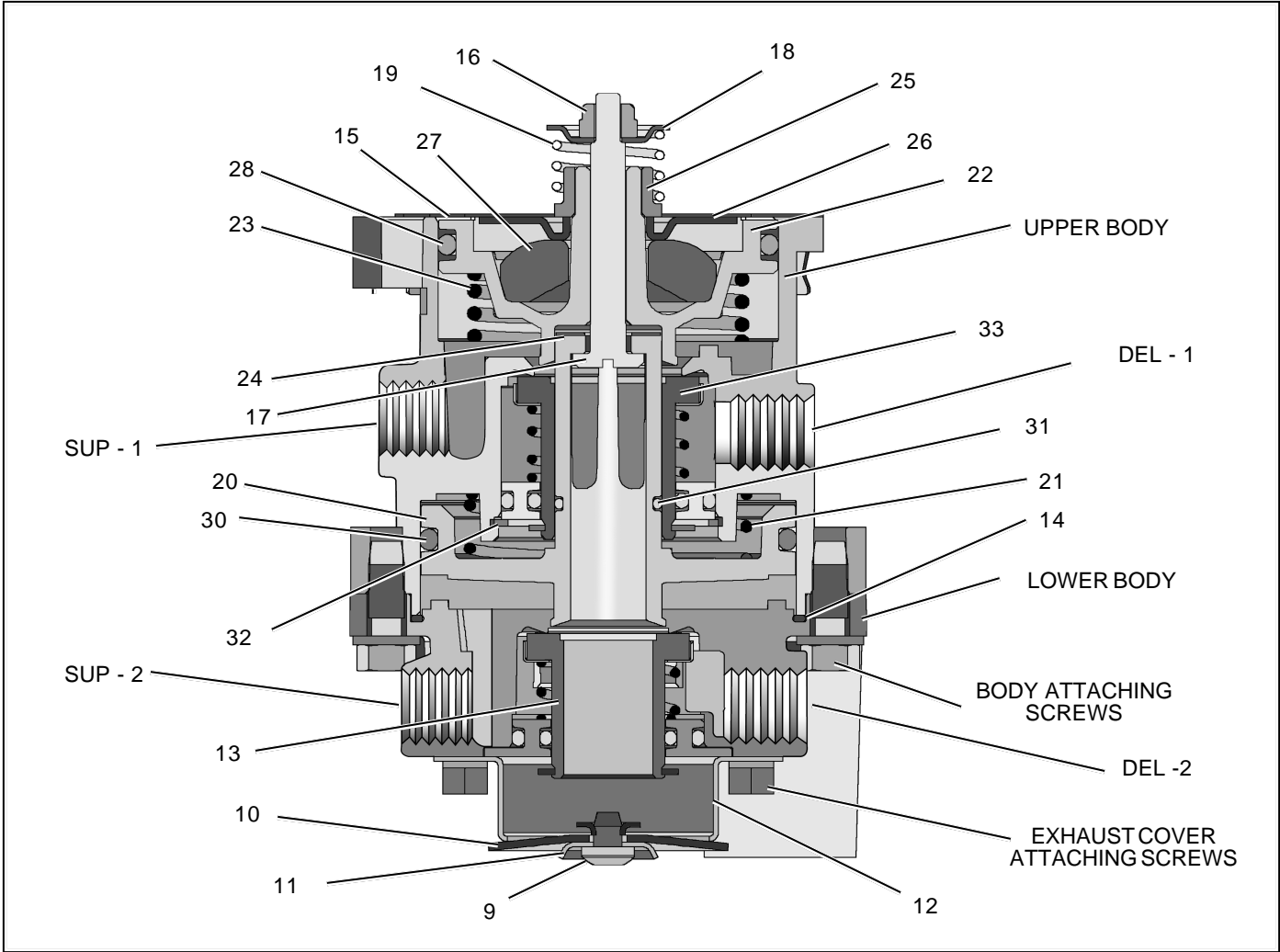


FIGURE 4 - E-8P SECTIONAL VIEW

OPERATION - Refer to Figure 3

APPLYING: NORMAL OPERATION - NO. 1 OR PRIMARY CIRCUIT PORTION

When the brake treadle is depressed, the plunger exerts force on the spring seat (26), graduating spring (23), and primary piston (22). The primary piston, which contains the exhaust valve seat, closes the primary exhaust valve. As the exhaust valve closes, the primary inlet valve is moved off its seat allowing primary air to flow out the No. 1 or primary delivery port.

APPLYING: NORMAL OPERATION - NO. 2 OR SECONDARY CIRCUIT

When the primary inlet valve (33) is moved off its seat, air is permitted to pass through the bleed passage and enters the relay piston cavity. The air pressure moves the relay piston (20), which contains the exhaust seat, and closes the secondary exhaust valve. As the secondary exhaust valve closes, the inlet valve (13) is moved off its seat allowing the secondary air to flow out the delivery of the same circuit. Because of the small volume of air required to move the relay piston (20), action of the secondary circuit of the valve is almost simultaneous with the primary circuit portion.

APPLYING: LOSS OF AIR IN THE NO. 2 OR SECONDARY CIRCUIT

Should air be lost in the No. 2 or secondary circuit, the No. 1 or primary circuit will continue to function as described above under *Normal Operation: No. 1 or Primary Circuit Portion*.

APPLYING: LOSS OF AIR IN THE NO. 1 OR PRIMARY CIRCUIT

Should air be lost in the primary circuit, the function will be as follows: As the brake treadle is depressed and no air pressure is present in the primary circuit supply and delivery ports, the primary piston (22) will mechanically move the relay piston (20), allowing the piston to close the secondary exhaust valve and open the secondary inlet valve and allow air to flow out the secondary delivery port.

BALANCED: NO. 1 OR PRIMARY CIRCUIT

When the primary delivery pressure acting on the primary piston (22) equals the mechanical force of the brake pedal application, the primary piston (22) will move and the primary inlet valve (33) will close, stopping further flow of air from the primary supply line through the valve. The exhaust valve remains closed preventing any escape of air through the exhaust port.

BALANCED: NO. 2 OR SECONDARY CIRCUIT

When the air pressure on the delivery side of the relay piston (20) approaches that being delivered on the primary side of the relay piston, the relay piston moves closing the secondary inlet valve and stopping further flow of air from the supply line through the valve. The exhaust remains closed as the secondary delivery pressure balances the primary delivery pressure.

When applications in the graduating range are made, a balanced position in the primary circuit is reached as the air pressure on the delivery side of the primary piston (22) equals the effort exerted by the driver's foot on the treadle. A balanced position in the secondary portion is reached when air pressure on the secondary side of the relay piston (20) closely approaches the air pressure on the primary side of the relay piston.

When the brake treadle is fully depressed, both the primary and secondary inlet valves remain open and full reservoir pressure is delivered to the actuators.

RELEASING: NO. 1 OR PRIMARY CIRCUIT

With the brake treadle released, mechanical force is removed from the spring seat (26), graduating spring (23), and primary piston (22). Air pressure and spring load moves the primary piston, opening the primary exhaust valve, allowing air pressure in the primary delivery line to exhaust out the exhaust port.

RELEASING: NO. 2 OR SECONDARY CIRCUIT

With the brake treadle released, air is exhausted from the primary circuit side of the relay piston (20). Air pressure and spring load move the relay piston, opening the secondary exhaust valve, allowing air pressure in the secondary delivery line to exhaust out the exhaust port.

PREVENTIVE MAINTENANCE

Important: Review the warranty policy before performing any intrusive maintenance procedures. An extended warranty may be voided if intrusive maintenance is performed during this period.

Because no two vehicles operate under identical conditions, maintenance and maintenance intervals will vary. Experience is a valuable guide in determining the best maintenance interval for any one particular operation.

Visually check for physical damage to the brake valve such as broken air lines and broken or missing parts.

Every 3 months, or 25,000 miles or 900 operating hours:

Clean any accumulated dirt, gravel, or foreign material away from the heel of the treadle, plunger boot, and mounting plate.

Using light oil, lubricate the treadle roller, roller pin, and hinge pin.

Check the rubber plunger boot for cracks, holes or deterioration and replace if necessary. Also, check mounting plate and treadle for integrity.

Apply 2 to 4 drops of oil between plunger and mounting plate - **do not over oil!**

Every year, or 100,000 miles, or 3,600 operating hours:

Disassemble, clean parts with mineral spirits, replace all rubber parts, or any part worn or damaged. Check for proper operation before placing vehicle in service.

SERVICE CHECKS

OPERATING CHECK

Check the delivery pressure of both primary and secondary circuits using accurate test gauges. Depress the treadle to several positions between the fully released and fully applied positions, and check the delivered pressure on the test gauges to see that it varies equally and proportionately with the movement of the brake pedal.

After a full application is released, the reading on the test gauges should fall off to zero promptly. It should be noted that the primary circuit delivery pressure will be about 2 PSI greater than the secondary circuit delivery pressure with both supply reservoirs at the same pressure. This is normal for this valve.

Important: A change in vehicle braking characteristics or a low pressure warning may indicate a malfunction in one or the other brake circuit, and although the vehicle air brake system may continue to function, the vehicle should not be operated until the necessary repairs have been made and both braking circuits, including the pneumatic and mechanical devices, are operating normally. Always check the vehicle brake system for proper operation after performing brake work and before returning the vehicle to service.

LEAKAGE CHECK

1. Make and hold a high pressure (80 psi) application.
2. Coat the exhaust port and body of the brake valve with a soap solution.
3. Leakage permitted is a one inch bubble in 3 seconds. If the brake valve does not function as described above or leakage is excessive, it is recommended that it be replaced with a new or remanufactured unit, or repaired with genuine Bendix parts available at authorized Bendix parts outlets.

Refer to figures 4, 5 and 6 for item numbers referenced in parenthesis.

REMOVAL

1. Chock the vehicle wheels or park the vehicle by mechanical means. (Block and hold vehicle by means other than air brakes.) Drain all air system reservoirs.
2. Identify and disconnect all supply and delivery lines at the brake valve.
3. Remove the brake valve and treadle assembly from the vehicle by removing the three cap screws on the outer bolt circle of the mounting plate. The basic brake valve alone can be removed by removing the three cap screws on the inner bolt circle.

DISASSEMBLY (Figures 4, 5 and 6)

1. If the entire brake valve and treadle assembly was removed from the vehicle, remove the three cap screws securing the treadle assembly to the basic brake valve.
2. Remove the screw (9) securing the exhaust diaphragm (10) and washer (11) to the exhaust cover (12).
3. Remove the four screws that secure the exhaust cover (12) to the lower body.
4. Remove the secondary inlet and exhaust valve assembly (13) from the lower body.
5. Remove the four hex head cap screws securing the lower body to the upper body and separate the body halves.
6. Remove the rubber seal ring (14) from the lower body.
7. **For E-8P only:** While applying thumb pressure to the primary piston (22), lift out and up on the three lock tabs of the primary piston retainer (15).
8. **For E-10P only:** While depressing spring seat (7), remove retaining ring (8). Remove spring seat (7) and coil spring (5).

Caution: Before proceeding with the disassembly, refer to Figures 3 and 4 and note that the lock nut (16) and stem (17) are used to contain the primary piston return spring (**for E-8P:** 23, **for E-10P:** 6), stem spring (19), and the relay piston spring (21). The combined force of these springs is approximately 50 pounds and care must be taken when removing the lock nut as the spring forces will be released. It is recommended that the primary piston and relay piston be manually or mechanically contained while the nut and stem are being removed.

9. Using a 3/8" wrench, hold the lock nut (16) on the threaded end of the stem (17). Insert a screwdriver to restrain the stem, remove the lock nut (16), spring seat, (18) and stem spring (19).
10. **For E-10P only:** Remove adapter (1) and o-ring (4). Remove the primary piston (2) from adapter (1) and o-ring (34) from the primary piston (2).

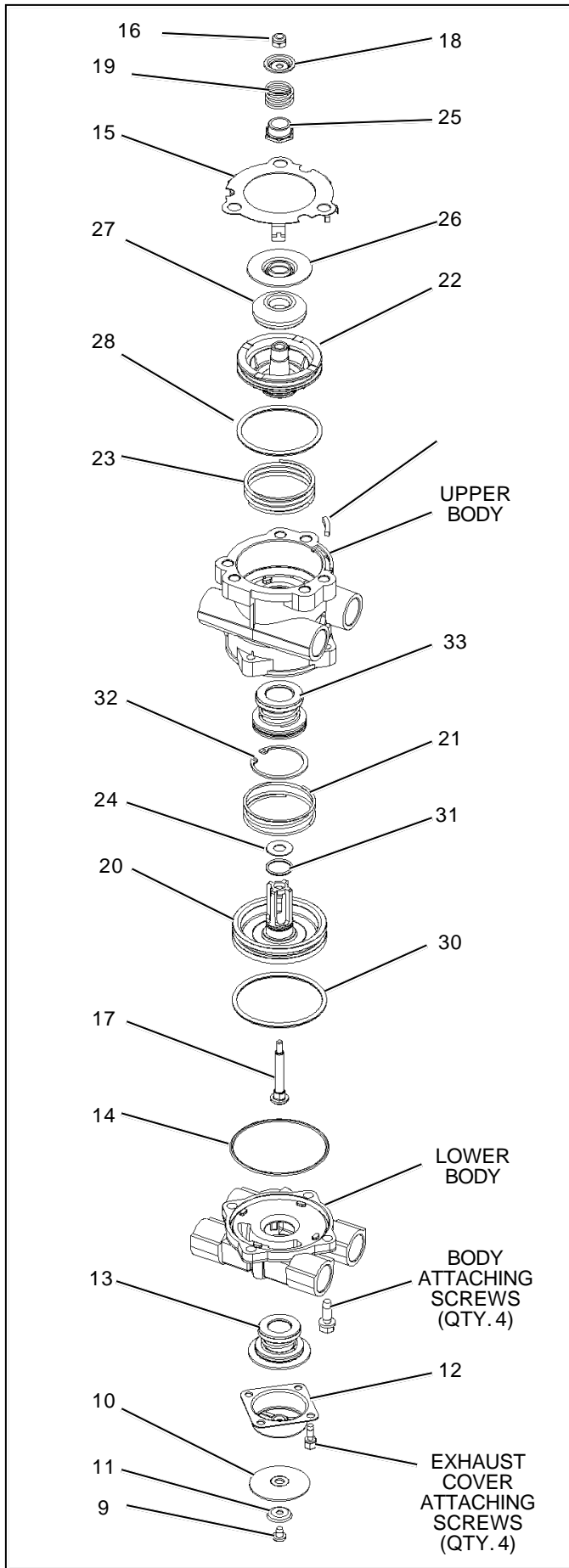


FIGURE 5 - E-8P BRAKE VALVE - EXPLODED VIEW

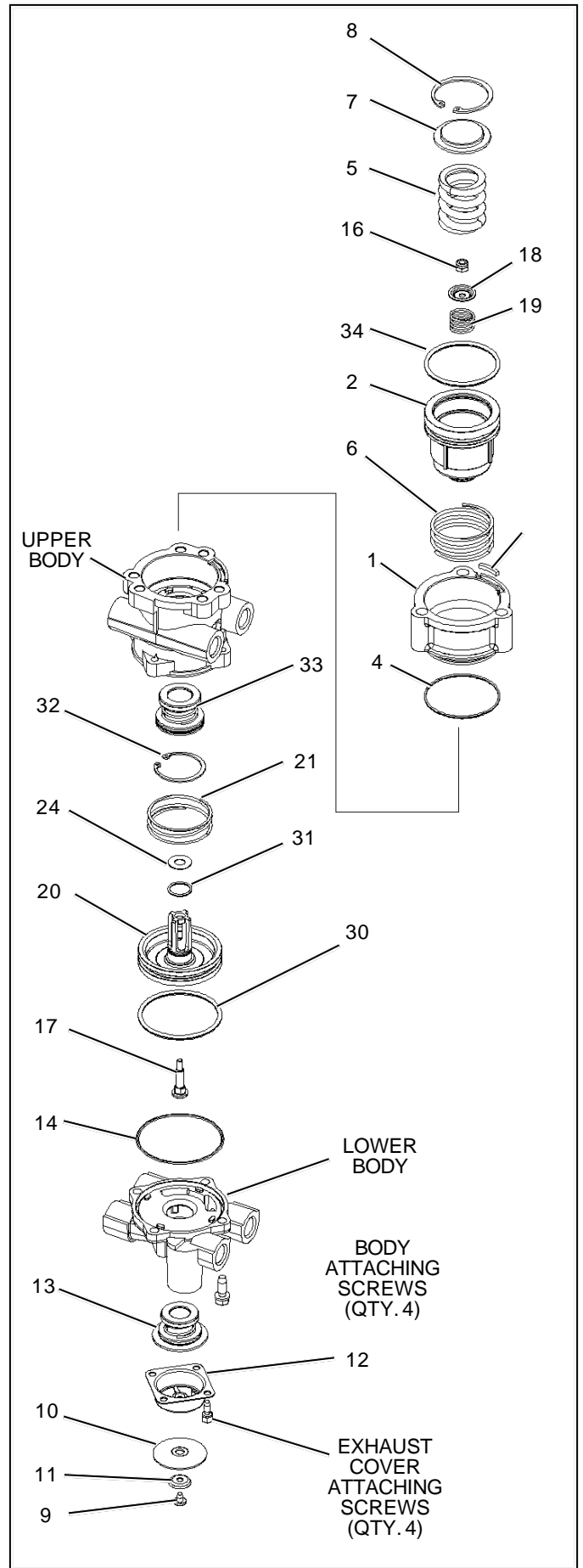


FIGURE 6 - E-10P BRAKE VALVE - EXPLODED VIEW

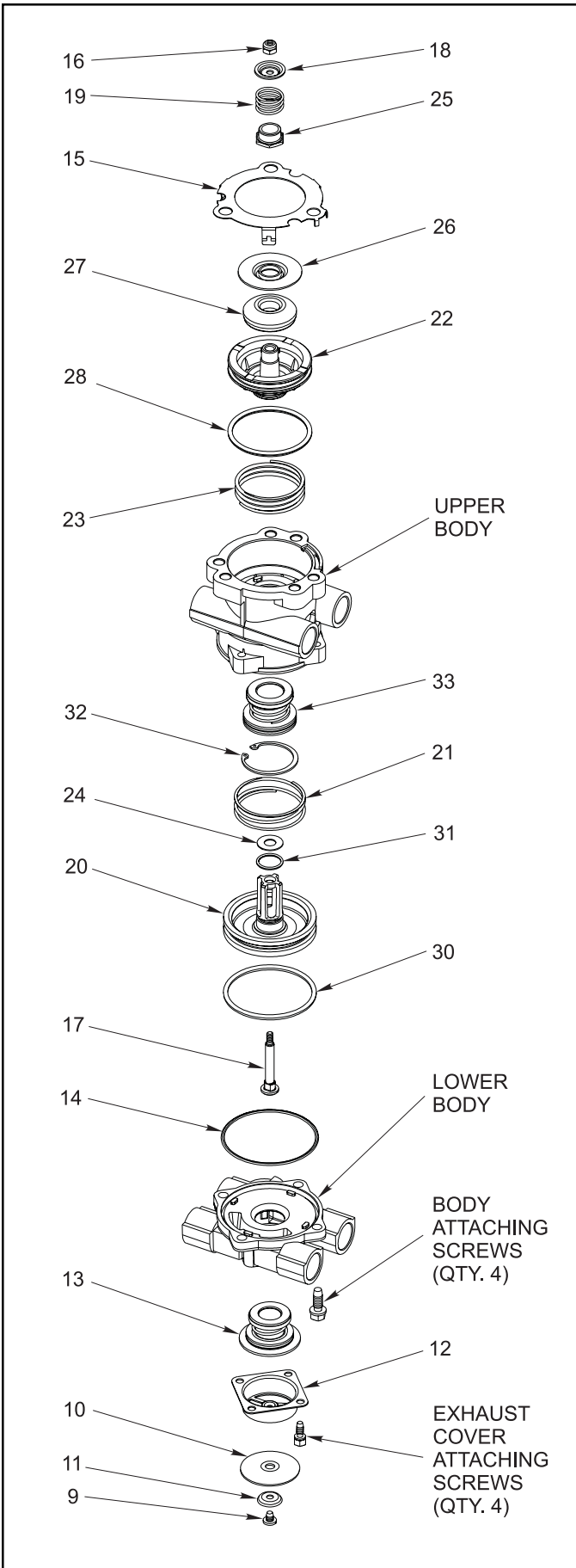


FIGURE 5 E-8P BRAKE VALVE EXPLODED VIEW

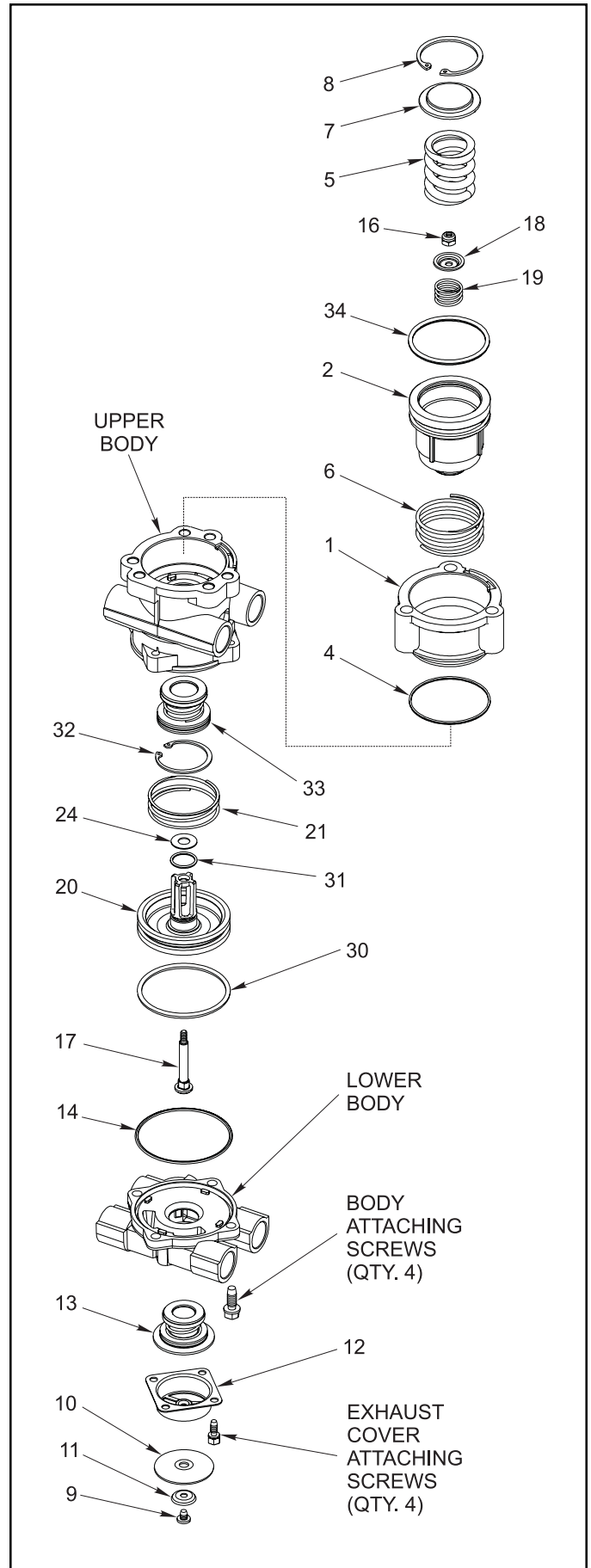


FIGURE 6 E-10P BRAKE VALVE EXPLODED VIEW

11. Remove the relay piston (20), relay piston spring (21), primary piston (**E-8P**: 22, **E-10P**: 2) and primary piston return spring (**E-8P**: 23, **E-10P**: 6) from the upper body. Use care so as not to nick seats.
12. A small washer (24) will be found in the cavity of the lower side of the primary piston (**for E-8P**: 22, **for E-10P**: 2).
13. **For E-8P only**: Disassemble the primary piston by rotating the spring seat nut (25) counterclockwise. Separate the spring seat nut, spring seat (26), and rubber spring (27) and remove the piston o-ring (28).
14. Remove the large and small o-rings (30 & 31) from the relay piston (20).
15. Remove the retaining ring (32) securing the primary inlet and exhaust valve assembly (33) in the upper body and remove the valve assembly.
6. Place relay piston spring (21) in concave portion of relay piston (20) and install relay piston through primary inlet/exhaust assembly (33) into under side of upper body.
7. **For E-10P only**: Install o-ring (4) on adapter (1) and install adapter on upper body. Install o-ring (34) on primary piston (2).
8. Place screwdriver, blade up, in vise. Insert stem (17) through the relay piston upper body sub assembly, slide this assembly over the blade of the secured screwdriver, engage the screwdriver blade in the slot in the head of the stem.
9. Place the washer (24) over the stem (17) and on top of the relay piston (20).
10. Install primary return spring (**E-8P**: 23, **E-10P**: 6) in upper body piston bore.
11. **For E-8P only**: Install the primary piston rubber spring sub assembly (steps 4 & 5) over the stem, into the upper body piston bore. **For E-10P**: Install primary piston sub-assembly (reference step 7).

CLEANING AND INSPECTION

1. Wash all metal parts in mineral spirits and dry.
2. Inspect all parts for excessive wear or deterioration.
3. Inspect the valve seats for nicks or burrs.
4. Check the springs for cracks or corrosion.
5. Replace all rubber parts and any part not found to be serviceable during inspection, use only genuine Bendix replacement parts.

ASSEMBLY

Prior to reassembling, lubricate all o-rings, o-ring grooves, piston bores, and metal to metal moving surfaces with Dow Corning 55 o-ring lubricant (Bendix piece number 291126).

Note: All torques specified in this manual are **assembly** torques and can be expected to fall off, after assembly is accomplished. **Do not retorque** after initial assembly torques fall.

1. Install the primary inlet and exhaust assembly (33) in the upper body and replace the retaining ring (32) to secure it. Be sure the retaining ring is seated completely in its groove.
2. Install the large and small o-rings (30 & 31) on the relay piston (20).
3. **For E-8P only**: Install o-ring (28) in the primary piston (22) o-ring groove.
4. **For E-8P only**: Install the rubber spring (do not lubricate) (27), concave side down in the primary piston (22) and place the spring seat (26), flat side up, over the rubber spring.
5. **For E-8P only**: Install the primary piston spring seat nut (25), with its hex closest to the spring seat, and rotate clockwise until the top surface of the spring seat is even with the top surface of the piston. Set aside.
12. Compress piston(s) (**For E-8P**: the relay piston (20), **for E-10P**: the primary and relay pistons (2 & 20)) and retaining ring into the upper body from either side and hold compressed, either manually or mechanically. **See the cautionary note under step 8 in the Disassembly section of this manual.**
13. Place the stem spring (19) (**E-8P**: place over the spring seat nut (25)), the spring seat (18) (concave side up) and lock nut (16) on the stem (17). Torque to 20 - 30 inch pounds.
14. **For E-8P only**: Install the primary piston retainer (15) over the piston, making certain all three lock tabs have engaged the outer lip of the body.
15. **For E-10P only**: Install coil spring (5), spring seat (7), and retaining ring (8) .
16. Replace the rubber seal ring (14) on the lower body.
17. Install the 4 hex head cap screws securing the lower body to the upper body. Torque to 30 - 60 inch pounds.
18. Install the secondary inlet and exhaust valve assembly (13) on the lower body.
19. Install the screws that secure the exhaust cover (12) to the lower body. Torque to 20 - 40 inch pounds.
20. Secure the screw (9) holding the exhaust diaphragm (10) and the diaphragm washer (11) to the exhaust cover (12). Torque to 5 - 10 inch pounds.
21. Install all air line fittings and plugs making certain thread sealant material does not enter valve.

VALVE INSTALLATION

1. Install the assembled brake valve on the vehicle.

2. Reconnect all air lines to the valve using the identification made during VALVE REMOVAL step 1.
3. After installing the brake valve assembly, perform the "OPERATION AND LEAKAGE CHECKS" before placing the vehicle in service.

IMPORTANT: MAINTENANCE PRECAUTIONS

When working on or around a vehicle, the following general precautions should be observed:

1. Park the vehicle on a level surface, apply the parking brakes, and always block the wheels.
2. Stop the engine when working around the vehicle.
3. Drain the air pressure from all reservoirs before beginning ANY work on the vehicle.
4. Following the vehicle manufacturer's recommended procedures, deactivate the electrical system in a manner that removes all electrical power from the vehicle.
5. When working in the engine compartment the engine should be shut off. Where circumstances require that the engine be in operation, **EXTREME CAUTION** should be used to prevent personal injury resulting from contact with moving, rotating, leaking, heated, or electrically charged components.
6. Never connect or disconnect a hose or line containing pressure; it may whip. Never remove a component or plug unless you are certain all system pressure has been depleted.
7. Never exceed recommended pressures and always wear safety glasses.
8. Do not attempt to install, remove, disassemble, or assemble a component until you have read and thoroughly understand the recommended procedures. Use only the proper tools and observe all precautions pertaining to use of those tools.
9. Use only genuine Bendix replacement parts, components, and kits. Replacement hardware, tubing, hose, fittings, etc. should be of equivalent size, type, and strength as original equipment and be designed specifically for such applications and systems.
10. Components with stripped threads or damaged parts should be replaced rather than repaired. Repairs requiring machining or welding should not be attempted unless specifically approved and stated by the vehicle or component manufacturer.
11. Prior to returning the vehicle to service, make certain all components and systems are restored to their proper operating condition.



QR AND QR-1 QUICK RELEASE VALVES

*Formerly SD-03-69

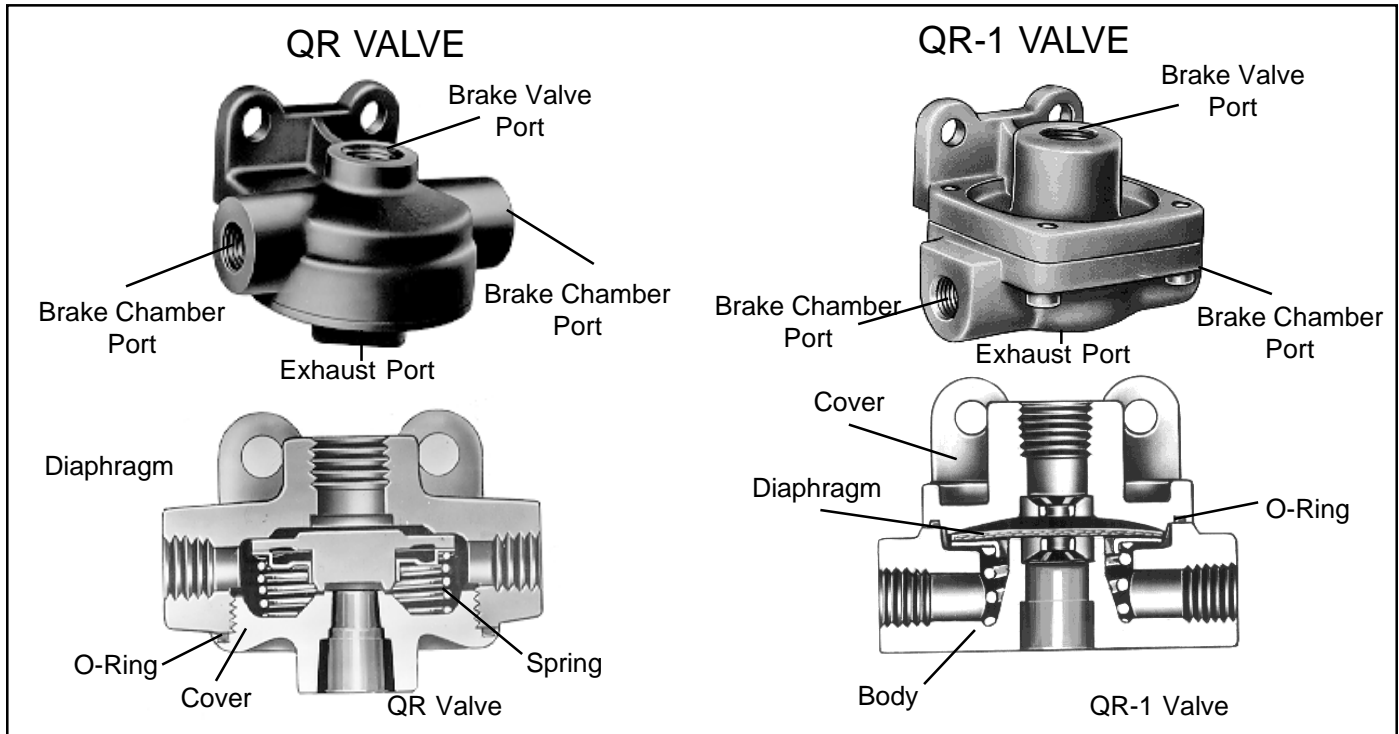


FIGURE 1

DESCRIPTION

The function of the Quick Release Valve is to speed up the exhaust of air from the air chambers. It is mounted close to the chambers it serves. In its standard configuration the valve is designed to deliver within one (1) psi of control pressure to the controlled device; however, for special applications the valve is available with greater differential pressure designed into the valve.

Reference Figure 1, two styles of Quick Release Valves are available and are functionally the same; the QR valve, which is of older design and utilizes a spring and spring seat, and the QR-1 valve, which in its standard configuration does not employ a spring or spring seat.

(Note: AR-1 Valves with a pressure differential employ a spring and spring seat.)

Porting consists of one (1) brake valve port, two (2) delivery ports and one (1) exhaust port.

OPERATION

When a brake application is made, air pressure enters the brake valve port; the diaphragm moves down, sealing the

exhaust. At the same time, air pressure forces the edges of the diaphragm down and air flows out the delivery port.

When air pressure being delivered (beneath the diaphragm) equals the pressure being delivered by the brake valve (above the diaphragm), the outer edge of the diaphragm will seal against the body seat. The exhaust port is still sealed by the center portion of the diaphragm when the brake valve application is released; the air pressure above the diaphragm is released back through the brake valve exhaust; air pressure beneath the diaphragm forces the diaphragm to rise, opening the exhaust, allowing air in the chambers to exhaust.

PREVENTIVE MAINTENANCE

Every 12 months, 100,000 miles or 3600 operating hours; disassemble valve, wash metal parts in mineral spirits, wipe rubber parts dry. It is recommended that all rubber parts be replaced. Inspect all parts and replace any part showing signs of wear or deterioration.

OPERATING AND LEAKAGE TESTS

While holding a foot brake valve application:

1. Coat exhaust port with soap solution; leakage of a one (1) inch bubble in three (3) seconds is permitted.
2. Coat body and cover with soap solution. No leakage permitted between body and cover.

If the valve does not function as described, or if leakage is excessive, it is recommended that it be replaced with a new or remanufactured unit, or repaired with genuine Bendix parts.

REMOVING AND INSTALLING

REMOVING

Block vehicle wheels and/or hold vehicle by means other than air brakes.

Drain all air brake system reservoirs.

Disconnect air lines from valve.

Remove mounting bolts, then valve.

INSTALLING

Mount valve with exhaust port pointing down; securely tighten mounting bolts.

Connect air lines to valve (brake valve application line to top port; brake chamber line to side ports.)

DISASSEMBLY

QR VALVE

1. Using wrench on square portion of exhaust port, remove cover.
2. Remove spring, spring seat and diaphragm. Remove cover O-Ring.

QR-1 VALVE

1. Remove four screws.
2. Remove spring and spring seat (if so equipped).
3. Remove diaphragm.
4. Remove cover O-Ring.

CLEANING AND INSPECTION

Clean all metal parts in mineral spirits. Wipe all rubber parts clean.

It is recommended that all rubber parts and any other part showing signs of wear or deterioration be replaced with genuine Bendix parts.

ASSEMBLY

QR VALVE

1. Position spring seat over the diaphragm and then install into body.
2. Install spring and cover O-Ring.
3. Install cover; tighten securely. (Torque to 150-400 inch pounds.)

QR-1 VALVE

1. If valve is equipped within spring and spring seat:
 - a. Position spring in body.
 - b. Position diaphragm over spring seat.

- a. Install O-Ring in cover groove; install cover and tighten screws evenly and securely. (Torque to 30-60 inch pounds.)
2. If valve is not equipped with spring and spring seat:
 - a. Install diaphragm.
 - b. Install O-Ring in cover groove; install cover and tighten screws evenly and securely. (Torque to 30-60 inch pounds.)
3. Perform tests as outlined in "Operating and Leakage Tests" section.

IMPORTANT! PLEASE READ

When working on or around a vehicle, the following general precautions should be observed:

1. Park the vehicle on a level surface, apply the parking brakes, and always block the wheels.
2. Stop the engine when working around the vehicle.
3. If the vehicle is equipped with air brakes, make certain to drain the air pressure from all reservoirs before beginning ANY work on the vehicle.
4. Following the vehicle manufacturer's recommended procedures, deactivate the electrical system in a manner that removes all electrical power from the vehicle.
5. When working in the engine compartment the engine should be shut off. Where circumstances require that the engine be in operation, EXTREME CAUTION should be used to prevent personal injury resulting from contact with moving, rotating, leaking, heated, or electrically charged components.
6. Never connect or disconnect a hose or line containing pressure; it may whip. Never remove a component or plug unless you are certain all system pressure has been depleted.
7. Never exceed recommended pressures and always wear safety glasses.
8. Do not attempt to install, remove, disassemble or assemble a component until you have read and thoroughly understand the recommended procedures. Use only the proper tools and observe all precautions pertaining to use of those tools.
9. Use only genuine Bendix replacement parts, components, and kits. Replacement hardware, tubing, hose, fittings, etc. should be of equivalent size, type, and strength as original equipment and be designed specifically for such applications and systems.
10. Components with stripped threads or damaged parts should be replaced rather than repaired. Repairs requiring machining or welding should not be attempted unless specifically approved and stated by the vehicle or component manufacturer.
11. Prior to returning the vehicle to service, make certain all components and systems are restored to their proper operating condition.

R-12 & R-14 RELAY VALVES

* FORMERLY SD-03-31



FIGURE 1 - EXTERIOR VIEWS

DESCRIPTION

The Relay Valve in an air brake system functions as a relay station to speed up the application and release of the brakes. The valve is normally mounted at the rear of the vehicle in proximity to the chambers it serves. The valve operates as a remote controlled brake valve that delivers or releases air to the chambers in response to the control air delivered to it from the foot brake valve or other source.

The R-12 and R-14 Relay Valves are designed for either reservoir or frame mounting. A universal mounting bracket is furnished that permits easy interchange with other Bendix relay valves. Both valves are available in the two body styles illustrated in Figure 1. The R-14 differs from the R-12 in that it incorporates a quick release and anti-compounding feature located above its horizontal service port. The R-14's anti-compound feature allows it

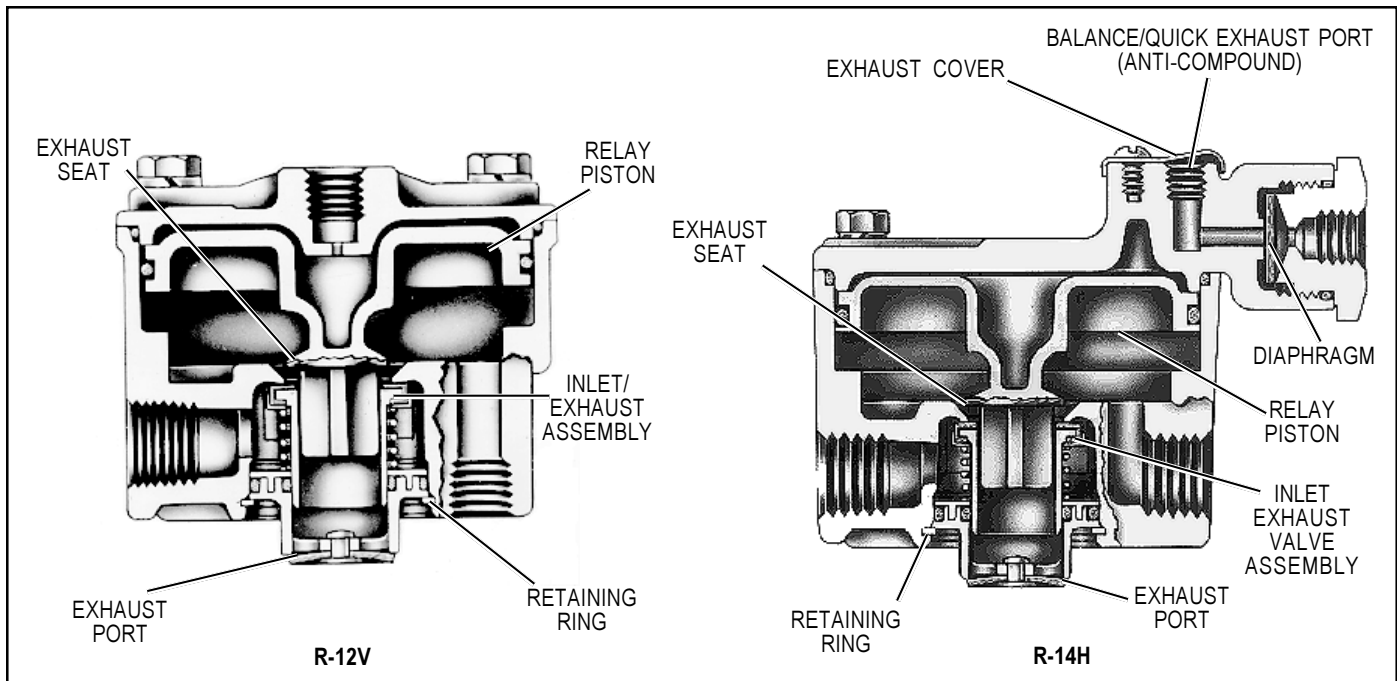


FIGURE 2 - SECTIONAL VIEWS

to be conveniently used as either a service or spring brake relay valve. An exhaust cover is installed that protects the 1/8" balance port when the R-14 anti-compound feature is not in use.

All parts are interchangeable between the R-12 and R-14 with the exception of the detail components of the R-14 cover. Both valves make extensive use of non-metallic internal components. For ease of servicing, the inlet/exhaust valve can be replaced without the need for line removal.

OPERATION

APPLICATION

Air pressure delivered to the service port enters the small cavity above the piston and moves the piston down. The exhaust seat moves down with the piston and seats on the inner or exhaust portion of the inlet/exhaust valve, sealing off the exhaust passage. At the same time, the outer or inlet portion of the inlet/exhaust valve moves off its seat, permitting supply air to flow from the reservoir, past the open inlet valve and into the brake chambers.

BALANCE

The air pressure being delivered by the open inlet valve also is effective on the bottom area of the relay piston. When air pressure beneath the piston equals the service air pressure above, the piston lifts slightly and the inlet spring returns the inlet valve to its seat. The exhaust remains closed as the service line pressure balances the

delivery pressure. As delivered air pressure is changed, the valve reacts instantly to the change, holding the brake application at that level.

EXHAUST OR RELEASE

When air pressure is released from the service port and air pressure in the cavity above the relay piston is exhausted, air pressure beneath the piston lifts the relay piston and the exhaust seat moves away from the exhaust valve, opening the exhaust passage. With the exhaust passage open, the air pressure in the brake chambers is then permitted to exhaust through the exhaust port, releasing the brakes.

ANTI-COMPOUNDING (SIMULTANEOUS SERVICE AND PARK APPLICATION)

In those applications where the R-14 Relay Valve is used to control spring brake chambers, the anti-compound feature may be utilized. With the anti-compound feature of the R-14 connected, a service application made while the vehicle is parked is countered by a release of the parking brakes. To utilize this feature, the exhaust cover of the quick release portion of the R-14 is removed and a line is installed which is connected to the delivery of the service brake valve or relay valve. With no air pressure at the service port of the R-14, the parking brakes are applied. If a service brake application is made, air from the service brake valve enters the exhaust port of the quick release of the R-14 and moves the diaphragm, blocking the service port. Air then proceeds into the cavity above the relay piston, forces the piston down, closing the exhaust and

opening the inlet to deliver air to the spring brake cavity as described under the section of this manual entitled *Application*.

PREVENTIVE MAINTENANCE

Important: Review the warranty policy before performing any intrusive maintenance procedures. An extended warranty may be voided if intrusive maintenance is performed during this period.

Because no two vehicles operate under identical conditions, maintenance and maintenance intervals will vary. Experience is a valuable guide in determining the best maintenance interval for any one particular operation.

1. Every three months or 25,000 miles or 900 operating hours check for proper operation.
2. Every twelve months or 100,000 miles or 3600 operating hours: disassemble valve, clean parts with mineral spirits. Replace all rubber parts and any part worn or damaged. Check for proper operation before placing vehicle in service.

OPERATIONAL AND LEAKAGE TEST

1. Chock the wheels, fully charge air brake system and adjust the brakes.
2. Make several brake applications and check for prompt application and release at each wheel.
3. Check for inlet valve and o-ring leakage.
 - A. Make this check with the service brakes released when the R-12 or R-14 is used to control the service brakes.
 - B. Make the check with the spring brakes applied (PARK) when the R-14 is used to control the spring brakes. Coat the exhaust port and the area around the retaining ring with a soap solution; a 1 inch bubble in 3 seconds leakage is permitted.
4. Check for exhaust valve leakage.
 - A. Make this check with the service brakes fully applied if the R-12 or R-14 control the service brakes.
 - B. Make this check with the spring brakes fully released if the R-14 is used to control the spring brakes. Coat the exhaust port with a soap solution; a 1 inch bubble in 3 seconds leakage is permitted. Coat the outside of the valve where the cover joins the body to check for seal ring leakage; no leakage is permitted.
5. If the R-14 is used to control the spring brakes, place the park control in the released position and coat the balance port with a soap solution to check the diaphragm and its seat. Leakage equivalent to a 1 inch bubble in 3 seconds is permitted.

Note: If the anti-compound feature is in use, the line attached to the balance port must be disconnected to perform this test.

If the valves do not function as described above, or if leakage is excessive, it is recommended that the valves be replaced with new or remanufactured units or repaired with genuine Bendix parts, available at any authorized Bendix parts outlet.

REMOVAL AND INSTALLATION

REMOVAL

1. Block and hold vehicle by means other than air brakes.
2. Drain air brake system reservoirs.
3. If entire valve is to be removed, identify air lines to facilitate installation.
4. Disconnect air lines from valve.*
5. Remove valve from reservoir or if remotely mounted, remove mounting bolts and then valve.

*It is generally not necessary to remove entire valve to service the inlet/exhaust valve. The inlet/exhaust valve insert can be removed by removing the snap ring, exhaust cover assembly and then inlet/exhaust valve.

Caution: Drain all reservoirs before attempting to remove the inlet exhaust valve.

DISASSEMBLY

Note: Prior to disassembly, mark the location of the mounting bracket to the cover and the cover to the body.

1. Remove the four (4) cap screws and lockwashers securing the cover to the body.
2. Remove the cover, sealing ring, and mounting bracket.
3. Remove the piston and o-ring from the body.
4. While depressing the exhaust cover, remove the retaining ring and slowly relax the spring beneath the exhaust cover.
5. Remove the exhaust cover assembly and o-rings.
6. Remove the inlet/exhaust valve return spring from the body.
7. Remove the inlet/exhaust valve from the body.
8. Remove the valve retainer from the inlet/exhaust valve.
9. Remove the Phillips head screw and exhaust cover from the R-14 cover.
10. Remove the service port cap nut and o-ring from the R-14.
11. Remove the diaphragm from the R-14 cover.

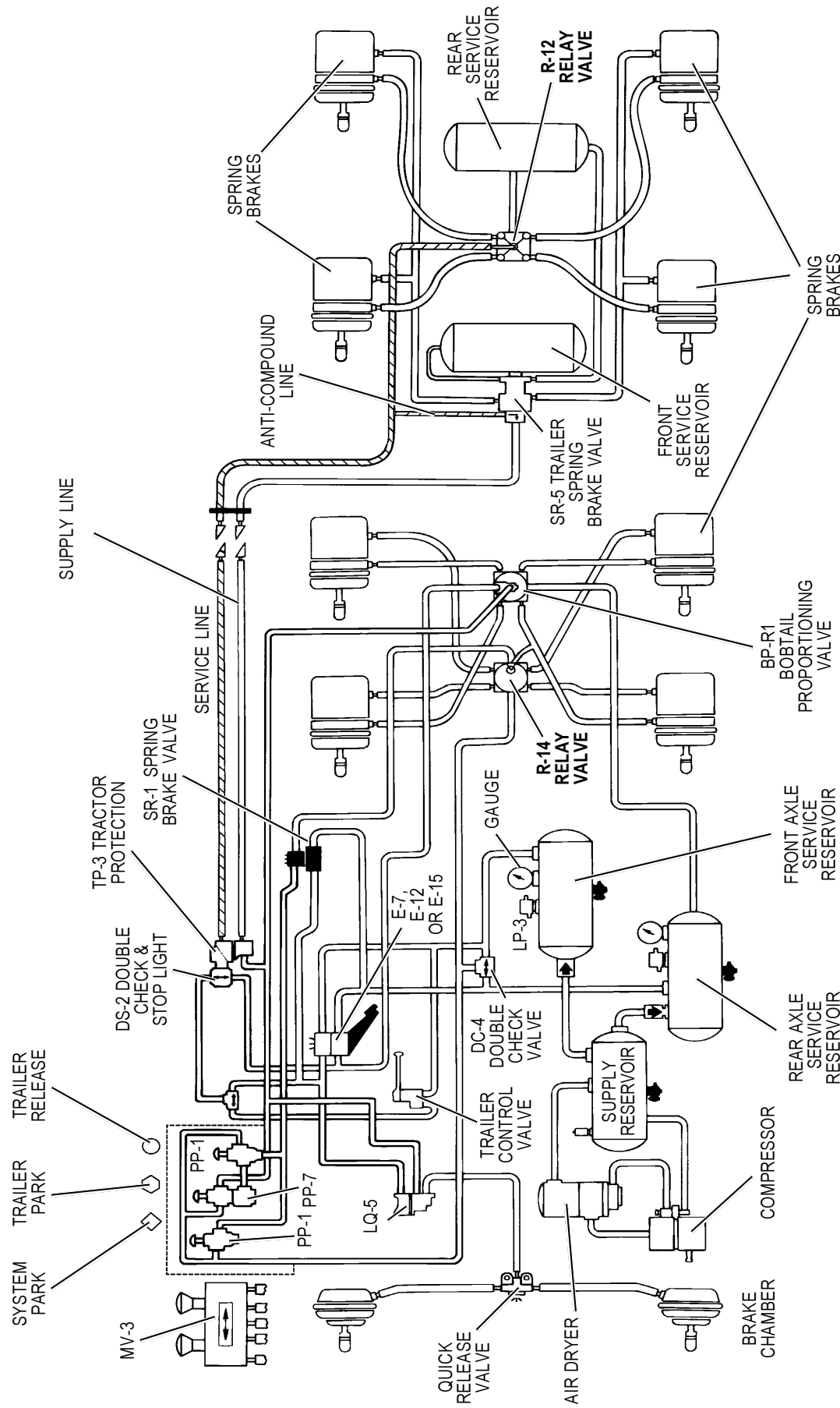


FIGURE 3 - TYPICAL PIPING SCHEMATIC

CLEANING AND INSPECTION

1. Wash all metal parts in mineral spirits and dry them thoroughly.
(**Note:** When rebuilding, all springs and all rubber parts should be replaced.)
2. Inspect all metal parts for deterioration and wear, as evidenced by scratches, scoring and corrosion.
3. Inspect the exhaust valve seat on the relay piston for nicks and scratches which could cause excessive leakage.
4. Inspect the inlet valve seat in the body for scratches and nicks, which could cause excessive leakage.
5. Inspect the exhaust seat of the quick release diaphragm in the R-14 cover and make sure all internal air passages in this area are open and clean and free of nicks and scratches.
6. Replace all parts not considered serviceable during these inspections and all springs and rubber parts. Use only genuine Bendix replacement parts, available from any authorized Bendix parts outlet.

ASSEMBLY

Note: All torque specified in this manual are assembly torque and can be expected to fall off slightly after assembly. **Do not re-torque** after initial assembly torque fall. For assembly, hand wrenches are recommended.

Prior to assembly, lubricate all o-rings, o-ring bores and any sliding surface with a silicone lubricant equivalent to Dow Corning #10.

1. Install large piston o-ring on piston.
2. Install inner and outer o-rings in the exhaust cover assembly.
3. Install the sealing ring on the cover.
4. Install piston in body, taking care not to damage the piston o-ring.
5. Noting the reference marks made during disassembly, install the cover on the valve body and the mounting bracket on the cover.
6. Secure the mounting bracket and cover to the body using the four (4) cap screws and lock washers. Torque to 80-120 inch pounds.
7. Install the valve retainer on the inlet/exhaust valve and install in the body.
8. Install the inlet/exhaust valve return spring in the body.
9. Install the exhaust cover assembly in the body, taking care not to damage the o-ring.
10. While depressing the exhaust cover, install the retaining ring. Make certain the retainer is completely seated in its groove in the body.

11. Install the R-14 service port cap nut o-ring on the cap nut. Install the diaphragm in the R-14 cover making certain it is positioned between the guide ribs in the cover.
13. Install the service port cap nut and torque to 150 inch pounds.
14. If the quick release exhaust port was protected with an exhaust cover, install the cover using the #10-24 Phillips head screw. Torque to approx. 15-25 inch pounds.
15. Test the valves as outlined in the *Operational and Leakage Test* section before returning the valve to service.

INSTALLATION

1. Clean air lines.
2. Inspect all lines and/or hoses for damage and replace as necessary.
3. Install valve and tighten mounting bolts.
4. Connect air lines to valve (plug any unused ports).
5. Test valve as outlined in *Operational and Leakage Tests*.

IMPORTANT! PLEASE READ

When working on or around a vehicle, the following general precautions should be observed:

1. **Park the vehicle on a level surface, apply the parking brakes, and always block the wheels.**
2. **Stop the engine when working around the vehicle.**
3. **If the vehicle is equipped with air brakes, make certain to drain the air pressure from all reservoirs before beginning ANY work on the vehicle.**
4. **Following the vehicle manufacturer's recommended procedures, deactivate the electrical system in a manner that removes all electrical power from the vehicle.**
5. **When working in the engine compartment the engine should be shut off. Where circumstances require that the engine be in operation, EXTREME CAUTION should be used to prevent personal injury resulting from contact with moving, rotating, leaking, heated, or electrically charged components.**
6. **Never connect or disconnect a hose or line containing pressure; it may whip. Never remove a component or plug unless you are certain all system pressure has been depleted.**
7. **Never exceed recommended pressures and always wear safety glasses.**



8. Do not attempt to install, remove, disassemble or assemble a component until you have read and thoroughly understand the recommended procedures. Use only the proper tools and observe all precautions pertaining to use of those tools.
9. Use only genuine Bendix replacement parts, components, and kits. Replacement hardware, tubing, hose, fittings, etc. should be of equivalent size, type, and strength as original equipment and be designed specifically for such applications and systems.
10. Components with stripped threads or damaged parts should be replaced rather than repaired. Repairs requiring machining or welding should not be attempted unless specifically approved and stated by the vehicle or component manufacturer.
11. Prior to returning the vehicle to service, make certain all components and systems are restored to their proper operating condition.





Service Data

SD-03-1068

R-12DC RELAY VALVE WITH BIASED DOUBLE CHECK

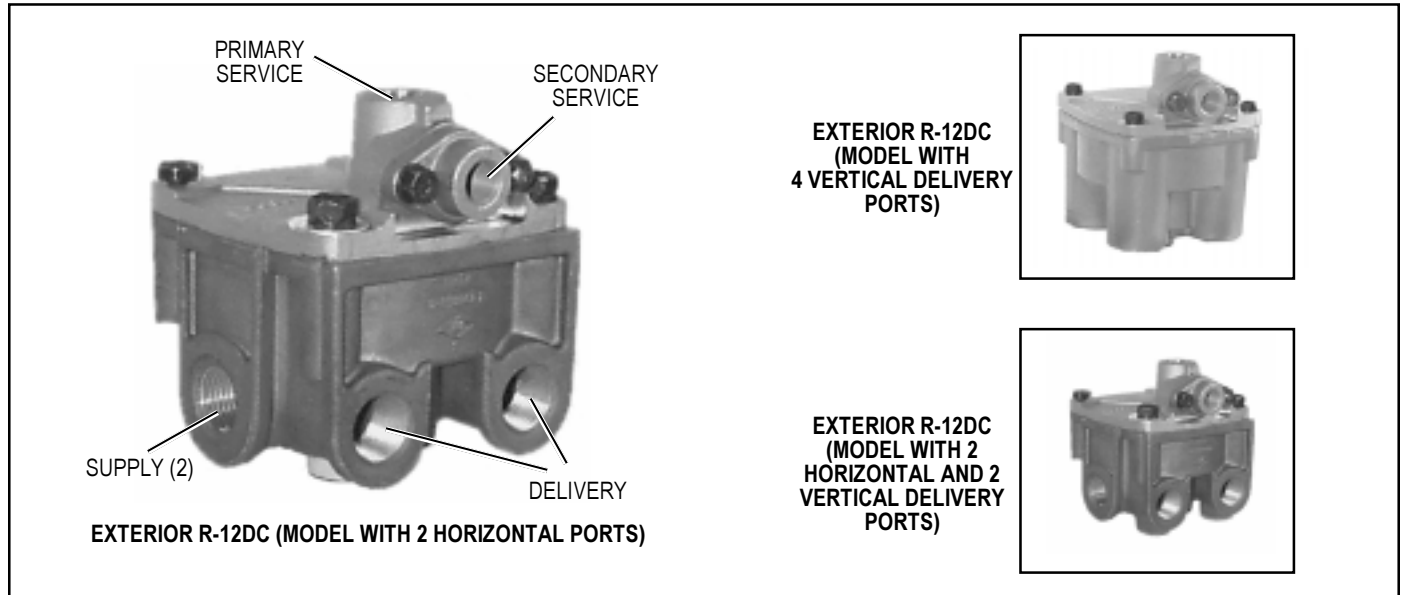


FIGURE 1 - EXTERIOR VIEWS.

DESCRIPTION

The Relay Valve in an air brake system functions as a relay station to speed up the application and release of the brakes. The valve is normally mounted at the rear of the vehicle in proximity to the chambers it serves. The valve operates as a remote controlled brake valve that delivers

or releases air to the chambers in response to the control air delivered to it from the foot brake valve.

The R-12DC Relay Valves are designed for either reservoir or frame mounting. (See Figure 1). For ease of servicing, the inlet/exhaust valve can be replaced without the need for line removal.

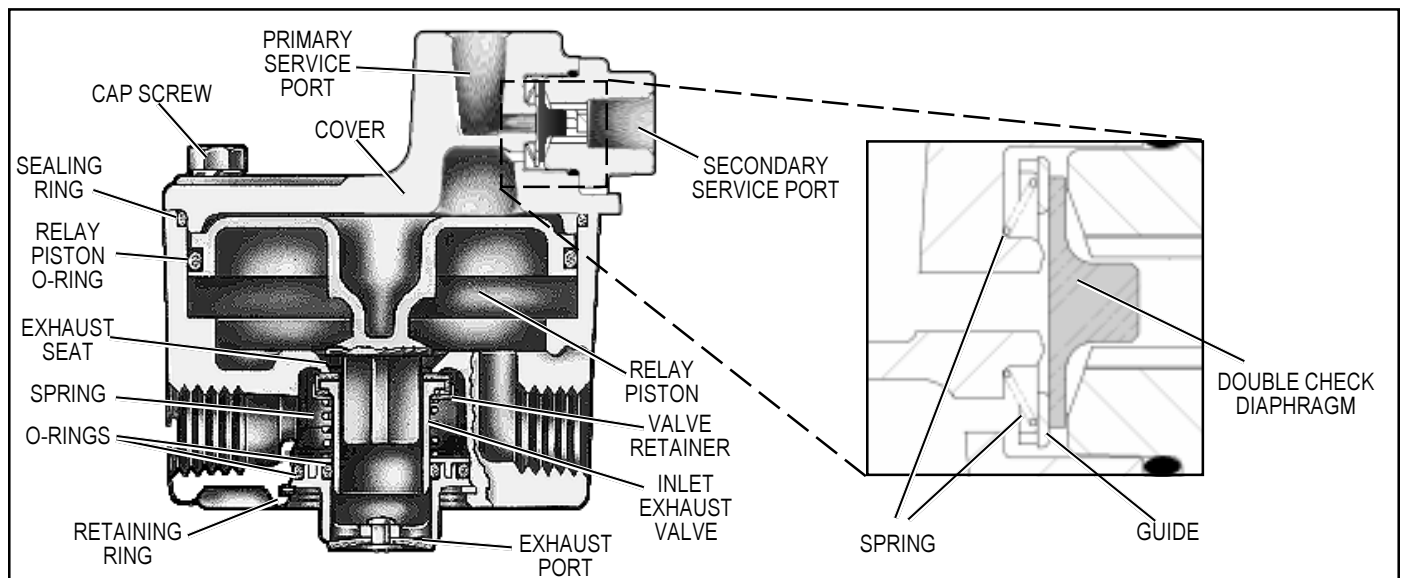


FIGURE 2 - R-12DC SECTIONAL VIEW

OPERATION

APPLICATION

Under normal conditions, the internal biased double check valve assures that the primary service signal controls the valve. Air pressure delivered to the primary service port enters the small cavity above the piston and moves the piston down. The exhaust seat moves down with the piston and seats on the inner or exhaust portion of the inlet/exhaust valve, sealing off the exhaust passage. At the same time, the outer or inlet portion of the inlet/exhaust valve moves off its seat, permitting supply air to flow from the reservoir, past the open inlet valve and into the service brake chambers. In the event of a loss of the primary service line, (see Figure 4) the double check valve mechanism in the cover of the R-12DC will move, shutting off the primary service line, and instead allow the secondary service line to apply the air pressure needed to operate the valve.

Note: Secondary service line may leak out of the primary service at control pressures up to 20 psi when the primary signal is not present.

BALANCE

The air pressure being delivered by the open inlet valve also is effective on the bottom area of the relay piston.

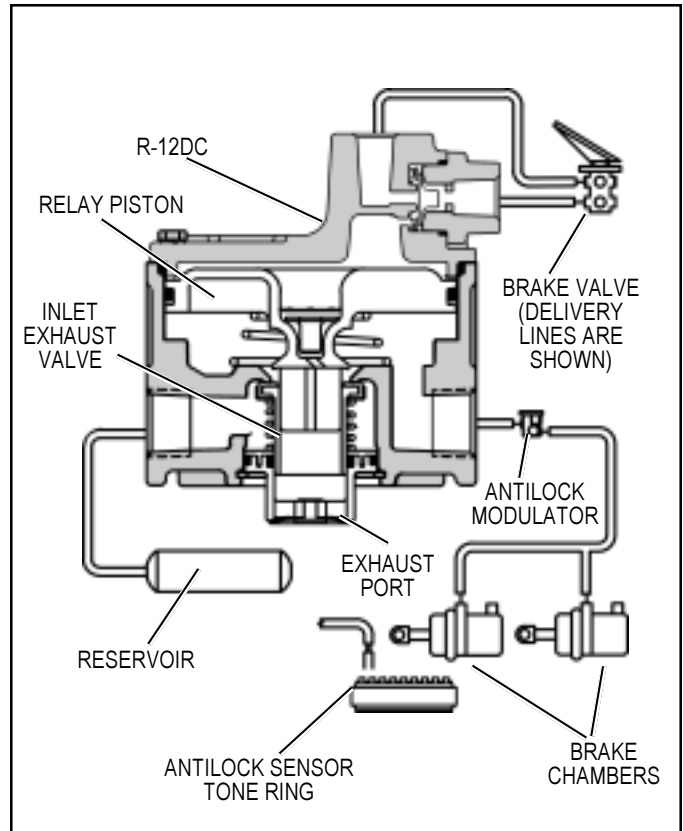


FIGURE 3 - R-12DC SECTIONAL VIEW WITH TYPICAL SYSTEM COMPONENTS

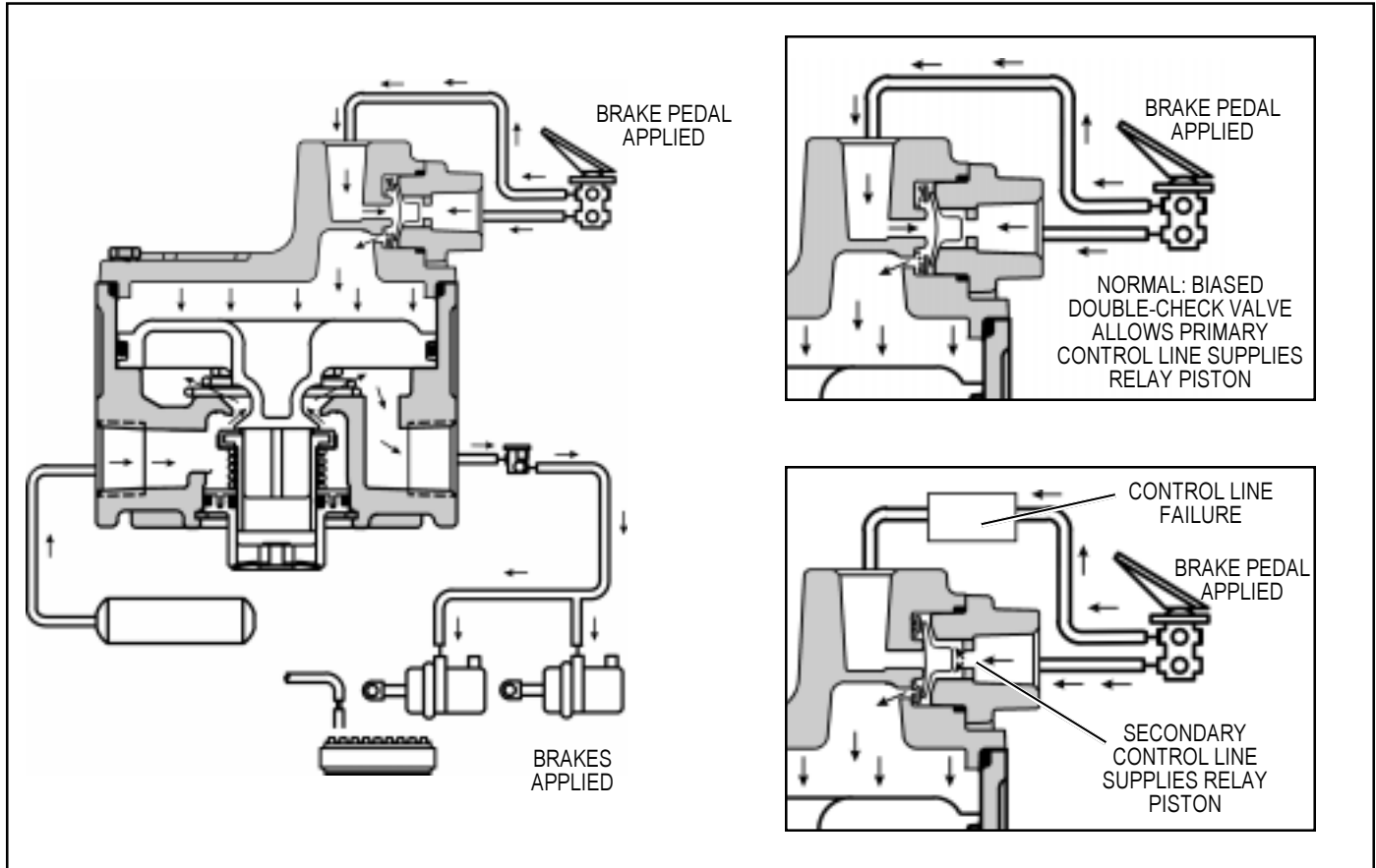


FIGURE 4 - R-12DC APPLIED POSITION (SHOWING BIASED DOUBLE CHECK OPERATIONAL VIEWS)

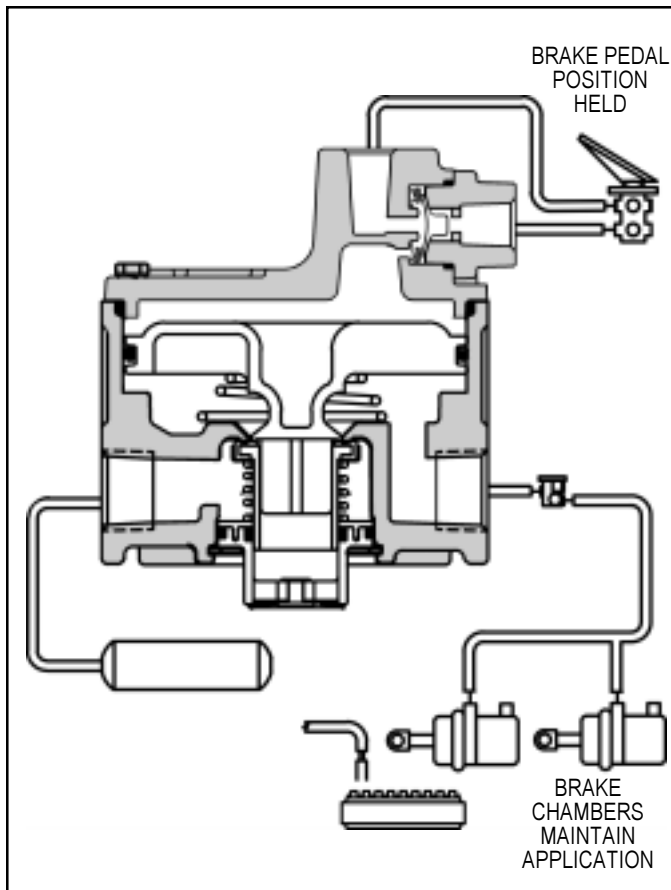


FIGURE 5 - R-12DC BALANCE POSITION

When air pressure beneath the piston equals the service air pressure above, the piston lifts slightly and the inlet spring returns the inlet valve to its seat. The exhaust remains closed as the service line pressure balances the delivery pressure. As delivered air pressure is changed, the valve reacts instantly to the change, holding the brake application at that level.

EXHAUST OR RELEASE

When air pressure is released from the service port and air pressure in the cavity above the relay piston is exhausted through the brake valve. At the same time, air pressure beneath the piston lifts the relay piston and the exhaust seat moves away from the exhaust valve, opening the exhaust passage. With the exhaust passage open, the air pressure in the brake chambers is then permitted to exhaust through the exhaust port, releasing the brakes.

PREVENTIVE MAINTENANCE

Important: Review the warranty policy before performing any intrusive maintenance procedures. An extended warranty may be voided if intrusive maintenance is performed during this period.

Because no two vehicles operate under identical conditions, maintenance and maintenance intervals will vary.

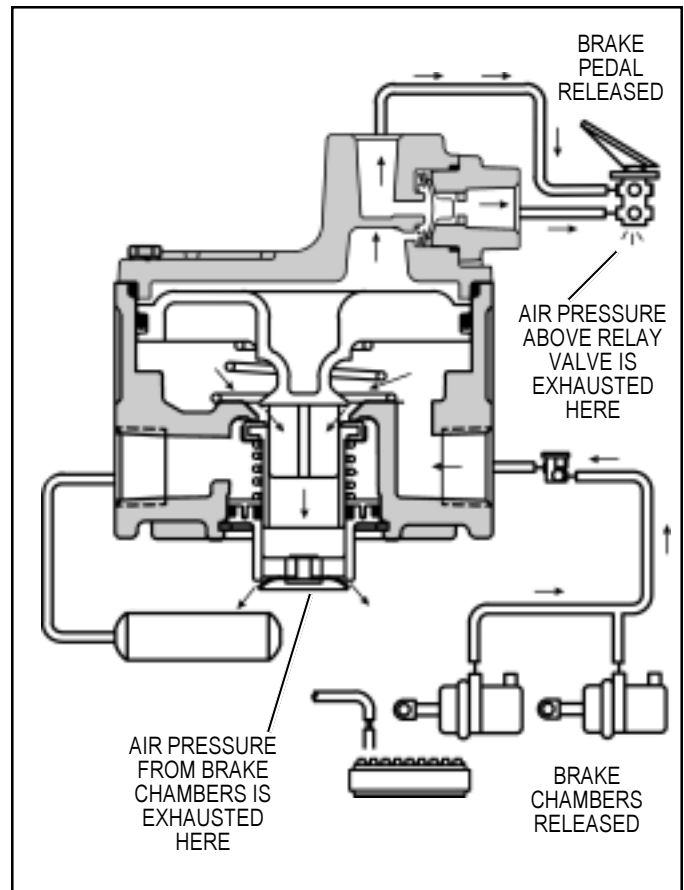


FIGURE 6 - R-12DC EXHAUST POSITION

Experience is a valuable guide in determining the best maintenance interval for any one particular operation.

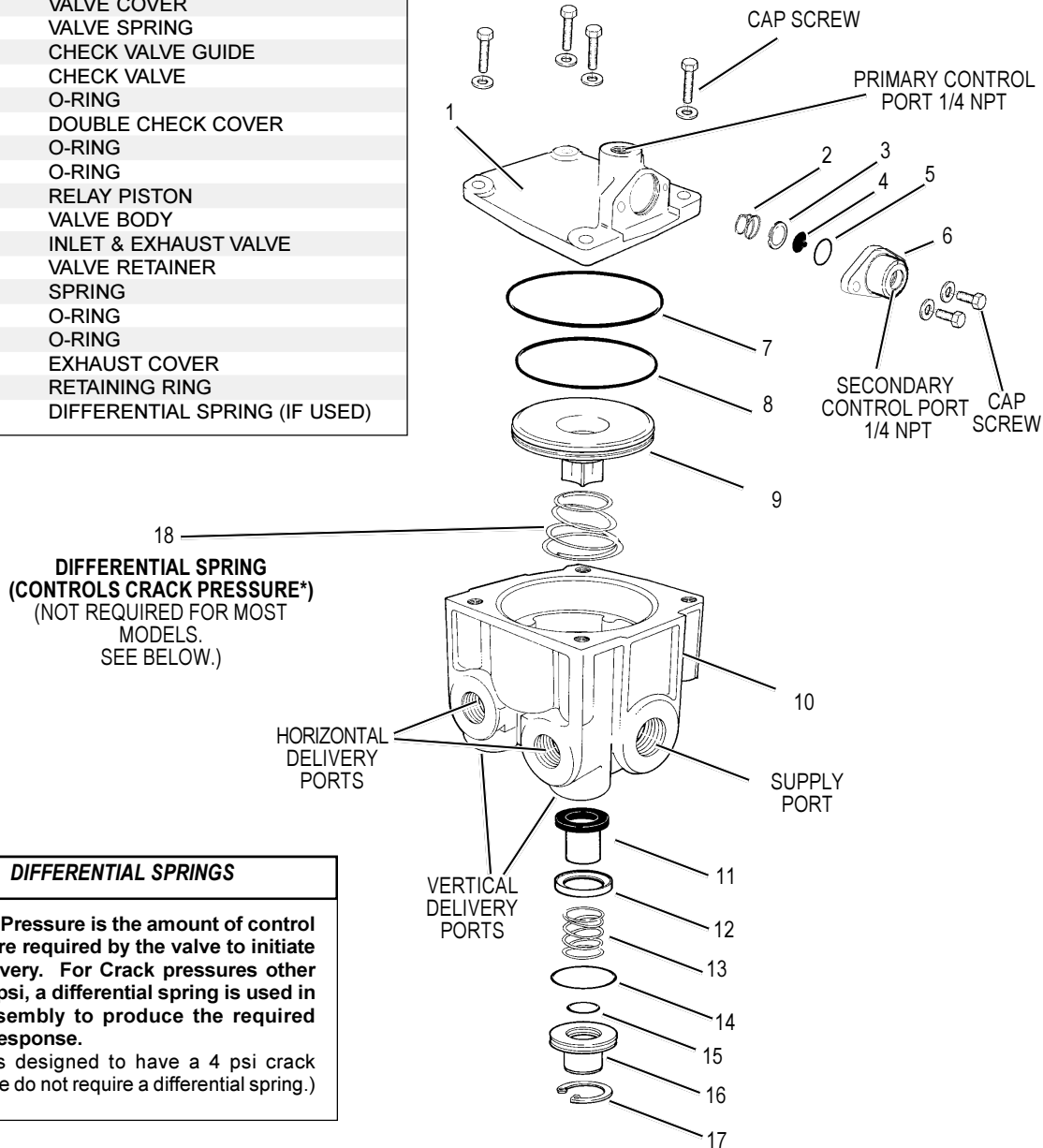
1. Every three months or 25,000 miles or 900 operating hours check for proper operation.
2. Every twelve months or 100,000 miles or 3600 operating hours: disassemble valve, clean parts with mineral spirits. Replace all rubber parts and any worn or damaged part. Check for proper operation before placing vehicle in service.

REMOVAL AND INSTALLATION

REMOVAL

1. Block and hold vehicle by means other than air brakes.
2. Drain air brake system reservoirs.
3. If entire valve is to be removed, identify air lines to facilitate installation. Prior to disassembly, remove as much contamination as possible from the exterior of the device taking care to keep all contamination from entering the open ports.
4. Disconnect air lines from valve*.
5. Remove valve from reservoir or if remotely mounted, remove mounting bolts and then valve.

Key No.	DESCRIPTION
1	VALVE COVER
2	VALVE SPRING
3	CHECK VALVE GUIDE
4	CHECK VALVE
5	O-RING
6	DOUBLE CHECK COVER
7	O-RING
8	O-RING
9	RELAY PISTON
10	VALVE BODY
11	INLET & EXHAUST VALVE
12	VALVE RETAINER
13	SPRING
14	O-RING
15	O-RING
16	EXHAUST COVER
17	RETAINING RING
18	DIFFERENTIAL SPRING (IF USED)



DIFFERENTIAL SPRINGS

*Crack Pressure is the amount of control pressure required by the valve to initiate air delivery. For Crack pressures other than 4 psi, a differential spring is used in the assembly to produce the required valve response. (Models designed to have a 4 psi crack pressure do not require a differential spring.)

FIGURE 7 - R-12DC EXPLODED VIEW

*It is generally not necessary to remove entire valve to service the inlet/exhaust valve. The inlet/exhaust valve insert can be removed by removing the snap ring, exhaust cover assembly and then inlet/exhaust valve.

Caution: Drain all reservoirs before attempting to remove the inlet exhaust valve.

DISASSEMBLY

Note: Prior to disassembly, mark the location of the mounting bracket to the cover and the cover to the body.

CAUTION: The valve body may be lightly clamped in a bench vise during disassembly, however, over-clamping will result in damage to the valve and result in leakage and/or malfunction. If a vise is to be used, position the valve so that the jaws bear on the supply ports on opposing sides of the valve's body.

1. Remove the four cap screws securing the mounting bracket and cover to the body. Retain the cap screws for reuse.
2. Discard the mounting bracket.
3. Remove and discard sealing ring (7) from the cover (1).

- a. Remove the 2 torx screws securing the double check cover (6) to the cover (1).
- b. Remove the double check cover (6) from cover (1) and remove and discard spring (2), guide (3), double check diaphragm (4), and o-ring (5).
4. Remove and discard sealing ring (7) from the cover (1), and mounting bracket.
5. Remove piston (9) from the body (10) and retain for reuse.
6. Remove and discard o-ring (8) from piston (9).
7. Depress and hold the exhaust cover assembly (16) and remove and discard retaining ring (17) from the valve body (10).
8. Slowly release the holding force on the exhaust cover assembly (16) to relax the spring.
9. Remove and discard the following parts:
 - a. Exhaust cover assembly (16)
 - b. O-rings (14 & 15)
 - c. Spring (13)
 - d. Inlet exhaust valve (11)
 - e. Retainer (12)

CLEANING AND INSPECTION

1. Wash all metal parts in mineral spirits and dry them thoroughly.

(**Note:** When servicing the R-12DC, all springs and all rubber parts should be replaced.)
2. Inspect all metal parts for deterioration and wear, as evidenced by scratches, scoring and corrosion.
3. Inspect the exhaust valve seat on the relay piston for nicks and scratches which could cause excessive leakage.
4. Inspect the inlet valve seat in the body for scratches and nicks, which could cause excessive leakage.
5. Inspect the check valve seat in the R-12DC cover and make sure all internal air passages in this area are open and clean and free of nicks and scratches.
6. Replace all parts not considered serviceable during these inspections and all springs and rubber parts. Use only genuine Bendix replacement parts, available from any authorized Bendix parts outlet.

ASSEMBLY

Note: All torque specified in this manual are assembly torque and can be expected to fall off slightly after assembly. **Do not re-torque** after initial assembly torque fall. For assembly, hand wrenches are recommended.

Prior to assembly, lubricate all o-rings, o-ring bores and any sliding surface with a silicone lubricant equivalent to Dow Corning #10.

Wash all remaining parts in mineral spirits and dry thoroughly. Using the lubricant provided in this kit, lightly lubricate all o-rings, o-ring grooves, body bores any sliding surfaces.

1. Install o-rings (14 & 15) in the exhaust cover assembly (16).
2. Install o-ring (8) on piston (9).
3. Install sealing ring (7) on cover (1)
4. Install retainer (12) on inlet exhaust valve (11) and insert both in the body (10).
5. Install spring (13) in the body (10).
6. Install exhaust cover assembly (16) in the body (10). Depress and hold the exhaust cover assembly in the body.
7. Install retaining ring (17) in the body (10). Make certain the retaining ring is completely seated in the groove in the body.
8. Install piston (9) in body (10).
9. Install o-ring (5) on double check cover (6), install spring (2), guide (3) and double check diaphragm (4) in cover (1). Install cover (1) and torque torx head screws to 80-100 in. lbs.
10. Referring to the marks made during disassembly, install cover (1)
11. Install the mounting bracket (not shown) on the cover (1).
12. Install the four cap screws in the cover (1) and torque to 80-100 inch pounds
13. Test the valve as outlined in the *Operational and Leakage Test* section before returning the valve to service.

INSTALLATION

1. Clean air lines.
2. Inspect all lines and/or hoses for damage and replace as necessary.
3. Install valve and tighten mounting bolts.
4. Connect air lines to valve (plug any unused ports).
5. Test valve as outlined in *Operational and Leakage Tests*.

OPERATIONAL AND LEAKAGE TEST

1. Chock the wheels, fully charge air brake system and adjust the brakes.
2. Make several brake applications and check for prompt application and release at each wheel.

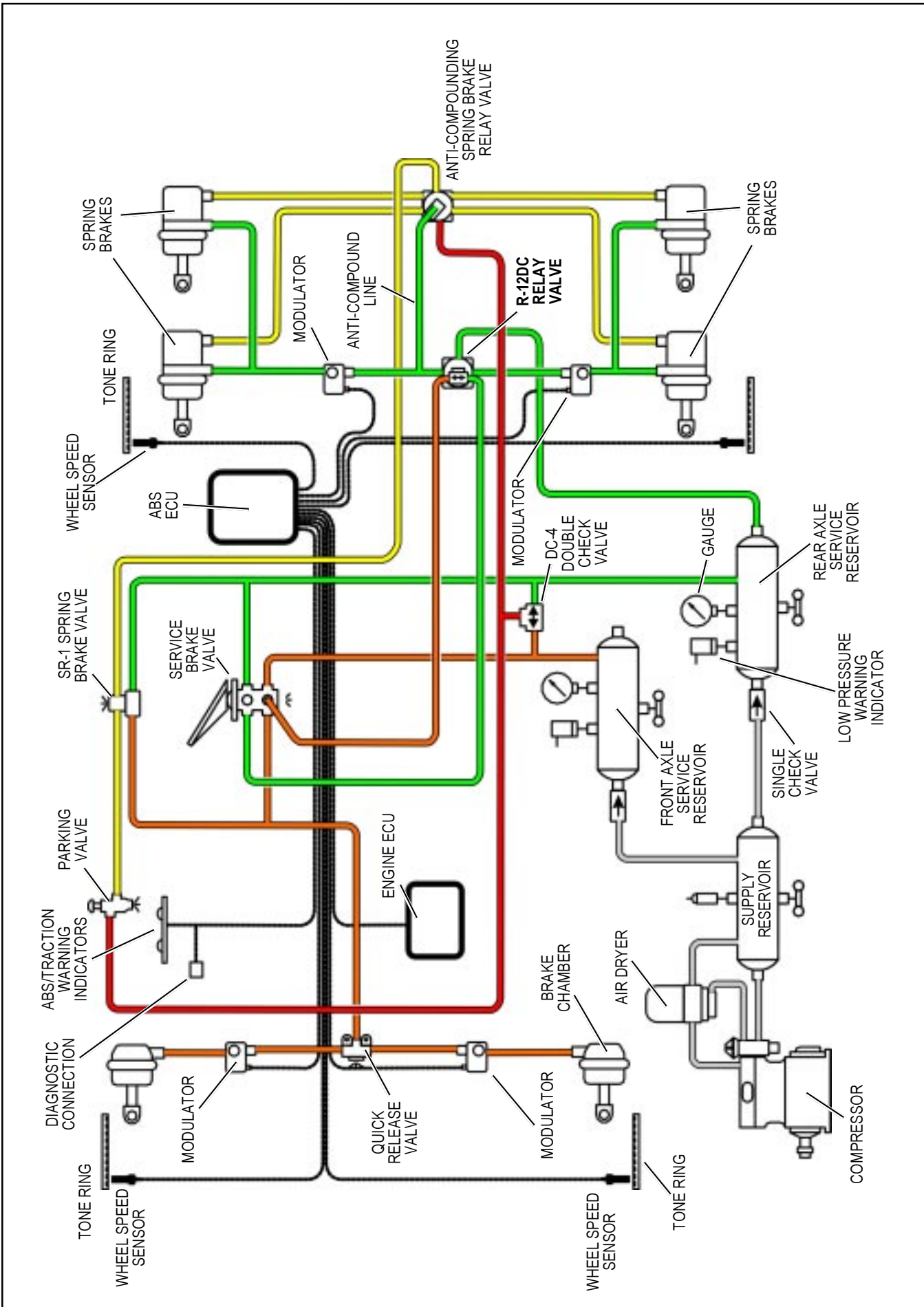


FIGURE 8 - TYPICAL PIPING SCHEMATIC

3. Check for inlet valve and o-ring leakage. Make this check with the service brakes released. Coat the exhaust port and the area around the retaining ring with a soap solution; a 1 inch bubble in 3 seconds leakage is permitted.
4. Check for exhaust valve leakage. Make this check with the service brakes fully applied. Coat the outside of the valve where the cover joins the body to check for seal ring leakage; no leakage is permitted.

If the valves do not function as described above, or if leakage is excessive, it is recommended that the valves be replaced with new or remanufactured units or repaired with genuine Bendix parts, available at any authorized Bendix parts outlet.

IMPORTANT! PLEASE READ

When working on or around a vehicle, the following general precautions should be observed:

1. Park the vehicle on a level surface, apply the parking brakes, and always block the wheels.
2. Stop the engine when working around the vehicle.
3. If the vehicle is equipped with air brakes, make certain to drain the air pressure from all reservoirs before beginning ANY work on the vehicle.
4. Following the vehicle manufacturer's recommended procedures, deactivate the electrical system in a manner that removes all electrical power from the vehicle.
5. When working in the engine compartment the engine should be shut off. Where circumstances require that the engine be in operation, EXTREME CAUTION should be used to prevent personal injury resulting from contact with moving, rotating, leaking, heated, or electrically charged components.
6. Never connect or disconnect a hose or line containing pressure; it may whip. Never remove a component or plug unless you are certain all system pressure has been depleted.
7. Never exceed recommended pressures and always wear safety glasses.
8. Do not attempt to install, remove, disassemble or assemble a component until you have read and thoroughly understand the recommended procedures. Use only the proper tools and observe all precautions pertaining to use of those tools.
9. Use only genuine Bendix replacement parts, components, and kits. Replacement hardware, tubing, hose, fittings, etc. should be of equivalent size, type, and strength as original equipment and be designed specifically for such applications and systems.
10. Components with stripped threads or damaged parts should be replaced rather than repaired. Repairs requiring machining or welding should not be attempted unless specifically approved and stated by the vehicle or component manufacturer.
11. Prior to returning the vehicle to service, make certain all components and systems are restored to their proper operating condition.





Service Data

SD-03-2010*

PRESSURE PROTECTION VALVES

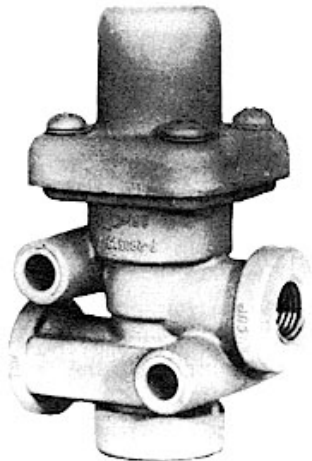
*Formerly SD-03-55

DESCRIPTION

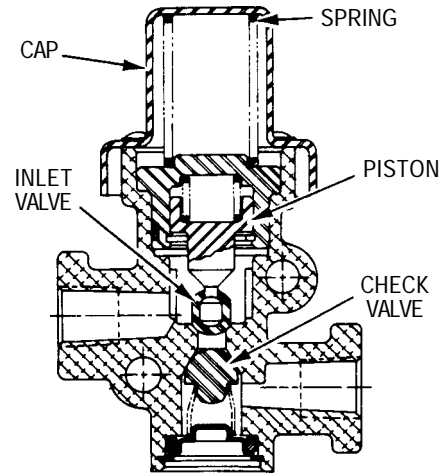
The pressure protection valve is a normally closed, pressure control valve which can be referred to as a non-exhausting sequence valve. These valves are used in many different applications. An example would be in an air brake system to protect one reservoir, or reservoir system from another, by closing automatically at a preset pressure should a reservoir system failure occur. The valves can also be used

to delay filling of auxiliary reservoirs to insure a quick build-up of brake system pressure.

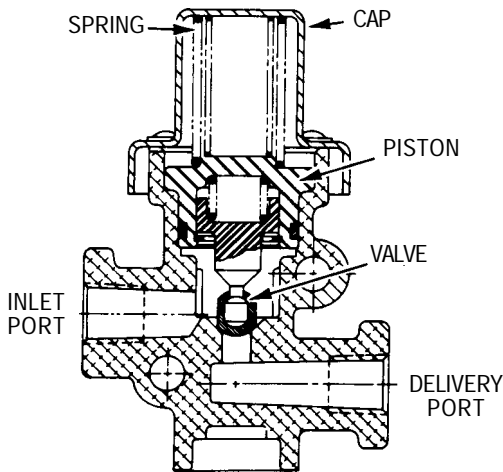
The PR-2 and PR-4 pressure protection valves have one 1/4" N.P.T.F. supply port and one 1/4" N.P.T.F. delivery port which are identified. Both valves are provided with two 9/32" mounting holes through the body. The closing pressure of the PR-2 is externally adjustable while the PR-4 has a fixed setting.



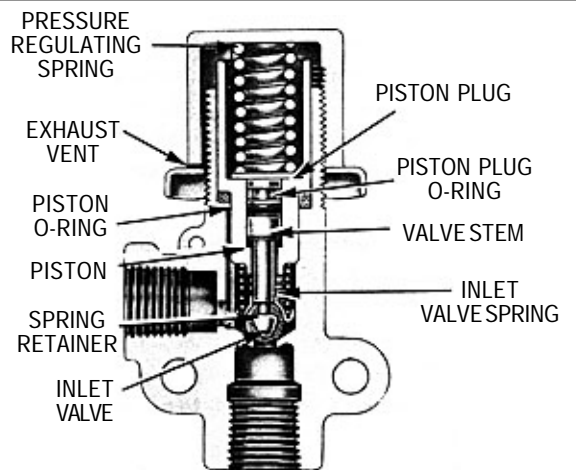
PR-3 OR PR-4



PR-3



PR-4



PR-2

OPERATION

Air entering the supply port is initially prevented from flowing out the delivery port by the inlet valve which is held closed by the pressure regulating spring above the piston. When sufficient air pressure builds beneath the piston to overcome the setting of the regulating spring, the piston will move, causing the inlet valve to unseat (open), and allow air to flow out the delivery port. As long as air pressure at the supply port and beneath the piston remains above the specified closing pressure, the inlet valve will remain open.

NOTE: The PR-2 and PR-4 closing pressure is noted on the label affixed to the valve. Opening pressures of the valves are higher than closing pressures. The pressure ranges are noted below:

PR-2-Opening pressure 15-20 psi higher than closing pressure.

PR-3 & PR-4-Opening pressure approx. 10 psi higher than closing pressure.

PR-3-Check valve will retain maximum pressure in downstream reservoir.

If for any reason system air pressure is decreased below the specified closing pressure, the regulating spring will move the piston closing the inlet valve. The remaining air pressure at either the supply or delivery side, (depending upon where the pressure drop has occurred) will be retained.

PREVENTIVE MAINTENANCE

Every three months, 900 operating hours or 25,000 miles, whichever is first, it is recommended that the operation and leakage checks described in this manual be performed.

OPERATING AND LEAKAGE CHECKS

OPERATING CHECKS

1. Provide a pressure gauge and drain valve at the supply side and delivery side of the pressure protection valve being checked.
2. Build up the air system to full pressure and shut off the engine.
3. While watching the gauges on the supply and delivery sides of the valve, slowly begin to exhaust pressure from the delivery side. Note that both gauges will show pressure loss until the closing pressure of the pressure protection valve is reached.

The pressure protection valve should close at approximately (± 5 psi) the pressure indicated on the valve's label or in the vehicle handbook. The gauge on the delivery side of the valve should continue to show loss of pressure while the gauge on the supply side should stop at the same pressure as the setting of the valve.

4. (PR-3 only) Build pressure up again and shut off engine. Slowly exhaust air from the supply side of the PR-3. The gauge on the delivery side of the valve should remain at the highest pressure previously attained.

LEAKAGE CHECKS

1. Build up the air system to full pressure and shut off the engine.
2. Apply a soap solution around the cap of the pressure protection valve. A one-inch bubble in three seconds or longer is acceptable. PR-3 - No leakage permissible at bottom of valve.
3. Drain the air pressure from the delivery side of the pressure protection valve and disconnect the air line to it.
4. Apply a soap solution to the delivery port. A one inch bubble in five seconds or more is acceptable.

GENERAL

If the pressure protection valve does not operate as described or leakage is excessive, it is recommended that a replacement be obtained at the nearest authorized AlliedSignal Truck Brake Systems Co. distributor.

REMOVING AND INSTALLING

REMOVING

1. Block or hold the vehicle by means other than air brakes.
2. Drain all system reservoirs individually, to 0 psi.
3. Disconnect and identify (supply and delivery) the air lines leading to and from the pressure protection valve.
4. Remove the mounting bolts, if any, that secure the valve.

INSTALLING

1. Re-install the mounting bolts and secure the replacement valve to the vehicle.
2. Reconnect the supply delivery air lines to the proper ports of the replacement valve.

GENERAL

After installing a replacement valve, it is recommended that the operating and leakage checks be performed as outlined in this manual. If the closing pressure does not conform to that shown on the valve label or in the vehicle or a different setting is desired, the PR-2 may be adjusted by loosening the locknut and tightening or loosening the adjusting cap as required; however, if the proper setting cannot be attained by moderate adjustment of the cap, the valve may have the wrong spring and will have to be exchanged for the correct valve. The PR-3 and PR-4 are not adjustable.

IMPORTANT! PLEASE READ

When working on or around a vehicle, the following general precautions should be observed:

1. Park the vehicle on a level surface, apply the parking brakes, and always block the wheels.
2. Stop the engine when working around the vehicle.
3. If the vehicle is equipped with air brakes, make certain to drain the air pressure from all reservoirs before beginning **ANY** work on the vehicle.
4. Following the vehicle manufacturer's recommended procedures, deactivate the electrical system in a manner that removes all electrical power from the vehicle.
5. When working in the engine compartment the engine should be shut off. Where circumstances require that the engine be in operation, **EXTREME CAUTION** should be used to prevent personal injury resulting from contact with moving, rotating, leaking, heated, or electrically charged components.
6. Never connect or disconnect a hose or line containing pressure; it may whip. Never remove a component or plug unless you are certain all system pressure has been depleted.
7. Never exceed recommended pressures and always wear safety glasses.
8. Do not attempt to install, remove, disassemble or assemble a component until you have read and thoroughly understand the recommended procedures. Use only the proper tools and observe all precautions pertaining to use of those tools.
9. Use only genuine Bendix replacement parts, components, and kits. Replacement hardware, tubing, hose, fittings, etc. should be of equivalent size, type, and strength as original equipment and be designed specifically for such applications and systems.
10. Components with stripped threads or damaged parts should be replaced rather than repaired. Repairs requiring machining or welding should not be attempted unless specifically approved and stated by the vehicle or component manufacturer.
11. Prior to returning the vehicle to service, make certain all components and systems are restored to their proper operating condition.



DOUBLE CHECK VALVES

*FORMERLY SD-03-67

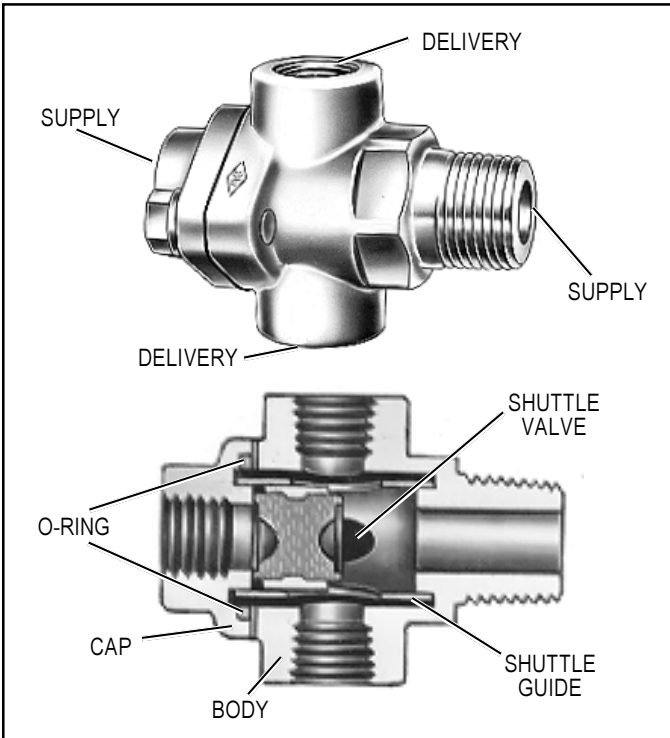


FIGURE 1 - DOUBLE CHECK VALVE (SHUTTLE TYPE)

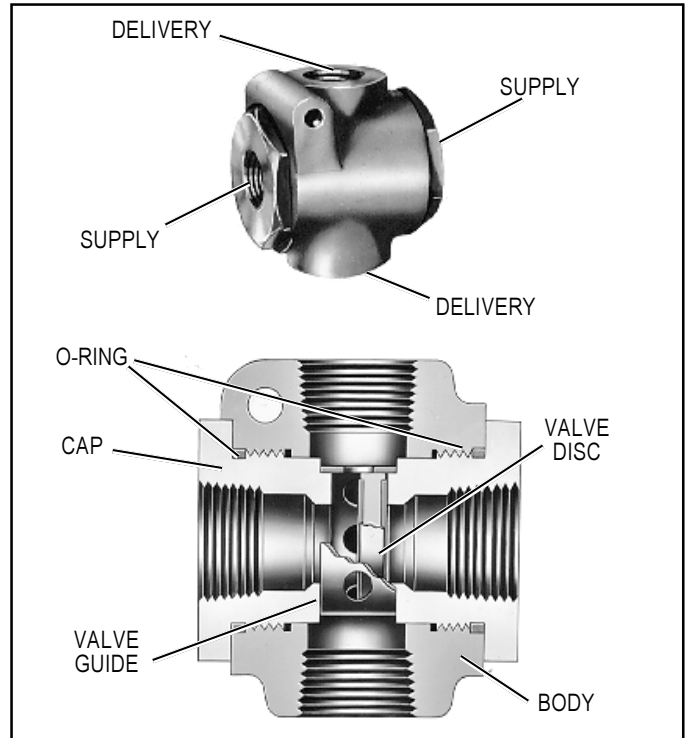


FIGURE 2 - DOUBLE CHECK VALVE (DISC TYPE)

DESCRIPTION

Double Check Valves are used in an air brake system to direct a flow of air into a common line from either of two sources, whichever is at the higher pressure. They may be used for directing air flow for specific functions or to select the higher pressure of either of two sources of air as a supply source.

AlliedSignal manufactures two types of Bendix Double Check Valves: shuttle and disc. Although the valves are somewhat different physically, the same function is performed by both types. The difference in the design of the two valves is that the shuttle type has a movable shuttle to seal off the lower pressure source, whereas the disc type has a movable disc.

OPERATION

As air under pressure enters either end of the Double Check Valve (inlet port) the moving shuttle or disc responds to the pressure and seals the opposite port, assuming it is at a lower pressure level than the other. The air flow continues out the delivery port of the Double Check Valve. The position

of the shuttle or disc will reverse if the pressure levels are reversed. Double Check Valves are designed so that the shuttle or disc can never impede the backflow of air in the exhaust mode.

Figure 3 (see page 2) illustrates a typical use of a Double Check Valve to control a given device, such as trailer brakes, from either of two control sources.

Figure 4 (see page 2) illustrates a typical use of a Double Check Valve to supply air to a system or systems from either of two separate sources, whichever is at the greater pressure level. In this type of installation the pressure differential to which the valve is subjected may under certain conditions be minimal. It is therefore suggested that performance of the Double Check Valve will be optimized if it is mounted in the horizontal position.

PREVENTIVE MAINTENANCE

Every 3600 operating hours, 100,000 miles, or yearly, disassemble, clean and inspect all parts. Install new parts if they show signs of wear or deterioration.

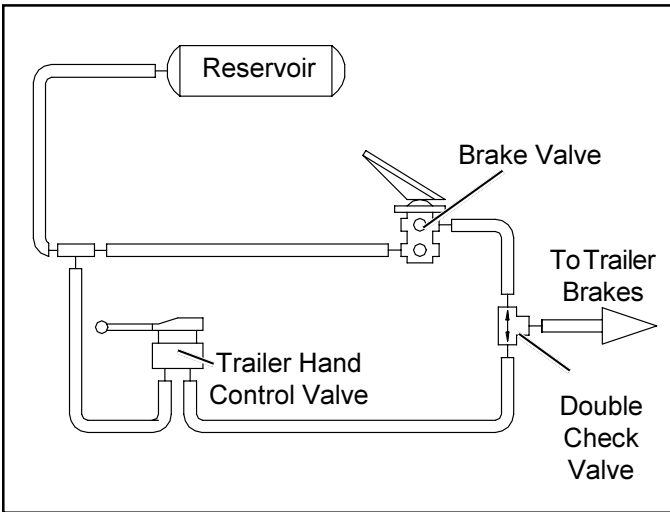


FIGURE 3 - DOUBLE CHECK VALVE: CONTROL OF SYSTEM FROM EITHER OF TWO CONTROL SOURCES

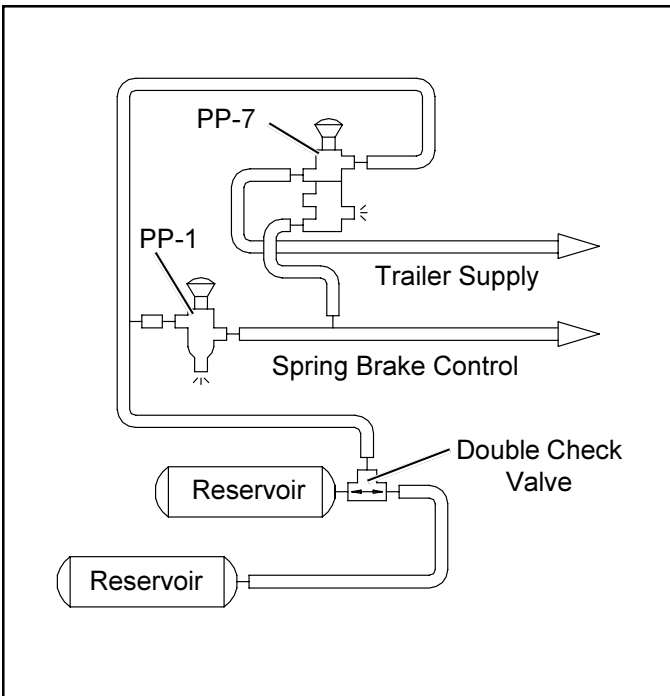


FIGURE 4 - DOUBLE CHECK VALVE: SYSTEM WITH TWO SUPPLY SOURCES

SERVICE CHECKS

OPERATING AND LEAKAGE TEST

- A. When the Double Check Valve is used in conjunction with a Trailer Control Valve, the following operating and leakage test can be made:
1. Apply and release foot brake valve and note that the brakes apply and release on both tractor and trailer.
 2. Apply and release the Trailer Control Valve and note that only the trailer brakes apply and release. With trailer control valve applied check exhaust port of foot brake valve for leakage with soap solution. Permissible leakage is a one inch bubble in five seconds (100 sccm).

3. Apply and hold a full foot brake valve application. Check exhaust port of Trailer Control Valve for leakage with soap solution. Permissible leakage is a one inch bubble in five seconds (100 sccm). (**Note:** On some vehicles, an exhaust line is connected to the exhaust port and piped outside the cab in which case it may be necessary to disconnect this line to make leakage check.)
- B. If Double Check Valve is to be bench tested or tested on the vehicle, two separately controlled air supplies must be connected to the inlet ports.
1. Install an accurate test gauge in the outlet port or in a line from outlet port.
 2. Apply and release air to one inlet port and note that gauge registers application and release.
 3. Repeat by applying and releasing air to other inlet port.
 4. Leakage check should be performed at inlet ports of valve in the following manner:
 - a. Disconnect line from one inlet port.
 - b. Apply air to other inlet port and coat opposite inlet port with soap solution. Permissible leakage is a one inch bubble in five seconds (100 sccm).
 - c. Repeat Step "b" applying air to other inlet port while checking opposite inlet port for leakage.

If the Double Check Valve does not function as described or if leakage is excessive, it is recommended that the valve be repaired or replaced with genuine Bendix parts. The following instructions should prove helpful:

DISASSEMBLY

1. Remove end cap(s) from valve.
2. Remove grommets (if applicable).
3. Remove shuttle and/or shuttle guide, disc and/or disc guide (depending upon type of valve).

CLEANING AND INSPECTION

1. Clean all metal parts in a cleaning solvent.
2. Inspect all metal parts for signs of cracks, wear or deterioration. Replace all parts not considered serviceable.
3. Replace all rubber parts.

ASSEMBLY

1. Install disc guide, disc and/or shuttle and shuttle guide.
2. Coat all static seals such as o-rings, grommets, etc. with BW 650M Silicone lubricant (BW 291126). It is not necessary to lubricate shuttles or discs.
3. Install grommets.
4. Install end cap(s).

TESTING OF REBUILT DOUBLE CHECK VALVE

Perform operating and leakage tests as described in “Service Checks” section.

IMPORTANT! PLEASE READ:

When working on or around a vehicle, the following general precautions should be observed:

- 1. Park the vehicle on a level surface, apply the parking brakes, and always block the wheels.**
- 2. Stop the engine when working around the vehicle.**
- 3. If the vehicle is equipped with air brakes, make certain to drain the air pressure from all reservoirs before beginning ANY work on the vehicle.**
- 4. Following the vehicle manufacturer’s recommended procedures, deactivate the electrical system in a manner that removes all electrical power from the vehicle.**
- 5. When working in the engine compartment the engine should be shut off. Where circumstances require that the engine be in operation, EXTREME CAUTION should be used to prevent personal injury resulting from contact with moving, rotating, leaking, heated, or electrically charged components.**
- 6. Never connect or disconnect a hose or line containing pressure; it may whip. Never remove a component or plug unless you are certain all system pressure has been depleted.**
- 7. Never exceed recommended pressures and always wear safety glasses.**
- 8. Do not attempt to install, remove, disassemble or assemble a component until you have read and thoroughly understand the recommended procedures. Use only the proper tools and observe all precautions pertaining to use of those tools.**
- 9. Use only genuine Bendix replacement parts, components, and kits. Replacement hardware, tubing, hose, fittings, etc. should be of equivalent size, type, and strength as original equipment and be designed specifically for such applications and systems.**
- 10. Components with stripped threads or damaged parts should be replaced rather than repaired. Repairs requiring machining or welding should not be attempted unless specifically approved and stated by the vehicle or component manufacturer.**
- 11. Prior to returning the vehicle to service, make certain all components and systems are restored to their proper operating condition.**



TW-1, TW-3, TW-4, TW-5 & TW-6 CONTROL VALVES

*Formerly SD-03-64

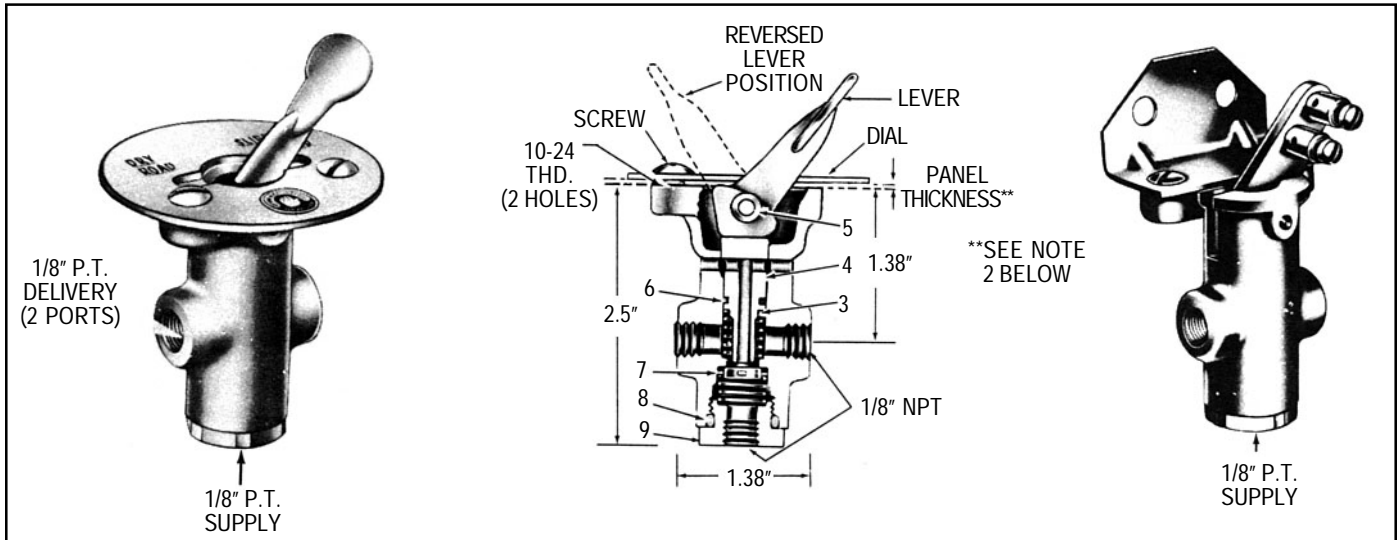


FIGURE 1 - TW-1

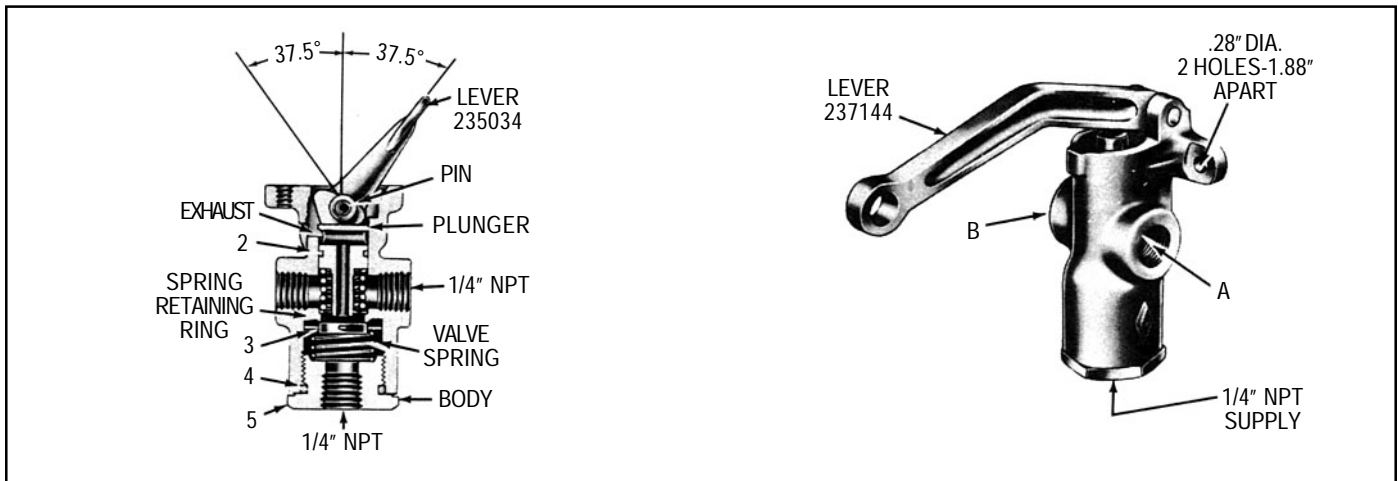


FIGURE 2 - TW-3

DESCRIPTION

The TW series valves are manually operated on-off valves. They are extensively used in air systems to control nonmodulating air controlled devices. They may be lever or button operated, direct or remote control.

The TW-1 (Figure 1) is normally panel mounted with a steel, zinc or nylon manually operated lever. Some are equipped with a steel lever with connectors for Bowden cable control. All TW-1's have 1/8" NPT ports.

The TW-3 (Figure 2) is lever operated, either direct or remote and differs from the TW-1 in having 1/4" NPT ports and larger capacity. Some versions have a heavy inlet valve spring making them suitable for vacuum control.

TW-4's and TW-5's (Figure 3) are similar to the TW-1 except the plunger is designed for a push button, giving momentary application whenever the button is depressed.

The TW-6 (Figure 4) is a TW-1 with a grounding switch included. In the exhaust position the switch is open. When the valve is applied the switch is closed.

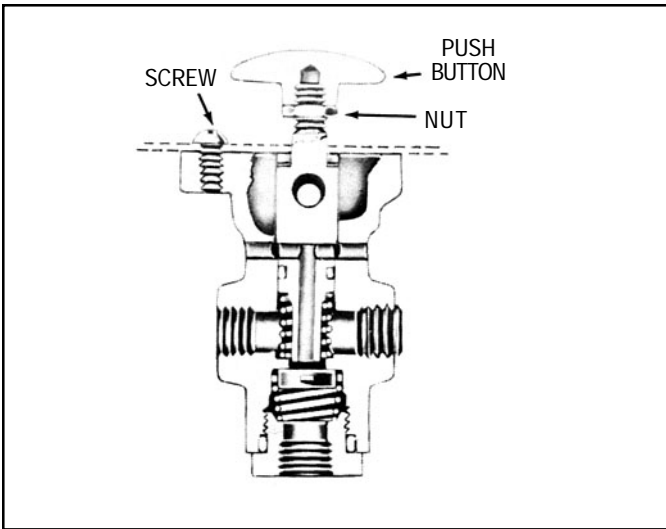


FIGURE 3 - TW-4

OPERATION

With air pressure at the supply port (Figure 1) and the plunger in the upward position the valve is in the exhaust position. The delivery ports are open to atmosphere through the exhaust passage in the center of the plunger.

When the plunger is depressed by the cam action of the lever (Figure 1) or by a direct force on a push button (Figure 3) the plunger contacts the inlet valve, closing the exhaust passage and pushes the inlet valve off the inlet seat in the body, allowing supply air to flow through the delivery ports to the controlled device.

PREVENTIVE MAINTENANCE

Every year, 100,000 miles or 1800 operating hours disassemble, clean and check all parts and replace if necessary.

SERVICE CHECKS

OPERATING AND LEAKAGE TESTS

Connect a 100 psi air pressure source to the supply port and connect delivery to an air gauge. (if there are two delivery ports, plug one.) With the valve in the released position, check for leakage at the exhaust holes with a soap solution. No leakage permitted. Place the valve in the applied position. Supply air pressure should show on the gauge. Check for leakage at the exhaust holes. No leakage permitted.

If the TW valve does not function as described or if leakage occurs, it is recommended that it be replaced with a new unit or repaired with genuine Bendix parts.

REMOVING

Secure the vehicle with other means than brakes and drain the reservoirs.

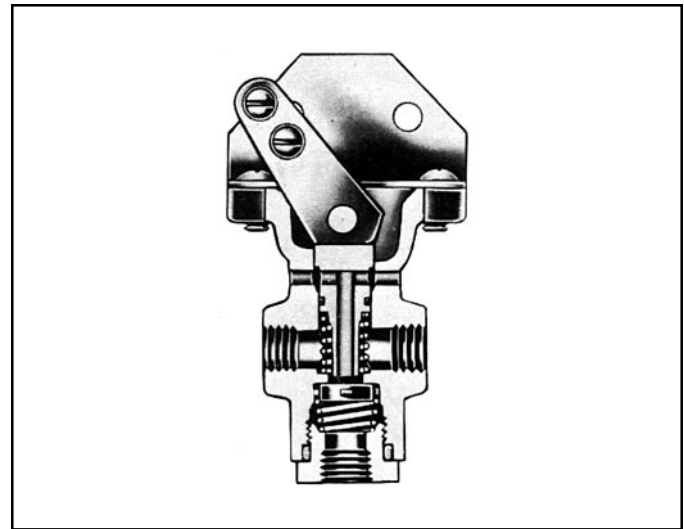


FIGURE 4 - TW-6

Disconnect all air lines and remove the valve.

INSTALLING

Place valve handle through appropriate hole in panel, place dial (if used) over handle and install mtg. screws. Connect air lines.

DISASSEMBLY

Remove operating handle or lever by driving the pin out of the body (Figure 1) and remove the lever, plunger and plunger spring. Remove the O-Ring from the plunger.

Remove the supply cap nut, inlet valve and spring. Remove the O-Ring from the supply cap nut.

CLEANING AND INSPECTION OF PARTS

Wipe rubber parts clean. Clean plastic and metal parts in mineral spirits and dry thoroughly. Inspect all rubber parts for wear or deterioration and replace where necessary. Polish the inlet seat in the body if nicked or corroded. Inspect all springs for cracks, distortion or corrosion and replace if necessary.

ASSEMBLY

Prior to assembly lubricate body bore, plunger, O-Rings, and cap nut threads with Bendix silicone lubricant BW 650M Pc. No. 291126.

Place inlet valve in body.

Place inlet valve spring on inlet valve.

Place O-Ring on cap nut and install cap nut.

Install plunger spring from top of body.

Install O-Ring on plunger and install plunger.

TW-1 TW-3 & TW-6

Depress plunger, place lever cam in slot in body, line up holes in body with hole in lever and insert pin.

TW-4 & TW-5

Depress plunger with button until hole in plunger lines up with holes in body. Insert pin.

LEAKAGE TEST

Test valve per instructions in paragraph on “Service Checks.”

IMPORTANT! PLEASE READ

When working on or around a vehicle, the following general precautions should be observed:

1. Park the vehicle on a level surface, apply the parking brakes, and always block the wheels.
2. Stop the engine when working around the vehicle.
3. If the vehicle is equipped with air brakes, make certain to drain the air pressure from all reservoirs before beginning ANY work on the vehicle.
4. Following the vehicle manufacturer’s recommended procedures, deactivate the electrical system in a manner that removes all electrical power from the vehicle.
5. When working in the engine compartment the engine should be shut off. Where circumstances require that the engine be in operation, EXTREME CAUTION should be used to prevent personal injury resulting from contact

with moving, rotating, leaking, heated, or electrically charged components.

6. Never connect or disconnect a hose or line containing pressure; it may whip. Never remove a component or plug unless you are certain all system pressure has been depleted.
7. Never exceed recommended pressures and always wear safety glasses.
8. Do not attempt to install, remove, disassemble or assemble a component until you have read and thoroughly understand the recommended procedures. Use only the proper tools and observe all precautions pertaining to use of those tools.
9. Use only genuine Bendix replacement parts, components, and kits. Replacement hardware, tubing, hose, fittings, etc. should be of equivalent size, type, and strength as original equipment and be designed specifically for such applications and systems.
10. Components with stripped threads or damaged parts should be replaced rather than repaired. Repairs requiring machining or welding should not be attempted unless specifically approved and stated by the vehicle or component manufacturer.
11. Prior to returning the vehicle to service, make certain all components and systems are restored to their proper operating condition.



PUSH-PULL TYPE CONTROL VALVES: PP-1, PP-2, PP-5, PP-8, & RD-3

*FORMERLY SD-03-61

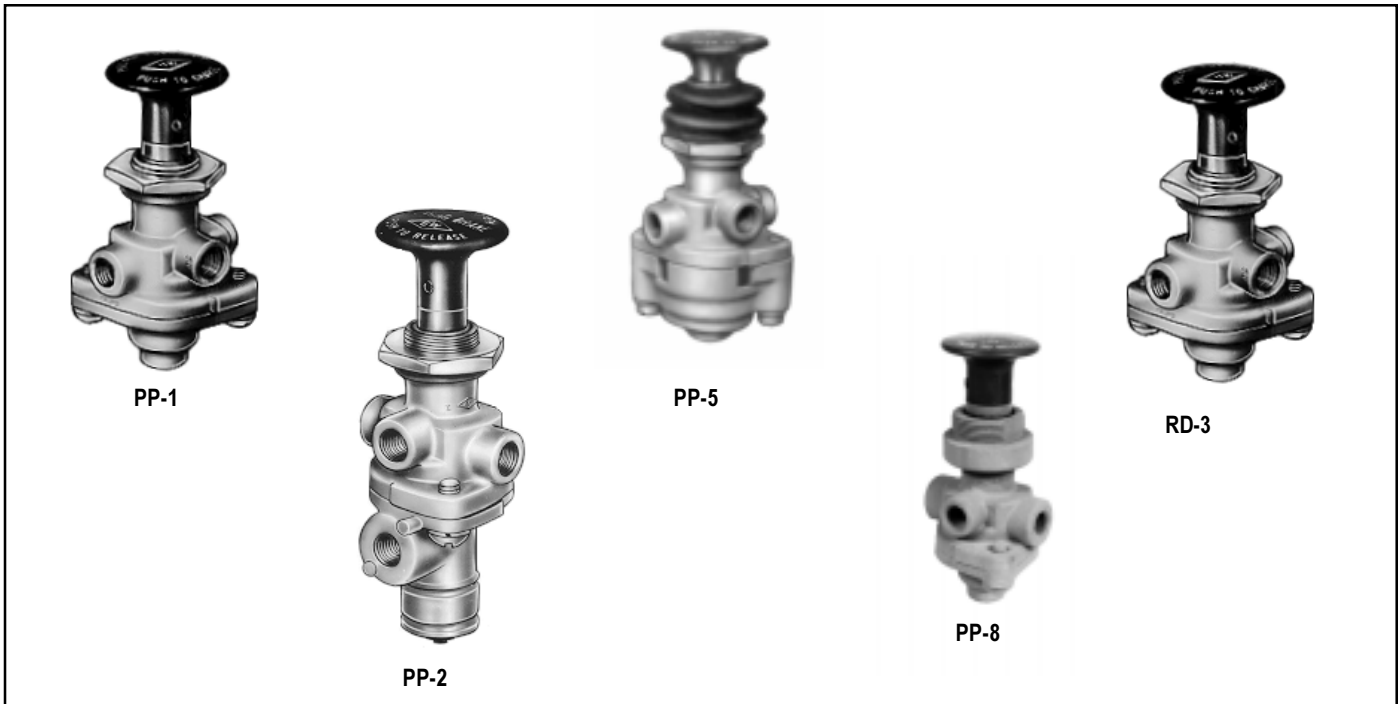


FIGURE 1 - PUSH-PULL TYPE CONTROL VALVES

DESCRIPTION

The PP valves are push-pull manually operable on-off air control valves with an exhaust function. Most are pressure sensitive, so that they will automatically move from the applied to the exhaust position as supply pressure is reduced to a certain minimum, depending on the spring installed. The exception to this is the PP-8 valve and some PP-1 valves which have no spring. The PP-8 valve also has a larger diameter shaft for button mounting so that when installed on the same panel with other PP valves the buttons cannot be inadvertently mixed. The PP-8 is normally used to operate tractor spring brakes independently from the trailer.

The PP-5 is unique in having an auxiliary piston in the lower cover which, upon receiving a pneumatic signal of 18 psi or more, will cause the valve to move from the applied to the exhaust position from a 100 psi application.

The RD-3 differs slightly in that it normally remains in the exhaust position and requires a constant manual force to hold it in the applied position.

The PP-2 has an auxiliary port which may be plumbed into a service brake line to release the spring brakes if a service application is made, preventing compounding of forces on the foundation brakes.

PREVENTIVE MAINTENANCE

Every six months, 50,000 miles or 1800 operating hours, disassemble, clean and replace parts if necessary.

REMOVAL

Block and/or hold the vehicle by a means other than air brakes and drain all reservoirs.

1. Drive the Button Roll-Pin out with a punch and remove the button.
2. Mark each air supply line and its port for easy reinstallation, then disconnect them. Remove the valve from the panel by removing the Panel Mounting Nut.

	AUTOMATIC EXHAUST	MOMENTARY APPLY	PILOT TRIP FEATURE	NON-AUTOMATIC
PP-1	20,30,40 or 60 psi			
PP-2	40 psi			
PP-5	40 psi		18 psi	
RD-3		Must be held manually		
PP-8				Will remain in either position

INSTALLING

1. Install valve in panel, securing with the Panel Mounting Nut.
2. Reconnect the air lines using marks made during removal as a guide.
3. Install the operating button. Secure the operating button by installing the Button Roll Pin.

DISASSEMBLY: PP-1, PP-8 AND RD-3

1. Remove the two cap screws (3) which retain the lower cover and remove cover. Remove the sealing ring (4).
2. Insert a small punch through the roll pin hole in the stem and remove the lock nut (5).
3. Remove inlet-exhaust valve (6) and plunger (7) and spring (8) (if any).
4. Remove o-ring (9) from plunger.

DISASSEMBLY: PP-5

1. Perform same operations as for PP-1.
2. Remove inlet seal (10) in Figure 4 from lower cover. Remove the ring diaphragm (4) from the inlet seat.
3. Remove piston (11) Figure 4 and o-ring (2).

DISASSEMBLY: PP-2

1. Insert a small punch through the roll pin hole in the plunger and remove the lock nut (1) from the plunger.
2. Withdraw the plunger and remove the spring (9) and o-ring (8).
3. Remove the two machine screws (2) and remove the lower cover (3).
4. Remove the inlet-exhaust valve (4), and piston (5).
5. Remove o-rings (6 & 7) from piston.

OPERATING AND LEAKAGE TESTS

PP-1, PP-8, RD-3

1. An accurate test gauge should be tee'd into the supply line and a means of controlling the supply pressure provided. Apply a 120 psi air source to the supply port. A small volume reservoir (e.g. 90 cu. in.) with a gauge should be connected to the delivery port.

2. With 120 psi supply pressure, and the button pulled out (exhaust position), leakage at the exhaust port should not exceed a 1" bubble in five seconds; at the plunger stem a 1" bubble in five seconds. There should be no leakage between upper and lower body.
3. Push the button in (applied position). Leakage at the exhaust port should not exceed a 1" bubble in 3 seconds; at the plunger a 1" bubble in three seconds. (The RD-3 will have to be manually held in this position.)
4. Reduce the supply pressure. At a pressure from 60 to 20 psi depending on the spring installed the button should pop out automatically, exhausting the delivery volume. (This does not apply to the RD-3, PP-8 or some PP-1's).

PP-5

1. Proceed as for PP-1 through Step 3.
2. Connect a modulated source of air pressure to the pilot air inlet. With the button pushed in (applied position) with 125 psi supply pressure and a gradually increasing pressure applied at the pilot air port the valve should move to the release position with a pilot pressure of not more than 18 psi. Leakage in this mode should not exceed a 1" bubble in three seconds at the exhaust port and a 1" bubble in five seconds at the plunger stem.

PP-2

1. Proceed as for PP-1 through Step 1.
2. With the button pulled out (exhaust position), leakage at the brake valve port or at the plunger stem should not exceed a 1" bubble in five seconds.
3. Push the button in. Supply pressure should be present in the delivery volume. Leakage at the exhaust port or around the plunger stem should not exceed a 1" bubble in five seconds.
4. Pull the button out and apply supply pressure at the brake valve port. Supply pressure should be present in the delivery volume and leakage at the exhaust port should not exceed a 1" bubble in five seconds.

Note: If any of the above push-pull valves do not function as described or if leakage is excessive, it is recommended they be returned to our nearest authorized distributor for a factory rebuilt or new valve.

IMPORTANT! PLEASE READ:

When working on or around a vehicle, the following general precautions should be observed:

1. **Park the vehicle on a level surface, apply the parking brakes, and always block the wheels.**
2. **Stop the engine when working around the vehicle.**

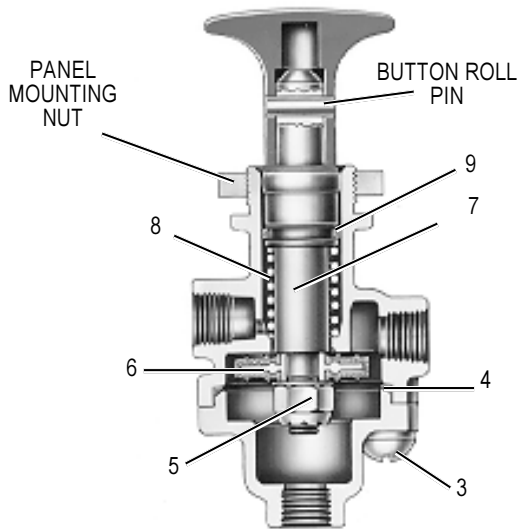


FIGURE 2 PP-1

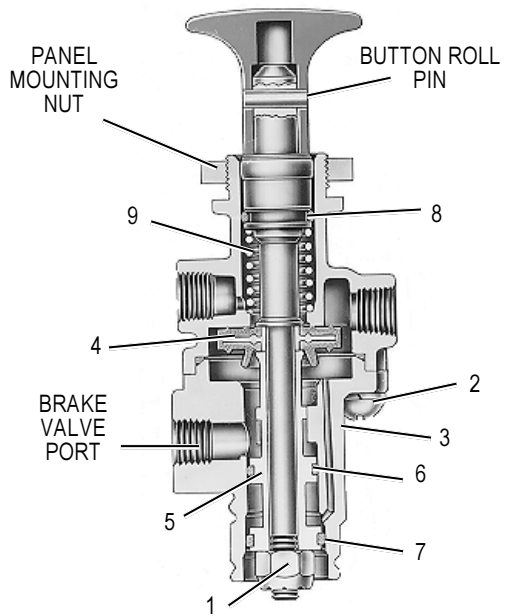


FIGURE 3 PP-2

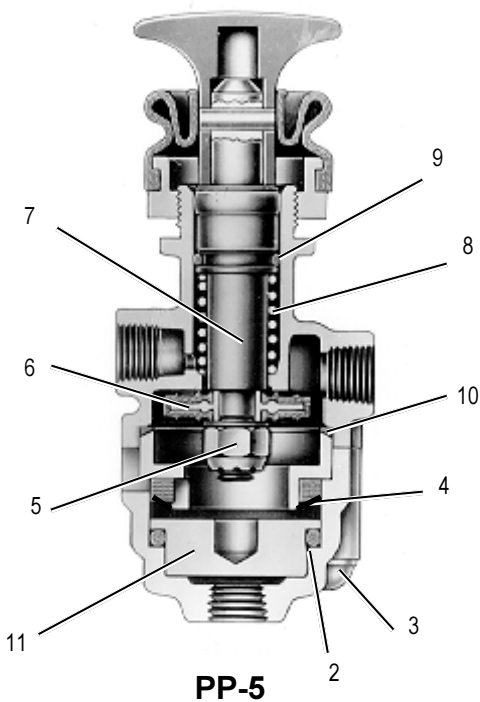


FIGURE 4

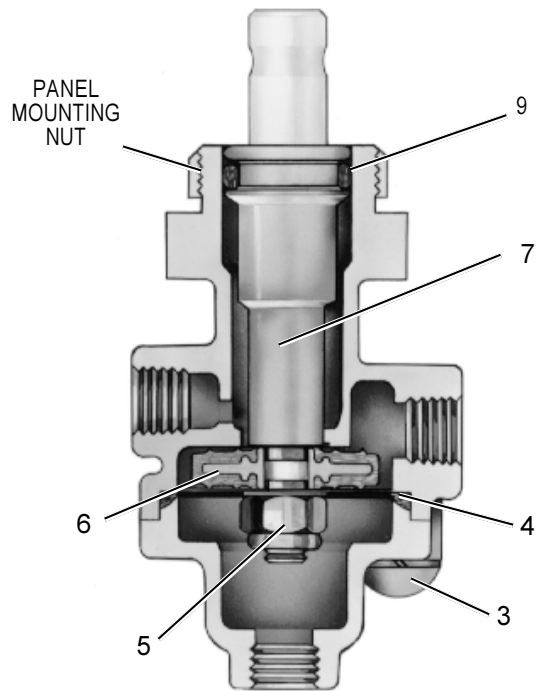
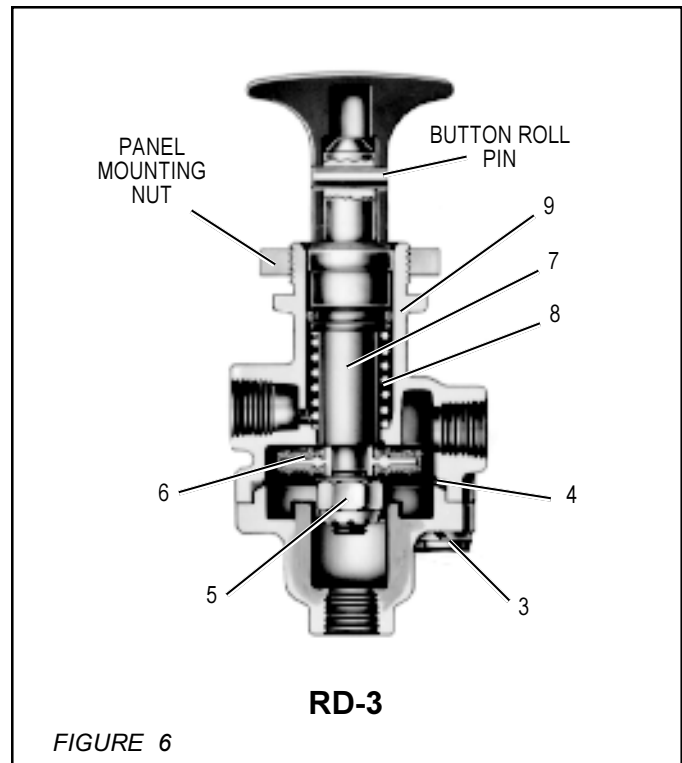


FIGURE 5

3. If the vehicle is equipped with air brakes, make certain to drain the air pressure from all reservoirs before beginning any work on the vehicle.
4. Following the vehicle manufacturer's recommended procedures, deactivate the electrical system in a manner that removes all electrical power from the vehicle.

5. When working in the engine compartment the engine should be shut off. Where circumstances require that the engine be in operation, extreme caution should be used to prevent personal injury resulting from contact with moving, rotating, leaking, heated, or electrically charged components.

6. Never connect or disconnect a hose or line containing pressure; it may whip. Never remove a component or plug unless you are certain all system pressure has been depleted.
7. Never exceed recommended pressures and always wear safety glasses.
8. Do not attempt to install, remove, disassemble or assemble a component until you have read and thoroughly understand the recommended procedures. Use only the proper tools and observe all precautions pertaining to use of those tools.
9. Use only genuine Bendix replacement parts, components, and kits. Replacement hardware, tubing, hose, fittings, etc. should be of equivalent size, type, and strength as original equipment and be designed specifically for such applications and systems.
10. Components with stripped threads or damaged parts should be replaced rather than repaired. Repairs requiring machining or welding should not be attempted unless specifically approved and stated by the vehicle or component manufacturer.
11. Prior to returning the vehicle to service, make certain all components and systems are restored to their proper operating condition.



SR-1 SPRING BRAKE VALVE

*Formerly SD-03-87

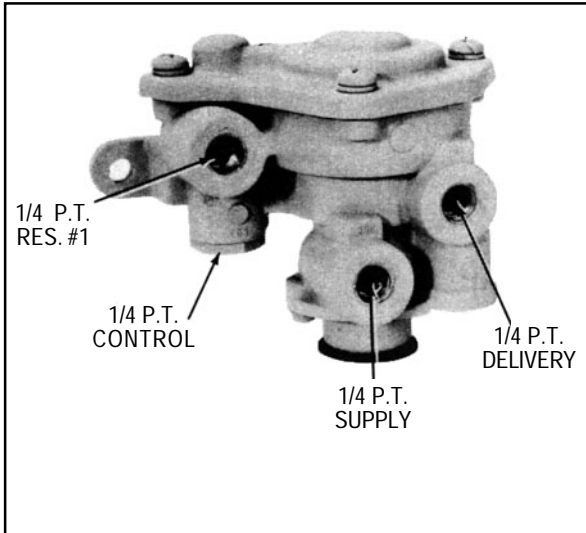


FIGURE 1 - EXTERIOR VIEW

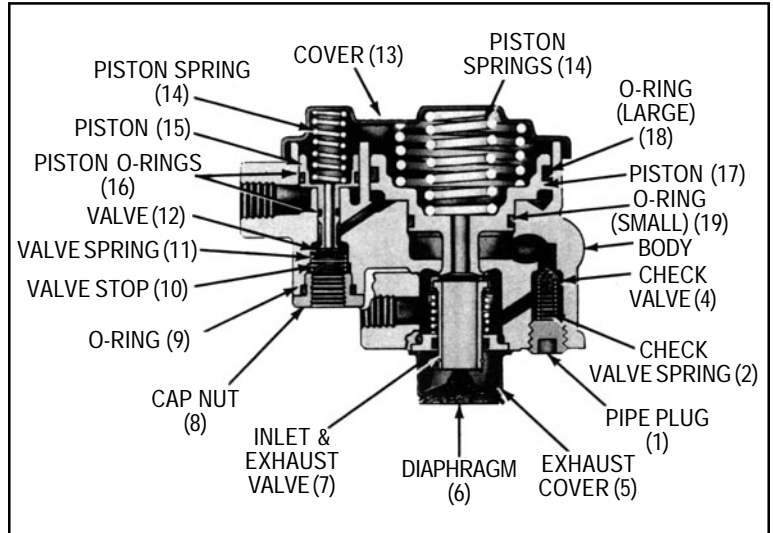


FIGURE 2 - SECTIONAL VIEW

DESCRIPTION:

The SR-1 Spring Brake Valve is used in dual or "split" air brake systems equipped with spring brake actuators. The function of the SR-1 is to supply a specific, limited hold-off pressure to the spring brakes, and in the event of loss of No. 1 service air pressure, to modulate the spring brakes through the use of the service brake valve.

The valve has four identified 1/4" N.P.T.F. ports and a diaphragm protected exhaust port. Two 5/16" diameter holes are provided in the integral mounting bracket of the valve body. The SR-1 must be mounted with the exhaust port down toward the road surface.

OPERATION - INITIAL AIR SYSTEM CHARGE

Upon initial charge, air from #1 & #2 service reservoirs flows through the park control valve and enters the SR-1 supply port. Air entering the supply port flows past inlet and exhaust valve B to the underside of piston B and out the delivery port of the SR-1 to the emergency air connection at the spring brake actuator. Note that the springs above piston B force it into contact with inlet and exhaust valve B. In the position shown the exhaust is closed and the inlet is open.

Air flowing from the No. 1 reservoir only enters the reservoir port of the SR-1. This air remains under piston A as system pressure builds. With No. 1 reservoir pressure below approximately 55 P.S.I. the spring above piston A forces it into contact with inlet and exhaust valve A causing the exhaust to seal and the inlet to open.

With air system pressure above approximately 55 P.S.I. in No. 1 & 2 service reservoirs, piston A has moved against the force of the spring above it, allowing the inlet of valve A to close and opening the hollow exhaust passage through piston A.

OPERATION - AIR BRAKE SYSTEM FULLY CHARGED

When air pressure beneath piston B is approximately 95** P.S.I., piston B rises slightly, against the force of the springs above it, allowing the inlet of valve B to close. The exhaust through valve B remains closed. The closing of the inlet portion of valve B retains approximately 95* P.S.I. in the hold-off cavity of the spring brake actuators while allowing full air system pressure to build elsewhere.

**Note: Other spring brake hold-off pressures are supplied according to the vehicle manufacturer's specifications. 95 P.S.I. was chosen only for the purpose of explanation.

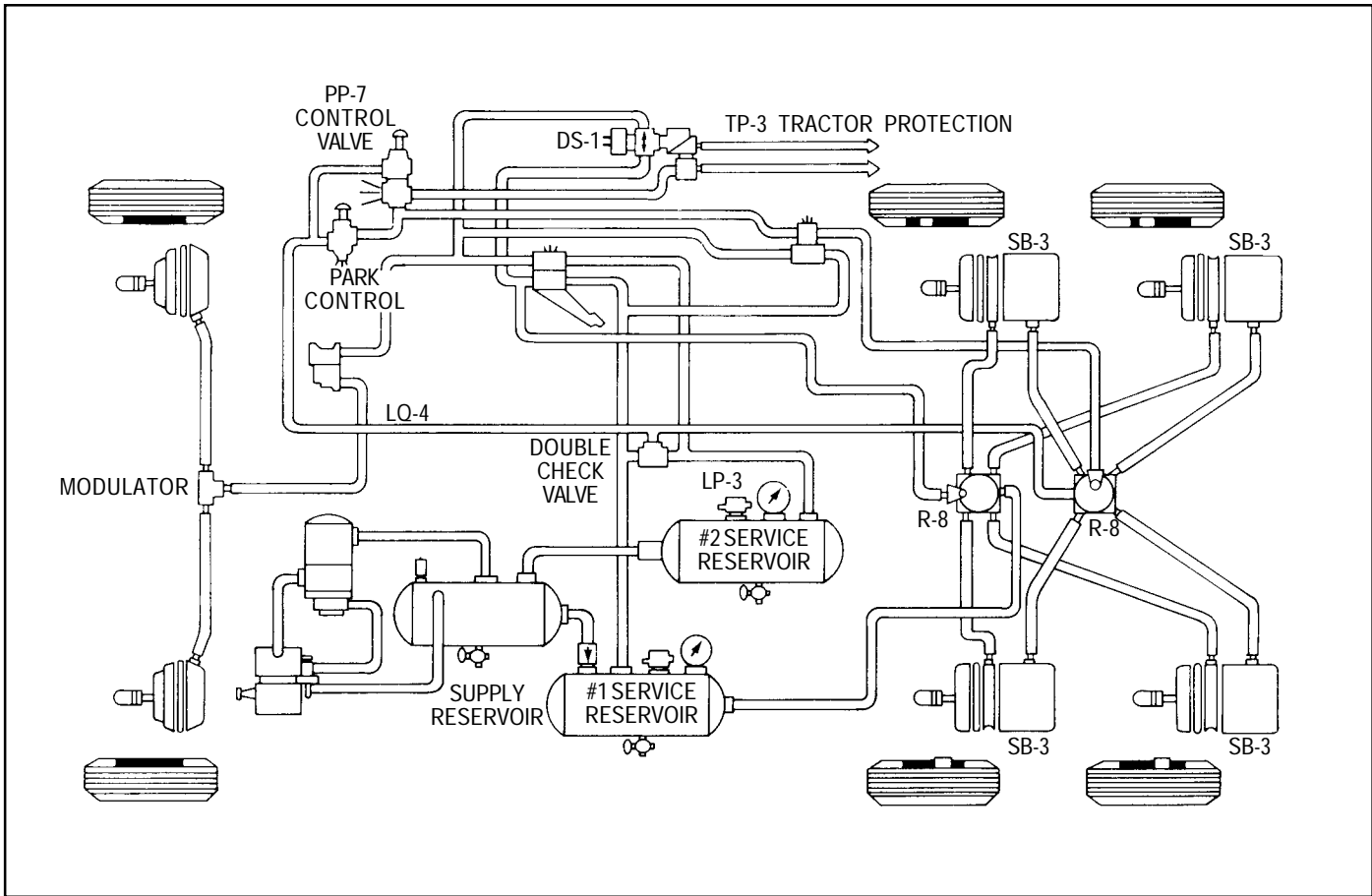


FIGURE 3 - PIPING DIAGRAM

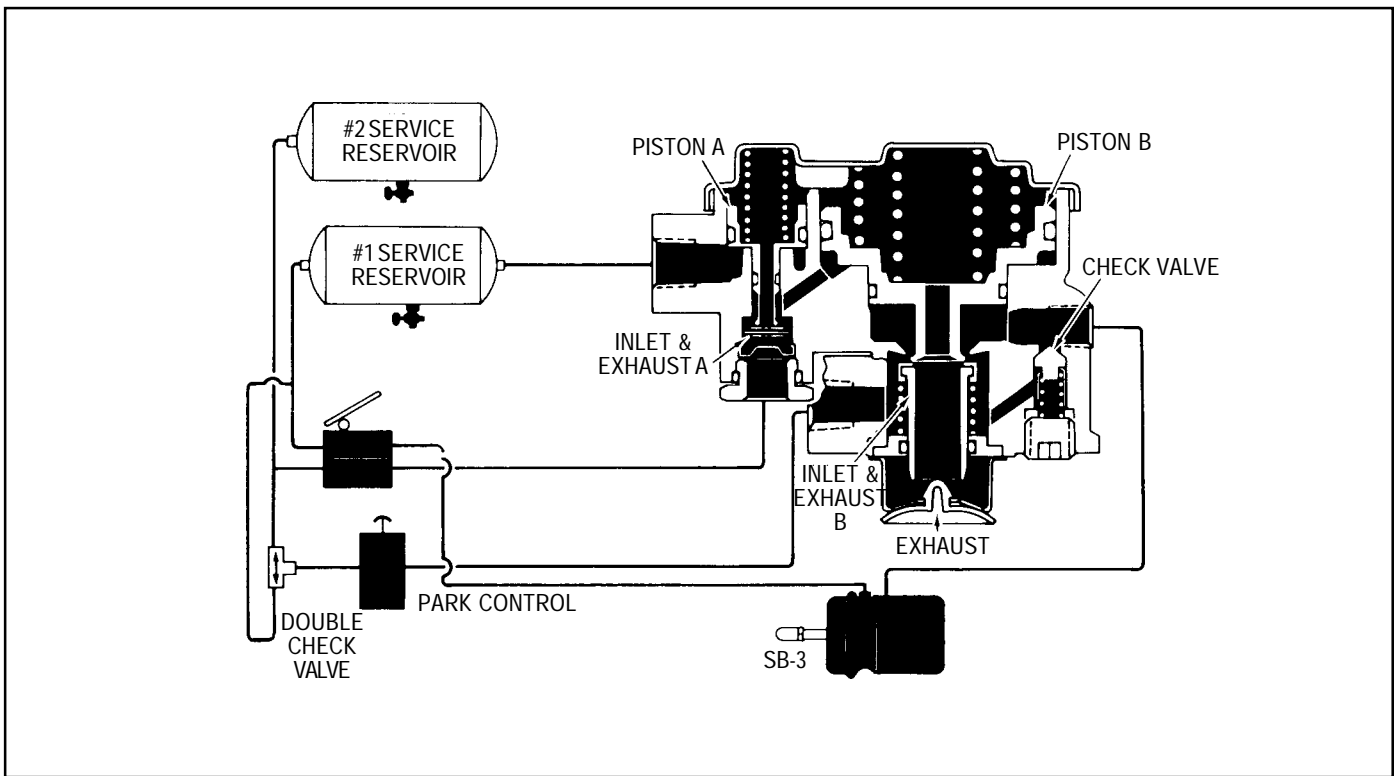


FIGURE 4 - CHARGING - BELOW 55 P.S.I.

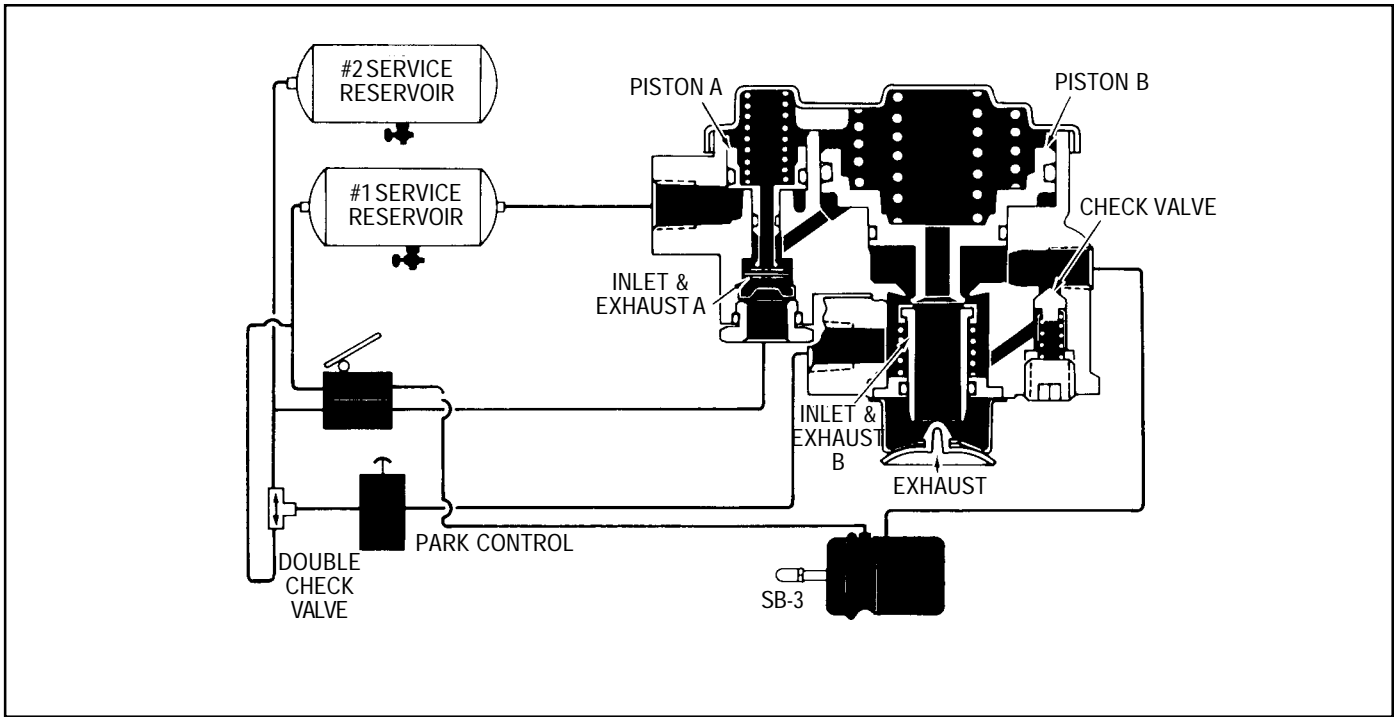


FIGURE 5 - SYSTEM FULLY CHARGED

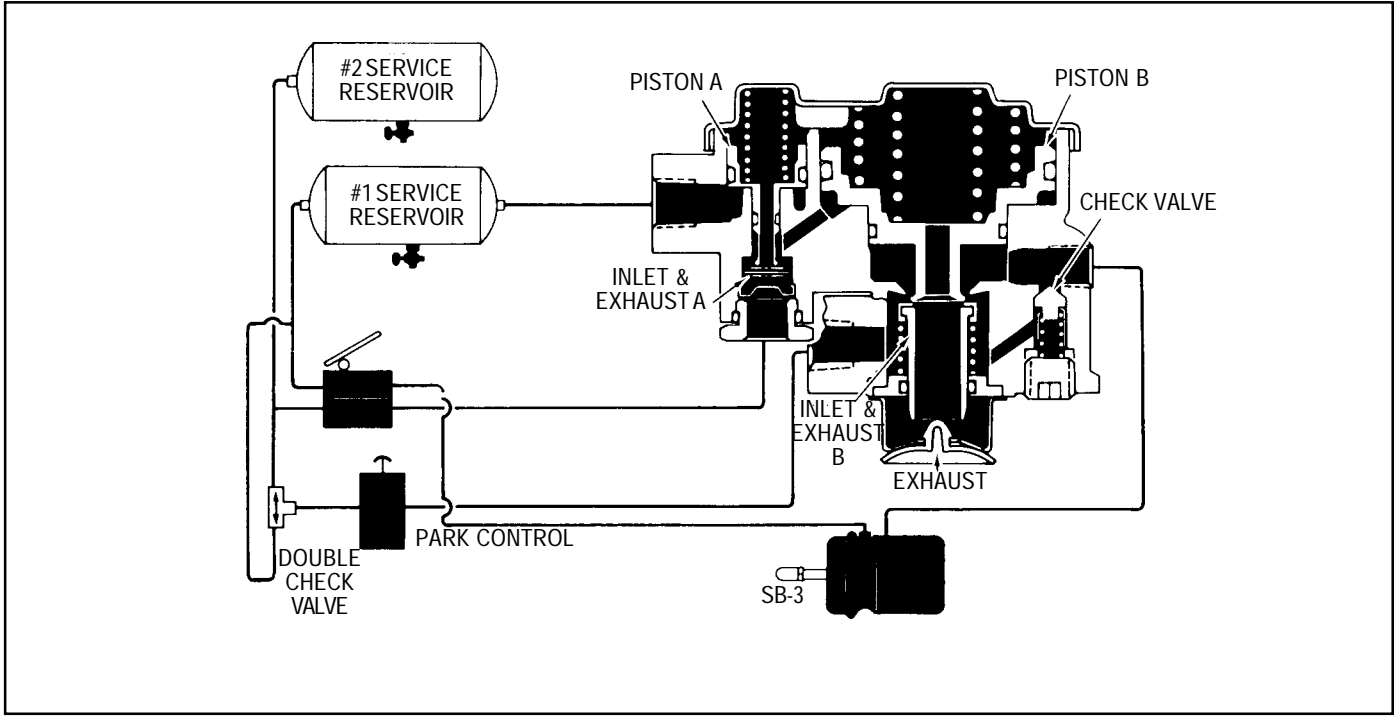


FIGURE 6 - NORMAL SERVICE APPLICATION

OPERATION - NORMAL SERVICE RESERVOIRS 1 & 2 CHARGED

When a service application is made by actuating the dual brake valve; air, from the No. 2 delivery circuit is delivered from the brake valve to the control port, and is stopped at the closed inlet of valve A. No movement of the internal components of the SR-1 takes place. Air from the No. 1 delivery circuit of the dual brake valve actuates the service section of the spring brake actuators.

OPERATION - SERVICE APPLICATION WITH LOSS OF NO. 2 RESERVOIR PRESSURE

In the event air pressure is lost in No. 2 reservoir, the No. 1 reservoir as well as the parking control valve will be protected through the action of the double and single check valves in the air system. A service application of the dual air brake valve in this situation results in little or no air being delivered from the No. 2 delivery circuit to the control port of the SR-1. No movement of the SR-1 internal components takes place. Braking is assured because the No. 1 service reservoir is protected by a check valve and the No. 1 delivery

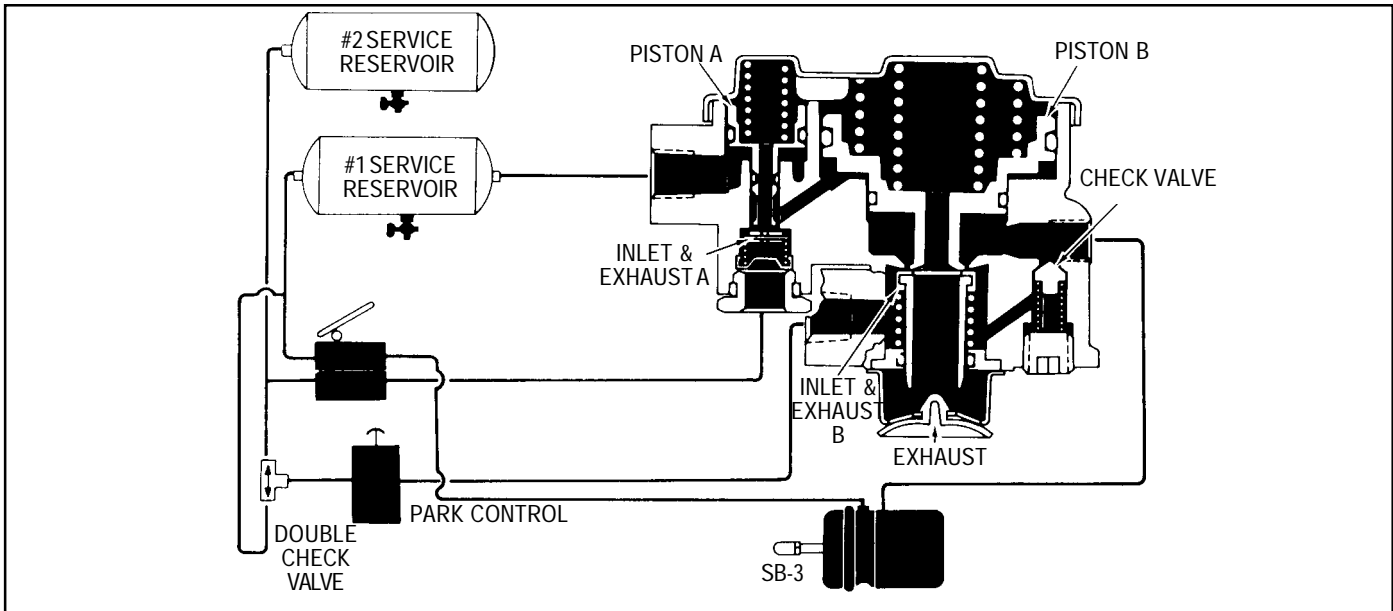


FIGURE 7 - SERVICE APPLICATION - LOSS OF #2 RESERVOIR

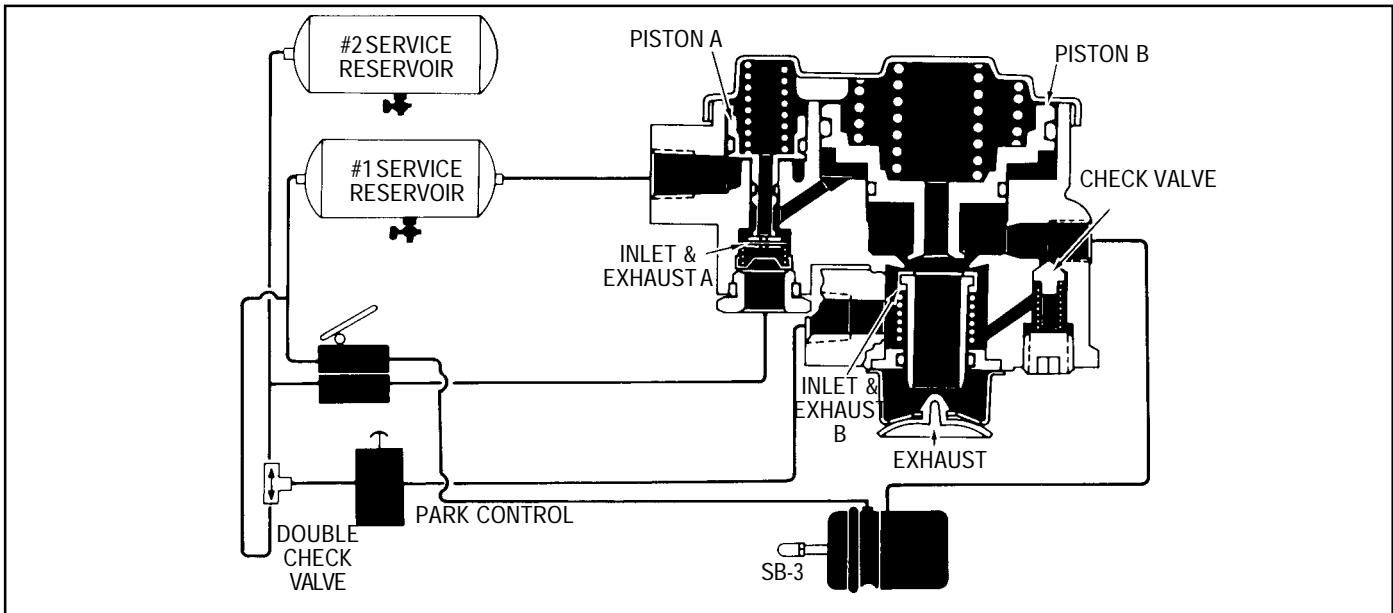


FIGURE 8 - SERVICE APPLICATION - LOSS OF #1 RESERVOIR

circuit of the dual brake valve will apply the service section of the spring brake actuators.

OPERATION - SERVICE APPLICATION WITH LOSS OF NO. 1 RESERVOIR PRESSURE

If air pressure in the No. 1 service reservoir falls below approximately 55 P.S.I., the pressure beneath piston A is insufficient to resist the spring force above and piston A moves into contact with valve A. Initial contact between piston A and valve A closes the hollow exhaust passage of piston A. Continued movement of the piston opens the inlet of valve A.

The No. 2 service reservoir and the park control valve are protected from pressure loss by the action of the Double Check Valve.

When a service application of the dual brake valve is made, air delivered from the No. 2 delivery circuit of the dual brake valve enters the SR-1 control port. Air entering the control port, now moves past the inlet of valve A and is conducted through a passage in the body to the underside of piston B. The added force of air pressure beneath piston B, moves up, opening the exhaust of valve B. When the exhaust of valve B opens, air pressure trapped in the emergency section of the spring brake actuator is allowed to escape resulting in a brake application by the emergency section. The amount of air pressure released from the spring brake is in proportion to the amount of air pressure delivered to the control port of the SR-1 by the No. 2 delivery of the dual brake valve.

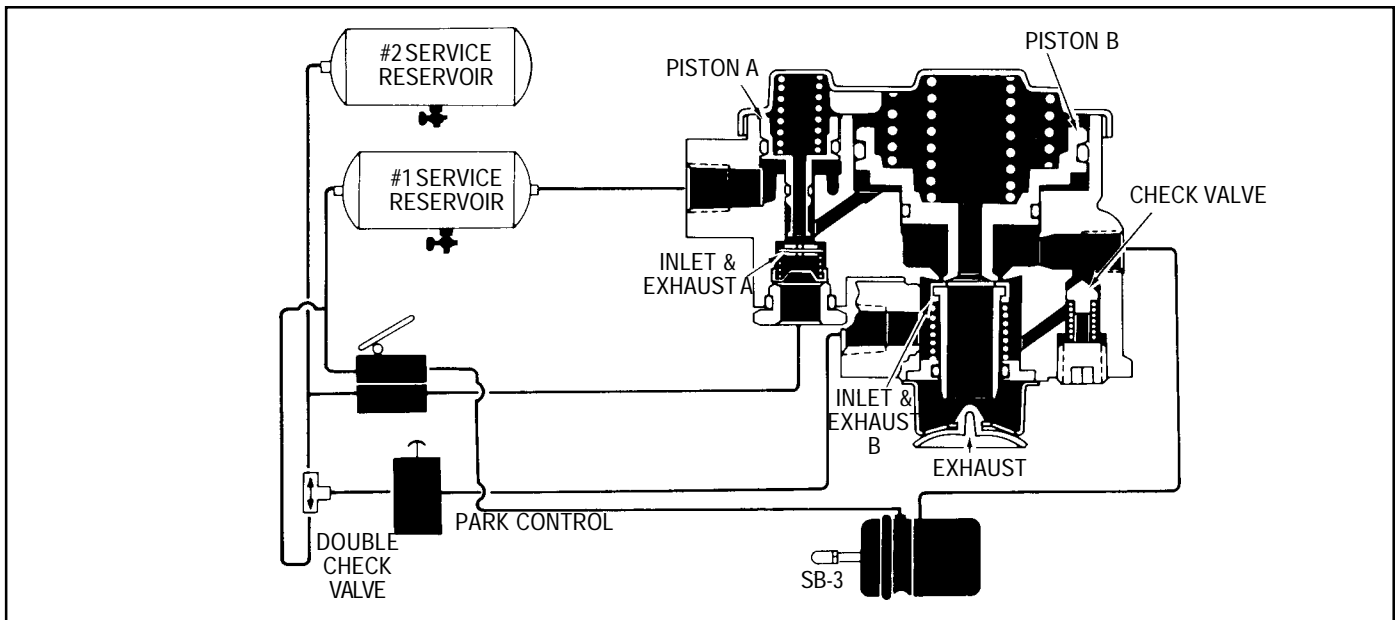


FIGURE 9 - PARK APPLICATION

OPERATION - PARKING

If both systems #1 and #2 are intact and the park control valve is placed in the “park” or exhaust position, the SR-1 supply of air pressure and the air pressure in the spring brake actuator cavities is exhausted. The single check valve in the SR-1 assists this exhaust of air pressure from the spring brake by allowing the air below piston B to flow back out the open exhaust of the park control valve. When air pressure below piston B has dropped sufficiently, piston B moves down opening the inlet of valve B thus providing an additional exhaust passage for air exhausting through the SR-1 from the spring brakes.

PREVENTIVE MAINTENANCE

Every 3600 operating hours, 100,000 miles or yearly, disassemble valve, clean all parts in mineral spirits. Replace all rubber parts, and any part worn or damaged with genuine Bendix parts.

SERVICE CHECKS

OPERATING CHECKS

Block vehicle and hold by means other than vehicle brakes. Charge air brake system to governor cut-out pressure.

1. Place parking control valve in the “park” position. Observe that the spring brake actuators apply promptly. In the delivery port of the valve install a test gauge known to be accurate. Place the parking control valve in the “release” position. Observe that the spring brake actuators release fully.
2. With the parking control valve in the “release” position, note the gauge pressure reading. (Check the vehicle manual for the correct spring brake actuator hold-off pressure.) If the pressure reading is incorrect, the valve must be repaired or replaced.

3. Place the parking control valve in the “park” position, the gauge reading should drop to zero promptly. A slow release of pressure may indicate faulty operation of the single check valve (within the Modulating Valve.)
4. Place the parking control valve in the “release” position. Locate the number one service reservoir and drain it completely.

Apply the foot brake valve several times and note that the pressure reading on the gauge decreases each time the foot brake valve is applied. After several applications, pressure on the gauge will drop to the point where release of the spring brake actuators will no longer occur.

LEAKAGE CHECK

With the air system fully charged and the parking control valve in the “release” position, coat the exhaust port and around the valve corner with a soap solution. Slight leakage is permitted.

If the SR-1 Spring Brake Valve does not function as described above, or leakage is excessive, it is recommended that it be returned to the nearest Bendix authorized distributor for a new or remanufactured valve. If this is not possible, the valve can be repaired with genuine Bendix parts in which case the following should prove helpful.

Note: A maintenance kit for the SR-1 Spring Brake Valve is available from any authorized Bendix outlet. All parts necessary for minor repair are included.

REMOVAL

1. Prior to removing the SR-1 apply the parking brakes and drain all the vehicle reservoirs.
2. Identify all air lines before disconnecting.
3. Remove the two mounting bolts from the SR-1 and remove the valve.

DISASSEMBLY (REFER TO FIGURE 2)

1. Remove the socket head pipe plug (1).
2. Remove the check valve spring (2) and the check valve (4).
3. Remove the two phillips head screws and remove the exhaust cover (5).
4. Separate the exhaust diaphragm (6) from the cover.
5. Remove the inlet and exhaust valve assembly (7).
6. Remove the inlet and exhaust valve cap nut (8) and separate the cap nut o-ring (9).
7. Remove the valve stop (10) valve spring (11) and inlet and exhaust valve (12).
8. Remove the four phillips head screws and lockwashers that secure the cover to the body. Caution: the cover is under a spring load, and should be held while removing the screws.
9. Remove the cover (13) and the three piston springs (14). Note: Some SR-1 piece numbers have one large piston spring.
10. Remove the small piston (15) and the small and large o-rings (16).
11. Remove the large piston (17). Remove piston o-rings (18) & (19).

CLEANING & INSPECTION

Wash all metal parts in mineral spirits and dry.

Inspect all parts for excessive wear or deterioration.

Inspect the valve seats for nicks or burrs.

Check the springs for cracks or corrosion.

Replace all rubber parts and any part not found to be serviceable during inspection. Use only genuine Bendix replacement parts.

ASSEMBLY (REFER TO FIGURE 2)

Prior to assembly of the SR-1 Spring Brake Valve, lubricate all o-rings, o-ring grooves, and piston bores with Dow Corning 55-M Pneumatic Grease (Bendix No. 291126).

Note: All torques specified in this manual are assembly torques and can be expected to fall off, after assembly is accomplished. Do not retorque after initial assembly torques fall.

1. Assemble the check valve (4), and valve spring (2) and install in body.
2. Apply pipe sealant to the socket head pipe plug (1) and install in the body. Tighten to 130-170 inch pounds torque.
3. Install inlet and exhaust valve assembly (7) in valve body.

4. Secure the exhaust cover (5) with two 10-24 phillips screws and lockwashers. Tighten to 20-30 inch pounds torque.
5. Install exhaust diaphragm (6) into the exhaust cover.
6. Place inlet exhaust valve (12) in the body. Install the valve spring (11) and valve stop (10).
7. Install o-ring (9) on cap nut and install cap nut (8) in body. Tighten to 100- 125 inch pounds torque.
8. Install the small and large o-rings (16) on the small diameter piston (15) and install piston in the body.
9. Install large o-ring (18) and small o-ring (19) on the large diameter piston and install piston in the body.
10. Install the piston springs (14) in their respective pistons.
11. Secure the cover to body using four 1/4"-20 phillips head screws and lockwashers. Tighten to 50-80 inch pounds torque.

TESTING THE REBUILT SR-1 SPRING BRAKE VALVE

Test the rebuilt SR-1 Spring Brake Valve by performing the operation and leakage test outlined in the "Service Checks" section of this manual.

IMPORTANT! PLEASE READ

When working on or around a vehicle, the following general precautions should be observed:

1. Park the vehicle on a level surface, apply the parking brakes, and always block the wheels.
2. Stop the engine when working around the vehicle.
3. If the vehicle is equipped with air brakes, make certain to drain the air pressure from all reservoirs before beginning ANY work on the vehicle.
4. Following the vehicle manufacturer's recommended procedures, deactivate the electrical system in a manner that removes all electrical power from the vehicle.
5. When working in the engine compartment the engine should be shut off. Where circumstances require that the engine be in operation, EXTREME CAUTION should be used to prevent personal injury resulting from contact with moving, rotating, leaking, heated, or electrically charged components.
6. Never connect or disconnect a hose or line containing pressure; it may whip. Never remove a component or plug unless you are certain all system pressure has been depleted.
7. Never exceed recommended pressures and always wear safety glasses.
8. Do not attempt to install, remove, disassemble or assemble a component until you have read and thoroughly understand the recommended procedures.



Use only the proper tools and observe all precautions pertaining to use of those tools.

9. Use only genuine Bendix replacement parts, components, and kits. Replacement hardware, tubing, hose, fittings, etc. should be of equivalent size, type, and strength as original equipment and be designed specifically for such applications and systems.
10. Components with stripped threads or damaged parts should be replaced rather than repaired. Repairs requiring machining or welding should not be attempted unless specifically approved and stated by the vehicle or component manufacturer.
11. Prior to returning the vehicle to service, make certain all components and systems are restored to their proper operating condition.



LOW PRESSURE INDICATORS

*Formerly SD-06-2

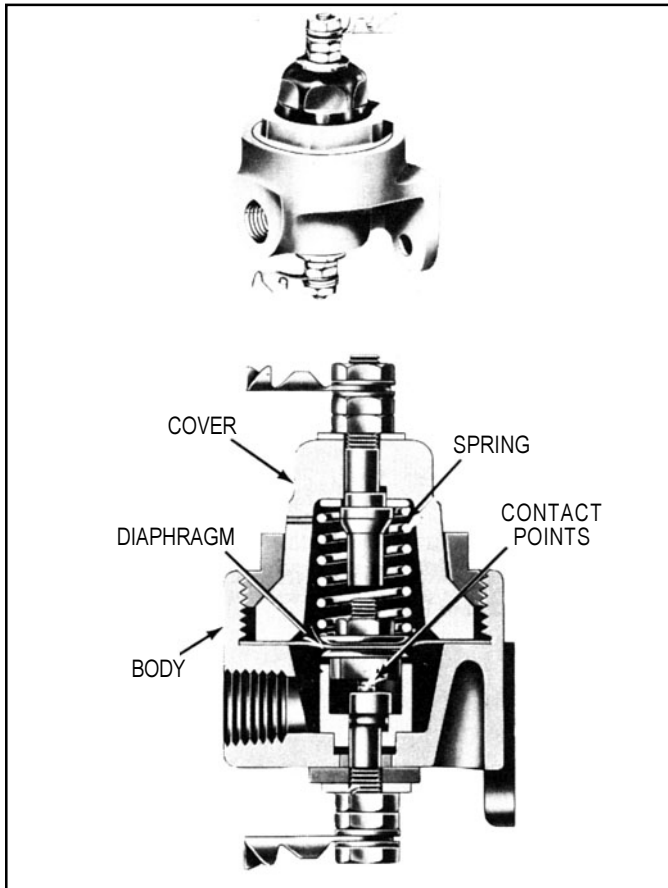


FIGURE 1 - LP-2

DESCRIPTION

The Low Pressure Indicator is a safety device designed to give an automatic warning to the driver whenever air pressure in the air brake system is below the safe minimum for normal vehicle operation. It is usually used to operate an electrical buzzer or warning light, or both, which are audible or visible to the driver.

Two styles of Low Pressure Indicators are currently manufactured.

The LP-2 Low Pressure Indicator, which is the older style and consists of a die cast body with a spring loaded diaphragm clamped between the body and the Bakelite cover.

The LP-3 Low Pressure Indicator is the newer style, consisting of a die cast body, nylon cover and employs a spring loaded O-Ring diaphragm and piston. The LP-3 is

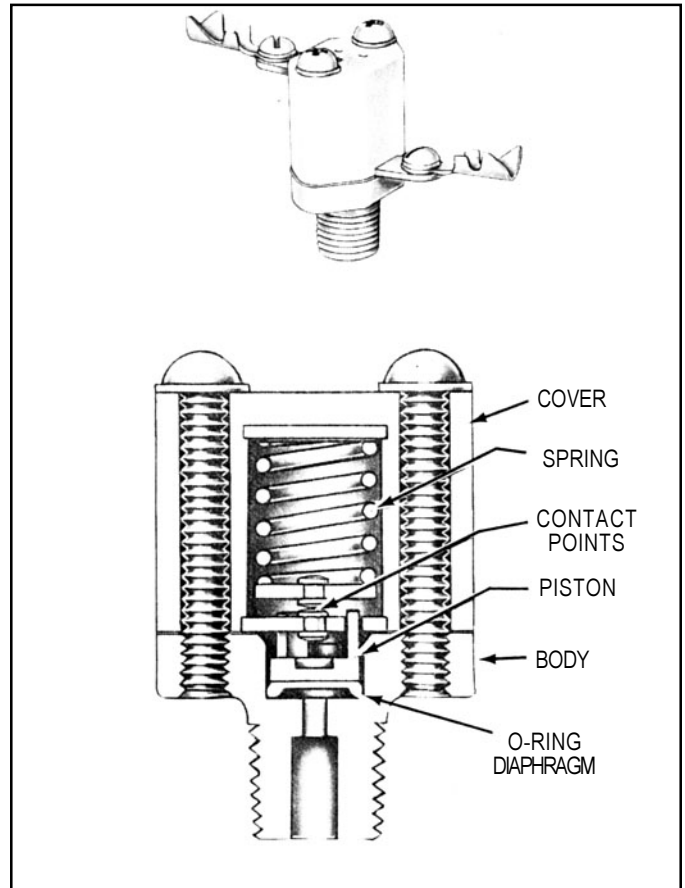


FIGURE 2 - LP-3

available with either one terminal or two. The single terminal unit utilizes a metallic gasket between body and case to ground the lower contact strip. The two terminal unit utilizes a phenolic insulating gasket to isolate both terminals from the vehicle frame.

The electrical contacts provided in both the LP-2 and LP-3 indicators remain closed by spring force until the air brake system pressure below the diaphragm is above the setting (force) of the Low Pressure Indicator spring. The setting of the indicator and piece number is marked on a label on the valve body. If a label is not present, then the vehicle manual should be consulted for the proper setting. The nominal setting of the indicator is 60 psi; however, pressure settings may vary depending upon the vehicle.

OPERATION

To describe the operation, we shall assume that the Low

Pressure Indicator is set for 60 psi. When air pressure at the supply port and under the diaphragm is above 60 psi, the electrical contacts remain open because the force exerted by air pressure underneath the diaphragm overcomes the force exerted by the spring above the diaphragm.

When air pressure below the diaphragm drops below 60 psi, the spring exerts a force which is greater than the force exerted by the air pressure below the diaphragm. This causes the diaphragm (and the piston in the LP-3) to move and allow the electrical contacts to close. This completes or closes the electrical circuit to the warning device, warning the driver of low air pressure in the system.

PREVENTIVE MAINTENANCE

Every six months, 1800 operating hours or 50,000 miles, check electrical connections. Low Pressure Indicator should be checked for proper operation by performing "Operating Test" as described elsewhere in this sheet.

TESTING FOR SERVICEABILITY

OPERATING TEST

1. If possible, determine the setting of the Low Pressure Indicator by referring to the label on the valve or the vehicle manual.
2. Operation of the Low Pressure Indicator may be checked with ignition switch "on" by reducing the system pressure and observing that low pressure warning occurs when system pressure drops below the setting of the Low Pressure Indicator. The contacts will be closed when the warning device operates. If the setting of the indicator is unknown, the contacts should close between approximately 70 psi and 50 psi.

LEAKAGE TEST

1. With air pressure present at the supply port, coat the indicator with soap solution. No leakage permitted.

REMOVING

1. Block the wheels. Otherwise, secure the vehicle with other than service brakes.
2. The ignition switch should be in the "off" position.
3. Drain the air from the system.
4. Disconnect the electrical connections at the Low Pressure Indicator.
5. Disconnect the air line and mounting bolts or unscrew the Indicator from the fitting and remove.

INSTALLING

1. Install in a convenient location for servicing.
2. Connect to a reservoir pressure line at a high point in the system for adequate drainage.

3. If installing an LP-2G Indicator, use a supply line of 1/4 O.D. minimum.
4. Connect the Indicator terminals in series with the ignition switch and the warning device.

DISASSEMBLY

NOTE: It is generally recommended that the Low Pressure Indicator, if faulty, be replaced with a new unit; however, service parts are available; and if repairs are necessary, the following will apply:

LP-2 Unscrew the cover retainer from the body. Remove cover and remove spring and diaphragm assembly.

LP-3. Remove cover screws, lockwashers. Remove cover, contact disc, spring, and shim(s). (Note: Shims may or may not be present.) Remove contact plate, gasket, piston, and O-Ring diaphragm.

CLEANING AND INSPECTION

Clean all metal parts in mineral spirits.

Inspect all parts for wear, cracks, or deterioration and replace all parts not considered serviceable with genuine Bendix parts.

If contact points are not pitted severely, they can be dressed with a fine file.

ASSEMBLY

LP-2

1. Place and position the diaphragm assembly in the body. Position the spring so that it rests on the upper diaphragm follower.
2. Place cover over the diaphragm and screw cover retainer to the body and tighten securely. (Torque to 110-130 inch pounds.)

LP-3

1. Lubricate bore of body and both sides of the O-Ring diaphragm with silicone lubricant BW-650-M (Bendix piece no. 291126).
2. Install O-Ring diaphragm in body. (Note: O-Ring portion of diaphragm should face supply port.)
3. Install piston in body. Flat side of piston should face O-Ring diaphragm.
4. Install gasket. (Always use a phenolic gasket in a two terminal switch and a metallic gasket in the single terminal.)
5. Position contact plate over fingers of piston. Contact plate should rest on face of gasket.
6. If shim(s) are used, place shim(s) in cover.
7. Place spring in cover.
8. Place contact point so that it rests on spring.

9. Install cover on body, using machine screws, making certain that the contact plate is in position over fingers of piston, and arm of contact plate is positioned so that it will fit in groove of cover.
10. Tighten screws securely. (Torque to 20-30 inch pounds).

TEST OF REBUILT LOW PRESSURE INDICATOR

After rebuilding, perform the leakage and operating tests as outlined in section "Testing for Serviceability."

IMPORTANT! PLEASE READ

When working on or around a vehicle, the following general precautions should be observed:

1. Park the vehicle on a level surface, apply the parking brakes, and always block the wheels.
2. Stop the engine when working around the vehicle.
3. If the vehicle is equipped with air brakes, make certain to drain the air pressure from all reservoirs before beginning ANY work on the vehicle.
4. Following the vehicle manufacturer's recommended procedures, deactivate the electrical system in a manner that removes all electrical power from the vehicle.
5. When working in the engine compartment the engine should be shut off. Where circumstances require that the engine be in operation, EXTREME CAUTION should be used to prevent personal injury resulting from contact

- with moving, rotating, leaking, heated, or electrically charged components.
6. Never connect or disconnect a hose or line containing pressure; it may whip. Never remove a component or plug unless you are certain all system pressure has been depleted.
 7. Never exceed recommended pressures and always wear safety glasses.
 8. Do not attempt to install, remove, disassemble or assemble a component until you have read and thoroughly understand the recommended procedures. Use only the proper tools and observe all precautions pertaining to use of those tools.
 9. Use only genuine Bendix replacement parts, components, and kits. Replacement hardware, tubing, hose, fittings, etc. should be of equivalent size, type, and strength as original equipment and be designed specifically for such applications and systems.
 10. Components with stripped threads or damaged parts should be replaced rather than repaired. Repairs requiring machining or welding should not be attempted unless specifically approved and stated by the vehicle or component manufacturer.
 11. Prior to returning the vehicle to service, make certain all components and systems are restored to their proper operating condition.

SL-5 STOP LIGHT SWITCH & DS-2 COMBINED STOP LIGHT SWITCH & DOUBLE CHECK VALVE

*Formerly SD-06-7

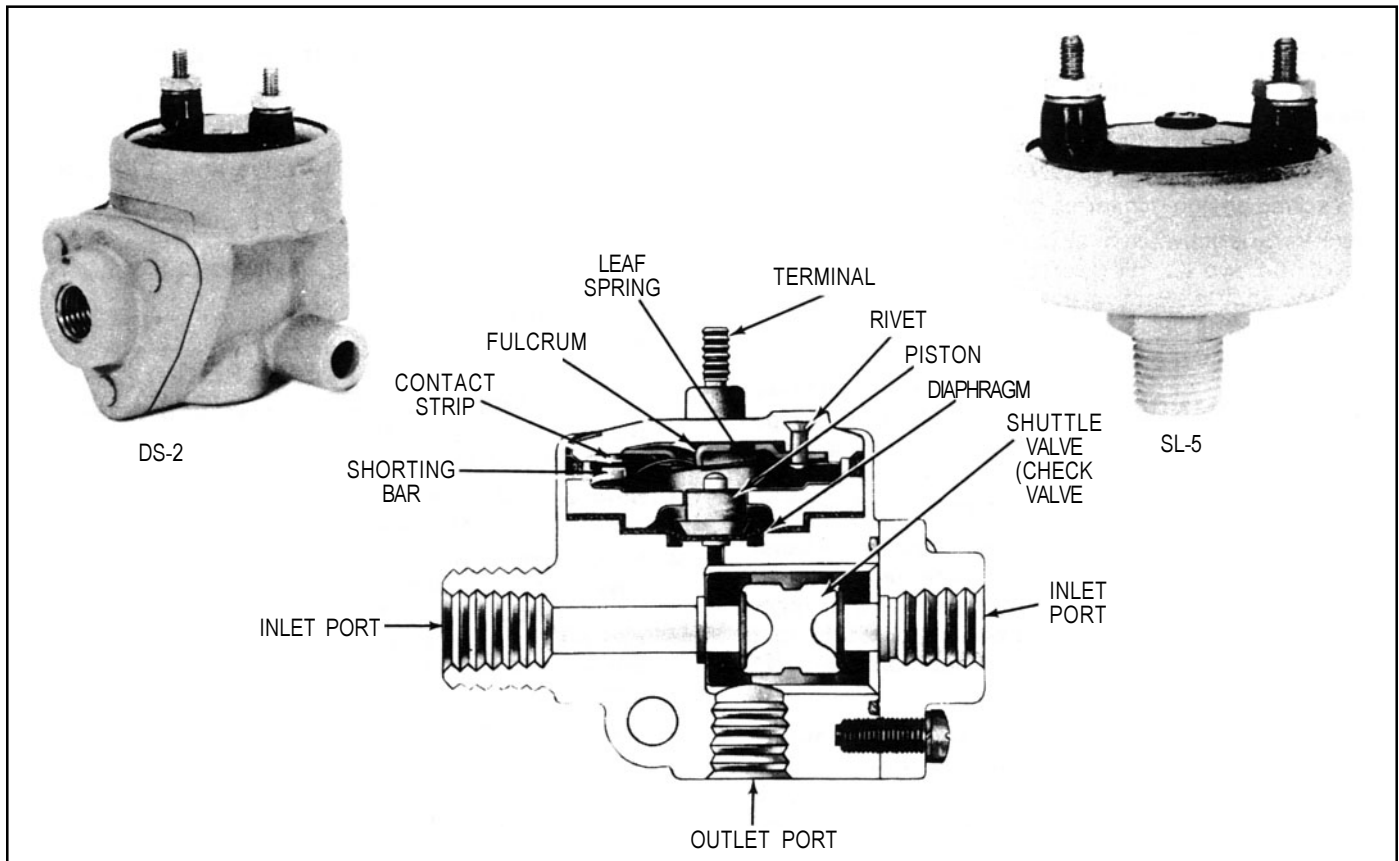


FIGURE 1 - DS-2 SECTIONAL

DESCRIPTION

The stop light switch (SL-5) is an electro-pneumatic 5 psi non-grounded switch that operates in conjunction with the brake valve and stop lights by completing the electrical circuit and lighting the stop lights when a brake application is made.

The combined stop light switch and double check valve (DS-2), as the name implies, combines a stop light switch (SL-5) with a double check valve to perform the function of both. It operates in conjunction with the brake valve and hand control valve by directing the flow of air from whichever delivers the higher pressure into a common delivery line and to the stop light switch, closing the electrical circuit to the stop lamps.

The stop light switch can be used with either 12 or 24 volt systems.

The stoplight switch is not a serviceable item; and if found defective in either device, the complete unit must be replaced.

The shuttle valve in the DS-2 is serviceable and may be replaced.

Both the SL-5 and DS-2 have been tested and meet the requirements of FMVSS-121.

OPERATION

The stop switch mechanism is identical in the SL-5 and DS-2.

When a brake application is made, air pressure from the brake valve enters the cavity below the diaphragm. The air pressure below the diaphragm moves the piston until it contacts the leaf spring. The leaf spring travels past a

fulcrum at which point the leaf springs snaps a shorting bar which mates with the contact strips. The stop light electrical circuit is completed, lighting the stop lights before the brake application pressures reach 6 psi.

The snap action spring design minimizes arcing.

The Double Check Valve is activated by air being introduced through either of the two (2) inlet ports. The greater pressure pushes the shuttle along its guides and closes the opposite inlet port. The air is then directed out the common delivery line and to the stop light switch.

PREVENTIVE MAINTENANCE

Every six months, 1800 operating hours or 50,000 miles check the electrical connections and determine that stop lamps operate properly.

OPERATING AND LEAKAGE TEST

1. Install an accurate air gauge in the service line (or brake chamber). Apply brake valve gradually. Stop lamps should light at 6 psi or less and go out after the brake application is released. This checks the electrical function of the stop light switch in either the SL-5 or DS-2.
2. (DS-2 only) Apply the foot valve and coat the exhaust port of the hand valve (or other alternate source). Reverse the above, applying the hand valve or other alternate source and coat the exhaust port of the foot valve. In either mode a leakage of not more than a 1" bubble in 5 seconds is permissible.
3. (SL-5 or DS-2) When pressurized, no leakage is permitted from the body of the valve or switch.

If the SL-5 or DS-2 does not function as described above or if leakage is excessive, the valve or switch should be replaced with a new unit or in the case of the double check portion of the DS-2 repaired with genuine Bendix parts.

REMOVING AND INSTALLING

REMOVING

1. Block vehicle wheels or hold by means other than vehicle service brakes.
2. Disconnect electrical connections from terminal screws.
3. (SL-5) Remove the switch using a wrench on the hex portion of the body.
4. (DS-2) Disconnect air lines and remove the DS-2.

INSTALLING

1. Replace the SL-5 or DS-2 in the port from which it was removed. Do not install with the terminals pointing down.
2. Secure electrical connections.
3. Reinstall air line connections to DS-2 valve.

DISASSEMBLY (Double Check Valve)

1. Remove three cap screws and cap.
2. Remove O-Ring seal from cap.
3. Remove shuttle valve.

CLEANING AND INSPECTION

1. Blow dust or other foreign material out of body. Do not immerse in cleaning fluid.
2. Inspect shuttle valve and O-Ring and replace if deteriorated.

TEST

Repeat "Operating and Leakage Test."

IMPORTANT! PLEASE READ

When working on or around a vehicle, the following general precautions should be observed:

1. Park the vehicle on a level surface, apply the parking brakes, and always block the wheels.
2. Stop the engine when working around the vehicle.
3. If the vehicle is equipped with air brakes, make certain to drain the air pressure from all reservoirs before beginning ANY work on the vehicle.
4. Following the vehicle manufacturer's recommended procedures, deactivate the electrical system in a manner that removes all electrical power from the vehicle.
5. When working in the engine compartment the engine should be shut off. Where circumstances require that the engine be in operation, EXTREME CAUTION should be used to prevent personal injury resulting from contact with moving, rotating, leaking, heated, or electrically charged components.
6. Never connect or disconnect a hose or line containing pressure; it may whip. Never remove a component or plug unless you are certain all system pressure has been depleted.
7. Never exceed recommended pressures and always wear safety glasses.
8. Do not attempt to install, remove, disassemble or assemble a component until you have read and thoroughly understand the recommended procedures. Use only the proper tools and observe all precautions pertaining to use of those tools.
9. Use only genuine Bendix replacement parts, components, and kits. Replacement hardware, tubing, hose, fittings, etc. should be of equivalent size, type, and strength as original equipment and be designed specifically for such applications and systems.
10. Components with stripped threads or damaged parts should be replaced rather than repaired. Repairs requiring machining or welding should not be attempted unless specifically approved and stated by the vehicle or component manufacturer.
11. Prior to returning the vehicle to service, make certain all components and systems are restored to their proper operating condition.



Service Data

SD-08-2412

AD-9 AIR DRYER

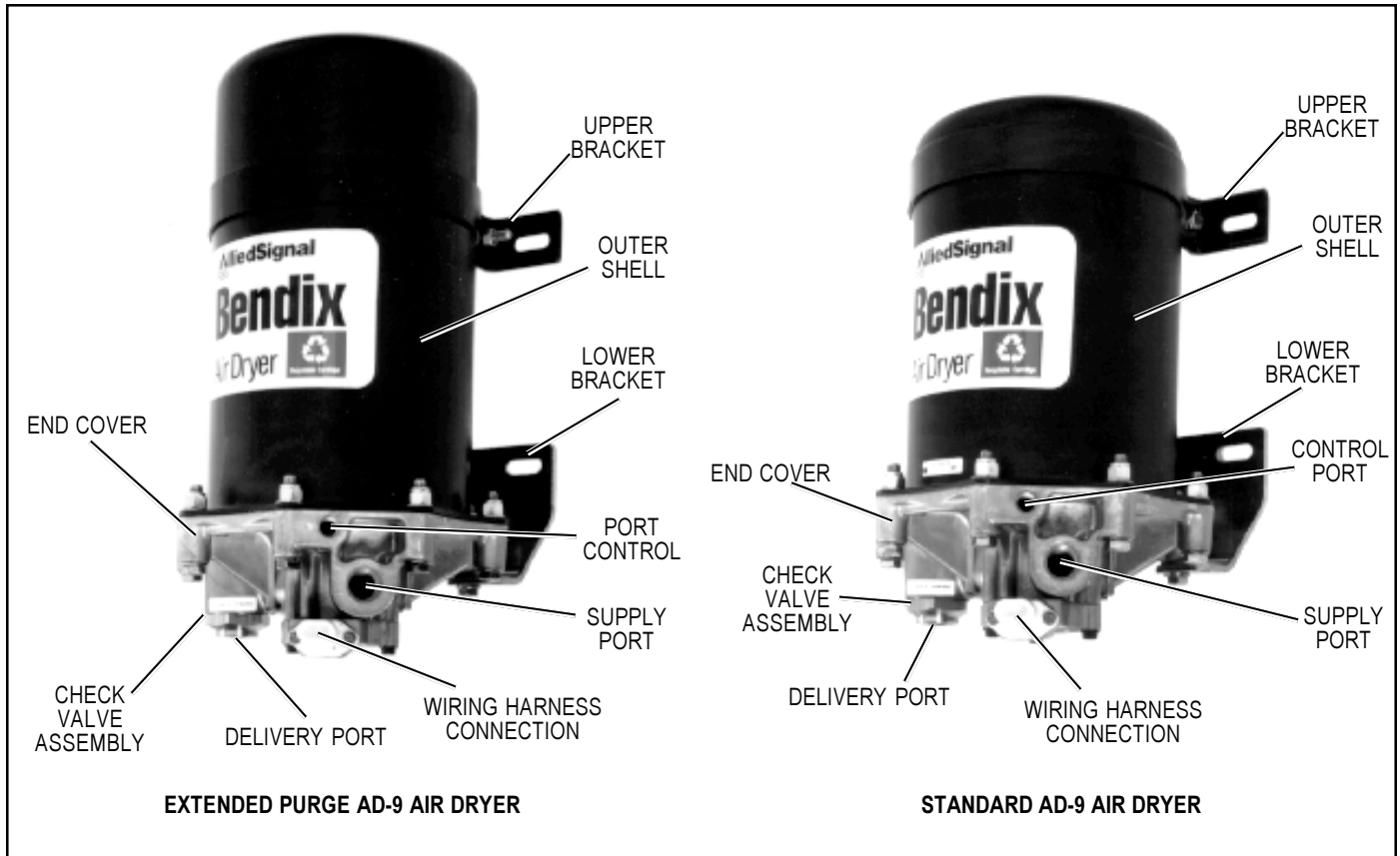


FIGURE 1 - AD-9 AIR DRYER MODELS

DESCRIPTION

The function of the AD-9 Air Dryer is to collect and remove air system contaminants in solid, liquid and vapor form before they enter the brake system. It provides clean, dry air to the components of the brake system which increases the life of the system and reduces maintenance costs. Daily manual draining of the reservoirs is eliminated.

The AD-9 Air Dryer consists of a desiccant cartridge and a die cast aluminum end cover secured to a cylindrical steel outer shell with eight cap screws and nuts. The end cover contains a check valve assembly, a safety valve, three threaded air connections and the purge valve housing assembly. The removable purge valve housing assembly incorporates a purge valve mechanism and a turbo charger cut-off feature that is designed to prevent loss of engine "turbo" boost pressure during the purge cycle of the AD-9

air dryer. For ease of serviceability, the desiccant cartridge and discharge check valve assembly are screw in type. The purge valve housing assembly, which includes the heater and thermostat assembly, and the discharge check valve assembly, is serviceable from the exterior of the air dryer, while servicing the screw-in desiccant cartridge requires removal of the air dryer assembly from the vehicle.

The AD-9 has three female pipe thread air connections and each is identified as follows:

Port I.D.	Function/Connection
CON 4	Control Port (purge valve control and turbo cut-off).
SUP 11	Supply Port (air in).
DEL 2	Delivery Port (air out).

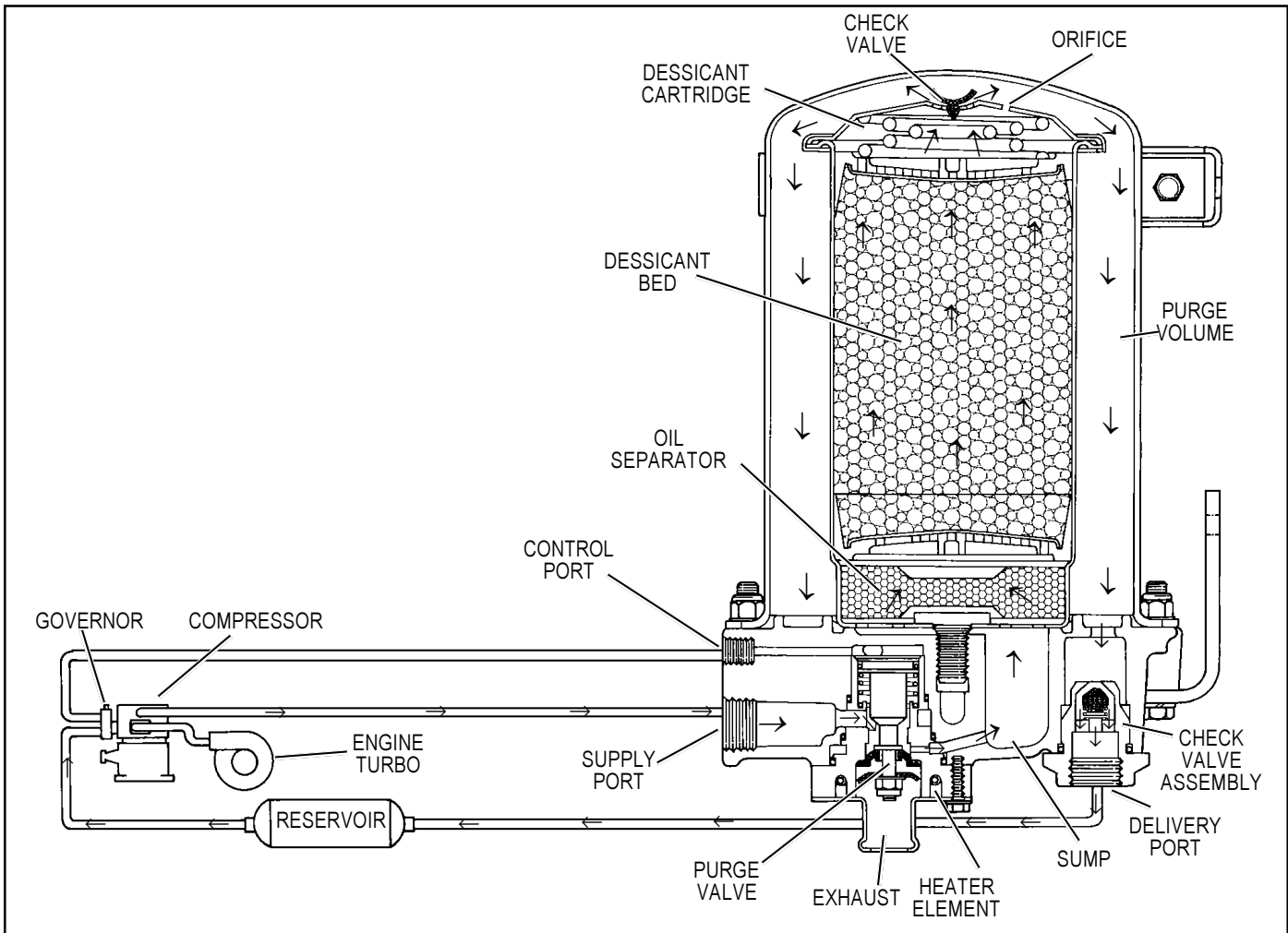


FIGURE 2 - AD-9 CHARGE CYCLE

OPERATION OF THE AD-9 AIR DRYER

The AD-9 air dryer alternates between two operational modes or “cycles” during operation: the *charge cycle* and the *purge cycle*. The following description of operation is separated into these “cycles” of operation.

CHARGE CYCLE (refer to Figure 2)

When the compressor is loaded (compressing air) compressed air, along with oil, oil vapor, water and water vapor flows through the compressor discharge line to the supply port of the air dryer end cover. As air travels through the end cover assembly, its direction of flow changes several times, reducing the temperature, causing contaminants to condense and drop to the bottom or sump of the air dryer end cover.

After exiting the end cover, the air flows into the desiccant cartridge. Once in the desiccant cartridge air first flows through an oil separator which removes water in liquid form as well as oil, oil vapor and solid contaminants.

Air exits the oil separator and enters the desiccant drying bed. Air flowing through the column of desiccant becomes

progressively dryer as water vapor adheres to the desiccant material in a process known as “adsorption”. The desiccant cartridge using the adsorption process typically removes 95% of the water vapor from the pressurized air.

The majority of dry air exits the desiccant cartridge through its integral single check valve to fill the purge volume between the desiccant cartridge and outer shell. Some air will also exit the desiccant cartridge through the purge orifice adjacent to the check valve.

Dry air flows out of the purge volume through the single check valve assembly and out the delivery port to the first (supply) reservoir of the air system.

The air dryer will remain in the charge cycle until air brake system pressure builds to the governor cutout setting.

PURGE CYCLE (refer to Figure 3)

When air brake system pressure reaches the cutout setting of the governor, the compressor unloads (air compression stopped) and the purge cycle of the air dryer begins. When the governor unloads the compressor, it pressurizes the compressor unloader mechanism and line

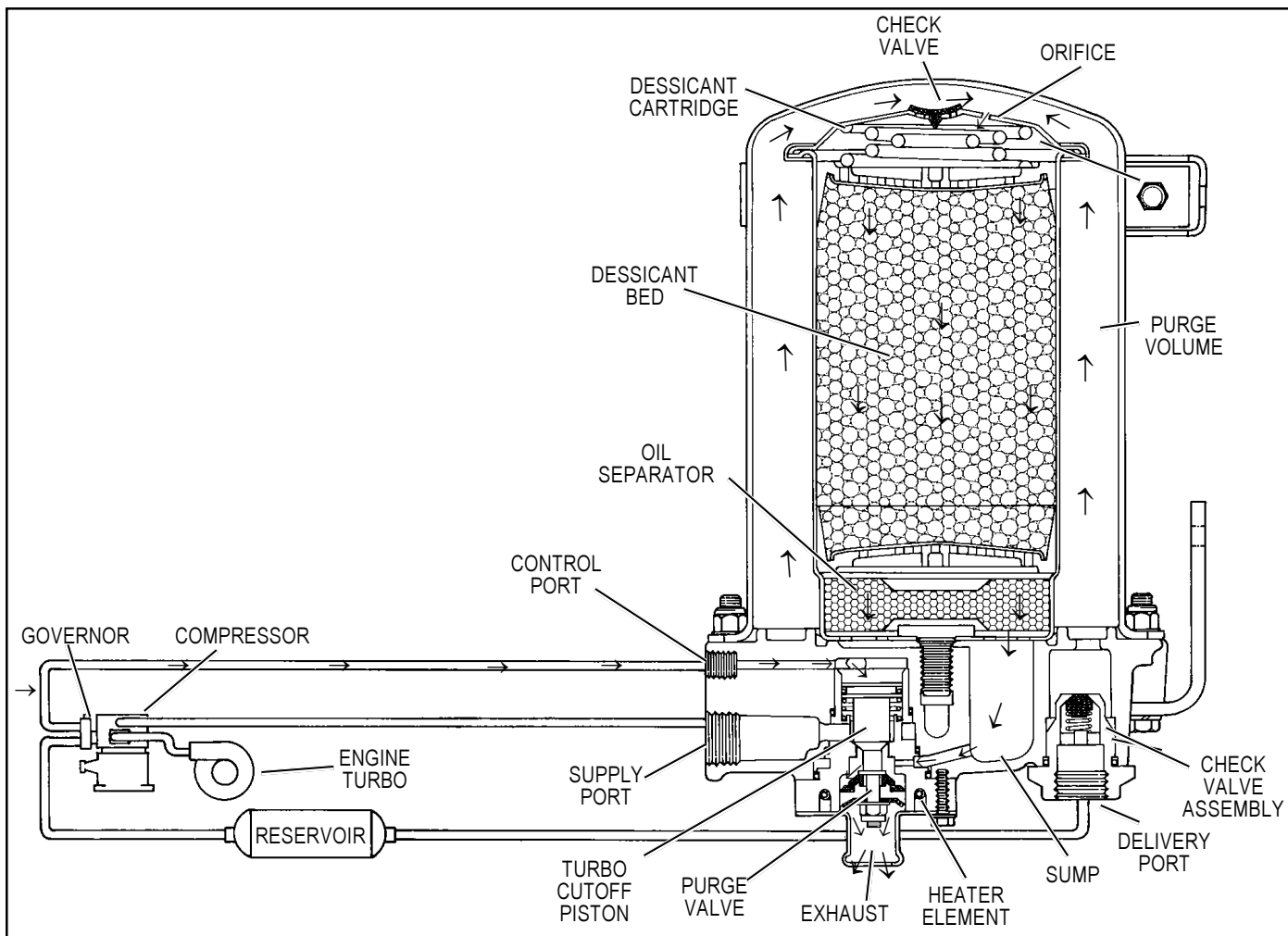


FIGURE 3 - AD-9 PURGE CYCLE

connecting the governor unloader port to the AD-9 end cover control port. The purge piston moves in response to air pressure causing the purge valve to open to atmosphere and (partially) closing off the supply of air from the compressor, this will be further discussed in the section covering the turbo cut-off feature. Contaminants in the end cover sump are expelled immediately when the purge valve opens. Also, air which was flowing through the desiccant cartridge changes direction and begins to flow toward the open purge valve. Oil and solid contaminants collected by the oil separator are removed by air flowing from the desiccant drying bed to the open purge valve.

The initial purge and desiccant cartridge decompression lasts only a few seconds and is evidenced by an audible burst of air at the AD-9 exhaust.

The actual reactivation of the desiccant drying bed begins as dry air flows from the purge volume through the desiccant cartridge purge orifice and into the desiccant drying bed. Pressurized air from the purge volume expands after passing through the purge orifice; its pressure is lowered and its volume increased. The flow of dry air through the drying bed reactivates the desiccant material by remov-

ing the water vapor adhering to it. Generally 15-30 seconds are required for the entire purge volume of a standard AD-9 to flow through the desiccant drying bed.

The end cover single check valve assembly prevents air pressure in the brake system from returning to the air dryer during the purge cycle. After the 30 second purge cycle is complete, the air dryer is ready for the next charge cycle to begin.

The purge valve will remain open after the purge cycle is complete and will not close until air brake system pressure is reduced and the governor signals the compressor to charge.

TURBO CUT-OFF FEATURE (Refer to Figure 4)

The primary function of the turbo cut-off valve is to prevent loss of engine turbocharger air pressure through the AD-9 in systems where the compressor intake is connected to the engine turbocharger. The turbo cut-off valve also reduces the "puffing" of air out the open exhaust when a naturally aspirated, single cylinder compressor equipped with an inlet check valve is in use.

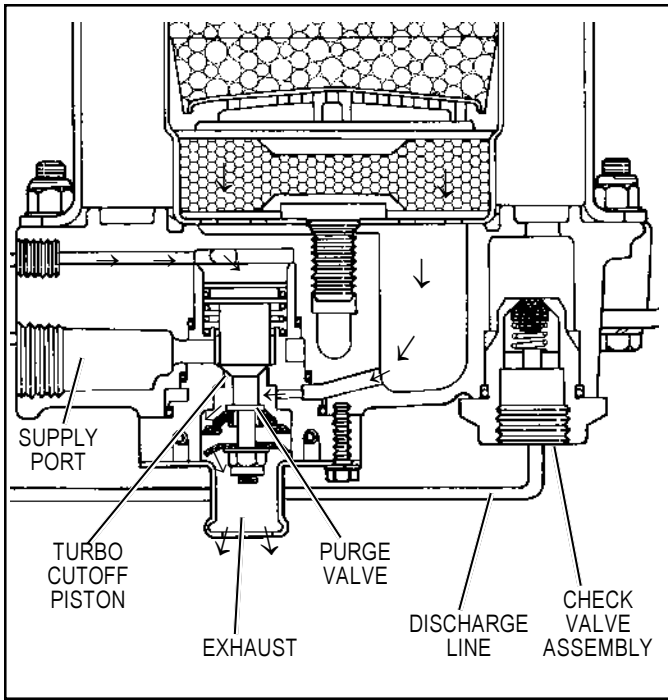


FIGURE 4 - AD-9 TURBO CUTOFF

At the onset of the purge cycle, the downward travel of the purge piston is stopped when the turbo cut-off valve (tapered portion of purge piston) contacts its mating metal seat in the purge valve housing. With the turbo cut-off valve seated (closed position), air in the discharge line and AD-9 inlet port is restricted from entering the air dryer. While the turbo cut-off effectively prevents loss of turbo charger boost pressure to the engine, some "seepage" of air may be detected under certain conditions of compressor engine and turbo charger operation, even so there will always be low pressure trapped in the discharge line.

PREVENTIVE MAINTENANCE

Important: Review the warranty policy before performing any intrusive maintenance procedures. An extended warranty may be voided if intrusive maintenance is performed during this period.

Because no two vehicles operate under identical conditions, maintenance and maintenance intervals will vary. Experience is a valuable guide in determining the best maintenance interval for any one particular operation.

Every 900 operating hours or 25,000 miles or every three (3) months:

1. Check for moisture in the air brake system by opening reservoirs, drain cocks, or valves and checking for presence of water. If moisture is present, the desiccant may require replacement; however, the following conditions can also cause water accumulation and should be considered before replacing the desiccant:
 - A. An outside air source has been used to charge the system. This air did not pass through the drying bed.

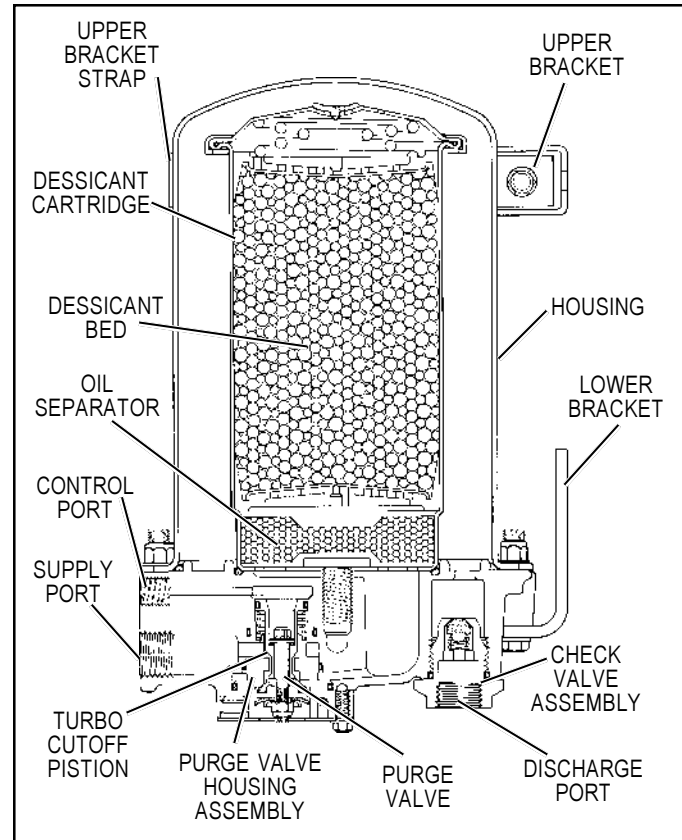


FIGURE 5 - AD-9 AIR DRYER SECTIONAL VIEW

- B. Air usage is exceptionally high and not normal for a highway vehicle. This may be due to accessory air demands or some unusual air requirement that does not allow the compressor to load and unload (compressing and non-compressing cycle) in a normal fashion. Check for high air system leakage.
- C. The air dryer has been installed in a system that has been previously used without an air dryer. This type system will be saturated with moisture and several weeks of operation may be required to dry it out.
- D. Location of the air dryer is too close to the air compressor. Refer to *Locating AD-9 On Vehicle* section.
- E. In areas where more than a 30 degree range of temperature occurs in one day, small amounts of water can accumulate in the air brake system due to condensation. Under these conditions, the presence of small amounts of moisture is normal and should not be considered as an indication that the dryer is not performing properly.

Note: A small amount of oil in the system may be normal and should not, in itself, be considered a reason to replace the desiccant; oil stained desiccant can function adequately.

2. Check mounting bolts for tightness. Retorque to 270-385 inch pounds.

3. Perform the *Operation & Leakage Tests* listed in this publication.

Every 10,800 hours; 300,000 miles or 36 months:

1. Rebuild the air dryer including the desiccant cartridge.

Note: The desiccant change interval may vary from vehicle to vehicle. Although typical desiccant cartridge life is three years, many will perform adequately for a longer period of time. In order to take maximum advantage of desiccant life and assure that replacement occurs only when necessary, it is important that *Operation & Leakage Tests* be performed.

OPERATION & LEAKAGE TESTS

1. Test the outlet port check valve assembly by building the air system to governor cut-out and observing a test air gauge installed in the #1 reservoir. A rapid loss of pressure could indicate a failed outlet port check valve. This can be confirmed by bleeding the system down, removing the check valve assembly from the end cover, subject air pressure to the unit and apply a soap solution to the check valve side. Leakage should not exceed a 1 inch bubble in 1 second.
2. Check for excessive leakage around the purge valve. With the compressor in loaded mode (compressing air), apply a soap solution to the purge valve housing assembly exhaust port and observe that leakage does not exceed a 1 inch bubble in 1 second. If the leakage exceeds the maximum specified, service the purge valve housing assembly.
3. Close all reservoir drain cocks. Build up system pressure to governor cut-out and note that AD-9 purges with an audible escape of air. "Fan" the service brakes to reduce system air pressure to governor cut-in. Note that the system once again builds to full pressure and is followed by an AD-9 purge.
4. Check the operation of the safety valve by pulling the exposed stem while the compressor is loaded (compressing air). There must be an exhaust of air while the stem is held and the valve should reseat when the stem is released.
5. Check all lines and fittings leading to and from the air dryer for leakage and integrity.
6. Check the operation of the end cover heater and thermostat assembly during cold weather operation as follows:
 - A. Electric Power to the Dryer

With the ignition or engine kill switch in the ON position, check for voltage to the heater and thermostat assembly using a voltmeter or test light. Unplug the electrical connector at the air dryer and place the test leads on each of the pins of the male

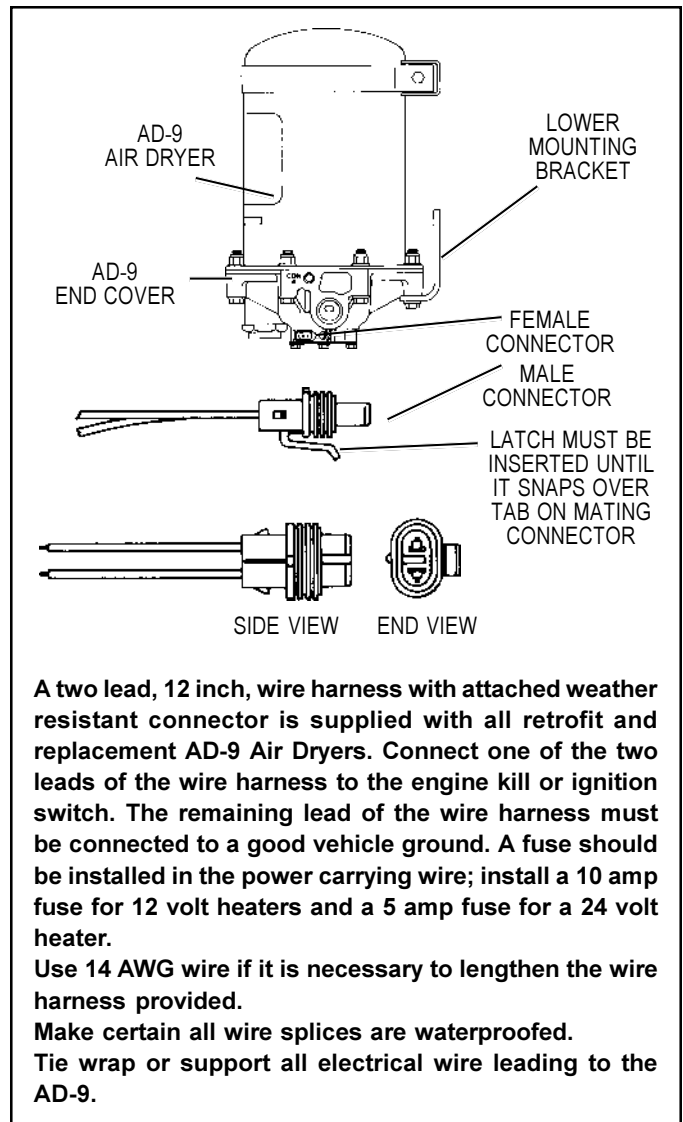


FIGURE 6 - HEATER AND THERMOSTAT CONNECTOR

connector. If there is no voltage, look for a blown fuse, broken wires, or corrosion in the vehicle wiring harness. Check to see if a good ground path exists.

B. Thermostat and Heater Operation

Turn off the ignition switch and cool the end cover assembly to below 40 degrees Fahrenheit. Using an ohmmeter, check the resistance between the electrical pins in the female connector. The resistance should be 1.5 to 3.0 ohms for the 12 volt heater assembly and 6.8 to 9.0 ohms for the 24 volt heater assembly. **Note:** Some early models of the AD-9 will have resistance readings of 1.0 to 2.5 ohms for the 12 volt heater assembly and 4.8 to 7.2 ohms for the 24 volt heater assembly. If the resistance is higher than the maximum stated, replace the purge valve housing assembly, which includes the heater and thermostat assembly.

Warm the end cover assembly to over 90 degrees Fahrenheit and again check the resistance. The

resistance should exceed 1000 ohms. If the resistance values obtained are within the stated limits, the thermostat and heater assembly is operating properly. If the resistance values obtained are outside the stated limits, replace the purge valve housing assembly, which includes the heater and thermostat assembly.

REBUILDING THE AD-9 AIR DRYER

GENERAL

If, after completing the routine operation and leakage tests, it has been determined that one or more components of the air dryer requires replacement or maintenance, refer to the following list to find the appropriate kit(s).

When rebuilding or replacing components of the air dryer use only genuine Bendix parts. For ease in servicing the AD-9 desiccant cartridge assembly, it is recommended that the air dryer be removed from the vehicle.

MAINTENANCE KITS AVAILABLE:

107798 Purge Valve Housing Maintenance Kit

This kit contains the parts necessary to rebuild the air portion of the purge valve housing and does not include the heater and thermo.

107794 Desiccant Cartridge Replacement Kit

This kit contains the parts necessary to change the desiccant cartridge only.

107796 Remanufactured Desiccant Cartridge Replacement Kit

This kit contains the parts necessary to change the desiccant cartridge only.

107799 End Cover Check Valve Assembly Replacement 3/4 inch thread size.

107800 End Cover Check Valve Assembly Replacement 1/2 inch thread size.

107896 Service New or Remanufactured Exchange Purge Valve Housing Assembly

(w/heater and thermo.) 12 volt system.

107897 Service New or Remanufactured Exchange Purge Valve Housing Assembly

(w/heater and thermo.) 24 volt system.

107695 Complete Mounting Bracket Kit

This kit contains the upper and lower brackets as well as the necessary hardware items to mount them.

IMPORTANT! PLEASE READ

When working on or around a vehicle, the following general precautions should be observed:

1. **Park the vehicle on a level surface, apply the parking brakes, and always block the wheels.**
2. **Stop the engine when working around the vehicle.**

3. **If the vehicle is equipped with air brakes, make certain to drain the air pressure from all reservoirs before beginning ANY work on the vehicle.**
4. **Following the vehicle manufacturer's recommended procedures, deactivate the electrical system in a manner that removes all electrical power from the vehicle.**
5. **When working in the engine compartment the engine should be shut off. Where circumstances require that the engine be in operation, EXTREME CAUTION should be used to prevent personal injury resulting from contact with moving, rotating, leaking, heated, or electrically charged components.**
6. **Never connect or disconnect a hose or line containing pressure; it may whip. Never remove a component or plug unless you are certain all system pressure has been depleted.**
7. **Never exceed recommended pressures and always wear safety glasses.**
8. **Do not attempt to install, remove, disassemble or assemble a component until you have read and thoroughly understand the recommended procedures. Use only the proper tools and observe all precautions pertaining to use of those tools.**
9. **Use only genuine Bendix replacement parts, components, and kits. Replacement hardware, tubing, hose, fittings, etc. should be of equivalent size, type, and strength as original equipment and be designed specifically for such applications and systems.**
10. **Components with stripped threads or damaged parts should be replaced rather than repaired. Repairs requiring machining or welding should not be attempted unless specifically approved and stated by the vehicle or component manufacturer.**
11. **Prior to returning the vehicle to service, make certain all components and systems are restored to their proper operating condition.**

AD-9 REMOVAL

1. Park the vehicle on a level surface and prevent movement by means other than the brakes.
2. Drain all reservoirs to 0 p.s.i. (0 kPa).— Caution: Compressor discharge line may still contain residual pressure.
3. Identify and disconnect the three air lines from the end cover and note the position of end cover ports relative to the vehicle.
4. Unplug the vehicle wiring harness from the heater and thermostat assembly connector on the purge valve housing assembly.

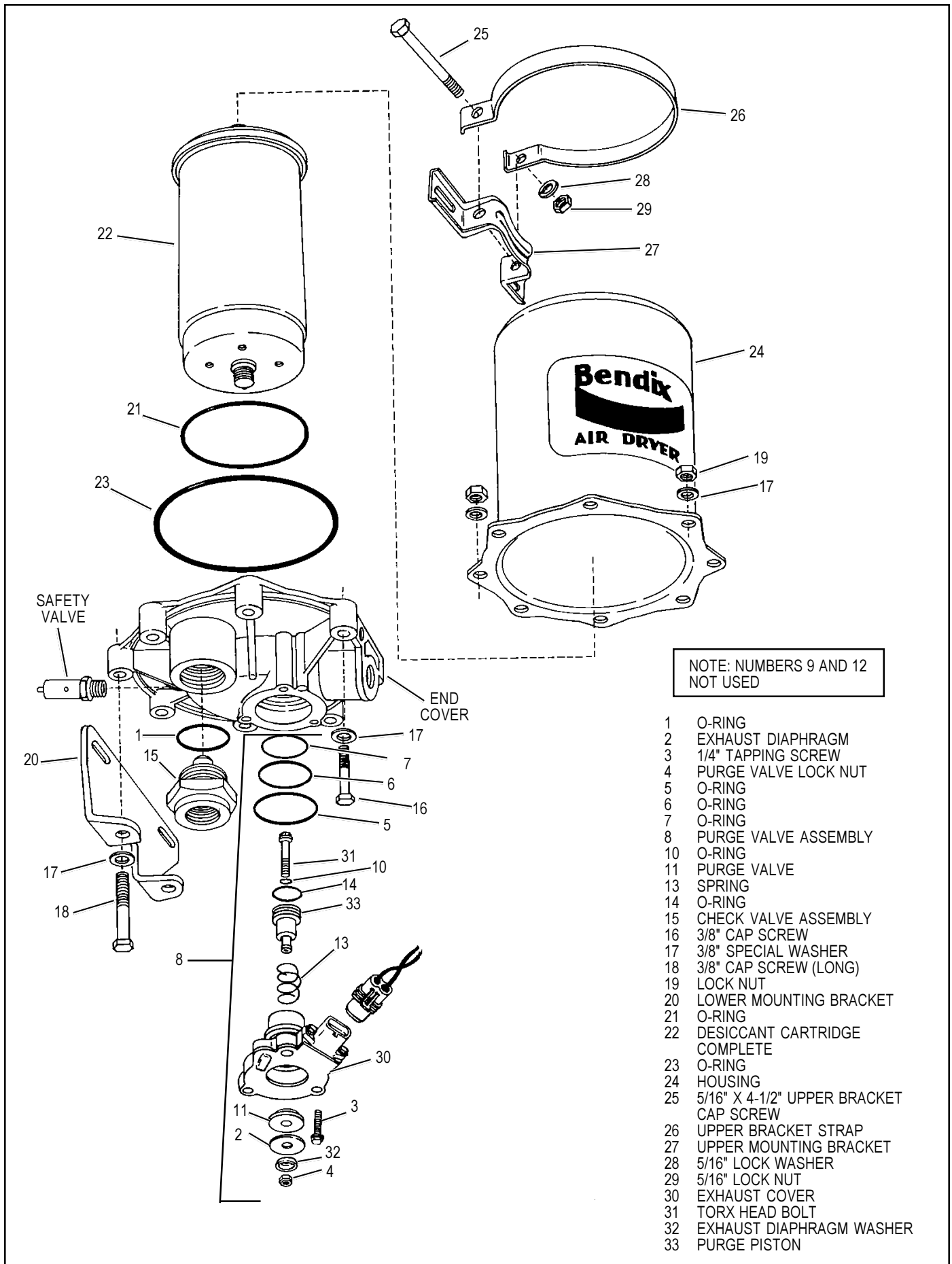


FIGURE 7 - AD-9 AIR DRYER ASSEMBLY

5. Loosen the 5/16" X 4-1/2" hex bolt securing the upper mounting strap.
6. Remove, retain and mark the two 3/8" end cover cap screws, lock nuts and four special washers that retain the lower mounting bracket to the end cover, also mark these two holes of the end cover. (These bolts are longer than the other 6 bolts.)
7. Remove the AD-9 air dryer from its mounting brackets on the vehicle.

DISASSEMBLY

The following disassembly and assembly procedure is presented for reference purposes and presupposes that a major rebuild of the AD-9 is being undertaken. Several replacement parts and maintenance kits are available which do not require full disassembly. The instructions provided with these parts and kits should be followed in lieu of the instructions presented here. Refer to Figure 7 during disassembly.

Caution: While performing service on the AD-9 air dryer, it is not recommended that a clamping device (vise, C-clamp, etc.) be used to hold any die cast aluminum component as damage may result. To hold the end cover, install a pipe nipple in the supply port and clamp the nipple into a vise.

1. Using an adjustable wrench or an 1-3/4" socket, remove the delivery, check valve assembly (15) and o-ring. Remove the o-ring from the check valve assembly.
2. Remove the three 1/4" self tapping screws (3) that secure the purge valve housing assembly to the end cover assembly. Pull the purge valve housing assembly out of the end cover assembly. Remove the three o-rings (5, 6 & 7) from the exterior of the purge valve housing assembly. **Note:** O-rings 5 and 6 may be lodged in the end cover bores, if so, they must be removed

3. Purge Valve Disassembly:

Note: In most cases a flat (non-extended) exhaust cover (30) is used. This cover should be left intact while servicing the purge valve housing assembly. However, if an extended type exhaust cover is in use to accommodate the attachment of an exhaust hose, the exhaust cover must be carefully peeled off the purge valve housing. **Use a thin flat blade to pry the exhaust cover off, taking care not to damage the potting material (RTV sealant) under the cover.** To remove the piston from the purge valve housing assembly requires a special Torx head socket or a twelve point 1/4" socket to hold the head of the purge valve bolt (31).

- A. Remove the 1/4" nut (4) from the bottom of the purge valve housing assembly using a 9/16" socket

wrench and a Torx head socket to hold the head of the bolt (31). Remove the diaphragm washer (32) (if present), and the diaphragm (2) (if present), and the purge valve (11) from the purge valve housing.

- B. Remove the 1/4" Torx head bolt (31) from the opposite end, then the purge piston (33), the return spring (13) and two o-rings (10 & 14); one on the O.D. and the other in the inside of the purge piston.
- C. Heater and Thermostat Assembly Replacement.

Caution: Do not attempt to remove this assembly, as it will be damaged during the removal process and is **not available as a service part**. If the heater and thermostat are defective, replace the entire purge valve housing assembly which includes these items.

4. Remove the remaining six 3/8" cap screws (16), lock nuts (19) and twelve special washers (17) that secure the end cover to the housing (24). Separate the end cover and desiccant cartridge (22) from the housing (24).
5. Remove the end cover to outer housing o-ring (23).
6. Do not remove the safety valve from the end cover unless it has been proven defective. If replacement is required, apply thread sealant or teflon tape on the threads of the replacement valve and torque to 120-400 in. lbs.
7. Place a strap or chain wrench around the desiccant cartridge (22) so that it is approximately 2-3 inches away from the end cover. Rotate the cartridge counterclockwise until it completely separates from the end cover. **Note:** A substantial torque (up to 50 lb. ft.) may be required to perform this disassembly.
8. Remove the desiccant cartridge o-ring (21) from the end cover.

CLEANING & INSPECTION

1. Using mineral spirits or an equivalent solvent, clean and thoroughly dry all metal parts.
2. Inspect the interior and exterior of all metal parts that will be reused for severe corrosion, pitting and cracks. Superficial corrosion and or pitting on the exterior portion of the upper and lower body halves is acceptable.
3. Inspect the bores of both the end cover and the purge valve housing for deep scuffing or gouges.
4. Make certain that all purge valve housing and end cover passages are open and free of obstructions.
5. Inspect the pipe threads in the end cover. Make certain they are clean and free of thread sealant.
6. Inspect the purge valve housing bore and seats for excessive wear and scuffing.
7. Inspect the purge valve piston seat for excessive wear.

8. Inspect all air line fittings for corrosion. Clean all old thread sealant from the pipe threads.
9. All o-rings removed should be discarded and replaced with new o-rings provided in appropriate kit(s).

Any component exhibiting a condition described in step 1 to 8 should be replaced.

ASSEMBLY

Prior to assembly, coat all o-rings, o-ring grooves, and bores with a generous amount of barium base lubricant. Refer to Figure 7 during assembly unless otherwise advised.

1. Purge Valve Housing Assembly

A. Install the o-ring (14) in its groove on the O.D. of the purge piston. Place the return spring (13) in the bore of the purge valve housing. Place the o-ring (10) into its recess in the bore of the purge piston. Install the 1/4" Torx head bolt (31) into the I.D. of the purge piston. Insert the purge piston (33) into the I.D. of the spring (13). Using a Torx head wrench, push the purge piston into the piston housing until it bottoms.

B. While depressing the purge piston with the Torx head wrench, install the following parts over the purge valve bolt (31) from the opposite end of the purge valve housing; the purge valve (11) with its rubber side first, followed by the diaphragm (2) (if present), the diaphragm washer (32) (if present) or the flat washer and finally the 1/4" hex nut (4). Torque the purge valve nut and bolt (4 & 31) to between 60-80 in. lbs.

C. Install the three o-rings (5, 6 & 7) on the purge valve housing placing each in its appropriate location. If the exhaust cover (30) was removed during disassembly, install it on the purge valve housing assembly making certain the "bubble" portion is positioned over the thermostat. Install the assembled purge valve housing in the end cover making certain to orient both parts such that the connector is approximately 10 degrees clockwise from the supply port, while making certain the purge valve housing is fully seated against the end cover. Secure the purge valve housing to the end cover using the three 1/4" self-tapping screws (3). Start all three screws by hand then torque to 50-80 in. lbs.

2. Install the o-ring on the check valve assembly (15), then install the assembly in the end cover.
3. Install the desiccant cartridge o-ring (21) in its groove in the end cover. Using a light coat of barium grease, lubricate the bottom of the desiccant cartridge in the area that will contact the o-ring (21) and end cover.

Screw the desiccant cartridge into the end cover until contact is made between it and the o-ring. Using a strap or chain wrench positioned 2-3" from the bottom of the cartridge, turn the desiccant cartridge clockwise 180-225 degrees beyond the position where initial contact was made between the cartridge and end cover o-ring. Torque should not exceed 50 ft. lbs.

4. Install the end cover outer housing o-ring (23) on the shoulder in the end cover. Place the housing (24) over the desiccant cartridge and align the holes. Install the six 3/8" cap screws (16), lock nuts (19) and twelve special washers (17) making certain they are in the proper position as marked during disassembly. The two longer 3/8" cap screws (18) will be used to secure the AD-9 to its mounting bracket. Tighten the six cap screws and nuts in a star pattern in a fashion similar to Figure 8; depending on lower bracket location. Torque to 270-385 in. lbs. (Refer to Fig. 8.) **Note:** The two remaining bolt holes in the end cover and two 3/8" cap screws must be the ones marked during disassembly to assure proper orientation of the ports and adequate length of the cap screws.

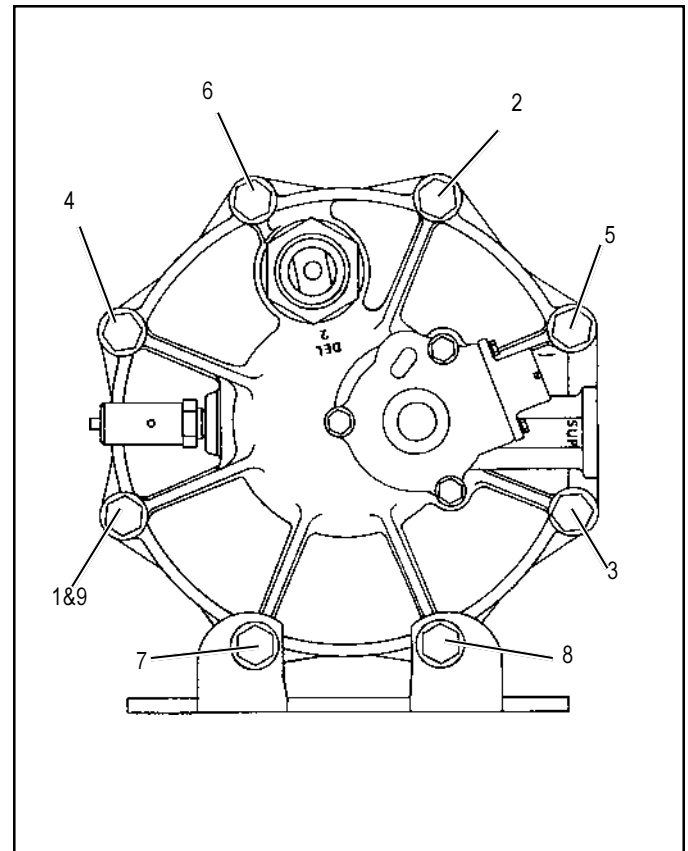


FIGURE 8 - END COVER TO HOUSING TORQUE PATTERN INSTALLATION

1. Install the assembled AD-9 air dryer back onto the vehicle by slipping it into the upper mounting bracket. Align the two unused holes in the end cover with the bottom mounting bracket such that the bottom bracket

supports air dryer. The AD-9 end cover should rest on the bracket. Using the remaining two 3/8" cap screws (18), four special washers (17), and two lock nuts (19), secure the air dryer to the lower bracket. Tighten, then torque the two remaining cap screws to 270-385 in. lbs.

2. Tighten the 5/16" X 4-1/2" bolt and nut on the upper mounting bracket. Torque to 80-120 in lbs.
3. Reconnect the three airlines to the proper ports on the end cover (identified during disassembly).
4. Reconnect the vehicle wiring harness to the AD-9 heater and thermostat assembly connector by plugging it into the air dryer connector until its lock tab snaps in place.
5. Before placing vehicle back into service, perform the *Operation and Leakage Tests* stated elsewhere in this manual.

RETROFITTING THE AD-9 AIR DRYER

GENERAL

The following retrofit instructions are presented for reference purposes only since Bendix aftermarket retrofit and replacement air dryers are packaged with the most up-to-date installation instructions. The instructions packaged with the AD-9 should be followed in lieu of those presented here.

The preceding portion of this manual deals with "in-service" repair and or replacement of the AD-9 air dryer. The portion of the manual that follows is concerned with installing an AD-9 on a vehicle not previously equipped with one.

VEHICLE APPLICATION REQUIREMENTS

The basic application requirements presented here apply to a standard air dryer installation. The majority of highway vehicles in use today will meet these basic requirements however, some may not. Examples of vehicles that may not meet the requirements include, bulk trailer unloading operations and other high air consumption/continuous flow systems. While the AD-9 air dryer can be used on these vehicles the standard installation procedure presented in this manual may require modification to assure proper operation and service life. Consult your local authorized Bendix parts outlet or sales representative for additional information.

1. Charge Cycle Time - The AD-9 air dryer is designed to provide clean, dry air for the brake system. When a vehicle's air system is used to operate non-brake air accessories it is necessary to determine that during normal, daily operation the compressor should recover from governor "cut-in" to governor "cut-out" (usually 100 psi to 120 psi) in 90 seconds or less at engine

RPMs commensurate with the vehicle vocation. If the recovery time consistently exceeds this limit, it may be necessary to "bypass" the air accessory responsible for the high air usage. Consult your local authorized Bendix parts outlet or sales representative for additional information.

2. Purge Cycle Time - During normal vehicle operation, the air compressor **must remain unloaded for a minimum of 20 seconds for the standard AD-9 Air Dryer or 30 seconds for the Extended Purge model.** These minimum purge times are required to ensure complete regeneration of the desiccant material. If the purge time is occasionally shorter than the times specified, no permanent ill effect should be expected, however, if the purge time is consistently less than the minimum, an accessory by-pass system must be installed.
3. European Air Brake Systems - Brake systems that incorporate compressors without integral unloading mechanisms and/or utilize a compressor discharge line unloader valve have special AD-9 air dryer installation requirements. Consult your local authorized Bendix parts outlet or sales representative for additional information.
4. Air Compressor Size - Although the AD-9 air dryer can be used in conjunction with larger compressors, it was designed primarily for units rated for up to 17 CFM. It is recommended that when using the AD-9 air dryer with a compressor which has a rated displacement exceeding 17 CFM that an authorized Bendix parts outlet or Bendix marketing representative be contacted for assistance.
5. Holset "E or QE" Type Air Compressors - In order for the AD-9 to function properly when installed with the Holset Type "E or QE" compressor, several specialized Holset components are required. Consult your local authorized Holset parts outlet or sales representative for additional information.
6. Use of Standard or Extended Purge AD-9 - Use the following guidelines:

Total Vehicle Reservoir

Volume	Requirement
Less than 9,000 cu. in.	Standard AD-9
9,000 - 12,500 cu. in.	Extended Purge AD-9
Greater than 12,500 cu. in.	Contact Bendix Rep. or Bendix Engineering

VEHICLE PREPARATION

1. Park the vehicle on a level surface and prevent movement by means other than the brakes.
2. Drain all reservoirs to 0 p.s.i. (0 kPa).

LOCATING AD-9 ON VEHICLE

1. The AD-9 air dryer must be mounted vertically (purge exhaust toward road surface) outside the engine compartment in an area of air flow while the vehicle is in motion. The AD-9 must not be exposed to direct wheel splash (located behind axle mud flap is acceptable).
2. Locate the AD-9 air dryer as close to the first (supply) reservoir as possible.
3. Do not locate the AD-9 air dryer near heat producing components such as the vehicle exhaust and make certain adequate clearance from moving components (e.g. drive shaft, suspension, pitman arm, etc.) is provided.
4. Locate the AD-9 air dryer on vehicle so that a minimum of 11 inches (28 CM) clearance below the end cover is available to allow servicing. Alternatively, provide access to the bracket bolts so the unit may be removed for servicing.
5. When choosing the mounting location for the AD-9, note the discharge line length requirements stated under the heading *Connecting the Air Lines*, elsewhere in this instruction sheet.

Important Note: Under normal operating conditions, the maximum inlet air temperature for the AD-9 air dryer is 150 degrees Fahrenheit.

to install the AD-9 air dryer and use those that will best position the unit for ease of installation. Locate the bracket such that it cradles the end cover as shown in Figure 2. Utilizing the two 2-3/8" long cap screws, lock nuts and special washers provided with the AD-9 air dryer retrofit unit, attach the lower mounting bracket and torque to 270-385 in. lbs.

2. Assemble the mounting strap and upper mounting bracket as illustrated in Figure 4, by utilizing the 5/16" cap screw, 5/16" lockwasher and 5/16" nut provided.
3. Place the upper bracket assembly onto the shell of the AD-9 air dryer and orient it so that it bears entirely on the cylindrical surface and does not extend onto the domed top. The slot spacing between the upper and lower bracket should be a minimum of 5.5 inches apart. Do not tighten strap onto the shell at this time.
4. A universal mounting plate (Pc. No. 248478) is available to facilitate the mounting of the AD-9 air dryer to the vehicle. It can be obtained through an authorized Bendix parts outlet.
5. Mount the AD-9 air dryer on the vehicle using 3/8" bolts (grade 5 min.) and washers. Torque to 25 ft. lbs. (300 inch pounds.) After positioning and mounting the upper bracket assembly according to the installation requirements, torque the 5/16" nut to 80120 in. lbs. to tighten strap onto the shell.

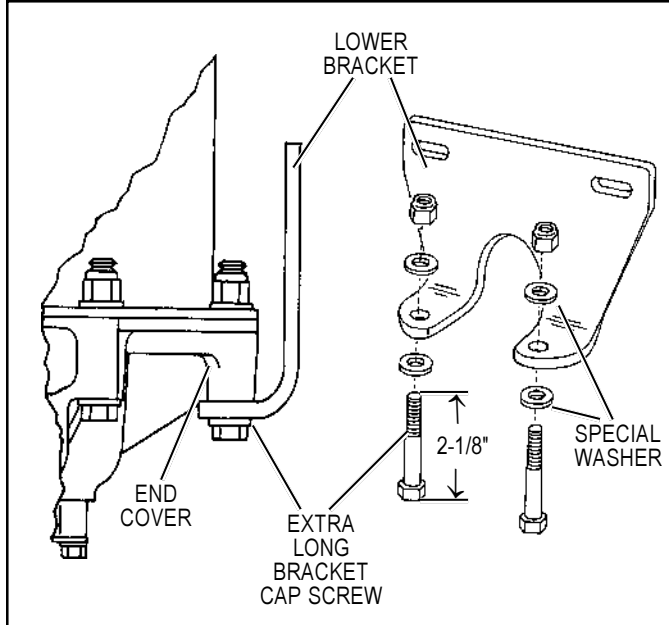


FIGURE 9 - LOWER BRACKET INSTALLATION

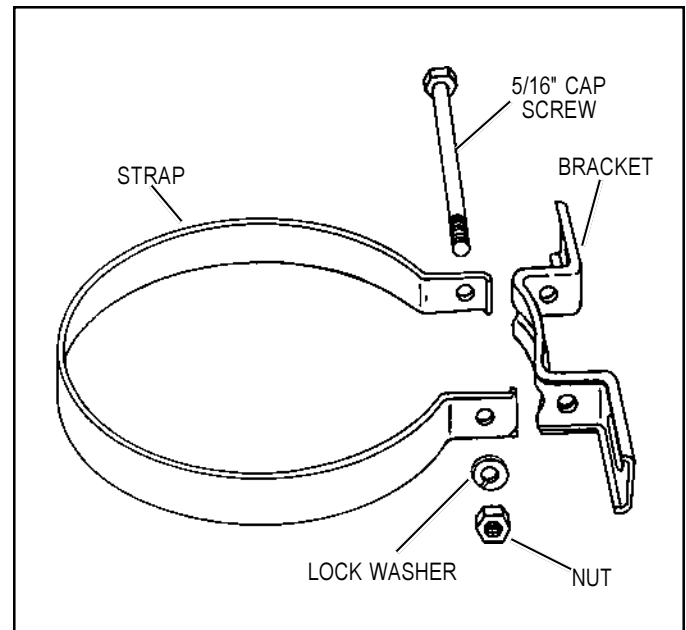


FIGURE 10 - UPPER MOUNTING BRACKET AND STRAP

MOUNTING THE AD-9

1. To install the lower mounting bracket on the AD-9 air dryer, it will be necessary to remove and discard two of the end cover bolts and lock nuts. To determine which end cover bolts to utilize to attach the lower bracket, take into consideration the piping connections required

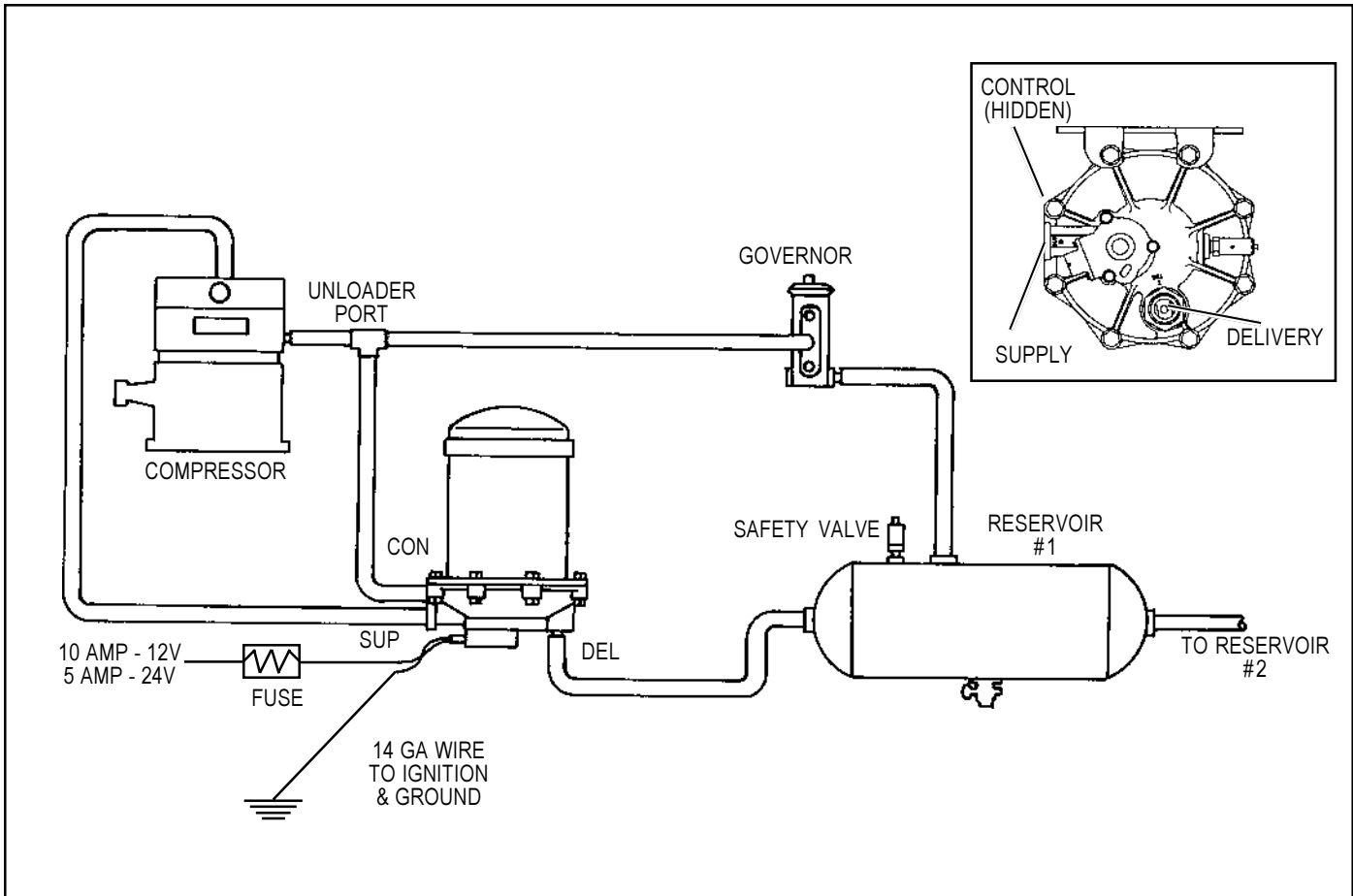


FIGURE 2 - AD-9 CHARGE CYCLE

CONNECTING THE AIR LINES

PURGE CONTROL LINE

1. Install a Purge Control air line having a minimum inside diameter of 3/16 inches between the AD-9 end cover control port and an unused unloader port on the governor. The control line must be plumbed direct to the governor and not in series with automatic drain valves, lubrication systems, etc.
2. The control line should slope downward to the end cover without forming potential water traps.

DISCHARGE LINE

General:

Where minimum diameter are specified, larger line diameters generally improve performance and life and reduce temperatures, particularly in severe applications.

1. The discharge line material should be wire braided "Teflon" hose, copper tubing or a combination of both.
2. The discharge line should slope downward from the compressor discharge port to the AD-9 air dryer supply port without forming water traps, kinks or restrictions. Cross-overs from one side of the frame

rail to the other, if required, should occur as close as possible to the compressor.

3. Fitting extensions must not be installed at the AD-9 supply port.
4. Discharge line lengths and inside diameter requirements are dependent on the vehicle application and are as follows:

Typical P&D, School Bus and Line Haul

The minimum discharge line length is 6 feet and the maximum is 16 feet.

LENGTH	I.D. MIN.	OTHER REQUIREMENTS
6.0 - 9.5 ft.	1/2 in.	None
9.5 - 12 ft.	1/2 in.	Last 3 feet including Supply Port fitting must be insulated with 1/2 inch thick closed cell polyethylene pipe insulation.
12 - 16 ft.	5/8 in.	Last 3 feet including Supply Port fitting must be insulated with 1/2 inch thick closed cell polyethylene pipe insulation.

If the discharge line length must be less than 6 feet or greater than 16 feet, contact your local Bendix representative or authorized parts outlet for further information.

High Duty Cycle Vehicles (City Transit Coaches, Refuse Haulers, etc.)

The minimum discharge line length is 10 feet and the maximum is 16 feet.

LENGTH	I.D. MIN.	OTHER REQUIREMENTS
10-16 ft.	1/2 in.	None

If the discharge line length must be less than 10 feet or greater than 16 feet, contact your local Bendix representative or authorized parts outlet for further information.

DELIVERY LINE

1. Install an air line of the same approximate I.D. as the discharge line between the AD-9 air dryer delivery port and the first (supply) reservoir. This line should also slope downward to the reservoir, if possible.

EXHAUST LINE

1. If it is necessary to direct AD-9 air dryer discharge contaminants away from vehicle components it may be necessary to purchase a special exhaust cover for the AD-9 air dryer (Pc. No. 298924) to replace the standard exhaust cover furnished with the unit. A 1 inch (25.4 mm) I.D. hose can be clamped on the special AD-9 air dryer exhaust cover. **Note:** Use a thin flat blade to pry the standard exhaust cover off.

WIRING THE HEATER/THERMOSTAT

1. Determine the vehicle's electrical system voltage and make certain that the AD-9 air dryer that is to be installed contains the same voltage heater. Use the AD-9 air dryer part number to confirm the proper voltage. The AD-9 air dryer is available with either a 12 or 24 volt heater which uses 75 watts of power.
2. A two lead, 12 inch, wire harness with attached weather resistant connector is supplied with all retrofit and replacement AD-9 air dryers. Connect one of the two leads of the wire harness to the engine kill or ignition switch. The remaining lead of the wire harness must be connected to a good vehicle ground (not to the air

dryer or its mounting bracket). A fuse should be installed in the power carrying wire; install a 10 amp fuse for 12 volt heaters and a 5 amp fuse for a 24 volt heater.

3. Use 14 GA wire if it is necessary to lengthen the wire harness provided with the AD-9 air dryer. Make certain all wire splices are waterproofed.
4. Tie wrap or support all electrical wire leading to the AD-9 air dryer at 6 - 8 inch intervals. **Note:** Wires should have sufficient slack and not completely taught.

TESTING THE AD-9

Before placing the vehicle in service, perform the following tests:

1. Close all reservoir drain cocks.
2. Build up system pressure to governor cut-out and note that the AD-9 air dryer purges with an audible escape of air.
3. "Fan" the service brakes to reduce system air pressure to governor cut-in. Note that the system once again builds to full pressure and is followed by a purge at the AD-9 air dryer exhaust.
4. It is recommended that the following items be tested for leakage to assure that the AD-9 air dryer will not cycle excessively.
 - (A) Total air system leakage (See Bendix publication BW-5057 "Air Brake Handbook").
 - (B) Compressor unloader mechanism.
 - (C) Governor.
 - (D) Drain cock and safety valve in first (supply) reservoir.
 - (E) All air connections leading to and from the first (supply) reservoir.

AD-9 AIR DRYER TROUBLESHOOTING CHART

SYMPTOMS	CAUSE	REMEDY
1. Dryer is constantly "cycling" or purging.	A. Excessive system leakage.	A. Test for excessive system leakage. Allowable leakage: Pre-121 vehicles, single vehicles - 2 psi/minute. Tractor trailer - 3 psi/minute. 121 vehicles, single vehicle - 1 psi/minute per service reservoir. Tractor trailer - 3 psi/minute per service reservoir.
	B. Excessive leakage in fitting, hoses and tubing connected to the compressor, air dryer and first reservoir.	B. Using soap solution, test for leakage at fittings, drain valve (if any) and safety valve in first reservoir. Repair or replace as necessary.
	C. Defective check valve assembly in AD-9 air dryer end cover.	C. Remove check valve assembly from end cover. Subject air pressure to delivery side of valve. Apply soap solution at opposite end and check for leakage. (Permissible leakage - 1 inch bubble in five seconds) If excessive leakage, replace check valve assembly.
	D. Defective governor.	D. Test governor for proper cut-in and cut-out pressures and excessive leakage in both positions.
	E. Leaking purge valve housing assembly and/or o-rings in AD-9 air dryer end cover.	E. With the supply port open to atmosphere, apply 120 psi at the control port. Apply a soap solution to the supply port and exhaust port (purge valve seat area). Permissible leakage - 1 inch bubble in five seconds.
	F. Compressor unloader mechanism leaking excessively.	F. Remove air strainer or fitting from compressor inlet cavity. With compressor unloaded, check for unloader piston leakage. Slight leakage permissible.
	G. Holset "E" type compressor.	G. Test Air Dryer system using Bendix Product Bulletin PRO-08-19 entitled "Troubleshooting The Holset E compressor system With Bendix Air Dryer."
	H. Rapid cycling of the governor due to air starvation at the RES port of the governor.	H. With gauge installed at RES port of governor, pressure should not drop below "Cut-In" pressure at the onset of the compressor "Unloaded" cycle. If pressure drops, check for "kinks" or restrictions in line connected to RES port. Line connected to RES port on governor must be same diameter, or preferably larger than, lines connected to UNL port(s) on governor.

AD-9 AIR DRYER TROUBLESHOOTING CHART (Continued)

SYMPTOMS	CAUSE	REMEDY
2. Water in vehicle reservoir.	A. Desiccant requires replacement - excessive contaminants in desiccant cartridge assembly.	A. Replace desiccant cartridge.
	B. Improper discharge line length or improper line material. Maximum air dryer inlet temperature is exceeded.	B. Refer to section entitled "Connecting the Air Lines" and check "Discharge Line" size and length.
	C. Air system charged from outside air source (outside air not passing through air dryer).	C. If system must have outside air fill provision, outside air should pass through air dryer. This practice should be minimized.
	D. Air dryer not purging (see Symptom #5).	D. See cause and remedy for Symptom #5.
	E. Purge (air exhaust) time insufficient due to excessive system leakage (see causes for Symptom #1).	E. Check causes and remedies for Symptom #1.
	F. Excessive air usage - Air dryer/vehicle application requires additional purge volume. Air dryer not compatible with vehicle air system requirement (Improper air dryer/ vehicle application).	F. <u>Charge Cycle Time</u> - The AD-9 is designed to provide clean, dry air for the brake system. When a vehicle's air system is used to operate non-brake air accessories it is necessary to determine that during normal, daily operation the compressor should recover from governor "cut-in" to governor "cut-out" (usually 100 psi to 120 psi) in 90 seconds or less at engine RPM's commensurate with the vehicle vocation. If the recovery time consistently exceeds this limit, it may be necessary to "bypass" the air accessory responsible for the high air usage. An example of where a by-pass system would be required is when the compressor is used to pressurize a tank trailer for purposes of off-loading product. Consult your local authorized Bendix parts outlet or sales representative for additional information. <u>Purge Cycle Time</u> - During normal vehicle operation, the air compressor must remain unloaded for a minimum of 20 seconds for the standard AD-9 or 30 seconds for the Extended Purge Model . These minimum purge times are required to ensure complete regeneration of the desiccant material. If the purge time is consistently less than the minimum, an accessory by-pass system must

AD-9 AIR DRYER TROUBLESHOOTING CHART (Continued)

SYMPTOMS	CAUSE	REMEDY
2. Water in vehicle reservoir (continued).		<p>be installed. Consult your local authorized Bendix parts outlet or sales representative for additional information.</p> <p><u>European Air Brake Systems</u> - Brake systems that incorporate compressors without integral unloading mechanisms and/or utilize a compressor discharge line unloader valve have special air dryer installation requirements. Consult your local authorized Bendix parts outlet or sales representative for additional information.</p> <p><u>Air Compressor Size</u> - Although the AD-9 can be used in conjunction with larger compressors, it was designed primarily for units rated for up to 17 CFM. It is recommended that when using the AD-9 with a compressor which has a rated displacement exceeding 17 CFM that an authorized Bendix parts outlet or Bendix marketing representative be contacted for assistance.</p>
	G. Air by-passes desiccant cartridge assembly.	G. Replace desiccant cartridge/end cover/o-ring. Check to make sure desiccant cartridge assembly is properly installed.
	H. Purge time is significantly less than minimum allowable.	H. Replace desiccant cartridge/end cover o-ring. Check to make sure desiccant cartridge assembly is properly installed. Replace desiccant cartridge assembly.
3. Safety valve on air dryer "popping off" or exhausting air.	A. Desiccant cartridge plugged.	A. Check compressor for excessive oil passing and/or correct compressor installation. Repair or replace as necessary. Rebuild or replace cartridge.
	B. Defective discharge check valve in end cover of the AD-9.	B. Test to determine if air is passing through check valve. Repair or replace.
	C. Defective fittings, hose or tubing between air dryer and first reservoir.	C. Check to determine if air is reaching first reservoir. Inspect for kinked tubing or hose. Check for undrilled or restricted hose or tubing fittings.
	D. Excessive pressure pulsations from compressor. (Typical single cylinder type).	D. Increase volume in discharge line. Added length or size of line, or add a ping tank.
	E. Safety valve setting lower than the maximum system pressure.	E. Reduce system pressure or obtain a higher setting safety valve.

AD-9 AIR DRYER TROUBLESHOOTING CHART (Continued)

SYMPTOMS	CAUSE	REMEDY
4. Constant exhaust of air at air dryer purge valve exhaust or unable to build system pressure. (Charge mode.)	A. Air dryer purge valve leaking excessively.	A. With compressor loaded, apply soap solution on purge valve exhaust, to test for excessive leakage. Repair purge valve as necessary.
	B. Defective governor.	B. Check governor for proper "cut-in", "cut-out" pressure and excessive leakage in both positions. Repair or replace as necessary.
	C. Purge control line connected to reservoir or exhaust port of governor.	C. Purge control line must be connected to unloader port of governor.
	D. Purge valve frozen open - faulty heater and thermostat, wiring, blown fuse.	D. Test heater and thermostat as described in Step 7 of <i>Preventative Maintenance</i> Section.
	E. Inlet and outlet air connections reversed.	E. Compressor discharge to inlet port. Reconnect lines properly.
	F. Kinked or blocked (plugged) discharge line.	F. Check to determine if air passes through discharge line. Check for kinks, bends, excessive carbon deposits.
	G. Excessive bends in discharge line (water collects and freezes).	G. Discharge line should be constantly sloping from compressor to air dryer with as few bends as possible.
	H. Excessive system leakage.	H. See Symptom #1's Causes and Remedies.
	I. Purge valve stays open - supply air leaks to control side.	I. Replace purge valve housing assembly o-rings.
5. Air dryer does not purge or exhaust air.	A. Broken, kinked, frozen, plugged or disconnected purge control line.	A. Test to determine air flows through purge control line when compressor unloaded. Check for undrilled fittings. (See Symptom #4, Remedy C.)
	B. See Causes B, E, G for Symptom #4.	B. Refer to Remedies B, E, G for Symptom #4.
6. Desiccant material being expelled from air dryer purge valve exhaust (may look like whitish liquid or paste or small beads.) - OR - Unsatisfactory desiccant life.	A. This symptom is almost always accompanied by one or more of Symptoms 1, 2, 3, 4 and 5. See related causes for these Symptoms above.	A. See Causes and Remedies for Symptoms 1, 2, 3, 4 and 5.
	B. Air dryer not securely mounted. (Excessive vibration.)	B. Vibration should be held to minimum. Add bracket supports or change air dryer mounting location if necessary.
	C. Defective cloth covered perforated plate in air dryer.	C. Replace desiccant cartridge assembly.

AD-9 AIR DRYER TROUBLESHOOTING CHART (Continued)

SYMPTOMS	CAUSE	REMEDY
6. (Continued.)	D. Compressor passing excessive oil.	D. Check for proper compressor installation; if symptoms persist, replace compressor.
	E. Desiccant cartridge not assembled properly to end cover. (Loose attachment)	E. Check the torque on the desiccant cartridge to end cover attachment. Refer to assembly section of this data sheet.
7. "Pinging" noise excessive during compressor loaded cycle.	A. Single cylinder compressor with high pulse cycles.	A. A slight "pinging" sound may be heard during system build up when a single cylinder compressor is used. If this sound is deemed objectionable, it can be reduced substantially by increasing the discharge line volume. This can be accomplished by adding an additional four feet of discharge line or adding a 90 cubic inch reservoir between the compressor and the AD-9 air dryer.
8. Constant seepage of air at air dryer purge valve exhaust (non-charging mode.)	A. Inlet of air compressor pressurized by turbocharger from engine.	A. Some leakage of pressure past the metal seat of the turbo cutoff feature of the AD-9 is to be expected also may be audible. This slight loss of air will not effect the engine or turbo performance.
	B. Defective check valve assembly in AD-9 air dryer end cover.	B. Refer to Remedy C, Symptom #1.
9. The air dryer purge piston cycles rapidly in the compressor unloaded (noncompressing) mode.	A. Compressor fails to "unload".	A. Faulty governor installation; no air line from governor to compressor or line is "kinked" or restricted. Install or repair air line.



SECTION 13: WHEELS, HUBS & TIRES

CONTENTS

1. WHEELS	13-3
2. WHEEL MAINTENANCE	13-3
2.1 INSPECTION	13-3
2.2 SINGLE WHEEL REMOVAL.....	13-4
2.3 SINGLE WHEEL INSTALLATION	13-4
3. DUAL WHEELS	13-4
3.1 OUTER WHEEL REMOVAL	13-4
3.2 INNER WHEEL	13-4
3.3 INNER WHEEL INSTALLATION	13-4
3.4 OUTER WHEEL INSTALLATION.....	13-4
3.5 INSPECTION	13-4
4. ALUMINUM WHEEL CORROSION PROTECTION	13-5
5. WHEEL STRAIGHTNESS TEST	13-5
6. WHEEL STUDS	13-6
6.1 DRIVE AXLE STUDS	13-6
6.2 FRONT AND TAG AXLE STUDS.....	13-6
7. HUB MOUNTED WHEELS	13-6
7.1 CARE OF WHEELS	13-7
8. FRONT AND TAG AXLE WHEEL HUBS	13-7
8.1 GREASE LUBRICATED WHEEL HUBS.....	13-7
8.1.1 <i>Recommended Lubricants</i>	13-7
8.1.2 <i>Hub Bearing Inspection</i>	13-7
8.2 OIL LUBRICATED WHEEL HUBS	13-7
8.2.1 <i>Hub Bearing Maintenance</i>	13-7
9. DRIVE AXLE WHEEL HUBS	13-7
9.1 BEARING ADJUSTMENT.....	13-8
9.2 DISASSEMBLY AND REPAIR.....	13-8
10. SPARE WHEEL (IF APPLICABLE)	13-8
10.1 PULLING OUT SPARE WHEEL.....	13-9
10.2 CHANGING A FLAT	13-10
10.3 SPARE WHEEL MAINTENANCE	13-10
11. TIRE MAINTENANCE	13-10
11.1 INFLATION PRESSURE	13-10
11.2 TIRE MATCHING	13-11
11.3 WHEEL BALANCING.....	13-12
11.4 TIRE ROTATION.....	13-12
12. SPECIFICATIONS	13-12

Section 13: WHEELS, HUBS & TIRES

LLUSTRATIONS

FIGURE 1: ALUM/STEEL WHEEL ARRANGEMENT 13-3
FIGURE 2: TIGHTENING SEQUENCE 13-3
FIGURE 3: DUAL WHEEL INSTALLATION 13-5
FIGURE 4: DIAL GAUGE INSTALLATION 13-6
FIGURE 5: OIL FILL CAP 13-7
FIGURE 6: SPARE WHEEL COMPARTMENT 13-9
FIGURE 7: FORWARD R.H. SIDE COMPARTMENT 13-9
FIGURE 8: TIRE INFLATION 13-11
FIGURE 9: TIRE LIFE / INFLATION PRESSURE 13-11

1. WHEELS

When the vehicle is provided with stud-mounted wheels, wheel studs and nuts on the left side of the vehicle have left-hand threads whereas those on the right side have right-hand threads. If equipped with hub-mounted wheels, all studs and nuts have right-hand threads. Either steel wheels or optional aluminum-polished wheels may be installed on the vehicle. Both are mounted with radial tubeless tires.

Except for customer special request, all wheel dimensions are 22.50 X 9.0 inches (571.5 X 228.6 mm) for 315/80 R 22.5 tires.

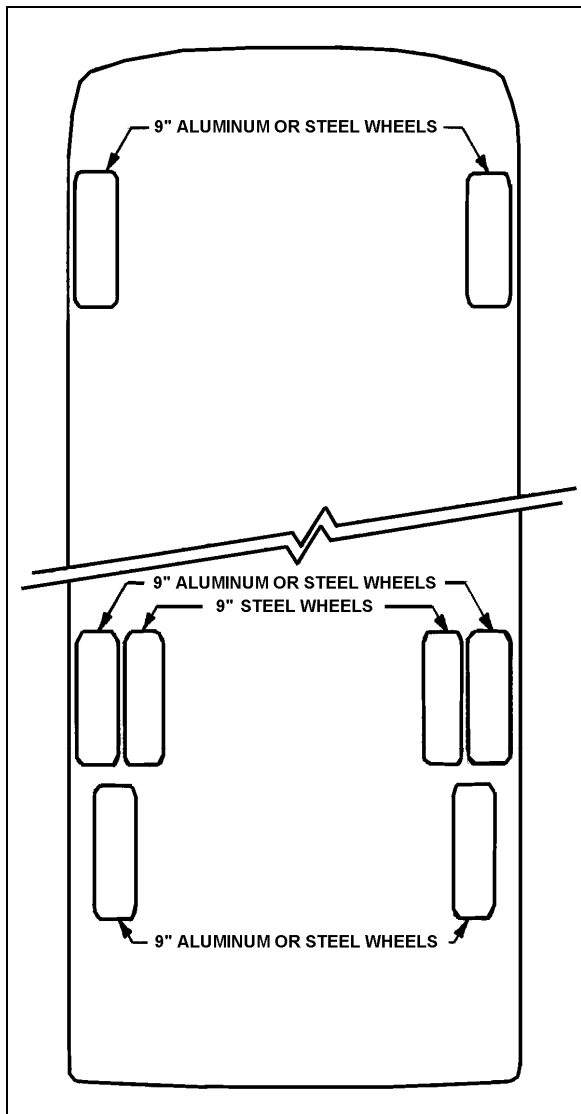


FIGURE 1: ALUM/STEEL WHEEL ARRANGEMENT 13001H3

2. WHEEL MAINTENANCE

Wheel maintenance consists of periodic inspections. Check all parts for damage and make sure that wheel nuts are tightened to the proper torque. In the case of a new vehicle, or after a wheel installation, stud nuts should be tightened every 100 miles (160-km) for the first 500 miles (800-km) to allow setting in of clamping surfaces.

Wheel studs and nuts must be kept free from grease and oil. No lubricant whatsoever should be used. Cleanliness of the wheel and its rotor mating surfaces is important for proper wheel mounting.

However, for hub mounted wheels, it is recommended to add some rust protection lubricant on the pilot diameter of the hub (to facilitate future removal).

It is also important that wheel stud nuts be tightened alternately on opposite sides of the wheel. Refer to Figure 2 for the suggested tightening sequence.

2.1 INSPECTION

Tighten stud nuts progressively as shown in figure 2. The final tightening should be done with a torque wrench. Tighten stud nuts to 450 - 500 ft-lbf (610 - 680 Nm) for aluminum as well as steel wheels.

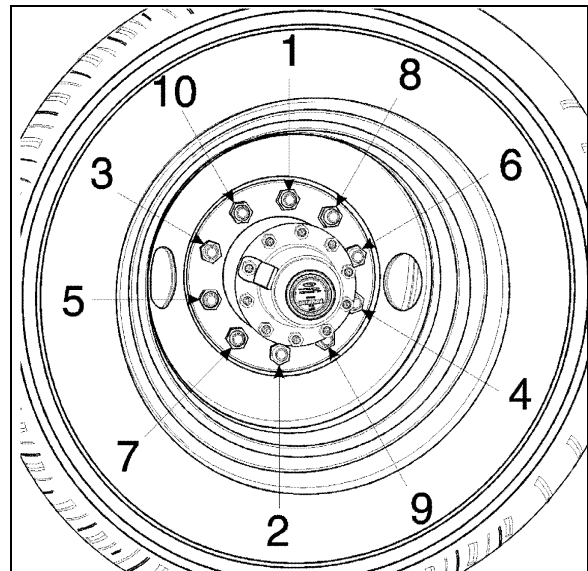


FIGURE 2: TIGHTENING SEQUENCE

13018

Section 13: WHEELS, HUBS & TIRES

2.2 SINGLE WHEEL REMOVAL

1. Stop engine and apply parking brake.
2. Loosen wheel nuts about one turn (do not remove the nuts). This is not necessary if equipped with hydraulic powered gun.

Note: For stud-mounted wheels, turn nuts counterclockwise for R.H. side and clockwise for the L.H. side of vehicle. For hub-mounted wheels, turn nuts counterclockwise on both sides of the vehicle.

3. Raise the vehicle by its jacking points on the body. See Section 18, "BODY", under heading "VEHICLE JACKING POINTS".
4. Unscrew wheel hex stud nuts and remove the wheel.

Caution: Always mark position of the wheel on the axle prior to removal in order to replace wheel at the same location, thus avoiding a new wheel balancing.

Note: If it is not already included on the axle, it is recommended to add wheel protector #650134 between aluminum wheels and hubs as a galvanic corrosion protector.

2.3 SINGLE WHEEL INSTALLATION

1. Mount the wheel over studs, being careful not to damage stud threads;
2. Screw in the hex stud nuts (refer to Figure 2 for sequence) so that wheel will position itself concentrically with hub. This is important, otherwise wheel may be eccentric with hub and will not run straight. In this initial step, slightly tighten the nuts to correctly position the wheel;
3. Tighten stud nuts progressively as shown in Figure 2. The final tightening should be done with a torque wrench. Tighten stud nuts to 450 - 500 ft-lbf (610 - 680 Nm) for aluminum as well as steel wheel.

Caution: Insufficient mounting-torque can result in damage to parts. Excessive mounting torque can cause studs to break and the wheel to crack in stud hole area.

3. DUAL WHEELS

3.1 OUTER WHEEL REMOVAL

Same as described in "Single Wheel Removal" procedure described previously.

3.2 INNER WHEEL

1. Remove outer wheel;
2. Unscrew inner cap nuts;
3. Remove inner wheel.

3.3 INNER WHEEL INSTALLATION

1. Mount the wheel over studs, being careful not to damage stud threads;
2. Screw in the inner cap nuts (Fig. 3), so that wheel will position itself concentrically with hub. Refer to Figure 2 for sequence;
3. Tighten inner cap nuts progressively according to sequence shown in Figure 1. Final tightening should be done with a torque wrench. Tighten inner cap nuts to 450 - 500 ft-lbf (610 - 680 Nm) for aluminum as well as steel wheel.

Caution: Insufficient mounting-torque can result in damage to parts. Excessive mounting torque can cause studs to break and the wheel to crack in stud hole area.

3.4 OUTER WHEEL INSTALLATION

With inner wheel installed, tighten the hex stud nuts (Fig. 3) using the single wheel installation procedure described previously.

Note: On dual wheel assemblies, position the wheels with the tire valves 180° apart in order to have access to both the inner and outer valves.

3.5 INSPECTION

1. Loosen a hex stud nut three turns (Fig. 3);
2. Tighten the inner cap nut to (450 - 500 ft-lbf [610 - 680 Nm]);
3. Tighten the hex stud nut to 450 - 500 ft-lbf [610 - 680 Nm].

Repeat for each of the 10 "hex stud nut - inner cap nut assemblies" according to the tightening sequence in figure 2.

Caution: Do not attempt to tighten an inner cap nut without having previously loosened the hex stud nut.

Caution: The actual length of thread engagement present in an assembled wheel can not always be determined by visual inspection or measurement of a tightened assembly. The relationship of the wheel cap nut seat to the end of the stud may vary. If there is any doubt that enough thread engagement is present, the number of engaged threads may be counted. Tighten all nuts in the regular manner, then loosen one to hand-tightness. The number of turns to disengage a 1-1/8-inch nut should be at least five full turns. At least seven full turns should be required to disengage a 3/4-inch nut. Ideally, when torqued to the proper load, the stud should be flush with the face of the nut. **The face of the nut may be recessed in nuts that are taller for improved wrenching. With most of the nuts in present use, a few unengaged threads at the outer end will cause no problem provided at least 5-7 full turns are required to disengage the nut depending on thread size.**

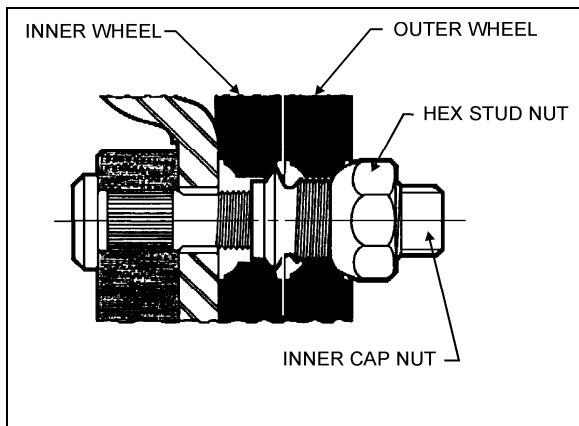


FIGURE 3: DUAL WHEEL INSTALLATION 13007

4. ALUMINUM WHEEL CORROSION PROTECTION

Clean wheels often by means of a high pressure water jet. Cleaning may be accelerated with mild soap. Do not use concentrated alkaline cleaning products.

When tire is removed, clean and inspect wheel thoroughly. Remove dirt and corrosion on rim by means of a wire brush. Do not use a wire brush on the outer surface of the wheel.

The following measures should be taken to maintain original appearance of the aluminum wheels:

1. Remove any tar from wheel surface with a good quality tar remover.
2. Spray Alcoa Cleaner (Prévost #683529) evenly on cool outer surface of wheel. Let work 15-20 minutes (keep wet by spraying more Cleaner if necessary).
3. Rinse thoroughly with clean water and let air dry. Heavy oxidation may require a repeat application of cleaner.
4. Apply Alcoa Polish (Prévost #683528) sparingly to a small area using a clean, soft cloth. Work polish into surface as you would a rubbing compound.
5. Buff, turning cloth frequently, until surface is clean and shiny. Let air dry. Use power buffer to improve ease of use and gloss uniformity.
6. On completely dry, clean and polished surface, generously apply Alcoa sealant (Prévost #683527). Rinse thoroughly with water while surface is still wet in appearance (have water source ready as the dry time is very short, usually less than 2 minutes).
7. For best results, finish by wiping the surface with a clean rag to remove excess water, then allow surface to dry.

Clean aluminum wheels as required to maintain original look.

Warning: Wheel surfaces may have sharp or cutting edges that may cause injury to the hands. To prevent contact with sharp edges, it is strongly recommended to wear rubber gloves when washing or polishing wheels.

5. WHEEL STRAIGHTNESS TEST

1. Slightly raise axle to be checked and place a safety support underneath;
2. Check wheel lateral runout. Install a dial gauge as shown in figure 4, then rotate the wheel by hand one full turn. As the wheel turns, note any variation on the dial gauge;

Caution: Damage to the dial gauge could occur if it strikes a wheel balancing weight.

Section 13: WHEELS, HUBS & TIRES

3. If the variation in lateral runout exceeds 0.125 inch (3,2 mm), the wheel must be replaced.

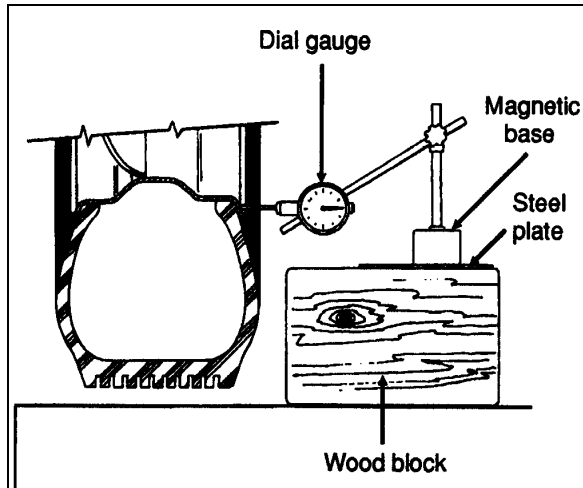


FIGURE 4: DIAL GAUGE INSTALLATION 13008

If doubt exists whether wheel or hub is distorted, hub may be checked as follows:

1. Replace the existing wheel with a wheel known to be correct;
2. Check wheel lateral runout as outlined in step 2;
3. If, within specifications, the hub is correct but the suspected wheel must be replaced.

Warning: NEVER STRAIGHTEN ALUMINUM WHEELS. Never heat aluminum wheels to repair damages incurred after hitting a curb or resulting from other causes. The special alloy in wheels has been heat treated, and any uncontrolled heating could alter wheel structure. Furthermore, never weld aluminum-forged wheels for any reason whatsoever.

6. WHEEL STUDS

Stripped threads may be the result of excessive torquing or may have been damaged during wheel installation when placing the wheel over the studs. A stud having damaged threads must be replaced. Broken studs are a direct result of operating with loose stud nuts or improperly seated wheels. When a broken stud is replaced, the adjacent studs, on each side of the broken one must also be replaced since they could have been subjected to excessive strain and may be fatigued.

When installing wheel studs to hubs, check nuts retaining the wheel stud to wheel hub and replace if they are deformed, damaged or severely corroded. Install nut (and washer where applicable) to new stud. Torque to 450 - 500 lbf•ft (610 - 680 Nm).

Note: For stud-mounted wheels, turn nuts counterclockwise on R.H. side of vehicle and clockwise on L.H. side. For hub-mounted wheels, turn nuts counterclockwise on both sides of vehicle.

6.1 DRIVE AXLE STUDS

Wheel can be mounted on the drive axle either with 3/4"-16 studs with an inner cap nut, and a 1-1/8"-16 nut or with M22 x 1.5 studs and an M22 flange nut, depending if it is a stud-mounted or hub-mounted wheel.

6.2 FRONT AND TAG AXLE STUDS

Wheel can be mounted on tag axle with studs (1-1/8"-16 thread) or hub mounted (M22 x 1.5 thread).

Note: Wheel studs and nuts must be kept free from grease and oil. No lubricant whatsoever should be used.

7. HUB MOUNTED WHEELS

Wheel surfaces in contact with hubs, nuts or other wheels should be kept free of all rust, grease and paint (except for initial "E" coat protection, applied to stop rusting and to facilitate wheel removal). The reason for this is to assure that all faces are clamped together without buildup of any coating. The threads of the wheel studs and the wheel nuts should be clean and undamaged.

Note: When painting wheels, make sure to mask all surfaces identified above.

Using a calibrated torque wrench, tighten wheel nuts to 450-500 ft-lbf (610 - 680 Nm) of torque. Do not use power tools or long bars for tightening. Tighten wheel nuts alternately as shown in figure 2.

Note: Tightening should not be done immediately after prolonged braking or when wheel ends are hot.

Check wheel nut torque at every 100 miles (160 km) for 500 miles (800 km) after fitting wheels. Let cool before checking. If any relaxation of the initial 450-500 ft-lbf (610 - 680 Nm) of torque has occurred, retighten. Relaxation of initial torque may occur because of the "bedding down" of the hub and wheel surfaces.

Note: Torque relaxation occurs when wheel ends are hot but should revert to original setting when cool. Retightening when hot will produce a higher torque reading than recommended.

7.1 CARE OF WHEELS

Check for cracks in wheels, especially around the fixing holes, studs, nuts and washers. If in doubt, renew.

Do not simply retighten very loose wheel fixings or wheels that are continually becoming loose. Find out why they are loose and whether any damage has been caused.

Use trained personnel and keep records of all attention to wheels and fixings, including which parts were renewed and when.

8. FRONT AND TAG AXLE WHEEL HUBS

Two types of wheel hubs are available. One is lubricated with grease and the other is lubricated with oil.

8.1 GREASE LUBRICATED WHEEL HUBS

Front and tag axle wheel hubs and hub bearings need to be cleaned and greased every 50,000 miles (80 000 km) or once a year, whichever comes first.

8.1.1 Recommended Lubricants

A good quality lithium-base grease NLGI No. 1 or No. 2 is recommended.

8.1.2 Hub Bearing Inspection

An inspection should be made after the first 3,000 miles (4 800 km) and then at intervals of 25,000 miles (40 000 km). When the wheels are raised, they should revolve quite freely without roughness.

Hub bearings should have a slight end movement within the limits of 0.0005 to 0.002"

(0.0127 to 0.0508 mm) when rocked forward and backwards on axle stub. Refer to "Parts and Service Manual for GKN axles", annexed to Section 10, "FRONT AXLE"

8.2 OIL LUBRICATED WHEEL HUBS

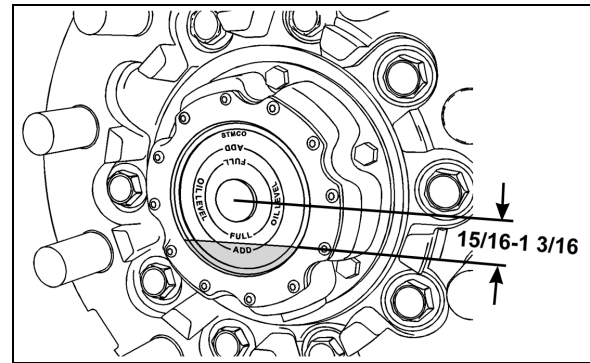


FIGURE 5: OIL FILL CAP

13017A

8.2.1 Hub Bearing Maintenance

If applicable, the front and tag axle wheel hubs use oil lubrication that eliminates periodic grease repacking of the hubs. A sight glass is provided for convenient verification of oil level. Oil level should be checked daily and must be maintained between the "ADD" and "FULL" level mark in the sight glass or between 15/16" and 1 3/16" from wheel centerline (23 to 30 mm). If oil is not visible through the sight glass, general purpose gear lubricant SAE 85W/140 (API spec. GL5) must be added by removing the oil fill cap in center of hub to bring oil to the correct level. To check oil level after vehicle has been driven, wait at least 15 minutes to ensure that oil has settled.

Note: For vehicles equipped with Independent Front Suspension, refer to Section 16 "SUSPENSION".

Caution: Hub oil fill cap is provided with a very small vent hole in its center. Occasionally insert a small tip (toothpick size) to avoid hole restriction and prevent overpressure in bearing housing.

9. DRIVE AXLE WHEEL HUBS

Drive wheels use a single oil-seal assembly. They are lubricated from the oil supply in the differential housing. Bearings are tapered rollers,

Section 13: WHEELS, HUBS & TIRES

adjustable to compensate wear. Maintain differential oil level with general-purpose gear lubricant (refer to Section 24 "LUBRICATION" for proper oil grade selection) to ensure adequate oil supply to wheel bearings at all times.

9.1 BEARING ADJUSTMENT

To adjust drive wheel bearings:

1. Raise vehicle until both dual wheels can be turned freely (approximately 6 inches from the ground). Position jack stands under drive axle, then lower vehicle approximately 2 inches in order to avoid entire weight of the axle being supported by the suspension air bellows and the shock absorber pins.
2. Remove axle shaft as indicated in "Rockwell - Maintenance Manual No. 5" under heading "Single Reduction Differential Carriers" annexed to "Section 11" of this manual. Remove gaskets. Unscrew lock nut and remove adjusting nut lock ring.
3. To adjust, tighten adjusting nut until the wheel binds. Rotate the wheel while tightening so that all surfaces are in proper contact. Back off adjusting nut approximately, 1/4 to 1/3 turn to assure 0.001/0.007" (0.0254/0.1778 mm) endplay and to ensure that wheel turns freely. Replace the lock ring, and adjust nut dowel pin in one of the holes. The ring may be turned over if necessary to allow more accurate bearing adjustment.
4. Tighten lock nut and check bearing adjustment. Replace the axle shaft using a new gasket.

9.2 DISASSEMBLY AND REPAIR

1. Jack vehicle as per "BEARING ADJUSTMENT" and remove axle shaft as indicated in "ROCKWELL - MAINTENANCE MANUAL NO. 5" entitled "Single Reduction Differential Carriers" annexed to Section 11 of this manual.
2. Remove wheels and tires.

Caution: Always mark position of the wheel on the axle before removal, to replace wheel at the same location, thus avoiding a new wheel balancing.

3. Remove lock nut, lock ring and adjusting nut from axle housing to prevent the outer bearing from falling out. Remove outer bearing cone and roller assembly.
4. Remove screws attaching inner oil seal retainer to hub, and remove inner oil seal assembly. Remove inner bearing cone and roller assembly. Bearing cups can be separated from the hub using a hammer and a long brass drift.
5. Thoroughly clean all parts. Bearing cone and roller assemblies can be cleaned in a suitable cleaning solvent using a stiff brush to remove old lubricant.
6. In case excessive wear, deterioration, cracking or pitting is present on the bearing cups, rollers or cones, the bearings should be replaced. Seals should be replaced each time they are removed from the hub. To install new oil seal, use a suitable adapter and drive the seal into the retainer bore until it bottoms.
7. When installing wheel on spindle, center the wheel hub with spindle to avoid damaging the seal with the end of the spindle. Push wheel straight over the spindle until inside diameter of seal press fits on wiper ring. Fill hub cavity with general-purpose gear lubricant (refer to Section 24 "LUBRICATION" for proper oil grade selection). Lubricate, then install outer bearing cone. Adjust bearing and lock. Assemble axle flange to axle using a new gasket. Apply sealant in stud area. After both wheels have been assembled according to above procedure, fill the differential with the recommended lubricant to the proper factory recommended level.

Note: During regular inspection, do not forget to check lubricant level in differential. Clean thoroughly or replace vent as required.

10. SPARE WHEEL (IF APPLICABLE)

Tire failure is a rare event if tires are properly cared for. In case of a flat tire, move vehicle a safe distance away from traffic and apply parking brake. Remember to use the hazard flashers and according to the Highway Code

Section 13: WHEELS, HUBS & TIRES

regulations, set up the triangular reflectors (see "Emergency Warning Reflectors" in the Operator's Manual) at an adequate distance, to warn incoming motorists.

The spare wheel is stored in a dedicated compartment behind the front bumper. To access, loosen the two retaining nuts under the bumper by about 10 turns using the bumper wrench provided in the jack/tools kit in the forward R.H. baggage compartment (2, Fig. 7). Push up the nuts and tilt the bumper forward. Although the bumper is heavy, sprung hinges permit one person operation.

When closing bumper compartment, be sure to connect the safety chain. Make sure bumper is securely installed and both nuts are tightened.

Note: Converted vehicles contain no spare wheel. Access to compartment is obtained by pressing a latch located in the middle and upper part of the bumper air inlet.

Warning: This compartment has not been designed for storage. Never leave loose objects in this area since they may interfere with steering linkage mechanism. Make sure bumper is safely bolted in place after closing the compartment.

10.1 PULLING OUT SPARE WHEEL

To pull out spare wheel, open reclining bumper according to the previous instructions. Loosen and turn the holding chain buckle to release the wheel and dolly assembly. Open the front service compartment, unscrew the wing nut retaining the support and rail extension assembly, and then pull out. Fasten by matching its two holes to the corresponding mounting pins located in front center of spare wheel compartment. Pull out wheel using the strap, and then remove tire covering. Separate wheel from dolly by unscrewing the two mounting wing nuts.

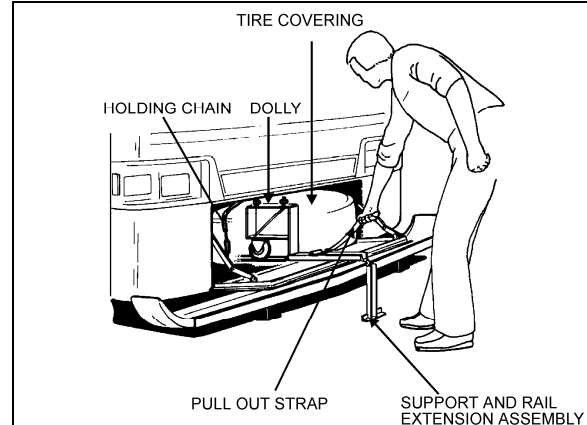


FIGURE 6: SPARE WHEEL COMPARTMENT 13023

Note: Reinstall support and rail extension assemblies then secure wheel with holding chain before moving vehicle.

Caution: After reclining bumper has been closed, verify that securing bolts are properly tightened.

Note: The jack and wheelnut wrench are stored at right in forward R.H. baggage compartment.

The jack/tools kit stowed in the forward R.H. baggage compartment contains a:

1. 30 ton bottle jack;
2. Bumper wrench;
3. Wheel nut wrench and lever;
4. Triangular reflectors kit.

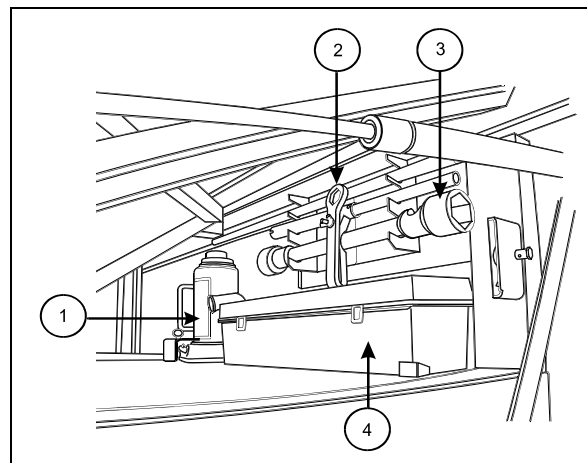


FIGURE 7: FORWARD R.H. SIDE COMPARTMENT 13015

Section 13: WHEELS, HUBS & TIRES

Note: Check the inflation pressure of the spare tire periodically to keep it ready for use. Inflate spare tire to the pressure of the tire, which has the highest pressure on the vehicle. When installing, deflate to correct pressure if necessary.

10.2 CHANGING A FLAT

In case of flat tire, refer to appropriate procedure under "WHEEL MAINTENANCE" heading in this section.

Note: For hydraulic jack placement, refer to Section 18 "BODY", under heading "VEHICLE JACKING POINTS".

Warning: Place jack on stable and level ground; if necessary, place a board under the jack. Do not raise the vehicle until you are sure the jack is securely engaged.

Warning: To prevent personal injury and/or equipment damage, use only the recommended jacking points. Passengers must not remain inside vehicle while wheel is being replaced.

Caution: Adjust tire pressure according to the appropriate cold tire inflation-pressure.

Note: Store damaged wheel in spare tire compartment. Repair and balance the flat tire as soon as possible.

10.3 SPARE WHEEL MAINTENANCE

Maintenance of the spare wheel and tire consists in ensuring that tire inflation pressure is the same as the tire on the coach that has the highest inflation pressure (refer to "SPECIFICATIONS" in this section for the recommended tire inflation pressure). Inspect rim to ensure that there is no important corrosion. In addition, check if spare wheel cover is in good condition and check that spare tire is securely fastened in compartment.

11. TIRE MAINTENANCE

The most critical factor in tire maintenance is proper inflation (Fig. 8). No tire is impervious to loss of air pressure. To avoid the hazards of under inflation, always maintain tires at their recommended inflation pressure. Improper inflation decreases tire life.

An under inflated tire builds up heat that can cause sudden tire destruction, resulting in improper vehicle handling and possible loss of vehicle control. At least once a week, before driving (when tires are cold), check inflation pressure on all the tires, including the spare tire. This is especially important in cases when different drivers operate the vehicle.

Warning: Failure to maintain correct tire inflation pressure may result in sudden tire destruction, improper vehicle handling, and will cause rapid and irregular tire wear. Inflation pressure should be checked weekly and always before long distance trips.

11.1 INFLATION PRESSURE

The condition and pressure of the tires can greatly affect both useful tire life and road safety.

At regular intervals, verify the tire pressures. Use an accurate tire pressure gauge when checking inflation pressures. Never exceed the maximum inflation pressure specified on each tire.

Inflation pressure should be checked when tires are cold. Cold tire inflation pressure can be measured when a vehicle has not been driven for at least 3 hours or less than 1 mile (1.6 km). Driving, even for a short distance, causes tires to heat up and air pressure to increase. Check inflation pressure on all tires (including the spare tire) using an accurate tire gauge.

Note: The recommended tire inflation pressures are given in "SPECIFICATIONS" at the end of this section. In addition, cold tire inflation pressures are listed on the Department of Transport's certification plate, affixed on the panel behind the driver's seat. For special tire selection, a "PRÉVOST COACH SPECIAL SPECIFICATION" chart is supplied with the vehicle and is affixed on the left wall near the driver's seat. Remember, tire inflation pressure must be adjusted according to vehicle loading - see table in "Coach Final Record"

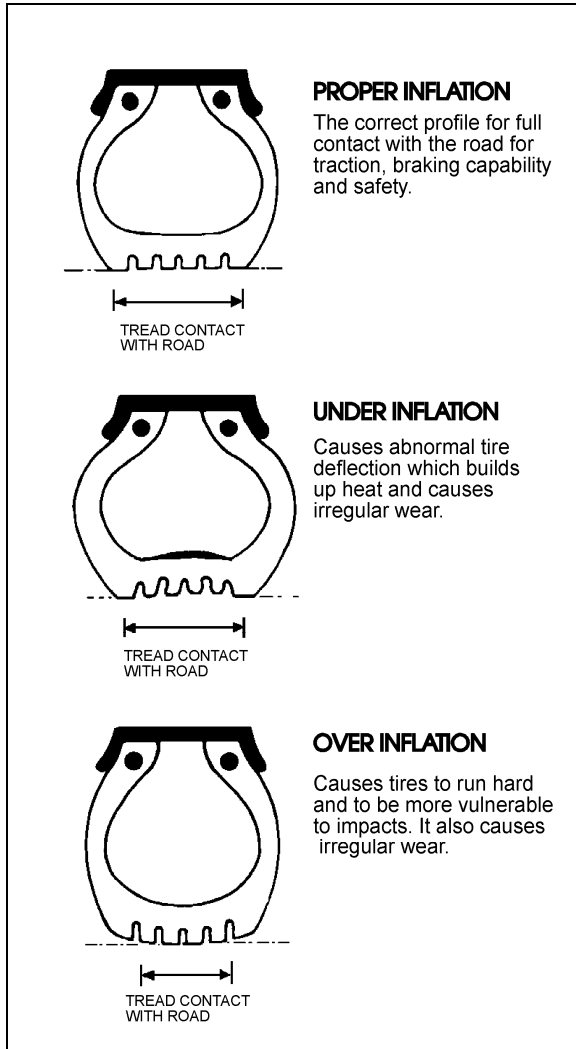


FIGURE 8: TIRE INFLATION

13009

Caution: Never bleed air from hot tires as tires will then be under inflated. Use an accurate tire gauge to check pressures (Do not kick tires as an inflation check. This is an unreliable method).

Caution: These tire pressures are established in accordance with the maximum allowable load on each axle. A lower pressure is recommended if the axle load is less than the above specifications. Weigh vehicle fully loaded and pressurize according to tire manufacturer's recommendations. For other tire and wheel specifications, see Prévost tire pressure tabulation in "Coach Final Record".

Warning: Incorrect tire pressures cause increased tire wear and adversely affect road holding of the vehicle, which may lead to loss of vehicle control.

Warning: Recommended tire inflation pressures and maximum allowable loads apply to speeds up to 65 mph (105 km/hr). Do not drive vehicle at a higher speed than 65 mph (105 km/h) or above the posted speed limit.

Warning: All tires on the same axle should always be inflated to the same pressure. There should not be a difference in pressure between right and left tires on the same axle. A 5-psi (35-kPa) underinflation in one front tire can not only reduce vehicle maneuverability, but will create steering hazards which can lead to an accident.

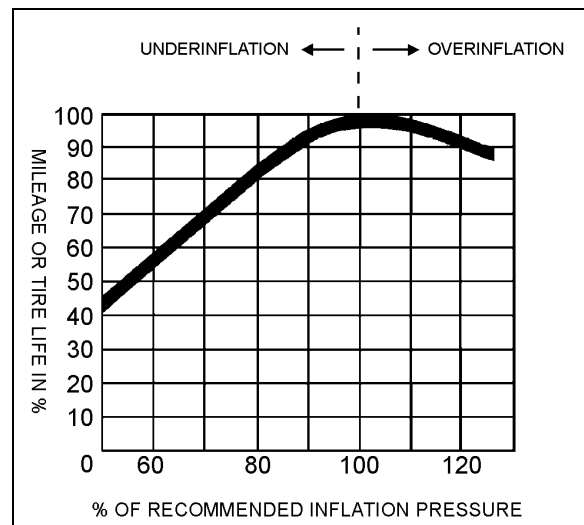


FIGURE 9: TIRE LIFE / INFLATION PRESSURE

13010

11.2 TIRE MATCHING

Unmatched tires on drive axle will cause tire wear and scuffing, as well as possible damage to the drive unit. Consequently, we recommend that tires be matched within 1/8" (3 mm) of the same rolling radius.

Note: It is recommended that all tires on coach be of the same type.

Section 13: WHEELS, HUBS & TIRES

11.3 WHEEL BALANCING

Before balancing, wheels must be clean and free from all foreign matter. The tires should be in good condition and properly mounted. An unbalanced wheel can be due to a bent wheel or improper mounting. Before removing the wheel from the vehicle, check for swaying movement and if necessary, check the wheel lateral runout as outlined under heading "WHEEL STRAIGHTNESS CHECK".

Warning: When balancing wheel and tire assemblies, it is strongly recommended to closely follow instructions covering the operation of wheel balancer.

Caution: A maximum of 16-oz (450 g) of balancing weight is recommended. If more weight is necessary, check and correct the cause.

11.4 TIRE ROTATION

Radial tires should be rotated only when necessary. If the tires are wearing evenly, there is no need to rotate. If irregular wear becomes apparent or if the wear rate on the tires is perceptively different (from axle to axle), then tires should be rotated in such a manner as to alleviate the condition.

Note: There is no restriction on criss-cross rotation.

12. SPECIFICATIONS

STEEL WHEELS (including inner drive axle)

Wheel size..... 9.0" X 22.5"
Wheel nut torque..... 450 - 500 lbf•ft (610 - 680 N•m)
Tire size..... 315/80 R 22.5

ALUMINUM WHEELS (except inner drive axle)

Wheel size..... 9.0" X 22.5"
Wheel nut torque..... 450 - 500 lbf•ft (610 - 680 N•m)
Tire size..... 315/80 R 22.5

RECOMMENDED TIRE INFLATION PRESSURE AT MAXIMUM LOAD (cold)

Note: Inflation pressure is given on the certification plate for Prévost standard 315/80 R22.5 tires. For special tire selection, a "PRÉVOST COACH SPECIAL SPECIFICATION" chart is supplied with the vehicle and is affixed on the left wall near the driver's seat.

Caution: In the case of a converted vehicle, weigh fully loaded and pressurize according to tire manufacturer's recommendations.

Warning: Recommended tire inflation pressures and maximum allowable loads apply to speeds up to 65 mph (105 km/hr). Do not drive vehicle at a higher speed than 65 mph (105 km/h) or above the posted speed limit.

ALUMINUM WHEEL CLEANING AND MAINTENANCE PRODUCTS

Aluminum Wheel Cleaner (22 Oz bottle) Prévost #683529
Aluminum Wheel Polish (16 Oz bottle) Prévost #683528
Aluminum Wheel Sealer (13 Oz bottle) Prévost #683527

SECTION 14: STEERING

CONTENTS

1. STEERING SYSTEM	14-3
1.1 DESCRIPTION.....	14-3
2. POWER STEERING GEAR	14-4
2.1 DESCRIPTION.....	14-4
2.2 POWER STEERING GEAR REMOVAL	14-5
2.3 POWER STEERING GEAR INSTALLATION	14-5
3. BLEEDING POWER STEERING HYDRAULIC SYSTEM	14-5
4. HYDRAULIC PRESSURE TEST	14-5
5. TROUBLESHOOTING	14-5
6. POWER STEERING HYDRAULIC PUMP	14-5
6.1 DESCRIPTION.....	14-5
6.2 REMOVAL AND INSTALLATION.....	14-5
6.3 MAINTENANCE	14-6
7. STEERING WHEEL	14-6
7.1 REMOVAL	14-6
7.2 INSTALLATION	14-6
8. STEERING COLUMN	14-6
8.1 REMOVAL	14-6
9. TURNING ANGLE ADJUSTMENT	14-6
10. STEERING LINKAGE ADJUSTMENT	14-7
11. PITMAN ARM	14-7
11.1 REMOVAL	14-7
11.2 INSTALLATION	14-8
11.3 ADJUSTMENT	14-8
12. MAINTENANCE	14-8
12.1 POWER STEERING RESERVOIR AND FILTER	14-9
12.1.1 <i>Oil Level Check Procedure</i>	14-9
12.1.2 <i>Filter Replacement</i>	14-9
12.2 STEERING STABILIZER CYLINDER (DAMPER).....	14-10
12.3 DRAG LINK	14-10
12.4 POWER STEERING HYDRAULIC PUMP.....	14-10
13. DRIVING TIPS	14-10
14. TORQUE SPECIFICATIONS	14-11
15. SPECIFICATIONS	14-12

ILLUSTRATIONS

FIGURE 1: STEERING SYSTEM AXLE SETUP	14-3
FIGURE 2: POWER STEERING GEAR	14-4
FIGURE 3: FRONT SERVICE COMPARTMENT	14-4
FIGURE 4: STEERING COLUMN	14-6
FIGURE 5: PITMAN ARM ADJUSTMENT.....	14-7
FIGURE 6: ENGINE COMPARTMENT R.H. SIDE DOOR.....	14-9
FIGURE 7: POWER STEERING FLUID RESERVOIR.....	14-9
FIGURE 8: STEERING STABILIZER (DAMPER)	14-10
FIGURE 9: DRAG LINK COMPONENTS	14-11
FIGURE 10: TIE ROD END	14-11
FIGURE 11: FRONT AXLE COMPONENTS.....	14-11

1. STEERING SYSTEM

1.1 DESCRIPTION

The steering system consists of the steering wheel and column assembly, a vane-type hydraulic pump, reservoir, filter, interconnecting system lines and hoses, integral power steering gear, linkage and steering damper (Fig. 1). The steering linkage includes the pitman arm, drag link, steering arm, tie rod arms and tie rod.

Hydraulic components are added to transmit, increase and regulate steering control forces.

These elements are:

1. Steering stabilizer (damper);
2. A vane type hydraulic pump; and
3. Hydraulic reservoir and hoses.

The steering stabilizer reduces road shocks and vibrations in the system. The steering gearbox is self powered and provides movement with power assistance mainly to the left wheel.

Steering stability and tire wear are influenced by wheels, hubs, tires, air suspension, brakes, front suspension and front end alignment which are all covered in their respective sections in this manual.

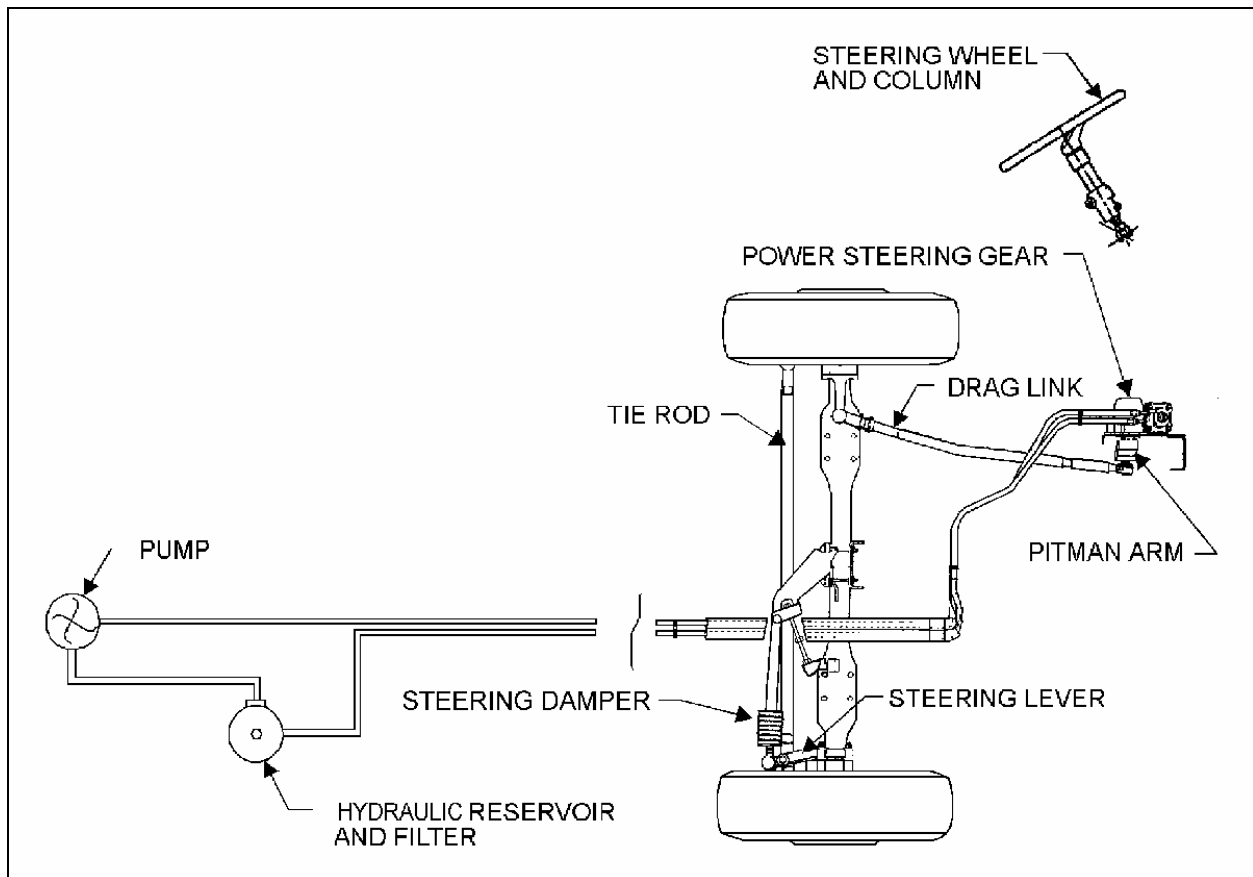


FIGURE 1: STEERING SYSTEM AXLE SETUP

14004

2. POWER STEERING GEAR

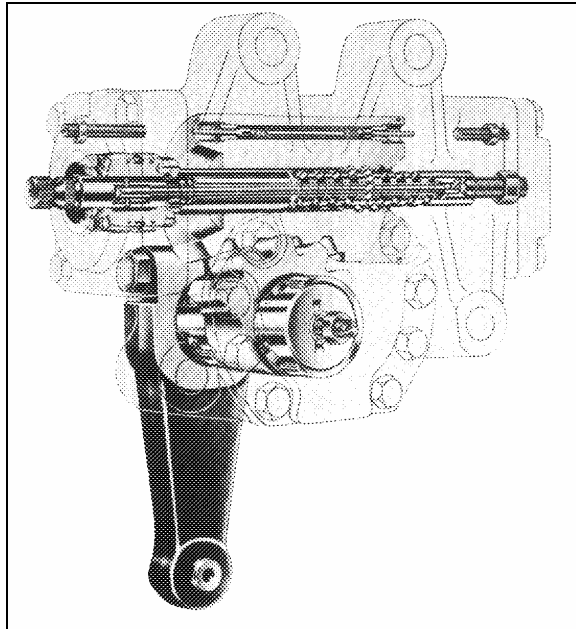


FIGURE 2: POWER STEERING GEAR

14013

2.1 DESCRIPTION

The power steering gear is located in the front lower service compartment (Figs. 2 & 3). The integral power steering gear (TAS 85) incorporates a manual steering mechanism, a hydraulic control valve and a hydraulic power cylinder.

Force on the steering wheel is transmitted to the steering gear input shaft. The input shaft is connected to the worm shaft by means of a torsion bar. The torsion bar turns with the input shaft, exerting a rotational force on the worm shaft. The worm shaft in turn transmits the force through a ball nut mechanism to axial force on the rack piston. The rack piston resists this force due to its engagement to the sector shaft. With this resistance, the torsion bar is twisted by the input shaft. Pressurized fluid moves the rack piston axially through the cylinder bore, and the rack piston then turns the sector shaft and steers the vehicle.

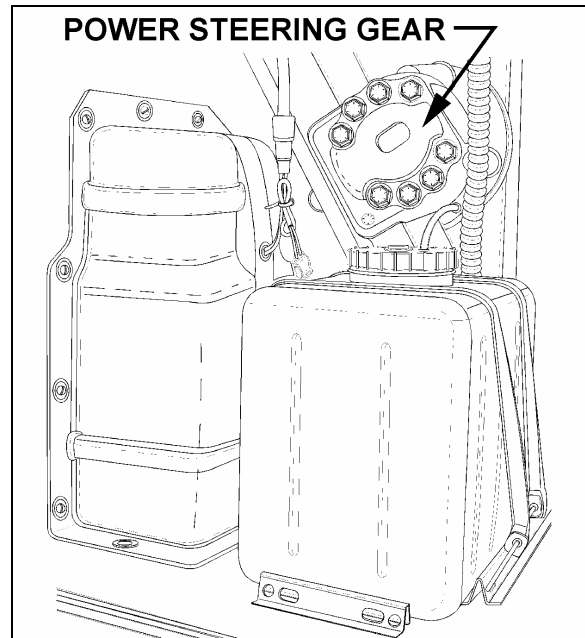


FIGURE 3: FRONT SERVICE COMPARTMENT

14005

If the steered wheels receive a shock load, the shock force is transmitted through the sector shaft to the rack piston and on the worm shaft. This force causes the control valve to send high pressure fluid to the proper cavity to resist the shock force. By hydraulically absorbing the shock, the steering gear prevents kickback at the steering wheel.

The steering gear is equipped with two unloading valves (poppets) at either end of the housing. As the steered wheels approach the axle stop, the corresponding poppet is opened. This reduces heat generated by the pump. The tripped poppet also reduces the load force on the steering linkage. These poppets may be adjusted by the adjusting screw located at bottom of steering gear.

Refer to the "TAS STEERING GEAR SERVICE MANUAL" annexed to this section for the functional aspects and maintenance procedure of the power steering gear.

Caution: Before attempting to adjust the poppet valves of the power steering gear, properly set the steering stop screws as outlined in section 10 "FRONT AXLE", under heading "6.4 Turning Angle Adjustment".

2.2 POWER STEERING GEAR REMOVAL

Warning: The steering gear weighs approximately 112 lbs (51 kg) dry. Exercise caution when maneuvering.

1. Put a container into place, then disconnect both the inlet and outlet hoses from the power steering gear. Cover fittings to prevent fluid contamination.
2. Mark both the pitman arm and sector shaft with a line, then remove pitman arm. Refer to "11.1 Pitman Arm Removal" procedure.
3. Mark both the steering shaft universal joint yoke and steering gear input shaft with a line, then disconnect universal joint.
4. Unscrew and remove the power steering gear.

2.3 POWER STEERING GEAR INSTALLATION

Reverse "Power Steering Gear Removal" procedure paying particular attention to the following:

1. Tighten fasteners as recommended under paragraph 14: "TORQUE SPECIFICATIONS".
2. Bleed air from the system as per step 3, next.

3. BLEEDING POWER STEERING HYDRAULIC SYSTEM

To bleed the power steering hydraulic system, refer to the "TAS STEERING GEAR SERVICE MANUAL" annexed to this section, under heading "FILLING AND AIR BLEEDING THE SYSTEM".

4. HYDRAULIC PRESSURE TEST

Perform a pressure test as outlined in the "TAS STEERING GEAR SERVICE MANUAL" annexed to this section.

5. TROUBLESHOOTING

Perform troubleshooting of the steering gear as outlined in the "TAS STEERING GEAR SERVICE MANUAL", the "TRW - POWER STEERING PUMP SERVICE MANUAL" and the "TRW - CHART YOUR WAY TO EASY STEERING" guide annexed to this section.

6. POWER STEERING HYDRAULIC PUMP

6.1 DESCRIPTION

The power steering pump is a vane type, gear driven, hydraulic unit which supplies hydraulic pressure for the operation of the steering gear. The pump is mounted on the engine, on the crankshaft pulley's R.H. side.

6.2 REMOVAL AND INSTALLATION

The pump is accessible through the engine compartment rear door.

To remove the pump, proceed as follows:

1. Put an empty container directly below pump, then disconnect both the inlet and outlet hoses from the pump. Block fitting cavities to prevent fluid contamination.
2. Remove the two (2) mounting screws, then slowly pry out the pump.
3. Remove and discard gasket.

Caution: Inspect the drive coupling thoroughly, and replace if necessary (the drive coupling is a fiber component located between the engine and the pump).

For pump installation, reverse the removal procedure paying particular attention to the following:

Caution: Ensure that drive coupling is correctly positioned before reinstalling the pump.

1. Install a new gasket (Prévost P/N 510488).
2. Bleed air from the system as per step 3, "Bleeding Power Steering Hydraulic System".

Section 14: STEERING

6.3 MAINTENANCE

Refer to the "TAS STEERING GEAR SERVICE MANUAL" and the "TRW - POWER STEERING PUMP SERVICE MANUAL" annexed to this section.

7. STEERING WHEEL

7.1 REMOVAL

1. Set the battery master switch located in the main power compartment to the "OFF" position.
2. Using a tool, such as a small flat head screwdriver, pry off the air horn cap.
3. Loosen the small screw in center of cap and the other retaining the black wire, then disconnect the white terminal. Remove horn cap.
4. Loosen and remove the steering wheel nut.
5. Using a suitable puller, remove the steering wheel.

7.2 INSTALLATION

To install, reverse the removal procedure. Torque steering wheel nut to 35-45 lbf•ft (47-60 N•m).

8. STEERING COLUMN

8.1 REMOVAL

To disassemble the steering column from system, refer to Figure 4. The steering column has no lubrication points. The lower steering column U-joint is easily accessible through the front service compartment. The upper steering column U-joint and the steering slip joint are accessible from the front driver's area. To access these joints, proceed as follows:

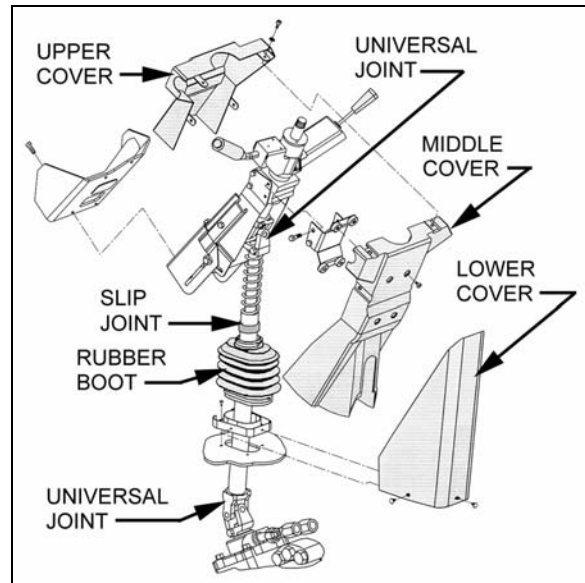


FIGURE 4: STEERING COLUMN

14040

1. From the front driver's compartment area, remove the three plastic fasteners on steering column lower cover. Remove the lower cover (Fig. 4).
2. Unscrew the four retaining screws on steering column middle cover.
3. Unscrew the four retaining screws fixing steering column upper cover to middle cover. Remove the steering column middle and upper covers.
4. Position the steering wheel in order to gain access to the joints.

9. TURNING ANGLE ADJUSTMENT

The maximum turning angle is set through two (2) steering stop screws installed on the axle center. Steering stop screws are factory adjusted to accommodate the chassis design, and therefore, do not require adjustment on new vehicles. However, these should be checked and adjusted if necessary, any time a steering system component is repaired, disassembled or adjusted. Refer to section 10 "FRONT AXLE" under heading "6.4 TURNING ANGLE ADJUSTMENT".

Caution: To prevent the steering damper from interfering with the adjustment of turning angles,

make sure its fixing bracket is at correct location on the axle (refer to "12.2 Steering Stabilizer Cylinder (Damper)).

Hydraulic Stop

Caution: Reduce or shut off the power steering hydraulic pressure before the boss on the axle touches the stop screw. If not, the components of the front axle will be damaged (refer to "TAS STEERING GEAR SERVICE MANUAL" annexed to this section, under heading "POPPET RESETTING").

Caution: Never maintain the relief pressure for more than 5 seconds, since damage to the power steering pump may occur.

10. STEERING LINKAGE ADJUSTMENT

The steering linkage includes the pitman arm, drag link, steering arm, tie rod arms and tie rod.

Perform lubrication according to "GKN PARTS AND SERVICE MANUAL NO. 1604 Issue A - GKN AXLES LIMITED" annexed to section 10 "FRONT AXLE".

Drag link ends are provided with grease fittings. Under normal conditions, these should be serviced every 6,250 miles (10 000 km). Refer to section 24 "LUBRICATION".

Steering linkage pivot points should be checked each time they are lubricated. Looseness can be visually detected while rotating the steering wheel in both directions. Replace defective parts.

Caution: Front wheel alignment should be checked and adjusted if necessary, any time a component of the steering system is repaired, disassembled or adjusted. Refer to section 10 "FRONT AXLE" under heading 6. "FRONT WHEEL ALIGNMENT".

11. PITMAN ARM

11.1 REMOVAL

1. Remove cotter pin, nut and washers from drag link ball stud at pitman arm.
2. Disconnect drag link from pitman arm, using jaw style pullers (pressure screw type).

Warning: Always wear approved eye protection when operating pullers.

Caution: Do not drive (hammer in) pitman arm on or off pitman shaft as this can damage the steering gear.

Caution: Heating of components to aid in disassembly is not allowed because it has a detrimental effect on axle components and steering linkages.

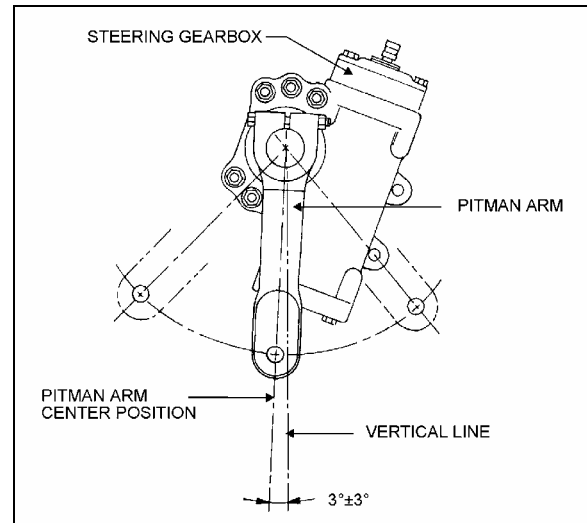


FIGURE 5: PITMAN ARM ADJUSTMENT

14007

3. Remove pitman arm clamp bolt nut, washer and bolt.
4. Check the radial position of the pitman arm in relation to the sector shaft prior to removal of pitman arm.
5. Add reference marks to the arm and shaft if necessary to ensure correct alignment at reassembly.
6. Remove pitman arm. A chisel will help you loosen the pitman arm. Use a puller if you cannot remove the pitman arm manually.

Section 14: STEERING

11.2 INSTALLATION

1. Position pitman arm on sector gear shaft with reference marks aligned. Ensure that the clamp bolt groove matches.
2. Install bolt, washer and nut. Tighten nut to 280-300 lbf•ft (380-410 N•m).

Caution: TRW recommends checking this tightening torque 4 times a year.

3. Connect drag link to pitman arm while ensuring that rubber stabilizer is in place on the rod end. Install washers. Tighten nut to 160-300 lbf•ft (220-410 N•m). Afterwards, install a new cotter pin.

11.3 ADJUSTMENT

1. Disconnect the drag link from pitman arm. Center steering wheel by dividing the total number of steering wheel turns in two. Scribe a reference mark on steering gearbox at the center previously determined.
2. Using a protractor, check the angle of the pitman arm (refer to Fig. 5 for details).
3. The pitman arm should be adjusted to an angle of $3^{\circ} \pm 3^{\circ}$ in relation with the vertical axis (towards rear of vehicle). If not, unscrew and remove bolt, nut and washer. Remove the pitman arm according to the procedure outlined under previous heading "*Pitman arm removal*". Adjust to the proper angle.
4. When adjustment is achieved, replace bolt, nut and washer, and torque to 280-300 lbf•ft (380-410 N•m).

12. MAINTENANCE

The power steering system requires little maintenance. However, the system should be kept clean to ensure maximum operating performance and troublefree service. Periodic inspections should also be made to check for leakage and all parts for damage or distortion. Insure all fasteners are tight (see "*14. SPECIFICATIONS*" for recommended tightening torques.

When the slightest evidence of dirt, sludge or water is discovered in the system, disconnect

fluid lines at the power steering gear to drain the system. Drain and refill the system with "*Dexron-II* or *Dexron-III*" automatic transmission oil.

Air in the hydraulic system will cause spongy action and noisy operation. When a hose has been disconnected or when fluid has been lost for any reason, the system must be bled. Bleed system as outlined under heading 3: "*BLEEDING POWER STEERING HYDRAULIC SYSTEM*".

Warning: Do not operate the pump without fluid in the power steering fluid reservoir.

If the steering linkage between the steering gear and the two front wheels is not properly adjusted, or if it is bent, twisted or worn, the steering of the vehicle will be seriously impaired. Whenever a steering linkage part is repaired, replaced or adjusted, steering geometry and front wheel alignment must be checked and necessary corrections made. Refer to section 10 "*FRONT AXLE*" under heading 6: "*FRONT WHEEL ALIGNMENT*".

At regular lubrication intervals, the steering linkage should be thoroughly inspected for worn or loose components.

After the vehicle has been operated continually and high mileage figures have been reached, overhaul of the various steering units will be required. General overhaul procedure normally requires removal of the entire assembly, cleaning and inspection of all parts and final assembly. Careful inspection of all parts during overhaul is very important and must not be neglected.

Lubrication fittings must all be cleaned before applying lubricant. Moreover, always be sure the equipment used in applying lubricant is clean. Every precaution should be taken to prevent entry of dirt, grit, lint or other foreign matter into lubricant containers. Replace fittings that have become broken or damaged. Lubrication intervals, as well as the recommended lubricants for the steering components, are given in the "*LUBRICATION AND SERVICING SCHEDULE*" in Section 24 of this manual. The intervals given in the schedule are recommended for normal service. More frequent intervals may be required under severe operating conditions.

12.1 POWER STEERING RESERVOIR AND FILTER

The power steering reservoir is located on R.H. side of engine compartment, on front wall and accessible through the engine compartment R.H. side door. (Fig. 6).

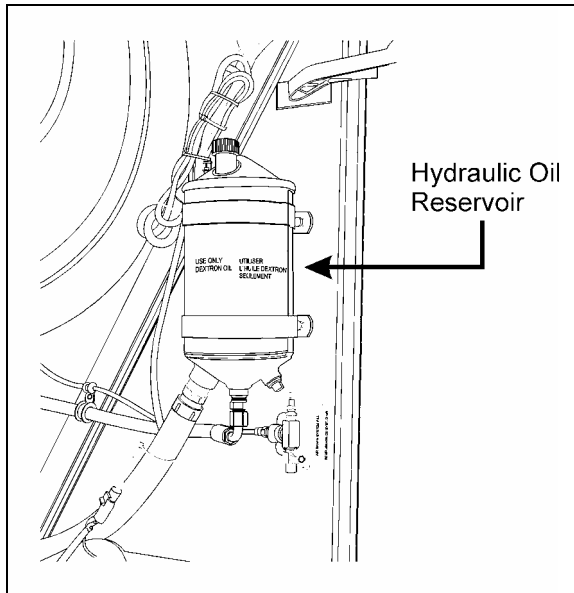


FIGURE 6: ENGINE COMPARTMENT R.H. SIDE DOOR 14043

At regular intervals, fluid level should be checked in the reservoir and filter assembly. Furthermore, the oil filter cartridge element in the power steering reservoir should be replaced every 50,000 miles (80 000 km) or once a year, whichever comes first.

12.1.1 Oil Level Check Procedure

1. Stop engine. Open engine compartment R.H. side door (Fig. 7).
2. Unscrew and remove the dipstick located on top of reservoir and wipe with a clean rag.
3. Insert dipstick in reservoir. Remove it again to check fluid level.
4. Adjust level to "FULL" mark using proper dipstick side depending on fluid temperature, use "Dexron-IIe or Dexron-III" automatic transmission oil.
5. Reinsert and tighten the dipstick.

12.1.2 Filter Replacement

1. Unscrew and remove the cover nut located on top of the power steering reservoir.
2. Remove the reservoir cover and the gasket.
3. Remove the retaining spring and finally the filter cartridge element.

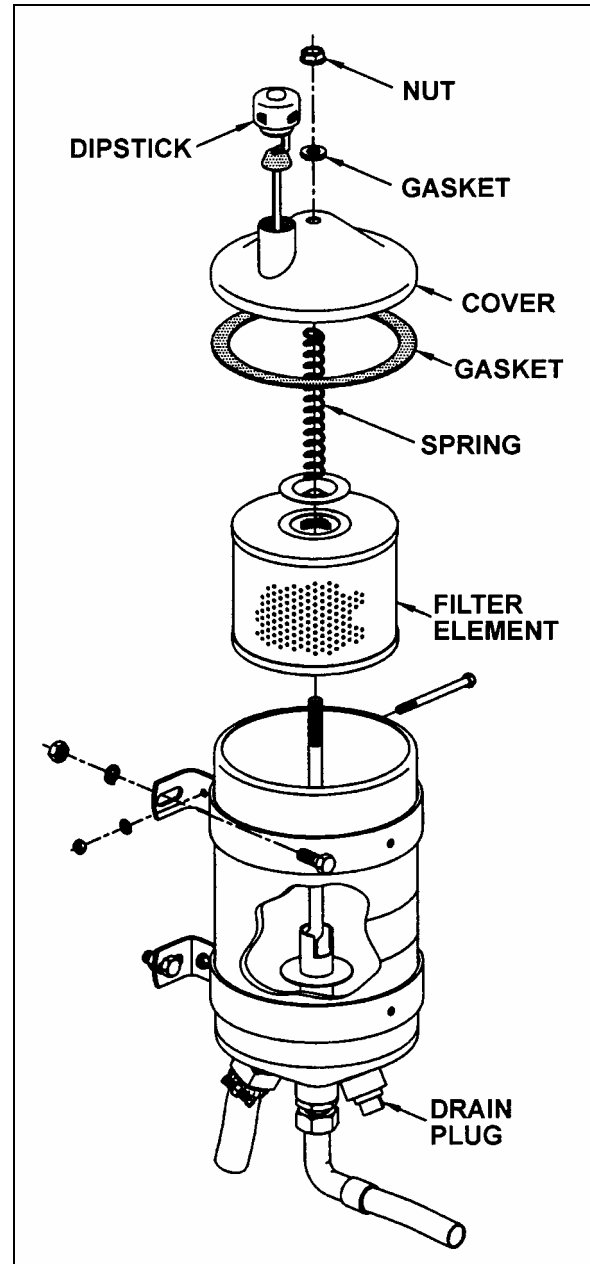


FIGURE 7: POWER STEERING FLUID RESERVOIR 14018A

Section 14: STEERING

12.2 STEERING STABILIZER CYLINDER (DAMPER)

The steering damper is located on R.H. side, at back of front axle (Fig.8).

The cylinder is nonadjustable and non-repairable. Check for oil leaks or lack of resistance. Disconnect the cylinder from axle, then carefully attempt to extend and collapse it manually.

The rod end (ball joint) is provided with a grease fitting. Under normal conditions, it should be serviced every 6,250 miles (10 000 km) or twice a year, whichever comes first. Good quality lithium-base grease NLGI No. 1 and 2 are recommended (refer to section 24 "LUBRICATION"). Check the ball joint for wear, and replace if necessary.

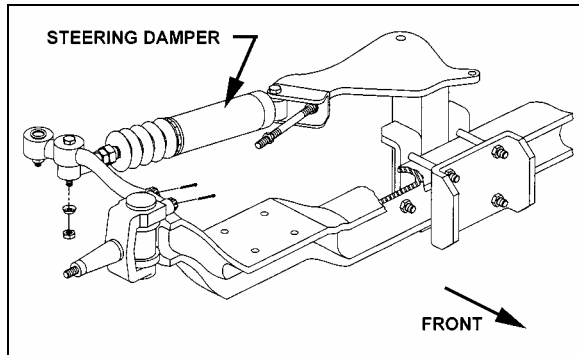


FIGURE 8: STEERING STABILIZER (DAMPER) 14033

12.3 DRAG LINK

Lubricate the fittings every 6,250 miles (10 000 km) or twice a year, whichever comes first. Good quality lithium-base grease NLGI No. 1 and 2 are recommended (refer to section 24 "LUBRICATION").

12.4 POWER STEERING HYDRAULIC PUMP

For maintenance of the power steering hydraulic pump, refer to the "TRW - POWER STEERING PUMP SERVICE MANUAL" annexed to this section.

13. DRIVING TIPS

In order to maximize power steering pump service life, do not attempt to turn the steering wheel when the vehicle is stationary, and especially when service brakes are applied (wheel locking will oppose the effect of steering geometry which tends to make the front wheels rotate in opposite directions).

Persisting in turning, or maintaining the steering wheel with an extra effort, could make the hydraulic system work at the relief pressure, and consequently, cause the hydraulic fluid to become overheated.

Caution: Never maintain the hydraulic system at the relief pressure for longer than 5/10 seconds to avoid damaging the power steering pump.

Note: Unequal or low tire pressure, oversize tires, and vehicle overloading are some of the causes that may increase steering effort.

14. TORQUE SPECIFICATIONS

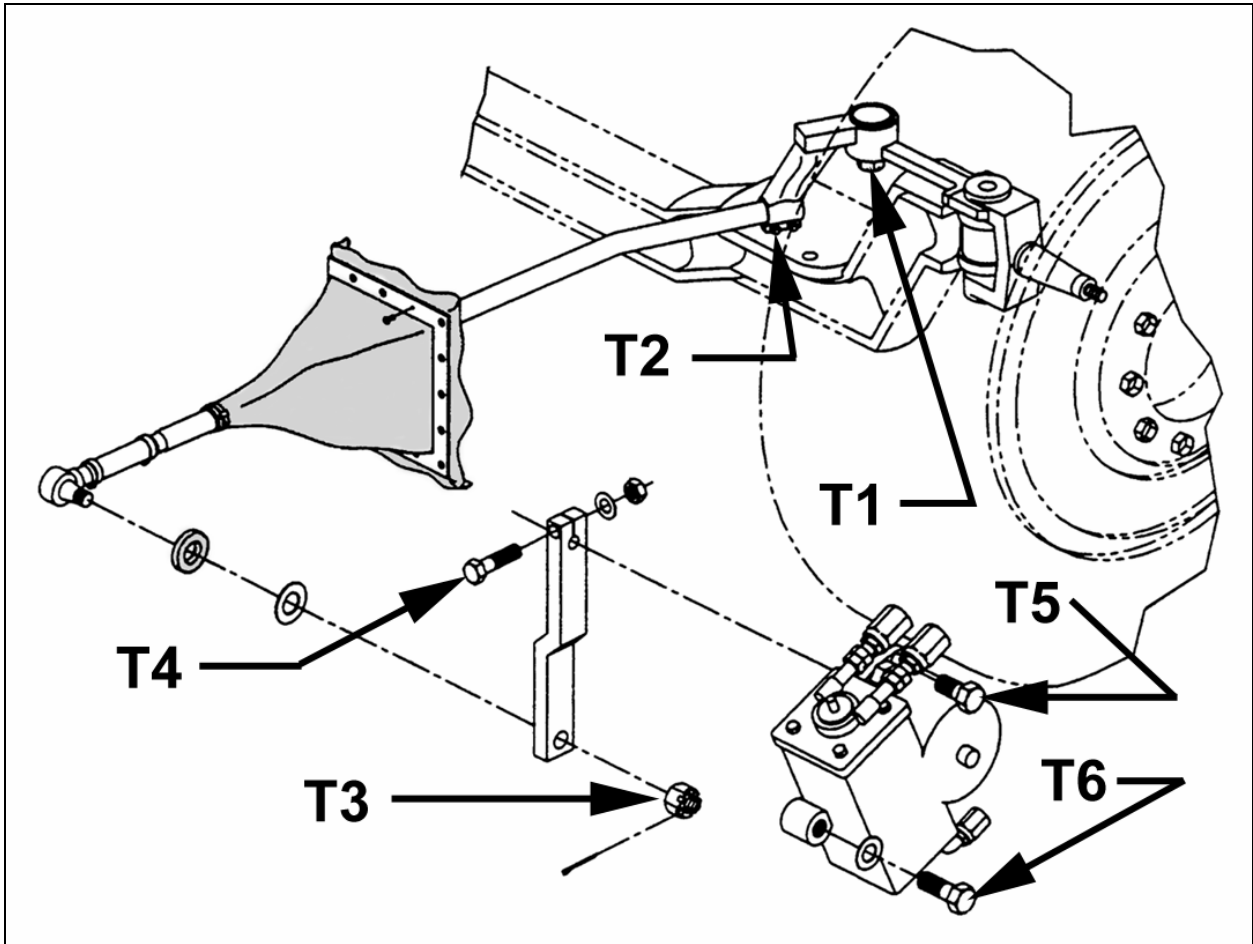


FIGURE 9: DRAG LINK COMPONENTS

14048

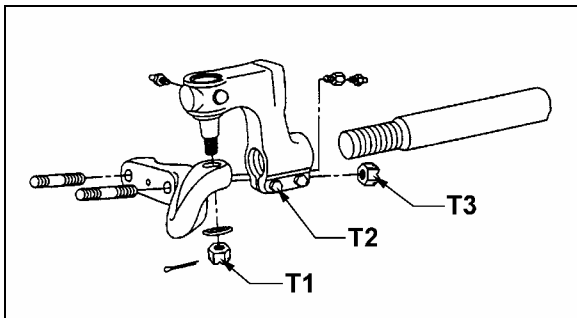


FIGURE 10: TIE ROD END

14036

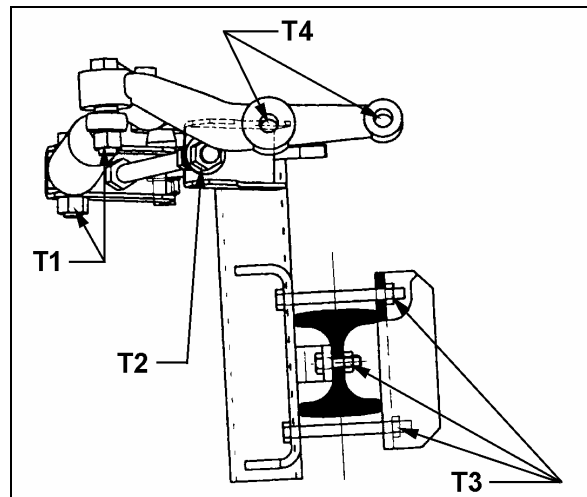


FIGURE 11: FRONT AXLE COMPONENTS

14034

Section 14: STEERING

DRY TORQUES			
Description	Reference	lbf•ft	N•m
Drag Link End Stud Nut (on steering arm)	Fig. 9, T1	160-300	220-410
Drag Link End Pinch Bolt Nuts	Fig. 9, T2	50-65	70-90
Drag Link End Stud Nut (on pitman arm)	Fig. 9, T3	160-300	220-410
Pitman Arm Mounting Bolt	Fig. 9, T4	280-300	380-410
Steering Gear Fixing Bolts (6)	Fig. 9, T5	290-310	395-420
Steering Gear Fixing Bolt	Fig. 9, T6	490-510	665-695
Tie Rod End Screw Pin Nut	Fig. 10, T1	100-175	135-240
Tie Rod End Pinch bolt Nuts	Fig. 10, T2	65-75	90-100
Lower Lever Stud Nuts	Fig.10, T3	190-275	260-375
Steering Stabilizer (damper) Fixing Nuts	Fig. 11, T1	100-120	135-165
Retaining Rod Support Fixing Nuts	Fig. 11, T2	150-200	205-275
Steering Damper Mounting Support Nuts	Fig. 11, T3	65-70	90-95
Steering Top Lever Nuts	Fig. 11, T4	150-200	205-275

15. SPECIFICATIONS

Power Steering Gear

MakeTRW
 ModelTAS 85
 Supplier number TAS85040
 Prevost number660927
 F.E.W. 18,000 lbs (8 200 kg)
 Pressure rating2,175 psi (150 Bar)
 Gear ratio23.3:1
 Minimum pump flow for 1.5 hwt/sec 3.5 gpm (13.2 lpm)

Power Steering Pump

MakeTRW
 TypePS Series
 Relief valve setting2,175 psi (14 990 kPa)
 Controlled flow rate4.23 gpm (16 lpm)
 Inlet port1 1/4 NPT
 Outlet port3/4-16 straight thread SAE O' ring boss conn.
 Supplier numberPS251615L10200
 Prevost number661009
 Gasket - Supplier number23516100
 Gasket - Prevost number510488

Power Steering Reservoir

MakeNelson Muffler
 Oil capacity4 US qts (3.7 liters)
 Supplier number91410A
 Prevost number660982
 MakeNelson Muffler
 Element filter - Supplier number83804 E
 Element filter - Prevost number660987

Steering Stabilizer Cylinder (Damper)

MakeGabriel
 Extended length.....32.73±0.12"
 Collapsed length.....20.26±0.12"
 Stroke.....12.47±0.12"
 Supplier number651535
 Prevost number660979
 Dust cap - Prevost number660980



MAINTENANCE INFORMATION

MI13-16

DATE :	MARCH 2013	SECTION :	14 - Steering
SUBJECT :	DRAGLINK TURNBUCKLE CLAMPS ORIENTATION - ALL MODELS		

IMPORTANT NOTICE

This Maintenance Information supersedes the info contained in your maintenance manual. This modification is recommended by PrevoSt to increase your vehicle's performance. Note that no reimbursement will be awarded for carrying out this modification.

APPLICATION

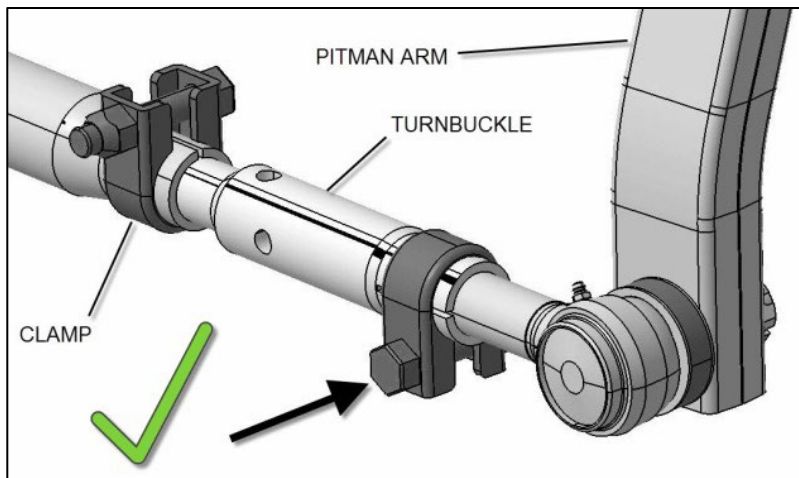
Model
All models with I-beam front axle and turnbuckle draglink. Model Year : 1994 up to 2013

DESCRIPTION

This Maintenance Information supersedes the info contained in your maintenance manual. Add this bulletin to the steering section of the pertaining maintenance manuals.

On all models starting with model year 1994, particular attention must be awarded to draglink turnbuckle clamp orientation at part removal and replacement.

Proper clamp position is shown here and should be maintained at all times.



*Note horizontal orientation of clamp bolt and bolt insertion direction.
Prescribed torque for clamp bolt (arrow) is between 50 and 60 lbf-ft. Applies to both clamps.*

If replacement is required, order the following parts:

Part No.	Description	Qty
160932	Turnbuckle	1
661133	Clamp	2

NOTE

Material can be obtained through regular channels.

PROCEDURE

The scope of this procedure is to inspect the steering draglink turnbuckle clamp orientation on vehicles with an I-beam front axle.

If required the procedure details how to perform the replacement of the turnbuckle and clamps without undergoing a vehicle alignment.



DANGER

Park vehicle safely, apply parking brake, stop engine and set battery master switch(es) to the OFF position prior to working on the vehicle.

1. Setting-up for the procedure

Drive the vehicle in the service bay, making sure to leave the steering wheel as straight as possible.

Mark steering wheel position with a pair of masking tape. Align the tapes by placing one piece on the dashboard and the other on the steering wheel.

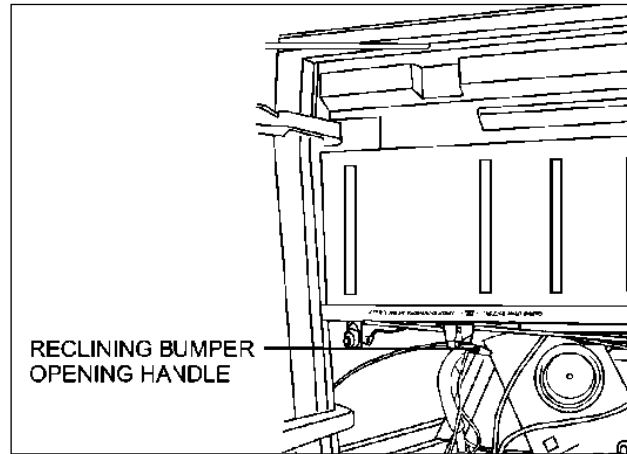
This will be your reference to restore the steering to its original state if any part replacement is required.

Note that on vehicles having a substantial steering wheel indexation or offset, the vehicle wheels may not be straight ahead when starting procedure. This does not affect the procedure in itself.

Leave vehicle on the ground to make sure the wheels will not move.



Recline the front bumper and remove spare tire.



Locate the steering gear pitman arm on the driver's side of the spare tire compartment.



2. Steering operation inspection

Turn wheels all the way left.

No contact should occur between pitman arm and bolt.

If contact occurs, replace both clamps and turnbuckle.

Refer to Catbase parts manual to select appropriate parts for your vehicle.

Follow replacement procedure below.



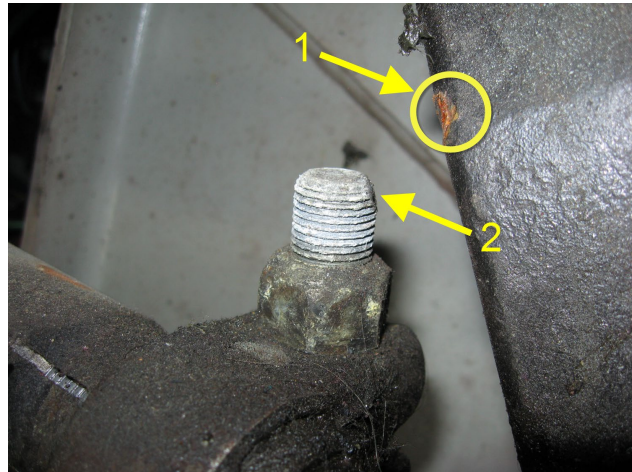
3. Pitman arm and bolt shank inspection

If no contact occurs in the above inspection, visually inspect the fore clamp bolt shank and pitman arm surface for previous contact marks.

Typical signs of contact may be a circular rust spot (1) on the pitman arm and/or flattened threads on bolt shank end (2).

If any one of these contact marks is visible, replace clamps and turnbuckle following procedure below.

If there is no contact evidence, proceed to clamp inspection.



4. Clamp inspection

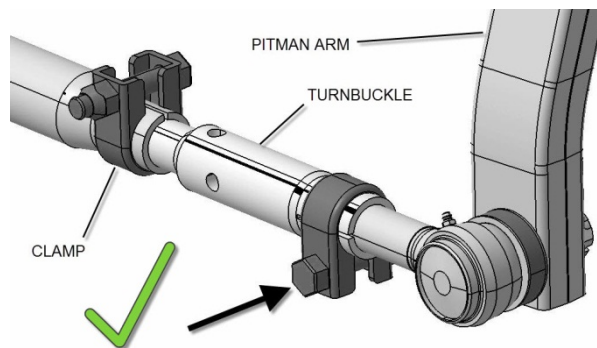
Proper draglink clamp orientation is shown here.

Note horizontal orientation of clamp bolt and bolt insertion direction.

Clamps should not be bent or squeezed by the bolt. If this is the case, they have been over torqued and should be replaced. Refer to replacement procedure below.

If clamps are in good condition but are not properly oriented, rotate the clamps as shown.

If clamps are properly oriented and in good condition, proceed to interference inspection.



Clamp is bent. Replace clamp.

5. Turnbuckle replacement procedure

Apply this procedure to change the turnbuckle without undergoing a vehicle alignment.

Mark center of ball joint.

Measure distance **(A)** between center of ball joint on pitman arm and draglink end.

A : _____

Unfasten clamps.

Release the clamps.

Rotate turnbuckle by inserting a tool like a round nose chisel in the turnbuckle holes.

Install the new clamps on the new turnbuckle. Make sure bolts are inserted as shown on the clamps.

Apply a small amount of anti-seize compound to the turnbuckle threads.

Engage the turnbuckle female threads two or three turns on the ball joint end.

➤ **Two people are required for next steps.**

Align turnbuckle and draglink. Have a partner turn the steering wheel to position the turnbuckle male threads ready to engage in the draglink.

Engage by turning the turnbuckle in the draglink while applying a light tension on the steering wheel to help thread insertion.

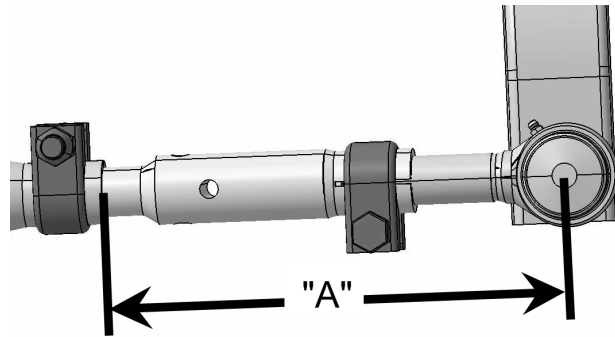
Adjust the turnbuckle until you reach measure **(A)** noted earlier.

At this point, make sure threads are visible the entire length of the slots on the draglink and turnbuckle female ends.

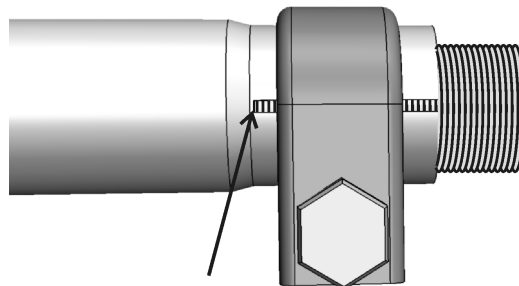
Finish by making fine adjustments to align the tape marks on the steering wheel.

This will return the steering to its original state.

Make sure the ball joints at each end of the draglink assembly are in neutral



THREADS MUST BE VISIBLE
THE ENTIRE LENGTH OF THE SLOT

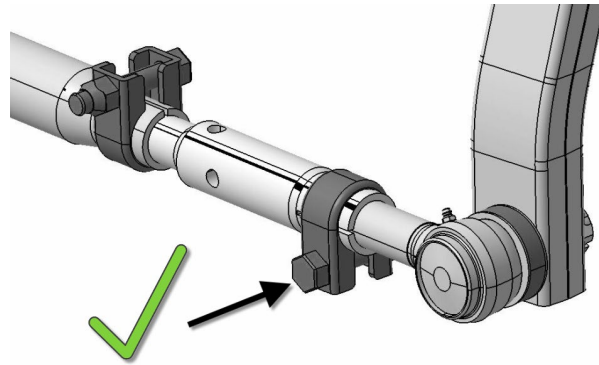


position (centered) before final clamp tightening.

Clamp bolts should be installed horizontal with bolt head as shown. Tighten clamp bolts to 50-60 lbf-ft.

Mark bolt head with torque seal.

Remove rust and restore the paint finish on the pitman arm to mask any contact marks. This way any future contact will be revealed.



6. Interference inspection

➤ **Two people are required for next steps.**

Turn the wheels fully in both directions while another person inspects the linkage for interference with surrounding structural parts and components.

Minimum acceptable clearance is 3/8".

Waste disposal:

Discard according to applicable environmental regulations (Municipal/State[Prov.]/ Federal)

Access all our Service Bulletins on
<http://prevostparts.volvo.com/technicalpublicatios/en/pub.asp>
 Or scan the QR-Code with your smart phone.

E-mail us at technicalpublications_prev@volvo.com and type "ADD" in the subject to receive our warranty bulletins by e-mail.



SECTION 16: SUSPENSION

CONTENTS

1. DESCRIPTION	16-3
2. AIR SPRINGS.....	16-4
2.1 INSPECTION	16-4
2.2 REMOVAL	16-4
2.3 INSTALLATION	16-4
3. SHOCK ABSORBERS.....	16-5
3.1 INSPECTION	16-5
3.2 REMOVAL	16-5
3.3 INSTALLATION	16-6
4. RADIUS RODS.....	16-6
4.1 INSPECTION	16-6
4.2 REMOVAL	16-6
4.3 BUSHING REMOVAL.....	16-7
4.4 BUSHING INSTALLATION.....	16-7
4.5 INSTALLATION	16-7
5. SWAY BAR	16-8
5.1 REMOVAL	16-8
5.2 INSTALLATION	16-8
6. SUSPENSION AIR SYSTEM	16-8
6.1 INSPECTION	16-9
6.2 AIR LINE TEST	16-9
6.3 AIR TANK MAINTENANCE	16-9
7. SUSPENSION HEIGHT ADJUSTMENT.....	16-9
8. HEIGHT CONTROL VALVES.....	16-10
8.1 MAINTENANCE	16-10
8.1.1 <i>Removal and installation</i>	16-10
8.1.2 <i>Air leakage test</i>	16-10
9. FRONT KNEELING SYSTEM.....	16-11
9.1 PRINCIPLE OF OPERATION	16-11
9.2 MAINTENANCE	16-11
9.3 BELLOWS CONTROL SOLENOID VALVES	16-11
9.3.1 <i>Removal and installation</i>	16-11
10. HIGH-BUOY SYSTEM.....	16-12
10.1 PRINCIPLES OF OPERATION	16-12
10.2 MAINTENANCE	16-12
10.3 HIGH-BUOY – PRESSURE REGULATING VALVE.....	16-12
10.3.1 <i>Adjustment</i>	16-12
10.3.2 <i>Disassembly</i>	16-13
10.3.3 <i>Cleaning</i>	16-13
10.3.4 <i>Reassembly</i>	16-13
11. LOW-BUOY SYSTEM	16-13

Section 16: SUSPENSION

11.1	PRINCIPLES OF OPERATION	16-13
11.2	MAINTENANCE	16-13
12.	“LEVEL-LOW” SYSTEM.....	16-13
12.1	PRINCIPLES OF OPERATION	16-14
12.2	MAINTENANCE	16-14
13.	TROUBLESHOOTING.....	16-14
14.	PARTS SPECIFICATIONS.....	16-15
15.	TORQUE SPECIFICATIONS.....	16-16

ILLUSTRATIONS

FIGURE 1:	FRONT SUSPENSION COMPONENTS	16-3
FIGURE 2:	REAR SUSPENSION COMPONENTS.....	16-3
FIGURE 3:	AIR SPRING.....	16-4
FIGURE 4:	SHOCK ABSORBER	16-6
FIGURE 5:	TYPICAL SHOCK ABSORBER SETUP.....	16-6
FIGURE 6:	TYPICAL RADIUS ROD SETUP	16-6
FIGURE 7:	RADIUS ROD BUSHING REMOVAL.....	16-7
FIGURE 8:	RADIUS ROD BUSHING INSTALLATION.....	16-7
FIGURE 9:	RADIUS ROD INSTALLATION	16-7
FIGURE 10:	FRONT & DRIVE AXLE SWAY BAR.....	16-8
FIGURE 11:	TYPICAL AIR SPRING CLEARANCE.....	16-9
FIGURE 12:	HEIGHT CONTROL VALVE	16-10
FIGURE 13:	REGULATING VALVE	16-12

1. DESCRIPTION

The vehicle is provided with an air suspension system. The system consists of air springs, height control valves, radius rods, sway bars, tripod and shock absorbers (Fig. 1 and 2). The system operation is fully automatic and maintains a constant vehicle height regardless of load, or load distribution.

The vehicle can also be equipped with systems such as:

- Front Kneeling (w/ Front High-Buoy);
- Front Kneeling (w/ Full High-Buoy);
- Front Kneeling (w/ Front High-Buoy) and Low-Buoy Combination;
- Front Kneeling (w/ Full High-Buoy) and Low-Buoy Combination;
- Level-Low.

For a description of all these systems, refer to the appropriate heading in this section.

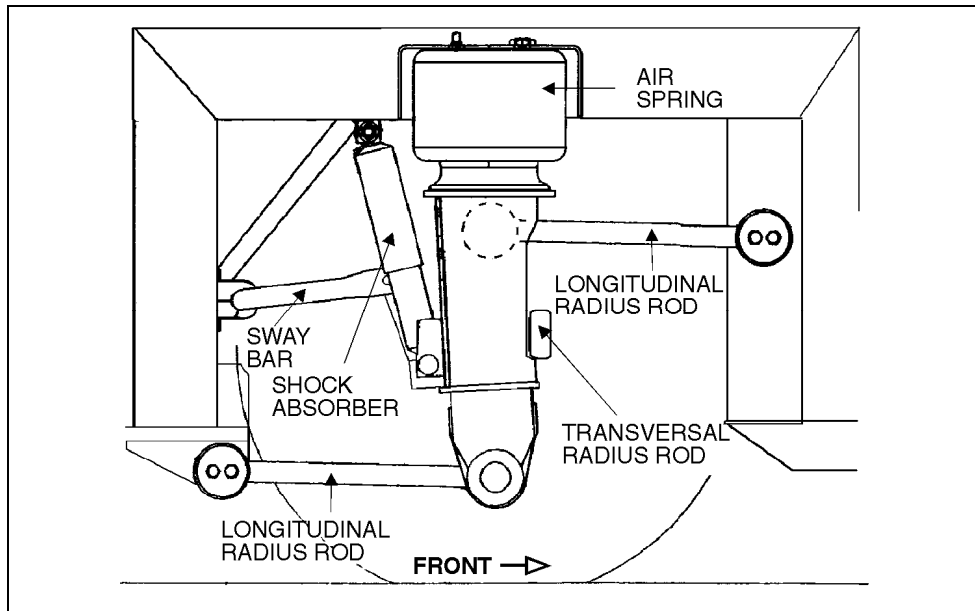


FIGURE 1: FRONT SUSPENSION COMPONENTS

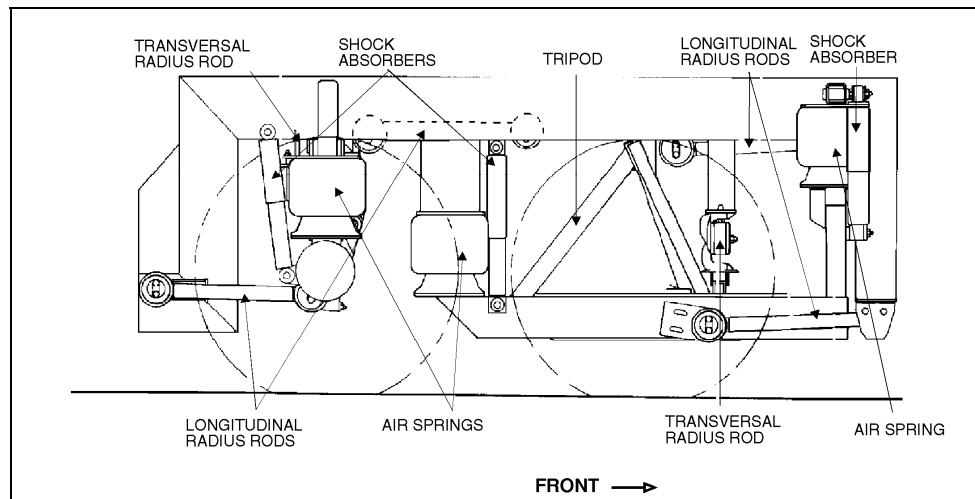


FIGURE 2: REAR SUSPENSION COMPONENTS

Section 16: SUSPENSION

2. AIR SPRINGS

The air springs are made from a special compound rubber molded to the proper contour and dimensions. The entire vertical load of the vehicle is supported by these springs. Each of the three axles is provided with air springs that are attached to the subframe and to the axles (Fig. 3).

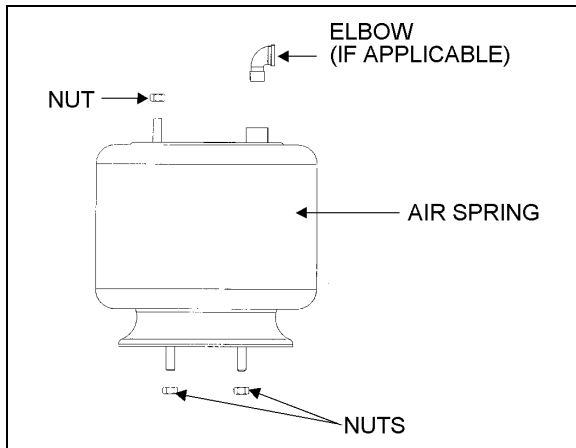


FIGURE 3: AIR SPRING

16052

2.1 INSPECTION

1. Check operation of bellows.
2. Visually inspect bellows for evidence of cracks, punctures, deterioration, or chafing. Replace the bellows if any damage is evident.
3. With the primary air system at normal operating pressure (95 - 125 psi (655 - 860 kPa)), coat all suspension air line connections and bellows mounting areas with a water and soap solution. Bubbles will indicate an air leak, and none is permissible. Repair or replace defective parts.

Note: If air spring is removed from vehicle, bellows can be lightly inflated and submerged in water to detect any leakage. If any leakage is detected, replace bellows.

Warning: To prevent personal injury, do not apply more than 10 psi (69 kPa) air pressure with the air spring unmounted.

2.2 REMOVAL

Note: Suspension air springs (front, drive, and tag axles) can be removed without removing the entire axle assembly.

1. Safely support vehicle at the recommended body jacking points.

To gain access to a given air spring, the corresponding wheel can be removed as follows:

- a) Jack vehicle until the tire clears the ground, and place safety supports underneath body.

Caution: Only the recommended jacking points must be used as outlined in Section 18, "Body".

- b) Support the axle with a suitable hydraulic floor jack at the recommended jacking point.
 - c) Remove wheel.
2. Exhaust compressed air from accessory air tank by opening drain cock under reservoir.
 3. Disconnect the height control valve link and pull down the overtravel lever to ensure all air is exhausted from air springs.

Note: While performing this step, do not change the height control valve overtravel lever adjustment.

4. Disconnect air line from air spring, remove elbow (if applicable), and cover both the line end and fitting to prevent the entry of foreign matter.
5. Remove the air spring upper nut, and then the two lower nuts. Remove air spring.

2.3 INSTALLATION

1. Compress air spring as necessary, then aligning studs with their holes, position air spring between both the lower and upper supports. Thread the lower nuts and the small upper nut a few turns.
2. Tighten and torque the lower stud nuts, and then the upper one to 20 - 25 ft•lbf (27 - 34 N•m).
3. Thread the remaining upper nut (large nut) and tighten to 20 - 25 ft•lbf (27 - 34 N•m).
4. Install elbow (if applicable), then connect air line.
5. Connect the height control valve link.
6. Build up air pressure in system.

Note: To accelerate this operation, air reservoirs can be filled from an exterior air supply connected to the accessory tank fill valve or to the emergency fill valve.

7. Check operation of bellows, and with the primary air system at normal operating pressure (95 – 125 psi (655 – 860 kPa)), coat the air line connections and air spring mounting areas with a water and soap solution. Bubbles will indicate an air leak, and none is permissible. Repair or replace defective parts.
8. Reinstall wheel.
9. Remove the hydraulic floor jack from under the axle, then lower vehicle to ground.

3. SHOCK ABSORBERS

Double-action, telescoping-type shock absorbers ensure a smooth ride and enhance vehicle stability on the road. All shock absorbers are eye-type mountings. The front and tag axles are each provided with two shock absorbers while the drive axle is provided with four of them (Fig. 1, 2, 3, 4 and 5).

Shock absorbers are non-adjustable and non-repairable. Maintenance requirements involve replacement of the rubber mounting bushings, and tightening of all shock absorber pins at the proper torque of 350 - 400 ft•lbf (475 - 545 N•m) when shock absorber replacement occurs. If a shock absorber becomes inoperative, complete unit must be replaced.

Caution: When a shock absorber is found defective, always replace with a new set on affected axle, except if there has been a recent replacement of one unit. The following method will help in determining if both shock absorbers on the same axle have to be replaced.

3.1 INSPECTION

Loosen lower mounting of both shocks, then carefully attempt to raise and lower the bottom portion of each shock. Note the rate of effort for distance of travel. Replace both shocks if a definite differential rate is found.

The shock must be bench checked in an upright, vertical position. If checked in any other position, air will enter the cylinder tube and make the shock absorber appear defective.

Proceed as follows to check shock absorbers:

1. With the shock absorber in a vertical position (top end up), clamp the bottom mount in a vise.

Caution: Do not clamp the reservoir tube or the dust tube.

2. Rotate the dust tube. Notice any binding condition (may be compared with new unit). Binding condition indicates a scored rod. Units with scored rods should be replaced.
3. Fully extend shocks and check for leaks in the seal cover area. Shock fluid is a very thin hydraulic fluid that has a characteristic odor and dark brown tint. A slight trace of shock fluid around the seal cover area is not a cause for replacement. The shock seal is designed to permit a very slight seepage to lubricate the rod. Units that leak should be replaced.
4. Visually check shock for dents that could cause the shock to bind. Also, check for a bent rod.
5. Extend and collapse shock several times to determine that it has control (resistance) in both rebound and compression.
6. Visually inspect the shock mountings and vehicle mounting for:
 - a. Broken mounts;
 - b. Extreme bushing wear;
 - c. Shifted bushing or sleeve;
 - d. Deep cracks in bushing material (shallow surface cracks are normal);
 - e. Loose shock absorber pins;
 - f. Presence of convex washers, and their position relative to the rubber bushing.

3.2 REMOVAL

1. Remove nuts and washers from shock absorbers on upper and lower mounting pins, taking care to identify the inner and outer washers to ease reinstallation. Refer to figure 4 for details.
2. Remove the shock absorber assembly from pins.
3. Remove the two inner bushings from the shock absorber and discard them

Section 16: SUSPENSION

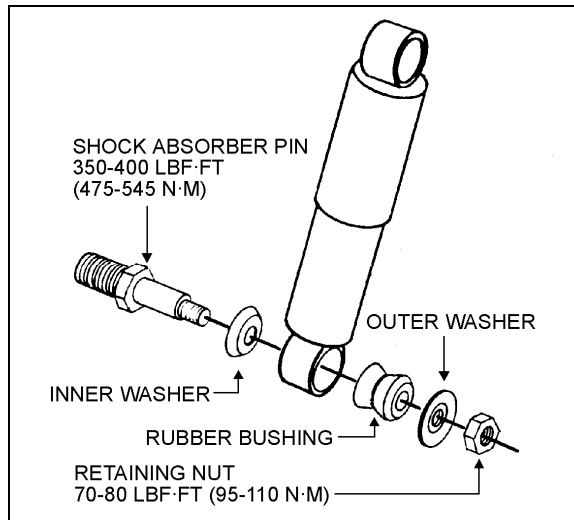


FIGURE 4: SHOCK ABSORBER 16008

3.3 INSTALLATION

1. Ensure that the shock absorber mounting pins are tight and that the threads are not stripped.
2. Install new rubber mounting bushings on shock absorbers (upper and lower).
3. Place the inner washers (with washer convex side facing the shock absorber rubber bushing) on each shock absorber pin (Fig. 5).

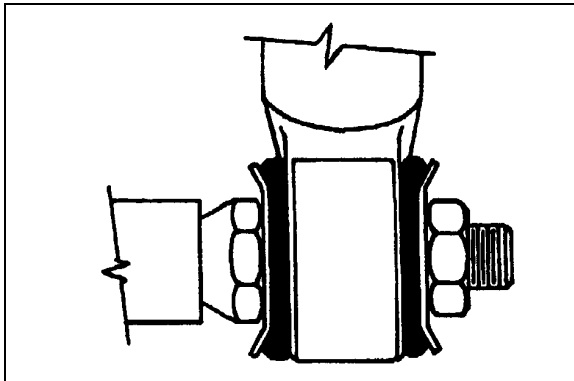


FIGURE 5: TYPICAL SHOCK ABSORBER SETUP 16008

4. Install the shock absorber eyes over the mounting pins, then the outer washers (with washer convex side facing the shock absorber rubber bushing) on each shock absorber extremity.

Note: If shock absorber pins are removed, they must be reinstalled using "loctite" (see "PARTS SPECIFICATIONS" in this section).

5. Place the lower and upper mounting pin stud nuts and torque to 70 - 80 ft•lbf (95 - 110 N•m).

4. RADIUS RODS

Radius rods are used to secure the axles in the proper transversal and longitudinal positions. Four radius rods are provided on the front axle suspension (three longitudinal and one transversal), four on the drive axle suspension (three longitudinal and one transversal) and also four on the tag axle with a layout similar to the drive axle. Refer to figures 1 and 2 for details. These rods transmit both braking and driving forces from the axles to the vehicle body.

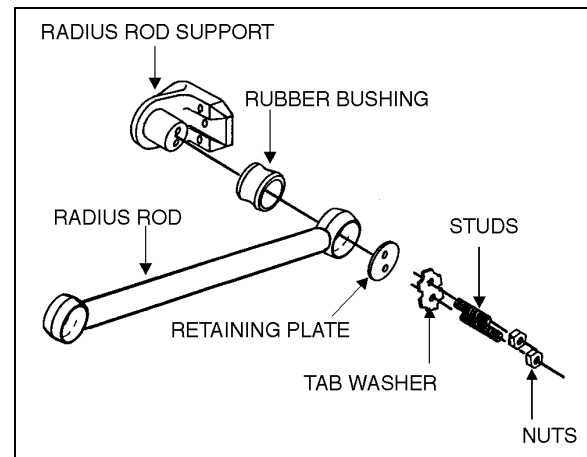


FIGURE 6: TYPICAL RADIUS ROD SETUP 16010

4.1 INSPECTION

The following instructions apply to all radius rods used on this vehicle:

1. Clean all parts thoroughly.
2. Inspect radius rods for distortion and cracks. We recommend the "Magnaflux" process to detect cracks in the radius rod. Any damaged part should be replaced with a new one.

Note: New bushings should be used when rods are replaced.

3. The radius rod bushings should be checked periodically for signs of shearing, deterioration, or damage. Any defective part should be replaced with a new one.

4.2 REMOVAL

1. Flatten the tab washer which secures the two retaining nuts (or bolts), then unscrew

the nuts (or bolts) at each extremity of the radius rod (Fig. 6).

- Remove the tab washer and the retaining plates and radius rod ends from anchor pins, then remove the radius rod.

4.3 BUSHING REMOVAL

- Safely support the radius rod as shown in figure 7.

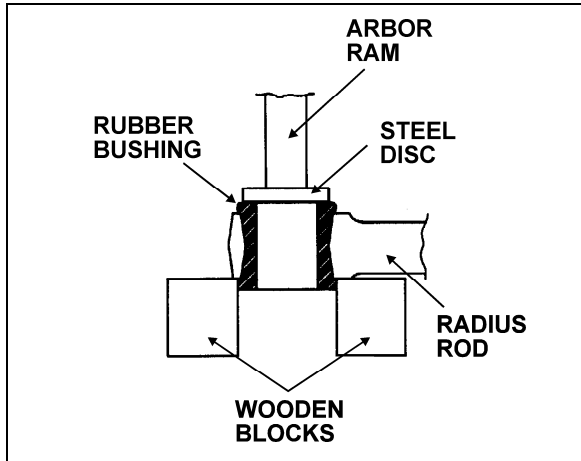


FIGURE 7: RADIUS ROD BUSHING REMOVAL 16011

- Place a flat steel disc, slightly smaller than the outside diameter of the bushing (Fig. 10).
- Using an arbor press or a suitable driving tool, press or drive the old bushing out of the rod and discard the bushing.

4.4 BUSHING INSTALLATION

- Lightly spray the inner and outer surfaces of radius rod bushing with water.

Caution: No lubricant whatsoever is to be used on the rubber bushing.

- Safely support the radius rod, and place new bushing on top of the radius rod end (Fig. 11).
- Place a block of wood on top of bushing and press on it manually.
- If necessary, use an arbor press or a suitable driving tool. Press or drive the bushing into the radius rod end until it extends equally on both sides of the rod.
- It is also possible to proceed differently. Place radius rod bushing on a plane surface. Spray a light coat of water on the

inner and outer surfaces of radius rod bushing.

- Take radius rod, align the bushing. Tap radius rod on bushing until latter is positioned correctly.

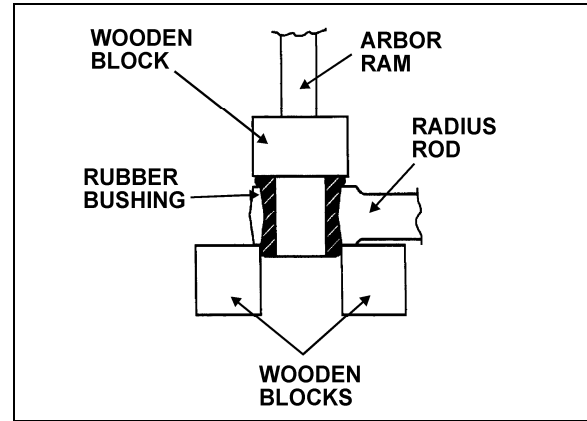


FIGURE 8: RADIUS ROD BUSHING INSTALLATION 16012

4.5 INSTALLATION

- Lightly spray the radius rod support with water. Place the radius rod end over the radius rod support (Fig. 9).

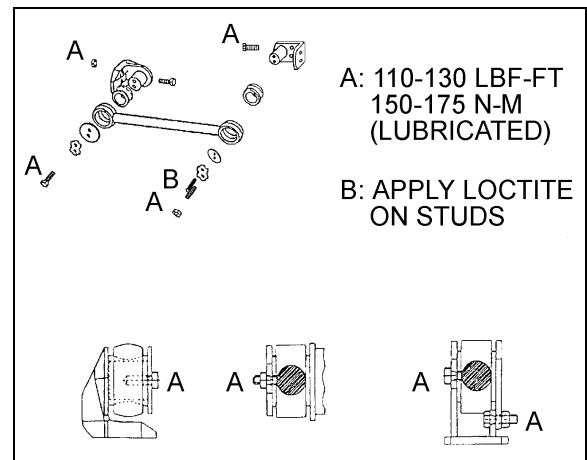


FIGURE 9: RADIUS ROD INSTALLATION 16028

- Position the retaining plate. Install the tab washer and nuts (or bolts).

Caution: Always use new tab washers at installation.

- Tighten the nuts (or bolts) lightly, and repeat at the other end.
- Refer to heading "SUSPENSION HEIGHT ADJUSTMENT" later in this section, and set the vehicle to normal ride height.
- With the vehicle at normal ride height, apply oil on threads and tighten all radius rod

Section 16: SUSPENSION

anchor pin nuts or bolts to 110 – 130 ft·lbf (150 – 175 N·m).

Caution: It is extremely important upon reconnection of the rods that the proper clearance height between the axle and body be maintained. Otherwise, the rubber bushings in radius rod ends will become preloaded, thus reducing their life span.

5. SWAY BAR

A sway bar is provided on the front and drive axles to increase vehicle stability. It controls lateral motion (swaying movement) of vehicle (Fig. 10).

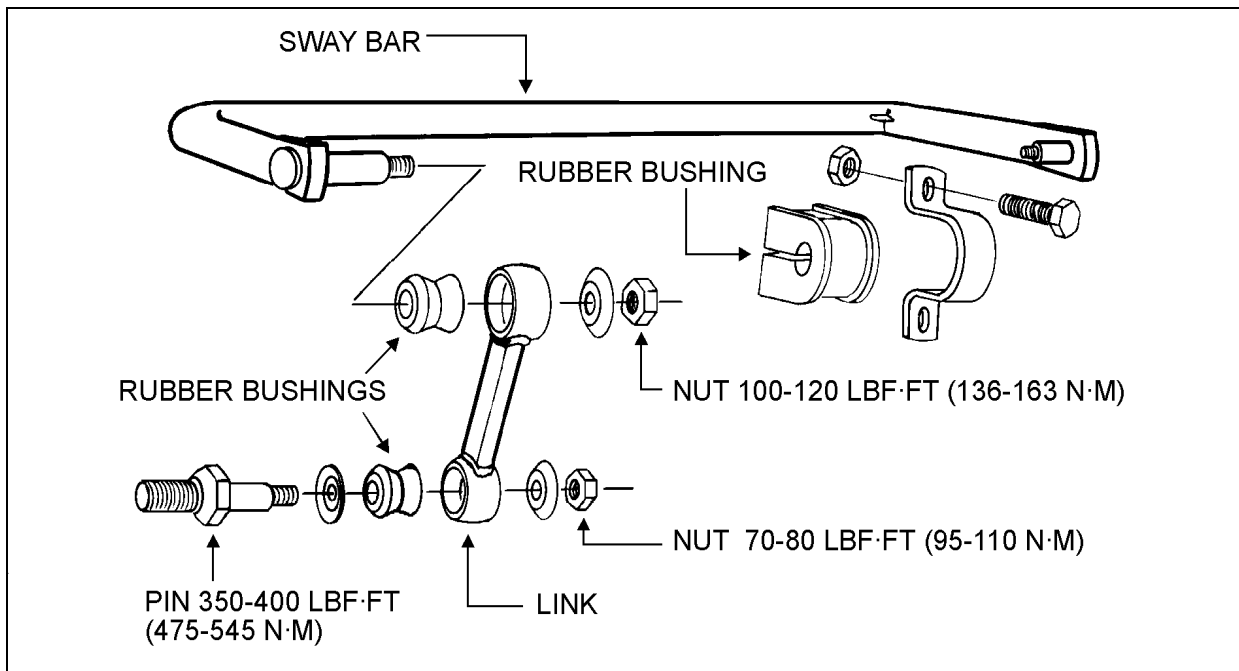


FIGURE 10: FRONT & DRIVE AXLE SWAY BAR

16014

5.1 REMOVAL

1. Disconnect the two links from sway bar.
2. Safely support the sway bar. Unbolt the four bushing collars from subframe.
3. Remove sway bar.

Note: Sway bar bushings are slitted to ease their removal.

5.2 INSTALLATION

1. Loosely install the sway bar.
2. Tighten the eight bushing collar nuts to 70 - 80 ft·lbf (95 - 110 N·m) (Fig. 10).
3. Tighten sway bar link upper nuts to 100 - 120 ft·lbf (136 - 163 N·m) and lower nuts to 70 - 80 ft·lbf (95 - 110 N·m) (Fig. 10).

6. SUSPENSION AIR SYSTEM

The suspension air system has its own air reservoir (accessory tank) which is located in the reclining bumper compartment. Pressurized air from the main tank (wet tank) flows through a pressure protection valve (PR-2), to the accessory air tank and through an air filter which is located in front service compartment.

The pressure protection valve (PR-2) is mounted to the supply port of the tank. This valve controls the pressure at which compressed air is delivered to the accessory air tank. The valve remains closed until a preset pressure is reached (approximately 70 psi (485 kPa)). It then opens and passes air out the delivery port.

The main use for this valve is to protect the main air system by ensuring at all times a sufficient air pressure in the main system (i.e. air delivered to

the accessories will be shut off in case of a decrease in pressure). Maintenance and repair information on the pressure protection valve is supplied in the applicable booklet, annexed to Section 12, "Brakes and Air System" under reference number SD-03-2010.

Warning: Depressurize parts prior to removal.

6.1 INSPECTION

The following inspection should be performed at established service inspection periods. Performing these procedures will allow substandard performance to be discovered before the condition becomes bad enough to cause operator complaints and failure on a run.

1. Visually inspect the suspension air lines for evidence of chafing on metal parts or other damage.
2. Visually inspect the air springs for cracks, abrasion or other damage.
3. Replace any parts found to be damaged.

6.2 AIR LINE TEST

With the main air system at normal operating pressure, coat all suspension air line connections and air spring mountings with a solution of soap and water. Air leakage will produce soap bubbles. Any leak found must be corrected as no air leakage is permissible.

6.3 AIR TANK MAINTENANCE

Refer to Section 12, "Brakes and Air System" under "MAINTENANCE" for complete instructions on air tank maintenance.

7. SUSPENSION HEIGHT ADJUSTMENT

The flow of pressurized air from the accessory air tank to the air springs is controlled by three height control valves. These valves are mounted to the subframe and connected to the axles through an arm and link connection. This connection allows the valves to apportion air pressure in the springs to the vehicle load, maintaining normal ride height.

Immediate response height control valves increase or decrease the air pressure in the suspension system as required. One height control valve is located at center of front axle, and regulates air to front axle air springs in order to maintain the vehicle at the required height.

Two are located at the drive axle, one on each inner side of rear wheelhouse. Refer to figure 12.

The appropriate vehicle body height is obtained by measuring the clearance of all the air springs installed on the front and drive axles. The clearance should be $12 \pm \frac{1}{4}$ " (305 ± 6 mm), $11 \frac{11}{16} \pm 0.25$ " (297 ± 6 mm) for ISS for the air springs installed on the front axle and $11\frac{1}{2} \pm \frac{1}{4}$ " (292 ± 6 mm) for those installed on the drive axle. Refer to figure 11 to identify the correct location where the measure has to be taken. At this point, it should not be necessary to make an adjustment under normal service conditions. However, if an adjustment is required, change the position of the overtravel lever in relation to the overtravel control body. The lever should be moved up to raise the height of vehicle, and down to lower it. Check that main air pressure is at normal operating pressure and raise the vehicle to the specified height.

Caution: Because of the "deadband", always adjust on "fill cycle". If it is necessary to lower vehicle height, release sufficient air to be well below height, and adjust to height through fill cycle.

To adjust suspension height, proceed as follows:

1. With the vehicle at normal operating air pressure, check the air spring clearance as illustrated in figure 11. This clearance should be $12 \pm \frac{1}{4}$ " (305 ± 6 mm), $11 \frac{11}{16} \pm \frac{1}{4}$ " (297 ± 6 mm) for ISS for the front axle air springs and $11\frac{1}{2} \pm \frac{1}{4}$ " (292 ± 6 mm) for those on the drive axle.

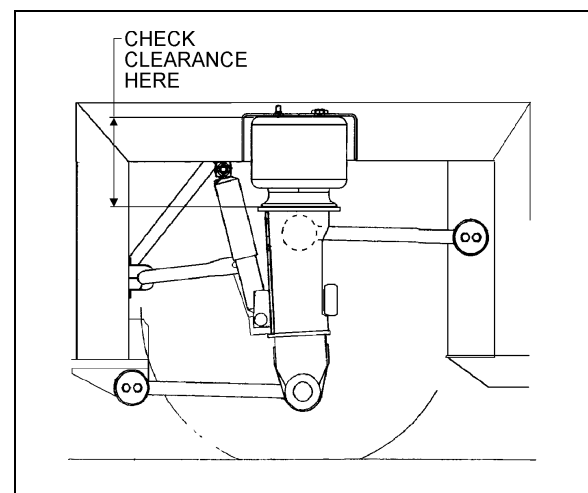


FIGURE 11: TYPICAL AIR SPRING CLEARANCE 16002

Section 16: SUSPENSION

Note: The measure should be taken from under the upper air spring support on subframe to top of the lower air spring support on axle (refer to fig. 11 for more details). If adjustment is required, begin with the drive axle.

2. Loosen the adjusting nuts on the connecting rod of height control valve to raise or lower the overtravel lever until the desired clearance is reached.
3. If there is not enough play on adjusting nuts, it is possible to make further adjustments by loosening the clamp on the rubber coupling and bringing it up or down.

Note: Allow suspension to stabilize before taking reading.

4. When the desired height is obtained, tighten adjusting nuts and clamp.

8. HEIGHT CONTROL VALVES

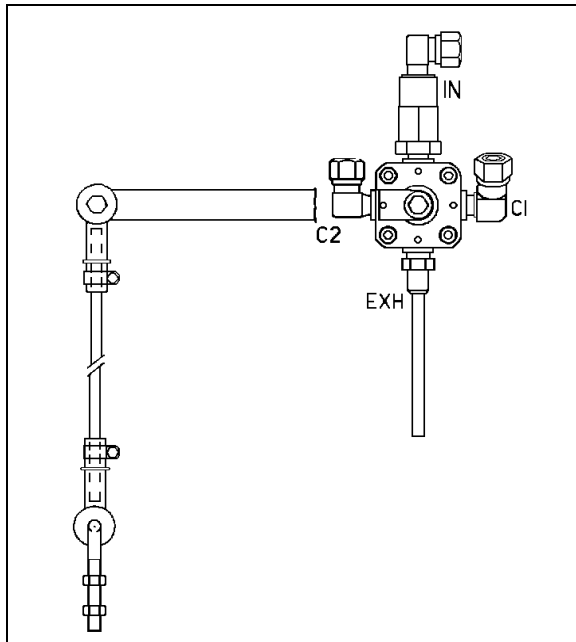


FIGURE 12: HEIGHT CONTROL VALVE

16093

The height control valves automatically add air to, or release air from air springs to maintain constant suspension height regardless of load, or load distribution. Each valve adjusts independently according to the following conditions:

Loading position

As the load increases and lowers the vehicle body, the overtravel lever commands the height control valve to add air to air springs.

Neutral position

When vehicle body reaches the normal ride height, the height control valve overtravel lever reaches the "neutral" position and keeps both the supply and exhaust ports closed to ensure normal ride height is maintained. This condition remains static until the vehicle load is altered.

Unloading position

As the load decreases and raises the vehicle body, the overtravel lever commands the height control valve to release air from air springs.

8.1 MAINTENANCE

The height control valve requires no periodic maintenance. Height control valve linkage operates on rubber bushings and no lubrication should be attempted at this point.

8.1.1 Removal and installation

Before disconnecting any height control valve air lines, securely support the vehicle by its jacking points on the body, and place safety support underneath body. Refer to "VEHICLE JACKING POINTS" in Section 18, "Body".

1. Exhaust air from air system by opening the drain cock on accessory air reservoir.
2. Disconnect overtravel lever from link and pull down lever to exhaust remaining air from air springs.
3. Disconnect air supply and delivery lines from the height control valve. Cover ends of the lines with tape.
4. Remove the two nuts retaining the height control valve to the mounting bracket, then remove valve assembly.

Reverse removal procedure to replace height control valve. After installation, check for leakage using a soap and water solution.

8.1.2 Air leakage test

Note: The following procedure applies when valve assembly has been removed from vehicle.

1. Clean the exterior of valve assembly.
2. Connect air pressure line to air inlet port, then allow air pressure build-up (70- 100 psi (480 - 690 kPa)).
3. Dip the valve assembly in a container of water, and watch for air bubbles when the

overtravel lever is in the center position. No air should escape from any point of the valve assembly.

4. If bubbles appear from the air spring port, this is an indication that the air inlet valve assembly is defective and must be replaced.
5. Remove air pressure line from air inlet fitting and connect it to the air spring port. If bubbles appear at the air inlet check valve port, this is an indication that check valve unit is defective and must be replaced.
6. If bubbles appear at the exhaust port, this is an indication that the exhaust valve assembly is defective and must be replaced.
7. If bubbles appear around edge of valve cover plate, the cover plate gasket must be replaced.
8. If no leaks are found, remove valve assembly from water, then with air pressure still connected to the air spring port, actuate overtravel lever to remove any excess water which may have entered exhaust valve chamber. Remove air line, connect it to the air inlet port, and repeat operation to remove water from the air inlet valve chamber.

9. FRONT KNEELING SYSTEM

The kneeling system is used to lower front of vehicle. This allows passengers to board the vehicle with greater ease. The kneeling action is achieved by exhausting air from the front air springs (bellows). This system bypasses the height control valve to provide a fast up and down movement of the front suspension. Only seven seconds are required to lower vehicle from normal level to the lowered position, and approximately the same time to raise the vehicle back to normal level. The quick response is achieved by an auxiliary air tank installed beside the secondary air reservoir (for exact position, refer to Section 12, *"Brake and Air System"*).

This tank provides sufficient air supply to the kneeling system for some successive operations.

The system is provided with two safety features; first, a speed switch will enable the kneeling system to work only under 5 mph (8 km/h). Secondly, the parking brake is automatically applied, and a limit switch will keep it applied as long as the vehicle has not returned to a certain height where the driver will be able to manually remove the parking brake.

The purpose of the hi-buoy function in this system is to raise the front end of the vehicle to allow an extra ground clearance for particular situations. In driving condition, the height control valve is in operation and only the hi-buoy can be operated.

9.1 PRINCIPLE OF OPERATION

Refer to the air system schematic diagram annexed at the end of Section 12, *"Brake and Air System"*.

DOWN (FRONT KNEELING):

Both the bellows control and bellows exhaust solenoid valves are energized, so the air control valves release air from front air springs. The height control valve is bypassed to ensure no air is forwarded to air springs while lowering the front suspension.

UP (FRONT HIGH-BUOY):

Only the bellows control solenoid valve is energized, so the air coming from the kneeling air tank is routed through air control valves, and up to front air springs.

The height control valve is bypassed until the kneeling proximity switch signals the kneeling module to cut off the bellows control solenoid valve, about 1" (25 mm) below normal ride height. The final height adjustment is achieved by the height control valve.

9.2 MAINTENANCE

Since the kneeling action is issued from both the air system and electrical system, refer to Section: 12, *"Brake and Air System"* and Section 06, *"Electrical System"*.

For diagnosis and understanding of the system, refer to wiring diagrams, and to the appropriate air system schematic diagram annexed to Section 12, *"Brake and Air System"*.

9.3 BELLOWS CONTROL SOLENOID VALVES

9.3.1 Removal and installation

1. On the rear side of steering compartment, locate both the bellows control and bellows exhaust solenoid valves.
2. Identify hoses and wires to ease reinstallation. Disconnect solenoid wires and

Section 16: SUSPENSION

the three flexible black hoses from solenoid valves.

3. Unscrew and remove the control solenoid valve and exhaust solenoid valve assembly. Place on a clean working place.

Reverse removal procedure to reinstall.

Caution: Any cable tie that has been cut during removal procedure should be replaced with a new one.

10. HIGH-BUOY SYSTEM

The purpose of the rear high-buoy system is to raise the entire vehicle body about 4" (100 mm) in order to increase ground clearance to board a ferryboat, to jump a curb, etc. This system can be put into service during normal vehicle operation.

10.1 PRINCIPLES OF OPERATION

The rear high-buoy system is added over the front kneeling (with front high-buoy). The front end uses the same valves as the front kneeling (with front high-buoy). A solenoid valve is added to send air to the double shuttle valves for the rear end. It uses the same dash switch as the kneeling (with front high-buoy).

UP:

The air coming from the control valve, flows through double shuttle valves, to supply air springs. The double shuttle valves prevent height control valves from releasing air from air springs.

DOWN:

The control valve, on the dashboard, cuts off air supply, so the double shuttle valves allow height control valves to accomplish their function. Height control valves release air from air springs until suspension returns to its normal position.

10.2 MAINTENANCE

Refer to the air system schematic diagram "OPT. FRONT KNEELING WITH REAR HIGH-BUOY COMBINATION" annexed at the end of this Section.

10.3 HIGH-BUOY – PRESSURE REGULATING VALVE

The regulating valve is located on ceiling of the spare wheel and tire compartment and is accessible through the reclining bumper. This valve should be adjusted to 90 psi (621 kPa).

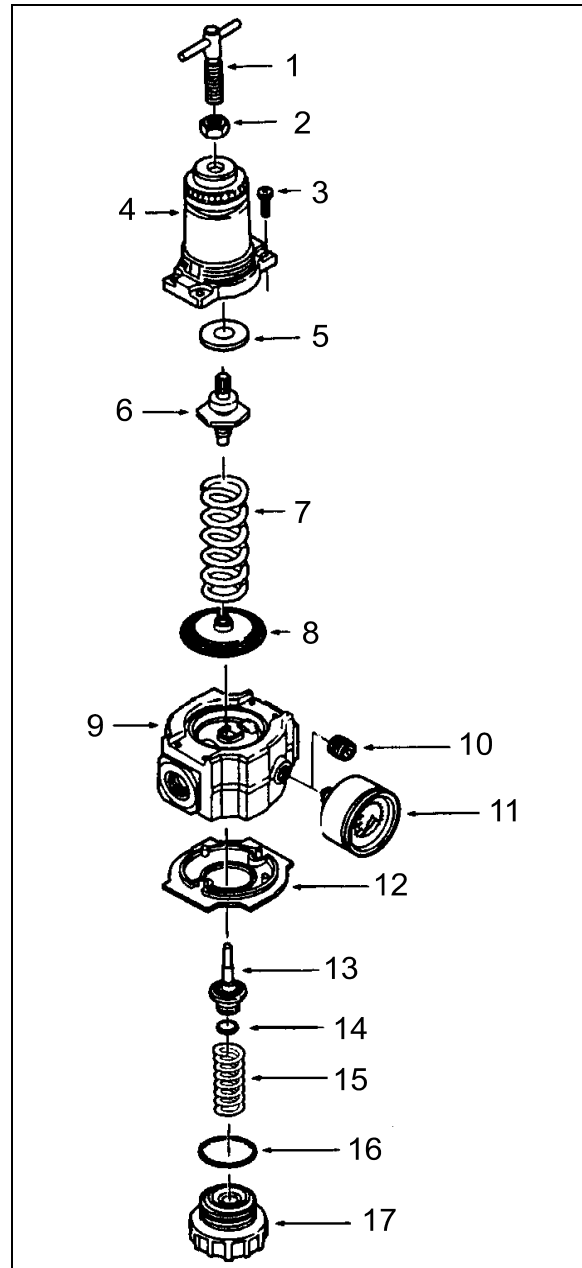


FIGURE 13: REGULATING VALVE

16035

10.3.1 Adjustment

1. Before turning on system air pressure, release jam nut (2, Fig. 13) then turn regulator adjustment counterclockwise until

all load is removed from the regulating spring.

2. Turn on system pressure.
3. Turn regulator adjustment clockwise until the desired outlet pressure is reached.
4. To avoid minor readjustment after making a change in pressure setting, always approach the desired pressure from a lower pressure. When reducing from a higher to a lower setting, first reduce the pressure at a lower pressure, then increase it to the desired level of pressure.
5. Tighten jam nut (2, Fig. 13) to lock pressure setting.

10.3.2 Disassembly

1. Shut off inlet pressure and reduce pressure in inlet and outlet lines to zero. Turn regulator adjustment (1, Fig. 13) counterclockwise until all load is removed from regulating spring. Regulator can be disassembled without removal from air line.
2. Disassemble regulator in accordance with the item numbers on the exploded view.

10.3.3 Cleaning

1. Clean parts with warm water and soap. Dry parts and blow out internal passages in body using clean, dry compressed air.
2. Inspect parts. Replace those found to be damaged.

10.3.4 Reassembly

1. Lubricate O-ring (14 and 16, Fig. 13), valve stem (13, Fig. 13), tip of adjusting screw (1, Fig. 13), and the outer circumference and both sides of the thrust washer (9, Fig. 13) with a light coat of good quality O-ring grease.
2. Assemble the regulator as shown on the exploded view.

Torque Table	
Item	Torque in Inch-Pound (N·m)
3 (Screw)	25-35 (2.8-3.9)
17 (Bottom plug)	20-25 (2.3-2.8)

11. LOW-BUOY SYSTEM

The purpose of the low-buoy system is to lower the whole suspension by about 4" (100 mm) in order to reduce the overall height for low clearances. This system can be put into service during normal vehicle operation.

11.1 PRINCIPLES OF OPERATION

On H3-41 and H3-45 coaches, the rear low-buoy is added over the front kneeling system. The control valve on the left console panel sends an electric signal from its pressure switch to control the front suspension as if kneeling. It also removes air from a relay valve that exhausts air supply to all leveling valves and the quick release in the rear section. Air from the rear suspension can then be depleted through the check valve-quick release assembly.

DOWN:

The control valve, on the L.H. control panel, cuts off air supply, so air is released from air springs. A relay valve prevents height control valves from supplying air springs.

UP:

The control valve, on the L.H. control panel, supplies air to close the passage between both the delivery and supply ports. A relay valve opens and provides air springs until the suspension reaches the normal ride height.

11.2 MAINTENANCE

Refer to the air system schematic diagram "OPT. FRONT KNEELING WITH REAR LOW-BUOY COMBINATION" annexed at the end of this Section.

12. "LEVEL-LOW" SYSTEM

This system is available on VIP motorhomes only. The purpose of the "level-low" leveling system is to adjust suspension in three separate points (front, rear right and rear left) in order to level vehicle body. This system can be put into service when the ignition key is turned to the "ON" position, and must be used only when the parking brake is applied. The "level-low" warning light on the dashboard indicates that the selector switch is not in the "OFF" position.

Section 16: SUSPENSION

12.1 PRINCIPLES OF OPERATION

DOWN:

The (front/rear right/rear left) control solenoid valve supplies air to the (front/rear right/rear left) five-way three-position air control valve, which bypasses the (front/rear right/rear left) height control valve, and opens a passage to allow the air control and exhaust valve to release air from (front/rear right/rear left) air springs.

UP:

The (front/rear right/rear left) control solenoid valve supplies air to the (front/rear right/rear left) five-way three-position air control valve, which bypasses the (front/rear right/rear left) height control valve, and opens a passage to allow the air control and exhaust valve to supply air to (front/rear right/rear left) air springs.

DRIVE:

When the ignition key is turned to the "ON" position with selector knob in the "DRIVE" position, the drive control solenoid valve supplies air to all five-way three-position air control valves, each one opening a passage to allow height control valves to accomplish their function.

When the ignition key is turned to the "OFF" position and selector knob to the "DRIVE" position, the air is entrapped between air springs and five-way three-position air control valves to ensure the adjusted level will be kept.

Warning: Never move vehicle with selector knob in any other position than the "DRIVE" position.

12.2 MAINTENANCE

Since the leveling action is issued from both the air system and electrical system, refer to Section: 12, "Brake and Air System" and Section 06, "Electrical System".

For diagnosis and understanding of the system, refer to wiring diagrams, and to the appropriate air system schematic diagram annexed to Section 12, "Brake and Air System".

13. TROUBLESHOOTING

Condition	Cause	Correction
Bellows deflate over time	<ol style="list-style-type: none"> 1. Defective check valve assembly. 2. Defective exhaust valve assembly. 3. Leak in air line and/or bellows. 4. Defective valve cover, rubber O-rings or gasket. 	<ol style="list-style-type: none"> 1. Replace check valve assembly. 2. Replace exhaust valve assembly. 3. Replace air line or bellows. 4. Replace valve cover, O-rings or gasket.
Bellows raise to full height and fail to exhaust air pressure	<ol style="list-style-type: none"> 1. A clogged exhaust screen in height control valve assembly. 2. A combination clogged exhaust screen and defective air inlet valve assembly. 	<ol style="list-style-type: none"> 1. Remove and clean screen. 2. Clean exhaust screen and replace air inlet valve assembly.
Erratic valve action	<ol style="list-style-type: none"> 1. Dirt or foreign matter in the air valve lever chamber. 2. Defectives valves. 	<ol style="list-style-type: none"> 1. Remove valve cover and blow out dirt. Install cover using new gasket. 2. Overhaul height control valve assembly
Vehicle body fails to level to satisfactory ride height	<ol style="list-style-type: none"> 1. Improper height control valve overtravel lever adjustment 	<ol style="list-style-type: none"> 1. Adjust lever as directed.

14. PARTS SPECIFICATIONS**Front and tag axle air springs**

Make..... Goodyear Tire and Rubber
 Model..... 1200
 Type Mae West
 Nominal diameter 12" (304 mm)
 Supplier number 1R12-319
 Prévost number 630125

Drive axle air springs

Make..... Goodyear Tire and Rubber
 Model..... 1100
 Type Double Flare
 Nominal diameter 11" (279 mm)
 Supplier number 1R11-089
 Prévost number 630105

Front axle shock absorbers

Make..... Arvin
 Color..... White
 Collapsed length 15.47±0.125" (39,29±0,32 cm)
 Extended length ...24.5±0.125" (33,32±0,32 cm)
 Supplier number 680422
 Prévost number 630134

Drive and tag axle shock absorbers

Make..... Monroe
 Type Gas Magnum
 Collapsed length 15.38" (30,05 cm)
 Extended length 23.63" (60,01 cm)
 Supplier number 650407
 Prévost number 630127

Height control valve (VIP, front only)

Make..... Barksdale
 Quantity used 1
 Supplier number 52321POAQ3-Q62
 Prévost number 630157

Height control valve (coach, all axles & VIP, rear only)

Make Barksdale
 Quantity..... 2 or 3
 Supplier number 52321POAQ3-Q26
 Prévost number 630156

Bellows control and exhaust solenoid valve assembly

Make Norgren

Solenoid valve manifold

Supplier number D0043B
 Prévost number 641130

Coil

Voltage 24 V DC
 Current draw 29 amperes
 Supplier number 54932-27
 Prévost number 641144

Valve (3 way, 2 positions)

Type N/C
 Supplier number 411-C-456235W
 Prévost number 641357
 Type N/O
 Supplier number 411-D-456236X
 Prévost number 641356

Radius rod bushing

Make Prévost
 Prévost number 630021

Loctite

Make Loctite
 Prévost number 680039

Sway bar bushing (Front Axle)

Make Prévost
 Prévost number 131355

Section 16: SUSPENSION

Sway bar bushing (Drive Axle)

Make..... Prévost
Prévost number.....130953

Sway bar link bushings

Supplier number..... 415015-001
Prévost number.....506678

Shock absorber

Make..... Arvin
Supplier number.....405803
Prévost number.....630062
Make..... Monroe
Supplier number.....45380
Prévost number.....630062

Air regulator

MakeNorgren
Recommended pressure setting 90 psi (621 kPa)
Supplier number R74G-4AT-RMN
Prévost number641352

15. TORQUE SPECIFICATIONS

- 1- SHOCK ABSORBER PIN..... 350-400 ft-lbf (475-545 N·m)
- 2- SHOCK ABSORBER PIN NUT 70-80 ft-lbf (95-110 N·m)
- 3- RADIUS ROD STUD 20-40 ft-lbf (27-54 N·m)
- 4- RADIUS ROD RETAINING NUT OR BOLT 110-130 ft-lbf lubricated (150-175 N·m lubricated)
- 5- RADIUS ROD SUPPORT NUT 110-130 ft-lbf lubricated (150-175 N·m lubricated)
- 6- AXLE ATTACHMENT NUT 425-475 ft-lbf (580-645 N·m)
- 7- AIR SPRING STUD NUT 20-25 ft-lbf (27-34 N·m)
- 8- SWAY BAR LINK PIN STUD..... 350-400 ft-lbf (475-545 N·m)
- 9- SWAY BAR LINK LOWER NUT..... 70-80 ft-lbf (95-110 N·m)
- 10- SWAY BAR LINK UPPER NUT..... 215-225 ft-lbf(290-305 N·m)
- 11- SWAY BAR BUSHING COLLAR BOLT 70-80 ft-lbf (95-110 N·m)

Note: During assembly, use “Loctite 242” (Prévost No 680038) with item 1, 3 and 8. After assembly, apply “anti-seize compound” (Prévost No 680064) on all threads nuts.

SECTION 16: SUPPLEMENT INFORMATION ON INDEPENDENT FRONT SUSPENSION (IFS)

CONTENTS

1. INTRODUCTION	16(IFS)-4
2. STEERING LINKAGE	16(IFS)-4
2.1 STEERING LINKAGE ADJUSTMENT.....	16(IFS)-7
2.2 PITMAN ARM REMOVAL.....	16(IFS)-7
2.3 PITMAN ARM INSTALLATION.....	16(IFS)-8
2.4 DRAG LINK.....	16(IFS)-8
2.4.1 <i>Adjustment</i>	16(IFS)-8
2.5 BELL CRANK AND IDLER ARM.....	16(IFS)-8
2.5.1 <i>Bell Crank and Idler Arm Removal</i>	16(IFS)-8
2.5.2 <i>Bell crank or Idler Arm Ball Joint Disassembly</i>	16(IFS)-8
2.5.3 <i>Bell Crank or Idler Arm Ball Joint Reassembly</i>	16(IFS)-9
2.6 RELAY ROD.....	16(IFS)-10
2.6.1 <i>Replacement</i>	16(IFS)-10
2.7 TIE RODS.....	16(IFS)-10
2.7.1 <i>Removal</i>	16(IFS)-10
2.7.2 <i>Installation</i>	16(IFS)-11
2.8 STEERING ARMS.....	16(IFS)-11
2.8.1 <i>Removal</i>	16(IFS)-11
2.8.2 <i>Installation</i>	16(IFS)-11
2.9 LUBRICATION FITTINGS.....	16(IFS)-11
2.10 POWER STEERING HYDRAULIC PUMP.....	16(IFS)-12
3. LOWER AND UPPER A-ARM BALL JOINT	16(IFS)-12
3.1 STRIPPING DOWN.....	16(IFS)-12
3.2 ASSEMBLY.....	16(IFS)-12
4. LOWER A- ARM CENTRAL JOINTS (BT-SECTIONAL BEARING SYSTEM)	16(IFS)-13
4.1 STRIPPING DOWN.....	16(IFS)-13
4.2 ASSEMBLY.....	16(IFS)-14
5. UPPER A-ARM BALL JOINTS (ONE-PART BEARING SYSTEM)	16(IFS)-16
5.1 MAINTENANCE.....	16(IFS)-16
5.2 STRIPPING DOWN.....	16(IFS)-16
5.3 ASSEMBLY.....	16(IFS)-16
6. FRONT END ALIGNMENT	16(IFS)-17
6.1 ALIGNMENT TERMINOLOGY.....	16(IFS)-17
6.2 FRONT END INSPECTION.....	16(IFS)-18
6.3 FRONT WHEEL CAMBER.....	16(IFS)-18
6.4 FRONT WHEEL TOE-IN.....	16(IFS)-18
6.4.1 <i>Toe-In Check</i>	16(IFS)-18
6.4.2 <i>Toe-In Adjustment</i>	16(IFS)-18
6.5 FRONT AXLE CASTER.....	16(IFS)-19
6.6 MAJOR DAMAGE.....	16(IFS)-19
7. FRONT AIR SPRINGS	16(IFS)-20
7.1 INSPECTION.....	16(IFS)-20
7.2 REMOVAL.....	16(IFS)-20

Section 16: SUPPLEMENT INFORMATION ON INDEPENDENT FRONT SUSPENSION (IFS)

7.3	INSTALLATION.....	16(IFS)-20
8.	SHOCK ABSORBERS	16(IFS)-22
8.1	SHOCK ABSORBER REMOVAL.....	16(IFS)-22
8.2	SHOCK ABSORBER INSTALLATION.....	16(IFS)-22
9.	SWAY BAR.....	16(IFS)-22
9.1	SWAY BAR REMOVAL.....	16(IFS)-22
9.2	SWAY BAR INSTALLATION.....	16(IFS)-22
10.	INDEPENDENT FRONT SUSPENSION ADJUSTMENT	16(IFS)-24
11.	SUSPENSION HEIGHT ADJUSTMENT	16(IFS)-24
12.	HEIGHT CONTROL VALVE	16(IFS)-25
12.1	LOADING POSITION	16(IFS)-25
12.2	NEUTRAL POSITION	16(IFS)-25
12.3	UNLOADING POSITION.....	16(IFS)-25
12.4	MAINTENANCE.....	16(IFS)-25
12.5	REMOVAL AND INSTALLATION	16(IFS)-25
13.	"LEVEL-LOW" LEVELING SYSTEM	16(IFS)-26
13.1	PRINCIPLES OF OPERATION.....	16(IFS)-26
14.	AIR SYSTEM.....	16(IFS)-26
14.1	AIR TANK MAINTENANCE.....	16(IFS)-27
14.1.1	<i>Wet Air Tank</i>	<i>16(IFS)-27</i>
14.1.2	<i>Primary Air Tank</i>	<i>16(IFS)-27</i>
14.1.3	<i>Secondary Air Tank</i>	<i>16(IFS)-27</i>
14.1.4	<i>Accessory Air Tank.....</i>	<i>16(IFS)-27</i>
14.1.5	<i>Expansion Air Tank.....</i>	<i>16(IFS)-27</i>
14.2	EMERGENCY FILL VALVES.....	16(IFS)-28
15.	HUB UNIT AND SWIVEL ASSEMBLY.....	16(IFS)-28
16.	TORQUE TABLE	16(IFS)-29
17.	SPECIFICATIONS.....	16(IFS)-30

ILLUSTRATIONS

FIGURE 1: SUSPENSION AND STEERING LINKAGE 16(IFS)-4
FIGURE 2: LOCATION OF CLAMPS 16(IFS)-5
FIGURE 3: CLAMP POSITIONING..... 16(IFS)-6
FIGURE 4: CLAMP POSITIONING..... 16(IFS)-6
FIGURE 5: CLAMP POSITIONING..... 16(IFS)-6
FIGURE 6: CLAMP POSITIONING..... 16(IFS)-7
FIGURE 7: PITMAN ARM ALIGNMENT 16(IFS)-7
FIGURE 8: BELL CRANK AND IDLER ARM BALL JOINT 16(IFS)-9
FIGURE 9: BELL CRANK 16(IFS)-9
FIGURE 10: BELL CRANK 16(IFS)-10
FIGURE 11: LUBRICATION FITTINGS' LOCATION DIAGRAM 16(IFS)-12
FIGURE 12: BALL JOINT 16(IFS)-13
FIGURE 13: CENTRAL JOINT 16(IFS)-15
FIGURE 14: BALL JOINT 16(IFS)-16
FIGURE 15: STEERING LINKAGE MEASUREMENTS 16(IFS)-17
FIGURE 16: FRONT END ALIGNMENT DIAGRAM 16(IFS)-19
FIGURE 17: AIR SPRINGS 16(IFS)-20
FIGURE 18: AIR SPRING AND SHOCK ABSORBER 16(IFS)-21
FIGURE 19: SHOCK ABSORBER..... 16(IFS)-22
FIGURE 20: SWAY BAR (FRONT SUSPENSION) 16(IFS)-23
FIGURE 21: SWAY BAR (REAR SUSPENSION)..... 16(IFS)-23
FIGURE 22: HEIGHT CONTROL VALVE LOCATION 16(IFS)-24
FIGURE 23: TYPICAL AIR SPRING CLEARANCE 16(IFS)-25
FIGURE 24: ISS FRONT HEIGHT CONTROL VALVE..... 16(IFS)-25
FIGURE 25: LOCATION OF AIR TANKS 16(IFS)-26
FIGURE 26: REAR VALVE LOCATION 16(IFS)-27
FIGURE 27: FRONT VALVE LOCATION 16(IFS)-27

Section 16: SUPPLEMENT INFORMATION ON INDEPENDENT FRONT SUSPENSION (IFS)

1. INTRODUCTION

This supplement contains service procedures and specifications that apply to the PREVOST H3 vehicles equipped with an independent front suspension.

This text contains information unique to the independent suspension system. In the case you cannot find information on a subject in this supplement section, the information given in the regular sections of the Maintenance Manual will apply.

2. STEERING LINKAGE

Turning motion of the steering wheel is transferred by the steering gear and steering linkage to the steering arms at the right and left front wheels. The steering linkage consists of tie rods connected to the bell crank and the steering arm at the left side of the coach, and to the idler arm

and steering arm at the right side of the coach. The bell crank and idler arm are connected by a relay rod. A drag link connected to the bell crank and the pitman arm, which is mounted to the steering gear, transfers the turning motion of the steering wheel to the steering arms (Fig. 1).

Lower and upper A-arms are widely spaced. They are mounted on ball joints. Torque rods prevent rotation of the uprights around the lower and upper ball joints.

If the steering linkage is bent, twisted or worn, steering action of the coach will be seriously affected. Any time steering linkage components are replaced or adjusted, steering geometry and front wheel alignment must be checked as explained in this section of supplement.

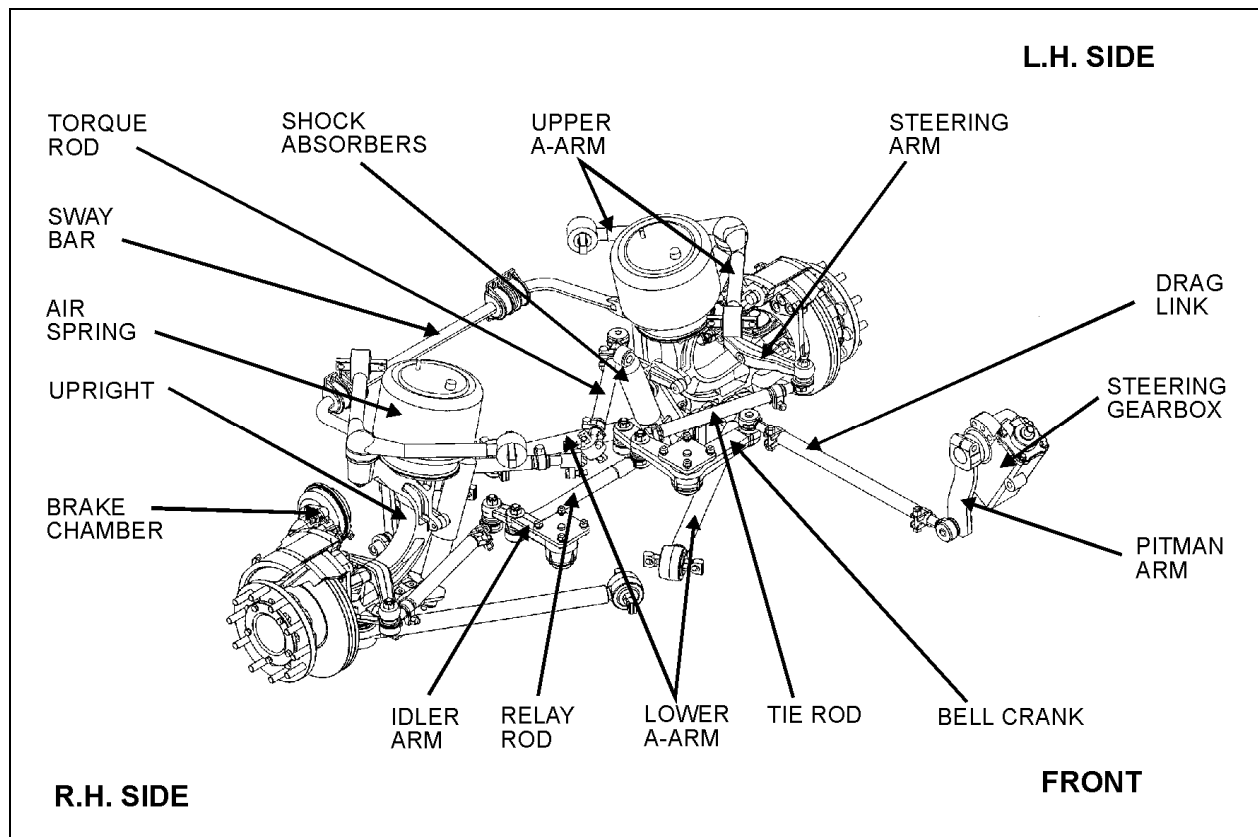


FIGURE 1: SUSPENSION AND STEERING LINKAGE

16036

Section 16: SUPPLEMENT INFORMATION ON INDEPENDENT FRONT SUSPENSION (IFS)

Turning Angle

The maximum turning angle is set mechanically through the two steering stop screws installed on the swivel assembly. The turning angle ($56^{\circ} + 0^{\circ} - 1^{\circ}$) mechanical stop is factory adjusted to accommodate the chassis design, and therefore, does not require adjustment on new vehicles.

However, turning angle should be checked and adjusted hydraulically, if necessary, any time a component of the steering system is repaired, disassembled or adjusted.

Before checking the turning angle, be sure the front end is properly aligned as described under paragraph "4. Front End Alignment" in this supplement.

To check steering maximum turning angle, proceed with the following method :

1. Check if front tires rub against the frame or if the steering gear has been serviced.

Caution: *If clamps are not correctly installed, they can interfere with other parts.*

2. For a full left and right turn, check clamps' position and for interfering parts. Refer to figures 2 to 6 for location and positioning of clamps. If readjustment is required, make the proper adjustment.

Note: *Prior to poppet valve readjustment, verify vehicle wheel alignment, and ensure that oil level is adequate and that air bleeding is done.*

3. If necessary readjust poppet valve. Refer to "TAS Steering Gear Service Manual" annexed to H3 Series Maintenance Manual, Section 14 : "Steering", under headings: "Filling and Air Bleeding the System" and "Poppet Readjustment".

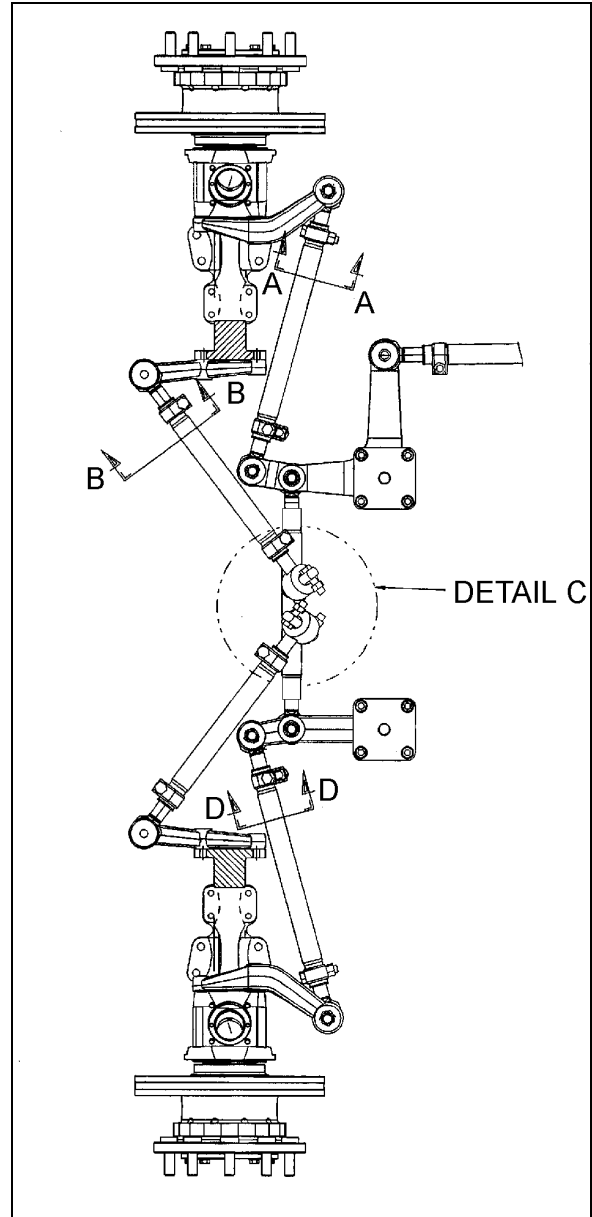


FIGURE 2: LOCATION OF CLAMPS

16037

Section 16: SUPPLEMENT INFORMATION ON INDEPENDENT FRONT SUSPENSION (IFS)

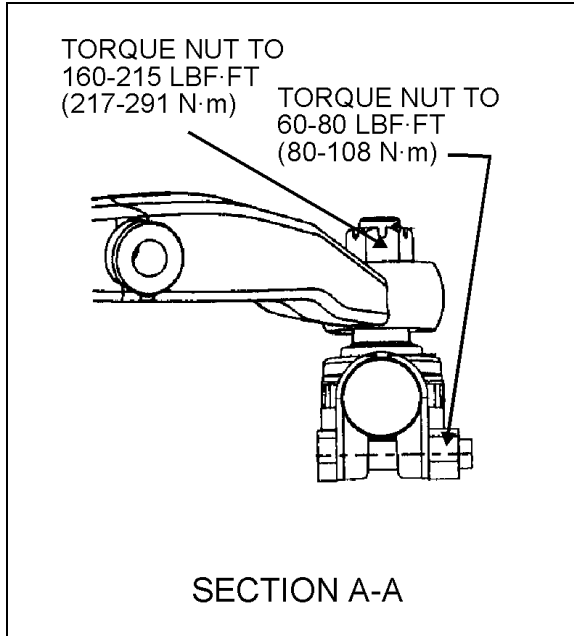


FIGURE 3: CLAMP POSITIONING

16038

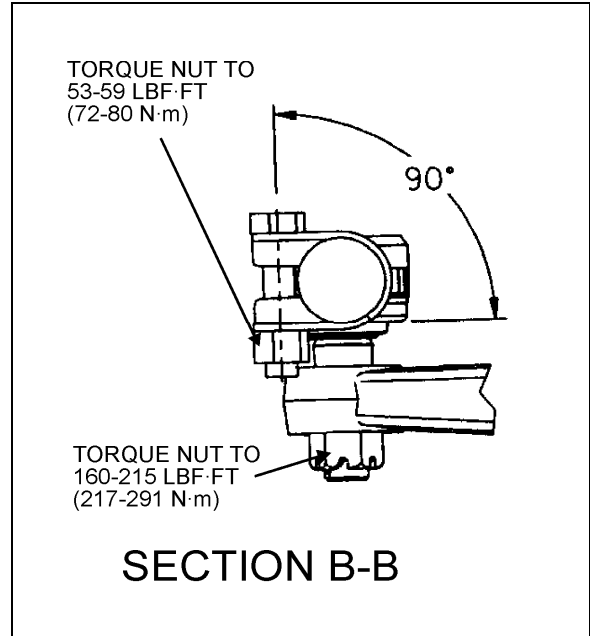


FIGURE 4: CLAMP POSITIONING

6039

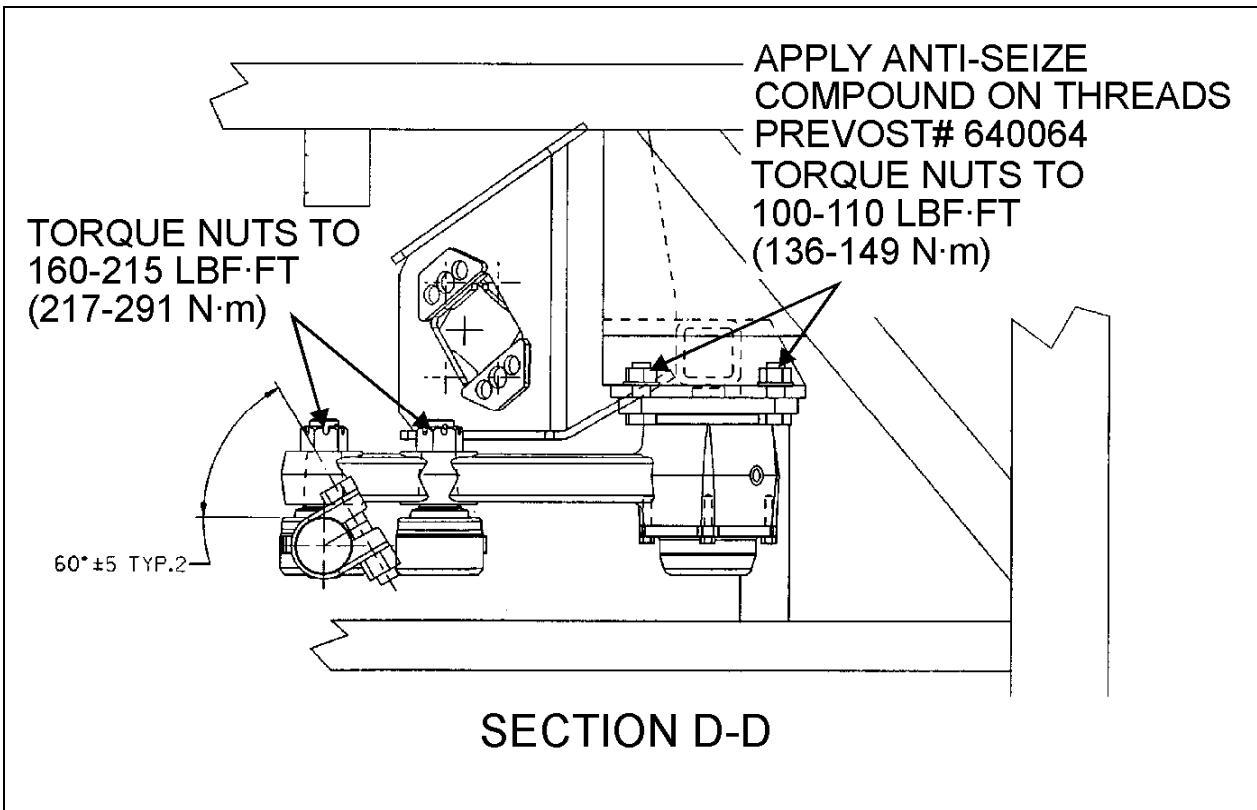


FIGURE 5: CLAMP POSITIONING

16040

Section 16: SUPPLEMENT INFORMATION ON INDEPENDENT FRONT SUSPENSION (IFS)

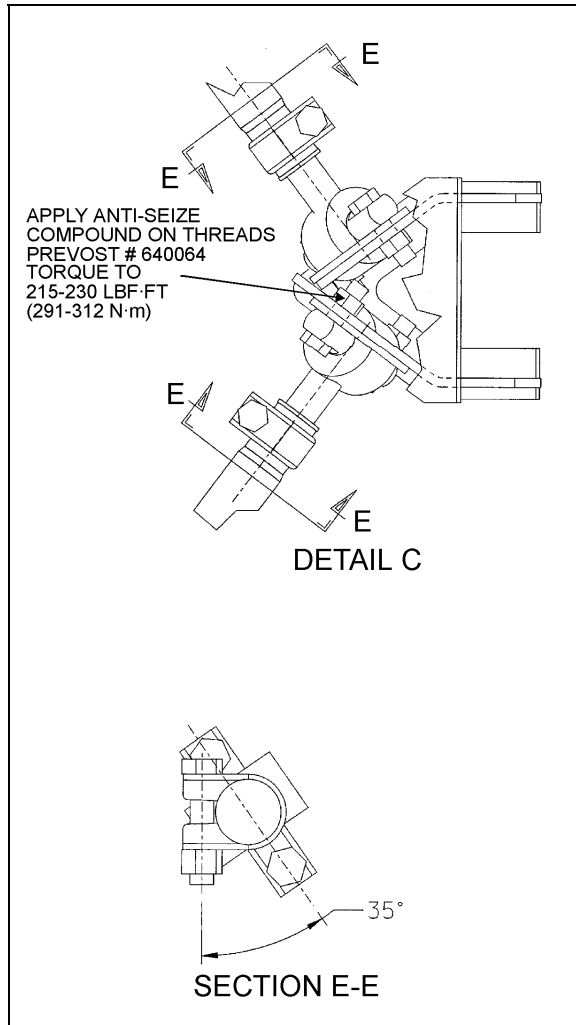


FIGURE 6: CLAMP POSITIONING

16041

2.1 STEERING LINKAGE ADJUSTMENT

Note: Whenever a steering linkage component has been removed and replaced, check steering geometry and front end alignment as directed in this Supplement. Check to insure that all stud nuts and mounting bolts and nuts have been tightened to proper torques listed under "16. TORQUE TABLE" at the end of this supplement.

1. The pitman arm should be adjusted with reference mark aligned or to an angle of 1.5° in relation with the vertical axis (Fig. 7).
2. Locate centerline of vehicle then install relay rod in boss at steering bell crank and idler arm. Align center of relay rod with centerline of vehicle.
3. Install drag link to pitman arm and adjust opposite end of drag link to fit mounting stud hole in bell crank.

4. Install tie rods, then adjust toe-in as per "FRONT END ALIGNMENT" in this Supplement.

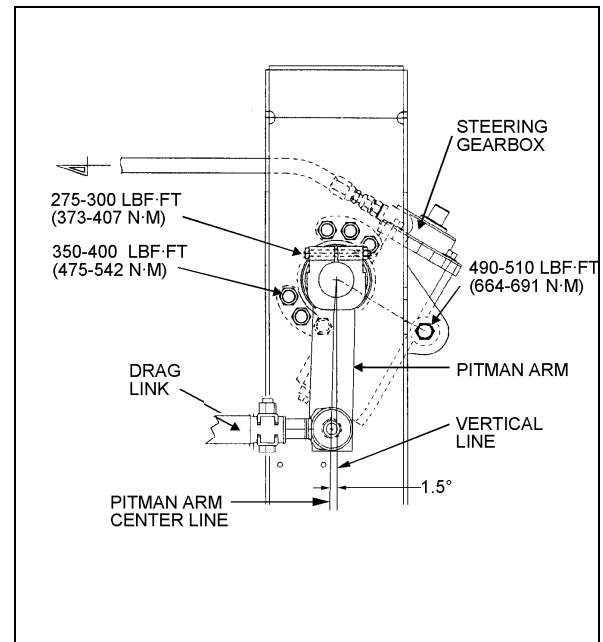


FIGURE 7: PITMAN ARM ALIGNMENT

16042

2.2 PITMAN ARM REMOVAL

1. Remove cotter pin, nut and washer from drag link ball stud at pitman arm.
2. Disconnect drag link from pitman arm, using jaw style pullers (pressure screw type).

Warning: Always wear approved eye protection when operating pullers.

Caution: Do not drive pitman arm on or off pitman shaft as this can damage the steering gear.

Caution: Heating of components to aid in disassembly is not allowed because it has a detrimental effect on axle components and steering linkages.

3. Remove pitman arm clamp bolt nut, washer and bolt.
4. Check the radial position of the pitman arm in relation to the sector shaft prior to removal of pitman arm.
5. Add reference marks to the arm and shaft if necessary to ensure correct alignment at re-assembly.
6. Remove pitman arm. A chisel will help you loosen the pitman arm. Use a puller if you cannot remove the pitman arm manually.

Section 16: SUPPLEMENT INFORMATION ON INDEPENDENT FRONT SUSPENSION (IFS)

2.3 PITMAN ARM INSTALLATION

1. Position pitman arm on sector gear shaft with reference marks aligned. Ensure that the clamp bolt groove matches.
2. Install bolt, washer and nut. Tighten nut to 275-300 lbf•ft (373-408 N•m) (Fig. 7).
3. Connect drag link to pitman arm. Install washers. Tighten nut to 160 lbf•ft (217 N•m). Advance nut to next alignment cotter pin slot and install a new cotter pin.

2.4 DRAG LINK

Drag link assembly consist of three parts; a drag link and two end assemblies. Both end assemblies are identical and they are retained on the drag link with a clamp bolt and nut.

Stud nuts at the pitman arm and bell crank ends of the drag link must be kept tight or hole at ball stud end of drag link and hole in pitman arm may become enlarged as a result of excessive looseness. Subsequent tightening of stud nuts may draw studs too far into holes and dust cover parts may become damaged which can result in component failure.

Drag link end sockets are equipped with lubrication fittings and should be lubricated as directed in "LUBRICATION FITTINGS" in this supplement.

2.4.1 Adjustment

It should not be necessary to alter the length of the drag link except when a new link is installed or when removable end assembly has been replaced. If drag link adjustment is necessary, proceed as follows:

1. Position front wheels in straight ahead position.
2. Center steering gear as previously explained in paragraph "2.1 Steering Linkage Adjustment".
3. Remove cotter pin and stud from drag link at bell crank. Locate centerline of vehicle and center of relay rod. With center of relay rod aligned with centerline of vehicle, loosen clamp bolt at socket end (bell crank end) of drag link and adjust length of socket end assembly to fit in boss of bell crank.

Note: Do not change position of pitman arm.

4. Install stud nut and torque to 160 lbf•ft (217 N•m). Align nut with cotter pin slot (tighten) and install a new cotter pin.
5. Torque mounting clamp bolt nut to 60-80 lbf•ft (81-108 N•m), then test the adjustment. Front wheels should turn from right to left extremities without noticeable binding at drag link ends.

2.5 BELL CRANK AND IDLER ARM

Bell crank and idler arm are equipped with one lubrication fitting and should be lubricated as directed in paragraph "2.9 LUBRICATION FITTINGS" at the end of this Supplement.

2.5.1 Bell Crank and Idler Arm Removal

Note: Use a piece of wire to anchor loosen end of relay rod and tie rod in order to prevent placing an excessive load on opposite socket end.

Bell crank : Disconnect drag link, tie rod and relay rod from bell crank by removing cotter pins, stud nuts and washers from ball studs. Separate socket assemblies from the bell crank.

Idler arm : Remove cotter pins, nuts and washers from ball studs connecting relay rod and tie rod to idler arm. Separate socket assemblies from idler arm.

Remove nuts and washers from bolt attaching bell crank or idler arm mounting bracket to vehicle understructure. Remove bell crank or idler arm mounting bracket.

2.5.2 Bell crank or Idler Arm Ball Joint Disassembly

1. Remove adjacent link assemblies from bell crank or idler arm as previously described.
2. Remove the cap (Fig. 8).
3. Remove the cotter pin, nut and tongue washer. Remove bearings, grease seal, bearing bushing and the bell crank or idler arm from its mounting bracket stud (Fig. 8).

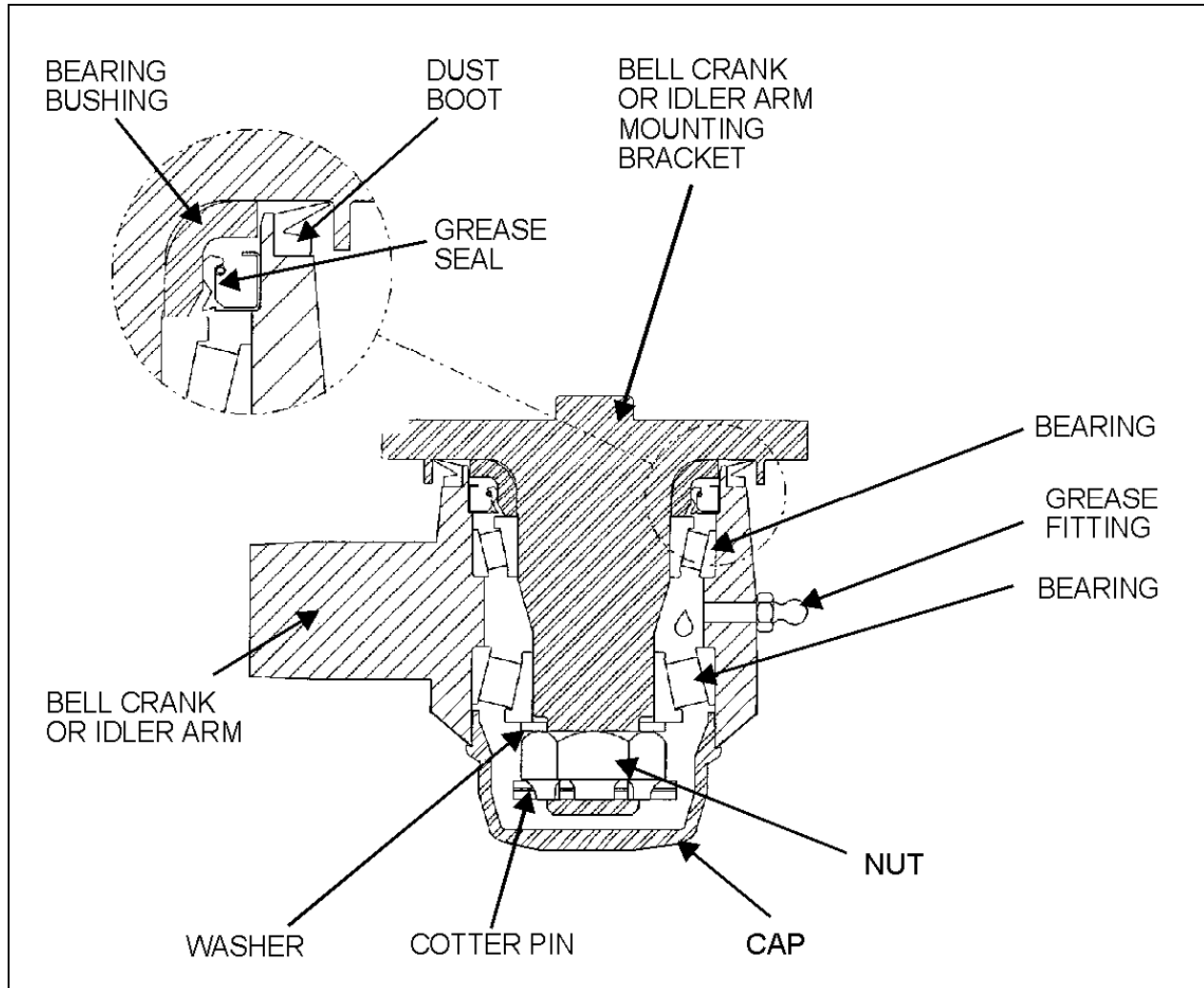


FIGURE 8: BELL CRANK AND IDLER ARM BALL JOINT

16043

2.5.3 Bell Crank or Idler Arm Ball Joint Reassembly

Note: For bearing installation use tool Prévost # 110684.

1. Install bearing bushing on bell crank or idler arm mounting bracket stud.
2. Install bearing and grease seal in bell crank or idler arm eye (Fig. 8).

Note : Install grease seal according to figure 8. Grease must be able to exit the bell crank or idler arm mechanism. For grease seal installation use tool Prévost # 110683.

3. Install bell crank or idler arm on its mounting bracket stud (Fig. 8).

4. Install bearing, o-ring and nut.

Note : Apply grease on bearing before installation.

5. Firmly tighten nut (Fig. 9).

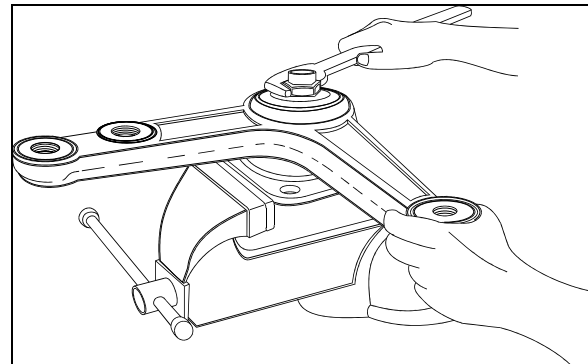


FIGURE 9: BELL CRANK

16044

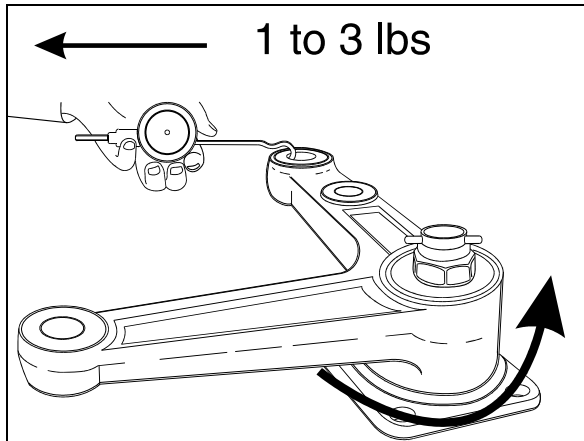


FIGURE 10: BELL CRANK

16045

6. Unscrew nut until bell crank or idler arm starts to turn by the application of 1 to 3 pounds load (Fig. 10).
7. Check for loose bearings by applying an up and down load on bell crank or idler lever (Fig. 8). The lever is not supposed to move in the vertical axis direction.
8. Align nut with cotter pin slot (tighten) and install a new cotter pin.

Note: Bend cotter pin around the nut (Fig. 8). Do not bend the cotter pin in the direction of the cap, because it may interfere with the cap.

9. Install the cap.
10. **Bell crank** : Install drag link, tie rod and relay rod as directed herein under each specific subject.
11. **Idler arm** : Install tie rod and relay rod as directed herein under each specific subject.
12. Adjust turning angle as previously directed under paragraph "**Turning Angle**" and check front end alignment as specified in paragraph "6. Front End Alignment" of this supplement.

2.6 RELAY ROD

Relay rod ends are equipped with lubrication fittings and should be lubricated as directed in paragraph "2.9 LUBRICATION FITTINGS" in this supplement.

Note: The relay rod is crimped in place and it is not possible to remove the ball joints.

2.6.1 Replacement

1. Remove cotter pins from bell crank and idler arm end of relay rod. Loosen nuts flush with end of studs.
2. Place a sledge hammer behind the adjacent part to absorb shocks. Strike the studs with a brass hammer to loosen end assemblies.
3. Remove stud nuts and washers then remove studs.
4. Position relay rod studs into bell crank and idler arm then tap stud ends with a brass hammer to seat tapered surfaces.
5. Install washers and stud nuts. Tighten nuts to 160 lbf•ft (217 N•m) torque. Align cotter pin slot (tighten) and install a new cotter pin.

2.7 TIE RODS

Tie rod ends are connected to the bell crank and left steering arm, and to the idler arm and right steering arm. Each tie rod assembly consists of three parts; a tube and two socket end assemblies. The tie rod ends are threaded into the tube and secured with clamp bolts. Right and left hand threads are provided to ease toe-in adjustment. Tie rod assemblies are interchangeable from the right to the left side of the coach.

Tie rod end sockets require no maintenance other than periodic lubrication and inspection to see that ball studs are tight. Replace socket ends when there is excessive up and down motion, lost motion or end play at ball end of stud.

1. Periodically check bolt nut for tightness.
2. Inspect tie rod for bent condition and inspect tube for damaged threads. If tie rod is bent or threads are damaged, replace the assembly.
3. Lubricate tie rod end fittings as directed in paragraph "2.9 LUBRICATION FITTINGS" farther on in this section.

2.7.1 Removal

1. Remove cotter pins and stud nuts which attach tie rod socket ends to bell crank and left steering arm (or idler arm) and right steering arm.
2. Remove tie rod ball stud by tapping on steering arm and bell crank or idler arm with hammer, while using a sledge hammer to absorb shocks.

Note: If tie rod end assemblies are damaged in any way, they must be replaced.

2.7.2 Installation

1. Install socket end assemblies on tie rod. Be sure both ends are threaded an equal distance into the tube.
2. Make sure threads on stud and in stud nut are clean and not damaged.
3. Position ball studs (socket ends of tie rod) in holes in steering arm and bell crank or idler arm. Install a ball stud nut on each stud and tighten firmly.
4. Torque stud nuts to 160 lbf•ft (217 N•m). Align cotter pin slot (tighten) and install a new cotter pin.

Note: Adjust toe-in as directed in paragraph "6.4.2 TOE-IN ADJUSTMENT" of this supplement.

5. Make sure tie rod ends are properly aligned with ball studs, then torque tie rod end clamp bolts to 60-80 lbf•ft (81-108 N•m).

Note: If tie rod is properly aligned with stud, binding will result.

2.8 STEERING ARMS

The left and right wheel steering arms are secured to a swivel at one end and to a tie rod at the other end.

2.8.1 Removal

1. Remove wheel as directed in Section 13, "WHEELS AND TIRES" of the maintenance manual.
2. Remove cotter pin, washer and nut from stud securing tie rod to steering arm. Remove ball stud from steering arm by tapping on arm with a hammer, Placing a sledge hammer underneath steering arm to absorb shocks.
3. Remove cotter pin and nut securing steering arm to swivel assembly. Remove steering arm from swivel.

2.8.2 Installation

1. Insert steering arm in swivel.
2. Torque steering arm to swivel nut to 190 lbf•ft (258 N•m). Align cotter pin slot (tighten) and install a new cotter pin.

3. Position tie rod ball stud in steering arm and tap with a brass hammer to seat ball stud in steering arm. Install washer and nut on stud. Torque nut to 160 lbf•ft (217 N•m). Tighten nut to nearest cotter pin slot and install a new cotter pin.
4. Install wheel as directed in Section 13, "WHEEL, HUBS AND TIRES" under paragraph "2.3 Installation" of the maintenance manual.

2.9 LUBRICATION FITTINGS

All lubrication fittings must be clean before applying lubricant. Also, always be sure equipment used in applying lubricant is clean. Every precaution should be taken to prevent entry of dirt, grit, lint or other foreign matter into lubricant containers. Replace fitting when they become broken or damaged.

Intervals of application given in the following paragraphs are recommended for normal service. More frequent intervals may be applied under severe operating conditions. In selecting proper lubricants, supplier reputation must be considered. The supplier must be responsible for product quality. The diagram (Fig. 11) shows approximate location of steering lubrication fittings.

1. **Drag Link Ends** : Lubricate at two fittings, one at each end of link, every 6,250 miles (10 000 km) with a good quality lithium-base grease NLGI No. 2 (Shell Retinax LX or equivalent).
2. **Relay Rod Ends** : Lubricate at two fittings, one at each end of rod, every 6,250 miles (10 000 km) with a good quality lithium-base grease NLGI No. 2 (Shell Retinax LX or equivalent).
3. **Tie Rod Ends** : Lubricate at four fittings, one at each end of both tie rods, every 6,250 miles (10 000 km) with a good quality lithium-base grease NLGI No. 2 (Shell Retinax LX or equivalent).
4. **Hub Unit and Swivel Assembly** : Refer to GKN AXLES LIMITED KIRKSTALL DIVISION, SERVICE MANUAL, Section "A. LUBRICATION" annexed at the end of section 10.
5. **Idler Arm and Crank bell** : Lubricate at two fittings, one on the idler arm and the other on the crank bell, every 6,250 miles (10 000 km) with a good quality lithium-base grease NLGI No. 2 (Shell Retinax LX or equivalent).

Section 16: SUPPLEMENT INFORMATION ON INDEPENDENT FRONT SUSPENSION (IFS)

Apply grease gun pressure to the fitting until lubricant appears at the top seal.

6. **Upper V-Link Outer Ball Joint** : Lubricate at fitting until you see some grease on the

relief valve nearby, every 6,250 miles (10 000 km) with a good quality lithium-base grease NLGI No. 2 (Shell Retinax LX or equivalent).

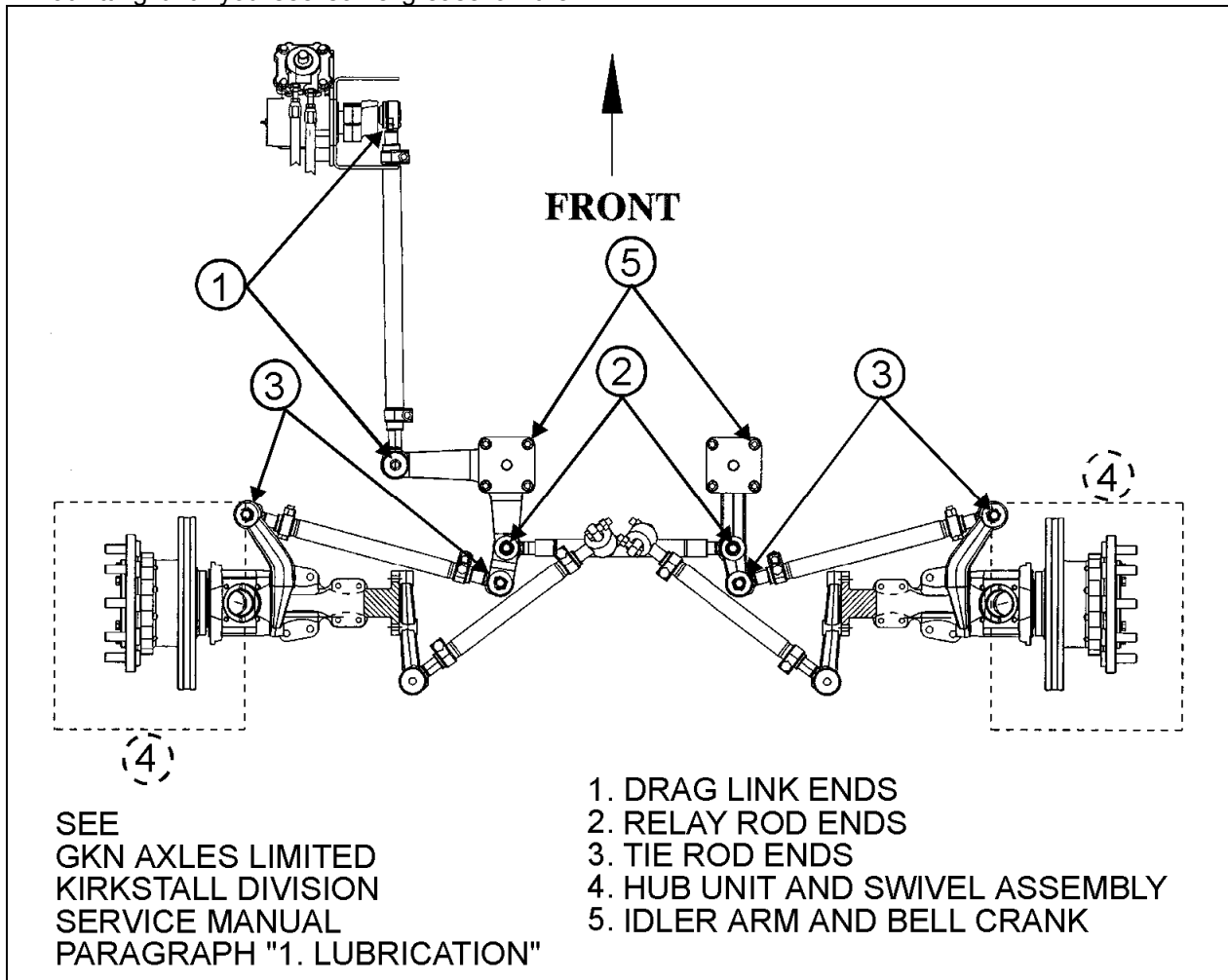


FIGURE 11: LUBRICATION FITTINGS' LOCATION DIAGRAM

16046

2.10 POWER STEERING HYDRAULIC PUMP

Refer to the "TRW Power Steering Pump Service Manual" annexed at the end of Section 14.

3. LOWER AND UPPER A-ARM BALL JOINT

The assembly work may be done only by a recognized specialized workshop. Ensure that old and new parts do not get mixed up with each other. It is for this reason that all the old parts are to be scrapped immediately after a joint has been stripped down. A complete repair set must be used for each joint repaired, i.e. use of only part of a repair set is not permissible. All numeral

or letter designations mentioned below refer to figure 12.

3.1 STRIPPING DOWN

Strip down the defective joint through removal of locking ring (3), annular spacer (2) and ball pin/bushing, assembly (1) and thereafter clean out housing bore and locking circlip groove.

3.2 ASSEMBLY

Execute assembly of the new joint parts in the following sequence :

1. Complete moistening of the contact surface between housing bore and ball pin through application of the grease.

Note: Apply grease, only in the case of repair kit (Prévost # 611114).

2. Insert ball pin/bushing, assembly (1). In case of the two-bolt type, ensure that the bolt bores are in the correct position in relation to the axis of the tube.
3. Place joint in receiving fixture (C) and mount annular assembly tool (B) on the housing. Then locate annular spacer (2) and locking-Circlip (3) in the housing using axial load (F) with the aid of assembly matrix (A) (For axial load, refer to table 1) (For Prévost tools #, refer to table 2). If the ends of the annular spacer are not in contact with each other, the thus formed opening must be located at 180° to the opening of the locking circlip. Pay attention during assembly to ensure that the locking circlip eyelets are located at each side of the housing shaft axis (locking circlip eyelet lug points to tube), and that locking circlip (3) is properly engaged in the groove of the housing.

TABLE 1		
Suitable for repair kits Prévost #	Position	Axial load F (kN)
611111	Upper A-arm	120
611114	Lower A-arm	160

4. When repairing defective ball pin assemblies, the necked down-bolt must regularly be replaced with a new one.

In special cases where it is necessary to repair defective ball pin assemblies with sealing caps the following must be observed: Dismounting of the sealing cap cannot take place without destruction and after repair work is complete it must be replaced with a new one.

TABLE 2			
Suitable for repair kits Prévost #	PRÉVOST TOOLS NEEDED (Prévost #)		
	A	B	C
611111	683108	683109	683110
611114	683111	683112	683112

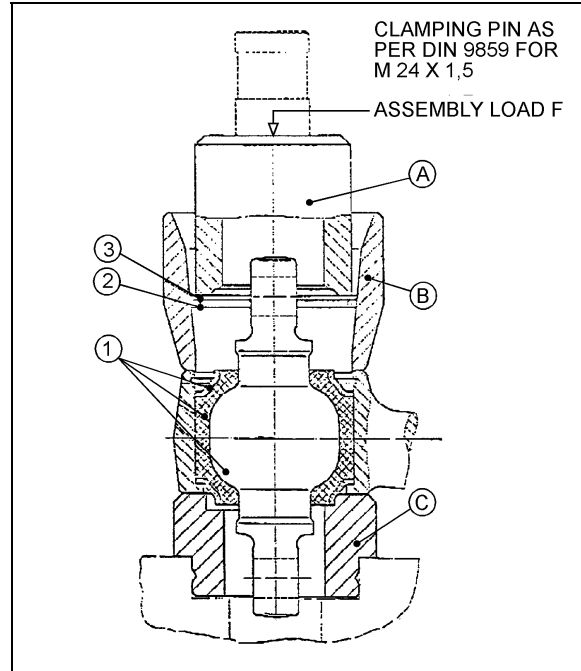


FIGURE 12: BALL JOINT

16047

4. LOWER A- ARM CENTRAL JOINTS (BT-SECTIONAL BEARING SYSTEM)

All reference numbers mentioned refer to component parts shown in figure 13.

4.1 STRIPPING DOWN

1. The joint is to be stripped down in the following sequence :
2. Remove sheet metal-cap (10) with annular seal (11) and then loosen tightening clip (7).
3. Screw out necked down bolt (14) and use hex screw M 24 x 1.5 x 50 (DIN 961) to press bracket (15) out of ball sleeve (1).
4. Remove sealing boot (6) with tightening clip (7) and clamping ring (8).
5. Remove circlip (5) and strip down the bearing elements of the joint (12), (3), (1) and (2). Then clean out the housing bore and the circlip groove.

Section 16: SUPPLEMENT INFORMATION ON INDEPENDENT FRONT SUSPENSION (IFS)

4.2 ASSEMBLY

Assemble the new component parts of the joint in the following sequence:

1. Insert into housing lower elements (3) and (2) : ensure that ball surface has first been greased. Then insert bearing element (1) and the upper bearing elements (2) and (3) and finally bearing element (12).
2. Place joint in fixture (C) and mount assembly ring (B) on housing. Thereafter apply axial pressure F1 through press tool (A) to insert circlip (5) in housing groove (For axial load, refer to table 3). Attention is to be paid to ensure that the circlip eyelets are positioned at approximately 90° to the axis of the tube and that the circlip is properly seated in the housing groove) (For Prévost tools #, refer to table 5).

TABLE 3		
Suitable for repair kits Prévost #	Position	Axial load F1 (kN)
611112	Lower A-arm	200

3. Use assembly sleeve (D) to mount sealing boot (6) including clamping ring (8) on bracket (15). Attention is to be paid to ensure that the clamping ring maintains its correct position in the clamping ring groove.

4. Faultlessly apply grease by mechanical means to bracket-outer core (15) and ball-inner cone (1). Insert bracket outer cone in fixture (E) with distance ring (G) and then use press tool (H) to apply pressure F2 to press mount with ball-inner cone (For axial load, refer to table 4).

TABLE 4		
Suitable for repair kits Prévost #	Position	Axial load F2 (kN)
611112	Lower A-arm	100

5. After lifting out of fixture prematurely mount, torque bolt M 14 x 1.5 between 3 to 4 N•m. Finally use a torque wrench to tighten bolt with a tightening torque of 135 N•m. Ensure that the maximum rotation during tightening does not exceed one complete turn. If the specified tightening torque is not reached during one turn, the bolt is to be replaced with a new one.
6. Fill the cavity under the sealing boot (6) with grease and fix tightly to housing with tightening clip (7).
7. Fill the upper cavity of the joint with grease and then mount annular seal (11) and sheet-metal cap (10).
8. Either fix sheet-metal cap to housing through screwing it into place or through 4 spot i.e. according to individual design specifications.

Section 16: SUPPLEMENT INFORMATION ON INDEPENDENT FRONT SUSPENSION (IFS)

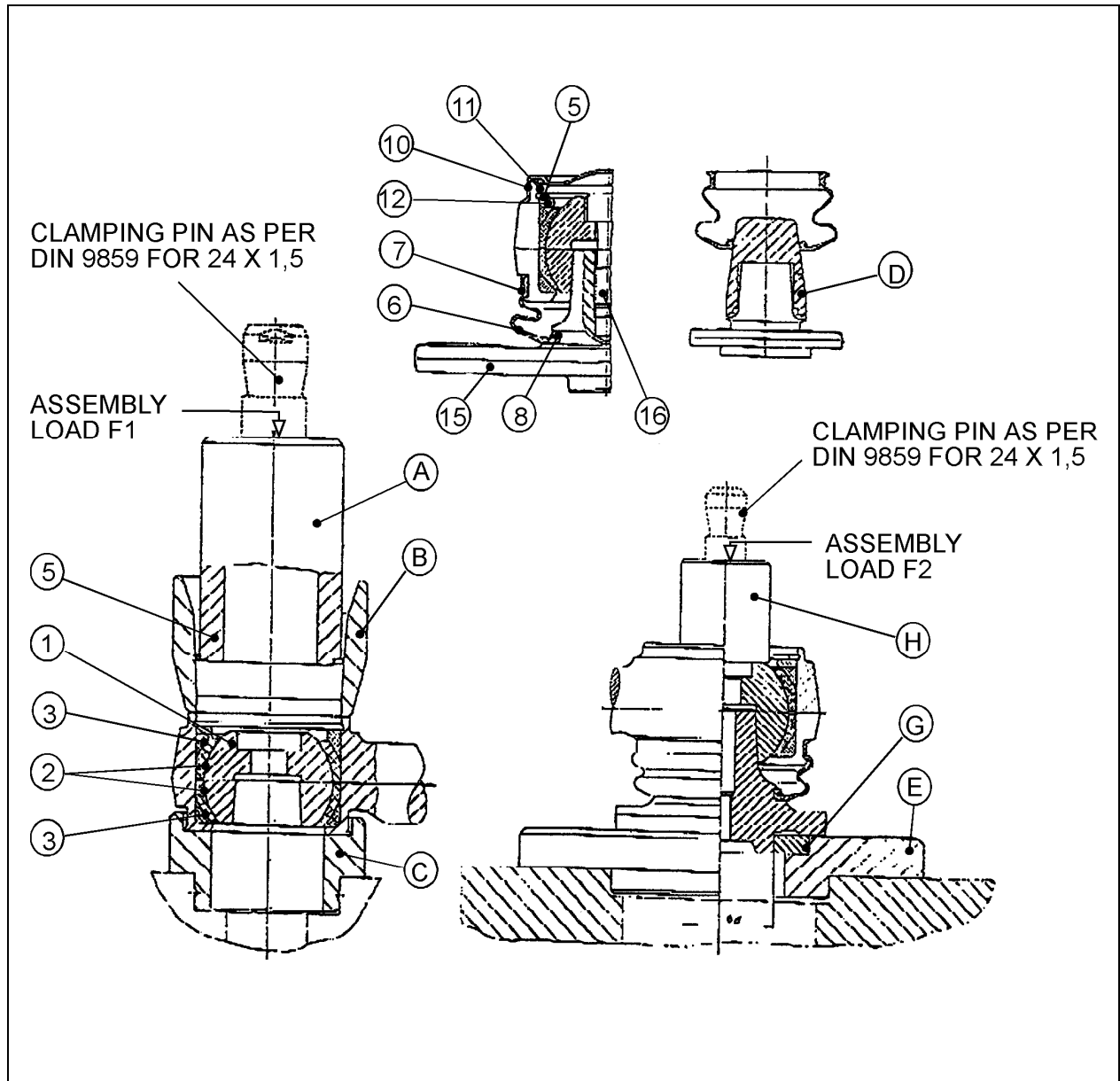


FIGURE 13: CENTRAL JOINT

16048

TABLE 5							
Suitable for repair kits Prévost #	PRÉVOST TOOLS NEEDED (Prévost #)						
	A	B	C	D	E	G	H
611112	683114	683115	683116	683117	683118	683120	683119

Section 16: SUPPLEMENT INFORMATION ON INDEPENDENT FRONT SUSPENSION (IFS)

5. UPPER A-ARM BALL JOINTS (ONE-PART BEARING SYSTEM)

5.1 MAINTENANCE

Make a visual inspection of the sealing boot (5) each time lubrication is performed (6,250 miles). Check for grease leaks. Replace boot if split or punched.

Verify the existence of a play between the ball joint (2) and its housing every 18,750 miles (30 000 km). A very small play (1 - 2 mm) is acceptable. Replace as needed.

Note: To check the existence of a play, first you need to exhaust the air from the air springs. Refer to paragraph 7 in this section for more details.

All reference numbers mentioned refer to component parts shown in (Fig. 14). To repair order Prévost kit # 611108.

5.2 STRIPPING DOWN

Stripping down of the defective joint is to be done in the following sequence:

1. Remove hose clip (6) and clamping ring (7).
2. Take off sealing boot (5).
3. Open up through forcing back peening point and screw out the end ring with hook-spanner (A)) (For Prévost tools #, refer to table 6). Remove joint bearing elements (1 and 2) and thereafter clean out ball shaped-housing.

5.3 ASSEMBLY

Reassemble the joint with the new component parts in the following sequence :

1. Insert bearing element (1) (with threaded shaft in vertical position) and (2) (preassembled with grease) in ball shaped-housing.
2. Screw end ring onto housing using hook spanner.
3. Fix end ring to housing through peening again at one point.
4. Fit sealing boot (5).
5. Fill space under sealing boot with special LM-grease (20 g ± 1,5 g). Make sure that sealing boot is properly seated in the housing retaining groove and then fit hose clip (6) and clamping ring (7).

TABLE 6	
Suitable for repair kits Prévost #	ORDER PRÉVOST TOOLS # SEE FIGURE 14
	A
611108	683121

6. Lubricate at fitting (8) preferably with Molykote Longterm 2/78 grease until you see some grease on the relief valve (9) nearby. Lubricate as per servicing schedule in Section 24: Lubrication.

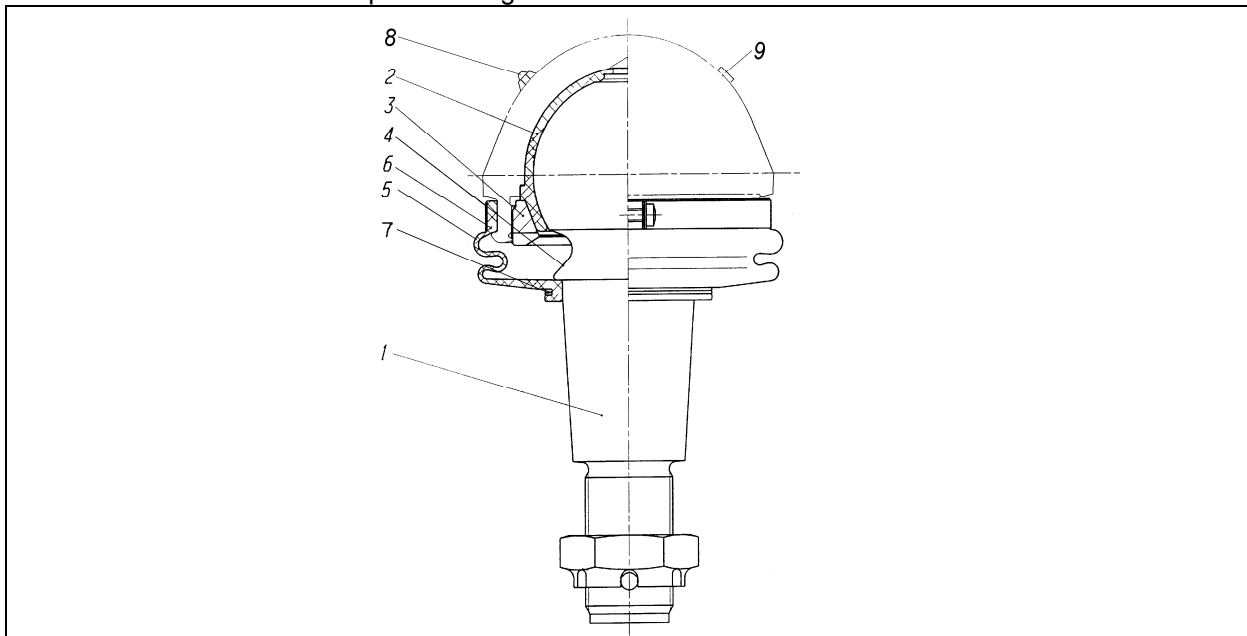


FIGURE 14: BALL JOINT

16049

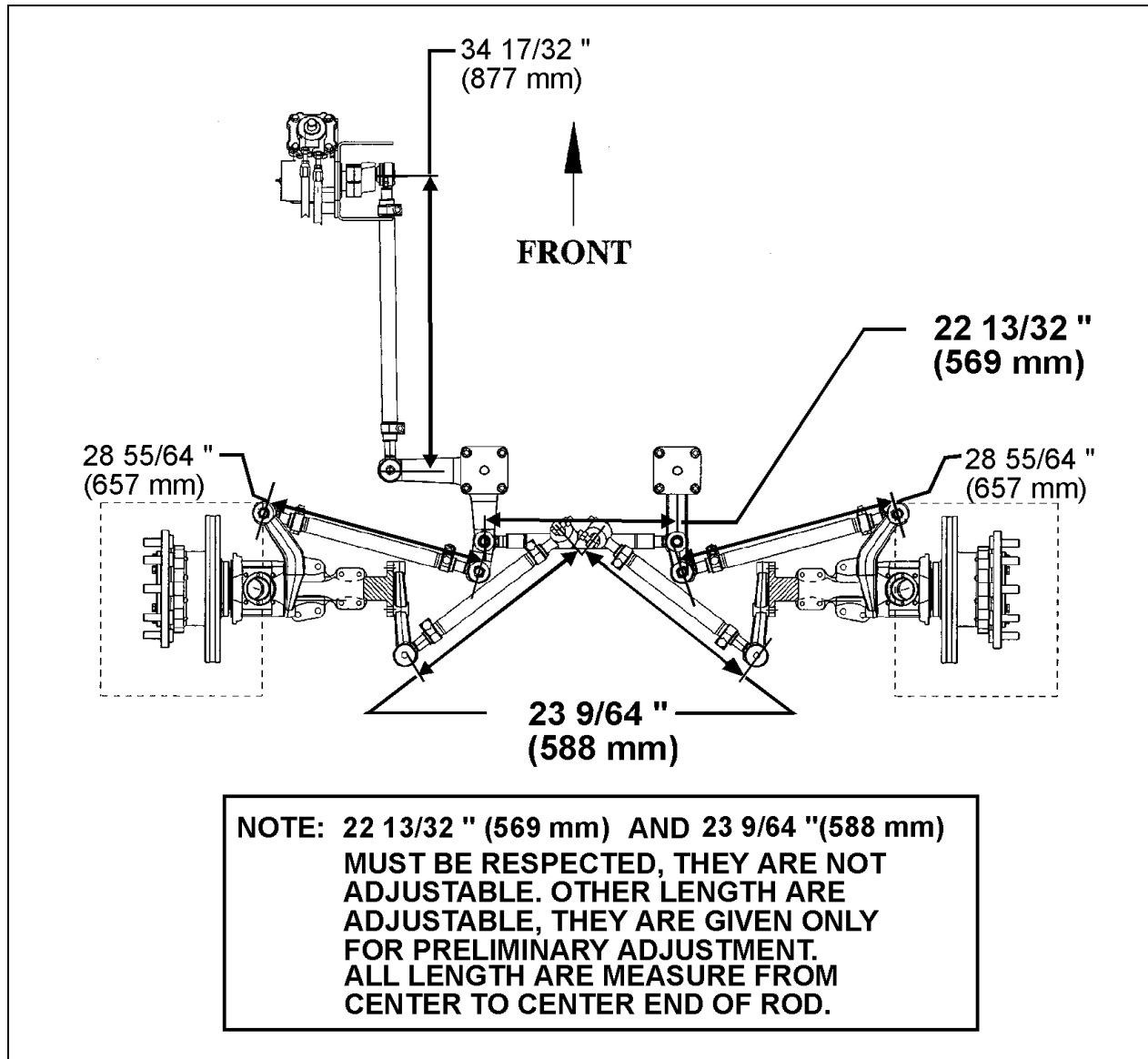


FIGURE 15: STEERING LINKAGE MEASUREMENTS

16050

6. FRONT END ALIGNMENT

Proper front end alignment must be maintained to insure ease of steering and provide satisfactory tire life. When making front end alignment inspections, the vehicle must be level and empty with the full weight of the vehicle on the wheels.

Front end alignment inspections fall into two groups : regular service inspections performed at periodic intervals, and inspections to determine the extent of damage after a collision or severe service.

Regular service inspections concern toe-in, camber and caster.

Any variation from the specified alignment will indicate either a need for adjustment or a more thorough inspection to determine if parts replacement is required.

6.1 ALIGNMENT TERMINOLOGY

Wheel Camber

The amount the wheels are inclined from the vertical plane (A, Fig. 16).

Wheel Toe-In

The distance the front wheels are closer together at the front than at the rear of the tires (D minus E, Fig. 16).

Section 16: SUPPLEMENT INFORMATION ON INDEPENDENT FRONT SUSPENSION (IFS)

Front Axle Caster

The inclination of the king pin from vertical in the fore and aft direction (C, Fig. 16).

King Pin Inclination

The inclination of the king pin from vertical toward the center of the vehicle at the top and outward at the bottom (B, Fig. 16).

6.2 FRONT END INSPECTION

Before checking front end alignment, make the following inspection :

1. Check that the vehicle is at normal ride height (see paragraph "11. Suspension Height Adjustment").
2. Check the tires for proper inflation.
3. Check wheel installation and run-out.
4. Check wheel bearing adjustment.
5. Check tie rods and drag link ends for looseness.
6. Check king pins for looseness.
7. Check if the length of the torque rod is 23 9/64" (588 mm) (Fig. 15). Check if the length of the relay rod is 22 13/32" (569 mm)

6.3 FRONT WHEEL CAMBER

Positive camber is the outward inclination of the wheels at the top, negative or reverse camber is the inward inclination of the wheels at the top. Camber variations may be caused by wear at the wheel bearings, wheel spindle bushings, or bent suspension parts.

Check camber, with an accurate gauge. If camber is incorrect, check suspension parts for wear and replace worn parts. If wear is not perceptible, suspension parts may be bent or lower suspension arm may be improperly shimmed.

Check king pin inclination. If king pin inclination is incorrect, readjust the camber and check king pin inclination again.

Note: *Camber is more important than king pin inclination, so adjust camber and verify king pin inclination.*

When shimming the lower suspension arm, an equal number of shims **MUST** be used at each mounting bolt (Fig. 16). This allows the proper clamp load to be maintained at each bolt. If the king pin inclination is incorrect, the wheel king

pin assembly may be bent and therefore should be replaced.

Excessive positive camber results in irregular wear of the tires at the outer shoulders. Negative or reverse camber causes wear at the inner shoulders.

Note: *Shim only the lower suspension arm to adjust the front wheel camber.*

6.4 FRONT WHEEL TOE-IN

Toe-in is measured from the center of the tire treads. Measurements at the front and rear of the tires must be made at the same height from the floor. Incorrect toe-in results in excessive tire wear and steering instability with a tendency to wander.

6.4.1 Toe-In Check

1. Check the camber adjustment and adjust if necessary.
2. Hoist the front of the vehicle and spin the wheels marking the centerline of the tire treads.
3. Place the wheels in the straight ahead position and bring the vehicle to rest on the floor.
4. Roll the vehicle ahead several feet. This removes any slack caused by looseness in the wheel bearings or steering connections.
5. Check the distance between the tire centerlines at the front and rear of the front tires. These two measurements must be made at the same height above the floor. The front measurement must be $3/32 \pm 1/32$ of an inch less than the rear measurement.

6.4.2 Toe-In Adjustment

1. Loosen the tie rod clamp bolts.
2. Using a pipe wrench, turn the tie rod tubes to obtain the toe-in measurement specified in step 5 under paragraph "6.4.1 Toe-in Check" of this Supplement.
3. Tighten the tie rod clamp bolts and recheck toe-in.
4. Check that the angular relationship of the pitman arm to the steering gear is as shown in figure 7.

Note: *Use only tie rods to adjust toe-in.*

Section 16: SUPPLEMENT INFORMATION ON INDEPENDENT FRONT SUSPENSION (IFS)

6.5 FRONT AXLE CASTER

Positive caster is the inclination of the top of the king pins toward the rear of the vehicle. Negative or reverse caster is the inclination of the king pins toward the front of the vehicle. This vehicle is designed with positive caster. The purpose of caster is to provide steering stability by keeping the wheels in a straight ahead position.

Caster variations may be caused by bent upper suspension arm, lower suspension arm, or king pin housing. Caster can not be adjusted. Incorrect caster must be corrected by replacing the damaged suspension parts. Precision instruments should be used to measure caster.

Variations from the specified caster will affect steering stability, cause wandering, wheel shimmy, and reduce returnability when pulling out of curves.

6.6 MAJOR DAMAGE

If the suspension has sustained major damage, it may be necessary to shim the bell crank and the idler arm to avoid the bump steer or roll steer. Moreover refer to paragraph "6. Front End Alignment".

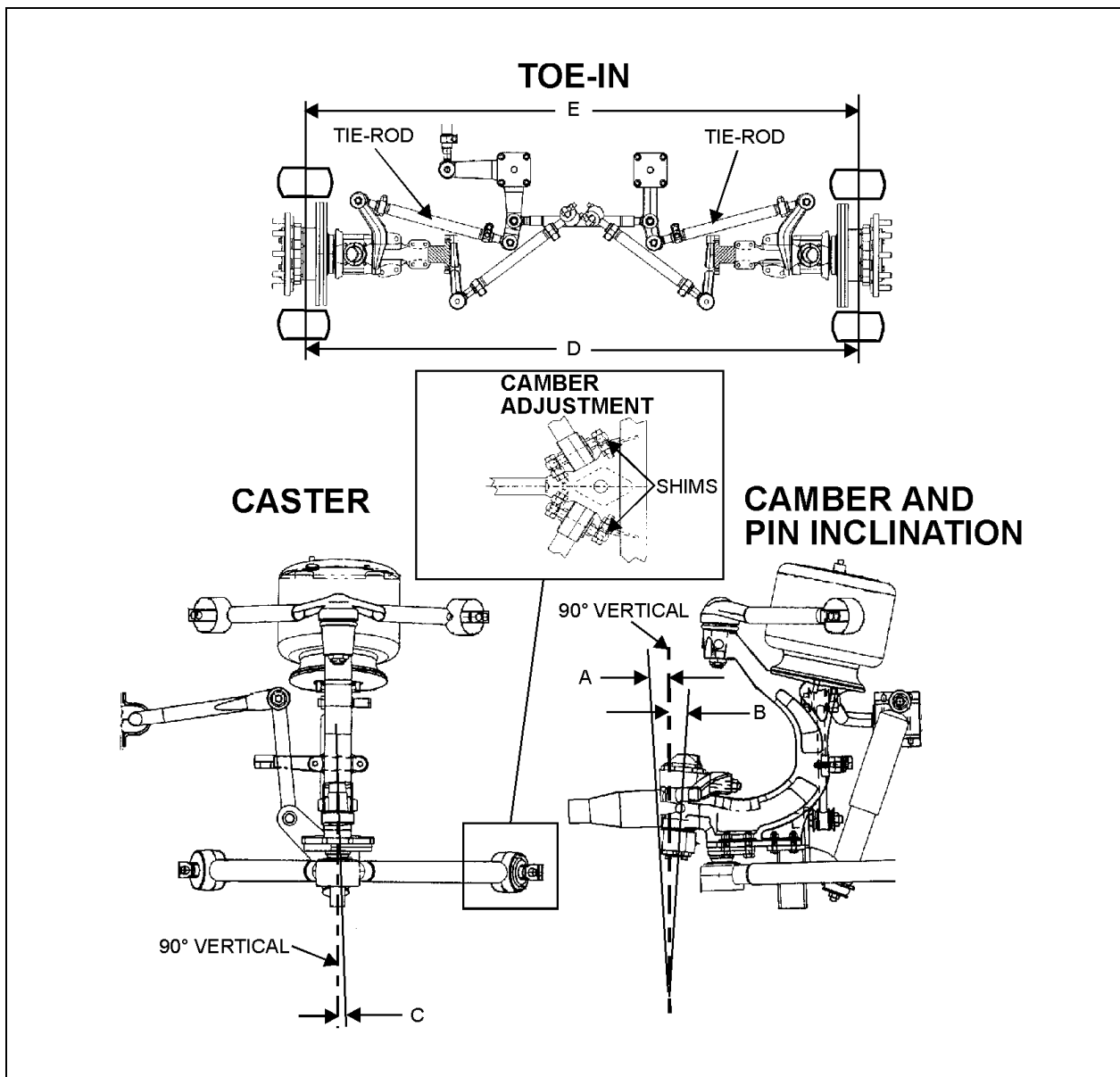


FIGURE 16: FRONT END ALIGNMENT DIAGRAM

16051

DIAGRAM SPECS (SEE FIGURE 16)		
A	WHEEL CAMBER	1/8° ± 1/4°
B	KING PIN INCLINATION	6,5° (not adjustable)
C	CASTER	2° (not adjustable)
D-E	TOE-IN	3/32 ± 1/32 inch.

7. FRONT AIR SPRINGS

Two "rolling lobe" type air springs are used with the independent front suspension, one at each wheel. These air springs are special and use the complete piston as an extra reservoir to lower the spring stiffness. Front air springs are attached to the subframe and to uprights.

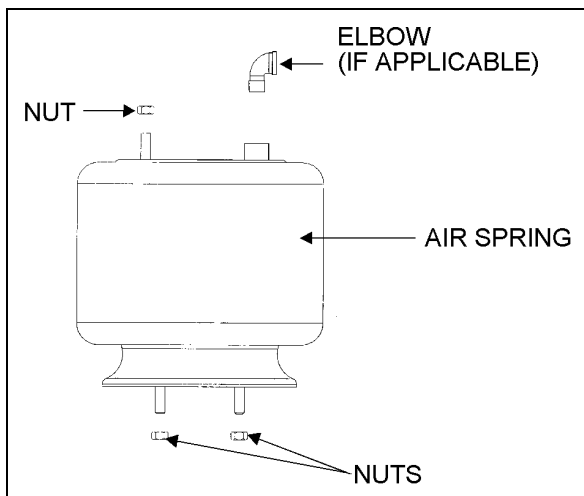


FIGURE 17: AIR SPRINGS

16052

7.1 INSPECTION

1. Check operation of bellows.
2. Visually inspect bellows for evidence of cracks, punctures, deterioration, or chafing. Replace the bellows if damage is evident.
3. With the primary air system at normal operating pressure (95 - 125 psi (655 - 860 kPa)), coat all suspension air line connections and bellow mounting areas with a water and soap solution. Bubbles will indicate an air leak, and none is permissible. Repair or replace defective parts.

Note: If air spring is removed from vehicle, bellows can be lightly inflated and submerged in water to detect any leakage. If leakage is detected, replace bellow.

Warning: To prevent personal injury, do not apply more than 10 psi (69 kPa) air pressure with the air spring unmounted.

7.2 REMOVAL

Note: Front air springs can be removed without removing the entire suspension assembly.

1. Safely support vehicle at the recommended body jacking points and jack up body under-structure.
2. To gain access to a given air spring, the corresponding wheel can be removed.

Caution: Only the recommended jacking points must be used as outlined in Section 18, "Body" in the maintenance manual.

3. Support the assembly with a suitable jack. See figure 18 for jacking point.
4. Exhaust compressed air from accessory air tank by opening drain cock under reservoir.
5. Disconnect the height control valve link and pull down the overtravel lever to ensure all air is exhausted from air springs.

Note: While performing this step, do not change the height control valve overtravel lever adjustment.

6. Disconnect air line from air spring, remove elbow (if applicable), and cover both the line end and fitting to prevent the entry of foreign matter.
7. Remove the air spring upper nut, and then the two lower nuts. Remove air spring and remove the back up plate from the top of the air spring.

7.3 INSTALLATION

Note: To facilitate air spring installation, compress it manually then put a piece of tape over the air line threaded fitting. This prevents air from getting back into the bag and keeps it compressed, thus enabling to place the bag in between the mounting plates and greatly easing installation.

Section 16: SUPPLEMENT INFORMATION ON INDEPENDENT FRONT SUSPENSION (IFS)

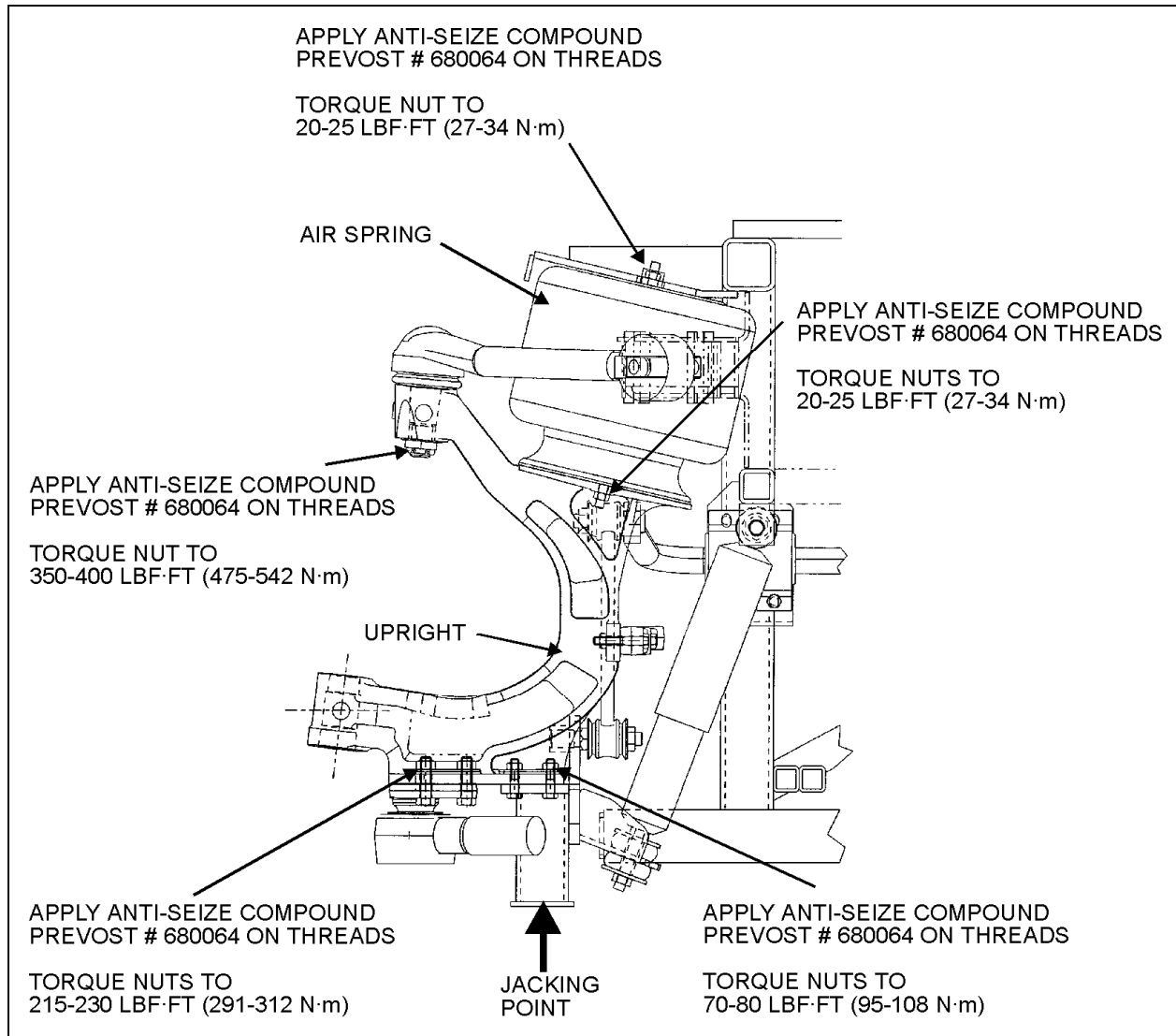


FIGURE 18: AIR SPRING AND SHOCK ABSORBER

16053

1. Compress air spring as necessary, then aligning studs with their holes, position air spring between both the lower and upper supports. Thread the lower nuts and the small upper nut a few turns.
2. Tighten and torque the lower stud nuts, and then the upper nut to 20 - 25 lbf·ft (27 - 34 N·m).
3. Install elbow (if applicable), then connect air line.
4. Connect the height control valve link.
5. Build up air pressure in system.
6. Check operation of bellows, and with the primary air system at normal operating pressure (95 - 125 psi (655 - 860 kPa)), coat the air line connections and air spring mounting areas with a water and soap solution. Bubbles will indicate an air leak, and none is permissible. Repair or replace defective parts.
7. Remove the hydraulic floor jack from underneath shock absorber bracket.

Note: To accelerate this operation, air reservoirs can be filled from an exterior air supply connected to the accessory tank fill valve or to the emergency fill valve.

8. SHOCK ABSORBERS

The two front shock absorbers are double-acting and telescopic type. Shock absorbers ensure a smooth ride and enhance vehicle stability on the road. Front shock absorbers have eye-type mountings on the upper side and bayonet type on lower side. Shock absorbers are non-adjustable and non-repairable.

Caution: When a shock absorber is found defective, always replace with a new set on affected axle, except if there has been a recent replacement of one unit. The following method will help in determining if both shock absorbers on the same axle have to be replaced.

8.1 SHOCK ABSORBER REMOVAL

1. Remove the nut, washer and rubber joint from shock absorber mounting stud. Discard the rubber joints.
2. Remove the nut and washer from shock absorber mounting pin (upper side), taking care to identify the inner and outer washers to ease reinstallation. Refer to figure 19 for details.
3. Remove the shock absorber from the vehicle.
4. Remove inner: washers, rubber joint and bushings from the shock absorber. Discard bushings and rubber joint.

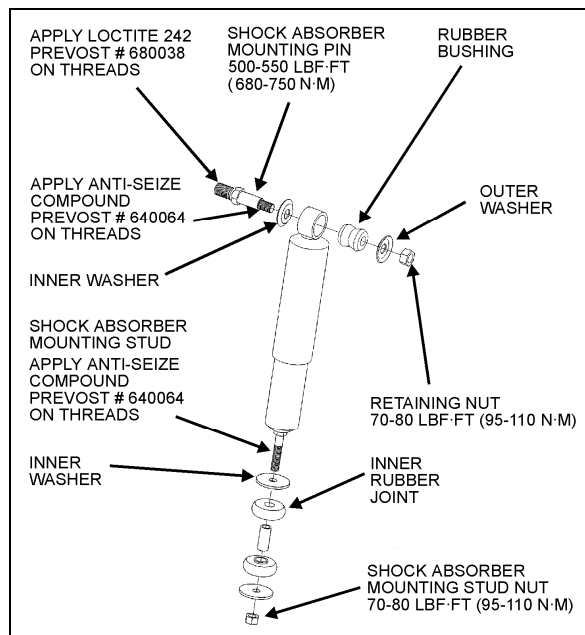


FIGURE 19: SHOCK ABSORBER

16054

8.2 SHOCK ABSORBER INSTALLATION

1. Check that the shock absorber mounting pin is properly torqued (500 - 550 lbf•ft (680 - 750 N•m)). Ensure that the stud is clean and not stripped (upper side).
2. Install new rubber (mounting) bushing on shock absorber (upper side).
3. Place the inner washer on shock absorber pin (Fig. 19).
4. Install washer and rubber joint on shock absorber mounting stud (lower side).
5. Install the shock absorber as shown in figure 18 with the mounting stud protruding through the hole in the mounting bracket and the shock absorber eyes over the mounting pins. Install the outer washer.
6. Place a rubber joint and washer on the shock absorber mounting stud. Place the lower shock absorber mounting stud nut and torque to 70 - 80 lbf•ft (95 - 110 N•m).
7. Place the upper mounting pin stud nut and torque to 70 - 80 lbf•ft (95 - 110 N•m).

9. SWAY BAR

A sway bar is provided on the front and drive axles to increase vehicle stability. It controls lateral motion (swaying movement) of vehicle.

9.1 SWAY BAR REMOVAL

1. Disconnect the two links from sway bar.
2. Safely support the sway bar. Unbolt bushing collars from subframe.
3. Remove sway bar.

Note: Sway bar bushings are slitted to ease their removal.

9.2 SWAY BAR INSTALLATION

1. Loosely install the sway bar.
2. Torque bushing collar nuts to 70 - 80 lbf•ft (95 - 110 N•m).
3. Torque sway bar link upper nuts to 215 - 225 lbf•ft (290 - 305 N•m) on front suspension and to 100 - 120 lbf•ft (136 - 163 N•m) on rear suspension.
4. Torque sway bar link lower nuts to 70 - 80 lbf•ft (95 - 110 N•m).

Section 16: SUPPLEMENT INFORMATION ON INDEPENDENT FRONT SUSPENSION (IFS)

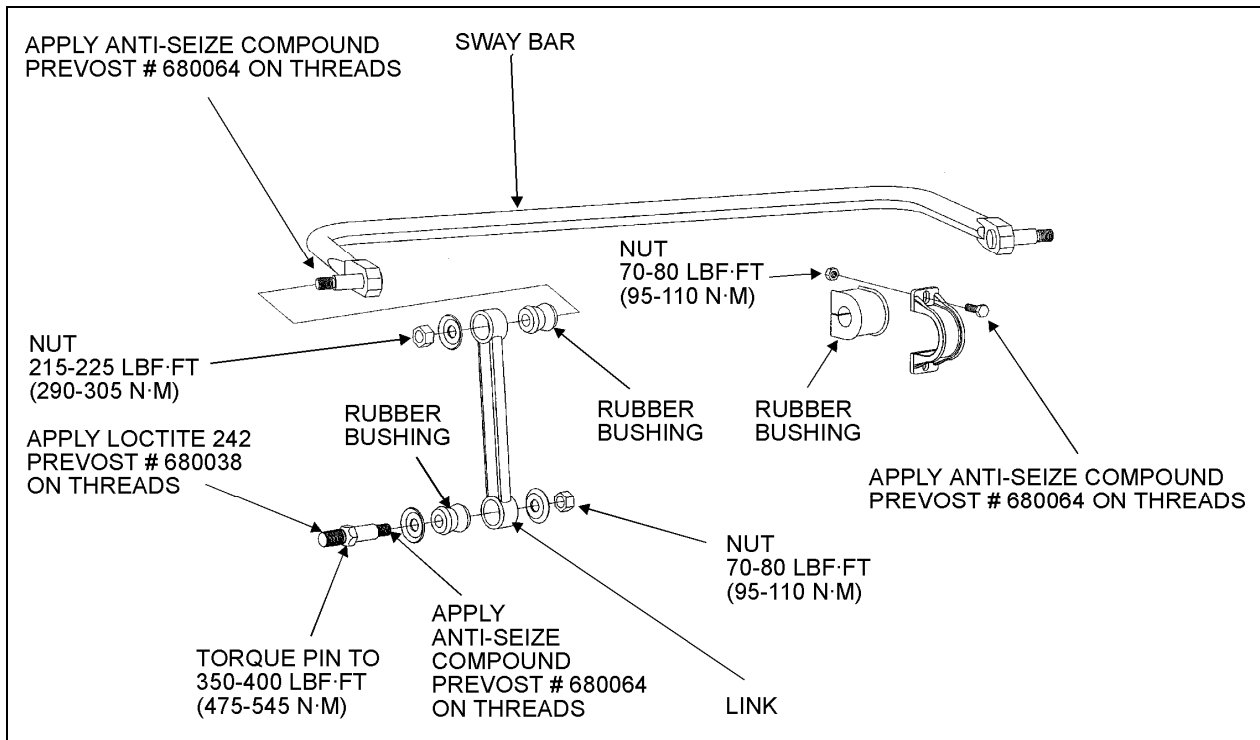


FIGURE 20: SWAY BAR (FRONT SUSPENSION)

16055

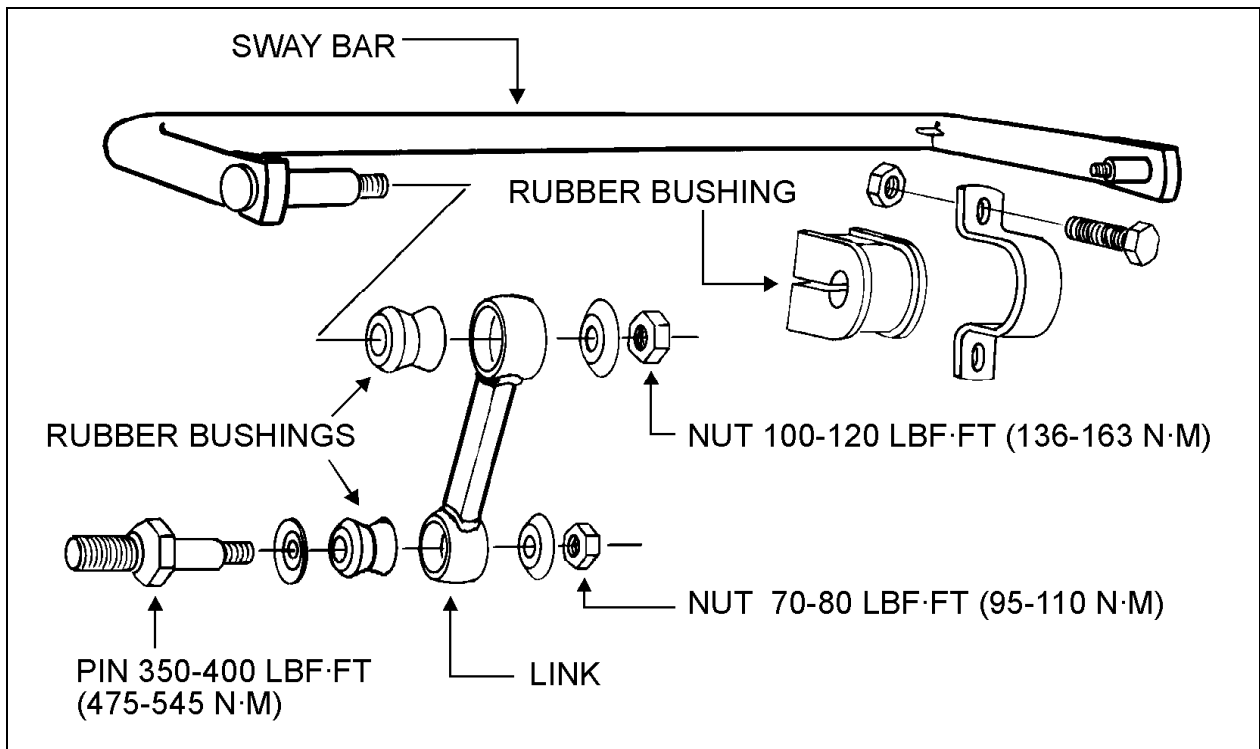


FIGURE 21: SWAY BAR (REAR SUSPENSION)

16014

10. INDEPENDENT FRONT SUSPENSION ADJUSTMENT

Converted coach shells are equipped with "LEVEL-LOW" leveling system. The purpose of the "LEVEL-LOW" is to adjust suspension in three separate points (front, rear right and rear left air springs) in order to level vehicle body. Three height control valves, automatically control air pressure in the three separate points (air springs) and maintains a constant vehicle height regardless of load, or load distribution. The control solenoid valve supplies air to the five way three-position air control valve, which bypasses the height control valve, and opens a passage to allow the air control and exhaust valve to release/supply air from air springs. To improve road comfort, an expansion air tank is installed in series with each air springs.

In addition to the above suspension components the system also includes: sway bar, upper and lower suspensions, bars and shock absorbers (Fig. 1).

Note: Only for preliminary adjustment, refer to figure 15. Torque rod length must be fixed to 23 9/64" (588 mm) and relay rod to 22 13/32" (569 mm).

Caution: Parts must be replaced by ones with the same part numbers or with equivalent parts, if replacement becomes necessary. Do not use parts of lesser quality or substitute design. Torque values must be used as specified during reassembly to assure proper retention of these parts.

11. SUSPENSION HEIGHT ADJUSTMENT

The flow of pressurized air from the accessory air tank to the air springs is controlled by three height control valves. The two rear valves are mounted to the subframe and connected to the rear axles through an arm and link connection. The front valve is mounted to the subframe and connected to the front air tank support (Fig. 22). These connections allow the valves to apportion air pressure in the springs to the vehicle load, maintaining normal ride height.

Immediate response height control valves increase or decrease the air pressure in the suspension system as required. One height control valve is located **at center of front sway bar**, and regulates air to front suspension air springs in order to maintain the vehicle at the required height. Two are located at the drive axle, one on each inner side of rear wheelhousing.

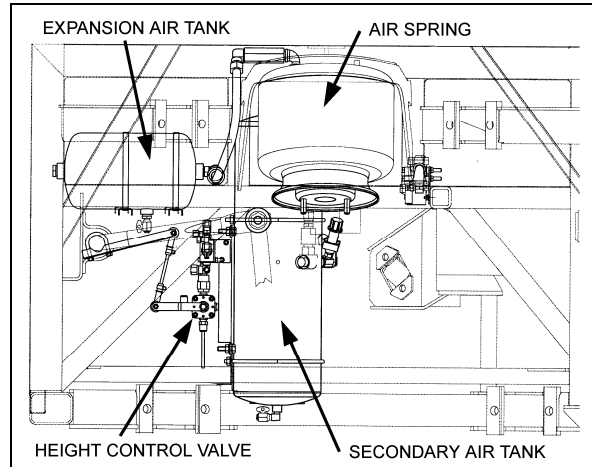


FIGURE 22: HEIGHT CONTROL VALVE LOCATION 16101

The appropriate vehicle body height is obtained by measuring the clearance of all the air springs installed on the vehicle. The two front air springs clearance should be 11 11/16 inches (297 mm). Refer to figure 23 to identify the correct area to take measurement. The rear air springs clearance should be 11½ ± ¼" (292 ± 6 mm) (refer to Maintenance Manual, Section 16, under "Suspension Height Adjustment" for rear height control valves' adjustment). At this point, it should not be necessary to make an adjustment under normal service conditions. However, if an adjustment is required, change the position of the overtravel lever in relation to the overtravel control body. The lever should be moved up to raise vehicle height, and down to lower it. Check that main air pressure is at normal operating pressure and raise the vehicle to the specified height.

Caution: Always adjust on "fill cycle". If it is necessary to lower vehicle height, release sufficient air to be well below height, and adjust to height or fill cycle.

Section 16: SUPPLEMENT INFORMATION ON INDEPENDENT FRONT SUSPENSION (IFS)

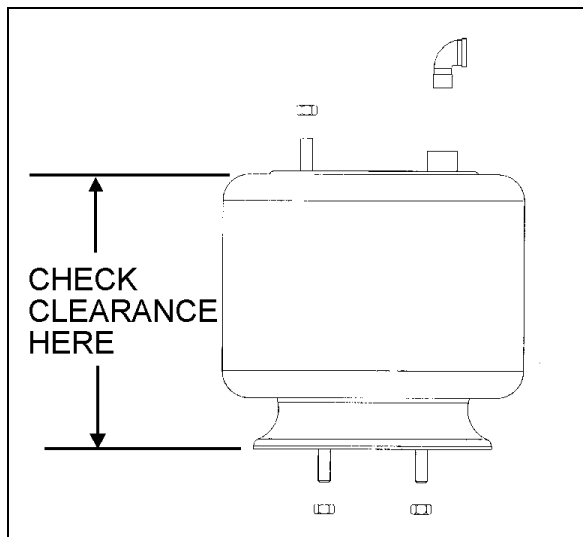


FIGURE 23: TYPICAL AIR SPRING CLEARANCE 16058

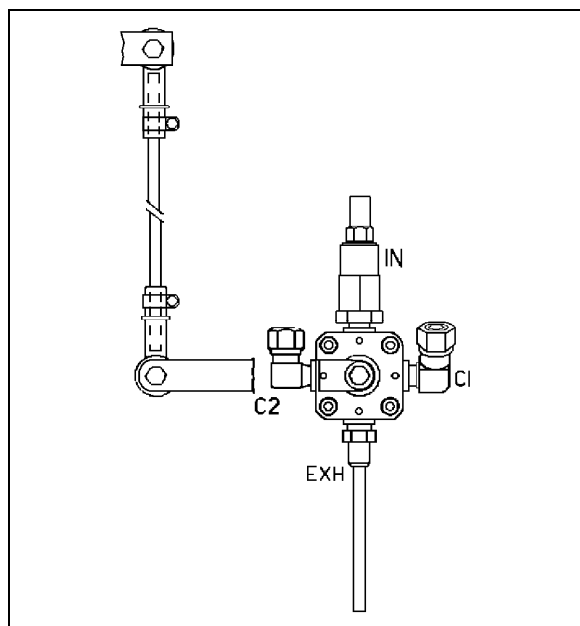


FIGURE 24: ISS FRONT HEIGHT CONTROL VALVE 16100

The normal ride height is obtained by adjusting air spring clearance of both front and rear suspension as follows:

Front air spring clearance

1. With the vehicle at normal operating air pressure (100 - 125 psi (689 - 860 kPa)), measure air spring clearance. This clearance should be 11 11/16 inches (297 mm).

Note: The measurement should be taken from underneath the upper air spring support on subframe to top of the lower air spring support on axle (refer to figure 23 for more details). If adjustment is required, begin with the drive axle.

2. Loosen the clamp on the rubber coupling and bring it up or down (Fig. 24).

Note: Allow suspension to stabilize before taking reading.

When the desired height is obtained, tighten clamp.

Rear air springs clearance

Refer to Maintenance Manual, Section 16, under "Suspension Height Adjustment".

12. HEIGHT CONTROL VALVE

The height control valves automatically add air to, or release air from air springs to maintain constant suspension height regardless of load, or load distribution. Each valve adjusts independently according to the following conditions:

12.1 LOADING POSITION

As the load increases and lowers the vehicle body, the overtravel lever commands the height control valve to add air to air springs.

12.2 NEUTRAL POSITION

When vehicle body reaches the normal ride height, the height control valve overtravel lever reaches the "neutral" position and keeps both the supply and exhaust ports closed to ensure normal ride height is maintained. This condition remains static until the vehicle load is altered.

12.3 UNLOADING POSITION

As the load decreases and raises the vehicle body, the overtravel lever commands the height control valve to release air from air springs.

12.4 MAINTENANCE

The height control valve requires no periodic maintenance. Height control valve linkage operates on rubber bushings and no lubrication should be attempted at this location. Inspect the valve for loose joints, air leaks and worn bushings.

12.5 REMOVAL AND INSTALLATION

Before disconnecting a height control valve air line, securely support the vehicle by its jacking points on the body, and place safety supports underneath body. Refer to paragraph "16. Vehicle Jacking Points" in Section 18, "Body".

Section 16: SUPPLEMENT INFORMATION ON INDEPENDENT FRONT SUSPENSION (IFS)

1. Exhaust air from air system by opening all air tank drain cocks. Remove height control valves.
2. Disconnect overtravel lever from link and pull down lever to exhaust remaining air from air springs.
3. Disconnect air supply and delivery lines from the height control valve. Cover line ends with tape to prevent entry of foreign matter.
4. Remove the nuts retaining the height control valve to the mounting bracket, then remove valve assembly.

Reverse removal procedure to replace height control valve. After installation, check for leakage using a soap and water solution.

13. "LEVEL-LOW" LEVELING SYSTEM

The purpose of the "level-low" leveling system is to adjust suspension in three separate points (front, rear right and rear left) in order to level vehicle body. This system can be put into service when the ignition key is turned to the "ON" position, and must be used only when the parking brake is applied. The "level-low" warning light on the

dashboard indicates that the selector switch is not in the "OFF" position. Level low system controls are located on L.H. side control panel.

13.1 PRINCIPLES OF OPERATION

Refer to the systems pneumatic diagram annexed at the end of this section.

14. AIR SYSTEM

The basic air system consists of an air compressor, tanks, valves, filters and interconnecting lines and hoses (refer to Section 12, "Brake and Air System" for complete information). It provides a means for braking, operating controls and accessories, and suspension. An air system schematic diagram is annexed at the end of this supplement for better understanding of the system.

The air coming from the air dryer is first directed to the wet air tank, then to the primary (for the primary brake system), secondary (for the secondary brake system), and accessory (for the pneumatic accessories) air tanks (Fig. 25).

In addition, an expansion air tank is installed in series with each air spring.

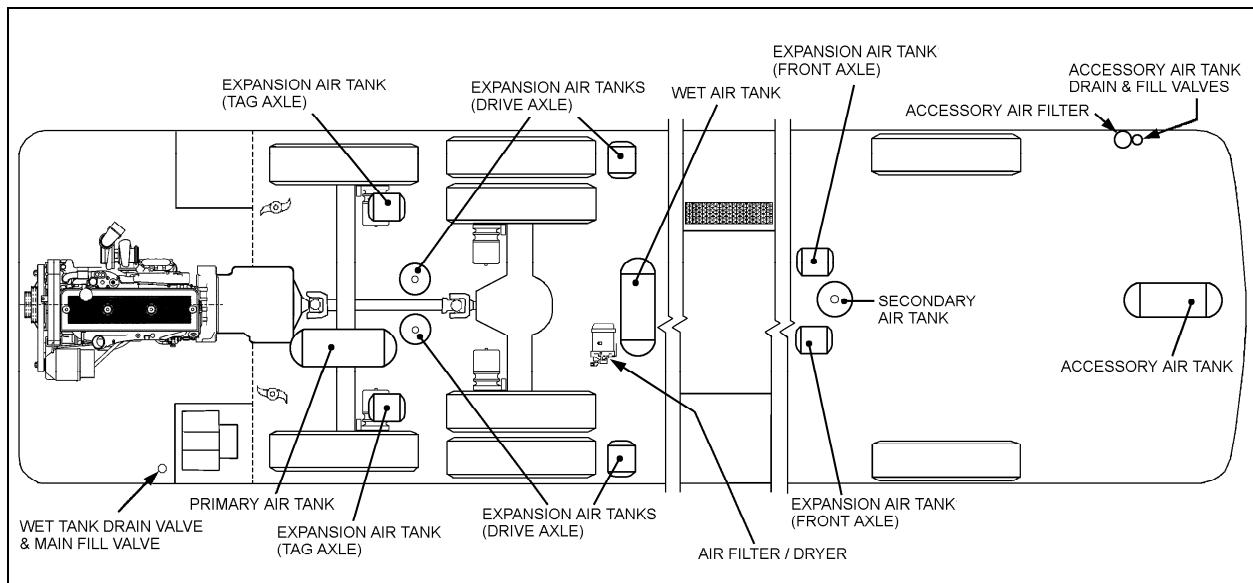


FIGURE 25: LOCATION OF AIR TANKS

12184

14.1 AIR TANK MAINTENANCE

Ensure that the accessory air tank is purged during pre-starting inspection. A good practice is to purge this tank at the end of every driving day by the remote air tank drain valve located in the steering compartment (Fig. 27).

Moreover, purge all tanks by their bottom drain valves at specified intervals.

14.1.1 Wet Air Tank

This tank is installed in front and above the drive axle in the rear wheelhousing and is provided with a bottom drain valve. It is recommended to **purge** the wet air tank by its bottom drain valve every 12,500 miles (20 000 km), or once a year, whichever comes first.

A remote valve located in engine compartment and accessible through engine R.H. side door is used to **purge daily** (Fig. 26).

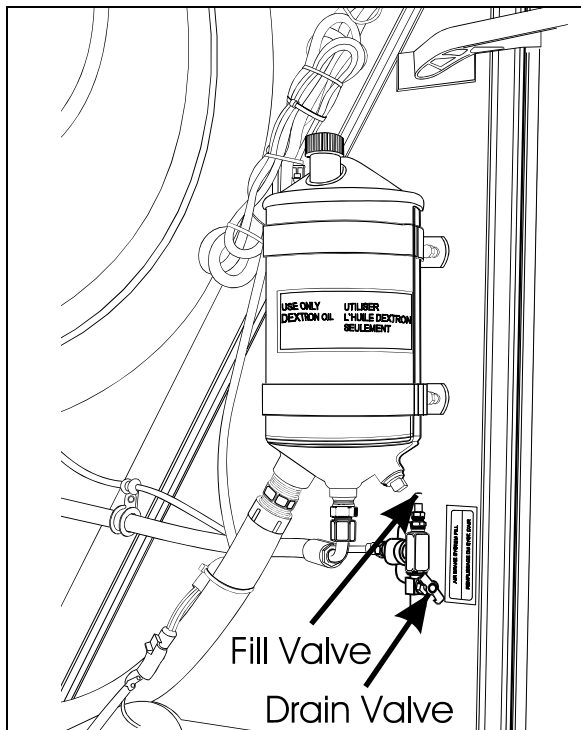


FIGURE 26: REAR VALVE LOCATION 12010

14.1.2 Primary Air Tank

The primary air tank is located above tag axle.

This tank is also provided with a bottom drain valve (Fig. 25). It is recommended to purge the tank by its bottom drain valve every 12,500 miles (20 000 km) or once a year, whichever comes first.

14.1.3 Secondary Air Tank

This tank is located in front wheelhousing, The tank is installed vertically and is provided with a bottom drain valve (Fig. 25).

It is recommended to purge the tank by its bottom drain valve, every 12,500 miles (20 000 km) or once a year, whichever comes first.

14.1.4 Accessory Air Tank

The accessory air tank is installed at the ceiling of spare wheel compartment. The tank is provided with a bottom drain valve (Fig. 25).

It is recommended to purge the tank by its bottom drain valve, every 12,500 miles (20 000 km) or once a year, whichever comes first.

A remote drain valve is located in front service compartment (Fig. 27) underneath the accessory air filter. Refer to Section 12, paragraph "5. Accessory Air Filter" of the maintenance manual for daily purge procedure.

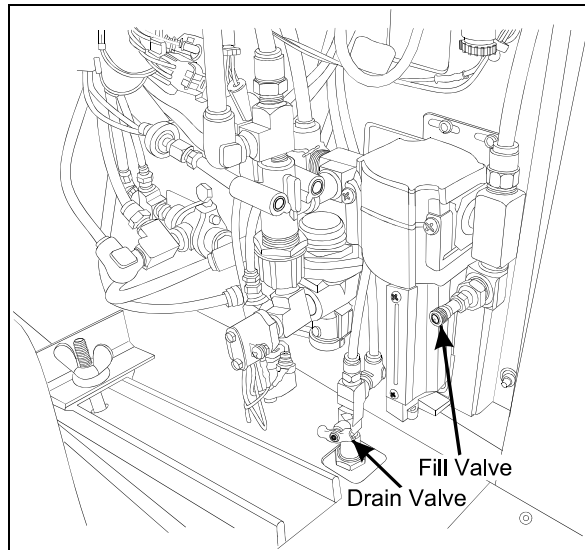


FIGURE 27: FRONT VALVE LOCATION 616A

14.1.5 Expansion Air Tank

Two expansion tanks are located in front wheelhousing. These air tanks are located behind the secondary air tank. Also, six expansion tanks are located near rear air springs (Fig. 25). Expansion tanks are connected in series with air springs. Expansion tanks are used to lower the stiffness of the air spring. They are provided with a bottom drain valve.

Section 16: SUPPLEMENT INFORMATION ON INDEPENDENT FRONT SUSPENSION (IFS)

It is recommended to purge them, with all other tanks, every 12,500 miles (20 000 km) or once a year, whichever comes first.

14.2 EMERGENCY FILL VALVES

The vehicle is equipped with two air system emergency fill valves to supplement the air system when air pressure is low and engine cannot be operated.

The rear valve is located in engine compartment and accessible from engine R.H. side door (Fig. 26).

Caution: *No other point should be used to supply air system. The maximum allowable air pressure is 125 psi (860 kPa).*

The front valve is located in the front service compartment close to accessory air filter (Fig. 27).

These two air valves are fitted with the same valve stems as standard tires, and can be filled by any standard external air supply line.

The rear valve will supply air for all systems (brakes, suspension and accessories) while the front valve will supply air for accessories only.

Caution: *Air filled through these two points will pass through the standard air filtering system provided by Prévost. Do not fill air through any other points.*

15. HUB UNIT AND SWIVEL ASSEMBLY

Refer to GKN AXLES LIMITED KIRKSTALL DIVISION, Service Manual for axle type S82, annexed at the end of section 10.

Section 16: SUPPLEMENT INFORMATION ON INDEPENDENT FRONT SUSPENSION (IFS)

16. TORQUE TABLE

<i>DESCRIPTION</i>	<i>QTY</i>	<i>REFERENCE</i>	<i>TORQUE (DRY)</i>	
			<i>lbf•ft / N•m</i>	
<i>Steering Gear to Mounting Bracket Bolt Nut</i>	6	8	350-400	475-542
<i>Pitman Arm to Steering Gear Clamp Bolt</i>	1	8	275-300	373-407
<i>Drag Link to Pitman Arm Stud Nut*</i>	1	---	160	217
<i>Drag Link to Bell crank Stud Nut*</i>	1	---	160	217
<i>Drag Link Socket End Clamp Bolt Nut</i>	2	---	60-80	80-108
<i>Relay Rod to Bell crank Stud Nut*</i>	1	---	160	217
<i>Relay Rod to Idler Arm Stud Nut*</i>	1	5	160	217
<i>Tie Rod to Bell crank Stud Nut*</i>	1	---	160	217
<i>Tie Rod to Idler Arm Stud Nut*</i>	1	5	160	217
<i>Tie Rod to Steering Arm Stud Nut*</i>	2	3	160-215	217-291
<i>Tie Rod End Clamp Bolt Nut</i>	4	3	60-80	80-108
<i>Steering Arm to Swivel Nut*</i>	4	---	190-275	258-373
<i>Torque Rod Stud Nut</i>	2	4	160-215	217-291
<i>Idler Arm and Bell Crank Mounting Bracket Nut</i>	8	5	100-110	136-149
<i>Idler Arm and Bell Crank Cap Screws</i>	8	9	8	11
<i>Torque Rod Mounting Bracket Nut</i>	4	6	215-230	291-312
<i>Torque Rod Clamp Nut</i>	4	4	53-59	72-80
<i>Air Spring Nut</i>	3	18	20-25	27-34
<i>Upper A-Arm Stud Nut*</i>	2	18	350-400	475-542
<i>Lower A-Arm Bracket Nut</i>	8	18	215-230	291-312
<i>Jacking Point Bracket Nut</i>	8	19	70-80	95-108
<i>Shock Absorber Pin</i>	2	19	500-550	680-750
<i>Shock Absorber Pin Nut</i>	2	19	70-80	95-110
<i>Shock Absorber Mounting Stud Nut</i>	2	19	70-80	95-110
<i>Bushing Collar Nut</i>	8	20	70-80	95-110
<i>Sway Bar Link Upper Nut</i>	2	20	215-225	290-305
<i>Sway Bar Link Lower Nut</i>	2	20	70-80	95-110
<i>Sway Bar Pin</i>	2	20	350-400	475-545

* Tighten nut to specified torque, then advance to next aligning cotter pin slot and install a new cotter pin.

17. SPECIFICATIONS

Front Axle Air Springs

Make Goodyear Tire and Rubber
Diameter 12 inches
Air Inlet 1/2" - 14 NPTF
Supplier number 1R12-377
Prévost number 630151

Shock Absorbers

Collapsed length 14.20 inches
Extended Length 22.45 inches
Piston diameter 2 1/16 inches
Stroke 8 1/4 inches
Prévost number 630163

Height Control Valve

Make Barksdale
Supplier number 52321POAQ3-Q26 and 52321POAQ3-Q62
Prévost number 630156 and 630157

Steering Gear Box

Make TRW
Supplier number TAS85081
Prévost number 661008

Power Steering Hydraulic Pump

Make TRW
Supplier number PS251615L0200
Prévost number 661009

Shim (Camber Adjustment)

Thickness 3.175 mm
Prévost number 160993
Thickness 6.35 mm
Prévost number 160992

SECTION 18: BODY

CONTENTS

1. VEHICLE EXTERIOR	18-6
2. STRUCTURE	18-9
2.1 WELDING.....	18-9
3. EXTERIOR MAINTENANCE	18-9
3.1 CORROSION PREVENTION	18-9
4. FIBERGLASS REPAIR	18-10
4.1 REPAIR USING FIBERGLASS CLOTH.....	18-10
4.2 REPAIR USING FIBERGLASS PASTE	18-11
4.3 TYPICAL FIBERGLASS REPAIR PROCEDURE	18-11
5. PAINTING	18-12
5.1 NEW PAINT CARE	18-12
5.2 PAINT TOUCHUP	18-13
5.3 PAINTING	18-13
5.3.1 <i>Safety</i>	18-13
5.3.2 <i>Surface Preparation and Paint Application</i>	18-13
6. FRONT AND REAR BUMPERS	18-14
6.1 REFINISHING PROCEDURE	18-15
6.1.1 <i>Surface Preparation</i>	18-15
6.1.2 <i>Prime Coat</i>	18-15
6.1.3 <i>Color Coat</i>	18-15
6.2 FRONT BUMPER REMOVAL AND INSTALLATION (COACH).....	18-16
6.3 FRONT BUMPER REMOVAL (VIP)	18-16
6.4 REAR BUMPER REMOVAL	18-16
7. COACH ENTRANCE DOOR	18-16
7.1 OPERATION	18-17
7.2 EMERGENCY EXIT VALVES.....	18-17
7.2.1 <i>Without Air and/or Without Electricity</i>	18-18
7.2.2 <i>With Air but Without Electricity</i>	18-18
7.3 DOOR CYCLE SPEED ADJUSTMENT	18-18
7.4 HORIZONTAL AND VERTICAL ADJUSTMENT.....	18-19
7.5 DEPTH ADJUSTMENT	18-19
7.6 ROD END ADJUSTMENT	18-20
7.7 LUBRICATION	18-20
7.8 TROUBLESHOOTING	18-21
8. ENTRANCE DOOR (V.I.P)	18-22
8.1 KEYLESS ENTRY SYSTEM	18-22
8.2 DOOR ADJUSTMENT	18-22
8.2.1 <i>Horizontal and Vertical Adjustments</i>	18-22
8.3 DEPTH ADJUSTMENT	18-22
8.4 DOOR LOWER SECTION.....	18-23
8.5 REFLECTOR STRIPE INSTALLATION.....	18-23
8.6 DOOR SEAL REPLACEMENT	18-23
8.7 DOOR LUBRICATION	18-24
8.8 DOOR LATCH MECHANISM.....	18-24
9. DRIVER'S POWER WINDOW	18-24

Section 18: BODY

9.1	WINDOW OR REGULATOR REMOVAL.....	18-24
9.2	WINDOW OR REGULATOR INSTALLATION.....	18-24
10.	ROOF ESCAPE HATCH	18-25
10.1	REPAIR.....	18-25
10.2	SEALING.....	18-26
10.3	ESCAPE HATCH PANEL ASSEMBLY.....	18-26
10.4	ESCAPE HATCH FRAME.....	18-26
11.	PASSENGER SEATS.....	18-26
11.1	ROTATING SEATS.....	18-27
11.2	REMOVING FIXED SEATS.....	18-27
11.3	UPHOLSTERY MAINTENANCE.....	18-27
11.3.1	<i>Routine Cleaning</i>	18-28
11.3.2	<i>Dry Cleaning</i>	18-28
11.3.3	<i>Cleaning With Covers in Place</i>	18-28
12.	COACH SIDE WINDOWS	18-28
12.1	EMERGENCY EXIT WINDOWS.....	18-28
12.2	EMERGENCY EXIT RELEASE BAR.....	18-29
12.2.1	<i>Emergency Exit Window Adjustment</i>	18-29
12.3	FIXED WINDOW REPLACEMENT.....	18-30
12.4	EMERGENCY EXIT WINDOW REPLACEMENT.....	18-30
12.5	TRAPEZOIDAL WINDOW REPLACEMENT.....	18-30
12.6	SMALL REAR WINDOWS REPLACEMENT.....	18-30
12.7	ADHESIVE-MOUNTED WINDOWS.....	18-31
12.7.1	<i>Glass Window Replacement</i>	18-31
13.	WINDSHIELD.....	18-32
13.1	REMOVAL.....	18-33
13.2	WINDSHIELD INSTALLATION ONLY.....	18-33
13.3	INSTALLATION OF RUBBER EXTRUSION AND WINDSHIELD.....	18-34
14.	BODY PANELS AND DOORS	18-35
15.	PANTOGRAPH DOORS	18-36
15.1	PANTOGRAPH ADJUSTMENT.....	18-36
15.2	DOOR ADJUSTMENT.....	18-37
16.	DOOR HANDLES	18-39
17.	ENGINE COMPARTMENT DOOR.....	18-39
17.1	ENGINE DOOR ADJUSTMENT.....	18-39
17.2	MINOR TOP EDGE DEPTH ADJUSTMENT.....	18-39
17.3	MINOR LOWER EDGE DEPTH ADJUSTMENT:.....	18-40
18.	ENGINE AIR INTAKE GRILL.....	18-40
19.	RADIATOR DOOR ADJUSTMENT.....	18-40
20.	CONDENSER DOOR ADJUSTMENT.....	18-41
21.	FUEL FILLER DOOR	18-41
22.	FRONT SERVICE COMPARTMENT	18-41

22.1	LATCH MECHANISM ADJUSTMENT	18-42
23.	ENGINE COMPARTMENT R.H. SIDE DOOR	18-42
23.1	LATCH MECHANISM ADJUSTMENT	18-43
24.	EVAPORATOR DOOR ADJUSTMENT	18-43
24.1	LATCH MECHANISM ADJUSTMENT	18-43
25.	REAR ELECTRICAL COMPARTMENT	18-44
25.1	LATCH MECHANISM ADJUSTMENT	18-44
26.	MAIN POWER COMPARTMENT	18-44
27.	FENDERS	18-44
27.1	REAR FENDER REMOVAL	18-45
27.2	FRONT FENDER REMOVAL	18-45
28.	REAR CAP	18-45
29.	FRONT CAP	18-45
30.	FRONT MOLDING	18-45
31.	SIDE PANELS	18-45
32.	REAR VIEW MIRRORS (RAMCO)	18-45
32.1	ADJUSTMENT	18-46
32.2	DISASSEMBLY	18-46
32.3	ASSEMBLY	18-46
32.4	REPLACEMENT OF MIRROR GLASS	18-46
32.5	HEATED / REMOTE CONTROLLED REAR VIEW MIRRORS	18-46
32.5.1	<i>Mirror Control</i>	18-46
32.5.2	<i>Disassembly</i>	18-46
32.5.3	<i>Assembly</i>	18-47
32.5.4	<i>Convex & Flat Mirror Removal</i>	18-47
33.	VEHICLE JACKING POINTS	18-47
34.	TOWING THE VEHICLE	18-48
34.1	LIFTING AND TOWING	18-48
34.2	TOWING WITHOUT LIFTING	18-48
35.	SPECIFICATIONS	18-49

ILLUSTRATIONS

FIGURE 1: H3-45 EXTERIOR VIEW 18-6
FIGURE 2: H3-41 EXTERIOR VIEW 18-7
FIGURE 3: VIP CONVERTED VEHICLE EXTERIOR (TYPICAL) 18-8
FIGURE 4: FIBERGLASS REPAIR 18-11
FIGURE 5: FIBERGLASS REPAIR 18-11
FIGURE 6: FIBERGLASS REPAIR 18-12
FIGURE 7: FIBERGLASS REPAIR 18-12
FIGURE 8: FIBERGLASS REPAIR 18-12
FIGURE 9: AEROSOL PAINT 18-14
FIGURE 10: BUMPER FASTENING MECHANISM 18-16
FIGURE 11: DOOR OPERATING SWITCH 18-17
FIGURE 12: EMERGENCY EXIT VALVE 18-17
FIGURE 13: DOOR CYLINDER AND DAMPER 18-18
FIGURE 14: COACH ENTRANCE DOOR 18-18
FIGURE 15: DAMPER 18-19
FIGURE 16: UPPER DOOR HINGE (COACH) 18-19
FIGURE 17: DOOR LATCH (COACH) 18-20
FIGURE 18: ENTRANCE DOOR (VIP) 18-22
FIGURE 19: ENTRANCE DOOR (VIP, TYPICAL) 18-24
FIGURE 20: DRIVER'S WINDOW 18-25
FIGURE 21: ESCAPE HATCH 18-26
FIGURE 22: ESCAPE HATCH 18-26
FIGURE 23: ARMREST 18-27
FIGURE 24: SEAT PEDESTAL ASSEMBLY 18-27
FIGURE 25: H3-45 COACH 18-29
FIGURE 26: H3-41 COACH 18-29
FIGURE 27: EMERGENCY EXIT WINDOW 18-29
FIGURE 28: FIXED WINDOW 18-30
FIGURE 29: EMERGENCY WINDOW 18-30
FIGURE 30: ADHESIVE-MOUNTED WINDOWS 18-31
FIGURE 31: ADHESIVE-MOUNTED WINDOW 18-31
FIGURE 32: ADHESIVE-MOUNTED WINDOW 18-32
FIGURE 33: ADHESIVE-MOUNTED WINDOW 18-32
FIGURE 34: WINDSHIELD 18-33
FIGURE 35: WINDSHIELD INSTALLATION 18-33
FIGURE 36: WINDSHIELD INSTALLATION 18-34
FIGURE 37: WINDSHIELD INSTALLATION 18-34
FIGURE 38: WINDSHIELD INSTALLATION 18-34
FIGURE 39: WINDSHIELD INSTALLATION 18-35
FIGURE 40: WINDSHIELD INSTALLATION 18-35
FIGURE 41: BODY PANEL SPACING 18-36
FIGURE 42: BAGGAGE COMPARTMENT DOOR 18-36
FIGURE 43: PANTOGRAPH ADJUSTMENT 18-37
FIGURE 44: PANTOGRAPH DOOR ADJUSTMENT 18-37
FIGURE 45: PANTOGRAPH DOOR ADJUSTMENT 18-37
FIGURE 46: BAGGAGE COMPARTMENT DOOR 18-37
FIGURE 47: BAGGAGE COMPARTMENT DOOR 18-38
FIGURE 48: BAGGAGE COMPARTMENT DOOR 18-38
FIGURE 49: BAGGAGE COMPARTMENT DOOR 18-38
FIGURE 50: BAGGAGE COMPARTMENT DOOR 18-38
FIGURE 51: BAGGAGE COMPARTMENT DOOR 18-39
FIGURE 52: BAGGAGE COMPARTMENT DOOR 18-39

FIGURE 53: ENGINE COMPARTMENT DOOR	18-39
FIGURE 54: DOOR STOP	18-40
FIGURE 55: RADIATOR DOOR.....	18-40
FIGURE 56: CONDENSER DOOR	18-41
FIGURE 57: FUEL FILLER DOOR	18-41
FIGURE 58: DOOR HINGE	18-42
FIGURE 59: FRONT SERVICE DOOR	18-42
FIGURE 60: DOOR HINGE	18-43
FIGURE 61: ENGINE COMPARTMENT R.H. DOOR	18-43
FIGURE 62: EVAPORATOR DOOR	18-44
FIGURE 63: REAR ELECTRICAL COMP. DOOR	18-44
FIGURE 64: REAR-VIEW MIRROR (RAMCO)	18-46
FIGURE 65: JACKING POINTS ON STRUCTURE.....	18-47
FIGURE 66: JACKING POINTS ON FRONT AXLE	18-47
FIGURE 67: JACKING POINTS ON IND. SUSPENSION	18-47
FIGURE 68: JACKING POINTS ON DRIVE AXLE.....	18-47
FIGURE 69: JACKING POINTS ON TAG AXLE	18-47

Section 18: BODY

1. VEHICLE EXTERIOR

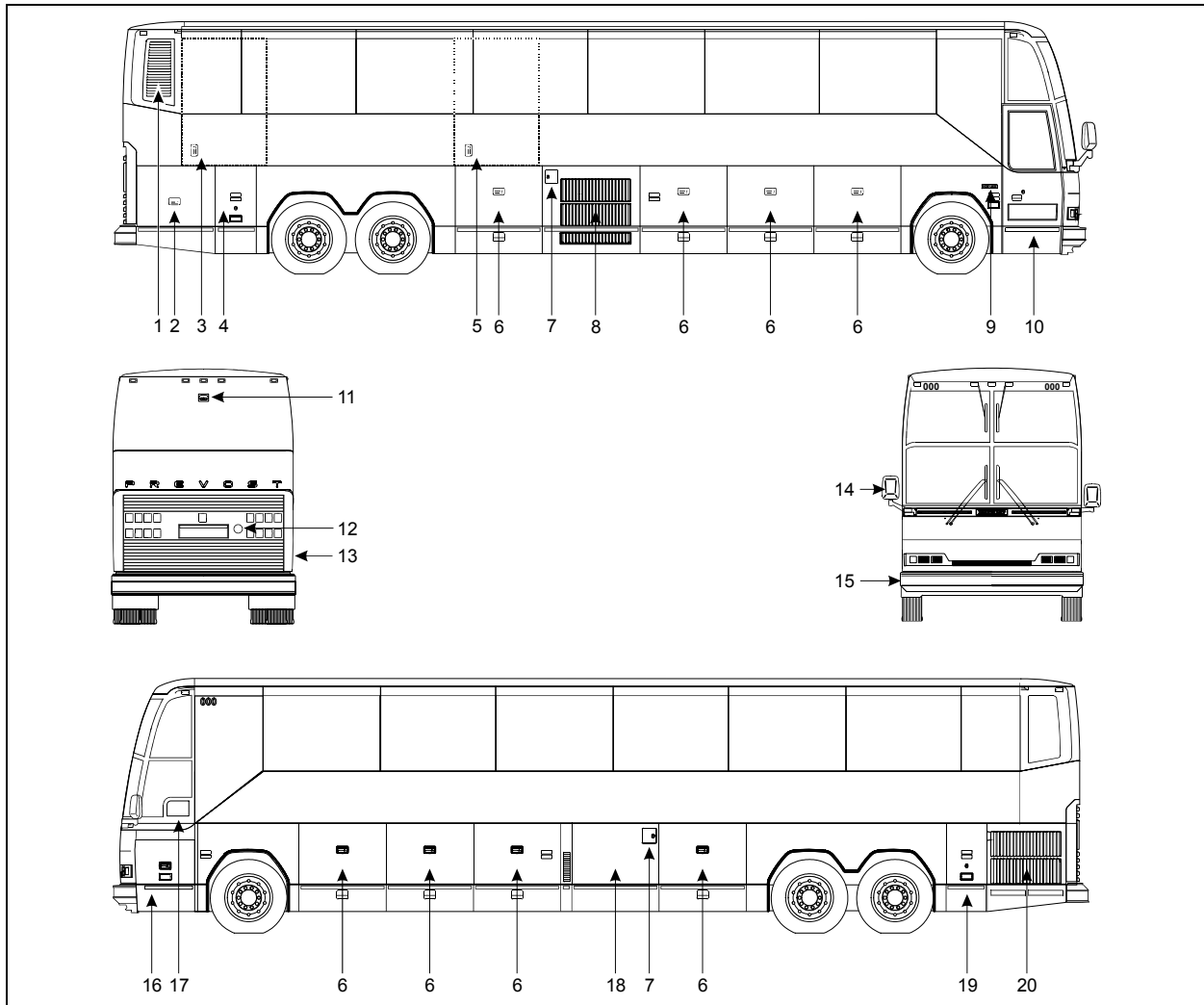


FIGURE 1: H3-45 EXTERIOR VIEW

18314

- | | |
|--|--|
| 1. Engine air intake | 11. Back-up camera (option) |
| 2. Engine compartment R.H. side door | 12. 110 - 120 volt connector |
| 3. Wheelchair lift door (option Stewart & Stevenson) | 13. Engine compartment rear door |
| 4. Main power compartment | 14. Rear-view mirrors |
| 5. Wheelchair lift door (option Ricon) | 15. Reclining bumper compartment |
| 6. Baggage compartment | 16. Front electrical & service compartment |
| 7. Fuel filler door | 17. Driver's power window |
| 8. A/C condenser door | 18. Heating, ventilating and air conditioning compartment (HVAC) |
| 9. Entrance door operating switch | 19. Rear electrical compartment |
| 10. Entrance door | 20. Engine radiator door |

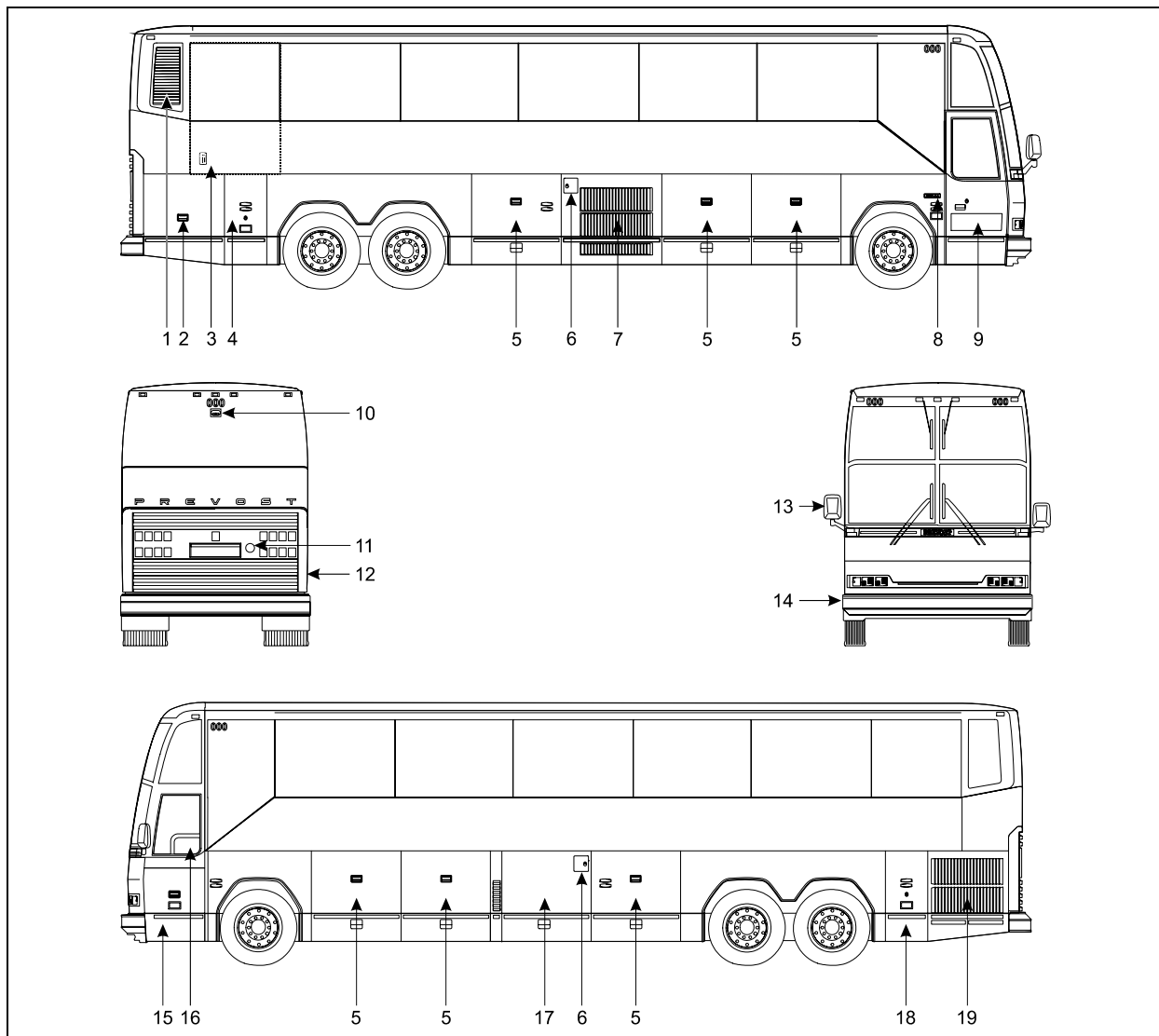


FIGURE 2: H3-41 EXTERIOR VIEW

18441

- | | |
|--|--|
| 1. Engine air intake | 10. Back-up camera (option) |
| 2. Engine compartment R.H. side door | 11. 110 - 120 volt connector |
| 3. Wheelchair lift door (option Stewart & Stevenson) | 12. Engine compartment rear door |
| 4. Main power compartment | 13. Rear-view mirrors |
| 5. Baggage compartment | 14. Reclining bumper compartment |
| 6. Fuel filler door | 15. Front electrical & service compartment |
| 7. A/C condenser door | 16. Driver's power window |
| 8. Entrance door operating switch | 17. Heating, ventilating and air conditioning compartment (HVAC) |
| 9. Entrance door | 18. Rear electrical compartment |
| | 19. Engine radiator door |

Section 18: BODY

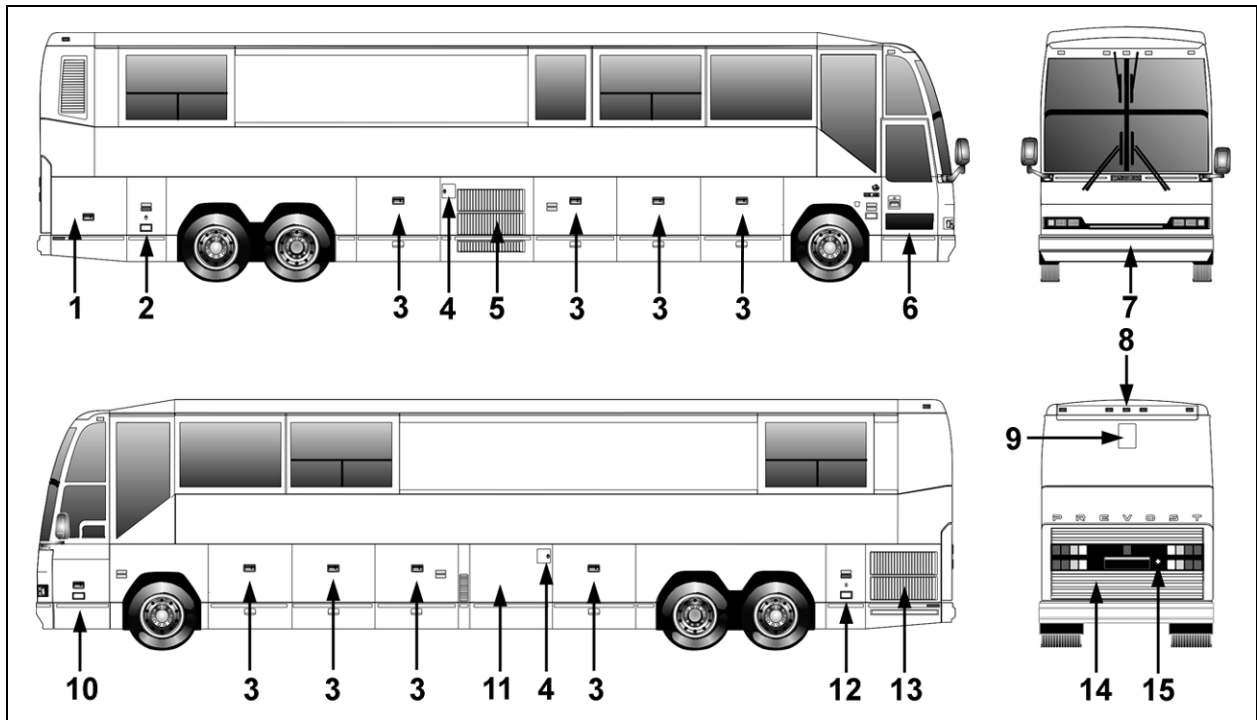


FIGURE 3: VIP CONVERTED VEHICLE EXTERIOR (TYPICAL)

18318

- | | |
|--|---|
| <ol style="list-style-type: none"> 1. Engine compartment R.H. side door 2. Main power compartment 3. Baggage compartment 4. Fuel filler door 5. A/C condenser compartment or baggage compartment 6. Entrance door 7. Reclining bumper compartment | <ol style="list-style-type: none"> 8. Rear spoiler 9. Retractable back up camera (optional) 10. Front electrical and service compartment 11. HVAC compartment or baggage compartment 12. Rear electrical compartment 13. Engine radiator door 14. Engine rear door 15. 110 – 120 volt connector |
|--|---|

2. STRUCTURE

The body of the H3-41, H3-45 and VIP vehicles is an integral structure made of 14, 16 and 18 gauge welded and braced high tensile steel and stainless steel members. The roof arches are made with cold rolled, electrically welded (CREW) steel tubes, 1 1/2" x 2" x 14 gauge. The inside is filled with urethane foam and the exterior is primed. The front subframe is made of open sections of high-strength steel alloy. These open sections permit a better application of primer and undercoating, and does not trap moisture. The rear subframe is made of closed sections of high tensile steel sealed at both ends.

2.1 WELDING

The following welding rods should be used when making welding repairs to the structure:

Application	Diameter	A.W.S.
Stainless steel to stainless steel or high strength steel alloy, light gauge	3/32" (2,4 mm)	No 308
Stainless steel to stainless steel or high strength alloy, heavy gauge	1/8-5/32" (3,2-4 mm)	No 308
High strength steel alloy to high strength steel alloy, light gauge	3/32-1/8" (2,4-3,2 mm)	No 6011
High strength steel alloy to high strength steel alloy, heavy gauge	3/32-5/32" (2,4-4 mm)	No 7018

Since welding is a procedure that may be carried out either as specific instructions from Prévost or by an independent decision of the owner, the following information pertaining to welding should be read before beginning any welding procedure. The prohibitions and requirements outlined below must be followed during welding procedure:

1. Welding must be done only by a qualified and experienced person.
2. Adequate ground contacts and shields must be positioned as required to protect components from damage due to heat, contact by weld splatter, arcing, or other potentially damaging events associated with welding.
3. The following precautions are to be taken to protect the electronic control components.

Refer to section 1, paragraph 9, "WELDING PRECAUTIONS" in this manual.

4. Always wear the appropriate safety equipment.
5. Weld in clean and well ventilated area, and always have an appropriate fire extinguisher within your reach.

3. EXTERIOR MAINTENANCE

Regular washing to remove dust and dirt is recommended. See "Operator's Manual" for more details on washing and cleaning your vehicle.

3.1 CORROSION PREVENTION

Preventive maintenance is a key factor in avoiding corrosion and must be considered as part of the regular service intervals. The entire underside of the vehicle is sprayed with a heavy application of asphalt base undercoating.

The operating environment the vehicle is subjected to will largely influence the amount of dirt and corrosion that will accumulate over a given period. Corrosion is one of the most costly factors of part failure and shortened part life. It is, however, an item that can be controlled when it is conscientiously looked after and the proper steps are taken in a timely manner.

Certain areas of the coach are more vulnerable to corrosion than others, and it is these areas that should be addressed. For example, the rear baggage compartment bulkhead in the rear wheelhousing area contains many key components and should be examined regularly for corrosion. Other areas include the front wheelhousing area and the engine compartment.

Road splash will affect undercarriage, condenser coil and engine compartment. These areas must be thoroughly cleaned to remove dirt accumulations from flanges, channels and ledges. These places accumulate dirt and salt and hold it in direct contact with steel and aluminum surfaces. Use an understructure high pressure spray as part of a regular wash. Damaged undercoating or paint should be promptly repaired before corrosion can start.

Frequency of wash periods depends on operating conditions. During periods of exposure to salt, daily washing as described above is

Section 18: BODY

recommended. If underbody parts show evidence of rust or corrosion, treat as follows:

1. Remove dirt, grease and oil by solvent washing.
2. Remove corrosion as well as all loose coating by cleaning with a wire brush or sandblasting.

Caution: Sandblasting can be used for cleaning bulkheads, brackets and other structural members. It should not be used for exterior side paneling. Extreme care should be taken not to sandblast excessively.

3. Apply correct primer, paint and undercoating after removing all corrosion to prevent further damage.

4. FIBERGLASS REPAIR

All repairs to fiberglass parts consist of filling the damaged area with fiberglass cloth and resin or strand fiberglass and resin. The repair is allowed to harden, then finishing operations may be performed. Use of the various materials is determined by the type of repair to be made. Large holes, torn sections and separate joints require the adhesive qualities of the resin and the reinforcing qualities of the fiberglass. Small dents, scratches or pits can be repaired using resin and strand fiberglass and filler mixed into paste. Instructions for either mix are explained under their respective headings in this section. For best results when making repairs, temperature should be between 70 and 75 °F (21-24 °C). Some people experience a skin reaction to resins. In such cases, wipe resin off with denatured alcohol or a good thinner. Use of protective hand cream is recommended.

Warning: Always wear a respirator and goggles when grinding or sanding.

Extreme care must be taken if the sander is electrically operated, as dust from some resins is combustible when subjected to sparks or open flames. The proper tool for sanding resin is a low speed, air driven disc sander with a water attachment or a dry sander having a vacuum bag. Either will eliminate flying glass and resin dust.

The following additional tools and materials will assist in making repairs: hacksaw blade, assorted files, emery paper or cloth (150 or finer), scissors or tin snips, wax paper or cellophane sheets, a 3" (75 mm) paint roller,

paint brush, putty knife, acetone and one or more heat lamps.

4.1 REPAIR USING FIBERGLASS CLOTH

Where necessary, sand paint away around damaged area and scrape away undercoating, if any, and wipe clean with solvent. Grind or file the damaged area to form a "V" at the broken or cracked portion. Sides of "V" should have a shallow pitch for maximum bonding area.

Note: Roughening the surface improves adhesion of resin.

If part is warped from original shape, use clamping equipment to straighten the surface. Preheat area to be repaired with one or two heat lamps placed 18 to 24 inches (450-610 mm) from repair.

Caution: Temperature should not exceed 140 °F (60 °C) during 30 minutes in order to avoid distortion.

Cut fiberglass cloth with scissors or tin snips, 1 to 3 inches (25-75 mm) larger than area to be repaired. Build area to desired height.

Mix resin and hardener following instructions on their containers. Saturate layers of fiberglass with mixture and place laminates over damaged area. Smooth out wrinkles and make sure general contour of area is maintained. Bubbles and wrinkles can be eliminated with a roller.

Caution: The pot life of the mix is approximately 15 minutes. Any accidental contamination to the skin, clothing, tools, etc. must be removed within this period. Use acetone to remove uncured resin.

Heat resin material again by placing heat lamps 18 to 24 inches (450-610 mm) from repaired area. Allow 12 to 15 minutes for repair to cure. After repair is cured, grind, file or sand to contour. Files other than body files may be more suitable. Featheredge and finish sanding.

If small pits or irregularities appear after making repair, correct by using a liberal amount of chopped strand or filler mixed with resin to form a paste. Refer to heading "Repair with Fiberglass Paste" in this section.

4.2 REPAIR USING FIBERGLASS PASTE

Fiberglass paste is used for repairing small dents, scratches, and pits. Paste is made by mixing resin, hardener and fiberglass strand or filler to the consistency of putty. Where necessary, sand paint away around damaged area. On underside of coach, scrape away undercoating from damaged area, and wipe clean with solvent.

Preheat the area to be repaired using heat lamps. Mix desired quantities of resin and hardener according to manufacturer's instructions. Add powdered fiberglass strand into mixture to thicken it into a putty state.

Note: If repair is made on a vertical surface, adding powdered filler material to mixture will reduce tendency of hot resin to flow or run.

Apply the material with a putty knife or similar object, building material up to the desired contour. For deep filling and on vertical surfaces, several layers of material may be used.

A hacksaw blade, held flat to adjacent contour and then moved in a sawing action across the repair when the resin is in a gel state, will remove excess resin from repair. Finish repair with the same procedure as when using fiberglass cloth.

4.3 TYPICAL FIBERGLASS REPAIR PROCEDURE

Remove all loose particles or damaged material using a power sander or rasp. Clean area, overlapping hole approximately 1" to 1-½" (25-40 mm) all around. Remove all dirt, grease and paint from area to ensure good bonding surface. Feather the cleaned area all around (Fig. 4).

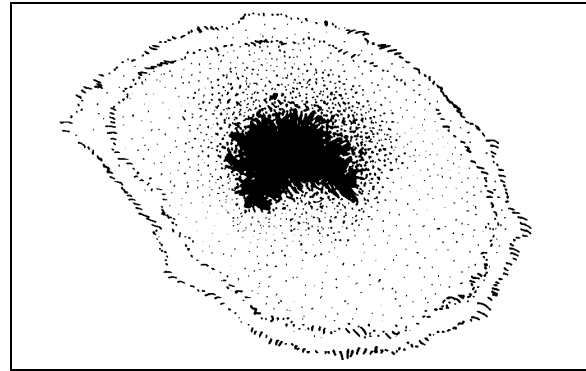


FIGURE 4: FIBERGLASS REPAIR

18089

Cut a piece of fiberglass mat slightly larger than area being repaired. Impregnate mat with general purpose polyester resin catalyzed normally. Use a clean paint brush to apply the polyester resin. Apply impregnated mat over hole and press onto surface with brush to obtain good adherence. Another coat of general purpose polyester resin can be applied at this time (Fig. 5).

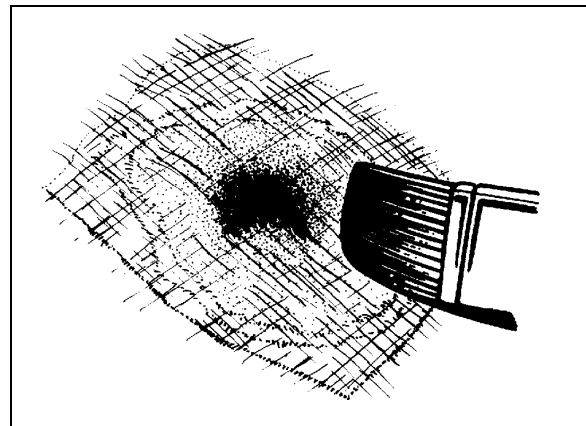


FIGURE 5: FIBERGLASS REPAIR

18090

Note: Remove all air between surfaces being joined. Allow area to harden and sand surface to remove any wax.

Apply another mat, followed by a cloth patch, and another mat. All layers must be thoroughly impregnated with polyester resin, brushed well and free of air. Apply more layers of mat and cloth as required until the desired strength and thickness is obtained, minimum two 1-½ oz (43 g) mats and one 9 oz (255 g) cloth (Fig. 6).

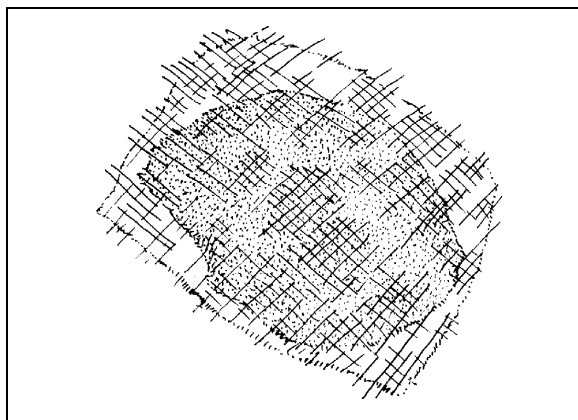


FIGURE 6: FIBERGLASS REPAIR 18091

Allow area to harden and contour the area with coarse sandpaper #100 (Fig. 7).

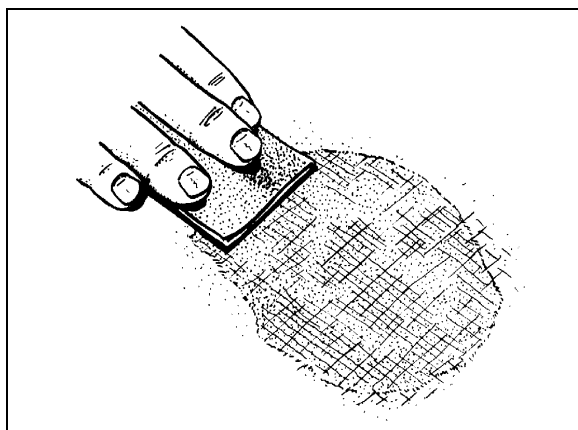


FIGURE 7: FIBERGLASS REPAIR 18092

Cover the area with a layer of resin putty and allow to dry for approximately 15 to 20 minutes (Fig. 8).

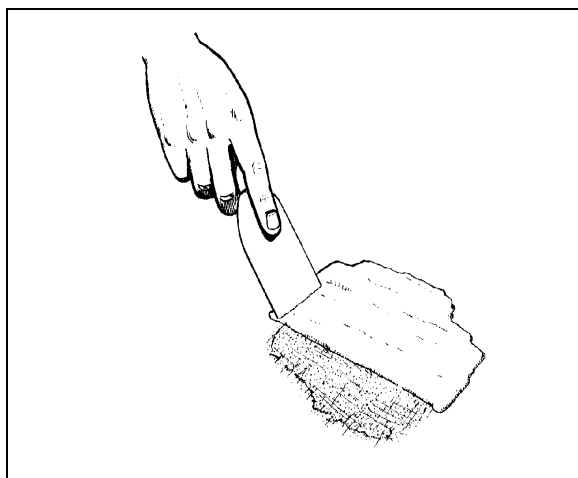


FIGURE 8: FIBERGLASS REPAIR 18093

Smooth off surface with coarse sandpaper #100 to desired shape. Further smooth surface with

fine sandpaper #120 until repaired surface matches surrounding area paneling. Prime and paint the area to match surrounding paintwork.

5. PAINTING

5.1 NEW PAINT CARE

Our paint supplier recommends that you follow these simple precautions the first months of your new vehicle's life.

Caution: Apply these recommendations after repainting vehicle.

During the first 30 days:

- Do not use a commercial bus wash. Stiff brushes or sponges could mar the finish and damage the surface. Wash the vehicle by hand only and with cool water and a very mild bus wash solution. Be careful to use only a soft cloth or sponge;
- Wash vehicle in the shade, never in direct sunlight;
- Do not "dry wipe" vehicle –always use clean water. Dry wiping could scratch the finish;
- Avoid extreme heat and cold. Park vehicle in the shade whenever possible;
- Do not park under trees which drop sap or near factories with heavy smoke fallout. Tree sap and industrial fallout may mar or spot a freshly painted surface;
- Trees are also likely to attract birds. Bird droppings are highly acidic and will damage a freshly painted surface. Bird droppings, tree sap and industrial fallout should be washed off as soon as possible;
- Do not spill oil, gasoline, antifreeze, transmission fluid or windshield solvent on new finish. IMMEDIATELY rinse off any such spill with clean water, DO NOT WIPE;
- Do not drive on gravel roads. Paint finish easily chips during the first 30 days;
- Do not scrape ice or snow from the surface. A snow scraper can act like a paint scraper if the finish is new. Brush off loose material with a soft snow brush.

During the first 90 days:

- Do not wax or polish the vehicle. This will allow the finish to dry and harden completely.

5.2 PAINT TOUCHUP

When paint touchup or partial repainting is necessary, refer to the vehicle's paint scheme for color codes and paint brand.

Prévost recommends using the original paint brand to ease color matching.

In the event you sand through to the gelcoat surface you should prime the area with Standox "Non Stop Fill Primer (ST-11000)".

If you sand through to metal surface, first prime with Standox "Etch Primer (ST-11858)" then with Standox "Non Stop Fill Primer (ST-11000)".

Caution: Be sure to heed all paint manufacturer's recommendations, especially concerning paint dilution and application.

5.3 PAINTING

The standard paint used on the exterior of the vehicle is Standox Basislack. It is a high gloss polyurethane enamel finish designed for exposure to extreme conditions. Other types of paint may be called for as options by owner but are not dealt with in this section.

5.3.1 Safety

Care should be exercised in storing, handling, mixing, and applying paint and chemicals listed in this manual. The topcoat, primer, solvent, catalysts, accelerators, and cleaners are highly volatile and/or toxic if not properly used. Observe all safety instructions marked on the different packagings, as well as the following:

1. Do not smoke in the paint room or in adjacent area exposed to residue fumes.
2. Wear respirators approved by the governing safety and health regulations.
3. Maintain adequate ventilation at all times.
4. Dispose of any leftover paint mix properly.
5. Wear rubber gloves, rubber apron, and face shield during all phases of paint and chemical handling.

5.3.2 Surface Preparation and Paint Application

	Aluminum and / or Stainless Steel	Fiberglass	Comments
Surface Preparation	Sand using P-150 grit sandpaper. It is recommended to sandblast rivets and panel edges with OLIMAG 35-70 blast media.	Sand using P-180 or P-240 sandpaper.	Do not use paint remover over aluminum or fiberglass.
Cleaning	STANDOX silicone remover ST-11654 (68-2989)		
Priming	STANDOX Reactive Etch Primer ST-13908 * Wait 30 minutes then apply STANDOX Non-Stop Füllprimer ST-11000 (68-2973)	STANDOX Non-Stop Füllprimer ST-11000 (68-2973)	Refer to product Technical Data sheet for proper mixing
Basecoat	Refer to paint scheme or coach record for proper color code and paint brand. We recommend using the same paint brand to ease color matching.		Refer to product Technical Data sheet for proper mixing
Clearcoat	STANDOX 2K MS Rapid Clear ST-11760 (68-2979) Allow 16 hours for drying		Refer to product Technical Data sheet for proper mixing

If assistance or technical information on STANDOX products is needed, please dial: 1 (800) 551-9296

6. FRONT AND REAR BUMPERS

Repair of Superficial Damage

This procedure defines a method of repairing bumper surface damages such as superficial scratches or scuffing which are unacceptable in appearance only. For substantial bumper damages such as cracks, tears or holes, refer to "Repair of Substantial Damages" in this section.

1. Inspect the damaged area:
 - If a round edge of paint is apparent immediately surrounding the scratch or scrape, lightly wipe the local area with a tack cloth or very fine steel wool, "000" minimum. This should remove residual flakes or paint build-up.
 - If grease and/or oil contaminants are apparent close to the damaged areas, wipe the surface with any commercially available grease remover.

Caution: Do not use silicone-based materials to remove contaminants.

2. Locally wipe the damaged area with mineral spirits or the equivalent, ensuring that any grease remover from step 1(b) is covered. Allow sufficient time for all solvents to vaporize prior to painting (5 to 10 minutes).
3. Apply the recommended repair paint, either aerosol or air spray gun, to the damaged area. The can or spray gun should be kept at a distance of 6" to 10" (150 to 250 mm) from the surface to be covered, with continuous side-to-side motion, sweeping across the damaged area. To assure a good blend with existing paint, the sweeping motion should begin and end to the side of the area to be covered. Larger areas to be covered will require the back-and-forth sweeping motion to be gradually moved up or/and down, as shown in figure 9.

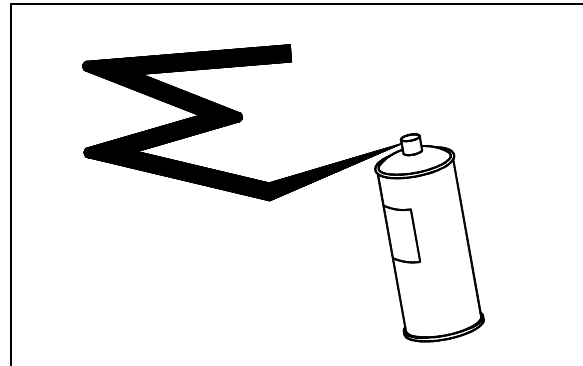


FIGURE 9: AEROSOL PAINT

18094

Note: Except for H3-45 VIP body-colored bumpers, the recommended repair paint is Tempo Color Spray #411 (black).

Allow a minimum of 10 to 15 minutes for the paint to dry, 5 minutes for parts which are heated at the time of painting.

Repair of Substantial Damage

Note: The following material can be purchased locally:

- Three kits of 3M #8101 structural adhesive, components A and B.
 - Applicators.
 - 3M auto body repair tape (Prévost #06935).
 - Grinder or sanding block with #36 disc or coarse sandpaper.
 - 220, 320 and 400 grit sandpaper.
 - Any generally acceptable oil or grease remover.
1. Wipe the damaged area with solvent to ensure a clean surface.
 2. Remove enough surface material using a grinder or rough sanding block to ensure maximum adhesion of repair material.
 3. Bevel the front edges of the crack or hole.
 4. Featheredge the paint around the abraded area.
 5. Clean up the repair area with a soft, dry cloth or air gun.
 6. Wipe the back side of the repair area with solvent for maximum strength and apply auto body repair tape. Make sure that the edges of the damaged area meet evenly.

7. Mix A and B components of the 3M structural adhesive #8101 according to directions.

Note: To prevent air bubbles during mixing, the components should be scraped together with downward pressure and spread thinly on the mixing board. Adhesive should be used within 2 minutes. Observe safety precautions.

8. Apply a thin layer of adhesive to the damaged area with an applicator. Allow it to stiffen (approximately 15 minutes). Mix additional adhesive and apply to restore the contour.

Note: In restoring the contour, spread the edges toward the center, filling all low areas. If voids, bubbles, or low area occur, mix more adhesive and apply.

9. Allow a 24 hour room temperature cure for optimal results before sanding. If a faster cure is necessary, application of heat by heat lamp or hot air gun may be utilized.

Note: If heat is applied, maintain the temperature between 150 and 200°F (65-90 °C) for 20 to 30 minutes.

10. Grind or block-sand the repair area to the correct contour. Grind with a #220 disc, followed by #320 sandpaper, followed by #400 wet-or-dry.
11. Redo contour on any low spots with additional adhesive.
12. Clean off the repaired area and refinish the part according to the instructions under "Refinishing Procedure" in this section.

6.1 REFINISHING PROCEDURE

Bumpers that are factory painted have a flexible, very tough, abrasion and weather resistant, elastomeric and enamel coating that has been baked on at approximately 250°F (120°C). There may be collisions and accidents in which the paint is marred to such an extent that refinishing is desirable. When paint baking facilities are not available, air-dry repair systems, such as those used in soft fascia passenger car body repair, are suggested.

Excellent results from the standpoint of flexibility, adhesion to surface material, and gloss may be obtained with two-component urethane

enamels. These systems consist of a reactive enamel and an activator.

Note: If needed, a reducer may be added. DuPont's Imron is widely used.

Two-component systems generally do not have as high a degree of flexibility as the one-component urethane enamels, but are designed for applications where high temperature baking is not feasible.

Less desirable, but often providing an excellent finish, are the flexibilized acrylic lacquers. These lacquer systems are composed of a based lacquer, a solvent, and an elastomeric adhesive. PPG's Ditzler is widely used, as well as systems from DuPont and Sherwin Williams. These are readily available at body repair shops and automotive parts dealer.

6.1.1 Surface Preparation

Surface preparation is the most important step in repainting. Water soluble dirt should be removed first, followed by a thorough cleaning with a wax and grease removing solvent. Bumpers that have been punctured, cut, or gouged should be repaired according to instructions for the 3M adhesive under "Repair of Substantial Damage" in this section. The patch should be sanded to the level of the surrounding bumper surface.

Painted surfaces, as well as exposed surfaces, should be sanded with a fine grit (#400) sandpaper until the enamel finish is dulled. The entire face should be sanded since it is difficult to match colors in spot refinishing. Sanded surfaces should again be cleaned with a good wax and grease removing solvent to ensure good wetting of the surface and to prevent "fish eyes" formation.

6.1.2 Prime Coat

Most lacquer manufacturers recommend a separate primer coat before applying the color coat to produce maximum adhesion. Check specific directions on the manufacturer's label.

6.1.3 Color Coat

In applying final coatings, several wet coats should be sprayed with flash time between coats depending on hiding power and color match. Application information, as well as air-dry time, should be specified on the product container.

Section 18: BODY

Repairs should be allowed to dry overnight before putting bumper in service.

Warning: Proper precautions must be taken when applying air-dry elastomeric paints. Refer to manufacturer's warnings for details.

6.2 FRONT BUMPER REMOVAL AND INSTALLATION (COACH)

The front bumper is hinged to give access to the spare wheel and tire compartment. Bumper must first be tilted down before its removal. Two people are required to remove and install the front bumper.

Warning: Front bumper weighs approximately 220 lbs. (100 kg). Use proper lifting equipment to support the bumper during the removal and installation operations to avoid personal injury.

Loosen 2 nuts on binding rods from under the bumper while holding the bumper closed (Fig. 10).

1. Hold bumper and push binding rods up to remove the 2 binding rod hooks from their respective attaching points.

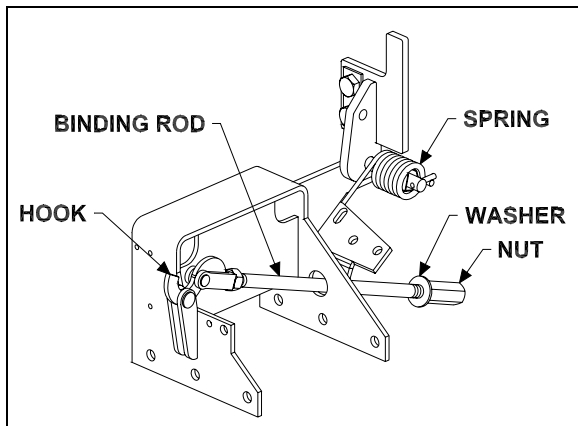


FIGURE 10: BUMPER FASTENING MECHANISM 18320

2. Partly recline the bumper, remove both chain end snap hooks from their attaching points, and let the bumper rest face down on the lifting equipment platform.
3. Ask assistant to relieve spring tension with assistant proper tool, and relieve spring tension on one locking pin and remove it. Slowly release spring tension and remove the second locking pin. The spring is free. Repeat procedure for the other spring.

Note: A special tool kit is available from Prévost Car Inc: Kit # 41,0671.

4. Remove 4 cap screws holding bumper to vehicle and remove bumper.
5. To install bumper, reverse the removal procedure.

Caution: Check that binding rod hooks are properly anchored when bumper is tilted up before tightening binding rod nuts. Tighten binding rod nuts firmly.

6.3 FRONT BUMPER REMOVAL (VIP)

Only the central part of the front bumper on the VIP model reclines. To take down the reclining part of the bumper:

1. Open the reclining portion of the bumper.
2. Carefully remove spring tension at the hinges.
3. Support the bumper and remove the holding straps.
4. Unbolt the hinge assembly from the structure of the vehicle.
5. Remove the front portion of the bumper.

To remove the LH and RH (fixed) parts of the bumper:

6. Drill rivets around the bumper.
7. Remove the cap screws.
8. Remove the bumper cover.
9. Remove screws and holding brackets.
10. Installation is reverse of removal.

6.4 REAR BUMPER REMOVAL

VIP and coach model rear bumpers are different from one another, but their removal and installation are very similar.

1. Remove cap screws holding bumper to vehicle and remove bumper.
2. Remove cap screws and washers holding bumper frame to engine frame.
3. To install bumper, reverse the procedure.

7. COACH ENTRANCE DOOR

An air operated "sedan type" entrance door, with an air door cylinder and damper assembly are installed under the right hand dash. The opening

and closing door speed cycle is adjustable by a damper mounted in parallel with the door cylinder on the door hinge (Fig. 13). Door activation is controlled by a relay panel, located near the defroster and wiper motors. The accessory air reservoir supplies air to this system.

The door is held in the closed position during coach operation by two air cylinder locking mechanisms (Fig. 14). Air cylinders with return spring in the cylinder body are used. Air cylinders are controlled by an electrically operated solenoid valve energized by a rocker switch located under the right hand dashboard.

To open the door, initial movement of the rocker switch de-energizes the air lock solenoid valve, venting the door locking cylinders. The return locking spring pulls the door lock away from the latch, unlocking the door. Door movement starts only when pressure in the central air door lock is below 10 psi. The "air cylinder open solenoid valve" opens and allows air to flow to the door cylinder, "the air cylinder close solenoid valve" exhausts air from the rod side of the cylinder.

To close the door, initial movement of the switch energizes the "air cylinder close solenoid valve" and air flows to the cylinder by its rod side port. The "air cylinder open solenoid valve" exhausts air from cylinder. When entrance door latch is grounded with the door frame, the air lock solenoid valve is de-energized and loads the door lock cylinders. The cylinder moves the door lock in a position which engages a latch on the entrance door, holding the door positively closed.

Emergency exit valves, which opens the air valve circuit should be used only in emergencies, or when the door control system does not function properly.

Refer to the air system schematic diagram annexed at the end of section 12, "Brakes" and to page 22 of the wiring diagram.

7.1 OPERATION

The air-operated door is controlled from inside the coach by two push-button switches located on the R.H. dashboard.

Opening and closing of the door from outside the coach is accomplished by a momentary toggle switch located behind the coach model nameplate (Fig. 11).

To close the door, the switch must be pushed towards the rear of the coach and held in position until the door has completed its movement.

To open the door, the switch must be pushed towards the front of the coach and held in position. When the door reaches the fully opened position, the system will keep pressure in the cylinder locking the door in that position. The door can be stopped in any position by releasing the switch. The door is not locked in position when not fully opened or closed.

If the door has been locked with the key, a lever on the door can be moved to unlock.

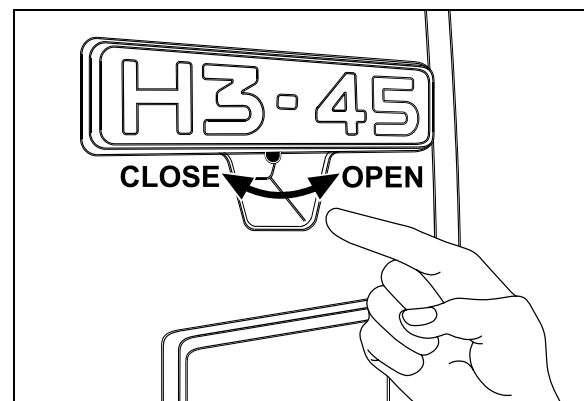


FIGURE 11: DOOR OPERATING SWITCH

18316

7.2 EMERGENCY EXIT VALVES

From inside the vehicle, an emergency exit valve located near the door on the dash panel, releases the pressure from the lock cylinders. From the exterior, an emergency exit valve located in the front service compartment, also releases the air from the lock cylinders.

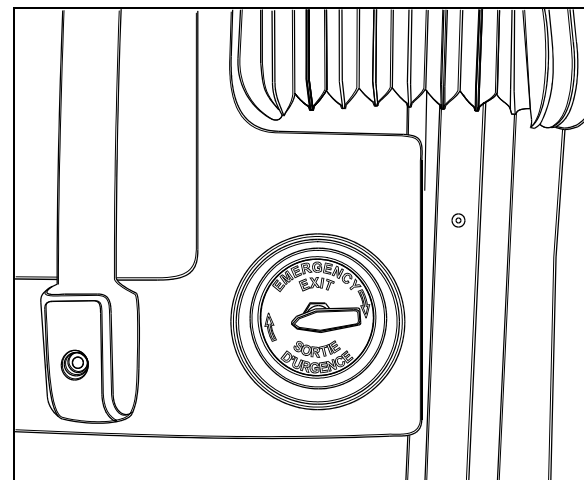


FIGURE 12: EMERGENCY EXIT VALVE

18321

Section 18: BODY

7.2.1 Without Air and/or Without Electricity

If the air pressure drops while coach has or hasn't any electricity, the spring loaded cylinders will unlatch the door. In such a case, unlock the door by moving the lever on the door or by using the key, then open the door manually.

7.2.2 With Air but Without Electricity

From inside the vehicle, turn the emergency exit valve to the "UNLOCK" position. Move the lever. From the exterior, turn the emergency exit valve to the "UNLOCK" position. Open the door. Close it, lock with the key and reset the outside emergency exit valve to the "NORMAL" position.

7.3 DOOR CYCLE SPEED ADJUSTMENT

To do any adjustment, remove the two panels located next to the door hinge, as well as the door's upper hinge control.

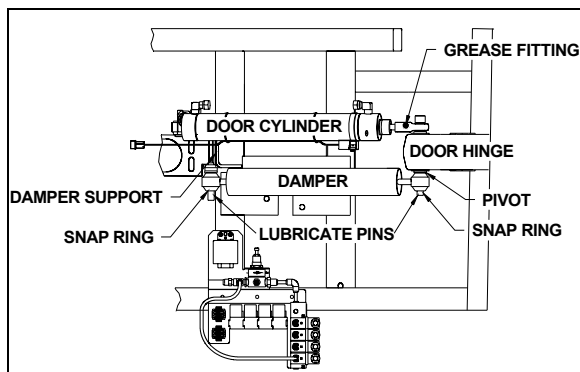


FIGURE 13: DOOR CYLINDER AND DAMPER 18161

Caution: It is important to make sure that damper does not reach end of stroke when door is completely closed or opened. The door cylinder must stop the door on opening. Screw or unscrew rod end to adjust if necessary.

To adjust opening and closing cycle speed on damper (Fig. 13):

1. Remove the damper from the vehicle and hold it vertically with the lower eye or pin attachment in a vice. Use clamp plates to prevent damage.
2. Fully close the damper while turning the dust cap or piston rod slowly CCW until it is felt that the cams of the adjusting nut engage in the recesses of the foot valve assembly (Fig. 15).

Note: In figure 15, if there is an indentation (B) in the dust cap (C) and the cover shows two holes (A), the damper is fitted with a bump rubber (D). If so, fully extend the damper and insert a round bar or screwdriver through the holes. Push the bump rubber down and remove. Remove the split plastic collar (E) (if fitted) from the piston rod.

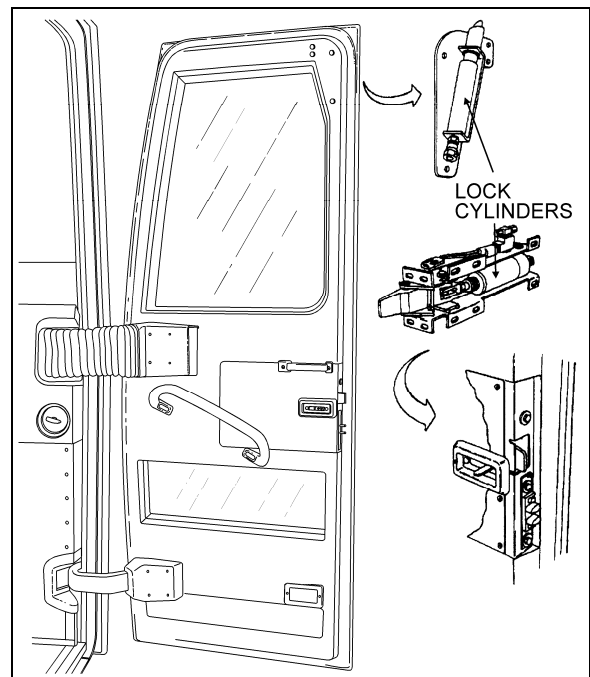


FIGURE 14: COACH ENTRANCE DOOR 18439

3. The damper may have already been adjusted. Therefore check whether the damper is adjusted or not by keeping it closed and gently turning further CCW, counting at the same time the half-turns until a stop is felt. Stop turning and do not force.
4. While keeping the damper closed, make two CW half-turns. In case of prior adjustment, add the number of half-turns previously counted. The total range is about five half-turns.
5. Pull the damper out vertically without turning for at least 3/8" (1cm) to disengage the adjusting mechanism. The dust cap or piston rod may now be turned freely.

Note: Where a bump rubber was installed, refit same inside the dust cap and by fully closing the damper, the rubber will seat again at top of the dust cap. Refit the split plastic collar E (Fig. 15)

6. The damper can now be refitted in the vehicle.

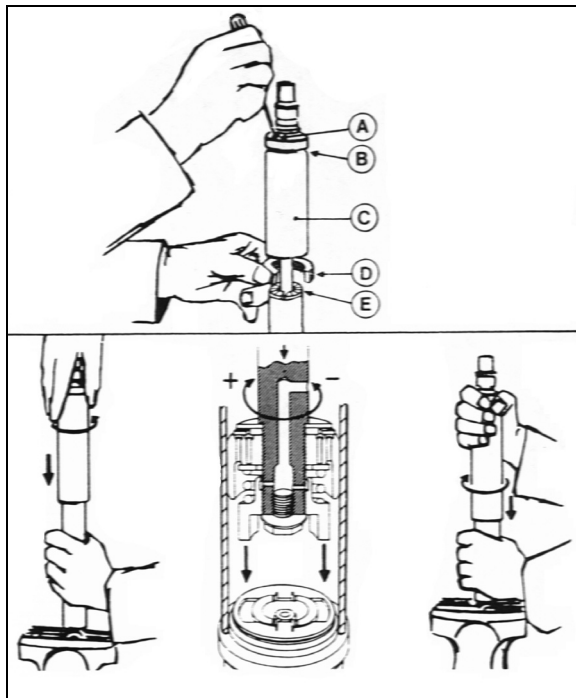


FIGURE 15: DAMPER

7. Reinstall panels and entrance door hinge cover.

7.4 HORIZONTAL AND VERTICAL ADJUSTMENT

Before attempting to correct any door operating problem by adjusting any part of the air cylinder

assembly, first perform the following mechanical checks and procedure.

Check around the perimeter of the door for binding. If any binding is found, adjust as follows:

1. Remove the screws and the plastic molding covering each of the hinges.

Note: Ask an assistant to help you to perform the following adjustments.

2. Remove the Allen button head screw and the washer retaining the rod end with bearing to the upper hinge. See figure 16.
3. Support the door with a wooden block and a hydraulic jack.
4. Loosen the horizontal bolts retaining the door to the hinges. Adjust the door horizontally and vertically with the jack. Tighten the bolts to 30-36 ft-lbf (40-50 N•m). Remove the jack and the wooden block.

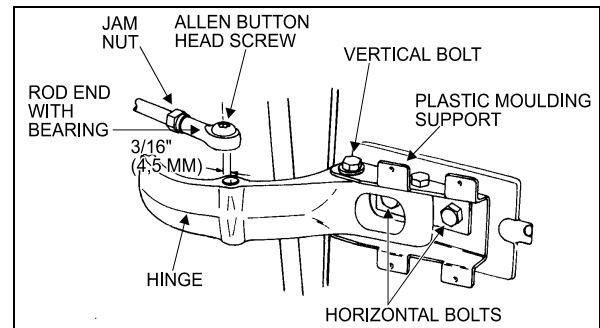


FIGURE 16: UPPER DOOR HINGE (COACH)

18058

Caution: Make sure the entrance door does not interfere with the exterior panel.

5. Pull and fasten the rod end to the hinge with the washer and the button screw.
6. Screw the plastic moldings covering the hinges.

7.5 DEPTH ADJUSTMENT

1. Turn the emergency exit valve to the "UNLOCK" position.
2. Remove the screws and the plastic molding covering each of the hinges.

Note: Ask an assistant to help you to perform the following adjustments.

3. Remove the Allen button head screw and the washer retaining the ball and socket rod to the upper hinge. See figure 16.

Section 18: BODY

4. Loosen the vertical bolts on the hinges for the front section, and for the rear section, move the central door catch on the door frame.
5. To adjust the male dovetail on L.H. side of the door, remove the two screws and loosen the two bolts. Slide the male dovetail toward the interior and loosely tighten the two bolts. Close the door slowly but firmly, then slowly open it and tighten the two bolts. Attach dovetail to the door with screws. See figure 17.

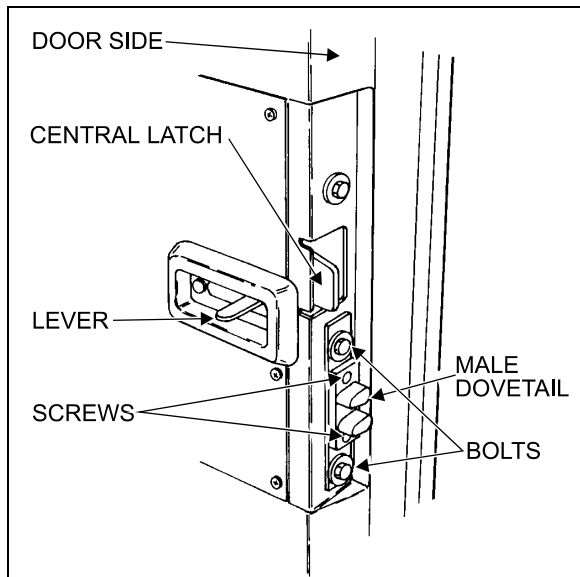


FIGURE 17: DOOR LATCH (COACH)

18059

Note: The frame dovetail is not adjustable.

6. Pull and fasten the rod end to the hinge with the washer and the button screw.
7. Using the screws, attach the plastic moldings covering the hinges.
8. Reset the emergency exit valve to the normal position.

7.6 ROD END ADJUSTMENT

1. Turn the emergency exit valve to the "UNLOCK" position.
2. Remove the screws and the plastic moldings covering the upper and lower hinges.
3. Remove the Allen button head screw and the washer retaining the rod end with bearing to upper hinge. See figure 16.
4. Loosen the jam nut locking the door cylinder rod end. Close the door firmly, adjust the rod end center hole in order to be 3/16" (4,5 mm) eccentric toward the left with the hinge hole center. Tighten the jam nut.
5. Pull and fasten the rod end to the hinge with the washer and the button screw.
6. Using the screws, attach the plastic moldings covering the hinges.
7. Reset the emergency exit valve to the normal position.

7.7 LUBRICATION

Part	Lubricant	Frequency
Latches Upper door catch Door cylinder rod end with bearing grease fitting (Fig. 13)	Low temperature grease	Every six months
Door locking mechanism	White grease	Every six months
Key hole Damper pins (Fig. 13) Hinges	Low viscosity oil	Every six months

7.8 TROUBLESHOOTING

SYMPTOM	PROBABLE CAUSE	REMEDY
DOOR WILL NOT OPEN FROM EXTERIOR SWITCH.	Manual door locks engaged.	Release manual door locks.
	Upper and lower solenoid locks do not disengage.	Check voltage at solenoid locks when door is open. If the voltage is 24 volts then replace solenoid #641217. Else, check circuit power.
	Relay module do not receive current.	Reset breaker "ON" or check batteries power supply.
	Opening solenoid door does not receive current.	Check voltage at opening solenoid door. If the voltage is 24 volts then replace it. Else replace control relay.
	Switch malfunction.	Replace switch.
DOOR WILL NOT CLOSE FROM EXTERIOR SWITCH.	Switch malfunction.	Replace switch.
	Solenoid failure.	Check voltage at solenoid. If the voltage is 24 volts then replace solenoid. Else replace control relay.
DOOR WILL NOT OPEN FROM INTERIOR SWITCH.	Manual door locks engaged.	Release manual door locks (open position) from vehicle exterior.
	Upper and lower solenoid locks do not disengage.	Check voltage at solenoid locks when door is open. If the voltage is 24 volts then replace solenoid #641217. Else, check circuit power and replace control relay.
	Module relay does not receive electric current.	Reset breaker "ON" or check batteries power supply.
	Door opening solenoid does not receive current.	Check voltage at door opening solenoid. If the voltage is 24 volts then replace it. Else replace control relay.
	Switch malfunction.	Replace switch.
	Upper lock stays engaged.	Lubricate upper lock assembly. Check wear and replace parts if necessary.
DOOR WILL NOT CLOSE FROM INTERIOR SWITCH.	Switch malfunction.	Replace switch.
	Door closing solenoid does not receive electric current.	Check voltage at door closing solenoid. If the voltage is 24 volts then replace it. Else replace control relay.
DOOR WILL NOT OPEN AFTER DRAINING AIR FROM SYSTEM BY EMERGENCY VALVE(S).	Manual door locks engaged.	Release manual door locks (open position) from vehicle exterior.
	Damper cylinder blocks the door.	Adjust or replace damper cylinder.
	The upper lock blocks the door	Adjust lower lock. Lubricate upper latch bolt. Adjust upper latch height.
DOOR LOCKS STAY ENGAGED WHEN DOOR IS OPEN.	Power supply is cut at solenoid.	Place switch in open position.
	Solenoid lock does not disengage.	Check voltage at solenoid locks when door is OPEN. If the voltage is 24 volts then replace solenoid #641217. Else, check circuit power and replace control relay.
DOOR DO NOT LOCK WHEN DOOR IS CLOSED.	Emergency valve is open.	Close emergency valve.
	Lock solenoid stays electrified.	Check latch bolt ground on door frame. If needed clean locks for better contact. Check ground circuit.
	Lock solenoid works in reverse.	Reverse air hoses at solenoid locks.
	Relay does not function.	Replace relay.

8. ENTRANCE DOOR (V.I.P)

There are three ways of unlocking the entrance door from the inside of vehicle. The two first consist in actuating the rocker switch on the dashboard, but this last operation will also unlock the baggage compartments. Finally, you can unlock the door by sliding its lock lever to the left. If the orange tab on the door lock lever is visible, the door is unlocked.

You may lock/unlock the entrance door from the outside with the lock key provided with the vehicle. Turn key CCW to lock and CW to unlock the entrance door.

8.1 KEYLESS ENTRY SYSTEM

With this system, you can lock or unlock the entrance door as well as the baggage and service compartment doors. The keyboard is located below the entrance door handle. The module is pre-programmed by the manufacturer and this code can not be deleted. Moreover, you can program your own entry code. Refer to the "VIP Owner's Manual" for instructions on how to program your own entry code.

When you use the keyless entry system, the keyboard and stepwell lights illuminate. Do not push the buttons with a key, pencil or any other hard object as it could damage the buttons.

Although each button is provided with two digits separated by a vertical line, there is only one contact per button. Always press the center of the button (between the two digits, on the vertical line).

If you let more than five seconds pass between each button press, the system shuts down, and you have to enter your code again. If the keyless entry system does not work properly, use the key to lock or unlock entrance or compartment doors. To know more about the keyless system, refer to the "VIP Owner's Manual".

Note: You must unlock the entrance door before you unlock with the appropriate key any baggage or service compartment doors.

8.2 DOOR ADJUSTMENT

Check around the perimeter of the door for binding. If any binding is found, adjust as follows:

8.2.1 Horizontal and Vertical Adjustments

1. Remove the screws and the plastic molding covering each of the hinges.

Note: Ask an assistant to help you to perform the following adjustments.

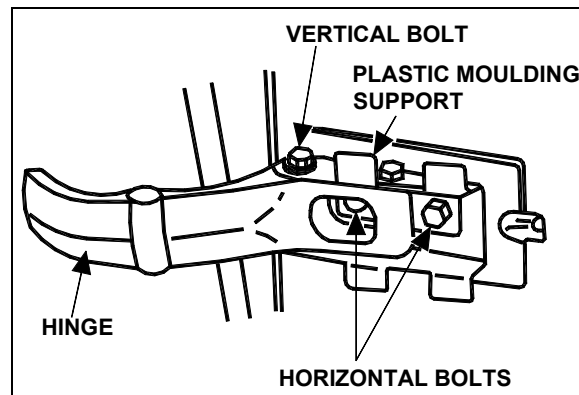


FIGURE 18: ENTRANCE DOOR (VIP)

18058VIP

2. Support the door with a wooden block and a hydraulic jack.
3. Loosen the horizontal bolts retaining the door to the hinges. Adjust the door horizontally and vertically with the jack. Tighten the bolts to 30-36 ft-lbf (40-50 N•m). Remove the jack and the wooden block.
4. Check door fit.
5. Using the screws, fasten the plastic trim to cover the hinges.

8.3 DEPTH ADJUSTMENT

To adjust door depth on the hinged side:

1. Remove the screws and the trim covering each of the hinges.

Note: Ask an assistant to help you to perform the following adjustments.

2. Slightly loosen, but not completely the vertical bolts on both door hinges.
3. Ask your assistant to press the door from the exterior, until it will adjust with the vehicle structure. Then, tighten the vertical bolts.
4. Repeat step 3 until depth is corrected to satisfaction.
5. Using the screws, install the trim hiding the hinges.

To adjust door depth on lock side:

Depth adjustment is done by moving the two door strikers.

1. Slightly loosen the door strikers.
2. Ask your assistant to press the door from the exterior, until it will adjust with the vehicle structure. Then tighten the striker pin.
3. Repeat until the door depth is corrected to satisfaction.

8.4 DOOR LOWER SECTION

When a plastic door lower section replacement is needed, proceed the following way:

1. Remove the reflective stripe at the top edge of the door's lower section. Unscrew the retaining screws located under the reflective stripe.
2. Remove the lower section.
3. With a sharp edge knife, scrape as much tape as possible and compound left on the fiberglass door surface. Note where adhesive tape and sealing compound was applied.
4. Sand the surface of the door where new adhesive tape will be applied with 240 grit sandpaper.

Note: *Tape adheres best to smooth surfaces such as glass or gelcoat finishes. Be careful surface is as smooth as possible before applying tape.*

5. Clean contact surfaces with alcohol.
6. Clean the fiberglass door and the new plastic lower section with a "tack cloth". Make only one pass on the surface and never come back on a previously cleaned surface.

Caution: *Wear rubber gloves and do not smoke when cleaning.*

7. Prepare the door lower section with Sika #205 and a clean rag. Make only one pass on the surface and never come back on a previously cleaned surface.

Note: *Never use Sika #205 directly from the container to avoid contamination of the product.*

8. Wait at least 5 minutes before proceeding the next step to allow complete evaporation of the product.

9. Put new adhesive tape where it was previously applied. Pass a 1" (25mm) roller on it to get a good adhesion on the fiberglass.

10. Apply Sika #252 (Prévost #682462) compound where it was previously applied.

11. Remove protective paper from the adhesive tape and install the door lower section. Apply pressure with a roller where the lower door section touches the fiberglass door.

12. Replace the retaining screws.

8.5 REFLECTOR STRIPE INSTALLATION

1. Clean contact surfaces with alcohol.
2. Prepare surface of reflector stripe and door lower section with Sika #205.
3. Put two rows of adhesive tape on the lower door section.
4. Apply Sika #252 (Prévost #682462) compound between parallel tape stripes.
5. Remove protective paper from the adhesive tape and press the reflective stripe in place.

8.6 DOOR SEAL REPLACEMENT

1. Inspect the seal; if cracked or torn, it must be replaced:
2. Remove the old seal and with a sharp edge knife, scrape tape left on the fiberglass door surface.
3. Sand the surface of the door where a new seal will be applied with 240 grit sandpaper.
4. Clean the surface with alcohol.

Caution: *Wear rubber gloves and do not smoke when cleaning.*

5. Peel of protective paper from the seal. Position the seal in order to leave 1/4" (6 mm) from the upper molded edge of the door and 3/16" (4,5 mm) from the sides and lower molded edges of the door.
6. Progress slowly all around the door.
7. Cut the seal and glue both ends with LOCTITE 414 glue.
8. To assure bonding, press a small roller on top of the new seal.

Section 18: BODY

8.7 DOOR LUBRICATION

Part	Lubricant	Frequency
Latches Upper door catch	Low temperature grease	Every six months
Door locking mechanism	White grease	Every six months
Key hole Hinges	Low viscosity oil	Every six months

8.8 DOOR LATCH MECHANISM

Generally, when the latch mechanism malfunctions, a number of causes may be responsible for this situation. No single procedure will correct this situation. It is best to remove the protective cover and to look for binding, used or bent parts. Operate the latch mechanism and try to find where any binding occurs. Replacing a part or slightly bending a rod should be enough. Remember, having a global understanding of the mechanical activity will generally lead you to the cause of the problem, and ultimately to an easy repair.

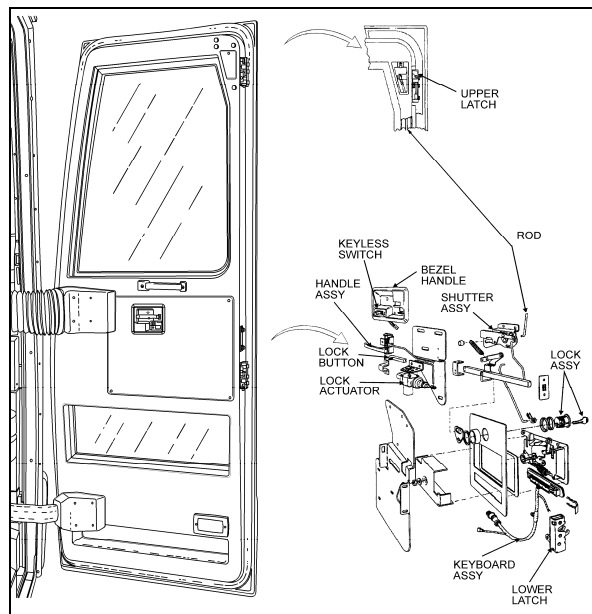


FIGURE 19: ENTRANCE DOOR (VIP, TYPICAL)

18440

9. DRIVER'S POWER WINDOW

To replace window or motor, the whole assembly must be removed. The following instructions refer to figure 20:

9.1 WINDOW OR REGULATOR REMOVAL

1. Remove the L.H. console and instrument support plate behind it.
2. Remove the screws holding the window to the lifting mechanism. Remove the holding plate.
3. Lower the window support assembly while holding the window in the closed position to detach the regulator assembly from the window.
4. Remove the four bolts holding the motor and regulator assembly in place.
5. Detach the plastic water protection shield (30).
6. Remove the assembly by slipping it under the vehicle structural members.
7. Lower the window completely to detach from the opening.

9.2 WINDOW OR REGULATOR INSTALLATION

1. Detach the notched strip from the regulator's sprockets with a screwdriver and reinsert it two notches back so the sliding window support will go further down the post than normal.
2. Power the regulator so the support goes down to its lowest position.
3. Cut the excess notched strip.
4. Remove the screws holding the plate (3). Remove the plastic water protection shield (30).
5. Using alcohol, a sharp knife or 240 grit sandpaper, clean off the butyl tape from the shield and frame. Install new tape on shield.
6. Insert the shield over the new mechanism.
7. Screw the plate loosely (3) in place. Use three washers on each bolt to ease final adjustments.
8. Install new window in opening
9. Install the regulator assembly and fasten loosely using the bolts recovered from disassembly. Do not install third (right most) bolt (15) yet.
10. Expose the other sticky side of the butyl tape and stick shield in place.

11. Connect the regulator motor.
12. Raise the window support to so it mates with the slightly lowered window.
13. Fasten window to regulator assembly loosely using the anchor plate and recovered bolts.
14. Raise window to closed position and tighten anchor plate bolts.
15. Lower window completely, then raise it to mid-open position. Tighten plate (3) bolts (9).
16. Raise window to nearly closed position and check if it is level with the top of the window opening.
17. If the window is level, tighten the two left bolts (15) and screw in the third right bolt (15).
18. If window glass is not straight, tilt up or down regulator assembly before tightening bolts.

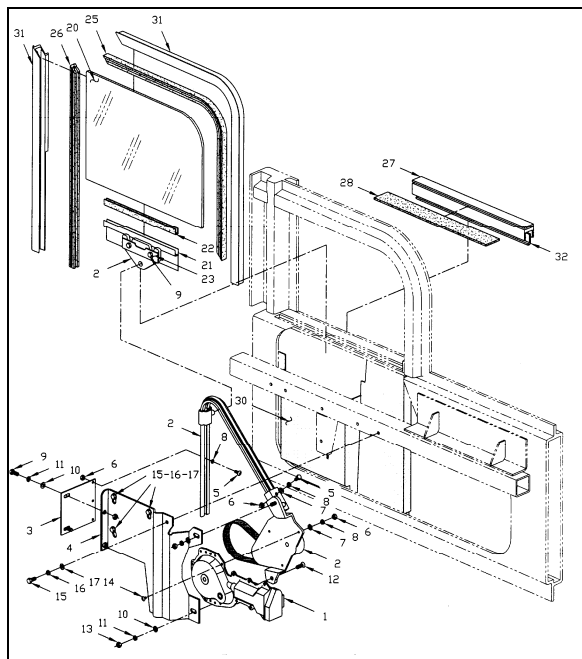


FIGURE 20: DRIVER'S WINDOW

18322

10. ROOF ESCAPE HATCH

The vehicle can be equipped with one or two escape hatches. The escape hatch is designed to provide years of reliable service with a minimum of maintenance. All components are rust proof, and moving parts are Teflon coated to eliminate need for lubrication. Should water infiltrate the vehicle from the escape hatch, refer

to the heading "Sealing" in this section for procedures on how to seal this area.

Caution: Use of lubricants, paints, or other coatings such as graffiti deterring sprays are not recommended.

Suggested maintenance includes periodic inspection of fasteners for evidence of loosening due to tampering, and regular cleaning with mild soap and water.

Although there are other cleaning solutions available, some contain solvents and other chemicals that can attack the high strength materials used in the production of the escape hatch.

Caution: Ensure that cleaning solutions are compatible with the materials used on the escape hatch.

Graffiti removing cleaners often contain acetone, ether, lacquer thinner, or other solvents known to destroy the high strength properties of many plastics. Use of these cleaners must be avoided.

Graffiti-resisting coatings often leave a sticky residue that interferes with smooth up/down movement of the hatch mechanism. Some of these coatings also contain solvents that will reduce the strength of certain components.

Caution: Use of these coatings is at considerable risk and should be avoided.

10.1 REPAIR

All components used in the production of the escape hatch are available as service parts, except for one hinge that represents a possible hazard when improperly reattached to a hidden tapping plate, itself often damaged whenever the hinge is damaged. The tapping plate is permanently laminated between the inner and outer cover assemblies, and it cannot be inspected or replaced. It is therefore necessary to replace the entire assembly following damage to the hinge. See figures 21 and 22.

Caution: Hinge assembly is critical and hinge should never be removed from cover assembly. Fasteners used in this assembly are special and have critical torque requirements and tamper-resistant heads to discourage tampering.

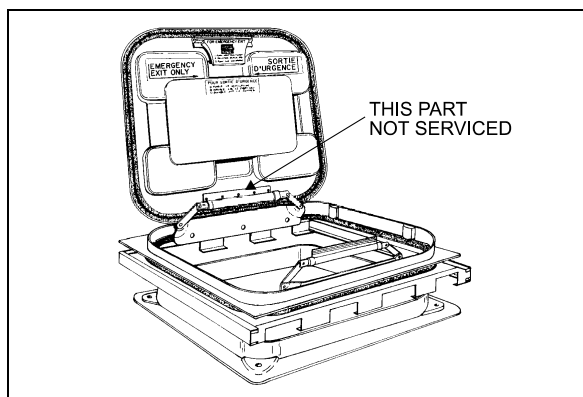


FIGURE 21: ESCAPE HATCH 18104

10.2 SEALING

1. Open and tilt up the escape hatch cover.
2. Join the 2 ends of the rubber seal.

Caution: Seal joint should be toward rear of vehicle.

3. Apply rubber adhesive CA-40 (Prévost # 681285) in the gap between the seal ends.
4. Apply Sikaflex 221 sealant (Prévost # 680532) along the outline of the escape hatch on the roof of vehicle.

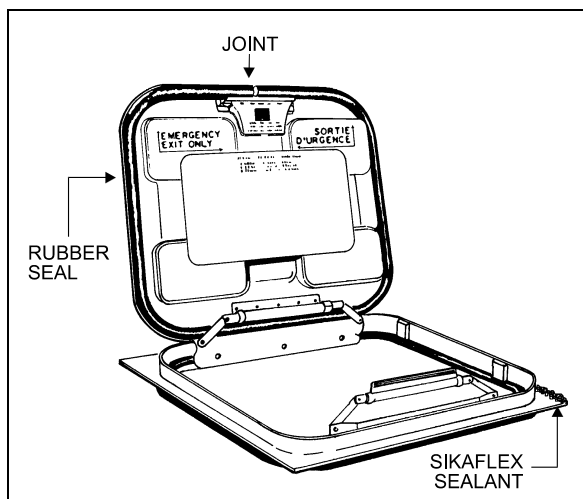


FIGURE 22: ESCAPE HATCH 18105

10.3 ESCAPE HATCH PANEL ASSEMBLY

The frame of the escape hatch is riveted to the roof of the vehicle. The escape hatch panel assembly can be replaced as a unit and a new panel assembly installed in the existing frame. To remove the panel assembly, remove the 4 bolts fastening the 2 hinges to the escape hatch frame and retain the 4 flat washers. Reinstall the

panel assembly by fastening the 2 hinges with the 4 bolts and flat washers removed earlier.

Caution: When installing, roof escape hatch's hinge must be toward the front of vehicle, to prevent the hatch from being ripped out if accidentally opened while vehicle is running.

10.4 ESCAPE HATCH FRAME

When necessary, the escape hatch frame can be removed and replaced in the following way:

1. Support the frame from inside the vehicle.
2. Remove rivets.
3. Cut the rubber seal with a sharp edge knife and remove the hatch frame.
4. On vehicle top, using the knife, remove as much as possible the remaining rubber seal.
5. Drill holes (if needed) in the new metal frame.
6. Clean both vehicle top and new hatch frame with SIKA 205.
7. Apply rubber adhesive SIKA 221 under the hatch frame surface.
8. Install the frame in place and fix it with rivets.
9. Remove excess adhesive and clean all around.

11. PASSENGER SEATS

H3-41 and H3-45 coaches can be equipped with any of 2 basic seat models and installed in a variety of seating arrangements:

1. The "Tourismo 2" seat is the base model and is available in heights of 40" (102 cm) and 42" (107 cm). Seating arrangement includes 2 card tables which can be folded and removed, and pivoting seats ahead of each card table. Each pair of seats is built on a welded steel frame fastened to the side wall and on a track-mounted pedestal. Standard seating capacity is 48 in H3-41 and 56 in H3-45.
2. The "V.I.P." seat model is an optional seat. "V.I.P." seats are mounted on one row of paired seats built on a common frame on one side of the vehicle, and a row of single seats on the other side of the vehicle with an off-center aisle. Each "V.I.P." seat has its own set of armrests.

Each seat has a easily removable bottom cushion. Upholstery is clipped on the cushion frame for cleaning or replacement. To remove the fabric, simply unclip from the frame. The "Tourismo 2" seats have 3 armrests. The aisle and center armrests can be folded up and down manually, while the window armrest is fixed.

11.1 ROTATING SEATS

1. Remove 1 wing nut holding each seat bottom cushion from under the seat frame.
2. Lift front part of cushions and remove cushions.
3. Remove 4 wing screws fastening seat assembly to seat frame.
4. Pull seat toward aisle and rotate.
5. Align mounting holes and reinstall 4 wing screws.
6. Reinstall seat bottom cushions with wing nuts.

11.2 REMOVING FIXED SEATS

Note: Seats on one row are not interchangeable with seats of the other row.

To remove fixed seats, proceed as follows:

1. Remove 1 nut holding each seat bottom cushion from under the front part of the seat frame.
2. Lift front part of cushions and remove cushions.
3. Remove 4 finishing screws holding plastic cover between side wall and seat frame.
4. Remove 2 cap screws, nuts, and washers holding seat frame to side wall and retain the 2 holding brackets. See figures 23 and 24.

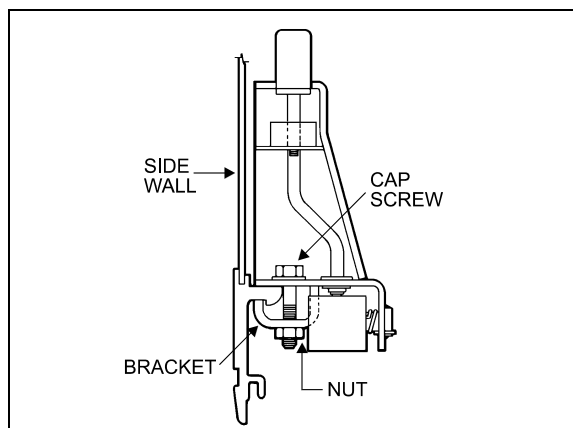


FIGURE 23: ARMREST

18106

5. Remove 2 nuts and washers holding seat frame to pedestal rods.

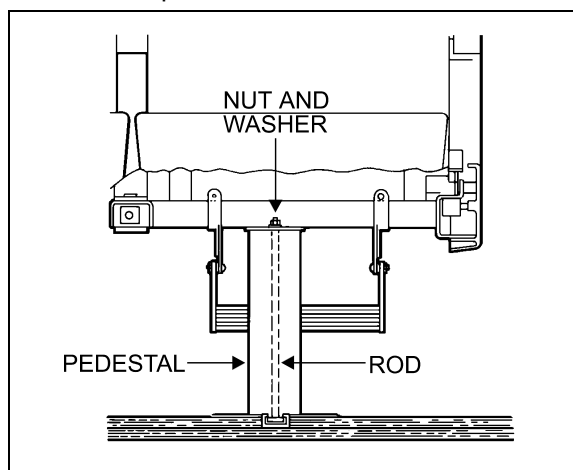


FIGURE 24: SEAT PEDESTAL ASSEMBLY

18107

Note: Bottom end of rod is coated with Loctite and threaded in a steel block which slides in the floor track. Removal of rod is possible if loosened from block. Otherwise, slide rod and block assembly to the front end of track after removing all seats located in front.

6. Remove seat assembly.
7. Reverse the above procedure to install seat assembly.

Note: On newer vehicles, the rod consists of a carriage bolt inserted in a square plate sliding in the floor track. Removal is possible only by the front or rear end of track.

11.3 UPHOLSTERY MAINTENANCE

Coach seats are lightweight, with foam-padded backs and cushions. For both appearance and

Section 18: BODY

wearability, best results are obtained if upholstery is cleaned at regular intervals before dirt, dust and grit have been ground into the fabric. Seat fabric is made of 50% wool, 33% cotton, 9% nylon, and 8% acrylic.

11.3.1 Routine Cleaning

All that is required to remove the dirt is a gentle beating with the hand or the back of a brush. This will bring the dirt to the surface where it is easily removed with a vacuum or brush in the direction of the pile which can easily be recognized by running a hand lightly over the pile. If the fabric become excessively dirty, particles of grit will cause gradual wear, reducing the life span of the fabric.

11.3.2 Dry Cleaning

If covers are to be removed for cleaning, dry cleaning is recommended since washing might cause some shrinkage, preventing the covers from being reapplied to the seats without damage. Other than spot cleaning the covers while they are in place, dry cleaning is not recommended, since the resulting fumes could be hazardous in the confines of the coach and the solvent could be detrimental to the foam padding of the seats.

11.3.3 Cleaning With Covers in Place

The most effective and economical method to clean the fabric seat covers is by washing with either an approved foam upholstery cleaner or with a mild household detergent.

Thoroughly vacuum the upholstery. Remove any spots or stains before the seats are washed to avoid a cleaning ring.

Dilute household detergent or liquid foam cleaner according to directions on the container. Pour a small quantity into a flat pan and work into a thick foam with a sponge or brush.

Apply only the foam to the fabric with a sponge or brush. Clean a small area of the fabric at a time with the foam. DO NOT SOAK. Rub vigorously.

Sponge the suds from the fabric with a clean sponge or cloth moistened with water. Rinse the sponge or cloth often and change the water when it becomes dirty.

Allow the upholstery to dry completely before the coach goes back into service. To speed up

drying, excess moisture can be blown off the fabric with compressed air.

Caution: Oil in the air line will soil the fabric. Blow the line clear and test air discharge against a plain white piece of paper. It is also effective to press the edge of a flat hardwood stick down on the cushion and slowly draw it across the fabric.

Even very soiled areas can be returned to their original appearance by a thorough cleaning, but a regular schedule of cleaning that keeps the upholstery reasonably clean at all times will greatly enhance the life span of upholstery.

12. COACH SIDE WINDOWS

Seven passenger side windows are provided on each side on H3-41, while the H3-45 have eight. They are made of fixed, single or double-glazed, heat absorbing AS-3 glass. Windows are mounted in painted aluminum extrusions, which hold the glass in place from the top rail of the coach. The extrusion also serves as a hinge to allow the window to swing open when needed. The single-glazed windows are made of tinted tempered safety glass, while the double-glazed windows are made of tinted tempered safety glass outside and clear tempered glass inside.

The two trapezoidal windows are also mounted on an aluminum extrusion (except for H3-45 VIP, where they're mounted with adhesives. Refer to "Adhesive Mounted Windows" in this section, for more information on this type of installation). The trapezoidal windows are made of fixed, double glazed, heat absorbing AS-3 tempered safety glass inside and tempered glass outside.

12.1 EMERGENCY EXIT WINDOWS

Three of the windows on each side serve as emergency exits on the H3-41, while there are three of them on curb side of the H3-45, and four on driver's side. See figures 25 and 26.

Except for the top window side, the three other glass sides are unprotected, which causes the workers to be exceptionally careful when manipulating or installing such windows.

In addition, when it becomes necessary to lay down the unprotected edges of the glass window, never use a steel or concrete floor support. It is recommended to use a wooden support, even better, a padded surface.

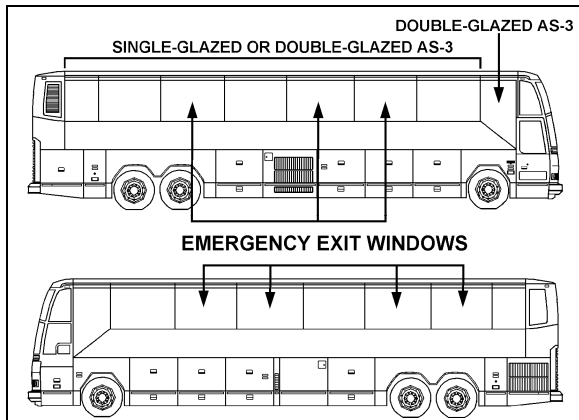


FIGURE 25: H3-45 COACH

18432

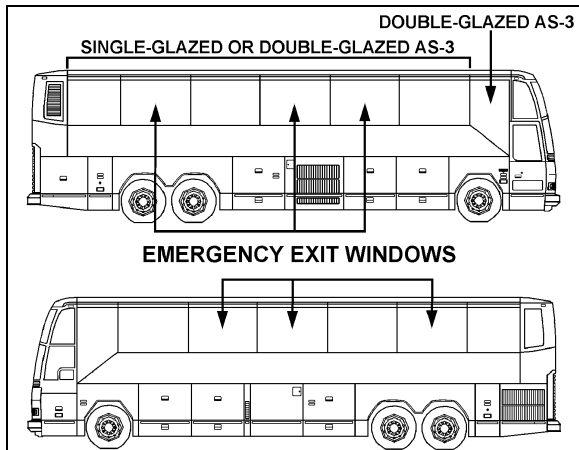


FIGURE 26: H3-41 COACH

18431

An emergency exit window can be opened by pulling the lower part of the release bar to disengage the safety latches, and then by pushing out the window frame (Fig. 27).

Emergency operating instruction decals are affixed under each emergency exit window. To close the window, pull back the window and push down the release bar.

12.2 EMERGENCY EXIT RELEASE BAR

The emergency exit release bar system is generally maintenance free.

It has been designed to answer the twenty pound resistance criteria for opening the emergency window. If this handle should be replaced:

1. Remove the screws and bolts securing it to the emergency exit window;
2. To install a new release bar, reverse the procedure.

Note: Check the legal twenty pound maximum resistance to be sure to comply to regulations.

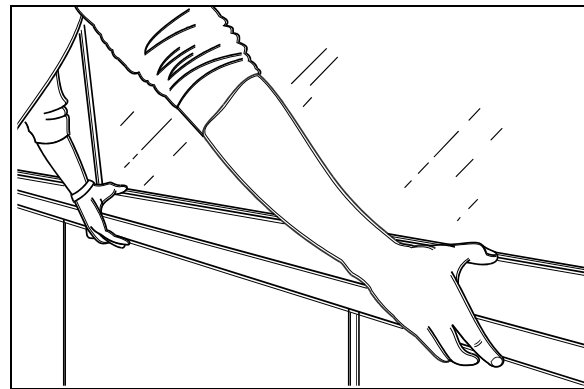


FIGURE 27: EMERGENCY EXIT WINDOW

23148

12.2.1 Emergency Exit Window Adjustment

Emergency exit windows should be checked periodically for easy opening and closing. Pulling the lower part of the release bar with both hands placed near the safety latches should disengage both locks on the window simultaneously. The tension required to release the window should not exceed twenty pounds (9 kg) of force.

The release bar mechanism itself has been designed such as no adjustments are necessary.

If too much effort is required to disengage the locks when pulling the release bar or if the window doesn't close tightly or rattles, check for interference by foreign objects or nearby parts into mechanism, such as the microswitch, rubber seal, wires, etc. Correct situation immediately.

Note: Tangs on the lock must be in a horizontal position.

12.3 FIXED WINDOW REPLACEMENT

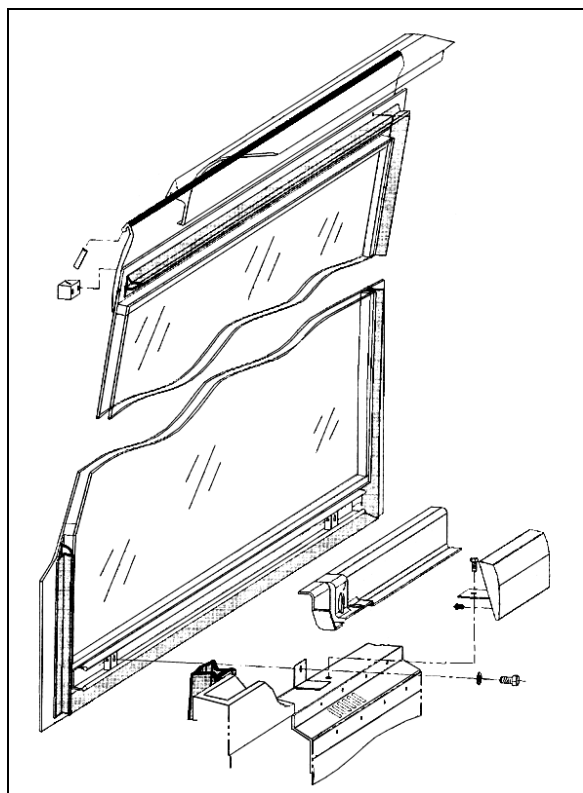


FIGURE 28: FIXED WINDOW

18434

When it becomes necessary to replace the glass of a fixed-type window, follow this procedure:

1. Unscrew the decorative plate and the bottom window bar in order to get access to the window retaining devices.
2. Remove the window bottom retaining bolts.
3. Push the glass window out ninety degrees (90°).

Warning: The window may fall out.

4. The window is free and can be unhooked.
5. Reverse procedure to install a new one.

Note: For all window replacement, it is extremely important to center the top side between the window dividing posts with great precision in order to be able to attach the bottom of window and the structural posts.

12.4 EMERGENCY EXIT WINDOW REPLACEMENT

1. Lift the bar release system and follow the same procedure mentioned above for fixed windows;
2. Remove the stop blocks from the top exterior of the window.
3. Reverse the procedure to install a new emergency exit window.

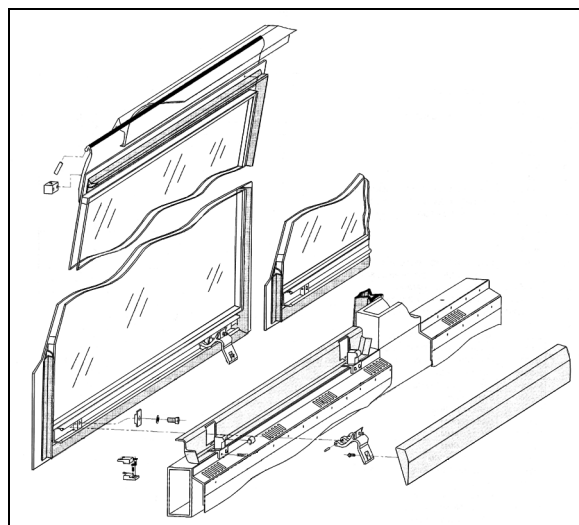


FIGURE 29: EMERGENCY WINDOW

18435

12.5 TRAPEZOIDAL WINDOW REPLACEMENT

Apply procedure for fixed window replacement described in this section but with these variations:

- The angle at which the window will detach is considerably smaller (about 45°);
- These windows are also glued to the structure at certain areas on their perimeter. Note where adhesives are used and apply gluing techniques at these areas to complete replacement of these windows.

12.6 SMALL REAR WINDOWS REPLACEMENT

These small windows are located at the vehicle's rear end, just forward of the lavatory.

Apply procedure for fixed window replacement described in this section but with these variations:

- The angle at which the window will detach is considerably smaller (about 45°);

- These windows are also glued to the structure at certain areas on their perimeter. Note where adhesives are used and apply gluing techniques at these areas to complete replacement of these windows.

Both the trapezoidal windows and the small rear window are fixed in place with adhesives. They are not serviceable, in the event that they may need replacement.

12.7 ADHESIVE-MOUNTED WINDOWS

These windows are located in the vehicle's front and rear caps (Fig. 30).

The adhesive-mounted windows are fixed, single or double-glazed, heat absorbing AS-2 or AS-3 glass mounted in their opening with polyurethane windshield adhesive. The single-glazed windows are tempered safety glass, same as the double-glazed windows which are tempered safety glass outside and inside.

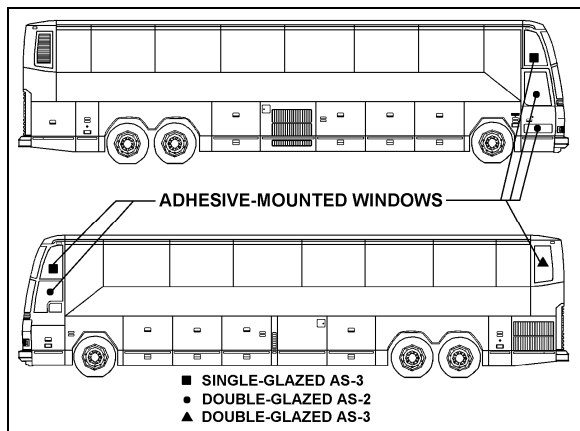


FIGURE 30: ADHESIVE-MOUNTED WINDOWS 18433

12.7.1 Glass Window Replacement

Items Needed:

- Scraper with new blade;
- Masking tape;
- Tremshield tape (Prévost #681089);
- Chix cloths (Prévost #682384);
- Isopropyl alcohol or enamel reducer or NAPA 6383 surface cleaner;
- Sika 205 cleaner;
- Sika 255 F.C. adhesive;
- Disposable vinyl gloves;

Warning: Wear disposable vinyl gloves during this procedure. Do not smoke. Dispose of unused toxic material properly. Heed all warnings on product containers.

1. Remove old window glass and scrape off remaining material up to 1/16" to 1/8" (2 to 3 mm) thick.

Note: Hardened adhesive will not remove easily. A new blade works best to remove all adhesive residue using care not to damage the fiber structure.

2. Place the new window glass in the opening and center it to leave an even gap top and bottom, and from side to side.

Note: Use small shims to raise the glass in proper position. Shims can be cut from the tremshield tape (Fig. 31).

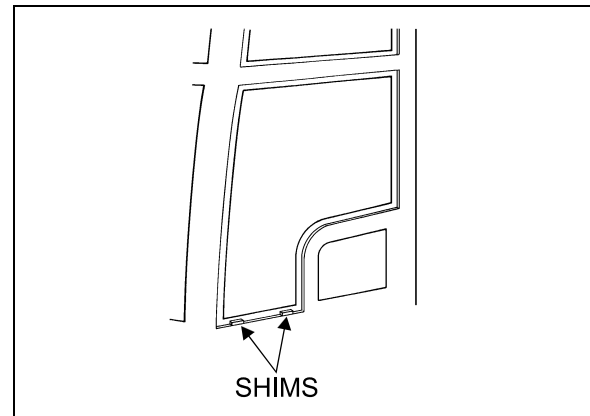


FIGURE 31: ADHESIVE-MOUNTED WINDOW 18079

3. Hold the window glass centered and have an assistant mark the inside contour of the opening on the glass with a china pencil. Remove glass and place it on a table with the pencil mark facing up.
4. Place masking tape on the inside surface of the glass to just cover the china pencil mark, leaving the outer surface exposed for the adhesive. This will make cleanup much easier. For ease of removal, do not overlap the tape at corners.

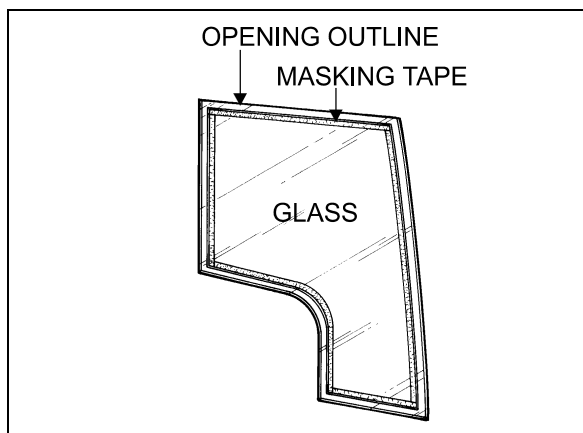


FIGURE 32: ADHESIVE-MOUNTED WINDOW 18080

5. Clean all around the window opening and the window glass edge with Sikaflex 205 (shake well before applying). Let dry 5-6 minutes minimum but no more than 8 hours.

Caution: There must be absolutely no silicone on glass or channel or Sikaflex 255 FC will not stick.

6. Put masking tape on the inner and outer contour of the window opening on the structure, approximately 1/16" (1,5 mm) from the edges of the contour.
7. Install Tremshield tape around the sealing surface of the window opening.



FIGURE 33: ADHESIVE-MOUNTED WINDOW 18081

8. Apply a generous bead of Sikaflex-255 FC polyurethane adhesive on the sealing surface around the window opening from outside the vehicle.

Note: To ease applying of Sikaflex 255 FC, it may be heated to 86° F (30°C).

Note: Bead should touch the side surface of the window opening.

9. Place shims correctly, and position window glass in the opening. Press firmly and evenly. Excess adhesive should flow out from behind glass.

Note: Add adhesive in areas where overflow is minimal or if air bubbles are present.

10. Smooth the adhesive joint using your finger (wear vinyl gloves). Remove excess material around both sides of the window as soon as possible before adhesive dries.

Note: Remove most of the adhesive from the scraper or trowel with a rag, and then dip tool in heavy hydrotreated naphtha (vanishing oil) after each use for cleaning.

Caution: Never use solvents to clean excess adhesive.

11. Remove masking tape at once, clamp window glass suitably and let dry overnight or at least 8 hours.
12. Spraying pure water on the joint will accelerate the drying process.

13. WINDSHIELD

The lower windshield is single-glazed, AS-1 laminated safety glass, while the upper windshield is single-glazed, AS-3 laminated safety glass. The upper windshield can be equipped, as optional equipment, with heating elements. Each windshield is laced to a flange around an opening in the front structure by means of a one-piece black rubber extrusion and sealed with Sikaflex-255 FC polyurethane adhesive (Prévost # 681092). Proper installation of the windshield is necessary to ensure watertightness. Since glass varies in fit depending on the supplier, we recommend installing a replacement windshield obtained from Prévost Parts to ensure proper fit. Windshields obtained from other sources should be checked for proper size and curvature.

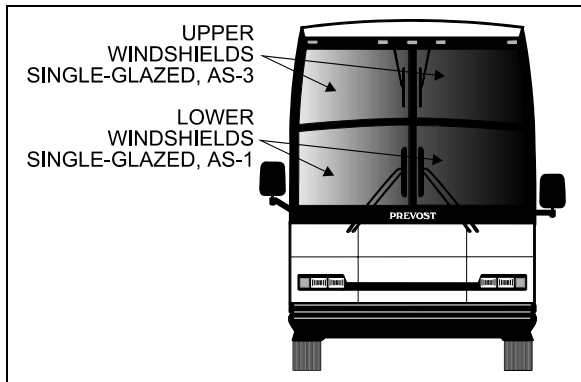


FIGURE 34: WINDSHIELD

18082

13.1 REMOVAL

Warning: Windshield removal and installation must be performed by more than one person. To avoid personal injury, wear protective gloves when handling the windshield glass.

1. Remove the wiper arms of the affected windshield.

Note: Remove the destination sign when replacing the upper R. H. side windshield.

2. Remove the rubber filler strip from the rubber extrusion around the windshield.
3. Run a blunt wood or plastic instrument inside channel of the rubber extrusion where the windshield is inserted, to loosen the windshield from the extrusion, from inside and outside the vehicle all around the windshield.
4. Pry out the windshield starting at a corner and pushing the windshield up and out of the opening.
5. Clean the rubber extrusion channel with isopropyl alcohol. Refer to heading "Windshield Installation Only" in this section for instructions on how to reinstall windshield.

Note: If the rubber extrusion is damaged, remove and discard it, then clean the windshield opening with isopropyl alcohol. Refer to heading "Installation of Rubber Extrusion and Windshield" in this section for complete instructions.

13.2 WINDSHIELD INSTALLATION ONLY

Warning: Wear disposable vinyl gloves during the procedure. Do not smoke. Dispose of unused toxic material properly. Heed all warnings on containers of the different products used in this procedure.

1. Clean the rubber extrusion channel (Fig. 35) with wiping towels soaked with isopropyl alcohol.

Note: Force the soaked towels in the channels for good cleaning in these critical areas.

2. Wipe with dry wiping towels and let dry 1-2 minutes.
3. Prepare the surface with SIKA 205.
4. Wipe with dry wiping towels and let dry for 2 minutes minimum, 8 hours maximum.

Caution: If more than 8 hours elapse before proceeding with the installation, return to step 3.

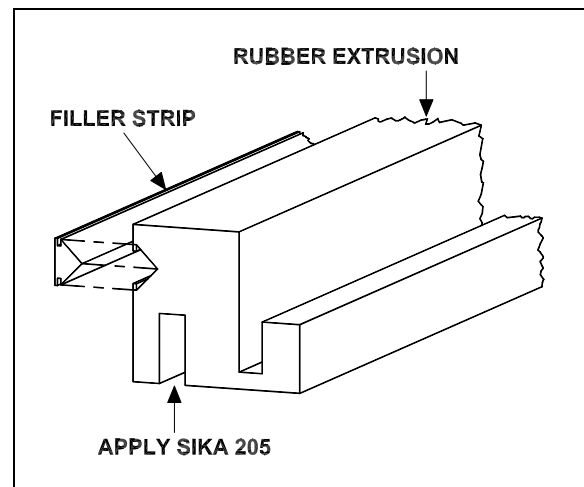


FIGURE 35: WINDSHIELD INSTALLATION

18098

5. Spray the windshield channel of the rubber extrusion with a liquid soap and water solution.
6. Prepare the windshield perimeter with Sika 205 and let dry.
7. Install the windshield in the rubber extrusion, bottom first, and working up the sides to the top using a thin and rounded wooden or plastic piece to force the windshield in its channel. End the installation at one of the upper corners.

Note: Two people should be working on both faces of the windshield simultaneously.

Section 18: BODY

- Mask the windshield following the contour of the rubber extrusion.

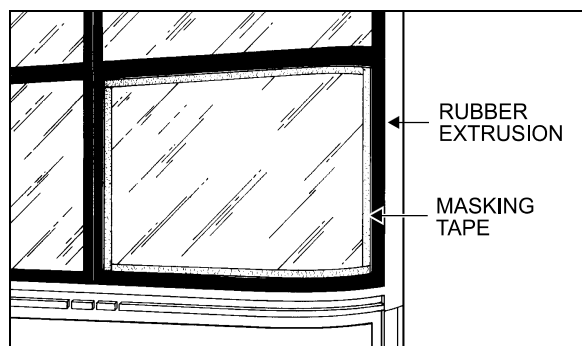


FIGURE 36: WINDSHIELD INSTALLATION 18099

- Apply Sikaflex-255 FC polyurethane adhesive (Prévost # 681092) generously between windshield and the rubber extrusion, while inserting the tip of the adhesive tube deep in the channel. Push the tip forward (don't pull the tube through the channel, air might get trapped). Scrape excess adhesive from windshield and clean with Klene-Sol or equivalent solvent.

Caution: Do not use alcohol or silicone based products close to fresh adhesive.

- Spray V-channel in the rubber extrusion with a liquid soap and water solution, and install filler strips in the rubber extrusion, cutting each end at a 45° angle.

Note: Filler strips retract with time. Install ends of filler strips as tight as possible in the V-channel.

- Remove all masking tape and clean all areas properly. Reinstall windshield wiper and destination sign if applicable.
- Let dry overnight, or at least 8 hours, before putting vehicle back into service.

13.3 INSTALLATION OF RUBBER EXTRUSION AND WINDSHIELD

Warning: Wear disposable vinyl gloves during the procedure. Do not smoke. Dispose of unused toxic material properly. Heed all warnings on containers of the different products used in this procedure.

Caution: The black rubber extrusion securing the windshield in the opening fits correctly in only one position. Find the correct position of the rubber extrusion now, and make reference marks with a china marker to avoid searching for the correct position later in the procedure.

- Clean the windshield opening sealing surfaces with isopropyl alcohol and let dry 1 to 2 minutes.

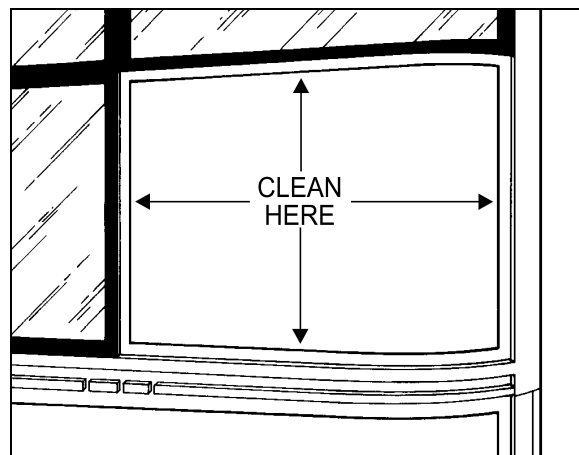


FIGURE 37: WINDSHIELD INSTALLATION 18100

- Clean the rubber extrusion with wiping towels soaked with Sika 205. Wipe with dry wiping towels and let dry for 5-6 minutes minimum.

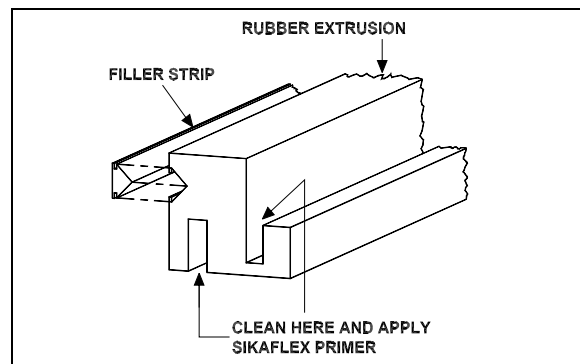


FIGURE 38: WINDSHIELD INSTALLATION 18101

Note: Force the soaked towels in the channels for good cleaning in these critical areas.

- Mask the interior side of the windshield opening or apply a coat of petroleum jelly such as Vaseline to aid in removal of adhesive overflow after the installation.
- Mask the exterior side of the windshield opening on the 2 sides not adjacent to the other windshield.

- Apply 2 beads, parallel but not touching, of Sikaflex-255 FC polyurethane adhesive (Prévost # 681092) on the sealing surface of the windshield opening.

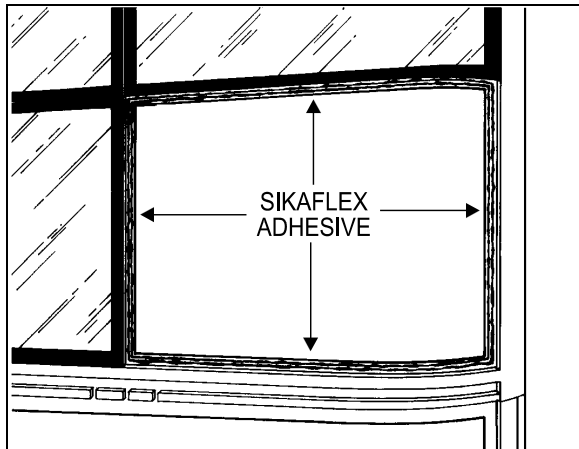


FIGURE 39: WINDSHIELD INSTALLATION 18102

- Apply Sikaflex-255 FC adhesive all around the rubber extrusion in the channel for the windshield opening flange.

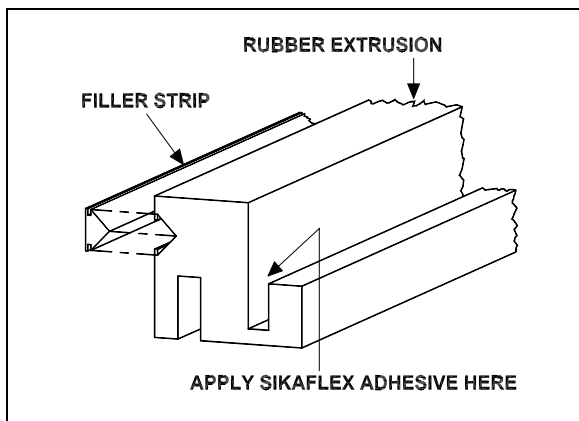


FIGURE 40: WINDSHIELD INSTALLATION 18103

Caution: Sikaflex adhesive hardens quickly. Continue installation immediately after application of adhesive is completed.

- Find the reference marks made earlier and install the rubber extrusion in the windshield opening.
- Spray the windshield channel of the rubber extrusion with a liquid soap and water solution.
- Install the windshield in the rubber extrusion, bottom first and working up the sides to the

top, using a thin and rounded wooden or plastic piece to force the windshield in its channel. End the installation at one of the upper corners.

Note: Two people should work on both sides of the windshield simultaneously.

- Mask the outside of the windshield following the contour of the rubber extrusion.
- Apply Sikaflex-255 FC adhesive generously between windshield and rubber extrusion, while inserting the tip of the adhesive tube deep in the channel. Scrape off excess adhesive from windshield and clean with Klene-Sol or equivalent solvent.
- Spray V-channel in the rubber extrusion with a liquid soap and water solution, and install filler strips in the rubber extrusion, cutting each end at a 45° angle.

Note: Filler strips retract with time. Install ends of filler strips as tight as possible in the V-channel.

- Add Sikaflex-255 FC adhesive where the rubber extrusion meets the front structure on the 2 sides not adjacent to the other windshields. Scrape off excess adhesive and clean with Klene-Sol or equivalent solvent.
- Remove all masking tape and clean all areas properly. Reinstall windshield wiper and destination sign if applicable.
- Let dry overnight or at least 8 hours before putting vehicle back into service.

14. BODY PANELS AND DOORS

Each of the doors should be checked for proper operation. This includes latching. Also, inspect each of the doors for damage, missing, or loose parts. Repair or replace those parts as needed.

Unless otherwise noted, body panels and doors should be aligned and centered with surrounding panels. In general, a gap of ¼ inch (6 mm) is desirable between panels. Refer to figure 41 for specified gaps.

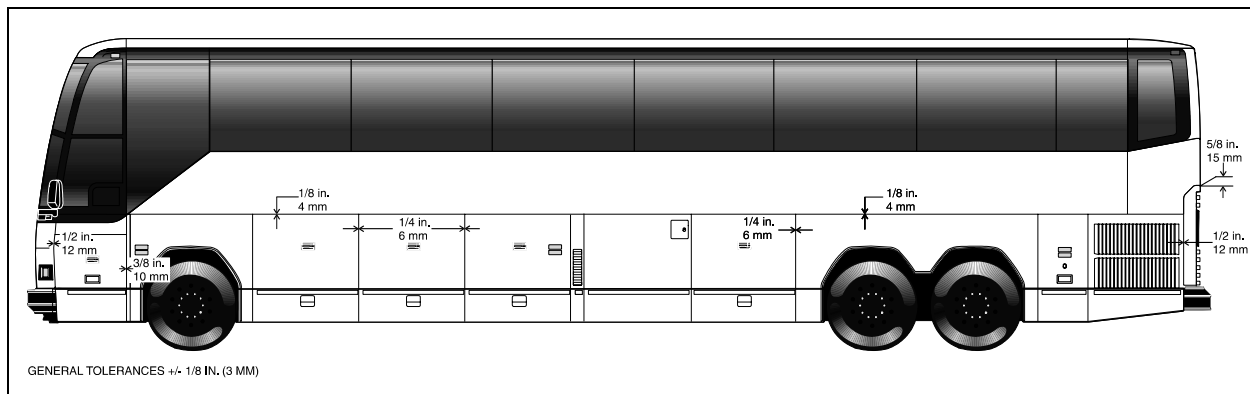


FIGURE 41: BODY PANEL SPACING

18317

15. PANTOGRAPH DOORS

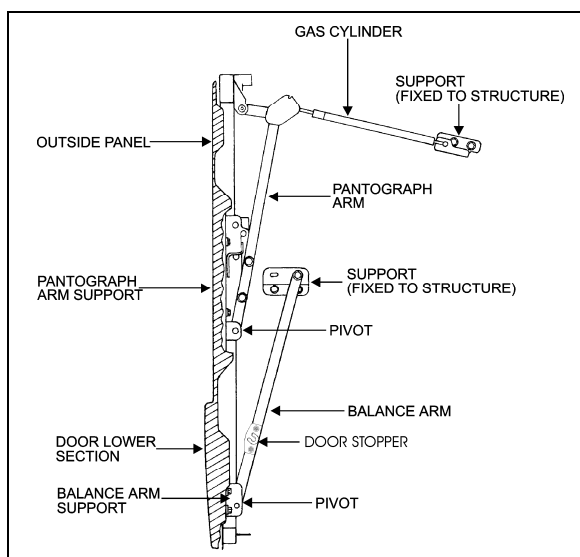


FIGURE 42: BAGGAGE COMPARTMENT DOOR 18061

There are 6 pantograph doors serving as baggage compartment doors on the H3-41, while there are 8 on the H3-45 and the V.I.P (depending on options, VIP model may have even more pantograph doors). Each of these doors is of identical design. A centrally mounted, key-lockable door handle unlatches the door which can then be pulled out and raised up in a path parallel to the side of the vehicle. The door is held in open position by two fully extended gas-charged cylinders, giving clear access to the opening of the baggage compartment.

From its fully open position, the door can be closed by pulling down on the door panel, and letting go when you sense the door will close on its own. The door will easily hinge its way back in the contour of the compartment opening and will be held closed by two latches. Each door

can be opened by lifting the centrally mounted handle to unlatch the door and lifting it all the way up. If the door does not remain in the fully open position, one or both cylinders on that door is (are) defective. To test the cylinders, first support the door in the fully open position with proper equipment. Disconnect the rod end of one cylinder and try to retract the rod. If strong resistance is felt, the cylinder is in good condition and can be reinstalled. If the rod retracts with little effort, the cylinder is defective and should be replaced at once (Prévost #980024). Test the other cylinder on that door the same way.

Note: In case of malfunctioning or in specific situations, use door stoppers to secure the door in the open position.

15.1 PANTOGRAPH ADJUSTMENT

Warning: Park vehicle safely, apply parking brake, stop engine and set batteries master switches to the "OFF" position prior to working on the vehicle.

Note: Refer, if needed, to figure 42 for identification of door components.

If the door bends when opening or if pantograph does not function properly, it is probably because the pantograph arms are misadjusted.

The pantograph arms should measure the same length. Measure distance between a pantograph arm end and a straight edge resting on structure. Repeat procedure for the other arm. The distance on each side should be equal. If not, bend appropriate arm until desired measure is obtained. (Fig. 44 and 45). Doors can be adjusted by bending the arms as follows:

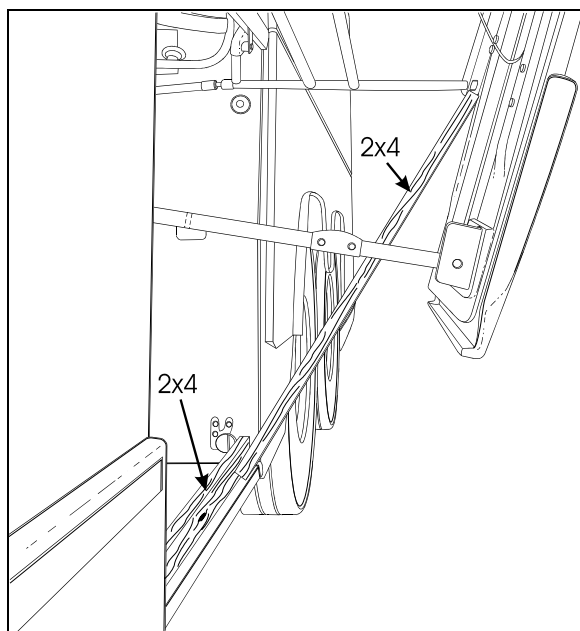


FIGURE 43: PANTOGRAPH ADJUSTMENT 18319

1. Open the door halfway up.
2. Install a piece of wood (a 2x4 will do) along the bottom of the baggage compartment. Arrange so it rests against the striker pins and is prevented from sliding further in the compartment.
3. Install another piece of 2x4 between the first piece and the bottom of the pivot of the lowest (or shortest) pantograph arm, (Fig. 43).
4. Pull down on the opposite side of the door to bend the door around the pantograph arm pivot (prevented from moving by the 2x4).
5. When the door is straight, remove the 2x4's and check door operation and fit. A difference of $3/32$ " (2mm) between both sides is accepted (Fig. 45).
6. Repeat as necessary.

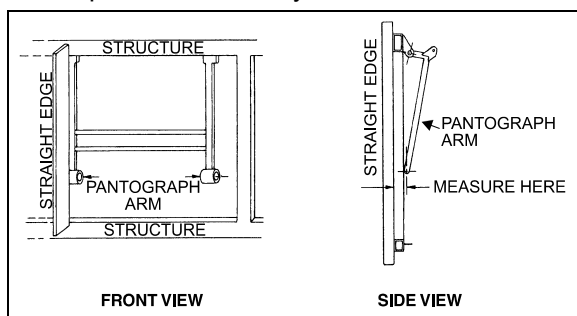


FIGURE 44: PANTOGRAPH ADJUSTMENT 18062

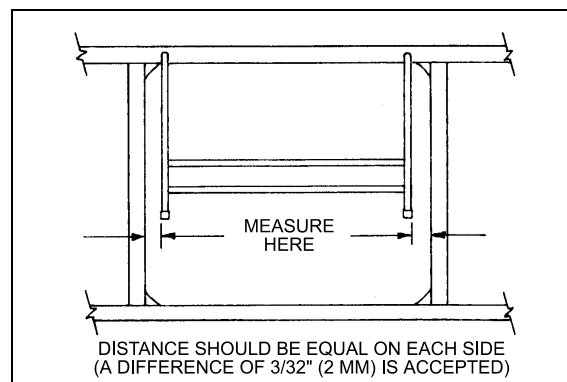


FIGURE 45: PANTOGRAPH DOOR ADJUSTMENT 18063

When the pantograph is correctly adjusted, the distance between the vertical steel member and the lateral edge of the door should be $1-3/8$ " (35mm).

15.2 DOOR ADJUSTMENT

If the door is misaligned at front or rear posts, at top, or at bottom adjust as follows:

1. Unscrew and remove both striker pins. Loosen bolts retaining door to pantograph and balance arm supports. With door closed, adjust height so the top of the door fits flush with the adjacent doors. Then, complete tightening the four bolts retaining door to each pantograph arm support. A gap of $1/8$ " (3mm) between the top of the door and the stainless steel support is given as a guide (Fig. 46).

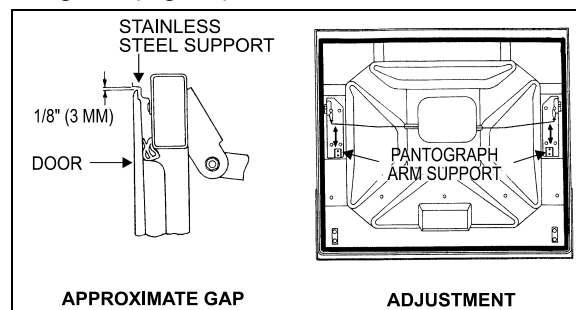


FIGURE 46: BAGGAGE COMPARTMENT DOOR 18064

2. Slightly open the door, position it to obtain a gap of 4" (100mm) between structure and door panel upper lip, maintain door in this position while an assistant completes tightening the two bolts retaining door to each balance arm support (Fig. 47).

Section 18: BODY

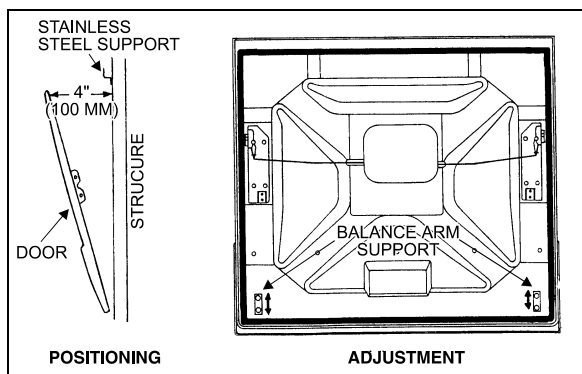


FIGURE 47: BAGGAGE COMPARTMENT DOOR 18065

3. Fully open the door, loosen the two bolts retaining each gas cylinder support to structure, position door parallel with adjacent doors and complete tightening bolts. A measure of $6'' \pm \frac{1}{4}''$ ($150\text{mm} \pm 7\text{mm}$) between door panel lip (at level of upper edge of lower section) and the lateral panel is given as a guide.

Caution: For converted vehicles provided with "Awning" windows, fully open window then adjust door opening angle so the door does not interfere with window.

4. With door slightly open, pull door handle while an assistant checks that both latches release simultaneously. If not, with latch engaged, gently bend the appropriate latch control rod until proper timing is achieved (Fig. 48).

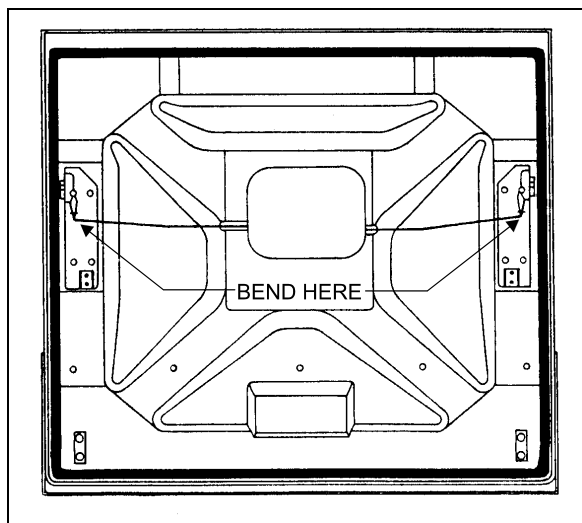


FIGURE 48: BAGGAGE COMPARTMENT DOOR 18067

5. Install both striker pins, bring the door close to them, and adjust the height of pins so they are well centered with latches (Fig. 49).

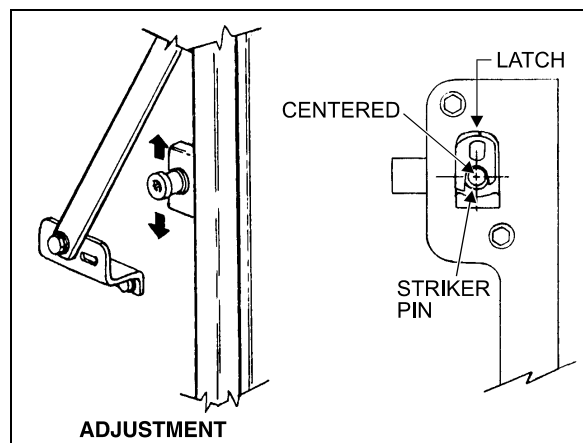


FIGURE 49: BAGGAGE COMPARTMENT DOOR 18068

Note: Before proceeding with the following step, mark the position of striker pins on structure to avoid upsetting the vertical adjustment of the pin.

6. Loosen the striker pins just enough to allow them to be moved with a hammer. Working from inside compartment and with the door closed (lower catches engaged), hit the pin washers to horizontally move the pins and consequently the door, while an outside assistant checks the fit. A gap of $\frac{1}{16}'' + \frac{3}{64}''$, $-\frac{1}{64}''$ ($1,5\text{mm} + 1\text{mm}$, $-0,5\text{mm}$) between the stainless steel support for the lateral panel and the door panel lip is recommended (Fig. 50)

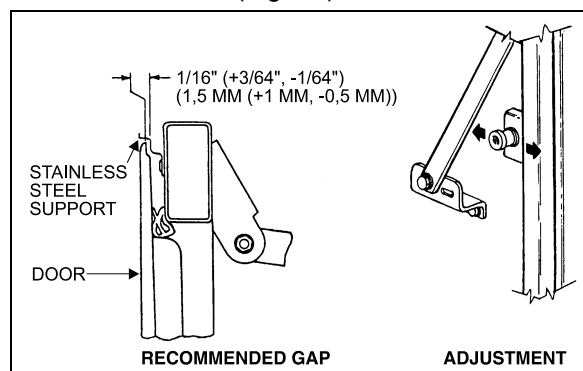


FIGURE 50: BAGGAGE COMPARTMENT DOOR 18069

7. With door shut, it should have a gap of $\frac{3}{8}'' \pm \frac{5}{64}''$ ($10\text{mm} \pm 2\text{mm}$) between door panel lip (at level of upper edge of lower section) and structural post. If not, move pins horizontally until correct gap is obtained. Fully tighten the pins after adjustment is achieved (Fig. 51).

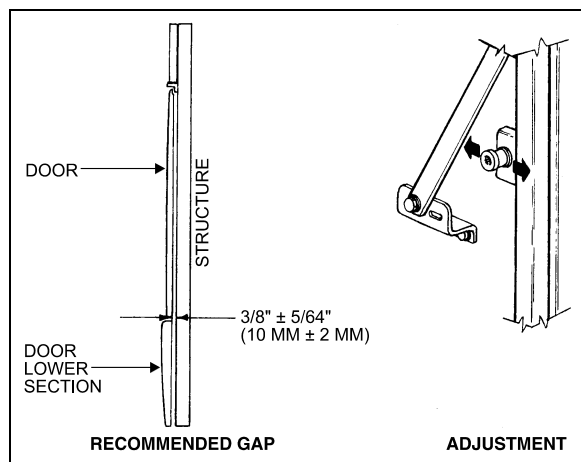


FIGURE 51: BAGGAGE COMPARTMENT DOOR 18070

8. Recheck gap mentioned in step 6. If gap has changed, correct by adjusting arm support fixed to structure. Loosen the bolt supporting the balance arm on door lower section and close the door, gap adjustment will automatically result. Tighten the bolt from inside the compartment (Fig. 52).

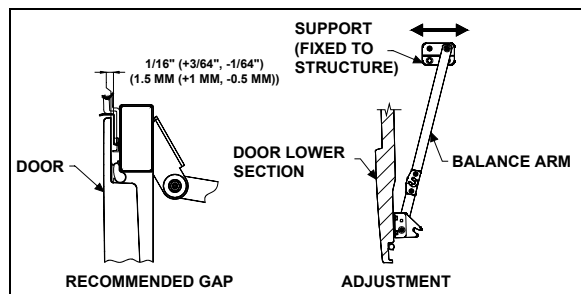


FIGURE 52: BAGGAGE COMPARTMENT DOOR 18071

Once the adjustment procedure is achieved, ensure that all bolts are securely tightened.

16. DOOR HANDLES

Compartment door handles are non serviceable. When a door handle has to be removed, proceed as follows:

1. Unscrew the four (4) retaining screws;
2. Remove the two (2) wires connecting the handle to the door latch locking mechanisms.
3. To install a new handle, reverse the procedure.

17. ENGINE COMPARTMENT DOOR

The engine compartment rear door (Fig. 53) rises in the same way as the baggage compartment doors and is held open by three

gas-charged cylinders (Prevost # 980024). The engine compartment opens by lifting a handle accessed from the R.H. side of the engine compartment.

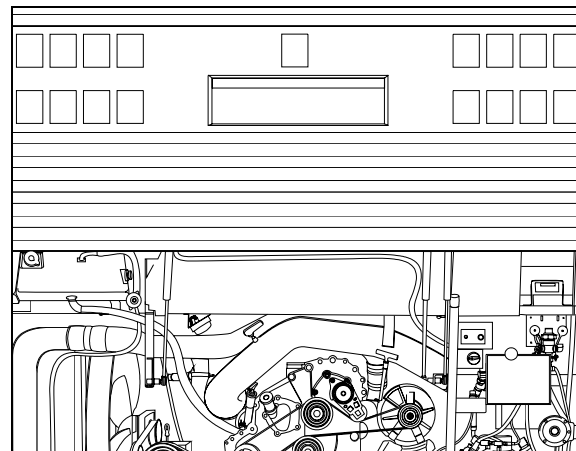


FIGURE 53: ENGINE COMPARTMENT DOOR 18323

When pushed up, the handle pulls on two steel wires, each steel wire connected to its respective door latch locking the rear door. Both steel wires are looped at the release handle and can be adjusted to proper length to ensure positive release of both catches when the handle is raised.

17.1 ENGINE DOOR ADJUSTMENT

As indicated above, the engine door mechanism is similar to the baggage door mechanism using a pantograph and 3 gas cylinders to move the door up and down.

For a minor horizontal or vertical adjustment:

1. Open the door mid-height;
2. With the help of an assistant, pull down one side of door while holding up the other side to bend the pantograph arms in the desired position;
3. Close the door and check the top edge parallelism between the door and the vehicle end cap structure. The space may be somewhere between 10 and 15 mm;
4. Repeat until satisfied.

17.2 MINOR TOP EDGE DEPTH ADJUSTMENT

Two rubber spring loaded stops may be adjusted. They are located near the top edge on each side of the rear door.

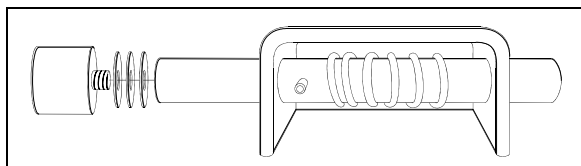


FIGURE 54: DOOR STOP

18324

To adjust:

1. Open door.
2. Unscrew rubber stop.
3. Add or remove washers as needed.
4. Firmly screw back rubber stop.

17.3 MINOR LOWER EDGE DEPTH ADJUSTMENT:

1. Open door.
2. Slightly loosen the striker pins on each side of door.
3. Using a hammer, strike striker pin gently in the desired direction (in or out).
4. Close the door slowly and check fit.
5. Repeat 3 and 4 to adjust the other striker pin.
6. When door depth is completed on the four corners, both vertical door sides should be parallel to the vehicle body structure.
7. Firmly tighten the striker pins (2) to lock them in position.

18. ENGINE AIR INTAKE GRILL

When needed, the engine air intake grill can be changed:

1. Cut the seal around the grill with a sharp edged knife.
2. Remove the grill from the vehicle.
3. On the vehicle grill opening, using the knife, remove as much adhesive as possible.
4. Sand the new grill backing edge to remove the glossy surface.
5. Clean with alcohol, wipe dry.
6. Apply SIKA 205 primer to the grill opening and the grill edges. Allow to dry at least 2 minutes for chemical evaporation.
7. Apply SIKA 255 FC adhesive on the grill edge.

8. Install the grill on the vehicle, adjust and fasten with masking tape. Allow 8 hours setting period.

19. RADIATOR DOOR ADJUSTMENT

Radiator door may be adjusted for proper fit by untightening hinge nuts:

1. Loosen the nuts (1, Fig. 55) holding the hinge to the vehicle structure to shift the door "IN or OUT" and "UP or DOWN".
2. Loosening nuts (2, Fig. 55) allows the door to be shifted "LEFT or RIGHT" and "UP or DOWN".
3. Adjust the door position depending on the gap needed between exterior finishing panels (Fig. 41).
4. Tighten the nuts.
5. Check that the door swings freely and closes properly. It may be necessary to adjust the door latch to get proper fit and operation.

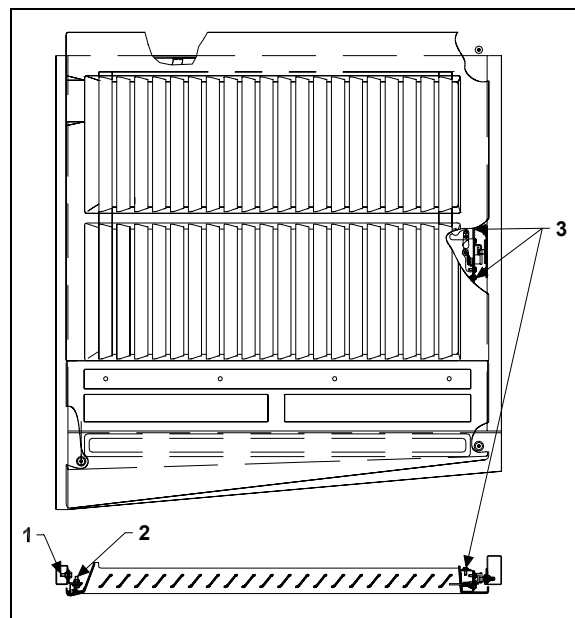


FIGURE 55: RADIATOR DOOR

18191

To adjust the latch mechanism and the striker pin:

1. Open the door to access the striker pin.
2. Slightly loosen the striker pin.
3. Using a hammer, adjust the striker pin to center it in the door latch mechanism.
4. Tighten the striker pin.

5. Check door fit and operation.

20. CONDENSER DOOR ADJUSTMENT

1. Open the condenser door.
2. Loosen the nuts (1, Fig. 56) holding the hinge (3, Fig. 56) to hinge attachment (4, Fig. 56). Loosening nuts (1, Fig. 56) allows the condenser assembly to be shifted "LEFT or RIGHT" and "UP or DOWN".
3. Adjust condenser assembly position at the hinge.
4. Tighten the nuts.

5. Loosen bracket nuts holding the panel to condenser. Panel (6, Fig. 56) may be shifted "IN or OUT", "LEFT or RIGHT" and "UP or DOWN".
6. Adjust condenser panel at brackets (2, Fig. 56) and (5, Fig. 56).
7. Tighten the nuts.
8. Respect the required gap between exterior finishing panels (Fig. 41).
9. Check that the door swings freely and closes properly. It may be necessary to adjust the door latch to get proper fit and operation.

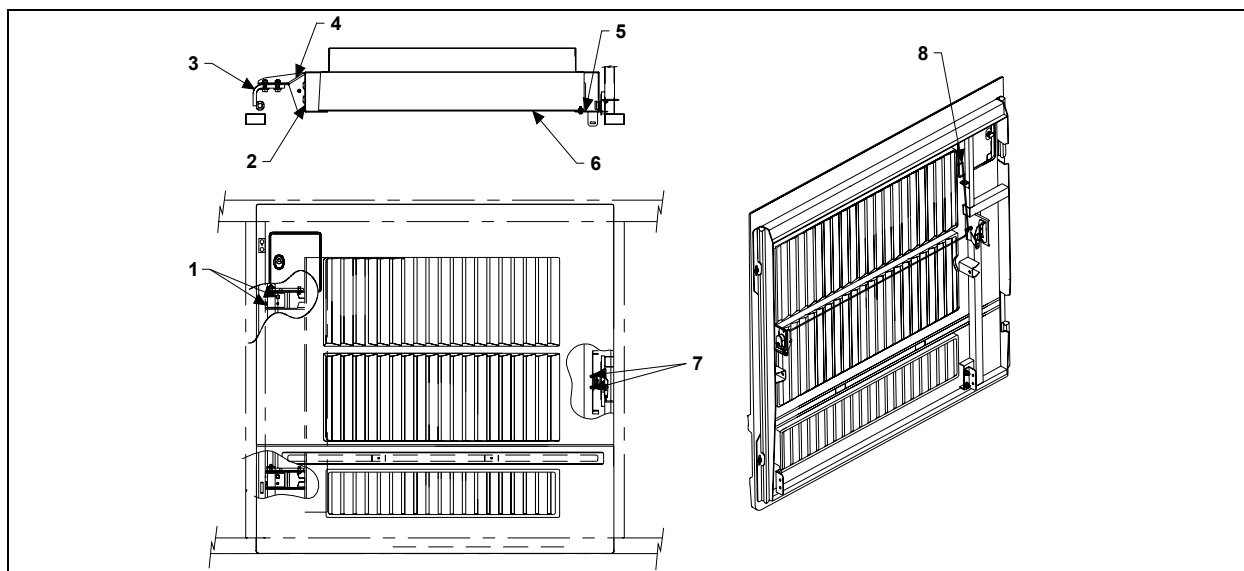


FIGURE 56: CONDENSER DOOR

D280201

21. FUEL FILLER DOOR

1. Open the fuel filler door (1, Fig. 57).
2. Loosen the screws (3, Fig. 57) holding the panel to hinge (2, Fig. 57) assembly.
3. Adjust the fuel filler door position according to distance required between exterior finishing parts (Fig. 41).
4. Tighten the nuts.
5. Check that the door swings freely and closes properly.

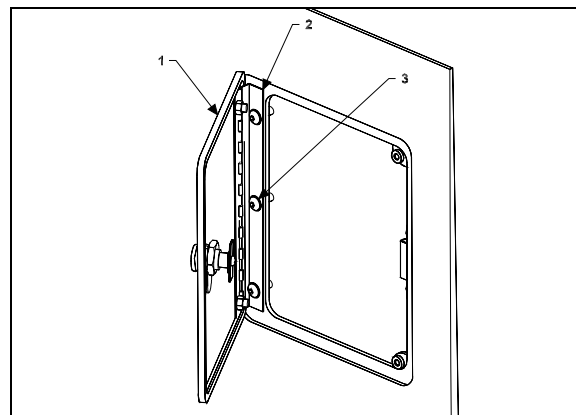


FIGURE 57: FUEL FILLER DOOR

1875003D

22. FRONT SERVICE COMPARTMENT

Adjustment of the front service compartment door can be done by following these steps:

Section 18: BODY

1. Open the door.
2. Loosen nut (2, Fig. 58).
3. Move part (1, Fig. 58), as close as possible to exterior of coach, so as to have enough clearance for proper door opening.
4. Tighten nut (2, Fig. 58).
5. Loosen nut (3, Fig. 58). Hinge allows the door to be shifted "IN or OUT".

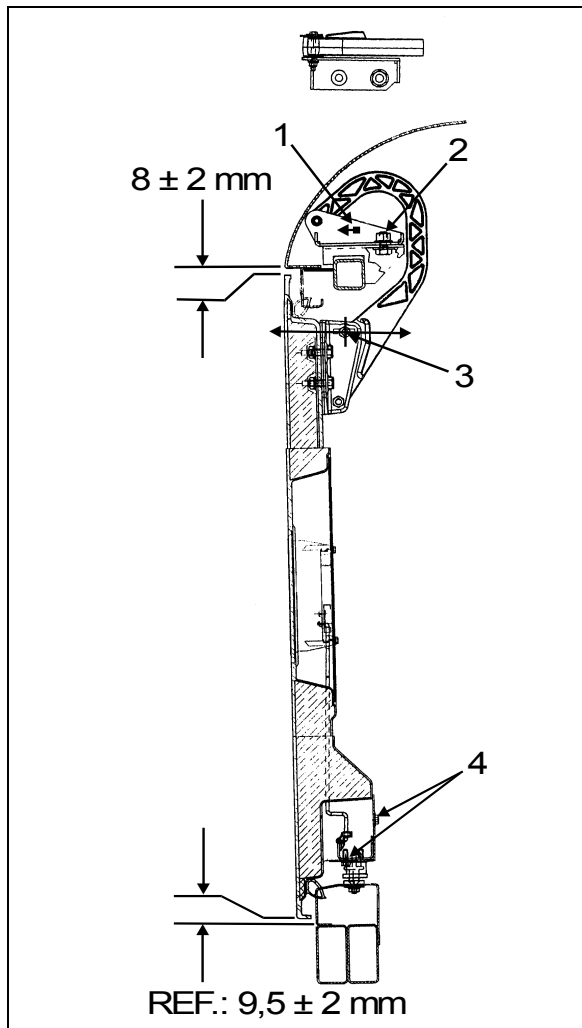


FIGURE 58: DOOR HINGE

18194

6. Adjust door panel to have the same gap space as neighboring panels or refer to figure 41 for specified gap space. Only if necessary, use the adjustment allowed by moving part 1, Fig. 58.
7. Loosen screws (5, Fig. 59) to allow the door to be shifted "UP or DOWN".
8. Adjust the door position.

9. Tighten the screws.
10. Check that the door swings freely and closes properly. It may be necessary to adjust the door latch to get proper fit and operation.

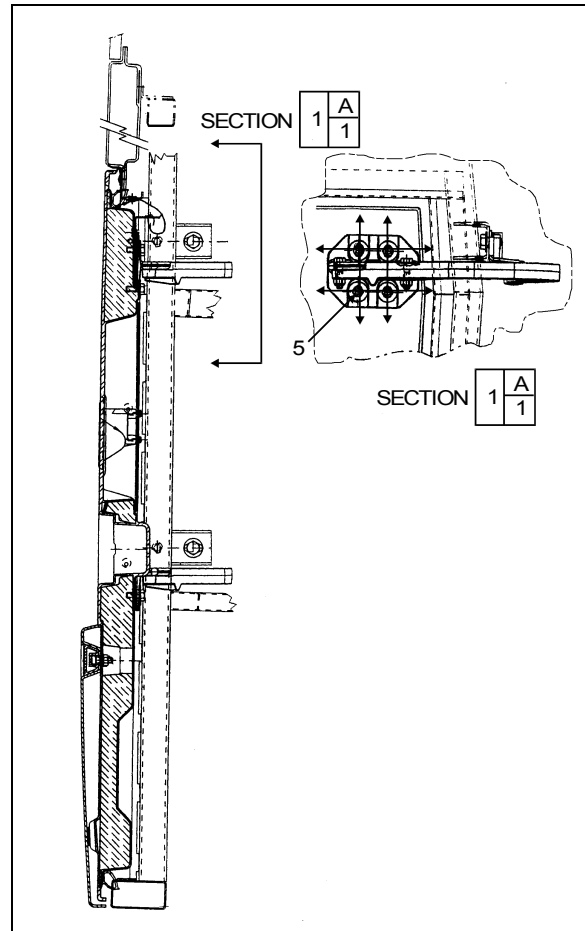


FIGURE 59: FRONT SERVICE DOOR

18195

22.1 LATCH MECHANISM ADJUSTMENT

To adjust the latch mechanism and the striker pin, open the door to access the striker pin. Slightly loosen the striker pin. Using a hammer, adjust the striker pin to center it in the door latch mechanism. Tighten the striker pin. Check door fit and operation.

23. ENGINE COMPARTMENT R.H. SIDE DOOR

The engine compartment R.H side door can be adjusted by following these steps:

1. Open the door.
2. Loosen nut (1, Fig. 60).

3. Move part (3, Fig. 60) as shown in figure for "LEFT or RIGHT" adjustment.
4. Tighten nut (1, Fig. 60).
5. Loosen nut (2, Fig. 60).
6. Hinge allows the door to be shifted "IN or OUT".
7. Adjust the door in accordance with the required distance between exterior finishing parts (Fig. 41).
8. Loosen screws (4, Fig. 61).
9. Screws allows the door to be shifted "UP or DOWN".
10. Adjust the door position according to the distance required between exterior finishing parts (Fig. 41).
11. Tighten the screws.

Check that the door swings freely and closes properly. It may be necessary to adjust the door latch to get proper fit and operation.

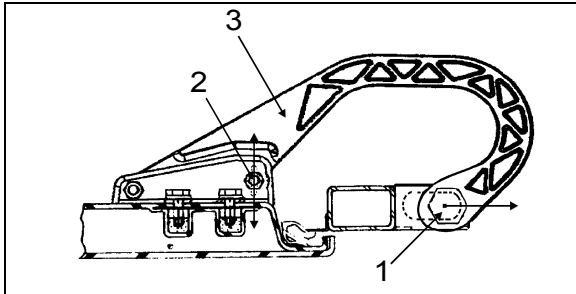


FIGURE 60: DOOR HINGE

18196

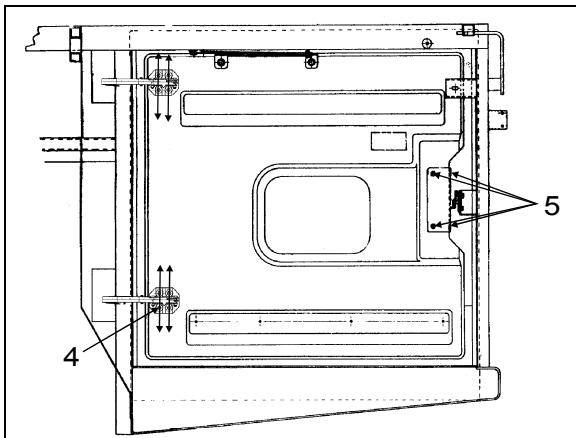


FIGURE 61: ENGINE COMPARTMENT R.H. DOOR

18197

23.1 LATCH MECHANISM ADJUSTMENT

To adjust the latch mechanism and the striker pin, open the door to access the striker pin. Slightly loosen the striker pin. Using a hammer, adjust the striker pin to center it in the door latch mechanism. Tighten the striker pin. Check door fit and operation.

24. EVAPORATOR DOOR ADJUSTMENT

1. Open the door.
2. Loosen nut (1, Fig. 62).
3. Move part as shown in figure for "LEFT or RIGHT" adjustment.
4. Tighten nut (1, Fig. 62).
5. Loosen nut (2, Fig. 62). Hinge allows the door to be shifted "IN or OUT".
6. Adjust the door in accordance with the required distance between exterior finishing parts (Fig. 41).
7. Loosen screws (3, Fig. 62). Screws allows the door to be shifted "UP or DOWN".
8. Adjust the door position according to the distance required between exterior finishing parts (Fig. 41).
9. Tighten the screws.

Check that the door swings freely and closes properly. It may be necessary to adjust the door latch to get proper fit and operation.

24.1 LATCH MECHANISM ADJUSTMENT

1. To adjust the latch mechanism and the striker pin:
2. Open the door to access the striker pin.
3. Loosen slightly the striker pin.
4. Using a hammer, adjust the striker pin to center it in the door latch mechanism.
5. Tighten the striker pin. Check door fit and operation.

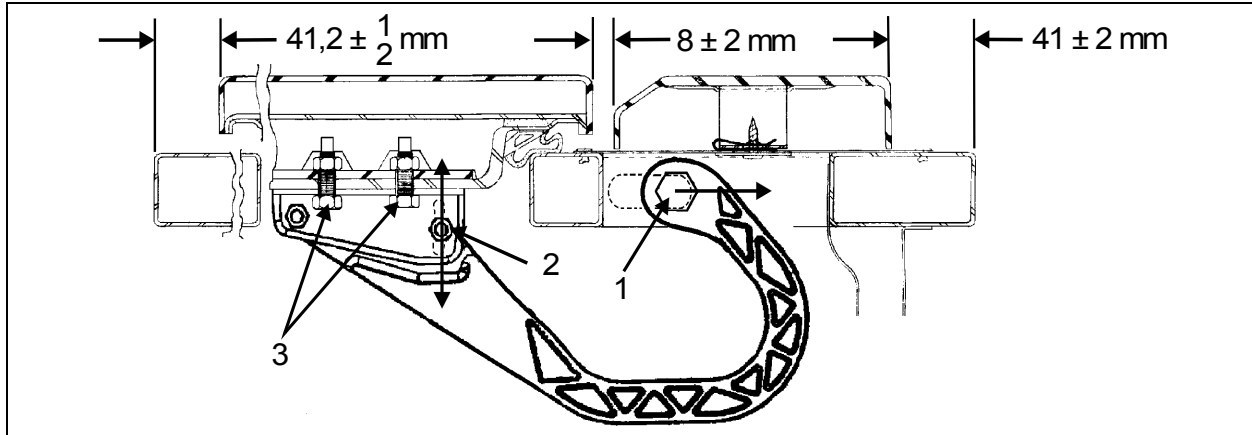


FIGURE 62: EVAPORATOR DOOR

18198

25. REAR ELECTRICAL COMPARTMENT

To adjust the rear electrical compartment door:

1. Loosen nut (1, Fig. 63).
2. Move part as shown in figure for "LEFT or RIGHT" adjustment.

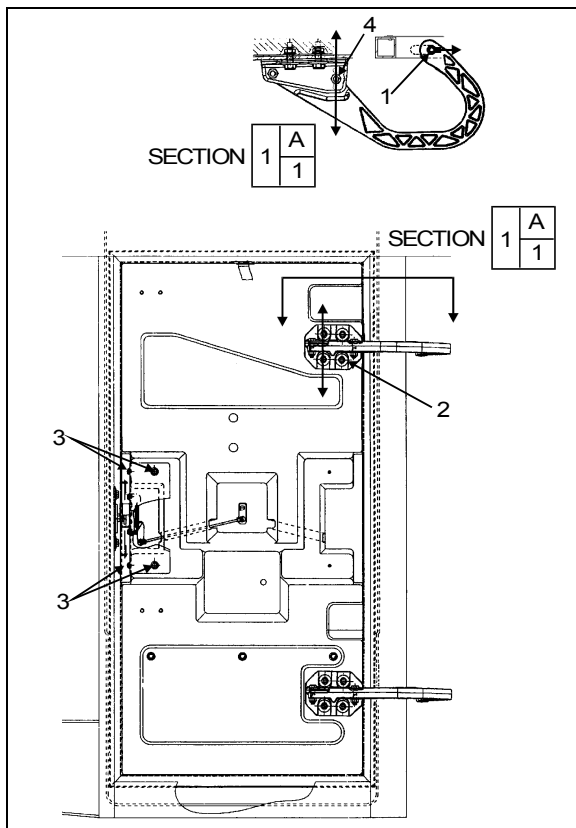


FIGURE 63: REAR ELECTRICAL COMP. DOOR

18199

3. Tighten nut (1, Fig. 63).
4. Loosen nut (4, Fig. 63).

5. Hinge allows the door to be shifted "IN or OUT".
6. Adjust door panel to have the same gap space as neighboring panels or refer to figure 41 for specified gap space
7. Loosen screws (2, Fig. 63). Screws allows the door to be shifted "UP or DOWN".
8. Adjust the door position.

Tighten the screws.

Check that the door swings freely and closes properly. It may be necessary to adjust the door latch to get proper fit and operation.

25.1 LATCH MECHANISM ADJUSTMENT

To adjust the latch mechanism and the striker pin:

1. Open the door to access the striker pin.
2. Loosen slightly the striker pin.
3. Using a hammer, adjust the striker pin to center it in the door latch mechanism.
4. Tighten the striker pin.

Check door fit and operation.

26. MAIN POWER COMPARTMENT

Main power compartment door adjustment is similar to that of rear electrical compartment door. Refer to paragraph 25 for more details.

27. FENDERS

On the "H" series vehicle, all fenders are easily removable for maintenance on brakes and

suspension. Each rear fender has three mechanical spring-loaded holding devices fixing it to the vehicle's structure.

27.1 REAR FENDER REMOVAL

1. Push the spring type rod sideways so that the lock disengages.
2. Support or have somebody hold the fender up.
3. As in 1, repeat to release both remaining holding devices.
4. Holding the fender firmly, pull it down until the top edge disengages from the holding plates.

To reinstall, reverse the procedure.

27.2 FRONT FENDER REMOVAL

1. At the bottom of fender, remove the retaining screws on one side of the fender.
2. Support or have someone hold the fender up.
3. Remove the screw on the other side of the fender.
4. Pull the fender down until the top edge disengages from the holding plates.

To reinstall, reverse the procedure.

28. REAR CAP

The fiberglass rear cap does not need any maintenance except painting as needed. For minor damages, refer to section 4 "Fiberglass Repair" and section 5 "Painting". If the rear cap ever has to be replaced:

1. Remove all accessories.
2. Drill out the retaining pop rivets.
3. With a sharp edge blade, cut the seal joint and remove the rear cap.
4. With the sharp edge blade, remove as much of the remaining seal pieces as possible.
5. Sand with #120 or #150 sandpaper.
6. Wipe clean with alcohol
7. Prepare surface with SIKA #205 and let dry for a minimum of 2 minutes.
8. Install a new seal using LOCTITE 414 glue.

9. Install the rear cap and fasten with pop rivets.

Caution: Do not attempt this procedure unless you are qualified and equipped to handle this job.

29. FRONT CAP

The front cap windshield frame does not need any maintenance. It is held in place with bolts and nuts. If it ever it has to be replaced, make an appointment at a Prévost service center near you.

30. FRONT MOLDING

To complete the exterior front bottom, the following moldings are added:

A metal decorative frame is placed around the headlights. It is held in place with screws.

A horizontal linear molding is screwed in place in order to receive the vehicle's license plates.

The builder's name plate "Prévost" is pressed in place.

31. SIDE PANELS

The series "H3" model, from vehicle number W-2285, has a one piece fiberglass panel on each side. A visual check must be performed every six (6) months.

The verification is limited to a visual check around the perimeter of the side panel to see if there is any peeling off of the side panel.

In the affirmative stop driving the vehicle. Call Prévost Car Inc. immediately to take corrective action.

Warning: DO NOT attempt to repair yourself. NEVER use rivets or mechanical fasteners of any kind to attach panel.

32. REAR VIEW MIRRORS (RAMCO)

Your vehicle is equipped with two exterior mirrors.

The mirrors may be equipped with an optional electric heating system which serves to minimize ice and condensation on the mirror glass in extreme weather conditions. Integral thermostats are installed in both mirrors to avoid continuous heating. Use the appropriate switch on the dashboard to activate the defroster system on both mirrors simultaneously. The

mirrors can easily be adjusted by using the remote controls located on the L.H. side control panel. The mirrors have easy to replace glass in case of breakage. Remote control motors can also be replaced.

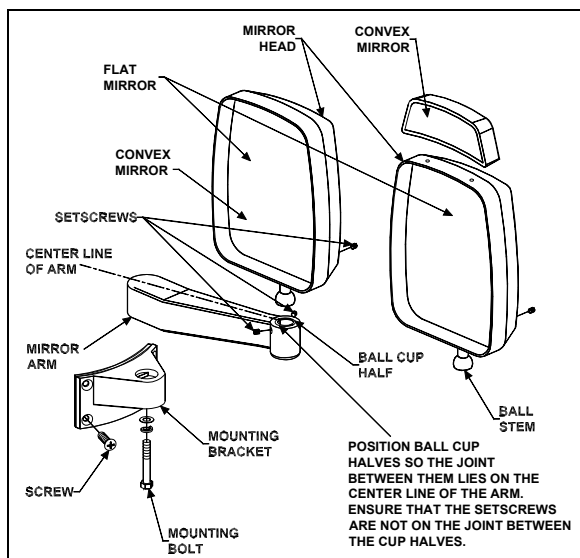


FIGURE 64: REAR-VIEW MIRROR (RAMCO) 18201

32.1 ADJUSTMENT

At the base of the mirror arm, loosen the mounting bolt to swing arm in or out.

To pivot the mirror head, loosen the setscrews on each side of the ball stub at the base of the mirror head to facilitate the adjustment.

32.2 DISASSEMBLY

At end of mirror arm, loosen the setscrews to relieve tension on the ball stem. Remove the ball stem from the arm.

Remove the four screws fastening the mirror arm base to the coach.

32.3 ASSEMBLY

Mount the mirror arm base to the coach.

Insert the ball stem into the mirror arm and tighten the socket setscrews.

Note: Position the ball cup halves so the joint between them lies on the centerline of the arm. Ensure that the setscrews are not on the joint between the cup halves.

32.4 REPLACEMENT OF MIRROR GLASS

Remove the broken glass.

Position new glass in mirror head and press to lock the Velcro in place.

32.5 HEATED / REMOTE CONTROLLED REAR VIEW MIRRORS

Heated/remote controlled external rear view mirrors may be provided to prevent the mirrors from frosting up in cold weather.

The remote controlled external rear view mirrors attach to support arms using a pivot collar secured by setscrews. Loosening the setscrews allows the whole head assembly to turn on the support arm for initial adjustment. A mounting bolt and washer hold the arm support to the mounting bracket. The arm support can be moved to position the mirror head into or away from the coach body.

The mirror heat switch is located to the left of the driver on the dashboard. This switch must be activated before the mirror heating element will energize. Once energized, the mirror heating element is kept at a sustained temperature (between 60-80°F) by a thermostat. Refer to wiring diagram annexed in the technical publication box.

Caution: Do not attach stick-on type convex mirror accessories to the heated mirror glass. This could impede uniform heat distribution on the mirror surface which could break the mirror.

32.5.1 Mirror Control

The remote control pointer knob(s) for the mirrors is (are) mounted on the L.H. side control panel. The harness to the mirror head runs through the arm support. The remote motor is mounted to the mirror head behind the mirror glass.

Turn pointer knob to the left for mirror head adjustments and to the right for convex mirror adjustment, then push down on either of the button's (4) sides to adjust the selected mirror viewing angle.

32.5.2 Disassembly

At end of mirror arm, loosen the setscrews to relieve tension on the ball stud. Remove the ball stud. Remove the ball stud from the arm and gently pull the harness out until the connector is exposed.

Remove the four screws fastening the mirror arm base to the coach. Slide the harness free of the mirror arm base.

32.5.3 Assembly

Attach a stiff wire (snake) to the end of the harness and insert the wire through the mirror arm base and arm, gently pull the harness through the arm and disconnect the "snake".

Connect the mirror head harness. Insert the harness connector back into the mirror arm.

Insert the ball stud into the mirror arm and tighten the socket setscrews.

Note: Position the ball cup halves so the joint between them lies on the centerline of the arm. Ensure that the setscrews are not on the joint between the cup halves.

32.5.4 Convex & Flat Mirror Removal

The mirror glass assembly is mounted to the control mechanism or to mirror base with Velcro strips. Remove the mirror glass by gently pulling the lens to release the Velcro. Disconnect the heater grid at the two connectors.

Connect the connectors of the new mirror's grid to the harness. Install the lens by positioning the lens in the mirror frame and pressing to lock the Velcro in place.

33. VEHICLE JACKING POINTS

The vehicle can be lifted by applying pressure under body jacking points or front and drive axle jacking points (Fig. 65, 66, 67, 68). When it is necessary to lift the vehicle, care should be taken to ensure that the pressure is applied only on the specified areas. Equipment for lifting the front of the vehicle must have a combined lifting capacity of at least 20,000 lb. (9 100 kg). Equipment for lifting the rear of the vehicle must have a combined lifting capacity of at least 40,000 lb. (18 200 kg).

Warning: DO NOT tow or jack vehicle with people on board.

Warning: When it is necessary to raise the vehicle, care should be taken to ensure that pressure is applied only at the points indicated in figures 65, 66, 67 and 68.

Warning: Extra lift capacity may be required if luggage or any other type of load (e.g. conversion equipment) are onboard the vehicle.

Caution: The suspension of the vehicle must be in the normal ride position before jacking. The "Level Low" system on a motorcoach must be in the "DRIVE" position prior to turning the ignition key "OFF".

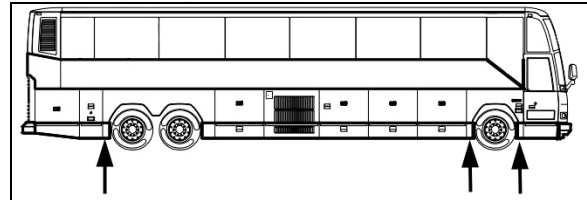


FIGURE 65: JACKING POINTS ON STRUCTURE 18427

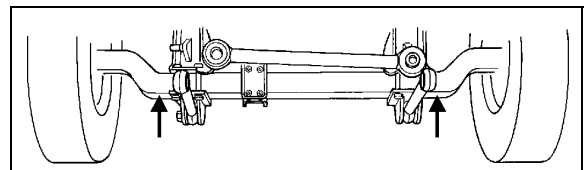


FIGURE 66: JACKING POINTS ON FRONT AXLE 18084

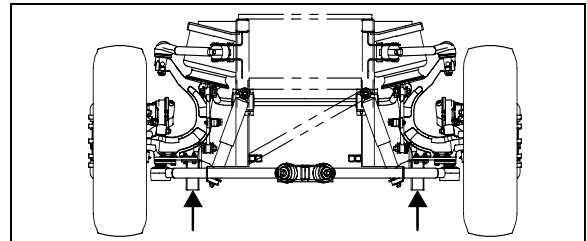


FIGURE 67: JACKING POINTS ON IND. SUSPENSION

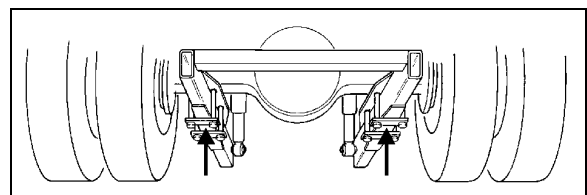


FIGURE 68: JACKING POINTS ON DRIVE AXLE 18085

Caution: Always unload or retract the tag axle before jacking the vehicle from the front and drive axle jacking points to prevent damage to suspension components.

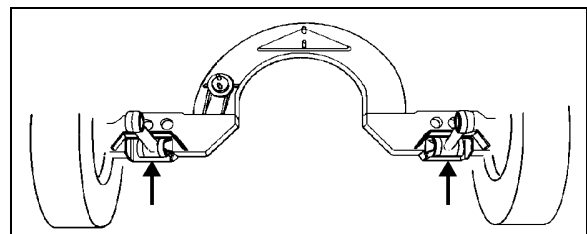


FIGURE 69: JACKING POINTS ON TAG AXLE 18086

Caution: The jacking points on the tag axle must be used for raising the tag axle only.

34. TOWING THE VEHICLE

The vehicle can be transported on a low bed semi-trailer of adequate gross axle weight capacity. When transporting a vehicle, apply parking brake and shut down the engine. Block all wheels and secure vehicle with tie-downs. Check that overall height will clear obstacles on the route to follow, and obtain required permits.

The vehicle can also be towed by lifting the front axle or by towing from the front with all wheels on the ground. These two methods are described below under their respective headings. Whatever the method used, the vehicle should be towed by truck operators authorized and experienced in towing highway coaches.

Observe normal precautions including, but not limited to, the ones listed below when towing the vehicle:

- Make sure the parking brake is released before towing.
- Do not allow passengers to ride onboard the towed vehicle.
- Tow the vehicle at a safe speed as dictated by road and weather conditions.
- Accelerate and decelerate slowly and cautiously.

34.1 LIFTING AND TOWING

The towed vehicle must be lifted from under the front axle only. The tow truck must be equipped with the proper lifting equipment to reach under the front axle since no other lifting points are recommended. Lifting and towing from any other point are unauthorized as it may cause serious damage to the structure. Do not unload or raise the tag axle when lifting and towing to prevent overloading the drive axle.

1. Remove both drive axle shafts to prevent damage to the transmission. Plug axle tube to prevent oil loss. Refer to Rockwell's "Maintenance manual no.5" annexed at the end of Section 11, Rear axle, in this manual for correct procedure.

Caution: Transmission lubrication is inadequate when towing. With either automatic, semi-automatic or manual transmission, the drive axle shafts must be removed to avoid serious damage to the transmission.

2. Operate the engine when towing to maintain brake system air pressure. If the engine cannot be operated, connect an external air pressure line from the tow truck to the emergency fill valve in the engine compartment. The emergency fill valve in the front service compartment does not supply air pressure to the brake system. The air pressure must be a minimum of 75 psi (520 kPa), and the line should be attached to the air line with a clip-on chuck.

Caution: Do not tow the vehicle without external air pressure applied to the emergency fill valve if the engine does not operate. Without brake system air pressure, the brakes may apply automatically if system air drops below 40 psi (275 kPa). If failure prevents releasing the parking brakes with air pressure, disengage the parking brakes mechanically.

3. Lift the vehicle from under the front axle, and adequately secure the underside to the tow vehicle lifting attachment with chains.
4. Observe safety precautions when towing.

34.2 TOWING WITHOUT LIFTING

Caution: When towing vehicle without lifting, use only a tow truck with a solid link tow bar and related equipment. All other means of towing are unauthorized. Tow only from the front of the vehicle.

1. Remove both drive axle shafts to prevent damage to the transmission. Plug axle tube to prevent oil loss. Refer to Rockwell's "Maintenance manual no.5" annexed at the end of Section 11, Rear axle, in this manual for correct procedure.

Caution: Transmission lubrication is inadequate when towing. With either automatic, semi-automatic or manual transmission, the drive axle shafts must be removed to avoid serious damage to the transmission.

2. Operate the engine when towing to maintain brake system air pressure. If the engine cannot be operated, connect an external air pressure line from the tow truck to the

emergency fill valve in the engine compartment. The emergency fill valve in the front service compartment does not supply air pressure to the brake system. The air pressure must be a minimum of 75 psi (520 kPa), and the line should be attached to the air line with a clip-on chuck.

Caution: Do not tow the vehicle without external air pressure applied to the emergency fill valve if the engine does not operate. Without brake system air pressure, the brakes may apply automatically if system air drops below 40 psi (275 kPa). If failure prevents releasing the parking brakes with air pressure, disengage the parking brakes mechanically.

3. Position the tow truck so that the tow bar contacts the front bumper of the vehicle.
4. Attach the tow truck chains only in the tow eyes of the vehicle under the bumper and take up all the slack.
5. Attach safety chains as applicable.
6. Observe safety precautions when towing.

35. SPECIFICATIONS

Door cylinder

Manufacturer Bimba
 Type Pneumatic
 I.D. 1½" (mm)
 Stroke..... 8" (mm)
 Prévost number..... 780595

Damper

Manufacturer Koni
 Prévost number..... 780565

Lock cylinder (upper)

Manufacturer Bimba
 Type Air, single action, 1/8 NPT, hexagonal rod
 I.D. 7/8" (22 mm)
 Stroke..... 1" (25 mm)
 Supplier number..... D-51127-A
 Prévost number..... 641392

Lock cylinder (central)

Manufacturer Bimba
 Type Air, single action, ¼ NPT
 I.D. 1¾" (45 mm)
 Stroke..... 1" (25 mm)
 Supplier number..... 241-P
 Prévost number..... 641209

Manifold solenoid

Manufacturer Norgren
 Type 4 ports, 1/8 NPT
 Voltage..... 24 VDC
 Power consumption..... 6 watts
 Maximum pressure..... 150 psi (1035 kPa)
 Prévost number..... 641448

Section 18: BODY

Solenoid valve (Latching valve)

Manufacturer Humphrey
Model 310
Operating range 0 to 125 psi (0 to 860 kPa)
Voltage 24 VDC
Voltage tolerance +10%, -15% of rated voltage
Power consumption 4 watts
Leak rate (max allowed) 0.245 in³/min @ 100 psi (4cc/min @ 690 kPa)
Type of operation Direct solenoid
Lubrication Not required (factory pre-lubed)
Filtration 40 micron recommended
Prévost number 641412

Pressure switch assembly

Prévost number 452831

SECTION 22: HEATING AND AIR CONDITIONING

CONTENTS

1. HEATING AND AIR CONDITIONING	22-6
2. AIR CIRCULATION WITH CENTRAL SYSTEM	22-6
2.1 DRIVER'S AREA.....	22-6
2.1.1 Coaches	22-6
2.1.2 VIP.....	22-6
2.2 CENTRAL AREA (PASSENGER/CABIN).....	22-6
3. AIR CIRCULATION WITH SMALL SYSTEM	22-8
3.1 AUXILIARY SYSTEM	22-8
4. SMALL HVAC SYSTEM OPERATION.....	22-8
4.1 AUXILIARY SYSTEM OPERATION.....	22-8
4.2 CONTINUITY CHECK	22-8
5. CENTRAL HVAC SYSTEM OPERATION	22-9
5.1 DRIVER'S AREA.....	22-9
5.2 CENTRAL AREA.....	22-9
5.3 HEAT MODE.....	22-10
5.4 COOLING MODE	22-10
5.5 PARCEL RACK A/C (H3 COACHES).....	22-11
6. DIAGNOSIS OF CENTRAL HVAC UNIT PROBLEMS	22-11
6.1 HIGH PRESSURE ORANGE LED	22-12
6.2 LOW PRESSURE ORANGE LED.....	22-12
7. CENTRAL HVAC UNIT TROUBLESHOOTING GUIDES	22-13
7.1 CHECKING POTENTIOMETER RESISTANCE VALUES	22-30
7.2 CHECKING THE SENSOR RESISTANCE VALUES	22-30
7.3 TESTING EACH SENSOR	22-30
8. HVAC UNIT MAINTENANCE.....	22-31
8.1 COIL CLEANING.....	22-31
8.2 DRIVER'S HVAC UNIT AIR FILTERS	22-31
8.3 CENTRAL HVAC UNIT AIR FILTER	22-32
8.4 PARCEL RACK FAN AIR FILTER	22-32
9. EVAPORATOR MOTOR	22-32
9.1 REMOVAL	22-33
9.2 INSTALLATION	22-33
9.3 CHECKING OPERATION OF BRUSH IN HOLDER.....	22-33
9.4 BRUSH WEAR INSPECTION AND REPLACEMENT	22-33
9.5 CHECKING COMMUTATOR.....	22-33
9.6 SPEED CONTROLLER MODULE.....	22-33
9.7 TROUBLESHOOTING	22-33
10. AIR CONDITIONING SYSTEM PRINCIPLES OF OPERATION	22-34
10.1 A/C CYCLE.....	22-34
10.2 REFRIGERANT.....	22-34
10.2.1 Procurement.....	22-34

Section 22: HEATING AND AIR CONDITIONING

10.2.2	<i>Precautions in Handling Refrigerant</i>	22-34
10.2.3	<i>Treatment in Case of Injury</i>	22-35
10.2.4	<i>Precautions in Handling Refrigerant Lines</i>	22-35
10.3	REFRIGERANT SYSTEM CLEAN-OUT AFTER COMPRESSOR FAILURE	22-36
10.3.1	<i>Determining Severity of Failure</i>	22-36
10.3.2	<i>Clean-out after Minor Compressor Failure</i>	22-36
10.3.3	<i>Clean-out After Major Compressor Failure</i>	22-36
11.	CENTRAL A/C SYSTEM	22-37
11.1	PUMPING DOWN	22-37
11.2	ADDING REFRIGERANT (VAPOR STATE)	22-39
11.3	EVACUATING SYSTEM	22-39
11.4	CHARGING SYSTEM	22-39
12.	CENTRAL A/C SYSTEM COMPONENTS	22-40
12.1	COMPRESSOR	22-40
12.1.1	<i>Belt Replacement</i>	22-40
12.1.2	<i>Pulley Alignment</i>	22-40
12.1.3	<i>Longitudinal Compressor Alignment</i>	22-40
12.1.4	<i>Horizontal Compressor Alignment</i>	22-41
12.1.5	<i>Vertical Compressor Alignment</i>	22-41
12.1.6	<i>Compressor Maintenance</i>	22-41
12.1.7	<i>Troubleshooting Guide</i>	22-41
12.2	MAGNETIC CLUTCH	22-42
12.2.1	<i>Time Delay Module</i>	22-42
12.3	CONDENSER	22-42
12.3.1	<i>Condenser Fan Motors</i>	22-43
12.3.2	<i>Condenser Fan Motor Removal</i>	22-43
12.3.3	<i>Preliminary Disassembly</i>	22-43
12.3.4	<i>Disassembly</i>	22-43
12.4	RECEIVER TANK	22-43
12.5	FILTER DRYER	22-44
12.5.1	<i>Replacement</i>	22-44
12.5.2	<i>Moisture Indicator</i>	22-44
12.6	LIQUID REFRIGERANT SOLENOID VALVE	22-45
12.6.1	<i>Manual Bypass</i>	22-45
12.6.2	<i>Coil Replacement</i>	22-45
12.6.3	<i>Valve Disassembly</i>	22-45
12.6.4	<i>Valve Reassembly</i>	22-45
12.7	EXPANSION VALVE	22-46
12.8	TORCH BRAZING	22-48
12.9	TROUBLESHOOTING	22-49
12.9.1	<i>Expansion Valve</i>	22-49
12.9.2	<i>A/C</i>	22-50
12.10	TEMPERATURES & PRESSURES	22-52
12.11	LEAK TESTING	22-53
13.	VEHICLES EQUIPPED WITH SMALL A/C SYSTEM ONLY	22-53
13.1	COMPRESSOR	22-53
13.1.1	<i>Clutch Pulley Removal</i>	22-54
13.1.2	<i>Clutch Maintenance</i>	22-54
13.1.3	<i>Belt Replacement</i>	22-54
13.1.4	<i>Pulley Alignment</i>	22-54

13.2	DRIVER'S EXPANSION VALVE.....	22-54
14.	SMALL HEATING & AUX. SYSTEM.....	22-56
15.	CENTRAL HEATING SYSTEM.....	22-56
15.1	DRAINING HEATING SYSTEM.....	22-56
15.1.1	<i>Draining Driver's Heater Core</i>	22-56
15.1.2	<i>Draining Main Heater Core</i>	22-56
15.2	FILLING HEATING SYSTEM.....	22-58
15.3	BLEEDING HEATING SYSTEM.....	22-58
15.4	SOLDERING.....	22-58
15.5	DRIVER'S WATER SOLENOID VALVE.....	22-58
15.5.1	<i>Improper Operation</i>	22-58
15.5.2	<i>Coil Replacement</i>	22-58
15.5.3	<i>Valve Disassembly</i>	22-59
15.5.4	<i>Valve Reassembly</i>	22-59
15.6	MAIN HOT WATER SOLENOID VALVE ACTUATOR.....	22-61
15.6.1	<i>Valve Actuator</i>	22-61
15.6.2	<i>Valve repacking</i>	22-61
15.6.3	<i>Valve Rebuilding</i>	22-62
15.6.4	<i>Disassembly Procedures</i>	22-62
15.6.5	<i>Maintenance</i>	22-62
15.7	WATER RECIRCULATING PUMP.....	22-62
15.7.1	<i>Removal</i>	22-63
15.7.2	<i>Disassembly</i>	22-63
15.7.3	<i>Brushes</i>	22-63
15.7.4	<i>Bearings</i>	22-65
15.7.5	<i>Commutator</i>	22-65
15.7.6	<i>Miscellaneous</i>	22-65
15.7.7	<i>Assembly</i>	22-65
15.7.8	<i>Installation</i>	22-66
15.8	WATER FILTER.....	22-66
15.8.1	<i>Maintenance</i>	22-66
15.8.2	<i>Filter Servicing</i>	22-66
15.9	BYPASS SOLENOID WATER VALVE (OPTIONAL).....	22-66
15.9.1	<i>To Remove or Change the Coil</i>	22-66
15.9.2	<i>Valve disassembly and Reassembly</i>	22-67
16.	PREHEATING SYSTEM (OPTIONAL).....	22-67
16.1	OPERATION.....	22-68
16.2	PREHEATING SYSTEM TIMERS.....	22-68
16.2.1	<i>Timer Operating Instructions (Espar)</i>	22-69
16.2.2	<i>Timer Operating Instructions (Webasto)</i>	22-71
16.2.3	<i>Timer operating instructions (Webasto)</i>	22-72
16.3	TROUBLESHOOTING AND MAINTENANCE.....	22-73
17.	SPECIFICATIONS.....	22-74

ILLUSTRATIONS

FIGURE 1:	DRIVER'S AIR CIRCULATION.....	22-6
FIGURE 2:	CENTRAL HVAC SYSTEM AIR CIRCULATION.....	22-7
FIGURE 3:	PARCEL RACK VENTILATION SYSTEM.....	22-8
FIGURE 4:	HVAC DASHBOARD CONTROL UNIT.....	22-8

Section 22: HEATING AND AIR CONDITIONING

FIGURE 5: HVAC DASHBOARD CONTROL UNIT	22-9
FIGURE 6: MAIN BREAKERS	22-9
FIGURE 7: LOCATION OF RELAYS AND RESISTORS	22-9
FIGURE 8: HVAC LOGIC PANEL (REAR ELECTRICAL COMPARTMENT)	22-10
FIGURE 9: ELECTRONIC TRANSMITTER OUTPUT VOLTAGE RAMPS	22-10
FIGURE 10: PARCEL RACK A/C INSTALLATION	22-11
FIGURE 11: HVAC DASHBOARD CONTROL UNIT	22-11
FIGURE 12: HVAC LOGIC MODULE AND TRANSMITTER	22-11
FIGURE 13: EVAPORATOR COIL	22-31
FIGURE 14: CONDENSER COIL	22-31
FIGURE 15: DRIVER'S CONSOLE ACCESS GRILL	22-32
FIGURE 16: DRIVER'S AREA AIR FILTERS	22-32
FIGURE 17: MAIN HVAC UNIT AIR FILTER	22-32
FIGURE 18: HVAC COMPARTMENT	22-32
FIGURE 19: EVAPORATOR MOTOR ASSEMBLY	22-33
FIGURE 20: HVAC LOGIC PANEL	22-37
FIGURE 21: CENTRAL A/C SYSTEM COMPONENTS	22-38
FIGURE 22: TENSIONING VALVE	22-40
FIGURE 23: TENSIONING AIR BELLOWS	22-40
FIGURE 24: COMPRESSOR ALIGNMENT	22-41
FIGURE 25: COMPRESSOR ALIGNMENT	22-41
FIGURE 26: CONDENSER FAN SPEED IN RELATION WITH HIGH SIDE PRESSURE	22-43
FIGURE 27: CONDENSER FAN MOTOR	22-43
FIGURE 28: A/C CONDENSER COMPARTMENT	22-44
FIGURE 29: REFRIGERANT SOLENOID VALVE	22-45
FIGURE 30: EXPANSION VALVE	22-46
FIGURE 31: SUPERHEAT ADJUST. INSTALLATION	22-47
FIGURE 32: HIGH & LOW SWING TEMPERATURE AT REMOTE BULB	22-48
FIGURE 33: PULLEY INSTALLATION	22-53
FIGURE 34: SMALL A/C COMPRESSOR INST.	22-54
FIGURE 35: SMALL A/C & HEATING SYSTEMS PLUS AUXILIARY SYSTEM COMPONENTS	22-55
FIGURE 36: CEILING OF SPARE WHEEL COMPART.	22-56
FIGURE 37: DRIVER'S HVAC UNIT	22-56
FIGURE 38: CENTRAL HEATING SYSTEM COMPONENTS	22-57
FIGURE 39: HVAC COMPARTMENT	22-58
FIGURE 40: DRIVER'S WATER SOLENOID VALVE	22-60
FIGURE 41: HVAC COMPARTMENT	22-61
FIGURE 42: MAIN HOT WATER SOLENOID VALVE	22-61
FIGURE 43: VALVE BODY ASSEMBLY	22-62
FIGURE 44: VIP WATER RECIRCULATION PUMP INSTALLATION	22-63
FIGURE 45: WATER RECIRCULATING PUMP	22-64
FIGURE 46: WATER FILTER	22-67
FIGURE 47: REAR ELECTRIC COMPARTMENT	22-67
FIGURE 48: ESPAR	22-69
FIGURE 49: WEBASTO	22-71
FIGURE 50: WEBASTO	22-72

TABLES

TABLE 1: CIRCUIT DIAGRAM OF DUAL POTENTIOMETER (A/C-HEATING TEMPERATURE CONTROL)	22-30
TABLE 2: RESISTANCE RANGE ACCORDING TO AMBIENT TEMPERATURE SENSORS	22-31

GUIDES

GUIDE 1: DEFECTIVE DRIVER'S AREA HVAC MAIN SWITCH 22-13

GUIDE 2: BUTTON FLASHES OR MESSAGE APPEARS ON THE HVAC CONTROL UNIT DISPLAY
..... 22-14

GUIDE 3: DRIVER'S AREA NOT VENTILATED 22-15

GUIDE 4: THE VARIABLE FAN SPEED SYSTEM DOES NOT FUNCTION IN THE DRIVER'S AREA
..... 22-16

GUIDE 5: NO HEAT AT THE WINDSHIELD DEFROSTER..... 22-17

GUIDE 6: NO A/C AT THE WINDSHIELD DEFROSTER 22-18

GUIDE 7: NO VENTILATION IN THE PASSENGER AREA (CABIN)..... 22-19

GUIDE 8: IN A/C MODE, NO FAN SPEED VARIATION IN PASSENGER AREA (CABIN) 22-20

GUIDE 9: THE HEATING MODE INDICATOR LIGHT ON THE HVAC CONTROL UNIT IS ALWAYS
ILLUMINATED OR NEVER ILLUMINATES 22-21

GUIDE 10: THE HEATING MODE INDICATOR LIGHT ON THE HVAC CONTROL UNIT IS
ILLUMINATED BUT THE TEMPERATURE IN PASSENGER AREA REMAINS TOO LOW 22-23

GUIDE 11: THE COOLING MODE INDICATOR LIGHT ON THE HVAC CONTROL UNIT NEVER
ILLUMINATES..... 22-24

GUIDE 12: THE COOLING MODE INDICATOR LIGHT ON THE HVAC CONTROL UNIT IS ALWAYS
ILLUMINATED 22-25

GUIDE 13: THE "A/C LO-PRESS" LIGHT IN THE TELLTALE PANEL IS ILLUMINATED 22-26

GUIDE 14: THE "A/C HI-PRESS" LIGHT IN THE TELLTALE PANEL IS ILLUMINATED 22-27

GUIDE 15: THE COOLING MODE INDICATOR LIGHT IS ILLUMINATED BUT THE AIR CONDITIONING
DOES NOT FUNCTION SUFFICIENTLY 22-28

GUIDE 16: THE CONDENSER FANS DO NOT FUNCTION OR THEY FUNCTION IN ONLY ONE
SPEED OR ONLY ONE FAN FUNCTIONS 22-28

Section 22: HEATING AND AIR CONDITIONING

1. HEATING AND AIR CONDITIONING

The coach's interior is pressurized by its Heating, Ventilation, Air Conditioning (HVAC) units. Air flow and controls divide the vehicle in two sections: driver's and Central (passenger) sections.

The interior of vehicle should always be slightly pressurized to prevent dust and moisture from entering vehicle. Each section has its own fresh air, returning air and discharge air ducting. The exhaust is mainly done through the lavatory ventilator and through normal air-tightness losses.

2. AIR CIRCULATION WITH CENTRAL SYSTEM

2.1 DRIVER'S AREA

Fresh air is taken from a plenum behind the front bumper and enters the mixing box through an ON/OFF damper. Returning air is taken through a front dash panel into the mixing box. The driver's RECirculation button is located on the R.H. dashboard control panel (Fig. 4). Mixed air goes through cooling and heating coils, fans and discharge ducts.

Both right and left discharge ducts defrost one half of the windshield. The driver can also, with the "Main Windshield Defroster" control divert his air flow to the console, from which he can direct vent to his knees and/or upper body with adjustable HVAC register and to his feet with the appropriate button (see Fig. 1 and Operator's manual or Owner's manual).

2.1.1 Coaches

Two additional air outlets are supplied by the Central HVAC ducting system. One is located in the stepwell. The flow comes from the left side and is drawn from the first step riser. The other air outlet is located behind the driver, on his L.H. side. The air outlets can be rotated to direct Air flow.

2.1.2 VIP

VIP vehicles equipped with a central system have two additional registers located near the entrance door, at bottom of first lateral window.

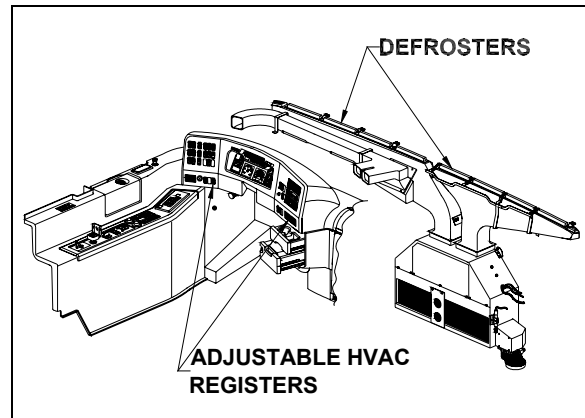


FIGURE 1: DRIVER'S AIR CIRCULATION

22121

2.2 CENTRAL AREA (Passenger/Cabin)

Fresh air is taken from the left side of vehicle through a two-position damper located at the left of the HVAC compartment. The thermal control damper can be fully opened for normal operation or partially closed for extreme weather or highly polluted areas. The "Recirc." push-button switch is located on the HVAC control unit. Press down the push-button to partially close the fresh air damper.

Note: Opening the entrance door also partially close the fresh air damper.

Return air is drawn through the last entrance step riser and from the lower section of the floor ducts in two locations: one in the rear section of vehicle and the other in the front section of vehicle on the L.H. side (Fig. 2).

A double blower fan unit, which is activated by the evaporator motor, draws mixed air through an air filter, cooling and heating coils, then forces this air in the ventilation ducts (upper section) along the walls, and finally exhausts it at the bottom of the windows.

On coaches, the HVAC system includes a parcel rack ventilation system equipped with adjustable registers in the parcel racks to control air flow for the passenger seats. One register per seat direct air flow by pointing or rotating register. Open or close register to adjust air flow (Fig. 3).

Also on coaches, the lavatory ventilator acts as the main exhaust for the whole vehicle, eliminates odors, and finally heats or cools the lavatory with the vehicle's ambient air.

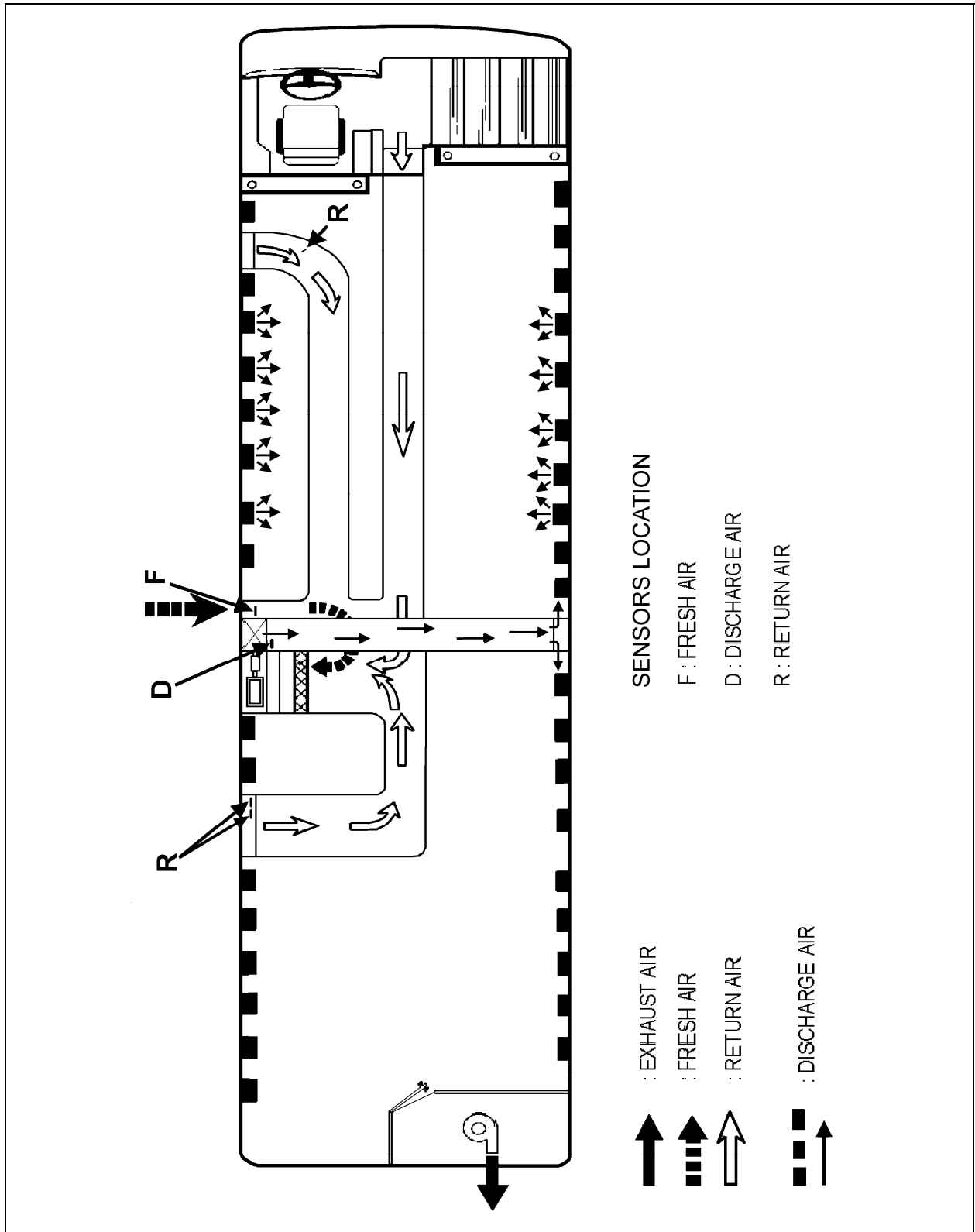


FIGURE 2: CENTRAL HVAC SYSTEM AIR CIRCULATION

22021

Section 22: HEATING AND AIR CONDITIONING

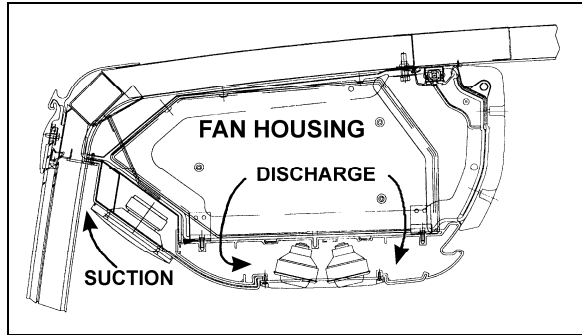


FIGURE 3: PARCEL RACK VENTILATION SYSTEM

3. AIR CIRCULATION WITH SMALL SYSTEM

Fresh air is taken from a plenum behind the front bumper and enters the mixing box through an adjustable damper. Returning air is taken through a front dash panel into the mixing box. The driver's RECirculation button is located on the R.H. dashboard control panel (Fig. 4). Mixed air goes through cooling and heating coils, fans and discharge ducts.

Both right and left discharge ducts defrost one half of the windshield. The driver can also, with the "Main Windshield Defroster" control divert his air flow to the console, from which he can direct vent to his knees and/or upper body with adjustable HVAC register and to his feet with the appropriate button (see Fig.1 and Owner's manual).

4.2 CONTINUITY CHECK

A continuity check is automatically performed at HVAC system start-up. If an open or short-circuit occurs, the corresponding switch LED or the display will blink for 10 seconds. The probes are checked at least every 5 minutes.

Circuit	Switch LED or Display
F/A damper driver	Driver Rec
Driver Footwell damper	2 nd and 3 rd button
Damper mix	Driver air 4 th button
Driver "Liquid Solenoid Valve"	Driver display "Set Point" (AC)
Driver "Hot Water Valve"	Driver display "Set Point" (HE)
Liquid solenoid valve	LED 1 st speed
Recirculation pump relay	Rcirculation pump
A/C Clutch Relay	A/C Clutch
Exterior Probe	Display "Text". (---)
Driver interior probe	Driver display "Set Point" (---)

3.1 AUXILIARY SYSTEM

VIP vehicles are equipped with an auxiliary system that provides five additional registers. Three are located behind the driver's seat and the other two are located near the entrance door, at bottom of first lateral window.

4. SMALL HVAC SYSTEM OPERATION

The temperature control in the driver's area is provided directly by the HVAC control unit mounted on the dashboard R.H. side.

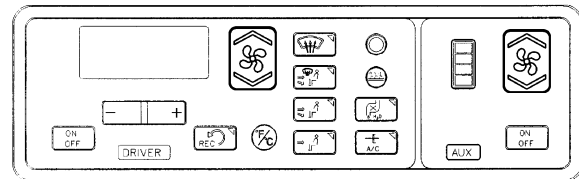


FIGURE 4: HVAC DASHBOARD CONTROL UNIT 22184

Using the Up/Down type switch sets the fan speed and the speed chosen is illustrated on the window display.

4.1 AUXILIARY SYSTEM OPERATION

The temperature control is provided by the small system HVAC control unit. The R.H. portion of the HVAC control unit enables to actuate the Aux. System and to regulate the fan speed. Using the Up/Down type switch sets the fan speed and the speed chosen is illustrated on the window display.

5. CENTRAL HVAC SYSTEM OPERATION

5.1 DRIVER'S AREA

The temperature control in the driver's area is provided directly by the L.H. portion of the HVAC control unit mounted on the dashboard R.H. side.

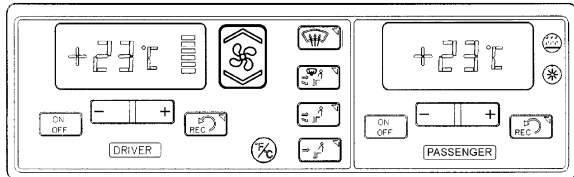


FIGURE 5: HVAC DASHBOARD CONTROL UNIT 22184

Using the Up/Down type switch sets the fan speed and the speed chosen is illustrated on the window display.

The driver's HVAC unit piping is paralleled with the main HVAC unit piping. Both units use the same refrigerant and coolant, and are linked to the same condenser and compressor, even if they are individually controlled. It requires the main HVAC unit to engage the A/C compressor magnetic clutch, consequently, the driver's unit cannot be operated alone in the A/C mode.

5.2 CENTRAL AREA

The R.H. portion of the HVAC control unit located on the dashboard R.H. side, enables the selection of the temperature in the main section (Refer to the H3 Owner's or Operator's Manual for details). The evaporator motor installed in HVAC compartment on the L.H. side of vehicle is protected by a 150 amp, manually-resettable (CB8) circuit breaker mounted in the main power compartment (refer to Section 06, "Electrical System" in this manual for details).

The condenser mounted on the opposite side of the evaporator is ventilated by two axial fans. Each axial fan motor is protected by a manually-resettable 40 amp circuit breaker (CB 77 & CB 78) mounted in the main power compartment on rear R.H. side of vehicle. (Fig. 6) Furthermore, the following relays and resistors are located in the Heating, Ventilation and Air Conditioning Compartment (HVAC) (Fig. 7). They are mounted on the control panel located on the R.H. side wall when facing the compartment:

- R39 – Condenser fan motor

- R40 – Condenser speed control HI
- R41 – Condenser speed control HI
- RS36 – Current limit for relay
- RS37 – Current limit for relay

To operate the air conditioning system when coach is stationary, engine should run at fast idle. During operation of the air conditioning system, windows should be kept closed and door not left open longer than necessary. In order to prevent battery discharge, A/C-heating system will not operate if vehicle charging system is not working properly.

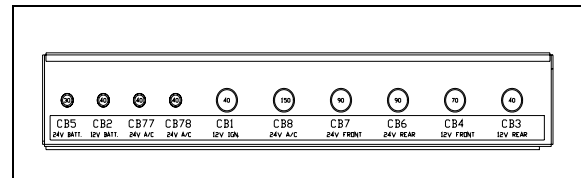


FIGURE 6: MAIN BREAKERS

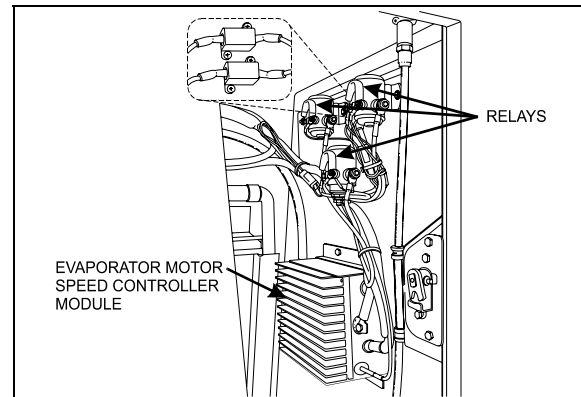


FIGURE 7: LOCATION OF RELAYS AND RESISTORS

The heating and cooling components (water recirculating pump, main hot water valve actuator, A/C compressor clutch and unloaders, etc) are connected to the HVAC logic panel mounted in the rear electrical compartment and junction box (Fig. 8).

Air temperature is picked up by four identical sensors, three in rear return and by another sensor located in the discharging air duct (Fig. 2). As shown on the wiring diagram, the sensors are series-parallel connected. The electronic transmitter (Fig. 8) detects the sensor signal and then compares it with the driver's setpoint ("Main A/C – Heating Temperature" control, which is mounted in R.H. dashboard control panel).

Section 22: HEATING AND AIR CONDITIONING

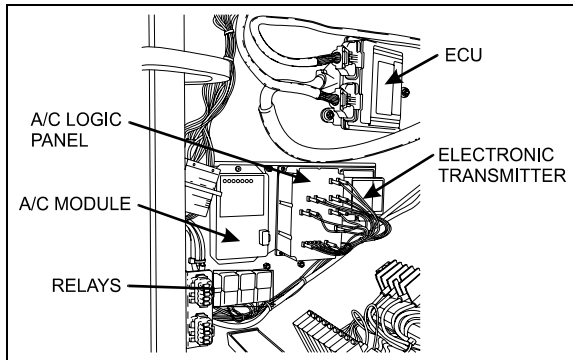


FIGURE 8: HVAC LOGIC PANEL (REAR ELECTRICAL COMPARTMENT)

This will result in a voltage range (Fig. 9) for the HVAC logic panel. At this point, a fresh air sensor located in the fresh air damper on L.H. side of vehicle can modify this range to anticipate any major change in the outside temperature. Afterwards, the HVAC logic panel will select the appropriate heat or cooling contact and staging according to the actual conditions. On the HVAC logic panel, there are three heat and three cooling contacts.

5.3 HEAT MODE

Heat in the system varies with the restricted opening of the linear main hot water valve actuator, the bypass solenoid valve and the action of the water recirculating pump.

If the preheater is switched “ON”, the bypass solenoid water valve opens and the main hot water valve actuator should be fully “CLOSE”, except if **heat contact 3** is “ON” the main hot water valve actuator should be fully “OPEN”.

The main hot water valve actuator is controlled by the heat voltage ramp (Fig. 9).

The **heat contact 1** starts the water recirculating pump and turn “ON” LEDs for diagnosis (see paragraph “5. DIAGNOSIS OF CENTRAL HVAC UNIT PROBLEMS”).

The **heat contact 2** controls nothing.

5.4 COOLING MODE

Contact will vary with the number of active cylinders in the compressor by means of electric unloaders. Staging will be defined as follows:

No cooling contact: Compressor clutch is disengaged.

Cooling contact 1: Compressor clutch is engaged and 2 compressor active cylinders.

Cooling contact 2: Compressor clutch is engaged and 4 compressor active cylinders.

Cooling contact 3: Compressor clutch is engaged and 6 compressor active cylinders.

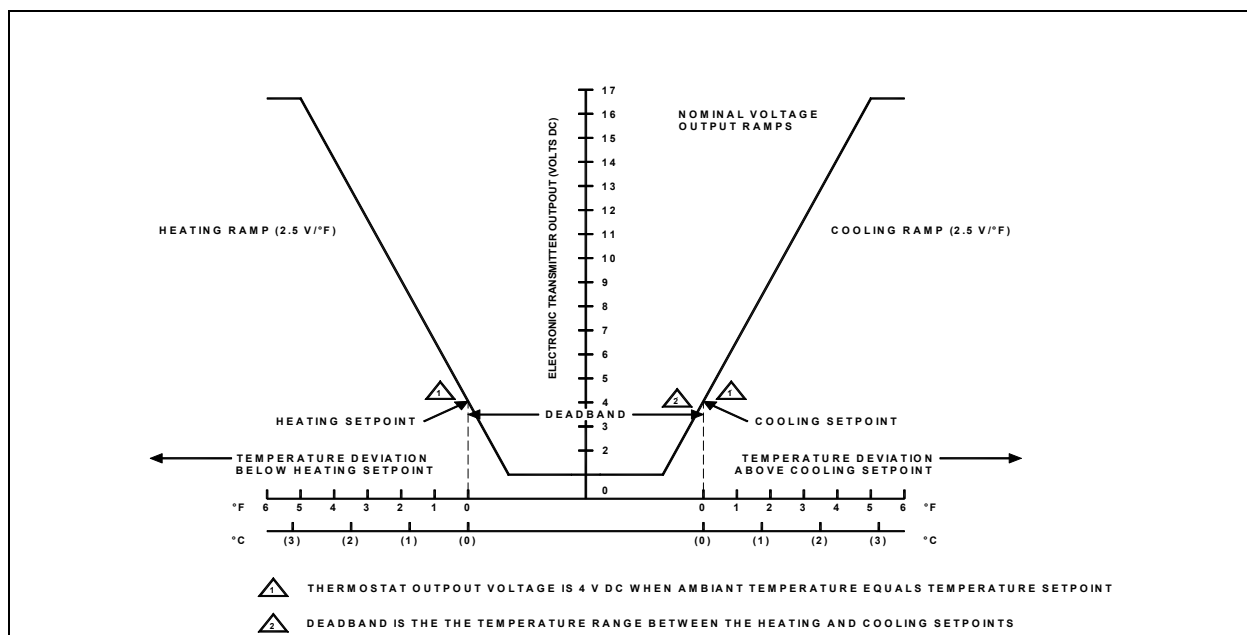


FIGURE 9: ELECTRONIC TRANSMITTER OUTPUT VOLTAGE RAMPS

22024

5.5 PARCEL RACK A/C (H3 COACHES)

Optional small A/C evaporator coils may be added to both parcel racks existing air system. This air system permits a wider temperature range in the passenger's area.

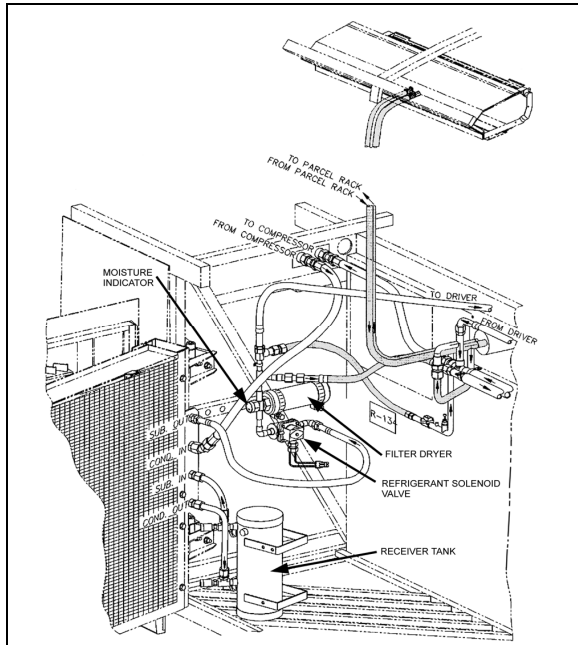


FIGURE 10: PARCEL RACK A/C INSTALLATION

6. DIAGNOSIS OF CENTRAL HVAC UNIT PROBLEMS

Troubleshooting the HVAC system is made easier with the LEDs (light-emitting diodes) integrated in the system, and acting as indicator lights.

The central HVAC unit is equipped with three LEDs to indicate the heating mode and are located as follows:

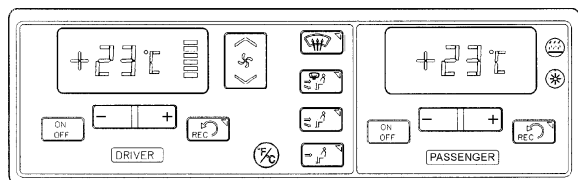


FIGURE 11: HVAC DASHBOARD CONTROL UNIT 22184

One red LED is located on the L.H. side of the electronic transmitter when facing the transmitter to indicate the heating mode (Fig. 12). The electronic transmitter picks up the sensor signal and compares it with the setpoint

established by the driver (“Main A/C – Heating Temperature” control). After analysis, a voltage signal, of which value is proportional to the analysis result (sensor vs driver’s setpoint), is transmitted to the HVAC logic panel. The red LED on the electronic transmitter will be illuminated according to the voltage value, i.e. red LED may not be illuminated at first, and then will gradually reach its maximum brightness or vice versa.

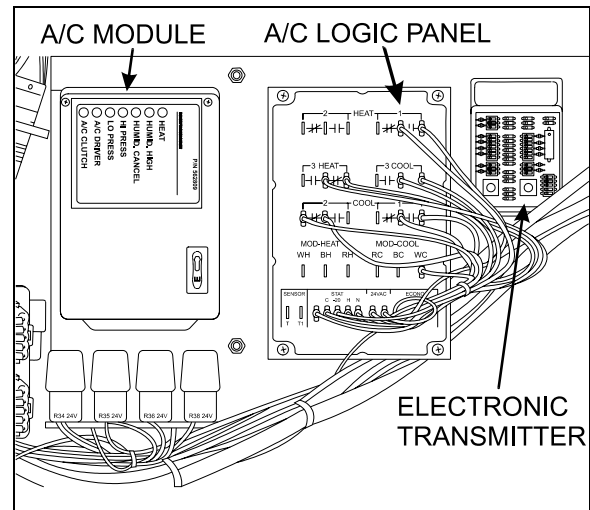


FIGURE 12: HVAC LOGIC MODULE AND TRANSMITTER

Two other red LEDs connected in parallel are located as follows:

One red LED is located on the driver’s dashboard control unit, while the other red LED is located on the HVAC module (Fig. 12). The two red LEDs operate simultaneously; unlike the LED mounted on the electronic transmitter, they may be illuminated or not (“ON” or “OFF”) their function is to indicate the output of the HVAC logic panel.

The HVAC logic panel reads the voltage from the electronic transmitter. As soon as the voltage reaches 4.6 volts, the HVAC logic panel opens the normally-closed heat contact 1. At this stage, the two red LEDs will illuminate to indicate that the HVAC logic panel has sent a signal to activate the heating system. If the other stages are activated, the two LEDs will remain illuminated.

The red LED on the driver’s dashboard control unit and the red LED mounted on the HVAC module enables the technician to quickly diagnose the problem.

Section 22: HEATING AND AIR CONDITIONING

As for the A/C mode, it is almost the same installation, except that the red LED on the electronic transmitter is located on the R.H. side of the transmitter and indicates cooling mode. Its operation is, however, identical.

The significant difference lies in the fact that the two other LEDs connected in parallel are green. One green LED is located in the driver's dashboard control unit, while the other one is located on the HVAC module. These two LEDs indicate the operation of the A/C system.

The HVAC system has been set to allow the driver to activate the A/C until the temperature fall down to 25° F. Then, the A/C shuts down. On ascending temperature, the A/C will turn on from temperature 35° F and up. Therefore, it is normal for the driver who requests heat by means of the "Main A/C – Heating Temperature" control, that the red and green LEDs be illuminated simultaneously. This corresponds to the operation of the heating system to heat the vehicle, and to the operation of the A/C system to dry air (dehumidification).

Note: *The dehumidifying function will operate only when the ambient temperature inside vehicle is less than 4°F (2°C) from the temperature selected with "Main A/C – Temperature" control. If transmitter output voltage is higher than 15 volts (Heat or A/C), dehumidifying function is cancelled.*

In addition to the two LEDs on the electronic transmitter and to the four other ones used to indicate the output of HVAC logic panel, four other LEDs described hereafter have been added on the HVAC module and on the dashboard to help the technician to quickly diagnose problems.

6.1 HIGH PRESSURE ORANGE LED

This LED mounted on the HVAC module (Fig. 12), is designed to light up when the pressure inside the A/C system (high pressure side) is too high. If this occurs, perform the following checks:

- Too high air inlet temperature to the condenser;
- Dirty condenser;
- Faulty condenser fans; or
- Refrigerant overcharge.

Note: *Another indicator light, "High A/C Pressure Indicator", mounted in the dashboard will also illuminate in order to inform the driver of this abnormal situation.*

Note: *If the A/C pressure is too high, the compressor clutch is disengaged, but the fan remains active.*

6.2 LOW PRESSURE ORANGE LED

This LED, also mounted on the HVAC module (Fig. 12), is designed to light up when the pressure inside the A/C system (low pressure side) is too low. If this occurs, perform the following checks.

- Too low air inlet temperature to condenser and/or evaporator;
- Dirty evaporator air filter;
- Dirty evaporator;
- Low refrigerant charge; or
- Expansion valve freeze up.

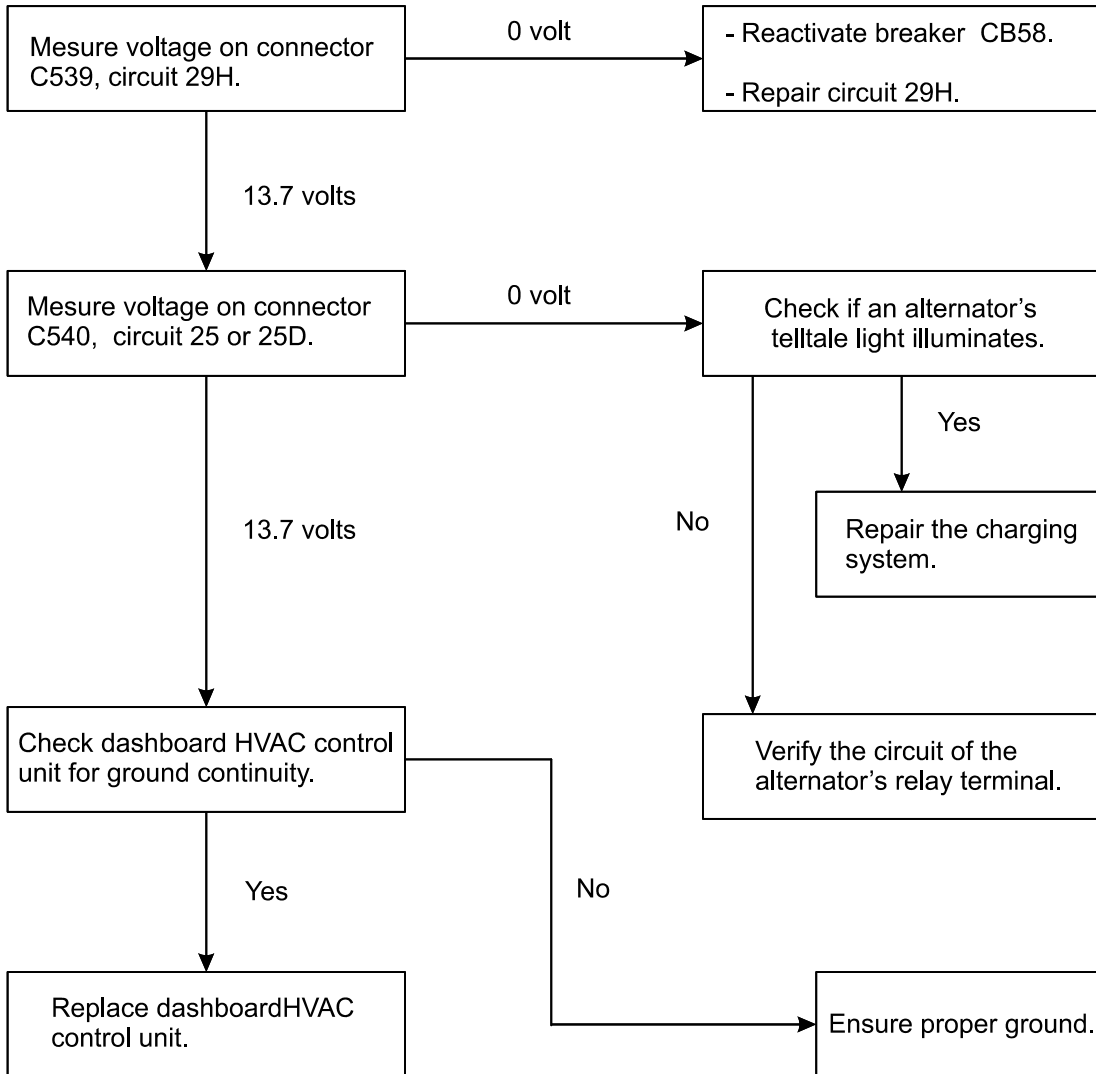
Note: *Another indicator light "Low Conditioning A/C Pressure Indicator", mounted in the dashboard will also illuminate in order to inform the driver of this abnormal situation.*

Note: *If the A/C pressure is too low, the compressor clutch is disengaged and the fan is deactivated.*

7. CENTRAL HVAC UNIT TROUBLESHOOTING GUIDES

GUIDE 1: DEFECTIVE DRIVER'S AREA HVAC MAIN SWITCH

Perform test with engine running.



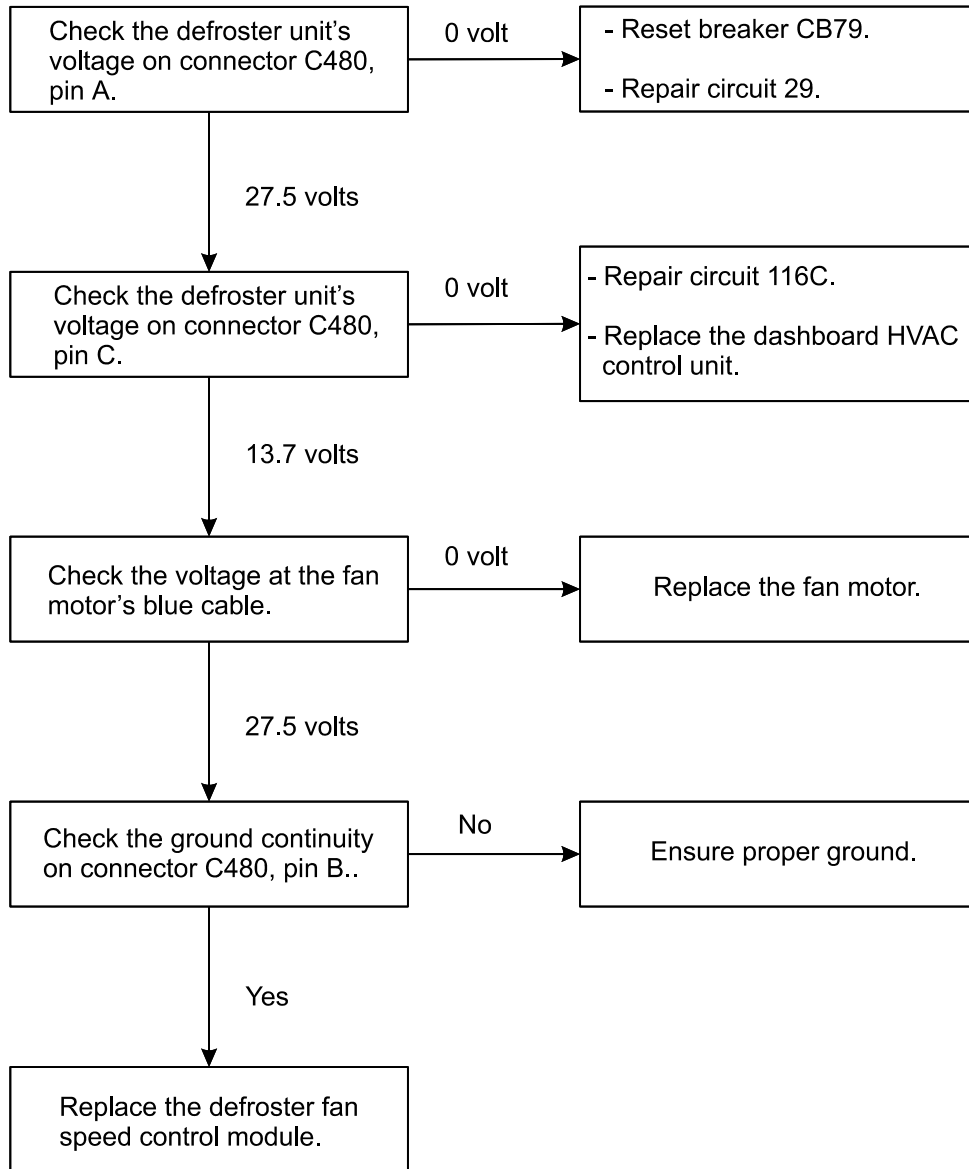
Section 22: HEATING AND AIR CONDITIONING

GUIDE 2: BUTTON FLASHES OR MESSAGE APPEARS ON THE HVAC CONTROL UNIT DISPLAY

ALARM MESSAGE APPEARS ON HVAC MODULE DISPLAY WINDOW FOR 10 SECONDS OR BUTTON FLASHES FOR 10 SECONDS WHEN UNIT IS TURNED ON

Diagnostic Code	Description	Potential problem
3 horizontal lines on outside temperature display.	Incorrect electrical continuity with the outside temp. sensor located behind front bumper.	<ul style="list-style-type: none"> - Bad contact. - Connector disconnected. - Broken wire. - Defective sensor.
3 horizontal lines on driver set point temperature display.	Incorrect electrical continuity with the driver inside temp. sensor located in the defroster discharge.	<ul style="list-style-type: none"> - Bad contact. - Connector disconnected. - Broken wire. - Defective sensor.
Driver REC flashes.	Incorrect electrical continuity on the driver gas cylinder (damper) located under the R.H. console.	<ul style="list-style-type: none"> - Bad contact. - Connector disconnected. - Broken wire. - Defective damper.
Passenger REC flashes.	Incorrect electrical continuity on the passenger gas cylinder (damper) located in the evaporator compartment.	<ul style="list-style-type: none"> - Bad contact. - Connector disconnected. - Broken wire. - Defective damper.
HE on driver display.	Incorrect electrical continuity with the heater solenoid valve located in front bumper compartment.	<ul style="list-style-type: none"> - Bad contact. - Connector disconnected. - Broken wire. - Defective solenoid valve.
AC on driver display.	Incorrect electrical continuity with the liquid solenoid valve located in front bumper compartment.	<ul style="list-style-type: none"> - Bad contact. - Connector disconnected. - Broken wire. - Defective solenoid valve.
Panel selector button flashes.	Incorrect electrical continuity on the damper mix (motor) located in the dashboard.	<ul style="list-style-type: none"> - Bad contact. - Connector disconnected. - Broken wire. - Defective sensor.
All vents open and Panel and Footwell buttons flash.	Incorrect electrical continuity on the foot damper (solenoid) located under the dashboard.	<ul style="list-style-type: none"> - Bad contact. - Connector disconnected. - Broken wire. - Defective solenoid valve.
Passenger REC light stays ON	Entrance door open	<ul style="list-style-type: none"> - Bad contact. - Connector disconnected. - Broken wire - Defective entrance module.

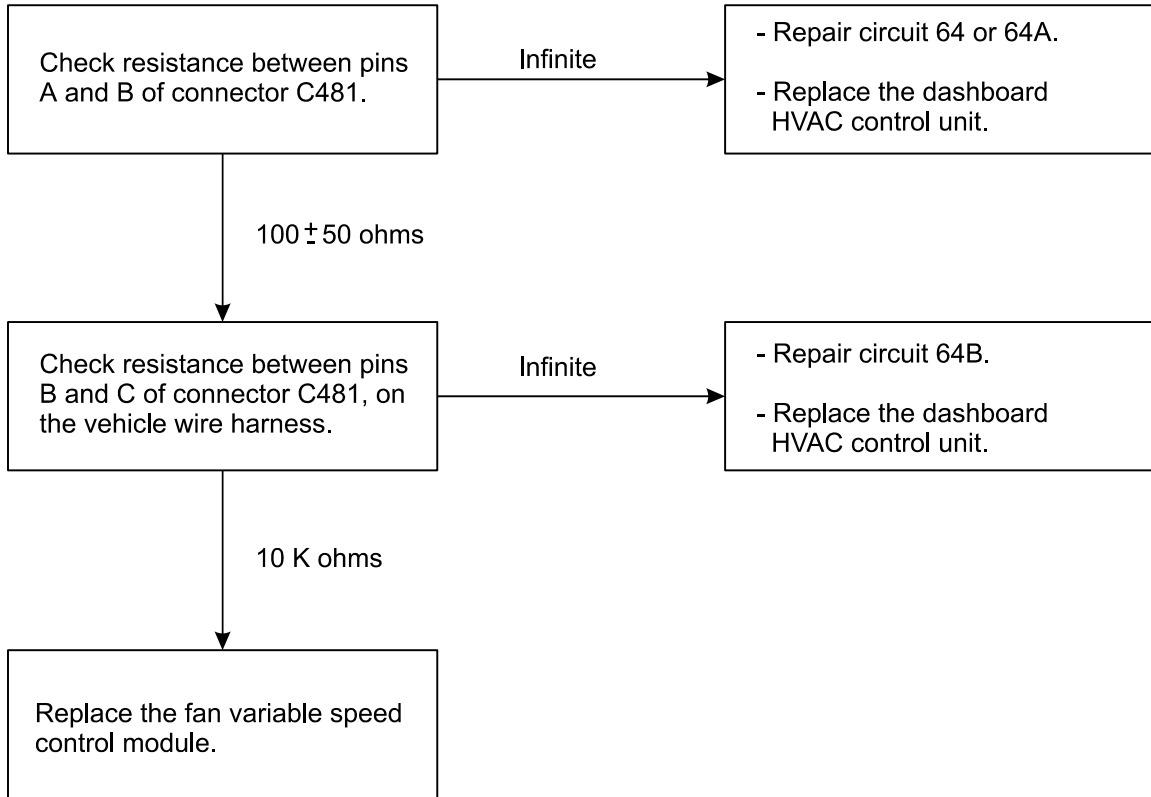
GUIDE 3: DRIVER'S AREA NOT VENTILATED



Section 22: HEATING AND AIR CONDITIONING

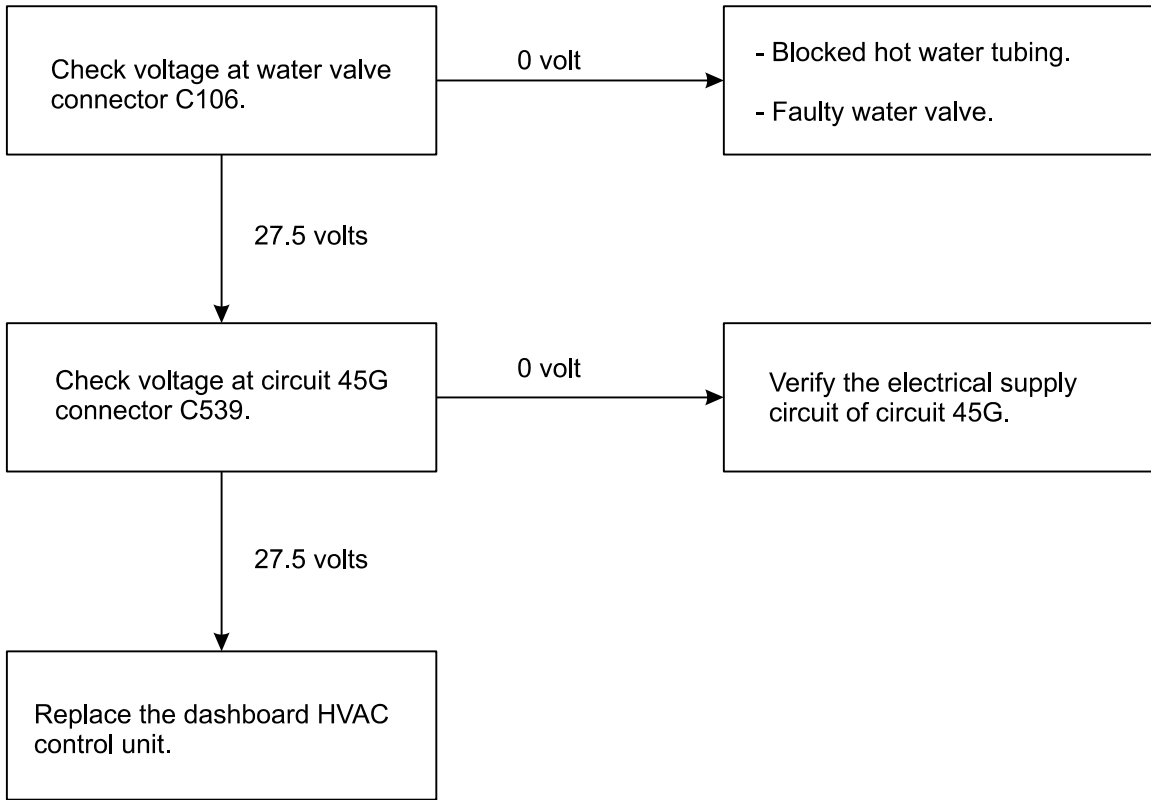
GUIDE 4: THE VARIABLE FAN SPEED SYSTEM DOES NOT FUNCTION IN THE DRIVER'S AREA

Test with the HVAC dashboard control switched ON and with fan speed at maximum setting.



GUIDE 5: NO HEAT AT THE WINDSHIELD DEFROSTER

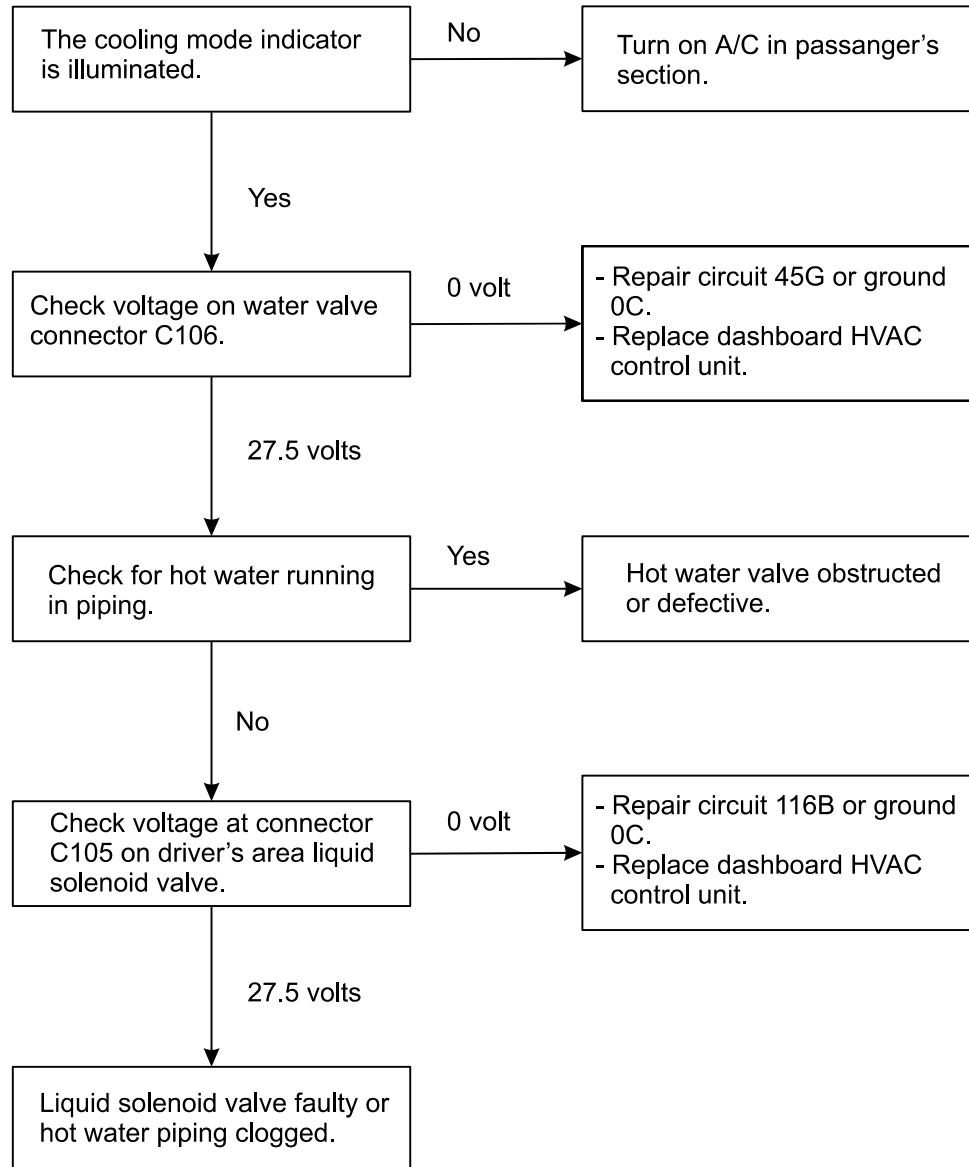
Perform test with the driver's area temperature set to maximum.



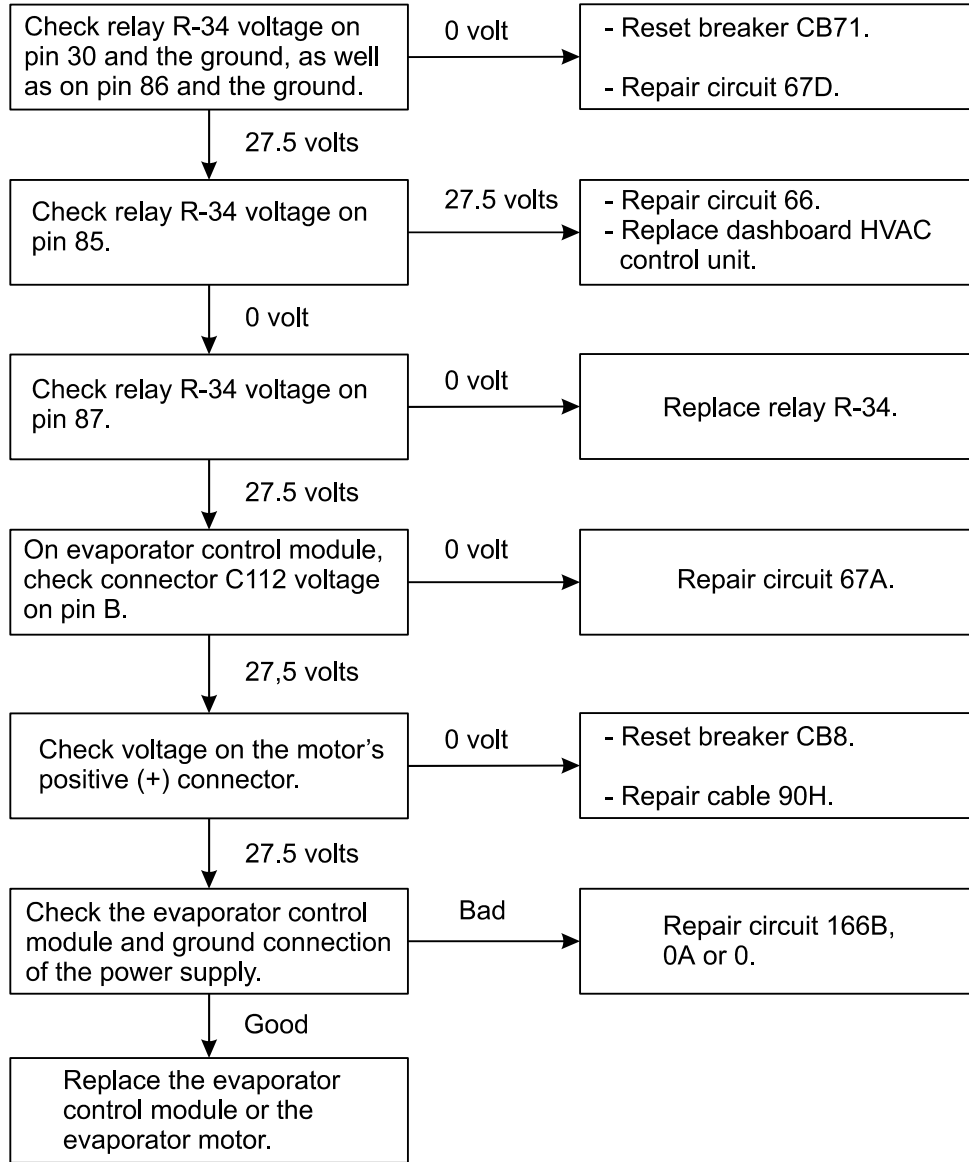
Section 22: HEATING AND AIR CONDITIONING

GUIDE 6: NO A/C AT THE WINDSHIELD DEFROSTER

Perform this test with the driver's area temperature control set to minimum.

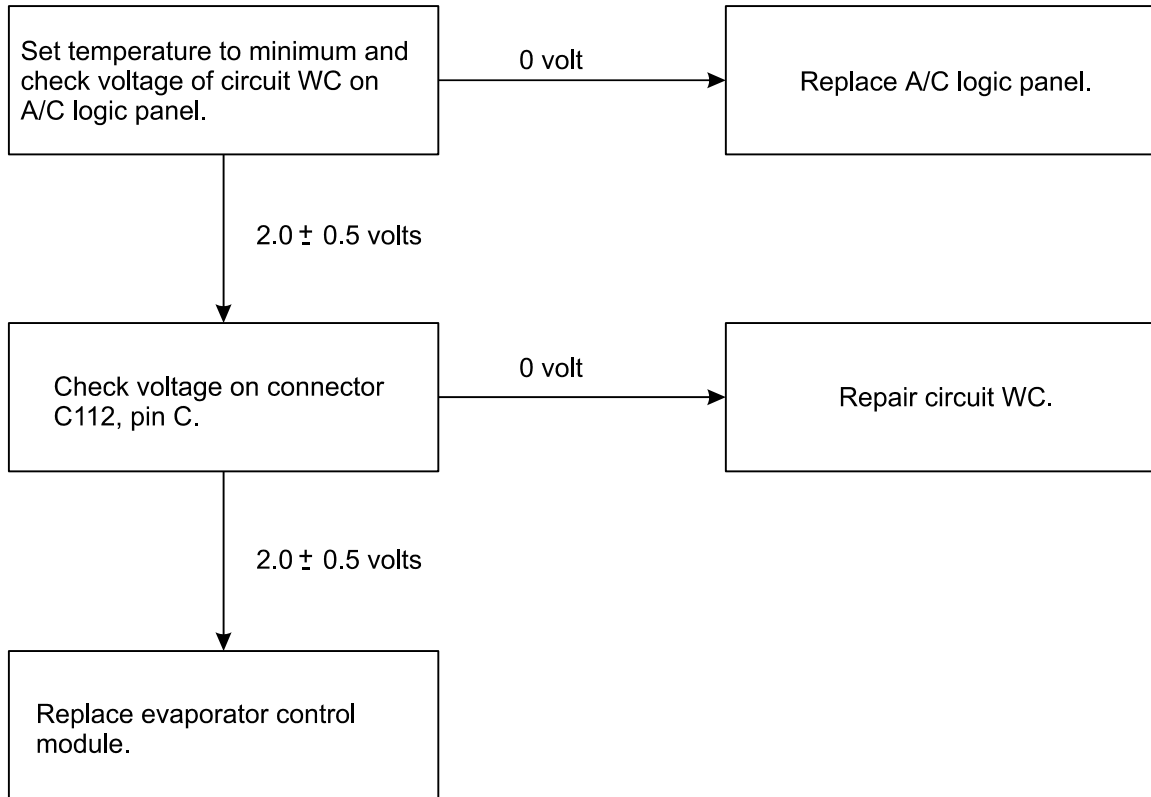


GUIDE 7: NO VENTILATION IN THE PASSENGER AREA (CABIN)

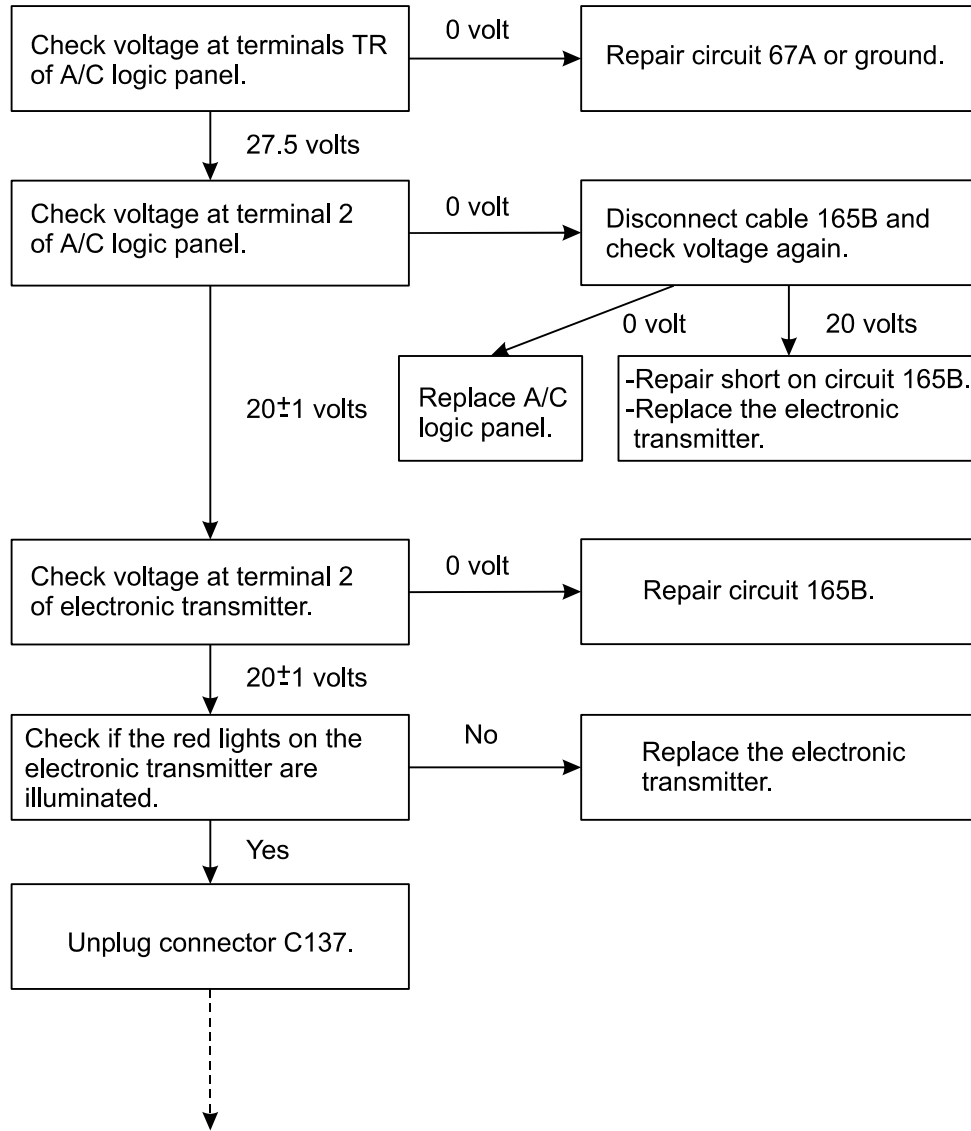


Section 22: HEATING AND AIR CONDITIONING

GUIDE 8: IN A/C MODE, NO FAN SPEED VARIATION IN PASSENGER AREA (CABIN)



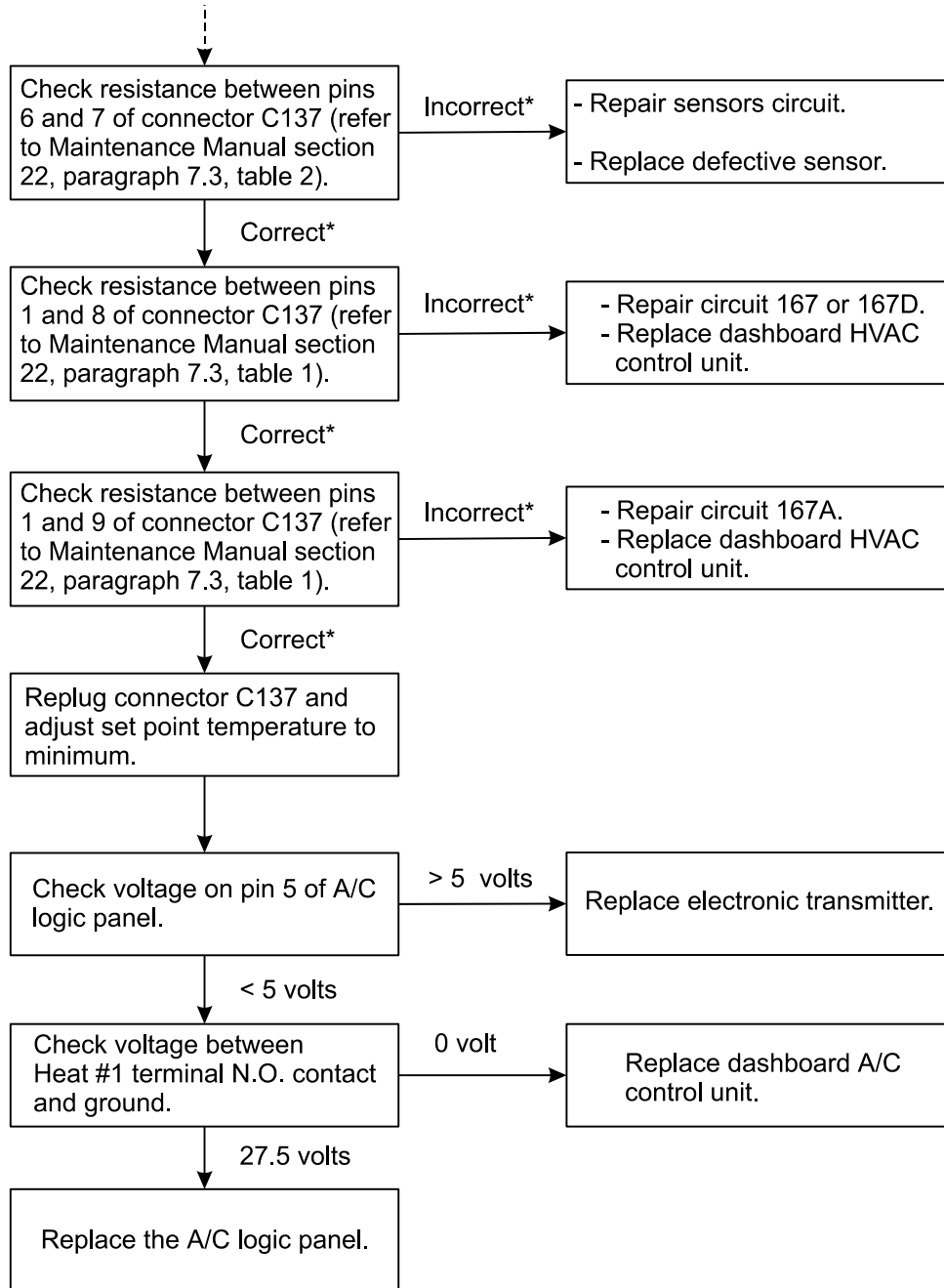
GUIDE 9: THE HEATING MODE INDICATOR LIGHT ON THE HVAC CONTROL UNIT IS ALWAYS ILLUMINATED OR NEVER ILLUMINATES



(Continued on the following page)

Section 22: HEATING AND AIR CONDITIONING

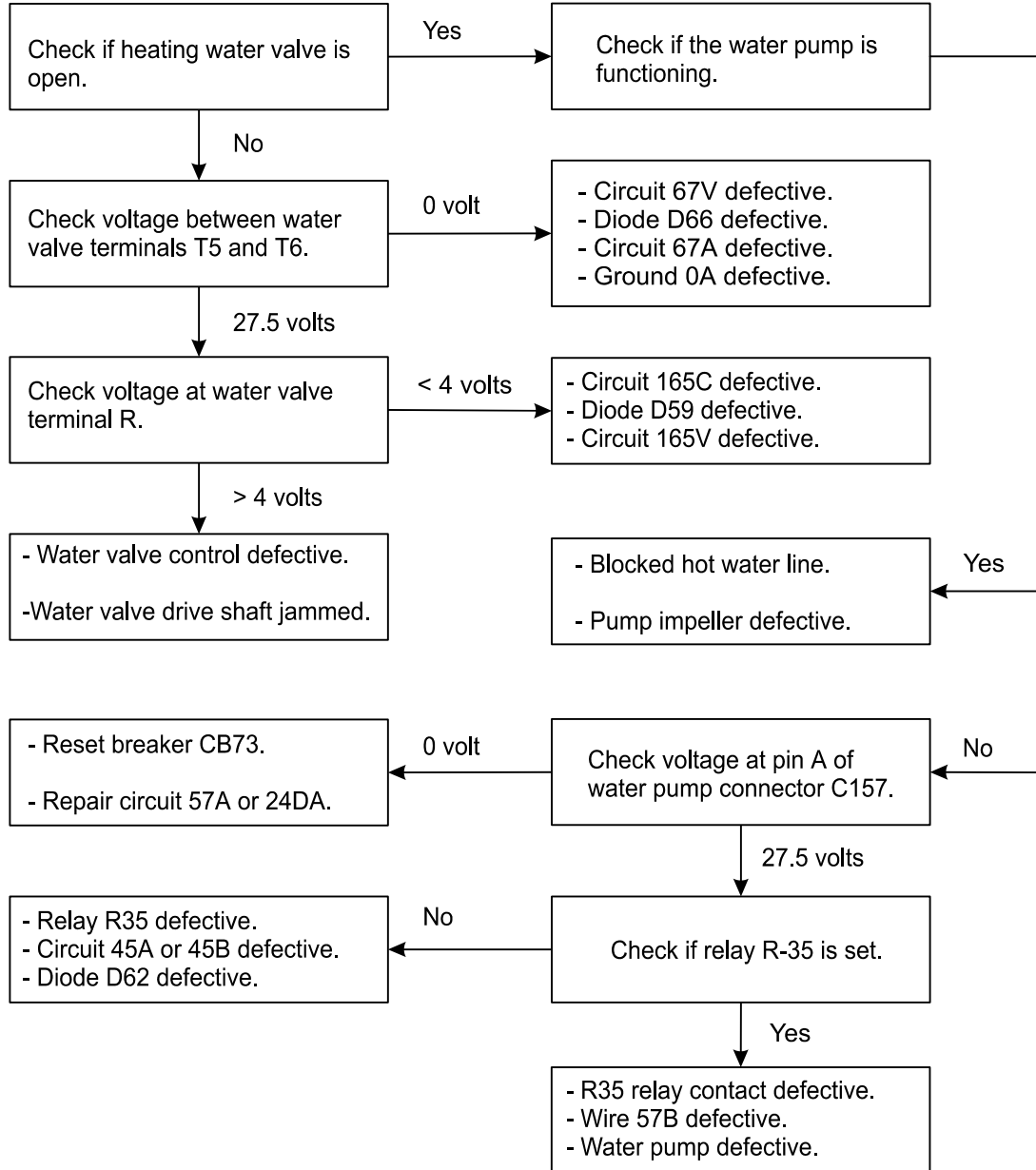
(Continued from previous page)



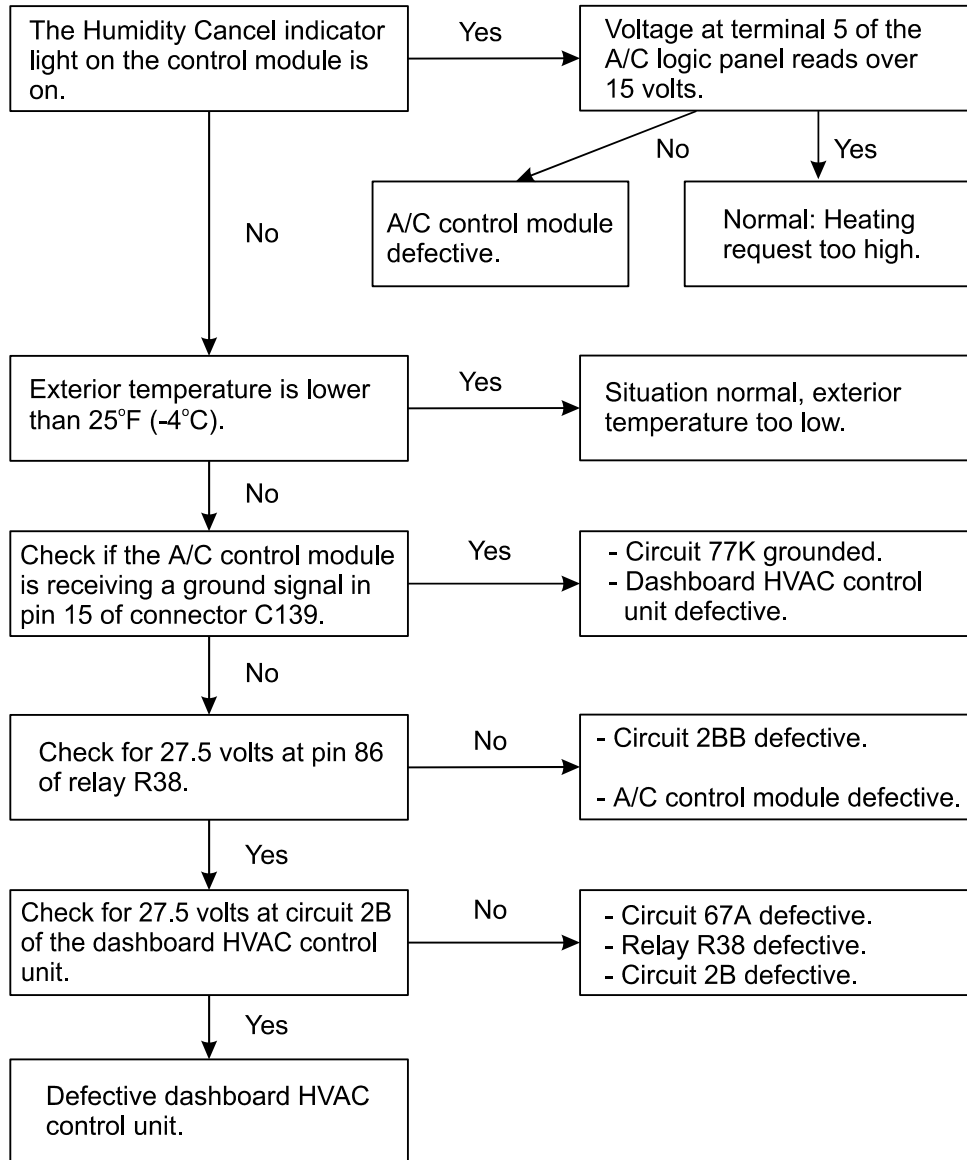
(*) Refer to Maintenance Manual, section 22, paragraph 7.3.

GUIDE 10: THE HEATING MODE INDICATOR LIGHT ON THE HVAC CONTROL UNIT IS ILLUMINATED BUT THE TEMPERATURE IN PASSENGER AREA REMAINS TOO LOW

Perform test with dashboard temperature control set to maximum heating.



GUIDE 11: THE COOLING MODE INDICATOR LIGHT ON THE HVAC CONTROL UNIT NEVER ILLUMINATES



GUIDE 12: THE COOLING MODE INDICATOR LIGHT ON THE HVAC CONTROL UNIT IS ALWAYS ILLUMINATED

Note: The A/C system functions permanently. Only extremely low exterior temperatures or an extremely high heating request can cause the A/C to stop.

Chart 12a

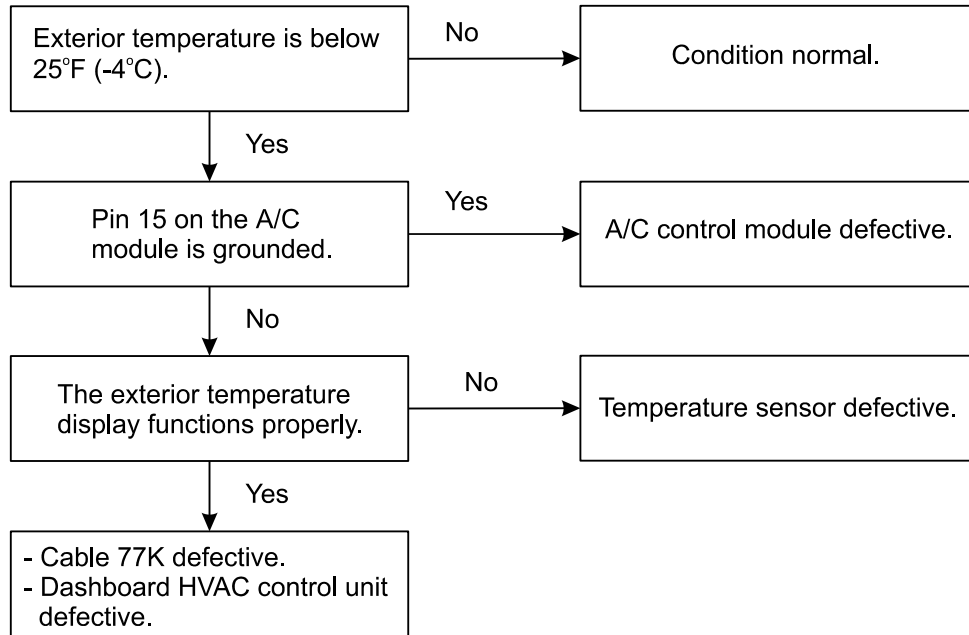
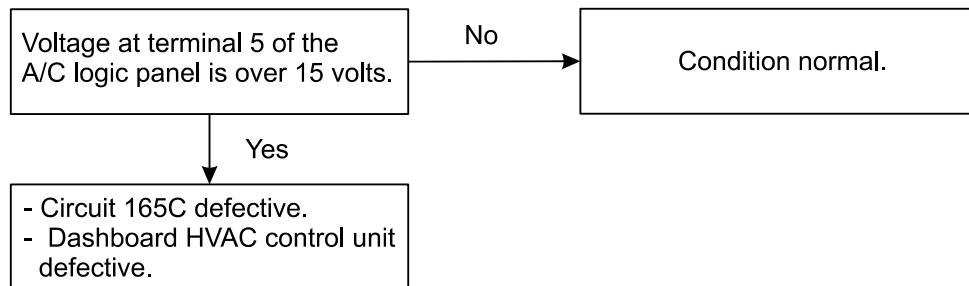
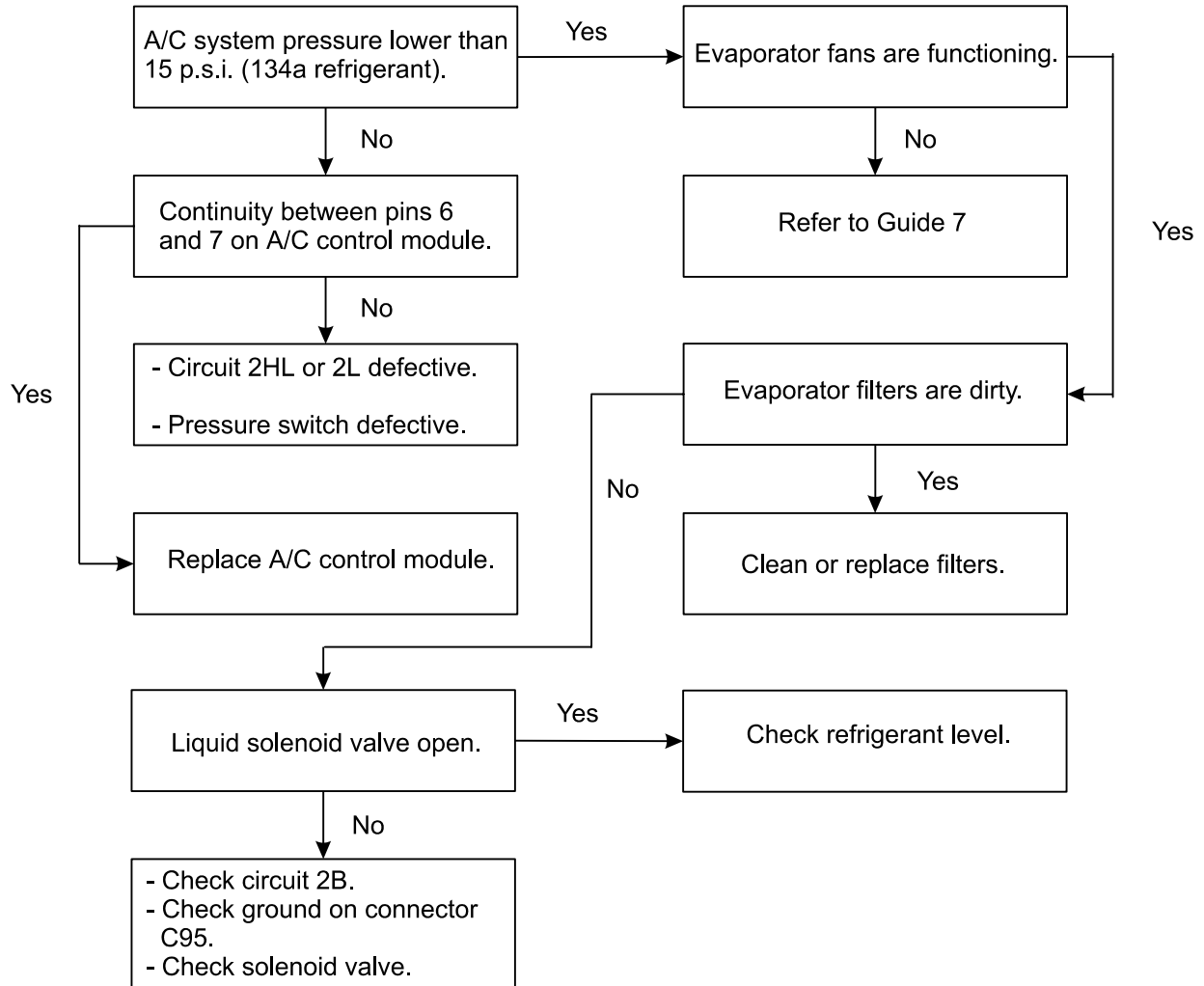


Chart 12b

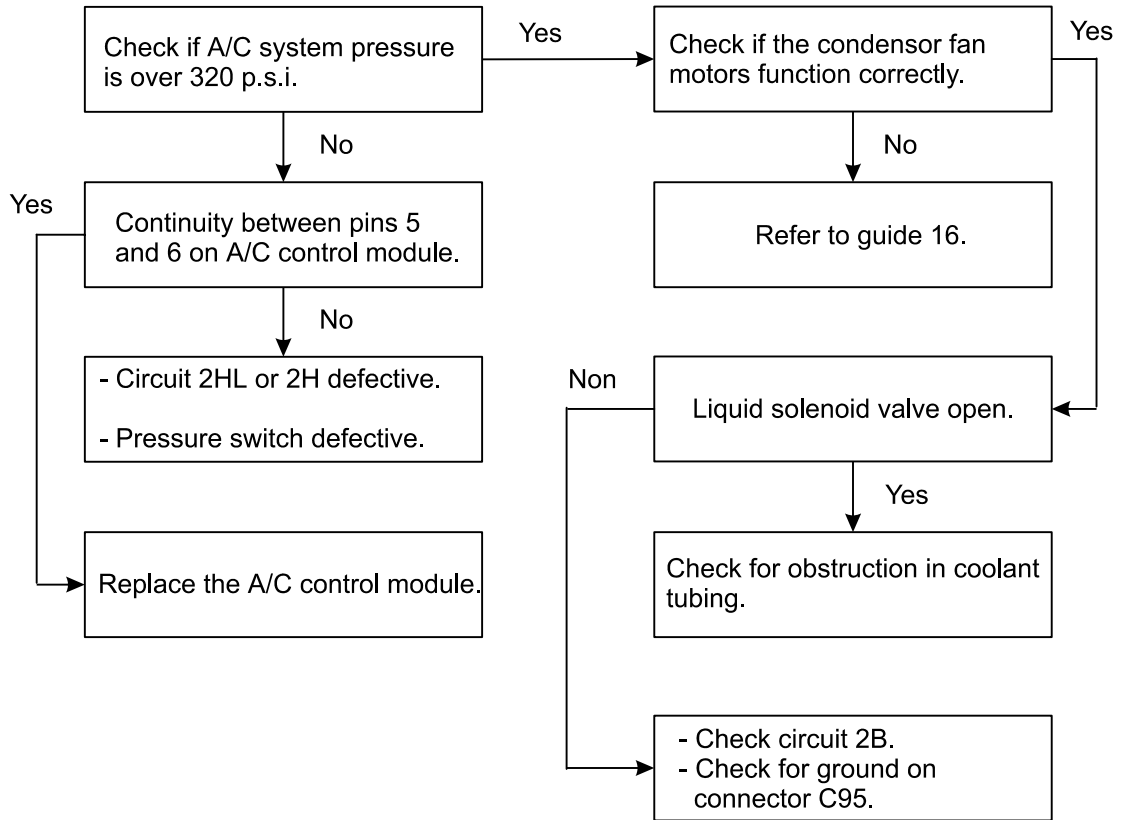


Section 22: HEATING AND AIR CONDITIONING

GUIDE 13: THE "A/C LO-PRESS" LIGHT IN THE TELLTALE PANEL IS ILLUMINATED



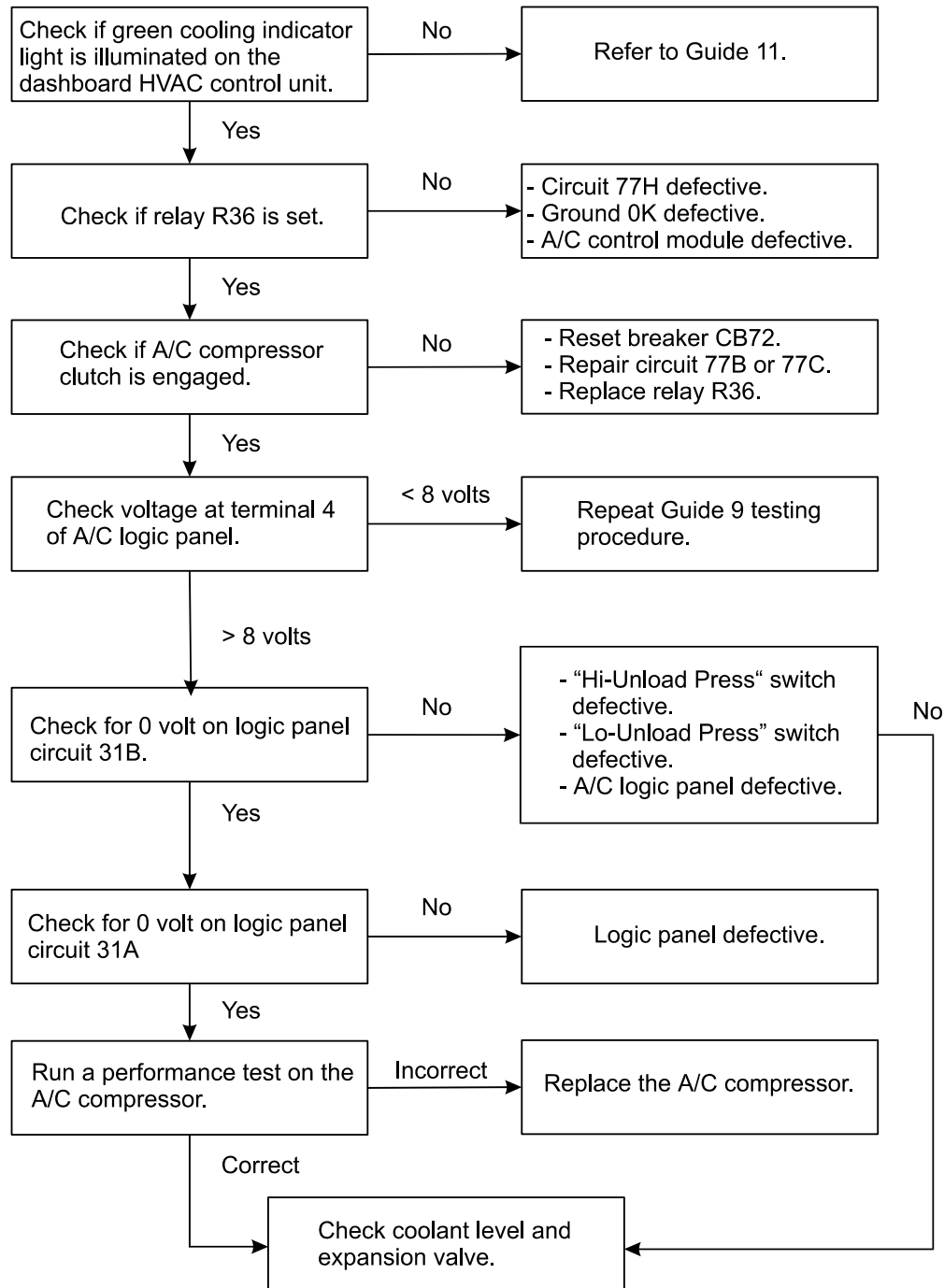
GUIDE 14: THE "A/C HI-PRESS" LIGHT IN THE TELLTALE PANEL IS ILLUMINATED



Section 22: HEATING AND AIR CONDITIONING

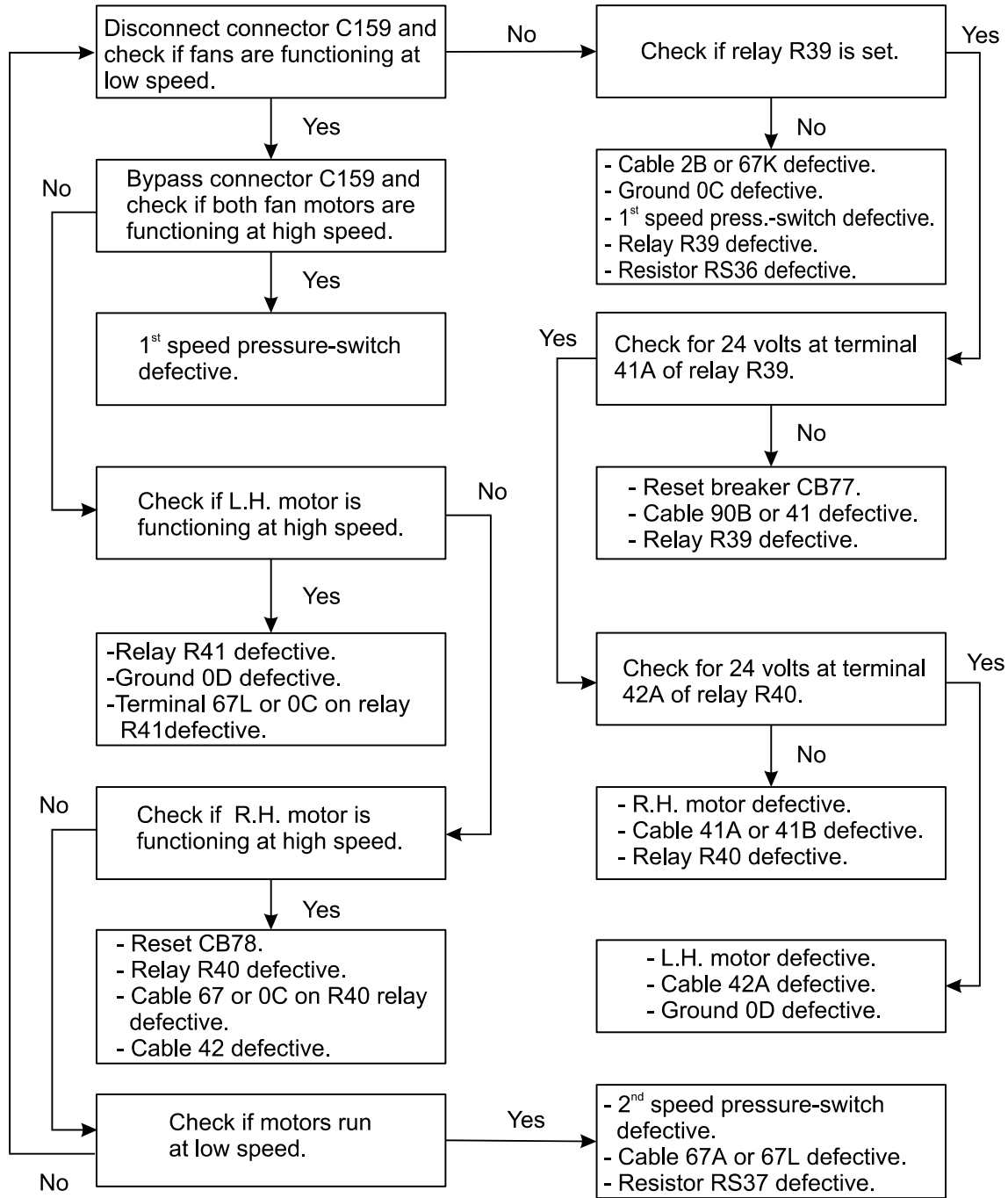
GUIDE 15: THE COOLING MODE INDICATOR LIGHT IS ILLUMINATED BUT THE AIR CONDITIONING DOES NOT FUNCTION SUFFICIENTLY

Perform this test with temperature control set to minimum. Be sure indicator lights "A/C LO-PRESS" and "A/C HI-PRESS" are OFF. If not, refer to guides 13 and 14.



GUIDE 16: THE CONDENSER FANS DO NOT FUNCTION OR THEY FUNCTION IN ONLY ONE SPEED OR ONLY ONE FAN FUNCTIONS.

Perform this test with temperature control set to minimum.



Section 22: HEATING AND AIR CONDITIONING

7.1 CHECKING POTENTIOMETER RESISTANCE VALUES

Disconnect the 2-pin C-137 connector located on the A/C and heating junction box sliding drawer behind the electronic transmitter. Locate the corresponding female contact pins for wires #167 and #167a, and using an ohmmeter, check if readings match with data in Table 1. At location #165D, place the ohmmeter probe on head of screw 1 of electronic transmitter.

Note: Readings may be slightly higher than those in Table 1 due to the length of the wires routed between the electronic transmitter and the potentiometer.

If reading does not match, proceed as follows to check if potentiometer or wiring between potentiometer and electronic transmitter is defective:

Disconnect the 3-pin connector C-355 located under the dashboard, right behind the potentiometer. Identify male contact pins corresponding to the green, brown or black, and pink or red wires from potentiometer. Using an ohmmeter connected according to the indications given in Table 1 (refer to the following cross-reference between wire color and wire number), check if readings match with data in Table 1.

If readings match, trouble is located in wiring between connector C-355 and electronic transmitter. If reading does not match, potentiometer is defective.

WIRE COLOR & NUMBER CROSS REFERENCES	
Between connector C-355 and potentiometer	Between C-355 connector and electronic transmitter
Green	165D
Brown or black	167A
Pink or red	167

7.2 CHECKING THE SENSOR RESISTANCE VALUES

Locate pins #6 and #7 on connector C137, and using an ohmmeter, note the reading between

these two pins. Compare reading with data of Table 2 given in the "Recirculated Air Sensor" curve. Temperature at the bottom of Table 2 is the temperature picked up by the sensor at the time of verification.

Reading between terminals 6 and 7 corresponds to the total resistance of the four paralleled series sensors. Thus, if reading does not match with Table 2, check if problem is located at sensors or wiring.

7.3 TESTING EACH SENSOR

Disconnect each connector from its respective sensor (refer to Fig. 2 for sensor location), then with an ohmmeter, note each sensor reading.

Compare each reading with data of Table 2 given in the "Recirculated Air Sensor" curve. The four sensor curves are used again, since each sensor, taken individually, has the same resistance as the four paralleled series sensors taken together. If all sensors check good, the problem is located in wiring between terminals 6 and 7 and the sensors.

Wire Connections		C540 pin 5 C137 pin 1	C540 pin 15 C137 pin 8	C540 pin 5 C137 pin 1	C540 pin 16 C137 pin 9	C540 pin 16 C137 pin 9	C540 pin 15 C137 pin 8
Heating	Cooling	165D	167	165D	167A	167A	167
Min.	Max.	534 ohms		515 ohms		1046 ohms	
		493		473		964	
		426		402		825	
		352 ohms		325 ohms		673 ohms	
		284		252		532	
		210		176		383	
		143 ohms		104 ohms		243 ohms	
Max.	Min.	76		31		103	

TABLE 1: CIRCUIT DIAGRAM OF DUAL POTENTIOMETER (A/C-HEATING TEMPERATURE CONTROL)

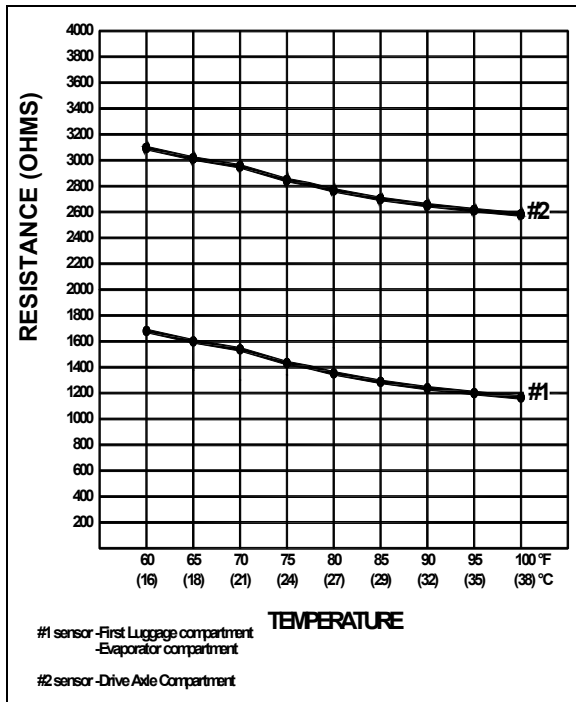


TABLE 2: RESISTANCE RANGE ACCORDING TO AMBIENT TEMPERATURE SENSORS 22032

8. HVAC UNIT MAINTENANCE

No special maintenance is required on the main and driver's units, with the exception of cleaning their respective coil air filters.

Note: Squeeze rubber hose located under the concerned compartment, to eliminate water and dirt when you make routine maintenance.

8.1 COIL CLEANING

Check the external surface of the coil at regular intervals for dirt or any foreign matter.

For the driver's HVAC unit, remove the grill and the access panels and back flush the evaporator coil from inside (Fig. 15 & 16).

For the central system evaporator coil, back flush the coil (Fig. 13) every 12,500 miles (20 000 km) or once a year whichever comes first and for the condenser, back flush the coil (Fig. 14) every 6,250 miles (10 000 km) or twice a year, whichever comes first.

Use a water jet or water mixed with low air pressure to clean the coil.

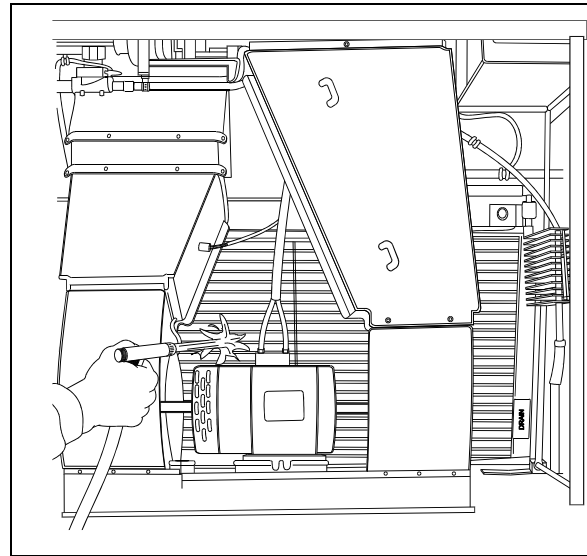


FIGURE 13: EVAPORATOR COIL

22122

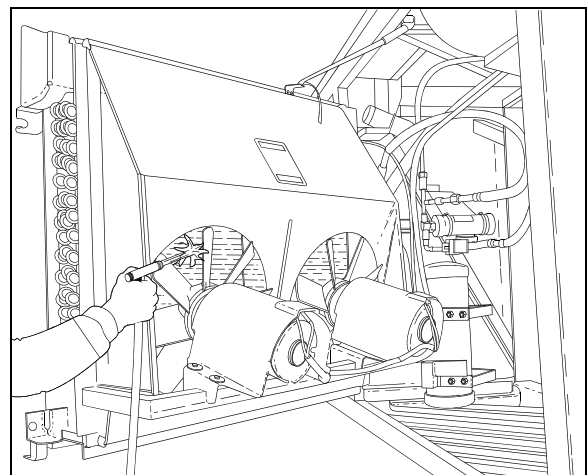


FIGURE 14: CONDENSER COIL

22170

Caution: Direct the pressure straight through the coil to prevent bending of fins and do not use extremely high pressure. Do not use hot water, steam or caustic soap.

8.2 DRIVER'S HVAC UNIT AIR FILTERS

The driver HVAC system is located behind the dashboard's R.H. side lateral plastic panel. To gain access to the A/C filters, unscrew the R.H. lateral console's grill located at the top step of the entrance door steps. Slide out the R/A and F/A filters. To clean filter back flush with water, then dry with air, every 12,500 miles (20 000 km) or once a year, whichever comes first (Fig. 15 & 16).

Section 22: HEATING AND AIR CONDITIONING

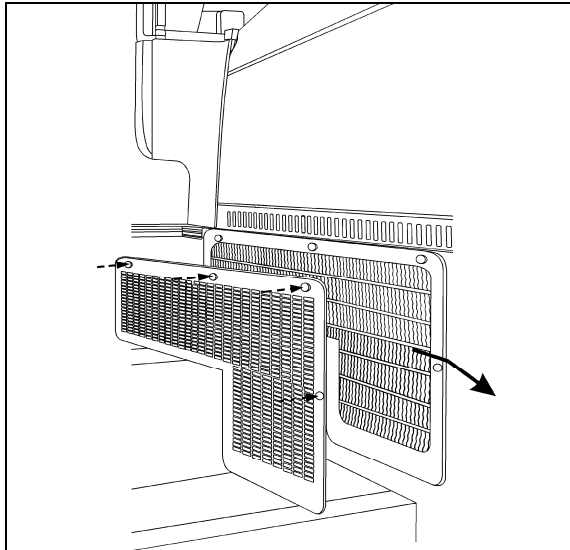


FIGURE 15: DRIVER'S CONSOLE ACCESS GRILL 22193

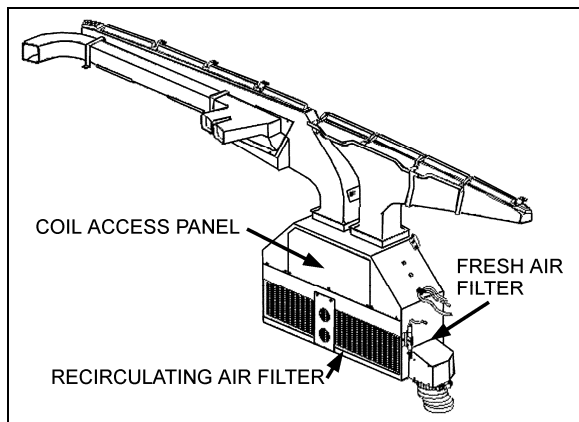


FIGURE 16: DRIVER'S AREA AIR FILTERS 22171

8.3 CENTRAL HVAC UNIT AIR FILTER

The main air filter is located in the HVAC compartment (Fig. 17). To access the filter, locate access panels in one of the baggage compartments adjacent to the HVAC compartments (L.H. side). Open panels by turning the three screws of either panel $\frac{1}{4}$ of a turn, unsnap both fasteners on top of filter, and slide out filter. To clean filter, back flush with water or soapy water, then dry with air every 12,500 miles (20 000 km) or once a year, whichever comes first.

Caution: Do not use high pressure water jet to avoid damaging filter.

Caution: Be sure not to reverse filter upon installation.

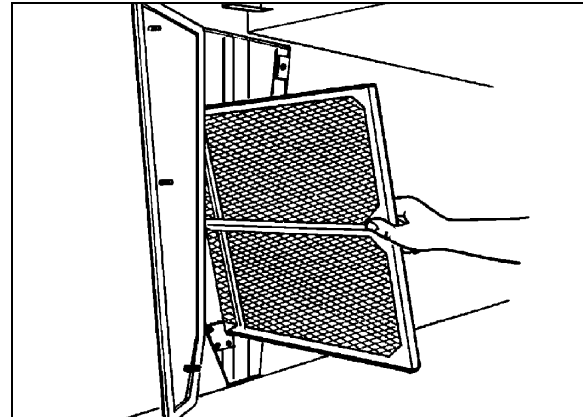


FIGURE 17: MAIN HVAC UNIT AIR FILTER 22100

8.4 PARCEL RACK FAN AIR FILTER

A/C evaporator coils may be installed in both parcel rack air systems. Only the air filters are serviceable. The air filters are accessible from inside the parcel racks. Slide out the filters, then back flush with water, dry with air and replace. This procedure should be done every 12,500 miles (20,000 km) or once a year, whichever come first.

For A/C unit, ball valves are added on supply and return lines in the condenser compartment. They have service port to evacuate the A/C parcel rack circuit. When work has to be done on a evaporator coil unit, it will be easier to remove it and repair it on a bench.

9. EVAPORATOR MOTOR

The evaporator motor is installed in the HVAC compartment (L.H. side of vehicle) (Fig. 18). It is a 28.5 volt, 2HP (1,5 kW) motor which activates a double blower fan unit. An evaporator motor speed controller is installed in the HVAC compartment as standard equipment.

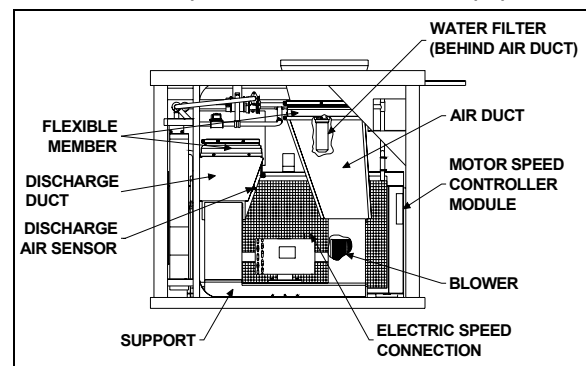


FIGURE 18: HVAC COMPARTMENT 22125

Section 22: HEATING AND AIR CONDITIONING

9.1 REMOVAL

1. Set the battery safety switch to the "OFF" position.
2. Open the last L.H. side baggage compartment door. Pull the black release button located on the L.H. side in order to unlock and open the HVAC compartment door.
3. Identify the L.H. side discharge duct inside compartment and remove the Phillips head screws retaining the flexible member to duct. Separate the adhesive tape (680453) on the duct.
4. Repeat step 3 for the R.H. side discharge duct.
5. Disconnect the discharge air sensor connector. Remove the cable tie securing wire.
6. Disconnect electrical speed control connection on the motor plate.
7. From under the vehicle, remove the eight bolts retaining the evaporator fan motor support. Remove the complete unit from the HVAC compartment (Fig. 19).
8. On a work bench, unscrew the fan square head set screws, the Phillips head screws retaining cages to support and slide out the assemblies from the evaporator motor output shaft.

Caution: Never support evaporator motor by its output shafts while moving it.

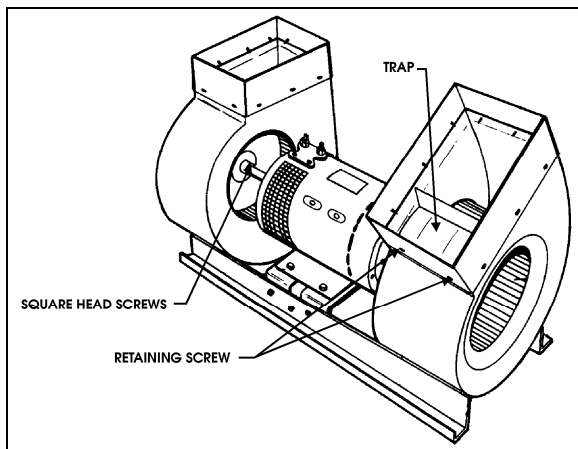


FIGURE 19: EVAPORATOR MOTOR ASSEMBLY 22036

9.2 INSTALLATION

To reinstall the evaporator motor, reverse "Evaporator Motor Removal" procedure.

9.3 CHECKING OPERATION OF BRUSH IN HOLDER

Lift brush slightly 1/8 inch (3 mm) and release it. Brush must produce a dry noise.

9.4 BRUSH WEAR INSPECTION AND REPLACEMENT

Replace the brushes if less than 3/4 inch (19 mm). New brush length is 1-1/4 inch. Clean brushes with a clean cloth impregnated with gasoline or alcohol.

Warning: Cleaning products are flammable and may explode under certain conditions. Always handle in a well ventilated area.

To replace brushes, proceed as follows:

1. Set battery safety switch to the "OFF" position.
2. Remove the protective screen band from the motor housing by pulling down the spring loaded fastener.
3. Remove and replace brushes as per the standard procedure.
4. Reverse installation procedure.

9.5 CHECKING COMMUTATOR

The surface must be polished. A brown-black colored surface is normal and indicates a good switching. Ensure there is no evidence of arcing or metal chips.

9.6 SPEED CONTROLLER MODULE

The standard evaporator motor speed controller module is mounted on the R.H. side wall inside the HVAC compartment (Fig. 18). The purpose of this electronic module is to limit the evaporator motor speed to 75% of its full rated speed throughout the heating mode and during the first stage of the cooling mode. The module will then gradually increase the motor speed as the cooling demand increases.

9.7 TROUBLESHOOTING

Refer to guides #7 and #8 (in this section).

Section 22: HEATING AND AIR CONDITIONING

10. AIR CONDITIONING SYSTEM PRINCIPLES OF OPERATION

10.1 A/C CYCLE

Refrigeration may be defined as "the transfer of heat from a place where it is not wanted to a place where it is unobjectionable". Components required for a closed circuit refrigeration system are shown in figure 21.

The air conditioning system used in the H3 series vehicle is the "Closed" type using "R-134a".

1. The refrigerant flowing to the compressor, is compressed to high pressure and reaches a temperature higher than the surrounding air. It is passed through the air-cooled fins and tubes of the condenser causing the hot, high pressure gas to be condensed into a liquid form.
2. The liquid refrigerant flows to the receiver tank, then through a filter dryer where moisture, acids and dirt are removed. It is passed through a moisture indicator which indicates if any moisture is present in the system.
3. By its own pressure, the liquid refrigerant flows through a thermal expansion valve where the pressure drop causes the refrigerant to vaporize in a vapor-liquid state at a low temperature pressure.
4. The cold low pressure refrigerant passes through the main and the driver's evaporator coils which absorb heat from the air passing over the fins and tubes, and changes into gas. In this form, the refrigerant is drawn into the compressor to repeat the air conditioning cycle.
5. The success of the air conditioning system depends on retaining the conditioned air within the vehicle. All windows and intake vents should be closed. An opening of approximately 8 in² (5162 mm²) could easily neutralize the total capacity of the system.
6. Other causes of inadequate cooling are dirty coils or filter. Dirt acts as an insulation and is also serves as a restriction to the air flow.
7. The refrigeration load is not constant and varies. It is also affected by outside temperature, relative humidity, passenger

load, compressor speed, the number of stops, etc.

8. The compressor will load depending on operating conditions.

10.2 REFRIGERANT

The A/C system of this vehicle has been designed to use Refrigerant 134a as a medium. Regardless of the brand, only R-134a must be used in this system. The chemical name for this refrigerant is Ethane, 1, 1, 1, 2-Tetrafluoro.

Warning: Refrigerant in itself is nonflammable, but if it comes in contact with an open flame, it will decompose.

10.2.1 Procurement

Refrigerant is shipped and stored in metal cylinders. It is serviced in 30 and 100 pound (13,6 and 45 kg) cylinders. Approximately 25 pounds (11,4 kg) are used in the central system.

It will be impossible to draw all the refrigerant out of the cylinder. However, the use of warm water when charging the system will assure the extraction of a maximum amount of refrigerant from the cylinder.

10.2.2 Precautions in Handling Refrigerant

1. Do not leave refrigerant cylinder uncapped.
2. Do not subject cylinder to high temperatures, do not weld or steam clean near system or cylinder.
3. Do not fill cylinder completely.
4. Do not discharge vapor into an area where a flame is exposed.
5. Do not expose the eyes to liquid refrigerant.

All refrigerant cylinders are shipped with a heavy metal screw cap. The purpose of the cap is to protect the valve and safety plug from damage. It is a good practice to replace the cap after each use of the cylinder for the same reason. If the cylinder is exposed to the sun's radiant heat pressure increase resulting may cause release of the safety plug or the cylinder may burst.

For the same reason, the refrigerant cylinder should never be subjected to excessive temperature when charging a system. The refrigerant cylinder should be heated for charging purposes by placing it in 125°F (52°C)

water. Never heat above 125°F (52°C) or use a blowtorch, radiator, or stove to heat the cylinder.

Welding or steam cleaning on or near any refrigerant line or components of the A/C system could build up dangerous and damaging pressures in the system.

If a small cylinder is ever filled from a large one, never fill the cylinder completely. Space should always be allowed above the liquid for expansion. Weighing cylinders before and during the transfer will determine the fullness of the cylinders

Warning: One of the most important precautions when handling refrigerant consists in protecting the eyes. Any liquid refrigerant which may accidentally escape is approximately -40°F (-40°C). If refrigerant comes in contact with the eyes, serious injury could result. Always wear goggles to protect the eyes when opening refrigerant connections.

10.2.3 Treatment in Case of Injury

If liquid refrigerant comes in contact with the skin, treat the injury as if the skin was frost-bitten or frozen. If liquid refrigerant comes in contact with the eyes, consult an eye specialist or doctor immediately. Give the following first aid treatment:

1. Do not rub the eyes. Splash eyes with cold water to gradually bring the temperature above the freezing point.
2. Apply drops of sterile mineral oil (obtainable at any drugstore) in the eyes to reduce the possibility of infection. The mineral oil will also help in absorbing the refrigerant.

10.2.4 Precautions in Handling Refrigerant Lines

1. All metal tubing lines should be free of kinks, because of the resulting restrictions on the flow of refrigerant. A single kink can greatly reduced the refrigeration capacity of the entire system.
2. The flexible hose lines should never be allowed to come within a distance of 2-1/2" (6,3 cm) from the exhaust manifold.
3. Use only sealed lines from parts stock.
4. When disconnecting any fitting in the refrigeration system, the system must first

be discharged of all refrigerant. However, proceed very cautiously, regardless of gauge readings. If there happens to be liquid refrigerant in the line, disconnect fittings very slowly, keeping face and hands away so that no injury can occur. If pressure is noticed when fitting is loosened, allow it to bleed off very slowly.

Warning: Always wear safety goggles when opening refrigerant lines.

5. In the event that any line is opened to the atmosphere, it should be immediately capped to prevent entrance of moisture and dirt.
6. The use of the proper wrenches when making connections on O-ring fittings is important. The use of improper wrenches may damage the connection. The opposing fitting should always be backed up with a wrench to prevent distortion of connection lines or components. When connecting the flexible hose connections, it is important that the swaged fitting and the flare nut, as well as the coupling to which it is attached, be held at the same time using three different wrenches to prevent turning the fitting and damaging the ground seat.
7. The O-rings and seats must be in perfect condition. The slightest burr or piece of dirt may cause a leak.
8. O-rings should be coated with refrigeration oil and installed on the line before the line is inserted into the fitting to prevent damaging the O-ring. If leaks are encountered at the couplings or connectors, no attempt should be made to correct the leaks by tightening the connections beyond the recommended torque. The O-rings are designed to seal at the specified torque and overtightening the connection does not result in a satisfactory and permanently sealed connection. The connection must be disassembled and the cause of the leak (damaged O-ring, defective lines, etc.) corrected. Use new O-ring.

Section 22: HEATING AND AIR CONDITIONING

10.3 REFRIGERANT SYSTEM CLEAN-OUT AFTER COMPRESSOR FAILURE

Although the vast majority of reciprocating refrigerant compressors manufactured today are extremely reliable, a small percentage do fail. These failures usually result in minor or extensive system contamination depending on the severity of the failure. When an open type compressor becomes damaged internally, this provokes small particles of bearings, steel, brass, copper, and aluminum and, in severe cases, carbonized oil, which could contaminate the system. To prevent repeated failures, the problem which caused the failure should be corrected, and depending upon the severity of the failure, the system should be thoroughly cleaned out using one of the cleanout procedures mentioned.

10.3.1 Determining Severity of Failure

The severity of compressor failure can be categorized as minor or major. A failure is considered minor when the contamination is limited to the compressor with little or no system contamination. A major failure, or burnout, results in extensive system contamination as well as compressor damage. Extensive system contamination can be determined by withdrawing a small sample of compressor oil and checking its color, odor and acidity. A Virginia Chemical "TKO" one step acid test kit is one of several compressor oil test kits that may be used. A high acid content would indicate a major failure or burnout. A small amount of refrigerant gas may be discharged. A characteristic burned odor would also indicate severe system contamination.

10.3.2 Clean-out after Minor Compressor Failure

1. Be sure to correct the problem which caused the failure.
2. Change liquid line filter dryer.
3. Run the unit for 2 hours on high speed cool only.
4. Check compressor oil level to ensure compressor is not overcharged with oil. Sometimes a significant amount of oil is pumped out of the compressor to other parts of the system when a compressor

fails. This oil will return to the replacement compressor when it is started, causing an overcharge of oil in the sump of the replacement compressor. In this case, it is important that the oil level be adjusted to the proper level.

5. Withdraw a sample of the compressor oil and check its color, odor, and acidity, using instructions supplied above. If the oil is contaminated, change the oil and filter dryer, and repeat the procedure until the system is clean.

10.3.3 Clean-out After Major Compressor Failure

1. Reclaim the refrigerant into a refrigerant bottle through a filter dryer to filter out contaminants.
2. Remove the failed compressor and repair it if possible.
3. Install new or repaired compressor.
4. Change the filter dryer.
5. Circulate clean R-134a with the reclaimer to clean out many of the contaminants collected in the coil valves, TXV (Thermal Expansion Valve), solenoid valves, check valves, and any other mechanical component that may have collected contaminants.
6. Evacuate and charge the system normally.
7. Run the unit for 8 hours and monitor the pressure drop across the filter dryer. Also check the liquid line dryer for signs of restriction. If the pressure drop across the filter dryer exceeds 12 to 14 psig (82,75 to 96,5 kPa) with a 40°F (5°C) evaporator coil temperature, stop the unit and change the liquid line and suction line filter dryer. After 4 or 5 hours of operation, stop the unit and replace the filter dryer.
8. After 8 hours of operation, stop the unit and remove a sample of the compressor oil and check its color, odor, and acidity, using instructions supplied above. If the oil is contaminated, replace the oil and repeat step 7. If the oil is not contaminated, change the filter dryer again and replace the moisture-liquid indicator.

Section 22: HEATING AND AIR CONDITIONING

9. After approximately 7 days of operation, recheck the compressor oil for cleanliness and acidity.

11. CENTRAL A/C SYSTEM

The schematic of Figure 21 shows the central A/C system and its components. The central system is equipped with a 6 cylinder, 05G-134A Carrier compressor with an air conditioning capacity of 9 tons. The receiver tank and filter dryer are mounted inside the condenser compartment. The fuel filler door is a small door located at left of A/C condenser compartment door, allowing viewing of the filter dryer and the moisture indicator.

Note: For opening of the A/C condenser door, open the baggage compartment door at the right of the A/C condenser compartment door. The condenser compartment door must be unbolted to fully swing open.

11.1 PUMPING DOWN

This procedure is intended to reduce refrigerant loss by isolating it in the compressor and the receiver tank, as well as in their connecting line, in order to carry out repairs on other sections of the air conditioning system (lines and components).

Note: Before attempting any repair between compressor and receiver tank, use a recovery unit to remove refrigerant from the system.

Warning: When air conditioning system must be opened, refer to previous paragraph "Precautions In Handling Refrigerant" to prevent any injury.

Procedure

1. Close the receiver tank outlet valve by turning it clockwise, backseat the suction service valve on the compressor, install an appropriate pressure gauge set, and turn the valve forward ¼ turn to enable a visual check of the suction pressure.
2. Disconnect the "Low Pressure Switch" connector (mounted near the A/C compressor, and install a jumper wire.

Note: This jumper wire will allow the clutch to remain engaged after pressure drops below 15 psi (103,5kPa).

3. Open the rear electrical compartment. Locate the **cooling contact 3** on the HVAC logic panel. Install a jumper wire between the central terminal of this stage and its normally-closer contact terminal as illustrated in Fig. 20. Locate the **cooling contact 2**. Install a jumper wire between the central terminal of this stage and its normally-closed contact terminal as illustrated in Fig. 20.

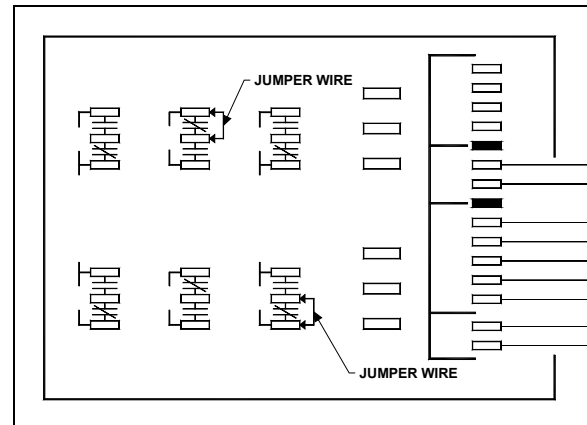


FIGURE 20: HVAC LOGIC PANEL

22038

Note: No wire has to be disconnected. In fact, wires #31A and 31B will be connected to wire #67A. This temporary connection will restrict compressor operation to two cylinders.

4. Start the engine, turn on the "Main A/C-Heating" switch, and adjust "A/C-Heating Temperature" controls to maximum A/C position.
5. Run the compressor until pressure reaches 1-2 psi (7-14 kPa).

Note: During this operation, care must be taken not to fill the receiver tank over the upper sight glass. If so, stop process immediately. Always allow refrigerant piping and units to warm up to the ambient air temperature before opening system or sweating will take place inside the lines.

Section 22: HEATING AND AIR CONDITIONING

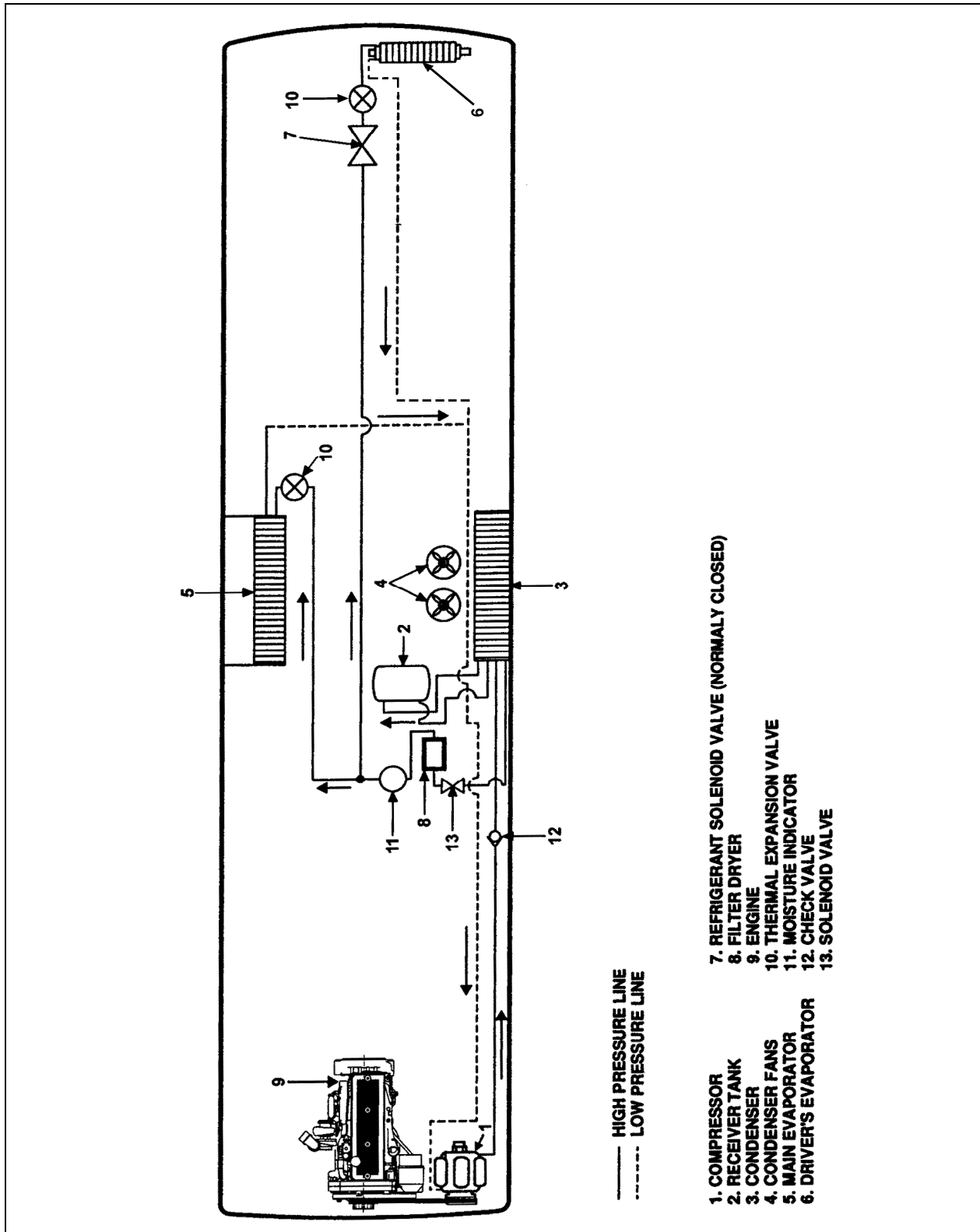


FIGURE 21: CENTRAL A/C SYSTEM COMPONENTS

22200

Section 22: HEATING AND AIR CONDITIONING

6. Stop engine, and close compressor outlet valve by turning it clockwise until valve is properly seated.
7. Close compressor suction valve by turning it clockwise until it is properly seated.

11.2 ADDING REFRIGERANT (VAPOR STATE)

Use the suction service valve on the compressor to add a small quantity of refrigerant to the system. Backseat the valve and connect a charging line from the refrigerant cylinder to the valve. Tighten connection at level of refrigerant cylinder and open tank end slightly to purge air from the charging line. Tighten the charging line at the compressor. Screw in the stem of suction valve approximately two turns. Start the engine and run at fast idle. Add sufficient refrigerant to bring the level in lower sight glass of receiver tank to mid-point. Always charge the system with the cylinder upright and the valve on top to avoid drawing liquid out of the cylinder. Fill liquid refrigerant at the receiver tank and completely charge, if necessary, using previous procedure.

11.3 EVACUATING SYSTEM

1. Open both receiver valves by turning "out" (normal position).
2. Remove the caps from the two 90° adapters on the suction, discharge valves and connect two hoses to the vacuum.
3. Place the two compressor valves, suction and discharge, in neutral position by turning each one 3 to 4 turns "in" from the "out" position.
4. Open the solenoid valve by energizing or manually bypass.
5. Start the vacuum pump. Open the large (suction) shutoff valve and close the small vacuum gauge valve.
6. The pressure will drop to approximately 29 inches vacuum (14.2 psi or 97,9 kPa) (the dial gauge only gives a general idea of the absolute system pressure).

7. Backseat the compressor valves by turning "out" all the way.
8. Shut down the vacuum pump.
9. Remove the hoses.
10. Reinstall the caps at the suction valve take-off points.

11.4 CHARGING SYSTEM

When a system has been opened or if there are any questions about the air or moisture in the system, evacuate the system. Charging of an evacuated system may be accomplished by forcing liquid R-134a directly into the receiver tank.

When charging an empty system, weigh the amount of refrigerant put into the system. This will eliminate any possibility of overfilling. A nominal charge requires 24 pounds (10,9 kg).

1. Backseat the two compressor shutoff valves ("out").
2. Install the test gauges at the shutoff valves noting that the 400 psi (2758 kPa) gauge is connected to the discharge.
3. Turn in the two shutoff valves 3 to 4 turns.
4. Open the lower receiver valve by turning "out" all the way.
5. Backseat the upper receiver valve by turning out all the way.
6. Remove the cover cap from the service fitting in the top receiver valve.
7. Attach a charging hose to the R-134a tank. Open the tank valve slightly permitting R-134a to escape thus purging the hose of air.
8. Connect the charging hose to the service fitting.
9. Open the R-134a tank valve.
10. To build up pressure in the receiver tank, heat the receiver tank with a heating blanket.
11. Turn in the upper receiver valve several turns. The R-134a will now enter the system.

Section 22: HEATING AND AIR CONDITIONING

- The proper charge of R-134a is 24 lbs (10.89 kg). When the scale indicates this amount of charge, backseat the receiver valve and close the R-134a tank valve.
- Disconnect the charging hose. Replace the cover caps.
- The system is now ready for operation.

Caution: The evacuation of the system must be made by authorized and qualified personnel only. Refer to local laws for R-134a recuperation.

12. CENTRAL A/C SYSTEM COMPONENTS

12.1 COMPRESSOR

12.1.1 Belt Replacement

Warning: Set the main battery disconnect switch to the "Off" position. For greater safety, set the engine starter selector switch in engine compartment to the "Off" position.

- Open engine compartment rear doors and locate the belt tensioner two-way control valve (Fig. 22), mounted above the engine R.H. side door next to the pressure regulating valve, then turn pressure handle counterclockwise in order to release pressure and tension on belts.
- Slip the old belts off and the new ones on.
- Reset belt tensioning pressure control valve (Fig. 22). Pressure is factory set to 50 psi (345 kPa), periodically check proper pressure.

Note: Both belts must always be replaced simultaneously to ensure an equal distribution of load on each of them.

Note: For proper operation of the air bellows, adjust the **upper** tensioning bracket to provide a 2 3/8" - 2 1/2" (60 - 64 mm) extension with the pneumatic system under normal pressure and the pressure regulating valve set as per item #3 (Fig. 23).

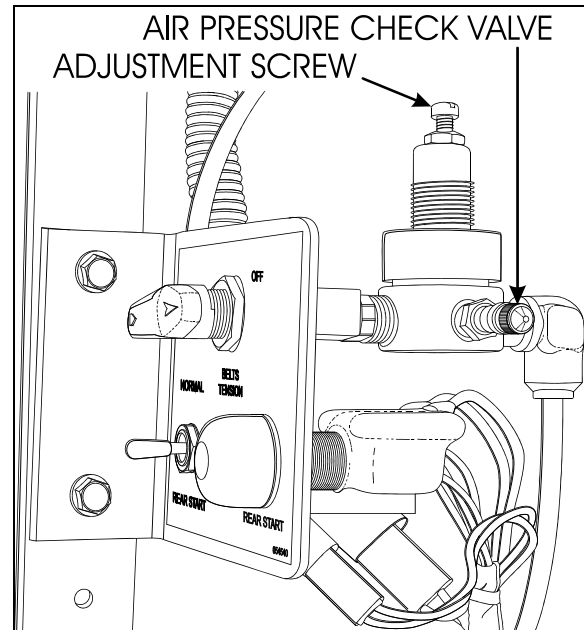


FIGURE 22: TENSIONING VALVE

01058

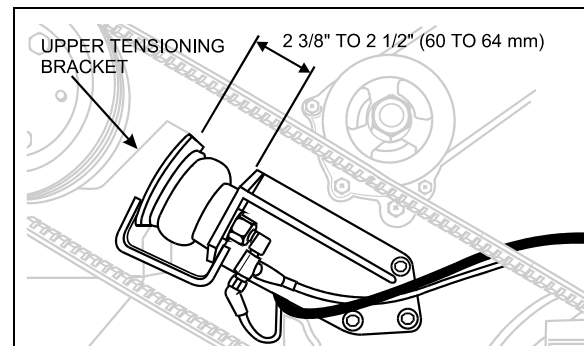


FIGURE 23: TENSIONING AIR BELLOW

01059

12.1.2 Pulley Alignment

In order to avoid skipping, disengagement and a premature wear of compressor belt, it is necessary to align compressor pulley with the crankshaft pulley. Before performing the following procedure, release air from belt tensioners by means of the two-way control valve. After completing these procedures reset belt tensioning pressure control valve to 50 psi (345kPa).

12.1.3 Longitudinal Compressor Alignment

- Rest an extremity of a straight edge of approximately 46 inches (117 cm) against the upper part of the outer face of crankshaft

pulley, positioning the other end close to the compressor clutch pulley (Figs. 24 & 25).

2. Check the distance between each extremity of straight edge (1, Fig. 25) and the first drive belt. If they are different, loosen the compressor support bolts and with a hammer, knock support to slide it in order to obtain the same distance; then tighten bolts.

12.1.4 Horizontal Compressor Alignment

1. Rest an extremity of the straight edge against the upper part of the outer face of compressor pulley, positioning the other end close to the crankshaft pulley.
2. Check the distance between each extremity of straight edge (1, Fig. 25) and drive belt. If they are different, loosen the pillow block compressor bolts and with a hammer, knock compressor pillow block to slide it, in order to obtain the same distance; then tighten bolts.

12.1.5 Vertical Compressor Alignment

Rest a short "angle and level indicator" on the outer side face of the crankshaft pulley, adjust the level indicator inclination at 0° and check if the compressor pulley is at same angle (Figs. 24 & 25). If it is not the same, shim under the appropriate pillow block in order to obtain the correct angle.

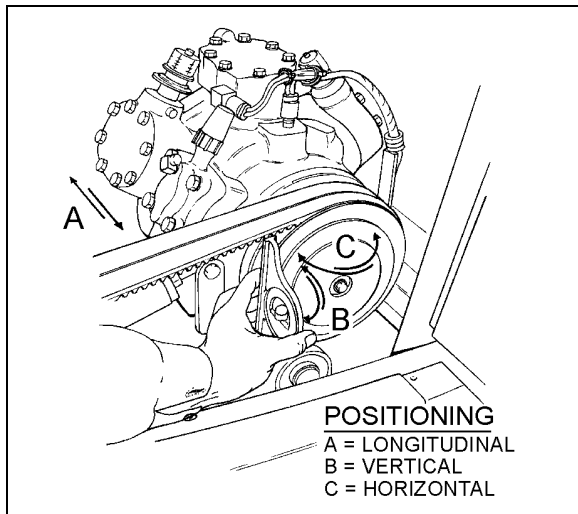


FIGURE 24: COMPRESSOR ALIGNMENT

22072

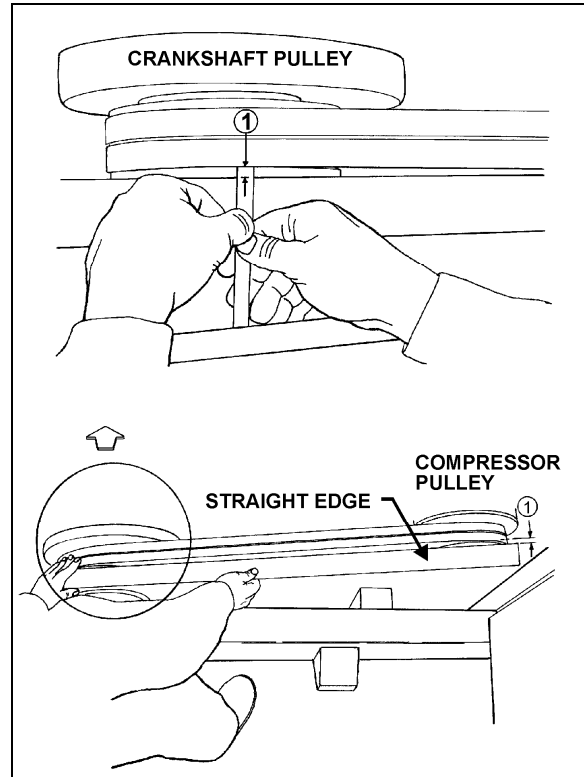


FIGURE 25: COMPRESSOR ALIGNMENT

22040

12.1.6 Compressor Maintenance

For the maintenance of the A/C compressor, see the "Carrier Compressor Operation and Service Manual" included at the end of this section.

Caution: Use only Castrol SW 68 (POE) oils with refrigerant 134a.

12.1.7 Troubleshooting Guide

A preliminary check may be made by simply feeling the cylinder heads with the unit in operation at ambient temperatures of 35 °F (2 °C) and over. The cylinder heads are internally divided into suction and discharge valves. The lower half of the cylinder head is the suction side, and it should be relatively cool to the touch, as opposed to the hot upper discharge side. If a valve plate or head gasket is blown, or a compressor unloader is stuck open, partially compressed refrigerant vapor will be circulated between the suction and discharge sides of the head. The affected cylinder head will then have a relatively even temperature across its surface

Section 22: HEATING AND AIR CONDITIONING

and be neither as hot as the normal discharge temperature nor as cool as the normal suction temperature.

Blown Head Gaskets

Symptom:

- Loss of unit capacity at low temperature.
- Even cylinder head temperature.

Cause:

- Improperly torqued cylinder head bolts.
- Improperly positioned gasket at assembly.
- Warped cylinder head.
- Severe liquid refrigerant floodback.

Blown Valve Plate Gaskets

Symptom:

- Loss of unit capacity at medium and low temperatures.
- Very hot cylinder head surface.
- Higher than normal suction pressure.

Cause:

- Improperly torqued cylinder head bolts.
- Severe liquid refrigerant floodback.
- Oil slugging caused by an overcharge of oil or flood starts.
- Discharge valves not seated properly (liquid drainback during shutdown).

Broken Suction Valves

Symptom:

- Loss of unit capacity at all temperatures.
- Compressor unable to pull extremely low vacuum with suction service valve frontseated.

Cause:

- Repeated liquid refrigerant floodback.
- Flooded starts.
- Overcharge of oil.

- Discharge valves not seated properly (liquid drainback during shutdown).
- Expansion valve not controlling properly.

Unloader Valve Stuck Open

Symptom:

- Loss of unit capacity at all temperatures.
- Higher than normal suction pressure.
- Even cylinder head temperature.

Cause:

- Unloader body stem bent.
- Foreign material binding unloader piston or plunger.

12.2 MAGNETIC CLUTCH

Refer to Carrier service information entitled "Housing-Mounted Electric Clutch" at the end of this section for the description and maintenance of the magnetic clutch.

12.2.1 Time Delay Module

A time delay module integrated in the HVAC module is connected in series with the relay coil feeder circuit of the compressor magnetic clutch. This module allows approximately one minute delay following a compressor clutch request and its actual application, to avoid continuous engaging and disengaging (cycling) of clutch.

This time delay will be effective each time A/C system is actuated (Main A/C-Heating Switch), or upon restarting of compressor, when the latter has previously stopped due to an excessive high pressure (over 320 psi (2206, 4 kPa)) or very low pressure (under 15 psi (103,5 kPa)) in the system.

However, a time delay will be inoperative and restarting of the compressor will be immediate following a regulated interruption by the system, i.e. when temperature inside the coach is equal to the selected temperature.

12.3 CONDENSER

The condenser coil is hinge mounted on the R.H. side of the vehicle on the A/C condenser door. Since condenser's purpose is to dissipate

heat from the hot refrigerant, it is important to keep the cooling coils and fins clean. A clogged coil will cause high discharge pressure and insufficient cooling.

12.3.1 Condenser Fan Motors

Two axial fan motors are installed in condenser compartment on R.H. side of vehicle in order to ventilate the condenser coil. The fans pull outside air through the condenser coil and discharge it through an opening at bottom of compartment. Depending on pressure in receiver tank (Fig. 26), the fan motors may be operated at full rpm, half rpm or not operated at all. With low pressure in receiver tank, both fan motors are connected in series and then operate at half rpm and, with a high pressure in receiver tank, both fan motors are connected in parallel and operate at full rpm. For details about electrical wiring, refer to "A/C and Heat system" in the master wiring diagram.

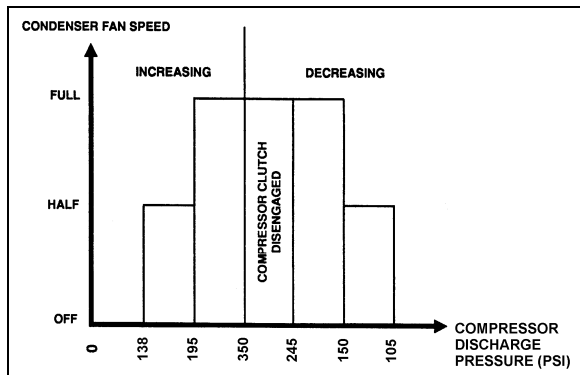


FIGURE 26: CONDENSER FAN SPEED IN RELATION WITH HIGH SIDE PRESSURE

22041

12.3.2 Condenser Fan Motor Removal

1. Set the main battery disconnect switch to the "Off" position.
2. Remove the two "Phillips" head screws retaining the fan motor protective cover to the square tubing.

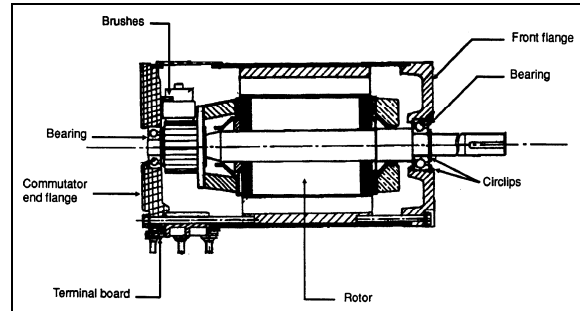


FIGURE 27: CONDENSER FAN MOTOR

22042

3. Disconnect wiring from terminals on motor. Tag each wire to aid in identification at time of reconnection.
4. Support motor, and remove bolts which attach motor to mounting bracket. Remove the motor.

12.3.3 Preliminary Disassembly

1. Remove the brushes.
2. Unscrew the flange retaining screws on the shaft end side (opposite to the commutator end frame), and separate flange from frame (Fig. 27).
3. Remove flange and rotor assembly by pushing bearing shaft toward the commutator end frame.
4. Separate flange from rotor.

12.3.4 Disassembly

1. Perform preliminary disassembly.
2. Carefully note the position of the brush holder ring and the connections on the flange support.
3. Unscrew and remove the flange on the commutator end frame.
4. Remove the brush holder ring.
5. Finally, separate the following parts: brush holders, brush boxes, terminal board, bearings, etc.

12.4 RECEIVER TANK

The receiver tank is located in the A/C condenser compartment (Fig. 28). The function

Section 22: HEATING AND AIR CONDITIONING

of the receiver tank is to store the liquid refrigerant. During normal operation, the level of the refrigerant should be approximately at the mid-point of the lower sight glass.

In case of extreme pressure there will be a rise in the liquid receiver tank. A pressure relief valve will break at 450 psi (3103 kPa) and relieve the receiver tank pressure.

The receiver tank incorporates an inlet valve on the inlet side (upper section) which allows the tank to be isolated or serviced. An outlet valve on the outlet side (lower section) permits complete isolation from the rest of the system.

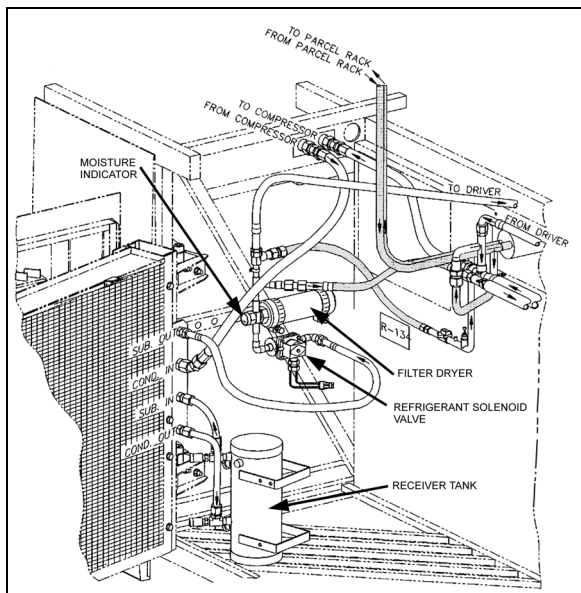


FIGURE 28: A/C CONDENSER COMPARTMENT

12.5 FILTER DRYER

A filter dryer, also located in the A/C condenser compartment, is installed on the liquid refrigerant line (near the receiver tank). It is used to absorb moisture and foreign matter from refrigerant before it reaches the expansion valves.

The filter should be replaced if the system has been opened to prolonged exposure as shown by the moisture indicator sight glass.

12.5.1 Replacement

The filter is of the disposable type. When replacement is required, remove and discard the complete unit and replace with a new unit of the same type according to this procedure:

1. Isolate the refrigerant in the receiver tank by following the "Pumping Down" procedure explained in this section

Change the filter dryer as a unit.

1. Add a small quantity of refrigerant R-134a to the low side of the system. Check for leaks. Return the system to normal operation.

Caution: Do not use carbon tetrachloride or similar solvents to clean parts. Do not use steam guns. Use mineral spirits or naphtha. All parts should be thoroughly cleaned. Use a stiff brush to wash dirt from grooves, holes, etc.

Warning: Cleaning products are flammable and may explode under certain conditions. Always handle in a well ventilated area.

12.5.2 Moisture Indicator

The moisture sensitive element consists of a color changing ring which is reversible from yellow to green and vice versa as the moisture content in the refrigerant changes. Yellow indicates a wet refrigerant, yellow green (caution) and green indicates a dry refrigerant.

Since temperature changes affect the solubility, color change will also vary with the refrigerant temperature. The following table shows the color change for R-134a at various moisture levels and liquid line refrigerant temperatures.

COLOR INDICATOR			
Temperature	GREEN (ppm)	YELLOW GREEN (ppm)	YELLOW (ppm)
75°F (24°C)	Below 5	5-15	Above 15
100°F (38°C)	Below 10	10-30	Above 30
125°F (52°C)	Below 15	15-45	Above 45
p.p.m.= parts per million (moisture content)			

A moisture level of 15 p.p.m. for R-134a indicated in the green color range of the above table is generally considered dry and safe. A color indication of yellow green indicates the caution range of moisture level. For positive protection, the drying of the system should be continued until the color of the element turns to dark green.

Section 22: HEATING AND AIR CONDITIONING

The liquid refrigerant is readily visible through the center opening of the moisture element where the presence of bubbles indicates a shortage of refrigerant or restriction in line.

Moisture is one of the main causes of chemical instability or contamination in air conditioning systems. If moisture is present, it can corrode the valves, condenser and evaporator coils, compressor and other components causing a malfunction and eventually failure of the system. Uncontrolled moisture in the system can result in expensive multiple component replacements if not corrected at an early stage. The moisture indicator permits an early detection of moisture in the system and when corrected by a desiccant charge, system contamination is greatly minimized.

12.6 LIQUID REFRIGERANT SOLENOID VALVE

The flow of liquid refrigerant to both driver's and central evaporators is controlled by a normally-closed solenoid valve. The driver's solenoid valve is located on the ceiling of the spare wheel compartment and is accessible through the reclining bumper while the central system solenoid valve is located in the condenser compartment.

12.6.1 Manual Bypass

This type of solenoid valve is equipped with a manual operating stem. The 3/16" square stem located on the bonnet is exposed when the seal cap is removed. To manually open valve, turn stem 1/2 turn counterclockwise. To manually close valve, turn stem clockwise until tight against seat. Manual stem must be in closed position for automatic electric operation

12.6.2 Coil Replacement

1. Disconnect connector from the coil connector.
2. Take out the retaining screw at the top of the coil housing. The entire coil assembly can then be lifted off the enclosing tube.
3. Place the new coil and yoke assembly on the enclosing tube. Lay data identification plate in place.

4. Insert the coil retaining screw, rotate housing to proper position and tighten screw securely.
5. Connect connector from coil connector.

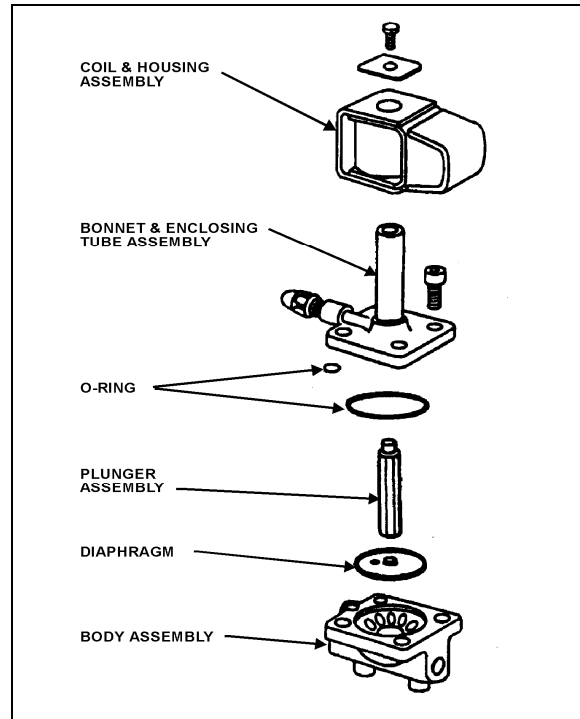


FIGURE 29: REFRIGERANT SOLENOID VALVE 22044

12.6.3 Valve Disassembly

1. Remove the coil as stated previously.
2. Pump down the system as stated earlier in this section.
3. Remove the four socket head screws which hold the body and bonnet together (Fig. 29).
4. Carefully lift off the bonnet assembly (upper part of the valve) so that plunger will not fall out. The diaphragm can now be lifted out.

Note: The above procedure must be followed before brazing solder-type bodies into the line.

Caution: Be careful not to damage the machined faces while the valve is apart.

12.6.4 Valve Reassembly

1. Place the diaphragm in the body with the pilot port extension up.

Section 22: HEATING AND AIR CONDITIONING

2. Hold the plunger with the synthetic seat against the pilot port.
3. Make sure the bonnet O-rings are in place. Lower the bonnet assembly over the plunger, making sure that the locating sleeve in the bonnet enters the mating hole in the body.
4. Insert the four socket head screws and tighten evenly.
5. Replace the coil as stated previously.
6. Add a small quantity of refrigerant R-134a to the low side of the system. Check for leaks. Return the system to normal operation.

12.7 EXPANSION VALVE

The expansion valve for the main system is a thermo-sensitive valve with a remote control bulb head attached to the evaporator outlet line and is accessible by the evaporator filter access door (Fig. 21 & 30). The valve regulates the flow of refrigerant liquid into the evaporator coils and is controlled by the suction gas temperature leaving the evaporator. The bulb head senses the refrigerant gas temperature as it leaves the evaporator. High temperature will cause expansion and pressure on the power head and spring. Such action causes the assembly valve to open, allowing a flow of refrigerant liquid into the evaporator.

The remote bulb and power assembly is a closed system. The pressure within the remote bulb and power assembly corresponds to the saturation pressure of the refrigerant temperature leaving the evaporator and moves the valve pin in the opening direction. Opposed to this force, on the under side of the diaphragm and acting in the closing direction, is the force exerted by the superheat spring. As the temperature of the refrigerant gas at the evaporator outlet increases above the saturation temperature corresponding to the evaporator pressure, it becomes superheated. The pressure thus generated in the remote bulb and power assembly surpasses the combined pressures of the evaporator pressure and the superheat spring, causing the valve pin to move in the opening direction. Conversely, as the temperature of the **refrigerant** gas leaving the evaporator decreases, the pressure in the remote bulb and power assembly also

decreases and the combined evaporator and spring pressures cause the valve pin to move in the closing position.

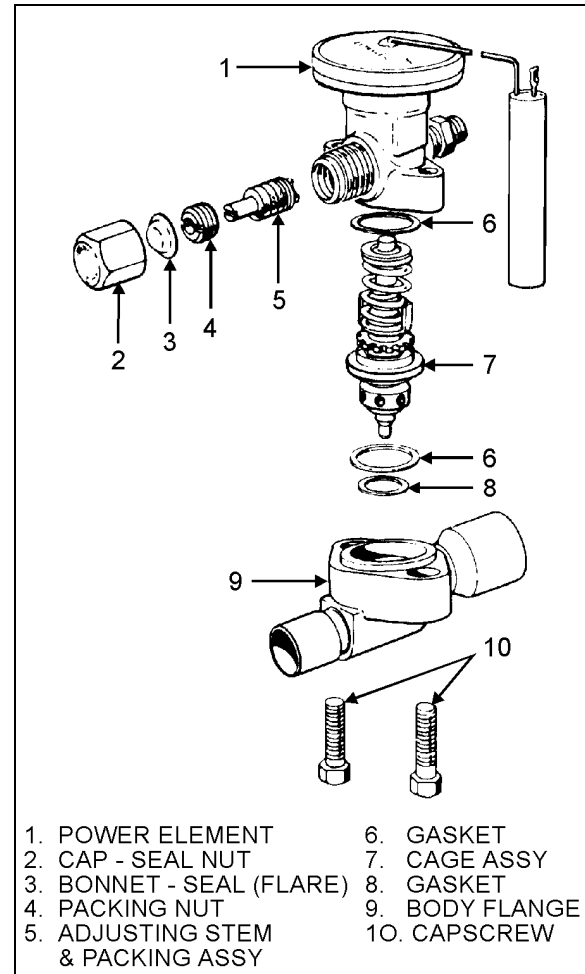


FIGURE 30: EXPANSION VALVE

22045

As the operating superheat is raised, the evaporator capacity decreases, since more of the evaporator surface is required to produce the superheat necessary to open the valve. It is obvious, then, that it is most important to adjust the operating superheat correctly and that a minimum change in superheat to move the valve pin to full open position, is of vital importance because it provides savings in both initial evaporator cost of operation. Accurate and sensitive control of the refrigerant liquid flowing to the evaporator is necessary to provide maximum evaporator capacity under load conditions. The spring is adjusted to give 12 to 16° F (-11.1 to -8.8 ° C) of superheat at the evaporator outlet. This ensures that the

Section 22: HEATING AND AIR CONDITIONING

refrigerant leaving the evaporator is in a completely gaseous state when drawn into the suction side of the compressor. Liquid would damage the compressor valve, piston and heads if allowed to return in the suction line.

A vapor is said to be superheated when its temperature is higher than the saturation temperature corresponding to its pressure. The amount of the superheat is, of course, the temperature increase above the saturation temperature at the existing pressure.

As the refrigerant moves along in the evaporator, the liquid boils off into a vapor and the amount of liquid decreases until all the liquid has evaporated due to the absorption of a quantity of heat from the surrounding atmosphere equal to the latent heat of vaporization of the refrigerant. The gas continues along in the evaporator and remains at the same pressure. However, its temperature increases due to the continued absorption of heat from the surrounding atmosphere. The degree to which the gas refrigerant is superheated is related to the amount of refrigerant being fed to the evaporator and the load to which the evaporator is exposed.

Superheat Adjustment

The easiest method of adjusting the superheat is to unscrew completely the main evaporator expansion valve adjusting screw, and screw in 13 turns clockwise for 134A (Fig. 31). If this method does not provide an accurate superheat, the following procedure should be followed:

1. Operate coach for at least one-half hour at fast idle with temperature control set at 82°F (27,7°C), Then set temperature to minimum to keep the compressor on 6 cylinders.

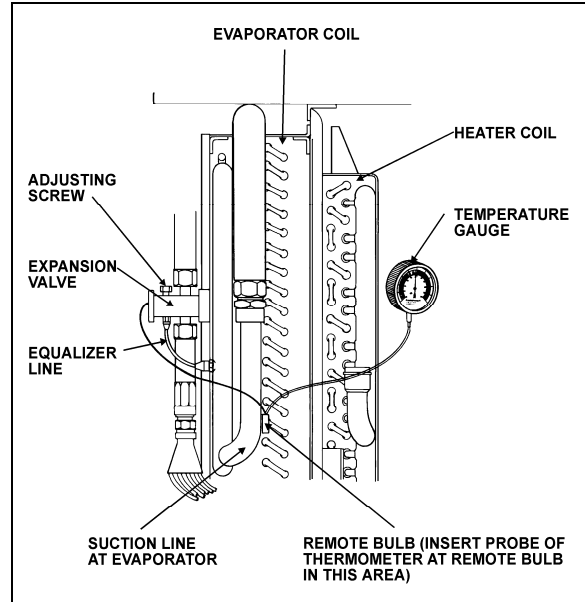


FIGURE 31: SUPERHEAT ADJUST. INSTALLATION 22046

2. Install pressure gauge at the evaporator suction header. You may install the pressure gauge at compressor suction, but then add 3 psi to reading.
3. Install a remote reading thermometer to the evaporator outlet line near the existing remote bulb (Fig. 31).
4. Apply thermostatic tape around the bulb and evaporator outlet line to get a true reading of the line temperature.
5. Block condenser if necessary to keep pressure over 150 psi.
6. Check approximately 5 readings of pressure at 2-minute intervals and convert to temperature using the vapor-pressure table (page 52). Likewise check the temperature reading at the remote bulb at the same 2-minute intervals and record the low and high swing readings of the needle (refer to Fig. 32).

Section 22: HEATING AND AIR CONDITIONING

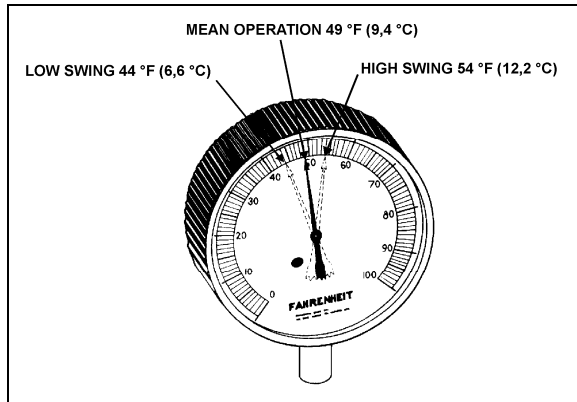


FIGURE 32: HIGH & LOW SWING TEMPERATURE AT REMOTE BULB 22047

Example of readings taken at fig. 32:

A/C pressure gauge converted to temperature at expansion valve fitting	Temperature on remote bulb	
40°F(4,4°C)	Low-swing 44°F (6,6°C)	High swing 54°F (12,2°C)
Formula for superheat 49°F-40°F=9°F (9,4°C-4,4°C = 5°C)	Average of low and high swing is 49°F (9,4°C)	

Note: The low swing of the superheat should be a minimum of 4°F (2,2°C) higher at the remote bulb and have an average of 8 to 12°F (4 to 6°C) higher range at the bulb than the fitting at the expansion valve.

Note: To reduce the superheat, flow of refrigerant is increased by turning adjusting screw of expansion valve lower evaporator temperature counterclockwise. To increase temperature or increase superheat, flow of refrigerant is reduced by turning adjustment screw of expansion valve clockwise.

- Regulate suction pressure to temperature reading according to temperature chart or to the R-134a temperature scale on the pressure gauge.

Example: Suction pressure 30 psi (207 kPa) converted to 32°F (0°C) on chart. If temperature reading is 40°F (4,4°C), subtract 32°F (0°C) and the result will be 8°F (4,4°C) of superheat.

Caution: Before proceeding with the expansion valve adjustment, check for restriction on suction side for plugged filter dryer and partially open valves. These conditions will give a high superheat.

Maintenance

- Pump down the system as previously indicated in this section.
- Disconnect the external equalizer line from the under side of the power head, and unclamp the remote control bulb from the evaporator coil outlet line.
- Remove the two cap screws holding the power assembly to the valve body flange. Lift off the power assembly and remove the cage assembly.
- When reassembling, replace with the new gaskets in proper location. Make sure the two lugs on the cage assembly fit into grooves provided in the power assembly. Do not force the valves together. The cage must fit properly before tightening the body flange. Tighten bolts evenly.
- Check for leaks.

Safety Instructions

- Make sure the valve is installed with the flow arrow on the valve body corresponding to the flow direction through the piping system.
- Before opening any system, make sure the pressure in the system is brought to and remains at the atmospheric pressure. Failure to comply may result in system damage and/or personal injury.

12.8 TORCH BRAZING

Use an electrode containing 35% silver.

Note: A 3.5% silver low temperature brazing electrode can be used on low side pressure and liquid high side.

Caution: When using heat near a valve, wrap with a water saturated rag to prevent overheating of vital parts.

Warning: Before welding any part of refrigeration system, make sure the area is well ventilated.

12.9 TROUBLESHOOTING

12.9.1 Expansion Valve

PROBABLE CAUSE	PROBABLE REMEDY
LOW SUCTION PRESSURE-HIGH SUPERHEAT	
EXPANSION VALVE LIMITING FLOW:	
Gas in liquid line due to pressure drop in the line or insufficient refrigerant charge.	Locate cause of line flash and correct by use of any of the following methods. Add R-134a. Replace or clean filter dryer.
Inlet pressure too low from excessive low condensing temperature. Resulting pressure difference across valve too small.	Increase head pressure. Verify pressure switch for fan speed control.
Superheat adjustment too high.	Adjust superheat as outlined under "Superheat Adjustment".
Power assembly failure or partial loss of charge.	Replace power assembly or replace valve.
Air filter screen clogged.	Clean or replace air filter screen.
Plugged lines.	Clean, repair or replace lines.
LOW SUCTION PRESSURE-LOW SUPERHEAT	
Uneven or inadequate evaporator loading due to poor air distribution or liquid flow.	Balance evaporator load distribution by providing correct air or liquid distribution.
HIGH SUCTION PRESSURE-HIGH SUPERHEAT	
Compressor discharge valve leaking.	Replace or repair valve.
HIGH SUCTION PRESSURE-LOW SUPERHEAT (DEFECTIVE UNLOADER)	
Valve superheat setting too low.	Adjust superheat as outlined under "Superheat Adjustment".
Compressor discharge valves leaking.	Replace or repair discharge valve.
Incorrect superheat adjustment.	Superheat adjustment 12 to 16°F.
FLUCTUATING DISCHARGE PRESSURE	
Insufficient charge.	Add R-134a to system.
HIGH DISCHARGE PRESSURE	

Section 22: HEATING AND AIR CONDITIONING

PROBABLE CAUSE	PROBABLE REMEDY
Air or non-condensable gases in condenser.	Purge and recharge system.
Overcharge or refrigerant.	Bleed to proper charge.
Condenser dirty.	Clean condenser.

12.9.2 A/C

TROUBLE	CAUSE
Low suction pressure and frosting at dryer outlet.	Clogged filter.
Low Oil Level.	Check for oil leaks and for leaking oil seal. Do not attempt to check oil level unless system has been stabilized at least 20 minutes. See oil level verification.
Excessively cold suction line.	Loss of contact between the expansion valve bulb and the suction line or sticking of the expansion valve. Check for foreign matter and clean, repair or replace the valve.
Excessively cold suction line and noisy compressor.	Check superheat adjustment. Check remote bulb contact. Check expansion valve for sticking.
Compressor squeaks or squeals when running.	Check oil level. Replace oil seal.
Noisy or knocking compressor.	Check for broken internal parts. Overhaul if required.
Compressor vibrates.	Check and tighten compressor mounting bolts and belt tension.
Low refrigerant level	Check for refrigerant leaks and add refrigerant if required.
Suction pressure rises faster than 5 pounds per minute after shutdown.	Check compressor valve for breakage or damage.
Insufficient cooling.	Check for refrigerant leaks. Check condition of air filter and motors.
Insufficient air flow.	Dirty or iced evaporator. Dirty air filter. Blowers inactive. Clogged ducts.
No flow of refrigerant through expansion valve.	Filter dryer is clogged. Remote bulb has lost charge or expansion valve is defective.
Expansion valve hisses. Bubbles in moisture and liquid indicator.	Gas in liquid line. Add refrigerant.
Loss of capacity Superheat too high.	Clogged filter. Obstructed or defective expansion valve. Reset superheat adjustment. Check for clogged external equalizer line, or filter dryer.
Reduced air flow: a. Dirty or clogged air filter; b. Evaporator motor inoperative; or c. Plugged return air ducts.	Dirty or iced evaporator coil. Clean air filter screen. Check return ducts for obstructions. Check blower motor.
Frequent startings and stoppings on low pressure	Lack of refrigerant. Check for leaks. Recharge.

Section 22: HEATING AND AIR CONDITIONING

TROUBLE	CAUSE
control switch.	
Compressor intermittently starts and stops.	Intermittent contact in electrical control circuit. Compressor valves not in operating position.
Non-condensable in the refrigeration system.	<p>Leak on system, system in vacuum in low temp. Specific symptom, pressure in system will not correspond to ambient temperature on shutdown. Only non-condensable will cause this.</p> <p>(Example: Pressure of idle R-134a system in 80°F (26.6°C) room should be 86.4 psi (595.7 kPa). See temperature chart in this section.)</p> <p>An evaporator just does a proper cooling job without sufficient air. Shortage of air can be caused by the following:</p> <ul style="list-style-type: none"> • Dirty filters; or • Dirty coils.
<p>Testing condenser pressure.</p> <p>Note: R-134A pressure is function of the temperature variation.</p> <p>Example, for an exterior temperature of 100°F. Exterior temperature (100°F) + 30°F = 130°F. Refer to paragraph "10.11 Temperature & Pressure". Note the corresponding pressure for a temperature of 130°F., 199.8 psi. Read the condenser pressure, example 171.9 psi. 171.9 psi 199.8 psi, the pressure in the condenser is inferior to the pressure corresponding to the exterior temperature, then condenser pressure may be to low. Check for refrigerant leaks and add refrigerant if necessary. If the pressure corresponding to the condenser temperature is superior to the pressure corresponding to the exterior temperature, then air cooled condenser pressure may be to high. Most frequent causes are:</p> <p>Reduced air quantity. This may be due to:</p> <ul style="list-style-type: none"> • Non-condensable in system; • Dirt on the coil; • Restricted air inlet or outlet; • Dirty fan blades; • Incorrect rotation of fan; • Fan speed too low; • Fan motor going out on overload; or • Prevailing winds. • Too much refrigerant in system. Remove refrigerant if necessary. 	

Section 22: HEATING AND AIR CONDITIONING

12.10 TEMPERATURES & PRESSURES

VAPOR-PRESSURE			
TEMPERATURE		PRESSURE	
°F	°C	psi	kPa
-100	-73.3	27.8	191.7
-90	-67.8	26.9	185.5
-80	-62.2	25.6	176.5
-70	-56.7	23.8	164.1
-60	-51.1	21.5	148.2
-50	-45.6	18.5	127.6
-40	-40.0	14.7	101.4
-30	-34.4	9.8	67.6
-20	-29	3.8	26.2
-10	-23	1.8	12.4
0	-18	6.3	43.4
10	-12	11.6	80
20	-7	18.0	124.1
30	-1	25.6	176.5
40	4	34.5	237.9
50	10	44.9	309.6
60	16	56.9	392.3
70	21.1	70.7	487.5
80	27	86.4	595.7
90	32.2	104.2	718.5
100	38	124.3	857.0
110	43.3	146.8	1012.2
120	49	171.9	1185.3
130	54.4	199.8	1377.6
140	60	230.5	1589.3
150	65.6	264.4	1823.0
160	71	301.5	2078.8
170	76.7	342.0	2358.1
180	82.2	385.9	2660.8
190	87.8	433.6	2989.7

VAPOR-PRESSURE			
TEMPERATURE		PRESSURE	
°F	°C	psi	kPa
200	93.3	485.0	3344.1
210	98.9	540.3	3725.4

12.11 LEAK TESTING

Some methods such as nitrogen pressure and soap, and electronic sniffer can be used for leak testing. However, the most common method used is a "Halide" torch consisting of an acetylene tank, a burner and a suction test hose. Proceed as follows:

Warning: Do not inhale fumes from leak detector.

The flow of acetylene to the burner causes a suction in the test line. Any gas refrigerant present will be drawn through the hose and into the burner where it decomposes into free acids.

These acids come in contact with the hot copper reaction plate in the burner, causing color reaction in the flame. A small concentration is indicated by a green tint and a large concentration by an intense blue. Do not confuse this change in color with the change caused by shutting off the air supply through the hose by holding the end too close to an object.

The procedure for testing is:

1. Adjust flame so that the top of the cone is approximately level or within one-half inch above the plate.
2. Probe end of suction test tube around all joints, valves, etc. When a leak has been found at a soldered joint, that section of the system must be pumped down. Do not solder as pressure will force hot solder out. If the system is empty, it is more economical to put in just enough R-134a to produce about 15 psi (103 kPa). The pressure can be raised to about 150 psi (1034 kPa) with dry nitrogen.

Note: This gas is put into the suction and discharge shutoff valves at the compressor. The receiver valves must be opened. If no leaks are found, dump this mixture, evacuate the system and fill with refrigerant.

13. VEHICLES EQUIPPED WITH SMALL A/C SYSTEM ONLY

13.1 COMPRESSOR

Clutch Pulley Installation

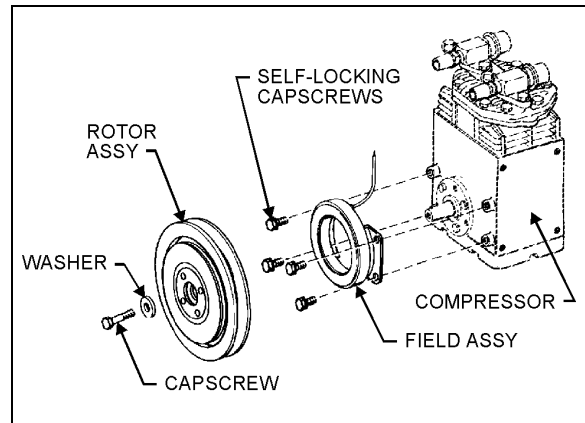


FIGURE 33: PULLEY INSTALLATION 22073

To install the clutch pulley, proceed as follows:

1. Position the field assembly against the compressor bosses, aligning the field mounting holes with the bolt holes in the bosses (Fig. 33). Insert four (4) self-locking cap screws, supplied with the clutch, into the bolt holes of the compressor. Tighten the cap screws to a wrench torque of 7/10 lbf•ft (9,5/13,5 N•m). Take care not to strip the threads in the compressor body.
2. The compressor shaft must be clean and free of burrs. Check the Woodruff key for proper position and seating.
3. Slide the rotor pulley assembly onto the tapered shaft (aligning the keyway with the Woodruff key in the shaft). Secure the rotor

Section 22: HEATING AND AIR CONDITIONING

pulley assembly with the washer and self-locking cap screw to a wrench torque of 15/20 lbf•ft (20/27 N•m).

4. Rotate the pulley assembly manually to ensure that there is no interference between the field and rotor. If interference is present, a rubbing noise can be heard as the pulley rotates. If interference is present, disassemble the clutch and repeat the installation of the field assembly.

13.1.1 Clutch Pulley Removal

To disassemble the rotor-pulley assembly from the compressor, remove the self-locking cap screw and washer and insert a 5/8-11 UNC-2B cap screw in the threaded portion of the hub. The pressure exerted by the cap screw on the end of the compressor shaft will force off the rotor pulley assembly without damaging the clutch or compressor. **DO NOT USE** a wheel puller on the outer diameter of the pulley, since this can result in damage to the clutch bearing.

13.1.2 Clutch Maintenance

The compressor clutch automatically compensates for wear, requiring no adjustment throughout the life of the clutch. **DO NOT** lubricate the unit. If the clutch should fail to operate, check the electrical circuit.

13.1.3 Belt Replacement

Warning: Set the battery safety switch to the "OFF" position, then for greater safety, set the engine starter selector switch in engine compartment to the "OFF" position.

1. Open engine compartment rear doors.
2. Loosen tension retaining bolt.
3. Replace compressor belt.
4. Tighten belt to 60/65 lbf•in (6,5/7 N•m) (Fig. 34), using a belt tension gauge, as per "Instruction Sheet IS94056", then tighten tension retaining bolt.

Note: Since new belts stretch with normal wear, readjust tension after a run-in period of 500 miles (800 km), if necessary.

13.1.4 Pulley Alignment

In order to avoid skipping, disengagement or premature edge wear of compressor belt, it is necessary to align fan gearbox and compressor pulleys.

1. Rest an extremity of a straight edge on fan gearbox pulley's flat surface, then place the other end of straight edge near compressor clutch pulley.
2. Check the distance between the straight edge and the belt at both pulleys (*Take note that pulleys outer edges do not have the same thickness*). If they do not match, loosen fan gearbox pulley and adjust accordingly.

Note: Fan gearbox pulley is of the "Tapered" type and will move out 1/16" (2 mm) after tightening.

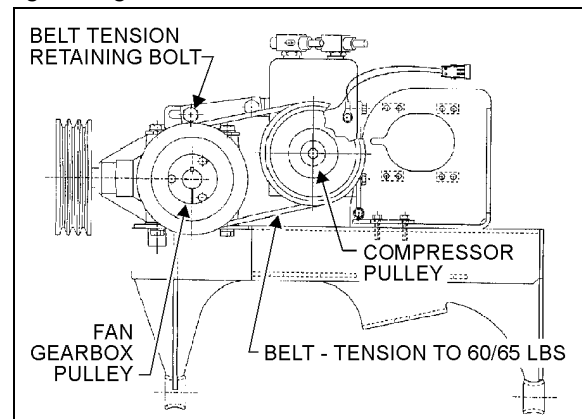


FIGURE 34: SMALL A/C COMPRESSOR INST. 05018A

13.2 DRIVER'S EXPANSION VALVE

The function and operation of the expansion valve for the driver" system are similar to the central system, but no superheat adjustment is required (see Fig. 35).

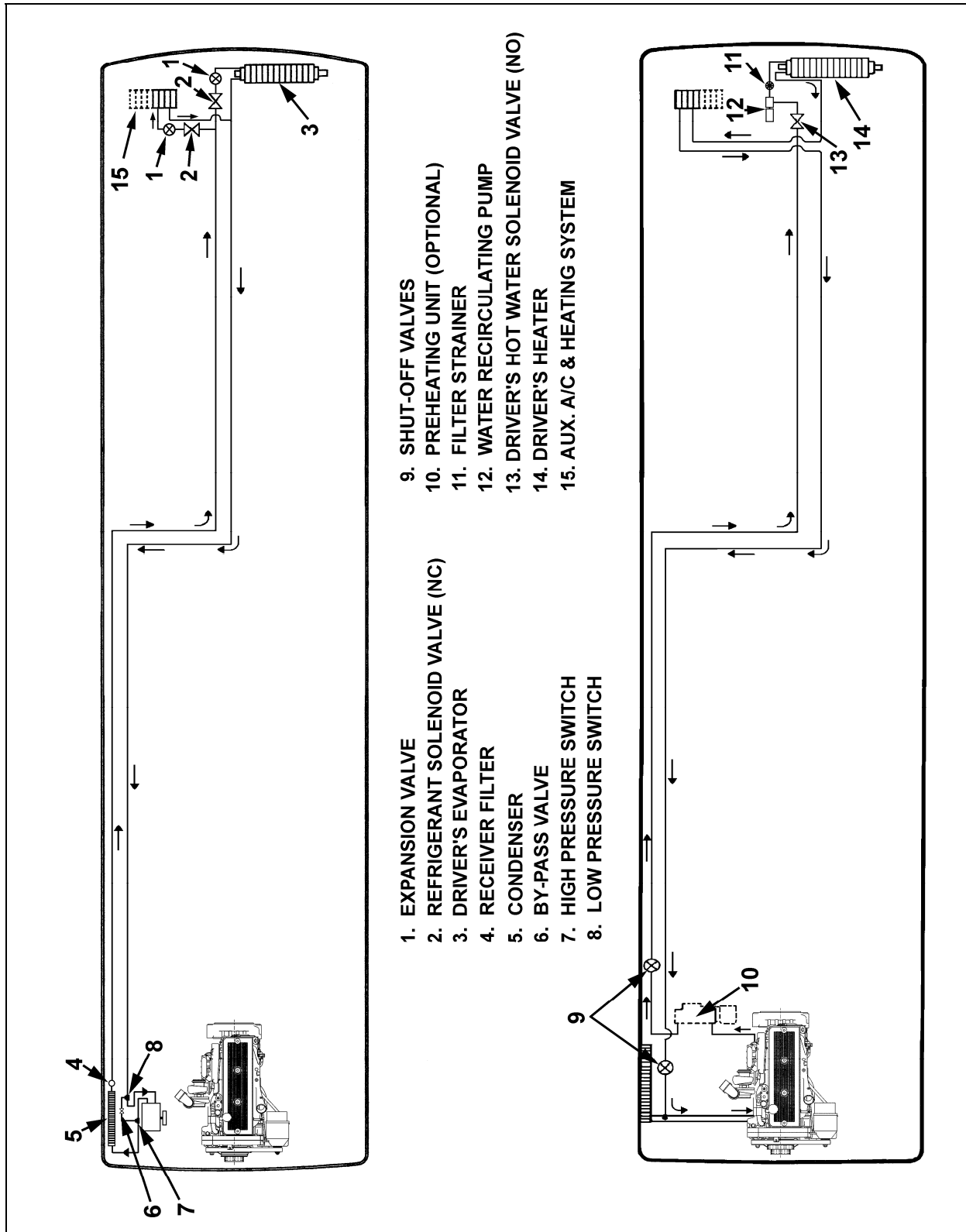


FIGURE 35: SMALL A/C & HEATING SYSTEMS PLUS AUXILIARY SYSTEM COMPONENTS

22199

Section 22: HEATING AND AIR CONDITIONING

14. SMALL HEATING & AUX. SYSTEM

For vehicles equipped with small heating & auxiliary systems only, refer to figure 35. The small system is similar to the driver's portion of central system, except that the recirculating pump and the strainer are located on the ceiling of the spare wheel compartment. For more information on components, refer to paragraph 15: CENTRAL HEATING SYSTEM.

Furthermore, an auxiliary system is added in series on the return line of the small system, it increases the whole system heating capacity and gives the driver more options.

In addition to the normal heating provided by the engine, an optional preheating system (41 000 Btu/hr, 45 000 Btu/hr or 80,000 Btu/hr) may have been installed in the rear electrical compartment.

15. CENTRAL HEATING SYSTEM

The schematic of Figure 38 shows the central heating system and its components.

In addition to the normal heating provided by the engine, an optional preheating system (41 000 Btu/hr, 45 000 Btu/hr or 80,000 Btu/hr) may have been installed in the rear electrical compartment.

15.1 DRAINING HEATING SYSTEM

To drain the entire system, refer to Section 05, "Cooling". If only the driver's or main heater core must be drained, refer to the following instructions.

15.1.1 Draining Driver's Heater Core

1. Stop engine and allow engine coolant to cool.
2. Locate the normally open water solenoid valve on the ceiling of the spare wheel compartment (Fig. 36), disconnect its wiring connector, then connect a 24-volt external power source, using jumper cables, to close valve.

Warning: Before proceeding with the following steps, check that coolant has cooled down.

3. Loosen hose clamp, install an appropriate container to recover coolant, and disconnect silicone hose from water solenoid valve.
4. From inside of vehicle, remove the grill and the access panels. Open the manual vent

located inside the HVAC unit on the driver's side (Fig. 37) to ensure an efficient draining.

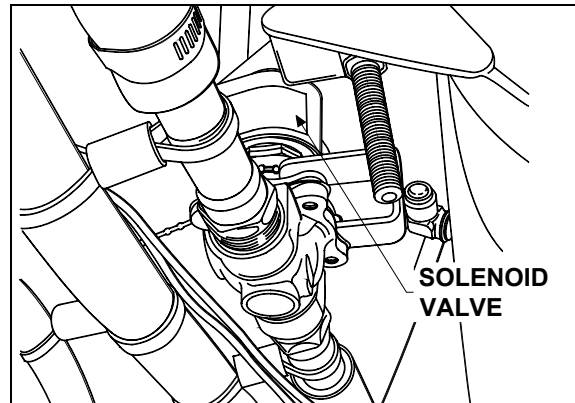


FIGURE 36: CEILING OF SPARE WHEEL COMPART. 22127

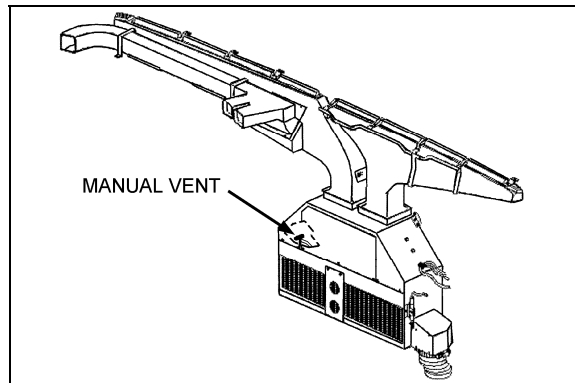


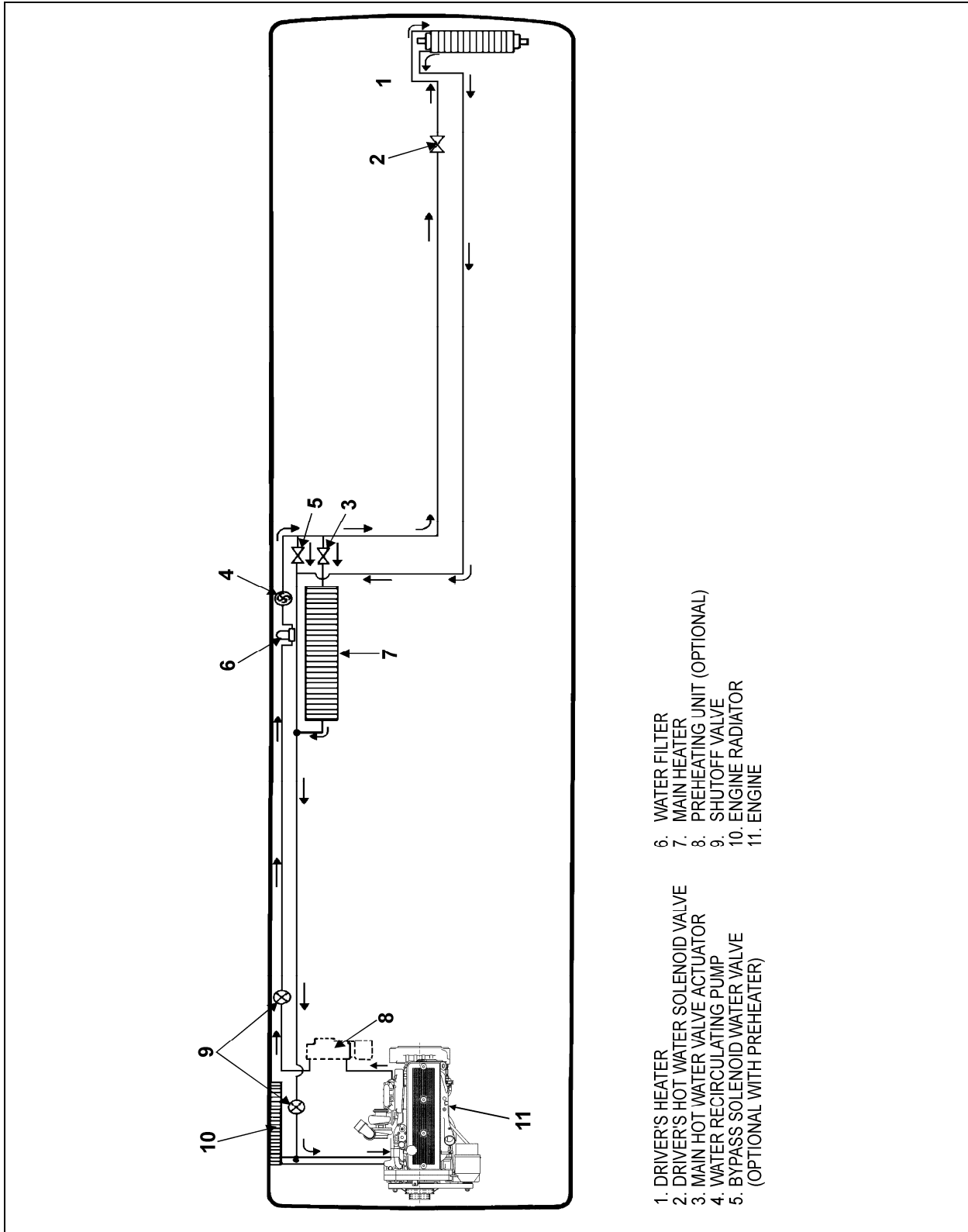
FIGURE 37: DRIVER'S HVAC UNIT 22171

15.1.2 Draining Main Heater Core

1. Stop engine and allow engine coolant to cool.
2. Close both heater line shutoff valves. One is located in the engine compartment under the radiator fan gearbox, while the other one is located in the L.H. rear electric compartment near the preheater. Refer to "Preheater System" in this section to gain access to the heater line shutoff valve.
3. Open the last L.H. side baggage compartment door, then pull the black release button located on the L.H. side in order to unlock and open the HVAC compartment door.

Warning: Before proceeding with the following step, check that coolant has cooled down.

4. Open drain cock in bottom of heater core, then open manual vent located on top of heater core (Fig. 39) in order to allow air to enter while draining.



- 6. WATER FILTER
- 7. MAIN HEATER
- 8. PREHEATING UNIT (OPTIONAL)
- 9. SHUTOFF VALVE
- 10. ENGINE RADIATOR
- 11. ENGINE

- 1. DRIVER'S HEATER
- 2. DRIVER'S HOT WATER SOLENOID VALVE
- 3. MAIN HOT WATER VALVE ACTUATOR
- 4. WATER RECIRCULATING PUMP
- 5. BYPASS SOLENOID WATER VALVE (OPTIONAL WITH PREHEATER)

FIGURE 38: CENTRAL HEATING SYSTEM COMPONENTS

Section 22: HEATING AND AIR CONDITIONING

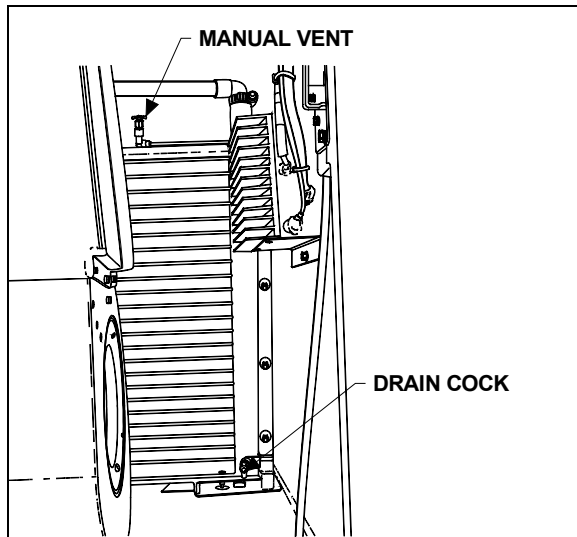


FIGURE 39: HVAC COMPARTMENT

22128

15.2 FILLING HEATING SYSTEM

1. Ensure that the drain hose is reconnected and the manual vents and drain cock are closed.
2. Open the surge tank filler cap and slowly fill the system to level of filler neck.
3. After initial filling, the water valves should be open and the water recirculating pump should be energized to assist in circulating coolant through the heating system. To perform this operation, start the engine, switch on the HVAC control unit, both driver and passenger sections, and set temperature to their maximum positions in order to request the heating mode in each of these sections.
4. When coolant level drops below the surge tank filler neck, slowly fill the system to level of filler neck.
5. Once the level has been stabilized, replace cap.

15.3 BLEEDING HEATING SYSTEM

Whenever the heating system has been drained and refilled, or the system has run low on coolant and coolant has been added, it is necessary to bleed air from heating system. Locate the manual vents illustrated in Figures 37 and 39, and open them momentarily until no air escapes from the lines

15.4 SOLDERING

Before soldering any part of the system, make sure the area is well ventilated. Use (stay clean) flux sparingly and apply solder (95-5 round wire 1/8 inch [3,1 mm]). After completing repairs, test for leaks.

When using heat at or near a valve, wrap with a water saturated rag to prevent overheating of vital parts.

15.5 DRIVER'S WATER SOLENOID VALVE

A two-way normally open, internal pilot-operated solenoid valve designed for smooth closing is used to control the coolant flow through the driver's heating unit. It is mounted on the coolant inlet line of the driver's heating unit, and is accessible through the spare wheel compartment (see fig. 36). The valve cannot be manually bypassed.

15.5.1 Improper Operation

1. **Faulty control circuit:** Check the electric system by energizing the solenoid. A metallic clicking noise indicates that the solenoid is operating. Absence of clicking indicates a loss of power or a defective solenoid. Check for open breaker, open-circuited or grounded coil, broken lead wires.
2. **Burned-out coil:** Check for open-circuited coil. Replace coil if necessary.
3. **Low voltage:** Check voltage across the coil leads. Voltage must be at least 85% of nameplate rating.
4. **Excessive leakage:** Disassemble valve and clean all parts. Replace worn or damaged parts with a complete spare part kit for best results.

15.5.2 Coil Replacement

Turn off electrical power supply and disconnect lead wires. Proceed in the following manner:

1. Remove retaining cap or clip, spacer, name plate and housing.
2. Slip spring washer, insulating washer, coil and insulating washer off the solenoid base

sub-assembly. Insulating washers are omitted when a molded coil is used.

3. Coil is now accessible for replacement. Reassemble by reversing sequence of disassembly. Refer to exploded view (Fig. 40) for identification and location of parts.

Note: *Solenoid must be completely reassembled, as the housing and internal parts complete the magnetic circuit.*

Caution: *When metal retaining clip disengages, it springs upwards.*

15.5.3 Valve Disassembly

1. Drain driver's heating unit as previously explained in this section under paragraph "Draining Heating System".
2. Disconnect connector from coil connector.
3. Disassemble valve in an orderly fashion paying careful attention to exploded view (Fig. 40) provided for identification of parts.
4. Remove retaining cap and slip the entire solenoid enclosure off the solenoid base subassembly.

Caution: *When metal retaining clip disengages, it springs upwards.*

5. Unscrew solenoid base sub-assembly and remove core, plugnut gasket, plugnut assembly and solenoid base gasket.
6. Remove the four bonnet screws and valve bonnet, disc holder subassembly, disc holder spring, diaphragm/spring sub-assembly and body gasket.
7. All parts are now accessible for cleaning or replacement. Replace worn or damaged parts with a complete spare part kit for best results.

Caution: *Do not damage valve seat in any manner, as its sealing feature will be affected, thus resulting in continuous leakage.*

15.5.4 Valve Reassembly

1. Reassemble in reverse order of disassembly, paying careful attention to exploded view provided for identification and placement of parts (Fig. 40).
2. Replace body gasket and diaphragm/spring subassembly. Locate bleed hole in diaphragm/spring subassembly, located approximately 45° from valve outlet.
3. Replace disc holder spring and holder subassembly.
4. Replace valve bonnet screws. Torque bonnet screws in a criss-cross manner to 95 ± 10 inch-pounds.
5. Install solenoid base gasket, plugnut assembly and plugnut gasket. Position core (small end up for A-C construction) on plugnut assembly. For D-C construction, be sure plugnut assembly and core are installed with mated ends together.
6. Replace solenoid base subassembly and torque to 175 ± 25 inch-pounds.
7. Refill heating system as previously stated under paragraph "Filling Heating System", then bleed air from the driver's heating unit as stated previously under paragraph "Bleeding heating system".
8. After maintenance, operate the valve a few times to be sure of proper opening and closing.

Note: *Should diaphragm/spring subassembly become disassembled, be sure to replace the diaphragm/spring support with lip facing upward towards the valve bonnet.*

Section 22: HEATING AND AIR CONDITIONING

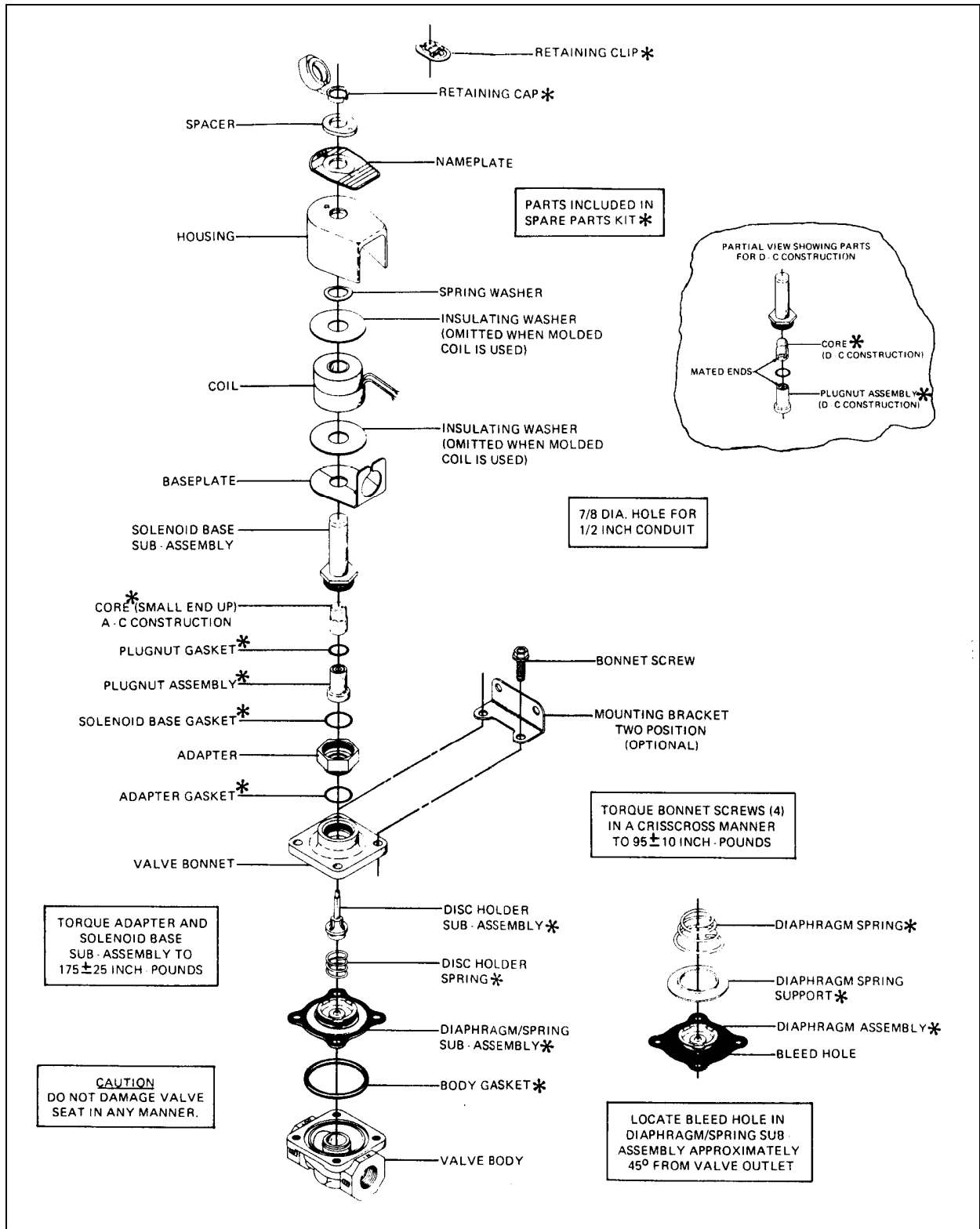


FIGURE 40: DRIVER'S WATER SOLENOID VALVE

22052

15.6 MAIN HOT WATER SOLENOID VALVE ACTUATOR

The flow of hot water to the vehicle main heater core is controlled by an electric water valve. The valve is located in the HVAC compartment (Fig. 18 and 41). This valve is self-adjusting and linear motorized.

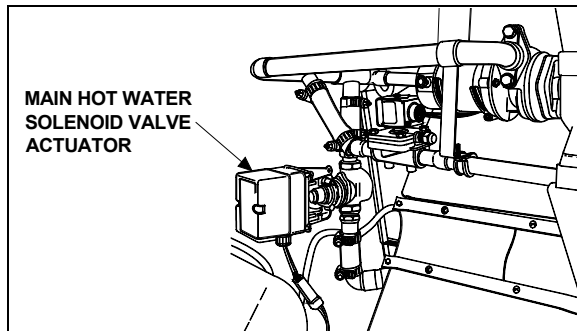


FIGURE 41: HVAC COMPARTMENT 22129

If leakage occurs after several years of operation, check stem and seat for wear. If either is worn, completely rebuild the valve, replacing all parts subject to wear. This normally includes replacing packing, stem, disc, internal springs, seats or seat rings, O-rings, and gaskets as applicable to the valve being rebuilt.

Any valve with a stem in good condition may be repacked without further repair. It is not necessary to remove the bonnet to repack the valve. Great care should be taken not to damage the valve stem or cause leakage after the packing is installed.

After repairing, use pipe sealing compound or tape on bonnet threads and threaded piping connections. Restore hot water pressure to test for leaks before reinstalling actuator. Remember that pressure forces the valve open during testing when actuator is off. Reinstall the actuator and check operation to be certain valve closes completely against normal operating pressures.

15.6.1 Valve Actuator

1. Stop engine and allow coolant to cool.
2. Close shutoff valve on the line located in the rear electric compartment to relieve water pressure from system. Refer to "Preheater System" in this section to gain access to the heater line shutoff valve.

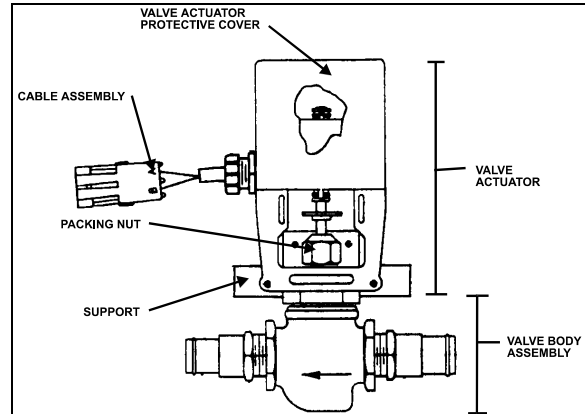


FIGURE 42: MAIN HOT WATER SOLENOID VALVE 22054

3. Disconnect cables and the fresh air sensor. Remove the main hot water solenoid valve actuator (Fig. 42) from the line by removing connectors at pipe outlets and removing screws on the support.
4. Remove the two screws retaining the valve actuator protective cover.
5. Remove the four screws retaining the collar.
6. Remove the stem button.
7. Remove the actuator valve.

15.6.2 Valve repacking

1. Hold stem by inserting a 1/16 inch diameter rod or nail in hole near the top of the stem. Unscrew the stem button. Do not tamper with the top locking set screw in stem button.
2. Remove packing nut, old packing, packing follower, and spring. Install new spring and packing follower. Use a small amount of lubricant Amoco H-100 and thread new packing very carefully over the stem with concave side down for 250 psi (1724 kPa) rubber packing.
3. Reinstall packing nut by pushing down to compressed spring until threads engage, and tighten until snug. Be certain the valve stem moves up and down. Reinstall stem button, stem extension (if applicable), and actuator.

Section 22: HEATING AND AIR CONDITIONING

15.6.3 Valve Rebuilding

Follow disassembly procedures as applicable. Replace all parts subject to wear and damage. Reassemble in reverse order using new parts.

Note: Run down all bonnet cap screws until finger-tight, and proceed to torque down evenly using a reduced torque. Space successive tightening at 180 degrees, etc, until the bonnet raised face contacts the body on all sides. Then apply torque as specified.

15.6.4 Disassembly Procedures

1. Relieve water pressure from system and remove actuator.
2. Hold stem by inserting a 1/16 inch diameter rod or nail in the hole near the top. Partially unscrew set screw inside the motor actuator. Do not tamper with locking set screw in the top of the stem button. Remove motor.
3. Remove packing nut and all parts down to the bonnet.
4. Remove stem and plug. Direct acting threaded body valves (Fig. 43). Unscrew the bonnet. Lift out the stem and disc holder assembly and the plug.
5. Disassemble stem and plug. Threaded body valves. Unscrew plug (Fig. 43) from stem to remove disc and spring. The disc may have to be pried from the disc holder with a screwdriver. The valves have a staked stem and disc holder assembly (Fig. 43). The stem and plug cannot be disassembled on some valves with metal-to-metal seats.

15.6.5 Maintenance

Using solvent, remove all dirt and grease accumulation around the packing nut and stem.

Warning: Permanent damage to respiratory system or skin tissue can result from careless handling of solvents. Special care should be taken to avoid prolonged inhalation and/or contact with the skin.

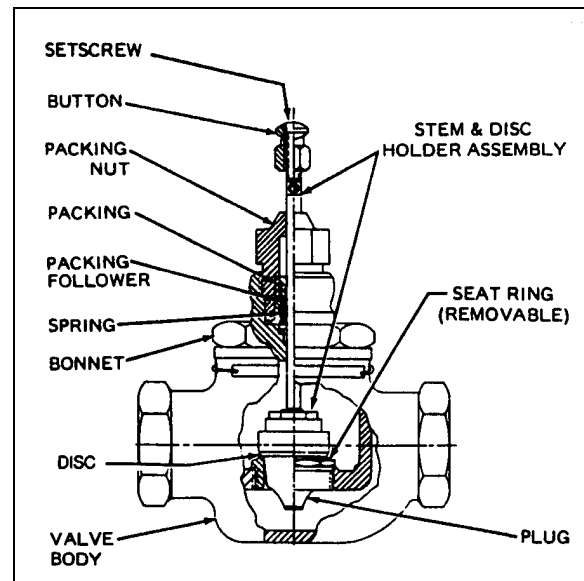


FIGURE 43: VALVE BODY ASSEMBLY

22055

15.7 WATER RECIRCULATING PUMP

This vehicle is provided with a water recirculating pump which is located in the HVAC compartment (Fig. 45) or on the ceiling of the spare wheel compartment for VIP converted vehicles equipped with a small A/C. The water recirculating pump consists of a centrifugal pump and an electric motor which are mounted on a common shaft in a compact assembly.

The motor is equipped with pre-lubricated sealed ball bearings which require no maintenance. A self-adjusting mechanical shaft seal is incorporated in this assembly to prevent coolant leakage between the pump cavity and armature shaft. This seal derives its lubrication from the liquid pumped, and **it will be destroyed if permitted to operate dry.**

The pump requires no periodic maintenance other than replacement of motor brushes. Replacement of motor brushes can be performed without removing the pump assembly. Visual inspection of the pump should be made while the pump is in operation to determine if the shaft seal is intact. If there is evidence of coolant leakage, the unit must be disassembled for corrective measures. Disassembly of the pump will be necessary only in the case of a seal leak, bearing failure, or motor failure.

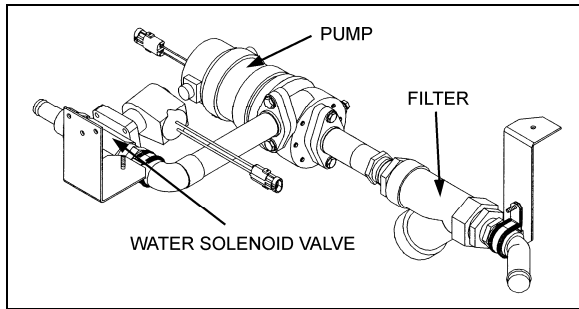


FIGURE 44: VIP WATER RECIRCULATION PUMP INSTALLATION

15.7.1 Removal

1. Stop engine and allow engine coolant to cool.
2. Close shutoff valves on the line located in the rear electric compartment. Refer to "Preheater System" in this section to gain access to the heater line shutoff valve.
3. Disconnect the electrical wiring from the motor.

Warning: Before proceeding with the following steps, check that coolant has cooled down.

4. Remove the drain plug at the bottom of the pump and place a container to recover the residual coolant in the line.
5. Disconnect water lines from the pump at the flange connections.
6. Remove the two clamps holding the pump motor to its mounting bracket. Remove the pump with the motor as an assembly.

15.7.2 Disassembly

Refer to figure 45

1. Remove two brush caps (16) and two brush assemblies (15). When removing brushes, note the position of the brush in the tube. Brush life is significantly decreased if brushes are not replaced properly.
2. Remove the pump cover (2) by removing eight head screws. Remove cover carefully to prevent damage to gasket (3).
3. Remove gasket (3).

4. Remove two hex nuts and lock washers which hold pump assembly to the motor.
5. Remove the pump from the motor as follows.
 - a. Install puller tool assembly (MP Co. Part No. 24702 or equivalent) to pump body (12) using four screws removed from the pump cover (2).
 - b. Tighten the puller screw to press the motor shaft out of the impeller hub. The pump is now free from the motor.
6. Remove the puller tool.
7. Remove impeller (4) and components of the pump seal assembly (5).

Caution: Do not scratch or mar the sealing surface of this seat, as its sealing feature will be affected, thus resulting in continuous leakage

Inspection

Components removed from the recirculating pump and motor assembly should be compared with new parts to determine the degree of wear.

15.7.3 Brushes

- 1) When removing brushes, note the position of the brush in the tube. Brush life is shortened if the brushes are not replaced properly.
- 2) Examine brushes for the following:
 - a) Wear
Replace the brushes if less than 25% of the usable brush is left (less than 0.300 inch (8 mm)).
 - b) Chipped edges
Chips can be caused by improper handling or installation. Badly chipped brushes should be replaced regardless of their length.
 - c) Annealed brush spring
This can be detected by noting the resiliency of the spring. Annealing is caused by failing to tighten the brush caps properly, thus not providing a good low resistance contact between the terminal and the brush tube. Replace brushes showing evidence of annealed springs.

Section 22: HEATING AND AIR CONDITIONING

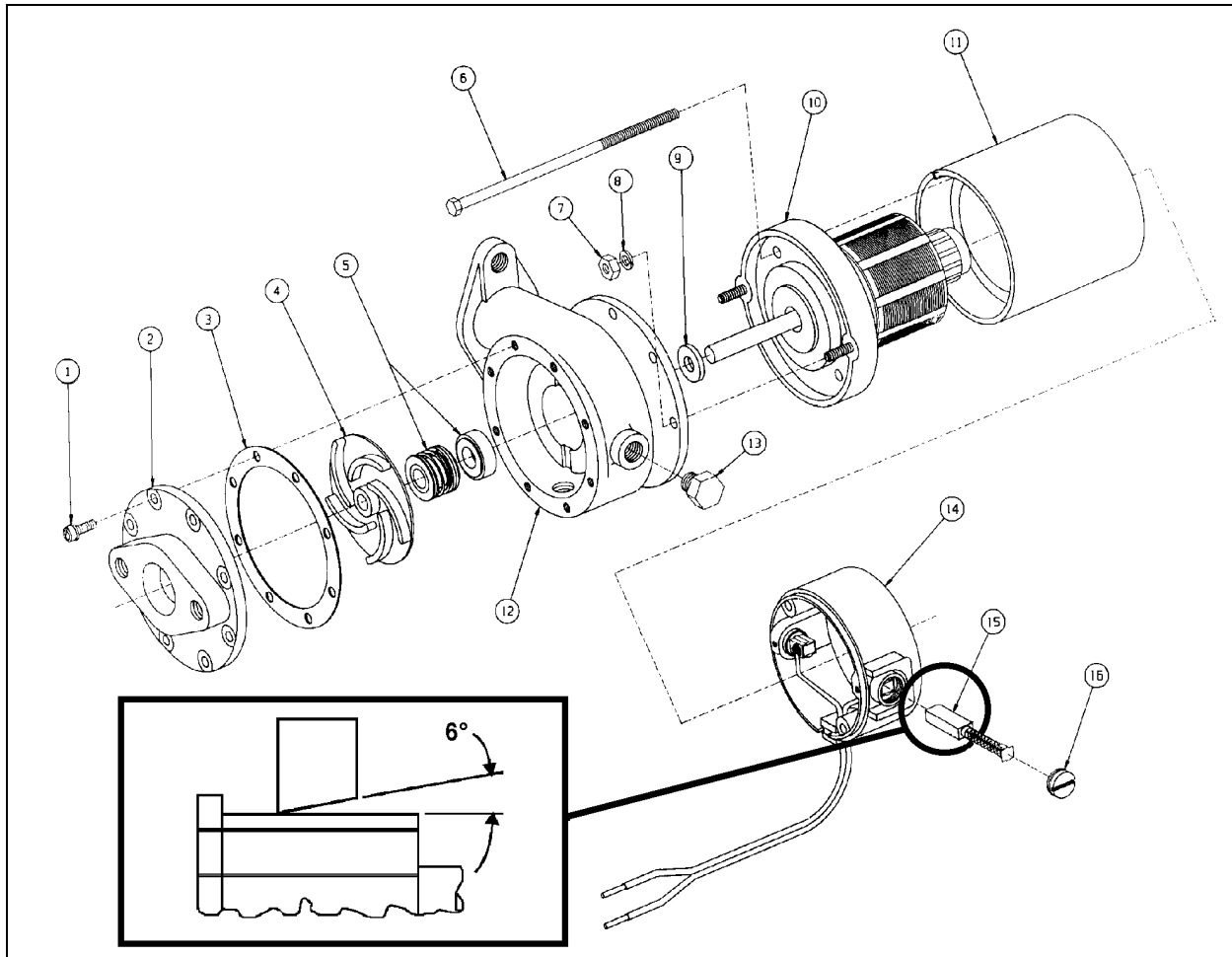


FIGURE 45: WATER RECIRCULATING PUMP

22056

- d) Frayed or broken pigtail
- An improperly installed brush may have the pigtail (shunt) pinched under the terminal or between the coils of the spring. If the pigtail is badly frayed or broken, replace the brush.
- 3) Observe the following factors when replacing brushes
- The face of a new brush is carefully cut to cause proper seating during the "wear-in" period.
 - Improper installation can harm both the brush and the commutator.
 - Replacement brushes should be of the proper grade.
 - New brushes have a six- (6) degree angle. The brush should always be inserted so that the angle is open away from the pump end of the assembly (inset, Fig. 45)
 - Brush performance will be affected if the spring and terminal are not properly placed in the brush tube. The spring should be free over its entire length and the terminal should make good contact with the metal brush tube insert.

Section 22: HEATING AND AIR CONDITIONING

15.7.4 Bearings

Refer to figure 45.

1. Rotate the motor shaft. If the ball bearings show evidence of wear, they should be replaced.
2. To use of a bearing puller is recommended when removing the bearings to help prevent damaging the armature winding or the commutator.
3. Replacement bearings should be pressed into the same exact location as the original bearings.
4. It is recommended that a suitable sealant (such as Loctite or equivalent) be used between the shaft and the bearing, if the fit is not tight enough to prevent the shaft from spinning inside the inner race.
5. After replacing the bearings, check the position of the commutator in the motor by looking down into the brush tube. Neither the riser nor the edge of the commutator should be visible.

15.7.5 Commutator

1. The commutator is a precise assembly. Although it is solidly built and made of a fairly tough material, careless handling can easily ruin it.
2. The commutator should be refinished only on equipment that provides good concentricity and the proper finish.
3. The commutator should be refinished if a micrometer reading shows a difference between "*in track*" and "*off track*" diameter of 0.187 inch (4,7 mm) or more.
4. The commutator should be carefully undercut with a 0.025 inch (0,6 mm) or less slot width.
5. A 25 to 50 micromesh finish is desirable on a new or refinished commutator.
6. The commutator should not be touched with the fingers since sweat and body oils will rapidly discolor and oxidize its surface.

15.7.6 Miscellaneous

Refer to figure 45.

1. Check the shaft slinger (9) to make sure it is tight on the motor shaft. If the slinger slips on the shaft, it should be replaced.
2. Inspect seal assemblies (5) to determine wear. If the seal has leaked, or is badly worn, it is recommended that a complete new seal assembly be installed.
3. The impeller (4) is a press fit on the armature shaft. This press fit must be maintained to prevent the impeller from slipping. Install a new impeller if necessary.

15.7.7 Assembly

Refer to figure 45.

1. Install slinger (9) on the motor shaft.
2. Assemble body (12) to the motor.
3. Install seal assembly (5).
4. Install impeller (4) in the following manner:
 - a) Place the impeller on a flat surface with the vanes against the flat surface.
 - b) Invert the motor and pump body assembly, then pilot the pump shaft into the impeller bore. **DO NOT HAMMER** on the motor shaft extension at rear of motor.
 - c) Press on motor and pump body until the machined face of the pump body is flush with the face of the flat surface on which the impeller is resting. The face of the impeller vanes must now be flush with the machined face of the pump body.
5. Install gasket (3). This gasket serves both to seal the cover and to establish the proper clearance between the face of the impeller and the pump cover.
6. Attach cover (2) to the pump body using eight head screws (1).
7. Install motor brushes assembly (15) and brush caps (16).

Section 22: HEATING AND AIR CONDITIONING

15.7.8 Installation

1. Apply gasket cement to the pump body line adapter and to the line flanges, put the two gaskets in place, and connect water lines from the pump at the flange connections. Position the pump and motor assembly on the mounting bracket. Position the mounting clamps over the motor and secure with mounting bolts.
2. Apply pipe sealant on threads of drain plug, and screw it in place.
3. Connect electrical wiring to the pump motor.
4. Open shutoff valve located in the rear electric compartment (near the preheater). Refer to "Preheater System" in this section to gain access to the heater line shutoff valve.
5. Fill the cooling system as previously instructed in this section under "*Filling Heating System*", then bleed the system as previously instructed in this section under "*Bleeding Heating System*".

15.8 WATER FILTER

This vehicle is provided with a cleanable water filter, which is located in the HVAC compartment (refer to Fig. 18 and 38 (behind the right air duct)).

15.8.1 Maintenance

Filter maintenance consists in changing the element at break-in 3000 miles (4 800 km), and subsequently every 50,000 miles (80 000 km) or once a year, whichever comes first.

Note: *Each time soldering is performed on any water pipe of the heating system, operate heating system a few minutes so that any foreign matter will be routed to the filters. Clean filters.*

15.8.2 Filter Servicing

1. Stop engine and allow engine coolant to cool.
2. Close shutoff valve on the line located in the rear electric compartment. Refer to

"Preheater System" in this section to gain access to the heater line shutoff valve.

Warning: *Before proceeding with the following steps, check that coolant has cooled down.*

3. Rotate bowl (6) counterclockwise and remove.
4. Remove element (5) from housing. Discard all disposable elements. These elements are not cleanable (Fig. 46).
5. Place new, clean element in housing, centering it on location in the head.
6. Inspect bowl seal and replace if necessary.
7. Replace bowl. Rotate clockwise and hand-tighten.
8. Correct coolant level in surge tank as instructed previously in this section under "*Filling Heating System*".

15.9 BYPASS SOLENOID WATER VALVE (OPTIONAL)

This valve is optional and is installed on the vehicle equipped with a preheater. The valve is located in the HVAC compartment (Fig. 18). This valve is similar to the driver's liquid solenoid valve. Refer to Fig. 46 for part names.

15.9.1 To Remove or Change the Coil

- Stop engine and allow engine coolant to cool.
- Close shutoff valve on the line located in the rear electric compartment. Refer to "Preheater System" in this section to gain access to the heater line shutoff valve.

To remove the solenoid coil:

First take out the retaining screw at the top of the coil housing. The entire coil assembly can be lifted off the enclosing tube.

To reassemble:

Make sure that the parts are placed on the enclosing tube in the following order:

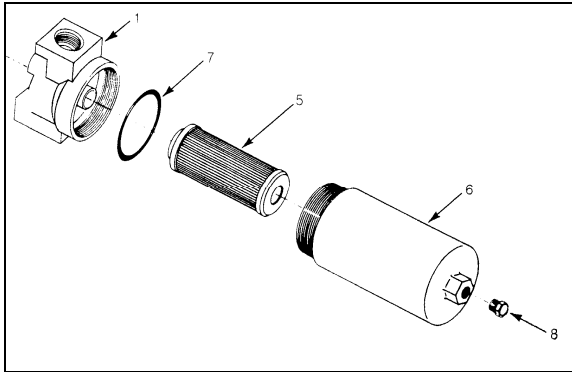


FIGURE 46: WATER FILTER 22057

Be sure to change electrical data plate according to coil specifications change.

1. Place coil and yoke assembly on the enclosing tube. Lay data identification plate in place.
2. Insert the coil retaining screw, rotate housing to proper position and tighten screw securely.

15.9.2 Valve disassembly and Reassembly

Disassembly:

This valves may be taken apart by removing the socket head screws which hold the body and bonnet together. After removing the screws, carefully lift off the bonnet assembly (upper part of the valve). Don't drop the plunger. The diaphragm can now be lifted out. Be careful not to damage the machined faces while the valve is apart.

Note: *The above procedure must be followed before brazing solder type bodies into the line.*

Reassembly:

Place the diaphragm in the body with the pilot port extension up. Hold the plunger with the synthetic seat against the pilot port. Make sure the bonnet O-rings are in place, the bonnet assembly over the plunger, and that the locating sleeve in the bonnet enters the mating hole in the body. Insert body screws and tighten uniformly.

16. PREHEATING SYSTEM (OPTIONAL)

The preheater is located in the rear electrical compartment.

To gain access to the preheater and the heater line shutoff valve, remove the preheater access panel screws. Remove the panel (Fig. 47).

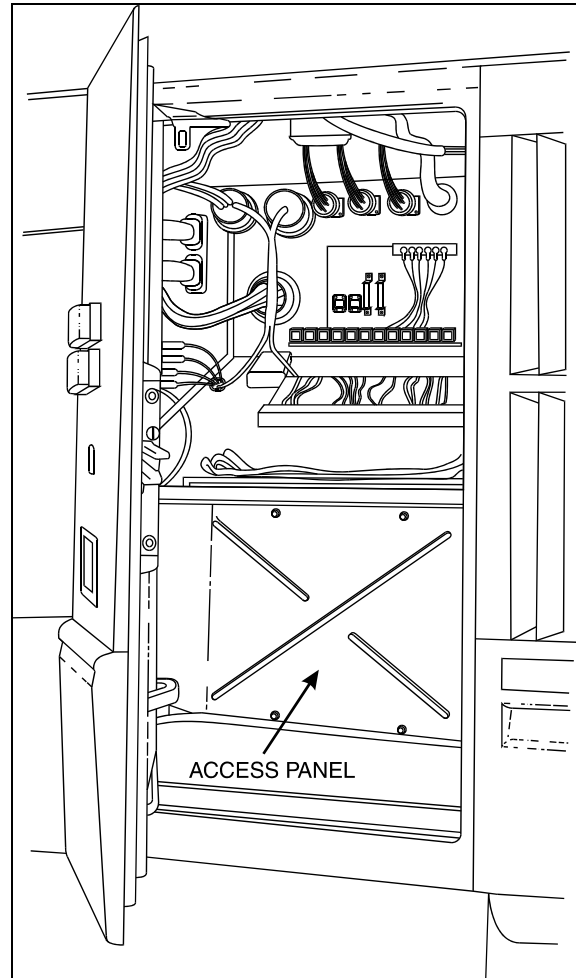


FIGURE 47: REAR ELECTRICAL COMPARTMENT 18325

This Auxiliary Preheating System is used for preheating and retaining the heat of water-cooled engines. It can be used before starting the engine to ease it's starting and to provide immediate inside heat upon operation of the heating system. It can also be used with engine running to maintain coolant heat and maintain the set temperature inside vehicle.

The heater operates independently from the vehicle engine. It is connected to the cooling

Section 22: HEATING AND AIR CONDITIONING

and heating circuits, the fuel system and the electrical system of the vehicle.

The pilot lamp turns on when the heater is switched on. Combustion air flows in to flush out the combustion chamber and the water circulation pump is put into operation. The fuel metering pump conveys fuel in precise doses to the combustion chamber where fuel and combustion air form a combustible mixture which is ignited by the glow plug.

Once the flame sensor has signaled to the control unit that combustion has taken place correctly, the glow spark plug and ignition coil are switched off.

The hot combustion gases are diverted at the end of the flame pipe, then pass through the indirect heating surfaces of the heat exchanger and transmit their heat to the water passing through the heat exchanger.

The heat is thermostatically controlled and operates intermittently, i.e. the switched-on times of the burner vary depending on the heat requirement. The water temperature depends on the setting of the built-in water thermostat.

The water circulation pump remains in operation as long as the heater is operating, even in the regulation intervals and during the delayed cutout of the switched-off heater. The pump can also be operated independently from the heater by means of an appropriate circuit. The heater can be switched on at any time, even during the delayed cutout period. Ignition takes place once this delay time is over.

When the heater is switched off, the fuel supply is interrupted. The flame goes out, and at the same time a delayed cutout of some 2.5 minutes begins. The combustion air still flowing flushes the remaining combustion gases out of the chamber and cools off the hot parts on the exhaust side of the heat exchanger, while the water circulation pump, still running, transmits the heat present in the heat exchanger, thus preventing local overheats. Once the delayed cutout time is over, both the combustion air blower and the water circulation pump switch off automatically.

A cutout will take place in case of any failure of the preheater.

16.1 OPERATION

Switch on the heater. The operation indicator lamp comes on and the heater motor and circulating pump begin to run. After about 10-25 seconds the solenoid valve opens and fuel is sprayed into the combustion chamber. At the same time, the electronic ignition unit produces high voltage (8000 V) and the mixture of fuel and air in the combustion chamber is ignited by the spark on the ignition electrodes. The flame is indicated by the flame detector, then the electronic ignition unit stops producing high voltage and combustion continues by itself (spark on electrodes is required only to ignite the flame). At this moment, the heater is working and producing heat.

If the heater is switched off by the on/off switch, the solenoid valve interrupts fuel supply, combustion stops and indicator lamp turns off. Combustion air fan still blows air, cleaning the combustion chamber of any fumes and cooling down the combustion chamber. Coolant circulation pumps coolant, making a purge cycle for approximately 2-3 minutes, thus protecting the heater against overheating.

If the heater is not switched off by the on/off switch, the control thermostat will switch off the heater when coolant temperature reaches $165^{\circ} \pm 6^{\circ}\text{F}$ ($75^{\circ} \pm 3^{\circ}\text{C}$) and turns it on at $154^{\circ} \pm 9^{\circ}\text{F}$ ($68^{\circ} \pm 5^{\circ}\text{C}$). During this time, the heater (combustion) is off and the indication lamp and coolant pump are on. Combustion air fan blows air for 2-3 minutes and then turns off.

16.2 PREHEATING SYSTEM TIMERS

The timer, located on L.H. lateral console is used to program the starting and stopping time of the preheating system. One of three possible timers may be installed in your vehicle (refer to the three following images). The system indicator light, located on the timer, illuminates when the system is functional.

Caution: *The preheating system should not operate for more than one hour before starting engine as this could discharge batteries.*

Warning: *Preheating system must not operate when vehicle is parked inside or during fuel fill stops.*

Note: Preheating system uses the same fuel as the engine.

In case of failure:

1. Shut off and turn on again.
2. Check main circuit breaker and overheating switch (Espar) or overheat fuse (Webasto).
3. Have system repaired in a specialized shop.

16.2.1 Timer Operating Instructions (Espar)

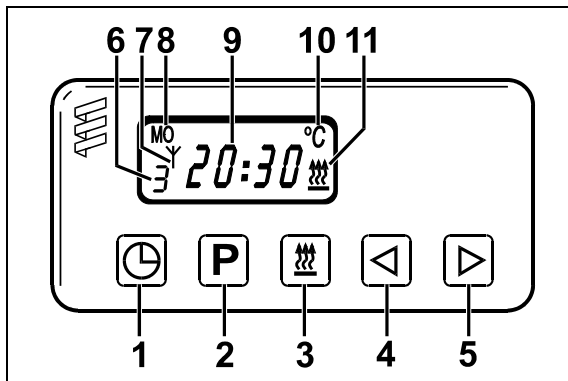


FIGURE 48: ESPAR

18326

These Instructions refer to the timer illustrated in figure 48.

1. Time
2. Program
3. Heating ON
4. Backwards
5. Forwards
6. Memory indicator
7. Symbol for remote control
8. Weekday/program day
9. Current time/program time
10. Temperature display
11. Status display

When the power supply has been connected, all the elements in the display flash - the time must be set. Heating cannot start until the time is set.

Setting Time and Weekday for the First Time

Briefly press (1). The time display 12:00 flashes.

Set the current time using (4) or (5). When the time display stops flashing, the time has been stored.

The weekday begins to flash. Set the current weekday using (4) or (5). When the weekday stops flashing, the weekday has been stored.

If the ignition is "ON", the display continues to be displayed.

If the ignition is "OFF", the display disappears after 10 seconds.

Changing Time and Weekday

Press and hold (1) until the time flashes.

Proceed as per instructions for setting time and day for the first time.

If only the time is to be set, you may skip setting the weekday by pressing (1) twice.

When the weekday has been set, press (1) to stop the display from flashing and to store the time and day.

HEATING WITHOUT PROGRAMMING (IGNITION "OFF")

Press (3). The status display (11) will show heating symbol.

The default heating time is set to 120 minutes. It can be changed temporarily or permanently.

Temporarily Setting Heating Time

With heater on, press (4) to decrease time (minimum 1 minute) or (5) to increase time (maximum 120 minutes).

Permanently Setting Heating Time

With heater "OFF" (do not press (3), press and hold (4) (approx. 3 seconds), until display appears and flashes.

Set heating time (from 10 to 120 minutes) using (4) or (5).

When display disappears, the new heating time has been stored.

Switching Off Heating

Briefly press (3).

Section 22: HEATING AND AIR CONDITIONING

The heating symbol will disappear from status display (11).

System switches to automatic after-run for cooling.

HEATING WITHOUT PROGRAMMING (IGNITION "ON")

To switch heating "ON", press (3). The status display (11) will show heating symbol, as well as time and weekday.

Heating will remain "ON" until ignition is switched "OFF".

If the ignition is switched "OFF", the heating remains switched on for 15 minutes.

This time can be increased (max. 120 minutes) by pressing (5) or decreased (min. 1 minute) by pressing (4).

Switching Off Heating

Briefly press (3).

The heating symbol will disappear from status display (11).

System switches to automatic after-run for cooling.

PROGRAMMING START OF HEATING

3 switch-on times within the following 24 hours or one switch-on time in 7 days can be programmed. Only one switch-on time can be activated at one time.

Selecting and activating memory:
(starting from neutral status with display visible)

First memory – press (2) once.

Memory display: 1 (default time setting 12:00)

Second memory – press (2) twice.

Memory display: 2 (default time setting 12:00)

Third memory – press (2) three times.

Memory display: 3 (default time setting 12:00)

Neutral status (no memory activated) – press (2) repeatedly until memory display disappears.

Start of heating within 24 hours

Set the starting time:

1. Press (2) repeatedly until the desired memory display (1, 2 or 3) flashes.
2. Briefly press and release either (4) or (5). The program time flashes.
3. Set the heating start time using (4) or (5) (Setting is only possible if the program time is flashing).

To select another memory, press (2).

Start of heating after 24 hours (max. 7 days)

Set the starting time:

1. Press (2) repeatedly until the desired memory display (1, 2 or 3) flashes.
2. Briefly press and release either (4) or (5). The program time flashes.
3. Set the heating start time using (4) or (5) (Setting is only possible if the program time is flashing).

Set the program day:

4. The program day begins to flash approximately 5 seconds after the time has been set.
5. Set the heating day using (4) or (5).
6. The program time and day are stored when the time display disappears or when the current time appears.
7. The memory display indicates the activated memory. The flashing "heat-on" symbol (11) also indicates that a memorized start time is activated.

Checking activated memory

The program time of the displayed memory is displayed for about 5 seconds. The display then disappears or then switches to current time (if the ignition is "ON").

The programmed time (and day) can be displayed by holding (2) down for five seconds.

Temperature display

If an ambient temperature sensor is connected (Espar # 25 1482 89 41 00) and the ignition is activated, the temperature can be permanently displayed by pressing (1) briefly. If the ignition is

deactivated, the time temperature is displayed for 15 seconds when (1) is pressed twice.

PLEASE NOTE

Voltage dips are bridged by the heating time switch. After electrical failures, all elements of the display flash. Complete resetting is necessary.

If the ignition is activated, the current time and weekday are displayed permanently. If the time switch is deactivated, the display disappears after 15 seconds.

The remote control can also be operated with the use of an additional unit (receiver module).

If a fault occurs when heating is switched on and the diagnostic circuit is connected, the operating display shows a flashing heating symbol (11) and the fault code number is displayed (see table at the end of this section and contact a specialized shop).

If faults occur, we recommend the following:

1. Switch off and on (max. twice);
2. Check main fuse;
3. Check air channels for blockages;
4. Consult a specialized workshop.

16.2.2 Timer Operating Instructions (Webasto)

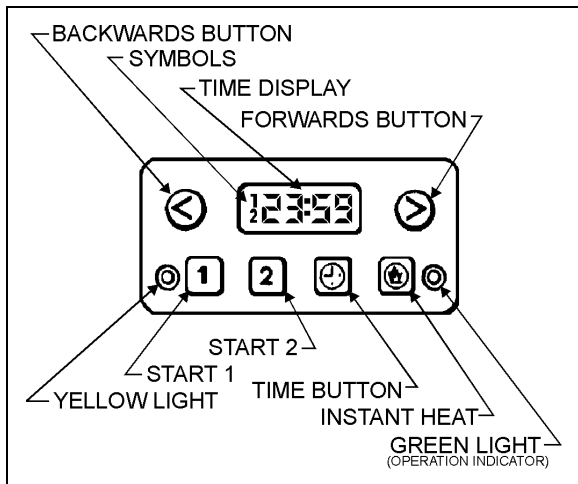


FIGURE 49: WEBASTO 18046

These instructions refer to the timer illustrated in figure 49.

Note: Heater timer control pad may differ from the one described. Refer to your manufacturer's instruction booklet for detailed operating instructions.

To Set the Clock

If the time display e.g. 18:33 is wrong, or if it flashes 8:88, hold and press either (backwards) or (forwards). The longer you hold the button down, the quicker the display changes. The last few minutes are set accurately by quick pushes. Adjust to get exact time, e.g. 23:59. The display fades after 20 seconds.

Present Time Display

Press at any time. Present time appears on the screen.

Manual Heating Start-Up

Press to switch the heater on or off immediately. The green light illuminates when the heater is on.

Programming Heating Start Time

Press and the display shows the time at which the heater will start. You can alter the starting time by pressing either (backwards) or (forwards) button. The longer you hold the button down, the faster the display changes. The last few minutes are set accurately by quick pushes. The display fades after 20 seconds. Start time 1 remains on the display, and the yellow light stays on. Starting time #1 is now activated.

Button allows you to program a second starting time:

Press button which de-activates starting time 1, then proceed as with .



The activation of the second starting time is indicated by the symbol 2.

To Check (or activate) Start Time

Press button or briefly. The display shows the programmed starting time for 20 seconds. This also programs the timer to start the heater at the time shown.

Section 22: HEATING AND AIR CONDITIONING

To Cancel Heating Start Time

Press button  or  briefly. The appropriate number in the display goes out, together with the yellow light.

Note: Switch on the preheating system briefly about once a month, even during the warm season.

Caution: When welding on the vehicle, disconnect the preheater module connector in order to protect this system from voltage surges.

Caution: To avoid running down the batteries, do not turn on the preheating system for more than one hour before starting the engine.

Warning: The preheating system uses the same fuel as the engine. Do not operate in a building or while refueling. Operate only in a well-ventilated area.

16.2.3 Timer operating instructions (Webasto)

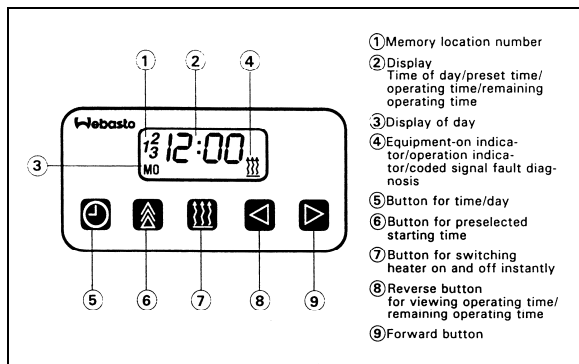


FIGURE 50: WEBASTO

18327

These instructions refer to the timer illustrated in figure 50. They are the same instructions provided in the Webasto 1529 instruction booklet, provided with your vehicle.

Remaining Operating Time

The remaining operating time refers to the period of time the heater still continues to remain in operation. It may be changed while the heater is in operation.

Setting the Digital Timer

After the power has been connected, all symbols on the digital display are flashing. The

time of the day and the day of the week must be set.

All flashing symbols of the timer can be set by means of the Forward (9) or Reverse (8) buttons.

When buttons (8) and (9) are pressed for more than 2 seconds, the quick digit advance mode is activated.

Setting the Time and Day of the Week

1. Press button (5) for more than 2 seconds (time display flashes).
2. Press (8) or (9) button to set the time of day.
3. Wait 5 seconds. The time of day is stored (time of week flashes).
4. Press (8) or (9) button to set the correct day of week.
5. Wait 5 seconds. The day of week is stored.

Viewing the Time (Ignition ON)

Continuous display of current time and day of the week.

Viewing the Time (Ignition OFF)

Briefly press button (5) to display current time and day for 5 seconds.

Switching Heater ON (Instant Heating)

With Ignition ON:

Press button (7). Heater is switched on (continuous operation) and continues to operate until button (7) is pressed again or ignition is switched off.

Note: If the ignition is switched off while heater is in operation, the remaining operating time of 5 minutes flashes on the display and the heater will continue to operate for this period of time.

With Ignition OFF:

Press button (7). Heater is switched on for preset operating time (the factory-set heater operating duration is 60 minutes)

Switching Heater OFF

Press button (7). The heater starts its after-run cycle and switches off thereafter.

Presetting Operating Duration

1. Press button (6). Memory location number flashes.

Note: By repeatedly pressing button (6), starting time 2 or 3 can be preset.

2. Press button (8) or (9) until correct startup time is set.
3. Wait 5 seconds. Preset starting time is stored and day of week flashes.
4. Press button (8) or (9) to select the correct startup day of week.
5. Wait 5 seconds. The startup day of week is stored.

The number of memory location remains on the display. The timer is now in the programmed mode and will switch the heater in a the preset time.

Note: We recommend that memory locations 1 and 2 be used for presetting times within 24 hours of setting the timer. Memory location 3 can be used for a starting time within the next 7 days of setting the timer.

Recalling Preset Times

Press (6) repeatedly until the desired memory location number and preset time are displayed.

Canceling Preset Time

Press button (6) repeatedly until no more memory location number is visible on the display.

Setting Operating Time

1. With heater off, press button (8). Operating time flashes.
2. Press button (8) or (9) to set the operating time (between 1 and 120 minutes)
3. Wait 5 seconds. Operating time is stored.

The heater remains in operation for the preset time (except for continuous operation).

Setting the Remaining Operating Time

1. With heater in operation, press button (8). Remaining operating time flashes.

2. Set remaining time with button (8) or (9).
3. Wait 5 seconds. Remaining operating time is stored.

Fault Diagnosis by Coded Light Signals

On heaters equipped with a fault diagnosis system using coded light signals, the equipment-on indicator/operation indicator flashes. Please consult your Webasto dealer.

16.3 TROUBLESHOOTING AND MAINTENANCE

The Espar preheater has a diagnostic code system to warn the driver when something goes wrong. Codes are listed below.

Refer to the Webasto and Espar manuals for more information.

Note: If there are no heater faults, the heater will go through a normal start cycle and regulate based on thermostat setting.

Note: Switch on the preheating system briefly about once a month, even during the warm season.

Section 22: HEATING AND AIR CONDITIONING

Caution: When welding on the vehicle, disconnect the preheater module connector in order to protect this system from voltage surges.

Warning: The preheating system uses the same fuel as the engine. Do not operate in a building or while refueling. Operate only in a well-ventilated area.

Caution: To avoid running down the batteries, do not turn on the preheating system for more than one hour before starting the engine.

Number codes and faults are as follows:

Espar Preheater Diagnostic Code List			
Code #	Description	Code #	Description
000	Normal Operation – No Faults	001	Warning – Over Voltage
002	Warning – Under Voltage	010	Over Voltage Shutdown
011	Under Voltage Shutdown	012	Overheat Switch Opened
013	Temperature at the Heat Exchanger Too High	020	Glow Plug Defective
022	Short Circuit in Glow Plug Relay	023	Open Circuit to Voltage Regulator
024	Short Circuit in Voltage Regulator	025	Short in Diagnostic Pins
032/033	Blower Motor Is Not Turning Blower Speed Control Relay Defective	034	Open Circuit To Water Control Relay
035	Open in Parts Control Relay	036	Short in Part Control Relay
037	Coolant Pump Motor Not Turning	038	Open in Fan Motor Relay
039	Short in Fan Motor Relay	040	Short Circuit in Water Control Relay
047	Short in Fuel Metering Pump	051	Flame Sensor Defect
052	No Start – Safety Rime Exceeded	053	Flame Out During Start Cycle
054	Flame Out in "High" Output Setting	055	Flame Out in Low Heat
056	Flame Out in Middle Heat	057	Flame Sensor Defect – Harness
060	Open Circuit in Air Temp. Sensor	061	Short Circuit in Air Temperature Sensor
062	Open Circuit, Operating Unit	063	Short Circuit, Operating Unit
064	Open Circuit to Flame Sensor	065	Short Circuit in Flame Sensor
090	Control Box Defective	091	External Power Supply Erratic

17. SPECIFICATIONS

HVAC Logic panel

Make..... Honeywell

Section 22: HEATING AND AIR CONDITIONING

Model..... W973B
Voltage rating 24 volts
Switching (on-off stages) Pilot duty spdt relays
Input signal (from electronic transmitter) 1 to 16 V DC
Supplier number W973B1016
Prevost number 561805

Electronic transmitter

Make.....POCATEC
Model.....Prévost
Voltage rating 20 volts (from HVAC logic panel)
Current draw20 milliamperes
Output signals Two 1-16 volt signals (one each for cooling and heating) to HVAC logic panel
Output signal rate of change (upon deviation from set point)..... 2.5 V DC/1 °F (0,5°C)
Supplier number 381787
Prevost number 381787

Discharge air sensor and front return air sensor

Make.....MEGATECH
Type Thermistor NTC
Supplier number 064651
Prevost number 064651

Main evaporator motor

Make.....US MOTOR
Type T-17
Voltage 28.5 V DC
Current draw 69 amps
Horsepower..... 2
Revolution 1750 rpm
Insulation Class F
Motor Life 20 000 hours
Brush life 10 000 hours
Motor supplier number D509WAPRC5
Motor Prevost number..... 562375

Section 22: HEATING AND AIR CONDITIONING

Brush supplier number EPB125BC0077
Brush Prevost number 562951

Condenser fan motors

Make US MOTOR
Type TF-12
Voltage 28.5 V DC
Current draw 25 amps
Horsepower 0.57
Revolution 1950 rpm
Insulation Class F
Motor 20 000 hours
Brush life 10 000 hours
Qty 2
Supplier number D591Y440PRC2
Prevost number 562579
Brush supplier number 9DB21003
Brush Prevost number 561914

Main evaporator air filter

Make Permatron Corp.
Type Washable 1" X 23 3/8" X 43 1/2" Polypropylene filter
Supplier number MODEL IN-1
Prevost number 871051

Driver's unit evaporator motors

Make MCC
Voltage 24 V DC
Quantity 1
Supplier number 25-0250
Prevost number 871135

Driver's unit evaporator air filter

Make MCC
TYPE Recirculating air 6-1/4" x 28" Washable

Section 22: HEATING AND AIR CONDITIONING

Supplier number 260593

Prevost number 871147

Make MCC

TYPE Fresh air 3-5/8" X 5-1/4" Washable

Supplier number 260594

Prevost number 871144

Refrigerant

Type Optional R-22 and Standard R-134a

Quantity (standard) 24 lbs (10.89 Kg)

Quantity (with A/C unities Parcel Rack) 26 lbs (11.82 Kg)

Compressor (Central system)

Make Carrier Transicold

Capacity, option R-134a 41 CFM

Capacity, option R-22 37 CFM

Model, option R-134 05G-134A

Model, option R-22 05G-22

No. of cylinders 6

Bore 2" (50,8 mm)

Operating speed 400 to 2200 rpm (1750 rpm. Nominal)

Minimum speed (for lubrication) 400 rpm

Nominal horsepower 15

Oil pressure at 1750 rpm 15 to 30 psi (103-207 kPa)

Oil capacity 1.13 U.S. gal (4,3 liters)

Weight 142 lbs (64,5 kg)

Approved oils

-Castrol SW 68 (POE)

Supplier number, option R-134a 68PD541-104-38

Supplier number, option R-22 68PD537-104-39

Prevost number, option R-134a 950314

Prevost number, option R-22 950207

A/C Compressor (Small system)

Section 22: HEATING AND AIR CONDITIONING

Make.....Tecumseh
Model.....HGB-
1000
Factory oil charge* 10 US oz (295 ml)
System oil charge** (driver's system only)..... 16 US oz (473 ml)
Weight 24 lbs (10,9 kg)
Supplier number 99242-5
Prevost number 950219

Approved oils

- Castrol SW 68 (POE)
- MobilArctic 1 (POE)

Compressor unloader valve

Make..... Carrier Transicold
Type Electric (AMC)
Voltage 24 V DC
Watts 15
Supplier number (without coil) 17-40407-20
Prevost number (without coil) 950095
Coil supplier number 22-50030 (1)
Coil Prevost number..... 950096

Magnetic clutch

Make..... Carrier Transicold
Type Housing mounted 9" dia., 2-B grooves
Voltage 24 V DC
Coil resistance at 68 °F (20 °C)..... 5.15 – 5.69 ohms
Supplier number 50-01122-90
Prevost number 950204

Compressor V belts

Make..... Dayco
Model (matching set of 2) BX97
Prevost number (with Delco 270/300 Amp Alternator) 506664

Compressor V belt

Make..... Dayco
Model..... BX100
Prevost number (with two BOSH Alternators) 506681

Condenser coil

Make..... Carrier Transicold

Aluminium

Supplier number..... 68BC-509-114
Prevost number..... 452968

Copper

Supplier number..... 68BC-509---104-1
Prevost number..... 453013

Receiver tank (with sight glasses)

Make..... HENRY
Maximum pressure..... 450 psig
Supplier number..... ARL-1217
Prevost number..... 950261

Filter Dryer assembly

Make..... AC&R HENRY
Supplier number..... 815031-XH9
Prevost number..... 950262

Moisture indicator

Make..... Henry
Supplier number..... MI-30-7/8S
Prevost number..... 950029

Driver's refrigerant liquid solenoid valve

Make..... Parker
Type Normally closed with manual bypass

Section 22: HEATING AND AIR CONDITIONING

Voltage 24 V DC
Amperage draw 0.67 amps
Watts 16
Supplier number (without coil) RB9MP3-MM
Prevost number (without coil) 95-0054
Coil supplier number R23MM 24 V DC-CB
Coil Prevost number 950055
Repair kit Prevost number 950056

Driver's hot water solenoid valve

Make Asco
Type Normally open (without manual bypass)
Voltage 24 V DC
Current draw 0.47 amp.
Watts 11.2
Pressure range 0 to 100 psi
Max. temperature 220°F
Supplier number (with coil) 106-269-1
Prevost number (with coil) 870812
Coil Prevost number 870960
Repair kit Prevost number 870872

Main hot water valve actuator

Make Honeywell
Model ML 784
Voltage 24 V DC
Type Linear
Prevost number 641238
Supplier number ML784A207a
Repair kit Prevost number (packing, follower, spring stem assembly and disc) 641261
Repair kit supplier number 14 00 2695-005

Single-seated valve

Model V5011F
Prevost number 641239

Section 22: HEATING AND AIR CONDITIONING

Water recirculating pump

Make.....M.P. pumps
Voltage 24 V DC
Supplier number 28689
Prevost number 871052

Water filter (standard system)

Make..... Parker
Supplier number (with element) 15CN1238WP
Prevost number (with element) 871028
Element supplier number 925566
Element Prevost number 871029

Water filter (small A/C system)

Make..... BRAUKMANN
Supplier number T300B
Prevost number 870807

Driver's expansion valve

Supplier number, option R-134a 26-0190
Supplier number, option R-22 26-0384
Prevost number, option R-134a 950221
Prevost number, option R-22 950282

Main expansion valve (with R-134A)

Make..... CARRIER
Supplier number 14-01104-43
Prevost number 95316

Main expansion valve (with R-22 option)

Make..... ALCO
Supplier number TCLE 10HW55
Prevost number 950292

Section 22: HEATING AND AIR CONDITIONING

Bypass solenoid water valve

Make..... Parker Hannifin
Bypass supplier number RB21ME7-MM
Bypass Prevost number 870886
Coil supplier number R-23MM24VDC-CB
Coil Prevost number..... 870886
Repair kit supplier number 76754
Repair kit Prevost number 870980

Preheating system

Make.....Espar
Model..... D 12 W
Capacity 41 000 Btu/h (12 kW)
Heating medium Coolant
Rated voltage 24 V DC
Operating voltage..... 20-28 V DC
Electric power consumption (without coolant recirc. Pump).....55 watts
Fuel consumption.....0,8 US gallons/hr (1.65 liters/hr)
Supplier number.....25 1860 05
Prevost number..... 871077

Preheating system

Make..... WEBASTO
Model.....DBW 2010
Capacity 45 000 Btu/h (12 kW)
Heating medium Coolant
Rated voltage 24 V DC
Operating voltage..... 20-28 V DC
Electric power consumption (without coolant recirc. Pump).....60 watts
Fuel consumption.....0,4 US gallons/hr (1.5 liters/hr)
Supplier number.....
Prevost number..... 871085

Preheating system

Make..... WEBASTO
Model.....DBW 2020
Capacity 80 000 Btu/h (23,3 kW)
Heating medium Coolant
Rated voltage 24 V DC
Operating voltage..... 20-28 V DC
Electric power consumption (without coolant recirc. Pump)..... 120 watts
Fuel consumption..... 0,8 US gallons/hr (3 liters/hr)
Supplier number..... 666.640
Prevost number..... 871036

SECTION 23: ACCESSORIES

CONTENTS

1. AUDIO AND VIDEO EQUIPMENT DESCRIPTION	23-4
1.1 AMP-2000 (HIGH POWER AMPLIFIER).....	23-5
1.1.1 Removal.....	23-6
1.2 AM/FM RADIO.....	23-6
1.2.1 AM/FM Radio Cassette and Disc CD Changer.....	23-6
1.2.2 AM/FM Radio / CD 1 Disc.....	23-6
1.2.3 Removal.....	23-6
1.3 CONTROL HEAD.....	23-6
1.3.1 Removal.....	23-7
1.4 VIDEO CASSETTE PLAYER (VCP).....	23-7
1.4.1 Removal.....	23-7
1.4.2 Installation.....	23-7
1.5 BOOM-TYPE MICROPHONE.....	23-8
1.5.1 Removal.....	23-8
1.5.2 Installation.....	23-8
1.6 HANDHELD PRIORITY MICROPHONE.....	23-8
1.7 WIRELESS MICROPHONE.....	23-8
1.8 TV TUNER.....	23-8
1.9 KARAOKE.....	23-9
1.9.1 Karaoke Panasonic Sound System – DVD-A300.....	23-9
1.10 DRIVER'S SPEAKERS.....	23-9
1.11 MONITOR.....	23-9
1.11.1 Removal.....	23-9
1.11.2 Installation.....	23-9
1.12 SCENIC VIEWING SYSTEM.....	23-9
1.13 ROOF ANTENNA INSTALLATION.....	23-10
2. HUBODOMETER	23-10
2.1 DESCRIPTION.....	23-10
2.2 OPERATION.....	23-10
2.3 REMOVAL.....	23-10
2.4 INSTALLATION.....	23-10
3. BACK-UP CAMERA AND MONITOR	23-10
4. COLD STARTING AID (ETHER)	23-11
4.1 PREVENTIVE MAINTENANCE.....	23-11
4.2 TROUBLESHOOTING (IF SYSTEM IS NON-FUNCTIONING).....	23-11
4.3 THERMAL CUTOUT VALVE QUICK TEST.....	23-12
5. DESTINATION SIGN	23-12
5.1 DESCRIPTION.....	23-12
5.2 MAINTENANCE.....	23-13
5.3 ELECTRIC MOTOR REMOVAL AND INSTALLATION.....	23-13
5.4 SIGN CURTAIN REPAIR.....	23-13
6. LAVATORY	23-14
6.1 DESCRIPTION.....	23-14

Section 23: ACCESSORIES

6.2	MAINTENANCE	23-14
6.3	VENTILATION FAN	23-14
6.3.1	<i>Description</i>	23-14
6.3.2	<i>Maintenance</i>	23-14
6.3.3	<i>Removal and Installation</i>	23-14
6.4	DOOR LOCK.....	23-15
6.5	LAVATORY LIGHT	23-15
6.6	LAVATORY NIGHT-LIGHT.....	23-15
6.7	EMERGENCY BUZZER	23-15
6.8	FRESH WATER TANK.....	23-15
6.8.1	<i>Fresh Water Tank Heater (Optional)</i>	23-15
6.8.2	<i>Fresh Water Tank Draining</i>	23-16
6.8.3	<i>Fresh Water tank Filling</i>	23-16
6.9	LIQUID SOAP DISPENSER	23-16
6.10	FLUSH PUSH-BUTTON	23-17
6.10.1	<i>Pneumatic Timer Removal and Installation</i>	23-17
6.10.2	<i>Timer Adjustment</i>	23-17
6.11	FLUSH PUMP	23-17
6.11.1	<i>Flush Pump Pressure Adjustment</i>	23-17
6.12	SUMP TANK.....	23-18
6.12.1	<i>Sump Tank Draining</i>	23-18
6.12.2	<i>Sump Tank Filling</i>	23-18
6.13	CLEANING CABINET.....	23-18
7.	AIR HORN VALVE	23-18
7.1	AIR HORN VALVE MAINTENANCE.....	23-18
8.	WINDSHIELD WIPERS AND WASHERS	23-18
8.1	GENERAL DESCRIPTION	23-18
8.2	WIPER ARM.....	23-19
8.2.1	<i>Sweep Adjustment</i>	23-20
8.2.2	<i>Removal</i>	23-20
8.2.3	<i>Installation</i>	23-21
8.3	LOWER LINKAGE ADJUSTMENT	23-21
8.4	UPPER LINKAGE ADJUSTMENT	23-22
8.5	WINDSHIELD WIPER MOTORS.....	23-23
8.5.1	<i>Lower Windshield Wiper Motor Replacement</i>	23-23
8.5.2	<i>Upper Windshield Wiper Motor Replacement</i>	23-23
8.6	TROUBLESHOOTING.....	23-24
9.	SPECIFICATIONS.....	23-33

ILLUSTRATIONS

FIGURE 1: SOUND SYSTEM JUNCTION PLATE.....	23-4
FIGURE 2: AMP-2000 AMPLIFIER	23-5
FIGURE 3: PANASONIC CQ-R115SEUC.....	23-6
FIGURE 4: PANASONIC CQ-DP22EUC.....	23-6
FIGURE 5: CONTROL HEAD.....	23-7
FIGURE 6: INSTALLATION IN PARCEL COMPARTMENT	23-7
FIGURE 7: VIDEO CASSETTE PLAYER.....	23-7
FIGURE 8: BOOM-TYPE MICROPHONE.....	23-8
FIGURE 9: HANDHELD PRIORITY MICROPHONE.....	23-8
FIGURE 10 WIRELESS MICROPHONE.....	23-8
FIGURE 11: TUNER CONTROLS DESCRIPTION	23-9
FIGURE 12: KARAOKE PANASONIC DVD-A300	23-9
FIGURE 13: MONITOR HOUSING REAR PANEL.....	23-9
FIGURE 14: INSTALLATION IN PARCEL COMPARTMENT	23-10
FIGURE 15: CAMERA INSTALLATION ON WINDSHIELD	23-10
FIGURE 16: HUBODOMETER.....	23-10
FIGURE 17: ENGINE.....	23-11
FIGURE 18: COLD STARTING AID	23-12
FIGURE 19: DESTINATION SIGN - ELECTRICAL.....	23-13
FIGURE 20: DESTINATION SIGN - ELECTRIC MOTOR.....	23-13
FIGURE 21: DESTINATION SIGN – ELECTRONIC.....	23-13
FIGURE 22: LAVATORY	23-14
FIGURE 23: VENTILATION FAN INSTALLATION.....	23-14
FIGURE 24: DOOR LOCK.....	23-15
FIGURE 25: FUNCTIONING OF LAVATORY	23-16
FIGURE 26: FRESH WATER TANK SERVICE VALVES.....	23-16
FIGURE 27: LIQUID SOAP DISPENSER.....	23-17
FIGURE 28: SUMP TANK.....	23-18
FIGURE 29: AIR HORN VALVE	23-18
FIGURE 30: WIPER MOTORS LOCATION.....	23-19
FIGURE 31: DASHBOARD.....	23-19
FIGURE 32: MULTIFUNCTION LEVER.....	23-19
FIGURE 33: WINDSHIELD WASHER RESERVOIR.....	23-20
FIGURE 34: LOWER WINDSHIELD WIPER.....	23-20
FIGURE 35: UPPER WINDSHIELD WIPER	23-20
FIGURE 36: LOWER WINDSHIELD WIPER INSTALLATION.....	23-22
FIGURE 37: UPPER WINDSHIELD WIPER INSTALLATION.....	23-23
FIGURE 38: TROUBLESHOOTING	23-25
FIGURE 39: TROUBLESHOOTING	23-26
FIGURE 40: TROUBLESHOOTING	23-27
FIGURE 41: TROUBLESHOOTING	23-28
FIGURE 42: TROUBLESHOOTING	23-29
FIGURE 43: TROUBLESHOOTING	23-30
FIGURE 44: TROUBLESHOOTING	23-31
FIGURE 45: TROUBLESHOOTING	23-32

1. AUDIO AND VIDEO EQUIPMENT DESCRIPTION

The power amplifier is mounted on a sound system junction plate which is located over the front wheel housing (Fig. 1), to access, open the first baggage compartment. In addition to the public address (PA) systems, options for AM/FM stereo radio and cassette player, CD changer, karaoke, wireless microphone, video system with monitors, scenic viewer and digital processor controller may be featured.

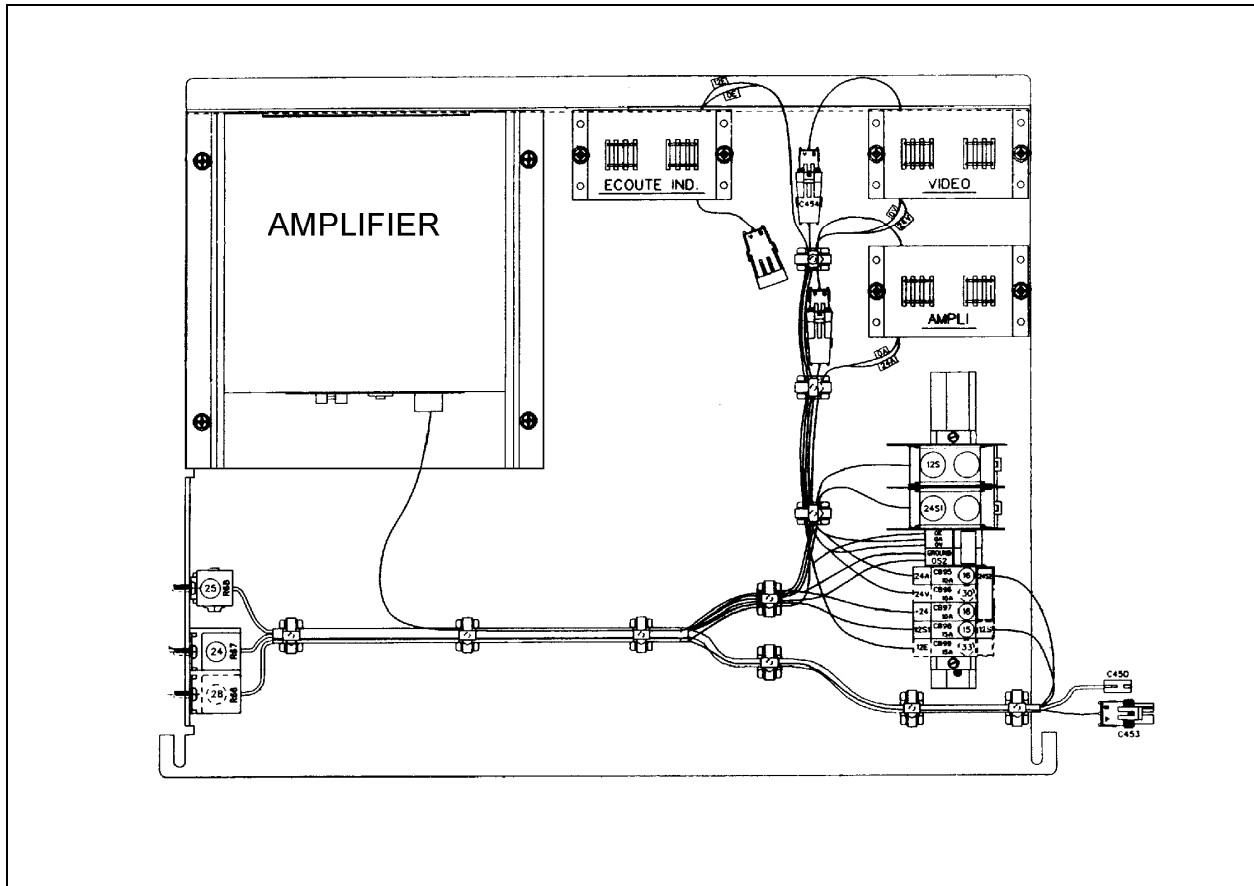


FIGURE 1: SOUND SYSTEM JUNCTION PLATE

23059

Each service module mounted to the underside of the parcel racks contains a 40-watt speaker. The speakers in the passenger section (twelve in H3-41 or sixteen in H3-45) are wired in stereo and are powered by the amplifier. A microphone outlet mounted in the driver's area is provided as standard equipment.

1.1 AMP-2000 (HIGH POWER AMPLIFIER)

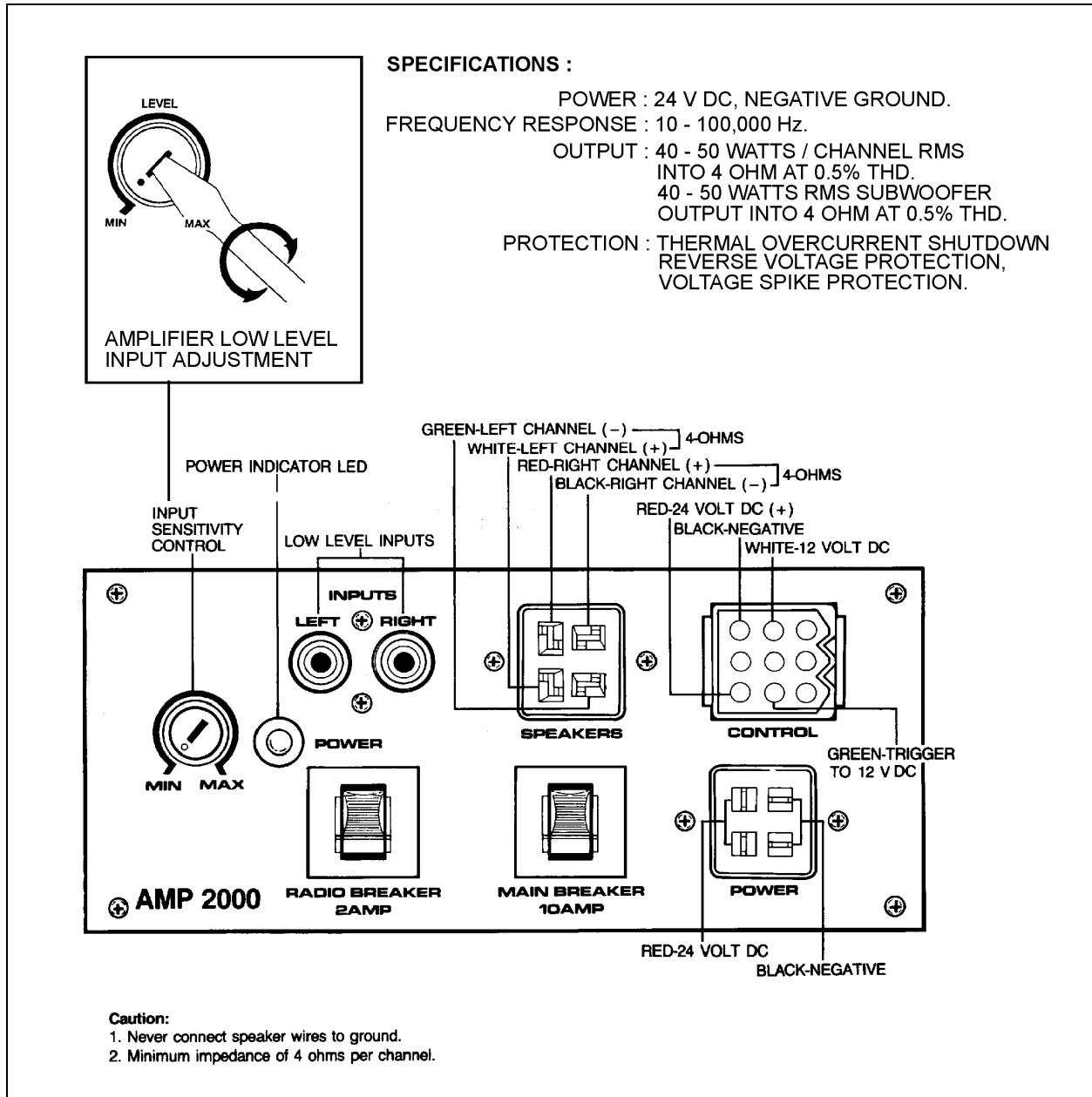


FIGURE 2: AMP-2000 AMPLIFIER

23081

The AMP-2000 brings an added dimension to your stereo equipment and increases the total output of the system. The amplifier will perform with any unit operating in a 24-volt with negative ground electric system. The AMP-2000 is located over the front wheel housing. To access, open the first baggage compartment door.

The input sensitivity is adjustable from 100mV to 1V to match the output of the radio or tape deck. Set the volume control on the radio, then adjust the input control on the amplifier for an average listening level. This gives the best balance between radio output and system signal-to-noise ratio (Fig. 2).

Section 23: ACCESSORIES

Caution: The low level input adjustment for this amplifier has been preset according to system specifications.

1.1.1 Removal

Remove the amplifier as follows:

1. Set the ignition switch to the "OFF" position. Refer to Section 6: "Electrical System" for switch location.
2. Remove the sound system junction plate from its location. To perform this step, disconnect wiring connectors, remove cable ties and remove the bolts retaining the sound system junction plate.
3. Remove the four screws retaining the amplifier to its sound system junction plate.
4. Reverse the removal procedure to install the amplifier.

1.2 AM/FM RADIO

1.2.1 AM/FM Radio Cassette and Disc CD Changer

The audio system is composed of an AM/FM radio cassette player "Panasonic, model CQ-R115EUC (Fig. 3). Also, the vehicle may be equipped with a 8 disc CD changer and two additional Hi-Fi speakers in the driver's area. A roof antenna as well as different microphone outlets, can be installed as optional equipment.



FIGURE 3: PANASONIC CQ-R115EUC

1.2.2 AM/FM Radio / CD 1 Disc

This audio system is composed of an AM/FM radio CD player Panasonic model CQ-DP22EUC (Fig. 4). Also, the vehicle may be equipped with two additional Hi-Fi speakers in the driver's area. A roof antenna as well as different microphone outlets, can be installed as optional equipment.



FIGURE 4: PANASONIC CQ-DP22EUC

Note: Before attempting to solve an electrical problem on the sound system, refer to the master wiring diagrams.

Instructions for proper use of the radio are included in the "Panasonic Owner's Manual" which is provided in the technical publication box delivered with the vehicle. The radio is a serviceable component and should only be serviced by a qualified electronics technician. Refer to "Panasonic Service Centers" guide included in the technical publication box.

1.2.3 Removal

To remove the radio from its location, proceed as follows:

1. Place the ignition switch in the "OFF" position.
2. Remove the dashboard panel cover.
3. Disconnect the electrical cable connectors from radio and unfasten back plate securing screw.
4. To separate the radio from its support, push in the dismounting pins included with the Panasonic Owner's Manual.
5. Push the unit through the front instrumentation panel.
6. Install a new unit by reversing the procedure.

1.3 CONTROL HEAD

The system 2000 (Fig. 5) is designed exclusively for coach operations. A complete system will control the following equipment:

- A specially designed 70 watt per channel RMS amplifier, capable of driving up to twenty-six, four ohm speakers.

- Six, custom designed ten-inch color monitors that incorporate a unique anti-theft locking slide mount. This makes installation and removal very easy.
- A specially modified VHS video cassette player that allows the operator convenient control over its functions.
- A digital audio processor that incorporates a centralized system control. The system 2000 microprocessor allows the operator to control up to three audio selections, permitting custom tailoring of each channel's sound quality. The unit contains a separate video section for the VCP that allows the driver to control his own separate audio selections.

Instructions for proper use of the control head are included in the "REI Operator's Manual" which is provided in the technical publication box delivered with the vehicle.

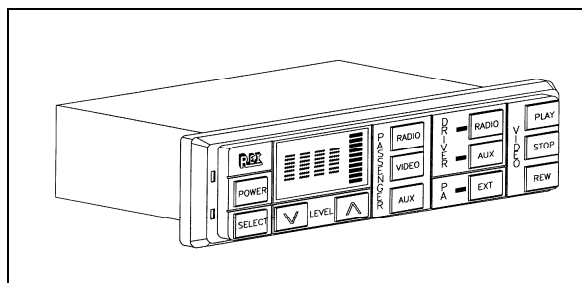


FIGURE 5: CONTROL HEAD

23070

1.3.1 Removal

To remove the control head from its location, proceed as follows:

1. Place the battery master switch in the "OFF" position.
2. Remove the dashboard panel cover.
3. Disconnect the electrical cable connectors from radio and unfasten back plate securing nut.
4. To separate the control head from its support, push in the dismounting pins included with the REI Operator's Manual.
5. Push the unit through the front instrumentation panel.
6. Install a new unit by reversing the procedure.

1.4 VIDEO CASSETTE PLAYER (VCP)

The VCP is located in the first parcel compartment on the driver's side (Fig 6 & 7). Instructions for proper use of the VCP are included in the "Operator's Manual" which is provided in the technical publication box.

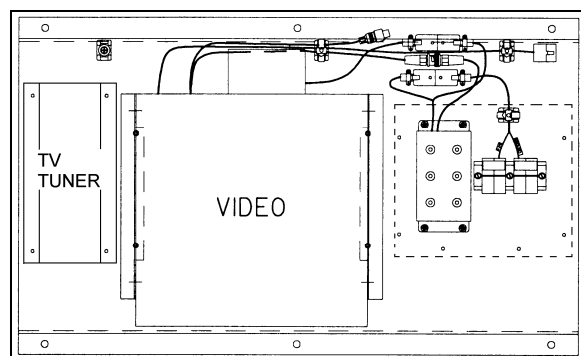


FIGURE 6: INSTALLATION IN PARCEL COMPARTMENT

23223

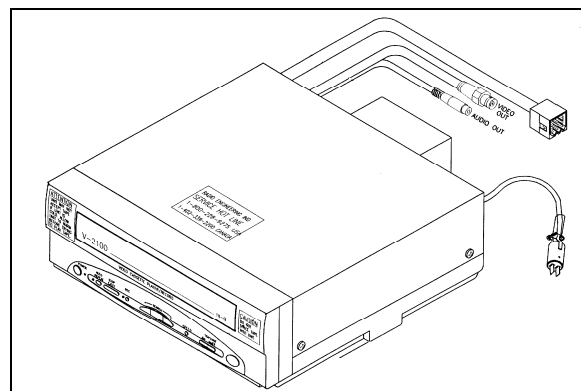


FIGURE 7: VIDEO CASSETTE PLAYER

23075

1.4.1 Removal

1. Place the ignition switch in the "OFF" position.
2. Remove the VCP/VCR mounting locknuts from rubber mounts.
3. Disconnect wiring.
4. Remove VCP/VCR unit from parcel compartment.

1.4.2 Installation

Section 23: ACCESSORIES

1. Install VCP/VCR unit into parcel compartment aligning rubber mount studs with mounting holes. Insert mount studs through mounting holes.
2. Install locknuts on mount studs.
3. Reconnect wiring.
4. Place the battery master switch in the "ON" position.

1.5 BOOM-TYPE MICROPHONE

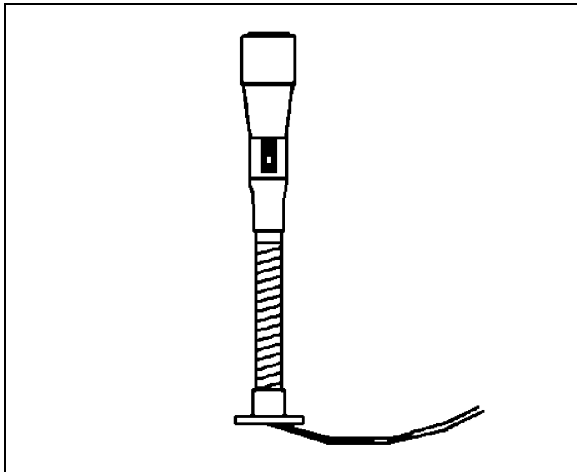


FIGURE 8: BOOM-TYPE MICROPHONE 23083

1.5.1 Removal

1. Place the ignition switch in the "OFF" position.
2. Remove the mounting screws at mounting flange.
3. Disconnect wiring.

1.5.2 Installation

1. Reconnect wiring.
2. Align mounting flange with holes and install screws.
3. Remove spacer block mounting screws.
4. Insert spacer block and install mounting screws.
5. Place the battery master switch in the "ON" position.

1.6 HANDHELD PRIORITY MICROPHONE

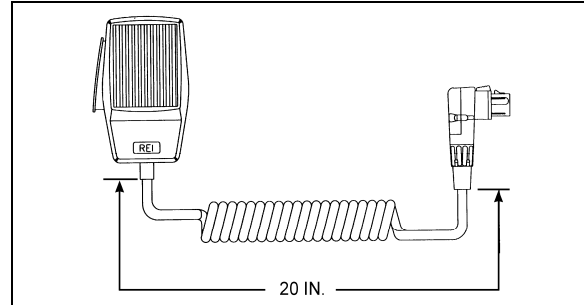


FIGURE 9: HANDHELD PRIORITY MICROPHONE 23216

1.7 WIRELESS MICROPHONE

The system 2000 16 channel wireless microphone, Receiver and Charging Cradle are custom designed units that allow for wireless PA communication from anywhere on the coach. The unit consists of a receiver mounted in the parcel area directly behind the driver, and a rechargeable hand-held microphone and charging unit. Instructions for proper use of the microphone are included in the "REI Operating Manual" which is provided in the technical publications box delivered with the vehicle.

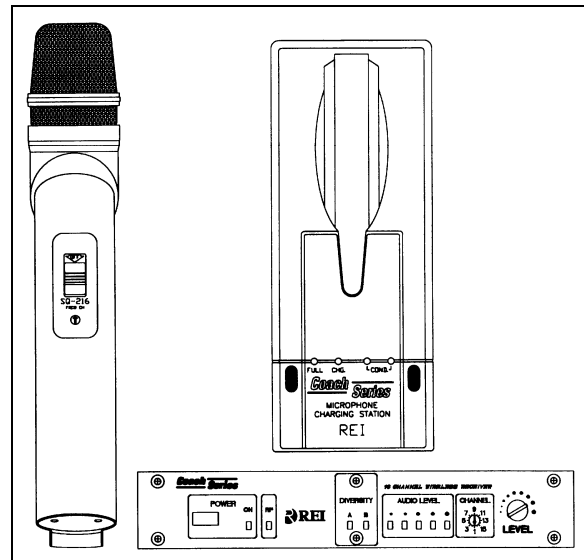


FIGURE 10: WIRELESS MICROPHONE

1.8 TV TUNER

For TV tuner control descriptions, refer to fig. 11.

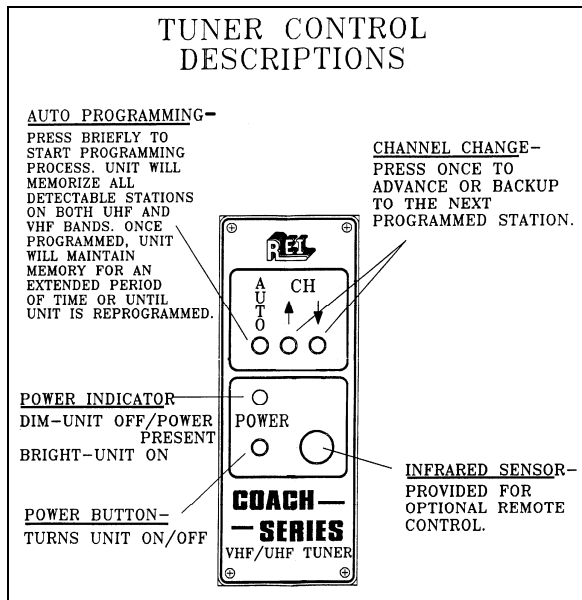


FIGURE 11: TUNER CONTROLS DESCRIPTION

1.9 KARAOKE

The modified Panasonic DVD Player powers up automatically when the video system is activated. The unit can be controlled with the plug-in remote control, or the control head, which has access to the PLAY and STOP commands.

If so equipped, instructions for proper use of the Karaoke system are included in the "Operating Manual" that is provided in the technical publications box delivered with the vehicle.

1.9.1 Karaoke Panasonic Sound System – MOBILE DVD PLAYER DV1500

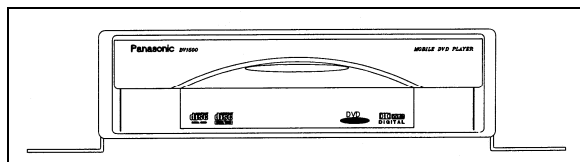


FIGURE 12: PANASONIC DV1500

1.10 DRIVER'S SPEAKERS

The driver's speakers are mounted one on each side. This arrangement provides the driver with clear stereo sound. Controls for the driver's audio allow selection between the radio and the auxiliary audio (independent of the passenger's speakers) or muting the speakers.

1.11 MONITOR

For monitor adjustment, refer to figure 13.

1.11.1 Removal

The front and side, ten-inch color monitors are slide mounted and retained by key locks. A LED indicator is provided on the back to indicate when the unit is "ON". The red button is the monitor ON/OFF switch and the pin style button is the circuit breaker reset button.

1. Place the ignition switch in the "OFF" position.
2. Unlock the monitor slide and pull towards the front of the monitor.
3. After removal, cover mount location using the monitor cover assembly and lock.

1.11.2 Installation

1. Remove monitor cover assembly located over mounting bracket if needed.
2. Align the monitor mount with the slide and slide monitor into place.
3. Lock the monitor or cover to prevent removal.

Note: Make sure connections are not bent or damaged. If monitor is not being replaced, immediately install the mounting cover.

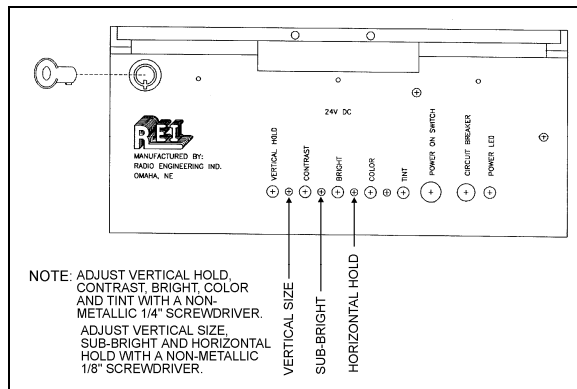


FIGURE 13: MONITOR HOUSING REAR PANEL

1.12 SCENIC VIEWING SYSTEM

The scenic viewing system enables the passengers to view the road ahead of the vehicle. This system is composed of a camera, a dashboard mounted ON/OFF switch and the audio – video switching box located in the first parcel compartment on the driver's side (Figs. 14 & 15).

Section 23: ACCESSORIES

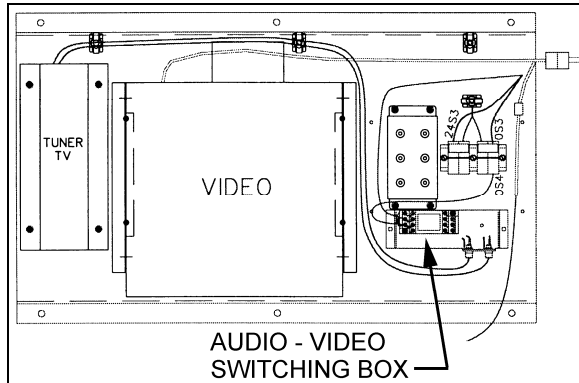


FIGURE 14: INSTALLATION IN PARCEL COMPARTMENT

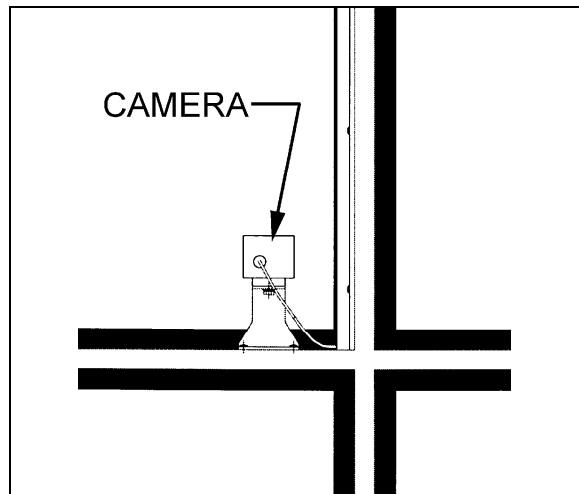


FIGURE 15: CAMERA INSTALLATION ON WINDSHIELD

1.13 ROOF ANTENNA INSTALLATION

1. Find the desired location and drill a hole according to specification.
2. To remove dirt and grease, wash hole edge with alcohol.
3. If so equipped, remove foam padding ring from antenna to free the metal surface (foam can produce air bulbs in new rubber seal).
4. With SIKA 205, wash the vehicle hole edge and the antenna base surface, wait at least two (2) minutes for chemical evaporation.
5. Apply new seal SIKA 221 on both, vehicle hole edge and antenna base.
6. Fix the antenna in place.
7. Remove excess seal and complete a finishing joint all around the antenna base.

2. HUBODOMETER

2.1 DESCRIPTION

An optional wheel hubodometer (Fig. 16) may have been installed on the R.H. side of the drive axle. It indicates the total distance in miles or kilometers covered by the coach since it has left the factory, including road testing.

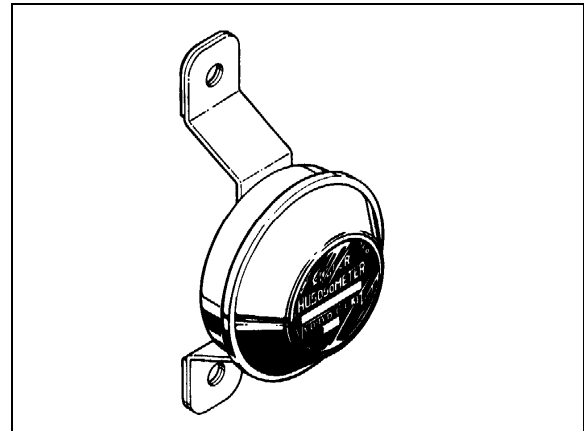


FIGURE 16: HUBODOMETER

23027

2.2 OPERATION

The hubodometer is calibrated for a specific wheel size (diameter). Wheel rotation causes a mechanism inside the hubodometer to record distance after a predetermined number of rotations. The unit should be serviced at a competent speedometer repair facility.

Note: Do not use paint, solvent or thinner on hubodometer face or on plastic hubcaps. Do not weld on hubodometer.

2.3 REMOVAL

To remove the unit, remove the two lock nuts and washers securing it to the wheel hub, and pull the unit off the studs.

2.4 INSTALLATION

Place the hubodometer unit over the wheel hub studs. Replace the lock washers and nuts. Torque stud nuts to 110-165 ftlb (150-225 N□m).

3. BACK-UP CAMERA AND MONITOR

An optional back-up camera is available which provides the driver with visual assistance when backing-up. The camera is automatically activated when the transmission is put in reverse gear and the ignition switch is "ON". The TV monitor is mounted on top of the dashboard. Refer to the Owner's or the Operator's Manual for more information.

4. COLD STARTING AID (ETHER)

The vehicle can be equipped with an electrically-operated type ether cold starting aid designed to ease engine starting when temperature is below 35°F (2°C).

On vehicles equipped with cold starting aid, the system consists of the main following parts:

- Ether starting aid switch
- Ether cylinder
- Solenoid valve (24 V)
- Thermal cutout valve
- Atomizer

The control rocker switch is located on the dashboard. This switch is provided with a locking mechanism to avoid accidental use when engine is running. To activate the ether starting aid, proceed as follows:

1. Prior to cranking engine, press down rocker switch for three seconds to fill solenoid valve.
2. Release switch to discharge shot.
3. Allow three seconds for shot to discharge.
4. Start engine, use additional shots if necessary to keep engine running.

Caution: This practice should be performed only when absolutely necessary. Excessive use of fluid could result in serious engine damage.

The ether cylinder and solenoid valve assembly are mounted on the engine compartment wall and are accessible from the engine compartment R.H. side door.

The thermal cutout valve is mounted on the engine (radiator side). Its function is to prevent

discharge of ether when engine is warm (over 90°F (32°C)). An atomizer is installed on top of the air intake duct (Fig. 17).

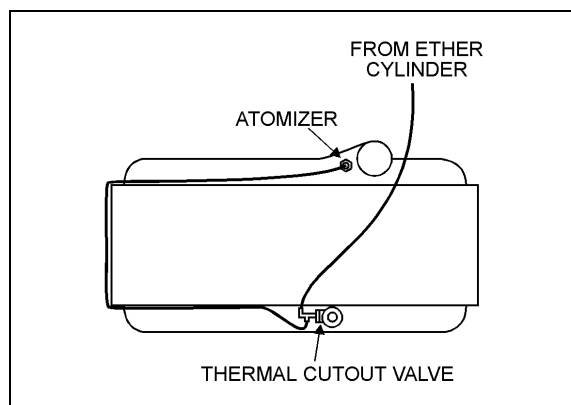


FIGURE 17: ENGINE

23032

4.1 PREVENTIVE MAINTENANCE

During the summer months, remove cylinder to avoid high temperature actuation of the cylinder safety relief device. Always screw valve cap into solenoid valve opening to prevent entrance of road dirt. When removing cylinder, be careful to prevent dirt from entering the valve.

4.2 TROUBLESHOOTING (IF SYSTEM IS NON-FUNCTIONING)

Warning: During the following test, direct free end of tube away from personnel and all sources of ignition as this fuel is extremely flammable. Avoid breathing vapors and contacting fuel with skin. Never smoke during test.

Section 23: ACCESSORIES

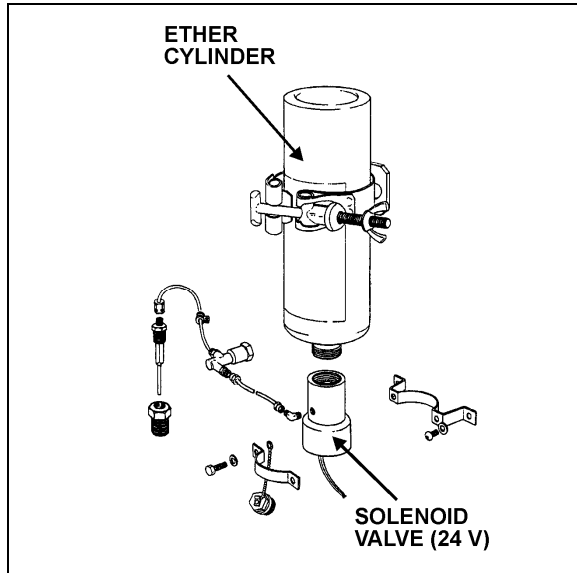


FIGURE 18: COLD STARTING AID

23048

1. Check cylinder for hand tightness and fuel supply (Fig. 18). Empty cylinder weight is approximately 17 oz (480 g); full cylinder weight is approximately 35 oz (990 g). If cylinder is empty, replace it. Before replacing cylinder, install new valve gasket in solenoid valve.
2. If still not functioning, disconnect tubing at solenoid valve fitting. Actuate solenoid valve. (Ask an assistant to actuate solenoid valve using the rocker switch on the dashboard).
 - If solenoid valve is non-functioning, check electric circuit, (refer to wiring diagrams). If sound, remove and replace the solenoid valve. If not, repair electric circuit.
 - If valve is functioning, reassemble valve fitting and connect tube. Disconnect tube at thermal cutout valve from port "Tube from valve".
3. Actuate the solenoid valve.
 - If fuel is not discharged from tube, remove tube and blow out or replace.
 - If fuel is discharged, connect tube to thermal cutout valve, and disconnect other tube.
4. Actuate the solenoid valve.
 - If fuel is not discharged, replace the cutout valve.

Note: If engine coolant temperature is 90 °F (32°C) or over, it is normal that fuel is not discharged as the valve is in closed position.

- If fuel is discharged, connect tube to thermal cutout valve, and disconnect tube from atomizer.
5. Actuate the solenoid valve.
 - If fuel is not discharged from tube, fuel line is clogged. Remove tube and blow out or replace.
 - If fuel is discharged, replace the atomizer.

5.3 THERMAL CUTOUT VALVE QUICK TEST

1. Engine coolant temperature must be below 90 F (32 C).
2. Temporarily disconnect tube at thermal cutout valve from port "Tube to atomizer".
3. Actuate solenoid valve (Ask an assistant to actuate solenoid valve by means of the rocker switch on the dashboard). Fuel should be discharged through the thermal cutout valve.

Warning: Avoid breathing vapors and contacting fuel with skin. Never smoke during test.

4. Reconnect tube to thermal cutout valve.
5. Start engine, using cold starting aid if necessary. Stop engine when it reaches operating temperature.
6. Disconnect tube at thermal cutout valve as in step 2, and repeat step 3. No fuel should be discharged.

5. DESTINATION SIGN

5.1 DESCRIPTION

The destination sign is located at upper front of the vehicle. Two models are available.

ELECTRICAL DESTINATION SIGN (Optional)

The lighting is provided with a fluorescent tube, which is activated by means of a rocker switch located on the dashboard. The destination sign is electrically operated, two rocker switches

mounted side by side on the destination sign control its motor. The unwinding speed control switch determines the rolling speed without actuating it. The selecting switch (momentary type) controls and actuates the rolling direction (fig. 19).

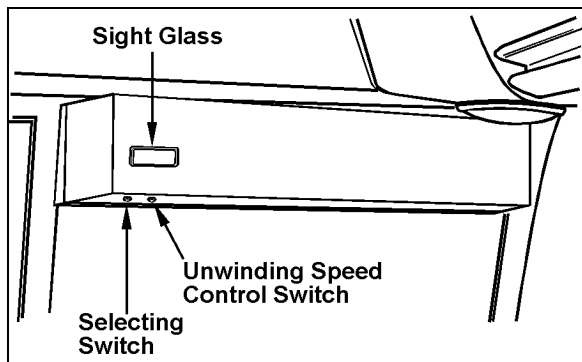


FIGURE 19: DESTINATION SIGN - ELECTRICAL 23122

5.2 MAINTENANCE

Inspect the following items regularly:

1. Check for free and easy mechanism movement.
2. Check for loose items on the sign mechanism, such as wire, loose clips, hanging tape, etc.
3. Check tension and condition of the two drive belts and replace as required.
4. Periodic lubrication is **NOT** recommended.

5.3 ELECTRIC MOTOR REMOVAL AND INSTALLATION

To remove the electric motor:

1. Remove the six Phillips-head screws and washers retaining the destination sign cover, then carefully remove the cover from its location.
2. Disconnect wires from electrical motor.
3. Remove both screws retaining motor to destination sign frame (Fig. 20).
4. Slide motor upwards, then remove the drive belt.
5. Remove motor through the opening intended for this purpose.

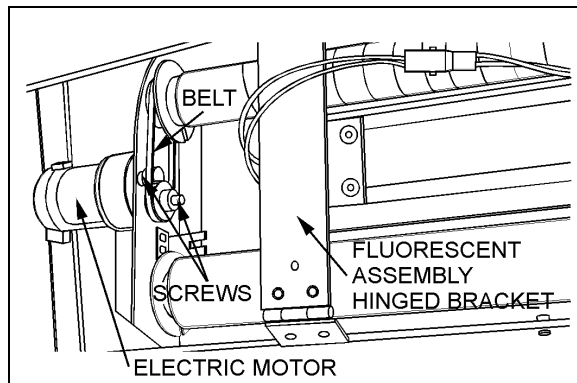


FIGURE 20: DESTINATION SIGN-ELECTRIC MOTOR²³⁰³⁴

6. Install the motor by reversing the above procedure.

5.4 SIGN CURTAIN REPAIR

In the event a destination sign curtain is torn, it can be repaired with 3M polyester tape or any equivalent cellophane tape. When repairing a tear, the tape should be used on both sides of the curtain.

ELECTRONIC DESTINATION SIGN (Optional)

To change the destination, depress the selecting switches until the desired destination appears in the LCD display.

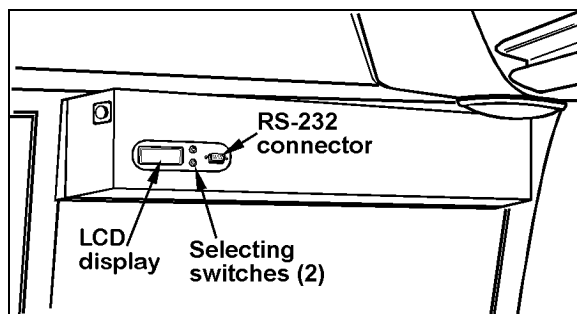


FIGURE 22: DESTINATION SIGN - ELECTRONIC 23123

Note: The destination sign must be programmed with a computer connected to the RS-232 connector prior to first use. Follow the instructions on the computer disk to install and run the software.

Note: All destination sign models are equipped with lights (bulb light or fluorescent) which illuminates automatically when the headlight or fog light switch is activated.

Section 23: ACCESSORIES

6. LAVATORY

6.1 DESCRIPTION

The lavatory is located in the rear R.H. corner of the coach. It is equipped with a chemical flush toilet, bathroom tissue dispenser, washbasin, towel dispenser, waste container, mirror, ashtray, and a cleaning cabinet. A liquid soap dispenser and moist towel dispenser are optional.

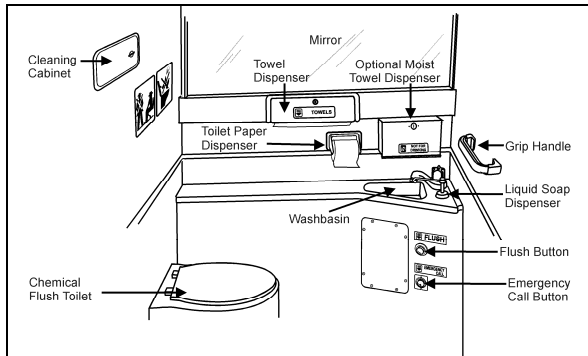


FIGURE 23: LAVATORY

Locking the lavatory door from the inside will illuminate a fluorescent light in the lavatory and two outside signs to indicate occupation. One sign is located on the outer wall of the lavatory and another sign is located over the windshield. An indicator light on the dashboard will illuminate to inform the driver when the lavatory is occupied. A night-light is permanently lit in the lavatory when the ignition switch is in the ON position.

6.2 MAINTENANCE

The servicing procedure for the lavatory is described in the "Operator's Manual" included in the technical publications box delivered with the vehicle.

6.3 VENTILATION FAN

6.3.1 Description

The lavatory ventilation fan, mounted in engine compartment over the oil reserve tank (Fig. 23), serves two purposes. It exhausts objectionable odors and provides a constant air circulation in the lavatory compartment by heating or cooling the lavatory with the vehicle ambient air. Air flows in the lavatory compartment through a vent grill located in the upper section of the lavatory door and exhausts through a grill located next to the toilet.

Note: This fan runs constantly when the ignition switch located on the dashboard is in the "ON" position.

6.3.2 Maintenance

The frequency of preventive maintenance should be determined according to vehicle mileage and operating conditions. However, it is recommended to check this item every 50,000 miles (80 000 km) or once a year, whichever comes first.

Remove fan and motor assembly. Check for fan housing wheel and motor free operation. When defective motor occurs, new motor must be installed.

6.3.3 Removal and Installation

1. With the engine compartment rear door opened, remove hose clamp securing duct to ventilation fan inlet, and disconnect duct.
2. Disconnect the ventilation motor wiring connector.
3. Remove the two bolts retaining the ventilation fan housing support to the square tubing. Remove the ventilation fan assembly from its location.
4. The unit can now be disassembled and motor replaced.
5. Reverse previous steps to reinstall ventilation fan assembly on vehicle.

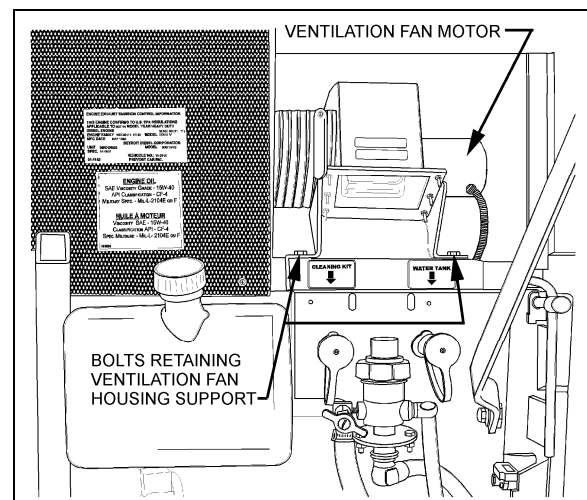


FIGURE 23: VENTILATION FAN INSTALLATION

6.4 DOOR LOCK

Lavatory door lock has inside and outside handles, as well as an inside latch to lock door from inside the compartment. If the lock fails to release, the door can be opened from the outside using a special key which is supplied to the driver. Lock assembly can be removed from the door, then readily disassembled and parts replaced, if necessary (Fig. 24). A thin coat of lubricant on all moving parts will ensure trouble-free operation.

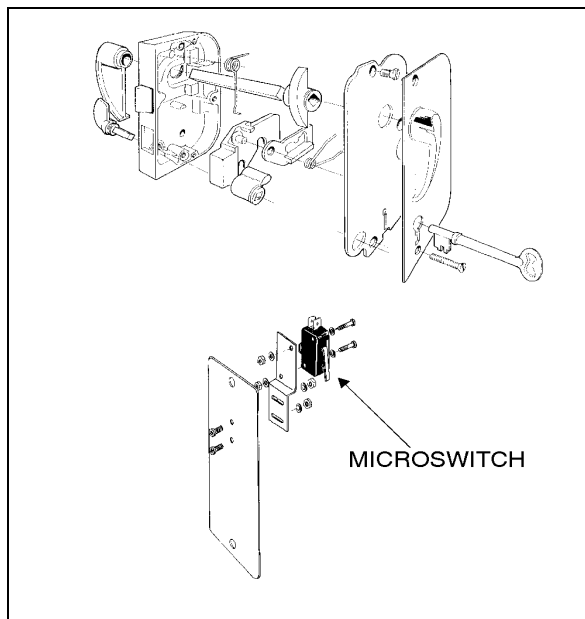


FIGURE 24: DOOR LOCK

23037

6.5 LAVATORY LIGHT

The lavatory light is installed on ceiling. A microswitch, which is mounted in the door exterior frame, is activated by the door lock mechanism upon locking to energize the circuit. This switch is readily serviced by removing the two Phillips-head screws securing the mounting plate to the door exterior frame. Proceed as Section 06, Electrical System, paragraph "13.6: *Lavatory Light*" for light replacement.

6.6 LAVATORY NIGHT-LIGHT

The lavatory night-light is illuminated as soon as the ignition switch is set to the "ON" position. See Section 06, Electrical System, paragraph "13.2: *Stepwell Light and Lavatory Night-Light - Bulb Removal and Replacement*" for lights replacement.

6.7 EMERGENCY BUZZER

The lavatory emergency buzzer is mounted on the alarm junction box in the front service compartment and sounds when the emergency call push-button switch in the lavatory compartment is activated. For specific wiring information, refer to wiring diagrams. To remove the emergency call push-button switch, proceed as follows:

1. Remove both phillips-head screws retaining pushbutton switch plate to wall.
2. Remove steel plate located on L.H. side of pushbutton switch.
3. Remove switch through this opening, taking care to disconnect electric wires.

6.8 FRESH WATER TANK

The fresh water tank located at rear of lavatory wall (over cleaning cabinet), supplies water to the washbasin by gravity. Two tubes are connected in the upper section of tank (Fig. 26). One serves as overflow as well as vent tube and runs along the wall to the underside of the lavatory close to the engine air filter housing, while the other tube is connected to the fresh water fill valve which is mounted besides the engine oil reserve tank.

A third tube connected in the lower section of fresh water tank is provided with a T-connector and allows fresh water to flow to the washbasin faucet and to the low temperature water safety valve for automatic or manual draining. An access panel, located at rear of last R.H. side row of seats and secured in place using 6 Phillips-head screws, allow access to the cleaning cabinet and fresh water tank tubing, fresh water tank heater and different wiring connectors.

6.8.1 Fresh Water Tank Heater (Optional)

A 75 watts, 110 volts AC immersion-type water heater may have been installed in the bottom of the fresh water tank. The heated portion of element must be immersed at all times to ensure proper heater life. The 110-120 volts in-station connector mounted on the engine compartment rear door provides the water heater power source.

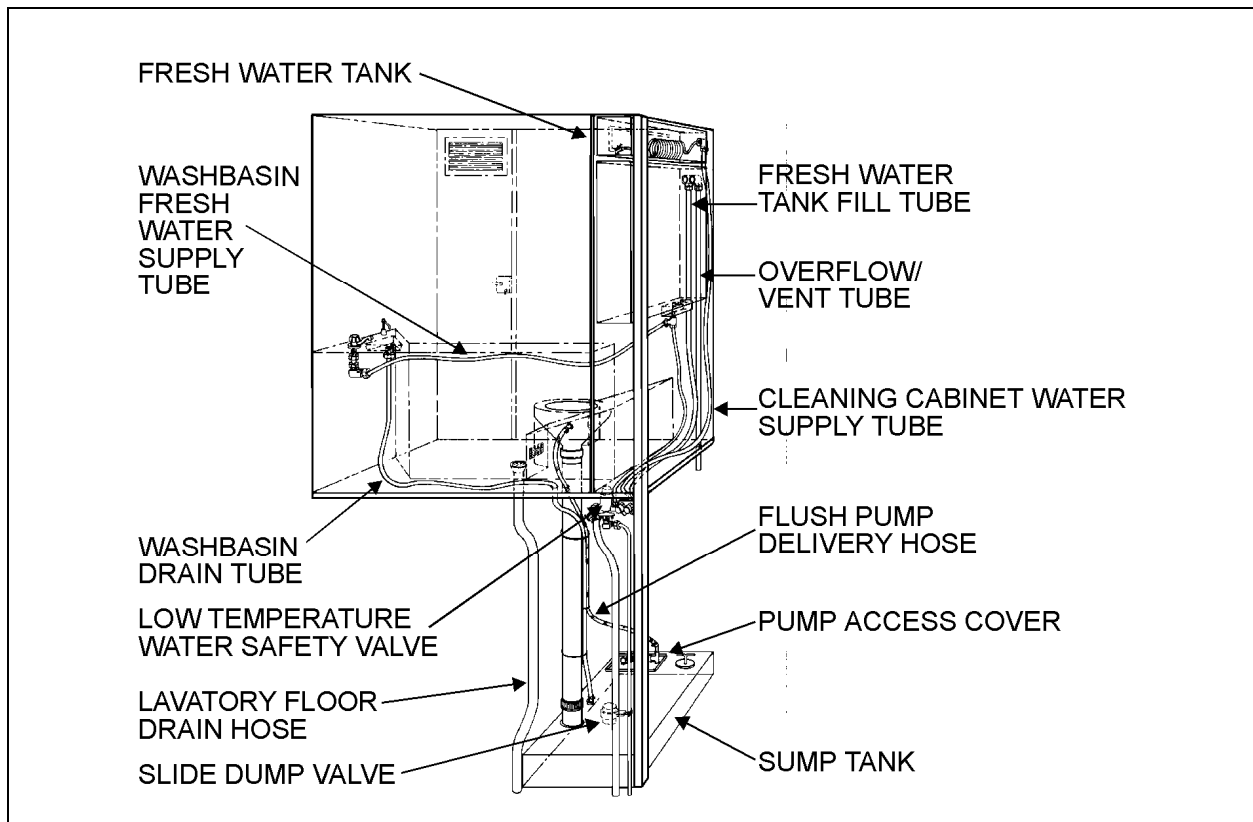


FIGURE 25: FUNCTIONING OF LAVATORY

23038

6.8.2 Fresh Water Tank Draining

The fresh water tank can be drained by simply opening the fresh water drain cock (Fig. 26). Don't forget to close cock when draining is done.

Caution: If fresh water tank heater is inoperative or not installed on your vehicle, water should be drained from reservoir under cold weather conditions since it might freeze and damage both reservoir and connecting links.

6.8.3 Fresh Water tank Filling

Plug the fresh water supply hose to the fresh water tank fill connection (Fig. 26); fill the tank until the overflow tube leaks, signaling that tank is full.

Warning: Never put antifreeze in fresh water tank; antifreeze is toxic.

Warning: If tank has not been drained for an extended period of time, draining and filling operations must be repeated three (3) times in order to clean tank and eliminate contaminated water.

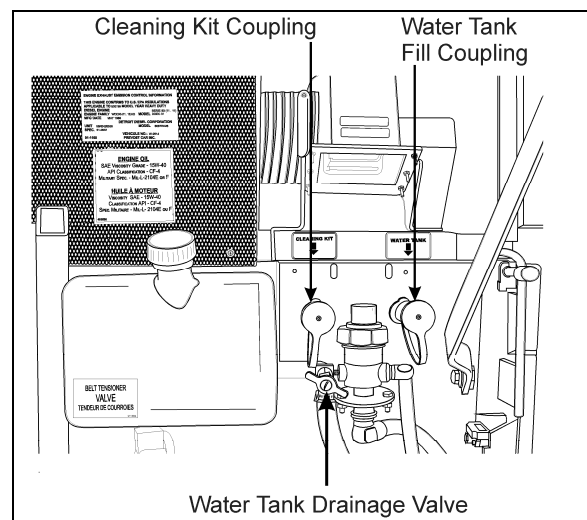


FIGURE 26: FRESH WATER TANK SERVICE VALVES

6.9 LIQUID SOAP DISPENSER

A liquid soap dispenser may have been installed as optional equipment. To refill dispenser, proceed as follows:

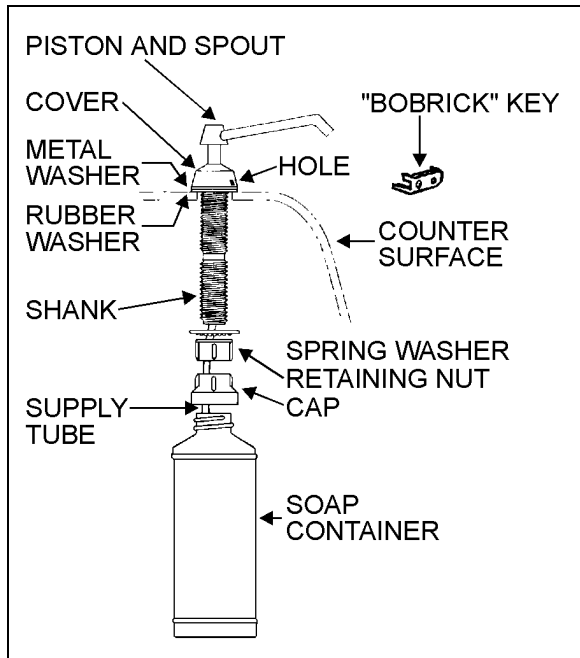


FIGURE 27: LIQUID SOAP DISPENSER

23039

1. Turn cover slightly clockwise until it stops.
2. Insert projection at end of "BOBRICK" key into rectangular hole in cover (Fig. 27). Push straight in. While holding "BOBRICK" key in, turn cover counterclockwise about 1/8 turn.

Caution: Do not use "BOBRICK" key to turn cover.

3. Lift out piston and spout, cover and supply tube.
4. Fill dispenser with soap. This model can dispense vegetable oil soaps, synthetic detergents, and lotion soaps.

Caution: Never use abrasive cleaners.

5. Replace supply tube, piston, and spout mechanism reversing the steps above.
6. Secure the cover by turning clockwise until lock snaps into position.

Note: The dispenser requires priming when extremely viscous lotion soaps are used. Remove piston and spout, cover and supply tube assembly. Pump water into assembly, then replace into dispenser.

6.10 FLUSH PUSH-BUTTON

The green flush push-button is located near the toilet. Press on push-button to actuate a pneumatic timer located on the other side of wall. This timer allows an electric current flow during a preset time to a pump into the sump tank.

6.10.1 Pneumatic Timer Removal and Installation

1. Unscrew and remove the flush push-button locking ring.
2. Remove steel plate located on L.H. side of pushbutton switch.
3. Remove pneumatic timer through this opening, taking care to disconnect electric wires.

Note: Care must be taken to avoid losing the spacers installed on the mounting sleeve.

4. Reverse the above procedure to reinstall timer. The recommended torque for the lock nut is 15 ft-lbf (21 Nm).

6.10.2 Timer Adjustment

Timer can be adjusted from 0.2 second to 3 minutes by turning the time adjustment screw clockwise to increase time, and counterclockwise to decrease time. To gain access to the time adjustment screw, repeat steps 1, 2 and 3 in the previous paragraph "6.10.1 Pneumatic Timer Removal and Installation".

6.11 FLUSH PUMP

The submersible-type flush pump is mounted inside an enclosure in the sump tank (Fig. 29). The enclosure is provided with a screened side which, serves as a strainer to prevent solid matters from entering the pump.

The pump requires no periodic maintenance other than cleaning of the strainer side using a water jet introduced through the circular cap opening, once the sump tank is completely drained. The pump can run dry periodically without damage. However, for maximum seal life, the run dry periods should be kept to a minimum.

Caution: If vehicle is stored for an extended period of time, make sure to clean the strainer as solid matter will tend to pack, and will necessitate replacement of strainer.

6.11.1 Flush Pump Pressure Adjustment

The flush pump is provided with a manually-adjustable control valve mounted on the flush

Section 23: ACCESSORIES

pump enclosure cover and serves to limit the flush pump output pressure. To adjust, ask an assistant to activate the flush pushbutton and check the liquid projection while you manually adjust the control valve

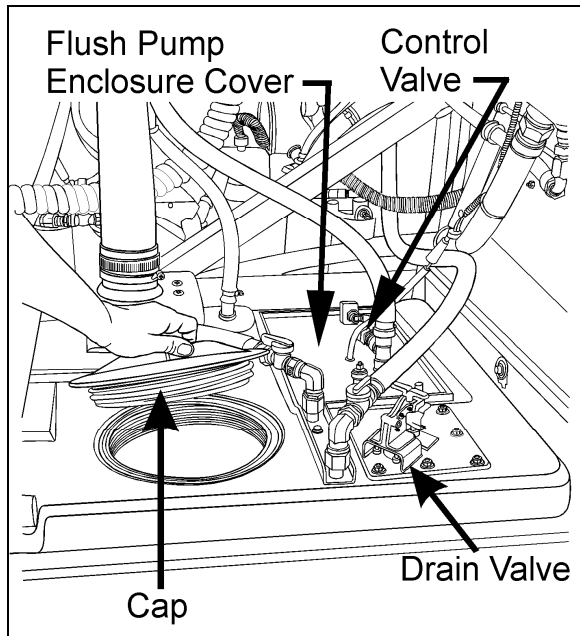


FIGURE 28: SUMP TANK

6.12 SUMP TANK

6.12.1 Sump Tank Draining

To drain sump tank, unscrew cap a few turns and pull on the drain valve T-handle. Flush tank and pump cage with clean water. Close drain valve using T-handle.

Caution: The lavatory should be serviced by maintenance personnel after emergency draining. Lavatory tanks should be serviced only at suitably equipped stations.

6.12.2 Sump Tank Filling

Remove cap on sump tank. Fill Tank with 2 gallons (9 liters) of antifreeze and two gallons of water.

Caution: Do not overfill sump tank.

Note: The antifreeze solution in the sump tank will be diluted by fresh water coming from the lavatory sink. Regular maintenance of the sump tank is required to prevent freezing.

6.13 CLEANING CABINET

A coiled hose located in the cleaning cabinet above the toilet can be used during lavatory cleaning. To use, connect a fresh water supply to the "Hansen" quick-release coupling, identified as "Cleaning Kit", located beside the engine oil reserve tank (Fig. 26). To prevent freezing during cold weather, drain the hose after every use. To drain the hose, uncoil and open the nozzle near the lavatory floor drain. Have an assistant push on the spring ball of the quick-release coupling to allow air into the system.

7. AIR HORN VALVE

The air horn valve is located in the front service compartment and the air horn valve button is on the steering wheel center.

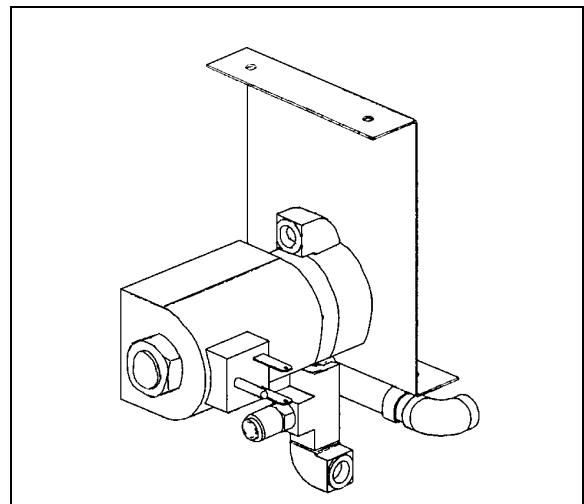


FIGURE 29: AIR HORN VALVE

7.1 AIR HORN VALVE MAINTENANCE

When needed, the air horn valve can be serviced or replaced using the following procedure:

1. Unplug the cable connector;
2. Disconnect the air tubes;
3. Loosen the retaining bolts;
4. Service or replace the air horn valve;
5. Reinstall by reversing procedure.

8. WINDSHIELD WIPERS AND WASHERS

8.1 GENERAL DESCRIPTION

Note: When installing a wiper motor, arm or blade, follow recommended procedures to prevent misalignment, binding or malfunction. Check the windshield washer liquid hoses, fittings and connectors to be sure they are

properly connected and seal with no restriction to the flow of washer liquid. Check that wiper arms have the proper sweep position and the washer nozzles are aimed so that spray is within the proper wiper pattern.

The windshield wipers are controlled by two electric wiper motors that are accessible for maintenance after raising the appropriate access panel at the front of the coach (refer to figure 30).

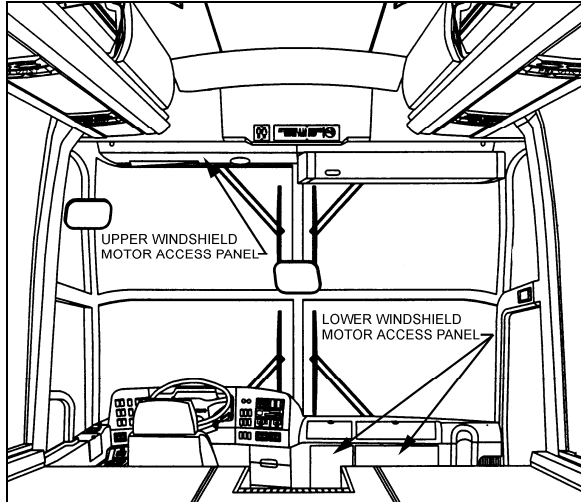


FIGURE 30: WIPER MOTORS LOCATION

Each wiper motor is independently operated:

Depress the upper windshield wiper switch located on the dashboard L.H. side to the first position for intermittent wiping, and to the second position for continuous wiping (item 1, fig. 31).

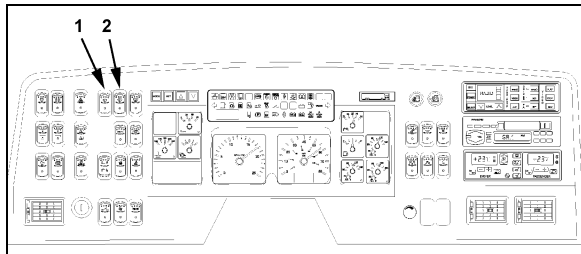


FIGURE 31: DASHBOARD

Turn the multifunction lever forward to activate lower windshield wipers (item 2, fig. 32). The first position operates the wipers at low speed and the second position operates the wipers at high speed. Turning the lever backwards will operate the wipers in the intermittent mode.

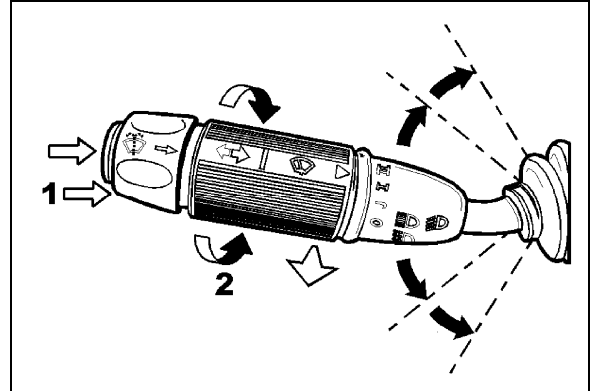


FIGURE 32: MULTIFUNCTION LEVER

Each windshield washer pump is independently operated:

To activate the upper windshield washer pump, depress and hold the rocker switch on dashboard L.H. side (item 2, fig. 32). The upper wipers will come on automatically and will shut off a few seconds after releasing the rocker switch.

The lower windshield washer pump is electrically operated and is controlled by a washer control ring on the multifunction lever (item 1, fig. 32).

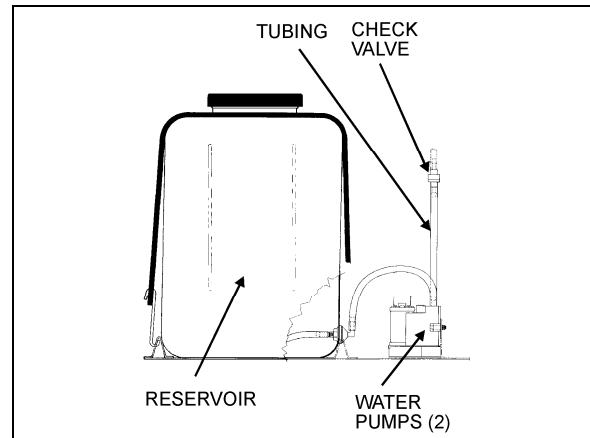


FIGURE 33: WINDSHIELD WASHER RESERVOIR 23085

The windshield washer reservoir is located in the front service compartment (Fig. 33). This unit pumps the washer liquid to the spray nozzles where it is dispersed across the windshield. Adjust nozzles with a flat tip screwdriver as needed to get proper spray coverage.

8.2 WIPER ARM

Check operation of the wipers for proper blade sweep and angle.

Caution: Do not attempt to manually move the wiper arms to make wiper blade sweep adjustments as damage to the wiper linkage or

Section 23: ACCESSORIES

motor may occur. If it is necessary to adjust the sweep of blades, remove the arms and make adjustment by positioning the arms using serration on the wiper arm pivot shafts.

8.2.1 Sweep Adjustment

On a dry windshield, to avoid possible damage to the arm assembly or wiper motors, hold the wiper arms away from the windshield by inserting a small nail, or other such object, through the holes at the base of each wiper arm specially drilled for this purpose.

Sweep adjustment is a rough adjustment. It must be followed by lower and upper linkage adjustment. See paragraph "8.3 and 8.4".

In order to obtain the sweep adjustment, it may be necessary to remove and reposition the wiper arms, proceed as follows:

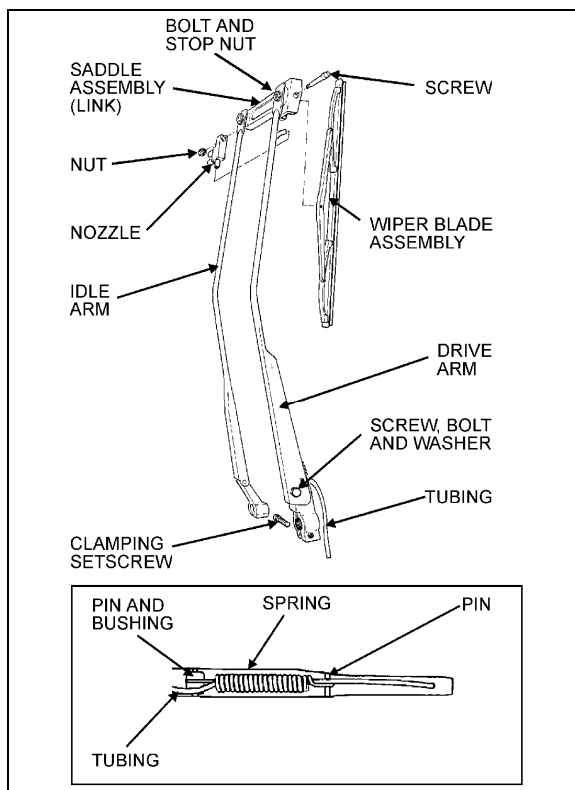


FIGURE 34: LOWER WINDSHIELD WIPER

23086

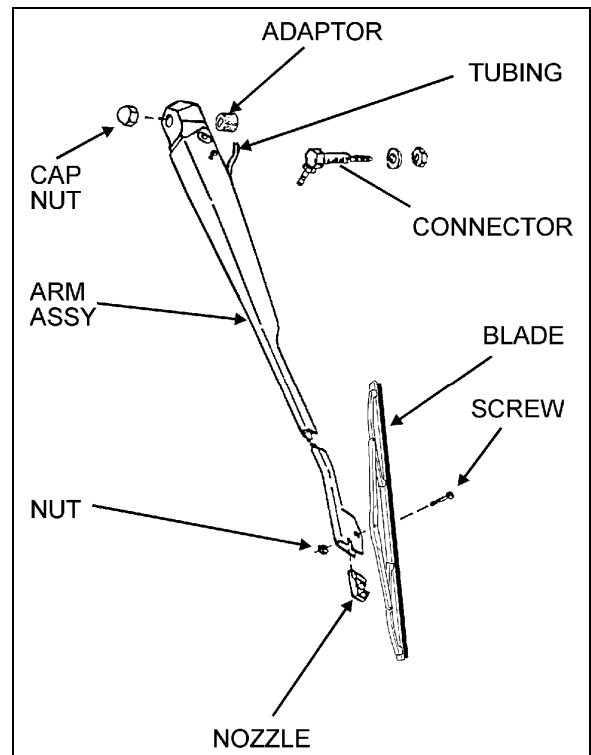


FIGURE 36: UPPER WINDSHIELD WIPER

23087

1. Remove the cap nuts from the wiper arm pivot shafts (Fig. 34 and 35);
2. Disconnect the windshield washer tubing at the base of the wiper arm (Fig 34 and 35);
3. Lower windshield wiper (Fig. 34): loosen the clamping set screw securing the drive arm to the knurled arm pivot shaft;
4. Remove the drive and idler arms (Fig. 34) or arm assembly (Fig. 35);
5. Relocate the drive arm (Fig. 34) or arm assembly (Fig. 35) on its knurled pivot shaft to obtain the desired position;
6. Lower windshield wiper (Fig. 34). Tighten the clamping set screw to secure the drive arm to the knurled shaft. Fit the idler arm onto the idler pivot shaft.
7. Install the cap nut pivot shafts.
8. Connect the windshield washer tubing at the base of the wiper arm (Fig. 34 and 35);
9. Check the adjustment on a wet windshield (Fig. 34 and 35).

8.2.2 Removal

1. Remove the cap nuts from arms (Fig. 34 and 35);
2. Disconnect the windshield washer tubing at the base of the wiper arm (Fig. 34 and 35);
3. Mark the relationship of the arm head to the end of the knurled drive shaft to ensure the original position if the arm is to be reinstalled;
4. Lower windshield wiper (Fig. 34): loosen the clamping set screw on the base of the drive arm;
5. Remove the wiper arm assembly (Fig. 34 and 35).
6. The right wiper arm final adjustment is made by adjusting the smallest rod length.
7. Install the left wiper arm in its normal position (in the middle of the windshield (Fig. 30)). Refer to paragraph "8.2.1 Sweep Adjustment".
8. The left wiper arm final adjustment is made by adjusting the longest rod length.
9. Check the adjustment on a wet windshield.

8.2.3 Installation

1. Make sure the wiper motor is in the stop position. Lower windshield wiper (Fig. 34): position the wiper arm on the knurled drive shaft and idler arm on the pivot shaft. Upper windshield wiper (Fig. 35): position the wiper arm assembly on the knurled drive shaft;
2. If the original arm is reinstalled, align the marks made during removal;
3. Operate the wipers on a wet windshield to check the wiper blade sweep and angle. Readjust as necessary;
4. Lower windshield wiper (Fig. 34): Tighten clamping nut onto the drive arm. Install cap nuts onto the arm shafts (Fig. 34 and 35);
5. Connect the windshield washer tubing at the base of the wiper arm (Fig. 34 and 35);
6. Check the adjustment on a wet windshield (Fig. 34 and 35).

8.3 LOWER LINKAGE ADJUSTMENT

1. Make sure the wiper motor is in the stop position prior to working on the linkage.
2. Adjust the two pivot shafts vertically.
3. Adjust the rod length of the connecting pivot shafts. During rod length adjustment, maintain the pivot shafts in the vertical position.
4. Adjust the rod located between right pivot shaft and motor to a 40.5° angle (Fig. 36). The motor lever must be on the same axis as the rod.
5. Install the right wiper arm in its normal position (in the middle of the windshield (Fig.

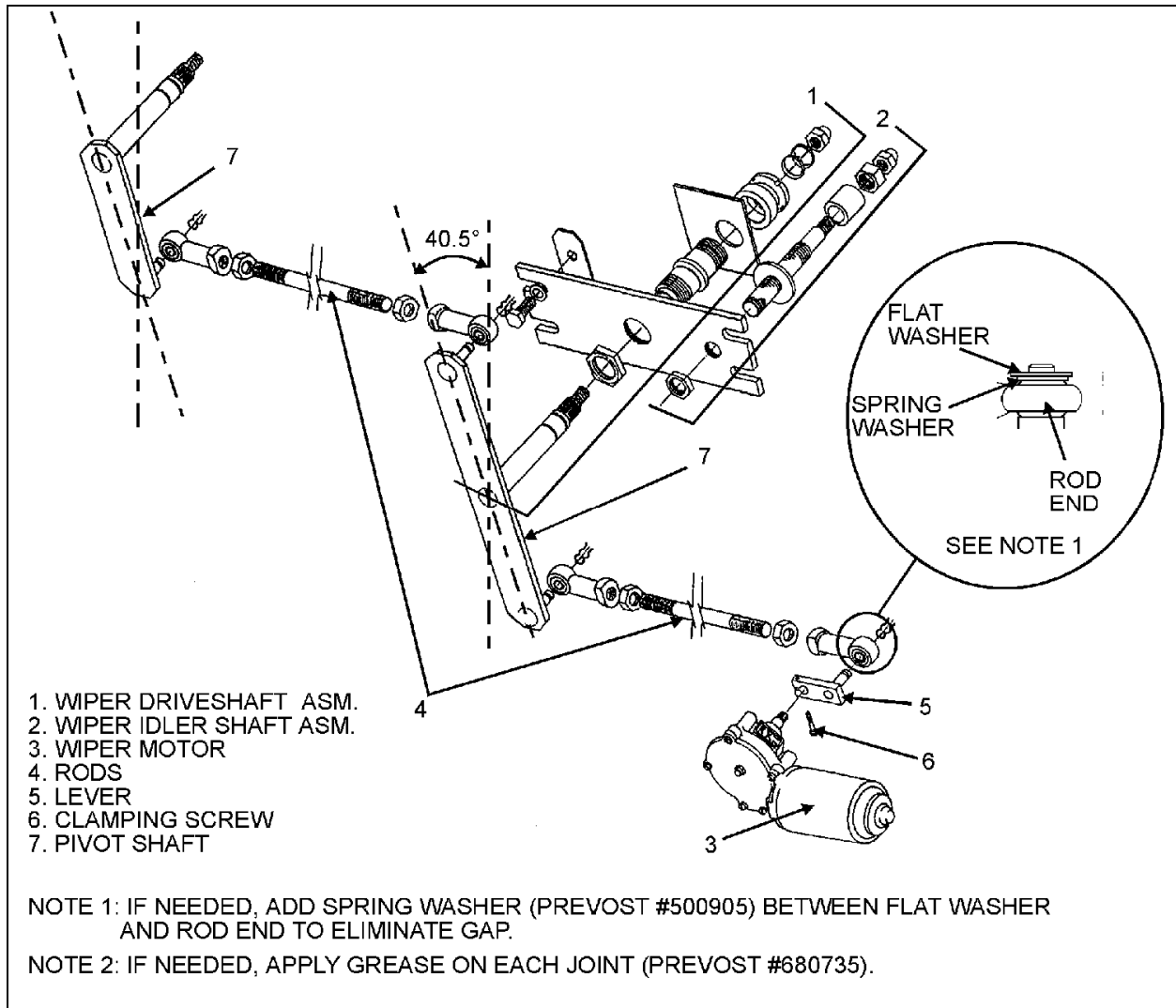


FIGURE 36: LOWER WINDSHIELD WIPER INSTALLATION

23088

8.4 UPPER LINKAGE ADJUSTMENT

1. Make sure the wiper motor is in the stop position prior to working on the linkage.
2. Adjust rods length (Fig. 37).
3. Install the left wiper arm in its normal position (in the middle of the windshield (Fig. 30)). Refer to paragraph "8.2.1 Sweep Adjustment".
4. The left wiper arm final adjustment is made by adjusting the rod length to 8.46 inches (215 mm).
5. Install the right wiper arm in its normal position (in the middle of the windshield (Fig.

30)). Refer to paragraph "8.2.1 Sweep Adjustment".

6. The right wiper arm final adjustment is made by adjusting the rod length to 23.54 inches (598 mm).
7. Check the adjustment on a wet windshield

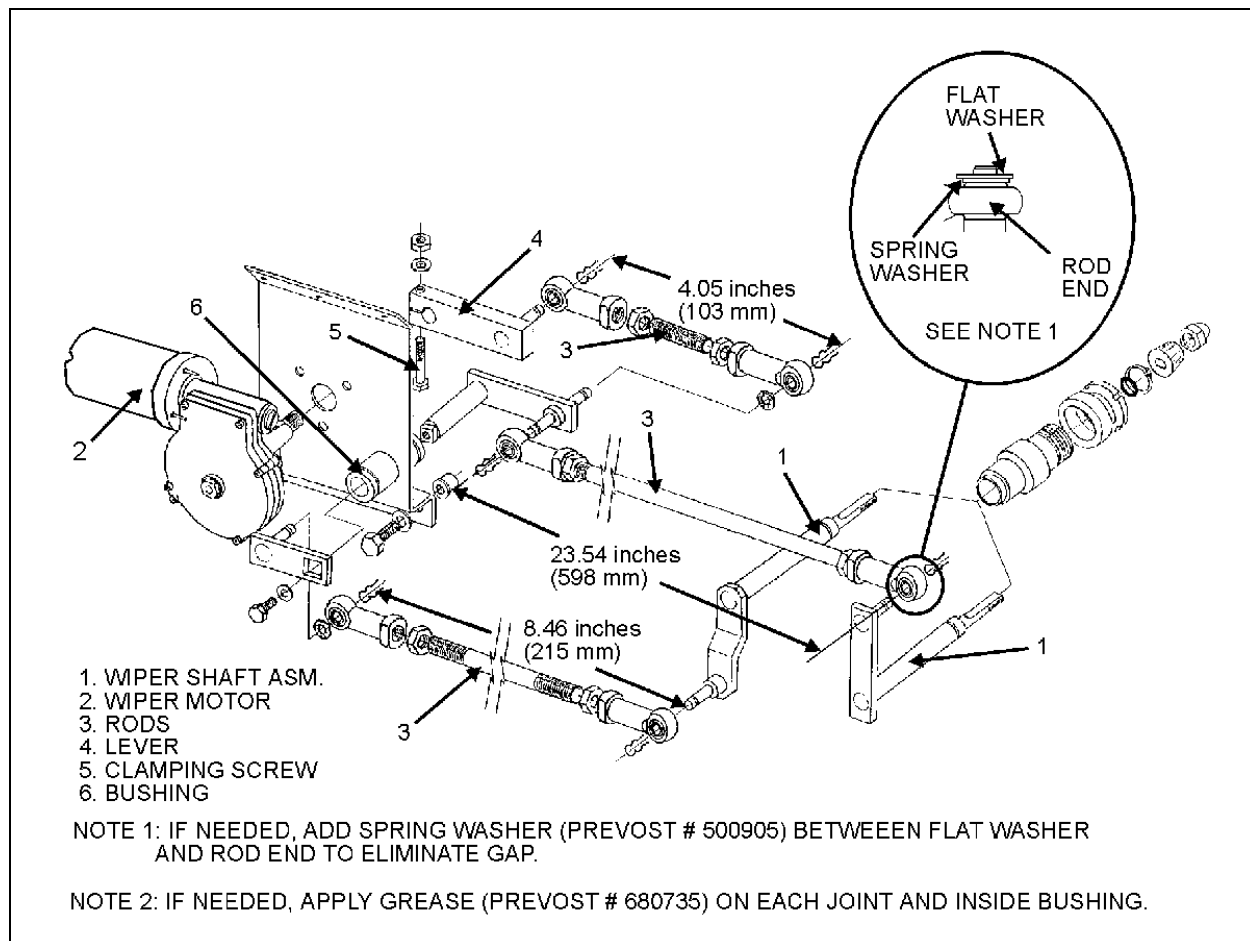


FIGURE 37: UPPER WINDSHIELD WIPER INSTALLATION

23089

8.5 WINDSHIELD WIPER MOTORS

8.5.1 Lower Windshield Wiper Motor Replacement

The lower windshield wiper motor is located at lower front of the vehicle, behind the defroster panel. Refer to figure 30 for motor location.

Warning: Park vehicle safely, apply parking brake, stop engine and set battery master switch to the "OFF" position prior to working on the vehicle.

1. Remove the two Phillips-head screws retaining the defroster panel, and remove panel.
2. Disconnect wiring connector from the windshield wiper motor.

3. Loosen clamping screw retaining the lever at the end of the motor driving shaft (Fig. 36).
4. Remove the three bolts holding the motor to the steel plate.
5. Remove the windshield wiper motor (Prévost #800304), reverse removal procedure to reinstall.

8.5.2 Upper Windshield Wiper Motor Replacement

The upper windshield wiper motor is located above L.H. upper windshield panel, refer to figure 30 for motor location. To remove the motor, it is necessary to remove left sun visor and upper windshield panel.

Warning: Park vehicle safely, apply parking brake, stop engine and set battery master switch to the "OFF" position prior to working on the vehicle.

Section 23: ACCESSORIES

1. Pull out the wiring connector (black and red wires) located on sun visor L.H. side and disconnect.
2. Remove the two Phillips-head screws at the bottom end of the sun visor arms.
3. Remove the two Phillips-head screws on each roller side, pull out the sun visor.
4. Remove the Phillips-head screws retaining the upper windshield panel.
5. If equipped with blower defroster, loosen hose clamp to remove air duct from hose.
6. Disconnect wiring connector from the windshield wiper motor.
7. Loosen the bolt retaining the lever at the end of the motor driving shaft (Fig. 38).
8. Remove the three bolts holding the motor to the steel plate.
9. Remove the windshield wiper motor (Prévost #800304), reverse removal procedure to reinstall.

8.6 TROUBLESHOOTING

SYMPTOM	PROBABLE CAUSE	REMEDY
FAIL TO SPRAY WASHER FLUID	A. Reservoir empty. B. If below 32°F (0°C), improper washer fluid frozen. C. Contamination in tubing or nozzles. D. Tubing damage. E. Tubing bent (kinked) or off one or more connections.	A. Add proper fluid. B. Store coach or parts in heated area, then purge system with low-temperature solution. C. Remove with compressed air, if severely clogged, replace items. D. Replace section. E. Realign tubing and/or refit. Trim end to ensure proper fit or replace.
INADEQUATE SPRAYING	A. Tubing failure.	A. Replace tubing.
SLOW OPERATION	A. Improper solution. B. Jet stream improperly directed. C. Check if valve is stuck in the open position.	A. Replace with proper type solution. B. Reposition nozzles. C. Remove, clean or replace.

SYMPTOM: LOWER WIPER MOTOR DOES NOT FUNCTION

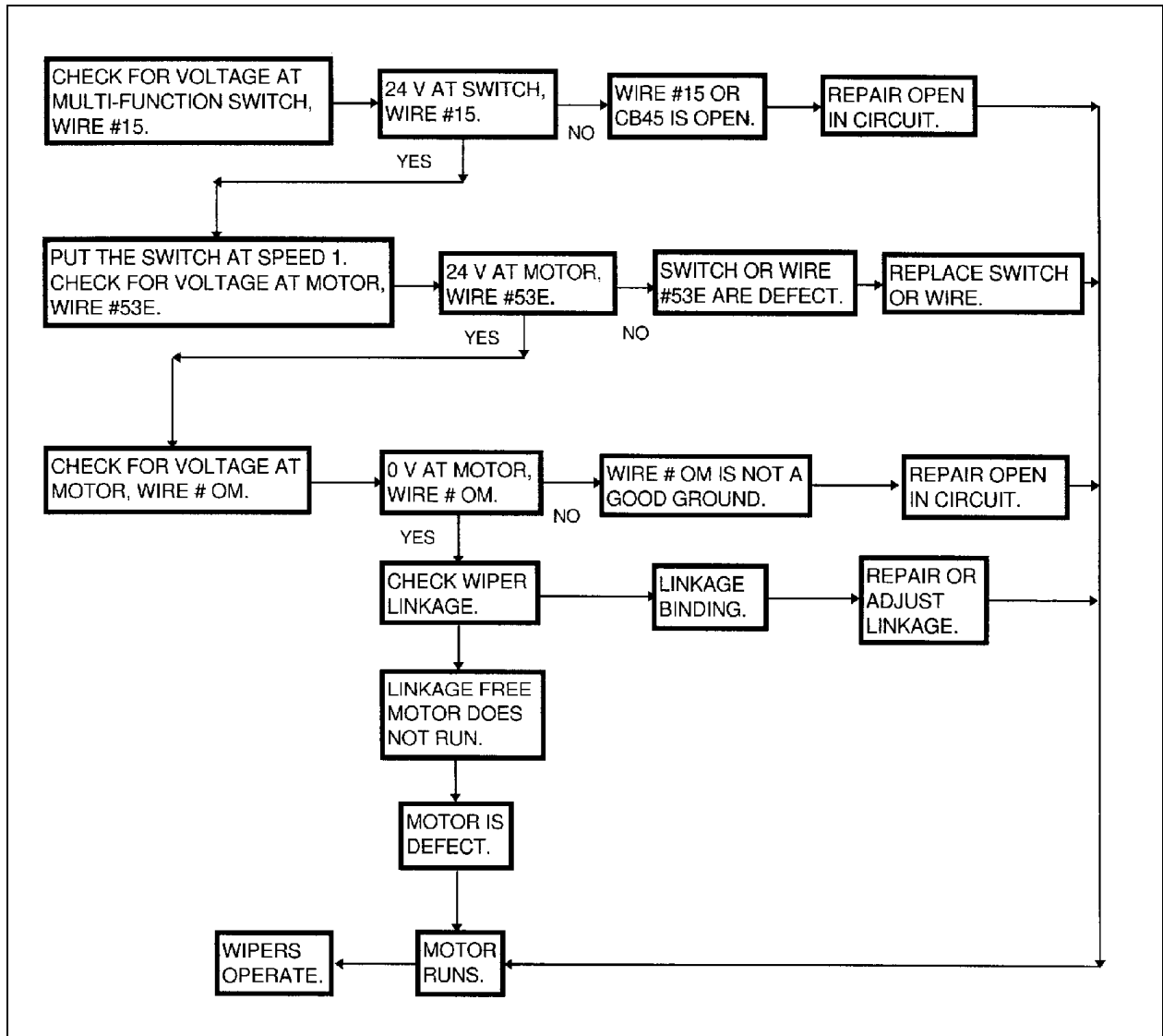


FIGURE 38: TROUBLESHOOTING

23062

SYMPTOM: UPPER WIPER MOTOR DOES NOT FUNCTION

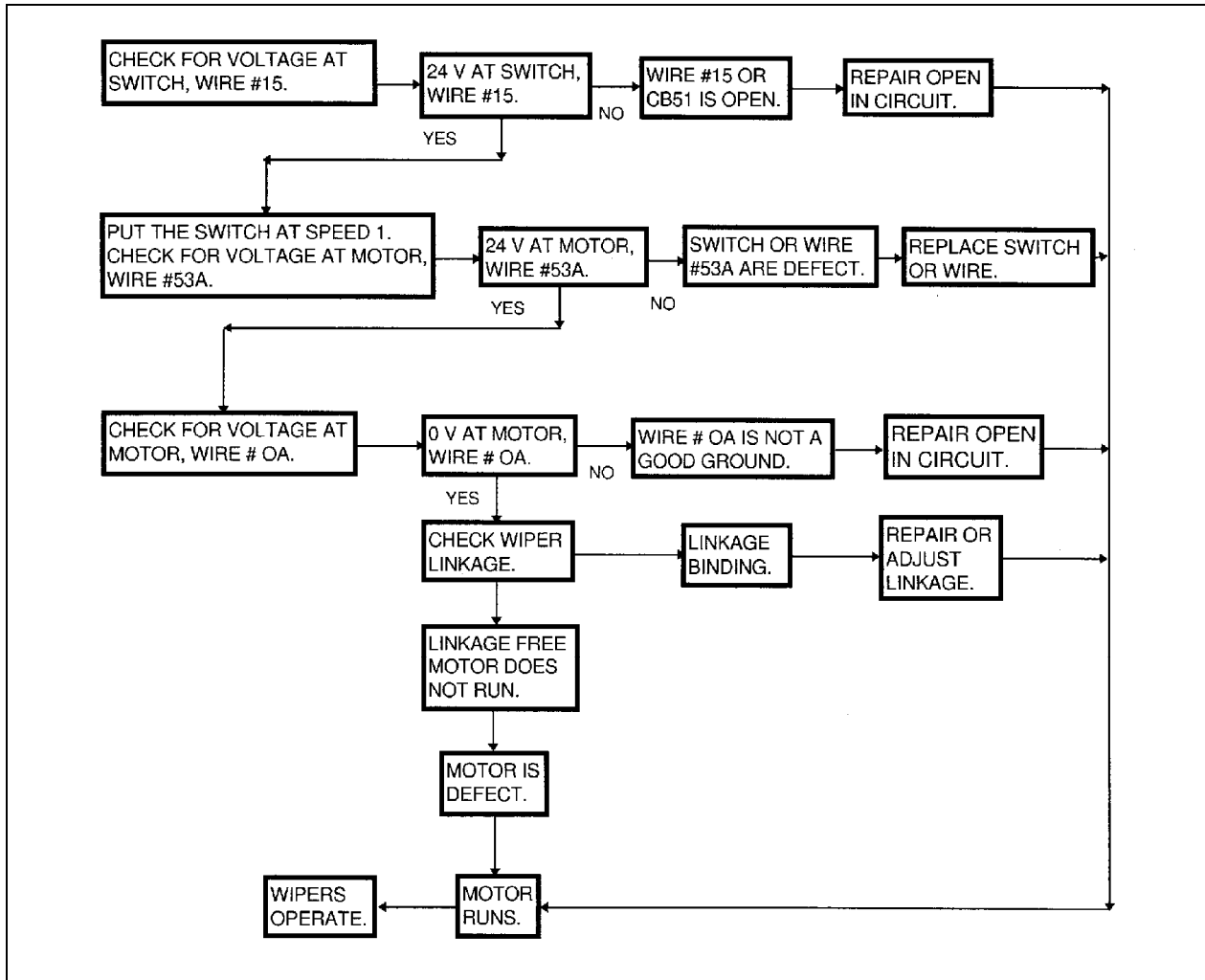


FIGURE 39: TROUBLESHOOTING

23063

SYMPTOM: LOWER WIPER DOES NOT RETURN TO INITIAL POSITION

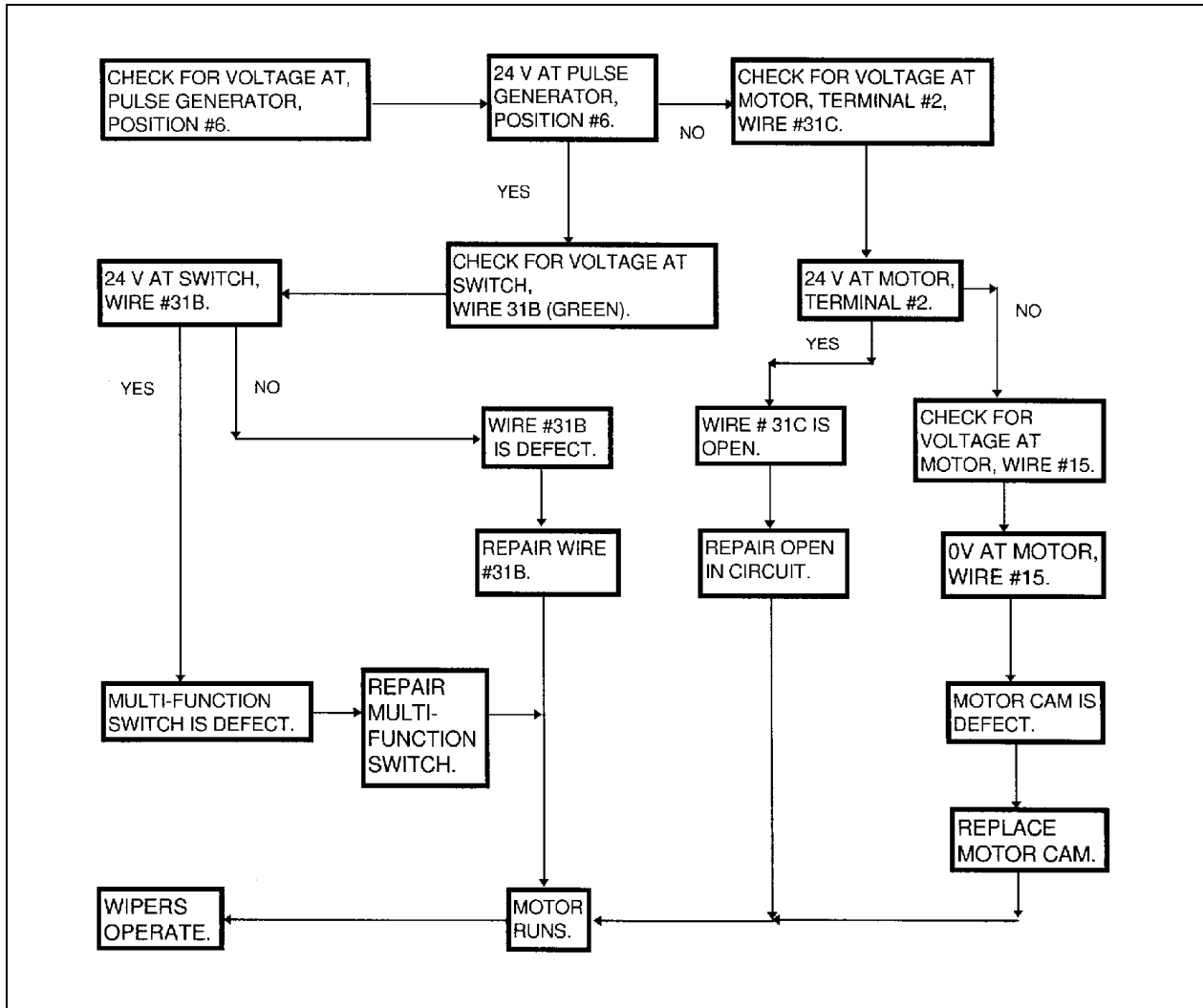


FIGURE 40: TROUBLESHOOTING

23064

SYMPTOM: UPPER WIPER DOES NOT RETURN TO INITIAL POSITION

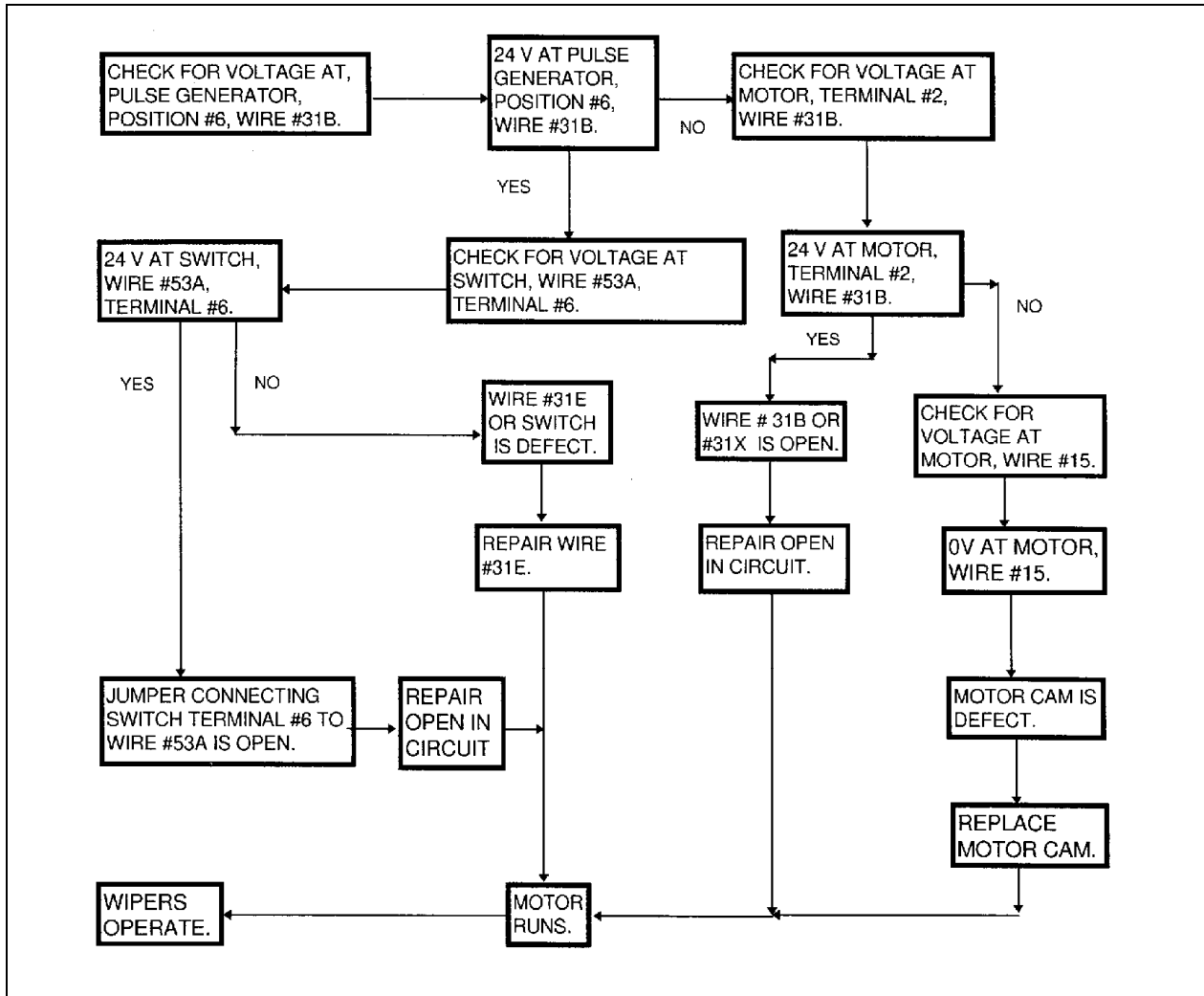


FIGURE 41: TROUBLESHOOTING

23065

SYMPTOM: LOWER WIPER MOTOR DOES NOT FUNCTION IN INTERMITTENT MODE

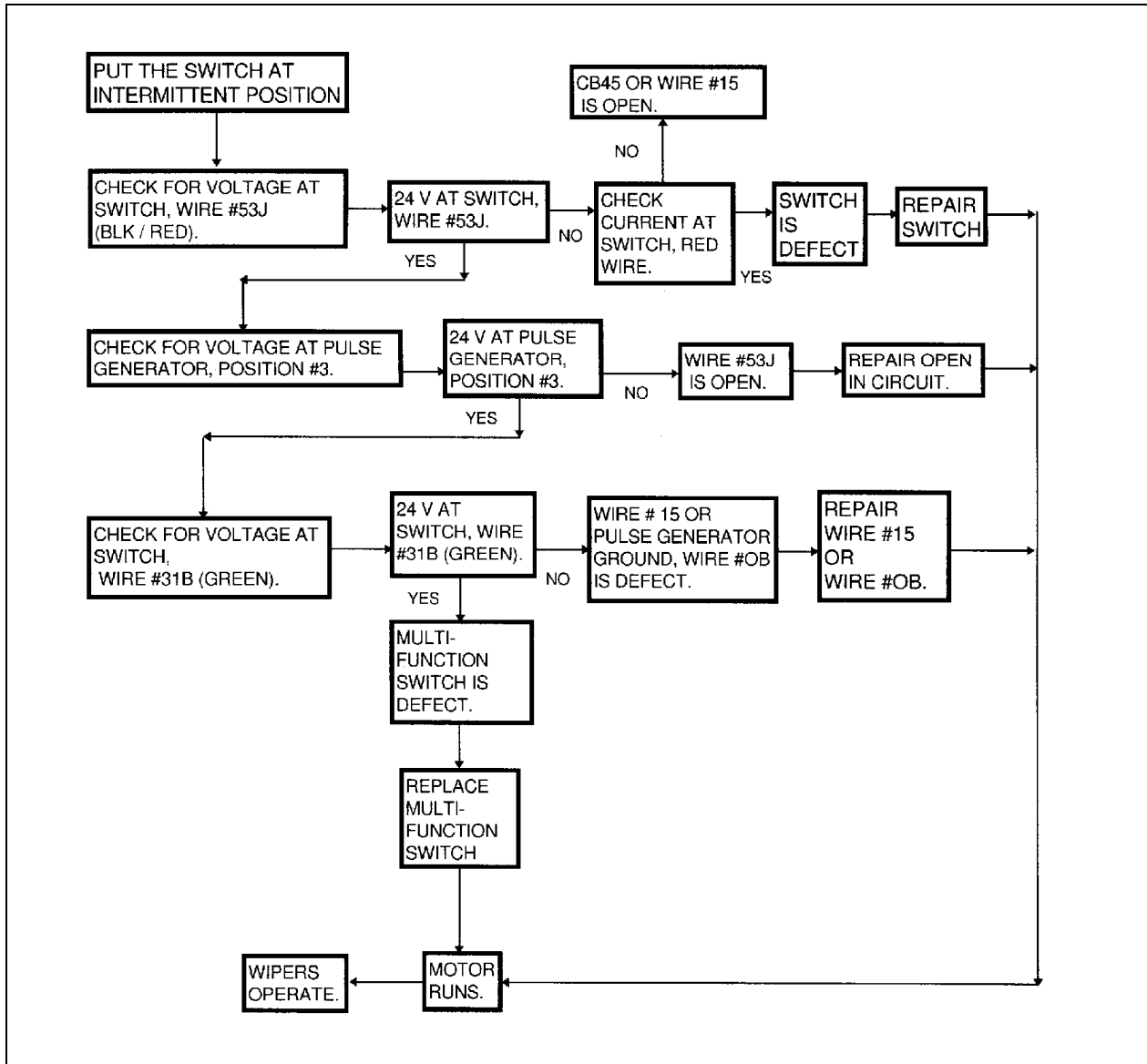


FIGURE 42: TROUBLESHOOTING

23066

SYMPTOM: UPPER WIPER MOTOR DOES NOT FUNCTION IN INTERMITTENT MODE

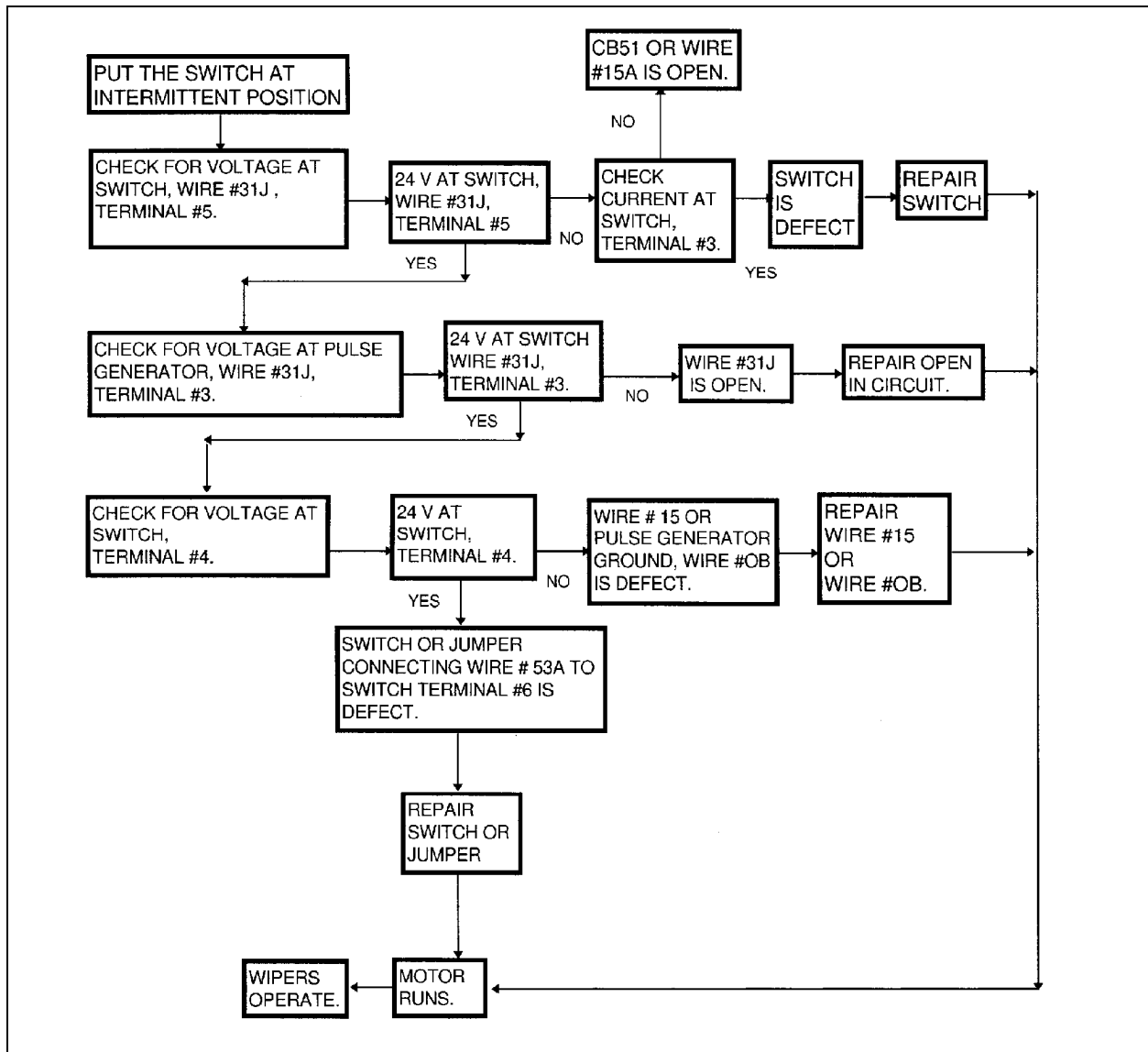


FIGURE 43: TROUBLESHOOTING

23067

SYMPTOM: LOWER WIPER MOTOR DOES NOT FUNCTION WHILE WINDSHIELD WASHER MOTOR IS ACTIVATED

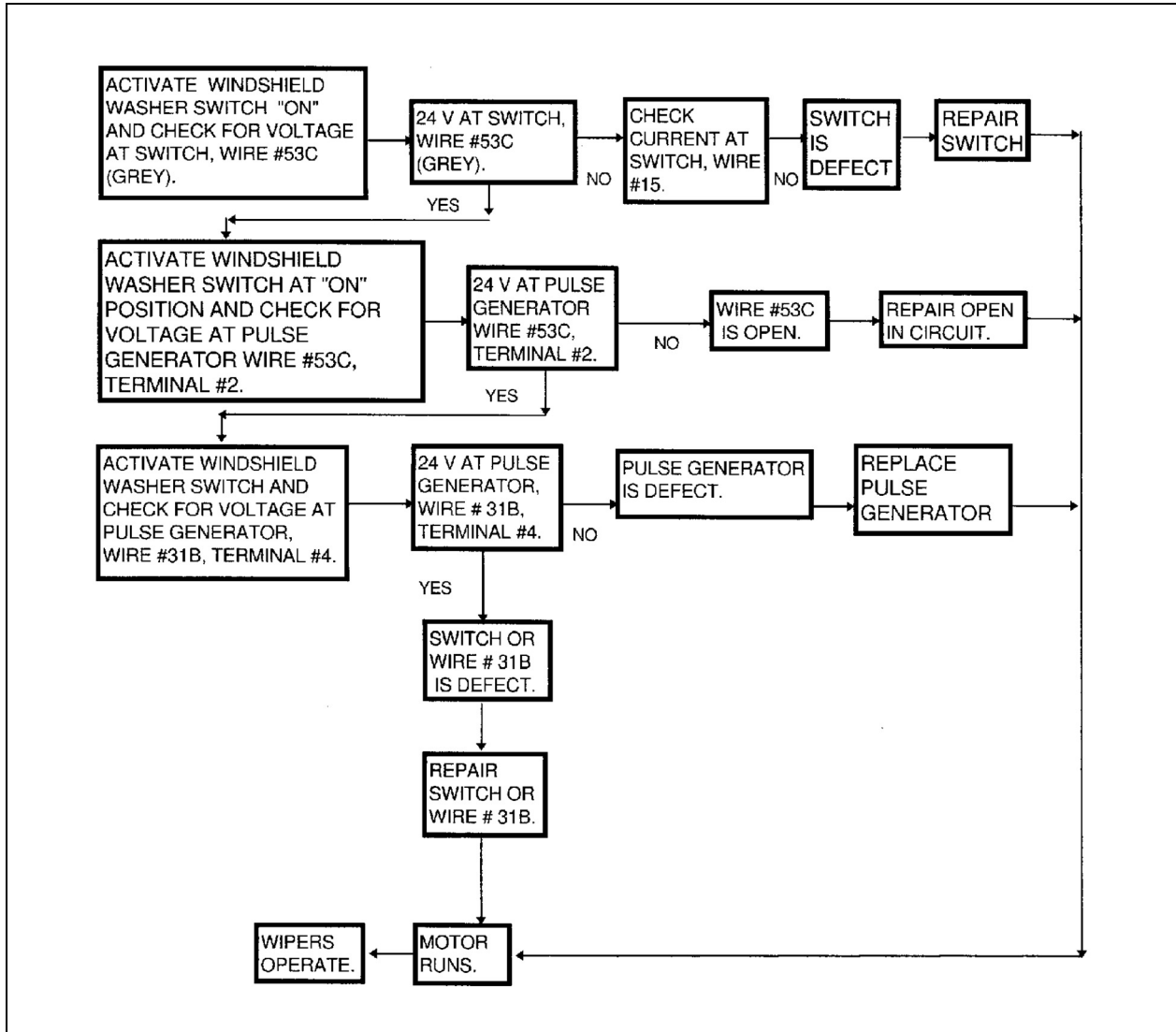


FIGURE 44: TROUBLESHOOTING

23068

SYMPTOM: UPPER WIPER MOTOR DOES NOT FUNCTION WHILE WINDSHIELD WASHER MOTOR IS ACTIVATED

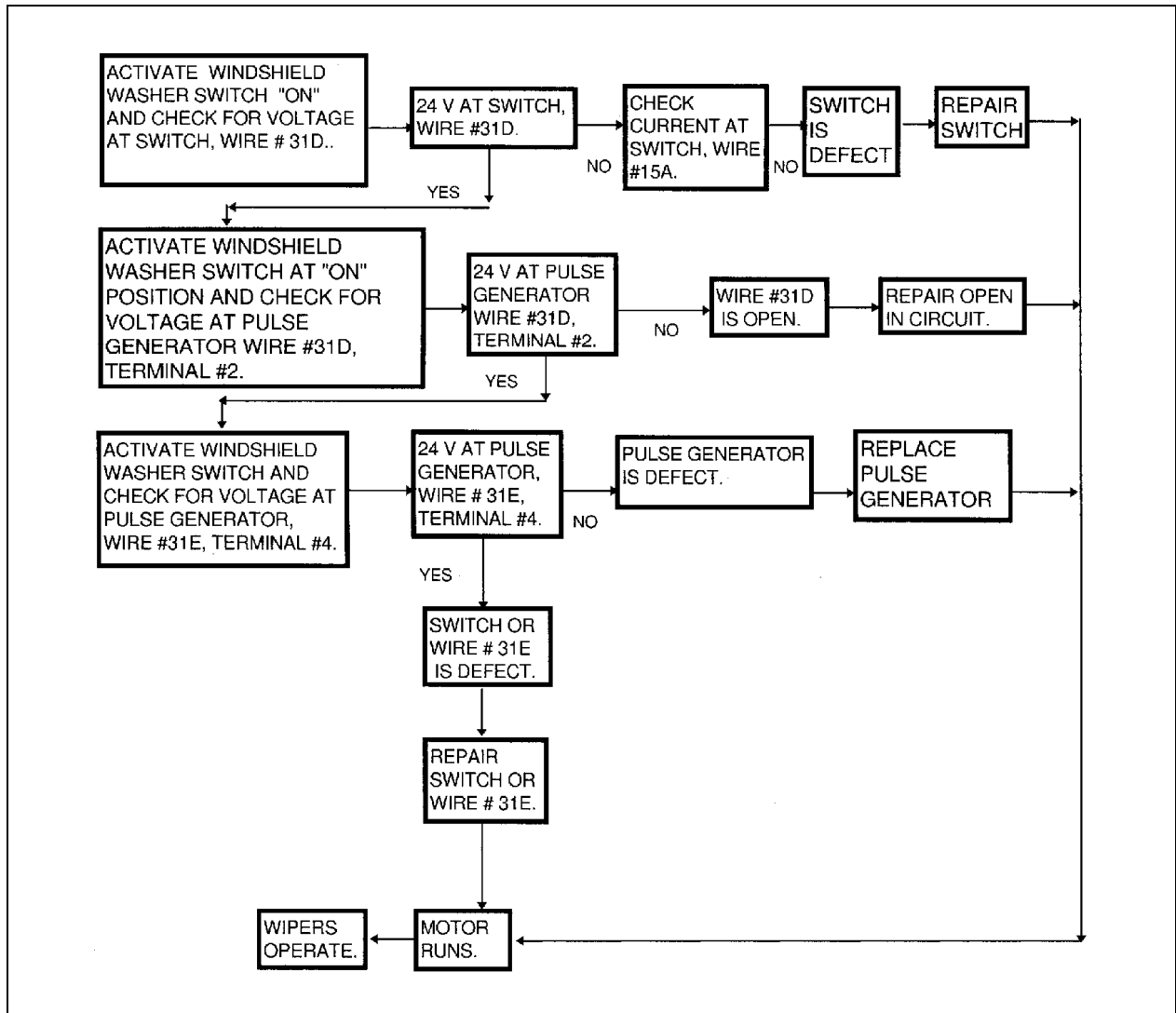


FIGURE 45: TROUBLESHOOTING

23069

Section 23: ACCESSORIES

Prévost number 900763

HANDHELD PRIORITY MICROPHONE

Make..... R.E.I.
Supplier number 480015
Prévost number 900808

16 CHANNEL WIRELESS MICROPHONE

Make..... R.E.I.
Supplier number 700598
Prévost number 900954

16 CHANNEL WIRELESS MICROPHONE CHARGING STATION

Make..... R.E.I.
Supplier number 700532
Prévost number 900953

16 CHANNEL WIRELESS MICROPHONE RECEIVER

Make..... R.E.I.
Supplier number 700599
Prévost number 900952

TV TUNER

Make..... R.E.I.
Power source 24V
Supplier number 700471
Prévost number 900814

KARAOKE

Make..... Panasonic
Model..... DV1500
Supplier number 700761
Prévost number 901033

TV MONITOR

Make..... R.E.I.
Power source 24V
Supplier number 700182
Prévost number 900809

HUBODOMETER (US model: miles)

Make..... Stemco
Supplier number 650-0593
Prévost number 650002

HUBODOMETER (Canada model: km)

Make..... Stemco
Supplier number 650-0025
Prévost number 650117

ELECTRIC DESTINATION SIGN (FLUORESCENT TUBE)

Make..... General Electric
Length 30" (76 cm)
Outside diameter 1" (25 mm)
Wattage 20

Color..... Cool white
 Quantity 1
 Supplier number..... F30T8 CW4
 Prévost number..... 830120

ELECTRONIC DESTINATION SIGN

Make..... Pocatec
 Supplier number..... 9000230
 Prévost number..... 940050

LAVATORY VENTILATION FAN MOTOR

Make..... Aurora
 Type RG500EF
 Voltage 24 volts DC
 Rotation R.H.
 Supplier number..... 131.40.50
 Prévost number..... 870844

LAVATORY FLUORESCENT TUBES

Make..... General Electric
 Model..... F15T8CW
 Length 18" (45 cm)
 Wattage 15
 Quantity 2
 Prévost number..... 830102

EMERGENCY BUZZER SWITCH (PUSH BUTTON)

Make..... Cole Hersee Co.
 Voltage 24 V
 Supplier number..... 40224
 Prévost number..... 562117

FRESH WATER TANK

Make..... Prévost
 Capacity 18 US gal (68 liters)
 Prévost number..... 403030

FRESH WATER TANK HEATER

Make..... Hot Watt
 Wattage 75 watts
 Voltage 115 volts AC
 Supplier number..... EM 37-5
 Prévost number..... 562018

Section 23: ACCESSORIES

FLUSH PUSH BUTTON PNEUMATIC TIMER

Make.....Furnas
TypeResettable
Time 0,2 to 180 seconds
Supplier number 55-AA
Prévost number 900348

FLUSH PUMP

Make.....Jabsco
Model number 30240-1024 24 V
Power source 24 volts DC
Capacity 1452 GPH
Prévost number 900496

AIR HORN

Make.....Allied Signal Inc.
Supplier number 101493
Prévost number 640093

AIR HORN VALVE

Make.....Allied Signal Inc.
Supplier number 228672
Prévost number 640128

WINDSHIELD WIPER MOTOR

Make.....SWF
Supplier number 403.195
Prévost number 800304

LOWER WIPER (BLADE)

Make.....Sprague device inc.
Supplier number S-1147-2-22
Prévost number 800284

UPPER WIPER (BLADE)

Make.....Sprague device inc.
Supplier number C-1140-2-20
Prévost number 800234

SECTION 24: LUBRICATION

CONTENTS

1. LUBRICATION	24-2
1.1 FIRST SERVICE ON NEW VEHICLE	24-2
1.1.1 <i>Differential</i>	24-2
1.1.2 <i>Coolant Strainer</i>	24-2
1.1.3 <i>Spicer Manual Transmission</i>	24-2
1.1.4 <i>Allison World Automatic Transmission</i>	24-2
1.1.5 <i>Eaton Fuller Autoshift Transmission</i>	24-2
1.1.6 <i>Engine</i>	24-2
2. LUBRICATION AND SERVICE SCHEDULE	24-3
2.1 ENGINE OIL CHANGE INTERVALS	24-3
2.1.1 <i>Engine Oil Reserve Tank</i>	24-3
2.2 COLD WEATHER OPERATION	24-3
2.3 FLEXIBLE HOSE MAINTENANCE	24-3
2.3.1 <i>Pre-Starting Inspection</i>	24-4
2.3.2 <i>Leaks</i>	24-4
2.3.3 <i>Service life</i>	24-4
2.4 WALK-AROUND INSPECTION	24-4
2.5 LUBRICANT AND COOLANT SPECIFICATIONS	24-7
2.6 PART NUMBER SPECIFICATIONS	24-8
2.7 LUBRICATION AND SERVICING SCHEDULE	24-9

ILLUSTRATIONS

FIGURE 1: ENGINE OIL RESERVE TANK	24-3
FIGURE 2: LUBRICATION AND SERVICING POINTS ON H3-41 AND H3-45 COACH MODEL (TYPICAL)	24-5
FIGURE 3: LUBRICATION AND SERVICING POINTS ON VIP MODEL (TYPICAL)	24-6

Section 24: LUBRICATION

1. LUBRICATION

The efficiency and life expectancy of mechanical equipment is largely dependant upon proper lubrication and servicing. All mechanical components rely on a lubricating film between moving parts to reduce friction, prevent wear and oxidation. Proper lubrication also helps cool the parts and keep dirt particles away from mating surfaces. Efficient lubrication depends upon using the right type of lubricant, at specified intervals and by filling to correct capacities. Past experience shows that many service problems can be traced to an improper lubricant or to incorrect lubrication procedures.

A comprehensive maintenance and lubrication program is important to ensure the long service life this vehicle was designed for and to avoid costly repairs and associated downtime caused by premature part failure.

A lubrication schedule is included in this section to give the location of key service points on the vehicle as well as the lubricant specifications for each component to be serviced. Specific instructions on how to check and service different components are covered in their respective sections in this maintenance manual.

The recommended lubrication intervals are based on normal operating conditions and mileage accumulation.

Shorten the intervals if your vehicle operates in more severe conditions. Severe conditions include heavy towing, high vehicle weight or operation in mountainous areas. Some parts and equipment referred to in this section may not be installed on your vehicle. Check your vehicle's "Coach Final Record" for equipment list.

Dispose of used lubricants and filters in an environmentally safe manner, according to federal and/or local recommendations.

1.1 FIRST SERVICE ON NEW VEHICLE

Perform the following maintenance procedures after the first 3,000 miles (4 800 km) of operation (unless otherwise specified). Once initial

maintenance is performed, refer to recommended intervals in the lubrication schedule.

Repeat a component's initial maintenance procedure when it has undergone a major repair.

1.1.1 Differential

Factory-filled oil in differential on new vehicle should be replaced after 3,000 miles (4 800 km) of initial operation or after major servicing.

1.1.2 Coolant Strainer

The coolant strainer is designed to recover the soldering residues trapped inside the coolant lines during their initial assembly; perform initial cleaning once vehicle has run approximately 3,000 miles (4 800 km), then according to the lubrication and servicing schedule.

Note: *If additional soldering has been performed on any point of coolant piping, clean coolant system strainer as outlined for a new vehicle at 3,000 miles (4 800 km).*

1.1.3 Spicer Manual Transmission

Factory-filled oil in manual transmission on new vehicle should be drained, flushed and refilled after 3,000 miles (4 800 km) of initial operation, then according to the lubrication and servicing schedule.

1.1.4 Allison World Automatic Transmission

Change oil and filter cartridges after first 5,000 miles (8000 km) of initial operation, then according to the lubrication and servicing schedule.

1.1.5 Eaton Fuller Autoshift Transmission

No initial oil or filter change necessary. Refer to regular lubrication and servicing schedule.

1.1.6 Engine

Since engine break-in has been done in factory, there is no special break-in, so oil should be

changed according to the lubrication and servicing schedule intervals. Since some oil consumption by engine is normal, check oil level daily with engine stopped and add to FULL mark on dipstick if necessary. Furthermore, the engine oil filter should be replaced each time the engine oil is changed.

2. LUBRICATION AND SERVICE SCHEDULE

Following this service schedule is the most economical and easiest way to ensure your vehicle performs at its best, safest and longest. Also, unscheduled maintenance will be minimized since inspection should expose potential problems before they become major ones.

2.1 ENGINE OIL CHANGE INTERVALS

The engine oil change intervals are related to the operating conditions, such as vehicle load, speed, etc., and may vary. It is recommended however, that the oil change be performed after every 10,000 miles (16 000 km).

The drain intervals may then be gradually increased or decreased with experience on a specific lubricant, considering the recommendations of the oil supplier (analysis of drained oil can be helpful), until the most practical service condition has been established.

Solvents should not be used as flushing oils. Dilution of the fresh refill oil supply can occur, which may be detrimental for the engine.

Engine oil temperature should be checked every 25,000 miles (40 000 km) to determine oil cooler efficiency. This check should be made by inserting a steel jacketed thermometer in the dipstick opening, immediately after stopping a hot, loaded engine. If the oil temperature exceeds the coolant temperature by more than 60 °F (33 °C), the oil cooler may be clogged.

For detailed oil specifications, refer to *"Detroit Diesel Series 60 Service Manual"* under heading *"Lubricating Oil for Detroit Diesel Engines"*.

2.1.1 Engine Oil Reserve Tank

An oil reserve tank with a capacity of 2.2 US gallons (8,3 liters) is connected to the crankcase by a hose with a shutoff valve, allowing oil to be added to crankcase by opening valve. Comparison of oil levels in sight gauge, before and after adding oil to crankcase, shows approximately how much oil has been added.

Filling of this tank can be made by opening the rear engine door. The tank is mounted on R.H. side of engine compartment, over the A/C compressor.

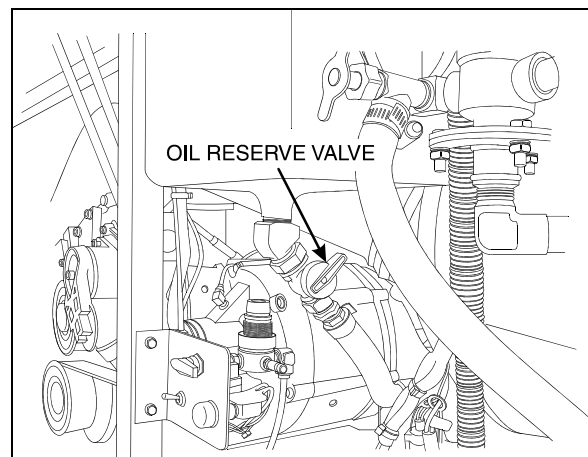


FIGURE 1: ENGINE OIL RESERVE TANK 01050

2.2 COLD WEATHER OPERATION

The proper selection of the engine oil grade will ease cold weather starting (refer to the lubrication and servicing schedule for the engine oil grade recommendation). Other practical considerations, such as the use of batteries, cables and connectors of adequate size, proper setting of voltage regulator, ether starting aid, oil and coolant heater systems, and proper fuel selection will ease cold weather starting.

2.3 FLEXIBLE HOSE MAINTENANCE

The performance of engine and equipment are greatly related to the ability of flexible hoses to supply lubricating oil, air, coolant, and fuel oil. Maintenance of hoses is an important step to ensure efficient, economical, and safe operation of the engine and related equipment.

Section 24: LUBRICATION

2.3.1 Pre-Starting Inspection

Check hoses daily as part of the pre-starting inspection. Examine hose for leaks, and check all fittings, clamps, and ties carefully. Ensure that hoses are not resting on or touching shafts, couplings, heated surfaces including exhaust manifolds, any sharp edges, or other obviously damaging areas. Since all machinery vibrates and moves to a certain extent, clamps and ties can fatigue with time. To ensure proper support, inspect fasteners frequently and tighten or replace them as necessary.

2.3.2 Leaks

Investigate leaks immediately to determine if fittings have loosened or cracked, and also if hoses have ruptured or worn through. Take corrective action immediately. Leaks are not only potentially detrimental to machine operation, but can also result in added expenses caused by the need to replace lost fluids.

Caution: *Personal injury and/or property damage may result from fire due to the leakage of flammable fluids, such as fuel or lube oil.*

2.4 WALK-AROUND INSPECTION

It is good practice to make a basic visual inspection of key areas on the vehicle every day (or before every trip for private coaches) and to correct any problem found.

OUTSIDE THE VEHICLE	
ITEM*	DESCRIPTION
---	Check for leaks under vehicle and in engine compartment.
---	Check that baggage and service compartment doors close properly.
---	Inspect tires and wheels for correct tire pressure, wear or damage and for missing wheel studs and nuts.
1	Check windshield washer fluid level and add if necessary.
---	Check condition of windshield wiper blades.
---	Verify proper operation of all road lights, signal lights, brake lights, marker lights and back-up lights; Replace light bulbs as required.
2, 28	Drain accumulated water in accessory and wet air tanks.

2.3.3 Service life

The limited service life of a hose is determined by the temperature and pressure of the gas or fluid within it, the time in service, its installation, the ambient temperatures, amount of flexing, and the vibration it is subjected to. With this in mind, it is recommended that all hoses be thoroughly inspected at least every 500 operating hours or after 15,000 miles (24 000 km). Look for surface damage or indications of damaged, twisted, worn, crimped, brittle, cracked, or leaking lines. Hoses having a worn outer surface or hoses with a damaged metal reinforcement should be considered unfit for further service.

It is also recommended that all hoses in this vehicle be replaced during major overhaul and/or after a maximum of five service years. Quality of replacement hose assemblies should always be equal to or superior to those supplied by the Original Equipment Manufacturer.

Section 24: LUBRICATION

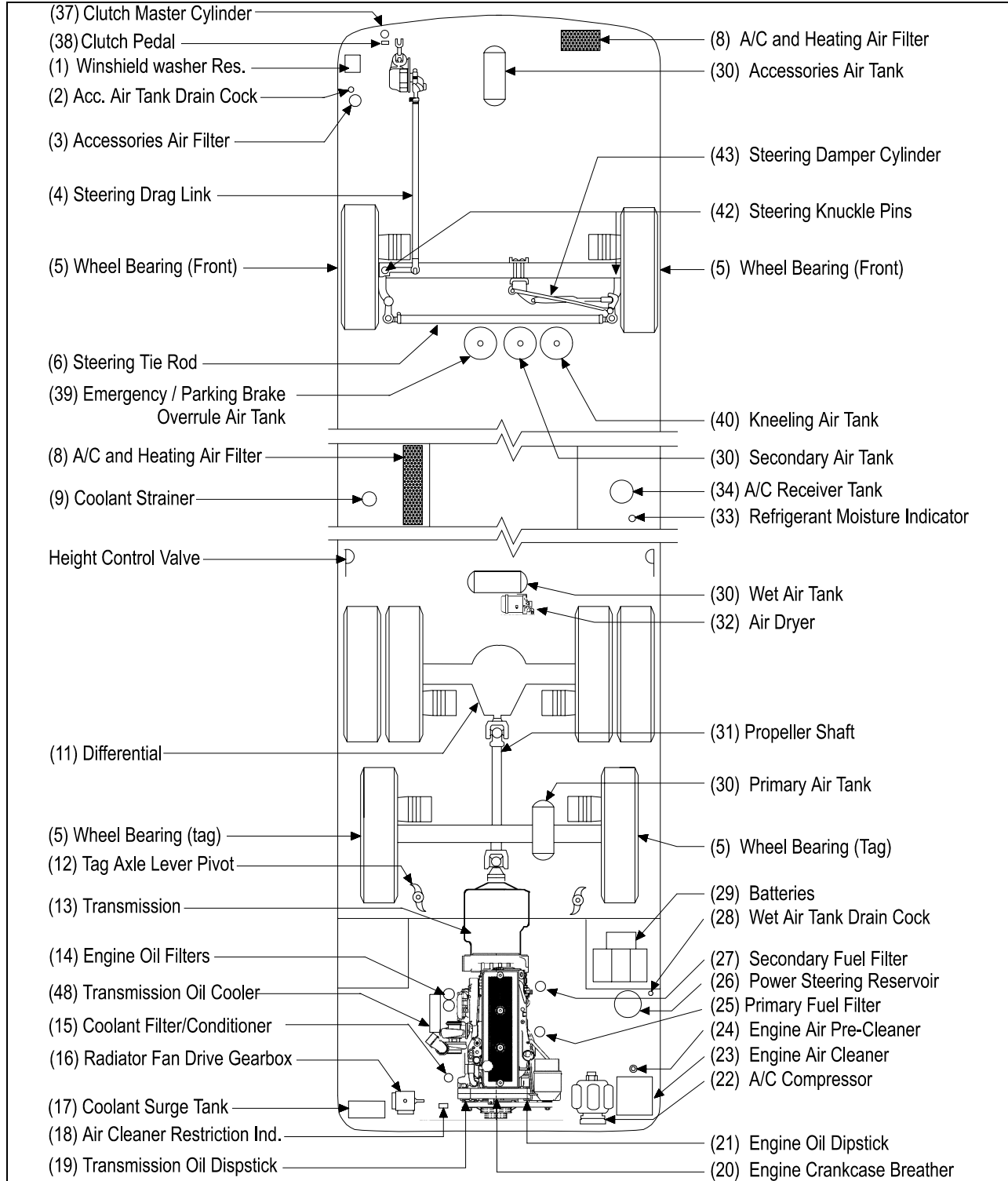


FIGURE 2: LUBRICATION AND SERVICING POINTS ON H3-41 AND H3-45 COACH MODEL (TYPICAL)

24002

Section 24: LUBRICATION

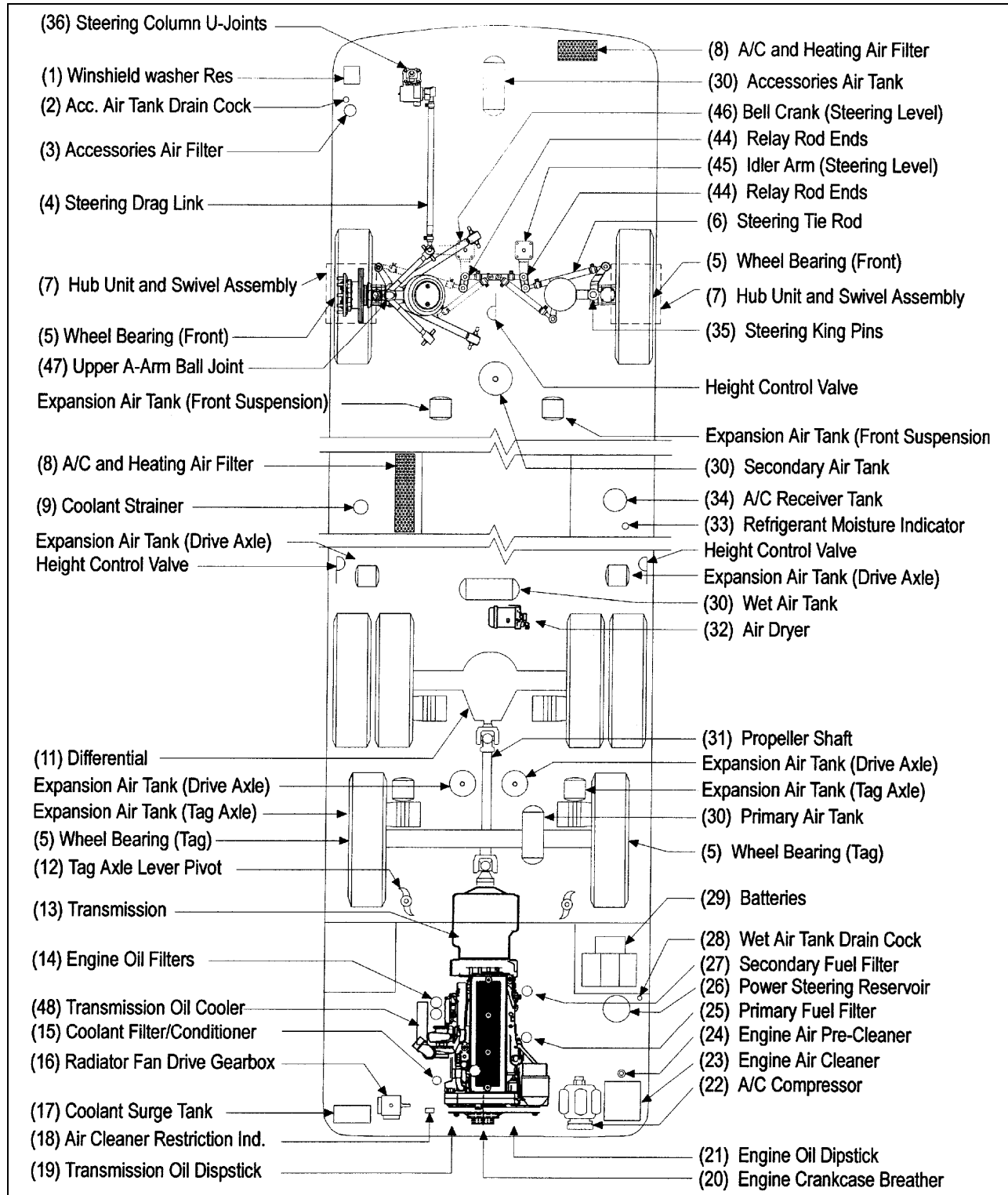


FIGURE 3: LUBRICATION AND SERVICING POINTS ON VIP MODEL (TYPICAL)

24005

Section 24: LUBRICATION

ENGINE COMPARTMENT	
ITEM*	DESCRIPTION
21	Check engine crankcase oil level; Add if necessary.
19	Check transmission oil level (can be checked from push-button shift selector); Add if necessary.
26	Check power steering reservoir fluid level; Add if necessary.
17	Check coolant surge tank fluid level; Add if necessary.
25	Drain accumulated water in primary fuel filter/water separator (if equipped). Visually check fuel filter cartridge (Fuel-Pro 382 equipped vehicles only).
18	Check air cleaner restriction indicator; Replace air cleaner when red signals locks in full view.

INSIDE THE VEHICLE	
ITEM*	DESCRIPTION
---	Check for proper operation of the entrance door.
---	Check that emergency exit windows and roof escape hatches can be opened, then close all windows and hatches securely.
---	Verify proper operation of windshield wiper/washer.
---	Adjust and clean mirrors as needed for adequate rear-view vision.
---	Start engine and check for proper operation of all gauges and indicator lights.
---	Check for proper operation of electric and air horns and back-up alarm.
---	Verify shifter mechanism oil level (reservoir is located behind driver's seat, if vehicle is equipped with a manual transmission).
---	Perform a brake test. Check both primary and secondary pressure gauges.

* Item numbers refer to figures 2 and 3.

2.5 LUBRICANT AND COOLANT SPECIFICATIONS

ITEM*	DESCRIPTION	SPECIFICATIONS
21	Engine Oil	SAE Viscosity Grade: 15W40 API Classification: CH4
26	Power Steering Oil	Automatic Transmission Oil (Dexron-IIIE or Dexron-III)
17	Engine Coolant	Low silicate, ethylene glycol coolant 50% antifreeze/water solution is normally used Antifreeze concentration should be between 30% and 67%
22	A/C Compressor Oil	Polyolester Oil, HFC 134a compatible: Castrol SW-68 (POE) or equivalent
11 and 5	Differential Oil and Wheel Bearing Oil	Multigrade gear oil meeting MIL-L-2105-D: 85W140. If temperature drops below 10°F (-12°C), 80W90 should be used. Below -15°F (-26°C), 75W90 should be used. (In extreme conditions or for better performance, full

Section 24: LUBRICATION

ITEM*	DESCRIPTION	SPECIFICATIONS
		synthetic gear oil can be used.)
16	Fan Gearbox Oil	Synthetic oil: ISO VG (viscosity grade) 460 Natural oil: Mobil SHC 630
13	Automatic Transmission Oil	Dexron-IIIE or Dexron-III
13	Automatic Transmission Oil	Castrol "TranSynd" Synthetic Transmission Fluid for Allison, specification TES-295
---	Multi Purpose Grease	Good quality lithium-base grease: NLGI No.2 Grade is suitable for most temperatures NLGI No.1 Grade is suitable for extremely low temperatures

* Item numbers refer to figures 2 and 3.

2.6 PART NUMBER SPECIFICATIONS

ITEM*	DESCRIPTION	PRÉVOST NO
---	Engine Oil Filters	#510458
26	Power Steering Reservoir Oil Filter	#660987
23	Engine Air Cleaner Filter	#530197
33	Refrigerant Filter Dryer Unit	#950332
25	Engine Primary Fuel Filter	#510137
25	Engine Primary Fuel Filter With Water Separator (Optional)	#531407
27	Engine Secondary Fuel Filter	#510128
27	Secondary "Racor" Fuel Filter	#531390
15	Engine Coolant Precharge Unit	#550629
15	Engine Coolant Filter/Conditioner	#550630
8	A/C And Heating Driver's Air Filter	#871147--871144
8	A/C And Heating Cabin's Air Filter	#871051
---	Parcel Rack Fan Air Filters	#871159
13	Automatic Transmission Oil Filter Kit	#571709
9	Coolant Strainer	#871029
3	Accessories Air Filter	#641340
32	Air Dryer Cartridge	#641244 or #641278

- Item numbers refer to figures 2 and 3.

2.7 LUBRICATION AND SERVICING SCHEDULE

For lubrication and servicing schedule, refer to table A.

LUBRICATION AND SERVICING SCHEDULE	Item	Months	DISTANCE TRAVELED ¹ (miles/km)																				LUBRICANT &/OR PART ²																
			6 250 / 10 000	12 500 / 20 000	18 750 / 30 000	25 000 / 40 000	31 250 / 50 000	37 500 / 60 000	43 750 / 70 000	50 000 / 80 000	56 250 / 90 000	62 500 / 100 000	68 750 / 110 000	75 000 / 120 000	81 250 / 130 000	87 500 / 140 000	93 750 / 150 000	100 000 / 160 000	106 250 / 170 000	112 500 / 180 000	118 750 / 190 000	125 000 / 200 000		131 250 / 210 000	137 500 / 220 000	143 750 / 230 000	150 000 / 240 000	156 250 / 250 000	162 500 / 260 000	168 750 / 270 000	175 000 / 280 000	181 250 / 290 000	187 500 / 300 000	193 750 / 310 000	200 000 / 320 000				
GENERAL																																							
Flexible hoses, thoroughly inspect all hoses	-	12																																					-----
Front discharge tube, qty:2, check to see if clogged ³	-	3																																				-----	
01 ENGINE																																							
Air cleaner, inspect, clean, replace element if required	23	6	<input type="checkbox"/>	<input type="checkbox"/>	<input type="checkbox"/>	<input type="checkbox"/>	<input type="checkbox"/>	<input type="checkbox"/>	<input type="checkbox"/>	<input type="checkbox"/>	<input type="checkbox"/>	<input type="checkbox"/>	<input type="checkbox"/>	<input type="checkbox"/>	<input type="checkbox"/>	<input type="checkbox"/>	<input type="checkbox"/>	<input type="checkbox"/>	<input type="checkbox"/>	<input type="checkbox"/>	<input type="checkbox"/>	<input type="checkbox"/>	<input type="checkbox"/>	<input type="checkbox"/>	<input type="checkbox"/>	<input type="checkbox"/>	<input type="checkbox"/>	<input type="checkbox"/>	<input type="checkbox"/>	<input type="checkbox"/>	<input type="checkbox"/>	<input type="checkbox"/>	<input type="checkbox"/>	<input type="checkbox"/>	<input type="checkbox"/>	<input type="checkbox"/>	<input type="checkbox"/>	Filter #530197	
Air pre-cleaner, check discharge tube	24	6	<input type="checkbox"/>	<input type="checkbox"/>	<input type="checkbox"/>	<input type="checkbox"/>	<input type="checkbox"/>	<input type="checkbox"/>	<input type="checkbox"/>	<input type="checkbox"/>	<input type="checkbox"/>	<input type="checkbox"/>	<input type="checkbox"/>	<input type="checkbox"/>	<input type="checkbox"/>	<input type="checkbox"/>	<input type="checkbox"/>	<input type="checkbox"/>	<input type="checkbox"/>	<input type="checkbox"/>	<input type="checkbox"/>	<input type="checkbox"/>	<input type="checkbox"/>	<input type="checkbox"/>	<input type="checkbox"/>	<input type="checkbox"/>	<input type="checkbox"/>	<input type="checkbox"/>	<input type="checkbox"/>	<input type="checkbox"/>	<input type="checkbox"/>	<input type="checkbox"/>	<input type="checkbox"/>	<input type="checkbox"/>	<input type="checkbox"/>	<input type="checkbox"/>	<input type="checkbox"/>	-----	
Engine, change oil and filters. Oil SAE 15W40, API CG4	14	12	<input type="checkbox"/>	<input type="checkbox"/>	<input type="checkbox"/>	<input type="checkbox"/>	<input type="checkbox"/>	<input type="checkbox"/>	<input type="checkbox"/>	<input type="checkbox"/>	<input type="checkbox"/>	<input type="checkbox"/>	<input type="checkbox"/>	<input type="checkbox"/>	<input type="checkbox"/>	<input type="checkbox"/>	<input type="checkbox"/>	<input type="checkbox"/>	<input type="checkbox"/>	<input type="checkbox"/>	<input type="checkbox"/>	<input type="checkbox"/>	<input type="checkbox"/>	<input type="checkbox"/>	<input type="checkbox"/>	<input type="checkbox"/>	<input type="checkbox"/>	<input type="checkbox"/>	<input type="checkbox"/>	<input type="checkbox"/>	<input type="checkbox"/>	<input type="checkbox"/>	<input type="checkbox"/>	<input type="checkbox"/>	<input type="checkbox"/>	<input type="checkbox"/>	<input type="checkbox"/>	Filter #510458	
Engine crankcase breather, clean breather steel mesh	20	12	<input type="checkbox"/>	<input type="checkbox"/>	<input type="checkbox"/>	<input type="checkbox"/>	<input type="checkbox"/>	<input type="checkbox"/>	<input type="checkbox"/>	<input type="checkbox"/>	<input type="checkbox"/>	<input type="checkbox"/>	<input type="checkbox"/>	<input type="checkbox"/>	<input type="checkbox"/>	<input type="checkbox"/>	<input type="checkbox"/>	<input type="checkbox"/>	<input type="checkbox"/>	<input type="checkbox"/>	<input type="checkbox"/>	<input type="checkbox"/>	<input type="checkbox"/>	<input type="checkbox"/>	<input type="checkbox"/>	<input type="checkbox"/>	<input type="checkbox"/>	<input type="checkbox"/>	<input type="checkbox"/>	<input type="checkbox"/>	<input type="checkbox"/>	<input type="checkbox"/>	<input type="checkbox"/>	<input type="checkbox"/>	<input type="checkbox"/>	<input type="checkbox"/>	<input type="checkbox"/>	-----	
02 CLUTCH																																							
Clutch cross control shaft, grease one fitting	37	6	<input type="checkbox"/>	<input type="checkbox"/>	<input type="checkbox"/>	<input type="checkbox"/>	<input type="checkbox"/>	<input type="checkbox"/>	<input type="checkbox"/>	<input type="checkbox"/>	<input type="checkbox"/>	<input type="checkbox"/>	<input type="checkbox"/>	<input type="checkbox"/>	<input type="checkbox"/>	<input type="checkbox"/>	<input type="checkbox"/>	<input type="checkbox"/>	<input type="checkbox"/>	<input type="checkbox"/>	<input type="checkbox"/>	<input type="checkbox"/>	<input type="checkbox"/>	<input type="checkbox"/>	<input type="checkbox"/>	<input type="checkbox"/>	<input type="checkbox"/>	<input type="checkbox"/>	<input type="checkbox"/>	<input type="checkbox"/>	<input type="checkbox"/>	<input type="checkbox"/>	<input type="checkbox"/>	<input type="checkbox"/>	<input type="checkbox"/>	<input type="checkbox"/>	<input type="checkbox"/>	Multi purpose grease	
Clutch release bearing, grease one fitting	13	6	<input type="checkbox"/>	<input type="checkbox"/>	<input type="checkbox"/>	<input type="checkbox"/>	<input type="checkbox"/>	<input type="checkbox"/>	<input type="checkbox"/>	<input type="checkbox"/>	<input type="checkbox"/>	<input type="checkbox"/>	<input type="checkbox"/>	<input type="checkbox"/>	<input type="checkbox"/>	<input type="checkbox"/>	<input type="checkbox"/>	<input type="checkbox"/>	<input type="checkbox"/>	<input type="checkbox"/>	<input type="checkbox"/>	<input type="checkbox"/>	<input type="checkbox"/>	<input type="checkbox"/>	<input type="checkbox"/>	<input type="checkbox"/>	<input type="checkbox"/>	<input type="checkbox"/>	<input type="checkbox"/>	<input type="checkbox"/>	<input type="checkbox"/>	<input type="checkbox"/>	<input type="checkbox"/>	<input type="checkbox"/>	<input type="checkbox"/>	<input type="checkbox"/>	<input type="checkbox"/>	Multi purpose grease	
03 FUEL																																							
Change primary & secondary fuel filters, fill with clean fuel before installation	25 27	12	<input type="checkbox"/>	<input type="checkbox"/>	<input type="checkbox"/>	<input type="checkbox"/>	<input type="checkbox"/>	<input type="checkbox"/>	<input type="checkbox"/>	<input type="checkbox"/>	<input type="checkbox"/>	<input type="checkbox"/>	<input type="checkbox"/>	<input type="checkbox"/>	<input type="checkbox"/>	<input type="checkbox"/>	<input type="checkbox"/>	<input type="checkbox"/>	<input type="checkbox"/>	<input type="checkbox"/>	<input type="checkbox"/>	<input type="checkbox"/>	<input type="checkbox"/>	<input type="checkbox"/>	<input type="checkbox"/>	<input type="checkbox"/>	<input type="checkbox"/>	<input type="checkbox"/>	<input type="checkbox"/>	<input type="checkbox"/>	<input type="checkbox"/>	<input type="checkbox"/>	<input type="checkbox"/>	<input type="checkbox"/>	<input type="checkbox"/>	<input type="checkbox"/>	Primary #510137 ; prim. w/sep #531390 ; secondary #510128		
05 COOLING																																							
Radiator fan drive gearbox, check oil level, add if necessary	16	6	<input type="checkbox"/>	<input type="checkbox"/>	<input type="checkbox"/>	<input type="checkbox"/>	<input type="checkbox"/>	<input type="checkbox"/>	<input type="checkbox"/>	<input type="checkbox"/>	<input type="checkbox"/>	<input type="checkbox"/>	<input type="checkbox"/>	<input type="checkbox"/>	<input type="checkbox"/>	<input type="checkbox"/>	<input type="checkbox"/>	<input type="checkbox"/>	<input type="checkbox"/>	<input type="checkbox"/>	<input type="checkbox"/>	<input type="checkbox"/>	<input type="checkbox"/>	<input type="checkbox"/>	<input type="checkbox"/>	<input type="checkbox"/>	<input type="checkbox"/>	<input type="checkbox"/>	<input type="checkbox"/>	<input type="checkbox"/>	<input type="checkbox"/>	<input type="checkbox"/>	<input type="checkbox"/>	<input type="checkbox"/>	<input type="checkbox"/>	<input type="checkbox"/>	<input type="checkbox"/>	Mobil SHC 630 #180217	
Radiator fan drive gearbox, change oil	16	12	<input type="checkbox"/>	<input type="checkbox"/>	<input type="checkbox"/>	<input type="checkbox"/>	<input type="checkbox"/>	<input type="checkbox"/>	<input type="checkbox"/>	<input type="checkbox"/>	<input type="checkbox"/>	<input type="checkbox"/>	<input type="checkbox"/>	<input type="checkbox"/>	<input type="checkbox"/>	<input type="checkbox"/>	<input type="checkbox"/>	<input type="checkbox"/>	<input type="checkbox"/>	<input type="checkbox"/>	<input type="checkbox"/>	<input type="checkbox"/>	<input type="checkbox"/>	<input type="checkbox"/>	<input type="checkbox"/>	<input type="checkbox"/>	<input type="checkbox"/>	<input type="checkbox"/>	<input type="checkbox"/>	<input type="checkbox"/>	<input type="checkbox"/>	<input type="checkbox"/>	<input type="checkbox"/>	<input type="checkbox"/>	<input type="checkbox"/>	<input type="checkbox"/>	<input type="checkbox"/>	Mobil SHC 630 #180217	
Coolant filter/Conditioner, replace element	15	12	<input type="checkbox"/>	<input type="checkbox"/>	<input type="checkbox"/>	<input type="checkbox"/>	<input type="checkbox"/>	<input type="checkbox"/>	<input type="checkbox"/>	<input type="checkbox"/>	<input type="checkbox"/>	<input type="checkbox"/>	<input type="checkbox"/>	<input type="checkbox"/>	<input type="checkbox"/>	<input type="checkbox"/>	<input type="checkbox"/>	<input type="checkbox"/>	<input type="checkbox"/>	<input type="checkbox"/>	<input type="checkbox"/>	<input type="checkbox"/>	<input type="checkbox"/>	<input type="checkbox"/>	<input type="checkbox"/>	<input type="checkbox"/>	<input type="checkbox"/>	<input type="checkbox"/>	<input type="checkbox"/>	<input type="checkbox"/>	<input type="checkbox"/>	<input type="checkbox"/>	<input type="checkbox"/>	<input type="checkbox"/>	<input type="checkbox"/>	<input type="checkbox"/>	<input type="checkbox"/>	Filter #550630	
Coolant surge tank, test coolant solution	17	12	<input type="checkbox"/>	<input type="checkbox"/>	<input type="checkbox"/>	<input type="checkbox"/>	<input type="checkbox"/>	<input type="checkbox"/>	<input type="checkbox"/>	<input type="checkbox"/>	<input type="checkbox"/>	<input type="checkbox"/>	<input type="checkbox"/>	<input type="checkbox"/>	<input type="checkbox"/>	<input type="checkbox"/>	<input type="checkbox"/>	<input type="checkbox"/>	<input type="checkbox"/>	<input type="checkbox"/>	<input type="checkbox"/>	<input type="checkbox"/>	<input type="checkbox"/>	<input type="checkbox"/>	<input type="checkbox"/>	<input type="checkbox"/>	<input type="checkbox"/>	<input type="checkbox"/>	<input type="checkbox"/>	<input type="checkbox"/>	<input type="checkbox"/>	<input type="checkbox"/>	<input type="checkbox"/>	<input type="checkbox"/>	<input type="checkbox"/>	<input type="checkbox"/>	<input type="checkbox"/>	-----	
Cooling system, drain, flush and refill	17	24	<input type="checkbox"/>	<input type="checkbox"/>	<input type="checkbox"/>	<input type="checkbox"/>	<input type="checkbox"/>	<input type="checkbox"/>	<input type="checkbox"/>	<input type="checkbox"/>	<input type="checkbox"/>	<input type="checkbox"/>	<input type="checkbox"/>	<input type="checkbox"/>	<input type="checkbox"/>	<input type="checkbox"/>	<input type="checkbox"/>	<input type="checkbox"/>	<input type="checkbox"/>	<input type="checkbox"/>	<input type="checkbox"/>	<input type="checkbox"/>	<input type="checkbox"/>	<input type="checkbox"/>	<input type="checkbox"/>	<input type="checkbox"/>	<input type="checkbox"/>	<input type="checkbox"/>	<input type="checkbox"/>	<input type="checkbox"/>	<input type="checkbox"/>	<input type="checkbox"/>	<input type="checkbox"/>	<input type="checkbox"/>	<input type="checkbox"/>	<input type="checkbox"/>	<input type="checkbox"/>	Engine coolant	
06 ELECTRICAL																																							
Battery terminals, clean and coat terminals	29	12	<input type="checkbox"/>	<input type="checkbox"/>	<input type="checkbox"/>	<input type="checkbox"/>	<input type="checkbox"/>	<input type="checkbox"/>	<input type="checkbox"/>	<input type="checkbox"/>	<input type="checkbox"/>	<input type="checkbox"/>	<input type="checkbox"/>	<input type="checkbox"/>	<input type="checkbox"/>	<input type="checkbox"/>	<input type="checkbox"/>	<input type="checkbox"/>	<input type="checkbox"/>	<input type="checkbox"/>	<input type="checkbox"/>	<input type="checkbox"/>	<input type="checkbox"/>	<input type="checkbox"/>	<input type="checkbox"/>	<input type="checkbox"/>	<input type="checkbox"/>	<input type="checkbox"/>	<input type="checkbox"/>	<input type="checkbox"/>	<input type="checkbox"/>	<input type="checkbox"/>	<input type="checkbox"/>	<input type="checkbox"/>	<input type="checkbox"/>	<input type="checkbox"/>	<input type="checkbox"/>	Battery terminal coating	

¹ Proceed to maintenance operation at distance indicated on odometer or specified number of month, whichever comes first.

² See paragraph 2.5 & 2.6 of this section for lubricant and part number specifications.

³ Discharge tubes are rubber tubes located under vehicle

TABLE A

LUBRICATION AND SERVICING SCHEDULE	Item	Months	DISTANCE TRAVELED ¹ (miles/km)																				LUBRICANT &/OR PART ²													
			6 250 / 10 000	12 500 / 20 000	18 750 / 30 000	25 000 / 40 000	31 250 / 50 000	37 500 / 60 000	43 750 / 70 000	50 000 / 80 000	56 250 / 90 000	62 500 / 100 000	68 750 / 110 000	75 000 / 120 000	81 250 / 130 000	87 500 / 140 000	93 750 / 150 000	100 000 / 160 000	106 250 / 170 000	112 500 / 180 000	118 750 / 190 000	125 000 / 200 000		131 250 / 210 000	137 500 / 220 000	143 750 / 230 000	150 000 / 240 000	156 250 / 250 000	162 500 / 260 000	168 750 / 270 000	175 000 / 280 000	181 250 / 290 000	187 500 / 300 000	193 750 / 310 000	200 000 / 320 000	
			07 TRANSMISSION																																	
Manual transmission, check oil level, add if necessary	13	6	<input type="checkbox"/>	<input type="checkbox"/>	<input type="checkbox"/>	<input type="checkbox"/>	<input type="checkbox"/>	<input type="checkbox"/>	<input type="checkbox"/>	<input type="checkbox"/>	<input type="checkbox"/>	<input type="checkbox"/>	<input type="checkbox"/>	<input type="checkbox"/>	<input type="checkbox"/>	<input type="checkbox"/>	<input type="checkbox"/>	<input type="checkbox"/>	<input type="checkbox"/>	<input type="checkbox"/>	<input type="checkbox"/>	<input type="checkbox"/>	<input type="checkbox"/>	<input type="checkbox"/>	<input type="checkbox"/>	<input type="checkbox"/>	<input type="checkbox"/>	<input type="checkbox"/>	<input type="checkbox"/>	<input type="checkbox"/>	<input type="checkbox"/>	<input type="checkbox"/>	<input type="checkbox"/>	<input type="checkbox"/>	<input type="checkbox"/>	Sec. 7 in Maintenance Manual
Manual transmission, change oil	13	12							<input type="checkbox"/>							<input type="checkbox"/>																			<input type="checkbox"/>	Sec. 7 in Maintenance Manual
Automatic transmission, change oil (standard oil) and filters	13	12	<input type="checkbox"/>					<input type="checkbox"/>																											<input type="checkbox"/>	Oil Dexron-II-E or Dexron-III Filters #571709
Automatic transmission, change oil (only if filled with TranSynd synthetic fluid) and filters ³	13	12								<input type="checkbox"/>																								<input type="checkbox"/>	TranSynd Synthetic Fluid; Filters #571709	
Eaton Fuller Autoshift Transmission, change trans. oil	13	24															<input type="checkbox"/>																	<input type="checkbox"/>	Eaton Roadranger CD50 transmission oil	
Transmission oil cooler, replace unit if vehicle is equipped with transmission retarder	48	24																																		Prévost #550712
09 PROPELLER SHAFT																																				
Grease one fitting on each universal joint and slip joint	31	6	<input type="checkbox"/>	<input type="checkbox"/>	<input type="checkbox"/>	<input type="checkbox"/>	<input type="checkbox"/>	<input type="checkbox"/>	<input type="checkbox"/>	<input type="checkbox"/>	<input type="checkbox"/>	<input type="checkbox"/>	<input type="checkbox"/>	<input type="checkbox"/>	<input type="checkbox"/>	<input type="checkbox"/>	<input type="checkbox"/>	<input type="checkbox"/>	<input type="checkbox"/>	<input type="checkbox"/>	<input type="checkbox"/>	<input type="checkbox"/>	<input type="checkbox"/>	<input type="checkbox"/>	<input type="checkbox"/>	<input type="checkbox"/>	<input type="checkbox"/>	<input type="checkbox"/>	<input type="checkbox"/>	<input type="checkbox"/>	<input type="checkbox"/>	<input type="checkbox"/>	<input type="checkbox"/>	<input type="checkbox"/>	Multipurpose grease	
10 FRONT AXLE																																				
Hub unit and swivel assembly, sec.10 Maintenance Manual	7	12															<input type="checkbox"/>																	<input type="checkbox"/>	See GKN AXLE LTD Service Manual paragraph 1-Lubrication	
11 REAR AXLE																																				
Differential, check oil level, add if necessary	11	6	<input type="checkbox"/>	<input type="checkbox"/>	<input type="checkbox"/>	<input type="checkbox"/>	<input type="checkbox"/>	<input type="checkbox"/>	<input type="checkbox"/>	<input type="checkbox"/>	<input type="checkbox"/>	<input type="checkbox"/>	<input type="checkbox"/>	<input type="checkbox"/>	<input type="checkbox"/>	<input type="checkbox"/>	<input type="checkbox"/>	<input type="checkbox"/>	<input type="checkbox"/>	<input type="checkbox"/>	<input type="checkbox"/>	<input type="checkbox"/>	<input type="checkbox"/>	<input type="checkbox"/>	<input type="checkbox"/>	<input type="checkbox"/>	<input type="checkbox"/>	<input type="checkbox"/>	<input type="checkbox"/>	<input type="checkbox"/>	<input type="checkbox"/>	<input type="checkbox"/>	<input type="checkbox"/>	<input type="checkbox"/>	Multigrade gear oil	
Differential, change oil, clean breathers	11	24																																	<input type="checkbox"/>	Multigrade gear oil
Tag axle lever pivot, grease one fitting on each pivot	12	6	<input type="checkbox"/>	<input type="checkbox"/>	<input type="checkbox"/>	<input type="checkbox"/>	<input type="checkbox"/>	<input type="checkbox"/>	<input type="checkbox"/>	<input type="checkbox"/>	<input type="checkbox"/>	<input type="checkbox"/>	<input type="checkbox"/>	<input type="checkbox"/>	<input type="checkbox"/>	<input type="checkbox"/>	<input type="checkbox"/>	<input type="checkbox"/>	<input type="checkbox"/>	<input type="checkbox"/>	<input type="checkbox"/>	<input type="checkbox"/>	<input type="checkbox"/>	<input type="checkbox"/>	<input type="checkbox"/>	<input type="checkbox"/>	<input type="checkbox"/>	<input type="checkbox"/>	<input type="checkbox"/>	<input type="checkbox"/>	<input type="checkbox"/>	<input type="checkbox"/>	<input type="checkbox"/>	<input type="checkbox"/>	Multi purpose grease	
12 BRAKE & AIR																																				
Air tanks, drain water from all tanks	30	12	<input type="checkbox"/>		<input type="checkbox"/>		<input type="checkbox"/>		<input type="checkbox"/>		<input type="checkbox"/>		<input type="checkbox"/>		<input type="checkbox"/>		<input type="checkbox"/>		<input type="checkbox"/>		<input type="checkbox"/>		<input type="checkbox"/>		<input type="checkbox"/>		<input type="checkbox"/>		<input type="checkbox"/>		<input type="checkbox"/>		<input type="checkbox"/>		-----	
Accessories air filter, change filter element	3	24																																<input type="checkbox"/>	Filter #641340	
Air dryer, change cartridge	32	24																																<input type="checkbox"/>	Cartridge #641244 or 641278	
Brake pads, check pad wear indicator and perform caliper slide check	-	12	<input type="checkbox"/>		<input type="checkbox"/>		<input type="checkbox"/>		<input type="checkbox"/>		<input type="checkbox"/>		<input type="checkbox"/>		<input type="checkbox"/>		<input type="checkbox"/>		<input type="checkbox"/>		<input type="checkbox"/>		<input type="checkbox"/>		<input type="checkbox"/>		<input type="checkbox"/>		<input type="checkbox"/>		<input type="checkbox"/>		<input type="checkbox"/>	<input type="checkbox"/>	Section 12 in Maintenance Manual	

¹ Proceed to maintenance operation at distance indicated on odometer or specified number of month, whichever comes first.

² See paragraph 2.5 & 2.6 of this section for lubricant and part number specifications.

³ When the transmission contains a mixture of fluids (defined as the quantity of non-TranSynd fluid remaining in the transmission after a fluid change combined with the quantity of TranSynd required to fill the transmission to the proper level), perform the fluid and filter change at 25 000 miles (40 200km) or 1 year, whichever comes first.

TABLE A

TABLE A