

# PREVOST

## WARRANTY BULLETIN

**WB24-35**

DATE :	October 2024	SECTION :	22 HVAC
EXPIRATION:	October 2026		
SUBJECT :	<b>DRIVER'S HVAC UNIT - AIR RETURN DUCT SEALING IMPROVEMENT</b>		

First Release

10-15-2024

### APPLICATION

<b>NOTICE TO SERVICE CENTERS</b>	
<i>Verify vehicle eligibility by checking warranty bulletin status with <b>SAP</b> or via <b>ONLINE WARRANTY SYSTEM</b> available on Service / Warranty tab of Prevost website.</i>	
Model	VIN
H3-45 coaches Model Year: 2023 - 2024	From 2PCH33490 <u>PC721359</u> up to 2PCH33493 <u>RC721746</u> incl.
<p><small>This bulletin does not necessarily apply to all the above-mentioned vehicles, some vehicles may have been modified before delivery. The owners of the vehicles affected by this bulletin will be advised by a letter indicating the Vehicle Identification Number (VIN) of each vehicle concerned.</small></p>	

### DESCRIPTION

On the vehicles affected by this bulletin, seal the air return duct of the driver's HVAC unit with aluminum tape to prevent air and dust infiltration through any possible gaps.

### MATERIAL

No material is needed for this warranty bulletin.

Other parts that may be required. **Note that these parts are not covered by this bulletin:**

Part No.	Description	Qty
680257	ALUMINUM FOIL TAPE AD1 0.0046" x 2" x 60YD	AR

<b>NOTE</b>
<i>Material can be obtained through regular channels.</i>

## SAFETY PRECAUTIONS

- Eye protection should always be worn when working in a shop.
- Rules for Personal Protection Equipment should always be respected. Wear your PPE including but not limited to the following:



# Safety First!



## PROCEDURE



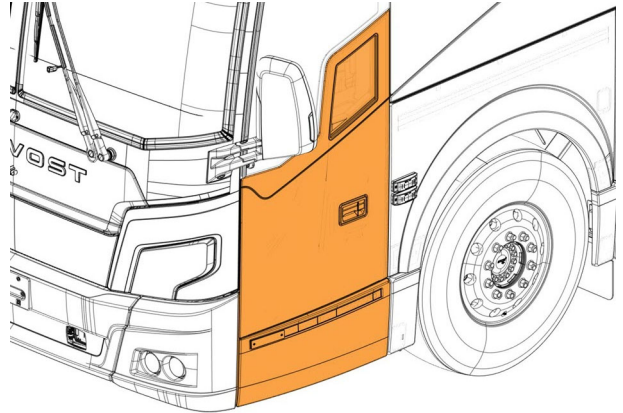
### DANGER

Park vehicle safely, apply parking brake, stop the engine. Prior to working on the vehicle, set the ignition switch to the OFF position and trip the main circuit breakers equipped with a trip button. On the Commuter type vehicles, set the battery master switch (master cut-out) to the OFF position.

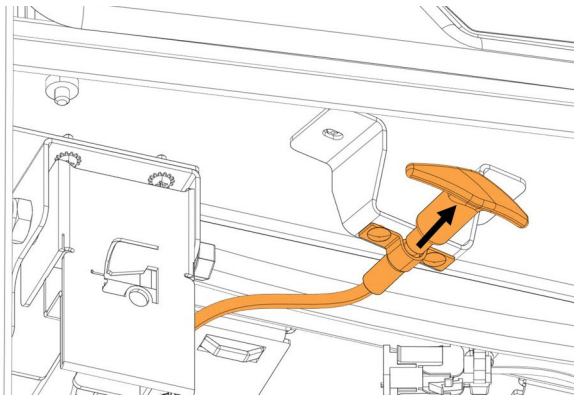
Lockout & Tag out (LOTO) must be performed during set-up, maintenance or repair activities. Refer to your local procedure for detailed information regarding the control of hazardous energy.

**AIR RETURN DUCT SEALING**

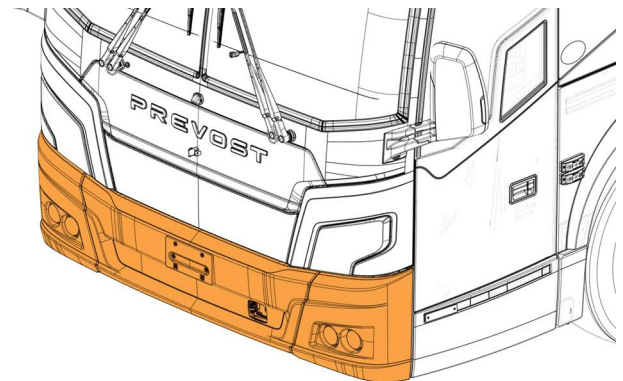
1. Open the front service door.



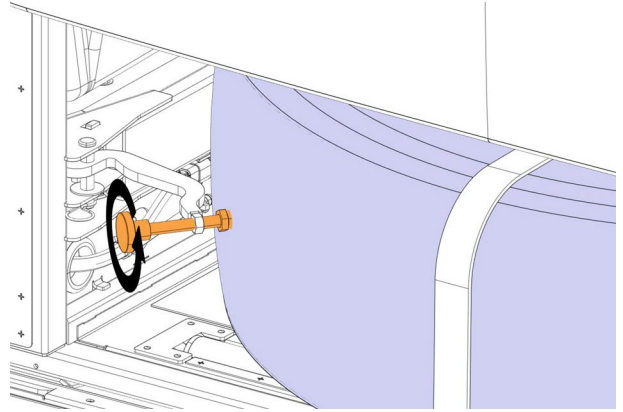
2. Pull the bumper release handle in the front service compartment.



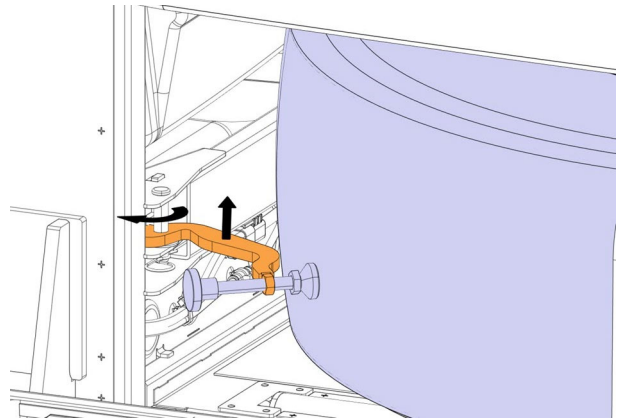
3. Lower the front bumper.



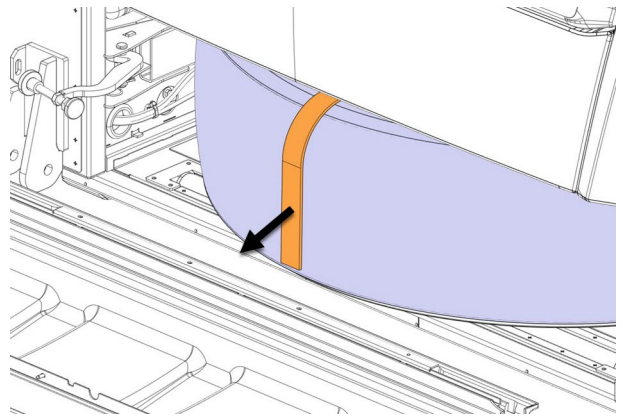
4. Untighten the pressure screw holding spare wheel in place.



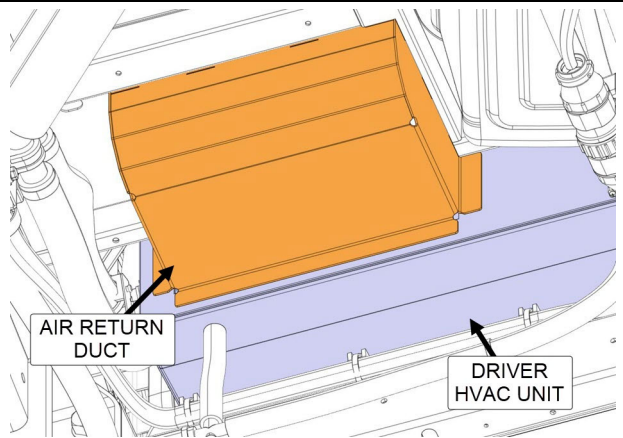
5. Lift the spare wheel stopper and move it to the side to release tire.



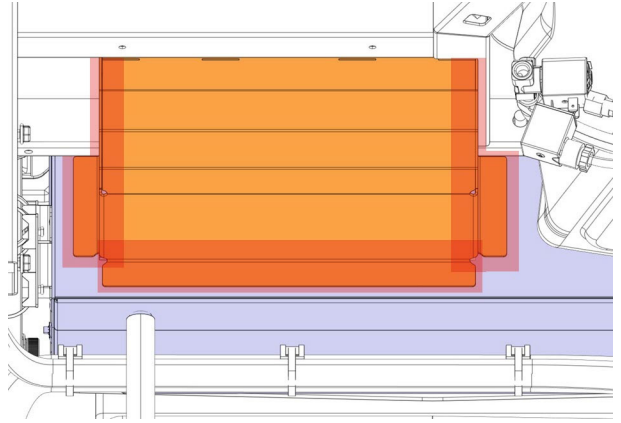
6. Pull the spare wheel out of the compartment using the strap.



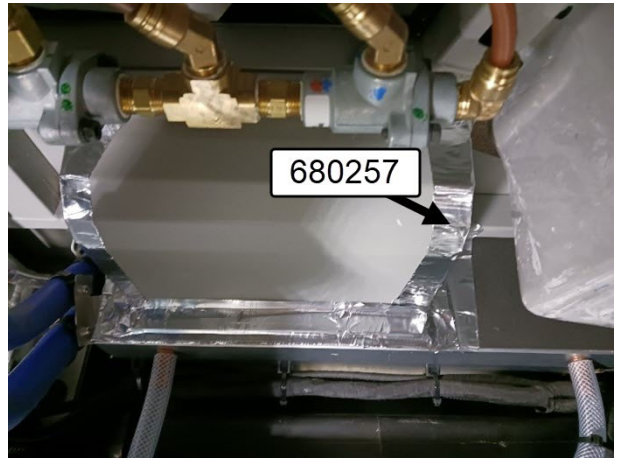
7. Locate the air return duct of the driver HVAC unit.



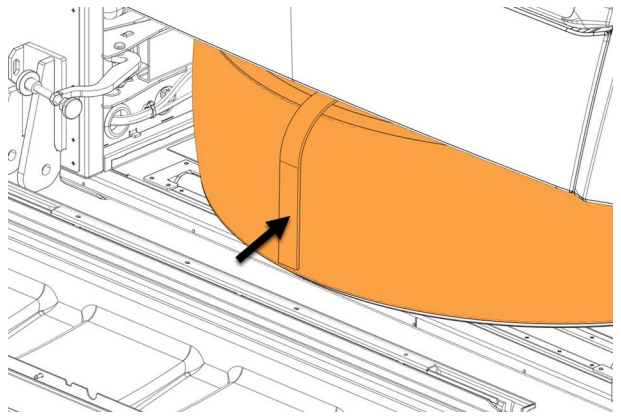
8. Clean the duct contour with alcohol.



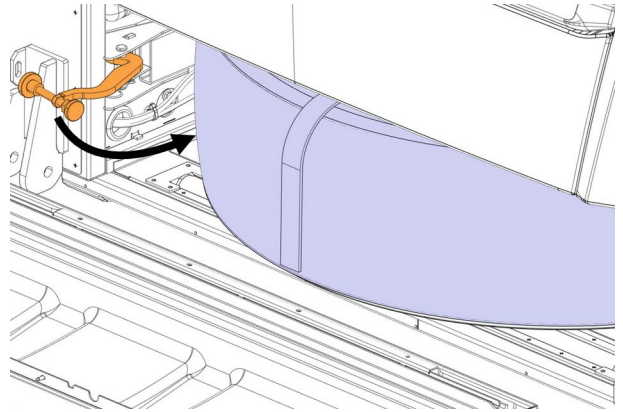
9. Apply aluminum adhesive tape 680257 all around the duct edges to seal any existing gaps.



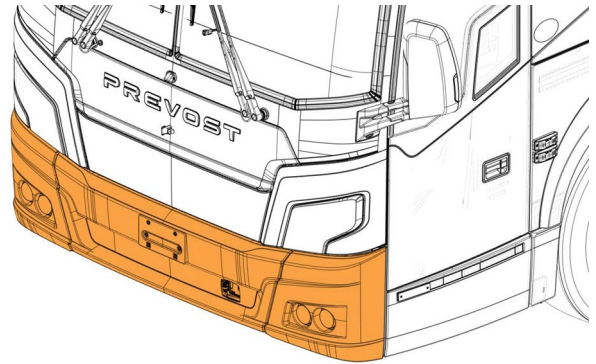
10. Put the spare wheel back in the spare wheel compartment.



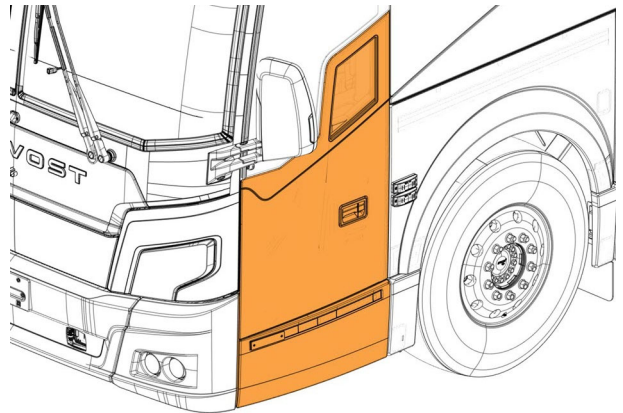
11. Return the spare wheel stopper to its initial position
12. Retighten the screw to hold the tire in place.



13. Close the front bumper.



14. Close the front service door.





## PARTS / WASTE DISPOSAL

Discard waste according to applicable environmental regulations (Municipal/State[Prov.]/ Federal).

## WARRANTY

This modification is covered by PrevoSt's normal warranty. We will reimburse you ½ hour (0.5) of labor upon receipt of a warranty claim. Please submit claim via our Online Warranty System, available at [www.prevostcar.com](http://www.prevostcar.com) (under Service \ Warranty section).

- Use Claim Type: "Bulletin/Recall" and select "Warranty Bulletin WB24-35".

## OTHER

VBC Bulletin	N/A
Fail Code	09
Defect Code	22.00
Syst. Cond	B
Causal Part	251732

Access all our Service Bulletins on  
<http://techpub.prevostcar.com/en/>  
or scan the QR-Code with your smart phone.



**Are you a Vehicle owner?** E-mail us at  
***technicalpublications\_prev@volvo.com*** and type "ADD" in the  
subject to receive warranty bulletins applicable to your vehicle(s)  
by e-mail.