

The Commitment

Since 1923 Automatic has been manufacturing products to meet the changing needs of our customers. Our engineering, manufacturing, testing, and management experience continue to provide top quality high value products.

The Refrigeration & Air-Conditioning Industry

Automatic was the first to manufacture steel shut-off or service valves. Since 1946 we have delivered the highest quality products in the Industry.

Over the years product offerings have expanded to include adapters, brass valves, check valves, sight glasses, tank valves, and various companion parts. Automatic is committed to the quality, development, expansion, and diversification required to meet our customers' expectations.

Today Automatic provides product to leading original equipment manufacturers on six continents.

The Goal

Automatic's goal is complete customer satisfaction. As a result we place extreme priority upon flexible and efficient management. Constant effort is devoted to developing and upgrading our manufacturing systems.

With focus and commitment Automatic is ready to address your needs. Working together we can provide you with the quality service and product demanded today and in the future.

The Value

Automatic's engineering and sales staffs are available to assist our customers. Bring us your requirements and not only can we help design a solution, but our thorough machine shop can rapidly provide prototypes for first hand evaluation.

Our combination of engineering assistance and consistent quality provide a truly rare pairing of service and value.



The Process

Automatic custom manufactures assemblies to customer order using standard components. Parts are machined, assembled, brazed, inspected, tested, and finished on site in Automatic's integrated facility. Automatic's ISO9001 registered quality system monitors and assures every phase of manufacturing from order receipt through shipment.

Standard components cover a complete range of typical system connections. However when standard components do not fit a customer need, integrated manufacturing and experienced engineering allow Automatic to provide completely new designs and products.

Contract Services

While we are best known for our line of high integrity refrigeration products, Automatic also offers customers our expertise in precision machining, brazing, assembly, and testing. For over 85 years Automatic has provided these services on a contract basis to customers in numerous industries.



Facilities

AUTOMATIC SCREW MACHINES

Acme
Brown & Sharpe
Davenport
New Britain

CNC

Mazak
Brother
Ares Seiki
Daewoo

ROTARY TRANSFER MACHINES

Hydromat

ASSEMBLY

Power Press
Hydraulic Press
Furnace Brazing
Mass Spectrometer Testing
Bubble Testing

SECONDARY MACHINING

Hardinge Lathe
Milling
Drilling
Deburring

TUBE CUT OFF/FORMING

Burr Oak

Steel Valves

Automatic offers a full line of UL recognized steel shut-off valves. Valve body sizes are available from 3/4 inch through 1 3/4 inches. Standard connections are available in numerous types, configurations, sizes, and locations.

For a better understanding of the variety of standard options please review the diagram below. Automatic currently has over 10,000 active assemblies.

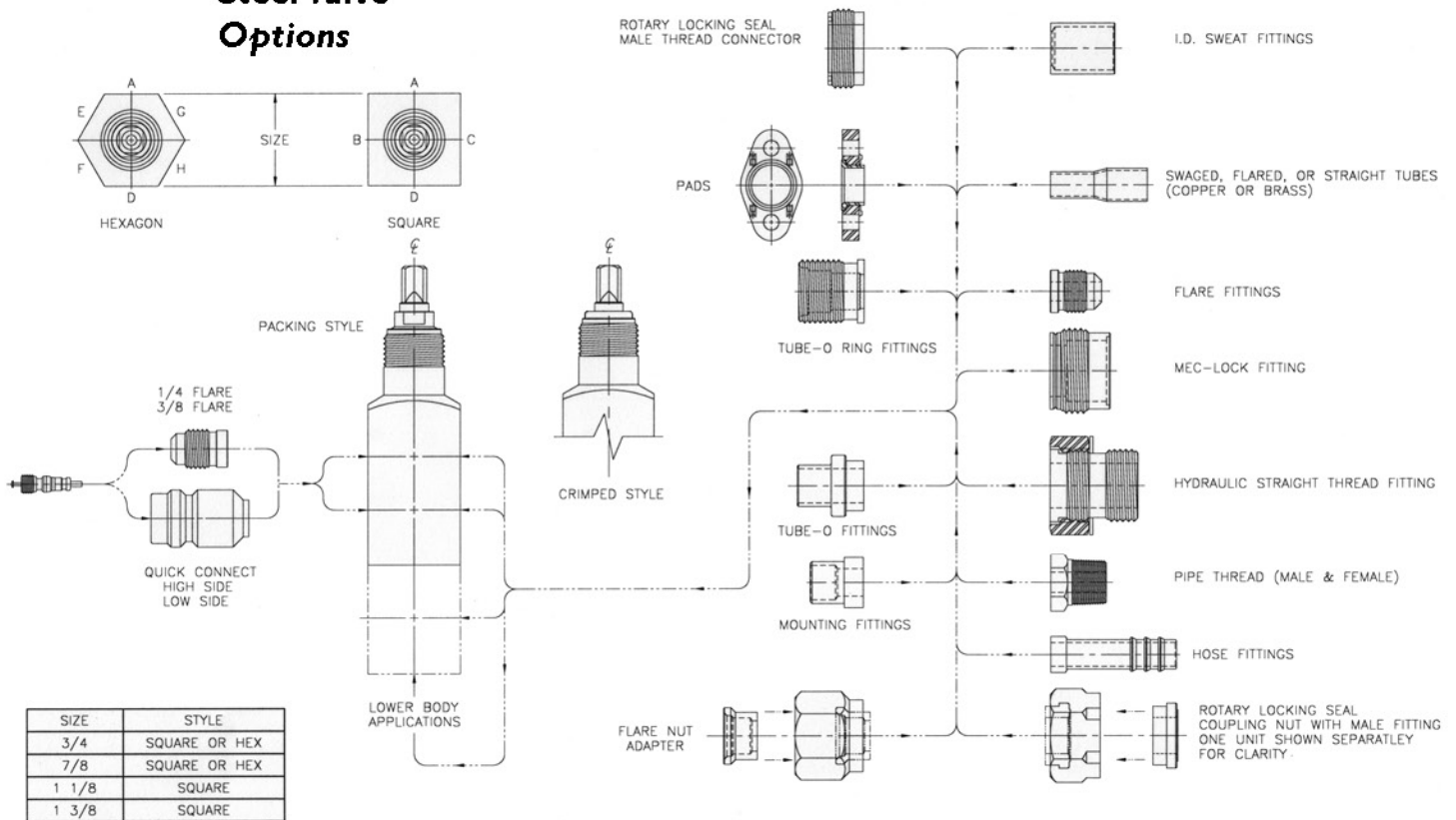
Select the fittings and locations you need and let us cross reference to the appropriate assembly.



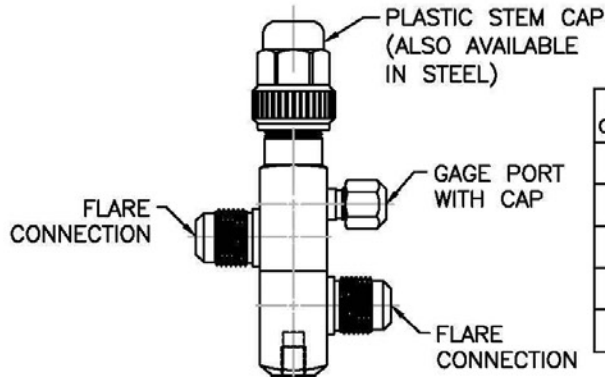
Coatings and Corrosion Protection

To protect our steel assemblies Automatic offers a variety of coatings including; Tin, Zinc, Nickel, and Copper. Our coatings offer up to 500 hours of salt spray corrosion protection.

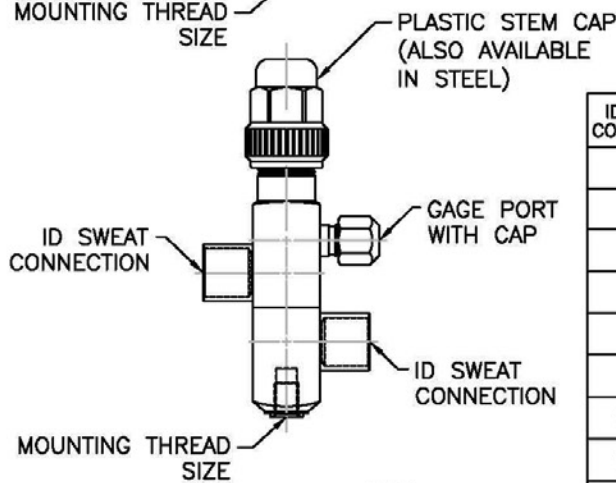
Steel Valve Options



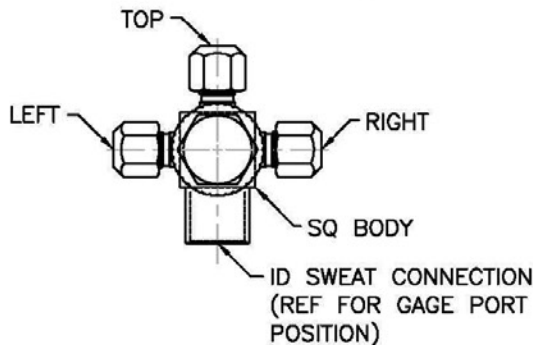
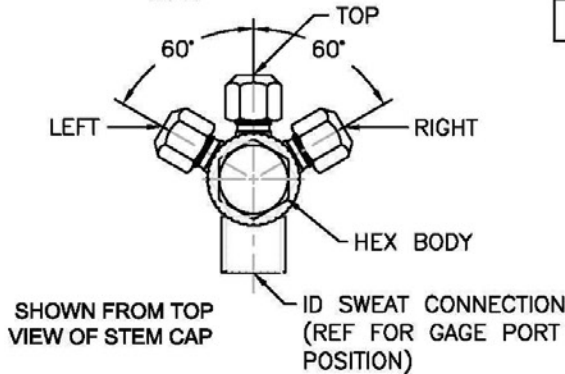
STEEL BASE VALVES



FLARE CONNECTION	MOUNTING THD SIZE	LEFT GAGE PORT	TOP GAGE PORT	RIGHT GAGE PORT	BODY SIZE
1/4	5/16-24	22001-P	22924-P	21979-P	3/4 HEX (19.1)
3/8	5/16-24	21915-P	21910-P	15923-P	3/4 HEX (19.1)
1/2	5/16-24	44944-P	24003-P	44943-P	7/8 SQ (22.2)
5/8	5/16-24	16161-P	24004-P	28949-P	7/8 SQ (22.2)
3/4	3/8-24	44946-P	24212-P	44945-P	1 1/8 SQ (28.6)



ID SWEAT CONNECTION	MOUNTING THD SIZE	LEFT GAGE PORT	TOP GAGE PORT	RIGHT GAGE PORT	BODY SIZE
1/4	5/16-24	21788-P	28691-P	27191-P	3/4 HEX (19.1)
3/8	5/16-24	21957-P	15029-P	27980-P	3/4 HEX (19.1)
1/2	5/16-24	24895-P	24006-P	24461-P	7/8 SQ (22.2)
5/8	5/16-24	15465-P	22481-P	27190-P	7/8 SQ (22.2)
3/4	3/8-24	15622-P	24007-P	24896-P	1 1/8 SQ (28.6)
7/8	3/8-24	24910-P	24008-P	24897-P	1 1/8 SQ (28.6)
1 1/8	3/8-24	15464-P	24200-P	24462-P	1 1/8 SQ (28.6)
1 1/8	5/16-24	27468-P	15912-P	44947-P	1 3/8 SQ (34.9)
1 3/8	5/16-24	44948-P	15744-P	28066-P	1 3/8 SQ (34.9)



STANDARD ITEMS FOR BASE AND ANGLES VALVES

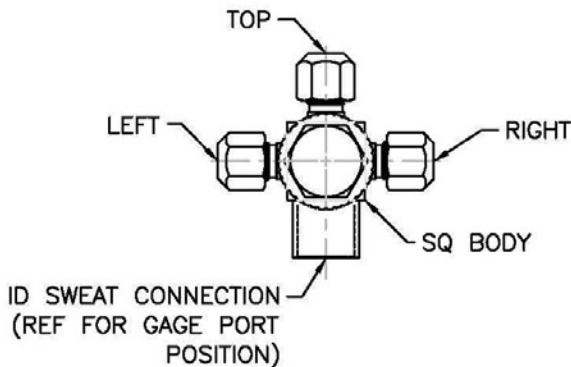
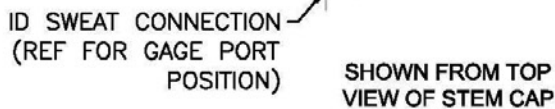
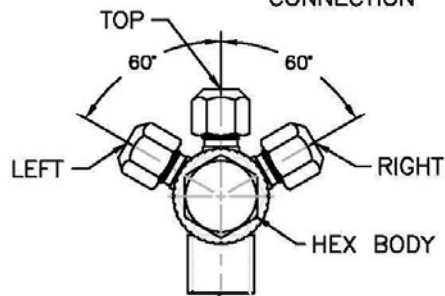
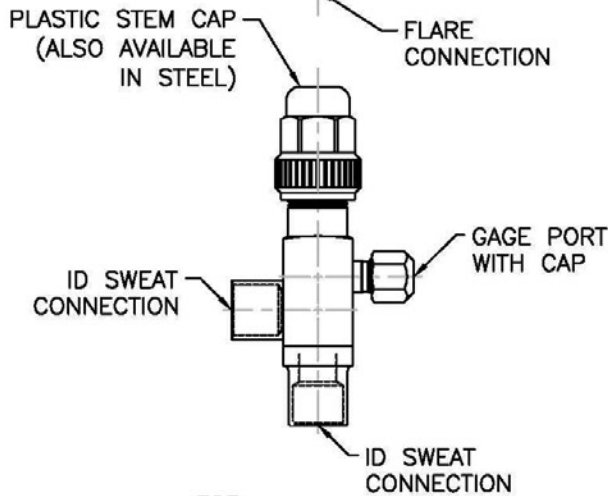
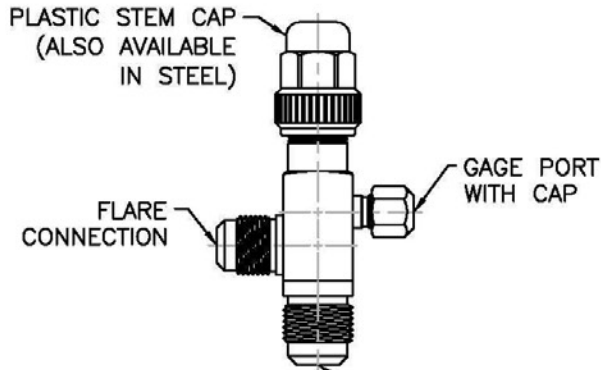
1. REINFORCED PBT STEM CAP ON 3/4", 7/8" AND 1 1/8" BODY VALVES
2. HEX, ALUMINUM GAGE PORT GAGE SEAL CAP.
3. BACK SEAT GAGE PORT SHUT-OFF.

OPTIONAL ITEM FOR BASE AND ANGLE VALVES: (PART NUMBER CHANGE REQUIRED)

1. HEX, BRASS GAGE PORT SEAL CAP.
2. FLARE/SWEAT FITTING COMBINATIONS ON THE SAME VALVE.
3. FITTINGS MAY BE RELOCATED TO OTHER FACES OF THE VALVE BODY.
4. ALL VALVES AVAILABLE WITHOUT A GAGE PORT.

NOTES:

1. "P" PART NUMBER SUFFIX DESIGNATES A PLATED FINISH VALVE.
2. USE STEM END OF VALVE & UPPER BODY CONNECTION AS REFERENCE WHEN DETERMINING GAGE PORT POSITION.



STEEL ANGLE VALVES

FLARE CONNECTION	LEFT GAGE PORT	TOP GAGE PORT	RIGHT GAGE PORT	BODY SIZE
1/4	44976-P	44345-P	44975-P	3/4 HEX (19.1)
3/8	44358-P	28812-P	44977-P	3/4 HEX (19.1)
1/2	44979-P	28352-P	44978-P	7/8 SQ (22.2)
5/8	29027-P	28353-P	44980-P	7/8 SQ (22.2)
3/4	44982-P	28351-P	44981-P	1 1/8 SQ (28.6)

ID SWEAT CONNECTION	LEFT GAGE PORT	TOP GAGE PORT	RIGHT GAGE PORT	BODY SIZE
1/4	44984-P	27054-P	44983-P	3/4 HEX (19.1)
3/8	27653-P	24678-P	44985-P	3/4 HEX (19.1)
1/2	27649-P	27058-P	15282-P	7/8 SQ (22.2)
5/8	16119-P	22716-P	15264-P	7/8 SQ (22.2)
3/4	27262-P	24209-P	44986-P	1 1/8 SQ (28.6)
7/8	27266-P	22778-P	22800-P	1 1/8 SQ (28.6)
1 1/8	27989-P	27357-P	44987-P	1 1/8 SQ (28.6)
1 1/8	27650-P	28955-P	28860-P	1 3/8 SQ (34.9)
1 3/8	44495-P	27950-P	24855-P	1 3/8 SQ (34.9)

STANDARD ITEMS FOR BASE AND ANGLES VALVES

1. REINFORCED PBT STEM CAP ON 3/4", 7/8" AND 1 1/8" BODY VALVES
2. HEX, ALUMINUM GAGE PORT GAGE SEAL CAP.
3. BACK SEAT GAGE PORT SHUT-OFF.

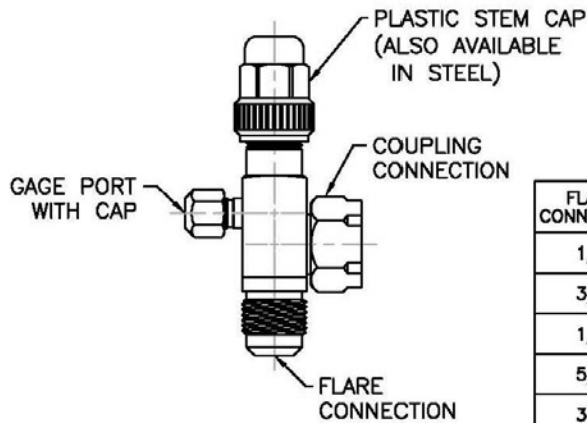
OPTIONAL ITEM FOR BASE AND ANGLE VALVES: (PART NUMBER CHANGE REQUIRED)

1. HEX, BRASS GAGE PORT SEAL CAP.
2. FLARE/SWEAT FITTING COMBINATIONS ON THE SAME VALVE.
3. FITTINGS MAY BE RELOCATED TO OTHER FACES OF THE VALVE BODY.
4. ALL VALVES AVAILABLE WITHOUT A GAGE PORT.

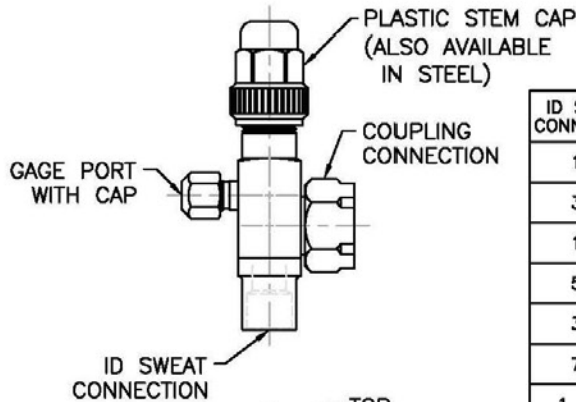
NOTES:

1. "P" PART NUMBER SUFFIX DESIGNATES A PLATED FINISH VALVE.
2. USE STEM END OF VALVE & UPPER BODY CONNECTION AS REFERENCE WHEN DETERMINING GAGE PORT POSITION.

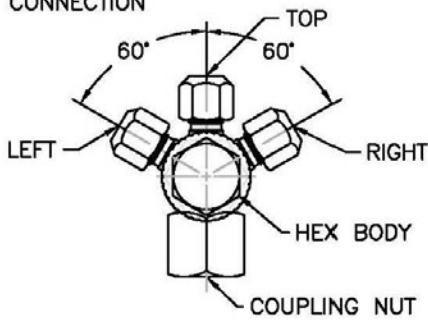
STEEL HORIZONTAL ROTARY-LOCK VALVES



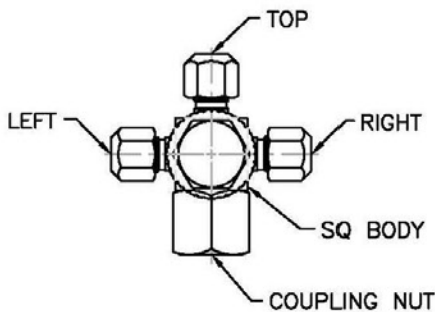
FLARE CONNECTION	COUPLING SIZE	LEFT GAGE PORT	TOP GAGE PORT	RIGHT GAGE PORT	BODY SIZE
1/4	3/4-16	27714-P	27710-P	27716-P	3/4 HEX (19.1)
3/8	3/4-16	27715-P	27712-P	27717-P	3/4 HEX (19.1)
1/2	1-14	27038-P	27689-P	27688-P	7/8 SQ (22.2)
5/8	1-14	27037-P	27691-P	27690-P	7/8 SQ (22.2)
3/4	1 1/4-12	24610-P	24600-P	24637-P	1 1/8 SQ (28.6)



ID SWEAT CONNECTION	COUPLING SIZE	LEFT GAGE PORT	TOP GAGE PORT	RIGHT GAGE PORT	BODY SIZE
1/4	3/4-16	24611-P	24474-P	24638-P	3/4 HEX (19.1)
3/8	3/4-16	24612-P	24475-P	24639-P	3/4 HEX (19.1)
1/2	1-14	24225-P	24601-P	23095-P	7/8 SQ (22.2)
5/8	1-14	24221-P	24602-P	24641-P	7/8 SQ (22.2)
3/4	1 1/4-12	24613-P	23078-P	24220-P	1 1/8 SQ (28.6)
7/8	1 1/4-12	24614-P	24603-P	24218-P	1 1/8 SQ (28.6)
1 1/8	1 1/4-12	24615-P	24325-P	24216-P	1 1/8 SQ (28.6)
1 1/8	1 3/4-12	24690-P	27221-P	27186-P	1 3/8 SQ (34.9)
1 3/8	1 3/4-12	24616-P	24320-P	24642-P	1 3/8 SQ (34.9)



SHOWN FROM TOP VIEW OF STEM CAP



STANDARD ITEMS FOR BASE AND ANGLES VALVES

1. REINFORCED PBT STEM CAP ON 3/4", 7/8" AND 1 1/8" BODY VALVES
2. HEX, ALUMINUM GAGE PORT GAGE SEAL CAP.
3. BACK SEAT GAGE PORT SHUT-OFF.

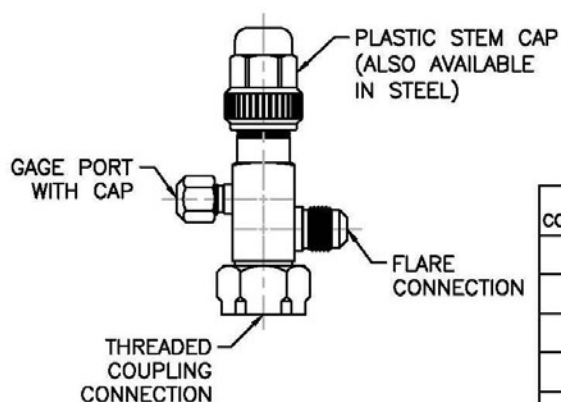
OPTIONAL ITEM FOR BASE AND ANGLE VALVES: (PART NUMBER CHANGE REQUIRED)

1. HEX, BRASS GAGE PORT SEAL CAP.
2. FLARE/SWEAT FITTING COMBINATIONS ON THE SAME VALVE.
3. FITTINGS MAY BE RELOCATED TO OTHER FACES OF THE VALVE BODY.
4. ALL VALVES AVAILABLE WITHOUT A GAGE PORT.

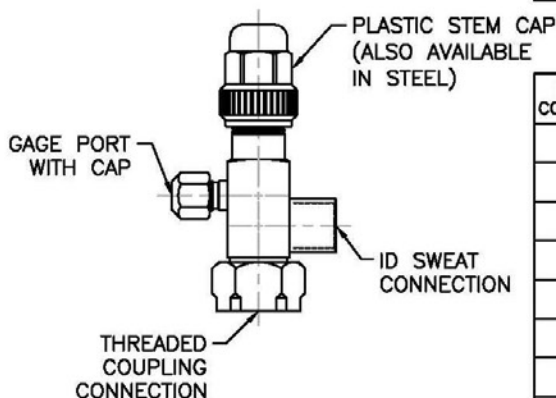
NOTES:

1. "P" PART NUMBER SUFFIX DESIGNATES A PLATED FINISH VALVE.
2. USE STEM END OF VALVE & UPPER BODY CONNECTION AS REFERENCE WHEN DETERMINING GAGE PORT POSITION.

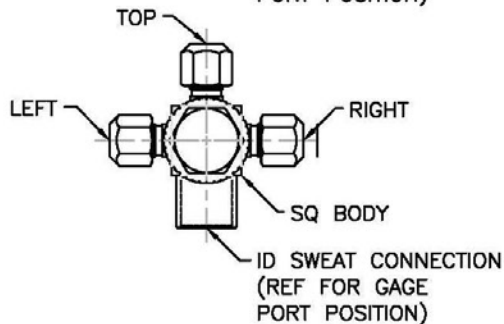
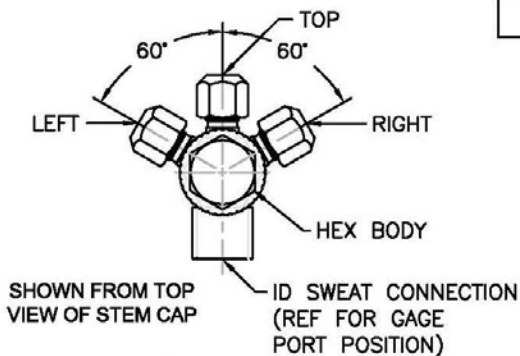
STEEL VERTICAL ROTARY-LOCK VALVES



FLARE CONNECTION	COUPLING SIZE	LEFT GAGE PORT	TOP GAGE PORT	RIGHT GAGE PORT	BODY SIZE
1/4	3/4-16	27734-P	27730-P	27736-P	3/4 HEX (19.1)
3/8	3/4-16	27735-P	27733-P	27737-P	3/4 HEX (19.1)
1/2	1-14	27692-P	27035-P	27693-P	7/8 SQ (22.2)
5/8	1-14	27694-P	27036-P	27695-P	7/8 SQ (22.2)
3/4	1 1/4-12	24622-P	24487-P	24648-P	1 1/8 SQ (28.6)



ID SWEAT CONNECTION	COUPLING SIZE	LEFT GAGE PORT	TOP GAGE PORT	RIGHT GAGE PORT	BODY SIZE
1/4	3/4-16	24623-P	24488-P	24649-P	3/4 HEX (19.1)
3/8	3/4-16	24624-P	24489-P	24650-P	3/4 HEX (19.1)
1/2	1-14	24626-P	24490-P	24652-P	7/8 SQ (22.2)
5/8	1-14	24627-P	24491-P	24653-P	7/8 SQ (22.2)
3/4	1 1/4-12	24628-P	24492-P	24654-P	1 1/8 SQ (28.6)
7/8	1 1/4-12	24629-P	24493-P	24655-P	1 1/8 SQ (28.6)
1 1/8	1 1/4-12	24630-P	24494-P	24656-P	1 1/8 SQ (28.6)
1 1/8	1 3/4-12	28129-P	27023-P	28130-P	1 3/8 SQ (34.9)
1 3/8	1 3/4-12	24631-P	24495-P	24657-P	1 3/8 SQ (34.9)



STANDARD ITEMS FOR BASE AND ANGLES VALVES

1. REINFORCED, PBT STEM CAP ON 3/4", 7/8" AND 1 1/8" BODY VALVES
2. HEX, ALUMINUM GAGE PORT GAGE SEAL CAP.
3. BACK SEAT GAGE PORT SHUT-OFF.

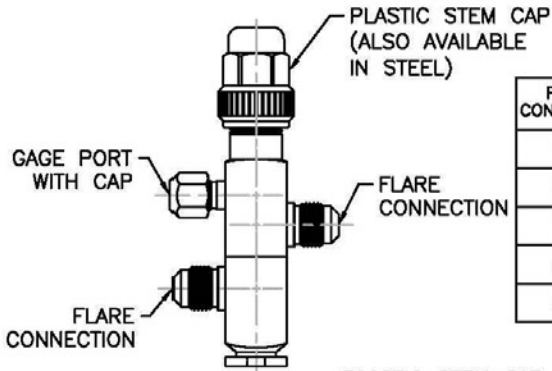
OPTIONAL ITEM FOR BASE AND ANGLE VALVES: (PART NUMBER CHANGE REQUIRED)

1. HEX, BRASS GAGE PORT SEAL CAP.
2. FLARE/SWEAT FITTING COMBINATIONS ON THE SAME VALVE.
3. FITTINGS MAY BE RELOCATED TO OTHER FACES OF THE VALVE BODY.
4. ALL VALVES AVAILABLE WITHOUT A GAGE PORT.

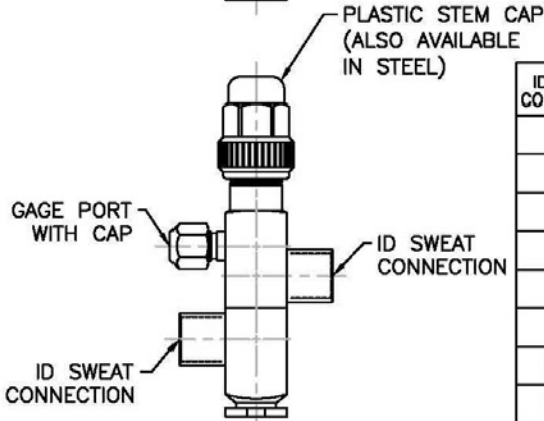
NOTES:

1. "P" PART NUMBER SUFFIX DESIGNATES A PLATED FINISH VALVE.
2. USE STEM END OF VALVE & UPPER BODY CONNECTION AS REFERENCE WHEN DETERMINING GAGE PORT POSITION.

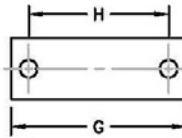
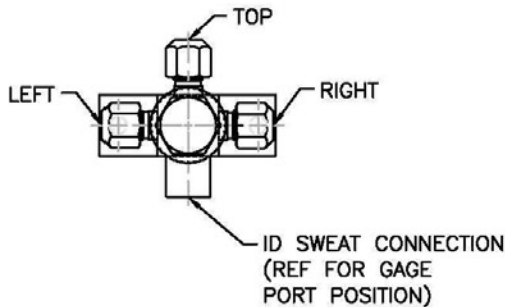
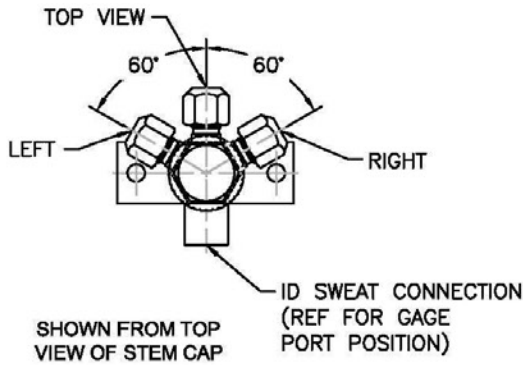
STEEL BRACKET VALVES



FLARE CONNECTION	LEFT GAGE PORT	TOP GAGE PORT	RIGHT GAGE PORT	BODY SIZE	"G" INCH (MM)	"H" INCH (MM)
1/4	44959-P	27787-P	44958-P	3/4 HEX (19.1)	2 1/2 (63.5)	2 (50.8)
3/8	44961-P	27786-P	44960-P	3/4 HEX (19.1)	2 1/2 (63.5)	2 (50.8)
1/2	44963-P	27788-P	44962-P	7/8 SQ (22.2)	2 1/2 (63.5)	2 (50.8)
5/8	44965-P	27789-P	44964-P	7/8 SQ (22.2)	2 1/2 (63.5)	2 (50.8)
3/4	44967-P	27790-P	44966-P	1 1/8 SQ (28.6)	3 (76.2)	2 1/2 (63.5)



ID SWEAT CONNECTION	LEFT GAGE PORT	TOP GAGE PORT	RIGHT GAGE PORT	BODY SIZE	"G" INCH (MM)	"H" INCH (MM)
1/4	44394-P	29048-P	44968-P	3/4 HEX (19.1)	2 1/2 (63.5)	2 (50.8)
3/8	44396-P	28221-P	16499-P	3/4 HEX (19.1)	2 1/2 (63.5)	2 (50.8)
1/2	44241-P	16399-P	28088-P	7/8 SQ (22.2)	2 1/2 (63.5)	2 (50.8)
5/8	28220-P	15273-P	28229-P	7/8 SQ (22.2)	2 1/2 (63.5)	2 (50.8)
3/4	28094-P	28297-P	44969-P	1 1/8 SQ (28.6)	3 (76.2)	2 1/2 (63.5)
7/8	28089-P	15983-P	44970-P	1 1/8 SQ (28.6)	3 (76.2)	2 1/2 (63.5)
1 1/8	44242-P	15984-P	44971-P	1 1/8 SQ (28.6)	3 (76.2)	2 1/2 (63.5)
1 1/8	44973-P	45007-P	44972-P	1 3/8 SQ (34.9)	3 (76.2)	2 1/2 (63.5)
1 3/8	44511-P	28811-P	44974-P	1 3/8 SQ (34.9)	3 (76.2)	2 1/2 (63.5)



STANDARD BRACKET
OTHER SIZES AVAILABLE
UPON REQUEST.
BOLT HOLES—1/4 (6.4MM)
WIDTH—7/8 (22.2 MM)
THICKNESS—1/8 (3.2MM)

STANDARD ITEMS FOR BASE AND ANGLES VALVES

1. REINFORCED PBT STEM CAP ON 3/4", 7/8" AND 1 1/8" BODY VALVES
2. HEX, ALUMINUM GAGE PORT GAGE SEAL CAP.
3. BACK SEAT GAGE PORT SHUT-OFF.

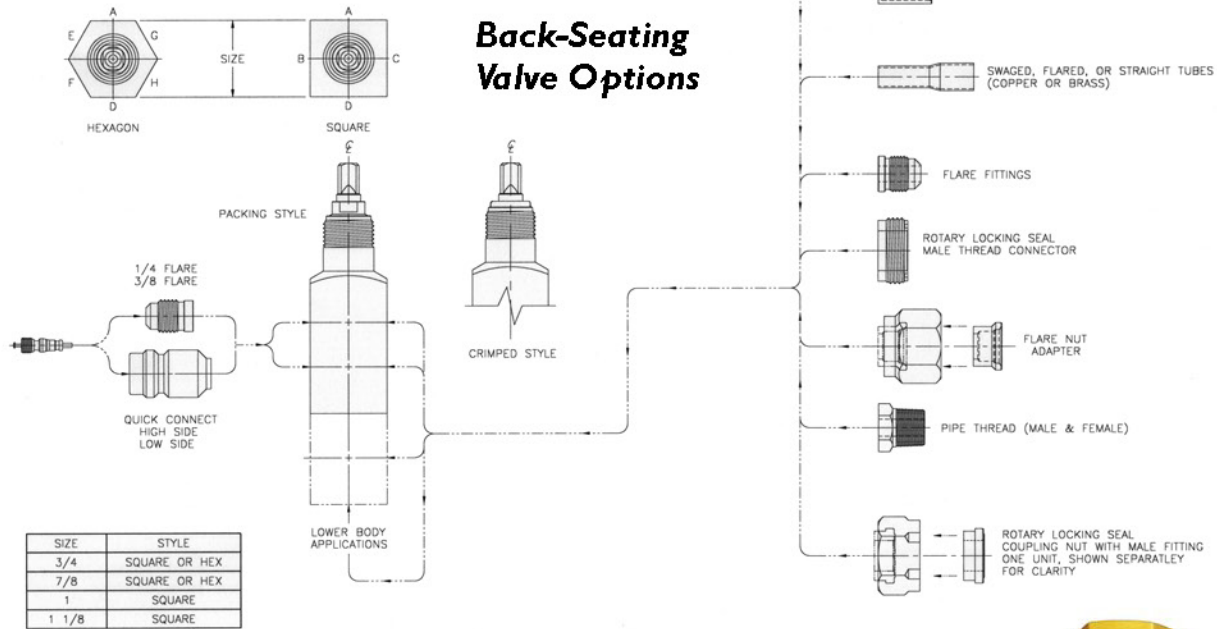
OPTIONAL ITEM FOR BASE AND ANGLE VALVES: (PART NUMBER CHANGE REQUIRED)

1. HEX, BRASS GAGE PORT SEAL CAP.
2. FLARE/SWEAT FITTING COMBINATIONS ON THE SAME VALVE.
3. FITTINGS MAY BE RELOCATED TO OTHER FACES OF THE VALVE BODY.
4. ALL VALVES AVAILABLE WITHOUT A GAGE PORT.

NOTES:

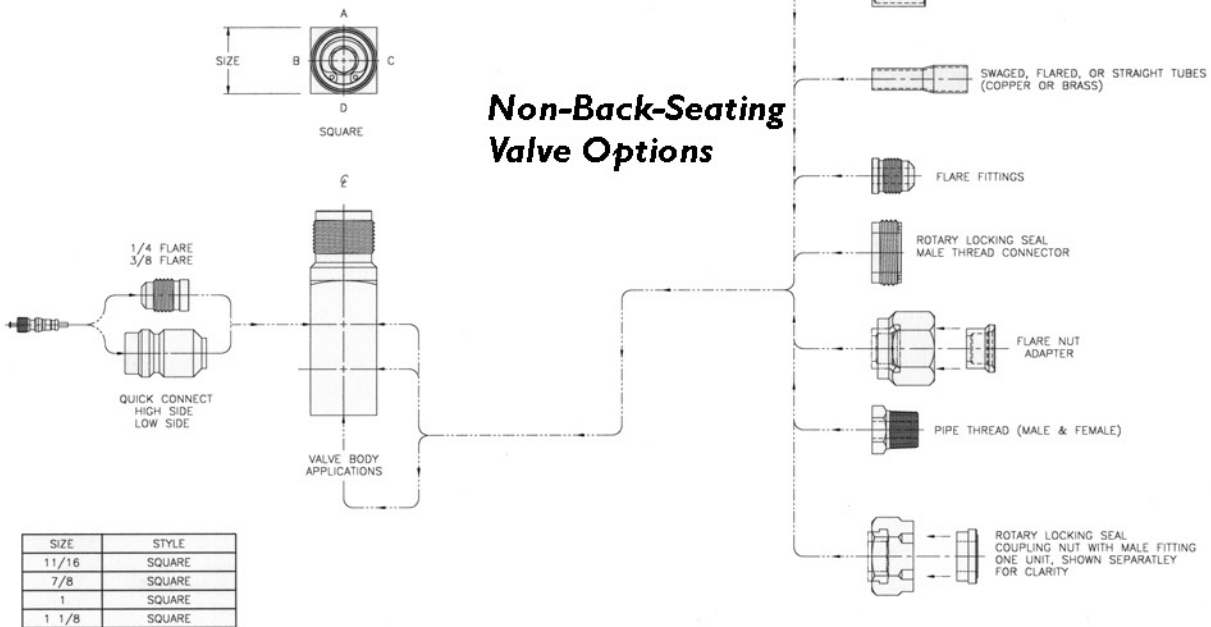
1. "P" PART NUMBER SUFFIX DESIGNATES A PLATED FINISH VALVE.
2. USE STEM END OF VALVE & UPPER BODY CONNECTION AS REFERENCE WHEN DETERMINING GAGE PORT POSITION.

Brass Valves

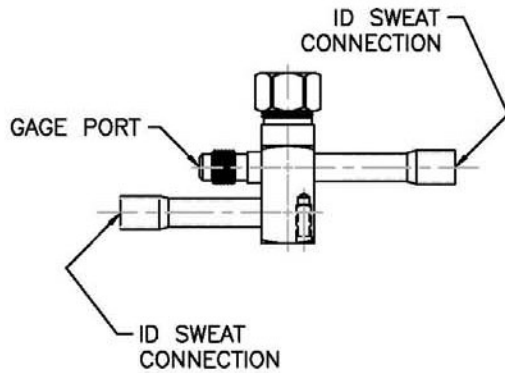


Brass Valves

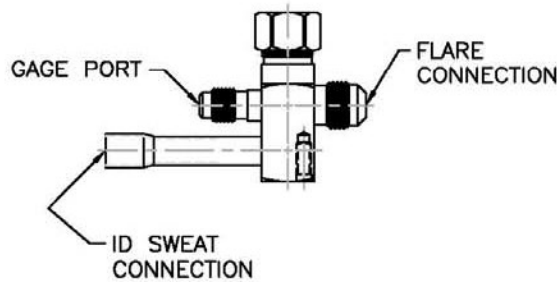
Automatic offers the same quality, reliability, and variety found in our steel valves in our UL recognized brass valve line. Brass provides the same level of performance, but with a greater measure of corrosion resistance. Choose from our non-back-seating valves for optimum flow and minimal pressure drop, or choose from our back-seating valves for maximum serviceability.



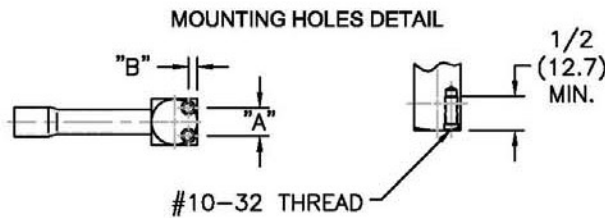
BRASS BASE VALVES



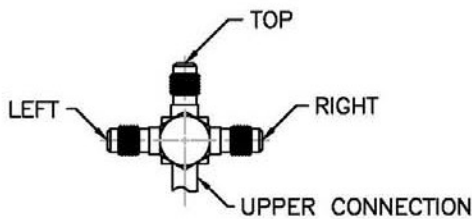
ID SWEAT CONNECTION	LEFT GAGE PORT	TOP GAGE PORT	RIGHT GAGE PORT	BODY SIZE
1/4	80712	80642	80702	11/16 SQ (17.5)
3/8	80713	80643	80703	11/16 SQ (17.5)
1/2	80714	80644	80704	7/8 SQ (22.2)
5/8	80715	80645	80705	7/8 SQ (22.2)
3/4	80716	80646	80706	1 SQ (25.4)
7/8	80717	80647	80707	1 1/8 SQ (28.6)



FLARE CONNECTION	LEFT GAGE PORT	TOP GAGE PORT	RIGHT GAGE PORT	BODY SIZE
1/4	80612	80762	80752	11/16 SQ (17.5)
3/8	80613	80763	80753	11/16 SQ (17.5)
1/2	80614	80764	80754	7/8 SQ (22.2)
5/8	80615	80765	80755	1 SQ (25.4)
3/4	80616	80766	80756	1 1/8 SQ (28.6)



BODY SIZE	"A" INCH (MM)	"B" INCH (MM)
11/16 SQ	.418 (10.6)	.135 (3.4)
7/8 SQ	.605 (15.4)	.135 (3.4)
1 SQ	.730 (18.5)	.135 (3.4)
1 1/8 SQ	.750 (19.1)	.135 (3.4)



SHOWN FROM TOP VIEW OF STEM CAP

OPTIONAL ITEMS:
(ORDER SEPARATELY)

- 16828 VALVE CORE.
- B16780 HEX BRASS GAGE PORT SEAL CAP.
- 16839 KNURLED NYLON GAGE PORT SEAL CAP (WITH NEOPRENE GASKET).

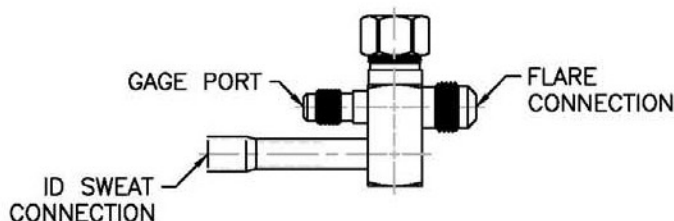
OPTIONAL ITEMS:
(AVAILABLE WITH VALVE NO. CHANGE)

- FITTING MAY BE RELOCATED TO OTHER FACES OF THE VALVE.
- ALL VALVES AVAILABLE WITHOUT A GAGE PORT.

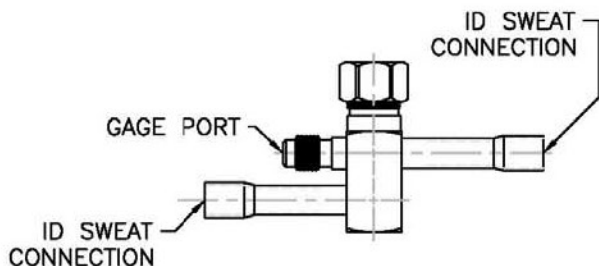
NOTES:

- USE STEM END OF VALVE AND UPPER BODY CONNECTION AS REFERENCE WHEN DETERMINING GAGE PORT LOCATION.
- GAGE PORT—1/4 FLARE (MACHINED FOR 16828).
- THESE VALVES ARE NON-BACK SEATING.

BRASS ANGLE VALVES

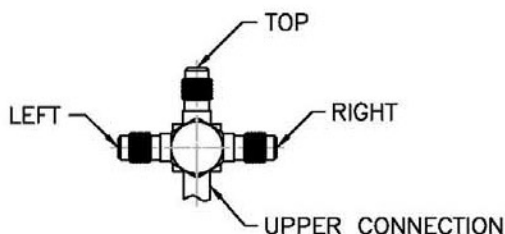


FLARE CONNECTION	LEFT GAGE PORT	TOP GAGE PORT	RIGHT GAGE PORT	BODY SIZE
1/4	80692	80532	80682	11/16 SQ (17.5)
3/8	80963	80533	80683	11/16 SQ (17.5)
1/2	80694	80539	80684	7/8 SQ (22.2)
5/8	80695	80540	80685	1 SQ (25.4)
3/4	80696	80538	80686	1 1/8 SQ (28.6)



ID SWEAT CONNECTION	LEFT GAGE PORT	TOP GAGE PORT	RIGHT GAGE PORT	BODY SIZE
1/4	80672	80522	80582	11/16 SQ (17.5)
3/8	80583	80523	80673	11/16 SQ (17.5)
1/2	80674	80524	80584	7/8 SQ (22.2)
5/8	80675	80525	80585	7/8 SQ (22.2)
3/4	80676	80526	80586	1 SQ (25.4)
7/8	80677	80527	80587	1 1/8 SQ (28.6)

SHOW FROM TOP
VIEW OF STEM CAP



OPTIONAL ITEMS:
(ORDER SEPARATELY)

- 16828 VALVE CORE.
- B16780 HEX BRASS GAGE PORT SEAL CAP.
- 16839 KNURLED NYLON GAGE PORT SEAL CAP (WITH NEOPRENE GASKET).

OPTIONAL ITEMS:
(AVAILABLE WITH VALVE NO. CHANGE)

- FITTING MAY BE RELOCATED TO OTHER FACES OF THE VALVE.
- ALL VALVES AVAILABLE WITHOUT A GAGE PORT.

NOTES:

- USE STEM END OF VALVE AND UPPER BODY CONNECTIONS AS REFERENCE WHEN DETERMINING GAGE PORT LOCATION.
- ALL VALVES AVAILABLE WITHOUT A GAGE PORT.
- THESE VALVES ARE NON-BACK SEATING.

Adapters

Automatic offers a wide variety of steel and brass adapter assemblies. Our adapters are available with nearly any combination of fittings available in our valves.

Our adapters are crafted and tested to the same stringent standards as our valves, providing our customers with over 50 years of proven quality and reliability.

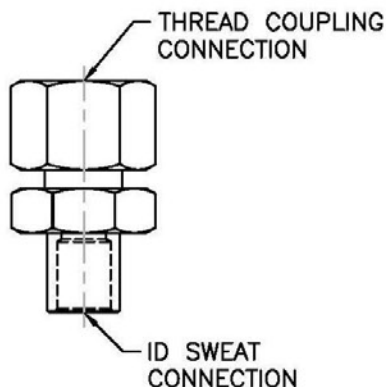


Companion Parts

Seal caps, stem caps, seal nuts, seals, gaskets, packing, gland nuts, washers, valve cores, and copper tubes are some of the companion parts Automatic provides for use in conjunction with our valves and adapters. All of our components are designed for optimum performance and compatibility.

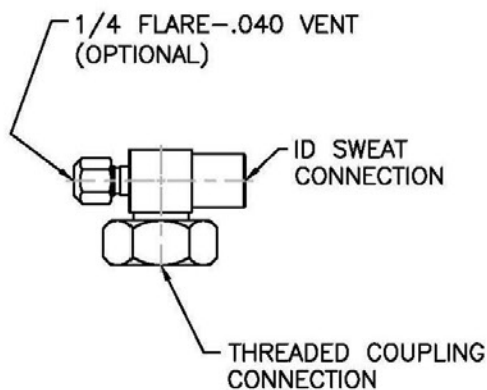


STEEL STRAIGHT ADAPTERS



ID SWEAT CONNECTION	THREAD SIZE	PART NUMBER	BODY SIZE
1/4	3/4-16	24683-P	7/8 HEX
1/4	1-14	24684-P	7/8 HEX
3/8	3/4-16	24516-P	7/8 HEX
3/8	1-14	24246-P	7/8 HEX
1/2	1-14	24247-P	7/8 HEX
5/8	1-14	24248-P	7/8 HEX
3/4	1-14	27924-P	7/8 HEX
3/4	1 1/4-12	24249-P	1 1/8 HEX
7/8	1 1/4-12	24250-P	1 1/8 HEX
1 1/8	1 1/4-12	24251-P	1 1/8 HEX
1 1/8	1 3/4-12	27328-P	1 3/4 HEX
1 3/8	1 3/4-12	24685-P	1 3/4 HEX

STEEL ANGLE ADAPTERS

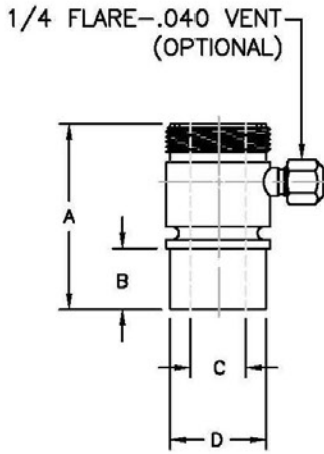


ID SWEAT CONNECTION	THREAD SIZE	LESS PROCESS PORT	WITH PROCESS PORT	BODY SIZE
1/4	3/4-16	24686-P	28131-P	3/4 SQ
1/4	1-14	24687-P	28132-P	7/8 SQ
3/8	3/4-16	24515-P	28133-P	3/4 SQ
3/8	1-14	24252-P	16114-P	7/8 SQ
1/2	1-14	24253-P	24850-P	7/8 SQ
5/8	1-14	24254-P	24851-P	7/8 SQ
3/4	1-14	27925-P	28136-P	7/8 SQ
3/4	1 1/4-12	24255-P	24852-P	1 1/8 SQ
7/8	1-14	16233-P	28134-P	7/8 SQ
7/8	1 1/4-12	24256-P	24853-P	1 1/8 SQ
1 1/8	1 1/4-12	24257-P	24854-P	1 1/8 SQ
1 1/8	1 3/4-12	24979-P	15286-P	1 3/8 SQ
1 3/8	1 3/4-12	24688-P	16145-P	1 3/8 SQ

NOTES:

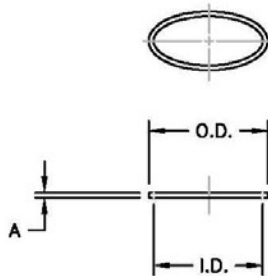
- HEX, BRASS PROCESS PORT SEAL CAP OPTIONALLY REPLACES HEX ALUMINUM PROCESS PORT SEAL CAP (AVAILABLE WITH PART No. CHANGE) WHERE APPLICABLE.
- "P" PART NUMBER SUFFIX DESIGNATES A PLATED FINISH ADAPTER.

STEEL ROTARY LOCK SPUDS



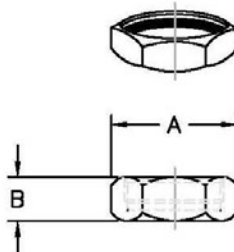
THREAD SIZE	LESS PROCESS PORT	WITH PROCESS PORT	"A" INCH (MM)	"B" INCH (MM)	"C" INCH (MM)	"D" INCH (MM)
3/4-16	24525	24524	1 15/16 (49.2)	3/8 (9.5)	11/32 (8.7)	.504/.507 (12.80/12.88)
3/4-16	1000	N/A	7/8 (22.2)	3/16 (4.8)	.378/.380 (9.60/9.65)	1/2 (12.7)
1-14	24526	23040	1 15/16 (49.2)	3/8 (9.5)	1/2 (12.7)	.749/.752 (19.02/19.10)
1-14	1002	N/A	15/16 (23.8)	7/32 (5.5)	.504/.507 (12.80/12.88)	.624/.626 (15.85/15.90)
1 1/4-12	1018	24219	1 15/16 (49.2)	3/8 (9.5)	3/4 (19.1)	.998/1.002 (25.35/25.45)
1 3/4-12	24555	24321	1 23/32 (43.6)	9/32 (7.1)	1 1/8 (28.6)	1.370/1.373 (34.80/34.87)
1 3/4-12	16408	N/A	15/16 (21.4)	3/32 (2.4)	1 1/8 (28.6)	1.255/1.257 (31.88/31.93)

TEFLON FIBER SEAL



USE WITH THREAD SIZE	GASKET	I.D. INCH (MM)	O.D. INCH (MM)	"A" INCH (MM)
3/4-16	24590	7/16 (11.1)	9/16 (11.1)	1/16 (1.6)
1-14	24591	5/8 (11.1)	3/4 (11.1)	1/16 (1.6)
1 1/4-12	24592	7/8 (11.1)	1 (25.4)	1/16 (1.6)
1 3/4-12	24593	1 3/8 (11.1)	1 1/2 (38.1)	1/16 (1.6)

SEAL NUTS



USE WITH THREAD SIZE	SEAL NUT	GASKET	"A" INCH (MM)	"B" INCH (MM)
3/4-16	1016-P	1001	7/8 HEX (22.2)	1/2 (22.2)
1-14	24239-P	22541	1 1/8 HEX (22.2)	9/16 (14.3)
1 1/4-12	24240-P	22770	1 3/8 HEX (22.2)	9/16 (14.3)
1 3/4-12	24328-P	24317	2 HEX (50.8)	11/16 (17.5)

*SEAL NUTS ARE USED WHEN CUSTOMERS PREFER TO SHIP COMPONENTS MINUS THE VALVE. IMPORTANT: A NEOPRENE KEVLAR GASKET MUST BE INCORPORATED WHEN USING A SEAL NUT ON A SPUD.

NOTES:

1. HEX BRASS PROCESS PORT SEAL CAP OPTIONALLY REPLACES HEX ALUMINUM PROCESS PORT SEAL CAP (AVAILABLE WITH PART NO. CHANGE) WHERE APPLICABLE.
2. "P" PART NUMBER SUFFIX DESIGNATES A PLATED FINISH ADAPTER.

CONTRACT MANUFACTURING

The background of the page is a solid blue color. It features several large, overlapping, curved shapes in various shades of blue, creating a dynamic and modern aesthetic. The shapes are primarily located in the lower half of the page, with some extending towards the top.

Contract Manufacturing

At Automatic we believe selecting a contract manufacturing partner is all about value. Automatic provides our partners fully integrated solutions. Partnering with the right manufacturer with the right core competencies creates an end result greater than the sum of the parts.

Contents	Page
The Commitment	3
The Goal	3
The Value	3
The Process	3
Industries	4
Materials	5
Customers	5
Machining	
Automatic Screw Machines	6
CNC Turning	6
Rotary Transfer Machines	6
CNC Milling	6
Tube Cut Off / Forming	7
Manufacturing Services	7
Secondary Operations	7
Milling	
Drilling	
Tapping	
Deburring	
Additional Services	7
Stamping	
Assembly	
Furnace Brazing	
Heat Treating	
Testing	

This literature in its entirety is protected under copyright laws, and is the property of Automatic Machine Products Company. Any reproduction or duplication of this document, its contents, or illustrations either in whole or in part is expressly prohibited.

© 2009 Automatic Machine Products Company

Call: (508)822-4226 Fax: (508)822-4476 Visit on the web: www.ampcomp.com

The Commitment

Since 1923 Automatic has been manufacturing products to meet the changing needs of our customers. Our engineering, manufacturing, testing, and management experience allow us to consistently provide top quality high value products.

The Goal

Automatic's goal is complete customer satisfaction. As a result we place extreme priority upon flexible and efficient management. Constant effort is devoted to developing and upgrading our manufacturing systems.

With focus and commitment Automatic is ready to address your needs. Working together we can provide you with the quality service and product demanded today and in the future.



The Value

Automatic's engineering and sales staffs are available to assist our customers. Bring us your requirements and not only can we help design a solution, but our thorough machine shop can rapidly provide prototypes for first hand evaluation.

Our combination of engineering assistance and consistent quality provide a truly rare pairing of service and value.

The Process

The process is our advantage. Our vertical integration truly sets us apart. Product may be machined, stamped, formed, assembled, welded, brazed, inspected, tested, and finished on site in Automatic's integrated facility. Automatic's ISO9001 quality system monitors and assures every phase of manufacturing from order receipt through shipment.

Industries Served

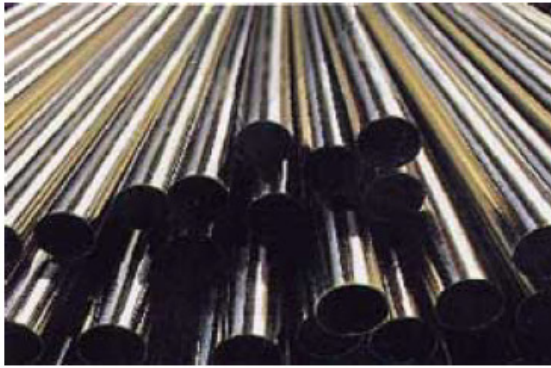
In its 85+ year history Automatic's diverse equipment and process offerings has allowed us to service a wide variety of industries. We draw on that broad experience when filling all of our customers requirements.

- Air-Conditioning
- Automotive
- Cleaning Systems
- Dispensing Systems
- Firearms
- Fire Suppression
- Heating
- Industrial Gas
- Jewelry
- Medical Products
- Ordinance
- Precision Tools
- Refrigeration
- Shipping Containers
- Specialty Adhesives
- Specialty Couplings
- Specialty Gas
- Valve
- ...and many more



Materials

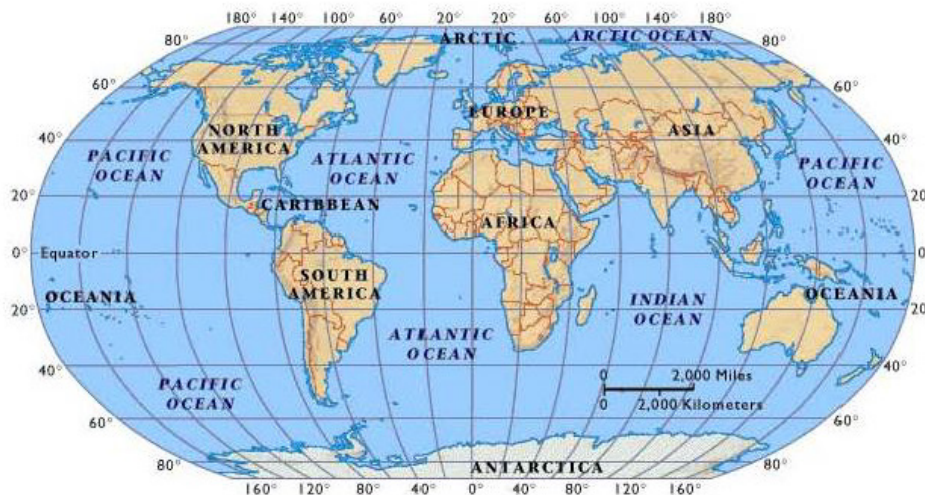
Automatic regularly works with various materials including carbon steel, steel alloys, stainless steels, aluminum, brass, bronze, silver, and copper. With our approved network of vendor/partners Automatic can process your orders quickly and efficiently.



Customer Base

Over the years Automatic's offerings and customer base have evolved and expanded. Automatic's customers now range from small local manufacturers to multi-billion dollar worldwide manufacturers. Today Automatic provides product to customers on six continents.

Our flexible approach, engineering expertise, and broad capabilities provide value recognized across the globe.



Machining - Automatic's diverse machining alternatives provide cost effective options to address our customers varied requirements

Automatic Screw Machines

Acme / Brown & Sharpe / Davenport /New Britain

Size Range: 1/8 inch - 2 1/4 inch
Typical Volume: moderate to high
Typical Tolerances: +/- 0.001
Strengths: produce parts quickly and economically



CNC Turning

Mazak / Daewoo

Size Range: Up to 3 inch (bar)
Typical Volume: low to moderate
Typical Tolerances: +/- 0.0005
Strengths: precision, versatility, standardized tooling, rapid set up



Rotary Transfer Machines

Hydromat

Size Range: Up to 1 3/4 inch
Typical Volume: moderate to high
Typical Tolerances: +/- 0.001
Strengths: ability to completely produce complex parts economically, multiple axis capability

CNC Milling

Brother / Ares Seiki

Typical Volume: any
Typical Tolerances: +/- 0.0005
Strengths: Capability to perform complex and varied primary and secondary machining operations, rapid set up, multiple axis, automation



Manufacturing Services - Automatic is much more than a machined components manufacturer. Automatic provides services ranging from brazing and heat treating to assembly and testing. Our experienced manufacturing personnel and engineering staff can fill your component requirements, process your product, or deliver complete "turnkey" assemblies.

Tube Cut Off / Forming

Burr Oak

Size Range: 1/4 to 7/8 inch

Typical Volume: any

Typical Tolerances: +/- 0.002

Strengths: precise economical production of straight and formed tube.



Additional Services

Stamping

Power Press

Hydraulic Press

Assembly

Exothermic Furnace Brazing

Dissociated Ammonia Brazing

Heat Treating/Annealing

Mass Spectrometer Testing

Emersion Bubble Testing

Secondary Operations

Hardinge Lathe

Milling

Drilling

Tapping

Deburring





400 Constitution Drive, Taunton, MA 02780 T 508.822.4226 F 508.822.4476 www.ampcomp.com