



**9000485 & 9000485-W - OSCP**

**OPERATOR'S SYSTEM CONTROL PANEL**

# **PARTS MANUAL**

Axion Ref. No.: 3042010  
( Revision -- )

# **Electronic Destination Sign Systems**

## **9000485 & 9000485-W - OSCP**

### **OPERATOR'S SYSTEM CONTROL PANEL**

# **PARTS MANUAL**

**Axion Ref. No.: 3042010  
( Revision -- )**

**2014**

The information provided in this document may be modified without prior notice.  
No part of this manual may be reproduced or transmitted for any purpose by  
any electronic or mechanical means, without a written authorization from:

**© 2014 Axion Technologies Ltd.  
Technical Publications and Training Department  
All rights reserved**

**PRINTED IN CANADA**

## HANDBOOK CHANGE INFORMATION

At AXION TEHCNOLOGIES LTD., we continually strive to keep up with the latest electronic developments with circuit and component improvements or simply by designing new equipment.

Sometimes, due to printing requirements, we are unable to incorporate these changes immediately into printed handbooks.

Our customers are welcome to contact our Technical Department concerning their requirements for the latest changes to our publications.

We also request that you notify us of any error found or omission in our publications.

Axion Technologies Ltd.  
151, rue du Parc-de-l'Innovation  
La Pocatière, Québec, Canada, GOR 1Z0  
Phone: 418-856-1454

[www.axiontech.ca](http://www.axiontech.ca)

## List of revisions

REVISION	DATE	DESCRIPTION OF CHANGES
--	2014-02-26	Original

## Table of Contents

1. TECHNICAL DESCRIPTION.....	1
2. OSCP DESCRIPTION.....	2
2.1. DIMENSIONS.....	2
2.2. EXPLODED VIEW.....	3
2.3. OSCP BOARDS.....	4
2.3.1. Processor Board Assy 8102172.....	4
2.3.2. LCD Board Assy 8101687.....	5
2.3.3. Wi-Fi Board 8101689 (Optional, on 9000485-W only).....	6
2.4. PARTS LIST.....	7
3. REMOVAL AND REPLACEMENT PROCEDURES.....	9
3.1. OSCP REMOVAL AND REPLACEMENT.....	9
3.2. OSCP BOARDS REMOVAL AND REPLACEMENT.....	10
3.2.1. LCD board removal and replacement.....	10
3.2.2. Wi-Fi board removal and replacement.....	10
3.2.3. Processor board removal and replacement.....	11
3.2.4. Battery removal and replacement.....	11

# 1. TECHNICAL DESCRIPTION



## FUNCTIONS

- ⇒ Controls all signs installed on the vehicle
- ⇒ Management of public messages
- ⇒ Messages are selected by entering the destination number
- ⇒ Transfer of Database (Ethernet, USB) (or Wi-Fi (Optional)
- ⇒ Self-diagnosis and messages are displayed on the OSCP screen
- ⇒ Transfer of LED Test Messages to signs
- ⇒ Compatible with RS-232, J1708
- ⇒ Backward compatible with Axion's control console
- ⇒ Larger memory to allow larger databases
- ⇒ Other available options:
  - Multiple discrete inputs: wheelchair loading, emergency, yield
  - Automatic routing
  - Power-off delay

## FEATURES

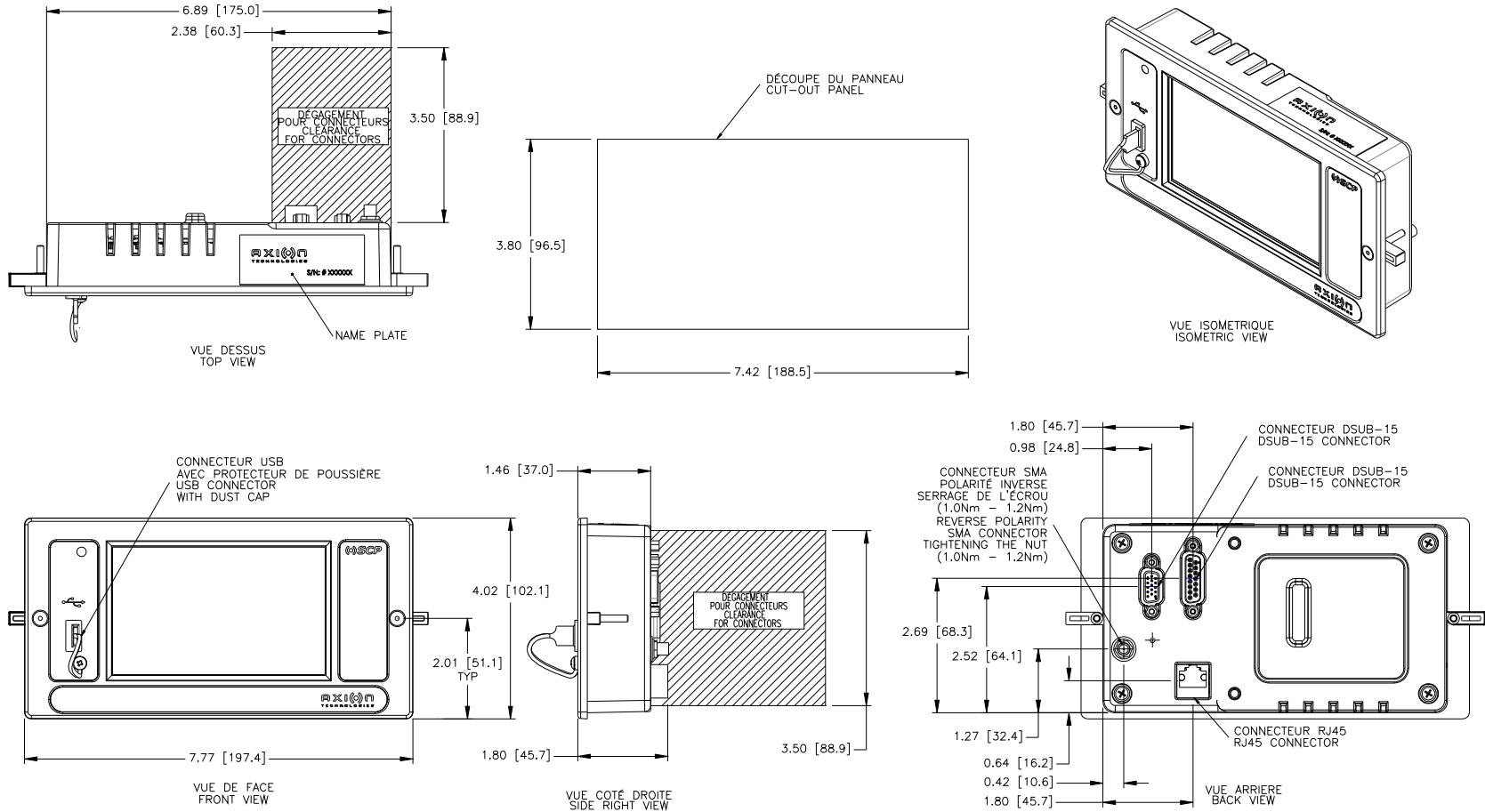
- ⇒ Number of signs managed: up to 9 per vehicle
- ⇒ Display: 5 in TFT | Resistive touch | 800 x 480
- ⇒ Case material: ABS, Black
- ⇒ Voltage Range: 10 - 36 Vdc, 12 or 24 Vdc nominal voltage
- ⇒ Power consumption: 0.5 A (Nom. @ 24Vdc)
- ⇒ Ethernet connector: RJ-45
- ⇒ Antenna connector: Reverse polarity SMA

## MECHANICAL FEATURES

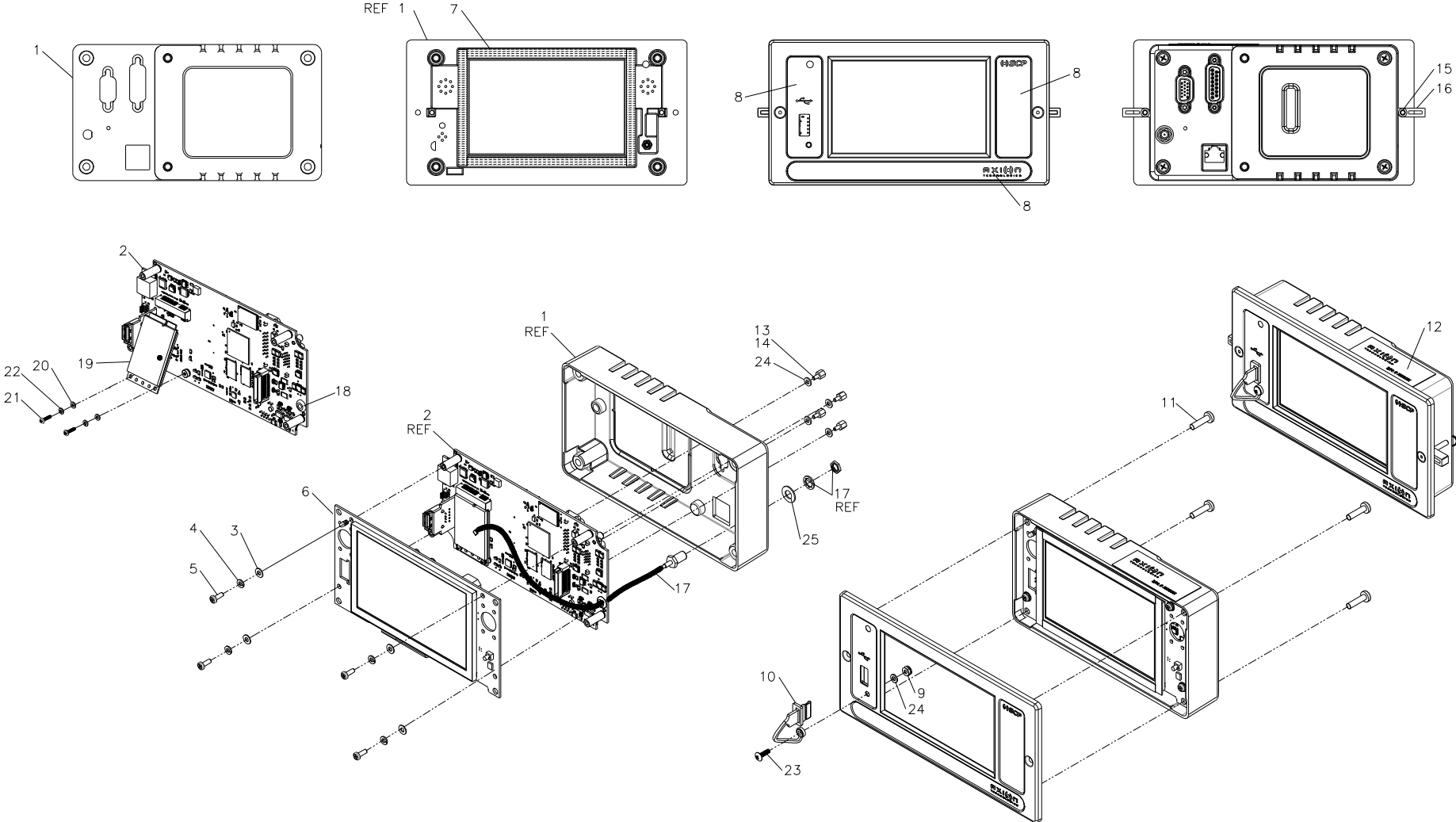
- ⇒ Height: 10,16 cm (4,0 in)
- ⇒ Length: 19,69 cm (7,75 in)
- ⇒ Thickness: 4.57 cm (1.80 in)
- ⇒ Weight: 0.5 kg (1.1 lb)

## 2. OSCP DESCRIPTION

### 2.1. DIMENSIONS



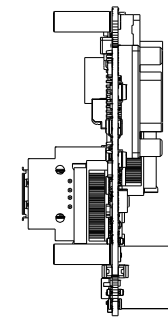
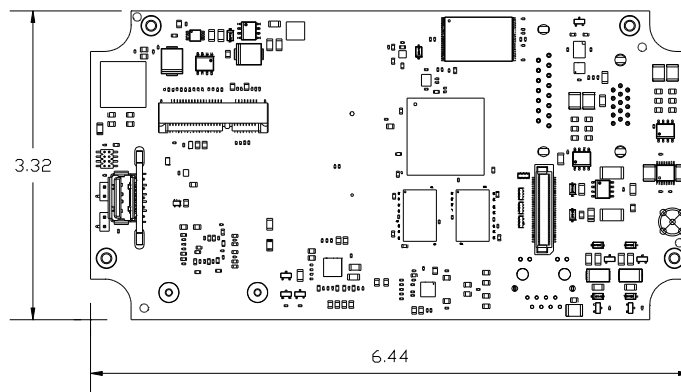
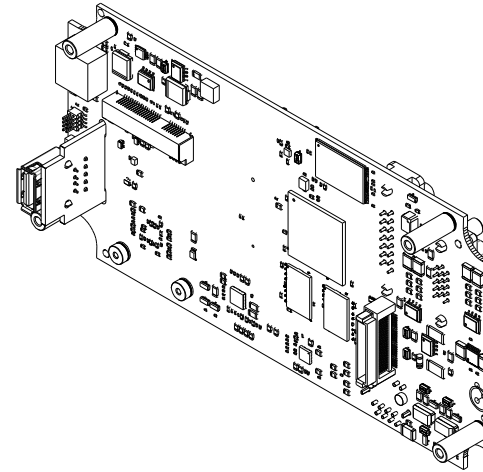
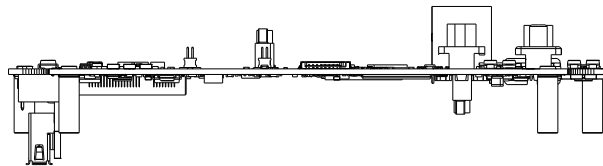
### 2.2. EXPLODED VIEW



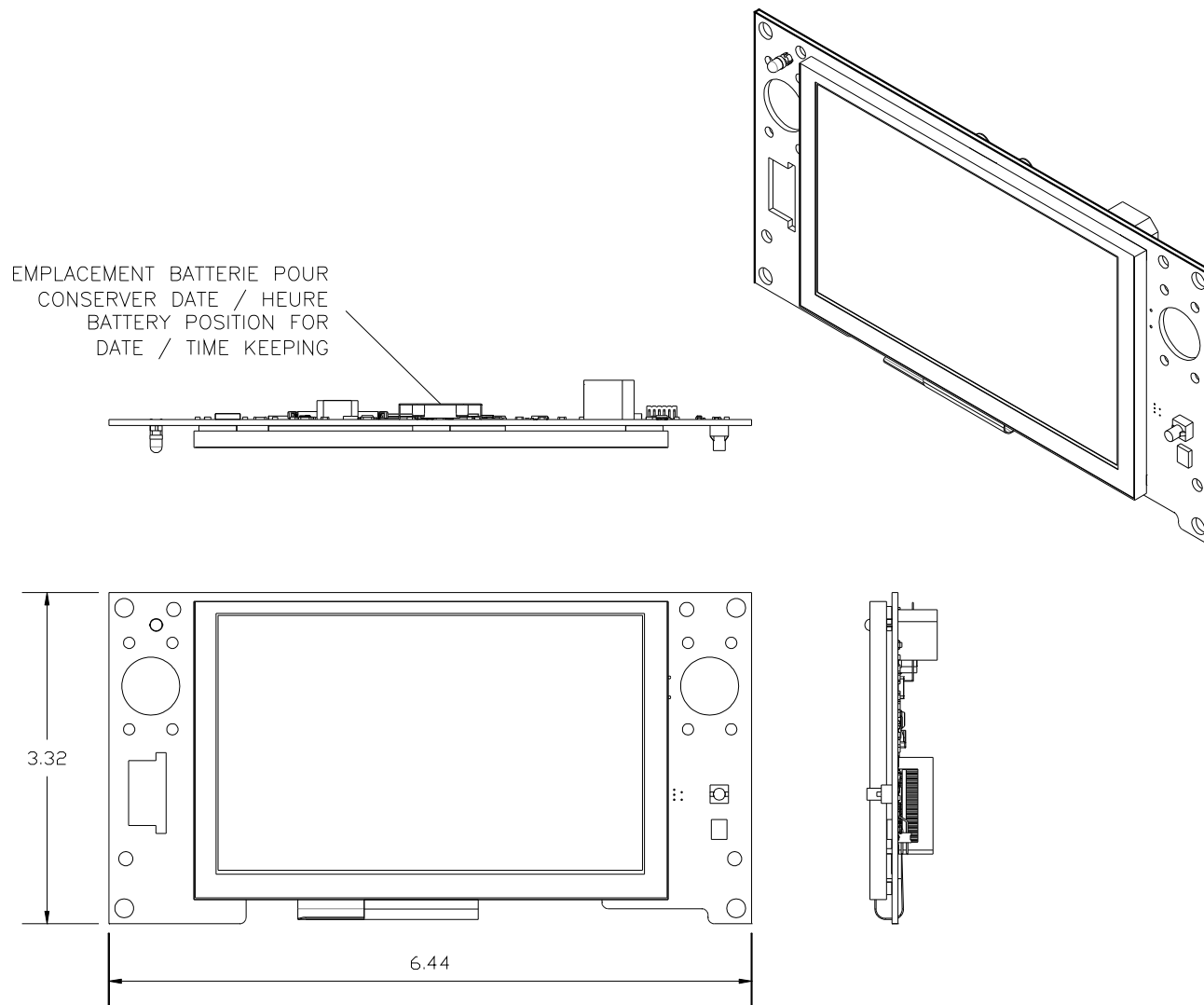


## 2.3. OSCP BOARDS

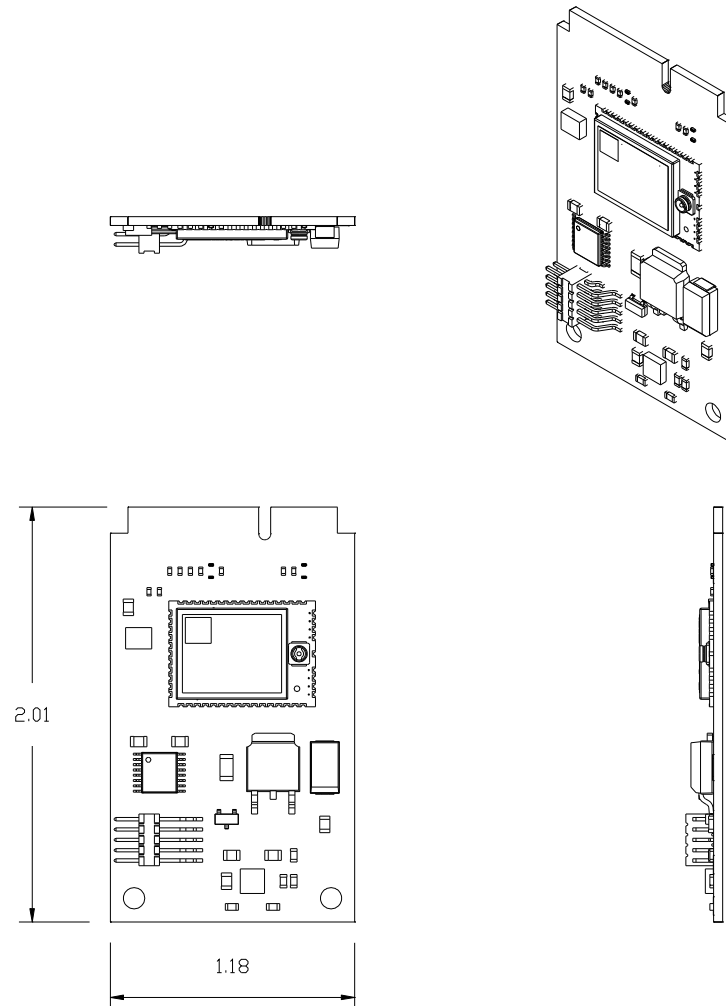
### 2.3.1. Processor Board Assy 8102172



### 2.3.2. LCD Board Assy 8101687



### 2.3.3. Wi-Fi Board 8101689 (Optional, on 9000485-W only)



## 2.4. PARTS LIST

### NOTE

The following callouts correspond to superseded or unavailable items for board #900485: 17, 18, 19, 20, 21, and 22.

Item No.	Part No.	Qty <sup>1</sup>	Description	Manufacturer	Remarks
<b>X</b>	<b>9000485</b>	<b>1</b>	<b>Onboard System Controller Panel</b>	<b>AXION</b>	
1	0400565	1	0930 OSCP CASING	AXION	
2	8102172	1	0930 OSCP PROCESSOR BOARD ASSY	AXION	
3	2827312	4	FLAT WASHER M3 SST 7MM 3.2MM LF	659-F03-1P SPAENAU	
4	2827309	4	SPRING WASHER M3 SST 6.2MM 3.1MM	668-004 SPAENAU	
5	2827271	4	SCREW PHI M3 8MM SST PAN	425-G08-1N SPAENAU	
6	8101687	1	0930 OSCP LCD BOARD ASSY	AXION	
7	0400580	1	0930 LCD GASKET	AXION	
8	0400571	1	OSCP FRONT STICKER	AXION	
9	2825209	1	LOCKNUT 4-40 SST NYL	179-006 SPAE-NAUR	
10	2100403	1	DUST CAP USB TYPE A	MUSB-2A111-024-BP AMPHENOL	
11	2827605	4	SCREW PHI M4 16MM SST PAN	425-051 SPAENAU	
12	8505917	1	0930 OSCP BASE BAR CODE	AXION	
13	2825213	4	SPCR HEX 4-40 3/16 DSUB SZN MX THREAD LOCKER GLUE REMOVABLE (242)	5747877-3 TE CONNECTIVITY	
14	1600092	A/R		24231 LOCTITE CANADA 91253A153 MAC MASTER	
15	2826199	2	SCREW ALL 6-32 1 STL BLK FL	AXION	
16	0400171	2	RETAINING CLIP	AXION	
23	2825320	1	SCREW PHI 4-40 3-8 SST TR BLK	94779A306 McMASTER	
24	2827268	5	FLAT WASHER SST #4 1/4 1/32	98019A309 MCMMASTER- CARR	

<sup>1</sup> **QTY UOM = EA unless specified**

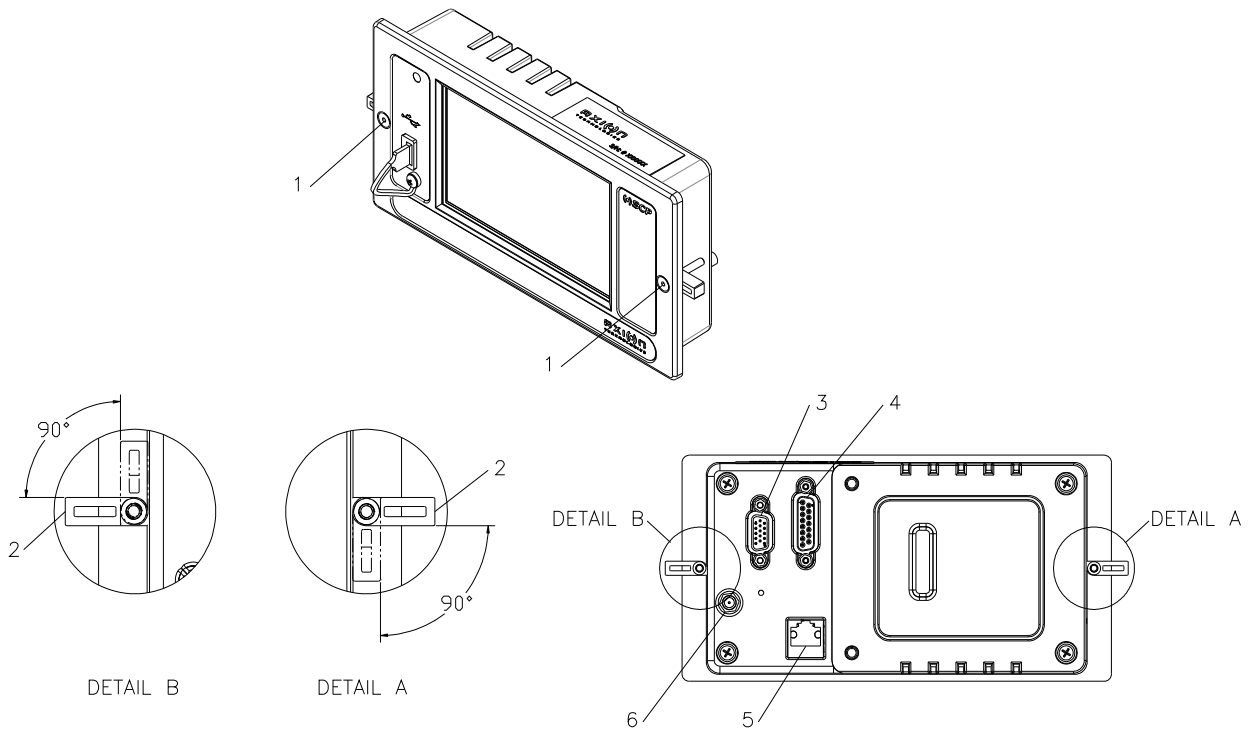
*Continued on next page*

**Items specific to 9000485-W only**

Item No.	Part No.	Qty <sup>1</sup>	Description	Manufacturer	Remarks
<b>X</b>	<b>9000485-W</b>	<b>1</b>	<b>Passenger Information System Controller</b>	<b>AXION</b>	<b>Items of 9000485 plus following items</b>
12	8505919	1	0930 OSCP WI-FI BAR CODE	AXION	
17	2109855	1	SMA STR & UFL W 6" COAX CABLE	RN-UFL-SMA6 ROVING NETWORKS	
18	2500005	1	GROMMET 1/8X1/4X1/16 RUB	B-1030 SPAENAU	
19	8101689	1	0930 OSCP WIFI BOARD ASSY	AXION	
20	2826257	2	FLAT WASHER SZN M2 4.5 0.5	657-083ZP SPAENAU	
21	2825122	2	SCREW PZD M2 8MM SST PAN	3060699 BOSSARD	
22	2826255	2	SPRING WASH SZN M2 4.4 0.5	664-001ZP SPAENAU	
25	2827574	1	FIBRE WASHER M6 DIN522	526-388 RS COMPONENTS	

### 3. REMOVAL AND REPLACEMENT PROCEDURES

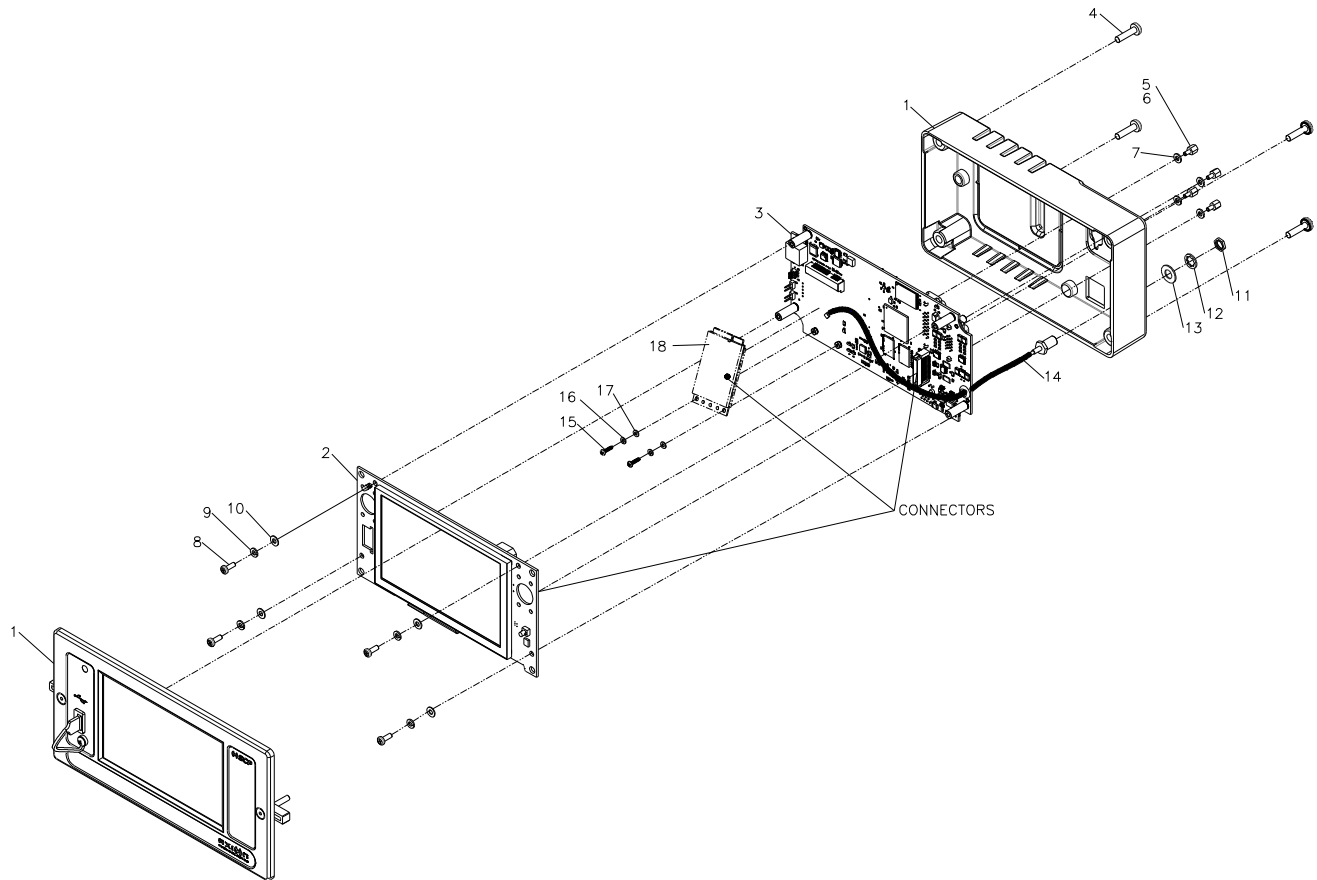
#### 3.1. OSCP REMOVAL AND REPLACEMENT



**Procedure :**

- Loosen screws (1) to tilt plastic clip (2) to 90°.
- Completely remove console from dash.
- Disconnect connectors (3, 4, 5, 6) from rear console.
- Reverse procedure to replace console.

## 3.2. OSCP BOARDS REMOVAL AND REPLACEMENT



### 3.2.1. LCD board removal and replacement

- Unscrew four screws (4).
- Pull apart top casing (1).
- Remove four screws (8) and washers (9, 10).
- Disconnect LCD board (2) from Processor board (3).
- Reverse procedure to replace LCD board.
  - Refer to the OSCP User Guide to recalibrate the touch panel.

### 3.2.2. Wi-Fi board removal and replacement

- Unscrew four screws (4).
- Pull apart top casing (1).
- Remove four screws (8) and washers (9, 10).
- Disconnect LCD board (2) from Processor board (3).
- Remove two screws (15) and washers (16, 17)
- Disconnect Wi-Fi board (18) from Processor board (3).
- Reverse procedure to replace Wi-Fi board.
  - Refer to the OSCP User Guide to configure Wi-Fi.

**3.2.3. Processor board removal and replacement**

- Unscrew four screws (4).
- Pull apart top casing (1).
- Remove four screws (8) and washers (9, 10).
- Disconnect LCD board (2) from Processor board (3).
- Remove two screws (15) and washers (16, 17)
- Disconnect Wi-Fi board (18) from Processor board (3).
- Remove D-SUB connector spacer assembly (5, 6, 7).
  - When assembling, apply threadlocker (6) on spacer (5).
- Reverse procedure to replace Processor board.

**3.2.4. Battery removal and replacement**

- Unscrew four screws (4).
- Pull apart top casing (1).
- Remove four screws (8) and washers (9, 10).
- Disconnect LCD board (2) from Processor board (3).
- Replace battery.
- Reverse procedure to replace LCD board.
- Update date and time using the OSCP User Guide.