

Multiplex Can, J1587 Network and Addressing

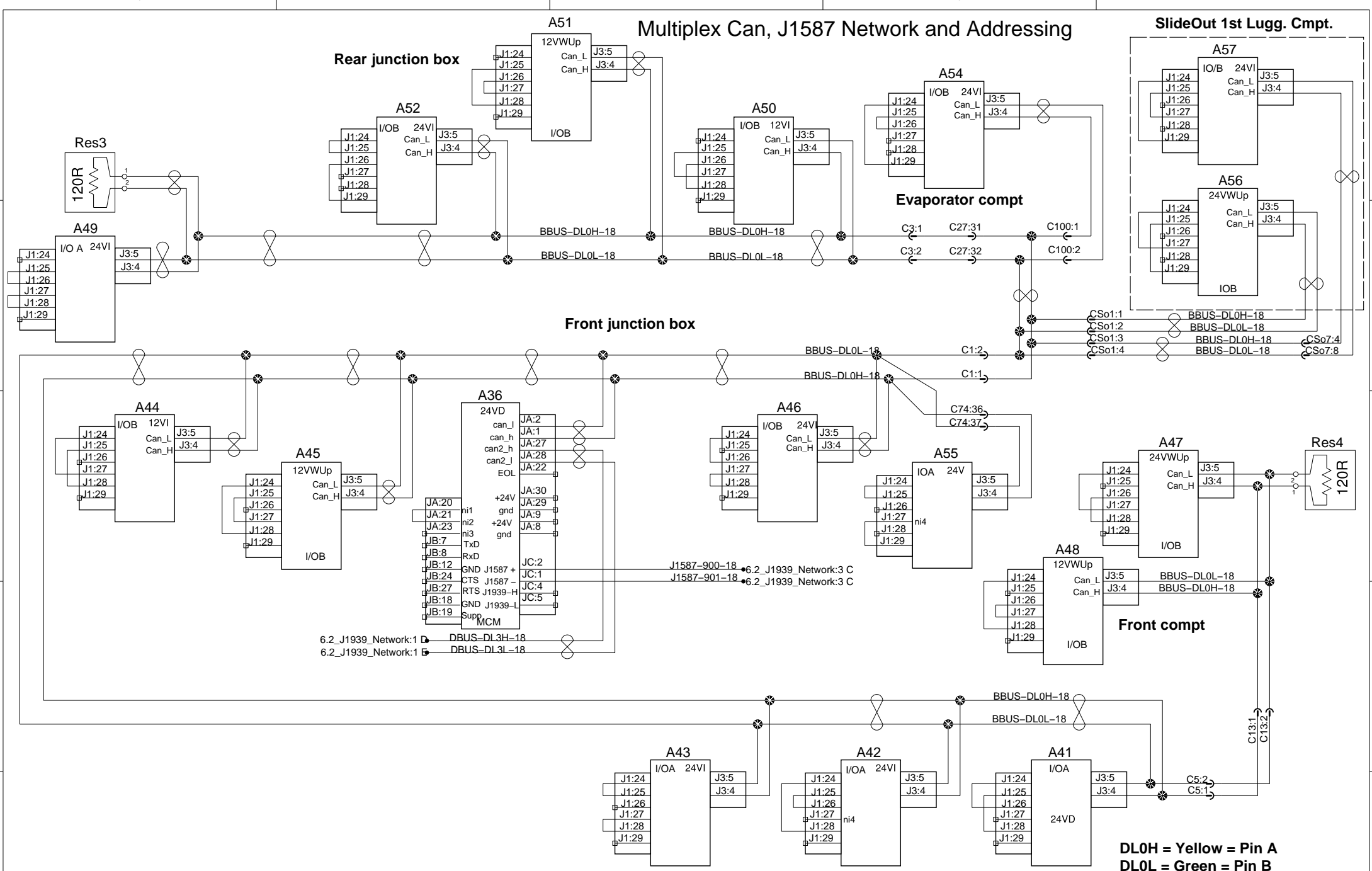
SlideOut 1st Lugg. Cmpt.

Rear junction box

Front junction box

Evaporator cmpt

Front cmpt



DL0H = Yellow = Pin A
DL0L = Green = Pin B