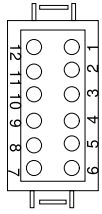


Converter interface

Front junction box

CC1 (BLACK)



BACK OF CONNECTOR
PREVOST PART 563227
SOCKET TERMINALS 562482
SECONDARY LOCK 563228

CC2 (GREY)



BACK OF CONNECTOR
PREVOST PART 563226
SOCKET TERMINALS 562482
SECONDARY LOCK 563228

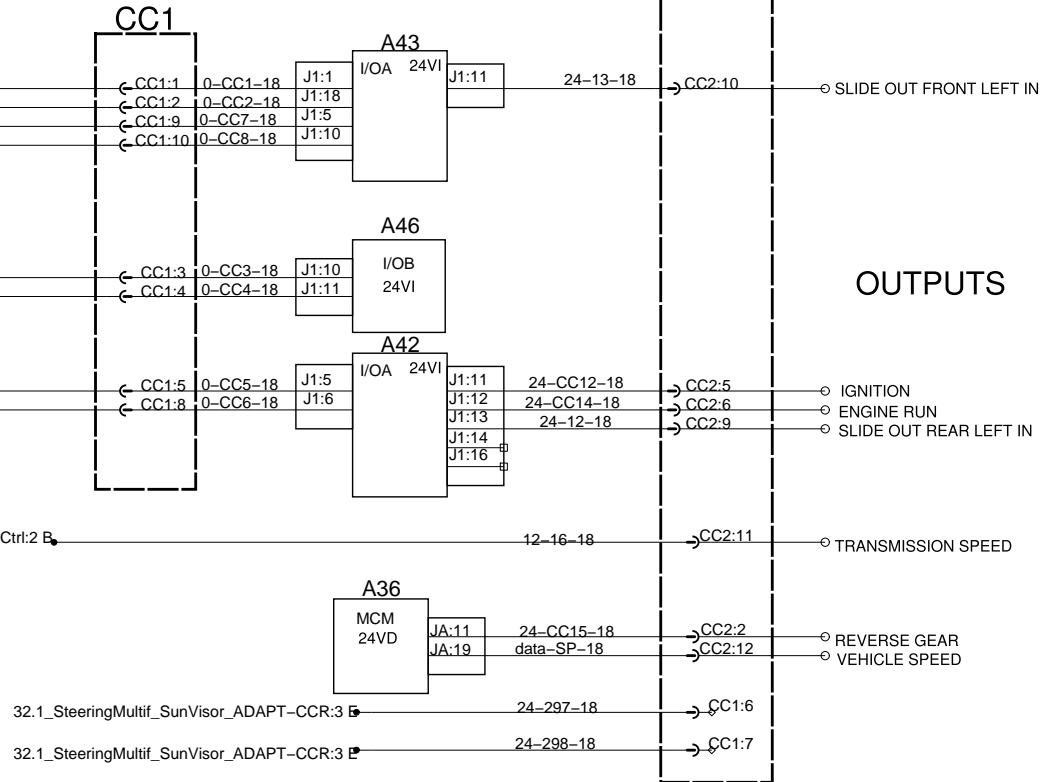
INPUTS

Retract slide out
Store roof antenna
House alternator fault
Awning windows opened

Close front bumper
Store side awning

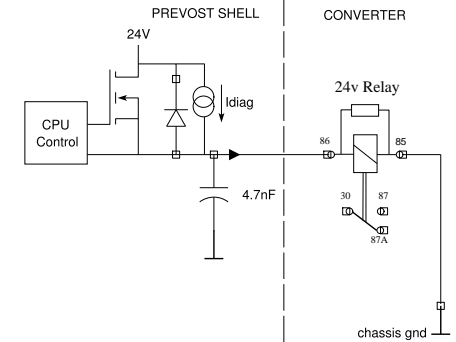
Generator problem
Shore power cord

23.1_SteeringCtrl:2 B

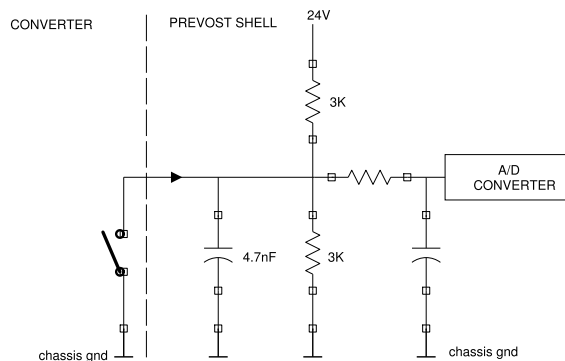


OUTPUTS

* SPECIAL CIRCUIT CECM J1:12



TYPICAL CIRCUIT



INPUT SPECIFICATION

Active state (input contact closed):

Sourcing current : 8mA
Maximum allowed voltage drop across contact: 3V

Inactive state(input contact open):

Voltage on input:12V
Maximum allowed leakage current across contact: 3ma

OUTPUT SPECIFICATION

Active state

Maximum current: 1A I/OA /125ma CECM
Minimum output voltage: 22.5V

Inactive state

Open circuit voltage: 6v to 8v except CECM J1:12 = 0v *
Leakage current: 0.8ma

TYPICAL CIRCUIT I/OA & CECM

