



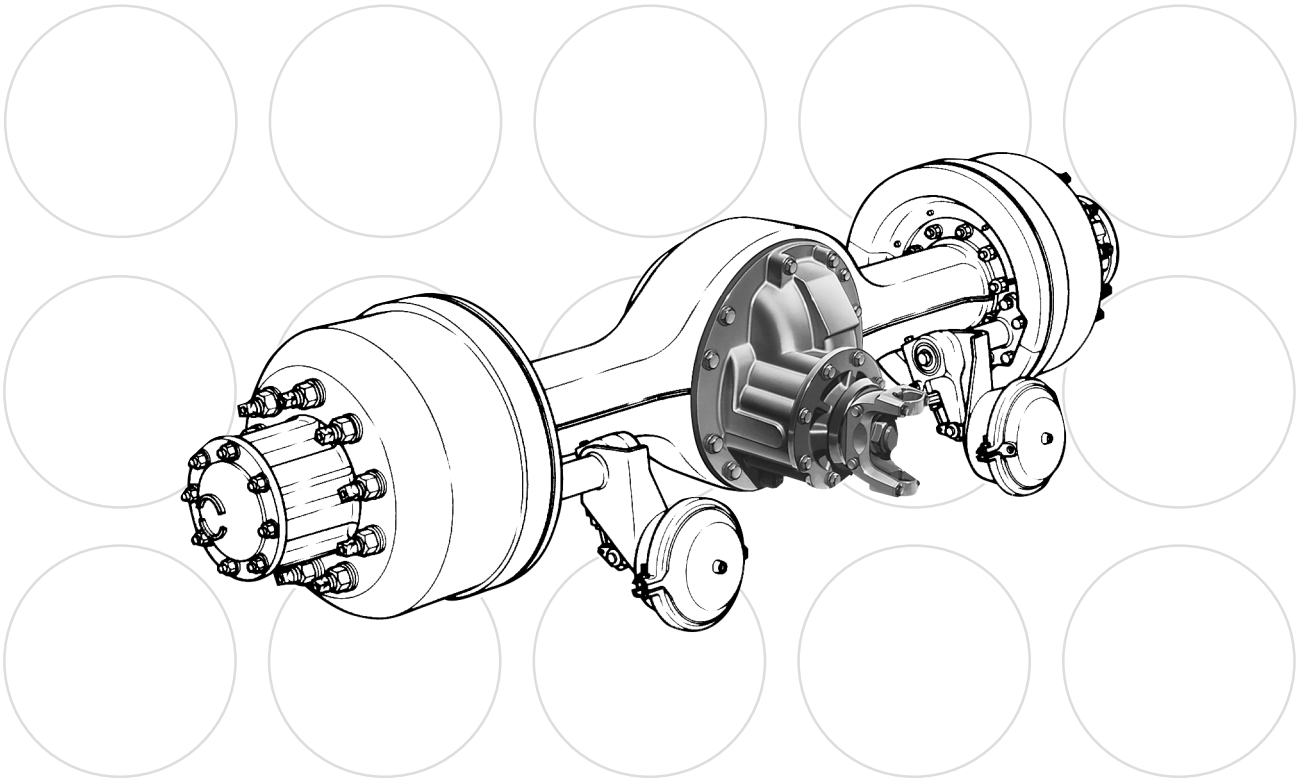
an **ArvinMeritor** brand

Maintenance Manual 5A

# Single-Reduction Differential Carriers

## Single Rear Drive Axles, Rear-Rear Tandem Drive Axles and Front Drive Steer Axles

Revised 05-04



# Service Notes

## About This Manual

This manual provides instructions for the Meritor MX, RS, RT and RF Series axles and 59000 Series angle drive carrier.

## Before You Begin

1. Read and understand all instructions and procedures before you begin to service components.
2. Read and observe all Warning and Caution hazard alert messages in this publication. They provide information that can help prevent serious personal injury, damage to components, or both.
3. Follow your company's maintenance and service, installation, and diagnostics guidelines.
4. Use special tools when required to help avoid serious personal injury and damage to components.


## Hazard Alert Messages and Torque Symbols

### WARNING

A Warning alerts you to an instruction or procedure that you must follow exactly to avoid serious personal injury and damage to components.

### CAUTION

A Caution alerts you to an instruction or procedure that you must follow exactly to avoid damage to components.

 This symbol alerts you to tighten fasteners to a specified torque value.

## How to Obtain Additional Maintenance and Service Information

### On the Web

Visit the DriveTrain Plus™ by ArvinMeritor Tech Library at [arvinmeritor.com](http://arvinmeritor.com) to easily access product and service information.

The Library also offers an interactive and printable Literature Order Form.

## ArvinMeritor's Customer Service Center

Call ArvinMeritor's Customer Service Center at 800-535-5560.

## Technical Electronic Library on CD

The DriveTrain Plus™ by ArvinMeritor Technical Electronic Library on CD contains product and service information for most Meritor and Meritor WABCO products. \$20. Specify TP-9853.

## How to Obtain Tools and Supplies Specified in This Manual

Call ArvinMeritor's Commercial Vehicle Aftermarket at 888-725-9355 to obtain Meritor tools and supplies.

SPX Kent-Moore, 28635 Mound Road, Warren, Michigan, 48092. Call the company's customer service center at 800-345-2233, or visit their website at [spxkentmoore.com](http://spxkentmoore.com).

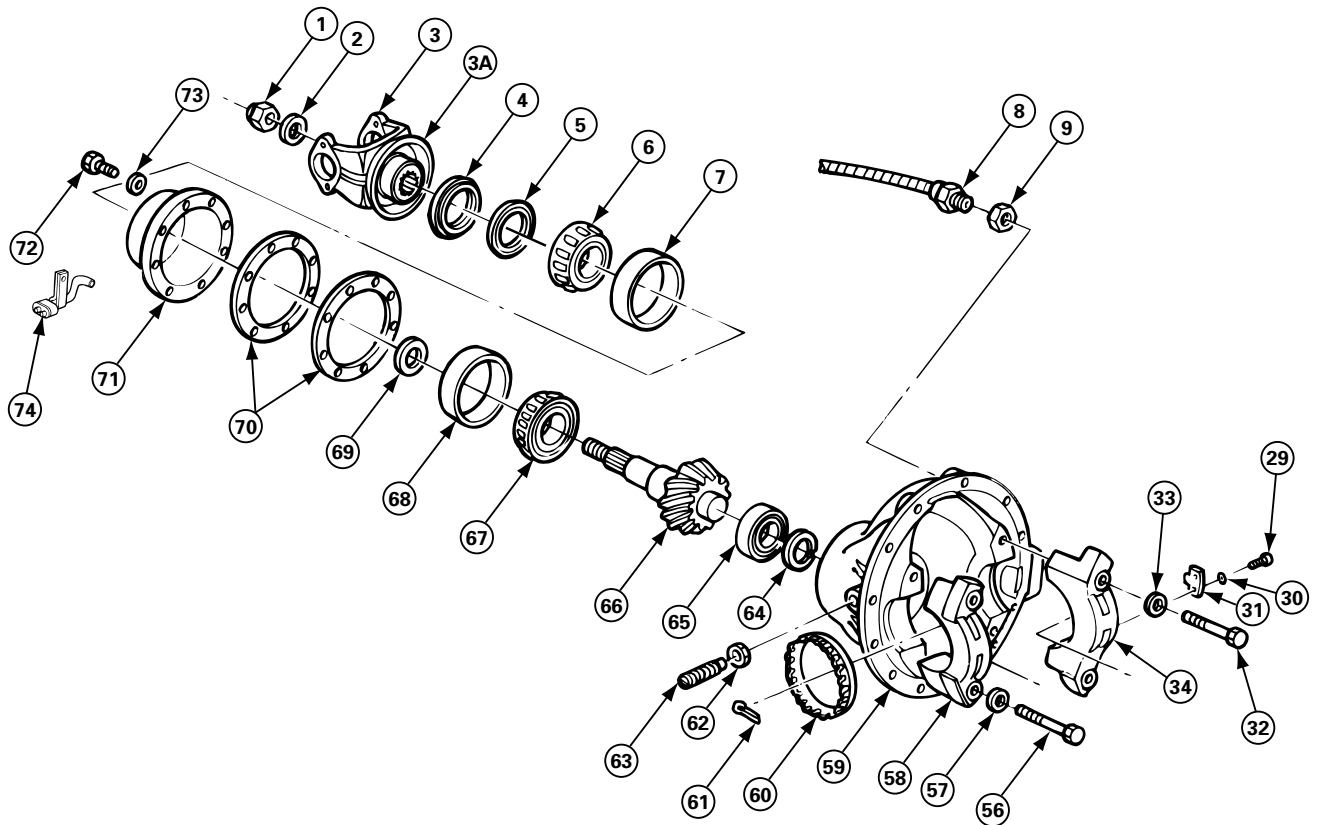
Information contained in this publication was in effect at the time the publication was approved for printing and is subject to change without notice or liability. Meritor Heavy Vehicle Systems, LLC, reserves the right to revise the information presented or to discontinue the production of parts described at any time.

<p>pg. 1 <b>Section 1: Exploded Views</b> Single-Reduction Differential Carrier</p> <p>4 <b>Section 2: Introduction</b> Description Standard Single-Reduction Carriers Without Differential Lock Single-Reduction Carriers with Driver-Controlled Main Differential Lock (DCDL)</p> <p>5 Axle Models Covered in This Manual Stall-Testing Can Damage a Drive Axle Use of Traction Chains</p> <p>6 <b>Section 3: Removal and Disassembly</b> Removal Axle Shafts from the Axle Housing</p> <p>8 Differential Carrier from the Axle Housing</p> <p>10 Measure Ring Gear Backlash Differential and Ring Gear from the Carrier</p> <p>12 Disassembly Differential and Ring Gear Assembly</p> <p>13 Removal Drive Pinion and Bearing Cage from the Carrier</p> <p>14 Disassembly Drive Pinion and Bearing Cage</p> <p>17 <b>Section 4: Prepare Parts for Assembly</b> Clean, Dry and Inspect Parts Clean and Inspect Yokes</p> <p>18 Clean Ground and Polished Parts Clean Rough Parts Clean Axle Assemblies Drying Parts After Cleaning Prevent Corrosion on Cleaned Parts Inspect Parts</p> <p>20 Repair or Replace Parts Welding on Axle Housings</p> <p>22 Do Not Bend or Straighten a Damaged Drive Axle Housing Removing Fasteners Secured with Adhesive New Fasteners with Pre-Applied Adhesive Original or Used Fasteners</p> <p>23 Meritor Specification 2297-T-4180 Adhesive in the Differential Bearing Bores Carrier-to-Housing Joint Sealing Procedure</p> <p>24 General Yoke and U-Joint Reassembly Identification Gear Sets</p>	<p>pg. 26 <b>Section 5: Assembly and Installation</b> Assembly Drive Pinion, Bearings and Bearing Cage</p> <p>27 Installation One-Piece Spigot Bearing on the Drive Pinion with a Snap Ring One-Piece Spigot Bearing on the Drive Pinion Without a Snap Ring</p> <p>28 Two-Piece Spigot Bearing on the Drive Pinion</p> <p>30 Drive Pinion Adjustment Pinion Bearing Preload</p> <p>34 Shim Pack Thickness for a New Drive Pinion</p> <p>35 Installation Drive Pinion, Bearing Cage and Shim Pack into the Carrier</p> <p>36 Tight Fit Yokes and POSE™ Seal</p> <p>37 Any Type Yoke with a Unitized Pinion Seal (UPS)</p> <p>38 Clean, Inspect and Install the Yoke After Installing a Unitized Pinion Seal</p> <p>39 Assembly Main Differential and Ring Gear Assembly</p> <p>41 Inspection Differential Gears Rotating Resistance</p> <p>42 Installation Differential and Ring Gear Assembly</p> <p>43 Adjustment Differential Bearing Preload</p> <p>45 Ring Gear Runout</p> <p>46 Ring Gear Backlash</p> <p>47 Gear Set Tooth Contact Patterns (Backlash)</p> <p>50 Installation Adjust the Thrust Screw</p> <p>51 Differential Carrier into the Axle Housing</p>
---	---

# Contents

pg. 54	<b>Section 6: Driver-Controlled Main Differential Lock</b>	pg. 84	<b>Section 12: Diagnostics</b>
55	Description		Troubleshooting
	Vehicle Towing		Vehicle Will Not Move
	Removal	85	Differential Making Noise
	Differential Carrier from the Axle Housing	86	Oil Leak
	Axle Setup for DCDL Disassembly	87	Contaminated Lubricant Found During Preventive Maintenance
56	DCDL Assembly Manual Engaging Methods		
57	Differential and Gear Assembly		
58	Installation		
	DCDL Assembly into the Carrier		
61	Differential Lock Assembly Cover Plates		
	Carrier into the Axle Housing		
63	Check the Differential Lock		
	DCDL Driver Caution Label		
	Technical Publications		
64	<b>Section 7: Lubrication</b>		
	Capacities		
66	<b>Section 8: Specifications</b>		
	Fasteners		
	American Standard Fasteners		
	Metric Fasteners		
71	<b>Section 9: Adjustment</b>		
73	<b>Section 10: Special Tools</b>		
	Specifications		
	Carrier Repair Stand		
74	How to Make a Yoke Bar		
	Unitized Pinion Seals and Seal Drivers		
76	<b>Section 11: Vehicle Towing Instructions</b>		
	Type of Axle		
	Single Axle with DCDL — Screw-In (Threaded) Shift Assembly, or Tandem Axle with DCDL — Screw-In (Threaded) Shift Assembly and with Inter-Axle Differential (IAD)		
79	Single Axle with DCDL — Bolt-On Shift Assembly, or Tandem Axle with DCDL — Bolt-On Shift Assembly and with Inter-Axle Differential (IAD)		
82	Single Axle Without DCDL or Tandem Axle Without DCDL and with Inter-Axle Differential (IAD)		

## Single-Reduction Differential Carrier

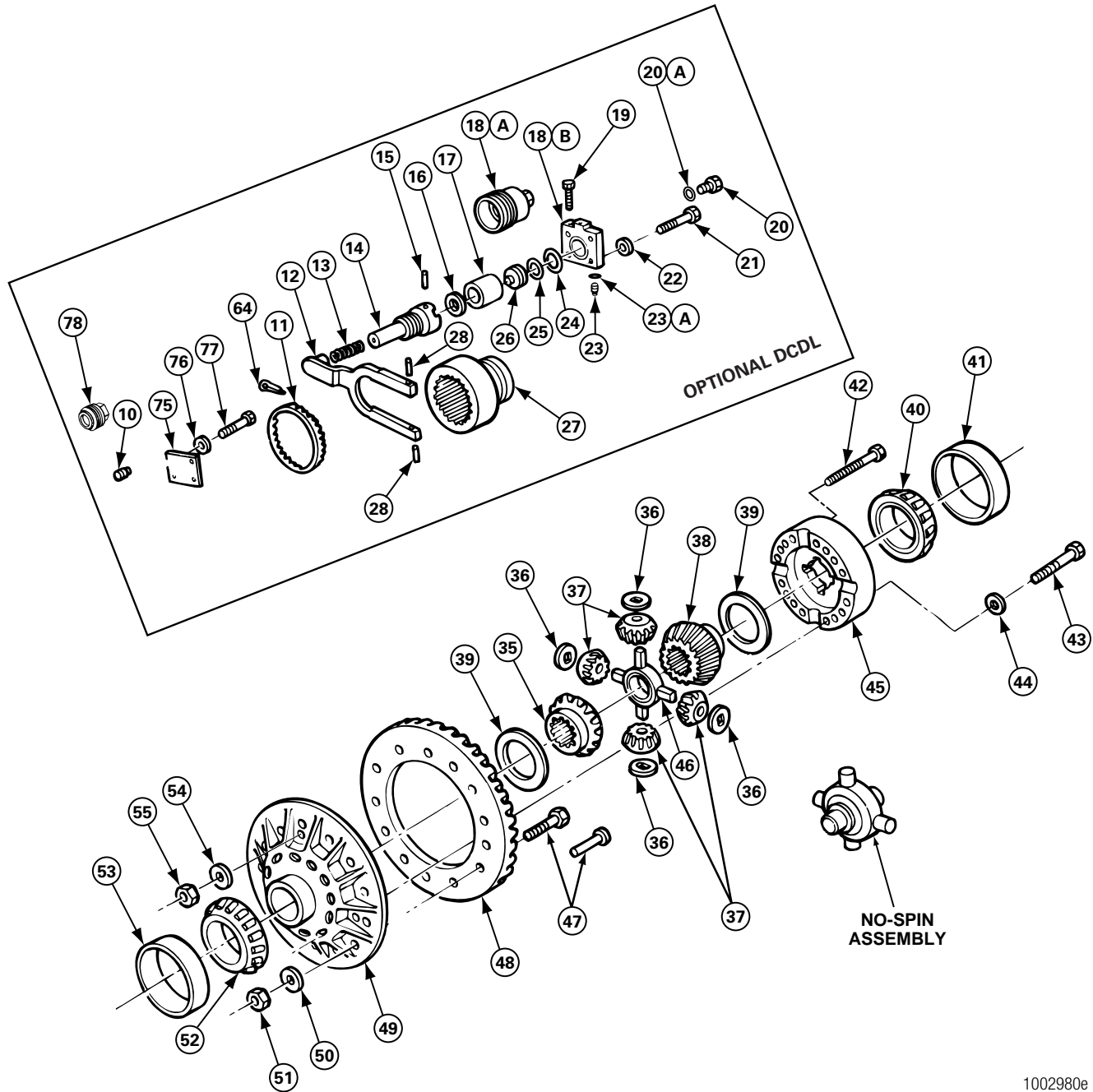


1002980c

Item	Description	Item	Description	Item	Description
1	Drive Pinion Nut <sup>1</sup>	34	Differential Bearing Caps	70	Shims
2	Drive Pinion Washer <sup>1</sup>	56	Differential Bearing Cap	71	Drive Pinion Bearing Cage
3	Input Yoke or Flange <sup>1</sup>		Capscrews	72	Bearing Cage Capscrew
3A	Deflector	57	Washers	73	Washer
4	POSE™ Seal	58	Differential Bearing Cap	74	Clip and Cable Holder
5	Triple-Lip or Main Seal	59	Carrier	75	Bolt-On Cover
6	Outer Bearing Cone	60	Adjusting Ring	76	Washer
7	Inner Bearing Cup	61	Adjusting Ring Cotter Pin	77	Bolt
8	Sensor Switch	62	Thrust Screw Jam Nut <sup>1</sup>	78	Screw-In Cover
9	Sensor Switch Locknut	63	Thrust Screw <sup>1</sup>		
29	Lock Plate Capscrews <sup>1</sup>	64	Snap Ring		
30	Lock Plate Washers <sup>1</sup>	65	Spigot Bearing		
31	Adjusting Ring Lock Plate	66	Drive Pinion		
32	Differential Bearing Cap	67	Pinion Inner Bearing Cone		
33	Washers	68	Pinion Inner Bearing Cup		
		69	Pinion Bearing Spacer		

<sup>1</sup> Some Meritor carriers do not have these parts.

# 1 Exploded Views



1002980e

# 1 Exploded Views

Item	Description
10	Plug <sup>1</sup>
11	Right-Hand Adjusting Ring
12	Shift Fork
13	Shift Shaft Spring
14	Shift Shaft
15	Spring Retaining Pin
16	Air Cylinder Washer or Silastic <sup>1</sup>
17	Air Cylinder Tube
18A	Screw-In Differential Lock Cylinder
18B	Cylinder Cover
19	Manual Actuation Capscrew
20	Cylinder Cover Plug
20A	Cover Plug Gasket
21	Cylinder Cover Capscrews
22	Cylinder Cover Washers
23	Cylinder Cover Plug
23A	Cover Plug Gasket
24	Cylinder Cover Copper Gasket
25	Piston O-Ring
26	Piston
27	Shift Collar
28	Shift Fork Pins
35	Differential Side Gears
36	Differential Pinion Thrust Washers
37	Differential Pinions
38	Differential Side Gears
39	Differential Side Gear Thrust Washers
40	Differential Bearing Cone
41	Differential Bearing Cup
42	Thru Bolt
43	Differential Case Bolts <sup>1</sup>
44	Differential Case Washers
45	Main Differential Case Assembly
46	Differential Spider
47	Ring Gear and Case Half Bolts or Rivets <sup>1</sup>

Item	Description
48	Ring Gear
49	Flange Case Half
50	Case Half Washers
51	Case Half Nuts <sup>1</sup>
52	Left-Hand Differential Bearing Cone
53	Left-Hand Differential Bearing Cup
54	Thru Bolt Washer
55	Thru Bolt Nut
64	Snap Ring
75	Bolt-On Cover
76	Washer
77	Bolt
78	Screw-In Cover

<sup>1</sup> Some Meritor carriers do not have these parts.

## 2 Introduction

### Description

#### Standard Single-Reduction Carriers Without Differential Lock

Meritor single-reduction standard carriers are used in most Meritor single axles, rear of tandem axles and front drive steer axles. Figure 2.1.

The single-reduction carriers are front mounted into the axle housing. These carriers have a hypoid drive pinion and ring gear set and bevel gears in the differential assembly.

A straight roller bearing or spigot is mounted on the head of the drive pinion. All other bearings in the carrier are tapered roller bearings.

When the carrier operates, there is normal differential action between the wheels at all times.

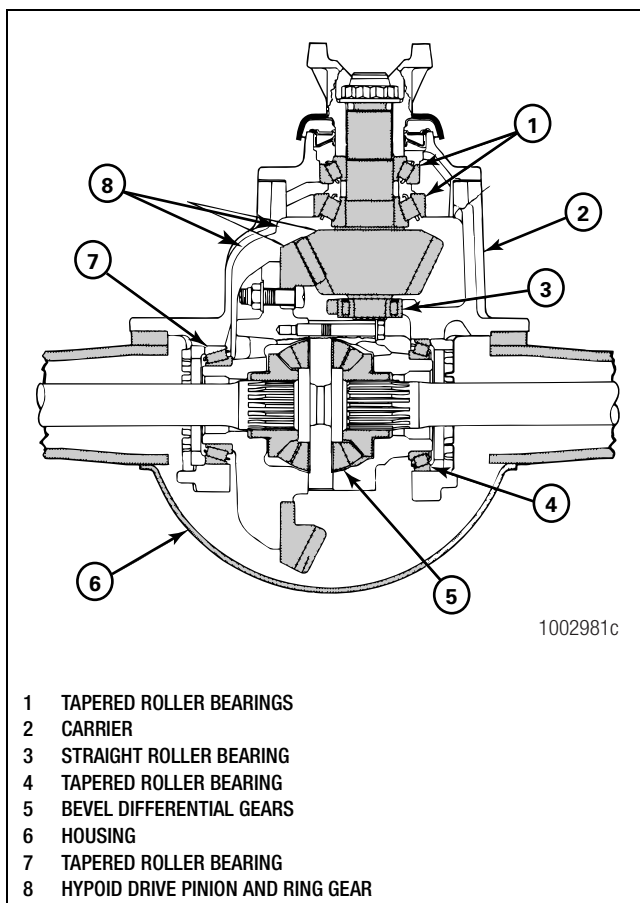


Figure 2.1

#### Single-Reduction Carriers with Driver-Controlled Main Differential Lock (DCDL)

Meritor single-reduction carriers with driver-controlled main differential lock (DCDL) have the same type of gears and bearings as the standard-type carriers. Figure 2.2. The differential lock is operated by an air-actuated shift assembly that is mounted on the carrier.

- When the differential lock is activated, the shift collar moves along the splines of the axle shaft toward the differential case.
- When the splines on the collar are engaged with splines on the differential case, the axle shafts and differential assembly are locked together.
- When the carrier operates with the DCDL in the locked position, there is no differential action between the wheels.
- When the carrier is operated in the unlocked position, there is normal differential action between the wheels at all times.

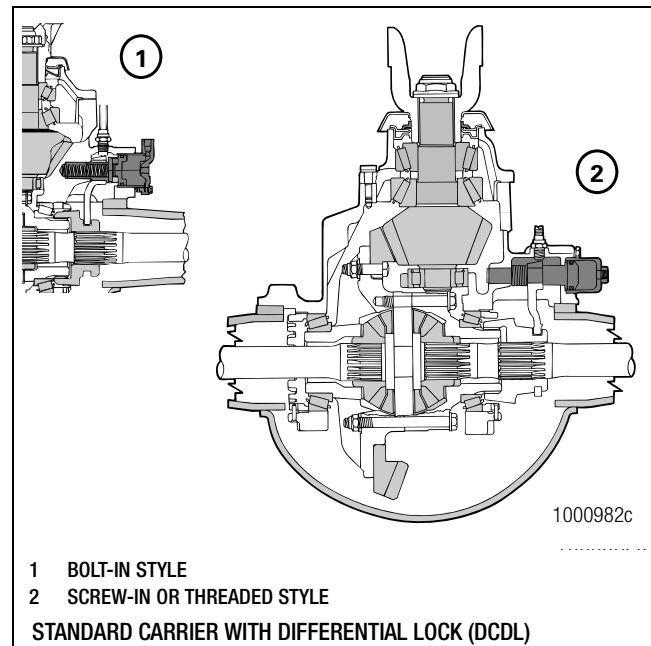


Figure 2.2



## Axle Models Covered in This Manual

Table A, Table B, Table C and Table D list the axle models covered in this manual. For other models (non-MX, RS, RT and RF Series), refer to Maintenance Manual 5, Single-Reduction Differential Carriers. To obtain this publication, refer to the Service Notes page on the front inside cover of this manual.

**Table A: RS Series Single Drive Axles**

RS-13-120	RS-17-145	RS-21-160	RS-23-186
RS-15-120	RS-17-145A	RS-21-160A	RS-25-160
RS-16-140	RS-19-144	RS-23-160	RS-25-160A
RS-16-141	RS-19-144A	RS-23-160A	RS-26-160
RS-16-145	RS-19-145	RS-23-161	RS-26-180
RS-17-140	RS-19-145A	RS-23-161A	RS-26-185
RS-17-141	RS-21-145	RS-23-180	RS-30-180
RS-17-144	RS-21-145A	RS-23-185	RS-30-185
RS-17-144A			

**Table B: Bus and Coach Application Single Drive Axles**

59722	59753	61052	61152
59723	59842	61053	61153
59732	59843	61063	61163
59733	61042	61142	RC-23-160
59752	61043	61143	

**Table C: Rear Axle of Tandem Axles**

RT-34-140	RT-40-146	RT-44-145P	RT-46-169A
RT-34-144	RT-40-149	RT-44-149	RT-46-169P
RT-34-144A	RT-40-149A	RT-46-16HEH	RT-48-180
RT-34-144P	RT-40-149P	RT-46-16HP	RT-48-185
RT-34-145	RT-40-160	RT-46-160	RT-50-160
RT-34-145P	RT-40-160A	RT-46-160A	RT-50-160P
RT-34-146	RT-40-160P	RT-46-160P	RT-52-180
RT-40-140	RT-40-169	RT-46-164	RT-52-185
RT-40-145	RT-40-169A	RT-46-164EH	RT-58-180
RT-40-145A	RT-40-169P	RT-46-164P	RT-58-185
RT-40-145P	RT-44-145	RT-46-169	

**Table D: Front Drive Steer Axles**

MX-10-120	RF-7-120	RF-21-160
MX-12-120	RF-9-120	RF-21-185
MX-14-120	RF-12-120	RF-21-355
MX-16-120	RF-12-125	RF-22-166
MX-21-160	RF-16-145	RF-23-180
MX-21-160R	RF-21-155	RF-23-185
MX-23-160	RF-21-156	
MX-23-160R		

## Stall-Testing Can Damage a Drive Axle

Stall-testing is a procedure used to troubleshoot transmissions, evaluate vehicle performance, and test the service and park brakes.

During stall-testing, or any similar procedure, the drive axle input receives multiplied torque, which can exceed the specified torque rating. Excessive torque can damage a drive axle, which will affect axle performance and component life. A drive axle damaged by stall-testing will void Meritor's warranty.

Call ArvinMeritor's Customer Service Center at 800-535-5560 if you have questions regarding stall-testing.

## Use of Traction Chains

Meritor recommends that if you are using traction chains, you should install chains on both tires on each side of all drive axles on the vehicle.

### 3 Removal and Disassembly

#### Hazard Alert Messages

Read and observe all Warning and Caution hazard alert messages in this publication. They provide information that can help prevent serious personal injury, damage to components, or both.

#### **⚠ WARNING**

To prevent serious eye injury, always wear safe eye protection when you perform vehicle maintenance or service.

Park the vehicle on a level surface. Block the wheels to prevent the vehicle from moving. Support the vehicle with safety stands. Do not work under a vehicle supported only by jacks. Jacks can slip and fall over. Serious personal injury can result.

Use a brass or synthetic mallet for assembly and disassembly procedures. Do not hit steel parts with a steel hammer. Pieces of a part can break off. Serious personal injury and damage to components can result.

Observe all warnings and cautions provided by the press manufacturer to avoid damage to components and serious personal injury.

#### Removal

##### Axle Shafts from the Axle Housing

**NOTE:** If the vehicle is equipped with a driver-controlled main differential lock, the DCDL collar must be engaged before removing the axle shafts. Refer to Section 6.

1. Park the vehicle on a level surface. Block the wheels to prevent the vehicle from moving. Figure 3.1.

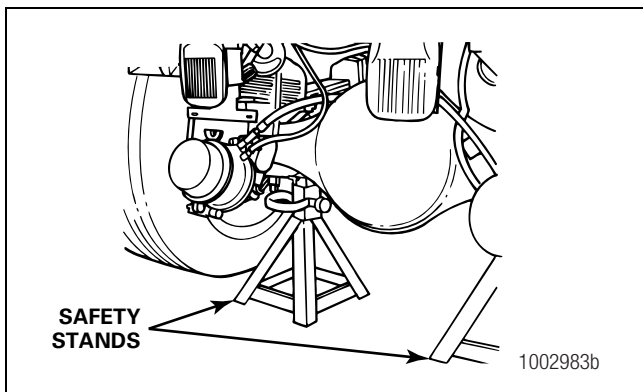
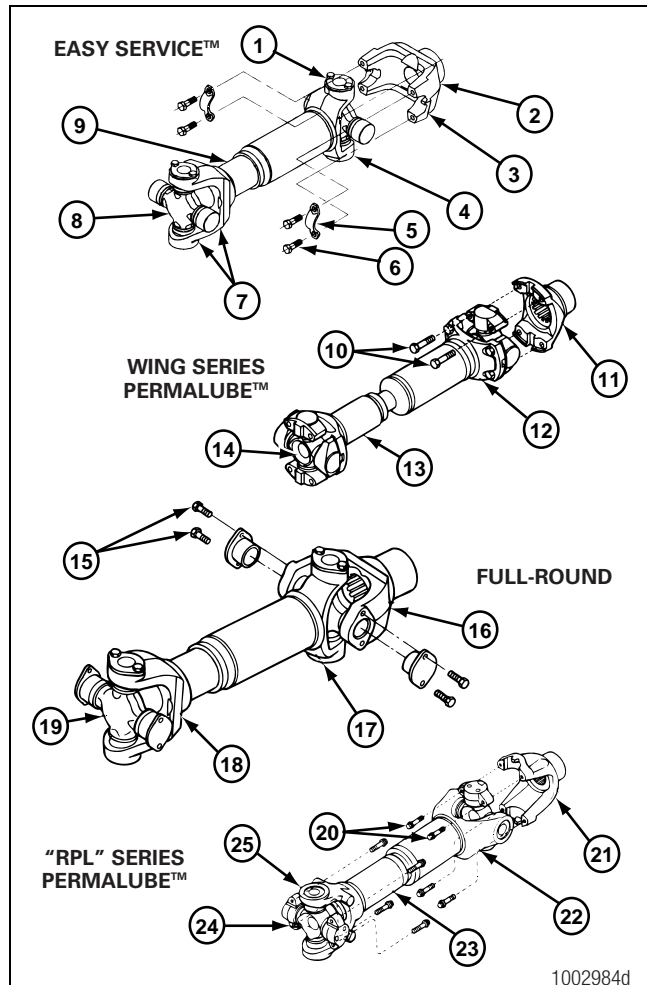


Figure 3.1

2. Use a jack or other lifting tool to raise the vehicle so that the wheels to be serviced are off the ground. Support the vehicle with safety stands. Figure 3.1.
3. Place a drain pan under the rear axle.
4. Remove the plug from the bottom of the axle housing. Drain the lubricant from the assembly.
5. Disconnect the driveline universal joint from the pinion input yoke or flange on the carrier. Figure 3.2.



1 FULL-ROUND BEARING CUPS	8 U-JOINT CROSS	17 WELD YOKE
2 END YOKE	9 SLIP YOKE	18 SLIP YOKE
3 YOKE SADDLE	10 CAPSCREWS	19 U-JOINT CROSS
4 WELD YOKE	11 END YOKE	20 CAPSCREWS
5 BEARING STRAP	12 WELD YOKE	21 END YOKE
6 CAPSCREWS	13 SLIP YOKE	22 SLIP YOKE
7 EASY SERVICE™ BEARING CUPS	14 U-JOINT CROSS	23 TUBING
	15 CAPSCREWS	24 U-JOINT CROSS
	16 END YOKE	25 WELD YOKE

Figure 3.2

### 3 Removal and Disassembly

6. Remove the capscrews and washers or stud nuts and washers, if equipped, from the flanges of both axle shafts.
7. Loosen the tapered dowels, if equipped, in the axle flanges of both axle shafts using one of the following methods.

#### Brass Drift Method

##### **⚠ WARNING**

Do not strike the round driving lugs on the flange of an axle shaft. Pieces can break off and cause serious personal injury.

1. Hold a 1-1/2-inch diameter brass drift or brass hammer against the center of the axle shaft, inside the round driving lugs. Figure 3.3.

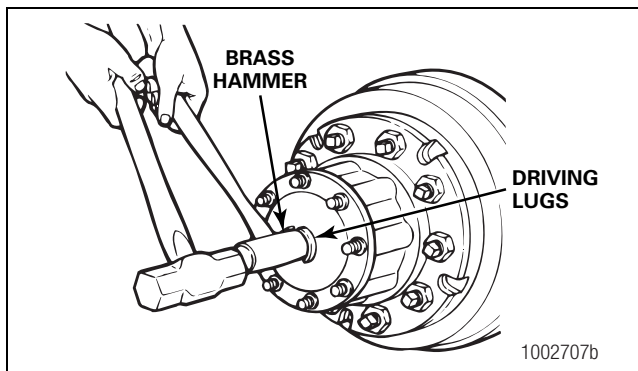


Figure 3.3

2. Strike the end of the drift with a large hammer, five to six pounds, and the axle shaft and tapered dowels will loosen.
3. Mark each axle shaft before it is removed from the axle assembly.
4. Remove the tapered dowels and separate the axle shafts from the main axle hub assembly. Figure 3.4.

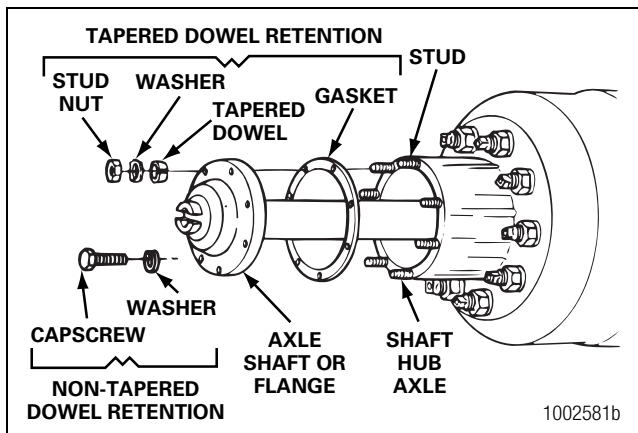


Figure 3.4

5. Install a cover over the open end of each axle assembly hub where an axle shaft was removed.

#### Air Hammer Vibration Method

##### **⚠ WARNING**

Wear safe eye protection when using an air hammer. When using power tools, axle components can loosen and break off causing serious personal injury.

##### **⚠ CAUTION**

Do not use a chisel or wedge to loosen the axle shaft and tapered dowels. Using a chisel or wedge can result in damage to the axle shaft, the gasket and seal, and the axle hub.

1. Use a round hammer bit and an air hammer to loosen the tapered dowels and axle shaft.
2. Place the round hammer bit against the axle shaft or flange between the hub studs. Operate the air hammer at alternate locations between the studs to loosen the tapered dowels and axle shaft from the hub. Figure 3.5.

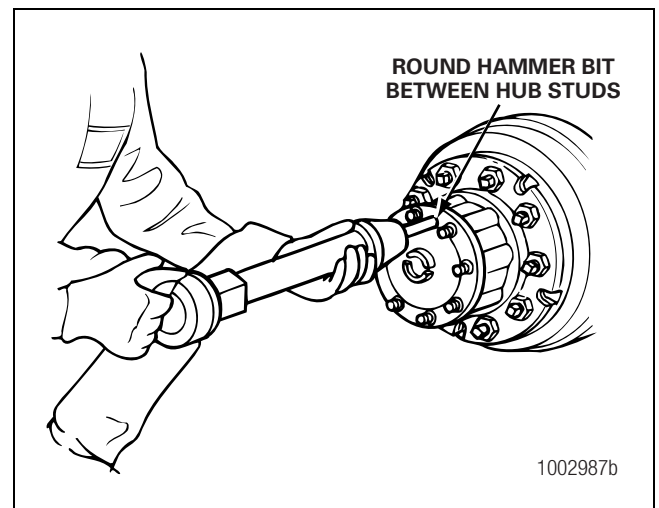


Figure 3.5

3. Mark each axle shaft before it is removed from the axle assembly.
4. Remove the tapered dowels and separate the axle shaft from the main axle hub assembly. Figure 3.4.

### 3 Removal and Disassembly

#### Differential Carrier from the Axle Housing

1. Place a hydraulic roller jack under the differential carrier to support the assembly. Figure 3.6.

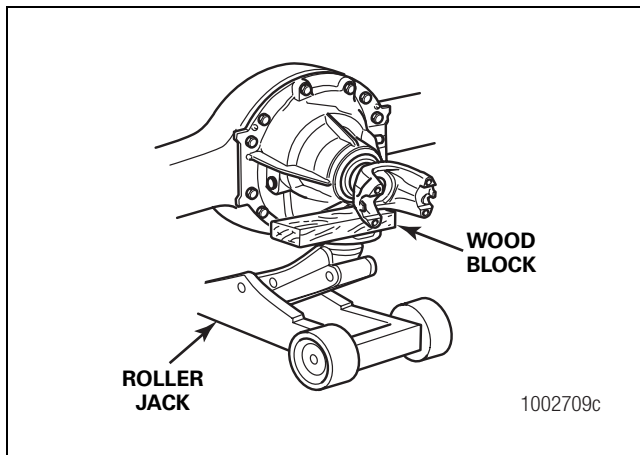


Figure 3.6

2. Remove all but the top two carrier-to-housing capscrews or stud nuts and washers.
3. Loosen the top two carrier-to-housing fasteners and leave attached to the assembly. The fasteners will hold the carrier in the housing.
4. Loosen the differential carrier in the axle housing. Use a leather mallet to hit the mounting flange of the carrier at several points.
5. After the carrier is loosened, remove the top two fasteners.

#### **CAUTION**

When you use a pry bar, be careful not to damage the carrier or housing flange. Damage to these surfaces will cause oil leaks.

6. Use the hydraulic roller jack to remove the carrier from the axle housing. Use a pry bar that has a round end to help remove the carrier from the housing.

**NOTE:** A carrier stand is available from SPX Kent-Moore. Refer to the Service Notes page on the front inside cover of this manual to obtain the stand.

7. Use a lifting tool to lift the differential carrier by the input yoke or flange and place the assembly in a repair stand. Figure 3.7. Do not lift by hand. A carrier stand can be built by referring to Figure 3.8.

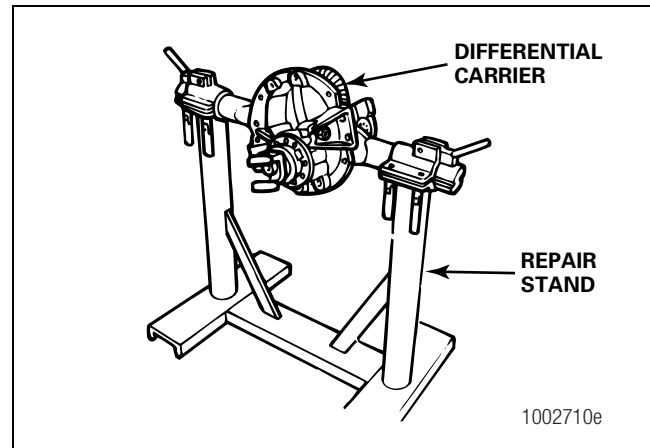
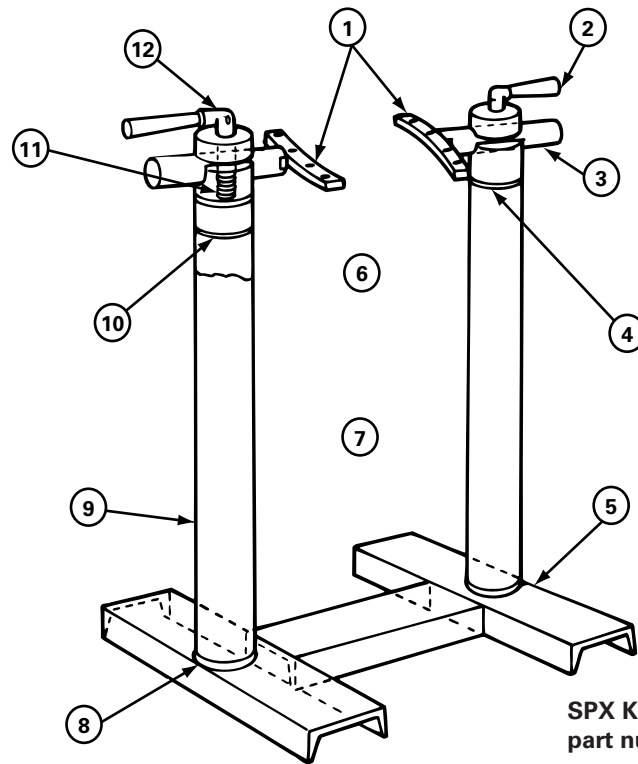


Figure 3.7



SPX Kent-Moore  
part number J-3409-D

1002990f

- 1 PLATES 8' LONG x 3/4" THICK x 1-1/4" WIDE WITH A TONGUE TO FIT SLOT IN BAR WELD PLATES TO BAR
- 2 HANDLE 7" LONG WITH SLOT IN ONE END TO FIT CLAMP SCREW
- 3 BAR 2" DIAMETER x 9" LONG WITH ONE END SLOTTED TO FIT PLATE
- 4 WELD ALL AROUND AFTER PRESSING PLUG IN PIPE
- 5 WELD
- 6 SHAPE AND SIZE OF HOLES TO FIT CARRIER
- 7 23-1/2" CENTER TO CENTER OF PIPE
- 8 CHAMFER END OF PIPE FOR WELDING
- 9 4" DIAMETER PIPE
- 10 PLUG 4" DIAMETER x 7" LONG WITH ONE END TURNED 3" LONG TO FIT PIPE. DRILL 2" HOLE AND MILL 3/16" WIDE SLOT 2" FROM TOP
- 11 SCREW 3-1/2" LONG x 5/8" DIAMETER WITH FLATS ON END TO FIT HANDLE AND 2-1/2" LENGTH OF THREAD ON OTHER END
- 12 DRILL 3/8" HOLE THROUGH HANDLE AND SCREW

CARRIER STAND

Figure 3.8

## 3 Removal and Disassembly

### Measure Ring Gear Backlash

Before the differential carrier is disassembled, inspect the hypoid gear set for damage. If inspection shows no damage, the same gear set can be used again. Use a dial indicator to measure and record ring gear backlash at three locations on the ring gear. This will help you to correctly reassemble the ring gear and drive pinion.

1. Rotate the carrier in the stand to access the ring gear teeth.
2. Install a dial indicator onto the flange of the carrier. Place the tip of the indicator against the drive side of a ring gear tooth. Adjust the dial indicator to ZERO. Figure 3.9.

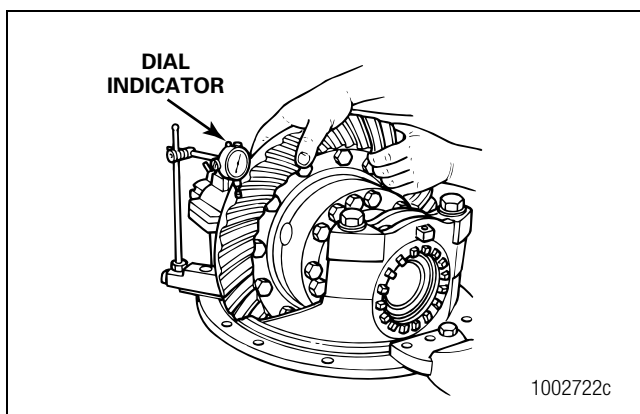


Figure 3.9

3. Read the dial indicator while you slightly rotate the ring gear in both directions. When you rotate the ring gear to measure the backlash, the drive pinion must not move. Record the reading on the dial indicator.
4. Repeat the procedure at two more locations on the ring gear.
  - If the smallest of the three measurements is not 0.008-0.018-inch (0.20-0.46 mm) for ring gears with a pitch diameter less than 17-inches (431.8 mm) or 0.010-0.020-inch (0.25-0.51 mm) for ring gears with a pitch diameter greater than 17-inches (431.8 mm): Replace the ring gear and drive pinion as a set.

### Differential and Ring Gear from the Carrier

1. Loosen the jam nut on the thrust screw, if equipped.
2. Remove the thrust screw and jam nut, if equipped, from the differential carrier. Figure 3.10 and Figure 3.11.

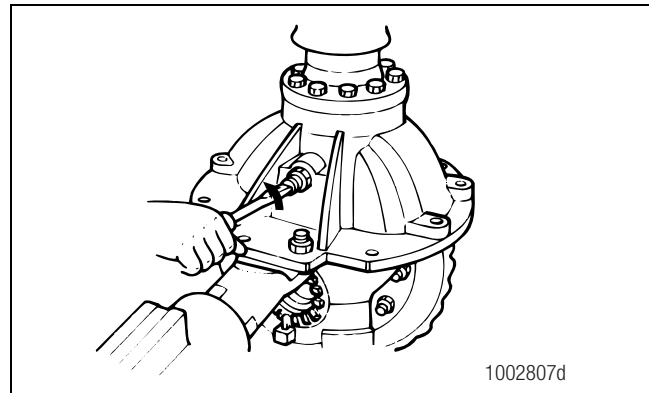


Figure 3.10

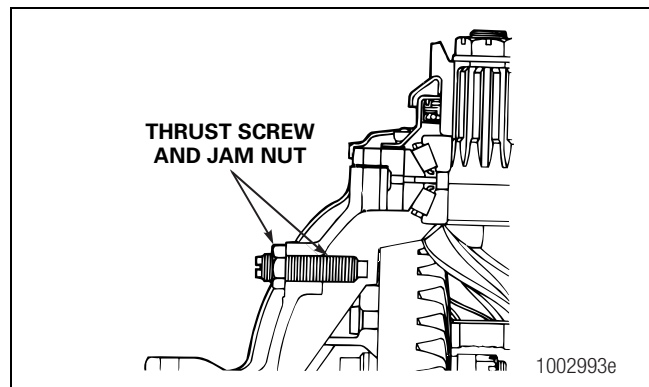


Figure 3.11

3. Rotate the differential carrier in the repair stand until the ring gear is at the top of the assembly.
4. Mark one carrier leg and bearing cap to correctly match the parts during carrier assembly. Mark the parts using a center punch and hammer. Figure 3.12.

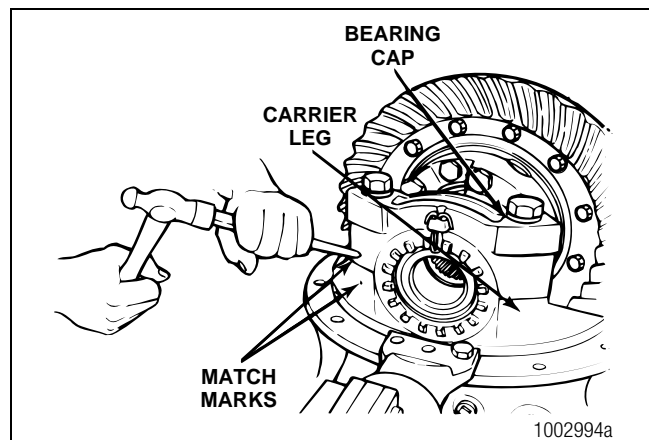


Figure 3.12

### 3 Removal and Disassembly

5. Remove the capscrews, cotter pins, roll pins or lock plates, if equipped, that hold the bearing adjusting rings in position. Use a small drift and hammer to remove the pins. Each lock plate is held in position by two capscrews. Figure 3.13.

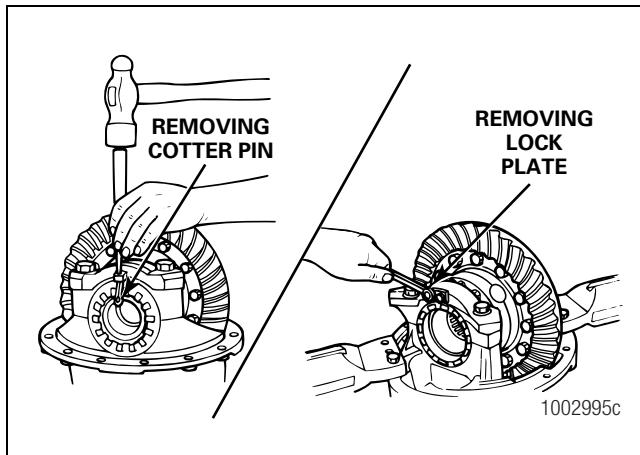


Figure 3.13

6. Remove the capscrews and washers that hold the two bearing caps on the carrier. Each cap is held in position by two capscrews and washers. Figure 3.14.

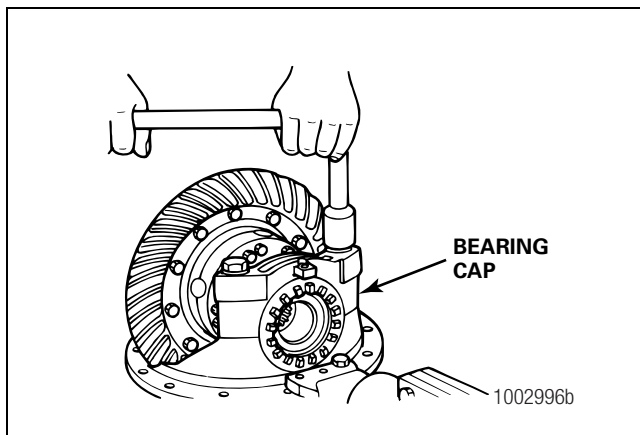


Figure 3.14

7. Remove the bearing caps and bearing adjusting rings from the carrier. Figure 3.15.

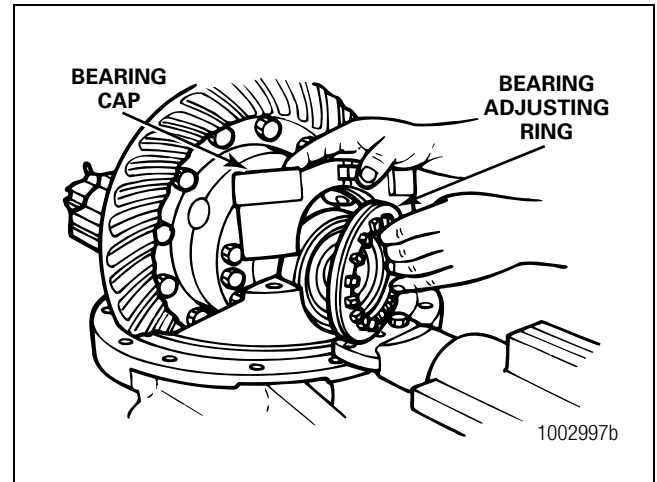


Figure 3.15

8. Safely lift the main differential and ring gear assembly from the carrier. Place the assembly on a workbench. Figure 3.16.

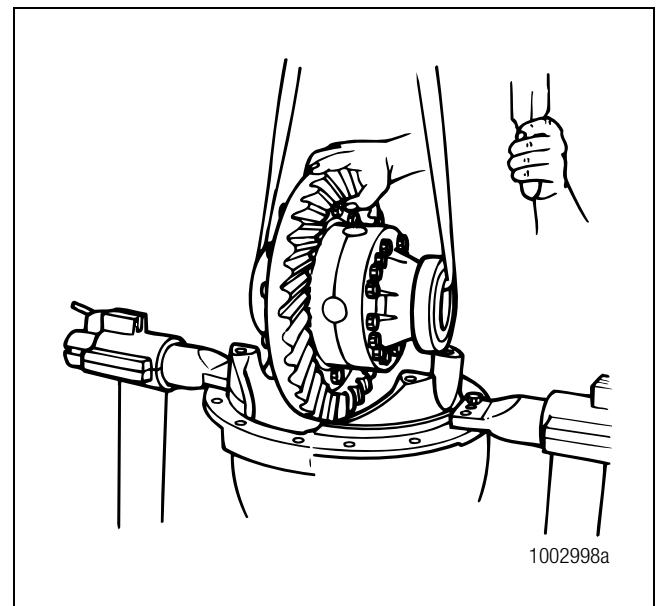


Figure 3.16

## 3 Removal and Disassembly

### Disassembly

#### Differential and Ring Gear Assembly

1. If the match marks on the case halves of the differential assembly are not visible, mark each case half with a center punch and hammer. Figure 3.17.

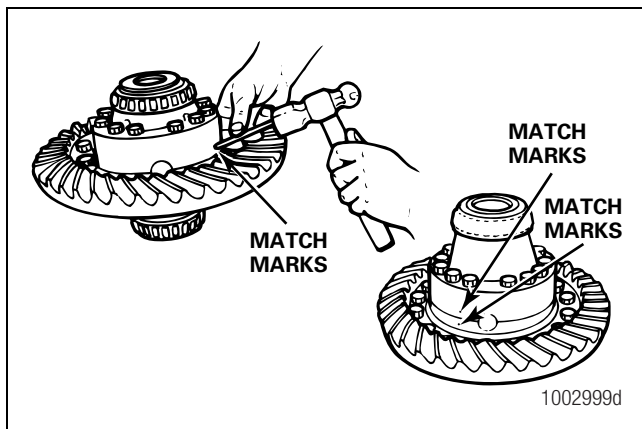


Figure 3.17

2. Remove the capscrews and washers or bolts, nuts and washers, if equipped, that hold the case halves together.
3. Separate the case halves. If necessary, use a brass, plastic or leather mallet to loosen the parts.
4. Remove the differential spider or cross, four pinion gears, two side gears and six thrust washers from inside the case halves. Figure 3.18.

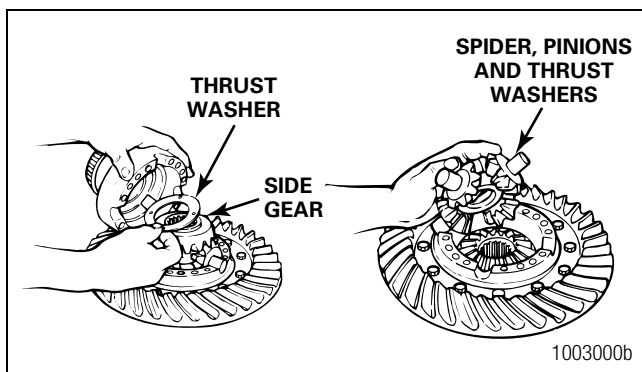


Figure 3.18

5. If the ring gear needs to be replaced, remove the bolts, nuts and washers, if equipped, that hold the gear to the flange case half.

### ⚠ CAUTION

Do not remove the rivets or rivet heads with a chisel and hammer. Using a flat edge tool can cause damage to the flange case.

6. If rivets hold the ring gear to the flange case half, remove the rivets as follows.
  - A. Carefully center punch each rivet head in the center, on the ring gear side of the assembly. Do not use a chisel and hammer. Figure 3.19.

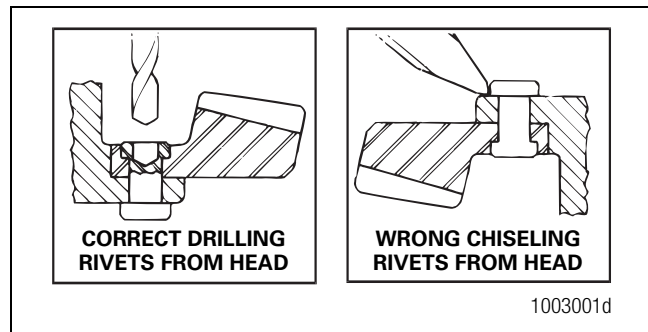


Figure 3.19

- B. Drill each rivet head on the ring gear side of the assembly to a depth equal to the thickness of one rivet head. Use a drill bit that is 0.03125-inch (0.79375 mm) smaller than the body diameter of the rivets. Figure 3.19.
  - C. Press the rivets through holes in the ring gear and flange case half. Press from the drilled rivet head.
7. Use a press to separate the case half and ring gear. Support the assembly under the ring gear with metal or wood blocks. Press the case half through the gear. Figure 3.20.

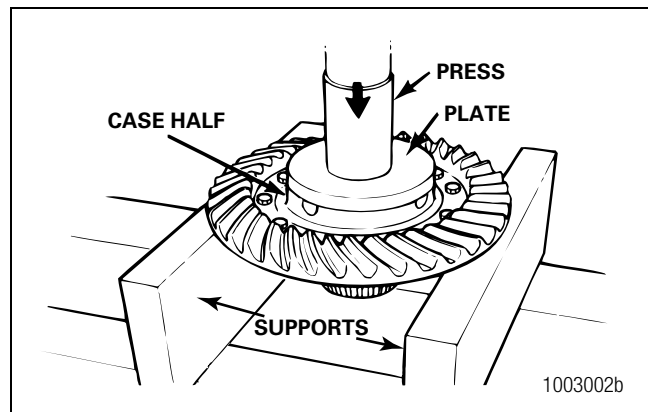


Figure 3.20



- If the differential bearings need to be replaced, use a bearing puller or press to remove the bearing cones from the case halves. Figure 3.21.

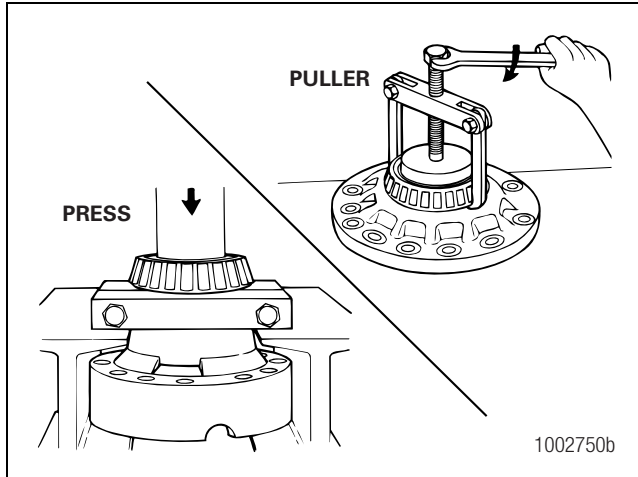


Figure 3.21

## Removal

### Drive Pinion and Bearing Cage from the Carrier

- Fasten a flange bar to the input yoke or flange. When the nut is removed, the bar will hold the drive pinion in position. Figure 3.22.

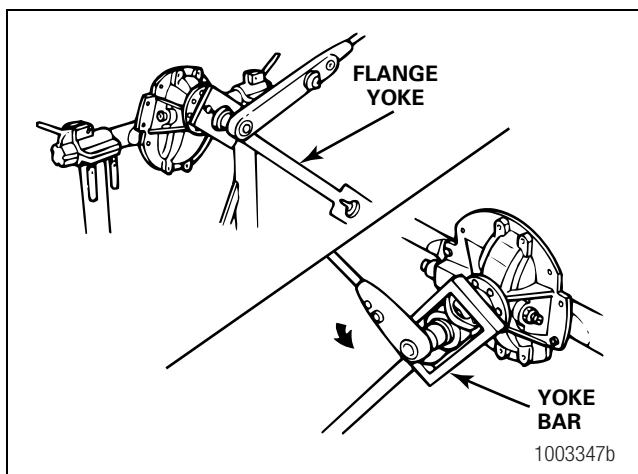


Figure 3.22

- Remove the nut and washer, if equipped, from the drive pinion. Figure 3.22.
- Remove the yoke or flange bar.

### ⚠ CAUTION

Do not use a hammer or mallet to loosen and remove the yoke or flange. A hammer or mallet can damage the parts and cause driveline runout or driveline imbalance.

- Remove the yoke or flange from the drive pinion. Do not use a hammer or mallet.
  - If the yoke or flange is tight on the pinion: Use a puller for removal. Figure 3.23.

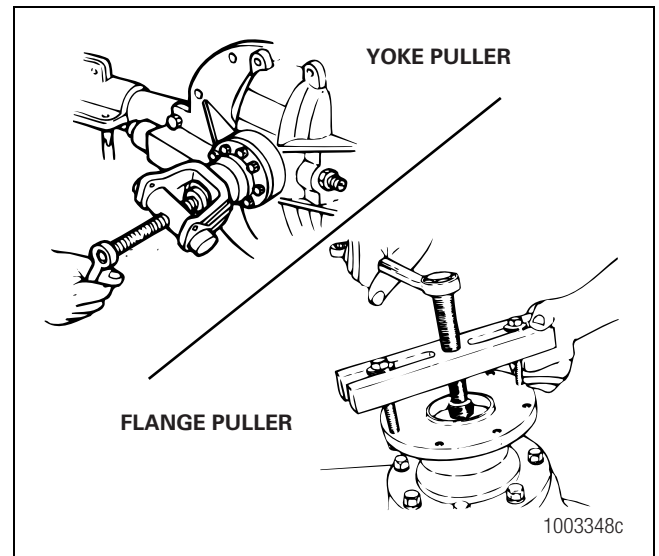


Figure 3.23

- Remove the capscrews and washers that hold the bearing cage in the carrier. Figure 3.24.

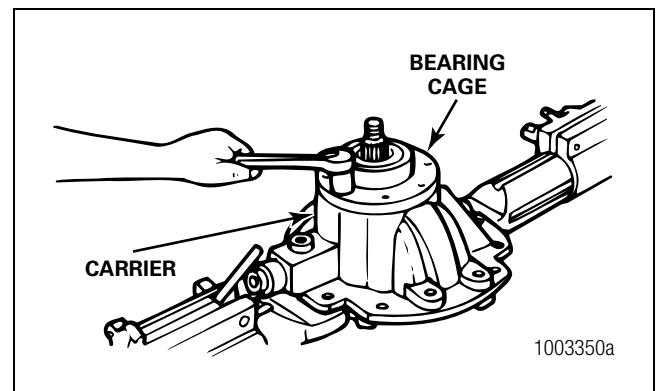


Figure 3.24

### 3 Removal and Disassembly

#### **CAUTION**

Do not use a pry bar to remove the bearing cage from the carrier. A pry bar can damage the bearing case, shims and carrier.

- Remove the drive pinion, bearing cage and shims from the carrier. Do not use a pry bar.
  - If the bearing cage is tight in the carrier:** Hit the bearing cage at several points around the flange area with a leather, plastic or rubber mallet. Figure 3.25.

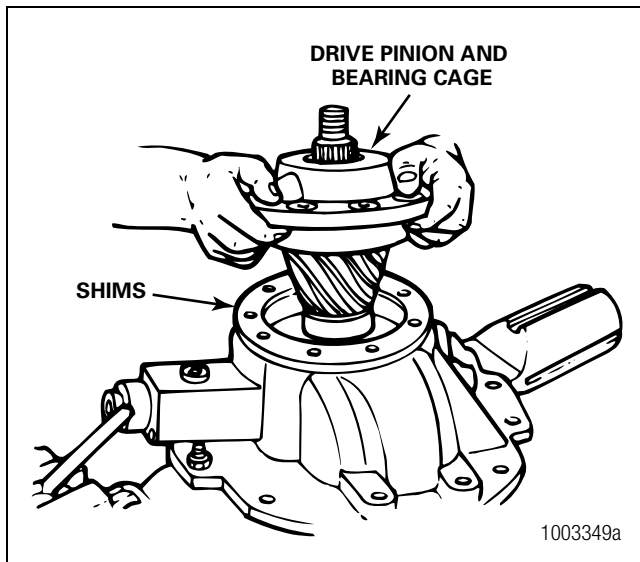


Figure 3.25

- If the shims are in good condition, keep the shims together to use when the carrier is assembled.
- If shims are to be discarded because of damage, first measure the total thickness of the pack. Make a note of the dimension. The dimension will be needed to calculate the depth of the drive pinion in the carrier when the gear set is installed.

## Disassembly

### Drive Pinion and Bearing Cage

- Place the drive pinion and bearing cage in a press. The pinion shaft must be toward the top of the assembly. Figure 3.26.

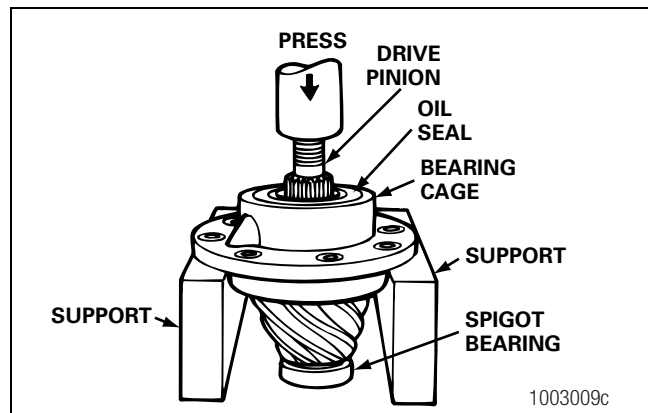


Figure 3.26

- Support the bearing cage under the flange area with metal or wood blocks. Figure 3.26.
- Press the drive pinion through the bearing cage. The inner bearing cone and bearing spacer will remain on the pinion shaft. Figure 3.26.
  - If a press is not available:** Use a leather, plastic or rubber mallet to drive the pinion through the bearing cage.

#### **CAUTION**

Be careful when you remove the seal. Do not damage the wall of the bore. Damage to the bore wall can result in oil leaks.

- Use a press and a sleeve to remove the triple-lip or unitized oil seal from the bearing cage.
  - If a press is not available:** Place a tool with a flat blade under the flange to remove the oil seal from the cage. Figure 3.27.

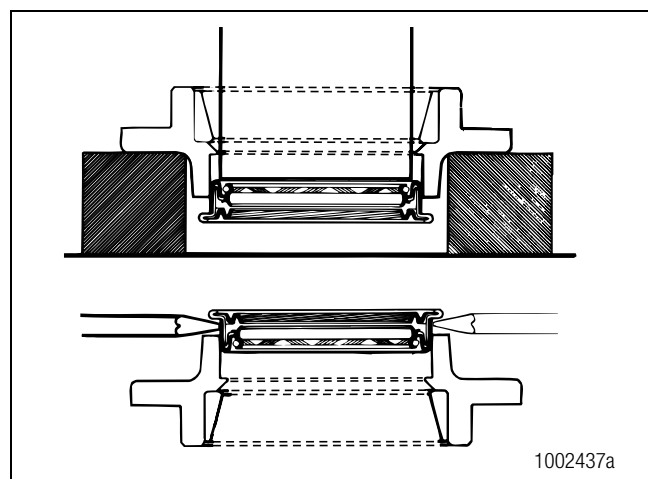


Figure 3.27

### 3 Removal and Disassembly

5. If the pinion bearings need to be replaced, remove the inner and outer bearing cups from the inside of the cage. Figure 3.28. Use a press and sleeve, bearing puller or a mall drift hammer. The type of tool used depends on the design of the bearing cage. Figure 3.29.

When a press is used, support the bearing cage under the flange area with metal or wood blocks.

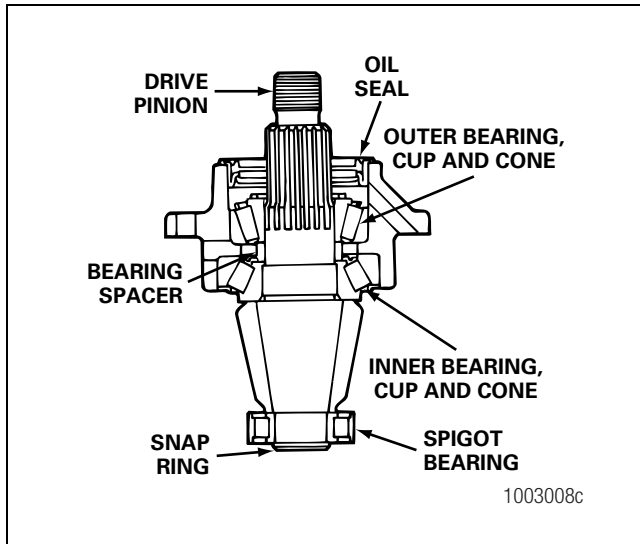


Figure 3.28

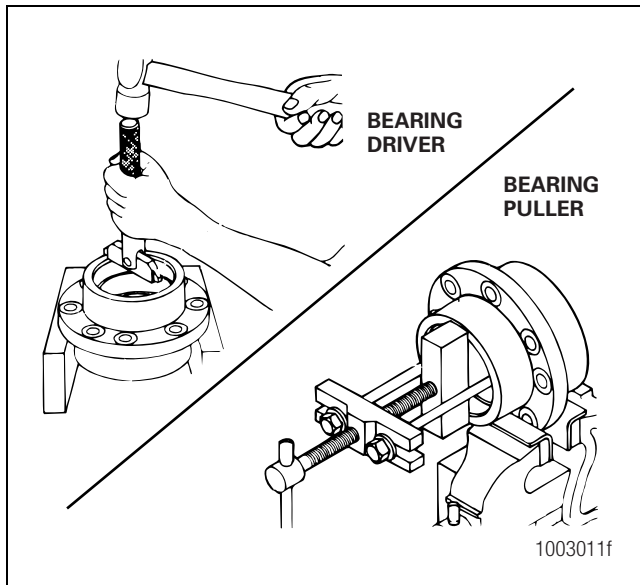


Figure 3.29

6. If the pinion bearings need to be replaced, remove the inner bearing cone from the drive pinion with a press or bearing puller. The puller must fit under the inner race of the cone to remove the cone correctly without damage. Figure 3.30.

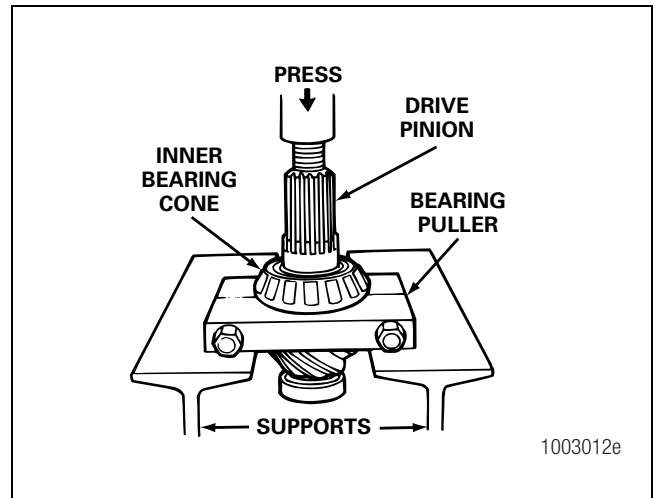


Figure 3.30

7. If the spigot bearing needs to be replaced, place the drive pinion in a vise. Install a soft metal cover over each vise jaw to protect the drive pinion.
8. Remove the snap ring, if equipped, from the end of the drive pinion with snap ring pliers that expand. Figure 3.31.

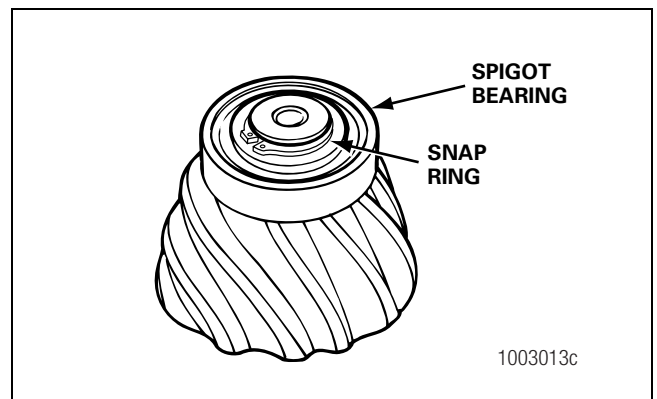


Figure 3.31

### 3 Removal and Disassembly

9. Remove the spigot bearing from the drive pinion with a bearing puller. Figure 3.32. Some spigot bearings are fastened to the drive pinion with a special peening tool. Figure 3.33.

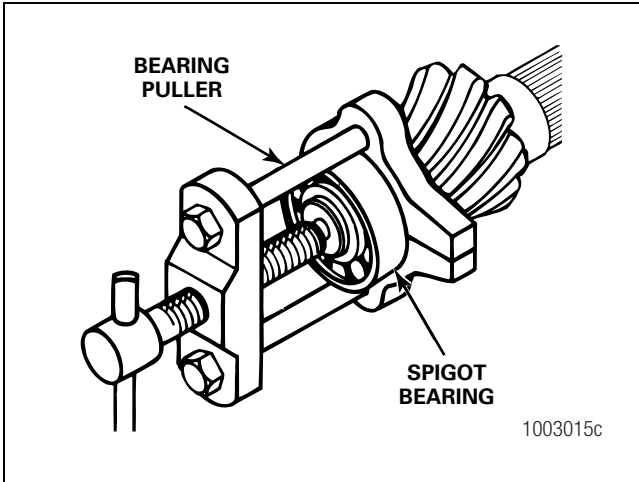


Figure 3.32

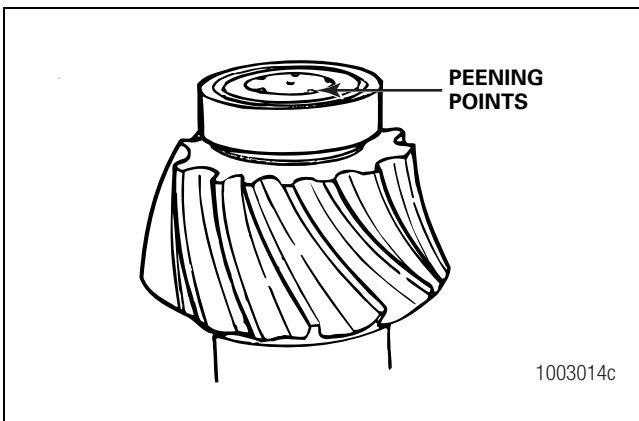


Figure 3.33

10. If the spigot bearings are a two-piece assembly, remove the inner race from the pinion with a bearing puller. Remove the outer race and roller assembly from the carrier with a drift or a press. Figure 3.34.

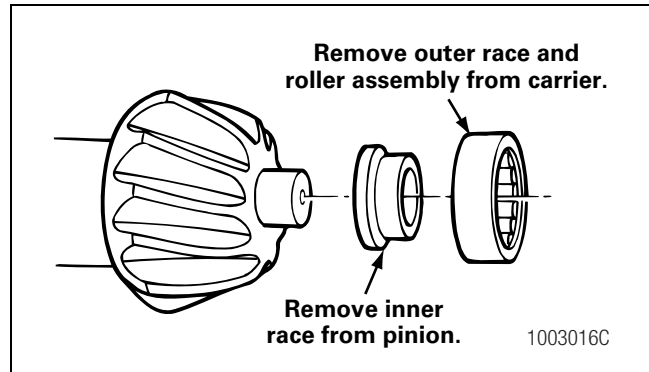


Figure 3.34

### Hazard Alert Messages

Read and observe all Warning and Caution hazard alert messages in this publication. They provide information that can help prevent serious personal injury, damage to components, or both.

#### **⚠ WARNING**

To prevent serious eye injury, always wear safe eye protection when you perform vehicle maintenance or service.

Solvent cleaners can be flammable, poisonous and cause burns. Examples of solvent cleaners are carbon tetrachloride, and emulsion-type and petroleum-base cleaners. Read the manufacturer's instructions before using a solvent cleaner, then carefully follow the instructions. Also follow the procedures below.

- Wear safe eye protection.
- Wear clothing that protects your skin.
- Work in a well-ventilated area.
- Do not use gasoline, or solvents that contain gasoline. Gasoline can explode.
- You must use hot solution tanks or alkaline solutions correctly. Read the manufacturer's instructions before using hot solution tanks and alkaline solutions. Then carefully follow the instructions.

Take care when you use Loctite® adhesive to avoid serious personal injury. Read the manufacturer's instructions before using this product. Follow the instructions carefully to prevent irritation to the eyes and skin.

When you apply some silicone gasket materials, a small amount of acid vapor is present. To prevent serious personal injury, ensure that the work area is well-ventilated. Read the manufacturer's instructions before using a silicone gasket material, then carefully follow the instructions. If a silicone gasket material gets into your eyes, follow the manufacturer's emergency procedures. Have your eyes checked by a physician as soon as possible.

### Clean, Dry and Inspect Parts

#### Clean and Inspect Yokes

##### **⚠ CAUTION**

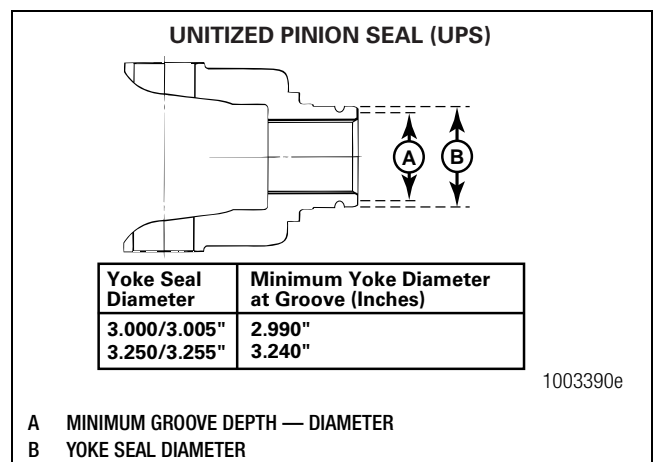
Do not install a press-on shaft excluder or POSE™ seal after you install a unitized pinion seal. The use of a POSE™ seal will prevent correct seating of the unitized pinion seal on the yoke and will result in lubricant leakage at the seal. POSE™ seal installation is recommended only for triple-lip and other previous design seals.

Do not use thin metal wear sleeves to refresh the yoke surface. Wear sleeves pressed onto the yoke will prevent correct seating of the pinion seal and damage the pinion seal assembly. Wear sleeve usage will cause the seal to leak.

1. Clean the ground and polished surface of the yoke journal using a clean shop towel and a safe cleaning solvent. Do not use abrasive cleaners, towels or scrubbers to clean the yoke or flange surface. Do not use gasoline.

**NOTE:** The unitized seal features a rubber inner sleeve that is designed to seal and rotate with the yoke. This feature allows you to reuse a yoke with minor grooves.

2. Inspect the yoke seal surface for grooves.
  - **If you find grooves on yoke hubs used with single or triple-lip seals:** Replace the yokes.
  - **If you find grooves on the yoke:** Use calipers to measure the groove diameters. If any groove diameter measures less than the dimensions shown in Figure 4.1, replace the yoke.



**Figure 4.1**

## 4 Prepare Parts for Assembly

### Clean Ground and Polished Parts

1. Use a cleaning solvent, kerosene or diesel fuel to clean ground or polished parts or surfaces. Do not use gasoline.
2. Use a tool with a flat blade if required, to remove sealant material from parts. Be careful not to damage the polished or smooth surfaces.

#### **⚠ CAUTION**

**Do not use hot solution tanks or water and alkaline solutions to clean ground or polished parts. Damage to parts can result.**

3. Do not clean ground or polished parts with water or steam. Do not immerse ground or polished parts in a hot solution tank or use strong alkaline solutions for cleaning, or the smooth sealing surface may be damaged.

### Clean Rough Parts

1. Clean rough parts with the same method as cleaning ground and polished parts.
2. Rough parts can be cleaned in hot solution tanks with a weak or diluted alkaline solution.
3. Parts must remain in hot solution tanks until heated and completely cleaned.
4. Parts must be washed with water until all traces of the alkaline solution are removed.

### Clean Axle Assemblies

1. A complete axle assembly can be steam cleaned on the outside to remove dirt.
2. Before the axle is steam cleaned, close or place a cover over all openings in the axle assembly. Examples of openings are breathers or vents in air chambers.

### Drying Parts After Cleaning

1. Parts must be dried immediately after cleaning and washing.
2. Dry the parts using soft, clean paper or cloth rags.

#### **⚠ CAUTION**

**Damage to bearings can result when they are rotated and dried with compressed air.**

3. Except for bearings, parts can be dried with compressed air.

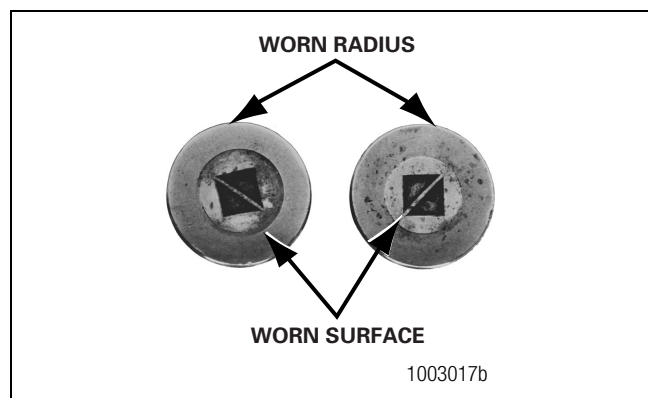
### Prevent Corrosion on Cleaned Parts

1. Apply axle lubricant to cleaned and dried parts that are not damaged and are to be assembled.
2. To store parts, apply a special material that prevents corrosion to all surfaces. Wrap cleaned parts in a special paper that will protect the parts from moisture and prevent corrosion.

### Inspect Parts

It is very important to inspect all parts carefully and completely before the axle or carrier is assembled. Check all parts for wear and replace damaged parts.

1. Inspect the cup, cone, rollers and cage of all tapered roller bearings in the assembly. If any of the following conditions exist, replace the bearing.
  - The center of the large-diameter end of the rollers is worn level with or below the outer surface. Figure 4.2.
  - The radius at the large-diameter end of the rollers is worn to a sharp edge. Figure 4.2.
  - There is a visible roller groove in the cup or cone inner race surfaces. The groove can be seen at the small- or large-diameter end of both parts. Figure 4.3.
  - There are deep cracks or breaks in the cup, cone inner race or roller surfaces. Figure 4.3.
  - There are bright wear marks on the outer surface of the roller cage. Figure 4.4.
  - There is damage on the rollers and on the surfaces of the cup and cone inner race that touch the rollers. Figure 4.5.
  - There is damage on the cup and cone inner race surfaces that touch the rollers. Figure 4.6.



**Figure 4.2**

## 4 Prepare Parts for Assembly

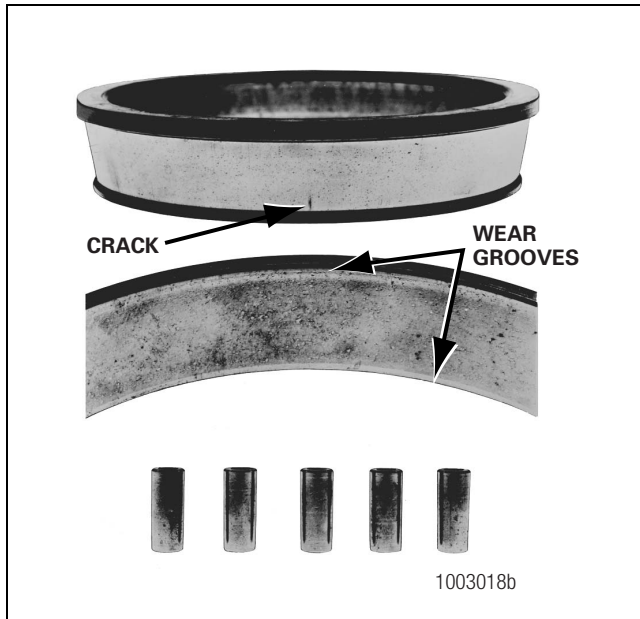


Figure 4.3

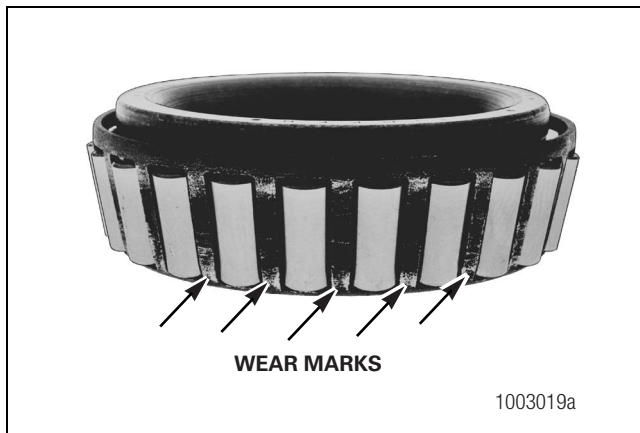


Figure 4.4

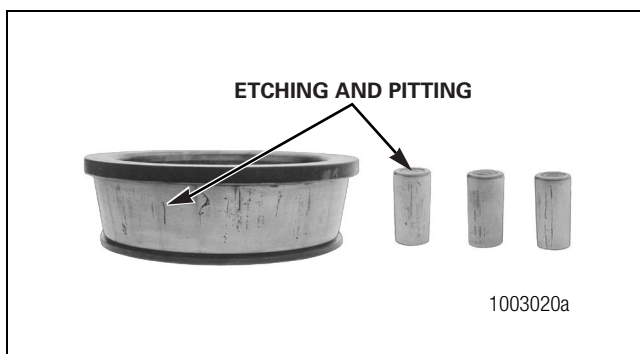


Figure 4.5

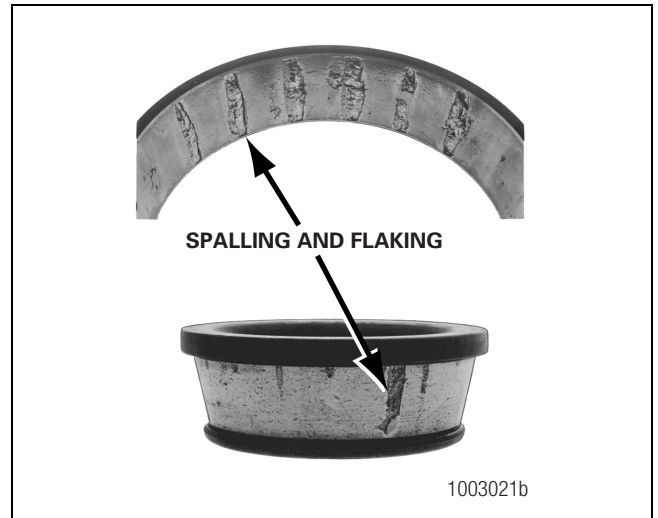


Figure 4.6

### ⚠ CAUTION

A drive pinion and ring gear are machined as a matched set. When you replace either a drive pinion or a ring gear, you must replace both parts as a matched set. Do not mix old and new parts. Damage to components can result.

2. Inspect hypoid pinions and gears for wear and damage. Replace gears that are worn or damaged.

### ⚠ CAUTION

A thrust washer, differential side gear and pinion gear are machined as a matched set. When you replace any of these parts, you must install a new matched set. Do not mix old and new parts. Damage to components can result.

3. Inspect the following main differential assembly parts for wear or stress. Replace parts that are damaged. Figure 4.7.
  - Inside surfaces of both case halves
  - Both surfaces of all thrust washers
  - The four trunnion ends of the spider or cross
  - Teeth and splines of both differential side gears
  - Teeth and bore of all differential pinions

## 4 Prepare Parts for Assembly

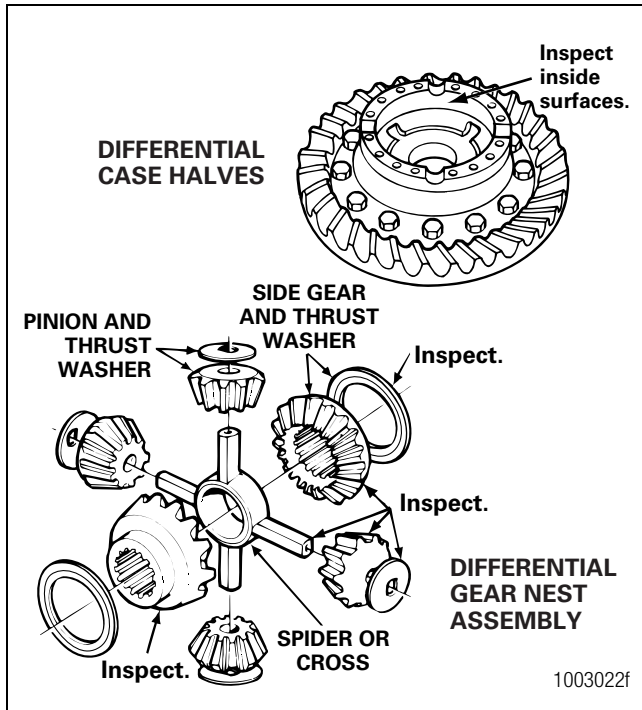


Figure 4.7

4. Inspect the axle shafts for wear and cracks at the flange, shaft and splines. Replace the axle shafts, if required.
5. Inspect the breather.
  - A. Remove the breather from the axle housing.
  - B. Clean the breather.
    - If the breather remains dirty after cleaning: Replace the breather.
  - C. Apply compressed air to the breather.
    - If compressed air does not pass through the breather: Replace the breather.
  - D. Install the breather in the axle housing.

### Repair or Replace Parts

**NOTE:** Threads must be without damage and clean so that accurate adjustments and correct torque values can be applied to fasteners and parts.

1. Replace any fastener if the corners of the head are worn.
2. Replace the washers if damaged.

3. Replace the gaskets, oil seals or grease seals at the time of axle or carrier repair.
4. Clean the parts and apply new silicone gasket material where required when the axle or carrier is assembled. Figure 4.8.

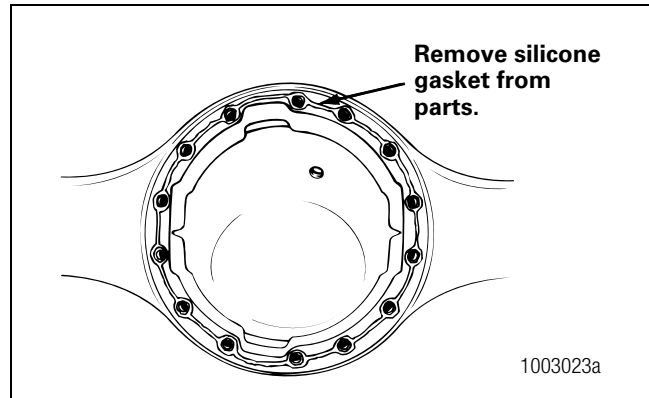


Figure 4.8

5. Remove nicks, mars and burrs from parts with machined or ground surfaces. Use a fine file, india stone, emery cloth or crocus cloth.
6. Clean and repair the threads of fasteners and holes. Use a die or tap of the correct size or a fine file.

### Welding on Axle Housings

#### **⚠ WARNING**

**Wear safe clothing and eye protection when you use welding equipment. Welding equipment can burn you and cause serious personal injury. Follow the operating instructions and safety procedures recommended by the welding equipment manufacturer.**

**Axle weld locations and welding procedures must adhere to Meritor standards. Welding at locations other than those authorized by Meritor will void the warranty and can reduce axle beam fatigue life. Serious personal injury and damage to components can result.**

Refer to Maintenance Manual 8, Drive Axle Housings. To obtain this publication, refer to the Service Notes page on the front inside cover of this manual.



## 4 Prepare Parts for Assembly

Meritor permits drive axle housing assembly repair welding in the following locations only.

- Housing-to-cover weld joints
- Snorkel welds
- Housing seam welds between the suspension attaching brackets
- Bracket welding to the drive axle housing

### Prepare the Axle

#### **⚠ WARNING**

The high temperature caused by the open flame from the cutting torch can ignite the oil in the axle housing and can cause serious personal injury.

1. Remove the oil drain plug from the bottom of the axle housing and drain the lubricant from the assembly.

#### **⚠ CAUTION**

Remove the differential carrier from the axle housing before you weld onto an axle. Do not weld onto an axle with the differential carrier installed. Electrical arcing and damage to components can result.

2. Remove the differential carrier from the axle housing. Refer to the correct Meritor carrier maintenance manual or the vehicle manufacturer's instructions.

#### **⚠ CAUTION**

Remove the brake air chambers before you weld onto an axle. Do not expose a brake air chamber to more than 250°F (121°C). Damage to the air chamber can result.

3. Remove the wheel-end components and brake air chambers from the axle. Refer to the correct Meritor brake maintenance manual or the vehicle manufacturer's instructions.
4. For housing-to-cover welds, clean the outside housing-to-cover weld area two-three-inches (50.8-76.2 mm) past each end or side of the crack. Clean the inside area where the cover mates with the housing. Clean the area completely around the cover. Use a wire brush and a cleaning solvent that will remove dirt and grease from these areas. Figure 4.9.

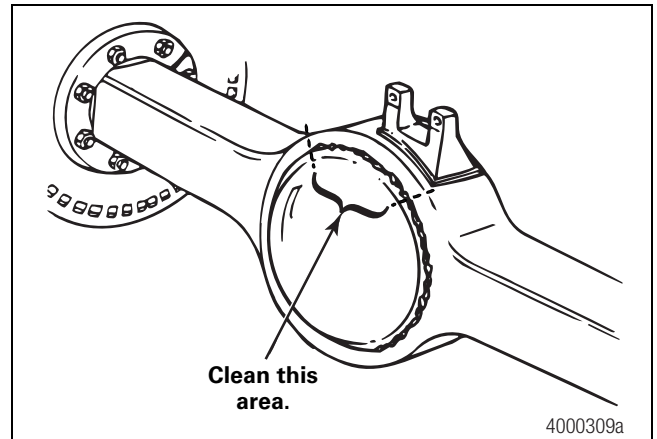


Figure 4.9

5. For suspension bracket welds, clean both lower and upper suspension brackets and the areas of the axle housing around each bracket. Use a wire brush and a cleaning solvent that will remove dirt and grease from these areas. Figure 4.10 and Figure 4.11.

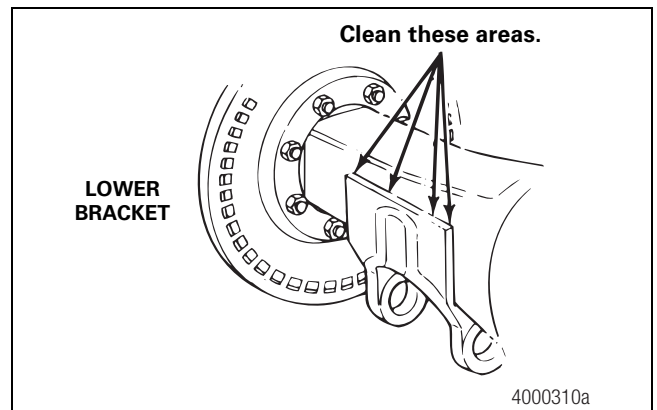


Figure 4.10

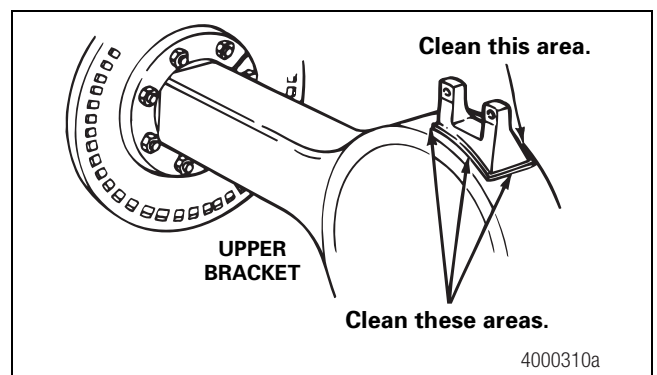


Figure 4.11

## 4 Prepare Parts for Assembly

### **⚠ WARNING**

The axle housing must be 70°F (21°C) or warmer before you weld onto the axle. Do not weld onto a cold axle or weld cold parts onto an axle. Cracks in the weld area, damage to components and serious personal injury can result.

6. Ensure that the axle housing temperature measures 70°F (21°C) or warmer.
  - If the axle housing temperature measures less than 70°F (21°C): Store the axle in a heated room until the housing reaches the correct temperature.
7. Heat the damaged area to approximately 300°F (149°C) before you begin welding.
8. Use suitable weld wire electrodes when you weld. Suitable weld wire electrodes include either BS EN 499 – E 42 2 B 32 H5 or BS EN 440 – G 42 2 M GSi (American Welding Society equivalents E7018 and ER70S3, respectively).
9. For complete welding instructions, refer to Maintenance Manual 8, Drive Axle Housings. To obtain this publication, refer to the Service Notes page on the front inside cover of this manual.

### **Do Not Bend or Straighten a Damaged Drive Axle Housing**

### **⚠ WARNING**

Replace damaged or out-of-specification axle components. Do not bend, repair or recondition axle components by welding or heat-treating. A bent axle beam reduces axle strength, affects vehicle operation and voids Meritor's warranty. Serious personal injury and damage to components can result.

Always replace a damaged drive axle housing. Do not bend or straighten a damaged housing, which can misalign or weaken it, and void Meritor's warranty.

### **Removing Fasteners Secured with Adhesive**

If it is difficult to remove fasteners secured with Dri-Loc®, Meritor adhesive or Loctite® 277 adhesive, use the following procedure.

When you remove fasteners secured with adhesive, slowly heat the fastener to 350°F (177°C). Do not exceed this temperature, or heat fasteners quickly. Damage to components can result.

1. Heat the fastener for three to five seconds. Try to loosen the fastener with a wrench. Do not use an impact wrench or hit the fastener with a hammer.
2. Repeat Step 1 until you can remove the fastener.

### **New Fasteners with Pre-Applied Adhesive**

**NOTE:** No drying time is required for fasteners with pre-applied adhesive.

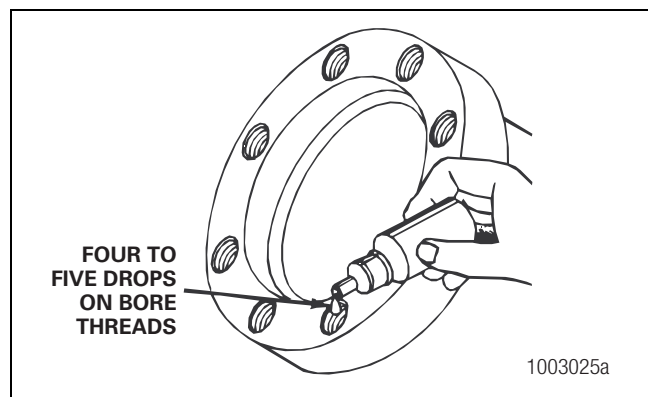
1. Use a wire brush to clean the oil and dirt from threaded holes.
2. Install new fasteners with pre-applied adhesive to assemble parts. Do not apply adhesives or sealants to fasteners with pre-applied adhesive, or to fastener holes.
3. Tighten the fasteners to the required torque value for that size fastener.

### **Original or Used Fasteners**

1. Use a wire brush to clean the oil, dirt and old adhesive from all threads and threaded holes.

**NOTE:** There is no drying time required for Meritor liquid adhesive 2297-C-7049, Loctite® 638 or 680 liquid adhesive or equivalent.

2. Apply four or five drops of Meritor liquid adhesive, Loctite® 638 or 680 liquid adhesive or equivalent inside each threaded hole or bore. Do not apply adhesive directly to the fastener threads. Figure 4.12.



**Figure 4.12**

3. Tighten the fasteners to the required torque value for that size fastener.

## 4 Prepare Parts for Assembly

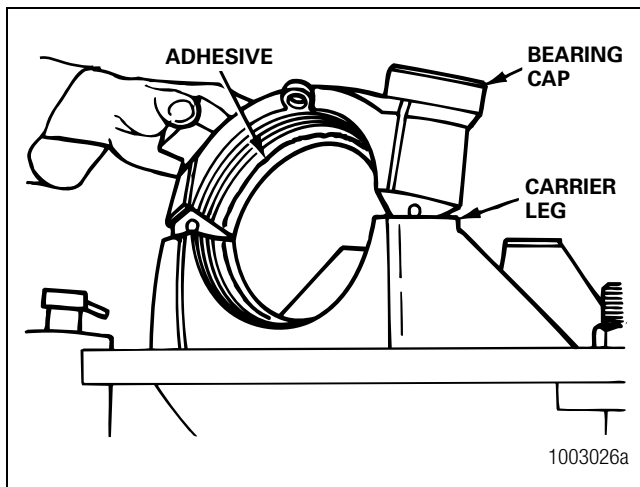
### Meritor Specification 2297-T-4180 Adhesive in the Differential Bearing Bores

**NOTE:** Use Meritor specification 2297-T-4180 adhesive for all axles.

1. Clean the oil and dirt from the outer diameters of the bearing cups and bearing bores in the carrier and bearing caps. There is no special cleaning required.
2. Apply axle lubricant to the bearing cones and the inner diameters of the bearing cups of the main differential. Do not get oil on the outer diameter of the bearing cup and do not permit oil to drip onto the bearing bores.

**NOTE:** Meritor specification 2297-T-4180 adhesive will dry in approximately two hours. You must complete the procedure within two hours from the time you apply the adhesive. If two hours have passed since application, clean the adhesive from the parts and apply new adhesive.

3. Apply a single continuous bead of the adhesive to the bearing bores in the carrier and bearing caps. Apply the adhesive around the circumference of the smooth, ground surfaces only. Do not place the adhesive on the threaded areas. Figure 4.13.



**Figure 4.13**

4. Install the main differential assembly, bearing cups and bearing caps into the carrier. Refer to Section 5.
5. Adjust the preload of the differential bearings, backlash and tooth contact patterns of the gear set as required. Refer to Section 5.

### Carrier-to-Housing Joint Sealing Procedure

1. Remove the carrier from the housing. Refer to Section 3.
2. Remove all debris from inside the housing.
3. Use a rotary tool with a scour pad to clean all silicone residue from the housing and carrier faces. Figure 4.14. Surfaces must be clean, dry and free of foreign matter. The surfaces must not be oily to the touch.



**Figure 4.14**

4. Remove metal filings from the magnets inside the housing.
5. Use solvent to clean the inside of the housing.
6. Use Loctite® ODC Free cleaner or brake cleaner to clean the housing and carrier faces.
7. Dry the housing and carrier faces.

#### **CAUTION**

New capscrew kits have blue Dri-Loc® STS threadlocker, an equivalent to Loctite® 242 threadlocker, applied to the capscrews. Do not remove the blue Dri-Loc® STS threadlocker from the capscrews. Damage to components can result.

8. If you reuse the carrier-to-housing capscrews, use a rotary wire brush to remove any threadlocker material and clean the capscrew threads. Use a clean cloth to wipe the threads.
9. Use a tap to clean the internal threads in the housing.

## 4 Prepare Parts for Assembly

### ⚠ CAUTION

Apply silicone gasket material in a continuous 0.25-inch (6 mm) bead. If you use more than this amount, gasket material can break off and plug lubrication passages. Damage to components can result.

- Apply a 0.25-inch (6 mm) bead of Loctite® 5699 silicone gasket material to the housing face. Do not use ThreeBond 1216E silicone products. Figure 4.15.

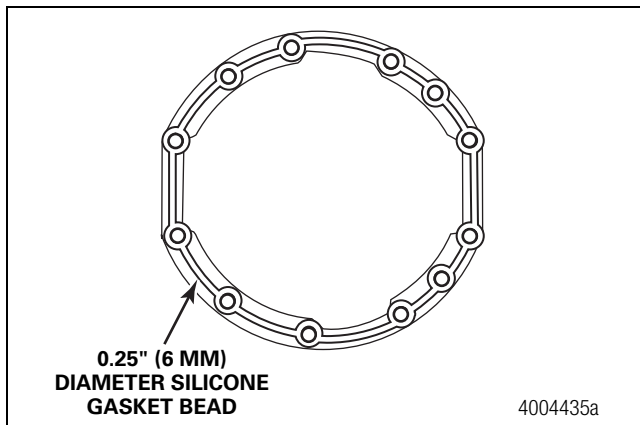


Figure 4.15

- Install two long studs in the carrier to guide the carrier into the housing.
- Immediately install the carrier into the housing to permit the silicone gasket material to compress evenly between the faces.
- Apply a 0.125-inch (3 mm) bead of Loctite® 242 threadlocker around the capscrew threads approximately 0.25-inch (6 mm) from the end. Apply a 0.125-inch (3 mm) bead of Loctite® 242 threadlocker across the length of the threads. Figure 4.16.

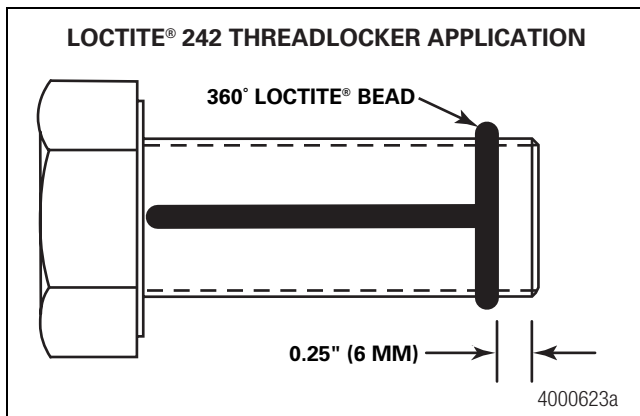


Figure 4.16

- Install the capscrews. Use a crossing pattern to tighten the capscrews evenly. The capscrews must be tightened within 10 minutes of initial application of Loctite® 242 threadlocker.
  - Tighten the 1/2-inch capscrews to 140 lb-ft (190 N•m). ⚠
  - Tighten the 5/8-inch capscrews to 225 lb-ft (306 N•m). ⚠
- Wait a minimum of 60 minutes before filling the assembly with lubricant. Refer to Section 7.

### General Yoke and U-Joint Reassembly

Install the end yoke hub capscrews by hand after seating the U-joint. Tighten the capscrews according to the manufacturer's torque specifications.

### Identification

#### Gear Sets

Refer to Table E, Table F, Table G and Table H for information on identifying gear sets with matched parts. Always check match numbers to verify that the gear set you will install has matched parts. Figure 4.17.

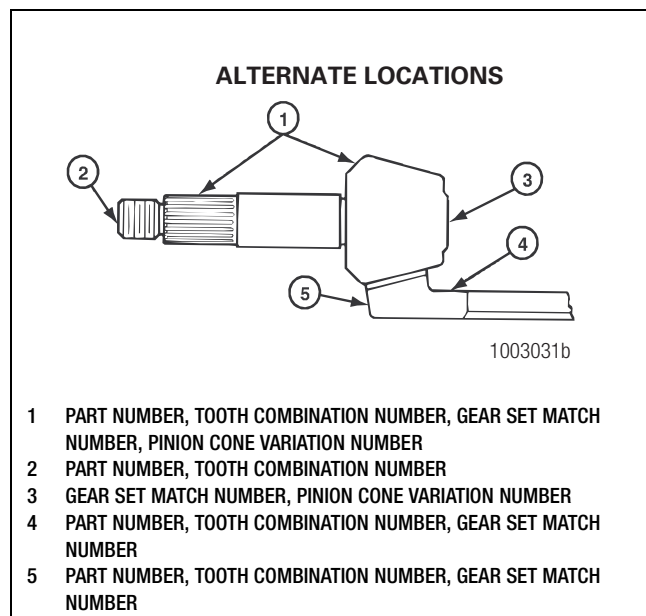


Figure 4.17

### Examples

**Table E: Gear Set Part Numbers**

<b>Part</b>	<b>Number</b>	<b>Location</b>
Conventional ring gear	36786	On the front face or outer diameter
Conventional drive pinion	36787	At the end at threads
Generoid ring gear	36786 K or 36786 K2	On the front face or outer diameter
Generoid drive pinion	36787 K or 36787 K2	At the end at threads

**Table F: Gear Set Tooth Combination Number**

<b>Gear Set Teeth</b>	<b>Drive Pinion Location</b>	<b>Ring Gear Location</b>
5-37 = gear set has a five-tooth drive pinion and a 37-tooth ring gear	At the end at threads	On the front face or outer diameter

**NOTE:** Meritor drive pinions and ring gears are only available as matched sets. Each gear in a set has an alphanumeric match number.

**Table G: Gear Set Match Number**

<b>Match Number</b>	<b>Drive Pinion Location</b>	<b>Ring Gear Location</b>
M29	At the end of the gear head	On the front face or outer diameter

**NOTE:** Don't use the pinion cone variation number when you check for a matched gear set. Use this number when you adjust the pinion depth of the carrier. Refer to Section 6.

**Table H: Pinion Cone Variation Number**

<b>Pinion Cone (PC) Variation Number</b>	<b>Drive Pinion Location</b>	<b>Ring Gear Location</b>
PC+3	At the end of the pinion gear head	On the outer diameter
+2		
+0.01 mm		
PC-5	At the end of the pinion gear head	On the outer diameter
-1		
-0.02 mm		

## 5 Assembly and Installation

### Hazard Alert Messages

Read and observe all Warning and Caution hazard alert messages in this publication. They provide information that can help prevent serious personal injury, damage to components, or both.

#### **⚠ WARNING**

To prevent serious eye injury, always wear safe eye protection when you perform vehicle maintenance or service.

When you apply some silicone gasket materials, a small amount of acid vapor is present. To prevent serious personal injury, ensure that the work area is well-ventilated. Read the manufacturer's instructions before using a silicone gasket material, then carefully follow the instructions. If a silicone gasket material gets into your eyes, follow the manufacturer's emergency procedures. Have your eyes checked by a physician as soon as possible.

Take care when you use Loctite® adhesive to avoid serious personal injury. Read the manufacturer's instructions before using this product. Follow the instructions carefully to prevent irritation to the eyes and skin.

Use a brass or synthetic mallet for assembly and disassembly procedures. Do not hit steel parts with a steel hammer. Pieces of a part can break off. Serious personal injury and damage to components can result.

Observe all warnings and cautions provided by the press manufacturer to avoid damage to components and serious personal injury.

### Assembly

#### Drive Pinion, Bearings and Bearing Cage

1. Place the bearing cage in a press. Figure 5.1.
2. Support the bearing cage with metal or wood blocks.
3. Press the bearing cup into the bore of the bearing cage until the cup is flat against the bottom of the bore. Use a sleeve of the correct size to install the bearing cup. Use the same procedure for both bearing cups. Figure 5.1.

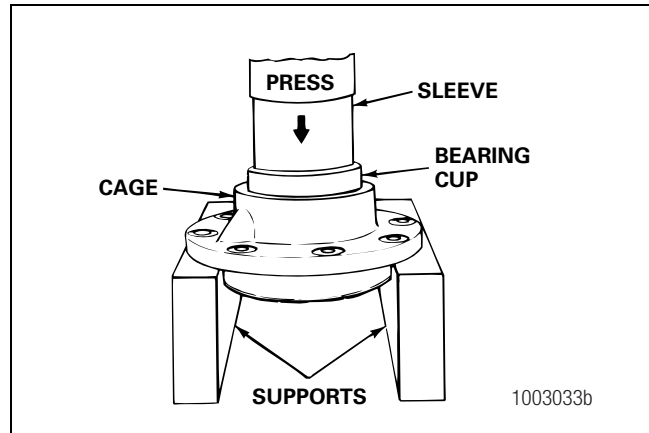


Figure 5.1

4. Place the drive pinion in a press with the gear head or teeth toward the bottom. Figure 5.2.

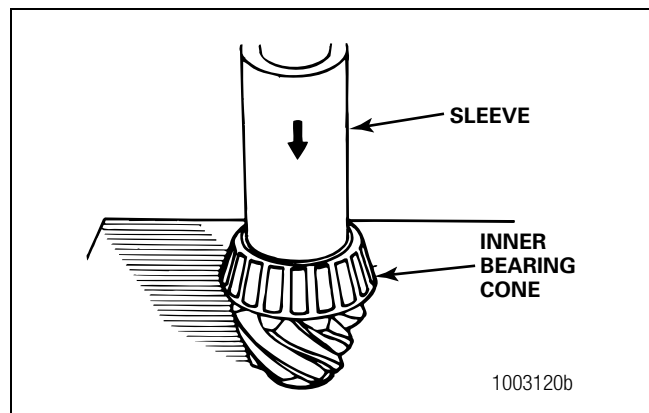


Figure 5.2

5. Press the inner bearing cone on the shaft of the drive pinion until the cone is flat against the gear head. Use a sleeve of the correct size against the bearing inner race.

**NOTE:** Spigot bearings are usually fastened to the drive pinion with a snap ring. Some are fastened with a peening tool, and some are a two-piece bearing assembly with the inner race pressed on the nose of the pinion and the outer race pressed into its bore in the carrier.

6. Install the spigot bearing using one of the following three procedures.

## Installation

### One-Piece Spigot Bearing on the Drive Pinion with a Snap Ring

**NOTE:** The following procedure applies to all axles except:

- Some 160 Series single axles may use snap rings.
- Some 160 and 180 Series rear-rear tandem axles may use snap rings.

1. Place the drive pinion in a press with the gear head or the teeth toward the top. Figure 5.3.

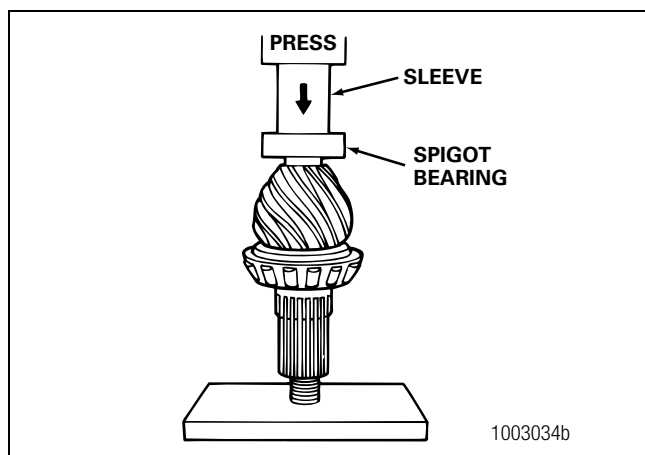


Figure 5.3

2. Press the spigot bearing on the end of the drive pinion. The bearing must be flat against the gear head. Use a sleeve of the correct size against the bearing inner race. Figure 5.3.
3. Use snap ring pliers to install the snap ring, if equipped, into the groove in the end of the drive pinion. Figure 5.4.

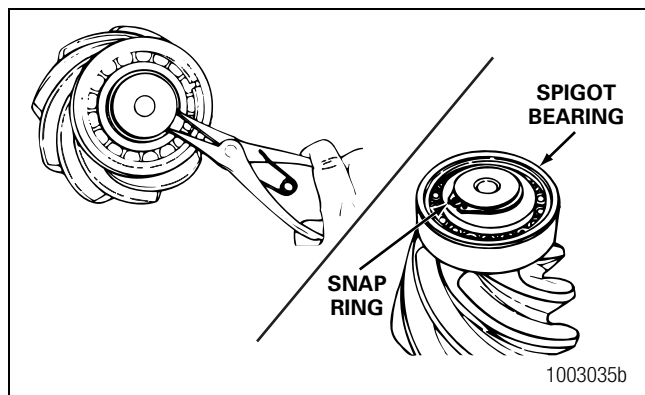


Figure 5.4

### One-Piece Spigot Bearing on the Drive Pinion Without a Snap Ring

**NOTE:** The following procedure applies to some 180 Series rear-rear tandem axles with existing snap ring components.

To obtain the staking tool, refer to the Service Notes page on the front inside cover of this manual. Figure 5.5.

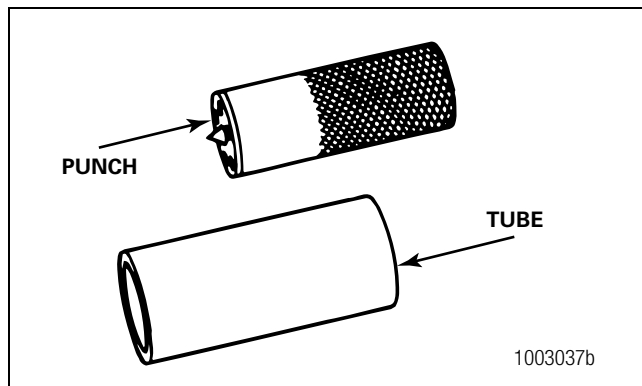


Figure 5.5

1. Place the drive pinion and the tube of the staking tool into a press with the spigot bearing toward the top. Figure 5.6.

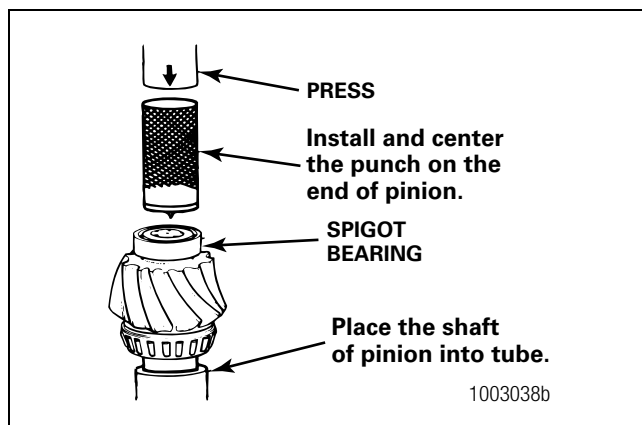


Figure 5.6

2. When you use a staking tool and press, apply 6,614 lb (3 000 kg) force on a 0.375-inch (10 mm) ball. Calculate the force required on the tool as follows.
  - 6,614 lb (3000 kg) x amount of balls in tool = pounds or kilograms
  - **Example:** 6,614 lb (3000 kg) x three balls = 19,842 pounds (9000 kg)

## 5 Assembly and Installation

- Place the punch of the staking tool over the end of the pinion and spigot bearing. Apply the required amount of force on the punch. Figure 5.6.

### ⚠ CAUTION

Do not align new points with the grooves in the end of the drive pinion or in old points. If the new staked points are placed in the wrong areas, the spigot bearing will not be held correctly on the pinion shaft.

**NOTE:** If a three-ball stake tool is used, rotate the tool 180 degrees.

- Stake the end of the drive pinion at a minimum of five points. Figure 5.7. Rotate the punch as many times as required for a minimum of five points. Repeat Step 3 for each point.

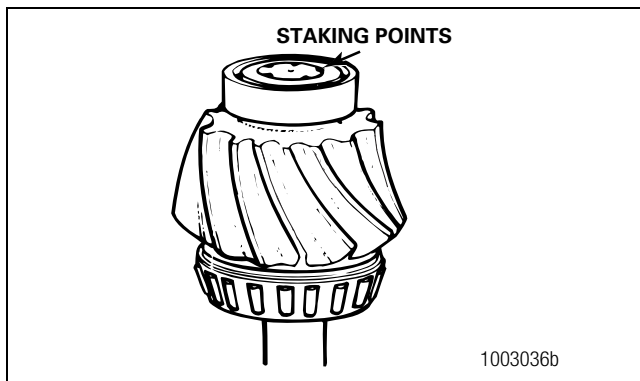


Figure 5.7

### Two-Piece Spigot Bearing on the Drive Pinion

**NOTE:** This procedure applies to some 160 Series single rear axles and rear-rear tandem axles. These axles may also use a one-piece spigot bearing with a snap ring retainer.

**NOTE:** The inner race of the two-piece spigot bearings must be staked in place on RS and RR-160 Series rear axles. Before you stake the pinion, you must heat the pinion stem to soften it.

**NOTE:** SPX Kent-Moore kit number J-39039 includes the staking tool, temperature indicating liquid, heat shield and plastigage needed for this procedure. To obtain this kit, refer to the Service Notes page on the front inside cover of this manual.

- Apply two stripes of temperature indicating liquid on the pinion stem from the top to the bottom. Figure 5.8. Apply a green stripe to indicate 400°F (205°C) and a blue stripe to indicate 500°F (260°C).

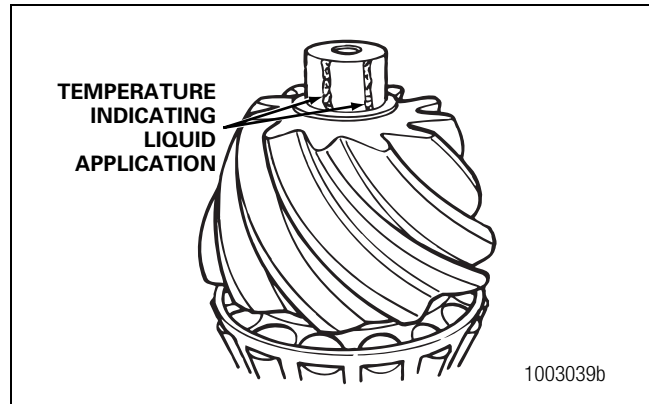


Figure 5.8

### ⚠ CAUTION

You must use the heat shield when you heat the pinion stem. Do not heat the pinion stem without the heat shield in place. Damage to components can result.

- Place the heat shield over the pinion stem so that you can see the temperature indicating liquid through the hole in the shield. Figure 5.9.

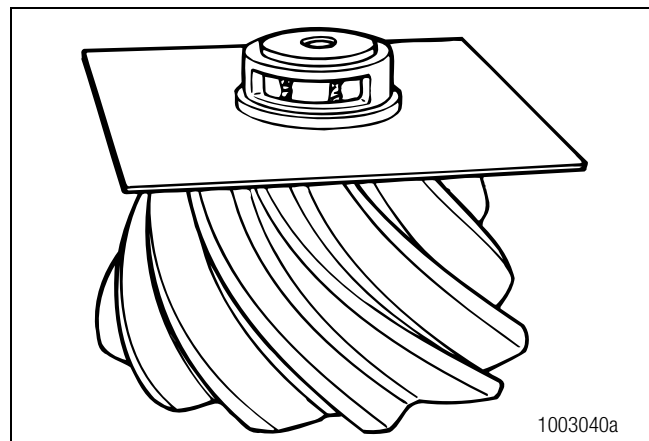


Figure 5.9

### ⚠ WARNING

Read the manufacturer's instructions before using a torch. Always wear safe clothing, gloves and eye protection when working with a torch for heating parts to prevent serious personal injury during assembly.

- Put on safe clothing, gloves and eye protection.

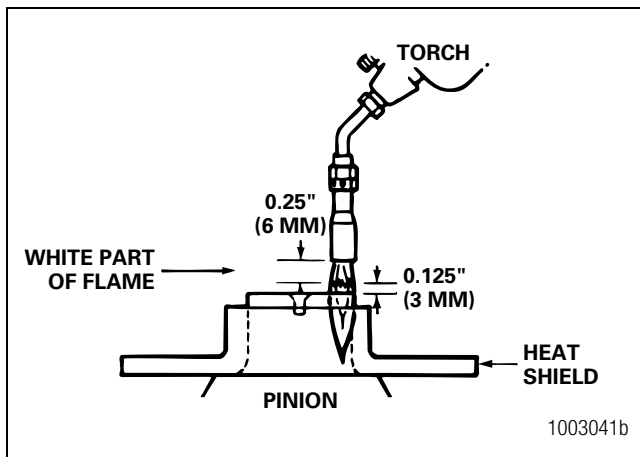


### **CAUTION**

**Do not overheat the pinion stem or you will weaken the metal. Damage to components can result.**

**NOTE:** Correct heating will take approximately 25-35 seconds, depending on how hot the torch is.

- Light and adjust the torch until the white part of the flame is approximately 0.25-inch (6 mm) long. Keep the white part of the flame approximately 0.125-inch (3 mm) from the top of the stem. Figure 5.10. Move the flame around the outer diameter of the top of the pinion stem. The green temperature indicating liquid will turn black before the blue liquid does. Heat the stem until the blue liquid turns black at a point in the middle of the window.



**Figure 5.10**

- Remove the flame and the heat shield from the pinion. Let the pinion air cool for 10 minutes. Use a razor blade to remove the temperature indicating liquid.

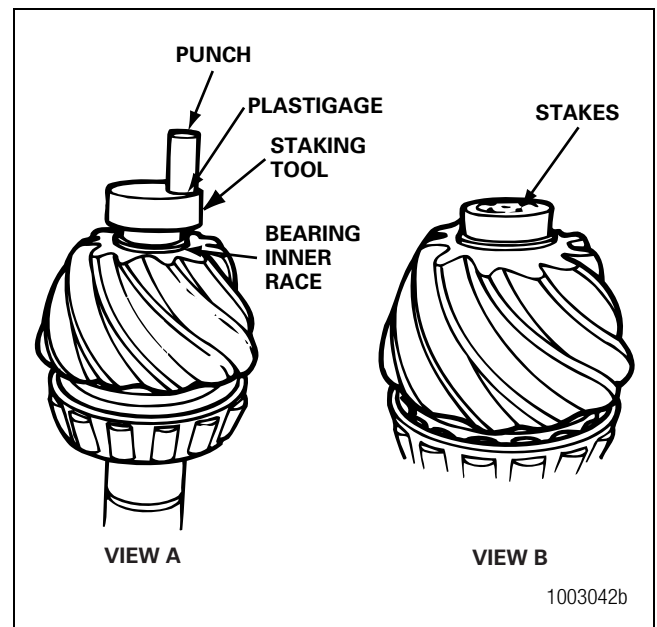
### **CAUTION**

**Do not press or directly strike the new inner race. Damage to the bearing will result.**

- Use a press, if available, or a brass hammer to install the new inner race. Use the old inner race as a sleeve. The face is completely seated when you cannot fit a 0.002-inch (0.0508 mm) feeler gauge between the race and the pinion shoulder.

**NOTE:** To hold the races in place, use a staking tool, not the old race, to start the new race on the stem. The old race can be used to completely seat the new race.

- Place the staking tool over the bearing race. Cut a one-inch (25 mm) piece from the green plastigage strip and place it between the punch and the staking tool. You do not need to use the plastigage for every stake. Use the plastigage until you are sure that you are hitting the punch with the correct amount of force. Figure 5.11.



**Figure 5.11**

- Strike the punch with a two-three pound (0.9-1.4 kg) brass hammer to upset the end of the pinion stem. Remove the strip and measure its thickness against the gauge on the strip's wrapper. The strip must not be less than 0.003-inch (0.0762 mm) thick. This thickness indicates that you are using enough force when you hit the punch. If the strip is too thin, then you must hit the punch harder so the stake will hold the race in place. Rotate the tool and repeat this procedure until there are six evenly spaced stake marks around the stem. Figure 5.11.
- With a press or a soft mallet and sleeve, install the outer race and roller assembly into its bore in the carrier. Use a sleeve that is the same size as the outer race. Press the bearing until it is squarely seated against the shoulder in the bottom of its bore.

## 5 Assembly and Installation

### Drive Pinion

1. Apply axle lubricant to the bearing cups and to the bearing cones in the cage.
2. Install the drive pinion into the bearing cage.
3. Install the bearing spacer or spacers onto the pinion shaft against the inner bearing cone. Figure 5.12. The spacer or spacers control the preload adjustment of the drive pinion bearings.

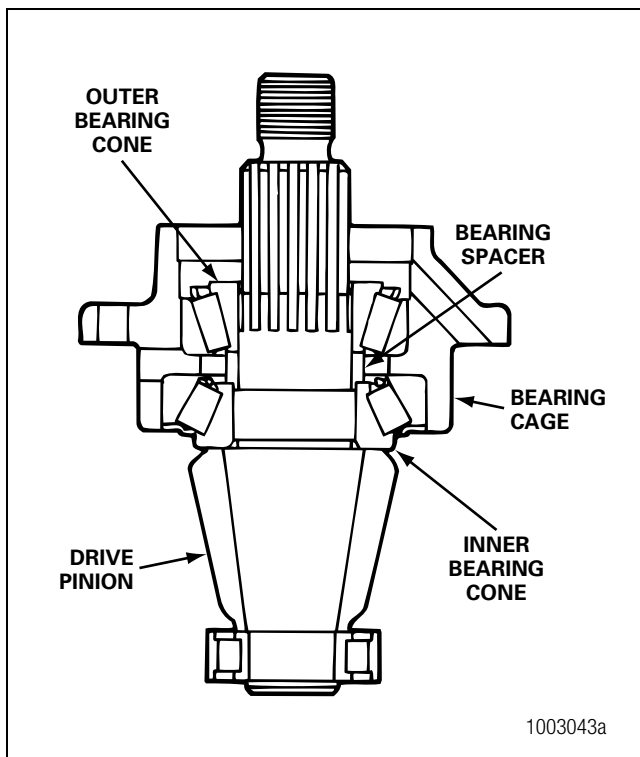


Figure 5.12

4. Install the outer bearing cone onto the pinion shaft against the spacer. Do not install the pinion seal into the bearing cage. Figure 5.12.

### Adjustment

#### Pinion Bearing Preload

##### Press Method

If a press is not available, or the press does not have a pressure gauge, use the yoke or flange method to adjust the pinion bearing preload.

**NOTE:** Do not read the starting torque. Read only the torque value after the cage starts to rotate. The starting torque will give an incorrect reading.

1. Place the drive pinion and cage assembly into a press with the gear head or teeth toward the bottom.
2. Install a sleeve of the correct size against the inner race of the outer bearing. Figure 5.13.

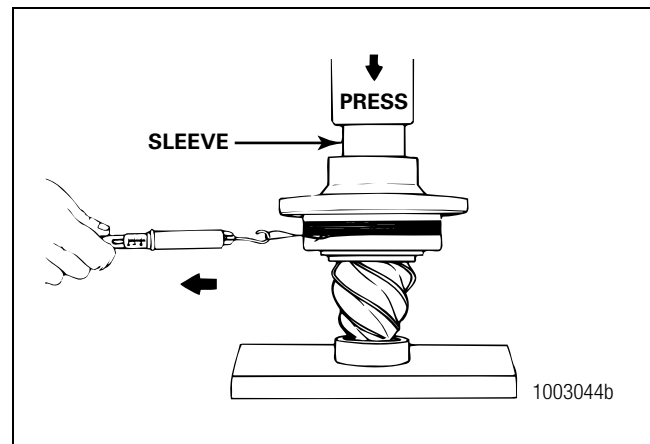


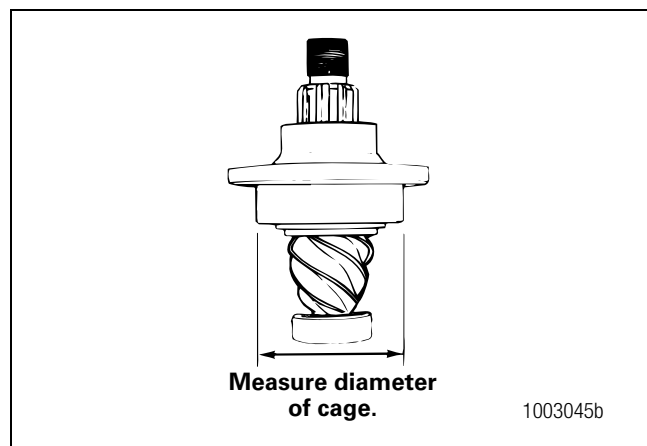
Figure 5.13

3. Apply and hold the correct amount of pressure to the pinion bearings. Refer to Table I. As pressure is applied, rotate the bearing cage several times so that the bearings make normal contact.

**Table I**

Thread Size of Pinion Shaft	Press Pressure Needed on Bearings for Correct Preload		Torque Value Needed on Pinion Nut for Correct Bearing Preload	
	pounds/tons	kg/metric tons	lb-ft	N•m
7/8"-20	22,000/1	9979/10	200-275	271-373
1"-20	30,000/15	13 608/13.6	300-400	407-542
1-1/4"-12	54,000/27	24 494/24.5	700-900	949-1220
1-1/4"-18	54,000/27	24 494/24.5	700-900	949-1220
1-1/2"-12	54,000/27	24 494/24.5	800-1100	1085-1491
1-1/2"-18	54,000/27	24 494/24.5	800-1100	1085-1491
1-3/4"-12	50,000/25	22 680/22.7	900-1200	1220-1627
2"-12	50,000/25	22 680/22.7	1200-1500	1627-2034

- While pressure is held against the assembly, wind a cord around the bearing cage several times.
- Attach a spring scale to the end of the cord.
- Pull the cord on a horizontal line. As the bearing cage rotates, read the value indicated on the scale. Record the reading. Figure 5.13.
- Measure the diameter of the bearing cage where the cord was wound. Measure in inches or centimeters. Figure 5.14.



**Figure 5.14**

- Divide the dimension in half to get the radius. Record the radius dimension.

- Use the following procedure to calculate the bearing preload or torque.

- Pounds Pulled x Radius (inches) = lb-in Preload  
— Preload x 0.113 = N•m Preload
- Kilograms Pulled x Radius (cm) = kg-cm lb-in Preload  
— Preload x 0.098 = N•m Preload
- Reading from spring scale = 7.5 pounds (3.4 kg)
- Diameter of bearing cage = 6.62-inches (16.8 cm)
- Radius of bearing cage = 3.31-inches (8.4 cm)  
— 7.5 lb x 3.31-inches = 24.8 in-lb Preload  
Preload x 0.113 = 2.8 N•m Preload  
— 3.4 kg x 8.4 cm = 28.6 kg-cm Preload  
Preload x 0.098 = 2.8 N•m Preload

- If the preload or torque of the pinion bearings is not within 5-45 lb-in (0.56-5.08 N•m) for new pinion bearings or 10-30 lb-in (1.13-3.39 N•m) for used pinion bearings in good condition, adjust the spacer and repeat Step 1 through Step 9.
- To increase preload:** Install a thinner bearing spacer.
- To decrease preload:** Install a thicker bearing spacer.
- Check the bearing preload with the drive pinion and cage assembly installed in the carrier. Follow the procedures to adjust the pinion bearing preload using the yoke or flange method.

### Yoke or Flange Method

#### CAUTION

**Do not install tight-fitting yokes or flanges onto shafts using a hammer or mallet. A hammer or mallet will damage the yoke or flange.**

- Use a press to install the input yoke or flange, nut and washer, if equipped, onto the drive pinion. The yoke or flange must be seated against the outer bearing. Figure 5.15.

## 5 Assembly and Installation

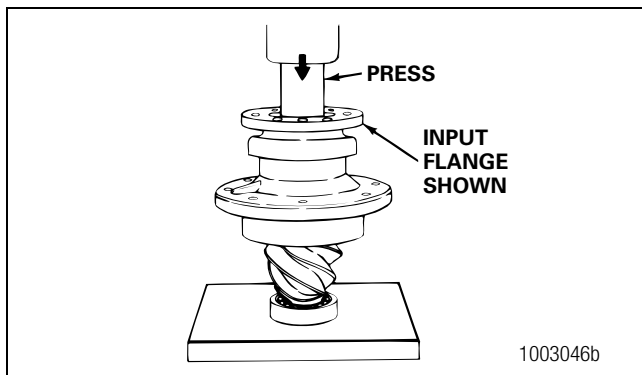


Figure 5.15

2. Install the drive pinion and cage assembly into the carrier. Do not install shims under the bearing cage. Figure 5.16.

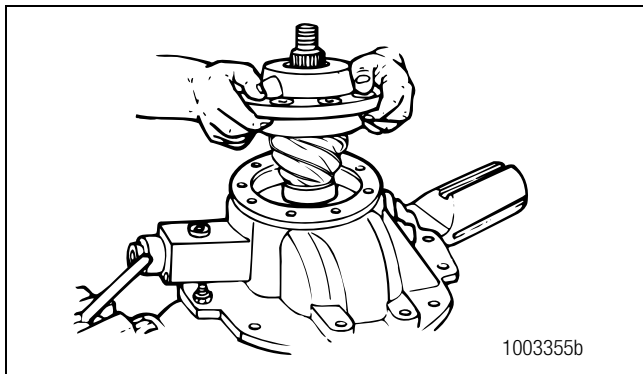


Figure 5.16

3. Install the bearing cage-to-carrier capscrews. Washers are not required at this time. Hand-tighten the capscrews.
4. Fasten a yoke or flange bar to the input yoke or flange. The bar will hold the drive pinion in position when the nut is tightened. Figure 5.17.

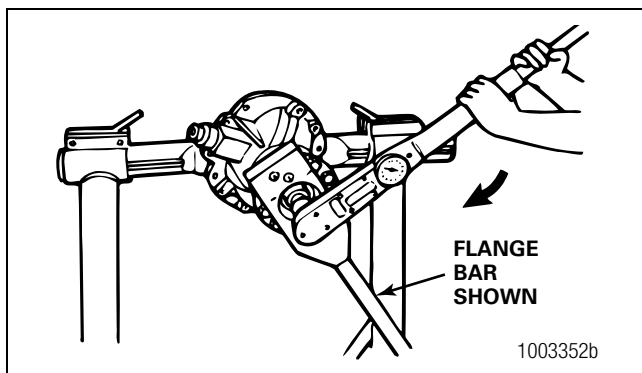


Figure 5.17

5. Tighten the drive pinion nut to the correct torque value. Figure 5.17. Refer to Table I.
6. Remove the yoke or flange bar.
7. Attach a torque wrench onto the drive pinion nut. Rotate the drive pinion and read the value indicated on the torque wrench. Figure 5.18.

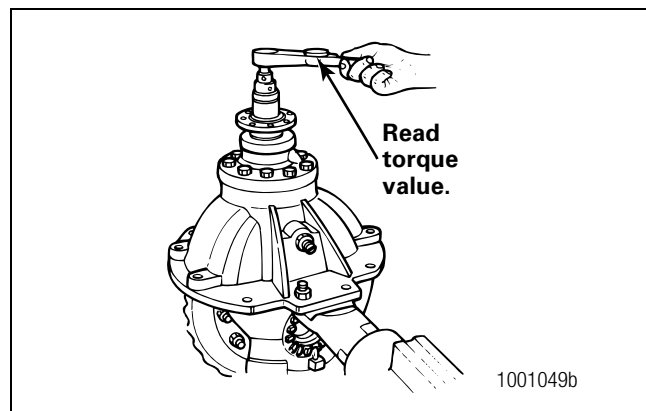



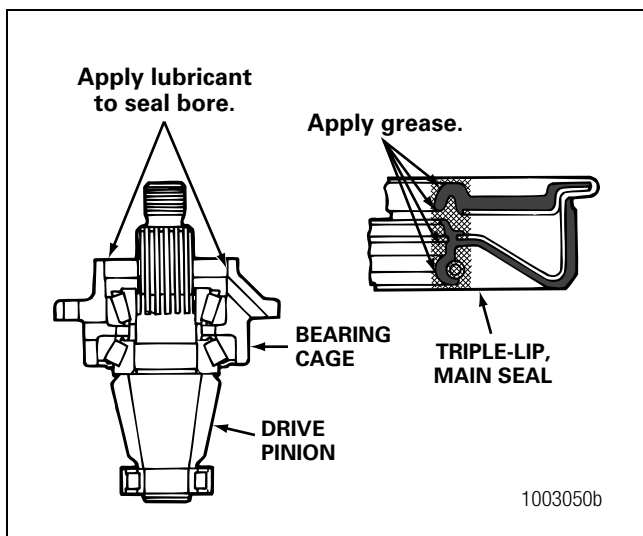
Figure 5.18

8. If the pinion bearing preload or torque is not within 5-45 lb-in (0.56-5.08 N•m) for new pinion bearings or 10-30 lb-in (1.13-3.39 N•m) for used pinion bearings in good condition, remove the pinion and cage assembly from the carrier. Adjust the spacer and repeat Step 1 through Step 7. 
- **To increase preload:** Install a thinner bearing spacer.
- **To decrease preload:** Install a thicker bearing spacer.
9. After adjusting the pinion bearing preload, remove the drive pinion and bearing cage from the carrier. Refer to Section 3.

### CAUTION

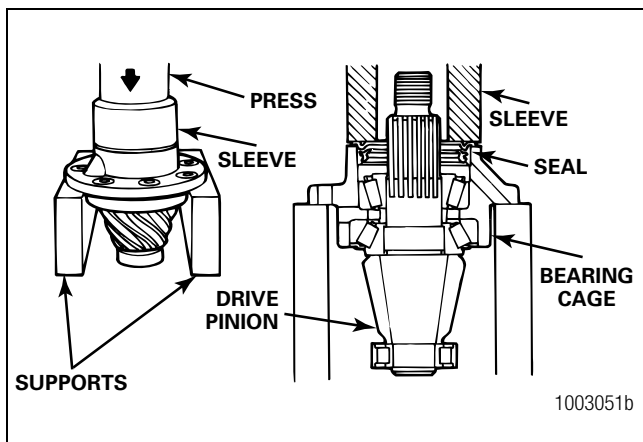
The seal lips must be clean. Dirt and particles may cause a leak between the yoke and the seal.

10. Install a new triple-lip seal.
  - A. Apply the same lubricant used in the axle housing to the outer surface of the seal and the seal bore in the bearing cage. Figure 5.19.

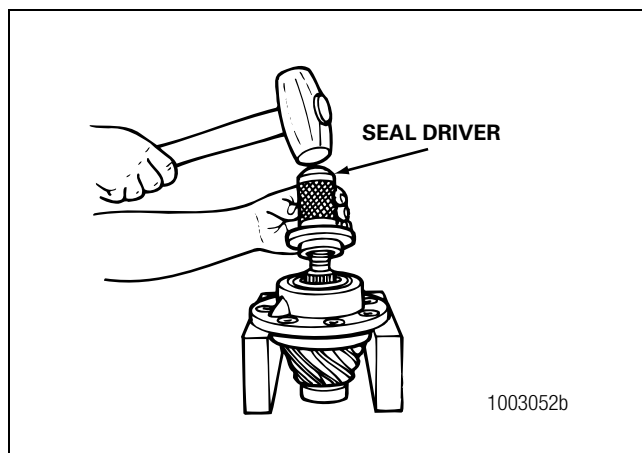


**Figure 5.19**

- B. Place the drive pinion and cage assembly into a press with the seal bore toward the top.
- C. Press the seal into the bearing cage. The seal flange must be flat against the top of the bearing cage. Use a sleeve or seal driver of the correct size that fits against the metal seal flange. The diameter of the sleeve or driver must be larger than the flange diameter. Figure 5.20.
  - **If a press is not available:** Use a mallet and the sleeve or driver to install the seal. Figure 5.21.

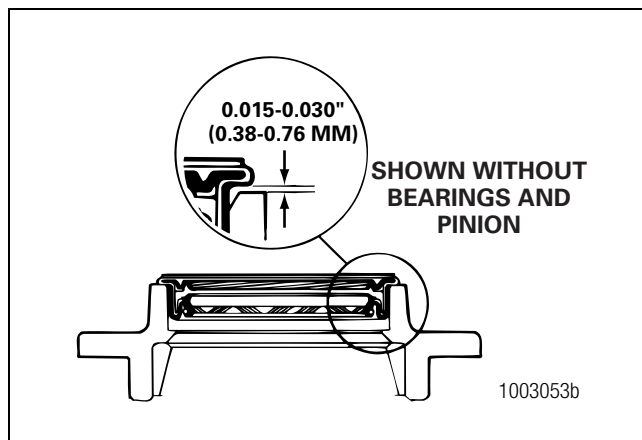


**Figure 5.20**



**Figure 5.21**

- D. After the triple-lip seal is installed, a gap of approximately 0.015-0.030-inch (0.38-0.76 mm) between the flange and bearing cage is normal. Figure 5.22.



**Figure 5.22**

- E. Check the gap with a feeler gauge at several points around the seal. The gap must be within 0.015-0.030-inch (0.38-0.76 mm). The difference between the largest and smallest gap measurement must not exceed 0.010-inch (0.0254 mm).

## 5 Assembly and Installation

### Shim Pack Thickness for a New Drive Pinion

Use this procedure if you'll install a new drive pinion and ring gear set, or if you have to adjust the depth of the drive pinion. If the pinion depth shims are misplaced during carrier repair, use 0.045-inch (1.14 mm) for the initial pinion position. Figure 5.23.

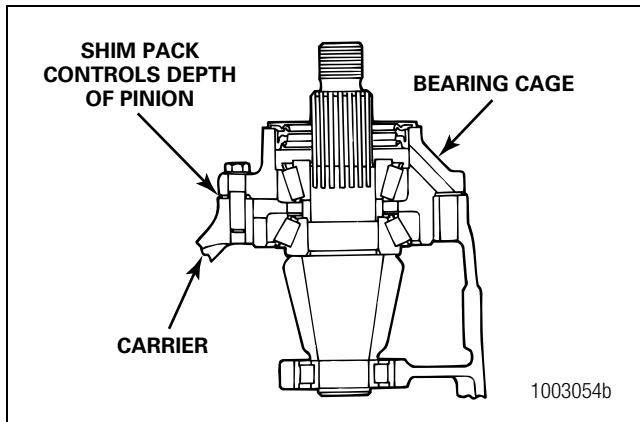


Figure 5.23

1. Use a micrometer to measure the thickness of the shim pack that was removed from under the pinion cage. Record the measurement. Figure 5.24.

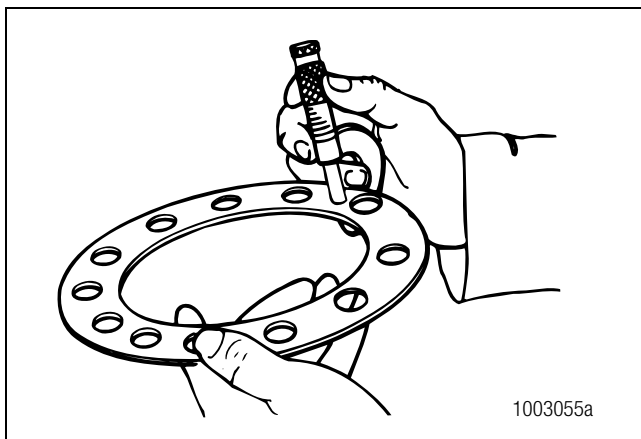


Figure 5.24

2. Find the pinion cone (PC) variation number on the drive pinion you'll replace. Figure 5.25. Record the number. The pinion cone number can be one of the following values.
  - PC +3, PC -3, +3 or -3 = 0.003-inch
  - PC +0.03, PC 0.03 mm, +0.03 mm or -0.03 = 0.03 mm

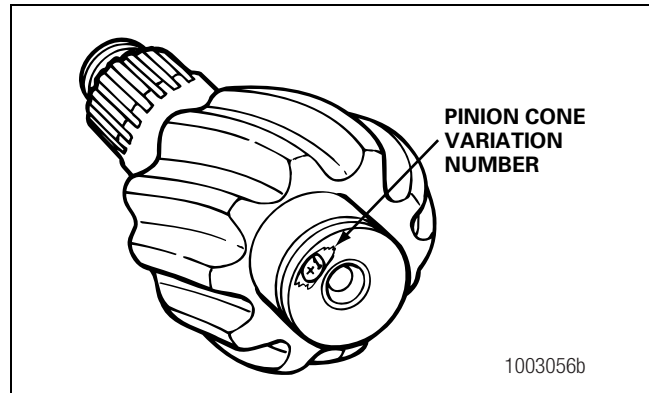


Figure 5.25

3. If you can't find the PC number or it's unreadable, install a new shim pack of the same thickness that you measured in Step 1.
4. If the old pinion cone number is a plus (+) number, subtract the number from the old shim pack thickness that was measured in Step 2.
5. If the old pinion cone number is a minus (-) number, add the number to the old shim pack thickness that was measured in Step 2.
6. Find the pinion cone (PC) variation number on the new drive pinion that will be installed. Record the number.
7. If the new pinion cone number is a plus (+) number, add the number to the standard shim pack thickness that was calculated in Step 4 or Step 5. Use new shims to make a shim pack to the correct thickness. Refer to Table J.

Table J

Examples	Inches	mm
1. Old Shim Pack Thickness. Old PC Number, PC +2-inches (+0.05 mm) Standard Shim Pack Thickness. New PC Number, PC +5-inches (+0.13 mm) New Shim Pack Thickness	0.030 – 0.002 = 0.028 + 0.005 = 0.033	0.760 – 0.050 = 0.710 + 0.130 = 0.840
2. Old Shim Pack Thickness. Old PC Number, PC –2-inches (–0.05 mm) Standard Shim Pack Thickness. New PC Number, PC +5-inches (+0.13 mm) New Shim Pack Thickness	0.030 + 0.002 = 0.032 + 0.005 = 0.037	0.760 + 0.050 = 0.810 + 0.130 = 0.940
3. Old Shim Pack Thickness. Old PC Number, PC +2-inches (+0.05 mm) Standard Shim Pack Thickness. New PC Number, PC –5-inches (–0.13 mm) New Shim Pack Thickness	0.030 – 0.002 = 0.028 – 0.005 = 0.023	0.760 – 0.050 = 0.710 – 0.130 = 0.580
4. Old Shim Pack Thickness. Old PC Number, PC –2-inches (–0.05 mm) Standard Shim Pack Thickness. New PC Number, PC –5-inches (–0.13 mm) New Shim Pack Thickness	0.030 + 0.002 = 0.032 – 0.005 = 0.027	0.760 + 0.050 = 0.810 – 0.130 = 0.680

8. If the new pinion cone number is a minus (–) number, subtract the number from the standard shim pack thickness that was calculated in Step 4 or Step 5. Use new shims to make a shim pack to the correct thickness. Refer to Table J.

## Installation

### Drive Pinion, Bearing Cage and Shim Pack into the Carrier

**NOTE:** If a new drive pinion and ring gear set is installed, or if the depth of the drive pinion has to be adjusted, calculate the thickness of the shim pack. Refer to the procedure in this section.

1. Select the correct shim pack and install it between the bearing cage and carrier. Figure 5.26.

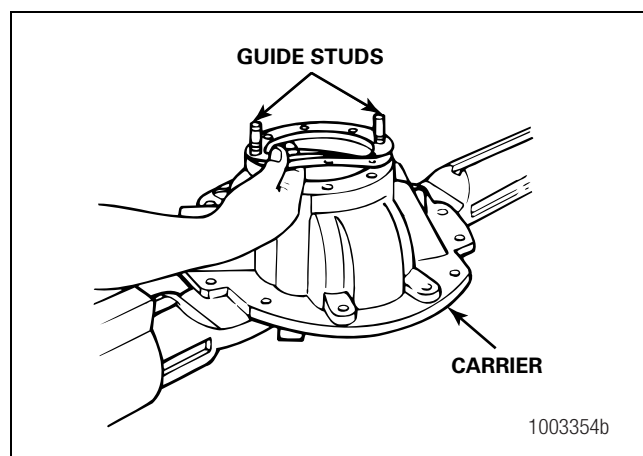


Figure 5.26

2. Apply Loctite® 518 Gasket Eliminator to the carrier face.
3. Align the oil slots in the shims with the oil slots in the bearing cage and carrier. Use guide studs to help align the shims. Figure 5.26.
4. Apply Loctite® 518 Gasket Eliminator to the top of the shim pack.
5. Install the drive pinion and bearing cage into the carrier. If necessary, use a rubber, plastic or leather mallet to hit the assembly into position. Figure 5.27.

## 5 Assembly and Installation

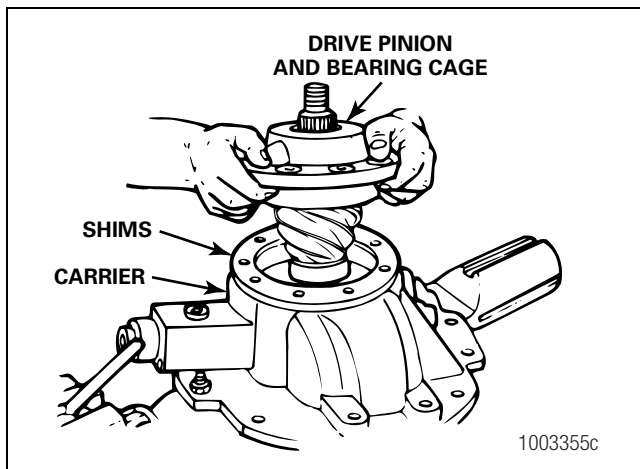


Figure 5.27

6. Install the bearing cage-to-carrier capscrews and washers. Tighten the capscrews to the correct torque value. Figure 5.28. Refer to Section 8.

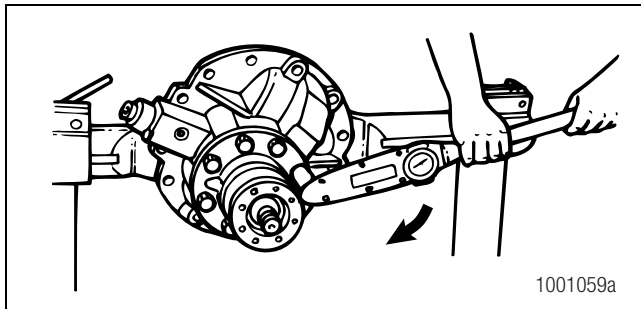


Figure 5.28

### Tight Fit Yokes and POSE™ Seal

#### ⚠ CAUTION

Do not use a hammer or mallet to install tight fit yokes onto shafts. A hammer or mallet can damage the yoke.

The seal lips must be clean. Dirt and particles may cause a leak between the yoke and the POSE™ seal.

**NOTE:** Do not install a POSE™ seal all the way against the yoke shoulder. This seal is designed to position itself as the yoke is installed.

1. Apply axle lubricant on the yoke seal.
2. Inspect all surfaces of the yoke hub for damage.

3. If the carrier uses a POSE™ seal element, install a new POSE™ seal.
  - A. Lightly lubricate the yoke journal with the same lubricant used in the axle housing.
  - B. Partially install the POSE™ seal onto the yoke 0.25-0.50-inch (6.4-12.7 mm). Figure 5.29.
  - C. Before you install the yoke onto the drive pinion, lubricate the yoke with the same lubricant used in the axle housing.

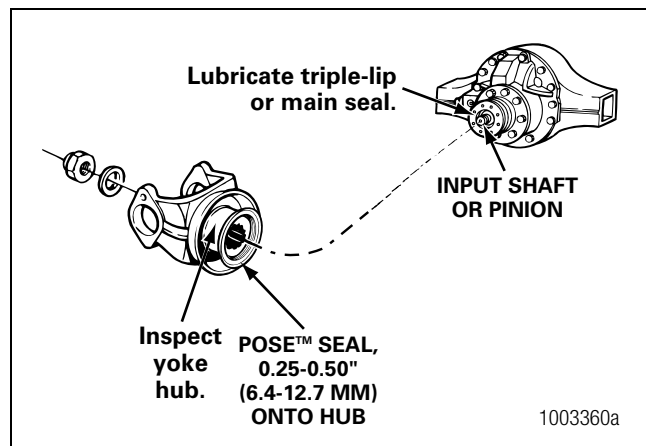


Figure 5.29

4. Slide the yoke over the input shaft pinion. Align the yoke splines with the shaft splines.

#### ⚠ CAUTION

Do not use a hammer or mallet to install the yoke to the input pinion shaft. A hammer or mallet can damage the yoke or flange.

5. Install the input yoke flange onto the drive pinion shaft. The yoke or flange must be fully seated against the outer differential bearing before the nut is tightened to specifications.
6. Install the drive pinion nut and washer onto the input pinion shaft and against the yoke collar. Tighten the nut against the yoke collar to torque specifications. Figure 5.30. Refer to Section 8.



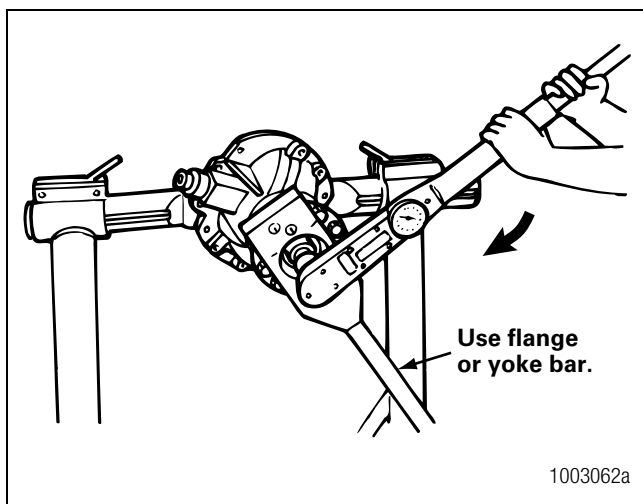


Figure 5.30

### Any Type Yoke with a Unitized Pinion Seal (UPS)

1. Remove the replacement unitized seal from the package.  
Figure 5.31.

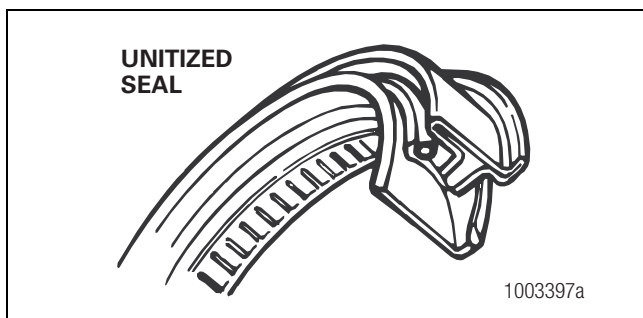


Figure 5.31

### ⚠ CAUTION

If a yoke is removed after it has been partially or fully installed, the unitized pinion seal will be damaged. Remove and discard the original unitized pinion seal and replace it with a new one.

If a yoke has been installed into the unitized pinion seal and then removed, the inner sleeve of the seal will be damaged. Install a new seal.

2. Select the correct seal driver from Table K. Each seal driver is designed to correctly install a specific diameter seal. To determine the yoke seal diameter, measure the yoke journal. To obtain the Meritor seal driver KIT 4454, refer to the Service Notes page on the front inside cover of this manual.

3. Position the seal on the driver.

### ⚠ CAUTION

Use a rubber mallet to install the seal. Do not use a steel, brass or plastic hammer. Using a steel, brass or plastic hammer can damage the seal and driver tool.

4. Use a rubber mallet to drive the seal into or against the bearing cage. The seal must fully seat into or against the bearing cage.  
Figure 5.32.

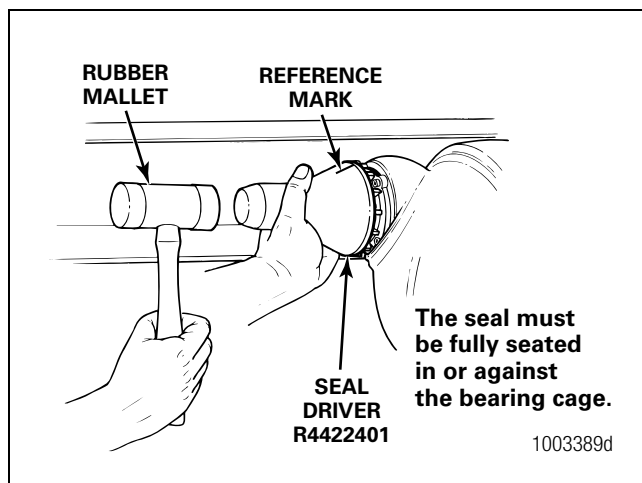


Figure 5.32

5. Visually inspect the seal to verify that it is seated correctly.

## 5 Assembly and Installation

**Table K: Unitized Pinion Seals and Seal Drivers**

Single Models	Tandem Models	Meritor Unitized Pinion Seal	Seal Installation Location	Meritor Seal Driver	Yoke Seal Diameter Inches
MX-21-160	RT-34-144 /P	A-1205-R-2592	Tandem Forward Input — 145 models from November 1993 to present	R4422402	3.250
MX-23-160R	RT-34-145 /P				3.255
RF-16-145	MT-40-143		Tandem Forward Output — Tandem Forward Input 145 models before November 1993 with seal A-1205-F-2424	R4422401	3.000
RF-21-160	RT-40-145 /A /P	A-1205-P-2590			3.005
RF-22-166	RT-40-149 /A /P		Tandem and Single Rear Input — 145 models	R4422401	3.000
RF-23-185	RT-44-145 /P	A-1205-N-2588			3.005
RS-17-145	RT-40-160 /A /P		Tandem and Single Rear Input — 160/164/185 models	R4422402	3.250
RS-19-145	RT-40-169 /A /P	A-1205-Q-2591			3.255
RS-21-145	RT-46-160 /A /P				
RS-21-160	RT-46-169 /A /P				
RS-23-160 /A	RT-46-164EH /P				
RS-23-161 /A	RT-46-16HEH /P				
RS-25-160 /A	RT-50-160 /P				
RS-23-186	RT-52-185 <sup>1</sup>				
RS-26-185	RT-58-185 <sup>1</sup>				
RS-30-185					

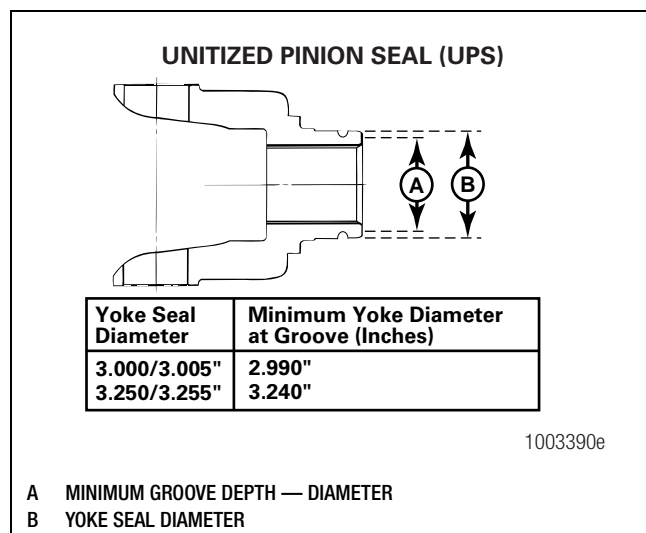
<sup>1</sup> Forward and rear input only.

### Clean, Inspect and Install the Yoke After Installing a Unitized Pinion Seal

1. Use a clean shop towel and a safe cleaning solvent to clean the ground and polished surface of the yoke journal. Do not use gasoline, abrasive cleaners, towels or scrubbers to clean the yoke. Do not attempt to polish the yoke.

**NOTE:** The unitized seal features a rubber inner sleeve that is designed to seal and rotate with the yoke. This feature allows you to reuse a yoke with minor grooves.

2. Inspect the yoke seal surface for grooves.
  - **If you find grooves on the yoke:** Use calipers to measure the groove diameters. If any groove diameter measures less than the dimensions shown in Figure 5.33, replace the yoke.



**Figure 5.33**

**⚠ CAUTION**

Do not install a POSE™ seal after you install a unitized pinion seal. The use of a POSE™ seal will prevent correct seating of the unitized pinion seal on the yoke and can result in lubricant leakage at the seal. POSE™ seal installation is recommended only for triple-lip and other previous design seals.

Do not use thin metal wear sleeves to refresh the yoke surface. Wear sleeves pressed onto the yoke can prevent correct seating of the pinion seal, damage the pinion seal assembly and cause the seal to leak.

3. Before you install the yoke, lightly lubricate or coat the yoke seal journal with axle oil.
4. Align the yoke splines with the shaft splines. Slide the yoke over the shaft spline.

**⚠ CAUTION**

Do not use a hammer or mallet to install the yoke to the input pinion shaft. A hammer or mallet can damage the yoke or flange.

5. Install the input yoke flange onto the drive pinion shaft. The yoke or flange must be fully seated against the outer differential bearing before the nut is torqued to specifications.
6. Install the drive pinion nut, and washer if required, onto the input pinion shaft and against the yoke collar. Tighten the nut against the yoke collar to torque specifications. Figure 5.34. Refer to Section 8.

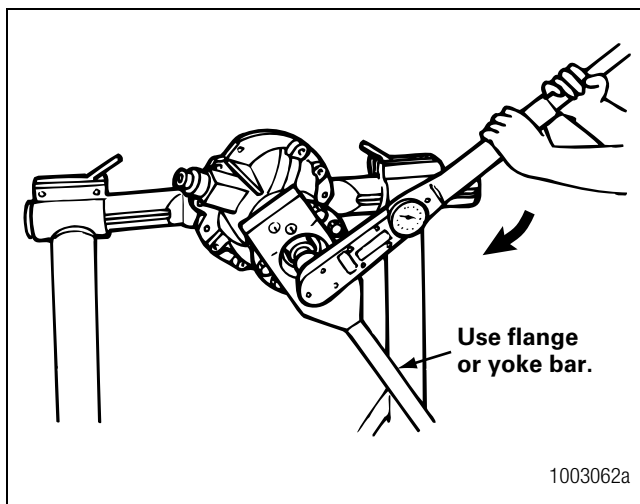


Figure 5.34

## Assembly

### Main Differential and Ring Gear Assembly

**⚠ CAUTION**

Heat the ring gear before seating it onto the differential case. Do not press a cold ring gear on the flange case half. A cold ring gear will damage the case half because of the tight fit.

1. Heat the ring gear in a tank of water to a temperature of 160-180°F (71-82°C) for 10 to 15 minutes.

**⚠ WARNING**

Wear safe clothing and gloves when working with the hot ring gear to prevent serious personal injury.

2. Use a lifting tool to safely lift the ring gear from the tank of water.
3. Install the ring gear onto the flange case half immediately after the gear is heated.
  - If the ring gear does not fit easily onto the case half: Heat the gear again.
4. Align the ring gear and the flange case half fastener holes. Rotate the ring gear as necessary.

**NOTE:** If rivets were used to hold the ring gear to the flange case half, replace them with bolts, nuts and washers.

5. Install the bolts, nuts and washers that hold the ring gear to the flange case half. Install the bolts from the gear side of the assembly. The bolt heads must be against the ring gear. Figure 5.35.

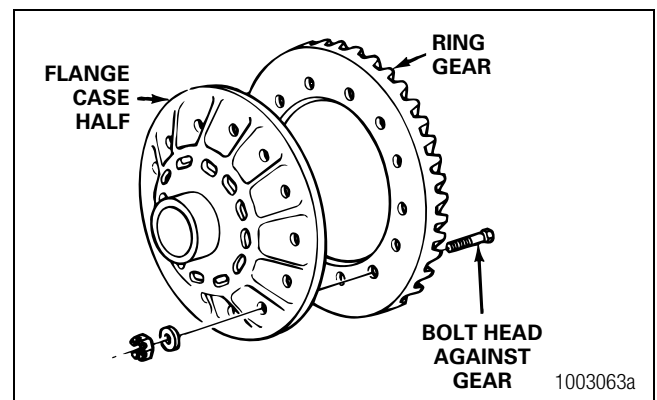



Figure 5.35

## 5 Assembly and Installation

6. Tighten the bolts and nuts to the correct torque value. Refer to Section 8.
  - **For 59000 Series carriers:** Apply four to six drops of red Loctite® 277 Threadlocker to the threaded holes in the ring gear. Install the capscrews. Tighten the capscrews to 360-470 lb-ft (490-639 N•m). 
7. Use a 0.003-inch (0.08 mm) feeler gauge to check for gaps between the back surface of the ring gear and the case flange. Check for gaps at four points around the assembly. Figure 5.36.

- **If the gaps exceed specifications:** Check the flange case half and ring gear for the problem that causes the gap. Repair or replace parts. Assemble the ring gear onto the flange case half.

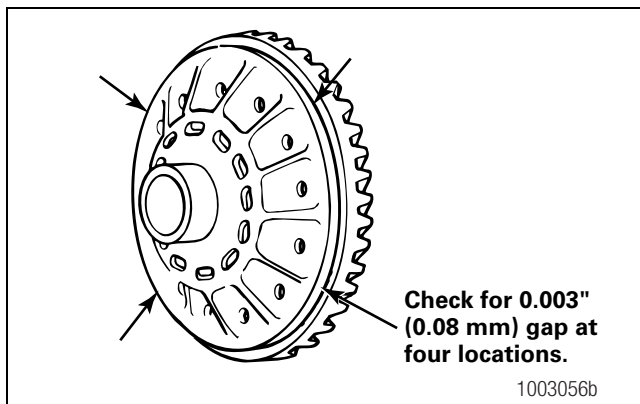


Figure 5.36

8. Use a press and the correct size sleeve to install the bearing cones on both of the case halves. Figure 5.37.

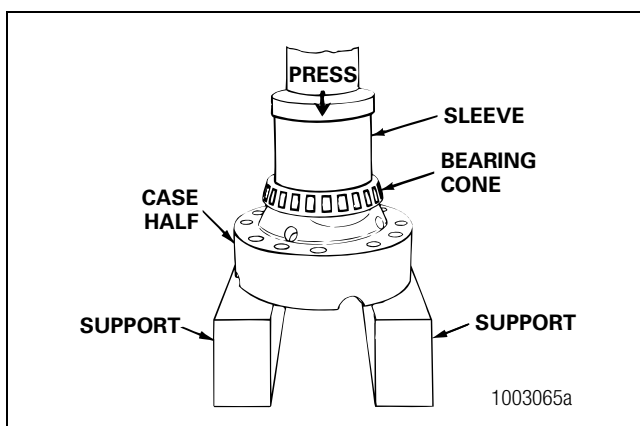


Figure 5.37

9. Apply axle lubricant on the inside surfaces of both case halves, spider or cross, thrust washers, side gears and differential pinions.
10. Place the flange case half on a bench with the ring gear teeth toward the top.
11. Install one thrust washer and side gear into the flange case half. Figure 5.38.

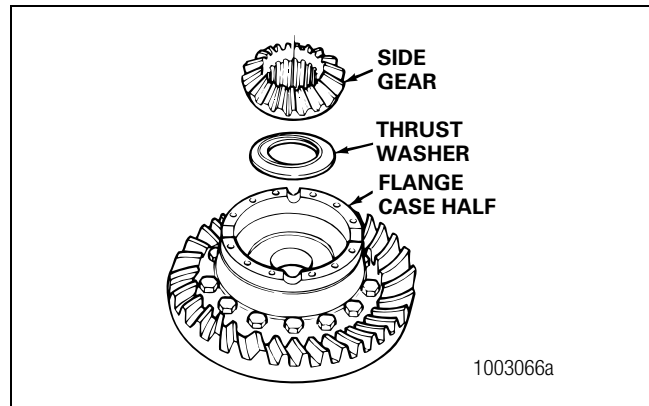


Figure 5.38

### CAUTION

The side gears in some carrier models have hubs of different lengths. Install the correct length side gear into the flange case half. Damage to components can result.

12. Install the spider or cross, differential pinions and thrust washers into the flange case half. Figure 5.39.

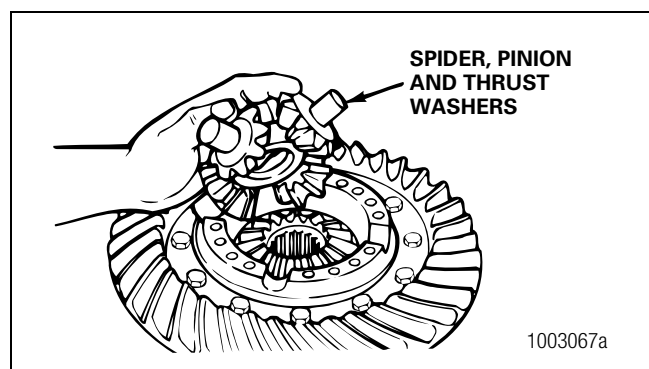
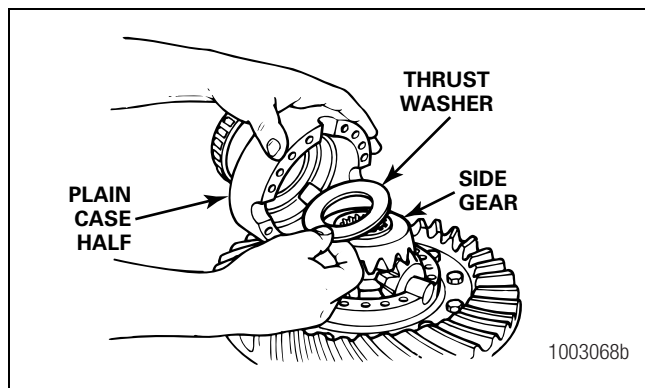


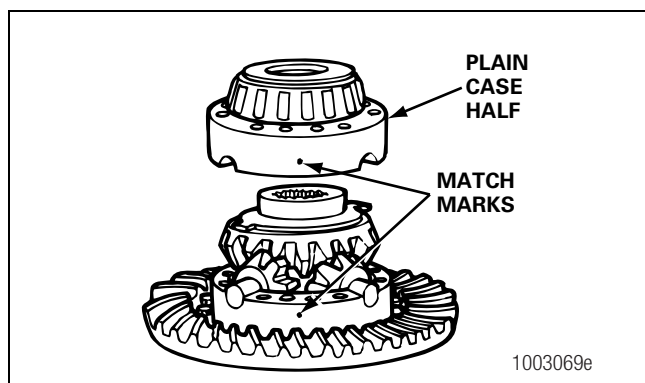
Figure 5.39

13. Install the second side gear and thrust washer over the spider and differential pinions. Figure 5.40.



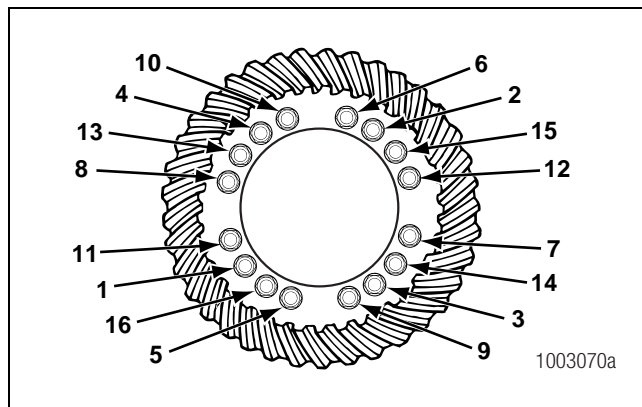
**Figure 5.40**

14. Place the plain half of the differential case over the flange half and gears. Rotate the plain half to align the match marks. Figure 5.40 and Figure 5.41.



**Figure 5.41**

15. Install Dri-Loc® fasteners into the case halves. Refer to Section 6.
  - A. Install four capscrews and washers or bolts, nuts and washers, if equipped, into the case halves. The distance between the fasteners must be equal. Tighten the fasteners to the correct torque value in a progressive crisscross pattern opposite each other. Refer to Section 8. Figure 5.42.
  - B. Install the other fasteners into the case halves. Tighten the fasteners to the correct torque value. Refer to Section 8.



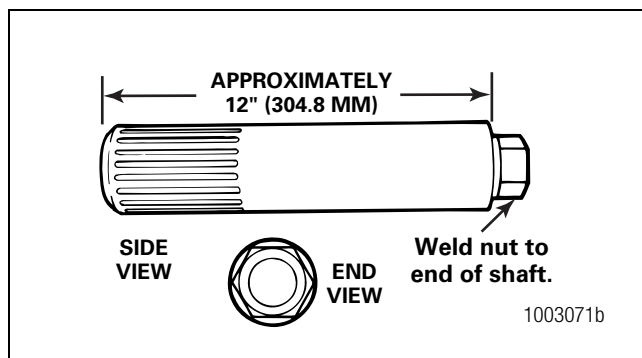
**Figure 5.42**

16. Check the differential gears rotating resistance.

### Inspection

#### Differential Gears Rotating Resistance

1. Make an inspection tool using an axle shaft that matches the spline size of the differential side gear. Cut the shaft to approximately 12-inches (304.8 mm). Weld a nut onto the end of the shaft. Figure 5.43.



**Figure 5.43**

2. Place the differential and ring gear assembly in a vise. Install soft metal covers over the vise jaws to protect the ring gear. Figure 5.44.

## 5 Assembly and Installation

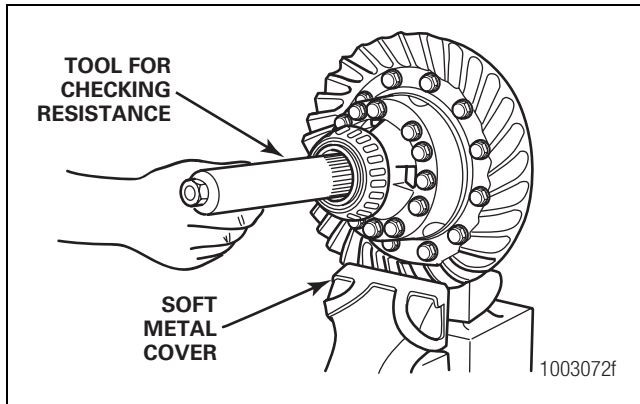


Figure 5.44

3. Install the tool into the differential until the splines of the tool are engaged with one side gear. Figure 5.44.
4. Place a torque wrench onto the nut of the tool and rotate the differential gears. As the differential gears rotate, read the value indicated on the torque wrench. Figure 5.45.
  - **If the torque value exceeds 50 lb-ft (67.8 N•m):**  
Disassemble the differential gears from the case halves. Inspect the case halves, spider, gears and thrust washers. Repair or replace parts. Assemble the parts and repeat Step 2 through Step 4.

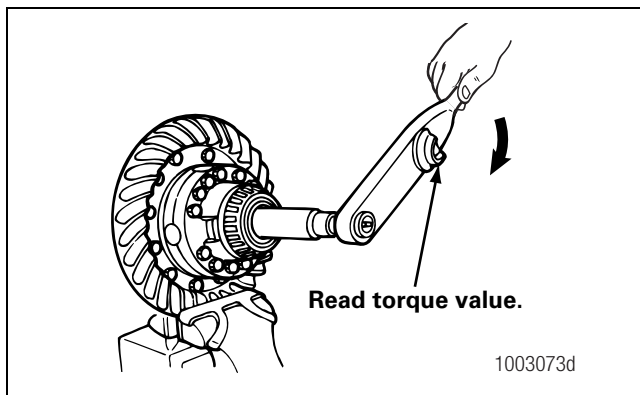


Figure 5.45

### Installation

#### Differential and Ring Gear Assembly

1. Clean and dry the bearing cups and bores of the carrier legs and bearing caps.

2. Apply axle lubricant on the inner diameter of the bearing cups and on both bearing cones that are assembled on the case halves.
3. Apply green Loctite® 635 or 680 adhesive into the bearing bores of the carrier legs and bearing caps so that the Loctite® adhesive is spread out 360 degrees. Adhesive must not contact the adjusting ring threads. Refer to Section 6. Figure 5.46.

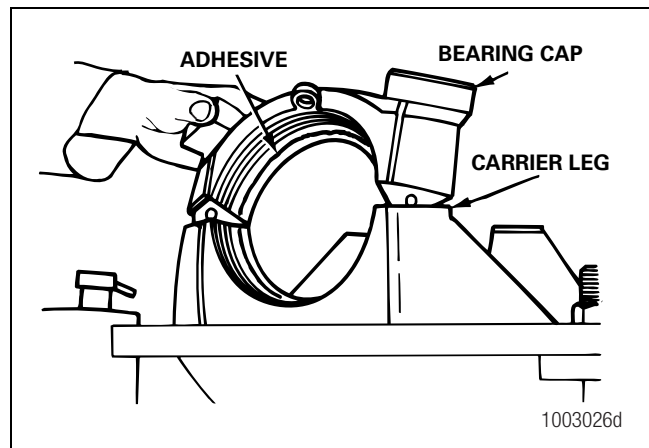


Figure 5.46

4. Install the bearing cups over the bearing cones that are assembled on the case halves. Figure 5.47.

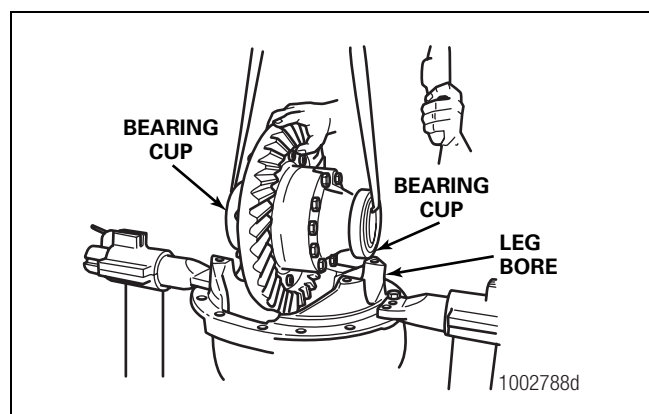


Figure 5.47

5. Safely lift the differential and ring gear assembly and install it into the carrier. The bearing cups must be flat against the bores between the carrier legs. Figure 5.47.

- Install both of the bearing adjusting rings into position between the carrier legs. Turn each adjusting ring hand-tight against the bearing cup. Figure 5.48.

- For 59000 Series carriers: Apply green Loctite® 635 or 680 adhesive to the adjusting ring threads on the carrier legs and bearing caps so that the Loctite® adhesive is spread out 360 degrees. Do not apply Loctite® adhesive between the bearing cup and adjusting ring. You must adjust the preload within the “set-time” of the Loctite® adhesive used. Refer to the manufacturer’s instructions for these set-times. Also, during and after setting the bearings, verify that no Loctite® adhesive gets into the interface between the bearing cup and the adjusting ring.

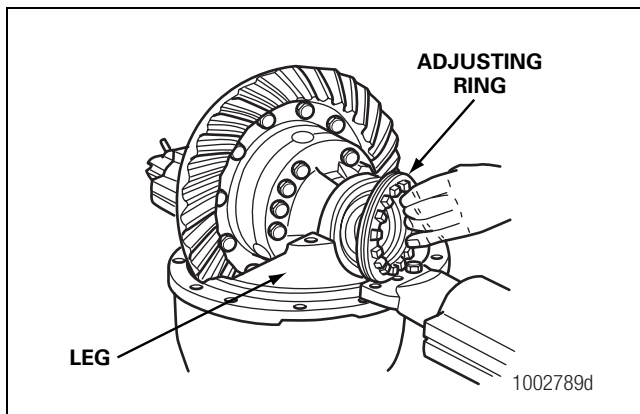


Figure 5.48

- Install the bearing caps over the bearings and adjusting rings. Align the match marks you made when you removed the caps. Figure 5.49.

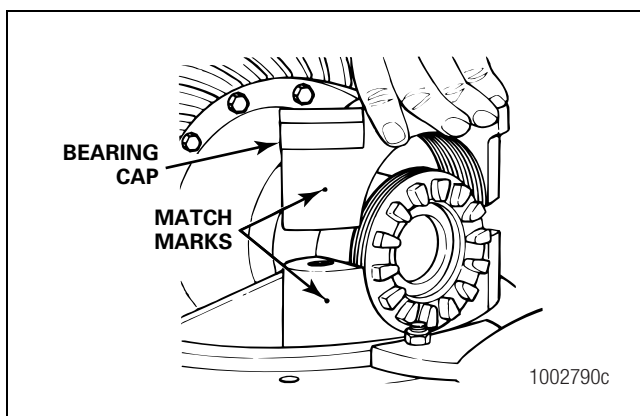


Figure 5.49

### ⚠ CAUTION

If the bearing caps are not installed in the correct locations, the bores and threads in the caps will not match the carrier. You will have problems assembling the caps on the carrier and damage to parts can occur. Do not force the bearing caps into position.

- Seat each bearing cap with a light leather, plastic or rubber mallet. The caps must fit easily against the bearings, adjusting rings and carrier. Do not force the bearing caps into position.
  - If the bearing caps do not correctly fit into position: Check the alignment of the match marks between the caps and carrier. Remove the caps and repeat Step 6 through Step 8.
- Install the capscrews and washers that hold the bearing caps to the carrier. Hand-tighten the capscrews four to six turns. Tighten the capscrews to the correct torque value. Refer to Section 8.
 

Do not install the capscrews, cotter pins, roll pins or lock plates, if equipped, that hold the bearing adjusting rings in position.
- Adjust the differential bearing preload and hypoid gear backlash. Check the tooth contact patterns.

## Adjustment

### Differential Bearing Preload

#### Method 1

- Attach a dial indicator onto the carrier mounting flange so that the plunger or pointer is against the ring gear back surface. Figure 5.50.

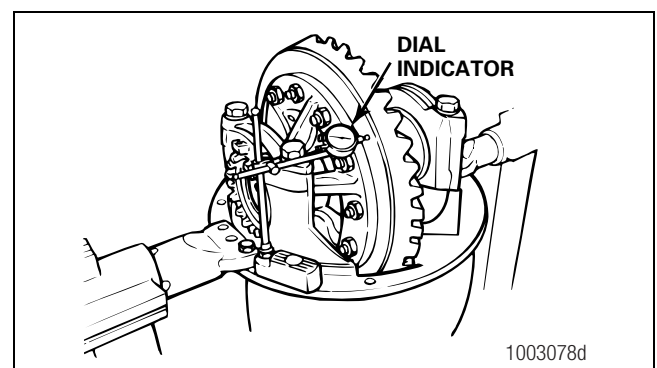


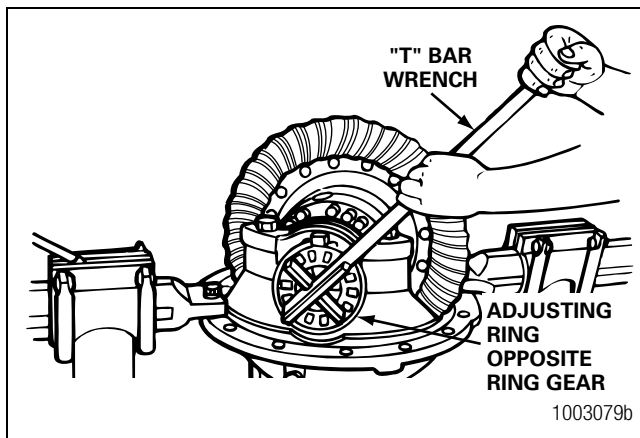
Figure 5.50

## 5 Assembly and Installation

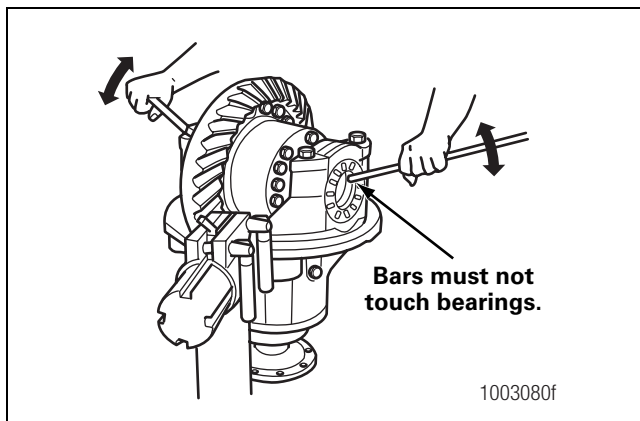
### ⚠ CAUTION

When you turn the adjusting rings, always use a tool that engages two or more opposite notches in the ring. A "T" bar wrench can be used for this purpose. If the tool does not correctly fit into the notches, damage to the lugs will occur.

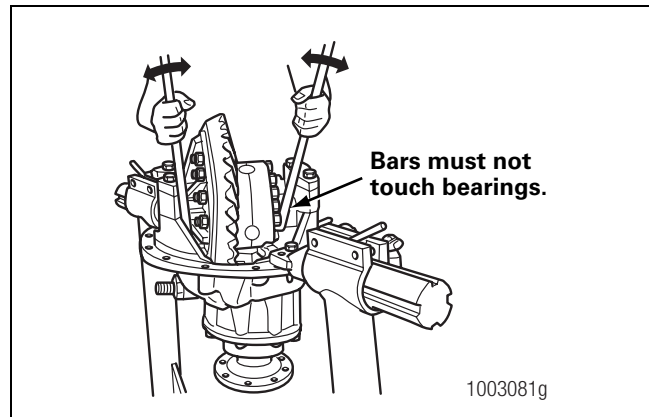
2. Use a "T" bar wrench to loosen the bearing adjusting ring that is opposite the ring gear. A small amount of end play will show on the dial indicator. Figure 5.51.



3. Use one of the following methods to move the differential and ring gear to the left and right while you read the dial indicator.
  - A. Insert two pry bars between the bearing adjusting rings and ends of the differential case. The pry bars must not touch the differential bearings. Figure 5.52.



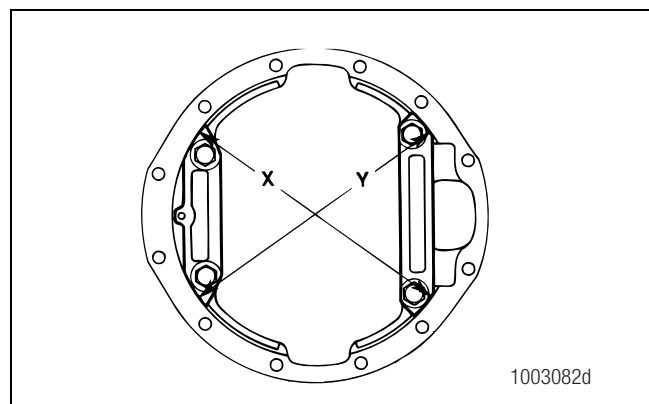
- B. Insert two pry bars between the differential case or ring gear and the carrier at locations other than described in Step A. The pry bars must not touch the differential bearings. Figure 5.53.



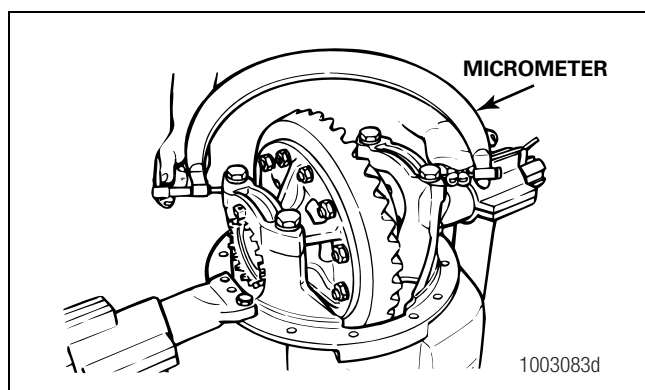
4. Tighten the bearing adjusting ring until the dial indicator reads ZERO end play. Move the differential and ring gear to the left and right as needed. If necessary, repeat Step A or Step B.
5. Tighten each bearing adjusting ring one notch from ZERO.
6. Proceed to check ring gear runout.

### Method 2

1. Hand-tighten both adjusting rings against the differential bearings.
2. Use a micrometer to measure distance X or Y between the opposite surfaces of the bearing caps. Figure 5.54 and Figure 5.55. Record the measurement.







**Figure 5.55**

3. Tighten each bearing adjusting ring one notch.
4. Measure distance X or Y again. Compare the measurement with the one you obtained in Step 2. The difference between the two dimensions is the amount the bearing caps have expanded. Refer to the example in Table L.
  - **If the dimension is within the specification in Table M:** Continue by checking ring gear runout.
  - **If the dimension is less than the specification in Table M:** Repeat Step 3 and Step 4 as needed.

**Table L: Example**

**RS-145 Carrier Measurements**

Distance X or Y before tightening the adjusting rings = 13.927-inches (353.74 mm)

Distance X or Y after tightening the adjusting rings = 13.936-inches (353.97 mm)

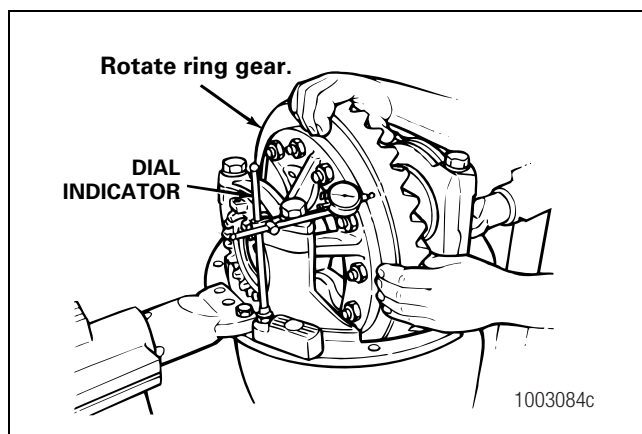
13.936-inches – 13.927-inches = 0.009-inch (0.23 mm) difference

**Table M: Specification**

Differential Bearing Preload	Expansion Between Bearing Caps	
15-35 lb-in (1.7-3.9 N•m)	RS-140, RS-145 and RS-160 carrier models	RS-120 and all other carrier models
	0.002-0.009-inch (0.05-0.229 mm)	0.006-0.013-inch (0.15-0.33 mm)

## Ring Gear Runout

1. Attach a dial indicator onto the carrier mounting flange. Figure 5.56.



**Figure 5.56**

2. Adjust the dial indicator so that the plunger or pointer is against the back surface of the ring gear. Figure 5.56. Set the dial indicator to ZERO.
3. Rotate the differential and ring gear. Read the dial indicator. The ring gear runout must not exceed 0.008-inch (0.200 mm).
  - **If the ring gear runout is within the specification:** Proceed to Ring Gear Backlash.
  - **If the ring gear runout exceeds the specification:** Remove the differential and ring gear assembly from the carrier. Refer to Section 3.
    - A. Inspect the differential parts, including the carrier, for wear and damage. Repair or replace parts as necessary.
    - B. Install the main differential case and ring gear assembly into the carrier. Refer to the procedure in this section.
    - C. Repeat the procedure for preload adjustment of the differential side bearings.

## 5 Assembly and Installation

### Ring Gear Backlash

Table N: Specifications

Ring Gear Pitch Diameter	Range of Backlash Setting	Backlash Setting for New Gear Sets
Less than 17-inches (431.8 mm)	0.008-0.018-inch (0.20-0.46 mm)	0.012-inch (0.30 mm)
Greater than 17-inches (431.8 mm)	0.010-0.020-inch (0.25-0.51 mm)	0.015-inch (0.38 mm)

Measure the outer diameter of the ring gear for the approximate pitch diameter. Figure 5.57.

- **If the old gear set is installed:** Adjust the backlash to the setting that was measured before the carrier was disassembled.
- **If a new gear set is installed:** Adjust the backlash to the correct specification for new gear sets.

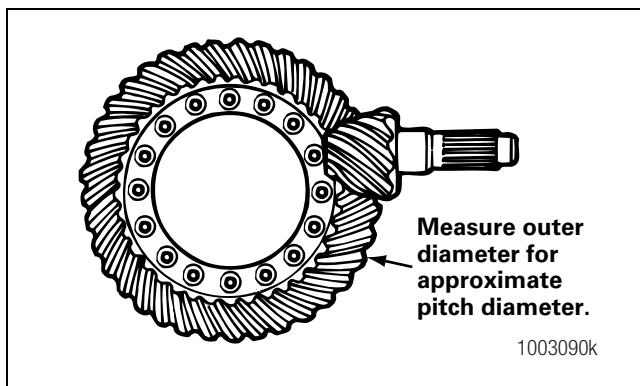


Figure 5.57

After checking the tooth contact patterns, the backlash can be adjusted within the specification limits, if needed. To change the location of the pattern, use the following procedures.

1. Attach a dial indicator onto the carrier mounting flange. Figure 5.58.
2. Adjust the dial indicator so that the plunger is against the tooth surface.
3. Adjust the dial indicator to ZERO. Hold the drive pinion in position.

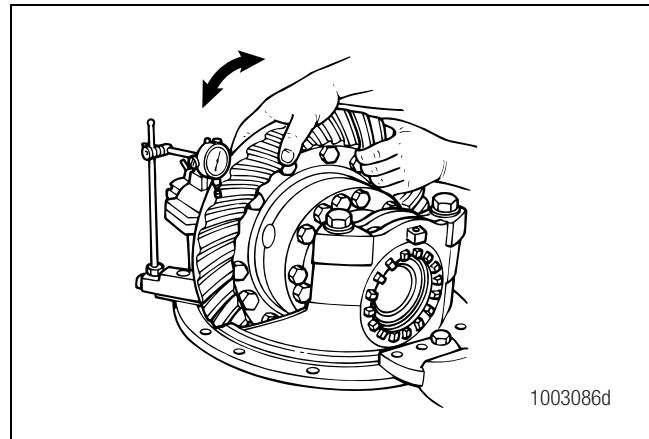


Figure 5.58

4. After reading the dial indicator, rotate the differential and ring gear a small amount in both directions against the drive pinion teeth.
  - **If the backlash reading is within the specification:** Check the tooth contact patterns.
  - **If the backlash reading is not within the specification:** Adjust the backlash as needed.
5. Loosen one bearing adjusting ring one notch. Tighten the opposite ring by the same amount.
  - **To increase the backlash:** Move the ring gear away from the drive pinion. Figure 5.59.
  - **To decrease the backlash:** Move the ring gear toward the drive pinion. Figure 5.60.

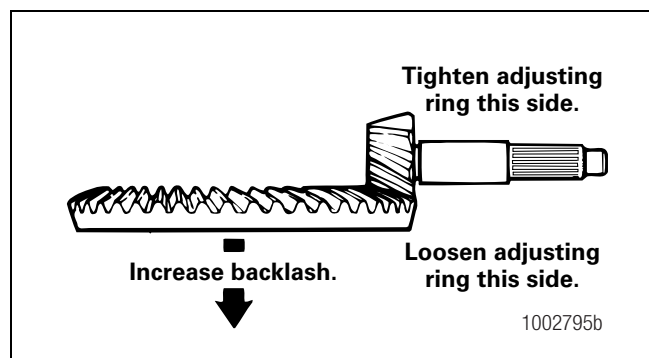
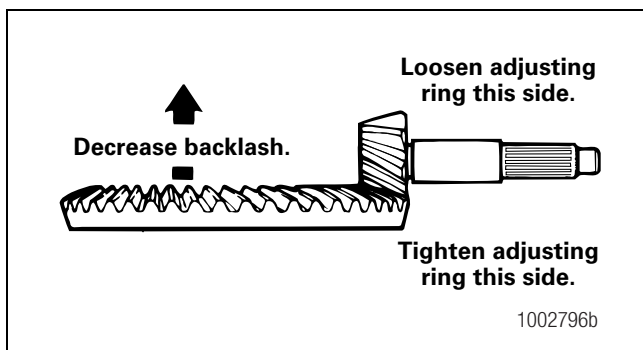


Figure 5.59



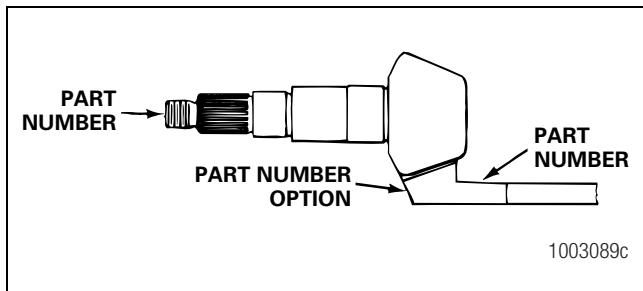
**Figure 5.60**

**NOTE:** When you adjust the backlash, only move the ring gear. Do not move the drive pinion.

- Repeat Step 2 through Step 5 until the backlash is within specification. Record the setting for use when you adjust the pinion bearing preload.

### Gear Set Tooth Contact Patterns (Backlash)

Some Meritor carriers have a generoid hypoid gear set. The tooth contact patterns for each type of gear set are different. Check the part numbers to determine what type of gear set is in the carrier. Refer to Figure 5.61 for the location of part numbers. Refer to Section 4.

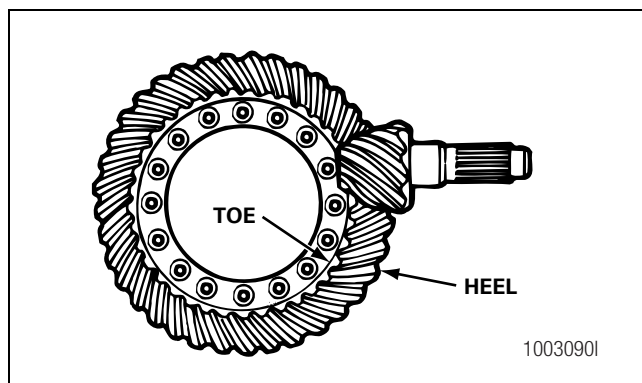


**Figure 5.61**

The following are examples of part numbers for generoid gear sets.

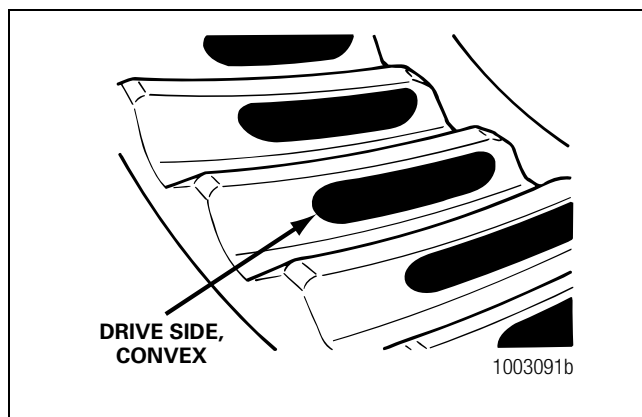
- 36786 K or 36786 K2 for the ring gear
- 36787 K or 36787 K2 for the drive pinion

In the following procedures, movement of the contact pattern in the length of the tooth is indicated as toward the heel or toe of the ring gear. Figure 5.62.



**Figure 5.62**

Always check the tooth contact patterns on the drive side of the gear teeth. Figure 5.63.



**Figure 5.63**

- Adjust the backlash of a new gear set to either 0.012-inch (0.305 mm) or 0.015-inch (0.380 mm) depending on the size of the ring gear. Adjust the backlash of an old gear set to the setting that you measured before the carrier was disassembled. Refer to the procedure in this section.
- Apply a marking compound onto approximately 12 gear teeth of the ring gear. Rotate the ring gear so that the 12 gear teeth are next to the drive pinion. Figure 5.64.

## 5 Assembly and Installation

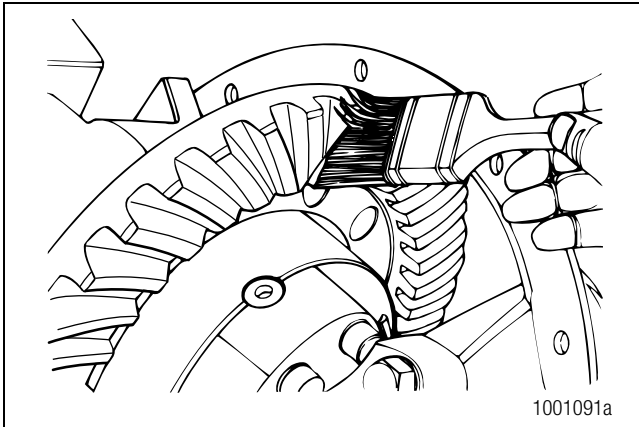


Figure 5.64

3. Rotate the ring gear forward and backward so that the 12 gear teeth go past the drive pinion six times to get the contact patterns. Repeat if needed to get a clearer pattern.
4. Look at the contact patterns on the ring gear teeth. Compare the patterns to Figure 5.65, Figure 5.66 and Figure 5.67.

The location of good hand-rolled contact patterns for new conventional and generoid gear sets is toward the toe of the gear tooth and in the center between the top and bottom of the tooth. Figure 5.65.

When the carrier is operated, a good pattern will extend approximately the full length of the gear tooth. The top of the pattern will be near the top of the gear tooth. Figure 5.68.

The location of a good hand-rolled contact pattern for an old gear set must match the wear pattern in the ring gear. The new contact pattern will be smaller in area than the old wear pattern.

A high contact pattern indicates that the drive pinion was not installed deep enough into the carrier. A low contact pattern indicates that the drive pinion was installed too deep in the carrier.

- **If the contact patterns require adjustment:** Continue by following Step 5 to move the contact patterns between the top and bottom of the gear teeth.
- **If the contact patterns are in the center of the gear teeth:** Continue by following Step 6.

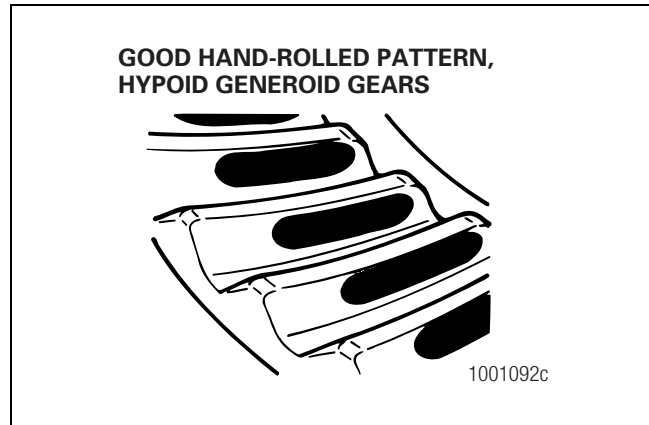


Figure 5.65

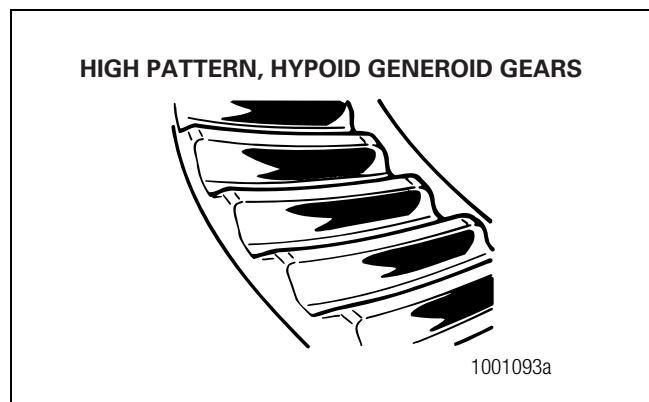


Figure 5.66

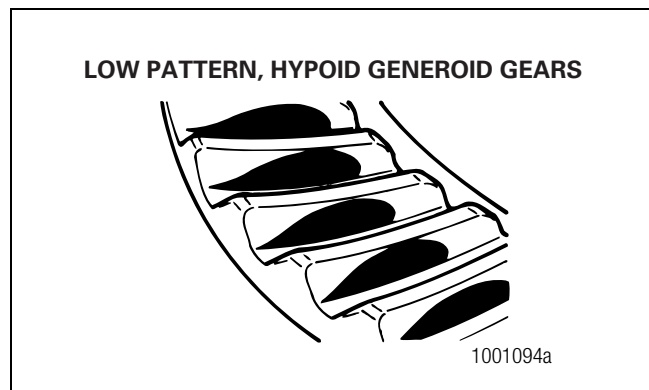
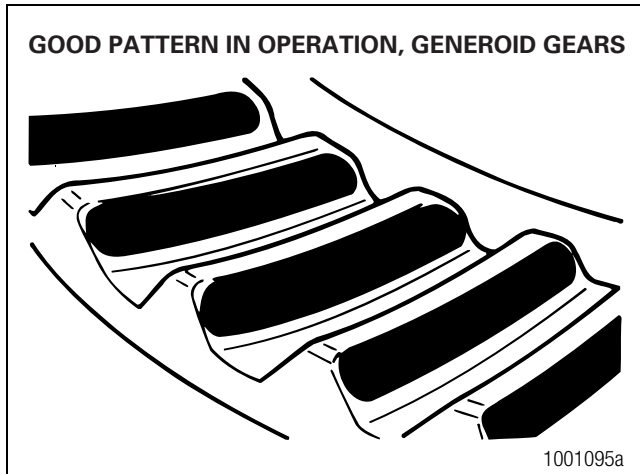
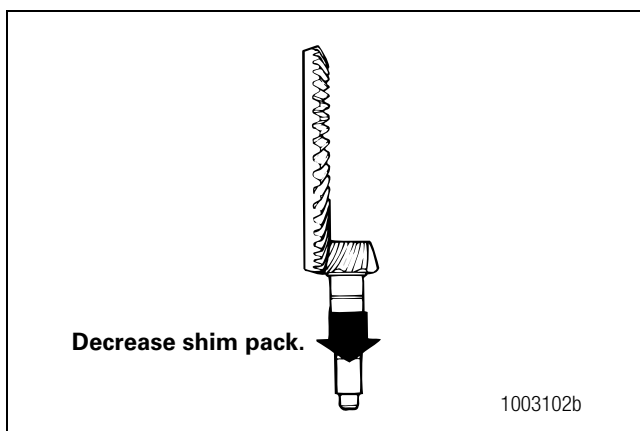


Figure 5.67

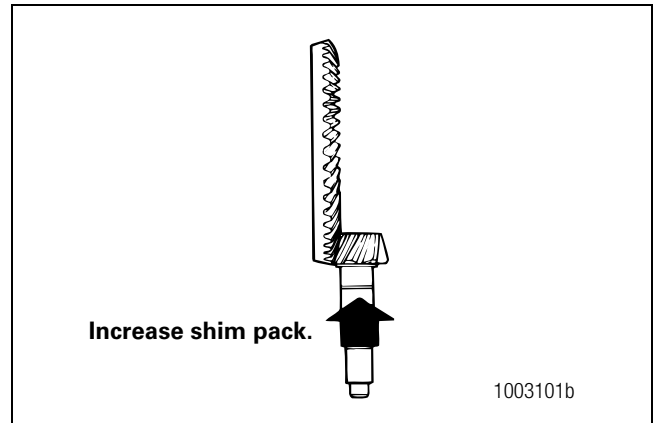


**Figure 5.68**

5. Change the thickness of the shim pack under the bearing cage to move the contact patterns between the top and bottom of the gear teeth. Use the following procedure.
  - A. Remove the drive pinion and bearing cage from the carrier. Refer to Section 3.
    - **To correct a high contact pattern:** Decrease the thickness of the shim pack under the bearing cage. When decreasing the thickness of the shim pack, the drive pinion will move toward the ring gear. Figure 5.69.
    - **To correct a low contact pattern:** Increase the thickness of the shim pack under the bearing cage. When increasing the thickness of the shim pack, the drive pinion will move away from the ring gear. Figure 5.70.

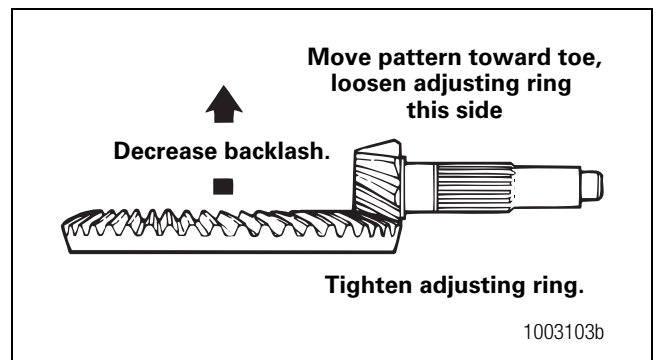


**Figure 5.69**



**Figure 5.70**

- B. Install the drive pinion, bearing cage and shims into the carrier. Refer to the procedure in this section.
  - C. Repeat Step 2 through Step 5 until the contact patterns are in the center between the top and bottom of the gear teeth.
6. Adjust the backlash of the ring gear within the specification range to move the contact patterns to the correct location in the length of the gear teeth. Refer to the procedure in this section.
    - A. Decrease the backlash to move the contact patterns toward the toe of the ring gear teeth. Figure 5.71.
    - B. Increase the backlash to move the contact patterns toward the heel of the ring gear teeth. Figure 5.72.
    - C. Repeat Step 2 through Step 4 and Step 6 until the contact patterns are at the correct location in the length of the gear teeth.



**Figure 5.71**

## 5 Assembly and Installation

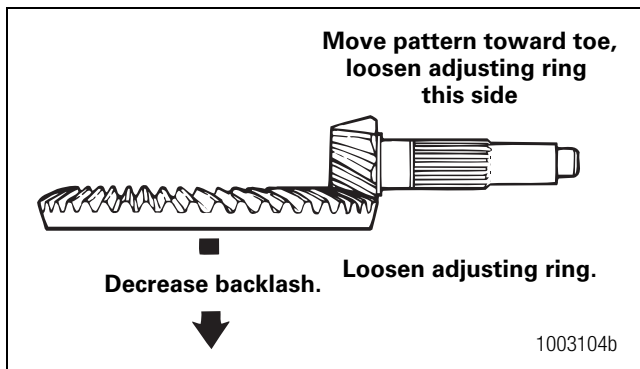


Figure 5.72

### ⚠ CAUTION

If the carrier has cotter pins or capscrews, lock the adjusting rings only with cotter pins or capscrews. If the carrier has roll pins, reuse the roll pins or lock the adjusting rings with cotter pins or capscrews. Do not force a roll pin into a cotter pin hole. Damage to components can result.

7. Install the capscrews, cotter pins, roll pins or lock plates, if equipped, that hold the two bearing adjusting rings in position. Use the following procedures.
  - A. Install capscrews between the lugs of the adjusting ring and through the boss of the bearing cap. New capscrews include a locking patch, which can only be used once. If you are installing used capscrews, apply Loctite® threadlocker to the capscrew threads before you install the capscrews. Figure 5.73.
  - B. Install cotter pins between the lugs of the adjusting ring and through the boss of the bearing cap. Bend the two ends of the cotter pin around the boss. Figure 5.73.
  - C. Use a drift and hammer to install the roll pin through the boss of the bearing cap until the roll pin is between the lugs of the adjusting ring. Figure 5.73.
  - D. Install the lock plate onto the bearing cap so that the tab is between the lugs of the adjusting ring. Install the two capscrews and washers that hold the lock plate to the bearing cap. Tighten the capscrews to the correct torque value. Refer to Section 8. Figure 5.73.
    - **For 59000 Series carriers:** Apply two to three drops of red Loctite® 277 Threadlocker to the sides of the locking tab threaded holes. Apply Loctite® 277 Threadlocker even if the capscrews have a locking patch.

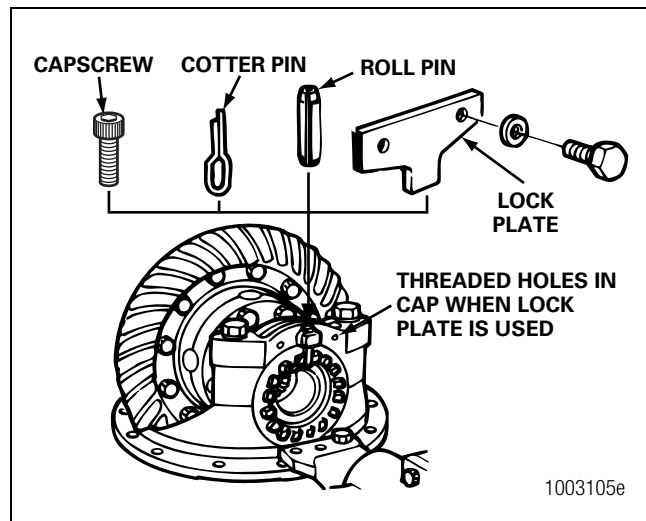


Figure 5.73

## Installation

### Adjust the Thrust Screw

1. Rotate the carrier in the repair stand until the back surface of the ring gear is toward the TOP.
2. Install the jam nut onto the thrust screw, if equipped, one half the distance between both ends. Figure 5.74.

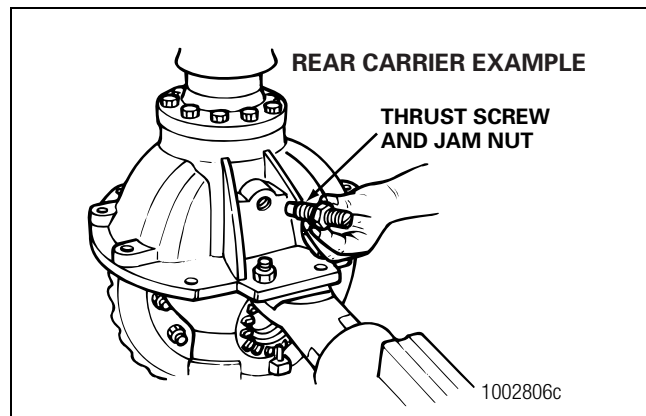
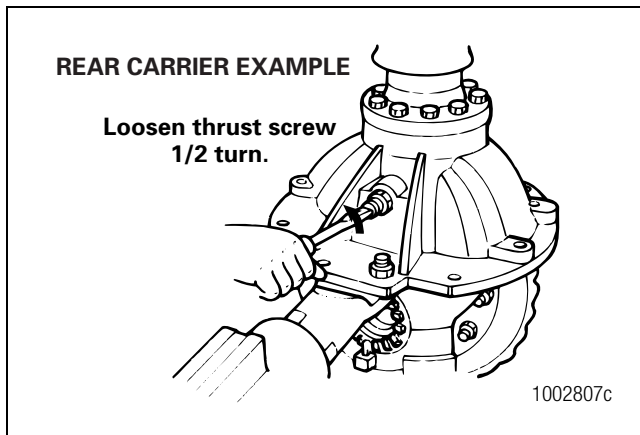


Figure 5.74

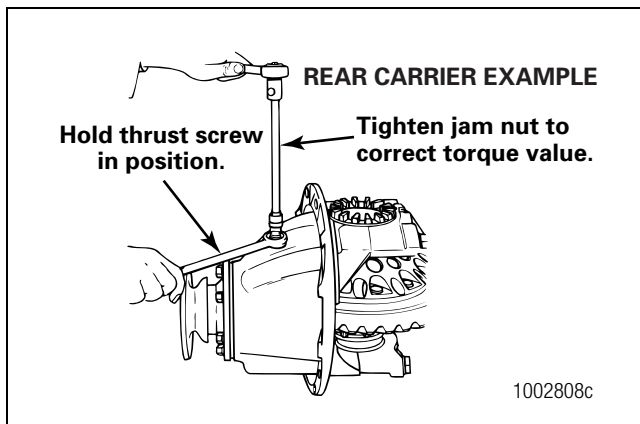
3. Install the thrust screw. Clearance between the thrust screw and the ring gear must be 0.025-0.045-inch (0.65-1.14 mm).

- Loosen the thrust screw, if equipped, 1/2 turn or 180 degrees. Figure 5.75.



**Figure 5.75**

- Tighten the jam nut, if equipped, to the correct torque value against the carrier. Refer to Section 8. Figure 5.76.  
To complete the assembly of axles equipped with driver-controlled main differential locks, refer to Section 6.



**Figure 5.76**

### Differential Carrier into the Axle Housing

#### **⚠ WARNING**

When you apply some silicone gasket materials, a small amount of acid vapor is present. To prevent serious personal injury, ensure that the work area is well-ventilated. Read the manufacturer's instructions before using a silicone gasket material, then carefully follow the instructions. If a silicone gasket material gets into your eyes, follow the manufacturer's emergency procedures. Have your eyes checked by a physician as soon as possible.

Solvent cleaners can be flammable, poisonous and cause burns. Examples of solvent cleaners are carbon tetrachloride, and emulsion-type and petroleum-base cleaners. Read the manufacturer's instructions before using a solvent cleaner, then carefully follow the instructions. Also follow the procedures below.

- Wear safe eye protection.
- Wear clothing that protects your skin.
- Work in a well-ventilated area.
- Do not use gasoline, or solvents that contain gasoline. Gasoline can explode.
- You must use hot solution tanks or alkaline solutions correctly. Read the manufacturer's instructions before using hot solution tanks and alkaline solutions. Then carefully follow the instructions.

- Use a cleaning solvent and rags to clean the inside of the axle housing and the carrier mounting surface.
- Inspect the axle housing for damage. Repair or replace the axle housing.
- Check for loose studs, if equipped, in the mounting surface of the housing where the carrier fastens. Remove and clean the studs that are loose.
- Apply liquid adhesive to the threaded holes. Install the studs into the axle housing. Tighten the studs to the correct torque value. Refer to Section 8. **ⓘ**

## 5 Assembly and Installation

### ⚠ CAUTION

Apply silicone gasket material in a continuous 0.25-inch (6 mm) bead. If you use more than this amount, gasket material can break off and plug lubrication passages. Damage to components can result.

5. Apply a 0.25-inch (6 mm) continuous bead of silicone gasket material to the mounting surface of the housing where the carrier fastens. Figure 5.77.

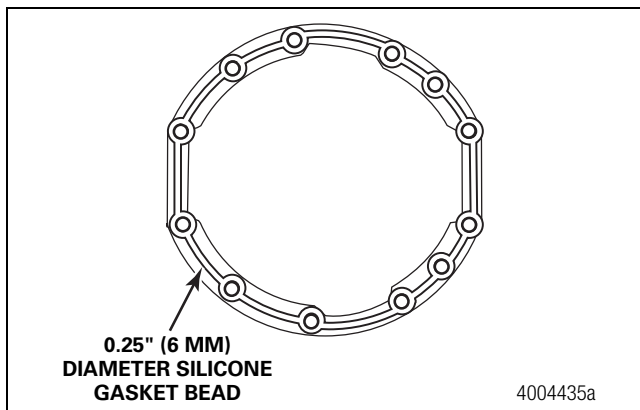


Figure 5.77

### ⚠ CAUTION

Do not use a hammer or mallet to install the carriers. A hammer or mallet will damage the mounting flange of the carrier and cause oil leaks.

6. Use a hydraulic roller jack or a lifting tool to install the carrier into the axle housing.
7. Install nuts and washers or capscrews and washers, if equipped, into the four corner locations around the carrier and axle housing. Hand-tighten the fasteners. Figure 5.78.

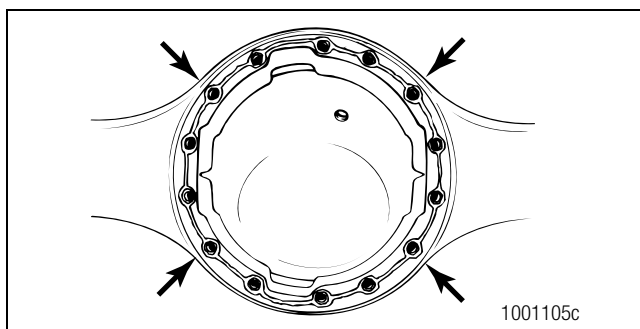


Figure 5.78

8. Carefully push the carrier into position. Tighten the four fasteners two or three turns each in a pattern opposite each other. Figure 5.78.
9. Repeat Step 8 until the four fasteners are tightened to the correct torque value. Refer to Section 8.
10. Install the other fasteners and washers that hold the carrier in the axle housing. Tighten fasteners to the correct torque value. Refer to Section 8.
11. Connect the driveline universal joint to the pinion input yoke or flange on the carrier.
12. Install the gaskets and axle shafts into the axle housing and carrier. The gasket and flange of the axle shafts must fit flat against the wheel hub. Figure 5.79.

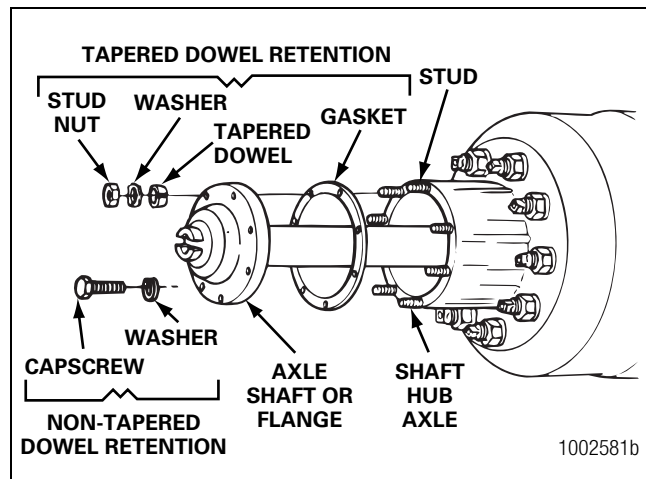


Figure 5.79

### Straight Holes, Nuts and Hardened Washers

1. Clean the mating surfaces of the axle shaft and the wheel hub.
2. If silicone gasket material is used, apply a 0.125-inch (3 mm) diameter bead of the gasket material around the mating surface of the hub and around the edge of each fastener hole.
3. Install the gasket and the axle shaft into the housing. The gasket and the flange of the axle shaft must fit flat against the wheel hub. Figure 5.79.
4. Install the Grade 8 nuts and hardened washers onto the stud. Lock washers are an acceptable alternative. Tighten the stud nuts to the torque specified in Table O.



**Table O: Shaft-to-Hub Torque Fastener Chart — Non-Tapered Dowel Applications**

Fastener	Thread Size	Torque Value — Grade 8 Nuts lb-ft (N•m)	
		Plain Nut	Locknut
Stud Nut, Axle Shaft	0.62-18	150-230 (244-312)	130-190 (203-258)
	0.75-16	310-400 (420-542)	270-350 (366-475)
Studs	All	Install the coarse thread end of the stud into the hub and tighten to the last thread.	

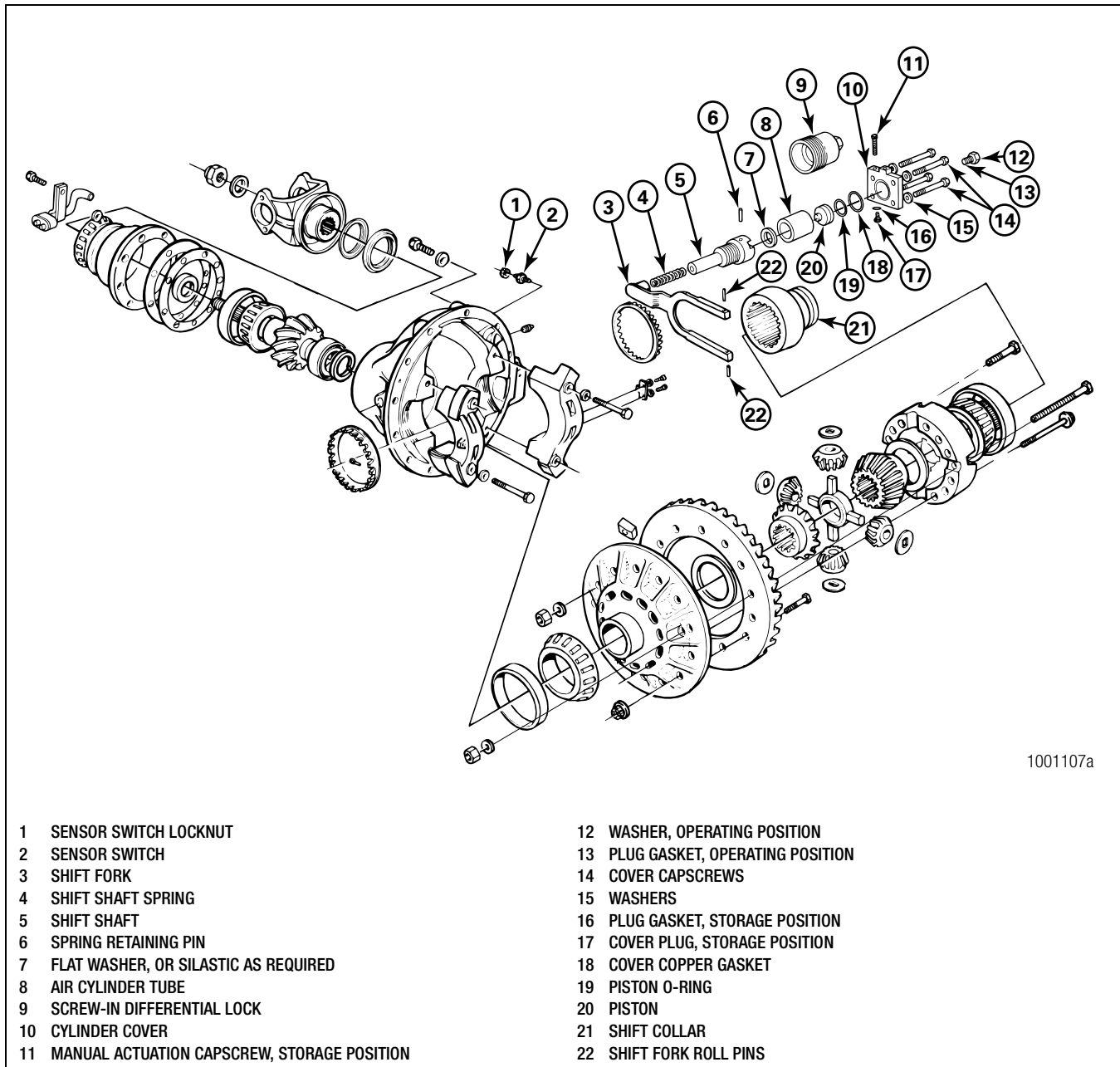
**Tapered Dowel, Hardened Washer and Hardened Nut**

1. Clean the mating surfaces of the axle shaft and the wheel hub.
2. If silicone gasket material is used, apply a 0.125-inch (3 mm) diameter bead of the gasket material around the mating surface of the hub and around the edge of each fastener hole.
3. Install the gasket and the axle shaft into the housing. The gasket and the flange of the axle shaft must fit flat against the wheel hub. Figure 5.79.
4. Install solid tapered dowels over each stud and into the flange of the axle shaft. Use a punch or a drift and hammer, if necessary.
5. Install the Grade 8 nuts and hardened washers onto the stud. Lock washers are an acceptable alternative. Tighten the stud nuts to the torque specified in Table P.

**Table P: Shaft-to-Hub Torque Fastener Chart — Tapered Dowel Applications**

Fastener	Thread Size	Torque Value — Grade 8 Nuts lb-ft (N•m)	
		Plain Nut	Locknut
Stud Nut, Axle Shaft	0.44-20	50-75 (81-102)	40-65 (67-88)
	0.50-20	75-115 (115-156)	65-100 (102-136)
	0.56-18	110-165 (176-224)	100-145 (149-197)
	0.62-18	150-230 (244-312)	130-190 (203-258)
Studs	All	Install the coarse thread end of the stud into the hub and tighten to the last thread.	

## 6 Driver-Controlled Main Differential Lock



**Figure 6.1**

## 6 Driver-Controlled Main Differential Lock

### Hazard Alert Messages

Read and observe all Warning and Caution hazard alert messages in this publication. They provide information that can help prevent serious personal injury, damage to components, or both.

#### WARNING

**To prevent serious eye injury, always wear safe eye protection when you perform vehicle maintenance or service.**

**When you apply some silicone gasket materials, a small amount of acid vapor is present. To prevent serious personal injury, ensure that the work area is well-ventilated. Read the manufacturer's instructions before using a silicone gasket material, then carefully follow the instructions. If a silicone gasket material gets into your eyes, follow the manufacturer's emergency procedures. Have your eyes checked by a physician as soon as possible.**

**Take care when you use Loctite® adhesive to avoid serious personal injury. Read the manufacturer's instructions before using this product. Follow the instructions carefully to prevent irritation to the eyes and skin.**

### Description

Some Meritor drive axle models have a driver-controlled main differential lock (DCDL). This differential lock is operated by a carrier-mounted, air-actuated shift unit. When activated, the shift unit moves a sliding collar that is installed on the splines of the axle shaft. When engaged, the collar locks the axle shafts together with a second set of splines on the differential case. When the DCDL is engaged, there is no differential action. Figure 6.1.

**NOTE:** The Meritor carrier models with driver-controlled differential lock equipment are manufactured in metric dimensions and sizes. When these carriers are serviced, it is important to use the correct metric size tools on the fasteners. Refer to Section 8.

### Vehicle Towing

#### CAUTION

**If the vehicle must be towed to a service facility with the drive axle wheels on the ground, remove the axle shafts before the vehicle is towed. Damage to components can result.**

1. Remove the axle shafts before the vehicle is towed. Refer to Section 11.
2. Install the axle shafts after the vehicle is towed. Refer to Section 11.

3. If the differential carrier must be removed from the axle housing, use the following procedures.

### Removal

#### Differential Carrier from the Axle Housing

Before the differential carrier can be removed or installed, the differential lock must be shifted into and held in the locked or engaged position. The locked position gives enough clearance between the shift collar and the axle housing to permit the removal or installation of the carrier.

**NOTE:** If the axle shafts were removed for towing with the differential in the unlocked or disengaged position, install the right-hand axle shaft into the housing before removing the differential carrier. Refer to Section 11.

To shift into the locked position, refer to the procedure in this section.

#### Axle Setup for DCDL Disassembly

#### WARNING

**Park the vehicle on a level surface. Block the wheels to prevent the vehicle from moving. Support the vehicle with safety stands. Do not work under a vehicle supported only by jacks. Jacks can slip and fall over. Serious personal injury and damage to components can result.**

1. Park the vehicle on a level surface. Block the wheels to prevent the vehicle from moving.
2. Remove the drain plug from the bottom of the housing and drain the lubricant.

#### WARNING

**During DCDL disassembly, when the DCDL is in the locked or engaged position and the vehicle's wheels are raised from the floor, do not start the engine and engage the transmission. The vehicle can move and cause serious personal injury. Damage to components can result.**

3. Use a jack to raise the vehicle so that the wheels to be serviced are off the ground. Place safety stands under the spring seats to hold the vehicle in the raised position.
4. Disconnect the driveline from the pinion input yoke.
5. Disconnect the vehicle air line from the differential lock actuator assembly.

## 6 Driver-Controlled Main Differential Lock

### DCDL Assembly Manual Engaging Methods

#### Bolt-On Style Differential Lock Cylinder

Use the following manual engaging method to lock out the bolt-on DCDL assembly. Figure 6.2.

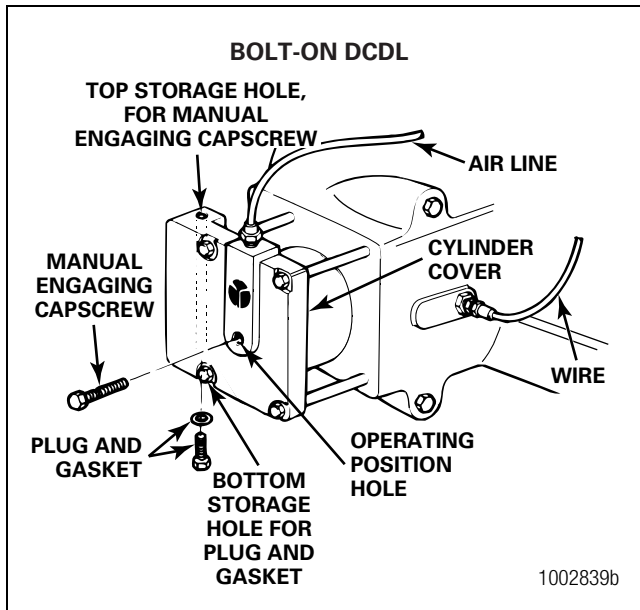


Figure 6.2

1. Follow Step 2 through Step 5 of Axle Setup for DCDL Disassembly in this section.
2. Remove the plug and gasket from the hole in the center of the cylinder cover.

**NOTE:** The storage hole for the plug and gasket is located on the opposite side of the cylinder cover where the storage hole for the manual engaging capscrew is located.

3. Remove the manual engaging capscrew from the top storage hole in the cylinder cover.
4. Install the plug and gasket into the bottom storage hole in the cylinder cover.
5. Install the manual engaging capscrew into the threaded hole in the center of the cylinder cover.

#### **⚠ CAUTION**

There will be a small amount of spring resistance felt when you turn in the manual engaging capscrew. If a high resistance is felt before reaching the locked or engaged position, stop turning the capscrew, or the cover and capscrew threads will be damaged.

6. Turn the manual adjusting capscrew to the right until the head is approximately 0.25-0.5-inch (6-13 mm) from the cylinder cover. Do not turn the capscrew beyond its normal stop. If the 0.25-10.5-inch (6-13 mm) service position of the capscrew is achieved, the main differential lock is completely engaged.

A high resistance on the capscrew indicates that the splines of the shift collar and the differential case half are not aligned or engaged. To align the splines, use the following procedure.

- A. Rotate the drive pinion or right-hand wheel to align the splines of the shift collar and case half while you turn in the manual engaging capscrew.
  - B. When a normal amount of spring resistance is felt on the capscrew, the splines are engaged. Continue to turn in the manual engaging capscrew until the head is approximately 0.25-inch (6 mm) from the cylinder cover.
7. Remove the carrier from the axle housing. Refer to Section 3.

#### Screw-In Style Differential Lock Cylinder

Use the following manual engaging method to lock out the screw-in DCDL assembly.

1. Follow Step 2 through Step 5 of Axle Setup for DCDL Disassembly in this section.
2. Remove the manual engaging capscrew from the storage hole in the carrier casting, next to the cylinder. Figure 6.3.

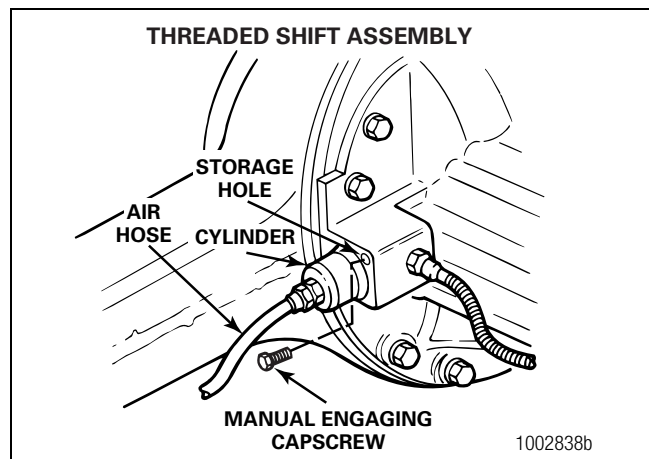


Figure 6.3

## 6 Driver-Controlled Main Differential Lock

3. Remove the air line and fitting. Install the manual engaging capscrew into the threaded hole in the center of the cylinder cover.
4. Turn the manual adjusting capscrew to the right until the head is approximately 0.25-inch (6 mm) from the cylinder cover. Do not turn the capscrew beyond its normal stop. The capscrew is now in the service position and the main differential lock is completely engaged.
5. Remove the carrier from the axle housing. Refer to Section 3.

### Differential and Gear Assembly

#### Differential Lock Sliding Collar

1. For carriers with roll pins, tap out the two retainer roll pins, if equipped, until they are level with the inner face of the shift fork. Release the differential lock if it is manually engaged. Figure 6.4.

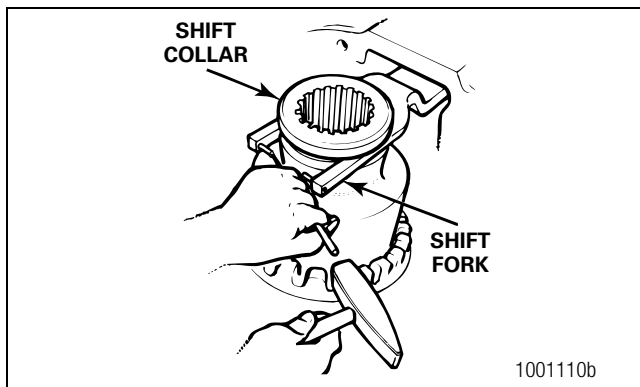


Figure 6.4

2. For carriers without roll pins, snap out the collar from the fork.
3. If required, remove the DCDL assembly at this time.

**NOTE:** On some bolt-on assemblies, a roll pin is installed in the shift shaft and is used as a stop for the shift shaft spring. It is not necessary to remove this roll pin during a normal disassembly.

- A. **Bolt-on style differential lock cylinder:** Remove the sensor switch and locknut.
- B. Remove the four capscrews and washers that hold the cylinder cover to the carrier. Remove the cylinder cover and copper gasket. Figure 6.5.

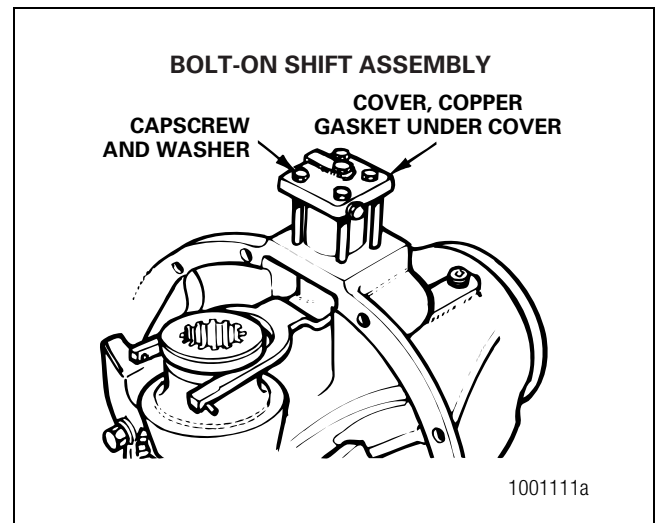


Figure 6.5

- C. Remove the shift unit cylinder and piston. Remove the O-ring from the piston.
  - D. Remove the shift shaft from the shift fork. The shaft may be secured with liquid adhesive or pre-applied adhesive material.
  - E. Remove the shift shaft spring and flat washer. Some models use silastic seal instead of the flat washer.
  - F. Remove the shift fork.
  - A. **Screw-in style differential lock cylinder:** Remove the sensor switch.
  - B. Remove the cylinder by turning the hex nut at the top of the cylinder with a wrench. The cylinder may be secured to the carrier casting with Loctite® adhesive or equivalent pre-applied liquid adhesive.
  - C. Remove the shift shaft, spring and shift fork.
4. Remove the capscrews, cotter pins, roll pins or lock plates, if equipped, that hold the two bearing adjusting rings in position. Use a small drift and hammer to remove the pins. Each lock plate is held in position by two capscrews.
  5. Mark one bearing cap and one carrier leg so that these parts will be assembled in the correct positions. Remove the bearing cap capscrews and washers, the bearing caps and the adjusting rings.

## 6 Driver-Controlled Main Differential Lock

- Lift the differential and gear assembly from the carrier. Tilt the assembly as required to permit the ring gear to clear the support for the pinion spigot bearing. Figure 6.6.

Further disassembly of these carriers is the same as axles without the driver-controlled main differential lock. To continue disassembly, follow the procedures in Section 3.

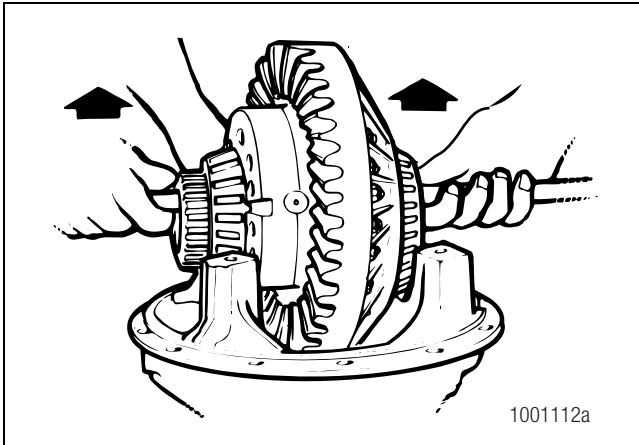


Figure 6.6

### Installation

#### DCDL Assembly into the Carrier

##### Bolt-On Style Differential Lock Assembly

Install the differential shift assembly after the differential carrier is assembled and the gear and bearing adjustments are completed. Figure 6.7.

- On carrier models with shift fork roll pins, install the two roll pins into the ends of the shift fork. Tap the pins into position until they are level with the inner yoke face. Figure 6.8. Do not install the pins completely at this time.
- On models without roll pins, snap the fork into position.
- Apply Loctite® 222 Threadlocker, Meritor part number 2297-B-6112, to the threads of the shift shaft.
- Install the shift fork into its correct position in the carrier case. Figure 6.9.

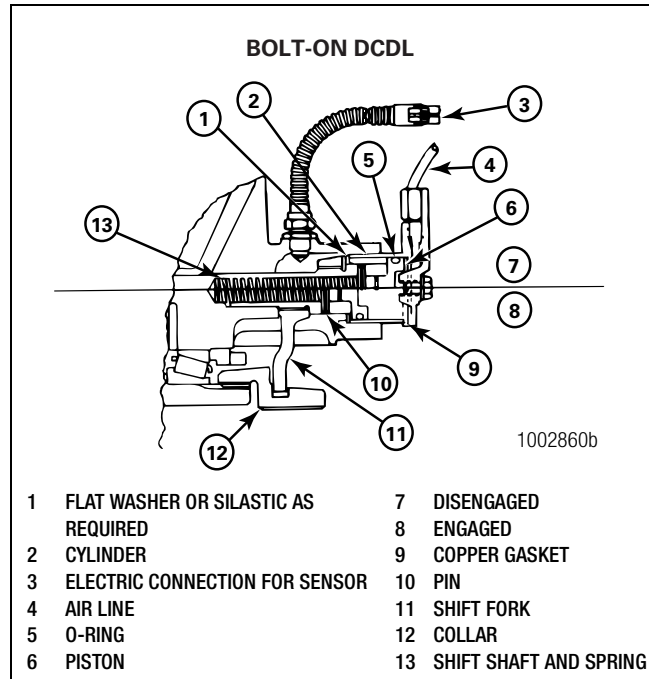


Figure 6.7

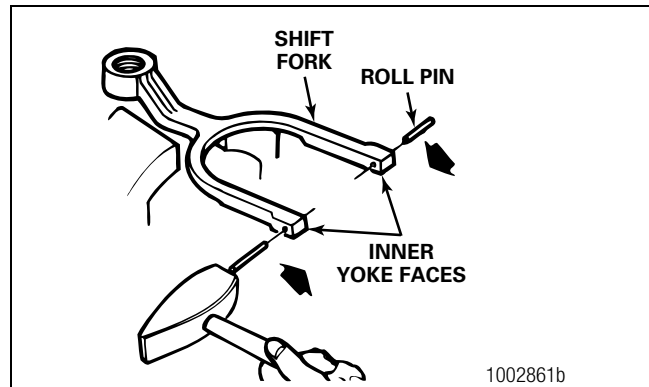


Figure 6.8

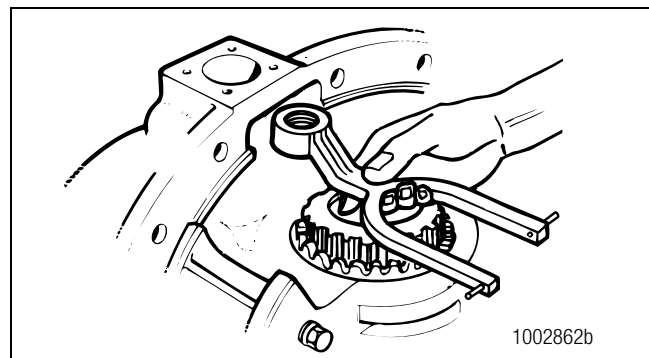


Figure 6.9

## 6 Driver-Controlled Main Differential Lock

5. Hold the shift fork in position. Install the shift shaft spring into the shift shaft opening in the carrier, through the shift fork bore and into the bore for the shift shaft spring. Figure 6.10.

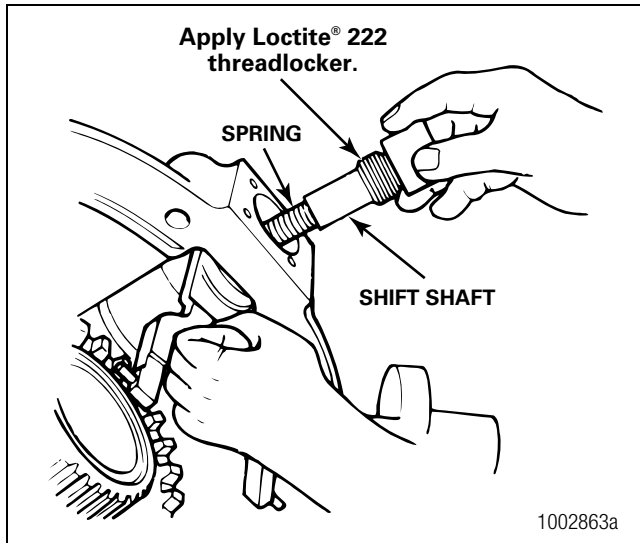



Figure 6.10

6. Slide the shift shaft over the spring. Install the shaft into the shift fork. Tighten to 20-25 lb-ft (27-34 N•m). 
7. Install the flat washer, when used, or apply silastic sealant, Meritor part number 1199-Q-2981, to the bottom of the cylinder bore. Figure 6.11.

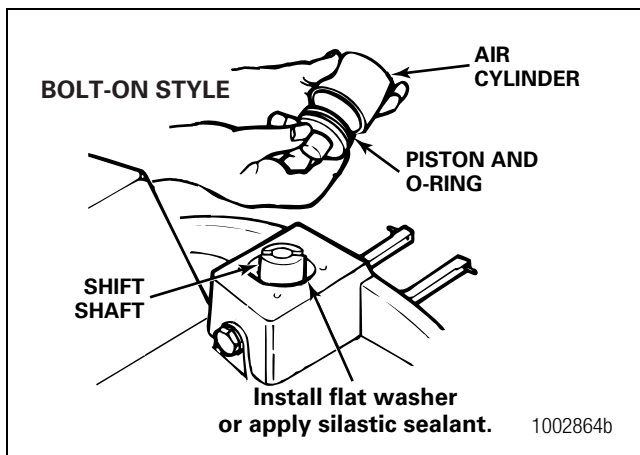


Figure 6.11

8. Install the O-ring into its groove on the piston. Lubricate the O-ring with axle lubricant. Install the piston into the air cylinder. Figure 6.11.

9. Install the cylinder into the housing bore. Verify that the pilot journal on the piston is against its bore on the shift shaft. Figure 6.12.

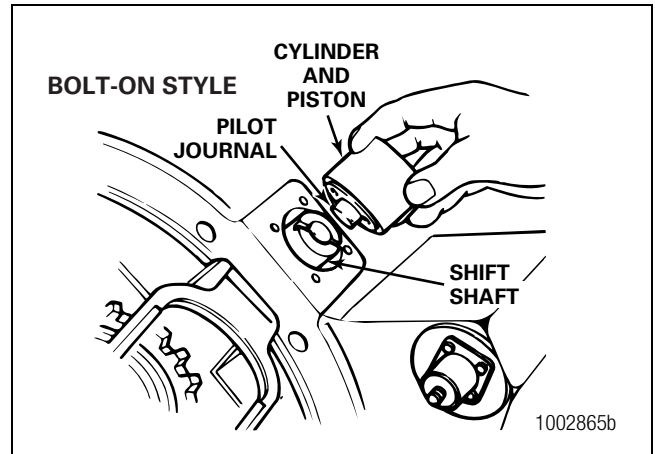



Figure 6.12

10. Install the copper gasket into its bore on the inside of the cylinder cover. Place the cover in position over the cylinder so that the air intake port will point UP when the carrier is installed into the housing. Install the cover with the four attaching capscrews and washers. Tighten the capscrews to 7.4-8.9 lb-ft (10-12 N•m). 

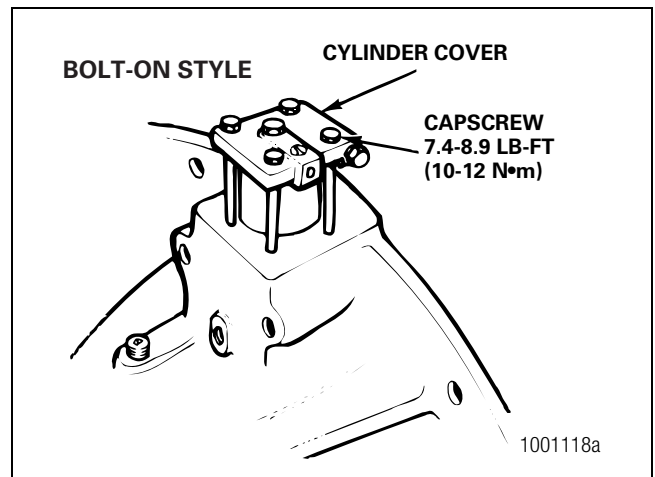


Figure 6.13

11. Slide the shift collar into the fork. Engage the shift collar splines with the splines of the differential case. Use the manual actuation capscrew to move the shift collar splines into the differential case splines. Refer to the procedure in this section.

## 6 Driver-Controlled Main Differential Lock

12. Hold the shift collar in the locked or engaged position. If employed, tap the two roll pins into the shift fork ends until they are level with the outer yoke faces. Figure 6.14.

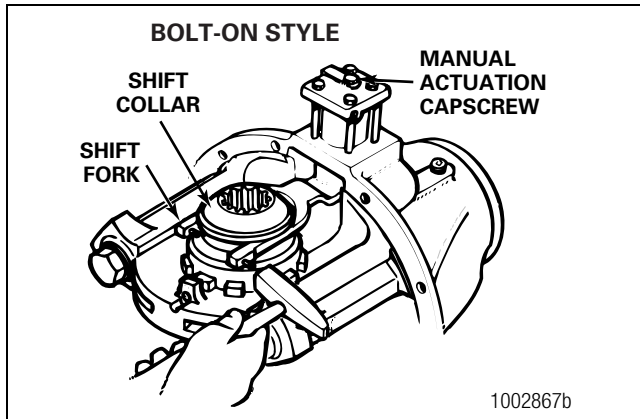



Figure 6.14

13. While the shift collar is still in the locked position, place the sensor switch, with the jam nut loosely attached into its hole.
14. Connect a volt-ohm meter to the sensor switch. Select ohms on the meter. Rotate the switch CLOCKWISE until the meter reading changes from infinity to less than one ohm. Turn the switch one additional revolution. Tighten the jam nut to 26-33 lb-ft (34-45 N•m). 

### Screw-In Style Differential Lock Assembly

Install the differential shift assembly after the differential carrier is assembled and the gear and bearing adjustments are completed. Figure 6.15.

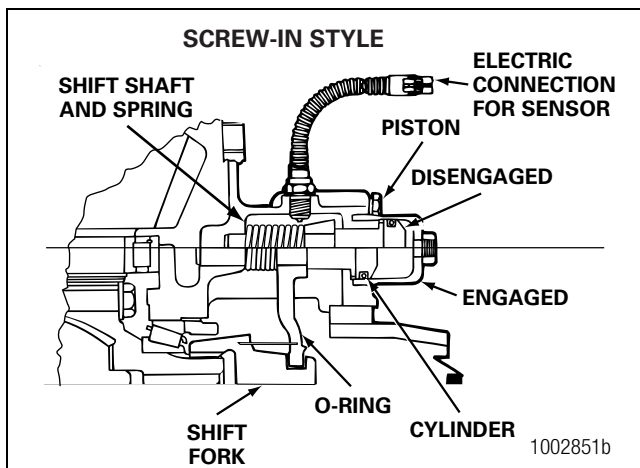



Figure 6.15

1. Install the shift spring and fork into the correct position in the carrier case. Compress the spring slightly while installing the fork.
2. Install the shift shaft into the shaft bore of the carrier. Slide the shaft through the shift fork bore and shift spring inside diameter.
3. Inspect the piston O-ring. Replace the O-ring if there is any evidence of cuts, cracks, abrasion or wear.
4. Lightly lubricate the O-ring and DCDL cylinder bore with the same lubricant used in the axle housing.
5. Install the piston and O-ring assembly into the DCDL cylinder. Slide the piston to the port end of the cylinder.
6. Apply a continuous 0.06-inch (1.5 mm) bead of Loctite® flange sealant, Meritor part number 2297-D-7076, around the DCDL cylinder threads.
7. Screw the DCDL cylinder in place. Tighten the cylinder to 80-100 lb-ft (109-136 N•m). Figure 6.16. 

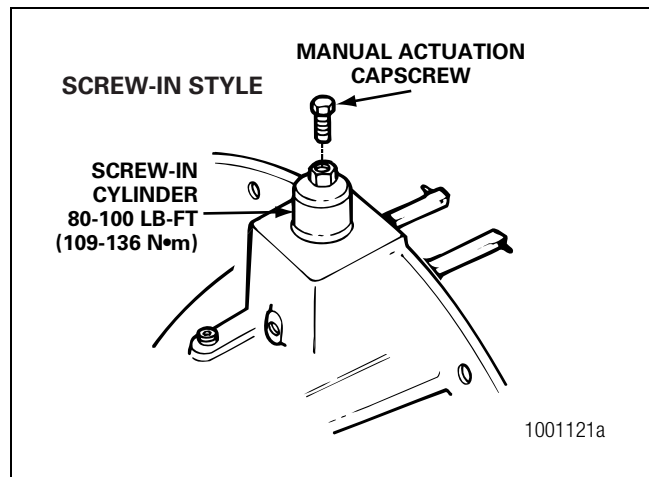



Figure 6.16

8. Snap the shift collar into the fork. Engage the shift collar splines with the splines of the differential case. Use the manual actuation capscrew to move the shift collar splines into the differential case splines. Refer to the procedure in this section.
9. Install the sensor switch into its hole. Tighten the switch to 25-35 lb-ft (35-45 N•m). 




## 6 Driver-Controlled Main Differential Lock

10. Connect a volt-ohm meter to the sensor switch. Select ohms on the meter. With the DCDL engaged, the circuit should be closed, showing less than one ohm resistance.
  - **If the resistance value is over one ohm:** Check the sensor.
    - A. Verify that the fork is aligned with the sensor switch when it is in the engaged position.
    - B. Check for a loose wiring connection. The connector must be tightly seated.
    - C. Verify that the sensor switch is fully seated against the carrier.
      - **If the resistance is greater than one ohm after these checks:** Replace the sensor switch.

### Differential Lock Assembly Cover Plates

For carriers without the differential lock or air shift, assemble the sensor switch plug and cover plate as follows.

#### Bolt-On Cover Plate Assemblies

1. Install the washer and plug into the hole for the sensor switch. Tighten the plug to 45-55 lb-ft (60-74 N•m). Figure 6.17. 

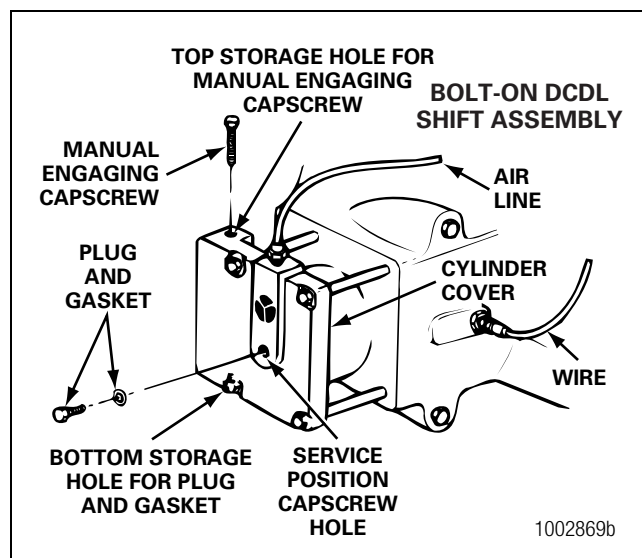



Figure 6.17

2. Apply silicone gasket material to the cover plate mounting surface on the carrier.
3. Install the four washers and capscrews. Tighten the capscrews to 7.4-8.9 lb-ft (10-12 N•m). Figure 6.18. 

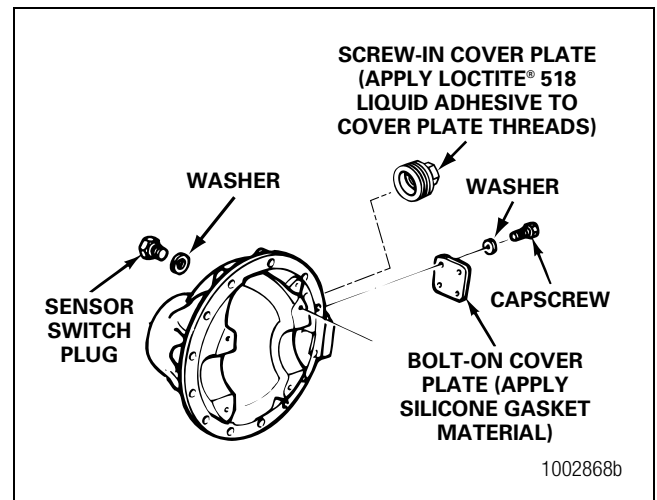



Figure 6.18

#### Screw-In Cover Plate Assemblies

1. Apply Loctite® 518 liquid adhesive to the plate threads.
2. Install the bolts and washers. Tighten the plate into the carrier opening to 7.5-9.0 lb-ft (10-12 N•m). 

### Carrier into the Axle Housing

#### ⚠ WARNING

Solvent cleaners can be flammable, poisonous and cause burns. Examples of solvent cleaners are carbon tetrachloride, and emulsion-type and petroleum-base cleaners. Read the manufacturer's instructions before using a solvent cleaner, then carefully follow the instructions. Also follow the procedures below.

- Wear safe eye protection.
- Wear clothing that protects your skin.
- Work in a well-ventilated area.
- Do not use gasoline, or solvents that contain gasoline. Gasoline can explode.
- You must use hot solution tanks or alkaline solutions correctly. Read the manufacturer's instructions before using hot solution tanks and alkaline solutions. Then carefully follow the instructions.

1. Use a cleaning solvent and rags to clean the inside of the axle housing and the mounting surface. Blow dry the cleaned areas with compressed air. Refer to Section 4.

## 6 Driver-Controlled Main Differential Lock

2. Inspect the axle housing for damage. If necessary, repair or replace the housing. Refer to Section 4.
3. Check for loose studs in the mounting surface of the housing where the carrier fastens. Remove and replace any studs where required.
4. Install the differential carrier into the housing, using the Manual Engaging Method.

### Manual Engaging Method

1. Align the splines of the shift collar and the differential case half by hand or by installing the right-hand axle shaft through the shift collar and into the side gear.
2. Install the manual engaging capscrew into the threaded hole in the center of the cylinder cover.

### CAUTION

**There will be a small amount of spring resistance when you turn in the manual engaging capscrew. If a high resistance is felt before reaching the locked or engaged position, stop turning the capscrew. Damage to components can result.**

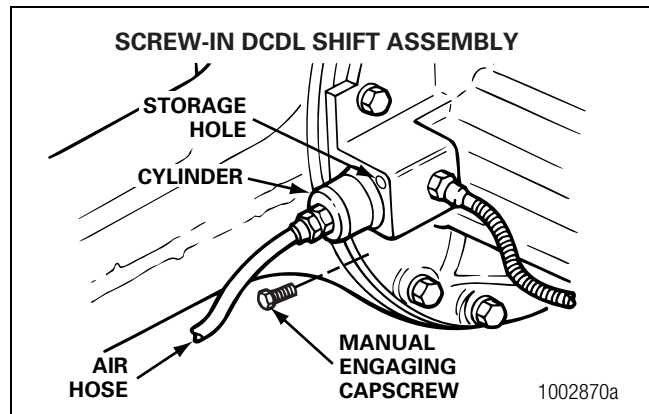
3. Turn the manual adjusting capscrew to the right until the distance from the head of the capscrew is approximately 0.25-0.50-inch (6-13 mm) from the cylinder cover. Do not turn the capscrew beyond its normal stop. When the capscrew head is in the service position 0.25-0.50-inch (6-13 mm) from the top of the DCDL, the main differential lock is manually engaged.

A high resistance on the capscrew indicates that the splines of the shift collar and the differential case half are not aligned or engaged.


Lift the shift collar as required and rotate to align the splines of collar and case half while turning the manual engaging capscrew inward. When the normal amount of spring resistance is again felt on the capscrew, the splines are engaged. Continue to turn in the manual engaging capscrew until the 0.25-0.50-inch (6-13 mm) service position is achieved.

4. Clean both the DCDL actuator and the housing mounting surfaces.
5. Apply silicone gasket material to the cleaned housing surface for the DCDL actuator.
6. Remove the short plug and gasket from the storage hole of the DCDL.

7. Remove the long manual engaging capscrew from the service position in the center of the DCDL to disengage the main differential lock.
8. Clean the plug, gasket, cylinder cover and threaded service position hole in the center of the DCDL cylinder cover.
9. Install the manual engaging capscrew into the DCDL storage hole in the bolt-on or the screw-in DCDL assembly. Figure 6.17 and Figure 6.19. The sealing gasket must be under the head of the capscrew.
  - A. On a bolt-on DCDL shift assembly, remove the short plug and gasket from the storage hole of the DCDL. Install the short plug and gasket into the service position hole in the center of the DCDL. Figure 6.17.
  - B. On a screw-in DCDL shift assembly, install the short screw or plug into the storage hole located in the top of the screw-in DCDL shift assembly. Figure 6.19.



**Figure 6.19**

10. Tighten the plug, if equipped, to 44-55 lb-ft (60-75 N•m). Tighten the manual engaging capscrew to 22-28 lb-ft (30-38 N•m) for bolt-on style cylinders and to 7-11 lb-ft (10-15 N•m) for screw-in type reverse shifters. 
11. Connect the vehicle air line to the differential lock actuator assembly.
12. Install the electrical connection on the sensor switch located in the carrier, below the actuator assembly.
13. Install the right- and left-hand axle shafts. Refer to Section 11.
14. Remove the safety stands from under the drive axle. Lower the vehicle to the floor.
15. Proceed to Check the Differential Lock.

### Check the Differential Lock

1. Shift the vehicle transmission into neutral. Start the engine to get the system air pressure to the normal level.

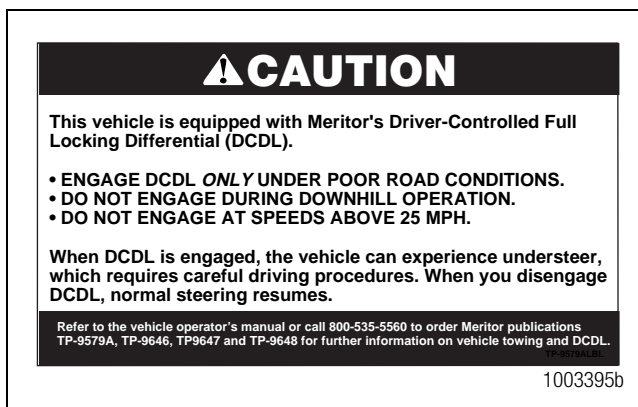
#### **WARNING**

**During DCDL disassembly, when the DCDL is in the locked or engaged position and one of the vehicle's wheels is raised from the floor, do not start the engine and engage the transmission. The vehicle can move and cause serious personal injury and damage to components.**

2. Place the differential lock switch in the cab of the vehicle in the unlocked or disengaged position.
3. Drive the vehicle at 5-10 mph (8-16 km/h) and check the differential lock indicator light. The light must be off when the switch is in the unlocked or disengaged position.
4. Continue to drive the vehicle and place the differential lock switch in the locked or engaged position. Let up on the accelerator to remove the driveline torque and permit the shift. The light must be on when the switch is in the locked position.
  - **If the indicator light remains ON with the switch in the unlocked position:** The differential is still in the locked position. Verify that the manual engaging capscrew was removed from the cylinder cover of the DCDL shift assembly. Refer to the procedure in this section.

### DCDL Driver Caution Label

Verify that the driver caution label is installed in the vehicle cab. Figure 6.20. The caution label must be placed in a location that is easily visible to the driver. The recommended location is on the instrument panel, next to the differential lock switch and lock indicator light.



**Figure 6.20**

### Technical Publications

To obtain these items, refer to the Service Notes page on the front inside cover of this manual.

- DCDL driver caution label, TP-86101
- DCDL Driver Instruction Kit (includes DCDL label and technical bulletin), TP-9579
- Traction-Control Video package, T-95125V

# 7 Lubrication

## Capacities

Meritor recommends using a lubricant analysis program. Perform lubricant analysis at regularly-scheduled preventive maintenance intervals.

For complete information on lubricating drive axles and carriers, refer to Maintenance Manual 1, Preventive Maintenance and Lubrication. To obtain this publication, refer to the Service Notes page on the front inside cover of this manual.

Refer to Table Q, Table R, Table S and Table T for standard information on lubricants, schedules and capacities.

**Table Q: Lubricant Cross Reference (Viscosity) and Temperature Chart**

Meritor Lubricant Specification	Description	Cross Reference	Minimum Outside Temperature	Maximum Outside Temperature
O-76-A	Hypoid Gear Oil	GL-5, S.A.E. 85W/140	10°F (-12.2°C)	<sup>1</sup>
O-76-B	Hypoid Gear Oil	GL-5, S.A.E. 80W/140	-15°F (-26.1°C)	<sup>1</sup>
O-76-D	Hypoid Gear Oil	GL-5, S.A.E. 80W/90	-15°F (-26.1°C)	<sup>1</sup>
O-76-E	Hypoid Gear Oil	GL-5, S.A.E. 75W/90	-40°F (-40°C)	<sup>1</sup>
O-76-J	Hypoid Gear Oil	GL-5, S.A.E. 75W	-40°F (-40°C)	35°F (1.6°C)
O-76-L	Hypoid Gear Oil	GL-5, S.A.E. 75W/140	-40°F (-40°C)	<sup>1</sup>

<sup>1</sup> There is no upper limit on these outside temperatures, but the axle sump temperature must never exceed 250°F (121°C).

**Table S: Oil Change Intervals and Specifications for All Front Drive and Rear Drive Axles**

Vocation or Vehicle Operation	Linehaul Intercity Coach	City Delivery School Bus Fire Truck Motorhome	Construction Transit Bus Refuse Yard Tractor Logging Heavy Haul Mining Oil Field Rescue
Initial Oil Change	No longer required as of January 1, 1993		
Check Oil Level and Breather	Every 25,000 miles (40 000 km) or the fleet maintenance interval, whichever comes first	Every 10,000 miles (16 000 km), once a month or the fleet maintenance interval, whichever comes first	Every 5,000 miles (8000 km), once a month or the fleet maintenance interval, whichever comes first <sup>1</sup>
Petroleum-based oil change on axle with or without pump and filter system	Every 100,000 miles (160 000 km) or annually, whichever comes first	Every 50,000 miles (80 000 km) or annually, whichever comes first	Every 25,000 miles (40 000 km) or annually, whichever comes first
Synthetic oil change on axle with or without pump and filter system <sup>2</sup>	Every 500,000 miles (800 000 km)	Every 100,000 miles (160 000 km) or annually, whichever comes first	Every 50,000 miles (80 000 km) or annually, whichever comes first
Filter change on axle with pump and filter system	Every 100,000 miles (160 000 km)	Every 100,000 miles (160 000 km)	Every 100,000 miles (160 000 km)

<sup>1</sup> For continuous heavy-duty operation, check the oil level every 1,000 miles (1600 km). Add the correct type and amount of oil as required.

<sup>2</sup> This interval applies to approved semi-synthetic and full-synthetic oils only. For a list of approved extended-drain axle oils, refer to TP-9539, Approved Rear Drive Axle Lubricants. To obtain this publication, refer to the Service Notes page on the front inside cover of this manual.

Use the lubricant capacities in Table S and Table T as a guide only. The capacities are measured with the drive pinion in the horizontal position. When the angle of the drive pinion changes, the lubricant capacity of the axle will change.

**Table S: Single Drive Axles**

Axle Model	Capacity <sup>1</sup>	
	Pints	Liters
MX-10-120	16.0	7.6
MX-12-120	16.0	7.6
MX-14-120	16.0	7.6
MX-16-120	16.0	7.6
MX-21-160/160R	43.0	20.0
MX-23-160/160R	43.0	20.0
RF-7-120	15.3	7.2
RF-9-120	15.3	7.2
RF-12-120	15.3	7.2
RF-12-125	15.3	7.2
RF-16-145	36.4	17.2
RF-21-155	27.9	13.2
RF-21-156	27.9	13.2
RF-21-160	43.7	20.7
RF-21-185	39.3	18.6
RF-21-355	28.0	13.2
RF-22-166	43.7	20.7
RF-23-180	39.3	18.6
RF-23-185	39.3	18.6
RS-13-120	15.0	7.2
RS-15-120	15.0	7.2
RS-16-140	33.6	15.9
RS-16-141	33.6	15.9
RS-16-145	33.6	15.9
RS-17-140	32.0	15.4
RS-17-141	33.6	15.9
RS-17-144	32.3	15.3
RS-17-145	33.6	15.9
RS-19-144	32.3	15.3
RS-19-145	36.0	17.3
RS-21-145	35.0	16.9
RS-21-160	39.5	18.7
RS-23-160	43/41	20.7/19.5
RS-23-160A	39.5	18.7

**Table S: Single Drive Axles (cont'd)**

Axle Model	Capacity <sup>1</sup>	
	Pints	Liters
RS-23-161/161A	37.2	17.6
RS-23-180	39.0	18.6
RS-23-185	39.0	18.6
RS-23-186	39.0	18.6
RS-25-160	39.0	18.6
RS-25-160A	37.2	17.6
RS-26-160	51.0	24.2
RS-26-180	38.0	18.3
RS-26-185	38.0	18.3
RS-30-180	38.0	18.3
RS-30-185	38.0	18.3

<sup>1</sup> Includes one pint (0.97 liter) for each wheel end and with a drive pinion angle at three degrees.

**Table T: Rear Axle of Tandems**

Axle Model	Capacity	
	Pints	Liters
RT-34-140 (RR-17-140)	35.0	16.9
RT-34-144	25.8	12.2
RT-34-145 (RR-17-145 rear)	25.4	12.0
RT-34-145P	25.4	12.0
RT-34-146	25.4	12.0
RT-40-140 (RR-20-140)	25.8	12.2
RT-40-145/149 (RR-20-145 rear)	25.8	12.2
RT-40-145P	25.8	12.2
RT-40-146	25.8	12.2
RT-40-160	34.4	16.3
RT-40-169	34.4	16.3
RT-44-145 (RR-22-145 rear)	25.1	11.9
RT-44-145P	25.1	11.9
RT-46-160/169 (RR-23-160 rear)	34.4	16.3
RT-46-160A/160P	34.4	16.3
RT-46-164	33.2	15.7
RT-46-164EH/16HEH	33.2	15.7
RT-48-180 (RR-24-180 rear)	36.8	17.5
RT-50-160/160P	33.2	15.7
RT-52-160 (RR-26-160 rear)	41.2	19.5
RT-52-180/185 (RR-26-180 rear)	36.1	17.1
RT-58-180/185 (RR-29-180 rear)	36.1	17.1

## 8 Specifications

### Fasteners

The torque values in Table U are for fasteners that have a light application of oil on the threads.

- **If the fasteners are dry:** Increase the torque values by 10 percent.
- **If the fasteners have a heavy application of oil on the threads:** Decrease the torque values by 10 percent.

If you do not know the size of the fastener that is being installed, measure the fastener. Use the following procedure.

Compare the size of the fastener measured to the list of fasteners in Table U to find the correct torque value.

### American Standard Fasteners

1. Measure the diameter of the threads in inches, dimension X. Figure 8.1.

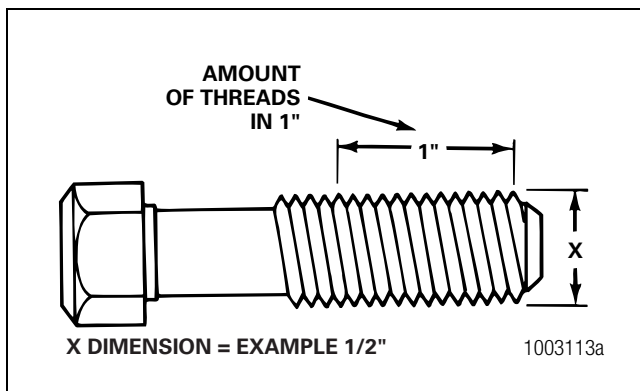


Figure 8.1

2. Count the amount of threads in one-inch. Figure 8.1.

#### Example

American Standard size fastener is 0.50-13.

- 0.50 is the diameter of the fastener in inches or dimension X.
- 13 is the amount of threads in one-inch.

### Metric Fasteners

1. Measure the diameter of the threads in millimeters (mm), dimension X. Figure 8.2.

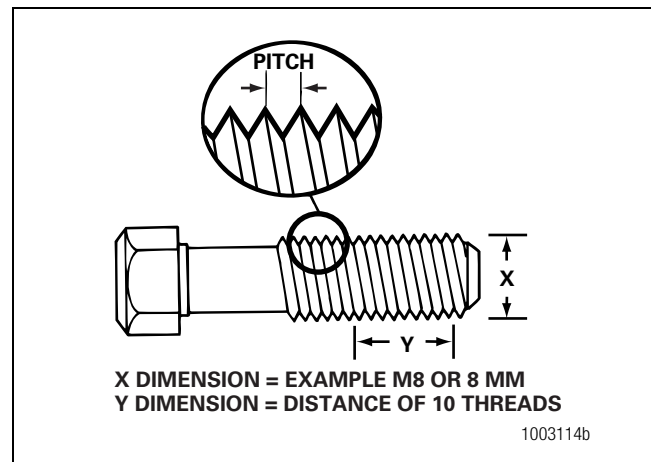


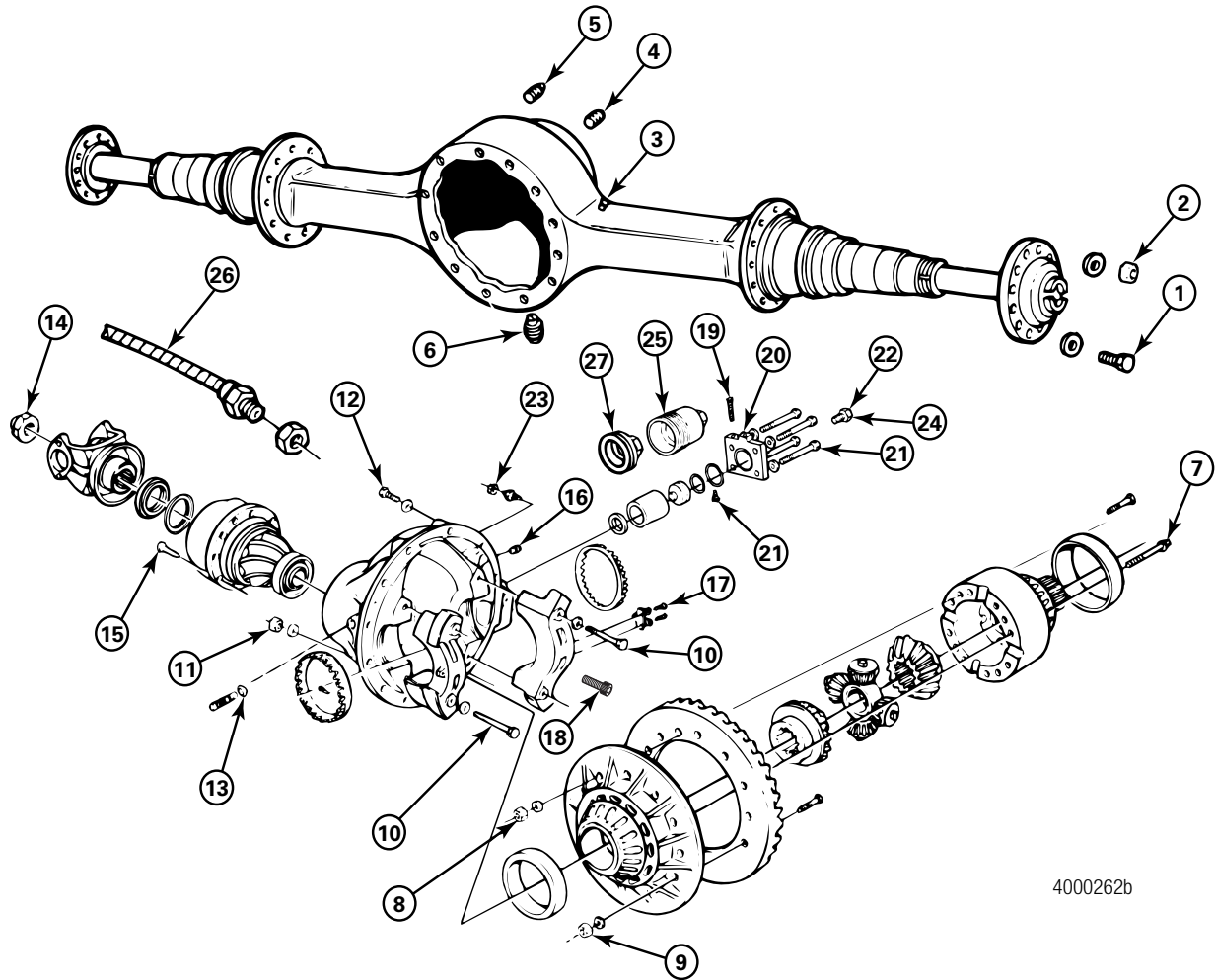
Figure 8.2

2. Measure the distance of 10 threads, point to point in millimeters (mm), dimension Y. Make a note of dimension Y. Figure 8.2.
3. Divide dimension Y by 10. The result will be the distance between two threads or pitch.

#### Example

Metric size fastener is M8 x 1.25.

- M8 is the diameter of the fastener in millimeters (mm) or dimension X.
- 1.25 is the distance between two threads or pitch.



4000262b

Table U: Torque Chart

Fastener	Thread Size	Torque	
		lb-ft	N•m
1 Axle Shaft Capscrew	0.31-24	18-24	24-33
	0.50-13	85-115	115-156
2 Axle Shaft Stud Nut	Plain Nut		
	0.44-20	50-75	68-102
	0.50-20	75-115	102-156
	0.56-18	110-165	149-224
	0.62-18	150-230	203-312
	Locknut		
	0.44-20	40-65	54-88
	0.50-20	65-100	88-136
	0.56-18	100-145	136-197
	0.62-18	130-190	176-258

## 8 Specifications

Fastener	Thread Size	Torque		
		lb-ft	N•m	
3	Breather	0.38-18	20 minimum	27 minimum
4	Housing Oil Fill Plug	0.75-14	35 minimum	47.5 minimum
5	Heat Indicator Plug	0.50-14	25 minimum	34 minimum
6	Oil Drain Plug	0.50-14	25 minimum	34 minimum
7	Differential Case Capscrew	0.38-16	35-50	48-68
		0.44-14	60-75	81-102
		0.50-13	85-115	115-156
		0.56-12	130-165	176-224
		0.62-11	180-230	244-312
		M12 x 1.75, Grade 10.9 Flange Head	85-103	115-140
		M12 x 1.75, Grade 10.9 Standard Hex Head	74-96	100-130
		M12 x 1.75, Grade 12.9 Standard Hex Head	105-125	143-169
		M16 x 2, Grade 12.9 Flange Head	203-251	275-340
		M16 x 2, Grade 12.9 Standard Head	220-310	300-420
		8	Differential Case Bolt Nut	0.50-13
0.50-20	85-115			115-156
0.62-11	150-190			203-258
0.62-18	180-230			244-312
M12 x 1.75	74-96			100-130
M16 x 2	220-310			300-420
9	Ring Gear Bolt Nut			0.50-13
		0.50-20	85-115	115-156
		0.62-11	150-190	203-258
		0.62-18	180-230	244-312
		M12 x 1.25	66-81	90-110
		M12 x 1.75	77-85	104-115
		M16 x 1.5, Flange Head	192-214	260-190
		M16 x 1.5, Standard Hex Head	196-262	265-355
10	Bearing Cap Capscrew	0.56-12	110-145	149-197
		0.62-11	150-190	203-258
		0.75-10	270-350	366-475
		0.88-14	360-470	488-637
		0.88-9	425-550	576-746
		M16 x 2	181-221	245-300
		M20 x 2.5	347-431	470-585
		M22 x 2.5	479-597	650-810
11	Housing-to-Carrier Stud Nut	0.44-20	50-75	68-102
		0.50-20	75-115	102-156
		0.56-18	110-165	149-224
		0.62-18	150-230	203-312



Fastener	Thread Size	Torque		
		lb-ft	N•m	
12	Carrier-to-Housing Capscrew	0.44-14	50-75	68-102
		0.50-13	75-115	102-156
		0.56-12	110-165	149-224
		0.62-11	150-230	203-312
		0.75-10	270-400	366-542
		M12 x 1.75	74-89	100-120
		M16 x 2	181-221	245-300
13	Thrust Screw Jam Nut	0.75-16	150-190	203-258
		0.88-14	150-300	203-407
		1.12-16	150-190	203-258
		M22 x 1.5	148-210	200-285
		M30 x 1.5	236-295	320-400
14	Input Yoke-to-Input Shaft Nut	Refer to Table V.		
15	Bearing Cage Capscrew	0.38-16	30-50	41-68
		0.44-14	50-75	68-102
		0.50-13	75-115	102-156
		0.56-12	110-165	149-224
		0.62-11	150-230	203-312
		M12 x 1.75	70-110	90-150
16	Carrier Oil Fill Plug	0.75-14	25 minimum	34 minimum
		1.5-11.5	120 minimum	163 minimum
		M24 x 1.5	35 minimum	47 minimum
17	Lock Plate Capscrew	0.31-18	20-30	27-41
		M8 x 1.25	21-26	28-35
18	Adjusting Rings Capscrews	—	21-28	28-38
<b>Torque Values for Carriers with Bolt-On Style Differential Lock Cylinders</b>				
19	Manual Actuation Storage Position Capscrew	M10 x 1.5	15-25	20-35
20	Air Cylinder Adapter	M12 x 1.5	22-30	30-40
21	Air Cylinder Cover Capscrew	M6 x 1	7-12	10-16
22	Air Cylinder Cover Capscrew/ Plug, Operating and Storage Position	M10 x 1.5	15-25	20-35
			15-25	20-35
23	Sensor Switch Locknut	M16 x 1	25-35	35-45
<b>Torque Values for Carriers with Screw-In Style Differential Lock Cylinders</b>				
24	Manual Actuation Storage Position Capscrew	M10 x 1.25	7-11	10-15
25	Air Cylinder	M60 x 2.0	80-100	109-136
26	Sensor Switch	M16 x 1.0	25-35	35-45
27	Screw-In DCDL Cylinder Plug or Cap	M60 x 2.0	80-100	109-136

## 8 Specifications

### Input and Output Yoke Pinion Nut Fastener Torque Specifications

Table V: Single and Rear of Tandem Axles

Axle Model	RF-166, RS-160, RS-161, RS-185, RS-186		RS-210, RS-220, RS-230	RS-240	RS-380	
Pinion Nut Location	RS-120, RS-125, RS-140	RS-144/145	RS-186	RS-230	RS-240	RS-380
Carrier Input Yoke	740-920 lb-ft (1000-1245 N•m)	920-1130 lb-ft (1250-1535 N•m)	1000-1230 lb-ft (1350-1670 N•m)	740-920 lb-ft (1000-1245 N•m)	740-920 lb-ft (1000-1245 N•m)	800-1100 lb-ft (1085-1496 N•m)
Fastener Size	M32 x 1.5	M39 x 1.5	M45 x 1.5	M32 x 1.5	M39 x 1.5	1-1/2 - 12 UNF

**Table W: Drive Pinion Bearings — Preload**

Specification	New bearings 5-45 lb-in (0.56-5.08 N•m) Used bearings in good condition 5-25 lb-in (1.7-2.8 N•m)
Adjustment	Preload is controlled by the thickness of the spacer between the bearings. To increase the preload, install a thinner spacer. To decrease the preload, install a thicker spacer.

**Table X: Drive Pinion — Depth in Carrier**

Specification	Install the correct amount of shims between the inner bearing cup of the drive pinion and the carrier. To calculate, use the old shim pack thickness and the new and old pinion cone numbers.
Adjustment	Change the thickness of the shim pack to get a good gear tooth contact pattern.

**Table Y: Hypoid Gear Set — Tooth Contact Patterns (Hand Rolled)**

Specification	Conventional gear set Toward the toe of the gear tooth and in the center between the top and bottom of the tooth. Generoid gear set Between the center and toe of the tooth and in the center between the top and bottom of the tooth.
Adjustment	Tooth contact patterns are controlled by the thickness of the shim pack between the pinion bearing cage and carrier and by ring gear backlash. To move the contact pattern lower, decrease the thickness of the shim pack under the pinion bearing cage. To move the contact pattern higher, increase the thickness of the shim pack under the pinion bearing cage. To move the contact pattern toward the toe of the tooth, decrease the backlash of the ring gear. To move the contact pattern toward the heel of the tooth, increase the backlash of the ring gear.

**Table Z: Main Differential Bearings — Preload**

Specification	15-35 lb-in (1.7-3.9 N•m) or Expansion between bearing caps RS-140, RS-145 and RS-160 carrier models — 0.002-0.009-inch (0.05-0.229 mm) All other carrier models — 0.006-0.013-inch (0.15-0.33 mm)
Adjustment	Preload is controlled by tightening both adjusting rings after zero end play is reached.

## 9 Adjustment

**Table AA: Main Differential Gears — Rotating Resistance**

Specification 50 lb-ft (68 N•m) maximum torque applied to one side gear

**Table AB: Ring Gear — Backlash**

Specification Ring gears that have a pitch diameter of less than 17-inches (431.8 mm)  
Range: 0.008-0.018-inch (0.20-0.46 mm)  
0.012-inch (0.30 mm) for a new gear set  
Ring gears that have a pitch diameter of 17-inches (431.8 mm) or greater  
Range: 0.010-0.020-inch (0.25-0.51 mm)  
0.015-inch (0.38 mm) for a new gear set

---

Adjustment Backlash is controlled by the position of the ring gear. Change the backlash within specifications to get a good tooth contact pattern.  
To increase the backlash, move the ring gear away from the drive pinion.  
To decrease the backlash, move the ring gear toward the drive pinion.

**Table AC: Ring Gear — Runout**

Specification 0.008-inch (0.20 mm) maximum

**Table AD: DCDL Sensor Switch — Installation**

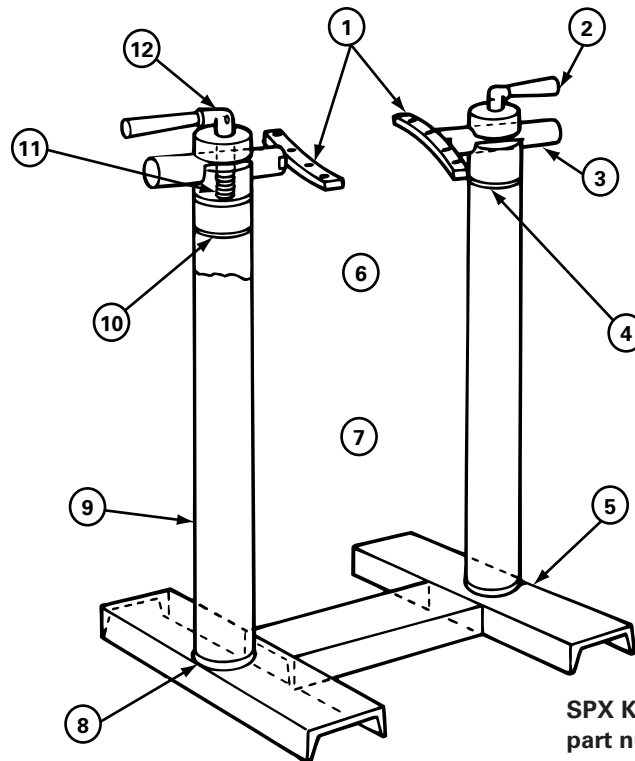
Adjustment Shift the differential to the locked position.  
Tighten the sensor switch into the carrier until the test light illuminates.  
Tighten the sensor switch one additional turn.  
Tighten the jam nut to the specified torque.

**Table AE: Spigot Bearing — Peening on the Drive Pinion**

Specification Apply 6,614 lb (3000 kg) load on a 0.375-inch (10 mm) ball. Peen the end of the drive pinion at a minimum of five points. Softening of the pinion stem end by heating may be required.

## Specifications

## Carrier Repair Stand



SPX Kent-Moore  
part number J-3409-D

1002990f

- 1 PLATES 8' LONG x 3/4" THICK x 1-1/4" WIDE WITH A TONGUE TO FIT SLOT IN BAR WELD PLATES TO BAR
- 2 HANDLE 7" LONG WITH SLOT IN ONE END TO FIT CLAMP SCREW
- 3 BAR 2" DIAMETER x 9" LONG WITH ONE END SLOTTED TO FIT PLATE
- 4 WELD ALL AROUND AFTER PRESSING PLUG IN PIPE
- 5 WELD
- 6 SHAPE AND SIZE OF HOLES TO FIT CARRIER
- 7 23-1/2" CENTER TO CENTER OF PIPE
- 8 CHAMFER END OF PIPE FOR WELDING
- 9 4" DIAMETER PIPE
- 10 PLUG 4" DIAMETER x 7" LONG WITH ONE END TURNED 3" LONG TO FIT PIPE. DRILL 2" HOLE AND MILL 3/16" WIDE SLOT 2" FROM TOP
- 11 SCREW 3-1/2" LONG x 5/8" DIAMETER WITH FLATS ON END TO FIT HANDLE AND 2-1/2" LENGTH OF THREAD ON OTHER END
- 12 DRILL 3/8" HOLE THROUGH HANDLE AND SCREW

**Figure 10.1**

To obtain a repair stand, refer to the Service Notes page on the front inside cover of this manual.

# 10 Special Tools

## How to Make a Yoke Bar

1. Measure dimensions A and B of the yoke you are servicing. Figure 10.2.

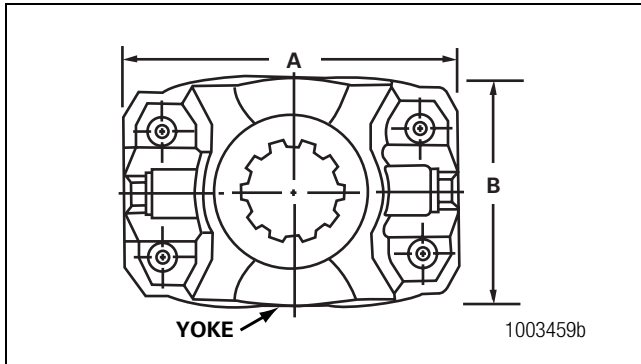


Figure 10.2

2. Calculate dimensions C and D of the yoke bar by adding 0.125-0.250-inch to dimensions A and B of the yoke. Figure 10.3.

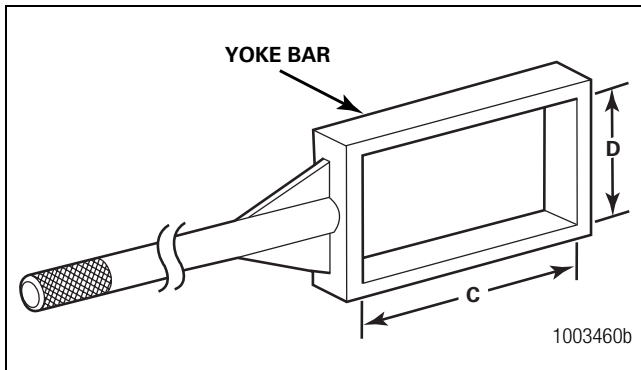


Figure 10.3

### WARNING

Wear safe clothing and eye protection when you use welding equipment. Welding equipment can burn you and cause serious personal injury. Follow the operating instructions and safety procedures recommended by the welding equipment manufacturer.

3. To make the box section, cut and weld one-inch x two-inch mild steel square stock according to dimensions C and D. Figure 10.3.

4. Cut a four-foot x 1.25-inch piece of mild steel round stock to make the yoke bar handle. Center weld this piece to the box section. Figure 10.3.

- **To increase yoke bar rigidity:** Weld two angle pieces onto the handle. Figure 10.3.

## Unitized Pinion Seals and Seal Drivers

Refer to Table AF and Figure 10.4 for information on unitized pinion seals and seal drivers. To obtain Meritor seal driver KIT 4454, refer to the Service Notes page on the front inside cover of this manual.

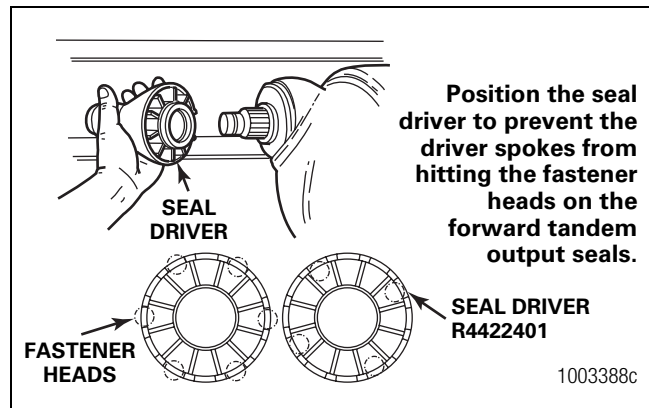


Figure 10.4

Table AF: Unitized Pinion Seals and Seal Drivers

Single Models	Tandem Models	Meritor Unitized Pinion Seal	Seal Installation Location	Meritor Seal Driver	Yoke Seal Diameter Inches
MX-21-160	RT-34-144 /P	A-1205-R-2592	Tandem Forward Input — 145 models from November 1993 to present	R4422402	3.250
MX-23-160R	RT-34-145 /P				3.255
RF-16-145	MT-40-143				
RF-21-160	RT-40-145 /A /P	A-1205-P-2590	Tandem Forward Output — Tandem Forward Input 145 models before November 1993 with seal A-1205-F-2424	R4422401	3.000
RF-22-166	RT-40-149 /A /P				3.005
RF-23-185	RT-44-145 /P				
RS-17-145	RT-40-160 /A /P				
RS-19-145	RT-40-169 /A /P	A-1205-N-2588	Tandem and Single Rear Input — 145 models	R4422401	3.000
RS-21-145	RT-46-160 /A /P				3.005
RS-21-160	RT-46-169 /A /P	A-1205-Q-2591	Tandem and Single Rear Input — 160/164/185 models	R4422402	3.250
RS-23-160 /A	RT-46-164EH /P				3.255
RS-23-161 /A	RT-46-16HEH /P				
RS-25-160 /A	RT-50-160 /P				
RS-23-186	RT-52-185 <sup>1</sup>				
RS-26-185	RT-58-185 <sup>1</sup>				
RS-30-185					

<sup>1</sup> Forward and rear input only.

# 11 Vehicle Towing Instructions

## Hazard Alert Messages

Read and observe all Warning and Caution hazard alert messages in this publication. They provide information that can help prevent serious personal injury, damage to components, or both.

### WARNING

To prevent serious eye injury, always wear safe eye protection when you perform vehicle maintenance or service.

**Park the vehicle on a level surface. Block the wheels to prevent the vehicle from moving. Support the vehicle with safety stands. Do not work under a vehicle supported only by jacks. Jacks can slip and fall over. Serious personal injury and damage to components can result.**

**Before you service a spring chamber, carefully follow the manufacturer's instructions to compress and lock the spring to completely release the brake. Verify that no air pressure remains in the service chamber before you proceed. Sudden release of compressed air can cause serious personal injury and damage to components.**

**Engage the parking brake to prevent the vehicle from moving before you begin maintenance or service procedures that require you to be under the vehicle. Serious personal injury can result.**

### CAUTION

**If the vehicle is equipped with a front drive axle, tow the vehicle from the front, with the front wheels off the ground. If this is not possible, you must remove the front drive shaft before towing. Damage to components can result.**

**Do not use a chisel or wedge to loosen the axle shaft and tapered dowels. A chisel or wedge can result in damage to the axle shaft, the gasket and seal, and the axle hub.**

**NOTE:** For complete towing information, refer to Technical Bulletin TP-9579, Driver Instruction Kit. To obtain this publication, refer to the Service Notes page on the front inside cover of this manual.

These instructions supersede all other instructions for the purpose of transporting vehicles for service or new vehicle drive-away dated before April 1995, including those contained in Meritor maintenance manuals.

When transporting a vehicle with the wheels of one or both drive axles on the road, it is possible to damage the axles if the wrong procedure is used before transporting begins. Meritor recommends that you use the following procedure.

## Type of Axle

### Single Axle with DCDL — Screw-In (Threaded) Shift Assembly, or Tandem Axle with DCDL — Screw-In (Threaded) Shift Assembly and with Inter-Axle Differential (IAD)

#### Before Towing or Drive-Away

1. Park the vehicle on a level surface. Block the wheels to prevent the vehicle from moving.
2. Apply the vehicle parking brakes using the switch inside the cab of the vehicle.
3. Shift the transmission into neutral and start the vehicle's engine.
4. Shift the DCDL and the IAD to the unlocked or disengaged positions using the switches inside the cab of the vehicle. The indicator lights in the cab will go off.
5. Stop the engine.

**NOTE:** Remove only the axle shaft(s), shown in Table AG at this time, from the axle(s) that will remain on the road when the vehicle is transported.

6. Remove the stud nuts or capscrews and washers from the flange of the axle shaft. Figure 11.1.

#### Table AG

##### Single Axles

Remove the left-hand, road side, axle shaft

##### Tandem Axles

###### Forward Axle

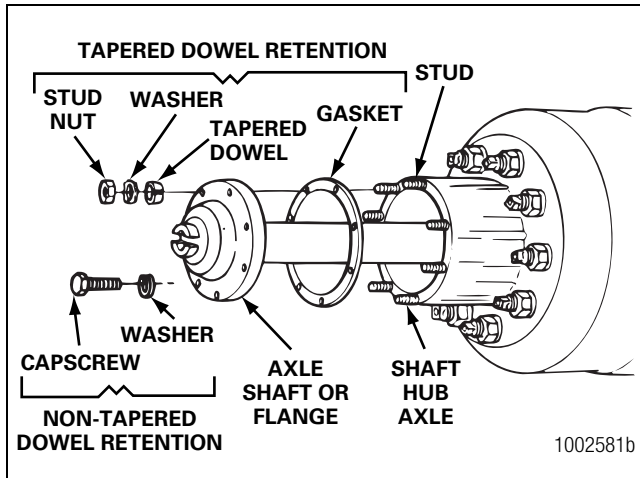
Remove the right-hand, curbside, axle shaft

###### Rear Axle

Remove the left-hand, roadside, axle shaft

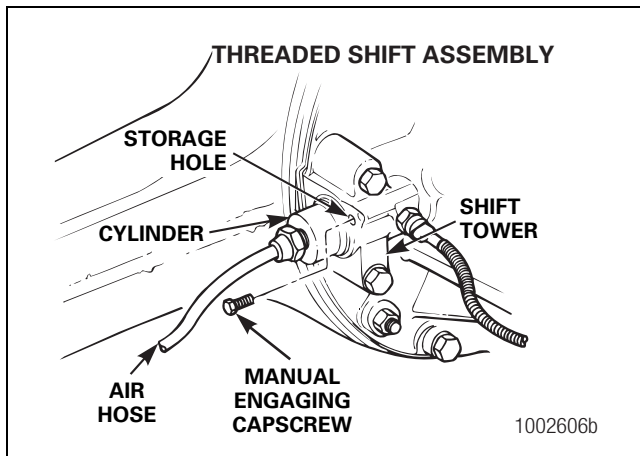
7. Loosen the tapered dowels, if used, in the flange of the axle shaft. Figure 11.1.





**Figure 11.1**

8. Identify each axle shaft that is removed from the axle assembly so they can be installed in the same location after transporting or repair is completed.
9. Remove the tapered dowels, gasket, if used, and the axle shaft from the axle assembly. Figure 11.1.
10. Disconnect the air hose from the shift cylinder. Figure 11.2.



**Figure 11.2**

11. Remove the manual engaging cap screw from the storage hole. The storage hole of threaded shift assemblies is located in the shift tower of the carrier, next to the cylinder. Figure 11.2.
12. Lock or engage the main differential using the Manual Engaging Method. Refer to Section 6.
13. Remove the remaining axle shaft(s) from the axle(s) that will remain on the road when the vehicle is transported.

14. Install a cover over the open end of each hub where an axle shaft was removed. This will prevent dirt from entering the bearing cavity and loss of lubricant.

**NOTE:** If an air supply will be used for the brake system of the transported vehicle, continue with Step 15 and Step 16, otherwise continue with Step 17.

15. Connect an auxiliary air supply to the brake system of the vehicle that is being transported. Before moving the vehicle, charge the brake system with the correct amount of air pressure to operate the brakes. Refer to the instructions supplied by the manufacturer of the vehicle for procedures and specifications. If an auxiliary air supply is not used, continue with Step 17.
16. When the correct amount of air pressure is in the brake system, release the parking brakes of the vehicle that is being transported. Step 17 is not required.
17. If there are spring or parking brakes on the axle(s) that will remain on the road when the vehicle is transported, and they cannot be released by air pressure, manually compress and lock each spring so that the brakes are released. Refer to the manufacturer's instructions.

### After Towing or Drive-Away

1. If an auxiliary air supply was used, apply the vehicle parking brakes using the switch inside the cab of the vehicle. If an auxiliary air supply was not used, begin with Step 2.
2. Apply the vehicle spring or parking brakes by manually releasing each spring that was compressed before transporting started. Refer to the manufacturer's instructions.
3. Disconnect the auxiliary air supply, if used, from the brake system of the vehicle that was transported. Connect the vehicle's air supply to the brake system.
4. Remove the covers from the hubs.

**NOTE:** Install only the axle shaft(s) shown in Table AH at this time. These axle shafts have a double row of splines that engage with the splines of the side gear and shift collar in the main differential. Figure 11.3.

5. Install the gasket, if used, and axle shaft into the axle housing and carrier in the same location. The gasket and flange of the axle shaft must be flat against the hub. Rotate the axle shaft or the driveline as necessary to align the splines and the holes in the flange with the studs in the hub. Figure 11.1.

# 11 Vehicle Towing Instructions

**Table AH**

**Single Axles**

Install the right-hand, curbside, axle shaft

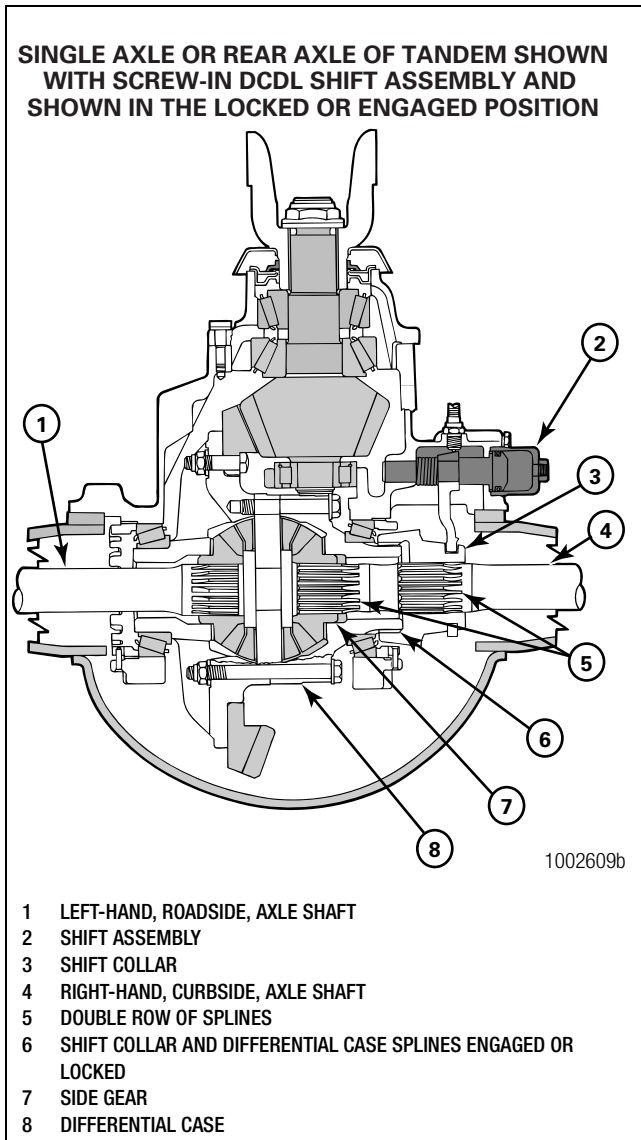
**Tandem Axles**

**Forward Axle**

Install the left-hand, roadside, axle shaft

**Rear Axle**

Install the right-hand, curbside, axle shaft



**Figure 11.3**

6. Install the dowels, if used, over each stud and into the tapered holes of the flange.
7. Install the washers and capscrews or stud nuts. Determine the size of the fasteners and tighten the capscrews or nuts to the corresponding torque value shown in Table AI.

**Table AI**

<b>Fastener</b>	<b>Thread Size</b>	<b>Torque Value lb-ft (N•m)</b>
<b>Capscrews</b>	0.31"-24	18-24 (24-33)
	0.50"-13	85-115 (115-156)
<b>Stud Nuts</b>	0.44"-20	50-75 (68-102)
	Plain Nut	75-115 (102-156)
	0.56"-18	110-165 (149-224)
	0.62"-18	150-230 (203-312)
	0.75"-16	310-400 (420-542)
<b>Locknut</b>	0.44"-20	40-65 (54-88)
	0.50"-20	65-100 (88-136)
	0.56"-18	100-145 (136-197)
	0.62"-18	130-190 (176-258)
	0.75"-16	270-350 (366-475)

8. Unlock or disengage the DCDL by removing the manual engaging capscrew from the shift assembly.
9. Install the manual engaging capscrew into the storage hole. The storage hole of threaded shift assemblies is located in the shift tower of the carrier next to the cylinder. Tighten the capscrew to 15-25 lb-ft (20-35 N•m).
10. Connect the air hose to the shift cylinder. Tighten the air hose to 22-30 lb-ft (30-40 N•m).
11. Install the remaining axle shaft into the axle housing and carrier.
12. Check the lubricant level in the axles and hubs where the axle shafts were removed. Add the correct type and amount of lubricant if necessary. Refer to Section 7.

## Single Axle with DCDL — Bolt-On Shift Assembly, or Tandem Axle with DCDL — Bolt-On Shift Assembly and with Inter-Axle Differential (IAD)

### Before Towing or Drive-Away

1. Park the vehicle on a level surface. Block the wheels to prevent the vehicle from moving.
2. Apply the vehicle parking brakes using the switch inside the cab of the vehicle.
3. Shift the transmission into neutral and start the vehicle's engine.
4. Shift the DCDL and the IAD to the unlocked or disengaged positions using the switches inside the cab of the vehicle. The indicator lights in the cab will go off.
5. Stop the engine.

**NOTE:** Remove only the axle shaft(s), shown in Table AJ at this time, from the axle(s) that will remain on the road when the vehicle is transported.

6. Remove the stud nuts or capscrews and washers from the flange of the axle shaft. Figure 11.4.

### Table AJ

#### Single Axles

Remove the left-hand, roadside, axle shaft

#### Tandem Axles

##### Forward Axle

Remove the right-hand, curbside, axle shaft

##### Rear Axle

Remove the left-hand, roadside, axle shaft

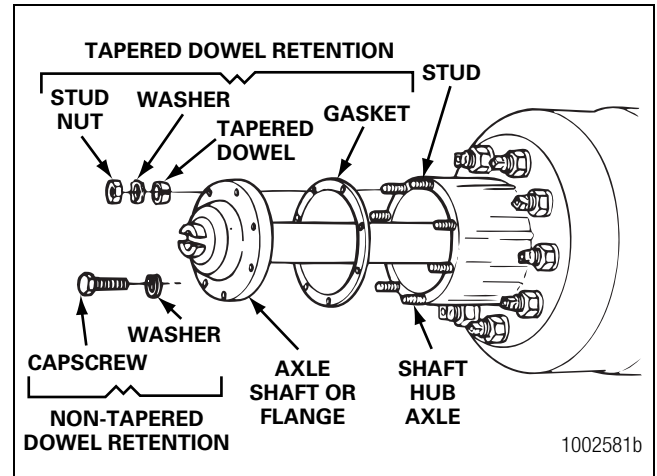


Figure 11.4

7. Loosen the tapered dowels, if used, in the flange of the axle shaft. Figure 11.4.
8. Identify each axle shaft that is removed from the axle assembly so they can be installed in the same location after transporting or repair is completed.
9. Remove the tapered dowels, gasket, if used, and the axle shaft from the axle assembly. Figure 11.4.
10. Remove the manual engaging capscrew from the storage hole. The storage hole of the bolted-on shift assemblies is located in the top side of the shift cylinder cover. Figure 11.5.

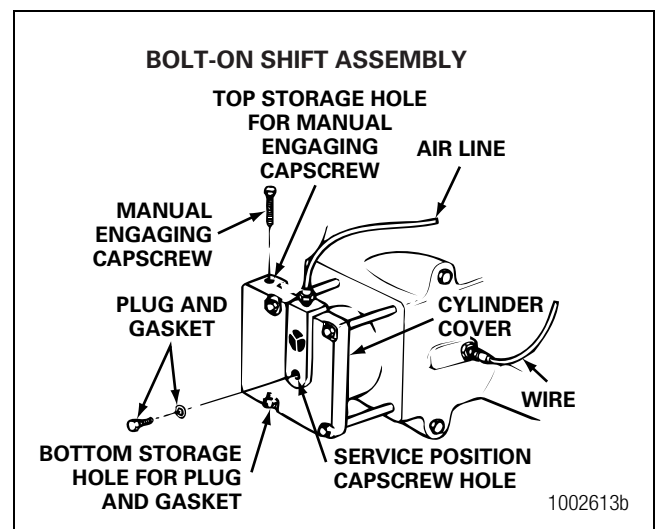



Figure 11.5

# 11 Vehicle Towing Instructions

11. Remove the plug and gasket from the center of the shift cylinder cover. Install the plug and gasket into the bottom side storage hole of the shift cylinder cover, on the opposite end of the storage hole for the manual engaging capscrew. Tighten the plug to 15-25 lb-ft (20-35 N•m). Figure 11.5. 
12. Lock or engage the main differential using one of the two following methods: Air Pressure Method or Manual Engaging Method.
13. Lock or engage the main differential using the air pressure method.
  - A. Install the manual engaging capscrew into the threaded hole in the center of the cylinder cover. Turn the capscrew to the right three to five turns. Figure 11.6.
  - B. Shift the transmission into neutral and start the vehicle's engine. Let the engine idle to increase the pressure in the air system. Do not release the parking brake.
  - C. Shift the main differential to the locked or engaged position using the switch inside the cab of the vehicle. When the differential is locked, the indicator light in the cab will go on.
    - **If the light does not go on:** Rotate the main driveline or the IAD by hand until the main differential is locked and the indicator light goes on.

**NOTE:** When the shift collar is completely engaged with the splines of the main differential case, the differential is locked and the driveline cannot be rotated. Figure 11.7.

- D. While the differential is held in the locked position by air pressure, turn the manual engaging capscrew to the right until you feel resistance against the piston. Stop turning the capscrew.
- E. Place the main differential lock switch in the unlocked or disengaged position.
- F. Stop the engine. Proceed to Step 15.

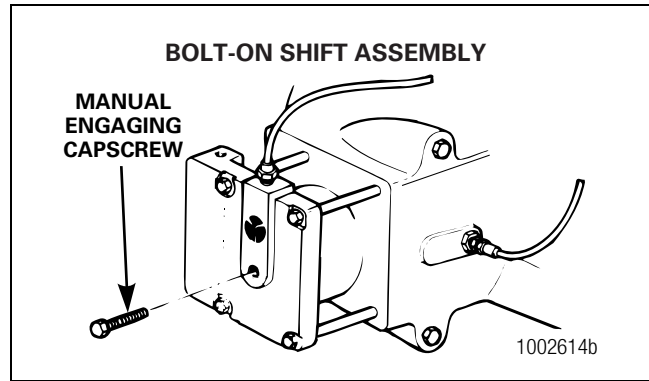


Figure 11.6

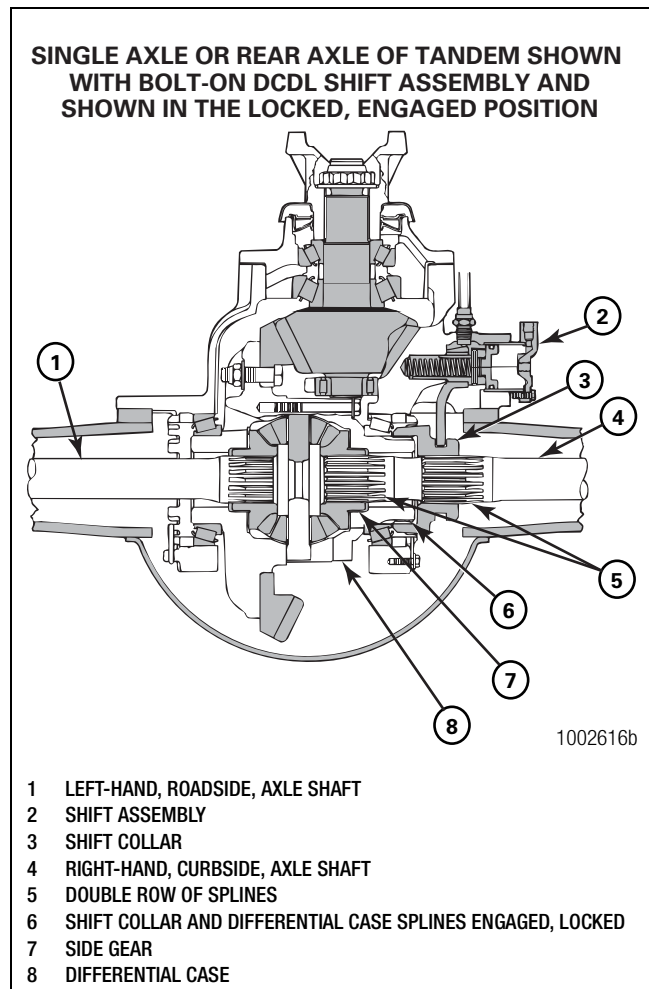


Figure 11.7

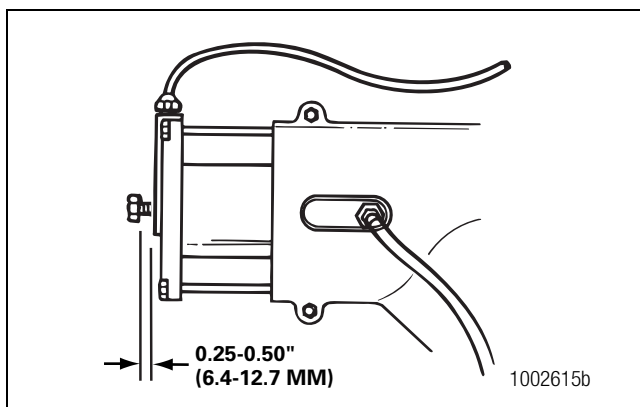
- 1 LEFT-HAND, ROADSIDE, AXLE SHAFT
- 2 SHIFT ASSEMBLY
- 3 SHIFT COLLAR
- 4 RIGHT-HAND, CURBSIDE, AXLE SHAFT
- 5 DOUBLE ROW OF SPLINES
- 6 SHIFT COLLAR AND DIFFERENTIAL CASE SPLINES ENGAGED, LOCKED
- 7 SIDE GEAR
- 8 DIFFERENTIAL CASE

14. Lock or engage the main differential using the manual engaging method.
  - A. Install the manual engaging capscrew into the threaded hole in the center of the cylinder cover. Figure 11.6.

## **⚠ CAUTION**

**When you turn the manual engaging capscrew and you feel a high resistance, stop turning the capscrew. A high resistance against the capscrew indicates that the splines of the shift collar and differential case are not aligned. Damage to the threads of the cylinder cover and capscrew will result.**

- B. Turn the capscrew to the right until the head is approximately 0.25-0.50-inch (6.4-12.7 mm) from the cylinder cover. The capscrew is now in the service position and the main differential is locked or engaged. Figure 11.8. When you turn the capscrew, you will feel a small amount of resistance. This is normal.
  - **If you feel a high resistance before achieving the 0.25-0.50-inch (6.4-12.7 mm) distance between the capscrew head and cylinder:** Stop turning the capscrew, and continue with Step C, Step D and Step E.
- C. Rotate the main driveline or the IAD a small amount by hand.
- D. Turn the manual engaging capscrew again to the right. If you still feel a high resistance, stop turning the capscrew.
- E. Repeat Step C and Step D until you feel a low resistance on the capscrew. Continue with Step B.



**Figure 11.8**

15. Remove the remaining axle shaft(s) from the axle(s) that will remain on the road when the vehicle is transported.
16. Install a cover over the open end of each hub where an axle shaft was removed. This will prevent dirt from entering the bearing cavity and loss of lubricant.

**NOTE:** If an air supply will be used for the brake system of the transported vehicle, continue with Step 17 and Step 18. Otherwise, continue with Step 19.

17. Connect an auxiliary air supply to the brake system of the vehicle that is being transported. Before moving the vehicle, charge the brake system with the correct amount of air pressure to operate the brakes. Refer to the instructions supplied by the manufacturer of the vehicle for procedures and specifications. If an auxiliary air supply is not used, continue with Step 19.
18. When the correct amount of air pressure is in the brake system, release the parking brakes of the vehicle that is being transported. Step 19 is not required.
19. If there are spring or parking brakes on the axle(s) that will remain on the road when the vehicle is transported, and they cannot be released by air pressure, manually compress and lock each spring so that the brakes are released. Refer to the manufacturer's instructions.

### **After Towing or Drive-Away**

1. If an auxiliary air supply was used, apply the vehicle parking brakes using the switch inside the cab of the vehicle. If an auxiliary air supply was not used, begin with Step 2.
2. Apply the vehicle spring or parking brakes by manually releasing each spring that was compressed before transporting started. Refer to the manufacturer's instructions.
3. Disconnect the auxiliary air supply, if used, from the brake system of the vehicle that was transported. Connect the vehicle's air supply to the brake system.
4. Remove the covers from the hubs.

# 11 Vehicle Towing Instructions

**NOTE:** Install only the axle shaft(s) shown in Table AK at this time. These axle shafts have a double row of splines that engage with the splines of the side gear and shift collar in the main differential. Figure 11.7.

5. Install the gasket, if used, and axle shaft into the axle housing and carrier in the same location. The gasket and flange of the axle shaft must be flat against the hub. Rotate the axle shaft or the driveline as necessary to align the splines and the holes in the flange with the studs in the hub. Figure 11.4.

**Table AK**

**Single Axles**

Install the right-hand, curbside, axle shaft

**Tandem Axles**

**Forward Axle**

Install the left-hand, roadside, axle shaft



**Rear Axle**

Install the right-hand, curbside, axle shaft

6. Install the dowels, if used, over each stud and into the tapered holes of the flange.
7. Install the washers and capscrews or stud nuts. Determine the size of the fasteners and tighten the capscrews or nuts to the torque value shown in Table AL.

**Table AL**

Fastener	Thread Size	Torque Value lb-ft (N•m)	
<b>Capscrews</b>	0.31"-24	18-24 (24-33)	
	0.50"-13	85-115 (115-156)	
<b>Stud Nuts</b>	0.44"-20	50-75 (68-102)	
	Plain Nut	0.50"-20	75-115 (102-156)
	0.56"-18	110-165 (149-224)	
	0.62"-18	150-230 (203-312)	
<b>Locknut</b>	0.75"-16	310-400 (420-542)	
	0.44"-20	40-65 (54-88)	
	0.50"-20	65-100 (88-136)	
	0.56"-18	100-145 (136-197)	
	0.62"-18	130-190 (176-258)	
	0.75"-16	270-350 (366-475)	

8. Unlock or disengage the DCDL by removing the manual engaging capscrew from the shift assembly.
9. Install the manual engaging capscrew into the storage hole. The storage hole of bolted-on shift assemblies is located in the top side of the shift cylinder cover. Tighten the capscrew to 15-25 lb-ft (20-35 N•m). Figure 11.5. 
10. Remove the plug and gasket from the storage hole. Install the plug and gasket into the threaded hole in the center of the shift cylinder cover. Tighten the plug to 15-25 lb-ft (20-35 N•m). 
11. Install the remaining axle shaft into the axle housing and carrier.
12. Check the lubricant level in the axles and hubs where the axle shafts were removed. Add the correct type and amount of lubricant if necessary. Refer to Section 7.

## Single Axle Without DCDL or Tandem Axle Without DCDL and with Inter-Axle Differential (IAD)

### Before Towing or Drive-Away

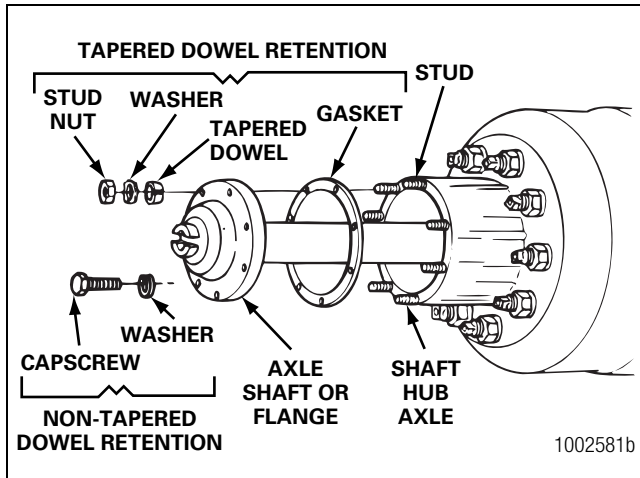
1. Park the vehicle on a level surface. Block the wheels to prevent the vehicle from moving.
2. Apply the vehicle parking brakes using the switch inside the cab of the vehicle.

**NOTE:** For a single axle, continue with Step 6. For a tandem axle, continue with Step 3.

3. Shift the transmission into neutral and start the vehicle's engine.
4. Shift the IAD to the unlocked or disengaged position using the switch inside the cab of the vehicle. The indicator light in the cab will go off.
5. Stop the engine.

**NOTE:** Remove both axle shafts from the axle(s) that will remain on the road when the vehicle is transported.

6. Remove the stud nuts or capscrews and washers from the flange of the axle shaft. Figure 11.9.
7. Loosen the tapered dowels, if used, in the flange of the axle shaft. Figure 11.9.



**Figure 11.9**

8. Identify each axle shaft that is removed from the axle assembly so they can be installed in the same location after transporting or repair is completed.
9. Remove the tapered dowels, gasket, if used, and the axle shaft from the axle assembly. Figure 11.9.
10. Install a cover over the open end of each hub where an axle shaft was removed. This will prevent dirt from entering the bearing cavity and loss of lubricant.

**NOTE:** If an air supply will be used for the brake system of the transported vehicle, continue with Step 11 and Step 12, otherwise continue with Step 13.

11. Connect an auxiliary air supply to the brake system of the vehicle that is being transported. Before moving the vehicle, charge the brake system with the correct amount of air pressure to operate the brakes. Refer to the instructions supplied by the manufacturer of the vehicle for procedures and specifications. If an auxiliary air supply is not used, continue with Step 13.
12. When the correct amount of air pressure is in the brake system, release the parking brakes of the vehicle that is being transported. Step 13 is not required.
13. If there are spring or parking brakes on the axle(s) that will remain on the road when the vehicle is transported and they cannot be released by air pressure, manually compress and lock each spring so that the brakes are released. Refer to the manufacturer's instructions.

## After Towing or Drive-Away

1. If an auxiliary air supply was used, apply the vehicle parking brakes using the switch inside the cab of the vehicle. If an auxiliary air supply was not used, begin with Step 2.
2. Apply the vehicle spring or parking brakes by manually releasing each spring that was compressed before transporting started. Refer to the manufacturer's instructions.
3. Disconnect the auxiliary air supply, if used, from the brake system of the vehicle that was transported. Connect the vehicle's air supply to the brake system.
4. Remove the covers from the hubs.
5. Install the gasket, if used, and axle shaft into the axle housing and carrier in the same location. The gasket and flange of the axle shaft must be flat against the hub. Rotate the axle shaft or the driveline as necessary to align the splines and the holes in the flange with the studs in the hub. Figure 11.9.
6. Install the dowels, if used, over each stud and into the tapered holes of the flange.
7. Install the washers and capscrews or stud nuts. Determine the size of the fasteners and tighten the capscrews or nuts to the torque value shown in Table AM.

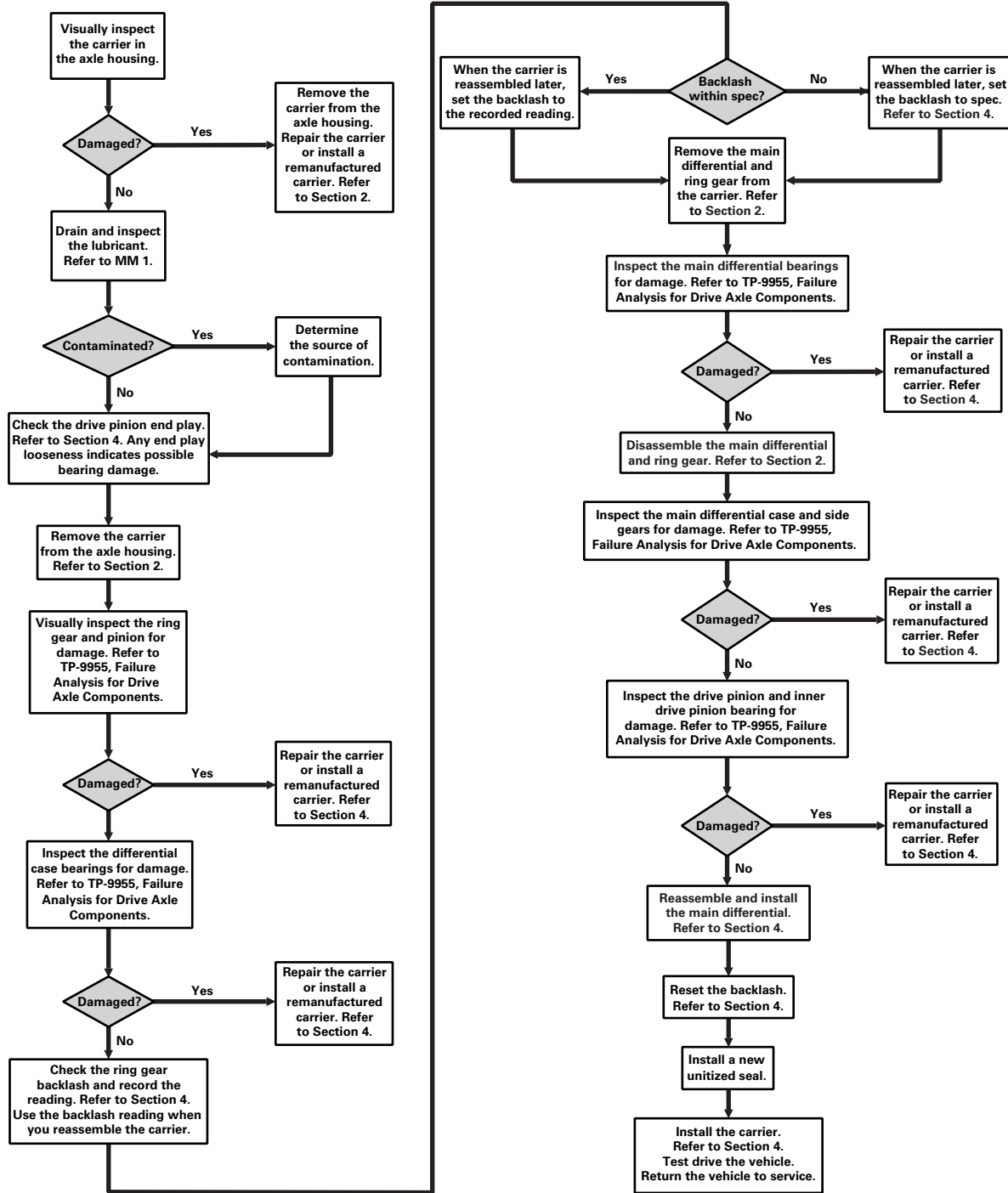
**Table AM**

Fastener	Thread Size	Torque Value lb-ft (N·m)
Capscrews	0.31"-24	18-24 (24-33)
	0.50"-13	85-115 (115-156)
Stud Nuts	0.44"-20	50-75 (68-102)
	Plain Nut	75-115 (102-156)
	0.56"-18	110-165 (149-224)
	0.62"-18	150-230 (203-312)
	0.75"-16	310-400 (420-542)
Locknut	0.44"-20	40-65 (54-88)
	0.50"-20	65-100 (88-136)
	0.56"-18	100-145 (136-197)
	0.62"-18	130-190 (176-258)
	0.75"-16	270-350 (366-475)

8. Check the lubricant level in the axles and hubs where the axle shafts were removed. Add the correct type and amount of lubricant if necessary. Refer to Section 7.

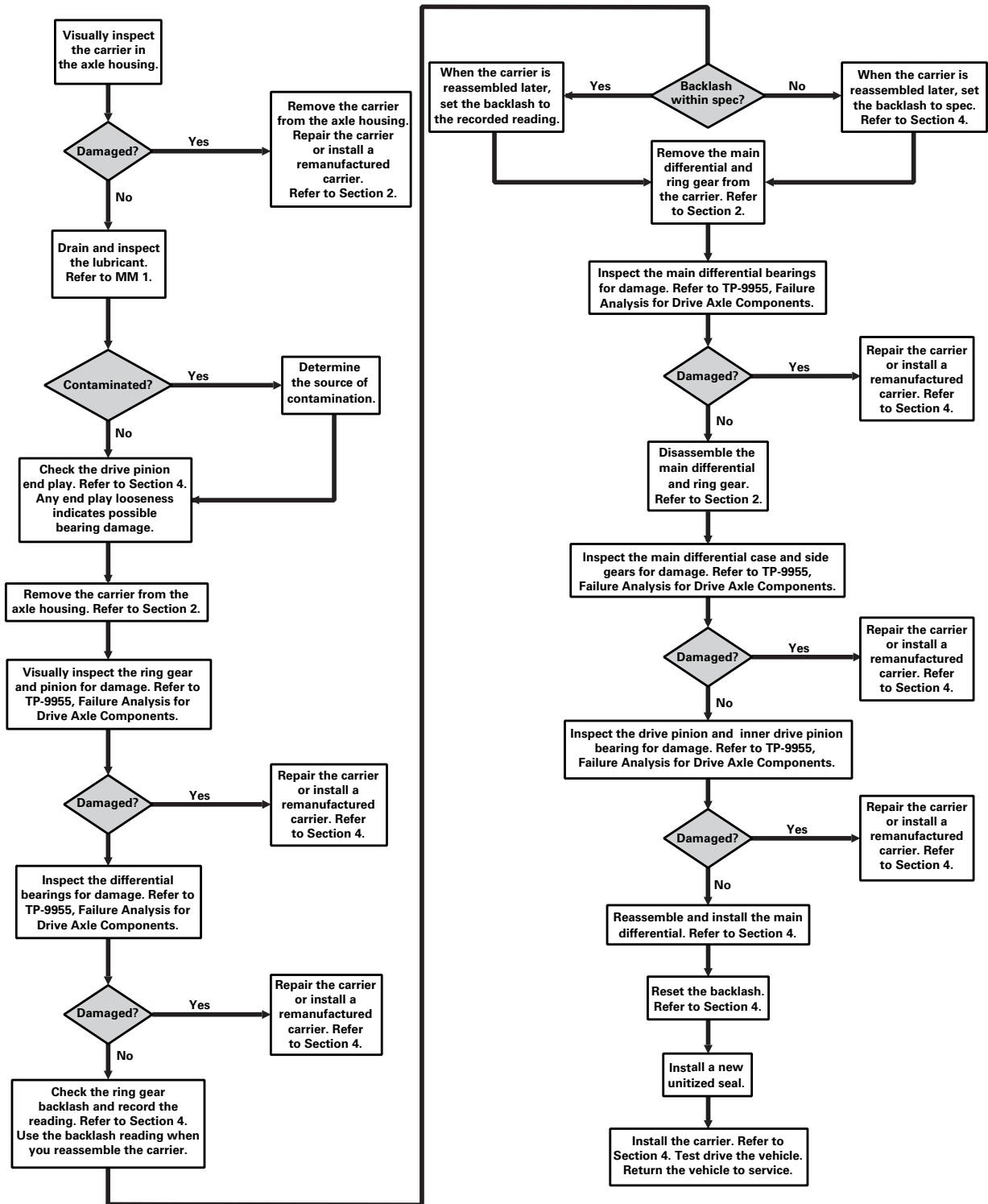
## Troubleshooting

### Vehicle Will Not Move

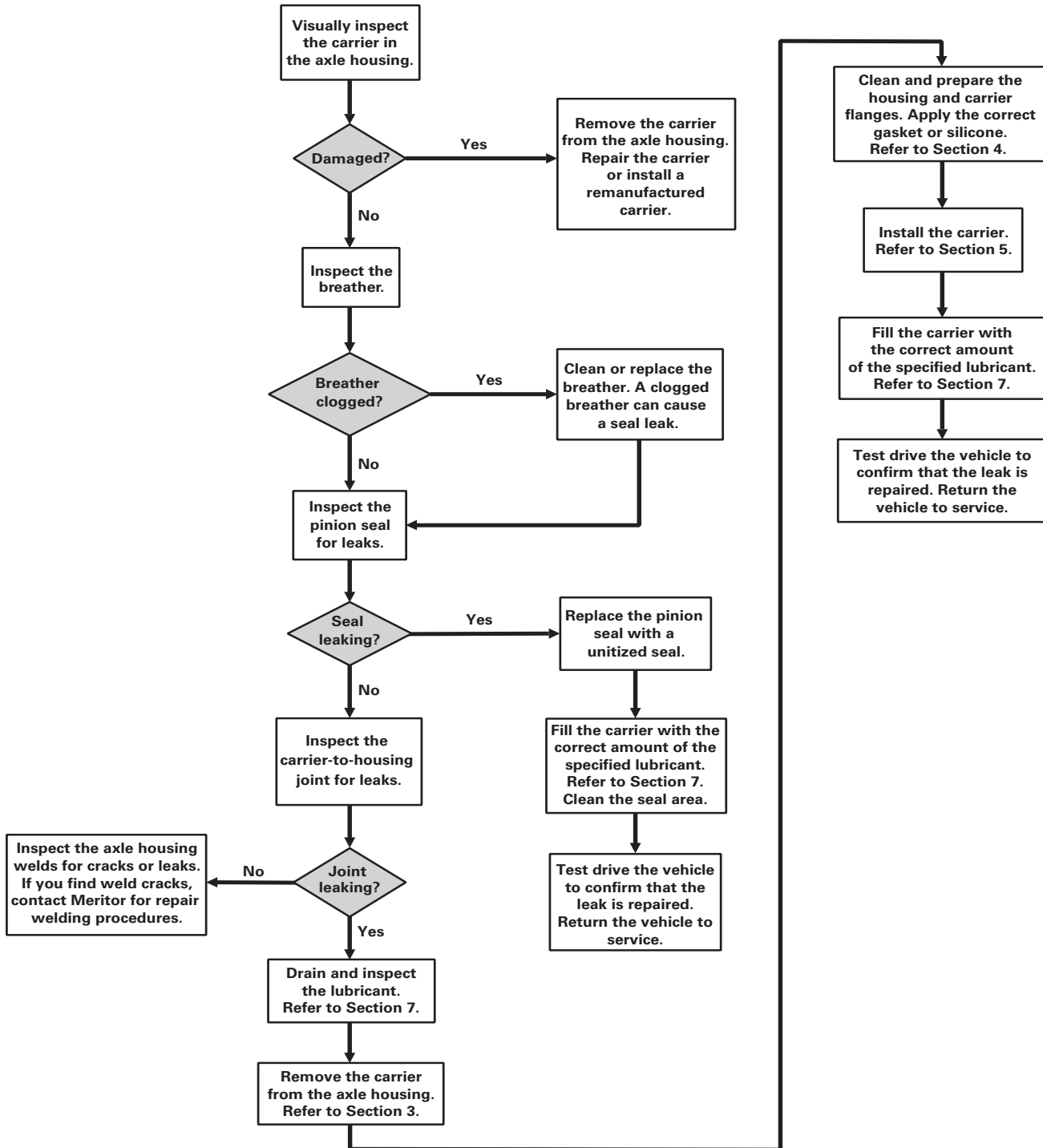




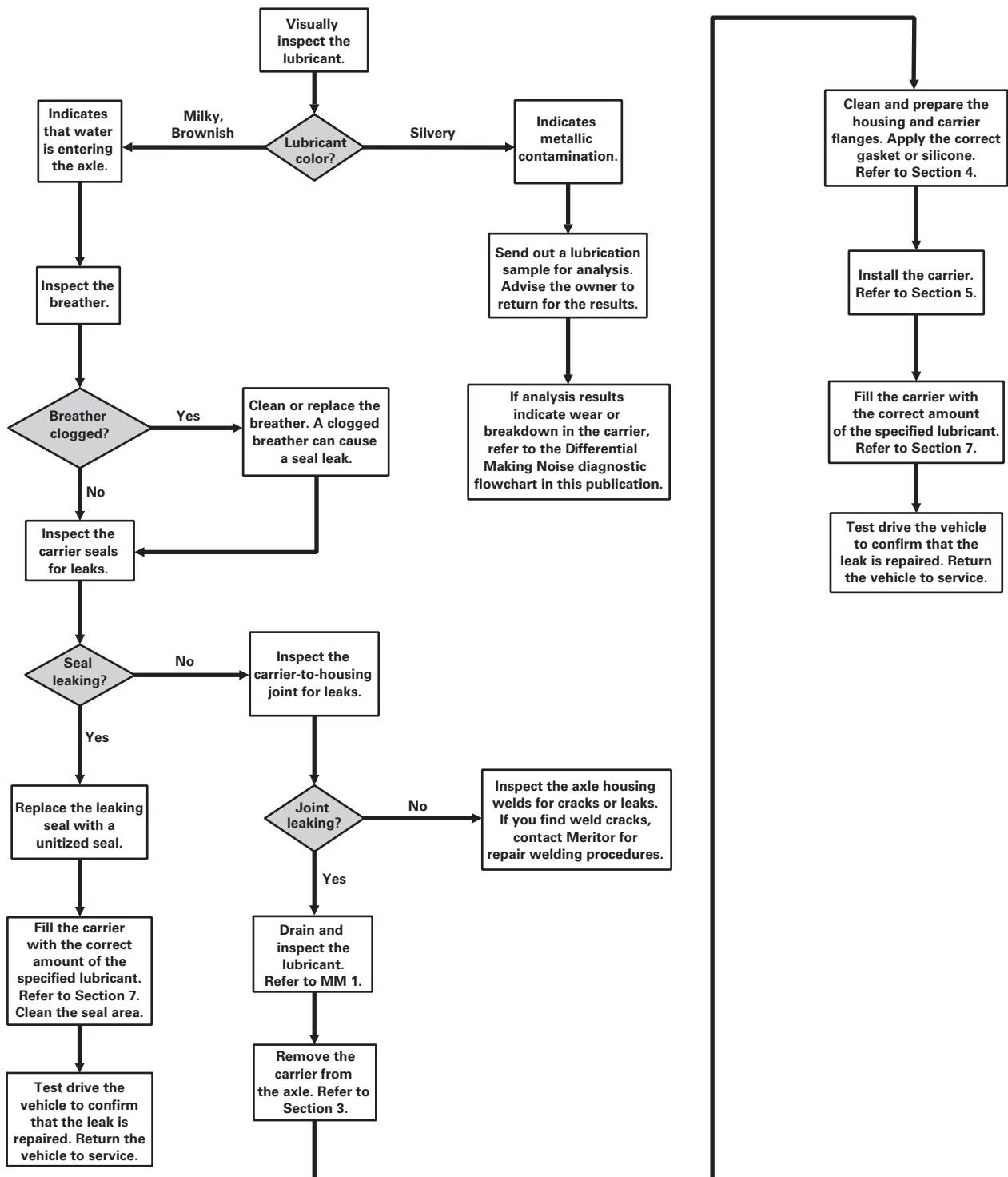
### Differential Making Noise



## Oil Leak



### Contaminated Lubricant Found During Preventive Maintenance





**Meritor Heavy Vehicle Systems, LLC**  
2135 West Maple Road  
Troy, MI 48084 USA  
800-535-5560  
arvinmeritor.com

Copyright 2004  
ArvinMeritor, Inc.

Printed in USA

Revised 05-04  
Maintenance Manual 5A (16579/24240)

**ArvinMeritor**<sup>TM</sup>