

Ergo M NYCTA DRIVER SEAT 2-POINT SEATBELT (AM72 VERSION INTRODUCED IN JAN. 00')

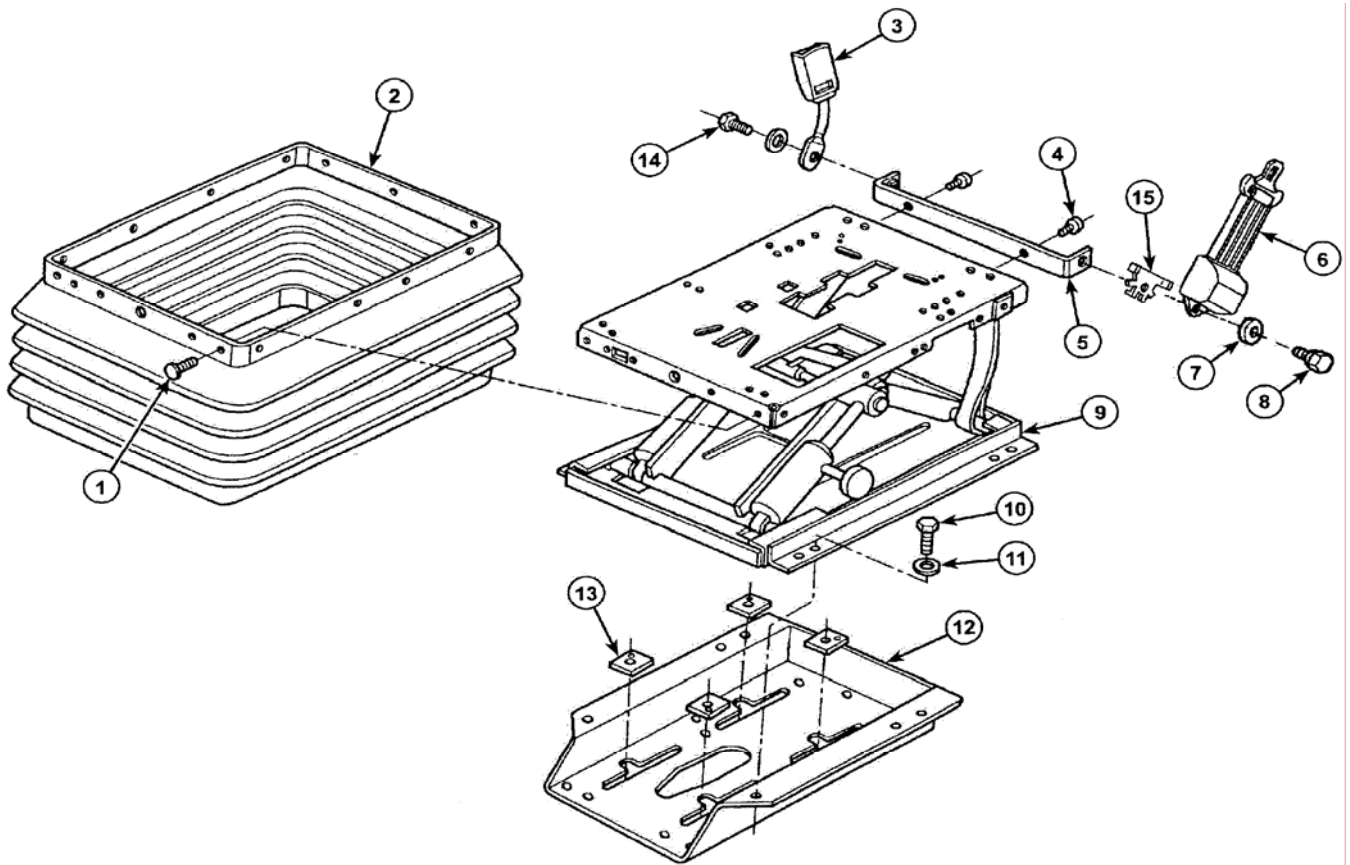
SERVICE PARTS MANUAL



***** NOTE *****

All parts which have material associated with them are quoted using Recaro Standard Cloth. When using material other than Recaro's Standard Cloth, service part prices are established by quote.

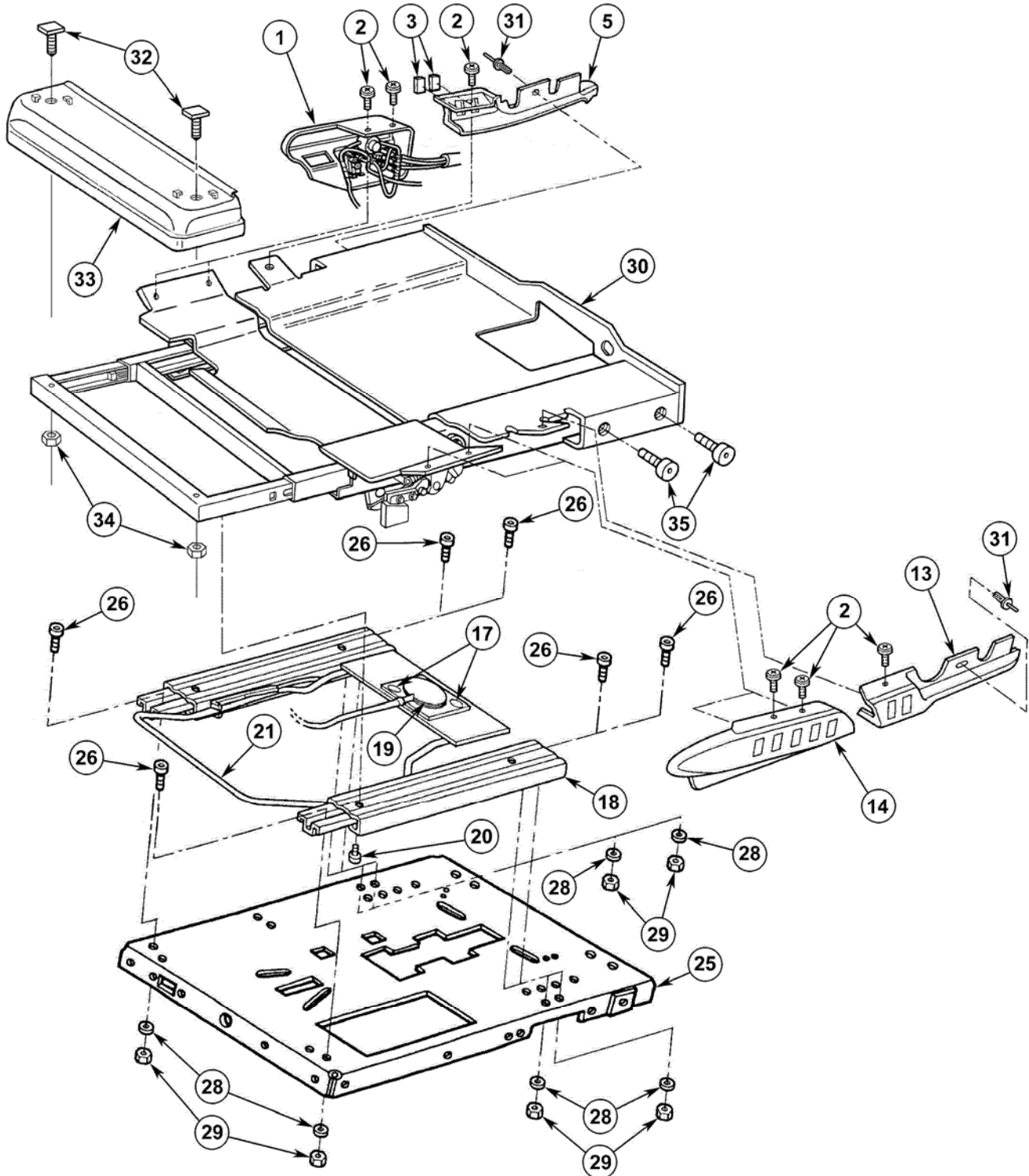
- **Contact Recaro for further details**
Recaro North America
3275 Lapeer Road West
Auburn Hills, MI 48326
Ph # 248.364.3818 Fax # 248.364.3804
www.recaro-nao.com
e-mail use at: info@recaro-nao.com



RECARO Ergo M & C DRIVER SEAT		Seat Base / Risers / Seatbelts		1.1
ITEM #	QTY.	PART NUMBER	DESCRIPTION	
	1	<u>30817207</u>	<u>LOOSE PARTS PACKAGE, ERGO</u>	
N/S	4	30855107	WASHER-GRADE 8 USS 3/8"	
N/S	4	30541407	WASHER FLAT 7/16"IDX1"OD	
N/S	1	30799407	INSTRUCTIONS, INSTALLATION	
N/S	1	30808707	STICKER, RECARO LOGO	
13	4	30810907	WASHER,3" SQ, RISER TO FLOOR	
N/S	1	30817107	INSTRUCTIONS, OPERATING	
N/S	1	30799407	INSTRUCTIONS,INSTALLATION	
	1	<u>30837907</u>	<u>RISER 3",CRS,KIT,ERGO</u>	
	1	30810507	ASM, RISER, 3" CRS ERGO	
	1	30817207	LOOSE PARTS PACKAGE, ERGO	

RECARO Ergo M & C DRIVER SEAT			Seat Base / Risers / Seatbelts	1.1
ITEM #	QTY.	PART NUMBER	DESCRIPTION	
5	<u>1</u>	<u>30837307</u>	<u>BRKT, 2PT SEAT BELT ATTACHMENT, KIT</u>	
4	1	KIT ONLY	WELDMENT – TETHER BRACKET	
N/S	2	KIT ONLY	BOLT, HEX 3/8 - 16 UNC X .75	
N/S	2	KIT ONLY	NUT, CENTERLOCK, 3/8 - 16 UNC	
	2	KIT ONLY	WASHER, FLAT, .406 ID X .812 OD X .07T	
<u>2</u>	<u>1</u>	<u>30829707</u>	<u>ASM, BOOT, SUSPENSION, ERGO</u>	
1	23	30568207	CLIP, XMAS TREE	
<u>9</u>	<u>1</u>	<u>30800207</u>	<u>SUSPENSION ASM, METRO, 1 FIXED/1ADJ SHOCK</u>	
<u>N/S</u>	<u>1</u>	<u>30800107</u>	<u>SUSPENSION ASM, COACH, 2 FIXED SHOCK</u>	
	<u>1</u>	<u>30799107</u>	<u>PNEUMATIC ASSEMBLY (MUST BE ADDED TO 30800207)</u>	
	2	049131	CABLE TIE, 8" NATURAL	
	1FT	30569907	EDGE PROTECTOR, VINYL	
6.9FT	2103m	30855607	TUBING, .25"OD PA12 MAT'L	
=	m		AIR FITTING, 1/4x1/4 UNION	
	1	30721007	<div style="border: 1px solid black; padding: 2px; display: inline-block;"> NOTE: 30799107, PNEUMATIC ASSY SHOULD BE ORDERED WITH 30800207 OR 30800107 </div>	
<u>N/S</u>	<u>1</u>	<u>30819207</u>	<u>KIT-8.5" EXTERNAL TETHER < SEAT BELT ANCHOR BAR – TO- FLR></u>	
<u>N/S</u>	<u>1</u>	<u>30826207</u>	<u>EXTENDER ~ 2 & 3 PT ERGO</u>	
<u>N/S</u>	<u>1</u>	<u>30810407E</u>	<u>KIT, 2PT SEATBELT, LH or RH, ERGO</u>	
N/S	1	40810407	ASM, 2PT SEATBELT, LH/RH ERGO (INCLUDES 40814707)	
15	1	4/50814707	BRACKET – SWIVEL ERGO LH/RH	
<div style="border: 1px solid black; padding: 5px; width: fit-content; margin: 0 auto;"> * RECARO ONLY SELLS COMPLETE SEATBELT ASSEMBLIES </div>				

NOTE:
4/50865907,
LH/RH CONTROL
PANEL ASSY
(5.1) ALSO
RECOMMENDED

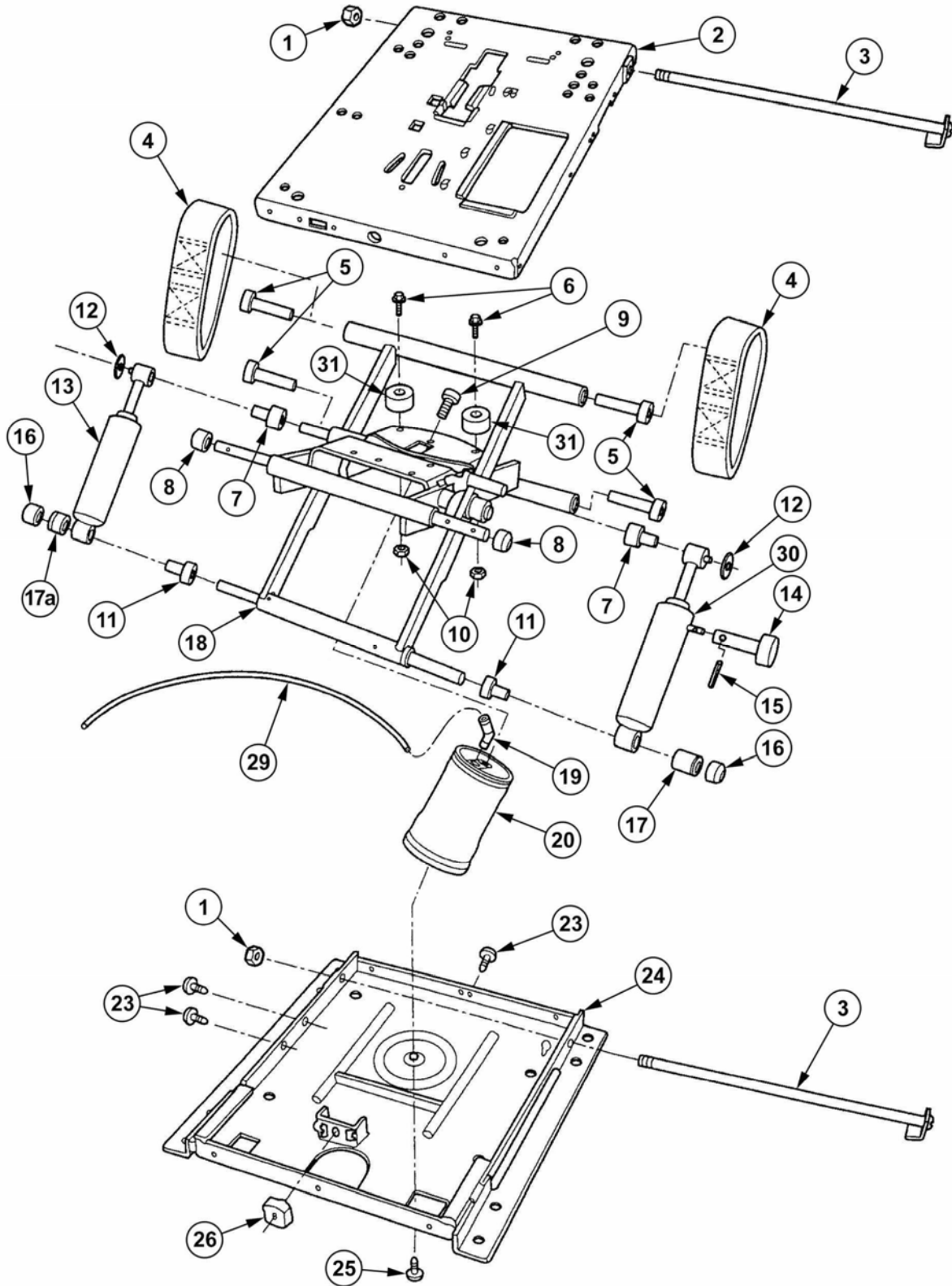


RECARO
Ergo M & C
DRIVER SEAT

Seat Cushion Frame / Tracks

2.1

ITEM #	QTY.	PART NUMBER	DESCRIPTION
<u>30</u>	<u>1</u>	<u>30837407</u>	<u>FRAME COMPLETE SEAT CUSH –NEW STYLE BLACK IN COLOR</u> <u>– CURRENT AS OF TODAY</u>
		<u>465436A</u>	<u>ORIGINAL OR OLDER FRAME – GREY IN COLOR</u>
		<u>363420A</u>	<u>THIGH EXT. REPAIR KIT – (FOR OLD FRAME)</u>
<u>14</u>	<u>14</u>	<u>463931</u>	<u>CONTROL PANEL, LH FR</u>
<u>1</u>	<u>1</u>	<u>50870907</u>	<u>ERGO METRO RH CONTROL PANEL ASY KIT</u>
<u>1</u>	<u>1</u>	<u>50871007</u>	<u>ERGO COACH RH CONTROL PANEL ASY KIT</u>
<u>N/S</u>	<u>1</u>	<u>40870907</u>	<u>ERGO METRO LH CONTROL PANEL ASY KIT</u>
<u>N/S</u>	<u>1</u>	<u>40871007</u>	<u>ERGO COACH LH CONTROL PANEL ASY KIT</u>
<u>13</u>	<u>1</u>	<u>466068</u>	<u>CONTROL PANEL, LH RR</u>
<u>5</u>	<u>1</u>	<u>566068</u>	<u>CONTROL PANEL, RH RR</u>
<u>2</u>	<u>8</u>	<u>30861107</u>	<u>SCREW, M4.2-1.41X8MM</u>
<u>3</u>	<u>9</u>	<u>364054</u>	<u>CAP(PLUG)-CONTROL PANEL</u>
<u>SEC.</u>	<u>1</u>	<u>364105</u>	<u>COVER, WIRE HARNESS, RR</u>
<u>8.0</u>			
<u>21</u>	<u>1</u>	<u>30797407</u>	<u>CENTER TRACK ACTUATOR</u>
	<u>1</u>	<u>363076</u>	<u>TRACK ASM, ERGO</u>
18	1	463076	TRACK, LH
11	1	563076	TRACK, RH
26	8	096.00.006.00	BOLT M8-1.25X20 8.8 SHCS
29	4	30546407	NUT, NYLOCK, M8-1.25 ZINC
28	4	30540807	WASHER, 5/16" ZINC
	<u>1</u>	<u>30800007</u>	<u>AUTO ACTUATOR ASSY</u>
19	1	30756407	BLADDER, AUTO ACTUATOR
17	2	30754707	RETAINER, XMAS TREE, NYLON
21	1	30797407	CENTER TRACK ACTUATOR
		<u>30838207</u>	<u>AUTO ACTUATOR, BLADDER, KIT</u>
17	2	30754707	RETAINER, XMAS TREE, NYLON
19	1	30838507	BLADDER, AUTO ACTUATOR



RECARO
Ergo M & C
DRIVER SEAT

SUSPENSION SYSTEM

3.1

ITEM #	KIT QTY.	PART NUMBER	DESCRIPTION
	<u>1</u>	<u>30830107</u>	<u>AIR SPRING, KIT, ERGO</u>
20	1		AIR SPRING, SUSPENSION, ERGO
19	1		FITTING,AIRSPRING,45 DEG.
9	1		BOLT,3/8-16 UNC X 1/2,HEX
25	1		SCREW, 3/8-16 UNC X 3/4"
N/S	1		INSTRUCTIONS, SUSP. SERVICE
	<u>1</u>	<u>30830607</u>	<u>ADJ. SHOCK ASM, KIT, ERGO</u>
13	1		SHOCK, ADJ., SUSP., ERGO
7	1		BEARING, UPR SHOCK, ERGO
11	1		BEARING, SHOCK LOWER, SUSP
12	1		PUSHNUT .5 DIA STUD,ERGO
14	1		KNOB, ADJ. SHOCK, ERGO
15	1		PIN, ROLL, 1/8" X 5/8"
1	2		NUT, HEX 3/8 – 16 CENTERLOCK
N/S	1		LIST , INDIVIDUAL PKG PARTS
N/S	1		INSTRUCTIONS, SUSPENSION SERVICE
	<u>1</u>	<u>30830807</u>	<u>FIXED SHOCK ASM, KIT, ERGO</u>
13	1		SHOCK, FIXED, SUSP., ERGO
7	1		BEARING, UPR SHOCK, ERGO
11	1		BEARING, SHOCK LOWER, SUSP
12	1		PUSHNUT .5 DIA STUD,ERGO
14	1		KNOB, ADJ. SHOCK, ERGO
15	1		PIN, ROLL, 1/8" X 5/8"
1	2		NUT, HEX 3/8 – 16 CENTERLOCK
N/S	1		LIST , INDIVIDUAL PKG PARTS
N/S	1		INSTRUCTIONS, SUSPENSION SERVICE
	<u>2</u>	<u>30831207</u>	<u>SUSPENSION REBUILD KIT – BEARINGS & BUSHINGS</u>
3	2		SHAFT, BEARING
11	2		BEARING, SHOCK LOWER, SUSP
5	4		TUBE, BEARING
7	2		BEARING, UPR SHOCK, ERGO
17A	1		SPACER, SHOCK, SHORT, SUSP
17	1		SPACER, SHOCK, LONG, SUSP
8, 16	4		ROLLER, SUSPENSION, ERGO
12	2		PUSHNUT .5 DIA STUD,ERGO
1	2		NUT, HEX 3/8 – 16 CENTERLOCK
N/S	1		INSTRUCTIONS, SUSPENSION SERVICE

WARNING!
SUSPENSION SERVICE PARTS LISTED ARE ONLY FOR USE ON THE RECARO ERGO METRO / COACH WITH TWO POINT (ALR) SEAT BELT SAFETY SYSTEM! PARTS LISTED HEREIN CANNOT BE SUBSTITUTED FOR USE IN THE RECARO ERGO IBS THREE BELT SEAT BELT SAFETY SYSTEM. WARRANTY AND DOT SAFETY COMPLIANCE (FMVSS) IS VOIDED BY USE OF UNAPPROVED , NON-RECARO PARTS OR BY IMPROPER INSTALLATION.

NOTE
SUSPENSION PARTS ARE AVAILABLE IN KIT FORM – RECARO DOES NOT RECOMMEND THE PURCHASE OF INDIVIDUAL SUSPENSION COMPONENTS

RECARO Ergo M & C DRIVER SEAT	SUSPENSION SYSTEM	3.1
--	--------------------------	------------

ITEM #	KIT QTY.	PART NUMBER	DESCRIPTION
<u>2</u>	<u>1</u>	<u>30831407</u>	<u>HOUSING, SUSPENSION UPPER, KIT, ERGO</u>
<u>24</u>	<u>1</u>	<u>30831507</u>	<u>HOUSING, SUSPENSION LOWER, K</u>
<u>4</u>	<u>2</u>	<u>30832507</u>	<u>TETHER, 2PT, SUSP, KIT, ERGO</u>
	<u>1</u>	<u>30832607</u>	<u>SCISSORS ASM, KIT, SUSP., ERGO</u>
18	1		SCISSOR WELDMENT, SUSP.
5	4		TUBE, BEARING, SUSP. ERGO
8, 16	4		ROLLER, SUSPENSION, ERGO
3	2		BEARING SHAFT, SUSP. ERGO
1	2		NUT, HEX 3/8 – 16 CENTERLOCK
7	2		BEARING, UPR SHOCK, ERGO
11	2		BEARING, SHOCK LOWER, SUSP
17A	1		SPACER, SHOCK, SHORT, SUSP
17	1		SPACER, SHOCK, LONG, SUSP
12	2		PUSHNUT .5 DIA STUD, ERGO
32	2		BUMPER, UPSTOP, SUSP.
6	2		SCREW, MACHINE, 1/4-20X .62
10	2		NUT, CENTER LOCK, 1/4-20
N/S	1		INSTRUCTIONS, SUSPENSION SERVICE
<u>3</u>	<u>1</u>	<u>30833007</u>	<u>WELDMENT, SHAFT, 2PT, ERGO</u>
<u>N/S</u>	<u>1</u>	<u>40813407</u>	<u>SUSP ASM, LH, ERGO, W/O CUSHION</u>
<u>N/S</u>	<u>1</u>	<u>50813407</u>	<u>SUSP ASM, RH, ERGO, W/O CUSHION</u>

WARNING!
 SUSPENSION SERVICE PARTS LISTED ARE ONLY FOR USE ON THE RECARO ERGO METRO / COACH WITH TWO POINT (ALR) SEAT BELT SAFETY SYSTEM! PARTS LISTED HEREIN CANNOT BE SUBSTITUTED FOR USE IN THE RECARO ERGO IBS THREE BELT SEAT BELT SAFETY SYSTEM. WARRANTY AND DOT SAFETY COMPLIANCE (FMVSS) IS VOIDED BY USE OF UNAPPROVED, NON-RECARO PARTS OR BY IMPROPER INSTALLATION.

NOTE
 SUSPENSION PARTS ARE AVAILABLE IN KIT FORM - RECARO DOES NOT RECOMMEND THE PURCHASE OF INDIVIDUAL SUSPENSION COMPONENTS

NOTE!
 LUMBAR DETAIL SHOWN IN SECTION 5.0

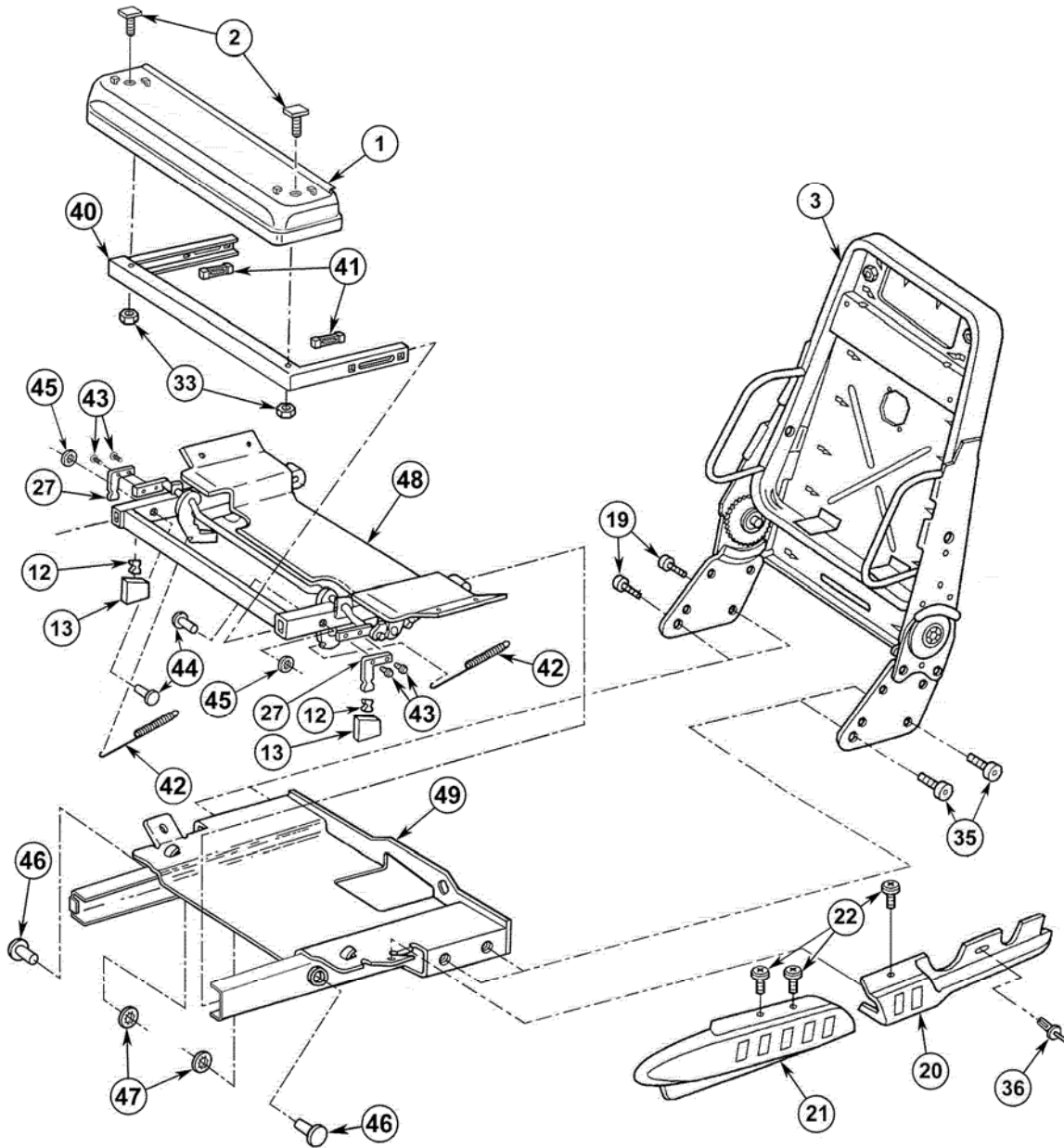
RECARO
Ergo M & C
DRIVER SEAT

SUSPENSION SYSTEM

3.1

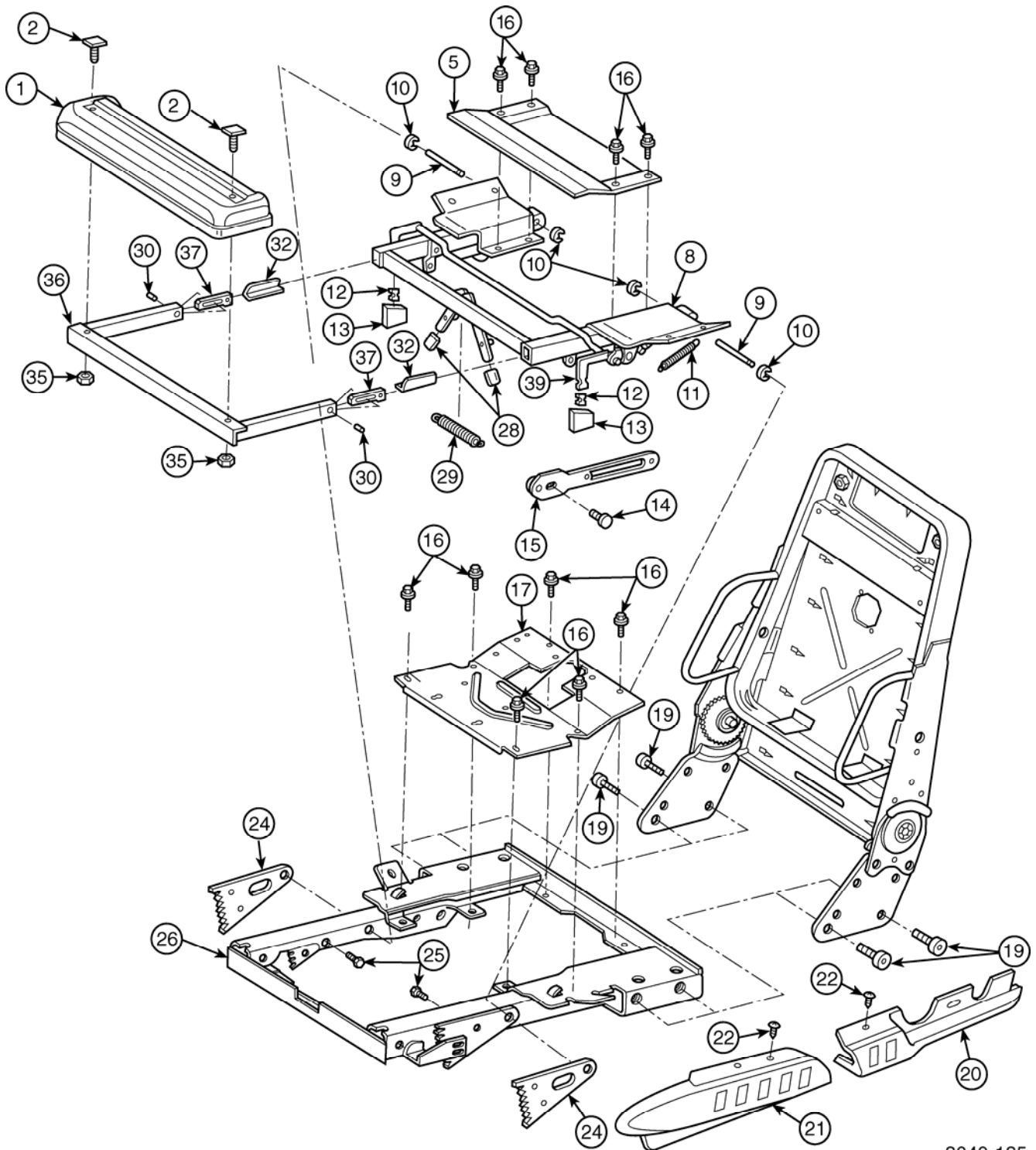
ITEM #	KIT QTY.	PART NUMBER	DESCRIPTION
	<u>1</u>	<u>30826107</u>	<u>KIT-AIR LINE ABRASION</u>
	1 ft	30569907	EDGE PROTECTOR, VINYL
	1	30662807	6 X 9 ZIPLOCK PLASTIC BAG
5.22FT = 1591MM		30776907	TUBING,.25"OD PA12 MAT'L
	1	30825807	SERVICE - BULLETIN ERGO
22 1.656FT = 505MM		30826007	TUBING, NYLON 12 BLACK
19	1	30828107	FITTING,AIRSPRING,45 DEG.
	<u>1</u>	<u>30838707</u>	<u>BUMPER, SUSP,KIT,ERGO</u>
26	1	30832307	BUMPER, LOWER HOUSING, SUSP.
6	2	30832207	SCREW,MACHINE,1/4-20X .62
32	2	30832107	BUMPER, UPSTOP, SUSP.
10	2	30832407	NUT, CENTER LOCK, 1/4-20

NOTE
SUSPENSION PARTS ARE
AVAILABLE IN KIT FORM -
RECARO DOES NOT
RECOMMEND THE
PURCHASE OF
INDIVIDUAL SUSPENSION
COMPONENTS



RECARO Ergo M & C DRIVER SEAT	SEAT CUSHION FRAME (AFTER 7/01/02)	4.1
--	--	------------

ITEM #	QTY	PART NUMBER	DESCRIPTION
49 12 13	1 2 2	<u>30829807</u> 30837407 311.881.247 364052	<u>ASM, FRAME, CUSHION</u> FRAME COMPLETE SEAT CUSH CLIP, RETAINING, SPR. STEEL KNOB, RAKE ADJUST, BUS
NOTE: New seat frame replaced 465436 effective 7/01/02.			
<u>N/S</u>	<u>1</u>	<u>30798507</u>	<u>SEAT CUSHION ASM, METRO, LESS FOAM & TRIM</u>
1 2 35	<u>1</u> 1 3 3	<u>365075</u> 330554 330694 336676	<u>KIT, THIGH EXTENSION, BUS</u> CAGE, PLASTIC, THIGH EXT. ASM, WASHER& BOLT, THIGH EXT NUT,CAGE,M6,THIGH EXT, BUS
40 41 44 45	<u>1</u> 1 2 2 2	<u>30872407</u> 30872507 30872607 30872707 30872807	<u>KIT, THIGH EXTENSION MECHANISM</u> THIGH EXTENSION ARMATURE DETENT CAGE PLASTIC PIN RETAINER THIGHT EXTENSION PUSHNUT THIGH EXTENSION
12 13	<u>1</u> 2 2	<u>30838807</u> 311.881.247 364052	<u>KNOB, RAKE ADJ, KIT, ERGO</u> CLIP, RETAINING, SPR. STEEL KNOB, RAKE ADJUST, BUS
** —	<u>For Control Panels, see page 5.0</u>		

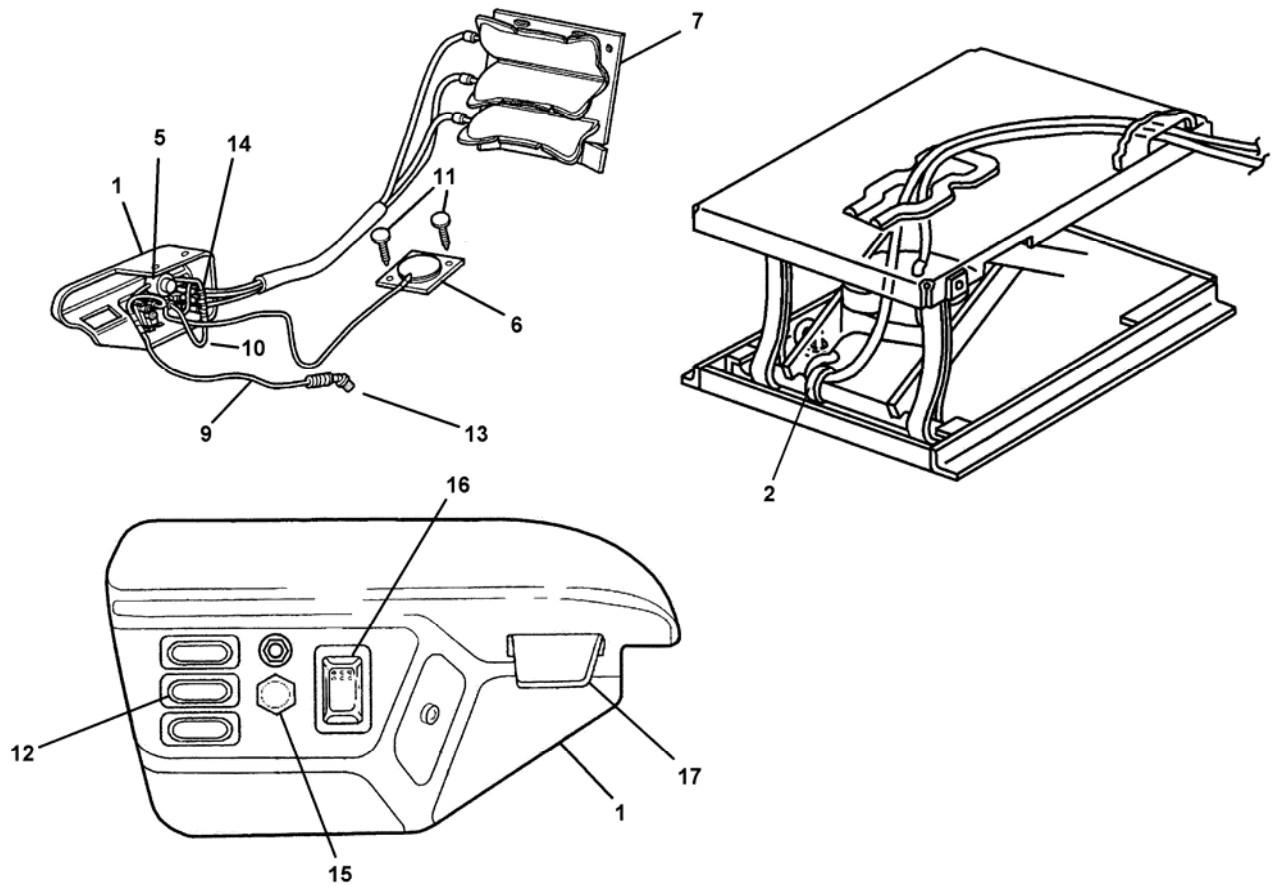


3040-135

RECARO Ergo M & C DRIVER SEAT	SEAT CUSHION FRAME (BEFORE 7/01/02)	4.1B
--	---	-------------

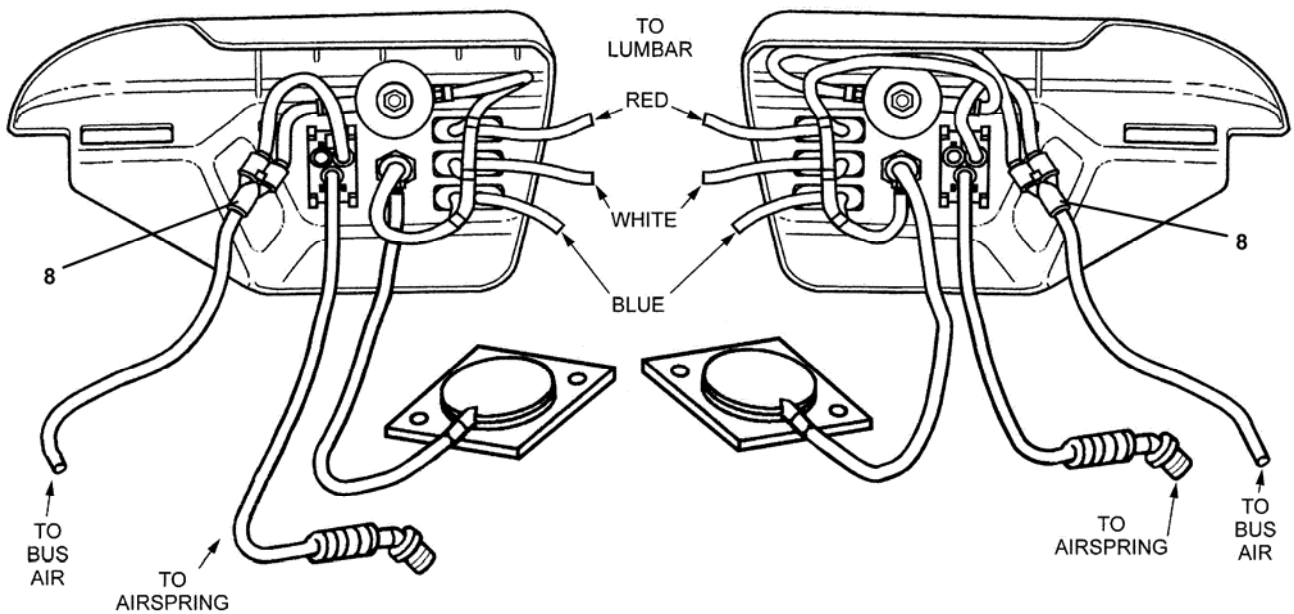
ITEM #	QTY	PART NUMBER	DESCRIPTION
			<u>ASM, FRAME, CUSHION (BEFORE 7/01/02)</u>
26	1	465436	FRAME, CUSHION, BUS
17	1	333707	CUSHION PAN, REAR, ERGO / AM55
16	12	336056	SCREW M5X10 SELF THREAD HEX
19	4	079.41.010.00	BOLT, M10X20 W/PATCH, LHSC
24	2	335246	PIVOT PLATE, RAKE ADJ, ERGO / AM55
25	2	337826	BOLT, SHLDR, M5, RAKE ADJ
8	1	363420	FRAME, RAKE ADJ, BUS
15	2	337702	RELEASE PLATE, RAKE ADJUST
14	2	337699	M5 X 5MM SHOULDER BOLT
11	2	33271	TENSION SPRING, RAKE ADJ.
28	2	330570	GUIDE, PLASTIC, RAKE ADJ.
29	1	331178	TENSION SPRING, LNG, RAKE ADJ.
36	1	435866	FRAME, THIGH EXT, BUS
1	1	330554	CAGE, PLASTIC, THIGH EXT.
2	2	330694	ASM, WASHER & BOLT, THIGH EXT
35	2	336676	NUT, CAGE, M6, THIGH EXT, BUS
32	2	436072	ANGLE, PLASTIC, THIGH EXT
37	2	336579	GUIDE, PLASTIC, THIGH EXT
30	2	336498	PIN, 5MM DIA. X 10.7 LONG
12	2	311.881.247	CLIP, RETAINING, SPR. STEEL
13	2	364052	KNOB, RAKE ADJUST, BUS
5	1	363782	CUSHION PAN, FRONT, BUS
9	2	335181	Pin
10	8	96003	E CLIP
39	2	336943	LEVER, RAKE ADJUSTMENT, BUS
N/s	3.5'	30809007	VELCRO LOOP, ADHESIVE BACK
<u>N/s</u>	4	370137	PIN, ATTACH HT ADJ 38.6 MM
			<u>KNOB, RAKE ADJ, KIT, ERGO</u>
12	2	311.881.247	CLIP, RETAINING, SPR. STEEL
13	2	364052	KNOB, RAKE ADJUST, BUS

NOTE: New seat frame replaced 465436 effective 7/01/02. For seats purchased before 7/01/02, the frame is serviceable using parts displayed on this page. If an entire new frame is needed, the new ergo frame found in section 4.1 can be purchased.



R.H.

L.H.



RECARO Ergo M & C DRIVER SEAT	AIR TRACK RELEASE / LUMBAR	5.1
--	-----------------------------------	------------

ITEM #	QTY.	PART NUMBER	DESCRIPTION
	<u>1</u>	<u>30799107</u>	<u>PNEUMATIC ASSEMBLY</u>
2	2	049131	CABLE TIE, 8" NATURAL
N/S	1FT	30569907	EDGE PROTECTOR, VINYL
6.9FT	2103m	30855607	TUBING, .25"OD PA12 MAT'L
=	m		
N/S	1	30721007	AIR FITTING, 1/4x1/4 UNION
	<u>1</u>	<u>4/50870907</u>	<u>ERGO METRO LH / RH CONTROL ASY KIT</u>
12	3	30807907	SWITCH, LUMBAR
15	1	30797607	SWITCH, AUTO ACTUATOR
16	1	30799507	SWITCH, UP/DOWN
14	3	30797707	AIR FITTING, 1/8" T, BARBED
10	480mm	30809107	TUBING, RUBBER, 1/4" OD
27	1	30814207	REGULATOR, 10 PSI LUMBAR
30	1	30814307	AIR FITTING, 1/4" Y
21	1	30814407	AIR FITTING, 10-32 THREAD
28	1	30814507	AIR FITTING, 10-32 THREAD
	1	336056	BOLT M5X10-HEX HEAD
9	7.15'	30855607	TUBING NO. - AIR
1		4/50789407	CONTROL PNL LH/RH FRT ERGO
	3	30861107	SCREW, M4.2-1.41X8MM
	<u>1</u>	<u>4/50871007</u>	<u>ERGO COACH LH / RH CONTROL ASY KIT</u>
12	3	30807907	SWITCH, LUMBAR, BUS
16	1	30799507	SWITCH, UP/DOWN
14	3	30797707	AIR FITTING, 1/8" T, BARBED
10	380mm	30809107	TUBING, RUBBER, 1/4" OD
27	1	30814207	REGULATOR, 10 PSI LUMBAR
30	1	30814307	AIR FITTING, 1/4" Y
21	1	30814407	AIR FITTING, 10-32 THREAD
28	1	30814507	AIR FITTING, 10-32 THREAD
	1	336056	BOLT M5X10-HEX HEAD
9	7.15'	30855607	TUBING NO. - AIR
1		4/50789407	CONTROL PNL LH/RH FRT
	3	30861107	SCREW, M4.2-1.41X8MM
N/S	1	364054	CAP(PLUG)-CONTROL PANEL
<u>7</u>	<u>1</u>	<u>4/50798307</u>	<u>BLADDER, 3 CELL LUMBAR, LH / RH</u>
<u>6</u>	<u>1</u>	<u>30756407</u>	<u>BLADDER, AUTO ACTUATOR</u>
<u>11</u>	<u>2</u>	<u>30754707</u>	<u>RETAINER, XMAS TREE, NYLON</u>

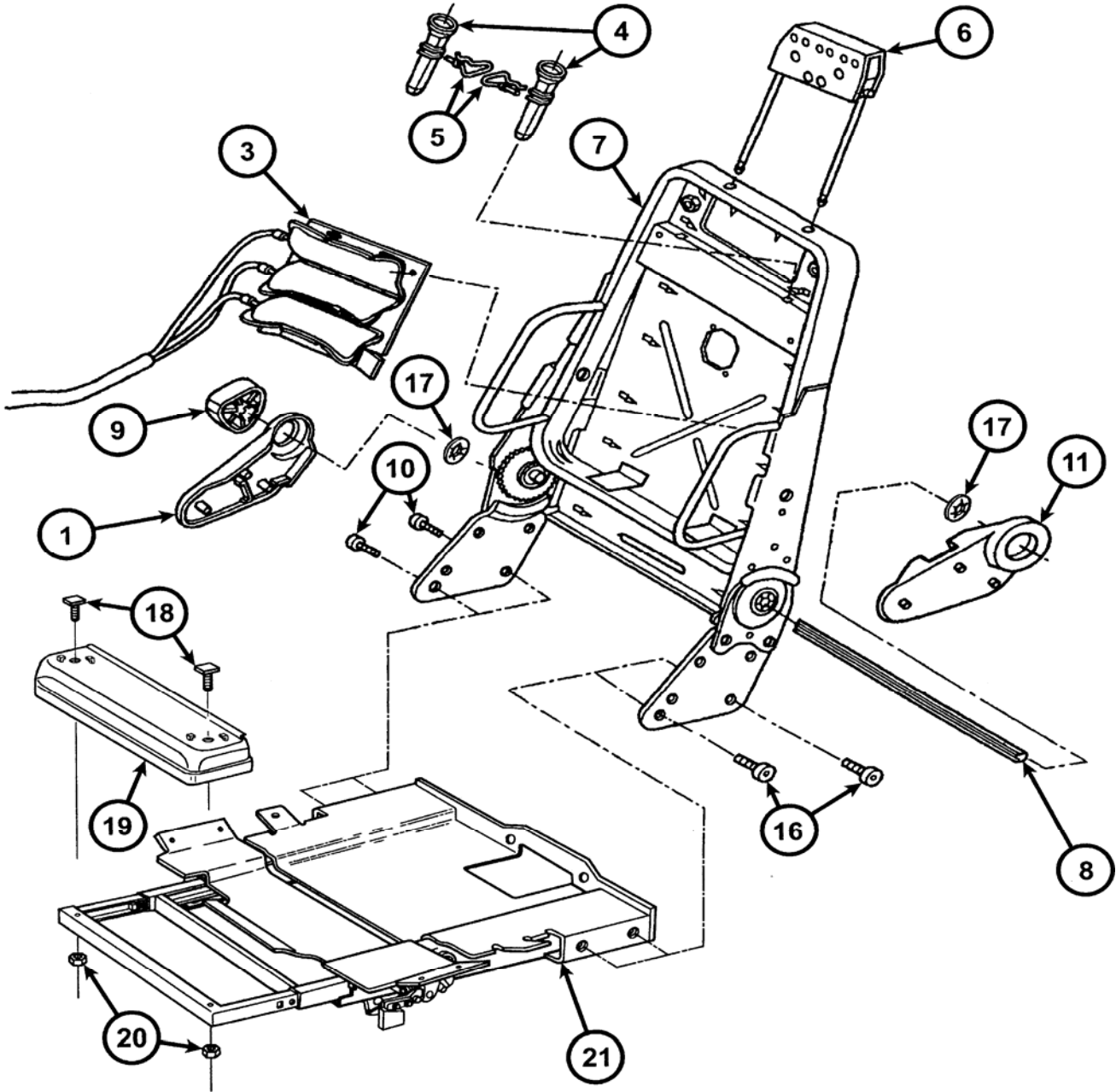
NOTE:
4/50870907 OR
4/50871007
LH/RH CONTROL
PANEL ASSY
RECOMMENDED

PREFIX MUST BE SPECIFIED:
4 FOR LH OR 5 FOR RH
ASSEMBLIES -
4 = LH 5 = RH

RECARO Ergo M & C DRIVER SEAT	AIR TRACK RELEASE / LUMBAR	5.1
--	-----------------------------------	------------

ITEM #	QTY.	PART NUMBER	DESCRIPTION
<u>1</u>	<u>1</u>	<u>4/50789407</u>	<u>CONTROL PNL LH / RH FRT</u>
<u>9</u>	<u>7.15'</u>	<u>30855607</u>	<u>TUBING - AIR</u>
<u>13</u>	<u>10</u>	<u>30828107</u>	<u>FITTING,AIRSPRING,45 DEG., 1/8"MALE NPT,1/4" PUSH IN</u>
<u>N/S</u>	<u>1</u>	<u>30721007</u>	<u>AIR FITTING,1/4x1/4 UNION</u>
<u>8</u>	<u>1</u>	<u>30814307</u>	<u>AIR FITTING, 1/4" Y QUICK CONNECT</u>
<u>N/S</u>	<u>1</u>	<u>30808707</u>	<u>STICKER, RECARO LOGO</u>
<u>N/S</u>	<u>1</u>	<u>30896907</u>	<u>KIT, LUMBAR REGULATOR</u>
	1	30814207	REGULATOR, LUMBAR,10 PSI
	1	30814407	AIR FITTING, 10-32 THREAD
	1	30814507	AIR FITTING, 10-32 THREAD ¼" QUICK CONNECT
	1	336056	BOLT M5X10-HEX HEAD

NOTE:
45° FITTING REPLACED 90°

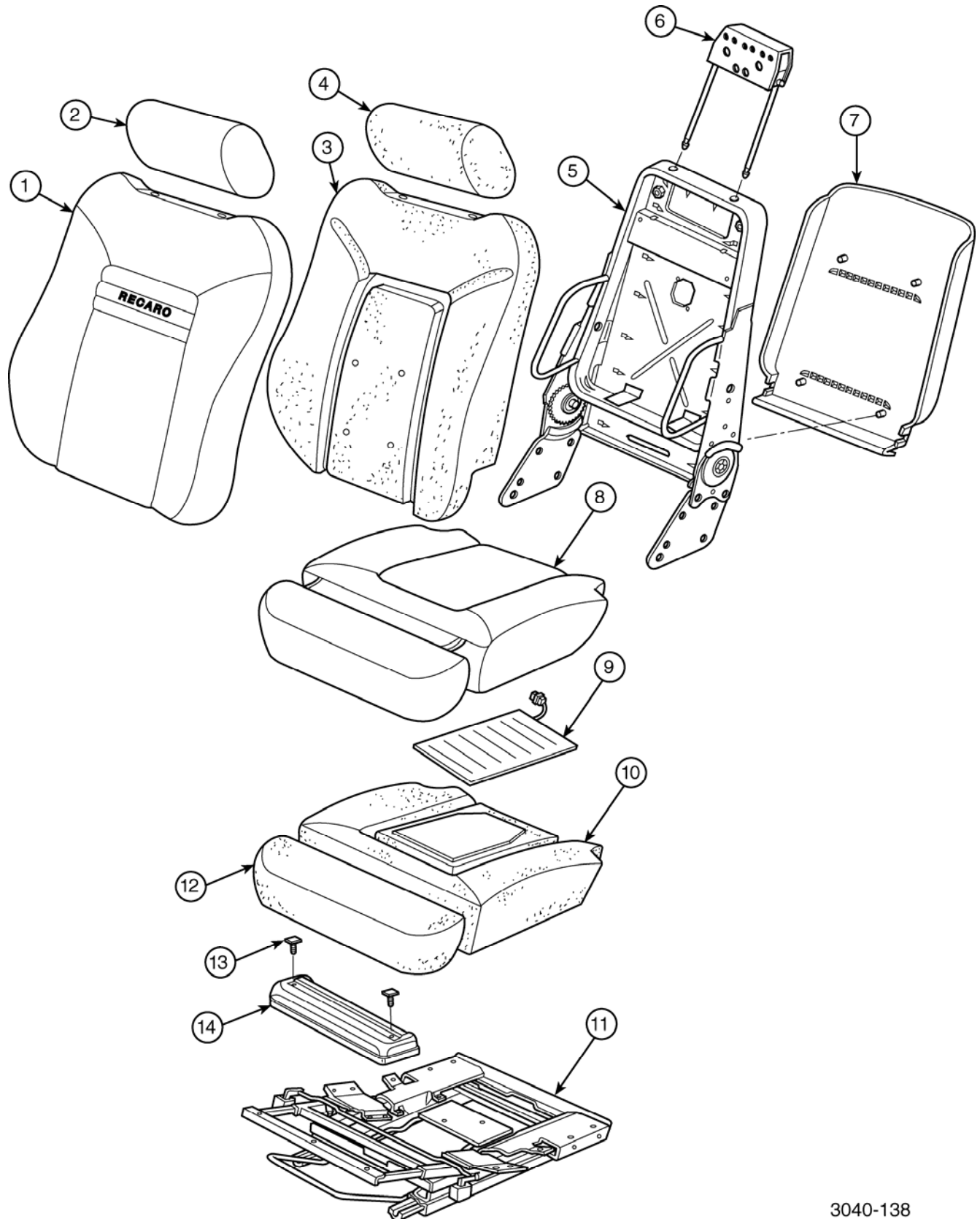


RECARO Ergo M & C DRIVER SEAT	BACKREST MANUAL	6.1
--	------------------------	------------

ITEM #	QTY	PART NUMBER	DESCRIPTION
	<u>1</u>	<u>30839007</u>	<u>BACKREST ASM, KIT, ERGO</u>
7	1	7301438	BACK FRAME WELDMENT ERGO
10	4	30823107	BOLT, M10X25 W/PATCH, LHSC
8	1	315577	ROD, CONNECTING RECLINER
N/S	1	30813107	BRKT, RECL STOP, 12/25 DEG
N/S	2	366078	BOLT M8 W/ LARGE OD HEAD
17	2	315413	RETAINING CLIP, LOCK WASHER
		<u>30798007CC11</u>	<u>ASM, HEADREST, ERGO</u>
	4	034.37.019.00	BUSHING HR ROD PLASTIC
5	2	035.02.028.00	TUBE, SPRING, HEADREST GUIDE
	2	30797507	HEADREST ROD 307 MM
	1	30798107XXX	ASM, TRIM COVER, HEADREST
	2	379471	20MM HDRST J-STRIP/BULK
	2	315.00.609.47	BOLT, M8X25, HEADREST, ERGO
	2	315.00.614.40	NUT, M8-1.25, TOPLOCK
6	1	361273	FRAME, HEADREST WELDMENT
4	2	361294	GUIDE, PLASTIC, HEADREST
2	2	365145	WIRE, RETAIN'G, HDRST & THIGH
			<div data-bbox="803 1165 1263 1297" style="border: 1px solid black; padding: 5px;"> PREFIX MUST BE SPECIFIED: 4 FOR LH OR 5 FOR RH ASSEMBLIES - 4 = LH, 5 = RH </div>
<u>3</u>	<u>1</u>	<u>4/50798307</u>	<u>BLADDER, 3 CELL LUMBAR, LH / RH</u>
	<u>1</u>	<u>30839107</u>	<u>RCLN STOP ASM, 12/25, KIT</u>
N/S	1	30813107	BRKT, RECL STOP, 12/25 DEG
N/S	2	366078	BOLT M8 W/ LARGE OD HEAD
	<u>1</u>	<u>30839207</u>	<u>HANDWHEEL ASM, RCLN, KIT, ERGO</u>
9	2	365615	HANDWHEEL, RECL.
1	1	564459	COVER, MAN. RECLINE, RH
11	1	464459	COVER, MAN. RECLINE, LH
N/S	6	30754707	RETAINER, XMAS TREE, NYLON

RECARO
Ergo M & C
DRIVER SEAT

SEAT COVERS & FOAM PARTS



3040-138

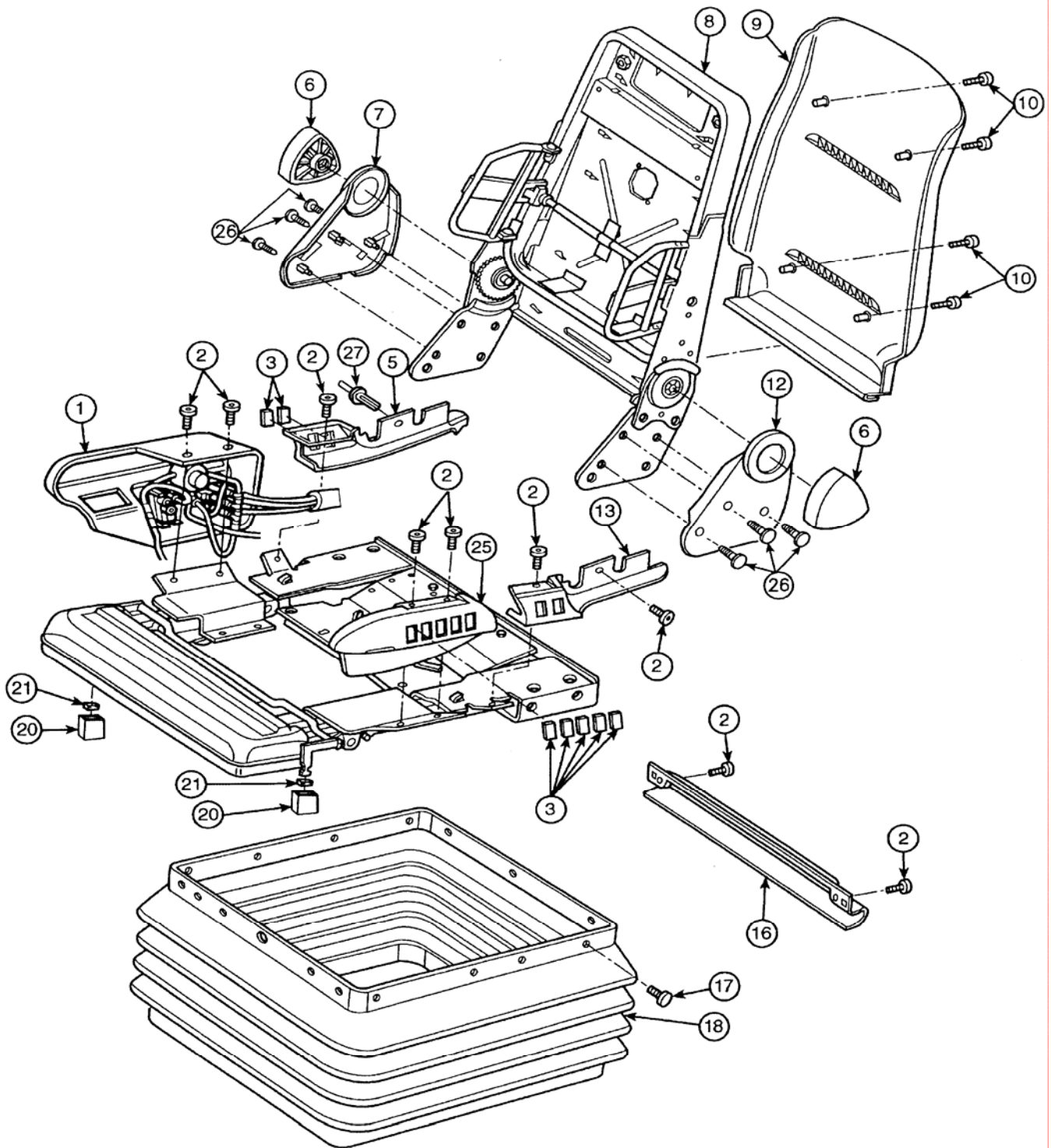
RECARO Ergo M & C DRIVER SEAT	CLIP-IN COVERS & FOAM PARTS	7.1
--	--	------------

ITEM #	Qty.	Part Number	Description
	<u>1</u>	<u>30815207CC11</u>	<u>CUSH FOAM & TRIM ASM, KIT</u>
10	1	30789207 / 30789207FR	ASM, CUSHION FOAM, ERGO
N/s	1	367467	FOAM, 5MM GLUE TO COVER
12	1	30789107 / 30789107FR	THIGH FOAM SUPPORT METRO
8	1	30799807XXX	ASM, TRIM COVER, CUSHION,
N/s	1	30729907	INTRLK PFILE "BULK"
N/s	9'	30531507	VELCRO LOOP 1" #3401
N/s	2'	30586207	3/8"TOPPR FOAM W/CLOTH BACK
N/a	1'	30810807	POLYESTER LOOP 38MM WIDE
14	1	330554	CAGE, PLASTIC, THIGH EXT.
13	2	330694	ASM, WASHER & BOLT, THIGH EXT
N/s	2	336676	NUT,CAGE,M6,THIGH EXT, BUS
<u>1</u>	<u>1</u>	<u>30798407CCPY</u>	<u>ASM, TRIM COVER, SEAT BACK,</u>
	3'	30586207	3/8"TOPPR FOAM W/CLOTH BACK
	1	30808907	RETAINER, J STRIP 400MM
	1	095.40.014.00	INTRLK PFILE FEMALE 415MM
	3'	30810807	POLYESTER LOOP 38MM WIDE
	2	314.00.506.33	CAP-PLASTIC, HDRST GROMMET
	2	314.00.510.78	WASHER PLASTIC HDRST GROMMET
	2.5'	364848	OKE STRIP-480 LONG
	3'	367467	FOAM, 5MM GLUE TO COVER
<u>3</u>	<u>1</u>	<u>30789307</u>	<u>ASM, BACK FOAM, ERGO</u>
	<u>1</u>	<u>30798007CC11</u>	<u>Headrest Assy Complete</u>
	<u>1</u>		
4	1	365847FR	HEADREST FR FOAM ERGO
2	1	30798107CC11	ASM, TRIM COVER, HEADREST

RECARO
Ergo M & C
DRIVER SEAT

PLASTIC COVERS
&
COVER FASTENING

8.0



RECARO Ergo M & C DRIVER SEAT	PLASTIC COVERS & COVER FASTENING	8.1
--	---	------------

Item #	Qty	Part Number	Description
	<u>1</u>	<u>30839307</u>	<u>COVER, BACKREST, KIT, ERGO</u>
9	1	364466	COVER, BACK PNL
10	4	N013 972.4	SCREW, BACK PNL
	<u>1</u>	<u>30839207</u>	<u>HANDWHEEL ASM,RCLN,KIT,ERGO</u>
6	2	365615	HANDWHEEL, RECL.
12	1	464459	COVER,MAN.RECLINE,LH
7	1	564459	COVER,MAN.RECLINE,RH
26	6	30754707	RETAINER, XMAS TREE,NYLON
<u>12</u>	<u>1</u>	<u>464459</u>	<u>COVER,MAN.RECLINE,LH</u>
<u>7</u>	<u>1</u>	<u>564459</u>	<u>COVER,MAN.RECLINE,RH</u>
<u>26</u>	<u>6</u>	<u>30754707</u>	<u>RETAINER, XMAS TREE, NYLON</u>
<u>25</u>	<u>1</u>	<u>463931</u>	<u>CONTROL PNL, LH FR, BUS</u>
<u>13</u>	<u>1</u>	<u>466068</u>	<u>CONTROL PANEL, LH RR, BUS</u>
<u>5</u>	<u>1</u>	<u>566068</u>	<u>CONTROL PANEL, RH RR, BUS</u>
<u>2</u>	<u>8</u>	<u>364176</u>	<u>SCREW, COVER,BZ3,9X9,5Z2A</u>
<u>3</u>	<u>9</u>	<u>364054</u>	<u>CAP(PLUG)-CONTROL PANEL</u>
<u>16</u>	<u>1</u>	<u>364105</u>	<u>COVER WIRE HARNESS, RR BUS</u>
<u>18</u>	<u>1</u>	<u>30829707</u>	<u>ASM, BOOT, SUSPENSION, ERGO</u>
17	23	30568207	CLIP, XMAS TREE
<u>1</u>	<u>1</u>	<u>50798607</u>	<u>RH Front Control Panel with all Switches</u>
<u>N/S</u>	<u>1</u>	<u>40798607</u>	<u>LH Front Control Panel with all Switches</u>
		<u>30838807</u>	<u>KNOB, RAKE ADJ, KIT, ERGO</u>
20	2	311.881.247	CLIP, RETAINING, SPR. STEEL
21	2	364052	KNOB, RAKE ADJUST, BUS

RECARO Ergo M & C DRIVER SEAT	NOTES & TECHNICAL DATA	9.0
--	---	------------

1. NORTH AMERICAN COMMERCIAL (NFZ) TEST PROCEDURE SECTIONS (PV 0820207):
 - A2 – **STATIC STRENGTH**
 - A3 – PULSATING STRESS
 - A4 – WHITE BOOK
 - B1 – COMPLETE SEAT
 - B2 – COMPONENTS
 - C – LIFESPAN
 - D1 – COMFORT/SEAT COMPLETE
 - D2 – NOISES
2. SAFETY REGULATIONS PER 49 CFR III 393.93;
 THE SEAT ASSEMBLY MUST MEET THE REQUIREMENTS OF THE FOLLOWING SPECIFICATIONS:
 FMVSS – 207; SEATING SYSTEMS
 FMVSS – 209; SEAT BELT ASSEMBLIES
 FMVSS – 210; SEAT BELT ASSEMBLY ANCHORAGES
3. FLAMMABILITY REQUIREMENTS
 - 3.1. FMVSS – 302; FLAMMABILITY OF INTERIOR MATERIALS
 - 3.2. OPTIONAL REQUIREMENT - FLAMMABILITY
 SMOKE EMISSION CHARACTERISTICS (LOW SMOKE – LOW FLAME) PER FEDERAL REGISTER /
 VOLUME SB, NO. 201/10-20-93,[DOCKET – 90A] FED-STD-191A TEST METHOD 5830
4. FASTENER REQUIREMENTS
 BOLT TORQUE PER SAE JA470M, JULY 96

BOLT SIZE	HARDNESS	TORQUE – STATIC
M6 x 1	5.8	6 ± 1 NM
M8 x 1.25	8.8	23 ± 3 NM
M12 x 1.75	10.9	110 ± 16 NM

- USE THREAD LOCKER 30744307 FOR ALL THREAD CONNECTIONS (LOCTITE #40140 OR EQUIVALENT)
5. AIR SUPPLY SPECIFICATIONS & REQUIREMENTS
 PRESSURE = 110+/- 10 PSI
 TUBING = Ø ¼" LEGRIS P-42 OR EQUIV. NYLON 11
 COLOR = NATURAL (WHITE)
 6. DRAWING WAS DRAFTED IN ACCORDANCE
 TO ASMEY 14.5 – 1994
 7. ALL COMPONENTS MUST MEET ANSI/AWS B 2.1.014.91
 (STANDARD WELDING PROCEDURE SPECIFICATION)
 8. SUSPENSION PERFORMANCE SPECIFICATIONS
 SEE RECARO DRAWING 30800207 (ADJUSTABLE),
 #SA13589-00E1
 SEE RECARO DRAWING 308000107 (FIX SHOCK),
 #SA17307-000E1
 9. TRACK ADJUSTMENT LENGTH = 220MM
 TRACK ADJUSTMENT INCREMENTS = 10 MM
 10. MEETS 5% FEMALE TO 97.5% MALE H' POINT PLACEMENT
 REQUIREMENTS PER SAE J 1516 & DRIVER SELECTED SEAT POSITION PER SAE J 1517
 11. FORCES:
 - 11.1 THE ACTUATING FORCE FOR THE RAIL LONGITUDINAL ADJUSTMENT LEVER MUST NOT EXCEED 70 N.
 - 11.2 THE ACTUATING FORCE FOR THE SEAT CUSHION TLT (UPPER LEG SUPPORT) MUST NOT EXCEED 40 N.
 - 11.3 THE REQUIRED TO PULL OUT THE CUSHION EXTENSION MUST BE 50 + 20 N MAXIMUM.
 - 11.4 THE ACTUATING TORQUE ON THE HANDWHEEL OF THE MECHANICAL SIDE BOLSTERS ADJUSTMENT MUST NOT EXCEED 3 NM.
 - 11.5 THE FORCE REQUIRED TO ADJUST THE HEAD SUPPORT MUST NOT EXCEED 70 + 30 N IN THE UPWARD DIRECTION AND 70 + 50 N IN THE DOWNWARD DIRECTION.
 - 11.6 THE MAXIMUM TORQUE REQUIRED TO TILT THE HEAD SUPPORT MUST NOT EXCEED 8 + 4 N.

11.7 IN ITS EXTENDED POSITION (50 MM ADJUSTMENT RANGE) THE SEAT CUSHION EXTENSION MUST BE CAPABLE OF ABSORBING A STATIC LOAD OF 1300 N. (FORCE APPLICATION POINT: X-AXIS, CENTER OF EXTENSION; Y-AXIS, 1/3:2/3).

TECHNICAL DATA:

1.0 DIMENSIONS – ENVIRONMENTAL

1.1	Width	549MM
1.2	Height	1162MM
1.2.1	51% SUSPENSION (76.2 + 328.2+608.6) ACTIVATION	1013MM
	15% B/REST / NO HEAD REST / 3" RISER	
1.2.2	51% SUSPENSION ACTIVATION 15% BACK REST / WITH HEAD REST / 3" RISER	+69MM
1.3	SUSPENSION BOLT PATTERN (W x L)	
1.4	LENGTH OF SEAT CUSHION (H – POINT TO FRONT EDGE OF THIGH EXTENSION)	+50MM
1.5	WEIGHT	
	1.5.1 BASE SEAT, 3" RISER & CLOTH	63.2KG
	1.5.2 W/ARM & HD REST OPTIONS, 3" RISER & CLOTH	67.5KG

2.0 HEAD RESTRAINT

2.1	STRUCTURE	
	2.1.1 IMPACT ABSORBING ELEMENT <u>U St 12.03g DIN 1623</u>	
	2.1.2 GUIDE RODS	SAE 1080/1010
2.2	ACTUATING FORCE	APPROX. 40N
2.3	TILT ADJUSTMENT	
	2.3.1 ADJUSTING RANGE	40°
	2.3.2 ACTUATING MOMENT	approx. 10Nm

3.0 SEAT BACK INCLINATION

3.1	MANUAL ADJUSTMENT	
3.2	RECLINE MECHANISM	Taumel 2000
3.3	OPERATING PRINCIPLE	Infinite Recliner
3.4	ADJUSTMENT METHOD	Rotary knob
3.5	VERTICAL POSITION	90° to -25°

4.0 SEAT CUSHION LENGTH ADJUSTMENT

4.1	OPERATING PRINCIPLE	Slide Action
4.2	OPERATION	Manual
4.3	ADJUSTMENT RANGE	0 – 50MM

5.0 SEAT CUSHION RAKE ADJUSTMENT

5.1	OPERATING PRINCIPLE	Thigh Support
5.2	OPERATION	Manual
5.3	ADJUSTMENT RANGE TO HORIZONTAL	10° to - 5°

6.0 HEIGHT ADJUSTMENT

6.1	OPERATING PRINCIPLE suspension	integrated w/
6.2	OPERATION	Pneumatic
6.3	VERTICAL ADJUSTMENT RANGE	150MM

7.0 LONGITUDINAL ADJUSTMENT

7.1	OPERATING PRINCIPLE	2 Seat Rails
7.2	LOCKING DEVICE	Double-sided
7.3	ADJUSTING RANGE	230MM

RECARO Ergo M & C DRIVER SEAT	REFERENCE DOCUMENTS	11.0
--	--------------------------------------	-------------

- **30799407 ERGO METRO / COACH, INSTALL PROCEDURE**
- **41H.00.222.XXX ERGO, SEAT COMPLETE DRAWING**
- **61H.00.722.XXXX ERGO, IBS SEAT COMPLETE DRAWING**
- **30814607 ERGO AIRLINE ROUTING SCHEMATIC**
- **410.00.000.XXXX ERGO LAYOUT STRUCTURE DOCUMENT**
- **PV-0820207 ERGO SPEC. COMPLETE SEAT**
- **30815607 INSTALLATION INSTRUCTIONS, REGUL & AIR LINE SVC KIT**
- **30821107 SERVICE BULLETIN-ERGO, PRESS. REG. FITTING LEAK**
- **30825807 SERVICE - BULLETIN ERGO, AIR-SPRING HOSE ABRASION**

- **30847107 KIT, TRACK OVERHANG BUMPR**
- **30820707 5.5" ERGO TRACKSTOP, INSTALLATION INSTRUCTIONS**
- **30816507 ERGO I/O SEAT ALARM ASSEMBLY**