

# SECTION 16: SUSPENSION

## CONTENTS

<b>1. DESCRIPTION</b> .....	<b>16-3</b>
<b>2. AIR SPRINGS</b> .....	<b>16-4</b>
2.1 INSPECTION .....	16-4
2.2 REMOVAL.....	16-4
2.3 INSTALLATION .....	16-5
<b>3. SHOCK ABSORBERS</b> .....	<b>16-5</b>
3.1 INSPECTION .....	16-5
3.2 REMOVAL.....	16-6
3.3 INSTALLATION .....	16-6
<b>4. RADIUS RODS</b> .....	<b>16-7</b>
4.1 INSPECTION .....	16-7
4.2 REMOVAL.....	16-7
4.3 BUSHING REMOVAL .....	16-7
4.4 BUSHING INSTALLATION .....	16-7
4.5 INSTALLATION .....	16-8
<b>5. SWAY BAR</b> .....	<b>16-8</b>
5.1 REMOVAL.....	16-9
5.2 INSTALLATION .....	16-9
<b>6. SUSPENSION AIR SYSTEM</b> .....	<b>16-9</b>
6.1 INSPECTION .....	16-9
6.2 AIR LINE TEST.....	16-9
6.3 AIR TANK MAINTENANCE .....	16-9
<b>7. SUSPENSION HEIGHT ADJUSTMENT</b> .....	<b>16-9</b>
<b>8. HEIGHT CONTROL VALVES</b> .....	<b>16-10</b>
8.1 MAINTENANCE.....	16-10
8.1.1 <i>Removal and installation</i> .....	16-11
8.1.2 <i>Air leakage test</i> .....	16-11
<b>9. FRONT KNEELING SYSTEM</b> .....	<b>16-11</b>
9.1 PRINCIPLE OF OPERATION .....	16-11
9.2 MAINTENANCE.....	16-12
9.3 BELLOWS CONTROL SOLENOID VALVES .....	16-12
9.3.1 <i>Removal and installation</i> .....	16-12
<b>10. HIGH-BUOY SYSTEM</b> .....	<b>16-12</b>
10.1 PRINCIPLES OF OPERATION.....	16-12
10.2 MAINTENANCE.....	16-12
10.3 HIGH-BUOY – PRESSURE REGULATING VALVE .....	16-12
10.3.1 <i>Adjustment</i> .....	16-13
10.3.2 <i>Disassembly</i> .....	16-13
10.3.3 <i>Cleaning</i> .....	16-13
10.3.4 <i>Reassembly</i> .....	16-13
<b>11. LOW-BUOY SYSTEM</b> .....	<b>16-13</b>

## Section 16: SUSPENSION

---

11.1	PRINCIPLES OF OPERATION .....	16-14
11.2	MAINTENANCE.....	16-14
<b>12.</b>	<b>“LEVEL-LOW” SYSTEM .....</b>	<b>16-14</b>
12.1	PRINCIPLES OF OPERATION .....	16-14
12.2	MAINTENANCE.....	16-14
<b>13.</b>	<b>TROUBLESHOOTING .....</b>	<b>16-15</b>
<b>14.</b>	<b>PARTS SPECIFICATIONS.....</b>	<b>16-15</b>
<b>15.</b>	<b>TORQUE SPECIFICATIONS .....</b>	<b>16-17</b>

## ILLUSTRATIONS

FIGURE 1:	FRONT SUSPENSION COMPONENTS .....	16-3
FIGURE 2:	DETAILS OF FRONT SUSPENSION .....	16-3
FIGURE 3:	REAR SUSPENSION COMPONENTS.....	16-3
FIGURE 4:	DETAILS OF REAR SUSPENSION .....	16-4
FIGURE 5:	TAG AXLE SUSPENSION.....	16-4
FIGURE 6:	AIR SPRING .....	16-4
FIGURE 7:	SHOCK ABSORBER .....	16-6
FIGURE 8:	TYPICAL SHOCK ABSORBER SETUP .....	16-6
FIGURE 9:	TYPICAL RADIUS ROD SETUP .....	16-7
FIGURE 10:	RADIUS ROD BUSHING REMOVAL .....	16-7
FIGURE 11:	RADIUS ROD BUSHING INSTALLATION .....	16-8
FIGURE 12:	RADIUS ROD INSTALLATION.....	16-8
FIGURE 13:	FRONT & DRIVE AXLE SWAY BAR.....	16-8
FIGURE 14:	TYPICAL AIR SPRING CLEARANCE .....	16-10
FIGURE 15:	HEIGHT CONTROL VALVE .....	16-10
FIGURE 16:	REGULATING VALVE .....	16-13

1. DESCRIPTION

The vehicle is provided with an air suspension system. The system consists of air springs, height control valves, radius rods, sway bars, tripod and shock absorbers (Fig. 1, 2, 3, 4 and 5). The system operation is fully automatic and maintains a constant vehicle height regardless of load, or load distribution.

The vehicle can also be equipped with systems such as:

- Front Kneeling (w/ Front High-Buoy);
- Front Kneeling (w/ Full High-Buoy);
- Front Kneeling (w/ Front High-Buoy) and Low-Buoy Combination;
- Front Kneeling (w/ Full High-Buoy) and Low-Buoy Combination;
- Level-Low.

For a description of each of these systems, refer to the appropriate heading in this section.

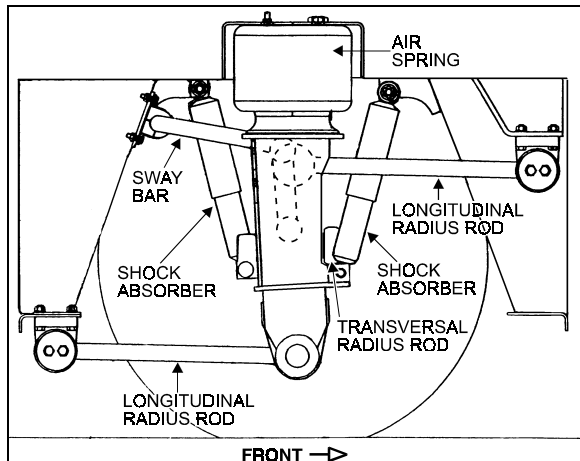


FIGURE 1: FRONT SUSPENSION COMPONENTS 16002

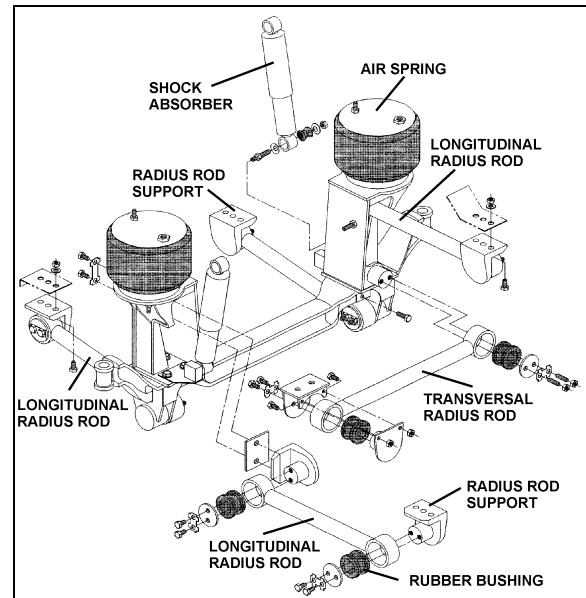


FIGURE 2: DETAILS OF FRONT SUSPENSION 16105

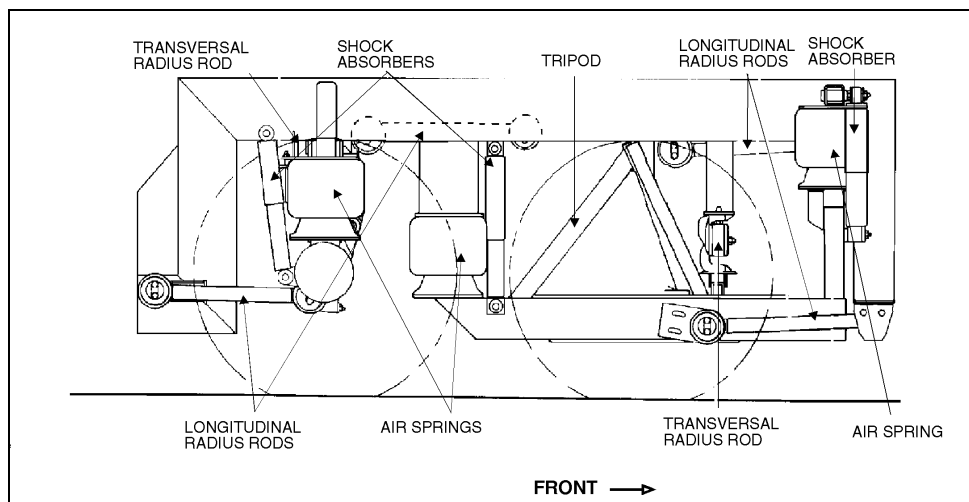


FIGURE 3: REAR SUSPENSION COMPONENTS 16003

## Section 16: SUSPENSION

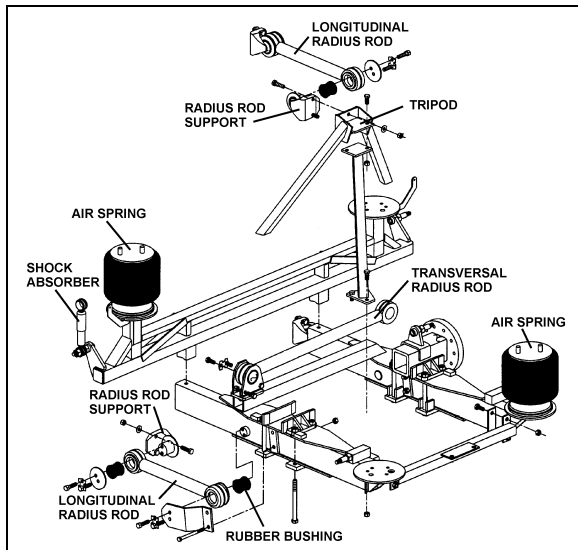


FIGURE 4: DETAILS OF REAR SUSPENSION 16106

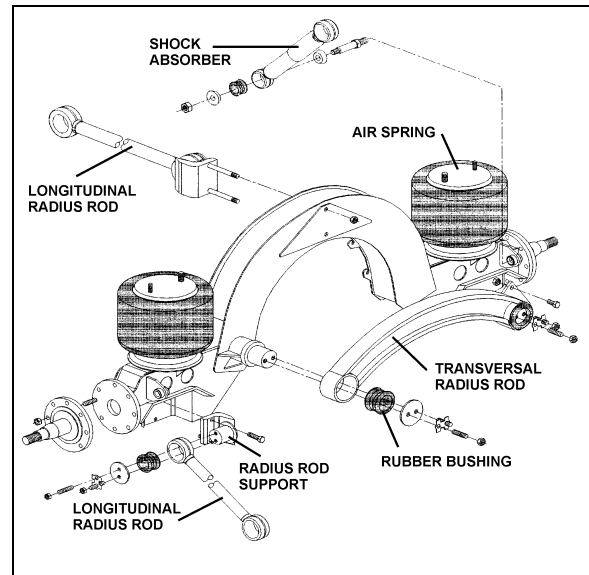


FIGURE 5: TAG AXLE SUSPENSION 16107

### 2. AIR SPRINGS

The air springs are made from a special compound rubber molded to the proper contour and dimensions. The entire vertical load of the vehicle is supported by these springs. Each of the three axles is provided with air springs that are attached to the subframe and to the axles (Fig. 6).

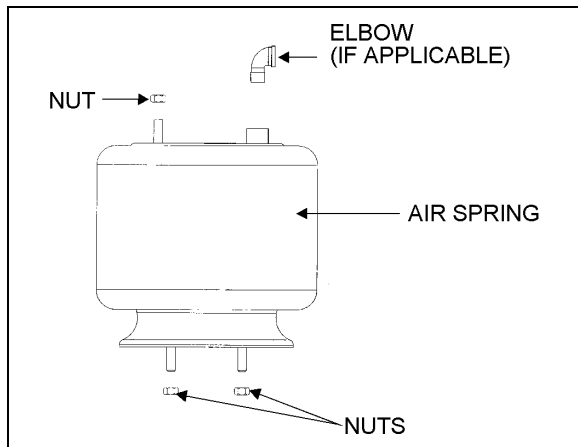


FIGURE 6: AIR SPRING 16052

#### 2.1 INSPECTION

1. Check operation of bellows.
2. Visually inspect bellows for evidence of cracks, punctures, deterioration, or chafing. Replace the bellows if any damage is evident.

3. With the primary air system at normal operating pressure (95 - 125 psi (655 - 860 kPa)), coat all suspension air line connections and bellows mounting areas with a water and soap solution. Bubbles will indicate an air leak, and none is permissible. Repair or replace defective parts.

**Note:** If air spring is removed from vehicle, bellows can be lightly inflated and submerged in water to detect any leakage. If any leakage is detected, replace bellows.

**Warning:** To prevent personal injury, do not apply more than 10 psi (69 kPa) air pressure with the air spring unmounted.

#### 2.2 REMOVAL

**Note:** Suspension air springs (front, drive, and tag axles) can be removed without removing the entire axle assembly.

1. Safely support vehicle at the recommended body jacking points.

To gain access to a given air spring, the corresponding wheel can be removed as follows:

- a) Jack vehicle until the tire clears the ground, and place safety supports underneath body.

**Caution:** Only the recommended jacking points must be used as outlined in Section 18, "Body".

- b) Support the axle with a suitable hydraulic floor jack at the recommended jacking point.
  - c) Remove wheel.
2. Exhaust compressed air from accessory air tank by opening drain cock under reservoir.
  3. Disconnect the height control valve link and pull down the overtravel lever to ensure all air is exhausted from air springs.

**Note:** *While performing this step, do not change the height control valve overtravel lever adjustment.*

4. Disconnect air line from air spring, remove elbow (if applicable), and cover both the line end and fitting to prevent the entry of foreign matter.
5. Remove the air spring upper nut, and then the two lower nuts. Remove air spring.

### 2.3 INSTALLATION

1. Compress air spring as necessary, then aligning studs with their holes, position air spring between both the lower and upper supports. Thread the lower nuts and the small upper nut a few turns.

**Note:** *To facilitate air spring installation, compress it manually then put a piece of tape over the air line threaded fitting. This prevents air from getting back into the bag and keeps it compressed, thus enabling to place the bag in between the mounting plates and greatly easing installation.*

2. Tighten and torque the lower stud nuts, and then the upper one to 20 – 25 ft•lbf (27 – 34 N•m).
3. Thread the remaining upper nut (large nut) and tighten to 20 – 25 ft•lbf (27 – 34 N•m).
4. Install elbow (if applicable), then connect air line.
5. Connect the height control valve link.
6. Build up air pressure in system.

**Note:** *To accelerate this operation, air reservoirs can be filled from an exterior air supply connected to the accessory tank fill valve or to the emergency fill valve.*

7. Check operation of bellows, and with the primary air system at normal operating pressure (95 – 125 psi (655 – 860 kPa)), coat the air line connections and air spring mounting areas with a water and soap solution. Bubbles will indicate an air leak, and none is permissible. Repair or replace defective parts.
8. Reinstall wheel.
9. Remove the hydraulic floor jack from under the axle, then lower vehicle to ground.

### 3. SHOCK ABSORBERS

Double-action, telescoping-type shock absorbers ensure a smooth ride and enhance vehicle stability on the road. All shock absorbers are eye-type mountings. The front and tag axles are each provided with two shock absorbers while the drive axle is provided with four of them (Fig. 1, 2, 3, 4 and 5).

Shock absorbers are non-adjustable and non-repairable. Maintenance requirements involve replacement of the rubber mounting bushings, and tightening of all shock absorber pins at the proper torque of 350 - 400 ft•lbf (475 - 545 N•m) when shock absorber replacement occurs. If a shock absorber becomes inoperative, complete unit must be replaced.

**Caution:** *When a shock absorber is found defective, always replace with a new set on affected axle, except if there has been a recent replacement of one unit. The following method will help in determining if both shock absorbers on the same axle have to be replaced.*

#### 3.1 INSPECTION

Loosen lower mounting of both shocks, then carefully attempt to raise and lower the bottom portion of each shock. Note the rate of effort for distance of travel. Replace both shocks if a definite differential rate is found.

The shock must be bench checked in an upright, vertical position. If checked in any other position, air will enter the cylinder tube and make the shock absorber appear defective.

Proceed as follows to check shock absorbers:

1. With the shock absorber in a vertical position (top end up), clamp the bottom mount in a vise.

## Section 16: SUSPENSION

**Caution:** Do not clamp the reservoir tube or the dust tube.

2. Rotate the dust tube. Notice any binding condition (may be compared with new unit). Binding condition indicates a scored rod. Units with scored rods should be replaced.
3. Fully extend shocks and check for leaks in the seal cover area. Shock fluid is a very thin hydraulic fluid that has a characteristic odor and dark brown tint. A slight trace of shock fluid around the seal cover area is not a cause for replacement. The shock seal is designed to permit a very slight seepage to lubricate the rod. Units that leak should be replaced.
4. Visually check shock for dents that could cause the shock to bind. Also, check for a bent rod.
5. Extend and collapse shock several times to determine that it has control (resistance) in both rebound and compression.
6. Visually inspect the shock mountings and vehicle mounting for:
  - a. Broken mounts;
  - b. Extreme bushing wear;
  - c. Shifted bushing or sleeve;
  - d. Deep cracks in bushing material (shallow surface cracks are normal);
  - e. Loose shock absorber pins;
  - f. Presence of convex washers, and their position relative to the rubber bushing.

### 3.2 REMOVAL

1. Remove nuts and washers from shock absorbers on upper and lower mounting pins, taking care to identify the inner and outer washers to ease reinstallation. Refer to figure 7 for details.
2. Remove the shock absorber assembly from pins.
3. Remove the two inner bushings from the shock absorber and discard them.

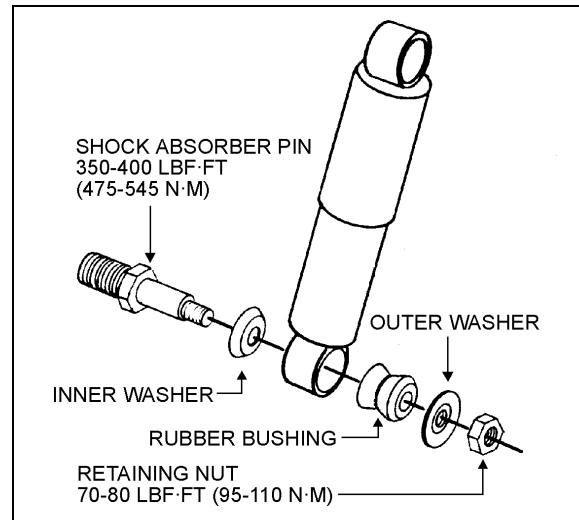


FIGURE 7: SHOCK ABSORBER

16008

### 3.3 INSTALLATION

1. Ensure that the shock absorber mounting pins are tight and that the threads are not stripped.
2. Install new rubber mounting bushings on shock absorbers (upper and lower).
3. Place the inner washers (with washer convex side facing the shock absorber rubber bushing) on each shock absorber pin (Fig. 8).

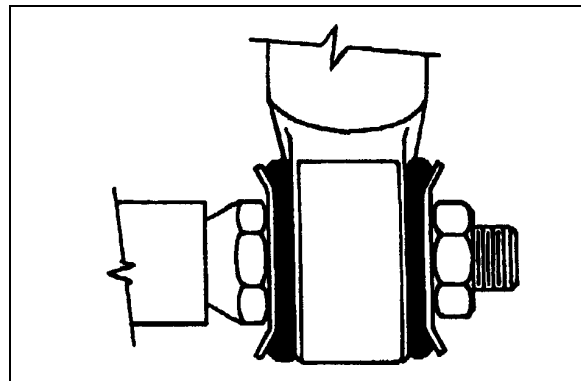


FIGURE 8: TYPICAL SHOCK ABSORBER SETUP

16009

4. Install the shock absorber eyes over the mounting pins, then the outer washers (with washer convex side facing the shock absorber rubber bushing) on each shock extremity.

**Note:** If shock absorber pins are removed, they must be reinstalled using "loctite" (see "PARTS SPECIFICATIONS" in this section).

- Place the lower and upper mounting pin stud nuts and torque to 70 - 80 ft•lbf (95 - 110 N•m).

#### 4. RADIUS RODS

Radius rods are used to secure the axles in the proper transversal and longitudinal positions. Four radius rods are provided on the front axle suspension (three longitudinal and one transversal), four on the drive axle suspension (three longitudinal and one transversal) and also four on the tag axle with a layout similar to the drive axle. Refer to figures 1, 2, 3, 4 and 5 for details. These rods transmit both braking and driving forces from the axles to the vehicle body.

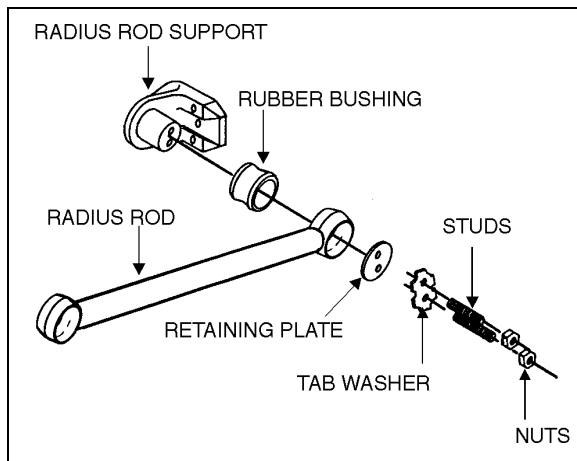


FIGURE 9: TYPICAL RADIUS ROD SETUP 16010

#### 4.1 INSPECTION

The following instructions apply to all radius rods used on this vehicle:

- Clean all parts thoroughly.
- Inspect radius rods for distortion and cracks. We recommend the "Magnaflux" process to detect cracks in the radius rod. Any damaged part should be replaced with a new one.

**Note:** New bushings should be used when rods are replaced.

- The radius rod bushings should be checked periodically for signs of shearing, deterioration, or damage. Any defective part should be replaced with a new one.

#### 4.2 REMOVAL

- Flatten the tab washer which secures the two retaining nuts (or bolts), then unscrew the nuts (or bolts) at each extremity of the radius rod (Fig. 9).
- Remove the tab washer and the retaining plates and radius rod ends from anchor pins, then remove the radius rod.

#### 4.3 BUSHING REMOVAL

- Safely support the radius rod as shown in figure 10.

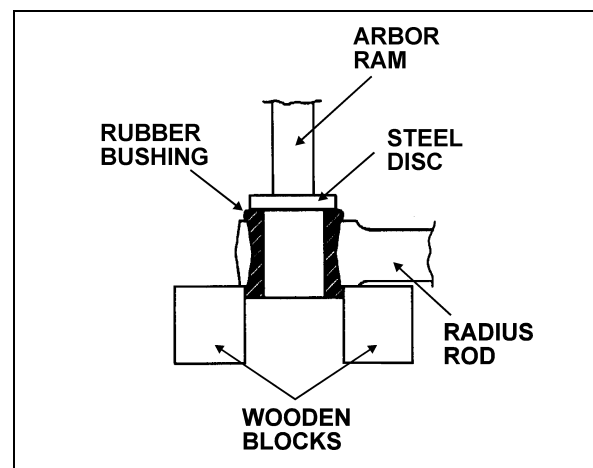


FIGURE 10: RADIUS ROD BUSHING REMOVAL 16011

- Place a flat steel disc, slightly smaller than the outside diameter of the bushing (Fig. 10).
- Using an arbor press or a suitable driving tool, press or drive the old bushing out of the rod and discard the bushing.

#### 4.4 BUSHING INSTALLATION

- Lightly spray the inner and outer surfaces of radius rod bushing with water.

**Caution:** No lubricant whatsoever is to be used on the rubber bushing.

- Safely support the radius rod, and place new bushing on top of the radius rod end (Fig. 11).
- Place a block of wood on top of bushing and press on it manually.
- If necessary, use an arbor press or a suitable driving tool. Press or drive the bushing into the radius rod end until it extends equally on both sides of the rod.

## Section 16: SUSPENSION

- It is also possible to proceed differently. Place radius rod bushing on a plane surface. Spray a light coat of water on the inner and outer surfaces of radius rod bushing.
- Take radius rod, align the bushing. Tap radius rod on bushing until latter is positioned correctly.

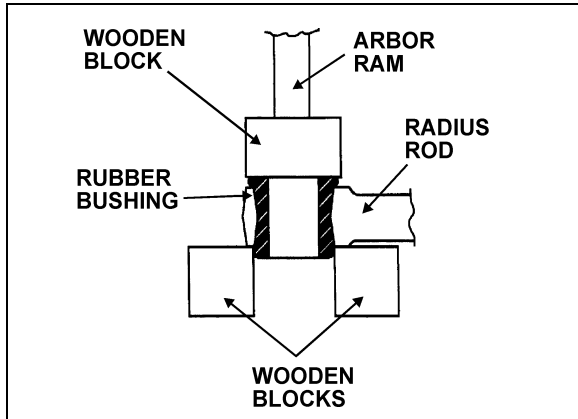


FIGURE 11: RADIUS ROD BUSHING INSTALLATION 16012

### 4.5 INSTALLATION

- Lightly spray the radius rod support with water. Place the radius rod end over the radius rod support (Fig. 12).
- Position the retaining plate. Install the tab washer and nuts (or bolts).

**Caution:** Always use new tab washers at installation.

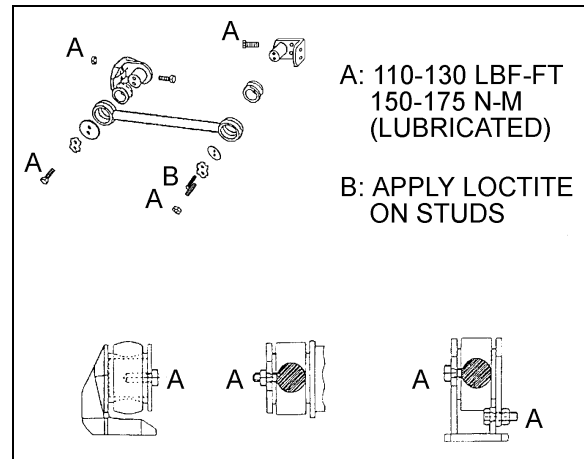


FIGURE 12: RADIUS ROD INSTALLATION 16028

- Tighten the nuts (or bolts) lightly, and repeat at the other end.
- Refer to heading "SUSPENSION HEIGHT ADJUSTMENT" later in this section, and set the vehicle to normal ride height.
- With the vehicle at normal ride height, apply oil on threads and tighten all radius rod anchor pin nuts or bolts to 110 – 130 ft•lbf (150 – 175 N•m).

**Caution:** It is extremely important upon reconnection of the rods that the proper clearance height between the axle and body be maintained. Otherwise, the rubber bushings in radius rod ends will become preloaded, thus reducing their life span.

## 5. SWAY BAR

A sway bar is provided on the front and drive axles to increase vehicle stability. It controls lateral motion (swaying movement) of vehicle (Fig. 13).

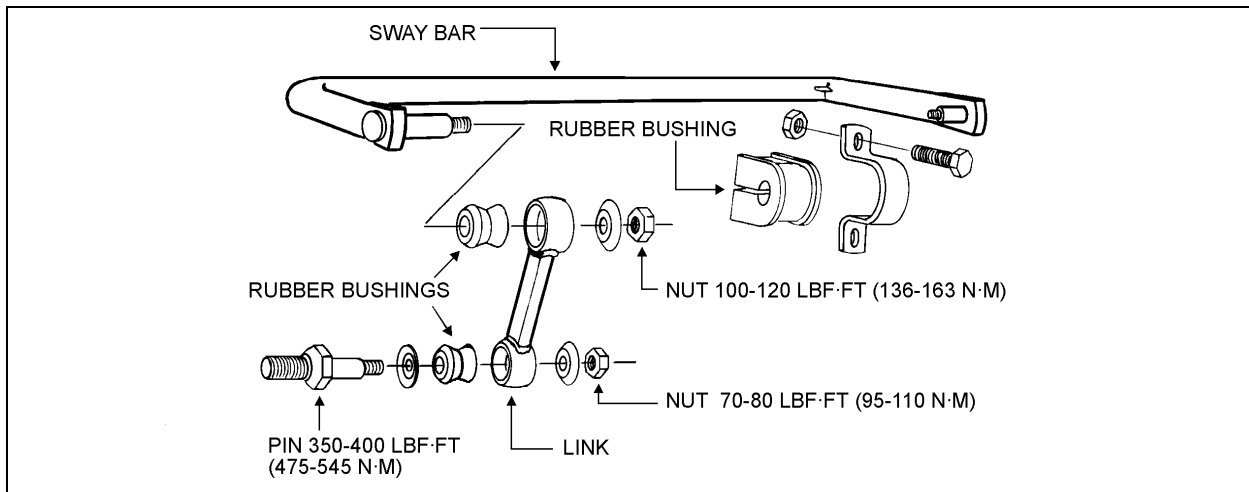


FIGURE 13: FRONT & DRIVE AXLE SWAY BAR

16014



### 5.1 REMOVAL

1. Disconnect the two links from sway bar.
2. Safely support the sway bar. Unbolt the four bushing collars from subframe.
3. Remove sway bar.

**Note:** Sway bar bushings are slitted to ease their removal.

### 5.2 INSTALLATION

1. Loosely install the sway bar.
2. Tighten the eight bushing collar nuts to 70 - 80 ft•lbf (95 - 110 N•m) (Fig. 13).
3. Tighten sway bar link upper nuts to 100 - 120 ft•lbf (136 - 163 N•m) and lower nuts to 70 - 80 ft•lbf (95 - 110 N•m) (Fig. 13).

## 6. SUSPENSION AIR SYSTEM

The suspension air system has its own air reservoir (accessory tank) which is located in the reclining bumper compartment. Pressurized air from the main tank (wet tank) flows through a pressure protection valve (PR-2), to the accessory air tank and through an air filter which is located in front service compartment.

The pressure protection valve (PR-2) is mounted to the supply port of the tank. This valve controls the pressure at which compressed air is delivered to the accessory air tank. The valve remains closed until a preset pressure is reached (approximately 70 psi (485 kPa)). It then opens and passes air out the delivery port.

The main use for this valve is to protect the main air system by ensuring at all times a sufficient air pressure in the main system (i.e. air delivered to the accessories will be shut off in case of a decrease in pressure). Maintenance and repair information on the pressure protection valve is supplied in the applicable booklet, annexed to Section 12, "Brakes and Air System" under reference number SD-03-2010.

**Warning:** Depressurize parts prior to removal.

### 6.1 INSPECTION

The following inspection should be performed at established service inspection periods. Performing these procedures will allow substandard performance to be discovered before the condition becomes bad enough to cause operator complaints and failure on a run.

1. Visually inspect the suspension air lines for evidence of chafing on metal parts or other damage.
2. Visually inspect the air springs for cracks, abrasion or other damage.
3. Replace any parts found to be damaged.

### 6.2 AIR LINE TEST

With the main air system at normal operating pressure, coat all suspension air line connections and air spring mountings with a solution of soap and water. Air leakage will produce soap bubbles. Any leak found must be corrected as no air leakage is permissible.

### 6.3 AIR TANK MAINTENANCE

Refer to Section 12, "Brakes and Air System" under "MAINTENANCE" for complete instructions on air tank maintenance.

## 7. SUSPENSION HEIGHT ADJUSTMENT

The flow of pressurized air from the accessory air tank to the air springs is controlled by three height control valves. These valves are mounted to the subframe and connected to the axles through an arm and link connection. This connection allows the valves to apportion air pressure in the springs to the vehicle load, maintaining normal ride height.

Immediate response height control valves increase or decrease the air pressure in the suspension system as required. One height control valve is located at center of front axle, and regulates air to front axle air springs in order to maintain the vehicle at the required height. Two are located at the drive axle, one on each inner side of rear wheelhouse. Refer to figure 15.

The appropriate vehicle body height is obtained by measuring the clearance of all the air springs installed on the front and drive axles. The clearance should be  $12 \pm \frac{1}{4}$ " (305  $\pm$  6 mm),  $11 \frac{11}{16} \pm 0.25$ " (297  $\pm$  6 mm) for ISS for the air springs installed on the front axle and  $11\frac{1}{2} \pm \frac{1}{4}$ " (292  $\pm$  6 mm) for those installed on the drive axle. Refer to figure 14 to identify the correct location where the measure has to be taken. At this point, it should not be necessary to make an adjustment under normal service conditions. However, if an adjustment is required, change the position of the overtravel lever in relation to the overtravel control body. The lever should be moved up to raise the height of vehicle, and

## Section 16: SUSPENSION

down to lower it. Check that main air pressure is at normal operating pressure and raise the vehicle to the specified height.

**Caution:** Because of the "deadband", always adjust on "fill cycle". If it is necessary to lower vehicle height, release sufficient air to be well below height, and adjust to height through fill cycle.

To adjust suspension height, proceed as follows:

1. With the vehicle at normal operating air pressure, check the air spring clearance as illustrated in figure 14. This clearance should be  $12 \pm \frac{1}{4}$ " ( $305 \pm 6$  mm),  $11 \frac{11}{16} \pm \frac{1}{4}$ " ( $297 \pm 6$  mm) for ISS for the front axle air springs and  $11\frac{1}{2} \pm \frac{1}{4}$ " ( $292 \pm 6$  mm) for those on the drive axle.

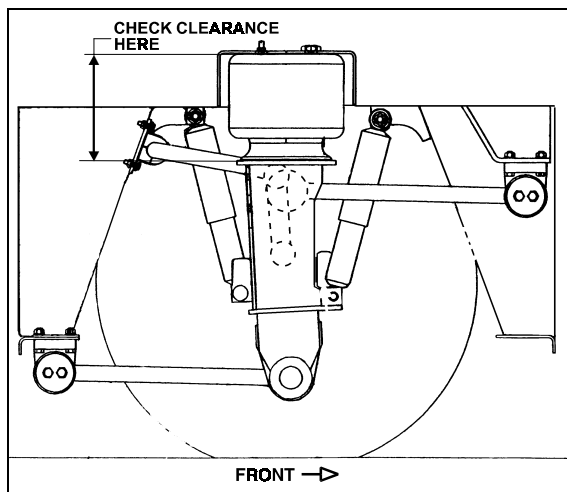


FIGURE 14: TYPICAL AIR SPRING CLEARANCE 16108

**Note:** The measure should be taken from under the upper air spring support on subframe to top of the lower air spring support on axle (refer to fig. 14 for more details). If adjustment is required, begin with the drive axle.

2. Loosen the adjusting nuts on the connecting rod of height control valve to raise or lower the overtravel lever until the desired clearance is reached.
3. If there is not enough play on adjusting nuts, it is possible to make further adjustments by loosening the clamp on the rubber coupling and bringing it up or down.

**Note:** Allow suspension to stabilize before taking reading.

4. When the desired height is obtained, tighten adjusting nuts and clamp.

## 8. HEIGHT CONTROL VALVES

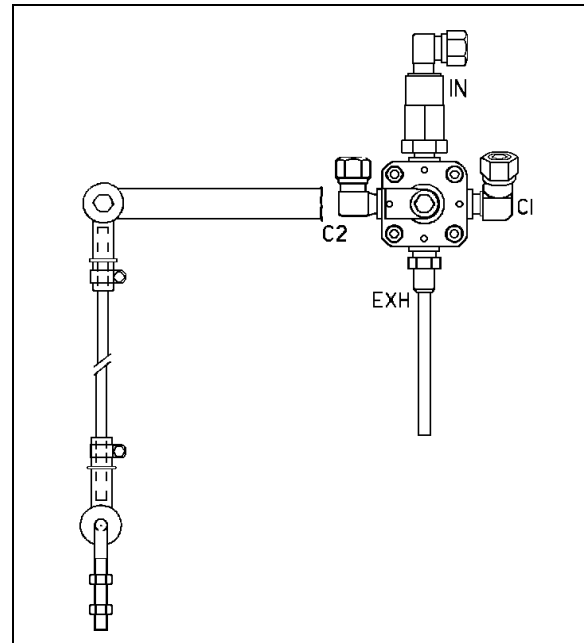


FIGURE 15: HEIGHT CONTROL VALVE 16093

The height control valves automatically add air to, or release air from air springs to maintain constant suspension height regardless of load, or load distribution. Each valve adjusts independently according to the following conditions:

### Loading position

As the load increases and lowers the vehicle body, the overtravel lever commands the height control valve to add air to air springs.

### Neutral position

When vehicle body reaches the normal ride height, the height control valve overtravel lever reaches the "neutral" position and keeps both the supply and exhaust ports closed to ensure normal ride height is maintained. This condition remains static until the vehicle load is altered.

### Unloading position

As the load decreases and raises the vehicle body, the overtravel lever commands the height control valve to release air from air springs.

### 8.1 MAINTENANCE

The height control valve requires no periodic maintenance. Height control valve linkage operates on rubber bushings and no lubrication should be attempted at this point.

8.1.1 Removal and installation

Before disconnecting any height control valve air lines, securely support the vehicle by its jacking points on the body, and place safety support underneath body. Refer to "VEHICLE JACKING POINTS" in Section 18, "Body".

1. Exhaust air from air system by opening the drain cock on accessory air reservoir.
2. Disconnect overtravel lever from link and pull down lever to exhaust remaining air from air springs.
3. Disconnect air supply and delivery lines from the height control valve. Cover ends of the lines with tape.
4. Remove the two nuts retaining the height control valve to the mounting bracket, then remove valve assembly.

Reverse removal procedure to replace height control valve. After installation, check for leakage using a soap and water solution.

8.1.2 Air leakage test

**Note:** *The following procedure applies when valve assembly has been removed from vehicle.*

1. Clean the exterior of valve assembly.
2. Connect air pressure line to air inlet port, then allow air pressure build-up (70- 100 psi (480 - 690 kPa)).
3. Dip the valve assembly in a container of water, and watch for air bubbles when the overtravel lever is in the center position. No air should escape from any point of the valve assembly.
4. If bubbles appear from the air spring port, this is an indication that the air inlet valve assembly is defective and must be replaced.
5. Remove air pressure line from air inlet fitting and connect it to the air spring port. If bubbles appear at the air inlet check valve port, this is an indication that check valve unit is defective and must be replaced.
6. If bubbles appear at the exhaust port, this is an indication that the exhaust valve assembly is defective and must be replaced.
7. If bubbles appear around edge of valve cover plate, the cover plate gasket must be replaced.
8. If no leaks are found, remove valve assembly from water, then with air pressure

still connected to the air spring port, actuate overtravel lever to remove any excess water which may have entered exhaust valve chamber. Remove air line, connect it to the air inlet port, and repeat operation to remove water from the air inlet valve chamber.

**9. FRONT KNEELING SYSTEM**

The kneeling system is used to lower front of vehicle. This allows passengers to board the vehicle with greater ease. The kneeling action is achieved by exhausting air from the front air springs (bellows). This system bypasses the height control valve to provide a fast up and down movement of the front suspension. Only seven seconds are required to lower vehicle from normal level to the lowered position, and approximately the same time to raise the vehicle back to normal level. The quick response is achieved by an auxiliary air tank installed beside the secondary air reservoir (for exact position, refer to Section 12, "Brake and Air System").

This tank provides sufficient air supply to the kneeling system for some successive operations.

The system is provided with two safety features; first, a speed switch will enable the kneeling system to work only under 5 mph (8 km/h). Secondly, the parking brake is automatically applied, and a limit switch will keep it applied as long as the vehicle has not returned to a certain height where the driver will be able to manually remove the parking brake.

The purpose of the hi-buoy function in this system is to raise the front end of the vehicle to allow an extra ground clearance for particular situations. In driving condition, the height control valve is in operation and only the hi-buoy can be operated.

9.1 PRINCIPLE OF OPERATION

Refer to the air system schematic diagram annexed at the end of Section 12, "Brake and Air System".

DOWN (FRONT KNEELING):

Both the bellows control and bellows exhaust solenoid valves are energized, so the air control valves release air from front air springs. The height control valve is bypassed to ensure no air is forwarded to air springs while lowering the front suspension.

## Section 16: SUSPENSION

---

### UP (FRONT HIGH-BUOY):

Only the bellows control solenoid valve is energized, so the air coming from the kneeling air tank is routed through air control valves, and up to front air springs.

The height control valve is bypassed until the kneeling proximity switch signals the kneeling module to cut off the bellows control solenoid valve, about 1" (25 mm) below normal ride height. The final height adjustment is achieved by the height control valve.

### 9.2 MAINTENANCE

Since the kneeling action is issued from both the air system and electrical system, refer to Section: 12, "Brake and Air System" and Section 06, "Electrical System".

For diagnosis and understanding of the system, refer to wiring diagrams, and to the appropriate air system schematic diagram annexed to Section 12, "Brake and Air System".

### 9.3 BELLOWS CONTROL SOLENOID VALVES

#### 9.3.1 Removal and installation

1. On the rear side of steering compartment, locate both the bellows control and bellows exhaust solenoid valves.
2. Identify hoses and wires to ease reinstallation. Disconnect solenoid wires and the three flexible black hoses from solenoid valves.
3. Unscrew and remove the control solenoid valve and exhaust solenoid valve assembly. Place on a clean working place.

Reverse removal procedure to reinstall.

**Caution:** Any cable tie that has been cut during removal procedure should be replaced with a new one.

## 10. HIGH-BUOY SYSTEM

The purpose of the rear high-buoy system is to raise the entire vehicle body about 4" (100 mm) in order to increase ground clearance to board a ferryboat, to jump a curb, etc. This system can be put into service during normal vehicle operation.

### 10.1 PRINCIPLES OF OPERATION

The rear high-buoy system is added over the front kneeling (with front high-buoy). The front end uses the same valves as the front kneeling (with front high-buoy). A solenoid valve is added to send air to the double shuttle valves for the rear end. It uses the same dash switch as the kneeling (with front high-buoy).

#### UP:

The air coming from the control valve, flows through double shuttle valves, to supply air springs. The double shuttle valves prevent height control valves from releasing air from air springs.

#### DOWN:

The control valve, on the dashboard, cuts off air supply, so the double shuttle valves allow height control valves to accomplish their function. Height control valves release air from air springs until suspension returns to its normal position.

### 10.2 MAINTENANCE

Refer to the air system schematic diagram "OPT. FRONT KNEELING WITH REAR HIGH-BUOY COMBINATION" annexed at the end of this Section.

### 10.3 HIGH-BUOY – PRESSURE REGULATOR

The pressure regulator is located on ceiling of the spare wheel and tire compartment and is accessible through the reclining bumper. This valve should be adjusted to 90 psi (621 kPa).

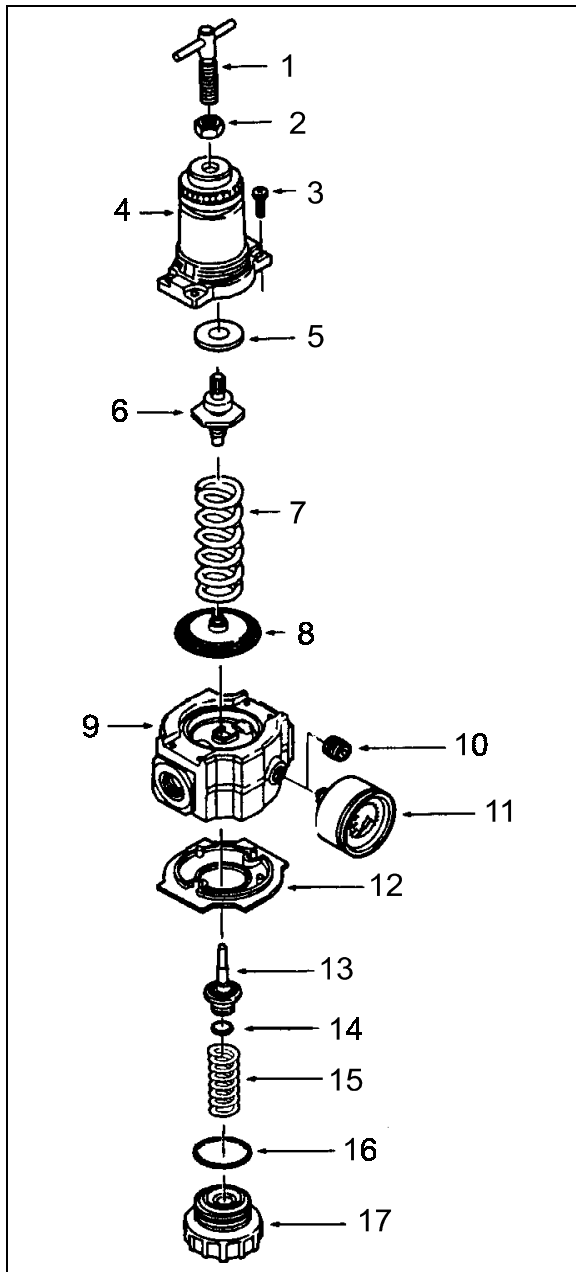


FIGURE 16: AIR PRESSURE REGULATOR 16035

10.3.1 Adjustment

1. Before turning on system air pressure, release jam nut (2, Fig. 16) then turn regulator adjustment handle counterclockwise until all load is removed from the regulating spring.
2. Turn on system pressure.
3. Turn regulator adjustment handle clockwise until the desired outlet pressure is reached.

4. To avoid minor readjustment after making a change in pressure setting, always approach the desired pressure from a lower pressure. When reducing from a higher to a lower setting, first reduce the pressure at a lower pressure, then increase it to the desired level of pressure.
5. Tighten jam nut (2, Fig. 16) to lock pressure setting.

10.3.2 Disassembly

1. Shut off inlet pressure and reduce pressure in inlet and outlet lines to zero. Turn regulator adjustment handle (1, Fig. 16) counterclockwise until all load is removed from regulating spring. Regulator can be disassembled without removal from air line.
2. Disassemble regulator in accordance with the item numbers on the exploded view.

10.3.3 Cleaning

1. Clean parts with warm water and soap. Dry parts and blow out internal passages in body using clean, dry compressed air.
2. Inspect parts. Replace those found to be damaged.

10.3.4 Reassembly

1. Lubricate O-ring (14 and 16, Fig. 16), valve stem (13, Fig. 13), tip of adjusting screw (1, Fig. 13), and the outer circumference and both sides of the thrust washer (8, Fig. 16) with a light coat of good quality O-ring grease.
2. Assemble the regulator as shown on the exploded view.

Torque Table	
Item	Torque in Inch-Pound (N·m)
3 (Screw)	25-35 (2.8-3.9)
17 (Bottom plug)	20-25 (2.3-2.8)

11. LOW-BUOY SYSTEM

The purpose of the low-buoy system is to lower the whole suspension by about 4" (100 mm) in order to reduce the overall height for low clearances. This system can be put into service during normal vehicle operation.

## Section 16: SUSPENSION

---

### 11.1 PRINCIPLES OF OPERATION

On H3-41 and H3-45 coaches, the rear low-buoy is added over the front kneeling system. The control valve on the left console panel sends an electric signal from its pressure switch to control the front suspension as if kneeling. It also removes air from a relay valve that exhausts air supply to all leveling valves and the quick release in the rear section. Air from the rear suspension can then be depleted through the check valve-quick release assembly.

#### DOWN:

The control valve, on the L.H. control panel, cuts off air supply, so air is released from air springs. A relay valve prevents height control valves from supplying air springs.

#### UP:

The control valve, on the L.H. control panel, supplies air to close the passage between both the delivery and supply ports. A relay valve opens and provides air springs until the suspension reaches the normal ride height.

### 11.2 MAINTENANCE

Refer to the air system schematic diagram "OPT. FRONT KNEELING WITH REAR LOW-BUOY COMBINATION" annexed at the end of this Section.

## 12. "LEVEL-LOW" SYSTEM

This system is available on VIP motorhomes only. The purpose of the "level-low" leveling system is to adjust suspension in three separate points (front, rear right and rear left) in order to level vehicle body. This system can be put into service when the ignition key is turned to the "ON" position, and must be used only when the parking brake is applied. The "level-low" warning light on the dashboard indicates that the selector switch is not in the "OFF" position.

### 12.1 PRINCIPLES OF OPERATION

#### DOWN:

The (front/rear right/rear left) control solenoid valve supplies air to the (front/rear right/rear left) five-way three-position air control valve, which bypasses the (front/rear right/rear left) height control valve, and opens a passage to allow the air control and exhaust valve to release air from (front/rear right/rear left) air springs.

#### UP:

The (front/rear right/rear left) control solenoid valve supplies air to the (front/rear right/rear left) five-way three-position air control valve, which bypasses the (front/rear right/rear left) height control valve, and opens a passage to allow the air control and exhaust valve to supply air to (front/rear right/rear left) air springs.

#### DRIVE:

When the ignition key is turned to the "ON" position with selector knob in the "DRIVE" position, the drive control solenoid valve supplies air to all five-way three-position air control valves, each one opening a passage to allow height control valves to accomplish their function.

When the ignition key is turned to the "OFF" position and selector knob to the "DRIVE" position, the air is entrapped between air springs and five-way three-position air control valves to ensure the adjusted level will be kept.

**Warning:** Never move vehicle with selector knob in any other position than the "DRIVE" position.

### 12.2 MAINTENANCE

Since the leveling action is issued from both the air system and electrical system, refer to Section: 12, "Brake and Air System" and Section 06, "Electrical System".

For diagnosis and understanding of the system, refer to wiring diagrams, and to the appropriate air system schematic diagram annexed to Section 12, "Brake and Air System".

**13. TROUBLESHOOTING**

Condition	Cause	Correction
Bellows deflate over time	<ol style="list-style-type: none"> <li>1. Defective check valve assembly.</li> <li>2. Defective exhaust valve assembly.</li> <li>3. Leak in air line and/or bellows.</li> <li>4. Defective valve cover, rubber O-rings or gasket.</li> </ol>	<ol style="list-style-type: none"> <li>1. Replace check valve assembly.</li> <li>2. Replace exhaust valve assembly.</li> <li>3. Replace air line or bellows.</li> <li>4. Replace valve cover, O-rings or gasket.</li> </ol>
Bellows raise to full height and fail to exhaust air pressure	<ol style="list-style-type: none"> <li>1. A clogged exhaust screen in height control valve assembly.</li> <li>2. A combination clogged exhaust screen and defective air inlet valve assembly.</li> </ol>	<ol style="list-style-type: none"> <li>1. Remove and clean screen.</li> <li>2. Clean exhaust screen and replace air inlet valve assembly.</li> </ol>
Erratic valve action	<ol style="list-style-type: none"> <li>1. Dirt or foreign matter in the air valve lever chamber.</li> <li>2. Defectives valves.</li> </ol>	<ol style="list-style-type: none"> <li>1. Remove valve cover and blow out dirt. Install cover using new gasket.</li> <li>2. Overhaul height control valve assembly</li> </ol>
Vehicle body fails to level to satisfactory ride height	<ol style="list-style-type: none"> <li>1. Improper height control valve overtravel lever adjustment</li> </ol>	<ol style="list-style-type: none"> <li>1. Adjust lever as directed.</li> </ol>

**14. PARTS SPECIFICATIONS**

**Front and tag axle air springs**

Make ..... Goodyear Tire and Rubber  
 Model ..... 1200  
 Type ..... Mae West  
 Nominal diameter ..... 12" (304 mm)  
 Supplier number ..... 1R12-319  
 Prévost number ..... 630125

**Drive axle air springs**

Make ..... Goodyear Tire and Rubber  
 Model ..... 1100  
 Type ..... Double Flare  
 Nominal diameter ..... 11" (279 mm)  
 Supplier number ..... 1R11-089  
 Prévost number ..... 630105

**Front axle shock absorbers**

Make ..... Arvin  
 Color ..... White  
 Collapsed length . 15.47 $\pm$ 0.125" (39,29 $\pm$ 0,32 cm)  
 Extended length.... 24.5 $\pm$ 0.125" (33,32 $\pm$ 0,32 cm)  
 Supplier number ..... 680422  
 Prévost number ..... 630134

**Drive and tag axle shock absorbers**

Make ..... Monroe  
 Type..... Gas Magnum  
 Collapsed length..... 15.38" (30,05 cm)  
 Extended length..... 23.63" (60,01 cm)  
 Supplier number ..... 650407  
 Prévost number ..... 630127

**Height control valve (VIP, front only)**

Make ..... Barksdale  
 Quantity used ..... 1  
 Supplier number ..... 52321POAQ3-Q62  
 Prévost number ..... 630157

## Section 16: SUSPENSION

---

### Height control valve (coach, all axles & VIP, rear only)

Make ..... Barksdale  
Quantity ..... 2 or 3  
Supplier number ..... 52321POAQ3-Q26  
Prévost number ..... 630156

### Bellows control and exhaust solenoid valve assembly

Make ..... Norgren

### Solenoid valve manifold

Supplier number ..... D0043B  
Prévost number ..... 641130

### Coil

Voltage ..... 24 V DC  
Current draw ..... 29 amperes  
Supplier number ..... 54932-27  
Prévost number ..... 641144

### Valve (3 way, 2 positions)

Type ..... N/C  
Supplier number ..... 411-C-456235W  
Prévost number ..... 641357  
Type ..... N/O  
Supplier number ..... 411-D-456236X  
Prévost number ..... 641356

### Radius rod bushing

Make ..... Prévost  
Prévost number ..... 630021

### Loctite

Make ..... Loctite  
Prévost number ..... 680039

### Sway bar bushing (Front Axle)

Make ..... Prévost  
Prévost number ..... 131355

### Sway bar bushing (Drive Axle)

Make ..... Prévost  
Prévost number ..... 130953

### Sway bar link bushings

Supplier number ..... 415015-001  
Prévost number ..... 506678

### Shock absorber

Make ..... Arvin  
Supplier number ..... 405803  
Prévost number ..... 630062  
Make ..... Monroe  
Supplier number ..... 45380  
Prévost number ..... 630062

### High-Buoy Pressure regulator

Make ..... Norgren  
Recommended pressure setting 90 psi (621 kPa)  
Supplier number ..... R74G-4AT-RMN  
Prévost number ..... 641352



**15. TORQUE SPECIFICATIONS**

1-	SHOCK ABSORBER PIN .....	350-400 ft-lbf (475-545 N·m)
2-	SHOCK ABSORBER PIN NUT .....	70-80 ft-lbf (95-110 N·m)
3-	RADIUS ROD STUD.....	20-40 ft-lbf (27-54 N·m)
4-	RADIUS ROD RETAINING NUT OR BOLT .....	110-130 ft-lbf lubricated (150-175 N·m lubricated)
5-	RADIUS ROD SUPPORT NUT.....	110-130 ft-lbf lubricated (150-175 N·m lubricated)
6-	AXLE ATTACHMENT NUT.....	425-475 ft-lbf (580-645 N·m)
7-	AIR SPRING STUD NUT .....	20-25 ft-lbf (27-34 N·m)
8-	SWAY BAR LINK PIN STUD .....	350-400 ft-lbf (475-545 N·m)
9-	SWAY BAR LINK LOWER NUT .....	70-80 ft-lbf (95-110 N·m)
10-	SWAY BAR LINK UPPER NUT .....	215-225 ft-lbf(290-305 N·m)
11-	SWAY BAR BUSHING COLLAR BOLT.....	70-80 ft-lbf (95-110 N·m)

**Note:** During assembly, use “Loctite 242” (Prévost No 680038) with item 1, 3 and 8. After assembly, apply “anti-seize compound” (Prévost No 680064) on all threads nuts.

# SECTION 16: SUPPLEMENT INFORMATION ON INDEPENDENT FRONT SUSPENSION (IFS)

---

## CONTENTS

<b>1. INTRODUCTION .....</b>	<b>16(IFS)-4</b>
<b>2. STEERING LINKAGE .....</b>	<b>16(IFS)-4</b>
2.1 STEERING LINKAGE ADJUSTMENT .....	16(IFS)-7
2.2 PITMAN ARM REMOVAL .....	16(IFS)-7
2.3 PITMAN ARM INSTALLATION .....	16(IFS)-7
2.4 DRAG LINK .....	16(IFS)-8
2.4.1 <i>Adjustment</i> .....	16(IFS)-8
2.5 BELL CRANK AND IDLER ARM .....	16(IFS)-8
2.5.1 <i>Bell Crank and Idler Arm Removal</i> .....	16(IFS)-8
2.5.2 <i>Bell crank or Idler Arm Ball Joint Disassembly</i> .....	16(IFS)-9
2.5.3 <i>Bell Crank or Idler Arm Ball Joint Reassembly</i> .....	16(IFS)-9
2.6 RELAY ROD .....	16(IFS)-10
2.6.1 <i>Replacement</i> .....	16(IFS)-10
2.7 TIE RODS .....	16(IFS)-10
2.7.1 <i>Removal</i> .....	16(IFS)-11
2.7.2 <i>Installation</i> .....	16(IFS)-11
2.8 STEERING ARMS .....	16(IFS)-11
2.8.1 <i>Removal</i> .....	16(IFS)-11
2.8.2 <i>Installation</i> .....	16(IFS)-11
2.9 LUBRICATION FITTINGS .....	16(IFS)-11
2.10 POWER STEERING HYDRAULIC PUMP .....	16(IFS)-12
<b>3. LOWER AND UPPER A-ARM BALL JOINT .....</b>	<b>16(IFS)-12</b>
3.1 STRIPPING DOWN .....	16(IFS)-13
3.2 ASSEMBLY .....	16(IFS)-13
<b>4. LOWER A- ARM CENTRAL JOINTS (BT-SECTIONAL BEARING SYSTEM).....</b>	<b>16(IFS)-13</b>
4.1 STRIPPING DOWN .....	16(IFS)-13
4.2 ASSEMBLY .....	16(IFS)-14
<b>5. UPPER A-ARM BALL JOINTS (ONE-PART BEARING SYSTEM) .....</b>	<b>16(IFS)-16</b>
5.1 MAINTENANCE .....	16(IFS)-16
5.2 STRIPPING DOWN .....	16(IFS)-16
5.3 ASSEMBLY .....	16(IFS)-16
<b>6. FRONT END ALIGNMENT .....</b>	<b>16(IFS)-17</b>
6.1 ALIGNMENT TERMINOLOGY .....	16(IFS)-17
6.2 FRONT END INSPECTION .....	16(IFS)-18
6.3 FRONT WHEEL CAMBER .....	16(IFS)-18
6.4 FRONT WHEEL TOE-IN .....	16(IFS)-18
6.4.1 <i>Toe-In Check</i> .....	16(IFS)-18
6.4.2 <i>Toe-In Adjustment</i> .....	16(IFS)-18
6.5 FRONT AXLE CASTER .....	16(IFS)-19
6.6 MAJOR DAMAGE .....	16(IFS)-19
<b>7. FRONT AIR SPRINGS .....</b>	<b>16(IFS)-20</b>
7.1 INSPECTION .....	16(IFS)-20
7.2 REMOVAL .....	16(IFS)-20

**Section 16: SUPPLEMENT INFORMATION ON INDEPENDENT FRONT SUSPENSION (IFS)**

---

7.3	INSTALLATION.....	16(IFS)-20
<b>8.</b>	<b>SHOCK ABSORBERS .....</b>	<b>16(IFS)-22</b>
8.1	SHOCK ABSORBER REMOVAL .....	16(IFS)-22
8.2	SHOCK ABSORBER INSTALLATION.....	16(IFS)-22
<b>9.</b>	<b>SWAY BAR.....</b>	<b>16(IFS)-22</b>
9.1	SWAY BAR REMOVAL.....	16(IFS)-22
9.2	SWAY BAR INSTALLATION.....	16(IFS)-22
<b>10.</b>	<b>INDEPENDENT FRONT SUSPENSION ADJUSTMENT.....</b>	<b>16(IFS)-24</b>
<b>11.</b>	<b>SUSPENSION HEIGHT ADJUSTMENT .....</b>	<b>16(IFS)-24</b>
<b>12.</b>	<b>HEIGHT CONTROL VALVE.....</b>	<b>16(IFS)-25</b>
12.1	LOADING POSITION .....	16(IFS)-25
12.2	NEUTRAL POSITION.....	16(IFS)-25
12.3	UNLOADING POSITION.....	16(IFS)-25
12.4	MAINTENANCE .....	16(IFS)-25
12.5	REMOVAL AND INSTALLATION .....	16(IFS)-25
<b>13.</b>	<b>"LEVEL-LOW" LEVELING SYSTEM.....</b>	<b>16(IFS)-26</b>
13.1	PRINCIPLES OF OPERATION.....	16(IFS)-26
<b>14.</b>	<b>AIR SYSTEM .....</b>	<b>16(IFS)-26</b>
14.1	AIR TANK MAINTENANCE.....	16(IFS)-27
14.1.1	<i>Wet Air Tank.....</i>	<i>16(IFS)-27</i>
14.1.2	<i>Primary Air Tank.....</i>	<i>16(IFS)-27</i>
14.1.3	<i>Secondary Air Tank.....</i>	<i>16(IFS)-27</i>
14.1.4	<i>Accessory Air Tank .....</i>	<i>16(IFS)-27</i>
14.1.5	<i>Expansion Air Tank .....</i>	<i>16(IFS)-27</i>
14.2	EMERGENCY FILL VALVES.....	16(IFS)-28
<b>15.</b>	<b>HUB UNIT AND SWIVEL ASSEMBLY.....</b>	<b>16(IFS)-28</b>
<b>16.</b>	<b>TORQUE TABLE .....</b>	<b>16(IFS)-29</b>
<b>17.</b>	<b>SPECIFICATIONS .....</b>	<b>16(IFS)-30</b>

**ILLUSTRATIONS**

FIGURE 1: SUSPENSION AND STEERING LINKAGE .....	16(IFS)-4
FIGURE 2: LOCATION OF CLAMPS .....	16(IFS)-5
FIGURE 3: CLAMP POSITIONING.....	16(IFS)-6
FIGURE 4: CLAMP POSITIONING.....	16(IFS)-6
FIGURE 5: CLAMP POSITIONING.....	16(IFS)-6
FIGURE 6: CLAMP POSITIONING.....	16(IFS)-7
FIGURE 7: PITMAN ARM ALIGNMENT .....	16(IFS)-7
FIGURE 8: BELL CRANK AND IDLER ARM BALL JOINT .....	16(IFS)-9
FIGURE 9: BELL CRANK .....	16(IFS)-10
FIGURE 10: BELL CRANK .....	16(IFS)-10
FIGURE 11: LUBRICATION FITTINGS' LOCATION DIAGRAM.....	16(IFS)-12
FIGURE 12: BALL JOINT .....	16(IFS)-13
FIGURE 13: CENTRAL JOINT .....	16(IFS)-15
FIGURE 14: BALL JOINT .....	16(IFS)-16
FIGURE 15: STEERING LINKAGE MEASUREMENTS .....	16(IFS)-17
FIGURE 16: FRONT END ALIGNMENT DIAGRAM.....	16(IFS)-19
FIGURE 17: AIR SPRINGS .....	16(IFS)-20
FIGURE 18: AIR SPRING AND SHOCK ABSORBER .....	16(IFS)-21
FIGURE 19: SHOCK ABSORBER.....	16(IFS)-22
FIGURE 20: SWAY BAR (FRONT SUSPENSION).....	16(IFS)-23
FIGURE 21: SWAY BAR (REAR SUSPENSION) .....	16(IFS)-23
FIGURE 22: HEIGHT CONTROL VALVE LOCATION .....	16(IFS)-24
FIGURE 23: TYPICAL AIR SPRING CLEARANCE.....	16(IFS)-25
FIGURE 24: ISS FRONT HEIGHT CONTROL VALVE .....	16(IFS)-25
FIGURE 25: LOCATION OF AIR TANKS .....	16(IFS)-26
FIGURE 26: REAR VALVE LOCATION .....	16(IFS)-27
FIGURE 27: FRONT VALVE LOCATION .....	16(IFS)-27

## Section 16: SUPPLEMENT INFORMATION ON INDEPENDENT FRONT SUSPENSION (IFS)

### 1. INTRODUCTION

This supplement contains service procedures and specifications that apply to the PREVOST H3 vehicles equipped with an independent front suspension.

This text contains information unique to the independent suspension system. In the case you cannot find information on a subject in this supplement section, the information given in the regular sections of the Maintenance Manual will apply.

### 2. STEERING LINKAGE

Turning motion of the steering wheel is transferred by the steering gear and steering linkage to the steering arms at the right and left front wheels. The steering linkage consists of tie rods connected to the bell crank and the steering arm at the left side of the coach, and to the idler arm

and steering arm at the right side of the coach. The bell crank and idler arm are connected by a relay rod. A drag link connected to the bell crank and the pitman arm, which is mounted to the steering gear, transfers the turning motion of the steering wheel to the steering arms (Fig. 1).

Lower and upper A-arms are widely spaced. They are mounted on ball joints. Torque rods prevent rotation of the uprights around the lower and upper ball joints.

If the steering linkage is bent, twisted or worn, steering action of the coach will be seriously affected. Any time steering linkage components are replaced or adjusted, steering geometry and front wheel alignment must be checked as explained in this section of supplement.

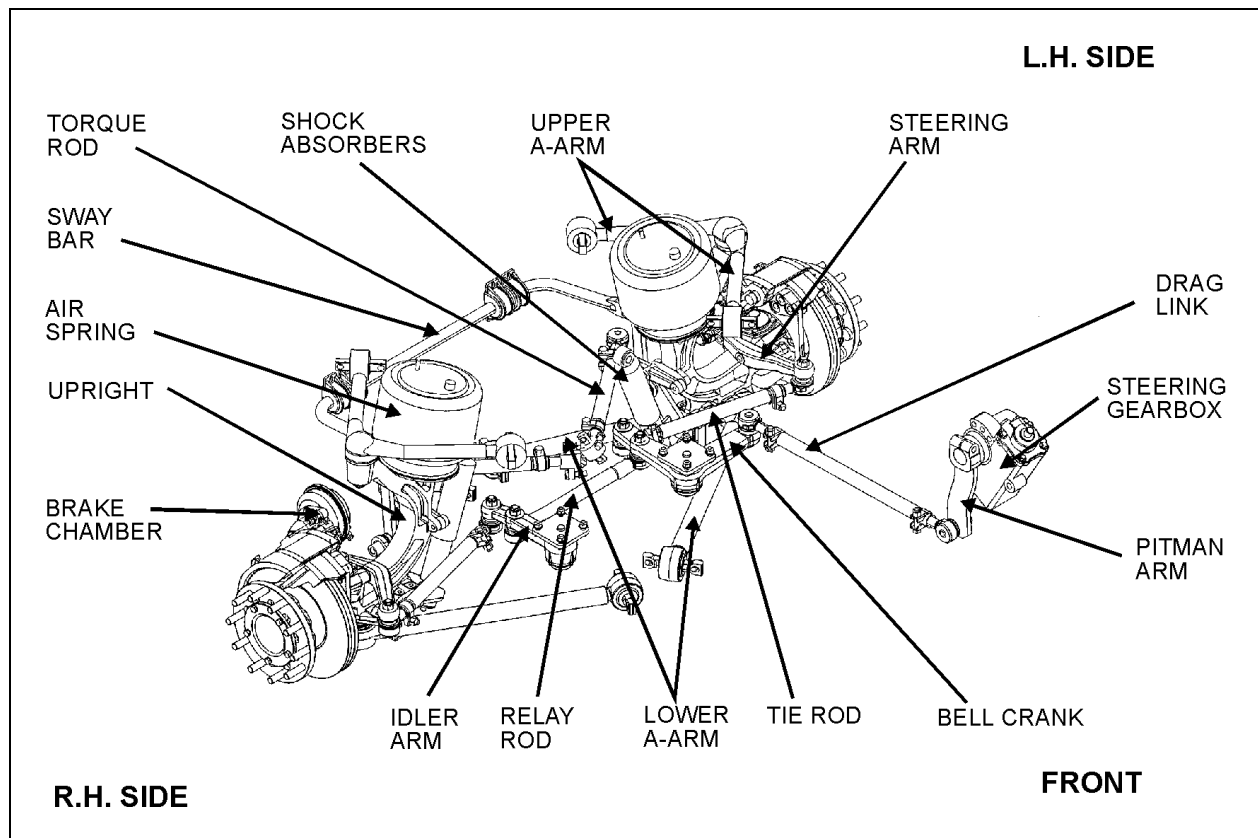


FIGURE 1: SUSPENSION AND STEERING LINKAGE

16036

## Section 16: SUPPLEMENT INFORMATION ON INDEPENDENT FRONT SUSPENSION (IFS)

### Turning Angle

The maximum turning angle is set mechanically through the two steering stop screws installed on the swivel assembly. The turning angle ( $56^{\circ} + 0^{\circ} - 1^{\circ}$ ) mechanical stop is factory adjusted to accommodate the chassis design, and therefore, does not require adjustment on new vehicles.

However, turning angle should be checked and adjusted hydraulically, if necessary, any time a component of the steering system is repaired, disassembled or adjusted.

Before checking the turning angle, be sure the front end is properly aligned as described under paragraph "4. Front End Alignment" in this supplement.

To check steering maximum turning angle, proceed with the following method :

1. Check if front tires rub against the frame or if the steering gear has been serviced.

**Caution:** If clamps are not correctly installed, they can interfere with other parts.

2. For a full left and right turn, check clamps' position and for interfering parts. Refer to figures 2 to 6 for location and positioning of clamps. If readjustment is required, make the proper adjustment.

**Note:** Prior to steering limiter readjustment, verify vehicle wheel alignment, and ensure that oil level is adequate and that air bleeding is done.

3. If necessary readjust steering limiter. Refer to "ZF-SERVOCOM REPAIR MANUAL" and "ZF-SERVOCOM Operating, Servicing/ Maintenance and Inspection Instructions" annexed to H3 Series Maintenance Manual, Section 14: "Steering", under headings: "SETTING THE STEERING LIMITER" and "SETTING AND FUNCTIONAL TEST".

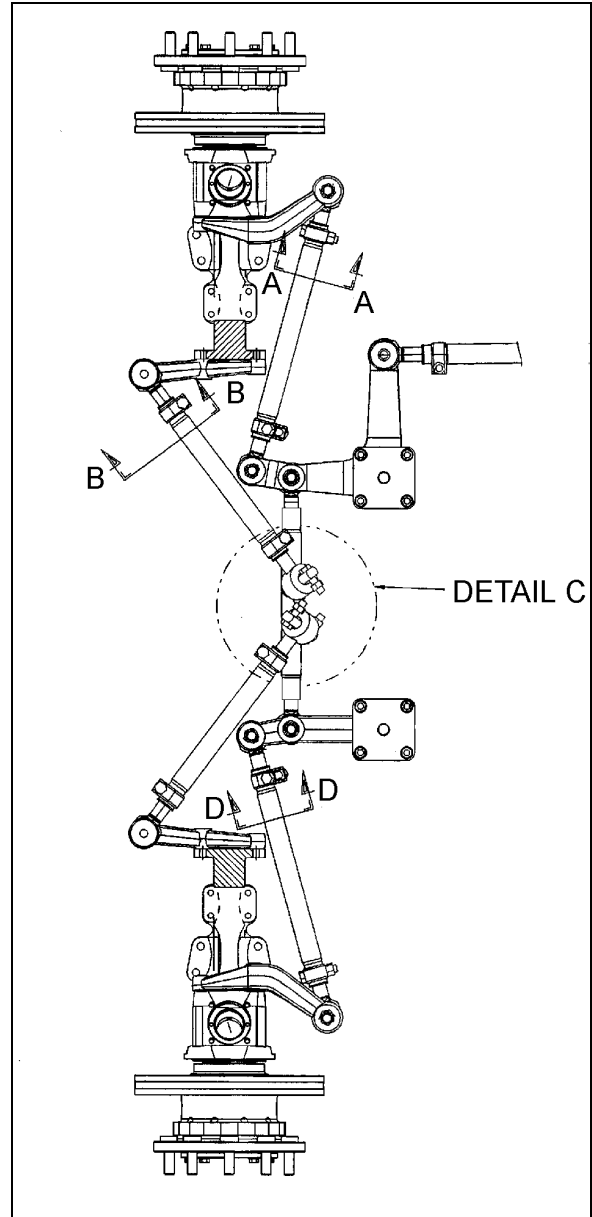


FIGURE 2: LOCATION OF CLAMPS

16037

Section 16: SUPPLEMENT INFORMATION ON INDEPENDENT FRONT SUSPENSION (IFS)

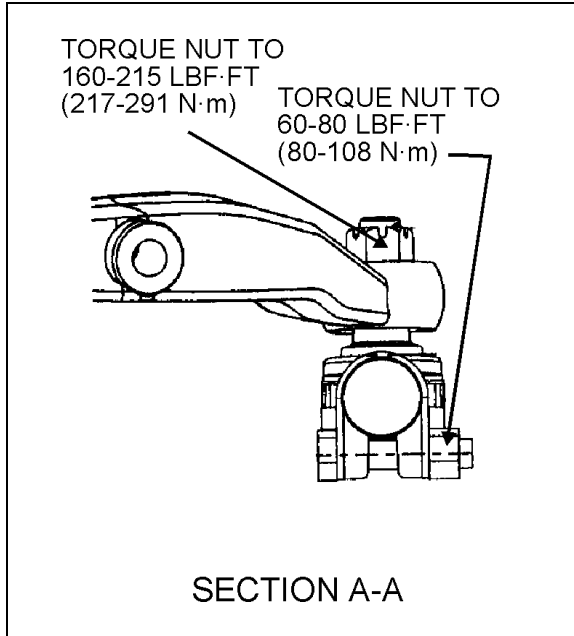


FIGURE 3: CLAMP POSITIONING

16038

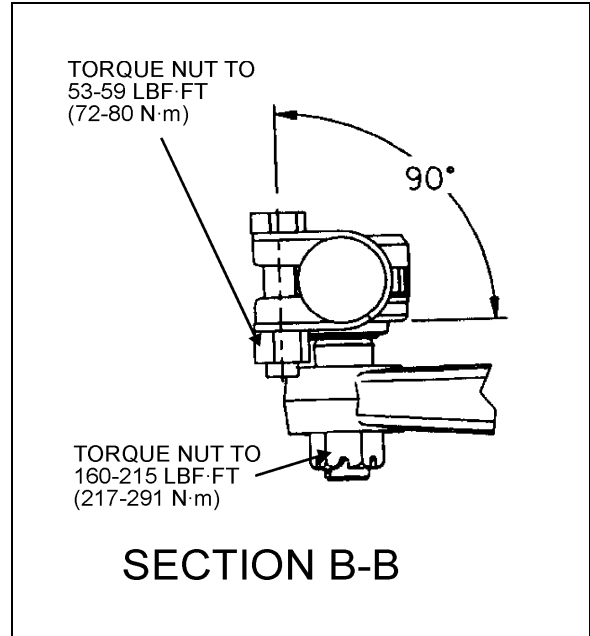


FIGURE 4: CLAMP POSITIONING

6039

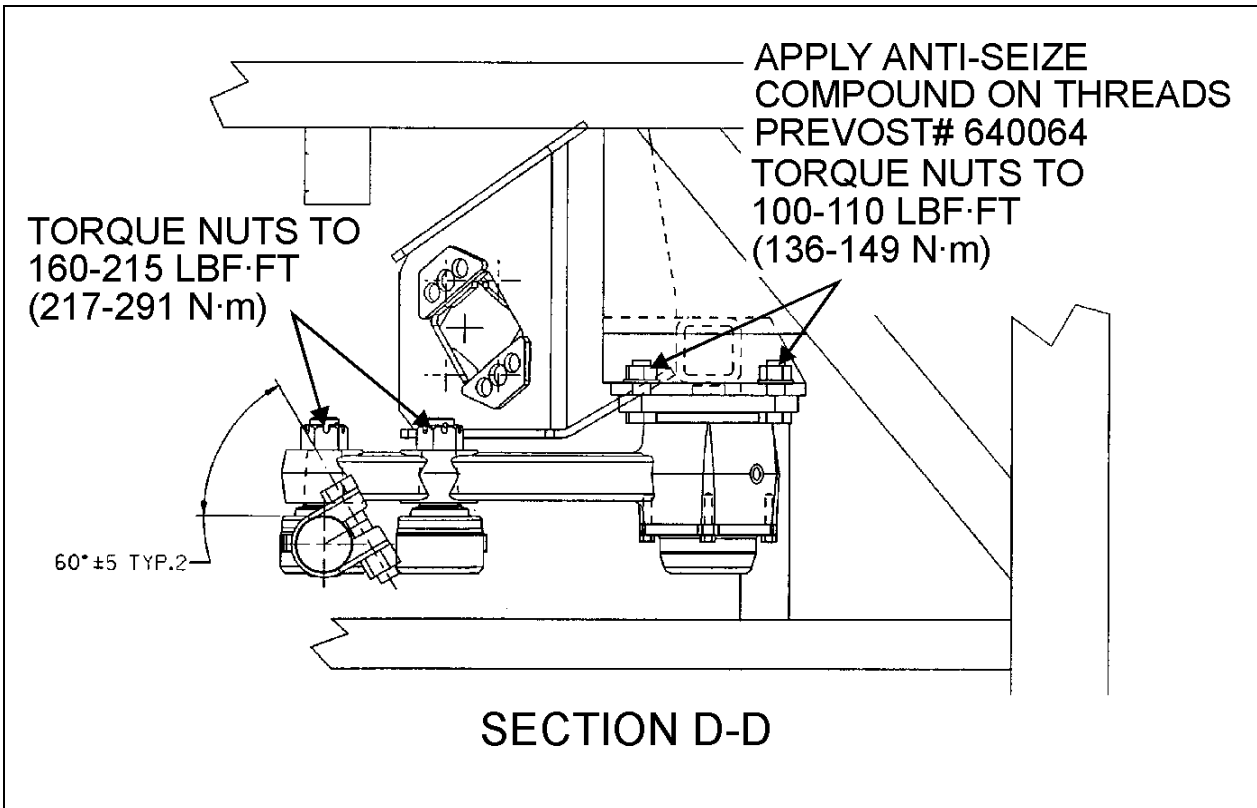


FIGURE 5: CLAMP POSITIONING

16040

## Section 16: SUPPLEMENT INFORMATION ON INDEPENDENT FRONT SUSPENSION (IFS)

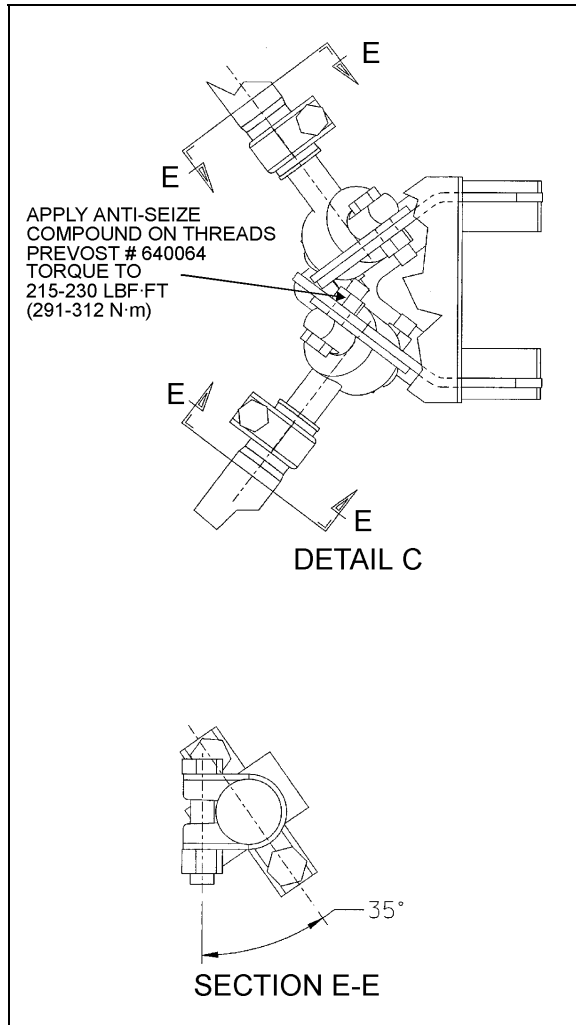


FIGURE 6: CLAMP POSITIONING

16041

### 2.1 STEERING LINKAGE ADJUSTMENT

**Note:** Whenever a steering linkage component has been removed and replaced, check steering geometry and front end alignment as directed in this supplement. Check to insure that all stud nuts and mounting bolts and nuts have been tightened to proper torques listed under "16. TORQUE TABLE" at the end of this supplement.

1. The pitman arm should be adjusted with reference mark aligned or to an angle of 2.25° in relation with the vertical axis (Fig. 7).
2. Locate centerline of vehicle then install relay rod in boss at steering bell crank and idler arm. Align center of relay rod with centerline of vehicle.
3. Install drag link to pitman arm and adjust opposite end of drag link to fit mounting stud hole in bell crank.

4. Install tie rods, then adjust toe-in as per "FRONT END ALIGNMENT" in this supplement.

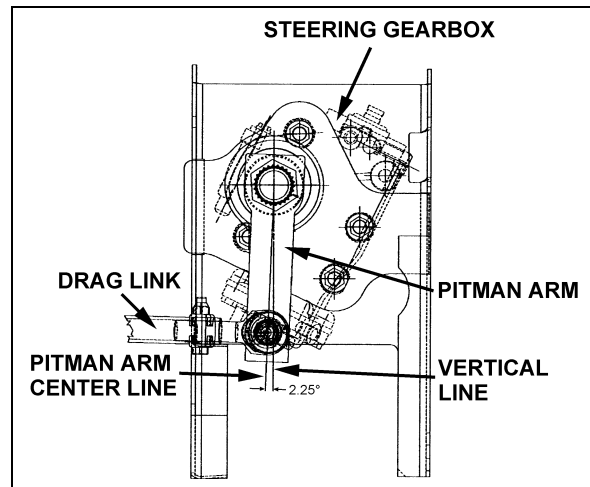


FIGURE 7: PITMAN ARM ALIGNMENT

16051

### 2.2 PITMAN ARM REMOVAL

1. Remove cotter pin, nut and washer from drag link ball stud at pitman arm.
2. Disconnect drag link from pitman arm, using jaw style pullers (pressure screw type).

**Warning:** Always wear approved eye protection when operating pullers.

**Caution:** Do not drive pitman arm on or off pitman shaft as this can damage the steering gear.

**Caution:** Heating of components to aid in disassembly is not allowed because it has a detrimental effect on axle components and steering linkages.

3. Using a cold chisel, undo punch mark that locks fixing nut to the pitman arm.
4. Remove pitman arm fixing nut.
5. Check the radial position of the pitman arm in relation to the sector shaft prior to removal of pitman arm.
6. Add reference marks to the arm and shaft if necessary to ensure correct alignment at reassembly.
7. You must use a puller to remove pitman arm.



## Section 16: SUPPLEMENT INFORMATION ON INDEPENDENT FRONT SUSPENSION (IFS)

### 2.3 PITMAN ARM INSTALLATION

1. Position pitman arm on sector gear shaft with reference marks aligned.
2. Install fixing nut (Prévoist #661050). Tighten nut to 405-445 lbf•ft (550-605 N•m).

**Note:** Use a new nut if the previously removed nut was punched.

3. Lock nut with sector shaft using a punch mark into the groove (refer to figure 8).

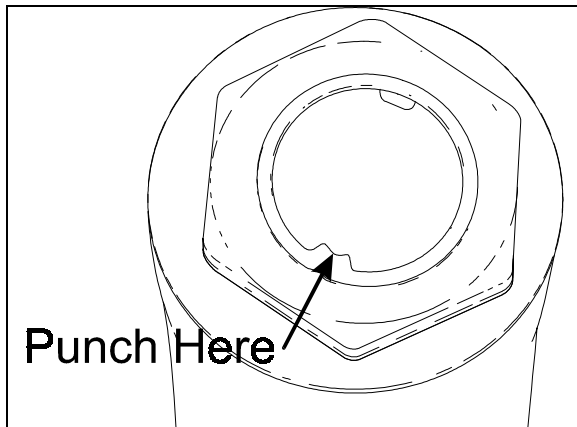


FIGURE 8: FIXING NUT PUNCH MARK

16098

4. Connect drag link to pitman arm while ensuring that rubber stabilizer is in place on the rod end. Install washers. Tighten nut to 160-300 lbf•ft (220-410 N•m). Afterwards, install a new cotter pin.

### 2.4 DRAG LINK

Drag link assembly consist of three parts; a drag link and two end assemblies. Both end assemblies are identical and they are retained on the drag link with a clamp bolt and nut.

Stud nuts at the pitman arm and bell crank ends of the drag link must be kept tight or hole at ball stud end of drag link and hole in pitman arm may become enlarged as a result of excessive looseness. Subsequent tightening of stud nuts may draw studs too far into holes and dust cover parts may become damaged which can result in component failure.

Drag link end sockets are equipped with lubrication fittings and should be lubricated as directed in "LUBRICATION FITTINGS" in this supplement.

### 2.4.1 Adjustment

It should not be necessary to alter the length of the drag link except when a new link is installed or when removable end assembly has been replaced. If drag link adjustment is necessary, proceed as follows:

1. Position front wheels in straight ahead position.
2. Center steering gear as previously explained in paragraph "2.1 Steering Linkage Adjustment".
3. Remove cotter pin and stud from drag link at bell crank. Locate centerline of vehicle and center of relay rod. With center of relay rod aligned with centerline of vehicle, loosen clamp bolt at socket end (bell crank end) of drag link and adjust length of socket end assembly to fit in boss of bell crank.

**Note:** Do not change position of pitman arm.

4. Install stud nut and torque to 160 lbf•ft (217 N•m). Align nut with cotter pin slot (tighten) and install a new cotter pin.
5. Torque mounting clamp bolt nut to 60-80 lbf•ft (81-108 N•m), then test the adjustment. Front wheels should turn from right to left extremities without noticeable binding at drag link ends.

### 2.5 BELL CRANK AND IDLER ARM

Bell crank and idler arm are equipped with one lubrication fitting and should be lubricated as directed in paragraph "2.9 LUBRICATION FITTINGS" at the end of this Supplement.

#### 2.5.1 Bell Crank and Idler Arm Removal

**Note:** Use a piece of wire to anchor loosen end of relay rod and tie rod in order to prevent placing an excessive load on opposite socket end.

**Bell crank :** Disconnect drag link, tie rod and relay rod from bell crank by removing cotter pins, stud nuts and washers from ball studs. Separate socket assemblies from the bell crank.

**Idler arm :** Remove cotter pins, nuts and washers from ball studs connecting relay rod and tie rod to idler arm. Separate socket assemblies from idler arm.

## Section 16: SUPPLEMENT INFORMATION ON INDEPENDENT FRONT SUSPENSION (IFS)

Remove nuts and washers from bolt attaching bell crank or idler arm mounting bracket to vehicle understructure. Remove bell crank or idler arm mounting bracket.

### 2.5.2 Bell crank or Idler Arm Ball Joint Disassembly

1. Remove adjacent link assemblies from bell crank or idler arm as previously described.
2. Remove the cap (Fig. 9).
3. Remove the cotter pin, nut and tongue washer. Remove bearings, grease seal, bearing bushing and the bell crank or idler arm from its mounting bracket stud (Fig. 9).

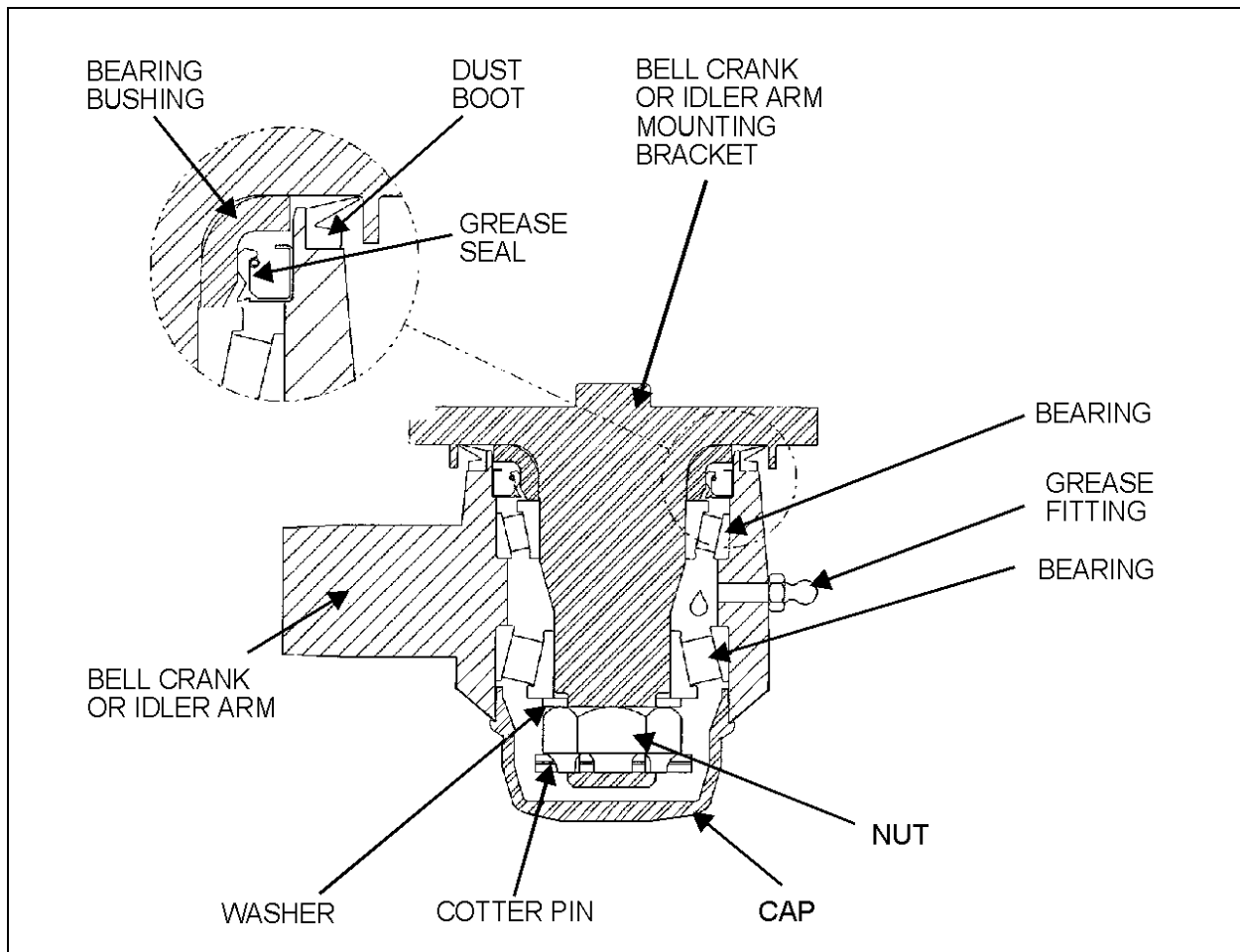


FIGURE 9: BELL CRANK AND IDLER ARM BALL JOINT

16043A

### 2.5.3 Bell Crank or Idler Arm Ball Joint Reassembly

**Note:** For bearing installation use tool Prévost # 110684.

1. Install bearing bushing on bell crank or idler arm mounting bracket stud.
2. Install bearing and grease seal in bell crank or idler arm eye (Fig. 9).
3. Install bell crank or idler arm on its mounting bracket stud (Fig. 9).

**Note :** Install grease seal according to figure 8. Grease must be able to exit the bell crank or idler arm mechanism. For grease seal installation use tool Prévost # 110683.

4. Install bearing, o-ring and nut.

**Note:** Apply grease on bearing before installation.

5. Firmly tighten nut (Fig. 10).

## Section 16: SUPPLEMENT INFORMATION ON INDEPENDENT FRONT SUSPENSION (IFS)

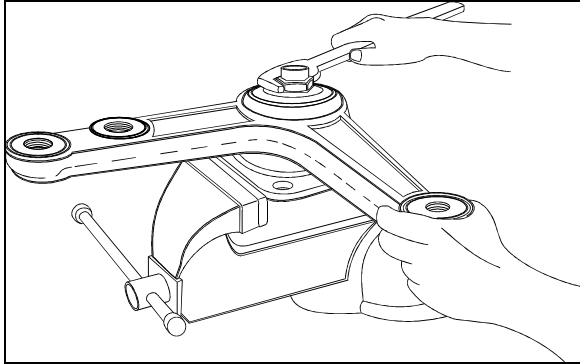


FIGURE 10: BELL CRANK

16044

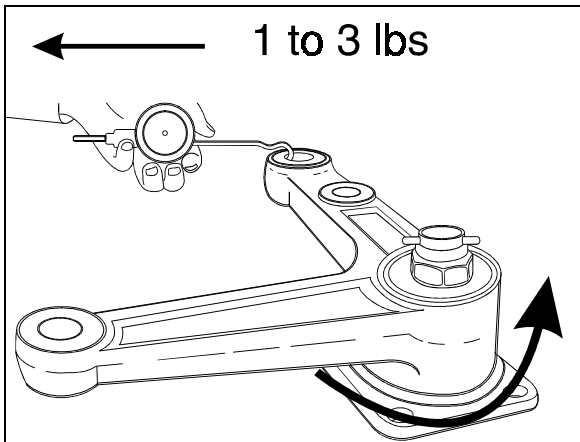


FIGURE 11: BELL CRANK

16045

6. Unscrew nut until bell crank or idler arm starts to turn by the application of 1 to 3 pounds load (Fig. 11).
7. Check for loose bearings by applying an up and down load on bell crank or idler lever (Fig. 10). The lever is not supposed to move in the vertical axis direction.
8. Align nut with cotter pin slot (tighten) and install a new cotter pin.

**Note:** Bend cotter pin around the nut (Fig. 9). Do not bend the cotter pin in the direction of the cap, because it may interfere with the cap.

9. Install the cap.
10. **Bell crank** : Install drag link, tie rod and relay rod as directed herein under each specific subject.
11. **Idler arm** : Install tie rod and relay rod as directed herein under each specific subject.
12. Adjust turning angle as previously directed under paragraph "**Turning Angle**" and check front end alignment as specified in paragraph "6. Front End Alignment" of this supplement.

### 2.6 RELAY ROD

Relay rod ends are equipped with lubrication fittings and should be lubricated as directed in paragraph "2.9 LUBRICATION FITTINGS" in this supplement.

**Note:** The relay rod is crimped in place and it is not possible to remove the ball joints.

#### 2.6.1 Replacement

1. Remove cotter pins from bell crank and idler arm end of relay rod. Loosen nuts flush with end of studs.
2. Place a sledge hammer behind the adjacent part to absorb shocks. Strike the studs with a brass hammer to loosen end assemblies.
3. Remove stud nuts and washers then remove studs.
4. Position relay rod studs into bell crank and idler arm then tap stud ends with a brass hammer to seat tapered surfaces.
5. Install washers and stud nuts. Tighten nuts to 160 lbf•ft (217 N•m) torque. Align cotter pin slot (tighten) and install a new cotter pin.

### 2.7 TIE RODS

Tie rod ends are connected to the bell crank and left steering arm, and to the idler arm and right steering arm. Each tie rod assembly consists of three parts; a tube and two socket end assemblies. The tie rod ends are threaded into the tube and secured with clamp bolts. Right and left hand threads are provided to ease toe-in adjustment. Tie rod assemblies are interchangeable from the right to the left side of the coach.

Tie rod end sockets require no maintenance other than periodic lubrication and inspection to see that ball studs are tight. Replace socket ends when there is excessive up and down motion, lost motion or end play at ball end of stud.

1. Periodically check bolt nut for tightness.
2. Inspect tie rod for bent condition and inspect tube for damaged threads. If tie rod is bent or threads are damaged, replace the assembly.
3. Lubricate tie rod end fittings as directed in paragraph "2.9 LUBRICATION FITTINGS" farther on in this section.

## Section 16: SUPPLEMENT INFORMATION ON INDEPENDENT FRONT SUSPENSION (IFS)

### 2.7.1 Removal

1. Remove cotter pins and stud nuts which attach tie rod socket ends to bell crank and left steering arm (or idler arm) and right steering arm.
2. Remove tie rod ball stud by tapping on steering arm and bell crank or idler arm with hammer, while using a sledge hammer to absorb shocks.

**Note:** *If tie rod end assemblies are damaged in any way, they must be replaced.*

### 2.7.2 Installation

1. Install socket end assemblies on tie rod. Be sure both ends are threaded an equal distance into the tube.
2. Make sure threads on stud and in stud nut are clean and not damaged.
3. Position ball studs (socket ends of tie rod) in holes in steering arm and bell crank or idler arm. Install a ball stud nut on each stud and tighten firmly.
4. Torque stud nuts to 160 lbf•ft (217 N•m). Align cotter pin slot (tighten) and install a new cotter pin.

**Note:** *Adjust toe-in as directed in paragraph "6.4.2 TOE-IN ADJUSTMENT" of this supplement.*

5. Make sure tie rod ends are properly aligned with ball studs, then torque tie rod end clamp bolts to 60-80 lbf•ft (81-108 N•m).

**Note:** *If tie rod is properly aligned with stud, binding will result.*

## 2.8 STEERING ARMS

The left and right wheel steering arms are secured to a swivel at one end and to a tie rod at the other end.

### 2.8.1 Removal

1. Remove wheel as directed in Section 13, "WHEELS AND TIRES" of the maintenance manual.
2. Remove cotter pin, washer and nut from stud securing tie rod to steering arm. Remove ball stud from steering arm by tapping on arm with a hammer, Placing a sledge hammer underneath steering arm to absorb shocks.

3. Remove cotter pin and nut securing steering arm to swivel assembly. Remove steering arm from swivel.

### 2.8.2 Installation

1. Insert steering arm in swivel.
2. Torque steering arm to swivel nut to 190 lbf•ft (258 N•m). Align cotter pin slot (tighten) and install a new cotter pin.
3. Position tie rod ball stud in steering arm and tap with a brass hammer to seat ball stud in steering arm. Install washer and nut on stud. Torque nut to 160 lbf•ft (217 N•m). Tighten nut to nearest cotter pin slot and install a new cotter pin.
4. Install wheel as directed in Section 13, "WHEEL, HUBS AND TIRES" under paragraph "2.3 Installation" of the maintenance manual.

## 2.9 LUBRICATION FITTINGS

All lubrication fittings must be clean before applying lubricant. Also, always be sure equipment used in applying lubricant is clean. Every precaution should be taken to prevent entry of dirt, grit, lint or other foreign matter into lubricant containers. Replace fitting when they become broken or damaged.

Intervals of application given in the following paragraphs are recommended for normal service. More frequent intervals may be applied under severe operating conditions. In selecting proper lubricants, supplier reputation must be considered. The supplier must be responsible for product quality. The diagram (Fig. 12) shows approximate location of steering lubrication fittings.

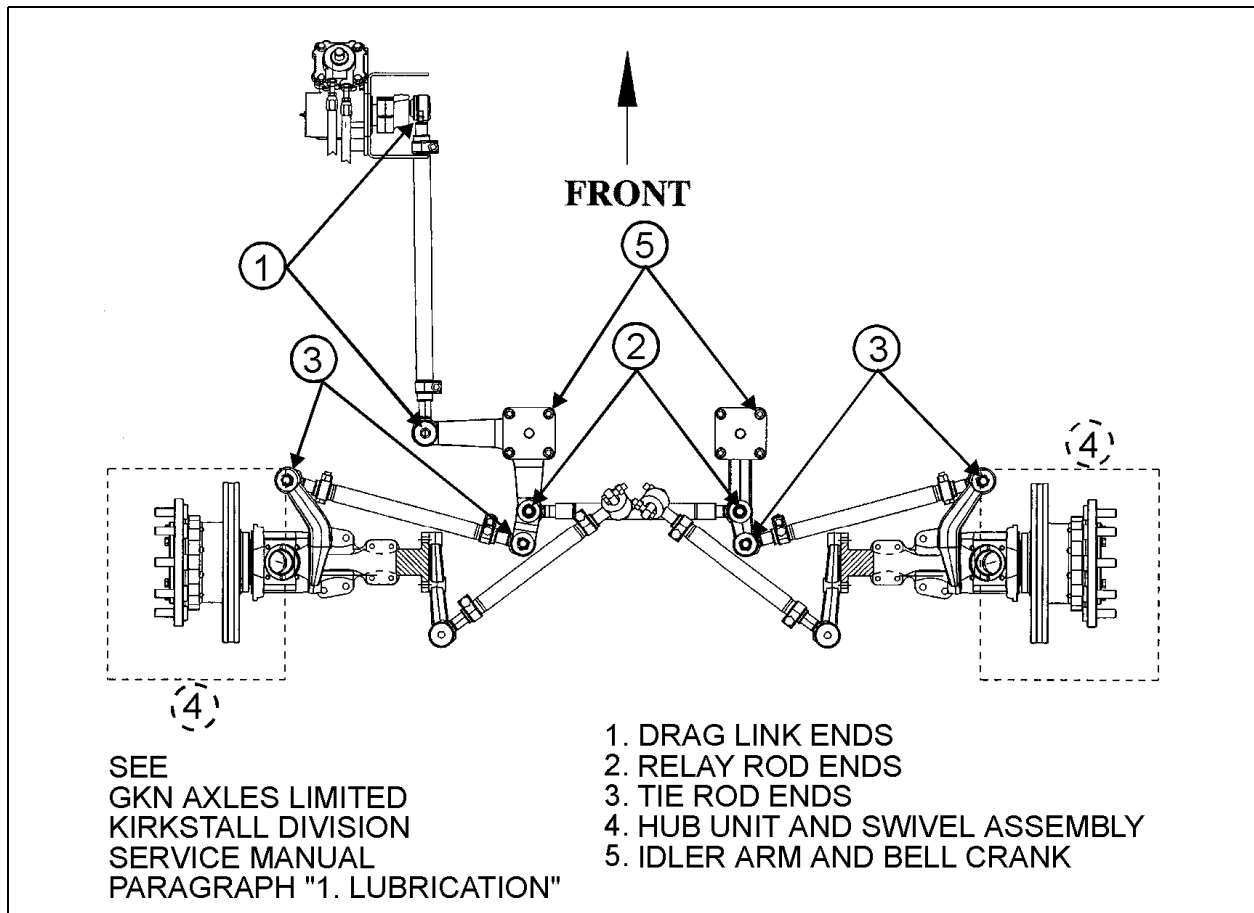
1. **Drag Link Ends** : Lubricate at two fittings, one at each end of link, every 6,250 miles (10 000 km) with a good quality lithium-base grease NLGI No. 2 (Shell Retinax LX or equivalent).
2. **Relay Rod Ends** : Lubricate at two fittings, one at each end of rod, every 6,250 miles (10 000 km) with a good quality lithium-base grease NLGI No. 2 (Shell Retinax LX or equivalent).
3. **Tie Rod Ends** : Lubricate at four fittings, one at each end of both tie rods, every 6,250 miles (10 000 km) with a good quality lithium-base grease NLGI No. 2 (Shell Retinax LX or equivalent).

**Section 16: SUPPLEMENT INFORMATION ON INDEPENDENT FRONT SUSPENSION (IFS)**

4. **Hub Unit and Swivel Assembly** : Refer to GKN AXLES LIMITED KIRKSTALL DIVISION, SERVICE MANUAL, Section "A. LUBRICATION" annexed at the end of section 10.

5. **Idler Arm and Crank bell** : Lubricate at two fittings, one on the idler arm and the other on the crank bell, every 6,250 miles (10 000 km) with a good quality lithium-base grease NLGI No. 2 (Shell Retinax LX or equivalent). Apply grease gun pressure to the fitting until lubricant appears at the top seal.

6. **Upper V-Link Outer Ball Joint** : Lubricate at fitting until you see some grease on the relief valve nearby, every 6,250 miles (10 000 km) with a good quality lithium-base grease NLGI No. 2 (Shell Retinax LX or equivalent).



**FIGURE 12: LUBRICATION FITTINGS' LOCATION DIAGRAM**

16046

**2.10 POWER STEERING HYDRAULIC PUMP**

Refer to the "TRW Power Steering Pump Service Manual" annexed at the end of Section 14.

**3. LOWER AND UPPER A-ARM BALL JOINT**

The assembly work may be done only by a recognized specialized workshop. Ensure that old and new parts do not get mixed up with each

other. It is for this reason that all the old parts are to be scrapped immediately after a joint has been stripped down. A complete repair set must be used for each joint repaired, i.e. use of only part of a repair set is not permissible. All numeral or letter designations mentioned below refer to figure 13.

3.1 STRIPPING DOWN

Strip down the defective joint through removal of locking ring (3), annular spacer (2) and ball pin/bushing, assembly (1) and thereafter clean out housing bore and locking circlip groove.

3.2 ASSEMBLY

Execute assembly of the new joint parts in the following sequence :

1. Complete moistening of the contact surface between housing bore and ball pin through application of the grease.

**Note:** Apply grease, only in the case of repair kit (Prévost # 611114).

2. Insert ball pin/bushing, assembly (1). In case of the two-bolt type, ensure that the bolt bores are in the correct position in relation to the axis of the tube.
3. Place joint in receiving fixture (C) and mount annular assembly tool (B) on the housing. Then locate annular spacer (2) and locking-Circlip (3) in the housing using axial load (F) with the aid of assembly matrix (A) (For axial load, refer to table 1) (For Prévost tools #, refer to table 2). If the ends of the annular spacer are not in contact with each other, the thus formed opening must be located at 180° to the opening of the locking circlip. Pay attention during assembly to ensure that the locking circlip eyelets are located at each side of the housing shaft axis (locking circlip eyelet lug points to tube), and that locking circlip (3) is properly engaged in the groove of the housing.

TABLE 1		
Suitable for repair kits Prévost #	Position	Axial load F (kN)
611111	Upper A-arm	120
611114	Lower A-arm	160

4. When repairing defective ball pin assemblies, the necked down-bolt must regularly be replaced with a new one.

In special cases where it is necessary to repair defective ball pin assemblies with sealing caps the following must be observed: Dismounting of the sealing cap cannot take place without destruction and after repair work is complete it must be replaced with a new one.

TABLE 2			
Suitable for repair kits Prévost #	PRÉVOST TOOLS NEEDED (Prévost #)		
	A	B	C
611111	683108	683109	683110
611114	683111	683112	683112

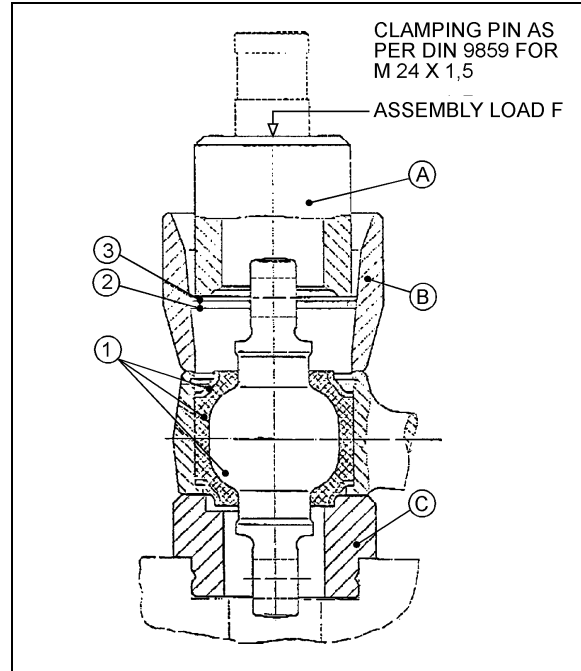


FIGURE 13: BALL JOINT

16047

4. LOWER A- ARM CENTRAL JOINTS (BT-SECTIONAL BEARING SYSTEM)

All reference numbers mentioned refer to component parts shown in figure 14.

4.1 STRIPPING DOWN

1. The joint is to be stripped down in the following sequence :
2. Remove sheet metal-cap (10) with annular seal (11) and then loosen tightening clip (7).
3. Screw out necked down bolt (14) and use hex screw M 24 x 1.5 x 50 (DIN 961) to press bracket (15) out of ball sleeve (1).
4. Remove sealing boot (6) with tightening clip (7) and clamping ring (8).
5. Remove circlip (5) and strip down the bearing elements of the joint (12), (3), (1) and (2). Then clean out the housing bore and the circlip groove.

**Section 16: SUPPLEMENT INFORMATION ON INDEPENDENT FRONT SUSPENSION (IFS)**

**4.2 ASSEMBLY**

Assemble the new component parts of the joint in the following sequence:

1. Insert into housing lower elements (3) and (2) : ensure that ball surface has first been greased. Then insert bearing element (1) and the upper bearing elements (2) and (3) and finally bearing element (12).
2. Place joint in fixture (C) and mount assembly ring (B) on housing. Thereafter apply axial pressure F1 through press tool (A) to insert circlip (5) in housing groove (For axial load, refer to table 3). Attention is to be paid to ensure that the circlip eyelets are positioned at approximately 90° to the axis of the tube and that the circlip is properly seated in the housing groove ) (For Prévost tools #, refer to table 5).

TABLE 3		
Suitable for repair kits Prévost #	Position	Axial load F1 (kN)
611112	Lower A-arm	200

3. Use assembly sleeve (D) to mount sealing boot (6) including clamping ring (8) on bracket (15). Attention is to be paid to ensure that the clamping ring maintains its correct position in the clamping ring groove.

4. Faultlessly apply grease by mechanical means to bracket-outer core (15) and ball-inner cone (1). Insert bracket outer cone in fixture (E) with distance ring (G) and then use press tool (H) to apply pressure F2 to press mount with ball-inner cone (For axial load, refer to table 4).

TABLE 4		
Suitable for repair kits Prévost #	Position	Axial load F2 (kN)
611112	Lower A-arm	100

5. After lifting out of fixture prematurely mount, torque bolt M 14 x 1.5 between 3 to 4 N•m. Finally use a torque wrench to tighten bolt with a tightening torque of 135 N•m. Ensure that the maximum rotation during tightening does not exceed one complete turn. If the specified tightening torque is not reached during one turn, the bolt is to be replaced with a new one.
6. Fill the cavity under the sealing boot (6) with grease and fix tightly to housing with tightening clip (7).
7. Fill the upper cavity of the joint with grease and then mount annular seal (11) and sheet-metal cap (10).
8. Either fix sheet-metal cap to housing through screwing it into place or through 4 spot i.e. according to individual design specifications.

Section 16: SUPPLEMENT INFORMATION ON INDEPENDENT FRONT SUSPENSION (IFS)

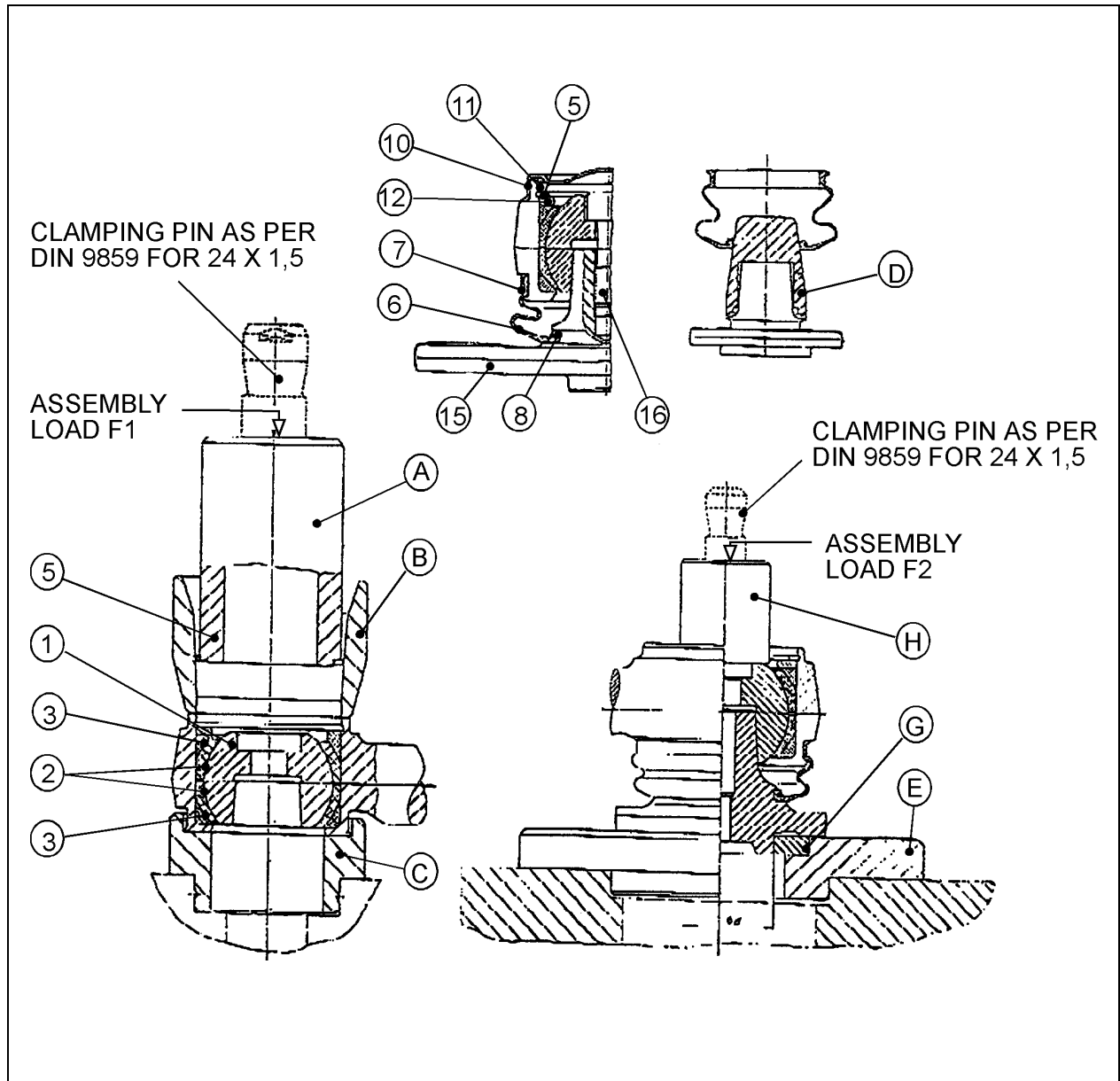


FIGURE 14: CENTRAL JOINT

16048

TABLE 5							
Suitable for repair kits Prévost #	PRÉVOST TOOLS NEEDED (Prévost #)						
	A	B	C	D	E	G	H
611112	683114	683115	683116	683117	683118	683120	683119



**Section 16: SUPPLEMENT INFORMATION ON INDEPENDENT FRONT SUSPENSION (IFS)**

**5. UPPER A-ARM BALL JOINTS (ONE-PART BEARING SYSTEM)**

**5.1 MAINTENANCE**

Make a visual inspection of the sealing boot (5) each time lubrication is performed (6,250 miles). Check for grease leaks. Replace boot if split or punched.

Verify the existence of a play between the ball joint (2) and its housing every 18,750 miles (30 000 km). A very small play (1 - 2 mm) is acceptable. Replace as needed.

**Note:** To check the existence of a play, first you need to exhaust the air from the air springs. Refer to paragraph 7 in this section for more details.

All reference numbers mentioned refer to component parts shown in (Fig. 15). To repair order Prévost kit # 611108.

**5.2 STRIPPING DOWN**

Stripping down of the defective joint is to be done in the following sequence:

1. Remove hose clip (6) and clamping ring (7).
2. Take off sealing boot (5).
3. Open up through forcing back peening point and screw out the end ring with hook-spanner (A) ) (For Prévost tools #, refer to table 6). Remove joint bearing elements (1 and 2) and thereafter clean out ball shaped-housing.

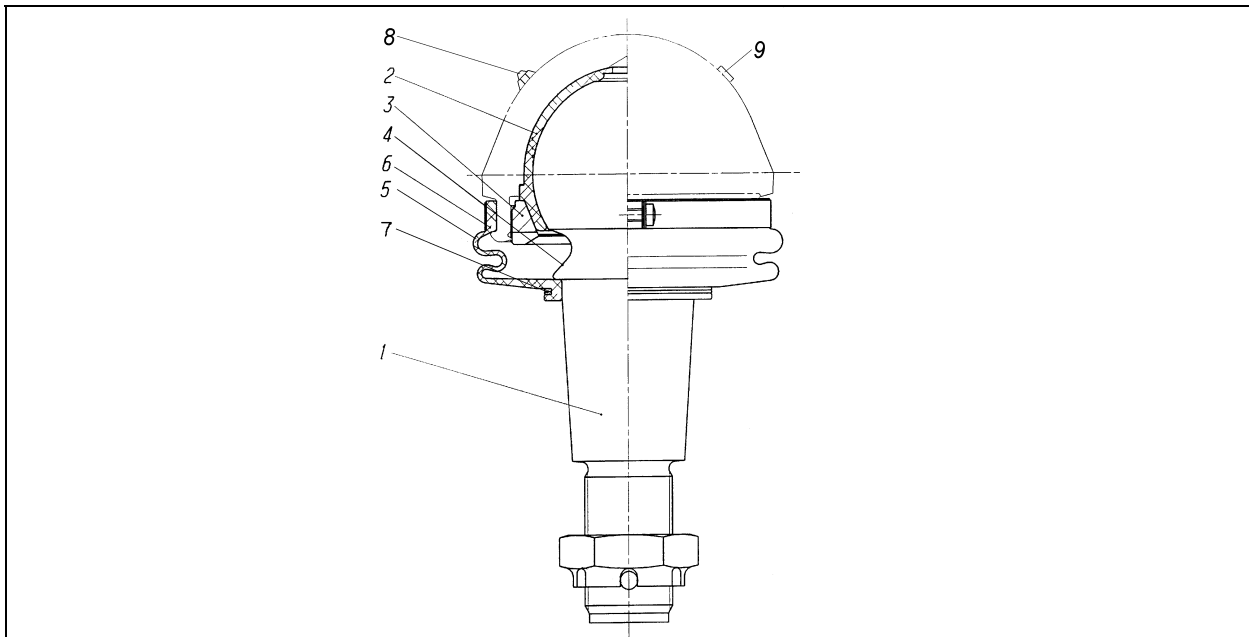
**5.3 ASSEMBLY**

Reassemble the joint with the new component parts in the following sequence :

1. Insert bearing element (1) (with threaded shaft in vertical position) and (2) (preassembled with grease) in ball shaped-housing.
2. Screw end ring onto housing using hook spanner.
3. Fix end ring to housing through peening again at one point.
4. Fit sealing boot (5).
5. Fill space under sealing boot with special LM-grease (20 g ± 1,5 g). Make sure that sealing boot is properly seated in the housing retaining groove and then fit hose clip (6) and clamping ring (7).

TABLE 6	
Suitable for repair kits Prévost #	ORDER PRÉVOST TOOLS # SEE FIGURE 14
	<b>A</b>
611108	683121

6. Lubricate at fitting (8) preferably with Molykote Longterm 2/78 grease until you see some grease on the relief valve (9) nearby. Lubricate as per servicing schedule in Section 24: Lubrication.



**FIGURE 15: BALL JOINT**

16049

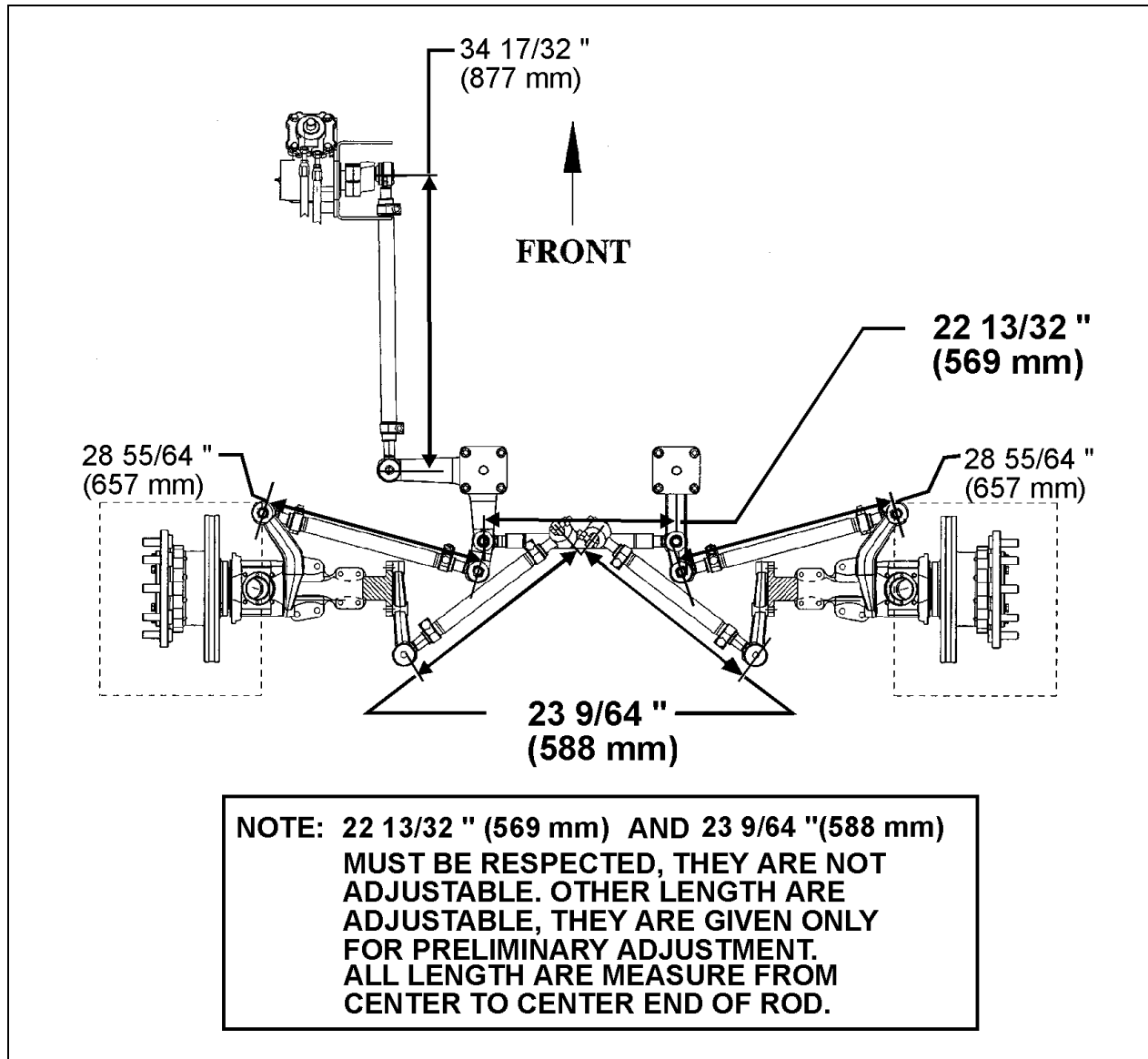


FIGURE 16: STEERING LINKAGE MEASUREMENTS

16050

## 6. FRONT END ALIGNMENT

Proper front end alignment must be maintained to insure ease of steering and provide satisfactory tire life. When making front end alignment inspections, the vehicle must be level and empty with the full weight of the vehicle on the wheels.

Front end alignment inspections fall into two groups : regular service inspections performed at periodic intervals, and inspections to determine the extent of damage after a collision or severe service.

Regular service inspections concern toe-in, camber and caster.

Any variation from the specified alignment will indicate either a need for adjustment or a more thorough inspection to determine if parts replacement is required.

### 6.1 ALIGNMENT TERMINOLOGY

#### Wheel Camber

The amount the wheels are inclined from the vertical plane (A, Fig. 17).

#### Wheel Toe-In

The distance the front wheels are closer together at the front than at the rear of the tires (D minus E, Fig. 17).

## Section 16: SUPPLEMENT INFORMATION ON INDEPENDENT FRONT SUSPENSION (IFS)

---

### Front Axle Caster

The inclination of the king pin from vertical in the fore and aft direction (C, Fig. 17).

### King Pin Inclination

The inclination of the king pin from vertical toward the center of the vehicle at the top and outward at the bottom (B, Fig. 17).

## 6.2 FRONT END INSPECTION

Before checking front end alignment, make the following inspection :

1. Check that the vehicle is at normal ride height (see paragraph "11. Suspension Height Adjustment").
2. Check the tires for proper inflation.
3. Check wheel installation and run-out.
4. Check wheel bearing adjustment.
5. Check tie rods and drag link ends for looseness.
6. Check king pins for looseness.
7. Check if the length of the torque rod is 23 9/64" (588 mm) (Fig. 16). Check if the length of the relay rod is 22 13/32" (569 mm)

## 6.3 FRONT WHEEL CAMBER

Positive camber is the outward inclination of the wheels at the top, negative or reverse camber is the inward inclination of the wheels at the top. Camber variations may be caused by wear at the wheel bearings, wheel spindle bushings, or bent suspension parts.

Check camber, with an accurate gauge. If camber is incorrect, check suspension parts for wear and replace worn parts. If wear is not perceptible, suspension parts may be bent or lower suspension arm may be improperly shimmed.

Check king pin inclination. If king pin inclination is incorrect, readjust the camber and check king pin inclination again.

**Note:** *Camber is more important than king pin inclination, so adjust camber and verify king pin inclination.*

When shimming the lower suspension arm, an equal number of shims **MUST** be used at each mounting bolt (Fig. 17). This allows the proper clamp load to be maintained at each bolt. If the king pin inclination is incorrect, the wheel king pin

assembly may be bent and therefore should be replaced.

Excessive positive camber results in irregular wear of the tires at the outer shoulders. Negative or reverse camber causes wear at the inner shoulders.

**Note:** *Shim only the lower suspension arm to adjust the front wheel camber.*

## 6.4 FRONT WHEEL TOE-IN

Toe-in is measured from the center of the tire treads. Measurements at the front and rear of the tires must be made at the same height from the floor. Incorrect toe-in results in excessive tire wear and steering instability with a tendency to wander.

### 6.4.1 Toe-In Check

1. Check the camber adjustment and adjust if necessary.
2. Hoist the front of the vehicle and spin the wheels marking the centerline of the tire treads.
3. Place the wheels in the straight ahead position and bring the vehicle to rest on the floor.
4. Roll the vehicle ahead several feet. This removes any slack caused by looseness in the wheel bearings or steering connections.
5. Check the distance between the tire centerlines at the front and rear of the front tires. These two measurements must be made at the same height above the floor. The front measurement must be  $3/32 \pm 1/32$  of an inch less than the rear measurement.

### 6.4.2 Toe-In Adjustment

1. Loosen the tie rod clamp bolts.
2. Using a pipe wrench, turn the tie rod tubes to obtain the toe-in measurement specified in step 5 under paragraph "6.4.1 Toe-in Check" of this Supplement.
3. Tighten the tie rod clamp bolts and recheck toe-in.
4. Check that the angular relationship of the pitman arm to the steering gear is as shown in figure 7.

**Note:** *Use only tie rods to adjust toe-in.*

Section 16: SUPPLEMENT INFORMATION ON INDEPENDENT FRONT SUSPENSION (IFS)

6.5 FRONT AXLE CASTER

Positive caster is the inclination of the top of the king pins toward the rear of the vehicle. Negative or reverse caster is the inclination of the king pins toward the front of the vehicle. This vehicle is designed with positive caster. The purpose of caster is to provide steering stability by keeping the wheels in a straight ahead position.

Caster variations may be caused by bent upper suspension arm, lower suspension arm, or king pin housing. Caster can not be adjusted. Incorrect caster must be corrected by replacing the damaged suspension parts. Precision instruments should be used to measure caster.

Variations from the specified caster will affect steering stability, cause wandering, wheel shimmy, and reduce returnability when pulling out of curves.

6.6 MAJOR DAMAGE

If the suspension has sustained major damage, it may be necessary to shim the bell crank and the idler arm to avoid the bump steer or roll steer. Moreover refer to paragraph "6. Front End Alignment".

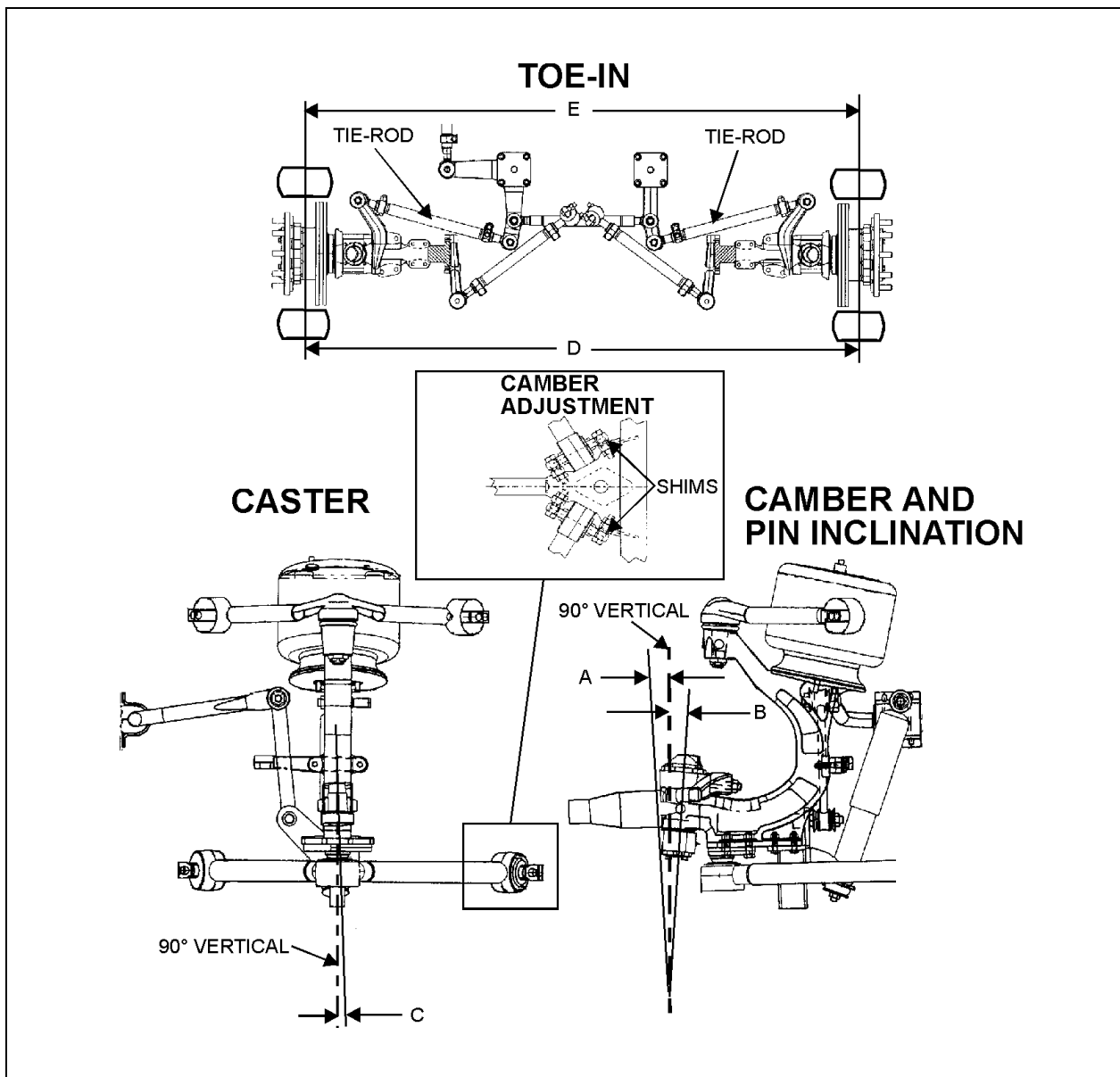


FIGURE 17: FRONT END ALIGNMENT DIAGRAM

16051

DIAGRAM SPECS (SEE FIGURE 17)		
A	WHEEL CAMBER	1/8° ± 1/4°
B	KING PIN INCLINATION	6,5° (not adjustable)
C	CASTER	2° (not adjustable)
D-E	TOE-IN	3/32 ± 1/32 inch.

## 7. FRONT AIR SPRINGS

Two "rolling lobe" type air springs are used with the independent front suspension, one at each wheel. These air springs are special and use the complete piston as an extra reservoir to lower the spring stiffness. Front air springs are attached to the subframe and to uprights.

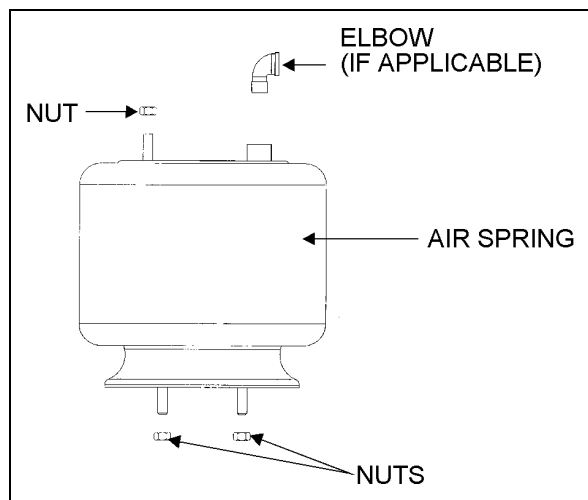


FIGURE 18: AIR SPRINGS

16052

### 7.1 INSPECTION

1. Check operation of bellows.
2. Visually inspect bellows for evidence of cracks, punctures, deterioration, or chafing. Replace the bellows if damage is evident.
3. With the primary air system at normal operating pressure (95 - 125 psi (655 - 860 kPa)), coat all suspension air line connections and bellow mounting areas with a water and soap solution. Bubbles will indicate an air leak, and none is permissible. Repair or replace defective parts.

**Note:** If air spring is removed from vehicle, bellows can be lightly inflated and submerged in water to detect any leakage. If leakage is detected, replace bellow.

**Warning:** To prevent personal injury, do not apply more than 10 psi (69 kPa) air pressure with the air spring unmounted.

### 7.2 REMOVAL

**Note:** Front air springs can be removed without removing the entire suspension assembly.

1. Safely support vehicle at the recommended body jacking points and jack up body under-structure.
2. To gain access to a given air spring, the corresponding wheel can be removed.

**Caution:** Only the recommended jacking points must be used as outlined in Section 18, "Body" in the maintenance manual.

3. Support the assembly with a suitable jack. See figure 18 for jacking point.
4. Exhaust compressed air from accessory air tank by opening drain cock under reservoir.
5. Disconnect the height control valve link and pull down the overtravel lever to ensure all air is exhausted from air springs.

**Note:** While performing this step, do not change the height control valve overtravel lever adjustment.

6. Disconnect air line from air spring, remove elbow (if applicable), and cover both the line end and fitting to prevent the entry of foreign matter.
7. Remove the air spring upper nut, and then the two lower nuts. Remove air spring and remove the back up plate from the top of the air spring.

### 7.3 INSTALLATION

**Note:** To facilitate air spring installation, compress it manually then put a piece of tape over the air line threaded fitting. This prevents air from getting back into the bag and keeps it compressed, thus enabling to place the bag in between the mounting plates and greatly easing installation.

Section 16: SUPPLEMENT INFORMATION ON INDEPENDENT FRONT SUSPENSION (IFS)

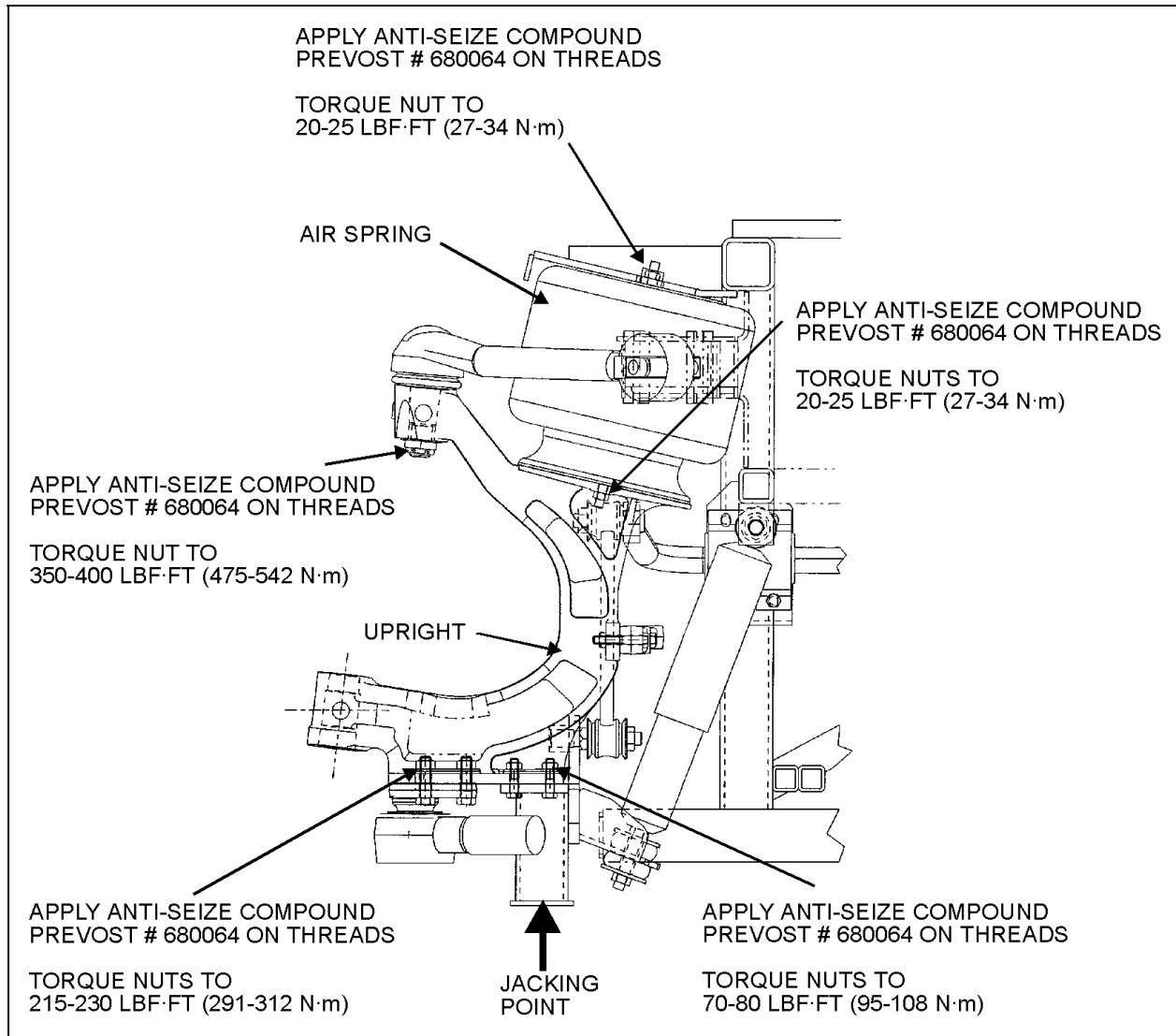


FIGURE 19: AIR SPRING AND SHOCK ABSORBER

16053

1. Compress air spring as necessary, then aligning studs with their holes, position air spring between both the lower and upper supports. Thread the lower nuts and the small upper nut a few turns.
2. Tighten and torque the lower stud nuts, and then the upper nut to 20 - 25 lbf·ft (27 - 34 N·m).
3. Install elbow (if applicable), then connect air line.
4. Connect the height control valve link.
5. Build up air pressure in system.

**Note:** To accelerate this operation, air reservoirs can be filled from an exterior air supply connected to the accessory tank fill valve or to the emergency fill valve.

6. Check operation of bellows, and with the primary air system at normal operating pressure (95 - 125 psi (655 - 860 kPa)), coat the air line connections and air spring mounting areas with a water and soap solution. Bubbles will indicate an air leak, and none is permissible. Repair or replace defective parts.
7. Remove the hydraulic floor jack from underneath shock absorber bracket.

## Section 16: SUPPLEMENT INFORMATION ON INDEPENDENT FRONT SUSPENSION (IFS)

### 8. SHOCK ABSORBERS

The two front shock absorbers are double-acting and telescopic type. Shock absorbers ensure a smooth ride and enhance vehicle stability on the road. Front shock absorbers have eye-type mountings on the upper side and bayonet type on lower side. Shock absorbers are non-adjustable and non-repairable.

**Caution:** When a shock absorber is found defective, always replace with a new set on affected axle, except if there has been a recent replacement of one unit. The following method will help in determining if both shock absorbers on the same axle have to be replaced.

#### 8.1 SHOCK ABSORBER REMOVAL

1. Remove the nut, washer and rubber joint from shock absorber mounting stud. Discard the rubber joints.
2. Remove the nut and washer from shock absorber mounting pin (upper side), taking care to identify the inner and outer washers to ease reinstallation. Refer to figure 20 for details.
3. Remove the shock absorber from the vehicle.
4. Remove inner: washers, rubber joint and bushings from the shock absorber. Discard bushings and rubber joint.

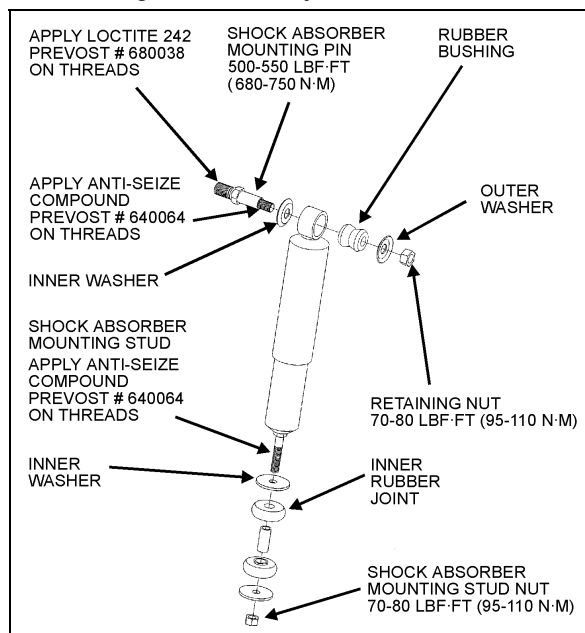


FIGURE 20: SHOCK ABSORBER

16054

#### 8.2 SHOCK ABSORBER INSTALLATION

1. Check that the shock absorber mounting pin is properly torqued (500 - 550 lbf•ft (680 - 750 N•m)). Ensure that the stud is clean and not stripped (upper side).
2. Install new rubber (mounting) bushing on shock absorber (upper side).
3. Place the inner washer on shock absorber pin (Fig. 20).
4. Install washer and rubber joint on shock absorber mounting stud (lower side).
5. Install the shock absorber as shown in figure 18 with the mounting stud protruding through the hole in the mounting bracket and the shock absorber eyes over the mounting pins. Install the outer washer.
6. Place a rubber joint and washer on the shock absorber mounting stud. Place the lower shock absorber mounting stud nut and torque to 70 - 80 lbf•ft (95 - 110 N•m).
7. Place the upper mounting pin stud nut and torque to 70 - 80 lbf•ft (95 - 110 N•m).

### 9. SWAY BAR

A sway bar is provided on the front and drive axles to increase vehicle stability. It controls lateral motion (swaying movement) of vehicle.

#### 9.1 SWAY BAR REMOVAL

1. Disconnect the two links from sway bar.
2. Safely support the sway bar. Unbolt bushing collars from subframe.
3. Remove sway bar.

**Note:** Sway bar bushings are slitted to ease their removal.

#### 9.2 SWAY BAR INSTALLATION

1. Loosely install the sway bar.
2. Torque bushing collar nuts to 70 - 80 lbf•ft (95 - 110 N•m).
3. Torque sway bar link upper nuts to 215 - 225 lbf•ft (290 - 305 N•m) on front suspension and to 100 - 120 lbf•ft (136 - 163 N•m) on rear suspension.
4. Torque sway bar link lower nuts to 70 - 80 lbf•ft (95 - 110 N•m).

Section 16: SUPPLEMENT INFORMATION ON INDEPENDENT FRONT SUSPENSION (IFS)

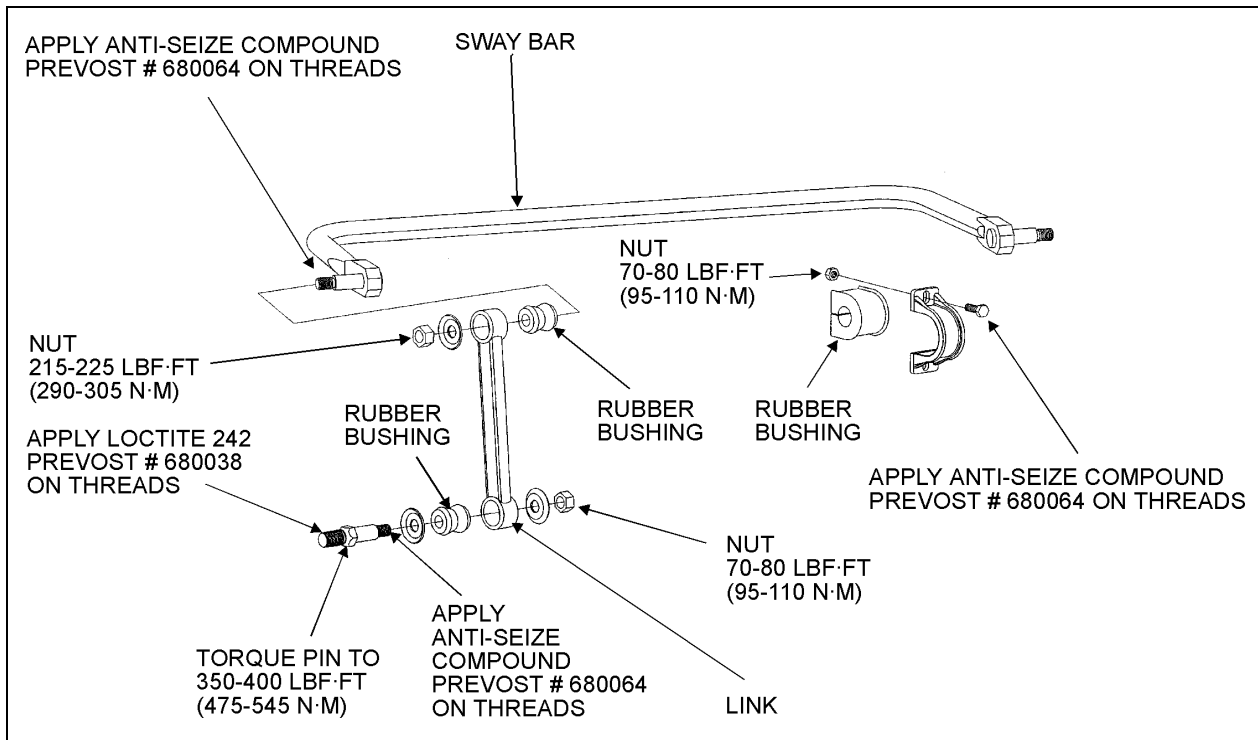


FIGURE 21: SWAY BAR (FRONT SUSPENSION)

16055

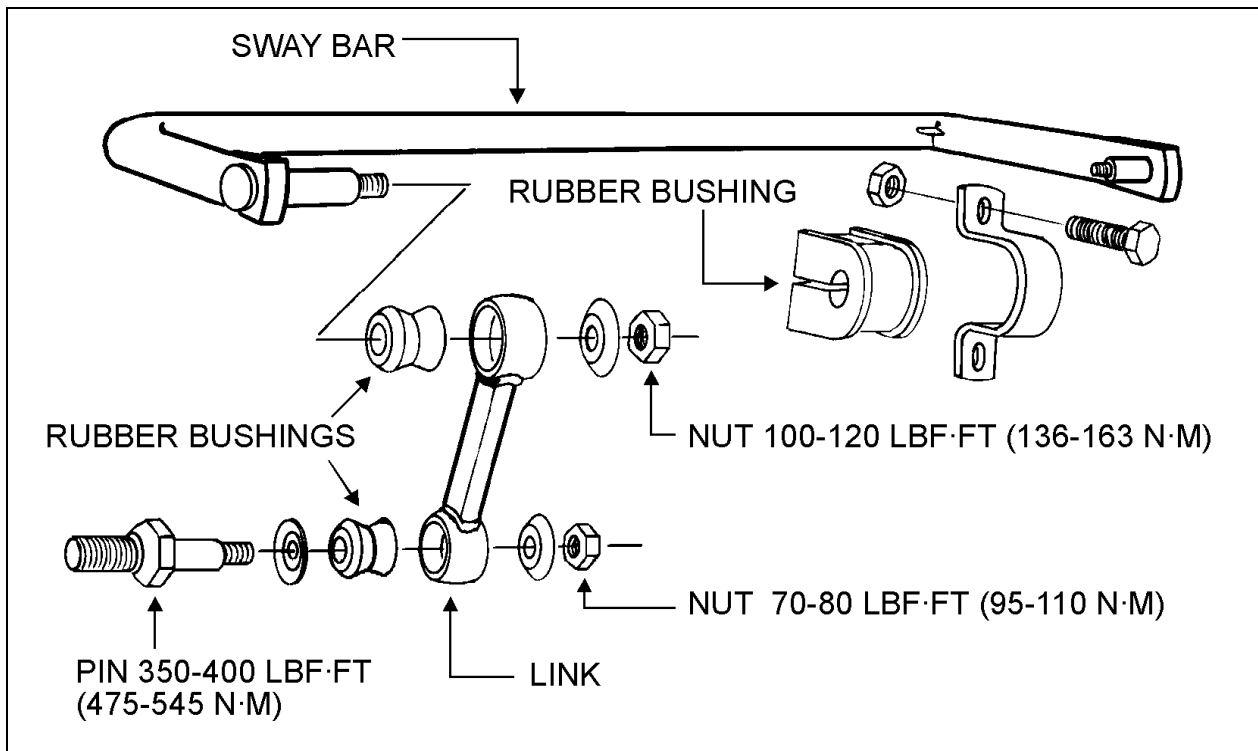


FIGURE 22: SWAY BAR (REAR SUSPENSION)

16014



## 10. INDEPENDENT FRONT SUSPENSION ADJUSTMENT

Converted coach shells are equipped with "LEVEL-LOW" leveling system. The purpose of the "LEVEL-LOW" is to adjust suspension in three separate points (front, rear right and rear left air springs) in order to level vehicle body. Three height control valves, automatically control air pressure in the three separate points (air springs) and maintains a constant vehicle height regardless of load, or load distribution. The control solenoid valve supplies air to the five way three-position air control valve, which bypasses the height control valve, and opens a passage to allow the air control and exhaust valve to release/supply air from air springs. To improve road comfort, an expansion air tank is installed in series with each air springs.

In addition to the above suspension components the system also includes: sway bar, upper and lower suspensions, bars and shock absorbers (Fig. 1).

**Note:** Only for preliminary adjustment, refer to figure 16. Torque rod length must be fixed to 23 9/64" (588 mm) and relay rod to 22 13/32" (569 mm).

**Caution:** Parts must be replaced by ones with the same part numbers or with equivalent parts, if replacement becomes necessary. Do not use parts of lesser quality or substitute design. Torque values must be used as specified during reassembly to assure proper retention of these parts.

## 11. SUSPENSION HEIGHT ADJUSTMENT

The flow of pressurized air from the accessory air tank to the air springs is controlled by three height control valves. The two rear valves are mounted to the subframe and connected to the rear axles through an arm and link connection. The front valve is mounted to the subframe and connected to the front air tank support (Fig. 23). These connections allow the valves to apportion air pressure in the springs to the vehicle load, maintaining normal ride height.

Immediate response height control valves increase or decrease the air pressure in the suspension system as required. One height control valve is located **at center of front sway bar**, and regulates air to front suspension air springs in order to maintain the vehicle at the required height. Two are located at the drive axle, one on each inner side of rear wheelhousing.

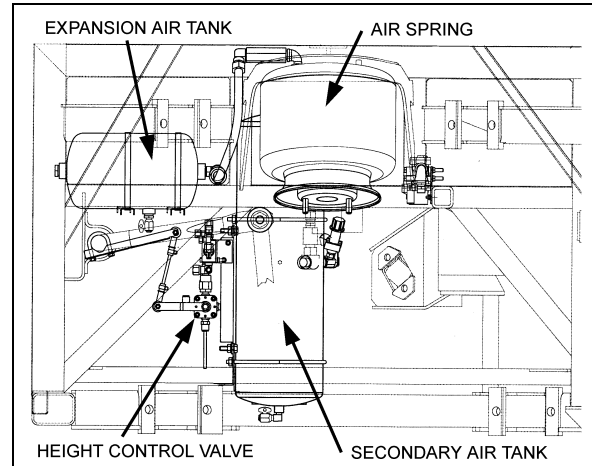


FIGURE 23: HEIGHT CONTROL VALVE LOCATION 16101

The appropriate vehicle body height is obtained by measuring the clearance of all the air springs installed on the vehicle. The two front air springs clearance should be 11 11/16 inches (297 mm). Refer to figure 24 to identify the correct area to take measurement. The rear air springs clearance should be 11½ ± ¼" (292 ± 6 mm) (refer to Maintenance Manual, Section 16, under "Suspension Height Adjustment" for rear height control valves' adjustment). At this point, it should not be necessary to make an adjustment under normal service conditions. However, if an adjustment is required, change the position of the overtravel lever in relation to the overtravel control body. The lever should be moved up to raise vehicle height, and down to lower it. Check that main air pressure is at normal operating pressure and raise the vehicle to the specified height.

**Caution:** Always adjust on "fill cycle". If it is necessary to lower vehicle height, release sufficient air to be well below height, and adjust to height or fill cycle.

## Section 16: SUPPLEMENT INFORMATION ON INDEPENDENT FRONT SUSPENSION (IFS)

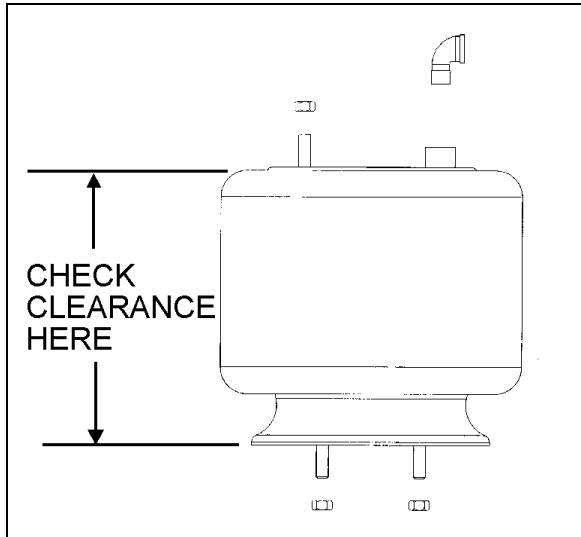


FIGURE 24: TYPICAL AIR SPRING CLEARANCE 16058

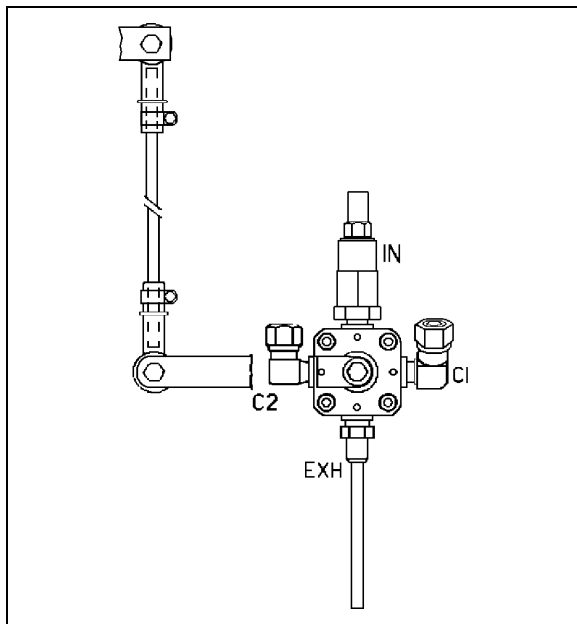


FIGURE 25: ISS FRONT HEIGHT CONTROL VALVE 16100

The normal ride height is obtained by adjusting air spring clearance of both front and rear suspension as follows:

### Front air spring clearance

1. With the vehicle at normal operating air pressure (100 - 125 psi (689 - 860 kPa)), measure air spring clearance. This clearance should be 11 11/16 inches (297 mm).

**Note:** The measurement should be taken from underneath the upper air spring support on subframe to top of the lower air spring support on axle (refer to figure 24 for more details). If adjustment is required, begin with the drive axle.

2. Loosen the clamp on the rubber coupling and bring it up or down (Fig. 25).

**Note:** Allow suspension to stabilize before taking reading.

When the desired height is obtained, tighten clamp.

### Rear air springs clearance

Refer to Maintenance Manual, Section 16, under "Suspension Height Adjustment".

## 12. HEIGHT CONTROL VALVE

The height control valves automatically add air to, or release air from air springs to maintain constant suspension height regardless of load, or load distribution. Each valve adjusts independently according to the following conditions:

### 12.1 LOADING POSITION

As the load increases and lowers the vehicle body, the overtravel lever commands the height control valve to add air to air springs.

### 12.2 NEUTRAL POSITION

When vehicle body reaches the normal ride height, the height control valve overtravel lever reaches the "neutral" position and keeps both the supply and exhaust ports closed to ensure normal ride height is maintained. This condition remains static until the vehicle load is altered.

### 12.3 UNLOADING POSITION

As the load decreases and raises the vehicle body, the overtravel lever commands the height control valve to release air from air springs.

### 12.4 MAINTENANCE

The height control valve requires no periodic maintenance. Height control valve linkage operates on rubber bushings and no lubrication should be attempted at this location. Inspect the valve for loose joints, air leaks and worn bushings.

### 12.5 REMOVAL AND INSTALLATION

Before disconnecting a height control valve air line, securely support the vehicle by its jacking points on the body, and place safety supports underneath body. Refer to paragraph "16. Vehicle Jacking Points" in Section 18, "Body".

## Section 16: SUPPLEMENT INFORMATION ON INDEPENDENT FRONT SUSPENSION (IFS)

1. Exhaust air from air system by opening all air tank drain cocks. Remove height control valves.
2. Disconnect overtravel lever from link and pull down lever to exhaust remaining air from air springs.
3. Disconnect air supply and delivery lines from the height control valve. Cover line ends with tape to prevent entry of foreign matter.
4. Remove the nuts retaining the height control valve to the mounting bracket, then remove valve assembly.

Reverse removal procedure to replace height control valve. After installation, check for leakage using a soap and water solution.

### 13. "LEVEL-LOW" LEVELING SYSTEM

The purpose of the "level-low" leveling system is to adjust suspension in three separate points (front, rear right and rear left) in order to level vehicle body. This system can be put into service when the ignition key is turned to the "ON" position, and must be used only when the parking brake is

applied. The "level-low" warning light on the dashboard indicates that the selector switch is not in the "OFF" position. Level low system controls are located on L.H. side control panel.

### 13.1 PRINCIPLES OF OPERATION

Refer to the systems pneumatic diagram annexed at the end of this section.

### 14. AIR SYSTEM

The basic air system consists of an air compressor, tanks, valves, filters and interconnecting lines and hoses (refer to Section 12, "Brake and Air System" for complete information). It provides a means for braking, operating controls and accessories, and suspension. An air system schematic diagram is annexed at the end of this supplement for better understanding of the system.

The air coming from the air dryer is first directed to the wet air tank, then to the primary (for the primary brake system), secondary (for the secondary brake system), and accessory (for the pneumatic accessories) air tanks (Fig. 26).

In addition, an expansion air tank is installed in series with each air spring.

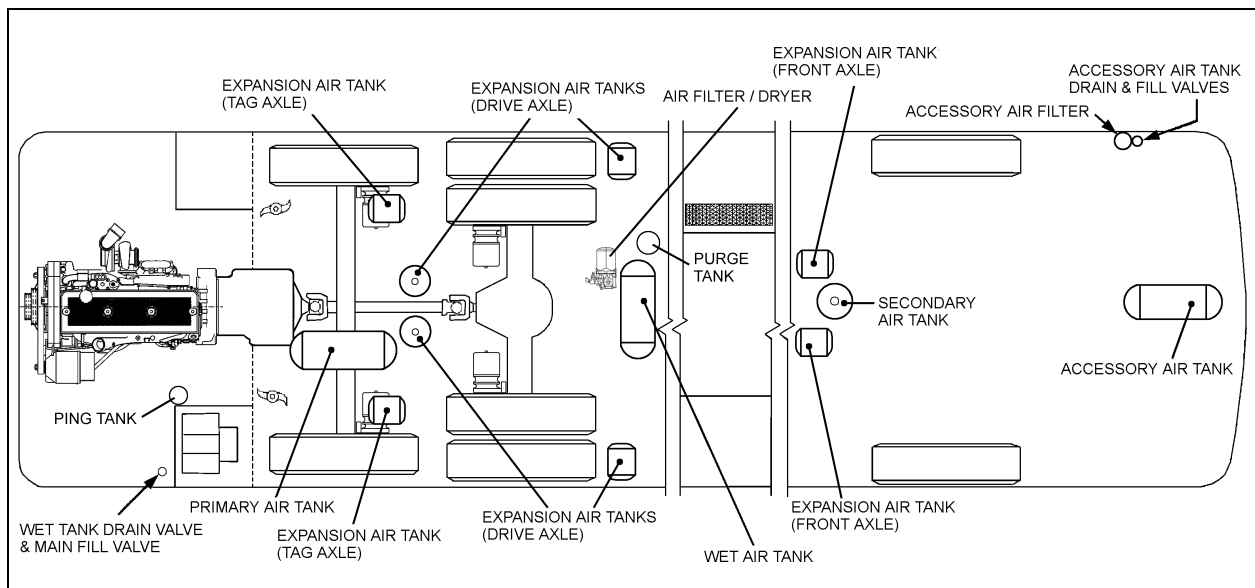


FIGURE 26: LOCATION OF AIR TANKS

12195

## 14.1 AIR TANK MAINTENANCE

Ensure that the accessory air tank is purged during pre-starting inspection. A good practice is to purge this tank at the end of every driving day by the remote air tank drain valve located in the steering compartment (Fig. 28).

Moreover, purge all tanks by their bottom drain valves at specified intervals.

### 14.1.1 Wet Air Tank

This tank is installed in front and above the drive axle in the rear wheelhousing and is provided with a bottom drain valve. It is recommended to **purge** the wet air tank by its bottom drain valve every 12,500 miles (20 000 km), or once a year, whichever comes first.

A remote valve located in engine compartment and accessible through engine R.H. side door is used to **purge daily** (Fig. 27).

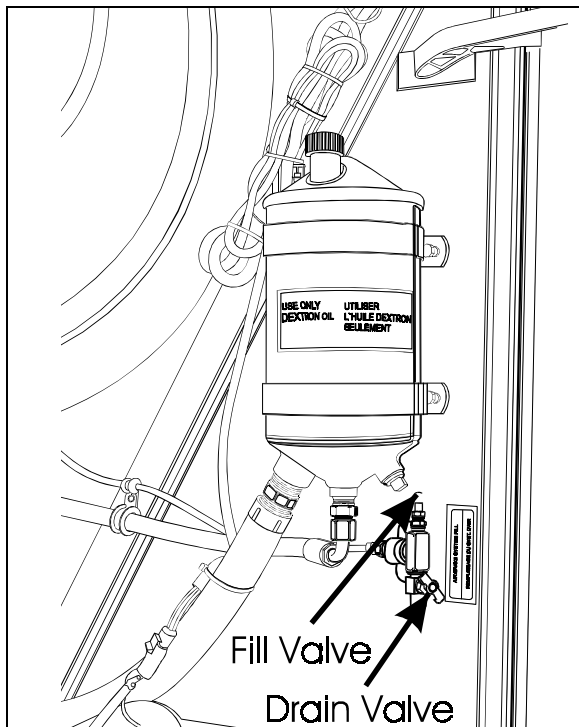


FIGURE 27: REAR VALVE LOCATION 12148

### 14.1.2 Primary Air Tank

The primary air tank is located above tag axle.

This tank is also provided with a bottom drain valve (Fig. 26). It is recommended to purge the tank by its bottom drain valve every 12,500 miles (20 000 km) or once a year, whichever comes first.

### 14.1.3 Secondary Air Tank

This tank is located in front wheelhousing. The tank is installed vertically and is provided with a bottom drain valve (Fig. 26).

It is recommended to purge the tank by its bottom drain valve, every 12,500 miles (20 000 km) or once a year, whichever comes first.

### 14.1.4 Accessory Air Tank

The accessory air tank is installed at the ceiling of spare wheel compartment. The tank is provided with a bottom drain valve (Fig. 26).

It is recommended to purge the tank by its bottom drain valve, every 12,500 miles (20 000 km) or once a year, whichever comes first.

A remote drain valve is located in front service compartment (Fig. 28) underneath the accessory air filter. Refer to Section 12, paragraph "5. Accessory Air Filter" of the maintenance manual for daily purge procedure.

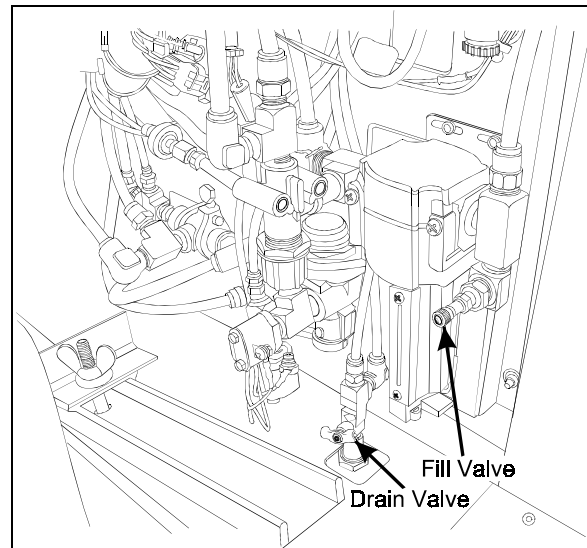


FIGURE 28: FRONT VALVE LOCATION 12134

### 14.1.5 Expansion Air Tank

Two expansion tanks are located in front wheelhousing. These air tanks are located behind the secondary air tank. Also, six expansion tanks are located near rear air springs (Fig. 26). Expansion tanks are connected in series with air springs. Expansion tanks are used to lower the stiffness of the air spring. They are provided with a bottom drain valve.

It is recommended to purge them, with all other tanks, every 12,500 miles (20 000 km) or once a year, whichever comes first.

## Section 16: SUPPLEMENT INFORMATION ON INDEPENDENT FRONT SUSPENSION (IFS)

---

### 14.2 EMERGENCY FILL VALVES

The vehicle is equipped with two air system emergency fill valves to supplement the air system when air pressure is low and engine cannot be operated.

**The rear valve** is located in engine compartment and accessible from engine R.H. side door (Fig. 27).

**Caution:** *No other point should be used to supply air system. The maximum allowable air pressure is 125 psi (860 kPa).*

The front valve is located in the front service compartment close to accessory air filter (Fig. 28).

These two air valves are fitted with the same valve stems as standard tires, and can be filled by any standard external air supply line.

The rear valve will supply air for all systems (brakes, suspension and accessories) while the front valve will supply air for accessories only.

**Caution:** *Air filled through these two points will pass through the standard air filtering system provided by Prévost. Do not fill air through any other points.*

### 15. HUB UNIT AND SWIVEL ASSEMBLY

Refer to GKN AXLES LIMITED KIRKSTALL DIVISION, Service Manual for axle type S82, annexed at the end of section 10.

**Section 16: SUPPLEMENT INFORMATION ON INDEPENDENT FRONT SUSPENSION (IFS)**

**16. TORQUE TABLE**

<b>DESCRIPTION</b>	<b>QTY</b>	<b>REFERENCE</b>	<b>TORQUE (DRY)</b>	
			<b>lbf·ft / N·m</b>	
<i>Pitman Arm to Steering Gear Fixing Nut</i>	1	8	405-445	550-605
<i>Drag Link to Pitman Arm Stud Nut*</i>	1	---	160-300	220-410
<i>Drag Link to Bell crank Stud Nut*</i>	1	---	160-300	220-410
<i>Drag Link Socket End Clamp Bolt Nut</i>	2	---	60-80	80-110
<i>Relay Rod to Bell crank Stud Nut*</i>	1	---	160	220
<i>Relay Rod to Idler Arm Stud Nut*</i>	1	5	160	220
<i>Tie Rod to Bell crank Stud Nut*</i>	1	---	160	220
<i>Tie Rod to Idler Arm Stud Nut*</i>	1	5	160	220
<i>Tie Rod to Steering Arm Stud Nut*</i>	2	3	160-215	220-290
<i>Tie Rod End Clamp Bolt Nut</i>	4	3	60-80	80-110
<i>Steering Arm to Swivel Nut*</i>	4	---	190-275	260-375
<i>Torque Rod Stud Nut</i>	2	4	160-215	220-290
<i>Idler Arm and Bell Crank Mounting Bracket Nut</i>	8	5	100-110	135-150
<i>Idler Arm and Bell Crank Cap Screws</i>	8	9	8	11
<i>Torque Rod Mounting Bracket Nut</i>	4	6	215-230	290-310
<i>Torque Rod Clamp Nut</i>	4	4	53-59	72-80
<i>Air Spring Nut</i>	3	18	20-25	27-34
<i>Upper A-Arm Stud Nut*</i>	2	18	350-400	475-540
<i>Lower A-Arm Bracket Nut</i>	8	18	215-230	290-310
<i>Jacking Point Bracket Nut</i>	8	19	70-80	95-110
<i>Shock Absorber Pin</i>	2	19	500-550	680-750
<i>Shock Absorber Pin Nut</i>	2	19	70-80	95-110
<i>Shock Absorber Mounting Stud Nut</i>	2	19	70-80	95-110
<i>Bushing Collar Nut</i>	8	20	70-80	95-110
<i>Sway Bar Link Upper Nut (Front Suspension)</i>	2	20	215-225	290-305
<i>Sway Bar Link Upper Nut (Rear Suspension)</i>	2	20	100-120	136-163
<i>Sway Bar Link Lower Nut</i>	2	20	70-80	95-110
<i>Sway Bar Pin</i>	2	20	350-400	475-545

<b>DESCRIPTION</b>	<b>QTY</b>	<b>REFERENCE</b>	<b>TORQUE (Lubricated)</b>	
			<b>(Loctite #242 Blue)</b>	
			<b>lbf·ft / N·m</b>	
<i>Steering Gear to Mounting Bracket Bolt</i>	5	8	275	375

- Tighten nut to specified torque, then advance to next aligning cotter pin slot and install a new cotter pin.

**17. SPECIFICATIONS**

**Front Axle Air Springs**

Make ..... Goodyear Tire and Rubber  
Diameter..... 12 inches  
Air Inlet..... 1/2" - 14 NPTF  
Supplier number..... 1R12-377  
Prévost number..... 630151

**Shock Absorbers**

Collapsed length ..... 14.20 inches  
Extended Length ..... 22.45 inches  
Piston diameter ..... 2 1/16 inches  
Stroke..... 8 1/4 inches  
Prévost number..... 630163

**Height Control Valve**

Make ..... Barksdale  
Supplier number..... 52321POAQ3-Q26 and 52321POAQ3-Q62  
Prévost number..... 630156 and 630157

**Steering Gear Box**

Make ..... ZF-Servocom  
Supplier number..... 8098-988-571  
Prévost number..... 661044

**Power Steering Hydraulic Pump**

Make ..... TRW  
Supplier number..... PS251615L0200  
Prévost number..... 661009

**Shim (Camber Adjustment)**

Thickness..... 3.175 mm  
Prévost number..... 160993  
Thickness..... 6.35 mm  
Prévost number..... 160992