



H3-45 VIP  
**OWNER'S  
MANUAL**

**PREVOST**  
THE ULTIMATE EXPERIENCE







# PREVOST

## OWNER'S MANUAL



PA-1653 rev. 2  
February 2024



## PA-1653

### Featuring:

- New front and rear aerodynamic design
- New dashboard & driver environment

First edition: April 2023, starting from vehicle P-1348

REV	EFFECTIVE	DESCRIPTION	DATE
-	P-1348	First release	April 2023
1	P-1348	ADDITION: Appendix D, E	04-19-2023
2	R-1913	New MY2024 D13 engine EPA2024 EO	Feb 2023



	i
<b>FOREWORD</b>	
<b>IMPORTANT INFORMATION</b> .....	<b>X</b>
<b>COMPLIANCE</b> .....	<b>XI</b>
STATE OF CALIFORNIA PROPOSITION 65 .....	<b>XI</b>
<b>CRITICAL EMISSION-RELATED MAINTENANCE</b> .....	<b>XII</b>
<b>DATA LOGGING</b> .....	<b>XIII</b>
EVENT DATA RECORDING DEVICES .....	<b>XIII</b>
ELECTRONIC LOGGING DEVICE (ELD) .....	<b>XIV</b>
TELEMATICS DEVICE .....	<b>XV</b>
OWNERSHIP OR ADDRESS HAS CHANGED .....	<b>XV</b>
<b>QUESTIONS AND COMPLAINTS</b> .....	<b>XV</b>
<b>REPORTING SAFETY DEFECTS</b> .....	<b>XVI</b>
UNITED STATES .....	<b>XVI</b>
CANADA .....	<b>XVI</b>
<b>SECTION 1 - Safety Precautions</b>	
<b>SAFE OPERATING PRACTICES</b> .....	<b>2</b>
<b>DEFENSIVE DRIVING PRACTICES</b> .....	<b>3</b>
<b>OTHER PRECAUTIONS</b> .....	<b>3</b>
<b>SECTION 2 - Coach Exterior</b>	
<b>EXTERIOR VIEW</b> .....	<b>2</b>
<b>ENGINE COMPARTMENT COMPONENTS</b> .....	<b>4</b>
<b>ENGINE COMPARTMENT DOOR</b> .....	<b>6</b>
<b>EXHAUST AFTERTREATMENT SYSTEM ACCESS HATCH</b> .....	<b>8</b>
<b>BACK-UP CAMERA</b> .....	<b>8</b>
<b>ENGINE COMPARTMENT CURBSIDE DOOR</b> .....	<b>8</b>
<b>120-VOLT CONNECTORS</b> .....	<b>9</b>
BATTERY CHARGER .....	<b>9</b>
<b>MAIN POWER COMPARTMENT</b> .....	<b>9</b>
<b>CURB SIDE FUEL FILLER NECK ACCESS</b> .....	<b>10</b>
<b>CONDENSER COMPARTMENT</b> .....	<b>10</b>
<b>BAGGAGE COMPARTMENTS</b> .....	<b>11</b>
<b>ENTRANCE DOOR</b> .....	<b>11</b>
LOCK OPERATION .....	<b>11</b>
KEYLESS ENTRY SYSTEM .....	<b>12</b>
<b>RECLINING BUMPER COMPARTMENT</b> .....	<b>12</b>
<b>WIPER MECHANISM ACCESS HATCH</b> .....	<b>13</b>
<b>HEADLIGHTS</b> .....	<b>14</b>
<b>FRONT ELECTRICAL AND SERVICE COMPARTMENT</b> .....	<b>15</b>
<b>REAR-VIEW MIRRORS</b> .....	<b>15</b>
<b>SIDE CAMERA REAR-VIEW SYSTEM</b> .....	<b>16</b>
<b>STREET SIDE FUEL AND DIESEL EXHAUST FLUID (DEF) FILLER NECKS ACCESS</b> .....	<b>16</b>
<b>RADIATOR DOOR</b> .....	<b>17</b>
<b>SCR CONVERTER ACCESS HATCH</b> .....	<b>18</b>
<b>TRAILER HITCH</b> .....	<b>18</b>
TRAILER HITCH LIMITATIONS .....	<b>19</b>
<b>SECTION 3 - Coach Interior</b>	
<b>UTILITY COMPARTMENTS</b> .....	<b>2</b>
<b>DRIVER AND NAVIGATOR SEAT (ISRI)</b> .....	<b>2</b>
PNEUMATIC ISRI SEAT MODEL 6832/872 NTS .....	<b>2</b>
ELECTRICAL ISRI SEAT .....	<b>2</b>
<b>ADJUSTABLE HVAC REGISTERS</b> .....	<b>3</b>
<b>DRIVER SEAT BELT</b> .....	<b>3</b>



### 3-ii Table of contents

---

<b>WINDOWS</b> .....	<b>4</b>
DRIVER'S POWER WINDOW .....	4
FIXED WINDOWS .....	4
AWNING WINDOWS .....	4
SLIDING WINDOWS .....	5
<b>KEYS</b> .....	<b>5</b>
ENTRANCE DOOR KEY .....	5
EXTERIOR COMPARTMENT KEY .....	5
USING THE REMOTE ENTRY TRANSMITTER .....	6

## **SECTION 4 - Controls and Instruments**

<b>DRIVER'S AREA OVERVIEW</b> .....	<b>3</b>
<b>LATERAL CONTROL PANEL</b> .....	<b>4</b>
ENGINE START BUTTON .....	4
12-VOLT POWER OUTLET .....	5
TRANSMISSION CONTROL PAD .....	5
MIRROR CONTROLS .....	5
LATERAL UTILITY COMPARTMENT .....	6
<b>AUTOMATIC FIRE DETECTION AND SUPPRESSION SYSTEM (AFSS)</b> .....	<b>6</b>
AUTOMATIC FIRE SUPPRESSION SYSTEM PANEL .....	6
<b>DASHBOARD</b> .....	<b>7</b>
CONTROL SWITCHES .....	8
PARKING BRAKE CONTROL KNOB .....	12
<b>DEA600 SERIES RADIO SYSTEM AND INFOTAINMENT DISPLAY OVERVIEW</b> .....	<b>13</b>
DASHBOARD RADIO .....	13
SECONDARY INFORMATION DISPLAY (SID) .....	13
<b>HVAC CONTROL UNIT</b> .....	<b>15</b>
CENTRAL UTILITY COMPARTMENT .....	16
<b>INSTRUMENT PANEL</b> .....	<b>17</b>
DRIVER INFORMATION LEVEL .....	18
ANALOG INDICATORS .....	19
TELLTALE LIGHTS .....	23
STOP AND CHECK TELLTALE LIGHTS .....	26
DRIVER INFORMATION DISPLAY .....	27
<b>STEERING COLUMN CONTROLS</b> .....	<b>34</b>
DIRECTION INDICATOR AND HIGH BEAM CONTROL STALK .....	34
WINDSHIELD WIPERS CONTROL STALK .....	35
AUXILIARY BRAKE CONTROL STALKS .....	35
STEERING WHEEL KEYPADS .....	37
<b>FOOT-OPERATED CONTROLS</b> .....	<b>38</b>
STEERING WHEEL ADJUSTMENT .....	38
BRAKE PEDAL .....	39
ACCELERATOR PEDAL .....	39
<b>ON BOARD DIAGNOSTIC TOOL RECEPTACLE</b> .....	<b>39</b>
<b>TIRE PRESSURE MONITORING SYSTEMS (TPMS)</b> .....	<b>39</b>
SYSTEM MALFUNCTION .....	39
TPMS - SYSTEM DESCRIPTION .....	39
<b>CRUISE CONTROL</b> .....	<b>41</b>
TURNING THE SYSTEM ON .....	41
SETTING CRUISE SPEED .....	42
<b>PREVOST DRIVER ASSIST™</b> .....	<b>44</b>
ASSOCIATED HARDWARE EQUIPMENT .....	44
PREVOST DRIVER ASSIST™ CONSISTS OF THE FOLLOWING SYSTEMS AND FEATURES .....	45
POTENTIALLY CHALLENGING SITUATIONS FOR THE PREVOST DRIVER ASSIST™ SYSTEM .....	47
LANE DEPARTURE WARNING LDW .....	47



FORWARD COLLISION MITIGATION FCM .....	50
ADAPTIVE CRUISE WITH BRAKING ACB .....	51
DRIVER WARNINGS AND SYSTEM STATUS .....	54
FOLLOWING DISTANCE ALERT .....	56
IMPACT ALERT .....	57
WHAT TO EXPECT WHEN USING THE PREVOST DRIVER ASSIST™ SYSTEM .....	60
HOW YOUR ACTIONS IMPACT THE PREVOST DRIVER ASSIST™ SYSTEM .....	63
<b>SIDE CAMERA REAR-VIEW MONITORS .....</b>	<b>64</b>
REFERENCE LINES .....	64
BRIGHTNESS ADJUSTMENT .....	64
MONITOR STATE .....	65
<b>ALLISON TRANSMISSION .....</b>	<b>65</b>
OPERATION .....	66
PUSHBUTTON SHIFT SELECTOR .....	66
PRIMARY AND SECONDARY SHIFT SCHEDULES .....	66
TRANSMISSION SERVICE INDICATOR .....	66
DESCRIPTION OF AVAILABLE RANGES .....	67
TOWING RECOMMENDATIONS .....	68
<b>SECTION 5 - Other Features</b>	
<b>EXHAUST AFTERTREATMENT SYSTEM .....</b>	<b>2</b>
FILTRATION AND REGENERATION UNIT .....	2
PASSIVE REGENERATION .....	2
ACTIVE REGENERATION .....	2
STATIONARY (PARKED) REGENERATION .....	2
DEF CLOGGING SEQUENCE – INSTRUMENT CLUSTER TELLTALE LIGHT .....	3
SELECTIVE CATALYTIC REDUCTION UNIT .....	4
DRIVER WARNING AND INDUCEMENT MEASURES .....	6
<b>INTELLIGENT SLEEP MODE (ISM) .....</b>	<b>10</b>
<b>TRANSMISSION RETARDER (OPTION) .....</b>	<b>10</b>
<b>ENGINE BRAKE .....</b>	<b>10</b>
VOLVO ENGINE BRAKE (VEB) .....	11
<b>ABS, TRACTION CONTROL SYSTEM (TCS) &amp; ELECTRONIC STABILITY CONTROL (ESC) .....</b>	<b>11</b>
ANTILOCK BRAKING SYSTEM (ABS) .....	11
TRACTION CONTROL SYSTEM (TCS) .....	12
ELECTRONIC STABILITY CONTROL (OPTION) .....	12
<b>AUTOMATIC TAG UNLOAD .....</b>	<b>13</b>
MANUAL UNLOAD .....	13
AUTOMATIC MODE .....	13
LOAD & LOCK .....	13
<b>KEYLESS ENTRY SYSTEM .....</b>	<b>13</b>
USING THE REMOTE ENTRY TRANSMITTER .....	14
KEYPAD OPERATING INSTRUCTIONS .....	15
MANAGING KEYPAD PERSONAL CODES .....	16
ADDING NEW TRANSMITTERS .....	17
<b>SLIDE-OUT OPERATION .....</b>	<b>18</b>
SAFETY PRECAUTIONS .....	18
FRONT AND REAR SLIDE-OUT OPERATION .....	18
SLIDE-OUT MANUAL OVERRIDE PROCEDURE .....	19
MOBILE FLOOR HAND CRANK PROCEDURE .....	23
SLIDE-OUT TROUBLESHOOTING .....	23
SLIDE-OUT TROUBLESHOOTING TABLE .....	25
<b>SECTION 6 - Starting and Stopping Procedures</b>	
<b>STARTING THE ENGINE .....</b>	<b>2</b>
STARTING FROM THE DRIVER'S SEAT .....	2

### 3-iv Table of contents

---

STARTING FROM THE ENGINE COMPARTMENT .....	3
COLD WEATHER STARTING .....	4
JUMP STARTING .....	5
<b>ENGINE PROTECTION SYSTEM .....</b>	<b>6</b>
AUTOMATIC ENGINE SHUTDOWN .....	6
<b>IDLE SHUTDOWN TIMER .....</b>	<b>7</b>
<b>ENGINE WARM-UP .....</b>	<b>7</b>
<b>ALLISON TRANSMISSION WARM-UP .....</b>	<b>7</b>
<b>SECTION 7 - Safety Features and Equipment</b>	
<b>EMERGENCY EXITS .....</b>	<b>2</b>
ELECTRIC AWNING WINDOW .....	2
ELECTRIC SLIDING WINDOW .....	2
FIXED WINDOW .....	2
<b>EMERGENCY EQUIPMENT .....</b>	<b>2</b>
FIRE EXTINGUISHERS .....	2
FIRST-AID KIT .....	2
WARNING REFLECTORS H3 SERIES .....	2
JACK AND TOOLS H3 SERIES .....	2
SPARE PARTS KIT .....	3
AUTOMATIC FIRE SUPPRESSION SYSTEM (AFSS) .....	3
<b>CHANGING WHEEL .....</b>	<b>4</b>
<b>EMERGENCY AIR-FILL VALVES .....</b>	<b>4</b>
<b>EMERGENCY AND PARKING BRAKES .....</b>	<b>5</b>
<b>VEHICLE JACKING POINTS .....</b>	<b>5</b>
HYDRAULIC JACK .....	5
<b>TOWING THE VEHICLE .....</b>	<b>6</b>
<b>DAYTIME RUNNING LIGHTS .....</b>	<b>6</b>
<b>FOG LIGHTS .....</b>	<b>6</b>
<b>CORNERING AND DOCKING LIGHTS .....</b>	<b>6</b>
<b>PERIMETER LIGHTS .....</b>	<b>6</b>
<b>COMPARTMENT LIGHTING .....</b>	<b>7</b>
<b>MUD FLAPS AND SPLASH GUARDS .....</b>	<b>7</b>
<b>BACK-UP CAMERA .....</b>	<b>7</b>
<b>BACK-UP ALARM .....</b>	<b>7</b>
BACK-UP ALARM CANCEL SWITCH .....	7
<b>ESSENTIAL FUNCTIONS TO OPERATE THE VEHICLE (BASIC LIMP-HOME FUNCTIONS) .....</b>	<b>7</b>
AVAILABLE FUNCTIONS .....	7
<b>SECTION 8 - Care and Maintenance</b>	
<b>CLEANING .....</b>	<b>3</b>
SEAT UPHOLSTERY .....	3
PLASTIC AND VINYL .....	4
WINDOWS .....	4
STAINLESS STEEL .....	4
HIGH PRESSURE LAMINATE .....	4
RUBBER COMPONENTS .....	4
FLOOR CLEANING .....	4
EXTERIOR SURFACES .....	4
WINDSHIELD .....	5
WIPER BLADES .....	5
<b>FLUID LEVEL VERIFICATION .....</b>	<b>5</b>
ENGINE OIL LEVEL .....	5
TRANSMISSION FLUID LEVEL .....	6
POWER STEERING FLUID LEVEL .....	7
DRIVE AXLE WHEEL BEARING OIL LEVEL .....	7
FRONT AND TAG AXLE WHEEL HUBS .....	8

COOLANT FLUID LEVEL .....	8
WINDSHIELD WASHER RESERVOIR .....	9
<b>OTHER VERIFICATION .....</b>	<b>9</b>
ELECTRIC COOLING FANS .....	9
AIR TANK PURGE .....	10
FIRE EXTINGUISHERS .....	10
PRIMARY FUEL FILTER .....	11
DRIVER'S A/C COMPRESSOR BELT .....	12
CENTRAL A/C COMPRESSOR BELTS .....	12
ALTERNATOR DRIVE BELTS .....	12
BACK-UP CAMERA .....	12
ENGINE AIR FILTER RESTRICTION INDICATOR .....	12
MAIN POWER COMPARTMENT FAN AIR FILTER .....	13
A/C AND HEATING SYSTEM AIR FILTERS .....	13
HOSE INSPECTION .....	14
LUBRICATION .....	14
WHEELS AND TIRES VERIFICATION .....	14
WHEEL BEARINGS .....	15
SERVICE BRAKE TEST .....	15
PARKING BRAKE TEST .....	15
EXTERIOR LIGHTING VERIFICATION WITH TEST MODE .....	15
<b>GENERAL RECOMMENDATIONS .....</b>	<b>17</b>
<b>WALKAROUND INSPECTION (BEFORE EVERY TRIP) .....</b>	<b>21</b>
APPROACHING THE VEHICLE .....	21
PREPARATION .....	21
STEP 1: RIGHT SIDE .....	22
STEP 2: ENGINE COMPARTMENT RIGHT SIDE AREA .....	22
STEP 3: ENGINE COMPARTMENT .....	22
STEP 4: REAR LEFT SIDE .....	22
STEP 5: FRONT LEFT SIDE .....	23
STEP 6: FRONT .....	23
STEP 7: FRONT RIGHT SIDE .....	23
STEP 8: INSIDE THE VEHICLE .....	23
WITH ENGINE RUNNING .....	24
 <b>SECTION 9 - Technical Information</b>	
<b>DIMENSIONS AND WEIGHTS .....</b>	<b>3</b>
<b>CAPACITIES .....</b>	<b>4</b>
<b>TURNING RADIUS .....</b>	<b>5</b>
<b>FUEL TYPE .....</b>	<b>6</b>
BIODIESEL FUEL .....	6
<b>WHEELS AND TIRES .....</b>	<b>6</b>
RECOMMENDED TIRE INFLATION PRESSURE AT MAXIMUM COLD LOAD .....	6
<b>BELTS ROUTING .....</b>	<b>7</b>
<b>VOLVO D13 ENGINE .....</b>	<b>7</b>
<b>ALLISON TRANSMISSION .....</b>	<b>7</b>
GEAR RATIOS .....	7
<b>PROPELLER SHAFT .....</b>	<b>7</b>
<b>BRAKES .....</b>	<b>7</b>
BRAKE CHAMBER EFFECTIVE AREA .....	8
<b>AIR SYSTEM .....</b>	<b>8</b>
<b>ANTILOCK BRAKING SYSTEM (ABS) .....</b>	<b>8</b>
<b>AUTOMATIC TRACTION CONTROL (ATC) – ELECTRONIC STABILITY CONTROL (ESC) .....</b>	<b>8</b>
<b>STEERING .....</b>	<b>8</b>
<b>ELECTRICAL SYSTEM .....</b>	<b>8</b>
<b>AXLES .....</b>	<b>9</b>
FRONT AXLE - INDEPENDENT FRONT SUSPENSION (IFS) .....	9



### 3-vi Table of contents

---

DRIVE AXLE .....	9
TAG AXLE .....	9
<b>SUSPENSION .....</b>	<b>9</b>
INDEPENDENT FRONT SUSPENSION .....	9
DRIVE AXLE .....	9
TAG AXLE .....	9
<b>ALIGNMENT SPECIFICATIONS .....</b>	<b>10</b>
<b>COOLING SYSTEM .....</b>	<b>10</b>
<b>FUEL SYSTEM .....</b>	<b>11</b>
<b>EXHAUST SYSTEM .....</b>	<b>11</b>
<b>HEATING AND AIR CONDITIONING .....</b>	<b>11</b>
<b>OIL SPECIFICATIONS .....</b>	<b>12</b>
ENGINE .....	12
ALLISON TRANSMISSION .....	12
DIFFERENTIAL .....	12
POWER STEERING RESERVOIR .....	12
<b>PLATES AND CERTIFICATION .....</b>	<b>12</b>
SAFETY CERTIFICATION .....	13
DOT CERTIFICATION PLATE .....	13
<b>EPA ENGINE LABEL .....</b>	<b>13</b>
<b>VEHICLE IDENTIFICATION NUMBER (VIN) .....</b>	<b>14</b>
VIN DEFINITION .....	15
<b>COACH FINAL RECORD .....</b>	<b>16</b>
<b>ABBREVIATIONS .....</b>	<b>1</b>
<b>APPENDIX A - SERVICE LITERATURE</b>	
<b>SERVICE LITERATURE .....</b>	<b>2</b>
<b>NOTICE .....</b>	<b>2</b>
DECLARATION OF THE MANUFACTURING DEFECTS TO THE GOVERNMENT OF THE UNITED STATES .....	2
DECLARATION OF THE MANUFACTURING DEFECTS TO THE CANADIAN GOVERNMENT .....	3
DECLARATION OF THE MANUFACTURING DEFECTS TO PREVOST .....	3
<b>APPENDIX B - Multiplex Troubleshooting</b>	
<b>MULTIPLEX TROUBLESHOOTING GUIDE .....</b>	<b>2</b>
<b>APPENDIX B - Allison Transmission Other Features</b>	
<b>OIL LEVEL CHECK USING THE PUSHBUTTON SHIFT SELECTOR .....</b>	<b>2</b>
<b>CONTROL SYSTEM PROGNOSTICS .....</b>	<b>3</b>
NORMAL PROGNOSTICS INDICATION AT ENGINE START .....	3
OIL LIFE MONITOR .....	3
FILTER LIFE MONITOR .....	4
TRANSMISSION HEALTH MONITOR .....	5
<b>DIAGNOSTIC TROUBLESHOOTING CODES (DTC) — ALLISON 5TH GENERATION CONTROLS .....</b>	<b>7</b>
DIAGNOSTIC TROUBLESHOOTING CODES (DTC) OVERVIEW .....	7
USING SHIFT SELECTOR FOR ACCESSING DIAGNOSTIC INFORMATION .....	7
<b>DIAGNOSTIC CODE DISPLAY AND CLEARING PROCEDURE .....</b>	<b>8</b>
EXITING DIAGNOSTIC MODE .....	8
<b>DIAGNOSTIC TROUBLE CODE RESPONSE .....</b>	<b>9</b>
<b>DIAGNOSTIC TROUBLESHOOTING CODES (DTC) LIST - ALLISON 5TH &amp; 6TH GENERATION CONTROLS .....</b>	<b>10</b>
<b>APPENDIX D -Tire Inflation Guide</b>	
<b>TIRE INFLATION GUIDE .....</b>	<b>2</b>
COLD INFLATION PRESSURE .....	2
PRESSURE AND TEMPERATURE .....	2

CONSEQUENCES ..... 4  
RECOMMENDATIONS ..... 4

**APPENDIX E - DID Menus Supplementary Information**





## FOREWORD

<b>IMPORTANT INFORMATION</b> .....	<b>X</b>
<b>COMPLIANCE</b> .....	<b>XI</b>
STATE OF CALIFORNIA PROPOSITION 65 .....	<b>XI</b>
<b>CRITICAL EMISSION-RELATED MAINTENANCE</b> .....	<b>XII</b>
<b>DATA LOGGING</b> .....	<b>XIII</b>
EVENT DATA RECORDING DEVICES .....	<b>XIII</b>
ELECTRONIC LOGGING DEVICE (ELD) .....	<b>XIV</b>
TELEMATICS DEVICE .....	<b>XV</b>
OWNERSHIP OR ADDRESS HAS CHANGED .....	<b>XV</b>
<b>QUESTIONS AND COMPLAINTS</b> .....	<b>XV</b>
<b>REPORTING SAFETY DEFECTS</b> .....	<b>XVI</b>
UNITED STATES .....	<b>XVI</b>
CANADA .....	<b>XVI</b>

## IMPORTANT INFORMATION

This manual has been prepared to thoroughly acquaint the driver and service technicians with the equipment and features in order to fully appreciate and safely enjoy this vehicle.

Prevost is committed to the continuous improvement of quality, reliability, durability and safety. With innovative features, the vehicle was designed with passengers, driver safety and comfort in mind.

This manual contains information available at the time of publication. Standard and optional equipment are covered in this manual. Therefore, some of the optional equipment described may not apply to your vehicle. In doubt, refer to the technical documentation package provided.

Driver controls and instruments incorporate advanced technology for enhanced driving ease and security. This manual describes the main features, instruments, controls, and servicing requirements for standard and optional equipment.

Read this manual carefully to take advantage of the advanced features and to ensure optimum safety and passenger comfort.

Keep the manual in the vehicle at all times. Make sure it is kept with the vehicle when ownership is transferred. Please notify the [Prevost Warranty Support Team](#) of any change of address or transfer of ownership. This will ensure fast and reliable service to all operators.

### NOTE

*Illustrations in this manual are used for reference only and may differ from the actual vehicle; however, key components addressed in the manual are represented as accurately as possible.*

Danger, Warning, Caution and Note are used throughout this manual to emphasize important points when necessary:



### DANGER

Directs the operator's attention to unsafe practices which could result in serious personal injury or death.



### WARNING

Directs the operator's attention to unsafe practices which could result in serious personal injury or severe damage to the vehicle.



### CAUTION

Directs the operator's attention to unsafe practices where personal injury is not likely but damage to vehicle components could occur.

### NOTE

*Indicates supplementary information essential to the proper operation of the vehicle.*


The service life of the vehicle depends on the kind of attention it receives. Pay close attention to the warnings, cautions and notes. Read the various notices and instructions posted throughout the vehicle and attached to equipment.

Continuous improvement is a primary focus at Prevost, we reserve the right to make changes anytime, without notice, and without incurring any obligation.

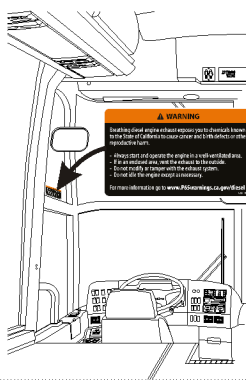
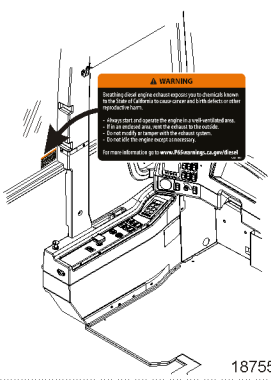
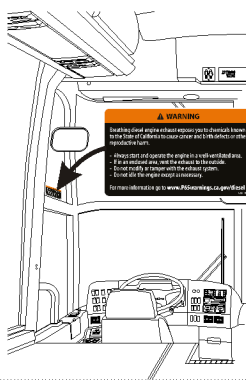
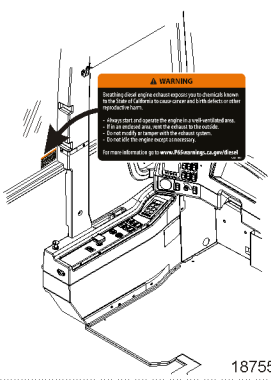
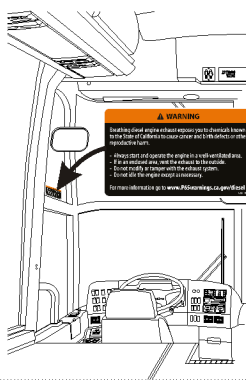
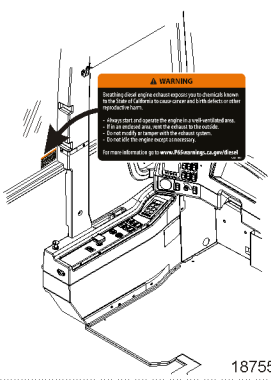
Before reproducing or copying this manual, in whole or in part, written consent must be obtained from Prevost.

# COMPLIANCE

## STATE OF CALIFORNIA PROPOSITION 65

	<b>WARNING</b>
<p>Breathing diesel engine exhaust exposes you to chemicals known to the State of California to cause cancer and birth defects or other reproductive harm.</p> <ul style="list-style-type: none"> <li>- Always start and operate the engine in a well-ventilated area.</li> <li>- If in an enclosed area, vent the exhaust to the outside.</li> <li>- Do not modify or tamper with the exhaust system.</li> <li>- Do not idle the engine except as necessary.</li> </ul> <p>For more information go to <a href="http://www.P65warnings.ca.gov/diesel">www.P65warnings.ca.gov/diesel</a></p>	

### Proposition 65 Warning Decal on Diesel Engine Exhaust Health Hazard

<p style="text-align: right;">18755-1</p> <div style="border: 1px solid black; padding: 10px;"> <p style="text-align: center;"><b>⚠ WARNING</b></p> <p>Breathing diesel engine exhaust exposes you to chemicals known to the State of California to cause cancer and birth defects or other reproductive harm.</p> <ul style="list-style-type: none"> <li>- Always start and operate the engine in a well-ventilated area.</li> <li>- If in an enclosed area, vent the exhaust to the outside.</li> <li>- Do not modify or tamper with the exhaust system.</li> <li>- Do not idle the engine except as necessary.</li> </ul> <p>For more information go to <a href="http://www.P65warnings.ca.gov/diesel">www.P65warnings.ca.gov/diesel</a></p> <p style="text-align: right; font-size: small;">0691001</p> </div> <p>DECAL #0691001</p> <p>This warning decal is available through Prevost Parts.</p>	<table border="0" style="width: 100%;"> <tr> <td style="text-align: center; width: 50%;"> <p><b>H3 SERIES</b></p>  </td> <td style="text-align: center; width: 50%;"> <p><b>X3 SERIES</b></p>  </td> </tr> </table> <p style="text-align: right;">18755</p> <p>Best location where to affix the decal on the vehicle.</p>	<p><b>H3 SERIES</b></p> 	<p><b>X3 SERIES</b></p> 
<p><b>H3 SERIES</b></p> 	<p><b>X3 SERIES</b></p> 		



### CRITICAL EMISSION-RELATED MAINTENANCE

#### Source of parts and repair:

A repair shop or person of the owner's choosing must maintain, replace, or repair emission control devices and systems per manufacturer's recommendations.

#### Replacement of tires that are GHG certified:

The original equipment tires installed on this vehicle at the factory were certified to the U.S. EPA Greenhouse Gas (GHG) and National Highway Traffic Safety Administration (NHTSA) Fuel Efficiency regulations. Replacement of these tires should be with a tire of equal or lower rolling resistance levels (TRRL or Crr). Please consult your tire supplier(s) for appropriate replacement tires.

#### Maintaining a GHG certified tire:

In order to maintain the certified rolling resistance of the tires which optimize fuel economy, the maintenance procedures provide by the tire manufacturer must be followed.

## DATA LOGGING

### EVENT DATA RECORDING DEVICES

This PREVOST vehicle is equipped with a device generally referred to as an "event data recorder" or "EDR." Please note that while the term "event data recorder" is typically used throughout the motor vehicle industry, not every EDR is the same; i.e., they do not all record the same data elements.

The EDR on this PREVOST vehicle records vehicle speed, engine RPM, time and date, plus a variety of pedal and switch positions, both before and after an "event." Sudden vehicle deceleration or the occurrence of certain other vehicle operational characteristics will define (trigger) an "event."

For any questions about this vehicle EDR device, contact a PREVOST Service Center or a regional service manager.

## 4-xiv Foreword

---

### ELECTRONIC LOGGING DEVICE (ELD)

This vehicle is equipped with a dedicated ELD interface connector located under the lower left part of the dashboard. This SAE J1939 9 PIN connector is compatible with most FMCSA approved ELD and will ensure that the ELD will not interfere with the vehicle communication, diagnostic and/or driving systems.

Please take note that **the OBD connector is only intended as a diagnostic equipment connection.** Installing an aftermarket plug-in device that uses the OBD port may cause interference and/or damage to the vehicle systems, potentially affecting safe operation.

Both connectors (OBD and ELD) are clearly identified under the dash by stickers. **The OBD port must remain unconnected at all times except during vehicle maintenance (using Prevost approved diagnostic equipment only).**

Connecting aftermarket equipment to the OBD connector may lead to:

- Incorrect emission monitoring and failure to meet the requirements of emission tests.
- Erratic behavior of one or more of the vehicle safety devices/driving aids, increasing the risk of accidents.
- False code readings and inconsistency during vehicle diagnostic procedures, increasing the vehicle down time.
- Unreliable ELD connection/recording and potential violations with the federal ELD regulations\*.

\* For more information regarding Federal ELD requirements, consult the [FMSCA](#)

## TELEMATICS DEVICE

Your vehicle is equipped with one or more recording devices (“Telematics Device”), associated with Prevost’s Connected Vehicle Services (the “Telematics Services”). These services, which are described in greater detail at [www.prevostcar.com](http://www.prevostcar.com) (the “Website”), allow you to manage vehicle maintenance and repair in a cost-effective manner by providing: proactive diagnostic and repair planning assistance with detailed analysis of diagnostic trouble codes; streamlined service procedures with parts-on-hand confirmation before a vehicle arrives for service; and live repair and customer communication. The service eliminates or reduces diagnostic time, enhances repair efficiency, expedites the decision process, improves communications and maximizes uptime. To access the Telematics Services, you must enter into a Telematics Subscription Agreement with Prevost, via the sales agreement pertaining to your vehicle.

The Telematics Device collects stores and/or transmits information about your vehicle. Such information may include direction and rate of speed, fuel consumption, engine performance, gearing, rpm, altitude, geo-location (including a history of where the vehicle travels), safety information related to the use and operation of the vehicle, vehicle performance, diagnostic data and error codes. The Telematics Device has the capacity to store historical data about the use and performance of your vehicle. The Telematics Device has the ability to transmit information to a central communications system. The information contained in your Telematics Device may be periodically transmitted to or accessed by Prevost and others authorized by Prevost, along with your vehicle’s VIN or other identifying information. Prevost does not collect any driver information. Prevost retains and uses this information to understand the operational use of your vehicle, to remotely tune your vehicle, and to help facilitate maintenance and vehicle improvements. To the extent allowed by law, Prevost reserves the right to access, use and control this information.

**Declining to enter into a Telematics Subscription Agreement with Prevost, or canceling a Telematics Subscription Agreement, will not end the transmission of data from your Telematics Device or the collection of information by Prevost. Prevost may access Telematics Data, to the extent it is available, and use it in connection with providing services and vehicle improvements to you and your vehicle. Prevost will regularly purge from its systems all data collected from your Telematics Device, at time intervals determined by Prevost at its sole discretion.**

## OWNERSHIP OR ADDRESS HAS CHANGED

If your address has changed or you are the new owner, please help us update our records. Use the link below to access the Prevost Warranty Support web page.

<http://www.prevostcar.com/parts-and-services/warranty>

Click on the link ‘Change of address or ownership’, fill the form, save it and email the file at [prevost.onlinewarranty@volvo.com](mailto:prevost.onlinewarranty@volvo.com).

## QUESTIONS AND COMPLAINTS

Your satisfaction is our most important concern. If questions or complaints arise, first discuss the matter with the service manager at the Prevost facility involved. If you are not satisfied with the service manager’s response, contact the branch manager. If, for any reason, you need further assistance after dealing with the personnel at a Prevost facility, contact your regional service manager. The regional service manager has the responsibility and the authority to recommend action in most cases and (with the aid of relevant district service personnel) will make every effort to conduct a fair review of the situation.



# REPORTING SAFETY DEFECTS

## UNITED STATES

If you believe that your vehicle has a defect which could cause a crash, injury or death, you should immediately inform the National Highway Traffic Safety Administration (NHTSA), in addition to notifying Prevest.

If NHTSA receives similar complaints, it may open an investigation and if it finds that a safety defect exists in a group of vehicles, it may order a recall and remedy campaign. However, NHTSA cannot become involved in individual problems between you, your Prevest Service Center, or Prevest.

To contact NHTSA, either call the U.S. Government's Vehicle Safety Hotline toll-free at 1-888-327-4236 (TTY: 1-800-424-9153); go to <http://www.NHTSA.gov>; or write to: Administrator, National Highway Traffic Safety Administration, 400 Seventh Street, S.W., Washington, DC 20590. You can also obtain other information about motor vehicle safety from the Vehicle Safety Hotline.

## CANADA

Canadian customers who wish to report a safety-related defect to Transport Canada — Defect Investigations and Recalls, may telephone the toll free hotline at 1-800-333-0510, or contact Transport Canada by mail at Transport Canada, ASFAD, Place de Ville Tower C, 330 Sparks Street, Ottawa ON K1A 0N5. For additional road safety information, please visit the Road Safety website at <http://www.tc.gc.ca/roadsafety/menu.htm>.

# SECTION 1 - SAFETY PRECAUTIONS

SAFE OPERATING PRACTICES ..... 2  
DEFENSIVE DRIVING PRACTICES ..... 3  
OTHER PRECAUTIONS ..... 3

## 1-2 Safety Precautions

---

### SAFE OPERATING PRACTICES

To ensure safe and reliable operation, heed the following safety precautions.

- Operation and maintenance of the vehicle must be performed only by qualified personnel.
- Before driving, conduct a walk around inspection and check that all baggage compartment doors and equipment access doors are securely shut.
- Make sure good visibility is maintained at all times. Keep windshields clean and free of obstructions.
- Adjust the driver's seat so that all controls can be reached easily.
- Always wear your safety belt when driving.
- Check the instrument panel frequently. Do not operate the vehicle when dials or indicators do not indicate normal operating conditions.
- Always pay attention to pedestrians passing in front and behind the vehicle. Always yield to pedestrians at pedestrian walkways.
- Do not drive over obstacles on the road. Empty boxes, piles of leaves, and snowdrifts could conceal hidden dangers that could damage the vehicle suspension and underbody.
- When turning or changing lanes, signal your intention well in advance.
- When approaching to make a right turn, reduce the space between the vehicle and the curb to make sure another vehicle cannot pass on the right. Since the vehicle makes wide turns, allow enough space to make safe turns.
- Switch from high beams to low beams when meeting or following other vehicles within 500 feet (150 meters).
- Never leave the vehicle unattended with the engine running or with the key in the ignition. Turn off the engine, remove keys and apply the parking brake before leaving the vehicle.
- Shut-off the engine before refueling, adding oil, performing maintenance or servicing tasks, unless stated otherwise.
- Fuel is highly flammable and explosive. Do not smoke when refueling. Keep away from open flames or sparks.
- Do not run the engine or HVAC system with access doors left open. Close compartment doors before operating any equipment.
- Do not remove the surge tank filler cap or the cooling system pressure cap when the engine is hot. Let the engine cool down before removing filler caps.
- Do not attempt to push or pull-start the vehicle.
- The service life of the vehicle depends on the kind of maintenance it receives. Always record any problems and report them immediately to maintenance personnel.
- After each trip, perform a system diagnostic to check if error codes and anomalies were recorded in the vehicle electronic modules.
- Do not use the trailer hitch before reading the safety, technical and operational requirements..
- Do not use the trailer hitch before reading the safety, technical and operational requirements on page 14 of this manual.

## DEFENSIVE DRIVING PRACTICES

- For city driving, allow a four to six second travel interval between your vehicle and the vehicle ahead. Increase this travel interval to six to eight seconds for highway driving. Increase time interval for driving at night or in foul weather.
- Be prepared to stop when approaching an intersection. The stopping distance of the vehicle increases with the weight and speed.
- Establish eye-to-eye contact with other drivers and with pedestrians. Use, high beam and low beam headlights, turn signals and horn as needed.
- On highway, don't stare at the road ahead. Keep your eyes moving. Check mirrors and dashboard instruments frequently.
- To keep the vehicle from drifting across lanes during highway driving, always look over the horizon on the road ahead.
- Adjust your speed to road conditions, traffic and visibility. Never exceed the posted speed limits.
- If another vehicle is following close behind, reduce your speed to let the vehicle pass.
- For additional information about safe operation and defensive driving practices, contact the local department of motor vehicles authority.

## OTHER PRECAUTIONS



### WARNING

#### CALIFORNIA PROPOSITION 65

Diesel engine exhaust and some of its constituents are known to the State of California to cause cancer, birth defects and other reproductive harm.

Battery posts, terminals and other related accessories contain lead and lead compounds, chemical known to the State of California to cause cancer and other reproductive harm.

Batteries also contain other chemicals known to the State of California to cause cancer.

Wash hands after handling.



### DANGER

Make sure that electrical current or air pressure is removed before performing any work. A part may be energized even if the ignition switch is OFF. A part may be under pressure even if all tanks are empty. Before performing any work on the vehicle, refer to wiring diagrams and/or air schematics to thoroughly understand the system.

### NOTE

*When the ignition switch is set to the OFF position, the electrical components are not energized except for the MCM (Master Chassis Module), the battery equalizer, the preheater system and some electronic modules; which are energized during 15 minutes after the ignition has been set to the OFF position. Prior to working on one of these electrical components, set the main electrical shut-off switch to the OFF position. If the vehicle will not be operated for a long period (more than 2 weeks), it is recommended, in order to prevent the batteries from discharging, to trip the main circuit breakers located in the main power compartment to stop the small current drawn by the radio preset station memory, the MCM memory and the instrument cluster clock. Note that the radio station presets will be erased, same thing for the diagnostic codes history and the instrument cluster clock will have to be reset.*

## 1-4 Safety Precautions

---



### CAUTION

PRECAUTIONS ARE TO BE OBSERVED BEFORE WELDING TO MINIMIZE THE RISK OF MAJOR AND COSTLY DAMAGES CAUSED TO THE VEHICLE ELECTRONIC COMPONENTS!

1. Set the main electrical shut-off switch to "OFF" position.
2. Trip circuit breaker CB2 and CB6.
3. Disconnect electronic ground terminal from the ground junction block located in the battery compartment.
4. Make sure to clamp the welding ground return as close as possible to the welding point and make a good electric contact to the chassis.

Detailed instructions are provided in section 00-GENERAL of your vehicle maintenance manual.



## SECTION 2 - COACH EXTERIOR

EXTERIOR VIEW .....	2
ENGINE COMPARTMENT COMPONENTS .....	4
ENGINE COMPARTMENT DOOR .....	6
EXHAUST AFTERTREATMENT SYSTEM ACCESS HATCH .....	8
BACK-UP CAMERA .....	8
ENGINE COMPARTMENT CURBSIDE DOOR .....	8
120-VOLT CONNECTORS .....	9
BATTERY CHARGER .....	9
MAIN POWER COMPARTMENT .....	9
CURB SIDE FUEL FILLER NECK ACCESS .....	10
CONDENSER COMPARTMENT .....	10
BAGGAGE COMPARTMENTS .....	11
ENTRANCE DOOR .....	11
LOCK OPERATION .....	11
KEYLESS ENTRY SYSTEM .....	12
RECLINING BUMPER COMPARTMENT .....	12
WIPER MECHANISM ACCESS HATCH .....	13
HEADLIGHTS .....	14
FRONT ELECTRICAL AND SERVICE COMPARTMENT .....	15
REAR-VIEW MIRRORS .....	15
SIDE CAMERA REAR-VIEW SYSTEM .....	16
STREET SIDE FUEL AND DIESEL EXHAUST FLUID (DEF) FILLER NECKS ACCESS .....	16
RADIATOR DOOR .....	17
SCR CONVERTER ACCESS HATCH .....	18
TRAILER HITCH .....	18
TRAILER HITCH LIMITATIONS .....	19

## 2-2 Coach Exterior

### EXTERIOR VIEW

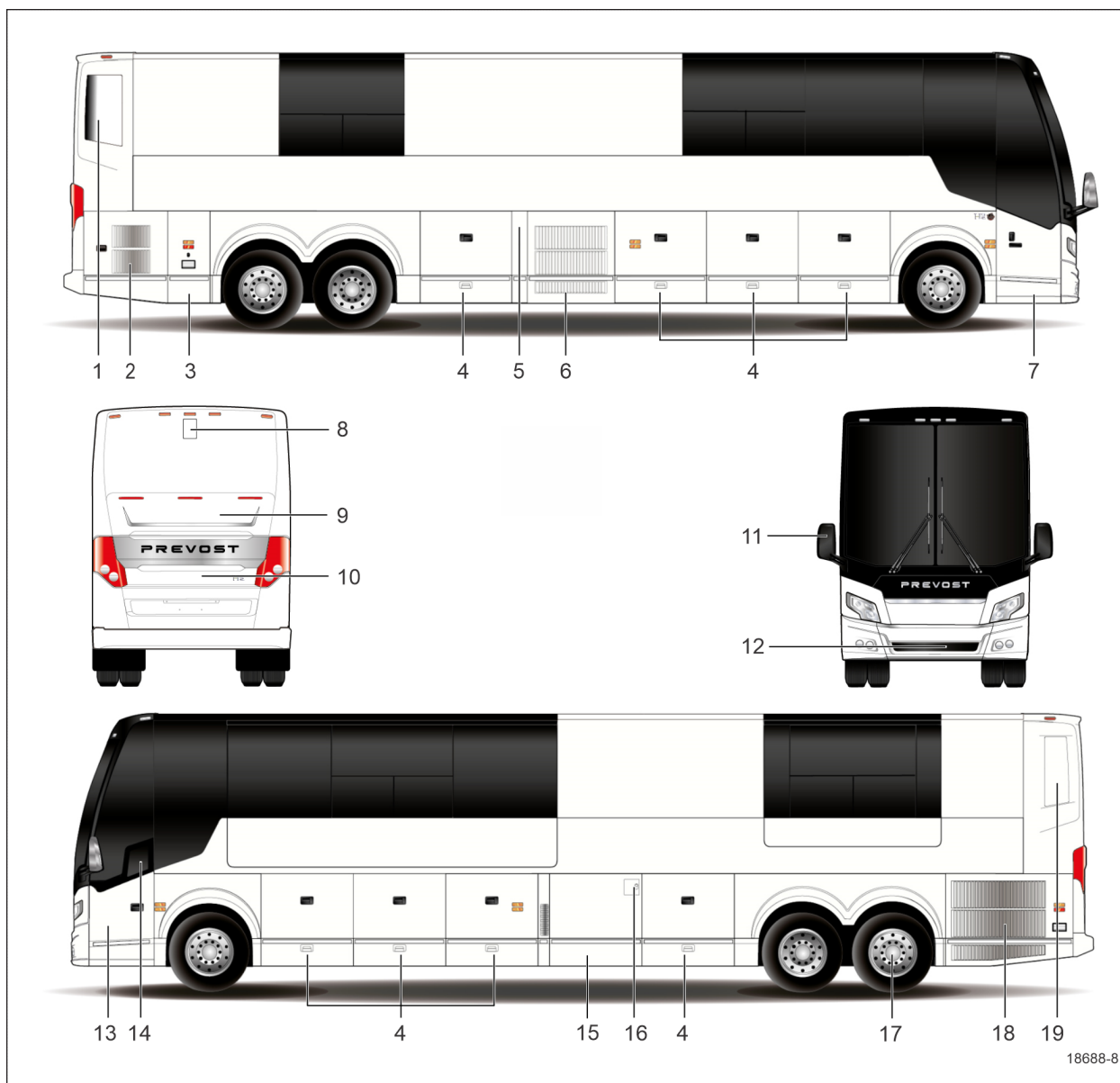
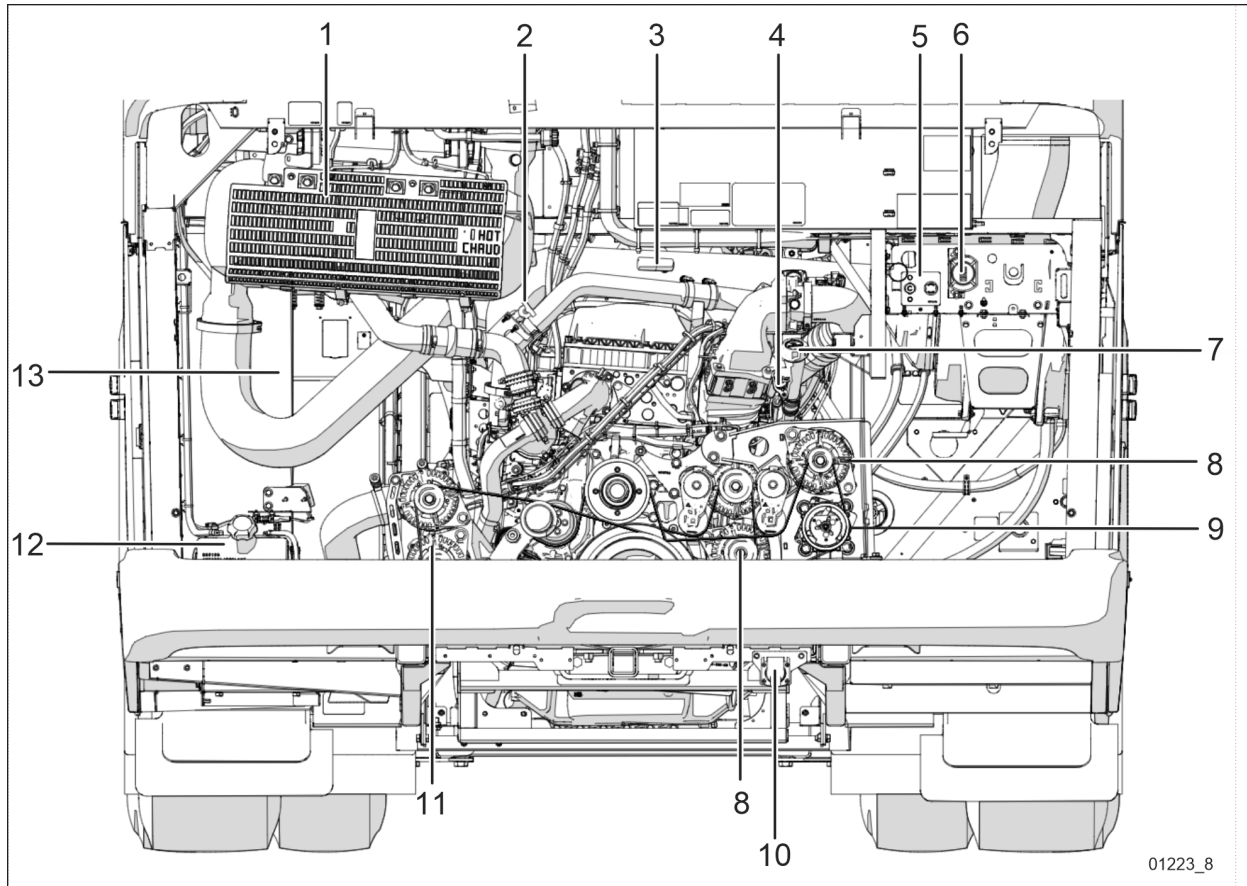


FIGURE 1: H3-45 VIP EXTERIOR VIEW

1. Engine air intake
2. Engine R.H. side access door
3. Main power compartment (battery compartment)
4. Baggage compartment
5. Fuel filler neck access door
6. A/C condenser (HVAC) or baggage compartment
7. Entrance door
8. Retractable backup camera (optional)
9. Diesel Particulate Filter (DPF) access door
10. Engine compartment rear door
11. Rear-view mirror
12. Reclining bumper compartment
13. Front electrical and service compartment
14. Driver's power window
15. Heating, ventilating and air conditioning compartment (HVAC) or baggage compartment
16. Fuel filler neck and diesel exhaust fluid (DEF) filler neck access door
17. Auxiliary axle (tag)
18. Engine radiator door
19. SCR catalytic converter access door

## 2-4 Coach Exterior

### ENGINE COMPARTMENT COMPONENTS



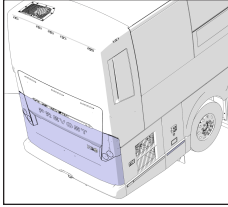
**FIGURE 2: ENGINE COMPARTMENT**

1. Diesel Oxidation Catalyst (DOC) & Diesel Particulate Filter (DPF) Assembly;
2. Transmission fluid dipstick (if equipped with Allison transmission);
3. Air filter restriction indicator;
4. Engine oil dipstick;
5. Rear start/stop panel;
6. Back-up alarm;
7. Engine oil filler tube and cap;
8. Alternators, curbside;
9. Small A/C compressor;
10. 7-pole RV/trailer connector
11. Alternators, street side;

12. Coolant recovery tank;
13. Radiator & Charge Air Cooler (CAC)

## 2-6 Coach Exterior

### ENGINE COMPARTMENT DOOR



To open the engine door, first open the curbside door. Lift the latch release lever. Unlatch the door and pull it out and up.

The door should stay open by itself but it is recommended to always use the safety catch as shown. The lighting in the engine compartment turns on automatically when the door is open. When open or not closed properly, a pictogram appears on the instrument cluster DID. To close the door, lift it slightly and release the safety catch.

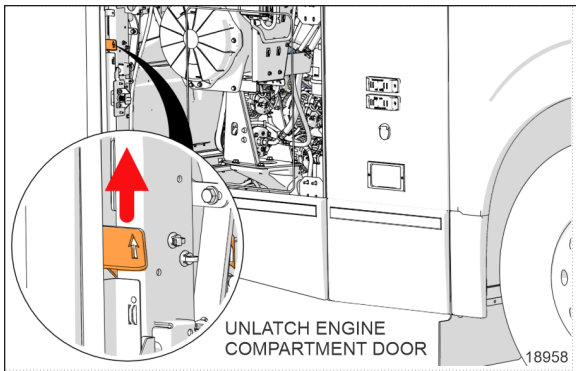


FIGURE 3: OPENING THE ENGINE COMPARTMENT DOOR

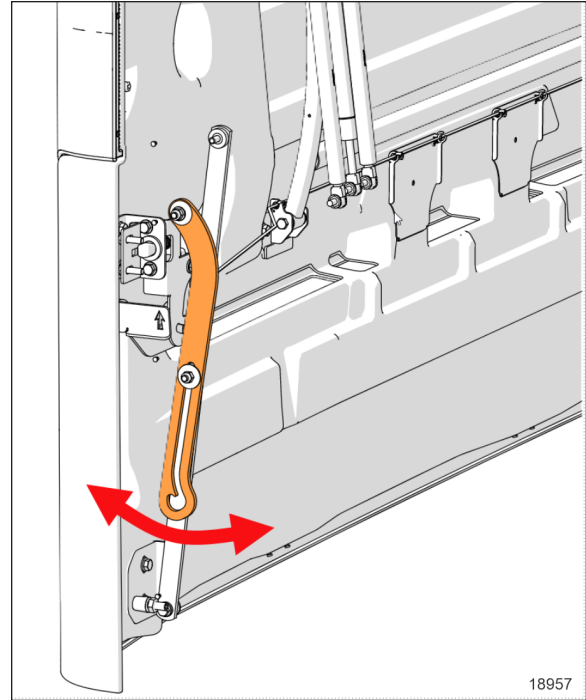


FIGURE 4: SAFETY CATCH

This door provides access to the following equipment:

- Engine
- Alternators
- Belts and belt tensioners
- A/C compressor
- Rear starter switch (see ["STARTING FROM THE ENGINE COMPARTMENT" on page 3](#) in Section 6 Starting and Stopping Procedures)
- Engine certification plate
- Air filter restriction indicator
- Engine oil dipstick and filler cap
- Transmission oil dipstick
- Cooling fluid surge tank and recovery tank



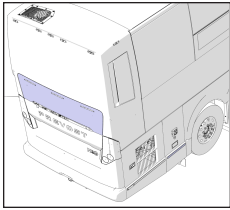
**WARNING**

Unless otherwise stated, avoid running the engine when the engine compartment door is open.



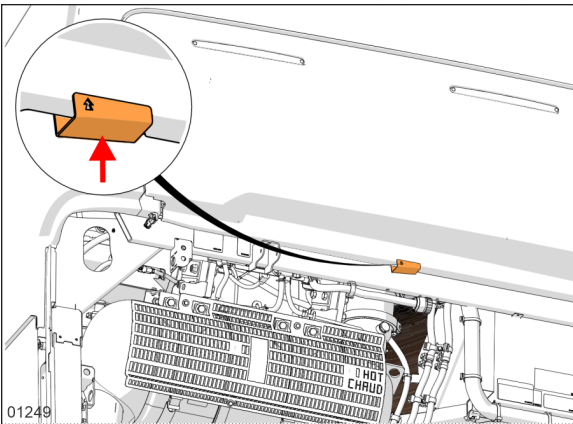
## 2-8 Coach Exterior

### EXHAUST AFTERTREATMENT SYSTEM ACCESS HATCH



The engine compartment door must be opened before opening the DPF access hatch. To open, press the latch release lever. Using both hands, push the access hatch up until it locks in place.

To close the access hatch, press the latch release lever again and lower the hatch, holding it with both hands.



**FIGURE 5: EXHAUST AFTERTREATMENT SYSTEM ACCESS HATCH**

### BACK-UP CAMERA

An optional back-up camera is available which provides the driver with visual assistance when backing-up. The back-up camera is mounted in a housing with a retractable cover. For additional information, refer to Controls and Instruments and Care and maintenance chapters.

#### **NOTE**

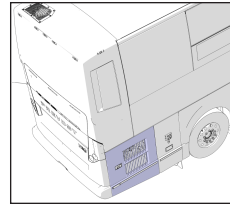
*A switch located in the rear electric compartment is used to retract the back-up camera cover for cleaning or maintenance.*



#### **CAUTION**

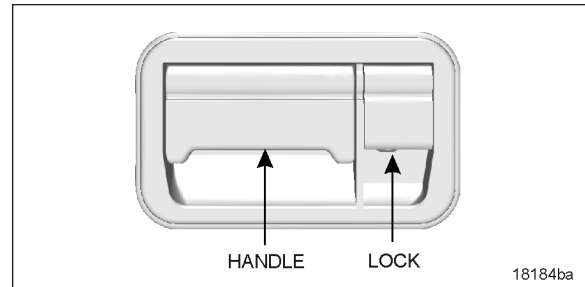
Never try to rotate by hand the retractable cover. Damage may occur.

### ENGINE COMPARTMENT CURBSIDE DOOR



Lock this door using the exterior compartment key. To open, pull up the door handle to release the latch and then pull the door open.

The curbside door also has a safety catch to prevent it from closing inadvertently. Release the catch before attempting to close.



**FIGURE 6: DOOR HANDLE**

The engine compartment curbside door provides access to the following (if equipped):

- Engine compartment rear door release lever
- Davco Fuel Pro filtration system (option)
- Primary & secondary air system fill valve
- Power steering fluid tank
- Booster block terminals
- Engine air filter
- Battery charger 120 volts connector
- Engine block heater 120 volts connector



#### **WARNING**

Unless otherwise stated, do not run the engine when the engine compartment curbside door is open.

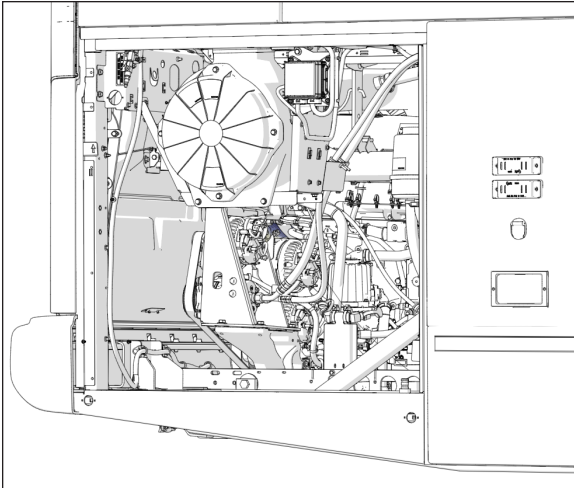


FIGURE 7: ENGINE COMPARTMENT CURB SIDE

## 120-VOLT CONNECTORS

### BATTERY CHARGER

Another connector is used to connect the battery charger to a 120-VAC power source.

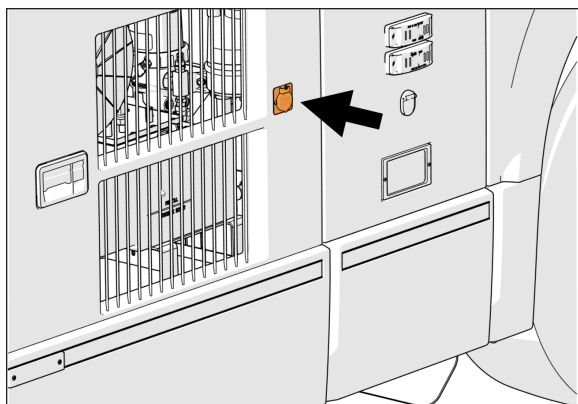
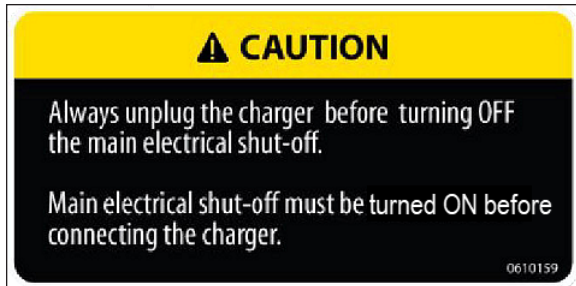
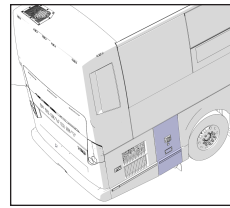


FIGURE 8: BATTERY CHARGER 120-VOLT CONNECTOR

## MAIN POWER COMPARTMENT

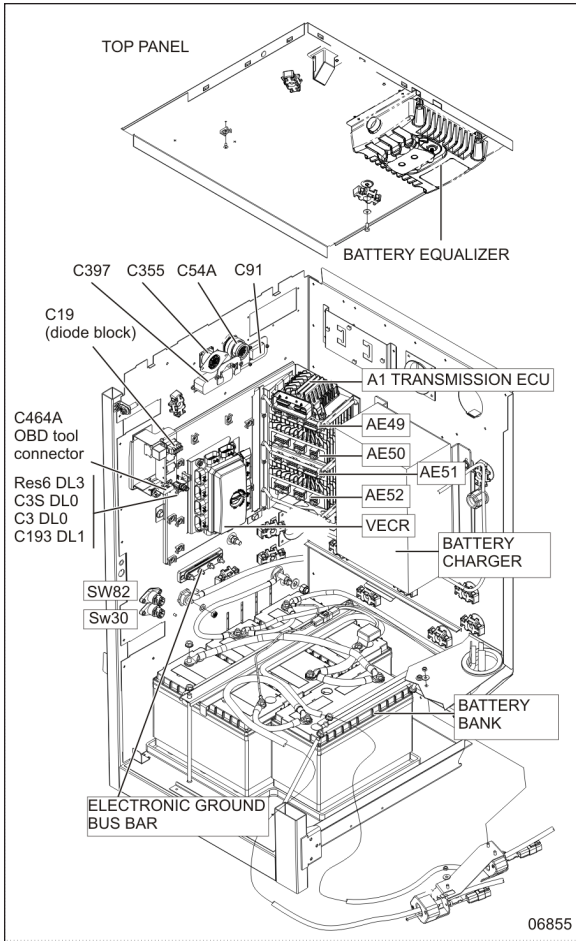


To open the main power compartment door, use the exterior compartment door key. The door will pop open.

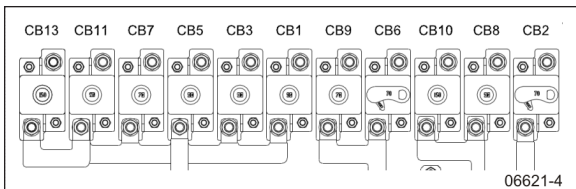
This compartment is closed off from the engine compartment and is used to house the batteries and electrical components. The following items are located in the main power compartment:

- (4x) 12-volt battery
- Main circuit breakers (12 & 24 volts)
- Battery charger/inverter (optional)
- Battery equalizer
- Rear multiplex modules
- Transmission Electronic Control Module for Allison transmission
- Rear fuse box (VECR)
- Relays
- Electronic ground stud

## 2-10 Coach Exterior



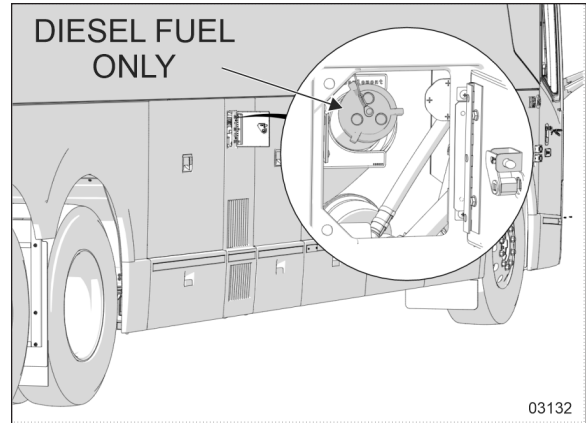
**FIGURE 9: VIEW OF MAIN POWER COMPARTMENT (TYPICAL)**



**FIGURE 10: MAIN CIRCUIT BREAKERS 12 & 24 VOLTS (TYPICAL)**

### CURB SIDE FUEL FILLER NECK ACCESS

Open this access hatch with the exterior compartment key.



**FIGURE 11: CURB SIDE FUEL FILLER NECK ACCESS**

#### NOTE

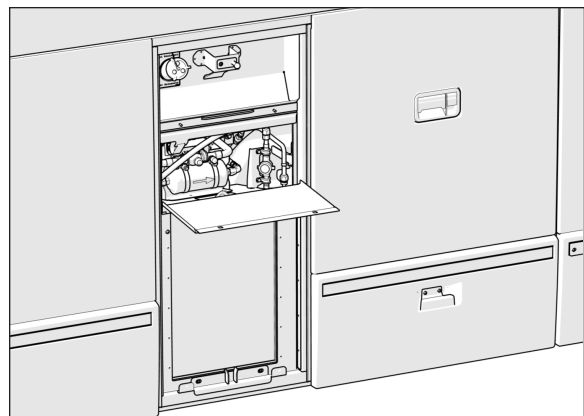
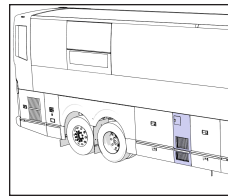
*Provided the vehicle is parked on level ground, an automatic nozzle will automatically shut off when tank is approximately 95% full.*



#### CAUTION

Do not fill to more than 95% of the tank capacity. Do not "top off" the tank, doing so may result in fuel spillage when the fuel expands.

### CONDENSER COMPARTMENT



**FIGURE 12: A/C CONDENSER COMPARTMENT**

The following information applies to equipped with the small A/C system.

To open the condenser compartment hatch:

1. Open the fuel filler door first;
2. Pull the latch (step 1 on image);
3. Pull the upper part of the hatch (step 2) and then lift;

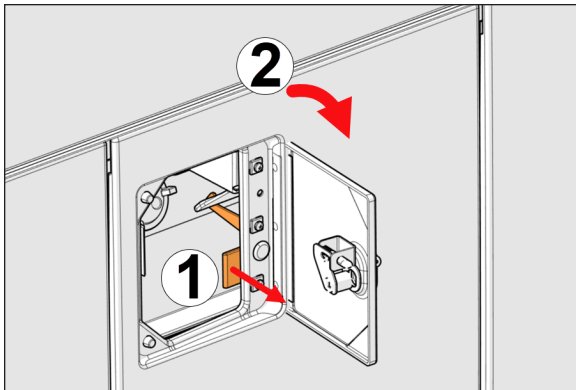


FIGURE 13: A/C CONDENSER COMPARTMENT HATCH OPENING

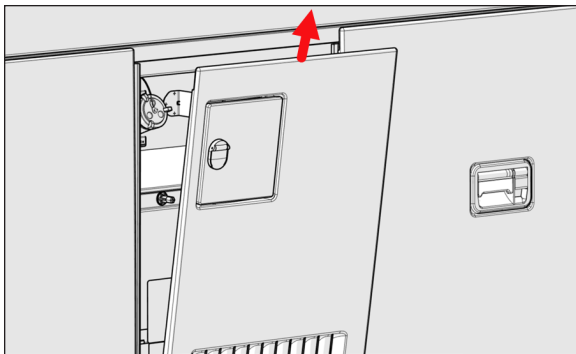


FIGURE 14: A/C CONDENSER COMPARTMENT HATCH OPENING

## BAGGAGE COMPARTMENTS

The baggage compartment doors can be locked and unlocked using the exterior compartment key. Lift up the cover to gain access to the lock. Pull up the door handle to release the latch and then pull the door open. Pressurized cylinders assist the opening and closing of the baggage compartment doors and hold the doors open.

The lighting in the baggage compartments turns on automatically when the door is opened if the ignition key is set to ON or ACC.



### WARNING

To avoid injury, keep hands clear of door edge and door frame when closing.

### NOTE

To prevent theft and vandalism, always lock all doors before leaving the vehicle unattended.

### NOTE

The baggage compartment doors can also be locked and unlocked using:

- The baggage compartments central locking system switch on the L.H. dashboard (refer to Controls and Instruments chapter).
- The keyless entry system.
- The remote entry transmitter (refer to Controls and Instruments chapter).

### NOTE

To prevent the door from closing in case of defective cylinders, lock the door in open position by pushing it further towards the body of the vehicle, until it locks in place.

## ENTRANCE DOOR

### LOCK OPERATION

Lock or unlock the entrance door from outside the vehicle using the key in the door lock (counterclockwise to lock, clockwise to unlock). You can also use the outside keyless entry pad or the remote entry transmitter. Open the door.

## 2-12 Coach Exterior

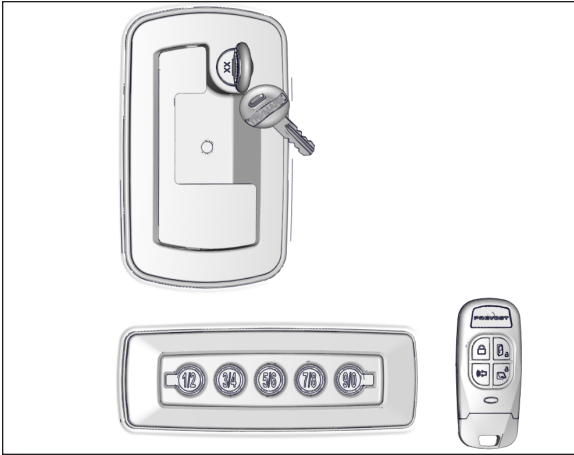


FIGURE 15: OUTSIDE LOCKING DEVICES

### NOTE

*The stepwell lights and entrance overhead light turn on as the door opens.*

To lock the entrance door from the inside, use the rocker switch on the R.H. dashboard panel or slide the latch to the right.

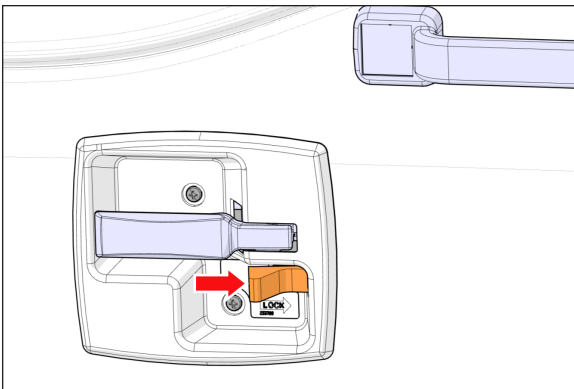


FIGURE 16: INSIDE LATCH

### NOTE

*If the alarm system is armed, unlocking the entrance door from the inside by sliding its lock lever will not disarm the alarm system. The alarm will sound.*

### NOTE

*For complete information regarding the Keyless Entry System & Anti-theft Alarm System, refer to the document included in your vehicle's "publication box".*

## KEYLESS ENTRY SYSTEM

This system, located below the entrance door handle, is used to lock or unlock the entrance door, the baggage compartment and the service compartment. A default 4-digit access code is permanently preprogrammed in the module by the manufacturer. A 6-digit authority code will also be supplied to the owner and will be used to store up to 40 new personal access codes (4-digit).

### NOTE

*Refer to "Other Features" chapter for complete keyless system operating instructions.*

## RECLINING BUMPER COMPARTMENT

The front bumper can be tilted downward to give access to the bumper compartment. Pull the release handle located inside the front service compartment to unlock. Tilt down the entire bumper assembly to access the compartment. Push the bumper back firmly in place to lock in position.

Check that bumper is securely closed before driving.

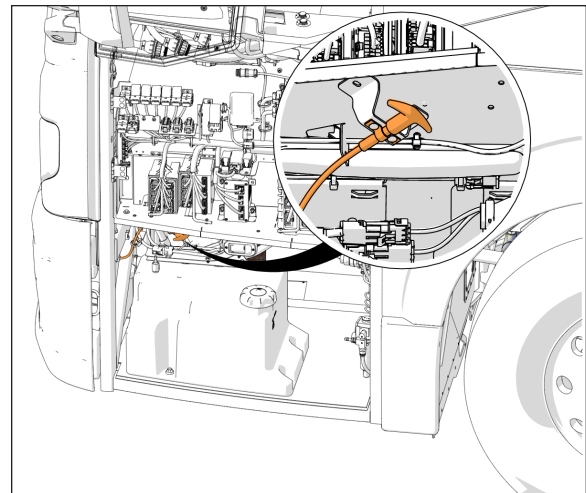


FIGURE 17: RECLINING BUMPER RELEASE HANDLE



## WARNING

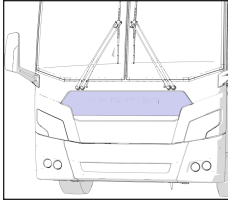
The compartment behind the bumper is not designed for miscellaneous storage. Never store loose objects in this compartment since they can interfere with the steering linkage mechanism.



## WARNING

Although a powerful spring assists in reclining the bumper, it remains heavy and rests low when open. Caution should be used when reclining.

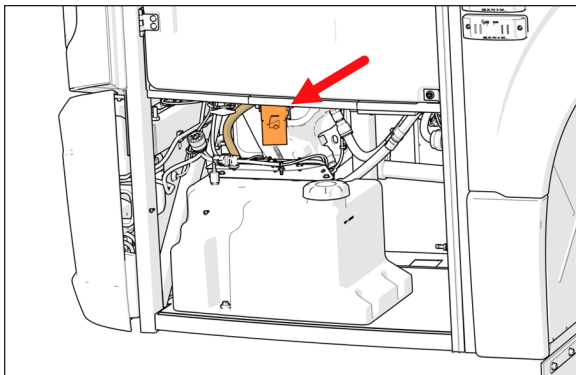
## WIPER MECHANISM ACCESS HATCH



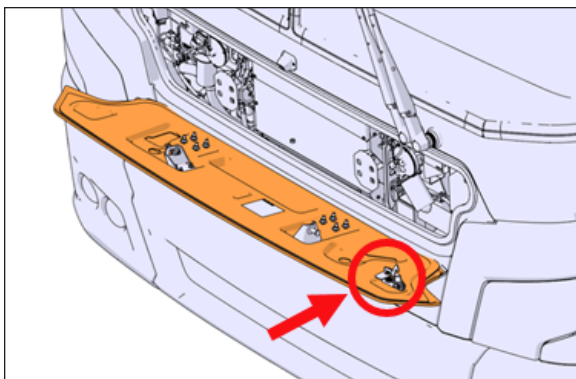
This access hatch can be opened downward to give access to the wipers mechanism. To open:

Pull the release lever located inside the front service compartment to unlock.

Pull the safety latch located on the upper right inner side of the hatch.



**FIGURE 18: WIPERS MECHANISM ACCESS HATCH  
RELEASE LEVER**



**FIGURE 19: SAFETY LATCH LOCATION**



## HEADLIGHTS

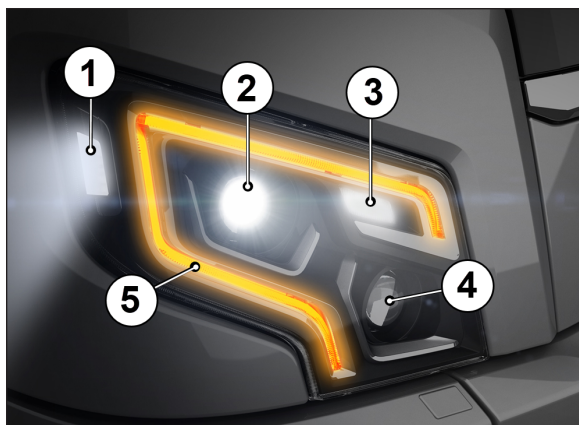


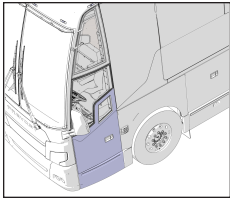
FIGURE 20: HEADLIGHTS

- (1) Cornering light
- (2) Low beam
- (3) Auxiliary low beam
- (4) High beam
- (5) Light pipe

FUNCTION	UNIT				
	LIGHT PIPE	HIGH BEAM	LOW BEAM	AUX LOW	CORNERING
<b>Parking light</b>	ON white dimmed				
<b>Daytime running light</b>	ON white				
<b>Low</b>	ON white dimmed		ON	ON	
<b>High</b>		ON	ON dimmed	ON	
<b>Directional turn signal</b>	ON amber				ON
<b>Hazard</b>	ON amber				



## FRONT ELECTRICAL AND SERVICE COMPARTMENT



Unlock this compartment door using the exterior compartment key. The light in the front service compartment turns on automatically when the door is open.

The front electrical and service compartment provides access to the following:

- Front fuse box (VECF) & spare fuses
- ABS module
- VECU
- Front multiplex modules I/O-A, I/O-B
- Relays & resistors
- Kneeling audible alarm
- Emergency door opening unlock valve
- Windshield washer reservoir
- Reclining bumper opening handle
- Accessories air tank fill valve
- MCM module
- Electronic ground stud
- Tire Pressure Monitoring System module

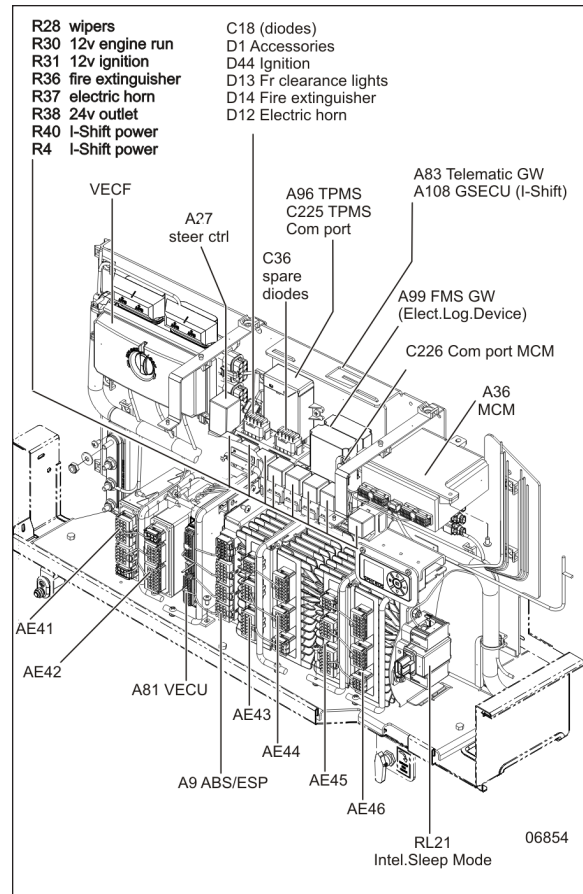


FIGURE 21: FRONT ELECTRICAL COMPARTMENT

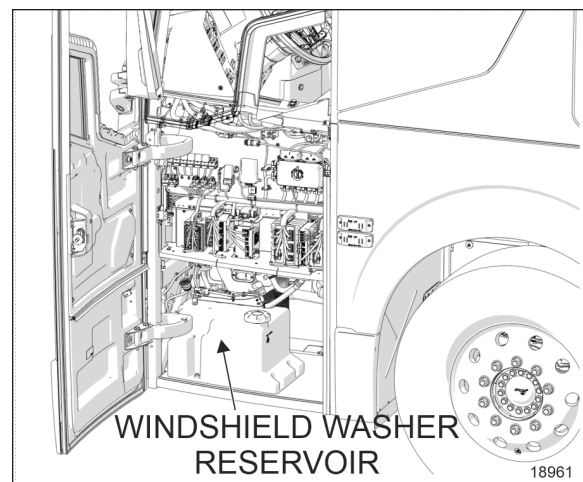


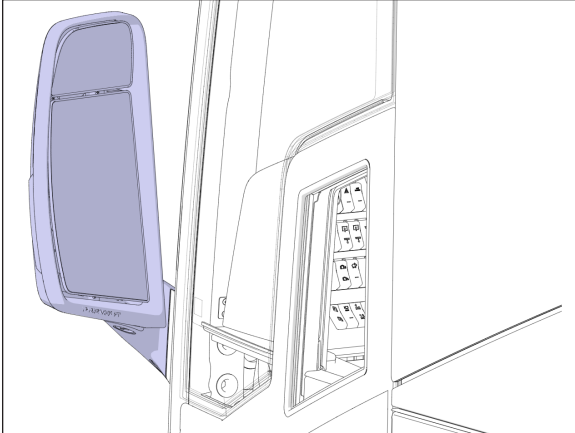
FIGURE 22: FRONT ELECTRICAL & SERVICE COMPARTMENT

## REAR-VIEW MIRRORS

The vehicle is equipped with flat-type and convex-type rear-view mirrors. Convex mirrors give a wide-angle view. Objects viewed in

## 2-16 Coach Exterior

convex-type rear-view mirrors appear smaller and are actually closer than they appear.



**FIGURE 23: EXTERIOR REAR-VIEW MIRROR**

To provide good visibility in cold weather, the mirrors can be equipped with heating elements. The elements are activated by a rocker switch located on the dashboard. Refer to "Controls & Instruments" chapter. Thermostats are used to prevent continuous operation of the heating elements.

### CAUTION

Do not attach stick-on type convex mirror accessories to the heated mirror glass. This could impede uniform heat distribution on the mirror surface and could break the mirror glass.

As an option, the mirrors may be equipped with LED turning signal lights to give an additional signal light when turning or changing lane for extra safety or for other drivers to see your signal when driving too close, in rain, fog or when in a blind spot.

The mirrors are adjusted using the controls located on the lateral control panel. Refer to "Controls & Instruments" section.

Adjust the side-view mirrors until the side of the vehicle is visible. Adjust the flat-type mirror until the road behind is in full view.

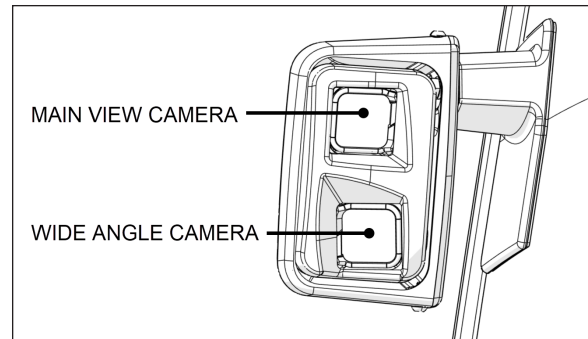
## SIDE CAMERA REAR-VIEW SYSTEM

The vehicle may be equipped with the optional video camera mirror system. To provide good visibility in cold weather, the camera lens shield is equipped with heating elements. The heating

elements are activated by a rocker switch located on the dashboard. Refer to "Controls & Instruments" chapter.

### CAUTION

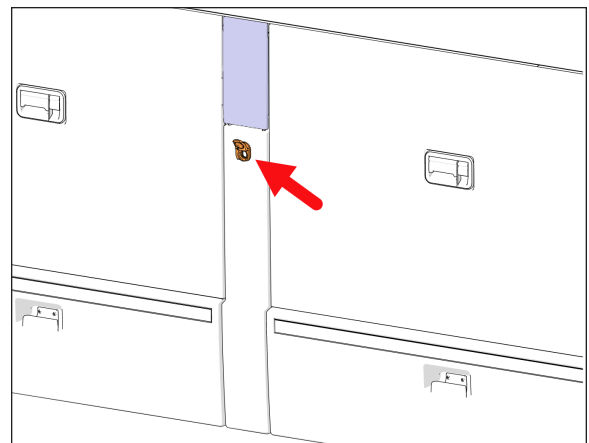
To avoid damage to the heating system, the heating elements shall not be permanently activated.



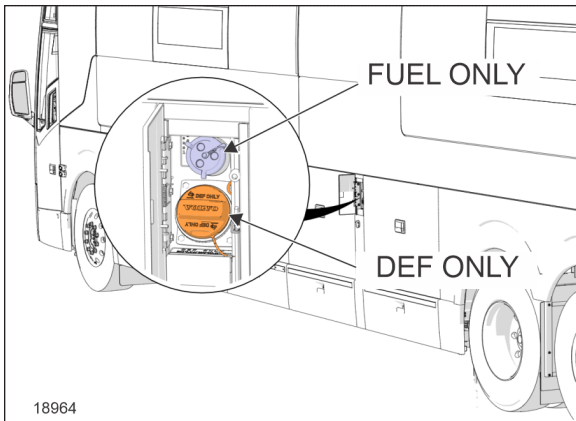
**FIGURE 24: L.H. SIDE CAMERA**

## STREET SIDE FUEL AND DIESEL EXHAUST FLUID (DEF) FILLER NECKS ACCESS

Open this access hatch with the exterior compartment key. The street side filler necks access hatch gives access to the DEF filler neck and the fuel filler neck.



**FIGURE 25: FILLER NECKS ACCESS HATCH LOCK**



**FIGURE 26: STREET SIDE FUEL AND DEF FILLER NECKS ACCESS HATCH**

### NOTE

*Provided the vehicle is parked on level ground, an automatic nozzle will automatically shut off when tank is approximately 95% full.*



### CAUTION

Do not fill to more than 95% of the tank capacity. Do not "top off" the tank, doing so may result in fuel spillage when the fuel expands.



### CAUTION

#### DEF – Do not overfill

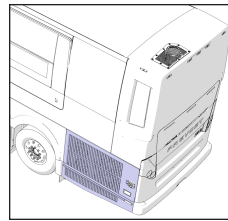
If an automatic nozzle is used for filling diesel exhaust fluid (DEF), do not add further DEF after the nozzle has automatically shut off flow a first time.

If such nozzle is not available, use the DEF level gage on the instrument panel to control the quantity during filling.

Diesel exhaust fluid DEF will begin to crystallize and freeze at 12°F (-11°C) and expand by 7% when frozen. To allow expansion without damaging the DEF tank, do not fill the tank with more than 16 gallons (60 liters).

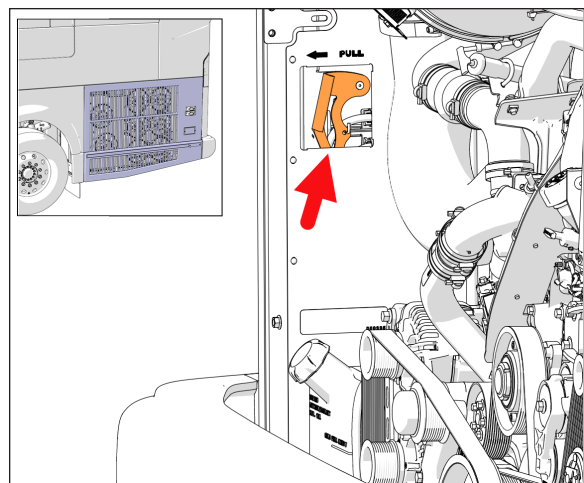
During vehicle operations, the SCR system is designed to provide heating for the DEF tank and supply lines. If DEF freezes when the vehicle is shut down, start up and normal operation of the vehicle will not be inhibited. The SCR heating system is designed to quickly return the DEF to liquid form and the operation of the vehicle will not be impacted.

## RADIATOR DOOR



Open the engine compartment rear door to access the engine radiator door release handle.

Open the engine radiator door by pulling on the latch release lever from inside the engine compartment left pillar.



**FIGURE 27: RADIATOR DOOR LATCH RELEASE LEVER LOCATION**



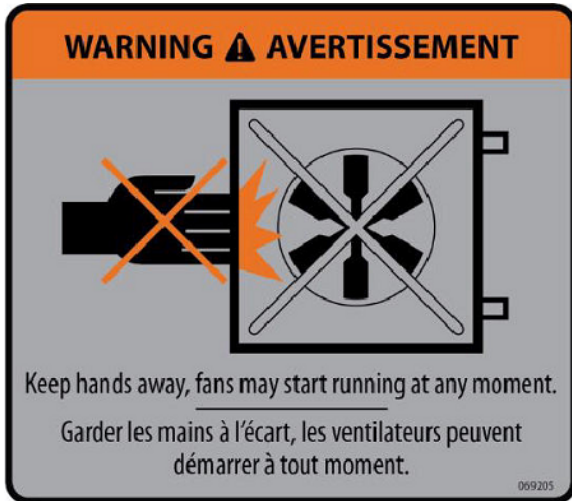
### WARNING

**WHEN THE ENGINE IS RUNNING...**

Cooling fans may activate at any moment.

Keep hands away from cooling fans or keep the radiator door closed.

## 2-18 Coach Exterior



**WARNING**

Cooling fans may be running when the engine is shut down in the following conditions:

- If a High Exhaust Temperature condition exists (e.g., following regeneration). The CAC fans will keep running for a maximum of 15 minutes.
- During the electric Motor Test Sequence, the cooling fans will start running briefly.

### SCR CONVERTER ACCESS HATCH

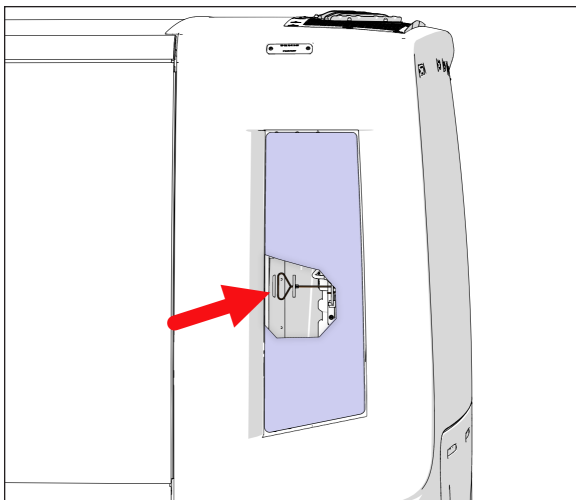


FIGURE 28: SCR CONVERTER ACCESS DOOR

To gain access to the SCR catalytic converter, pull the catch connecting rod to unlock the access hatch;

**WARNING**

External and internal temperatures remain hot long after the engine has been shut down. Allow the Exhaust Aftertreatment System to cool before handling. Wear protective clothing and gloves while servicing.

### TRAILER HITCH

Your vehicle may be equipped with a factory-installed trailer hitch which has been designed to meet the following rating:

**Maximum gross trailer weight:**

**20,000 lbs. (9072 kg)**

**Maximum tongue weight at 6 1/2 inches (165 mm) or less from coupling receiver:**

**1,500 lbs. (680 kg)**

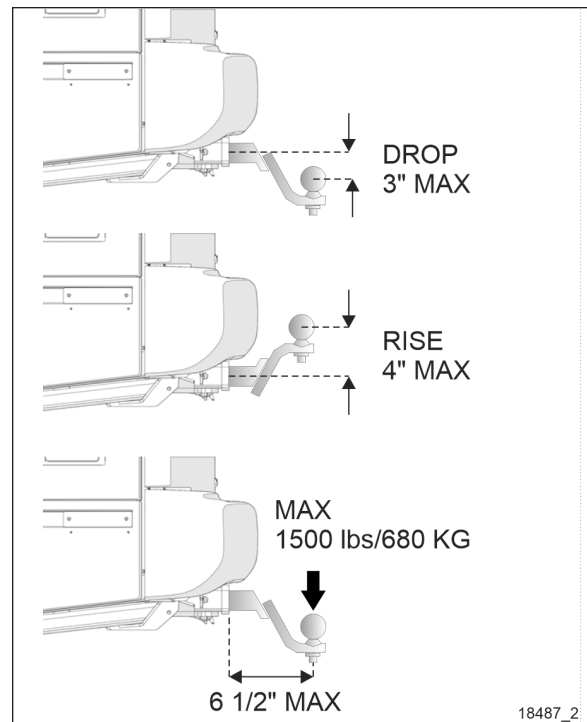


FIGURE 29: TRAILER HITCH

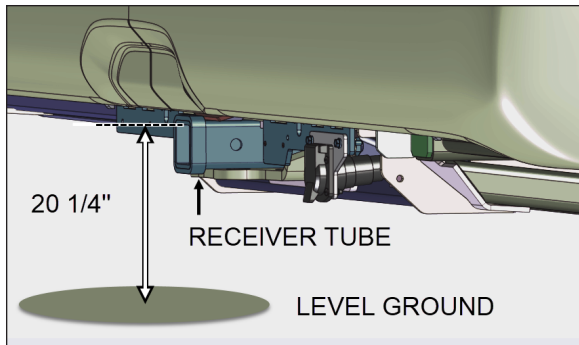


FIGURE 30: TRAILER HITCH

**DANGER**

The draw bar and the ball used for towing the trailer should be rated for 20,000 lbs. capacity or more.

**WARNING**

Pulling a trailer weighing more than the recommended *maximum gross weight* may cause engine and transmission overheating, and a possible hitch failure.

**NOTE**

Pulling a trailer over long distances is considered as a "severe operating condition" for the vehicle. The engine will require more frequent servicing.

## TRAILER HITCH LIMITATIONS

The minimum requirement for a trailer weighing up to 20,000 lbs. when coupled to a 20,000 lbs. Prevost Trailer Hitch is as per the following:

1. The trailer must comply with **Federal Motor Carrier Safety Regulations 393.52** regarding trailer braking capability.
2. The trailer coupling attachments must meet the following minimum static test load requirements. Use the indicated Gross Trailer Weight Rating (GTWR) of your trailer and multiply by the indicated value below.
  - Longitudinal tension and compression: (1.5 x GTWR)

- Transverse thrust: (0.5 x GTWR)
- Vertical tension and compression: (0.5 x GTWR)

*Loads indicated must be applied without incurring loss of attachments or distortion or failure which could affect the safe towing of a trailer.*

3. The ball and trailer coupling must meet the following minimum test load requirements without incurring failure. Use the indicated Gross Weight Rating (GTWR) of your trailer and multiply by the indicated value below.
  - Longitudinal tension and compression: (GTWR x 3)
  - Transverse thrust: (GTWR x 1)
  - Vertical tension and compression: (GTWR x 1.3)

*In this case, failure is identified as the point at which the coupling or ball will accept no additional test load without separation of the ball from the coupling ball socket, or the occurrence of a metal fracture of either coupling ball or coupling assembly, which results in separation of the ball from the coupling ball socket.*

4. Two lengths of safety chain shall be used. The strength rating (minimum breaking force) of each individual chain and its connecting means shall be equal to, or exceed the trailer's Gross Weight Rating (GTWR).
5. The towing vehicle must be equipped with engine brake or transmission retarder. The engine or the transmission retarder on the vehicle must be functional at all times (to be inspected frequently).



## SECTION 3 - COACH INTERIOR

<b>UTILITY COMPARTMENTS</b> .....	<b>2</b>
<b>DRIVER AND NAVIGATOR SEAT (ISRI)</b> .....	<b>2</b>
PNEUMATIC ISRI SEAT MODEL 6832/872 NTS .....	2
ELECTRICAL ISRI SEAT .....	2
<b>ADJUSTABLE HVAC REGISTERS</b> .....	<b>3</b>
DRIVER SEAT BELT .....	3
<b>WINDOWS</b> .....	<b>4</b>
DRIVER'S POWER WINDOW .....	4
FIXED WINDOWS .....	4
AWNING WINDOWS .....	4
SLIDING WINDOWS .....	5
<b>KEYS</b> .....	<b>5</b>
ENTRANCE DOOR KEY .....	5
EXTERIOR COMPARTMENT KEY .....	5
USING THE REMOTE ENTRY TRANSMITTER .....	6



## 3-2 Coach Interior

### UTILITY COMPARTMENTS

Two utility compartments are located at the R.H. side of the dashboard. For other utility compartments already covered in this manual, refer to "[LATERAL UTILITY COMPARTMENT](#)" on page 6 and "[CENTRAL UTILITY COMPARTMENT](#)" on page 16.

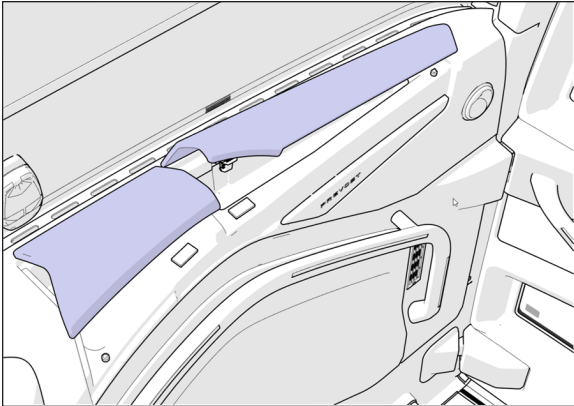


FIGURE 1: UTILITY COMPARTMENT

### DRIVER AND NAVIGATOR SEAT (ISRI)

Two distinct ISRI model driver's and navigator's seats may be supplied with your vehicle: both with a sophisticated air suspension system, one being pneumatically operated, while the other is electrically operated. Both seats may be equipped with lumbar supports, heated cushions and adjustable armrests. Seats can be adjusted to the desired driving position by following the instructions listed below:

### PNEUMATIC ISRI SEAT MODEL 6832/872 NTS

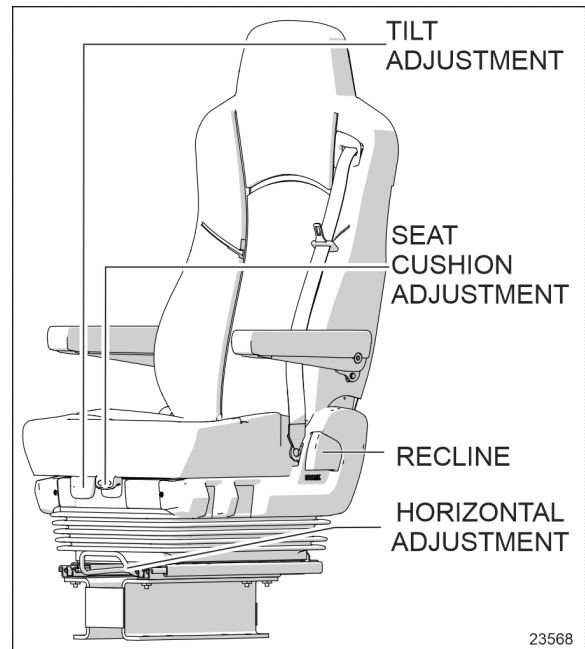


FIGURE 2: PNEUMATIC DRIVER'S SEAT

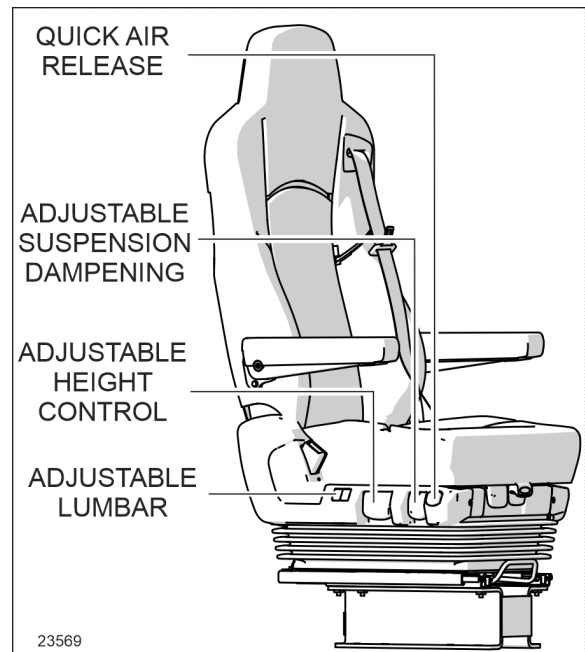


FIGURE 3: PNEUMATIC DRIVER'S SEAT

### ELECTRICAL ISRI SEAT

Adjust electric seats as follows:

**Tilt (rear) (1)**

Pull switch up to raise rear section of seat. Push switch down to lower rear section of seat.

**Fore-and-aft/Up-Down (2)**

Push switch towards dashboard to move seat forwards or back to move seat backwards. Pull switch up to raise seat or push switch down to lower seat

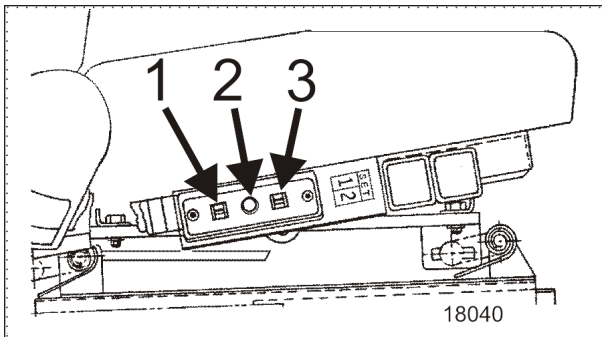


FIGURE 4: SEAT CONTROLS

**Tilt (front) (3)**

Pull switch up to raise front section of seat. Push switch down to lower front section of seat.

**ADJUSTABLE HVAC REGISTERS**

The HVAC system has adjustable registers to control air flow around the driver's and navigator's area.

- Three are located on the dashboard.
- One register is located near the steering wheel column, under the dashboard. This register is not adjustable but may be electrically open or closed by means of the HVAC control panel.
- The Auxiliary Air unit has three registers located behind the driver in addition to the two registers located at the bottom of first lateral window near the navigator seat (Auxiliary Air unit is part of the small HVAC system).

Use the HVAC control panel to set air temperature (refer to "[HVAC CONTROL UNIT](#)" on [page 1](#) in Controls & Instruments chapter).

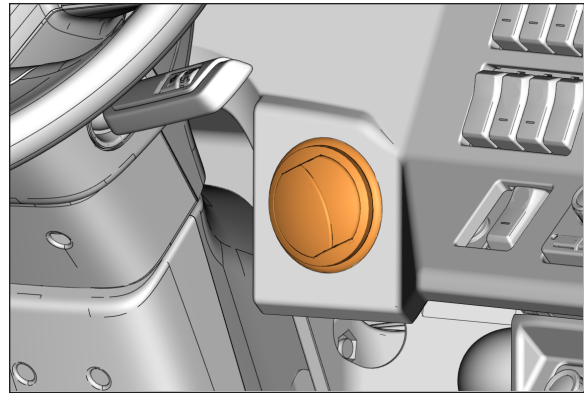


FIGURE 5: DASHBOARD AIR REGISTER

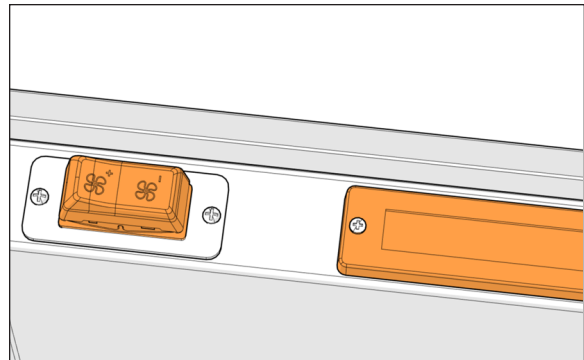


FIGURE 6: NAVIGATOR'S AIR REGISTER & FAN SPEED CONTROL SWITCH

**DRIVER SEAT BELT**

The driver's seat is equipped with a retractable safety belt as required by State, Provincial and Federal regulations.

**WARNING**

A snug fit with the lap belt positioned low on the hips is necessary to maximize driver safety. The belt should not be worn twisted. Avoid pinching belt and/or belt hardware in the seat mechanism. Do not wear the belt over rigid or breakable objects, such as eyeglasses, pens or keys as these may cause injuries.

**CAUTION**

Never bleach or dry clean a safety belt.

To fasten, pull seat belt out of the retractor and insert the latch plate into the buckle until it clicks. No special adjustment is required since the reel device is self-adjusting. If seat belt operation

### 3-4 Coach Interior

becomes defective, report to a Prevost Car service center immediately.

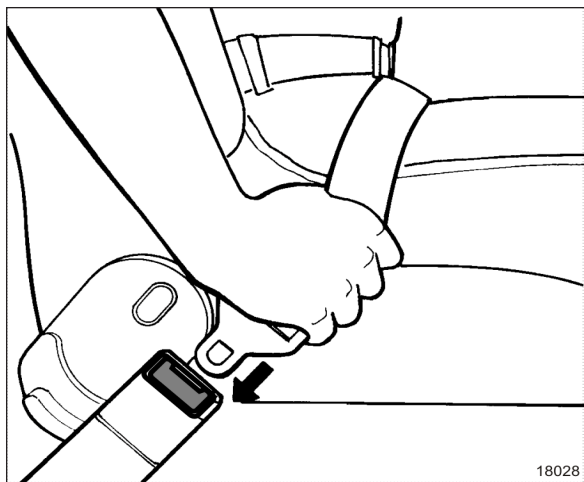


FIGURE 7: TO FASTEN SEAT BELT

To unfasten belt, press the red button in the center of buckle and allow belt to retract. If the belt does not fully retract, pull it out and check for kinks or twists. Make sure that it remains untwisted as it retracts.

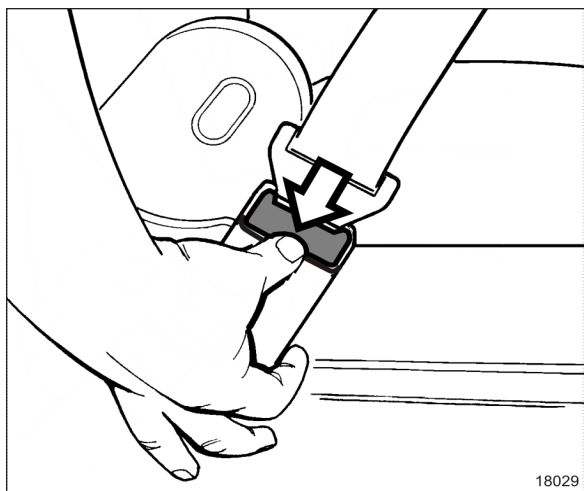


FIGURE 8: TO UNFASTEN SEAT BELT



#### WARNING

Most State and Provincial laws require that safety belts be worn when they are supplied with the seat.

#### NOTE

*The safety belt must be pulled out slowly and continuously, otherwise it will lock the reel before the latch plate reaches the buckle. If this happens, allow the belt to retract completely and repeat the procedure correctly.*

## WINDOWS

The vehicle is equipped with single pane or double pane (thermos) windows. There is either one or two power windows and a possible combination of three types of side windows, all of them flush-mounted to the structure: fixed, awning and sliding windows. Following is a description and operating instructions for these types of windows:

### DRIVER'S POWER WINDOW

The driver has a power window on the left side of the vehicle. The windows are controlled by a rocker switch located on the driver's control panel. Refer to "Controls and Instruments".

### FIXED WINDOWS

These windows are glued to the structure and form an integral part of the body of the vehicle, helping reduce vibration and noise. Fixed windows cannot be opened.

### AWNING WINDOWS

To open or close an electrically-operated awning window, use the rocker switch located on the wall, next to the window. After closing the window, maintain the rocker switch depressed to latch the window.



#### CAUTION

Avoid holding the rocker switch button depressed after the window has reached its full opened position or after the window has been latched.



#### CAUTION

Never try to open or close the awning window by pulling or pushing directly on the window; this could damage the opening mechanism gearbox.

A telltale light on the dashboard illuminates when an awning window is opened. Refer to Controls and instruments chapter for more information.

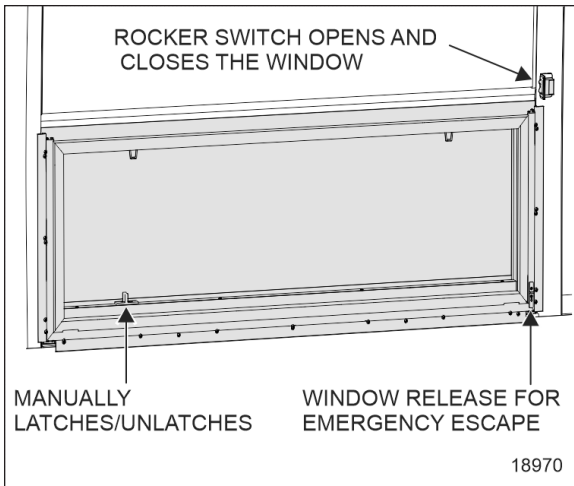


FIGURE 9: ELECTRIC AWNING WINDOW

**NOTE**

*The awning window electrical circuit is equipped with a thermistor protecting the components from overheating. If the awning window is opened and closed repeatedly, causing overheating of the components, the thermal protection will interrupt the operation of the window for a short while to permit cooling down of the components. This feature also prevents personal injuries and damages to the components if something obstructs the window movement.*

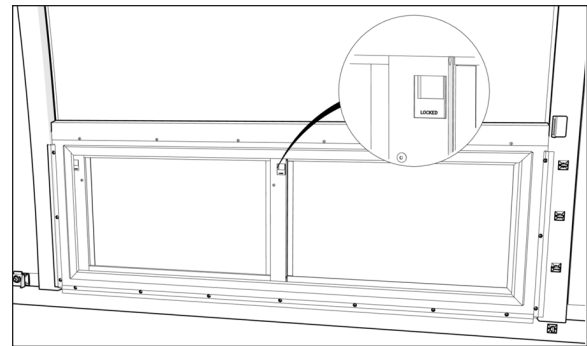


FIGURE 10: SLIDING WINDOW

**NOTE**

*The sliding window electrical circuit is equipped with a thermistor protecting the components from overheating. If the sliding window is opened and closed repeatedly, causing overheating of the components, the thermal protection will interrupt the operation of the window for a short while to permit cooling down of the components. This feature also prevents personal injuries and damages to the components if something obstructs the window movement.*

**SLIDING WINDOWS**

To open or close an electrically-operated sliding window, use the rocker switch button located on the wall, next to the window.

**CAUTION**

Never try to open or close the sliding window by pulling or pushing directly on the window; this could damage the opening mechanism gearbox.

**NOTE**

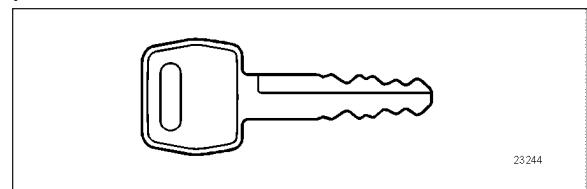
*If the sliding window electrical circuit is inoperative, the power sliding window can be manually closed by removing the lateral plastic trim located on the R. H. side of the window to access the drive belt. Manually move the drive belt to close the window.*

**KEYS**

Different keys and a set of remote entry transmitters are provided with the vehicle.

**ENTRANCE DOOR KEY**

Use the entrance door key to lock the door from the outside.



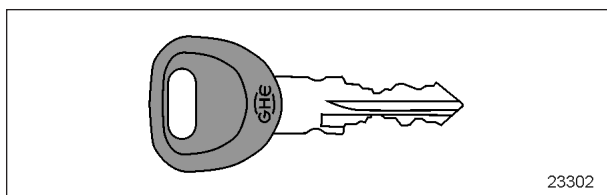
**EXTERIOR COMPARTMENT KEY**

Use this key to lock:

- the baggage compartment doors
- the electrical and service compartment doors

### 3-6 Coach Interior

- the fuel filler access hatches
- the central utility compartment



#### NOTE

*It is also possible to lock/unlock the baggage compartment doors from the inside by means of the baggage compartment central locking system switch located on the dashboard.*

### USING THE REMOTE ENTRY TRANSMITTER

Hand held transmitters can be used to control the keyless door lock system.



FIGURE 11: REMOTE ENTRY TRANSMITTER

BUTTON	FUNCTION
1 Lock all	<ul style="list-style-type: none"> <li>• Locks entrance door and baggage compartments</li> <li>• Arms security system</li> </ul>

BUTTON	FUNCTION
2 Entrance door unlock	<p>Short Press:</p> <ul style="list-style-type: none"> <li>• Unlocks entrance door</li> <li>• Disarms security system</li> </ul> <p>Long press:</p> <ul style="list-style-type: none"> <li>• Unlatches entrance door</li> </ul>
3 Baggage compartments unlock	<ul style="list-style-type: none"> <li>• Unlocks baggage compartments</li> </ul> <p>NOTE: Does not disarm security system</p>
4 Panic	<p>Long press:</p> <ul style="list-style-type: none"> <li>• Activates panic mode (press &amp; hold 2 seconds)</li> </ul>

#### NOTE

*The lock function will not function when the ignition is in the ON position or the entry door is open.*

### Arming the security system

*Arming the security system requires the following conditions:*

- Ignition to OFF position
- Entrance door closed
- Entrance door locked

*The intrusion protection and anti-theft system will be set after a 10 seconds delay.*

***Canceling the alarm***

*Any unlock entrance door or unlock all doors from the dashboard switch, the remote entry transmitter or the keypad cancels the alarm.*

*Any lock entrance door or lock all doors from any source will also cancel an active alarm, however the system will once again initiate the security system arming.*



## SECTION 4 - CONTROLS AND INSTRUMENTS

<b>DRIVER'S AREA OVERVIEW</b> .....	<b>3</b>
<b>LATERAL CONTROL PANEL</b> .....	<b>4</b>
ENGINE START BUTTON .....	4
12-VOLT POWER OUTLET .....	5
TRANSMISSION CONTROL PAD .....	5
MIRROR CONTROLS .....	5
LATERAL UTILITY COMPARTMENT .....	6
<b>AUTOMATIC FIRE DETECTION AND SUPPRESSION SYSTEM (AFSS)</b> .....	<b>6</b>
AUTOMATIC FIRE SUPPRESSION SYSTEM PANEL .....	6
<b>DASHBOARD</b> .....	<b>7</b>
CONTROL SWITCHES .....	8
PARKING BRAKE CONTROL KNOB .....	12
<b>DEA600 SERIES RADIO SYSTEM AND INFOTAINMENT DISPLAY OVERVIEW</b> .....	<b>13</b>
DASHBOARD RADIO .....	13
SECONDARY INFORMATION DISPLAY (SID) .....	13
<b>HVAC CONTROL UNIT</b> .....	<b>15</b>
CENTRAL UTILITY COMPARTMENT .....	16
<b>INSTRUMENT PANEL</b> .....	<b>17</b>
DRIVER INFORMATION LEVEL .....	18
ANALOG INDICATORS .....	19
TELLTALE LIGHTS .....	23
STOP AND CHECK TELLTALE LIGHTS .....	26
DRIVER INFORMATION DISPLAY .....	27
<b>STEERING COLUMN CONTROLS</b> .....	<b>34</b>
DIRECTION INDICATOR AND HIGH BEAM CONTROL STALK .....	34
WINDSHIELD WIPERS CONTROL STALK .....	35
AUXILIARY BRAKE CONTROL STALKS .....	35
STEERING WHEEL KEYPADS .....	37
<b>FOOT-OPERATED CONTROLS</b> .....	<b>38</b>
STEERING WHEEL ADJUSTMENT .....	38
BRAKE PEDAL .....	39
ACCELERATOR PEDAL .....	39
<b>ON BOARD DIAGNOSTIC TOOL RECEPTACLE</b> .....	<b>39</b>
<b>TIRE PRESSURE MONITORING SYSTEMS (TPMS)</b> .....	<b>39</b>
SYSTEM MALFUNCTION .....	39
TPMS - SYSTEM DESCRIPTION .....	39
<b>CRUISE CONTROL</b> .....	<b>41</b>
TURNING THE SYSTEM ON .....	41



## 4-2 Controls and Instruments

---

SETTING CRUISE SPEED .....	42
<b>PREVOST DRIVER ASSIST™</b> .....	<b>44</b>
ASSOCIATED HARDWARE EQUIPMENT .....	44
PREVOST DRIVER ASSIST™ CONSISTS OF THE FOLLOWING SYSTEMS AND FEATURES .....	45
POTENTIALLY CHALLENGING SITUATIONS FOR THE PREVOST DRIVER ASSIST™ SYSTEM .....	47
LANE DEPARTURE WARNING LDW .....	47
FORWARD COLLISION MITIGATION FCM .....	50
ADAPTIVE CRUISE WITH BRAKING ACB .....	51
DRIVER WARNINGS AND SYSTEM STATUS .....	54
FOLLOWING DISTANCE ALERT .....	56
IMPACT ALERT .....	57
WHAT TO EXPECT WHEN USING THE PREVOST DRIVER ASSIST™ SYSTEM .....	60
HOW YOUR ACTIONS IMPACT THE PREVOST DRIVER ASSIST™ SYSTEM .....	63
<b>SIDE CAMERA REAR-VIEW MONITORS</b> .....	<b>64</b>
REFERENCE LINES .....	64
BRIGHTNESS ADJUSTMENT .....	64
MONITOR STATE .....	65
<b>ALLISON TRANSMISSION</b> .....	<b>65</b>
OPERATION .....	66
PUSHBUTTON SHIFT SELECTOR .....	66
PRIMARY AND SECONDARY SHIFT SCHEDULES .....	66
TRANSMISSION SERVICE INDICATOR .....	66
DESCRIPTION OF AVAILABLE RANGES .....	67
TOWING RECOMMENDATIONS .....	68

DRIVER'S AREA OVERVIEW

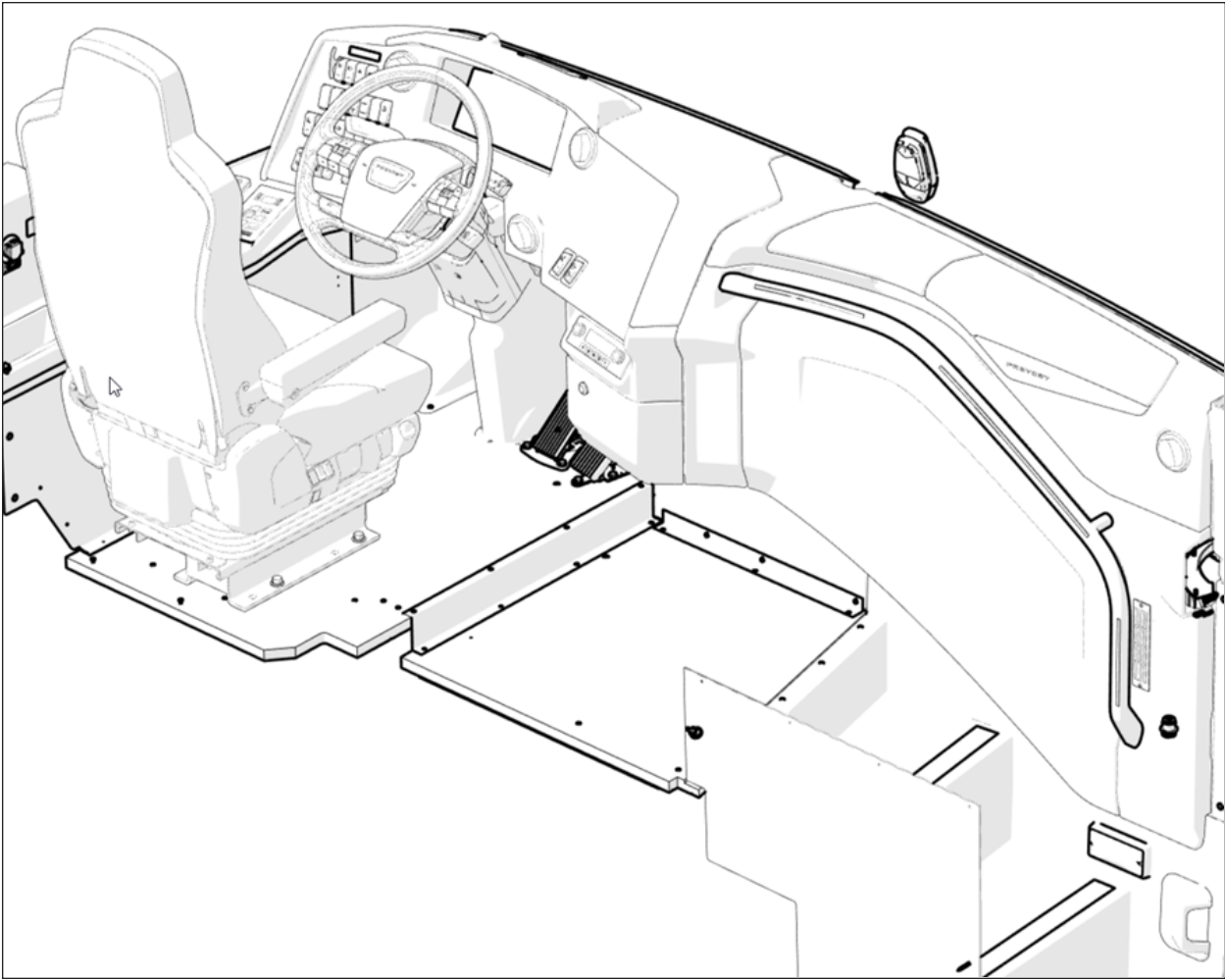


FIGURE 1: DRIVER'S AREA

## 4-4 Controls and Instruments

### LATERAL CONTROL PANEL

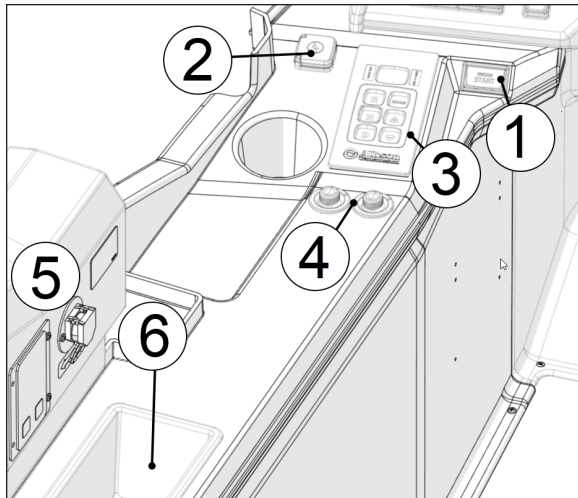


FIGURE 2: LATERAL CONTROL PANEL

- (1) Engine START button
- (2) 12-volt power outlet
- (3) Transmission control pad
- (4) Mirror controls
- (5) Automatic fire suppression system control panel (AFSS)
- (6) Lateral utility compartment

### ENGINE START BUTTON

Performing the following operations start the engine.

#### Starting The Engine

**IMPORTANT NOTE:** The remote entry transmitter must be detected in the driver's area. The driver should always keep the remote entry transmitter with him.

1. Check that the parking brake is set.
2. Check that the transmission is set in neutral N.
3. Sit in the driver's seat and depress the brake pedal.
4. Activate the ignition switch to apply power to the vehicle.



FIGURE 3: IGNITION SWITCH

5. Press the ENGINE START button.

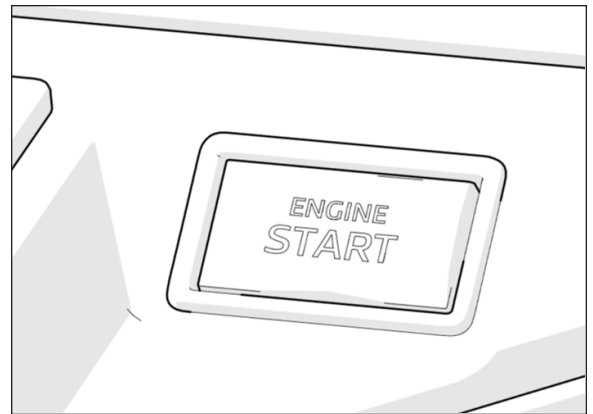


FIGURE 4: ENGINE START BUTTON

#### **Starting the engine when the remote entry transmitter is not detected**

*Following a failed attempt to start the engine while the remote entry transmitter is not detected, the driver benefits a 1 minute time period to enter a valid code (4 digit personal code or 6 digit authority code) on the entrance door keypad. Once a valid code is entered, the driver has 30 seconds time period to press the ENGINE START button once again and start the engine.*

#### Shutting Down The Engine

1. Set the parking brake.
2. Check that the transmission is set in neutral N.
3. Flip the ignition switch to off.

**NOTE**

*If ignition switch is turned OFF by mistake while the vehicle speed is higher than 6 mph (10km/h), the throttle function will be interrupted. The power steering will be maintained, and the transmission will stay in gear. An alarm in the instrument panel will sound to warn the driver.*

*Normal operation will resume as soon as the ignition switch is set back to ON.*

**12-VOLT POWER OUTLET**

A 12-volt DC power outlet is located on the lateral control panel.

This socket can be used to power small 12-volt DC appliances. The maximum power consumption allowed for appliances plugged in this socket is 180 watts.

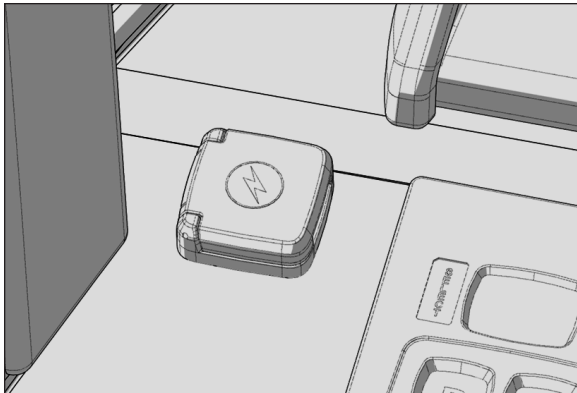


FIGURE 5: 12-V POWER OUTLET

**TRANSMISSION CONTROL PAD**

The Allison transmission control pad is located on the lateral control panel. Refer to [ALLISON TRANSMISSION](#) in this chapter for operating instructions and more information.



FIGURE 6: TRANSMISSION CONTROL PAD

**MIRROR CONTROLS**

Turn the pointer knob counterclockwise for flat mirror adjustment and clockwise for convex mirror adjustment, then use the pointer knob as a joystick to adjust the selected mirror's viewing angle. Adjust the right outside mirror similarly but by using the right side control.

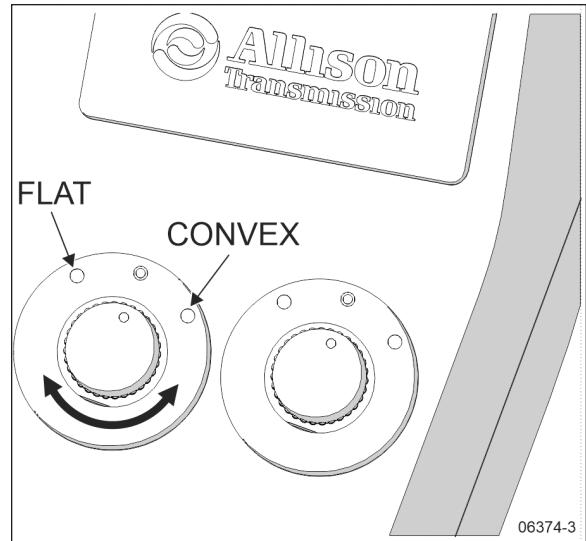


FIGURE 7: MIRROR CONTROLS

**NOTE**

*If the mirror assemblies on your vehicle do not include convex mirrors, only one mirror control knob will be installed for both mirrors. To operate, turn the pointer counterclockwise for L.H. mirror adjustment and clockwise for R.H. mirror adjustment, then use the joystick control to adjust the selected mirror's viewing angle.*

## 4-6 Controls and Instruments

### LATERAL UTILITY COMPARTMENT

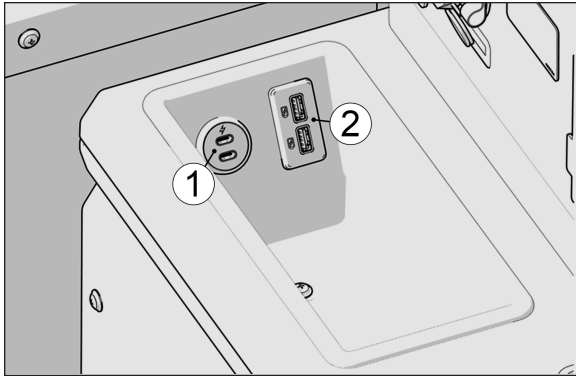


FIGURE 8: UTILITY COMPARTMENT

(1) Dual-port universal USB-C charger. Charging current capacity for each of the two outlets, 3A @ 5V.

(2) Dual-port USB-A smart charger . Output 2.4A @ 5V.

### AUTOMATIC FIRE DETECTION AND SUPPRESSION SYSTEM (AFSS)

The vehicle may be equipped with an Automatic Fire detection and Suppression System (AFSS).

#### AUTOMATIC FIRE SUPPRESSION SYSTEM PANEL

The panel displays the current system status. The protection panel contains “SYSTEM OK”, fire “ALARM” and “TROUBLE” lamps, the audio alarm, the “TEST/RESET” switch, and the “ALARM SILENCE” switch.

The “SYSTEM OK” lamp indicates power is on the system and that there is no trouble conditions present. The “TROUBLE” lamp blinks if there is a fault in the detection circuitry and illuminates solid if there is a fault in the extinguishing circuitry. When the “TROUBLE” lamp is on, the “SYSTEM OK” lamp will be off and the audible alarm will sound intermittently. The “SYSTEM OK” lamp will flash when the system is low on battery power. Depressing the “TEST/RESET” switch tests the protection panel lamps and audio alarm. The “ALARM SILENCE” switch will disable the audio alarm.

When a fire detector automatically detects a fire, the fire “ALARM” lamp and audio alarm activate.

When the Manual Activation Switch is activated, the fire “ALARM” lamp blinks and the audio alarm activates. The lamp will blink until power is cycled to the system.

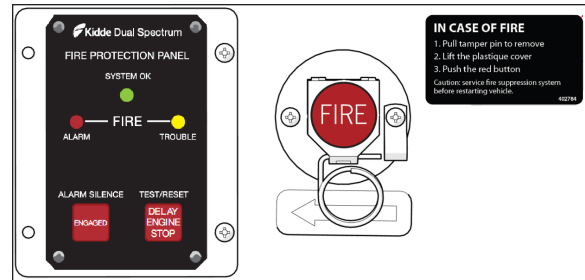


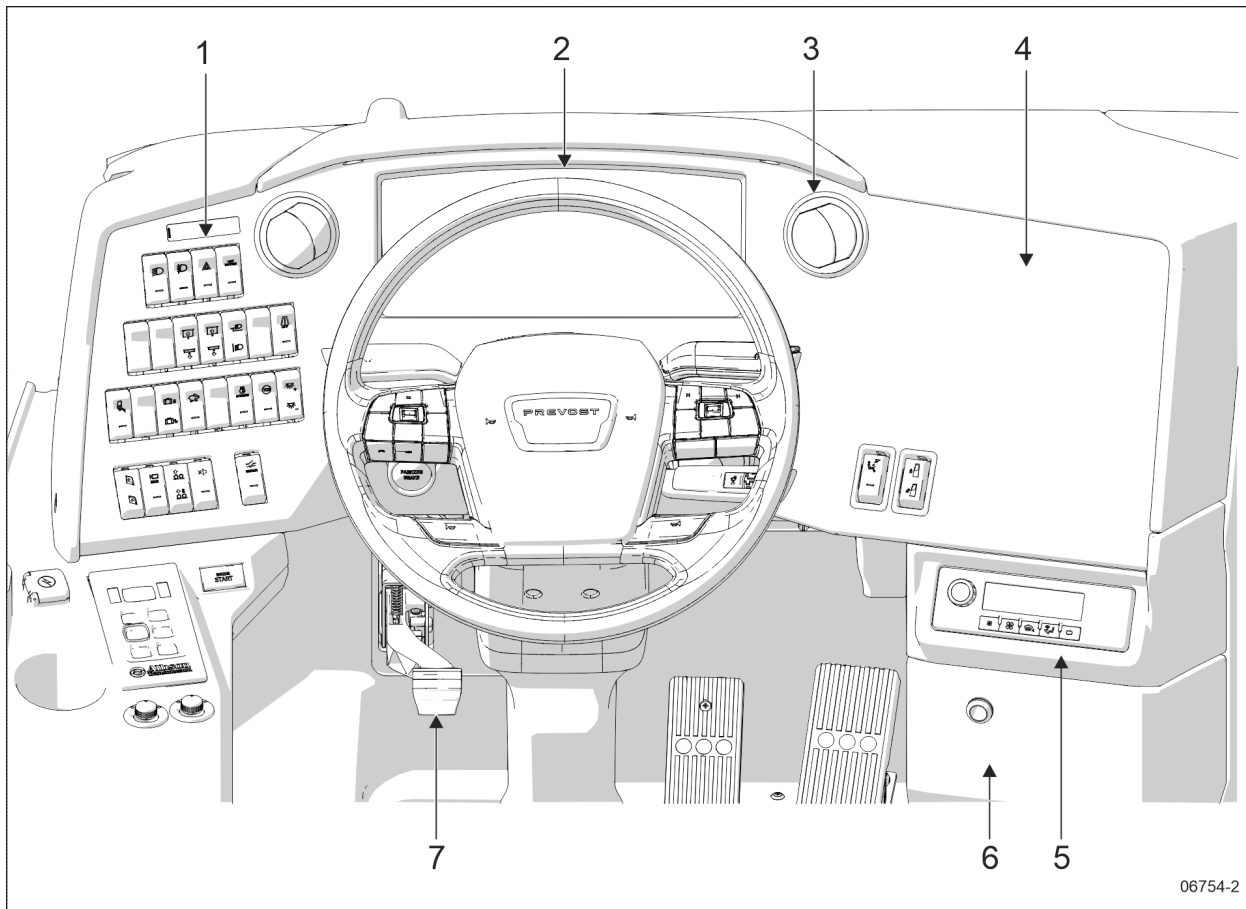
FIGURE 9: AFSS PANEL & MANUAL ACTIVATION SWITCH

#### Manual Activation Switch

The manual activation switch allows immediate system activation (extinguisher discharge and engine shutdown) by the driver at any time. Activation of the switch is accomplished by twisting and pulling the tamper seal to remove, lifting the cover and pressing the red “FIRE” button for more than half a second. After the manual activation switch has been activated, the protection panel will blink the fire “ALARM” indicator until power has been cycled to the system.

Refer to [AUTOMATIC FIRE SUPPRESSION SYSTEM \(AFSS\)](#) in section *Safety Features and Equipment* for more information.

## DASHBOARD



06754-2

**FIGURE 10: DASHBOARD**

1. L.H. dashboard panel
2. Instrument panel
3. Air register
4. R.H. dashboard panel
5. HVAC control unit
6. Utility compartment
7. Steering wheel adjustment unlock air valve

## 4-8 Controls and Instruments

### CONTROL SWITCHES

High quality switches are used to control many of the features of the vehicle. Many switches have an embedded indicator LED to inform the driver at a glance which features are active.

On some switches, the indicator LED will turn off after a short while when the engine is running. This is normal and is designed to reduce glare when driving. The functions still operate even if the LED is off. If the switches are still on when the engine is turned off, the LEDs will illuminate to warn the driver to turn them off. Switches are described in the order they appear, from left to right, top to bottom.

#### L.H. DASHBOARD PANEL

The L.H. dashboard panel includes controls for the operation of the coach; it also includes the ignition switch to allow power up the vehicle.

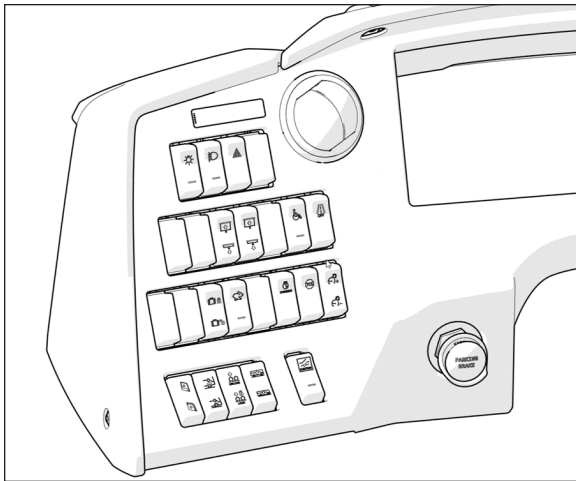


FIGURE 11: L.H. DASHBOARD PANEL

#### Vehicle Clearance Information



Vehicle height is 12'10" (3.91 m).



#### CAUTION

Vehicle height is greater when the ventilation hatch is open or if additional equipment is installed on the roof.

### Headlights And Exterior Lighting

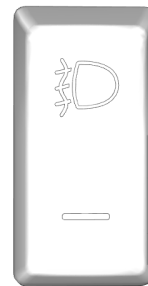


**OFF position** – Daytime running lights only (with engine running).

Press this rocker switch to turn on the following lights:

Headlights, taillights, clearance lights, identification lights, side marker lights, license plate light, left and right high-mounted stoplights in low intensity.

### Fog Lights

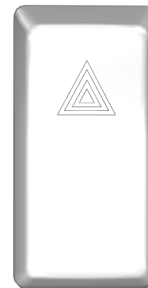


Fog lights provide better visibility in fog and precipitation. They improve close range visibility and provide added safety.

#### NOTE

*Some states and provinces restrict the use of fog lights. Verify local state or provincial regulations before using.*

### Hazard Warning Flashers



Press the rocker switch to make all turn signal lights flash at once. The dashboard telltale lights will flash when the hazard warning flashers are ON.

Once the hazard warning flashers are activated, the ignition switch can be turned to the OFF position. The hazard warning flashers will stay activated and will prevent the vehicle systems from falling in "sleep mode".



#### CAUTION

Do not use the hazard flashers for an extended period of time with the engine shut down unless necessary. The electrical circuits remain activated when the hazard switch is depressed.

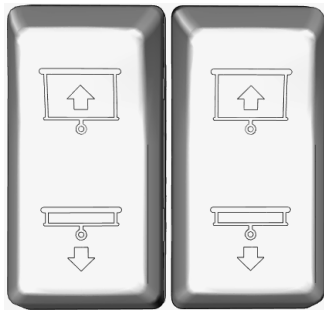


### Low Docking Lights



The switch allows lower intensity illumination of the docking lights.

### Windshield Sunshades



Press and hold the appropriate button to lower the left or right windshield sunshades. Press twice rapidly to raise or lower up to the end position.



#### CAUTION

Do not attempt to raise or lower these shades manually. Damage to the electric motor or roller mechanism could result.

### Docking / Cornering Lights



The docking lights illuminate when the reverse (R) range is selected to increase visibility while backing-up the vehicle.

Nevertheless, you can override the automatic activation. To do so, depress the upper portion of this switch to activate both the docking and the cornering lights to ease parking.

Depress the lower portion of this switch to allow activation of the cornering lights. When the left or right turn signal is activated, the corresponding cornering light will illuminate to increase lateral visibility.

### Lane Departure Warning (LDW) Enable/Disable



To avoid erroneous LDW warnings in areas such as the work zone where the road markings present might cause false alerts, LDW system can be disabled by the driver using the enable/disable switch. LDW system will reactivate automatically after a delay of 15 minutes or a transition from OFF to ON of the ignition or upon pressing of the enable/disable switch a second time

### Outside Rear View Mirror & Video Camera Mirror System Heat



Press this rocker switch to clear fog, frost or thin ice from outside mirrors or the video camera mirror system lens protector.



#### CAUTION

To avoid damage to the heating system, the heating elements shall not be permanently activated.

### Baggage Compartments Central Locking System



This system enables locking all baggage compartment doors by pressing the switch forward. To unlock, press the switch rearward.

In the DID, a system status pictogram confirms the central locking system state.

#### NOTE

*Service compartment doors are not linked to the baggage compartment locking system.*



## 4-10 Controls and Instruments

### NOTE

Baggage compartment doors must be unlocked using the key first, they can then be unlocked or locked using the baggage compartment-locking system.

### Fast Idle



For extended idling periods, run the engine at fast idle. Press down this rocker switch to engage fast idle. This increases the engine speed to approximately 1,000 rpm. Return to normal idle before driving or when stopping the engine.



### CAUTION

If the parking brake is released and/or the transmission is engaged with the engine running at fast idle, the engine will return and remain to normal idle as long as the parking brake is not applied and/or transmission is not placed into neutral (n).

The engine will return to fast idle once the parking brake is applied or neutral (n) selected.



### CAUTION

Return the engine to normal idle before shutting the engine off.

### Engine Stop Override (With Automatic Fire Detection And Suppression System)



Press the Engine Stop Override switch on the dashboard or the Delay Engine Stop switch on the AFSS protection panel to delay the engine shutdown and extinguisher discharge by an additional 15 seconds.



### CAUTION

Use this function if you are not prepared to bring the vehicle to a safe stop (i.e. on a railroad track, in intersection).

This switch is functional only if the vehicle is equipped with the Automatic Fire Detection and Suppression System.

### Traction Control System Mud/Snow Mode



On certain road conditions, it may be useful to retard the intervention of the traction control system TCS during vehicle acceleration. The Mud/Snow function allows greater engine power and more wheel spin during TCS operation. This function may be helpful to set the vehicle in motion on iced roads, for example.

Press the Mod/Snow switch to turn on this function. The TCS telltale blinks slowly when the TCS Mud/Snow mode is active. Always remember to turn the Mud/Snow feature off when driving on a firm road surface.

A new ignition cycle or a second pressing of the Mud/Snow switch will turn this function off.

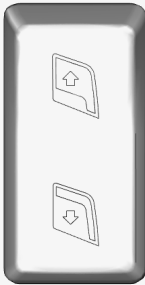
**Dashboard Brightness Control**



Adjust the brightness of the dashboard instruments and switches.

switch .

**Driver Power Window**



Use this rocker switch to open or close the driver's power window.

**LOAD & LOCK**

Press down the lower part of this switch to load and lock the tag axle.

See also ["AUTOMATIC TAG UNLOAD" on page 13](#) in Other Features section.

	<p><b>CAUTION</b></p>
<p>Close power window when parked or leaving the coach unattended.</p>	

**Back-up Camera**



Press down this switch to activate the back-up camera and monitor when the transmission is not in reverse gear.

**Back-up Alarm Cancel Switch**



Use this rocker switch to cancel the back-up alarm.

<p><b>NOTE</b></p> <p><i>Normal operation resumes after leaving reverse gear.</i></p>
---

**Ignition Switch**



Press this switch to apply power to the vehicle.

State: vehicle in sleep mode. Pictogram OFF and LED OFF.



State: vehicle in wake up mode. Pictogram ON and LED OFF.

**Automatic Tag Axle Unload Override**



UNLOAD  
 Press down the upper part of this switch to manually unload the tag axle.

AUTO

LOAD & LOCK  
 AUTOMATIC UNLOAD

Neutral position of this

## 4-12 Controls and Instruments



The main electrical shut-off switch is in the ON position and the ignition switch is flipped on.

State: power is applied to the vehicle. Pictogram ON and LED ON.

### NOTE

*If ignition switch is turned OFF by mistake while the vehicle speed is higher than 6 mph (10km/h), the throttle function will be interrupted. The power steering will be maintained, and the transmission will stay in gear. An alarm in the instrument panel will sound to warn the driver.*

*Normal operation will resume as soon as the ignition switch is set back to ON.*

### PARKING BRAKE CONTROL KNOB

Pull to apply the parking brake.

Push to release the parking brake.

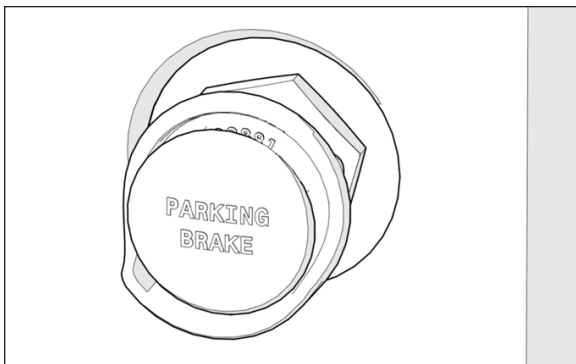


FIGURE 12: PARKING BRAKE CONTROL KNOB

### R.H. DASHBOARD PANEL

The infotainment display, the HVAC control module, miscellaneous switches and air vents are located on this side of the dashboard.

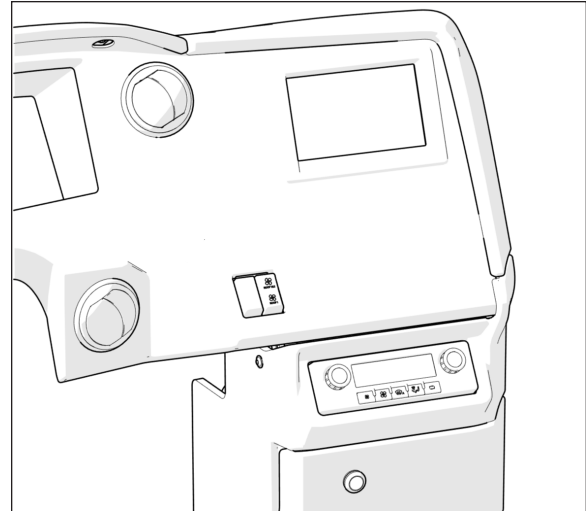


FIGURE 13: R.H. DASHBOARD PANEL

### Driver's Area Lighting



Press this rocker switch to turn on the driver's overhead light as needed.

### Entrance Door Lock / Unlock



Use this switch to lock or unlock the entrance door.

Locking the entrance door with this switch will also lock the baggage compartment doors.

## DEA600 SERIES RADIO SYSTEM AND INFOTAINMENT DISPLAY OVERVIEW

The DEA600 System consists of a 7" display connected to a Radio. The Smart Display functions as a main display managing the entire user interface. The display with resistive touchscreen has a rear USB for playback or USB modem connection, and manages the Applications, Phone interface, Audio, Internet and Bluetooth / Wi-Fi connections. The Radio is a module capable of managing the audio output of the system to the speakers, containing the tuner (AM, FM, WX), Sirius XM, Front Aux, Rear Aux, USB, CD. It also transmits the audio output from the Smart Display and manages the hard buttons.

See **DEA600 Series Radio System Owner's Manual** for more information. This manual is available on the Technical Publications site at <https://techpub.prevostcar.com/en/> . Select **Supplier Publications** tab and then select **Audio & Video (misc)** in the list of suppliers.

### DASHBOARD RADIO



FIGURE 14: DASHBOARD RADIO

**(1) Phone.**

Open the Phone App.

**(2) Back.**

The Back button is used to exit the current screen and open the previous screen.

**(3) Home.**

The Home button is used to go directly to the main home screen.

**(4) Menu / settings.**

The Menu button is used to open the menu related to the current screen. When the System is on the Home screen, the Menu button opens the "System Settings" menu.

**(5) Volume / power.**

Rotate to increase / decrease Volume. Press Knob to turn ON / OFF the Radio.

**(6) Display and button brightness adjustment, reduce<sup>1</sup>.**

**(7) Display and button brightness adjustment, increase.**

**(8) Eject.**

Ejects disc from the CD slot.

### SECONDARY INFORMATION DISPLAY (SID)

The installed application icons are presented at the home screen. The home screen is distributed in a home main screen and subsequent home screens. Each of the home screens presents 6 application icons maximum, plus the Audio widget. The number of the subsequent home screens is relative to the number of installed applications. Each subsequent home screen is added to the right of the main home screen or next to the right of the last subsequent home screen. An indicator identifies which home screen is displayed. The screen indicator is placed below the top bar of the home screen.

*Take note that some application icons from the home screen or functionalities cannot be selected by the user while the vehicle is in motion.*



FIGURE 15: SECONDARY INFORMATION DISPLAY (SID) HOME PAGE NO.1

**(1) Apps.**

**(2) Back.**

<sup>1</sup>Dimming buttons are used to increase or reduce the brightness level of the display and the backlight level of the radio bezel independently from the dashboard brightness control switch.

## 4-14 Controls and Instruments

- (3) Home.
- (4) Menu / Settings.
- (5) Radio station tuning up or down (long press) / previous or next favorite radio station / previous or next track<sup>1</sup>.
- (6) Home page.
- (7) Audio widget.



FIGURE 16: SECONDARY INFORMATION DISPLAY (SID)  
AUDIO > FM SELECTED

- (1) Source tab.



### WARNING

#### CoPilot NAVIGATION APPLICATION DISCLAIMER

Upon delivery from the factory, the H3-45 has the following vehicle profile characteristics set in the CoPilot GPS Software System:

- Length: 45 feet
- Width: 107 inches
- Height: 151 inches

The operator [user] must always make sure that the information listed in the CoPilot GPS Software System's vehicle profile characteristics accurately reflects the vehicle's dimensions, including a reasonable safety height margin of 3 inches.

It is the responsibility of the operator to set or modify the CoPilot GPS Software System profile characteristics without delay in the event of any change in vehicle dimensions, such as, but not limited to:

- Modifications to the vehicle configuration or dimensions;
- Addition or removal of equipment, in particular the roof; or
- Malfunction, rebooting or updating of the CoPilot GPS Software System.

The manufacturer shall not be liable for any damages arising from the misuse of the CoPilot GPS Software System or from inaccurate inputs of vehicle dimensions in the system's vehicle profile characteristics.

It is the sole responsibility of the operator to select and drive routes that are compatible with and safe for the vehicle's dimensions.

#### NOTE

*Using the microphone while driving is not recommended. For this reason, there are no microphones installed on the radio at the factory.*

<sup>1</sup>Depends on the audio source currently selected.

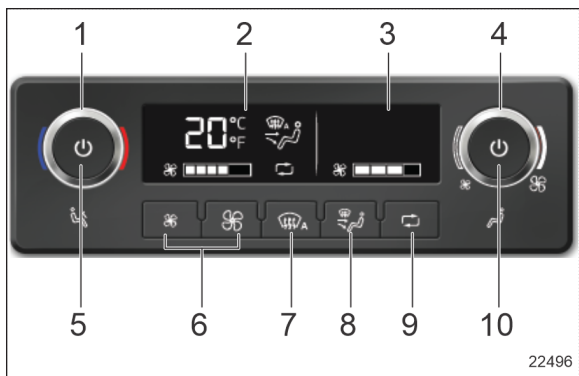
**NOTE**

The driver speakers are controlled from the dashboard radio volume knob while the passenger's area speakers are controlled from the VSS06 Sound Selector volume knob.

**HVAC CONTROL UNIT**

The driver HVAC unit turns on automatically at engine start and uses the settings that were kept in memory before turning off the system. The A/C compressor starts automatically when the two following conditions are met:

1. The outside temperature is above 32 °F (0 °C).
2. The passenger's area temperature has reached 7 °F (4 °C) under the set point.



**FIGURE 17: DRIVER HVAC SYSTEM CONTROL UNIT WITH AUXILIARY AIR**

In addition to the driver area controls, the driver HVAC system also includes an Auxiliary Air unit to provide additional cool air behind the driver and in the navigator seating area. Temperature is set by the driver section of the control unit. See ["Navigator air registers" on page 1](#)

**1) Driver temperature set point adjustment**

Increases or decreases the temperature set point for the driver area.

**2) Driver section display**

Displays the temperature set point, the fan speed, the air selection and recirculate air status for the driver area.

**3) Auxiliary Air display**

**4) Auxiliary air fan speed control**

Increases or decreases the fan speed.

**5) Driver HVAC power button**

Turns on/off the driver HVAC unit.

**6) Fan speed**

Increases or decreases the fan speed.

**7) Auto-defrost**

Upon pressing this button, the dashboard damper sends air only to the lower windshield. The fan is turned on to maximum speed, the fresh air damper opens completely (recirculate off) and the driver set point is increased to 4 °F (2 °C) over the passenger section set point.

**8) Air selection**

Changes the air outlets used.

**9) Recirculate**

Switches between outside air and recirculated air for the driver and passenger area. This feature is automatically canceled when the windshield defrost is activated.

**10) Auxiliary Air power button**

Turns on/off the auxiliary air fan.

**Temperature Unit Selection °F / °C**

To switch the temperature units, press simultaneously both fan speed buttons for 3 seconds.

**Driver Section Temperature Setting In Case Of Temperature Sender Failure**

On the driver section of the control unit only, asking for a temperature set point above 82 °F (28 °C) will keep the coolant valve open .

In case of interior temperature sender unit failure, the coolant valve will remain open.

## 4-16 Controls and Instruments

---

### **NOTE**

*To operate the air conditioning system when stationary, run the engine at fast idle. When the system is running, keep windows and door closed.*

*To prevent battery run-down, the central A/C and heating systems will not operate if the charging system is not working properly.*

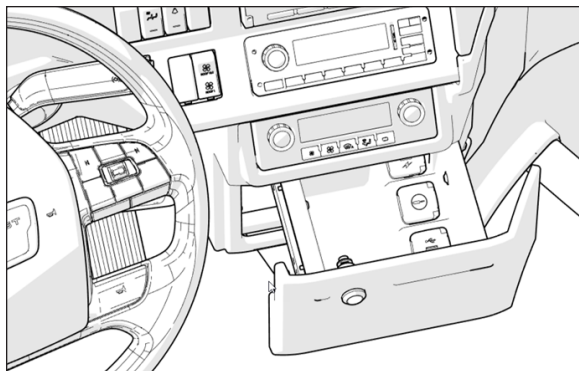
*Upon starting, if the outside temperature is above 32 °F (0 °C) and then drops below 32 °F (0 °C), the compressor will keep running up to a temperature of 15 °F (-9 °C) to prevent fogging.*



### **WARNING**

Warm temperatures may cause drowsiness and affect alertness while driving. Keep the temperature comfortable but not too high.

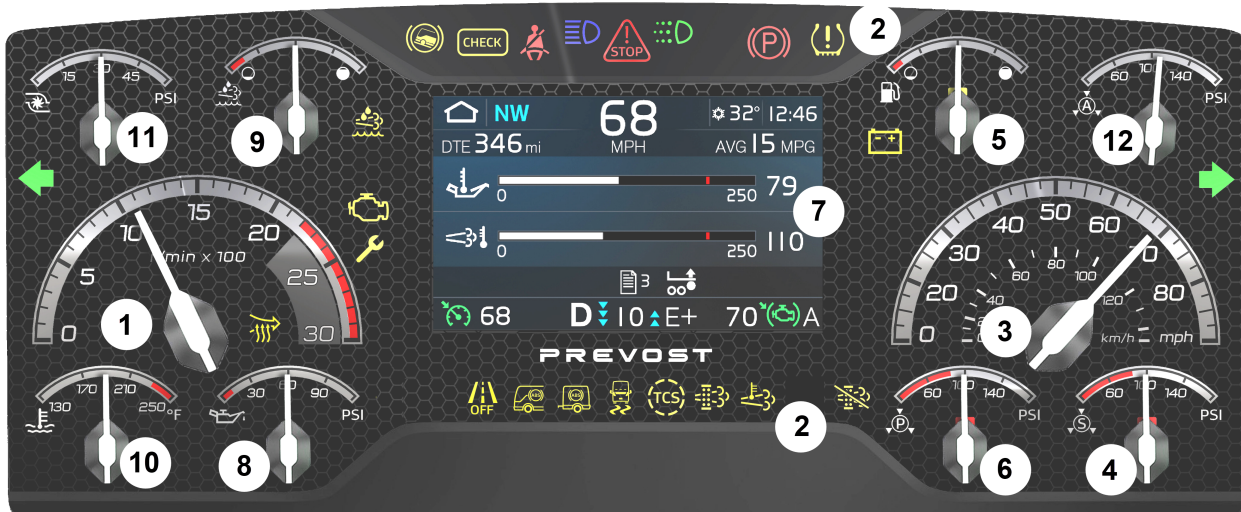
## **CENTRAL UTILITY COMPARTMENT**



**FIGURE 18: CENTRAL UTILITY COMPARTMENT**



## INSTRUMENT PANEL



1. Tachometer
2. Telltale lights
3. Speedometer
4. Front brake air pressure (secondary system)
5. Fuel level
6. Rear brake air pressure (primary system)
7. Driver Information Display (DID)
8. Oil pressure indicator
9. DEF (Diesel Exhaust Fluid) level indicator
10. Engine coolant temperature
11. Turbo boost pressure
12. Accessory air pressure



## 4-18 Controls and Instruments

---

### DRIVER INFORMATION LEVEL

The instrument panel includes the analog instruments. It also presents two devices to communicate information to the driver, the telltale lights and the Driver Information Display (DID).

Indications and warnings are presented according to three levels of attention required:

#### FIRST LEVEL - TELLTALE LIGHTS

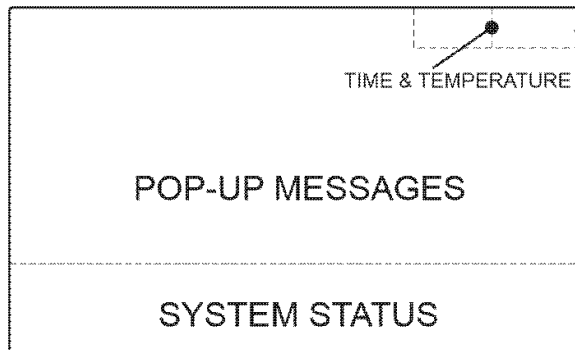
Telltale lights are temporary and exceptional; they present information critical to safety or vehicle integrity.

#### SECOND LEVEL - POP-UP MESSAGES

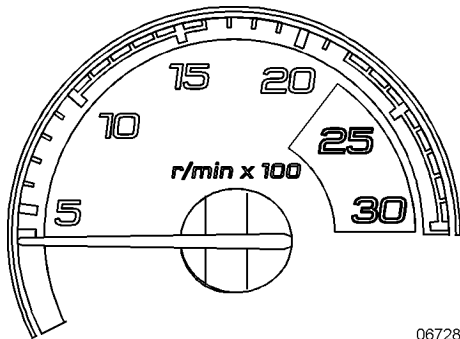
Pop-up messages appear in the Driver Information Display DID without the driver's intervention and acknowledgment. Pop-up messages present supplemental information to the driver.

#### THIRD LEVEL- SYSTEM STATUS

The system status area monitors certain systems and gives feedback to the driver concerning current actions and functions.



## ANALOG INDICATORS



06728



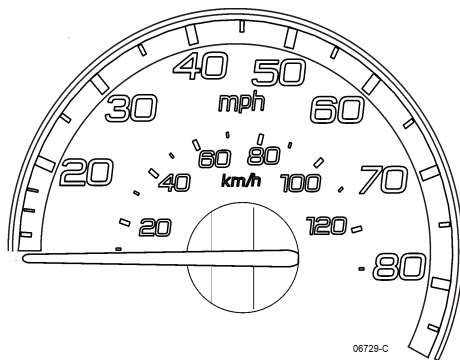
### CAUTION

Never allow the engine to go into the red range. This could lead to severe engine damage.

### Tachometer (Rpm X 100)

Indicates the operating speed of the engine in hundreds of revolutions per minute. Use the green range for normal driving (1000 to 1600 RPM).

The tachometer serves as a guide for gear shifting and helps to prevent engine overspeeding when driving downhill with the engine brake operating.

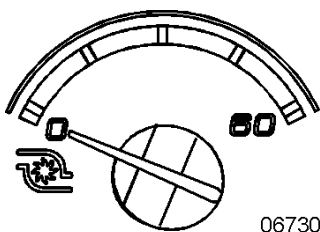


06729-C

### Speedometer (MPH, Km/h)

Indicates the vehicle speed in miles per hour (mph) and kilometers per hour (km/h).

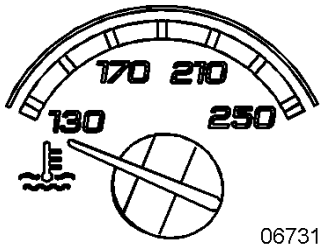
The LEDs above the instrument work in conjunction with the Adaptive Cruise With Braking (ACB) system. Refer to Adaptive Cruise With Braking" paragraph for further details.



06730

### Turbo Boost Pressure (psi)

Indicates the turbo boost pressure in psi. This pressure should be the same at a given engine temperature, speed, and load. An unusual reading could indicate an engine failure.



### Engine Coolant Temperature (°F)

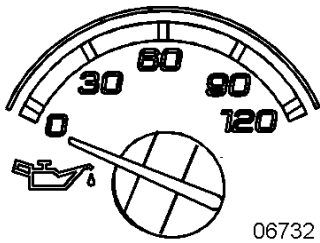
Indicates the operating temperature of the engine coolant in °F. The normal reading should be between 170°F and 222°F (80°C to 106°C).

The temperature limit is dependent on the electronic program for the engine model. When coolant temperature is excessive, the STOP telltale light turns on, an audible alarm sounds and a pop-up message appears on the DID. The engine protection system will automatically derate and stop the engine in 30 seconds. Stop at the first safe place where the problem can be checked.

If the temperature remains below or exceeds the normal temperature range, the cooling system should be checked for problems.



STOP telltale light



### Engine Oil Pressure (psi)

Indicates the engine oil pressure in psi. When the oil pressure is too low, the STOP telltale light turns on, an audible alarm sounds and a message appears on the DID. The engine protection system will automatically derate and stop the engine in 30 seconds. Bring the vehicle to a safe stop where the problem can be checked.



STOP telltale light

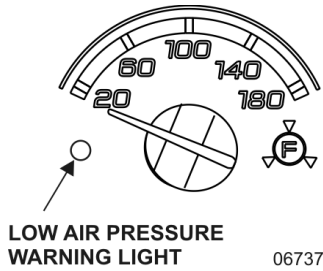


OIL PRESSURE Pictogram



### CAUTION

Failure to take necessary action when the STOP telltale light is on can ultimately result in automatic engine derate and shutdown.



### Front Brake Air Pressure Gage (Secondary System)

Indicates the front brake air system pressure in psi. The normal operating pressure is from 122 to 140 psi.

The low air pressure indicator LED on the gage and the STOP telltale light illuminate when the front brake air system (secondary) pressure drops below 85 psi. An audible alarm will sound.



STOP telltale light



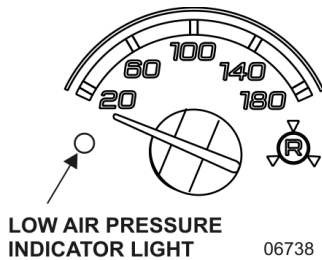
### WARNING

The driver is responsible for monitoring the pressure as part of a regular sweep of the instruments.

If the pressure drops in the secondary system but remains normal in the primary system, the front axle service brakes will not function but the drive and tag axle service brakes will operate normally, although if there is a leak in any pneumatic system (Sec/Pri/Park/Acc), the primary system might eventually lose its air pressure as well, depending on the nature and size of the leak. In the event of any air pressure loss in any system, the driver should pull to the side of the road as soon as can be safely done and investigate the situation.

Do not drive the coach when the brake air pressure is low.

## 4-22 Controls and Instruments



### Rear Brake Air Pressure Gage (Primary System)

Indicates the rear brake air system pressure in psi. The normal operating pressure is from 122 to 140 psi.

The low air pressure indicator LED on the gage and the STOP telltale light illuminate when the rear brake air system pressure drops below 85 psi. An audible alarm will sound.



STOP telltale light



### WARNING

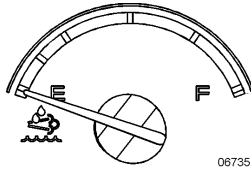
The driver is responsible for monitoring the pressure as part of a regular sweep of the instruments.

In the event of a pressure loss in the primary brake system, the drive and tag axle service brakes will not function normally. It is critical to bring the coach to a safe stop as quickly as possible.

If there is sufficient pressure in the secondary brake system, modulated spring brake pressure (using the park brake chambers) will be used to apply the drive axle brakes, proportional to the braking pressure on the front axle. It must be noted this is an emergency and a significant amount of secondary air pressure is lost with each apply/release cycle. The spring brake modulation will only function two or three times, depending on the amount of secondary air pressure that was on hand when the primary brake pressure was lost.

Once the secondary air pressure drops below 60 psig, the park spring brakes are fully applied and cannot be released until pressure is restored.

Do not drive the coach when the brake air pressure is low.



### DEF Level

Indicates the amount of DEF (Diesel Exhaust Fluid) remaining in the DEF tank. The DEF tank is considered as being full when it contains 16 gallons (60 liters) of DEF. DEF consumption will be approximately 2% of the diesel fuel consumed.

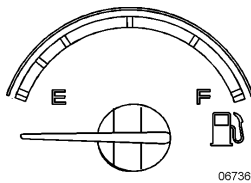


### CAUTION

#### DEF – Do not overfill

If an automatic nozzle is used for filling diesel exhaust fluid (DEF), do not add further DEF after the nozzle has automatically shut off flow a first time. If such nozzle is not available, use the DEF level gage on the instrument panel to control the quantity during filling.

Diesel exhaust fluid DEF will begin to crystallize and freeze at 12°F (-11°C) and expand by 7% when frozen. To allow expansion without damaging the DEF tank, do not fill the tank with more than 16 gallons (60 liters).



### Fuel Level

Indicates the amount of fuel remaining in the fuel tank. At the beginning of the red area, there is approximately 48 gallons (182 liters) left in the tank.

### NOTE

*A pop-up message will appear in the DID informing that there is only 26 gallons (98 liters) left in the fuel tank.*

## TELLTALE LIGHTS

The telltale lights illuminate for 5 seconds at the start of every ignition cycle as a light bulb check.

A telltale test can be initiated on the DID using the *cluster self test*. See [Driver Information Display \(DID\) Menus](#).



### Hill Start Assist

Indicates a malfunction of the Hill Start Assist function. This function might not be available.



### Check

Indicates a problem has been detected and must be checked at the next stop. This telltale light may be accompanied with a message in the DID and a diagnostic troubleshooting code will be stored to aid in identifying of the problem.



### Seat Belt Reminder

When equipped with a seat belt buckle switch, warns the driver to fasten the seat belt.

## 4-24 Controls and Instruments



### High Beam

Illuminates when the high beams are selected.

High and low beams are selected with the *direction indicator and high beam control stalk*. See [DIRECTION INDICATOR AND HIGH BEAM CONTROL STALK](#) in this section.



### Stop

Notifies the driver that a serious problem has been detected. Immediately park the coach in a safe place and stop the engine. This telltale light may be accompanied with a message in the DID and a diagnostic troubleshooting code will be stored to ease identification of the problem.



### WARNING

Failure to take necessary action when the STOP telltale light is on can ultimately result in automatic engine derate and shutdown.



### Parking Brake Or Emergency Brake Applied

Illuminates when the emergency/parking brake is applied. The control valve is located on the L.H. control panel. An audible alert will sound if ignition is turned to Off and the parking brake is not engaged.



### Tire Pressure Monitoring System Warning

Indicates a high tire temperature condition or incorrect tire inflation pressure.

Refer to Tire Pressure Monitoring System (TPMS) in this section for further details.



### Def Tank Low Level Indicator

Notifies the driver when there is less than 2.6 gallons (10 liters) of DEF remaining.



### CAUTION

If the vehicle is kept in operation with an empty DEF tank, engine derate will eventually occur, limiting the speed to 5 mph.



### Emissions-related Malfunction (Malfunction Indicator Lamp)

Notifies the driver of a failure of an emission control device. May illuminate at the same time as the CHECK amber warning light. The lamp will go out after 3 completed ignition on-ride-ignition off cycles. The vehicle can be driven to end of the shift. Call for service.



### Intake Air Preheater On – Wait Before Starting

Notifies the driver when the intake air preheater element is activated. Wait until this telltale light has turned off before starting the engine. For more information, refer to ["COLD WEATHER STARTING" on page 4](#) in Section 6 Starting and Stopping Procedures.

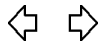


### Charging System Warning Light

Indicates a malfunction of the charging system or a low battery voltage condition.

### NOTE

To identify if an alternator is defective (1=lower alternator, 2=upper alternator), perform a system diagnostic using the Driver Information Display DIAGNOSTICS menu. Select VIEW ACTIVE FAULTS and then ELECTRICAL SYSTEM. Scroll through the active faults. The electrical system active faults will appear. A diagnostic message indicating "alternator 1" or "alternator 2" with failure mode "open circuit" will come in sight.



### Turn Signal Indicators

Flashes when the right or left turn signals are activated. Signal right and left turns by operating the *e direction indicator and high beam control stalk* . See [DIRECTION INDICATOR AND HIGH BEAM CONTROL STALK](#) in this section.

#### NOTE

*The turn signals are automatically activated when the vehicle is backing up.*



### Lane Departure Warning (LDW) Function Disabled

Notifies the driver that the Lane Departure Warning (LDW) function is temporarily disabled.



### Anti-lock Brake System (ABS)

Illuminates when the ABS is not available or is malfunctioning. ABS is available over 4 mph (7 km/h); the indicator will remain illuminated until the coach reaches that speed. Refer to ["ANTILOCK BRAKING SYSTEM \(ABS\)" on page 11](#) in Section 5 Other Features.



### Trailer Antilock Brake System (ABS)

Illuminates when trailer ABS is unavailable or malfunctioning.



### ESC - Electronic Stability Control

At vehicle ignition, the ESC telltale lamp illuminates for approximately 3 seconds and then turns off. If it remains on steadily (not flashing) after ignition, or if it illuminates steadily while you are driving, the ESC system may not be fully functional or their operation may be completely disabled. If this happens, your vehicle will still have normal service braking and can still be driven, but without the benefits of the ESC system.

Flashes quickly when ESC intervenes to reduce the risk of loss of control.



### Traction Control System (TCS)

At vehicle ignition, the TCS icon appears for approximately 2 seconds and then disappears. If it remains on steadily (not flashing) after ignition, or if it is on steadily while you are driving, the TCS system may not be fully functional or the operation may be completely disabled. If this happens, your vehicle will still have normal service braking and it still can be driven, although without the benefits of the TCS system.

Flashes slowly when TCS mud/snow mode is engaged.

Flashes quickly when TCS intervenes to reduce the risk of loss of control.



### DPF Regeneration Request

Notifies the driver that a manual stationary regeneration will be required soon. Refer to ["STATIONARY \(PARKED\) REGENERATION" on page 2](#) in Section 5 Other Features.



### High Exhaust System Temperature (HEST) During Regeneration

Notifies the driver of potentially hazardous exhaust gas temperature at the exhaust system diffuser.



#### WARNING

During regeneration, exhaust temperature may reach up to 1200°F (650°C) at the particulate filter. When parking the vehicle, if this telltale light is illuminating, make sure that the exhaust system diffuser is away from people or any flammable materials, vapors or structures.



### Automatic DPF Regeneration Inhibited

DPF regeneration process is inhibited.



## 4-26 Controls and Instruments

### STOP AND CHECK TELLTALE LIGHTS

STOP and CHECK telltale lights illuminate automatically to draw the attention of the driver and their associated messages are displayed in the DID. More than one message (see “Acknowledging Messages” below) can be active at the same time. A displayed message can be replaced by a new message provided the new message has a higher priority. Only the fault codes that have a direct impact on vehicle operation are displayed. All fault codes are stored in the appropriate ECU for access by service technicians.

#### Stop Telltale Light

In the event of a serious fault, the red STOP telltale light comes on and an audible alarm will sound if the engine is running. An illuminated stop message light indicates a serious problem has been detected, and the driver must respond immediately to the problem.



When illuminating, this telltale light means the vehicle must be safely pulled off the road and stopped. In some instances, the engine must be switched off immediately.



#### WARNING

Failure to stop and take necessary action when the STOP telltale light is ON can result in an automatic engine derate and shutdown.

In some cases preventive action may be taken by the engine ECU to protect the engine. For further details, refer to [“ENGINE PROTECTION SYSTEM” on page 6](#) in Starting and Stopping Procedures.

#### Check Telltale Light

This telltale light means that a fault or an abnormal operating condition has been detected. The vehicle must be checked at the next stop.



If the CHECK telltale light illuminates, an associated message is displayed in the DID.

Always pay attention to the associated messages (see “Acknowledging Messages” below).

#### Acknowledging Messages

A fault message associated to a STOP or CHECK telltale light must be acknowledged by pressing the ESCAPE or ENTER button after which the display returns to the same status that existed before the fault occurred. All messages can be acknowledged. Acknowledgement of pop-up messages and warnings stops the audible warning.

Acknowledged but inactive messages are displayed again when the ignition key is turned to the START position or they can be read in the DID menu. Refer to Other Features for more information on the DID menus.

## DRIVER INFORMATION DISPLAY

The DID (Driver Information Display) is located in the center of the instrument cluster. It displays digital gauges, main menus and submenus that provide necessary and important information to the driver.

The information available to the driver depends on vehicle configuration and whether the vehicle is in operation or parked. Some Applications or features will be enabled or disabled based on these two vehicle states :

**NON-DRIVING** – DID is fully functional with all applications or features enabled.

**DRIVING** – DID functionality is less than in Non-Driving State: availability of Apps Screens / shortcuts in the Apps Menu list is restricted and the "Specific Non-Driving" items from Options list are grayed.

### Home Screen

The Home Screen contains the following specific elements:

Top

- Home icon
- Compass
- Speedometer
- Ambient temperature
- Time

Middle - favorites display

- Two small gauges placed in the dynamic info zone (small digital gauge # 1 configurable with your selection of favorite gauges from Setup Home)
- Two large gauges placed in the dynamic info zone (both configurable with your selection of favorite gauges from Setup Home)

Bottom

- System status area. Active systems (ex. Cruise Control), vehicle messages,

transmission selection (Drive [D], Reverse [R], Neutral [N]), gear, engine brake activation, etc.

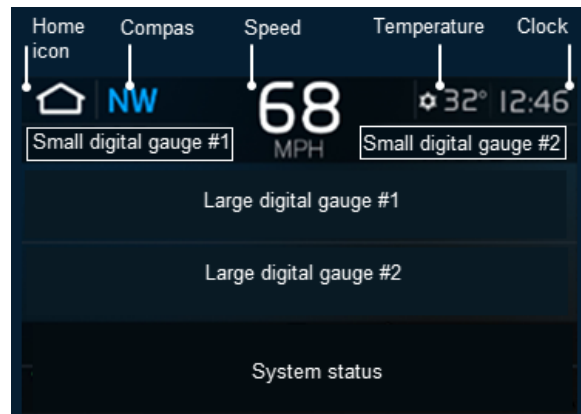


FIGURE 19: DID DISPLAY HOME SCREEN

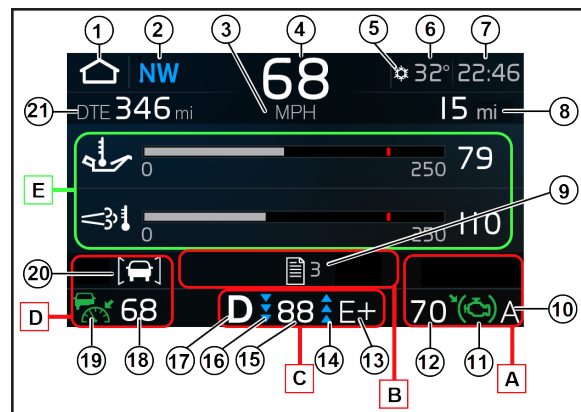


FIGURE 20: DID DISPLAY HOME SCREEN

A: brake cruise & retarder/engine brake status info zone

B: dynamic info zone

C: transmission info zone

D: cruise control / ACB info zone

E: this area is designated for content which can consist of one or two gauges or other information as defined by the user in Options - "Setup HOME".

1: Application icon

2: Current Compass heading

3: Speedometer units

4: Current Speedometer value

5: Freezing Condition indicator

6: Ambient temperature

7: Current Time

## 4-28 Controls and Instruments

- 8: Odometer
- 9: Active message icon with count number
- 10: Engine brake / Retarder control stalk position: A, 1, 2, etc.
- 11: Auxiliary braking status (while driving on cruise control).
- 12: Brake Cruise set speed. Speed at which auxiliary braking (engine brake/retarder) occurs while driving on cruise control. This speed corresponds to the CC set speed + 2 mph / km/h.
- 13: Transmission driving mode indication
- 14: Available Gears - Higher Ratio
- 15: Gear position
- 16: Available Gears - Lower Ratio
- 17: Transmission selection (D, R, N)
- 18: CC or ACB set speed
- 19: CC or ACB Status pictogram
- 20: ACB Target Acquired icon
- 21: Digital Vehicle Info. Can be defined by user in Options - "Setup HOME"

### System Status Dedicated Area Description

- Area 1: Adaptive Cruise Control
- Area 2: Dynamic Information
- Area 3: Cruise Control Downhill Brake
- Area 4: Cruise Control
- Area 5: Transmission
- Area 6: Auxiliary Brake control stalk Position

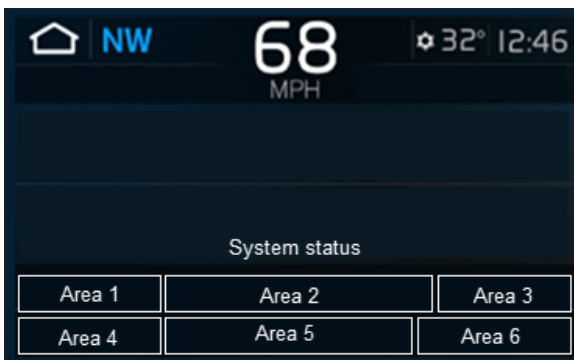


FIGURE 21: SYSTEM STATUS DEDICATED AREA

### Navigation Through Menus

Four of the buttons on the steering wheel right-hand keypad are used to select and view the

various Driver Information Display (DID) screens. Also, use the middle rocker type with push functionality button to scroll through or select DID options.

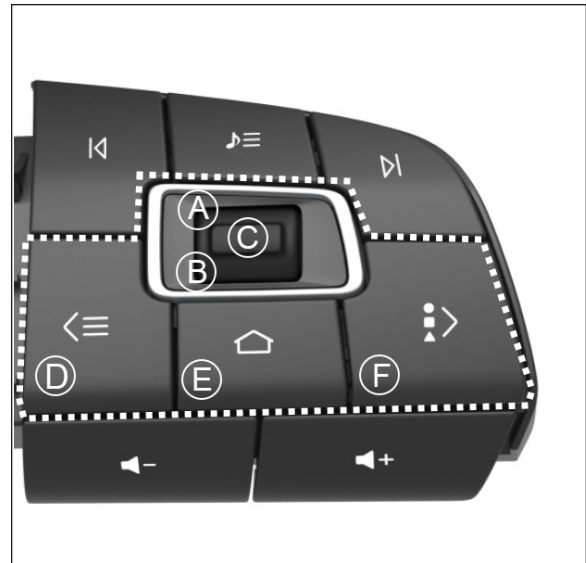


FIGURE 22: RIGHT-HAND KEYPAD

### DID Menu Navigation

- (A) Scroll up (scroll wheel rocker type).
- (B) Scroll down (scroll wheel rocker type).
- (C) Enter / Select (scroll wheel rocker type with push functionality).

A, B & C :  
Toggle/Scroll  
Up/Down/Enter  
Button; Used to open,  
scroll through menus,  
adjust values or make  
selections.

- (D) Application tray / Back button.

Opens the  
Applications menu.

Returns to the  
previous view.

- (E) Home screen.

Returns to the home  
screen and when  
pressed a second  
time, returns to the  
starting view.

- (F) Options tray

Opens the Options menu.

### Selecting A Menu

To select a menu from the Home screen, proceed as follows:

1. To display the Options menu, press the Options Tray button (F). To display the Application menu, press the Application Tray button (D).
2. To scroll through the submenus or functions, move the rocker type button up (A) or down (B).
3. To select a menu, press the Enter/select button (C).
4. Press the Applicationtray/Back button (D) to return to the previous menu or view, or to cancel a setting or operation.
5. To return to the Home screen, press the Home button (E).

### To Change Settings

To change a setting, like the time:

1. Move the rocker type button up (A) or down (B) to increase or decrease the numerical value of the selected range.
2. Press the Enter/select button (C) in to confirm your choice and to move to the next field.
3. Press the Back button (D) to return to the previous field or to cancel a setting or operation.

## 4-30 Controls and Instruments

---

### Driver Information Display (DID) Menus

There are two main menus available; Applications and Options. Several submenus are password-protected while the vehicle is parked. Some menus known as Non-Driving menus are accessible only when the vehicle is parked.

#### APPLICATIONS MENU

---

GAUGES	Fuel Economy (1) <sup>1</sup>	ECO Target (option button)
	Oil Temps (2)	
	Battery (3)	
	A/C Pressure (4)	
	Cooling Fan (5)	
	Oil Life Remaining	
	Trip 1 (6)	Reset Trip 1 (option button) Pause Trip 1 (option button) More Info (8) (option button)
	Trip 2 (6)	Reset Trip 2 (option button) Pause Trip 2 (option button) More Info (option button)
	EATS Status (7)	Status List (9) (option button)

---

TIRE MONITOR	Set Placard (option button)
--------------	-----------------------------

---

#### POP-UP NOTICES

---

PRE-TRIP ASSISTANT	Exterior Light Inspection Test Air Brake Leak-Down Test
--------------------	--

---

VEHICLE TESTS	Alternators test Electric Motors Test MUX Input Test HVAC Pump Test Force Radiator Fan Speed 50% Force Radiator Fan Speed 100% Remove Force and End Tests
---------------	---

---

<sup>1</sup>See Table 1 - Information Displayed

VEHICLE DATA	Vehicle Diagnostic	View active faults (10) Cluster self test Telematic gateway (TGW) status
	General Info	vehicle id cluster hardware cluster software Engine ECU hardware Engine ECU software Multiplex ECU hardware Multiplex ECU software ABS ECU hardware ABS ECU software Battery Monitor ECU hardware Battery Monitor ECU software
	Life of Vehicle Totals	Mileage (mi) Engine Hours (h) Time in Service (d h m) Fuel Used (g) Highest RPM (rpm) Highest Vehicle Speed Average Vehicle Speed Average Fuel Economy (mpg) Idle Time (%) Cruise Control Time (%) Sweet Spot Time (%)

---

**Services Messages**

---

SETTINGS	Global Units (us/metric, language) Fuel Consumption Units Eco Target Language Time & Date TPMS Manual Learning
----------	---

## 4-32 Controls and Instruments

**TABLE 1 - INFORMATION DISPLAYED**

<p>(1) Distance to Empty (mi) Remaining Fuel (g)</p>	<p>(6) Distance MPH MPG d h m Distance to empty (mi) Fuel remaining (g) Sweet spot (%)</p>
<p>(2) Transmission Engine</p>	<p>(7) Regen Not Needed or Regen needed (status) Soot level Ash level Request Regen</p>
<p>3 Volt SOC (state of charge)</p>	<p>8 <b>Additional Trip 1,2 Info</b> Cruise Control Time (%) Engine brake time (%) Sweet spot time (%) Max rpm Max speed</p>
<p>(4) A/C Low (psi) A/C High (psi)</p>	<p>(9) Inhibit switch Acc pedal Gear status neutral Parking Brake No system fault Temporary lockout – see manual Permanent system lockout Engine not warmed up</p>
<p>(5) CAC (%) RAD (%)</p>	<p>(10) Engine ecu Transmission ecu ABS Instrument cluster Vehicle ecu Tire monitor Driver assist Forward imager Aftertreatment control module Multiplex control module ecu Wipers ecu Battery monitor ecu</p>

**OPTIONS (button)**

---

Display	Screen OFF Brightness
---------	--------------------------

---

Speed Units	MPH km/h
-------------	----------

---

Setup Home	<b>gauge 1 (small gauge #1)</b>
------------	---------------------------------

- Blank
- RPM
- Trip 1
- Trip 2
- Distance to empty
- Transmission oil Temp
- Engine oil temp

**gauge 2 or 3 (large gauge #1 or #2)**

- Blank
- Engine Load Percentage
- Throttle Percentage
- Fuel Economy (MPG)
- Transmission Oil Temperature
- Engine Oil Temperature
- Rad Fan (%)
- CAC Fan (%)
- A/C High (psi)
- A/C Low (psi)
- Oil Life Remaining (%)
- SOC 12 V 24 V (%)
- Volt 12 V 24 V



## 4-34 Controls and Instruments

### STEERING COLUMN CONTROLS

Many of the most frequently used controls are conveniently placed on the steering column or the steering wheel. The direction indicator stalk is located on the left side of the steering wheel while the auxiliary brake control stalk and windshield wipers control stalk are located on the right side of the steering wheel. Switches for the horn are located directly on the steering wheel.

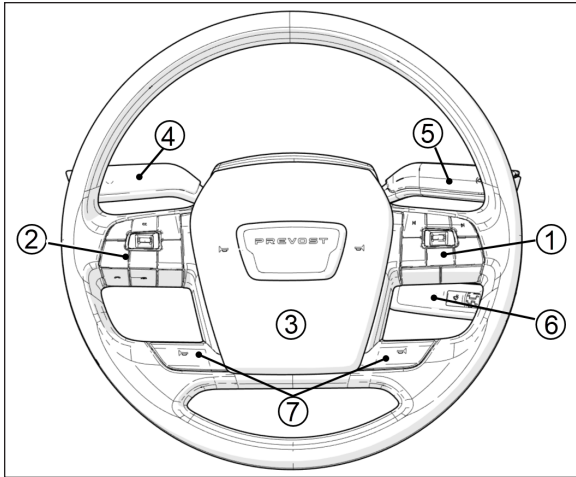


FIGURE 23: STEERING WHEEL

- (1) Right-hand keypad
- (2) Left-hand keypad
- (3) Air horn
- (4) Direction indicator and high beam control stalk
- (5) Auxiliary brake control stalk
- (6) Windshield wipers control stalk
- (7) Electric horn (city horn)

#### NOTE

When the vehicle is stationary, the electric horn will sound to inform the driver that a fire is detected in the engine compartment.

### DIRECTION INDICATOR AND HIGH BEAM CONTROL STALK

#### Direction Indicator

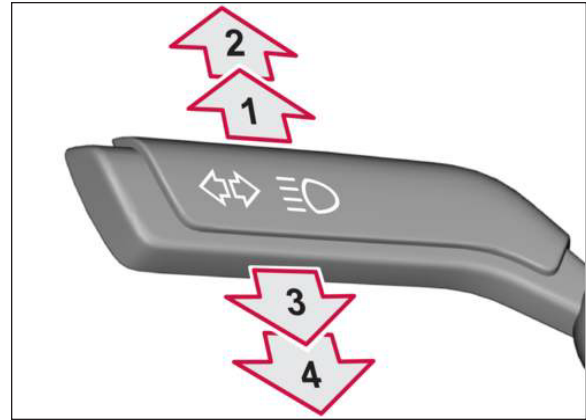


FIGURE 24: DIRECTION INDICATOR

- (1) Lane change signal to the right  
Move and hold the control stalk partway to signal a lane change. The right-hand signal will flash until you release the lever.
- (2) Turn signal to the right
- (3) Lane change signal to the Left  
Move and hold the control stalk partway to signal a lane change. The left-hand signal will flash until you release the control stalk.
- (4) Turn signal to the Left

#### High Beam Control



FIGURE 25: HIGH BEAM CONTROL

- (1) High beam flash

For a quick flash of the high beam, pull the control stalk towards you to the first detent. The position is spring-loaded.

**(2) High Beam Toggle**

For constant high beam, pull the control stalk towards you to the second detent. Disengaging the high beam is performed the same way.

**WINDSHIELD WIPERS CONTROL STALK**

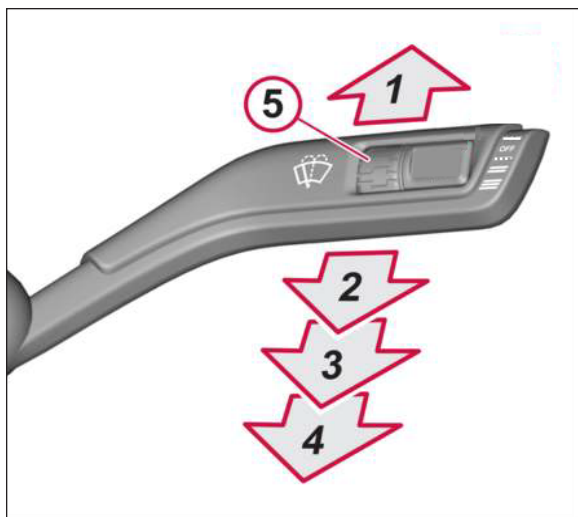


FIGURE 26: WINDSHIELD WIPERS CONTROL STALK

- (1) Windshield wiping at normal speed for as long as the hand lever is held in the spring-loaded position.
- (2) Intermittent wiping.
- (3) Windscreen wipers, normal speed.
- (4) Windscreen wipers, high speed.
- (5) Scroll wheel. Use the scroll wheel to adjust the time interval for intermittent wiping.

**Washing**

Pull the control stalk towards you to start the windshield washer and windshield wipers simultaneously.

If equipped with a Side Camera Rear-View System, activation of the windshield washer produces a jet of compressed air to clean the camera lens protectors.

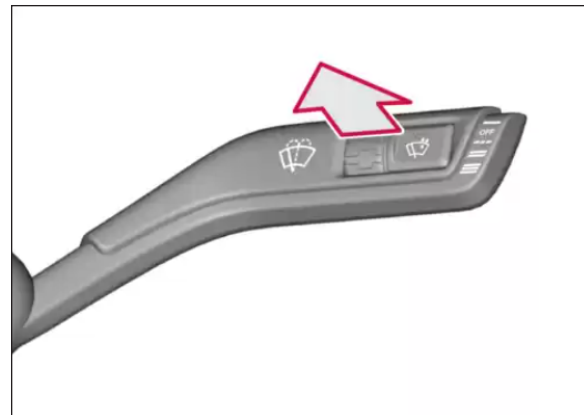


FIGURE 27: WINDSHIELD WASHING



**WARNING**

Before using the windshield washers in cold weather, heat the windshield with the defroster to prevent icing and reduced visibility. Free wiper blades that may be frozen to the windshield before operating the wipers.



**CAUTION**

To avoid damaging the pump mechanism, do not use the windshield washer when the fluid level is very low or empty.



**CAUTION**

To avoid scratching the windshield, do not operate the wipers when the windshield is dry.

**AUXILIARY BRAKE CONTROL STALKS**

The auxiliary brake is a brake function in addition to the vehicle's normal service brake. It works in the vehicle's drive system. Use the auxiliary brake to avoid overheating in the wheel brakes and to reduce wear on the brake linings.

When the auxiliary brake is engaged, a pictogram is shown in the DID. Next to the symbol, the position of the auxiliary brake lever is shown.

In order for the auxiliary brakes to function when the accelerator is released,

- the vehicle must be in gear .

## 4-36 Controls and Instruments

- the engine speed must be at least 1000 rpm, but preferably as high as possible for optimum effect without entering the tachometer red zone.

There are two types of auxiliary brake available as an option, either the Engine Brake, either the Transmission Retarder.

### Engine Brake

The engine brake engages in accordance with the control stalk position.

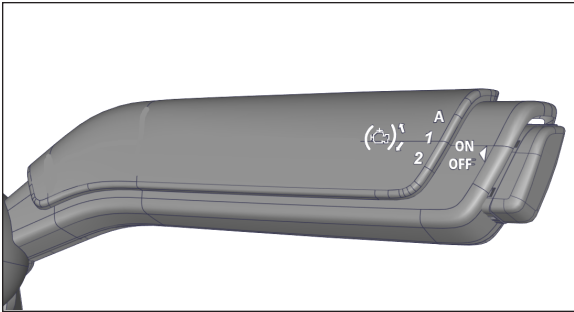


FIGURE 28: ENGINE BRAKE CONTROL STALK

#### ON/OFF momentary push button

- Activates the engine brake control mode based on actual engine brake control stalk position. At any time, use this push button to deactivate the engine brake.

#### Position A

- AUTOMATIC mode. In position "A", the engine brake acts together with the service brake when the brake pedal is depressed (referred to as "brake blending").
- Gradual application of up to 100% of braking power.

#### Position 1

- Engine brake low.
- 50% of braking power applied.

- Release the accelerator pedal for the engine brake to take effect.

#### Position 2

- Engine brake high.
- 100% of braking power applied.
- Release the accelerator pedal for the engine brake to take effect.

### BRAKING PROGRAM

- Set the hand lever in automatic position (A) or manual position (1) or (2).
- Press the ON/OFF momentary push button on the end of the hand lever to activate the Engine Brake.

When the brake program is engaged, the gearbox changes to the gear providing optimum auxiliary brake effect.

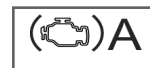
Disengage the brake program by pressing the ON/OFF momentary push button again or by depressing the accelerator pedal.

### SYSTEM STATUS ZONE PICTOGRAMS

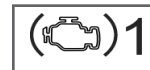
A pictogram appears in the DID system status zone to confirm activation of the engine brake and the currently selected mode.



Engine brake OFF



Engine brake activated, position A selected



Engine brake activated, position 1 selected



Engine brake activated, position 2 selected

#### NOTE

*The engine brake AUTO mode (A) will activate whenever the cruise control is enabled.*

**NOTE**

Refer to [ENGINE BRAKE](#) in Other Features section for supplemental information regarding the Engine Brake operation.

**Transmission Retarder**

The transmission retarder is engaged incrementally for every step you move the hand lever. Release the accelerator pedal for the retarder to take effect.



**FIGURE 29: TRANSMISSION RETARDER CONTROL STALK**

**ON/OFF momentary push button**

- Activates the transmission retarder based on actual transmission retarder control stalk position. At any time, use this push button to deactivate the transmission retarder.

**Position 1 up to 6**

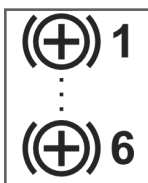
- From 17% (position 1) up to 100% (position 6) of braking power.

**SYSTEM STATUS AREA PICTOGRAMS**

A pictogram appears in the DID system status area to confirm activation of the transmission retarder and the currently selected braking power.



Retarder OFF



Transmission retarder activated, position 1, 2, 3, 4, 5 or 6 displayed

**NOTE**

Refer to ["TRANSMISSION RETARDER \(option\)"](#) on page 10 in Other Features section for supplemental information regarding the Transmission Retarder operation.

**STEERING WHEEL KEYPADS**

The steering wheel has controls for the horn, certain lighting features, cruise control and the control of DID menus and infotainment functions.

**Left-hand Keypad**



**FIGURE 30: LEFT-HAND KEYPAD**

- (1) ON/OFF cruise control toggle.
- (2) Cancel / Resume set speed.
- (3) Increase speed (rocker type button).
- (4) Set. Select current speed as set speed (rocker type with push functionality button).
- (5) Decrease speed (rocker type button).
- (6) Headlight flash.
- (7) Marker flash (courtesy lights).
- (8) Accept the call<sup>1</sup>.
- (9) End / reject a call.
- (10) Mute radio or media content.

<sup>1</sup>To allow a phone call conversation, a Bluetooth earpiece must be connected to the user smartphone and the smartphone connected to the DEA600 Series Radio System.

## 4-38 Controls and Instruments

### Right-hand Keypad

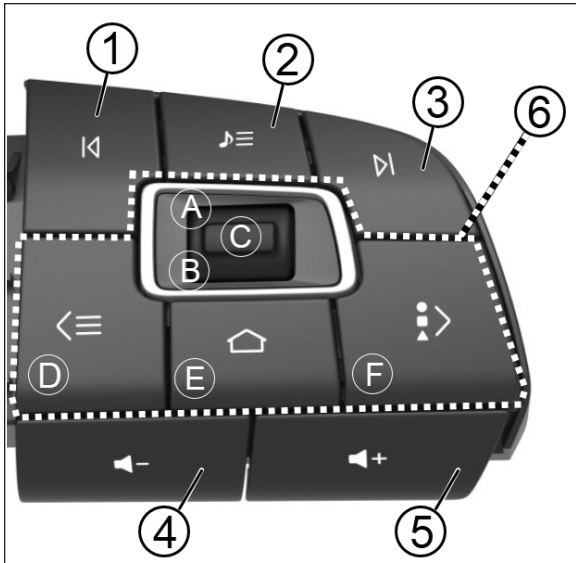


FIGURE 31: RIGHT-HAND KEYPAD

(1) Radio station seek down (long press) / previous favorite radio station / previous track.

(2) Next audio mode / source.

(3) Radio station seek up (long press) / next favorite radio station / next track.

(4) Volume down.

(5) Volume up.

(6) DID menu navigation

(A) Navigate up (scroll wheel rocker type).

(B) Navigate down (scroll wheel rocker type).

(C) Enter / Select (scroll wheel rocker type with push functionality).

(D) Application tray / back button.

(E) Home screen.

(F) Options tray.

### FOOT-OPERATED CONTROLS

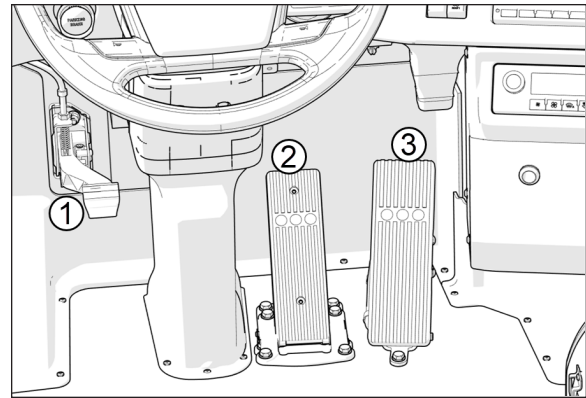


FIGURE 32: FOOT OPERATED CONTROLS

(1) Steering wheel adjustment

(2) Brake pedal.

(3) Accelerator pedal.

### STEERING WHEEL ADJUSTMENT

Press on the foot pedal located in the foot-operated control housing to unlock the steering wheel for tilt and telescopic adjustment .

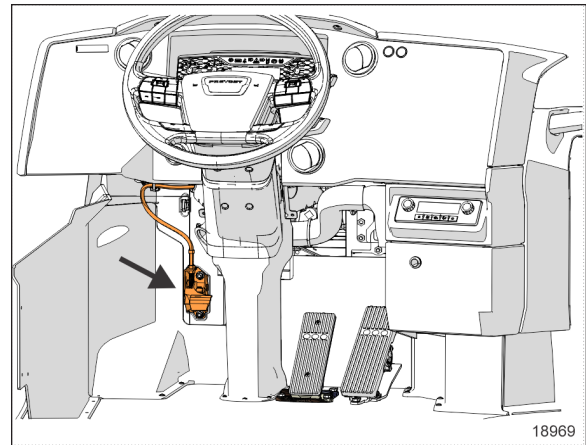


FIGURE 33: STEERING WHEEL TILT AND TELESCOPIC ADJUSTMENT



### DANGER

Do not adjust the steering wheel while driving. Loss of control could result. Park the vehicle safely and apply parking brakes before adjusting the steering wheel.

## BRAKE PEDAL

The coach is equipped with a dual braking system. The front brakes operate from a different air source than the drive and tag axle brakes.

The dual braking system becomes a modulated emergency system if a pressure drop occurs in the primary brake system (rear brakes).

Service brakes are applied by depressing the brake pedal. Braking increases with the amount of pressure applied to the foot pedal. Refer to ["ANTILOCK BRAKING SYSTEM \(ABS\)" on page 11](#) in Section 5 Other Features . When the brake pedal is depressed, the brake lights turn on automatically.

For safe and effective braking, the air system pressure should reach at least 95 psi in both the primary and secondary circuits.

A warning light and an audible alert will sound when the air pressure in either the primary or secondary circuit drops below 85 psi. If this occurs, stop the coach; determine the cause of the pressure loss before proceeding. The brake pedal can be used in conjunction with the transmission retarder. Refer to ["TRANSMISSION RETARDER" on page 1](#) in this section.



### DANGER

Immediately report any brake system problem to your company or directly to the nearest Prevost or Prevost-approved service center.

Do not "fan" or "pump" the brake pedal. This practice does not increase brake system effectiveness but rather reduces system air pressure thereby causing reduced braking effectiveness.



### CAUTION

"Riding" the brake by resting one's foot on the brake pedal when not braking can cause abnormally high brake temperature, can damage and cause premature wear of brake components and reduce brake effectiveness.

## ACCELERATOR PEDAL

Controls engine RPM as needed.



### CAUTION

Do not let the engine operate above 2,450 rpm.

## ON BOARD DIAGNOSTIC TOOL RECEPTACLE

To ease troubleshooting, you can connect a diagnostic tool through the OBD receptacle to access recorded data. The OBD receptacle is located under the dashboard, on the left side.

## TIRE PRESSURE MONITORING SYSTEMS (TPMS)

### SYSTEM MALFUNCTION

In case of system malfunction, the following warning pop-up message will show on the DID to warn the driver that the TPMS might be disabled or unreliable.

Tire monitoring system error



### TPMS - SYSTEM DESCRIPTION

This system is a sensing device designed to identify and display tire operating data and activate an alert or warning when pressure or temperature irregularities are detected.

#### NOTE

*It is the responsibility of the driver to react promptly and with discretion to alerts and warnings. Abnormal tire inflation pressures should be corrected at the earliest opportunity.*

### Driver Information Display Warnings

Visual warnings turn on to indicate either a low tire pressure, high tire pressure or high tire temperature through three different warning conditions:

#### 1- HIGH TIRE PRESSURE WARNING



## 4-40 Controls and Instruments



*telltale turns on and the following message appears*

Tire pressure is high.  
Check Tire Monitor for details.



Indicates a high tire pressure.

**You should stop the vehicle as soon as possible and check your tires.**

### 2- TIRE PRESSURE CRITICALLY LOW WARNING



*telltale turns on and the following message appears*

Tire pressure is critically low.  
Check Tire Monitor for details.



Indicates a critically low tire pressure.

**You should stop the vehicle as soon as possible and check your tires.**

### 3- HIGH TIRE TEMPERATURE WARNING



*telltale turns on and the following message appears*

Tire temperature is high.  
Check Tire Monitor for details.



Indicates a high tire temperature condition.

**You should stop the vehicle as soon as possible and check your tires.**

## Other Messages

Smart Antenna Fault

Indicates a malfunction of an antenna.

Tire monitoring sensor malfunction



Indicates a malfunction of a pressure and temperature sensor.

## Tire Pressure And Temperature Readings Through TIRE MONITOR Application

The tire pressure and temperature readings are displayed in the DID. The user can scroll through the menus to get detailed information and inflate or deflate the tires to bring them back to their optimum pressure.

To do so,

1. On the right-hand steering keypad, press the Home button.
2. Press the Application Tray button.
3. Scroll down to TIRE MONITOR using the scroll wheel (rocker type) and press Enter / Select button.
4. Use the scroll wheel (rocker type) to select the appropriate axle and read the values.

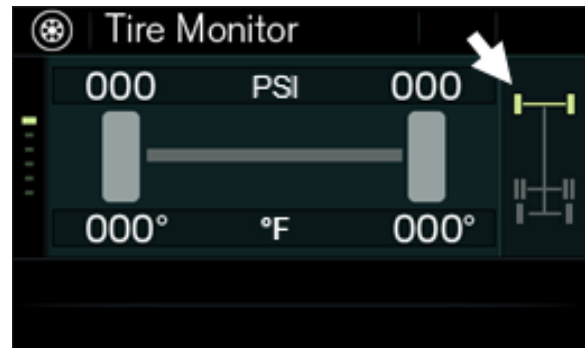
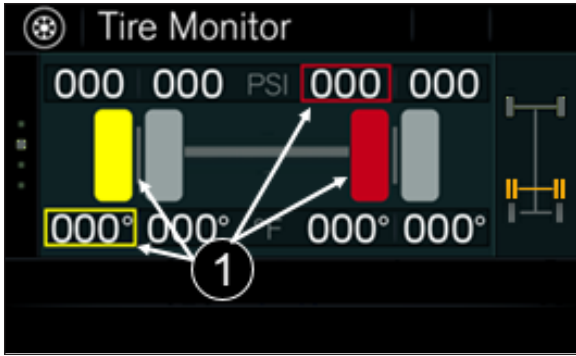


FIGURE 34: READING FRONT AXLE TIRE PRESSURE AND TEMPERATURE VALUES

Pressure or temperature irregularities are displayed as shown below.



**FIGURE 35: READING PRESSURE AND TEMPERATURE ON DRIVE AXLE TIRES WITH IRREGULARITIES DETECTED (DISPLAY EXAMPLE)**

(1) A higher or lower than normal pressure or temperature value is highlighted by a yellow rectangle surrounding the abnormal value. The corresponding tire will be displayed in yellow.

When a pressure or temperature **critically** exceeds the normal value, a red square surrounds the abnormal value to bring attention. The corresponding tire will be displayed in red.

### Changing The Target Pressure On A Specific Axle

To change the target pressure on a specific axle, proceed as follows:

1. On the right-hand steering keypad, press the Home button.
2. Press the Application Tray button.
3. Scroll down to TIRE MONITOR using the scroll wheel (rocker type) and press Enter/Select button.
4. Use the scroll wheel (rocker type) to select the appropriate axle.
5. Press the Application Tray button.
6. Use the scroll wheel (rocker type) to select the PLACARD and then press Enter/Select button.
7. Use the scroll wheel (rocker type) to adjust the target pressure and then press Enter/Select button.

## CRUISE CONTROL

The cruise control allows you to cruise the vehicle at a desired speed over 30 mph (50 km/h) without having to use the accelerator pedal.

### TURNING THE SYSTEM ON

To operate the cruise control, press the CC button located on the left-hand steering wheel keypad to turn ON the system. The Cruise Control "ON" status pictogram will then appear in the DID. You can now set the vehicle at a desired cruising speed. To turn off the system, press the CC button.



**FIGURE 36: CRUISE CONTROL "ON" STATUS PICTOGRAM (WHITE)**

#### NOTE

*The cruise switch and RESUME button do not operate at speeds below 30 mph (50 km/h).*



**FIGURE 37: CRUISE CONTROL BUTTONS**

- (1) ON/OFF cruise control toggle (CC button).
- (2) Cancel / Resume set speed.
- (3) Increase speed (rocker type button).
- (4) Set. Select current speed as set speed (push functionality).
- (5) Decrease speed (rocker type button).



### SETTING CRUISE SPEED

Accelerate the vehicle to the desired cruising speed using the accelerator pedal. Press and release the **SET** button (4) then remove foot from the accelerator pedal. This will set the vehicle cruise speed and store it in memory. The set speed will appear in the driver information display.



FIGURE 38: CRUISE CONTROL SET SPEED CONFIRMATION STATUS ICON (GREEN)

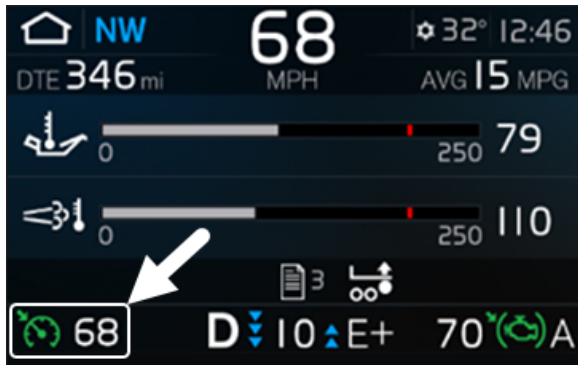


FIGURE 39: CRUISE CONTROL SET SPEED CONFIRMATION & CURRENT SET SPEED DISPLAYED IN THE SYSTEM STATUS ZONE

### Adjusting The Set Speed

Change the set speed moving the rocker type button (4) to **+** (3) or **-** (5). A short press will increase/decrease speed by 1 mph (2 km/h). You can also change the set speed by using the accelerator pedal and then pressing the **SET** (4) button.

#### NOTE

When driving with cruise control, the vehicle can still be accelerated by depressing the accelerator pedal in the usual manner. Once the accelerator pedal is released, the vehicle will return to the previously set cruising speed.

### Canceling The Set Speed

You can cancel the set cruising speed by:

1. Pressing momentarily the **CANCEL** button (2);
2. Depressing the brake pedal.

### Resuming Set Speed

If the set speed is canceled by pressing the **CANCEL** button (2) or depressing the brake pedal, pressing the **RESUME** button will restore the speed set prior to cancellation.

### Automatic Cruise Control Cancellation

The set speed is automatically canceled in any of the following situations:

- The windshield wipers are operating in low or high speed;
- The actual vehicle speed falls below 30 mph (50 km/h).

#### NOTE

##### CRUISE CONTROL AND AUXILIARY BRAKE

When driving downhill with the cruise control on and a set speed, the engine brake or the transmission retarder if previously activated will react as follows:

##### Engine Brake

The engine brake will be automatically forced in **AUTO** mode (A), no matter the current control stalk position.

If the driver turns off the cruise control, the engine brake will re-establish according to current control stalk position.

##### Transmission Retarder

When the vehicle speed exceeds the set speed by 2 mph or 2 km/h, the retarder engages to reduce the vehicle speed in accordance with the retarder control stalk position.

#### NOTE

When the cruise control is turned off using the **CC** button (1), the set speed is erased from the cruise control memory.



#### WARNING

Do not use the cruise control when driving speed must be constantly adjusted, such as in heavy traffic or on icy, snow-covered or slippery roads or on gravel roads.



**WARNING**

Do not put the transmission in the neutral (N) position while driving with cruise control. This may cause the engine to overspeed and result in a loss of driving control.

## 4-44 Controls and Instruments

### PREVOST DRIVER ASSIST™

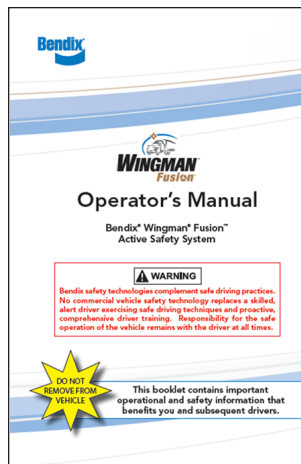
Prevost Driver Assist™ provides what is commonly known in the automotive industry as Advanced Driver Assistance Systems (ADAS). ADAS are meant to assist but not replace the driver. ADAS must be monitored at all times.



#### WARNING

Even with Prevost Driver Assist™ system, the driver must remain alert, react appropriately and in a timely manner, and use good driving practices. The ultimate responsibility for the safe operation of the vehicle remains with the driver at all times.

Be certain that you have read all safety warnings found in **Bendix Wingman Fusion Operator's Manual BW2681** available on Prevost Technical Publications site.



### ASSOCIATED HARDWARE EQUIPMENT

- FLR-21 radar sensor (ACB)
- Head-up display (HUD)
- Lane Departure Warning System (LDW) enable/disable switch
- FLC-20 windshield forward-looking camera (LDW)
- Bendix ESP EC-80 Controller
- Instrument panel DID (telltale, warning pop-ups and system status pictograms)

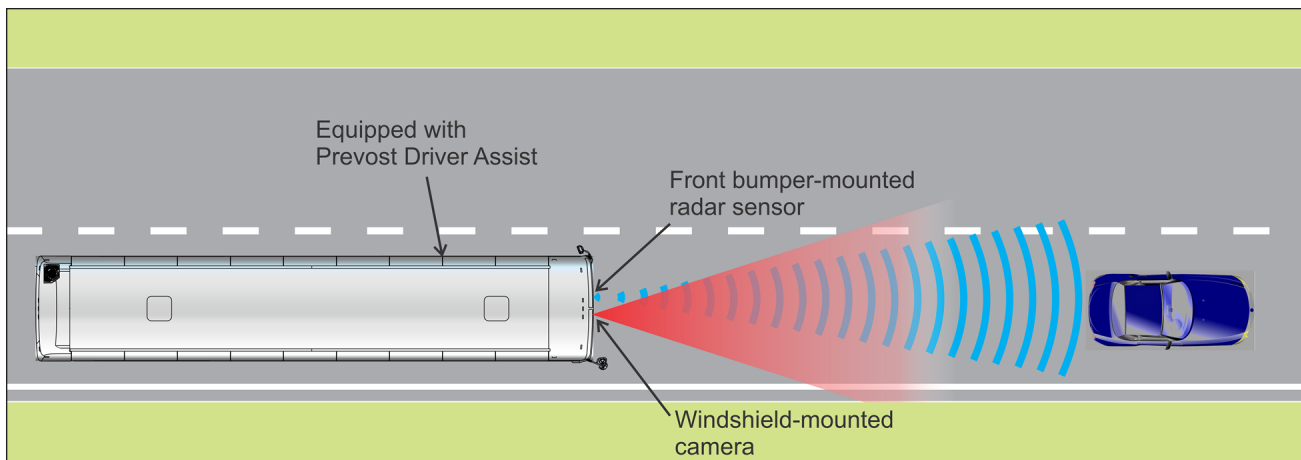


FIGURE 40: PREVOST DRIVER ASSIST™ SYSTEM USES A CAMERA AND RADAR SENSOR

**PREVOST DRIVER ASSIST™ CONSISTS OF THE FOLLOWING SYSTEMS AND FEATURES**

DRIVING CONTROL ASSISTANCE	
Adaptive Cruise with Braking ACB	Assists with acceleration and/or braking to maintain a prescribed distance between your vehicle and the vehicle ahead in your lane of travel. <ul style="list-style-type: none"> <li>• Following Distance Alert ( FDA)</li> <li>• Impact Alert (IA)</li> </ul>
COLLISION WARNINGS	
Lane Departure Warning LDW	Alerts the driver as the vehicle unintentionally approaches or crosses lane markers.
Head-Up Display HUD	Projects a visual forward collision warning into the driver’s forward line of sight.
COLLISION INTERVENTION	
Forward Collision Mitigation FCM	Detects potential collision with vehicles in the lane ahead while the vehicle is traveling forward, provides forward collision warning and automatically applies the brakes to lessen the severity of an impact.

## 4-46 Controls and Instruments

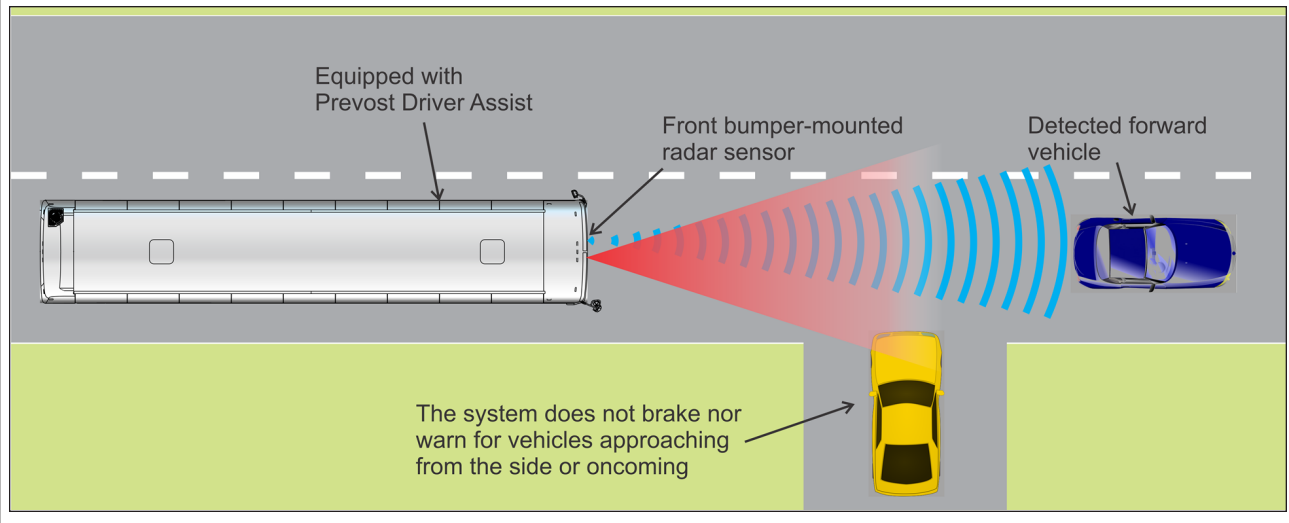
FEATURES	ACTIVE EVEN IF ACB IS OFF OR CRUISE SPEED NOT SET
Following Distance Alert (warnings only)	Yes If speed above 5 mph (8 km/h)
Impact Alert (warnings only)	Yes If speed above 15 mph (24 km/h)
LDW Lane Departure Warning	Yes If speed above 37 mph (60 km/h)
FCM Forward Collision Mitigation (warnings & braking)	Yes If speed above 15 mph (24 km/h)



### WARNING

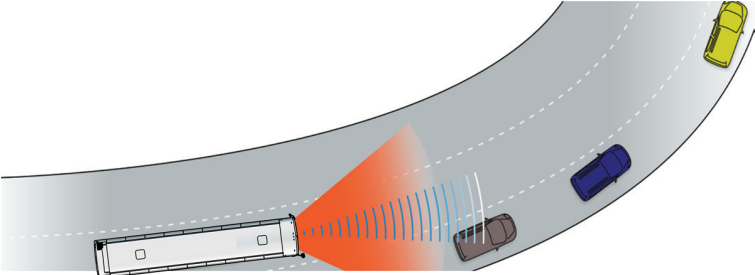
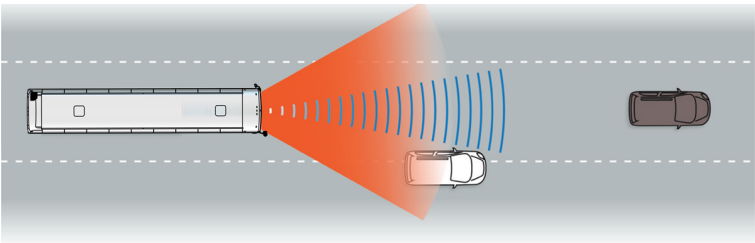
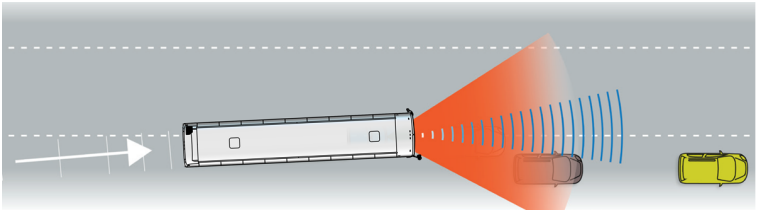
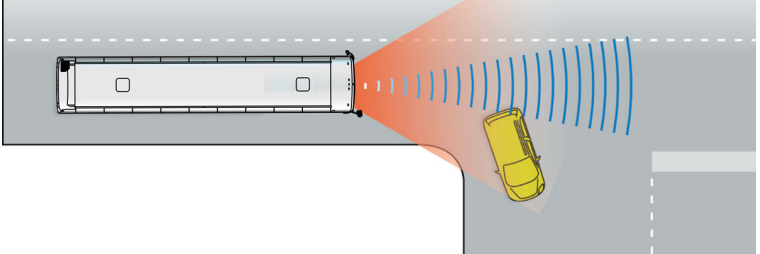
The Prevost Driver Assist™ system reacts **ONLY** to vehicles that are **moving in the same direction as your vehicle**.

The Prevost Driver Assist™ system **DOES NOT** respond to side-to-side moving traffic or oncoming traffic. The system will not slow your vehicle or provide an alert as you approach vehicles in these circumstances.



**POTENTIALLY CHALLENGING SITUATIONS FOR THE PREVOST DRIVER ASSIST™ SYSTEM**

The following examples illustrate situations that may issue an alert or braking in a manner not consistent with your expectations. The Prevost Driver Assist™ system may unexpectedly issue warnings, apply braking, or not respond.

<b>CHALLENGING SITUATION EXAMPLES</b>	
	<p>Driving through a curve or an exit ramp</p>
	<p>Other vehicles partially inside your lane of travel</p>
	<p>Lane changes</p>
	<p>Turning vehicles</p>

**LANE DEPARTURE WARNING LDW**

Using the FLC-20 windshield forward-looking camera, the Lane Departure Warning system (LDW) monitors the vehicle position in its lane and alerts the driver as the vehicle unintentionally approaches or crosses lane

## 4-48 Controls and Instruments

markers thru audible and visual warnings. **The driver should immediately correct the vehicle tracking and maintain position in the lane.**

When changing lanes, the driver must use the turn signals.

### LDW Activation

The Lane Departure Warning system is active whenever the vehicle is traveling above 37 mph (60 km/h). LDW is active no matter if the ACB is OFF or speed not set.

### Temporarily Disabling The Lane Departure Warning (LDW)




To avoid erroneous LDW warnings in areas such as the work zone where the road markings present might cause false alerts, LDW system can be disabled by the driver using the enable/disable switch. LDW system will reactivate automatically after a delay of 15 minutes or a transition from OFF to ON of the ignition switch or upon pressing of the enable/disable switch a second time.




FIGURE 41: LDW ENABLE / DISABLE SWITCH

### LDW System Status Pictograms Description



The following pictograms appear in the DID system status area to confirm that the system is active and currently tracking the driving lane.

PICTOGRAM	DESCRIPTION
	Currently tracking lane markings on both sides of the current lane
	Currently tracking lane marking on the left side only
	Currently tracking lane marking on the right side only

The following pictogram appears in the DID status line to warn that the system IS NOT currently tracking the driving lane.

PICTOGRAM	DESCRIPTION
	<p>LDW system initializing during the start-up or tracking not available as no lane markings is being tracked.</p>
<p>none</p>	<p>If none of the LDW status pictograms appear on the DID status line and the driver has not pressed the LDW enable/disable switch, this indicates that the system using the FLC-20 forward-looking camera has detected a DTC (diagnostic troubleshooting code) and the system should be serviced at the earliest opportunity.</p>

**LDW Pop-up Messages Definition**

POP-UP MESSAGE	DESCRIPTION / AUDIBLE ALARM
	<p>The vehicle is about to cross the right lane marker. A yellow vertical bar appears on the right side of the DID.</p> <p>Comes with audible warning</p>
	<p>The vehicle is about to cross the left lane marker. A yellow vertical bar appears on the left side of the DID.</p> <p>Comes with audible warning</p>
<p>Forward Imager malfunction.</p>	<p>Indicates a malfunction of the forward-looking camera. The LDW system tracking might be disabled or not reliable.</p> <p>The driver can acknowledge and turn off this pop-up message. To do so, press and hold Applications/Back button.</p>
<p>Forward Imager obstructed.</p>	<p>Indicates a malfunction of the LDW system camera. The LDW system tracking might be disabled or not reliable.</p> <p>Stop the vehicle and check if something is obstructing the camera.</p> <p>The driver can acknowledge and turn off this pop-up message. To do so, press and hold Applications/Back button.</p>



## 4-50 Controls and Instruments

<p>Lane Departure Warning is disabled. Brake switch malfunction.</p>	<p>Indicates a malfunction of the LDW system brake switch. The LDW system tracking might be disabled or not reliable.</p> <p>The driver can acknowledge and turn off this popup message. To do so, press and hold Applications/Back button.</p>
<p>Lane Departure Warning is disabled. Turn signal malfunction.</p>	<p>Indicates a malfunction of the directional turn signals.</p> <p>The driver can acknowledge and turn off this pop-up message. To do so, press and hold Applications/Back button.</p>
<p>Lane Departure Warning is disabled. Override Switch malfunction.</p>	<p>Indicates a malfunction of the LDW system input switch.</p> <p>The driver can acknowledge and turn off this pop-up message. To do so, press and hold Applications/Beach button.</p>
<p><b>Network Error</b></p>	<p>Indicates a loss of communication on the vehicle data network. The LDW system tracking might be disabled or not reliable.</p> <p>The driver can acknowledge and turn off this pop-up message. To do so, press and hold Applications/Back button.</p>
<p>Lane Departure Warning is disabled. Vehicle Speed malfunction.</p>	<p>Indicates the current vehicle speed is unknown. The LDW system tracking might be disabled or not reliable.</p> <p>The driver can acknowledge and turn off this pop-up message. To do so, press and hold Applications/Back button.</p>
<p><b>Lane Departure Warning System Malfunction</b></p>	<p>Indicates a malfunction of the LDW system. The LDW system tracking is not available.</p>

## FORWARD COLLISION MITIGATION FCM

The Forward Collision Mitigation system (FCM) detects potential collisions while the vehicle is traveling forward, provides warnings to the driver and when needed, automatically applies up to 66% of the braking power to lessen the severity of an impact.

The FCM system is ready to intervene whenever the vehicle is traveling at speed above 15 mph (24 km/h). It operates independently of the vehicle ACB and will intervene even if the cruise control is turned off or there is no cruise set speed.

The FCM system is enhanced with the use of the FLC-20 windshield forward-looking camera. This camera increases the performance of the collision mitigation system by optically detecting a forward object as a vehicle and confirming with the ACB radar sensor its position within the lane of travel.

If the forward vehicle is stationary, the FCM system will apply up to 66% of the braking power. The maximum speed reduction is about 25 mph / 40 km/h. Note that this feature will not bring the vehicle to a complete stop.



### CAUTION

#### **Pedestrians, Animals, Non-metallic, or Limited-metallic Objects**

The Prevost Driver Assist™ system **will not** warn or react to pedestrians, animals, and non-metallic objects. The system may not warn or react to limited-metallic objects (such as recreational vehicles, horse-drawn buggies, motorcycles, logging trailers, etc.).

### Head-Up Display HUD

The FCM system is enhanced with a Head-Up Display (HUD) LED warning. The HUD project an intensive red light that is reflected in the windscreen to warn the driver when the FCM detects potential collision.

HUD Diagnostic: At startup, the HUD warning LED shall be diagnosed for failures such as open circuit, short to battery and short to ground. This shall be performed by activating the LED for a short time.

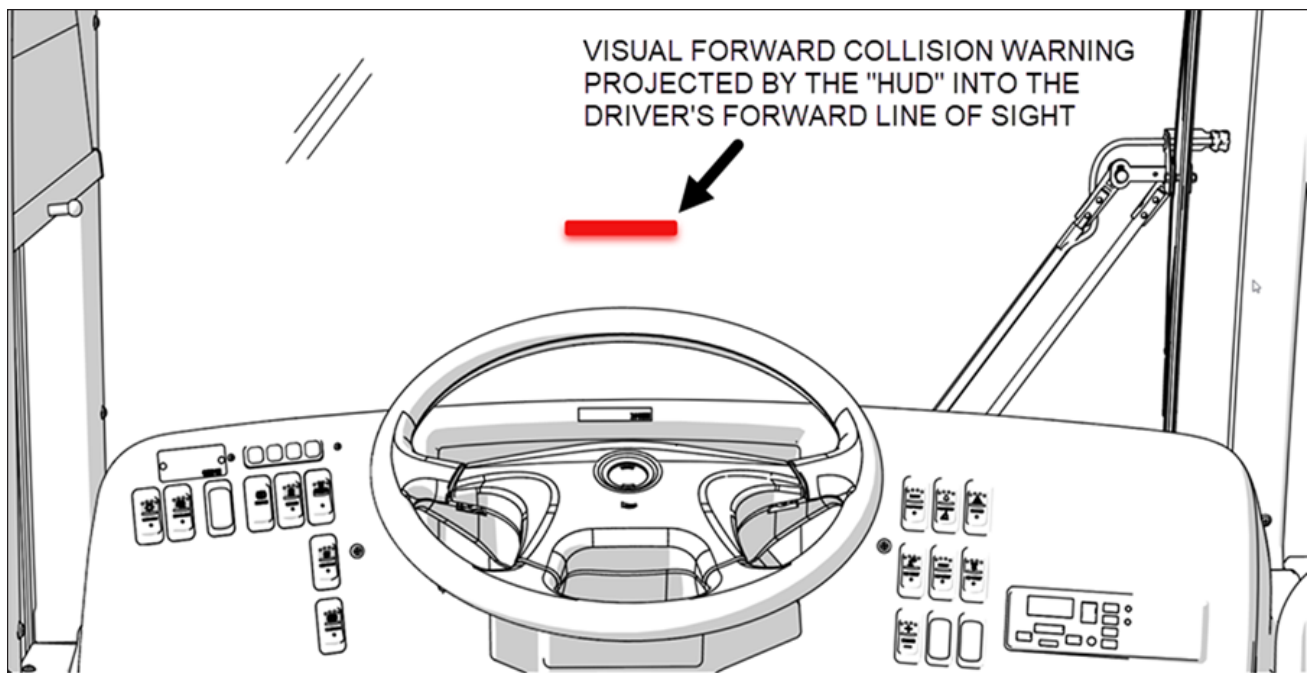


FIGURE 42: HEAD-UP DISPLAY PROJECTED VISUAL WARNING

### ADAPTIVE CRUISE WITH BRAKING ACB

Adaptive Cruise with Braking (ACB) is a cruise control that not only maintains the set speed, but will also intervene, as needed, to help the driver maintain a set following distance behind a detected forward vehicle by reducing speed as necessary. As soon as the forward vehicle is at a safe distance, the coach will resume to the cruise set speed.

## 4-52 Controls and Instruments

### NOTE

The following paragraphs briefly sum up the information concerning the operation and function of the ACB. Before driving the vehicle, be certain that you have read and that you fully understand each step of the driving and handling information found in Bendix Wingman Fusion Operator's Manual BW2681. The driver should fully understand all the audible alerts and visual indicators that the system provides. Bendix Wingman Fusion Operator's Manual BW2681 (available on Prevost web site).



### WARNING

Even with ACB, the driver must remain alert, react appropriately and in a timely manner, and use good driving practices. The ultimate responsibility for the safe operation of the vehicle remains with the driver at all times.

Be certain that you have read all safety warnings found in Bendix Wingman Fusion Operator's Manual BW2681.

The driver will benefit all the audible and visual warnings that the system provides whether or not ACB is turned on. In addition to the audible and visual warnings, when the ACB is turned on and a **cruise speed is set**, the driver benefits from active interventions like engine throttle reduction, engine brake application and service brake application **to help maintain a set following distance**.



### WARNING

Adaptive Cruise with Braking must be used only in the same conditions that are normally recommended for ordinary cruise control.

## TURNING OFF THE ACB SYSTEM

You can deactivate the ACB system by pressing the ON/OFF cruise control button (CC) on the steering wheel left-hand keypad. Also, you can interrupt the ACB simply by applying service brakes or pressing the cruise control CANCEL button on the steering wheel keypad.

### NOTE

Whenever the service brake is applied by intervention of the ACB or by the driver, normal cruise will automatically be canceled. The driver must resume or set the cruise mode in order for the vehicle to throttle up.

## ACTIVATING THE ACB

Activation of the Adaptive Cruise with Braking is similar to the regular cruise control activation. Press the ON/OFF cruise control button (CC) on the steering wheel keypad, the ACB "ON" status pictogram will appear in the DID.



FIGURE 43: CRUISE CONTROL BUTTONS

- (1) ON/OFF cruise control toggle (CC button).
- (2) Cancel / Resume set speed.
- (3) Increase speed (rocker type button).
- (4) Set. Select current speed as set speed (push functionality).
- (5) Decrease speed (rocker type button).

Accelerate the vehicle to the desired cruising speed and then, press the SET button on the keypad. The ACB "ON" with set speed confirmation status pictogram will appear in the DID.

ACB is now engaged with the set following distance and driver warning features. Whenever the cruise control is engaged, the ACB is also engaged. You cannot engage the cruise control alone, without engaging the ACB features.



FIGURE 44: ACB "ON" STATUS PICTOGRAM (WHITE)



FIGURE 45: ACB "ON" WITH SET SPEED CONFIRMATION STATUS PICTOGRAM (GREEN)

## MAINTAINING A SET FOLLOWING DISTANCE

Using a radar sensor mounted to the front bumper, the ACB system measures the distance between the coach and the forward vehicle and intervenes to help maintain a safe set following distance behind the vehicle. This feature engages automatically once the driver turns on the ACB and sets cruise speed.

Following distance refers to the time gap, measured in seconds, between the coach and the vehicle ahead. The actual physical distance between the coach and the vehicle ahead will vary based on your set cruise speed; although the set time gap remains the same for all set cruise speeds. Prevost's default set time gap is 1.7 seconds.

With cruise control engaged and a cruise speed set, you are maintaining a set following distance behind the vehicle in front of you (the system DOES NOT respond to side-to-side moving traffic or oncoming traffic.).

**If the vehicle in front of the coach slows down** below your cruise control set speed, the system will progressively intervene as follows, in this order:

## 4-54 Controls and Instruments

---

1. Reduce the engine throttle;
2. Apply the engine brake;
3. Apply about 30% of the service brakes available braking power in an attempt to maintain the set following distance.

The driver must apply additional braking power when required, to avoid collision or to maintain a safe distance from the vehicle ahead.

### **NOTE**

*If the ACB is actively decelerating or braking the coach in an attempt to maintain the set following distance at the moment when the driver cancels the ACB system, the ACB system will continue deceleration or braking intervention until a safe following distance is established, then will cancel.*

*Even though the cruise control doesn't operate at speeds below 30 mph (50 km/h), the ACB system will continue deceleration or braking intervention in an attempt to maintain the set following distance if the coach speed reduces to less than 30 mph (50 km/h).*

**If the vehicle ahead slows below your cruise control's set speed**, but then accelerates away, and the ACB system did not need to use the service brakes as it managed the intervention, the coach will automatically accelerate back to the original cruise control set speed, and again maintain a set following distance behind the forward vehicle.

### **NOTE**

*The maximum radar range is approximately 500 feet (150 meters). Rain, snow, fog, ice and other severe weather conditions may affect the performance of the ACB system and shorten radar range.*

*As part of your pre-trip vehicle inspection, check to see that there is no mud, snow, ice build-up or other obstruction in front of the radar sensor. You should inspect the radar sensor mounting and remove any obstruction that may impair the sensor functioning.*

## DRIVER WARNINGS AND SYSTEM STATUS

Before using the ACB, the driver should fully understand all the audible and visual warnings that the system provides. Any audible warning (beeping or tone) means that your vehicle is too close to the vehicle ahead.



### Forward Vehicle Detected

When ACB is turned on and a valid cruise speed is set, if the forward vehicle is detected (in range) by the radar, the FORWARD VEHICLE DETECTED status pictogram will appear in the DID. This is an indication to the driver that the forward vehicle is being tracked, that the ACB is actively managing the distance between the coach and the vehicle ahead and that the ACB system may automatically intervene to maintain the set following distance.



**FIGURE 46: FORWARD VEHICLE DETECTED STATUS PICTOGRAM (WHITE)**

There are two conditions with the FORWARD VEHICLE DETECTED status pictogram.

FORWARD VEHICLE DETECTED pictogram	COLOR	DESCRIPTION
	white	The forward vehicle is detected (in range)
	red strike on white	Missing/error state. Fault with target acquisition

### Speedometer Leds

With the cruise control engaged and a cruise speed set, a green LED illuminates above the cruise control set speed on the speedometer.

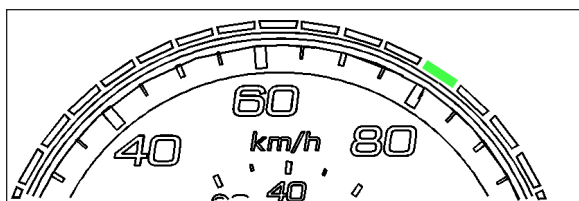


FIGURE 47: THE CRUISE SET SPEED IS 80 KM/H

With a cruise speed set, the vehicle ahead slows moderately. The system will display to the driver the approximate speed of the vehicle ahead with yellow LEDs above the speedometer.

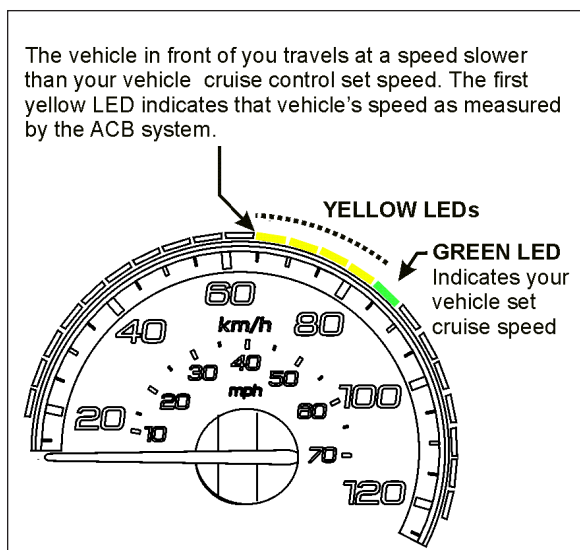


FIGURE 48: EXAMPLE OF THE SPEEDOMETER LED DISPLAY WHEN THE FORWARD VEHICLE IS SLOWER WHILE THE COACH TRAVELS WITH THE ACB CRUISE CONTROL ON AND SET

### FOLLOWING DISTANCE ALERT (FDA)

**Following Distance Alert** is always active whenever the coach is moving to a speed greater than 5 mph (8 km/h), whether or not ACB is turned on.

## 4-56 Controls and Instruments



FIGURE 49: FOLLOWING DISTANCE ALERT WARNING POP-UP

Following Distance Alert provides both audible and visual warnings whenever the distance between the coach and the forward vehicle is less than the set distance and getting closer. **Once the audible warning is given, the driver must increase the distance between the coach and the vehicle ahead until the audible warning stops or maneuver clear of the forward vehicle.**



### WARNING

Active interventions of ACB to maintain safe following distance (throttle reduction, engine brake application, service brakes application) are only operational when the ACB is engaged with a cruise speed set.

### IMPACT ALERT

**Impact Alert** is always operational when the vehicle is moving above 15 mph (24 km/h) whether or not ACB is turned on.

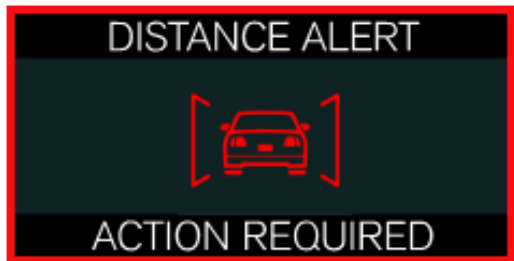


FIGURE 50: WARNING POP-UP OF THE IMPACT ALERT

The Impact Alert is the most severe warning issued by the ACB system. This alert indicates that the driver must take immediate evasive action by applying more braking power and/or steering clear of the vehicle ahead to potentially avoid or lessen the severity of a collision. **Collision Mitigation Braking CMB** applies vehicle braking to help avoid or lessen the severity of a collision with a forward vehicle.


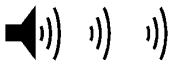



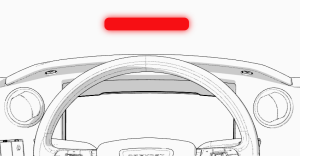
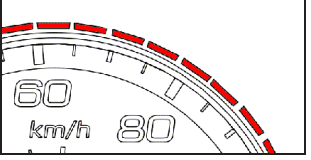
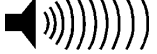
### WARNING

Active interventions of ACB to maintain safe following distance (throttle reduction, engine brake/retarder application, service brake application) are only operational when the ACB is engaged with a cruise speed set.

### FOLLOWING DISTANCE ALERT

CONDITION	The Following DISTANCE ALERT feature is only available when the coach speed is greater than 5 mph (8 km/h), whether or not ACB is engaged.
SITUATION	The forward vehicle is slowing down and the distance between your vehicle (the coach) and the forward vehicle is less than the set distance.

<p>ACTIONS BY ACB SYSTEM</p>	<p>DISTANCE ALERT warning pop-up appears on the DID</p> <p>If the vehicles remain too close from each other, an audible warning will sound</p>	 
------------------------------	--	---

IMPACT ALERT		
<p>SITUATION</p>	<p>ACB system detects a risk of collision with a forward-moving vehicle in your lane of travel.</p>	
<p>ACTIONS BY ACB SYSTEM</p> <p>A flashing visual forward collision warning is projected by the HUD into the driver's forward line of sight in the windshield.</p> <p>The speedometer LEDs illuminate in red</p> <p>An audible warning will sound</p>	<p>IMPACT ALERT warning pop-up appears on the DID</p>	   

**SYSTEM MALFUNCTION**

In case of system malfunction, visual warnings will appear in the driver information display (DID) to warn the driver that the ACB is disabled. In that situation, the Impact Alert and Distance Alert functions are not available.

If the ACB is not available, the FORWARD VEHICLE DETECTED- MISSING/ERROR STATE status pictogram may appear and "ACB UNAVAILABLE" pop-up message may appear in the DID.

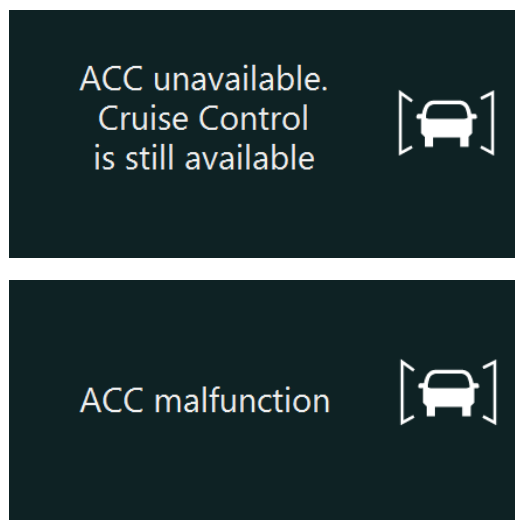


FORWARD VEHICLE DETECTED - MISSING/ERROR STATE pictogram



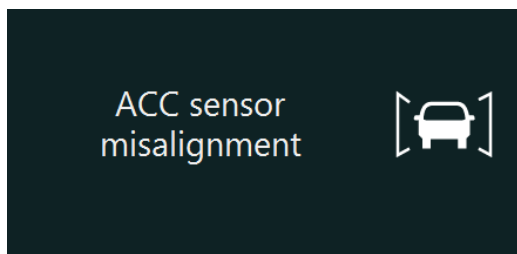
## 4-58 Controls and Instruments

---

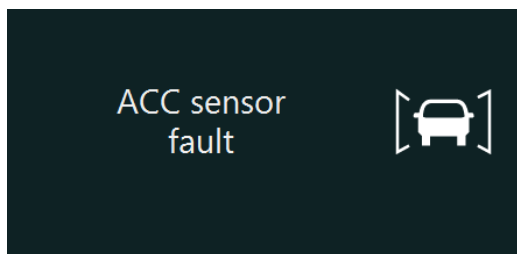


For the proper functioning of the system, the radar must be perfectly aligned and not blocked. If a radar fault condition is detected, one of the following pop-up messages will show in the DID.

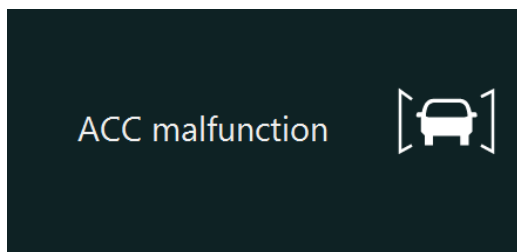
### ACB SENSOR (RADAR) MISALIGNMENT



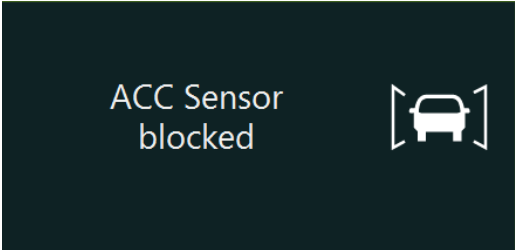
### ACB SENSOR (RADAR) FAULT



### ACB DATA LINK FAILURE



### ACB SENSOR (RADAR) BLOCKED



## 4-60 Controls and Instruments

### WHAT TO EXPECT WHEN USING THE PREVOST DRIVER ASSIST™ SYSTEM

PART 1 All driving scenarios (cruise control is either ON or OFF)		
What to Expect		
Situation	Typical system indication/alerts	Typical system actions/cautions
Stationary objects/vehicles ahead in your lane of travel		
A stationary ( <b>non-vehicle</b> ) object is present ahead in the lane in which the coach is traveling.	none	The driver must immediately act to potentially avoid, or lessen the severity of, a collision.
A stationary motor vehicle is detected ahead in your lane.  <i>Factors that can potentially affect the system's ability to identify a vehicle include: if the vehicle is not a licensed motorized vehicle; or certain types of trailers.</i>	none	The driver must immediately act to potentially avoid, or lessen the severity of, a collision. If a collision is likely to occur.
Moving objects/vehicles ahead in your lane of travel		
Your vehicle comes up fast behind a slower-moving detected forward vehicle.	The Following Distance Alert (FDA) will sound and a visual message typically appears on the DID. Depending on how close your vehicle approaches, the system may initiate a Following Distance Alert - Action Required warning.	None. You must respond as needed.
The detected forward vehicle slows rapidly.	The Following Distance Alert (FDA), or Following Distance Alert - Action Required warning will sound and a visual message typically appears on the DID.	You must respond as needed. If a collision is likely to occur, the collision mitigation feature will apply your vehicle's brakes.
A pedestrian, deer, or dog runs in front of your vehicle, or any organic or non-metallic object is in front of your vehicle.	None	None. You must respond as needed.
Another vehicle crosses the road perpendicular to your path of travel – such as intersections.	None	None. You must respond as needed.
A collision mitigation braking event has begun and you, as the driver, steers into an adjacent lane to avoid the forward vehicle.	None	Prevost Driver Assist™ system will continue to apply the brakes if it detects another vehicle ahead in the new traffic lane posing a threat.
Lane Departure Warning System Active (LDW pictogram being displayed)		
Your vehicle signals a lane change and crosses a lane marking.	None	None

Traveling below 37 mph (60 km/h), your vehicle crosses a lane marker (without the corresponding turn signal activated).	None	None. You must respond as needed.
Traveling above 37 mph (60 km/h), your vehicle departs your lane of travel without the corresponding turn signal activated.	Visual and audible warnings	None. You must respond as needed. (use the turn signal when changing lanes and/or keep your vehicle within the lane markings).
<b>PART 2</b> ACB cruise control is ON and speed is SET		
<b>What to Expect</b>		
Situation	Typical system indication/alerts	Typical system actions/cautions
Interactions with vehicles ahead in your lane of travel		
With no detected forward vehicle.	None	Your vehicle maintains the set speed.
With a detected forward vehicle.	The ACB "ON" and the forward vehicle detected status pictograms are displayed in the DID.	The Adaptive Cruise with Braking feature will maintain the set speed and following distance.
The detected forward vehicle slows moderately.	The Following Distance Alert (FDA) will sound and a visual message typically appears on the DID.	You must respond as needed.  If the system intervenes, the vehicle throttle will be reduced; the engine retarder engaged; and the service brakes applied, in that order to maintain the set following distance.  <i>NOTE: When the ACB applies the service brakes, cruise control will automatically pause, and will cancel if vehicle speed falls below the minimum set speed or the driver manually depresses the brake pedal.</i>

## 4-62 Controls and Instruments

<p>The detected forward vehicle slows rapidly.</p>	<p>The Following Distance Alert - Action Required warning will sound and a visual message typically appears on the DID.</p>	<p>You must respond as needed.</p> <p>If the system intervenes, the vehicle throttle will be reduced; the engine retarder engaged; and the foundation brakes applied, in that order to maintain the set following distance.</p> <p><i>NOTE: When the ACB applies the foundation brakes, cruise control will automatically pause, and will cancel if vehicle speed falls below the minimum set speed or the driver manually depresses the brake pedal.</i></p>
<p>A detected forward vehicle cuts in front of your vehicle and speeds away.</p>	<p>Following Distance Alerts (FDAs) may be given to you, depending on the exact system configuration that has been set for the vehicle, and how close the vehicle cuts in front.</p>	<p>You must respond as needed.</p> <p>The system may intervene to maintain the set following distance.</p>
<p>Downhill Grades</p>		
<p>Going down a grade with a detected forward vehicle.</p>	<p>DO NOT USE cruise control on downhill grades.</p>	<p>DO NOT USE cruise control on downhill grades. Brake overuse may occur.</p>
<p>Cruise control should NOT be used on downhill grades.</p>		



### WARNING

*The section preceding shows examples of situations and typical Prevest Driver Assist™ system responses. However, the chart does not attempt to cover all possible situations.*

Due to the inherent limitations of radar and camera technology, the enhanced Collision Mitigation Technology – on rare occasions – may not detect moving vehicles or stationary vehicles in your vehicle's lane of travel. Alerts, warnings, or brake interventions may not occur.

Due to the inherent limitations of radar and camera technology, the enhanced Collision Mitigation Technology – on rare occasions – may react to moving vehicles not in your vehicle's lane of travel. Alerts, warnings, or brake interventions may occur.

**HOW YOUR ACTIONS IMPACT THE PREVOST DRIVER ASSIST™ SYSTEM**

Your Action	Reactions of the Prevost Driver Assist™ system
If you, the driver, do this:	Expect the Prevost Driver Assist™ system to do this:
Step on the brake (during a collision mitigation event).	As the driver, you are always in control and are able to apply full braking power.
Step aggressively on the accelerator (during a collision mitigation event).	As the driver, you are always in control. Your actions override any Prevost Driver Assist™ system actions. NOTE: If cruise control is engaged, it will be overridden until the accelerator is released; then cruise control will resume the original set speed automatically.
Step on the brake (when in cruise).	Cruise control will be canceled.
Step on the accelerator (when in cruise).	Cruise control will be overridden until the accelerator is released; then cruise control will resume the original set speed automatically.
Switch ON the cruise control.	Nothing. The Active Cruise with Braking (braking to maintain a set following distance) feature will not engage until the driver sets the cruise control speed.
Switch OFF the cruise control.	The Active Cruise with Braking feature will turn off; the collision mitigation feature remains active and ready to intervene. You, the driver, will continue to hear all alerts as needed.
Set the cruise control speed.	The Active Cruise with Braking feature is automatically activated, and your vehicle maintains set speed and following distance behind the vehicle ahead in your lane of travel.
Cover or block the radar or camera.	<p>The Prevost Driver Assist™ system performance will be diminished, or disabled, when either the radar or the camera becomes blocked. An alert will be issued to alert the driver to indicate this condition.</p> <p>Radar:</p> <p>Radar blocked will be indicated through an alert and will disable the radar-based functions as follows:</p> <ul style="list-style-type: none"> <li>- Loss of forward-moving vehicle braking;</li> <li>- Loss of ACB. The camera based function LDW will remain.</li> </ul> <p>Camera:</p> <p>Camera blocked will be indicated through an alert and will disable all camera-based functions as follows:</p> <ul style="list-style-type: none"> <li>- Reduced braking performance on moving vehicle (speed reduction 15 mph / 24 km/h maximum);</li> <li>- Loss of LDW.</li> </ul> <p>The radar-based function ACB will remain.</p>
Use normal cruise control "+/-" switch.	Vehicle speed increased (+) or reduced (-) to achieve the new set speed while actively maintaining the following distance with the vehicle ahead, if one is present within 500 feet / 152 meters.

## SIDE CAMERA REAR-VIEW MONITORS

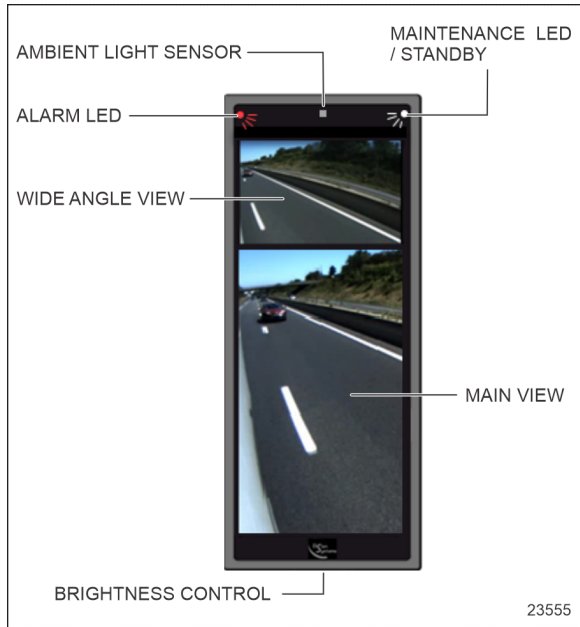


FIGURE 51: MONITOR



### CAUTION

Do not cover the cooling vents on the back of the monitor.

## REFERENCE LINES

Upon activation of the turn signals, three reference lines appear on the main view of the corresponding monitor (see image below). When in reverse, two reference lines (yellow & red) are displayed on both monitor.



### CAUTION

The position of the reference lines is approximate and may differ by a few feet from the actual distance. The driver always remains responsible to ensure a safe distance during maneuvers.

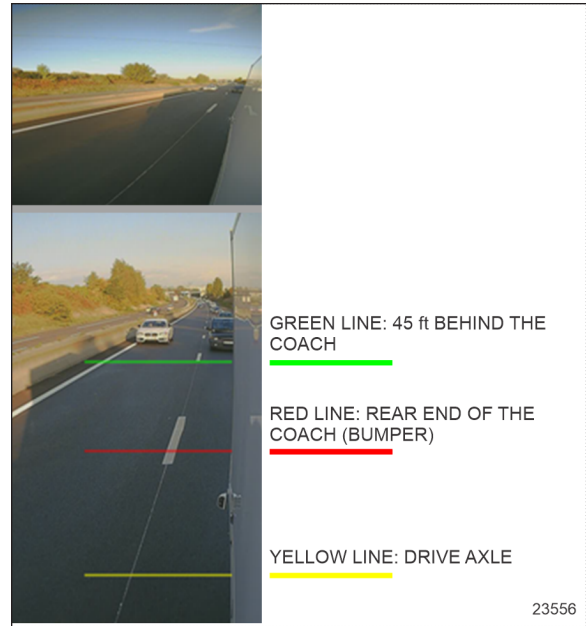


FIGURE 52: REFERENCE LINES IN MONITOR

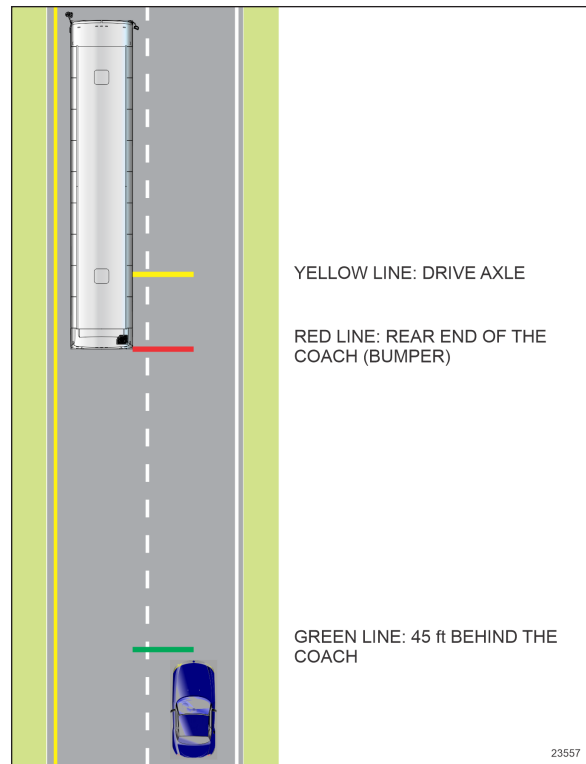


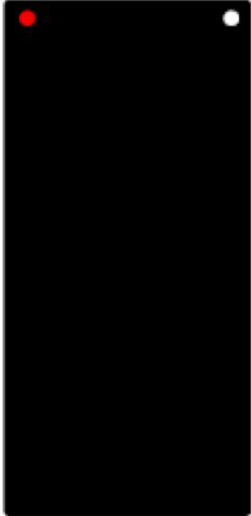

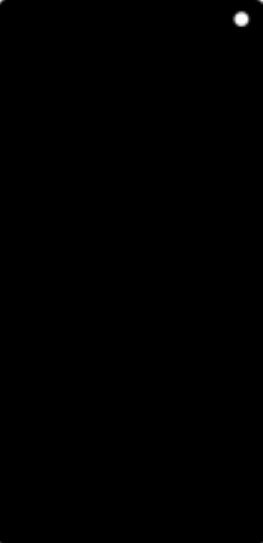

FIGURE 53: REFERENCE LINES


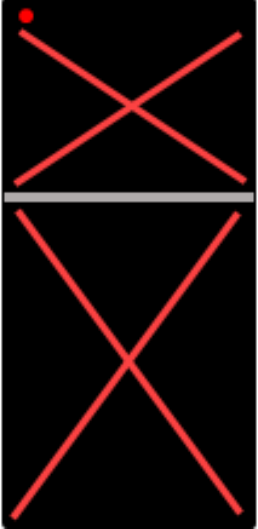

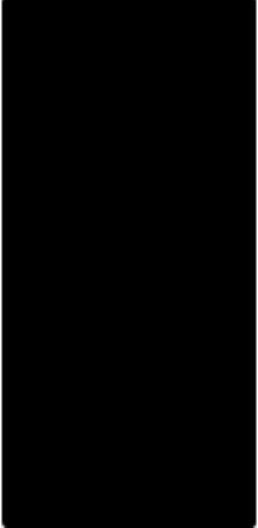
## BRIGHTNESS ADJUSTMENT

Each monitor switches automatically and independently between night mode and day mode depending on the actual ambient light. However, the driver can adjust the brightness with the brightness control at the bottom of the

monitor. This manual adjustment will change the brightness of both monitor at the same time.

**MONITOR STATE**

<p>SYSTEM BOOT</p> 	<p>NORMAL OPERATION</p> 
<p>SLEEP MODE</p> <p>blinking</p> 	<p>MINOR ISSUE</p> <p>blinking</p> 

<p>WIDE-ANGLE VIEW NOT AVAILABLE</p> <p>blinking</p> 	<p>MAIN VIEW NOT AVAILABLE</p> <p>steady</p> 
<p>MAJOR ISSUE</p> <p>blinking</p> 	<p>NOT POWERED</p> 

**ALLISON TRANSMISSION**

The transmission is fully automatic: Proper ranges should be automatically selected according to driving speeds to improve vehicle performance and control. The speed ratio of the power converter changes automatically as vehicle speed increases and direct-drive goes in and out as necessary. The speed ratio is modulated by vehicle speed and accelerator



## 4-66 Controls and Instruments

pedal position. You will find the complete transmission operation instructions and driving tips in the *Allison 5th & 6th Generation Operator's Manual 3000\_4000 Series* available on the Prevest Technical Publications site.

### OPERATION

When a button is depressed on the transmission control pad, the corresponding letter or number is displayed indicating the transmission is ready to operate in the selected range. If the transmission control module (TCM) detects a serious problem in the transmission, the CHECK telltale lights on the dashboard.

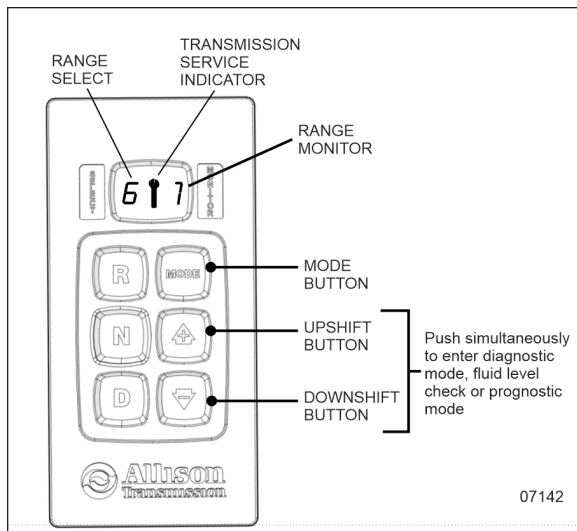


FIGURE 54: ALLISON PUSHBUTTON SHIFT SELECTOR

### PUSHBUTTON SHIFT SELECTOR

The pushbutton shift selector has the following elements:

**R:** Press to select Reverse gear.

**N:** Press to select Neutral.

**D:** Press to select Drive. The highest forward range available will appear in the digital display window under SELECT. The transmission will start out in the lowest available forward range, displayed under MONITOR, and advance automatically to the highest range.

↑ ↓ : Press respectively the ↑ (Upshift) or ↓ (Downshift) arrow button when in DRIVE to request the next higher or lower range. One press changes gears by one range. If the button is held down, the

selection will scroll up or down until the button is released or until the highest or lowest possible range is selected. Protection mechanisms inhibit selecting ranges that are not appropriate for the current speed or which may damage driveline components.

**MODE:** Pressing the MODE button allows the driver to activate the secondary shift schedule that has been programed into the TCM unit.

### PRIMARY AND SECONDARY SHIFT SCHEDULES

The primary shift schedule is the default mode at starting of the engine and is typically specified to accommodate normal vehicle operation. The transmission controller automatically selects between ECONOMY and PERFORMANCE shift strategy, based on the vehicle actual load and the grade on which the vehicle is operating. This is called Load Based Shift Scheduling (LBSS). This can produce improved overall vehicle fuel economy while still enabling high productivity when the vehicle is loaded.

In the secondary shift schedule, only the ECONOMY shift strategy is available. No switching is done between shift strategies. The secondary shift mode is available only if selected by the driver, using the MODE button. When the secondary mode is activated, "MODE" illuminates on the display.

#### NOTE

*When the diagnostic display mode has been entered, the MODE button is used to view and toggle through diagnostic code information. Refer to appendix C for more details about diagnostic code display procedure and fluid level check using the pushbutton shift selector.*

### TRANSMISSION SERVICE INDICATOR

↑: This indicator will be illuminated upon the detection of a service issue relating to clutch, filter or fluid life. The appearance of the indicator (lit steadily, flashing, etc.) varies for each of the conditions monitored by the system. Refer to appendix C for more details about diagnostic code display procedure, fluid level check or prognostic features (Oil Life Monitor, Filter Life

Monitor and Transmission Health Monitor) using the pushbutton shift selector.

Illuminated at startup for a bulb check, this indicator will then be turned off if no service conditions exist.

## DESCRIPTION OF AVAILABLE RANGES

### R (Reverse)

Press the «R» button to select reverse. Completely stop the vehicle and let the engine return idle before shifting from forward range «D» to reverse «R» or from reverse to forward range. The reverse warning signal will be activated when this range is selected.

### N (Neutral)

Use this position to start the engine. Select «N» (Neutral) when checking vehicle accessories and for extended periods of engine idle operation; parking brake must then be applied. The pushbutton shift selector automatically selects «N» (Neutral) when the ignition switch is turned On.

#### NOTE

*The automatic transmission does not have a park «P» position. Select «N» (Neutral) and apply parking brake when the vehicle is left unattended. An audible alert will sound if the engine is stopped and the parking brake is not applied.*



#### WARNING

Before leaving the driver's seat, always put the transmission in NEUTRAL and apply parking brake.



#### WARNING

The vehicle service brakes or park brake must be applied whenever NEUTRAL is selected to prevent unexpected vehicle movement.



#### CAUTION

Do not allow your vehicle to "coast" in neutral «N». This practice can result in transmission damage. Also, no engine braking is available in neutral.

### D (Drive)

Use this position for all normal driving conditions. After touching this pad, the vehicle will start in first or second range and will automatically upshift to a higher range as output speed increases. As the vehicle slows down, output speed decreases, the transmission automatically downshifts to the correct range. If a locked brake or a slick surface condition should occur, the TCM (Transmission Control Module) will command converter operation (disconnect lockup) and inhibit downshift for a period of time or until normal wheel speed has been restored.

#### NOTE

*IMPORTANT: Brake pedal must be applied when selecting «D» (Drive) otherwise the transmission will stay in «N» (Neutral).*

#### NOTE

*The transmission should normally be allowed to shift by itself, but manual shifting can be done as described below.*

### 1 (First Range)

Select this range when pulling through mud and snow, when speed control is needed for driving up or down steep grades or when maneuvering in tight spaces. This range also provides maximum driving torque and engine braking power or retarder braking effect. In the lower ranges (1, 2, 3 and 4), the transmission will not upshift above the highest gear selected unless engine overspeed is detected.

### 2 (Second Range)

Select this range when operating in heavy and congested traffic. The transmission will start in first and automatically upshift to second. When slowing, the transmission will automatically downshift to first range. Low ranges provide progressively greater engine and retarder braking power (the lower the range, the greater the engine and retarder braking effect).

### 3, 4 (Third And Fourth Ranges)

Select these ranges when driving on moderate grades or when load and traffic conditions limit speed.

## 4-68 Controls and Instruments

---



### WARNING

Service brakes should not be used to control the speed of the vehicle on long, steep descents. Instead, lower transmission ranges should be used in conjunction with the output retarder.



### CAUTION

When descending in lower ranges, care must be taken that engine speed does not exceed 2,450 rpm.

## TOWING RECOMMENDATIONS



### CAUTION

When towing the vehicle, the transmission output shaft must not be allowed to spin or turn. If the vehicle is towed with the drive wheels still in contact with the road surface, the vehicle axle shafts or driveline must be removed or disconnected. Do not attempt to push or pull-start the vehicle.

Failure to disconnect the driveshaft, remove the drive axle shafts or lift the drive wheels off the ground before towing will cause serious damage to transmission.

Non-compliance with the above requirements will void the warranty.



### CAUTION

Make sure axle shafts or driveshaft are installed correctly after towing. Tighten axle shaft and driveshaft nuts to the correct torque settings. Do not invert shafts.

## SECTION 5 - OTHER FEATURES

<b>EXHAUST AFTERTREATMENT SYSTEM</b> .....	<b>2</b>
FILTRATION AND REGENERATION UNIT .....	2
PASSIVE REGENERATION .....	2
ACTIVE REGENERATION .....	2
STATIONARY (PARKED) REGENERATION .....	2
DEF CLOGGING SEQUENCE – INSTRUMENT CLUSTER TELLTALE LIGHT .....	3
SELECTIVE CATALYTIC REDUCTION UNIT .....	4
DRIVER WARNING AND INDUCEMENT MEASURES .....	6
<b>INTELLIGENT SLEEP MODE (ISM)</b> .....	<b>10</b>
<b>TRANSMISSION RETARDER (OPTION)</b> .....	<b>10</b>
<b>ENGINE BRAKE</b> .....	<b>10</b>
VOLVO ENGINE BRAKE (VEB) .....	11
<b>ABS, TRACTION CONTROL SYSTEM (TCS) &amp; ELECTRONIC STABILITY CONTROL (ESC)</b> .....	<b>11</b>
ANTILOCK BRAKING SYSTEM (ABS) .....	11
TRACTION CONTROL SYSTEM (TCS) .....	12
ELECTRONIC STABILITY CONTROL (OPTION) .....	12
<b>AUTOMATIC TAG UNLOAD</b> .....	<b>13</b>
MANUAL UNLOAD .....	13
AUTOMATIC MODE .....	13
LOAD & LOCK .....	13
<b>KEYLESS ENTRY SYSTEM</b> .....	<b>13</b>
USING THE REMOTE ENTRY TRANSMITTER .....	14
KEYPAD OPERATING INSTRUCTIONS .....	15
MANAGING KEYPAD PERSONAL CODES .....	16
ADDING NEW TRANSMITTERS .....	17
<b>SLIDE-OUT OPERATION</b> .....	<b>18</b>
SAFETY PRECAUTIONS .....	18
FRONT AND REAR SLIDE-OUT OPERATION .....	18
SLIDE-OUT MANUAL OVERRIDE PROCEDURE .....	19
MOBILE FLOOR HAND CRANK PROCEDURE .....	23
SLIDE-OUT TROUBLESHOOTING .....	23
SLIDE-OUT TROUBLESHOOTING TABLE .....	25

## 5-2 Other Features

---

### EXHAUST AFTERTREATMENT SYSTEM

The exhaust aftertreatment system consists of two units, the filtration and regeneration unit and the selective catalytic reduction SCR unit.

#### FILTRATION AND REGENERATION UNIT

The main purpose of the filtration and regeneration unit is to capture and oxidize (regenerate) the particulate matter (soot) in the engine exhaust gas. The exhaust gas first enters the Diesel Oxidation Catalyst (DOC) and then flow through the Diesel Particulate Filter (DPF); together they capture and regenerate the soot on a regular or passive basis. Through constant monitoring of the exhaust gas temperature and the system back pressure, the engine control module is able to manage regeneration.

#### PASSIVE REGENERATION

Passive regeneration is the process by which the particulate matter is oxidized due to the heat generated by the engine internal combustion process. During normal highway operation, exhaust temperatures alone are usually high enough to oxidize accumulating soot. In low ambient temperatures, however, or in some stop-and-go applications, the system needs a little help to regenerate, or clean itself. This process is called “active” regeneration.

#### ACTIVE REGENERATION

Active regeneration is necessary when the engine internal combustion process alone does not generate enough heat. A dosing system injects a mist of diesel fuel into the exhaust system to increase and maintain the aftertreatment system temperature. Exhaust temperature must be above 572°F (300°C) to initiate the oxidation catalyst, which in turn oxidizes the injected diesel fuel molecules to achieve up to 1200°F (650°C) exhaust temperature at the particulate filter. This process of active regeneration takes place during the normal operation cycle of the vehicle without charges in performance or control for the operator. EPA2010 compliant and later Volvo


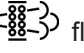
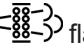

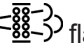


engines produce less soot, so less active or stationary regeneration will be required.

#### STATIONARY (PARKED) REGENERATION

In a small number of specific engine duty cycles, engine control module may not be capable of completing an active regeneration. In these situations, the operator will be notified that a stationary or parked regeneration may be required. A DPF telltale light will illuminate indicating the need for user interaction. The lamp gives the operator a grace period to allow this process to take place at a time when most convenient for the operator. This process requires the vehicle to be parked while a driver or maintenance technician initiates the regeneration process using the DID menus. Once initiated, the stationary regeneration process will be complete in about 45 minutes.

The driver will be notified of the need for a stationary regeneration (parked) by illumination of the DPF Regeneration telltale light.

## DEF CLOGGING SEQUENCE – INSTRUMENT CLUSTER TELLTALE LIGHT

LEVEL 1	 solid	<p>REGENERATION NEEDED</p> <p>Diesel particulate filter is becoming full</p> <p>The DPF Regeneration telltale light illuminates to notify the driver that a stationary regeneration (parked) will be required soon. When this lamp is lit, initiate stationary regeneration process at an appropriate time of day.  <b>THERE IS NO URGENCY AT THIS LEVEL.</b></p>
LEVEL 2	 flashing	<p>REGENERATION REQUIRED</p> <p>Diesel particulate filter full</p> <p>If no DPF regeneration occurs after the initial DPF Regeneration telltale light illumination, the lamp will begin blinking and a stationary regeneration should be initiated as soon as possible in order to prevent Level 3.</p>
LEVEL 3	 flashing + 	<p>ATD SERVICE REQUIRED</p> <p>ENGINE DERATE ACTIVE</p> <p>Diesel particulate filter overfull</p> <p>If the flashing DPF Regeneration telltale light is still ignored, the CHECK telltale light will illuminate. In that situation, engine performance is limited. Perform a parked regeneration IMMEDIATELY to avoid further derate and prevent Level 4.</p>
LEVEL 4	 flashing +  + 	<p>ATD SERVICE REQUIRED</p> <p>ENGINE SHUTDOWN ACTIVE</p> <p>A serious engine problem has occurred. The DPF may be over its maximum capacity.</p> <p>If a stationary regeneration is still not initiated, a standard Engine Protection Shutdown sequence will occur. All of the following dashboard lamps will be present:</p> <ul style="list-style-type: none"> <li>• Blinking DPF Regeneration telltale light;</li> <li>• Solid CHECK telltale light;</li> <li>• Solid STOP telltale light.</li> </ul> <p>Once engine derate and/or shutdown sequence is completed, a stationary regeneration must occur to continue vehicle operation. If the driver continues to operate the vehicle without regeneration, additional measures will be taken to protect the engine and ATD from damage, up to and including engine shutdown. Parked regeneration might no longer be possible.</p> <p><b>If engine protection has been initiated and forces the engine to shutdown, you can immediately RE-START the engine and perform the necessary steps in order to initiate a stationary regeneration.</b></p> <p style="text-align: center;"><b><u>Find and solve the cause of the shutdown</u></b></p>

## 5-4 Other Features

### Initiating A Stationary (Parked) Regeneration

#### NOTE

At the starting of the engine, if a stationary regeneration is required, the engine coolant temperature must reach 140°F (60°C) before any stationary regeneration may be initiated and completed. Permit the engine to idle for a short while or drive the vehicle until engine temperature increases sufficiently.



#### WARNING

Do not initiate a stationary regeneration in a closed area like a garage. Stationary regenerations must be undertaken outdoors only.



#### WARNING

During stationary regeneration, exhaust temperature may reach up to 1200°F (650°C) at the particulate filter. Before initiating stationary regeneration, make sure that the DPF outlet diffuser is clear of objects and that no one is working near the DPF outlet diffuser.



#### WARNING

Hot surfaces. Keep yourself clear of all hot Aftertreatment Device components, particularly during and after active or stationary regeneration. Hot surfaces can cause serious burns.

#### NOTE

##### STATIONARY REGENERATION

*This process requires the vehicle to be parked while the driver or a maintenance technician initiates the regeneration process.*

The DPF Regeneration telltale light illuminates to notify the driver of the need and urgency of a manual stationary regeneration.



DPF REGENERATION telltale light

If stationary regeneration is not performed, this telltale light will blink, indicating that a stationary regeneration is required immediately. If stationary regeneration is still not performed, “engine power derate and shutdown” sequence may occur as per level 1 to level 4 sequence.

To initiate a stationary regeneration:

- Park the vehicle in a clear area, vehicle speed must be 0 mph (0 km/h);
- Engine must be on normal idle and fully warmed up (coolant temperature above 140°F/60°C);
- Apply parking brakes and set the transmission to neutral (N).
- Press the DID ENTER button and then get to the DID Aftertreatment menu. Select sub-menu Request Parked REGEN and press ENTER button to confirm and initiate regeneration.

The regeneration will begin. Turn off the air conditioning to reduce engine load. The engine idling speed will increase to 1600 rpm. Once the regeneration is completed, the engine speed will return to normal idle.

### Voluntary Interruption Of A Stationary Regeneration

It is possible to interrupt a stationary regeneration at all times. To do so, get to the DID's Aftertreatment menu, select Cancel REGEN and press ENTER button to confirm. You can stop regeneration simply by releasing the parking brake. Use this procedure in order to move the vehicle in a safe area only.

If regeneration is interrupted, it is very important to reinitiate the regeneration as soon as possible.



#### CAUTION

If an active regeneration is stopped repeatedly, the vehicle may need to be taken to a service facility. The service facility will use a service tool to manually initiate the regeneration. Moreover, the interruption of active regeneration should not be considered as a normal practice. Some components of the aftertreatment system might be damaged in the long term.

### SELECTIVE CATALYTIC REDUCTION UNIT

Selective Catalytic Reduction (SCR) is a technology that uses Diesel Exhaust Fluid (DEF) and a catalytic converter to reduce nitrogen oxides (NOx) emissions.



SCR is an exhaust aftertreatment system that injects a small amount of DEF into the exhaust gas between the DPF and the selective reduction catalytic converter. DEF turns to ammonia and carbon dioxide when heated. The exhaust stream then passes over a catalyst, the ammonia reacts with the NOx to form nitrogen and water vapor.

The basic elements of the SCR system consist of a 15.9 gallons (60 liters) DEF tank complete with pump, lines and heating system, a dosing injector, a catalytic converter and the control and monitoring system.

### Diesel Exhaust Fluid (DEF)

When handling DEF solution, keep electrical connectors properly connected or well capped, otherwise there is a risk that the DEF will cause oxidation that cannot be removed. Water or compressed air will not help, since DEF quickly oxidizes certain metals. If a disconnected connector comes into contact with the DEF solution, it must be replaced immediately to prevent the DEF solution from creeping further into the copper wiring, which takes place at a speed of about 2.4 in (60 mm) per hour.



#### CAUTION

Diesel Exhaust Fluid (DEF) is a nontoxic aqueous solution of urea (32.5%) and ultra-pure water (67.5%). Urea is a compound of nitrogen that turns to ammonia when heated. The fluid is non-flammable, and is not dangerous when handled as recommended. However, it is highly corrosive to certain metals, especially copper and brass.

When detaching hoses and components, do not spill DEF on disconnected or unsealed connectors. If DEF is spilled on a disconnected or unsealed connector, the connector must be removed immediately and replaced.

Things to know about spilled diesel exhaust fluid (DEF):

- If urea solution comes into contact with the skin, rinse with plenty of water and remove contaminated clothing.
- If urea solution comes into contact with the eyes rinse for several minutes and call for medical help if necessary.
- If inhaled breathe fresh air and call for medical help if necessary.
- Do not allow the DEF solution to come into contact with other chemicals.
- The DEF solution is not flammable. If the DEF solution is exposed to high temperatures, it breaks down into ammonia and carbon dioxide.
- The DEF solution is highly corrosive to certain metals, including copper and aluminum.
- If the DEF solution is spilled onto the vehicle, wipe off the excess and rinse with water. Spilled DEF solution can form concentrated white crystals on the vehicle. Rinse off these crystals with water.



#### CAUTION

##### DEF freezing and expansion

DEF will begin to crystallize and freeze at 12°F (-11°C). DEF expands by approximately 7% when frozen. During freezing weather, do not store a DEF container on the coach unless it is designed to allow for expansion.

Make sure the DEF container is not completely full. DEF expansion may split an inappropriate container, causing a spill and corrosion as a result.



#### WARNING

DEF spilled onto hot components will quickly vaporize. Turn your face away!



## 5-6 Other Features

---

### Diesel Exhaust Fluid Consumption

DEF consumption is related to fuel consumption. In order to meet EPA requirements, DEF tanks are sized so one refill will be necessary for every two refills of the fuel tank.

### DRIVER WARNING AND INDUCEMENT MEASURES













Auxiliary Emission Control Device (EACD) defines as any element of design which senses temperature, vehicle speed, engine RPM, transmission gear, manifold vacuum, or any other parameter for the purpose of activating, modulating, delaying, or deactivating the operation of any part of the emission control system.

Disconnection of the following EACD produces immediate activation of the Malfunction Indicator Lamp MIL and **25% engine derate** after three (3) hours of a continuous open circuit condition.





- Intake throttle position sensor
- Ambient air temperature sensor
- Vehicle speed
- Engine oil pressure sensor
- Exhaust back pressure sensor
- Camshaft speed sensor
- EGR delta pressure
- Fuel rail pressure
- Engine timing sensor
- Engine coolant temperature
- EGR temperature sensor









Exhaust Aftertreatment System (EATS) components must not be removed, altered or modified in any way. In order to protect the emission control system from tampering, inducement measures will occur if the following states are detected:

- Disconnection of DEF tank level sensor
- Blocked DEF line or dosing valve
- Disconnection of DEF dosing valve
- Disconnection of DEF pump
- Disconnection of SCR wiring harness
- Disconnection of NOx sensor
- Disconnected exhaust temperature sensor
- Disconnected DEF temperature sensor
- Disconnected DEF quality sensor

DEF TANK LEVEL - DRIVER WARNINGS AND INDUCEMENTS				
Conditions / Triggers		DEF Tank LOW LEVEL Indicator, DID Message and audible warning		Inducement
1	<p><b>Normal</b></p> <p>DEF tank level sensor reads between 100% and 12%</p>	None		None
2	<p><b>Low DEF tank warning</b></p> <p>DEF tank level sensor reads between 12% and 0.1%</p> 	 solid	<p>DEF TANK LEVEL LOW</p> <p>REFILL DEF SOON TO PREVENT ENGINE DERATE</p> <p> 3 beeps</p>	Warning message
3	<p><b>DEF tank near empty</b></p> <p>DEF tank level sensor reads less than 0.1%</p> 	 blinking	<p>DEF TANK EMPTY</p> <p>REFILL DEF TO AVOID 5 MPH LIMIT</p> <p>ENGINE IN DERATE</p> <p> 3 beeps</p>	Engine torque reduction of 25%
4	<p><b>DEF tank empty</b> and one (1) hour of operation in engine derate mode</p> 	 blinking	<p>DEF TANK EMPTY</p> <p>REFILL DEF TO AVOID 5 MPH LIMIT</p> <p>ENGINE IN DERATE</p> <p> 3 beeps</p>	Engine torque reduction of 40%
5	<p><b>DEF tank empty</b> and either</p> <ol style="list-style-type: none"> <li>Diesel fuel refueling done with a fuel level sensor reading increase of 15%, or more</li> <li>Vehicle stationary (speed=0) for 20 minutes with engine off or at idle</li> </ol> 	 blinking	<p>REFILL DEF TANK</p> <p>VEHICLE SPEED LIMITED TO 5 MPH (8 KM/H)</p> <p> constant tone</p>	<p>Vehicle road speed limited (RSL) to 5 mph (8 km/h)</p> <p>Note: The vehicle has to be stationary before 5 mph (8 km/h) road speed limit becomes active</p>

## 5-8 Other Features

DEF QUALITY - DRIVER WARNING AND INDUCEMENT				
Conditions / Triggers		Amber Warning Light & DID Message And Audible Warning		Inducement
1	<b>Good DEF quality</b>	None		None
2	<b>Poor DEF quality detected</b>	 solid	POOR DEF QUALITY DETECTED SERVICE DEF SYSTEM AT NEXT STOP 🔊 🎵 🎵 3 cycles of 2 beeps	Warning message Engine will derate 25% in < 60 mins
3	<b>Poor DEF quality detected</b> and one (1) hour of operation with active diagnostic troubleshooting code	 solid	POOR DEF QUALITY DETECTED ENGINE IN DERATE 5 MPH (8KM/H) LIMIT IN < XXX MINS 🔊 🎵 🎵 3 cycles of 2 beeps	Engine derated 25% Engine will derate 40% in <240 mins
4	<b>Poor DEF quality detected</b> and four (4) hours of operation with active diagnostic troubleshooting code	 solid	SERVICE DEF 5 MPH (8KM/H) LIMIT NEXT 20MIN VEHICLE STOP 🔊 🎵 🎵 3 cycles of 2 beeps	Engine derated 40% 5 mph (8 km/h) limit after next 20 min vehicle stop
5	<b>Poor DEF quality detected</b> Diesel fuel refueling done with a fuel level sensor increase of 15% or more or Vehicle stationary (speed=0) for 20 minutes with engine off or at idle or Key cycle trigger	 solid	SERVICE DEF VEHICLE SPEED LIMITED TO 5 MPH (8 KM/H) 🔊 🎵 🎵 🎵 🎵 🎵 continuous cycle of 2 beeps	Service DEF Vehicle road speed limited (RSL) to 5 mph (8 km/h)  Note: The vehicle has to be stationary before 5 mph (8 km/h) road speed limit becomes active

SCR SYSTEM TAMPERING - DRIVER WARNING AND INDUCEMENT				
Conditions / Triggers		Amber Warning Light, DID Message And Audible Warning		Inducement
1	<b>Normal</b> No diagnostic troubleshooting code active	None		None
2	<b>SCR system tampering</b> diagnostic troubleshooting code confirmed	 solid	SCR SYSTEM FAULT ENGINE WILL DERATE IN < XXX MINS    )   )   ) constant tone	Warning message
3	Reached one (1) hour of operation with active <b>SCR system tampering</b> diagnostic troubleshooting code confirmed	 solid	SCR SYSTEM FAULT ENGINE IN DERATE 5 MPH (8KM/H) LIMIT IN < XXX MINS    )   )   ) constant tone	Engine torque reduction of 25%
4	Reached four (4) hours of operation with active <b>SCR system tampering</b> diagnostic troubleshooting code confirmed	 solid	SCR SYSTEM FAULT REPAIR NEEDED 5 MPH (8KM/H) LIMIT NEXT VEHICLE STOP    )   )   ) constant tone	Engine torque reduction of 40%
5	Diesel fuel refueling done with a fuel level sensor increase of 15% or more	 solid	SCR SYSTEM FAULT VEHICLE SPEED LIMITED TO 5 MPH (8 KM/H)    )   )   )   )   )   )   )   )   )   ) constant tone	Vehicle road speed limited (RSL) to 5 mph (8 km/h)

## 5-10 Other Features

### INTELLIGENT SLEEP MODE (ISM)

The ISM is a battery-saving mode designed to protect the battery State Of Charge (SOC). The ISM will automatically change the vehicle electrical system from normal functional state to sleep mode if the battery SOC falls below 65%.

Once the vehicle has entered into sleep mode, the only actions needed to put the vehicle back into its normal functional state are:

- To cycle the ignition key from OFF to ON;  
or
- To open the entrance door;  
or
- To turn on the hazard lights.

The ISM forces the vehicle to go into sleep mode if all the following conditions are met:

1. The engine is not running;
2. The parking brake is applied;
3. The ignition switch is at the ON, ACC positions or at the OFF position but the 15 minutes “wake up” period after engine shutdown is not expired;
4. The battery state of charge of 12V or 24V system falls below 65%.

The ALTERNATOR telltale will turn on 30 seconds before activation of the sleep mode.



### TRANSMISSION RETARDER (OPTION)

The transmission retarder helps to reduce the speed of a vehicle. It improves vehicle control, increases driving safety and permits more economical operation. The retarder provides slowing power when it is most needed, such as when descending mountain roads, in stop-and-go traffic and on crowded freeways.

The transmission retarder is a vehicle-slowng device, not a vehicle-stopping device. It is not a

substitute for the service braking system. The service brake must be used to bring the vehicle to a complete stop.

#### NOTE

*Extended use will raise the temperature of the transmission fluid.*

The retarder helps reduce speed on grades without using the vehicle's conventional service braking system. This virtually eliminates brake overheating and reduces the risk of a runaway vehicle. A retarder greatly increases the service life of brake pads and discs, resulting in reduced brake maintenance costs.

The retarder is provided with a control stalk on the steering column (refer to "[AUXILIARY BRAKE CONTROL STALKS](#)" on [page 35](#)" in Section 4 Controls and instruments).



#### WARNING

Do not use the retarder during inclement weather or slippery road conditions.

#### NOTE

*The stoplights automatically illuminate when the vehicle is slowing down after the application of the transmission retarder.*

#### NOTE

*For vehicles equipped with the Antilock Braking System (ABS), as the wheels start to lock up on slippery roads, the output retarder automatically deactivates until the wheels roll freely.*

### ENGINE BRAKE



#### WARNING

A vehicle speed retarding device (such as engine brake) is not intended to replace the service brake systems on your vehicle nor intended to bring your vehicle to a stop. A vehicle speed retarding device is only intended to reduce the speed of your vehicle under certain conditions.

Several types of engine brake can be installed or are standard on certain engines. All are used to reduce wear on the vehicle brake linings.

**WARNING**

When descending significant grades, use the service brake as little as possible. If the engine does not slow the vehicle to a safe speed, apply service brake and shift to a lower range. Let the engine (and engine brake) slow the vehicle. Keep brakes cool and ready for emergency stopping.

### VOLVO ENGINE BRAKE (VEB)

When running in AUTO mode (position A), the engine brake is gradually applied to 100% of the braking power when the driver pushes the brake pedal. Since AUTO mode will not reduce vehicle momentum unless the brakes are applied, it will have no impact on fuel consumption.

The driver can also choose two other modes using the engine brake control stalk;

Position 1 - Engine brake LOW

Position 2 - engine brake HIGH

When set to the engine brake LOW mode, 50% of the engine brake power will be applied when the driver releases the accelerator pedal. Using engine brake HIGH will apply 100% of the braking power.

It must be noted that since engine brake LOW and engine brake HIGH will reduce vehicle speed upon release of the throttle pedal, they may negatively impact fuel consumption if used for extended periods of time.

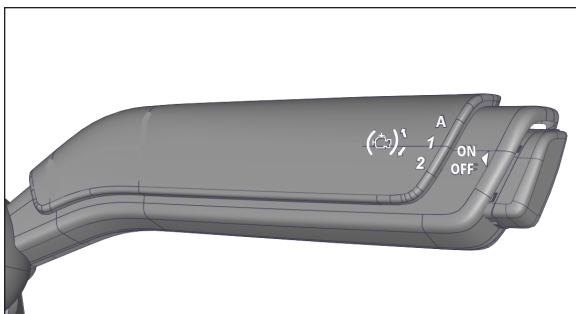


FIGURE 1: ENGINE BRAKE CONTROL STALK




DRIVER PEDALS	ENGINE BRAKE MODE	ENGINE BRAKE FORCE
ANY POSITION	OFF	0%
ACCELERATOR PEDAL RELEASED 	AUTO	0%
BRAKE PEDAL PUSHED 	AUTO	up to 100%
ACCELERATOR PEDAL RELEASED 	1	50%
	2	100%

FIGURE 2: ENGINE BRAKE FORCE APPLIED ACCORDING TO SELECTED MODE AND DRIVER PEDAL POSITION

### ABS, TRACTION CONTROL SYSTEM (TCS) & ELECTRONIC STABILITY CONTROL (ESC)

#### ANTILOCK BRAKING SYSTEM (ABS)

The purpose of the Antilock Braking System (ABS) is to maintain vehicle stability and control during braking and to minimize the stopping distance in any road condition.

On slippery roads and more generally in emergency, over-braking frequently induces wheel locking. Wheel locking greatly increases braking distance on any road surface. Locked wheels also impede directional control and cause

## 5-12 Other Features

severe tire abrasion. An antilock braking system provides maximum braking performance while maintaining adequate control on slippery roads.

The basis of ABS is constant monitoring of wheel parameters during braking. Sensors on each wheel of the front, drive and tag axles constantly measure wheel speed during braking. This information is transmitted to a six-channel electronic processor which senses when any wheel is about to lock. Modulating valves quickly adjust brake pressure (up to 5 times every second) to prevent wheel lock. Each wheel is therefore controlled according to the available grip.

In this way, the vehicle is brought to a stop in the shortest possible time while remaining stable and under the driver's control.



### WARNING

Vehicles following ABS-equipped vehicles may not be able to brake as fast on slippery roads.

## TRACTION CONTROL SYSTEM (TCS)

TCS controls wheel spin during vehicle acceleration to improve traction.

- The TCS system will intervene automatically and apply braking pressure to a spinning wheel transferring engine power to the other drive wheel that has better traction. This feature is active only at speeds below 25 mph (40 km/h).
- If all of the drive wheels begin to spin, the TCS system will reduce engine throttle to improve traction at all of the drive wheels.

If drive wheels begin to lose traction during acceleration, TCS will engage automatically to assist the driver in accelerating the vehicle. The TCS icon in the DID will flash rapidly to let you know whenever TCS is actively functioning.

## ELECTRONIC STABILITY CONTROL (OPTION)

The Electronic Stability Control (ESC) is a feature for ABS-equipped vehicles that reduces the risk of rollovers and loss of control. The ESC system features include the RSP Roll Stability Program and Yaw Control.

The RSP system counteracts the tendency of a vehicle to tip over while changing direction (typically, while turning).

To reduce the risk of rollover, the RSP system detects potential rollover conditions and slows the vehicle both by reducing engine throttle (and hence, engine torque) and by applying service brakes as needed at the appropriate wheels.



### WARNING

During an RSP system intervention, the vehicle automatically decelerates. The RSP system can slow the vehicle with or without you applying the brake pedal, and even when you are applying the throttle.

During an RSP system intervention, you can always use your service brake pedal to increase the braking pressure that will be applied. However, if you were to apply less braking pressure than needed or even if you release the brake pedal entirely during an intervention, the RSP system will continue to apply the necessary amount of braking pressure automatically to the appropriate wheels to mitigate a potential rollover.

Yaw Control is a feature that reduces the risk of loss of control. If a vehicle's tires start to slide during a turn, Yaw Control counteracts the tendency of that vehicle to spin (or yaw), thereby reducing the risk of loss of control. Many factors, including road conditions, load distribution and driving behavior, can contribute to the development of a spin.



### WARNING

In the case where a vehicle equipped with the ESC system pulls a trailer, the latter must be equipped with ABS.



### WARNING

Even with ESC-equipped vehicles, the driver remains responsible for ensuring vehicle stability during operation.

### NOTE

*For further details, consult "Bendix ABS Operator's Manual"*



## AUTOMATIC TAG UNLOAD

Tag axle unload consists of releasing the air inside the tag axle suspension air springs, fully loading the drive axle suspension. Unloading the tag axle helps cornering at low speed. The tag axle service brakes do not operate when the tag axle is unloaded.

## MANUAL UNLOAD

The driver can unload the tag axle manually. This is useful in many situations, such as when the vehicle is stuck on slippery surface. Unloading the tag axle transfers extra weight for better traction to the drive axle wheels.

This self-cancelling mode reverts to Automatic Mode once the vehicle speed exceeds 20 mph (32 km/h) for more than 6 seconds.



FIGURE 3: SYSTEM STATUS PICTOGRAM - TAG AXLE UNLOADED

## AUTOMATIC MODE

The tag axle will unload automatically when all the following conditions are met:

1. The ignition is ON;
2. The steering wheel's rotation exceeds one turn;
3. The vehicle speed is below 20 mph (32 km/h).

In service, the tag axle will automatically reload if:

1. The vehicle speed exceeds 20 mph (32 km/h) for more than 6 seconds;

or

2. The steering wheel's rotation becomes less than 3/4 turn.

## LOAD & LOCK

This mode locks the tag axle in loaded state, preventing any automatic control activation for a brief period. When selected by the driver by pressing and holding the switch down for 3 seconds, the air pressure will be maintained even

if the conditions for unloading are met. This is useful for keeping the ride height and preventing potential rubbing of the rear bumper on the ground in certain situations.

This self-cancelling mode reverts to Automatic Mode after a delay of 10 seconds or once the vehicle speed exceeds 20 mph (32 km/h) for more than 6 seconds.



FIGURE 4: SYSTEM STATUS PICTOGRAM - TAG AXLE LOADED & LOCKED



### CAUTION

Do not leave the tag axle in unloaded position for an extended period. Unloading the tag axle increases load on the drive axle, suspension and tires.

Avoid driving the vehicle with the tag axle unloaded when speed exceeds 12 mph (20 km/h).

In order to prevent damage to the suspension, always unload the tag axle before lifting the vehicle for servicing.

## KEYLESS ENTRY SYSTEM

The keyless entry system of 3rd generation includes a remote transmitter, keypad and control module which act as security module. This system controls the entrance door access, the baggage compartment doors access, the engine start authorization, the marker lights and horn.

At the time of purchase, the new owner will be given a default 4-digit access code to unlock the vehicle and a permanently programmed 6-digit authority code that will allow him to program up to 40 alternate 4-digit personal access codes (see "programming and managing personal codes" instructions below).



## 5-14 Other Features

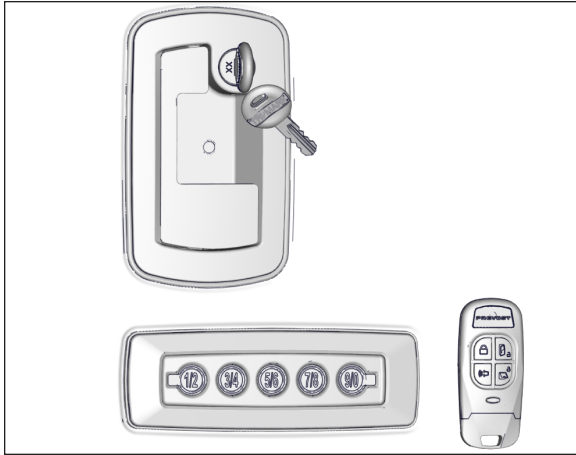


FIGURE 5: OUTSIDE LOCKING DEVICES

### USING THE REMOTE ENTRY TRANSMITTER

Hand held transmitters can be used to control the keyless door lock system.



FIGURE 6: REMOTE ENTRY TRANSMITTER

BUTTON	FUNCTION
1 Lock all	<ul style="list-style-type: none"> <li>Locks entrance door and baggage compartments</li> <li>Arms security system</li> </ul>

BUTTON	FUNCTION
2 Entrance door unlock	<p>Short Press:</p> <ul style="list-style-type: none"> <li>Unlocks entrance door</li> <li>Disarms security system</li> </ul> <p>Long press:</p> <ul style="list-style-type: none"> <li>Unlatches entrance door</li> </ul>
3 Baggage compartments unlock	<ul style="list-style-type: none"> <li>Unlocks baggage compartments</li> </ul> <p>NOTE: Does not disarm security system</p>
4 Panic	<p>Long press:</p> <ul style="list-style-type: none"> <li>Activates panic mode (press &amp; hold 2 seconds)</li> </ul>

#### NOTE

The lock function will not function when the ignition is in the ON position or the entry door is open.

#### Arming the security system

Arming the security system requires the following conditions:

- Ignition to OFF position
- Entrance door closed
- Entrance door locked

The intrusion protection and anti-theft system will be set after a 10 seconds delay.

### Canceling the alarm

Any unlock entrance door or unlock all doors from the dashboard switch, the remote entry transmitter or the keypad cancels the alarm.

Any lock entrance door or lock all doors from any source will also cancel an active alarm, however the system will once again initiate the security system arming.

## KEYPAD OPERATING INSTRUCTIONS

Entering a valid access code enables secure operation. After entering the access code, the keypad is enabled for 5 seconds and a fifth button press initiate an action. A double beep after entering an access code indicates a correct code and readiness for an action command.

### NOTE

Do not push the keypad buttons with a key, pencil or any other hard or sharp object as the buttons could be damaged. Although each button is provided with two digits separated by a vertical line, there is only one contact per button. Press in the center of the button.

### NOTE

Pressing a system key will illuminate the keypad, unlocking the entrance door will also illuminate the vehicle step lights. Both illumination will go off after a 30 seconds period of inactivity.

### NOTE

The lock function will not function when the ignition is in the ON position or the entry door is open.

### NOTE

After repeated attempts to enter codes (5 invalid personal codes), a 2 seconds error beep will sound and the keypad will enter an inactive mode that disables buttons for 60 seconds. The lock indicator will flash amber and red during this state.

If a partial validation code is entered or no action button is pressed within 5 seconds, the keypad will revert back to disabled condition and the access code will have to be entered again.

### To unlock the entrance door and disarm the security system



1. Enter your **personal code** or the default access code followed within 5 seconds by **1/2** key.
2. Hold the key 2 seconds to unlatch the door.

### To unlock the baggage compartments



1. Enter your **personal code** or the default access code followed within 5 seconds by **5/6** key.

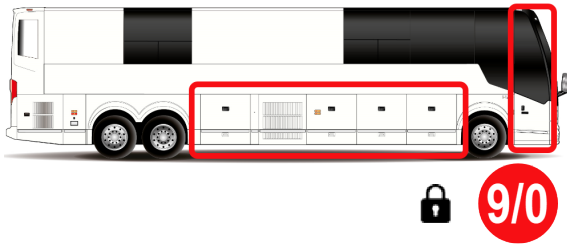
### To unlock all doors simultaneously



1. Enter your **personal code** or the default access code followed within 5 seconds by **3/4** key.

### To lock all doors and arm security system:

## 5-16 Other Features



1. Press **9/0** key for 2 seconds (no access code required).

### To activate the panic mode:



1. Enter your **personal code** or the default access code then hold **7/8** key for 3 seconds.

The panic mode will activate for 30 seconds. Panic mode is canceled by pressing any button on the remote transmitter or unlocking the entrance door using the keypad.

## MANAGING KEYPAD PERSONAL CODES

You can program up to 40 four (4) digit personal access codes to unlock the entrance door and compartments. These codes do not replace the default code that is factory supplied with the vehicle.

When programming codes, do not choose codes that present the numbers in sequential order, studies show that people who idly press the buttons usually press a sequential pattern. Also, do not select a code that uses the same button four times, thieves can easily figure out these types of codes.

## To Add A New Personal Code

1. Choose and memorize a 4- digit personal code.
2. Press and hold **5/6** key for five seconds (keypad will start to beep and flash).
3. Enter the vehicle factory 6- digit authority code.
4. Press **1/2** key (two short beeps will be heard, validating the action).

### NOTE

*If the 40 codes memory is already full, a 2 second beep will be heard.*

*At any time, press the 9/0 key to exit programming mode.*

5. Enter the chosen personal code (two confirmation beeps will be heard).
6. Re-enter the code to confirm the entry (four confirmation beeps will be heard).
7. Press **1/2** key and repeat the last two steps to enter additional codes or press **9/0** key to exit programming mode.

## To Delete A Personal Code

1. Press and hold **5/6** key for five seconds (keypad will start to beep and flash).
2. Enter the vehicle factory 6- digit authority code.
3. Press **3/4** key (two short beeps will be heard, validating the action).

**NOTE**

*If the 40 codes memory is already empty, a 2 second beep will be heard.*

*At any time, press the 9/0 key to exit programming mode.*

4. Enter the code to be deleted (two confirmation beeps will be heard).
5. Re-enter the code to confirm the deletion (four confirmation beeps will be heard).
6. Repeat the process to delete additional codes or press **9/0** key to exit programming mode.

**To Delete All Stored Personal Codes:**

1. Press and hold **5/6** key for five seconds (keypad will start to beep and flash).
2. Enter the vehicle 6-digit authority code.
3. Press **3/4** key (two short beeps will be heard, validating the action).

**NOTE**

*If the 40 codes memory is already empty, a long beep will be heard.*

*At any time, press the 9/0 key to exit the programming mode.*

4. Instead of entering a personal code, press **1/2** and **9/0** keys simultaneously (a confirmation double beeps will be heard).
5. Re-enter the authority code to confirm the deletion (four confirmation beeps will be heard, a two second beep indicates an incorrect authority code).
6. Press **9/0** key to exit programming mode

**ADDING NEW TRANSMITTERS**

Up to 20 transmitters can be used with the keyless entry system. To add or replace transmitters (a.k.a fob), the system must be first put into learn mode using the vehicle keypad.

To program transmitters perform the following steps:

1) Hold **5/6** key for 5 seconds, listen for double beep.

- keypad backlight continuously flashes.

2) Enter the 6-digit authority code, listen for double beep.

- keypad LEDs continuously flash amber).

3) Hold **7/8** key for 5 seconds, listen for double beep.

- both keypad LEDs illuminate solid amber, .

- the entrance door is locked, then unlocked rapidly as audible feedback, confirming that the system is now in learn mode.

4) Pressing any button of a transmitter within 10 seconds adds that transmitter's serial number to the "Authorized Fobs List".

- Each time a transmitter is added, the 10 second timer resets.

- When the first transmitter is added, the entire "Authorized fobs list" is erased and a new one is added. Previously paired transmitters will not function, thus all desired transmitters must be paired in one sequence.

- Each time a transmitter is successfully added, the entrance door will lock, then

## 5-18 Other Features

unlock.

5) Add other transmitters sequentially by pressing any button within 10 second between each transmitter.

6) To exit fob learn mode, wait 10 seconds without pressing any transmitter buttons, or press any key on the keypad.

### NOTE

*If more than 20 transmitters attempt to be paired, additional transmitters will over-write the first ones.*

## SLIDE-OUT OPERATION

H3-45 VIP vehicles can accommodate up to 4 slide-out units. Slide-out units located in the front right (front curb side) position have a mobile floor system creating a flush floor at room extension.

Due to the high current demand and safety requirements of the slide-out system, room operation is on a "first in first served" basis, meaning only one slide-out unit may be operated at a time.

## SAFETY PRECAUTIONS

Before operating both slide-out units, proceed to the following verifications:

- Make sure that the area outside of the slide-out is clear and that there are no persons or objects within 3 feet of the slide-out outside wall. *Serious personal injury or damage to the vehicle components may occur.*
- Make sure that the area inside the motor home where the room retracts (30" for the front and 24" for the rear slide-out) is free of people or obstacles. *Serious personal injury or damage to the vehicle components may occur.*
- For slide-out units with flush floor option, make sure there are no objects or persons on the floor during operation.
- In temperatures below freezing point, make sure that the entire sliding surface outside

the slide-out is free of snow, ice or sleet. *Failure to clear all ice or snow may seriously damage the inflatable seal.*

- The parking brake must be applied.
- The transmission must be in the "NEUTRAL" position.
- Open a window to avoid slide-out movement restriction.
- Level the vehicle.

## FRONT AND REAR SLIDE-OUT OPERATION

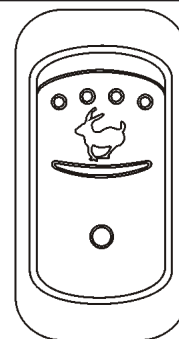
Before extending or retracting the slide-out, please make sure all the following conditions are met:

1. Make sure the air pressure is 110 psi minimum on the auxiliary air pressure gauge.
2. Make sure the parking brake is applied and that transmission is in the "NEUTRAL" position.
3. Turn the ignition key to the "ON" position, start the engine and set the RPM to fast idle.



### CAUTION

Before extending or retracting the slide-out, always open a window to avoid movement restriction and to prevent the motor from stopping in overcurrent because of a vacuum or pressure build up inside the vehicle.



06264\_1

FIGURE 7: FAST IDLE BUTTON

## Slide-out Extending Operation

With the ignition switch to the "ON" position and the engine running, press and hold down the rocker switch on the control pad to the "OUT" position. The green indicator light "ROOM IN OPERATION" will come on to indicate that the slide-out operation cycle is activated. The following actions will be done in sequence:

- Deflation of the inflatable seal
- Movement of the slide-out to its full "OUT" position
- Optional flush floor rises, slight retract of the room to secure and reduce gaps in flooring.

Then releasing the rocker switch will permit the following actions:

- Re-inflation of the seal

When the rocker switch is released, the green indicator light goes out. Note that for safety reasons, releasing the rocker switch will stop the slide-out movement instantly. At any time, releasing the rocker switch from the "OUT" position and pressing it to the "IN" position will reverse the operation.

### CAUTION

The inflatable seals can be re-inflated only when the slide-out is in its full "OUT" or full "IN" position. Do not leave the slide-out in any position other than the full extended or closed position as water infiltration may occur. The indicator light on the control pad must be OFF.

### NOTE

*A green blinking light on the control pad indicates an error condition or missing operation condition on the corresponding slide-out. Refer to "[SLIDE-OUT TROUBLESHOOTING](#)" on [page 23](#) if that situation occurs.*

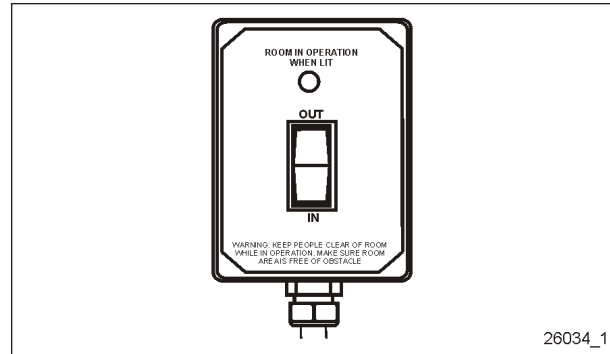


FIGURE 8: SLIDE-OUT CONTROL PAD

## Slide-out Retracting Operation

With the ignition switch to the "ON" position and the engine running, press and hold down the rocker switch to the "IN" position to retract the slide-out. Note that the green indicator light "ROOM IN OPERATION" will come on. When the movement of the slide-out to its full "IN" position is completed, the rocker switch can be released to allow the re-inflation of the seal. The green indicator light goes out as the rocker switch is released. At any time during the slide-out movement, releasing the rocker switch will stop the operation instantly.

### CAUTION

The inflatable seals can be re-inflated only when the slide-out is in its full "OUT" or full "IN" position. Do not leave the slide-out in any position other than the full extended or closed position as water infiltration may occur.

## SLIDE-OUT MANUAL OVERRIDE PROCEDURE

### CAUTION

Never use an impact power tool to manually operate the slide-out. Doing so would damage the various mechanical components of the slide-out.

Do not over extend or over retract the slide-outs. Always refer to the slide-out decal for correct direction of rotation (clockwise or counter clockwise).

In case of power retracting system failure, it is possible to use the manual override procedure to retract or extend the slide-out.



## 5-20 Other Features

The manual override procedure consist in rotating the slide-out motor shaft extension using a cordless power drill with a 3/8" hexagonal bit.

However, it is very important to follow all the instructions very carefully to assure that the inflatable seal or the retraction mechanisms are not damaged.



### CAUTION

Manually extending the optional front right Prevost slide-out with flush floor should be attempted with extra care as a last resort.

Serious damage to the mechanical components may result.

This particular slide-out configuration uses two electronically synchronized motors for room extension. As a result, manually extending the room is not recommended.

Refer to the procedures and guidelines in the maintenance manual.

However the floor lifting portion of the mechanism can be hand operated. Refer to particular instructions below.

### Preliminary Conditions For Manual Override Procedure

Before using the slide-out manual override procedure, make sure that the problem cannot be solved by one of the following simple checks:

- Make sure that none of the breakers are tripped (the breakers are located inside the VEC on the slide-out control panel and the main slide-out breaker is located in the engine R.H. side access compartment).
- Make sure the parking brake is applied and that transmission is in the "NEUTRAL" position.
- Make sure the voltage is high enough by running the engine at fast idle or having the battery charger connected.



### CAUTION

Before extending or retracting the slide-out, always open a window to avoid movement restriction and to prevent the motor from stopping in over current because of a vacuum or pressure build up inside the vehicle.

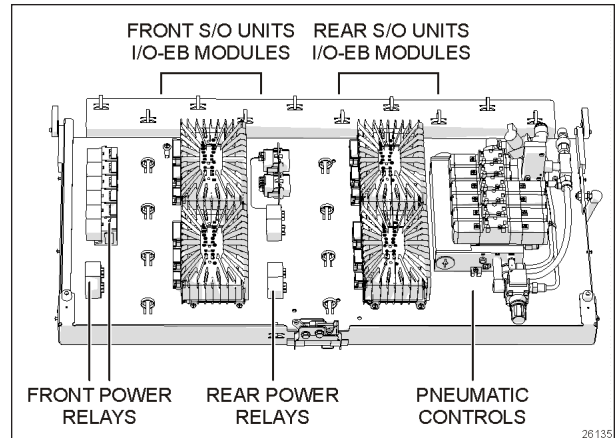


FIGURE 9: SLIDE-OUT CONTROL PANEL

### Manual Retracting Procedure – Front And Rear Slide-out

1. Turn the ignition switch to the "OFF" position, and remove the ignition key for more safety.
2. Deflate the inflatable seal by using the relieving shut-off valve located on the slide-out control panel. Turn the handle clockwise to deflate the seal. Make sure the pressure indicator reading is "0 psi".



### CAUTION

The pressure in the inflatable seal must be completely relieved to prevent any damage to the seal.

### NOTE

*When air pressure is relieved using the shut-off valve, the normal extending and retracting operation cycle is disabled, for that reason the slide-out cannot be moved using the control pad.*

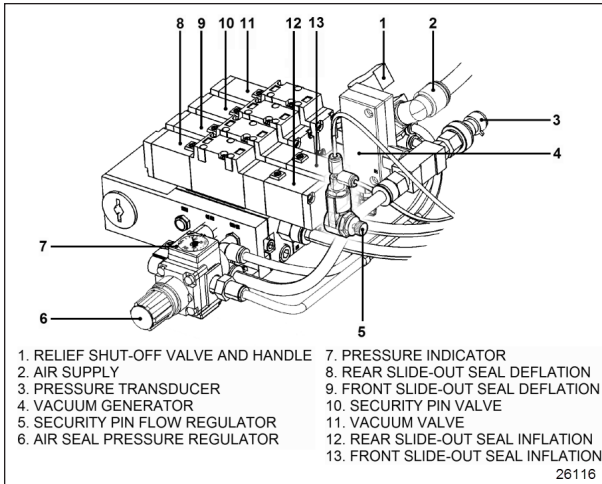


FIGURE 10: PNEUMATIC CONTROL PANEL

**NOTE**

Refer to the slide-out decal for correct direction of rotation (clockwise or counter clockwise).

3. To move the slide-out, use a cordless power drill with a 3/8" hexagonal bit on the shaft extension of the slide-out motor.
4. Rotate the slide-out motor shaft extension with the power drill until the slide-out comes to its closed position.
5. Once the slide-out room is lined up to its closed position, remove the tool from the motor.

**NOTE**

The front slide-out motor is located inside the 2nd baggage compartment while the rear slide-out motor is accessible from inside the vehicle, under the bed structure.

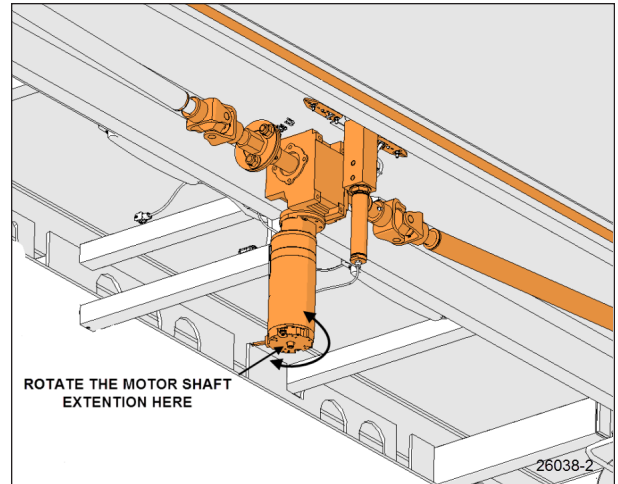


FIGURE 11: SLIDE-OUT MOTOR MANUAL ACTIVATION



**CAUTION**

Slow down on the closing speed as the slide-out approaches its closed position. As soon as the "in limit" stoppers come in contact with their bearing surface, stop immediately the power drill rotating movement. Not doing so could overload the drive mechanism and cause damage to the reduction gearbox.

6. Finally, the inflatable seal can be re-inflated by turning the shut-off valve handle counterclockwise. Check the pressure gage on the inflatable seal regulator to see if the pressure is increasing to around 15 psi. Needle should point between the green indicator pegs.

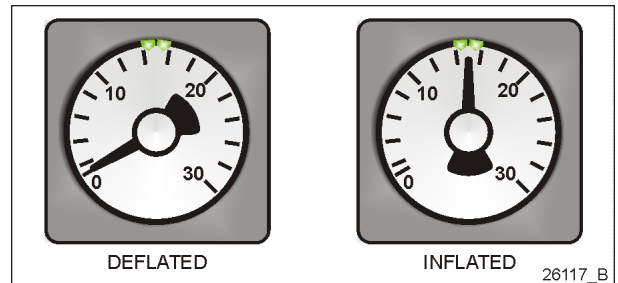


FIGURE 12: INFLATABLE SEAL PRESSURE GAGE

**NOTE**

The slide-out control system inhibits transmission range selection to prevent the vehicle from moving if the slide-out is not in its full "IN" position.



## 5-22 Other Features

### Manual Extending Procedure – Front And Rear Slide-out

1. Apply parking brake to disengage the security pin from the receptacle.
2. Turn the ignition switch to the "OFF" position, and remove the ignition key for more safety.
3. Deflate the inflatable seal by using the relieving shut-off valve located in the slide-out control panel. Turn the handle clockwise to deflate the seal. Make sure the pressure indicator reading is "0 psi".



#### CAUTION

The pressure in the inflatable seal must be completely relieved to prevent any damage to the seal.

#### NOTE

When air pressure is relieved using the shut-off valve, the normal extending and retracting operation cycle is disabled, for that reason the slide-out cannot be moved with the control pad.

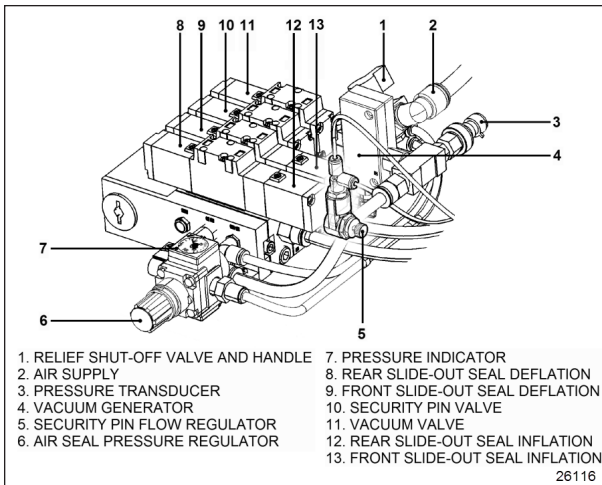


FIGURE 13: PNEUMATIC CONTROL PANEL

#### NOTE

Refer to the slide-out decal for correct direction of rotation (clockwise or counter clockwise).

4. To move the slide-out, use a cordless power drill with a 3/8" hexagonal bit on the shaft extension of the slide-out motor.

5. Rotate the slide-out motor shaft extension with the power drill until the slide-out comes to its opened position.
6. Once the slide-out is lined up to its opened position, remove the tool from the motor.

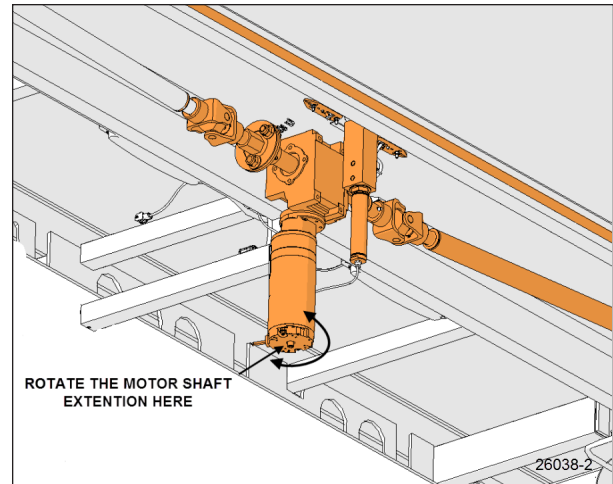


FIGURE 14: SLIDE-OUT MOTOR MANUAL ACTIVATION

#### NOTE

The front slide-out motor is located inside the 2nd baggage compartment while the rear slide-out motor is accessible from inside the vehicle, under the bed structure..



#### CAUTION

Slow down on the closing speed as the slide-out approaches its extended position. As soon as the "out limit" stoppers come in contact with their bearing surface, stop immediately the power drill rotating movement. Not doing so could overload the drive mechanism and cause damage to the reduction gearbox.

7. Finally, the inflatable seal can be re-inflated by turning the shut-off valve handle counterclockwise. Check the pressure gage on the inflatable seal regulator to see if the pressure is increasing to around 15 psi. Needle should point between the green indicator pegs.

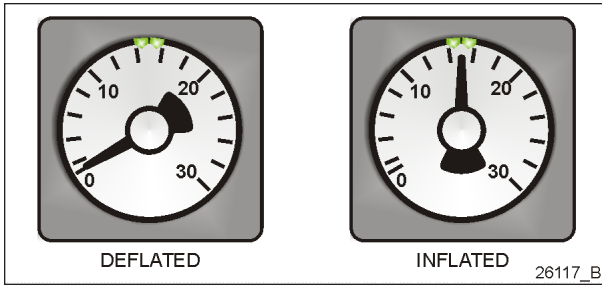


FIGURE 15: INFLATABLE SEAL PRESSURE GAGE

**NOTE**

*The slide-out control system inhibits transmission range selection to prevent the vehicle from moving if the slide-out is not in its full "IN" position.*

**MOBILE FLOOR HAND CRANK PROCEDURE**

The floor lifting mechanism of the front right (curb side) slide-out room can be manually operated in the event of a power failure. You will need a 6mm (1/4") Allen key to operate the actuator.

**CAUTION**

Do not use an electric drill or other similar tool to operate the linear actuator. Permanent damage to the unit may result.

As a safety measure, unplug the unit before attempting to hand crank the unit.

**NOTE**

*If the actuator is operated as a hand crank, it must only be operated by hand, otherwise there is a potential risk of overloading and hereby damaging the actuator.*

*Hand Crank Torque: 6-8 Nm.*

*Hand Crank Max Speed: 65 rpm*

The actuator is located under the floor in the second right luggage compartment.

After removing the cover (4 screws), locate the hand crank hex socket on the actuator (arrow below).

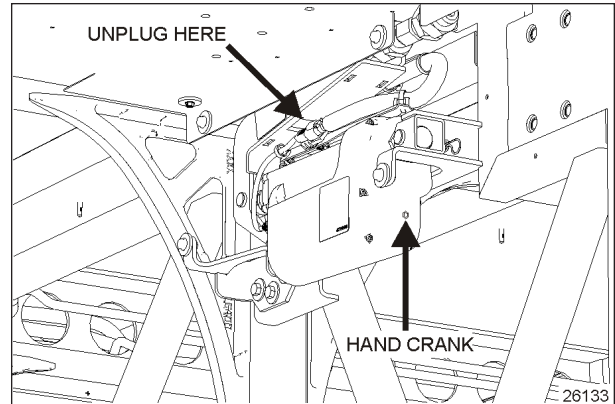


FIGURE 16: MOBILE FLOOR HAND CRANK HEX SOCKET LOCATION

The cover over the Allen Key socket must be unscrewed before the 6mm Allen Key can be inserted to operate the hand crank.

**CAUTION**

Make sure there are no objects or persons on or around the floor while hand cranking. Slowly operate the actuator at the indicated speed and torque.

**SLIDE-OUT TROUBLESHOOTING**

**Error Condition Or Missing Operation Condition**

When an error condition or a missing operation condition is present on a slide-out, the green indicator light on the corresponding control pad starts blinking upon releasing of the IN/OUT rocker switch.

Turning the ignition OFF and ON again, will stop the blinking and reset the fault. If the error condition or a missing operation condition is still present, the blinking will start again the next time that the slide-out is operated.

To initiate fault diagnostic, use the DID right after operating the slide-out without cycling the ignition switch.

**NOTE**

*The DID is the main tool for troubleshooting a multiplex vehicle. It is essential to have it in working condition.*

## 5-24 Other Features

---

### Fault Diagnostic

To get detailed information about the error condition or the missing operation condition, request a diagnostic using the dashboard Driver's Info Display (DID). Check if there are active errors in the slide-out electrical system. With the DIAGNOSTICS menu, highlight VIEW ACTIVE FAULTS and then highlight ELECTRICAL SYSTEM to request a diagnostic of the electrical system from the MCM.

Press the enter key. If applicable, the DID shows the device ID, the fault messages or fault codes recorded. When more than one fault is recorded, an arrow pointing down appears on the right of the display. Use the down arrow to see all the fault messages.

Once the problem is corrected, the DID will still show the fault as being active. Leave VIEW ACTIVE FAULTS up to the main menu. Then return to DIAGNOSTICS, VIEW ACTIVE FAULTS, and then ELECTRICAL SYSTEM. The DID should not display any faults.

**SLIDE-OUT TROUBLESHOOTING TABLE**

<b>PROBLEM</b>	<b>CAUSE</b>	<b>CORRECTIVE ACTION</b>
The slide-out functions normally but the control pad green indicator light blinks.	<p>Something is defective and may eventually create an issue if not repaired. The problem may be:</p> <p>A. Faulty limit sensor causing the slide-out to stop in overcurrent;</p> <p>B. CAN network problem causing the transmission inhibit safety to be non-operational;</p> <p>C. Vacuum pressure transducer disconnected or damaged (vacuum is applied for a fixed time of 7 seconds);</p> <p>D. Seal inflating valve solenoid open circuit (the seal is not re-inflated and water can penetrate in the vehicle);</p> <p>E. Security pin valve solenoid open circuit (the security pin is not extended while vehicle is riding).</p>	Using the Driver Information Display (DID), request a diagnostic of the electrical system.
<b>FLUSH FLOOR S/O ONLY</b> Problem: The slide-out stops extending/retracting and the green indicator light flashes rapidly 3 times then one long flash (cycle repeats).	At least one of the mobile floor position switches is defective and the system requires operator's input to resume normal operation. The floor might also be out of level.	Depress the handheld control in the desired direction 3 times rapidly and hold it the fourth time until the slide out has reached the desired position.
<b>FLUSH FLOOR S/O ONLY</b> Problem: Slide out does not extend/retract.	The slide out stopped moving due to an obstruction.	Clear the path of the S/O and /or mechanism and resume operation.
<b>FLUSH FLOOR S/O ONLY</b> Problem: The slide-out does not extend/retract.	At least one of the motors is defective.	Refer to manual override procedure.
<b>FLUSH FLOOR S/O ONLY</b> Problem: Motor stopping temporarily during extend/retract sequence.	The slide out motors goes out of synchronization.	Make sure that load is distributed evenly across the slide out. Check for wear/obstructions in the slide out mechanism.

## 5-26 Other Features

PROBLEM	CAUSE	CORRECTIVE ACTION
The slide-out does not extend.	The parking brake is not seen by the controller as being applied;	Make sure the parking brake is applied. Confirm parking brake application with the parking brake light on the telltale panel.
	Not enough air pressure in the accessory air tank to permit proper operation of the vacuum generator;	Run the engine at fast idle a few minutes to increase air pressure in the accessory air tank and try again.
	Faulty vacuum generator, connection to the vacuum generator open, seal deflating valve solenoid open circuit;	Turn the relieving shut-off valve handle clockwise to deflate the inflatable seal, disconnect the pressure transducer. Do not forget to reconnect the pressure transducer and to close the relieving shut-off valve. Failure to do so could damage the seal and lead to water infiltration;
	I/O-B module output defective, regulated 5- volt supply to sensors shorted to ground, "out limit" sensor shorted to ground, connection to the motor negative relay solenoid open circuit;	Operate the slide-out with the manual override procedures.
The slide-out does not retract.	Not enough air pressure in the accessory air tank to permit proper operation of the vacuum generator;	Run the engine at fast idle a few minutes to increase air pressure in the accessory air tank and try again.
	Faulty vacuum generator, connection to the vacuum generator open, seal deflating valve solenoid open circuit;	Turn the relieving shut-off valve handle clockwise to deflate the inflatable seal, disconnect the pressure transducer. CAUTION, do not forget to reconnect the pressure transducer and to close the relieving shut-off valve. Failure to do so could damage the seal and lead to water infiltration;
	I/O-B module output defective, "in limit" sensor shorted to ground, connection to the motor positive relay solenoid open circuit;	Operate the slide-out with the manual override procedures.
When extending, the slide-out stops after having extended by 1 inch.	The security pin valve solenoid circuit is shorted to (+) 24-volt and the pin remains engaged;	Disconnect air supply from the safety pin cylinder;
Transmission DRIVE range or REVERSE cannot be selected (the slide-out telltale light is illuminating).	Slide- out not in full "in" position;	Retract slide-out.
	Faulty "in limit" sensor. The slide-out is retracted but the controller doesn't not see it as retracted.	Confirm that all slide-outs are retracted. On the slide-out control panel, disconnect the 5 pins green connector on the I/O- B module to disable the transmission inhibit. CAUTION, this is a temporary measure, the vehicle must be serviced as soon as possible.

PROBLEM	CAUSE	CORRECTIVE ACTION
Slide-out does not retract or extend when depressing the control switch.	Electrical motor failure;	Replace motor.
	Speed reduction gearbox failure;	Inspect gearbox components, particularly: bronze wheel or first reduction stage output shaft. Replace damaged components.
	Security pin still engaged in receptacle;	Disengage pin and check if air cylinder is damaged.
Slide-out is not straight once retracted or during retracting or extending operation.	Broken rack tooth;	Replace rack.
	Faulty rack attachment;	Tighten mounting bolts, apply proper torque and use "Loctite Threadlocker" (replace rack if necessary).
	Faulty shaft key at speed reduction gearbox or jaw coupling;	Replace key or component having a damaged keyway.
	Shaft breaking;	Replace shaft.
	Flange bearing attachment loose.	Reposition shaft and tighten flange bearing mounting bolts.
Slide-out moves out slightly when vehicle is traveling.	Lower "in limit" stoppers are not leaning against the structure at the moment when the "in limit" sensor detects the magnet;	Adjust the sensor position in order to have contact of the stoppers against the structure at the time when the system stops the slide-out retraction.
Slide-out moves when vehicle is moving.	Inflatable seal not inflated	Adjust the sensor position in order to have contact of the stoppers against the structure at the time when the system stops the slide-out retraction.
Slide-out moves when vehicle is moving.	Inflatable seal not inflated	Check seal condition and seal air supply system.
Slide-out retracts or extends with difficulty.	Foreign matter accumulated in the linear bearing;	Inspect the linear bearing end seals to see if they are in good condition. If not, replace the end seals and clean the inside of linear bearing.
Slide-out oscillates vertically when retracting or extending.	Linear bearing balls hardened due to a too heavy load;	If balls clearance is excessive, replace linear bearing.
	Linear bearing mounting bolts loose;	Tighten mounting bolts.
Slide-out vibrating or noisy when extending or retracting.	Worn-out anti-friction coating on wiper seal around slide-out;	Replace wiper seal.
	Lower acetal plastic block rubbing against rail;	Remove lower acetal plastic block and machine down 1mm (0.039").
Slide-out does not retract up to its full "in" position.	Interference between the exterior extrusion and the vehicle upper horizontal member above the slide-out;	Check for outer wiper seal lip straightness on the slide-out roof.

## 5-28 Other Features

PROBLEM	CAUSE	CORRECTIVE ACTION
Bottom of slide-out not flush with vehicle body.	Broken or misadjusted lower "in limit" stopper;	Replace or adjust lower "in limit" stopper.
	Lower "in limit" stoppers are not leaning against the structure at the moment when the "in limit" sensor detects the magnet;	Adjust the sensor position in order to have contact of the stoppers against the structure when slide-out is stopped.
Top of slide-out not flush with vehicle body.	Broken or misadjusted leveling or retaining screw;	Check and replace screw.
	Faulty upper "in limit" stopper;	Replace upper "in limit" stopper.
Lower edge of slide-out not parallel with vehicle body opening.	Faulty leveling and retaining screw (4 screws on each side).	Inspect screws, replace and adjust slide-out level.
Water tightness problem.	Inflatable seal and/or wiper seal damaged or unstuck;	Check both seals condition.
	Insufficient air pressure in the seal;	Check the pressure regulator, the relieving shut-off valve and the seal valve condition.
	No air pressure in the slide-out pneumatic system;	Check the slide-out air pressure inlet valve condition and the accessory air tank pressure.
	Sealant missing;	Check the exterior extrusion screws, the windows and the exterior panels sealant condition
	Wiper seal draining hole clogged;	Unclog draining hole.
	Faulty water recovery pan;	Check the recovery pan.
	Faulty internal gutter;	Check internal gutter.
Knocking sound at end of travel when extending slide-out.	Inner stoppers not adjusted properly;	Readjust the inner stoppers.
Knocking sound when parking brake is released.	Security pin retracts too rapidly;	Adjust security pin air flow regulator.
Inflatable seal damaged or removed, or wiper seal unstuck from the structure.	Slide-out has been retracted or extended with the manual procedure with the inflatable seal not deflated;	Always deflate the seal when manually retracting or extending the slide-out.
	Pressure transducer malfunction;	Check the pressure transducer condition, replace if necessary.
	Seal valve malfunction;	Check the seal valve condition.
	Excessive load in the slide-out;	Reduce load or distribute load evenly in order to respect the deflection criterion and slide-out load capacity.
	Slide-out not centered in the structure opening;	Readjust the slide-out height and center horizontally in opening.

PROBLEM	CAUSE	CORRECTIVE ACTION
Friction at end of travel when in full OUT position or at beginning of retraction.	Interference between upper structure key and upper inner stopper;	Readjust the upper inner stopper.





## SECTION 6 - STARTING AND STOPPING PROCEDURES

<b>STARTING THE ENGINE</b> .....	<b>2</b>
STARTING FROM THE DRIVER'S SEAT .....	2
STARTING FROM THE ENGINE COMPARTMENT .....	3
COLD WEATHER STARTING .....	4
JUMP STARTING .....	5
<b>ENGINE PROTECTION SYSTEM</b> .....	<b>6</b>
AUTOMATIC ENGINE SHUTDOWN .....	6
<b>IDLE SHUTDOWN TIMER</b> .....	<b>7</b>
<b>ENGINE WARM-UP</b> .....	<b>7</b>
<b>ALLISON TRANSMISSION WARM-UP</b> .....	<b>7</b>

## 6-2 Starting and Stopping Procedures

### STARTING THE ENGINE

In normal circumstances, the engine should be started from the driver's seat. However, a rear-start panel in the engine compartment allows starting the engine from that location, typically for maintenance operations. See [STARTING FROM THE DRIVER'S SEAT](#).

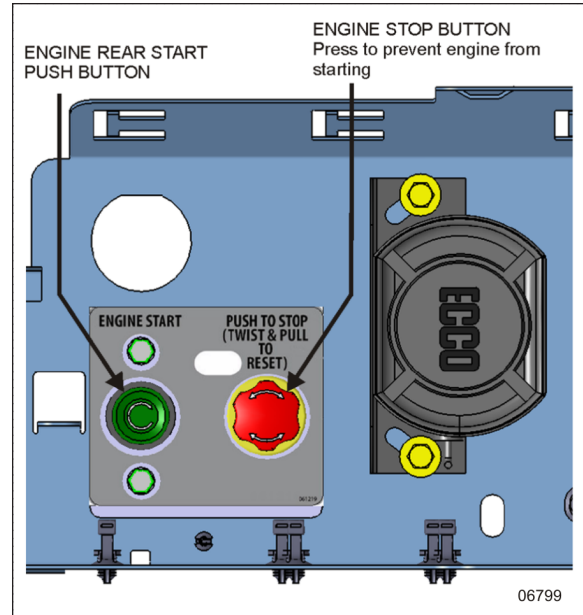
### STARTING FROM THE DRIVER'S SEAT

**IMPORTANT NOTE:** The remote entry transmitter must be detected in the driver's area. The driver should always keep the remote entry transmitter with him.

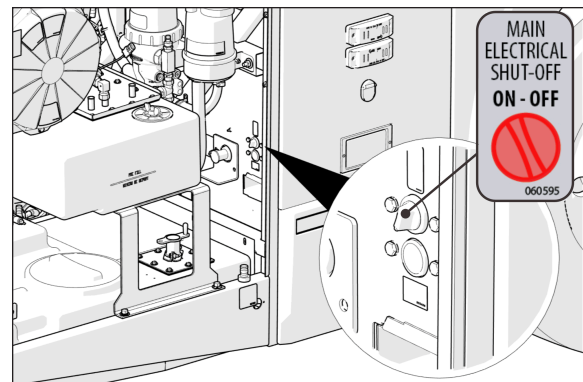
1. Make sure the engine STOP interlock button located in the engine compartment is reset (twist and pull) to enable starting from the driver's seat and that the main electrical shut-off switch is set to the ON position (see images below).
2. Activate the ignition switch. See ["Ignition Switch" on page 11](#) in Controls and Instruments section.
3. Confirm the parking brake is applied;
4. Confirm the transmission is in neutral;
5. Depress the brake pedal.
6. Press the ENGINE START button. See ["ENGINE START BUTTON" on page 4](#) in Controls and Instruments section.

#### **Starting the engine when the remote entry transmitter is not detected**

Following a failed attempt to start the engine while the remote entry transmitter is not detected, the driver benefits a 1 minute time period to enter a valid code (4 digit personal code or 6 digit authority code) on the entrance door keypad. Once a valid code is entered, the driver has 30 seconds time period to press the ENGINE START button once again and start the engine.



**FIGURE 1: TYPICAL ENGINE STOP/IGNITION INTERLOCK BUTTON**



**FIGURE 2: MAIN ELECTRICAL SHUT-OFF SWITCH**

#### **NOTE**

When the ignition is turned to ON, the M32QR ABS Pressure Modulator Valve solenoids are briefly energized. This can be audibly detected by a rapid cycling of the PMVs. If the air system is fully charged and the service brake pedal is depressed when ignition is turned to ON, the modulator valves create a sharp audible "chuff" of air pressure.



#### **CAUTION**

Do not press the accelerator pedal before starting. This could result in an electronic control unit fault and degrade the fuel system control.



### CAUTION

Special precautions are necessary with turbocharged engines to avoid possible turbine damage. After starting, run the engine at normal idle for two minutes to allow lubricating oil to reach the turbocharger. Then run the engine at fast idle. Let oil pressure reach normal operating range before driving.

### NOTE

*If the accelerator pedal is depressed before starting, release and wait 30 seconds before attempting to start.*



### WARNING

Do not use ether or other combustible starting aid fluid on any engine equipped with an intake air preheater. If the engine is equipped with a preheater, introduction of ether or similar starting aids could cause a fire or explosion resulting in severe property damage, serious personal injury or death.

### Stopping The Engine

1. Apply parking brake and place transmission in neutral (N);
2. Allow the engine to idle for at least two minutes before shutting down the engine. This ensures that the turbine speed drops and allows time for the engine exhaust gas temperature to drop to about 300°F (150°C);
3. Shut off all electrical loads;
4. Flip the ignition switch to OFF. See [Ignition Switch](#) in *Controls and Instruments* section.

### NOTE

*If ignition switch is turned OFF by mistake while the vehicle speed is higher than 6 mph (10km/h), the throttle function will be interrupted. The power steering will be maintained, and the transmission will stay in gear. An alarm in the instrument panel will sound to warn the driver.*

*Normal operation will resume as soon as the ignition switch is set back to ON.*



### CAUTION

Do not shut off the engine when running above normal idle.



### CAUTION

Set the main electrical shut-off switch to the OFF position after parking and when left unattended for an extended period of time.

### NOTE

*To prevent discharge of the batteries when the engine is not running, some functions are automatically switched off if the battery voltage drops below 24.0 volts for more than 30 seconds. A pictogram and a message will appear in the DID while this protection mode is active. Set the ignition switch to the OFF position and then to the ON position to reactivate the functions for a period of 30 seconds before they switch off again. If a prolonged use of the functions with the engine not running is necessary, connect the battery to a charger.*



### CAUTION

When the vehicle is parked overnight or for an extended period of time, the main electrical shut-off switch should be set to the OFF position.

## STARTING FROM THE ENGINE COMPARTMENT

Push buttons to start and stop the engine from the engine compartment are located on the R.H. side of engine compartment.

## 6-4 Starting and Stopping Procedures



### DANGER

Apply parking brake and place transmission in neutral (N) before starting engine from inside the engine compartment.

1. Set the main electrical shut-off switch and ignition switch to the ON position.
2. Press the rear start push button to start engine from the engine compartment.

When servicing the engine, push the engine stop/ignition interlock button to prevent the engine from being started from the driver's area or the rear start push button.

Once servicing is done, twist and pull the button to allow normal engine start.



### CAUTION

Refer to cautions in "STARTING FROM THE DRIVER'S SEAT" in this section.

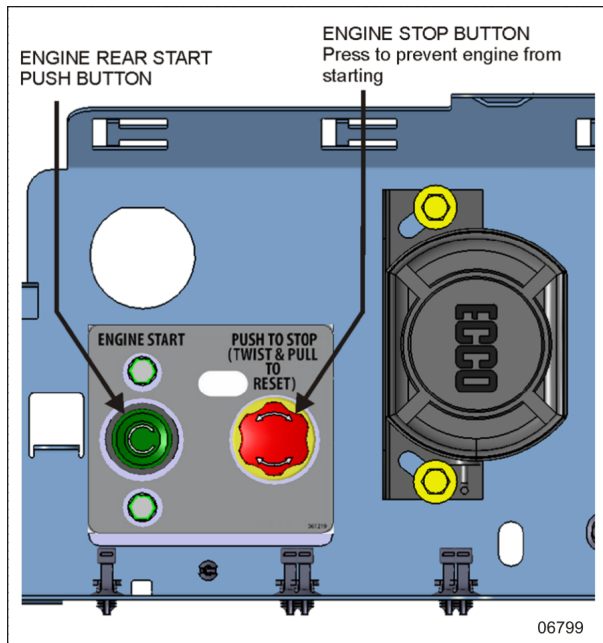


FIGURE 3: REAR START PANEL



### DANGER

Do not wear loose clothing when working near engine. Stand clear of rotating components.



### DANGER

Rotating shafts can be dangerous. They can snag cloth, skin, hair and hands, causing serious injury or death. Do not work on a shaft or other rotating parts of the vehicles (with or without guard) when the engine is running.

### Stopping The Engine

Press the red engine STOP/ignition interlock button while the engine is running to stop the engine from the engine compartment.

### COLD WEATHER STARTING

When starting a cold engine, the intake air will be warmed up with the intake air preheater. Turn the ignition switch to the ON position. The intake air preheater will not engage at coolant temperature above 54°F (12°C). If the coolant temperature is below 54°F (12°C), the intake air preheater will engage and will light the preheater telltale between 0 and 50 seconds, depending on the engine coolant temperature. Wait before the preheater telltale has turned off before starting the engine.



Intake Air Preheater Telltale

If necessary, once the engine has started, the preheater will re-engage (post heating) for the same length of time as the preheat time.



### WARNING

Volvo D13 Engine

This engine is equipped with an intake air preheater. Never use ether or other combustible starting aid fluid. Introduction of ether or similar starting aids could cause a fire or explosion resulting in severe property damage, serious personal injury or death.



### WARNING

Do not use ether or other combustible starting aid fluid on any engine equipped with an intake air preheater. If the engine is equipped with a preheater, introduction of ether or similar starting aids could cause a fire or explosion resulting in severe property damage, serious personal injury or death.

Engines not equipped with an intake air preheater may, depending on coolant temperature, take longer to start. If this should happen, DO NOT release the ignition key until the engine has started (while still observing the 15 second maximum cranking time).

### JUMP STARTING

In order to avoid damage to solid-state electrical components, it is important that jumper (booster) cables are used correctly and only in emergencies. To jump start, use another 24 volt DC, negative grounded, power source. Use only jumper cables rated at 500 cranking amperes.



### DANGER

Injury, explosion, battery acid damage or charging system overload may result if these jump starting procedures are not precisely followed.



### WARNING

Wear eye protection and remove rings, metal jewelry and watches with metal bands.



### DANGER

The battery could rupture or explode if jump started when the run-down battery fluid is frozen or if the battery fluid level is low. Check condition of run-down battery before attempting to jump start.



### DANGER

The gases given off by batteries while jump starting are explosive. Do not smoke near batteries.



### CAUTION

Do not let the two vehicles touch. Keep a walk-through distance between the two vehicles. Make sure positive (red) and negative (black) jumper cable clamps do not touch.



### CAUTION

Never connect the jumper cable to the negative terminal post of the run-down battery.



### CAUTION

Do not jump-start if a maintenance-free battery has a yellow test indicator. Have the battery replaced.



### WARNING

Before attempting to jump-start, make sure the parking brake is applied and the transmission is in neutral (N). Turn off all lights, heaters and other electrical accessories.



### CAUTION

Choose a booster vehicle which produces comparable amperage as your vehicle.



### CAUTION

Off-board battery charger with a start boost facility must not be used to jump-start the vehicle. This could damage the electrical system.

## 6-6 Starting and Stopping Procedures

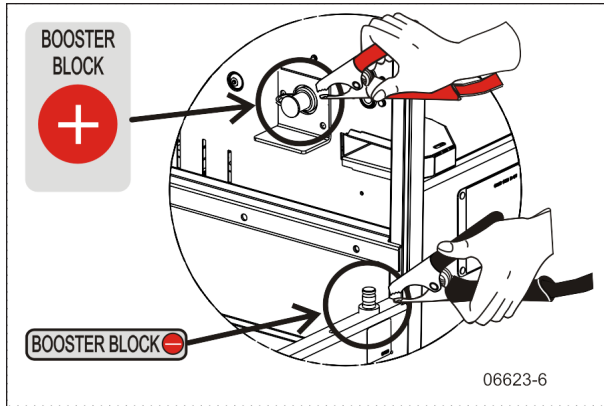


FIGURE 4: BOOSTER BLOCK TERMINALS LOCATION (H3 SERIES)

To jump-start, proceed as follows:

1. Remove the protective cap from the booster block terminal located in the R.H. side engine compartment;
2. If the good battery is in another vehicle, that donor vehicle's engine must be shut off before connecting. Shut off all electrical equipment on both vehicles.
3. Connect one end of the red jumper cable to the positive (+) post of the donor vehicle battery (or booster power source).
4. Connect the other end of the red jumper cable to the positive (+) terminal on the booster block;
5. Connect one end of the black jumper cable to the negative (-) post on the donor vehicle battery (or booster power source);
6. Connect the other end of the black jumper cable to the negative (-) terminal on the booster block;
7. Start the engine of the donor vehicle and increase the engine rpm speed slightly and maintain at that level for approximately 5 minutes to recharge dead batteries and then, shut the engine off;

8. Start the vehicle with the dead battery;
9. Disconnect the jumper cables in reverse order given in steps 2 through 5;
10. Install protective cap on the booster block terminal.

### NOTE

*Jumper cables must be rated at 500 cranking amperes. If jumper cable length is 20 feet (6 m) or less, use 2/0 (AWG) gauge wires. If cable length is between 20 and 30 feet (6 to 9 m), use 3/0 (AWG) gauge wires.*

## ENGINE PROTECTION SYSTEM

The engine protection will automatically derate or stop the engine when certain engine conditions reach a critical stage.

In the event of a serious fault, the red STOP telltale light comes on and an audible alarm will sound if the engine is running.



An illuminated STOP telltale light indicates a serious problem has been detected, and the driver must respond immediately to the problem. The vehicle must be safely pulled off the road and stopped. In some instances, the engine must be switched off immediately.

## AUTOMATIC ENGINE SHUTDOWN

Prior to an actual automatic shutdown, the engine will automatically derate, go to idle, and then stop as the vehicle speed gets below 2 mph (3 km/h).

The engine shutdown protection will automatically derate and stop the engine when one or more of the conditions listed below reaches a critical point:

- High engine coolant temperature
- High engine oil temperature



- Low engine oil pressure
- High crankcase pressure

After the automatic engine shutdown sequence, the engine may be restarted. To do so, turn the ignition switch to the OFF position for 7 seconds and then turn it back to ON. However, it will only operate for 30 seconds unless the problem is resolved.

Use this function sparingly and in order to move the vehicle to a safe parking place only. Excessive use may result in severe engine damage.



### WARNING

Failure to take necessary action when the STOP telltale light is on can ultimately result in automatic engine derate and shutdown.

## IDLE SHUTDOWN TIMER

The idle shutdown timer (optional) is programmed to shut down the engine after a specific engine idling time. The idling time cannot be changed by the driver but can be changed with the use of a laptop computer and Premium Tech Tool. In this case, the engine idling time can be set from 30 seconds up to 1 hour.

The engine will shut down at the set time under the following conditions:

- Vehicle speed is 0;
- Engine is running at normal idle speed;
- Engine coolant temperature above 120°F (49°C);
- Temperature inside vehicle is between 59°F (15°C) and 81°F (27°C);
- Parking brake applied;
- Transmission into neutral (N);
- Wheelchair lift system is not in use;

Pressing the fuel pedal will prevent engine shutdown and restart countdown.

## ENGINE WARM-UP

After starting the engine, keep the parking brake applied and let the engine run at normal idle for two minutes to allow lubricating oil to reach the turbocharger. Increase engine speed to fast idle, using the fast idle switch located on the dashboard for five minutes, without loading the engine. Monitor the gauges and indicator lights to make sure all conditions are normal. If an abnormal condition is observed, stop the engine immediately and have the condition corrected.

### NOTE

*The engine will reach normal operating temperature shortly after driving. Avoid driving at full throttle until engine coolant temperature reaches 140°F (60°C).*



### DANGER

Never let the engine run in an enclosed, non-ventilated area. Engine exhaust fumes contain dangerous gases which can be fatal if inhaled. Before warming up the engine, open the door (s) or move the vehicle outside.

## ALLISON TRANSMISSION WARM-UP

With an automatic transmission, when the temperature falls below -20°F (-29°C), the CHECK telltale light illuminates after the engine is started, and a reminder tone will sound. In this case, the transmission will be locked in neutral (N) until the transmission temperature rises above -20°F (-29°C) and the CHECK telltale light goes out. The transmission will only operate in first or reverse gears until it reaches normal operating temperature.





## SECTION 7 - SAFETY FEATURES AND EQUIPMENT

<b>EMERGENCY EXITS</b> .....	<b>2</b>
ELECTRIC AWNING WINDOW .....	2
ELECTRIC SLIDING WINDOW .....	2
FIXED WINDOW .....	2
<b>EMERGENCY EQUIPMENT</b> .....	<b>2</b>
FIRE EXTINGUISHERS .....	2
FIRST-AID KIT .....	2
WARNING REFLECTORS H3 SERIES .....	2
JACK AND TOOLS H3 SERIES .....	2
SPARE PARTS KIT .....	3
AUTOMATIC FIRE SUPPRESSION SYSTEM (AFSS) .....	3
<b>CHANGING WHEEL</b> .....	<b>4</b>
<b>EMERGENCY AIR-FILL VALVES</b> .....	<b>4</b>
<b>EMERGENCY AND PARKING BRAKES</b> .....	<b>5</b>
<b>VEHICLE JACKING POINTS</b> .....	<b>5</b>
HYDRAULIC JACK .....	5
<b>TOWING THE VEHICLE</b> .....	<b>6</b>
<b>DAYTIME RUNNING LIGHTS</b> .....	<b>6</b>
<b>FOG LIGHTS</b> .....	<b>6</b>
<b>CORNERING AND DOCKING LIGHTS</b> .....	<b>6</b>
<b>PERIMETER LIGHTS</b> .....	<b>6</b>
<b>COMPARTMENT LIGHTING</b> .....	<b>7</b>
<b>MUD FLAPS AND SPLASH GUARDS</b> .....	<b>7</b>
<b>BACK-UP CAMERA</b> .....	<b>7</b>
<b>BACK-UP ALARM</b> .....	<b>7</b>
BACK-UP ALARM CANCEL SWITCH .....	7
<b>ESSENTIAL FUNCTIONS TO OPERATE THE VEHICLE (BASIC LIMP-HOME FUNCTIONS)</b> .....	<b>7</b>
AVAILABLE FUNCTIONS .....	7

## 7-2 Safety Features and Equipment

### EMERGENCY EXITS

Locate and learn how to use all possible emergency exits. It is good practice to inform all guests or passengers of the location of exits and how to use them in case of an emergency.

#### ELECTRIC AWNING WINDOW

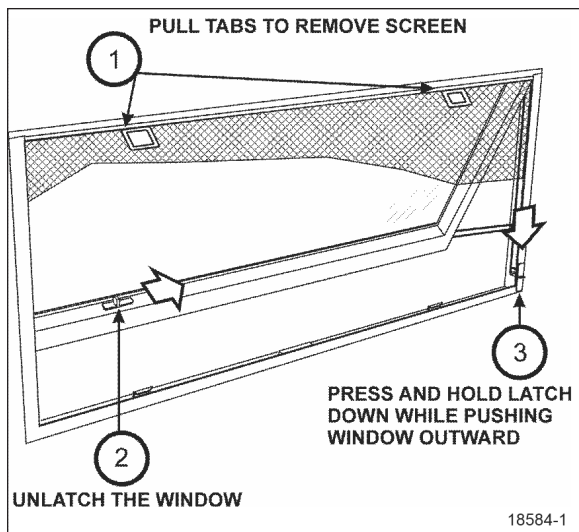


FIGURE 1: ELECTRIC AWNING WINDOW

#### ELECTRIC SLIDING WINDOW

Electric (power) sliding windows can be used as emergency exits.

- Remove the screen assembly,
- Pull down on both red release latches simultaneously and rotate the sash inwards approximately 10 degrees.
- Lift the sash up and out to disengage the bottom of the sash from the window frame.

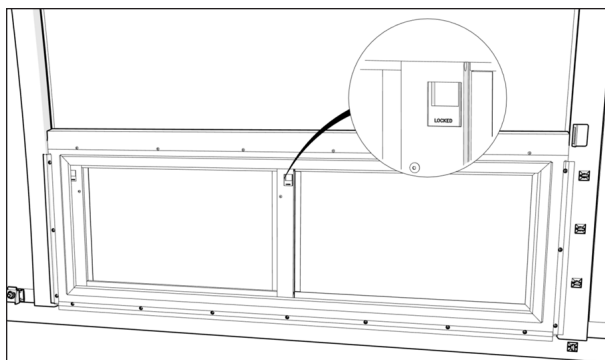


FIGURE 2: ELECTRIC SLIDING WINDOW

#### FIXED WINDOW

Fixed windows are fastened or glued to the structure of the vehicle; they do not open and are very hard to break. In case of emergency, do not attempt to open them, instead find and use the entrance door or the nearest awning or sliding window.

### EMERGENCY EQUIPMENT

The vehicle is equipped with numerous safety features and equipment. Verify the equipment regularly and keep on hand and in good condition at all times. Following is the enumeration and description of safety equipment found on board.

#### FIRE EXTINGUISHERS

Two chemical fire extinguishers are provided with the vehicle. Placement may vary depending on options and models. Take a moment to locate them in your vehicle. Instructions for use are found on the extinguishers. Make sure you know how to operate fire extinguishers in case of an emergency.

#### FIRST-AID KIT

The optional first aid kit is usually stored near the driver's seat. A white cross over red background decal identifies the first aid kit.

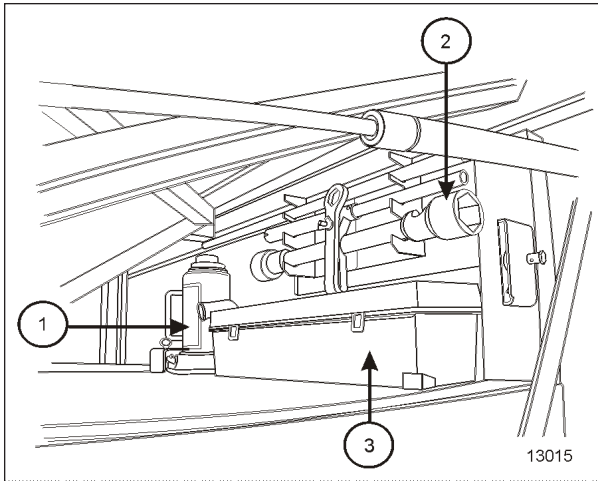
#### WARNING REFLECTORS H3 SERIES

A box containing three triangular reflectors is provided to warn other drivers on the road in case of a breakdown. The box is located with the jack and tools kit in the first curbside baggage compartment. The reflectors provide visible warning of an emergency. The three reflectors should be placed as indicated on the box cover. These reflectors comply with FMVSS 125 (Federal Motor Vehicle Safety Standards).

#### JACK AND TOOLS H3 SERIES

A kit for jacking up the vehicle and changing wheels is stored in the first curbside baggage compartment. The kit includes:

1. 12-ton bottle jack
2. Wheel nut wrench and lever
3. Box containing three triangular reflectors



**FIGURE 3: FIRST BAGGAGE COMPARTMENT H3 SERIES**

### SPARE PARTS KIT

The vehicle may be equipped with a spare parts kit (optional). The kit contains parts such as bulbs, circuit breakers, belts, etc. The spare parts kit is stored in the first baggage compartment.

### AUTOMATIC FIRE SUPPRESSION SYSTEM (AFSS)

The vehicle may be equipped with the optional Automatic Fire Detection and Suppression System (AFSS).

#### System Operation

When a fire is detected inside the engine compartment, the system sends a fire alarm signal to the **Protection Panel** located in the driver's area near the lateral control panel. The **Protection Panel** immediately turns on the fire "ALARM" lamp and sounds the audio alarm. After a 15-second time delay the engine is automatically shut down. The fire extinguisher is discharged simultaneously with engine shutdown.

#### NOTE

The **Protection Panel** continuously monitors system integrity and displays the information via the "SYSTEM OK" and fire "TROUBLE" indicators.

#### NOTE

The **Manual Activation Switch** is used when the immediate discharge of the fire extinguisher and engine shutdown is desired.

### Operational Sequence (Fire)

1. A fire detector or linear thermal detector detects a fire in the engine compartment and sends a signal to the **Protection Panel** in the driver's area.
2. The fire "ALARM" lamp on the **Protection Panel** will illuminate solid red and an audible alarm will sound.
3. The operator shall bring the vehicle to a safe stop.
4. The system automatically shuts down the vehicle engine and discharges the extinguisher into the engine compartment 15 seconds after the fire alarm starts unless advanced or delayed by the operator.
  - If the operator presses the **Manual Activation Switch**, all delays will terminate and the engine shutdown and extinguisher discharge will occur immediately.
  - If the operator presses and releases the **Delay Engine Stop** switch once, the engine shutdown and extinguisher discharge will be delayed by an additional 15 seconds.



### WARNING

The engine will stop 15 seconds after the fire alarm starts. The operator must be prepared to bring the vehicle to a safe stop as soon as the alarm sounds. Steering may become difficult after engine shutdown. If more time is required, the "DELAY ENGINE STOP" switch may be pressed and released for an additional 15 second delay.

## 7-4 Safety Features and Equipment



### WARNING

The extinguisher discharge may cause an obscuring cloud behind and near the vehicle.

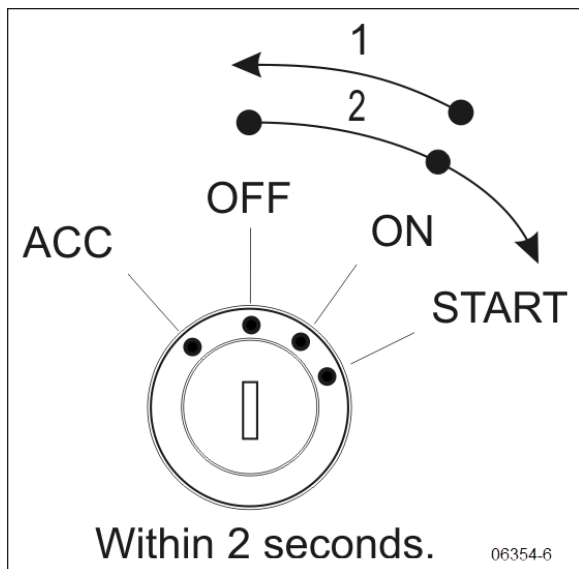
5. The red fire “ALARM” lamp and audible alarm will stay on. The yellow fire “TROUBLE” lamp will also be on indicating a discharged extinguisher.
6. The system must be reset and the fire extinguisher removed and replaced in accordance with the System Reset portion of the Kidde Dual Spectrum Operation & Maintenance Manual.

### Starting The Vehicle After A Fire Alarm

The vehicle may be started after a fire alarm without resetting the system. Refer to ignition switch sequence below. This will not reset the system; rather it will instruct the vehicle’s multiplex system to ignore vehicle interface outputs from the Protection Panel. This feature is intended to be used only in emergencies that require the vehicle to be restarted and moved a short distance prior to system reset. It should not be performed if the cause of the fire has not been clearly identified and corrected.

To start the vehicle, perform this ignition switch (key) sequence.

- From the **ON** position,
- Turn to **OFF**, return to **ON** and **START** vehicle within 2 seconds.



## CHANGING WHEEL

In case of a flat tire, turn **ON** the hazard flashers and bring the vehicle to a stop on the side of the road. Apply the parking brake. Make sure the vehicle is parked safely away from traffic. Set up the triangular reflectors in accordance with applicable highway regulations.

We suggest that you do not attempt to change a wheel. First, the wheel and tire are very heavy and usually there is no space available to put the removed flat. Second, the wheel nuts, especially those on inner dual, can become very tight after being on for only a short time. Often a heavy air wrench is required to get these nuts loose. We suggest you get help via CB radio or cellular phone. There are tire service trucks all over the country that can bring a wheel and make the change safely.

## EMERGENCY AIR-FILL VALVES

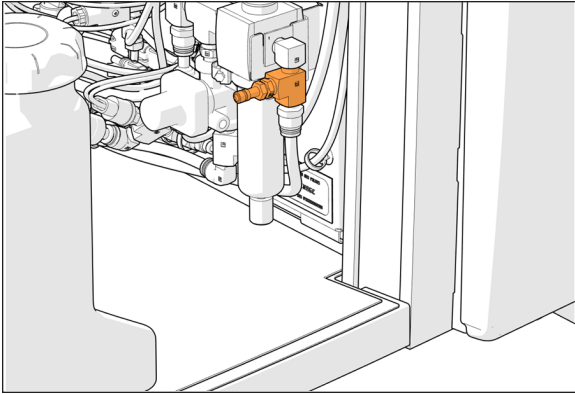
The vehicle is equipped with two air system emergency fill valves to supplement the air system when air pressure is low and the engine cannot be operated. One valve is located inside the front service compartment. The other valve is located inside the engine compartment.

Both air system emergency fill valves are fitted with standard tire valve stems. The air systems can be filled using any standard external air supply line. The fill valve located in the engine compartment supplies air for all systems (brakes, suspension and accessories). The fill valve located in the front service compartment supplies air for accessories only.

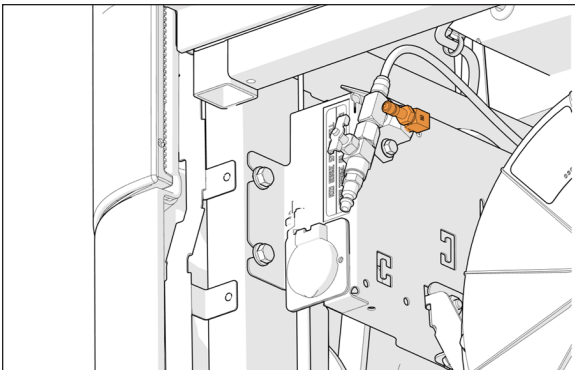


### CAUTION

Air filled through the two emergency fill valves will pass through the standard air filtering-drying system. Do not fill air at any other location. Do not exceed 120 psi (827 kPa).



**FIGURE 4: FRONT SERVICE COMPARTMENT AIR-FILL VALVE**



**FIGURE 5: ENGINE COMPARTMENT AIR-FILL VALVE**

## EMERGENCY AND PARKING BRAKES

During normal operation, if air pressure in any brake circuit drops below 60 psi (414 kPa), spring-loaded emergency brake will be immediately applied at full capacity to the drive axle wheels to stop the vehicle.

Spring-loaded parking brake is applied by pulling the control valve knob.

Parking brake is not designed to be used as a service brake. For normal driving conditions, the control valve knob must remain depressed.



### WARNING

Always apply the parking brake before leaving the driver's seat.

### NOTE

Only use the parking brake to supplement the service brake to stop the vehicle in emergency conditions. The stopping distance will be considerably longer than when using normal service brake.

### NOTE

Before releasing the parking brake by pushing down the control valve knob, check the pressure gages to make sure that the brake system air pressure is greater than or equal to 95 psi (655 kPa).

### NOTE

The alarm will sound if the ignition switch has been turned to OFF without applying the parking brake. The same beep will sound if pressure is still applied to the service brake pedal.

### NOTE

The stop lights automatically turn on when the parking brake is applied and the engine is running.

## VEHICLE JACKING POINTS

For detailed instructions, refer to Maintenance information [MI18-18](#), available on the technical publications website.

## HYDRAULIC JACK

**To raise:** turn release valve clockwise. Insert handle in socket and raise vehicle by pumping.

**To lower:** remove handle and turn the release valve slowly counterclockwise.

Always keep ram and extension screw retracted when jack is not in use.

**Service:** Check oil level when jack fails to raise to full height. Lower ram completely with release valve open and jack in upright position, remove filler plug and refill to level of filler hole with hydraulic jack oil. Never use brake fluid.

## 7-6 Safety Features and Equipment

### DANGER

Jack is intended for lifting only. Do not get under the vehicle or load for any reason unless it is properly supported with safety stands and securely blocked.

### DANGER

Do not overload jack above rated capacity. Prevent "side loading", make sure load is centered on ram. Do not push or tilt load off jack.

## TOWING THE VEHICLE

For detailed instructions, refer to Maintenance information [MI18-18](#), available on the technical publications website.

## DAYTIME RUNNING LIGHTS

The daytime running lights system provides added safety by making the front of the vehicle more visible to other drivers during the day.

The daytime running lights system turns the headlights on when:

- Engine is running;
- Parking brake is released;
- The exterior lighting switch is set to the OFF position or pressed to the first position.

### WARNING

At night, do not drive using the daytime running lights. When in use, the tail and rear marker lights are not turned on.

For night driving, turn the headlights lighting rocker switch to the second position.

## FOG LIGHTS

Optional halogen fog lights are available. They provide better visibility in fog and precipitation.

They improve visibility immediately in front of the vehicle. They also provide added safety.

### NOTE

*Some states or provinces may restrict the use of fog lights. Verify local state or provincial regulations before using.*

## CORNERING AND DOCKING LIGHTS

The vehicle may be equipped with up to four halogen cornering lights. Two lights are installed at the front of the vehicle, on each side as standard equipment. Two optional lights may be installed on each side at the rear of the vehicle. When activated, the front lights illuminate at the same time as the turn signal flashers to increase lateral visibility while turning. The rear lights illuminate when the reverse (R) range is selected to increase visibility while backing-up the vehicle. All four lights will illuminate when the docking position is selected using the rocker switch. Refer to chapter: "Controls and Instruments".

## PERIMETER LIGHTS

The vehicle may be equipped with perimeter lights installed at the edge of the roof. These lights increase pedestrian safety when cornering at low speed as well as when boarding and disembarking passengers.

These lights turn on automatically under one of the following conditions:

1. The transmission is put in reverse.
2. The front door is open and the headlight switch is in the first position.
3. The parking brake is applied, the ignition is in the ON position and the headlight switch is in the first position.
4. The left or right turn signals are activated and the vehicle's speed is less than 12 mph (20 km/h).



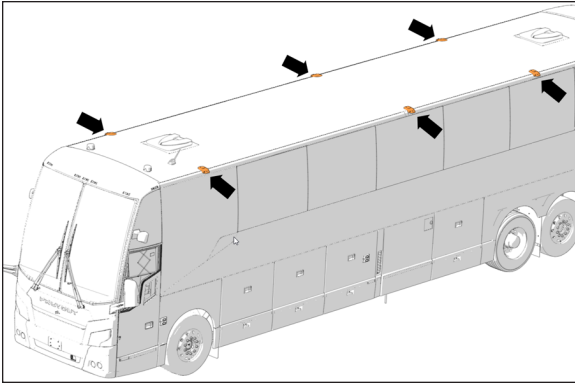


FIGURE 6: PERIMETER LIGHTS

### COMPARTMENT LIGHTING

Baggage compartments and the service compartment lights are automatically turned on when the corresponding compartment door is opened.

### MUD FLAPS AND SPLASH GUARDS

Mud flaps are installed behind each front wheel and the tag axles. Mud flaps minimize dirt on the lower panels of the vehicle and prevent stones and debris from being thrown at vehicles traveling behind the vehicle.

Splash guards may be installed behind each dual wheel of the drive axle to prevent stone projectiles from being thrown at the tag axle wheels.

### BACK-UP CAMERA

An optional back-up camera is available which provides the driver with visual assistance when backing-up. The monitor switches on automatically when the transmission is in the reverse (R) range.

### BACK-UP ALARM

The back-up alarm alerts pedestrians and other drivers when the vehicle is being backed-up. Take extra precautions whenever backing-up. If necessary, use a guide to provide directions when backing-up. The back-up alarm is

automatically activated when the transmission is put into reverse gear (R) .

### BACK-UP ALARM CANCEL SWITCH

A rocker switch located on the lateral control panel allows the driver to cancel the back-up alarm system (as for example: at night on a camping site).

#### NOTE

*After use, return to normal operation.*

### ESSENTIAL FUNCTIONS TO OPERATE THE VEHICLE (BASIC LIMP-HOME FUNCTIONS)

Even with a defective CECM (Chassis Electronic Control Module) or a CAN network problem, essential base functions are maintained to rear start the vehicle from the engine compartment and drive in a secure manner.

### AVAILABLE FUNCTIONS

- Startup: Turn on the ignition in the driver's area and rear start the vehicle from the engine compartment,
- Headlights: Low beams only,
- Stoplights: 2 upper stoplights + high-mounted stoplight are functional,
- Opening the door: Functions normally,
- Closing the door: Manually pull on the door and it will lock automatically,
- Windshield wipers: Wipers functions at 1st speed only
- Directional signals: Rear and front only,
- Windshiel washer fluid,
- HVAC: Functional with a set point fixed at 70°F (22°C), evaporator and condenser fixed at speed 1, defroster fixed at speed 4.



## 7-8 Safety Features and Equipment

---



### CAUTION

The following directives must be followed.

- Never connect a battery charger when the ignition is at the ON position on a vehicle with a defective CAN or certain functions will start up by themselves,
- Disconnect the charger before starting the vehicle, if not the default functions will not activate,
- If the default mode does not activate, try to turn the ignition OFF while ensuring that no charger is connected and then restart the vehicle.

## SECTION 8 - CARE AND MAINTENANCE

<b>CLEANING</b> .....	<b>3</b>
SEAT UPHOLSTERY .....	3
PLASTIC AND VINYL .....	4
WINDOWS .....	4
STAINLESS STEEL .....	4
HIGH PRESSURE LAMINATE .....	4
RUBBER COMPONENTS .....	4
FLOOR CLEANING .....	4
EXTERIOR SURFACES .....	4
WINDSHIELD .....	5
WIPER BLADES .....	5
<b>FLUID LEVEL VERIFICATION</b> .....	<b>5</b>
ENGINE OIL LEVEL .....	5
TRANSMISSION FLUID LEVEL .....	6
POWER STEERING FLUID LEVEL .....	7
DRIVE AXLE WHEEL BEARING OIL LEVEL .....	7
FRONT AND TAG AXLE WHEEL HUBS .....	8
COOLANT FLUID LEVEL .....	8
WINDSHIELD WASHER RESERVOIR .....	9
<b>OTHER VERIFICATION</b> .....	<b>9</b>
ELECTRIC COOLING FANS .....	9
AIR TANK PURGE .....	10
FIRE EXTINGUISHERS .....	10
PRIMARY FUEL FILTER .....	11
DRIVER'S A/C COMPRESSOR BELT .....	12
CENTRAL A/C COMPRESSOR BELTS .....	12
ALTERNATOR DRIVE BELTS .....	12
BACK-UP CAMERA .....	12
ENGINE AIR FILTER RESTRICTION INDICATOR .....	12
MAIN POWER COMPARTMENT FAN AIR FILTER .....	13
A/C AND HEATING SYSTEM AIR FILTERS .....	13
HOSE INSPECTION .....	14
LUBRICATION .....	14
WHEELS AND TIRES VERIFICATION .....	14
WHEEL BEARINGS .....	15
SERVICE BRAKE TEST .....	15
PARKING BRAKE TEST .....	15
EXTERIOR LIGHTING VERIFICATION WITH TEST MODE .....	15

## 8-2 Care and Maintenance

---

<b>GENERAL RECOMMENDATIONS</b> .....	<b>17</b>
<b>WALKAROUND INSPECTION (BEFORE EVERY TRIP)</b> .....	<b>21</b>
APPROACHING THE VEHICLE .....	21
PREPARATION .....	21
STEP 1: RIGHT SIDE .....	22
STEP 2: ENGINE COMPARTMENT RIGHT SIDE AREA .....	22
STEP 3: ENGINE COMPARTMENT .....	22
STEP 4: REAR LEFT SIDE .....	22
STEP 5: FRONT LEFT SIDE .....	23
STEP 6: FRONT .....	23
STEP 7: FRONT RIGHT SIDE .....	23
STEP 8: INSIDE THE VEHICLE .....	23
WITH ENGINE RUNNING .....	24

## CLEANING

The cleaning information provided in this section is regarded as recommended cleaning practices. Cleaning results may vary depending on the condition of the stain. Always clean stains promptly for the best results.

### NOTE

*Use only approved cleaning products such as Prevost A.P.C., all-purpose cleaner (Prevost # 683664). Never use stain protection products on new fabrics. To prevent permanent staining of fabrics, clean stains soon after they occur. Incorrect treatment of stains can worsen them. Get help from a cleaning specialist to remove stubborn stains.*



### CAUTION

Custom fabrics and materials may require different cleaning and maintenance practices. Consult your supplier.

## SEAT UPHOLSTERY

Firmly beat the fabric with a blunt object, such as a wooden paddle, to release dust and dirt. Vacuum the seat fabric in the direction of the stitching using an upholstery nozzle.

### NOTE

*The abrasive nature of dirt and grit will reduce upholstery life expectancy. Vacuum regularly.*

### Removal Of Stains And Marks

Depending on the nature of the stain, apply one of the two methods explained below to remove stains and marks on wool plush.

#### Method One:

Apply a nonflammable solvent to stained area with a clean, white absorbent rag;

Clean stain by starting at the outer edges of the stain and working in toward the center;

Blot affected area frequently with a clean, dry absorbent cloth to prevent stain rings caused by excess solvent.



### WARNING

Use solvents in a well-ventilated area. Open all windows and doors.

#### Method Two:

Wet the stain with a solution of household detergent and lukewarm water. Do not soak the stain;

Rub the stain with a damp cloth;

Rinse cloth after each application.



### CAUTION

Do not use soap, soap powder, ammonia, soda, bleach or cleaning products containing any of these compounds.

### Beverage Stains

Remove beverage stains by following method one. If stain persists, repeat method one using methylated spirits instead of solvent.

### Alcoholic Beverage Stains

Remove alcoholic beverage stains by wetting the stain with water, then cleaning following method two.

### Burns

Scrape burnt area using a knife or razor blade then clean following method two. Consult an upholstery specialist when dealing with extensive burns.

### Cosmetic Stains

Remove stains left by cosmetics by following method one then, method two.

### Ink Stains

Remove ink stains following method two. If stain persists, apply a warm oxalic acid solution. Rinse with water.

### Blood, Urine Or Vomit Stains

Remove such stains by following method two.

### Copying Ink - Ball-Point Pen Ink

Treat with methylated spirits, blotting frequently to avoid spreading stain, followed by method two.

## 8-4 Care and Maintenance

### Marking Ink (Felt-tip Pens)

Treat with Methyl Ethyl Ketone (MEK) followed by method two.

### Oil, Grease And Paint

Remove excess using a knife. Treat with method one followed by method two. If stain persists, repeat procedure.

### Rust Stains

Remove rust stains by following method two. Apply a warm oxalic acid solution to stained area. Rinse with water.

### Tar

Soften tar with mineral spirits, then treat using method one followed by method two.

### Chewing Gum

Soften gum with cyclohexane. Carefully scrape off stains using a sharp knife or razor blade.

## PLASTIC AND VINYL

Clean plastic and vinyl trim using a clean damp cloth or sponge. For vinyl trim marks, use a lukewarm all-purpose cleaner or a mild saddle soap. Remove water spots and soap traces using a clean damp cloth or sponge. Dry with a clean soft cloth.

Remove grease, tar or oil stains with a clean cloth or sponge and an all-purpose or solvent-type vinyl cleaner.

Apply a colorless vinyl or leather protective product to maintain the luster and pliability of the plastic or vinyl surface.

## WINDOWS

Clean the inside of the windows with a solution of one part vinegar to ten parts water.

## STAINLESS STEEL

Use a stainless steel cleaner and follow the manufacturer's instructions. Stainless steel cleaning solution may be ordered from Prevest quoting part number 680356.

## HIGH PRESSURE LAMINATE

Remove stains on laminated surfaces (Formica) with a household detergent, methylated spirits or mineral spirits. Clean with a mild liquid abrasive and water solution if stain persists.

## RUBBER COMPONENTS

Use only pure water or glycerin to clean stains on rubber components.



### CAUTION

Never use solvents on rubber components.

## FLOOR CLEANING

To keep its original appearance, wash the floor regularly. Clean vinyl floors with a quality nonionic detergent cleaner or a household all-purpose cleaner. Follow the manufacturer's recommendations for cleaning.

Remove any excess detergent solution using a wet/dry vacuum or mop. Rinse floor with a solution of one part Clorox to ten parts warm water.

Polish dry floor using a high-speed buffer and a smooth red 3-M polishing pad.

Mop floor periodically with a solution of 5 percent Clorox in warm water.

### NOTE

*For custom or special floor covering materials, consult the manufacturer or your converter for information on how to clean and maintain these types of floors.*



### CAUTION

Using a water hose to clean the floor is prohibited since it could cause electrical shorts or damage the electrical system.

## EXTERIOR SURFACES

Frequent washing and waxing of the vehicle exterior will help protect the finish and luster. The paint finish is attacked by the abrasive effects of airborne particles and corrosive pollutants.

Before washing the exterior of the vehicle, close the fresh air dampers using the “REC” button located on HVAC control panel and on the air intake duct in the evaporator compartment. Install keyhole protectors to prevent water from penetrating. Rinse vehicle with water to remove all loose dirt. Wash vehicle using quality brand car wash soap. Follow manufacturer's recommendations for cleaning. Rinse well with water.

The vehicle exterior should be cleaned, waxed and buffed when water droplets no longer form on the painted surfaces.



**CAUTION**

Hot water can damage paint. Keep water cool or lukewarm.



**CAUTION**

Make sure cleaning solutions are not harmful to painted surfaces. Read the manufacturer's instructions before using.



**CAUTION**

Do not spray water jet directly into fresh air inlet dampers.



**CAUTION**

Do not aim high-pressure water jet at radiator or condenser doors. This could damage the fins.

To prevent corrosion, remove caked-on dirt and road salt from the vehicle underbody using a high-pressure water jet. Clean wheel housings, bumpers, muffler, tailpipe and brackets.

Carry out corrosion prevention cleaning at least twice a year. Spray underneath of the vehicle and let soak before cleaning. Let engine and exhaust system cool down before cleaning.

**Tar Or Oil**

Remove tar or oil as soon as possible with an approved automotive tar and oil remover or turpentine. Thoroughly clean area with car wash soap and water. Let dry, then wax.

**Insects**

Remove insect stains as soon as possible with lukewarm soap and water or insect remover.

**Tree Sap**

Remove tree sap or bird droppings with lukewarm soap and water. Do not allow to harden.

**WINDSHIELD**

To prevent windshield wiper streaking, keep silicone sprays away from windshield. Remove road film and wax build-up from windows with lukewarm soap and water or with an alcohol-based cleaning agent. If a chamois is used to dry and polish glass, use it exclusively for that purpose.

**WIPER BLADES**

To avoid tearing frozen wiper blades, loosen them before removing. Remove and clean wiper blades periodically with an alcohol-based cleaning solution. Clean wiper blades using a sponge or soft cloth.

**FLUID LEVEL VERIFICATION**

Periodic inspection of oil and fluid levels is the most economical and easiest way to help your vehicle perform at its best. Rigorous oil level inspection and replacement will greatly help minimize expensive and unscheduled repairs.

**ENGINE OIL LEVEL**



**WARNING**

Check the engine oil level with vehicle parked on a level surface and with the parking brake engaged.

Check engine oil level when engine is still warm. Shut off engine and wait at least 10 minutes for oil to drain into oil pan before checking. Check engine oil level daily or before each trip. Add oil as required. Do not overfill. Remove dipstick, wipe clean and fully reinsert to ensure an accurate reading. Remove dipstick and check engine oil level.

**Do not** let the oil level fall below the marking on the dipstick. **Do not** overfill so the level is above the upper marking on the dipstick. Add oil through the oil filler pipe as required in order to maintain level within the safe range.

## 8-6 Care and Maintenance

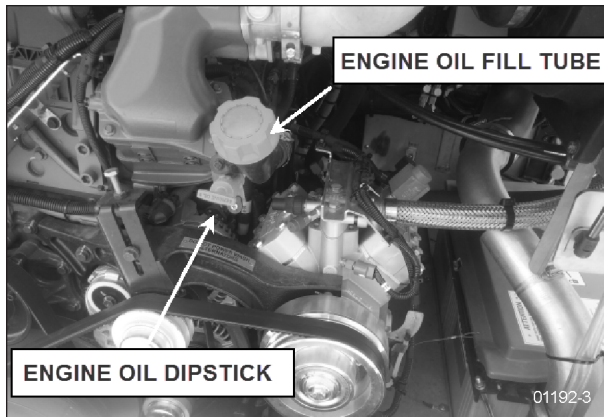


FIGURE 1: ENGINE OIL DIPSTICK - VOLVO D13 ENGINE

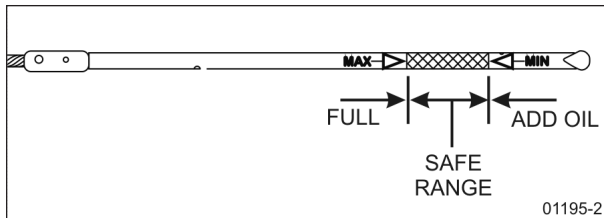


FIGURE 2: VOLVO D13 ENGINE OIL LEVEL DIPSTICK

### TRANSMISSION FLUID LEVEL



#### DANGER

To prevent personal injury, do not service transmission wearing loose clothing. Stand clear of the engine and rotating components while checking the oil level.



#### CAUTION

Do not mix fluid types or brands because of possible incompatibility.



#### CAUTION

Use clean fluid and containers when filling transmission. Never use containers that have contained water or antifreeze (Glycol).

### Allison Automatic Transmission Fluid Level

The transmission fluid level can be checked with the dipstick or with the use of the shift selector display. For more information on how to use the shift selector display to check the transmission oil level, refer to "[OIL LEVEL CHECK USING THE PUSHBUTTON SHIFT SELECTOR](#)" on page 2 in Appendix B.

The transmission fluid level dipstick is accessible through the engine compartment rear door and is located on the left side of the engine.

To check the transmission fluid level, a "cold check" and a "hot check" must be performed. A cold check must be made when the transmission fluid is between 60°F and 120°F (16°C and 50°C).

#### NOTE

*Perform the cold check first to verify the transmission fluid level before performing the hot check.*

To prevent dirt and foreign matter from entering the transmission, clean the end of the oil fill tube before removing dipstick. To remove dipstick, unscrew filler cap approximately three turns and pull out dipstick.

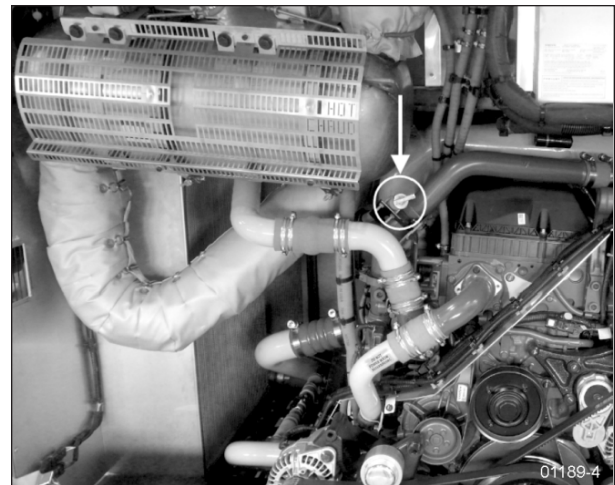


FIGURE 3: TRANSMISSION FLUID DIPSTICK (H3 SERIES)

#### • Cold Check

Run the engine until the transmission fluid temperature is between 60°F and 120°F (16°C and 50°C). With the engine idling, make sure the parking brake is applied and the transmission is in neutral (N). Shift transmission from forward (D) to reverse (R) and back into neutral (N) to fill clutch cavities with fluid. Remove and wipe the dipstick with a clean cloth. Check fluid level. If the fluid level is within the COLD RUN band, the fluid level is correct and a hot check can be performed. If the fluid level is on or below the lower line of the COLD RUN band, add fluid until the level lies within the COLD RUN band. If the



fluid level is above the COLD RUN band, drain fluid until the level is within the band.

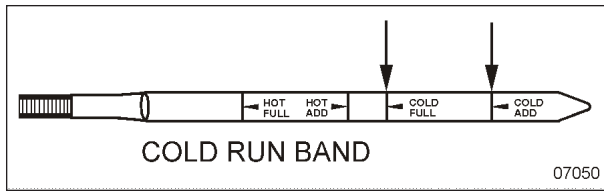


FIGURE 4: TRANSMISSION FLUID LEVEL DIPSTICK (TYPICAL)



**CAUTION**

The fluid level rises as fluid temperature rises. Do not add fluid above the "cold run" band before the transmission reaches 180°F to 220°F (82°C to 104°C).

• **Hot Check**

Make sure the transmission fluid temperature is between 160°F and 200°F (71°C and 93°C) before performing the hot check. With the engine idling between 500 and 800 RPM and the parking brake applied, shift transmission into neutral (N). Remove and clean dipstick, then check fluid level. If the fluid level is on or under the lower HOT RUN line, add just enough fluid to bring up the level to the middle of the HOT RUN band.

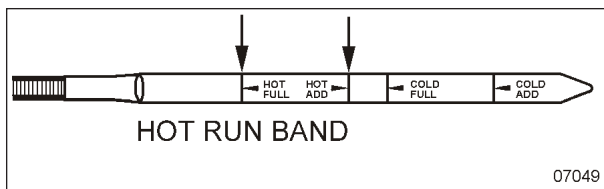


FIGURE 5: TRANSMISSION FLUID LEVEL DIPSTICK (TYPICAL)

Replace dipstick and tighten the filler tube cap until the rubber seal is correctly seated.



**CAUTION**

Do not overfill transmission fluid reservoir. Severe damage may result.

**POWER STEERING FLUID LEVEL**

The power steering fluid tank is fixed on the main power compartment wall, accessible by the engine R.H. side access door.

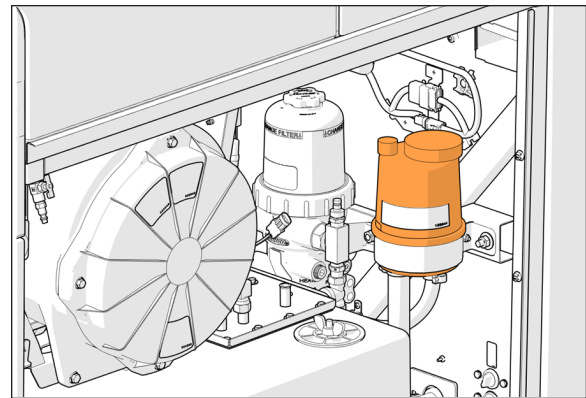


FIGURE 6: POWER STEERING RESERVOIR

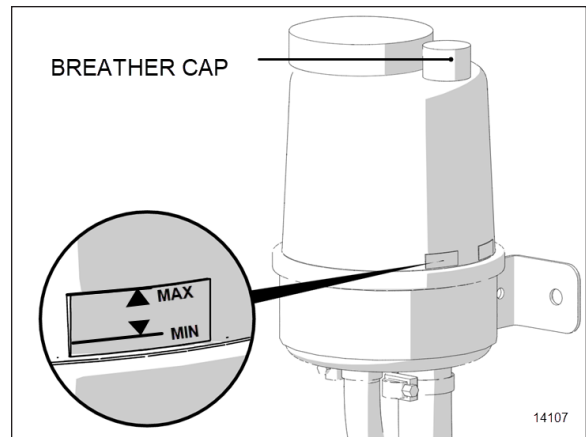


FIGURE 7: POWER STEERING FLUID TANK

Check fluid level as follows:

1. Stop engine;
2. Open compartment door;
3. Thoroughly clean the reservoir and its immediate vicinity to protect the fluid from being soiled by impurities;
4. Check fluid level through the clear bowl and compare with the MIN & MAX marking affixed on the bowl;
5. Remove the breather cap and top up level to "MAX" mark;
6. Reinstall the breather cap.

**DRIVE AXLE WHEEL BEARING OIL LEVEL**

Drive axle wheel bearings are lubricated by the differential oil. Maintain differential oil at correct



## 8-8 Care and Maintenance

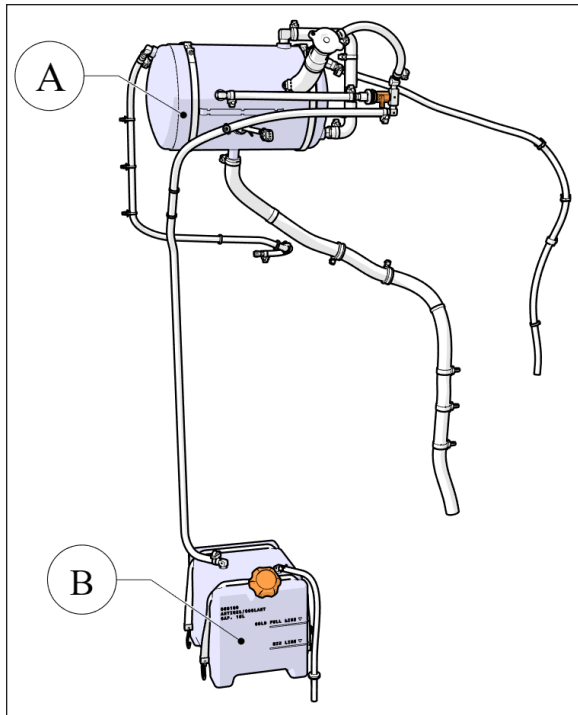
level to ensure adequate lubrication of drive axle wheel bearings at all times.

### FRONT AND TAG AXLE WHEEL HUBS

The unitized hub bearings used on the NDS range of axles are non-serviceable items. Bearings are pre-adjusted, lubricated and have seals fitted as part of the manufacturing process. The bearings are greased for life and there is no need or facility for re-lubrication.

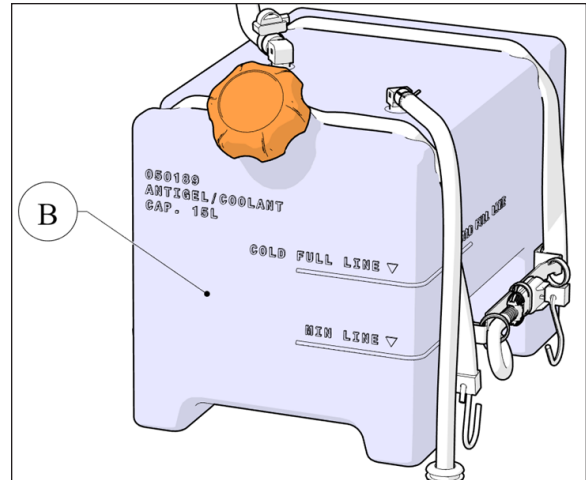
### COOLANT FLUID LEVEL

The cooling system has two tanks; the surge tank (A) and the recovery tank (B).



**FIGURE 8: COOLANT TANKS ARRANGEMENT**

Coolant level is checked through the recovery tank (B) when the engine is cold (ambient temperature). If the coolant level into the recovery tank is lower than the MIN LINE, remove the recovery tank filler cap and add coolant until reaching the FULL LINE.



**FIGURE 9: RECOVERY TANK**

Fill the recovery tank with the same coolant than the one already in the cooling system. Do not mix two different types of coolant. Refer to the Maintenance Manual for proper coolant type specifications or see the label affixed near the coolant surge tank on the vehicle.

### Coolant Level Sensor

Both tanks are equipped with a level sensor. A message appears on the DID according to which sensor is activated.

The following table shows the message and the description.

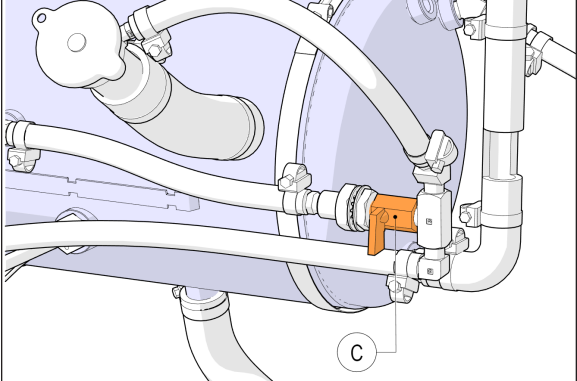
MESSAGE	DESCRIPTION
Check Engine Coolant Level at next stop	Low engine coolant level Warns the driver that the engine coolant level has reached the recovery tank low level sensor. Add coolant whenever possible in the recovery tank.

MESSAGE	DESCRIPTION
Engine Coolant Level critically Low	Critically low coolant level Warns the driver that the engine coolant level has reached the surge tank low level sensor. Stop and add coolant in the recovery tank.

Level from the level sensor does not match with the level lines on the recovery tank.

### WARNING

Allow engine to cool down before adding coolant. There is no pressure into the recovery tank. If necessary, use the valve C (image below) to release the pressure into the surge tank and the cooling system. Close the valve after releasing the pressure.



**WINDSHIELD WASHER RESERVOIR**

The windshield washer reservoir is located in the front service compartment door. Check fluid level regularly.

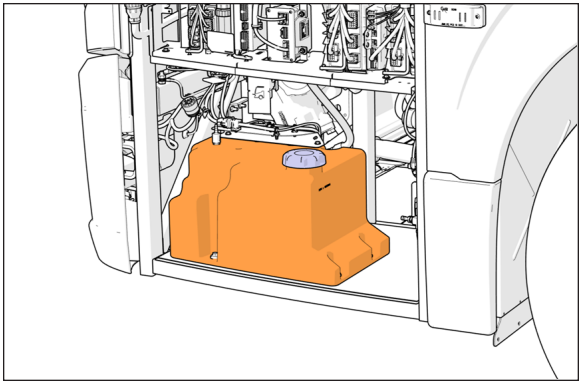


FIGURE 10: WINDSHIELD WASHER FLUID RESERVOIR

### CAUTION

During cold weather days, use windshield washer fluid suitable for freezing temperature.

**OTHER VERIFICATION**

It is good practice to regularly inspect the vehicle for signs of component wear and to perform safety and maintenance routines.

**ELECTRIC COOLING FANS**

Inspect fan blades regularly, check for dirt or grime accumulations on the blade that could cause vibrations, clean as necessary using water and regular strength degreaser:

Check for cracks and signs of abrasion on the blades that could indicate contact with debris or obstruction during operation;

Check the bottom of the shroud cover and remove debris that could have accumulated. In sub-zero winter area, also check for snow and ice accumulation that could block the fan blades rotation;

Open the fan shroud as necessary (remove top and bottom hex screws) to facilitate cleaning and debris removal;

## 8-10 Care and Maintenance



FIGURE 11: FAN SHROUD TOP & BOTTOM HOLD-DOWN SCREWS

### NOTE

*Electric cooling fan motors are sealed and certified IP6K9K and IP68. They can therefore be safely power/pressure washed.*

## AIR TANK PURGE

The vehicle is equipped with many air tanks. Purge the accessory air tank before each trip. The accessory air tank drain cock is accessible from the front service compartment.

The wet, primary, secondary and optional air tanks must be purged at every oil change or at least every 12,500 miles (20 000 km). They are equipped with a drain cock underneath the tank. Drain tanks by turning cocks counterclockwise.

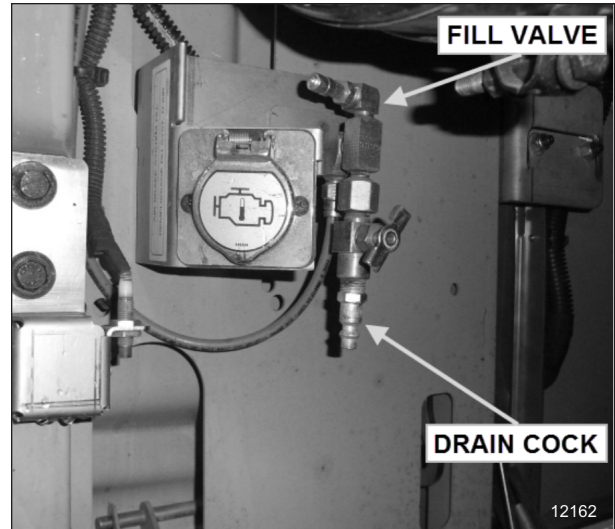


FIGURE 12: ENGINE COMPARTMENT FILL VALVES

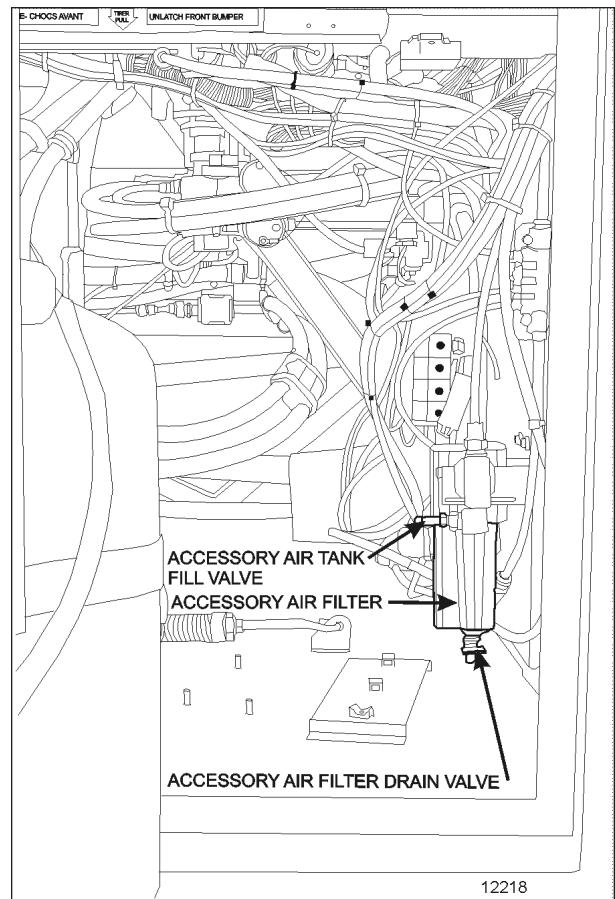


FIGURE 13: FRONT SERVICE COMPARTMENT

## FIRE EXTINGUISHERS

Inspect fire extinguishers monthly to ensure operation in emergency situations.

On extinguishers with a pressure gauge, the needle should be in the green or NORMAL range. Refill or replace extinguisher if pressure is below normal;

Check that seal on handle is intact;

Check that hose nozzle is in good condition and the nozzle is free of obstructions;

Keep fire extinguishers clean.

### PRIMARY FUEL FILTER

A primary fuel filter is installed on the engine. This filter may consist of a filter cartridge with a drain valve at the bottom, or a filter cartridge, a water separation bowl and may have a fuel heater built in. It is used to prevent water from entering the fuel system. The primary fuel filter should be drained periodically or when the telltale light on the dashboard illuminates if equipped with this system. To drain water, loosen the drain valve below the separator. Close the drain valve when finished.

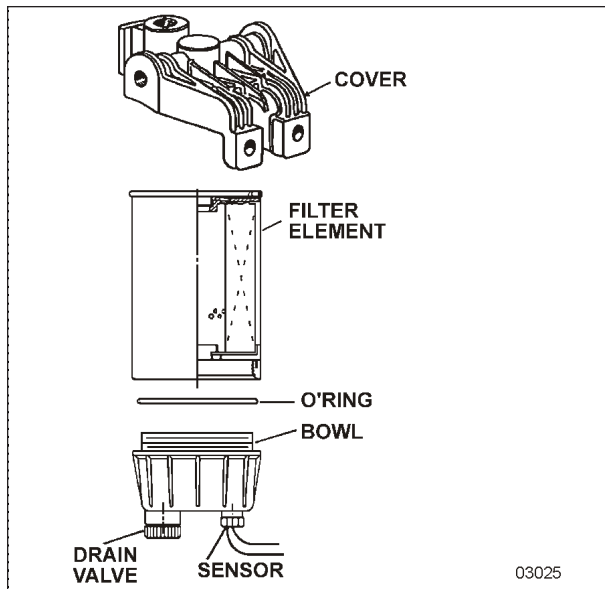


FIGURE 14: FUEL FILTER/WATER SEPARATOR

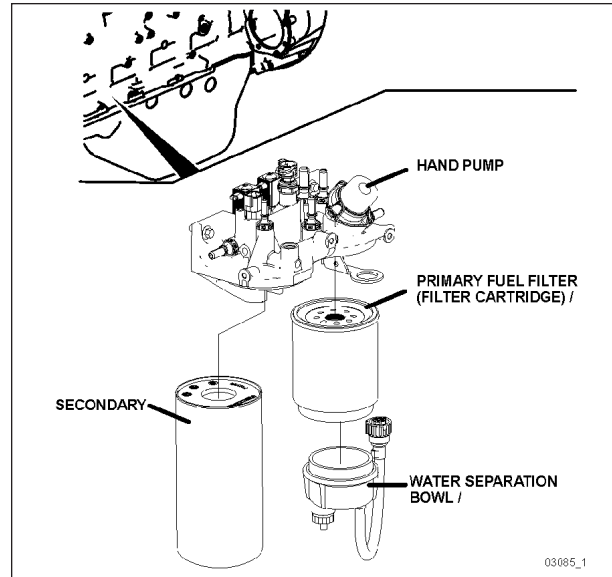


FIGURE 15: FUEL FILTERS WITH VOLVO D13 ENGINE

The optional Fuel Pro diesel fuel filter system consists of a permanently mounted fuel processor, a replaceable filter element, a filter element cover and collar and a fluid filter base assembly. This system is installed between the fuel tank and the fuel pump and replaces the primary fuel filter. The filter serves as a water separator as well as a fuel filter. To drain water, loosen the drain valve below the separator one quarter turn. Close the drain valve when finished.

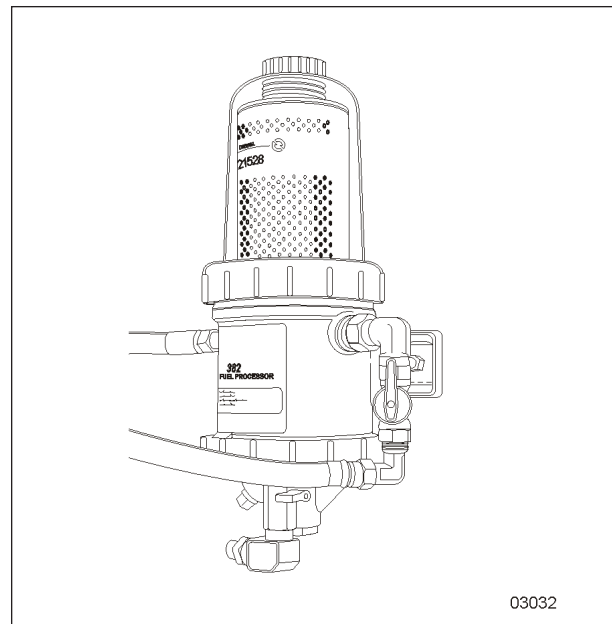


FIGURE 16: DAVCO FUEL PRO INSTALLATION



## 8-12 Care and Maintenance

### DRIVER'S A/C COMPRESSOR BELT

For vehicles equipped with driver's A/C, the air conditioning compressor is driven by a multi-V-belt.

Belt tension is achieved by an automatic belt tensioner. No adjustment is required.

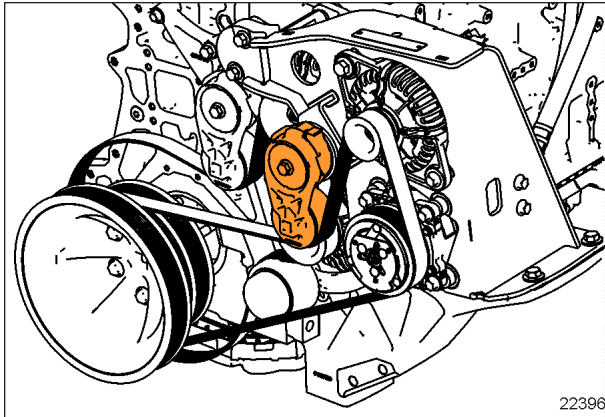


FIGURE 17: BELT TENSIONER

- Do not treat belts with any compounds. Keep belts dry.
- Periodically inspect belt and pulleys for wear or damage;

### CENTRAL A/C COMPRESSOR BELTS

The air conditioning compressor is driven by two V-belts.

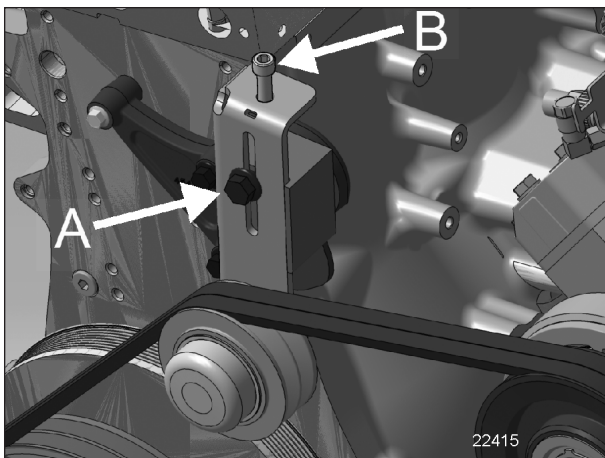


FIGURE 18: BELT TENSIONER

Belt tensioning is applied through the tensioner adjustment screw B. Loosen lock bolt A prior adjustment. Tighten lock bolt A to 43 lbf-ft once completed.

Belt tension should be within the following values:

- New belts: 90-100 lbs.
- Used belts: 75-85 lbs.

Check belt tension using a belt strand tension gauge.

- Once adjustment completed, allow the engine to run for about ten minutes. Check belt tension and adjust if needed.
- Do not treat belts with any compounds. Keep belts dry.
- Periodically inspect belt and pulleys for wear or damage;

### ALTERNATOR DRIVE BELTS

Automatic belt tensioners keep the correct tension so these belts do not require adjustment.

### BACK-UP CAMERA

The back up camera is located on the rear cap. To clean the camera's protective glass, spray with soapy water. Wipe with a clean damp rag or wiper blade.



#### WARNING

To avoid injury, do not clean camera with transmission in reverse (R). Shut off engine and apply parking brake before cleaning.



#### CAUTION

To prevent scratches to the camera protective glass, do not wipe with dry rag. Use a clean damp rag.

### ENGINE AIR FILTER RESTRICTION INDICATOR

An air filter restriction indicator is used to monitor the vacuum level between the air filter and the turbocharger inlet. A red marker is displayed when the air filter is clogged. Replace the air filter when a red marker is displayed or after a maximum of two years. Reset by pressing on the indicator's extremity.

The air filter restriction indicator is located on the engine air intake duct.

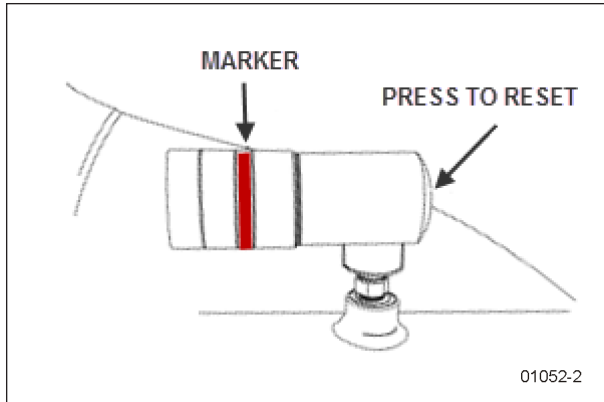


FIGURE 19: AIR FILTER RESTRICTION INDICATOR

### MAIN POWER COMPARTMENT FAN AIR FILTER

For maximum service life of the electrical components, air filter should be inspected and cleaned as required in maintenance schedule to ensure proper ventilation and cooling of the main power compartment. Clean filter with an air jet in the opposite direction of normal air flow. Replace filter when necessary.

#### CAUTION

Be sure not to reverse filter upon installation.

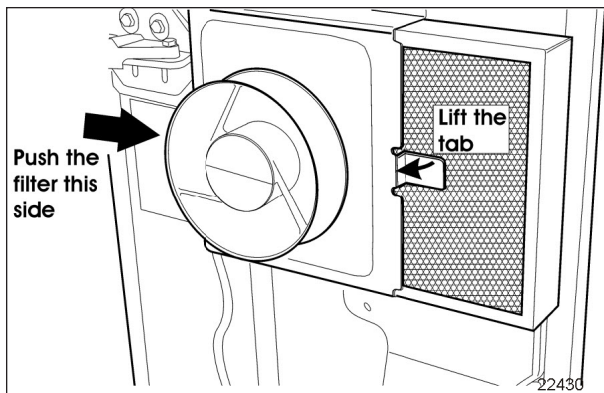


FIGURE 20:  
MAIN POWER COMPARTMENT FAN AIR FILTER

### A/C AND HEATING SYSTEM AIR FILTERS

For maximum air conditioning and heating system efficiency, air filters should be inspected and cleaned as required in maintenance

schedule to ensure proper ventilation of the evaporator and heating radiator cores.

To clean filters, remove lint using a nylon brush, back flush with water, then dry with air.

#### CAUTION

Do not use high-pressure water jet to avoid damaging filter.

#### CAUTION

Be sure not to reverse filter upon installation.

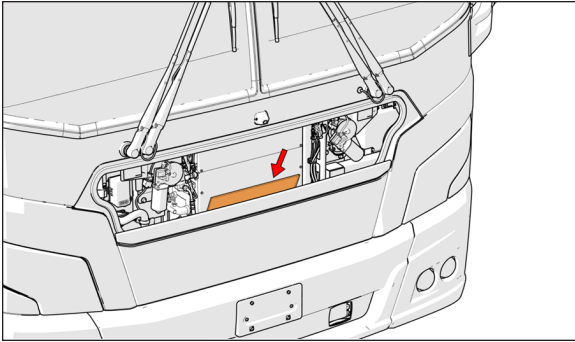
### Driver's Area Air Filter

The driver HVAC unit fresh air filter is located in the wiper drive compartment.

#### **NOTE**

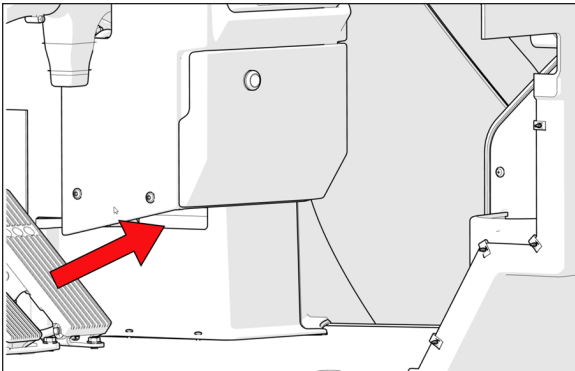
*If the windshield is continuously fogged, check that the driver's area air filter is not clogged*

## 8-14 Care and Maintenance

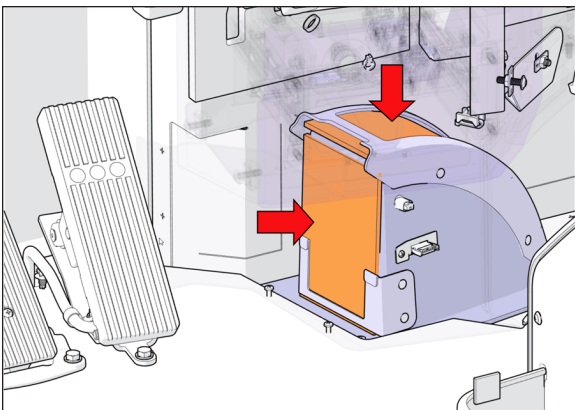


**FIGURE 21: DRIVER HVAC SYSTEM FRESH AIR FILTER**

Two recirculating air filters are located under the central utility compartment.



**FIGURE 22: ACCESS TO THE RECIRCULATING AIR FILTERS**



**FIGURE 23: TWO RECIRCULATING AIR FILTERS LOCATED UNDER THE CENTRAL UTILITY COMPARTMENT**

### HOSE INSPECTION

Inspect hoses for leaks regularly to ensure efficient, economical and safe operation of the engine and related equipment. Carefully inspect all fittings, clamps and ties. To prevent chafing, make sure hoses are not touching shafts, couplings, heated surfaces, sharp edges or other

parts. Since hose clamps and ties can vibrate loose or fail over time, frequently inspect and tighten or replace as necessary.

Correct leaking hoses immediately. Failure to correct leaks can cause severe damage to the equipment, as well as increase operating costs due to lost fluids. Treat fuel and oil leaks as an immediate fire hazard.



### WARNING

Personal injury and property damage may result from fire caused by leaking flammable fluids.

### Hose Service Life

Hoses have a limited service life. Thoroughly inspect hoses annually. Look for surface damage or indications of twisted, worn, crimped, cracked or leaking lines. Replace damaged hoses immediately.

Hoses should be replaced during major overhaul or after a maximum of seven service years. Be certain replacement hoses are matching the original equipment manufacturer's specifications.

### LUBRICATION

Grease all lubrication points during scheduled maintenance. For heavy loads or extended use, lubricate more often. Refer to the Maintenance Manual, section 24 for information on lubrication.

### WHEELS AND TIRES VERIFICATION

Check for loose wheel nuts. Inspect all types of rims for cracks. Cracks can appear in many places but typically radiate out from where a load is applied. Both aluminum alloy and steel wheel nuts should be tightened to 450 to 500 foot-pounds (610 to 680 N.m.) torque.

Keep the tires inflated to the recommended inflation pressure to prolong tire life and for safety.

### NOTE

*For VIP vehicles, the cold tire inflation pressures are found on the DOT certification plate located under the L.H. console or behind the driver's seat.*



**WARNING**

Do not exceed maximum inflation pressure. Incorrect tire pressure increases tire wear and could lead to loss of driving control because of reduced road handling. Check tire pressure regularly.

**WARNING**

If replacement tires are different from those specified on the certification plate, pressure must be adjusted following manufacturer recommendations.

**WHEEL BEARINGS**

Check wheel bearing cover for overheating (especially after using the service brakes) during fuel stops by touching the wheel bearing cover.

**SERVICE BRAKE TEST**

Check for correct pressure build-up. Stop engine and check pressure gauge. Pressure loss should not exceed 3 psi/min (21 kPa/min) with engine stopped and without brake pedal applied. Air loss should not exceed 7 psi/min (48 kPa/min) with engine stopped and brake pedal fully applied.

A convenient way to proceed to the service brake test is with the use of the DID menu "Air Brake Leak-Down Test". For more information, refer to *Appendix E*.

**PARKING BRAKE TEST**

Release parking/emergency brake. Pump service brake pedal until air pressure drops to 65 psi (448 kPa). Make sure the warning buzzer operates and that the emergency brakes apply (the control valve knob lifts up). Allow air pressure to reach 95 psi (655 kPa) before releasing parking brake.

Driving the vehicle while the parking brake is applied should not be possible.

**EXTERIOR LIGHTING VERIFICATION WITH TEST MODE**

This useful function allows quick verification of the vehicle exterior lights.

**Activating The Test Mode:**

When the vehicle is parked and the parking brake is applied, start the lighting check mode using the DID display screen. In *APPLICATIONS*, select *PRE-TRIP ASSISTANT - EXTERIOR LIGHT INSPECTION TEST*. See [PRE-TRIP ASSISTANT - EXTERIOR LIGHT INSPECTION TEST](#) in Appendix E.

This test can be done when the engine is not running, providing that the battery charge is sufficient (above 24.0 volts).

The telltale panel alarm emits a sound each second to remind that the test mode is in progress.

**Stopping The Test Mode:**

To stop the test mode, turn the ignition switch to OFF or remove the parking brake. You can also interrupt this mode by exiting the test mode screen by pressing the APPLICATION TRAY/BACK button.

**NOTE**

*The test mode is useful to check the operation of the multiplex outputs and the exterior lights. It doesn't test the functionality of the commands related to the exterior lighting. For a complete testing, the directional signal commands, the headlights commands and the brake pedal have to be checked before. Once these commands tested, activate the test mode to check the exterior lighting.*

## 8-16 Care and Maintenance

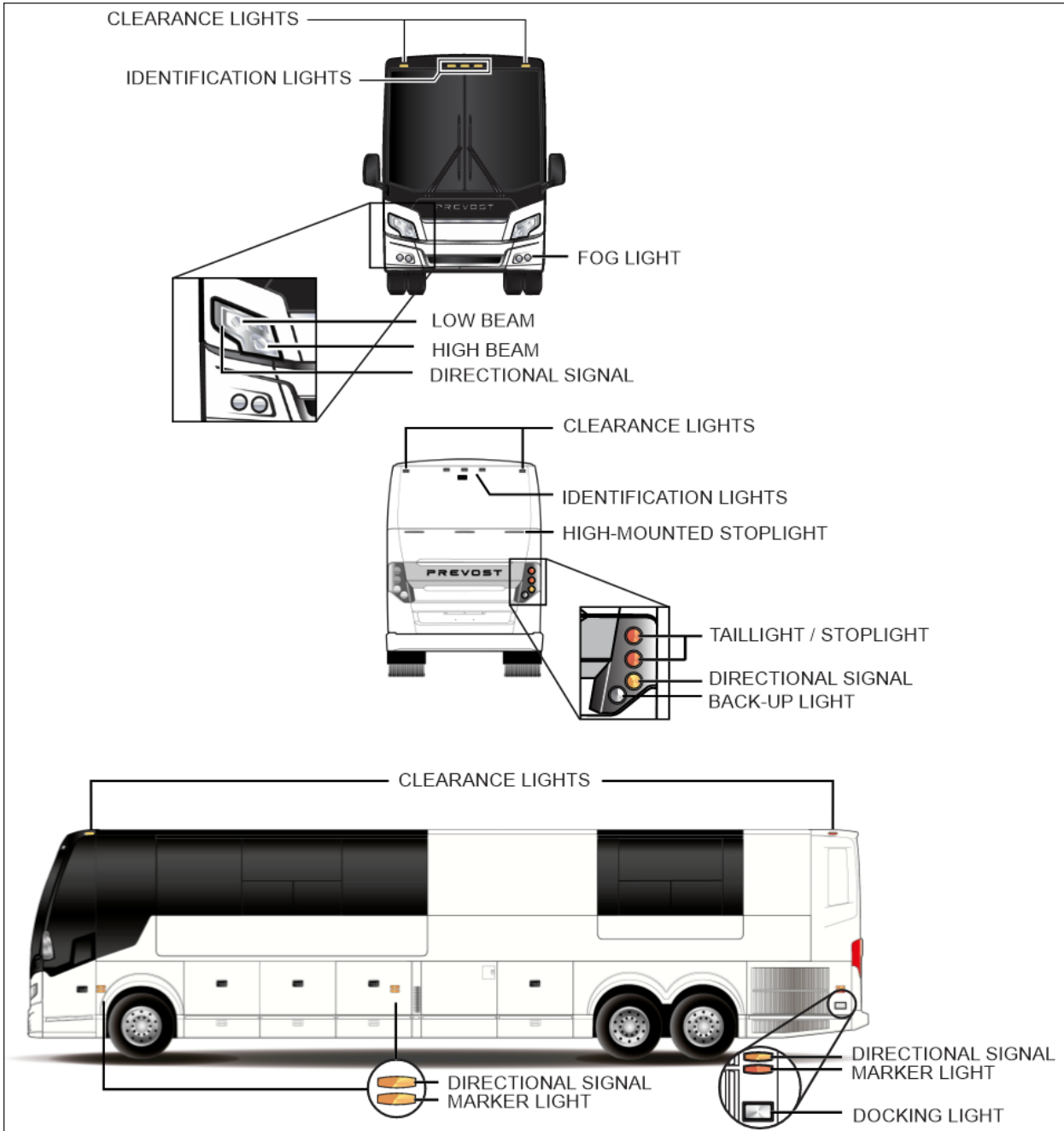


FIGURE 24: EXTERIOR LIGHTING (H3-VIP)

### GENERAL RECOMMENDATIONS

- Understand the basic principles of vehicle operation;
- Always maintain the vehicle in good running condition;
- Do not drive with low fuel. If the fuel tank runs dry, the engine will not start until the air is bled from the fuel system. Refer to "Maintenance Manual" for more information;
- Allow engine to run for at least two minutes at normal idle before shutting off;
- Engine should be at idle when shifting from neutral (N) to forward (D) or from neutral (N) to reverse (R);



#### CAUTION

Fast idle should always be turned off before releasing the parking brake and putting the coach in gear. Driveline damage can result if the fast idle switch is always left on.

- The automatic transmission does not have a park (P) position. Place transmission in neutral (N) position and apply parking brake when the vehicle is stopped. A warning buzzer will sound if the engine is stopped and the parking brake has not been applied when foot pressure is removed from the brake pedal;
- Always follow the procedures described in this manual;
- Unless stated otherwise, shut off the engine before performing all servicing, lubrication and maintenance tasks;
- Do not attempt to push or pull-start the coach;
- The vehicle may be damaged if towed with the axle shafts or driveshaft connected;

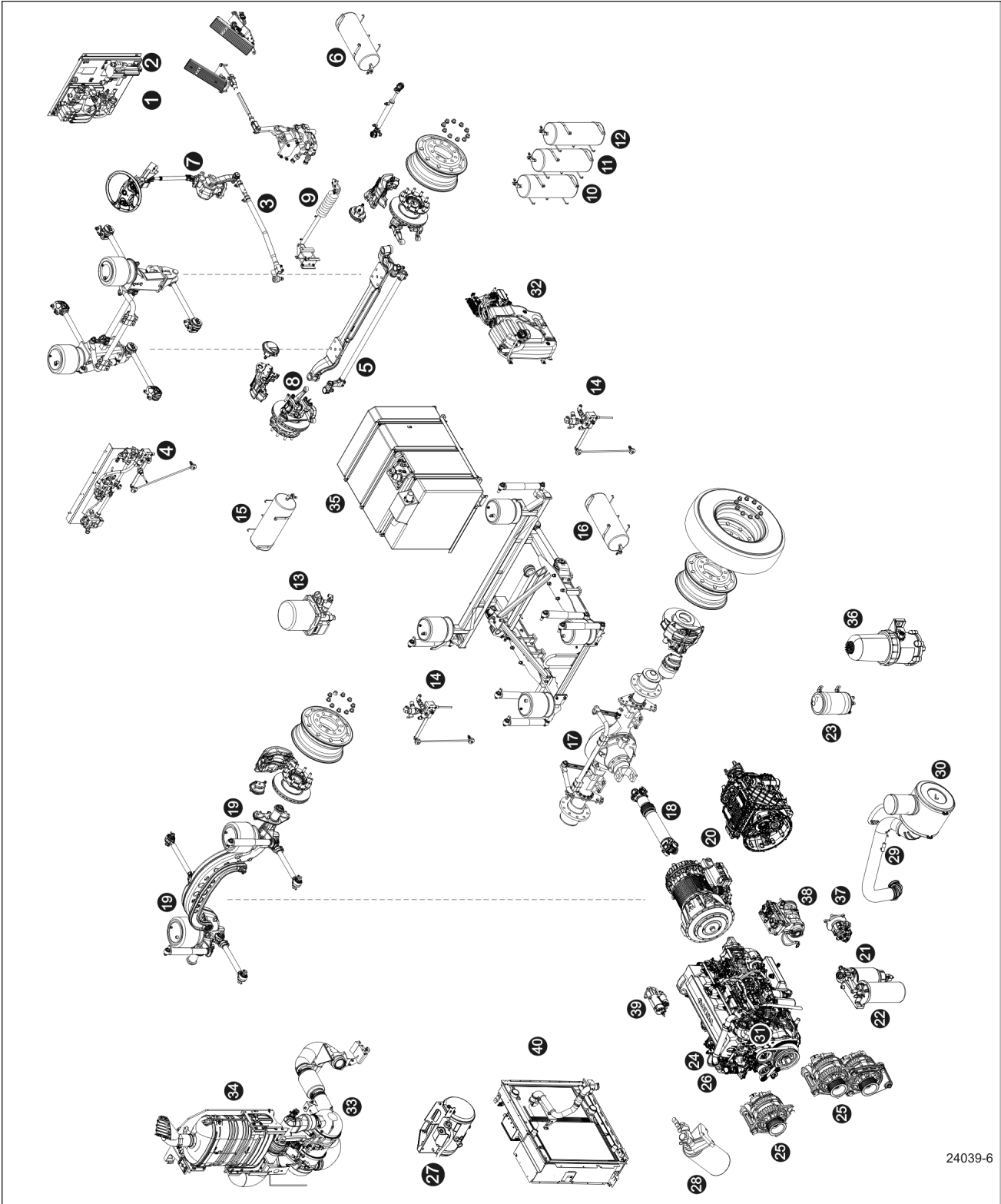
- Chemical fire extinguishers are provided with the vehicle. Placement may vary depending on options and models. Take a moment to locate them in your vehicle.
- In case of fire, immediately evacuate all occupants. Occupant safety is the first priority. Do not attempt to extinguish the fire if there is immediate danger or risk for personal injury;
- When driving on ice and snow, accelerate and decelerate gradually;



#### WARNING

Report all problems affecting passenger or driver safety to a Prevost service center. Have problems corrected immediately.





24039-6

FIGURE 25: H3 SERIES COMPONENTS IDENTIFICATION (MAY DIFFER SLIGHTLY FROM THE ACTUAL VEHICLE)

## 8-20 Care and Maintenance

---

- |    |   |    |   |
|----|---|----|---|
| 1  | Accessories air tank drain cock         | 21 | Primary fuel filter                     |
| 2  | Accessories air filter                  | 22 | Secondary fuel filter                   |
| 3  | Steering drag link                      | 23 | Power steering fluid tank               |
| 4  | Height control valve (front)            | 24 | Engine oil filter                       |
| 5  | Steering tie rod                        | 25 | Alternators                             |
| 6  | Accessories air tank                    | 26 | Allison transmission oil dipstick       |
| 7  | Steering column U-joints                | 27 | Engine coolant surge tank               |
| 8  | Steering knuckle pins                   | 28 | Coolant filter & conditioner            |
| 9  | Steering damper cylinder                | 29 | Engine air filter restriction indicator |
| 10 | Emergency / parking brake overrule tank | 30 | Engine air filter                       |
| 11 | Secondary air tank                      | 31 | Engine oil dipstick and filler tube     |
| 12 | Kneeling air tank                       | 32 | DEF tank                                |
| 13 | Air dryer                               | 33 | Diesel particulate filter               |
| 14 | Height control valve (rear)             | 34 | SCR catalytic converter                 |
| 15 | Wet air tank                            | 35 | Diesel fuel tank                        |
| 16 | Primary air tank                        | 36 | Davco Fuel Pro 382 fuel filter          |
| 17 | Differential                            | 37 | Power steering pump                     |
| 18 | Propeller shaft                         | 38 | Air compressor                          |
| 19 | Tag axle lever pivot                    | 39 | Starter                                 |
| 20 | Transmission                            | 40 | Cooling Assembly (Radiator & CAC)       |

## WALKAROUND INSPECTION (BEFORE EVERY TRIP)

It is good practice to make a visual inspection of key areas on the vehicle every day (or before every trip for private coaches) and to correct any problem found.

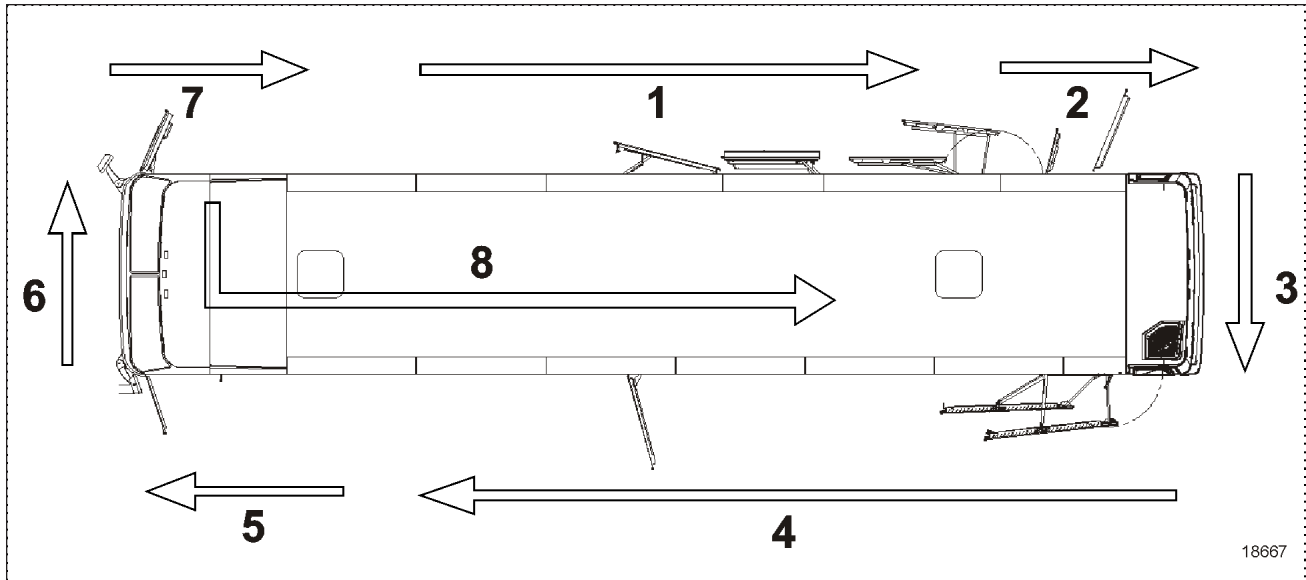


FIGURE 26: H3 SERIES WALKAROUND INSPECTION

### NOTE

*Inspect the coach in a circular manner as shown in the illustration.*

## APPROACHING THE VEHICLE

- Check under the coach for oil, fuel or coolant leaks or other signs of damage.
- Check exterior body surfaces for signs of damage.

## PREPARATION

- Close air tank drain valves.
- Start the engine and let the air pressure build up to normal. Stop engine.
- Switch on hazard warning flashers.
- Make sure parking brakes are applied.



## 8-22 Care and Maintenance

---

### STEP 1: RIGHT SIDE

- Check that baggage and service compartment doors are properly latched and locked.
- Check condition of wheels and rims. Especially look for cracks, missing nuts, bent or broken studs.
- Check condition of tires: properly inflated, no serious cuts, bulges, tread wear or any signs of misalignment; valve stems not touching wheels or rims; valve caps in place and no objects stuck between the wheels.

### STEP 2: ENGINE COMPARTMENT RIGHT SIDE AREA

- Check engine and surrounding areas for coolant, oil and fuel leaks.
- Check primary fuel filter/water separator and drain if necessary. Close drain valve after draining.
- Check power steering reservoir fluid level, add if necessary.
- Check wiring harness for signs of damage.

### STEP 3: ENGINE COMPARTMENT

- Check engine and surrounding areas for coolant, oil and fuel leaks.
- Check wiring harness for signs of damage.
- Check for loose, worn or broken belts.
- Check belts tension adjustment.
- Check engine crankcase oil level, add if necessary.
- Check Allison transmission fluid level (can also be checked from push-button shift selector), add if necessary.
- Check coolant surge tank fluid level, add if necessary.
- Check air cleaner restriction indicator, replace air cleaner when red signal locks in full view.
- Check stop light, tail light, directional signal light and back-up light assembly, they should be clean.

### STEP 4: REAR LEFT SIDE

- Check condition of wheels and rims. Especially look for cracks, missing nuts, bent or broken studs.
- Check condition of tires: properly inflated, no serious cuts, bulges, tread wear or any signs of misalignment; valve stems not touching wheels or rims; valve caps in place and no objects stuck between the wheels.

- Check that baggage and service compartment doors are properly latched and locked.
- Check optional auxiliary coolant heater for fuel leaks.

### STEP 5: FRONT LEFT SIDE

- Check condition of wheel rim. Especially look for cracks, missing nuts, bent or broken studs.
- Check condition of tire: properly inflated, no serious cuts, bulges, tread wear or any signs of misalignment; valve stem not touching wheel or rim; valve cap in place.
- Check windshield washer reservoir fluid level and add as necessary.

### STEP 6: FRONT

- Check windshield for damage and clean if dirty.
- Check windshield wiper arms for proper spring tension.
- Check wiper blades for any damage, “dead” rubber and attachment to arm.
- Check clearance and identification lights, they should be clean.
- Check high and low beams, they should be clean. If equipped, check fog lights.
- Check left and right directional signals, they should be clean.
- Check to see that there is no mud, snow, ice build-up or other obstruction in front of the ACB radar sensor if applicable.

### STEP 7: FRONT RIGHT SIDE

- Check condition of wheel rim. Especially look for cracks, missing nuts, bent or broken studs.
- Check condition of tire: properly inflated, no serious cuts, bulges, tread wear or any signs of misalignment; valve stem not touching wheel or rim; valve cap in place.

### STEP 8: INSIDE THE VEHICLE

- Check for proper operation of the entrance door.
- Check steps; clean them if there is any substance that makes them slippery, which makes coach entry/exit hazardous.
- Adjust and clean mirrors for adequate rear view vision.
- Verify proper operation of windshield wiper/ washer.
- Check for fire extinguishers to make sure they are ready for operation.

## 8-24 Care and Maintenance

---

### WITH ENGINE RUNNING

- Start engine and check for proper operation of all gauges. Perform a telltale light test (see [DIAGNOSTICS MENU](#) under Cluster Selftest in Section 5 Other Features) . Indicator lights and buzzers should all be OFF before driving.
- Using the message center display, perform a system diagnostic to check if error codes and anomalies were recorded in the vehicle electronic modules.
- Check for proper operation of electric and air horns and back-up alarm.
- Check automatic transmission oil level, using the pushbutton shift selector (see "[OIL LEVEL CHECK USING THE PUSHBUTTON SHIFT SELECTOR](#)" on [page 2](#) in Appendix C).
- Check that there is enough fuel in the tank.
- Perform a parking brake test. Check both primary and secondary pressure gauges. Refer to "Other Verifications" in this section.
- Perform the exterior lighting verification using the test mode. Refer to "[OTHER VERIFICATION](#)" on [page 9](#) in this section.
- Walk around the vehicle and listen for air leaks.
- Check for leaks and listen for unusual sounds coming from the turbocharger.

## SECTION 9 - TECHNICAL INFORMATION

<b>DIMENSIONS AND WEIGHTS</b> .....	<b>3</b>
<b>CAPACITIES</b> .....	<b>4</b>
<b>TURNING RADIUS</b> .....	<b>5</b>
<b>FUEL TYPE</b> .....	<b>6</b>
BIODIESEL FUEL .....	6
<b>WHEELS AND TIRES</b> .....	<b>6</b>
RECOMMENDED TIRE INFLATION PRESSURE AT MAXIMUM COLD LOAD .....	6
<b>BELTS ROUTING</b> .....	<b>7</b>
<b>VOLVO D13 ENGINE</b> .....	<b>7</b>
<b>ALLISON TRANSMISSION</b> .....	<b>7</b>
GEAR RATIOS .....	7
<b>PROPELLER SHAFT</b> .....	<b>7</b>
<b>BRAKES</b> .....	<b>7</b>
BRAKE CHAMBER EFFECTIVE AREA .....	8
<b>AIR SYSTEM</b> .....	<b>8</b>
<b>ANTILOCK BRAKING SYSTEM (ABS)</b> .....	<b>8</b>
<b>AUTOMATIC TRACTION CONTROL (ATC) – ELECTRONIC STABILITY CONTROL (ESC)</b> .....	<b>8</b>
<b>STEERING</b> .....	<b>8</b>
<b>ELECTRICAL SYSTEM</b> .....	<b>8</b>
<b>AXLES</b> .....	<b>9</b>
FRONT AXLE - INDEPENDENT FRONT SUSPENSION ( IFS) .....	9
DRIVE AXLE .....	9
TAG AXLE .....	9
<b>SUSPENSION</b> .....	<b>9</b>
INDEPENDENT FRONT SUSPENSION .....	9
DRIVE AXLE .....	9
TAG AXLE .....	9
<b>ALIGNMENT SPECIFICATIONS</b> .....	<b>10</b>
<b>COOLING SYSTEM</b> .....	<b>10</b>
<b>FUEL SYSTEM</b> .....	<b>11</b>
<b>EXHAUST SYSTEM</b> .....	<b>11</b>
<b>HEATING AND AIR CONDITIONING</b> .....	<b>11</b>
<b>OIL SPECIFICATIONS</b> .....	<b>12</b>
ENGINE .....	12
ALLISON TRANSMISSION .....	12
DIFFERENTIAL .....	12
POWER STEERING RESERVOIR .....	12
<b>PLATES AND CERTIFICATION</b> .....	<b>12</b>

## 9-2 Technical Information

---

SAFETY CERTIFICATION .....	13
DOT CERTIFICATION PLATE .....	13
<b>EPA ENGINE LABEL .....</b>	<b>13</b>
<b>VEHICLE IDENTIFICATION NUMBER (VIN) .....</b>	<b>14</b>
VIN DEFINITION .....	15
<b>COACH FINAL RECORD .....</b>	<b>16</b>

## DIMENSIONS AND WEIGHTS

DIMENSIONS AND WEIGHTS	H3-45 VIP	
Overall length (including bumpers)	45'	13 716 mm
Overall width	102"	2 590 mm
Overall height (normal ride height)	154"	3 912 mm
Wheelbase (front axle to drive axle)	313.4"	7 960 mm
Floor height from ground	63"	1 600 mm
Ground clearance	10 3/4"	273 mm
Step height from ground	14"	356 mm
Step height (other steps)	7"	178 mm
Headroom	83"	2 108 mm
Entrance door opening width	28"	711 mm
Front overhang	75"	1 909 mm
Rear overhang	108.37"	2 753 mm
Front track	86.3"	2 193 mm
Drive track	74.3"	1 888 mm
Rear track tag axle 22.5x10.5 alum, 365/70R22.5	83.8"	2 128 mm
Rear track tag axle 22.5x9 alum, 365/80R22.5	82.7"	2 100 mm
Curb weight (before conversion) small A/C	31 680 lb	14 400 kg
Additional weight		
full A/C system	700 lbs	318 kg
2 slide-out	3 520 lb	1 600 kg
3 slide-out	4 290 lb	1 950 kg
4 slide-out	5 500 lb	2 500 kg
Fuel Weight (full tank)	1 495 lbs	680 kg
Gross Vehicle Weight Rating (G.V.W.R.)	56 000 lb	25 174 kg
Front axle Gross Axle Weight Rating (G.A.W.R.)	19 000 lb	8 648 kg
Drive axle (G.A.W.R.)	22 500 lb	10 206 kg
Tag axle (G.A.W.R.)	14 000 lb	6 350 kg

### NOTE

*Curb weight is given as an indication only and is subject to vary from coach to coach, mostly due to optional equipment.*

## 9-4 Technical Information

The actual Gross Vehicle Weight Rating (G.V.W.R.) and the Gross Axle Weight Rating (G.A.W.R.) for front, drive and tag axles are listed on a certification plate located on the L.H. control panel in driver's section.

### CAPACITIES

CAPACITIES	H3-45 VIP
Volvo D13 Engine oil (refill volume with filter change)	40 US quarts (38 liters)
Fuel tank (legal capacity equal to 95% of volume)	200 US gal (757 liters)
Diesel Exhaust fluid tank (DEF)	16 US gal (60 liters)
Cooling system	27.5 US gal 104 liters
Allison Automatic Transmission (does not include external circuit)	10.03 U.S. gal (38 l) initial 6 US gal (23 liters) refill 6.9 US gal (26 liters) refill with retarder
Differential oil	20 US qts (19 liters)
Power steering reservoir	4 US qts (3,8 liters)
A/C compressor oil	2.8 US quarts (2.6 liters) high capacity system 420 ml (14.2 oz) small A/C system (initial filling with new empty system)
Windshield washer reservoir	large tank: 7.9 US gal (30 liters) small tank: 2.3 US gal (8.7 liters)
Refrigerant	24 lb (11 kg) high capacity system 8.5 lb (3.9 kg) (small A/C system with "Aux Air")



## TURNING RADIUS

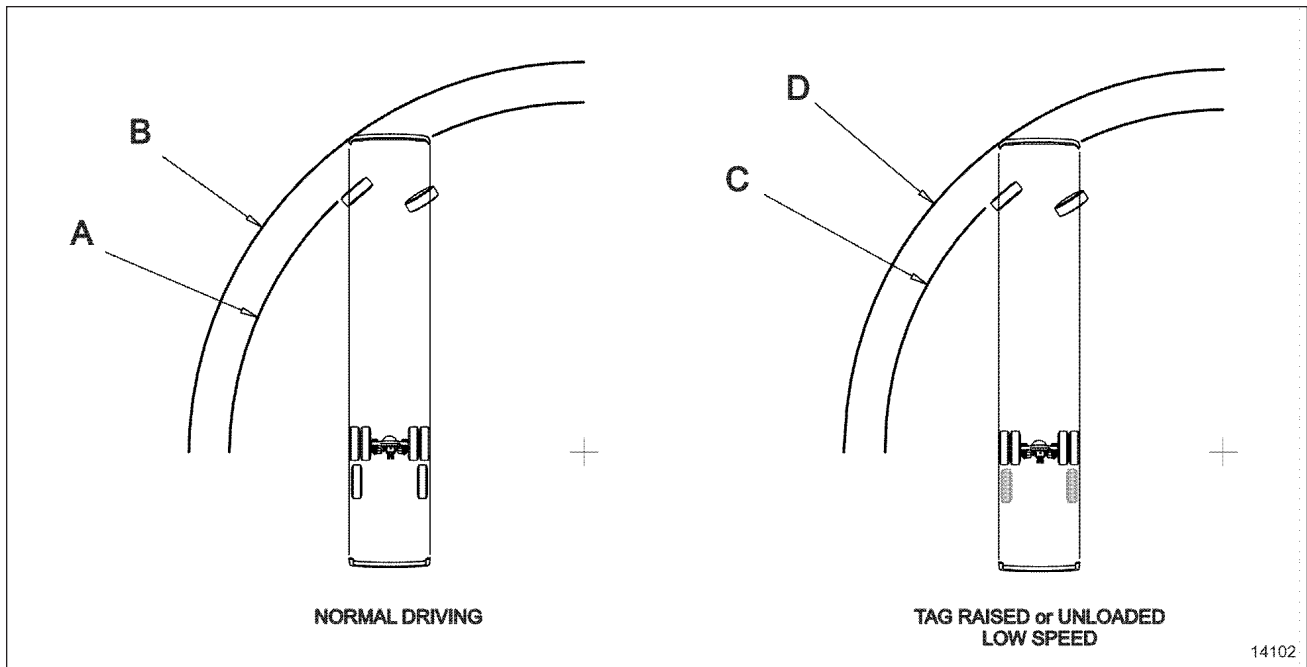
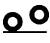
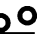


FIGURE 1: TURNING RADIUS DIAGRAM

Table below shows the turning radius values. Values A and B are for normal driving. Values C and D show values for low speed maneuvering where the tag axle is unloaded .

**NOTE**

Supplied values are theoretical. Factors such as the ground surface, vehicle speed and road conditions may significantly affect the turning radius.

Turning Radius 1, 2	H3-45, H3-45 VIP with Front Independent Suspension
A (Curb to Curb)	11.34m (37'3")
B (Wall to Wall)	12.64m (41'6")
C (Curb to Curb) 	10.84m (35'7")
D (Wall to Wall) 	12.13m (39'10")

<sup>1</sup>Curb to Curb value corresponds to the outer tire's track on the ground.

<sup>2</sup>Wall to Wall value includes the vehicle's body overhang.

## 9-6 Technical Information

### FUEL TYPE

Your Prevost vehicle is powered by a diesel engine designed to operate only with Ultra Low Sulfur Diesel (ULSD) fuel, which can contain no more than 15 ppm sulfur.



#### WARNING

ULSD fuel is necessary to avoid fouling the engine's Exhaust Aftertreatment System. Use of fuel other than ULSD will reduce the efficiency and durability of the engine.

### BIODIESEL FUEL

Biodiesel with up to a maximum of 5% biofuel (B5) may be used and will not affect the manufacturer's mechanical warranty as to engine and emissions system related components. The biofuel used in the various blends must conform to ASTM D6751; therefore B1 to B5 blends conforming to ASTM D975. Also, any engine performance problem related to the use of biodiesel fuel would not be recognized nor considered as Volvo or Prevost's responsibility.

However, Volvo engines are certified to comply with U.S. EPA and California emissions standards based upon the use of test fuels with specifications established by these regulatory agencies.

Alternative fuels, including biodiesel, that are not substantially similar to the required test fuels may adversely affect engine emissions compliance. As a result, Volvo does not warrant the engine will conform to applicable Federal or California emissions limits when operated on biodiesel or other alternative fuels that are not substantially similar to specified test fuels used for certification.

Additional maintenance is required and is covered in Section 03: FUEL SYSTEM of the maintenance manual.

### WHEELS AND TIRES

#### WHEELS DIMENSION

Alcoa aluminum wheels (front & tag axles): 10½" X 22½"

Alcoa super single wheels (drive axle): 14" X 22½"

#### TIRE DIMENSIONS

Front & tag axles: 365/70 R22.5 load range L tires on both axles

Drive axle: 315/80 R22.5 load range L tires

Drive axle: super single 455/55 R22.5 load range L tire

### RECOMMENDED TIRE INFLATION PRESSURE AT MAXIMUM COLD LOAD

The recommended tire inflation pressures are given in the applicable documents supplied with the vehicle. In addition, cold tire inflation pressures are listed on the Department of Transport (DOT) certification plate, affixed on the wall behind the driver's seat.

Vehicles equipped with TPMS: The TPMS target pressures are factory set to equal the prevailing tire pressure at delivery time. When tire pressures are increased to account for higher vehicle weight, the TPMS set point needs to be increased accordingly.

#### NOTE

*Before being converted, Bus Shells vehicles are not at their maximum weight and tire pressures are adjusted at a lower level value than the maximum allowed appearing on the DOT plate. Tire pressure must be readjusted once converted.*



#### CAUTION

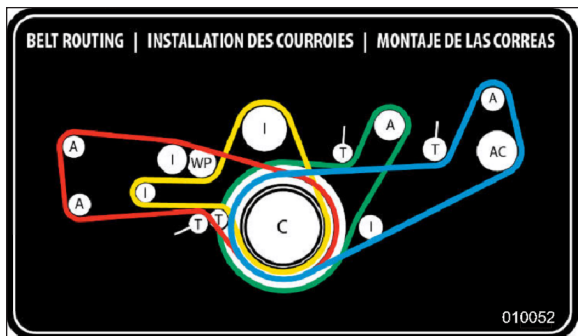
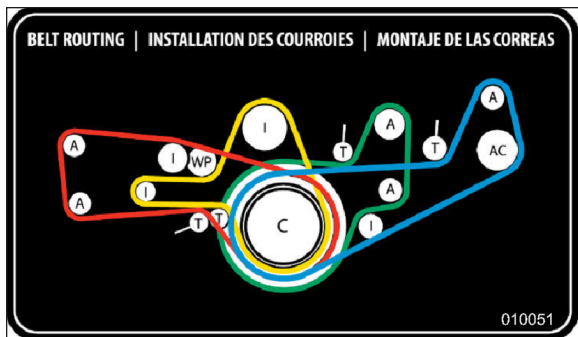
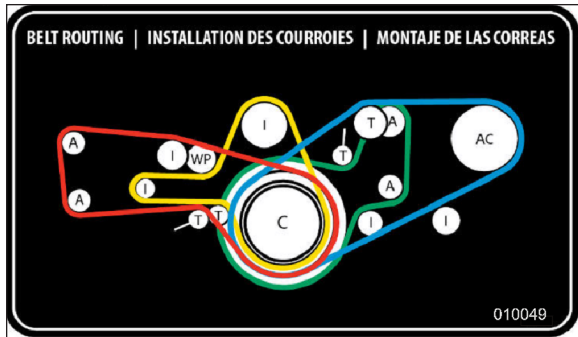
These tire pressures are established in accordance with the maximum allowable load on each axle. A lower pressure is recommended if the axle load is less than the above specifications. Weigh vehicle fully loaded and pressurize according to tire manufacturer's recommendations. For non-standard tire and wheel specifications, see Prevost tire pressure tabulation in "Coach Final Record" or special specification chart affixed next to the DOT certification plate.



**WARNING**

Special tire selection may lower the maximum allowable speed limit, even below posted speed limit. For maximum safety, check with the tire manufacturer.

**BELTS ROUTING**



A: Alternator      I: Idler      T: Tensioner  
 C: Crank      WP: Water pump      AC: A/C compressor

**NOTE**

*Belts specifications and configurations may vary. For proper belt selection, always consult your vehicle "Coach Final Record" or Parts Assist.*

**VOLVO D13 ENGINE**

Type: . . . . . 4-stroke / inline 6-cylinders  
 Displacement: 12.8 l, SOHC, 4-valve /cylinder  
 Power: . . . . . 500 HP  
 Torque: . . . . . 1851 lbf·ft (2509 Nm)  
 Cruise speed range: . . . . . 1400-1800 rpm  
 Full dress, dry weight: . . . . . 2582 lb / 1174 kg

**ALLISON TRANSMISSION**

Allison World MH4000 electronically controlled six speed automatic transmission (MH4000R with the optional output retarder).

**GEAR RATIOS**

1st .....	3.51
2nd .....	1.91
3rd .....	1.43
4th .....	1.00
5th .....	0.74
6th .....	0.64
Reverse:	4.80
Converter:	1.90

**PROPELLER SHAFT**

Dana Spicer SPL250 type tubular shaft, provided with heavy-duty universal joints.

**BRAKES**

The features of the braking system include a dual system where the front and rear circuits are completely independent from each other. The brakes are air operated disc type brakes. The emergency/parking brakes are located on the drive axle. To ensure a constant running clearance between pads and disc, the brakes are equipped with a non-wearing, automatic adjuster mechanism.

## 9-8 Technical Information

### BRAKE CHAMBER EFFECTIVE AREA

Front axle: . . . . . 24 in<sup>2</sup>

Drive axle: . . . . . 24/24 in<sup>2</sup> (service /emergency)

Tag axle: . . . . . 16 in<sup>2</sup>

### AIR SYSTEM

Compressed air is provided by a twin cylinder, 31.8 cfm Wabco, gear-driven, water-cooled and engine oil lubricated air compressor.

### ANTILOCK BRAKING SYSTEM (ABS)

The antilock braking system has one Electronic Control Unit (ECU) controlling a 6-sensor/5-modulator (6s/5m) system. A wheel slip sensor is mounted at each wheel.

The Electronic Control Module (ECM) is maintenance free. Its operating voltage is 24 ± 6 volts DC. The thermal operating range for the ECM is from -40 to 167°F (-40 to 75°C).

The solenoid control valves are maintenance free. Their operating voltage is 24 (+4.8, -2.4) volts DC. The rated current draw is 1.65 amps. The thermal operating range of the solenoid control valves is from -40 to 176°F (-40 to 80°C).

### AUTOMATIC TRACTION CONTROL (ATC) – ELECTRONIC STABILITY CONTROL (ESC)

In addition to the ABS function, vehicle is equipped with a Traction Control System (TCS) feature. This feature is provided by the Bendix ESP EC-80 controller. Bendix refers to this feature as Automatic Traction Control (ATC). Bendix ATC can improve vehicle traction during acceleration, and lateral stability while accelerating through curves. ATC utilizes Engine Torque Limiting (ETL) where the ECU communicates with the engine's controller and/or Differential Braking (DB) where individual wheel brake applications are used to improve vehicle traction.

The ESP EC-80 model controller also provides an ABS-based Electronic Stability Control (ESC)

feature. Bendix refers to it as ESC Electronic Stability Control.

The Bendix ESC system is an ABS-based stability system that enhances vehicle stability by both reducing engine throttle and by applying vehicle braking based on actual vehicle dynamics.



#### CAUTION

Even with ESC-equipped vehicles, the driver remains responsible for ensuring vehicle stability during operation.



#### DANGER

ESC may reduce the vehicle speed automatically.

ESC can make the vehicle decelerate automatically. ESC can slow the vehicle with or without the operator applying the brake, and even when the throttle is being applied

### STEERING

ZF 8098 integral hydraulic assisted steering gear

- Hydraulic pump gear driven from engine.
- ZF Servocomtronic variable ratio and variable assistance in function of vehicle speed available.
- Hydraulic reservoir and dipstick accessible from the engine compartment.
- System pressure: 2320 psi (160 bars).
- Steering wheel diameter 18". Tilt steering wheel and telescopic steering column; pneumatically locked with foot-operated switch for adjustment.
- Number of turns: 5¾.

### ELECTRICAL SYSTEM

- 24-volt, negative ground;
- 12-volt exterior lighting;

- Various arrangements of 24V- 150A and 12V-200A , self-regulated, belt-driven, air-cooled Bosch alternators;
- Four 12 Volts, group 31 AGM type batteries connected in series/parallel. Each one has a reserve capacity of 200 minutes and a cold cranking capacity of 800 amps.
- 100 amp battery equalizer.

## AXLES

### FRONT AXLE - INDEPENDENT FRONT SUSPENSION ( IFS)

- Prevost independent front suspension with calibrated air springs for improved comfort
- 19 000 lbs capacity (loading limit could be less depending on the wheel and tire selection)
- Wide apart double V -arm design mounted on ball joints with torque link
- Double sealed taper roller bearings bell crank and idler steering arm
- Unitized wheel bearing (maintenance-free bearing)
- Factory pre-adjusted caster

### DRIVE AXLE

- Meritor model RC23-165 full banjo type dual tire drive
- Meritor RC23-165 with Allison transmission ratio: 3.91 (standard), 3.58 & 4.10 (optional)
- Oil lubricated wheel bearings on Meritor RC23-165
- Factory pre-adjusted caster

### TAG AXLE

- Prevost hollow square beam
- FAG Unitized wheel bearings (maintenance free)
- Tag axle may be unloaded to provide better traction in snow, mud and reduce the turning radius and tire scrub at low cornering speed

## SUSPENSION

Goodyear rolling lobe type air springs (bellows) are used throughout.

### INDEPENDENT FRONT SUSPENSION

- 2 Bellows (14") for a GAWR of 19 000 lbs;
- 2 Shock absorbers;
- 2 Upper V-arms;
- 2 Lower V-arms;
- 2 Torque rods;
- 2 Steering Levers;
- 1 Height control valve;
- 1  $\frac{3}{4}$  sway bar;

### DRIVE AXLE

- 4 Bellows;
- 4 Shock absorbers;
- 3 Radius rods;
- 1 Panhard rod;
- 2 Height control valves;
- 1 Anti-roll bar;

### TAG AXLE

- 2 Bellows;
- 2 Shock absorbers;
- 3 Radius rods;
- 1 Panhard rod;

## 9-10 Technical Information

### ALIGNMENT SPECIFICATIONS

Use static wheel alignment systems which work with angle measurements only, such as Josam or Hunter systems. Static alignment specifications are listed in the following tables:

DRIVE AXLE - MERITOR			
	Minimum value	Nominal value	Maximum value
Thrust angle	±0.11°		
Total toe	0.18° toe-in	0°	0.18° toe-out

TAG AXLE			
	Minimum value	Nominal value	Maximum value
Thrust angle*	-0.02°	0	0.02°
Total toe	0.12° toe-in	0°	0.02° toe-out
(*) Use the drive axle as reference			

INDEPENDENT SUSPENSION		FRONT	
CONVERTED VEHICLE			
	Minimum value	Nominal value	Maximum value
Right camber	-0.20°	0.0°	0.20°
Left camber	-0.20°	0.0°	0.20°
Right caster	2.55°	2.8°	3.05°
Left caster	2.55°	2.8°	3.05°
Total toe	0.04°	0.06°	0.08°

INDEPENDENT SUSPENSION		FRONT	
NON-CONVERTED VEHICLE			
	Minimum value	Nominal value	Maximum value
Right camber	0.20°	0.30°	0.50°
Left camber	0.20°	0.30°	0.50°
Right caster	2.55°	2.8°	3.05°
Left caster	2.55°	2.8°	3.05°
Total toe	0.02°	0.04°	0.06°

### COOLING SYSTEM

- Extra capacity, Aluminum radiator and aluminum charge air cooler arranged side by side.
- Eight 24V speed controlled by ECU electrical cooling fans.
- Radiator fans: pusher type, 6 high power 24 Volts electrical fans, 12-inch diameter.
- CAC fans: pusher type, 2 high power 24 Volts electrical fans, 12-inch diameter.
- Rubber insulated from the body.
- Expansion & recovery tanks above radiator and remote mounted.
- System pressure 15 psi.
- Factory-fill coolant: -Volvo VCS2B ELC (Extended life coolant), color orange.
- Thermostat: 82 / 92 °C (180 / 198 °F) – (cracking / fully open).
- Full system capacity 27.5 US gal (104 l).

- Coolant filter without Supplemental Coolant Additive (SCA).

## FUEL SYSTEM

Polyethylene 200 US gallons (757 liters) fuel tank located in middle of second baggage bay (heating and a/c section)

- Anti-spill device.
- Two safety filler caps providing filling access on both sides of the vehicle.
- Pressure relief valve.
- Electric fuel gauge.
- Low level signal at 26 US gallons (98.4 liters).
- Primary filter 10 microns (standard).
- Primary fuel filter with electrical water indicator (Volvo D13).
- Fuel Pro filter available as an optional primary filter.
- Secondary filter 3 to 5 microns.
- Shut-off valve on fuel supply line.

## EXHAUST SYSTEM

One all stainless steel exhaust & aftertreatment system including:

- Catalytic converter to reduce NOx.
- Aftertreatment system made of a DPF (Diesel Particulate Filter), DOC (Diesel Oxidation Catalyst) and SCR system. Noise & vibration damped, this ATD is mounted to the vehicle structure and is accessible through an exterior access door.
- Tail pipe diffuser and rain deviation device.
- Exhaust pipe with flexible section.

- Exhaust to rear rooftop.
- Diesel exhaust fluid (DEF) tank (60 liters) and injection system.

## HEATING AND AIR CONDITIONING

Two air conditioning systems are available: the large capacity (central HVAC system) or the small capacity A/C (small HVAC system). Vehicles equipped with the large capacity HVAC system benefit from a combination heating and cooling system that provides adequate capacity of conditioned and filtered air for all climatic conditions. Fresh air is drawn into the system from the left (driver's) side of the vehicle. Return air is taken from the middle of the vehicle. The driver's heater and defogger are controlled separately from the central unit. An air mixture selector enables air to be drawn into the system from outside the vehicle or recirculated. Driver's air provides cooling for the driver's area only, maximizing available baggage space for other uses. The small capacity HVAC system enables cooling the driver's area only.

CENTRAL HVAC SYSTEM	
Air conditioning capacity	9 tons
Refrigerant type	134A
Heating capacity	150 000 Btu/h
Air flow	2 600 cfm (73,6 m <sup>3</sup> /min)

SMALL HVAC SYSTEM	
Air conditioning capacity	2 tons
Refrigerant type	134A
Air flow	450 cfm (12,7 m <sup>3</sup> /min)
Refrigerant nominal charge	6 lbs

COMPRESSOR (central HVAC system)	
Number of cylinders	4



## 9-12 Technical Information

<b>COMPRESSOR (central HVAC system)</b>	
Operating speed	500 to 3500 rpm
Oil capacity	2.8 US quarts (2.6 liters)
Approved oil	Bitzer BSE55 (POE)

<b>COMPRESSOR (small HVAC system)</b>	
Number of cylinders	7
Operating speed	700 to 6000 rpm
Oil capacity	6 US oz (0.18 liters)
Approved oil	SP-20 (PAG)

### **NOTE**

*The above oils are suitable for use with reciprocating compressors using refrigerant R134a and with evaporator temperatures above 40°F (-40°C).*

## OIL SPECIFICATIONS

Oil specifications for the vehicle's systems.

### **ENGINE**

#### **Volvo D13N (EOBD-U24)**

Recommended: SAE Viscosity Grade 5W-30 meeting Volvo specification VDS-5 or API FA-4.

Minimum requirement: Volvo specification VDS-4.5 or API CK-4 oils

### **ALLISON TRANSMISSION**

Allison Transmission recommends the following fluids:

- Castrol TranSynd™ or TES668 or TES-295 specification equivalent fluid;
- TES-389 specification equivalent fluid.

### **DIFFERENTIAL**

Multigrade gear oil meeting MIL-PRF-2105E: 85W-140 is recommended for use in the Meritor drive axle. This lubricant performs well over a

broad temperature range, providing good gear and bearing protection in a variety of climates. If temperature drops below 10°F (-12°C), 80W-90 should be used, and below -15°F (-26°C), 75W-90 should be used. In extreme conditions or for better performance, full synthetic gear oil should be used.

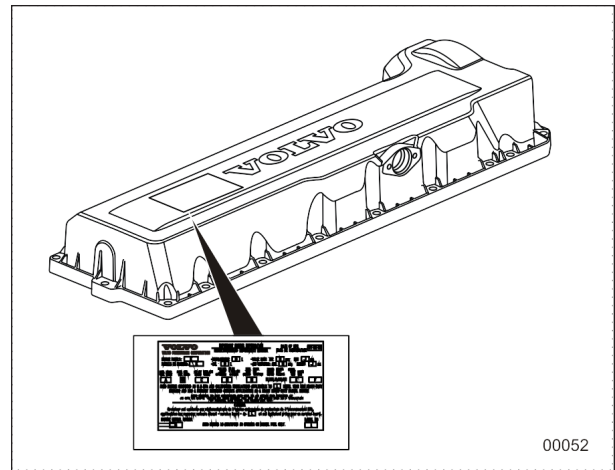
### **POWER STEERING RESERVOIR**

Use Automatic Transmission Fluid (ATF) Dexron-III (F, G or H) or Dexron-IV for this system.

## PLATES AND CERTIFICATION

The main components of the vehicle such as engine, transmission, axles and chassis are identified by different serial numbers. It may be necessary to locate these numbers for warranty purposes.

The engine data plate is located on the rocker cover. The engine serial and model number and a list of the optional engine equipment are written on this plate. Refer to this information when ordering replacement parts. Also the engine data plate certifies that the engine conforms to federal and any state exhaust emissions regulations.



**FIGURE 2: VOLVO D13 ENGINE DATA PLATE**



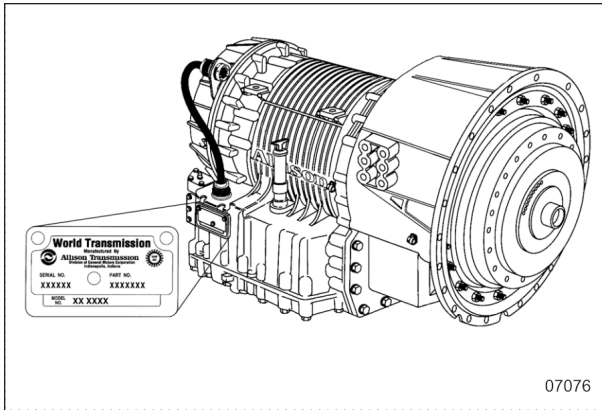


FIGURE 3: ALLISON TRANSMISSION

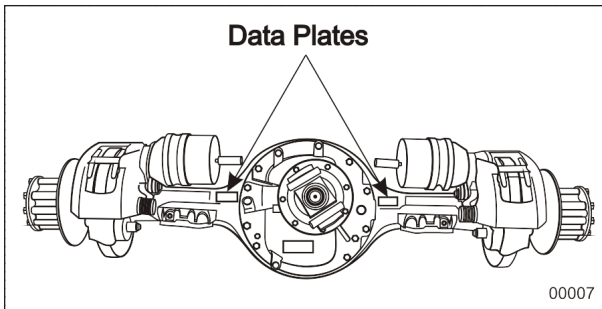


FIGURE 4: MERITOR DRIVE AXLE

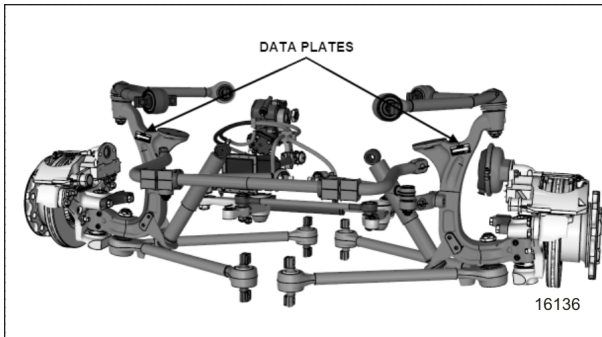


FIGURE 5: INDEPENDENT FRONT SUSPENSION

### SAFETY CERTIFICATION

Vehicle components meet specifications and standards as follows:

- Material and parts conform to ASTM and/or SAE standards in effect at the time of manufacture.
- All factory-installed interior materials meet FMVSS 302 for fire resistance.
- Certified according to Provincial, State and Federal Safety standards (Canadian and US) BMCSS, FMVSS and CMVSS.

- Other applicable certification labels are affixed to the component.

### DOT CERTIFICATION PLATE

This certifies that vehicles manufactured by Prevost comply with all Federal Motor Vehicle Safety Standards at the time of manufacture. Information such as the date of manufacture, model year, gross vehicle weight rating, tire types and inflation pressure is also etched on this plate.

The DOT certification plate is affixed behind the driver's seat.

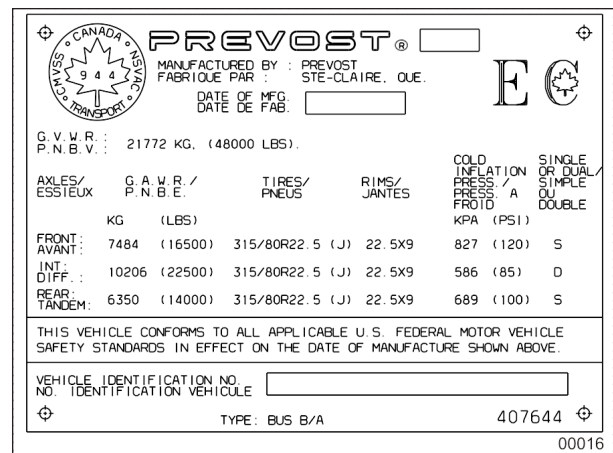


FIGURE 6: EXAMPLE OF CERTIFICATION PLATE

### EPA ENGINE LABEL

The emissions certification label affixed in the engine compartment certifies that the engine conforms to federal and any state exhaust emissions regulations.

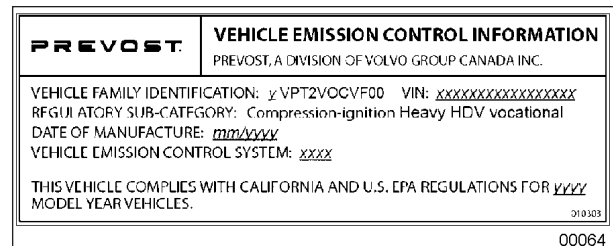
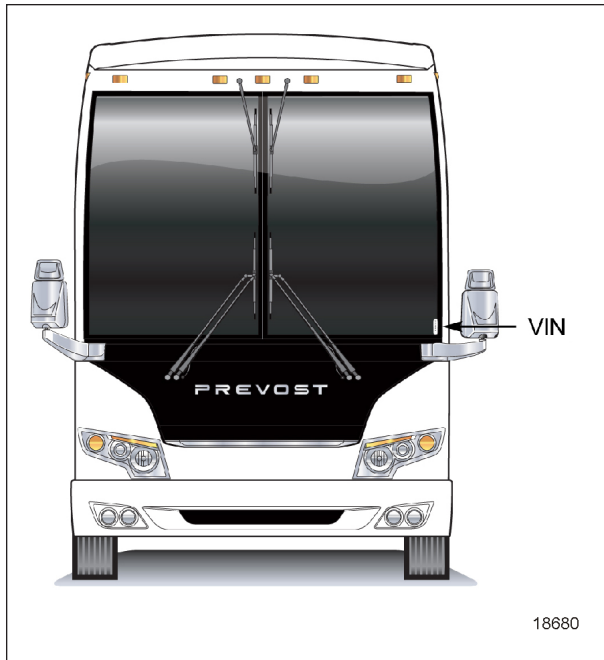


FIGURE 7: EPA CERTIFICATION LABEL

### VEHICLE IDENTIFICATION NUMBER (VIN)



**FIGURE 8: VEHICLE IDENTIFICATION NUMBER (H3 SERIES)**

The Vehicle Identification Number is stamped on the DOT certification plate and also on a plate located on the windshield frame pillar (driver's side). The VIN is visible from the outside of the vehicle. Make sure the correct vehicle identification number is given when ordering replacement parts. Using the VIN when ordering parts will facilitate processing.

#### **NOTE**

*Record the VIN in the vehicle documentation and keep with company records. The VIN will normally be used for vehicle registration, service reference needs and for obtaining vehicle insurance coverage.*

VIN DEFINITION

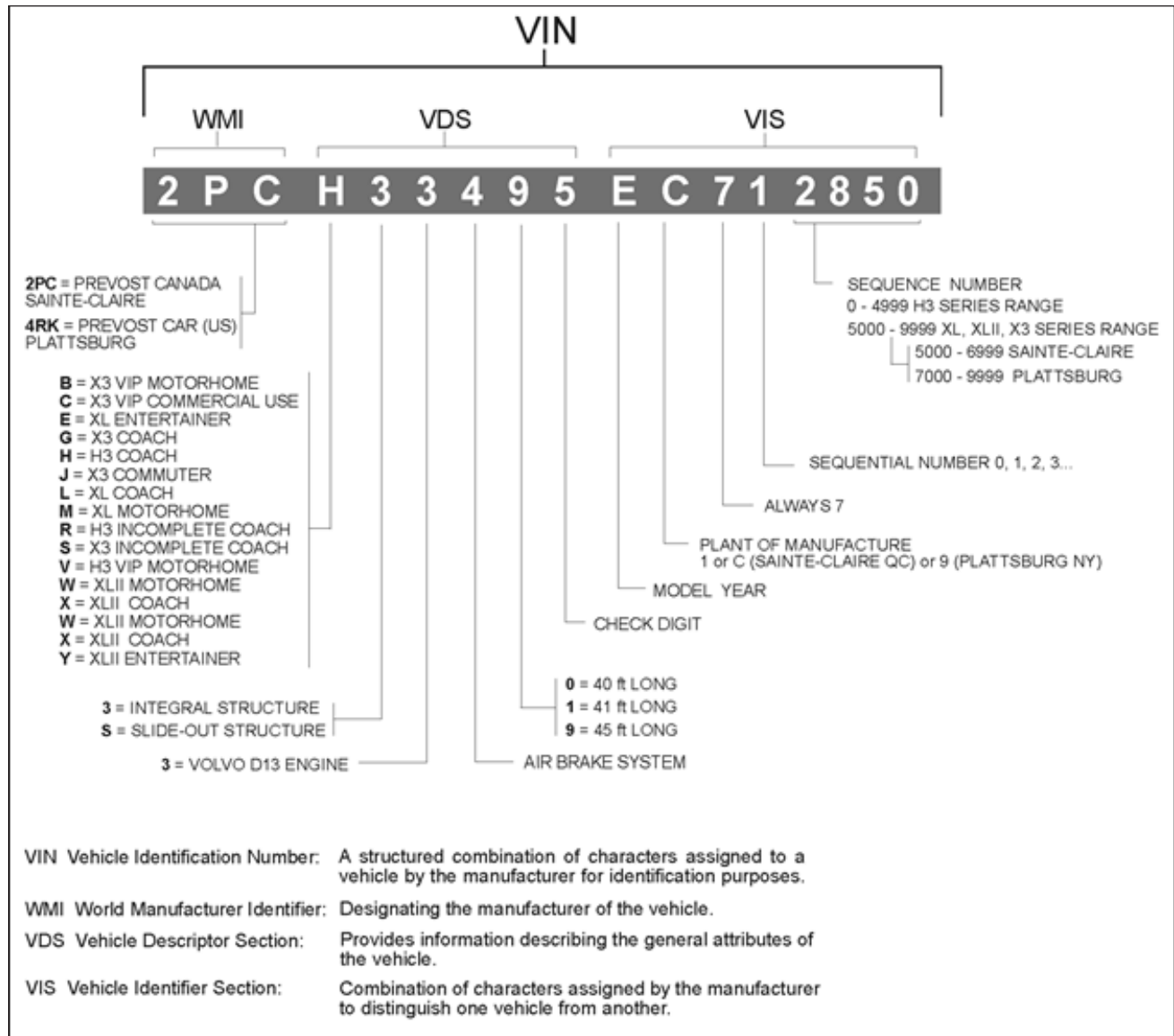


FIGURE 10: VEHICLE IDENTIFICATION NUMBER

00057\_5

YEAR	CODE	YEAR	CODE	YEAR	CODE
2001	1	2009	9	2017	H
2002	2	2010	A	2018	J
2003	3	2011	B	2019	K
2004	4	2012	C	2020	L
2005	5	2013	D	2021	M
2006	6	2014	E	2022	N
2007	7	2015	F	2023	P
2008	8	2016	G	2024	R

## 9-16 Technical Information

---

### COACH FINAL RECORD

The Coach Final Record is a record of all data pertaining to the assembly of the vehicle. This record is shipped to the new customer via a courier company. Retain this record in the company records office for reference and safe-keeping.

## ABBREVIATIONS

ABLE	Automatic Bus Lane Enforcement
ABS	Antilock Brake System
A/C	Air Conditioning
ACB	Adaptive Cruise With Braking (also Referenced As ACC)
ACM	Aftertreatment Control Module
AFSS	Automatic Fire Suppression System
APC	Automatic Passenger Counter
ATC	Automatic Traction Control (Bendix)
CC	Cruise Control
CECM	Chassis Electronic Control Module
DCDL	Driver Controlled Differential Lock
DDR	Diagnostic Data Reader
DEF	Diesel Exhaust Fluid
DID	Driver Information Display
D-MIC	Driver Microphone
DPF	Diesel Particulate Filter
DTC	Diagnostic Troubleshooting Code
ECM	Electronic Control Module
ECU	Electronic Control Unit
EECU	Engine Electronic Control Unit
EGR	Exhaust Gas Recirculation
ELD	Electronic Logging Device
ESC	Electronic Stability Control
ESC	Escape
ESP	Electronic Stability Program (Bendix)
E+	Eco-Roll
FCM	Forward Collision Mitigation
FDA	Following Distance Alert
GAW	Gross Axle Weight
GECU	Gear Selector Electronic Control Unit
G-MIC	Guide Microphone
GVW	Gross Vehicle Weight
HVAC	Heating, Ventilation And Air Conditioning
HUD	Head-up Display
IA	Impact Alert
IFS	Independent Front Suspension
LDW	Lane Departure Warning
LED	Light Emitting Diode
LLS	Level Low System
MCM	Master Chassis Module
MPH	Miles Per Hour
PPT	Premium Tech Tool
PRIME	Power Recovery By Intelligent Management Of Energy
PTO	Power Take Off
SCR	Selective Catalytic Reduction
SID	Secondary Information Display

## 10-2 Abbreviations

---

TCM	Transmission Control Module
TCS	Traction Control System
TECU	Transmission Electronic Control Unit
TPMS	Tire Pressure Monitoring System
TWS	Threshold Warning System
ULSD	Ultra Low Sulfur Diesel
VCADS	Volvo Computer Assisted Diagnostic Sytem
VEB	Volvo Engine Brake
VECF	Vehicle Electrical Center Front
VECR	Vehicle Electrical Center Rear
VECU	Vehicle Electronic Control Unit
VSS	Video And Sound Selector
WCL	Wheelchair Lift

# APPENDIX A - SERVICE LITERATURE

- SERVICE LITERATURE ..... 2
- NOTICE ..... 2
- DECLARATION OF THE MANUFACTURING DEFECTS TO THE GOVERNMENT OF THE UNITED STATES ..... 2
- DECLARATION OF THE MANUFACTURING DEFECTS TO THE CANADIAN GOVERNMENT ..... 3
- DECLARATION OF THE MANUFACTURING DEFECTS TO PREVOST ..... 3



## A-2 Service Literature

---

### SERVICE LITERATURE

Visit our web site at [www.prevostcar.com](http://www.prevostcar.com) for on-line product information and technical publications!

Additional copies of the following service literature are available on request and at low cost. These can be helpful to mechanics and drivers alike.

- Maintenance Manual
- Owner's Manual
- Parts Manual
- Service Center Directory

To order, call Prevost Parts toll free 1-800-463-8876 or write to:

#### **PREVOST PARTS**

2955-A Watt Street  
Sainte-Foy, (Quebec)  
Canada G1X 3W1

[prevostparts.commandes@volvo.com](mailto:prevostparts.commandes@volvo.com) (Canada)

[function.prevostparts.orders@volvo.com](mailto:function.prevostparts.orders@volvo.com) (USA)

Specify the complete vehicle serial number (VIN). Allow 30 days for delivery

### NOTICE

#### **DECLARATION OF THE MANUFACTURING DEFECTS TO THE GOVERNMENT OF THE UNITED STATES**

If you believe that your vehicle has defect which could cause a crash or could cause injury or death, you should immediately inform the National Highway Traffic Safety Administration (NHTSA) in addition to notifying Prevost.

If NHTSA receives similar complaints, it may open an investigation, and if it finds that a safety defect exists in a group of vehicles, it may order a recall and remedy campaign.

However, NHTSA cannot become involved in individual problems between you, your dealer, or Prevost.

To contact NHTSA you may either call the Auto Safety Hotline toll-free at 1-800-424-9393 (or 366-0123 in Washington, D.C. area) or write to:

#### **NHTSA**

**U.S. Department of Transportation**

**Washington, D.C. 20590**

You can also obtain other information about motor vehicle safety from the Hotline.

## **DECLARATION OF THE MANUFACTURING DEFECTS TO THE CANADIAN GOVERNMENT**

If you live in Canada, and if you believe that your vehicle has a safety defect, you should immediately inform Transport Canada and Prevest. You may write to:

**Transport Canada  
Box 8880  
Ottawa, Ontario, K1G 3J2**

## **DECLARATION OF THE MANUFACTURING DEFECTS TO PREVOST**

In addition to NHTSA (or Transport Canada) notification, please contact Prevest at 1-418-831-2046. Or write to:

**Prevest  
After-sales service department  
850 ch. Olivier,  
Lévis (Quebec)  
Canada, G7A 2N1**



# APPENDIX B - MULTIPLEX TROUBLESHOOTING

MULTIPLEX TROUBLESHOOTING GUIDE ..... 2

## B-2 Multiplex Troubleshooting

### MULTIPLEX TROUBLESHOOTING GUIDE

Problem / Symptom	Probable Causes	Actions
Vehicle does not Start from the dashboard	<p>The Engine Stop pushbutton located on the rear start panel is depressed</p> <p>Main electrical shut- off switch is in the OFF position</p>	<ol style="list-style-type: none"> <li>1. Twist and pull the Engine Stop pushbutton to place it in normal operating position, check that the main electrical shut-off switch is in the ON position and retry cranking from the ignition switch</li> <li>2. Start the vehicle from the engine compartment using the rear start button</li> </ol>
Vehicle does not Start from the dashboard <i>and</i> from the rear	<p>DL0 (BBUS MUX) network problem (Multiplex)</p> <p>Module AE52 not powered or is defective</p> <p>Engine ECM does not receive the ignition signal</p> <p>Engine ECM is not powered</p>	<ol style="list-style-type: none"> <li>1. Verify that module AE52 is powered:               <ol style="list-style-type: none"> <li>a. Check the DIAGNOSTICS menu of Driver Information Display (DID). Select VIEW ACTIVE FAULTS and ELECTRICAL. The message “No Response ModA52, Active”, indicates a power problem on the module or a DL0 (BBUS MUX) network problem.</li> <li>b. Check / reset circuit breaker CB5</li> <li>c. Check / replace fuse F65</li> <li>d. Probe gray connector on module to see if it is powered.</li> </ol> </li> <li>2. Verify that the engine ECM is powered and gets the ignition signal               <ol style="list-style-type: none"> <li>a. Check / reset circuit breaker CB8 Check / replace fuse F74</li> <li>b. Check / reset circuit breaker CB2 Check / replace fuse F78</li> </ol> </li> </ol>

## Multiplex Troubleshooting B-3

Problem / Symptom	Probable Causes	Actions
<p>None of the Multiplexed functions are operating, including the basic limp-home functions (door opening, flashers, wipers in speed 1)</p> <p>“FLIP REAR BREAKER TO INITIATE I/O MODULES PROGRAMMING” pop-up message appears in the DID</p> <p>Note: The sunshades are still functioning since these are not multiplexed</p>	<p>The program version in the MCM is different than the program in the I/O modules and the MCM is forcing all I/O modules to stay inactive</p>	<ol style="list-style-type: none"> <li>1. Engage the auto-programming of the I/O modules: Turn the ignition key to the ON position, trip and reset circuit breaker CB6.</li> <li>2. The DID indicates "MUX AUTOPROGRAMMING I/O MODULE PLEASE WAIT" until the reprogramming is complete.</li> </ol>
<p>Many of the non-essential secondary functions are not functioning (interior lighting, driver's area lighting, wiper speed 2 and intermittent).</p> <p>Marker lights and clearance lights are turned ON when setting ignition to the ON position.</p>	<p>The MCM module does not receive 24 V power.</p> <p>The DL0 (BBUS MUX) network is not working. It could be caused by a short on the network, an open circuit, a problem with the MCM or the MCM being disconnected from the network.</p>	<ol style="list-style-type: none"> <li>1. Check / reset circuit breaker CB6. Check / replace fuse F1</li> <li>2. Operate in limp-home mode by starting the vehicle from the engine compartment (REAR START). All functions essential to drive are available</li> </ol> <p>To close and lock the door, pull the door manually up to its closed position and it will lock by itself. The door opening button is still functioning</p>
<p>No temperature control in the passenger area</p> <p>Passenger temperature display indicates two dashes "--"</p>	<p>Problem with the temperature sensor located in the evaporator compartment air intake or the sensor wiring</p>	<p>Instruct the driver to manually control the temperature by playing with the passenger set point. Set above 22°C (72°F) to heat and below 22° C (72°F) to cool</p>

## B-4 Multiplex Troubleshooting

Problem / Symptom	Probable Causes	Actions
<p>Entrance door does not open nor close using the control buttons</p> <p>Defroster fan not functioning</p> <p>Windshield wipers not functioning in speed 1 or intermittent</p>	Module AE47 is not powered or is faulty	<ol style="list-style-type: none"> <li>1. Check the DIAGNOSTICS menu of Driver Information Display (DID). Select VIEW ACTIVE FAULTS and ELECTRICAL. The message “No Response ModA47, Active” indicates a power problem on the module. (A DLO (BBUS MUX) network problem would show the same message but doesn't produce these symptoms).</li> <li>2. Check / reset circuit breaker CB1</li> <li>3. Check / replace fuse F45</li> <li>4. Probe gray connector on module to see if it is powered.</li> <li>5. Use the air release valves near the entrance door and in the front service compartment to lock / unlock the door</li> </ol>
Windshield wipers not functioning in speed 1 or intermittent	No power on R27	Check CB48 (VECF)
HVAC condenser fans not functioning in speed 1	Circuit breaker CB7 tripped	Check / reset circuit breaker CB7
HVAC condenser fans not functioning in speed 2	Circuit breaker CB7 tripped	Check / reset circuit breaker CB7 Check / replace fuse F135
<p>Windshield washer not functioning</p> <p>Windshield upper section de-icing system not functioning</p>	Module AE44 is not powered or is faulty	<ol style="list-style-type: none"> <li>1. Check the DIAGNOSTICS menu of Driver Information Display (DID). Select VIEW ACTIVE FAULTS and ELECTRICAL. The message “No Response ModA44, Active” indicates a power problem on the module. (A DLO (BBUS MUX) network problem would show the same message but doesn't produce these symptoms).</li> <li>2. Check / reset circuit breaker CB1</li> <li>3. Check / replace fuse F44</li> <li>4. Probe gray connector on module to see if it is powered.</li> </ol>

## Multiplex Troubleshooting B-5

Problem / Symptom	Probable Causes	Actions
Defroster fan is functioning but no heat or cooling available in the driver area.	Module AE47 is not powered or is faulty	<ol style="list-style-type: none"> <li>1. Check the DIAGNOSTICS menu of Driver Information Display (DID). Select VIEW ACTIVE FAULTS and ELECTRICAL. The message "No Response ModA47, Active" indicates a power problem on the module. (A DL0 (BBUS MUX) network problem would show the same message but doesn't produce these symptoms).</li> <li>2. Check / reset circuit breaker CB1</li> <li>3. Check / replace fuse F45</li> <li>4. Probe gray connector on module to see if it is powered.</li> </ol>
<p>Low beam headlamps and front flasher on left side not functioning</p> <p>Electric horn not functioning</p>	Module AE46 is not powered or is faulty	<ol style="list-style-type: none"> <li>1. Check the DIAGNOSTICS menu of Driver Information Display (DID). Select VIEW ACTIVE FAULTS and ELECTRICAL. The message "No Response ModA46, Active" indicates a power problem on the module. (A DL0 (BBUS MUX) network problem would show the same message but doesn't produce these symptoms).</li> <li>2. Check / reset circuit breaker CB10</li> <li>3. Check / replace fuse F19</li> <li>4. Probe gray connector on module to see if it is powered.</li> </ol>
Low beam headlamps and flasher on right side not functioning	Module AE48 is not powered or is faulty	<ol style="list-style-type: none"> <li>1. Check the DIAGNOSTICS menu of Driver Information Display (DID). Select VIEW ACTIVE FAULTS and ELECTRICAL. The message "No Response ModA48, Active" indicates a power problem on the module. (A DL0 (BBUS MUX) network problem would show the same message but doesn't produce these symptoms).</li> <li>2. Check / reset circuit breaker CB10</li> <li>3. Check / replace fuse F21</li> <li>4. Probe gray connector on module to see if it is powered.</li> </ol>



## B-6 Multiplex Troubleshooting

Problem / Symptom	Probable Causes	Actions
<p>Rear flashers not functioning</p> <p>Stoplights and center stoplights not functioning</p>	<p>Module AE51 is not powered or is faulty</p>	<ol style="list-style-type: none"> <li>1. Check the DIAGNOSTICS menu of Driver Information Display (DID). Select VIEW ACTIVE FAULTS and ELECTRICAL. The message “No Response ModA51, Active” indicates a power problem on the module. (A DL0 (BBUS MUX) network problem would show the same message but doesn't produce this symptom).</li> <li>2. Check / reset circuit breaker CB8</li> <li>3. Check / replace fuse F107</li> <li>4. Probe gray connector on module to see if it is powered.</li> </ol>
<p>Engine is overheating and radiator fans do not engage</p>	<p>Module AE52 or AE49 is not powered or is faulty</p>	<ol style="list-style-type: none"> <li>1. Check the DIAGNOSTICS menu of Driver Information Display (DID). Select VIEW ACTIVE FAULTS and ELECTRICAL. The message “No Response ModA52/ ModA49, Active” indicates a power problem on the module. (A DL0 (BBUS MUX) network problem would show the same message but doesn't produce this symptom).</li> <li>2. Check circuit breaker CB5</li> <li>3. Check / replace fuse F133, F134</li> <li>4. CB201-CB208</li> </ol>
<p>The A/C compressor clutch does not engage</p>	<p>Module AE54 (or AE52) is not powered or is faulty</p>	<ol style="list-style-type: none"> <li>1. Check the DIAGNOSTICS menu of Driver Information Display (DID). Select VIEW ACTIVE FAULTS and ELECTRICAL. The message “No Response ModA54, Active” indicates a power problem on the module. (A DL0 (BBUS MUX) network problem would show the same message but doesn't produce this symptom).</li> <li>2. Check / reset circuit breaker CB5</li> <li>3. Check / replace fuse F135</li> <li>4. Probe gray connector on module to see if it is powered.</li> </ol>

## Multiplex Troubleshooting B-7

Problem / Symptom	Probable Causes	Actions
Evaporator fan not functioning	<p>Circuit breaker CB3 tripped</p> <p>Module AE54 is not powered or is faulty</p>	<ol style="list-style-type: none"> <li>1. Check circuit breaker CB3</li> <li>2. Check relay R12</li> <li>3. Check the DIAGNOSTICS menu of Driver Information Display (DID). Select VIEW ACTIVE FAULTS and ELECTRICAL. The message “No Response ModA54, Active” indicates a power problem on the module. (A DL0 (BBUS MUX) network problem would show the same message but doesn't produce this symptom).</li> <li>4. Check / reset circuit breaker CB5</li> <li>5. Check / replace fuse F135</li> <li>6. Probe gray connector on module to see if it is powered.</li> </ol>
HVAC condenser fans not functioning in speed 1	<p>Module AE54 is not powered or is faulty</p>	<ol style="list-style-type: none"> <li>1. Check the DIAGNOSTICS menu of Driver Information Display (DID). Select VIEW ACTIVE FAULTS and ELECTRICAL. The message “No Response ModA54, Active” indicates a power problem on the module. (A DL0 (BBUS MUX) network problem would show the same message but doesn't produce this symptom).</li> <li>2. Check / reset circuit breaker CB5</li> <li>3. Check / replace fuse F135</li> <li>4. Check / replace fuse F141-F144</li> <li>5. Probe gray connector on module to see if it is powered.</li> </ol>
Sound system not functioning	<p>Circuit breaker CB11 tripped</p>	<ol style="list-style-type: none"> <li>1. Check CB11</li> <li>2. Check / replace fuse F148, F200</li> </ol>

## B-8 Multiplex Troubleshooting

Problem / Symptom	Probable Causes	Actions
Fire alarm telltale light and audible alarm always ON and there is no fire or high temperature in the engine compartment	Short-circuited fire sensor or defective sensor	Prior to start the vehicle, cycle the ignition key to the ON position, OFF position and then ON position again and then start the vehicle. This will deactivate the fire alarm function. This has to be repeated each time the vehicle is restarted.
The vehicle is parked and the electrical horn is activated to indicate a fire in the engine compartment but there is no fire	Short-circuited fire sensor or defective sensor	Cycle the ignition key between the ON and OFF position twice within 3 seconds. This will deactivate the fire alarm function. This has to be repeated each time the vehicle is parked
A single light, a group of LED lights or another function of the vehicle is not functioning	The multiplex outputs are protected in current by an internal "soft fuse". When an output is shorted, it turns OFF and stays OFF until the "soft fuse" is reset	turn the ignition key to the OFF position and turn to the ON position again. This resets all "soft fuses"
No backlighting in the instrument cluster	Circuit breaker CB10 is tripped or fuse F10/F29 blown	Check circuit breaker CB2, CB10 Check / replace fuse F10, F29 Check / replace relay R22, R23
The radiator/CAC electric fans do not function and the engine is overheating		<p>You can manually engage the radiator/CAC fans half-speed (50%) or full speed (100%).</p> <ol style="list-style-type: none"> <li>1. On the Driver Information Display, select DIAGNOSTICS menu. Select VEHICLE TESTS submenu and then FORCE RADIATOR FAN SPEED 50% or FORCE RADIATOR FAN SPEED 100%.</li> <li>2. The DID status line will show TEST to confirm the forced activation of the radiator fans. To cancel, turn the ignition switch to the OFF position or press ESCAPE button, select TERMINATE TESTS &amp; FORCED STATES submenu and then press ENTER button twice. TEST will disappear from the DID status line.</li> </ol>

## APPENDIX B - ALLISON TRANSMISSION OTHER FEATURES

<b>OIL LEVEL CHECK USING THE PUSHBUTTON SHIFT SELECTOR</b> .....	<b>2</b>
<b>CONTROL SYSTEM PROGNOSTICS</b> .....	<b>3</b>
NORMAL PROGNOSTICS INDICATION AT ENGINE START .....	3
OIL LIFE MONITOR .....	3
FILTER LIFE MONITOR .....	4
TRANSMISSION HEALTH MONITOR .....	5
<b>DIAGNOSTIC TROUBLESHOOTING CODES (DTC) — ALLISON 5TH GENERATION CONTROLS</b> .....	<b>7</b>
DIAGNOSTIC TROUBLESHOOTING CODES (DTC) OVERVIEW .....	7
USING SHIFT SELECTOR FOR ACCESSING DIAGNOSTIC INFORMATION .....	7
<b>DIAGNOSTIC CODE DISPLAY AND CLEARING PROCEDURE</b> .....	<b>8</b>
EXITING DIAGNOSTIC MODE .....	8
<b>DIAGNOSTIC TROUBLE CODE RESPONSE</b> .....	<b>9</b>
<b>DIAGNOSTIC TROUBLESHOOTING CODES (DTC) LIST - ALLISON 5TH &amp; 6TH GENERATION CONTROLS</b> .....	<b>10</b>

## C-2 Allison Transmission Other Features

### OIL LEVEL CHECK USING THE PUSHBUTTON SHIFT SELECTOR

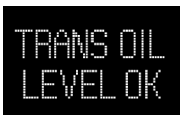
**NOTE:** You will find the complete transmission operation instructions and driving tips in the Allison 5th & 6th Generation Operator's Manual 3000\_4000 Series available on the Prevost Technical Publications site.

The oil level sensor (OLS) is standard in your transmission. With the OLS and Allison 5<sup>th</sup> & 6<sup>th</sup> generation shift selector, you can get a more accurate electronic fluid level check than with a dipstick.

Oil level codes are obtained as follows:

1. Park vehicle on a level surface, select «N» (neutral) on the pushbutton shift selector and apply parking brake.
2. Wait for at least 2 minutes to allow the oil to settle;
3. Press simultaneously the ▲ (Upshift) and ▼ (Downshift) arrow buttons once.
4. Oil level codes are displayed once the following parameters are met:
  - The vehicle has been stationary for approximately 2 minutes to allow the oil to settle;
  - Engine at idle;
  - Oil at normal operating temperature, between 104°F (40°C) and 220°F (104°C);
  - Transmission in «N» (Neutral);
  - Transmission output shaft stopped;
  - Oil level sensor present and working.

5. *Correct fluid level* is displayed as shown.



6. *Low fluid level* is displayed as shown. The number indicates the number of quarts of fluid the transmission requires.



7. *High fluid level* condition with the number of quarts in excess is displayed as shown.



#### NOTE

Confirm a low fluid level condition by making a manual fluid level check.

8. To exit the Oil Level Display Mode, press any range button «R», «N» or «D» at any time.

#### NOTE

The OLS has a detection range of LO4 to HI 3 that can display on the selectors.

The actual oil level to add may be greater than 4 liters (4.22 quarts) if the transmission is more than 4 liters (4.22 quarts) low from the full mark.

The actual fluid volume to drain may be more than 3 liters (3.17 quarts) if the transmission is overfilled by more than 3 liters (3.17 quarts).

If the fluid level check cannot be completed, an Invalid for Display fault is reported. Refer to table below to review the codes and conditions.

CODE	CAUSE OF FAULT CODE
SETTLING OK	Settling time too short
ENG RPM TOO LOW	Engine speed (rpm) too low
ENG RPM TOO HIGH	Engine speed (rpm) too high
MUST BE IN NEU	N (Neutral) must be selected
OIL TEMP TOO LOW	Sump fluid temperature too low
OIL TEMP TOO HIGH	Sump fluid temperature too high
VEH SPD TOO HI	Output shaft speed

CODE	CAUSE OF FAULT CODE
SENSOR FAILED	Sensor failure

## CONTROL SYSTEM PROGNOSTICS

The transmission control system includes the provision for the user to monitor various transmission operating parameters. Transmission operating parameters monitored by the prognostics feature are:

- Oil Life Monitor (OM)
- Filter Life Monitor (FM)
- Transmission Health Monitor (TM)

### NOTE


*The prognostics package requires the use of **TranSynd™** or an Allison approved **TES295**, **TES668** or **TES389** licensed fluid in the transmission and **Allison High Capacity filters**.*



*If any other fluids or filters are used, Prognostic mode must be **disabled**.*

*Prognostic information will not be accurate with any other fluids or filters and could result in missed maintenance activities resulting in transmission damage.*

*Refer to **TES295**, **TES668** or **TES389 Approved Fluids list**, found under the **Service/Fluids** heading on the home page of the Allison Transmission web site.*




*[www.allisontransmission.com](http://www.allisontransmission.com)*

When a specified threshold is detected for any of the serviceable conditions, the TRANSMISSION SERVICE indicator  is illuminated to alert the operator. Failure to attend to the service condition and reset the TRANSMISSION SERVICE indicator within a defined operating period will result in illumination of the CHECK light with associated message in the DID, indicating the increased probability that the service condition will develop into a more serious condition.

To access the Prognostic Mode functions, simultaneously press the  (Upshift) and .

(Downshift) arrow buttons repeatedly. See the REFERENCE TABLE ( ) in this section.

## NORMAL PROGNOSTICS INDICATION AT ENGINE START


- A system bulb check illuminates the TRANSMISSION SERVICE indicator  approximately 0.5 seconds.
- If Prognostics features are enabled, the TRANSMISSION SERVICE indicator  illuminates again for 3 seconds after the bulb check. If Prognostics features are disabled, the TRANSMISSION SERVICE indicator  does not illuminate again after the bulb check.

## OIL LIFE MONITOR

The display message denotes the calculated remaining life of the transmission fluid. This value is based on the established life for the required baseline fluid, and then is continuously adjusted for cumulative effects of such operating parameters as operating time, retarder operation, output shaft revolutions and shift frequency.

### Display

The display is a two-digit number, denoting percentage of the fluid life which remains. New fluid is displayed as 99%.

The TRANSMISSION SERVICE indicator  will be illuminated, denoting a required change of transmission fluid, when the remaining fluid life reaches approximately 1 %. The indicator will be lit steadily upon each initialization of the TCM, and will remain on steady for approximately 2 minutes after the first selection of "D" (drive) range each time, until service is performed and the indicator is reset.

Failure to perform maintenance and reset the TRANSMISSION SERVICE indicator within a defined period will result in the illumination of the CHECK light with associated message in the DID and diagnostic code P0897 Transmission Fluid Deteriorated.

## C-4 Allison Transmission Other Features

### Reset

The TRANSMISSION SERVICE indicator can be reset by a message over the SAE J1939 communication interface, with the Allison DOC™ for PC diagnostic program, or by depressing and holding the MODE button for ten (10) seconds while the Oil Life Monitor function is displayed. It may also be reset by selecting N-D-N-D-N-R-N on the shift selector, pausing briefly (less than 3 seconds) between each selector movement, with the ignition ON and the engine not running. The TRANSMISSION SERVICE indicator illuminates briefly following a reset to acknowledge the reset was successful.

### Setting Fluid Type For Prognostics

The fluid type can be programmed if the specific calibration allows it. The operator can do the following:

With the engine off and the ignition on, perform the following sequence on the selector, N-R-N-D-N-R-N-D-N-R-N-D-N.

The TRANSMISSION SERVICE indicator flashes if TES389 is the current setting and illuminates solidly if TES295 or TES668 is the current setting. To change the transmission fluid type, wait 5 seconds after entering transmission fluid type mode and perform the following sequences to select the proper transmission type:

N-R-N to select TES295 or TES668

N-D-N to select TES389

The selector exits 30 seconds after entering transmission fluid type mode or the ignition may be turned off to exit earlier. Only one transmission fluid type selection may be made after entering transmission fluid type mode. All other attempts will be ignored. Transmission fluid type mode needs to be entered again if the wrong type of fluid is selected.



### CAUTION

Verify prognostic fluid type setting matches transmission fluid type. Oil Life Monitor notifications will be inaccurate when mismatched. This could result in transmission damage from running a TES389 fluid too long or cause shortened TES295/TES668 fluid changes to occur.



### CAUTION


Required calendar-based oil & filter change intervals (based on months) still apply because Oil Life Monitor function cannot measure time while ignition power is OFF.

If the Oil Life Monitor function has not indicated the need for a fluid change before 60 months have passed when using TES295/TES668 fluid type or before 24 months have passed when using TES389 fluid type, it will be necessary to change the fluid and filters per calendar requirements and reset the system.


### FILTER LIFE MONITOR


This feature provides an alert when the transmission's fluid filters need to be replaced. It helps extend filter change intervals to reduce routine maintenance downtime while providing maximum protection for the transmission.

The filter life indicator pressure switch signals the transmission control module when fluid exiting the main filter drops below a predetermined pressure.

*Both the main and lube filters must be changed* when the TRANSMISSION SERVICE indicator  shows the main filter should be changed.

### Filter Change Notification

The TRANSMISSION SERVICE indicator  will flash for 2 minutes after the first selection of "D" (drive) range. Once the Filter Monitor mode has been accessed via the shift selector, the "OIL FILTER OK" or "REPLACE FILTERS" message is displayed in the selector display window. An acceptable filter life status is displayed as "OIL FILTER OK". An unacceptable filter life status is displayed as "REPLACE FILTERS".

Once the programmed threshold for maximum filter pressure drop has been observed and verified, the diagnostic code P088A Transmission Filter Maintenance Alert will be recorded to indicate that the filter has reached the end of its designed life. At the next initialization of the TCM, the TRANSMISSION SERVICE indicator  will flash for 2 minutes after the first selection of "D" (drive) range. Thereafter, the indicator will illuminate and flash upon each TCM initialization, continuing to flash for 2 minutes after the first




selection of a drive range each time, until service is performed and the indicator is reset.

Failure to perform maintenance and reset the monitor after a calibration-defined number of warnings will result in the illumination of the CHECK light with associated message in the DID and diagnostic code P088B will be recorded to indicate a highly deteriorated filter.

### Read And Reset Filter Life Monitor From Selector

To enter the filter life monitor, press simultaneously the ▲ (Upshift) and ▼ (Downshift) arrows three times. An acceptable filter life status is displayed as "OIL FILTER OK". An unacceptable filter life status is displayed as "REPLACE FILTERS".

The feature will reset automatically when the main fluid filter has been changed and the pressure drop across the filter no longer exceeds the threshold value. A manual reset can be performed by depressing and holding the MODE button for ten (10) seconds while the Filter Life Monitor function is displayed. It may also be reset by selecting N-R-N-R-N-D-N on the shift selector, pausing briefly (less than 3 seconds) between each selector movement, with the ignition ON and the engine not running. The TRANSMISSION SERVICE indicator  illuminates briefly following a reset to acknowledge the reset was successful.

## TRANSMISSION HEALTH MONITOR

This prognostic feature determines clutch life status of the transmission's clutches and alerts you when clutch maintenance is required. The clutch life status is determined by monitoring changes and the calculated running clearance of the transmission clutches.

### Clutch Maintenance Notification

The transmission health monitor feature determines when clutch maintenance is needed. If any of the clutches (except lockup) reaches a remaining life of approximately 10% or if any of the clutch running clearances exceeds a maximum value, then the TRANSMISSION SERVICE indicator is steadily illuminated from just after ignition on until ignition is turned off. Thereafter, the indicator will be lit upon each initialization of the TCM, and will remain on steady during all vehicle operation until service is

performed and the indicator is reset. If the transmission health monitor mode has been accessed via the shift selector, a "TRANS HEALTH OK" or "TRANS HEALTH LO" is displayed. An acceptable clutch life status is displayed as "TRANS HEALTH OK". An unacceptable clutch life status is displayed as "TRANS HEALTH LO".



## C-6 Allison Transmission Other Features

### Read And Reset Transmission Health Monitor From Selector

To enter the transmission health monitor, press simultaneously the ▲ (Upshift) and ▼ (Downshift) arrows four times. An acceptable clutch life status is displayed as “TRANS HEALTH OK”. An unacceptable clutch life status is displayed as “TRANS HEALTH LO”.

The feature will reset automatically upon elimination of the clutch clearance condition which initiated it. The indicator can also be manually reset using the Allison DOC™ for PC diagnostics program if necessary.

#### REFERENCE TABLE

▲ (Upshift) & ▼ (Downshift) arrow buttons pressed simultaneously *	Description	Message	
1 <sup>st</sup> press	Allison transmission oil level check		
2 <sup>nd</sup> press	Oil Life Monitor	" O "	" M "
	Oil life remaining will range from 99% down to 00%	Some number from 9 to 0	Some number from 9 to 0
3 <sup>rd</sup> press	Filter Life Monitor	" F "	" M "
	Present life of filter is acceptable	OIL FILTER OK	
	Present life of filter is unacceptable	REPLACE FILTERS	
4 <sup>th</sup> press	Transmission Health Monitor	" T "	" M "
	An acceptable clutch life status is displayed as “TRANS HEALTH OK” An unacceptable clutch life status is displayed as “TRANS HEALTH LO”	TRANS HEALTH OK TRANS HEALTH LO	
5 <sup>th</sup> press	Display of diagnostic codes		

\* With the engine off and ignition on.

## DIAGNOSTIC TROUBLESHOOTING CODES (DTC) — ALLISON 5TH GENERATION CONTROLS

Diagnostic features are provided with the transmission control system to assist in troubleshooting of malfunctions and/or the monitoring of specific operating parameters.

**NOTE:** You will find the complete transmission operation instructions and driving tips in the Allison 5th & 6th Generation Operator's Manual 3000\_4000 Series available on the [Prevost Technical Publications site](#)

### DIAGNOSTIC TROUBLESHOOTING CODES (DTC) OVERVIEW

When a control system malfunction is detected, a series of Diagnostic Trouble Codes (DTCs) are used to identify and clarify the nature of the malfunction. These DTCs are each named by a 5 character alphanumeric string that refers to a diagnostic algorithm running pass/fail tests to help identify a malfunction in the transmission or vehicle operation. Most DTCs have some kind of diagnostic response that the operator notices, such as an illuminated CHECK light, selector display change, lock in range, or inhibit shifts condition.

DTCs are logged in the Transmission Control Module (TCM) memory by severity and by their active/inactive status with the most severe and active codes listed first. A maximum of five DTCs (numbered d1- d5) from most recent to oldest may be read from the shift selector. As DTCs are added, the oldest inactive DTC (historic) is dropped from the list. If all DTCs are active, the DTC with the lowest priority is dropped from the list.

An active code is any code that is current in the TCM decision-making process and has failed the DTC test(s) associated with that specific diagnostic algorithm. Historical codes, which are by definition inactive, are codes that are no longer failing their algorithm but are retained in the TCM in order to help the technician analyze possible causes and provide them direction if the vehicle is brought in before they are cleared from the queue.

DTCs can be cleared manually by the operator or they clear automatically from last (d5) to first (d1) in the queue after a number of engine starts, without becoming active again.

### USING SHIFT SELECTOR FOR ACCESSING DIAGNOSTIC INFORMATION

DTCs can be displayed on the display portion of the shift selector. A DTC is either active or historic. An active DTC is a DTC that is current in the TCM decision-making process. Historic DTCs are retained in the TCM memory and do not necessarily affect the TCM decision-making process.

#### Display Sequence

Up to five DTCs may be displayed one at a time from the selector once the diagnostic display mode has been initiated by the operator. Each DTC is 5 characters in length. The DTC status active or inactive is shown below the DTC.



Shows active DTC P0730

The operator presses the MODE button to read the next OTC in the queue (if any) or requests to exit diagnostics mode. The diagnostic mode times out and returns the selector to normal operating mode after approximately 10 minutes of operator inactivity.

## C-8 Allison Transmission Other Features

---

### DIAGNOSTIC CODE DISPLAY AND CLEARING PROCEDURE

Diagnostic codes can be read and cleared by two methods:

- Using an Allison DOC™ diagnostic tool. For specific instructions on how to use an Allison DOC™ diagnostic tool, refer to the User Guide.
- Using the pushbutton shift selector.

To begin the diagnostic process:

1. Bring the vehicle to a stop at a safe location.
2. Apply the parking brake.

To display stored codes:

1. Simultaneously press the ▲ (Upshift) and ▼ (Downshift) arrow buttons five times (Prognostics enabled) to access the Diagnostic Display Mode. With Prognostics disabled, press the ▲ (Upshift) and ▼ (Downshift) arrow buttons twice.
2. Press the MODE button to read the next code in the queue, if any.

To clear all active stored codes:

While in Diagnostic Mode, clear all active codes by pressing and holding the MODE button for approximately three seconds until the MODE message flashes. Release the MODE button. The MODE message should not remain illuminated if the active DTC shown in the display has cleared.

While in Diagnostic Mode, press and hold the MODE button for 10 seconds to clear both active codes and inactive codes. The MODE message flashes a second time indicating all codes are cleared from the queue.

### EXITING DIAGNOSTIC MODE

Exit the diagnostic mode by one of the following methods:

1. Press simultaneously the ▲ (Upshift) and ▼ (Downshift) arrow buttons at the same time on the push button shift selector.
2. Press any range button «D», «N» or «R» on the push button shift selector.
3. After approximately 10 minutes of inactivity at the push button shift selector, the diagnostic mode automatically exits and returns to normal operating mode.
4. Turn off power to the TCM (shut off the engine using the ignition key).

<b>NOTE</b>
<i>Be sure to record all codes displayed before they are cleared. This is essential for troubleshooting.</i>

**NOTE**

*If clearing a code while locked in a «D» (Drive) or «R» (Reverse) position (fail-to-range), the transmission will still be in «D» (Drive) or «R» (Reverse) when the clearing procedure is completed. «N» (Neutral) must be manually selected.*

**DIAGNOSTIC TROUBLE CODE RESPONSE**

The electronic control system is programmed to inform the operator of a problem with the transmission system via the CHECK light and shift selector display while it automatically takes action to protect the operator, vehicle, and transmission. When the Transmission Control Module (TCM) flags a Diagnostic Trouble Code (DTC) as active, the TCM may take a combination of diagnostic responses as listed in the table below.

RESPONSE CATEGORY	ACTIONS TAKEN
DNS - Do Not Shift	Release lock up (LU) clutch and inhibit lock up operation. Inhibit shifts from the current attained range. Turn on the CHECK light. Display the current attained range in the MONITOR window of the shift selector. Blank the SELECT window of the shift selector. Ignore any range selection inputs from the shift selector.
SOL OFF - Solenoid OFF	All solenoids are commanded off, resulting in hydraulic default operation of the transmission – PCS1 & PCS2 are on hydraulically when off electrically.
RPR - Return to Previous Range	When the speed sensor ratio or PS1 tests do not pass, the TCM commands the same range as commanded before the shift.
NNC - Neutral No Clutches	When certain speed sensor ratio or PS1 tests do not pass, the TCM commands a neutral condition with no clutches applied.
DNA - Do Not Adapt	The TCM stops adaptive shift control while the code is active.

## C-10 Allison Transmission Other Features

### DIAGNOSTIC TROUBLESHOOTING CODES (DTC) LIST - ALLISON 5<sup>TH</sup> & 6<sup>TH</sup> GENERATION CONTROLS

DTC	Description	CHECK Light	Inhibited Operation Description
C1312	Retarder Request Sensor Failed Low	No	May inhibit retarder operation if not using J1939 datalink
C1313	Retarder Request Sensor Failed High	No	May inhibit retarder operation if not using J1939 datalink
P0122	Pedal Position Sensor Circuit Low Voltage	No	Use default throttle values. Freezes shift adapts.
P0123	Pedal Position Sensor Circuit High Voltage	No	Use default throttle values. Freezes shift adapts.
P0218	Transmission Fluid Over Temperature	Yes	Use default sump temp
P0562	System Voltage Low	No	Inhibit TCC Operation, DNA
P060C	Internal Control Module Main Processor Performance	Yes	TCM returns to the boot program, Transmission operates in hydraulic default: N (Neutral), 3 (Third Range), 4 (Fourth Range) and 5 (Fifth Range)
P0600	Internal Serial Peripheral Interface (SPI) Diagnostics	Yes	Transmission operates in hydraulic default: N (Neutral), 3 (Third Range), 4 (Fourth Range) and 5 (Fifth Range)
P0602	TCM Not Programmed	Yes	Lock in Neutral
P0603	Internal Control Module Keep Alive Memory Error	Yes	Lock in Neutral
P0604	Control module random access memory (RAM)	Yes	TCM returns to the boot Program, Transmission operates in hydraulic default: N (Neutral), 3 (Third Range), 4 (Fourth Range) and 5 Fifth Range)
P0607	Control Module Performance	No	Use alternate DSS data
P0610*	Transmission Control Hardware Incompatible	Yes	No Range Inhibit Use Learned TID Level
P0614	Torque Control Data Mismatch ECM/TCM	Yes	Allows operation only in reverse and second range.
P0634	TCM Internal Temperature Too High	Yes	SOL OFF (hydraulic default)
P0642	Sensor Reference Voltage "A" Circuit Low	Yes	Default sensor data used
P0643	Sensor Reference Voltage "A" Circuit High	Yes	Default sensor data used

## Allison Transmission Other Features C-11

DTC	Description	CHECK Light	Inhibited Operation Description
P0652	Sensor Reference Voltage "B" Circuit Fault	Yes	NonE
P0657	Actuator Supply Circuit Voltage 1 Open (HSD 1)	Yes	SOL OFF, DNA, Inhibit TCC operation, Inhibit main modulation
P0658	Actuator Supply Voltage 1 (HSD1) Low	Yes	DNS, SOL OFF (hydraulic default)
P0659	Actuator Supply Voltage 1 (HSD1) High	Yes	DNS, SOL OFF (hydraulic default)
P0702*	Transmission Control Hardware Not Determined	Yes	No Range Inhibit Use Current Key-Cycle TID Level
P0703	Brake Switch Circuit Malfunction	No	No Neutral to Drive shifts for refuse packer. TCM inhibits retarder operation if a TPS code is also active.
P0708	Transmission Range Sensor Circuit High Input	Yes	Ignore defective strip selector inputs
P070C	Transmission Fluid Level Sensor Circuit – Low Input	No	None
P070D	Transmission Fluid Level Sensor Circuit – High Input	No	None
P0711	Transmission Fluid Temperature Sensor Circuit Performance	Yes	Use default sump temp
P0712	Transmission Fluid Temperature Sensor Circuit Low Input	Yes	Use default sump temp
P0713	Transmission Fluid Temperature Sensor Circuit High Input	Yes	Use default sump temp
P0715	Turbine Shaft Speed Sensor Circuit	Yes	DNS, Lock in current range
P0716	Turbine Shaft Speed Sensor Circuit Performance	Yes	DNS, Lock in current range
P0717	Turbine Shaft Speed Sensor Circuit No Signal	Yes	DNS, Lock in current range
P071A	Neutral at Stop Input Failed On	No	Neutral at Stop operation
P071D	General Purpose Input Fault	Yes	None
P0720	Output Shaft Speed Sensor Circuit	Yes	Shift not in process, LIR Shift in process, complete shift then LIR. TCM forces VMMS off. TCM inhibits TCC engagement. TCM freezes shift adapts.

## C-12 Allison Transmission Other Features

DTC	Description	CHECK Light	Inhibited Operation Description
P0721	Output Shaft Speed Sensor Circuit Performance	Yes	TCM freezes shift adapts. TCM inhibits TCC engagement.
P0722	Output Speed Sensor Circuit No Signal	Yes	TCM freezes shift adapts. TCM inhibits TCC engagement. DNS, Lock in current range
P0725	Engine Speed Sensor Circuit	No	Default to turbine speed
P0726	Engine Speed Sensor Circuit Performance	No	Default to turbine speed
P0727	Engine Speed Sensor Circuit No Signal	No	Default to turbine speed
P0729	Incorrect 6 <sup>th</sup> Gear Ratio	Yes	DNS, Attempt 5 <sup>th</sup> , then 3 <sup>rd</sup>
P0731	Incorrect 1 <sup>st</sup> Gear ratio	Yes	DNS, Attempt 2 <sup>nd</sup> , then 5 <sup>th</sup>
P0732	Incorrect 2 <sup>nd</sup> Gear ratio	Yes	DNS, Attempt 3 <sup>rd</sup> , then 5 <sup>th</sup>
P0733	Incorrect 3 <sup>rd</sup> Gear ratio	Yes	DNS, Attempt 4 <sup>th</sup> , then 6 <sup>th</sup>
P0734	Incorrect 4 <sup>th</sup> Gear ratio	Yes	DNS, Attempt 5 <sup>th</sup> , then 3 <sup>rd</sup>
P0735	Incorrect 5 <sup>th</sup> Gear ratio	Yes	DNS, Attempt 6 <sup>th</sup> , then 3 <sup>rd</sup> , then 2 <sup>nd</sup>
P0736	Incorrect Reverse Gear ratio	Yes	DNS, Lock in Neutral
P0741	Torque Converter Clutch System Stuck Off	Yes	None
P0752	Shift Solenoid 1 Valve Performance-Stuck On	Yes	DNS
P0776	Pressure Control Solenoid (PCS) 2 Stuck Off	Yes	DNS, RPR
P0777	Pressure Control Solenoid 2 Stuck On	Yes	DNS, RPR
P077F	Incorrect Reverse 2 Ratio	Yes!	DNS, Lock in Neutra
P07CE	Neutral At Stop Not Functioning	No	TCM inhibits Neutral at Stop operation
P0796	Pressure Control Solenoid 3 Stuck Off	Yes	DNS, RPR
P0797	Pressure Control Solenoid 3 Stuck On	Yes	DNS, RPR
P0842	Transmission Fluid Pressure Switch 1 Circuit Low	Yes	DNS, Lock in current range
P0843	Transmission Fluid Pressure Switch 1 Circuit High	Yes	DNS, Lock in current range
P0847	Transmission Fluid Pressure Switch 2 Circuit Low	Yes	None
P0848	Transmission Fluid Pressure Switch 2 Circuit High	Yes	None
P085D	Gear Shift Module 1 Performance	Yes	Lock in Neutral

## Allison Transmission Other Features C-13

DTC	Description	CHECK Light	Inhibited Operation Description
P085E	Gear Shift Module 1 Performance al	Yes	Lock in Neutral
P088A	Transmission Fluid Filter Maintenance Alert	No	None
P088B	Transmission Fluid Filter Maintenance Required	No	None
P0880	TCM Power Input Signal	No	None
P0881	TCM Power Input Signal Performance	No	None
P0882	TCM Power Input Signal Low	Yes	DNS, SOL OFF (hydraulic default)
P0883	TCM Power Input Signal High	No	None
P0894	Unexpected Mechanical Gear Disengagement	Yes	DNS, Lock in first
P0897	Transmission Fluid Deteriorated	No	None
P0960	Main Pressure Modulator Solenoid Control Circuit Open	Yes	None
P0961	Main Pressuer Modulation Solenoid System Performance	No	Full Main Pressure is Commanded
P0962	Main Pressure Modulator Solenoid Control Circuit Low	Yes	DNS, SOL OFF (hydraulic default)
P0963	Main Pressure Modulator Solenoid Control Circuit High	Yes	None
P0964	Pressure Control Solenoid 2 (PCS2) Control Circuit Open	Yes	DNS, SOL OFF (hydraulic default)
P0965	Pressure Control Solenoid (PCS2) System Performance	Yes	TCM forces VMM off, TCM inhibits TCC engagement. Hydraulic default: N (Neutral)3 (Third Range)4 (Fourth Range)5 (Fifth Range)
P0966	Pressure Control Solenoid 2 (PCS2) Control Circuit Low	Yes	DNS, SOL OFF (hydraulic default)
P0967	Pressure Control Solenoid 2 (PCS2) Control Circuit High	Yes	DNS, SOL OFF (hydraulic default)
P0968	Pressure Control Solenoid 3 (PCS3) Control Circuit Open	Yes	DNS, SOL OFF (hydraulic default)
P0969	Pressure Control Solenoid (PCS3) System Performance	Yes	TCM forces VMM off, TCM inhibits TCC engagement.
P0970	Pressure Control Solenoid 3 (PCS3) Control Circuit Low	Yes	DNS, SOL OFF (hydraulic default)
P0971	Pressure Control Solenoid 3 (PCS3) Control Circuit High	Yes	DNS, SOL OFF (hydraulic default)



## C-14 Allison Transmission Other Features

DTC	Description	CHECK Light	Inhibited Operation Description
P0973	Shift Solenoid 1 (SS1) Control Circuit Low	Yes	DNS, SOL OFF (hydraulic default)
P0974	Shift Solenoid 1 (SS1) Control Circuit High	Yes	DNS, SOL OFF (hydraulic default)
P0976	Shift Solenoid 2 (SS2) Control Circuit Low	Yes	7-speed: Allow 2 through 6, N, R Inhibit TCC operation
P0977	Shift Solenoid 2 (SS2) Control Circuit High	Yes	7-speed: Allow 2 through 6, N, R
P097A	Shift Solenoid 1 (SS1) Control Circuit Open	Yes	Lock in range
P097B	Shift Solenoid 2 (SS2) Control Circuit Open	Yes	7-speed: Allow 2 through 6, N, R
P0989	Retarder Pressure Sensor Circuit Low	No	None
P0990	Retarder Pressure Sensor Circuit High	No	None
P1739	Incorrect Low Gear Ratio	Yes	Command 2 <sup>nd</sup> and allow shifts 2 through 6, N, R
P1790	Gear Shift Module 1 Calibrated Invalid	Yes	Shift selector language or units incorrect
P1791	Gear Shift Module 2 Calibrated Invalid	Yes	Shift selector language or units incorrect
P1891	Throttle Position Sensor PWM Signal Low	No	Use default throttle values
P1892	Throttle Position Sensor PWM Signal High	No	Use default throttle values
P2184	Engine Coolant Temperature Sensor 2 Circuit Low Input	No	Use default engine coolant values
P2185	Engine Coolant Temperature Sensor 2 Circuit High Input	No	Use default engine coolant values
P2637	Torque Management Feedback Signal (A)	Yes	Inhibit SEM
P2641	Torque Management Feedback Signal (B)	Yes	Inhibit LRTP
P2669	Actuator Supply Circuit Voltage 2 Open (HSD2)	Yes	SOL OFF, Inhibit TCC operation, Inhibit Main modulation, ONA
P2670	Actuator Supply Voltage 2 (HSD2) Low	Yes	DNS, SOL OFF (hydraulic default)
P2671	Actuator Supply Voltage 2 (HSD2) High	Yes	DNS, SOL OFF (hydraulic default)

## Allison Transmission Other Features C-15

DTC	Description	CHECK Light	Inhibited Operation Description
P2684	Actuator Supply Circuit Voltage 3 Open (HSD3)	Yes	SOL OFF, Inhibit TCC operation, Inhibit Main modulation, ONA
P2685	Actuator Supply Voltage 3 (HSD3) Low	Yes	DNS, SOL OFF (hydraulic default)
P2686	Actuator Supply Voltage 3 (HSD3) High	Yes	DNS, SOL OFF (hydraulic default)
P27B2	Internal Control Module Transmission Range Control Performance	Yes	Hydraulic default. Transmission is restricted to N (Neutral)3 (Third Range)4 (Fourth Range)5 (Fifth Range)
P27B4	Output Shaft Direction Plausibility	Yes	Shift not in process, LIR Shift in process, complete shift then LIR. TCM forces VMMS off. TCM inhibits TCC engagement. TCM freezes shift adapts.
P27B6	Internal Control Module Transmission Speed Sensor Performance	Yes	Shift not in process, LIR Shift in process, complete shift then LIR. TCM forces VMMS off. TCM inhibits TCC engagement. TCM freezes shift adapts.
P2714	Pressure Control Solenoid 4 (PCS4) Stuck Off	Yes	DNS, RPR
P2715	Pressure Control Solenoid 4 (PCS4) Stuck On	Yes	DNS, SOL OFF (hydraulic default)
P2718	Pressure Control Solenoid 4 (PCS4) Control Circuit Open	Yes	DNS, SOL OFF (hydraulic default)
P2719	Pressure Control Solenoid (PCS) 4 System Performance	Yes	TCM forces VMM off, TCM inhibits TCC engagement
P2720	Pressure Control Solenoid 4 (PCS4) Control Circuit Low	Yes	DNS, SOL OFF (hydraulic default)
P2721	Pressure Control Solenoid 4 (PCS4) Control Circuit High	Yes	DNS, SOL OFF (hydraulic default)
P2723	Pressure Control Solenoid 1 (PCS1) Stuck Off	Yes	DNS, RPR
P2724	Pressure Control Solenoid 1 (PCS1) Stuck On	Yes	DNS, RPR
P2727	Pressure Control Solenoid 1 (PCS1) Control Circuit Open	Yes	DNS, SOL OFF (hydraulic default)
P2728	Pressure Control Solenoid (PCS) 1 System Performance	Yes	TCM forces VMM off, TCM inhibits TCC engagement. Hydraulic default: N (Neutral)3 (Third Range)4 (Fourth Range)5 (Fifth Range)

## C-16 Allison Transmission Other Features

DTC	Description	CHECK Light	Inhibited Operation Description
P2729	Pressure Control Solenoid 1 (PCS1) Control Circuit Low	Yes	DNS, SOL OFF (hydraulic default)
P2730	Pressure Control Solenoid 1 (PCS1) Control Circuit High	Yes	DNS, SOL OFF (hydraulic default)
P2736	Pressure Control Solenoid 5 (PCS5) Control Circuit Open	Yes	Inhibit retarder operation
P2738	Pressure Control Solenoid 5 (PCS5) Control Circuit Low	Yes	Allow 2 through 6, N, R. Inhibit retarder and TCC operation
P2739	Pressure Control Solenoid 5 (PCS5) Control Circuit High	Yes	Inhibit retarder operation
P273F	Retarder Oil Temperature Sensor Over Temperature Condition	No	None
P2742	Retarder Oil Temperature Sensor Circuit – Low	No	Use default retarder temp values
P2743	Retarder Oil Temperature Sensor Circuit – High	No	Use default retarder temp values
P2761	TCC PCS Control Circuit Open	Yes	Inhibit TCC operation
P2763	TCC PCS Control Circuit High	Yes	Inhibit TCC operation
P2764	TCC PCS Control Circuit Low	Yes	7-speed: Allow 2 through 6, N, R. Inhibit TCC operation
P2789	Transmission Clutch Life Expired (Clutch Adaptive Learning at Limit)	No	None
P2793	Gear Shift Direction Circuit	Yes	*Ignores PWM input from shift selector **Depending on OEM configuration, may or may not allow direction changes during faults
P2808	Pressure Control Solenoid 6 (PCS6) Stuck Off	Yes	DNS, RPR
P2809	Pressure Control Solenoid 6 (PCS6) Stuck On	Yes	DNS, RPR
P2812	Pressure Control Solenoid 6 (PCS6) Control Circuit Open	Yes	DNS, SOL OFF (hydraulic default)
P2813	Pressure Control Solenoid (PCS) 6 System Performance	Yes	TCM forces VMM off, TCM inhibits TCC engagement

## Allison Transmission Other Features C-17

DTC	Description	CHECK Light	Inhibited Operation Description
P2814	Pressure Control Solenoid 6 (PCS6) Control Circuit Low	Yes	DNS, SOL OFF (hydraulic default)
P2815	Pressure Control Solenoid 6 (PCS6) Control Circuit High	Yes	DNS, SOL OFF (hydraulic default)
U0073	CAN Communication Bus 1 Off	No	Use default values
U0074	CAN Communication Bus 2 Off	No	Use default values
U0100	Lost Communications with ECM A	Yes	Use default values
U0103	Lost Communication with Gear Shift Module (Shift Selector) 1	Yes	*Maintain range selected, observe gear shift direction circuit **Depending on OEM configuration, may or may not allow direction changes during faults
U0291	Lost Communication with Gear Shift Module (Shift Selector) 2	Yes	*Maintain range selected, observe gear shift direction circuit **Depending on OEM configuration, may or may not allow direction changes during faults
U0304	Incompatible Gear Shift Module 1 (Shift Selector)	Yes	Ignore shift selector inputs
U0333	Incompatible Gear Shift Module 2 (Shift Selector)	Yes	Ignore shift selector inputs
U0400	Invalid Communication Link Data Received (J1939 Brake Switch)	Yes	None
U0404	Invalid Data Received From Gear Shift Module (Shift Selector) 1	Yes	*Maintain range selected, observe gear shift direction circuit **Depending on OEM configuration, may or may not allow direction changes during faults
U0592	Invalid Data Received From Gear Shift Module (Shift Selector) 2	Yes	*Maintain range selected, observe gear shift direction circuit **Depending on OEM configuration, may or may not allow direction changes during faults

## C-18 Allison Transmission Other Features

---

DTC	Description	CHECK Light	Inhibited Operation Description
U1401	J1939 TSC1 Engine Message Impostor Detected		None
U1402	J1939 TSC1 Compression Brake Message Impostor Detected		None
U1403	J1939 TSC1 Exhaust Brake Message Imposter Detected		None

\*5th Generation only

\*\*6th Generation only

## APPENDIX D -TIRE INFLATION GUIDE

<b>TIRE INFLATION GUIDE</b> .....	<b>2</b>
COLD INFLATION PRESSURE .....	2
PRESSURE AND TEMPERATURE .....	2
CONSEQUENCES .....	4
RECOMMENDATIONS .....	4

## D-2 Tire Inflation Guide

### TIRE INFLATION GUIDE

This guide is a reference on why and how tires should be maintained at a proper inflation pressure. It covers the notions required to fully understand why tire inflation is important, why it must be verified and what our recommendations are.

#### COLD INFLATION PRESSURE

**Cold inflation pressure**, sometimes known as *placard pressure* is the recommended wheel pressures based on the vehicle's load and characteristics. Those numbers specify the proper tire pressure level for each axle.

AXLES/ ESSIEUX		G. A. W. R. / P. N. B. E.		TIRES/ PNEUS	RIMS/ JANTES	COLD INFLATION PRESS. / PRESS. A FROID	SINGLE OR DUAL/ SIMPLE OU DOUBLE
		KG	(LBS)			KPA (PSI)	
FRONT: AVANT:		7484	(16500)	315/80R22.5 (J)	22.5X9	827 (120)	S
INT: DIFF.:		10206	(22500)	315/80R22.5 (J)	22.5X9	586 (85)	D
REAR: TANDEM:		6350	(14000)	315/80R22.5 (J)	22.5X9	689 (100)	S

FIGURE 1: DOT CERTIFICATION PLATE

**It is most important to remember that cold inflation pressure refers to the pressure that tires should have when they are cold**, which means when the tires have not been driven. Driving always cause the tires to heat up and the pressure to increase, even for short distances, so pressure verification and adjustment should always be done before driving in order to have correct readings.

As temperature has a major impact on tire pressure, outside ambient temperature should also be considered when inflating tires because it will affect tire pressure considerably. **Tire inflation should be made so the pressure meets cold inflation pressure at the outside ambient temperature.**

#### PRESSURE AND TEMPERATURE

Tire pressure constantly changes with temperature. It changes when it is driven, but it also changes when the ambient temperature changes. The table below shows how the cold pressure of a tire changes according to temperature:

Pressure at 20C/68F (PSI)								Outside Temperature	
85	90	95	100	105	110	115	120	Celsius	Fahrenheit
92	97	102	108	113	119	124	129	40	104
90	95	101	106	111	116	122	127	35	95
88	94	99	104	109	114	119	125	30	86
87	92	97	102	107	112	117	122	25	77
85	90	95	100	105	110	115	120	20	68
83	88	93	98	103	108	113	118	15	59
82	86	91	96	101	106	111	115	10	50
80	85	89	94	99	104	108	113	5	41
78	83	88	92	97	101	106	111	0	32
76	81	86	90	95	99	104	109	-5	23
75	79	84	88	93	97	102	106	-10	14
73	77	82	86	91	95	100	104	-15	5
71	76	80	84	89	93	97	102	-20	-4
70	74	78	82	87	91	95	99	-25	-13
68	72	76	80	85	89	93	97	-30	-22
66	70	74	78	83	87	91	95	-35	-31
65	69	73	77	80	84	88	92	-40	-40

FIGURE 2: COLD TIRE PRESSURE EVOLUTION OF A TIRE INFLATED AT 20°C / 68°F

This table shows that temperature variations will have a significant impact on the tire pressure and that it has to be continuously considered.

For example, if a tire is inflated at 120 PSI inside a garage at 20 °C (68 °F) during winter, while the outside temperature is -20 °C (-4 °F), the actual cold pressure of this tire once outside will now be 102 PSI, which corresponds to a loss of 18 PSI (15%).

So, to make sure that a tire inflated indoors reaches its recommended cold inflation pressure during outdoor operating conditions, temperature variation has to be taken into account and pressure adjusted accordingly.

Here is a table that shows how a tire pressure should be verified and adjusted indoors in relation to outdoor temperature:

Placard Pressure								Outside Temperature	
85	90	95	100	105	110	115	120	Celsius	Fahrenheit
79	83	88	93	97	102	107	111	40	104
80	85	90	94	99	104	109	113	35	95
82	87	91	96	101	106	111	116	30	86
83	88	93	98	103	108	113	118	25	77
85	90	95	100	105	110	115	120	20	68
87	92	97	102	107	112	117	122	15	59
89	94	99	104	109	114	120	125	10	50
90	96	101	106	111	117	122	127	5	41
92	98	103	108	114	119	125	130	0	32
94	100	105	111	116	122	127	133	-5	23
96	102	108	113	119	124	130	135	-10	14
99	104	110	116	121	127	133	138	-15	5
101	107	112	118	124	130	136	141	-20	-4
103	109	115	121	127	133	139	144	-25	-13
106	112	118	124	130	136	142	148	-30	-22
108	114	120	127	133	139	145	151	-35	-31
111	117	123	130	136	142	148	155	-40	-40

FIGURE 3: ADJUSTED INFLATION PRESSURE WHEN INFLATING INDOOR AT 20 °C (68 °F)

The adjusted inflation pressure is a compensated value which takes temperature differences in consideration

If tire pressure is verified and adjusted outside in operating ambient conditions, it can then be done as usual, without compensation, as tires are already at operating temperature.



## D-4 Tire Inflation Guide

---

### CONSEQUENCES

Failure to maintain correct inflation pressure may result in improper handling, decreased braking performance and decreased tire lifespan.

But more specifically,

#### Underinflation can lead to:

- Irregular and accelerated wear
- Higher fuel consumption
- Tire casing fatigue and degeneration
- Tire overheating and sudden destruction

#### Overinflation can lead to:

- Irregular wear
- Increase in road shocks and vibrations transmitted to the vehicle
- Reduced resistance to impacts

### RECOMMENDATIONS

Tire pressure is an extremely important element of vehicle maintenance and should be verified regularly in order to maintain maximum performance and safety of your vehicle. **Driving on improperly inflated tires may lead to tire failure and serious accidents.**

Here are a few recommendations:

- Regularly check tire pressures, ideally once a week or before long trips. All tires are susceptible to loss of pressure.
- Pressure has to be measured and adjusted when tires are cold, which means when they have not been driven for at least 3 hours. Do not adjust tire pressure when they are hot. The ideal time to check tire pressures is early in the morning.
- When measuring your tire pressure, use a properly calibrated pressure gauge and do not rely on a tire appearance.
- To maintain tires in their optimal driving conditions and to ensure maximum safety, we recommend that the tires cold pressures remain under a deviation of 10% of the recommended cold inflation pressure.
- If a tire pressure drops below 20% of the recommended cold inflation pressure, you should stop. Tire should be inspected prior to re-inflation.
- As ambient temperature plays a major role in tire pressure, you should inflate tires accordingly. Realistically, temperature adjustment cannot be done continuously. However, it is important to keep in mind that extreme variations caused by seasons and by drastic environment changes will have a significant impact on tire pressure. Adjust your tire pressure so that you remain as close as possible to your cold inflation pressure in ambient outdoor conditions.

## APPENDIX E - DID MENUS SUPPLEMENTARY INFORMATION