

Adjustment of the end position

Somfy LT 28

Table of contents

1. Description of function
2. Adjustment of the end position

1. Description of function

The adjustment of the upper- and lower position of the roller blind takes place after the mounting of the complete roller blind.

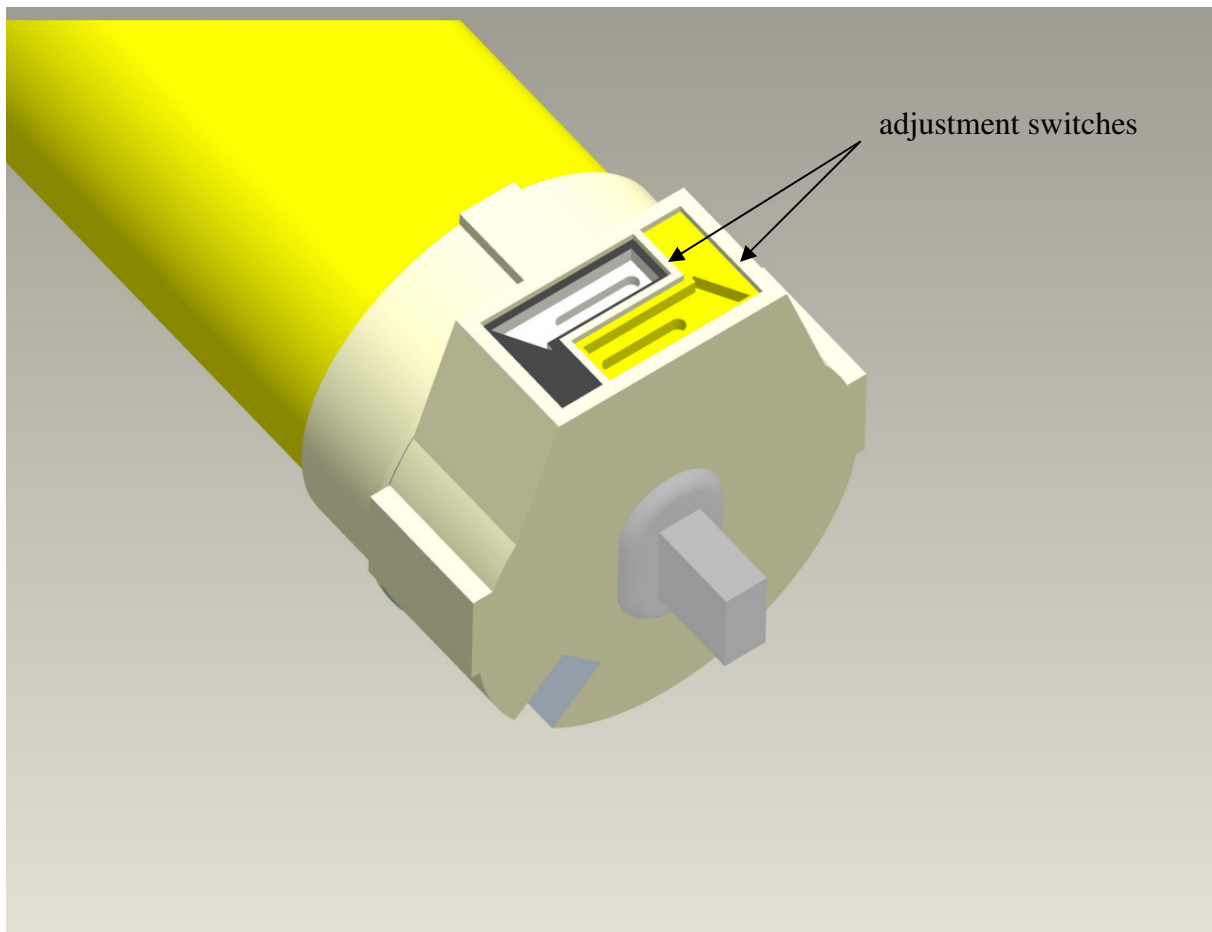
To adjust the upper- and lower position, push the two switches on the under-side of the drive with a screwdriver, or anything like it, down as far as it will go (lock).

Now the point of the upper- and lower adjustment-switch is in the beginning of the adjustment-area.

There are 40 rotations per rotation-direction at one's disposal.

The adjustment-switches are made like an arrow.

They show the rotation direction of the roller blind shaft.



2. Adjustment of the end position

Lower position

- Let the drive run down until the roller blind reaches the point you wish.
- Push the relevant adjustment-switch to unlock.
- The lower position is now fixed.

Upper position

- Let the drive run up until the roller blind reaches the point you wish.
- Push the relevant adjustment-switch to unlock.
- The upper position is now fixed.