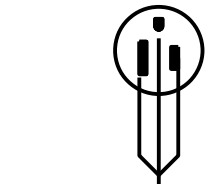
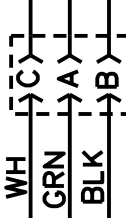


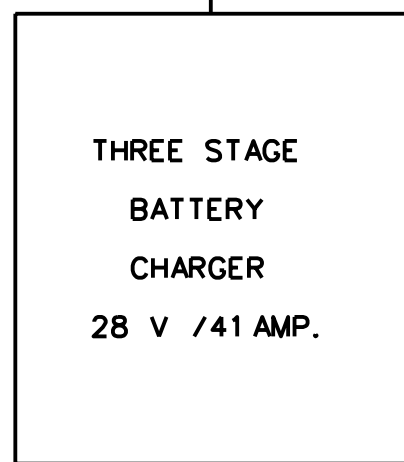
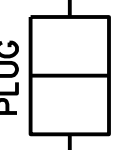
SHORE PLUG 110V



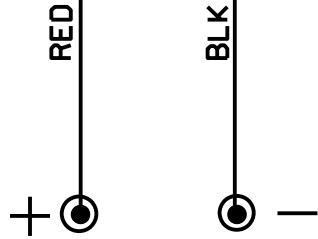
ENGINE WALL CONNECTOR



CHARGER PLUG



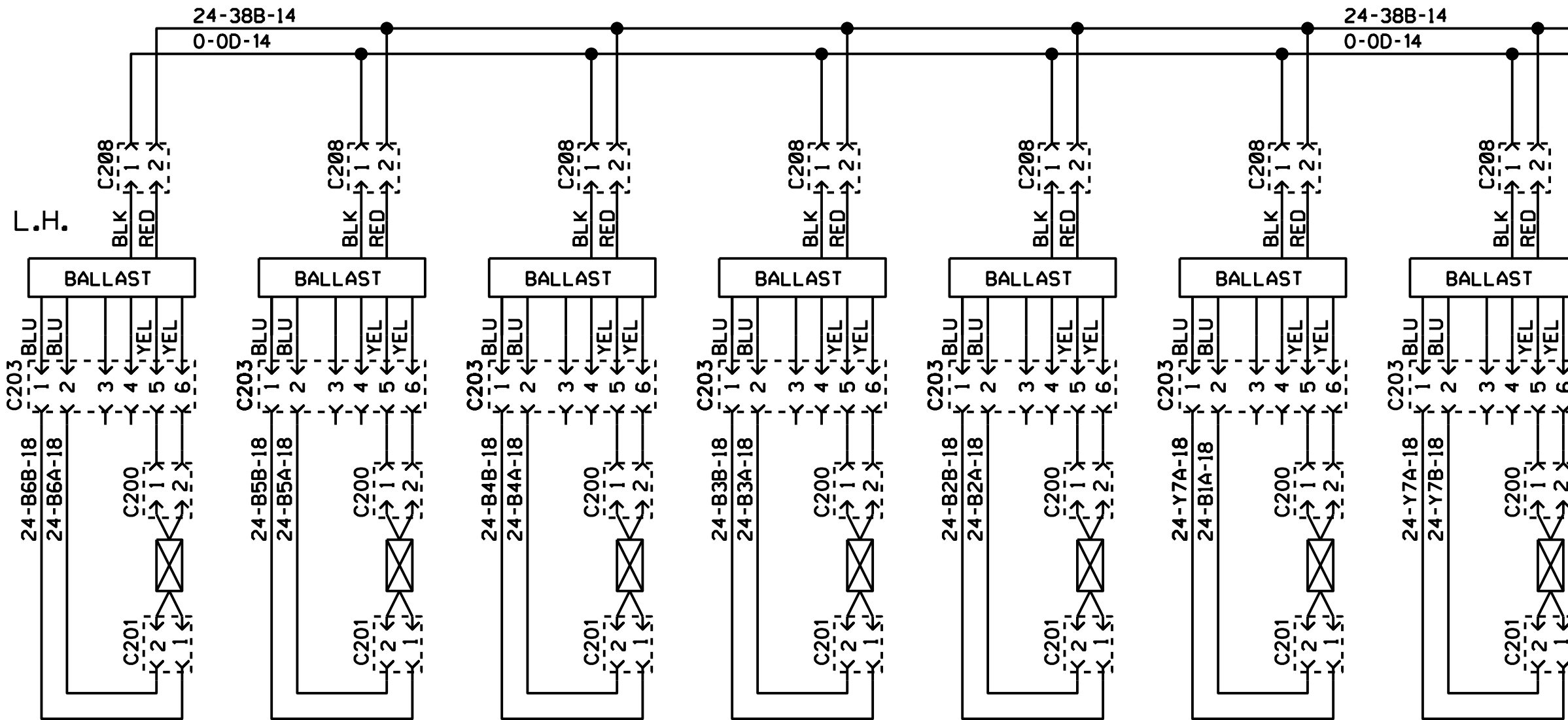
THREE STAGE BATTERY CHARGER 28 V / 41 AMP.



BOOSTER BLOCK

BATTERY CHARGER OR IN-STATION LIGHTING

L.H.

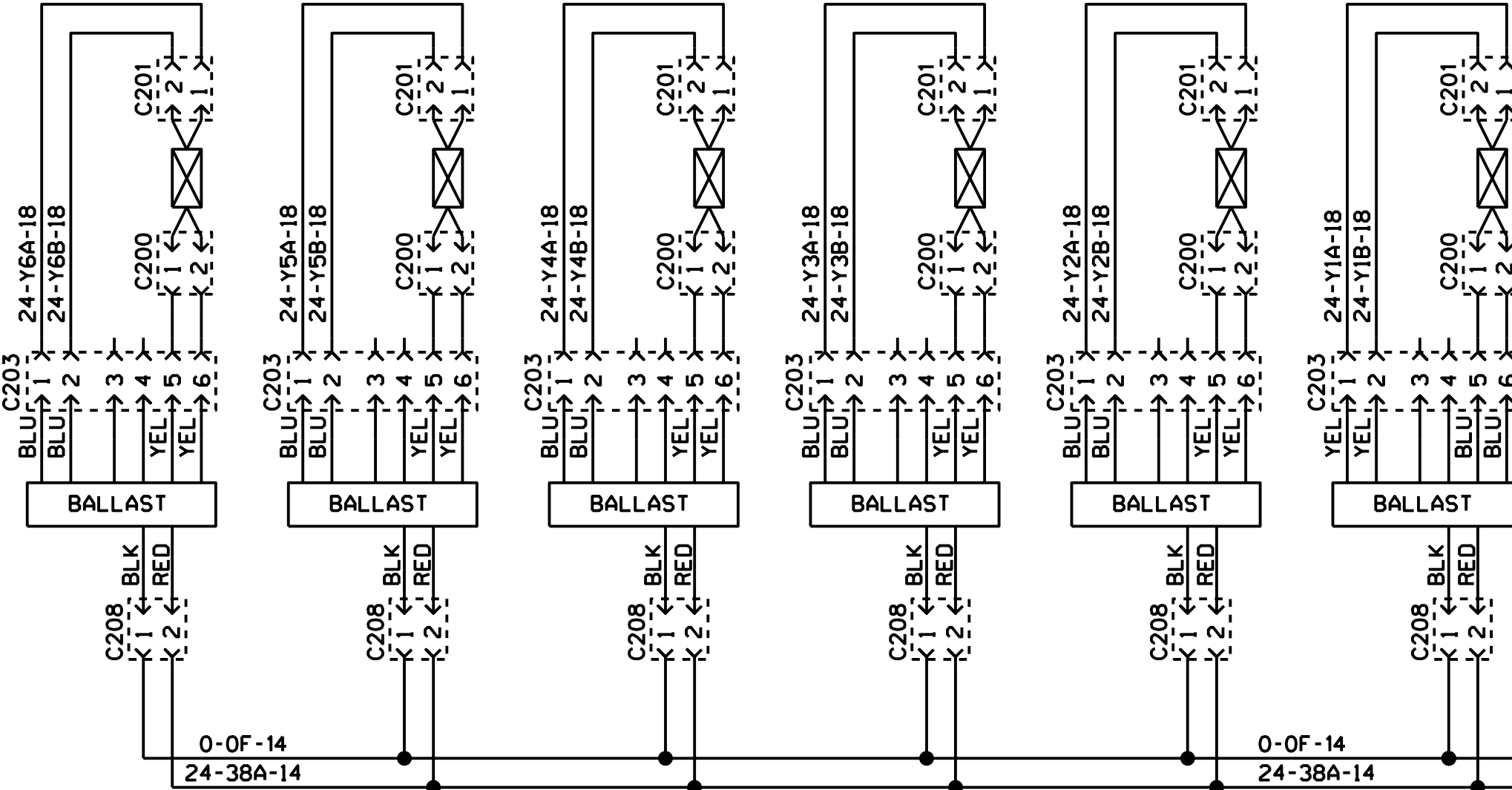


H3-45 ONLY

24V FLUORESCENT INTERIOR LIGHTING

H3-41 & H3-45

R.H.



RS

R.H.

L.H.

