

# SECTION 18: BODY

## CONTENTS

|   |              |
|---|--------------|
| <b>1. VEHICLE EXTERIOR</b> .....  | <b>18-5</b>  |
| <b>2. STRUCTURE</b> .....   | <b>18-9</b>  |
| <b>3. EXTERIOR MAINTENANCE</b> .....                                      | <b>18-9</b>  |
| 3.1 CORROSION PREVENTION .....  | 18-9         |
| 3.2 PREVENTIVE MAINTENANCE SCHEDULE .....                                 | 18-10        |
| 3.3 RUST INHIBITOR APPLICATION .....                                      | 18-10        |
| <b>4. FIBERGLASS REPAIR</b> .....   | <b>18-15</b> |
| 4.1 REPAIR USING FIBERGLASS CLOTH .....                                   | 18-15        |
| 4.2 REPAIR USING FIBERGLASS PASTE .....                                   | 18-15        |
| 4.3 TYPICAL FIBERGLASS REPAIR PROCEDURE .....                             | 18-16        |
| <b>5. PAINTING</b> .....  | <b>18-17</b> |
| 5.1 NEW PAINT CARE .....  | 18-17        |
| 5.2 PAINT TOUCHUP .....   | 18-17        |
| 5.3 PAINTING .....  | 18-18        |
| 5.3.1 <i>Safety</i> .....   | 18-18        |
| 5.3.2 <i>Surface Preparation And Paint Application</i> .....              | 18-18        |
| <b>6. BODY REPAIR</b> .....   | <b>18-19</b> |
| 6.1 FRONT FACE .....  | 18-19        |
| 6.1.1 <i>Front Face Body Panel And Molding</i> .....                      | 18-19        |
| 6.1.2 <i>Spare Wheel Compartment Door Body Panel</i> .....                | 18-23        |
| 6.1.3 <i>Windshield</i> .....   | 18-24        |
| 6.2 ENTRANCE DOOR OR FRONT SERVICE DOOR BODY PANEL .....                  | 18-25        |
| 6.2.1 <i>Entrance Door Or Front Service Door Lower Body Panel</i> .....   | 18-26        |
| 6.3 BAGGAGE COMPARTMENT OR REAR SERVICE COMPARTMENT DOOR BODY PANEL ..... | 18-27        |
| 6.4 MTH SIDE PANEL REPLACEMENT PROCEDURE .....                            | 18-30        |
| 6.5 LATERAL FIXED WINDOW .....  | 18-44        |
| 6.6 DRIVER'S WINDOW AND UPPER LATERAL WINDOW .....                        | 18-45        |
| 6.7 ENGINE COMPARTMENT DOOR BODY PANEL .....                              | 18-47        |
| <b>7. ENTRANCE DOOR</b> .....   | <b>18-49</b> |
| 7.1 COACH ENTRANCE DOOR .....   | 18-49        |
| 7.1.1 <i>Operation</i> .....  | 18-49        |
| 7.1.2 <i>Emergency Exit Valves</i> .....                                  | 18-50        |
| 7.1.3 <i>Door Cycle Speed Adjustment</i> .....                            | 18-50        |
| 7.1.4 <i>Horizontal And Vertical Adjustment</i> .....                     | 18-51        |
| 7.1.5 <i>Seal Compression Adjustment</i> .....                            | 18-51        |
| 7.1.6 <i>Door Seal Replacement</i> .....                                  | 18-52        |
| 7.1.7 <i>Troubleshooting</i> .....  | 18-53        |
| 7.1.8 <i>Lubrication</i> .....  | 18-54        |
| 7.2 ENTRANCE DOOR (MTH) .....   | 18-54        |
| 7.2.1 <i>Keyless Entry System</i> .....                                   | 18-54        |
| 7.2.2 <i>Door Adjustment</i> .....  | 18-54        |
| 7.2.3 <i>Horizontal And Vertical Adjustments</i> .....                    | 18-54        |
| 7.2.4 <i>Seal Compression Adjustment</i> .....                            | 18-54        |
| 7.2.5 <i>Door Seal Replacement</i> .....                                  | 18-55        |
| 7.2.6 <i>Door Lubrication</i> .....                                       | 18-55        |

## Section 18: BODY

---

|            |  |              |
|------------|--|--------------|
| 7.2.7      | Door Latch Mechanism .....   | 18-55        |
| <b>8.</b>  | <b>BUMPER REMOVAL AND INSTALLATION .....</b>                                   | <b>18-55</b> |
| 8.1        | FRONT BUMPER .....   | 18-55        |
| 8.2        | REAR BUMPER REMOVAL .....  | 18-56        |
| <b>9.</b>  | <b>DRIVER'S OR ENTRANCE DOOR POWER WINDOW .....</b>                            | <b>18-56</b> |
| 9.1        | DRIVER'S POWER WINDOW .....  | 18-56        |
| 9.1.1      | Window Removal And Installation .....  | 18-56        |
| 9.1.2      | Regulator Removal And Installation .....                                       | 18-56        |
| 9.2        | ENTRANCE DOOR POWER WINDOW .....   | 18-57        |
| 9.2.1      | Window Removal And Installation .....  | 18-57        |
| 9.2.2      | Regulator Removal And Installation .....                                       | 18-57        |
| <b>10.</b> | <b>ROOF ESCAPE HATCH .....</b>   | <b>18-57</b> |
| 10.1       | REPAIR .....   | 18-58        |
| 10.2       | SEALING .....  | 18-58        |
| 10.3       | ESCAPE HATCH PANEL ASSEMBLY .....  | 18-58        |
| 10.4       | ESCAPE HATCH FRAME .....   | 18-59        |
| <b>11.</b> | <b>PASSENGER SEATS .....</b>   | <b>18-59</b> |
| 11.1       | ROTATING SEATS .....   | 18-59        |
| 11.2       | REMOVING FIXED SEATS .....   | 18-59        |
| 11.3       | UPHOLSTERY MAINTENANCE .....   | 18-60        |
| 11.3.1     | Routine Cleaning .....   | 18-60        |
| 11.3.2     | Dry Cleaning .....   | 18-60        |
| 11.3.3     | Cleaning With Covers In Place .....  | 18-60        |
| <b>12.</b> | <b>TARABUS FLOOR COVERING REPAIR OR REPLACEMENT .....</b>                      | <b>18-61</b> |
| 12.1       | FRONT STEPS REPLACEMENT PROCEDURE .....  | 18-63        |
| 12.2       | WELDING OF JOINT BETWEEN WHITE SAFETY STRIP AND "TARABUS" FLOOR COVERING ..... | 18-66        |
| 12.3       | REPAIR OF A WELDED JOINT .....   | 18-69        |
| <b>13.</b> | <b>COACH SIDE WINDOWS .....</b>  | <b>18-69</b> |
| 13.1       | EMERGENCY EXIT WINDOWS .....   | 18-69        |
| 13.1.1     | Emergency Exit Release Bar .....   | 18-70        |
| 13.1.2     | Emergency Exit Window Adjustment .....   | 18-70        |
| 13.1.3     | Emergency Exit Window Replacement .....  | 18-70        |
| <b>14.</b> | <b>ELECTRIC AWNING WINDOW .....</b>  | <b>18-70</b> |
| 14.1       | OPERATION .....  | 18-70        |
| 14.2       | WINDOW REMOVAL .....   | 18-70        |
| 14.3       | ACTUATOR REPLACEMENT .....   | 18-72        |
| 14.4       | MOTOR REPLACEMENT .....  | 18-72        |
| <b>15.</b> | <b>BODY PANELS AND DOORS .....</b>   | <b>18-74</b> |
| <b>16.</b> | <b>BAGGAGE COMPARTMENT DOORS .....</b>   | <b>18-74</b> |
| 16.1       | DOOR REMOVAL .....   | 18-74        |
| 16.2       | PANTOGRAPH ARMS REMOVAL AND INSTALLATION .....                                 | 18-74        |
| 16.3       | DOOR INSTALLATION .....  | 18-74        |
| <b>17.</b> | <b>ENGINE COMPARTMENT DOORS .....</b>  | <b>18-75</b> |
| <b>18.</b> | <b>RADIATOR DOOR ADJUSTMENT .....</b>  | <b>18-75</b> |

|            |   |              |
|------------|---|--------------|
| <b>19.</b> | <b>ENGINE COMPARTMENT R. H. SIDE DOOR .....</b>                           | <b>18-76</b> |
| <b>20.</b> | <b>CONDENSER DOOR ADJUSTMENT.....</b>                                     | <b>18-76</b> |
| <b>21.</b> | <b>EVAPORATOR DOOR ADJUSTMENT .....</b>                                   | <b>18-77</b> |
| <b>22.</b> | <b>FUEL FILLER DOOR .....</b>   | <b>18-77</b> |
| <b>23.</b> | <b>FRONT SERVICE COMPARTMENT DOOR.....</b>                                | <b>18-77</b> |
| <b>24.</b> | <b>L.H. SIDE REAR SERVICE COMPARTMENT DOOR .....</b>                      | <b>18-77</b> |
| <b>25.</b> | <b>R.H. SIDE REAR SERVICE COMPARTMENT OR MAIN POWER COMPARTMENT DOOR.</b> | <b>18-78</b> |
| <b>26.</b> | <b>FENDERS .....</b>  | <b>18-78</b> |
| <b>27.</b> | <b>REAR CAP.....</b>  | <b>18-78</b> |
| <b>28.</b> | <b>FRONT CAP .....</b>  | <b>18-78</b> |
| <b>29.</b> | <b>XL2 SMOOTH SIDE PANEL REPLACEMENT PROCEDURE .....</b>                  | <b>18-79</b> |
| <b>30.</b> | <b>REAR VIEW MIRRORS (RAMCO).....</b>                                     | <b>18-86</b> |
| 30.1       | ADJUSTMENT .....  | 18-86        |
| 30.2       | DISASSEMBLY.....  | 18-86        |
| 30.3       | ASSEMBLY .....  | 18-86        |
| 30.4       | REPLACEMENT OF MIRROR GLASS .....   | 18-86        |
| 30.5       | HEATED / REMOTE CONTROLLED REAR VIEW MIRRORS .....                        | 18-86        |
| 30.5.1     | <i>Mirror Control</i> .....   | 18-86        |
| 30.5.2     | <i>Disassembly</i> .....  | 18-87        |
| 30.5.3     | <i>Assembly</i> .....   | 18-87        |
| 30.5.4     | <i>Convex &amp; Flat Mirror Removal</i> .....                             | 18-87        |
| <b>31.</b> | <b>VEHICLE JACKING POINTS .....</b>                                       | <b>18-87</b> |
| 31.1       | HYDRAULIC JACK .....  | 18-88        |
| <b>32.</b> | <b>TOWING THE VEHICLE.....</b>  | <b>18-88</b> |
| 32.1       | LIFTING AND TOWING .....  | 18-89        |
| 32.2       | TOWING WITHOUT LIFTING .....  | 18-89        |
| <b>33.</b> | <b>SPECIFICATIONS .....</b>   | <b>18-90</b> |

## ILLUSTRATIONS

|           |  |       |
|-----------|--|-------|
| FIGURE 1: | XL2-40 CONVERTED VEHICLE EXTERIOR VIEW (TYPICAL).....  | 18-5  |
| FIGURE 2: | XL2-45 CONVERTED VEHICLE EXTERIOR VIEW (TYPICAL).....  | 18-6  |
| FIGURE 3: | XL2-45E CONVERTED VEHICLE EXTERIOR VIEW (TYPICAL)..... | 18-7  |
| FIGURE 4: | XL2-45 COACH EXTERIOR VIEW (TYPICAL).....              | 18-8  |
| FIGURE 5: | FIBERGLASS REPAIR .....                                | 18-16 |
| FIGURE 6: | FIBERGLASS REPAIR .....                                | 18-16 |

## Section 18: BODY

---

|  |       |
|--|-------|
| FIGURE 7: FIBERGLASS REPAIR .....  | 18-16 |
| FIGURE 8: FIBERGLASS REPAIR .....  | 18-17 |
| FIGURE 9: FIBERGLASS REPAIR .....  | 18-17 |
| FIGURE 10: VIEW OF FRONT FACE .....  | 18-19 |
| FIGURE 11: WINDSHIELD INSTALLATION USING ROPE .....                                | 18-24 |
| FIGURE 12: APPLICATION OF SIKA 221 BLACK.....                                      | 18-25 |
| FIGURE 13: ENTRANCE DOOR BODY PANEL .....  | 18-25 |
| FIGURE 14: GLUING JIG SETUP DIAGRAM.....   | 18-29 |
| FIGURE 15: DRIVER'S OR UPPER LATERAL WINDOW .....                                  | 18-46 |
| FIGURE 16: DOOR CYLINDER AND DAMPER.....   | 18-49 |
| FIGURE 17: COACH ENTRANCE DOOR .....   | 18-49 |
| FIGURE 18: ENTRANCE DOOR CONTROL SWITCH .....                                      | 18-50 |
| FIGURE 19: EMERGENCY EXIT VALVE .....  | 18-50 |
| FIGURE 20: DAMPER .....  | 18-51 |
| FIGURE 21: UPPER DOOR HINGE .....  | 18-51 |
| FIGURE 22: SEAL COMPRESSION ADJUSTMENT.....  | 18-52 |
| FIGURE 23: ENTRANCE DOOR (MTH) .....   | 18-54 |
| FIGURE 24: ENTRANCE DOOR (MTH, TYPICAL) .....                                      | 18-55 |
| FIGURE 25: FRONT BUMPER RELEASE HANDLE .....                                       | 18-56 |
| FIGURE 26: FRONT BUMPER.....   | 18-56 |
| FIGURE 27: FRONT BUMPER REMOVAL.....   | 18-56 |
| FIGURE 28: REAR BUMPER.....  | 18-56 |
| FIGURE 29: DRIVER'S POWER WINDOW .....   | 18-57 |
| FIGURE 30: ENTRANCE DOOR POWER WINDOW .....  | 18-57 |
| FIGURE 31: ESCAPE HATCH .....  | 18-58 |
| FIGURE 32: ESCAPE HATCH .....  | 18-58 |
| FIGURE 33: ARMREST.....  | 18-60 |
| FIGURE 34: SEAT PEDESTAL ASSEMBLY .....  | 18-60 |
| FIGURE 35: TARABUS FLOOR COVERING ADHESIVE APPLICATION.....                        | 18-62 |
| FIGURE 36: APPLICATION OF SIKA 221 GRAY.....                                       | 18-62 |
| FIGURE 37: XL2-45 COACH.....   | 18-69 |
| FIGURE 38: EMERGENCY EXIT WINDOW.....  | 18-70 |
| FIGURE 39: ELECTRIC AWNING WINDOW EXPLODED VIEW (FRAME) .....                      | 18-71 |
| FIGURE 40: ELECTRIC AWNING WINDOW EXPLODED VIEW (SASH) .....                       | 18-72 |
| FIGURE 41: BAGGAGE COMPARTMENT DOOR .....  | 18-74 |
| FIGURE 42: BAGGAGE DOOR CATCH STRIKER.....   | 18-75 |
| FIGURE 43: ENGINE COMPARTMENT DOORS.....   | 18-75 |
| FIGURE 44: RADIATOR DOOR .....   | 18-76 |
| FIGURE 45: ENGINE COMPARTMENT R. H. SIDE DOOR.....                                 | 18-76 |
| FIGURE 46: CONDENSER DOOR.....   | 18-76 |
| FIGURE 47: EVAPORATOR DOOR .....   | 18-77 |
| FIGURE 48: FUEL FILLER DOOR .....  | 18-77 |
| FIGURE 49: L.H. SIDE REAR SERVICE COMPARTMENT DOOR .....                           | 18-78 |
| FIGURE 50: R.H. SIDE REAR SERVICE COMPARTMENT OR MAIN POWER COMPARTMENT DOOR ..... | 18-78 |
| FIGURE 51: REAR VIEW MIRROR (RAMCO) .....  | 18-86 |
| FIGURE 52: JACKING POINTS ON FRAME.....  | 18-87 |
| FIGURE 53: JACKING POINTS ON IND. SUSPENSION .....                                 | 18-87 |
| FIGURE 54: JACKING POINTS ON FRONT AXLE.....                                       | 18-87 |
| FIGURE 55: JACKING POINTS ON DRIVE AXLE .....                                      | 18-87 |
| FIGURE 56: JACKING POINTS ON TAG AXLE.....   | 18-88 |
| FIGURE 57: TOW EYES.....   | 18-89 |

1. VEHICLE EXTERIOR

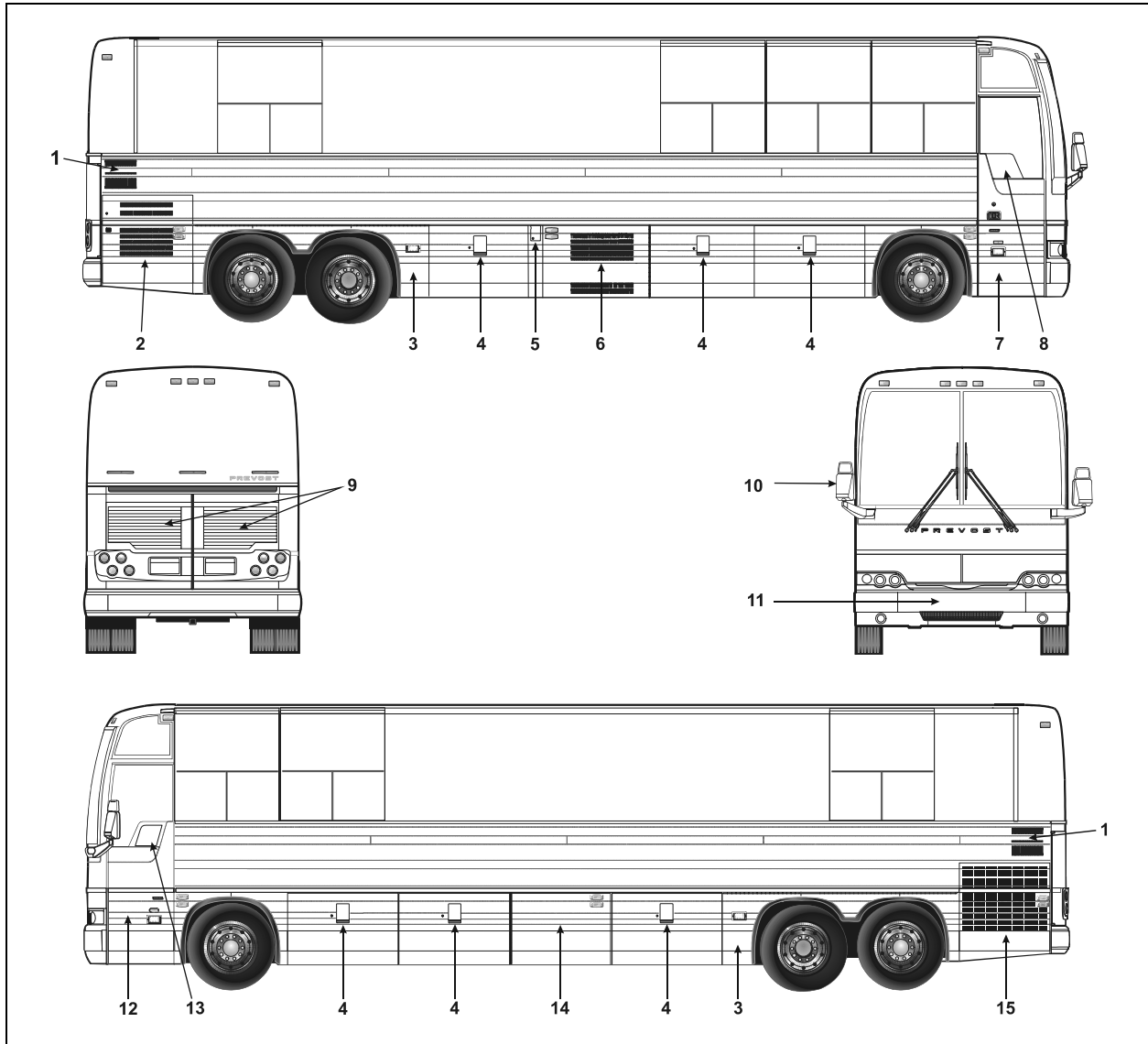


FIGURE 1: XL2-40 CONVERTED VEHICLE EXTERIOR VIEW (TYPICAL)

- |   |   |
|---|---|
| 1. Engine air intake duct                       | 9. Engine compartment rear doors                  |
| 2. Engine compartment R.H. side door            | 10. Rear-view mirror                              |
| 3. Hinged rear fender                           | 11. Reclining bumper                              |
| 4. Baggage compartment                          | 12. Front service compartment                     |
| 5. Fuel filler door                             | 13. Driver's power window                         |
| 6. Condenser compartment or Baggage compartment | 14. Evaporator compartment or Baggage compartment |
| 7. Entrance door                                | 15. Radiator door                                 |
| 8. Entrance door power window                   |   |

## Section 18: BODY

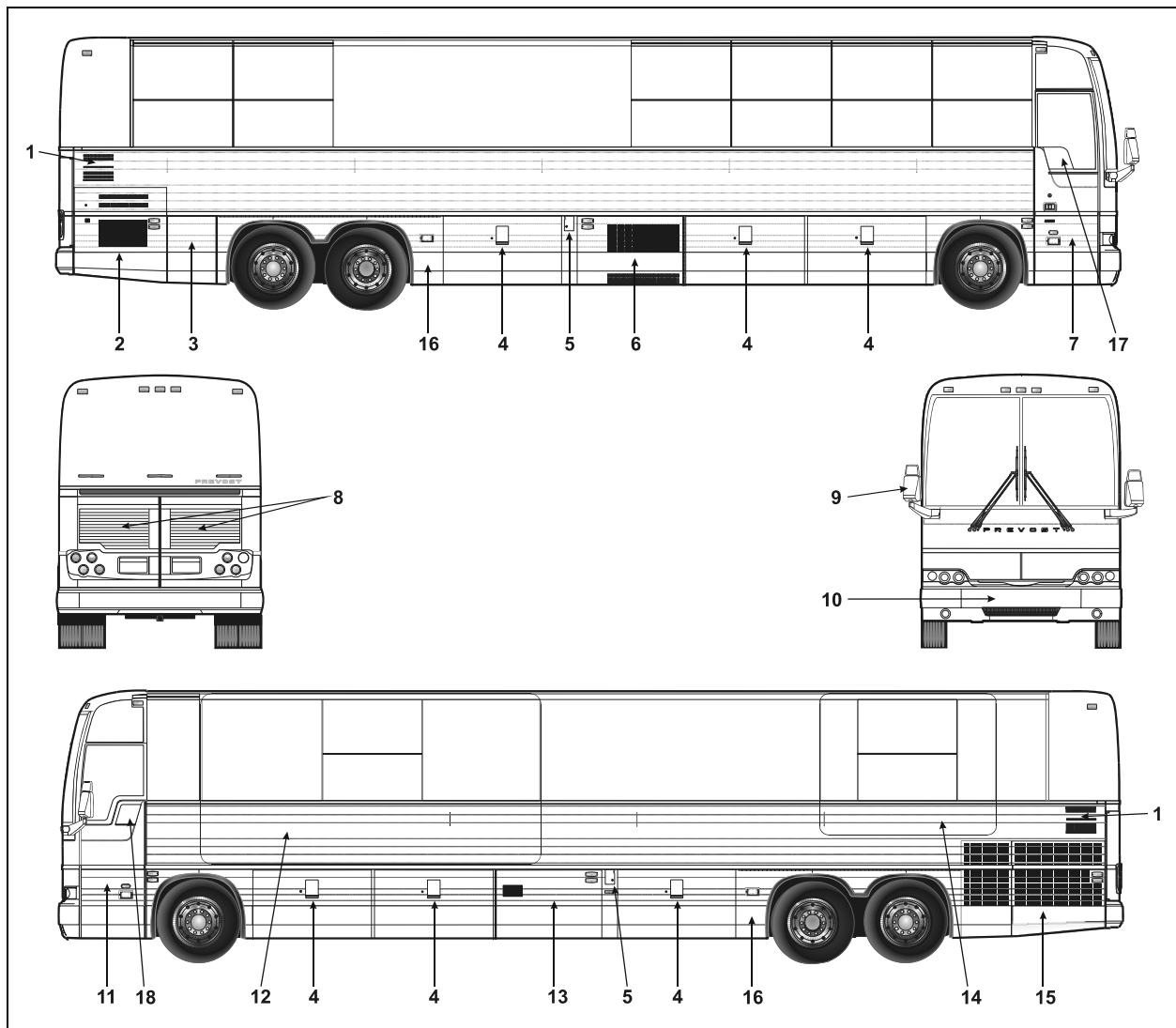


FIGURE 2: XL2-45 CONVERTED VEHICLE EXTERIOR VIEW (TYPICAL)

18362

- |   |  |
|---|--|
| 1. Engine air intake duct                       | 10. Reclining bumper   |
| 2. Engine compartment R.H. side door            | 11. Front service compartment  |
| 3. R.H. side rear service compartment           | 12. Front Slide-Out (Optional)   |
| 4. Baggage compartment                          | 13. Evaporator compartment or Baggage compartment and access to Slide-out electrical panel |
| 5. Fuel filler door                             | 14. Rear Slide-Out (Optional)  |
| 6. Condenser compartment or Baggage compartment | 15. Radiator door  |
| 7. Entrance door                                | 16. Hinged rear fender   |
| 8. Engine compartment rear doors                | 17. Entrance door power window   |
| 9. Rear-view mirror                             | 18. Driver's power window  |

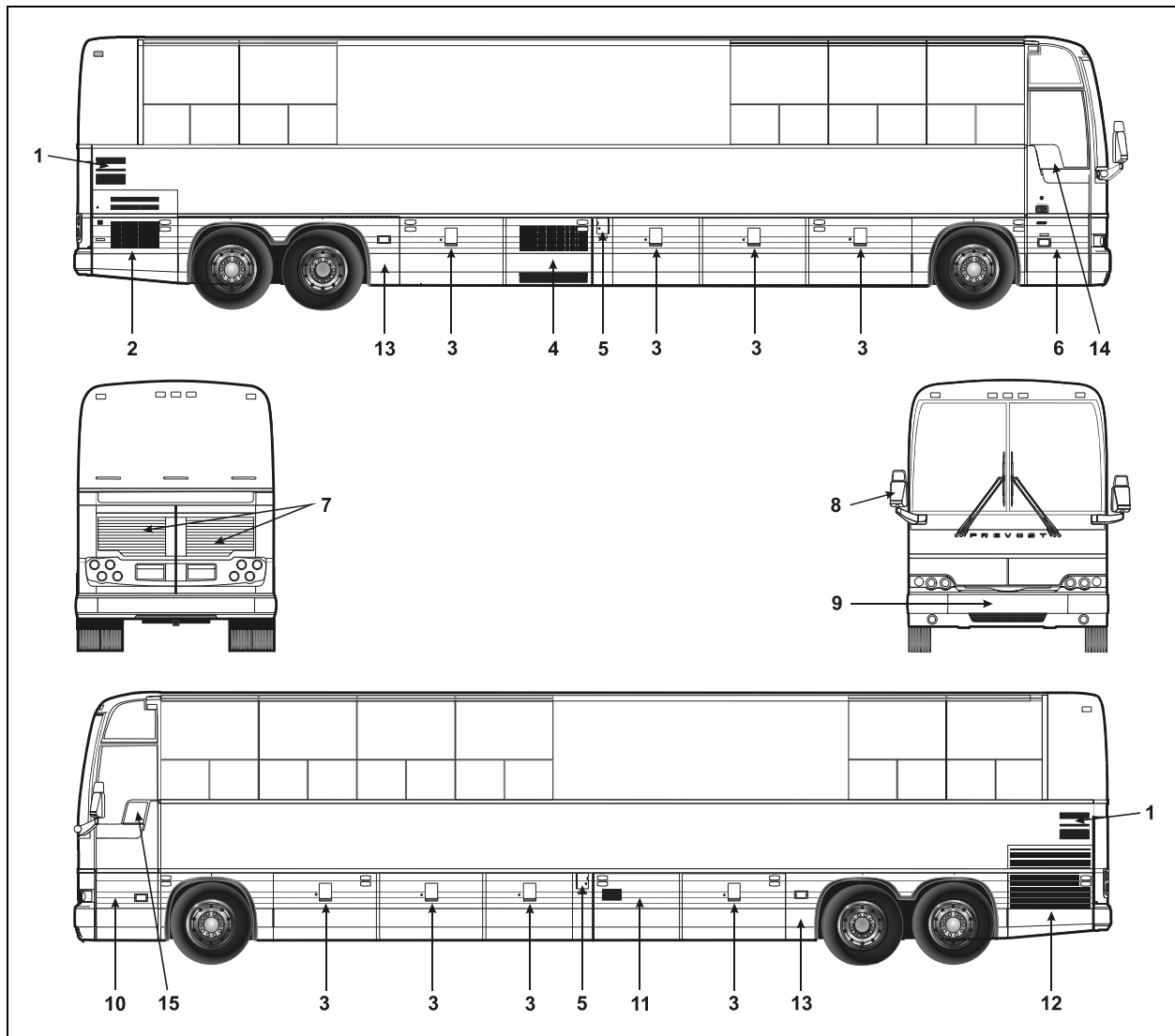
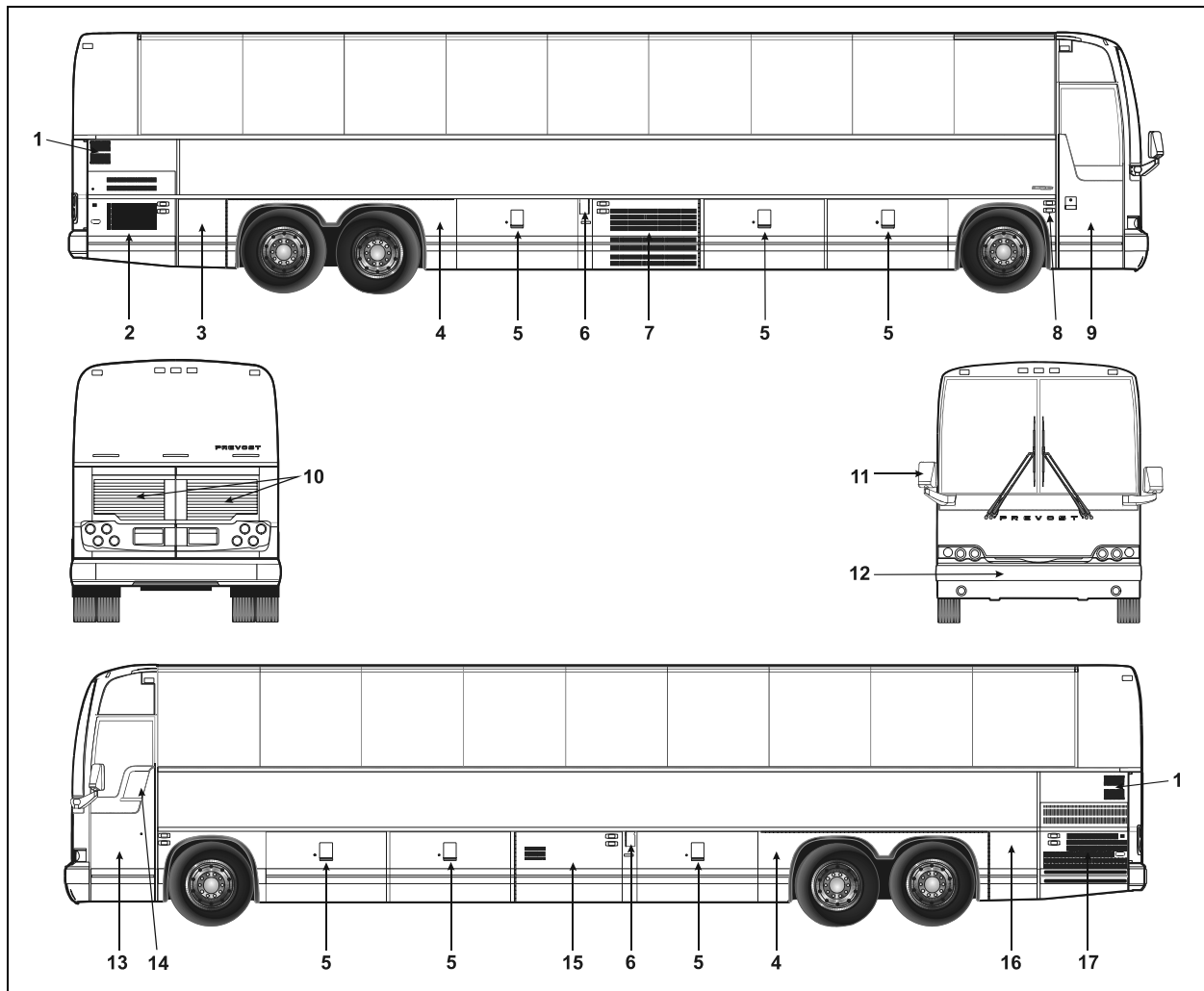


FIGURE 3: XL2-45E CONVERTED VEHICLE EXTERIOR VIEW (TYPICAL)

18369

- |   |   |
|---|---|
| 1. Engine compartment R.H. side door            | 9. Reclining bumper                               |
| 2. Engine air intake duct                       | 10. Front service compartment                     |
| 3. Baggage compartment                          | 11. Evaporator compartment or Baggage compartment |
| 4. Fuel filler door                             | 12. Radiator door                                 |
| 5. Condenser compartment or Baggage compartment | 13. Hinged rear fender                            |
| 6. Entrance door                                | 14. Entrance door power window                    |
| 7. Engine compartment rear doors                | 15. Driver's power window                         |
| 8. Rear-view mirror                             |   |

**Section 18: BODY**



**FIGURE 4: XL2-45 COACH EXTERIOR VIEW (TYPICAL)**

18367

- |                                      |                                   |
|--------------------------------------|-----------------------------------|
| 1. Engine air intake duct            | 10. Engine compartment rear doors |
| 2. Engine compartment R.H. side door | 11. Rear-view mirror              |
| 3. Main Power compartment            | 12. Reclining bumper              |
| 4. Hinged rear fender                | 13. Front service compartment     |
| 5. Baggage compartment               | 14. Driver's power window         |
| 6. Fuel filler door                  | 15. Evaporator compartment        |
| 7. Condenser compartment             | 16. L.H. Rear service compartment |
| 8. Entrance door control switch      | 17. Radiator door                 |
| 9. Entrance door                     |                                   |



## 2. STRUCTURE

The body of the XL2 vehicles is an integral structure made of 14, 16 and 18 gauge welded and braced high tensile steel and stainless steel members. All stainless exterior panels are glued to anti-corrosion coated members. The complete structure is protected against corrosion prior to assembly. The front and rear caps are made of molded fiberglass. The main roof is made of high tensile aluminum panels riveted to the roof structure. The floor is made of 2 layers of ½" (13 mm) thick plywood separated by a 1/8" (3 mm) insulation to reduce power train and road noises.

### Welding

Since welding is a procedure that may be carried out either as specific instructions from Prévost or by an independent decision of the owner, the following information pertaining to welding should be read before beginning any welding procedure. The prohibitions and requirements outlined below must be followed during welding procedure:

1. Welding must be done only by a qualified and experienced person.
2. Adequate ground contacts and shields must be positioned as required to protect components from damage due to heat, contact by weld splatter, arcing, or other potentially damaging events associated with welding.
3. The following precautions are to be taken to protect the electronic control components. Refer to section 00, paragraph 3: "PRECAUTIONS TO BE OBSERVED BEFORE WELDING" in this manual.
4. Always wear the appropriate safety equipment.
5. Weld in clean and well ventilated area, and always have an appropriate fire extinguisher within your reach.

## 3. EXTERIOR MAINTENANCE

Regular washing to remove dust and dirt is recommended. See *"Operator's Manual"* for more details on washing and cleaning your vehicle.

### 3.1 CORROSION PREVENTION

Preventive maintenance is a key factor in avoiding corrosion and must be considered as part of the regular service intervals. The entire underside of the vehicle is sprayed with a heavy application of asphalt base undercoating.

The operating environment the vehicle is subjected to will largely influence the amount of dirt and corrosion that will accumulate over a given period. Corrosion is one of the most costly factors of part failure and shortened part life. It is, however, an item that can be controlled when it is conscientiously looked after and the proper steps are taken in a timely manner.

Certain areas of the coach are more vulnerable to corrosion than others, and it is these areas that should be addressed. For example, the rear baggage compartment bulkhead in the rear wheelhousing area contains many key components and should be examined regularly for corrosion. Other areas include the front wheelhousing area and the engine compartment.

Road splash will affect undercarriage, condenser coil and engine compartment. These areas must be thoroughly cleaned to remove dirt accumulations from flanges, channels and ledges. These places accumulate dirt and salt and hold it in direct contact with steel and aluminum surfaces. Use an understructure high pressure spray as part of a regular wash. Damaged undercoating or paint should be promptly repaired before corrosion can start. Frequency of wash periods depends on operating conditions. During periods of exposure to salt, daily washing as described above is recommended. If underbody parts show evidence of rust or corrosion, treat as follows:

1. Remove dirt, grease and oil by solvent washing.
2. Remove corrosion as well as all loose coating by cleaning with a wire brush or sandblasting.

### CAUTION

**Sandblasting can be used for cleaning bulkheads, brackets and other structural members. It should not be used for exterior side paneling. Extreme care should be taken not to sandblast excessively.**

3. Apply correct primer, paint and undercoating after removing all corrosion to prevent further damage.

## Section 18: BODY

### 3.2 PREVENTIVE MAINTENANCE SCHEDULE

| <i><b>NOTE</b></i>   |  |  |  |  |  |
|--|--|--|--|--|--|
| TECTYL 185 GW rust inhibitor may have been applied on your vehicle underbody as an option, if this is the case, follow this procedure thoroughly. For future application of product, refer to paragraph 3.3 in this section. |  |  |  |  |  |

| DESCRIPTION                   | INTERVALS |                   | MAINTENANCE  | CORRECTIVE ACTION   | REFERENCE |
|-------------------------------|-----------|-------------------|--|---|-----------|
|                               | MONTHS    | KM MILES          |  |   |           |
| BODY, EXTERNAL WINDOW FRAME   | 6         | 40 000<br>25 000  | VISUALLY INSPECT SEALING BEADS CONDITION   | REPAIR OR REPLACE SEALING BEADS IF NECESSARY  |           |
| VEHICLE UNDERBODY             | 12        | 100 000<br>60 000 | USE A LOW PRESSURE SPRAY TO CLEAN UNDERSTRUCTURE AND VISUALLY INSPECT FOR CALCIUM DEPOSIT, CORROSION OR ANY DIRT ACCUMULATED ONTO EXPOSED SURFACES. VISUALLY INSPECT SEALING BEADS CONDITION.<br><br>VISUALLY INSPECT IF UNDERFLOOR IS PEELING. VISUALLY INSPECT WHEELHOUSING COATING.<br><br>MAKE SURE DISCHARGE TUBES ARE FREE FROM OBSTRUCTIONS | APPLY UNDERCOATING LOCALLY AS NECESSARY.<br><br>APPLY UNDERCOATING LOCALLY AS NECESSARY<br><br>REMOVE ANY OBSTRUCTION OR REPLACE DEFECTIVE TUBE |           |
| SUSPENSION AND UNDERSTRUCTURE | 12        | 100 000<br>60 000 | VERIFY THE CONDITION OF ALL SUSPENSION AND UNDERSTRUCTURE FASTENERS AND CLAMPS   | TIGHTEN OR REPLACE DEFECTIVE OR MISSING FASTENERS   |           |
| FLOOR COVERING                | 3         | 20 000<br>12 500  | VISUALLY INSPECT IF FLOOR COVERING IS SHOWING SIGNS OF DETERIORATION SUCH AS CUTS, BURNS, ETC. ALSO, VISUALLY INSPECT SEALANT ALONGSIDE TRACKS. INSPECT WALL PANELS FROM BOTTOM TO WINDOWS   | REPAIR OR REPLACE DEFECTIVE COVERING. MAKE SURE PROPER SEALANT IS USED.   |           |
| FLOOR CLEANING                |           |                   | CLEAN FLOOR COVERING AS NECESSARY  |   |           |

### ⚠ **WARNING** ⚠



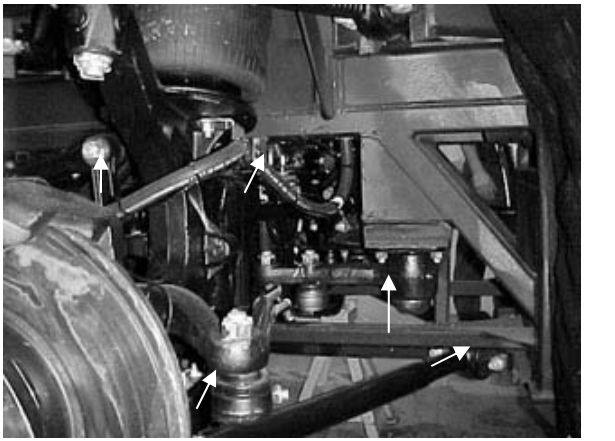
**Failure to follow this preventive maintenance schedule will result in warranty void.**

### 3.3 RUST INHIBITOR APPLICATION

Material: Tectyl 185 GW  
R1KG21

Safety Rules: Use safety glasses  
Supplied air hood

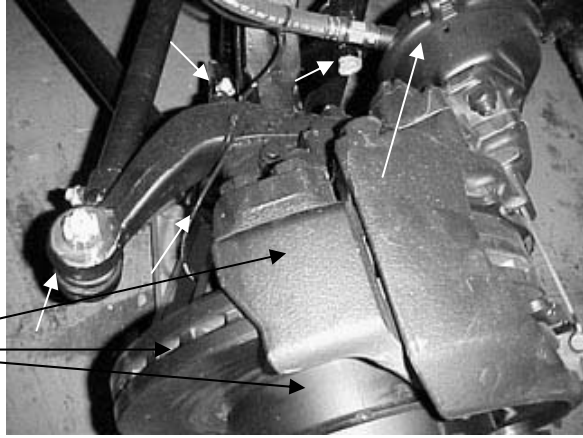
Solvent-resistant rubber gloves

|  |  |
|--|--|
| <p>1.0 Wash both wheelhousing mechanical parts before masking.</p>   | <p>A water-hose nozzle is recommended. Water may be hot to reduce washing time especially during winter. If parts are soiled with oil, clean using R1KG21. Avoid rubber parts.</p> |
| <p>2.0 Dry all water sprayed parts. Surface temperature and dew point must be respected before applying rust inhibitor.</p>  | <p>Air pressure system may be used, refer to annex 1 for surface temperature and dew point.</p>  |
| <p><b>3.0 Front wheelhousing</b><br/>a) Mask all rubber joints. Braking system must also be protected (refer to arrows). Commercial aluminum foil may be used for masking.</p> |    |
| <p><b>3.1 Front wheelhousing</b><br/>Front view</p>  |   |
| <p><b>3.2 Front wheelhousing</b></p>   |    |

**Section 18: BODY**

**3.3 Front wheelhousing**

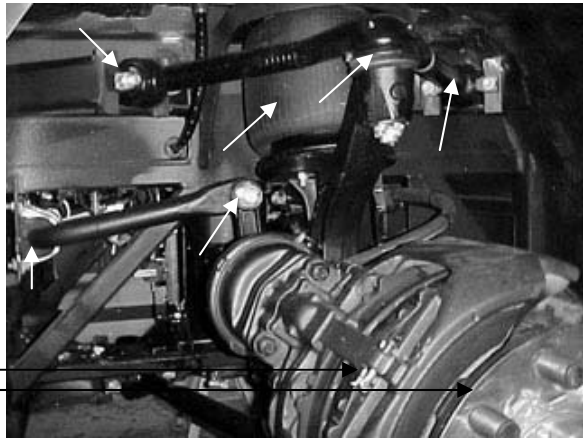
(Entire braking system)



**4.0 Rear wheelhousing**

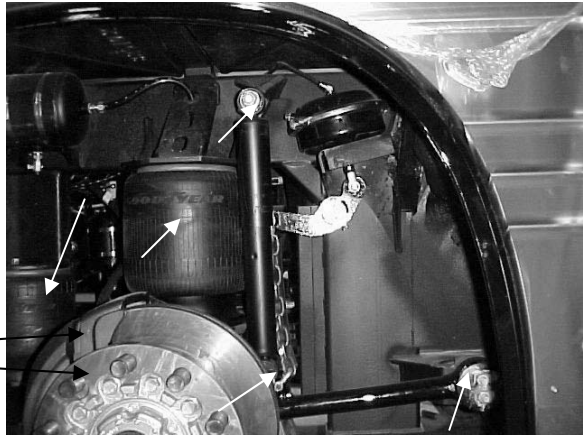
a) Mask all rubber joints. Braking system must also be protected (refer to arrows). Commercial aluminum foil may be used for masking

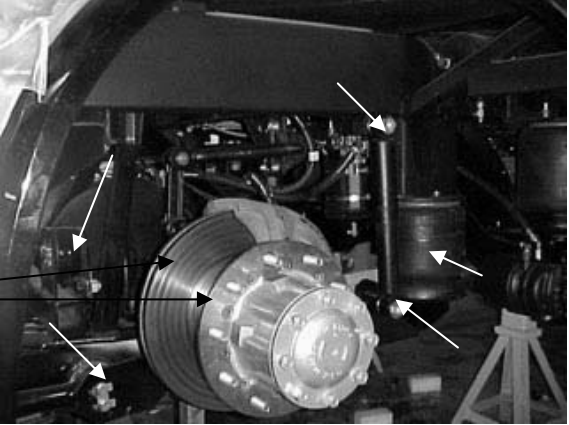
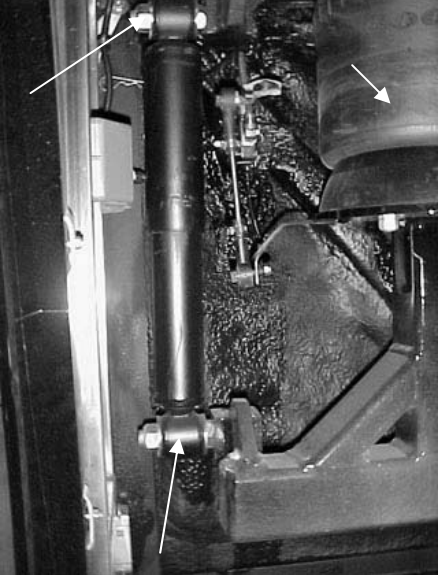
(Entire braking system)



**4.1 Rear wheelhousing**

(Entire braking system)



|   |  |
|---|--|
| <p>4.2 Rear wheelhousing</p> <p>(Entire braking system)</p>                             |    |
| <p>4.3 Rear wheelhousing</p>  |   |
| <p>5.0 Close off wheelhousing using masking paper.</p>                                  | <p>Prevent rust inhibitor from coming in contact with paint. To close off wheelhousing, a polythene sheet may be used.</p>   |
| <p>6.0 Apply TECTYL 185 GW black rust inhibitor onto wheelhousing mechanical parts.</p> | <p>A spray gun and pumping system are required to apply the rust inhibitor. If the application is done inside a paint room, select high speed ventilation. <b>Minimum required thickness is 10 mils wet or 5 mils dry.</b></p> |
| <p>7.0 Remove all masking material 30 minutes after application.</p>                    |  |

**ANNEX 1**

1. Check and confirm that dew point and surface temperature are in accordance with to the following criteria:

Surface temperature > 10°C

Surface temperature > or = to dew point + 3°C

***NOTE***

*Use the following table to determine dew point.*

2. Check and confirm that TECTYL temperature is between 10°C and 35°C.

**Section 18: BODY**

**DEW POINT**

|          | Relative Humidity (%) |     |     |    |    |    |    |    |    |     |
|----------|-----------------------|-----|-----|----|----|----|----|----|----|-----|
|          | 10                    | 20  | 30  | 40 | 50 | 60 | 70 | 80 | 90 | 100 |
| Temp (c) |                       |     |     |    |    |    |    |    |    |     |
| 0        | ---                   | -16 | -11 | -8 | -5 | -3 | -1 | 0  | 1  | 3   |
| 1        | ---                   | -15 | -10 | -7 | -5 | -3 | -1 | 1  | 2  | 4   |
| 2        | ---                   | -14 | -10 | -6 | -4 | -1 | 0  | 2  | 3  | 5   |
| 3        | ---                   | -13 | -9  | -5 | -3 | -1 | 1  | 2  | 4  | 6   |
| 4        | ---                   | -13 | -8  | -5 | -2 | 0  | 2  | 4  | 5  | 7   |
| 5        | ---                   | -11 | -7  | -4 | -1 | 1  | 3  | 5  | 6  | 8   |
| 6        | ---                   | -11 | -8  | -3 | 0  | 2  | 4  | 6  | 7  | 9   |
| 7        | -18                   | -10 | -6  | -2 | 0  | 2  | 5  | 6  | 8  | 10  |
| 8        | -17                   | -9  | -5  | -1 | 1  | 4  | 6  | 7  | 9  | 11  |
| 9        | -16                   | -9  | -4  | -1 | 2  | 4  | 6  | 9  | 10 | 12  |
| 10       | -16                   | -8  | -3  | 0  | 3  | 5  | 7  | 10 | 11 | 13  |
| 11       | -15                   | -7  | -3  | 1  | 4  | 6  | 9  | 10 | 12 | 14  |
| 12       | -14                   | -6  | -1  | 2  | 5  | 7  | 10 | 11 | 13 | 15  |
| 13       | -14                   | -6  | -1  | 2  | 6  | 8  | 10 | 12 | 14 | 16  |
| 14       | -13                   | -5  | 0   | 4  | 6  | 9  | 11 | 14 | 15 | 17  |
| 15       | -12                   | -4  | 1   | 4  | 7  | 10 | 12 | 14 | 16 | 18  |
| 16       | -11                   | -4  | 1   | 5  | 9  | 11 | 13 | 15 | 17 | 19  |
| 17       | -10                   | -3  | 2   | 6  | 9  | 12 | 14 | 16 | 18 | 20  |
| 18       | -10                   | -2  | 3   | 7  | 10 | 13 | 15 | 17 | 19 | 21  |
| 19       | -9                    | -1  | 4   | 8  | 11 | 14 | 16 | 18 | 20 | 22  |
| 20       | -9                    | 0   | 5   | 9  | 12 | 15 | 17 | 19 | 21 | 23  |
| 21       | -8                    | 0   | 5   | 10 | 13 | 16 | 18 | 20 | 22 | 24  |
| 22       | -7                    | 1   | 6   | 11 | 14 | 16 | 19 | 21 | 23 | 25  |
| 23       | -6                    | 2   | 7   | 11 | 15 | 17 | 20 | 22 | 24 | 26  |
| 24       | -6                    | 2   | 8   | 12 | 16 | 19 | 21 | 23 | 25 | 27  |
| 25       | -5                    | 3   | 9   | 13 | 16 | 20 | 22 | 24 | 26 | 28  |
| 26       | -4                    | 4   | 10  | 14 | 17 | 20 | 23 | 25 | 27 | 29  |
| 27       | -4                    | 5   | 11  | 15 | 19 | 21 | 24 | 26 | 28 | 30  |
| 28       | -3                    | 6   | 11  | 16 | 19 | 22 | 25 | 27 | 29 | 31  |
| 29       | -2                    | 6   | 12  | 17 | 20 | 23 | 26 | 28 | 30 | 32  |
| 30       | -1                    | 7   | 13  | 17 | 21 | 24 | 27 | 29 | 31 | 33  |
| 31       | -1                    | 8   | 14  | 19 | 22 | 25 | 27 | 30 | 32 | 34  |
| 32       | 0                     | 9   | 15  | 20 | 23 | 26 | 29 | 31 | 33 | 35  |

#### 4. FIBERGLASS REPAIR

All repairs to fiberglass parts consist of filling the damaged area with fiberglass cloth and resin or strand fiberglass and resin. The repair is allowed to harden, and then finishing operations may be performed. Use of the various materials is determined by the type of repair to be made. Large holes, torn sections and separate joints require the adhesive qualities of the resin and the reinforcing qualities of the fiberglass. Small dents, scratches or pits can be repaired using resin and strand fiberglass and filler mixed into paste. Instructions for either mix are explained under their respective headings in this section. For best results when making repairs, temperature should be between 70 and 75 °F (21-24 °C). Some people experience a skin reaction to resins. In such cases, wipe resin off with denatured alcohol or a good thinner. Use of protective hand cream is recommended.

#### **WARNING**

**Always wear a respirator and goggles when grinding or sanding.**

Extreme care must be taken if the sander is electrically operated, as dust from some resins is combustible when subjected to sparks or open flames. The proper tool for sanding resin is a low speed, air driven disc sander with a water attachment or a dry sander having a vacuum bag. Either will eliminate flying glass and resin dust.

The following additional tools and materials will assist in making repairs: hacksaw blade, assorted files, emery paper or cloth (150 or finer), scissors or tin snips, wax paper or cellophane sheets, a 3" (75 mm) paint roller, paint brush, putty knife, acetone and one or more heat lamps.

##### 4.1 REPAIR USING FIBERGLASS CLOTH

Where necessary, sand paint away around damaged area and scrape away undercoating, if any, and wipe clean with solvent. Grind or file the damaged area to form a "V" at the broken or cracked portion. Sides of "V" should have a shallow pitch for maximum bonding area.

#### **NOTE**

*Roughening the surface improves adhesion of resin.*

If part is warped from original shape, use clamping equipment to straighten the surface. Preheat area to be repaired with one or two heat lamps placed 18 to 24 inches (450-610 mm) from repair.

#### **CAUTION**

**Temperature should not exceed 140 °F (60 °C) during 30 minutes in order to avoid distortion.**

Cut fiberglass cloth with scissors or tin snips, 1 to 3 inches (25-75 mm) larger than area to be repaired. Build area to desired height.

Mix resin and hardener following instructions on their containers. Saturate layers of fiberglass with mixture and place laminates over damaged area. Smooth out wrinkles and make sure general contour of area is maintained. Bubbles and wrinkles can be eliminated with a roller.

#### **CAUTION**

**The pot life of the mix is approximately 15 minutes. Any accidental contamination to the skin, clothing, tools, etc. must be removed within this period. Use acetone to remove uncured resin.**

Heat resin material again by placing heat lamps 18 to 24 inches (450-610 mm) from repaired area. Allow 12 to 15 minutes for repair to cure. After repair is cured, grind, file or sand to contour. Files other than body files may be more suitable. Featheredge and finish sanding.

If small pits or irregularities appear after making repair, correct by using a liberal amount of chopped strand or filler mixed with resin to form a paste. Refer to heading "*Repair using Fiberglass Paste*" in this section.

##### 4.2 REPAIR USING FIBERGLASS PASTE

Fiberglass paste is used for repairing small dents, scratches, and pits. Paste is made by mixing resin, hardener and fiberglass strand or filler to the consistency of putty. Where it may be necessary, sand paint away around damaged area. On underside of coach, scrape away undercoating from damaged area, and wipe clean with solvent.

Preheat the area to be repaired using heat lamps. Mix desired quantities of resin and hardener according to manufacturer's

## Section 18: BODY

instructions. Add powdered fiberglass strand into mixture to thicken it into a putty state.

### NOTE

*If repair is made on a vertical surface, adding powdered filler material to mixture will reduce tendency of hot resin to flow or run.*

Apply the material with a putty knife or similar object, building material up to the desired contour. For deep filling and on vertical surfaces, several layers of material may be used.

A hacksaw blade, held flat to adjacent contour and then moved in a sawing action across the repair when the resin is in a gel state, will remove excess resin from repair. Finish repair with the same procedure as when using fiberglass cloth.

### 4.3 TYPICAL FIBERGLASS REPAIR PROCEDURE

Remove all loose particles or damaged material using a power sander or rasp. Clean area, overlapping hole approximately 1" to 1-½" (25-40 mm) all around. Remove all dirt, grease and paint from area to ensure good bonding surface. Feather the cleaned area all around (Fig. 5).

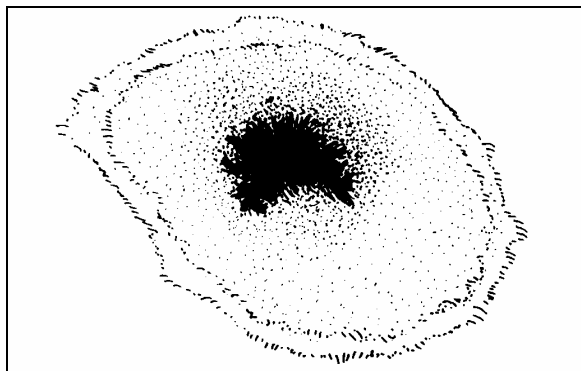


FIGURE 5: FIBERGLASS REPAIR

18089

Cut a piece of fiberglass mat slightly larger than area being repaired. Impregnate mat with general purpose polyester resin catalyzed normally. Use a clean paint brush to apply the polyester resin. Apply impregnated mat over hole and press onto surface with brush to obtain good adherence. Another coat of general purpose polyester resin can be applied at this time (Fig. 6).

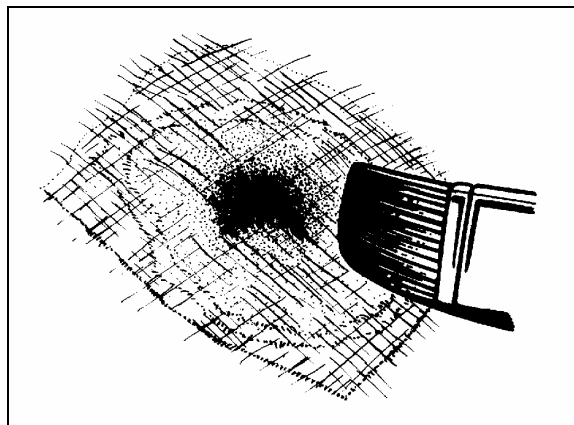


FIGURE 6: FIBERGLASS REPAIR

18090

### NOTE

*Remove all air between surfaces being joined. Allow area to harden and sand surface to remove any wax.*

Apply another mat, followed by a cloth patch, and another mat. All layers must be thoroughly impregnated with polyester resin, brushed well and free of air. Apply more layers of mat and cloth as required until the desired strength and thickness is obtained, minimum two 1-½ oz (43 g) mats and one 9 oz (255 g) cloth (Fig. 7).

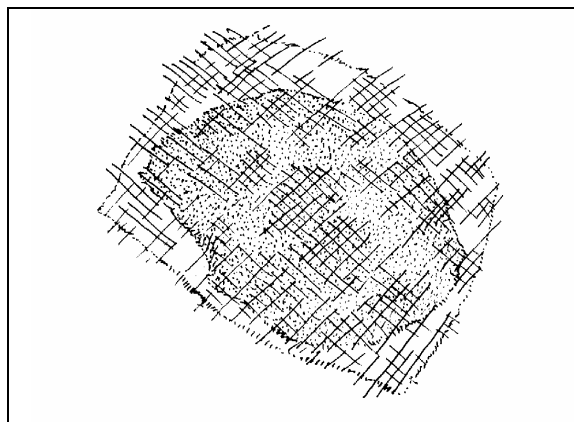


FIGURE 7: FIBERGLASS REPAIR

18091

Allow area to harden and contour the area with coarse sandpaper #100 (Fig. 8).



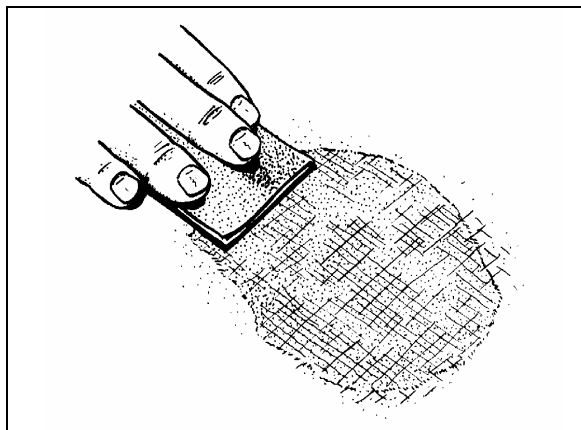


FIGURE 8: FIBERGLASS REPAIR

18092

Cover the area with a layer of resin putty and allow drying for approximately 15 to 20 minutes (Fig. 9).

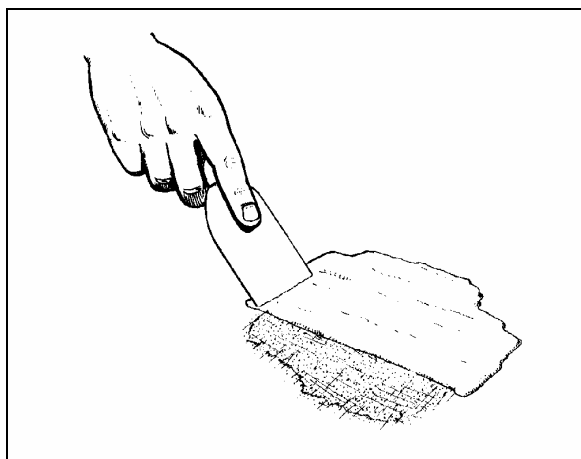


FIGURE 9: FIBERGLASS REPAIR

18093

Smooth off surface with coarse sandpaper #100 to desired shape. Further smooth surface with fine sandpaper #120 until repaired surface matches surrounding area paneling. Prime and paint the area to match surrounding paintwork.

## 5. PAINTING

### 5.1 NEW PAINT CARE

Our paint supplier recommends that you follow these simple precautions the first months of your new vehicle's life.

**CAUTION**

**Apply these recommendations after repainting vehicle.**

### During the first 30 days:

- Do not use a commercial bus wash. Stiff brushes or sponges could mar the finish and damage the surface. Wash the vehicle by hand only and with cool water and a very mild bus wash solution. Be careful to use only a soft cloth or sponge;
- Wash vehicle in the shade, never in direct sunlight;
- Do not "dry wipe" vehicle –always use clean water. Dry wiping could scratch the finish;
- Avoid extreme heat and cold. Park vehicle in the shade whenever possible;
- Do not park under trees which drop sap or near factories with heavy smoke fallout. Tree sap and industrial fallout may mar or spot a freshly painted surface;
- Trees are also likely to attract birds. Bird droppings are highly acidic and will damage a freshly painted surface. Bird droppings, tree sap and industrial fallout should be washed off as soon as possible;
- Do not spill oil, gasoline, antifreeze, transmission fluid or windshield solvent on new finish. IMMEDIATELY rinse off any such spill with clean water, DO NOT WIPE;
- Do not drive on gravel roads. Paint finish easily chips during the first 30 days;
- Do not scrape ice or snow from the surface. A snow scraper can act like a paint scraper if the finish is new. Brush off loose material with a soft snow brush.

### During the first 90 days:

- Do not wax or polish the vehicle. This will allow the finish to dry and harden completely.

### 5.2 PAINT TOUCHUP

When paint touchup or partial repainting is necessary, refer to the vehicle's paint scheme for color codes and paint brand.

Prévost recommends using the original paint brand to ease color matching.

In the event you sand through to the gelcoat surface you should prime the area with Standox "Non Stop Fill Primer (ST-11000)".

## Section 18: BODY

If you sand through to metal surface, first prime with Standox "Etch Primer (ST-11858)" then with Standox "Non Stop Fill Primer (ST-11000)".

|  |
|--|
|  <b>CAUTION</b>  |
| <p><b>Be sure to heed all paint manufacturer's recommendations, especially concerning paint dilution and application.</b></p>  |

### 5.3 PAINTING

The standard paint used on the exterior of the vehicle is Standox Basislack. It is a high gloss polyurethane enamel finish designed for exposure to extreme conditions. Other types of paint may be called for as options by owner but are not dealt with in this section.

#### 5.3.1 Safety

Care should be exercised in storing, handling, mixing, and applying paint and chemicals listed in this manual. The topcoat, primer, solvent, catalysts, accelerators, and cleaners are highly volatile and/or toxic if not properly used. Observe all safety instructions marked on the different packaging, as well as the following:

1. Do not smoke in the paint room or in adjacent area exposed to residue fumes.
2. Wear respirators approved by the governing safety and health regulations.
3. Maintain adequate ventilation at all times.
4. Dispose of any leftover paint mix properly.
5. Wear rubber gloves, rubber apron, and face shield during all phases of paint and chemical handling

#### 5.3.2 Surface Preparation And Paint Application

|                            | Aluminum and / or<br>Stainless Steel  | Fiberglass                                     | Comments  |
|----------------------------|---|--|---|
| <b>Surface Preparation</b> | Sand using P-150 grit sandpaper. It is recommended to sandblast rivets and panel edges with OLIMAG 35-70 blast media.                           | Sand using P-180 or P-240 sandpaper.           | Do not use paint remover over aluminum or fiberglass.   |
| <b>Cleaning</b>            | STANDOX silicone remover ST-11654 (68-2989)   |  |   |
| <b>Priming</b>             | STANDOX Reactive Etch Primer ST-13908<br>* Wait 30 minutes then apply STANDOX Non-Stop Füllprimer ST-11000 (68-2973)                            | STANDOX Non-Stop Füllprimer ST-11000 (68-2973) | Refer to product Technical Data sheet for proper mixing |
| <b>Basecoat</b>            | Refer to paint scheme or coach record for proper color code and paint brand.<br>We recommend using the same paint brand to ease color matching. |  | Refer to product Technical Data sheet for proper mixing |
| <b>Clearcoat</b>           | STANDOX 2K MS Rapid Clear ST-11760 (68-2979)<br>Allow 16 hours for drying   |  | Refer to product Technical Data sheet for proper mixing |

If assistance or technical information on STANDOX products is needed, please dial: 1 (800) 551-9296

## 6. BODY REPAIR

### NOTE

*The purpose of this procedure is to explain the steps to be followed in order to get a good adherence. These steps are of the uppermost importance to obtain 100 % adherence. For a complete description of the procedure, refer to the applicable video.*

### 6.1 FRONT FACE

#### 6.1.1 Front Face Body Panel And Molding

For removal of front face body panel and molding, you will need:

Drill with drill bits,  
Lever or similar tool,  
Olfa knife,  
"C"-clamp,  
Razor sharp window scraper.

#### Front Face Molding Removal

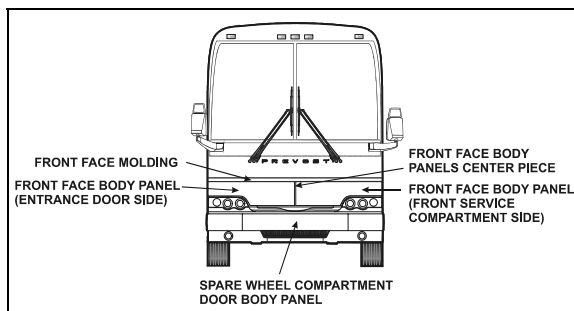


FIGURE 10: VIEW OF FRONT FACE


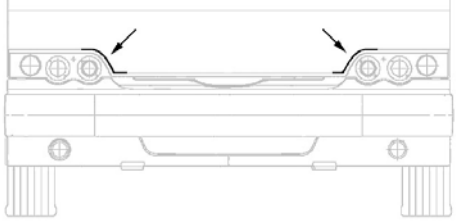
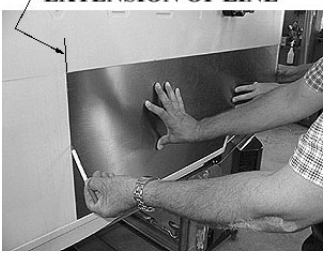









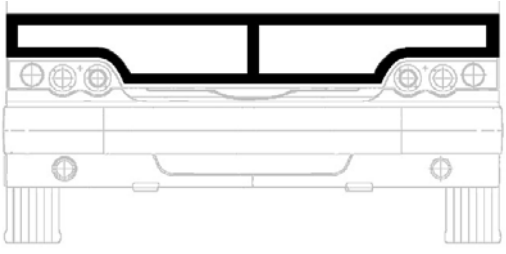
- First of all, pry loose the front face molding using the lever. Save molding if only the body panel needs to be changed.
- Using the Olfa knife, cut the Sika bead and the double-face self adhesive tape. Remove the Sika bead and self adhesive tape residue with the scraper.

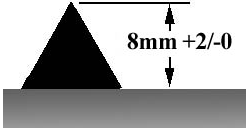
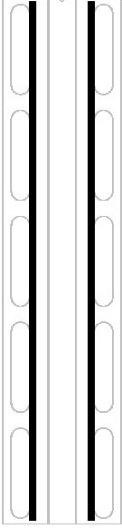
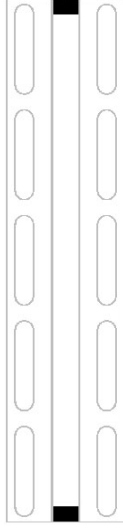
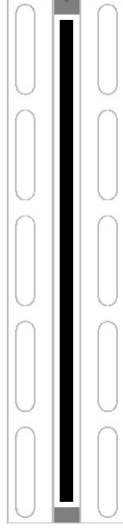
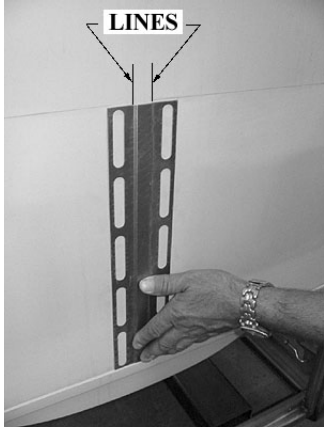
#### Front Face Body Panel Removal

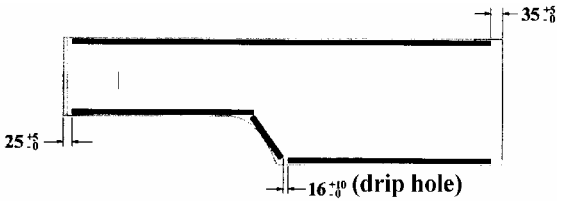
- Using a drill and a 1/8" drill bit remove the rivets fixing the vertical molding. The stainless steel molding is located on the entrance door or service door frame side depending on body panel to be removed.
- Using the Olfa knife, cut the Sika bead and the double-face self adhesive tape. Remove the Sika bead and self adhesive tape residue with the scraper.

- Pry loose the front face body panel using the lever.
- While somebody cuts the Sika bead and double-face self adhesive tape, another person pulls the body panel using the "C"-clamp to exert tension.
- Using the window scraper, remove any Sika bead or self adhesive tape residue left on fiber glass surface.

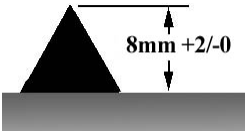
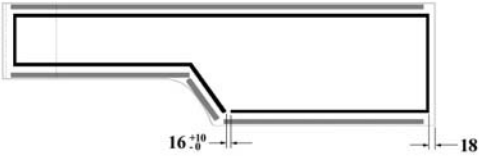

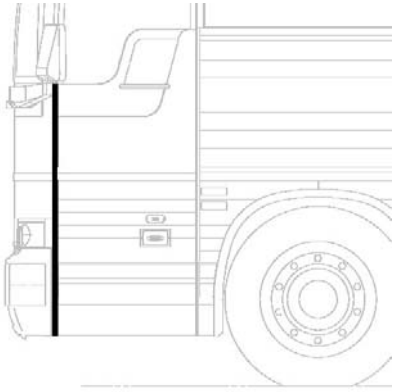
**Section 18: BODY**

|  |  |  |   |            |               |  |  |  |  |
|--|--|--|---|------------|---------------|--|--|--|--|
| 1.00   |  Check condition of panels. |  |   |            |               |  |  |  |  |
| 1.05   | <b>Panel Positioning</b>   |  |   |            |               |  |  |  |  |
| A)   | Position the panel so that its outline follows the contour of the headlamp.                                  |  |   |            |               |  |  |  |  |
| B)   | Draw a line on the side of the panel for reference. Extend the line above the panel.                         |  |   |            |               |  |  |  |  |
| 1.10 *   | <b>S/S Panel Preparation</b>   |  | <table border="1" style="width: 100%; text-align: center;"> <tr> <td data-bbox="865 842 1226 1270"><b>Top</b></td> <td data-bbox="1226 842 1448 1270"><b>Bottom</b></td> </tr> <tr> <td data-bbox="865 909 1226 1270">  </td> <td data-bbox="1226 909 1448 1270">  </td> </tr> <tr> <td colspan="2" data-bbox="865 1270 1448 1444">  </td> </tr> </table> | <b>Top</b> | <b>Bottom</b> |  |  |  |  |
| <b>Top</b>   | <b>Bottom</b>  |  |   |            |               |  |  |  |  |
|  |                          |  |   |            |               |  |  |  |  |
|  |  |  |   |            |               |  |  |  |  |
| A)   | Clean using anti-silicone.<br><i>(See PR000001, Section A)</i>   |  |   |            |               |  |  |  |  |
| B)   | Sand using Scotchbrite.<br><i>(See PR000001, Section G)</i>  |  |   |            |               |  |  |  |  |
| C)   | Clean using anti-silicone.<br><i>(See PR000001, Section A)</i>   |  |   |            |               |  |  |  |  |
| D)   | Apply Sika 205.<br><i>(See PR000001, Section B)</i>  |  |   |            |               |  |  |  |  |
| 1.15   | <b>Fiberglass Preparation</b>  |  |   |            |               |  |  |  |  |
| A)   | Sand using Scotchbrite.<br><i>(See PR000001, Section G)</i>  |  |   |            |               |  |  |  |  |
| B)   | Clean using tack cloth.  |  |   |            |               |  |  |  |  |
| C)   | Clean using anti-silicone.<br><i>(See PR000001, Section A)</i>   |  |   |            |               |  |  |  |  |

|             |   |   |
|-------------|---|---|
|             | <p>D) Apply Sika 205.<br/><i>(See PR000001, Section B)</i></p>  |   |
| <p>1.20</p> | <p style="text-align: center;"><b>Center Piece Installation</b></p> <p>A) Apply double-face tape <b>1/32 X 1/4</b> on top of center piece.</p> <p>B) Apply double-face tape <b>1/8 X 1/4</b> underneath center piece.</p> <p>C) Apply some Sika 252.<br/><i>Triangular shape bead</i></p> <div style="text-align: center;">  <p>8mm +2/-0</p> </div> <p>D) Center and position center piece with reference to the lines performed at step 1.05 B.<br/><br/><i>Note: Position center piece before compressing double-face tape.</i></p> | <div style="display: flex; justify-content: space-around;"> <div style="text-align: center;"> <p>A)</p>  </div> <div style="text-align: center;"> <p>B)</p>  </div> <div style="text-align: center;"> <p>C)</p>  </div> </div> <div style="text-align: center; margin-top: 20px;">  </div> |

|             |   |  |
|-------------|---|--|
| <p>1.25</p> | <p><b>L.H. &amp; R.H. Panel Installation</b></p>                              |  |
|             | <p>A) Apply double-face tape <b>1/16 X 1/4</b> about 1mm from panel edge.</p> |  |

**Section 18: BODY**

|             |   |   |
|-------------|---|---|
|             | <p>B) Apply Sika 252.</p> <p><i>Triangular shape bead</i></p>    |   |
|             | <p>C) Position and glue side panels with reference to the lines draw at step 1.05 B). Compress side panel using a blackboard eraser.</p> <p><i>Note: Position side panel before compressing double-face tape.</i></p> |   |
|             | <p>D) If applicable, remove excess of Sika using a spatula and clean surfaces using Sika 208.</p>   |   |
| <p>1.30</p> | <p>A) Position entrance door or service door frame vertical molding.</p> <p>B) Drill using a <b>#30</b> drill bit &amp; rivet.</p>  |  |

### 6.1.2 Spare Wheel Compartment Door Body Panel

For the removal of spare wheel compartment door body panel,

You will need:

A hammer,  
Screwdriver,  
Locking pliers,  
Putty knife,  
Heat gun,

- And isopropyl alcohol.
- Lower and remove front bumper.
- Remove spare wheel compartment door.
- First of all, using a lever or rigid screwdriver, pry loose body panel edge.
- Using a pair of locking pliers, gradually separate stainless steel body panel from door frame.
- Use the screwdriver to detach completely the stainless steel body panel from door frame.

#### Door Frame Preparation

- Start cleaning the door frame by removing double-face self adhesive tape.
- Use a heat gun and putty knife to remove the dried off Ciba 8535 epoxy glue residue.

#### ⚠ WARNING ⚠

**Make sure that heat gun nozzle does not get any closer than 4 inches from the surface.**

#### ⚠ WARNING ⚠

**Because of its great toxicity, care should be taken not to use a buffer or other sanding method for glue removal.**

- Then, using a scratch pad “Scotch Brite”, scratch the perimeter of door frame where the adhesive will be applied.
- Wear latex gloves and use a “Chix” cloth with isopropyl alcohol in order to remove any residue from scratching left onto the stainless steel surface.

#### *NOTE*

*Apply evenly around the perimeter of the panel. Use two clothes, first one applies product while second one immediately dries surface off before product evaporation.*

#### Body Panel Preparation

- Using a scratch pad “Scotch Brite”, scratch a 2 inch wide surface around the perimeter of the panel where the adhesive will be applied.
- Use a Chix cloth and anti-silicone to remove any dust or residue.
- Clean the perimeter of the panel using isopropyl alcohol. Use two clothes, first one applies product while second one immediately dries surface off before product evaporation.

#### Sikaflex 252 Adhesive Sealant Application

- Check Sikaflex 252 adhesive sealant for expiration date.
- Cut ¼ of V shape nozzle length for proper flow of glue. Perforate cartridge tip.
- Apply Sika bead along the perimeter of body panel ½” from double-face self adhesive tape.
- Peel the back from the self adhesive tape.

#### ⚠ CAUTION ⚠

**You only have 10 minutes to install the body panel before the adhesive starts to dry.**

#### Stainless Steel Body Panel Installation

- Stainless steel body panel must be installed within 45 minutes.
- Align body panel with door frame and lightly press perimeter of body panel.
- Allow to dry for 6 hours before handling.

#### *NOTE*

*If for any reason you must remove the body panel from the door frame and the 6 hours have elapsed, you must wait **7 days** so that glue has time to cure.*

## Section 18: BODY

### 6.1.3 Windshield

For the removal or installation of windshield, you will need:

A rope,  
A plastic spatula to lift the rubber seal lip,  
A metal rod or screwdriver to clean the seal groove,  
A filler insertion tool,  
Goggles and protective gloves.

- From inside of vehicle, remove center post and interior finishing panels surrounding the windshield. In this case, we are replacing the R.H. side windshield.
- From outside of vehicle, remove filler located inside rubber seal to ease damaged windshield removal.
- From inside of vehicle, push against the top L.H. side corner of windshield for the removal of a R.H. side windshield. If the L.H. side windshield had to be removed, you would have to push against the top R. H. side corner.

#### **NOTE**

*We are referring to the L.H and R.H. side as viewed from the inside of the vehicle.*

- At the same time, another person gradually lifts the rubber lip from the vehicle exterior using a plastic spatula from top to bottom.
- Remove the entire damaged windshield and broken glass if applicable.
- If applicable, using a screwdriver or metal rod, remove black butyl sealant residue from rubber seal then clean with Sika 205.

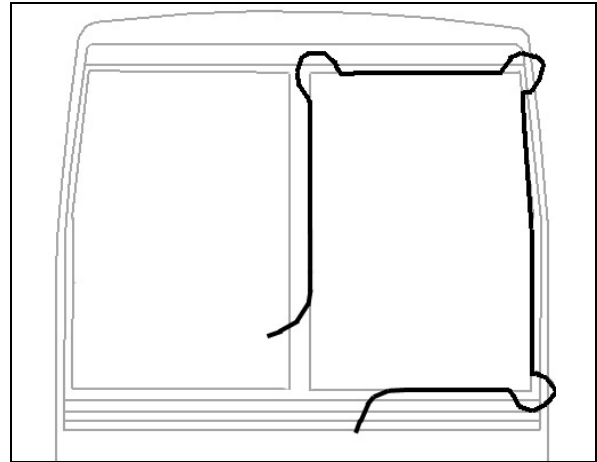
#### **Windshield Installation**

#### **NOTE**

*Rubber seal may have to be replaced if it was used on several windshield replacements.*

- Spray rubber seal with soapy water to ease windshield insertion.
- Insert rope into rubber extrusion leaving enough length at each corner to make a loop. Spray soapy water onto rope and rubber extrusion (Fig. 12).
- Slide windshield into rubber seal groove starting with the bottom curved side edge. Using a plastic spatula, move the rubber

seal lip aside to gradually insert the windshield into the groove.



**FIGURE 11: WINDSHIELD INSTALLATION USING ROPE**

- Spray soapy water on a regular basis to ease this operation.
- Using the same type of plastic spatula, repeat the same operation from inside of vehicle, gradually inserting the windshield into the groove.

#### **NOTE**

*Make sure windshield bottom edge is well inserted into the rubber seal groove before proceeding with the sides.*

- Then, working from both sides of windshield bottom to top, gradually move the rubber seal lip aside to insert the windshield into the groove. Use also soapy water on the inside of vehicle to insert the windshield into the rubber seal groove.
- Insert the top curved corner then finish with the top of windshield.
- At the top of windshield, clean surface between fiberglass and rubber extrusion using Sika 205 (Fig. 13).
- Apply Sika 221 black between fiberglass and rubber extrusion
- Spray filler and rubber seal groove generously with soapy water.
- Using the special filler insertion tool, insert the filler into the rubber seal groove.
- Gradually insert filler into the rubber seal groove ensuring to leave a 2 inch excess length at the filler extremity.



- Every 6 inches or so, it is important to compress the filler due to its tendency to contract during drying process.

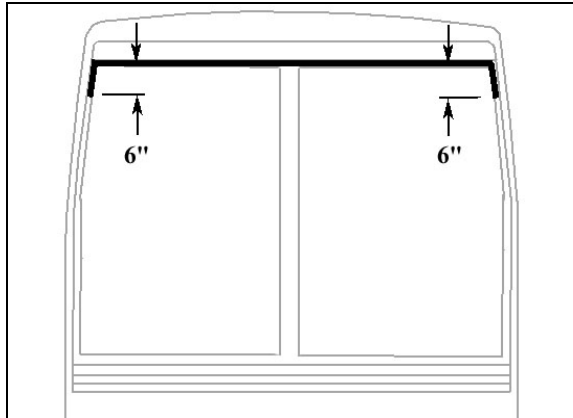


FIGURE 12: APPLICATION OF SIKA 221 BLACK

- When filler insertion is almost complete, cut filler leaving  $\frac{1}{4}$ " of excess length to thwart filler contraction over time then insert filler into groove.
- Reinstall center post and interior finishing panels.
- Clean windshield surface of butyl residue.

## 6.2 ENTRANCE DOOR OR FRONT SERVICE DOOR BODY PANEL

For the removal of entrance door or front service door body panel, you will need:

Pneumatic "Zip gun" type tool;  
Razor sharp window scraper;

- Before removing body panel, you can to ease repair uninstall entrance door or front service door from vehicle. If applicable, remove reflector, keyless system keyboard and cornering light.
- You must also remove horizontal finishing molding located underneath the window. This molding is glued and will have to be replaced because it will be damaged at removal.
- Remove interior finishing panel to access rub rail fixing bolts, then remove rub rail.
- Using the "Zip Gun", cut Sika bead located  $\frac{1}{4}$  inch (7-8 mm) from each body panel edge and around cornering light.
- Separate body panel from door.

- Remove from door surface Sika bead and double-face self adhesive tape residue using a razor sharp window scraper.
- Use a Chix cloth and anti-silicone to remove any dust or residue.

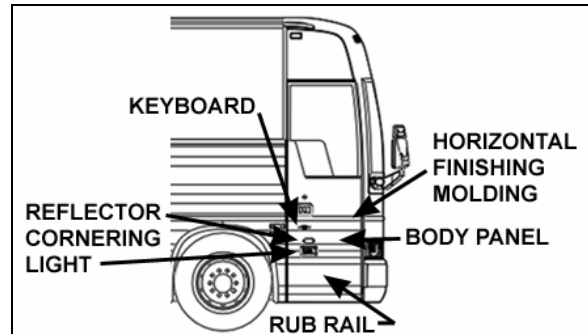


FIGURE 13: ENTRANCE DOOR BODY PANEL

### Door Surface Preparation

- First of all, check Sika 205 cleaner expiration date.
- Before applying Sika cleaner, fold "Chix" cloth twice for proper width.
- Apply an even coat onto the door frame perimeter and allow to dry for 2 minutes (maximum 2 hours).
- Discard waste according to applicable environmental regulations, use dangerous waste containers.

### Stainless Steel Body Panel Preparation

- Check that new body panel is the required one and is free of defects or scratches.
- Wear latex gloves and use a "Chix" cloth with isopropyl alcohol in order to remove any dirt or oily film left onto the stainless steel surface.

#### NOTE

*Apply evenly around the perimeter of the panel. Use two clothes, first one applies product while second one immediately dries surface off before product evaporation.*

- Using a scratch pad "Scotch Brite", scratch a 2 inch wide surface around the perimeter of the panel where the adhesive will be applied. The purpose being to create scratches onto the surface to increase adherence.
- Use again a chix cloth and anti-silicone to remove any dust or residue.

## Section 18: BODY

- Before applying Sika cleaner, fold “Chix” cloth twice for proper width.
- Apply an even coat onto the treated surface.
- Allow 2 minutes for drying in the case of stainless steel (maximum 2 hours).
- Apply a double-face self adhesive tape 1/8 by 1/2 inch on each side and at the top of body panel and around cornering light. Apply tape 1/8 inch from body panel edges and flush with cornering light perimeter.
- Peel back from double-face self adhesive tape.

### Sikaflex 252 Adhesive Sealant Application

- Check Sikaflex 252 adhesive sealant for expiration date.
- Using a “V” shape nozzle, apply Sika bead 1/4 inch (6-7 mm) from double-face self adhesive tape on all three sides of body panel and around cornering light.
- Once the body panel is compressed, the Sika bead will spread until it touches the tape.

#### *NOTE*

*Sika adhesive bead height must be greater than double-face self adhesive tape.*

#### *NOTE*

*You only have 15 minutes to install body panel once the adhesive is applied.*

- Peel the back from the self adhesive tape.
- Carefully center and align body panel edges with the door fiber glass surface.
- Ideally two persons should perform this installation.
- Lightly compress the body panel along the double-face self adhesive tape, then compress using a dry erasable marker board brush so as not to scratch or damage the stainless steel surface.
- Apply masking tape on both body panel sides.
- Using a caulking nozzle and “SIKAFLEX 221” adhesive, fill the cavity to seal both body panel sides and around cornering light.
- Wearing surgical gloves, smooth down the joint with your finger.

- Remove masking tape and protective plastic lamination.

### 6.2.1 Entrance Door Or Front Service Door Lower Body Panel

For the removal of entrance door or front service door lower body panel, you will need:

Pneumatic “Zip gun” type tool;  
Razor sharp window scraper;

- Remove interior finishing panel to access rub rail fixing bolts, then remove rub rail.
- Remove two lower body panel fixing rivets.
- Using the “Zip Gun”, cut Sika bead located on each lower body panel side.
- Remove lower body panel.
- Remove Sika bead residue using a razor sharp window scraper.
- Use a Chix cloth and anti-silicone to remove any dust or residue.

### Door Surface Preparation

- First of all, check Sika 205 cleaner expiration date.
- Before applying Sika cleaner, fold “Chix” cloth twice for proper width.
- Apply an even coat onto the door frame perimeter and allow drying for 2 minutes.
- Discard waste according to applicable environmental regulations, use dangerous waste containers.

### Stainless Steel Body Panel Preparation

- Check that new body panel is the required one and is free of defects or scratches.
- Wear latex gloves and use a “Chix” cloth with isopropyl alcohol in order to remove any dirt or oily film left onto the stainless steel surface.

#### *NOTE*

*Apply evenly around the perimeter of the panel. Use two clothes, first one applies product while second one immediately dries surface off before product evaporation.*

- Using a scratch pad “Scotch Brite”, scratch a 2 inch wide surface on each side of the panel where the adhesive will be applied.

The purpose being to create scratches onto the surface to increase adherence.

- Use again a Chix cloth and anti-silicone to remove any dust or residue.
- Before applying Sika cleaner, fold “Chix” cloth twice for proper width.
- Apply an even coat onto the treated surface.
- Allow 2 minutes for drying in the case of stainless steel.

#### **Sikaflex 252 Adhesive Sealant Application**

- Check Sikaflex 252 adhesive sealant for expiration date.
- Using a “V” shape nozzle, apply Sika bead 1 inch (25 mm) from both lower body panel side edges.

#### **NOTE**

*You only have 15 minutes to install body panel once the adhesive is applied.*

- Insert lower body panel bottom edge under the door and underneath the upper panel and carefully center and align lower body panel side edges with the door fiber glass surface.
- Ideally two persons should perform this installation.
- Lightly compress the body panel along the Sika bead, then compress using a dry erasable marker board brush so as not to scratch or damage the stainless steel surface.
- Fix lower body panel using two rivets.
- Apply masking tape on both lower body panel sides.
- Using a caulking nozzle and “SIKAFLEX 221” adhesive, fill the cavity to seal both body panel sides.
- Wearing surgical gloves, smooth down the joint with your finger.
- Remove masking tape and protective plastic lamination.

### **6.3 BAGGAGE COMPARTMENT OR REAR SERVICE COMPARTMENT DOOR BODY PANEL**

For the removal and installation of baggage compartment or rear service compartment door stainless steel body panel, you will need :

A drill with drill bits;  
Pneumatic “Zip gun” type tool;  
Razor sharp window scraper or putty knife;

- Open damaged compartment door and unfasten rub rail fixing bolts. Remove rub rail.
- Unfasten bolts and disconnect cable if necessary in order to remove door from vehicle.
- Preferably install the door onto a work surface where it can be solidly fixed.

#### **Door Lower Panel**

Door lower panel is riveted only, not glued. If panel needs to be changed, remove fixing rivets using a drill and drill bits. Line up new panel and secure using 6 stainless steel rivets.

#### **Body Panel Removal**

- In the following procedure, only the door upper part needs to be changed.
- Using a drill with drill bits, remove the door upper part fixing rivets.
- 9 rivets are located in the door handle opening and 2 at the door upper edge.
- Using the “Zip Gun”, cut Sika bead located ½ inch from the door panel perimeter edge.
- Wearing gloves, goggles and ear plugs, pry loose body panel using a “Zip gun” or lever starting from the door lower part.
- Use a second person equipped with a pair of locking pliers to bend the body panel as you cut the Sika bead. Bend body panel enough to reach around the handle and continue to detach completely the stainless steel body panel from door frame
- Using the window scraper, remove any Sika bead or self adhesive tape residue left on the fiber glass.

#### **Body Panel Preparation**

- Using a scratch pad “Scotch Brite”, scratch a 2 inch wide surface on the panel two sides and bottom part where the adhesive will be applied. The purpose being to create scratches onto the surface to increase adherence.

## Section 18: BODY

---

- Use a Chix cloth and anti-silicone to remove any dust or residue.
- Before applying Sika 205 cleaner, fold “Chix” cloth twice for proper width.
- Apply an even coat onto the treated surface.
- Allow 5 minutes for drying in the case of stainless steel.

### Door Frame Preparation

- Using the window scraper, remove any Sika bead residue left on the door frame surface.
- First of all, check Sika 205 cleaner expiration date.
- Before applying Sika cleaner, fold “Chix” cloth twice for proper width. Apply an even coat onto the treated surface.
- Discard waste according to applicable environmental regulations, use dangerous waste containers.
- Allow 2 minutes for drying in the case of stainless steel.

| <i>NOTE</i>   |
|---|
| <i>In the case of baggage compartment door, apply wax paste around handle opening frame and at door frame upper part.</i> |

### Gluing Jig Installation

- For best results, it is important that gluing jig installation for baggage and rear service door be performed properly according to part number and dimensions.
- **For more information, refer to gluing jig setup diagram (Fig. 14).**

### Rear Service Door

- Lay down stainless steel body panel into the gluing jig as per setup diagram. Ensure it is lined up and set square with the reference marks.
- Heat Sikaflex 255 adhesive for at least 15 minutes, apply adhesive as per previously removed panel.
- Carefully lay down door metallic frame onto the stainless steel body panel inserting the upper part into the panel curved lip.
- Install compression bars to compress and hold body panel during curing process.

- Once cured, apply masking tape on both body panel sides.
- Using a caulking nozzle and “SIKAFLEX 221” adhesive, fill the cavity to seal both body panel sides.
- Wearing surgical gloves, smooth down the joint with your finger.
- Remove masking tape and protective plastic lamination.

DOORS No. 472949:  
 -INSTALL NOTCHED BARS #2 ONTO SUPPORT #2 AND #5 POSITION NOTCHED BARS SO THAT NOTCHES ARE POINTING TOWARDS SUPPORT #1 AND THE BARS EXTEND BY 1/16".  
 ASSEMBLE SUPPORT #2 AND #5 TO SUPPORT #1 AS PER DIAGRAM. INSERT SLIDE #9 AND SECURE TO POSITION "B".  
 INSTALL COMPRESSION BARS #1, #2 AND DOUBLE COMPRESSION BAR #6 WITH LARGE BAR TOWARDS THE INSIDE OF JIG.

DOORS No. 473646

-INSTALL NOTCHED BARS #3 ONTO SUPPORT #2 AND #5 POSITION NOTCHED BARS SO THAT NOTCHES ARE POINTING TOWARDS SUPPORT #1 AND THE BARS EXTEND BY 1/16".  
 ASSEMBLE SUPPORT #2 AND #5 TO SUPPORT #1 AS PER DIAGRAM. INSERT SLIDE #9 AND SECURE TO POSITION "C".  
 INSTALL COMPRESSION BARS #1, #2 AND DOUBLE COMPRESSION BAR #6 WITH LARGE BAR TOWARDS THE INSIDE OF JIG.

DOORS No. 473659 & 473660:  
 -INSTALL NOTCHED BARS #1 ONTO SUPPORT #2 AND #5 POSITION NOTCHED BARS SO THAT NOTCHES ARE POINTING TOWARDS SUPPORT #1 AND THE BARS EXTEND BY 1/16".  
 ASSEMBLE SUPPORT #2 AND #5 TO SUPPORT #1 AS PER DIAGRAM. INSERT SLIDE #10 AND SECURE TO POSITION "A".  
 INSTALL COMPRESSION BARS #1, #2 AND DOUBLE COMPRESSION BAR #6 WITH NARROW BAR TOWARDS THE INSIDE OF JIG.

DOORS No. 482832 & 474056

-INSTALL NOTCHED BARS #4 ONTO SUPPORT #2 AND #5 POSITION NOTCHED BARS SO THAT NOTCHES ARE POINTING TOWARDS SUPPORT #1 AND THE BARS EXTEND BY 1/16".  
 ASSEMBLE SUPPORT #2 AND #5 TO SUPPORT #1 AS PER DIAGRAM. INSERT SLIDE #8 AND SECURE TO POSITION "B".  
 INSTALL COMPRESSION BARS #1, #2 AND DOUBLE COMPRESSION BAR #6 WITH LARGE BAR TOWARDS THE INSIDE OF JIG.

DOORS No. 482860

-INSTALL NOTCHED BARS #4 ONTO SUPPORT #2 AND #5 POSITION NOTCHED BARS SO THAT NOTCHES ARE POINTING TOWARDS SUPPORT #1 AND THE BARS EXTEND BY 1/16".  
 ASSEMBLE SUPPORT #2 AND #5 TO SUPPORT #1 AS PER DIAGRAM. INSERT SLIDE #8 AND SECURE TO POSITION "B".  
 INSTALL COMPRESSION BARS #1, #2 AND DOUBLE COMPRESSION BAR #6 WITH LARGE BAR TOWARDS THE INSIDE OF JIG.

DOORS No. 482868

-INSTALL NOTCHED BARS #4 ONTO SUPPORT #2 AND #5 POSITION NOTCHED BARS SO THAT NOTCHES ARE POINTING TOWARDS SUPPORT #1 AND THE BARS EXTEND BY 1/16".  
 ASSEMBLE SUPPORT #2 AND #5 TO SUPPORT #1 AS PER DIAGRAM. INSERT SLIDE #9 AND SECURE TO POSITION "B".  
 INSTALL COMPRESSION BARS #1, #2 AND DOUBLE COMPRESSION BAR #6 WITH LARGE BAR TOWARDS THE INSIDE OF JIG.

DOORS No. 483005

-INSTALL NOTCHED BARS #4 ONTO SUPPORT #2 AND #5 POSITION NOTCHED BARS SO THAT NOTCHES ARE POINTING TOWARDS SUPPORT #1 AND THE BARS EXTEND BY 1/16".  
 ASSEMBLE SUPPORT #2 AND #5 TO SUPPORT #1 AS PER DIAGRAM. INSERT SLIDE #9 AND SECURE TO POSITION "A".  
 INSTALL COMPRESSION BARS #1, #2 AND DOUBLE COMPRESSION BAR #6 WITH LARGE BAR TOWARDS THE INSIDE OF JIG.

GLUING JIG  
 PART NUMBER: 28126

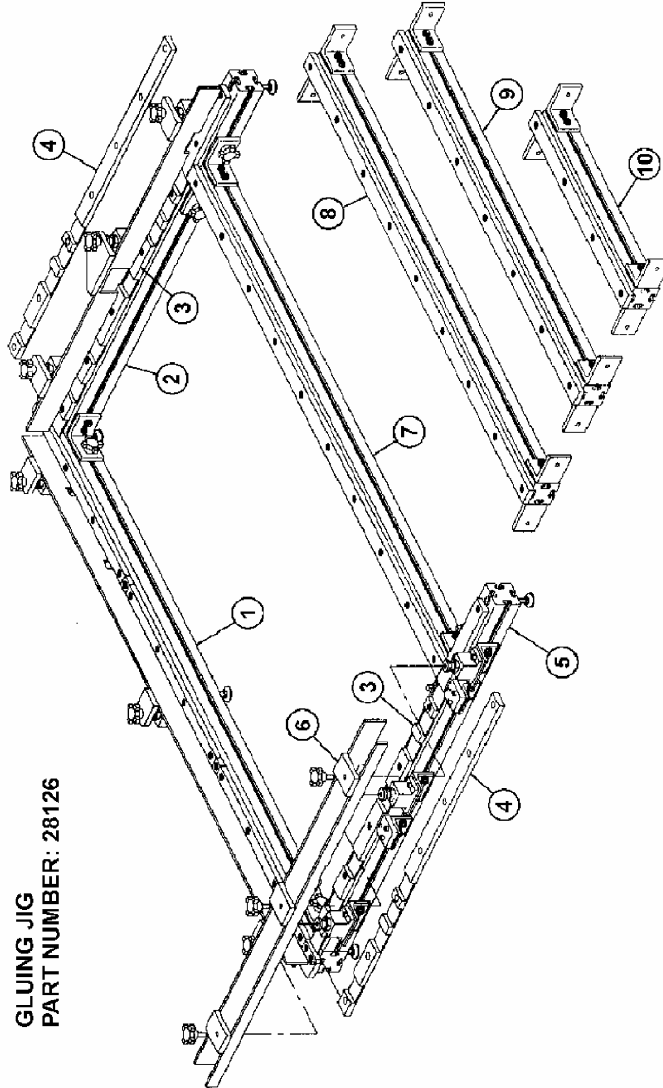


FIGURE 14: GLUING JIG SETUP DIAGRAM

## Section 18: BODY

### Baggage Compartment Door

- Install gluing jig for a baggage compartment door. Refer to the included setup diagram according to part number and door dimensions.
- Lay down stainless steel body panel into the gluing jig as per setup diagram. Ensure it is lined up and set square with the reference marks.
- Heat Sikaflex 255 adhesive for at least 15 minutes, apply adhesive as per previously removed panel.
- Apply Sika 221 around handle opening frame.
- Carefully lay down door metallic frame onto the stainless steel body panel inserting the upper part into the panel curved lip.
- Carefully flip door frame and body panel over and install 9 rivets in the door handle opening and 2 at door upper part.
- Flip door frame and body panel over again and install compression bars to compress and hold body panel during curing process.
- Once cured, apply masking tape on both body panel sides.
- Using a caulking nozzle and “SIKAFLEX 221” adhesive, fill the cavity to seal both body panel sides.
- Wearing surgical gloves, smooth down the joint with your finger.
- Remove masking tape and protective plastic lamination.

### 6.4 MTH SIDE PANEL REPLACEMENT PROCEDURE

#### Material :

|                        |   |                           |   |                               |   |
|------------------------|---|---------------------------|---|-------------------------------|---|
| Anti-silicone (682989) | √ | Scotchbrite gray (680226) | √ | Sika 206 G+P 1 liter (683446) | √ |
|                        | √ | Sika Aktivator (683661)   | √ | Sika 221 gray                 | √ |
| CHIX cloth (682384)    | √ |                           |   | Sika 252 black                | √ |
| Blue cloth (682383)    | √ |                           |   | Sika 221 + Booster            | √ |

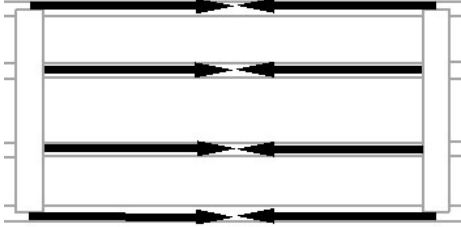
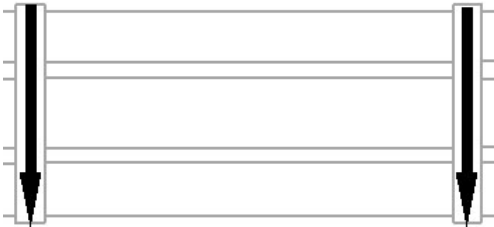
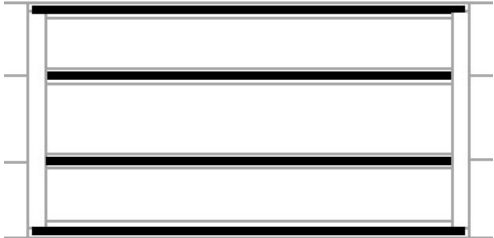
#### Equipment :

|          |   |  |
|----------|---|--|
| Glue Gun | √ |  |
|----------|---|--|

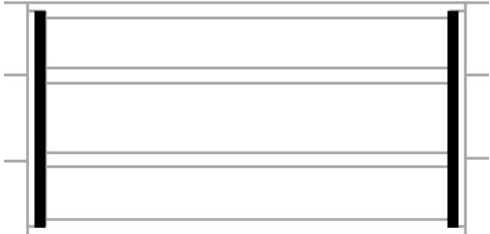
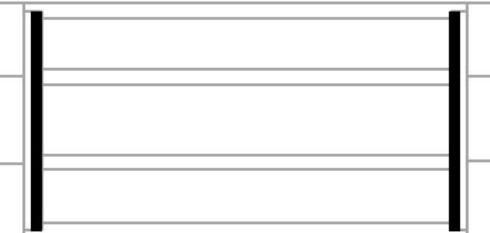
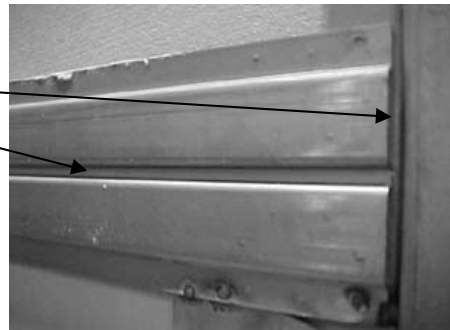
### SECTION 1 SIDE PANEL GLUED WITH CIBA (Ciba on the horizontal tubing, Sika on the vertical tubing)

|      |  |  |   |
|------|--|--|---|
| 1.00 | <b>Removal</b>   |  |   |
| A)   | Remove finishing molding. Insert a screwdriver into snap-on finishing molding joint. Bend finishing molding enough to be able to fix a pair of locking pliers. Using the pair of locking pliers, pull the stainless steel molding and at the same time gradually cut Sika bead with a sharp knife. |  | Be careful not to damage the adjacent surfaces. |
| B)   | Using a hammer and punch, drive out rivet shanks from top and bottom finishing molding supports. Use a #11 titanium drill bit to remove rivet heads.   |  |   |
| C)   | Use the pair of locking pliers to remove top and bottom finishing molding supports.  |  |   |
| D)   | Insert a flat screwdriver between the side panel and the vehicle chassis, in the top left and right corners. Make sure to separate side panel from backers at each end.  |  | Be careful not to damage the adjacent surfaces. |
| E)   | Use the c-clamp to peel the side panel from the back structural panel and at the same time gradually cut Sika bead with a sharp knife.   |  |   |



|      |                               |  |  |
|------|-------------------------------|--|--|
|      | F)                            | Use a heat gun and putty knife to remove the dried off Ciba epoxy glue residue.  | <ul style="list-style-type: none"> <li>- Make sure that heat gun nozzle tip is at least 4" from surface.</li> <li>- Because of its great toxicity, care should be taken not to use a buffer or other sanding method for glue removal.</li> </ul> |
|      | G)                            | Remove Sika bead using putty knife or pneumatic knife.   | <ul style="list-style-type: none"> <li>- Never heat Sikaflex glue in order to remove it</li> <li>- It is not necessary to remove 100% of SikaFlex.</li> </ul>  |
|      | H)                            | Check panel horizontal supports for straightness using a straight edge. Take measurements with a ruler.  | Tolerance: 1mm towards the outside and 1.5mm towards the inside.   |
| 1.05 | <b>Side Panel Positioning</b> |  | <b>Make sure that side panel is centered or that gap is between 3 and 4.5 mm with adjacent panels.</b>   |
|      | A)                            | Install side panel onto the vehicle, align and center panel with adjacent panels and temporary fix using two 1/8 " rivets at top (2 for side panels and 3 for engine air intake panels). |  |
|      | B)                            | Install conforming jig vertical supports onto the panel and drill holes into the temporary fixed vertical supports.  |  |
|      | C)                            | Remove vertical supports and side panel.   |  |

|      |                                    |  |  |
|------|------------------------------------|--|--|
| 1.10 | <b>Vehicle Surface Preparation</b> |  |   |
|      | A)                                 | Clean horizontal supports using anti-silicone<br>See PR000001 section A.   |  |
|      | B)                                 | Clean vertical "backers" using anti-silicone even if some Sika 252 residue is present.<br>See PR000001 section A.  |  |
|      | C)                                 | Use the belt sander to sand horizontal supports (grit coarse)<br><br><b>For an aluminum surface, you have 3 hrs maximum between sanding and the application of glue.</b> |  |

**Section 18: BODY**

|  |   |  |
|--|---|--|
|  | <p>D) <b>NOT APPLICABLE IF VERTICAL BACKERS ARE GRIT BLAST</b></p> <p>Use the orbital sander (Scotchbrite grit 7446B) or a 2" disc grinder (grit coarse) to sand vertical backers.</p> <p><b>For an aluminum surface, you have 3 hrs maximum between sanding and the application of glue.</b></p> | <p><b>CAUTION: Sand a 1 7/8" to 2 1/4" width surface.</b></p>  |
|  | <p>E) Clean all sanded surfaces using anti-silicone<br/>See PR000001 section A.</p>   |  |
|  | <p>F) Apply Sika Aktivator onto the vertical backers</p> <p>See PR000001 section C.</p>   |    |
|  | <p>G) Install a neoprene foam tape at the center of panel horizontal supports and at each end if needed.</p>  |   |

**PR000001 Section A Alcohol or Anti-silicone**

|   |   |  |   |
|---|---|--|---|
|  | <p><b>1. Apply</b></p> <p><b>CHIX cloth</b></p> |  | <p><b>2. Dry immediately</b></p> <p><b>Blue cloth</b></p> |
|---|---|--|---|

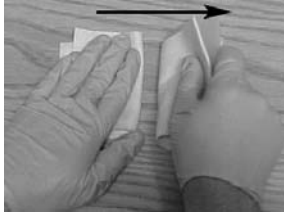

**3. Allow to dry**

|                         |   |
|-------------------------|---|
| <p><b>Mandatory</b></p> | <p><b>Minimum time : Wait for product to evaporate</b></p>  |
|                         | <p><b>After 2 hours: Start cleaning operation again</b></p> |

|   |   |
|---|---|
| <p><b>Before applying any other product</b></p> | <p>If surface seems dusty, greasy or with finger marks, start cleaning operation again.</p> |
|---|---|




## PR000001 Section C Sika Aktivator

|   |  |  |  |
|---|--|--|--|
| <p><b>Glass</b></p>  | <p>Plastic scraper</p> <p>CHIX cloth</p> <p>CHIX cloth</p> | <p><b>Other application</b></p>  | <p>CHIX cloth</p> <p>CHIX cloth</p> <p><b>1. Apply and dry immediately</b></p> |
|---|--|--|--|

### 2. Allow to dry

|  |  |
|--|--|
| <b>Mandatory</b>                                   | <p><b>Minimum time :5 minutes</b></p> <p><b>After 2 hours: Remove dust using dry Chix cloth and start cleaning operation again</b></p>   |
| <b>Optional: Before applying any other product</b> | <p>If surface seems dusty, remove dust using dry Chix cloth and start cleaning operation again.</p> <p>If surface seems greasy or with finger marks, start cleaning operation again.</p> |

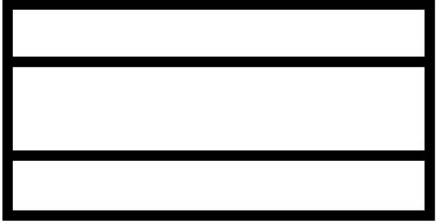
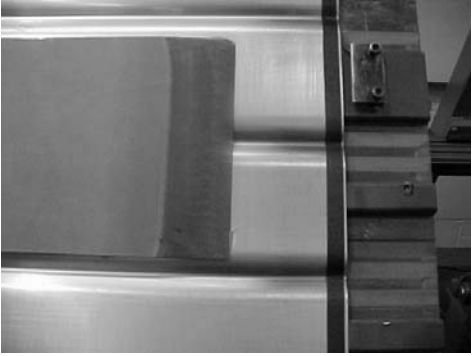
## PR000001 Section D Sika Primer 206 G+P

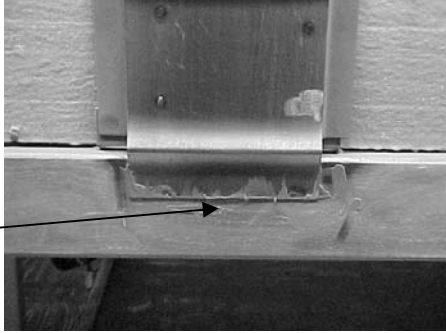
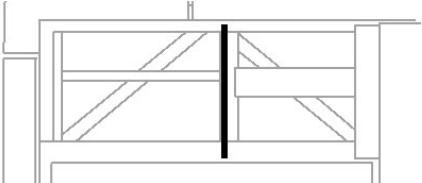
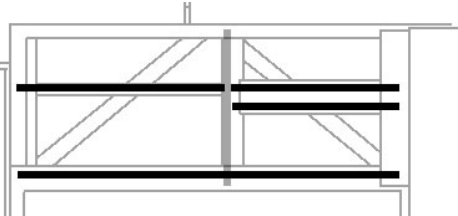
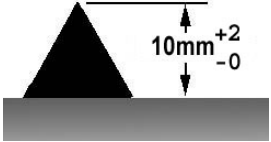


|   |  |                     |
|---|--|---------------------|
|  | <p><b>1. Shake bottle to mix product</b></p> <p><b>2. Apply a thin layer</b></p> | <p>Chiffon CHIX</p> |
|---|--|---------------------|

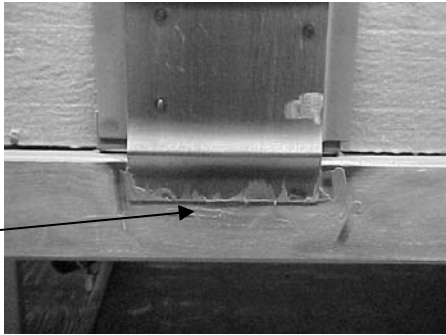

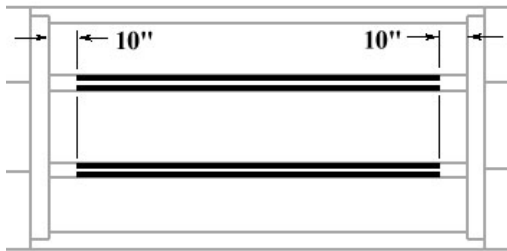
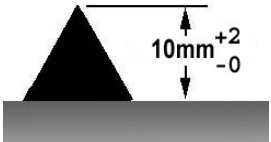

### 3. Allow to dry

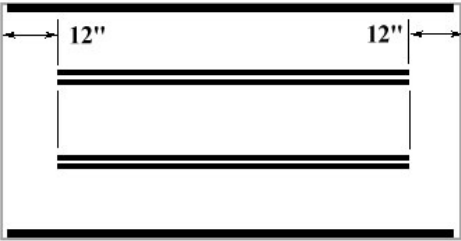
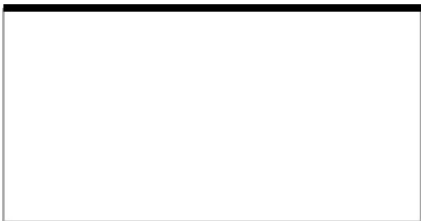
|  |                |   |
|--|----------------|---|
| <b>Mandatory</b>                                   | <b>206 G+P</b> | <p><b>Minimum time: 10 minutes</b></p> <p><b>After 2 hours: Remove dust using damp cloth (pure water)</b></p> <p><b>After 8 days : Reactivate with Aktivator as per section "C"</b></p> |
| <b>Optional: Before applying any other product</b> |                | <p>If surface seems dusty, remove dust using Chix damp cloth (pure water).</p> <p>If surface seems greasy or with finger marks, reactivate with Aktivator.</p>                          |

**Section 18: BODY**

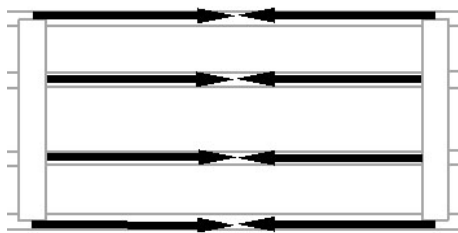
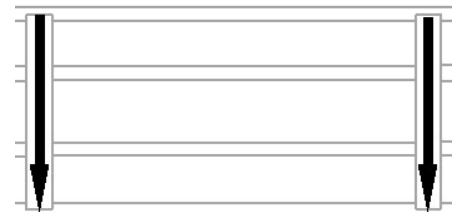
|        |  |   |  |
|--------|--|---|--|
| 1.15 * | <b>Side Panel Preparation</b>  |   |  |
|        | A)   | Use a Chix cloth and anti-silicone to remove any dust or residue from the whole side panel surface  | <b>For all Service Centers or if side panel is dusty</b>   |
|        | B)   | Clean using anti-silicone<br>See PR000001 section A.  |    |
|        | C)   | Sand using Scotchbrite  |  |
|        | D)   | Clean using anti-silicone<br>See PR000001 section A.  |  |
|        | E)   | Apply Sika Aktivator onto a 2" +/- 1/2" width surface.<br><br>See PR000001 section C.   |  |
| F)     | Install a 1/16" x 1/4" neoprene foam tape at each side panel end, 1 mm from panel edge. Make sure foam tape reaches bottom of creases. |    |  |
| 1.20   | <b>Preparation of Ciba Epoxy Glue Cartridges</b>   |   | You need about 7 cartridges for a large side panel. Use a constant and controlled source of heat. Maximum temperature is 120 °F. |
|        | A)   | Before applying glue, heat Ciba glue cartridges to reduce viscosity and speed up process. Make sure glue temperature is correct and you have sufficient cartridges.   |  |
|        | B)   | Perforate cartridge tip and install mixing nozzle. Cut mixing nozzle at 3 <sup>rd</sup> notch.  |  |
|        | C)   | Insert cartridge into the gun.  |  |
|        | D)   | Before applying glue, heed this procedure:<br>If a new mixing nozzle is used, install mixing nozzle onto the cartridge and insert into the gun. Take a sample of glue before applying. When changing cartridge without changing the mixing nozzle, take a sample of glue then install mixing nozzle onto the cartridge. |  |

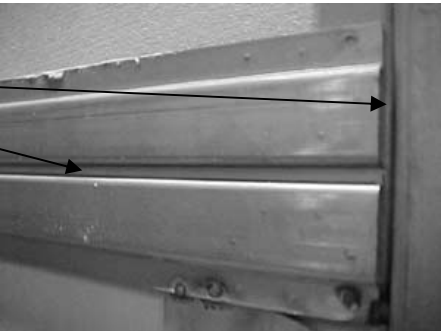
|   |   |   |
|---|---|---|
| 1.25 *  | <b>Engine Air Intake Panel Installation</b>   |   |
| <b>To know the time allotted between glue application and final installation; refer to annex 4</b>  |   |   |
| <b>Always check color of glue before applying (charcoal gray). If the color turns black or white during application, remove this portion using a putty knife and clean with thinner</b> |   |   |
| A)  | <p>If more than one hour has elapsed between the first cleaning and the application of glue or if in doubt, clean panel and vehicle surface again using anti-silicone</p> <p>See PR000001 section A.</p>                        |   |
| B)  | <p>Seal each vertical "backer" end.</p> <div style="border: 1px solid black; padding: 5px; width: fit-content; margin: 10px auto;"> <p>Seal top and bottom part of vertical backer using Sika 221 gray or Ciba 8535.</p> </div> |     |
| C)  | <p>Apply bead (¼" minimum dia.) Sika 252 onto structure.</p>  |   |
| D)  | <p>Apply bead (¼" minimum dia.) Ciba onto structure.</p>  |  |
| E)  | <p>Apply Sika 252 onto air intake panel 1" +¼" / -0 from panel edge</p>    |  |
| F)  | <p>Apply Ciba onto air intake panel</p> <p><b>Make sure that Ciba and Sika beads adjoin.</b></p> <p>(¼" minimum dia.)</p>   |  |
| G)  | <p>Install air intake panel using rivets and conforming jigs.</p>   |   |

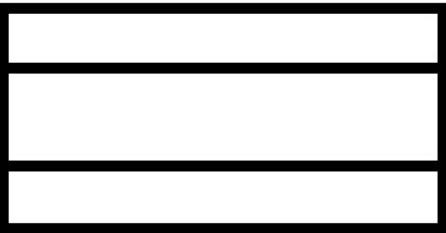
| 1.30 Side Panel Installation   |  |
|--|--|
| <p><b>To know the time allotted between glue application and final installation; refer to annex 4</b></p> <p><b>Always check color of glue before applying (charcoal gray). If the color turns black or white during application, remove this portion using a putty knife and clean with thinner</b></p> |  |
| A)   | <p>If more than one hour has elapsed between the first cleaning and the application of glue or if in doubt, clean panel and vehicle surface again using anti-silicone</p> <p>See PR000001 section A.</p>   |
| B)   | <p>Seal each vertical "backer" end.</p> <div style="border: 1px solid black; padding: 5px; width: fit-content; margin: 10px auto;"> <p>Seal top and bottom part of vertical backer using Sika 221 gray or Ciba 8535.</p> </div>  |
| C)   | <p><b>MTH W5 only.</b></p> <p>Apply Sika 252 or 255 onto the awnings reinforcement plates</p> <p>Height of bead <math>3/8'' + 1/8'' / -0</math>.</p>   |
| D)   | <p>Apply Ciba onto horizontal supports</p> <p>(<math>1/4''</math> minimum dia.)</p>    |
| E)   | <p>Apply Sika 252 onto side panel <math>1'' + 1/4'' / -0</math> from panel edge</p>     |

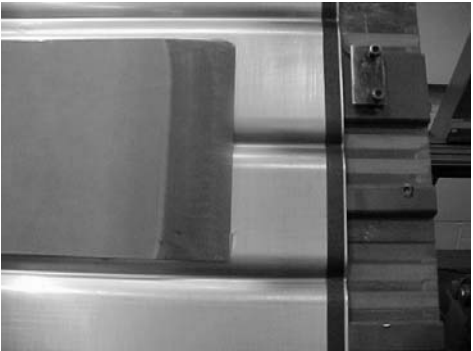
| F)                            | <p>Apply Ciba onto side panel</p> <p><b>Make sure that Ciba and Sika beads adjoin.</b><br/>(¼" minimum dia.)</p>   |                      |  |    |  |    |   |    |   |   |
|-------------------------------|--|--|--|----|--|----|---|----|---|---|
| G)                            | <p>Carefully install panel onto the vehicle and hold it in place using the pre-drilled holes and rivets. Check positioning using backers.</p>  | <p>Make sure that side panel is centered or that gap is between 3 and 4.5 mm with adjacent panels.</p> |  |    |  |    |   |    |   |   |
| H)                            | <p>Fix conforming jig vertical supports onto the panel using the pre-drilled holes and screws. Apply pressure.</p>   | <p>40 psi ±2 air pressure and check gap between panels.</p>  |  |    |  |    |   |    |   |   |
| I)                            | <p>Install horizontal pressure bars onto the vertical supports.</p>  |  |  |    |  |    |   |    |   |   |
| J)                            | <p>Wait allotted curing period</p>   | <p>See Annex 4</p>   |  |    |  |    |   |    |   |   |
| K)                            | <p>Remove conforming jigs and seal 1/8" rivet heads using Sika 221.</p>  |  |  |    |  |    |   |    |   |   |
| L)                            | <table border="1"> <tr> <th colspan="2" data-bbox="358 911 946 976"><b>Side Panel Upper Joint</b></th> </tr> <tr> <td data-bbox="358 982 418 1060">1)</td> <td data-bbox="418 982 946 1060"> <p>Clean surface using anti-silicone<br/>See PR000001 section A.</p> </td> </tr> <tr> <td data-bbox="358 1066 418 1144">2)</td> <td data-bbox="418 1066 946 1144"> <p>Apply Sika Aktivator<br/>See PR000001 section C.</p> </td> </tr> <tr> <td data-bbox="358 1150 418 1241">3)</td> <td data-bbox="418 1150 946 1241"> <p>Apply Sika 252 to seal structural tubing and side panel upper edge</p> </td> </tr> </table> | <b>Side Panel Upper Joint</b>  |  | 1) | <p>Clean surface using anti-silicone<br/>See PR000001 section A.</p> | 2) | <p>Apply Sika Aktivator<br/>See PR000001 section C.</p> | 3) | <p>Apply Sika 252 to seal structural tubing and side panel upper edge</p> |  |
| <b>Side Panel Upper Joint</b> |  |  |  |    |  |    |   |    |   |   |
| 1)                            | <p>Clean surface using anti-silicone<br/>See PR000001 section A.</p>   |  |  |    |  |    |   |    |   |   |
| 2)                            | <p>Apply Sika Aktivator<br/>See PR000001 section C.</p>  |  |  |    |  |    |   |    |   |   |
| 3)                            | <p>Apply Sika 252 to seal structural tubing and side panel upper edge</p>  |  |  |    |  |    |   |    |   |   |
| M)                            | <p>If necessary, clean excess of CIBA glue in the joints.</p>  |  |  |    |  |    |   |    |   |   |
| N)                            | <p>If the first or last side panel was replaced, the vertical joint must be redone. Apply masking tape on each side of side panel joint. Use a caulking nozzle and grey Sikaflex 221 adhesive to fill the cavity between the panel and vehicle back plate.</p> <p>Clean using Sika 205. Allow 5 minutes minimum for drying.</p> <p>Wear surgical gloves and smooth down the joint with your finger.</p>  |  |  |    |  |    |   |    |   |   |

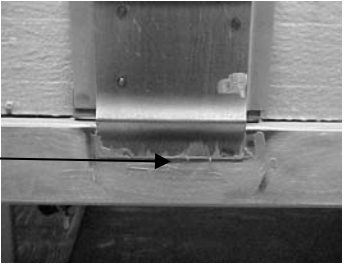
**Section 18: BODY**

| <b>SECTION 2 SIDE PANEL GLUED WITH SIKA</b> |                                    |  |   |
|---|------------------------------------|--|---|
| 2.00  | <b>Removal</b>                     |  |   |
|   | A)                                 | Remove top and bottom finishing moldings. Insert a screwdriver into snap-on finishing molding joint. Bend finishing molding enough to be able to fix a pair of locking pliers. Using the pair of locking pliers, pull the stainless steel molding and at the same time gradually cut Sika bead with a sharp knife. | Be careful not to damage the adjacent surfaces<br><br>You need to remove the finishing molding support and rivets in the case of engine air intake panel. |
|   | B)                                 | Insert a flat screwdriver between the side panel and the vehicle chassis, in the top left and right corners.   |   |
|   | C)                                 | Use the c-clamp to peel the side panel from the back structural panel as far as the middle and at the same time gradually cut Sika bead with a sharp knife. Do the same for the other corner.  | Ideally, the hoist or chain block must be fastened to the floor while pulling from a 45° angle so as not to damage the vehicle structure                  |
|   | D)                                 | Remove as much glue as possible from the structure using a putty knife or pneumatic knife without damaging 206 G+P primer.   | Never heat SikaFlex adhesive to remove.   |
|   | E)                                 | Check panel horizontal supports for straightness using a straight edge. Take measurements with a ruler.  | Tolerance: 1mm towards the outside and 1.5mm towards the inside.  |
| 2.05  | <b>Side Panel Positioning</b>      |  | <p><b>Make sure that side panel is centered or that gap is between 3 and 4.5 mm with adjacent panels.</b></p>   |
|   | A)                                 | Install side panel onto the vehicle, align and center panel with adjacent panels and temporary fix using two 1/8 " rivets at top (2 for side panels and 3 for engine air intake panels).   |   |
|   | B)                                 | Install conforming jig vertical supports onto the panel and drill holes into the temporary fixed vertical supports.  |   |
|   | C)                                 | Remove vertical supports and side panel.   |   |
| 2.10  | <b>Vehicle Surface Preparation</b> |  |   |
|   | A)                                 | Clean horizontal supports using anti-silicone<br>See PR000001 section A.   |   |
|   | B)                                 | Clean vertical "backers" using anti-silicone.<br>See PR000001 section A.   |   |
|   | C)                                 | If necessary, touch up with primer<br>See PR000001 section D.  |   |
|   | D)                                 | Reactivate all surfaces using Sika Aktivator<br>See PR000001 section C.  |   |

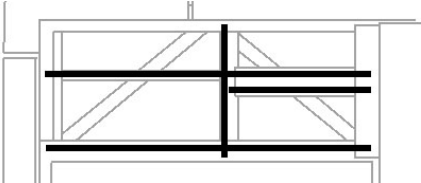
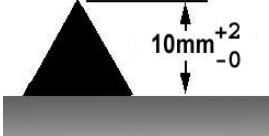

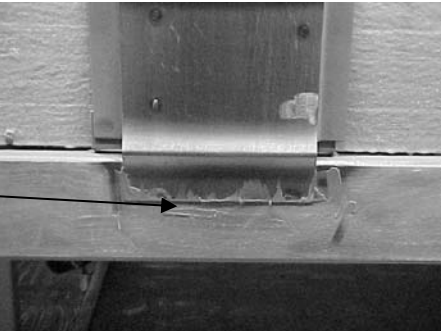

|  |  |  |
|--|--|--|
|  | <p>E) Install a neoprene foam tape at the center of panel horizontal supports and at each end if needed.</p> |  |
|--|--|--|

|   |   |  |
|---|---|--|
| <p>2.15 *</p>   | <p><b>Side Panel Preparation</b></p>  |  |
| <p>If you receive a side panel with 206G+P primer already applied, reactivate surface as per PR000001 section D. You don't have to perform step a) to e) hereafter. Refer to the date written onto the panel.</p> |   |  |
| <p>A)</p>   | <p>Use a Chix cloth to remove any dust or residue from the whole side panel surface</p> | <p><b>For all Service Centers or if side panel is dusty</b></p>                    |
| <p>B)</p>   | <p>Clean using anti-silicone<br/>See PR000001 section A.</p>                            |  |
| <p>C)</p>   | <p>Sand using Scotchbrite</p>   |  |
| <p>D)</p>   | <p>Clean using anti-silicone<br/>See PR000001 section A.</p>                            |  |
| <p>E)</p>   | <p>Apply Sika 206 G+P Primer<br/>See PR000001 section D.</p>                            |  |

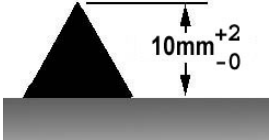
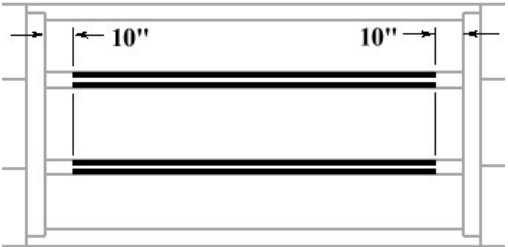
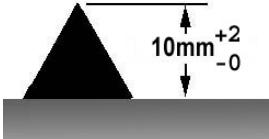


|  |  |  |
|--|--|--|
|  | <p>F) Install a 1/16" x 1/4" neoprene foam tape at each side panel end, 1 mm from panel edge. Make sure foam tape reaches bottom of creases.</p> |  |
|--|--|--|

|             |  |   |
|-------------|--|---|
| <p>2.20</p> | <p><b>Engine Air Intake Panel Installation</b></p>   |   |
| <p>A)</p>   | <p>If more than one hour has elapsed between the first cleaning and the application of glue or if in doubt, see PR000001 section D.</p>  |  |
|             | <p>B) Seal each vertical "backer" end.</p> <div style="border: 1px solid black; padding: 5px; width: fit-content; margin: 10px auto;"> <p>Seal top and bottom part of vertical backer using Sika 221 gray</p> </div> |   |

**Section 18: BODY**

|             |   |   |
|-------------|---|---|
|             | <p>C) Apply a bead of Sika 221+booster onto structure (¼" minimum dia.)</p> <p><b>Time allotted between glue application and final installation: 30 minutes maximum</b></p>   |                        |
|             | <p>D) Apply a bead of Sika 221+booster onto air intake panel 1" +¼" / -0 from panel edge.</p> <p><b>Time allotted between glue application and final installation: 30 minutes maximum</b></p>  |                        |
|             | <p>E) Install air intake panel using rivets and conforming jigs.</p>  | <p><b>Conforming Jig Installation Time: 4 hours</b></p> <p><b>Time before moving vehicle: 8 hours</b></p> |
| <p>2.25</p> | <p><b>Side Panel Installation</b></p>   |   |
|             | <p>A) If more than one hour has elapsed between the first cleaning and the application of glue or if in doubt, see PR000001 section D.</p>  |   |
|             | <p>B) Seal each vertical "backer" end.</p> <div style="border: 1px solid black; padding: 5px; width: fit-content; margin: 10px auto;"> <p>Seal top and bottom part of vertical backer using Sika 221 gray</p> </div>  |                        |
|             | <p>C) <b>MTH W5 only.</b></p> <p>Apply Sika 252 or 255 onto the awnings reinforcement plates</p> <p>Height of bead 3/8" +1/8" / -0.</p>   |                      |



|    |  |  |  |    |   |    |  |   |
|----|--|--|--|----|---|----|--|---|
| D) | <p>Apply Sika 221+booster onto horizontal supports</p> <p><b>Time allotted between glue application and final installation: 30 minutes maximum</b></p>    |                      |  |    |   |    |  |   |
| E) | <p>Apply Sika 221+booster onto side panel 1" +1/4" / -0 from panel edge</p> <p><b>Time allotted between glue application and final installation: 30 minutes maximum</b></p>   |                      |  |    |   |    |  |   |
| F) | <p>Carefully install panel onto the vehicle and hold it in place using the pre-drilled holes and rivets. Check positioning using backers.</p>  | <p>Make sure that side panel is centered or that gap is between 3 and 4.5 mm with adjacent panels.</p> |  |    |   |    |  |   |
| G) | <p>Fix conforming jig vertical supports onto the panel using the pre-drilled holes and screws. Apply pressure.</p>   | <p>40 psi ±2 air pressure and check gap between panels.</p>  |  |    |   |    |  |   |
| H) | <p>Install horizontal pressure bars onto the vertical supports..</p>   |  |  |    |   |    |  |   |
| I) | <p>Wait allotted curing period</p>   | <p><b>Conforming Jig Installation Time: 4 hours</b><br/><b>Time before moving vehicle: 8 hours</b></p> |  |    |   |    |  |   |
| J) | <p>Remove conforming jigs and seal 1/8" rivet heads using Sika 221.</p>  |  |  |    |   |    |  |   |
| K) | <p style="text-align: center;"><b>Side Panel Upper Joint</b></p> <table border="1" style="width: 100%;"> <tr> <td style="width: 20px;">1)</td> <td>Clean surface using anti-silicone<br/>See PR000001 section A.</td> </tr> <tr> <td>2)</td> <td>Apply Sika Aktivator<br/>See PR000001 section C.</td> </tr> <tr> <td>3)</td> <td>Apply Sika 252 to seal structural tubing and side panel upper edge</td> </tr> </table> | 1)   | Clean surface using anti-silicone<br>See PR000001 section A. | 2) | Apply Sika Aktivator<br>See PR000001 section C. | 3) | Apply Sika 252 to seal structural tubing and side panel upper edge |  |
| 1) | Clean surface using anti-silicone<br>See PR000001 section A.   |  |  |    |   |    |  |   |
| 2) | Apply Sika Aktivator<br>See PR000001 section C.  |  |  |    |   |    |  |   |
| 3) | Apply Sika 252 to seal structural tubing and side panel upper edge   |  |  |    |   |    |  |   |
| L) | <p>If necessary, clean excess of Sika glue in the joints.</p>  |  |  |    |   |    |  |   |

**Section 18: BODY**

|    |   |  |
|----|---|--|
| M) | <p>If the first or last side panel was replaced, the vertical joint must be redone. Apply masking tape on each side of side panel joint. Use a caulking nozzle and grey Sikaflex 221 adhesive to fill the cavity between the panel and vehicle back plate.</p> <p>Clean using Sika 205. Allow 5 minutes minimum for drying.</p> <p>Wear surgical gloves and smooth down the joint with your finger.</p> |  |
|----|---|--|

**SIDE PANEL REPAIR OR REPLACEMENT**

**MTH – XL2**

***NOTE***

*All defects and solutions proposed hereafter can be used with any side panel.*

| <b>DEFECT</b>  | <b>SOLUTION</b>  | <b>NOTE</b>   |
|--|--|---|
| 1. Improper positioning of vertical bead (especially engine air intake panel). | Replace side panel   | Refer to procedure  |
| 2. Impossible to seal side panel.  | Replace side panel   | Refer to procedure  |
| 3. Ungluing of vertical or horizontal bead.                                    | Replace side panel   | Refer to procedure  |
| 4. Improper conforming of side panel at horizontal supports level.             | From inside of vehicle, reapply adhesive between horizontal supports and side panel, see annex # 1 | Check horizontal supports for straightness using a straight edge by measuring side panel. |
| 5. Small water infiltration through a vertical joint without ungluing.         | Seal from inside of vehicle, see annex #2  | Use Sikaflex 221  |
| 6. Major water infiltration through engine air intake panel without ungluing.  | Depending on the case, replace or repair side panel, see annex # 3                                 |   |

**ANNEX # 1 (Side panel glued with Ciba only)**

For this operation, you must remove interior insulation, insert a small tube connected to Ciba cartridge mixing nozzle and inject the glue between horizontal supports and side panel. Ensure to fill in under horizontal supports so as to trap the adhesive between support and side panel.

**ANNEX # 2**

When performing water test, a small water infiltration through vertical joint is possible. Ensure that no ungluing is occurring at joint level then seal vertical joint from inside of vehicle. Ensure to completely dry the area before sealing. Seal using Sikaflex 221 gray.

**ANNEX # 3**

If there is water infiltration through engine air intake panel and first rear side panel joint, it is likely that water infiltrates through air intake panel itself or through joint between two panels. Before repairing, ensure that vertical joint lower portion is filled with Sikaflex 221 adhesive up to Ciba adhesive and ensure that engine air intake panel adhesion is proper. If there is still evidence of water infiltration, you must replace engine air intake panel. If water infiltration is through vertical joint, you must replace first rear side panel.

**ANNEX 4 TABLE OF ALLOTTED CURING PERIODS (CIBA adhesive)  
(NO-HEAT CONFORMING JIGS)**

| Room Temperature   | Conforming Jig Installation Time             | Complete stop of vehicle (without moving) | Time before moving vehicle $\pm 10^{\circ}\text{F}$ with room temperature | Polishing after the application of adhesive or before vehicle back in operation | Time allotted between glue application and final installation |
|--------------------|--|---|---|---|---|
| 87 <sup>o</sup> F  | 4 HRS  | 8HRS                                      | 8HRS  | 16HRS   | 25m   |
| 77 <sup>o</sup> F  | 6HRS   | 12HRS                                     | 12HRS   | 24HRS   | 45m   |
| 72 <sup>o</sup> F  | 7HRS   | 14HRS                                     | 14HRS   | 28HRS   | 50m   |
| 67 <sup>o</sup> F  | 8HRS   | 16HRS                                     | 16HRS   | 32HRS   | 1HR   |
| <67 <sup>o</sup> F | <i>NO APPLICATION OF ADHESIVE IS ALLOWED</i> |   |   |   |   |

## Section 18: BODY

### 6.5 LATERAL FIXED WINDOW

Depending on the method chosen for fixed side window removal or installation, you may need:

- \* Drill equipped with a sharp pointed rod into which a small hole was drilled;
- \* Razor sharp window scraper;
- \* Braided windshield wire and a pair of handles;
- \* Gloves, goggles or face shield.

#### Fixed Window Removal

##### 1<sup>st</sup> Method

###### *NOTE*

*This method is used only in the case of a regular fixed side window. For the fixed upper portion of awning or sliding windows, you must use method number 2.*

- Apply a sticky plastic film onto all of window outside surface for safety reason.
- Using a drill equipped with the special sharp pointed rod, drill through the window seal into one of the bottom corners, from a 30° angle with reference to the vehicle.
- This procedure requires accuracy and it is possible not to succeed on the first attempt. From the inside of vehicle, a second person ensures the rod passes through.
- Remove the rod, thread the wire into the small hole. Reinsert the rod and the wire into the hole far enough so that the person inside the vehicle can pull the rod using a pair of pliers.
- Attach the wire ends to the specially designed handles.
- Pull in turn from the inside and the outside of vehicle to gradually cut the Sika bead on the window perimeter.
- When you reach top corner, detach wire from the outside handle, secure it to a fish wire or rod and thread it underneath the aluminum molding behind the rivets.
- Detach wire from fish wire and continue cutting using the handle.
- Cut Sika bead until you come back to starting point, then you can remove the window by carefully pushing it out from the inside of vehicle.

##### 2<sup>nd</sup> Method

- Apply a sticky plastic film onto all of window outside surface.
- To limit as much damage as possible, remove any interior molding in the way. Install a plastic film on the window interior surface and secure using masking tape onto all of window perimeter.

###### *NOTE*

*Do not stretch plastic film and leave enough play to be able to push window out without tearing the plastic film.*

- Using a ball peen hammer, hit one of the window bottom corners from the **outside**.
- Carefully push window out and lift it up sufficiently to separate it from the aluminum molding.
- Attach the windshield wire to a fish wire and thread it underneath the aluminum molding behind the rivets.
- Detach wire from fish wire and continue cutting using the handle.
- Make a notch at each window top corner to make sure you pass underneath the remaining pieces of glass.
- Remove the aluminum molding and clean up the frame using the window scraper.
- Before starting window frame treatment, make sure window frame is truly clean and free of pieces of glass.
- First of all, check Sika 205 cleaner expiration date.
- Before applying Sika cleaner, fold "Chix" cloth twice for proper width.
- Apply an even coat onto the window frame and allow to dry for 10 minutes.
- Discard waste according to applicable environmental regulations, use dangerous waste containers.
- Apply masking tape before applying Sika glue to protect paint and adjacent window during surface treatment.

#### Window Surface Treatment

- Use "Spray Away" or "ESSEX GC-800" window cleaner (Prévost #683926) around

window perimeter and edges to remove any oily film while inspecting for damages.

- Wipe clean using a dry cloth.
- Repeat previous step using a second dry cloth to ensure window is truly clean and allow to dry for 1 minute.
- Install two stops into the aluminum extrusion one inch from each window edge.

#### Preparation Of Window When Using Sikatack Ultrafast 2 Adhesive

- Check "SIKA 205" product expiration date.
- Before applying Sika cleaner, fold "Chix" cloth twice for proper width.
- Apply an even coat onto the window casement and allow to dry for 2 minutes.
- Apply Sika 206 G+P primer onto the window casement and allow to dry for 10 minutes.

#### Fixed Side Window Installation Using Sikatack Ultrafast 2

- Use "Sikatack Ultrafast 2" adhesive.
- Check product expiration date.
- Always heat adhesive first for 15 minutes in an oven.

#### *NOTE*

*You only have 10 minutes to install window once the SIKA ULTRAFAST 2 product is applied.*

- Using a triangular nozzle, apply a Sikatack Ultrafast 2 bead on all of window frame perimeter. Apply a second bead on frame top.
- Two persons may then install window by inserting the top part into the aluminum extrusion and then carefully rest the window casement against the frame aligning the bottom part.
- Install two stops into the aluminum extrusion one inch from each window edge.

#### Window Temporary Fixing Using Sikatack Ultrafast 2 Adhesive

##### 1<sup>st</sup> Method

- From the outside, lean a straight edge against each window side to guide the person in charge of the suction jig installa-

tion. The window must be on the same level than the adjacent one(s).

- From the inside, remove finishing molding, install the cups onto the glass surface, 6 inches from bottom of window and screw down the jig ends onto the frame metallic structure to adjust depth.

#### *NOTE*

*The person outside the vehicle must guide throughout this procedure.*

- Finally, maximum watertightness is achieved when you notice the bead running over towards the inside.
- Allow drying for at least 6 hours.

##### 2<sup>nd</sup> Method

- From the outside, use a ram or a jack equipped with a padded surface at one end and secured to the other end.
- This equipment must be easily adjustable and compress the window against the frame.
- Lean the padded surface 6 inches from the bottom of window, use a straight edge and adjust the equipment so that the window is level with the adjacent one(s).
- Finally, maximum watertightness is achieved when you notice the bead running over towards the inside.
- Allow drying for at least 6 hours.

#### 6.6 DRIVER'S WINDOW AND UPPER LATERAL WINDOW

For the removal of driver's window or upper lateral window, you will need:

Pneumatic «Zip gun» type tool;  
Razor sharp window scraper;  
"Olfa" knife;  
Face shield.

- In the case of driver's window only, open front service compartment door.
- Mark the position of the driver's window for future reference.
- From inside of vehicle, cut Sika bead around window perimeter using a "Zip gun" while another person hold the window from the outside.

## Section 18: BODY

### NOTE

*Wear ear plugs during this operation.*

- Then, move outside of vehicle and cut Sika bead to free window while somebody else hold the window from the inside.
- Carefully remove window from frame, ask for help if needed.
- Using a razor sharp window scraper, remove from window frame Sika bead and double-face self adhesive tape residue.
- First of all, check Sika 205 cleaner expiration date.
- Before applying Sika cleaner, fold “Chix” cloth twice for proper width.
- Apply an even coat onto the inside of window frame and allow to dry for 2 minutes (maximum 2 hours).
- Discard waste according to applicable environmental regulations, use dangerous waste containers.
- Apply masking tape before applying Sika glue to protect paint and adjacent window during surface treatment.

### Window surface treatment

- Use Spray Away or “ESSEX GC-800” window cleaner (Prévost #683926) around window perimeter and edges to remove any oily film while inspecting for damages.
- Wipe clean using a dry cloth.
- Repeat previous step using a second dry cloth to ensure window is truly clean and allow drying for 1 minute.
- Check “SIKA 205” product expiration date.
- Before applying Sika cleaner, fold “Chix” cloth twice for proper width.
- Apply an even coat onto the inside of window frame and allow drying for 2 minutes.

### Driver’s Window Installation

- Use “Sikatack Ultrafast 2” adhesive.
- Check product expiration date.
- Always heat adhesive first for 15 minutes in an oven.

### NOTE

*You only have 10 minutes to install window once the SIKA ULTRAFAST 2 product is applied.*

- Apply a double-face self adhesive tape 1/8 by ¼ inch inside window frame to prevent glue from reaching the inside of the vehicle and to mechanically hold the window until the adhesive is cured. Peel the back from the tape.
- To support the window, position two “Quick Grip” type pliers at the base of the frame.
- Using the caulking nozzle, seal the top edge with SIKA ULTRAFAST 2.
- Change for a triangular nozzle with a 15 mm opening, apply a Sika bead on all 4 window edges beside the double-face self adhesive tape.
- Center and align the window base using the two pliers while pressing firmly the window perimeter against the frame.
- If this has not been done already, apply masking tape near the window edge adjacent to front face before doing finishing joint. Using a caulking nozzle and Sika Ultrafast 2 adhesive, complete a finishing joint and scrape the excess with a plastic scraper.

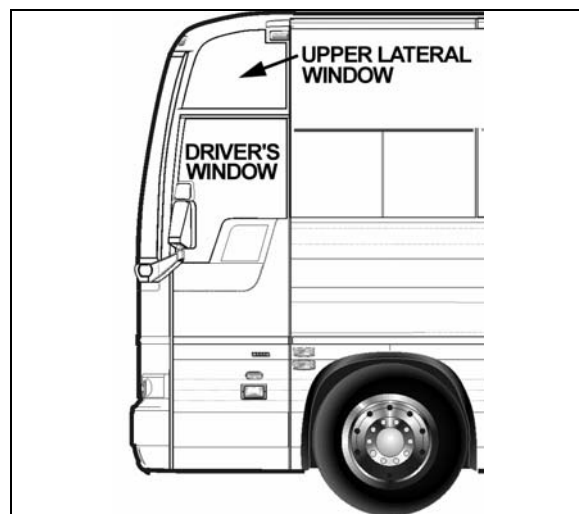


FIGURE 15: DRIVER'S OR UPPER LATERAL WINDOW

- Complete a second finishing joint at the window top making sure there are no cavities.
- Carefully remove masking tape.

- Wet “Ultrafast 2” adhesive every 15-20 minutes using water to accelerate the curing process.
- Do not move the vehicle for 2 hours.

#### Upper Lateral Window Installation

- Use “Sikatack Ultrafast 2” adhesive.
- Check product expiration date.
- Always heat adhesive first for 15 minutes in an oven.

#### **NOTE**

*You only have 10 minutes to install window once the SIKA ULTRAFAST 2 product is applied.*

- Apply a double-face self adhesive tape 1/8 by ¼ inch inside window frame to prevent glue from reaching the inside of the vehicle and to mechanically hold the window until the adhesive is cured. Peel the back from the tape.
- Remove the lens from the clearance light.
- Change for a triangular nozzle with a 15 mm opening, apply a Sika bead on all 4 window edges beside the double-face self adhesive tape.
- Center the window while pressing firmly the window perimeter against the frame.
- If this has not been done already, apply masking tape before doing finishing joint. Using a caulking nozzle and Sika Ultrafast 2 adhesive, complete a finishing joint and scrape the excess with a plastic scraper.
- Carefully remove masking tape.
- Wet “Ultrafast 2” adhesive every 15-20 minutes using water to accelerate the curing process.
- Do not move the vehicle for 2 hours.

#### 6.7 ENGINE COMPARTMENT DOOR BODY PANEL

For the removal of engine compartment door body panel, you will need :

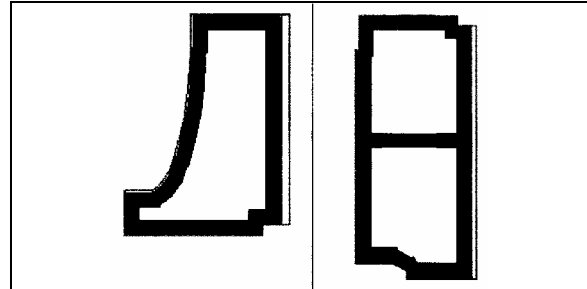
A pneumatic “Zip gun” type tool,  
Razor sharp window scraper to remove Sika adhesive residue,  
A pair of locking pliers,  
And isopropyl alcohol.

- Remove damaged engine compartment door from vehicle (refer to Maintenance Manual, in this section).
- Install the damaged door onto an appropriate support.
- Wearing gloves, goggles and ear plugs, pry loose body panel using a “Zip gun” or lever starting from the edge opposite the curved side.

#### **CAUTION**

**Do not damage painted surface.**

- Use the “Zip gun” to detach completely the stainless steel body panel from door frame.
- Use a second person equipped with a pair of locking pliers to pull the body panel as you cut the Sika bead.



#### **WARNING**

**Be very careful when pulling the body panel, somebody could get hurt if the body panel suddenly detach from the door surface without notice.**

#### Door Frame Preparation

- Using the window scraper, remove any Sika bead or self adhesive tape residue left on the fiber glass surface.
- First of all, check Sika 205 cleaner expiration date.
- Before applying Sika cleaner, fold “Chix” cloth twice for proper width. Apply an even coat onto the treated surface.

#### **NOTE**

*Make sure not to get any Sika cleaner onto the surrounding painted surfaces.*

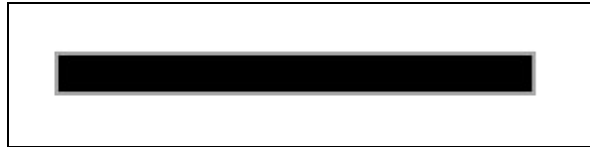
- Discard waste according to applicable environmental regulations, use dangerous waste containers.

## Section 18: BODY

- Allow 2 minutes for drying in the case of fiber glass (maximum 2 hours).

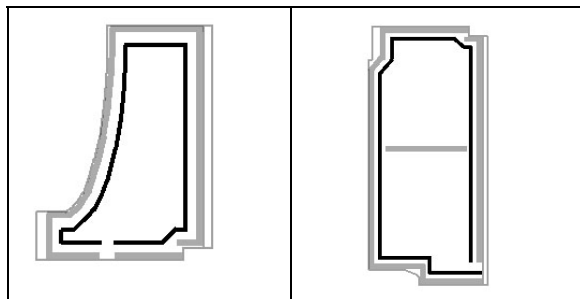
### Body Panel Preparation

- Check that new body panel is the required one and is free of defects or scratches.
- Clean using anti-silicone in order to remove any dirt or oily film left onto the stainless steel surface.



#### NOTE

Apply evenly around the perimeter of the panel. Use two clothes, first one applies product while second one immediately dries surface off before product evaporation.

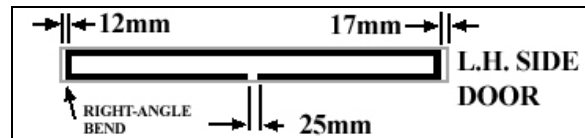
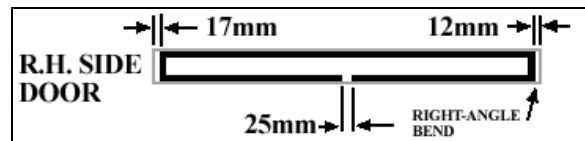


- Then, using a scratch pad "Scotch Brite", scratch the perimeter of door where the adhesive will be applied.

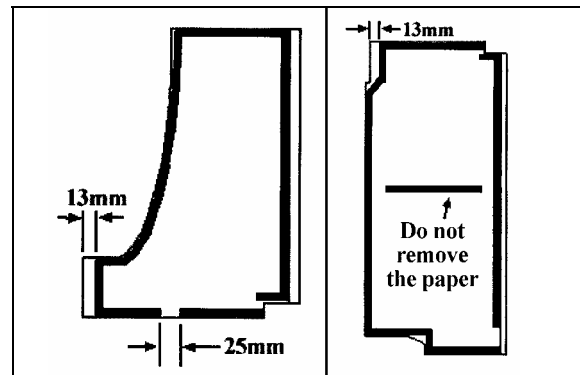
#### NOTE

It is important to support underneath the curved surface so as not to change the angle of the body panel and therefore prevent deformation.

- Use a Chix cloth and anti-silicone to remove any dust or residue.
- Apply an even coat of Sika cleaner onto the treated surface and allow 2 minutes (max. 2 hours) for drying in the case of stainless steel.
- Apply a double-face self adhesive tape.

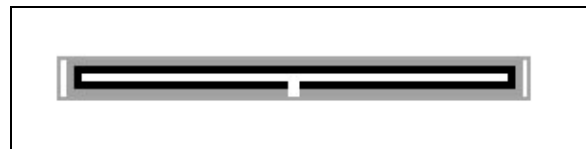


- Always leave a length of self adhesive tape on each side of the body panel, sufficient enough to be able to peel the back from the tape when installing the body panel.



### Sikaflex 252 Adhesive Application

- Use a "V" shape nozzle, cut the tip and apply Sika bead 3/4 inch (15 mm) from double-face self adhesive tape.



- Ideally two persons should perform this installation.
- Carefully center and align body panel while the second person keeps the self adhesive tape extremities outside the body panel.

#### NOTE

Make sure drip hole is at the bottom of panels.

- Peel the back from the self adhesive tape located underneath the body panel.
- Finally, compress using a dry erasable marker board brush so as not to scratch or damage the stainless steel surface.



## 7. ENTRANCE DOOR

### 7.1 COACH ENTRANCE DOOR

An air operated "sedan type" entrance door, with an air door cylinder and damper assembly are installed under the right hand dash. The opening and closing door speed cycle is adjustable by a damper mounted in parallel with the door cylinder on the door hinge (Fig. 16). Door activation is controlled by a relay panel, located near the defroster and wiper motors. The accessory air reservoir supplies air to this system.

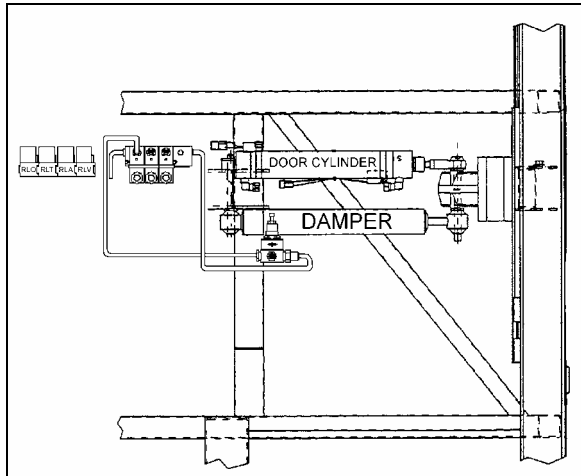


FIGURE 16: DOOR CYLINDER AND DAMPER

The door is held in the closed position during coach operation by a two air cylinder locking mechanisms (Fig. 17). Air cylinders with return spring in the cylinder body are used. Air cylinders are controlled by an electrically operated solenoid valve energized by a rocker switch located under the right hand dashboard.

To open the door, initial movement of the rocker switch de-energizes the air lock solenoid valve, venting the door locking cylinders. The return locking spring pulls the door lock away from the latch, unlocking the door. Door movement starts only when pressure in the central air door lock is below 10 psi. The "air cylinder open solenoid valve" opens and allows air to flow to the door cylinder, "the air cylinder close solenoid valve" exhausts air from the rod side of the cylinder.

To close the door, initial movement of the switch energizes the "air cylinder close solenoid valve" and air flows to the cylinder by its rod side port. The "air cylinder open solenoid valve" exhausts air from cylinder. When entrance door latch is grounded with the door frame, the air lock

solenoid valve is de-energized and loads the door lock cylinders. The cylinder moves the door lock in a position which engages a latch on the entrance door, holding the door positively closed.

Emergency exit valve, which opens the air valve circuit should be used only in emergencies, or when the door control system does not function properly.

Refer to the air system schematic diagram annexed at the end of section 12, "Brakes" and to page 22 of the wiring diagram.

#### 7.1.1 Operation

The air-operated door is controlled from inside the coach by two push-button switches located on the R.H. dashboard.

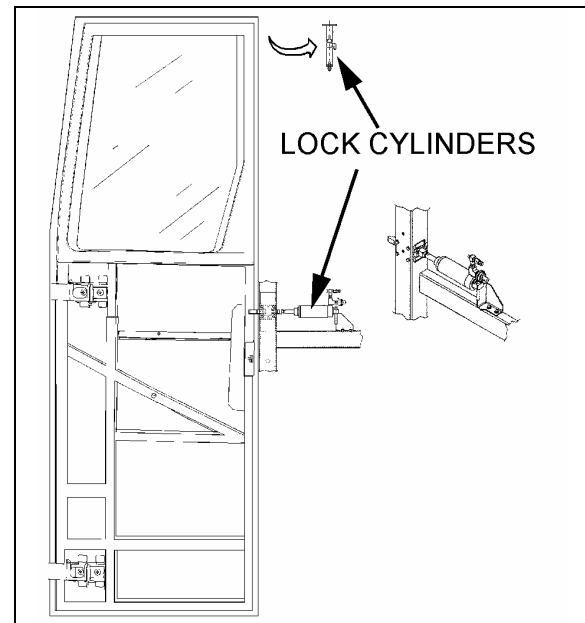


FIGURE 17: COACH ENTRANCE DOOR

Opening and closing of the door from outside the coach is accomplished by a momentary toggle switch located near the coach model nameplate (Fig. 18).

To close the door, the switch must be pushed towards the rear of the coach and held in position until the door has completed its movement.

To open the door, the switch must be pushed towards the front of the coach and held in position. When the door reaches the fully opened position, the system will keep pressure in the cylinder locking the door in that position.

The door can be stopped in any position by releasing the switch. The door is not locked in position when not fully opened or closed.

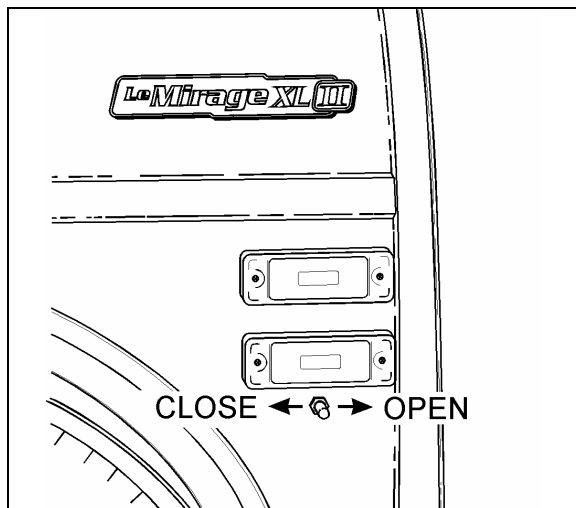


FIGURE 18: ENTRANCE DOOR CONTROL SWITCH

If the door has been locked with the key, a lever on the door can be moved to unlock.

### 7.1.2 Emergency Exit Valves

From inside the vehicle, an emergency exit valve located near the door on the dash panel, releases the pressure from the lock cylinder. From the exterior, an emergency exit valve located in the front service compartment, also releases the air from the lock cylinder.

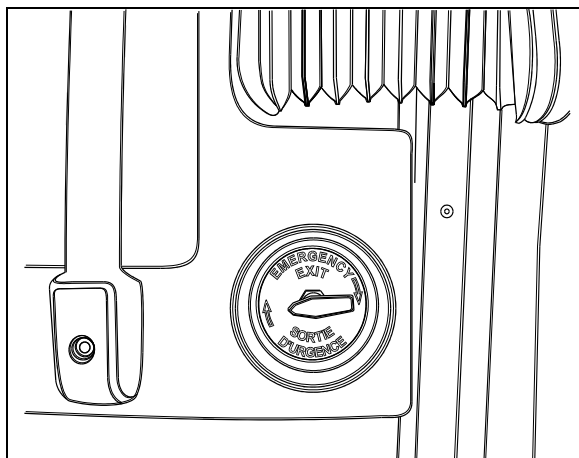


FIGURE 19: EMERGENCY EXIT VALVE 18321

#### Without Air and/or Without Electricity

If the air pressure drops while the coach has or hasn't any electricity, the spring loaded cylinders will unlatch the door. In such a case, unlock the door by moving the lever on the door or by using the key, then open the door manually.

#### With Air but Without Electricity

From inside the vehicle, turn the emergency exit valve to the "UNLOCK" position. Move the lever. From the exterior, turn the emergency exit valve to the "UNLOCK" position. Open the door. Close it, lock with the key and reset the outside emergency exit valve to the "NORMAL" position.

### 7.1.3 Door Cycle Speed Adjustment

To do any adjustment, remove the two panels located next to the door hinge, as well as the door's upper hinge control.

|  |
|--|
| <b>⚠ CAUTION ⚠</b>   |
| <b>It is important to make sure that damper does not reach end of stroke when door is completely closed or opened. The door cylinder must stop the door on opening. Screw or unscrew rod end to adjust if necessary.</b> |

To adjust opening and closing cycle speed on damper (Fig. 20):

1. Remove the damper from the vehicle and hold it vertically with the lower eye or pin attachment in a vice. Use clamp plates to prevent damage.
2. Fully close the damper while turning the dust cap or piston rod slowly CCW until it is felt that the cams of the adjusting nut engage in the recesses of the foot valve assembly (Fig. 20).

|  |
|--|
| <b>NOTE</b>  |
| <i>In figure 20, if there is an indentation (B) in the dust cap (C) and the cover shows two holes (A), the damper is fitted with a bump rubber (D). If so, fully extend the damper and insert a round bar or screwdriver through the holes. Push the bump rubber down and remove. Remove the split plastic collar (E) (if fitted) from the piston rod.</i> |

3. The damper may have already been adjusted. Therefore check whether the damper is adjusted or not by keeping it closed and gently turning further CCW, counting at the same time the half-turns until a stop is felt. Stop turning and do not force.
4. While keeping the damper closed, make two CW half-turns. In case of prior adjustment, add the number of half-turns previously counted. The total range is about five half-

turns. Pull the damper out vertically without turning for at least 3/8" (1cm) to disengage the adjusting mechanism. The dust cap or piston rod may now be turned freely.

**NOTE**

Where a bump rubber was installed, refit same inside the dust cap and by fully closing the damper, the rubber will seat again at top of the dust cap. Refit the split plastic collar E (Fig. 20).

- The damper can now be refitted in the vehicle.
- Reinstall panels and entrance door hinge cover.

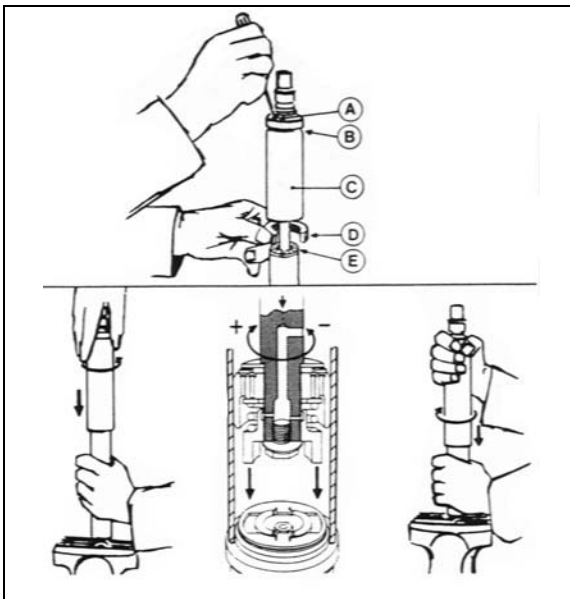


FIGURE 20: DAMPER

**7.1.4 Horizontal And Vertical Adjustment**

Before attempting to correct any door operating problem by adjusting any part of the air cylinder assembly, first perform the following mechanical checks and procedure.

Check around the perimeter of the door for binding. If any binding is found, adjust as follows:

- Remove the screws and the plastic molding covering each of the hinges.

**NOTE**

Ask an assistant to help you to perform the following adjustments.

- Remove the Allen button head screw and the washer retaining the rod end with bearing to the upper hinge. See figure 21.
- Support the door with a wooden block and a hydraulic jack.
- Loosen the horizontal bolts retaining the door to the hinges. Adjust the door horizontally and vertically with the jack. Tighten the bolts to 30-36 Lbf-ft (40-50 Nm). Remove the jack and the wooden block.

**CAUTION**

Make sure the front side door does not interfere with the exterior panel.

- Pull and fasten the rod end to the hinge with the washer and the button screw.
- Screw the plastic moldings covering the hinges.

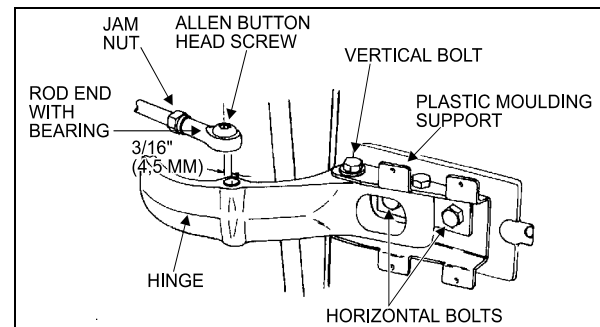


FIGURE 21: UPPER DOOR HINGE

18058

**7.1.5 Seal Compression Adjustment**

- Turn the emergency exit valve to the "UNLOCK" position and close the door.
- From the outside of vehicle, insert a straight edge in the gap along the door outside perimeter. Measure the distance between the door frame and the door outside surface at the door four corners (refer to figure 22).

**NOTE**

The front measurements are the most important. If required, ask an assistant to help you to perform the following adjustments.

- If required loosen the bolts retaining the door to the hinges. Adjust the bolts to obtain the proper seal compression.

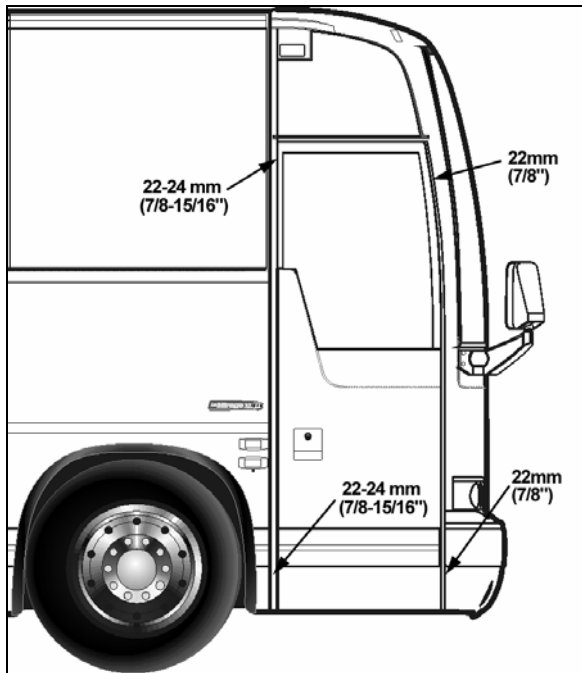


FIGURE 22: SEAL COMPRESSION ADJUSTMENT

#### 7.1.6 Door Seal Replacement

1. Inspect the seal; if cracked or torn, it must be replaced:
2. Remove the old seal and with a sharp edge knife, scrape tape left on the fiberglass door surface.
3. Sand the surface of the door where a new seal will be applied with 240 grit sandpaper.
4. Clean the surface with alcohol.

**⚠ CAUTION ⚠**

**Wear rubber gloves and do not smoke when cleaning.**

5. Peel of protective paper from the seal. Position the seal flush with the top, sides and lower edges of the door.
6. Progress slowly all around the door.
7. Cut the seal and glue both ends with LOCTITE 414 glue.
8. To assure bonding, press a small roller on top of the new seal.

## 7.1.7 Troubleshooting

| SYMPTOM  | PROBABLE CAUSE   | REMEDY  |
|--|--|---|
| DOOR WILL NOT OPEN FROM EXTERIOR SWITCH.                                 | Manual door locks engaged.                               | Release manual door locks.  |
|  | Upper and lower solenoid locks do not disengage.         | Check voltage at solenoid locks when door is open. If the voltage is 24 volts then replace solenoid #641217. Else, check circuit power.                           |
|  | Relay module do not receive current.                     | Reset breaker "ON" or check batteries power supply.   |
|  | Opening solenoid door does not receive current.          | Check voltage at opening solenoid door. If the voltage is 24 volts then replace it. Else replace control relay.   |
|  | Switch malfunction.                                      | Replace switch.   |
| DOOR WILL NOT CLOSE FROM EXTERIOR SWITCH.                                | Switch malfunction.                                      | Replace switch.   |
|  | Solenoid failure.  | Check voltage at solenoid. If the voltage is 24 volts then replace solenoid. Else replace control relay.  |
| DOOR WILL NOT OPEN FROM INTERIOR SWITCH.                                 | Manual door locks engaged.                               | Release manual door locks (open position) from vehicle exterior.  |
|  | Upper and lower solenoid locks do not disengage.         | Check voltage at solenoid locks when door is open. If the voltage is 24 volts then replace solenoid #641217. Else, check circuit power and replace control relay. |
|  | Module relay does not receive electric current.          | Reset breaker "ON" or check batteries power supply.   |
|  | Door opening solenoid does not receive current.          | Check voltage at door opening solenoid. If the voltage is 24 volts then replace it. Else replace control relay.   |
|  | Switch malfunction.                                      | Replace switch.   |
|  | Upper lock stays engaged                                 | Lubricate upper lock assembly. Check wear and replace parts if necessary.   |
| DOOR WILL NOT CLOSE FROM INTERIOR SWITCH.                                | Switch malfunction.                                      | Replace switch.   |
|  | Door closing solenoid does not receive electric current. | Check voltage at door closing solenoid. If the voltage is 24 volts then replace it. Else replace control relay.   |
| DOOR WILL NOT OPEN AFTER DRAINING AIR FROM SYSTEM BY EMERGENCY VALVE(S). | Manual door locks engaged.                               | Release manual door locks (open position) from vehicle exterior.  |
|  | Damper cylinder blocks the door.                         | Adjust or replace damper cylinder.  |
|  | The upper lock blocks the door.                          | Adjust upper lock. Lubricate upper latch bolt. Adjust upper latch height.   |
| DOOR LOCKS STAY ENGAGED WHEN DOOR IS OPEN.                               | Power supply is cut at solenoid.                         | Place switch in open position.  |
|  | Lock solenoid does not disengage.                        | Check voltage at solenoid lock when door is OPEN. If the voltage is 24 volts then replace solenoid #641217. Else, check circuit power and replace control relay.  |
| DOOR DO NOT LOCK WHEN DOOR IS CLOSED.                                    | Emergency valve is open.                                 | Close emergency valve.  |
|  | Lock solenoid stays electrified.                         | Check latch bolt ground on door frame. If needed clean locks for better contact. Check ground circuit.  |
|  | Lock solenoid works in reverse.                          | Reverse air hoses at solenoid locks.  |
|  | Relay does not function.                                 | Replace relay.  |

## Section 18: BODY

### 7.1.8 Lubrication

| Part   | Lubricant                    | Frequency           |
|--|------------------------------|---------------------|
| Latches<br>Upper door catch<br>Door cylinder rod<br>end with bearing<br>grease fitting | Low<br>temperature<br>grease | Every six<br>months |
| Door locking<br>mechanism  | White grease                 | Every six<br>months |
| Key hole<br>Damper pins<br>Hinges  | Low viscosity<br>oil         | Every six<br>months |

### 7.2 ENTRANCE DOOR (MTH)

There are three ways of unlocking the entrance door from the inside of vehicle. The two first consist in actuating the rocker switch on the dashboard, but this last operation will also unlock the baggage compartments. Finally, you can unlock the door by sliding its lock lever to the left. If the orange tab on the door lock lever is visible, the door is unlocked.

You may lock/unlock the entrance door from the outside with the lock key provided with the vehicle. Turn key CCW to lock and CW to unlock the entrance door.

#### 7.2.1 Keyless Entry System

With this system, you can lock or unlock the entrance door as well as the baggage and service compartment doors. The keyboard is located below the entrance door handle. The module is pre-programmed by the manufacturer and this code can not be deleted. Moreover, you can program your own entry code. Refer to the "Owner's Manual" for instructions on how to program your own entry code.

When you use the keyless entry system, the keyboard and stepwell lights illuminate. Do not push the buttons with a key, pencil or any other hard object as it could damage the buttons.

Although each button is provided with two digits separated by a vertical line, there is only one contact per button. Always press the center of the button (between the two digits, on the vertical line).

If you let more than five seconds pass between each button press, the system shuts down, and you have to enter your code again. If the keyless entry system does not work properly, use the key to lock or unlock entrance or compartment doors. To know more about the keyless system, refer to the "Owner's Manual".

#### NOTE

You must unlock the entrance door before you unlock with the appropriate key any baggage or service compartment doors.

#### 7.2.2 Door Adjustment

Check around the perimeter of the door for binding. If any binding is found, adjust as follows:

#### 7.2.3 Horizontal And Vertical Adjustments

1. Remove the screws and the plastic molding covering each of the hinges.

#### NOTE

Ask an assistant to help you to perform the following adjustments.

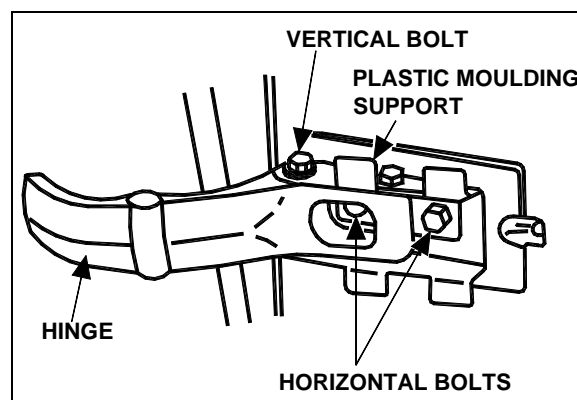


FIGURE 23: ENTRANCE DOOR (MTH)

18058

2. Support the door with a wooden block and a hydraulic jack.
3. Loosen the horizontal bolts retaining the door to the hinges. Adjust the door horizontally and vertically with the jack. Tighten the bolts to 30-36 Lbf-ft (40-50 Nm). Remove the jack and the wooden block.
4. Check door fit.
5. Using the screws, fasten the plastic trim to cover the hinges.

#### 7.2.4 Seal Compression Adjustment

1. Close the door, from the outside of vehicle, insert a straight edge in the gap along the door outside perimeter. Measure the distance between the door frame and the door outside surface at the door four corners (refer to figure 22).

**NOTE**

*The front measurements are the most important. If required, ask an assistant to help you to perform the following adjustments.*

2. If required loosen the bolts retaining the door to the hinges. Adjust the bolts to obtain the proper seal compression.

**7.2.5 Door Seal Replacement**

1. Inspect the seal; if cracked or torn, it must be replaced:
2. Remove the old seal and with a sharp edge knife, scrape tape left on the fiberglass door surface.
3. Sand the surface of the door where a new seal will be applied with 240 grit sandpaper.
4. Clean the surface with alcohol.

**⚠ CAUTION ⚠**

**Wear rubber gloves and do not smoke when cleaning.**

5. Peel of protective paper from the seal. Position the seal flush with the top, sides and lower edges of the door.
6. Progress slowly all around the door.
7. Cut the seal and glue both ends with LOCTITE 414 glue.
8. To assure bonding, press a small roller on top of the new seal.

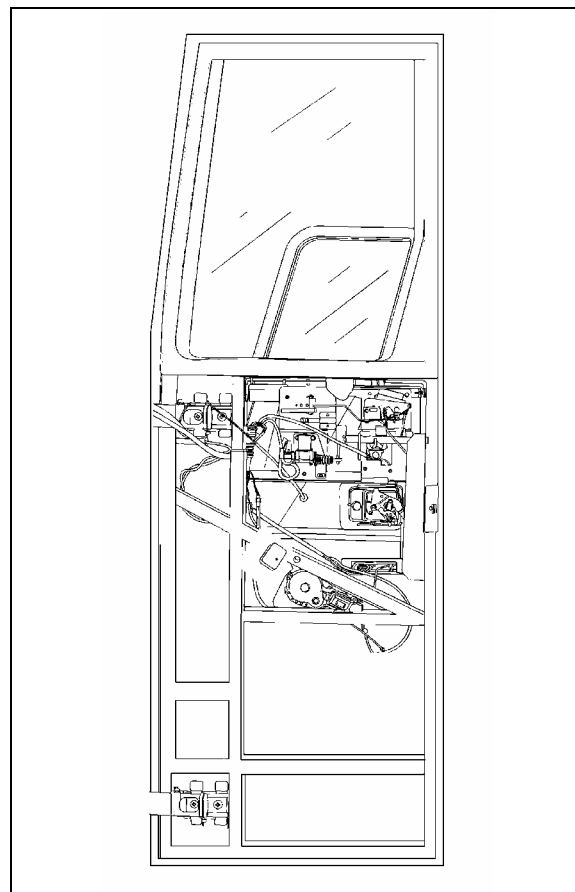
**7.2.6 Door Lubrication**

| Part                           | Lubricant                 | Frequency        |
|--------------------------------|---------------------------|------------------|
| Latches<br>Upper door<br>catch | Low temperature<br>grease | Every six months |
| Door locking<br>mechanism      | White grease              | Every six months |
| Key hole<br>Hinges             | Low viscosity<br>oil      | Every six months |

**7.2.7 Door Latch Mechanism**

Generally, when the latch mechanism malfunctions, a number of causes may be responsible for this situation. No single procedure will correct this situation. It is best to remove the protective cover and to look for binding, used or bent parts. Operate the latch mechanism and try to find where any binding occurs. Replacing a part or slightly bending a rod should be enough. Remember, having a global understanding of the mechanical activity

will generally lead you to the cause of the problem, and ultimately to an easy repair.



**FIGURE 24: ENTRANCE DOOR (MTH, TYPICAL)**

**8. BUMPER REMOVAL AND INSTALLATION**

**8.1 FRONT BUMPER**

The front bumper is hinged to give access to the spare wheel and tire compartment. Pull the handle located in the front service to open the spare wheel and tire compartment. Bumper must first be tilted down before its removal. Two people are required to remove and install the front bumper. Safely support the bumper and remove the two bolts on each bumper side to separate the bumper from the spare wheel compartment door. To install bumper, reverse the removal procedure.

**⚠ WARNING ⚠**

**Front bumper is heavy. Use proper lifting equipment to support the bumper during the removal and installation operations to avoid personal injury.**

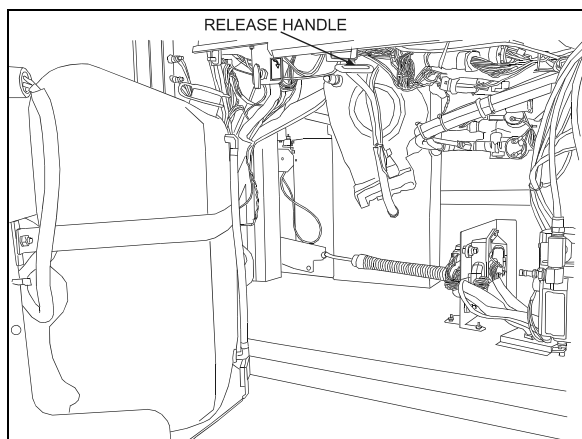


FIGURE 25: FRONT BUMPER RELEASE HANDLE

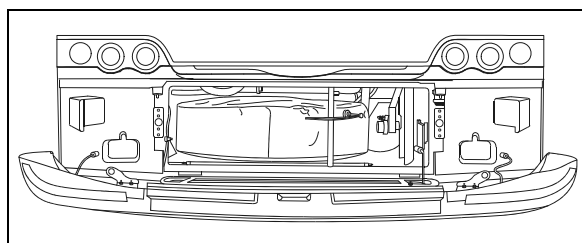


FIGURE 26: FRONT BUMPER

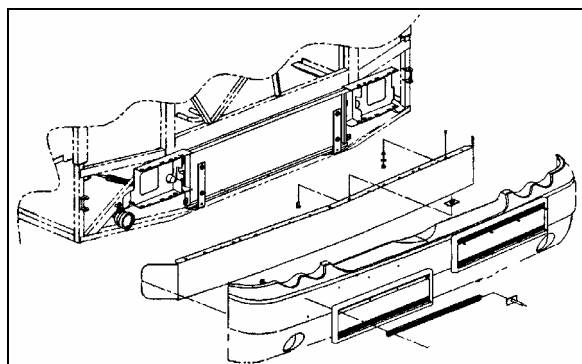


FIGURE 27: FRONT BUMPER REMOVAL 18565

## 8.2 REAR BUMPER REMOVAL

MTH and coach model rear bumpers are very similar, so is their removal and installation.

1. Remove three bolts on each side holding bumper to vehicle and remove bumper.
2. To install bumper, reverse the procedure.

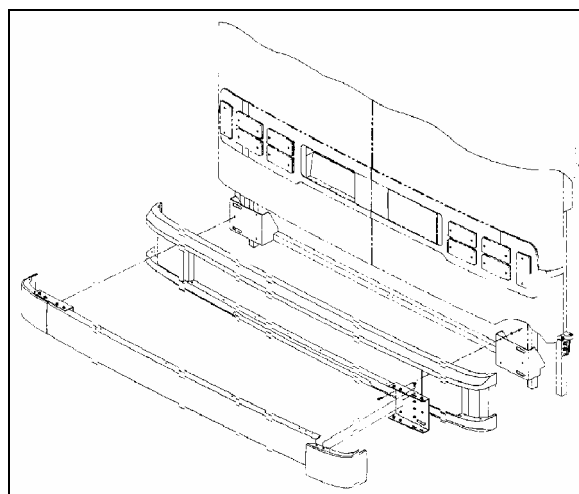


FIGURE 28: REAR BUMPER

## 9. DRIVER'S OR ENTRANCE DOOR POWER WINDOW

Driver's and entrance door power windows are similar, only the door opening mechanism is different. If the window or regulator is defective, it must be replaced. The following instructions refer to figure 29 or 30:

### 9.1 DRIVER'S POWER WINDOW

#### 9.1.1 Window Removal And Installation

1. Open the door and remove the door finishing panel.
2. Remove the screws holding the window to the lifting mechanism. Move aside the holding plate.
3. Lower the window completely to detach from the opening.
4. Reverse the procedure to install.

#### 9.1.2 Regulator Removal And Installation

1. Open the door and remove the door finishing panel.
2. Remove the screws holding the window to the lifting mechanism. Move aside the holding plate.
3. Unfasten the two bolts fixing the regulator assembly. Disconnect connector from regulator.
4. Reverse the procedure to reinstall.



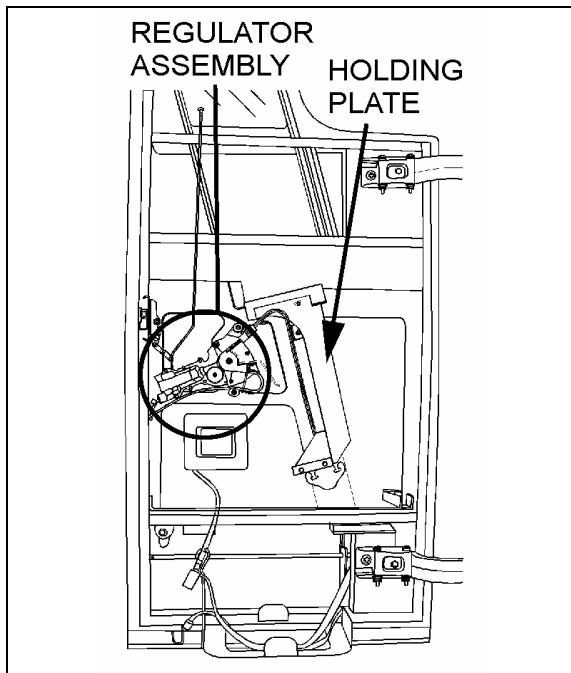


FIGURE 29: DRIVER'S POWER WINDOW

## 9.2 ENTRANCE DOOR POWER WINDOW

### 9.2.1 Window Removal And Installation

1. Open the door and remove the door finishing panel.
2. Remove the four bolts fixing the entrance door locking mechanism support to the door.
3. Remove the screws holding the window to the lifting mechanism. Move aside the holding plate.
4. Remove the assembly by slipping it under the vehicle structural members.
5. Lower the window completely to detach from the opening.
6. Reverse the procedure to reinstall.

### 9.2.2 Regulator Removal And Installation

1. Open the door and remove the door finishing panel.
2. Remove the screws holding the window to the lifting mechanism. Move aside the holding plate.
3. Unfasten the two bolts fixing the regulator assembly. Disconnect connector from regulator.

4. Remove the regulator assembly by slipping it under the vehicle structural members.
5. Reverse the procedure to reinstall.

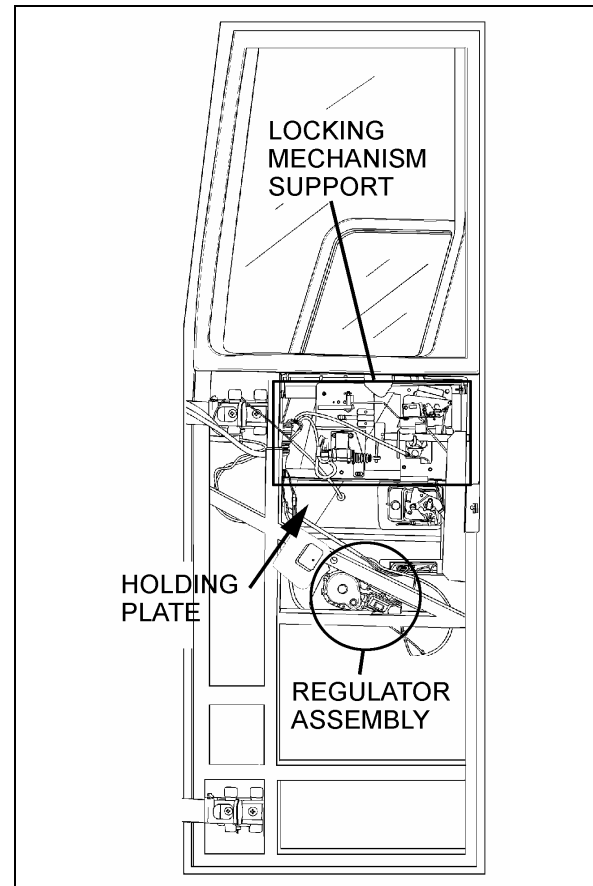


FIGURE 30: ENTRANCE DOOR POWER WINDOW

## 10. ROOF ESCAPE HATCH

The vehicle can be equipped with one or two escape hatches. The escape hatch is designed to provide years of reliable service with a minimum of maintenance. All components are rust proof, and moving parts are Teflon coated to eliminate need for lubrication. Should water infiltrate the vehicle from the escape hatch, refer to the heading "Sealing" in this section for procedures on how to seal this area.

### ⚠ CAUTION ⚠

**Use of lubricants, paints, or other coatings such as graffiti deterring sprays is not recommended.**

Suggested maintenance includes periodic inspection of fasteners for evidence of loosening due to tampering, and regular cleaning with mild soap and water.

## Section 18: BODY

Although there are other cleaning solutions available, some contain solvents and other chemicals that can attack the high strength materials used in the production of the escape hatch.



**Ensure that cleaning solutions are compatible with the materials used on the escape hatch.**

Graffiti removing cleaners often contain acetone, ether, lacquer thinner, or other solvents known to destroy the high strength properties of many plastics. Use of these cleaners must be avoided. Graffiti-resisting coatings often leave a sticky residue that interferes with smooth up/down movement of the hatch mechanism. Some of these coatings also contain solvents that will reduce the strength of certain components.



**Use of these coatings is at considerable risk and should be avoided.**

### 10.1 REPAIR

All components used in the production of the escape hatch are available as service parts, except for one hinge that represents a possible hazard when improperly reattached to a hidden tapping plate, itself often damaged whenever the hinge is damaged. The tapping plate is permanently laminated between the inner and outer cover assemblies, and it cannot be inspected or replaced. It is therefore necessary to replace the entire assembly following damage to the hinge. See figure 32.



**Hinge assembly is critical and hinge should never be removed from cover assembly. Fasteners used in this assembly are special and have critical torque requirements and tamper-resistant heads to discourage tampering.**

### 10.2 SEALING

1. Open and tilt up the escape hatch cover.
2. Join the 2 ends of the rubber seal.



**Seal joint should be toward rear of vehicle.**

3. Apply rubber adhesive CA-40 (Prévost # 681285) in the gap between the seal ends.

4. Apply Sikaflex 221 sealant (Prévost # 680532) along the outline of the escape hatch on the roof of vehicle.

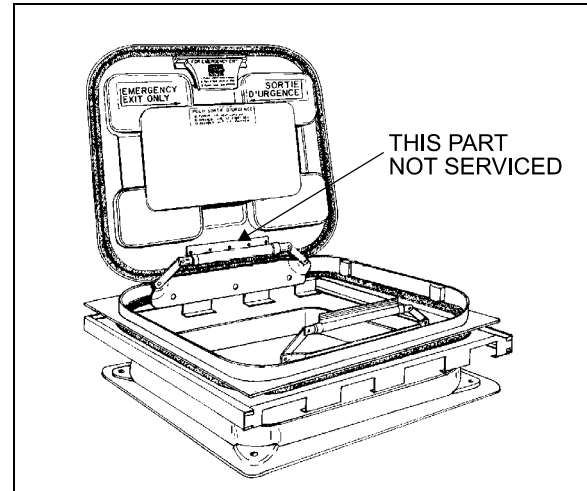


FIGURE 31: ESCAPE HATCH

18104

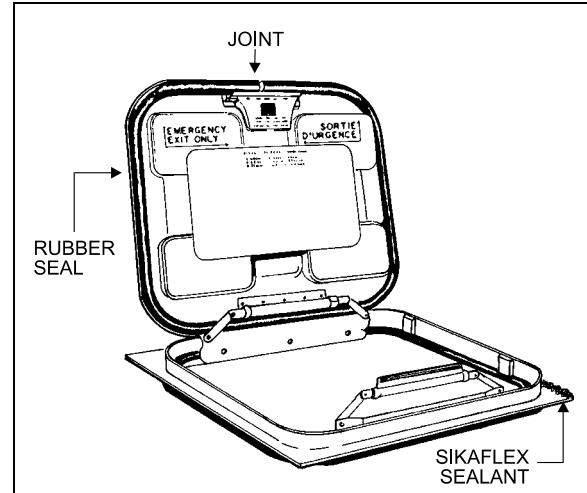


FIGURE 32: ESCAPE HATCH

18105

### 10.3 Escape Hatch Panel Assembly

The frame of the escape hatch is riveted to the roof of the vehicle. The escape hatch panel assembly can be replaced as a unit and a new panel assembly installed in the existing frame. To remove the panel assembly, remove the 4 bolts fastening the 2 hinges to the escape hatch frame and retain the 4 flat washers. Reinstall the panel assembly by fastening the 2 hinges with the 4 bolts and flat washers removed earlier.



**When installing, roof escape hatch's hinge must be toward the front of vehicle, to prevent the hatch from being ripped out if accidentally opened while vehicle is running.**

## 10.4 ESCAPE HATCH FRAME

When necessary, the escape hatch frame can be removed and replaced in the following way:

1. Support the frame from inside the vehicle.
2. Remove rivets.
3. Cut the rubber seal with a sharp edge knife and remove the hatch frame.
4. On vehicle top, using the knife, remove as much as possible the remaining rubber seal.
5. Drill holes (if needed) in the new metal frame.
6. Clean both vehicle top and new hatch frame with SIKA 205.
7. Apply rubber adhesive SIKA 221 under the hatch frame surface.
8. Install the frame in place and fix it with rivets.
9. Remove excess adhesive and clean all around.

## 11. PASSENGER SEATS

XLII-45 coaches can be equipped with any of 3 basic seat models and installed in a variety of seating arrangements:

1. The "Tourismo 2" seat is the base model and is available in heights of 40" (102 cm) and 42" (107 cm). Seating arrangement includes 2 card tables which can be folded and removed, and pivoting seats ahead of each card table. Each pair of seats is built on a welded steel frame fastened to the side wall and on a track-mounted pedestal.
2. The "Silhouette" seat is an optional model with each pair also built on a welded steel frame and mounted the same way as the "Tourismo 2" seat. Standard seating arrangement with "Silhouette" seat includes 2 card tables and 2 pivoting seats. Seating capacity is the same as with the "Tourismo 2" seat.
3. The "V.I.P." seat model is an optional seat. "V.I.P." seats are mounted on one row of paired seats built on a common frame on one side of the vehicle, and a row of single seats on the other side of the vehicle with an off-center aisle. Each "V.I.P." seat has its own set of armrests.

Each seat has a easily removable bottom cushion. Upholstery is clipped on the cushion frame for cleaning or replacement. To remove the fabric, simply unclip from the frame. The "Tourismo 2" and "Silhouette" seats have 3 armrests. The aisle and center armrests can be folded up and down manually, while the window armrest is fixed.

### 11.1 ROTATING SEATS

1. Remove 1 wing nut holding each seat bottom cushion from under the seat frame.
2. Lift front part of cushions and remove cushions.
3. Remove 4 wing screws fastening seat assembly to seat frame.
4. Pull seat toward aisle and rotate.
5. Align mounting holes and reinstall 4 wing screws.
6. Reinstall seat bottom cushions with wing nuts.

### 11.2 REMOVING FIXED SEATS

#### **NOTE**

*Seats on one row are not interchangeable with seats of the other row.*

To remove fixed seats, proceed as follows:

1. Remove 1 nut holding each seat bottom cushion from under the front part of the seat frame.
2. Lift front part of cushions and remove cushions.
3. Remove 4 finishing screws holding plastic cover between side wall and seat frame.
4. Remove 2 cap screws, nuts, and washers holding seat frame to side wall and retain the 2 holding brackets. See figure 35.
5. Remove 2 nuts and washers holding seat frame to pedestal rods. See figure 36.

#### **NOTE**

*Bottom end of rod is coated with Loctite and threaded in a steel block which slides in the floor track. Removal of rod is possible if loosened from block. Otherwise, slide rod and block assembly to the front end of track after removing all seats located in front.*

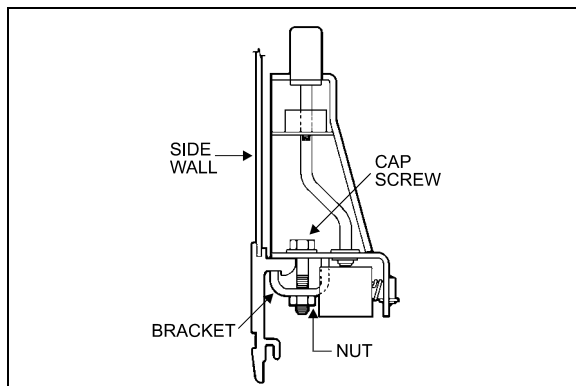


FIGURE 33: ARMREST 18106

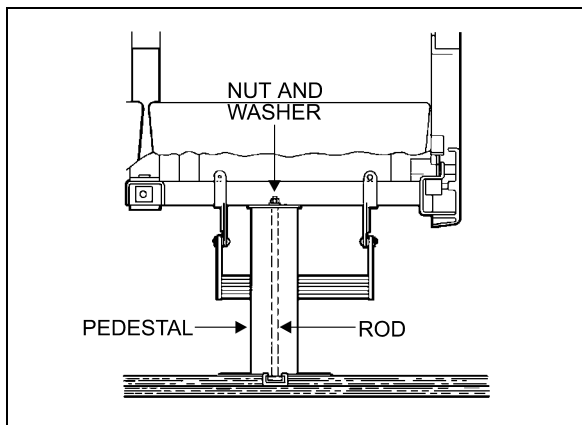


FIGURE 34: SEAT PEDESTAL ASSEMBLY 18107

6. Remove seat assembly.
7. Reverse the above procedure to install seat assembly.

**NOTE**

*On newer vehicles, the rod consists of a carriage bolt inserted in a square plate sliding in the floor track. Removal is possible only by the front or rear end of track.*

### 11.3 UPHOLSTERY MAINTENANCE

Coach seats are lightweight, with foam-padded backs and cushions. For both appearance and wearability, best results are obtained if upholstery is cleaned at regular intervals before dirt, dust and grit have been ground into the fabric. Seat fabric is made of 50% wool, 33% cotton, 9% nylon, and 8% acrylic.

#### 11.3.1 Routine Cleaning

All that is required to remove the dirt is a gentle beating with the hand or the back of a brush. This will bring the dirt to the surface where it is easily removed with a vacuum or brush in the

direction of the pile which can easily be recognized by running a hand lightly over the pile. If the fabric becomes excessively dirty, particles of grit will cause gradual wear, reducing the life span of the fabric.

#### 11.3.2 Dry Cleaning

If covers are to be removed for cleaning, dry cleaning is recommended since washing might cause some shrinkage, preventing the covers from being reapplied to the seats without damage. Other than spot cleaning the covers while they are in place, dry cleaning is not recommended, since the resulting fumes is not recommended, since the resulting fumes could be hazardous in the confines of the coach and the solvent could be detrimental to the foam padding of the seats.

#### 11.3.3 Cleaning With Covers In Place

The most effective and economical method to clean the fabric seat covers is by washing with either an approved foam upholstery cleaner or with a mild household detergent.

Thoroughly vacuum the upholstery. Remove any spots or stains before the seats are washed to avoid a cleaning ring.

Dilute household detergent or liquid foam cleaner according to directions on the container. Pour a small quantity into a flat pan and work into a thick foam with a sponge or brush.

Apply only the foam to the fabric with a sponge or brush. Clean a small area of the fabric at a time with the foam. **DO NOT SOAK.** Rub vigorously. Sponge the suds from the fabric with a clean sponge or cloth moistened with water. Rinse the sponge or cloth often and change the water when it becomes dirty.

Allow the upholstery to dry completely before the coach goes back into service. To speed up drying, excess moisture can be blown off the fabric with compressed air.

**⚠ CAUTION ⚠**

**Oil in the air line will soil the fabric. Blow the line clear and test air discharge against a plain white piece of paper. It is also effective to press the edge of a flat hardwood stick down on the cushion and slowly draw it across the fabric.**

Even very soiled areas can be returned to their original appearance by a thorough cleaning, but a regular schedule of cleaning that keeps the

upholstery reasonably clean at all times will greatly enhance the life span of upholstery.

## 12. TARABUS FLOOR COVERING REPAIR OR REPLACEMENT

On XL2 vehicles equipped with “Tarabus” covering, it is possible to replace or repair this covering. The purpose of this paragraph is to explain the steps to be followed to ensure the best results and adherence.

### MATERIAL

| Part No   | Description                              | Qty   |
|---|--|-------|
| 680028  | Adhesive, Tarabus Floor Covering (White) | A/R   |
| 684655  | Adhesive, Contact (3M)                   | 3.8L  |
| 684654  | Adhesive, Contact (3M)                   | 18.9L |
| 680532  | Sikaflex 221 Gray                        | A/R   |
| <b>NOTE</b>   |  |       |
| <i>Material can be obtained through regular channels.</i> |  |       |

1. Remove number of passenger seats required to perform repair.
2. Cut and remove damaged section of floor covering.

|   |
|---|
| <b>NOTE</b>   |
| <i>It would be preferable to cut under two rows of seats so that repair is not as noticeable.</i> |

3. Clean plywood using a scraper.

|  |
|--|
| <b>NOTE</b>  |
| <i>Make sure that no staples are sticking out beyond surface. Adjacent plywood sheets must be leveled.</i> |

4. Fill up holes and imperfections using MAPI PRP 110 then sand.
5. Remove dirt and adhesive residue.

|  |
|--|
| <b>⚠ CAUTION ⚠</b>   |
| <b>Do not leave floor covering folded down except temporarily during installation.</b> |

6. Apply floor covering adhesive (680028) onto plywood using a serrated spreader with 1/8-inch serration. If required, apply contact adhesive (3M) (684655 or 684654) onto aluminum molding and also onto section of floor covering, which will be in contact with molding (refer to figure 35).

|  |
|--|
| <b>NOTE</b>                                    |
| <i>Allow adhesive to dry (3 to 5 minutes).</i> |

7. Compress floor covering using a roller so as to remove any trapped air bubble.
8. Apply Sikaflex 221 gray sealant (680532) alongside passenger seat fixing tracks (refer to figure36).

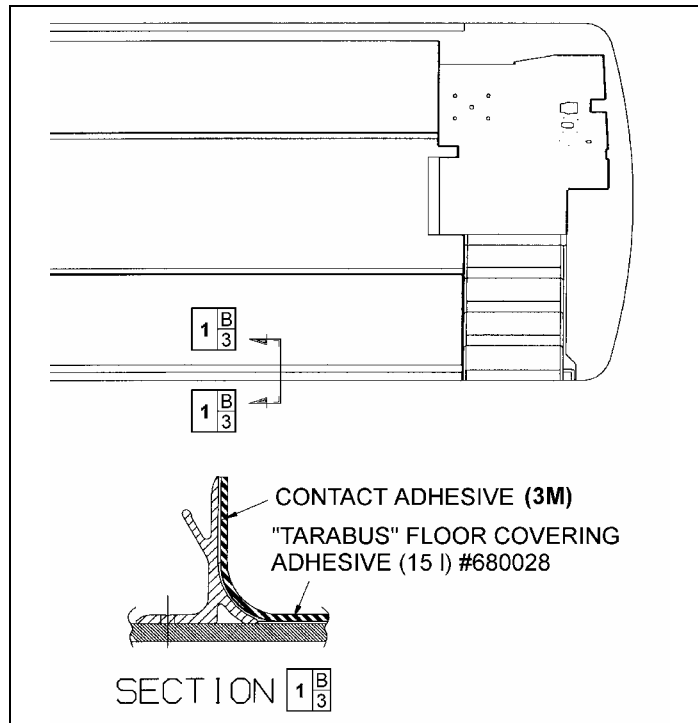


FIGURE 35: TARABUS FLOOR COVERING ADHESIVE APPLICATION

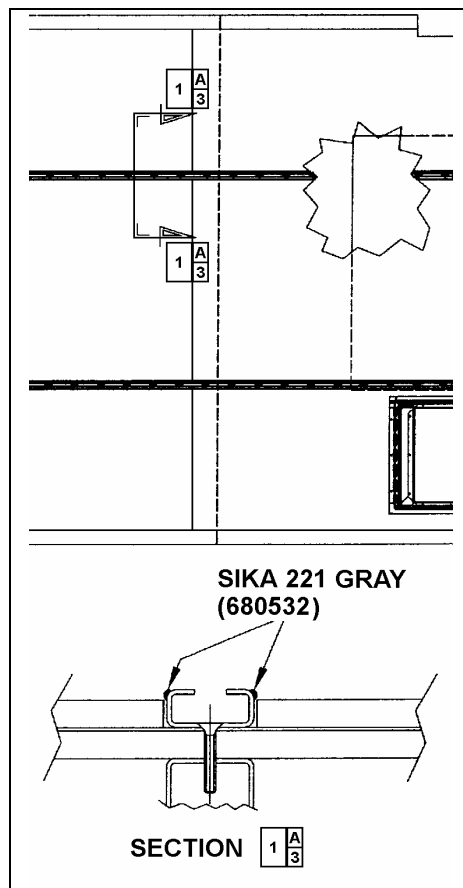


FIGURE 36: APPLICATION OF SIKA 221 GRAY

12.1 FRONT STEPS REPLACEMENT PROCEDURE

**MATERIAL**

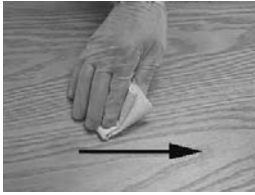
| Part No | Description        | Qty |
|---------|--------------------|-----|
| 682989  | Anti-silicone      | A/R |
| 683097  | Sika 205 (1 liter) | A/R |
| 685101  | Sika Remover 208   | A/R |
| 683916  | Sika 215 (1 liter) | A/R |

1. Cut and remove damaged step(s).
2. Remove dirt and adhesive residue.


| <i>NOTE</i>  |
|--|
| <i>In wintertime, condensation and cold temperature may greatly influence bonding parameters. Working area must be at a temperature sufficient to prevent reaching condensation point. Mechanically preheat working area (heat lamp or heat gun) or wait until vehicle reaches room temperature.</i> |

**PREPARATION OF “TARABUS” FLOOR COVERING**

1. Sand under step using “Scotchbrite”.
2. Clean using anti-silicone (refer to Section A).

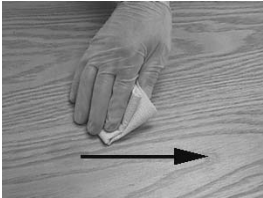
| <b>Section A Alcohol or Anti-silicone</b>   |   |                  |   |  |  |  |  |
|---|---|------------------|---|--|--|--|--|
|    | <div style="display: flex; justify-content: space-between;"> <div style="width: 48%;"> <p style="font-size: 24px; font-weight: bold; margin: 0;">1. Apply</p> <div style="border: 1px dashed black; background-color: yellow; padding: 5px; text-align: center; margin: 5px 0;">CHIX cloth</div> </div> <div style="width: 48%;"> <p style="font-size: 24px; font-weight: bold; margin: 0;">2. Dry immediately</p> <div style="border: 1px dashed black; background-color: cyan; padding: 5px; text-align: center; margin: 5px 0;">Blue cloth</div> </div> </div> |                  |   |  |  |  |  |
| <p><b>3. Allow drying</b></p> <table border="1" style="width: 100%; border-collapse: collapse;"> <tr> <td style="width: 25%; padding: 5px;"><b>Mandatory</b></td> <td style="padding: 5px;"><b>Minimum time : Wait for product to evaporate</b></td> </tr> <tr> <td colspan="2" style="padding: 5px;"><b>After 2 hours: Start cleaning operation again</b></td> </tr> <tr> <td style="padding: 5px;"><b>Before applying any other product</b></td> <td style="padding: 5px;">If surface seems dusty, greasy or with finger marks, start cleaning operation again.</td> </tr> </table> |   | <b>Mandatory</b> | <b>Minimum time : Wait for product to evaporate</b> | <b>After 2 hours: Start cleaning operation again</b> |  | <b>Before applying any other product</b> | If surface seems dusty, greasy or with finger marks, start cleaning operation again. |
| <b>Mandatory</b>  | <b>Minimum time : Wait for product to evaporate</b>   |                  |   |  |  |  |  |
| <b>After 2 hours: Start cleaning operation again</b>  |   |                  |   |  |  |  |  |
| <b>Before applying any other product</b>  | If surface seems dusty, greasy or with finger marks, start cleaning operation again.  |                  |   |  |  |  |  |

3. Apply Sika Primer 215 (refer to Section D).

|   |   |   |
|---|---|---|
| <b>Section D Sika Primer 215</b>  |   |   |
|  | <ol style="list-style-type: none"> <li><b>1. Shake bottle to mix product</b></li> <li><b>2. Apply a thin layer</b></li> </ol> | <div style="border: 1px dashed black; background-color: yellow; padding: 5px; display: inline-block;"><b>CHIX cloth</b></div> |
| <b>3. Allow drying</b>  |   |   |
| <b>Mandatory</b>  | <b>215</b>  | <b>Minimum time : 20 minutes</b><br><b>After 2 hours : Remove dust using damp cloth (pure water)</b>                          |
| <b>Before applying any other product</b>  |   | If surface seems dusty, dust using damp cloth.  |
|   |   | If surface seems greasy or with finger marks, reactivate with Aktivator.  |

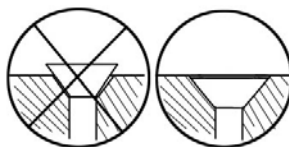
**PREPARATION OF FIBERGLASS**

1. Clean using anti-silicone (refer to Section A).
2. Apply Sika 205 (refer to Section B).

|  |   |   |   |
|--|---|---|---|
| <b>Section D Sika Primer 215</b>   |   |   |   |
|  | <ol style="list-style-type: none"> <li><b>1. Apply</b></li> </ol> | <div style="border: 1px dashed black; background-color: yellow; padding: 5px; display: inline-block;"><b>CHIX cloth</b></div>                                       |   |
| <b>2. Allow drying</b>   |   |   |   |
| <b>Mandatory</b>   | <b>Minimum time</b>   | <b>- For a smooth surface (aluminum, stainless, steel, fiberglass (gelcoat side), etc.):</b><br><b>- For a porous surface (fiberglass (non gelcoat side), etc.)</b> | <b>2 minutes</b><br><br><b>10 minutes</b> |
| <b>After 2 hours : Reactivate surface with Sika 205</b>                            |   |   |   |
| <b>Before applying any other product</b>   |   | If surface seems dusty, greasy or with finger marks, start operation again.   |   |

**XL2 VEHICLE FRONT STEPS GLUING**

1. Use step nosing to measure and cut necessary length of white safety strip.
2. Use a screw to check depth of countersinking in step nosing. Screw top must not stick out beyond the aluminum surface. Countersink if needed.





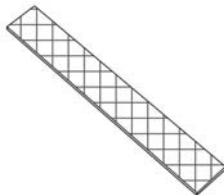
3. Apply some Sika 252 onto the step; make sure to cover the whole surface of the step. Use a serrated spreader with 1/8-inch serration to spread Sika.
4. Apply a bead of Sika 221 onto the perimeter of the step.
5. Install step and press with hands. If Sika overflows, clean with Sika 208. Repeat previous stages for each step if applicable.
6. Remove protective film from double-coated self adhesive tape located underneath step nosing, position step nosing then press. Drill and fix using screws.



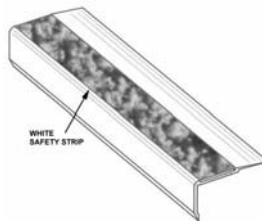
7. Clean top of step nosing using Sika 205 (refer to Section B).



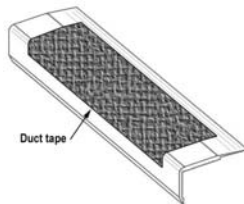
8. Apply some Sika 221 onto white safety strip, spread with a spatula to cover the whole surface.



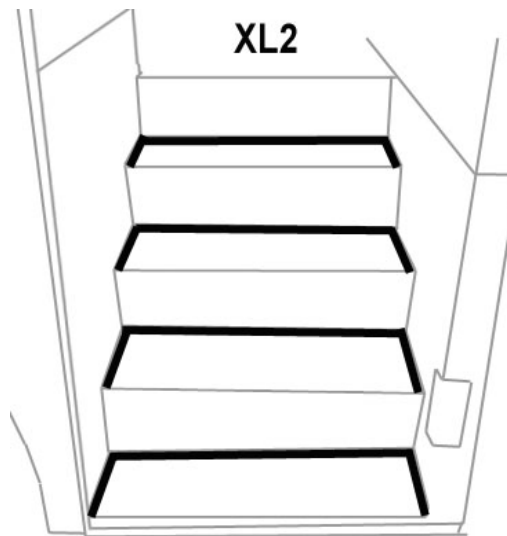
9. Position white safety strip then press using hands. If Sika overflows, clean with Sika 208.



10. Temporarily fix white safety strip with a piece of duct tape, leaving 1 to 2 inches free at each end.



11. Apply some masking tape onto the step perimeter, clean using Sika 205 (refer to Section B) then apply a bead of Sika 252 black. Smooth out the joints then remove masking tape.
12. Install weights onto the steps. Minimum waiting time: 2 hours.

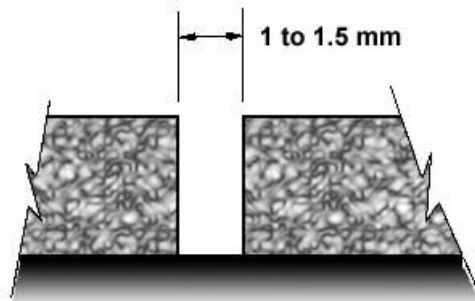


### 12.2 WELDING OF JOINT BETWEEN WHITE SAFETY STRIP AND "TARABUS" FLOOR COVERING

1. Pre-heat welding torch;

Set welding torch to position #4.5 (temperature of 500 °C),  
Heating time: 5 minutes.

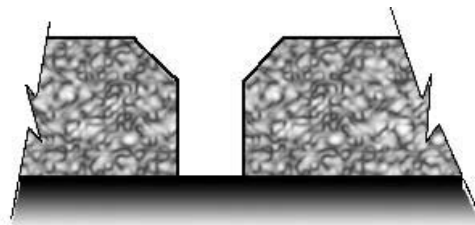
2. Before welding, visually ensure that a 1 to 1.5 mm gap exists between white safety strip and "Tarabus" floor covering. Use a knife if this is not the case.



**NOTE**

There should be no excess of adhesive on top of surfaces, clean if required using "All-Sol".

3. Chamfer the joint.



**NOTE**

The chamfer width must always be less than the filler bead diameter (between 2.5 and 3 mm).

4. Use chamfer knife. **Be careful not to overcut or to cut to the side to prevent damaging “Tarabus” covering.**



5. Add (about 6 inches) some length to the required length of filler bead to make the joint then cut.
6. Take position with welding torch. The proper position is with a slight slope to the rear.



7. Once the welding torch is ready, insert the filler bead into the nozzle and immediately start welding. Move in a regular manner while pressing slightly with torch.

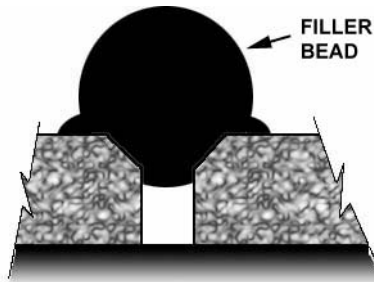


8. The heel of the fast nozzle must not lean against “Tarabus” covering (always parallel to the surface).



## Section 18: BODY

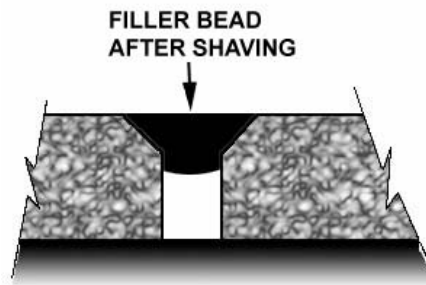
9. Allow cooling down of filler bead (about 5 minutes).



10. Shave filler bead to make it level to the floor. Use supplied knife designed for that purpose.

**NOTE**

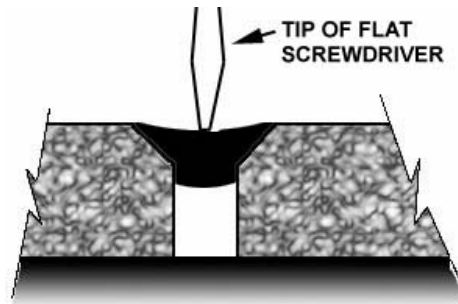
*To facilitate the cut, you can spray some soapy water onto the joint.*



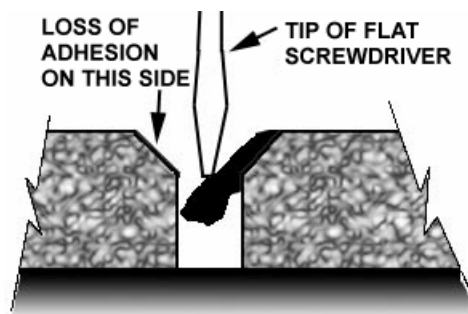
**⚠ CAUTION ⚠**

**The procedure for turning the torch off must absolutely be followed. If this step is not taken, the element may burn.**

11. Set temperature potentiometer to "0" position. Fan will evacuate residual heat. Leave the torch in operation as it is for 3 minutes.
12. Perform adhesion test using the tip of a flat screwdriver; apply a slight pressure on the joint.



13. If welding was not performed properly, there will a loss of adhesion on one side. If this is the case, repair the joint.



## 12.3 REPAIR OF A WELDED JOINT

**NOTE**

*In wintertime, condensation and cold temperature may greatly influenced bonding parameters. Working area must be at a temperature sufficient to prevent reaching condensation point. Mechanically preheat working area (heat lamp or heat gun) or wait until vehicle reaches room temperature.*

1. Using a knife, remove portion of joint to be repaired.

**NOTE**

*Loss of adhesion may be local. If this is the case, repair may also be local.*

2. Chamfer the joint again as indicated in paragraph 12.2, Section: WELDING OF JOINT BETWEEN WHITE SAFETY STRIP AND "TARABUS" FLOOR COVERING.
3. Re-weld the joint as indicated in paragraphs 6, 7 and 8. Use your thumb to hold the filler bead end.

**△ WARNING △**

**Nozzle is hot.**



4. Always add an extra inch of filler bead at the beginning and at the end of repair.
5. Perform steps indicated in paragraphs 9, 10 and 11.

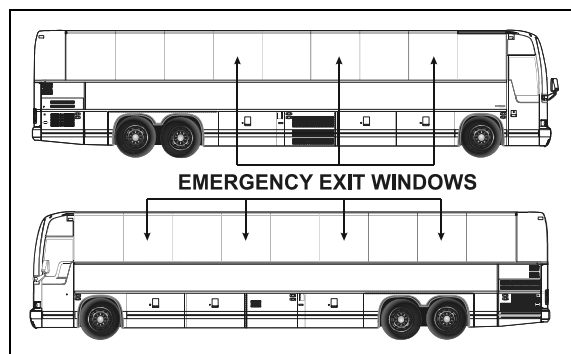
**13. COACH SIDE WINDOWS**

Nine passenger side windows are provided on each side on XL2-45. They are made of fixed, single or double-glazed, heat absorbing AS-3 glass. Windows are mounted in painted aluminum extrusions, which hold the glass in place from the top rail of the coach. The extrusion also serves as a hinge to allow the window to swing open when needed. The single-glazed windows are made of tinted tempered safety glass, while the double-glazed windows are made of tinted tempered safety glass outside and clear tempered glass inside.

**13.1 EMERGENCY EXIT WINDOWS**

Three of the windows on curb side of the XLII-45 serve as emergency exits, while there are four on driver's side. See figure 37. Except for the top window side, the three other glass sides are unprotected, which causes the workers to be exceptionally careful when manipulating or installing such windows.

In addition, when it becomes necessary to lay down the unprotected edges of the glass window, never use a steel or concrete floor support. It is recommended to use a wooden support, even better, a padded surface.



**FIGURE 37: XL2-45 COACH**

An emergency exit window can be opened by pulling the lower part of the release bar to disengage the safety latches, and then by pushing out the window frame (Fig. 38).

## Section 18: BODY

Emergency operating instruction decals are affixed under each emergency exit window. To close the window, pull back the window and push down the release bar.

### 13.1.1 Emergency Exit Release Bar

The emergency exit release bar system is generally maintenance free. It has been designed to answer the twenty pound resistance criteria for opening the emergency window. If this handle should be replaced:

1. Remove the screws and bolts securing it to the emergency exit window;
2. Install a new release bar, reverse the procedure.

#### **NOTE**

Check the legal twenty pound maximum resistance to be sure to comply with regulations.

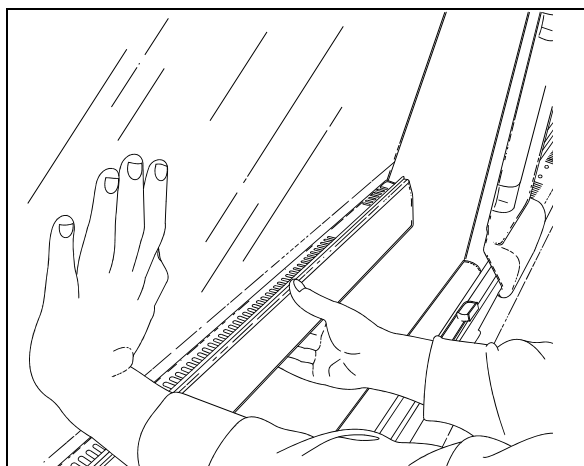


FIGURE 38: EMERGENCY EXIT WINDOW

### 13.1.2 Emergency Exit Window Adjustment

Emergency exit windows should be checked periodically for easy opening and closing. Pulling the lower part of the release bar with both hands placed near the safety latches should disengage both locks on the window simultaneously. The tension required to release the window should not exceed twenty pounds (9 kg) of force.

The release bar mechanism itself has been designed such as no adjustments are necessary.

If too much effort is required to disengage the locks when pulling the release bar or if the window doesn't close tightly or rattles, check for interference by foreign objects or nearby parts

into mechanism, such as the microswitch, rubber seal, wires, etc. Correct situation immediately.

#### **NOTE**

Tangs on the lock must be in a horizontal position.

### 13.1.3 Emergency Exit Window Replacement

1. Lift the bar release system;
2. Remove the stop blocks from the top exterior of the window.
3. Push the glass window out ninety degrees (90°).

#### **WARNING**

The window may fall out.

4. The window is free and can be unhooked.
5. Reverse the procedure to install a new emergency exit window.

## 14. ELECTRIC AWNING WINDOW

The electric awning windows are connected directly on the batteries 24 V DC terminal block. As a result, they can be operated regardless of the state open or close of the master switch. However, the circuit is protected with fuse F41 (10A) located in the front service compartment.

### 14.1 OPERATION

Opening sequence: switch SW1B or SW2B is closed. Window latch solenoid SOL1-A and SOL1-B are turned on along with M1 window motor. Once the latch is open, proximity switch PROX1 is de-activated, turning sol1-A and SOL1-B off.

Closing sequence: switch SW1A or SW2A is closed, turning on relay R1 which turns on M1 in reverse polarity, closing the window. Once the window is closed, PROX1 is activated, turning on sol1-A and SOL1-B in reverse polarity latching the window closed.

### 14.2 WINDOW REMOVAL

Replacement awning window does not include a new motor. If in working order, transfer the motor of the replaced window to the replacement window. If not, the motor can be bought separately. When replacing the window, keep the components in working order as spare parts.

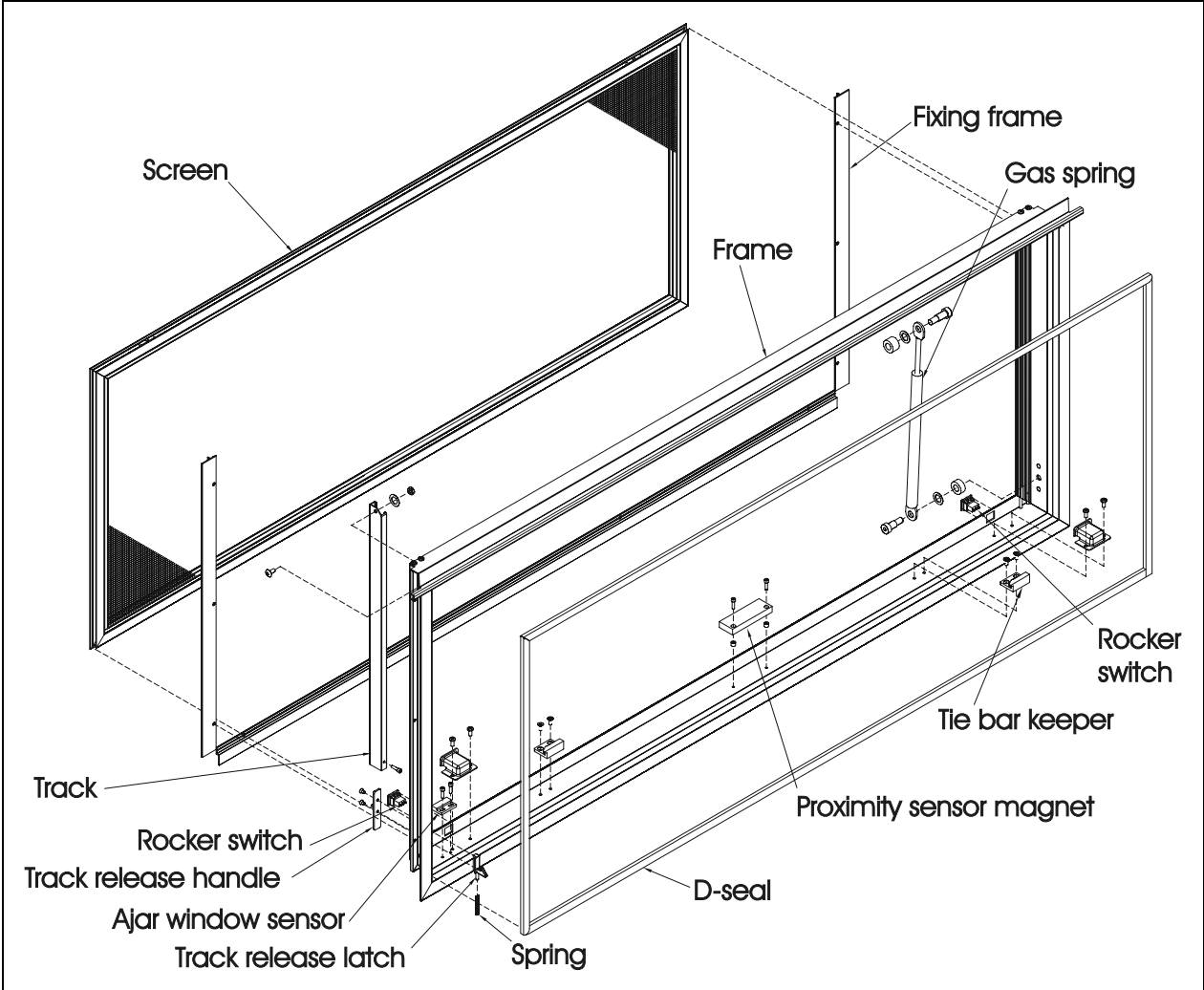


FIGURE 39: ELECTRIC AWNING WINDOW EXPLODED VIEW (FRAME)

18586

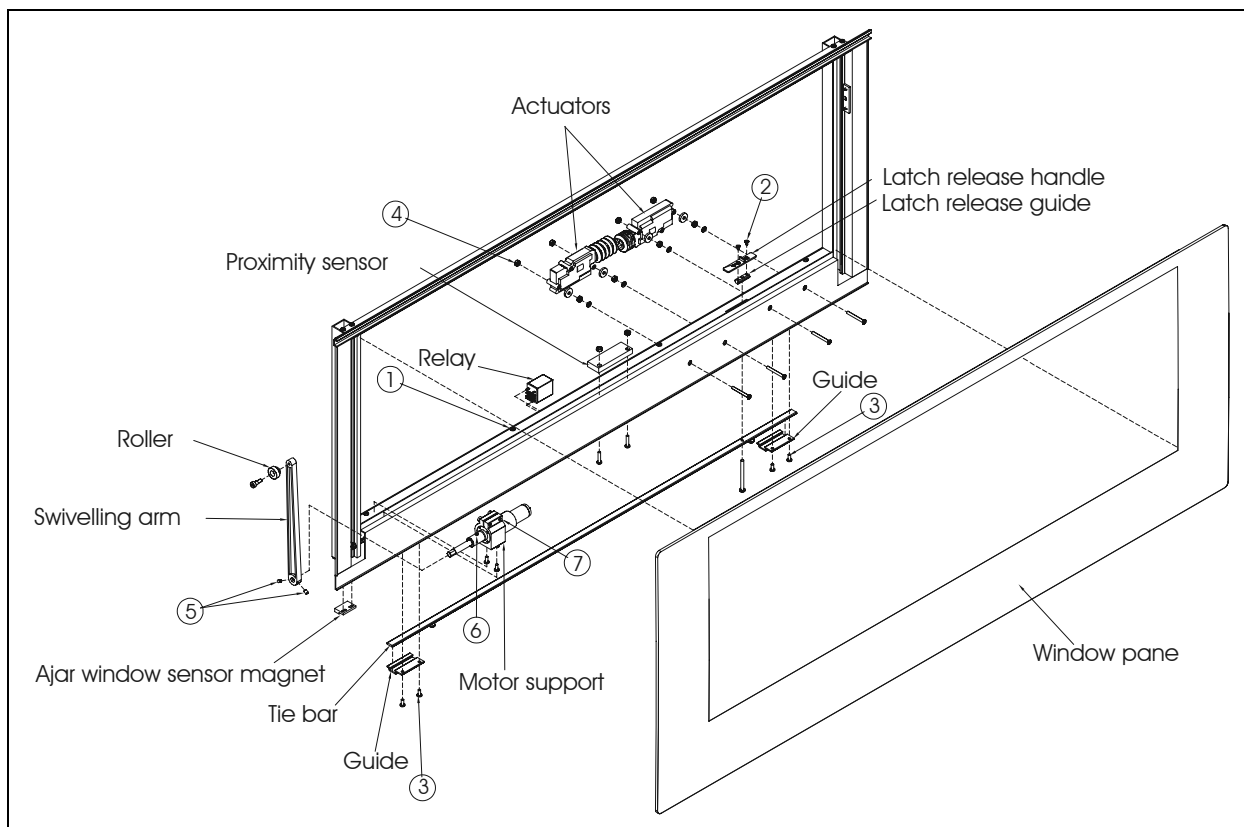


FIGURE 40: ELECTRIC AWNING WINDOW EXPLODED VIEW (SASH)

18583

1. Open the window and push downwards on the track release handle to release the track from the window frame.
2. Take out the screw at the lower end of the track to let free the swiveling arm roller.
3. Unplug connector C1 in the upper right corner. Dismount the gas spring from the window.
4. Loosen the set screws #5 (figure 39)(rotate the arm to get to the second set screw) and disengage the swiveling arm from the motor shaft extension.
5. Push the glass window out ninety degrees (90°).

|                                 |
|---------------------------------|
| <b>CAUTION</b>                  |
| <b>The window may fall out.</b> |

6. The window is free and can be unhooked.
7. Reverse procedure to install a new one.

#### 14.3 ACTUATOR REPLACEMENT

1. Unlatch the window using the manual latch release handle and open the window by pushing downwards on the track release handle.
2. Remove actuator access cover by taking out screws #1 (8x).

3. Take out screws #2 (2x) and remove latch release handle and guide.
4. Take out the guide screws #3 (4x) and remove tie bar.
5. Unplug connector C3 or C4 from problem actuator, unscrew nuts #4 (2x) and remove the actuator.
6. Reverse operations for reinstallation.

#### 14.4 MOTOR REPLACEMENT

1. Open the window and push downwards on the track release handle to release the track from the window frame.
2. Take out the screw at the lower end of the track to let free the swiveling arm roller.
3. Remove actuator access cover by taking out screws #1 (8x).
4. Loosen the set screws #5 (rotate the arm to get to the second set screw) and disengage the swiveling arm from the motor shaft extension.
5. Unplug motor connector C2 and dismount motor and support assembly.



6. The shaft extension is glued to the motor shaft. It has to be heated to break the binding to permit removal. Loosen set screw #6 and remove the shaft extension. Also loosen screw #7 and remove motor from the support.
7. Reverse operations for reinstallation.

| ELECTRIC AWNING WINDOW – CONVERTER CHECKLIST                                |  |
|---|--|
| Check the electrical circuit & proximity sensor                             | <p>A: The latching system will not operate without power.</p> <p>Is there electrical power to the latching circuit? The manual latch release handle, on the sill sash will be seen to move if there is power on this circuit, or it can be checked with an electrical tester. If there is no power to this circuit when the window is closed and either rocker switch are switched "ON", there is a problem with the electrical system.</p> <p>B: The Proximity Sensor on the sash may not be switching power to the latching circuit if the magnet is not getting close enough to the switch OR the Proximity Sensor may be broken (or stuck in one position).</p> <p>Is the proximity sensor switching when the window is closed?</p>  |
| Check the release force required to operate the manual latch release handle | <p>A: If the pull force required to move the latch release is more than 20lbs the window will not latch properly. Average pull force during testing by manufacturer is 12lbs -15lbs.</p> <p>What is the force required to release the handle? Check using a force gauge (same test done by manufacturer).</p>  |
| Check Installation  | <p>A: If the window is too tightly installed OR if the sequence for tightening the clamping frame screws is incorrect the window may not close properly.</p> <p>Was the window installed correctly?</p> <p>Was the correct sequence (see below) used when tightening the clamping frame screws?</p> <div style="text-align: center;"> </div> <p>B: Removing the shipping blocks before the window is installed can create major problems.</p> <p>Were the shipping blocks in place during installation?</p> <p>C: Failure to remove the shipping blocks after installation can create interference between sash and frame.</p> <p>Have the shipping blocks been removed after installation?</p> <p>D: The window is misaligned or not installed squarely.</p> <p>Is there interference with any coach parts?</p> <p>Is there proper clearance between the bottom of the outer glass and the belt-line trim / seal?</p> |
| Check for missing parts or misaligned parts                                 | <p>A: The frame and sash are misaligned.</p> <p>Is there any interference between the sash and frame?</p> <p>Is there clearance between the sash and the rocker switch covers?</p> <p>B: Tie-bar guides are missing.</p> <p>Check that the tie-bar guides are installed. There should be 4 installed on H windows, and 3 installed on XL2 windows.</p>   |

### 15. BODY PANELS AND DOORS

Each of the doors should be checked for proper operation. This includes latching. Also, inspect each of the doors for damage, missing, or loose parts. Repair or replace those parts as needed. Unless otherwise noted, body panels and doors should be aligned and centered with surrounding panels. In general, a gap of ¼ inch (6 mm) is desirable between panels.

### 16. BAGGAGE COMPARTMENT DOORS

The baggage compartment doors on the vehicle are of identical design. The doors are pantograph, vertical-lift type and are fully sealed. Each door has a flush-mounted latch handle. To open, lift latch handle, then pull door outward and up. The door is held open by 2 gas-charged cylinders. To close, leave latch handle in the open position, pull downward on door and push down on latch to secure door. The door lower arm is spring loaded to secure effort required to close the door (Fig. 41).

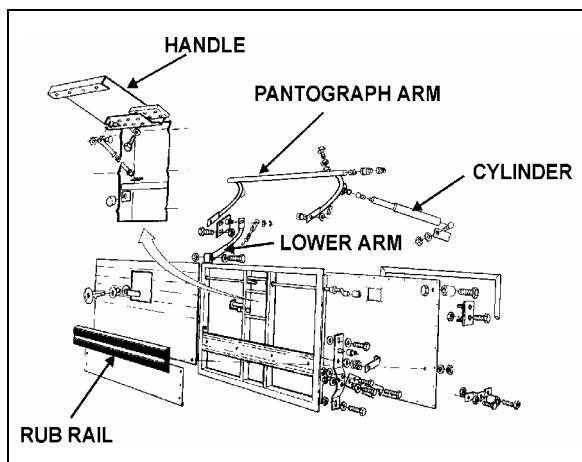



FIGURE 41: BAGGAGE COMPARTMENT DOOR 18145

If a door does not remain in the fully open position, one or both cylinders on that door is (are) defective. To test the cylinders, first support the door in the open position with proper equipment. Disconnect the rod end of one cylinder and retract the rod. If strong resistance is felt, the cylinder is in good condition and can be reinstalled. If the rod retracts with little effort, the cylinder is defective and should be replaced at once. Use the same procedure to test the other cylinder on that door.

#### 16.1 DOOR REMOVAL

|  |
|--|
|  <b>CAUTION</b>  |
| <p><b>Two people are required to remove the baggage compartment doors.</b></p>   |

1. Maintain the door halfway open by placing a wooden block between one of the pantograph arms and the upper frame.
2. Remove cap screw, lock washer and flat washer retaining lower arm to door
3. Remove spring pins and lock washers fastening the pantograph arms to the door.

|  |
|--|
|  <b>WARNING</b>  |
| <p><b>Support the door properly to prevent it from falling.</b></p>  |

4. Spread the pantograph arms away from the door and remove door.
5. Inspect all pivot points and bushings for wear and damage. Check tension of gas-charged cylinders and replace if necessary.

#### 16.2 PANTOGRAPH ARMS REMOVAL AND INSTALLATION

1. Disconnect rod end of gas-charged cylinders from the pantograph arms.
2. Loosen jam nut and cap screw locking the horizontal member of the pantograph to the pivot pin.
3. Slide pantograph assembly to the right and remove assembly from the vehicle.
4. To install, perform the removal instructions in reverse.

#### 16.3 DOOR INSTALLATION

1. Use a wooden block to support the pantograph arms horizontally.
2. Support the door and insert each pantograph arm into the pivot pins on the side of the door.
3. Install washer and spring pin to fasten each arm to its pivot pin.
4. Fasten lower arm to the door with flat washer, lock washer and cap screw.
5. Remove wooden block and close baggage compartment door.

Door should be adjusted to leave a gap of 3/16" (5 cm) above the top edge of the door. To adjust, loosen the bolts retaining lock plate support and position the door correctly. Tighten the bolts after the adjustment.

If the baggage door locks too tightly or too loosely, the position of the catch striker is misadjusted. To adjust, loosen the catch striker retaining bolts, position the striker correctly and tighten the retaining bolts.

If the lower part of the baggage door does not close evenly with the side of the vehicle, adjust the lock plates by loosening their retaining bolts and positioning the locking plates correctly (Fig. 42).

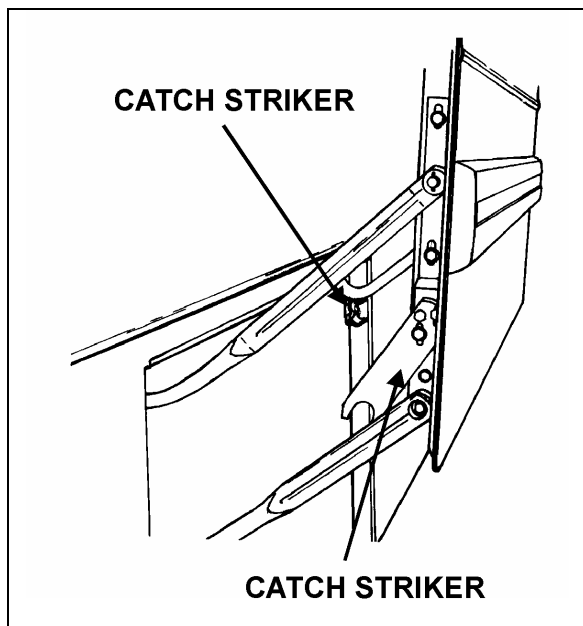


FIGURE 42: BAGGAGE DOOR CATCH STRIKER 18146

### 17. ENGINE COMPARTMENT DOORS

Engine compartment doors may be adjusted for proper fit by untightening hinge bolts:

1. Loosen the bolts, (1, 2 Fig. 43) holding the hinge to the vehicle structure to shift the door "UP or DOWN".
2. Loosening the bolts (3, Fig. 43) allows the door to be shifted "LEFT or RIGHT" and "IN or OUT".
3. Adjust the doors position depending on the gap needed between exterior finishing panels.
4. Tighten the bolts.
5. Check that the doors swing freely and close properly. It may be necessary to adjust the door latch to get proper fit and operation.

To adjust the latch mechanism (4, Fig. 43) and the striker pin:

1. Open the doors to access the striker pin.
2. Slightly loosen the striker pin.
3. Using a hammer, adjust the striker pin to center it in the door latch mechanism.
4. Tighten the striker pin.
5. Check doors fit and operation.

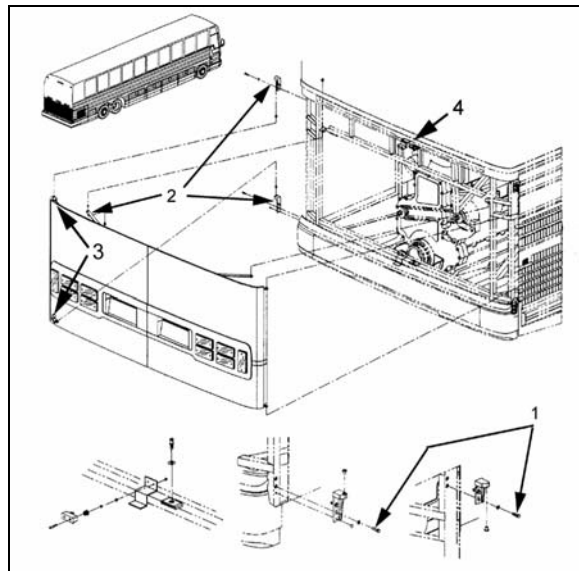


FIGURE 43: ENGINE COMPARTMENT DOORS

### 18. RADIATOR DOOR ADJUSTMENT

Radiator door may be adjusted for proper fit by untightening hinge bolts:

1. Loosen the bolts, (1, Fig. 44) holding the hinge to the vehicle structure to shift the door "IN or OUT" and "UP or DOWN".
2. Loosening the bolts (2, Fig. 44) allows the door to be shifted "LEFT or RIGHT" and "UP or DOWN".
3. Adjust the door position depending on the gap needed between exterior finishing panels.
4. Tighten the bolts.
5. Check that the door swings freely and closes properly. It may be necessary to adjust the door latch to get proper fit and operation.

To adjust the latch mechanism (3, Fig. 44) and the striker pin:

1. Open the door to access the striker pin.
2. Slightly loosen the striker pin.

## Section 18: BODY

3. Using a hammer, adjust the striker pin to center it in the door latch mechanism.
4. Tighten the striker pin.
5. Check door fit and operation.

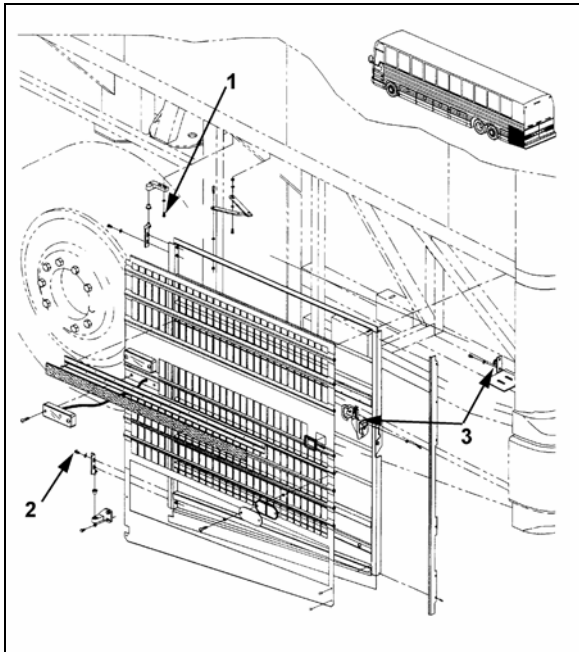


FIGURE 44: RADIATOR DOOR

### 19. ENGINE COMPARTMENT R. H. SIDE DOOR

Engine compartment R. H. side door may be adjusted for proper fit by untightening hinge bolts:

1. Loosen the bolts, (1, Fig. 45) holding the hinge to the vehicle structure to shift the door "IN or OUT" and "UP or DOWN".
2. Loosening the bolts (2, Fig. 45) allows the door to be shifted "LEFT or RIGHT" and "UP or DOWN".
3. Adjust the door position depending on the gap needed between exterior finishing panels.
4. Tighten the bolts.
5. Check that the door swings freely and closes properly. It may be necessary to adjust the door latch to get proper fit and operation.

To adjust the latch mechanism (3, Fig. 45) and the striker pin:

1. Open the door to access the striker pin.
2. Slightly loosen the striker pin.
3. Using a hammer, adjust the striker pin to center it in the door latch mechanism.
4. Tighten the striker pin.

5. Check door fit and operation.

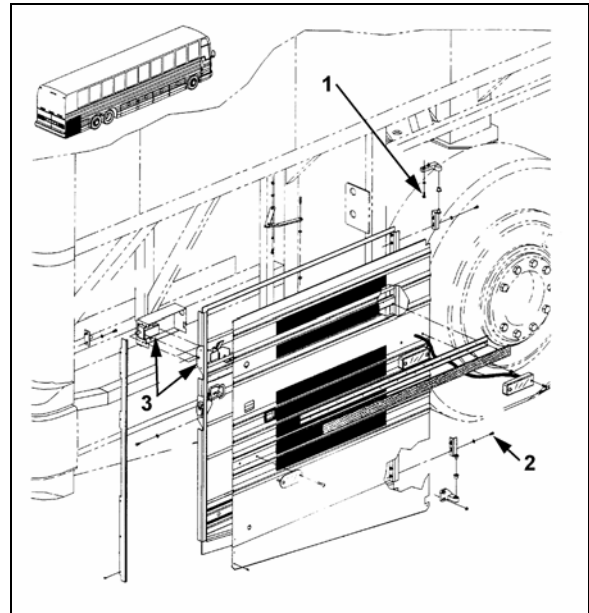


FIGURE 45: ENGINE COMPARTMENT R. H. SIDE DOOR

### 20. CONDENSER DOOR ADJUSTMENT

1. Open the condenser door.
2. Loosen the screws fixing the hinge to hinge attachment or hinge to door assembly. Loosening the screws allows the condenser door assembly to be shifted "LEFT or RIGHT" and "UP or DOWN" or "IN and OUT".
3. Adjust condenser door assembly position at the hinge.
4. Tighten the screws.
5. Respect the required gap between exterior finishing panels.
6. Check that the door swings freely and closes properly. It may be necessary to adjust the door latch to get proper fit and operation.

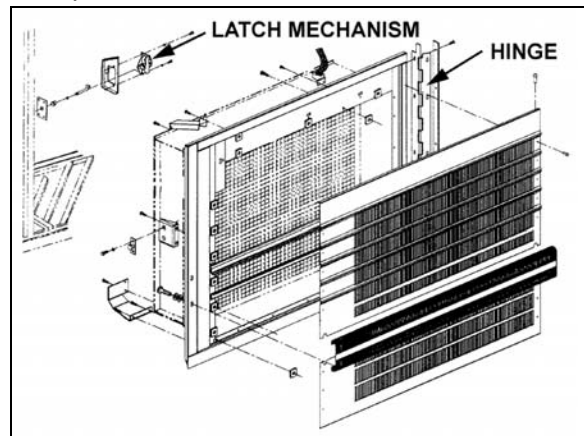


FIGURE 46: CONDENSER DOOR

**21. EVAPORATOR DOOR ADJUSTMENT**

1. Open the evaporator door.
2. Loosen the screws fixing the hinge to hinge attachment or hinge to door assembly. Loosening the screws allows the evaporator door assembly to be shifted "LEFT or RIGHT" and "UP or DOWN" or "IN and OUT".
3. Adjust evaporator door assembly position at the hinge.
4. Tighten the screws.
5. Respect the required gap between exterior finishing panels.
6. Check that the door swings freely and closes properly. It may be necessary to adjust the door latch to get proper fit and operation.

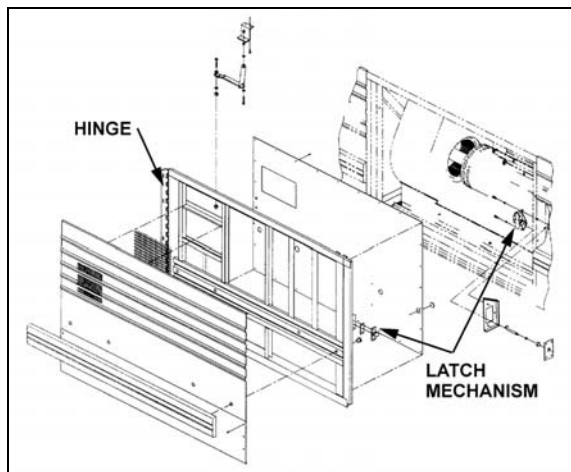


FIGURE 47: EVAPORATOR DOOR

**22. FUEL FILLER DOOR**

1. Open the fuel filler door.
2. Loosen the screws holding the panel to hinge assembly.
3. Adjust the fuel filler door position according to distance required between exterior finishing parts.
4. Tighten the nuts.
5. Check that the door swings freely and closes properly.

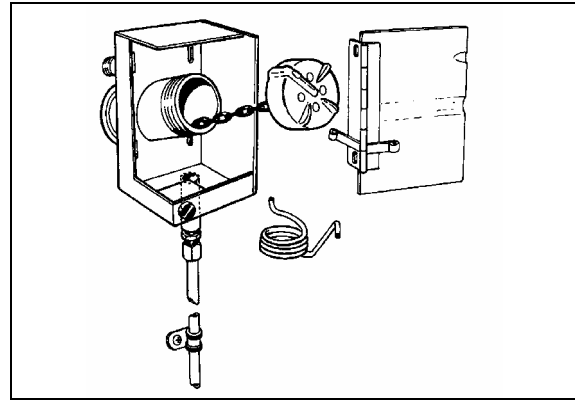


FIGURE 48: FUEL FILLER DOOR

**23. FRONT SERVICE COMPARTMENT DOOR**

For adjustment of the front service compartment door, refer to paragraph 7 in this section.

**24. L.H. SIDE REAR SERVICE COMPARTMENT DOOR**

1. Open the L. H. side rear service compartment door.
2. Loosen the screws fixing the hinge to hinge attachment or hinge to door assembly. Loosening the screws allows the L. H. side rear service compartment door assembly to be shifted "LEFT or RIGHT" and "UP or DOWN" or "IN and OUT".
3. Adjust L. H. side rear service compartment door assembly position at the hinge.
4. Tighten the screws.
5. Respect the required gap between exterior finishing panels.
6. Check that the door swings freely and closes properly. It may be necessary to adjust the door latch to get proper fit and operation.

To adjust the latch mechanism and the striker pin:

1. Open the door to access the striker pin.
2. Loosen slightly the striker pin.
3. Using a hammer, adjust the striker pin to center it in the door latch mechanism.
4. Tighten the striker pin.

Check door fit and operation.

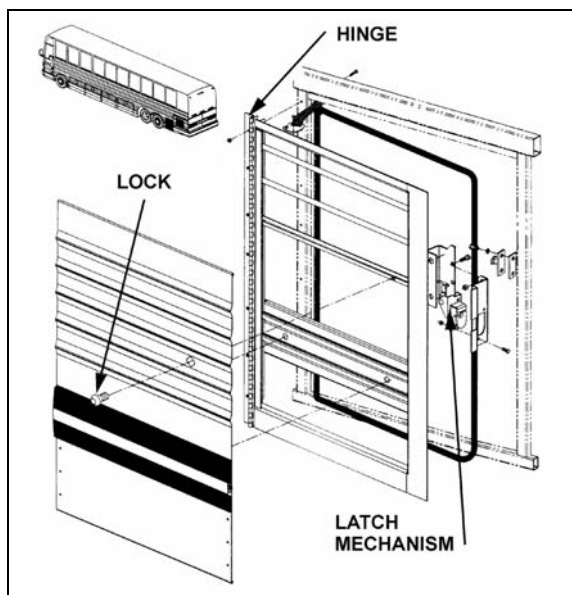


FIGURE 49: L.H. SIDE REAR SERVICE COMPARTMENT DOOR

### 25. R.H. SIDE REAR SERVICE COMPARTMENT OR MAIN POWER COMPARTMENT DOOR

To adjust the R. H. side rear service compartment (MTH) or main power compartment (Coaches) door:

1. Open the compartment door.
2. Loosen the screws fixing the hinge to hinge attachment or hinge to door assembly. Loosening the screws allows the compartment door assembly to be shifted "LEFT or RIGHT" and "UP or DOWN" or "IN and OUT".
3. Adjust compartment door assembly position at the hinge.
4. Tighten the screws.
5. Respect the required gap between exterior finishing panels.
6. Check that the door swings freely and closes properly. It may be necessary to adjust the door latch to get proper fit and operation.

To adjust the latch mechanism and the striker pin:

1. Open the door to access the striker pin.
2. Loosen slightly the striker pin.
3. Using a hammer, adjust the striker pin to center it in the door latch mechanism.

4. Tighten the striker pin.
- Check door fit and operation.

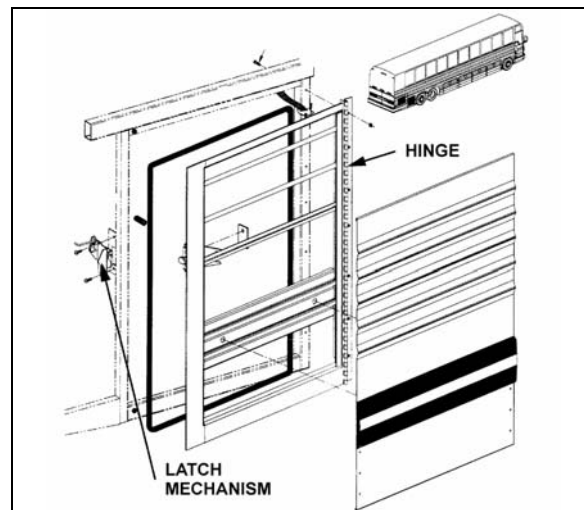


FIGURE 50: R.H. SIDE REAR SERVICE COMPARTMENT OR MAIN POWER COMPARTMENT DOOR

### 26. FENDERS

On the "XL2" series vehicle, rear fenders are hinged for maintenance on brakes and suspension. Each rear fender panel has two mechanical spring loaded holding devices fixing it to the vehicle's structure. Push the spring type rod sideways to disengage the lock.

Front rubber fender may be removed using the following procedure:  
Remove the nuts on the inside of the fender. Remove the fender from the vehicle. To reinstall, reverse the procedure.

### 27. REAR CAP

The fiberglass rear cap does not need any maintenance except painting as needed. It is held in place with adhesive. If ever it has to be replaced, make an appointment at a Prévost service center near you. For minor damages, refer to section 4 "Fiberglass Repair" and section 5 "Painting".

### 28. FRONT CAP

The fiberglass front cap does not need any maintenance except painting as needed. It is held in place with adhesive. If ever it has to be replaced, make an appointment at a Prévost service center near you. For minor damages, refer to section 4 "Fiberglass Repair" and section 5 "Painting".

**29. XL2 SMOOTH SIDE PANEL REPLACEMENT PROCEDURE**

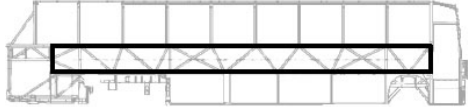

**Material:**



|                        |   |                           |   |                |   |
|------------------------|---|---------------------------|---|----------------|---|
| Anti-silicone (682989) | √ | Scotchbrite gray (680226) | √ | Sika 221 gray  | √ |
| CHIX cloth (682384)    | √ | Sika 205 1liter (683097)  | √ | Sika 252 black | √ |
| Blue cloth (682383)    | √ |                           |   |                |   |

**Equipment:**

|          |   |  |
|----------|---|--|
| Glue gun | √ |  |
| Pencil   | √ |  |

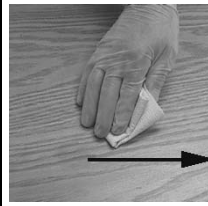
| <b>SECTION 1 SMOOTH SIDE PANEL REMOVAL</b> |   |  |
|--|---|--|
| 1.00                                       | <b>REMOVAL</b>  |  |
|  | A) Remove finishing molding. Insert a screwdriver into snap-on finishing molding joint. Bend finishing molding enough to be able to fix a pair of locking pliers. Using the pair of locking pliers, pull the stainless steel molding and at the same time gradually cut Sika bead with a sharp knife. | Be careful not to damage the adjacent surfaces.  |
|  | B) Using a hammer and punch, drive out rivet shanks from top and bottom and from front and rear finishing molding supports. Use a #11 titanium drill bit to remove rivet heads.   |  |
|  | C) Grind tig weld spots at each end of side panel.  |  |
|  | D) Safely support or temporary fix side panel.  | <b>Warning: Panel weights over 200 pounds</b>  |
|  | E) Insert a flat screwdriver between the side panel and the vehicle chassis, in the top left and right corners. Make sure to separate side panel from structure.  | Be careful not to damage the adjacent surfaces.  |
|  | F) Use the c-clamp to separate the side panel from the back structural panel and at the same time gradually cut Sika bead with a sharp knife.   | Ideally, the hoist or chain block must be fastened to the floor while pulling from a 45° angle so as not to damage the vehicle structure |
|  | G) Remove as much glue as possible from the structure using a putty knife or pneumatic knife without damaging 206 G+P primer.   | Never heat SikaFlex adhesive to remove.  |
|  | H) Check panel horizontal supports for straightness using a straight edge. Take measurements with a ruler.  | Tolerance : 1mm towards the outside and 1.5mm towards the inside.  |

| <b>SECTION 2 PREPARATION OF SURFACES</b> |   |  |  |
|--|---|--|--|
| 2.00                                     | <b>VEHICLE SURFACE PREPARATION</b>          |  |  |
|  | A)  | Clean using "anti-silicone" until all clothes come clean.<br>See PR000001 section A.   |  |
|  | B)  | Use the belt sander (grit coarse)<br>Use a new paper on each vehicle side.             |  |
|  | C)  | Clean using " anti-silicone " until all clothes come clean.<br>See PR000001 section A. |  |
| D)                                       | Apply – Sika 205<br>See PR000001 section B. |  |  |
| 2.05                                     | <b>SIDE PANEL PREPARATION</b>               |  |  |
|  | A)  | Clean using “ anti-silicone ” until all clothes come clean. See PR000001 section A.    |  |
|  | B)  | Use the belt sander (grit coarse)<br>Use a new paper on each vehicle side panel.       |  |
|  | C)  | Clean using “ anti-silicone ” until all clothes come clean. See PR000001 section A.    |  |
| D)                                       | Apply – Sika 205<br>See PR000001 section B. |  |  |

| <b>PR000001 Section A Alcohol or Anti-silicone</b>                                   |  |
|--|--|
|   | <b>1. Apply</b><br><br><div style="border: 1px dashed black; background-color: yellow; padding: 2px; display: inline-block;"><b>CHIX cloth</b></div>         |
|  | <b>2. Dry immediately</b><br><br><div style="border: 1px dashed black; background-color: cyan; padding: 2px; display: inline-block;"><b>Blue cloth</b></div> |
| <b>3. Allow to dry</b>   |  |
| <b>Mandatory</b>   | <b>Minimum time : Wait for product to evaporate</b>  |
|  | <b>After 2 hours: Start cleaning operation again</b>   |
| <b>Before applying any other product</b>   | If surface seems dusty, greasy or with finger marks, start cleaning operation again.   |



# Section B Sika 205



**1. Apply**

**CHIX cloth**

**2. Allow to dry**

|                  |                     |  |                   |
|------------------|---------------------|--|-------------------|
| <b>Mandatory</b> | <b>Minimum time</b> | - For a smooth surface (aluminum, stainless, steel, fiber glass (gelcoat side), etc.): | <b>2 minutes</b>  |
|                  |                     | - Pour a porous surface (fiber glass (non gelcoat side), etc.)                         | <b>10 minutes</b> |

**After 2 hours : Reactivate surface with Sika 205**

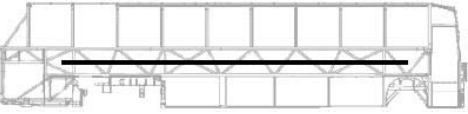
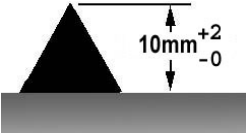
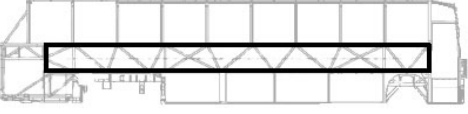

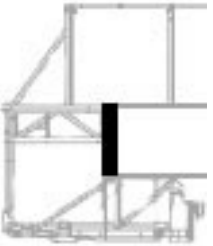
**Before applying any other product**



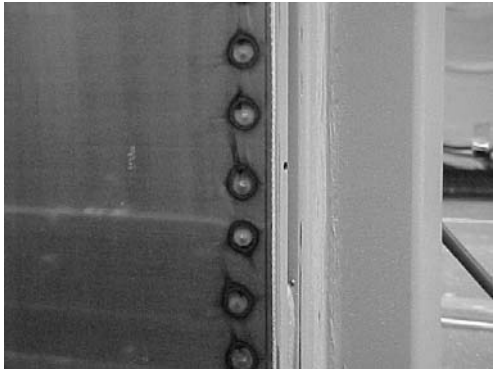
If surface seems dusty, greasy or with finger marks, start operation again.

## SECTION 3 SIDE PANEL INSTALLATION


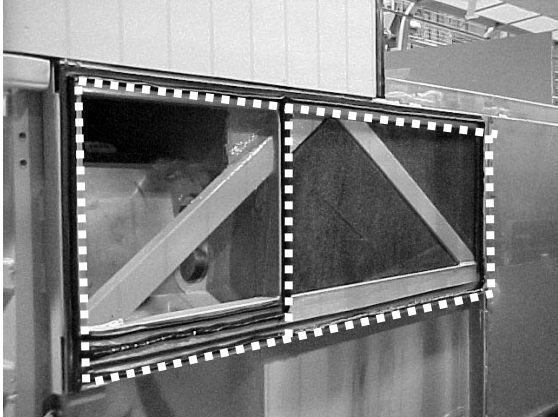
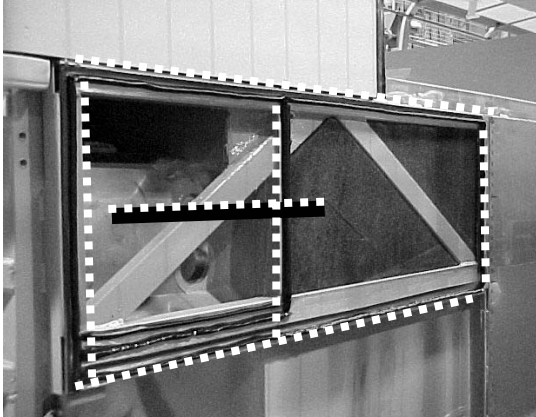
|      |    |   |  |
|------|----|---|--|
| 3.00 | A) | Using a pencil, mark the double-face self adhesive tape position onto vehicle side. |  |
|      | B) | Apply double-face tape as per marking.  |  |
|      | C) | Compress tape   |  |
|      | D) | Remove protective film from double-face self adhesive tape center section.          |  |


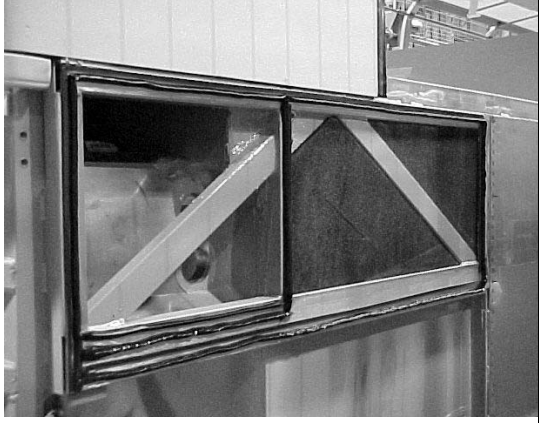
**Section 18: BODY**

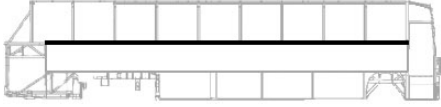



|      |   |   |
|------|---|---|
| 3.05 | Install foam tape onto middle reinforcement then compress.  |   |
| 3.10 | <p>Apply Sika 252</p>  <ul style="list-style-type: none"> <li>- Onto vehicle surface</li> <li>- Cut nozzle as per template</li> <li>- Use the guide for the application</li> </ul> <p>Bead must be continuous for the whole perimeter.</p> |    |
| 3.15 | <p>A) Install side panel onto support jig.</p> <p>B) Position side panel in front of vehicle structure</p> <p>C) Perform final adjustment to make sure that side panel is true and square</p> <p>D) Sand rear of side panel 2" wide</p> <p>E) Perform tig spot welding</p>  | <p>- 30 mm. <math>\pm</math> 2 with reference to bottom tubing</p> <p>- Side panel lined up with longitudinal "flat bar"</p>  <p>Quantity of "tig spot": 29 minimum.</p> |
| 3.20 | <p>A) Install pulling equipment at the other end of side panel</p> <p>B) Make a final adjustment in height</p>  |   |

|      |    |  |  |
|------|----|--|--|
|      | C) | Sand front of side panel 2" wide   |   |
|      | D) | Pull side panel so that panel moves 1/8"   | Make sure the equipment pulls along the whole width of side panel                    |
|      | E) | Perform tig spot welding   | Quantity of "tig spot": 29 minimum.  |
| 3.30 |    | Remove pulling equipment   |  |
| 3.40 | A) | Remove protective film from double-face self adhesive tape.  |  |
|      | B) | Compress top and bottom section of side panel  |   |
| 3.50 | A) | Cut excess of side panel. Make sure that cut is parallel with tubing.  |  |
|      | B) | Grind side panel end to line up with door tubing.  |  |
| 3.60 |    | To seal each panel end, apply masking tape on each side of side panel joint. Use a caulking nozzle and grey Sikaflex 221 adhesive to fill the cavity between the panel and vehicle structure.<br><br>Clean using Sika 205. Allow 5 minutes minimum for drying.<br><br>Wear surgical gloves and smooth down the joint with your finger. |  |

**Section 18: BODY**

| <b>SECTION 4 ENGINE AIR INTAKE PANEL INSTALLATION</b> |   |  |
|---|---|--|
| 4.00  | Make sure that sealing of structure has been performed properly   |   |
| 4.05  | Prepare vehicle surface as for side panel.  | Refer to step # 2.00   |
| 4.10  | Prepare air intake panel as for side panel  | Refer to step # 2.05   |
| 4.15  | Install foam tape 1/8" X 1/4" onto structure, as shown in picture<br><br>Coach  | MTH  |
|   |    |  |
| 4.20  | Install foam tape 1/16" X 1/4" onto air intake panel top and bottom pleat   |  |
| 4.25  | Apply a bead of 252 onto structure as per picture<br>Important: Make sure bead is continuous<br>Triangular bead: 10mm x 8mm |  |

|      |   |  |
|------|---|--|
|      | Coach   | MTH  |
|      |  |  |
| 4.30 | Install panel onto structure  | Use a jig to make sure that panel is lined up with engine door tubing.             |
| 4.40 | Use a brush to compress Sika bead   |  |

|        |                       |  |   |
|--------|-----------------------|--|---|
| 5.00 * | <b>Finition Joint</b> |  |     |
|        | A)                    | Install a protective tape onto the tubing above welding  |  |
|        | B)                    | Apply Sika 205<br>Use a plastic spatula inside a Chix cloth to ensure that Sika 205 reaches as far as the corner.<br>See PR000001 section B. |  |
|        | C)                    | Apply Sika 252 black at the junction of both tubing.<br>Smooth down the joint  |  |
|        | D)                    | Remove protective tape   |   |

### 30. REAR VIEW MIRRORS (RAMCO)

Your vehicle is equipped with two exterior mirrors.

The mirrors may be equipped with an optional electric heating system which serves to minimize ice and condensation on the mirror glass in extreme weather conditions. Integral thermostats are installed in both mirrors to avoid continuous heating. Use the appropriate switch on the dashboard to activate the defroster system on both mirrors simultaneously. The mirrors can easily be adjusted by using the remote controls located on the L.H. side control panel. The mirrors have easy to replace glass in case of breakage. Remote control motors can also be replaced.

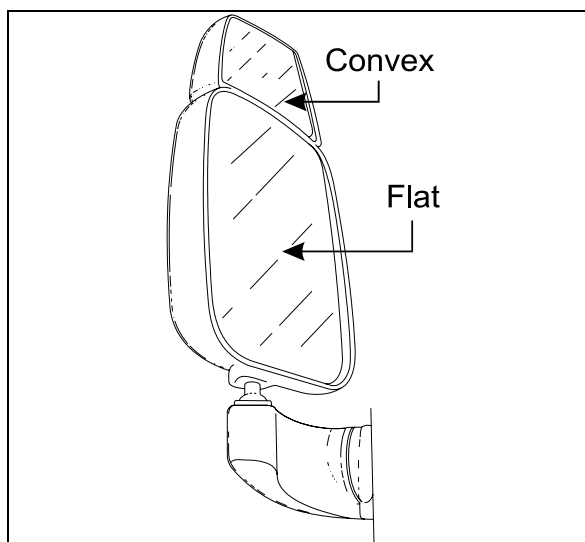


FIGURE 51: REAR VIEW MIRROR (RAMCO) 18398A

#### 30.1 ADJUSTMENT

At the base of the mirror arm, loosen the mounting bolt to swing arm in or out.

To pivot the mirror head, loosen the setscrews on each side of the ball stub at the base of the mirror head to facilitate the adjustment.

#### 30.2 DISASSEMBLY

At end of mirror arm, loosen the setscrews to relieve tension on the ball stem. Remove the ball stem from the arm.

Remove the four screws fastening the mirror arm base to the coach.

#### 30.3 ASSEMBLY

Mount the mirror arm base to the coach. Insert the ball stem into the mirror arm and tighten the socket setscrews.

#### NOTE

*Position the ball cup halves so the joint between them lies on the centerline of the arm. Ensure that the setscrews are not on the joint between the cup halves.*

#### 30.4 REPLACEMENT OF MIRROR GLASS

Remove the broken glass.

Position new glass in mirror head and press to lock the Velcro in place.

#### 30.5 HEATED / REMOTE CONTROLLED REAR VIEW MIRRORS

Heated/remote controlled external rear view mirrors may be provided to prevent the mirrors from frosting up in cold weather.

The remote controlled external rear view mirrors attach to support arms using a pivot collar secured by setscrews. Loosening the setscrews allows the whole head assembly to turn on the support arm for initial adjustment. A mounting bolt and washer hold the arm support to the mounting bracket. The arm support can be moved to position the mirror head into or away from the coach body.

The mirror heat switch is located to the left of the driver on the dashboard. This switch must be activated before the mirror heating element will energize. Once energized, the mirror heating element is kept at a sustained temperature (between 60-80°F) by a thermostat. Refer to wiring diagram annexed in the technical publication box.

#### CAUTION

**Do not attach stick-on type convex mirror accessories to the heated mirror glass. This could impede uniform heat distribution on the mirror surface which could break the mirror.**

##### 30.5.1 Mirror Control

The remote control pointer knob(s) for the mirrors is (are) mounted on the L.H. side control panel. The harness to the mirror head runs through the arm support. The remote motor is mounted to the mirror head behind the mirror glass.

Turn pointer knob to the left for mirror head adjustments and to the right for convex mirror adjustment, then push down on either of the button's (4) sides to adjust the selected mirror viewing angle.

### 30.5.2 Disassembly

At end of mirror arm, loosen the setscrews to relieve tension on the ball stud. Remove the ball stud. Remove the ball stud from the arm and gently pull the harness out until the connector is exposed.

Remove the four screws fastening the mirror arm base to the coach. Slide the harness free of the mirror arm base.

### 30.5.3 Assembly

Attach a stiff wire (snake) to the end of the harness and insert the wire through the mirror arm base and arm, gently pull the harness through the arm and disconnect the "snake".

Connect the mirror head harness. Insert the harness connector back into the mirror arm.

Insert the ball stud into the mirror arm and tighten the socket setscrews.

#### NOTE

Position the ball cup halves so the joint between them lies on the centerline of the arm. Ensure that the setscrews are not on the joint between the cup halves.

### 30.5.4 Convex & Flat Mirror Removal

The mirror glass assembly is mounted to the control mechanism or to mirror base with Velcro strips. Remove the mirror glass by gently pulling the lens to release the Velcro. Disconnect the heater grid at the two connectors.

Connect the connectors of the new mirror's grid to the harness. Install the lens by positioning the lens in the mirror frame and pressing to lock the Velcro in place.

## 31. VEHICLE JACKING POINTS

The vehicle can be lifted by applying pressure under body jacking points or front and drive axle jacking points. When it is necessary to lift the vehicle, care should be taken to ensure that the pressure is applied only on the specified areas. Equipment for lifting the front of the vehicle must have a combined lifting capacity of at least 20,000 lb. (9 100 kg). Equipment for lifting the rear of the vehicle must have a combined lifting capacity of at least 40,000 lb. (18 200 kg).

#### CAUTION

**DO NOT tow or jack vehicle with people on board.**

#### WARNING

When it is necessary to raise the vehicle, care should be taken to ensure that pressure is applied only at the points indicated in figures 52, 53, 54, 55 and 54.

#### WARNING

Extra lift capacity may be required if luggage or any other type of load (e.g. conversion equipment) are onboard the vehicle.

#### CAUTION

The suspension of the vehicle must be in the normal ride position before jacking. The "Level Low" system on a motorcoach must be in the "DRIVE" position prior to turning the ignition key "OFF".

Twelve jacking points are located on the vehicle; three are located on each side of the frame and two are located under each axle. Refer to the following illustrations for the location of jacking points.

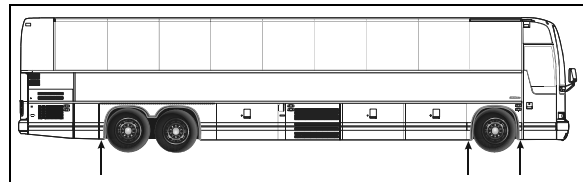


FIGURE 52: JACKING POINTS ON FRAME

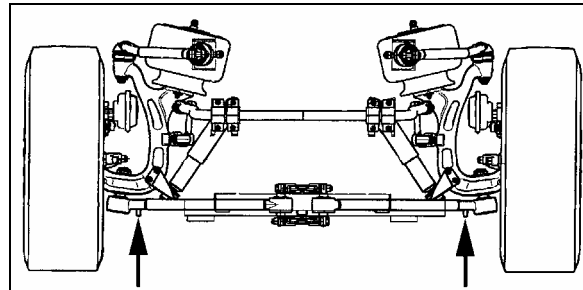


FIGURE 53: JACKING POINTS ON IND. SUSPENSION 18095

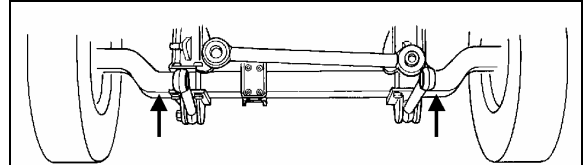


FIGURE 54: JACKING POINTS ON FRONT AXLE 18084

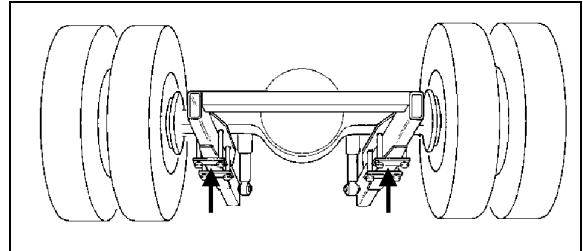


FIGURE 55: JACKING POINTS ON DRIVE AXLE OEH3B762

**⚠ WARNING ⚠**

Always unload or retract the tag axle before jacking the vehicle from the front and drive axle jacking points to prevent damage to suspension components.

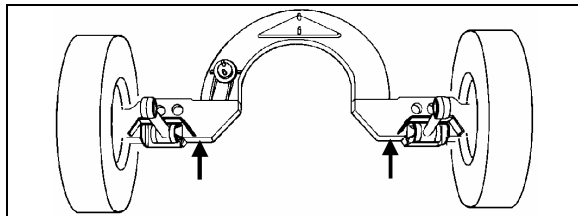


FIGURE 56: JACKING POINTS ON TAG AXLE OE3B764

**⚠ WARNING ⚠**

The jacking points on the tag axle must be used for raising the tag axle only.

Several kinds of hydraulic jacks can be used. Only jack at the specified jacking points. Jack must support the following capacities:

Front axle: 20,000 lb. (9 100 kg);

Drive axle: 40,000 lb. (18 200 kg).

31.1 HYDRAULIC JACK

To raise: turn release valve clockwise. Insert handle in socket and raise by pumping.

To lower: remove handle and turn the release valve slowly counterclockwise.

Always keep ram and extension screw retracted when jack is not in use.

Service: Check oil level when jack fails to raise to full height. Lower ram completely with release valve open and jack in upright position, remove filler plug and refill to level of filler hole with hydraulic jack oil. Never use brake fluid.

**⚠ WARNING ⚠**

Jack is intended for lifting only. Do not get under the vehicle or load for any reason unless it is properly supported with safety stands and securely blocked.

**⚠ WARNING ⚠**

Do not overload jack above rated capacity. Prevent "side loading", make sure load is centered on ram. Do not push or tilt load off jack.

32. TOWING THE VEHICLE

The vehicle can be transported on a low bed semi-trailer of adequate gross axle weight capacity. When transporting a vehicle, apply parking brake and shut down the engine. Block all wheels and secure vehicle with tie-downs. Check that overall height will clear obstacles on the route to follow, and obtain required permits. The vehicle can also be towed by lifting the front axle or by towing from the front with all wheels on the ground. These two methods are described below under their respective headings. Whatever the method used, the vehicle should be towed by truck operators authorized and experienced in towing highway coaches.

Observe normal precautions including, but not limited to, the ones listed below when towing the vehicle:

- Make sure the parking brake is released before towing.
- Do not allow passengers to ride onboard the towed vehicle.
- Tow the vehicle at a safe speed as dictated by road and weather conditions.
- Accelerate and decelerate slowly and cautiously.

To prevent damage to the vehicle, use the two tow eyes located under the back bumper and/or fixed to the vehicle's frame between the front axle and the front bumper. Use only a solid link tow bar and a safety chain to tow the vehicle. If required, connect an auxiliary air supply to the vehicle so brakes can be operated while towing.

**⚠ WARNING ⚠**

During a towing operation, the driver should be alone inside the vehicle.

**⚠ CAUTION ⚠**

To prevent damage to the drive train components, disconnect axle shafts or driveshaft before towing. Do not attempt to push or pull-start a vehicle equipped with an automatic transmission.

*NOTE*

Make sure axle shafts or driveshaft are installed correctly after towing. Tighten axle shaft and driveshaft nuts to the correct torque settings. Do not invert shafts



## 32.1 LIFTING AND TOWING

The towed vehicle must be lifted from under the front axle only. The tow truck must be equipped with the proper lifting equipment to reach under the front axle since no other lifting points are recommended. Lifting and towing from any other point are unauthorized as it may cause serious damage to the structure. Do not unload or raise the tag axle when lifting and towing to prevent overloading the drive axle.

1. Remove both drive axle shafts to prevent damage to the transmission. Plug axle tube to prevent oil loss. Refer to Rockwell's "Maintenance manual no.5" annexed at the end of Section 11, Rear axle, in this manual for correct procedure.

**⚠ CAUTION ⚠**

**Transmission lubrication is inadequate when towing. With automatic, semi-automatic or manual transmission, the drive axle shafts must be removed to avoid serious damage to the transmission.**

2. Operate the engine when towing to maintain brake system air pressure. If the engine cannot be operated, connect an external air pressure line from the tow truck to the emergency fill valve in the engine compartment.
3. The emergency fill valve in the front service compartment does not supply air pressure to the brake system. The air pressure must be a minimum of 75 psi (520 kPa), and the line should be attached to the air line with a clip-on chuck.

**⚠ CAUTION ⚠**

**Do not tow the vehicle without external air pressure applied to the emergency fill valve if the engine does not operate. Without brake system air pressure, the brakes may apply automatically if system air drops below 40 psi (275 kPa). If failure prevents releasing the parking brakes with air pressure, disengage the parking brakes mechanically.**

4. Lift the vehicle from under the front axle, and adequately secure the underside to the tow vehicle lifting attachment with chains.
5. Observe safety precautions when towing.

## 32.2 TOWING WITHOUT LIFTING

**⚠ CAUTION ⚠**

**When towing vehicle without lifting, use only a tow truck with a solid link tow bar and related equipment. All other means of towing are unauthorized. Tow only from the front of the vehicle.**

1. Remove both drive axle shafts to prevent damage to the transmission. Plug axle tube to prevent oil loss. Refer to Rockwell's "Maintenance manual no.5" annexed at the end of Section 11, Rear axle, in this manual for correct procedure.

**⚠ CAUTION ⚠**

**Transmission lubrication is inadequate when towing. With automatic, semi-automatic or manual transmission, the drive axle shafts must be removed to avoid serious damage to the transmission.**

2. Operate the engine when towing to maintain brake system air pressure. If the engine cannot be operated, connect an external air pressure line from the tow truck to the emergency fill valve in the engine compartment. The emergency fill valve in the front service compartment does not supply air pressure to the brake system. The air pressure must be a minimum of 75 psi (520 kPa), and the line should be attached to the air line with a clip-on chuck.

**⚠ CAUTION ⚠**

**Do not tow the vehicle without external air pressure applied to the emergency fill valve if the engine does not operate. Without brake system air pressure, the brakes may apply automatically if system air drops below 40 psi (275 kPa). If failure prevents releasing the parking brakes with air pressure, disengage the parking brakes mechanically.**

3. Position the tow truck so that the tow bar contacts the front bumper of the vehicle.
4. Attach the tow truck chains only in the tow eyes of the vehicle under the bumper and take up all the slack.
5. Attach safety chains as applicable.
6. Observe safety precautions when towing.

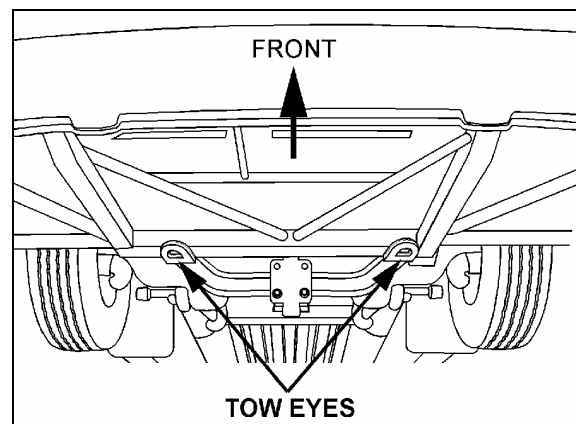


FIGURE 57: TOW EYES

**33. SPECIFICATIONS**

**Door cylinder**

Manufacturer .....Bimba  
Type .....Pneumatic  
I.D. .... 1½" ( mm)  
Stroke..... 8" ( mm)  
Prévost number..... 780595

**Damper**

Manufacturer .....Koni  
Prévost number..... 780565

**Lock cylinder (upper)**

Manufacturer .....Bimba  
Type ..... Air, single action, 1/8 NPT, hexagonal rod  
I.D. .... 7/8" (22 mm)  
Stroke..... 1" (25 mm)  
Supplier number..... D-51127-A  
Prévost number..... 641392

**Lock cylinder (central)**

Manufacturer .....Bimba  
Type .....Air, single action, ¼ NPT  
I.D. .... 1¾" (45 mm)  
Stroke..... 1" (25 mm)  
Supplier number..... 241-P  
Prévost number..... 641209

**Manifold solenoid**

Manufacturer .....Norgren  
Type ..... 4 ports, 1/8 NPT  
Voltage ..... 24 VDC  
Power consumption..... 6 watts  
Maximum pressure..... 150 psi (1035 kPa)  
Prévost number..... 641448

**Solenoid valve (Latching valve)**

Manufacturer ..... Humphrey  
Model ..... 310  
Operating range ..... 0 to 125 psi (0 to 860 kPa)  
Voltage ..... 24 VDC  
Voltage tolerance ..... +10%, -15% of rated voltage  
Power consumption..... 4 watts  
Leak rate (max allowed) ..... 0.245 in<sup>3</sup>/min @ 100 psi (4cc/min @ 690 kPa)  
Type of operation ..... Direct solenoid  
Lubrication..... Not required (factory pre-lubed)  
Filtration ..... 40 micron recommended  
Prévost number..... 641412

**Pressure switch assembly**

Prévost number..... 452831

**Isringhausen**  
Seat Model 6800/338 Bus  
Seat Model 6800/338 Premium LX

# Service Manual

---



---

**Read and understand this manual before servicing this seat.**



# INTRODUCTION

**MODEL 6800/338 BUS  
MODEL 6800/338 PREMIUM LX**

## SERVICE AND REPAIR

Proper service and repair are important to the safe, reliable operation of this seat. Service and repair should be performed only by responsible persons who have been properly instructed and authorized to do so. The procedures recommend in this manual are safe effective methods for performing service and repair operations.

We could not possibly know, evaluate, and advise the service trade of all conceivable ways in which service can be done or of the possible hazardous consequences of each way. If you use a service procedure which is not recommended, be sure that personal safety and equipment safety will not be jeopardized.

It is the responsibility of the mechanic performing the service and repair to:

- inspect for abnormal wear and damage
- choose a repair procedure that will ensure your safety, the safety of others, and the safe operation of the equipment
- fully inspect and test the equipment to ensure that the repair or service has been properly performed and the equipment will function properly.

This manual describes the correct service procedures for Model 6800/348 Premium seats. The information in this manual was current at the time of printing and is subject to change without notice or liability.

## READ AND UNDERSTAND THIS MANUAL AND THE OPERATOR'S MANUAL

Learn how to service Model 6800/348 Premium seats. Failure to do so could result in personal injury or equipment damage. Consult your dealer if you do not understand the instructions in this manual and/or need additional information.

## KEEP THIS MANUAL

This manual should be considered a permanent part of the seat and be available for reference when servicing the seat.

## WARRANTY

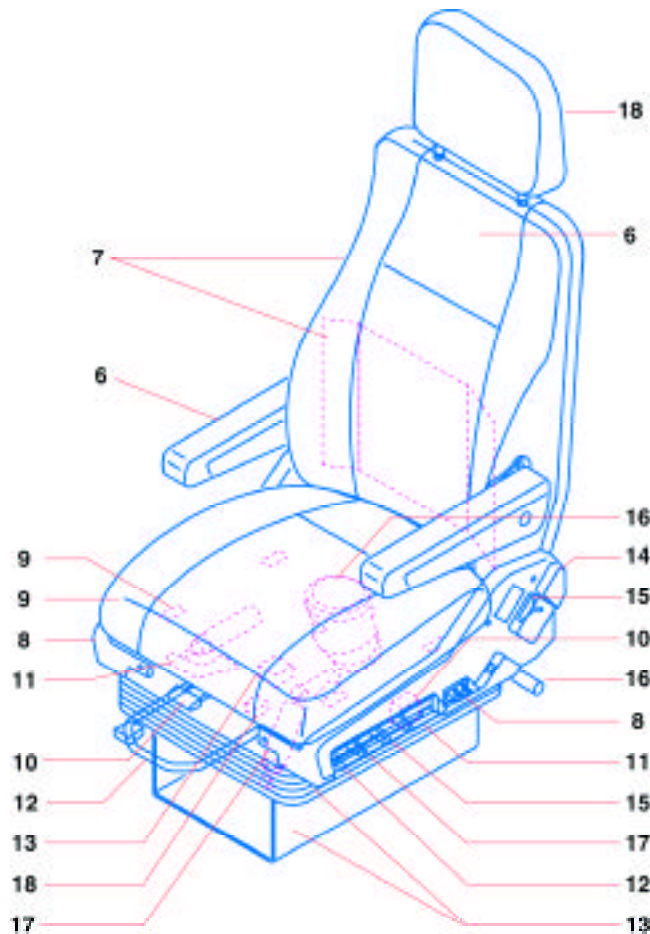
Warranty is provided as part of Isringhausen's support program for customers who operate and maintain their seat as shown in this manual. See the warranty for details.

**MODEL 6800/338 BUS  
MODEL 6800/338 PREMIUM LX**

**TABLE of CONTENTS**

| subject                                | page | subject  | page |
|--|------|--|------|
| INTRODUCTION                           | ii   | HEIGHTADJUSTMENT HANDLE                          | 11   |
| GENERAL SAFETY                         | 2    | HEIGHTADJUSTMENT CYLINDER AND CAM                | 11   |
| TROUBLESHOOTING                        | 3    | HORIZONTALADJUSTMENT SLIDE SET                   | 12   |
| INSPECTION                             | 4    | QUICK AIR RELEASE VALVE AND HANDLE               | 12   |
| REMOVALAND INSTALLATION                |      | QUICK AIR RELEASE VALVE - SUSPENSION             | 13   |
| ARMREST                                | 6    | RISER AND SUSPENSION                             | 13   |
| BACKREST                               | 6    | SEAT FRAME                                       | 14   |
| BACKRESTASSEMBLY                       | 7    | SEAT FRAME TOOTH PLATE                           | 14   |
| LUMBAR/BOLSTER AIR BAGS                | 7    | BACKRESTADJUSTMENT HANDLE                        | 15   |
| LUMBAR/BOLSTER VALVE                   | 8    | TILT ADJUSTMENT HANDLE                           | 15   |
| COVER FRONT, LH AND RH                 | 8    | AIR SPRING                                       | 16   |
| SEAT PAN ASSEMBLY                      | 9    | BOOT, BOOTADAPTER PLATE,<br>ICP BAR, AND TETHERS | 16   |
| GLIDE - SEAT PAN                       | 9    | ADJUSTABLE SHOCK ABSORBER CABLE                  | 17   |
| SEAT PAN ASSEMBLY LEVER<br>AND HANDLE  | 10   | ADJUSTABLE SHOCK ABSORBER                        | 17   |
| HEIGHTADJUSTMENT VALVE -<br>SUSPENSION | 10   | DISTRIBUTION VALVE                               | 18   |
|  |      | HEADREST   | 18   |
|  |      | PARTS  | 19   |

**REMOVAL AND INSTALLATION PAGE NUMBERS**



# GENERAL SAFETY

MODEL 6800/338 BUS  
MODEL 6800/338 PREMIUM LX

In this manual safety messages will alert persons to a specific hazard, the degree or level of hazard seriousness, the probable consequences of involvement with the hazard, and how the hazard can be avoided. Safety messages will include the safety alert symbol, a signal word, and a word message.

## SAFETY ALERT SYMBOL



Indicates a potential personal safety hazard.

## SIGNAL WORDS

**DANGER:** Indicates an imminently hazardous situation which, if not avoided, will result in death or serious injury.

**WARNING:** Indicates a potentially hazardous situation which, if not avoided, could result in death or serious injury.

**CAUTION:** Indicates a potentially hazardous situation which, if not avoided, may result in minor or serious injury.

## WORD MESSAGE

The word message will identify the hazard, indicate how to avoid the hazard, and advise of probable consequence of not avoiding the hazard.

| <b>Problem</b>   | <b>Cause</b>                       | <b>Solution</b>               | <b>Page</b> |
|--|------------------------------------|-------------------------------|-------------|
| Armrest will not stay in position.                     | Armrest control is defective.      | Replace armrest.              | 6           |
| Backrest will not adjust and/or stay adjusted.         | Teeth on backrest are defective.   | Replace backrest.             | 6           |
|  | Backrest seat latch is defective.  | Replace backrest seat latch.  | 14          |
| Lumbar/Bolster will not inflate.                       | No air supply to seat.             | 90 to 145 psi req'd.          | 5           |
|  | Air lines leak.                    | Replace air lines.            | 7           |
|  | Valve is defective.                | Replace valve.                | 8           |
|  | Air bags leak.                     | Replace air bags.             | 7           |
| Height will not adjust and/or stay adjusted.           | Height adj. cam is defective.      | Replace height adj. cam.      | 11          |
|  | Height adj. cylinder is defective. | Replace height adj. cylinder. | 11          |
|  | Height adj. valve is defective.    | Replace height adj. valve.    | 10          |
| Horizontal slide will not adjust and/or stay adjusted. | Horizontal slide is defective.     | Replace horizontal slide.     | 12          |
| Seat pan assem. will not adjust and/or stay adjusted.  | Seat pan lever is defective.       | Replace seat pan lever.       | 10          |
|  | Seat pan glides are defective.     | Replace seat pan glides.      | 9           |
| Quick air release will not function.                   | No air supply to seat.             | 90 to 145 psi req'd.          | 5           |
|  | Valve is defective.                | Replace valve.                | 12          |
| Adjustable shock absorber will not adjust.             | Shock absorber is defective.       | Replace shock absorber.       | 17          |
|  | Shock absorber cable is defective. | Replace shock absorber cable. | 17          |
| Suspension will not function properly.                 | Suspension is defective.           | Replace suspension.           | 13          |

# INSPECTION

MODEL 6800/338 BUS  
MODEL 6800/338 PREMIUM LX



## CAUTION

**Avoid the risk of injury.**  
Vehicle must be in a safe parked position before inspecting seat.

Visually inspect the seat. Look for damaged or worn upholstery and parts. The seat should be clean and free of dirt and debris. Check all the seat functions they should work properly and be in good condition.

### 1. Adjustable armrest

Should move up freely, the adjustment knob should be easy to use, the armrest must stay in the adjusted position.

### 2. Backrest adjustment

The control should be easy to release then the backrest should move freely. The backrest must stay in the adjusted position.

### 3. Backrest side bolster

The control should be easy to move to the inflate or deflate position and must return to neutral when released. Each side bolster should inflate and deflate evenly and stay at the adjusted firmness.

### 4. Height adjustment

Control should be easy to move and hold the seat in the adjusted position when released.

### 5. Horizontal adjustment

Control should be easy to move and hold the seat in the adjusted position when released.

### 6. Seat tilt adjustment

Control should be easy to move and hold the seat in the adjusted position when released.

### 7. Lower and upper lumbar support

The controls should be easy to move to the inflate or deflate position and must return to neutral when released. Each lumbar support must stay at the adjusted firmness.

### 8. Cushion length adjustment

Control should be easy to move and hold the seat cushion in the adjusted position when released.

### 9. Adjustable shock absorber

Control should be easy to move and stay in position when released.

### 10. Quick air release

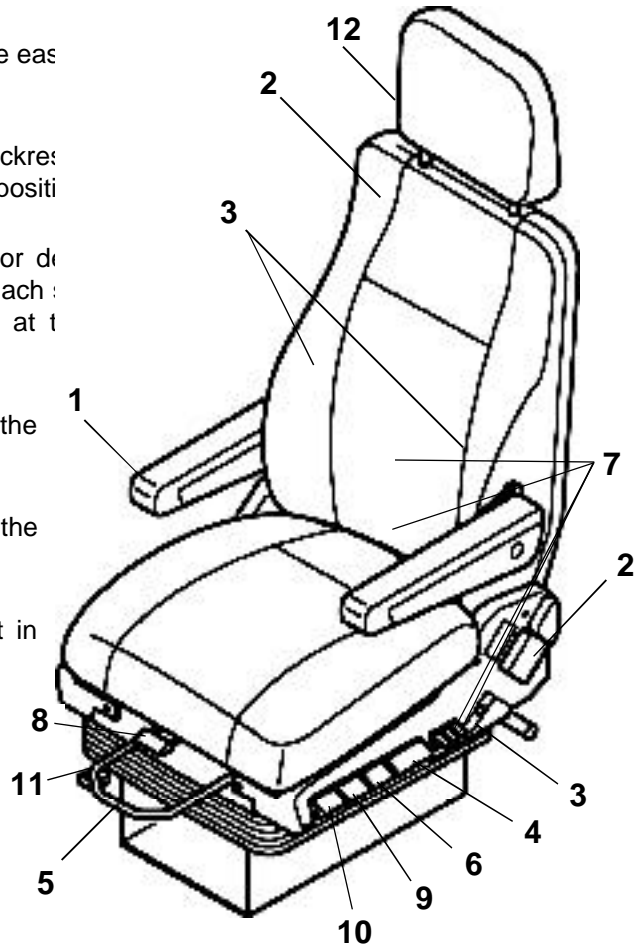
Control should be easy to move and hold seat in the adjusted position when released.

### 11. Horizontal isolator

Control should be easy to move and stay in position when released.

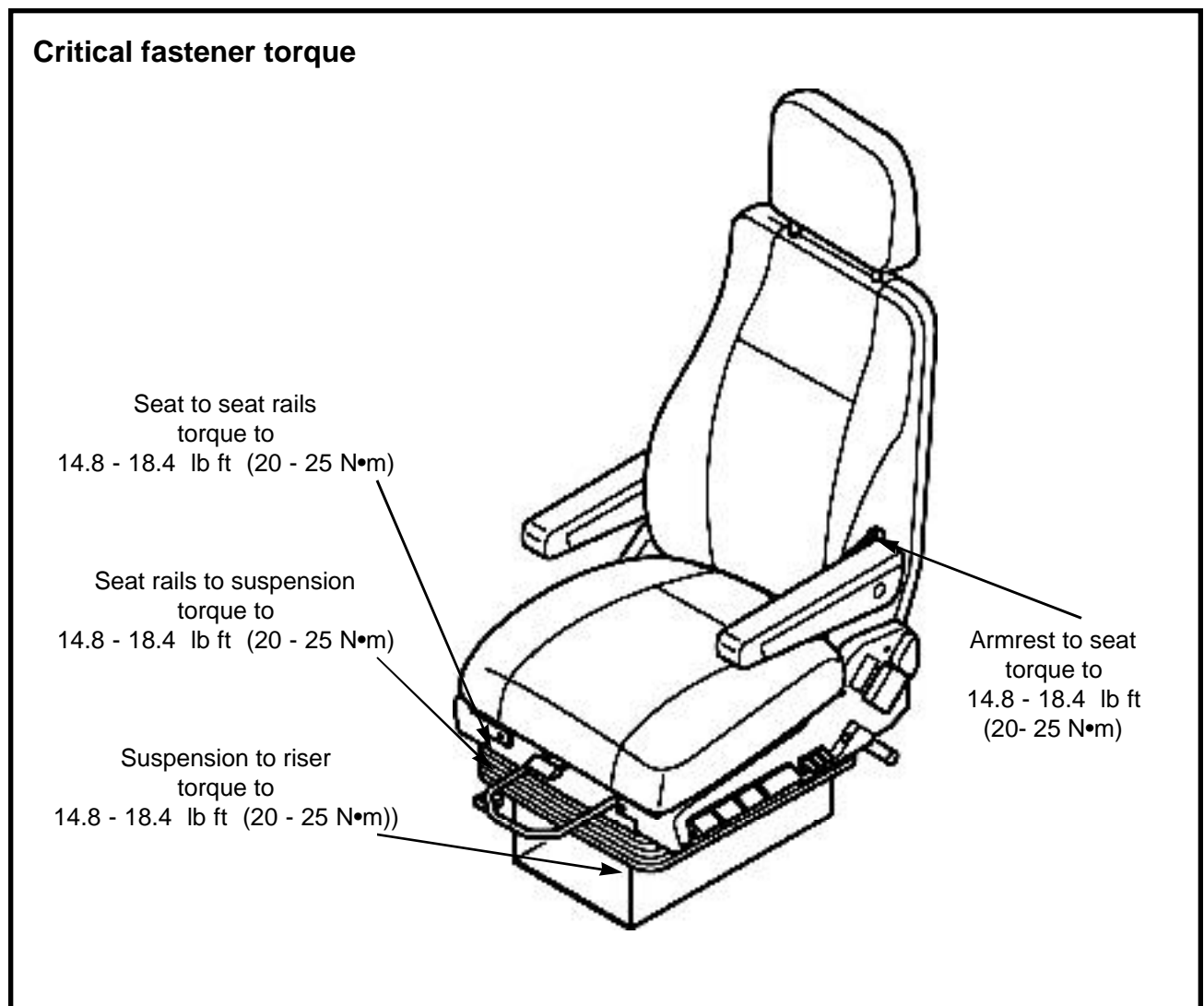
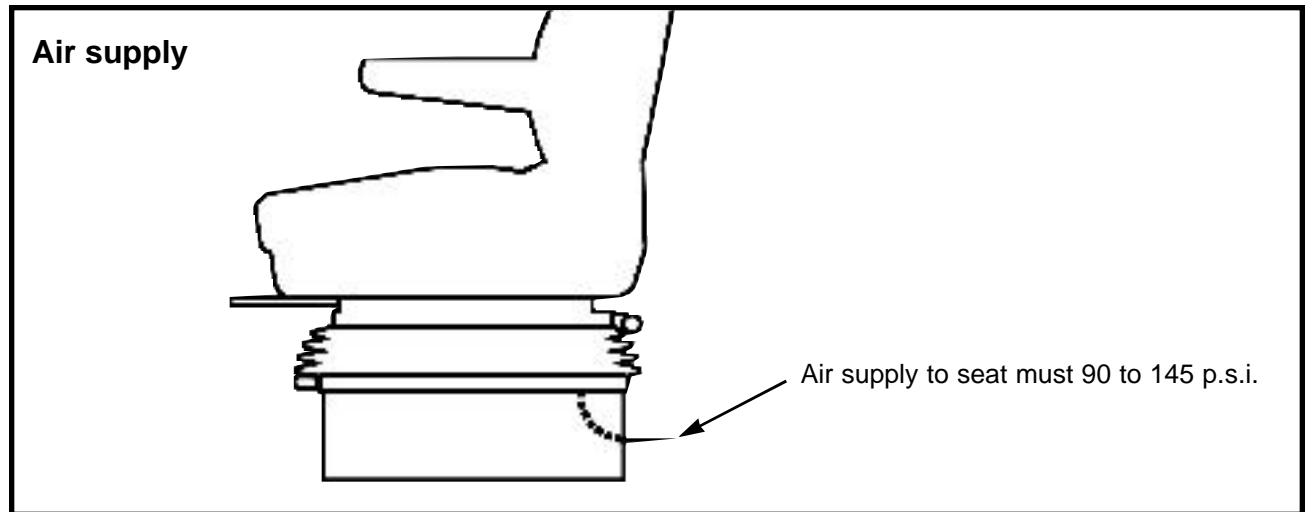
### 12. Headrest

Should be easy to move up and down and stay in position. Headrest should tilt forward and backward freely.



If the seat is not functioning properly take it out of service until it can be repaired.





# REMOVAL and INSTALLATION

MODEL 6800/338 BUS  
MODEL 6800/338 PREMIUM LX



**Avoid the risk of injury.** Vehicle must be in a safe parked position before working on the seat.

## NOTICE

To remove seat from vehicle follow vehicle manufacturer's instructions.

### Armrest

#### Set up

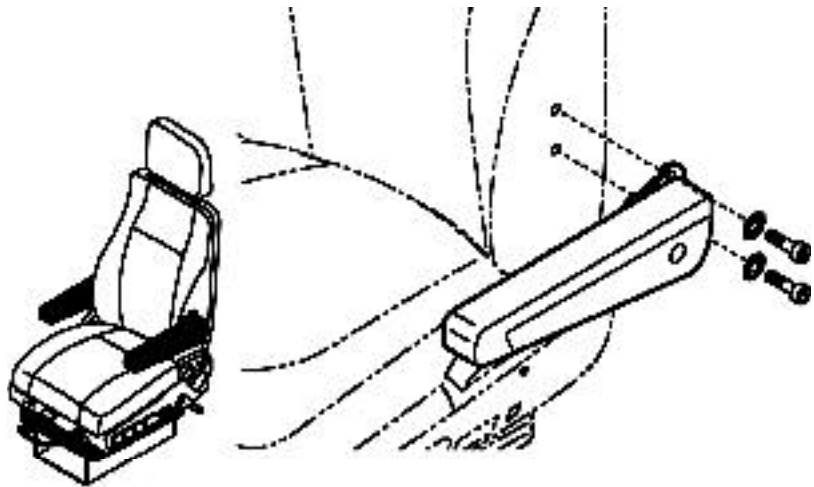
- Vehicle must be in a safe parked position or seat removed from vehicle.

#### Removal

- Remove fasteners
- Remove armrest

#### Installation

- Fasten armrest to seat with screws and lockwashers.
- Torque screws to 14.8 - 18.4 lb ft (20 - 25 N•m)



### Backrest

#### Set up

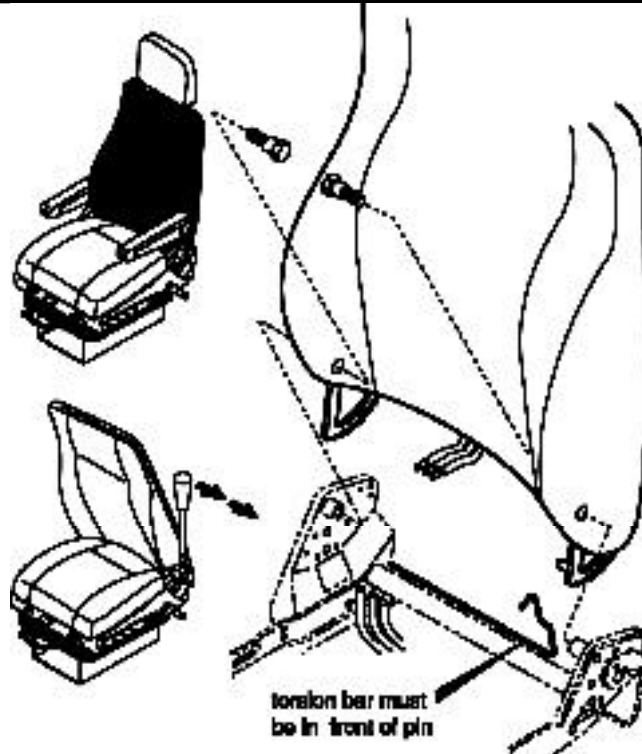
- Vehicle must be in a safe parked position or seat removed from vehicle.

#### Removal

- Mark and disconnect air lines
- Remove fasteners
- Pry one side of seat frame away from backrest
- Remove backrest

#### Installation

- Put one side of backrest in place
- Pry other side of seat frame away and put backrest in place
- Fasten backrest to seat frame with shoulder bolts
- Torque shoulder bolts to 22 - 25.5 lb ft (30 - 35 N•m)
- Connect air lines



**Backrest assembly**

**Set up**

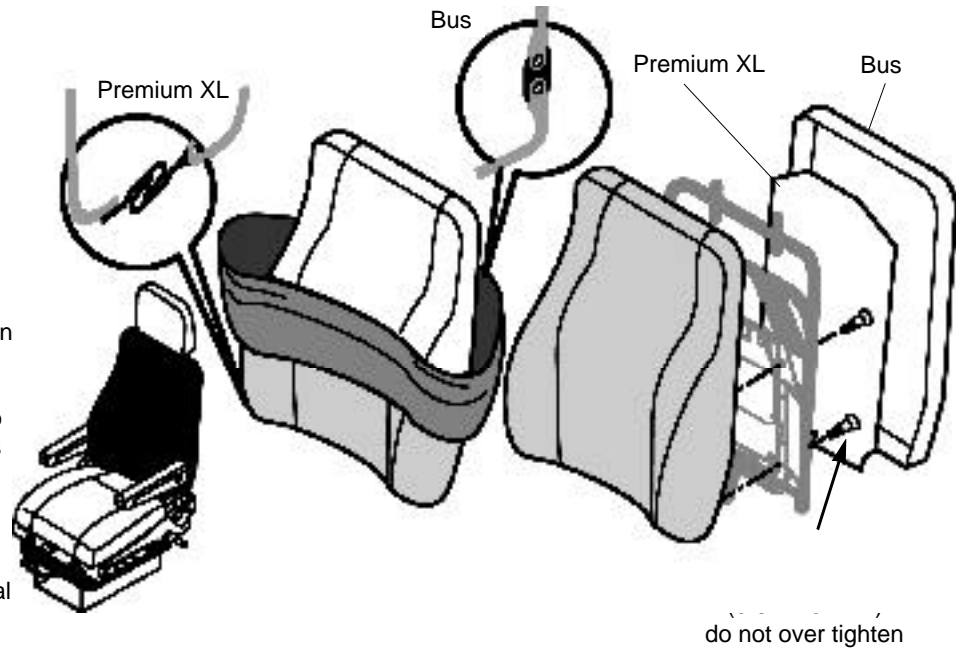
- Backrest must be removed from seat (see **Backrest**)

**Removal**

- Premium XL - remove upholstery and backrest liner
- Bus - remove cover, hog rings and wires.-- remove upholstery
- Remove backrest cushion fasteners -- remove cushion

**Installation**

- Fasten backrest cushion to backrest frame with screws
- Premium XL - install backrest liner and upholstery
- Bus - install upholstery, hog rings and wires.-- instal cover



**Lumbar and bolster air bags**

**Set up**

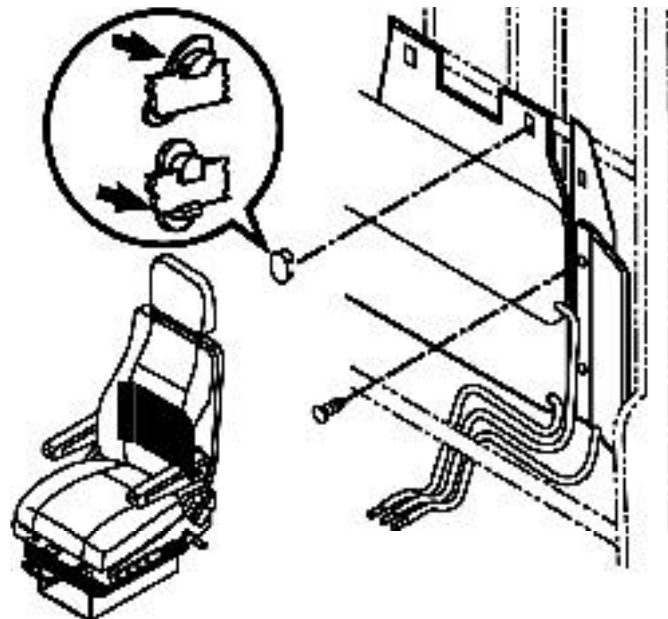
- Remove backrest components (see **Backrest assembly**)

**Removal**

- Remove air bag clips, push fasteners and cable ties
- Remove air bags

**Installation**

- Fasten air bags to backrest frame with clips - put long clip arm over bar and snap bottom of clip in place
- Install push fasteners and cable ties



# REMOVAL and INSTALLATION

MODEL 6800/338 BUS  
MODEL 6800/338 PREMIUM LX

## Lumbar and bolster valve

### Set up

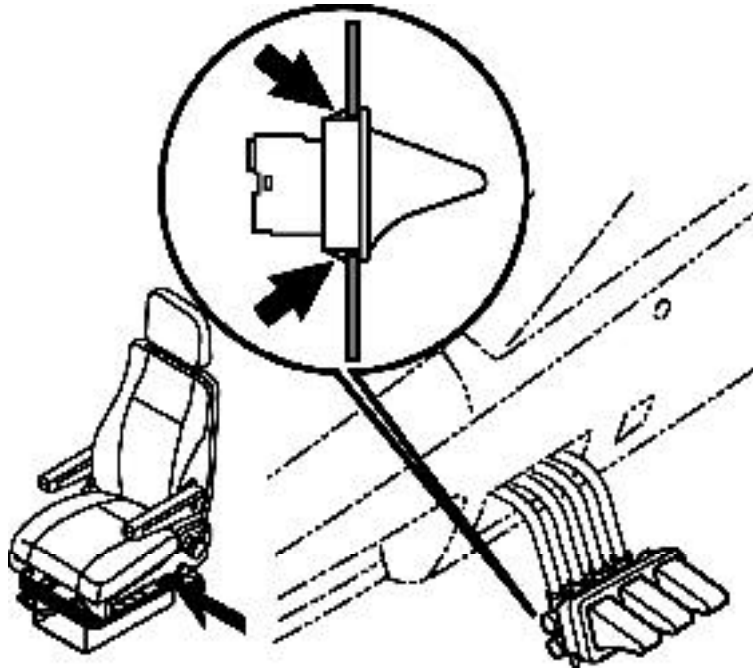
- Cover must be removed from seat (see **Covers front, LH and RH**)

### Removal

- Mark air line and remove them from valve
- Press valve clips in and remove valve from cover

### Installation

- Snap valve into cover
- Connect air lines



## Covers, LH and RH

### Set up

- Vehicle must be in a safe parked position or seat removed from vehicle.

### Removal

#### Control cover

- Remove backrest adjustment handle
- Remove tilt adjustment handle - for fastener access
- Remove fasteners and cover

#### Non control cover

- Remove fasteners and cover

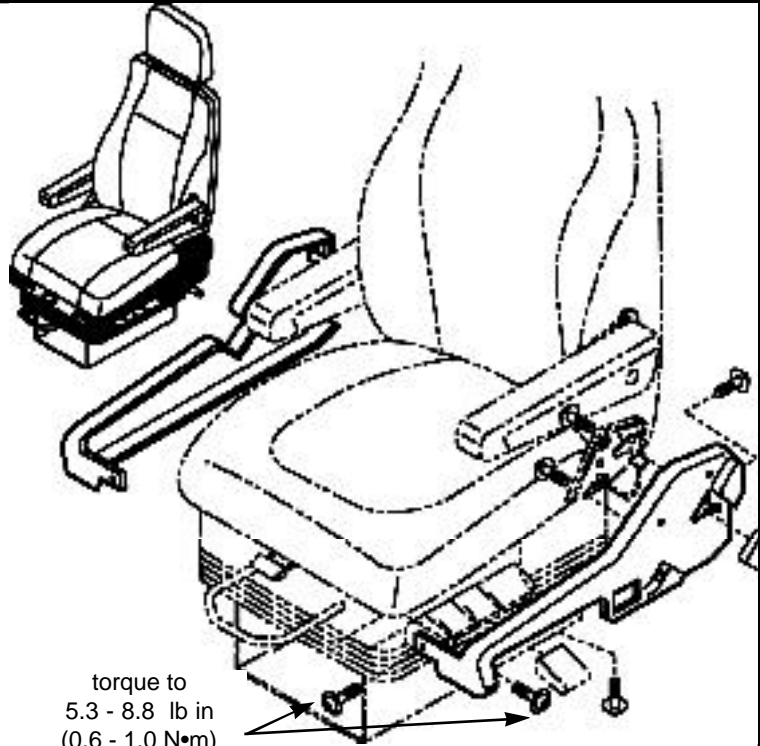
### Installation

#### Control cover

- Fasten cover to seat frame with screws
- Install backrest adjustment handle
- Install tilt adjustment handle - removed for fastener access

#### Non control cover

- Fasten cover to seat frame with screws



torque to  
5.3 - 8.8 lb in  
(0.6 - 1.0 N•m)  
do not over tighten

## Seat pan assembly

### Set up

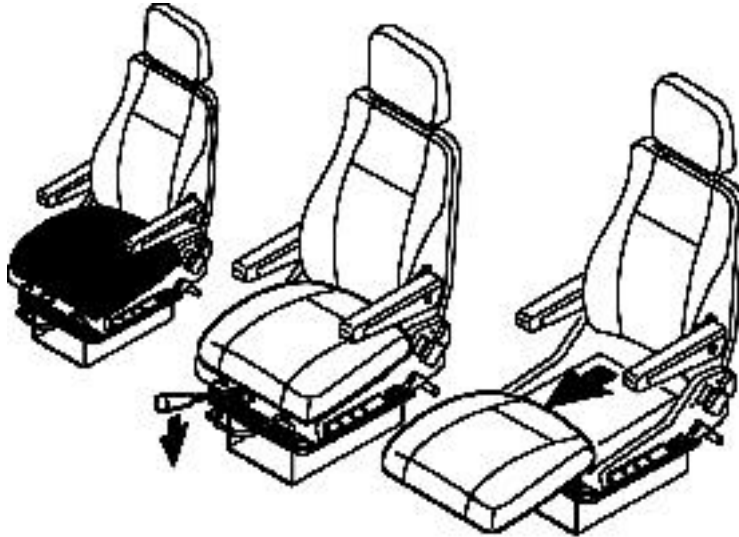
- Vehicle must be in a safe parked position or seat removed from vehicle.

### Removal

- Slide cushion assembly forward
- Pry lever handle up to release cushion stop -- lift cushion off of glides

### Installation

- Put seat cushion assembly on glides and slide back



## Glides - seat pan

### Set up

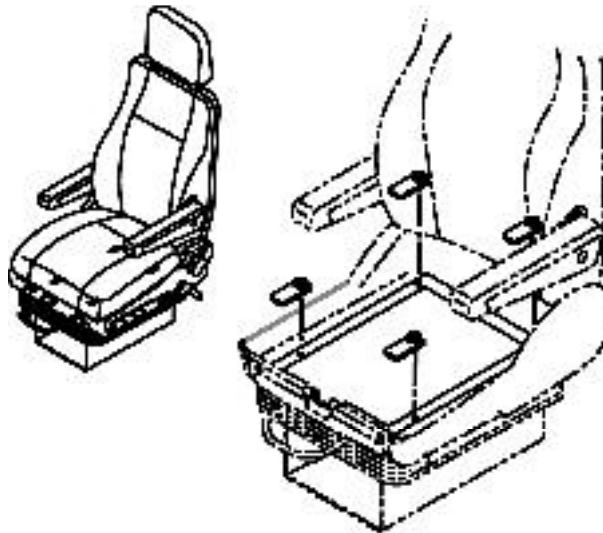
- Seat cushion must be removed from seat (see **Cushion seat pan**)

### Removal

- Remove cushion glides

### Installation

- Install cushion glides to seat frame



# REMOVAL and INSTALLATION

MODEL 6800/338 BUS  
MODEL 6800/338 PREMIUM LX

## Seat pan assembly, lever and handle

### Set up

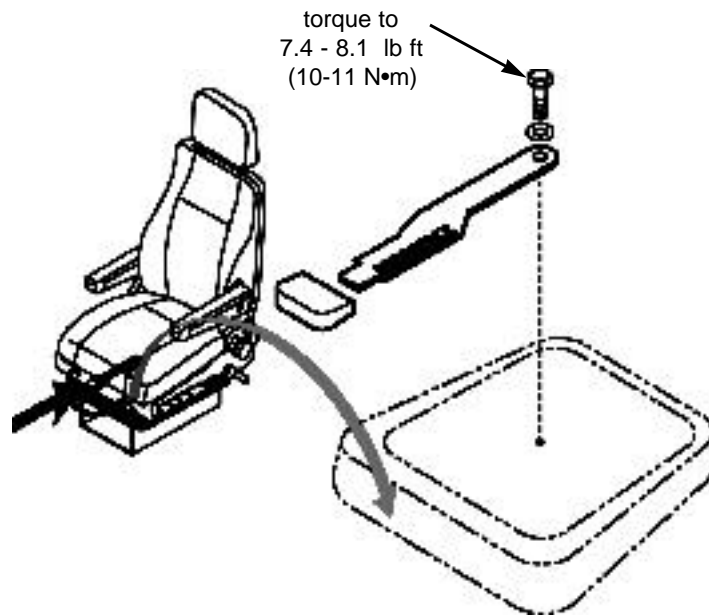
- Seat cushion must be removed from seat (see **Cushion seat pan**)

### Removal

- Pull handle off
- Remove lever fasteners and remove lever

### Installation

- Align locator button of lever with hole in seat pan
- Fasten lever to seat pan with screw and washer
- Push handle on



## Height adjustment valve

### Set up

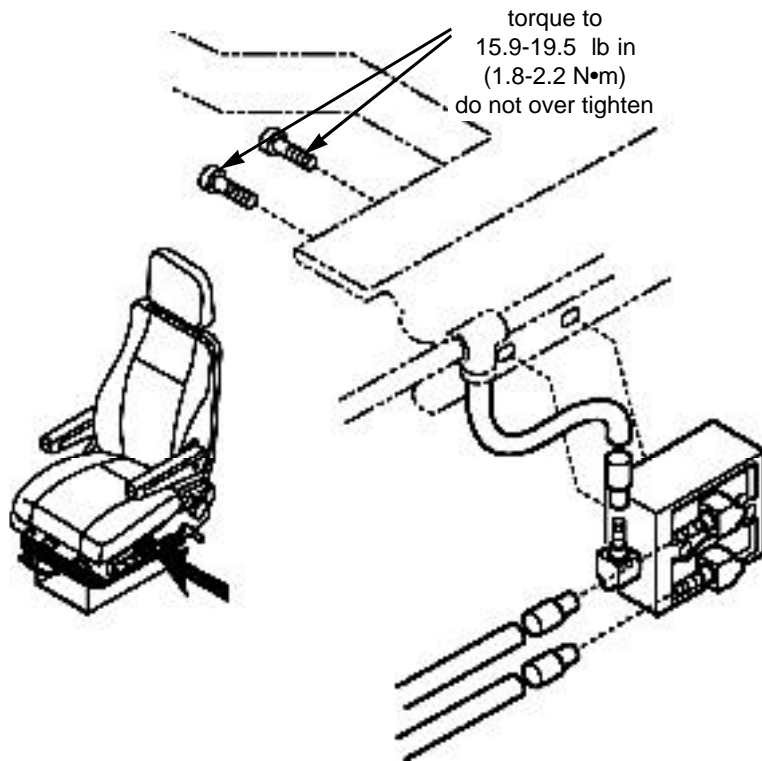
- Seat cushion must be removed from seat (see **Cushion seat pan**)

### Removal

- Mark and remove air lines from valve
- Remove valve fasteners
- \* Remove valve

### Installation

- Fasten valve to seat frame with screw
- Connect air lines



### Height adjustment handle

#### Set up

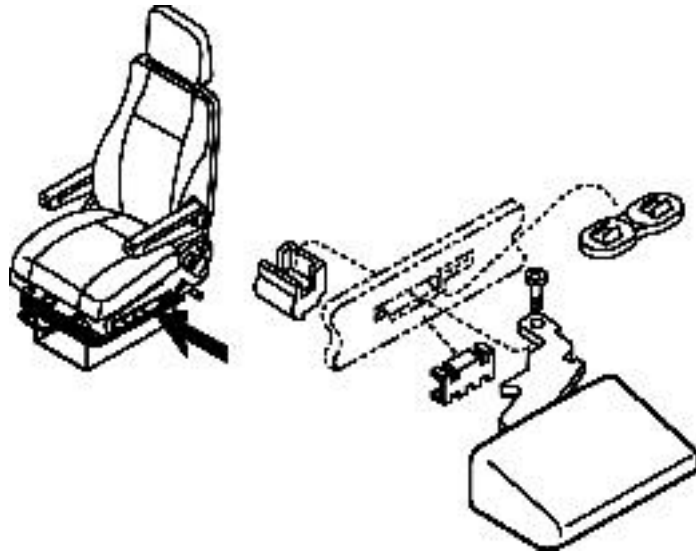
- Vehicle must be in a safe parked position or seat removed from vehicle
- Control cover must be removed (see Covers front, LH and RH)

#### Removal

- Remove screw and cam
- Pull handle and lever out
- Remove retainers

#### Installation

- Put upper retainers in place
- Put lever in place
- Put lower retainers in place - be sure it snaps in place
- Install cam and screw
- Install handle



### Height adjustment cylinder and cam

#### Set up

- Vehicle must be in a safe parked position or seat removed from vehicle
- Seat cushion must be removed from seat (see Cushion seat pan)

#### Removal

##### Air cylinder

- Remove base end pin and retainer washer - remove rod end fastener, air line, and remove cylinder

##### Cam

- Remove rod end fastener
- Remove E ring and mounting pin
- Remove cam

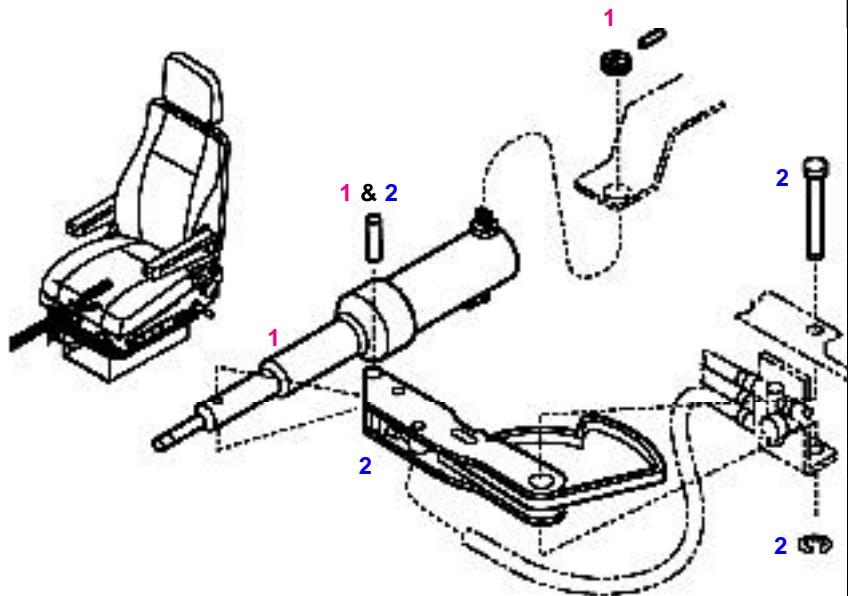
#### Installation

##### Air cylinder

- Put cylinder in place and install base end pin and retainer washer - install rod end fastener, connect air line

##### Cam

- Put cam in place and install pin and E ring



1 = Cylinder kit  
2 = Cam kit

# REMOVAL and INSTALLATION

MODEL 6800/338 BUS  
MODEL 6800/338 PREMIUM LX

## Horizontal adjustment slide set

### Set up

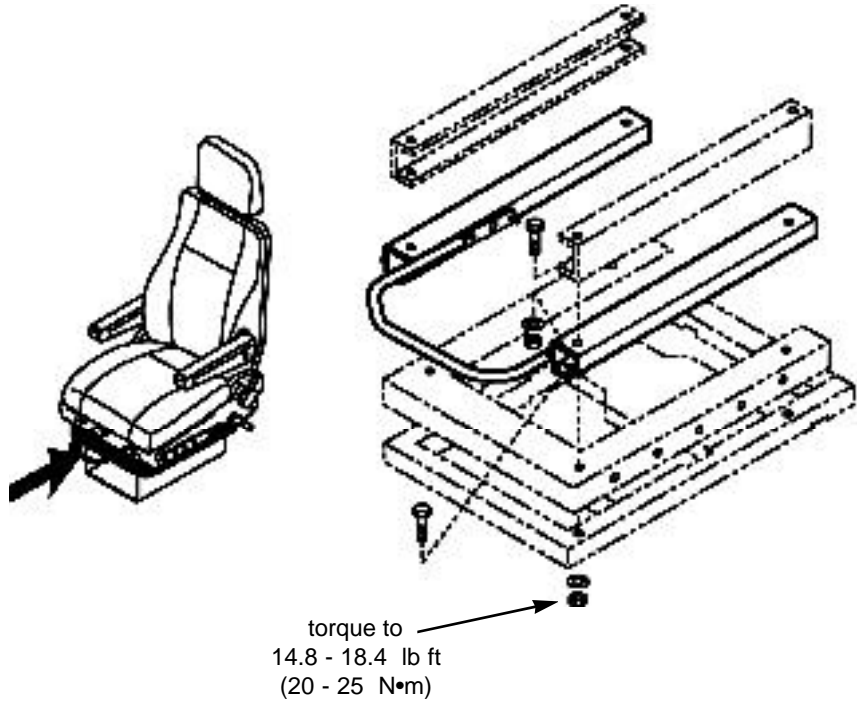
- Seat frame must be removed (see **Seat frame**)

### Removal

- Move horizontal adjustment forward or back to allow access to fasteners
- Remove mounting fasteners

### Installation

- Move horizontal adjustment forward or back to allow access to fasteners
- Install mounting fasteners



## Quick air release - valve and handle LH and RH

### Set up

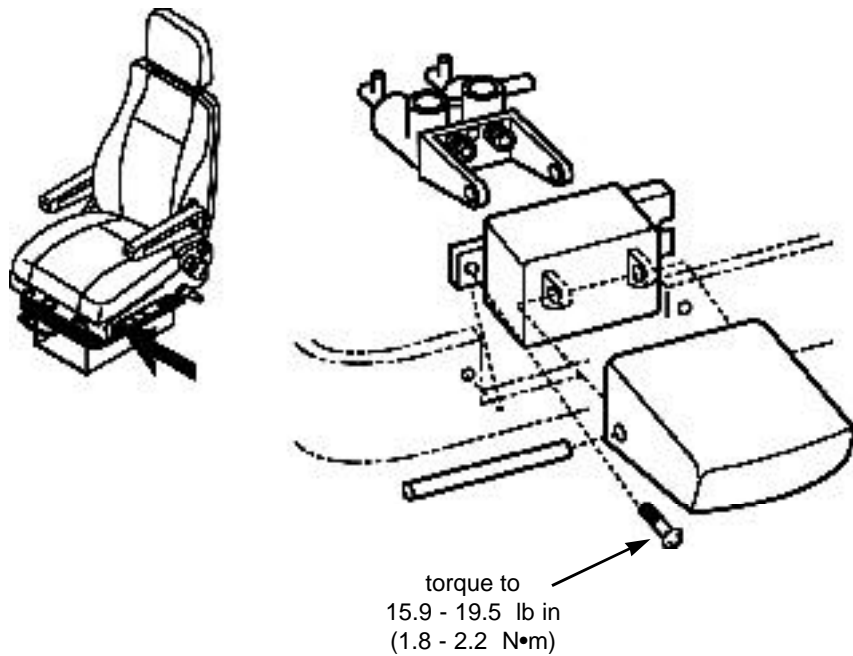
- Seat cushion must be removed from seat (see **Cushion seat pan**)

### Removal

- Mark and remove air lines from valve
- Remove valve fasteners
- Remove valve
- Remove valve handle pin and valve handle

### Installation

- Fasten valve handle to valve with pin
- Fasten valve to seat frame with screw
- Connect air lines





**Quick air release valve - suspension**

**Set up**

- Seat cushion must be removed from seat (see **Cushion seat pan**)

**Removal**

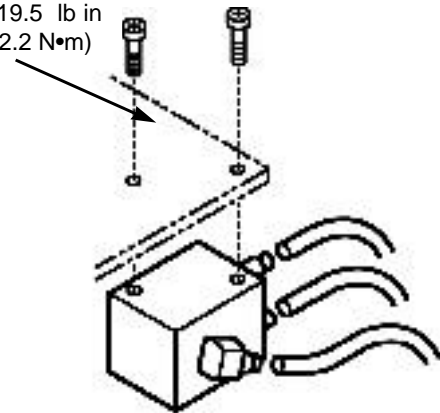
- Mark and remove air lines from valve
- Remove valve fasteners and remove valve

**Installation**

- Fasten valve to suspension with screws
- Connect air lines



torque to  
15.9 - 19.5 lb in  
(1.8 - 2.2 N•m)



**Riser and Suspension**

**Set up - riser and suspension**

- Vehicle must be in a safe parked position or seat removed from vehicle.

**Set up - suspension**

- Boot, Boot adapter plate, ICP bar, and tethers must be removed (see **Boot, Boot adapter plate, ICP bar, and tethers**)

**Removal - suspension**

- Remove air line
- Remove suspension to riser fasteners and remove suspension

**Installation - suspension**

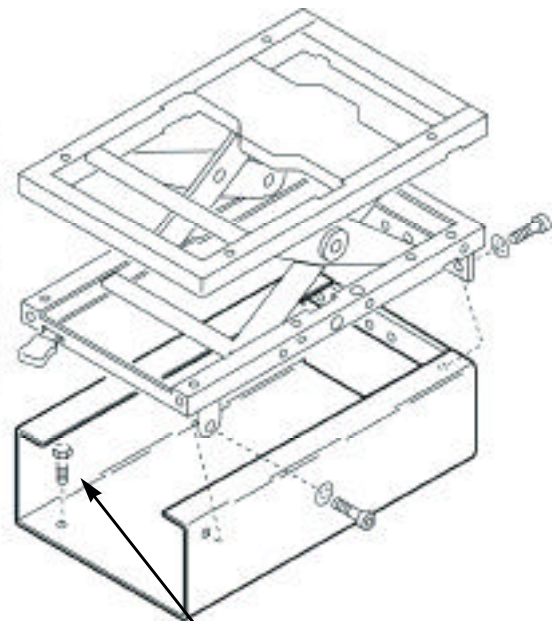
- Put suspension in place
- Install fasteners and torque to 14.8 - 18.4 lb ft (20 - 25 N•m)
- Connect air line

**Removal - riser**

- Remove riser to floor fasteners and remove riser

**Installation - riser**

- Put riser in place and install fasteners, torque to manufactures specification



torque to  
manufactures  
recommendation

# REMOVAL and INSTALLATION

MODEL 6800/338 BUS  
MODEL 6800/338 PREMIUM LX

## Seat frame

### Set up

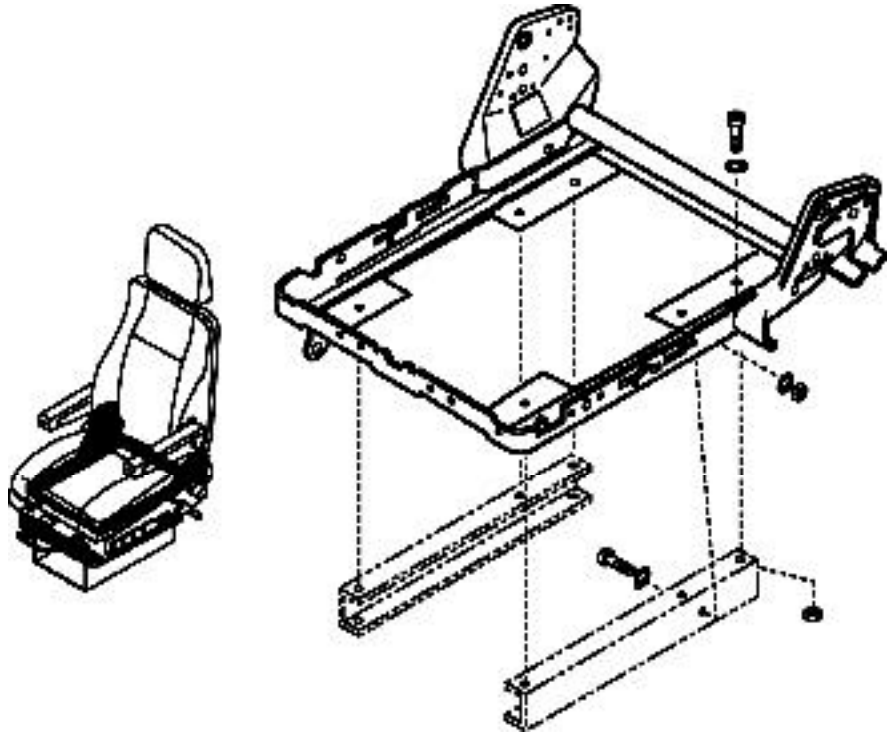
- Seat cushion and backrest must be removed from seat (see **Cushion seat pan and Backrest**)
- Shock absorber handle and cable must be removed. (see **Adjustable shock absorber handle and cable - handle end**)

### Removal

- Mark and remove air lines
- Remove fasteners
- Remove seat frame

### Installation

- Fasten seat frame to static spacer rails with bolts and nuts
- Torque fasteners to 14.8 - 18.4 lb ft (20 - 25 N•m)
- Connect air lines



## Seat frame tooth plate

### Set up

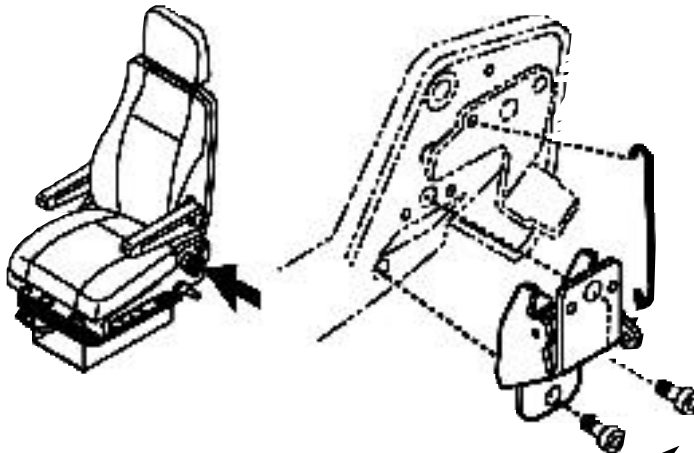
- Backrest and covers must be removed from seat (see **Backrest and Covers front, LH and RH**)

### Removal

- Remove seat latch fasteners
- Remove seat latch
- Remove connecting link

### Installation

- Install connecting link
- Fasten seat latch to seat frame with screws



torque to  
14.8 - 18.4 lb ft  
(20 - 25 N•m)

## Backrest adjustment handle

### Set up

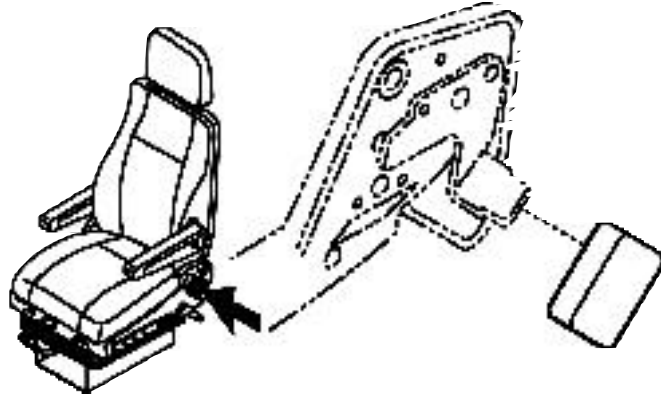
- Vehicle must be in a safe parked position or seat removed from vehicle.

### Removal

- Pull handle off

### Installation

- Push handle on



## Tilt handle

### Set up

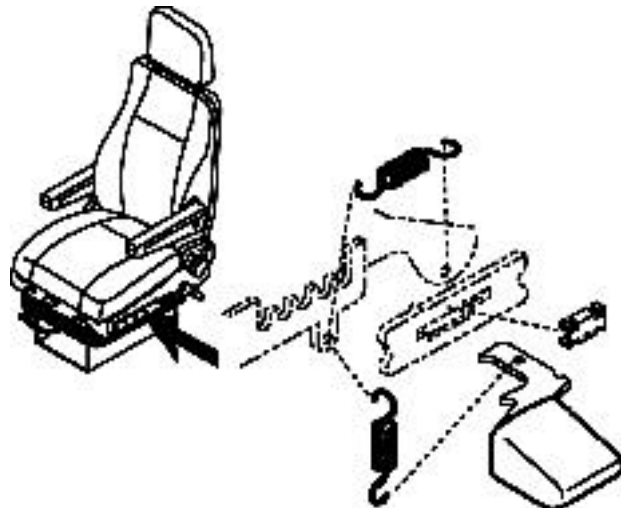
- Vehicle must be in a safe parked position or seat removed from vehicle.

### Removal

- Remove springs
- Pull handle and lever out
- Remove retainer

### Installation

- Put lever in place
- Install retainer, be sure it snaps in place
- Install springs
- Install handle



# REMOVAL and INSTALLATION

MODEL 6800/338 BUS  
MODEL 6800/338 PREMIUM LX

## Air spring

### Set up

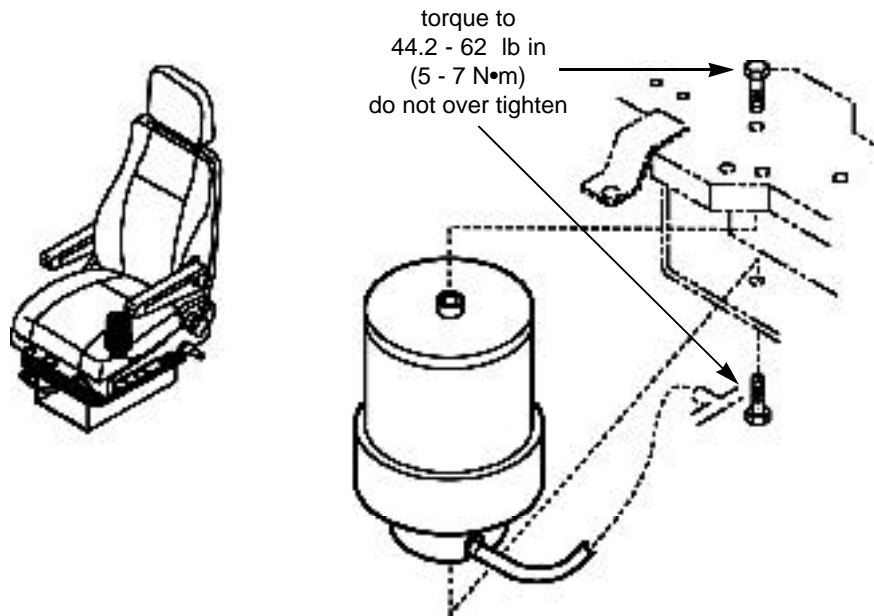
- Seat must be removed from vehicle
- Seat cushion must be removed from seat (see **Cushion seat pan**)

### Removal

- Mark and disconnect air line
- Remove top and bottom mounting fasteners
- Remove air spring

### Installation

- Put air spring in place
- Install top and bottom mounting fasteners
- Connect air line



## Boot, Boot adapter plate ICP bar, and tethers

### Set up

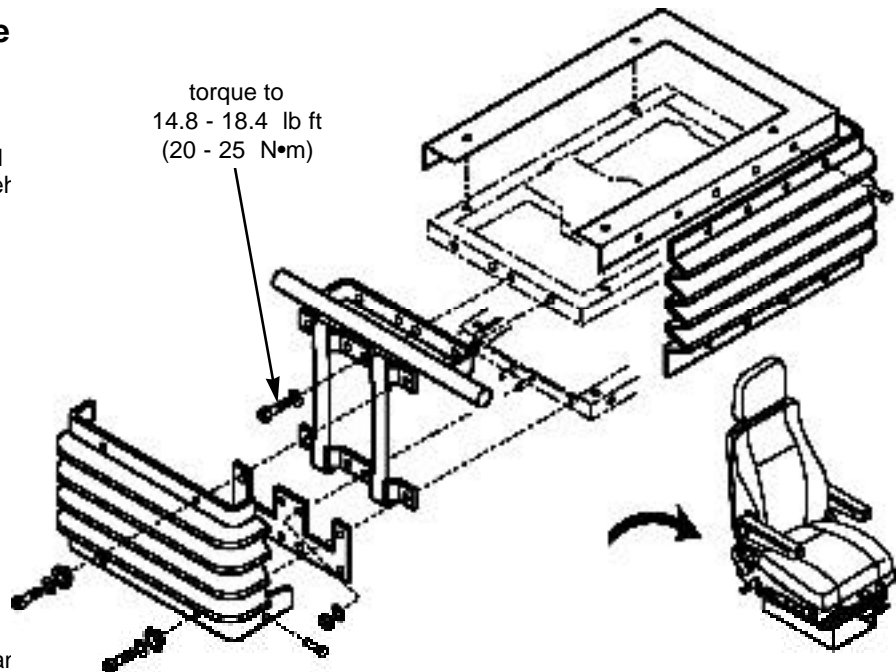
- Vehicle must be in a safe parked position or seat removed from vehicle
- Horizontal adjustment must be removed (see **Horizontal adjustment**)

### Removal

- Remove belts from ICP bar
- Remove boot fasteners, remove boot, and boot adapter plate
- Remove fasteners, tether plate, tether brackets, tethers, and ICP bar

### Installation

- Install fasteners, tether plate, tether brackets, tethers, and ICP bar
- Install boot adapter plate, boot, and fasteners
- Install belts to ICP bar



## Adjustable shock absorber handle and cable (handle end)

### Set up

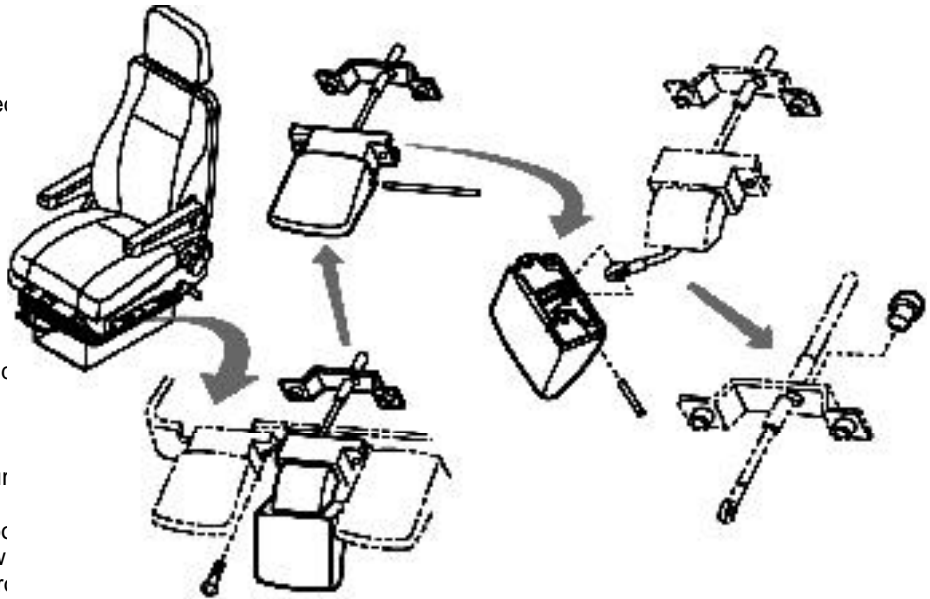
- Seat cushion must be removed from seat (see **Cushion seat pan**)

### Removal

- Remove fasteners and move control, bracket, and cable up away from seat frame
- Remove control handle pin and control handle
- Remove cable pin and cable
- Remove plug from bracket and remove cable

### Installation

- Put cable in bracket and secure plug
- Route cable through control bracket and fasten to control handle with pin
- Fasten control handle to control bracket with pin
- Fasten control and bracket to frame with screws



## Adjustable shock absorber and cable (shock absorber end)

### Set up

- Vehicle must be in a safe parked position or seat removed from vehicle
- Seat cushion must be removed from seat (see **Cushion seat pan**)

### Removal

#### Adjustable shock absorber

- Remove retaining rings
- Remove shock absorber

#### Adjustable shock absorber cable

- Remove retaining ring
- Remove cable

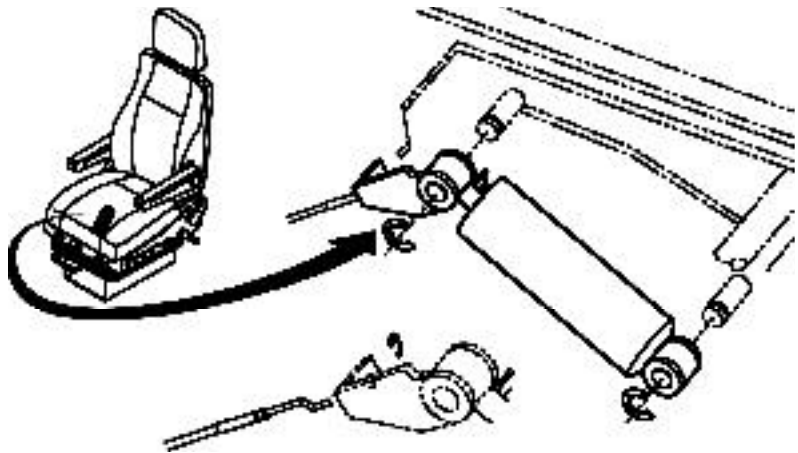
### Installation

#### Adjustable shock absorber cable

- Put cable in place
- Install retaining ring

#### Adjustable shock absorber

- Put shock absorber in place
- Install retaining rings



# REMOVAL and INSTALLATION

MODEL 6800/338 BUS  
MODEL 6800/338 PREMIUM LX

## Distribution valve

### Set up

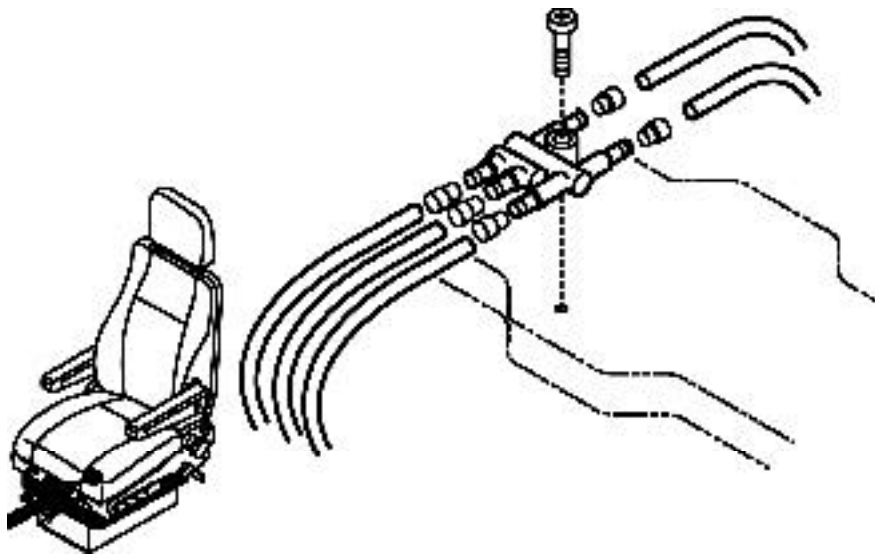
- Seat cushion must be removed from seat (see **Cushion seat pan**)

### Removal

- Mark and remove air lines from valve
- Remove valve fastener and remove valve

### Installation

- Fasten valve to frame with screw
- Connect air lines



## Headrest

### Set up

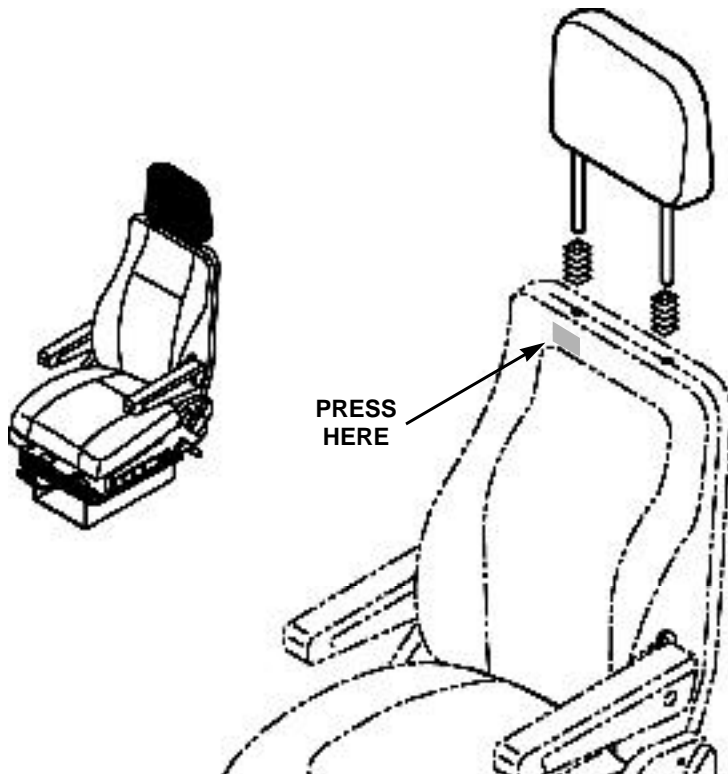
- Vehicle must be in a safe parked position or seat removed from vehicle

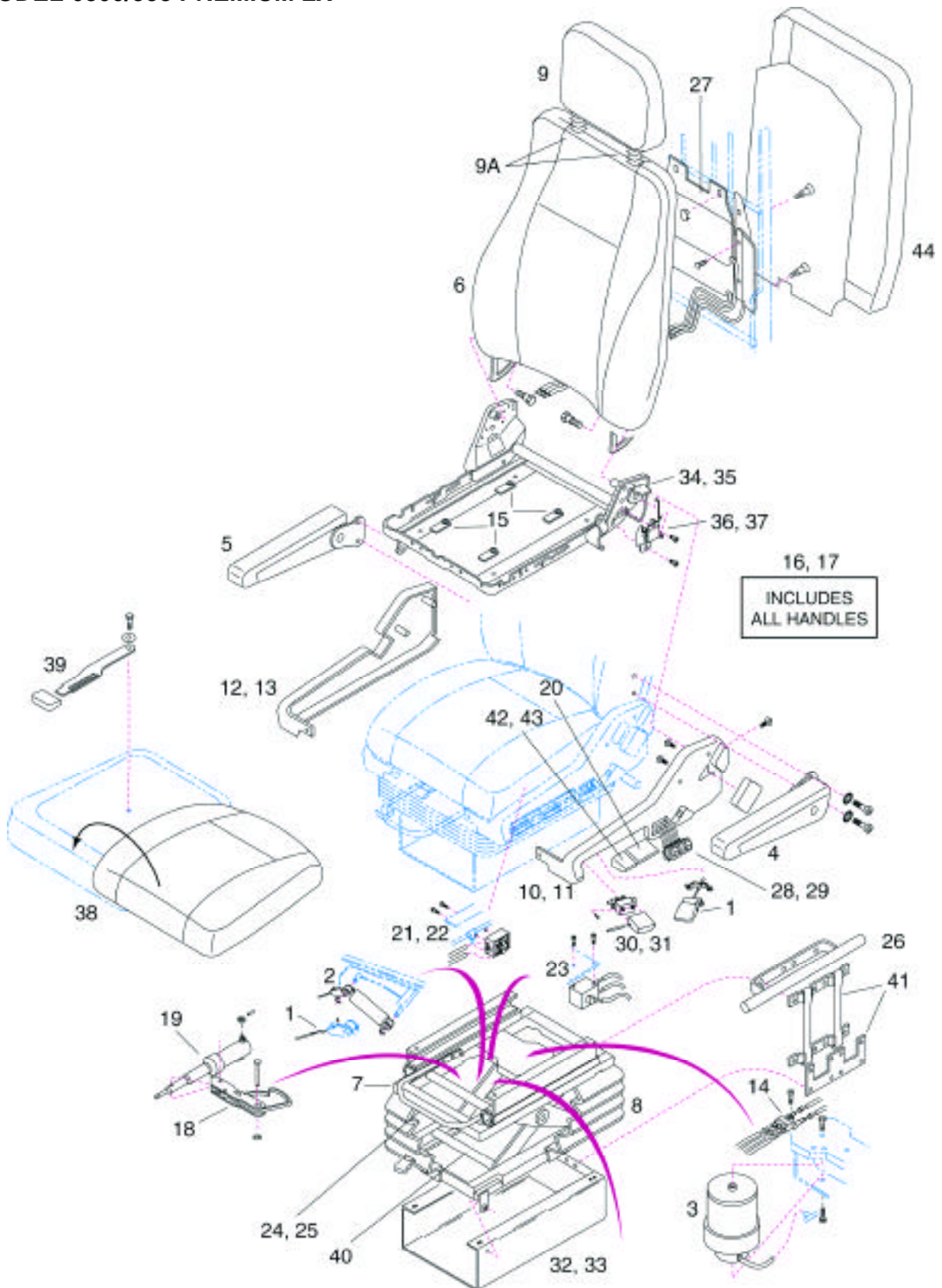
### Removal

- Pull headrest to upper locking position
- Press foam, as shown, to release locking clip from detent on headrest and pull up

### Installation

- Guide headrest bars into position
- Press down to engage locking clip





# REMOVAL and INSTALLATION

MODEL 6800/338 BUS  
MODEL 6800/338 PREMIUM LX

| item | part number | description   |
|------|-------------|---|
| 1    | 910353-09   | ADJUSTABLE SHOCK ABSORBER CABLE KIT                 |
| 2    | 98889-06    | ADJUSTABLE SHOCK ABSORBER KIT                       |
| 3    | 98872-15    | AIR SPRING KIT                                      |
| 4    | 924473-32   | ARMREST KIT - LH                                    |
| 5    | 924474-32   | ARMREST KIT - RH                                    |
| 6    | 03003-00    | BACKRESTASSEMBLY - NUDE                             |
| 7    | 111776P02   | BOOTADAPTER PLATE                                   |
| 8    | 926513-01   | BOOT KIT  |
| 9    | 110922-00   | HEADRESTASSEMBLY - NUDE                             |
| 9A   | 47541       | HEADREST BOOT (2 PCS)                               |
| 10   | 920260-04   | COVER KIT CONTROL - LH                              |
| 10   | 927399-01   | COVER KIT CONTROL - LH (W/O LOGO)                   |
| 11   | 920263-04   | COVER KIT CONTROL - RH                              |
| 11   | 927398-01   | COVER KIT CONTROL - RH (W/O LOGO)                   |
| 12   | 920262-01   | COVER KIT NON-CONTROL - LH                          |
| 12   | 927397-01   | COVER KIT NON-CONTROL - LH (BELT TO FRAME W/ LOGO)  |
| 12   | 927397-02   | COVER KIT NON-CONTROL - LH (BELT TO FRAME W/O LOGO) |
| 13   | 920261-01   | COVER KIT NON-CONTROL - RH                          |
| 13   | 927396-01   | COVER KIT NON-CONTROL - RH (BELT TO FRAME W/ LOGO)  |
| 13   | 927396-02   | COVER KIT NON-CONTROL - RH (BELT TO FRAME W/O LOGO) |
| 14   | 915105-03   | DISTRIBUTION VALVE KIT                              |
| 15   | 914516-04   | GLIDE KIT - SEAT PAN                                |
| 16   | 920264-03   | HANDLE KIT - SEAT FRAME - LH                        |
| 17   | 920264-04   | HANDLE KIT - SEAT FRAME - RH                        |
| 18   | 33487       | HEIGHTADJUSTMENT CAM KIT                            |
| 19   | 95486-03    | HEIGHTADJUSTMENT CYLINDER KIT                       |
| 20   | 920266-05   | HEIGHTADJUSTMENT HANDLE KIT - LH                    |
| 20   | 920266-06   | HEIGHTADJUSTMENT HANDLE KIT - RH                    |
| 21   | 98976-07    | HEIGHTADJUSTMENT VALVE KIT - LH                     |
| 22   | 98875-07    | HEIGHTADJUSTMENT VALVE KIT - RH                     |
| 23   | 98873       | HEIGHTADJUSTMENT VALVE KIT - SUSPENSION             |
| 24   | 24569F      | HORIZONTALADJUSTMENT SLIDE HANDLE                   |
| 25   | 18755-02    | HORIZONTALADJUSTMENT SLIDE SET                      |
| 26   | 111973P02   | ICP BAR - TRUCK (NOT USED W/ BELT TO FRAME)         |
| 26   | 111895P01   | ICP BAR - BUS (FOR BELT TO ICP BAR ONLY)            |
| 27   | 920272-01   | LUMBAR/BOLSTER KIT                                  |
| 28   | 36571-01    | LUMBAR/BOLSTER VALVE - LH                           |
| 29   | 36572-01    | LUMBAR/BOLSTER VALVE - RH                           |
| 30   | 914514-24   | QUICK AIR RELEASE VALVE AND HANDLE KIT - LH         |
| 31   | 914514-25   | QUICK AIR RELEASE VALVE AND HANDLE KIT - RH         |
| 32   | 03007P      | RISER - 127 MM (MCI 'D-SERIES' COACH)               |
| 33   | 03463P      | RISER - 127 MM (STD, NEOPLAN, ORION VI, NEW FLYER)  |
| 33   | 03013P      | RISER - 156 MM (MCI 'E-SERIES' COACH)               |
| 33   | 03468       | RISER KIT - 76 MM (PREVOST COACH)                   |
| 33   | 111779P03   | RISER - 127 MM (KW O W900 & T2000, MACK, NAVISTAR)  |
| 33   | 112256P02   | RISER - 110 MM (PB - 379)                           |
| 34   | 03307-01    | SEAT FRAME - LH                                     |
| 35   | 03308-01    | SEAT FRAME - RH                                     |
| 36   | 914500-23   | SEAT FRAME TOOTH PLATE KIT - LH                     |
| 37   | 914500-24   | SEAT FRAME TOOTH PLATE KIT - RH                     |
| 38   | 03002-00    | SEAT PAN ASSEMBLY - NUDE                            |
| 39   | 921845-02   | SEAT PAN ASSEMBLY LEVER AND HANDLE KIT              |
| 40   | 111833-01   | SUSPENSION  |
| 41   | 924464-01   | TETHER AND TETHER PLATE KIT                         |
| 42   | 920267-05   | TILT HANDLE KIT - LH                                |
| 43   | 920267-06   | TILT HANDLE KIT - RH                                |
| 44   | 01955-03    | BACKREST PANEL (BUS ONLY)                           |





**SERVICE PARTS LIST**

Customer Name:      Prevost Car    ISRI Model:                      6801/525  
 ISRI P/N:                      86506-00    Customer P/N:                      860912

Seat Specification: LH controls, 16 degree restriction, Air lumbar/Manual valve (IPS5), Adjustable shock, Armrest-padded, Long air supply hose

Property / User / Application:              Prevost Car motor coach

| <b>ILLUS NO.</b> | <b>DESCRIPTION</b>       | <b>ISRI P/N</b> | <b>CUSTOMER P/N</b> |
|------------------|--------------------------|-----------------|---------------------|
| A                | Headrest Kit             | -----           |                     |
| B                | Armrest Kit              | -----           |                     |
| C-024            | Backrest Asm             | 17518-00        | 860739              |
| D-008            | Seat Pan Asm             | 14663-04        | 860742              |
| E-059            | Seat Frame Asm           | 02371-02        | 861099              |
| F-016            | Static Spacer            | 18191P          | 861083              |
| G                | Swivel Asm               | -----           |                     |
| H                | Isolator Asm             | -----           |                     |
| J-006            | Slide Set                | 17491           | 860758              |
| K-019            | Suspension Asm           | 17259-01        |                     |
| L-004            | ICP Bar                  | 23914P          |                     |
| M-001            | Boot Kit                 | 92625-01        | 860523              |
| N                | Riser                    | -----           |                     |
| P                | Seat Belt Kit            | -----           |                     |
|                  |                          |                 |                     |
|                  | <b>Assembly Hardware</b> |                 |                     |
|                  | Bolt-Hex Hd (Backrest)   | 60199           |                     |
|                  | Screw (Seat Pan)         | 60560           |                     |
|                  | Nut-Hex-Nylon Lock-M8    | 60016           |                     |
|                  | Bolt-Soc Hd-M8 x 16      | 60185           |                     |
|                  | Bolt-Soc Hd-M8 x 20      | 60172           |                     |
|                  | Spacer                   | 40432B          |                     |
|                  | Washer-Lock-A8.2         | 60400           |                     |
|                  | Bolt-Hex Hd-M8 x 25      | 60055           |                     |
|                  | Nut-Hex-Crimp Lock-M8    | 60008           |                     |
| L-004            | Cover Plate – ICP Bar    | 34824D          |                     |
|                  |                          |                 |                     |

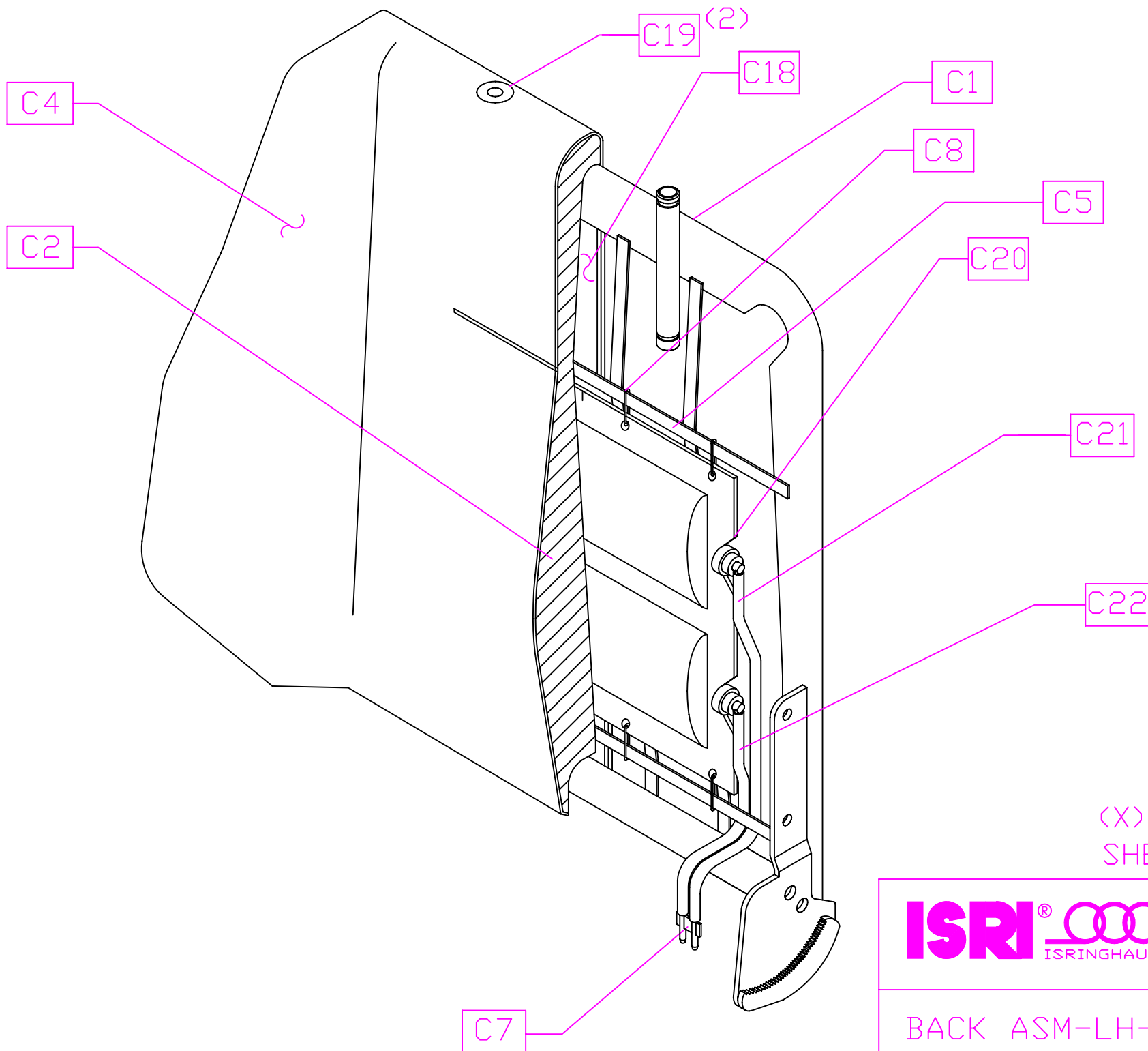


**SERVICE PARTS LIST**

ISRI P/N: 17518-00 Description: Backrest–517-LH-AL  
 ISRI Illus. No.: C-024  
 Customer: Prevost Car Customer P/N: 860739  
  
 Specification: LH controls, Air lumbar, Poly foam

| ILLUS NO. | DESCRIPTION                | ISRI P/N | CUSTOMER P/N |
|-----------|----------------------------|----------|--------------|
| C1        | Backrest Frame             | 17734D01 | 860740       |
| C2        | Backrest Foam              | 00849    | 864741       |
| C3        | Kit – Air Lumbar Bag       | 95622-01 | 860494       |
| C4        | Uph – Backrest             | -----    |              |
| C5        | Uph Rod – Long             | See C27  |              |
| C7        | Fitting                    | * 47278  |              |
| C8        | Clip – Lumbar Bag Attach   | See C3   |              |
| C18       | Filler Foam – Back         | 13797    |              |
| C20       | Air Lumbar Bag             | See C24  |              |
| C21       | Hose – Upper               | See C24  |              |
| C22       | Hose – Lower               | See C24  |              |
| C23       | Sew Strip                  | See C25  |              |
| C24       | Air Lumbar Bag Asm         | See C3   |              |
| C25       | Uph Hdw Kit – Back – Nude  | 914413   |              |
| C27       | Uph Hdw Kit – Back – Retro | -----    |              |
| C42       | Hog Ring                   | See C25  |              |
| C47       | Rub Strip                  | See C49  |              |
| C48       | Screw (Rub Strip)          | See C49  |              |
| C49       | Rub Strip Kit              | 914439   |              |
|           |                            |          |              |
|           |                            |          |              |
|           |                            |          |              |
|           |                            |          |              |
|           |                            |          |              |
|           |                            |          |              |
|           |                            |          |              |
|           |                            |          |              |
|           |                            |          |              |
|           |                            |          |              |
|           |                            |          |              |
|           |                            |          |              |
|           |                            |          |              |
|           |                            |          |              |
|           |                            |          |              |
|           |                            |          |              |

\* PART OF KIT



(X) = QUANTITY  
SHEET 1 OF 2

**ISRI**®   
ISRINGHAUSEN

05/92  
(REV 5/22/01)

BACK ASM-LH-AL

C-024

| KIT # | P/N | ITEM NO. IN KIT   | ITEM                   |
|-------|-----|-------------------|------------------------|
| 1     | C3  | C8, C24           | AIR LUMBAR BAG – KIT   |
| 2     | C24 | C7, C20, C21, C22 | AIR LUMBAR BAG – ASM   |
| 3     | C25 | C5, C18, C23      | UPH HDW KIT–BACK–NUDE  |
| 4     | C27 | C5, C18           | UPH HDW KIT–BACK–RETRO |

SHEET 2 OF 2

|  |                        |
|--|------------------------|
| <br><b>ISRI</b> <sup>®</sup> ISRINGHAUSEN | 05/92<br>(REV 5/22/01) |
|  | KIT DESCRIPTION        |

C-024

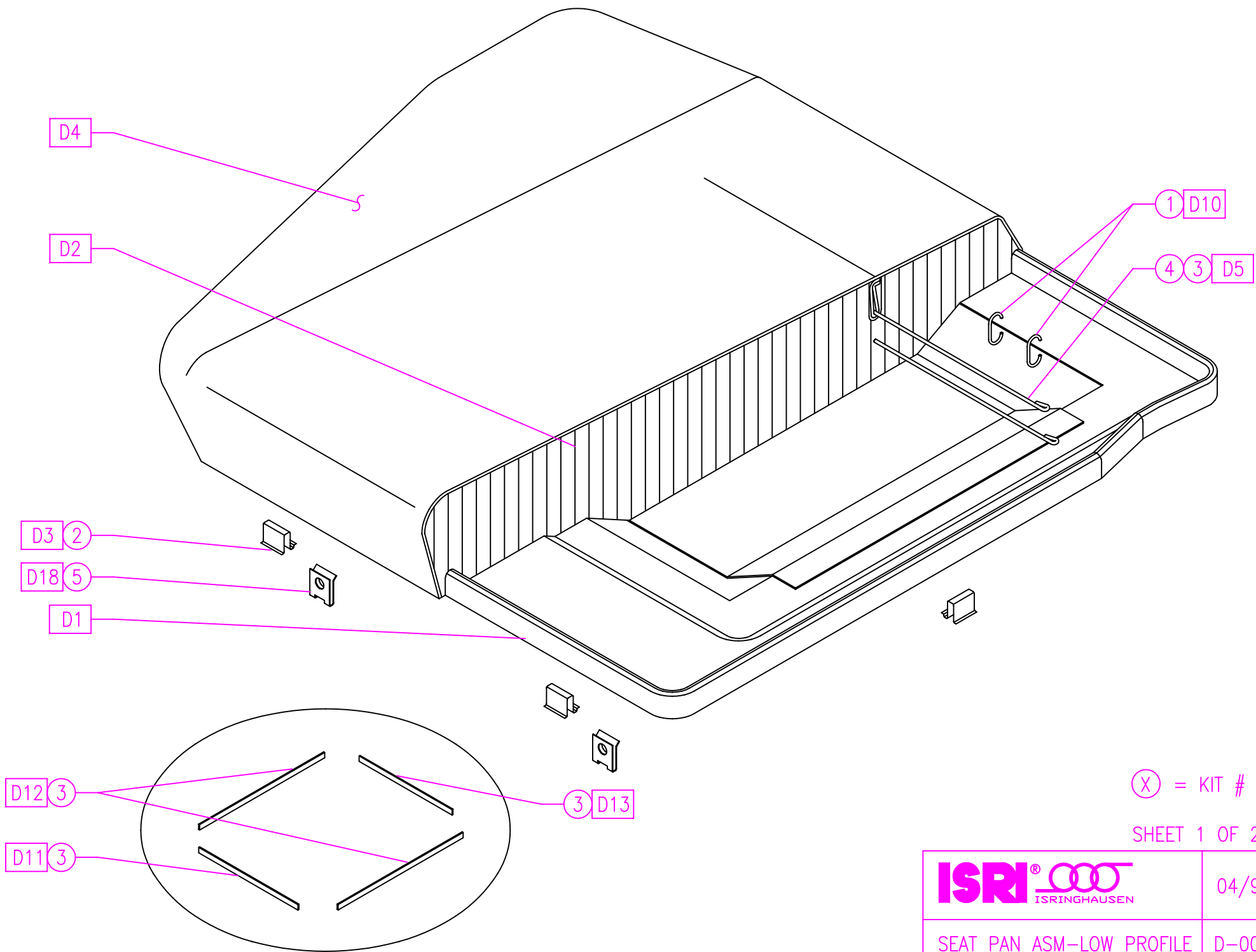


## SERVICE PARTS LIST

ISRI P/N:           14663-04                      Description:           Seat Pan-515  
 ISRI Illus. No.:   D-008  
 Customer:           Prevost Car                   Customer P/N:        860742  
  
 Specification:      Poly foam, w/o upholstery

| ILLUS NO. | DESCRIPTION               | ISRI P/N | CUSTOMER P/N |
|-----------|---------------------------|----------|--------------|
| D1        | Seat Pan                  | 17832P   | 860743       |
| D2        | Seat Foam                 | 00425    | 860744       |
| D3        | Uph Clip                  | See D15  |              |
| D5        | Uph Rod – Long            | See D16  |              |
| D10       | Hog Ring                  | See D16  |              |
| D11       | Sew Strip – Front         | See D16  |              |
| D12       | Sew Strip – Side          | See D16  |              |
| D13       | Sew Strip – Rear          | See D16  |              |
| D14       | Hog Ring Kit              | * 912040 |              |
| D15       | Uph Clip Kit              | * 912039 |              |
| D16       | Uph Hdw Kit – Seat – Nude | 96728    | 861104       |
| D18       | Nut – Clip                | See D19  |              |
| D19       | Hdw Kit – Nut Clip        | 914257   |              |
|           |                           |          |              |
|           |                           |          |              |
|           |                           |          |              |
|           |                           |          |              |
|           |                           |          |              |
|           |                           |          |              |
|           |                           |          |              |
|           |                           |          |              |
|           |                           |          |              |
|           |                           |          |              |
|           |                           |          |              |
|           |                           |          |              |
|           |                           |          |              |
|           |                           |          |              |
|           |                           |          |              |
|           |                           |          |              |
|           |                           |          |              |
|           |                           |          |              |
|           |                           |          |              |
|           |                           |          |              |

**\* PART OF KIT**



⊗ = KIT #

SHEET 1 OF 2

|  |       |
|--|-------|
| <b>ISRI</b> <sup>®</sup> <br>ISRINGHAUSEN | 04/91 |
| SEAT PAN ASM—LOW PROFILE   | D-008 |

| KIT # | P/N | ITEM NO. IN KIT        | ITEM                |
|-------|-----|------------------------|---------------------|
| 1     | D14 | D10                    | HOG RING KIT        |
| 2     | D15 | D3                     | UPH CLIP KIT        |
| 3     | D16 | D5,D11,D12,D13,D14,D15 | UPH HDW KIT – NUDE  |
| 4     | D17 | D5, D14, D15           | UPH HDW KIT – RETRO |
| 5     | D19 | D18                    | SEAT PAN CLIP KIT   |

SHEET 2 OF 2

|   |       |
|---|-------|
|  | 04/91 |
|   | D-008 |



## SERVICE PARTS LIST

ISRI P/N: 02371-02 Description: Seat Frame-515-LH-AL/MV(RH)  
 ISRI Illus. No.: E-059  
 Customer: Prevost Car Customer P/N: 861099

Specification: LH controls, double swivel bolt, controls – black w/symbol,  
 Air lumbar/Manual valve-RH (IPS 5)

| ILLUS NO. | DESCRIPTION                | ISRI P/N     | CUSTOMER P/N |
|-----------|----------------------------|--------------|--------------|
| E1        | Side Plate Kit             | 95733-03     | 860487       |
| E3        | Valve Kit – Air Lumbar/MV  | 917471-04    | 861096       |
| E4        | Valve Asm – Air Lumbar/MV  | * 35270-01   |              |
| E5        | Torsion Bar Kit            | 95739-01     | 861091       |
| E7        | Spring Kit – Height/Slope  | 95619-04     | 860755       |
| E8        | Bushing Kit – Height/Slope | 95773-01     | 860753       |
| E9        | Bushing / Hdw Kit – H/S    | 95847-01     | 860754       |
| E13       | Tooth Plate Kit            | 914209-05    |              |
| E14       | Swivel Bolt / Clip Kit     | 914204-02    | 860757       |
| E50       | Cover – Seat Frame – Rear  | See E1       |              |
| E51       | Hose–Lumbar Upper-Rubber   | See E4       |              |
| E52       | Cover – Side Plate – RH    | See E1       |              |
| E54       | Handle – H/S – Front       | * 47270-02   |              |
| E55       | Cap – Side Plate           | See E1       |              |
| E56       | Handle – Backrest          | * 43537-02   |              |
| E57       | Cover – Side Plate – LH    | See E1       |              |
| E58       | Hose-Lumbar Supply-PU3     | See E4       |              |
| E59       | Cap – Torsion Bar          | See E5       |              |
| E60       | Bar – Torsion              | See E5       |              |
| E61       | Lock – Torsion Bar         | See E5       |              |
| E62       | Pad – Felt                 | * 42258      |              |
| E63       | Seat Frame w/o Covers      | 917673D      |              |
| E65       | Screw – Hose Guide         | See E3       |              |
| E66       | Hose Guide                 | See E3       |              |
| E67       | Hose-Lumbar Lower-Rubber   | See E4       |              |
| E70       | Nut – Tee                  | See E3       |              |
| E73       | Bushing                    | See E8 or E9 |              |
| E74       | Link-Pivot-H/S-Opp Control | See E63      |              |
| E75       | Ring – Retaining           | See E14      |              |
| E76       | Bolt – Swivel              | See E14      |              |

**\* PART OF KIT**





## SERVICE PARTS LIST

ISRI P/N: 02371-02 Description: Seat Frame-515-LH-AL/MV(RH)  
 ISRI Illus. No.: E-059  
 Customer: Prevost Car Customer P/N: 861099

Specification: LH controls, double swivel bolt, controls – black w/symbol,  
 Air lumbar/Manual valve-RH (IPS 5)

| ILLUS NO. | DESCRIPTION                 | ISRI P/N     | CUSTOMER P/N |
|-----------|-----------------------------|--------------|--------------|
| E77       | Bolt – Shoulder – M8        | See E9       |              |
| E78       | Bushing                     | See E8 or E9 |              |
| E79       | Link-Pivot-H/S-Control      | See E63      |              |
| E80       | Lever – Backrest Adjust     | 41509D       |              |
| E81       | Ring – Retaining            | See E1       |              |
| E82       | Spring – Tension – Backrest | 41552D       | 860751       |
| E83       | Plate – Latch – H/S – Rear  | 35865J       |              |
| E84       | Pin – Pivot – Latch         | 40647N       |              |
| E85       | Ring – Retaining            | 60020        |              |
| E86       | Guide – H/S                 | 42962        |              |
| E88       | Spring – Tension            | See E7       |              |
| E89       | Lever – H/S – Front         | 43012D       | 860588       |
| E90       | Spring – Tension            | See E7       |              |
| E91       | Spring – Tension            | See E7       |              |
| E92       | Plate – Latch – H/S – Front | 47275D       | 860756       |
| E93       | Ring – Retaining            | 60020        |              |
| E94       | Nut – Hex – Crimp Lock – M8 | See E9       |              |
| E95       | Linkage – H/S – Rear – DS   | See E63      |              |
| E96       | Ring – Retaining            | 60047        |              |
| E97       | Link                        | See E63      |              |
| E98       | Plate – Tooth – Seat Frame  | See E13      |              |
| E99       | Ring – Retaining            | See E13      |              |
| E100      | Ring – Retaining            | 60020        |              |
| E102      | Bushing                     | See E8       |              |
| E103      | Ring – Retaining            | 60020        |              |
| E104      | Clip – U                    | 60186        |              |
| E105      | Linkage – H/S – Front – DS  | See E63      |              |
| E138      | Hose-PU3 (MV/Air Spring)    | See E3       |              |
| E139      | Housing – AL/MV             | * 24111-02   |              |
| E140      | Screw-Mtg-AL/MV Housing     | See E3       |              |
| E141      | Cover – Rocker – AL – Lower | * 45480-24   | 861094       |

**\* PART OF KIT**



**SERVICE PARTS LIST**

ISRI P/N: 02371-02 Description: Seat Frame-515-LH-AL/MV(RH)

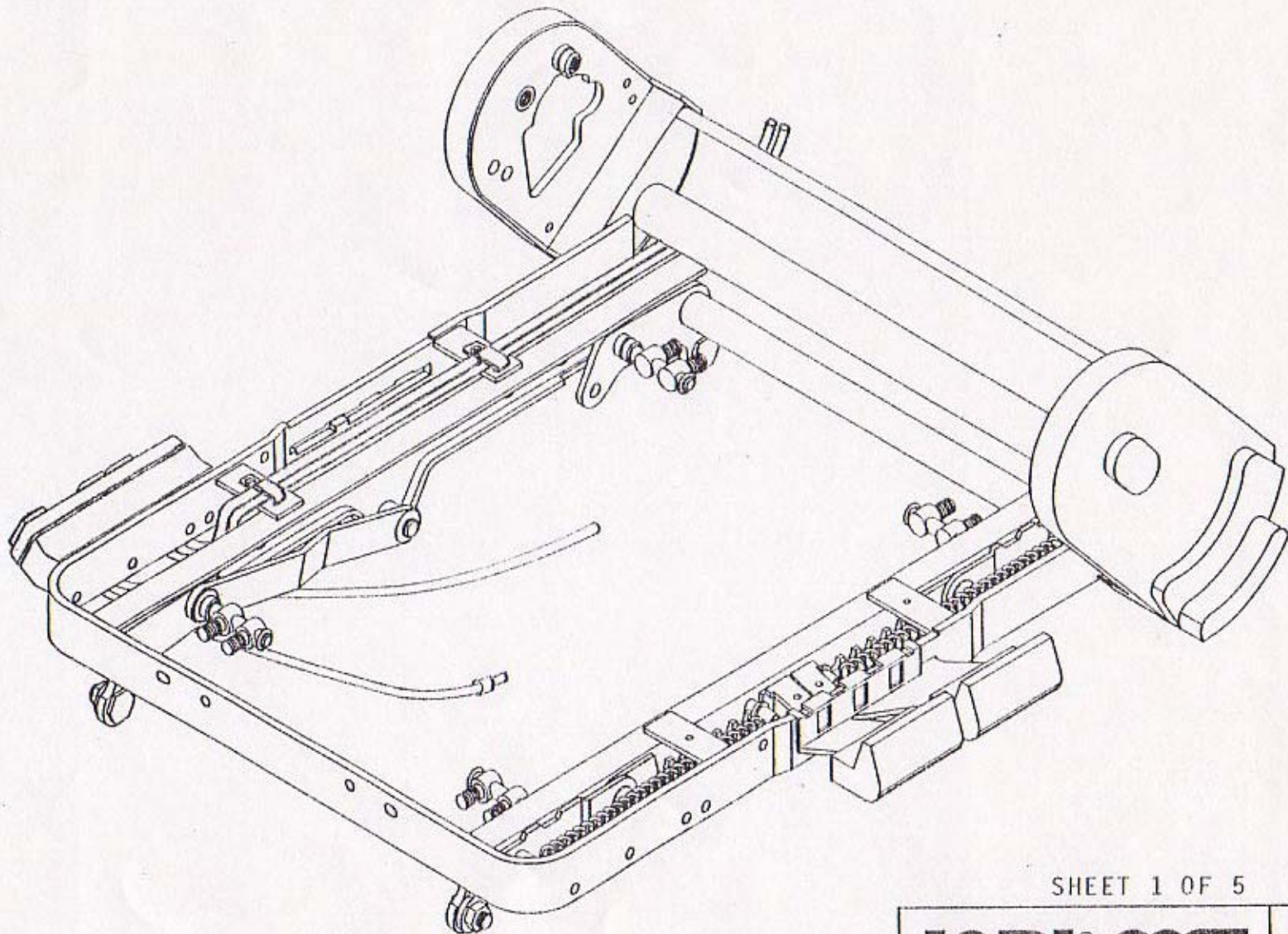
ISRI Illus. No.: E-059

Customer: Prevost Car Customer P/N: 861099

Specification: LH controls, double swivel bolt, controls – black w/symbol,  
Air lumbar/Manual valve-RH (IPS 5)

| <b>ILLUS NO.</b> | <b>DESCRIPTION</b>          | <b>ISRI P/N</b> | <b>CUSTOMER P/N</b> |
|------------------|-----------------------------|-----------------|---------------------|
| E142             | Washer – Flat – A8.4        | See E3          |                     |
| E143             | Sleeve – Push On – PU4      | * 46097-02      |                     |
| E144             | Sleeve – Push On – PU3      | * 44713-02      |                     |
| E145             | Ring – Retaining            | 60045           |                     |
| E147             | Hose-PU3 (AL Supply)        | See E3          |                     |
| E149             | Valve – AL/MV (IPS5)        | See E4          |                     |
| E150             | Cover – Rocker – AL – Upper | * 45480-23      | 861093              |
| E152             | Cover – Rocker – MV (+/-)   | * 46680-02      | 861097              |
| E156             | Plastic Tie                 | See E3          |                     |
| E179             | Connector - “Y” - PU4       | * 44712         |                     |
| E181             | Connector–Inline–PU4/PU3    | * 44436         |                     |
| E182             | Connector-Inline-PU3/PU3    | * 46708         |                     |
| E183             | Hose-PU4 (Y/Valve Supply)   | See E3          |                     |
| E184             | Hose-PU4 (Supply/Y)         | See E3          |                     |
| E185             | Tag – “P” (Supply Hose)     | See E3          |                     |
|                  |                             |                 |                     |
|                  |                             |                 |                     |
|                  |                             |                 |                     |
|                  |                             |                 |                     |
|                  |                             |                 |                     |
|                  |                             |                 |                     |
|                  |                             |                 |                     |
|                  |                             |                 |                     |
|                  |                             |                 |                     |
|                  |                             |                 |                     |
|                  |                             |                 |                     |
|                  |                             |                 |                     |
|                  |                             |                 |                     |
|                  |                             |                 |                     |
|                  |                             |                 |                     |
|                  |                             |                 |                     |
|                  |                             |                 |                     |
|                  |                             |                 |                     |
|                  |                             |                 |                     |
|                  |                             |                 |                     |
|                  |                             |                 |                     |
|                  |                             |                 |                     |
|                  |                             |                 |                     |

**\* PART OF KIT**



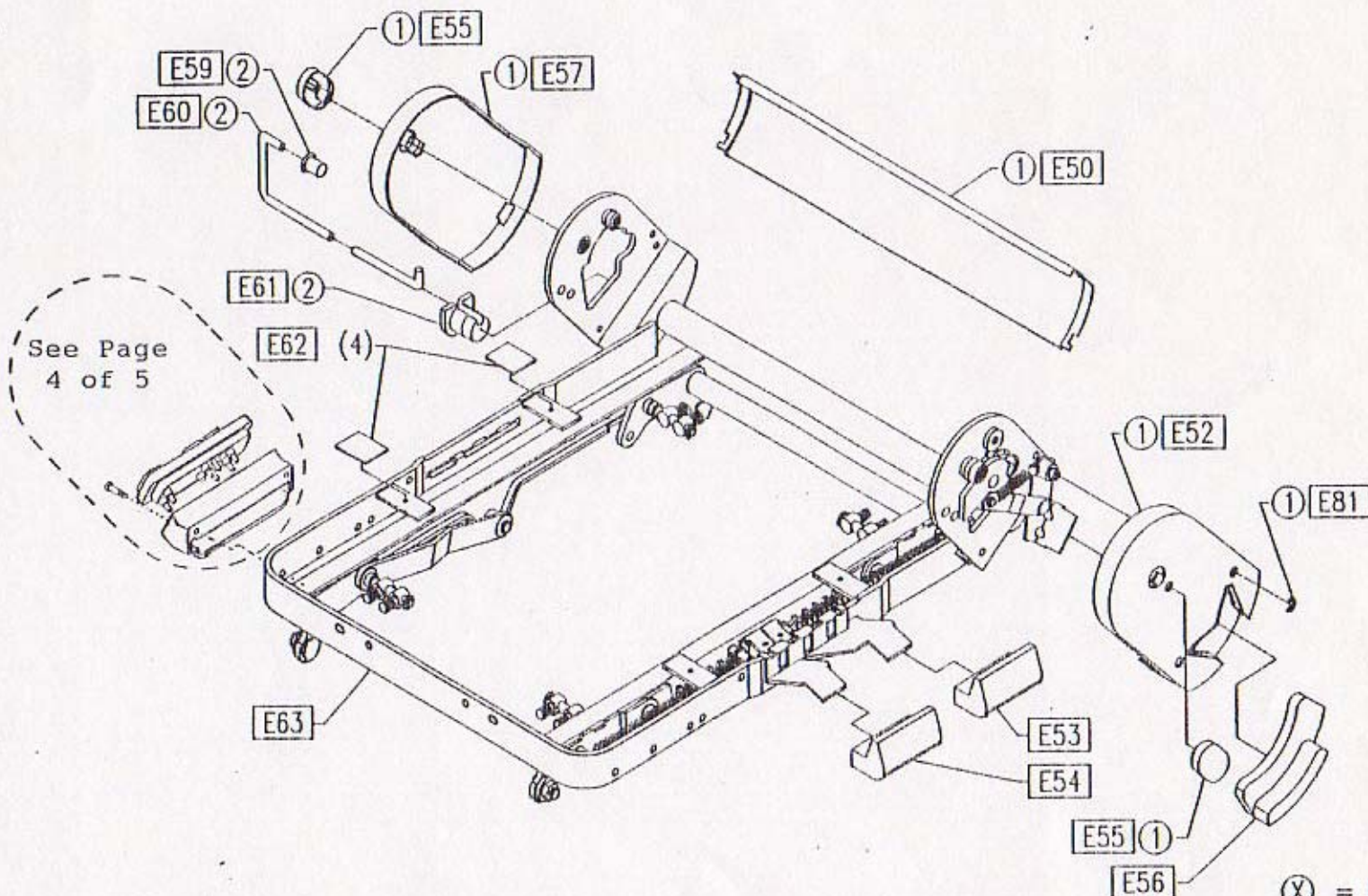
SHEET 1 OF 5

**ISRI**<sup>®</sup>   
ISRINGHAUSEN

12/95

SEAT FRAME-515-LH

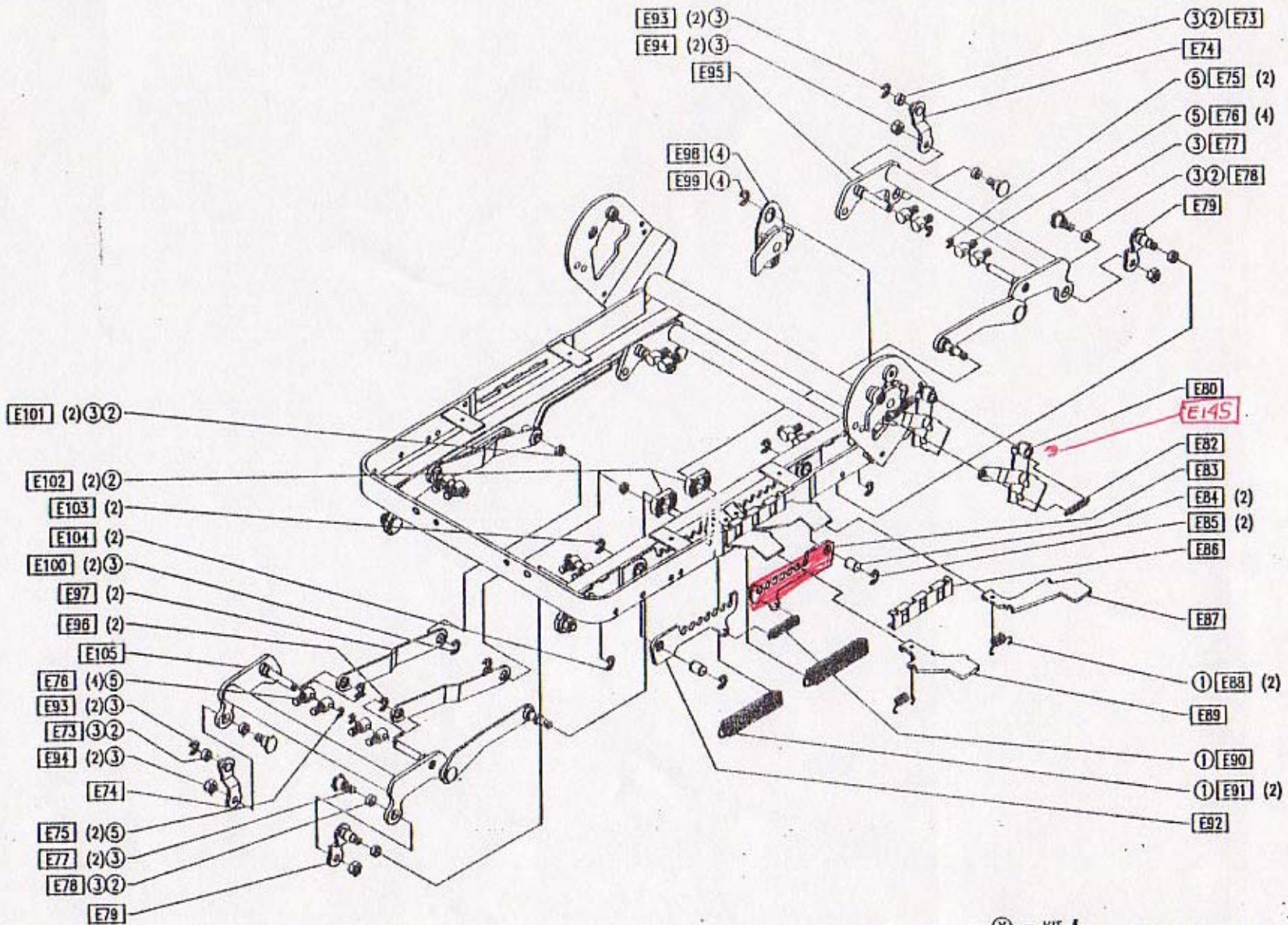
E-059



SHEET 2 OF 5

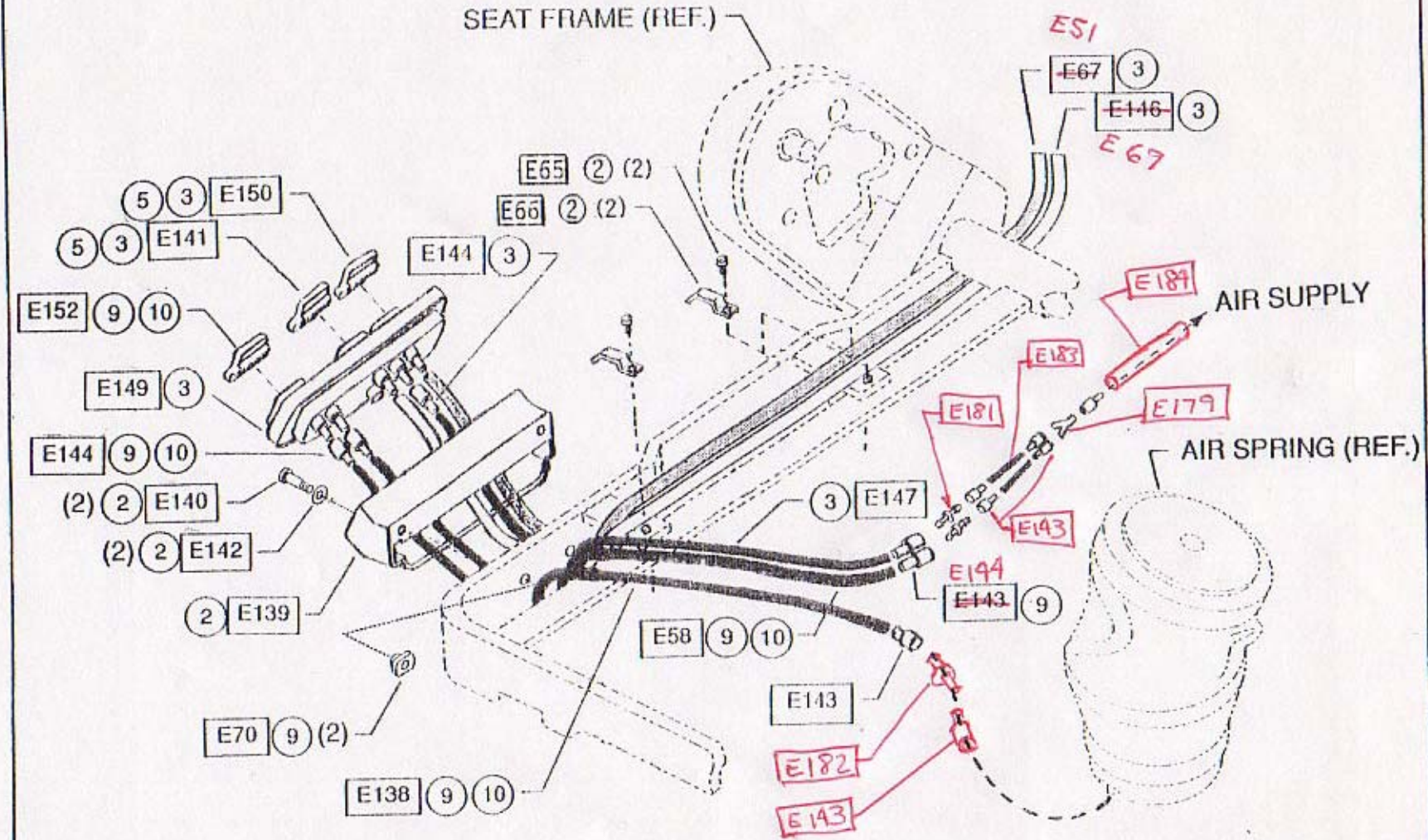
| KIT # | P/N | ITEM NO. IN KIT         | ITEM            |
|-------|-----|-------------------------|-----------------|
| 1     | E1  | E50, E52, E55, E57, E81 | SIDE PLATE KIT  |
| 2     | E5  | E59, E60, E61           | TORSION BAR KIT |

|   |       |
|---|-------|
| <b>ISRI</b><br><small>TSRIRIGHAUSEN</small> | 12/95 |
|   | E-059 |



⊗ = KIT /  
 (X) = QUANTITY SHEET 3 OF 5

SEAT FRAME (REF.)



SHEET 4 OF 5

**ISRI**®  **ISRINGHAUSEN**

12/95

○ = KIT #  
( ) = QUANTITY

SEAT FRAME-515-LH

E-059

| KIT # | P/N | ITEM NO. IN KIT                                 | ITEM                 |
|-------|-----|---|----------------------|
| 1     | E1  | E50, E52, E55, E57,<br>E81                      | SIDE PLATE KIT       |
| 2     | E3  | E4, E70, E139, E140,<br>E142, E143              | VALVE KIT-AL/MV      |
| 3     | E4  | E51, E67, E141, E144,<br>E146, E147, E149, E150 | VALVE ASM-AL/MV      |
| 4     | E5  | E59, E60, E61                                   | TORSION BAR KIT      |
| 5     | E6  | E54, E56, E141, E150,<br>E152                   | HANDLE KIT-SF-AL/MV  |
| 6     | E7  | E88, E90, E91                                   | SPRING KIT-H/S       |
| 7     | E8  | E73, E78, E102                                  | BUSHING KIT-H/S      |
| 8     | E9  | E73, E77, E78, E93,<br>E94, E100                | BUSHING/HDW KIT-H/S  |
| 9     | E13 | E98, E99  | TOOTHPLATE KIT       |
| 10    | E14 | E75, E76  | SWIVEL BOLT/CLIP KIT |

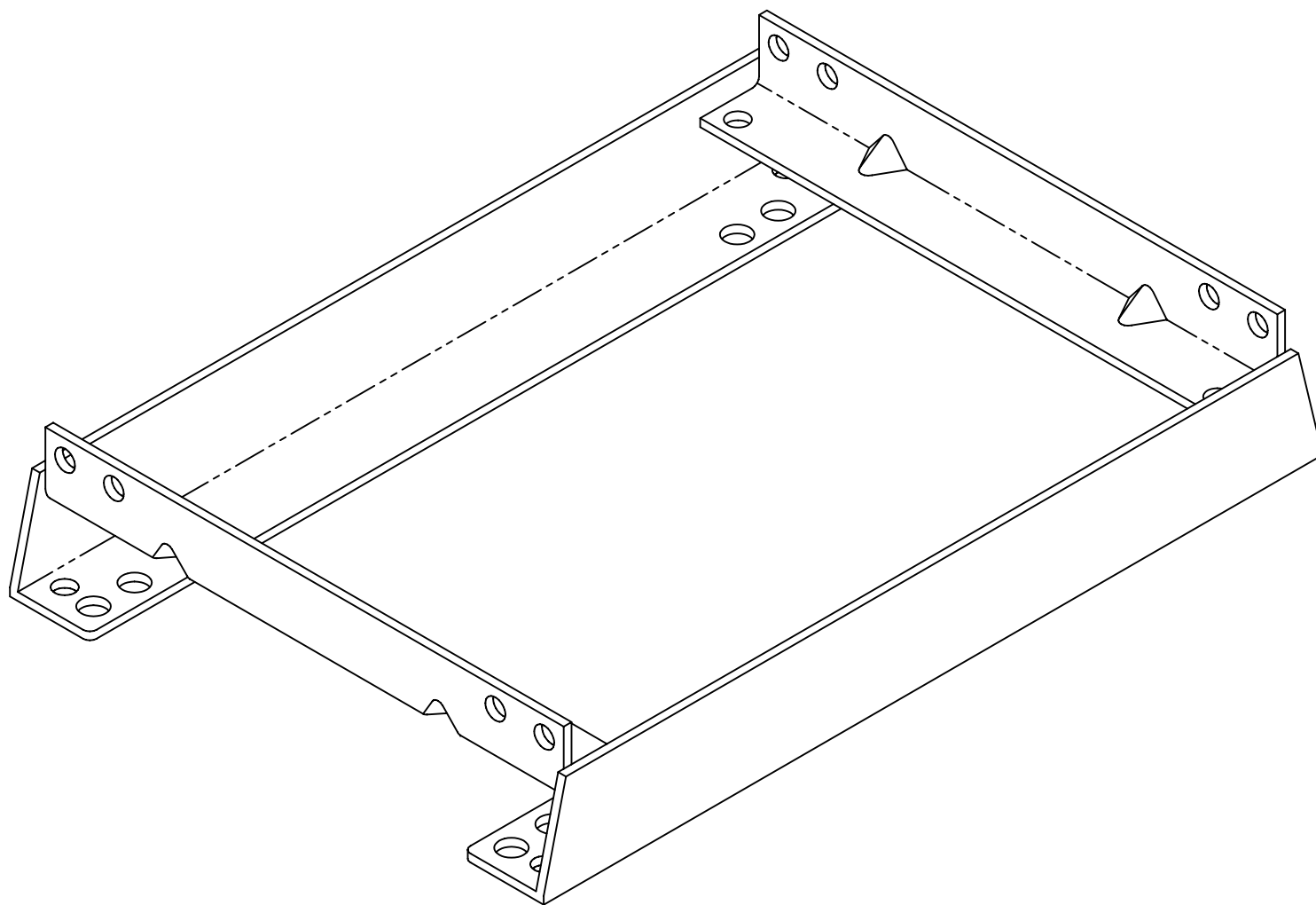
SHEET 5 OF 5

**ISRI**®   
ISRINGHAUSEN

12/95

KIT LIST

E-059



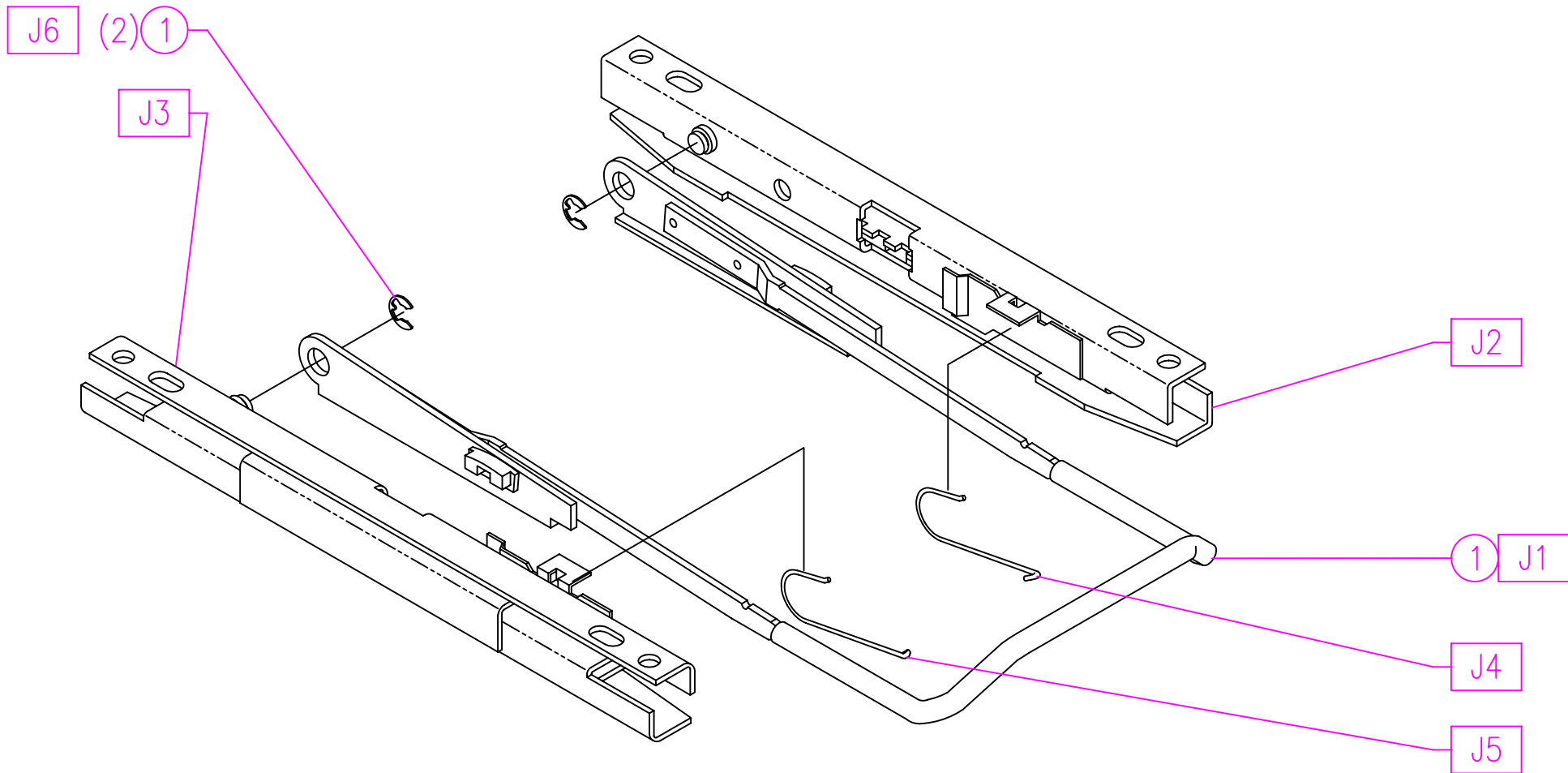




**SERVICE PARTS LIST**

ISRI P/N:                    17491                                    Description: Slide Set – “B” Style  
 ISRI Illus. No.:            J-006  
 Customer:                    Prevost Car                                    Customer P/N: 860758  
  
 Specification:                90/60 slide stroke, double locking, bar handle up

| <b>ILLUS NO.</b> | <b>DESCRIPTION</b>          | <b>ISRI P/N</b> | <b>CUSTOMER P/N</b> |
|------------------|-----------------------------|-----------------|---------------------|
| J1               | Handle – Slide              | See J8          |                     |
| J2               | Slide – Slave – LH          | 23908           |                     |
| J3               | Slide – Master – RH         | 23907           |                     |
| J4               | Spring – Handle Return – LH | 43284C          |                     |
| J5               | Spring – Handle Return – RH | 43283C          |                     |
| J6               | Ring – Retaining            | See J8          |                     |
| J8               | Handle/Clip Kit             | 914212-04       |                     |
|                  |                             |                 |                     |
|                  |                             |                 |                     |
|                  |                             |                 |                     |
|                  |                             |                 |                     |
|                  |                             |                 |                     |
|                  |                             |                 |                     |
|                  |                             |                 |                     |
|                  |                             |                 |                     |
|                  |                             |                 |                     |
|                  |                             |                 |                     |
|                  |                             |                 |                     |
|                  |                             |                 |                     |
|                  |                             |                 |                     |
|                  |                             |                 |                     |
|                  |                             |                 |                     |
|                  |                             |                 |                     |
|                  |                             |                 |                     |
|                  |                             |                 |                     |
|                  |                             |                 |                     |



**ISRI**®   
ISRINGHAUSEN

04/91

SLIDE SET

J-006

| KIT # | P/N | ITEM NO. IN KIT | ITEM       |
|-------|-----|-----------------|------------|
| 1     | J8  | J1, J6          | HANDLE KIT |



## SERVICE PARTS LIST

ISRI P/N: 17259-01 Description: Susp–Air  
 ISRI Illus. No.: K-019  
 Customer: Prevost Car Customer P/N:  
 Specification: Manual air, 100 mm stroke, Adjustable shock

| ILLUS NO. | DESCRIPTION                  | ISRI P/N     | CUSTOMER P/N |
|-----------|------------------------------|--------------|--------------|
| K2        | Suspension Hdw Kit           | 95477-03     | 860770       |
| K3        | Bumper / Bracket Asm         | See K12      |              |
| K5        | Shock Kit                    | 914410       | 860766       |
| K6        | Air Spring Kit               | 95474-02     |              |
| K12       | Bumper Kit                   | 913934-05    | 860769       |
| K19       | Shock Cable Kit              | 914411       | 860767       |
| K20       | Shock Handle Kit             | 914412-01    | 861105       |
|           |                              |              |              |
| K50       | Nut – Hex – M8               | See K12      |              |
| K51       | Washer – Split Lock – B8     | See K12      |              |
| K53       | Bumper – Cone Shape          | See K12      |              |
| K56       | Bushing – Flange             | See K2       |              |
| K59       | Nut–Hex–Crimp Lock-M10       | See K2       |              |
| K61       | Spring – Air                 | See K6       |              |
| K66       | Washer – Flat – A6.4         | See K6       |              |
| K67       | Screw – Air Spring Mtg - Lwr | See K6       |              |
| K69       | Bracket – Bumper Stop        | See K3       |              |
| K70       | Bumper – Up Stop             | See K3       |              |
| K72       | Bolt – Shock Mtg - Lower     | See K5       |              |
| K73       | Hose–MV / Air Spring         | See K16      |              |
| K75       | Bolt – Shoulder – M10        | See K2       |              |
| K78       | Roller                       | See K2       |              |
| K83       | Bushing – Shock - Lower      | See K5       |              |
| K84       | Shock Absorber               | See K5       |              |
| K106      | Frame – Upper                | N/A Separate |              |
| K108      | Frame – Lower                | N/A Separate |              |
| K109      | Scissor – Outer              | N/A Separate |              |
| K110      | Scissor – Inner              | N/A Separate |              |
| K125      | Cable Tie                    | See K5 or K9 |              |
| K152      | Spacer Block                 | See K2       |              |
| K153      | Bearing Block                | See K2       |              |
| K154      | Bolt – Air Spring Mtg – Upr  | See K6       |              |

**\*PART OF KIT**

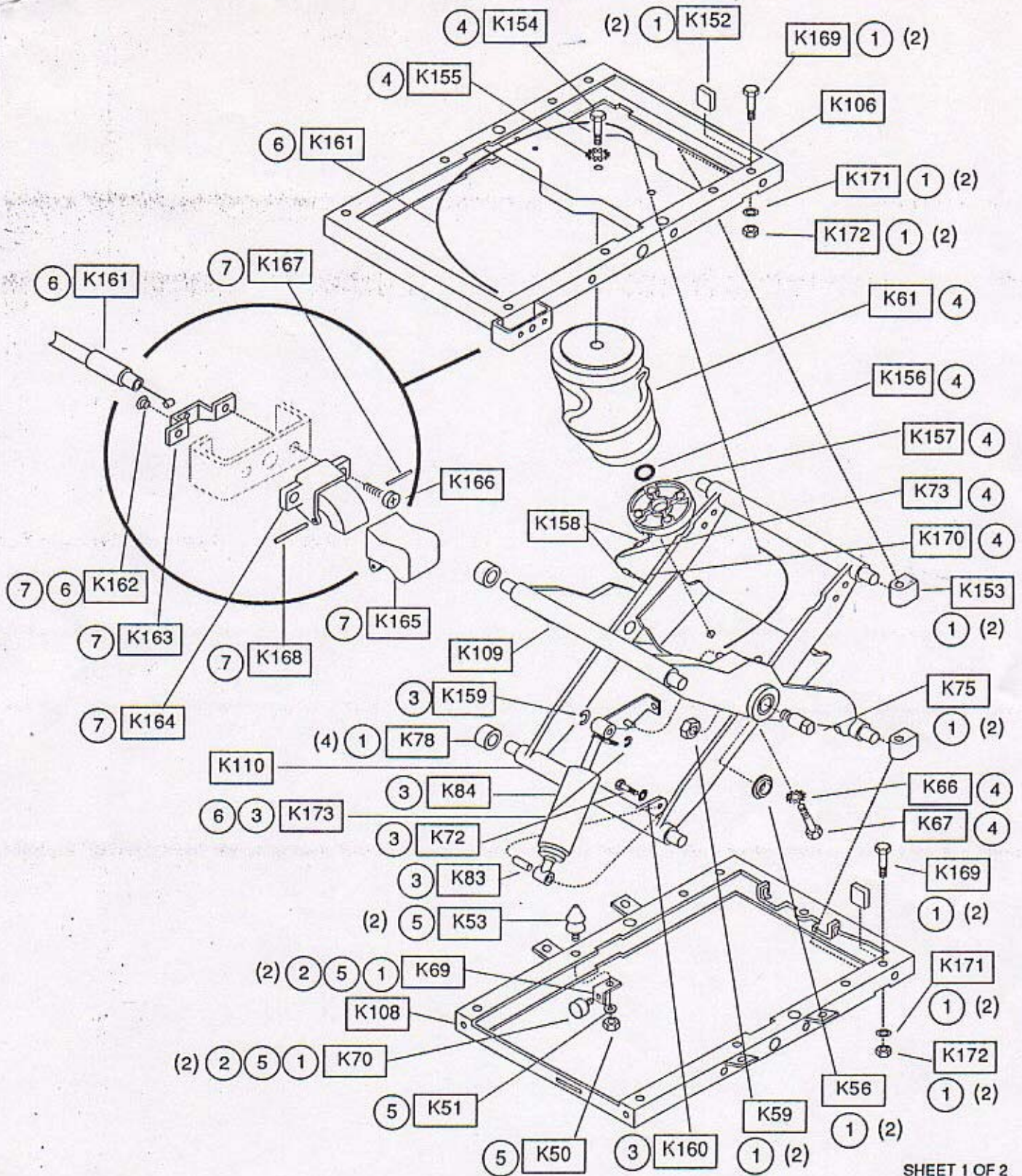


**SERVICE PARTS LIST**

ISRI P/N:                     17259-01                             Description:   Susp–Air  
 ISRI Illus. No.:          K-019  
 Customer:                 Prevost Car                                 Customer P/N:  
  
 Specification:             Manual air, 100 mm stroke, Adjustable shock

| ILLUS NO. | DESCRIPTION                | ISRI P/N       | CUSTOMER P/N |
|-----------|----------------------------|----------------|--------------|
| K155      | Washer–Air Spring Mtg-Upr  | See K6         |              |
| K156      | O-Ring (Air Spring)        | See K6         |              |
| K158      | Sleeve – Push on – PU3     | * 44713-01     |              |
| K159      | Ring–Retaining–Shock-Upr   | See K5         |              |
| K160      | Washer-Shock-Lwr           | See K5         |              |
| K161      | Cable – Adjustable Shock   | See K19        |              |
| K162      | Plug                       | See K19 or K20 |              |
| K163      | Bracket – Cable/Handle Mtg | See K20        |              |
| K164      | Housing – Adjustable Shock | See K20        |              |
| K165      | Handle – Adjustable Shock  | See K20        |              |
| K166      | Screw (Adj Shock Housing)  | See K20        |              |
| K167      | Pin-Long (Shock Hdl Pivot) | See K20        |              |
| K168      | Pin-short (Shock Cable)    | See K20        |              |
| K169      | Bolt – Bearing Block       | See K2         |              |
| K170      | Conn-Reducer-PU4/PU3       | * 44436        |              |
| K171      | Washer-Bearing Block       | See K2         |              |
| K172      | Nut-Bearing Block          | See K2         |              |
| K173      | Ring–Retaining (Shk Cable) | See K19        |              |
|           |                            |                |              |
|           |                            |                |              |
|           |                            |                |              |
|           |                            |                |              |
|           |                            |                |              |
|           |                            |                |              |
|           |                            |                |              |
|           |                            |                |              |
|           |                            |                |              |
|           |                            |                |              |
|           |                            |                |              |
|           |                            |                |              |
|           |                            |                |              |
|           |                            |                |              |
|           |                            |                |              |
|           |                            |                |              |

\* PART OF KIT



SHEET 1 OF 2

|  |                                    |
|--|------------------------------------|
| <br><b>ISRI</b> ® <small>ISRINGHAUSEN</small> | 5/92                               |
|  | <b>Susp Asm - Air</b> <b>K-019</b> |

○ = KIT #  
 ( ) = QUANTITY

| Kit No. | P/N | Item No. In Kit                                       | Description             |
|---------|-----|---|-------------------------|
| 1       | K2  | K12, K56, K59, K75, K78, K152, K153, K169, K171, K172 | Susp. HDW Kit           |
| 2       | K3  | K69, K70  | Bumper/Bracket Assembly |
| 3       | K5  | K72, K83, K84, K159, K160, K173                       | Shock Kit               |
| 4       | K6  | K61, K66, K67, K73, K154, K155, K156, K157, K170      | Air Spring Kit          |
| 5       | K12 | K50, K51, K53   | Bumper Kit              |

SHEET 2 OF 2

|  |       |
|--|-------|
| <br><b>ISRI</b> ® <small>ISRINGHAUSEN</small> | 7/92  |
|  | K-019 |

Susp Asm - Air

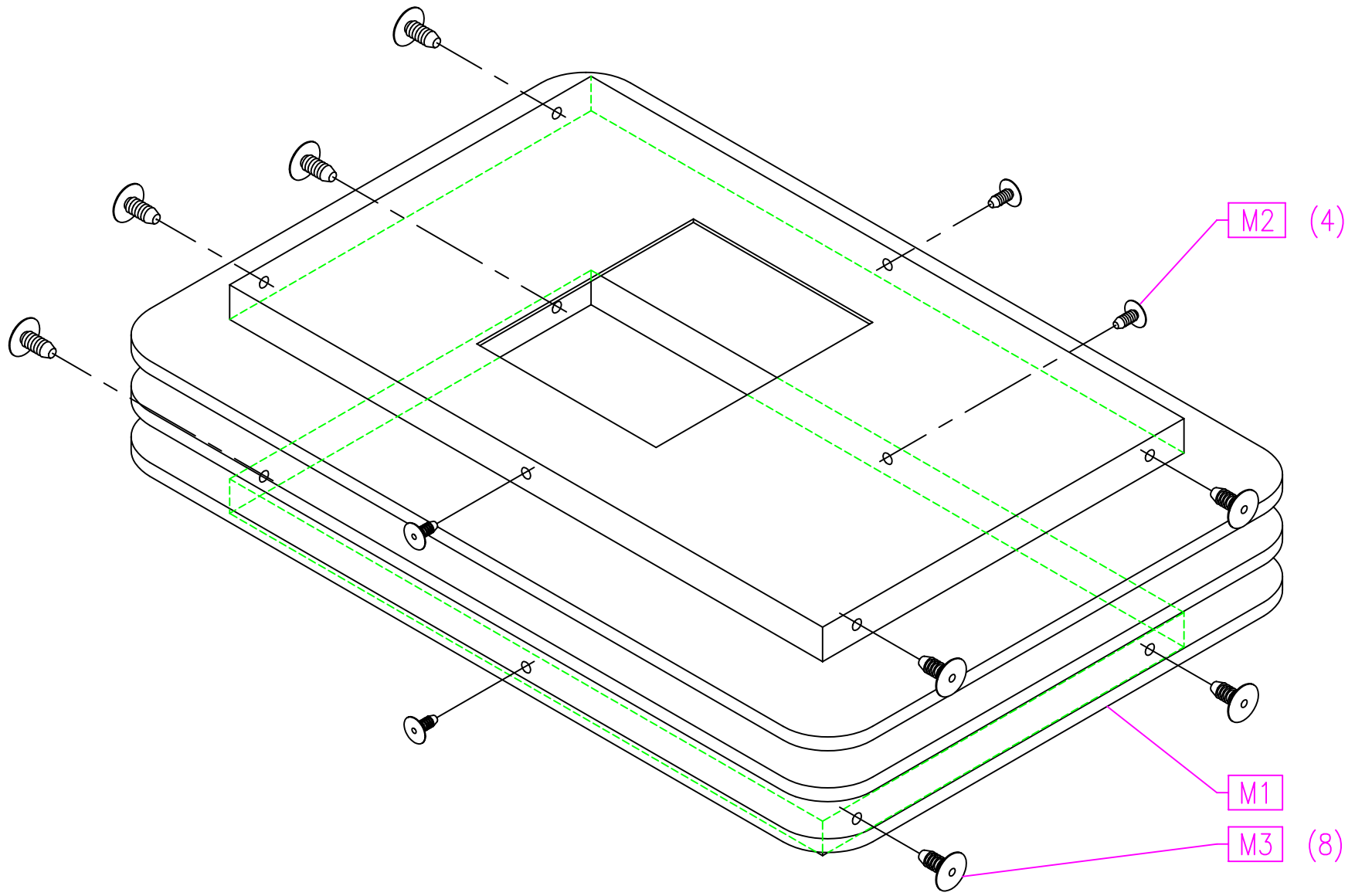


### SERVICE PARTS LIST

ISRI P/N: 92625-01 Description: Boot Kit-Susp-Air-AL  
 ISRI Illus. No.: M-001  
 Customer: Prevost Car Customer P/N:

Specification:

| ILLUS NO. | DESCRIPTION           | ISRI P/N | CUSTOMER P/N |
|-----------|-----------------------|----------|--------------|
| M1        | Boot                  | 00169    |              |
| M2        | Boot Button – Small   | See M4   |              |
| M3        | Boot Button – Large   | See M4   |              |
| M4        | Hdw Kit – Boot Button | 910507   |              |
|           |                       |          |              |
|           |                       |          |              |
|           |                       |          |              |
|           |                       |          |              |
|           |                       |          |              |
|           |                       |          |              |
|           |                       |          |              |
|           |                       |          |              |
|           |                       |          |              |
|           |                       |          |              |
|           |                       |          |              |
|           |                       |          |              |
|           |                       |          |              |
|           |                       |          |              |
|           |                       |          |              |
|           |                       |          |              |
|           |                       |          |              |
|           |                       |          |              |
|           |                       |          |              |
|           |                       |          |              |
|           |                       |          |              |
|           |                       |          |              |



(X) = QUANTITY

|   |       |
|---|-------|
|  <p><b>ISRI</b><sup>®</sup> ISRINGHAUSEN</p> | 10/90 |
| AIR SUSP BOOT KIT   | M-001 |