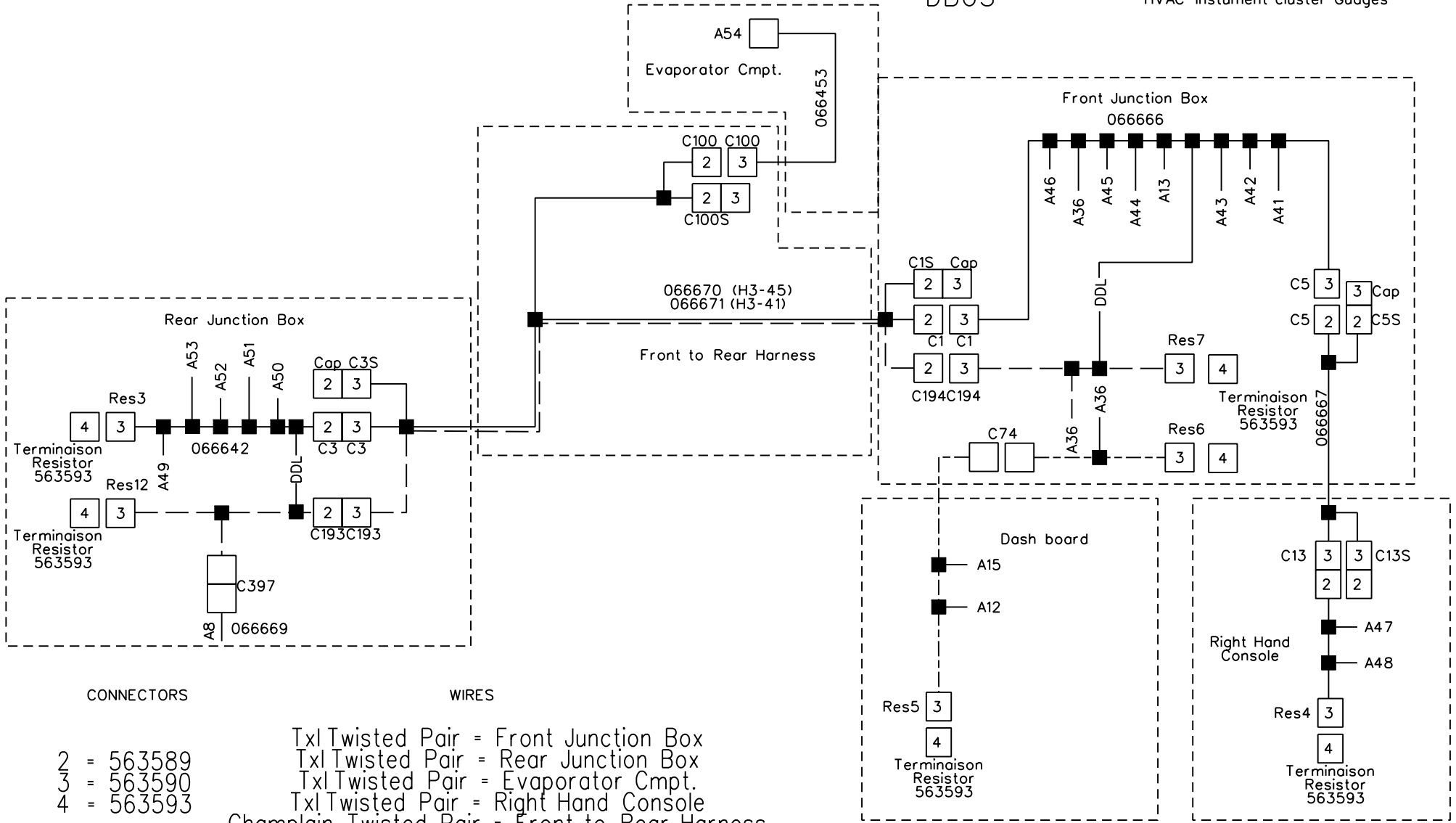


CAN NETWORKS LAYOUT

CAN ————— I/O Modules
 J1939 - - - - - Engine Transmission
 DBUS - - - - - HVAC Instrument cluster Guages



CONNECTORS

WIRES

- 2 = 563589 Tx1 Twisted Pair = Front Junction Box
- 3 = 563590 Tx1 Twisted Pair = Rear Junction Box
- 4 = 563593 Tx1 Twisted Pair = Evaporator Cmp.
- 4 = 563593 Tx1 Twisted Pair = Right Hand Console
- Champlain Twisted Pair = Front to Rear Harness
- Champlain Twisted Pair = Front Service Cmp.