

SECTION 05: COOLING SYSTEM

CONTENTS

1. DESCRIPTION	05-3
2. MAINTENANCE.....	05-4
2.1 VEHICLES WITHOUT COOLANT FILTERS	05-4
2.2 VEHICLES WITH COOLANT FILTERS	05-4
3. HOSES.....	05-5
3.1 CONSTANT-TORQUE HOSE CLAMPS	05-5
3.1.1 <i>Installation</i>	05-5
3.1.2 <i>Maintenance</i>	05-5
4. COOLANT	05-6
4.1 COOLANT LEVEL VERIFICATION	05-6
4.2 COOLANT LEVEL SENSOR.....	05-6
4.3 THAWING COOLING SYSTEM	05-6
4.4 COOLANT REQUIREMENTS.....	05-6
4.5 COOLING SYSTEM RECOMMENDATIONS.....	05-6
4.6 INHIBITORS	05-7
4.6.1 <i>Inhibitor Test Procedures</i>	05-7
4.7 COOLANT RECOMMENDATIONS	05-7
4.7.1 <i>Coolant Not Recommended</i>	05-8
4.7.2 <i>Additives Not Recommended</i>	05-8
4.7.3 <i>Vehicles Without Coolant Filters</i>	05-8
4.7.4 <i>Vehicles With Coolant Filters</i>	05-8
5. DRAINING COOLING SYSTEM.....	05-8
6. FILLING COOLING SYSTEM	05-9
7. FLUSHING.....	05-10
7.1 COOLING SYSTEM DESCALERS.....	05-10
7.2 REVERSE FLUSHING.....	05-10
8. SPIN-ON COOLANT FILTER.....	05-11
9. RADIATOR	05-12
9.1 MAINTENANCE	05-12
10. VARIABLE SPEED RADIATOR FAN	05-12
10.1 MAINTENANCE	05-12
10.2 INSPECTION.....	05-13
10.3 THERMOSTAT OPERATION.....	05-13
11. FAN GEARBOX	05-13
11.1 MAINTENANCE	05-14
11.2 OIL CHANGE	05-14
12. RADIATOR FAN BELT REPLACEMENT	05-14
12.1 BELT TENSION ADJUSTMENT	05-14
13. FAN DRIVE ALIGNMENT	05-15

Section 05: COOLING SYSTEM

14. SPECIFICATIONS	05-17
--------------------------	-------

ILLUSTRATIONS

FIGURE 1: COOLING SYSTEM	05-3
FIGURE 2: SURGE TANK - ENGINE COMP'T	05-4
FIGURE 3: CONSTANT-TORQUE CLAMP	05-5
FIGURE 4: SURGE TANK SIGHT GLASS	05-6
FIGURE 5: ENGINE COMPARTMENT.....	05-8
FIGURE 6: HEATER LINE SHUT-OFF VALVES	05-8
FIGURE 7: COACHES SHUT-OFF VALVES (TYP.).....	05-9
FIGURE 8: ENGINE COOLANT DRAIN COCKS	05-9
FIGURE 9: WATER PUMP DRAIN PLUG	05-9
FIGURE 10: COOLANT FILTER	05-11
FIGURE 11: MECHANICAL LOCKING DEVICE.....	05-12
FIGURE 12: SCREWS LOCATION.....	05-12
FIGURE 13: THERMOSTAT AND RELATED PARTS.....	05-13
FIGURE 14: FAN GEARBOX	05-14
FIGURE 15: REGULATOR VALVE	05-14
FIGURE 16: BELT TENSIONER.....	05-15
FIGURE 17: ANGLE SUPPORT.....	05-15
FIGURE 18: PULLEY ALIGNMENT	05-15
FIGURE 19: PULLEY VERTICAL ANGLE	05-16

1. DESCRIPTION

A radiator and thermo-modulated fan are used to effectively dissipate the heat generated by the engine. A centrifugal-type water pump is used to circulate the engine coolant (Fig. 1).

Two full blocking-type thermostats are used in the water outlet passage to control the flow of coolant, providing fast engine warm-up and regulating coolant temperature.

The engine coolant is drawn from the lower portion of the radiator by the water pump and is forced through the transmission cooler before going through the oil cooler and into the cylinder block.

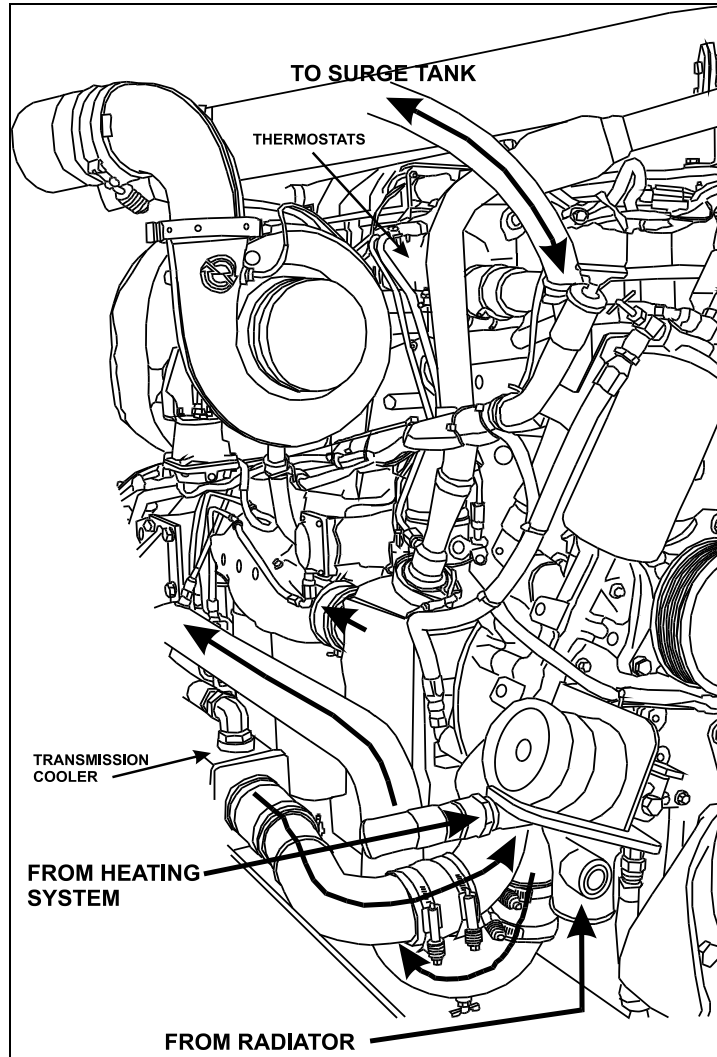


FIGURE 1: COOLING SYSTEM

05087

From the cylinder block, the coolant passes up through the cylinder head and, when the engine is at normal operating temperature, it goes through the thermostat housing and into the upper portion of the radiator. The coolant then passes through a series of tubes where its heat is dissipated by air streams created by the revolving fan and the motion of the vehicle.

Upon starting a cold engine or when the coolant is below normal operating temperature, the closed thermostats direct coolant flow from the thermostat housing through the by-pass tube to the water pump. Coolant is recirculated through the engine to aid engine warm up. When the thermostat opening temperature is reached, coolant flow is divided between the radiator inlet and the by-pass tube. When the thermostats are completely open, all of the coolant flow is to the radiator inlet.

Section 05: COOLING SYSTEM

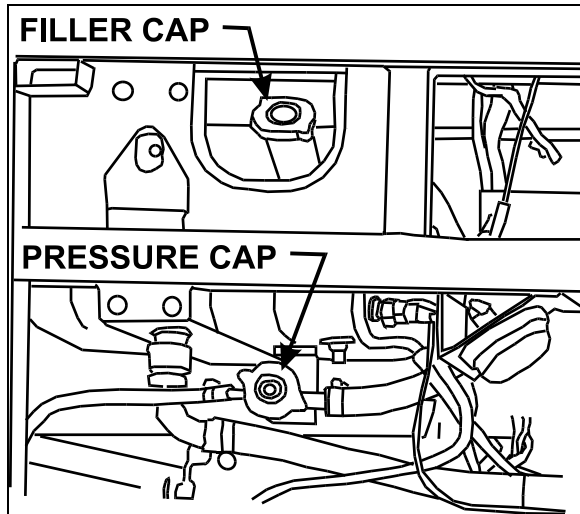


FIGURE 2: SURGE TANK - ENGINE COMP'T 05079

The cooling system is filled through a filler cap on the surge tank (Fig. 2). A pressure cap underneath the surge tank is used to maintain pressure within the system. When system exceeds normal pressure rating (14 psi - 96.53 kPa), the cap releases air and if necessary, coolant through the overflow tube (Fig. 2). Two thermostats are located in the housing attached to the right side of the cylinder head (Fig. 1). Furthermore, a water temperature sensor mounted on the cylinder head (radiator side) is also supplied for engine protection purposes.

The engine cooling system also provides hot coolant fluid for the vehicle heating system. Refer to section 22, "HEATING AND AIR CONDITIONING" in this manual for information relating to heating system water circulation.

2. MAINTENANCE

A systematic routine inspection of cooling system components is essential to ensure maximum engine and heating system efficiency.

- Check coolant level in the surge tank daily, and correct if required. Test antifreeze strength.
- Maintain the prescribed inhibitor strength levels as required. Coolant and inhibitor concentration must be checked at each oil change, every 12,500 miles (20 000 km) or once a year, whichever comes first to ensure inhibitor strength. For vehicles equipped with coolant filters replace precharge element filter with a maintenance element filter as per "COOLANT FILTER" in this section. If the vehicle is not equipped with a filter, add the

recommended inhibitor concentration to the antifreeze/water solution.

- Drain, flush, thoroughly clean and refill the system every two years or every 200,000 miles (320 000 km), whichever comes first. For vehicle equipped with coolant filters, change the precharge element filter or the existing maintenance element filter for a new maintenance element filter. If the vehicle is not equipped with filters add the recommended inhibitor concentration to the antifreeze/water solution.

NOTE

Do not add inhibitors to the antifreeze / water solution if vehicle is equipped with a coolant filter.

Coolant must be discarded in an environmentally safe manner.

2.1 VEHICLES WITHOUT COOLANT FILTERS

Refer to Nalcool 3000 with Stabil-Aid bulletin annexed to the end of this section for preventive maintenance (at each oil change) and initial treatment instructions (each time the cooling system is drained and flushed).

2.2 VEHICLES WITH COOLANT FILTERS

Change the coolant precharge element filter for a maintenance element filter at initial oil change (see "Specifications" at the end of this section) and replace existing maintenance element filter with a new one as per "COOLANT FILTER" in this section. A precharge element filter must be installed each time the cooling system is drained and flushed prior to installing a maintenance element filter.

- Check belts for proper tension; adjust as necessary and replace any frayed or badly worn belts.
- Check radiator cores for leaks and make sure the cores are not clogged with dirt or insects. To avoid damaging the fins, clean cores with a low-pressure air hose. Steam clean if required.
- Inspect the water pump operation. A leaky pump sucks in air, increasing corrosion.
- Repair all leaks promptly. Unrepaired leaks can lead to trouble. Inspect and tighten radiator mounts periodically. Test and replace thermostats regularly.

NOTE

In order to ensure the integrity of the system, it is recommended that a periodic cooling system pressure check be made. Pressurize the cooling system to 103-138 kPa (15-20 psi) using Radiator and Cooling System Tester, J24460-1. Do not exceed 138 kPa (20 psi).

Any measurable drop in pressure may indicate a leak. Whenever the oil pan is removed, the cooling system should be pressure checked as a means of identifying any incipient coolant leaks. Make sure the cause of the internal leak has been corrected before flushing the contaminated system.

Leaks at the thermostat housing hose connections may be caused by deformation of connections or by rough surfaces on the castings of the hose mounting surfaces. It is recommended that "Dow Corning RTV-102 Compound" or any equivalent product be applied on cast surfaces prior to hose installation.

CAUTION

Castings should be clean and free of oil and grease before applying compound. No other sealer should be used with RTV-102 compound.

3. HOSES

Rotten, swollen, and worn out hoses or loose connections are frequent causes of cooling system problems.

Serious overheating is often caused by an old hose collapsing or from rotten rubber shedding from hoses and clogging the coolant passages.

Connections should be inspected periodically and hose clamps tightened. Replace any hose found to be cracked or swollen.

When installing a new hose, clean pipe connections and apply a thin layer of a non-hardening sealing compound. Replace worn out clamps or clamps that pinch hoses.

3.1 CONSTANT-TORQUE HOSE CLAMPS

All hose clamps of 1 3/8" ID and over, used on the heating and cooling systems, are of the "Constant-torque" type. These clamps are worm-driven, made of stainless steel, and supplied with a series of Belleville spring washers. They also feature an extended integral

liner that covers the band slots to protect soft/silicone hoses from damage, and help maintain consistent sealing pressure.

This type of clamp is designed to automatically adjust its diameter to compensate for the normal expansion/contraction of a hose and metal connection that occurs during vehicle operation and shutdown. The constant-torque clamp virtually eliminates coolant losses due to "Cold flow" leakage and greatly minimizes clamp maintenance.

3.1.1 Installation

A torque wrench should be used for proper installation. The recommended torque is 90 to 100 lbf-in. (10 to 11 Nm). The Belleville spring washer stacks should be nearly collapsed flat and the screw tip should extend 1/4" (6 mm) beyond the housing (Fig. 3).

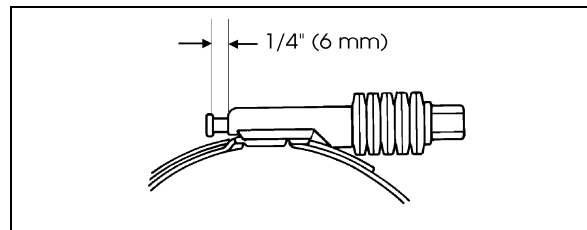


FIGURE 3: CONSTANT-TORQUE CLAMP

05037

CAUTION

The hose clamps will break if over-torqued. Do not over-tighten, especially during cold weather when hose has contracted.

3.1.2 Maintenance

The constant-torque clamps contain a "Visual torque check" feature. When the tip of the screw is extending 1/4" (6 mm) out of the housing, the clamp is properly installed and maintains a leak-proof connection. Since the constant-torque clamp automatically adjusts to keep a consistent sealing pressure, there is no need to re-torque hose clamps on a regular basis. During vehicle operation and shutdown, the screw tip will adjust according to the temperature and pressure changes. **Checking for proper torque should be done at room temperature.**

Section 05: COOLING SYSTEM

4. COOLANT

4.1 COOLANT LEVEL VERIFICATION

Coolant level is correct when cold coolant is visible through the surge tank sight glass (Fig. 4). If coolant level is low, fill cooling system.

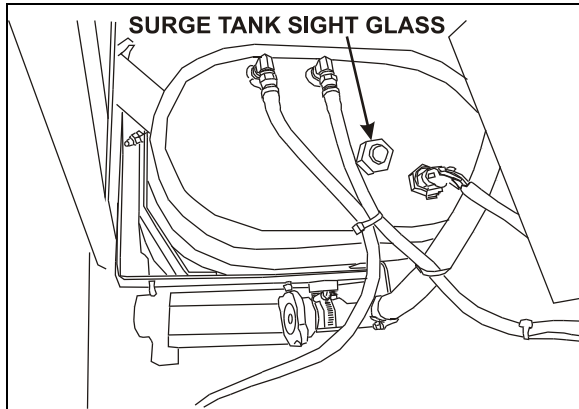


FIGURE 4: SURGE TANK SIGHT GLASS

05094

4.2 COOLANT LEVEL SENSOR

This warning device consists of a fluid level probe mounted on the surge tank. The probe sends a signal to the ECM to indicate coolant level. If the coolant level drops below the probe, the "Check Engine" light flashes and a diagnostic code is registered (see section 01 "ENGINE").



Do not run engine with the "Check Engine" light flashing.

The level probe is mounted on the R.H. side of the surge tank while the electronic module is mounted inside the rear electric junction box.

4.3 THAWING COOLING SYSTEM

If the cooling system becomes frozen solid, place the coach in a warm area until the ice is completely thawed. Under no circumstances should the engine be operated when the cooling system is frozen, as it will result in engine overheating due to insufficient coolant.

Once thawed, check engine, radiator and related components for damage caused by expansion of frozen coolant fluid.

4.4 COOLANT REQUIREMENTS

The coolant provides a medium for heat transfer and controls the internal temperature of the engine during operation. In an engine having proper coolant flow, some of the combustion heat is conveyed through the cylinder walls and

the cylinder head into the coolant. Without adequate coolant, normal heat transfer cannot take place within the engine, and engine temperature rapidly rises. Coolant must therefore be carefully selected and properly maintained.

Select and maintain coolant in order to meet the following basic requirements:

- Provide for adequate heat transfer.
- Provide protection from cavitation damage.
- Provide a corrosion and erosion resistant environment within the cooling system.
- Prevent formation of scale or sludge deposits in the cooling system.
- Be compatible with the cooling system hose and seal materials.
- Provide adequate freeze protection during cold weather operation.

Combining suitable water with reliable inhibitors satisfies the first five requirements. When freeze protection is required, a solution of suitable water and antifreeze containing adequate inhibitors will provide a satisfactory coolant fluid. Ethylene glycol-based antifreeze is recommended for use in Series 60 engines. The cooling system capacity is 24 US gal (91 liters).

NOTE

In general, antifreeze does not contain adequate inhibitors. For this reason, supplemental coolant additives are required.

For a complete overview of engine coolants used with Detroit Diesel Engines, refer to "Coolant Selections" For Engine Cooling Systems Guide at the end of this section (#7se298).

4.5 COOLING SYSTEM RECOMMENDATIONS

Always maintain cooling system at the proper coolant level. Check daily.

The cooling system must be pressurized to prevent localized boiling of coolant. The system must be kept clean and leak-free. The filler and pressure caps must be checked periodically for proper operation.

Recommended phosphate free coolants: Detroit Diesel "DDC Power Cool" (P/N 23512138) or Prestone AF977 (bulk) Prevost #685125, 72702 (3.78 L), 70119 (205L), 70102 (4L).

A decal (052635) located on the surge tank provides information on recommended coolants.



4.6 INHIBITORS

A coolant solution, which has insufficient inhibitors or no inhibitors at all, invites the formation of rust, scale, sludge and mineral deposits within the cooling system. These deposits can cause water pump seal wear and coat the interior of coolant system passages. Heat transfer is reduced as deposits build up, leading to an overheating condition. Continued operation with this condition can lead to serious engine damage: liner scuffing, scoring, piston seizure and cylinder head cracking. These damages can occur quickly or over a longer period of time, depending of location and amount of deposits. Improperly inhibited coolants can become corrosive enough to "eat away" coolant passages and seal ring grooves and cause leaks to develop. Hydrostatic lock can occur if leak is internal and accumulates on top of a piston. The result may be a bent connecting rod. Cavitation erosion may occur in improperly inhibited coolants. Cavitation erosion is caused by the implosion of tiny bubbles against localized surfaces of the system. Such implosion causes pinpoint pressures high enough to erode pump impellers, cylinder liners and cylinder blocks. In extreme cases, their surfaces are so deeply pitted that they appear to be spongy, and holes can develop completely through them.

4.6.1 Inhibitor Test Procedures

Test Kits are commercially available to check engine coolant for nitrite concentration. Nitrite concentration is an indication of Supplemental Coolant Additive (SCA) level. Nitrite must be maintained within recommended levels. Coolant must be tested at each oil change to insure that inhibitor levels are maintained within the ranges shown hereafter:

NOTE

Above SCA values with Detroit Diesel #7se298 or TMC RP-329 "Type A". Use Nalco Chemical Company nitrite test kits (CO-318). A factory coolant analysis program is available through Detroit Diesel distributors under part number 23508774.

DDC Fully Formulated Glycol Coolant Limits	
-30 -- 50(°F)	Freeze Point (°F)

DDC Fully Formulated Glycol Coolant Limits	
125 -- 500 ppm	Boron (ppm)
800 -- 3200 ppm	Nitrite (ppm)
200 -- 750 ppm	Nitrate (ppm)
50 -- 250 ppm	Silicon (ppm)
0 ppm MAX	Phosphorus (ppm)
8.0 -- 11.0	pH
40 ppm MAX	Chlorides (ppm)
100 ppm MAX	Sulfates (ppm)

4.7 COOLANT RECOMMENDATIONS

1. Always use recommended antifreeze, inhibitor and water at proper concentration levels. A 50% coolant/water solution is normally used as factory fill. Antifreeze concentration over 70% is not recommended because of poor heat transfer capability, adverse freeze protection and silicate dropout. Antifreeze concentration below 30% offers little freeze, boilover or corrosion protection.
2. Use only ethylene glycol antifreeze meeting the Detroit Diesel #7se298 or TMC RP-329 "Type A" formulation.
3. Use an antifreeze solution year-round for freeze and boil-over protection. Seasonal changing of coolant from an antifreeze solution to an inhibitor/water solution is recommended.
4. Pre-mix coolant makeup solutions at proper concentrations before adding to the cooling system.
5. Maintain the prescribed inhibitor strength levels as required.
6. Do not mix different base inhibitor packages.
7. Always maintain proper coolant level.

⚠ CAUTION ⚠

Always test the solution before adding water or antifreeze.

8. If cooling system is not at the proper protection level. Mix coolant/water solution to the proper concentration before adding to the cooling system
9. Use only non-chromate inhibitors.

Section 05: COOLING SYSTEM

10. Distilled water is recommended.

4.7.1 Coolant Not Recommended

- All antifreeze and coolant containing phosphorous;
- Automotive type coolants;
- Methoxy propanol-base antifreeze;
- Methyl alcohol-base antifreeze;
- Sealer additives or antifreezes containing sealer additives.

4.7.2 Additives Not Recommended

- Soluble Oils;
- Chromates.

⚠ WARNING ⚠

Never remove filler cap while coolant is hot. When coolant is at ambient temperature, release pressure from system by turning the pressure cap counterclockwise 1/4 turn; then remove filler cap slowly. A sudden release of pressure from the heated cooling system can result in severe burns from the expulsion of hot coolant fluid.

4.7.3 Vehicles Without Coolant Filters

Refer to Nalcool 3000 with Stabil-Aid bulletin annexed to the end of this section for preventive maintenance (at each oil change) and initial treatment instructions (each time the cooling system is drained and flushed).

4.7.4 Vehicles With Coolant Filters

Change the coolant precharge element filter for a maintenance element filter at initial oil changes (see Specifications at the end of this section) and replace existing maintenance element filter with a new one as per "COOLANT FILTER" in this section. A precharge element filter must be installed each time the cooling system is drained and flushed before installing a maintenance element filter.

NOTE

The coolant filter contains inhibitors.

5. DRAINING COOLING SYSTEM

Use the following procedures to drain the cooling system partially or completely.

To drain engine and related components:

1. Stop engine and allow engine to cool. Close both heater line shutoff valves.

On XL2-40, XL2-45 & 45E MTH, one valve is located in the engine compartment, under the radiator fan gearbox (Fig. 5), another valve is located in the engine compartment behind splash guard panel at rear of vehicle (behind L.H. side tag axle wheel) (Fig. 6).

NOTE

Refer to section 22 under "Preheating System" for information about preheater access and heater line shutoff valve.

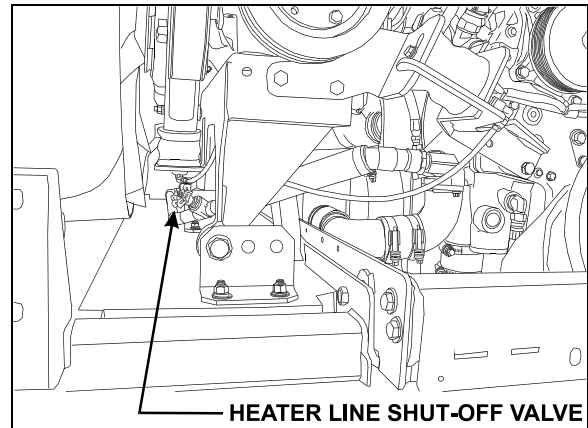


FIGURE 5: ENGINE COMPARTMENT

05078

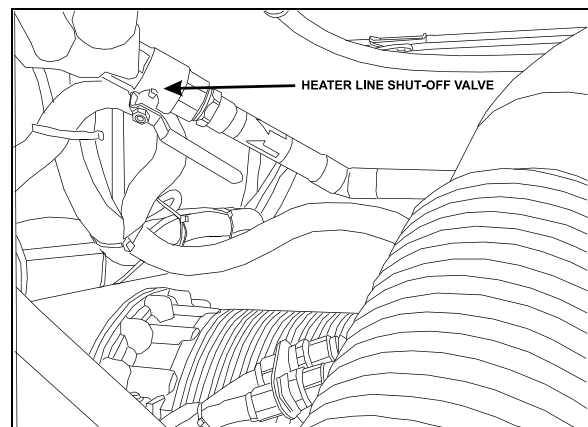


FIGURE 6: HEATER LINE SHUT-OFF VALVES

05067

On XL2-45 coaches, both valves are located in the engine compartment, behind splash guard panel at rear of vehicle (behind L.H. side tag axle wheel) (Fig. 7).

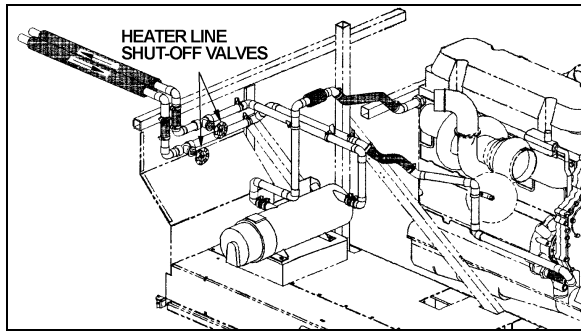


FIGURE 7: COACHES SHUT-OFF VALVES (TYP.) 01142

⚠ WARNING ⚠

Before proceeding with the following steps, make sure the coolant has cooled down. The sudden release of pressure from a heated cooling system can result in loss of coolant and possible personal injury (scalding) from the hot liquid.

2. Unscrew the surge tank pressure cap counterclockwise, ¼ turn to let air enter the system and permit the coolant to drain completely from system.

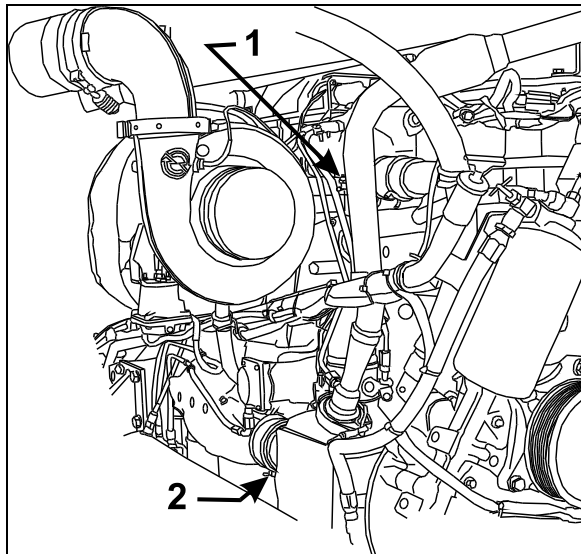


FIGURE 8: ENGINE COOLANT DRAIN COCKS 05088

3. Unscrew the water pump housing inlet line drain plug (Fig. 9).
4. Open drain cock at bottom of thermostat housing to drain the coolant trapped above the thermostats (1, Fig. 8).
5. Open the radiator drain cock.

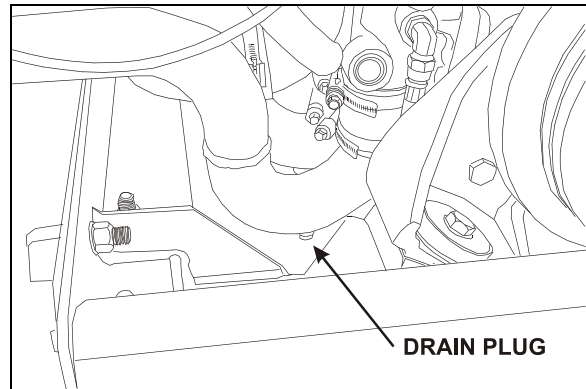


FIGURE 9: WATER PUMP DRAIN PLUG 05072

6. Open engine drain cock (2, Fig. 8).
7. Remove the transmission oil cooler. Drain, flush and inspect. Refer to Section 7, "TRANSMISSION" for oil cooler maintenance or preventive replacement.

⚠ CAUTION ⚠

Drain water pump completely before extended storage to avoid possible water pump damage.

If freezing weather is anticipated and the engine is not protected with antifreeze, drain the cooling system completely when vehicle is not in use. Trapped water in the cylinder block, radiator or other components may freeze and expand resulting in damages. Leave the drain plugs open until the cooling system can be filled with coolant fluid. Do not run engine with cooling system empty.

To drain the entire system, do the previous steps while maintaining the shutoff valves in the open position; then follow the procedure under "9.2 Draining Heating System" in Section 22.

6. FILLING COOLING SYSTEM

If only the engine and related components were drained, maintain the two heater line shutoff valves in their closed position, then proceed as follows.

1. Close all drain cocks. Refer to draining procedure for the location of draining points.
2. Refill cooling system from the surge tank filler cap inlet with a recommended ethylene glycol-based antifreeze and water solution of the required concentration. Add Detroit

Section 05: COOLING SYSTEM

Diesel selected product cooling system inhibitors (if required).

NOTE

The coolant level should remain within two inches of the surge tank filler neck.

NOTE

Make sure the vent line at top of thermostat housing is properly connected and not obstructed. The vent line (thermostat housing dome to radiator top tank) is required to ensure complete engine fill and proper venting of air in the system.

3. Install the filler and pressure caps, then start the engine and run it at fast idle until reaching normal operating temperature. Check for leaks.

NOTE

If for any reason, the coolant level drops below the surge tank level probe, the Check Engine light will flash

4. Stop engine and allow cooling.
5. Open the two heater line shutoff valves, check the coolant level in the surge tank, and then add as required.



Never pour cold coolant into a hot engine. The sudden change in temperature may crack the cylinder head or block.

If the entire system has been drained, redo the previous steps while maintaining the two heater line shutoff valves in the "Open" position. With engine running, activate the driver's and central heating systems to permit coolant circulation. Complete the procedure by bleeding the heater cores as explained in Section 22, under "9.4 Bleeding Heating System".

7. FLUSHING

If the cooling system is contaminated, flush the cooling system as follows:

1. Drain the coolant from the engine.
2. Refill with clean water.



If the engine is hot, fill slowly to prevent

rapid cooling and distortion of the engine castings.

3. To thoroughly circulate the water, start and run the engine for 15 minutes after the thermostats have opened.
4. Fully drain system.
5. Refill with clean water and operate for 15 minutes after the thermostats have opened.
6. Stop engine and allow cooling.
7. Fully drain system.

Vehicles without coolant filters:

Fill with a 50/50-antifreeze/water solution and add required inhibitors.

Vehicles with coolant filters:

Replace the coolant filter with a precharge element filter; in this case do not mix inhibitors with antifreeze/water solution.

Dispose of spent fluids in an environmentally responsible manner according to regulations in effect in your area.

7.1 COOLING SYSTEM DESCALERS

If the engine overheats and the fan belt tension, coolant level and thermostat operation have been found to be satisfactory, it may be necessary to de-scale and flush the entire cooling system.

Remove scale formation by using a reputable and safe de-scaling solvent. Immediately after using the de-scaling solvent, neutralize with a neutralizing agent. It is important that product directions be thoroughly read and followed.

After using the solvent and neutralizer, fully drain the system, and then reverse flush the engine and radiator (see "Reverse Flushing" in this section) before filling the system with coolant solution.

7.2 REVERSE FLUSHING

After the engine and radiator have been thoroughly de-scaled, they should be reverse-flushed. The water pump should be removed and the radiator and engine reverse-flushed separately to prevent dirt and scale deposits from clogging the radiator tubes or being forced through the pump. Reverse flushing is accomplished by hot water, under pressure, being forced through the cooling system in a

direction opposite to the normal flow of coolant, loosening and forcing deposits out.

The radiator is reverse flushed as follows:

1. Remove the radiator inlet and outlet hoses and replace existing radiator cap with a new one.
2. Attach a hose to the top of the radiator to lead water away from the engine.
3. Attach a hose at the bottom of the radiator and insert a flushing gun in the hose.
4. Connect the water hose of the gun to the water outlet and the air hose to the compressed air outlet.
5. Turn on the water and when the radiator is full, turn on the air in short blasts, allowing the radiator to fill between blasts.

NOTE

Apply air gradually. Do not exert more than 138 kPa (20 psi) air pressure. Too great a pressure may rupture a radiator tube.

6. Continue flushing until only clean water is expelled from the radiator.

The cylinder block and cylinder head water passages are reverse flushed as follows:

1. Remove the thermostats and the water pump.
2. Attach a hose to the water inlet of oil cooler housing to drain water away from engine.
3. Attach a hose to the water outlet at the top of the cylinder head (thermostat housing) and insert the flushing gun in the hose.
4. Turn on the water until the jackets are filled, and then turn on the air in short blasts. Allow jackets to fill with water between air blasts.
5. Continue flushing until the water from the engine runs clean.

If scale deposits in the radiator cannot be removed by chemical cleaners or reverse flushing as outlined above, it may be necessary to remove the upper tank and rod out the individual radiator tubes with flat steel rods. Circulate the water through the radiator core from the bottom to the top during this operation.

8. SPIN-ON COOLANT FILTER

The optional engine cooling system filter is used to filter out impurities such as scale or sand from the coolant and it also eliminates the process of adding inhibitors to the antifreeze/water solution. The filter is located beside the belt tensioning arm (Fig. 10).

The precharge element filter lasts for 12,500 miles (20 000 km) or one year, whichever comes first. Replace the precharge element filter with a maintenance element filter, which lasts for 200,000 miles (320 000 km) or two years, whichever comes first. Each time the coolant is renewed, a precharge element filter must be installed before installing a maintenance element filter.

NOTE

If a coolant filter is to be installed on an engine already in service, drain and flush the cooling system before installing the filter.

To replace a filter:

1. Close the two filter shutoff cocks on the filter mounting head and unscrew the old filter from mounting.

WARNING

Failure to relieve cooling system pressure may result in personal injury.

2. Remove and discard the filter.
3. Clean the filter adapter with a clean, lint-free cloth.

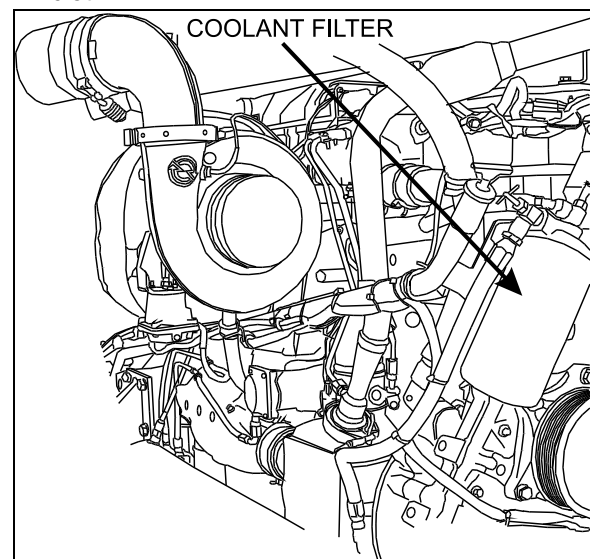


FIGURE 10: COOLANT FILTER

05089

Section 05: COOLING SYSTEM

4. Coat surface of gasket with oil, tighten 2/3 to 1 turn after gasket makes contact with head.
5. Open the two filter shutoff cocks.
6. Start engine and check for leaks.



CAUTION

Do not exceed recommended service intervals.

9. RADIATOR

The radiator is mounted on the L.H. side of engine compartment. It is designed to reduce the temperature of the coolant under all operating conditions. It is essential that the radiator core be kept clean and free from corrosion and scale at all times.

9.1 MAINTENANCE

Inspect the exterior of the radiator core every 25,000 miles (40 000 km) or once a year, whichever comes first. Clean with a quality grease solvent, such as a mineral spirits and dry with compressed air. Do not use fuel oil, kerosene, gasoline, or any caustic material. It may be necessary to clean the radiator more frequently if the vehicle is operated in extremely dusty or dirty areas. Refer to coolant system flushing and reverse flushing in this section for maintenance of radiator interior.

10. VARIABLE SPEED RADIATOR FAN

The radiator fan has two thermostatically controlled speeds. The ECM controls the speed by comparing data from engine coolant temperature, charge air cooling temperature, engine oil temperature, A/C condenser temperature, transmission retarder state, manual switch to a set of calibration data. Once fan switches to a state, it stays at that state for 30 seconds long before changing, to reduce clutch cycling. The fan drive clutch is electromagnetic; the ECM sends an electric current to regulate speed by activating one magnetic coil for the first speed and two magnetic coils for the second speed.

The settings are:

- 190°F (87.5°C) Thermostat starts to open
- 192°F (89°C) Fan medium speed, descending, off
- 196°F (91°C) Fan medium speed, rising, on

- 199.5°F (93°C) Fan high speed, descending, off
- 203°F (95°C) Fan high speed, rising, on
- 205°F (96°C) Thermostats fully open

NOTE

In case of an electrical power failure: remove the bolt from the end of the shaft and screw it into the locking plate. This procedure will prevent engine from overheating by forcing fan rotation (Fig. 11).

On certain models, the mechanical locking device consists of two threaded bushings fixed on the pulley and two drilled metal plates fixed on the rotor. Use the two screws located on the face of the clutch to fasten the metal plates and the bushings (Fig.12).

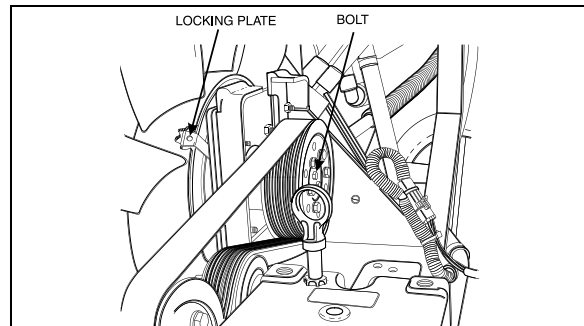


FIGURE 11: MECHANICAL LOCKING DEVICE

05061

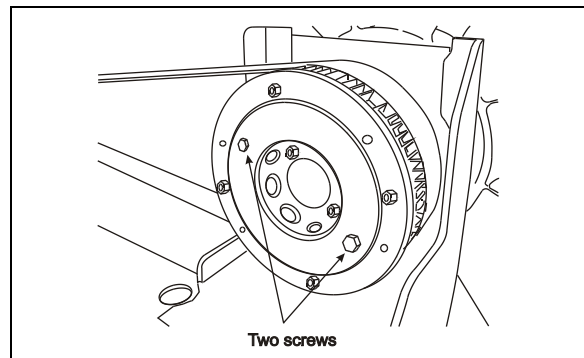


FIGURE 12: SCREWS LOCATION

10.1 MAINTENANCE

1. Clean the fan and related parts with clean fuel oil and dry them with compressed air. Do not clean with steam or high-pressure jet.
2. Check the fan blades for cracks or other damage. Replace the fan if the blades are cracked or deformed.

3. Remove any rust or rough spots in the grooves of the fan pulley. If the grooves are damaged or severely worn, replace the pulley.
4. Do not add any fluids or lubricants to the fan driving mechanism.
5. Do not restrict fan rotation during engine operation for any reason.
6. Do not operate fan-driving mechanism with a damaged fan assembly. Replace a damaged fan as soon as the fault is noted.
7. Immediately investigate and correct any operator complaint involving driving mechanism or cooling system performance.
8. When questions arise, obtain answers before proceeding. Assistance is available through the authorized Field Sales distributor serving your area.

10.2 INSPECTION

⚠ WARNING ⚠

Set the starter selector switch in engine compartment to the "Off" position to prevent accidental starting of the engine.

- Check security of fasteners securing fan blade assembly to fan driving mechanism.
- Check coupling installation between fan blade assembly and gearbox.
- Visually inspect fan driving mechanism, fan blade assembly, shroud, radiator, and surrounding area for evidence of contact between rotating and non-rotating parts.
- Check fan transfer belt for fraying, cracking, and proper tension.
- Turn fan through at least 360° of rotation. It should turn smoothly with no resistance.

10.3 THERMOSTAT OPERATION

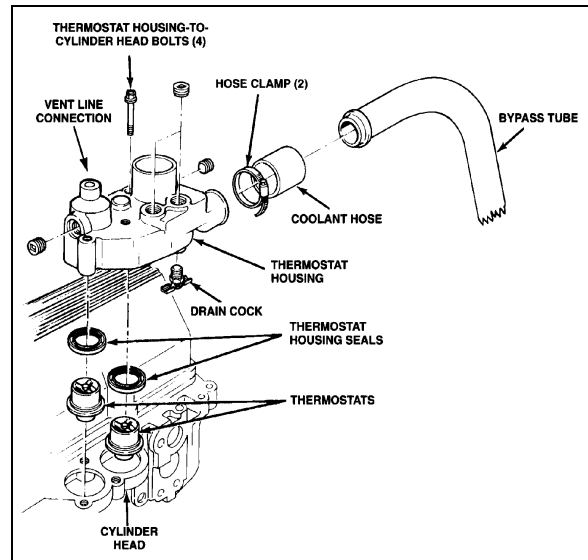


FIGURE 13: THERMOSTAT AND RELATED PARTS 05034

Coolant temperature is controlled by two blocking-type thermostats located in a housing attached to the cylinder head, on the turbo side of the engine (Fig. 13).

At coolant temperature below approximately 190°F (88°C), the thermostat valves remain closed and block the flow of coolant from the engine to the radiator. During this period, all of the coolant in the system is recirculated through the engine and directed back to the suction side of the water pump via a bypass tube. As the coolant temperature rises above 190°F (88°C) the thermostat valves start to open, restricting the bypass system, and allowing a portion of the coolant to recirculate through the radiator. When the coolant temperature reaches approximately 205-207°F (96-97°C) thermostat valves are fully open, the bypass system is blocked off and the coolant is directed through the radiator.

11. FAN GEARBOX

The radiator fan is belt driven from the engine crankshaft pulley through a standard gearbox, which is designed with two output shafts.

Section 05: COOLING SYSTEM

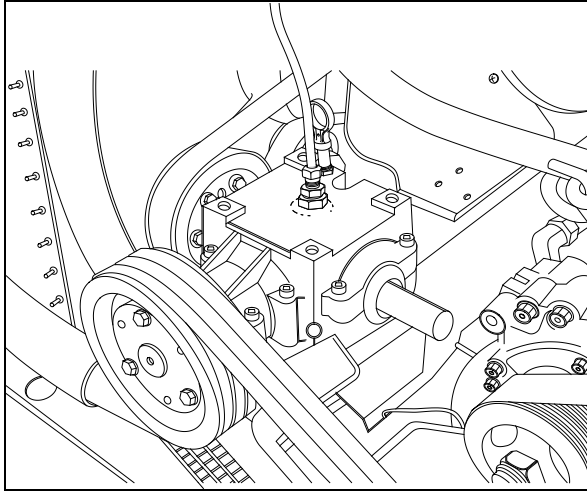


FIGURE 14: FAN GEARBOX

05062

11.1 MAINTENANCE

Change the gearbox oil at 3,000 miles (4,800 km) and subsequently every 50,000 miles (80,000-km) or once a year, whichever comes first.

11.2 OIL CHANGE

1. Stop engine and make sure that all engine safety precautions have been observed.
2. Remove the drain plug located underneath the gearbox case.
3. Drain gearbox.
4. Replace drain plug.
5. Remove the dipstick located on top of gearbox and wipe with a clean rag (Fig. 14).
6. Adjust level to "Full" mark using Mobil SHC 630 (Prévost #180217) synthetic oil.
7. Insert dipstick in gearbox case, then remove again to check mark.
8. Reinsert the dipstick.

12. RADIATOR FAN BELT REPLACEMENT

Locate the belt tensioner pressure-releasing valve (Fig. 15), then turn handle counter-clockwise in order to release pressure in belt tensioner air bellows, thus releasing tension on belts.

Remove existing belts (3"V"belts & 1 Poly) from fan assembly and replace with new ones.

Turn the pressure-releasing valve clockwise to its initial position to apply tension on the new belts.

NOTE

For proper operation of the belts, adjust the air bellows tensioner pressure regulating valve (located next to control valve) to 50 psi (345 kPa) for XL2 Coaches and to 45 psi (310 kPa) for XL2 MTH.

12.1 BELT TENSION ADJUSTMENT

The regulator is located in the engine compartment behind the belt tension pressure releasing valve panel. Turn the screw located under the regulator assembly to change the tension pressure. Check proper pressure using the pressure check valve (Fig. 15).

Use Belt Tension Gauge #68-2404 to measure tension of engine belts. For proper operation of air tensioners, adjust upper tensioning bracket to provide a ¼" (7 mm) gap between stopper and bracket under normal pressure of 50 psi - 345 kPa or 45 psi - 310 kPa. Refer to figure 16 for more information.

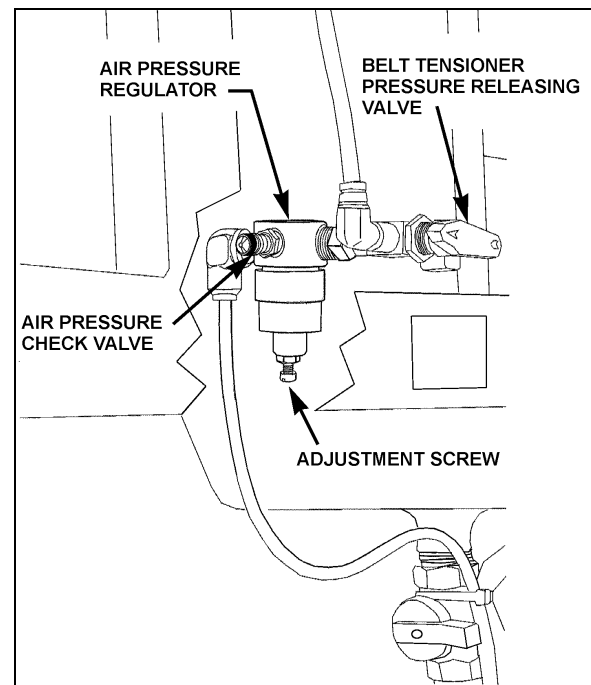


FIGURE 15: REGULATOR VALVE

12200

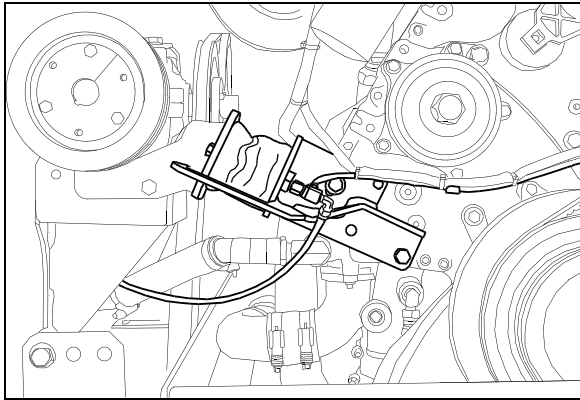


FIGURE 16: BELT TENSIONER 01059

13. FAN DRIVE ALIGNMENT

1. Install both attachment assembly plates (P/N 051779) (48, Fig. 17) through lower plating and secure with four spring nuts (P/N 500666), (70, Fig. 17). Then install one spacer (P/N 050705), (49, Fig. 17) on each spring nut at both anchoring locations (Fig. 17).
2. Center seat assembly in the fan shroud using the horizontal displacement of the fan driving mechanism support. Center with the slots in the floor at anchoring angle support (on some vehicles only). Vertical displacement of the fan clutch is made possible by slots at the base of the fan clutch (on some vehicles only) or by shimming with additional spacers at anchoring locations. Temporarily secure assembly with two nuts (P/N 500709), (74, Fig. 17) at both anchoring locations.

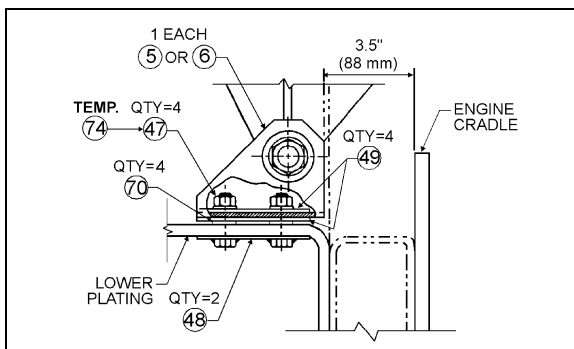


FIGURE 17: ANGLE SUPPORT 05014

⚠ CAUTION ⚠

Tilt fan and check for clearance.

3. Using a straight edge, align the 3"V"pulley on gearbox central shaft pulley with engine pulley, while taking pulleys outer edge thickness under

consideration i.e. 3"V"pulley's outer edge is thicker than that of engine pulley's (Fig. 18).

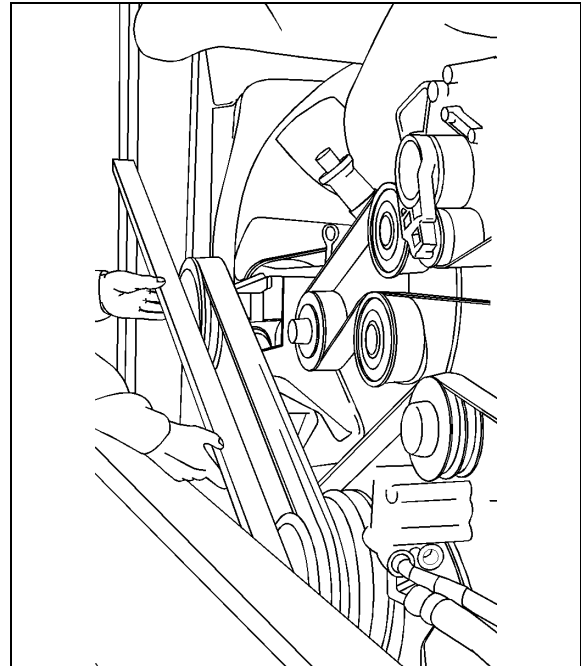


FIGURE 18: PULLEY ALIGNMENT 05064

4. Using a universal protractor, check 3"V" pulley's vertical angle with that of engine pulleys. If angles do not correspond, raise seat assembly by shimming with additional spacers (#49 - P/N 050705).

NOTE

Use a straight edge to measure engine pulley's vertical angle (Fig. 19).

5. Check alignments again (steps 2, 3 & 4) then replace temporary anchoring nuts (P/N 500709) (74, Fig. 17) with four nuts (P/N 500714) (47, Fig. 17) and tighten using a wrench.

Section 05: COOLING SYSTEM

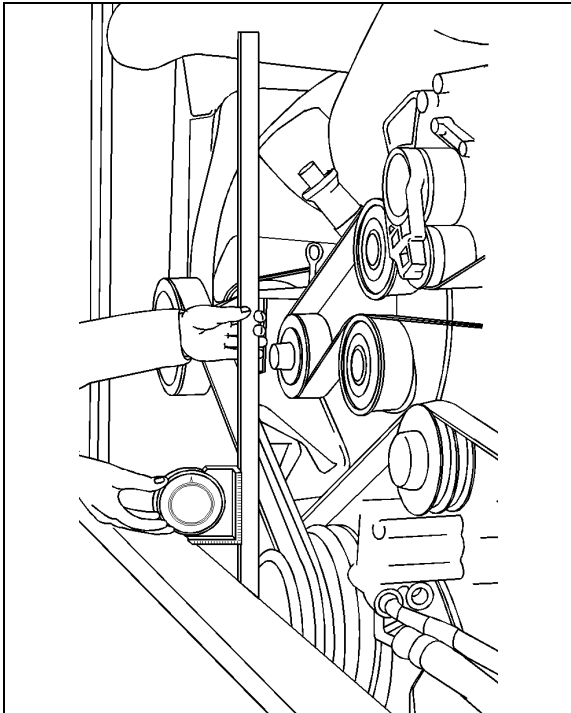


FIGURE 19: PULLEY VERTICAL ANGLE

05063

6. Align multi "V" pulley with fan pulley. Adjust the depth of the pulley on the gearbox shaft.
7. Set belt tensioner pressure regulating valve to 50 PSI - 345 kPa.

⚠ CAUTION ⚠

In order for tensioning system to work properly, adjust upper tensioning bracket to provide a ¼" (7 mm) gap between stopper and bracket. Otherwise, release tension on system and readjust distance using bolts securing upper tensioning bracket (Fig. 16).

14. SPECIFICATIONS

Cooling System Capacity (Approximation)

Includes heating system24 US gal (91 liters)

Thermostat

Number used 2

Start to open 186-193°F (86-89°C)

Fully open207°F (97°C)

Radiator

Make Valeo

LocationRear L.H. side

XL2 Coaches, W0 & WE MTH

Supplier number..... 1040153

Prevost number..... 550820

W5 MTH

Supplier number.... 1040149

Prevost number..... 550819

Surge Tank Filler Cap

MakeStant

Model R3

Prevost number 052355

Pressure Cap

MakeStant

Pressure setting..... 14 psi (96.53 kPa)

Supplier number R12

Prevost number 550606

Fan Clutch

Make Linnig

Type 3 speed

XL2 Buses

Supplier number LA1.2.0118

Prevost number 550837

XL2 MTH

Supplier number.... LA1.2.0131Y

Prevost number..... 550839

Note: The fan clutch is controlled by DDEC (not by thermoswitch).

Fan Gearbox

Make Superior Gearbox

Ratio..... 1:1

Supplier number 411ACF-097-6

Prevost number 550789

Lubricating Oil.....MOBIL SHC 630

Prevost number (Oil) 683666

Section 05: COOLING SYSTEM

Fan Belt (gearbox-fan)

Make Dayco
Type Poly-V
Qty..... 1

XL2 Coaches, W0 & WE XL2 MTH:

Supplier number 10-55"
Prevost number 506684

W5 XL2 MTH:

Supplier number 12 PK-2100
Prevost number 507627

Fan Belt (gearbox-motor)

Make Dayco
Type V belt
Qty..... 3

XL2 Coaches:

Supplier number AX-71
Prevost number 505522

W0 & WE XL2 MTH:

Supplier number AX-73
Prevost number 506691

W5 XL2 MTH:

Supplier number 3/BX-77
Prevost number 509822

Coolant

Prevost Number..... 685125
DDC (Power Cool)..... 23512138
Prestone (Heavy Duty) AF977 (bulk), 72702 (3.78 L), 70119 (205L), 70102 (4L)

Corrosion Inhibitor and Coolant Stabilizer

Supplier number.....Detroit Diesel 23507857
Supplier number.....Nalco DD3000-15

Coolant Filter

Number used 1
Make Nalco
Type Spin-on

MAINTENANCE ELEMENT FILTER

Supplier number.Detroit Diesel 23507545
Supplier number.....Nalco DDF3000
Prevost number 550630

PRECHARGE ELEMENT FILTER

Supplier number.Detroit Diesel 23507189
Supplier number.....Nalco DDF60
Prevost number 550629