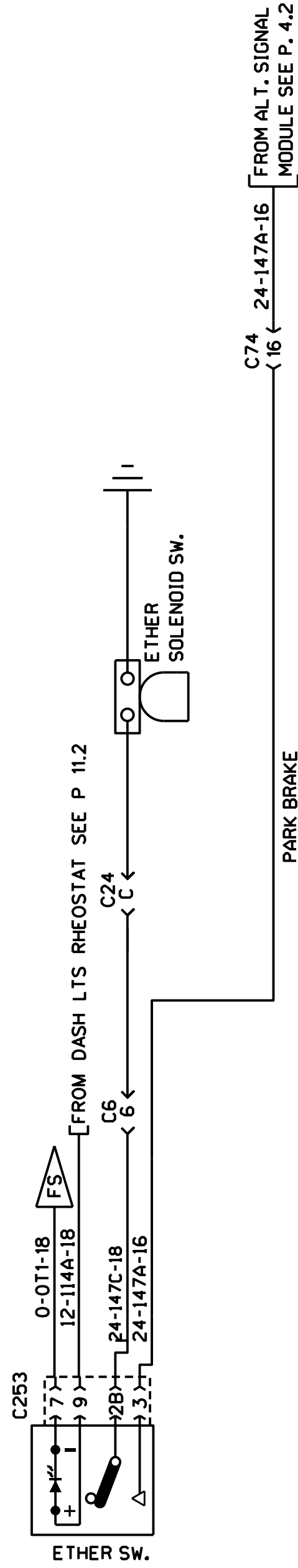
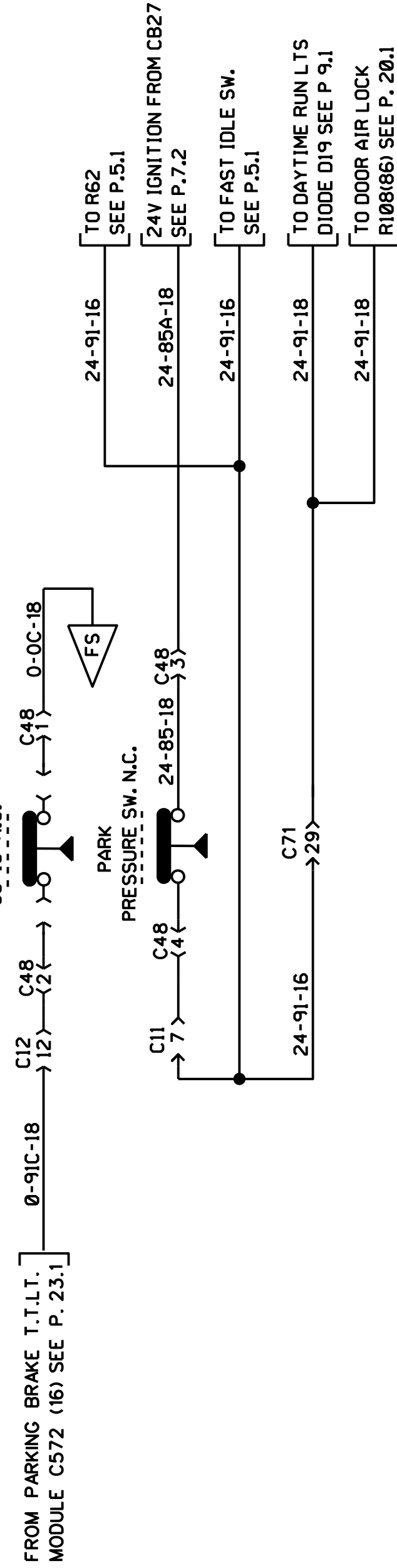


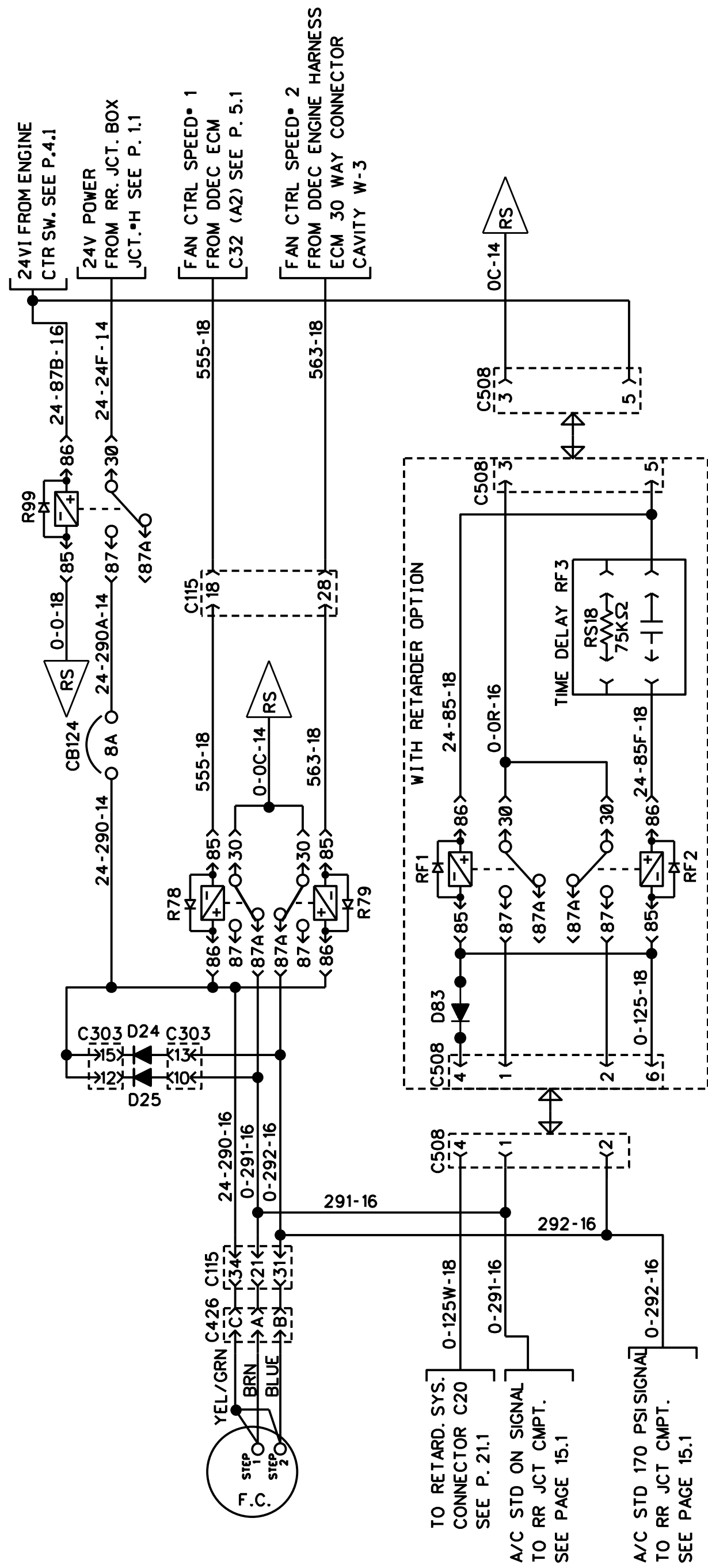
FUEL WATER FILTER



ETHER COLD START



PARKING BRAKE ALARM & SWITCH



RADIATOR FAN CLUTCH