

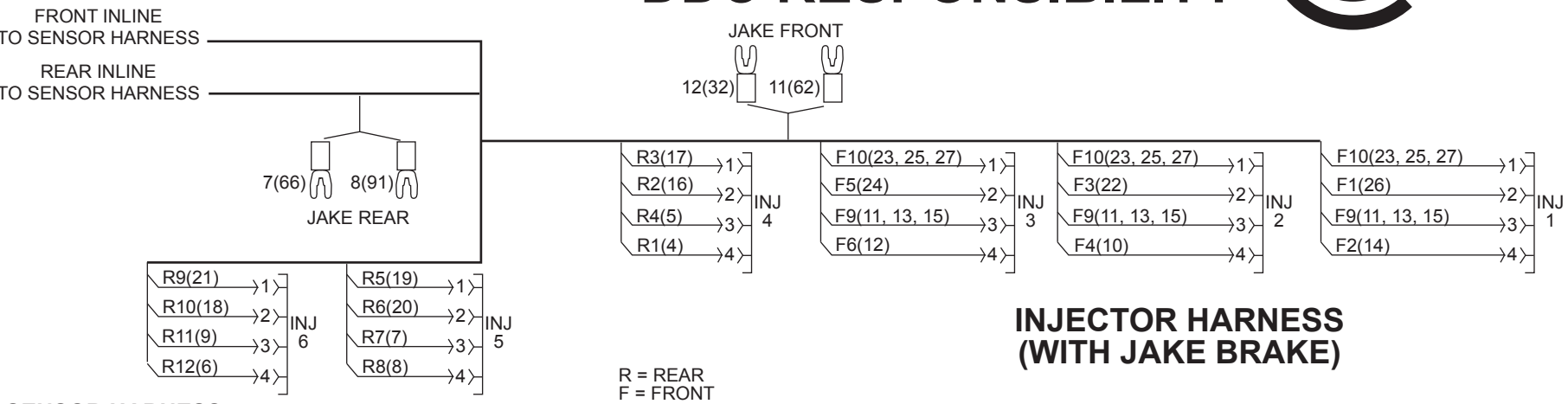
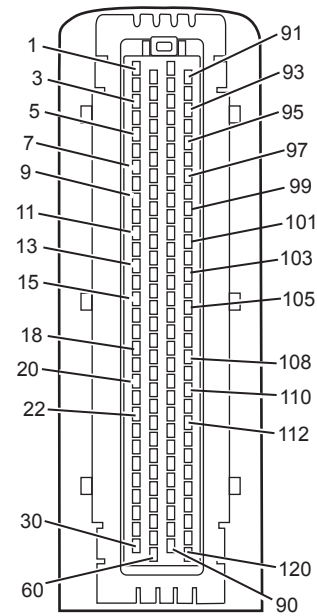
MCM WIRING DIAGRAM

DDC RESPONSIBILITY

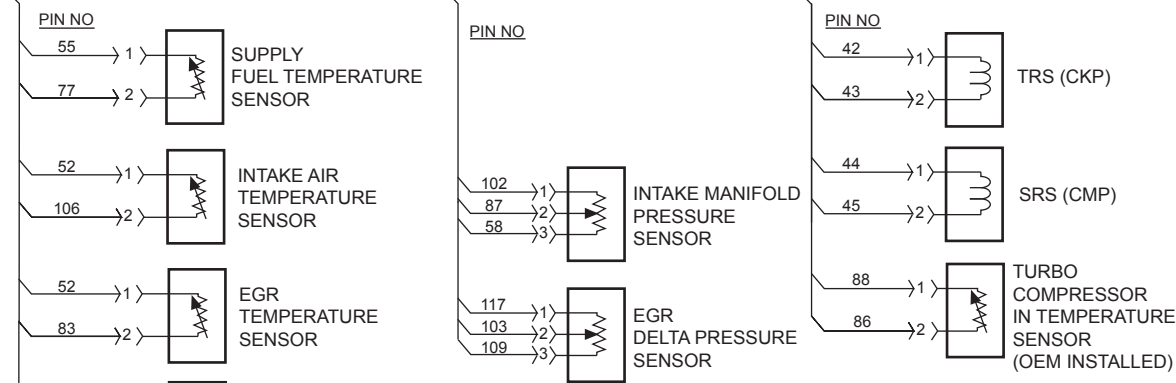


| PIN NO. | DESCRIPTION |
|---------|-------------------------------------|
| 1 | Not Used |
| 2 | Not Used |
| 3 | Not Used |
| 4 | Spill Control Valve (cyl 4)-pin 4 |
| 5 | Spill Control Valve Common-pin 3 |
| 6 | Spill Control Valve (cyl 6)-pin 4 |
| 7 | Spill Control Valve Common-pin 3 |
| 8 | Spill Control Valve (cyl 5)-pin 4 |
| 9 | Spill Control Valve Common-pin 3 |
| 10 | Spill Control Valve (cyl 2)-pin 4 |
| 11 | Spill Control Valve Common-pin 3 |
| 12 | Spill Control Valve (cyl 3)-pin 4 |
| 13 | Spill Control Valve Common-pin 3 |
| 14 | Spill Control Valve (cyl 1)-pin 4 |
| 15 | Spill Control Valve Common-pin 3 |
| 16 | Needle Control Valve (cyl 4)-pin 2 |
| 17 | Needle Control Valve Common-pin 1 |
| 18 | Needle Control Valve (cyl 6)-pin 2 |
| 19 | Needle Control Valve Common-pin 1 |
| 20 | Needle Control Valve (cyl 5)-pin 2 |
| 21 | Needle Control Valve Common-pin 1 |
| 22 | Needle Control Valve (cyl 2)-pin 2 |
| 23 | Needle Control Valve Common-pin 1 |
| 24 | Needle Control Valve (cyl 3)-pin 2 |
| 25 | Needle Control Valve Common-pin 1 |
| 26 | Needle Control Valve (cyl 1)-pin 2 |
| 27 | Needle Control Valve Common-pin 1 |
| 28 | Not Used |
| 29 | DOC Outlet Temp Sensor |
| 30 | DPF Outlet Pressure Sensor |
| 31 | Not Used |
| 32 | Jake Front |
| 33 | Two-speed Fan or Variable-speed Fan |
| 34 | Not Used |
| 35 | Not Used |
| 36 | Not Used |
| 37 | Not Used |
| 38 | Ground |
| 39 | Not Used |
| 40 | Not Used |
| 41 | Not Used |
| 42 | CKP/TRS(-) |
| 43 | CKP/TRS(+) |
| 44 | CMP/SRS(-) |
| 45 | CMP/SRS(+) |
| 46 | Not Used |
| 47 | Fan Speed |
| 48 | Not Used |
| 49 | Not Used |
| 50 | Sensor Ground |
| 51 | Turbo Speed Sensor |
| 52 | Sensor Ground |
| 53 | Not Used |
| 54 | Engine Oil Pressure Sensor |
| 55 | Sensor Ground |
| 56 | Not Used |
| 57 | Not Used |
| 58 | Sensor Power Supply |
| 59 | Not Used |
| 60 | EGR Valve Position |

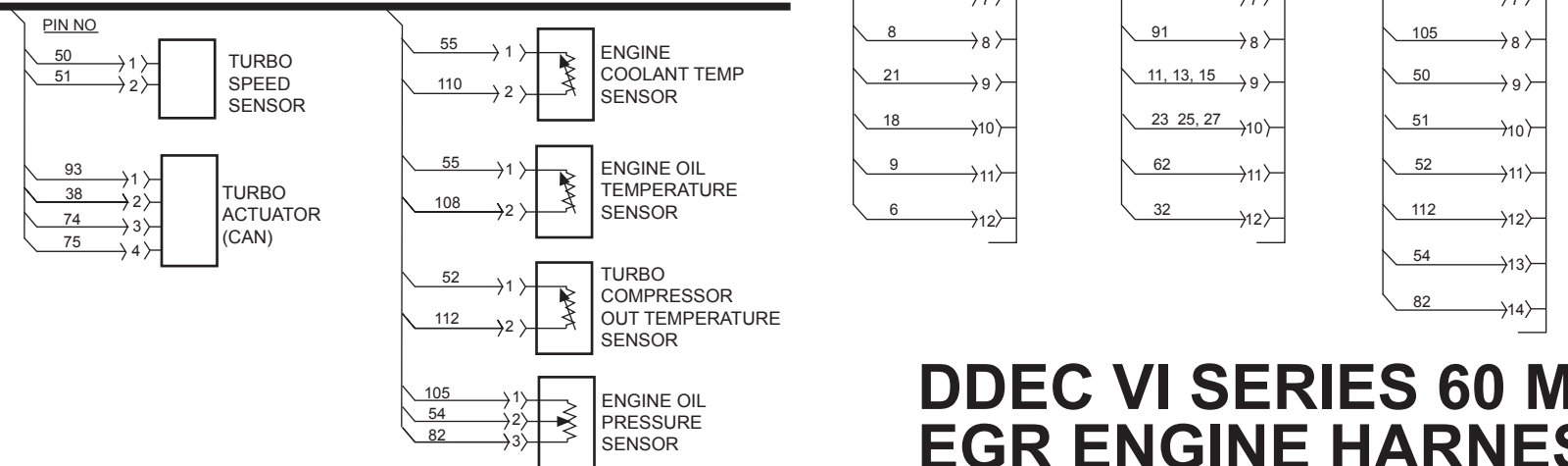
| PIN NO. | DESCRIPTION |
|---------|-----------------------------------|
| 61 | EGR Valve |
| 62 | Power Supply |
| 63 | Not Used |
| 64 | Power Supply |
| 65 | Electronic Dosing Valve |
| 66 | Jake Rear |
| 67 | Ground |
| 68 | Not Used |
| 69 | Fuel Cutoff Valve |
| 70 | Ether Start |
| 71 | Not Used |
| 72 | Not Used |
| 73 | Not Used |
| 74 | VNT CAN (-) |
| 75 | VNT CAN (+) |
| 76 | Not Used |
| 77 | Supply Fuel Temperature Sensor |
| 78 | Not Used |
| 79 | Not Used |
| 80 | Not Used |
| 81 | Not Used |
| 82 | Sensor Power Supply |
| 83 | EGR Temperature Sensor |
| 84 | Fuel Compensation Pressure Sensor |
| 85 | Sensor Power Supply |
| 86 | Turbo Compressor InTemp Sensor |
| 87 | Intake Manifold Pressure Sensor |
| 88 | Sensor Ground |
| 89 | DOC Inlet Temp Sensor |
| 90 | Sensor Position |
| 91 | Intake Air Throttle Valve |
| 92 | Power Supply |
| 93 | Power Supply |
| 94 | Not Used |
| 95 | Not Used |
| 96 | Not Used |
| 97 | Not Used |
| 98 | Single-Speed Fan or Two-Speed Fan |
| 99 | Not Used |
| 100 | Intake Air Throttle (+) |
| 101 | Intake Air Throttle (-) |
| 102 | Sensor Ground |
| 103 | Sensor Ground |
| 104 | Sensor Ground |
| 105 | Sensor Ground |
| 106 | Intake Air Temperature Sensor |
| 107 | Not Used |
| 108 | Engine Oil Temperature Sensor |
| 109 | EGR Delta Pressure Sensor |
| 110 | Engine Coolant Temperature Sensor |
| 111 | Fuel Line Pressure Sensor |
| 112 | Turbo Compressor Out Temp Sensor |
| 113 | Not Used |
| 114 | Sensor Ground |
| 115 | DPF Outlet Temp Sensor |
| 116 | Not Used |
| 117 | Sensor Power Supply |
| 118 | DPF Inlet Pressure Sensor |
| 119 | Not Used |
| 120 | Not Used |



LEFT SENSOR HARNESS



RIGHT SENSOR HARNESS



| CAVITY | LABEL |
|--------|---------------------------------|
| | PLUG → 1 |
| | PLUG → 2 |
| | PLUG → 3 |
| | PLUG → 4 |
| | PLUG → 5 |
| | PLUG → 6 |
| | PLUG → 7 |
| 70 | ETHER START → 8 |
| 33 | FAN CONTROL #2 → 9 |
| 98 | FAN CONTROL #1 → 10 |
| | PLUG → 11 |
| | PLUG → 12 |
| | PLUG → 13 |
| | PLUG → 14 |
| | PLUG → 15 |
| | PLUG → 16 |
| 29 | DOC OUTLET TEMP SENSOR → 17 |
| 89 | DOC INLET TEMP SENSOR → 18 |
| 115 | DPF OUTLET TEMP SENSOR → 19 |
| | PLUG → 20 |
| | PLUG → 21 |
| 91 | POWER SUPPLY → 22 |
| 47 | FAN SPEED → 23 |
| 88 | SENSOR GND → 24 |
| | PLUG → 25 |
| | PLUG → 26 |
| 86 | TCI TEMP SENSOR → 27 |
| 114 | SENSOR RETURN → 28 |
| 85 | SENSOR SUPPLY → 29 |
| 30 | DPF OUTLET PRESSURE SENSOR → 30 |
| | DPF INLET PRESSURE SENSOR → 31 |

DDEC VI SERIES 60 MCM EGR ENGINE HARNESS