

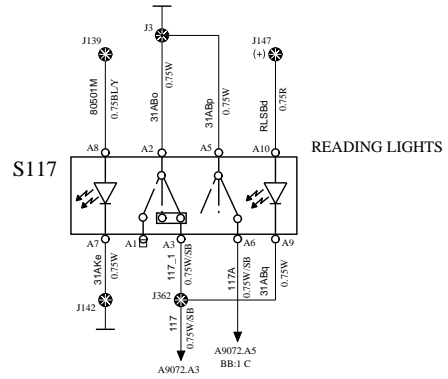
READING LIGHTS PASSENGER AND WCL

CC

WIRING DIAGRAM

A

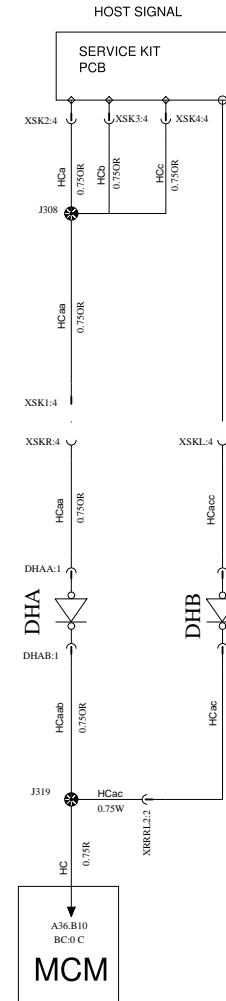
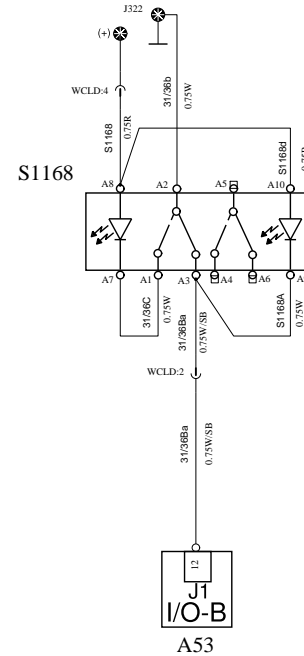
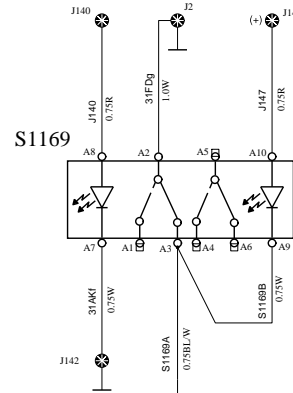
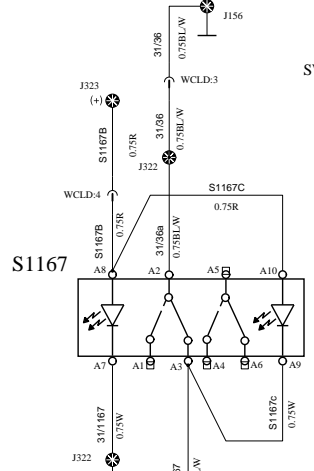
A



SWITCH, READING LIGHT WCL DOOR

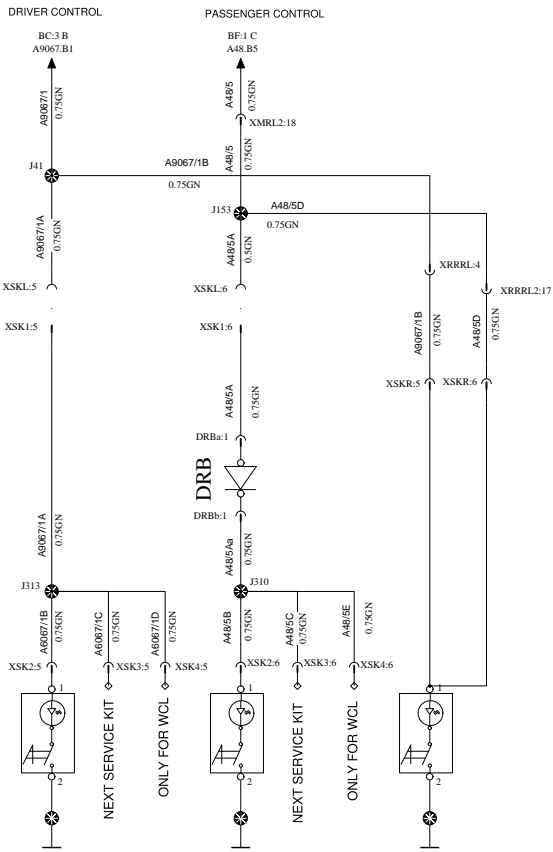
SWITCH, WCL READING LAMPS DASHBOARD

SWITCH, WCL HOST CALL



B

B



C

C

D

D

E

E



Volvo Bus Corporation

Document title WIRING DIAGRAM
Document type PRODUCT SCHEMATIC

Document No 21894999	Issue 02	Volume 01	Page 15/65
-------------------------	-------------	--------------	---------------