

FUEL PRO® 386/387



DAVCO FUEL PRO 386 and 387

provides filtration and fuel water separation for diesel engines with flow rates up to 180 gallons per hour.

Three layer filter design, with filtration to 15 microns, provides enhanced water separation capabilities for ultra-low sulfur diesel fuel with low interfacial tension.

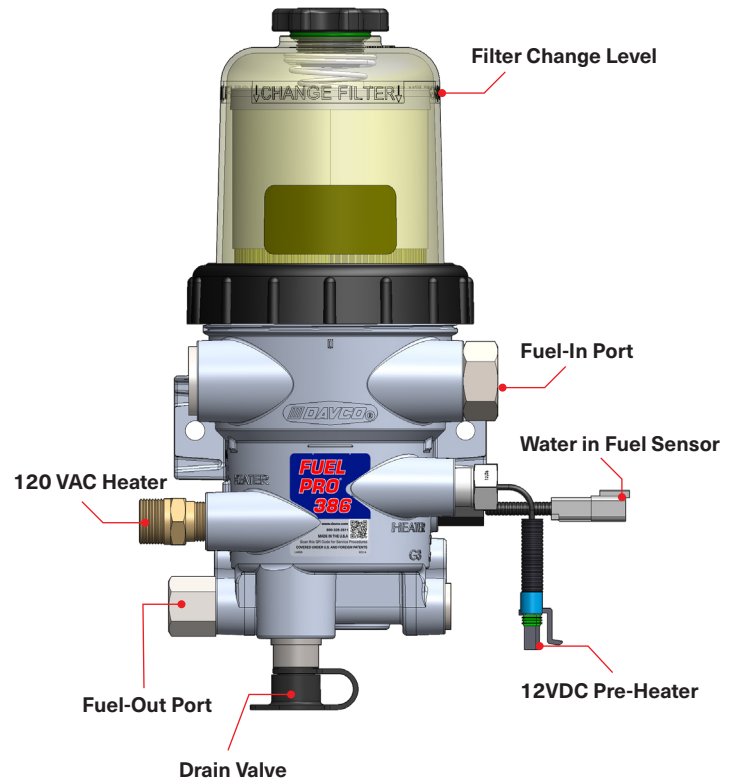
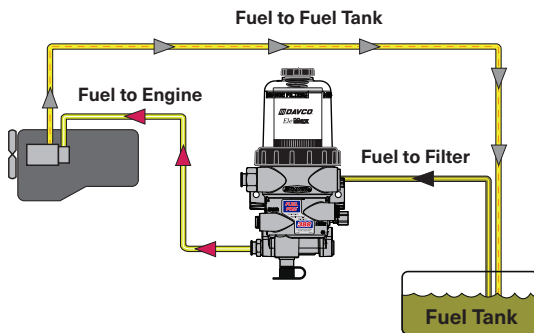
Applications

- Diesel engines with flow rates up to 180 gph

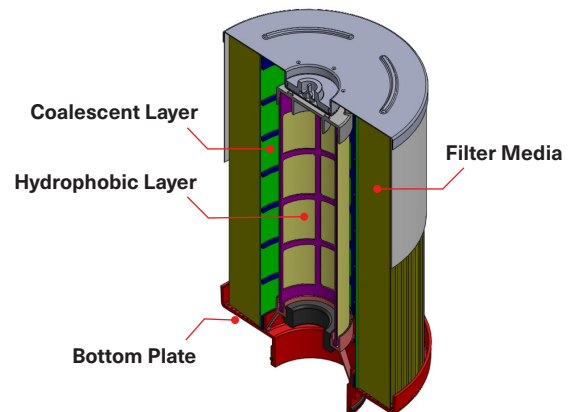
Models and Options

- Fuel Pro 386: Unheated
- Fuel Pro 387: Coolant heat
- 12VDC — uses ignition switch to heat fuel prior to running the engine
- 120VAC Overnight heater — prevents gelling while parked overnight
- Water-In-Fuel (WIF) sensor

Typical Installation



Filter Technology



A Clariance Technologies Company

DAVCO Technology, LLC

1600 Woodland Drive, Saline, MI 48176-1629

800-328-2611

customerservice@davco.com

www.davco.com

FUEL PRO® 386/387

Specifications

| | |
|--------------------------------------|------------------------|
| Height, Overall, quick connect drain | 15.30 (388.6 mm) |
| Depth, Overall | 6.58 inches (167.1 mm) |
| Width, Maximum | 8.10 inches (205.8 mm) |
| Weight, Dry | Approx. 8-12 lbs |
| Minimum Service Height | 3.5 inches (38.1mm) |
| Max Fuel Flow | 180 gph |
| Pre-heater | 12VDC, 195W |
| Overnight heater | 120VAC, 75W |

Filtration Performance (15 micron at 174 GPH)

| | |
|--------------------------|--------------------|
| Emulsified Water Removal | SAE J1488 is 96.9% |
| Dirt Holding Capacity | 89 grams |

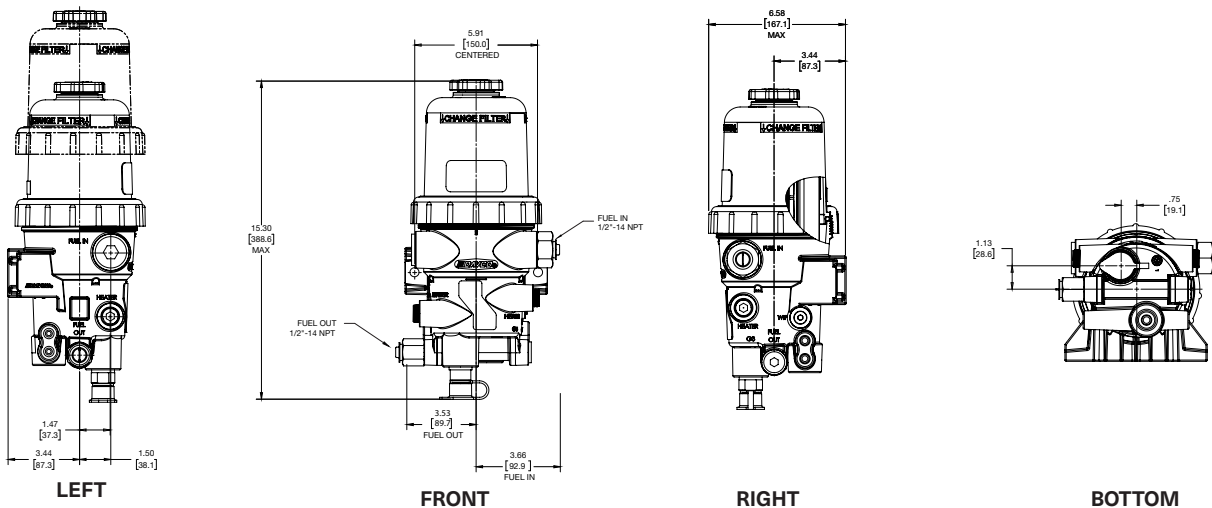
Port Interface

| | |
|----------|-----------|
| Fuel In | ½"-14 NPT |
| Fuel Out | ½"-14 NPT |

Dimensions (½"-14 NPT Fuel In/Fuel Out)

Dimensions are in inches [millimeters]

Mounting Hole Distance: 5.91 [150]
Mounting Hole Openings: .43 [11]



Sales Codes

| DAVCO P/N | Sales Code | Description |
|-------------------|------------|---|
| 386151RLVOL-15 | JVXM1X | Fuel Pro 386 with WIF |
| 386153RLVOL-15 | JVXM2X | Fuel Pro 386 with 12VDC 195W preheater, WIF |
| 386163RLVOL-15 | JVXM3X | Fuel Pro 386 with 12VDC 195W preheater, 120VAC 75W overnight heater, WIF |
| 387131RLVOL11-15 | JVXNAX | Fuel Pro 387 with Coolant Heat, WIF |
| 387133RLVOL11-15 | JVXNBX | Fuel Pro 387 with Coolant Heat, 12VDC 195W preheater, WIF |
| 387133RLVOLE11-15 | JVXNCX | Fuel Pro 387 Coolant Heat, 12VDC 195W preheater, WIF, cover with black band |
| 387141RLVOL11-15 | JVXNDX | Fuel Pro 387 with Coolant Heat, 120VAC 75W overnight heater, WIF |

DAVCO Technology, LLC

1600 Woodland Drive, Saline, MI 48176-1629
800-328-2611 customerservice@davco.com www.davco.com

F53867-VOL REV A
Updated on 02/07/2022