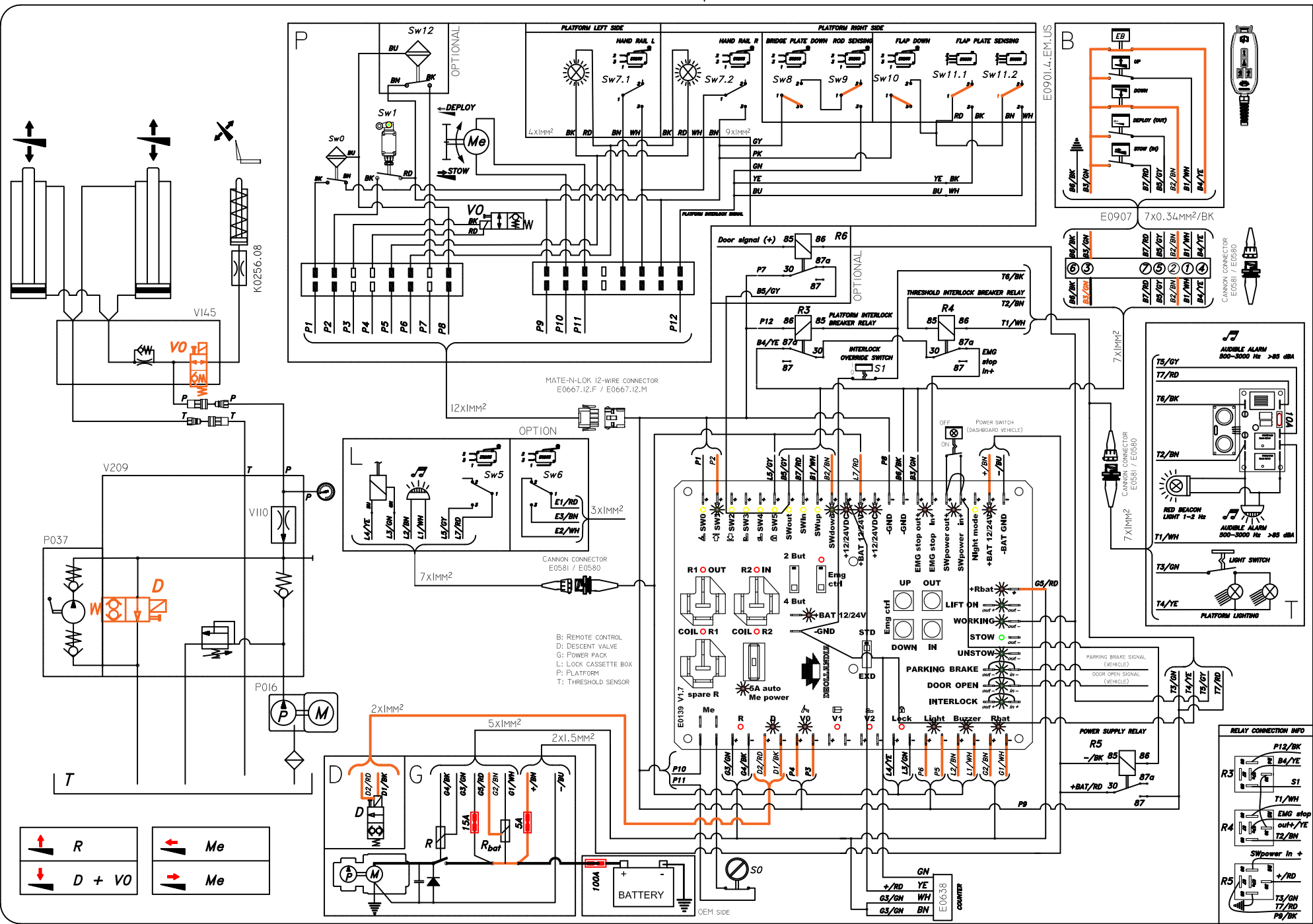


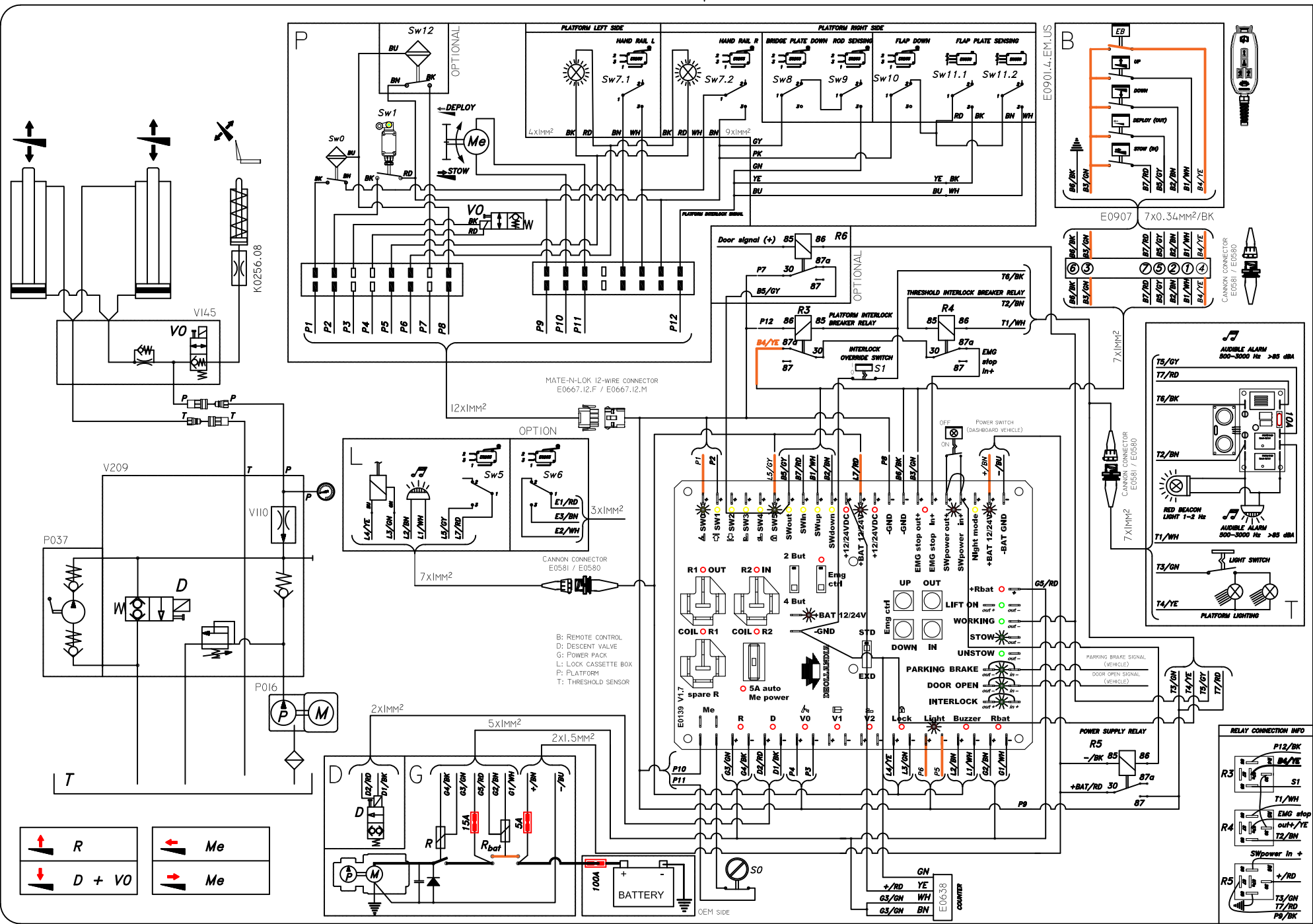
MATE-N-LOK 12-WIRE CONNECTOR
E0667.12.F / E0667.12.M

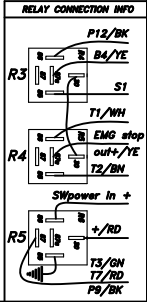
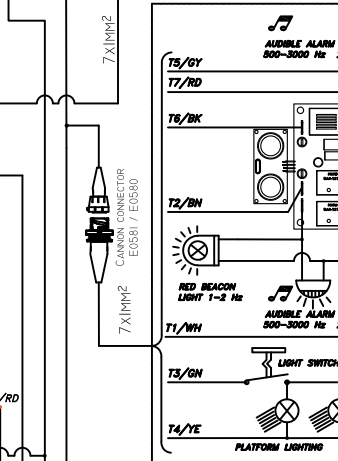
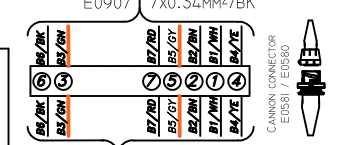
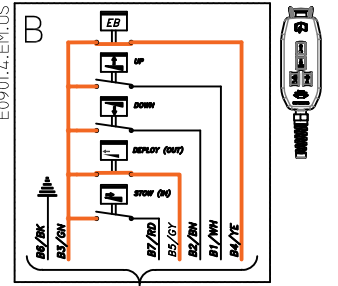
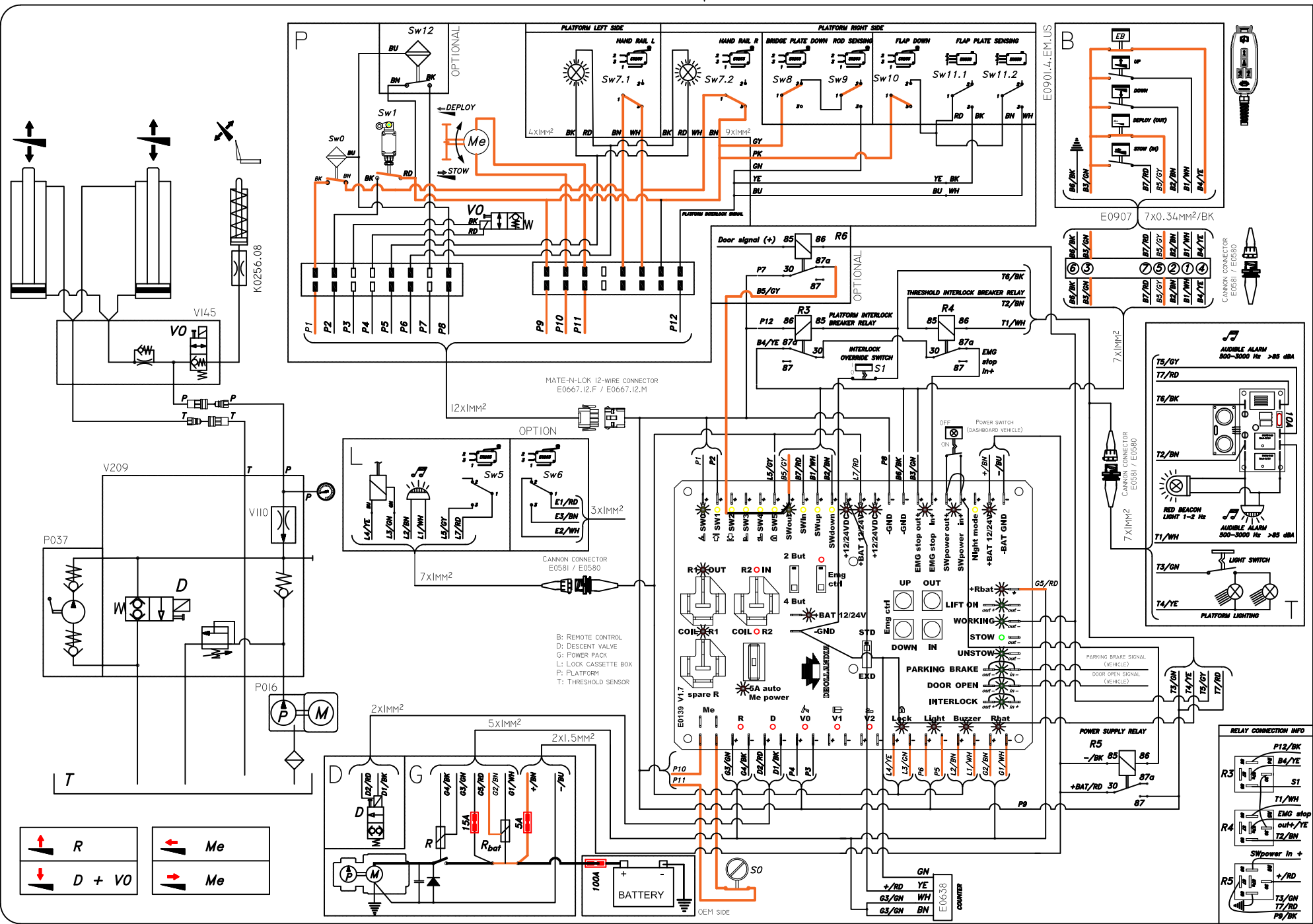
CANNON CONNECTOR
E0581 / E0580

B: REMOTE CONTROL
D: DESCENDER VALVE
G: POWER PACK
L: LOCK CASSETTE BOX
P: PLATFORM
T: THRESHOLD SENSOR

100A BATTERY







B: REMOTE CONTROL
 D: DESCENT VALVE
 G: POWER PACK
 L: LOCK CASSETTE BOX
 P: PLATFORM
 T: THRESHOLD SENSOR

100Ah BATTERY

OEM SIDE

